

工程指示 / 要求簡箋(E.I.)

工程指示編號：EI / 4270 / 22

修改版次：-

工程編號：J857

工程名稱：啟德 6552

工程項目：繪畫模圖(後裝窗新增模圖)

收件人：Maggie Lor (羅小姐)

發件人：Yancy Chen

日期：10/01/2022

要求提供 / 確認 事項：

- | | | |
|------------------------------------|-------------------------------------|-------------------------------|
| <input type="checkbox"/> 初步鋁料 B.M. | <input type="checkbox"/> 加工拆圖，然後生產 | <input type="checkbox"/> 尺寸表 |
| <input type="checkbox"/> 正式鋁料 B.M. | <input type="checkbox"/> 技術上資料 / 指示 | <input type="checkbox"/> 報價 |
| <input type="checkbox"/> 配件 B.M. | <input type="checkbox"/> 樣辦或貨品說明書 | <input type="checkbox"/> 分判合約 |
| <input type="checkbox"/> 其他：_____ | | |

內容：

請按附頁資料，繪畫模圖，共 21 頁。

CAD 圖見 U:\to hk\maggie\J857\EI\EI4270\

請在 15/1/2022 前完成上列要求。

附：

1+ 21 頁

以上項目為：

- 原合約工程包 原合約工程加 / 減賬 新工程報價

原因：-

分發東莞各部門：


- () 生產技術總監 連附件 () 技術部 連附件 () 生產部 連附件 () 機械設計部 連附件
 () 採購部 連附件 (/) 生產統籌部 連附件
 (/) 質檢部 連附件 () 會計部 連附件 () 報關組 連附件 () 其他 _____ 連附件

分發香港各部門：

- () 行政部 連附件 () 會計部 連附件 () 統籌部 連附件 () 工程部地盤科文 連附件
 () 採購部 連附件 () QS 部 連附件 () 維修部 連附件 () 其他 _____ 連附件

傳遞編號：

HK 0069 / 22

發件人簽署： 

項目經理簽署： 



MIDI ALUMINIUM FABRICATOR LTD.

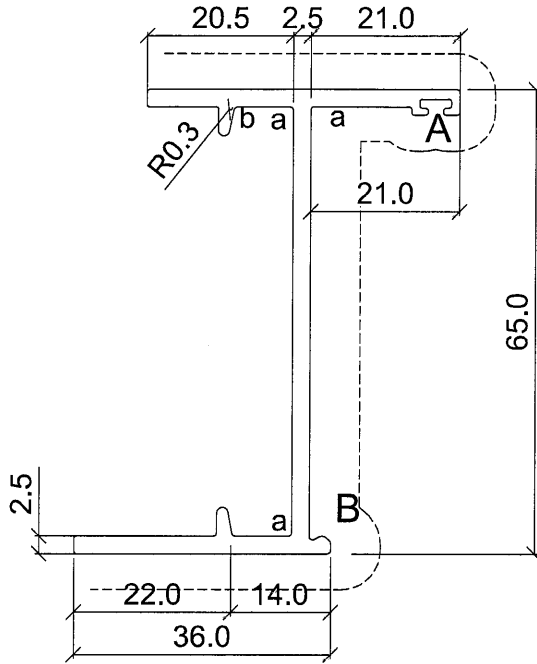
DRAWING NO.
X86177

REV.

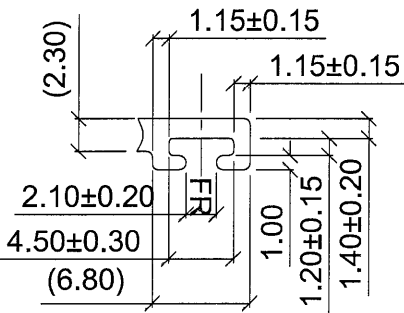
TITLE

27

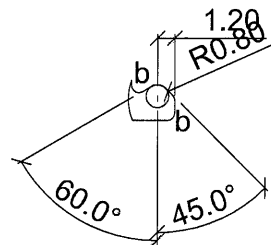
美特鋁質有限公司	
承認圖面	<i>[Signature]</i>
日期	10/1-2021



SCALE 1:1



A- 2 : 1



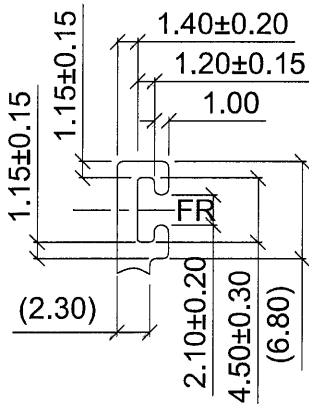
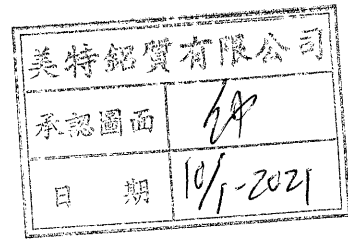
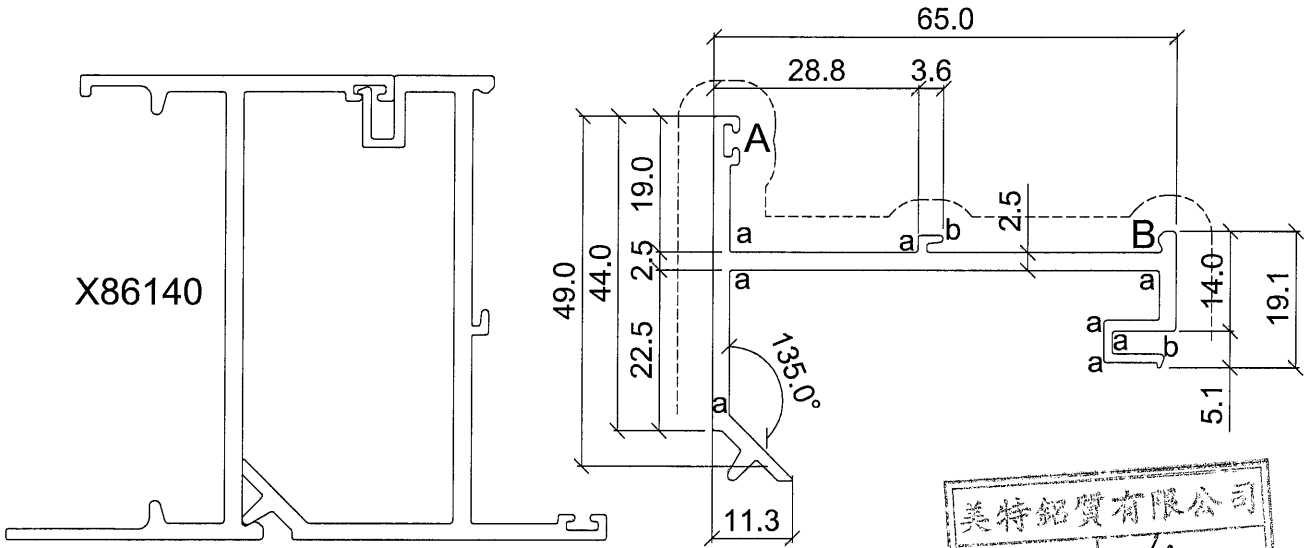
B- 2 : 1

APPROVED :

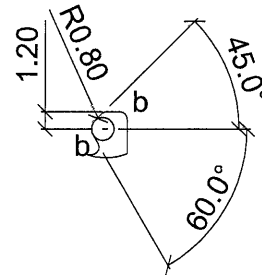
6063-T6

a=R0.4
b=R0.5

SECTIONAL AREA	mm ²	ADDITIONAL TOLERANCE	DATE	REVISION			
				NO.	DATE	NAME	DESCRIPTION
363.18		Thickness ± 0.1 mm	16/10/2021				
WEIGHT	KG/M	Flatness 0.1 /25mm width	SCALE				
0.984		Straightness 0.3 /300mm	1 : 1				
PERIMETER	mm	Twist 0.5° /300 mm max	DRAWN				
305.81		Angularity ± 1.0 degree	-				
V.F.	mm		CHECK				
176.93							



A-2:1



B-2:1

APPROVED :

6063-T6

a=R0.4
b=R0.5

SECTIONAL AREA	mm ²	ADDITIONAL TOLERANCE	DATE	REVISION			
				NO.	DATE	NAME	DESCRIPTION
346.84		Thickness ± 0.1 mm	16/10/2021				
WEIGHT	KG/M	Flatness 0.1 /25mm width	SCALE				
0.940		Straightness 0.3 /300mm	1 : 1				
PERIMETER	mm	Twist 0.5° /300 mm max	DRAWN				
325.64		Angularity ± 1.0 degree	-				
V.F.	mm		CHECK				
158.19							



MIDI ALUMINIUM FABRICATOR LTD.

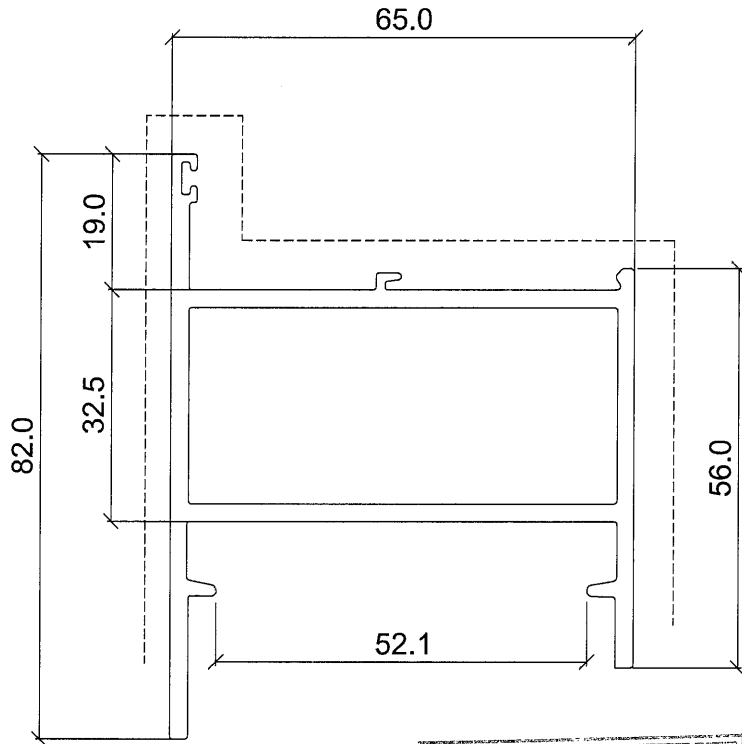
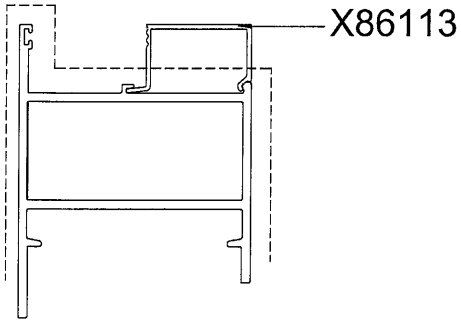
DRAWING NO.
X86179

REV.

TITLE

29

SCALE 1:2



美特鋁質有限公司	
承認圖面	<i>[Signature]</i>
日期	10/11-2021

APPROVED :

6063-T6

a=R0.4
b=R0.5

SECTIONAL AREA	mm ²	ADDITIONAL TOLERANCE	DATE	REVISION			
				NO.	DATE	NAME	DESCRIPTION
654.99		Thickness ± 0.1 mm	16/10/2021				
WEIGHT	KG/M	Flatness 0.1 /25mm width	SCALE				
1.775		Straightness 0.3 /300mm	1 : 1				
PERIMETER	mm	Twist 0.5° /300 mm max	DRAWN				
545.53		Angularity ± 1.0 degree	-				
V.F.	mm		CHECK				
222.14							



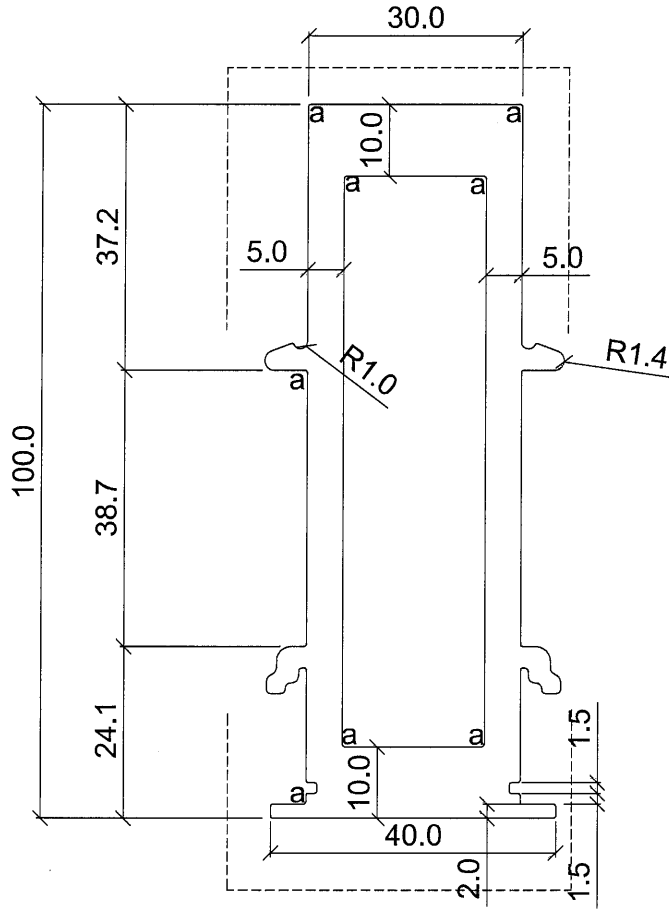
MIDI ALUMINIUM FABRICATOR LTD.

DRAWING NO.
X86180

REV.

TITLE

30



美特鋁質有限公司	
承認圖面	仲
日期	10/1-2021

APPROVED :

6063-T6

a=R0.4
b=R0.5

SECTIONAL AREA 1499.54 mm ²	ADDITIONAL TOLERANCE	DATE 16/10/2021	REVISION			
	Thickness ± 0.1 mm	SCALE 1 : 1	NO.	DATE	NAME	DESCRIPTION
WEIGHT 4.064 KG/M	Flatness 0.1 /25mm width	DRAWN -				
PERIMETER 534.46 mm	Straightness 0.3 /300mm	CHECK				
V.F. 0 mm	Twist 0.5° /300 mm max					
	Angularity ± 1.0 degree					



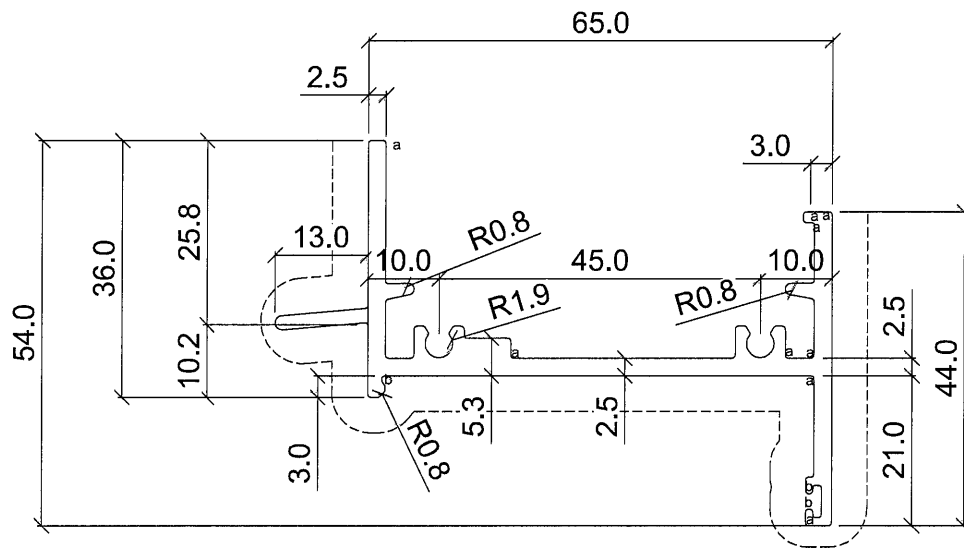
MIDI ALUMINIUM FABRICATOR LTD.

DRAWING NO.
X86181

REV.

TITLE

31



美特鋁質有限公司	
承認圖面	<i>[Signature]</i>
日期	10/1-2021

APPROVED :

6063-T6

a=R0.4
b=R0.5

SECTIONAL AREA 443.71 mm ²	ADDITIONAL TOLERANCE	DATE 16/10/2021	REVISION			
	Thickness ± 0.1 mm	SCALE 1 : 1	NO.	DATE	NAME	DESCRIPTION
WEIGHT 1.202 KG/M	Flatness 0.1 /25mm width	DRAWN -				
PERIMETER 364.50 mm	Straightness 0.3 /300mm	CHECK				
V.F. 192.17 mm	Twist 0.5° /300 mm max					
	Angularity ± 1.0 degree					



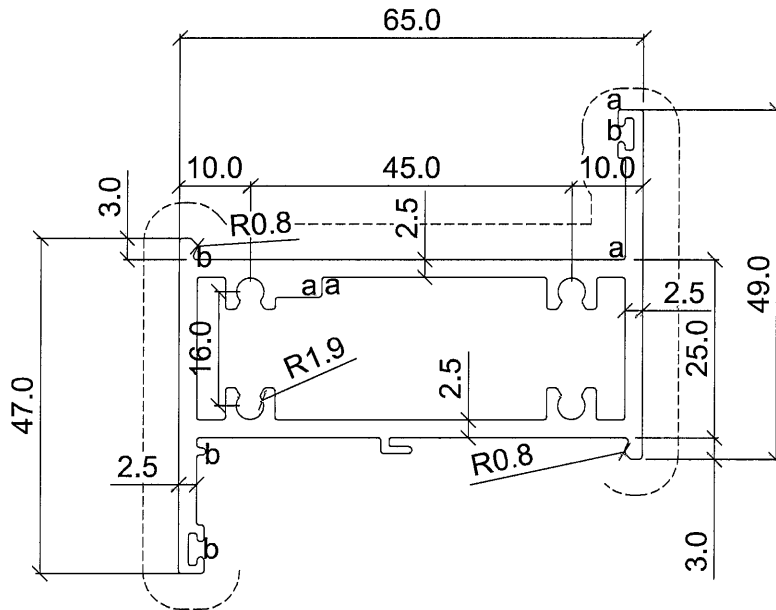
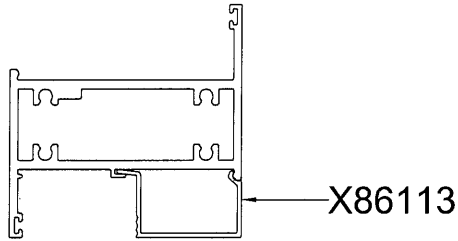
MIDI ALUMINIUM FABRICATOR LTD.

DRAWING NO.
X86182

REV.

TITLE

32



美特鋁質有限公司	
承認圖面	<i>[Signature]</i>
日期	10/1-2021

APPROVED :

6063-T6

a=R0.4
b=R0.5

SECTIONAL AREA	mm ²	ADDITIONAL TOLERANCE	DATE	REVISION			
				NO.	DATE	NAME	DESCRIPTION
631.07		Thickness ± 0.1 mm	16/10/2021				
WEIGHT	KG/M	Flatness 0.1 /25mm width	SCALE				
1.710		Straightness 0.3 /300mm	1 : 1				
PERIMETER	mm	Twist 0.5° /300 mm max	DRAWN				
523.46		Angularity ± 1.0 degree	-				
V.F.	mm		CHECK				
226.43							



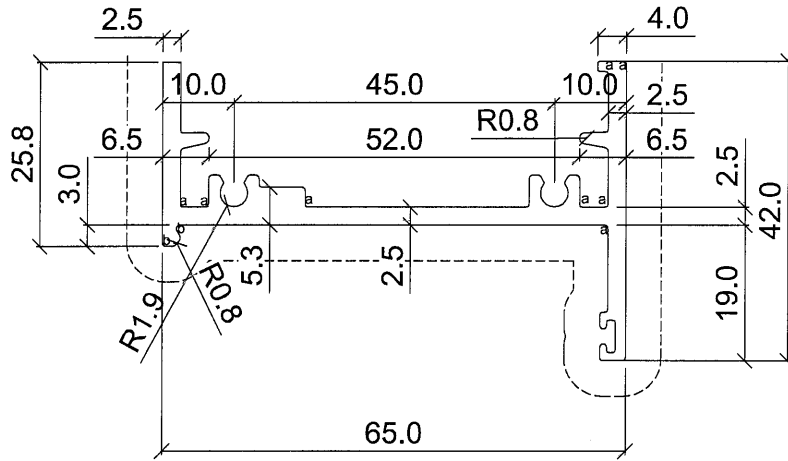
MIDI ALUMINIUM FABRICATOR LTD.

DRAWING NO.
X86183

REV.

TITLE

33



美特鋁質有限公司	
承認圖面	<i>[Signature]</i>
日期	10/1-2021

APPROVED :

6063-T6

a=R0.4
b=R0.5

SECTIONAL AREA	mm ²	ADDITIONAL TOLERANCE	DATE	REVISION			
				NO.	DATE	NAME	DESCRIPTION
387.57		Thickness ± 0.1 mm	16/10/2021				
WEIGHT	KG/M	Flatness 0.1 /25mm width	SCALE				
1.05		Straightness 0.3 /300mm	1 : 1				
PERIMETER	mm	Twist 0.5° /300 mm max	DRAWN				
315.48		Angularity ± 1.0 degree	-				
V.F.	mm		CHECK				
167.96							



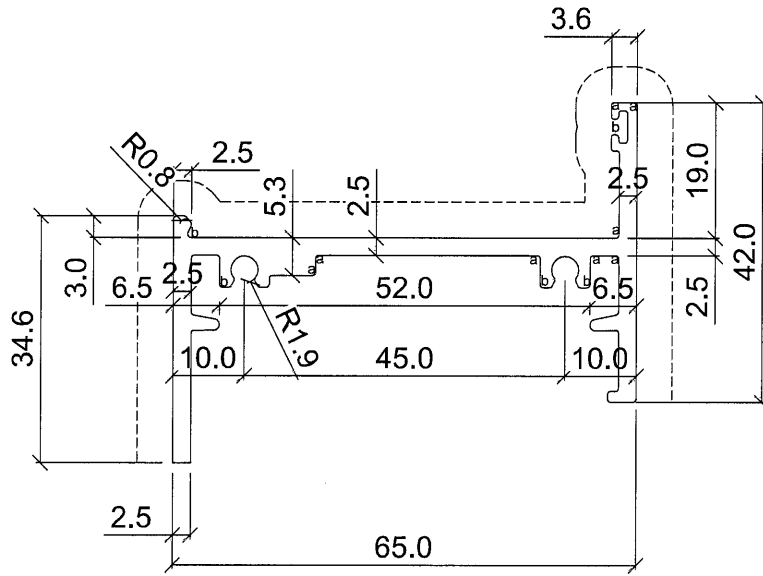
MIDI ALUMINIUM FABRICATOR LTD.

DRAWING NO.
X86184

REV.

TITLE

34



美特鋁質有限公司
承認圖面
日期 10/1-2021

APPROVED :

6063-T6

a=R0.4
b=R0.5

SECTIONAL AREA 409.57 mm ²	ADDITIONAL TOLERANCE	DATE	REVISION			
	Thickness ± 0.1 mm	16/10/2021	NO.	DATE	NAME	DESCRIPTION
WEIGHT 1.110 KG/M	Flatness 0.1 /25mm width	SCALE				
PERIMETER 333.08 mm	Straightness 0.3 /300mm	1 : 1				
V.F. 175.92 mm	Twist 0.5° /300 mm max	DRAWN				
	Angularity ± 1.0 degree	-				
		CHECK				



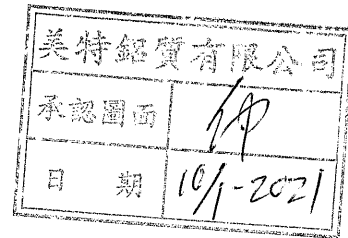
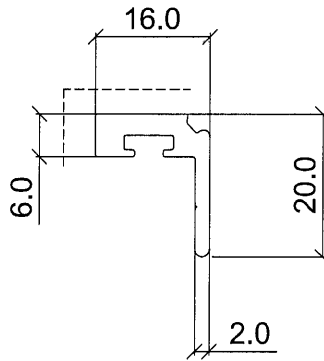
MIDI ALUMINIUM FABRICATOR LTD.

DRAWING NO.
X86185

REV.

TITLE

35



APPROVED :

6063-T5

a=R0.4
b=R0.5

SECTIONAL AREA	mm ²	ADDITIONAL TOLERANCE	DATE	REVISION			
				NO.	DATE	NAME	DESCRIPTION
98.4		Thickness ± 0.1 mm	16/10/2021				
WEIGHT	KG/M	Flatness 0.1 /25mm width	SCALE				
0.266		Straightness 0.3 /300mm	1 : 1				
PERIMETER	mm	Twist 0.5° /300 mm max	DRAWN				
81.5		Angularity ± 1.0 degree	-				
V.F.	mm		CHECK				
22							



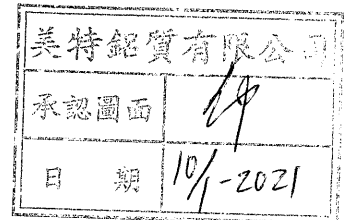
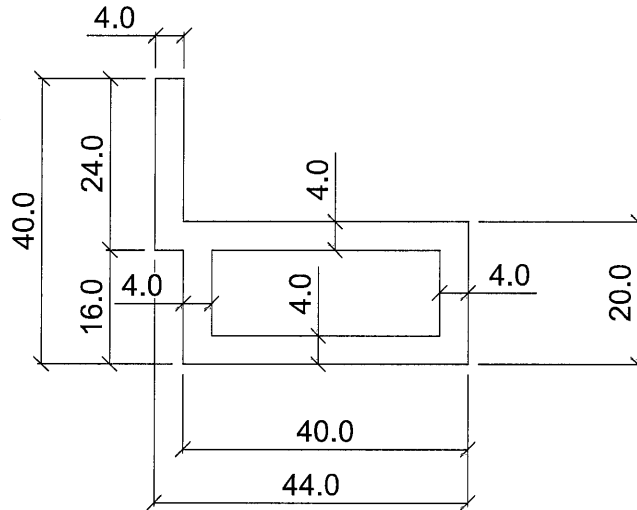
MIDI ALUMINIUM FABRICATOR LTD.

DRAWING NO.
X86186

REV.

TITLE

36



APPROVED :

6063-T6

a=R0.4
b=R0.5

SECTIONAL AREA	mm ²	ADDITIONAL TOLERANCE	DATE	REVISION			
				NO.	DATE	NAME	DESCRIPTION
512		Thickness ± 0.1 mm	16/10/2021				
WEIGHT	KG/M	Flatness 0.1 /25mm width	SCALE				
1.388		Straightness 0.3 /300mm	1 : 1				
PERIMETER	mm	Twist 0.5° /300 mm max	DRAWN				
256		Angularity ± 1.0 degree	-				
V.F.	mm		CHECK				
0							



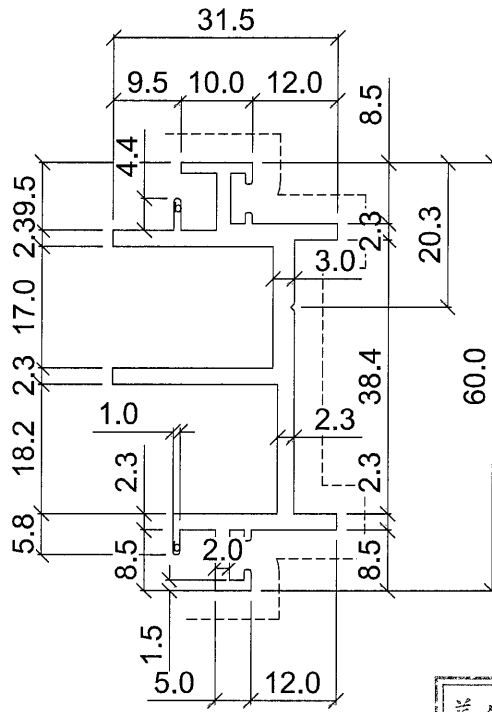
MIDI ALUMINIUM FABRICATOR LTD.

DRAWING NO.
X86187

REV.

TITLE

37



美特鋁質有限公司	
承認圖面	<i>[Signature]</i>
日期	10/1-2021

APPROVED :

6063-T6

a=R0.4
b=R0.5
未标倒角, 均为R0.3

SECTIONAL AREA 351.03 mm ²	ADDITIONAL TOLERANCE	DATE 16/10/2021	REVISION			
	Thickness ± 0.1 mm	SCALE 1 : 1	NO.	DATE	NAME	DESCRIPTION
WEIGHT 0.951 KG/M	Flatness 0.1 /25mm width	DRAWN -				
PERIMETER 320.13 mm	Straightness 0.3 /300mm	CHECK				
V.F. 134.13 mm	Twist 0.5° /300 mm max					
	Angularity ± 1.0 degree					



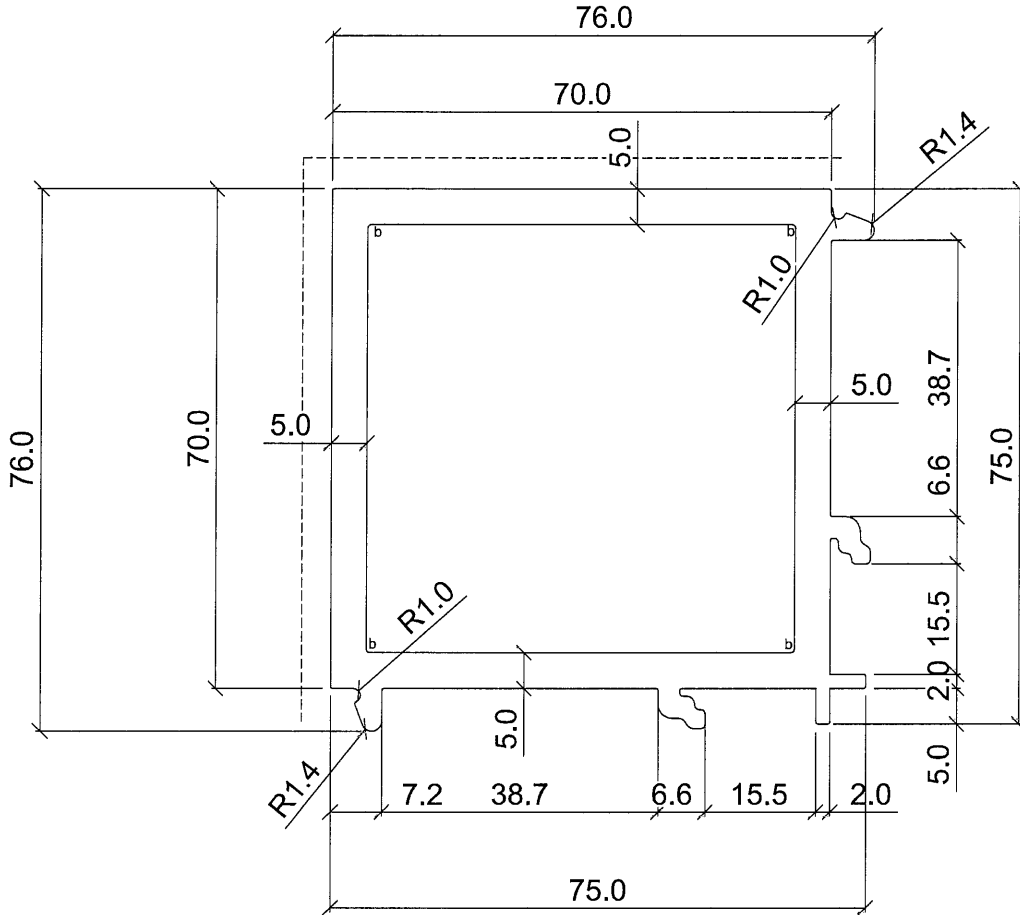
MIDI ALUMINIUM FABRICATOR LTD.

DRAWING NO.
X86188

REV.

TITLE

38



美特鋁質有限公司	
承認圖面	<i>[Signature]</i>
日期	10/1-2021

APPROVED :

6063-T6

a=R0.4
b=R0.5
未标倒角, 均为R0.3

SECTIONAL AREA	mm ²	ADDITIONAL TOLERANCE	DATE	REVISION			
				NO.	DATE	NAME	DESCRIPTION
1403.66		Thickness ± 0.1 mm	16/10/2021				
WEIGHT	KG/M	Flatness 0.1 /25mm width	SCALE				
3.804		Straightness 0.3 /300mm	1 : 1				
PERIMETER	mm	Twist 0.5° /300 mm max	DRAWN				
589.55		Angularity ± 1.0 degree	-				
V.F.	mm		CHECK				
154.3							



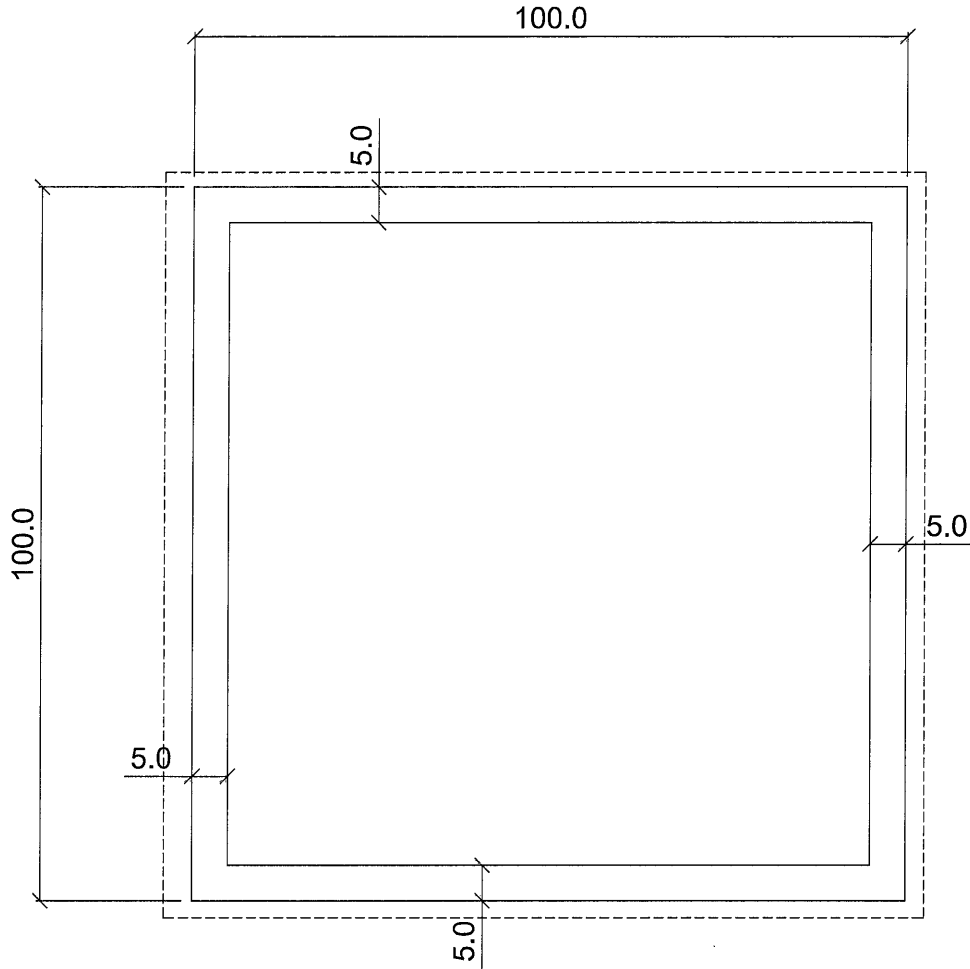
MIDI ALUMINIUM FABRICATOR LTD.

DRAWING NO.
X86189

REV.

TITLE

39



美特鋁質有限公司	
承認圖面	<i>[Signature]</i>
日期	10/1-2021

APPROVED :

6063-T6

a=R0.4
b=R0.5
未标倒角, 均为R0.3

SECTIONAL AREA	mm ²	ADDITIONAL TOLERANCE	DATE	REVISION			
				NO.	DATE	NAME	DESCRIPTION
1900		Thickness ± 0.1 mm	16/10/2021				
WEIGHT	KG/M	Flatness 0.1 /25mm width	SCALE				
5.149		Straightness 0.3 /300mm	1 : 1				
PERIMETER	mm	Twist 0.5° /300 mm max	DRAWN				
760		Angularity ± 1.0 degree	-				
V.F.	mm		CHECK				
422.05							



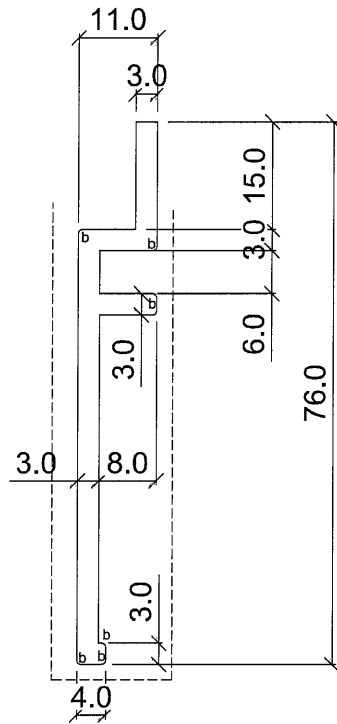
MIDI ALUMINIUM FABRICATOR LTD.

DRAWING NO.
X86190

REV.

TITLE

40



美特鋁質有限公司	
承認圖面	<i>AP</i>
日期	10/1-2021

APPROVED :

6063-T5

a=R0.4
b=R0.5

SECTIONAL AREA	mm ²	ADDITIONAL TOLERANCE	DATE	REVISION			
				NO.	DATE	NAME	DESCRIPTION
278.64		Thickness ± 0.1 mm	16/10/2021				
WEIGHT	KG/M	Flatness 0.1 /25mm width	SCALE				
0.755		Straightness 0.3 /300mm	1 : 1				
PERIMETER	mm	Twist 0.5° /300 mm max	DRAWN				
190.51		Angularity ± 1.0 degree	-				
V.F.	mm		CHECK				
0							



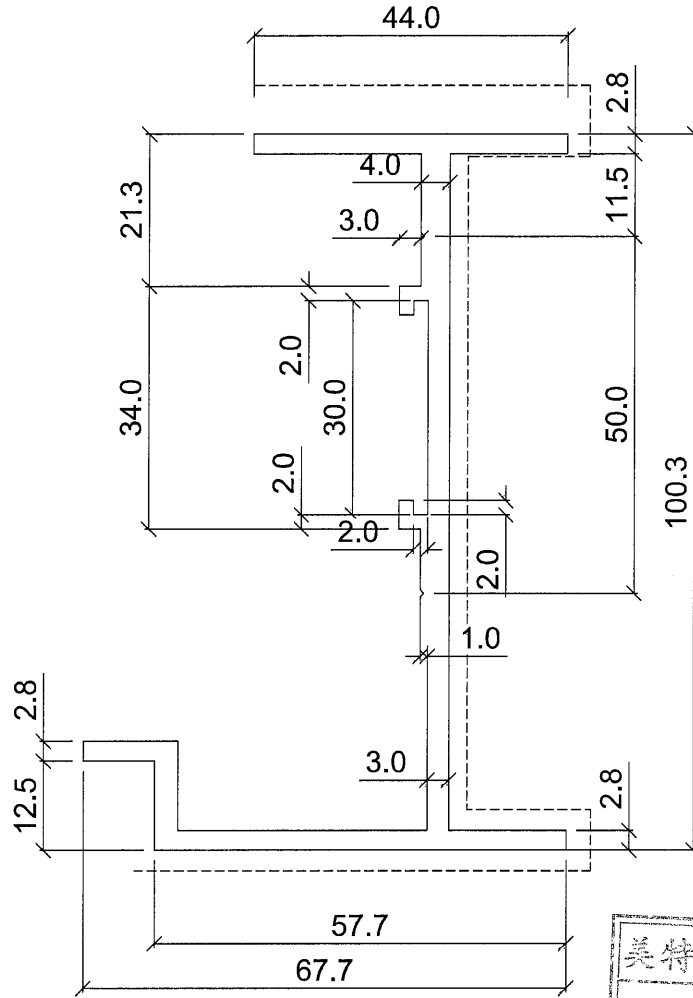
MIDI ALUMINIUM FABRICATOR LTD.

DRAWING NO.
X86191

REV.

TITLE

41



美特鋁質有限公司	
承認圖面	<i>[Signature]</i>
日期	10/1-2021

APPROVED :

6063-T6

a=R0.4
b=R0.5
未标倒角, 均为R0.3

SECTIONAL AREA	mm ²	ADDITIONAL TOLERANCE	DATE	REVISION			
				NO.	DATE	NAME	DESCRIPTION
691.55		Thickness ± 0.1 mm	16/10/2021				
WEIGHT	KG/M	Flatness 0.1 /25mm width	SCALE				
1.874		Straightness 0.3 /300mm	1 : 1				
PERIMETER	mm	Twist 0.5° /300 mm max	DRAWN				
465.14		Angularity ± 1.0 degree	-				
V.F.	mm		CHECK				
255.42							



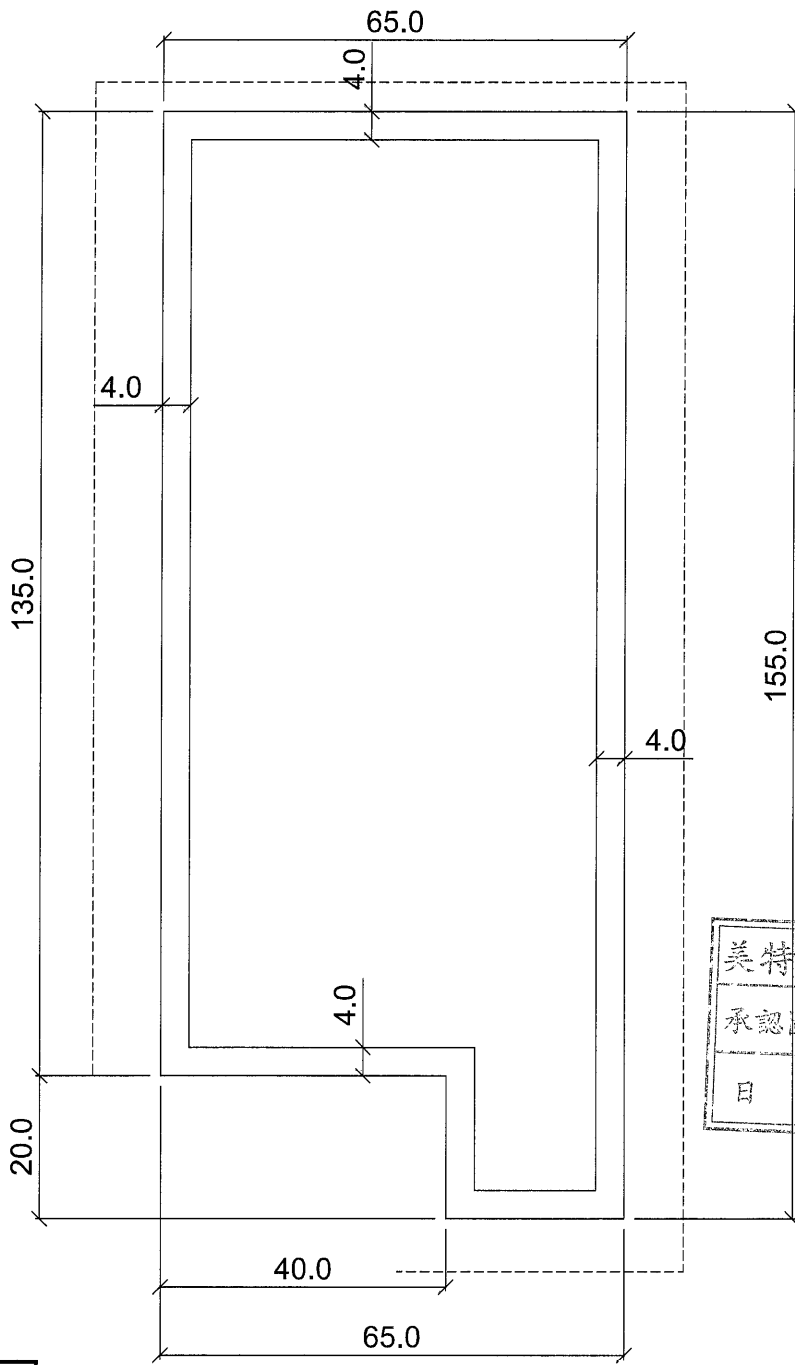
MIDI ALUMINIUM FABRICATOR LTD.

DRAWING NO.
X86192

REV.

TITLE

(42)



美特鋁質有限公司	
承認圖面	<i>[Signature]</i>
日期	10/1-2021

APPROVED :

6063-T6

a=R0.4
b=R0.5

SECTIONAL AREA	mm ²	1696	ADDITIONAL TOLERANCE	DATE	REVISION			
WEIGHT	KG/M	4.596	Thickness ± 0.1 mm	16/10/2021	NO.	DATE	NAME	DESCRIPTION
PERIMETER	mm	848	Flatness 0.1 /25mm width	SCALE				
V.F.	mm	428.5	Straightness 0.3 /300mm	1 : 1				
			Twist 0.5° /300 mm max	DRAWN				
			Angularity ± 1.0 degree	CHECK				



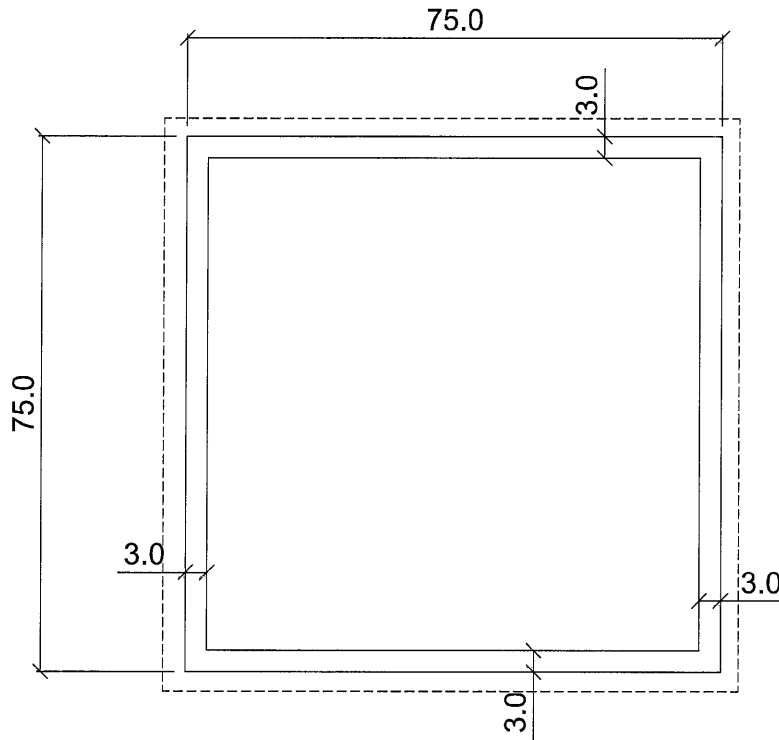
MIDI ALUMINIUM FABRICATOR LTD.

DRAWING NO.
X86193

REV.

TITLE

43



美特鋁質有限公司	
承認圖面	<i>[Signature]</i>
日期	10/1-2021

APPROVED :

6063-T6

a=R0.4
b=R0.5

SECTIONAL AREA	mm ²	ADDITIONAL TOLERANCE	DATE	REVISION			
				NO.	DATE	NAME	DESCRIPTION
864		Thickness ± 0.1 mm	16/10/2021				
WEIGHT	KG/M	Flatness 0.1 /25mm width	SCALE				
2.341		Straightness 0.3 /300mm	1 : 1				
PERIMETER	mm	Twist 0.5° /300 mm max	DRAWN				
576		Angularity ± 1.0 degree	-				
V.F.	mm		CHECK				
321.69							



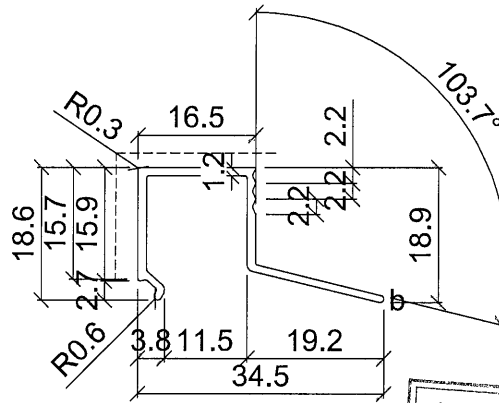
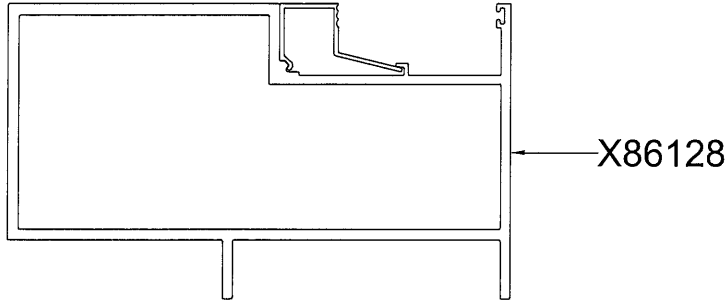
MIDI ALUMINIUM FABRICATOR LTD.

DRAWING NO.
X86194

REV.

TITLE

44



美特鋁質有限公司
承認圖面
日期 10/1-2021

APPROVED :

6063-T6

a=R0.4
b=R0.5

SECTIONAL AREA	mm ²	75.08	ADDITIONAL TOLERANCE	DATE	REVISION			
			Thickness ± 0.1 mm	16/10/2021	NO.	DATE	NAME	DESCRIPTION
WEIGHT	KG/M	0.203	Flatness 0.1 /25mm width	SCALE				
			Straightness 0.3 /300mm	1 : 1				
PERIMETER	mm	135.92	Twist 0.5° /300 mm max	DRAWN				
			Angularity ± 1.0 degree	-				
V.F.	mm	0		CHECK				



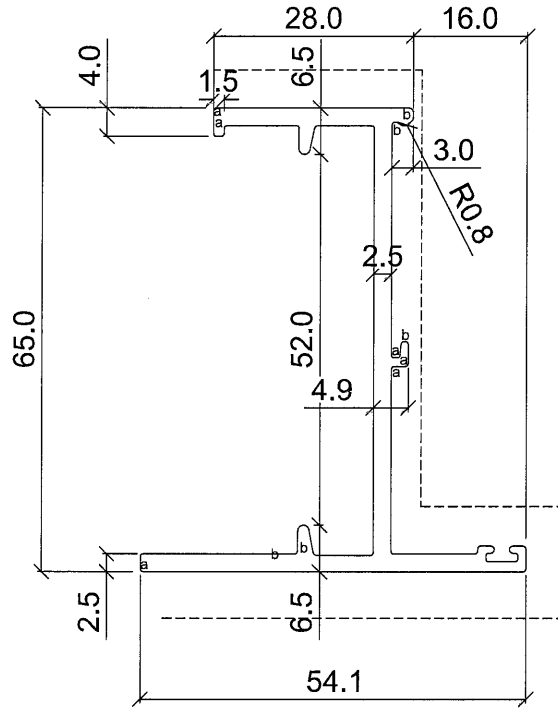
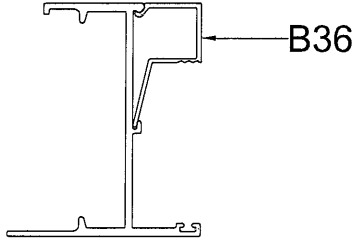
MIDI ALUMINIUM FABRICATOR LTD.

DRAWING NO.
X86195

REV.

TITLE

45



美特鋁質有限公司	
承認圖面	<i>JA</i>
日期	16/10-2021

APPROVED :

6063-T6

a=R0.4
b=R0.5

SECTIONAL AREA		ADDITIONAL TOLERANCE		DATE	REVISION			
	mm ²	Thickness	± 0.1 mm	16/10/2021	NO.	DATE	NAME	DESCRIPTION
374.3		Flatness	0.1 /25mm width	SCALE				
WEIGHT	KG/M	Straightness	0.3 /300mm	1 : 1				
1.014		Twist	0.5° /300 mm max	DRAWN				
PERIMETER	mm	Angularity	± 1.0 degree	-				
321.15				CHECK				
V.F.	mm							
0								



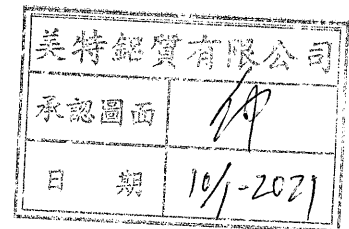
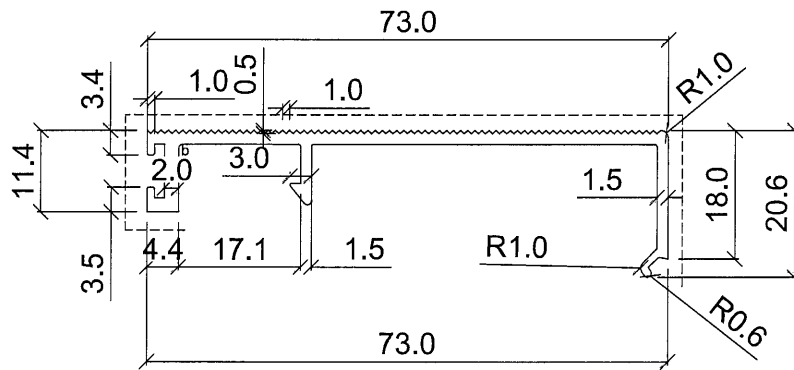
MIDI ALUMINIUM FABRICATOR LTD.

DRAWING NO.
X86196

REV.

TITLE

46




APPROVED :

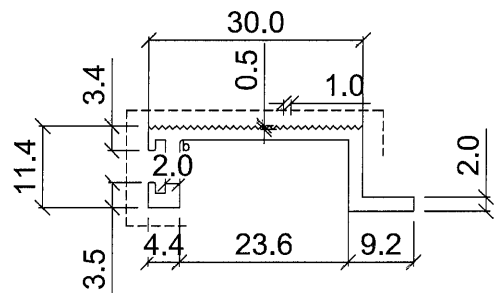
6063-T5

a=R0.4
b=R0.5

SECTIONAL AREA		ADDITIONAL TOLERANCE		DATE	REVISION			
196.66	mm ²	Thickness	± 0.1 mm	16/10/2021	NO.	DATE	NAME	DESCRIPTION
0.533	KG/M	Flatness	0.1 /25mm width	SCALE				
265.91	mm	Straightness	0.3 /300mm	1 : 1				
V.F.	mm	Twist	0.5° /300 mm max	DRAWN				
126.74	mm	Angularity	± 1.0 degree	CHECK				

 MIDI ALUMINIUM FABRICATOR LTD.	DRAWING NO. X86197	REV. -	TITLE -
--	-----------------------	-----------	------------

47



美特鋁質有限公司	
承認圖面	<i>仲</i>
日期	10/1-2021

APPROVED :

6063-T5

a=R0.4
b=R0.5

SECTIONAL AREA	mm ²	ADDITIONAL TOLERANCE	DATE	REVISION			
				NO.	DATE	NAME	DESCRIPTION
113.7		Thickness ± 0.1 mm	16/10/2021				
WEIGHT	KG/M	Flatness 0.1 /25mm width	SCALE				
0.308		Straightness 0.3 /300mm	1 : 1				
PERIMETER	mm	Twist 0.5° /300 mm max	DRAWN				
139.9		Angularity ± 1.0 degree	-				
V.F.	mm		CHECK				
52							