

工程指示 / 要求簡箋(E.I.)

工程指示編號：EI/402/22

修改版次：A

工程編號：J857

工程名稱：啟德 6552

工程項目：繪畫模圖(後裝窗)

收件人：Maggie Lor (羅小姐)

發件人：Yancy Chen

日期：07/01/2022

要求提供 / 確認 事項：

- ( ) 初步鋁料 B.M.                      ( ) 加工拆圖，然後生產                      ( ) 尺寸表
- ( ) 正式鋁料 B.M.                      ( ) 技術上資料 / 指示                      ( ) 報價
- ( ) 配件 B.M.                              ( ) 樣辦或貨品說明書                      ( ) 分判合約
- ( ) 其他：\_\_\_\_\_

內容：

請按附頁資料，繪畫模圖，共 47 頁。(其中修改模圖 26 頁，見附頁①-②⑥)

CAD 圖見 U:\to hk\maggie\J857\EI\402A. 新增模圖 21 頁，見附頁⑦-④⑦)

請在 12/1/2022 前完成上列要求。

附：

1+ 47 頁

以上項目為：

- 原合約工程包                       原合約工程加 / 減賬                       新工程報價

原因：-

分發東莞各部門：

- ( ) 生產技術總監  連附件    ( ) 技術部     連附件    ( ) 生產部     連附件    ( ) 機械設計部  連附件
- ( ) 採購部     連附件    ( / ) 生產統籌部  連附件
- ( / ) 質檢部     連附件    ( ) 會計部     連附件    ( ) 報關組     連附件    ( ) 其他 \_\_\_\_\_  連附件

分發香港各部門：


- ( ) 行政部  連附件    ( ) 會計部  連附件    ( ) 統籌部  連附件    ( ) 工程部地盤科文     連附件
- ( ) 採購部  連附件    ( ) QS 部     連附件    ( ) 維修部  連附件    ( ) 其他 \_\_\_\_\_  連附件

傳遞編號：

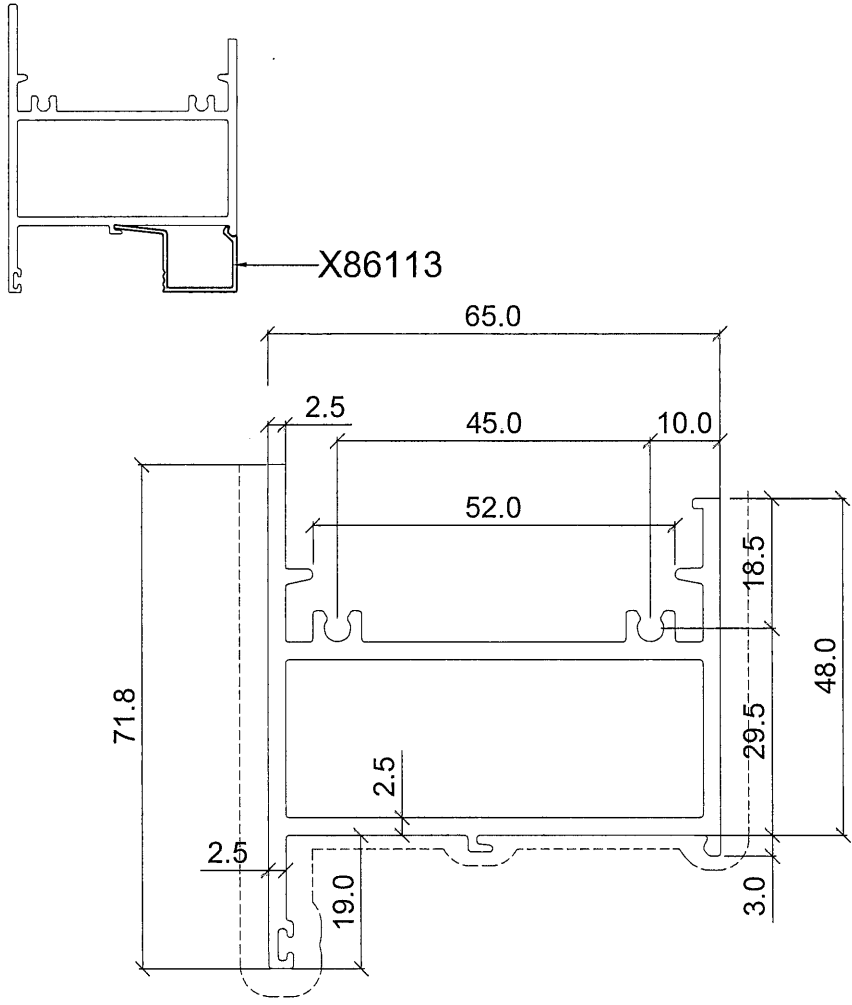
HK0066/22

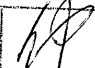
發件人簽署：

項目經理簽署：

 <b>MIDI ALUMINIUM FABRICATOR LTD.</b>	DRAWING NO. <b>X86110</b>	REV. <b>-</b> TITLE <b>-</b>
--	---------------------------	---------------------------------

①



美特鋁質有限公司	
承認圖面	
日期	10/1-2021

APPROVED :

6063-T6

b=R0.5

SECTIONAL AREA <small>mm<sup>2</sup></small> 662.52	ADDITIONAL TOLERANCE Thickness $\pm 0.1$ mm	DATE 16/10/2021	REVISION			
WEIGHT <small>KG/M</small> 3.804	Flatness 0.1 /25mm width	SCALE 1 : 1	NO.	DATE	NAME	DESCRIPTION
PERIMETER <small>mm</small> 548.59	Straightness 0.3 /300mm	DRAWN -				
V.F. <small>mm</small> 222.8	Twist 0.5° /300 mm max Angularity $\pm 1.0$ degree	CHECK -				



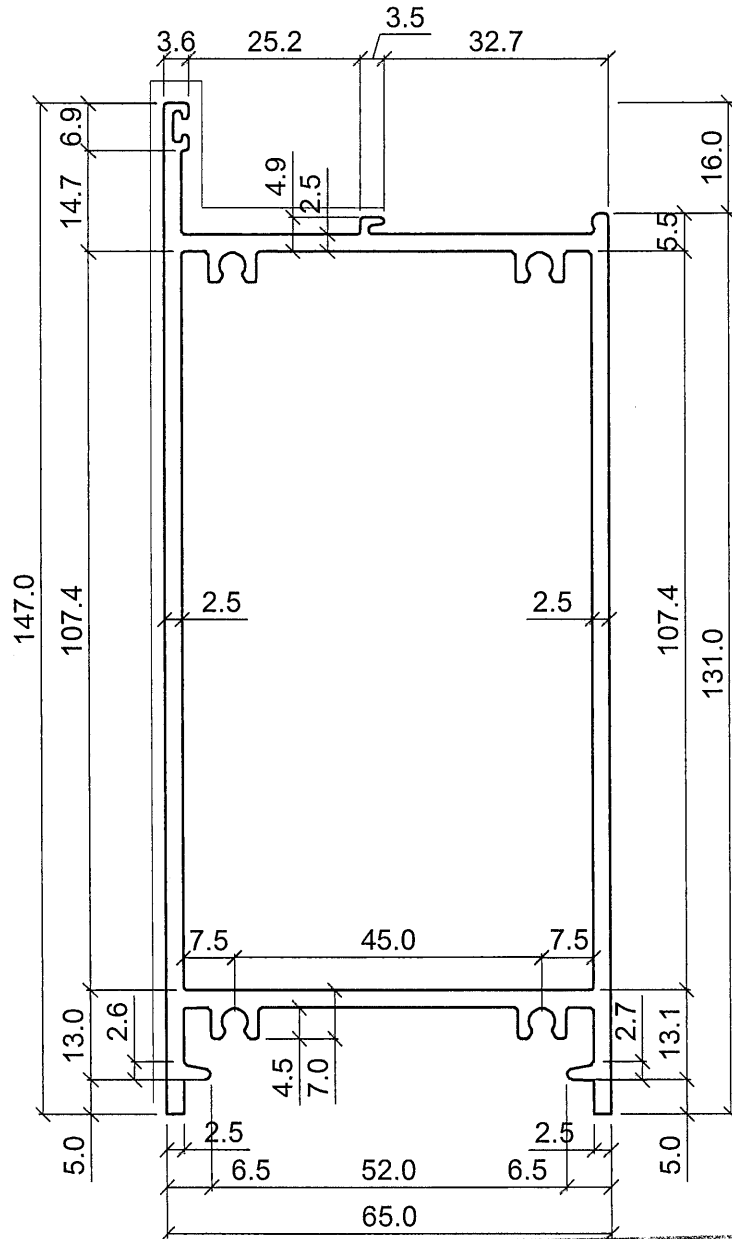
MIDI ALUMINIUM FABRICATOR LTD.

DRAWING NO.  
X86111

REV.

TITLE

②



美特鋁質有限公司  
承認圖面  
日期 10/1-2021

APPROVED :

6063-T6

b=R0.5

SECTIONAL AREA mm <sup>2</sup> 1051.81	ADDITIONAL TOLERANCE		DATE 16/10/2021	REVISION			
	Thickness	± 0.1 mm	SCALE 1 : 1	NO.	DATE	NAME	DESCRIPTION
WEIGHT KG/M 2.850	Flatness	0.1 /25mm width	DRAWN -				
PERIMETER mm 856.36	Straightness	0.3 /300mm	CHECK				
V.F. mm 200.99	Twist	0.5° /300 mm max					
	Angularity	± 1.0 degree					



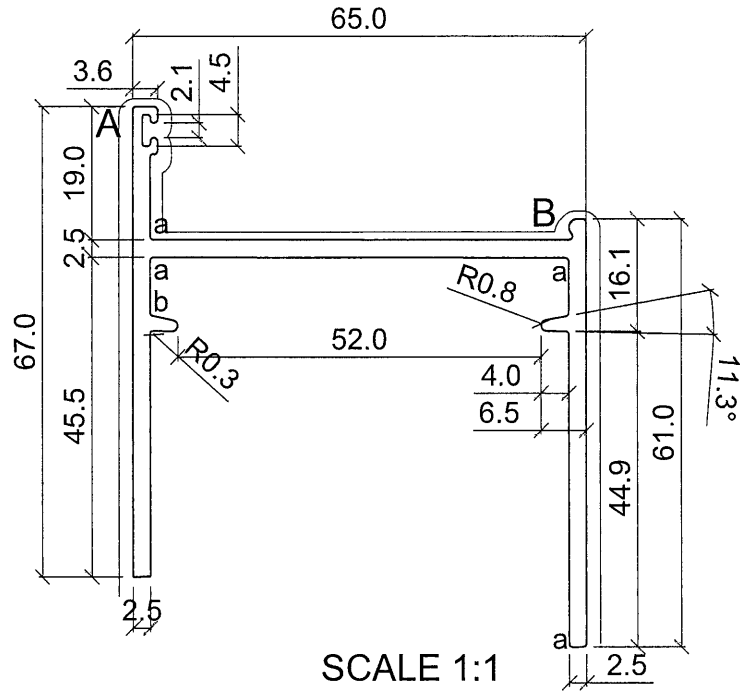
MIDI ALUMINIUM FABRICATOR LTD.

DRAWING NO. X86112

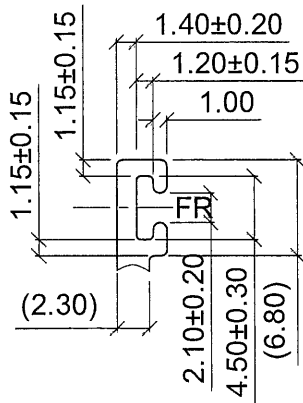
REV.

TITLE

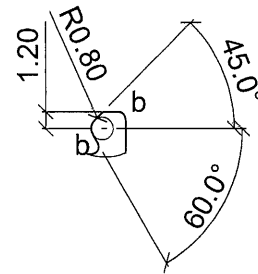
3



SCALE 1:1



A-2:1



B-2:1

美特鋁質有限公司  
承認圖面  
日期 10/1-2021

APPROVED :

6063-T6

a=R0.4  
b=R0.5

SECTIONAL AREA	mm <sup>2</sup>	ADDITIONAL TOLERANCE	DATE	REVISION			
				NO.	DATE	NAME	DESCRIPTION
457.63		Thickness ± 0.1 mm	16/10/2021				
WEIGHT	KG/M	Flatness 0.1 /25mm width	SCALE 1 : 1				
PERIMETER	mm	Straightness 0.3 /300mm	DRAWN -				
V.F.	mm	Twist 0.5° /300 mm max	CHECK				
		Angularity ± 1.0 degree					







MIDI ALUMINIUM FABRICATOR LTD.

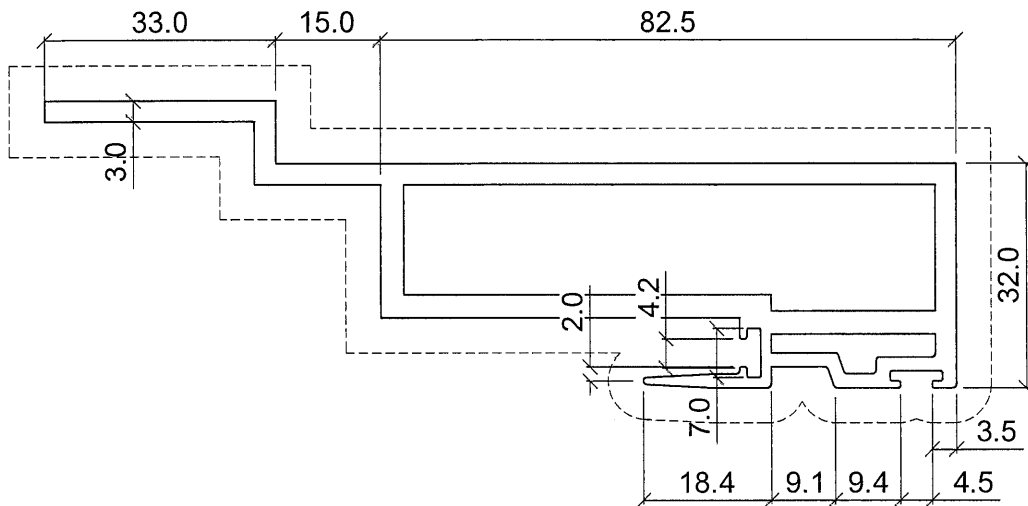
DRAWING NO.  
X86115

REV.

TITLE

6

美特鋁質有限公司	
承認圖面	<i>AP</i>
日期	10/1-2021




APPROVED :

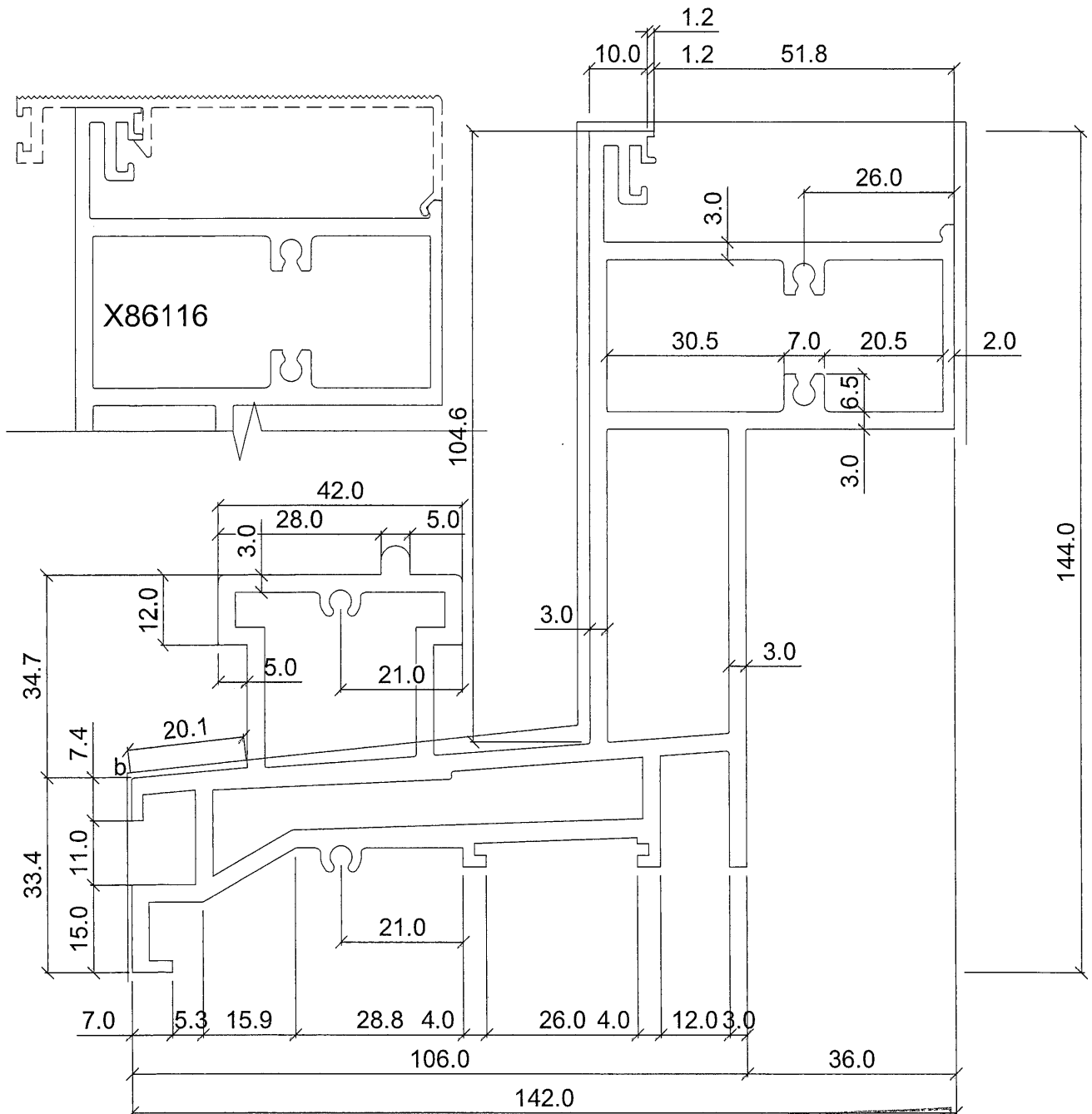
6063-T6

b=R0.5

SECTIONAL AREA 925.77 mm <sup>2</sup>	ADDITIONAL TOLERANCE	DATE	REVISION			
	Thickness ± 0.1 mm	16/10/2021	NO.	DATE	NAME	DESCRIPTION
WEIGHT 2.509 KG/M	Flatness 0.1 /25mm width	SCALE				
	Straightness 0.3 /300mm	1 : 1				
PERIMETER 640.43 mm	Twist 0.5° /300 mm max	DRAWN				
	Angularity ± 1.0 degree	-				
V.F. 382.56 mm		CHECK				

 <b>MIDI ALUMINIUM FABRICATOR LTD.</b>	DRAWING NO. X86116	REV. -	TITLE -
--	--------------------	--------	---------

7



SCALE 1:1

美特鋁質有限公司  
承認圖面  
日期 10/1-2021

b=R0.5

APPROVED :

6063-T6

SECTIONAL AREA mm <sup>2</sup> 2238.9	ADDITIONAL TOLERANCE Thickness ± 0.1 mm	DATE 16/10/2021	REVISION			
WEIGHT KG/M 6.067	Flatness 0.1 /25mm width	SCALE 1 : 1	NO.	DATE	NAME	DESCRIPTION
PERIMETER mm 1505.04	Straightness 0.3 /300mm	DRAWN -				
V.F. mm 339.22	Twist 0.5° /300 mm max Angularity ± 1.0 degree	CHECK				



MIDI ALUMINIUM FABRICATOR LTD.

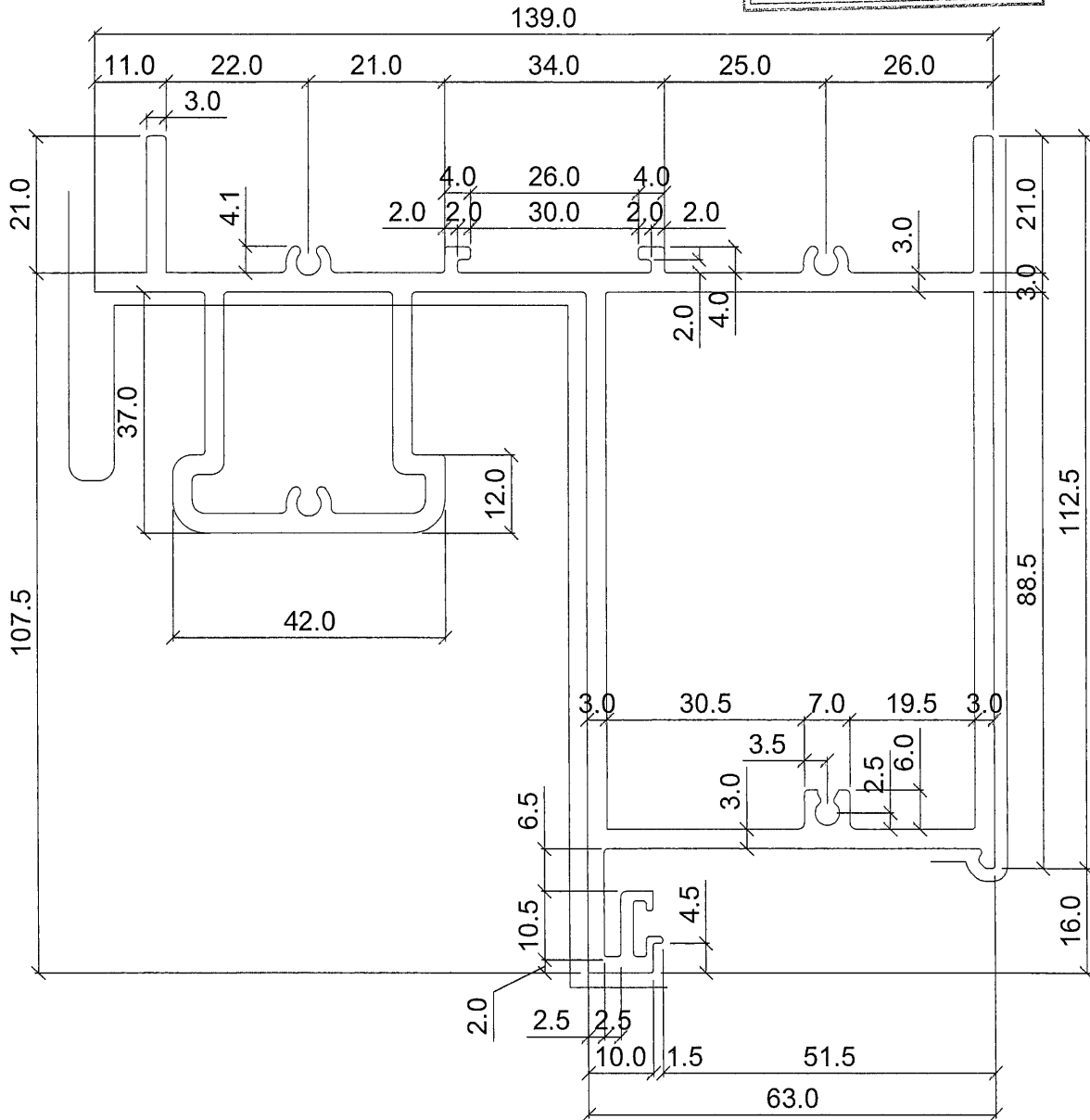
DRAWING NO.  
X86117

REV.

TITLE



美特鋁質有限公司	
承認圖面	<i>[Signature]</i>
日期	10/1-2021



APPROVED :

SCALE 1:1

6063-T6

b=R0.5

SECTIONAL AREA 1768.08 mm <sup>2</sup>	ADDITIONAL TOLERANCE	DATE	REVISION			
	Thickness ± 0.1 mm	16/10/2021	NO.	DATE	NAME	DESCRIPTION
WEIGHT 4.791 KG/M	Flatness 0.1 /25mm width	SCALE				
	Straightness 0.3 /300mm	1 : 1				
PERIMETER 1219.35 mm	Twist 0.5° /300 mm max	DRAWN				
	Angularity ± 1.0 degree	-				
V.F. 266.2 mm		CHECK				



MIDI ALUMINIUM FABRICATOR LTD.

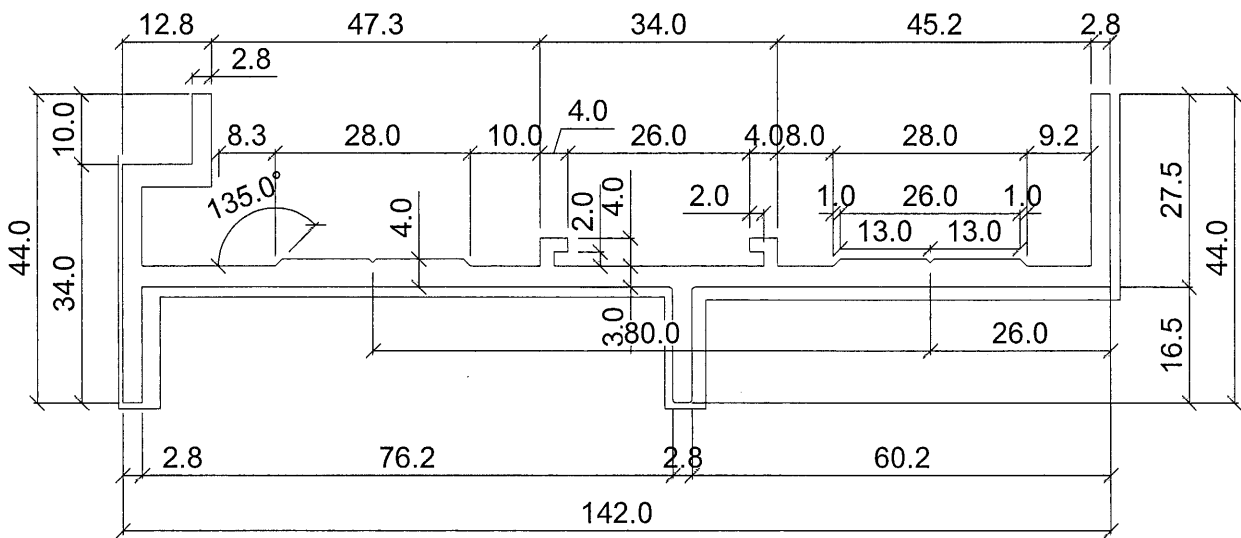
DRAWING NO.  
X86118

REV.

TITLE

-

9



SCALE 1:1

美特鋁質有限公司	
承認圖面	<i>仲</i>
日期	10/1-2021

APPROVED :

6063-T6

SECTIONAL AREA	mm <sup>2</sup>	ADDITIONAL TOLERANCE	DATE	REVISION			
				NO.	DATE	NAME	DESCRIPTION
758.36		Thickness ± 0.1 mm	16/10/2021				
WEIGHT	KG/M	Flatness 0.1 /25mm width	SCALE				
2.055		Straightness 0.3 /300mm	1 : 1				
PERIMETER	mm	Twist 0.5° /300 mm max	DRAWN				
497.53		Angularity ± 1.0 degree	-				
V.F.	mm		CHECK				
251.1							



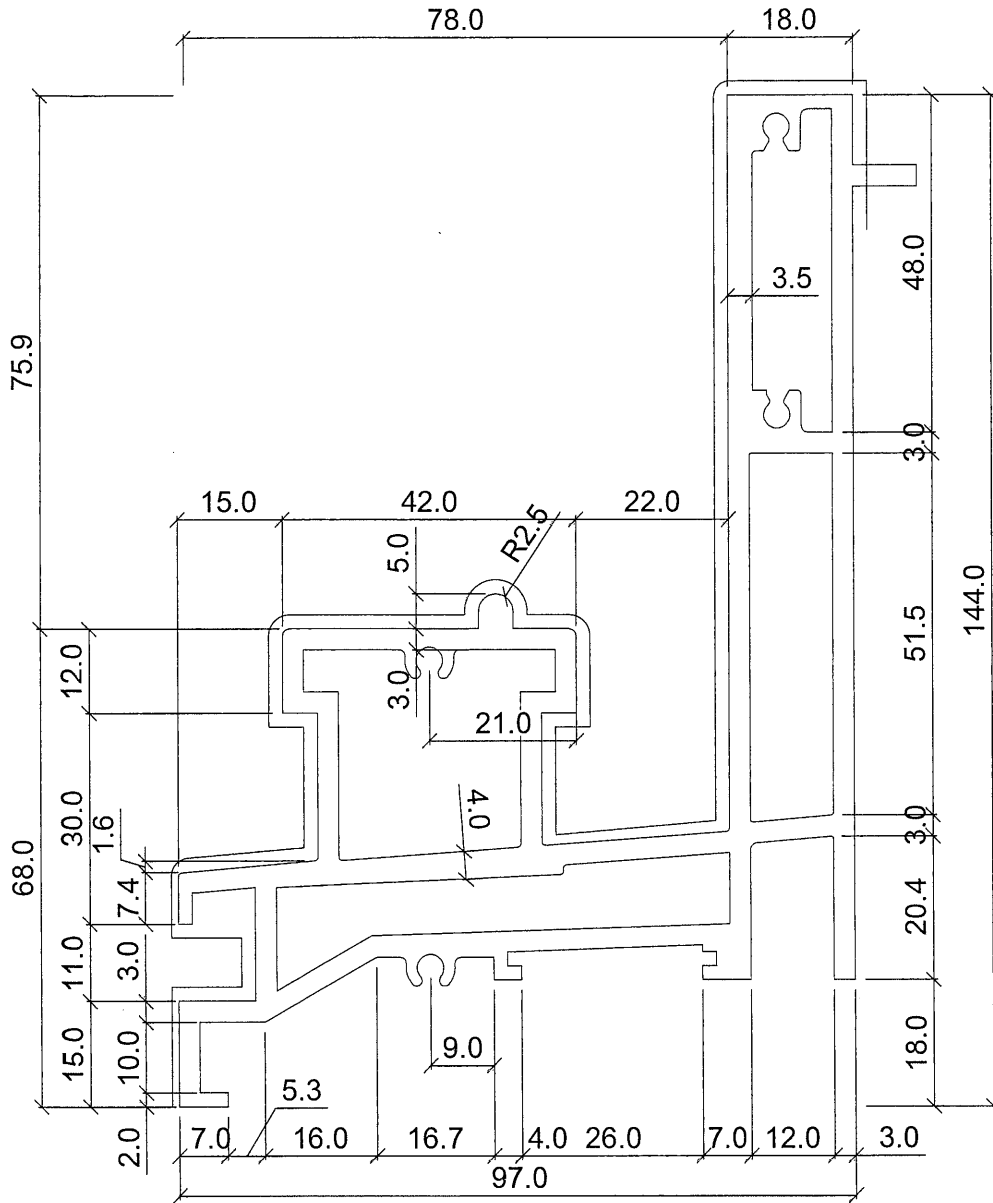
MIDI ALUMINIUM FABRICATOR LTD.

DRAWING NO.  
X86119

REV.

TITLE

10



SCALE 1:1

美特鋁質有限公司  
承認圖面  
日期 10/-2021

APPROVED :

6063-T6

b=R0.5

SECTIONAL AREA	mm <sup>2</sup>	1932.38	ADDITIONAL TOLERANCE	DATE	REVISION			
WEIGHT	KG/M	5.237	Thickness ± 0.1 mm	16/10/2021	NO.	DATE	NAME	DESCRIPTION
PERIMETER	mm	1239.86	Flatness 0.1 /25mm width	SCALE 1 : 1				
V.F.	mm	355	Straightness 0.3 /300mm	DRAWN -				
			Twist 0.5° /300 mm max	CHECK				
			Angularity ± 1.0 degree					

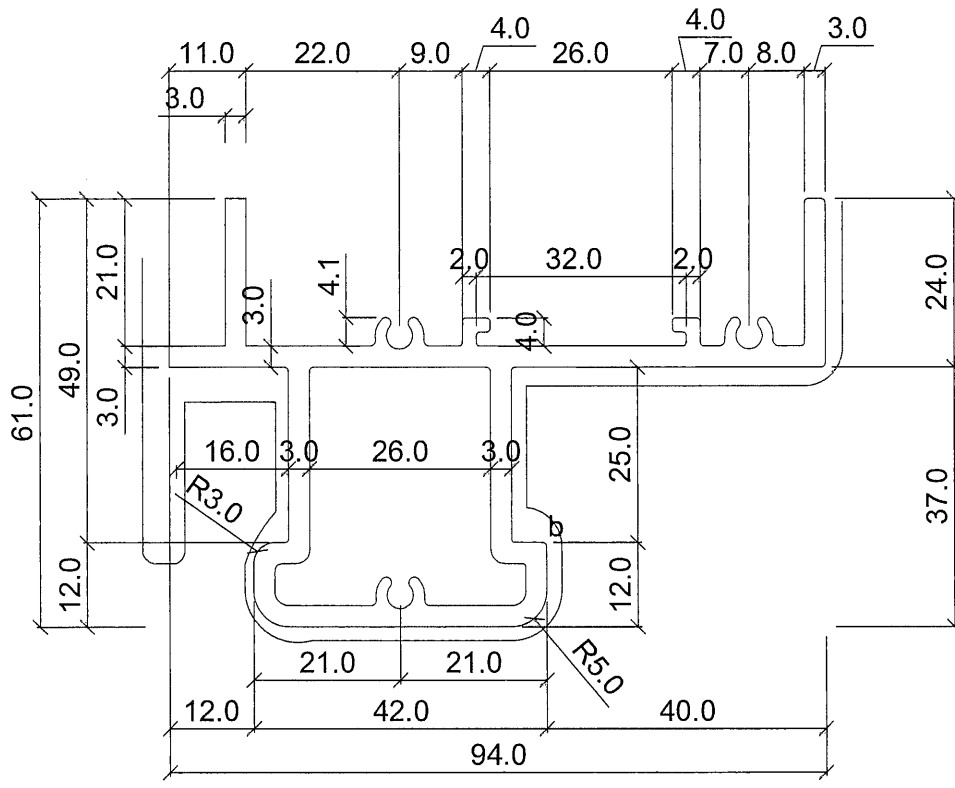


MIDI ALUMINIUM FABRICATOR LTD.

DRAWING NO.  
X86120

REV.

TITLE



SCALE 1:1

美特鋁質有限公司	
承認圖面	<i>AP</i>
日期	10/1-2021

APPROVED :

6063-T6

b=R0.5

SECTIONAL AREA	mm <sup>2</sup>	957.73	ADDITIONAL TOLERANCE	DATE	REVISION			
WEIGHT	KG/M	2.595	Thickness	16/10/2021	NO.	DATE	NAME	DESCRIPTION
PERIMETER	mm	654.42	Flatness	SCALE				
V.F.	mm	277	Straightness	1 : 1				
			Twist	DRAWN				
			Angularity	-				
			± 0.1 mm	CHECK				
			0.1 /25mm width					
			0.3 /300mm					
			0.5° /300 mm max					
			± 1.0 degree					



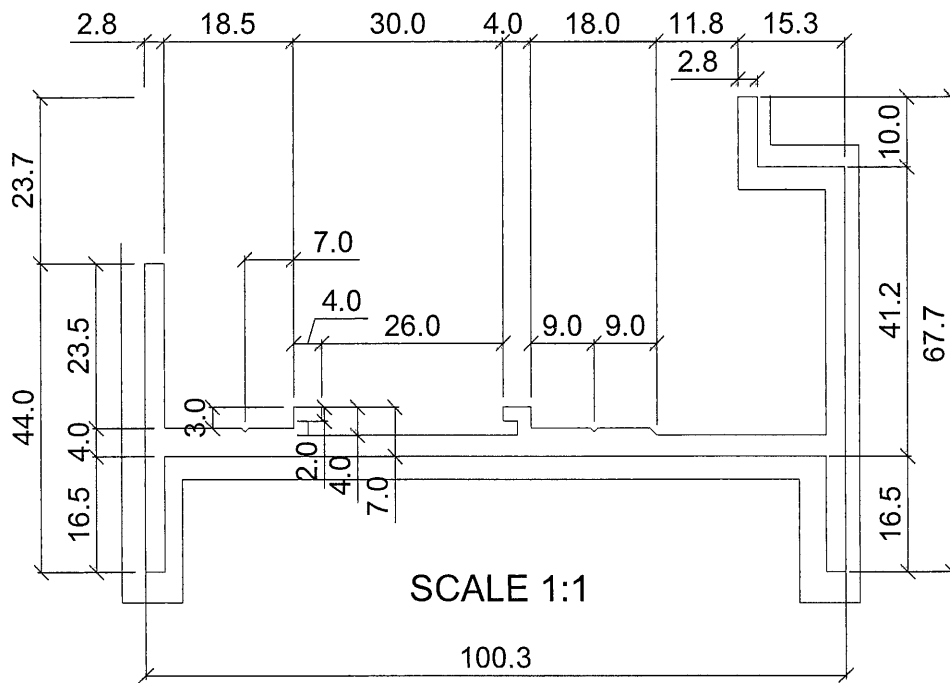
MIDI ALUMINIUM FABRICATOR LTD.

DRAWING NO.  
X86121

REV.

TITLE

(2)



美特鋁質有限公司	
承認圖面	<i>JP</i>
日期	10/1-2021

APPROVED :

6063-T6

b=R0.5

SECTIONAL AREA	mm <sup>2</sup>	683.05	ADDITIONAL TOLERANCE	DATE	REVISION				
WEIGHT	KG/M	1.851	Thickness	± 0.1 mm	16/10/2021	NO.	DATE	NAME	DESCRIPTION
PERIMETER	mm	464.56	Flatness	0.1 /25mm width	SCALE				
V.F.	mm	234	Straightness	0.3 /300mm	1 : 1				
			Twist	0.5° /300 mm max	DRAWN				
			Angularity	± 1.0 degree	CHECK				



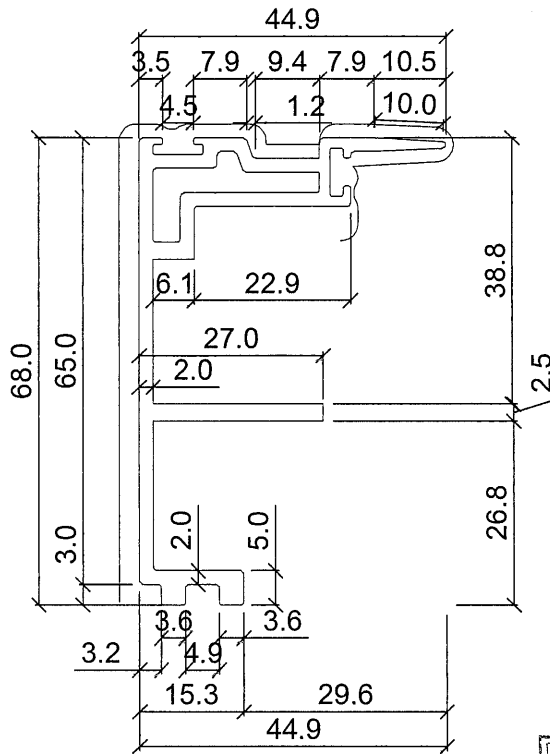
MIDI ALUMINIUM FABRICATOR LTD.

DRAWING NO.  
X86122

REV.

TITLE

13



SCALE 1:1

美特鋁質有限公司	
承認圖面	<i>[Signature]</i>
日期	10/1-2021

APPROVED :

6063-T6

b=R0.5

SECTIONAL AREA	mm <sup>2</sup>	ADDITIONAL TOLERANCE	DATE	REVISION			
				NO.	DATE	NAME	DESCRIPTION
485.02		Thickness ± 0.1 mm	16/10/2021				
WEIGHT	KG/M	Flatness 0.1 /25mm width	SCALE				
1.314		Straightness 0.3 /300mm	1 : 1				
PERIMETER	mm	Twist 0.5° /300 mm max	DRAWN				
458.15		Angularity ± 1.0 degree	-				
V.F.	mm		CHECK				
152.15							



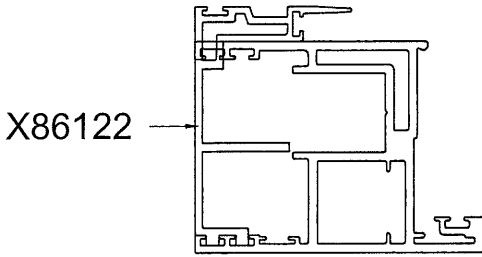
MIDI ALUMINIUM FABRICATOR LTD.

DRAWING NO.  
X86123

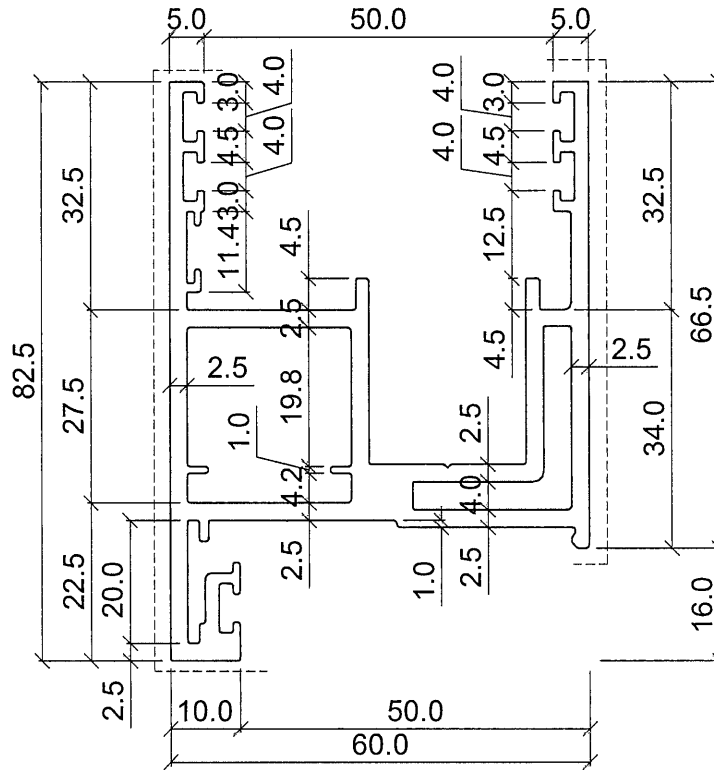
REV.

TITLE

14



SCALE 1:2



SCALE 1:1


美特鋁質有限公司	
承認圖面	<i>JP</i>
日期	10/1-2021

APPROVED :

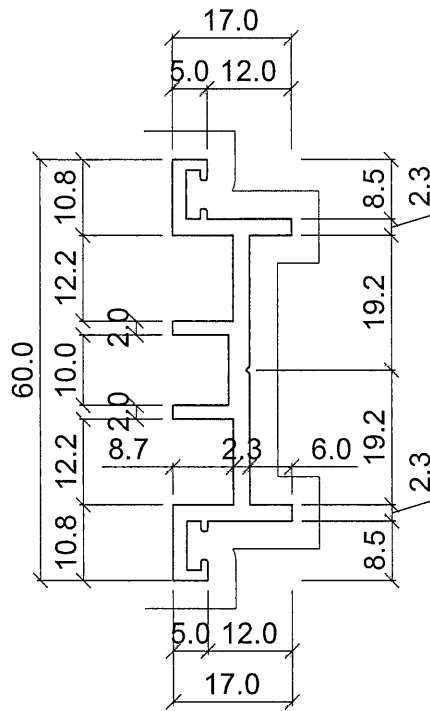
6063-T6

b=R0.5

SECTIONAL AREA	mm <sup>2</sup>	ADDITIONAL TOLERANCE	DATE	REVISION			
				NO.	DATE	NAME	DESCRIPTION
891.81		Thickness ± 0.1 mm	16/10/2021				
WEIGHT	KG/M	Flatness 0.1 /25mm width	SCALE				
2.417		Straightness 0.3 /300mm	1 : 1				
PERIMETER	mm	Twist 0.5° /300 mm max	DRAWN				
738.63		Angularity ± 1.0 degree	-				
V.F.	mm		CHECK				
418.42							

 <b>MIDI ALUMINIUM FABRICATOR LTD.</b>	DRAWING NO. X86126	REV. TITLE -
--	--------------------	-----------------

(15)



SCALE 1:1

美特鋁質有限公司	
承認圖面	<i>PP</i>
日期	10/1-2021

APPROVED :

6063-T5

b=R0.5

SECTIONAL AREA	mm <sup>2</sup>	256.92	ADDITIONAL TOLERANCE	DATE	REVISION			
			Thickness ± 0.1 mm	16/10/2021	NO.	DATE	NAME	DESCRIPTION
WEIGHT	KG/M	0.696	Flatness 0.1 /25mm width	SCALE				
PERIMETER	mm	240.18	Straightness 0.3 /300mm	1 : 1				
V.F.	mm	125	Twist 0.5° /300 mm max	DRAWN				
			Angularity ± 1.0 degree	CHECK				



MIDI ALUMINIUM FABRICATOR LTD.

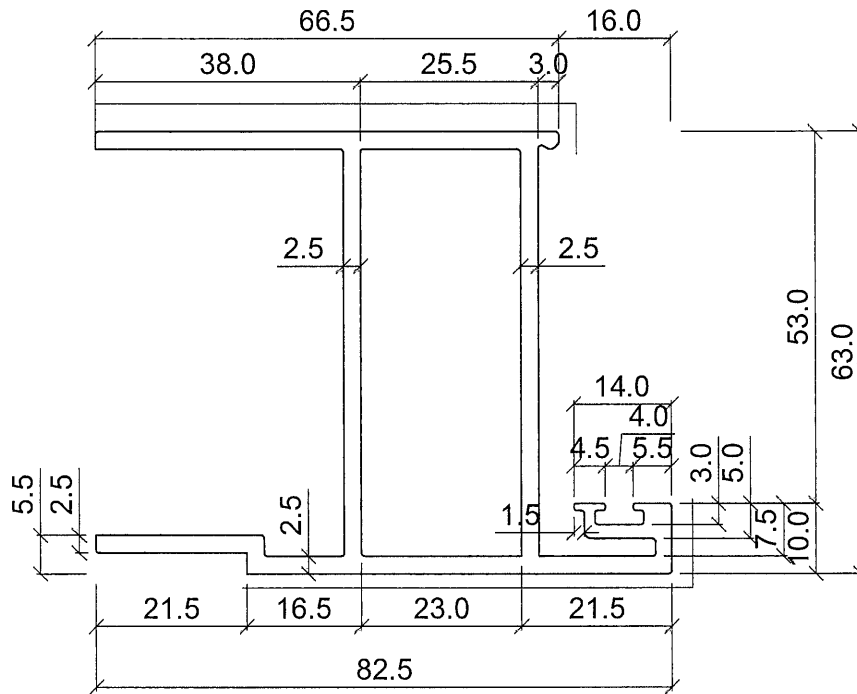
DRAWING NO.  
X86127

REV.

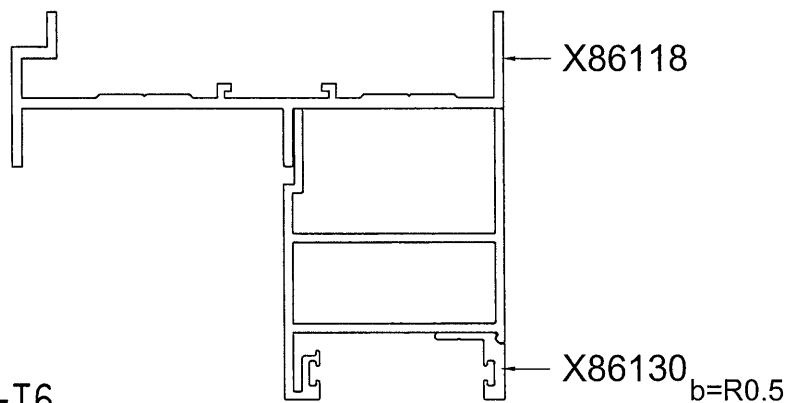
TITLE

16

美特鋁質有限公司	
承認圖面	<i>[Signature]</i>
日期	10/1-2021



SCALE 1:1



APPROVED :

6063-T6

SECTIONAL AREA	mm <sup>2</sup>	720.64	ADDITIONAL TOLERANCE	DATE	REVISION				
			Thickness	± 0.1	mm	16/10/2021	NO.	DATE	NAME
WEIGHT	KG/M	1.953	Flatness	0.1	SCALE				
				/25mm width	1 : 1				
PERIMETER	mm	582.40	Straightness	0.3	DRAWN				
				/300mm	-				
V.F.	mm	138	Twist	0.5°	CHECK				
				/300 mm max					
			Angularity	± 1.0 degree					



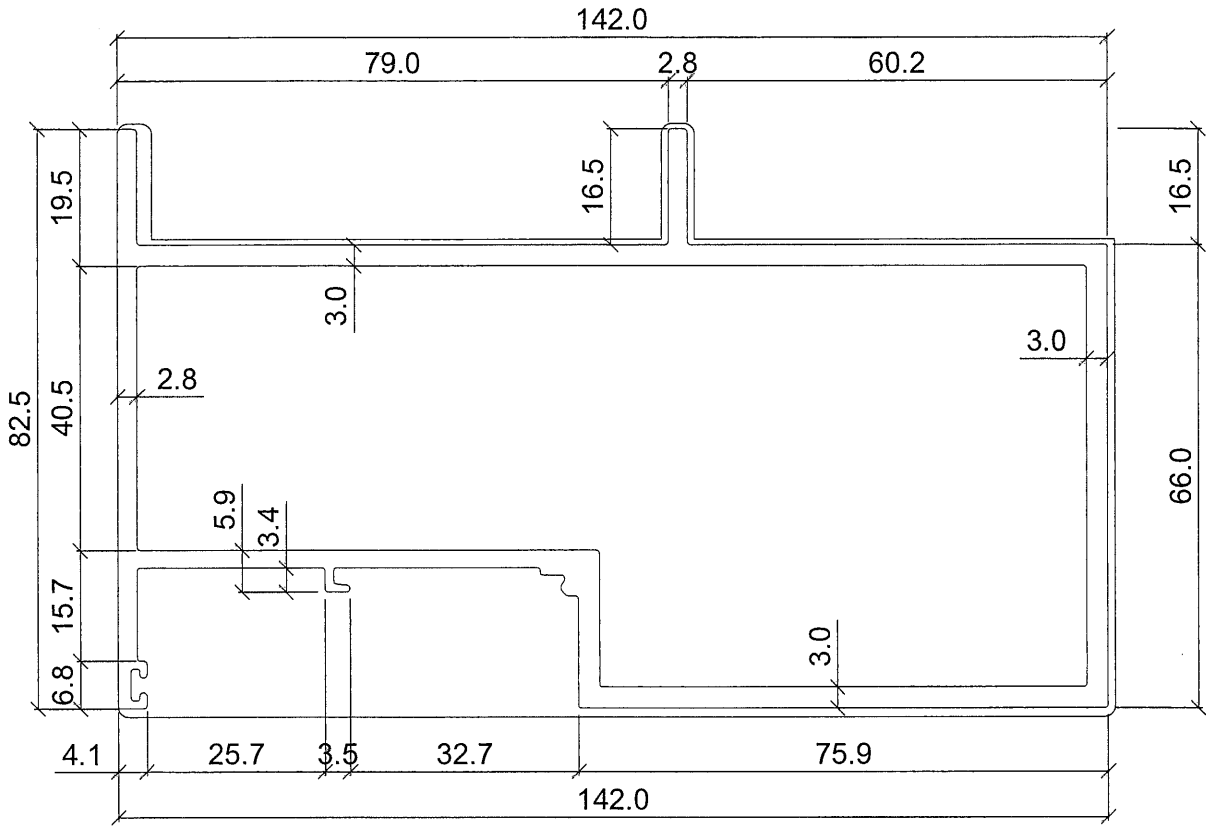
MIDI ALUMINIUM FABRICATOR LTD.

DRAWING NO.  
X86128

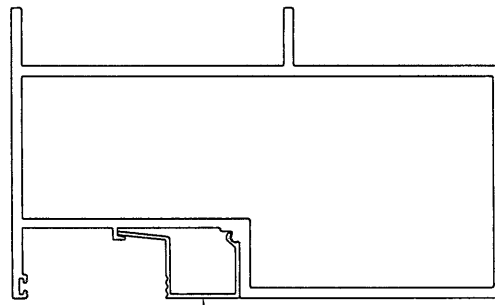
REV.

TITLE

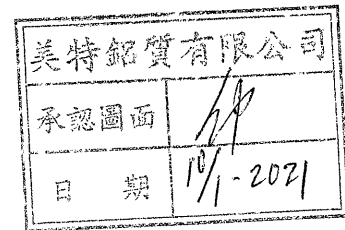
17



SCALE 1:1



B36



APPROVED :

6063-T6

b=R0.5

SECTIONAL AREA		ADDITIONAL TOLERANCE		DATE	REVISION			
1329.03	mm <sup>2</sup>	Thickness	± 0.1 mm	16/10/2021	NO.	DATE	NAME	DESCRIPTION
3.602	KG/M	Flatness	0.1 /25mm width	SCALE				
927.00	mm	Straightness	0.3 /300mm	1 : 1				
V.F.	mm	Twist	0.5° /300 mm max	DRAWN				
537.54	mm	Angularity	± 1.0 degree	-				
				CHECK				



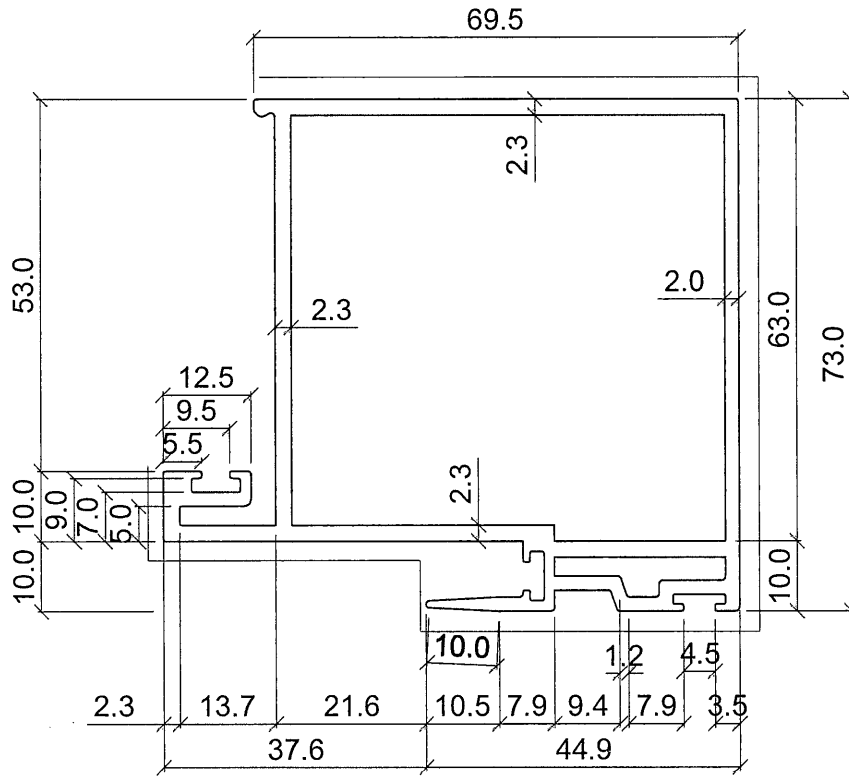
MIDI ALUMINIUM FABRICATOR LTD.

DRAWING NO.  
X86129

REV.

TITLE

18



SCALE 1:1

美特鋁質有限公司	
承認圖面	仲
日期	10/1-2021

APPROVED :

6063-T6

b=R0.5

SECTIONAL AREA	mm <sup>2</sup>	ADDITIONAL TOLERANCE	DATE	REVISION			
				NO.	DATE	NAME	DESCRIPTION
781.17		Thickness ± 0.1 mm	16/10/2021				
WEIGHT	KG/M	Flatness 0.1 /25mm width	SCALE				
2.117		Straightness 0.3 /300mm	1 : 1				
PERIMETER	mm	Twist 0.5° /300 mm max	DRAWN				
719.02		Angularity ± 1.0 degree	-				
V.F.	mm		CHECK				
297							



MIDI ALUMINIUM FABRICATOR LTD.

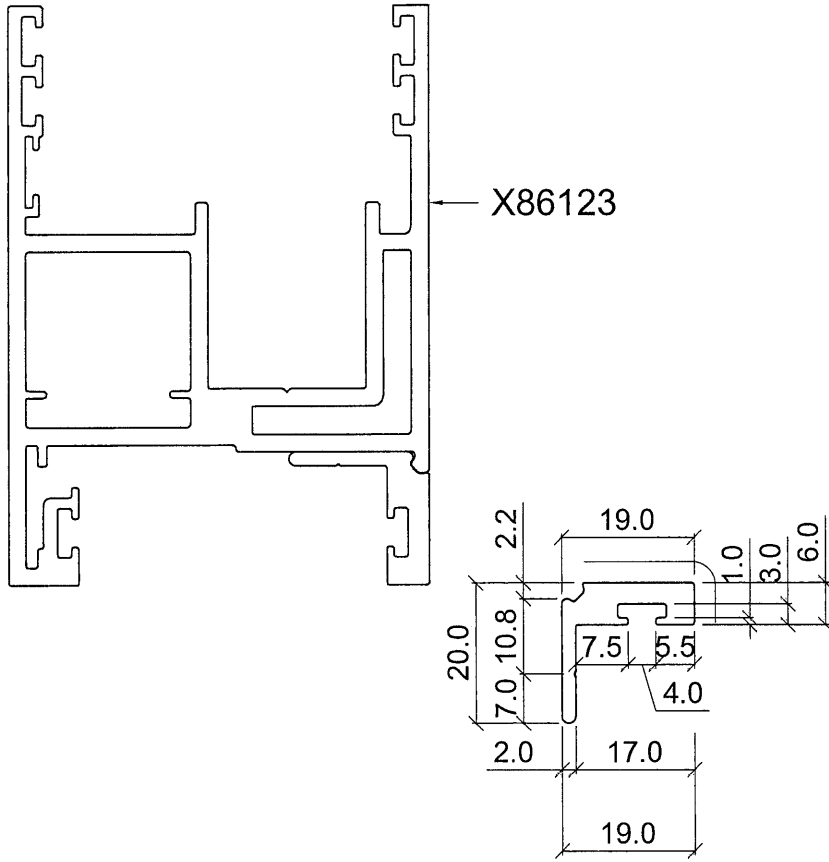
DRAWING NO.  
X86130

REV.

TITLE

-

19



X86123

SCALE 1:1

美特鋁質有限公司	
承認圖面	<i>[Signature]</i>
日期	10/1-2021

APPROVED :

6063-T6

b=R0.5

SECTIONAL AREA	mm <sup>2</sup>	ADDITIONAL TOLERANCE	DATE	REVISION			
				NO.	DATE	NAME	DESCRIPTION
116.43		Thickness ± 0.1 mm	16/10/2021				
WEIGHT	KG/M	Flatness 0.1 /25mm width	SCALE 1 : 1				
0.316		Straightness 0.3 /300mm	DRAWN -				
PERIMETER	mm	Twist 0.5° /300 mm max	CHECK				
87.34		Angularity ± 1.0 degree					
V.F.	mm						
22.15							



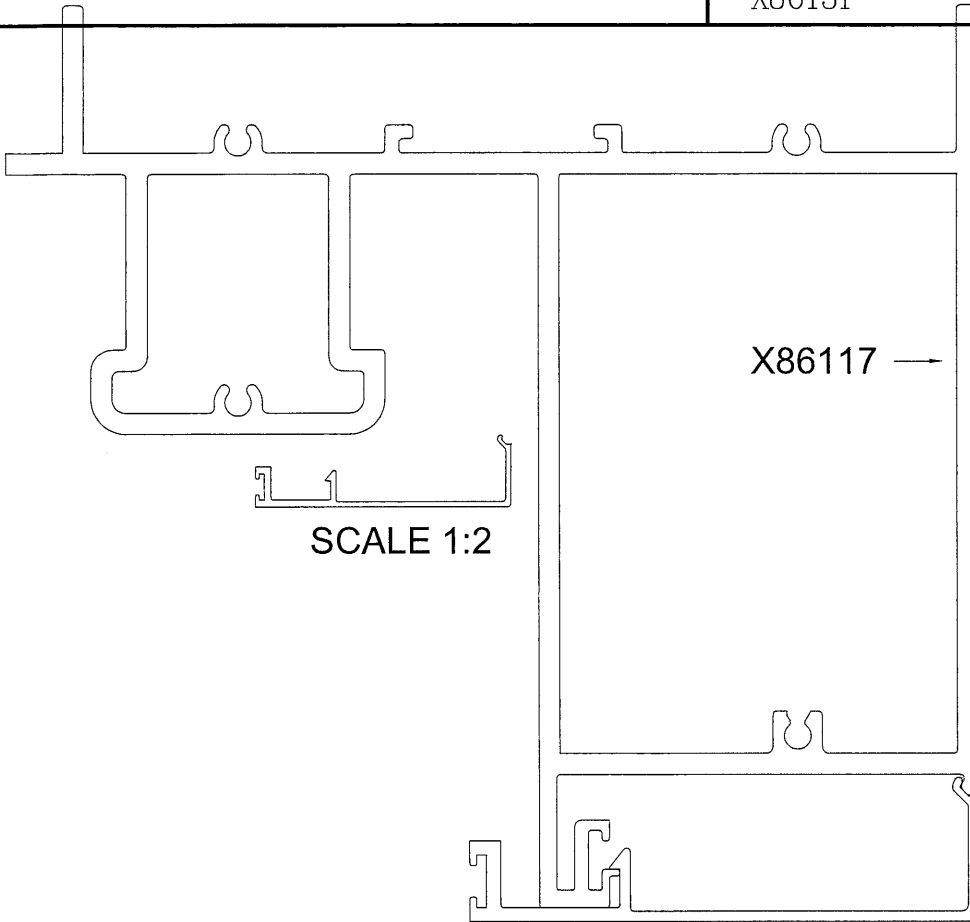
MIDI ALUMINIUM FABRICATOR LTD.

DRAWING NO.  
X86131

REV.

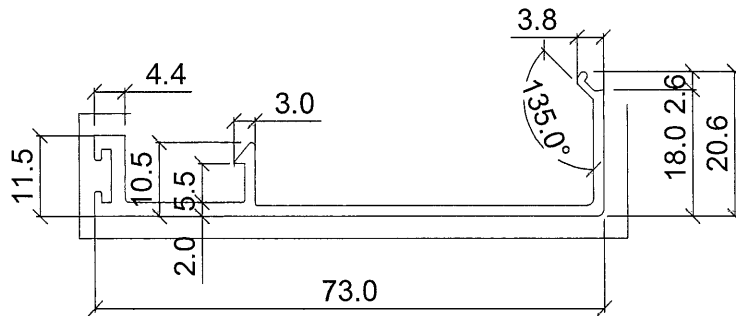
TITLE

20



SCALE 1:2

X86117 →



SCALE 1:1


美特鋁質有限公司	
承認圖面	仲
日期	10/1-2021

APPROVED :

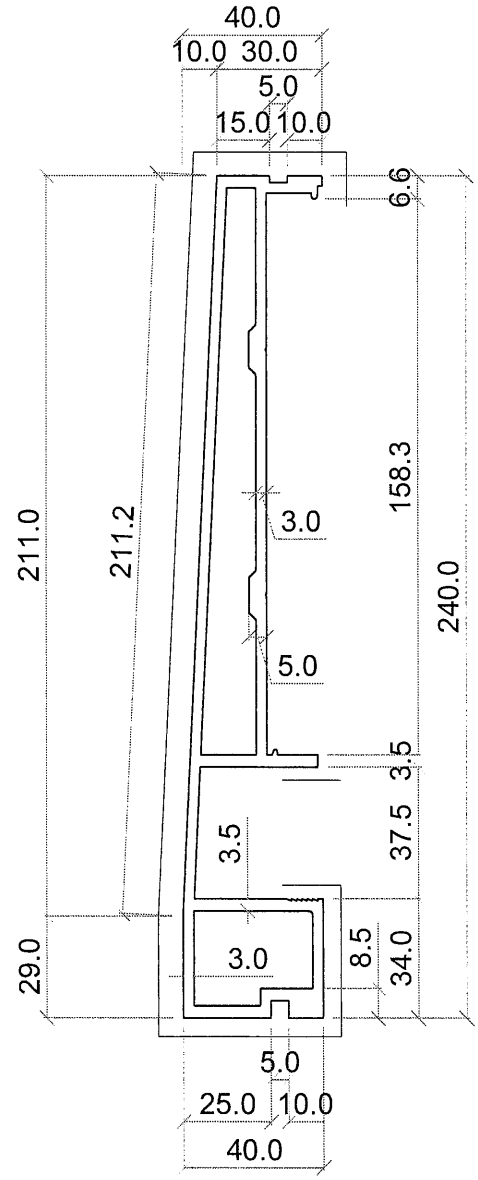
6063-T5

b=R0.5

SECTIONAL AREA	mm <sup>2</sup>	ADDITIONAL TOLERANCE	DATE	REVISION			
				NO.	DATE	NAME	DESCRIPTION
190.6		Thickness ± 0.1 mm	16/10/2021				
WEIGHT	KG/M	Flatness 0.1 /25mm width	SCALE				
0.517		Straightness 0.3 /300mm	1 : 1				
PERIMETER	mm	Twist 0.5° /300 mm max	DRAWN				
236.87		Angularity ± 1.0 degree	-				
V.F.	mm		CHECK				
97.60							

 MIDI ALUMINIUM FABRICATOR LTD.	DRAWING NO. X86133	REV. TITLE
---	--------------------	------------

(21)



SCALE 1:2

美特鋁質有限公司	
承認圖面	<i>[Signature]</i>
日期	10/1-2021

APPROVED :

6063-T6

b=R0.5

SECTIONAL AREA	mm <sup>2</sup>	ADDITIONAL TOLERANCE	DATE	REVISION			
				NO.	DATE	NAME	DESCRIPTION
466.44		Thickness ± 0.1 mm	16/10/2021				
WEIGHT	KG/M	Flatness 0.1 /25mm width	SCALE				
1.264		Straightness 0.3 /300mm	1 : 1				
PERIMETER	mm	Twist 0.5° /300 mm max	DRAWN				
572.61		Angularity ± 1.0 degree	-				
V.F.	mm		CHECK				
211.56							



MIDI ALUMINIUM FABRICATOR LTD.

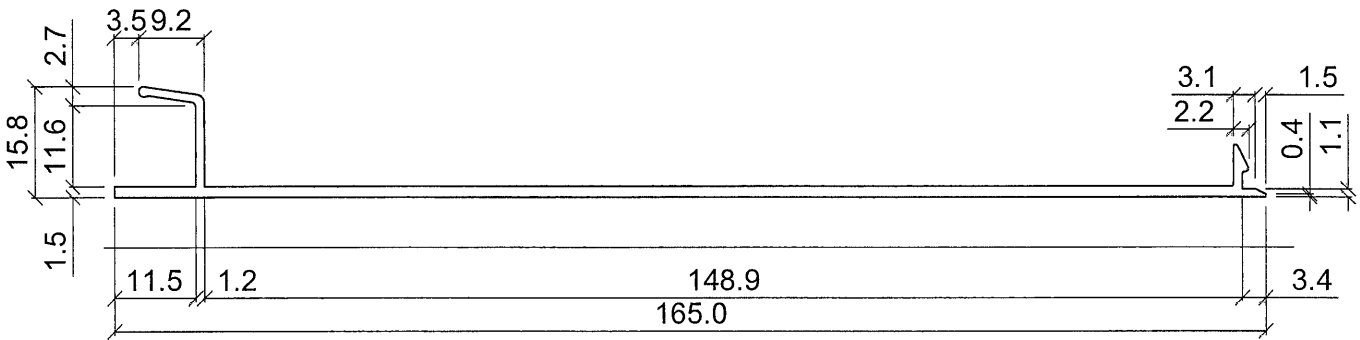
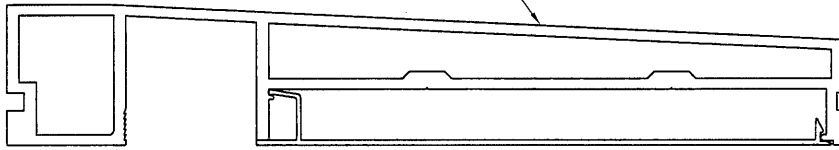
DRAWING NO.  
X86134

REV.

TITLE

62

X86133



SCALE 1:1

美特鋁質有限公司	
承認圖面	<i>[Signature]</i>
日期	10/2021

APPROVED :

6063-T6

b=R0.5

SECTIONAL AREA	mm <sup>2</sup>	ADDITIONAL TOLERANCE	DATE	REVISION			
				NO.	DATE	NAME	DESCRIPTION
279.32		Thickness ± 0.1 mm	16/10/2021				
WEIGHT	KG/M	Flatness 0.1 /25mm width	SCALE				
0.757		Straightness 0.3 /300mm	1 : 1				
PERIMETER	mm	Twist 0.5° /300 mm max	DRAWN				
385.94		Angularity ± 1.0 degree	-				
V.F.	mm		CHECK				
165							



MIDI ALUMINIUM FABRICATOR LTD.

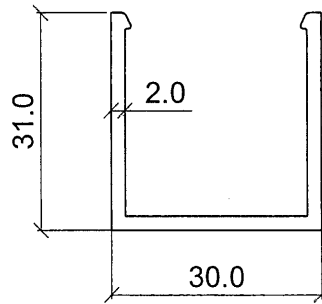
DRAWING NO.  
X86135

REV.

TITLE

-

23



SCALE 1:1

美特鋁質有限公司	
承認圖面	<i>[Signature]</i>
日期	10/1-2021

APPROVED :

6063-T6

b=R0.5

SECTIONAL AREA	mm <sup>2</sup>	ADDITIONAL TOLERANCE	DATE	REVISION			
				NO.	DATE	NAME	DESCRIPTION
178.33		Thickness ± 0.1 mm	16/10/2021				
WEIGHT	KG/M	Flatness 0.1 /25mm width	SCALE				
0.483		Straightness 0.3 /300mm	1 : 1				
PERIMETER	mm	Twist 0.5° /300 mm max	DRAWN				
181.55		Angularity ± 1.0 degree	-				
V.F.	mm		CHECK				
0							



MIDI ALUMINIUM FABRICATOR LTD.

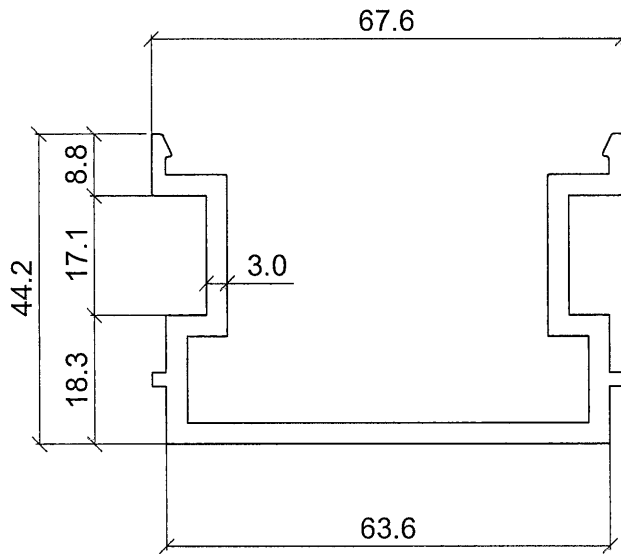
DRAWING NO.  
X86136

REV.

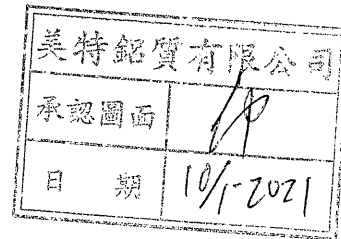
TITLE

-

24



SCALE 1:1



APPROVED :

6063-T6

b=R0.5

SECTIONAL AREA	mm <sup>2</sup>	517.82	ADDITIONAL TOLERANCE	DATE	REVISION			
			Thickness ± 0.1 mm	16/10/2021	NO.	DATE	NAME	DESCRIPTION
WEIGHT	KG/M	1.403	Flatness 0.1 /25mm width	SCALE				
PERIMETER	mm	360.48	Straightness 0.3 /300mm	1 : 1				
V.F.	mm	0	Twist 0.5° /300 mm max	DRAWN				
			Angularity ± 1.0 degree	-				
				CHECK				



MIDI ALUMINIUM FABRICATOR LTD.

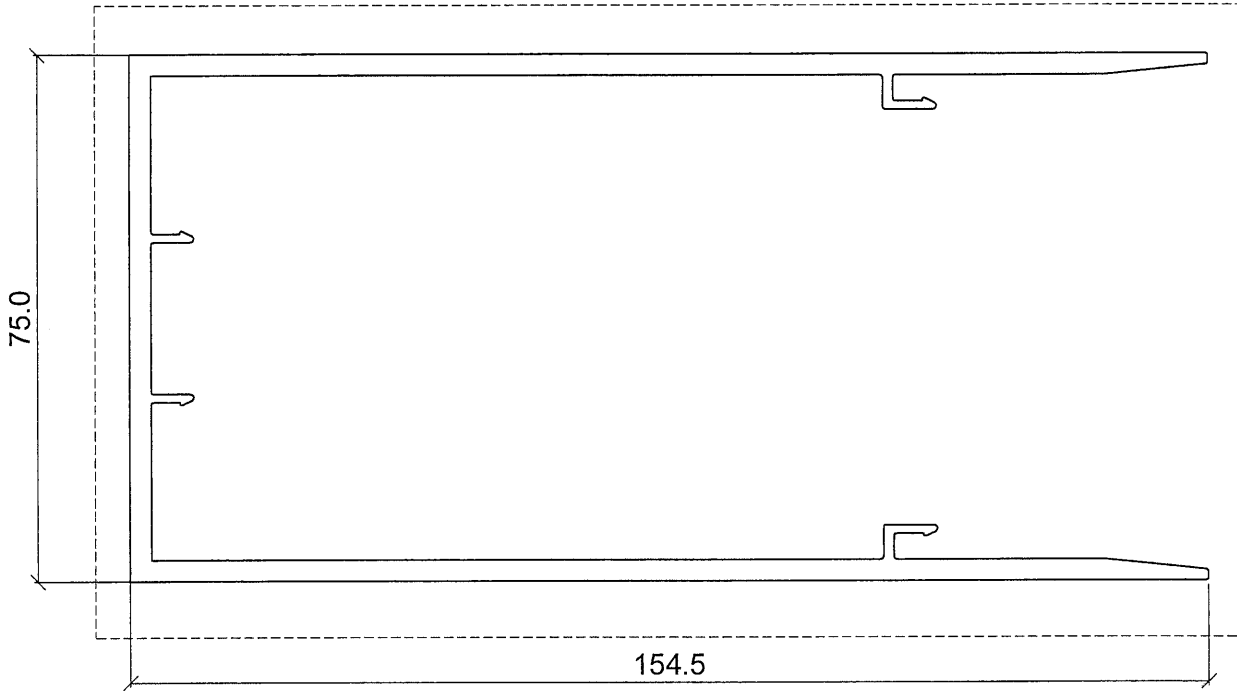
DRAWING NO.  
X86137

REV.

TITLE

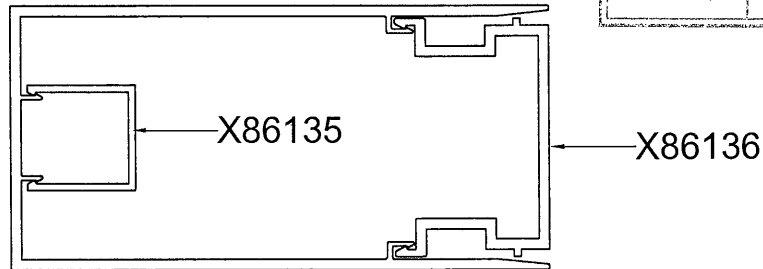
-

25



SCALE 1:1

美特鋁質有限公司	
承認圖面	EP
日期	10/1-2021



APPROVED :

6063-T6

b=R0.5

SECTIONAL AREA	mm <sup>2</sup>	ADDITIONAL TOLERANCE	DATE	REVISION			
				NO.	DATE	NAME	DESCRIPTION
1170.92		Thickness ± 0.1 mm	16/10/2021				
WEIGHT	KG/M	Flatness 0.1 /25mm width	SCALE				
3.173		Straightness 0.3 /300mm	1 : 1				
PERIMETER	mm	Twist 0.5° /300 mm max	DRAWN				
834.88		Angularity ± 1.0 degree	-				
V.F.	mm		CHECK				
392							



MIDI ALUMINIUM FABRICATOR LTD.

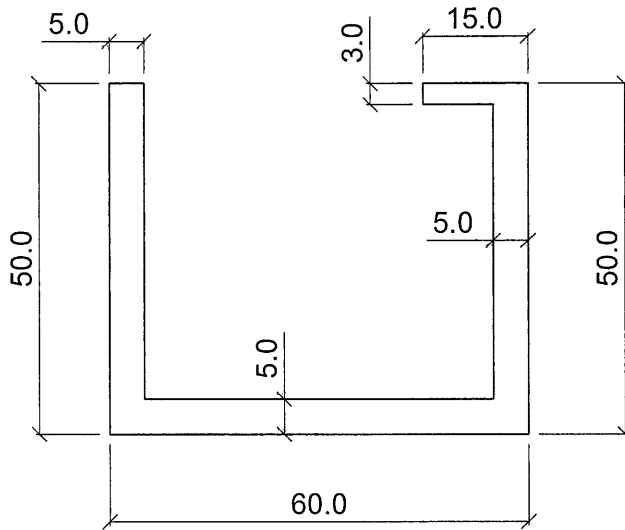
DRAWING NO.  
X86138

REV.

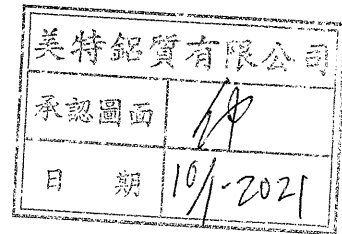
TITLE

-

26



SCALE 1:1




APPROVED :

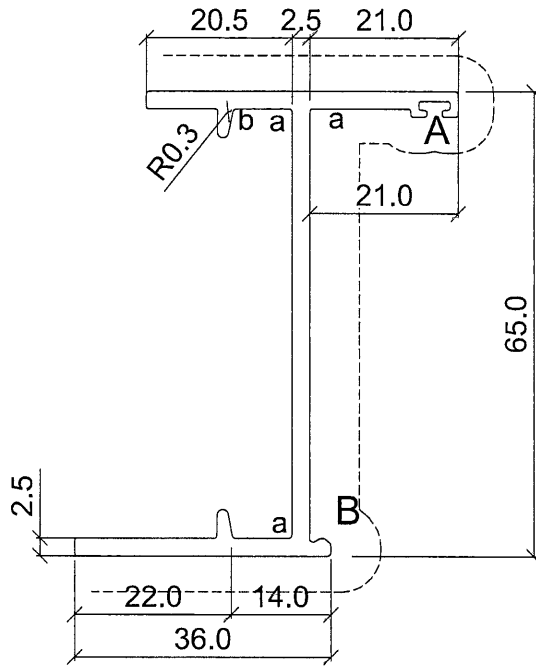
6063-T6

b=R0.5

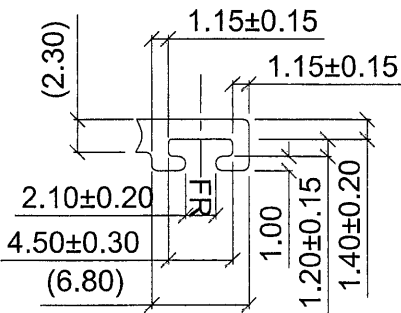
SECTIONAL AREA	mm <sup>2</sup>	ADDITIONAL TOLERANCE	DATE	REVISION			
				NO.	DATE	NAME	DESCRIPTION
780		Thickness ± 0.1 mm	16/10/2021				
WEIGHT	KG/M	Flatness 0.1 /25mm width	SCALE				
2.114		Straightness 0.3 /300mm	1 : 1				
PERIMETER	mm	Twist 0.5° /300 mm max	DRAWN				
330		Angularity ± 1.0 degree	-				
V.F.	mm		CHECK				
0							

 <b>MIDI ALUMINIUM FABRICATOR LTD.</b>	DRAWING NO. X86177 REV.	TITLE -
--	----------------------------	------------

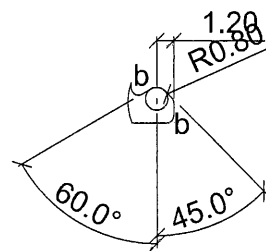
美特鋁質有限公司	
承認圖面	<i>[Signature]</i>
日期	10/1-2021



SCALE 1:1



A-2:1



B-2:1

APPROVED :

6063-T6

a=R0.4  
b=R0.5

SECTIONAL AREA	mm <sup>2</sup>	ADDITIONAL TOLERANCE	DATE	REVISION			
				NO.	DATE	NAME	DESCRIPTION
363.18		Thickness ± 0.1 mm	16/10/2021				
WEIGHT	KG/M	Flatness 0.1 /25mm width	SCALE 1 : 1				
0.984		Straightness 0.3 /300mm	DRAWN -				
PERIMETER	mm	Twist 0.5° /300 mm max	CHECK				
305.81		Angularity ± 1.0 degree					
V.F.	mm						
176.93							



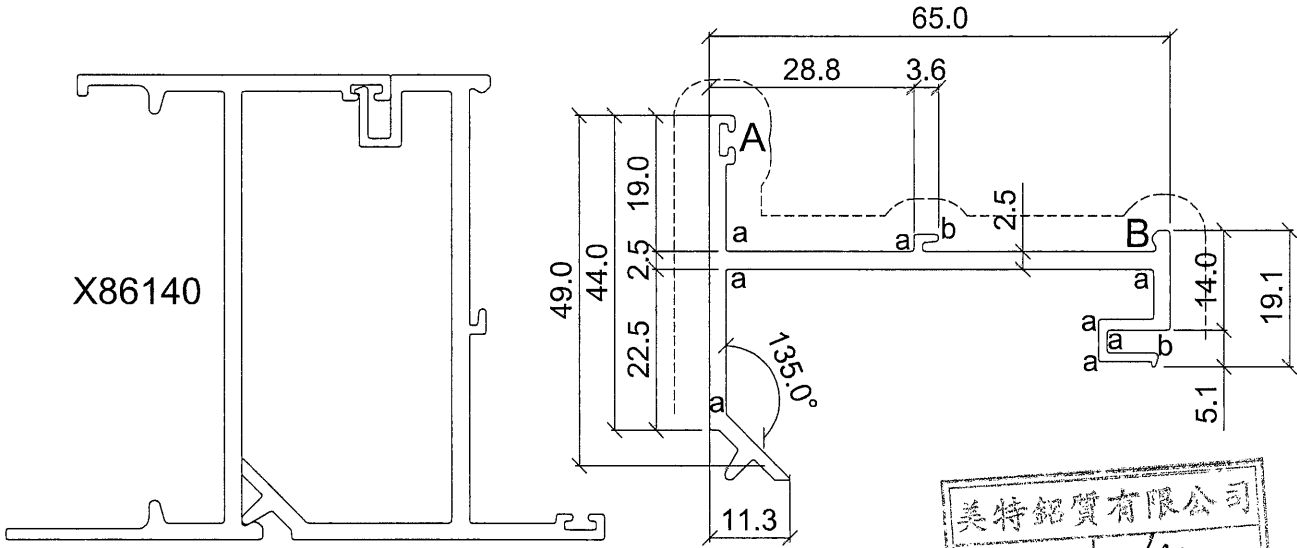
MIDI ALUMINIUM FABRICATOR LTD.

DRAWING NO.  
X86178

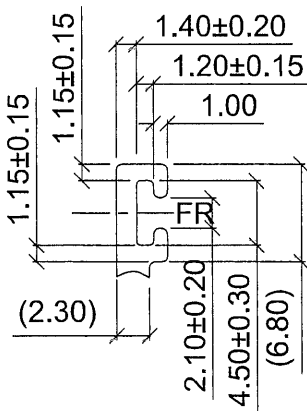
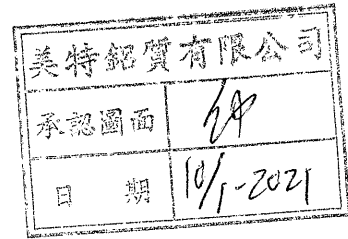
REV.

TITLE

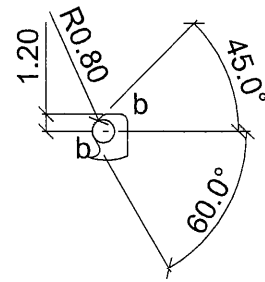
28



X86140



A-2:1



B-2:1

APPROVED :

6063-T6

a=R0.4  
b=R0.5

SECTIONAL AREA		ADDITIONAL TOLERANCE		DATE	REVISION			
346.84	mm <sup>2</sup>	Thickness	± 0.1	16/10/2021	NO.	DATE	NAME	DESCRIPTION
0.940	KG/M	Flatness	0.1 /25mm width	SCALE				
325.64	mm	Straightness	0.3 /300mm	1 : 1				
V.F.	mm	Twist	0.5° /300 mm max	DRAWN				
158.19	mm	Angularity	± 1.0 degree	CHECK				

 MIDI ALUMINIUM FABRICATOR LTD.

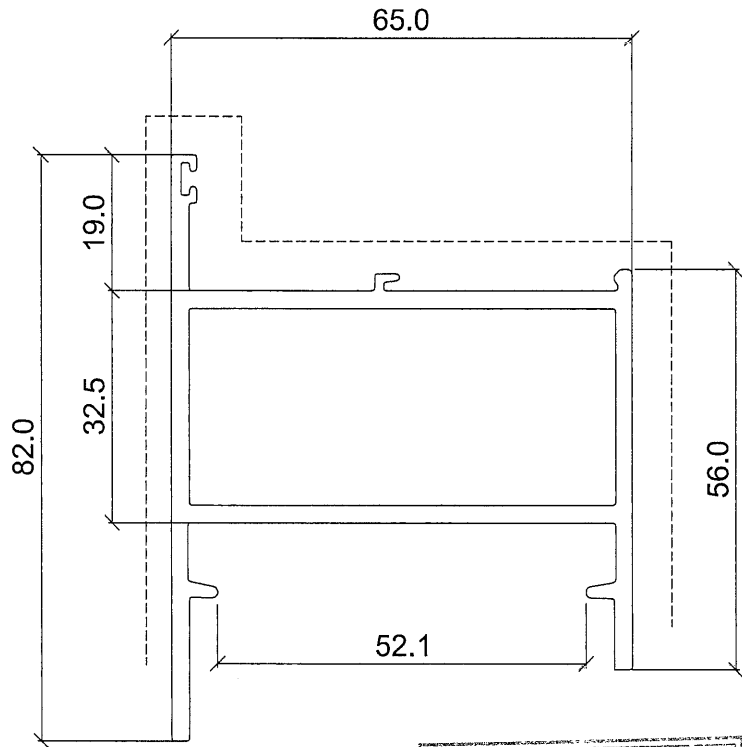
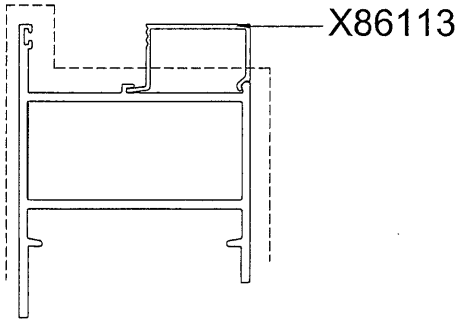
DRAWING NO.  
X86179

REV.

TITLE

29

SCALE 1:2



美特鋁質有限公司	
承認圖面	<i>MA</i>
日期	10/1-2021

APPROVED :

6063-T6

a=R0.4  
b=R0.5

SECTIONAL AREA	mm <sup>2</sup>	ADDITIONAL TOLERANCE	DATE	REVISION			
				NO.	DATE	NAME	DESCRIPTION
654.99		Thickness ± 0.1 mm	16/10/2021				
WEIGHT	KG/M	Flatness 0.1 /25mm width	SCALE				
1.775		Straightness 0.3 /300mm	1 : 1				
PERIMETER	mm	Twist 0.5° /300 mm max	DRAWN				
545.53		Angularity ± 1.0 degree	-				
V.F.	mm		CHECK				
222.14							

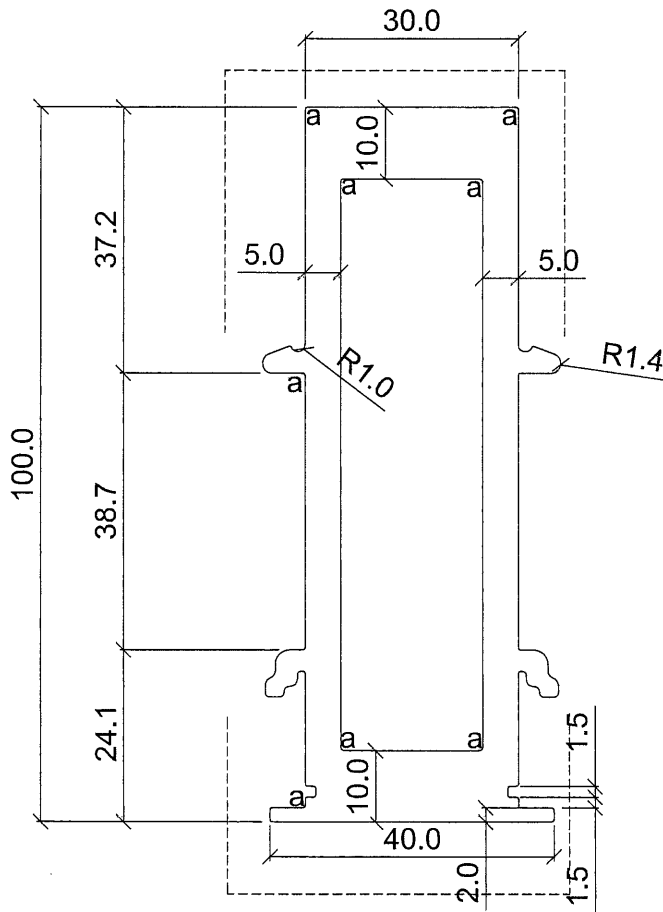
MIDI ALUMINIUM FABRICATOR LTD.

DRAWING NO.  
X86180

REV.

TITLE

30



美特鋁質有限公司	
承認圖面	<i>仲</i>
日期	10/1-2021

APPROVED :

6063-T6

a=R0.4  
b=R0.5

SECTIONAL AREA	mm <sup>2</sup>	ADDITIONAL TOLERANCE	DATE	REVISION			
				NO.	DATE	NAME	DESCRIPTION
1499.54		Thickness ± 0.1 mm	16/10/2021				
WEIGHT	KG/M	Flatness 0.1 /25mm width	SCALE				
4.064		Straightness 0.3 /300mm	1 : 1				
PERIMETER	mm	Twist 0.5° /300 mm max	DRAWN				
534.46		Angularity ± 1.0 degree	-				
V.F.	mm		CHECK				
0							



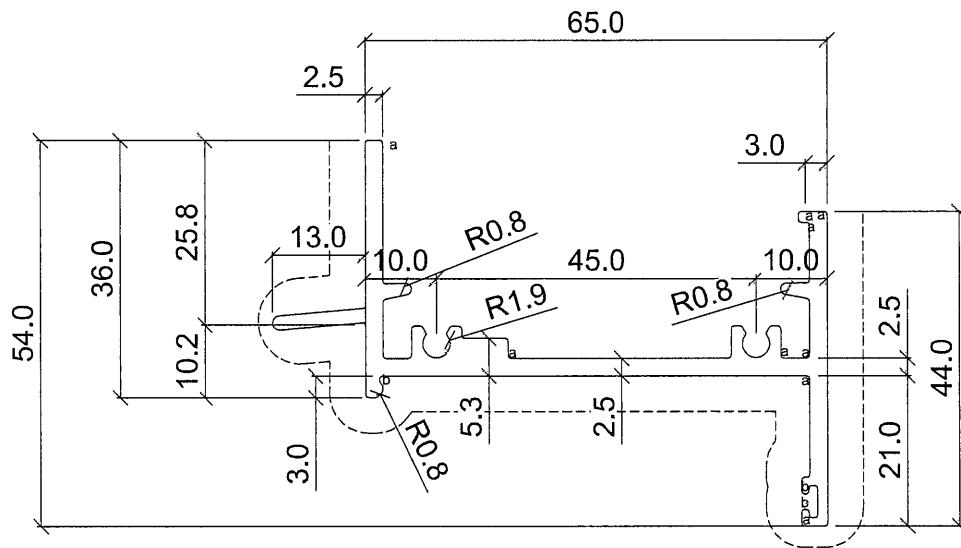
MIDI ALUMINIUM FABRICATOR LTD.

DRAWING NO.  
X86181

REV.

TITLE

31



美特鋁質有限公司  
承認圖面  
日期 10/1-2021

APPROVED :

6063-T6

a=R0.4  
b=R0.5

SECTIONAL AREA		ADDITIONAL TOLERANCE		DATE	REVISION			
443.71	mm <sup>2</sup>	Thickness	± 0.1	16/10/2021	NO.	DATE	NAME	DESCRIPTION
1.202	KG/M	Flatness	0.1 /25mm width	SCALE				
364.50	mm	Straightness	0.3 /300mm	DRAWN				
192.17	mm	Twist	0.5° /300 mm max	CHECK				
		Angularity	± 1.0 degree					



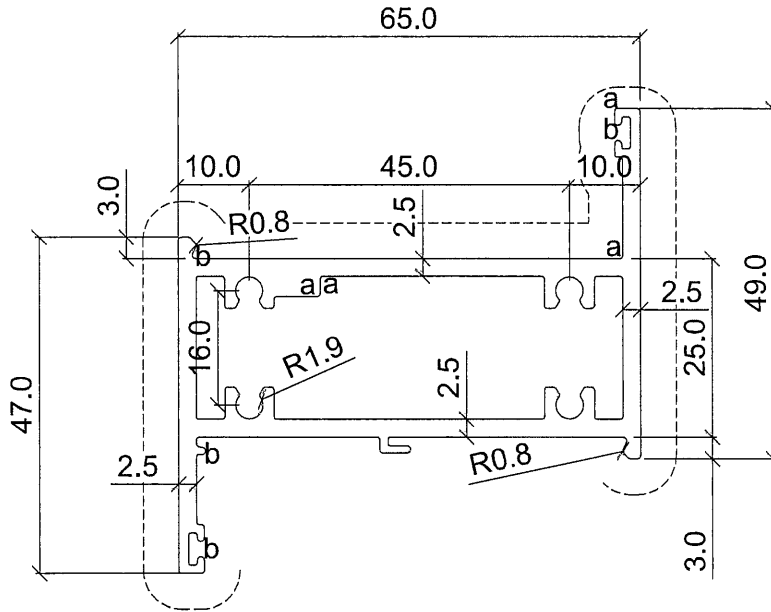
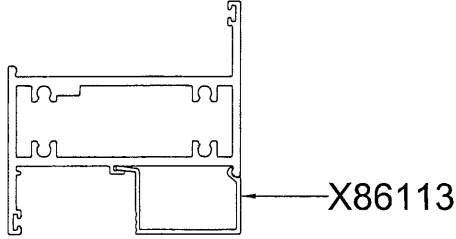
MIDI ALUMINIUM FABRICATOR LTD.

DRAWING NO.  
X86182

REV.

TITLE

32




美特鋁質有限公司	
承認圖面	<i>[Signature]</i>
日期	10/1-2021

APPROVED :

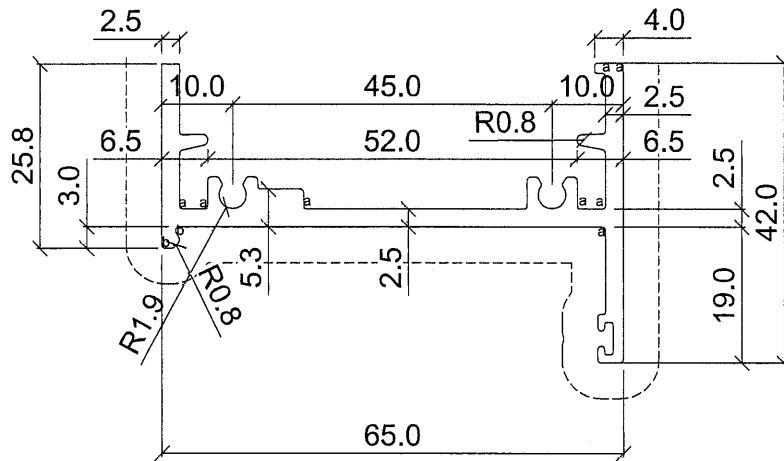
6063-T6

a=R0.4  
b=R0.5

SECTIONAL AREA	mm <sup>2</sup>	ADDITIONAL TOLERANCE	DATE	REVISION			
				NO.	DATE	NAME	DESCRIPTION
631.07		Thickness ± 0.1 mm	16/10/2021				
WEIGHT	KG/M	Flatness 0.1 /25mm width	SCALE				
1.710		Straightness 0.3 /300mm	1 : 1				
PERIMETER	mm	Twist 0.5° /300 mm max	DRAWN				
523.46		Angularity ± 1.0 degree	-				
V.F.	mm		CHECK				
226.43							

 <b>MIDI ALUMINIUM FABRICATOR LTD.</b>	DRAWING NO. <b>X86183</b> REV.	TITLE -
--	-----------------------------------	------------

33



美特鋁質有限公司	
承認圖面	<i>[Signature]</i>
日期	10/1-2021

APPROVED :

6063-T6

a=R0.4  
b=R0.5

SECTIONAL AREA	mm <sup>2</sup>	387.57	ADDITIONAL TOLERANCE	Thickness	± 0.1 mm	DATE	16/10/2021	REVISION			
	WEIGHT	KG/M		1.05	Flatness		0.1 /25mm width	SCALE	1 : 1	NO.	DATE
PERIMETER	mm	315.48	Straightness	0.3 /300mm	DRAWN	-					
V.F.	mm	167.96	Twist	0.5° /300 mm max	CHECK						
			Angularity	± 1.0 degree							



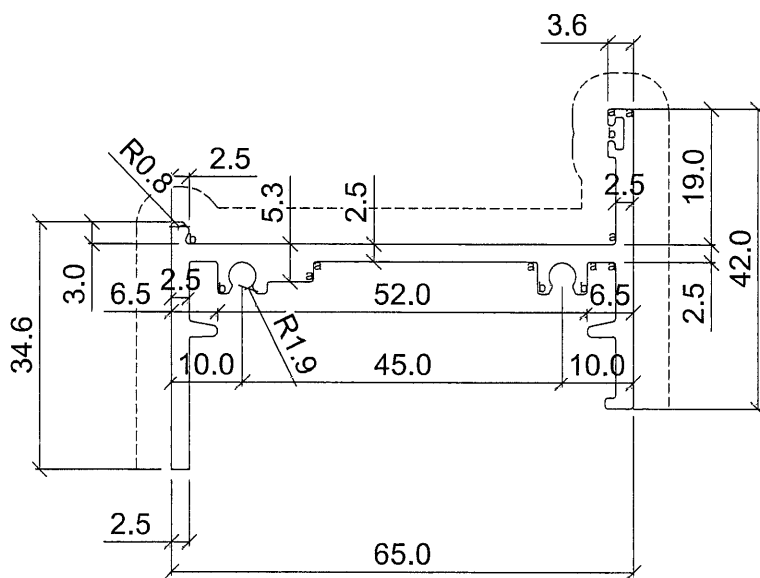
MIDI ALUMINIUM FABRICATOR LTD.

DRAWING NO.  
X86184

REV.

TITLE

34



美特鋁質有限公司  
承認圖面  
日期 10/1-2021

APPROVED :

6063-T6

a=R0.4  
b=R0.5

SECTIONAL AREA mm <sup>2</sup> 409.57	ADDITIONAL TOLERANCE		DATE 16/10/2021	REVISION			
	Thickness	± 0.1 mm	SCALE 1 : 1	NO.	DATE	NAME	DESCRIPTION
WEIGHT KG/M 1.110	Flatness	0.1 /25mm width	DRAWN -				
PERIMETER mm 333.08	Straightness	0.3 /300mm	CHECK				
V.F. mm 175.92	Twist	0.5° /300 mm max					
	Angularity	± 1.0 degree					



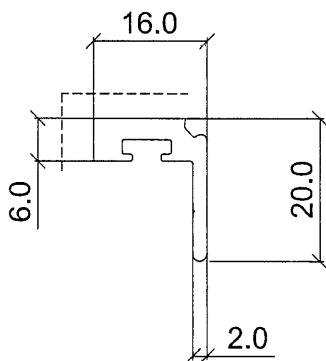
MIDI ALUMINIUM FABRICATOR LTD.

DRAWING NO.  
X86185

REV.

TITLE

35



美特鋁質有限公司	
承認圖面	<i>[Signature]</i>
日期	10/1-2021

APPROVED :

6063-T5

a=R0.4

b=R0.5

SECTIONAL AREA		ADDITIONAL TOLERANCE		DATE	REVISION			
98.4	mm <sup>2</sup>	Thickness	± 0.1 mm	16/10/2021	NO.	DATE	NAME	DESCRIPTION
0.266	KG/M	Flatness	0.1 /25mm width	SCALE				
81.5	mm	Straightness	0.3 /300mm	1 : 1				
V.F.	mm	Twist	0.5° /300 mm max	DRAWN				
22	mm	Angularity	± 1.0 degree	-				
				CHECK				



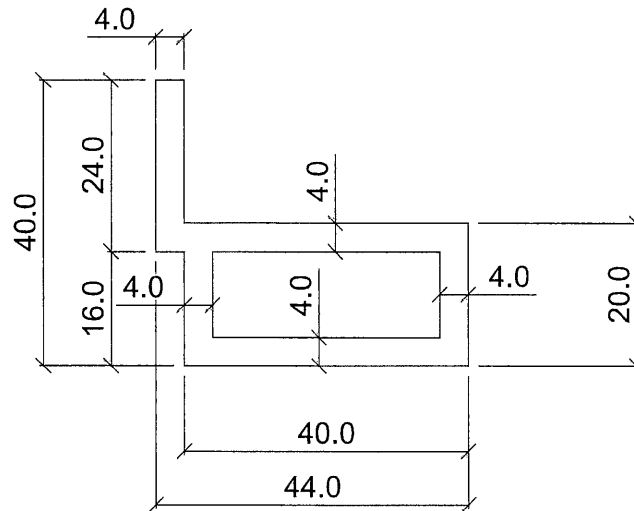
MIDI ALUMINIUM FABRICATOR LTD.

DRAWING NO.  
X86186

REV.

TITLE

36




美特鋁質有限公司	
承認圖面	<i>[Signature]</i>
日期	10/1-2021

APPROVED :

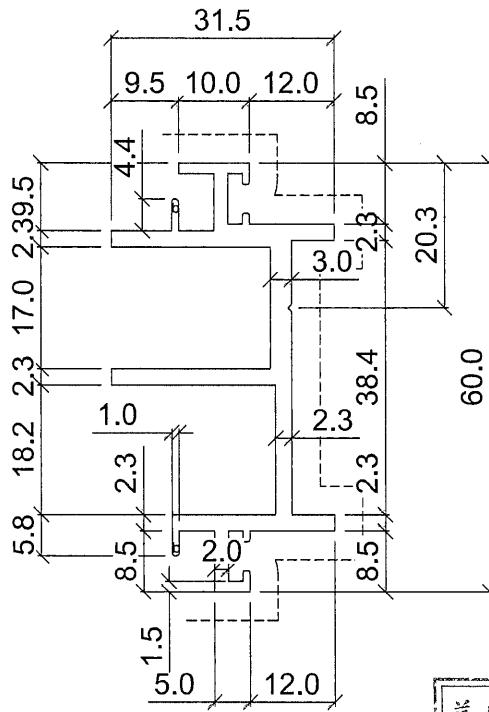
6063-T6

a=R0.4  
b=R0.5

SECTIONAL AREA	mm <sup>2</sup>	ADDITIONAL TOLERANCE	DATE	REVISION			
				NO.	DATE	NAME	DESCRIPTION
512		Thickness ± 0.1 mm	16/10/2021				
WEIGHT	KG/M	Flatness 0.1 /25mm width	SCALE				
1.388		Straightness 0.3 /300mm	1 : 1				
PERIMETER	mm	Twist 0.5° /300 mm max	DRAWN				
256		Angularity ± 1.0 degree	-				
V.F.	mm		CHECK				
0							

 <b>MIDI ALUMINIUM FABRICATOR LTD.</b>	DRAWING NO. X86187	REV. TITLE
--	--------------------	------------

37



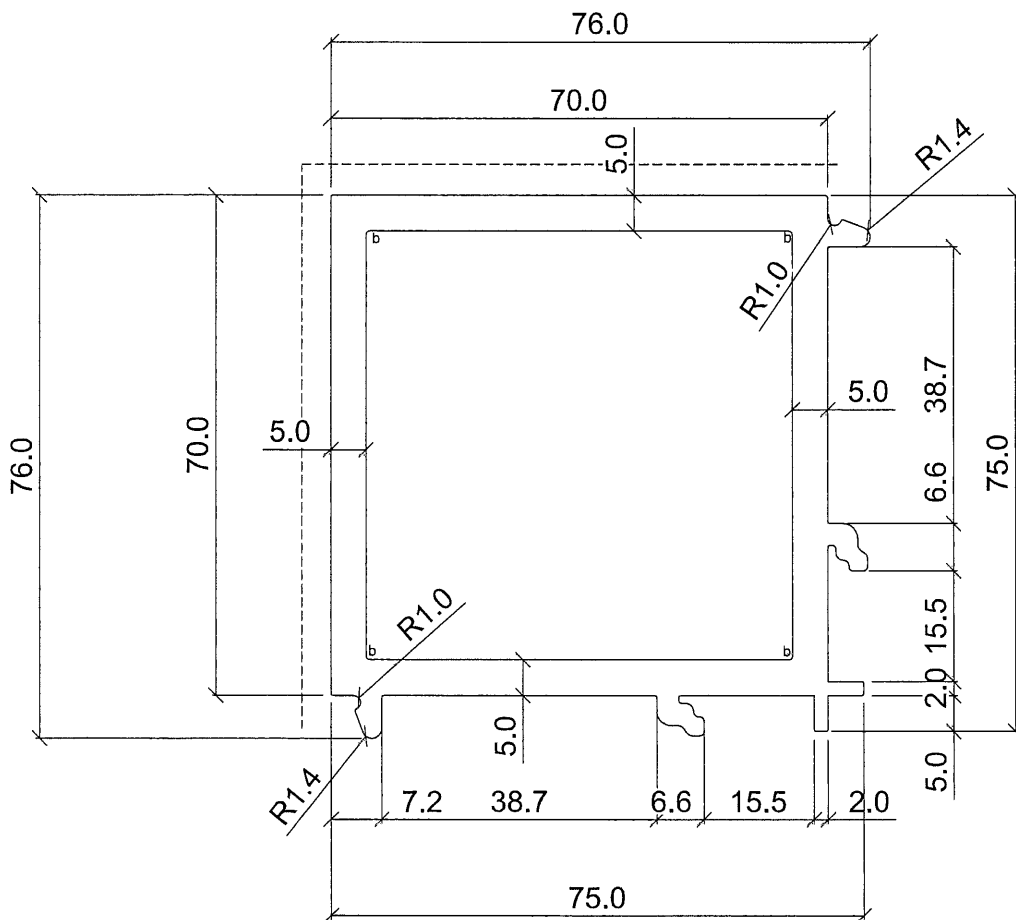
美特鋁質有限公司	
承認圖面	<i>[Signature]</i>
日期	16/10-2021

APPROVED :

6063-T6

a=R0.4  
b=R0.5  
未标倒角, 均为R0.3

SECTIONAL AREA	mm <sup>2</sup>	351.03	ADDITIONAL TOLERANCE	Thickness	± 0.1	DATE	16/10/2021	REVISION			
	WEIGHT	KG/M		0.951	Flatness	0.1 /25mm width	SCALE	1 : 1	NO.	DATE	NAME
PERIMETER	mm	320.13	Straightness	0.3 /300mm	DRAWN	-					
V.F.	mm	134.13	Twist	0.5° /300 mm max	CHECK						
			Angularity	± 1.0 degree							



美特鋁質有限公司  
承認圖面  
日期 10/1-2021

APPROVED :

6063-T6

a=R0.4  
b=R0.5  
未标倒角, 均为R0.3

SECTIONAL AREA		ADDITIONAL TOLERANCE		DATE	REVISION			
1403.66	mm <sup>2</sup>	Thickness	± 0.1	16/10/2021	NO.	DATE	NAME	DESCRIPTION
3.804	KG/M	Flatness	0.1 /25mm width	SCALE				
589.55	mm	Straightness	0.3 /300mm	1 : 1				
V.F.	mm	Twist	0.5° /300 mm max	DRAWN				
154.3	mm	Angularity	± 1.0 degree	CHECK				



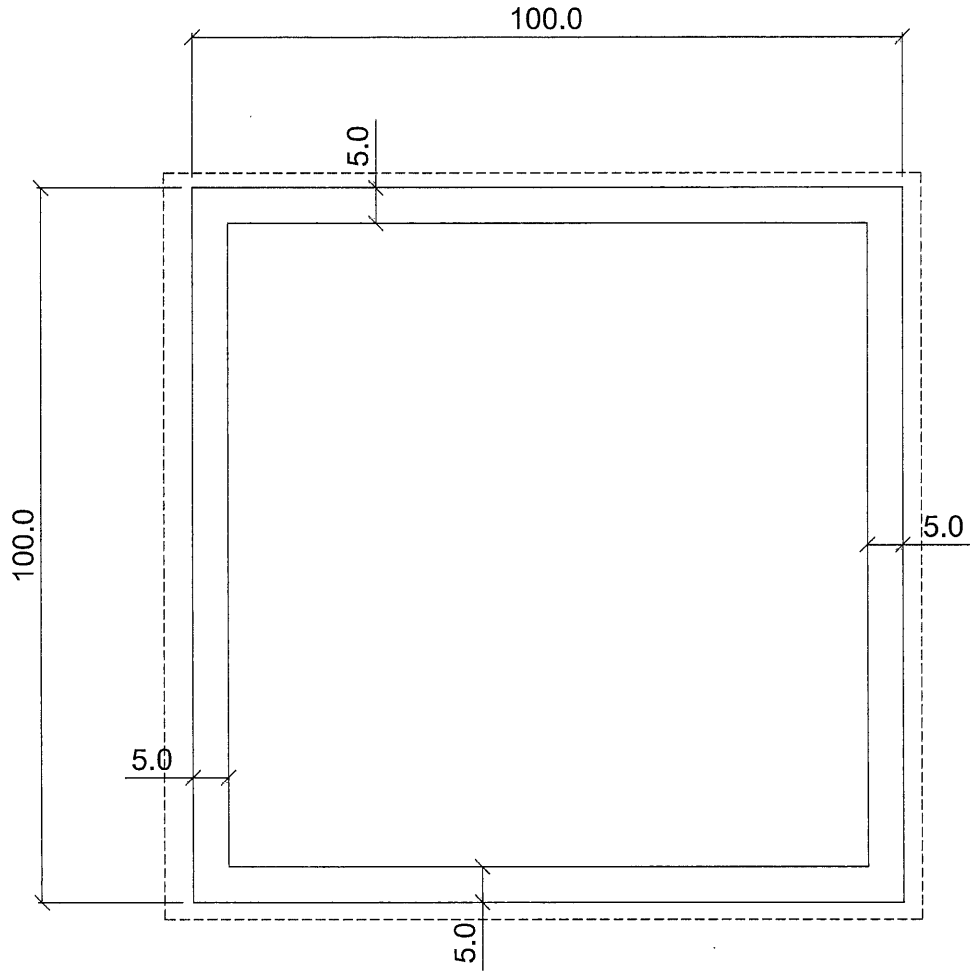
MIDI ALUMINIUM FABRICATOR LTD.

DRAWING NO.  
X86189

REV.

TITLE  
-

39




美特鋁質有限公司	
承認圖面	<i>[Signature]</i>
日期	10/1-2021

APPROVED :

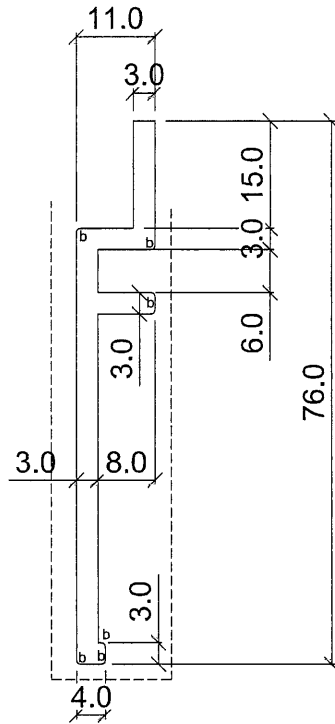
6063-T6

a=R0.4  
b=R0.5  
未标倒角，均为R0.3

SECTIONAL AREA	mm <sup>2</sup>	ADDITIONAL TOLERANCE	DATE	REVISION			
				NO.	DATE	NAME	DESCRIPTION
1900		Thickness ± 0.1 mm	16/10/2021				
WEIGHT	KG/M	Flatness 0.1 /25mm width	SCALE				
5.149		Straightness 0.3 /300mm	1 : 1				
PERIMETER	mm	Twist 0.5° /300 mm max	DRAWN				
760		Angularity ± 1.0 degree	-				
V.F.	mm		CHECK				
422.05							

 MIDI ALUMINIUM FABRICATOR LTD.	DRAWING NO. X86190	REV. TITLE -
---	--------------------	--------------

40



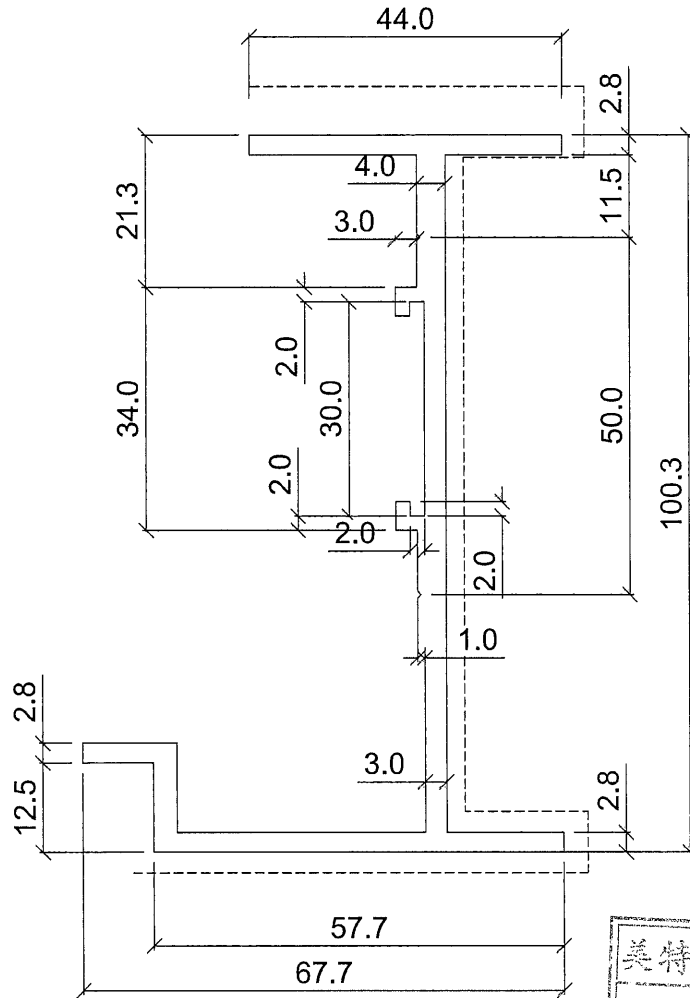
美特鋁質有限公司  
 承認圖面  
 日期 10/1-2021

APPROVED :

6063-T5

a=R0.4  
 b=R0.5

SECTIONAL AREA		ADDITIONAL TOLERANCE		DATE	REVISION			
278.64 mm <sup>2</sup>		Thickness ± 0.1 mm		16/10/2021	NO.	DATE	NAME	DESCRIPTION
WEIGHT 0.755 KG/M		Flatness 0.1 /25mm width		SCALE 1 : 1				
PERIMETER 190.51 mm		Straightness 0.3 /300mm		DRAWN -				
V.F. 0 mm		Twist 0.5° /300 mm max		CHECK				
		Angularity ± 1.0 degree						



美特鋁質有限公司  
承認圖面  
日期 10/1-2021

APPROVED :

6063-T6

a=R0.4  
b=R0.5  
未标倒角，均为R0.3

SECTIONAL AREA	mm <sup>2</sup>	ADDITIONAL TOLERANCE	DATE	REVISION			
				NO.	DATE	NAME	DESCRIPTION
691.55		Thickness ± 0.1 mm	16/10/2021				
WEIGHT	KG/M	Flatness 0.1 /25mm width	SCALE				
1.874		Straightness 0.3 /300mm	1 : 1				
PERIMETER	mm	Twist 0.5° /300 mm max	DRAWN				
465.14		Angularity ± 1.0 degree	-				
V.F.	mm		CHECK				
255.42							



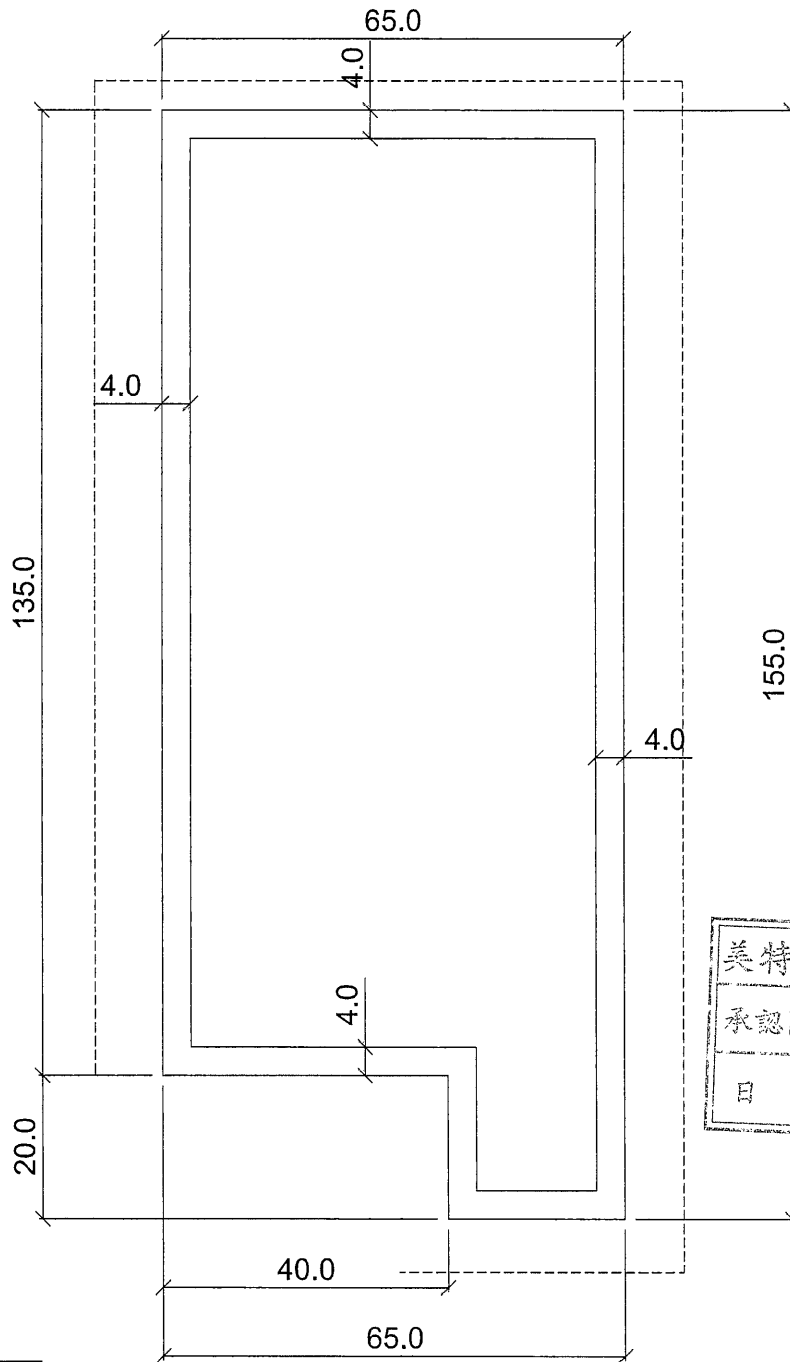
MIDI ALUMINIUM FABRICATOR LTD.

DRAWING NO.  
X86192

REV.

TITLE

42



美特鋁質有限公司	
承認圖面	<i>[Signature]</i>
日期	10/1-2021

APPROVED :

6063-T6

a=R0.4  
b=R0.5

SECTIONAL AREA		ADDITIONAL TOLERANCE		DATE	REVISION			
1696	mm <sup>2</sup>	Thickness	± 0.1 mm	16/10/2021	NO.	DATE	NAME	DESCRIPTION
4.596	KG/M	Flatness	0.1 /25mm width	SCALE				
848	mm	Straightness	0.3 /300mm	1 : 1				
V.F.	mm	Twist	0.5° /300 mm max	DRAWN				
428.5	mm	Angularity	± 1.0 degree	CHECK				



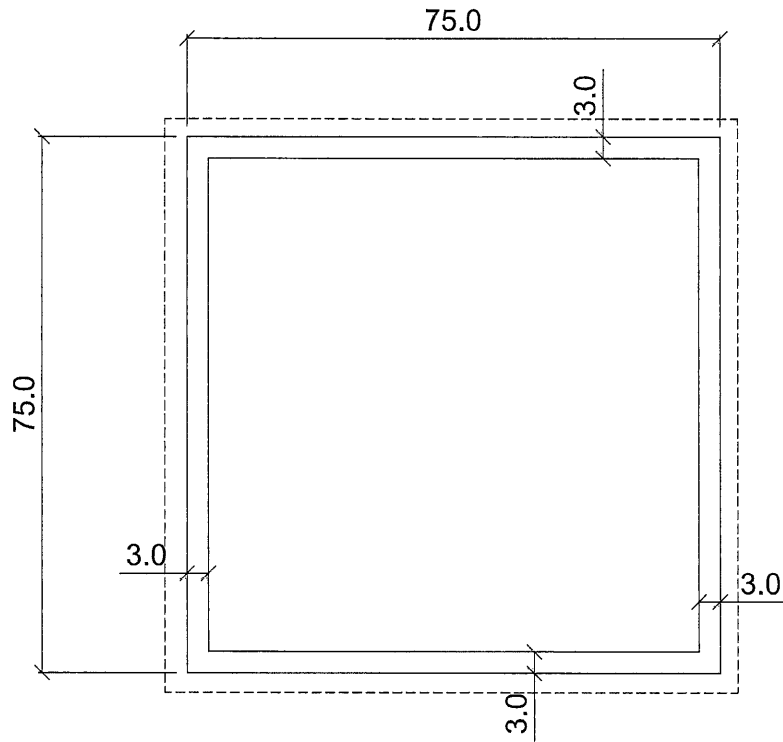
MIDI ALUMINIUM FABRICATOR LTD.

DRAWING NO.  
X86193

REV.

TITLE

43



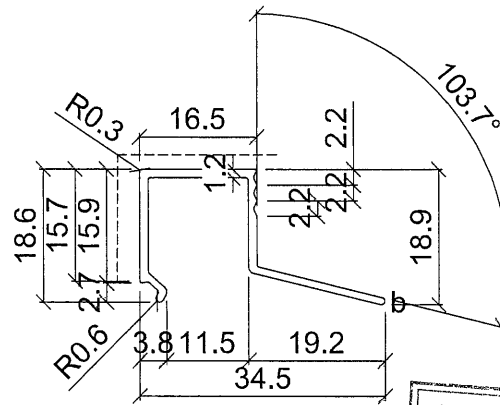
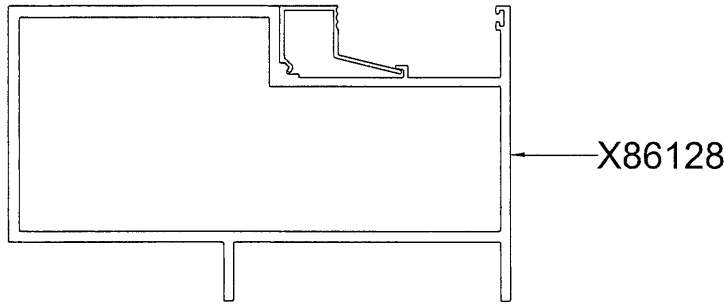
美特鋁質有限公司	
承認圖面	<i>[Signature]</i>
日期	10/1-2021

APPROVED :

6063-T6

a=R0.4  
b=R0.5

SECTIONAL AREA		ADDITIONAL TOLERANCE		DATE	REVISION			
864	mm <sup>2</sup>	Thickness	± 0.1 mm	16/10/2021	NO.	DATE	NAME	DESCRIPTION
2.341	KG/M	Flatness	0.1 /25mm width	SCALE				
576	mm	Straightness	0.3 /300mm	1 : 1				
V.F.	mm	Twist	0.5° /300 mm max	DRAWN				
321.69	mm	Angularity	± 1.0 degree	-				
				CHECK				



美特鋁質有限公司  
承認圖面  
日期 10/1-2021

APPROVED :

6063-T6

a=R0.4  
b=R0.5

SECTIONAL AREA	mm <sup>2</sup>	75.08	ADDITIONAL TOLERANCE	DATE	REVISION			
WEIGHT	KG/M	0.203	Thickness ± 0.1 mm	16/10/2021	NO.	DATE	NAME	DESCRIPTION
PERIMETER	mm	135.92	Flatness 0.1 /25mm width	SCALE				
V.F.	mm	0	Straightness 0.3 /300mm	1 : 1				
			Twist 0.5° /300 mm max	DRAWN				
			Angularity ± 1.0 degree	CHECK				

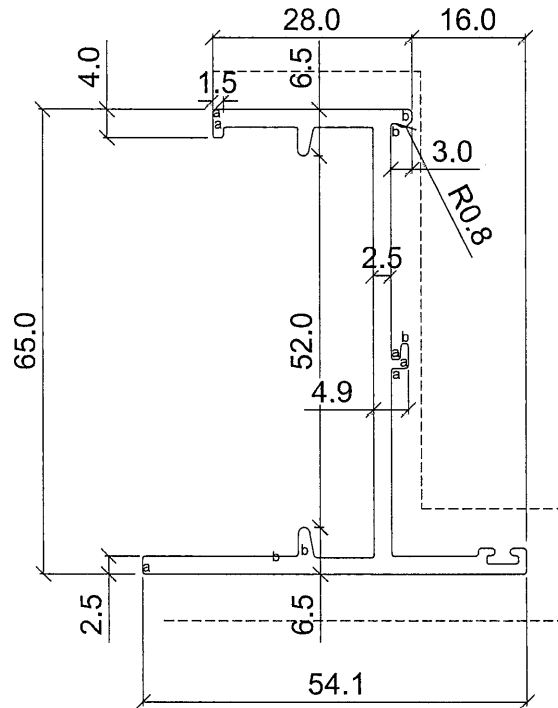
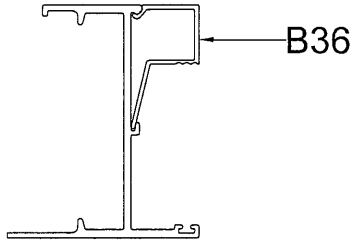
MIDI ALUMINIUM FABRICATOR LTD.

DRAWING NO.  
X86195

REV.

TITLE

45



美特鋁質有限公司  
承認圖面  
日期 10/1-2021

APPROVED :

6063-T6

a=R0.4  
b=R0.5

SECTIONAL AREA	mm <sup>2</sup>	374.3	ADDITIONAL TOLERANCE	DATE	REVISION			
WEIGHT	KG/M	1.014	Thickness ± 0.1 mm	16/10/2021	NO.	DATE	NAME	DESCRIPTION
PERIMETER	mm	321.15	Flatness 0.1 /25mm width	SCALE				
V.F.	mm	0	Straightness 0.3 /300mm	1 : 1				
			Twist 0.5° /300 mm max	DRAWN				
			Angularity ± 1.0 degree	CHECK				

 MIDI ALUMINIUM FABRICATOR LTD.

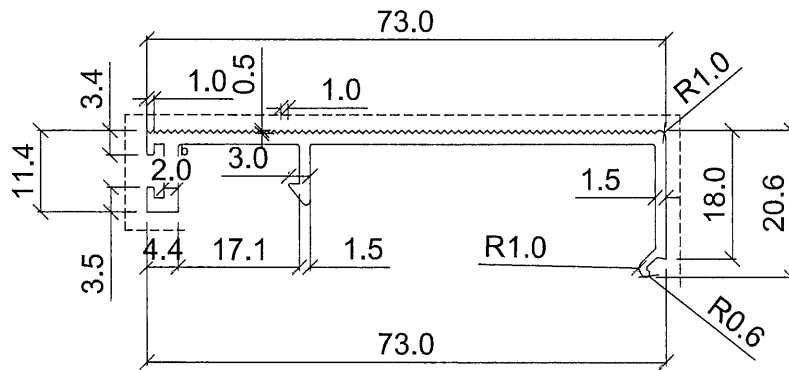
DRAWING NO.  
X86196

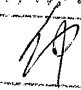
REV.

TITLE

-

46



美特鋁質有限公司	
承認圖面	
日期	10/1-2021

APPROVED :

6063-T5

a=R0.4  
b=R0.5

SECTIONAL AREA	mm <sup>2</sup>	ADDITIONAL TOLERANCE	DATE	REVISION			
				NO.	DATE	NAME	DESCRIPTION
196.66		Thickness ± 0.1 mm	16/10/2021				
WEIGHT	KG/M	Flatness 0.1 /25mm width	SCALE				
0.533		Straightness 0.3 /300mm	1 : 1				
PERIMETER	mm	Twist 0.5° /300 mm max	DRAWN				
265.91		Angularity ± 1.0 degree	-				
V.F.	mm		CHECK				
126.74							



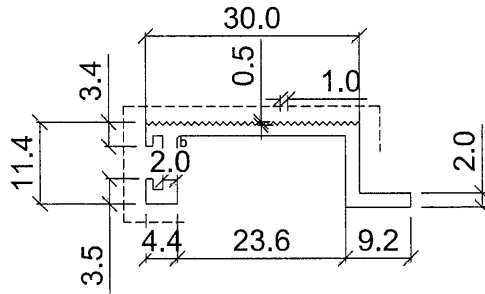
MIDI ALUMINIUM FABRICATOR LTD.

DRAWING NO.  
X86197

REV.

TITLE

(47)



美特銘質有限公司	
承認圖面	<i>仲</i>
日期	10/1-2021

APPROVED :

6063-T5

a=R0.4  
b=R0.5

SECTIONAL AREA	mm <sup>2</sup>	ADDITIONAL TOLERANCE	DATE	REVISION			
				NO.	DATE	NAME	DESCRIPTION
113.7		Thickness ± 0.1 mm	16/10/2021				
WEIGHT	KG/M	Flatness 0.1 /25mm width	SCALE				
0.308		Straightness 0.3 /300mm	1 : 1				
PERIMETER	mm	Twist 0.5° /300 mm max	DRAWN				
139.9		Angularity ± 1.0 degree	-				
V.F.	mm		CHECK				
52							