

## 工程指示 / 要求簡箋(E.I.)

工程指示編號：EI / 4021 / 22 修改版次：A

工程編號：J857

工程名稱：啟德 6552

以此為準

工程項目：繪畫模圖(後裝窗和欄河)

收件人：Maggie Lor (羅小姐)

發件人：Yancy Chen

日期：10/01/2022

□要求提供 / □確認 事項：

- |                                    |                                     |                               |
|------------------------------------|-------------------------------------|-------------------------------|
| <input type="checkbox"/> 初步鋁料 B.M. | <input type="checkbox"/> 加工拆圖，然後生產  | <input type="checkbox"/> 尺寸表  |
| <input type="checkbox"/> 正式鋁料 B.M. | <input type="checkbox"/> 技術上資料 / 指示 | <input type="checkbox"/> 報價   |
| <input type="checkbox"/> 配件 B.M.   | <input type="checkbox"/> 樣辦或貨品說明書   | <input type="checkbox"/> 分判合約 |
| <input type="checkbox"/> 其他：_____  |                                     |                               |

內容：

請按附頁修改資料，繪畫模圖，共 26 頁。

CAD 圖見 U:\to hk\maggie\J857\EI\EI4021A

請在 12/1/2022 前完成上列要求。

附：

1+ 26 頁

以上項目為：

 原合約工程包
  原合約工程加 / 減賬
  新工程報價

原因：-

分發東莞各部門：

- |   |   |   |   |                              |                              |                                   |                              |
|---|---|---|---|------------------------------|------------------------------|-----------------------------------|------------------------------|
| <input type="checkbox"/> 生產技術總監         | <input type="checkbox"/> 連附件            | <input type="checkbox"/> 技術部              | <input type="checkbox"/> 連附件            | <input type="checkbox"/> 生產部 | <input type="checkbox"/> 連附件 | <input type="checkbox"/> 機械設計部    | <input type="checkbox"/> 連附件 |
| <input type="checkbox"/> 採購部            | <input type="checkbox"/> 連附件            | <input checked="" type="checkbox"/> 生產統籌部 | <input checked="" type="checkbox"/> 連附件 |                              |                              |                                   |                              |
| <input checked="" type="checkbox"/> 質檢部 | <input checked="" type="checkbox"/> 連附件 | <input type="checkbox"/> 會計部              | <input type="checkbox"/> 連附件            | <input type="checkbox"/> 報關組 | <input type="checkbox"/> 連附件 | <input type="checkbox"/> 其他 _____ | <input type="checkbox"/> 連附件 |

分發香港各部門：

- |                              |                              |                               |                              |                              |                              |                                   |                              |
|------------------------------|------------------------------|-------------------------------|------------------------------|------------------------------|------------------------------|-----------------------------------|------------------------------|
| <input type="checkbox"/> 行政部 | <input type="checkbox"/> 連附件 | <input type="checkbox"/> 會計部  | <input type="checkbox"/> 連附件 | <input type="checkbox"/> 統籌部 | <input type="checkbox"/> 連附件 | <input type="checkbox"/> 工程部地盤科文  | <input type="checkbox"/> 連附件 |
| <input type="checkbox"/> 採購部 | <input type="checkbox"/> 連附件 | <input type="checkbox"/> QS 部 | <input type="checkbox"/> 連附件 | <input type="checkbox"/> 維修部 | <input type="checkbox"/> 連附件 | <input type="checkbox"/> 其他 _____ | <input type="checkbox"/> 連附件 |

傳遞編號：

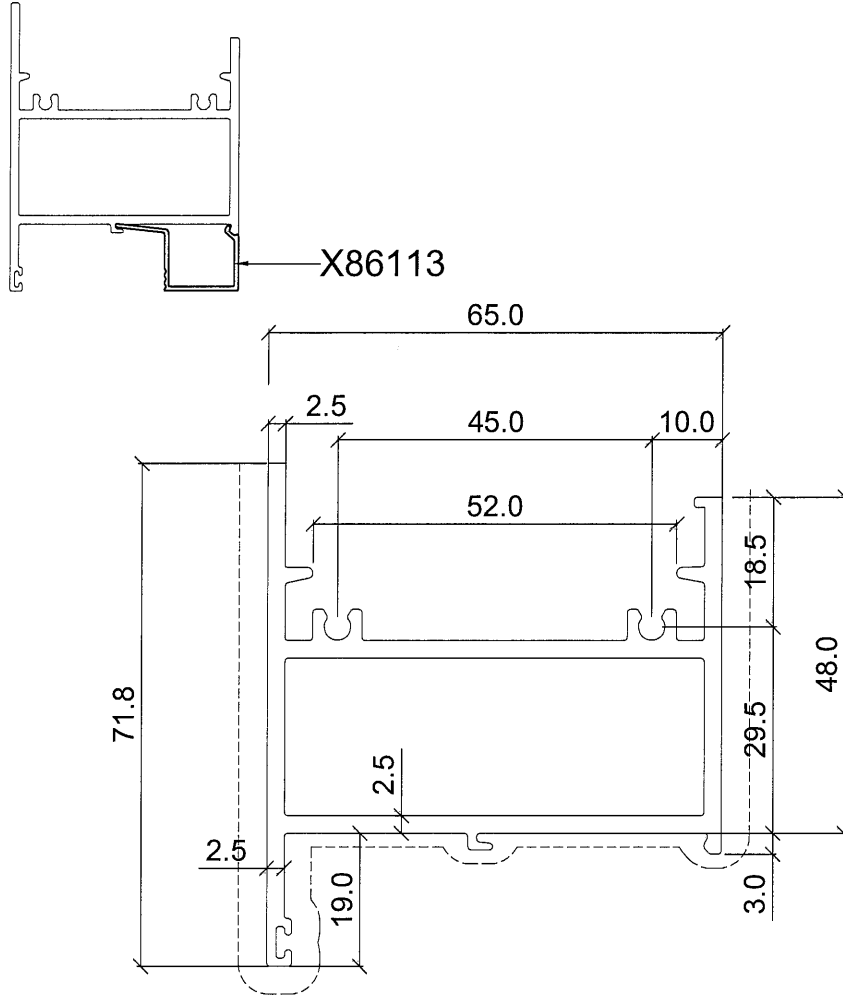
HK0066/22

發件人簽署：

項目經理簽署：

 MIDI ALUMINIUM FABRICATOR LTD.	DRAWING NO. X86110	REV. -	TITLE -
---	-----------------------	-----------	------------

①




美特鋁質有限公司	
承認圖面	<i>[Signature]</i>
日期	10/1-2021

APPROVED :

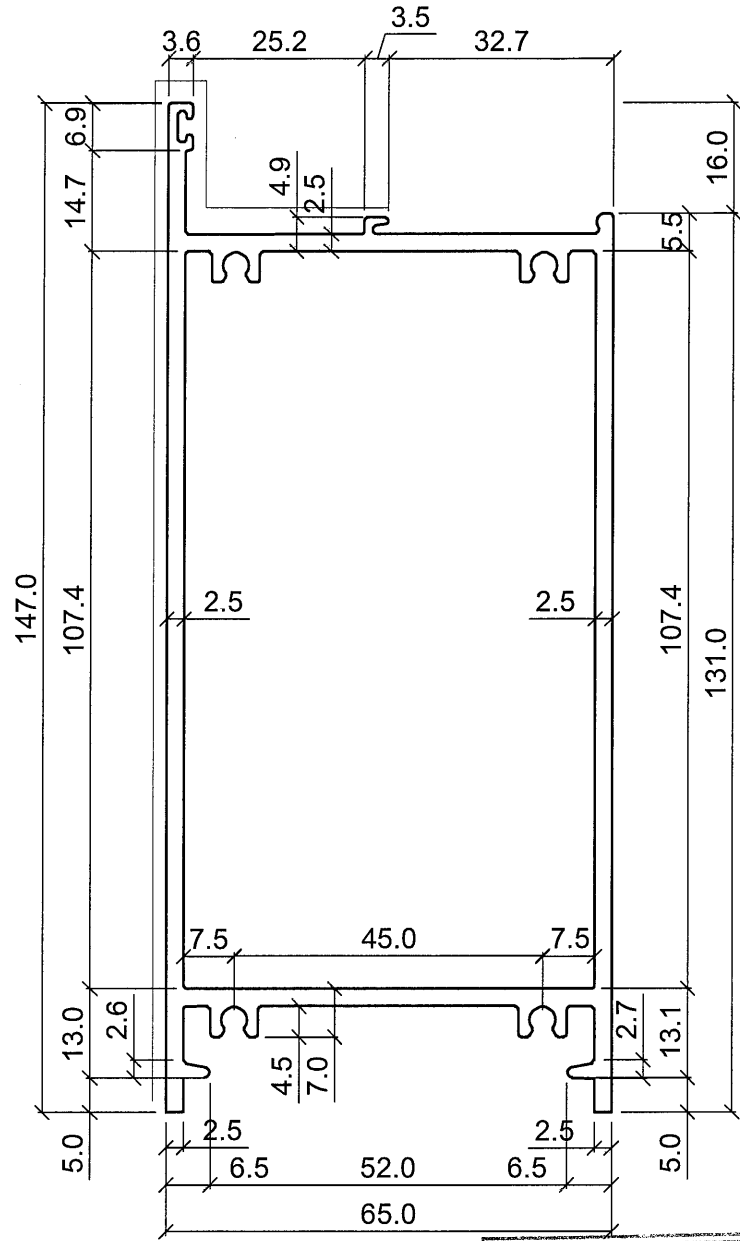
6063-T6

b=R0.5

SECTIONAL AREA	mm <sup>2</sup>	662.52	ADDITIONAL TOLERANCE	Thickness	± 0.1 mm	DATE	16/10/2021	REVISION			
	WEIGHT	KG/M		3.804	Flatness		0.1 /25mm width	SCALE	1 : 1	NO.	DATE
PERIMETER	mm	548.59	Straightness	0.3 /300mm	DRAWN	-					
V.F.	mm	222.8	Twist	0.5° /300 mm max	CHECK						
			Angularity	± 1.0 degree							

 <b>MIDI ALUMINIUM FABRICATOR LTD.</b>	DRAWING NO. <b>X86111</b> REV.	TITLE -
---	-----------------------------------	------------

②




美特鋁質有限公司  
 承認圖面  
 日期 10/1-2021

APPROVED :

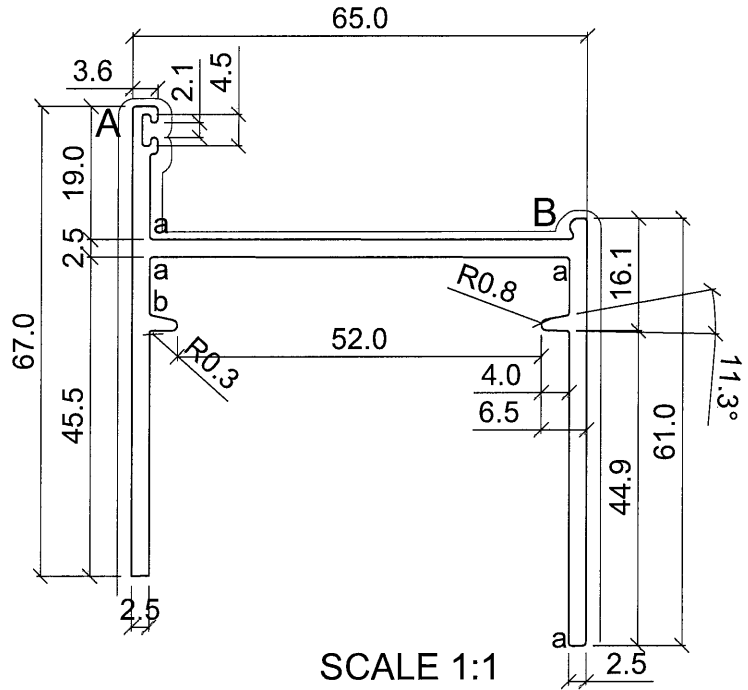
**6063-T6**

b=R0.5

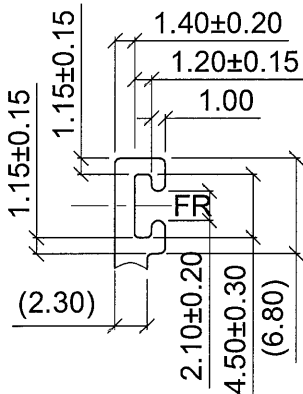
SECTIONAL AREA mm <sup>2</sup> 1051.81	ADDITIONAL TOLERANCE Thickness ± 0.1 mm	DATE 16/10/2021	REVISION			
WEIGHT KG/M 2.850	Flatness 0.1 /25mm width	SCALE 1 : 1	NO.	DATE	NAME	DESCRIPTION
PERIMETER mm 856.36	Straightness 0.3 /300mm	DRAWN -				
V.F. mm 200.99	Twist 0.5° /300 mm max Angularity ± 1.0 degree	CHECK				

 MIDI ALUMINIUM FABRICATOR LTD.	DRAWING NO. X86112	REV. TITLE
---	--------------------	------------

3

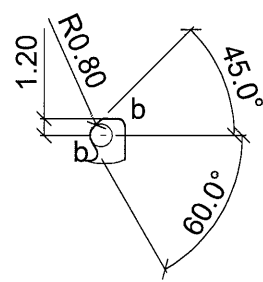


SCALE 1:1



A-2:1

美特鋁質有限公司  
承認圖面  
日期 10/1-2021



B-2:1

APPROVED :

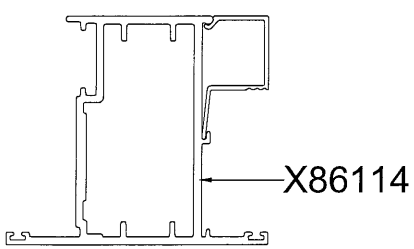
6063-T6

a=R0.4  
b=R0.5

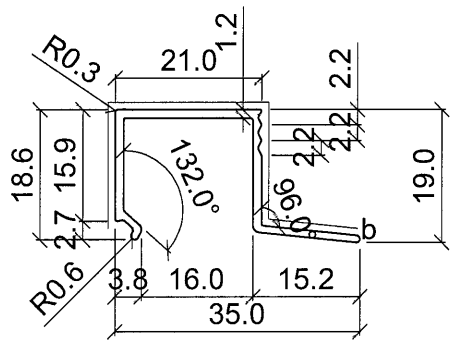
SECTIONAL AREA mm <sup>2</sup> 457.63	ADDITIONAL TOLERANCE Thickness ± 0.1 mm	DATE 16/10/2021	REVISION			
WEIGHT KG/M 1.240	Flatness 0.1 /25mm width	SCALE 1 : 1	NO.	DATE	NAME	DESCRIPTION
PERIMETER mm 399.35	Straightness 0.3 /300mm	DRAWN -				
V.F. mm 224.5	Twist 0.5° /300 mm max Angularity ± 1.0 degree	CHECK				

 MIDI ALUMINIUM FABRICATOR LTD.	DRAWING NO. X86113	REV. -	TITLE -
---	-----------------------	-----------	------------

④



SCALE 1:2



SCALE 1:1

美特鋁質有限公司	
承認圖面	<i>[Signature]</i>
日期	10/1-2021

APPROVED :

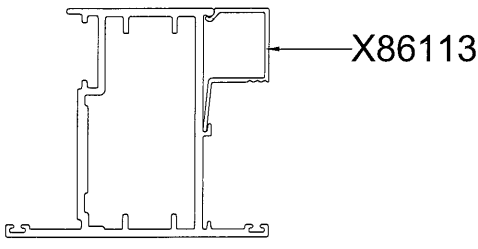
6063-T5

a=R0.5  
b=R0.5

SECTIONAL AREA	mm <sup>2</sup>	79.17	ADDITIONAL TOLERANCE	Thickness	± 0.1	DATE	16/10/2021	REVISION			
	KG/M	0.215		Flatness	0.1 /25mm width	SCALE	1 : 1	NO.	DATE	NAME	DESCRIPTION
PERIMETER	mm	142.09	Straightness	0.3 /300mm	DRAWN	-					
V.F.	mm	67.43	Twist	0.5° /300 mm max	CHECK						
			Angularity	± 1.0 degree							

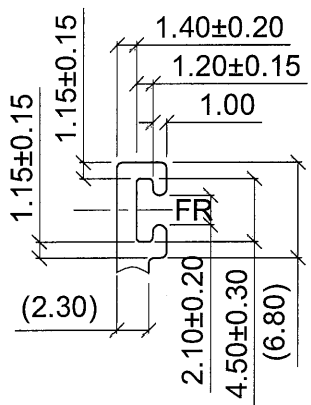
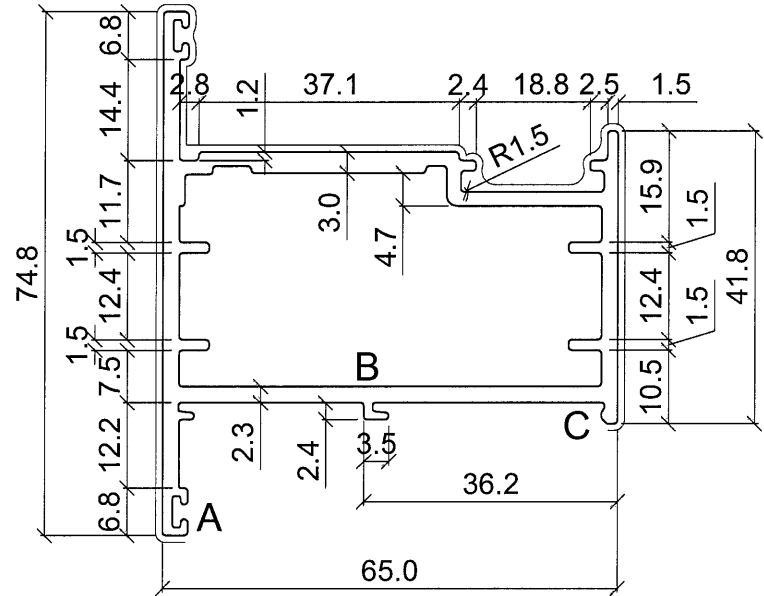
 MIDI ALUMINIUM FABRICATOR LTD.	DRAWING NO. X86114 REV.	TITLE -
---	----------------------------	------------

5

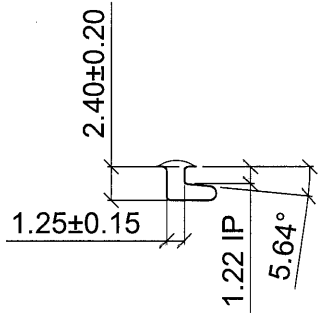


SCALE 1:2

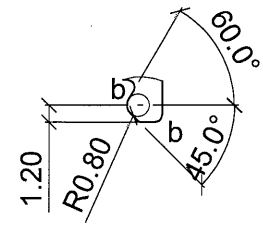
美特鋁質有限公司  
 承認圖面  
 日期 10/-2021



A-2:1



B-2:1



C-2:1

APPROVED :

6063-T6

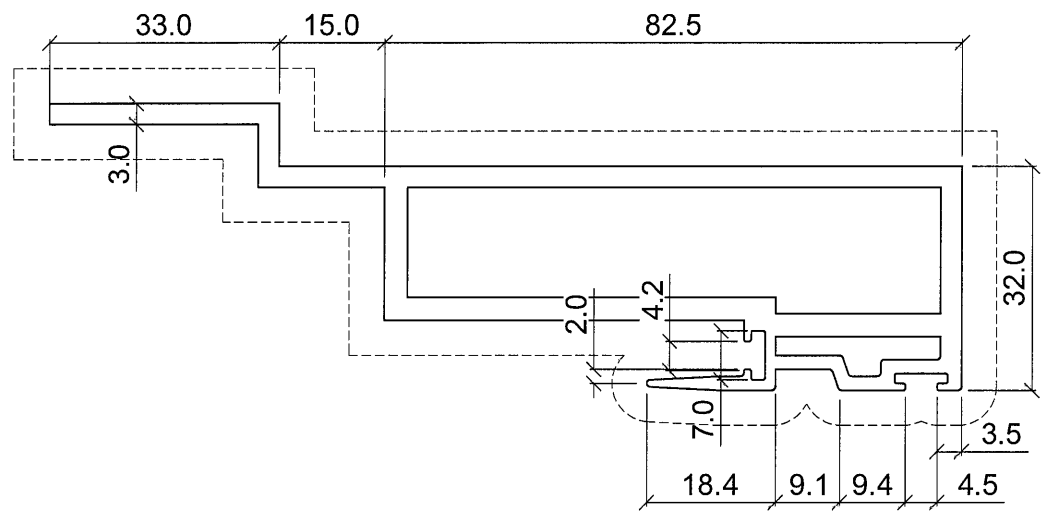
a=R0.5  
b=R0.5

SECTIONAL AREA mm <sup>2</sup> 606.64	ADDITIONAL TOLERANCE Thickness ± 0.1 mm	DATE 16/10/2021	REVISION		
WEIGHT KG/M 1.644	Flatness 0.1 /25mm width	SCALE 1 : 1	NO.	DATE	DESCRIPTION
PERIMETER mm 557.21	Straightness 0.3 /300mm	DRAWN -			
V.F. mm 238.1	Twist 0.5° /300 mm max Angularity ± 1.0 degree	CHECK			

 MIDI ALUMINIUM FABRICATOR LTD.	DRAWING NO. X86115	REV. TITLE
---	--------------------	------------

①

美特鋁質有限公司	
承認圖面	<i>Handwritten signature</i>
日期	10/1-2021




APPROVED :

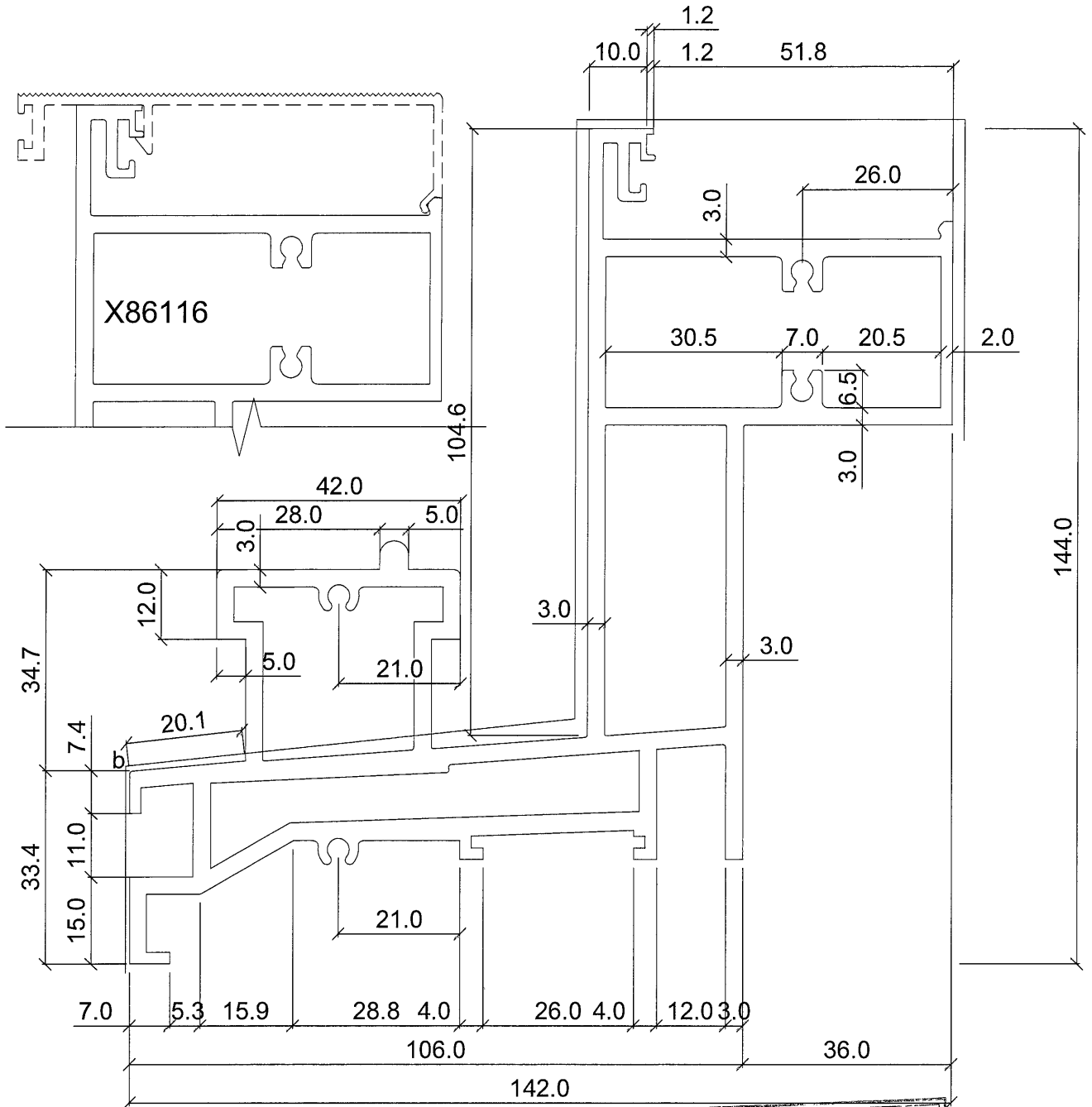
6063-T6

b=R0.5

SECTIONAL AREA	mm <sup>2</sup>	ADDITIONAL TOLERANCE	DATE	REVISION			
	925.77		Thickness ± 0.1 mm	16/10/2021	NO.	DATE	NAME
WEIGHT	KG/M	Flatness 0.1 /25mm width	SCALE				
	2.509	Straightness 0.3 /300mm	1 : 1				
PERIMETER	mm	Twist 0.5° /300 mm max	DRAWN				
	640.43	Angularity ± 1.0 degree	-				
V.F.	mm		CHECK				
	382.56						

 <b>MIDI ALUMINIUM FABRICATOR LTD.</b>	DRAWING NO. <b>X86116</b> REV.	TITLE -
--	-----------------------------------	------------

7



SCALE 1:1

美特鋁質有限公司  
 承認圖面  
 日期 10/1-2021

b=R0.5

APPROVED :

6063-T6

SECTIONAL AREA mm <sup>2</sup> 2238.9	ADDITIONAL TOLERANCE Thickness ± 0.1 mm	DATE 16/10/2021	REVISION			
WEIGHT KG/M 6.067	Flatness 0.1 /25mm width	SCALE 1 : 1	NO.	DATE	NAME	DESCRIPTION
PERIMETER mm 1505.04	Straightness 0.3 /300mm	DRAWN -				
V.F. mm 339.22	Twist 0.5° /300 mm max Angularity ± 1.0 degree	CHECK				



MIDI ALUMINIUM FABRICATOR LTD.

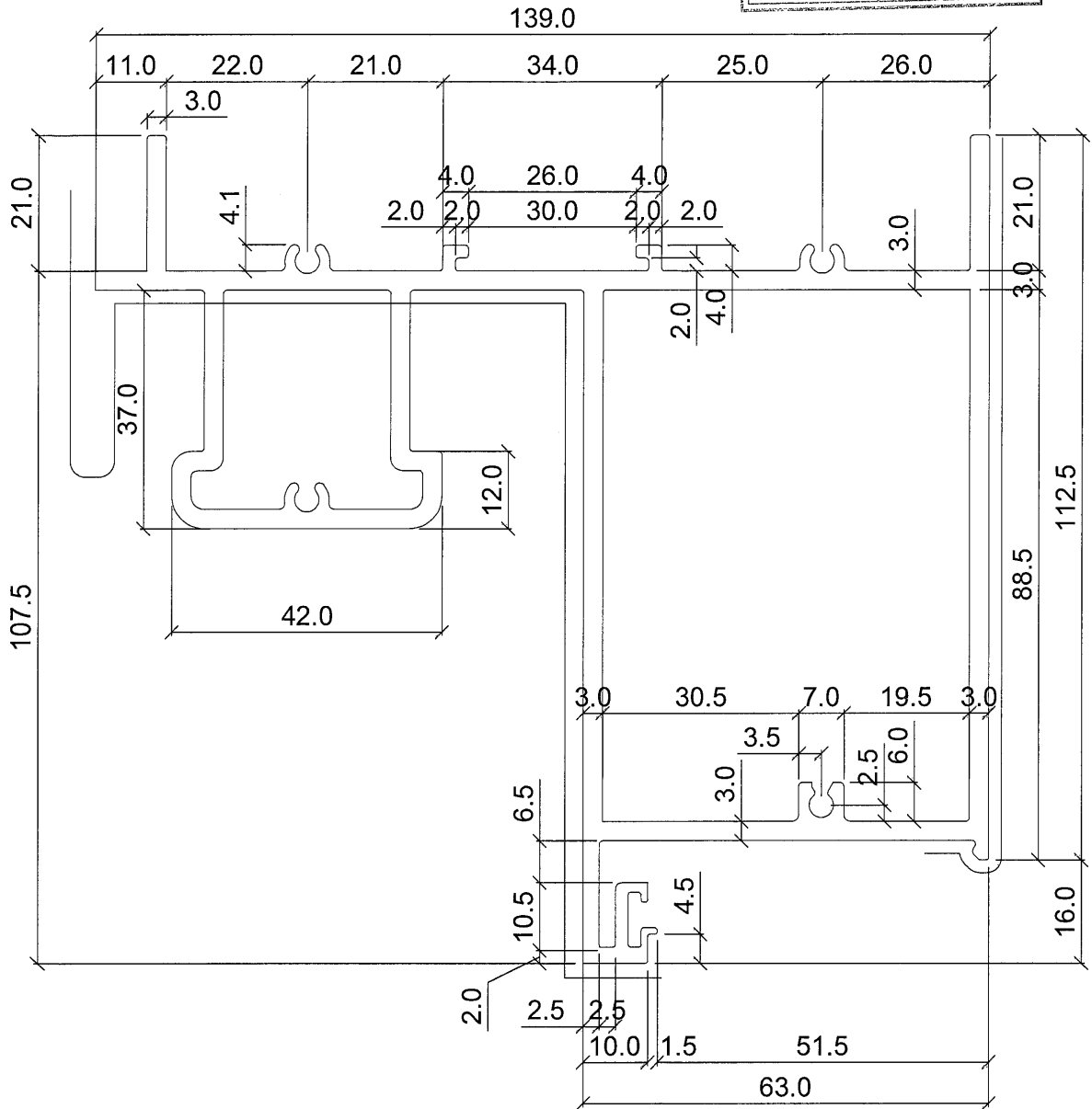
DRAWING NO. X86117

REV.

TITLE

8

美特鋁質有限公司	
承認圖面	<i>AP</i>
日期	10/1-2021



APPROVED :

SCALE 1:1

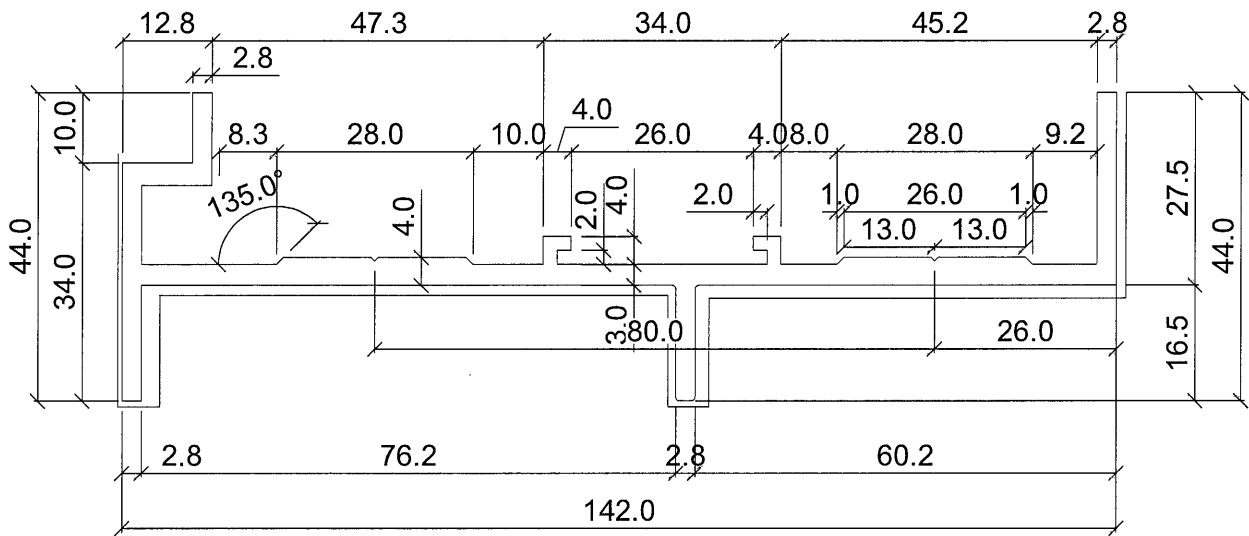
6063-T6

b=R0.5

SECTIONAL AREA	mm <sup>2</sup>	1768.08	ADDITIONAL TOLERANCE	DATE	16/10/2021	REVISION			
WEIGHT	KG/M	4.791	Thickness ± 0.1 mm	SCALE	1 : 1	NO.	DATE	NAME	DESCRIPTION
PERIMETER	mm	1219.35	Flatness 0.1 /25mm width	DRAWN	-				
V.F.	mm	266.2	Straightness 0.3 /300mm	CHECK					
			Twist 0.5° /300 mm max						
			Angularity ± 1.0 degree						

 MIDI ALUMINIUM FABRICATOR LTD.	DRAWING NO. X86118	REV. - TITLE -
---	--------------------	-------------------

9




SCALE 1:1

美特鋁質有限公司	
承認圖面	<i>仲</i>
日期	10/1-2021

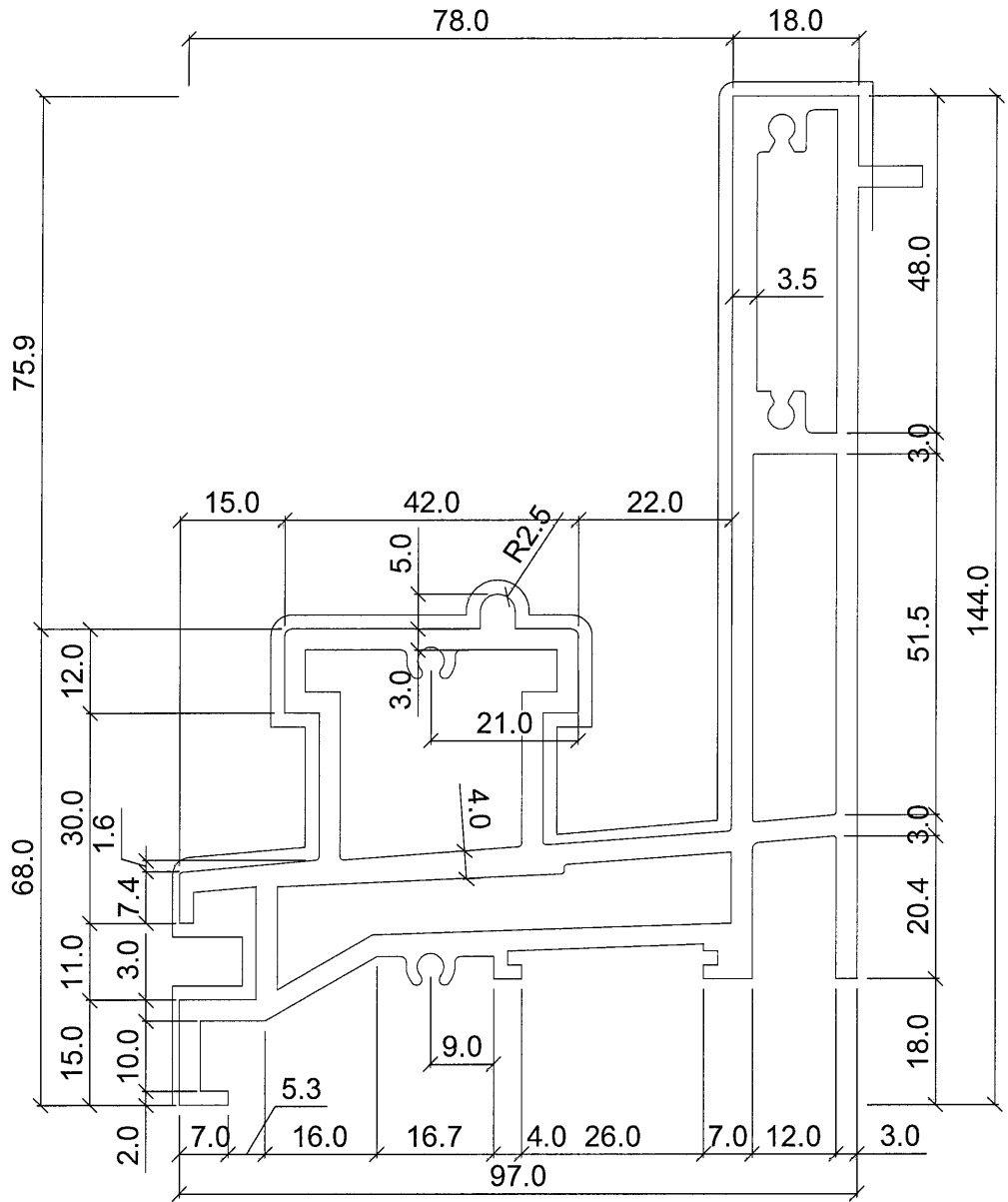
APPROVED :

6063-T6

SECTIONAL AREA	mm <sup>2</sup>	758.36	ADDITIONAL TOLERANCE	Thickness	± 0.1 mm	DATE	16/10/2021	REVISION			
	WEIGHT	KG/M		2.055	Flatness		0.1 /25mm width	SCALE	1 : 1	NO.	DATE
PERIMETER	mm	497.53	Straightness	0.3 /300mm	DRAWN	-					
V.F.	mm	251.1	Twist	0.5° /300 mm max	CHECK						
			Angularity	± 1.0 degree							

 MIDI ALUMINIUM FABRICATOR LTD.	DRAWING NO. X86119	REV. - TITLE -
---	--------------------	-------------------

10



SCALE 1:1


美特鋁質有限公司  
 承認圖面  
 日期 10/-2021

APPROVED :

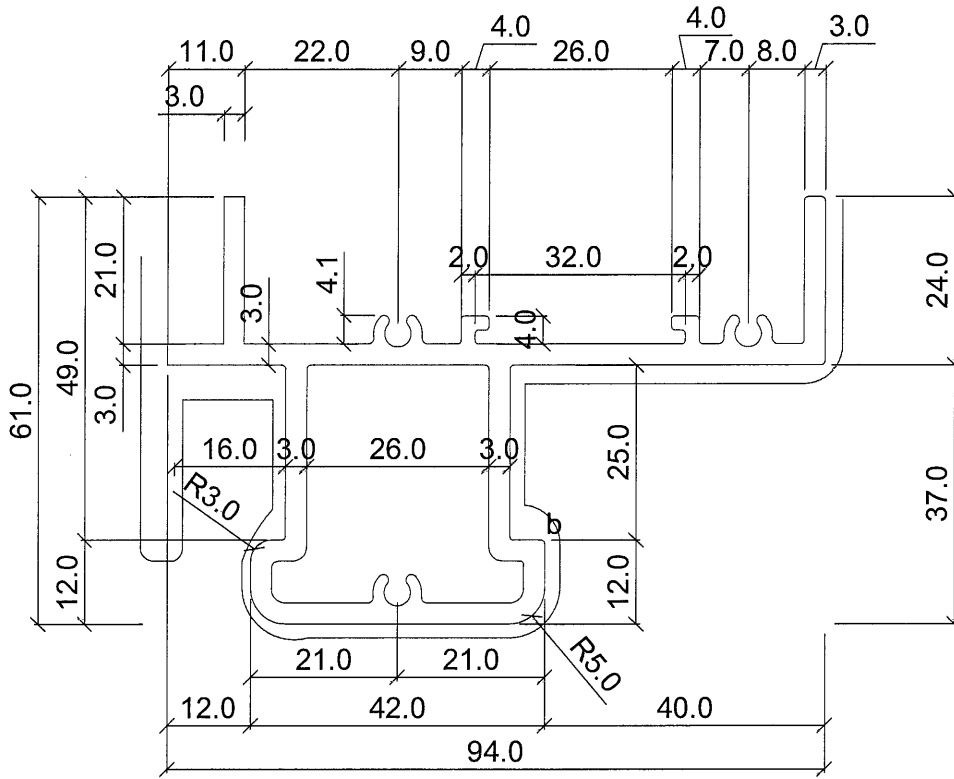
6063-T6

b=R0.5

SECTIONAL AREA mm <sup>2</sup> 1932.38	ADDITIONAL TOLERANCE Thickness ± 0.1 mm	DATE 16/10/2021	REVISION NO. DATE NAME DESCRIPTION	
WEIGHT KG/M 5.237	Flatness 0.1 /25mm width	SCALE 1 : 1		
PERIMETER mm 1239.86	Straightness 0.3 /300mm	DRAWN -		
V.F. mm 355	Twist 0.5° /300 mm max Angularity ± 1.0 degree	CHECK		

 MIDI ALUMINIUM FABRICATOR LTD.	DRAWING NO. X86120	REV. TITLE -
---	--------------------	-----------------

11



SCALE 1:1


美特鋁質有限公司	
承認圖面	<i>Handwritten signature</i>
日期	10/1-2021

APPROVED :

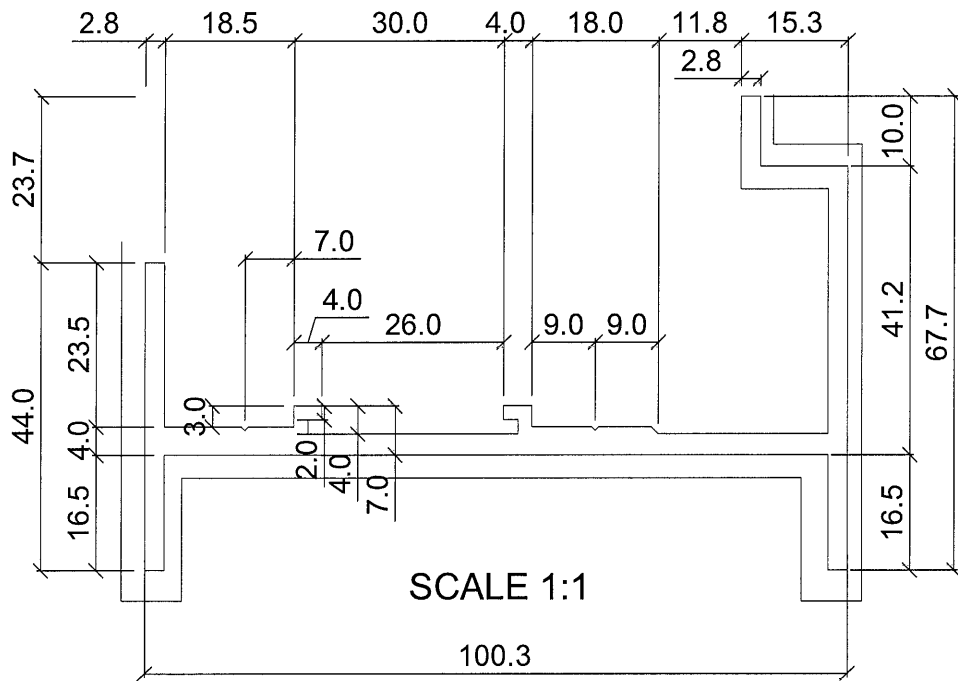
6063-T6

b=R0.5

SECTIONAL AREA mm <sup>2</sup> 957.73	ADDITIONAL TOLERANCE Thickness ± 0.1 mm	DATE 16/10/2021	REVISION		
WEIGHT KG/M 2.595	Flatness 0.1 /25mm width	SCALE 1 : 1	NO.	DATE	DESCRIPTION
PERIMETER mm 654.42	Straightness 0.3 /300mm	DRAWN -			
V.F. mm 277	Twist 0.5° /300 mm max Angularity ± 1.0 degree	CHECK			

 MIDI ALUMINIUM FABRICATOR LTD.	DRAWING NO. X86121	REV. - TITLE -
---	--------------------	-------------------

(2)



美特鋁質有限公司	
承認圖面	<i>[Signature]</i>
日期	10/1-2021

APPROVED :

6063-T6

b=R0.5

SECTIONAL AREA mm <sup>2</sup> 683.05	ADDITIONAL TOLERANCE Thickness ± 0.1 mm	DATE 16/10/2021	REVISION			
WEIGHT KG/M 1.851	Flatness 0.1 /25mm width	SCALE 1 : 1	NO.	DATE	NAME	DESCRIPTION
PERIMETER mm 464.56	Straightness 0.3 /300mm	DRAWN -				
V.F. mm 234	Twist 0.5° /300 mm max Angularity ± 1.0 degree	CHECK				



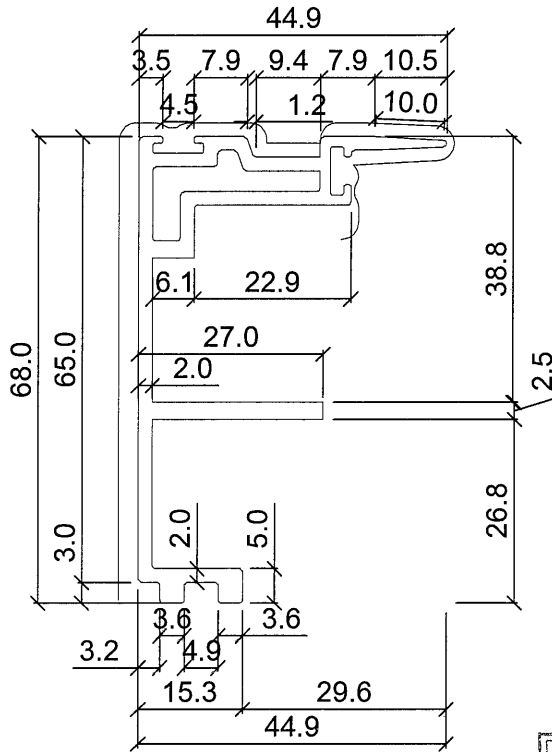
MIDI ALUMINIUM FABRICATOR LTD.

DRAWING NO.  
X86122

REV.

TITLE  
-

13



SCALE 1:1

美特鋁質有限公司	
承認圖面	<i>[Signature]</i>
日期	16/10-2021

APPROVED :


6063-T6

b=R0.5

SECTIONAL AREA	mm <sup>2</sup>	ADDITIONAL TOLERANCE	DATE	REVISION			
				NO.	DATE	NAME	DESCRIPTION
485.02		Thickness ± 0.1 mm	16/10/2021				
WEIGHT	KG/M	Flatness 0.1 /25mm width	SCALE				
1.314		Straightness 0.3 /300mm	1 : 1				
PERIMETER	mm	Twist 0.5° /300 mm max	DRAWN				
458.15		Angularity ± 1.0 degree	-				
V.F.	mm		CHECK				
152.15							

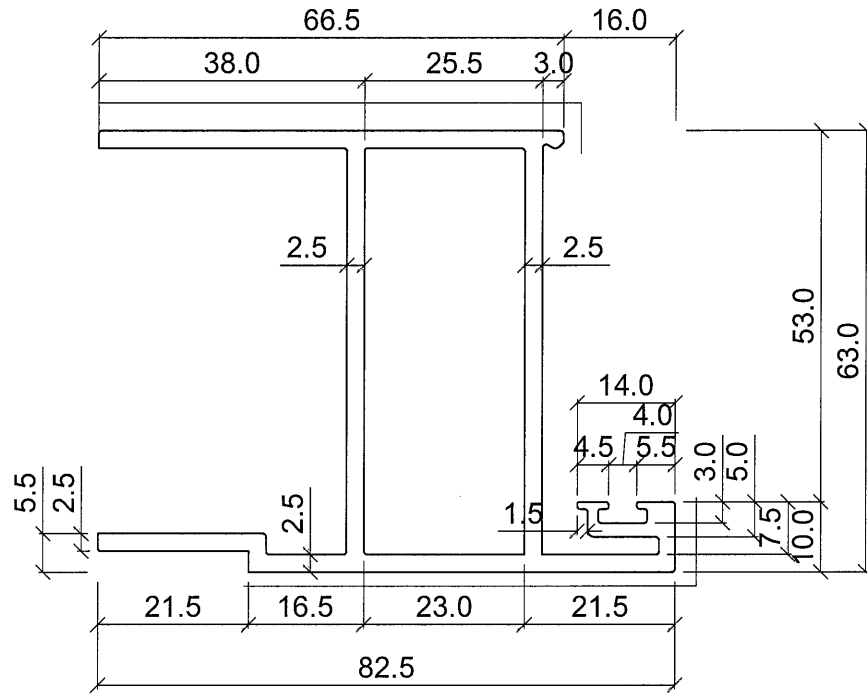




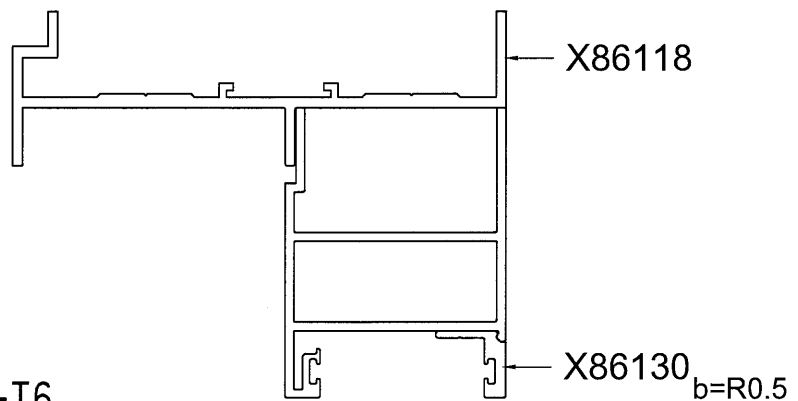
 MIDI ALUMINIUM FABRICATOR LTD.	DRAWING NO.	REV.	TITLE
	X86127		-

16

美特鋁質有限公司	
承認圖面	<i>[Signature]</i>
日期	16/10/2021




SCALE 1:1



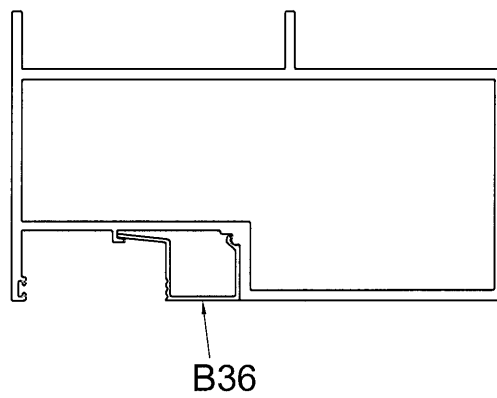
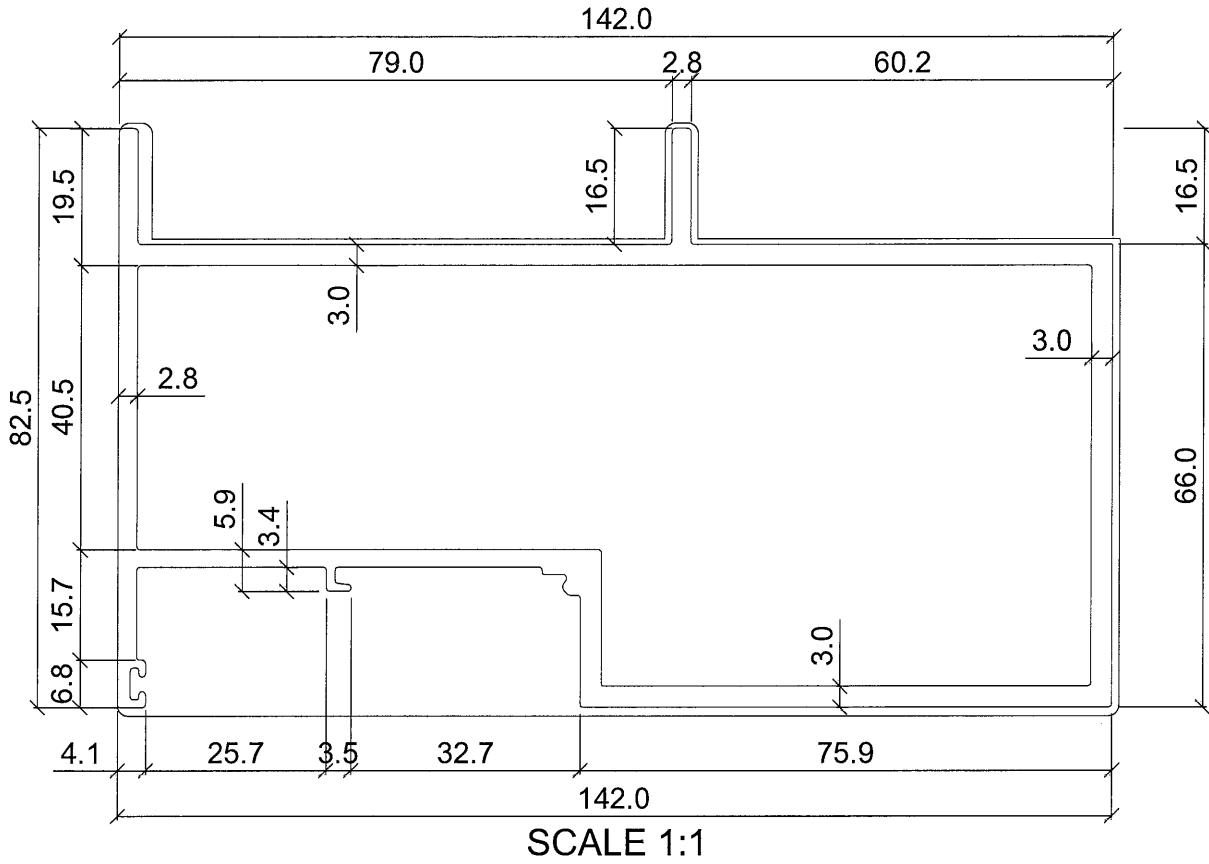
APPROVED :

6063-T6

SECTIONAL AREA	mm <sup>2</sup>	ADDITIONAL TOLERANCE	DATE	REVISION			
	720.64			Thickness	16/10/2021	NO.	DATE
WEIGHT	KG/M	± 0.1 mm	SCALE				
	1.953	Flatness	1 : 1				
PERIMETER	mm	0.1 /25mm width	DRAWN				
	582.40	Straightness	-				
V.F.	mm	0.3 /300mm	CHECK				
	138	Twist					
		0.5° /300 mm max					
		Angularity					
		± 1.0 degree					

 MIDI ALUMINIUM FABRICATOR LTD.	DRAWING NO. X86128	REV. - TITLE -
---	--------------------	----------------

17



美特鋁質有限公司  
承認圖面  
日期 10/1-2021

APPROVED :

6063-T6

b=R0.5

SECTIONAL AREA	mm <sup>2</sup>	1329.03	ADDITIONAL TOLERANCE		DATE	REVISION				
			Thickness	± 0.1	mm	16/10/2021	NO.	DATE	NAME	DESCRIPTION
WEIGHT	KG/M	3.602	Flatness	0.1	SCALE	1 : 1				
				/25mm width						
PERIMETER	mm	927.00	Straightness	0.3	DRAWN	-				
				/300mm						
V.F.	mm	537.54	Twist	0.5°	CHECK					
				/300 mm max						
			Angularity	± 1.0						
				degree						



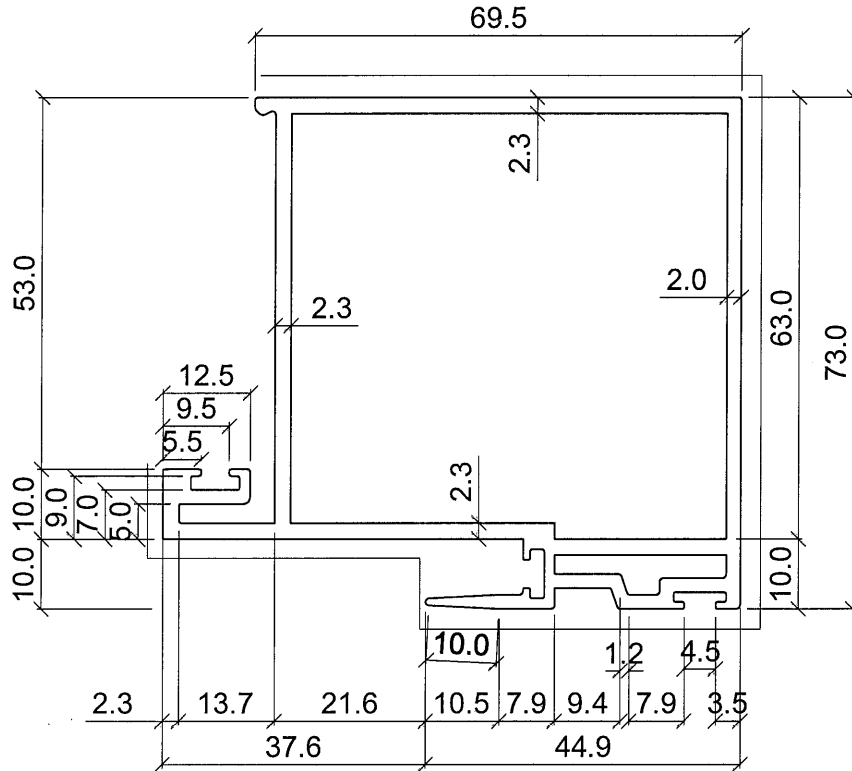
MIDI ALUMINIUM FABRICATOR LTD.

DRAWING NO.  
X86129

REV.

TITLE

18



SCALE 1:1


美特鋁質有限公司	
承認圖面	佈
日期	10/1-2021

APPROVED :

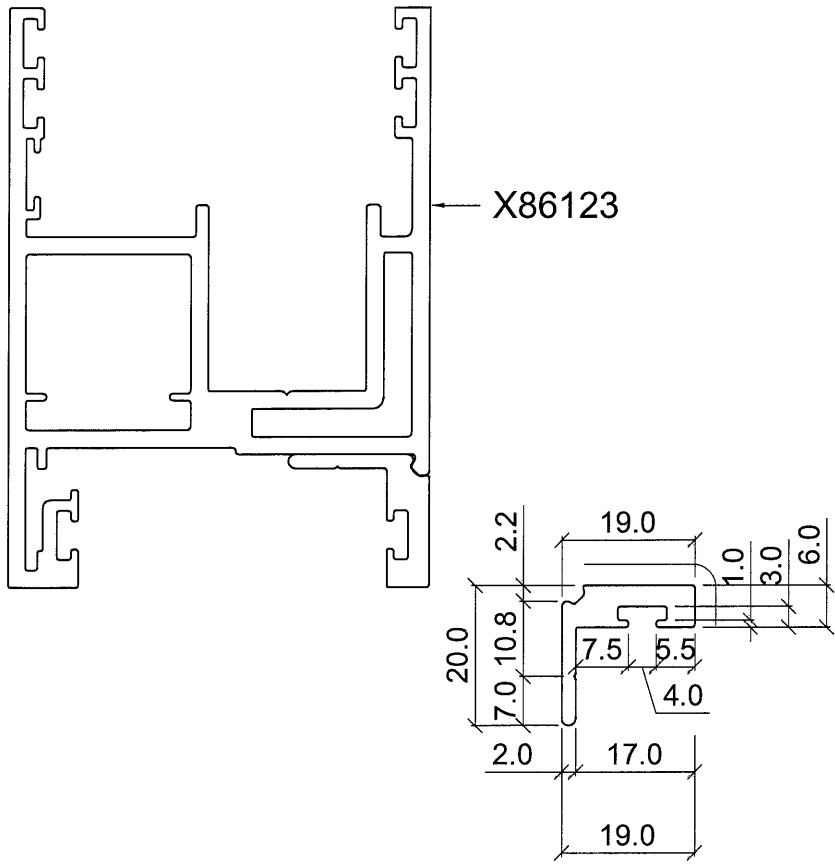
6063-T6

b=R0.5

SECTIONAL AREA	mm <sup>2</sup>	ADDITIONAL TOLERANCE	DATE	REVISION			
				NO.	DATE	NAME	DESCRIPTION
781.17		Thickness ± 0.1 mm	16/10/2021				
WEIGHT	KG/M	Flatness 0.1 /25mm width	SCALE				
2.117		Straightness 0.3 /300mm	1 : 1				
PERIMETER	mm	Twist 0.5° /300 mm max	DRAWN				
719.02		Angularity ± 1.0 degree	-				
V.F.	mm		CHECK				
297							

 MIDI ALUMINIUM FABRICATOR LTD.	DRAWING NO. X86130	REV. - TITLE -
---	--------------------	-------------------

19



SCALE 1:1


美特鋁質有限公司	
承認圖面	<i>[Signature]</i>
日期	10/1-2021

APPROVED :

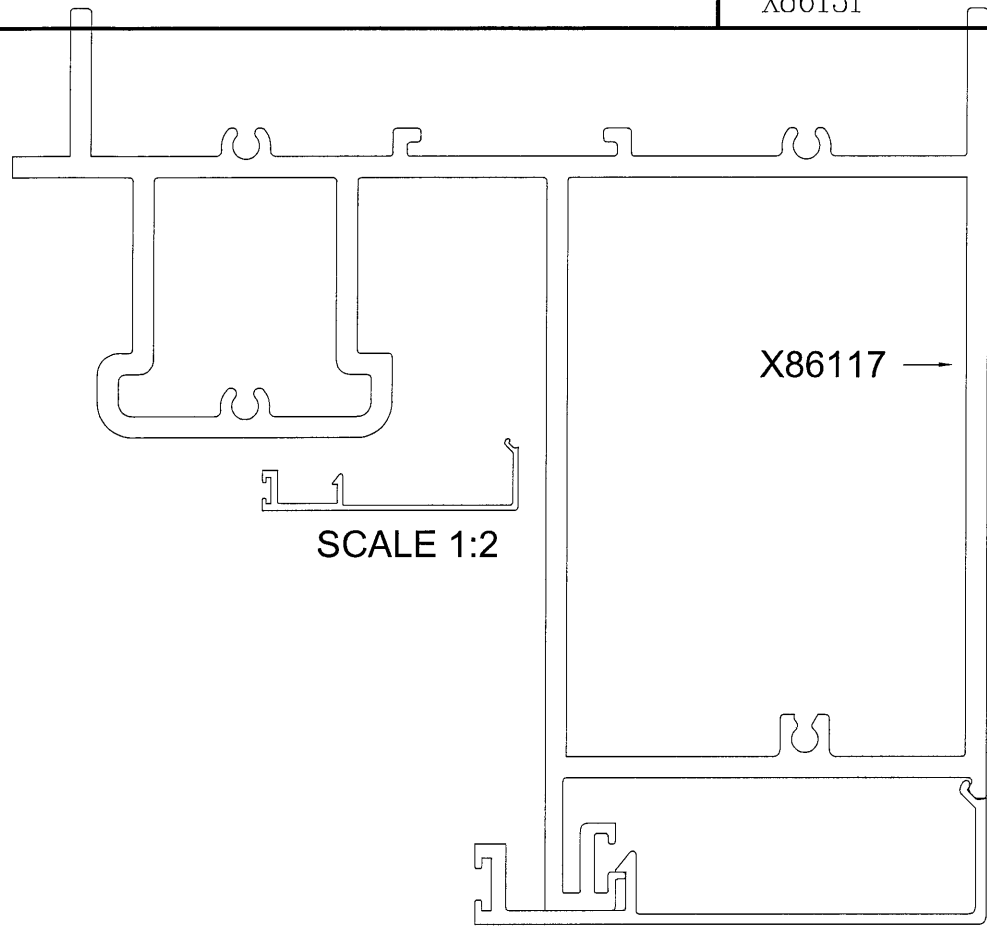
6063-T6

b=R0.5

SECTIONAL AREA	mm <sup>2</sup>	ADDITIONAL TOLERANCE	DATE	REVISION			
	116.43		Thickness	16/10/2021	NO.	DATE	NAME
WEIGHT	KG/M	± 0.1 mm	SCALE				
	0.316	Flatness	1 : 1				
PERIMETER	mm	0.1 /25mm width	DRAWN				
	87.34	Straightness	-				
V.F.	mm	0.3 /300mm	CHECK				
	22.15	Twist					
		0.5° /300 mm max					
		Angularity					
		± 1.0 degree					

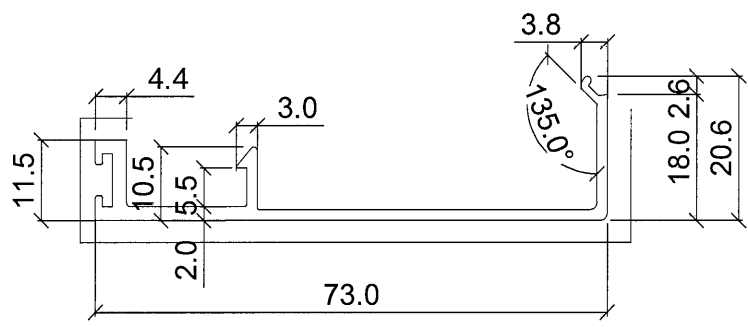
 MIDI ALUMINIUM FABRICATOR LTD.	DRAWING NO. X86131	REV. -	TITLE -
---	-----------------------	-----------	------------

20



SCALE 1:2

X86117 →



SCALE 1:1


美特鋁質有限公司	
承認圖面	仲
日期	10/-2021

APPROVED :

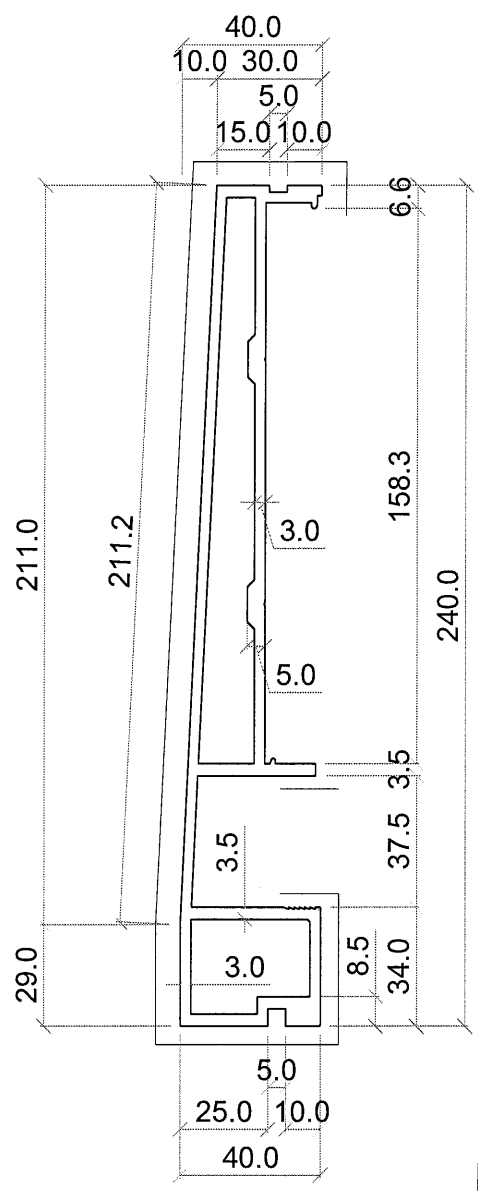
6063-T5

b=R0.5


SECTIONAL AREA mm <sup>2</sup> 190.6	ADDITIONAL TOLERANCE Thickness ± 0.1 mm Flatness 0.1 /25mm width	DATE 16/10/2021	REVISION			
WEIGHT KG/M 0.517	Straightness 0.3 /300mm Twist 0.5° /300 mm max	SCALE 1 : 1	NO.	DATE	NAME	DESCRIPTION
PERIMETER mm 236.87	Angularity ± 1.0 degree	DRAWN -				
V.F. mm 97.60		CHECK				

 <b>MIDI ALUMINIUM FABRICATOR LTD.</b>	DRAWING NO. X86133	REV. TITLE -
--	--------------------	-----------------

(21)



SCALE 1:2


美特鋁質有限公司	
承認圖面	
日期	10/1-2021

APPROVED :

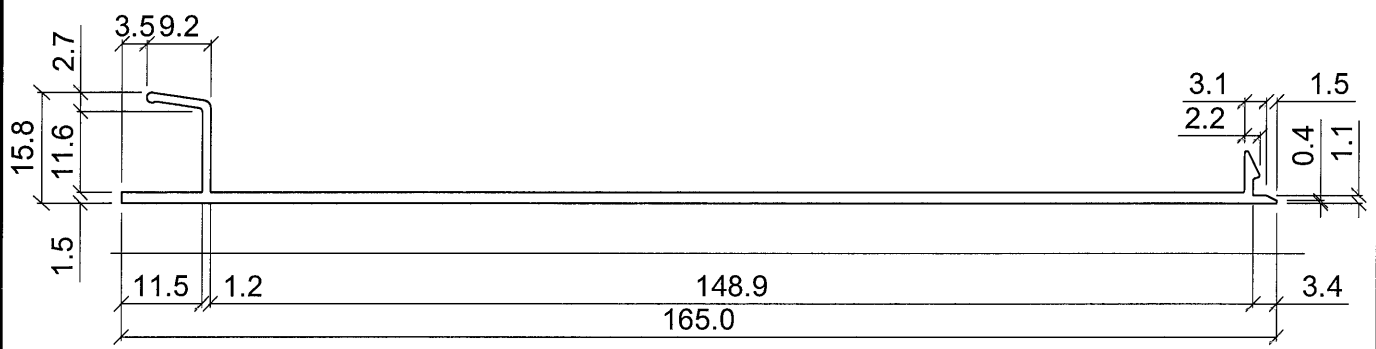
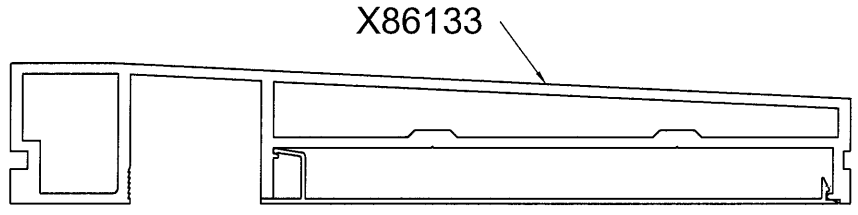
6063-T6

b=R0.5

SECTIONAL AREA	mm <sup>2</sup>	466.44	ADDITIONAL TOLERANCE	Thickness	± 0.1 mm	DATE	16/10/2021	REVISION			
	WEIGHT	KG/M		1.264	Flatness	0.1 /25mm width	SCALE	1 : 1	NO.	DATE	NAME
PERIMETER	mm	572.61	Straightness	0.3 /300mm	DRAWN	-					
V.F.	mm	211.56	Twist	0.5° /300 mm max	CHECK						
			Angularity	± 1.0 degree							

 MIDI ALUMINIUM FABRICATOR LTD.	DRAWING NO. X86134	REV. - TITLE -
---	--------------------	----------------

22



SCALE 1:1


美特鋁質有限公司	
承認圖面	<i>Handwritten signature</i>
日期	10/2021

APPROVED :

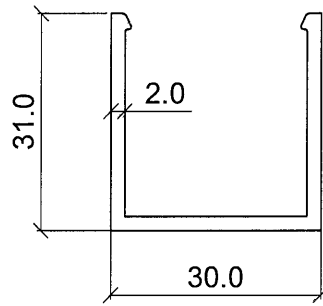
6063-T6

b=R0.5

SECTIONAL AREA mm <sup>2</sup> 279.32	ADDITIONAL TOLERANCE Thickness ± 0.1 mm	DATE 16/10/2021	REVISION			
WEIGHT KG/M 0.757	Flatness 0.1 /25mm width	SCALE 1 : 1	NO.	DATE	NAME	DESCRIPTION
PERIMETER mm 385.94	Straightness 0.3 /300mm	DRAWN -				
V.F. mm 165	Twist 0.5° /300 mm max Angularity ± 1.0 degree	CHECK				

 MIDI ALUMINIUM FABRICATOR LTD.	DRAWING NO. X86135	REV. -	TITLE -
---	-----------------------	-----------	------------

23



SCALE 1:1

美特鋁質有限公司	
承認圖面	<i>JP</i>
日期	10/1-2021

APPROVED :

6063-T6

b=R0.5

SECTIONAL AREA mm <sup>2</sup> 178.33	ADDITIONAL TOLERANCE Thickness ± 0.1 mm	DATE 16/10/2021	REVISION			
WEIGHT KG/M 0.483	Flatness 0.1 /25mm width	SCALE 1 : 1	NO.	DATE	NAME	DESCRIPTION
PERIMETER mm 181.55	Straightness 0.3 /300mm	DRAWN -				
V.F. mm 0	Twist 0.5° /300 mm max Angularity ± 1.0 degree	CHECK				



MIDI ALUMINIUM FABRICATOR LTD.

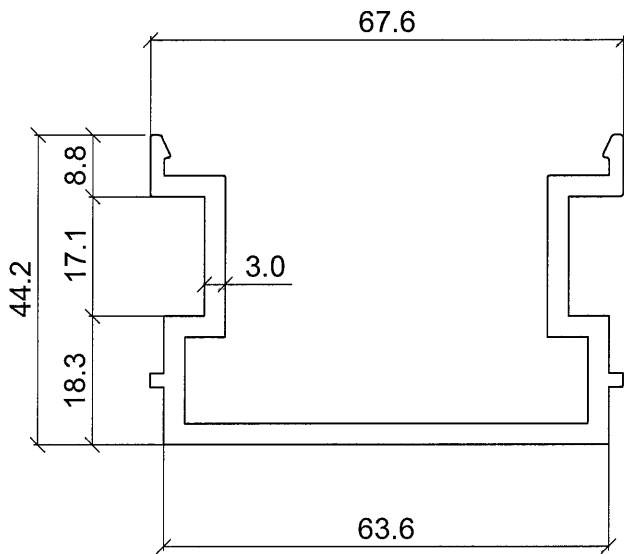
DRAWING NO.  
X86136

REV.

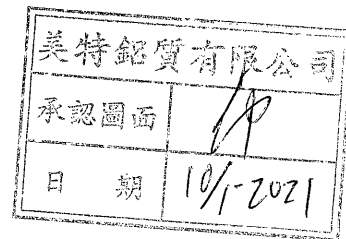
TITLE

-

24



SCALE 1:1




APPROVED :

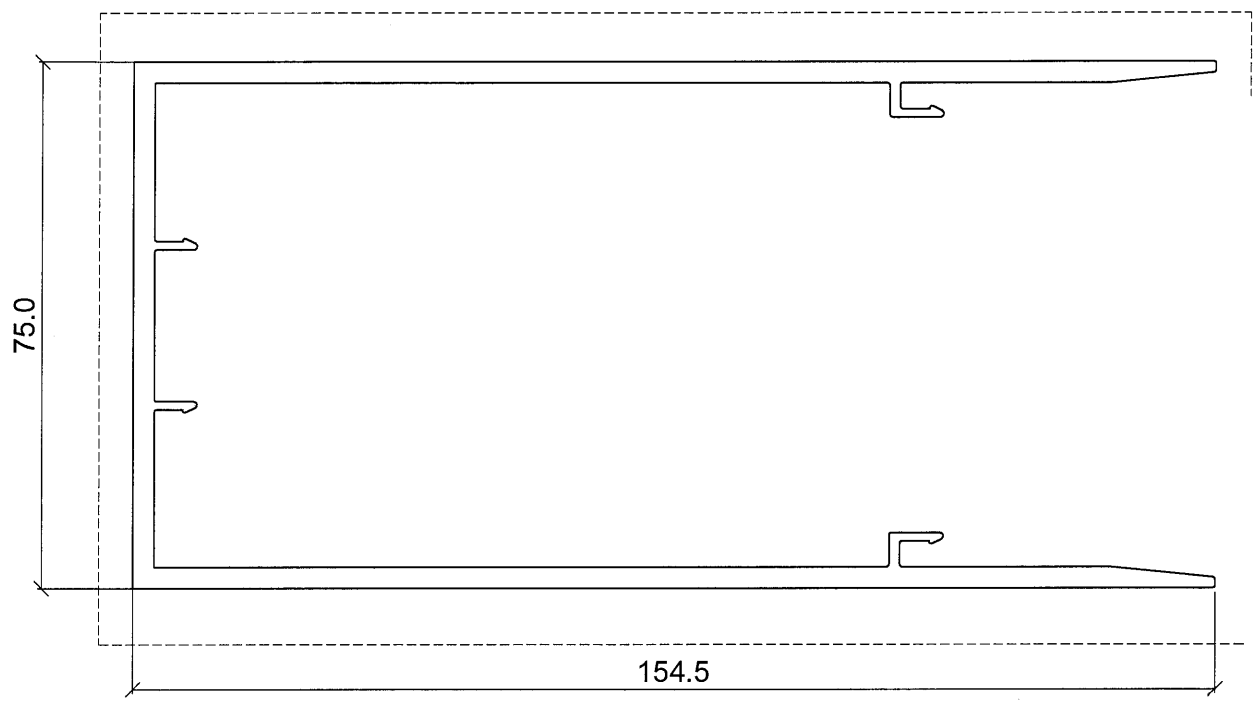
6063-T6

b=R0.5

SECTIONAL AREA 517.82 mm <sup>2</sup>	ADDITIONAL TOLERANCE	DATE 16/10/2021	REVISION			
	Thickness ± 0.1 mm	SCALE 1 : 1	NO.	DATE	NAME	DESCRIPTION
WEIGHT 1.403 KG/M	Flatness 0.1 /25mm width	DRAWN -				
PERIMETER 360.48 mm	Straightness 0.3 /300mm	CHECK				
V.F. 0 mm	Twist 0.5° /300 mm max					
	Angularity ± 1.0 degree					

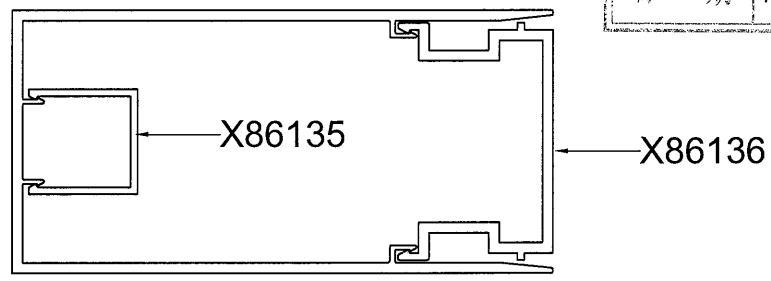
 MIDI ALUMINIUM FABRICATOR LTD.	DRAWING NO. X86137	REV. -	TITLE -
---	-----------------------	-----------	------------

25



SCALE 1:1

美特鋁質有限公司	
承認圖面	<i>JP</i>
日期	10/1-2021




APPROVED :

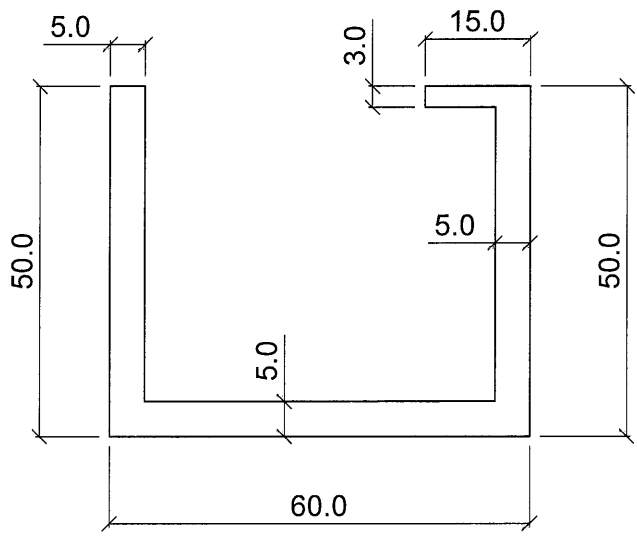
6063-T6

b=R0.5

SECTIONAL AREA mm <sup>2</sup> 1170.92	ADDITIONAL TOLERANCE Thickness ± 0.1 mm	DATE 16/10/2021	REVISION			
WEIGHT KG/M 3.173	Flatness 0.1 /25mm width	SCALE 1 : 1	NO.	DATE	NAME	DESCRIPTION
PERIMETER mm 834.88	Straightness 0.3 /300mm	DRAWN -				
V.F. mm 392	Twist 0.5° /300 mm max Angularity ± 1.0 degree	CHECK				

 MIDI ALUMINIUM FABRICATOR LTD.	DRAWING NO. X86138	REV. TITLE -
---	--------------------	--------------

26



SCALE 1:1

美特鋁質有限公司  
承認圖面  
日期 10/1-2021

APPROVED :

6063-T6

b=R0.5

SECTIONAL AREA mm <sup>2</sup> 780	ADDITIONAL TOLERANCE Thickness ± 0.1 mm	DATE 16/10/2021	REVISION		
WEIGHT KG/M 2.114	Flatness 0.1 /25mm width	SCALE 1 : 1	NO.	DATE	DESCRIPTION
PERIMETER mm 330	Straightness 0.3 /300mm	DRAWN -			
V.F. mm 0	Twist 0.5° /300 mm max	CHECK			
	Angularity ± 1.0 degree				