

工程指示 / 要求簡箋(E.I.)

工程指示編號：EI / 402 / 21

修改版次：-

工程編號：J857

工程名稱：啟德 6552

工程項目：繪畫模圖(後裝窗和欄河)

收件人：Maggie Lor (羅小姐)

發件人：Yancy Chen

日期：15/11/2021

要求提供 /  確認 事項：

- ( ) 初步鋁料 B.M.                      ( ) 加工拆圖，然後生產                      ( ) 尺寸表
- ( ) 正式鋁料 B.M.                      ( ) 技術上資料 / 指示                      ( ) 報價
- ( ) 配件 B.M.                              ( ) 樣辦或貨品說明書                      ( ) 分判合約
- ( ) 其他：\_\_\_\_\_

內容：

請按附頁圖紙繪畫模圖，共 29 頁。

CAD 圖見 FTP. U:\to hk\maggie\J857\EI\EI402\

請在 30/11/2021 前完成上列要求。

附：

1+ 29 頁

以上項目為：

- 原合約工程包                       原合約工程加 / 減賬                       新工程報價

原因：-

分發東莞各部門：

- ( ) 生產技術總監  連附件    ( ) 技術部     連附件    ( ) 生產部     連附件    ( ) 機械設計部  連附件
- ( ) 採購部     連附件    ( / ) 生產統籌部  連附件
- ( / ) 質檢部     連附件    ( ) 會計部     連附件    ( ) 報關組     連附件    ( ) 其他 \_\_\_\_\_  連附件

分發香港各部門：

- ( ) 行政部  連附件    ( ) 會計部  連附件    ( ) 統籌部  連附件    ( ) 工程部地盤科文     連附件
- ( ) 採購部  連附件    ( ) QS 部     連附件    ( ) 維修部  連附件    ( ) 其他 \_\_\_\_\_  連附件

傳遞編號：

HK 2063 / 21

發件人簽署：Yu

項目經理簽署：[Signature]



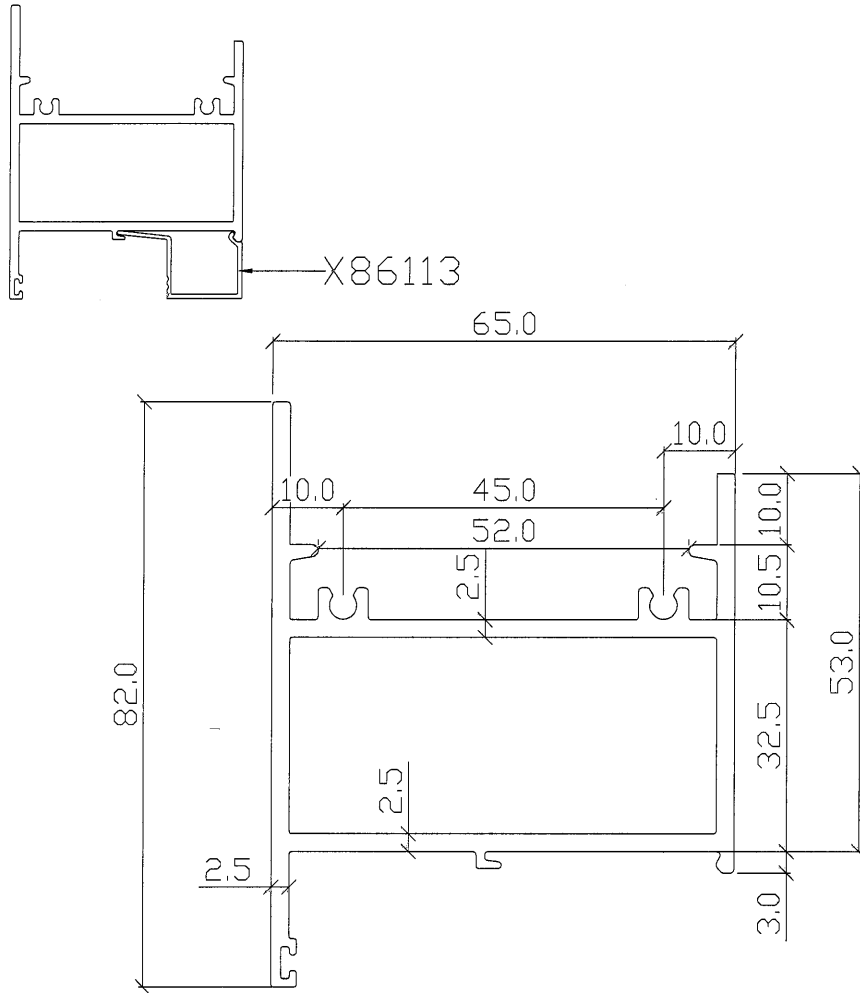
MIDI ALUMINIUM FABRICATOR LTD.

DRAWING NO.  
X86110

REV.

TITLE

-



美特鋁質有限公司	
承認圖面	<i>[Signature]</i>
日期	15/11

APPROVED :

6063-T6

b=R0.5

SECTIONAL AREA	mm <sup>2</sup>	ADDITIONAL TOLERANCE	DATE	REVISION			
				NO.	DATE	NAME	DESCRIPTION
1403.66		Thickness ± 0.1 mm	16/10/2021				
WEIGHT	KG/M	Flatness 0.1 /25mm width	SCALE				
3.804		Straightness 0.3 /300mm	1 : 1				
PERIMETER	mm	Twist 0.5° /300 mm max	DRAWN				
589.55		Angularity ± 1.0 degree	-				
V.F.	mm		CHECK				
150							





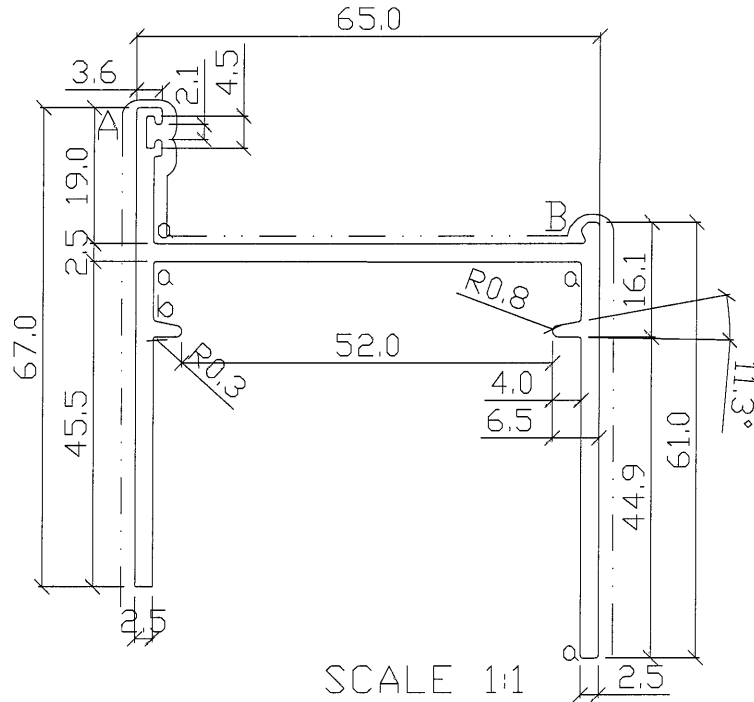
MIDI ALUMINIUM FABRICATOR LTD.

DRAWING NO.  
X86112

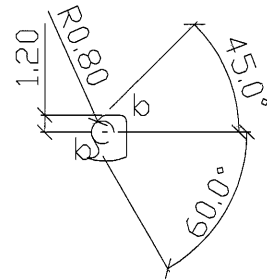
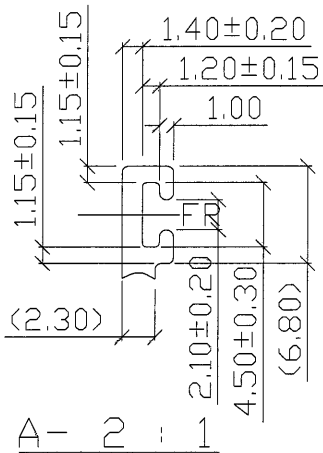
REV.

TITLE

-



SCALE 1:1



B-2:1

美特鋁質有限公司	
承認圖面	<i>[Signature]</i>
日期	15/11

APPROVED :

6063-T6

a=R0.4  
b=R0.5

SECTIONAL AREA	mm <sup>2</sup>	ADDITIONAL TOLERANCE	DATE	REVISION			
				NO.	DATE	NAME	DESCRIPTION
457.63		Thickness ± 0.1 mm	16/10/2021				
WEIGHT	KG/M	Flatness 0.1 /25mm width	SCALE				
1.240		Straightness 0.3 /300mm	1 : 1				
PERIMETER	mm	Twist 0.5° /300 mm max	DRAWN				
399.35		Angularity ± 1.0 degree	-				
V.F.	mm		CHECK				
224.5							



MIDI ALUMINIUM FABRICATOR LTD.

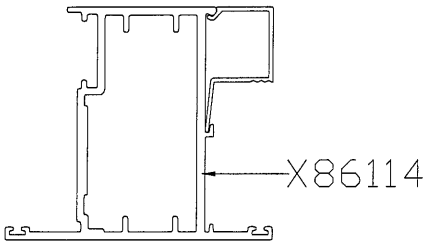
DRAWING NO.

X86113

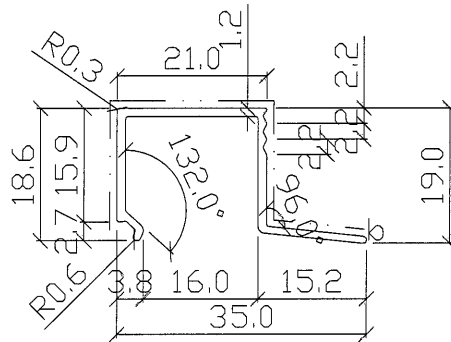
REV.

TITLE

-



SCALE 1:2



SCALE 1:1

美特鋁質有限公司	
承認圖面	<i>[Signature]</i>
日期	15/11

APPROVED :

6063-T5

a=R0.5  
b=R0.5

SECTIONAL AREA 79.17 mm <sup>2</sup>	ADDITIONAL TOLERANCE	DATE 16/10/2021	REVISION			
	Thickness ± 0.1 mm	SCALE 1 : 1	NO.	DATE	NAME	DESCRIPTION
WEIGHT 0.215 KG/M	Flatness 0.1 /25mm width	DRAWN -				
PERIMETER 142.09 mm	Straightness 0.3 /300mm	CHECK				
V.F. 67.43 mm	Twist 0.5° /300 mm max					
	Angularity ± 1.0 degree					



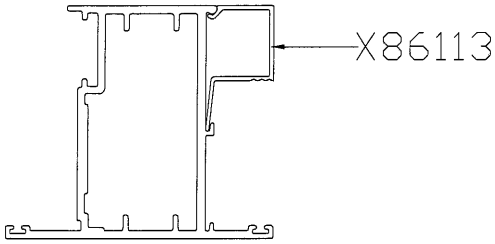
MIDI ALUMINIUM FABRICATOR LTD.

DRAWING NO.  
X86114

REV.

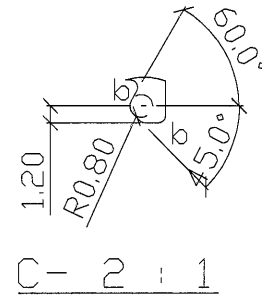
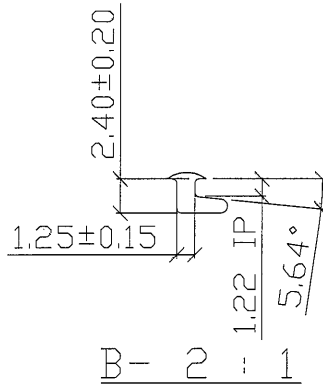
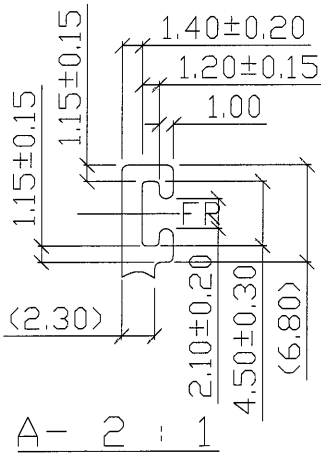
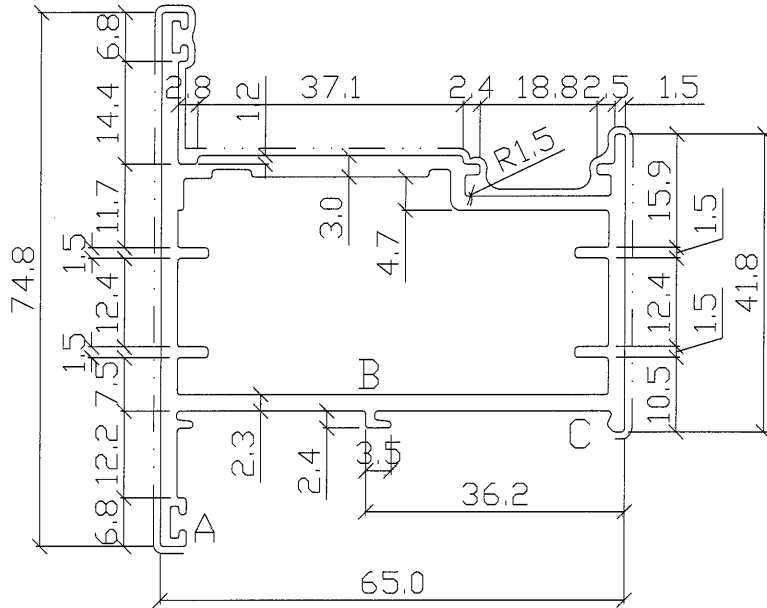
TITLE

-



SCALE 1:2

美特鋁質有限公司	
承認圖面	<i>印</i>
日期	15/11



APPROVED :

6063-T6

a=R0.5  
b=R0.5

SECTIONAL AREA	mm <sup>2</sup>	ADDITIONAL TOLERANCE	DATE	REVISION			
				NO.	DATE	NAME	DESCRIPTION
606.64		Thickness ± 0.1 mm	16/10/2021				
WEIGHT	KG/M	Flatness 0.1 /25mm width	SCALE				
1.644		Straightness 0.3 /300mm	1 : 1				
PERIMETER	mm	Twist 0.5° /300 mm max	DRAWN				
557.21		Angularity ± 1.0 degree	-				
V.F.	mm		CHECK				
238.1							



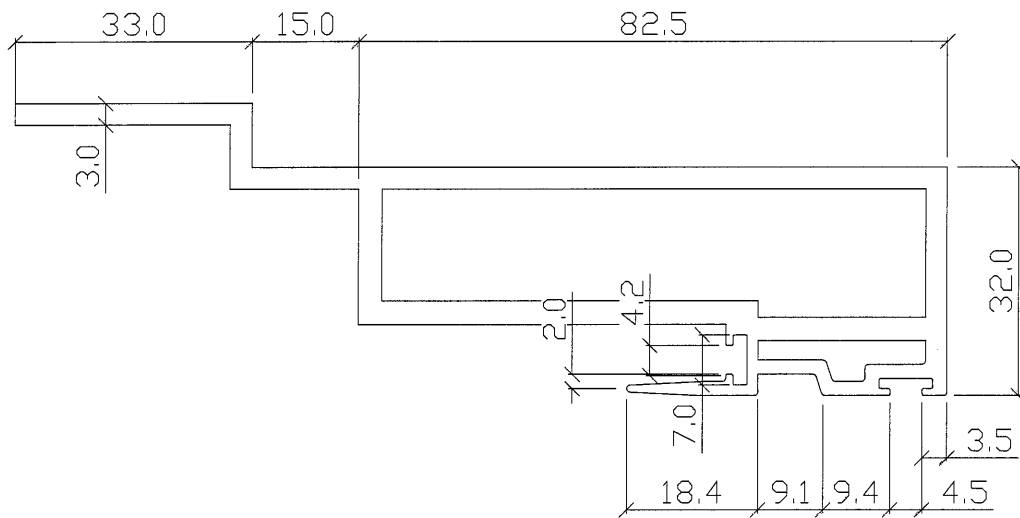
MIDI ALUMINIUM FABRICATOR LTD.

DRAWING NO.  
X86115

REV.

TITLE

-



美特鋁質有限公司	
承認圖面	14
日期	15/11

APPROVED :

6063-T6

b=R0.5

SECTIONAL AREA	mm <sup>2</sup>	ADDITIONAL TOLERANCE	DATE	REVISION			
				NO.	DATE	NAME	DESCRIPTION
404.30		Thickness ± 0.1 mm	16/10/2021				
WEIGHT	KG/M	Flatness 0.1 /25mm width	SCALE				
2.509		Straightness 0.3 /300mm	1 : 1				
PERIMETER	mm	Twist 0.5° /300 mm max	DRAWN				
371.75		Angularity ± 1.0 degree	-				
V.F.	mm		CHECK				
198.29							



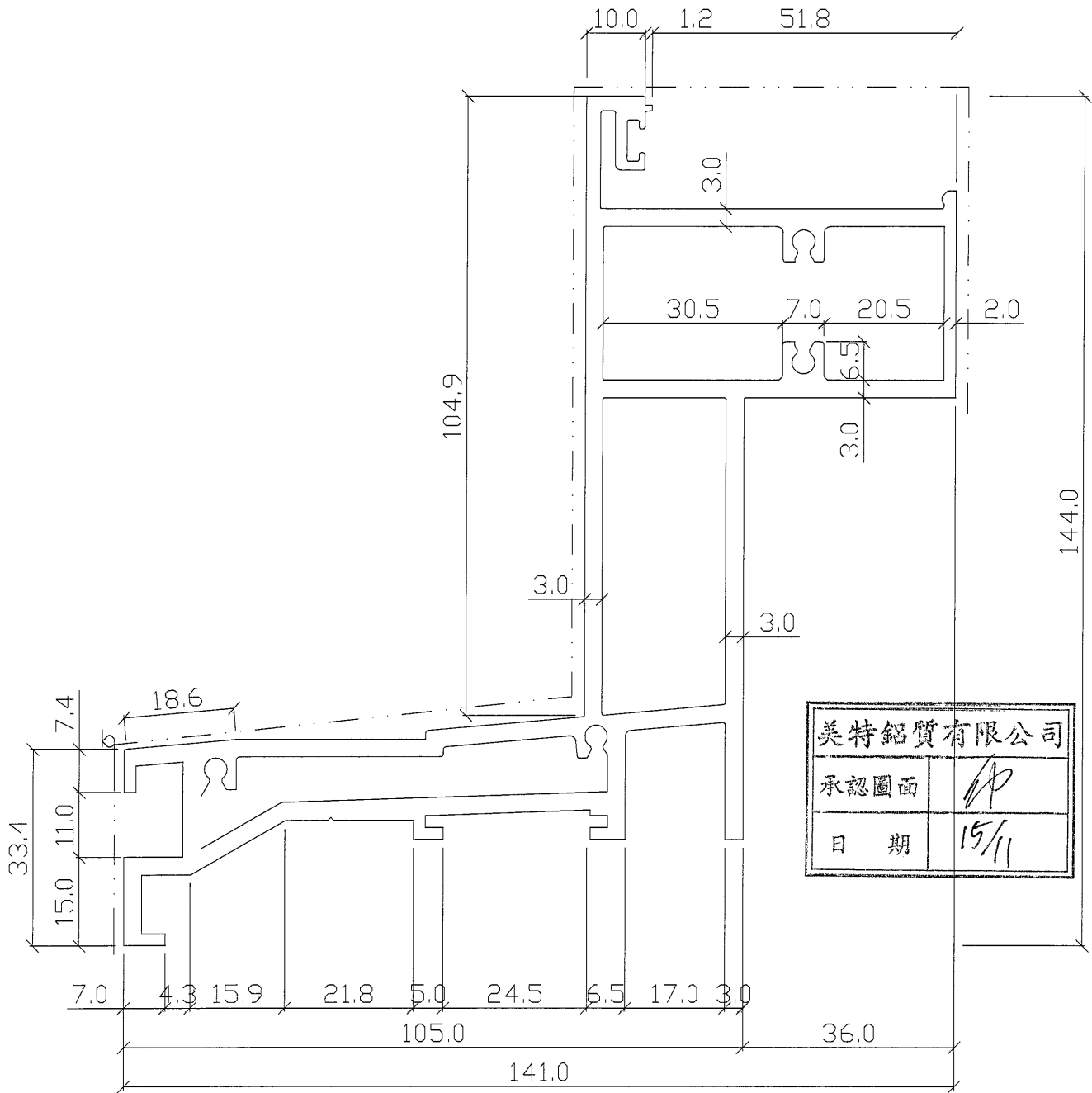
MIDI ALUMINIUM FABRICATOR LTD.

DRAWING NO.  
X86116

REV.

TITLE

-



美特鋁質有限公司	
承認圖面	<i>[Signature]</i>
日期	15/11

SCALE 1:1

APPROVED :

6063-T6

b=R0.5

SECTIONAL AREA	mm <sup>2</sup>	ADDITIONAL TOLERANCE	DATE	REVISION			
				NO.	DATE	NAME	DESCRIPTION
1832.51		Thickness ± 0.1 mm	16/10/2021				
WEIGHT	KG/M	Flatness 0.1 /25mm width	SCALE				
4.966		Straightness 0.3 /300mm	1 : 1				
PERIMETER	mm	Twist 0.5° /300 mm max	DRAWN				
1260.48		Angularity ± 1.0 degree	-				
V.F.	mm		CHECK				
414.23							



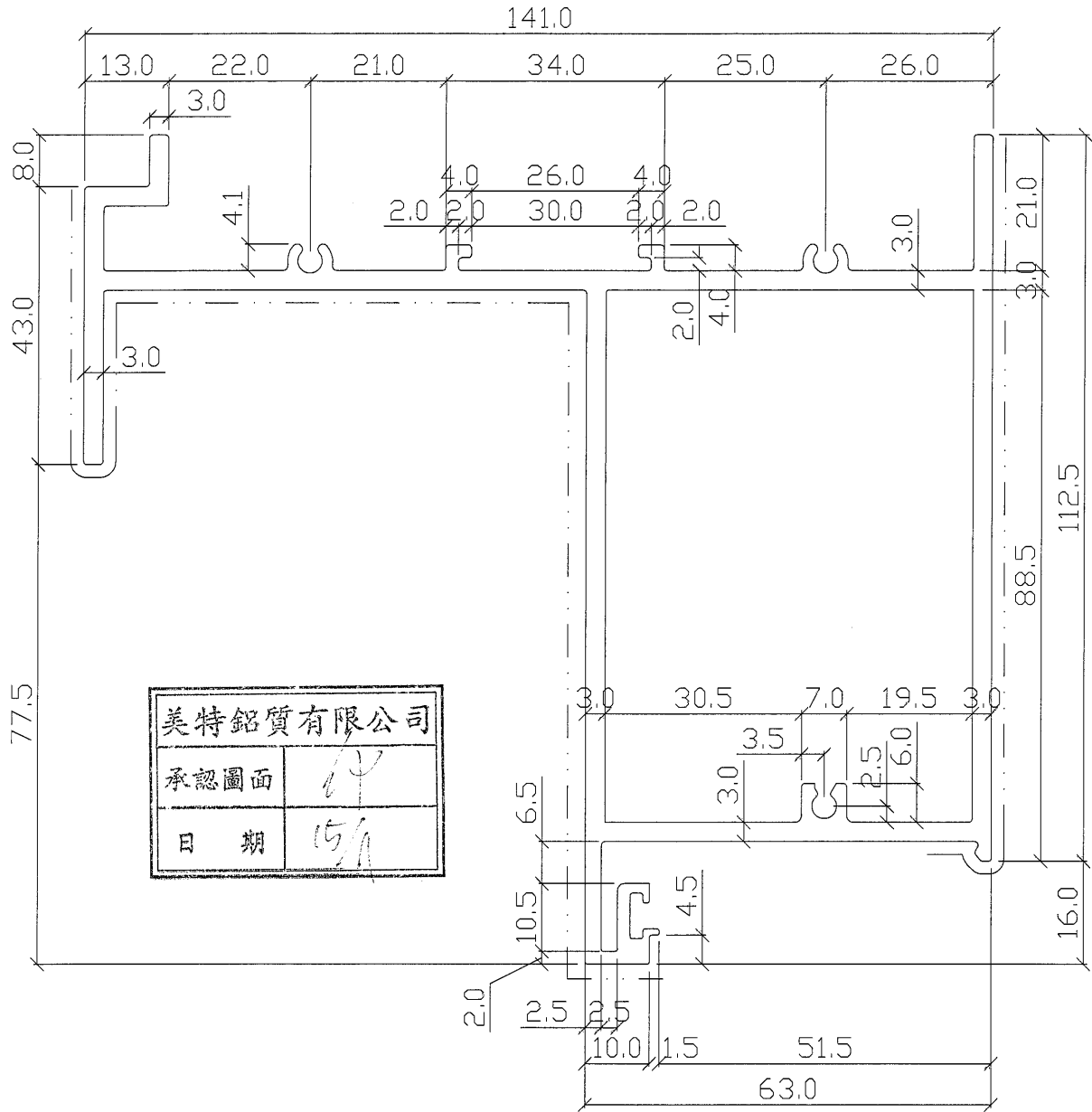
MIDI ALUMINIUM FABRICATOR LTD.

DRAWING NO.  
X86117

REV.

TITLE

-



美特鋁質有限公司	
承認圖面	<i>[Signature]</i>
日期	15/1

APPROVED :

SCALE 1:1

6063-T6

b=R0.5

SECTIONAL AREA	mm <sup>2</sup>	1525.59	ADDITIONAL TOLERANCE	DATE	REVISION			
WEIGHT	KG/M	4.134	Thickness	16/10/2021	NO.	DATE	NAME	DESCRIPTION
PERIMETER	mm	1056.28	Flatness	SCALE				
V.F.	mm	380.27	Straightness	1 : 1				
			Twist	DRAWN				
			Angularity	-				
			± 1.0 degree	CHECK				



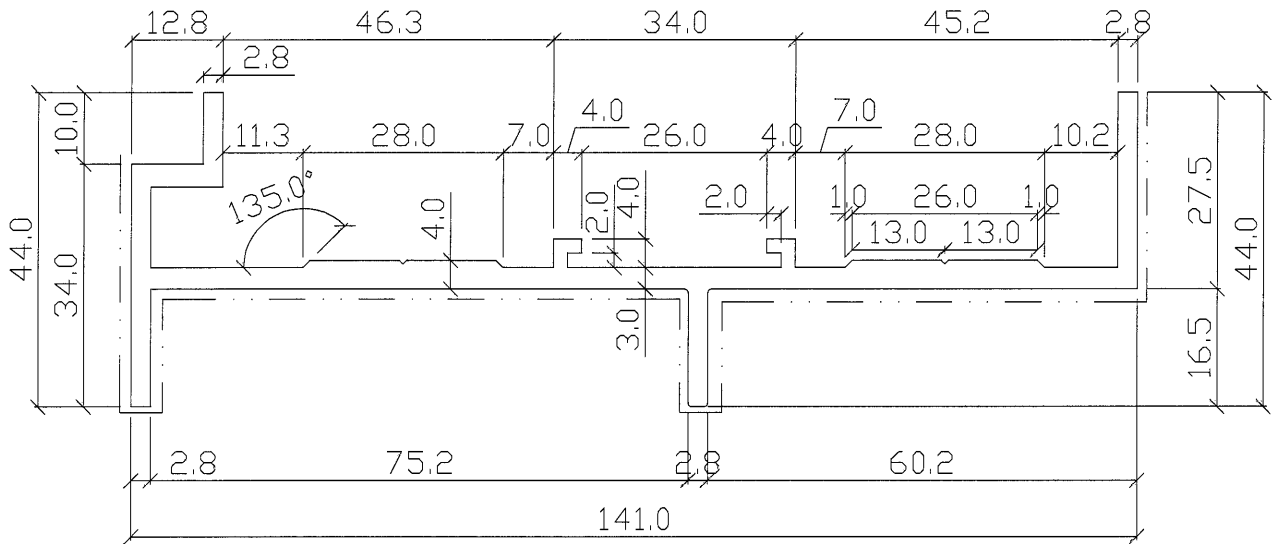
MIDI ALUMINIUM FABRICATOR LTD.

DRAWING NO.  
X86118

REV.

TITLE

-



SCALE 1:1

美特鋁質有限公司	
承認圖面	<i>[Signature]</i>
日期	15/11

APPROVED :

6063-T6

SECTIONAL AREA	mm <sup>2</sup>	ADDITIONAL TOLERANCE	DATE	REVISION			
				NO.	DATE	NAME	DESCRIPTION
758.36		Thickness ± 0.1 mm	16/10/2021				
WEIGHT	KG/M	Flatness 0.1 /25mm width	SCALE				
2.055		Straightness 0.3 /300mm	1 : 1				
PERIMETER	mm	Twist 0.5° /300 mm max	DRAWN				
497.53		Angularity ± 1.0 degree	-				
V.F.	mm		CHECK				
251.1							



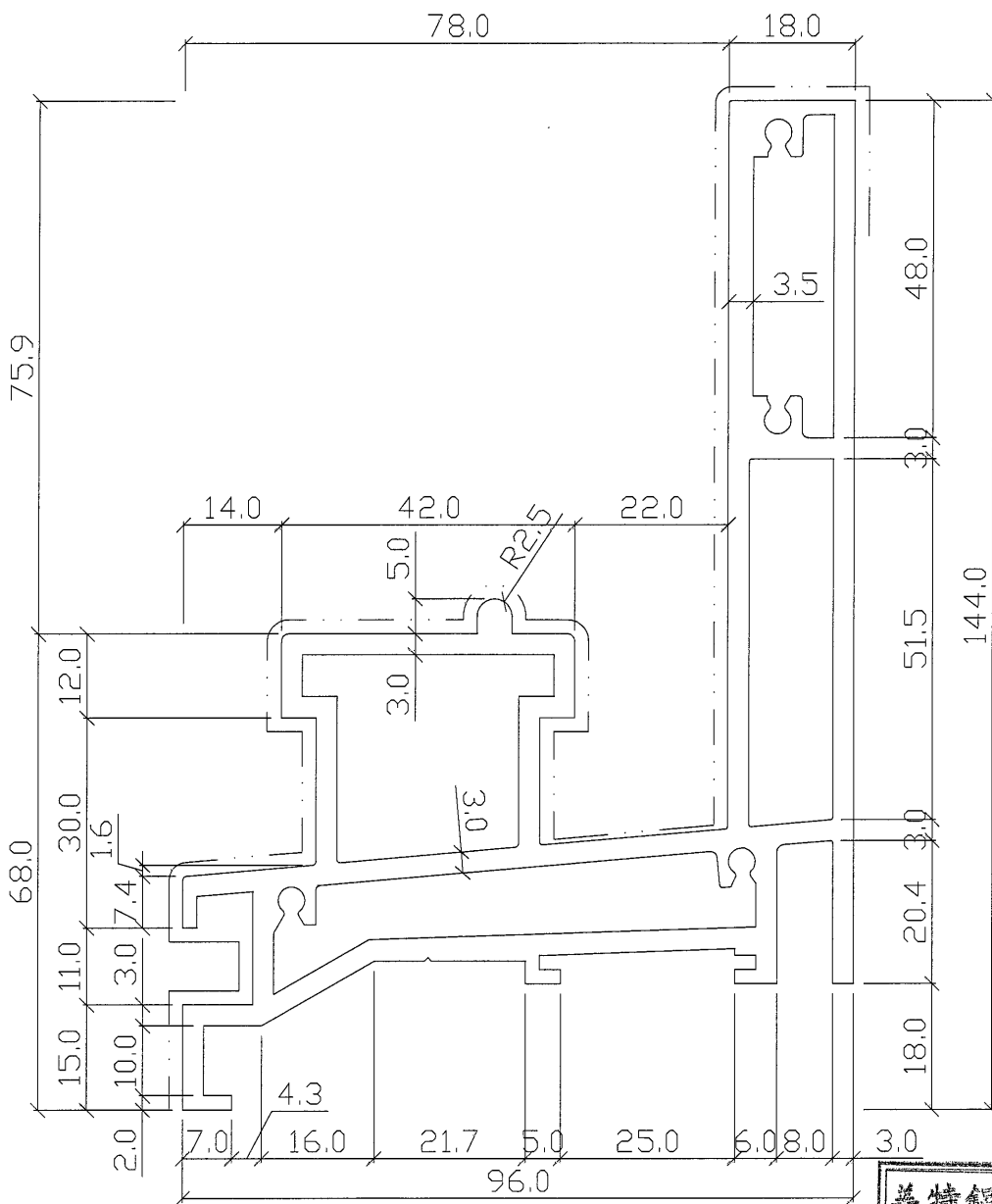
MIDI ALUMINIUM FABRICATOR LTD.

DRAWING NO.  
X86119

REV.

TITLE

-



SCALE 1:1

英特鋁質有限公司	
承認圖面	
日期	15/11

APPROVED :

6063-T6

b=R0.5

SECTIONAL AREA 1932.38 mm <sup>2</sup>	ADDITIONAL TOLERANCE	DATE 16/10/2021	REVISION			
	Thickness ± 0.1 mm	SCALE 1 : 1	NO.	DATE	NAME	DESCRIPTION
WEIGHT 5.237 KG/M	Flatness 0.1 /25mm width	DRAWN -				
PERIMETER 1239.86 mm	Straightness 0.3 /300mm	CHECK				
V.F. 355 mm	Twist 0.5° /300 mm max					
	Angularity ± 1.0 degree					



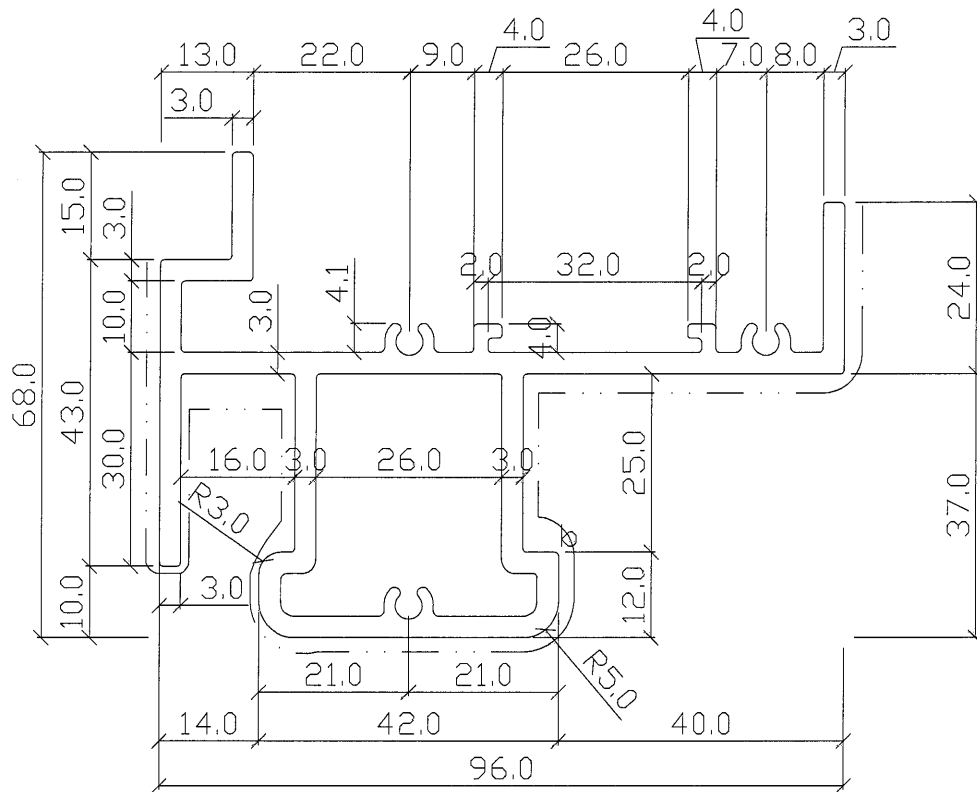
MIDI ALUMINIUM FABRICATOR LTD.

DRAWING NO.  
X86120

REV.

TITLE

-



SCALE 1:1


美特鋁質有限公司	
承認圖面	fb
日期	15/11

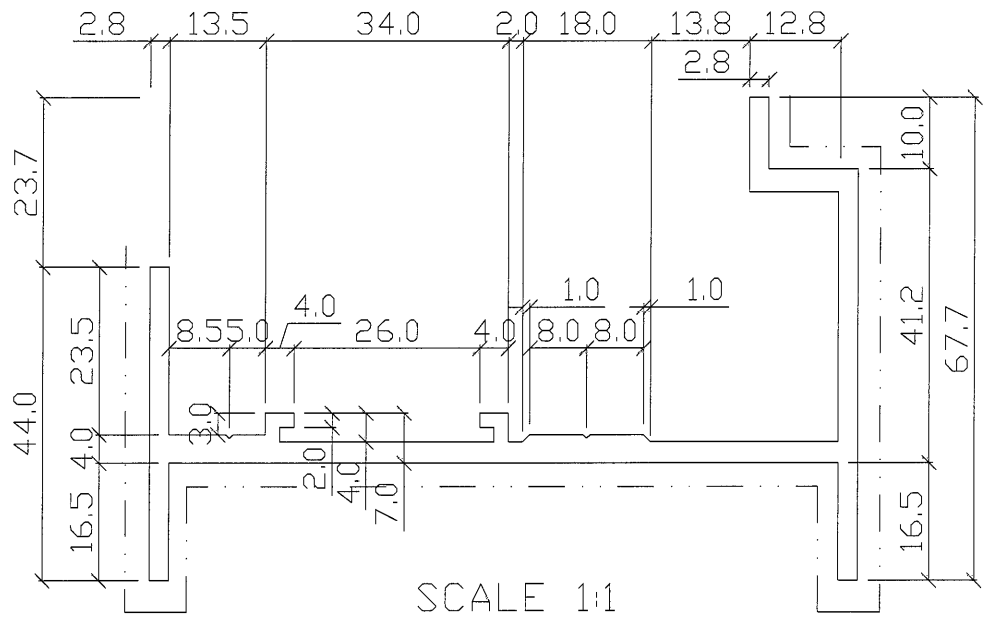
APPROVED :

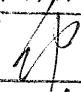
6063-T6

b=R0.5

SECTIONAL AREA	mm <sup>2</sup>	ADDITIONAL TOLERANCE	DATE	REVISION			
				NO.	DATE	NAME	DESCRIPTION
957.73		Thickness ± 0.1 mm	16/10/2021				
WEIGHT	KG/M	Flatness 0.1 /25mm width	SCALE				
2.595		Straightness 0.3 /300mm	1 : 1				
PERIMETER	mm	Twist 0.5° /300 mm max	DRAWN				
654.42		Angularity ± 1.0 degree	-				
V.F.	mm		CHECK				
277							

 <b>MIDI ALUMINIUM FABRICATOR LTD.</b>	DRAWING NO. X86121	REV. -	TITLE -
--	--------------------	--------	---------



美特鋁質有限公司	
承認圖面	
日期	15/11

APPROVED :

6063-T6

b=R0.5

SECTIONAL AREA	mm <sup>2</sup>	683.05	ADDITIONAL TOLERANCE		DATE	REVISION			
			Thickness	± 0.1	mm	16/10/2021	NO.	DATE	NAME
WEIGHT	KG/M	1.851	Flatness	0.1	SCALE				
PERIMETER	mm	464.56	Straightness	0.3	1 : 1				
V.F.	mm	234	Twist	0.5°	DRAWN				
			Angularity	± 1.0	degree	CHECK			



MIDI ALUMINIUM FABRICATOR LTD.

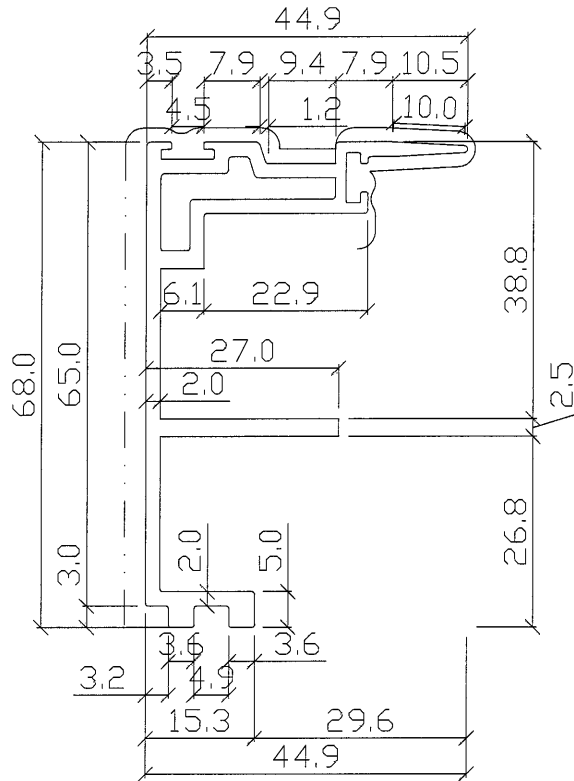
DRAWING NO.

X86122

REV.

TITLE

-



SCALE 1:1

美特鋁質有限公司	
承認圖面	<i>[Signature]</i>
日期	15/11

APPROVED :

6063-T6

b=R0.5

SECTIONAL AREA 417.52 mm <sup>2</sup>	ADDITIONAL TOLERANCE	DATE 16/10/2021	REVISION			
	Thickness ± 0.1 mm	SCALE 1 : 1	NO.	DATE	NAME	DESCRIPTION
WEIGHT 1.131 KG/M	Flatness 0.1 /25mm width	DRAWN -				
PERIMETER 404.15 mm	Straightness 0.3 /300mm	CHECK				
V.F. 128.15 mm	Twist 0.5° /300 mm max					
	Angularity ± 1.0 degree					



MIDI ALUMINIUM FABRICATOR LTD.

DRAWING NO.

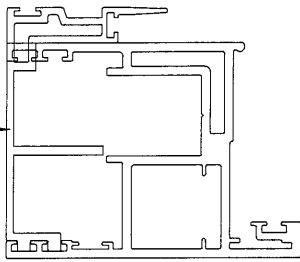
X86123

REV.

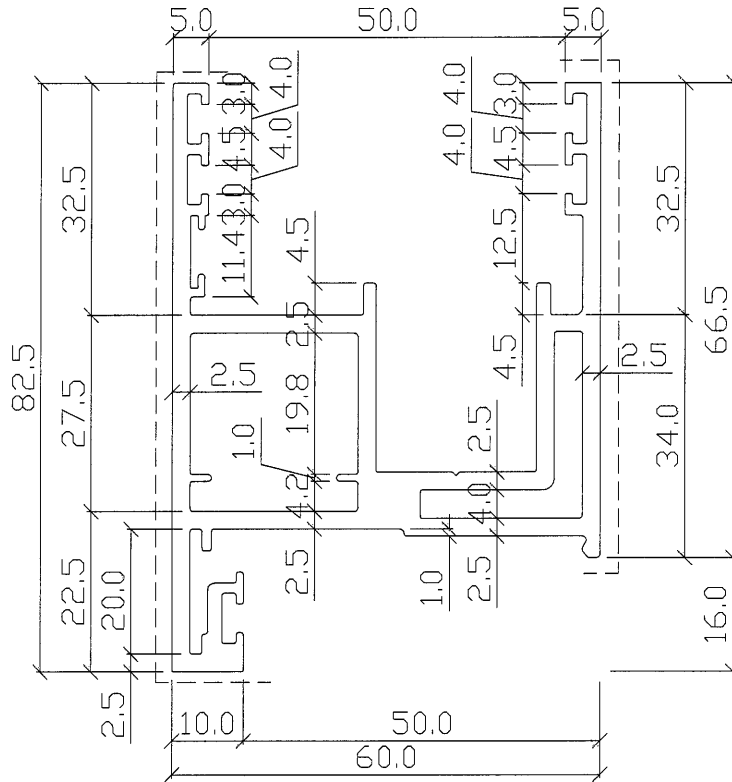
TITLE

-

X86122



SCALE 1:2



SCALE 1:1


美特鋁質有限公司	
承認圖面	14
日期	15/11

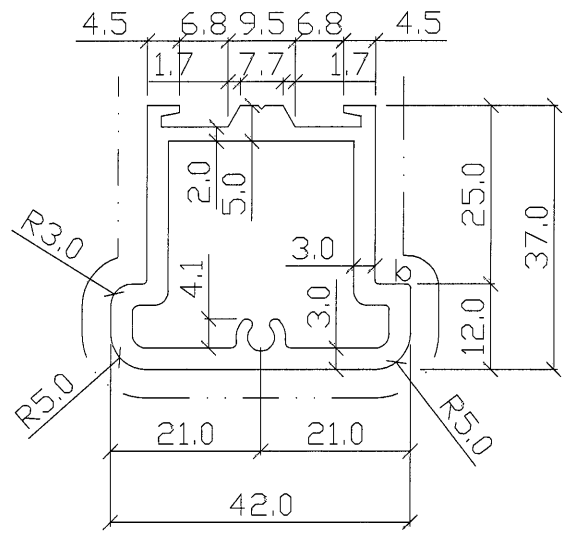
APPROVED :

6063-T6

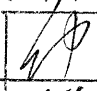
b=R0.5

SECTIONAL AREA	mm <sup>2</sup>	891.81	ADDITIONAL TOLERANCE	DATE	REVISION			
WEIGHT	KG/M	2.417	Thickness ± 0.1 mm	16/10/2021	NO.	DATE	NAME	DESCRIPTION
PERIMETER	mm	738.63	Flatness 0.1 /25mm width	SCALE				
V.F.	mm	418.42	Straightness 0.3 /300mm	1 : 1				
			Twist 0.5° /300 mm max	DRAWN				
			Angularity ± 1.0 degree	-				
				CHECK				

 <b>MIDI ALUMINIUM FABRICATOR LTD.</b>	DRAWING NO. <b>X86124</b>	REV.	TITLE -
--	---------------------------	------	------------



SCALE 1:1

美特鋁質有限公司	
承認圖面	
日期	15/11

APPROVED :

6063-T6

b=R0.5

SECTIONAL AREA	mm <sup>2</sup>	ADDITIONAL TOLERANCE	DATE	REVISION			
				NO.	DATE	NAME	DESCRIPTION
436.21		Thickness ± 0.1 mm	16/10/2021				
WEIGHT	KG/M	Flatness 0.1 /25mm width	SCALE				
1.182		Straightness 0.3 /300mm	1 : 1				
PERIMETER	mm	Twist 0.5° /300 mm max	DRAWN				
311.06		Angularity ± 1.0 degree	-				
V.F.	mm		CHECK				
120							



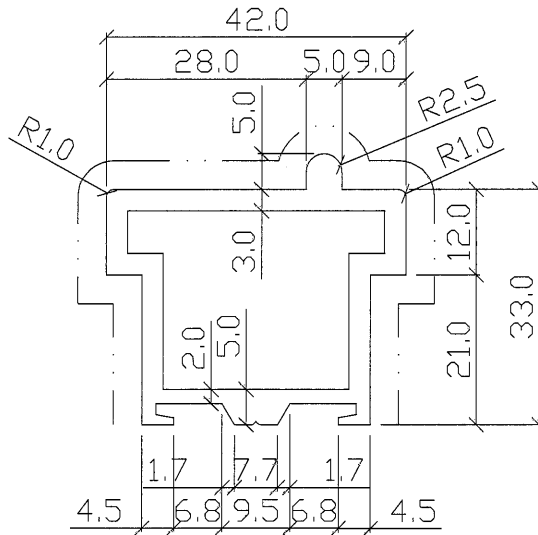
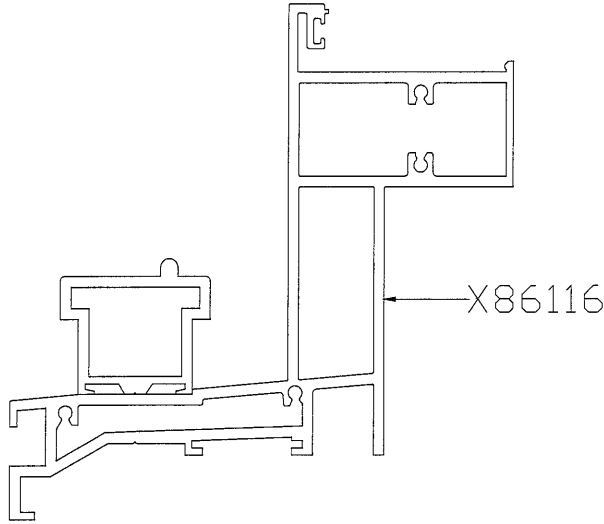
MIDI ALUMINIUM FABRICATOR LTD.

DRAWING NO.  
X86125

REV.

TITLE

-



SCALE 1:1

美特鋁質有限公司	
承認圖面	<i>[Signature]</i>
日期	15/11

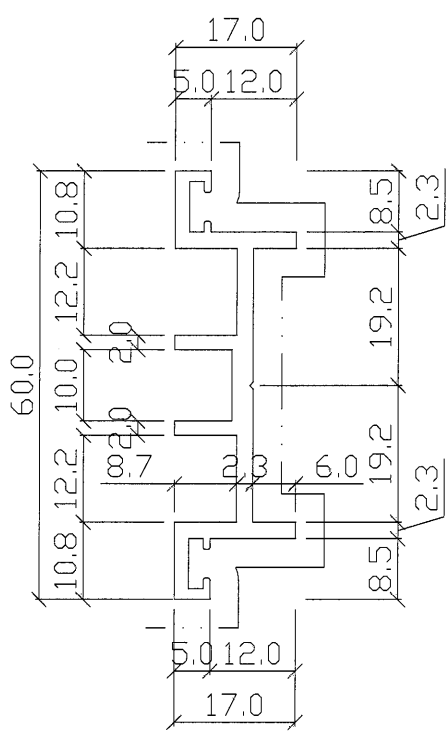
APPROVED :

6063-T6

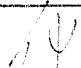
b=R0.5

SECTIONAL AREA	mm <sup>2</sup>	ADDITIONAL TOLERANCE	DATE	REVISION			
				NO.	DATE	NAME	DESCRIPTION
433.08		Thickness ± 0.1 mm	16/10/2021				
WEIGHT	KG/M	Flatness 0.1 /25mm width	SCALE				
1.174		Straightness 0.3 /300mm	1 : 1				
PERIMETER	mm	Twist 0.5° /300 mm max	DRAWN				
297.97		Angularity ± 1.0 degree	-				
V.F.	mm		CHECK				
125							

 <b>MIDI ALUMINIUM FABRICATOR LTD.</b>	DRAWING NO. X86126	REV.	TITLE -
--	--------------------	------	---------



SCALE 1:1

美特鋁質有限公司	
承認圖面	
日期	15/11

APPROVED :

6063-T5

b=R0.5

SECTIONAL AREA mm <sup>2</sup> 256.92	ADDITIONAL TOLERANCE Thickness ± 0.1 mm	DATE 16/10/2021	REVISION			
WEIGHT KG/M 0.696	Flatness 0.1 /25mm width	SCALE 1 : 1	NO.	DATE	NAME	DESCRIPTION
PERIMETER mm 240.18	Straightness 0.3 /300mm	DRAWN -				
V.F. mm 125	Twist 0.5° /300 mm max Angularity ± 1.0 degree	CHECK				



MIDI ALUMINIUM FABRICATOR LTD.

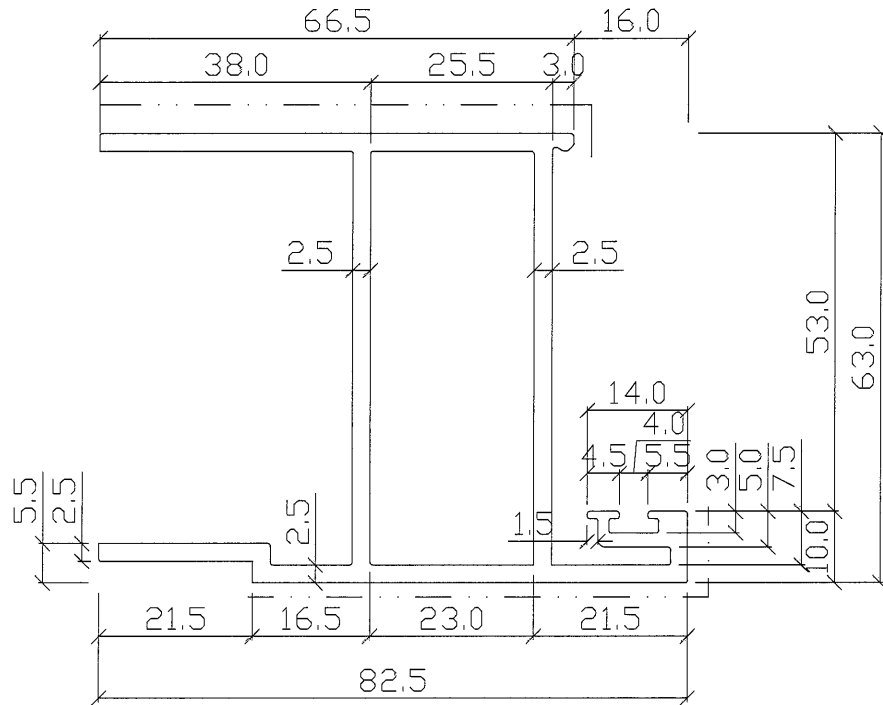
DRAWING NO.  
X86127

REV.

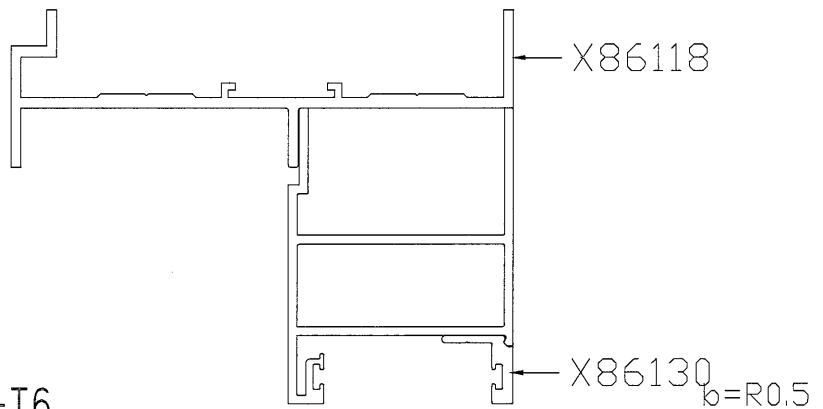
TITLE

-

美特鋁質有限公司	
承認圖面	<i>[Signature]</i>
日期	15/11



SCALE 1:1



APPROVED :

6063-T6

SECTIONAL AREA	mm <sup>2</sup>	720.64	ADDITIONAL TOLERANCE	DATE	REVISION			
WEIGHT	KG/M	1.953	Thickness ± 0.1 mm	16/10/2021	NO.	DATE	NAME	DESCRIPTION
PERIMETER	mm	582.40	Flatness 0.1 /25mm width	SCALE				
V.F.	mm	138	Straightness 0.3 /300mm	1 : 1				
			Twist 0.5° /300 mm max	DRAWN				
			Angularity ± 1.0 degree	-				
				CHECK				



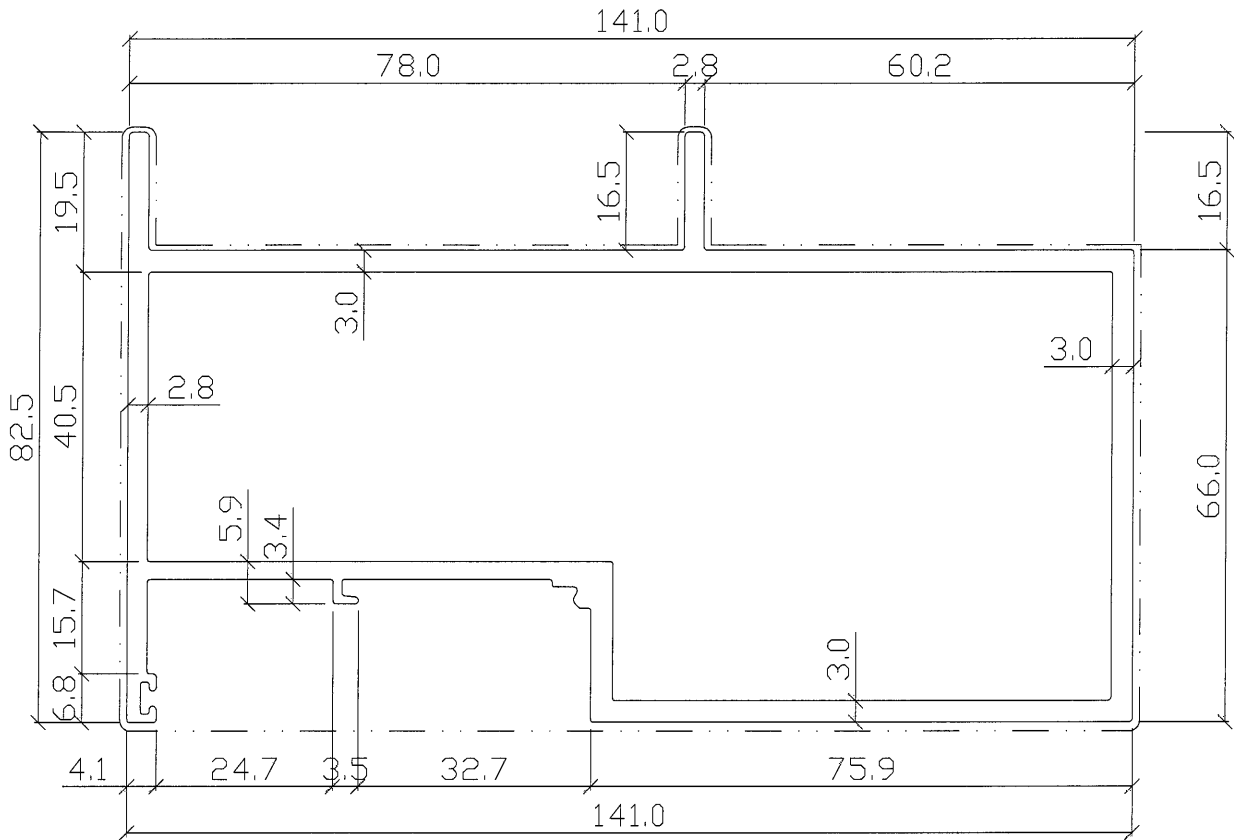
MIDI ALUMINIUM FABRICATOR LTD.

DRAWING NO.  
X86128

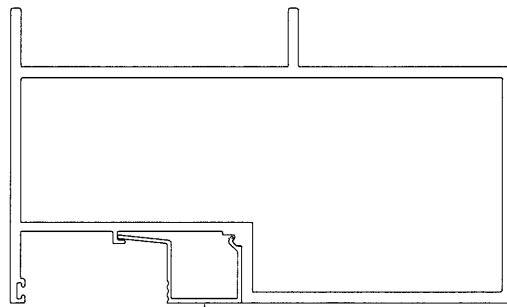
REV.

TITLE

-



SCALE 1:1



X86113

美特鋁質有限公司	
承認圖面	16
日期	15/11

APPROVED :

6063-T6

b=R0.5

SECTIONAL AREA	mm <sup>2</sup>	ADDITIONAL TOLERANCE	DATE	REVISION			
				NO.	DATE	NAME	DESCRIPTION
1329.03		Thickness ± 0.1 mm	16/10/2021				
WEIGHT	KG/M	Flatness 0.1 /25mm width	SCALE				
3.602		Straightness 0.3 /300mm	1 : 1				
PERIMETER	mm	Twist 0.5° /300 mm max	DRAWN				
927.00		Angularity ± 1.0 degree	-				
V.F.	mm		CHECK				
537.54							



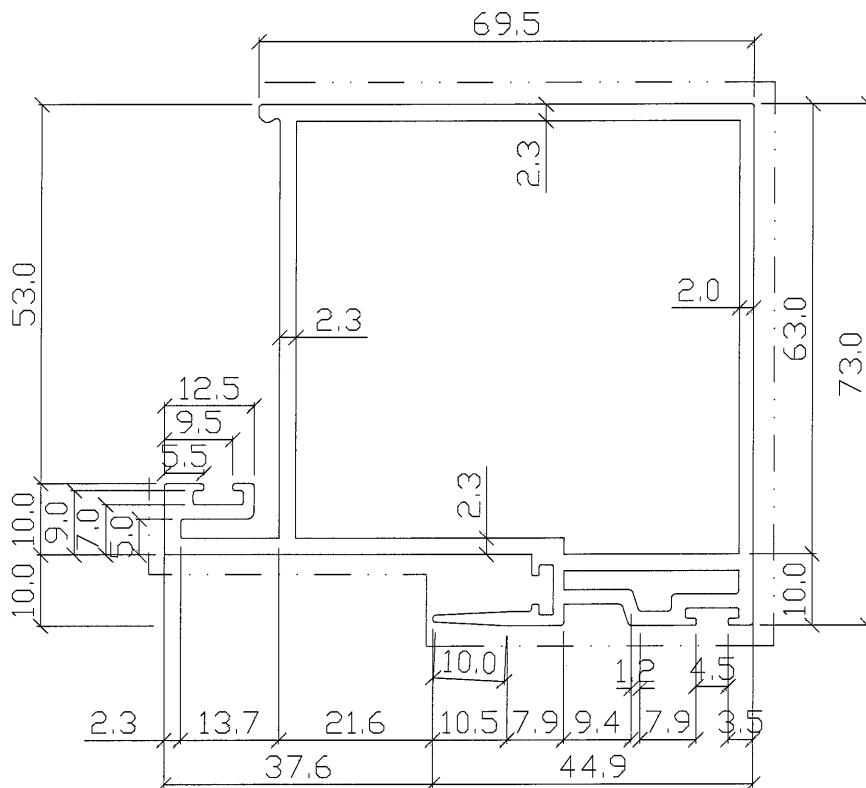
MIDI ALUMINIUM FABRICATOR LTD.

DRAWING NO.  
X86129

REV.

TITLE

-



SCALE 1:1

美特鋁質有限公司	
承認圖面	<i>[Signature]</i>
日期	15/11

APPROVED :

6063-T6

b=R0.5

SECTIONAL AREA	mm <sup>2</sup>	781.17	ADDITIONAL TOLERANCE	DATE	REVISION			
WEIGHT	KG/M	2.117	Thickness ± 0.1 mm	16/10/2021	NO.	DATE	NAME	DESCRIPTION
PERIMETER	mm	719.02	Flatness 0.1 /25mm width	SCALE				
V.F.	mm	297	Straightness 0.3 /300mm	1 : 1				
			Twist 0.5° /300 mm max	DRAWN				
			Angularity ± 1.0 degree	-				
				CHECK				



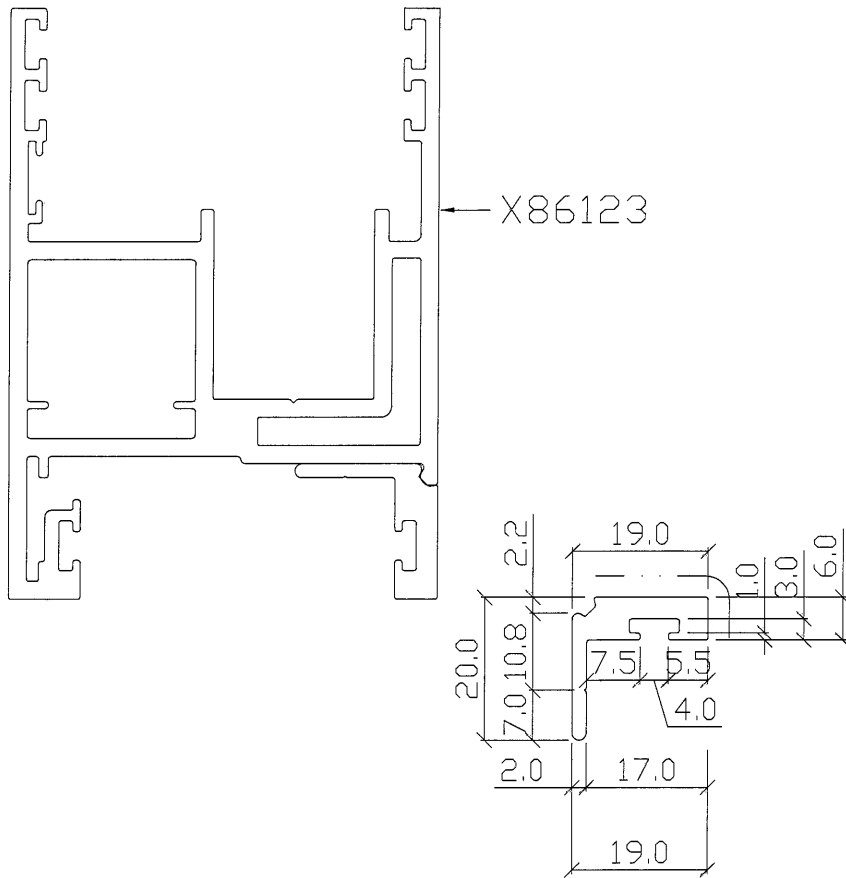
MIDI ALUMINIUM FABRICATOR LTD.

DRAWING NO.  
X86130

REV.

TITLE

-



SCALE 1:1

英特鋁質有限公司	
承認圖面	<i>[Signature]</i>
日期	15/11

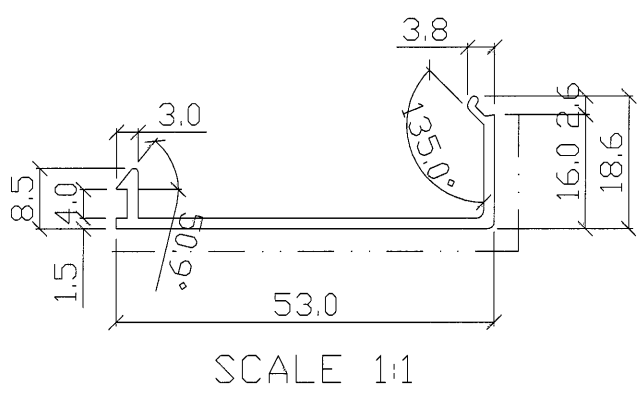
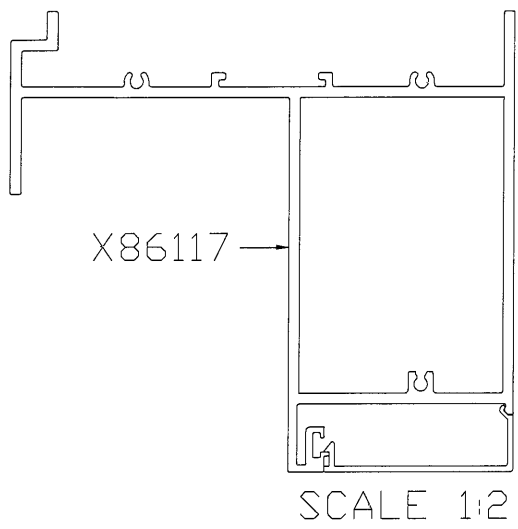
APPROVED :

6063-T6

b=R0.5

SECTIONAL AREA	mm <sup>2</sup>	ADDITIONAL TOLERANCE	DATE	REVISION			
				NO.	DATE	NAME	DESCRIPTION
116.43		Thickness ± 0.1 mm	16/10/2021				
WEIGHT	KG/M	Flatness 0.1 /25mm width	SCALE				
0.316		Straightness 0.3 /300mm	1 : 1				
PERIMETER	mm	Twist 0.5° /300 mm max	DRAWN				
87.34		Angularity ± 1.0 degree	-				
V.F.	mm		CHECK				
22.15							

 <b>MIDI ALUMINIUM FABRICATOR LTD.</b>	DRAWING NO. X86131	REV. -	TITLE -
--	-----------------------	-----------	------------



美特鋁質有限公司	
承認圖面	14
日期	15/11

APPROVED :

6063-T5

b=R0.5

SECTIONAL AREA	mm <sup>2</sup>	ADDITIONAL TOLERANCE	DATE	REVISION			
				NO.	DATE	NAME	DESCRIPTION
117.00		Thickness ± 0.1 mm	16/10/2021				
WEIGHT	KG/M	Flatness 0.1 /25mm width	SCALE				
0.317		Straightness 0.3 /300mm	1 : 1				
PERIMETER	mm	Twist 0.5° /300 mm max	DRAWN				
159.89		Angularity ± 1.0 degree	-				
V.F.	mm		CHECK				
68							



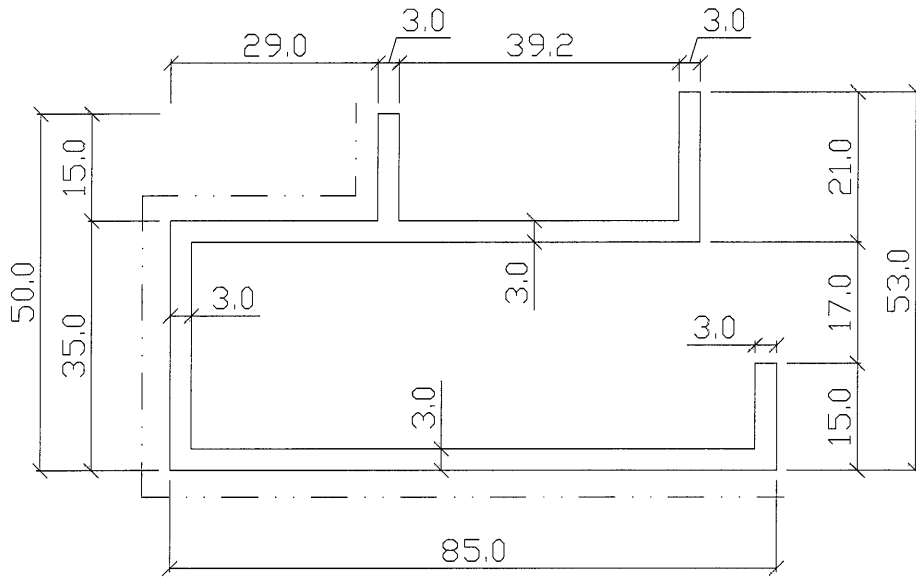
MIDI ALUMINIUM FABRICATOR LTD.

DRAWING NO.  
X86132

REV.

TITLE

-



SCALE 1:1

美特鋁質有限公司	
承認圖面	<i>[Signature]</i>
日期	15/11

APPROVED :

6063-T5

b=R0.5

SECTIONAL AREA 699.66 mm <sup>2</sup>	ADDITIONAL TOLERANCE	DATE 16/10/2021	REVISION			
	Thickness ± 0.1 mm	SCALE 1 : 1	NO.	DATE	NAME	DESCRIPTION
WEIGHT 1.896 KG/M	Flatness 0.1 /25mm width	DRAWN -				
PERIMETER 472.44 mm	Straightness 0.3 /300mm	CHECK				
V.F. 164 mm	Twist 0.5° /300 mm max					
	Angularity ± 1.0 degree					



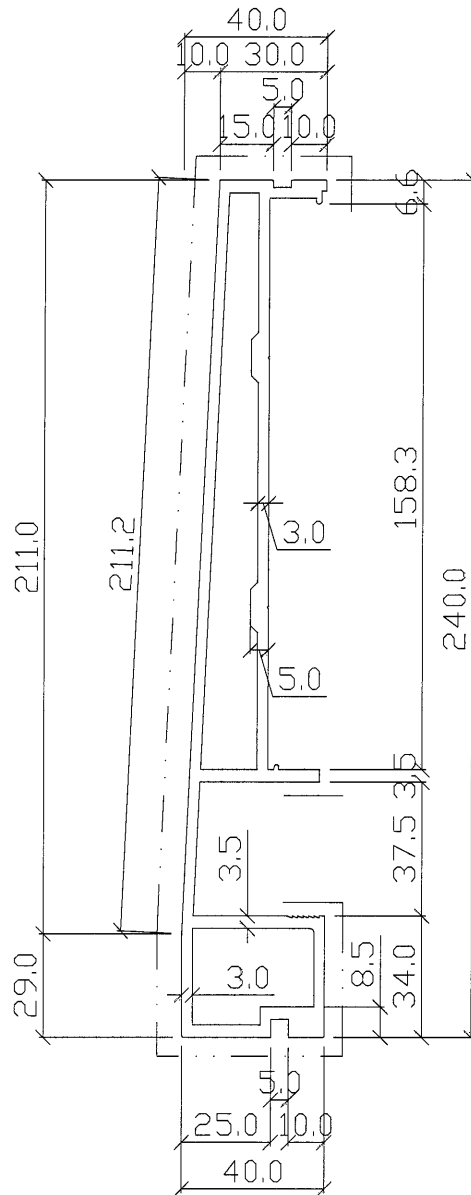
MIDI ALUMINIUM FABRICATOR LTD.

DRAWING NO.  
X86133

REV.

TITLE

-



SCALE 1:2

美特鋁質有限公司	
承認圖面	<i>[Signature]</i>
日期	15/11

APPROVED :

6063-T6

b=R0.5

SECTIONAL AREA	mm <sup>2</sup>	ADDITIONAL TOLERANCE	DATE	REVISION			
				NO.	DATE	NAME	DESCRIPTION
1865.77		Thickness ± 0.1 mm	16/10/2021				
WEIGHT	KG/M	Flatness 0.1 /25mm width	SCALE				
5.056		Straightness 0.3 /300mm	1 : 1				
PERIMETER	mm	Twist 0.5° /300 mm max	DRAWN				
1145.23		Angularity ± 1.0 degree	-				
V.F.	mm		CHECK				
392.6							



MIDI ALUMINIUM FABRICATOR LTD.

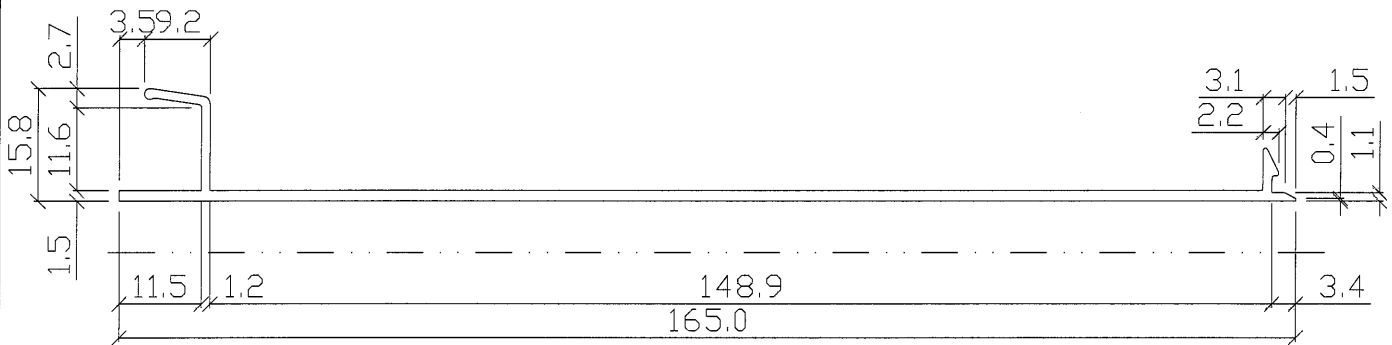
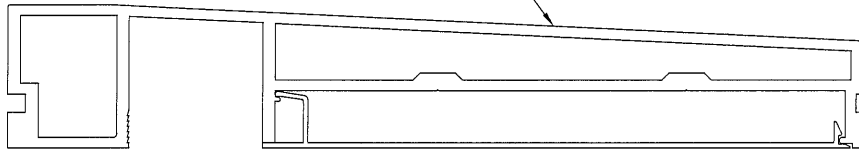
DRAWING NO.  
X86134

REV.

TITLE

-

X86133



SCALE 1:1

美特鋁質有限公司	
承認圖面	1/1
日期	15/11

APPROVED :

6063-T6

b=R0.5

SECTIONAL AREA	mm <sup>2</sup>	ADDITIONAL TOLERANCE	DATE	REVISION			
				NO.	DATE	NAME	DESCRIPTION
279.32		Thickness ± 0.1 mm	16/10/2021				
WEIGHT	KG/M	Flatness 0.1 /25mm width	SCALE				
0.757		Straightness 0.3 /300mm	1 : 1				
PERIMETER	mm	Twist 0.5° /300 mm max	DRAWN				
385.94		Angularity ± 1.0 degree	-				
V.F.	mm		CHECK				
165							



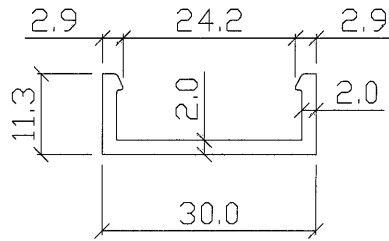
MIDI ALUMINIUM FABRICATOR LTD.

DRAWING NO.  
X86135

REV.

TITLE

-



SCALE 1:1

美特鋁質有限公司	
承認圖面	<i>[Signature]</i>
日期	15/11

APPROVED :

6063-T6

b=R0.5

SECTIONAL AREA	mm <sup>2</sup>	ADDITIONAL TOLERANCE	DATE	REVISION			
				NO.	DATE	NAME	DESCRIPTION
99.48		Thickness ± 0.1 mm	16/10/2021				
WEIGHT	KG/M	Flatness 0.1 /25mm width	SCALE				
0.27		Straightness 0.3 /300mm	1 : 1				
PERIMETER	mm	Twist 0.5° /300 mm max	DRAWN				
102.7		Angularity ± 1.0 degree	-				
V.F.	mm		CHECK				
0							



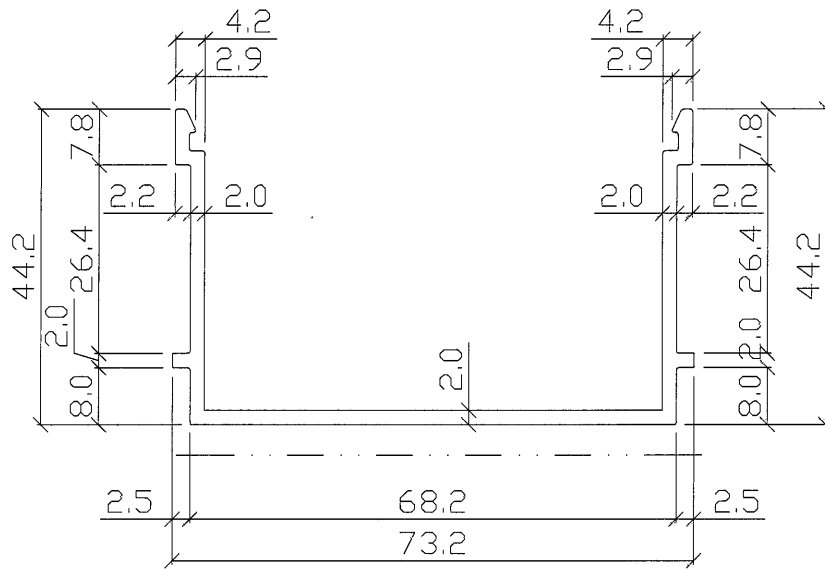
MIDI ALUMINIUM FABRICATOR LTD.

DRAWING NO.  
X86136

REV.

TITLE

-



SCALE 1:1

美特鋁質有限公司	
承認圖面	<i>[Signature]</i>
日期	15/11

APPROVED :

6063-T6

b=R0.5

SECTIONAL AREA	mm <sup>2</sup>	ADDITIONAL TOLERANCE	DATE	REVISION			
				NO.	DATE	NAME	DESCRIPTION
325.93		Thickness ± 0.1 mm	16/10/2021				
WEIGHT	KG/M	Flatness 0.1 /25mm width	SCALE				
0.883		Straightness 0.3 /300mm	1 : 1				
PERIMETER	mm	Twist 0.5° /300 mm max	DRAWN				
326.62		Angularity ± 1.0 degree	-				
V.F.	mm		CHECK				
67.6							



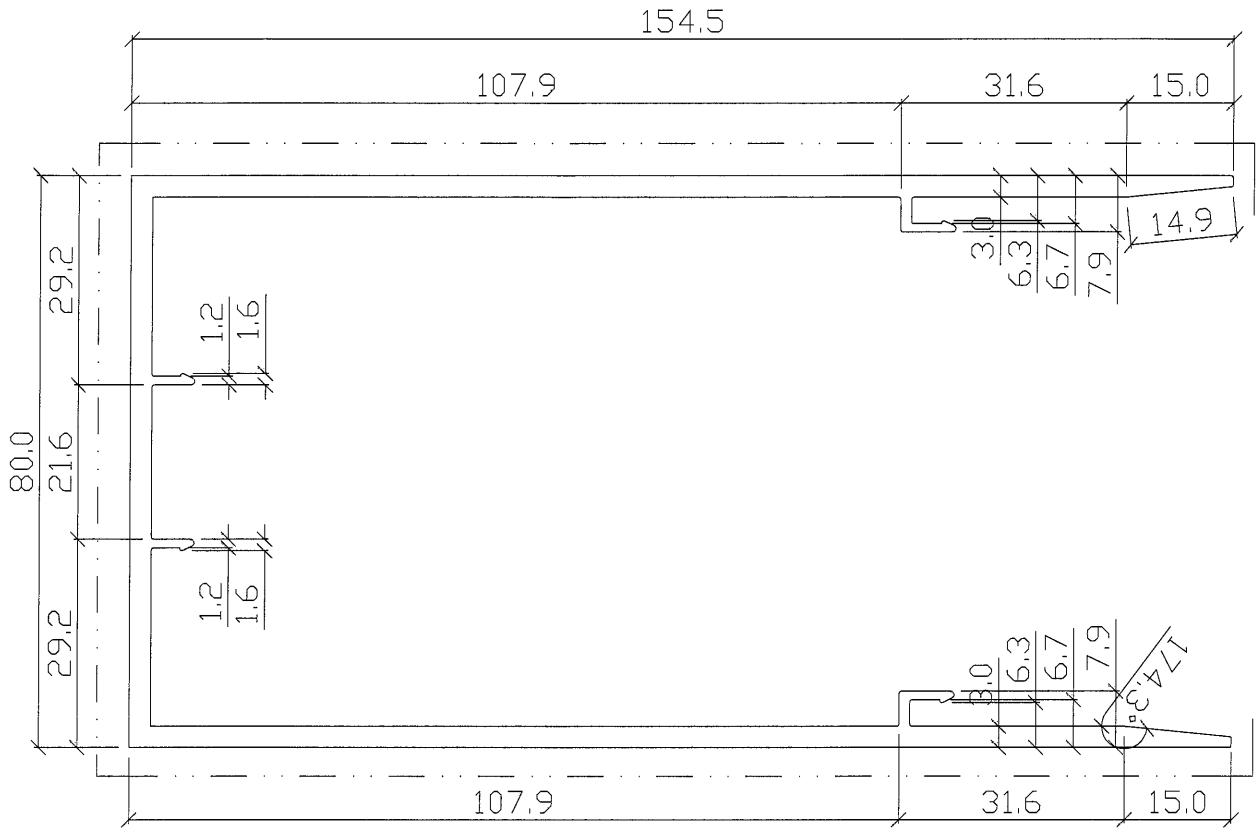
MIDI ALUMINIUM FABRICATOR LTD.

DRAWING NO.  
X86137

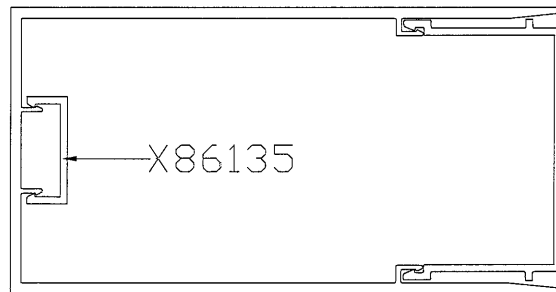
REV.

TITLE

-



SCALE 1:1




美特鋁質有限公司	
承認圖面	<i>[Signature]</i>
日期	15/11

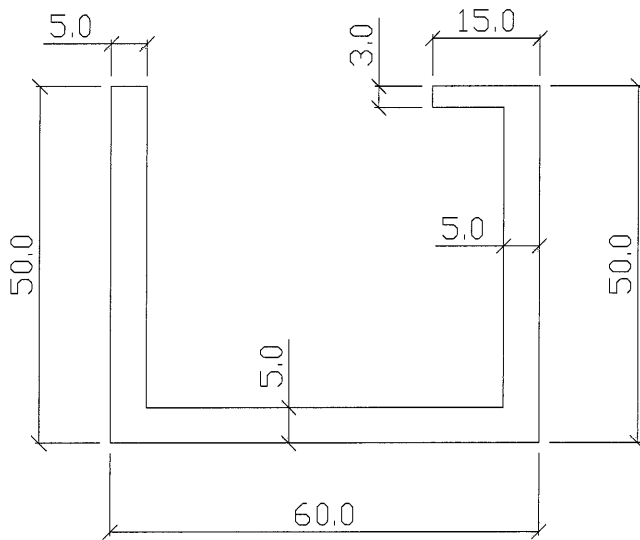
APPROVED :

6063-T6

b=R0.5

SECTIONAL AREA	mm <sup>2</sup>	ADDITIONAL TOLERANCE	DATE	REVISION			
				NO.	DATE	NAME	DESCRIPTION
1170.92		Thickness ± 0.1 mm	16/10/2021				
WEIGHT	KG/M	Flatness 0.1 /25mm width	SCALE				
3.173		Straightness 0.3 /300mm	1 : 1				
PERIMETER	mm	Twist 0.5° /300 mm max	DRAWN				
834.88		Angularity ± 1.0 degree	-				
V.F.	mm		CHECK				
392							

 <b>MIDI ALUMINIUM FABRICATOR LTD.</b>	DRAWING NO. X86138	REV. -	TITLE -
--	-----------------------	-----------	------------



SCALE 1:1

英特鋁質有限公司	
承認圖面	<i>[Signature]</i>
日期	15/11

APPROVED :

6063-T6

b=R0.5

SECTIONAL AREA	mm <sup>2</sup>	ADDITIONAL TOLERANCE	DATE	REVISION			
				NO.	DATE	NAME	DESCRIPTION
780		Thickness ± 0.1 mm	16/10/2021				
WEIGHT	KG/M	Flatness 0.1 /25mm width	SCALE				
2.114		Straightness 0.3 /300mm	1 : 1				
PERIMETER	mm	Twist 0.5° /300 mm max	DRAWN				
330		Angularity ± 1.0 degree	-				
V.F.	mm		CHECK				
0							