



工程指示 / 要求簡箋 ENGINEER INSTRUCTIONS(E.I.)

工程指示編號:	EI- 6070	修改版本:	-
	HK- 829		
工程編號:	J 856	工程名稱:	天榮站
收件人:	生統/ 林仁安	發件人:	Johnny
工程項目:	幕牆單元拆圖(更新吊船扣碼)	日期:	21/04/2023

<input type="checkbox"/> 原合約工程包	<input type="checkbox"/> 原合約工程加 / 減脹 QT-	<input type="checkbox"/> 新工程報價 QT-
---------------------------------	--	------------------------------------

信件批核號碼/圖紙參考編號:	批核模具圖紙編號:
客戶指示附件:	管理內部批簽署:

<input type="checkbox"/> 初步鋁料 B.M.	<input type="checkbox"/> 加工拆圖, 然後生產	<input type="checkbox"/> 尺寸表
<input type="checkbox"/> 正式鋁料 B.M.	<input type="checkbox"/> 技術上資料/指示	<input type="checkbox"/> 報價
<input type="checkbox"/> 配件 B.M.	<input type="checkbox"/> 樣辦或貨品說明書	<input type="checkbox"/> 分判合約
<input checked="" type="checkbox"/> 其他: 更新幕牆拆圖		

內容: 因應最新吊船碼位置圖, 有關幕牆配置吊船碼樓層需重新配置(平面位置未受影響); 請安排更新元號資料作生產安排。

完成上列要求日期: 24/04/2023

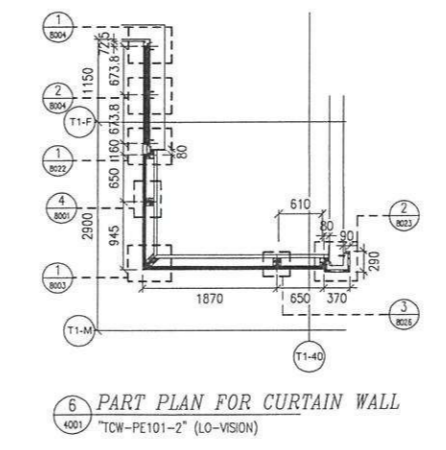
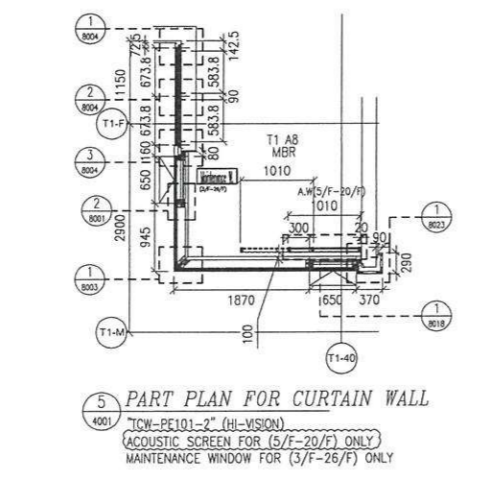
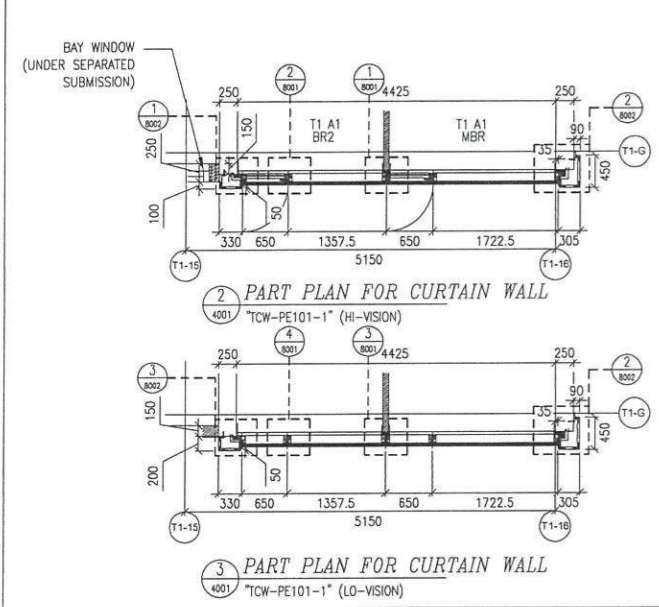
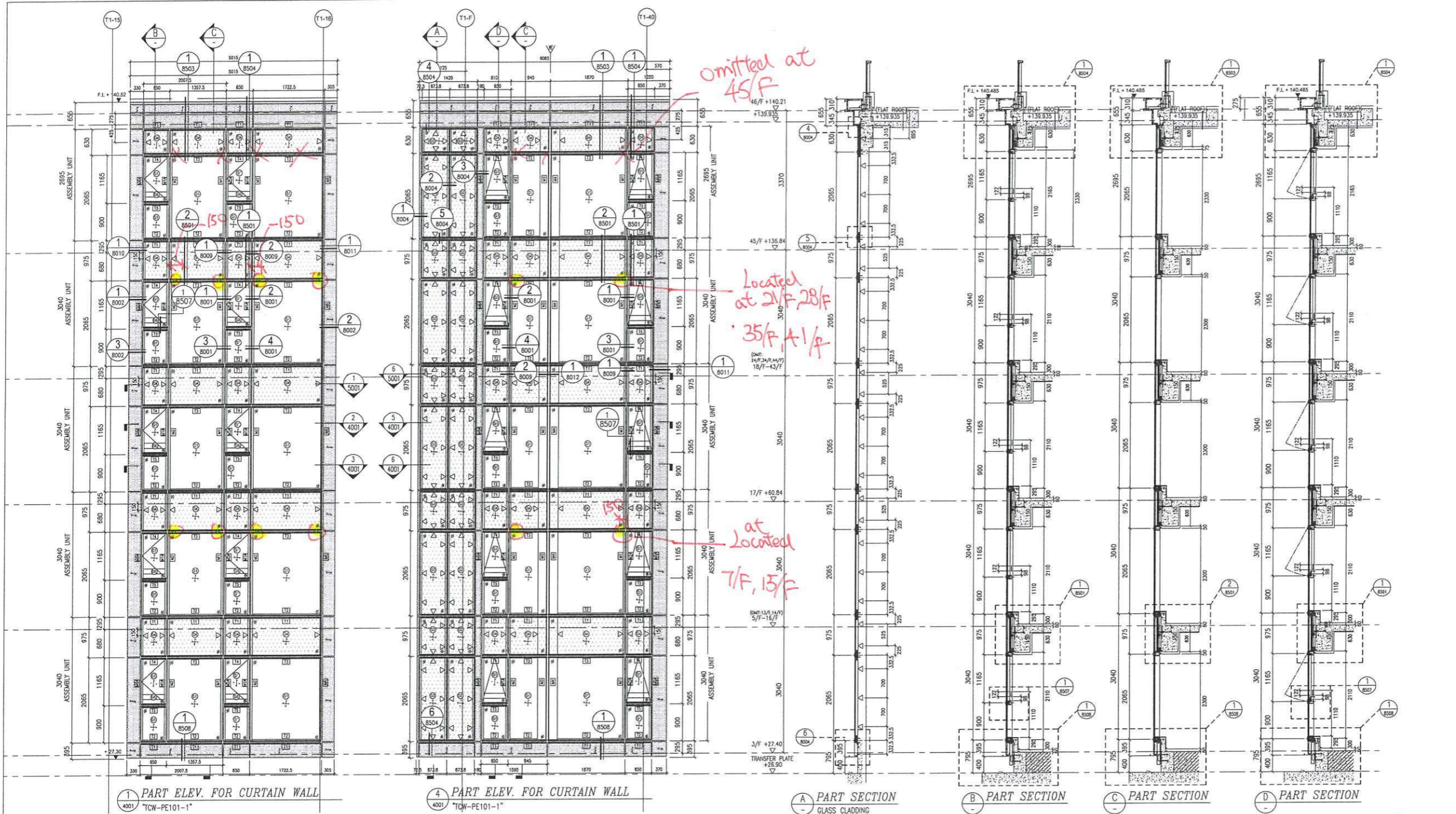
國內

<input checked="" type="checkbox"/> 生產技術總監	<input checked="" type="checkbox"/> 連附件	<input type="checkbox"/> 技術部	<input type="checkbox"/> 連附件	<input type="checkbox"/> 生產部	<input type="checkbox"/> 連附件
<input type="checkbox"/> 採購部	<input type="checkbox"/> 連附件	<input checked="" type="checkbox"/> 生產統籌部	<input checked="" type="checkbox"/> 連附件	<input type="checkbox"/> 報關組	<input type="checkbox"/> 連附件
<input type="checkbox"/> 質檢部	<input type="checkbox"/> 連附件	<input type="checkbox"/> 會計部	<input type="checkbox"/> 連附件	<input type="checkbox"/> 機械設計部	<input type="checkbox"/> 連附件
<input checked="" type="checkbox"/> 香港辦	<input checked="" type="checkbox"/> 連附件	<input type="checkbox"/> 其他:			

香港

<input type="checkbox"/> 行政部	<input type="checkbox"/> 連附件	<input type="checkbox"/> 會計部	<input type="checkbox"/> 連附件	<input type="checkbox"/> 統籌部	<input type="checkbox"/> 連附件	<input type="checkbox"/> 工程部	<input type="checkbox"/> 連附件
<input type="checkbox"/> 採購部	<input type="checkbox"/> 連附件	<input type="checkbox"/> QS部	<input type="checkbox"/> 連附件	<input type="checkbox"/> 地盤管理	<input type="checkbox"/> 連附件	<input type="checkbox"/> 維修部	<input type="checkbox"/> 連附件

*發件人簽署:	*組別成員批核簽署:
傳遞編號:	項目經理簽署:



A PART SECTION
GLASS CLADDING

B PART SECTION

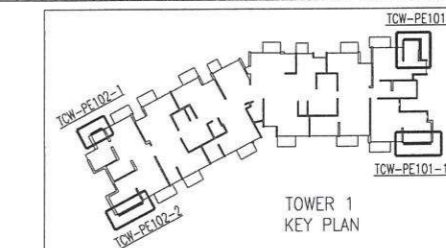
C PART SECTION

D PART SECTION

Change according to ABLE Dwg

Top of 7/F, 15/F, 21/F, 28/F, 35/F, 41/F

TOWER	FLAT	ROOM	REQUIRED	PROVIDED	REQUIRED	PROVIDED	REFER CW
T1	A1	MBR	0.793 M ²	4.143 M ²	0.496 M ²	0.509 M ²	TCW-PE101-1
T1	A1	BR2	0.420 M ²	3.432 M ²	0.263 M ²	0.509 M ²	TCW-PE101-1
T1	A8	MBR	0.696 M ²	6.293 M ²	0.435 M ²	0.509 M ²	TCW-PE101-2



B.D. REF :

CLIENT :
SUN HUNG KAI
REAL ESTATE AGENCY LTD.
42/F SUN HUNG KAI CENTRE, WANCHAI, HONGKONG

ARCHITECT :
lwk&partners
architects

MAIN CONTRACTOR :
Yee Fai Building Contractors Ltd.

STRUCTURAL ENGINEER :
ARUP

FAÇADE CONSULTANT :
ALPHA CONSULTING LIMITED
Steel Structure & Façade Specialist

NOTE :
1. ALL DIMENSIONS ARE IN mm.
2. ALL ELEVATIONS ARE VIEWED FROM OUTSIDE.
3. ALL DIMENSIONS TO BE VERIFIED ON SITE BEFORE FABRICATION.

LEGEND :

X1 - DETAIL MARK NO.
X001 - REFER SHEET NO.

1. F.F.L. -- FINISHED FLOOR LEVEL
2. S.F.L. -- STRUCTURAL FLOOR LEVEL
3. (R) -- REVERSED DETAIL

LEGEND:

(G1) IGU GLASS: 8mm HEAT STRENGTHENED +12mm AIR +10mm TEMPERED (VISION)
(G2) IGU GLASS: 8mm HEAT STRENGTHENED +12mm AIR +12mm TEMPERED (VISION)
(G3) 12mm HEAT STRENGTHENED GLASS (SPANDREL) /W 2MM BACK PANEL
(G4) 12mm TEMPERED GLASS (PROTECTIVE BARRIER)
(G5) 3mm ALUM. CLADDING

WIND LOAD + DEAD LOAD BRACKET
RESTRAINT SOCKET ONLY APPLY AT: 5/F, 11/F, 19/F, 20/F, 21/F, 33/F AND 45/F ONLY

NO.	DATE	REVISION	BY
C	21-FEB-2023	4TH SUBMISSION	CF
B	13-JAN-2023	3TH SUBMISSION	CF
A	28-DEC-2022	2ND SUBMISSION	CF

JOB NO. : J-856

PROJECT :
PROPOSED DEVELOPMENT ABOVE LIGHT RAIL TIN WING STOP, TSWTL NO.23, AREA 33, TIN SHUI WAI, N.T.

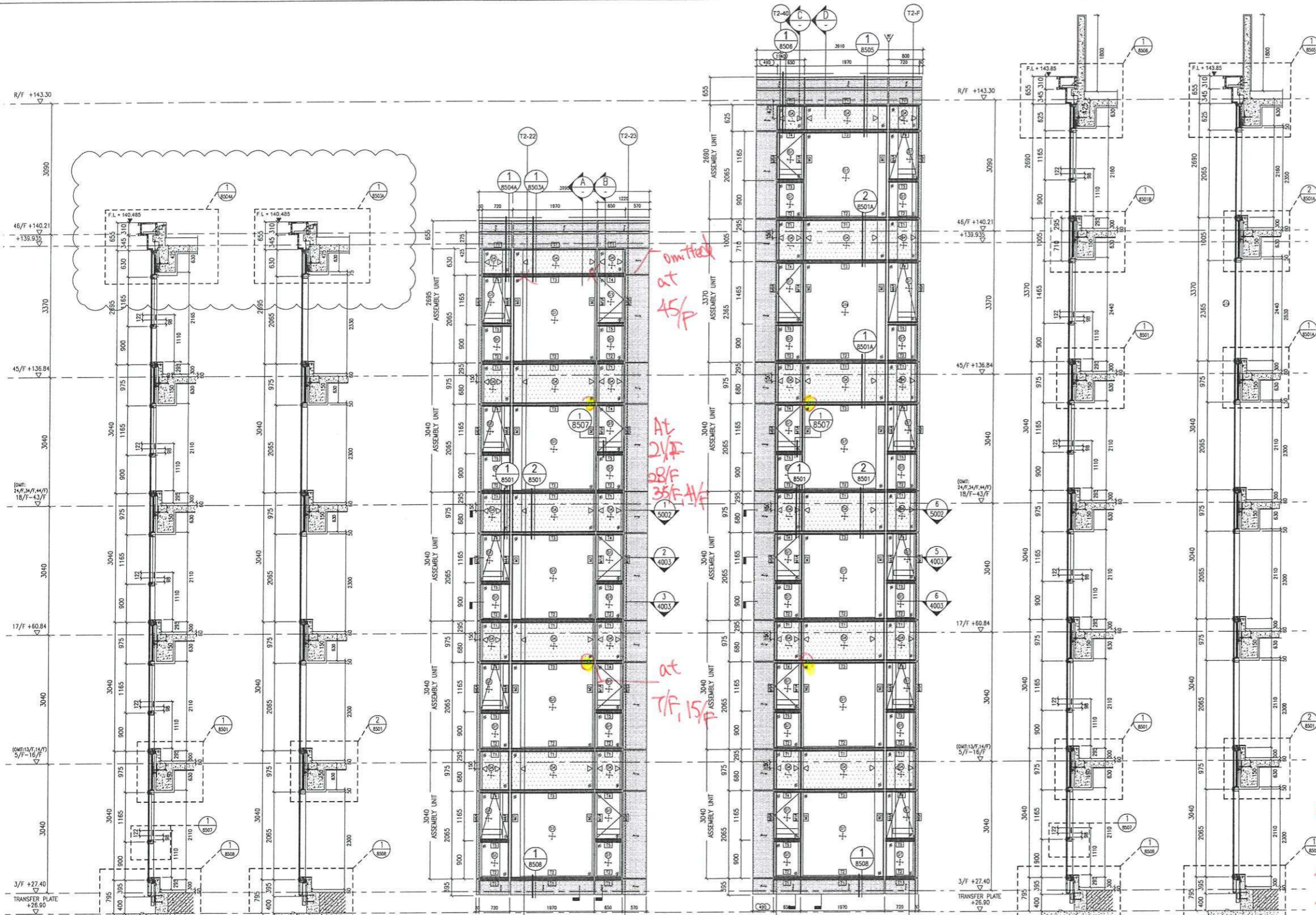
TITLE :
PART ELEV & PLAN & SECTION FOR CURTAIN WALL @ TOWER 1 (TYPICAL)

DATE : 31-OCT-22 SCALE : 1:100

DRAWN BY : C.F CHECKED BY :

美特鋁質有限公司
MIDI ALUMINIUM FABRICATOR LTD.
Units 6-8, Sunray Industrial Centre, 1/F
610 Cha Kwo Ling Road, Kowloon
Tel: 23489211-4 Fax: (852) 2727666

DWG NO. : J856-SD-CW-4001 REV. : C



A PART SECTION

B PART SECTION

1 PART ELEV. FOR CURTAIN WALL
"TCW-PE201-1"

4 PART ELEV. FOR CURTAIN WALL
"TCW-PE201-2"

C PART SECTION

D PART SECTION

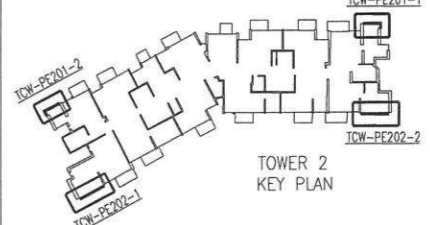
2 PART PLAN FOR CURTAIN WALL
"TCW-PE201-1" (HI-VISION)

5 PART PLAN FOR CURTAIN WALL
"TCW-PE201-2" (HI-VISION)

3 PART PLAN FOR CURTAIN WALL
"TCW-PE201-1" (LO-VISION)

6 PART PLAN FOR CURTAIN WALL
"TCW-PE201-2" (LO-VISION)

TOWER	FLAT	ROOM	REQUIRED LIGHTING	PROVIDED LIGHTING	REQUIRED OPENABLE	PROVIDED OPENABLE	REFER CW
T2	BB	MBR	0.701 M ²	5.061 M ²	0.438 M ²	0.912 M ²	TCW-PE201-1
T2	AB	MBR	0.701 M ²	5.061 M ²	0.438 M ²	0.912 M ²	TCW-PE201-2



change according to ABLE
Top of 7/F, 15/F, 21/F, 28/F, 35/F, 41/F

B.D. REF :

CLIENT :
SUN HUNG KAI
REAL ESTATE AGENCY LTD.
42/F SUN HUNG KAI CENTRE, WANCHAI, HONGKONG

ARCHITECT :
lwk&partners
architects

MAIN CONTRACTOR :
怡輝建築有限公司
Yee Fai Building Contractors Ltd.

STRUCTURAL ENGINEER :
ARUP

FAÇADE CONSULTANT:
ALPHA CONSULTING LIMITED
Steel Structure & Façade Specialist

NOTE :
1. ALL DIMENSIONS ARE IN MM.
2. ALL ELEVATIONS ARE VIEWED FROM OUTSIDE.
3. ALL DIMENSIONS TO BE VERIFIED ON SITE BEFORE FABRICATION.

LEGEND :

X1 — DETAIL MARK NO.
X001 — REFER SHEET NO.

1. F.F.L. — FINISHED FLOOR LEVEL
2. S.F.L. — STRUCTURAL FLOOR LEVEL
3. (R) — REVERSED DETAIL

LEGEND:

IGU GLASS: 8mm HEAT STRENGTHENED +12mm AIR +10mm TEMPERED (VISION)
IGU GLASS: 8mm HEAT STRENGTHENED +12mm AIR +12mm TEMPERED (VISION)
12mm HEAT STRENGTHENED GLASS (SPANDREL) / W/ 2MM BCK PANEL
12mm TEMPERED GLASS (PROTECTIVE BARRIER)
3mm ALUM. CLADDING

WIND LOAD — BEAD LOAD BRACKET
RESTRAINT SOCKET ONLY APPLY AT:
5/F, 11/F, 15/F, 21/F, 28/F, 35/F AND 41/F ONLY

NO.	DATE	REVISION	BY
C	21-FEB-2023	4TH SUBMISSION	CF
B	13-JAN-2023	3TH SUBMISSION	CF
A	22-DEC-2022	2ND SUBMISSION	CF

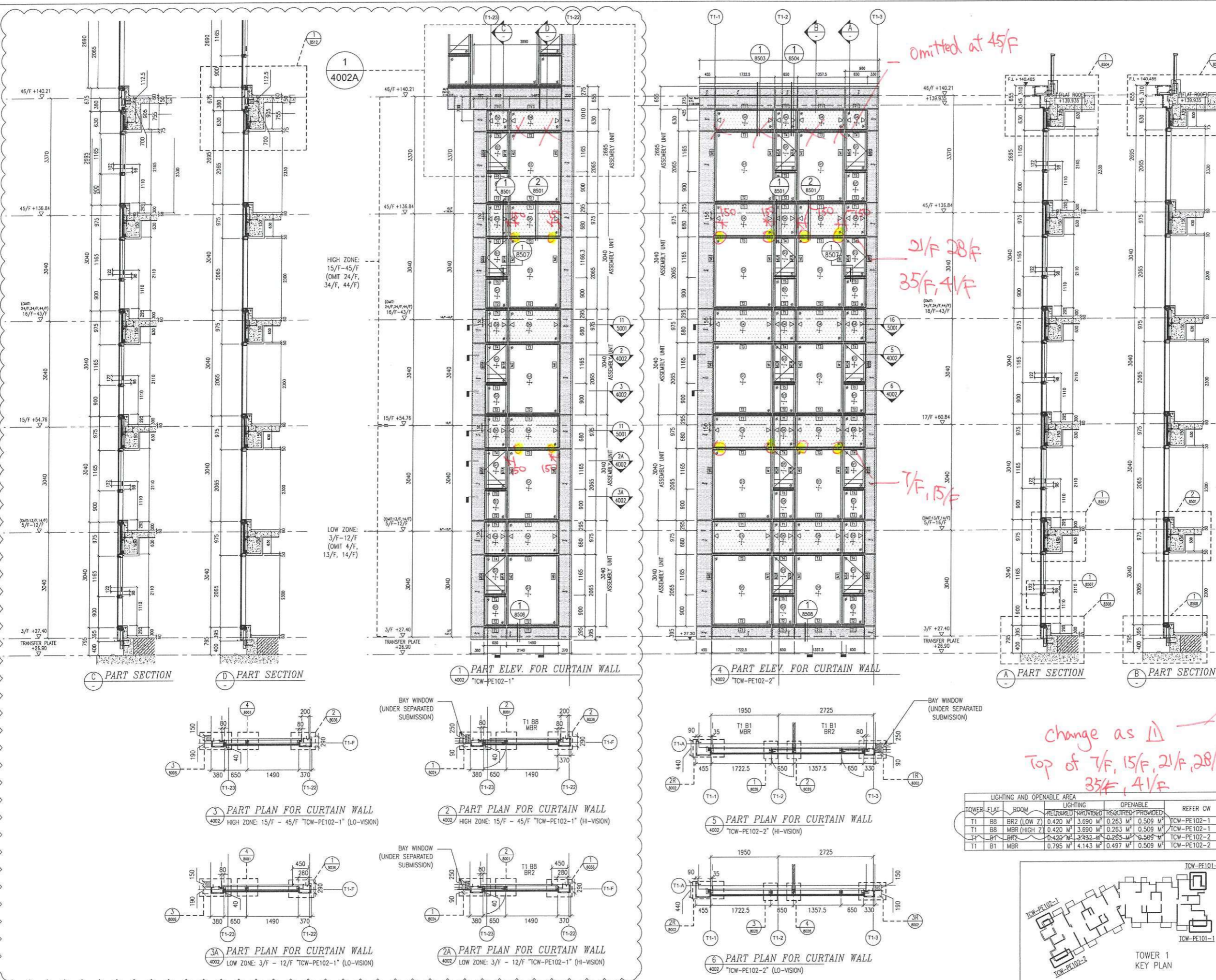
JOB NO. : J-B56
PROJECT : PROPOSED DEVELOPMENT ABOVE LIGHT RAIL TIN WING STOP, TSWTL NO.23, AREA 33, TIN SHUI WAI, N.T.

TITLE : PART ELEV & PLAN & SECTION FOR CURTAIN WALL @ TOWER 2 (TYPICAL)

DATE : 31-OCT-22 SCALE : 1:100
DRAWN BY : C.F. CHECKED BY :

美特铝质有限公司
MIDI ALUMINIUM FABRICATOR LTD.
Units 6-8, Sunray Industrial Centre, 1/F
610 Cha Kwo Ling Road, Kowloon
Tel: 23489211-4 Fax: (852) 27727665

DWG NO. : JB56-SD-CW-4003 REV. : C



B.D. REF :

CLIENT :
SUN HUNG KAI REAL ESTATE AGENCY LTD.
42/F SUN HUNG KAI CENTRE, WAN CHAI, HONGKONG

ARCHITECT :
lwk&partners architects

MAIN CONTRACTOR :
怡輝建築有限公司 Yee Fai Building Contractors Ltd.

STRUCTURAL ENGINEER :
ARUP

FAÇADE CONSULTANT :
ALPHA CONSULTING LIMITED
Steel Structure & Façade Specialist

NOTE :
1. ALL DIMENSIONS ARE IN MM.
2. ALL ELEVATIONS ARE VIEWED FROM OUTSIDE.
3. ALL DIMENSIONS TO BE VERIFIED ON SITE BEFORE FABRICATION.

LEGEND :
X1 - DETAIL MARK NO.
X001 - REFER SHEET NO.

1. F.F.L. --- FINISHED FLOOR LEVEL
2. S.F.L. --- STRUCTURAL FLOOR LEVEL
3. (P) --- REVERSED DETAIL

LEGEND :
G1 IGU GLASS: 8mm HEAT STRENGTHENED +12mm AIR +10mm TEMPERED (VISION)
G1B IGU GLASS: 8mm HEAT STRENGTHENED +12mm AIR +12mm TEMPERED (VISION)
G2 12mm HEAT STRENGTHENED GLASS (SPANDREL) / W/ 2MM BACK PANEL
G3 12mm TEMPERED GLASS (PROTECTIVE BARRIER)
3mm ALUM. CLADDING

WIND LOAD + DEAD LOAD BRACKET
RESTRAINT SOCKET ONLY APPLY AT:
5/F, 11/F, 19/F, 26/F, 32/F, 39/F AND 45/F ONLY

NO.	DATE	REVISED	BY
C	21-FEB-2023	4TH SUBMISSION	CF
B	13-JAN-2023	3TH SUBMISSION	CF
A	22-DEC-2022	2ND SUBMISSION	CF

JOB NO. : J-856

PROJECT :
PROPOSED DEVELOPMENT ABOVE LIGHT RAIL TIN WING STOP, TSWTL NO.23, AREA 33, TIN SHUI WAI, N.T.

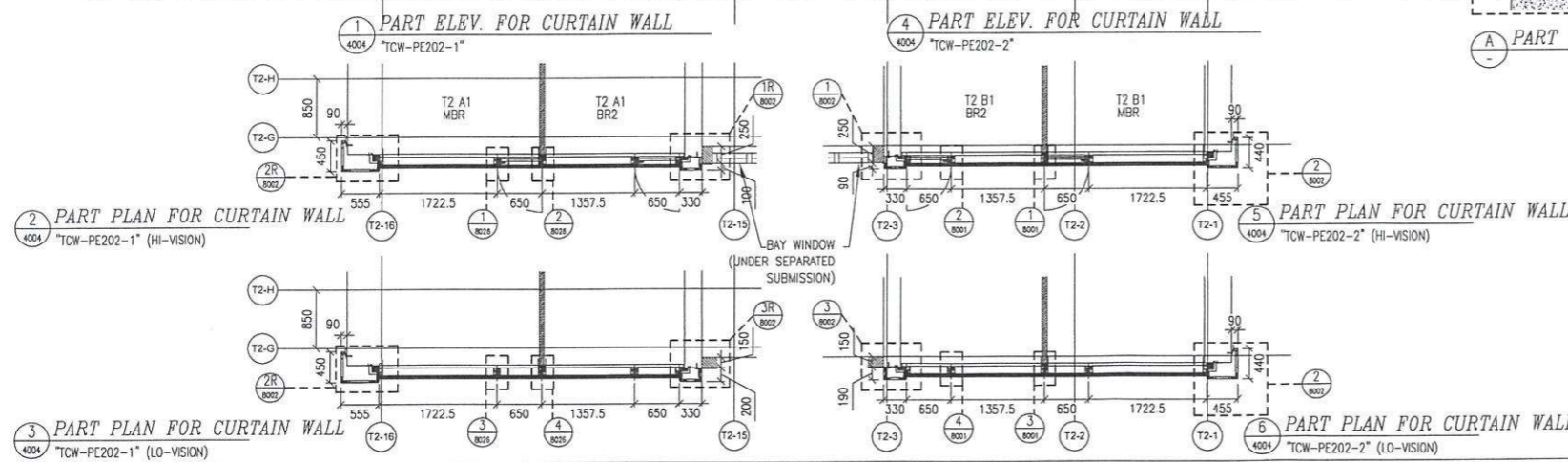
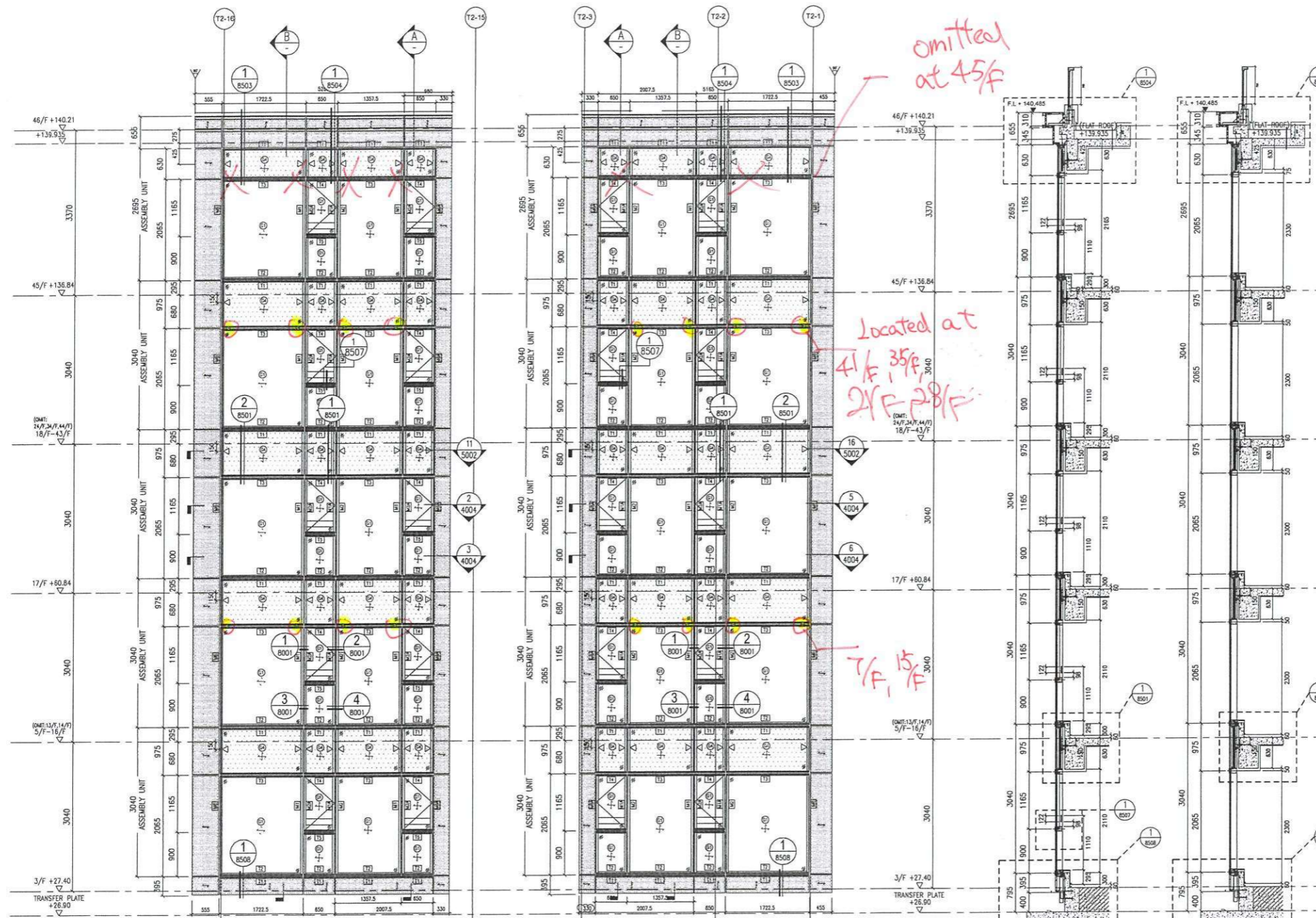
TITLE :
PART ELEV & PLAN & SECTION FOR CURTAIN WALL
© TOWER 1 (TYPICAL)

DATE : 31-OCT-22 SCALE : 1:100

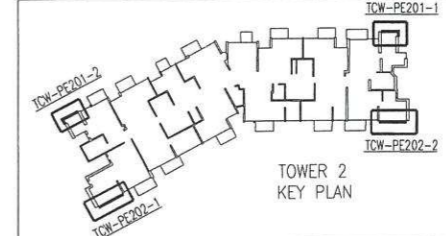
DRAWN BY : C.F. CHECKED BY :

美特鋁質有限公司
MIDI ALUMINIUM FABRICATOR LTD.
Units 6-8, Sunray Industrial Centre, 1/F
610 Cha Kwo Ling Road, Kowloon
Tel: 23489211-4 Fax: (852) 27727666

DWG NO. : J856-SD-CW-4002 REV. : C



TOWER	FLAT	ROOM	LIGHTING		OPENABLE		REFER CW
			REQUIRED	PROVIDED	REQUIRED	PROVIDED	
T2	A1	MBR	0.793 M ²	4.143 M ²	0.496 M ²	0.509 M ²	TCW-PE202-1
T2	A1	BR2	0.420 M ²	3.432 M ²	0.263 M ²	0.509 M ²	TCW-PE202-1
T2	B1	MBR	0.795 M ²	4.143 M ²	0.497 M ²	0.509 M ²	TCW-PE202-2
T2	B1	BR2	0.420 M ²	3.432 M ²	0.263 M ²	0.509 M ²	TCW-PE202-2



B.D. REF :

CLIENT : **SUN HUNG KAI REAL ESTATE AGENCY LTD.**
42/F SUN HUNG KAI CENTRE, WANCHAI, HONGKONG

ARCHITECT : **lwk&partners architects**

MAIN CONTRACTOR : **怡輝建築有限公司 Yee Fai Building Contractors Ltd.**

STRUCTURAL ENGINEER : **ARUP**

FAÇADE CONSULTANT : **ALPHA CONSULTING LIMITED**
Steel Structure & Façade Specialist

NOTE :

- ALL DIMENSIONS ARE IN mm.
- ALL ELEVATIONS ARE VIEWED FROM OUTSIDE.
- ALL DIMENSIONS TO BE VERIFIED ON SITE BEFORE FABRICATION.

LEGEND :

X1 - DETAIL MARK NO.
X001 - REFER SHEET NO.

- F.F.L. -- FINISHED FLOOR LEVEL
- S.F.L. -- STRUCTURAL FLOOR LEVEL
- /R -- REVERSED DETAIL

LEGEND :

- IGU CLASS: 8mm HEAT STRENGTHENED +12mm AIR +10mm TEMPERED (VISION)
- IGU CLASS: 8mm HEAT STRENGTHENED +12mm AIR +12mm TEMPERED (VISION)
- 12mm HEAT STRENGTHENED GLASS (SPANDREL) /W 2MM BACK PANEL
- 12mm TEMPERED GLASS (PROTECTIVE BARRIER)
- 3mm ALUM. CLADDING

WIND LOAD + DEAD LOAD BRACKET RESTRAINT SOCKET ONLY APPLY AT: 5/F, 11/F, 19/F, 26/F, 33/F, 39/F AND 45/F ONLY

NO.	DATE	REVISION	BY
C	21-FEB-2023	4TH SUBMISSION	CF
B	13-JAN-2023	3TH SUBMISSION	CF
A	22-DEC-2022	2ND SUBMISSION	CF

JOB NO. : J-856

PROJECT : PROPOSED DEVELOPMENT ABOVE LIGHT RAIL TIN WING STOP, TSWTL NO.23, AREA 33, TIN SHUI WAI, N.T.

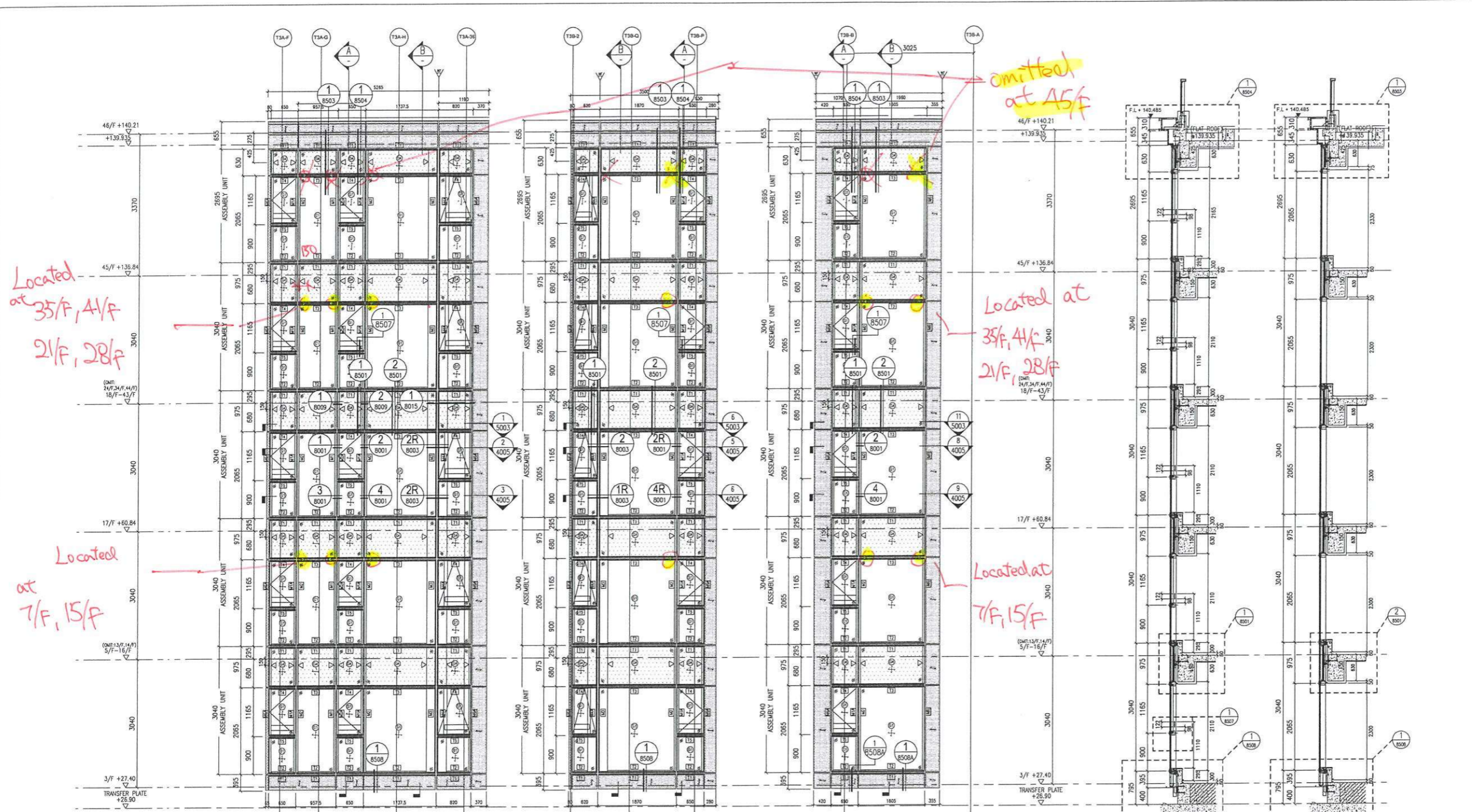
TITLE : PART ELEV & PLAN & SECTION FOR CURTAIN WALL TOWER 2 (TYPICAL)

DATE : 31-OCT-22 SCALE : 1:10

DRAWN BY : C.F CHECKED BY :

美特鋁質有限公司 MIDI ALUMINIUM FABRICATOR LTD.
Units 6-8, Sunray Industrial Centre, 1/F
610 Cha Kwo Ling Road, Kowloon
Tel: 23489211-4 Fax: (852) 2727666

DWG NO. : J856-SD-CW-4004 REV. : C



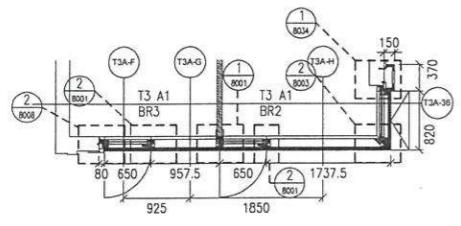
1 PART ELEV. FOR CURTAIN WALL
"TCW-PE301-1"

4 PART ELEV. FOR CURTAIN WALL
"TCW-PE301-2"

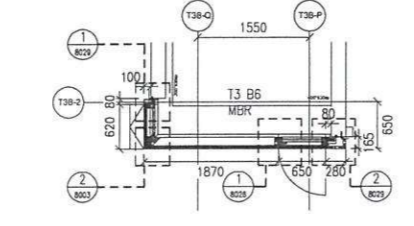
7 PART ELEV. FOR CURTAIN WALL
"TCW-PE302-1"

A PART SECTION

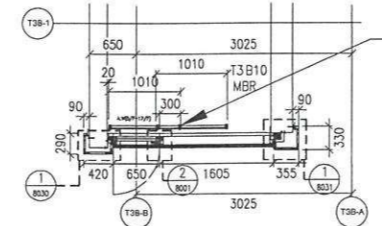
B PART SECTION



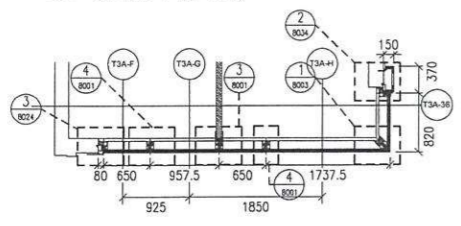
2 PART PLAN FOR CURTAIN WALL
"TCW-PE301-1" (HI-VISION)



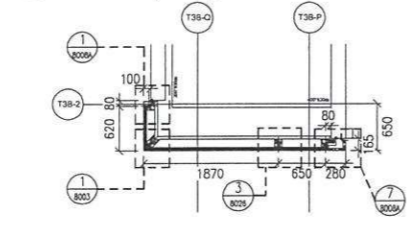
5 PART PLAN FOR CURTAIN WALL
"TCW-PE301-2" (HI-VISION)



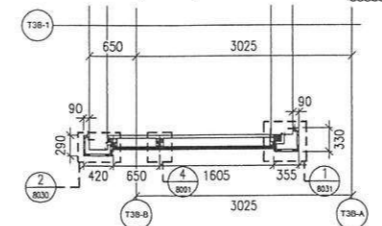
8 PART PLAN FOR CURTAIN WALL
"TCW-PE302-1" (HI-VISION) ACUSTIC SCREEN FOR (5/F-17/F) ONLY



3 PART PLAN FOR CURTAIN WALL
"TCW-PE301-1" (LO-VISION)

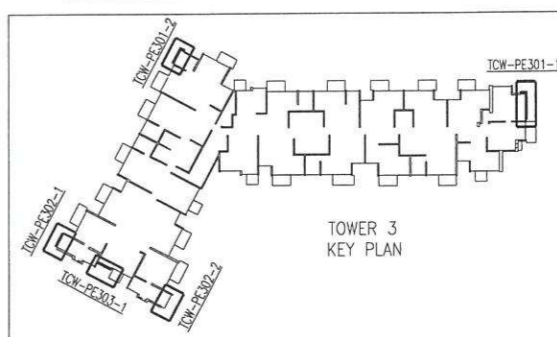


6 PART PLAN FOR CURTAIN WALL
"TCW-PE301-2" (LO-VISION)



9 PART PLAN FOR CURTAIN WALL
"TCW-PE302-1" (LO-VISION)

TOWER	FLAT	ROOM	LIGHTING		OPENABLE		REFER CW
			REQUIRED	PROVIDED	REQUIRED	PROVIDED	
T3	A1	BR2	0.420	4.793	0.263	1.137	TCW-PE301-1
T3	A1	BR3	0.420	2.652	0.263	0.509	TCW-PE301-1
T3	B6	MBR	0.732	4.681	0.457	0.818	TCW-PE301-2
T3	B10	MBR	0.742	3.914	0.464	0.509	TCW-PE302-1



B.D. REF :

CLIENT :
SUN HUNG KAI
REAL ESTATE AGENCY LTD.
42/F SUN HUNG KAI CENTRE, WANCHAI, HONGKONG

ARCHITECT :
lwk&partners
architects

MAIN CONTRACTOR :
怡輝建築有限公司
Yee Fai Building Contractors Ltd.

STRUCTURAL ENGINEER :
ARUP

FAÇADE CONSULTANT:
ALPHA CONSULTING LIMITED
Steel Structure & Façade Specialist

NOTE :
1. ALL DIMENSIONS ARE IN mm.
2. ALL ELEVATIONS ARE VIEWED FROM OUTSIDE.
3. ALL DIMENSIONS TO BE VERIFIED ON SITE BEFORE FABRICATION.

LEGEND :
X1 - DETAIL MARK NO.
X001 - REFER SHEET NO.
1. F.F.L. --- FINISHED FLOOR LEVEL
2. S.F.L. --- STRUCTURAL FLOOR LEVEL
3. /R --- REVERSED DETAIL

LEGEND :
G1 IGU GLASS: 6mm HEAT STRENGTHENED +12mm AIR +10mm TEMPERED (VISION)
G1H IGU GLASS: 6mm HEAT STRENGTHENED +12mm AIR +12mm TEMPERED (VISION)
G2 12mm HEAT STRENGTHENED GLASS (SPANDREL) /W 2MM BACK PANEL
G5 12mm TEMPERED GLASS (PROTECTIVE BARRIER)
3mm ALUM. CLADDING
WIND LOAD + DEAD LOAD BRACKET
RESTRAINT SOCKET ONLY APPLY AT: 5/F, 11/F, 15/F, 21/F, 28/F, 35/F AND 45/F ONLY

NO.	DATE	REVISED	BY
C	21-FEB-2023	4TH SUBMISSION	CF
B	13-JAN-2023	3RD SUBMISSION	CF
A	22-DEC-2022	2ND SUBMISSION	CF

JOB NO. : J-856
PROJECT : PROPOSED DEVELOPMENT ABOVE LIGHT RAIL TIN WING STOP, TSWTL NO.23, AREA 33, TIN SHUI WAI, N.T.

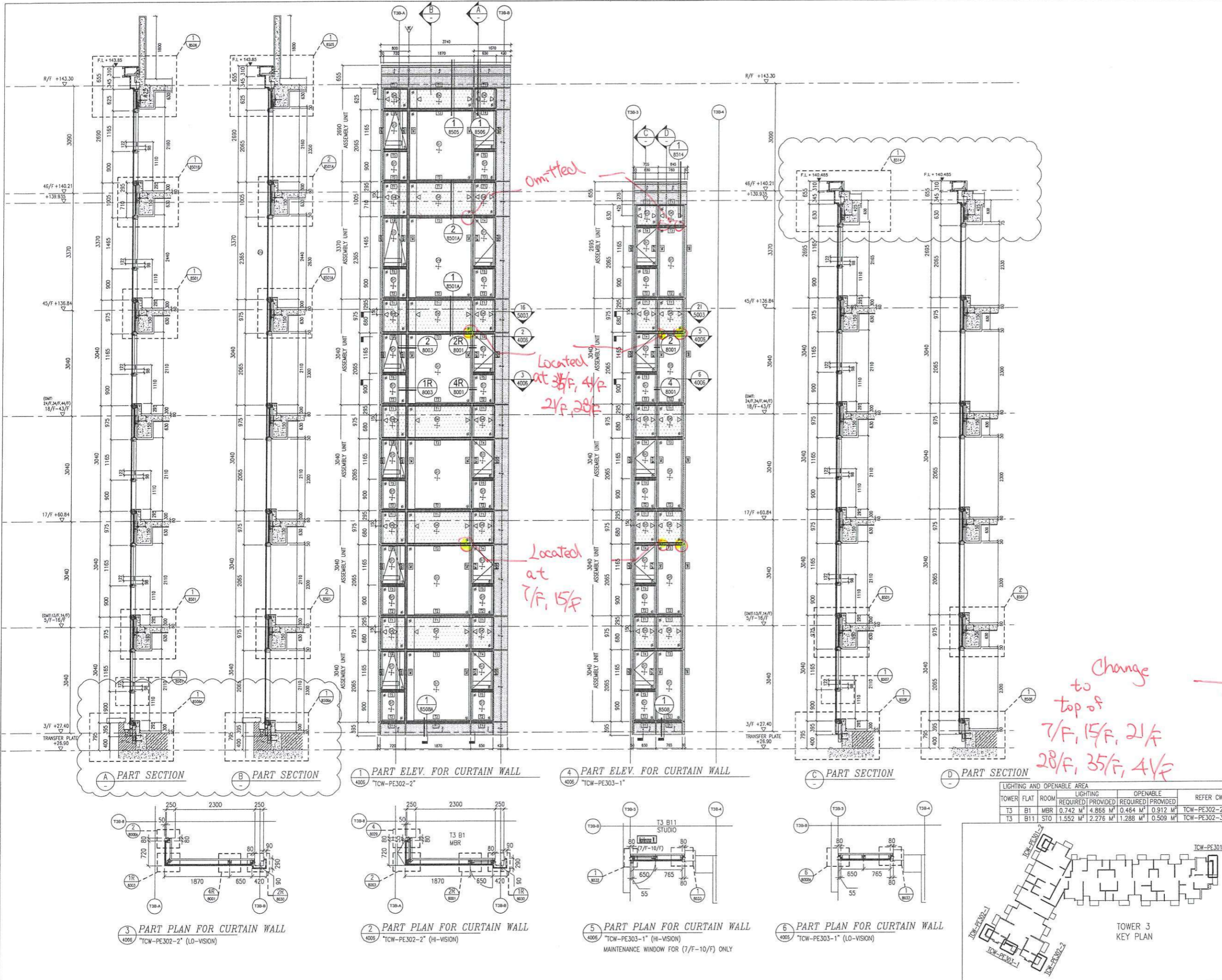
TITLE : PART ELEV & PLAN & SECTION FOR CURTAIN WALL @ TOWER 3 (TYPICAL)

DATE : 31-OCT-22 SCALE : 1:100

DRAWN BY : C.F. CHECKED BY :

美特鋁質有限公司
MIDI ALUMINIUM FABRICATOR LTD.
Units 6-8, Sunray Industrial Centre, 1/F
610 Cho Kwo Ling Road, Kowloon
Tel: 23489211-4 Fax: (852) 2727666

DWG NO. : JB56-SD-CW-4005 REV. : C



B.D. REF :

CLIENT : **SUN HUNG KAI REAL ESTATE AGENCY LTD.**
42/F SUN HUNG KAI CENTRE, WANCHAI, HONGKONG

ARCHITECT : **lwk&partners architects**

MAIN CONTRACTOR : **怡輝建築有限公司 Yee Fai Building Contractors Ltd.**

STRUCTURAL ENGINEER : **ARUP**

FAÇADE CONSULTANT : **ALPHA CONSULTING LIMITED**
Steel Structure & Façade Specialist

NOTE :

- ALL DIMENSIONS ARE IN mm.
- ALL ELEVATIONS ARE VIEWED FROM OUTSIDE.
- ALL DIMENSIONS TO BE VERIFIED ON SITE BEFORE FABRICATION.

LEGEND :

- (X1) -- DETAIL MARK NO.
- (X001) -- REFER SHEET NO.
- 1. F.F.L. -- FINISHED FLOOR LEVEL
- 2. S.F.L. -- STRUCTURAL FLOOR LEVEL
- 3. (R) -- REVERSED DETAIL

LEGEND:

- (B1) IGU GLASS: 8mm HEAT STRENGTHENED +12mm AIR +10mm TEMPERED (VISION)
- (B1R) IGU GLASS: 8mm HEAT STRENGTHENED +12mm AIR +12mm TEMPERED (VISION)
- (B2) 12mm HEAT STRENGTHENED GLASS (SPANDREL) / W 2MM BACK PANEL
- (B3) 12mm TEMPERED GLASS (PROTECTIVE BARRIER)
- (B4) 3mm ALUM. CLADDING
- (W) WIND LOAD + DEAD LOAD BRACKET
- (R) RESTRAINT SOCKET ONLY APPLY AT: 5/F, 11/F, 19/F, 26/F, 35/F, 39/F AND 45/F ONLY

NO.	DATE	REVISED	BY
C	21-FEB-2023	4TH SUBMISSION	CF
B	13-JAN-2023	3RD SUBMISSION	CF
A	22-DEC-2022	2ND SUBMISSION	CF

JOB NO. : J-856

PROJECT : PROPOSED DEVELOPMENT ABOVE LIGHT RAIL TIN WING STOP, TSWTL NO.23, AREA 33, TIN SHUI WAI, N.T.

TITLE : PART ELEV & PLAN & SECTION FOR CURTAIN WALL @ TOWER 3 (TYPICAL)

DATE : 31-OCT-22 SCALE : 1:100

DRAWN BY : C.F. CHECKED BY :

美特鋁質有限公司
MIDI ALUMINIUM FABRICATOR LTD.
Units 6-8, Sunray Industrial Centre, 1/F
610 Cho Kwo Ling Road, Kowloon
Tel: 23489211-4 Fax: (852) 2727666

DWG NO. : J856-SD-CW-4006 REV. : C

MIDI
Mark up
2023.04.21

LOW ZONE: 2A
3/F - 12/F
4002

HIGH ZONE: 2
15/F - 45/F
4002



1 LAYOUT PLAN FOR CURTAIN WALL
3004 TOWER 1 (TYPICAL FLOOR: 5/F TO 45/F)

B.D. REF :

CLIENT :
SUN HUNG KAI
REAL ESTATE AGENCY LTD.
42/F SUN HUNG KAI CENTRE, WANCHAI, HONGKONG

ARCHITECT :
lwk&partners
architects

MAIN CONTRACTOR :
怡輝建築有限公司
Yee Fai Building Contractors Ltd.

STRUCTURAL ENGINEER :
ARUP

FACADE CONSULTANT:
ALPHA CONSULTING LIMITED
Steel Structure & Facade Specialist

NOTE :
1. ALL DIMENSIONS ARE IN mm.
2. ALL ELEVATIONS ARE VIEWED FROM OUTSIDE.
3. ALL DIMENSIONS TO BE VERIFIED ON SITE BEFORE FABRICATION.

LEGEND :
X1 --- DETAIL MARK NO.
X001 --- REFER SHEET NO.

1. F.F.L. --- FINISHED FLOOR LEVEL
2. S.F.L. --- STRUCTURAL FLOOR LEVEL
3. (R) --- REVERSED DETAIL

NO.	DATE	REVISED	BY
B	27-FEB-2023	4TH SUBMISSION	CF
A	16-DEC-2022	2ND SUBMISSION	CF

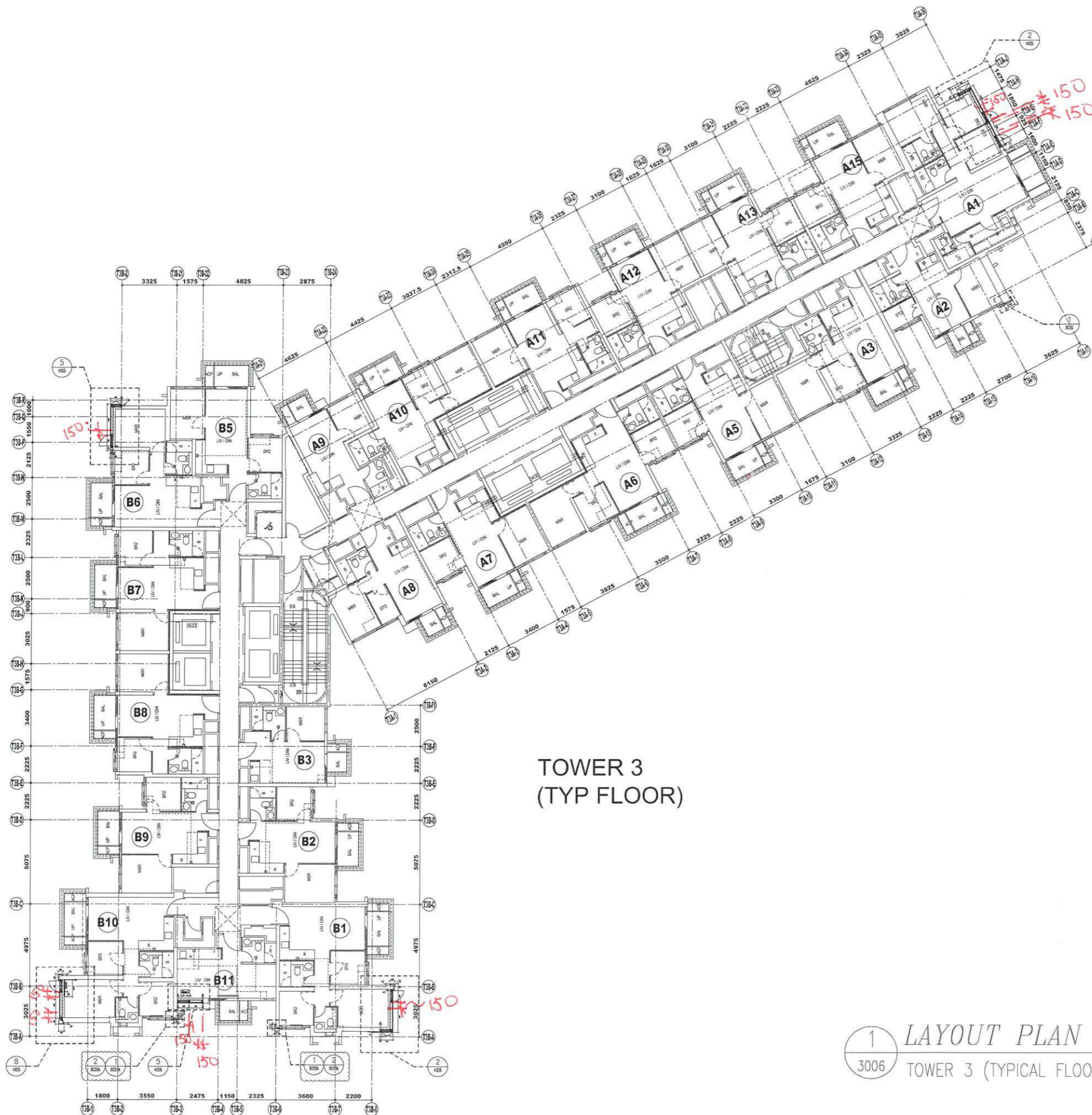
JOB NO. : J-856
PROJECT : PROPOSED DEVELOPMENT ABOVE LIGHT RAIL TIN WING STOP, TSWTL NO.23, AREA 33, TIN SHUI WAI, N.T.
TITLE : LAYOUT PLAN FOR CURTAIN WALL @ TOWER 1 (TYP)

DATE : 31-OCT-22 SCALE : 1:250
DRAWN BY : C.F CHECKED BY :

美特鋁質有限公司
MIDI ALUMINIUM FABRICATOR LTD.
Units 6-8, Sunray Industrial Centre, 1/F
610 Cha Kwo Ling Road, Kowloon
Tel: 23489211-4 Fax: (852) 2727666

DWG NO. : J856-SD-CW-3004 REV. : B

20230424



TOWER 3
(TYP FLOOR)

1 LAYOUT PLAN FOR CURTAIN WALL
3006 TOWER 3 (TYPICAL FLOOR: 5/F TO 45/F)

B.D. REF :

CLIENT :
 SUN HUNG KAI REAL ESTATE AGENCY LTD.
 42/F SUN HUNG KAI CENTRE, WANCHAI, HONGKONG

ARCHITECT :
 IWK&partners architects

MAIN CONTRACTOR :
 怡輝建築有限公司 Yee Fai Building Contractors Ltd.

STRUCTURAL ENGINEER :
 ARUP

FACADE CONSULTANT :
 ALPHA CONSULTING LIMITED
 Steel Structure & Facade Specialist

NOTE :
 1. ALL DIMENSIONS ARE IN mm.
 2. ALL ELEVATIONS ARE VIEWED FROM OUTSIDE.
 3. ALL DIMENSIONS TO BE VERIFIED ON SITE BEFORE FABRICATION.

LEGEND :
 (X1) --- DETAIL MARK NO.
 (X001) --- REFER SHEET NO.
 1. F.F.L. --- FINISHED FLOOR LEVEL
 2. S.F.L. --- STRUCTURAL FLOOR LEVEL
 3. (R) --- REVERSED DETAIL

B	13-JAN-2023	3RD SUBMISSION	CF
A	16-DEC-2022	2ND SUBMISSION	CF
NO.	DATE	REVISED	BY

JOB NO. : J-856

PROJECT : PROPOSED DEVELOPMENT ABOVE LIGHT RAIL TIN WING STOP, TSWTL NO.23, AREA 33, TIN SHUI WAI, N.T.

TITLE : LAYOUT PLAN FOR CURTAIN WALL @ TOWER 3 (TYP)

DATE : 31-OCT-22 SCALE : 1:250

DRAWN BY : C.F. CHECKED BY :

美特鋁質有限公司
 MIDI ALUMINIUM FABRICATOR LTD.
 Units 6-8, Sunray Industrial Centre, 1/F
 610 Cha Kwo Ling Road, Kowloon
 Tel: 23489211-4 Fax: (852) 27727666

DWG NO. : J856-SD-CW-3006 REV. : B