



工程指示 / 要求簡箋 ENGINEER INSTRUCTIONS(E.I.)

工程指示編號:	EI- 8333	修改版本:	-
	HK- 1701		
工程編號:	J 856	工程名稱:	天榮站
收件人:	生統/Maggie/謝永林	發件人:	Iris
工程項目:	T1隔音門窗鐵件加工圖(廠用)✓	日期:	14/09/2024

<input checked="" type="checkbox"/> 原合約工程包	<input type="checkbox"/> 原合約工程加 / 減賬 QT-	<input type="checkbox"/> 新工程報價 QT-
--	--	------------------------------------

信件批核號碼/圖紙參考編號:	批核模具圖紙編號:
客戶指示附件:	管理內部批簽署:

<input type="checkbox"/> 初步鋁料 B.M.	<input type="checkbox"/> 加工拆圖, 然後生產	<input type="checkbox"/> 尺寸表
<input type="checkbox"/> 正式鋁料 B.M.	<input type="checkbox"/> 技術上資料/指示	<input type="checkbox"/> 報價
<input type="checkbox"/> 配件 B.M.	<input type="checkbox"/> 樣辦或貨品說明書	<input type="checkbox"/> 分判合約
<input type="checkbox"/> 其他:		

內容:
T1隔音門窗鐵件加工圖

需熱浸鋅處理及提供證書

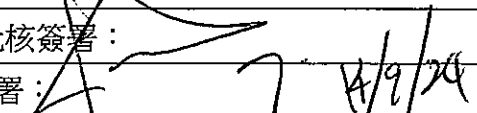
完成上列要求日期: 01/10/2024

國內

<input type="checkbox"/> 生產技術總監	<input type="checkbox"/> 連附件	<input checked="" type="checkbox"/> 技術部	<input checked="" type="checkbox"/> 連附件	<input type="checkbox"/> 生產部	<input type="checkbox"/> 連附件
<input type="checkbox"/> 採購部	<input type="checkbox"/> 連附件	<input checked="" type="checkbox"/> 生產統籌部	<input checked="" type="checkbox"/> 連附件	<input type="checkbox"/> 報關組	<input type="checkbox"/> 連附件
<input type="checkbox"/> 質檢部	<input type="checkbox"/> 連附件	<input type="checkbox"/> 會計部	<input type="checkbox"/> 連附件	<input type="checkbox"/> 機械設計部	<input type="checkbox"/> 連附件
<input type="checkbox"/> 香港辦	<input type="checkbox"/> 連附件	<input type="checkbox"/> 其他:			


香港

<input type="checkbox"/> 行政部	<input type="checkbox"/> 連附件	<input type="checkbox"/> 會計部	<input type="checkbox"/> 連附件	<input type="checkbox"/> 統籌部	<input type="checkbox"/> 連附件	<input type="checkbox"/> 工程部	<input type="checkbox"/> 連附件
<input checked="" type="checkbox"/> 採購部	<input checked="" type="checkbox"/> 連附件	<input type="checkbox"/> QS部	<input type="checkbox"/> 連附件	<input checked="" type="checkbox"/> 地盤管理	<input checked="" type="checkbox"/> 連附件	<input type="checkbox"/> 維修部	<input type="checkbox"/> 連附件

*發件人簽署: Iris	*組別成員批核簽署:
傳遞編號:	項目經理簽署: 

圖則登記表
DRAWING REGISTER

接收日期 Receiving Date (適用於客戶圖則)									
工程名稱 Project Title:	天水圍天榮站	年							
	隔音門窗T1座鐵件拆圖 (廠用)	月							
工程編號 Project No:	J-856	日							
分發予 Distributed To									
		年	24						
		月	09						
		日	13						
圖則編號 Drg. No.	圖則名稱 Drawing Title		修訂編號 Revision No.						
TB-H01	鐵板加工圖	1	-						
TB-H02	鐵板加工圖	2	-						
TB-H03	鐵板加工圖	3	-						
J856-SD-AS-5103	鐵件位置圖	4	-						
J856-SD-AS-5104	鐵件位置圖	5	-						
J856-SD-AS-5106	鐵件位置圖	6	-						

 美特鋁質有限公司 MIDI Aluminium Fabricator Ltd.	工程號: J-856	計算:	周廣志	日期:	2024.09.12	送呈: 胡哥
	地盤名稱: 天榮站	核對:	謝永林	日期:	2024.09.13	副本:
廠用鐵件B.M.表	項目類別: 隔音門窗T1座鐵件	批准:		日期:		總重量: 1553.55 KG
A/C Code:						
此BM依據拆圖資料計算						

序號	修改內容	物料編號	配件名稱	顏色	實用	後備	總數	單件重量		備注	
								單位	總重量		
								KG			
1		TB-H01	鐵板加工圖	熱浸鋅/涂滌青油	27	0	27	件	5.746	155.147	
2		TB-H02	鐵板加工圖	熱浸鋅/涂滌青油	113	0	113	件	5.746	649.321	
3		TB-H03	鐵板加工圖	熱浸鋅/涂滌青油	112	0	112	件	6.688	749.078	
								合計:	252	合計:	1553.546



美特鋁質有限公司
MIDI Aluminium Fabricator Ltd.

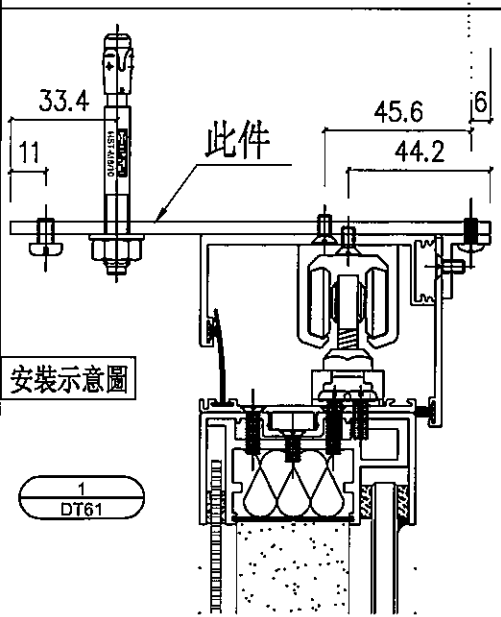
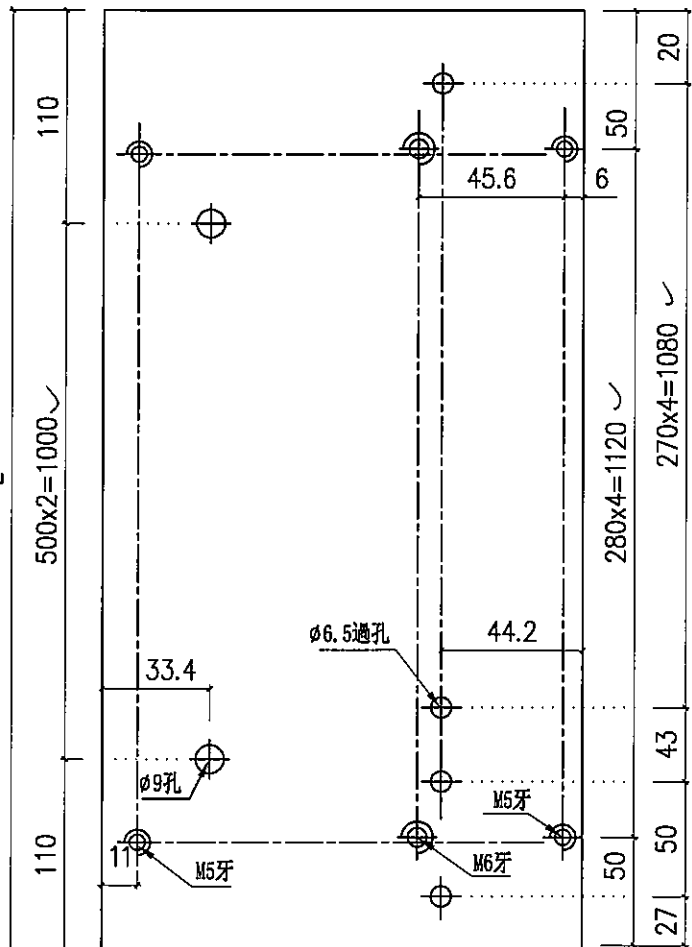
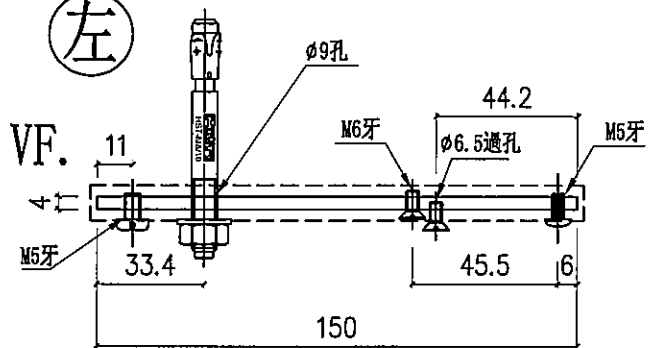
廠用

工程號 J856 地盤 天榮站

序號	物料編號	分座	使用位置	使用樓層	窗號	樓層	每層數	數量	長度L
1	TB-H01	T1座	A8-BR3	6/F-12/F	AW-A-02bR	7	1	7	1220
2	TB-H01	T1座	A8-BR2	3/F-26F		20	1	20	
								合計：	27

(外)

左



名稱	鐵板加工圖	制圖	周廣志	2024.09.05	修改		
材料	150x4mm鐵板	復核	謝永林	2024.09.12	日期		
顏色	熱浸鋅/塗瀝青油	批准			圖號	TB-H01	

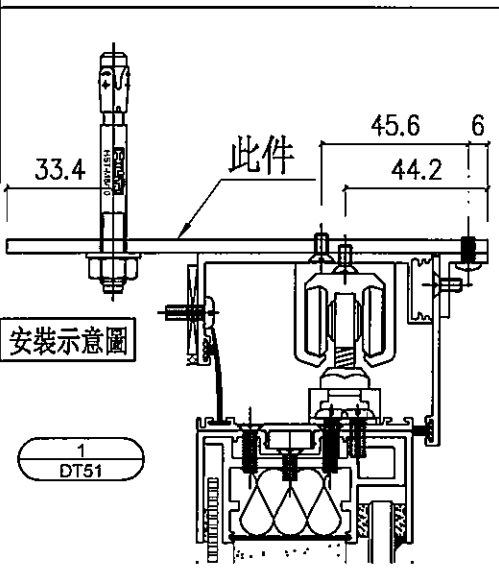
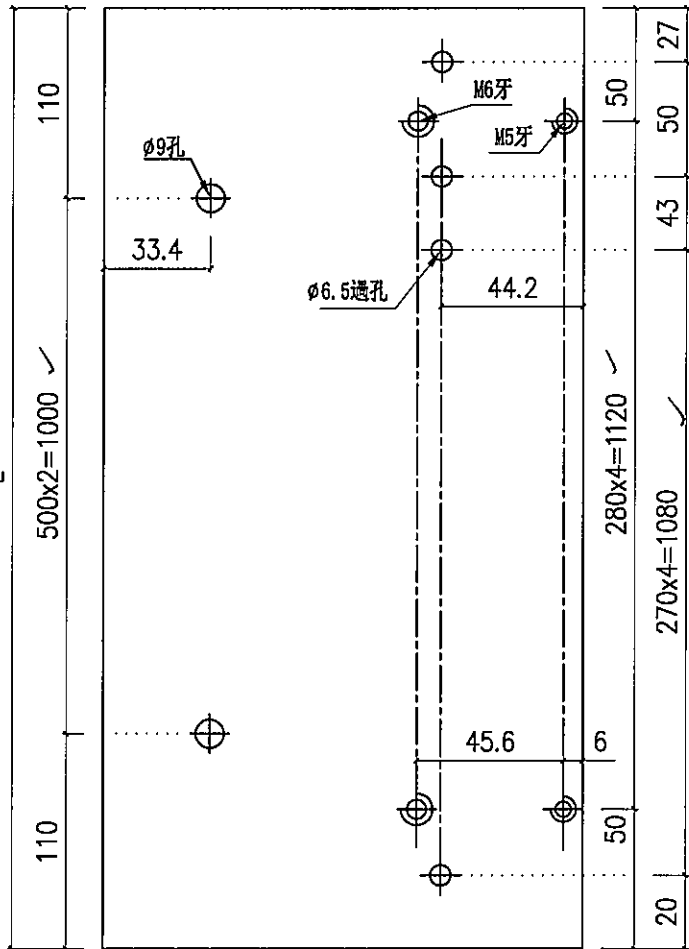
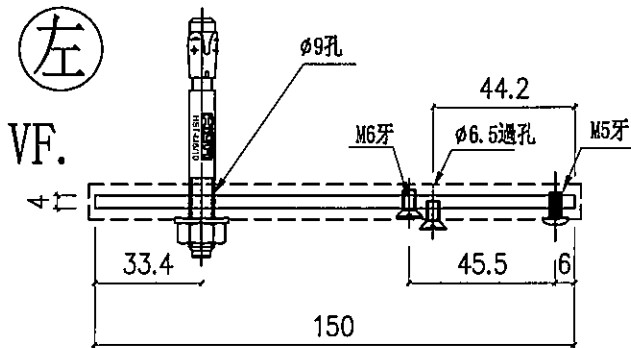


美特鋁質有限公司
MIDI Aluminium Fabricator Ltd.

廠用

工程號 J856 地盤 天榮站

序號	物料編號	分座	使用位置	使用樓層	窗號	樓層	每層數	數量	長度L
1	TB-H02	T1座	A5-BR2	3/F-46/F	AW-A-02b	38	1	38	1220
2	TB-H02	T1座	A7-BR2	3/F-45/F		37	1	37	
3	TB-H02	T1座	B6-BR2	3/F-46/F		38	1	38	
合計：								113	



名稱	鐵板加工圖	制圖	周廣志	2024.09.05	修改		
材料	150x4mm鐵板	復核	謝永林	2024.09.12	日期		
顏色	熱浸鋅/塗瀝青油	批准			圖號	TB-H02	

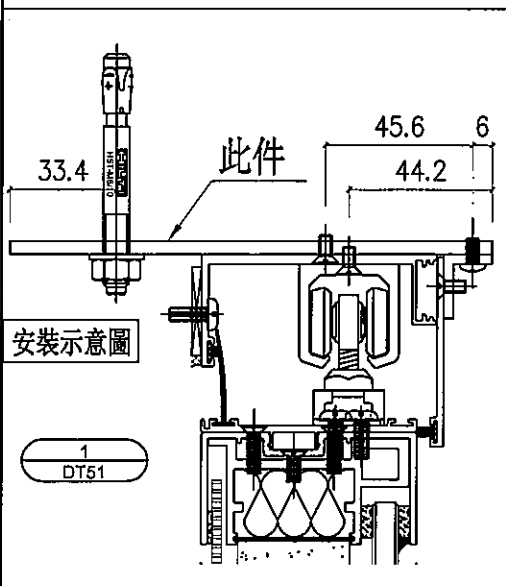
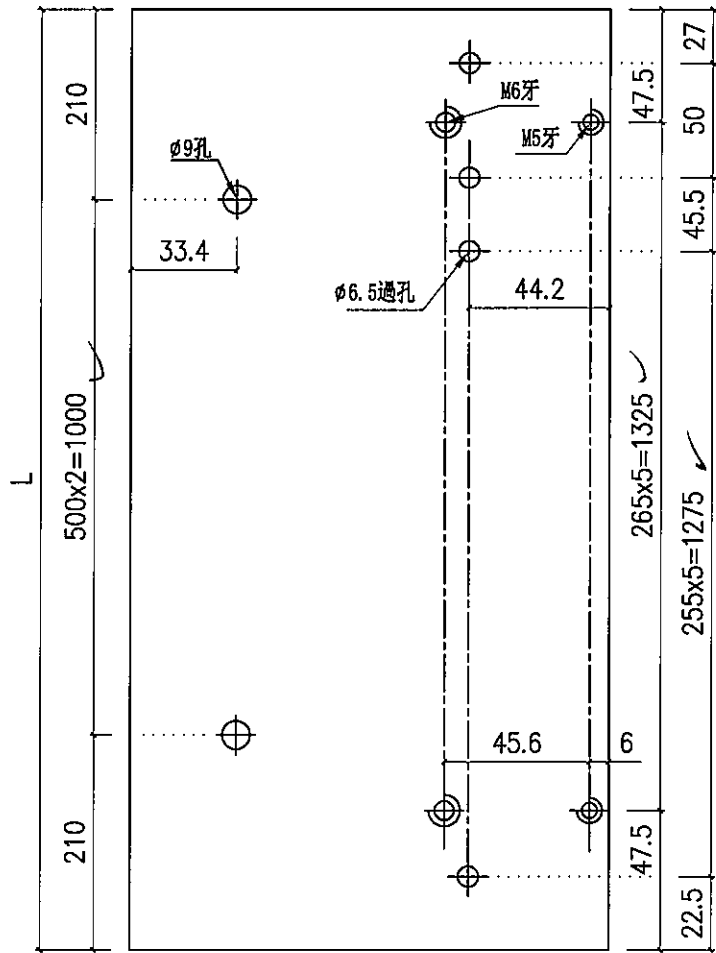
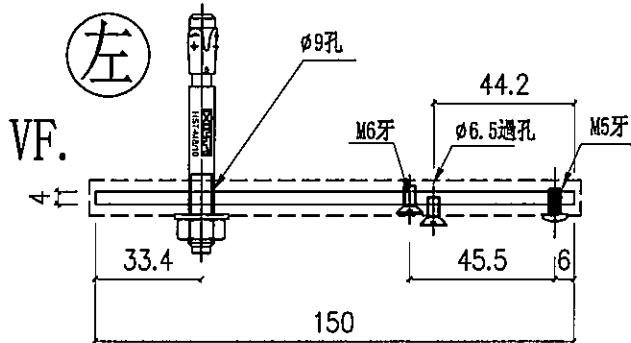


美特鋁質有限公司
MIDI Aluminium Fabricator Ltd.

廠用

工程號 J856 地盤 天榮站

序號	物料編號	分座	使用位置	使用樓層	窗號	樓層	每層數	數量	長度L
1	TB-H03	T1座	A5-MBR	3/F-46/F	AW-A-04c	38	1	38	1420
2	TB-H03	T1座	A6-MBR	3/F-45/F		37	1	37	
3	TB-H03	T1座	A7-MBR	3/F-45/F		37	1	37	
合計：								112	



名稱	鐵板加工圖	制圖	周廣志	2024.09.05	修改		
材料	150x4mm鐵板	復核	謝永林	2024.09.12	日期		
顏色	熱浸鋅/塗瀝青油	批准			圖號	TB-H03	

REV. NO. :

CLIENT : SHIMAO GROUP HOLDINGS LIMITED

ARCHITECT : YONG TAI & PARTNERS LIMITED



MAIN CONTRACTOR : 協興建築有限公司 HOP HING CONSTRUCTION CO. LTD



STRUCTURAL ENGINEER : CHAI WONG & ASSOCIATES LTD 兆基建築工程師有限公司



FRAME CONSULTANT: MENHARDT

NOTE:

1. ALL DIMENSIONS ARE IN MM.
2. ALL DIMENSIONS ARE NOTED FROM OUTSIDE.
3. ALL DIMENSIONS TO BE WORKED ON SITE BEFORE FABRICATION.

LEGEND:

- ① — DETAIL MARK NO.
- ② — REFER SHEET NO.
- 1. FFL — FINISHED FLOOR LEVEL.
- 2. SFL — STRUCTURAL FLOOR LEVEL.
- 3. @ — REVERSED DETAIL.
- 4. CLASS LEGEND.

- ES-1 — 10mm THK CLEAR GLASS W/ 100mm THK UGLL
- ES-2 — 10mm THK CLEAR TINTED GLASS
- ES-3 — 10mm THK TINTED AND LEADED GLASS
- ES-4 — 10mm THK TINTED AND LEADED GLASS W/ 100mm THK UGLL AND 100mm THK UGLL
- ES-5 — 10mm THK UGLL

B. 1. 1/2" ALUMINUM	REFERENCE SUBJECT TO ANNOTATION
C. 1. 1/2" ALUMINUM	REFERENCE SUBJECT TO ANNOTATION
D. 1. 1/2" ALUMINUM	REFERENCE SUBJECT TO ANNOTATION
E. 1. 1/2" ALUMINUM	REFERENCE SUBJECT TO ANNOTATION

JOB NO. : J-858

PROJECT : PROPOSED DEVELOPMENT ABOVE LIGHT RAIL TRAIN STATION AT NO.23 AREA 33, 37th ST/1st WA, H.K.

TITLE : WINDOW SCHEDULE FOR TOWER 1 ACOUSTIC WINDOW

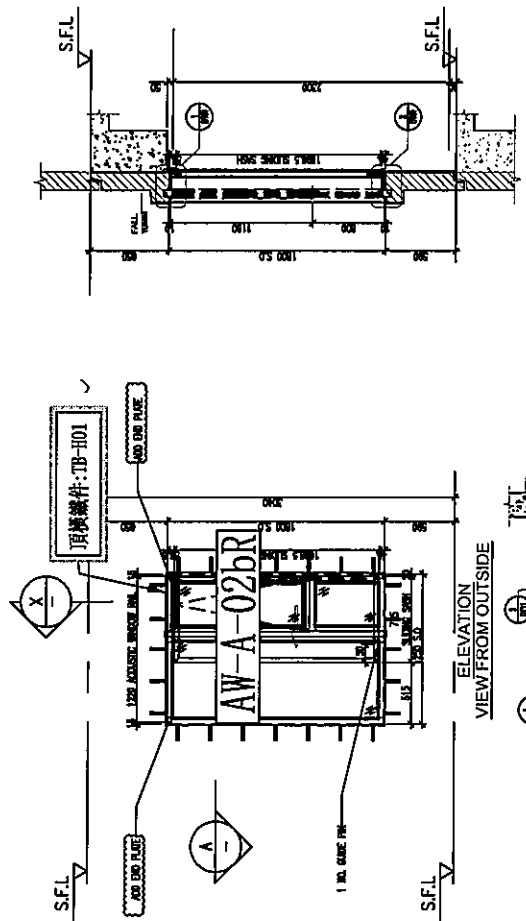
DATE : 06-Jun-23

SCALE : 1:40

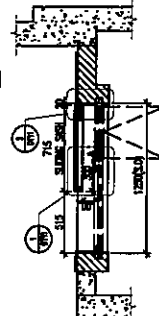
DRAWN BY : Iven

CHECKED BY :

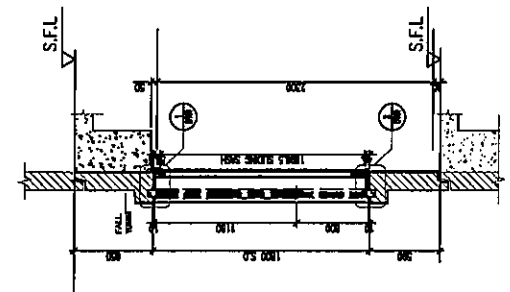
REV. : D



ELEVATION VIEW FROM OUTSIDE



PART SECTION A-A



PART SECTION X-X

AW-A-02bR	
LOCATION	A8-BR3 A8-BR2
FLOOR	6/F-12/F 3/F-26/F
MPA	YES YES
TOP & SIDE SAM	NO NO
QUANTITY	7 20
OVERLAPPING(REQUIRE)	253 253
OVERLAPPING(PROVIDED)	300 300

R.A. REF :

CLIENT :
SHIMAO GROUP HOLDINGS LIMITED

ARCHITECT :
YIP YUNG & ASSOCIATES LIMITED



M&E CONTRACTOR :
**協興建築有限公司
HOP HING CONSTRUCTION CO LTD**

STRUCTURAL ENGINEER :

CMA
CHAI WONG & ASSOCIATES LTD
香港中環皇后大道中

PROJECT CONSULTANT:



NOTE :
1. ALL DIMENSIONS ARE IN MM.
2. ALL ELEVATIONS ARE VIEWED FROM OUTSIDE.
3. ALL DIMENSIONS TO BE WORKED ON SITE BEFORE FABRICATION.

LEGEND :

- ① — DETAIL WORK NO.
- ② — REFER SHEET NO.
- 1. EFF — FINISHED FLOOR LEVEL
- 2. S.F.L — STRUCTURAL FLOOR LEVEL
- 3. ② — RECESSED SECTION
- 4. CLASS LEGEND

CLASS-1 — HANDMADE/FORM AS PER DRAWING THE LOCAL
CLASS-2 — FORM THE CLEAR TYPED/FORM CLASS
CLASS-3 — FORM THE TYPED/FORM CLASS COATED GLASS
CLASS-4 — HANDMADE/FORM AS PER DRAWING THE LOCAL
CLASS-5 — FORM THE LOCAL (CLASS NO. 1/2/3/4)
CLASS-6 — FORM THE LOCAL (CLASS NO. 7/8/9)

1	MPA/MPA	RENDER SUBJECT TO APPROVAL
2	MPA/MPA	RENDER SUBJECT TO APPROVAL
3	MPA/MPA	RENDER SUBJECT TO APPROVAL
4	MPA/MPA	RENDER SUBJECT TO APPROVAL
5	MPA/MPA	RENDER SUBJECT TO APPROVAL
6	MPA/MPA	RENDER SUBJECT TO APPROVAL

JOB NO. : J-558

PROJECT :
PROPOSED DEVELOPMENT ABOVE
EXISTING BUILDING AT THE
NO. 33, 35, 37, 39, 41, 43, 45, 47, 49, 51, 53, 55, 57, 59, 61, 63, 65, 67, 69, 71, 73, 75, 77, 79, 81, 83, 85, 87, 89, 91, 93, 95, 97, 99, 101, 103, 105, 107, 109, 111, 113, 115, 117, 119, 121, 123, 125, 127, 129, 131, 133, 135, 137, 139, 141, 143, 145, 147, 149, 151, 153, 155, 157, 159, 161, 163, 165, 167, 169, 171, 173, 175, 177, 179, 181, 183, 185, 187, 189, 191, 193, 195, 197, 199, 201, 203, 205, 207, 209, 211, 213, 215, 217, 219, 221, 223, 225, 227, 229, 231, 233, 235, 237, 239, 241, 243, 245, 247, 249, 251, 253, 255, 257, 259, 261, 263, 265, 267, 269, 271, 273, 275, 277, 279, 281, 283, 285, 287, 289, 291, 293, 295, 297, 299, 301, 303, 305, 307, 309, 311, 313, 315, 317, 319, 321, 323, 325, 327, 329, 331, 333, 335, 337, 339, 341, 343, 345, 347, 349, 351, 353, 355, 357, 359, 361, 363, 365, 367, 369, 371, 373, 375, 377, 379, 381, 383, 385, 387, 389, 391, 393, 395, 397, 399, 401, 403, 405, 407, 409, 411, 413, 415, 417, 419, 421, 423, 425, 427, 429, 431, 433, 435, 437, 439, 441, 443, 445, 447, 449, 451, 453, 455, 457, 459, 461, 463, 465, 467, 469, 471, 473, 475, 477, 479, 481, 483, 485, 487, 489, 491, 493, 495, 497, 499, 501, 503, 505, 507, 509, 511, 513, 515, 517, 519, 521, 523, 525, 527, 529, 531, 533, 535, 537, 539, 541, 543, 545, 547, 549, 551, 553, 555, 557, 559, 561, 563, 565, 567, 569, 571, 573, 575, 577, 579, 581, 583, 585, 587, 589, 591, 593, 595, 597, 599, 601, 603, 605, 607, 609, 611, 613, 615, 617, 619, 621, 623, 625, 627, 629, 631, 633, 635, 637, 639, 641, 643, 645, 647, 649, 651, 653, 655, 657, 659, 661, 663, 665, 667, 669, 671, 673, 675, 677, 679, 681, 683, 685, 687, 689, 691, 693, 695, 697, 699, 701, 703, 705, 707, 709, 711, 713, 715, 717, 719, 721, 723, 725, 727, 729, 731, 733, 735, 737, 739, 741, 743, 745, 747, 749, 751, 753, 755, 757, 759, 761, 763, 765, 767, 769, 771, 773, 775, 777, 779, 781, 783, 785, 787, 789, 791, 793, 795, 797, 799, 801, 803, 805, 807, 809, 811, 813, 815, 817, 819, 821, 823, 825, 827, 829, 831, 833, 835, 837, 839, 841, 843, 845, 847, 849, 851, 853, 855, 857, 859, 861, 863, 865, 867, 869, 871, 873, 875, 877, 879, 881, 883, 885, 887, 889, 891, 893, 895, 897, 899, 901, 903, 905, 907, 909, 911, 913, 915, 917, 919, 921, 923, 925, 927, 929, 931, 933, 935, 937, 939, 941, 943, 945, 947, 949, 951, 953, 955, 957, 959, 961, 963, 965, 967, 969, 971, 973, 975, 977, 979, 981, 983, 985, 987, 989, 991, 993, 995, 997, 999, 1001, 1003, 1005, 1007, 1009, 1011, 1013, 1015, 1017, 1019, 1021, 1023, 1025, 1027, 1029, 1031, 1033, 1035, 1037, 1039, 1041, 1043, 1045, 1047, 1049, 1051, 1053, 1055, 1057, 1059, 1061, 1063, 1065, 1067, 1069, 1071, 1073, 1075, 1077, 1079, 1081, 1083, 1085, 1087, 1089, 1091, 1093, 1095, 1097, 1099, 1101, 1103, 1105, 1107, 1109, 1111, 1113, 1115, 1117, 1119, 1121, 1123, 1125, 1127, 1129, 1131, 1133, 1135, 1137, 1139, 1141, 1143, 1145, 1147, 1149, 1151, 1153, 1155, 1157, 1159, 1161, 1163, 1165, 1167, 1169, 1171, 1173, 1175, 1177, 1179, 1181, 1183, 1185, 1187, 1189, 1191, 1193, 1195, 1197, 1199, 1201, 1203, 1205, 1207, 1209, 1211, 1213, 1215, 1217, 1219, 1221, 1223, 1225, 1227, 1229, 1231, 1233, 1235, 1237, 1239, 1241, 1243, 1245, 1247, 1249, 1251, 1253, 1255, 1257, 1259, 1261, 1263, 1265, 1267, 1269, 1271, 1273, 1275, 1277, 1279, 1281, 1283, 1285, 1287, 1289, 1291, 1293, 1295, 1297, 1299, 1301, 1303, 1305, 1307, 1309, 1311, 1313, 1315, 1317, 1319, 1321, 1323, 1325, 1327, 1329, 1331, 1333, 1335, 1337, 1339, 1341, 1343, 1345, 1347, 1349, 1351, 1353, 1355, 1357, 1359, 1361, 1363, 1365, 1367, 1369, 1371, 1373, 1375, 1377, 1379, 1381, 1383, 1385, 1387, 1389, 1391, 1393, 1395, 1397, 1399, 1401, 1403, 1405, 1407, 1409, 1411, 1413, 1415, 1417, 1419, 1421, 1423, 1425, 1427, 1429, 1431, 1433, 1435, 1437, 1439, 1441, 1443, 1445, 1447, 1449, 1451, 1453, 1455, 1457, 1459, 1461, 1463, 1465, 1467, 1469, 1471, 1473, 1475, 1477, 1479, 1481, 1483, 1485, 1487, 1489, 1491, 1493, 1495, 1497, 1499, 1501, 1503, 1505, 1507, 1509, 1511, 1513, 1515, 1517, 1519, 1521, 1523, 1525, 1527, 1529, 1531, 1533, 1535, 1537, 1539, 1541, 1543, 1545, 1547, 1549, 1551, 1553, 1555, 1557, 1559, 1561, 1563, 1565, 1567, 1569, 1571, 1573, 1575, 1577, 1579, 1581, 1583, 1585, 1587, 1589, 1591, 1593, 1595, 1597, 1599, 1601, 1603, 1605, 1607, 1609, 1611, 1613, 1615, 1617, 1619, 1621, 1623, 1625, 1627, 1629, 1631, 1633, 1635, 1637, 1639, 1641, 1643, 1645, 1647, 1649, 1651, 1653, 1655, 1657, 1659, 1661, 1663, 1665, 1667, 1669, 1671, 1673, 1675, 1677, 1679, 1681, 1683, 1685, 1687, 1689, 1691, 1693, 1695, 1697, 1699, 1701, 1703, 1705, 1707, 1709, 1711, 1713, 1715, 1717, 1719, 1721, 1723, 1725, 1727, 1729, 1731, 1733, 1735, 1737, 1739, 1741, 1743, 1745, 1747, 1749, 1751, 1753, 1755, 1757, 1759, 1761, 1763, 1765, 1767, 1769, 1771, 1773, 1775, 1777, 1779, 1781, 1783, 1785, 1787, 1789, 1791, 1793, 1795, 1797, 1799, 1801, 1803, 1805, 1807, 1809, 1811, 1813, 1815, 1817, 1819, 1821, 1823, 1825, 1827, 1829, 1831, 1833, 1835, 1837, 1839, 1841, 1843, 1845, 1847, 1849, 1851, 1853, 1855, 1857, 1859, 1861, 1863, 1865, 1867, 1869, 1871, 1873, 1875, 1877, 1879, 1881, 1883, 1885, 1887, 1889, 1891, 1893, 1895, 1897, 1899, 1901, 1903, 1905, 1907, 1909, 1911, 1913, 1915, 1917, 1919, 1921, 1923, 1925, 1927, 1929, 1931, 1933, 1935, 1937, 1939, 1941, 1943, 1945, 1947, 1949, 1951, 1953, 1955, 1957, 1959, 1961, 1963, 1965, 1967, 1969, 1971, 1973, 1975, 1977, 1979, 1981, 1983, 1985, 1987, 1989, 1991, 1993, 1995, 1997, 1999, 2001, 2003, 2005, 2007, 2009, 2011, 2013, 2015, 2017, 2019, 2021, 2023, 2025, 2027, 2029, 2031, 2033, 2035, 2037, 2039, 2041, 2043, 2045, 2047, 2049, 2051, 2053, 2055, 2057, 2059, 2061, 2063, 2065, 2067, 2069, 2071, 2073, 2075, 2077, 2079, 2081, 2083, 2085, 2087, 2089, 2091, 2093, 2095, 2097, 2099, 2101, 2103, 2105, 2107, 2109, 2111, 2113, 2115, 2117, 2119, 2121, 2123, 2125, 2127, 2129, 2131, 2133, 2135, 2137, 2139, 2141, 2143, 2145, 2147, 2149, 2151, 2153, 2155, 2157, 2159, 2161, 2163, 2165, 2167, 2169, 2171, 2173, 2175, 2177, 2179, 2181, 2183, 2185, 2187, 2189, 2191, 2193, 2195, 2197, 2199, 2201, 2203, 2205, 2207, 2209, 2211, 2213, 2215, 2217, 2219, 2221, 2223, 2225, 2227, 2229, 2231, 2233, 2235, 2237, 2239, 2241, 2243, 2245, 2247, 2249, 2251, 2253, 2255, 2257, 2259, 2261, 2263, 2265, 2267, 2269, 2271, 2273, 2275, 2277, 2279, 2281, 2283, 2285, 2287, 2289, 2291, 2293, 2295, 2297, 2299, 2301, 2303, 2305, 2307, 2309, 2311, 2313, 2315, 2317, 2319, 2321, 2323, 2325, 2327, 2329, 2331, 2333, 2335, 2337, 2339, 2341, 2343, 2345, 2347, 2349, 2351, 2353, 2355, 2357, 2359, 2361, 2363, 2365, 2367, 2369, 2371, 2373, 2375, 2377, 2379, 2381, 2383, 2385, 2387, 2389, 2391, 2393, 2395, 2397, 2399, 2401, 2403, 2405, 2407, 2409, 2411, 2413, 2415, 2417, 2419, 2421, 2423, 2425, 2427, 2429, 2431, 2433, 2435, 2437, 2439, 2441, 2443, 2445, 2447, 2449, 2451, 2453, 2455, 2457, 2459, 2461, 2463, 2465, 2467, 2469, 2471, 2473, 2475, 2477, 2479, 2481, 2483, 2485, 2487, 2489, 2491, 2493, 2495, 2497, 2499, 2501, 2503, 2505, 2507, 2509, 2511, 2513, 2515, 2517, 2519, 2521, 2523, 2525, 2527, 2529, 2531, 2533, 2535, 2537, 2539, 2541, 2543, 2545, 2547, 2549, 2551, 2553, 2555, 2557, 2559, 2561, 2563, 2565, 2567, 2569, 2571, 2573, 2575, 2577, 2579, 2581, 2583, 2585, 2587, 2589, 2591, 2593, 2595, 2597, 2599, 2601, 2603, 2605, 2607, 2609, 2611, 2613, 2615, 2617, 2619, 2621, 2623, 2625, 2627, 2629, 2631, 2633, 2635, 2637, 2639, 2641, 2643, 2645, 2647, 2649, 2651, 2653, 2655, 2657, 2659, 2661, 2663, 2665, 2667, 2669, 2671, 2673, 2675, 2677, 2679, 2681, 2683, 2685, 2687, 2689, 2691, 2693, 2695, 2697, 2699, 2701, 2703, 2705, 2707, 2709, 2711, 2713, 2715, 2717, 2719, 2721, 2723, 2725, 2727, 2729, 2731, 2733, 2735, 2737, 2739, 2741, 2743, 2745, 2747, 2749, 2751, 2753, 2755, 2757, 2759, 2761, 2763, 2765, 2767, 2769, 2771, 2773, 2775, 2777, 2779, 2781, 2783, 2785, 2787, 2789, 2791, 2793, 2795, 2797, 2799, 2801, 2803, 2805, 2807, 2809, 2811, 2813, 2815, 2817, 2819, 2821, 2823, 2825, 2827, 2829, 2831, 2833, 2835, 2837, 2839, 2841, 2843, 2845, 2847, 2849, 2851, 2853, 2855, 2857, 2859, 2861, 2863, 2865, 2867, 2869, 2871, 2873, 2875, 2877, 2879, 2881, 2883, 2885, 2887, 2889, 2891, 2893, 2895, 2897, 2899, 2901, 2903, 2905, 2907, 2909, 2911, 2913, 2915, 2917, 2919, 2921, 2923, 2925, 2927, 2929, 2931, 2933, 2935, 2937, 2939, 2941, 2943, 2945, 2947, 2949, 2951, 2953, 2955, 2957, 2959, 2961, 2963, 2965, 2967, 2969, 2971, 2973, 2975, 2977, 2979, 2981, 2983, 2985, 2987, 2989, 2991, 2993, 2995, 2997, 2999, 3001, 3003, 3005, 3007, 3009, 3011, 3013, 3015, 3017, 3019, 3021, 3023, 3025, 3027, 3029, 3031, 3033, 3035, 3037, 3039, 3041, 3043, 3045, 3047, 3049, 3051, 3053, 3055, 3057, 3059, 3061, 3063, 3065, 3067, 3069, 3071, 3073, 3075, 3077, 3079, 3081, 3083, 3085, 3087, 3089, 3091, 3093, 3095, 3097, 3099, 3101, 3103, 3105, 3107, 3109, 3111, 3113, 3115, 3117, 3119, 3121, 3123, 3125, 3127, 3129, 3131, 3133, 3135, 3137, 3139, 3141, 3143, 3145, 3147, 3149, 3151, 3153, 3155, 3157, 3159, 3161, 3163, 3165, 3167, 3169, 3171, 3173, 3175, 3177, 3179, 3181, 3183, 3185, 3187, 3189, 3191, 3193, 3195, 3197, 3199, 3201, 3203, 3205, 3207, 3209, 3211, 3213, 3215, 3217, 3219, 3221, 3223, 3225, 3227, 3229, 3231, 3233, 3235, 3237, 3239, 3241, 3243, 3245, 3247, 3249, 3251, 3253, 3255, 3257, 3259, 3261, 3263, 3265, 3267, 3269, 3271, 3273, 3275, 3277, 3279, 3281, 3283, 3285, 3287, 3289, 3291, 3293, 3295, 3297, 3299, 3301, 3303, 3305, 3307, 3309, 3311, 3313, 3315, 3317, 3319, 3321, 3323, 3325, 3327, 3329, 3331, 3333, 3335, 3337, 3339, 3341, 3343, 3345, 3347, 3349, 3351, 3353, 3355, 3357, 3359, 3361, 3363, 3365, 3367, 3369, 3371, 3373, 3375, 3377, 3379, 3381, 3383, 3385, 3387, 3389, 3391, 3393, 3395, 3397, 3399, 3401, 3403, 3405, 3407, 3409, 3411, 3413, 3415, 3417, 3419, 3421, 3423, 3425, 3427, 3429, 3431, 3433, 3435, 3437, 3439, 3441, 3443, 3445, 3447, 3449, 3451, 3453, 3455, 3457, 3459, 3461, 3463, 3465, 3467, 3469, 3471, 3473, 3475, 3477, 3479, 3481, 3483, 3485, 3487, 3489, 3491, 3493, 3495, 3497, 3499, 3501, 3503, 3505, 3507, 3509, 3511, 3513, 3515, 3517, 3519, 3521, 3523, 3525, 3527, 3529, 3531, 3533, 3535, 3537, 3539, 3541, 3543, 3545, 3547, 3549, 3551, 3553, 3555, 3557, 3559, 3561, 3563, 3565, 3567, 3569, 3571, 3573, 3575, 3577, 3579, 3581, 3583, 3585, 3587, 3589, 3591, 3593, 3595, 3597, 3599, 3601, 3603, 3605, 3607, 3609, 3611, 3613, 3615, 3617, 3619, 3621, 3623, 3625, 3627, 3629, 3631, 3633, 3635, 3637, 3639, 3641, 3643, 3645, 3647, 3649, 3651, 3653, 3655, 3657, 3659, 3661, 3663, 3665, 3667, 3669, 3671, 3673, 3675, 3677, 3679, 3681, 3683, 3685, 3687, 3689, 3691, 3693, 3695, 3697, 3699, 3701, 3703, 3705, 3707, 3709, 3711, 3713, 3715, 3717, 3719, 3721, 3723, 3725, 3727, 3729, 3731, 3733, 3735, 3737, 3739, 3741, 3743, 3745, 3747, 3749, 3751, 3753, 3755, 3757, 3759, 3761, 3763, 3765, 3767, 3769, 3771, 3773, 3775, 3777, 3779, 3781, 3783, 3785, 3787, 3789, 3791, 3793, 3795, 3797, 3799, 3801, 3803, 3805, 3807, 3809, 3811, 3813, 3815, 3817, 3819, 3821, 3823, 3825, 3827, 3829, 3831, 3833, 3835, 3837, 3839, 3841, 3843, 3845, 3847, 3849, 3851, 3853, 3855, 3857, 3859, 3861, 3863, 3865, 3867, 3869, 3871, 3873, 3875, 3877, 3879, 3881, 3883, 3885, 3887, 3889, 3891, 3893, 3895, 3897, 3899, 3901, 3903, 3905, 3907, 3909, 3911, 3913, 3915, 3917, 3919, 3921, 3923, 3925, 3927, 3929, 3931

DATE: 08-Jun-23

CLIENT: SHIMAO GROUP HOLDINGS LIMITED

ARCHITECT: SHIMAO GROUP HOLDINGS LIMITED

MAIN CONTRACTOR: 協同建築有限公司 HIP HING CONSTRUCTION CO LTD

STRUCTURAL ENGINEER: CHA CHONG & ASSOCIATES LTD 齊志軒建築工程師有限公司

FAÇADE CONSULTANT: AENHARD

NOTE: 1. ALL DIMENSIONS ARE IN MM. 2. ALL ELEVATIONS ARE VIEWED FROM OUTSIDE. 3. ALL DIMENSIONS TO BE WORKED ON SITE BEFORE FABRICATION.

LEGEND: (X) - DETAIL MARK NO. (Y) - REFER SHEET NO. 1. FFL - FINISHED FLOOR LEVEL 2. SFL - STRUCTURAL FLOOR LEVEL 3. (A) - REVERSED DETAIL 4. CLASS LEGEND

REV: 1 - Issued 12mm AIR GAP-10mmTP THE CALL OUT 2 - From THE CLEAR TEMPERED GLASS 3 - From THE TEMPERED AND ECHED GLASS 4 - From THE TEMPERED AND ECHED GLASS 5 - From THE TEMPERED AND ECHED GLASS 6 - From THE TEMPERED AND ECHED GLASS 7 - From THE TEMPERED AND ECHED GLASS 8 - From THE TEMPERED AND ECHED GLASS 9 - From THE TEMPERED AND ECHED GLASS 10 - From THE TEMPERED AND ECHED GLASS

JOB NO.: J-006

PROJECT: PROPOSED DEVELOPMENT ABOVE UNIT AND TEN WINGS STRIPS WITH HOLDING AREA, 35/FIN 36/FIN W/L, H.L.

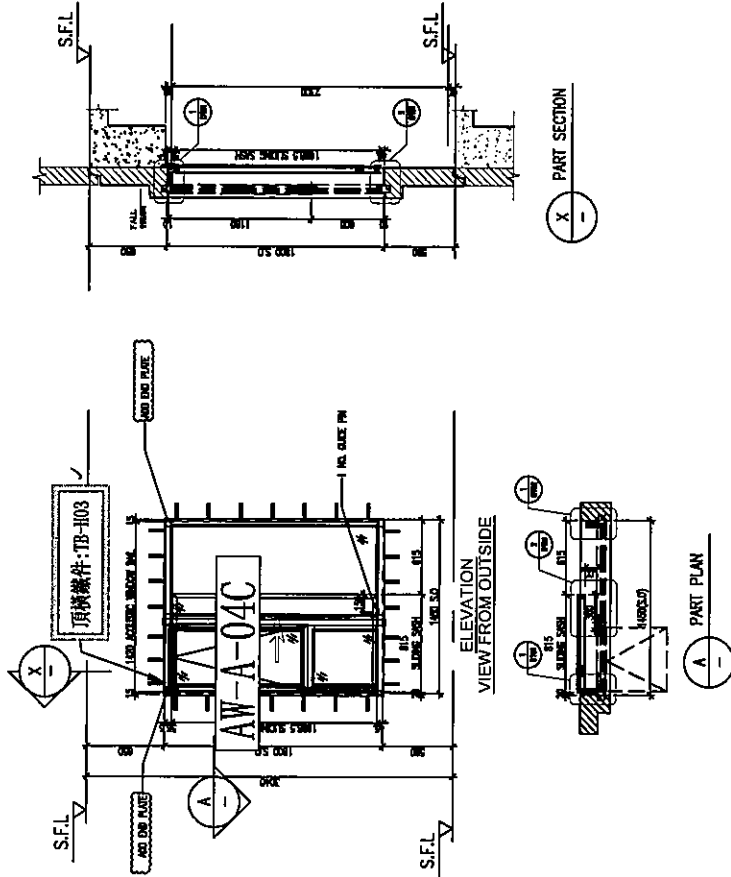
TITLE: WINDOW SCHEDULE FOR TOWER 1 ACOUSTIC WINDOW

DATE: 08-Jun-23 SCALE: 1:40

DRAWN BY: Yuen CHECKED BY:

SHIMAO GROUP HOLDINGS LIMITED
 310 Cheong Chee Nam Street, Kowloon
 HONG KONG
 TEL: (852) 2422 1111 FAX: (852) 2422 7288

REV: E



AW-A-04C						
LOCATION	A5-MBR	A6-MBR	A7-MBR			
FLOOR	3/F-46/F	3/F-45/F	3/F-45/F	3/F-45/F		
MPA	YES	YES	YES	YES		
TOP & SIDE SAM	YES	YES	YES	YES		
QUANTITY	38	37	37	37		
OVERLAPPING(REQUIRE)	300	300	300	300		
OVERLAPPING(PROVIDED)	300	300	300	300		