



工程指示 / 要求簡箋 ENGINEER INSTRUCTIONS(E.I.)

工程指示編號:	EI- 8221A	修改版本:	A
	HK-1549		
工程編號:	J 856	工程名稱:	天榮站
收件人:	生統/謝永林	發件人:	Iris
工程項目:	T1隔音門窗1mm內插板加工圖(A版本) 修改物料編號	日期:	22/08/2024

<input checked="" type="checkbox"/> 原合約工程包	<input type="checkbox"/> 原合約工程加 / 減脹 QT-	<input type="checkbox"/> 新工程報價 QT-
--------------------------------------------	------------------------------------------	------------------------------------

信件批核號碼/圖紙參考編號:	批核模具圖紙編號:
客戶指示附件:	管理內部批簽署:

<input type="checkbox"/> 初步鋁料 B.M.	<input type="checkbox"/> 加工拆圖, 然後生產	<input type="checkbox"/> 尺寸表
<input type="checkbox"/> 正式鋁料 B.M.	<input type="checkbox"/> 技術上資料/指示	<input type="checkbox"/> 報價
<input type="checkbox"/> 配件 B.M.	<input type="checkbox"/> 樣辦或貨品說明書	<input type="checkbox"/> 分判合約
<input type="checkbox"/> 其他:		

內容: T1隔音門窗1mm內插板加工圖(A版本)  修改物料編號
完成上列要求日期: 28/10/2024

國內

<input type="checkbox"/> 生產技術總監	<input type="checkbox"/> 連附件	<input checked="" type="checkbox"/> 技術部	<input checked="" type="checkbox"/> 連附件	<input type="checkbox"/> 生產部	<input type="checkbox"/> 連附件
<input type="checkbox"/> 採購部	<input type="checkbox"/> 連附件	<input checked="" type="checkbox"/> 生產統籌部	<input checked="" type="checkbox"/> 連附件	<input type="checkbox"/> 報關組	<input type="checkbox"/> 連附件
<input type="checkbox"/> 質檢部	<input type="checkbox"/> 連附件	<input type="checkbox"/> 會計部	<input type="checkbox"/> 連附件	<input type="checkbox"/> 機械設計部	<input type="checkbox"/> 連附件
<input type="checkbox"/> 香港辦	<input type="checkbox"/> 連附件	<input type="checkbox"/> 其他:			

香港

<input type="checkbox"/> 行政部	<input type="checkbox"/> 連附件	<input type="checkbox"/> 會計部	<input type="checkbox"/> 連附件	<input type="checkbox"/> 統籌部	<input type="checkbox"/> 連附件	<input type="checkbox"/> 工程部	<input type="checkbox"/> 連附件
<input type="checkbox"/> 採購部	<input type="checkbox"/> 連附件	<input type="checkbox"/> QS部	<input type="checkbox"/> 連附件	<input checked="" type="checkbox"/> 地盤管理	<input checked="" type="checkbox"/> 連附件	<input type="checkbox"/> 維修部	<input type="checkbox"/> 連附件

*發件人簽署: Iris	*組別成員批核簽署:
傳遞編號:	項目經理簽署: 

圖則登記表  
DRAWING REGISTER

接收日期 Receiving Date (適用於客戶圖則)

工程名稱 Project Title:	天水圍天榮站	年							
	T1座隔音門窗隔音內插板拆圖	月							
工程編號 Project No:	J-856	日							
分發予 Distributed To									
		年	24	24					
		月	8	8					
		日	17	22					
圖則編號 Drg. No.	圖則名稱 Drawing Title	修訂編號 Revision No.							
CB-01Q	POMUTE (隔音內插板)	1	-	-					
CB-01Q (1)	POMUTE (隔音內插板)	2	-	A					
J856-SD-AS-5101	位置圖	3	-	-					
J856-SD-AS-5102	位置圖	4	-	A					
J856-SD-AS-5103	位置圖	5	-	A					
J856-SD-AS-5104	位置圖	6	-	A					
J856-SD-AS-5105	位置圖	7	-	A					
J856-SD-AS-5106	位置圖	8	-	A					
J856-SD-AS-5107	位置圖	9	-	A					

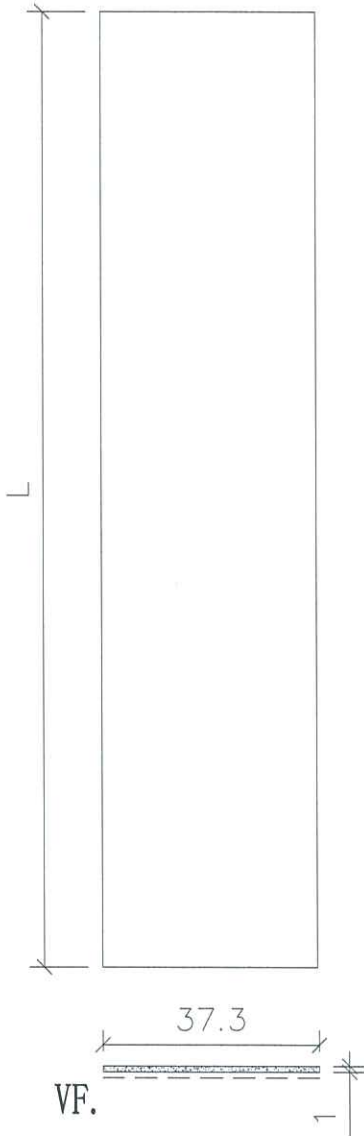
美特鋁質 MIDI Aluminium Fabricator Ltd.		工程號: J-856		計算: 周廣志		日期: 2024.8.22		送呈: 胡哥		註明: 計算參考數值/ 所屬位置分格						
廠內用插板B.M.表		地盤名稱: 天水圍天榮站		核對: 謝永林		日期: 2024.8.22		副本:								
項目類別: T1座隔音門窗		批准:		A/C Code:		107.769										
修改版次: A		總計內插板面積 (平方米):														
序號	分座	使用位置	使用樓層	窗號	層數	每層數	隔音內插板編號	顏色與類型/加工圖參考	厚度 (mm)	內插板尺寸 寬度 (W mm) 高度 (H mm)	數量 (塊)	總面積 (平方米)	內插板VF.	分屬類型	分格寬度	分格高度
1	T1座	A8-LIV	3/F-45/F	AW-A-05a	37	2	CB-01Q	中灰色 (UCT542919XL-3)	1	37.3 2190.0	74	6.045	6.045	隔音門窗內插板企	1298	2263.5
2	T1座	A5-LIV	3/F-46/F		38	2	CB-01Q	中灰色 (UCT542919XL-3)	1		76	6.208	6.208	隔音門窗內插板企		
3	T1座	A7-LIV	3/F-45/F	AW-A-05a	37	2	CB-01Q	中灰色 (UCT542919XL-3)	1	37.3 2190.0	74	6.045	6.045	隔音門窗內插板企	1347	2263.5
4	T1座	B6-LIV	3/F-46/F		38	2	CB-01Q	中灰色 (UCT542919XL-3)	1		76	6.208	6.208	隔音門窗內插板企		
5	T1座	A6-LIV	3/F-45/F	AW-A-05	37	2	CB-01Q	中灰色 (UCT542919XL-3)	1	37.3 2190.0	74	6.045	6.045	隔音門窗內插板企	1220	2263.5
6	T1座	B5-LIV	3/F-46/F		38	2	CB-01Q	中灰色 (UCT542919XL-3)	1		76	6.208	6.208	隔音門窗內插板企		
7	T1座	A8-BR3	6/F-12/F	AW-A-02bR	7	2	CB-02Q	中灰色 (UCT542919XL-3)	1	37.3 1625.0	14	0.849	0.849	隔音門窗內插板企	715	1698.5
8	T1座	A8-BR2	3/F-26/F		20	2	CB-02Q	中灰色 (UCT542919XL-3)	1		40	2.425	2.425	隔音門窗內插板企		
9	T1座	A5-BR2	3/F-46/F		38	2	CB-02Q	中灰色 (UCT542919XL-3)	1	37.3 1625.0	76	4.607	4.607	隔音門窗內插板企	715	1698.5
10	T1座	A7-BR2	3/F-45/F	AW-A-02b	37	2	CB-02Q	中灰色 (UCT542919XL-3)	1	37.3 1625.0	74	4.485	4.485	隔音門窗內插板企	815	1698.5
11	T1座	B6-BR2	3/F-46/F		38	2	CB-02Q	中灰色 (UCT542919XL-3)	1		76	4.607	4.607	隔音門窗內插板企		
12	T1座	A5-MBR	3/F-46/F		38	2	CB-02Q	中灰色 (UCT542919XL-3)	1	37.3 1625.0	74	4.485	4.485	隔音門窗內插板企	830	1713.5
13	T1座	A6-MBR	3/F-45/F	AW-A-04C	37	2	CB-02Q	中灰色 (UCT542919XL-3)	1	37.3 1625.0	74	4.485	4.485	隔音門窗內插板企	1298	2263.5
14	T1座	A7-MBR	3/F-45/F		37	2	CB-02Q	中灰色 (UCT542919XL-3)	1		74	4.485	4.485	隔音門窗內插板企		
15	T1座	B5-MBR	3/F-46/F	AW-A-04a1	38	2	CB-03Q	中灰色 (UCT542919XL-3)	1	37.3 1640.0	76	4.649	4.649	隔音門窗內插板企	1347	2263.5
16	T1座	A8-LIV	3/F-45/F	AW-A-05a	37	2	CB-01H	中灰色 (UCT542919XL-3)	1	37.3 1230.8	74	3.397	3.397	隔音門窗內插板橫	715	1698.5
17	T1座	A5-LIV	3/F-46/F		38	2	CB-02H	中灰色 (UCT542919XL-3)	1		76	3.628	3.628	隔音門窗內插板橫		
18	T1座	A7-LIV	3/F-45/F	AW-A-05a	37	2	CB-02H	中灰色 (UCT542919XL-3)	1	37.3 1279.8	74	3.533	3.533	隔音門窗內插板橫	1347	2263.5
19	T1座	B6-LIV	3/F-46/F		38	2	CB-02H	中灰色 (UCT542919XL-3)	1		76	3.628	3.628	隔音門窗內插板橫		
20	T1座	A8-BR3	6/F-12/F	AW-A-02bR	7	2	CB-03H	中灰色 (UCT542919XL-3)	1	37.3 647.8	14	0.338	0.338	隔音門窗內插板橫	715	1698.5
21	T1座	A8-BR2	3/F-26/F		20	2	CB-03H	中灰色 (UCT542919XL-3)	1		40	0.967	0.967	隔音門窗內插板橫		
22	T1座	A5-BR2	3/F-46/F		38	2	CB-03H	中灰色 (UCT542919XL-3)	1	37.3 647.8	76	1.836	1.836	隔音門窗內插板橫	715	1698.5
23	T1座	A7-BR2	3/F-45/F	AW-A-02b	37	2	CB-03H	中灰色 (UCT542919XL-3)	1	37.3 647.8	74	1.788	1.788	隔音門窗內插板橫	830	1713.5
24	T1座	B6-BR2	3/F-46/F		38	2	CB-03H	中灰色 (UCT542919XL-3)	1		76	1.836	1.836	隔音門窗內插板橫		
25	T1座	B5-MBR	3/F-46/F	AW-A-04a1	38	2	CB-04H	中灰色 (UCT542919XL-3)	1	37.3 762.8	76	2.162	2.162	隔音門窗內插板橫	715	1698.5
26	T1座	A5-MBR	3/F-46/F		38	2	CB-05H	中灰色 (UCT542919XL-3)	1		76	2.120	2.120	隔音門窗內插板橫		
27	T1座	A6-MBR	3/F-45/F	AW-A-04C	37	2	CB-05H	中灰色 (UCT542919XL-3)	1	37.3 747.8	74	2.064	2.064	隔音門窗內插板橫	815	1698.5
28	T1座	A7-MBR	3/F-45/F		37	2	CB-05H	中灰色 (UCT542919XL-3)	1		74	2.064	2.064	隔音門窗內插板橫		
29	T1座	A6-LIV	3/F-45/F	AW-A-05	37	2	CB-06H	中灰色 (UCT542919XL-3)	1	37.3 1152.8	74	3.182	3.182	隔音門窗內插板橫	1220	2263.5
30	T1座	B5-LIV	3/F-46/F		38	2	CB-06H	中灰色 (UCT542919XL-3)	1		76	3.268	3.268	隔音門窗內插板橫		
31										合計:	2060	107.769	107.769			



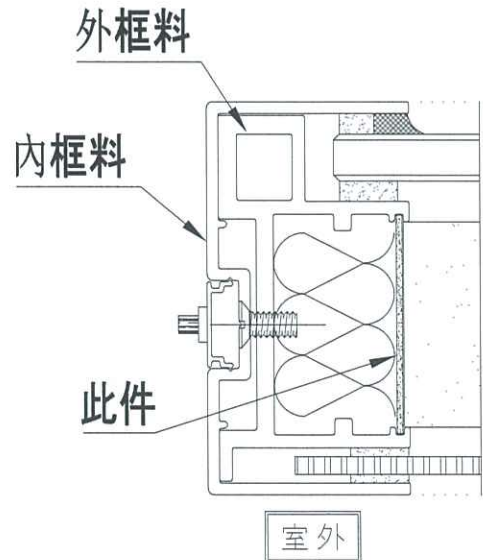
工程號 J856 | 地盤 天榮站

數據表見後頁

每副橫企各兩隻

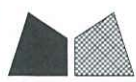


安裝示意圖



請注意：按供應商要求，用剪床加工，沒有刀口，減少浪費

名稱	POMUTE (隔音內插板)	制圖	周廣志	2024.08.09	修改			
材料	680x3000規格	復核	謝永林	2024.08.17	日期			
顏色	中灰色 (UCT542919XL-3)	批准			圖號	CB-01Q		



美特鋁質 有限公司  
MIDI Aluminium Fabricator Ltd.

工程號 J856 | 地盤 天榮站

拆圖見前頁

每副橫企各兩隻

A 物料編號已做修改

序號	物料編號	分座	使用位置	使用樓層	窗號	層數	每層數	數量	長度L
1	CB-01Q	T1座	A8-LIV	3/F-45/F	AW-A-05a	37	2	74	2190.0
2	CB-01Q	T1座	A5-LIV	3/F-46F	AW-A-05a	38	2	76	2190.0
3	CB-01Q	T1座	A7-LIV	3/F-45/F		37	2	74	
4	CB-01Q	T1座	B6-LIV	3/F-46/F	AW-A-05	38	2	76	2190.0
5	CB-01Q	T1座	A6-LIV	3/F-45/F		37	2	74	
6	CB-01Q	T1座	B5-LIV	3/F-46/F	AW-A-02bR	38	2	76	2190.0
7	CB-02Q	T1座	A8-BR3	6/F-12/F		7	2	14	
8	CB-02Q	T1座	A8-BR2	3/F-26/F	AW-A-02b	20	2	40	1625.0
9	CB-02Q	T1座	A5-BR2	3/F-46/F		38	2	76	
10	CB-02Q	T1座	A7-BR2	3/F-45/F	AW-A-04C	37	2	74	1625.0
11	CB-02Q	T1座	B6-BR2	3/F-46/F		38	2	76	
12	CB-02Q	T1座	A5-MBR	3/F-46/F	AW-A-04ai	38	2	76	1625.0
13	CB-02Q	T1座	A6-MBR	3/F-45/F		37	2	74	
14	CB-02Q	T1座	A7-MBR	3/F-45/F	AW-A-05a	37	2	74	1625.0
15	CB-03Q	T1座	B5-MBR	3/F-46/F		38	2	76	
16	CB-01H	T1座	A8-LIV	3/F-45/F	AW-A-05a	37	2	74	1230.8
17	CB-02H	T1座	A5-LIV	3/F-46F		38	2	76	
18	CB-02H	T1座	A7-LIV	3/F-45/F	AW-A-05a	37	2	74	1279.8
19	CB-02H	T1座	B6-LIV	3/F-46/F		38	2	76	
20	CB-03H	T1座	A8-BR3	6/F-12/F	AW-A-02bR	7	2	14	647.8
21	CB-03H	T1座	A8-BR2	3/F-26/F		20	2	40	
22	CB-03H	T1座	A5-BR2	3/F-46/F	AW-A-02b	38	2	76	647.8
23	CB-03H	T1座	A7-BR2	3/F-45/F		37	2	74	
24	CB-03H	T1座	B6-BR2	3/F-46/F	AW-A-04ai	38	2	76	762.8
25	CB-04H	T1座	B5-MBR	3/F-46/F		38	2	76	
26	CB-05H	T1座	A5-MBR	3/F-46/F	AW-A-04C	37	2	74	747.8
27	CB-05H	T1座	A6-MBR	3/F-45/F		37	2	74	
28	CB-05H	T1座	A7-MBR	3/F-45/F	AW-A-05	37	2	74	1152.8
29	CB-06H	T1座	A6-LIV	3/F-45/F		38	2	76	
30	CB-06H	T1座	B5-LIV	3/F-46/F	合計:				2060
31									
名稱	POMUTE (隔音內插板)		制圖	周廣志	2024.08.09	修改	A		
材料	680x3000規格		復核	謝永林	2024.08.17	日期	2024.08.22		
顏色	中灰色 (UCT542919XL-3)		批准			圖號	CB-01Q (1)		

B.D. REF :

CLIENT : **SUN HUNG KAI REAL ESTATE AGENCY LTD.**  
427, SUN HUNG KAI CENTRE, NAUVAL, HONGKONG

ARCHITECT : **lwk&partners**  
LAWSON WONG KAM CHUNG ARCHITECTS

MAIN CONTRACTOR : **怡輝建築有限公司**  
Yee Fui Building Contractor Ltd.

STRUCTURAL ENGINEER : **ARUP**

FAÇADE CONSULTANT : **ALPHA CONSULTING LIMITED**  
Steel Structures & Façade Specialist

NOTE :  
1. ALL DIMENSIONS ARE IN mm.  
2. ALL ELEVATIONS ARE REFERRED FROM OUTSIDE.  
3. DIMENSIONS TO BE CHECKED ON SITE BEFORE FABRICATION.

LEGEND :  
1. F.F.L. --- FINISHED FLOOR LEVEL  
2. S.F.L. --- STRUCTURAL FLOOR LEVEL

REV.	DATE	DESCRIPTION
F	16/11/2023	REVISION SUBJECT TO ALPHA COMMENT
E	10/09/2023	REVISION SUBJECT TO AMENDMENT
D	10/09/2023	REVISION SUBJECT TO AMENDMENT
C	10/09/2023	REVISION SUBJECT TO AMENDMENT
B	20/08/2023	REVISION SUBJECT TO AMENDMENT
A	16/09/2023	REVISION SUBJECT TO AMENDMENT

JOB NO. : J-856

PROJECT : PROPOSED DEVELOPMENT ABOVE LIGHT RAIL TIN WING STOP, ISWTL NO.23, AREA 33, TIN SHUI WAI, N.T.

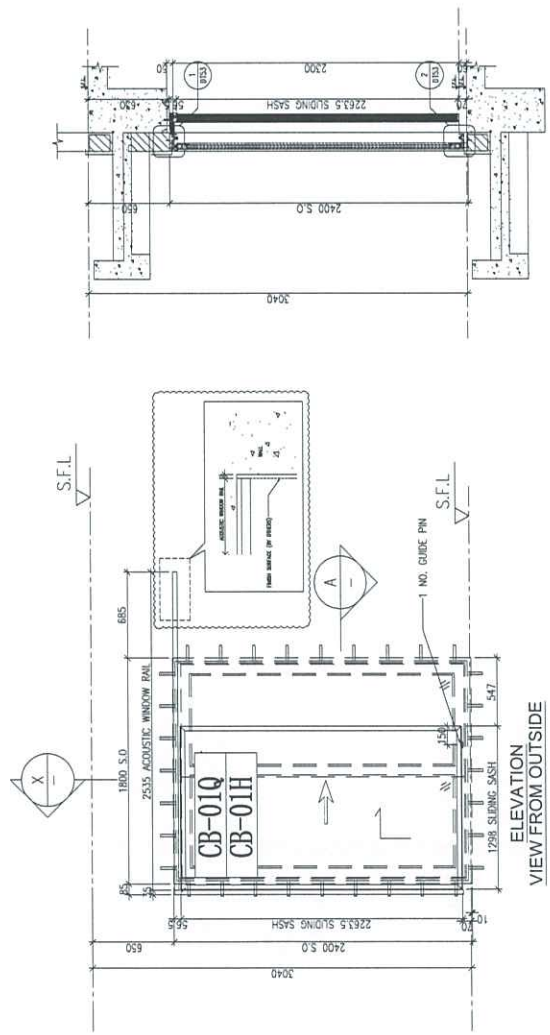
TITLE : WINDOW SCHEDULE FOR TOWER 1, ACOUSTIC WINDOW

DATE : 06-Jan-23 SCALE : 1:40

DRAWN BY : YAM CHECKED BY :

Units 6-8, Sunny Industrial Centre, 1/F  
610 Chee Koo Ling Road, Kowloon  
Tel: (852) 2777 8686

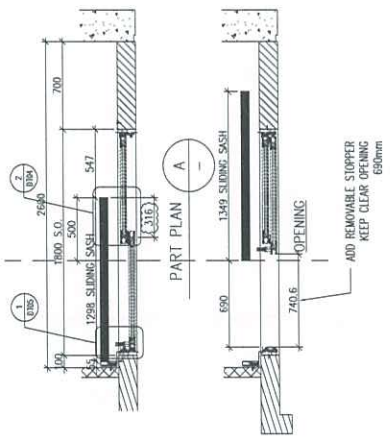
DWG NO. : JB56-SD-AS-5101 REV. : F



ELEVATION VIEW FROM OUTSIDE



PART SECTION X-X



PART PLAN A-A

AW-A-05a	
LOCATION	A8-LIV
FLOOR	3/F-45/F
MPA	YES
TOP & SIDE SAM	YES
QUANTITY	37
OVERLAPPING(REQUIRE)	500
OVERLAPPING(PROVIDED)	500

B.D. REF :

CLIENT :



477 CHA KWO LING ROAD, HONG KONG

ARCHITECT :



1/F, 2/F, 3/F, 4/F, 5/F, 6/F, 7/F, 8/F, 9/F, 10/F, 11/F, 12/F, 13/F, 14/F, 15/F, 16/F, 17/F, 18/F, 19/F, 20/F, 21/F, 22/F, 23/F, 24/F, 25/F, 26/F, 27/F, 28/F, 29/F, 30/F, 31/F, 32/F, 33/F, 34/F, 35/F, 36/F, 37/F, 38/F, 39/F, 40/F, 41/F, 42/F, 43/F, 44/F, 45/F, 46/F, 47/F, 48/F, 49/F, 50/F, 51/F, 52/F, 53/F, 54/F, 55/F, 56/F, 57/F, 58/F, 59/F, 60/F, 61/F, 62/F, 63/F, 64/F, 65/F, 66/F, 67/F, 68/F, 69/F, 70/F, 71/F, 72/F, 73/F, 74/F, 75/F, 76/F, 77/F, 78/F, 79/F, 80/F, 81/F, 82/F, 83/F, 84/F, 85/F, 86/F, 87/F, 88/F, 89/F, 90/F, 91/F, 92/F, 93/F, 94/F, 95/F, 96/F, 97/F, 98/F, 99/F, 100/F

MAIN CONTRACTOR :



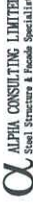
Yee Fui Building Contractors Ltd.

STRUCTURAL ENGINEER :



ARUP

PACKAGE CONSULTANT :



Alpha Consulting Limited  
Steel Structures & Façade Specialist

NOTE :

1. ALL DIMENSIONS ARE IN mm.
2. ALL ELEVATIONS ARE VIEWED FROM OUTSIDE.
3. ALL DIMENSIONS TO BE VERIFIED ON SITE BEFORE FABRICATION.

LEGEND :

1. P.F.L. -- FINISHED FLOOR LEVEL
2. S.F.L. -- STRUCTURAL FLOOR LEVEL

REV	DATE	DESCRIPTION
F	16/07/2023	REVISION SUBJECT TO ALPHA COMMENT
E	16/07/2023	REVISION SUBJECT TO ALPHA COMMENT
D	16/07/2023	REVISION SUBJECT TO ASSIGNMENT
C	16/07/2023	REVISION SUBJECT TO ASSIGNMENT
B	16/07/2023	REVISION SUBJECT TO ASSIGNMENT
A	16/07/2023	REVISION SUBJECT TO ASSIGNMENT

JOB NO. : J-856

PROJECT :

PROPOSED DEVELOPMENT ABOVE  
LIGHT RAIL TIN WING STOP/ISWTL  
NO.23, AREA 33, TIN SHUI WAI, N.T.

TITLE :

WINDOW SCHEDULE FOR  
TOWER 1 ACOUSTIC WINDOW

DATE : 06-Jan-23

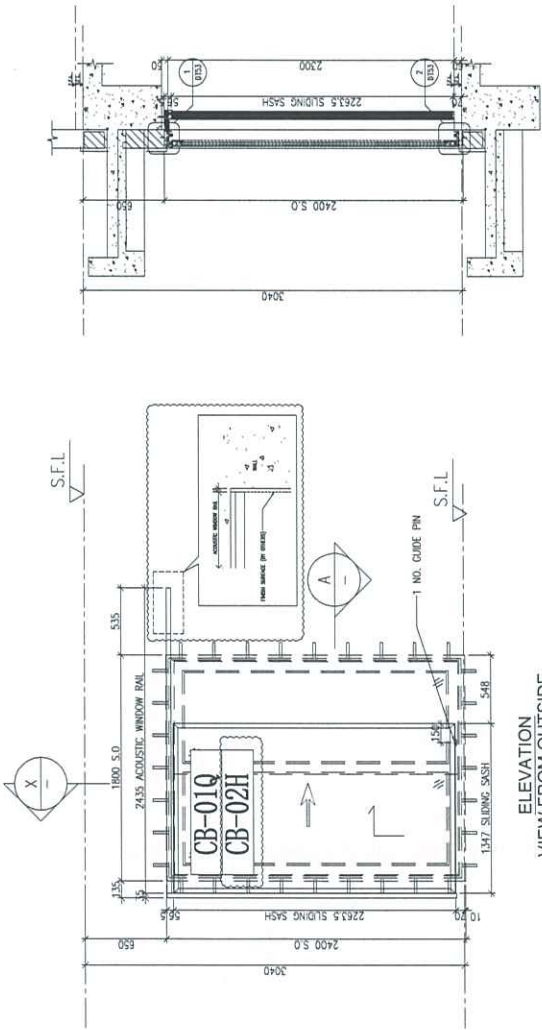
SCALE : 1:40

DRAWN BY : Ivan

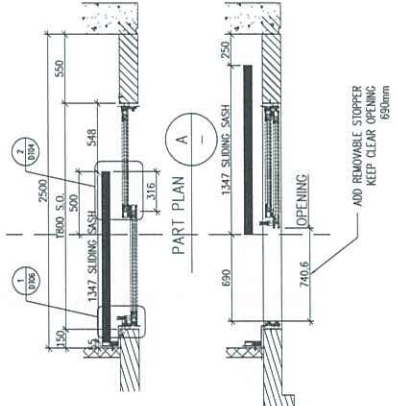
CHECKED BY :



REV. : F



ELEVATION VIEW FROM OUTSIDE



PART PLAN

PART SECTION

AW-A-05a					
LOCATION	A5-LIV	A7-LIV	B6-LIV		
FLOOR	3/F-46/F	3/F-45/F	3/F-46/F		
MPA	YES	YES	YES		
TOP & SIDE SAM	YES	YES	YES		
QUANTITY	38	37	38		
OVERLAPPING(REQUIRE)	500	500	500		
OVERLAPPING(PROVIDED)	500	500	500		

B.D. REF :

CLIENT :

**SUN HUNG KAI**  
REAL ESTATE DEVELOPMENT  
177, SUN HUNG KAI DRIVE, HONGKONG

ARCHITECT :

**lwk&partners**  
architects

MAIN CONTRACTOR :

**怡輝建築有限公司**  
Yee Hui Building Contractors Ltd.

STRUCTURAL ENGINEER :

**ARUP**

FAÇADE CONSULTANT :

**ALPHA CONSULTING LIMITED**  
Steel Structure & Façade Specialist

NOTE :

1. ALL DIMENSIONS ARE IN mm.
2. ALL ELEVATIONS ARE VIEWED FROM OUTSIDE.
3. ALL DIMENSIONS TO BE VERIFIED ON SITE BEFORE FABRICATION.

LEGEND :

1. F.F.L. -- FINISHED FLOOR LEVEL
2. S.F.L. -- STRUCTURAL FLOOR LEVEL

D	16/01/2023	REVISION SUBJECT TO ALPHA CONSULTING
C	10/02/2023	REVISION SUBJECT TO AMENDMENT
B	17/02/2023	REVISION SUBJECT TO AMENDMENT
A	27/01/2023	REVISION SUBJECT TO AMENDMENT
REV	DATE	REVISION

JOB NO. : J-856

PROJECT :

PROPOSED DEVELOPMENT ABOVE  
LIGHT RAIL TIN WING STOP, ISWTL  
NO.23, AREA 33, TIN SHUI WAI, N.T.

TITLE :

WINDOW SCHEDULE FOR  
TOWER 1 ACOUSTIC WINDOW

DATE : 06-Jan-23

SCALE : 1:40

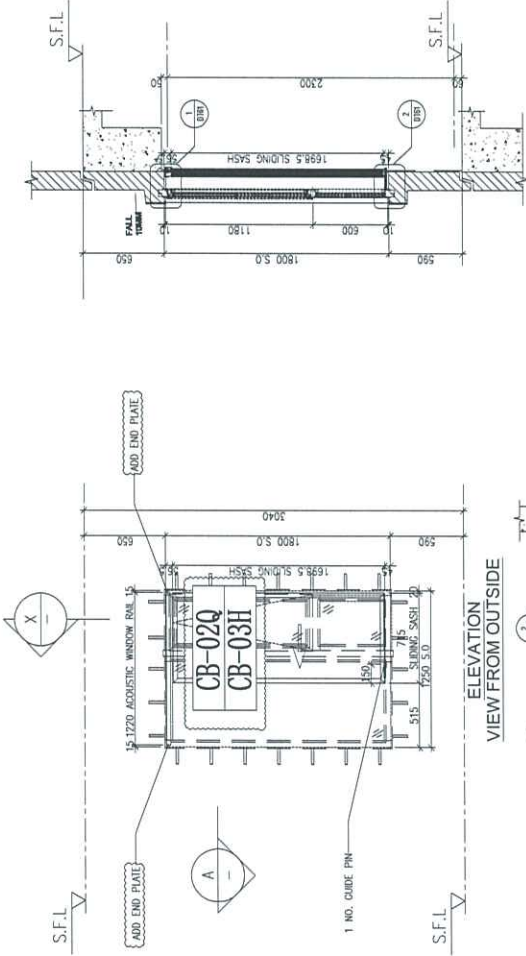
DRAWN BY : Ivan

CHECKED BY :

**黃特銀有限公司**  
MIDI  
Acoustic  
Manufacturing Ltd.  
Units 6-8, Sunny Industrial Centre, 1/F  
610 Chee Kwo Ling Road, Kowloon  
Tel: 23489211-4 Fax: (852) 7727656

DWG NO. : JB56-SD-AS-5103

REV. : D



ELEVATION VIEW FROM OUTSIDE

PART SECTION X-X

PART PLAN A-A

**AW-A-02bR**

LOCATION	A8-BR3	A8-BR2
FLOOR	6/F-12/F	3/F-26/F
MPA	YES	YES
TOP & SIDE SAM	NO	NO
QUANTITY	7	20
OVERLAPPING(REQUIRE)	253	253
OVERLAPPING(PROVIDED)	300	300

B.D. REF :

CLIENT :



ARCHITECT :



MAIN CONTRACTOR :



STRUCTURAL ENGINEER :



FAÇADE CONSULTANT:



NOTE:

1. ALL DIMENSIONS ARE IN mm.
2. ALL ELEVATIONS ARE VIEWED FROM OUTSIDE.
3. ALL DIMENSIONS TO BE VERIFIED ON SITE BEFORE FABRICATION.

LEGEND:

1. FFL -- FINISHED FLOOR LEVEL
2. S.F.L. -- STRUCTURAL FLOOR LEVEL

NO.	DATE	REVISION
E	16/11/2023	REVISION SUBJECT TO ALPHA COMMENT
D	10/06/2023	REVISION SUBJECT TO ARCHITECT
C	15/05/2023	REVISION SUBJECT TO ARCHITECT
B	27/02/2023	REVISION SUBJECT TO ARCHITECT
A	16/07/2023	REVISION SUBJECT TO ARCHITECT

JOB NO. : J-856

PROJECT :  
PROPOSED DEVELOPMENT ABOVE  
LIGHT RAIL TIN WING STOP, ISWTL  
NO.23, AREA 33, TIN SHUI WAI, N.T.

TITLE :  
WINDOW SCHEDULE FOR  
TOWER 1 ACOUSTIC WINDOW

DATE : 06-Jan-23

SCALE : 1:40

DRAWN BY : Ivan

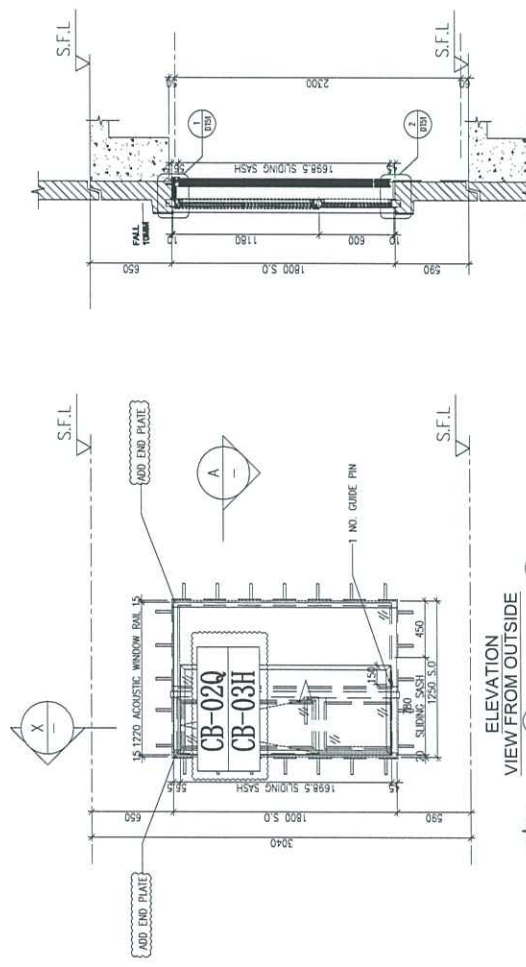
CHECKED BY :



Units 6-8, Sunray Industrial Centre, 1/F  
610 Chee Koo Ling Road, Kowloon  
Tel: (852) 27727866

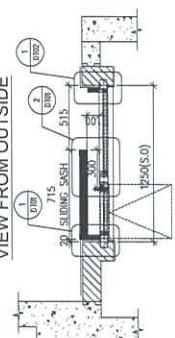
DWG NO. : JB56-SD-AS-5104

REV. : E



ELEVATION  
VIEW FROM OUTSIDE

PART SECTION



PART PLAN

	A	B	C	D
1	AW-A-02b			
2	LOCATION	A5-BR2	A7-BR2	B6-BR2
3	FLOOR	3/F-46/F	3/F-45/F	3/F-46/F
4	MPA	YES	YES	YES
5	TOP & SIDE SAM	YES	YES	YES
6	QUANTITY	38	37	38
7	OVERLAPPING(REQUIRE)	300	300	300
8	OVERLAPPING(PROVIDED)	300	300	300



BD. REF :

CLIENT :



ARCHITECT :



MAIN CONTRACTOR :



STRUCTURAL ENGINEER :



PACKAGE CONSULTANT:



NOTE:

1. ALL DIMENSIONS ARE IN MM.
2. ALL ELEVATIONS ARE VIEWED FROM OUTSIDE.
3. ALL DIMENSIONS TO BE VERIFIED ON SITE BEFORE FABRICATION.

LEGEND:

1. P.F.L. -- FINISHED FLOOR LEVEL
2. S.F.L. -- STRUCTURAL FLOOR LEVEL

NO.	DATE	REVISION SUBJECT TO ALPHA CONSULTANT
E	16/01/2023	REVISION SUBJECT TO ALPHA CONSULTANT
D	15/08/2023	REVISION SUBJECT TO AMENDMENT
C	11/02/2023	REVISION SUBJECT TO AMENDMENT
B	27/03/2023	REVISION SUBJECT TO AMENDMENT
A	17/01/2023	REVISION SUBJECT TO AMENDMENT
REV	DATE	REVISION

JOB NO. : J-856

PROJECT : PROPOSED DEVELOPMENT ABOVE LIGHT RAIL TIN WING STOP-TSWTL NO.23, AREA 33, TIN SHUI WAI, N.T.

TITLE : WINDOW SCHEDULE FOR TOWER 1 ACOUSTIC WINDOW

DATE : 06-Jan-23

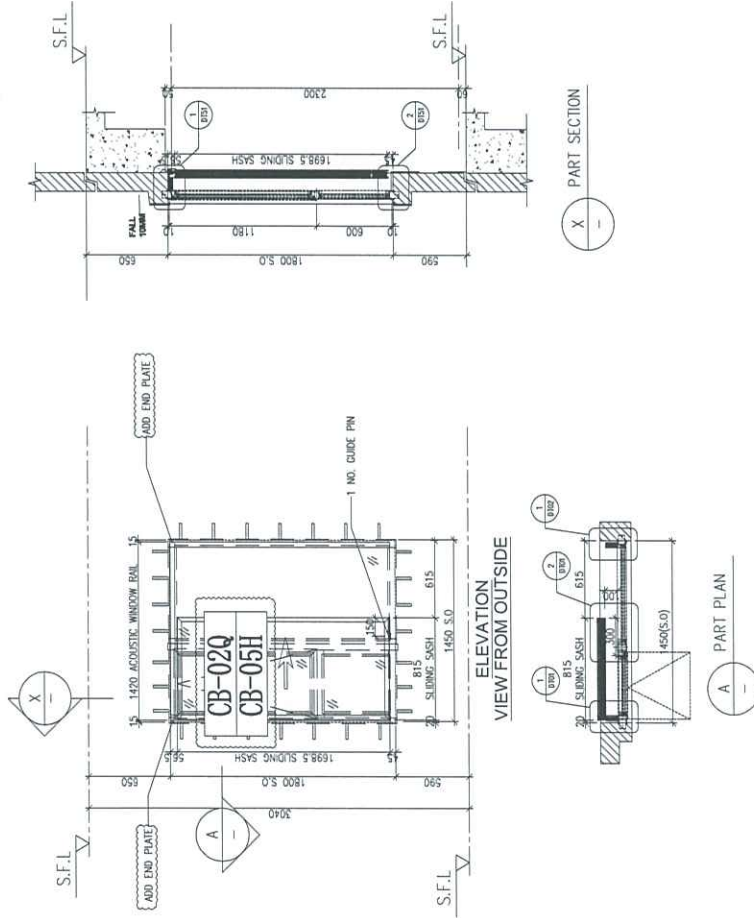
SCALE : 1:40

DRAWN BY : Ivan

CHECKED BY :



DWG NO. : J856-SD-AS-5106 REV. : E



AW-A-04c					
LOCATION	A5-MBR	A6-MBR	A7-MBR		
FLOOR	3/F-46/F	3/F-45/F	3/F-45/F	37	300
MPA	YES	YES	YES	37	300
TOP & SIDE SAM	YES	YES	YES	37	300
QUANTITY	38	37	37	300	300
OVERLAPPING(REQUIRE)	300	300	300	300	300
OVERLAPPING(PROVIDED)	300	300	300	300	300

B.D. REF :

CLIENT : **SUN HUNG KAI REAL ESTATE AGENCY LTD.**  
477, SUN HUNG KAI CENTRE, WINGLON, HONGKONG

ARCHITECT : **lwk&partners**  
ARCHITECTS

MAIN CONTRACTOR : **怡和建築有限公司**  
Yee Fui Building Contractors Ltd.

STRUCTURAL ENGINEER : **ARUP**

FACADE CONSULTANT : **ALPHA CONSULTING LIMITED**  
Steel Structure & Facade Specialist

NOTE:  
1. ALL DIMENSIONS ARE IN mm.  
2. ALL DIMENSIONS ARE VERIFIED FROM OUTSIDE.  
3. DIMENSIONS MAY BE VERIFIED ON SITE BEFORE FABRICATION.

LEGEND:  
1. F.F.L. --- FINISHED FLOOR LEVEL  
2. S.F.L. --- STRUCTURAL FLOOR LEVEL

REV	DATE	DESCRIPTION
F	16/10/2023	REVISION SUBJECT TO ALPHA COMMENT
E	20/06/2023	REVISION SUBJECT TO APPROVAL
D	20/06/2023	REVISION SUBJECT TO APPROVAL
C	21/06/2023	REVISION SUBJECT TO APPROVAL
B	27/07/2023	REVISION SUBJECT TO APPROVAL
A	27/07/2023	REVISION SUBJECT TO APPROVAL

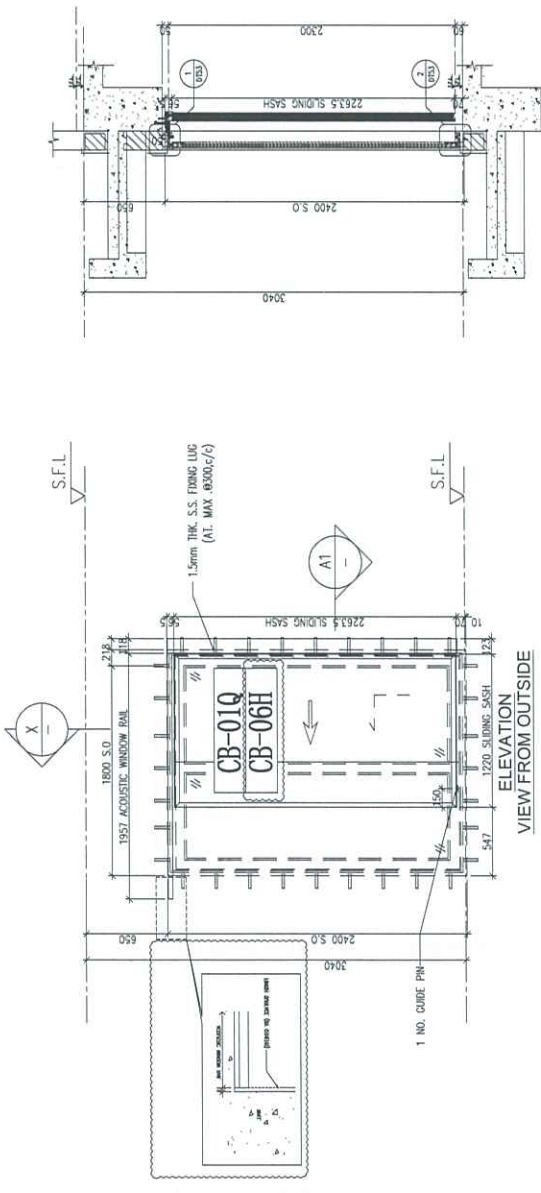
JOB NO. : J-856

PROJECT : PROPOSED DEVELOPMENT ABOVE LIGHT RAIL TIN WING STOP, ISWILL NO.23, AREA 33, TIN SHUI WAI, N.T.

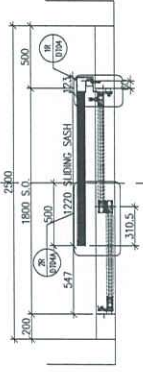
TITLE : WINDOW SCHEDULE FOR TOWER 1 ACOUSTIC WINDOW

DWG DATE : 06-Jan-23 SCALE : 1:10

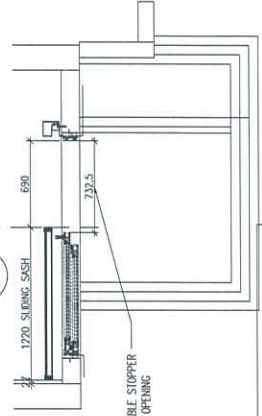
DRAWN BY : Ivan  
CHECKED BY :  
**黃特銘**  
MIDI ARCHITECTS & PLANNERS LTD.  
Units 6-8, Sunny Industrial Centre, 1/F  
810 Chee Man Leng Road, Kowloon  
Tel: (852) 27272666  
DWG NO. : JB56-S0-AS-5107 REV. : F



VIEW FROM OUTSIDE  
ELEVATION



PART SECTION  
X -



PART PLAN  
A1 -

ADD REMOVABLE STOPPER  
KEEP CLEAR OPENING  
Ø50mm

AW-A-05

LOCATION	A6-LIV	B5-LIV
FLOOR	3/F-45/F	3/F-46/F
MPA	YES	YES
TOP & SIDE SAM	YES	YES
QUANTITY	37	38
OVERLAPPING(REQUIRE)	500	500
OVERLAPPING(PROVIDED)	500	500