



工程指示 / 要求簡箋 ENGINEER INSTRUCTIONS(E.I.)

工程指示編號:	EI- 8121	修改版本:	-
	HK- 1404		
工程編號:	J 856	工程名稱:	天榮站
收件人:	生統 / Maggie	發件人:	Iris
工程項目:	T1-T3佛沙窗補玻璃	日期:	31/07/2024

<input checked="" type="checkbox"/> 原合約工程包	<input type="checkbox"/> 原合約工程加 / 減脹 QT-	<input type="checkbox"/> 新工程報價 QT-
--	--	------------------------------------

信件批核號碼/圖紙參考編號:	批核模具圖紙編號:
客戶指示附件:	管理內部批簽署:

<input type="checkbox"/> 初步鋁料 B.M.	<input type="checkbox"/> 加工拆圖, 然後生產	<input type="checkbox"/> 尺寸表
<input type="checkbox"/> 正式鋁料 B.M.	<input type="checkbox"/> 技術上資料/指示	<input type="checkbox"/> 報價
<input type="checkbox"/> 配件 B.M.	<input type="checkbox"/> 樣辦或貨品說明書	<input type="checkbox"/> 分判合約
<input type="checkbox"/> 其他:		


內容:
T1-T3佛沙窗補玻璃
包裝請按附頁要求,要做鋼化,需做熱浸,新鴻基COW T1(100%)
項目1-3: 根據29/7/2024 TSWTL23/CVI-1437,需補訂玻璃,詳情請看附頁
項目4: 爛玻璃,需重訂,請看附頁
完成上列要求日期: 01/09/2024

國內

<input type="checkbox"/> 生產技術總監	<input type="checkbox"/> 連附件	<input checked="" type="checkbox"/> 技術部	<input checked="" type="checkbox"/> 連附件	<input type="checkbox"/> 生產部	<input type="checkbox"/> 連附件
<input type="checkbox"/> 採購部	<input type="checkbox"/> 連附件	<input checked="" type="checkbox"/> 生產統籌部	<input checked="" type="checkbox"/> 連附件	<input type="checkbox"/> 報關組	<input type="checkbox"/> 連附件
<input type="checkbox"/> 質檢部	<input type="checkbox"/> 連附件	<input type="checkbox"/> 會計部	<input type="checkbox"/> 連附件	<input type="checkbox"/> 機械設計部	<input type="checkbox"/> 連附件
<input type="checkbox"/> 香港辦	<input type="checkbox"/> 連附件	<input type="checkbox"/> 其他:			

香港

<input type="checkbox"/> 行政部	<input type="checkbox"/> 連附件	<input type="checkbox"/> 會計部	<input type="checkbox"/> 連附件	<input type="checkbox"/> 統籌部	<input type="checkbox"/> 連附件	<input type="checkbox"/> 工程部	<input type="checkbox"/> 連附件
<input checked="" type="checkbox"/> 採購部	<input checked="" type="checkbox"/> 連附件	<input type="checkbox"/> QS部	<input type="checkbox"/> 連附件	<input checked="" type="checkbox"/> 地盤管理	<input checked="" type="checkbox"/> 連附件	<input type="checkbox"/> 維修部	<input type="checkbox"/> 連附件

*發件人簽署: Iris	*組別成員批核簽署:
傳遞編號:	項目經理簽署:  31/7/24

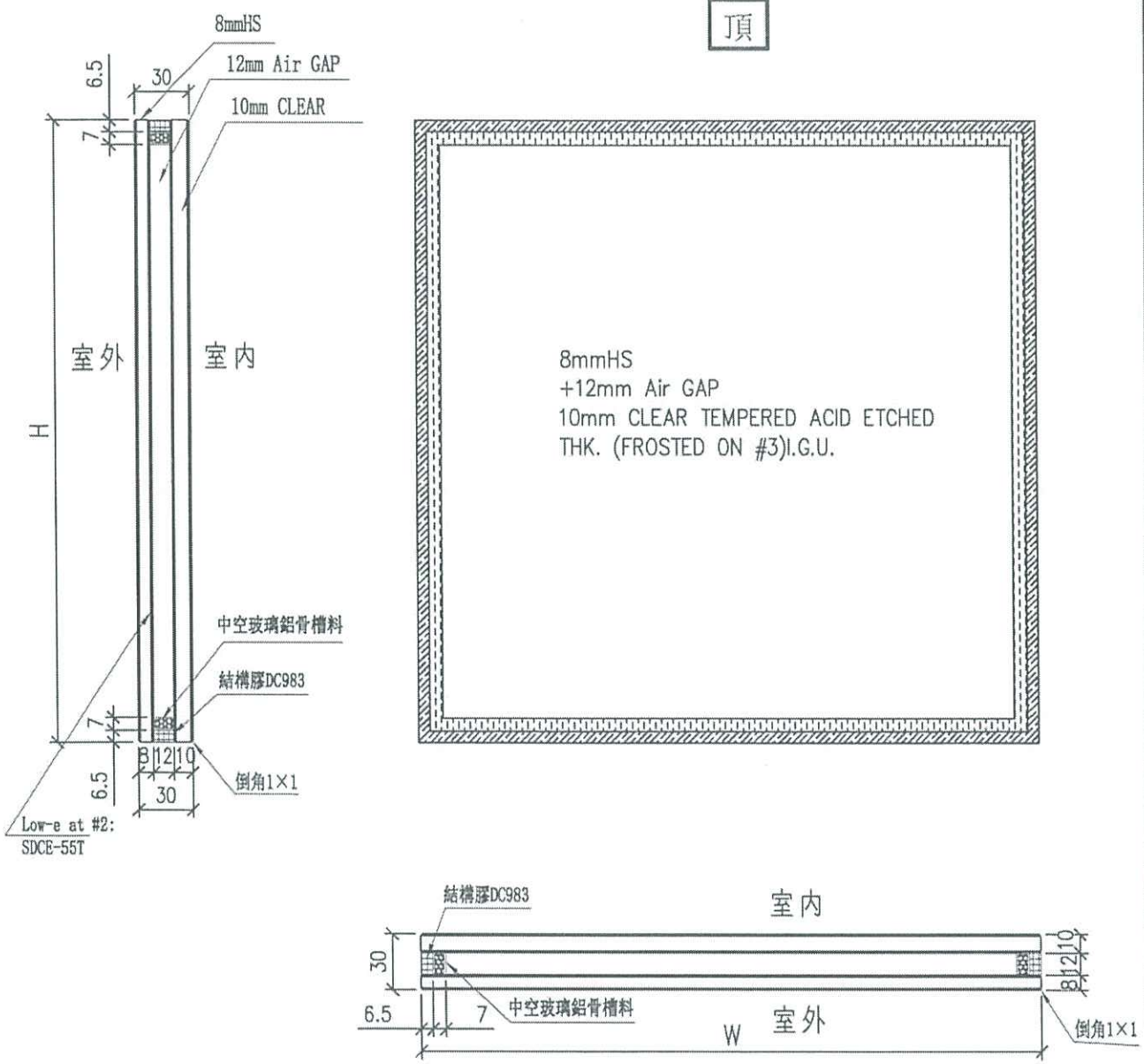
天榮站中空玻璃欠數(T1-T3)

項目	圖號	尺寸	數量(件)T1	數量(件)T2	數量(件)T3	玻璃類型	備註
1	EGL-1B	665 x 1064.5mm	1	-	-	8+12+10mm	T1 3/F B8 AW07
2	EGL-1B	667 x 774.5mm	1	-	-	8+12+10mm	T1 3/F B8 AW07
3	EGL-1B	725 x 1950mm	-	1	-	8+12+10mm	T2 3/F B8 AW08
4	EGL-1	452 x 544.5mm	-	-	1	8+12+10mm	T3 11/F A12 AW02
		Total:	2	1	1		

項目1-2: #1木箱, 出貨期TBC

項目3-4: #2木箱, 出貨期: 1/9/2024或之前

 美特鋁質有限公司 MIDI Aluminium Fabricator Ltd.		類別	物料號	
修改		制圖 黃瓊玉	2023.06.29	圖號 EGL-1B
日期		復核 謝永林	2023.06.29	數量 見BOM表
		批准		位置 見BOM表



工程號	J-856	地盤	天水圍天榮站	附件
名稱	玻璃加工圖 (小梗窗玻璃)		採用	
材料			地盤 <input checked="" type="checkbox"/>	
顏色	8mmHS+12mm AIR GAP+10mmCLEAR		工廠 <input type="checkbox"/>	



怡輝建築有限公司

Yee Fai Construction Company Ltd.

44/F., Sun Hung Kai Centre, 30 Harbour Road, Wanchai, Hong Kong

item 1-3

Project: Property Development at LRT Tin Wing Stop at Tin Shui Wai on Lot No. TSWTL23

CONFIRMATION OF VERBAL INSTRUCTION

By Email & Hardcopy

Our Ref.: TSWTL23/CVI-1437

Date : 29 Jul 2024

LWK & Partners (HK) Ltd.
15/F, North Tower,
World Finance Centre,
Harbour City,
Tsim Sha Tsui, Hong Kong

Attn: Ms. Carmen Wong / Mr. Ken Law / Ms. S.W. Ko / Mr. Ryan Chan

Dear Sir/Madam,

Re: Acid-etched Glass for Window at T1 and T2 (3/F)

We confirm having received the following construction instruction given by Ms. Petrina Cheung of BVD on 23 Jul 2024 to our Mandy Chow.

Records of resources employed will be kept where appropriate and adverse cost and time implications will be reported in due course. Meanwhile our rights under the conditions of contract are hereby reserved.

Window facing common flat roof at 3/F flat B8 of T1 and T2 shall be revised to acid-etched glass as per attached sketches (Ref. No.: TSWTL23/CVI-1437/SK-01 to SK-03).

By the copy of this confirmation of verbal instruction, Midi is herewith instructed to proceed the aforesaid work and coordinated with relevant parties before commencement of work.

Kindly cover contents of the aforesaid instruction by issuing an Architect Instruction within 7 days. Meanwhile works are nevertheless proceeding as instructed.

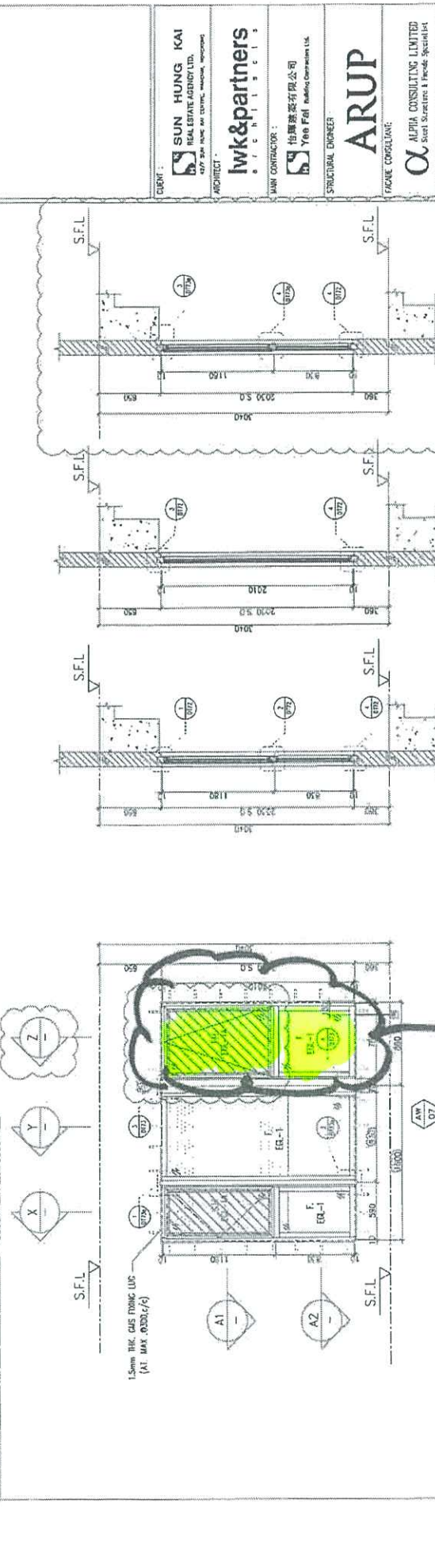
c.c. (By Email)		<input checked="" type="checkbox"/> with encl.	Signed:
BVD	-	Mr. Robert Seng / Mr. Jonathan Chan / Mr. Robert Lam / Mr. Nick Cheng / Ms. Petrina Cheung	(w/e)
Arup	-	Mr. Michael Ku / Mr. James Wong	(w/e)
Arup (RE)	-	Mr. Dixon Wong / Mr. Samson Ho / Mr. Tim Chau	(w/e)
MTR Property	-	Mr. Dick Yang / Mr. Alvin Chan / Mr. Andrew Tai / Mr. Brian Wong / Mr. Ringo Choi / Mr. Sam Lee / Mr. Tony Chan / Mr. Tommy Chan	(w/e)
QS Dept.	-	Ms. Gloric Chan / Mr. S. K. Lee	(w/e)
COW	-	Mr. Roger Choi / Mr. Terence Cheung	(w/e)
Sub-Contractor	-	Midi	(w/e)
Site Office			(w/e)

Fu Chi Leung
for Yee Fai Construction Co Ltd
CLF/HKC/PMC/II

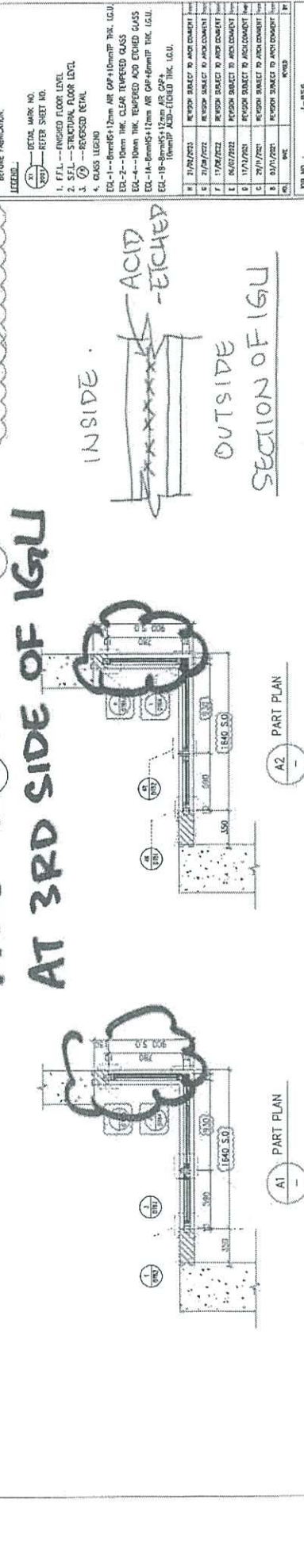
Also email a copy to the following for their retention and information.

SF-Tower SF-Podium&1,2/F&CH SF-LRT SF-Basement SF-External Area SF-Landscape Others: _____

LOCATION BB-HBR	OPENABLE AREA 0.474	PROVIDED OPENABLE AREA 0.759	GLAZING AREA 2.243
--------------------	------------------------	------------------------------------	-----------------------



ACID-ETCHED AT 3RD SIDE OF IGLU



WINDOW MARK AW 07	LOCATION 3/F-12/F(4/F OMITTED) UNIT BB
SECTION 70mm ALUM. SECTION	
GLAZING EGL-1/EGL-1A	
QUANTITY 9 NBS	
REMARKS FACADE (TYPE T1PFS1 FOR 3/F-45/F), 4 BAR HINGE-LIP HING (HMS-N16 FOR SIDE HING, HHMT-14 FOR TOP HING)	

B.D. REF :

CLIENT : **SUN HUNG KAI**
REAL ESTATE AGENCY LTD.
437, 5th FLOOR, 400, QUEEN'S ROAD, HONG KONG

ARCHITECT : **lwk&partners**
ARCHITECTS

MAIN CONTRACTOR : 怡康有限公司
Yee Fook Building Contractors Ltd.


STRUCTURAL ENGINEER : **ARUP**
FRAME CONSULTANTS

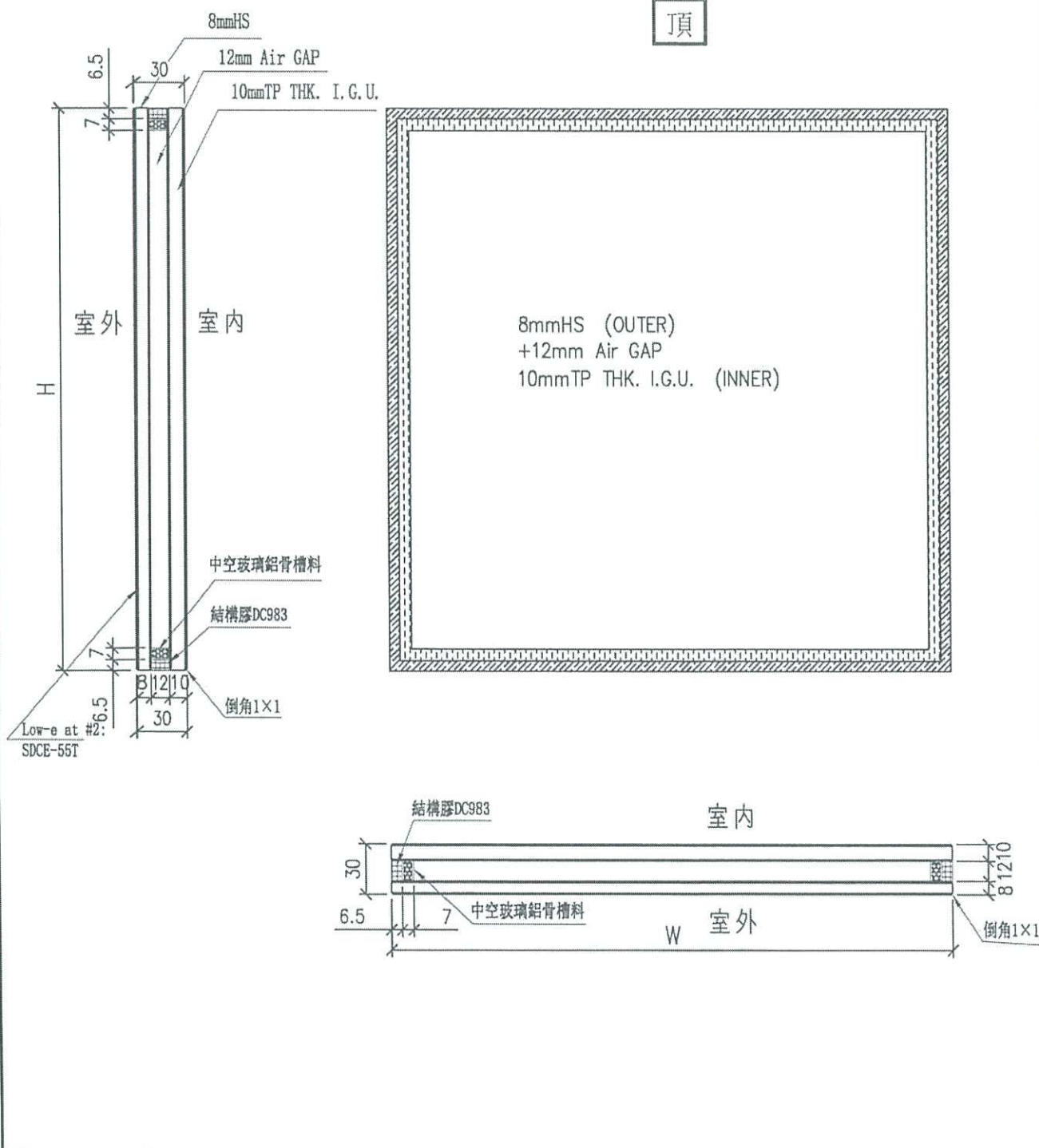
ALPHA CONSULTING LIMITED
Steel Structure & Trade Specialist

NOTE:
1. ALL DIMENSIONS ARE IN MM.
2. ALL ELEVATIONS ARE VIEWED FROM OUTSIDE.
3. ALL DIMENSIONS TO BE WORKED ON SITE BEFORE PROCEEDING.

- LEGEND:
- REF. MARK NO.
 - REFER SHEET NO.
 - F.F.L. - FINISHED FLOOR LEVEL
 - S.F.L. - STRUCTURAL FLOOR LEVEL
 - - EXPOSED METAL
 - - GLASS LEGEND
 - EGL-1 - 10mm THK. CLEAR TEMPERED TINTED IGLU
 - EGL-2 - 10mm THK. CLEAR TEMPERED GLASS
 - EGL-4 - 10mm THK. TEMPLATED ACID ETCHED GLASS
 - EGL-1A - 6mm THK. CLEAR TEMPERED TINTED IGLU
 - EGL-1B - 6mm THK. CLEAR TEMPERED TINTED IGLU
 - EGL-1C - 6mm THK. CLEAR TEMPERED TINTED IGLU
 - EGL-1D - 6mm THK. CLEAR TEMPERED TINTED IGLU
 - EGL-1E - 6mm THK. CLEAR TEMPERED TINTED IGLU
 - EGL-1F - 6mm THK. CLEAR TEMPERED TINTED IGLU
 - EGL-1G - 6mm THK. CLEAR TEMPERED TINTED IGLU
 - EGL-1H - 6mm THK. CLEAR TEMPERED TINTED IGLU
 - EGL-1I - 6mm THK. CLEAR TEMPERED TINTED IGLU
 - EGL-1J - 6mm THK. CLEAR TEMPERED TINTED IGLU
 - EGL-1K - 6mm THK. CLEAR TEMPERED TINTED IGLU
 - EGL-1L - 6mm THK. CLEAR TEMPERED TINTED IGLU
 - EGL-1M - 6mm THK. CLEAR TEMPERED TINTED IGLU
 - EGL-1N - 6mm THK. CLEAR TEMPERED TINTED IGLU
 - EGL-1O - 6mm THK. CLEAR TEMPERED TINTED IGLU
 - EGL-1P - 6mm THK. CLEAR TEMPERED TINTED IGLU
 - EGL-1Q - 6mm THK. CLEAR TEMPERED TINTED IGLU
 - EGL-1R - 6mm THK. CLEAR TEMPERED TINTED IGLU
 - EGL-1S - 6mm THK. CLEAR TEMPERED TINTED IGLU
 - EGL-1T - 6mm THK. CLEAR TEMPERED TINTED IGLU
 - EGL-1U - 6mm THK. CLEAR TEMPERED TINTED IGLU
 - EGL-1V - 6mm THK. CLEAR TEMPERED TINTED IGLU
 - EGL-1W - 6mm THK. CLEAR TEMPERED TINTED IGLU
 - EGL-1X - 6mm THK. CLEAR TEMPERED TINTED IGLU
 - EGL-1Y - 6mm THK. CLEAR TEMPERED TINTED IGLU
 - EGL-1Z - 6mm THK. CLEAR TEMPERED TINTED IGLU

NO.	REVISION	DATE	BY	CHKD.
1	ISSUE FOR PERMIT	17/07/2023		
2	ISSUE FOR DEVELOPMENT ABOVE	21/07/2023		
3	ISSUE FOR PERMIT	27/07/2023		
4	ISSUE FOR PERMIT	04/08/2023		
5	ISSUE FOR PERMIT	11/08/2023		
6	ISSUE FOR PERMIT	28/08/2023		
7	ISSUE FOR PERMIT	04/09/2023		
8	ISSUE FOR PERMIT	11/09/2023		
9	ISSUE FOR PERMIT	18/09/2023		
10	ISSUE FOR PERMIT	25/09/2023		
11	ISSUE FOR PERMIT	02/10/2023		
12	ISSUE FOR PERMIT	09/10/2023		
13	ISSUE FOR PERMIT	16/10/2023		
14	ISSUE FOR PERMIT	23/10/2023		
15	ISSUE FOR PERMIT	30/10/2023		
16	ISSUE FOR PERMIT	06/11/2023		
17	ISSUE FOR PERMIT	13/11/2023		
18	ISSUE FOR PERMIT	20/11/2023		
19	ISSUE FOR PERMIT	27/11/2023		
20	ISSUE FOR PERMIT	04/12/2023		
21	ISSUE FOR PERMIT	11/12/2023		
22	ISSUE FOR PERMIT	18/12/2023		
23	ISSUE FOR PERMIT	25/12/2023		
24	ISSUE FOR PERMIT	01/01/2024		
25	ISSUE FOR PERMIT	08/01/2024		
26	ISSUE FOR PERMIT	15/01/2024		
27	ISSUE FOR PERMIT	22/01/2024		
28	ISSUE FOR PERMIT	29/01/2024		
29	ISSUE FOR PERMIT	05/02/2024		
30	ISSUE FOR PERMIT	12/02/2024		
31	ISSUE FOR PERMIT	19/02/2024		
32	ISSUE FOR PERMIT	26/02/2024		
33	ISSUE FOR PERMIT	05/03/2024		
34	ISSUE FOR PERMIT	12/03/2024		
35	ISSUE FOR PERMIT	19/03/2024		
36	ISSUE FOR PERMIT	26/03/2024		
37	ISSUE FOR PERMIT	02/04/2024		
38	ISSUE FOR PERMIT	09/04/2024		
39	ISSUE FOR PERMIT	16/04/2024		
40	ISSUE FOR PERMIT	23/04/2024		
41	ISSUE FOR PERMIT	30/04/2024		
42	ISSUE FOR PERMIT	07/05/2024		
43	ISSUE FOR PERMIT	14/05/2024		
44	ISSUE FOR PERMIT	21/05/2024		
45	ISSUE FOR PERMIT	28/05/2024		
46	ISSUE FOR PERMIT	04/06/2024		
47	ISSUE FOR PERMIT	11/06/2024		
48	ISSUE FOR PERMIT	18/06/2024		
49	ISSUE FOR PERMIT	25/06/2024		
50	ISSUE FOR PERMIT	02/07/2024		
51	ISSUE FOR PERMIT	09/07/2024		
52	ISSUE FOR PERMIT	16/07/2024		
53	ISSUE FOR PERMIT	23/07/2024		
54	ISSUE FOR PERMIT	30/07/2024		
55	ISSUE FOR PERMIT	06/08/2024		
56	ISSUE FOR PERMIT	13/08/2024		
57	ISSUE FOR PERMIT	20/08/2024		
58	ISSUE FOR PERMIT	27/08/2024		
59	ISSUE FOR PERMIT	03/09/2024		
60	ISSUE FOR PERMIT	10/09/2024		
61	ISSUE FOR PERMIT	17/09/2024		
62	ISSUE FOR PERMIT	24/09/2024		
63	ISSUE FOR PERMIT	01/10/2024		
64	ISSUE FOR PERMIT	08/10/2024		
65	ISSUE FOR PERMIT	15/10/2024		
66	ISSUE FOR PERMIT	22/10/2024		
67	ISSUE FOR PERMIT	29/10/2024		
68	ISSUE FOR PERMIT	05/11/2024		
69	ISSUE FOR PERMIT	12/11/2024		
70	ISSUE FOR PERMIT	19/11/2024		
71	ISSUE FOR PERMIT	26/11/2024		
72	ISSUE FOR PERMIT	03/12/2024		
73	ISSUE FOR PERMIT	10/12/2024		
74	ISSUE FOR PERMIT	17/12/2024		
75	ISSUE FOR PERMIT	24/12/2024		
76	ISSUE FOR PERMIT	31/12/2024		
77	ISSUE FOR PERMIT	07/01/2025		
78	ISSUE FOR PERMIT	14/01/2025		
79	ISSUE FOR PERMIT	21/01/2025		
80	ISSUE FOR PERMIT	28/01/2025		
81	ISSUE FOR PERMIT	04/02/2025		
82	ISSUE FOR PERMIT	11/02/2025		
83	ISSUE FOR PERMIT	18/02/2025		
84	ISSUE FOR PERMIT	25/02/2025		
85	ISSUE FOR PERMIT	03/03/2025		
86	ISSUE FOR PERMIT	10/03/2025		
87	ISSUE FOR PERMIT	17/03/2025		
88	ISSUE FOR PERMIT	24/03/2025		
89	ISSUE FOR PERMIT	31/03/2025		
90	ISSUE FOR PERMIT	07/04/2025		
91	ISSUE FOR PERMIT	14/04/2025		
92	ISSUE FOR PERMIT	21/04/2025		
93	ISSUE FOR PERMIT	28/04/2025		
94	ISSUE FOR PERMIT	05/05/2025		
95	ISSUE FOR PERMIT	12/05/2025		
96	ISSUE FOR PERMIT	19/05/2025		
97	ISSUE FOR PERMIT	26/05/2025		
98	ISSUE FOR PERMIT	02/06/2025		
99	ISSUE FOR PERMIT	09/06/2025		
100	ISSUE FOR PERMIT	16/06/2025		
101	ISSUE FOR PERMIT	23/06/2025		
102	ISSUE FOR PERMIT	30/06/2025		
103	ISSUE FOR PERMIT	07/07/2025		
104	ISSUE FOR PERMIT	14/07/2025		
105	ISSUE FOR PERMIT	21/07/2025		
106	ISSUE FOR PERMIT	28/07/2025		
107	ISSUE FOR PERMIT	04/08/2025		
108	ISSUE FOR PERMIT	11/08/2025		
109	ISSUE FOR PERMIT	18/08/2025		
110	ISSUE FOR PERMIT	25/08/2025		
111	ISSUE FOR PERMIT	01/09/2025		
112	ISSUE FOR PERMIT	08/09/2025		
113	ISSUE FOR PERMIT	15/09/2025		
114	ISSUE FOR PERMIT	22/09/2025		
115	ISSUE FOR PERMIT	29/09/2025		
116	ISSUE FOR PERMIT	06/10/2025		
117	ISSUE FOR PERMIT	13/10/2025		
118	ISSUE FOR PERMIT	20/10/2025		
119	ISSUE FOR PERMIT	27/10/2025		
120	ISSUE FOR PERMIT	03/11/2025		
121	ISSUE FOR PERMIT	10/11/2025		
122	ISSUE FOR PERMIT	17/11/2025		
123	ISSUE FOR PERMIT	24/11/2025		
124	ISSUE FOR PERMIT	01/12/2025		
125	ISSUE FOR PERMIT	08/12/2025		
126	ISSUE FOR PERMIT	15/12/2025		
127	ISSUE FOR PERMIT	22/12/2025		
128	ISSUE FOR PERMIT	29/12/2025		
129	ISSUE FOR PERMIT	05/01/2026		
130	ISSUE FOR PERMIT	12/01/2026		
131	ISSUE FOR PERMIT	19/01/2026		
132	ISSUE FOR PERMIT	26/01/2026		
133	ISSUE FOR PERMIT	02/02/2026		
134	ISSUE FOR PERMIT	09/02/2026		
135	ISSUE FOR PERMIT	16/02/2026		
136	ISSUE FOR PERMIT	23/02/2026		
137	ISSUE FOR PERMIT	01/03/2026		
138	ISSUE FOR PERMIT	08/03/2026		
139	ISSUE FOR PERMIT	15/03/2026		
140	ISSUE FOR PERMIT	22/03/2026		
141	ISSUE FOR PERMIT	29/03/2026		
142	ISSUE FOR PERMIT	05/04/2026		
143	ISSUE FOR PERMIT	12/04/2026		
144	ISSUE FOR PERMIT	19/04/2026		
145	ISSUE FOR PERMIT	26/04/2026		
146	ISSUE FOR PERMIT	03/05/2026		
147	ISSUE FOR PERMIT	10/05/2026		
148	ISSUE FOR PERMIT	17/05/2026		
149	ISSUE FOR PERMIT	24/05/2026		
150	ISSUE FOR PERMIT	31/05/2026		
151	ISSUE FOR PERMIT	07/06/2026		
152	ISSUE FOR PERMIT	14/06/2026		
153	ISSUE FOR PERMIT	21/06/2026		
154	ISSUE FOR PERMIT	28/06/2026		
155	ISSUE FOR PERMIT	05/07/2026		
156	ISSUE FOR PERMIT	12/07/2026		
157	ISSUE FOR PERMIT	19/07/2026		
158	ISSUE FOR PERMIT	26/07/2026		
159	ISSUE FOR PERMIT	02/08/2026		
160	ISSUE FOR PERMIT	09/08/2026		
161	ISSUE FOR PERMIT	16/08/2026		
162	ISSUE FOR PERMIT	23/08/2026		
163	ISSUE FOR PERMIT	30/08/2026		
164	ISSUE FOR PERMIT	06/09/2026		
165	ISSUE FOR PERMIT	13/09/2026		
166	ISSUE FOR PERMIT	20/09/2026		
167	ISSUE FOR PERMIT	27/09/2026		
168	ISSUE FOR PERMIT	04/10/2026		
169	ISSUE FOR PERMIT	11/10/2026		
170	ISSUE FOR PERMIT	18/10/2026		
171	ISSUE FOR PERMIT	25/10/2026		
172	ISSUE FOR PERMIT	01/11/2026		
173	ISSUE FOR PERMIT	08/11/2026		
174	ISSUE FOR PERMIT	15/11/2026		
175	ISSUE FOR PERMIT	22/11/2026		
176	ISSUE FOR PERMIT	29/11/2026		
177	ISSUE FOR PERMIT	06/12/2026		
178	ISSUE FOR PERMIT	13/12/2026		
179	ISSUE FOR PERMIT	20/12/2026		
180	ISSUE FOR PERMIT	27/12/2026		
181	ISSUE FOR PERMIT	03/01/2027		
182	ISSUE FOR PERMIT	10/01/2027		
183	ISSUE FOR PERMIT	17/01/2027		
184	ISSUE FOR PERMIT	24/01/2027		
185	ISSUE FOR PERMIT	31/01/2027		
186	ISSUE FOR PERMIT	07/02/2027		
187	ISSUE FOR PERMIT	14/02/2027		
188	ISSUE FOR PERMIT	21/02/2027		
189	ISSUE FOR PERMIT	28/02/2027		
190	ISSUE FOR PERMIT	06/03/2027		
191	ISSUE FOR PERMIT	13/03/2027		
192	ISSUE FOR PERMIT	20/03/2027		
193	ISSUE FOR PERMIT	27/03/2027		
194	ISSUE FOR PERMIT	03/04/2027		
195	ISSUE FOR PERMIT	10/04/2027		
196	ISSUE FOR PERMIT	17/04/2027		
197	ISSUE FOR PERMIT	24/04/2027		
198	ISSUE FOR PERMIT	01/05/2027		
199	ISSUE FOR PERMIT	08/05/2027		
200	ISS			

 美特鋁質有限公司 MIDI Aluminium Fabricator Ltd.				類別		物料號	
				制圖	黃瓊玉	2023.02.24	圖號 EGL-1
修改				復核	謝永林	2023.02.25	數量 見BOM表
日期				批准			位置 見BOM表



工程號	J-856	地盤	天水圍天榮站	附件
名稱	玻璃加工圖 (大梗窗玻璃+小梗窗玻璃)		採用	
材料		地盤	√	
顏色	8mmHS+12mm AIR GAP+10mmTP THK. I.G.U.	工廠		



Andy Kwong
30/7/2024 上午 10:34

所有媒體



T3 11F A12 BR2 AW02 细梗碎裂 (重訂更換)



回覆

