



工程指示 / 要求簡箋 ENGINEER INSTRUCTIONS(E.I.)

工程指示編號:	EI- 7252	修改版本:	-
	HK- 0111		
工程編號:	J 856	工程名稱:	天榮站
收件人:	生統/謝永林	發件人:	Iris
工程項目:	Shop Drawing for Insitu Window拆圖用 (T 2)	日期:	17/01/2024

<input checked="" type="checkbox"/> 原合約工程包	<input type="checkbox"/> 原合約工程加 / 減賬 QT-	<input type="checkbox"/> 新工程報價 QT-
--	--	------------------------------------

信件批核號碼/圖紙參考編號:	批核模具圖紙編號:
客戶指示附件:	管理內部批簽署:

<input type="checkbox"/> 初步鋁料 B.M.	<input type="checkbox"/> 加工拆圖, 然後生產	<input type="checkbox"/> 尺寸表
<input type="checkbox"/> 正式鋁料 B.M.	<input type="checkbox"/> 技術上資料/指示	<input type="checkbox"/> 報價
<input type="checkbox"/> 配件 B.M.	<input type="checkbox"/> 樣辦或貨品說明書	<input type="checkbox"/> 分判合約
<input type="checkbox"/> 其他:		

內容:	Shop Drawing for Insitu Window拆圖用 (T 2)	(14th GBP 和 16th GBP 出現不同現修改圖紙, 設計部CHK)剛整理之前看漏)
	請按附件圖紙提供拆圖	3F B5 MBR AW03iR 改至 AW03i 和加 A6 MBR AW04i)
完成上列要求日期: 31/01/2024		

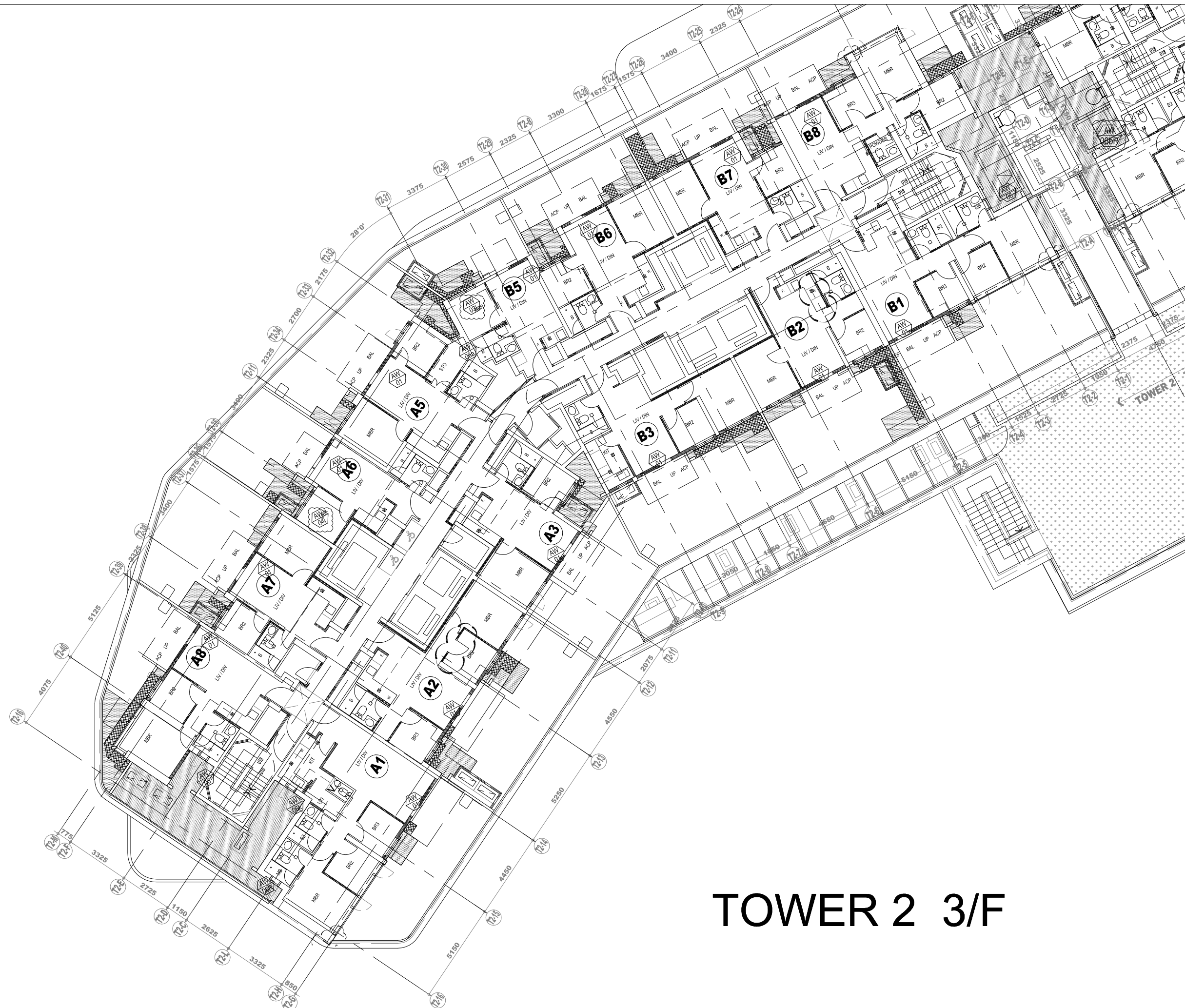
國內

<input type="checkbox"/> 生產技術總監	<input type="checkbox"/> 連附件	<input checked="" type="checkbox"/> 技術部	<input checked="" type="checkbox"/> 連附件	<input type="checkbox"/> 生產部	<input type="checkbox"/> 連附件
<input type="checkbox"/> 採購部	<input type="checkbox"/> 連附件	<input checked="" type="checkbox"/> 生產統籌部	<input checked="" type="checkbox"/> 連附件	<input type="checkbox"/> 報關組	<input type="checkbox"/> 連附件
<input type="checkbox"/> 質檢部	<input type="checkbox"/> 連附件	<input type="checkbox"/> 會計部	<input type="checkbox"/> 連附件	<input type="checkbox"/> 機械設計部	<input type="checkbox"/> 連附件
<input type="checkbox"/> 香港辦	<input type="checkbox"/> 連附件	<input type="checkbox"/> 其他:			

香港


<input type="checkbox"/> 行政部	<input type="checkbox"/> 連附件	<input type="checkbox"/> 會計部	<input type="checkbox"/> 連附件	<input type="checkbox"/> 統籌部	<input type="checkbox"/> 連附件	<input type="checkbox"/> 工程部	<input type="checkbox"/> 連附件
<input type="checkbox"/> 採購部	<input type="checkbox"/> 連附件	<input type="checkbox"/> QS部	<input type="checkbox"/> 連附件	<input checked="" type="checkbox"/> 地盤管理	<input checked="" type="checkbox"/> 連附件	<input type="checkbox"/> 維修部	<input type="checkbox"/> 連附件


*發件人簽署: Iris	*組別成員批核簽署:
傳遞編號:	項目經理簽署:





TOWER 2 3/F


B.D. REF :

CLIENT :

SUN HUNG KAI
 REAL ESTATE AGENCY LTD.
 42/F SUN HUNG KAI CENTRE, WANCHAI, HONGKONG

ARCHITECT :

IWK&partners
 architects

MAIN CONTRACTOR :

Yee Fai Building Contractors Ltd.

STRUCTURAL ENGINEER :

ARUP

FAÇADE CONSULTANT:

ALPHA CONSULTING LIMITED
 Steel Structure & Façade Specialist

NOTE :
 1. ALL DIMENSIONS ARE IN mm.
 2. ALL ELEVATIONS ARE VIEWED FROM OUTSIDE.
 3. ALL DIMENSIONS TO BE VERIFIED ON SITE BEFORE FABRICATION.

LEGEND :
 X1 — DETAIL MARK NO.
 X001 — REFER SHEET NO.

1. F.F.L. --- FINISHED FLOOR LEVEL
 2. S.F.L. --- STRUCTURAL FLOOR LEVEL
 3. (R) --- REVERSED DETAIL
 4. GLASS LEGEND
 EGL-1 --- 8mmHS+12mm AIR GAP+8mmTP THK. I.G.U.
 EGL-2 --- 10mm THK. CLEAR TEMPERED GLASS
 EGL-4 --- 10mm THK. TEMPERED ACID ETCHED GLASS

NO.	DATE	REVISION	BY
J	17/01/2024	REVISION SUBJECT TO ARCH.COMMENT	ivan
I	14/12/2023	UPDATE 16TH 20231205 GBP	ivan
H	24/02/2023	UPDATE 14TH 20230119 GBP	ivan
G	06/01/2023	REVISION SUBJECT TO ARCH.COMMENT	ivan
F	11/11/2022	UPDATE 14TH 20221109 GBP	ivan
E	11/07/2022	REVISION SUBJECT TO ARCH.COMMENT	ivan
D	22/06/2022	REVISION SUBJECT TO ARCH.COMMENT	ivan
C	13/01/2022	REVISION SUBJECT TO ARCH.COMMENT	ivan
B	23/11/2021	REVISION SUBJECT TO ARCH.COMMENT	ivan
A	09/11/2021	REVISION SUBJECT TO ARCH.COMMENT	ivan


JOB NO. : J-856

PROJECT :
 PROPOSED DEVELOPMENT ABOVE
 LIGHT RAIL TIN WING STOP, TSWTL
 NO.23, AREA 33, TIN SHUI WAI, N.T.

TITLE :
 PLAN FOR IN-SITU WINDOW
 AT TOWER 2

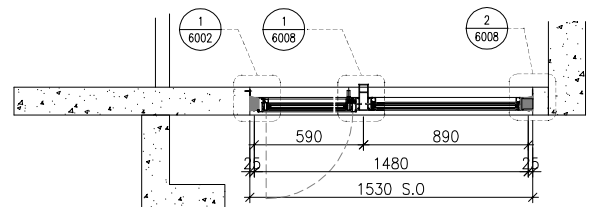
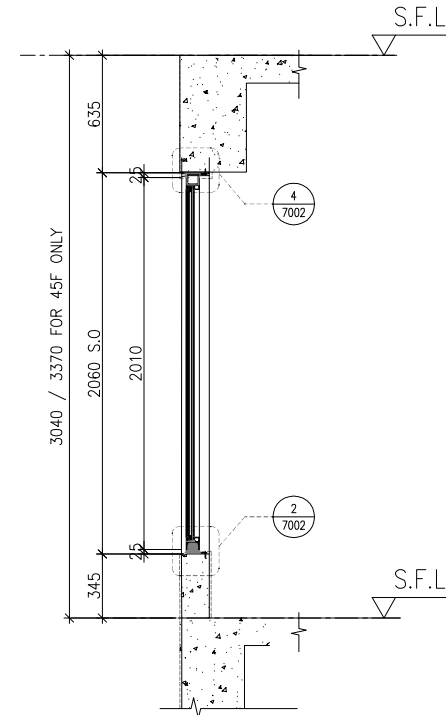
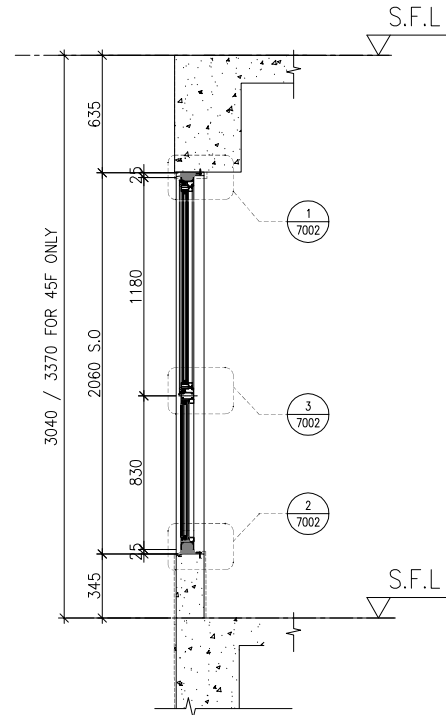
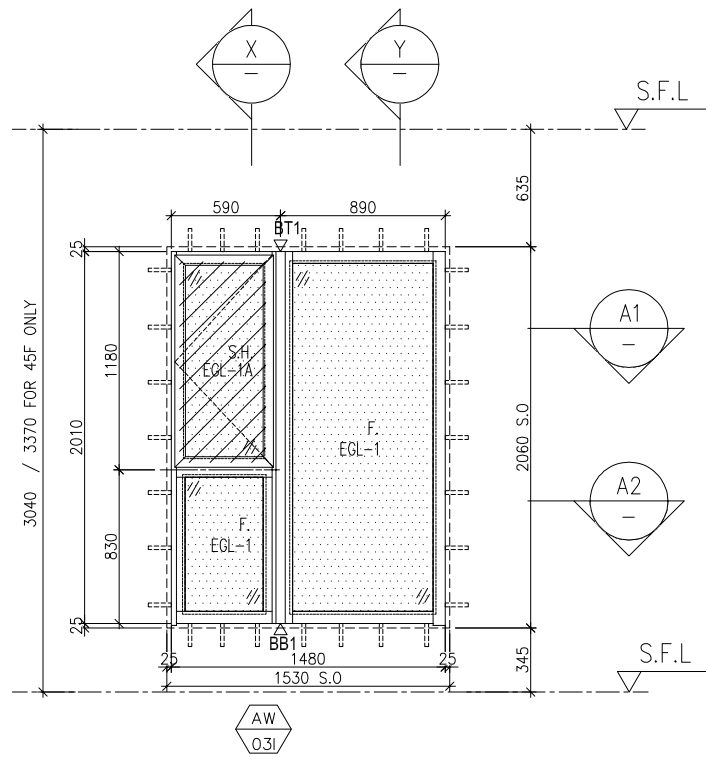
DATE : 02-Aug-21 SCALE : 1:200

DRAWN BY : ivan CHECKED BY :

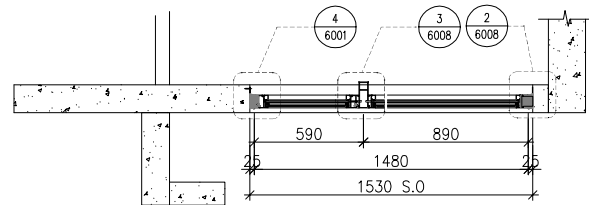

MIDI ALUMINIUM FABRICATOR LTD.
 Units 6-8, Sunray Industrial Centre, 1/F
 610 Cha Kwo Ling Road, Kowloon
 Tel: 23489211-4 Fax: (852) 27727666

DWG NO. : J856-SD-IW-3201 REV. : J

LOCATION	REQUIRE		PROVIDED	
	OPENABLE AREA	GLAZING AREA	OPENABLE AREA	GLAZING AREA
B5-MBR	0.295	0.472	0.525	2.169



A1 PART PLAN



A2 PART PLAN

ELEVATION

B.D. REF :

CLIENT :
SUN HUNG KAI
 REAL ESTATE AGENCY LTD.
 42/F SUN HUNG KAI CENTRE, WANCHAI, HONGKONG

ARCHITECT :
IWK&partners
 architects

MAIN CONTRACTOR :
Yee Fai Building Contractors Ltd.

STRUCTURAL ENGINEER :
ARUP

FAÇADE CONSULTANT:
ALPHA CONSULTING LIMITED
 Steel Structure & Façade Specialist

NOTE :
 1. ALL DIMENSIONS ARE IN mm.
 2. ALL ELEVATIONS ARE VIEWED FROM OUTSIDE.
 3. ALL DIMENSIONS TO BE VERIFIED ON SITE BEFORE FABRICATION.

LEGEND :
 X1 — DETAIL MARK NO.
 X001 — REFER SHEET NO.

1. F.F.L. --- FINISHED FLOOR LEVEL
 2. S.F.L. --- STRUCTURAL FLOOR LEVEL
 3. (R) --- REVERSED DETAIL
 4. GLASS LEGEND
 EGL-1 --- 8mmHS+12mm AIR GAP+10mmTP THK. I.G.U.
 EGL-2 --- 10mm THK. CRYSTAL GRAY TEMPERED GLASS
 EGL-4 --- 10mm THK. CRYSTAL TEMPERED ACID ETCHED GLASS
 EGL-1A --- 8mmHS+12mm AIR GAP+8mmTP THK. I.G.U.
 EGL-1B --- 8mmHS+12mm AIR GAP+10mmTP CLEAR TEMPERED ACID ETCHED THK. I.G.U.
 GLAZING AREA
 OPENABLE AREA
 BT1/BB1---FIXING DETAIL (DWG. NO. FD01)
 BT3/BB3---FIXING DETAIL (DWG. NO. FD03)

NO.	DATE	REVISED	BY
D	17/01/2024	REVISION SUBJECT TO ARCH.COMMENT	ivan
C	09/01/2023	REVISION SUBJECT TO ARCH.COMMENT	ivan
B	11/11/2022	REVISION SUBJECT TO ARCH.COMMENT	ivan
A	11/07/2022	REVISION SUBJECT TO ARCH.COMMENT	ivan

JOB NO. : J-856
 PROJECT : PROPOSED DEVELOPMENT ABOVE LIGHT RAIL TIN WING STOP, TSWTL NO.23, AREA 33, TIN SHUI WAI, N.T.

TITLE : WINDOW SCHEDULE FOR TOWER 2 IN-SITU WINDOW

DATE : 22/06/2022 SCALE : 1:40

DRAWN BY : ivan CHECKED BY :

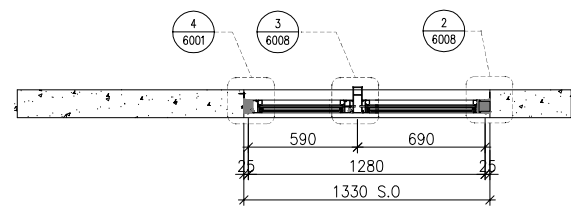
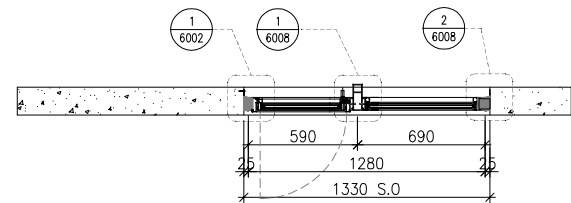
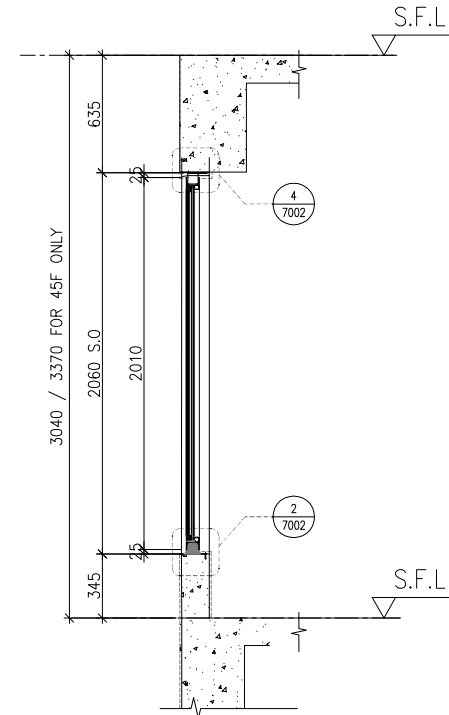
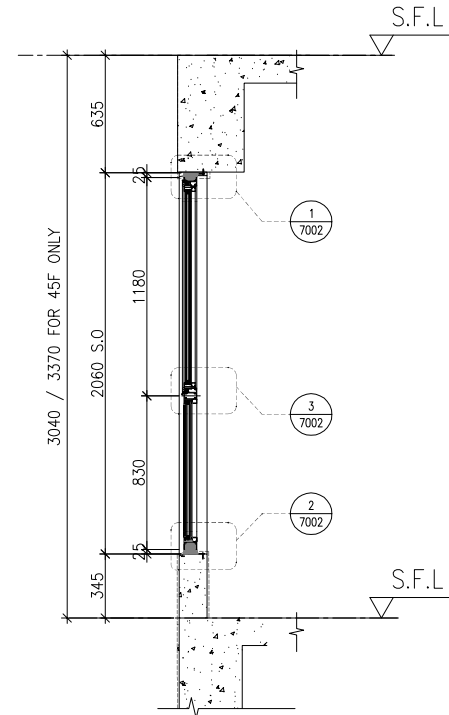
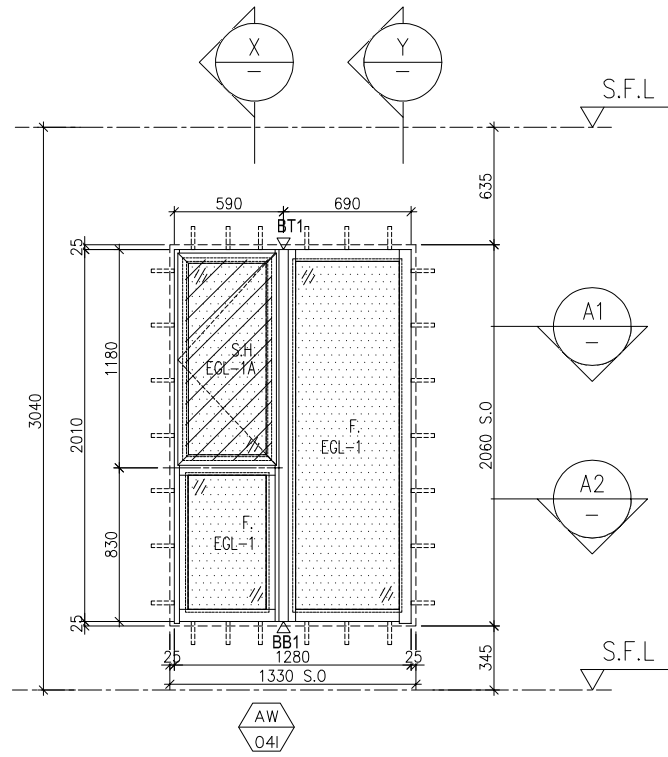
MIDI ALUMINIUM FABRICATOR LTD.
 Units 6-8, Sunray Industrial Centre, 1/F
 610 Cha Kwo Ling Road, Kowloon
 Tel:23489211-4 Fax:(852)27727666

DWG NO. : J856-SD-IW-5216 REV. : D

WINDOW MARK	AW 031
LOCATION	(3/F, 45/F, 4/F, 13/F, 14/F, 24/F, 34/F, 44/F OMITTED) UNIT B5
SECTION	70mm ALUM. SECTION
GLAZING	EGL-1 / EGL-1A
QUANTITY	37 Nos.
REMARKS	70mm ALUM. WINDOW SECTION , 4 BAR HINGE-LIP HING (HHMS-N16)

WINDOW MARK	AW 031R
LOCATION	3/F UNIT B5
SECTION	70mm ALUM. SECTION
GLAZING	EGL-1 / EGL-1A
QUANTITY	1 No.

LOCATION	REQUIRE		PROVIDED	
	OPENABLE AREA	GLAZING AREA	OPENABLE AREA	GLAZING AREA
A6-MBR	0.295	0.472	0.504	1.719



ELEVATION

B.D. REF :

CLIENT :

SUN HUNG KAI
REAL ESTATE AGENCY LTD.
42/F SUN HUNG KAI CENTRE, WANCHAI, HONGKONG

ARCHITECT :

lwk&partners
architects

MAIN CONTRACTOR :

Yee Fai Building Contractors Ltd.

STRUCTURAL ENGINEER :

ARUP

FACADE CONSULTANT:

ALPHA CONSULTING LIMITED
Steel Structure & Facade Specialist

NOTE :

- ALL DIMENSIONS ARE IN mm.
- ALL ELEVATIONS ARE VIEWED FROM OUTSIDE.
- ALL DIMENSIONS TO BE VERIFIED ON SITE BEFORE FABRICATION.

LEGEND :

- X1 - DETAIL MARK NO.
- X001 - REFER SHEET NO.

- F.F.L. -- FINISHED FLOOR LEVEL
- S.F.L. -- STRUCTURAL FLOOR LEVEL
- (R) -- REVERSED DETAIL

4. GLASS LEGEND
- EGL-1 -- 8mmHS+12mm AIR GAP+10mmTP THK. I.G.U.
 - EGL-2 -- 10mm THK. CRYSTAL GRAY TEMPERED GLASS
 - EGL-4 -- 10mm THK. CRYSTAL TEMPERED ACID ETCHED GLASS
 - EGL-1A -- 8mmHS+12mm AIR GAP+8mmTP THK. I.G.U.
 - EGL-1B -- 8mmHS+12mm AIR GAP+10mmTP CLEAR TEMPERED ACID ETCHED THK. I.G.U.

GLAZING AREA

OPENABLE AREA

BT1/BB1--FIXING DETAIL (DWG. NO. FD01)

BT3/BB3--FIXING DETAIL (DWG. NO. FD03)

NO.	DATE	REVISED	BY

JOB NO. : J-856

PROJECT : PROPOSED DEVELOPMENT ABOVE LIGHT RAIL TIN WING STOP, TSWTL NO.23, AREA 33, TIN SHUI WAI, N.T.

TITLE : WINDOW SCHEDULE FOR TOWER 2 IN-SITU WINDOW

DATE : 17/01/2024 SCALE : 1:40

DRAWN BY : Ivan CHECKED BY :

美特鋁質有限公司
MIDI ALUMINIUM FABRICATOR LTD.
Units 6-8, Sunray Industrial Centre, 1/F
610 Cha Kwo Ling Road, Kowloon
Tel: 23489211-4 Fax: (852) 27727666

DWG NO. : J856-SD-IW-5217 REV. : -

WINDOW MARK

AW
041

LOCATION 3/F UNIT A6

SECTION 70mm ALUM. SECTION

GLAZING EGL-1 / EGL-1A

QUANTITY 1 No.

REMARKS 70mm ALUM. WINDOW SECTION , 4 BAR HINGE-LIP HING (HHMS-N16)