



工程指示 / 要求簡箋 ENGINEER INSTRUCTIONS(E.I.)

工程指示編號:	EI- 721	修改版本:	-
	HK- 0053		
工程編號:	J 856	工程名稱:	天榮站
收件人:	生統//謝永林	發件人:	Iris
工程項目:	T2, T3 3F-46F 窗台窗裝飾件	日期:	10/01/2024

<input checked="" type="checkbox"/> 原合約工程包	<input type="checkbox"/> 原合約工程加 / 減賬 QT-	<input type="checkbox"/> 新工程報價 QT-
--	--	------------------------------------

信件批核號碼/圖紙參考編號:	批核模具圖紙編號:
客戶指示附件:	管理內部批簽署:

<input type="checkbox"/> 初步鋁料 B.M.	<input type="checkbox"/> 加工拆圖, 然後生產	<input type="checkbox"/> 尺寸表
<input type="checkbox"/> 正式鋁料 B.M.	<input type="checkbox"/> 技術上資料/指示	<input type="checkbox"/> 報價
<input type="checkbox"/> 配件 B.M.	<input type="checkbox"/> 樣辦或貨品說明書	<input type="checkbox"/> 分判合約
<input type="checkbox"/> 其他:		

內容: T2, T3 3F-46F 窗台窗裝飾件 請按照附件提供拆圖
完成上列要求日期: 17/01/2024

國內

<input type="checkbox"/> 生產技術總監	<input type="checkbox"/> 連附件	<input checked="" type="checkbox"/> 技術部	<input checked="" type="checkbox"/> 連附件 <i>HP</i>	<input type="checkbox"/> 生產部	<input type="checkbox"/> 連附件
<input type="checkbox"/> 採購部	<input type="checkbox"/> 連附件	<input checked="" type="checkbox"/> 生產統籌部	<input checked="" type="checkbox"/> 連附件	<input type="checkbox"/> 報關組	<input type="checkbox"/> 連附件
<input type="checkbox"/> 質檢部	<input type="checkbox"/> 連附件	<input type="checkbox"/> 會計部	<input type="checkbox"/> 連附件	<input type="checkbox"/> 機械設計部	<input type="checkbox"/> 連附件
<input type="checkbox"/> 香港辦	<input type="checkbox"/> 連附件	<input type="checkbox"/> 其他:			

香港

<input type="checkbox"/> 行政部	<input type="checkbox"/> 連附件	<input type="checkbox"/> 會計部	<input type="checkbox"/> 連附件	<input type="checkbox"/> 統籌部	<input type="checkbox"/> 連附件	<input type="checkbox"/> 工程部	<input type="checkbox"/> 連附件
<input type="checkbox"/> 採購部	<input type="checkbox"/> 連附件	<input type="checkbox"/> QS部	<input type="checkbox"/> 連附件	<input checked="" type="checkbox"/> 地盤管理	<input checked="" type="checkbox"/> 連附件	<input type="checkbox"/> 維修部	<input type="checkbox"/> 連附件

*發件人簽署: Iris	*組別成員批核簽署: <i>[Signature]</i>
傳遞編號:	項目經理簽署:

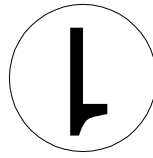
PROJECT :

PROPOSED DEVELOPMENT ABOVE
LIGHT RAIL TIN WING STOP, TSWTL
NO.23, AREA 33, TIN SHUI WAI, N.T.

SHOP DRAWING FOR INDOOR ALUMINIUM FEATURE
OF IN-SITU WINDOW AT TOWER
DATE: 4/12/2023

Units 6-8, Sunray Industrial Centre, 1/F
610 Cha Kwo Ling Road, Kowloon
Tel:23489211-4 Fax:(852)27727666

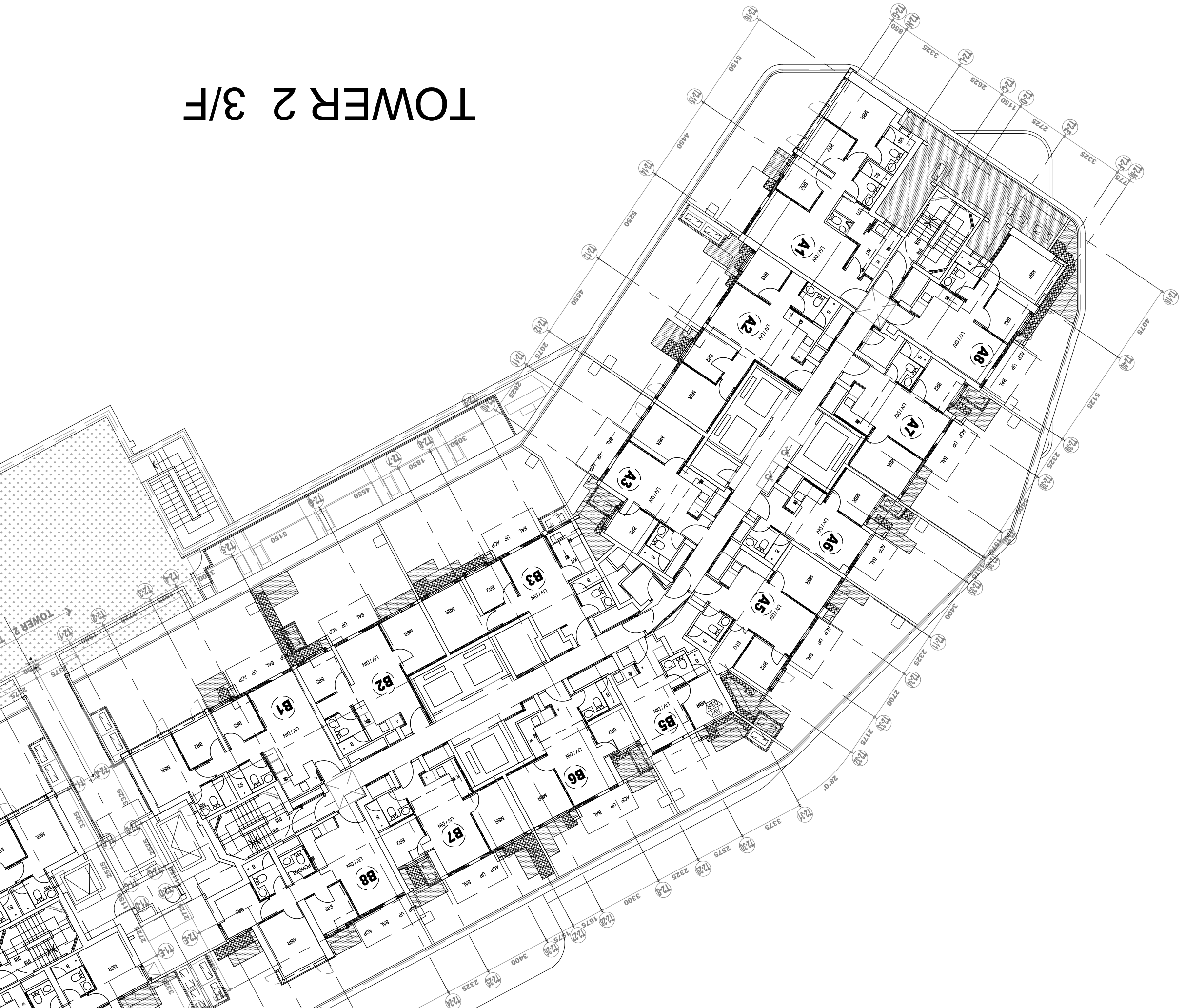
MIDI ALUMINIUM FABRICATOR LTD.
美特鋁質有限公司



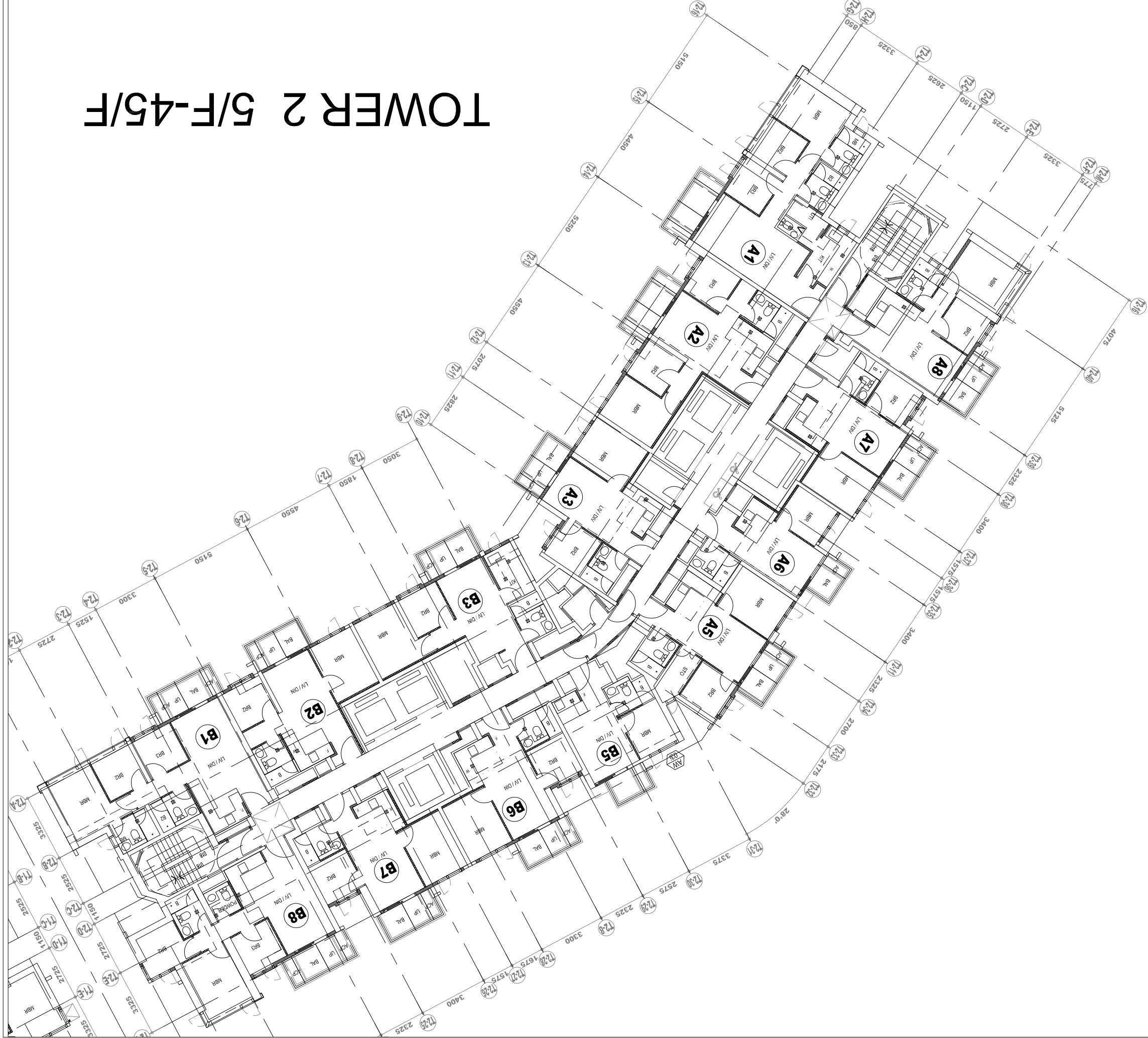
NO.	DATE	REVISED	BY

DWG NO. : J856-IAF-0000
REV. : -

TOWER 2 3/F



TOWER 2 5/F-45/F



B.D. REF. :

CLIENT : **SUN HUNG KAI REAL ESTATE AGENCY LTD.**
42/F SUN HUNG KAI CENTRE, WANCHAI, HONGKONG

ARCHITECT : **iwk&partners architects**

MAIN CONTRACTOR : **Yee Fai Building Contractors Ltd.**
怡輝建築有限公司

STRUCTURAL ENGINEER : **ARUP**

FAÇADE CONSULTANT : **ALPHA CONSULTING LIMITED**
Steel Structure & Façade Specialist

NOTE:
1. ALL DIMENSIONS ARE IN mm.
2. ALL ELEVATIONS ARE VIEWED FROM OUTSIDE.
3. ALL DIMENSIONS TO BE VERIFIED ON SITE BEFORE FABRICATION.

LEGEND:
 (X1) DETAIL MARK NO.
 (X001) REFER SHEET NO.
 1. F.F.L.--FINISHED FLOOR LEVEL
 2. S.F.L.--STRUCTURAL FLOOR LEVEL
 3. (R) --REVERSED DETAIL

NO.	DATE	REVISED	BY

JOB NO. : J-856
PROJECT : PROPOSED DEVELOPMENT ABOVE LIGHT RAIL TIN WING STOP,TSWTL NO.23,AREA 33,TIN SHUI WAI, N.T.

TITLE : PLAN FOR INDOOR ALUMINIUM FEATURE (IN-SITU WINDOW) AT TOWER 2

DATE : 18-Nov-23
SCALE : 1:200
CHECKED BY :
DRAWN BY : Ivan

MIDI ALUMINIUM FABRICATOR LTD.
美特鋁業有限公司
Units 6-8, Sunray Industrial Centre, 1/F
610 Cha Kwo Ling Road, Kowloon
Tel:23489211-4 Fax:(852)27272666

DWG NO. : J856-IAF-T2-LP02
REV. : -

TOWER 2 46/F



CLIENT : SUN HUNG KAI REAL ESTATE AGENCY LTD.
 42/F SUN HUNG KAI CENTRE, WANCHAI, HONGKONG

ARCHITECT : IWK&PARTNERS ARCHITECTS

MAIN CONTRACTOR : YEE FAI BUILDING CONTRACTORS LTD.
 怡輝建築有限公司

STRUCTURAL ENGINEER : ARUP

FAÇADE CONSULTANT : ALPHA CONSULTING LIMITED
 Steel Structure & Façade Specialist

NOTE :
 1. ALL DIMENSIONS ARE IN MM.
 2. ALL ELEVATIONS ARE VIEWED FROM OUTSIDE.
 3. ALL DIMENSIONS TO BE VERIFIED ON SITE BEFORE FABRICATION.

LEGEND :
 X1 DETAIL MARK NO.
 X001 REFER SHEET NO.

1. F.F.L. -- FINISHED FLOOR LEVEL
 2. S.F.L. -- STRUCTURAL FLOOR LEVEL
 3. (R) -- REVERSED DETAIL
 4. GLASS LEGEND
 EGL-1 -- 8mmHS+12mm AIR GAP+8mmTP THK. I.G.U.
 EGL-2 -- 10mm THK. CLEAR TEMPERED GLASS
 EGL-4 -- 10mm THK. TEMPERED ACID ETCHED GLASS

TITLE : PLAN FOR INDOOR ALUMINIUM FEATURE (IN-SITU WINDOW) AT TOWER 2

DATE : 18-NOV-23
SCALE : 1:200
CHECKED BY : IVON
DRAWN BY : IVON

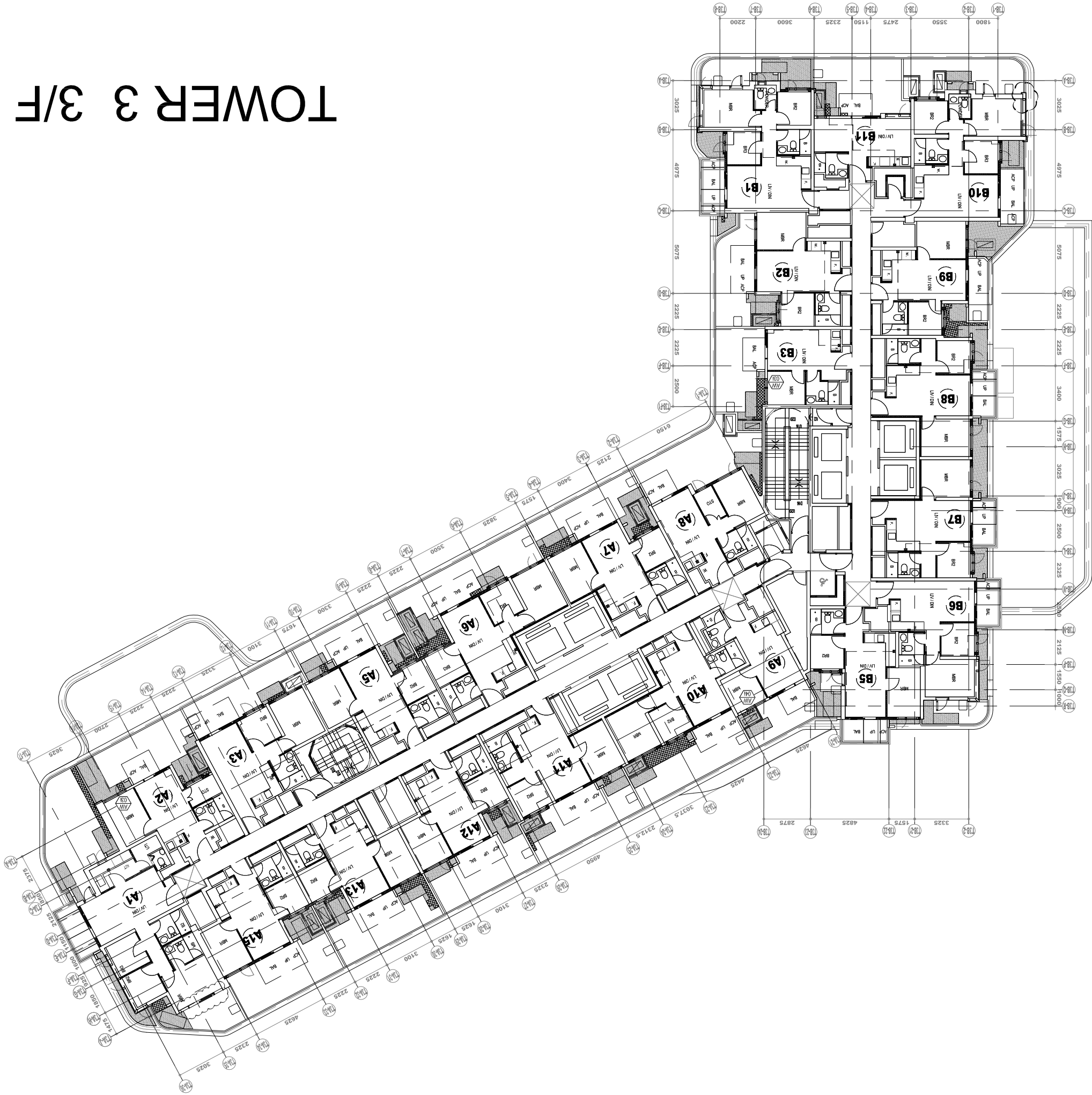
PROJECT : PROPOSED DEVELOPMENT ABOVE LIGHT RAIL TIN WING STOP, TSWTL NO.23, AREA 33, TIN SHUI WAI, N.T.

JOB NO. : J-856

DWG NO. : J856-IAF-T2-LP03
REV. : -

B.D. REF. :

TOWER 3 3/F



B.D. REF :

CLIENT :

SUN HUNG KAI
REAL ESTATE AGENCY LTD.

42/F SUN HUNG KAI CENTRE, WANCHAI, HONGKONG

lw&partners
architects

ARCHITECT :

Yee Fai
Building Contractors Ltd.

怡輝建築有限公司

MAIN CONTRACTOR :

STRUCTURAL ENGINEER :

ARUP

FAÇADE CONSULTANT :

α ALPHA CONSULTING LIMITED
Steel Structure & Façade Specialist

NOTE :

1. ALL DIMENSIONS ARE IN mm.
2. ALL ELEVATIONS ARE VIEWED FROM OUTSIDE.
3. ALL DIMENSIONS TO BE VERIFIED ON SITE BEFORE FABRICATION.

LEGEND :

X1 DETAIL MARK NO.

X001 REFER SHEET NO.

1. F.F.L. -- FINISHED FLOOR LEVEL

2. S.F.L. -- STRUCTURAL FLOOR LEVEL

3. (R) -- REVERSED DETAIL

4. GLASS LEGEND

EGL-1 -- 8mmHS+12mm AIR GAP+8mmTP THK. I.G.U.

EGL-2 -- 10mm THK. CLEAR TEMPERED GLASS

EGL-4 -- 10mm THK. TEMPERED ACID ETCHED GLASS

NO.	DATE	REVISED	BY

J-856

PROJECT :

PROPOSED DEVELOPMENT ABOVE LIGHT RAIL TIN WING STOP, TSWTL NO.23, AREA 33, TIN SHUI WAI, N.T.

TITLE :
PLAN FOR INDOOR ALUMINIUM FEATURE (IN-SITU WINDOW) AT TOWER 3

DATE : 18-Nov-23

CHECKED BY :

Ivan

DRAWN BY :

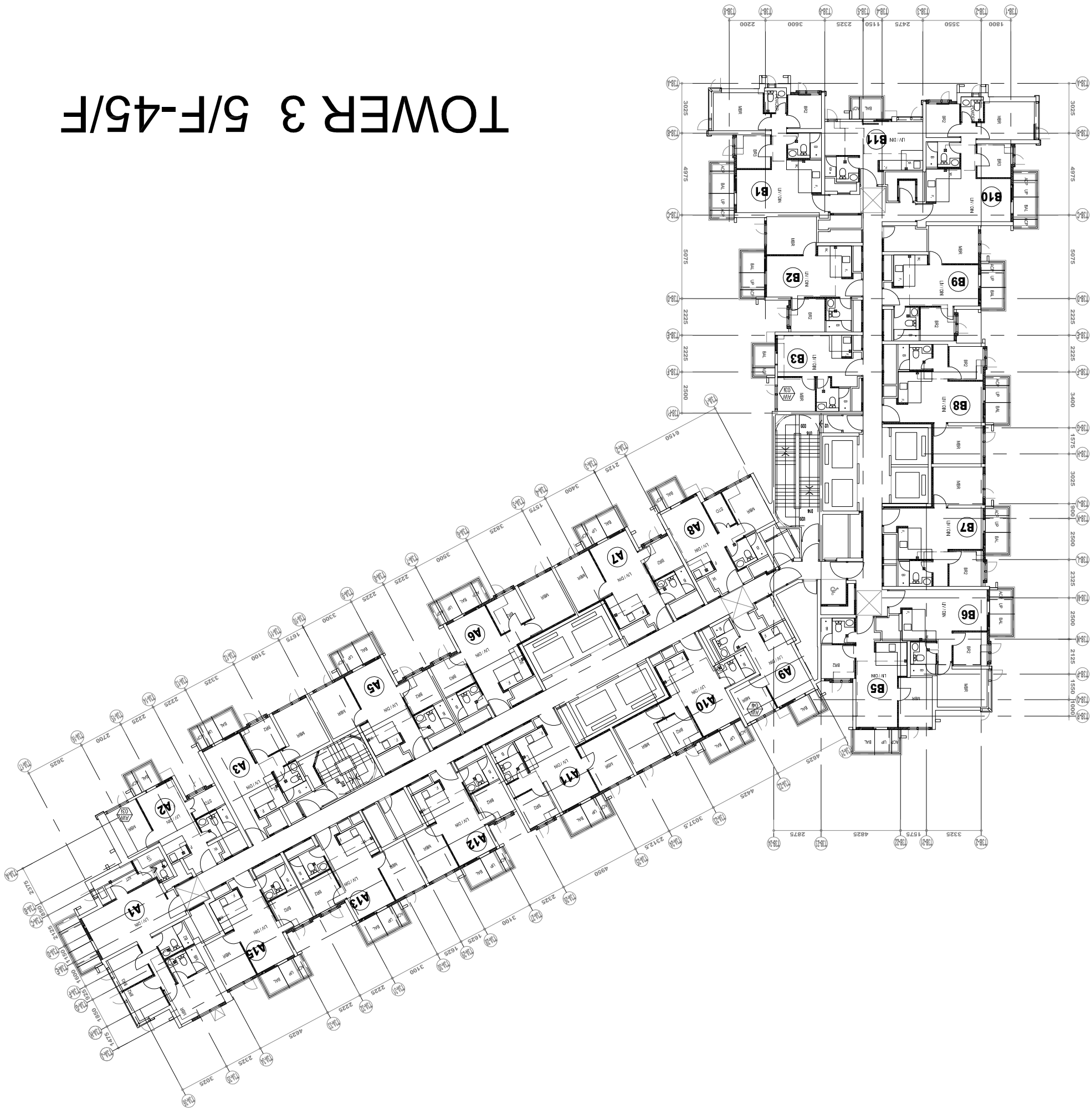
MIDI ALUMINIUM FABRICATOR LTD.
美特鋁質有限公司

Units 6-8, Sunray Industrial Centre, 1/F
610 Cha Kwo Ling Road, Kowloon
Tel: 23489211-4 Fax: (852) 2727666

DWG NO. : J856-IAF-T3-LP01

REV. : -

TOWER 3 5/F-45/F



B.D. REF :	
CLIENT :	
 42/F SUN HUNG KAI CENTRE, WANCHAI, HONGKONG	
ARCHITECT : 	
MAIN CONTRACTOR : 怡輝建築有限公司	
STRUCTURAL ENGINEER : 	
FACADE CONSULTANT: Steel Structure & Facade Specialist	
NOTE: 1. ALL DIMENSIONS ARE IN mm. 2. ALL ELEVATIONS ARE VIEWED FROM OUTSIDE. 3. ALL DIMENSIONS TO BE VERIFIED ON SITE BEFORE FABRICATION.	
LEGEND: (X1) DETAIL MARK NO. (X001) REFER SHEET NO. 1. F.F.L.--FINISHED FLOOR LEVEL 2. S.F.L.--STRUCTURAL FLOOR LEVEL 3. (R) --REVERSED DETAIL	
NO. DATE REVISION BY	
JOB NO. : J-856 PROJECT : PROPOSED DEVELOPMENT ABOVE LIGHT RAIL TIN WING STOP,TSWTL NO.23,AREA 33,TIN SHUI WAI, N.T.	
TITLE : PLAN FOR INDOOR ALUMINIUM FEATURE (IN-SITU WINDOW) AT TOWER 3	
DATE : 18-Nov-23 SCALE : 1:200 DRAWN BY : Ivan CHECKED BY :	
 美特鋁業有限公司 Units 6-8, Sunray Industrial Centre, 1/F 610 Cha Kwo Ling Road, Kowloon Tel:23489211-4 Fax:(852)27272666 DWG NO. : J856-IAF-T3-LP02 REV. : -	

B.D. REF :

CLIENT :

SUN HUNG KAI
REAL ESTATE AGENCY LTD.
42/F SUN HUNG KAI CENTRE, WANCHAI, HONGKONG

ARCHITECT :

IWK&partners
architects

MAIN CONTRACTOR :

Yee Fai Building Contractors Ltd.
怡輝建築有限公司

STRUCTURAL ENGINEER :

ARUP

FAÇADE CONSULTANT:

α ALPHA CONSULTING LIMITED
Steel Structure & Façade Specialist

NOTE:

1. ALL DIMENSIONS ARE IN mm.
2. ALL ELEVATIONS ARE VIEWED FROM OUTSIDE.
3. ALL DIMENSIONS TO BE VERIFIED ON SITE BEFORE FABRICATION.

LEGEND:

X1 DETAIL MARK NO.

X001 REFER SHEET NO.

1. F.F.L. -- FINISHED FLOOR LEVEL

2. S.F.L. -- STRUCTURAL FLOOR LEVEL

3. (R) -- REVERSED DETAIL

4. GLASS LEGEND

EGL-1 -- 6mmH5+12mm AIR GAP+6mmTP THK. I.G.U.

EGL-2 -- 10mm THK. CLEAR TEMPERED GLASS

EGL-4 -- 10mm THK. TEMPERED ACID ETCHED GLASS

NO. DATE REVISED BY

JOB NO. : J-856

PROJECT :

PROPOSED DEVELOPMENT ABOVE LIGHT RAIL TIN WING STOP, TSWTL NO.23, AREA 33, TIN SHUI WAI, N.T.

TITLE :

PLAN FOR INDOOR ALUMINIUM FEATURE (IN-SITU WINDOW) AT TOWER 3

DATE : 18-Nov-23 SCALE : 1:200

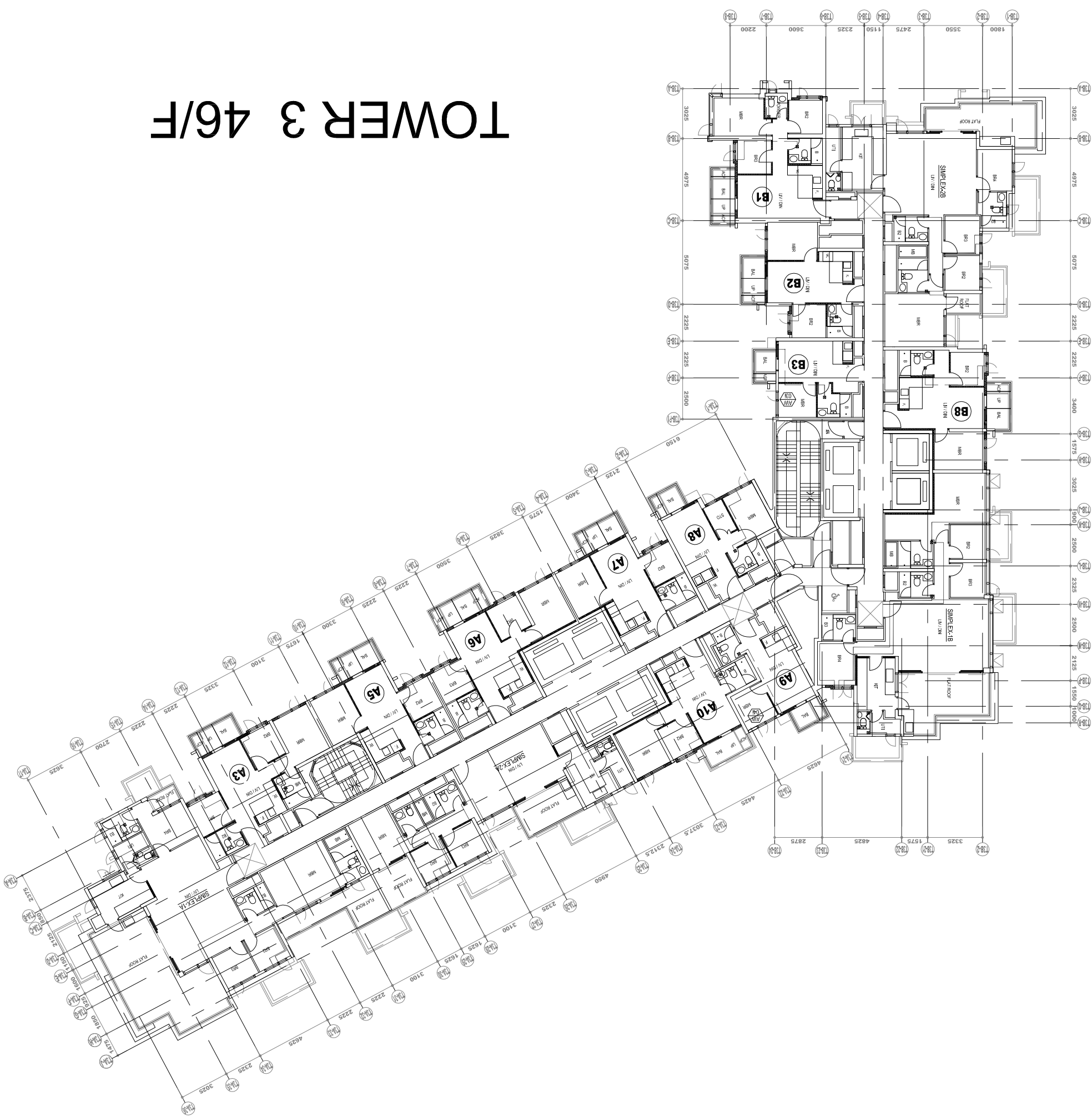
DRAWN BY : Ivgan

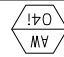
CHECKED BY :

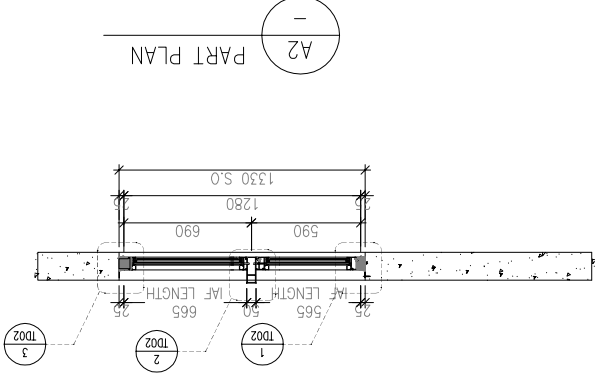
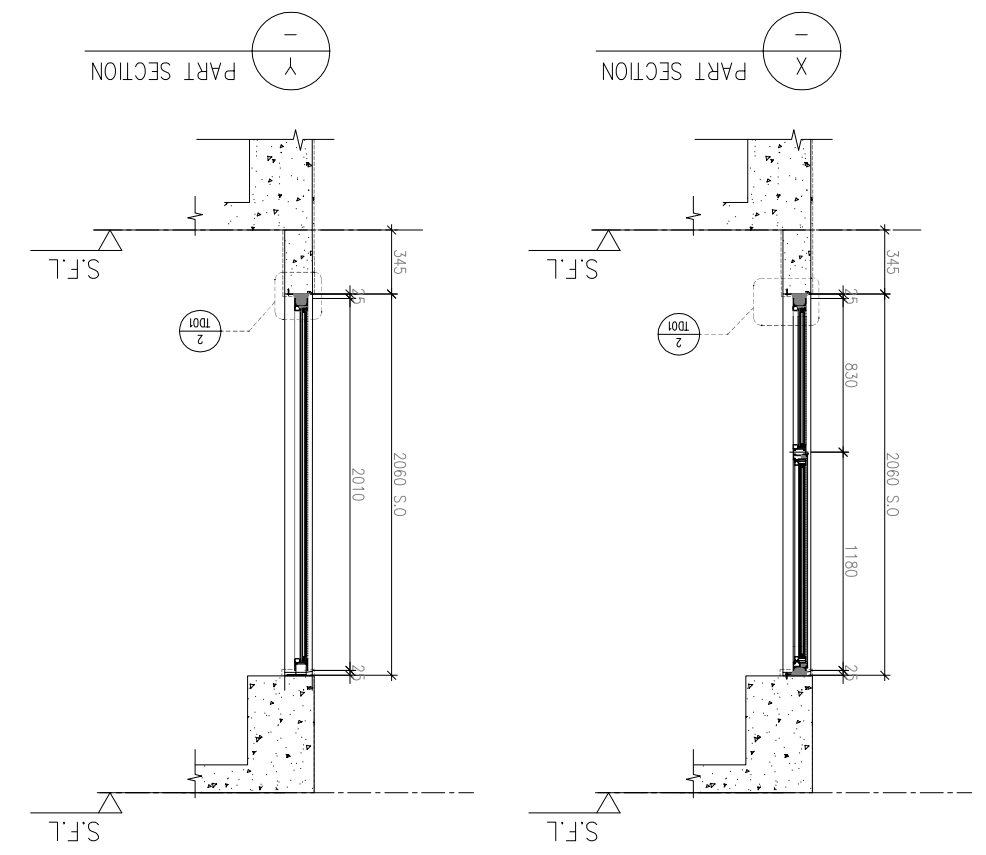
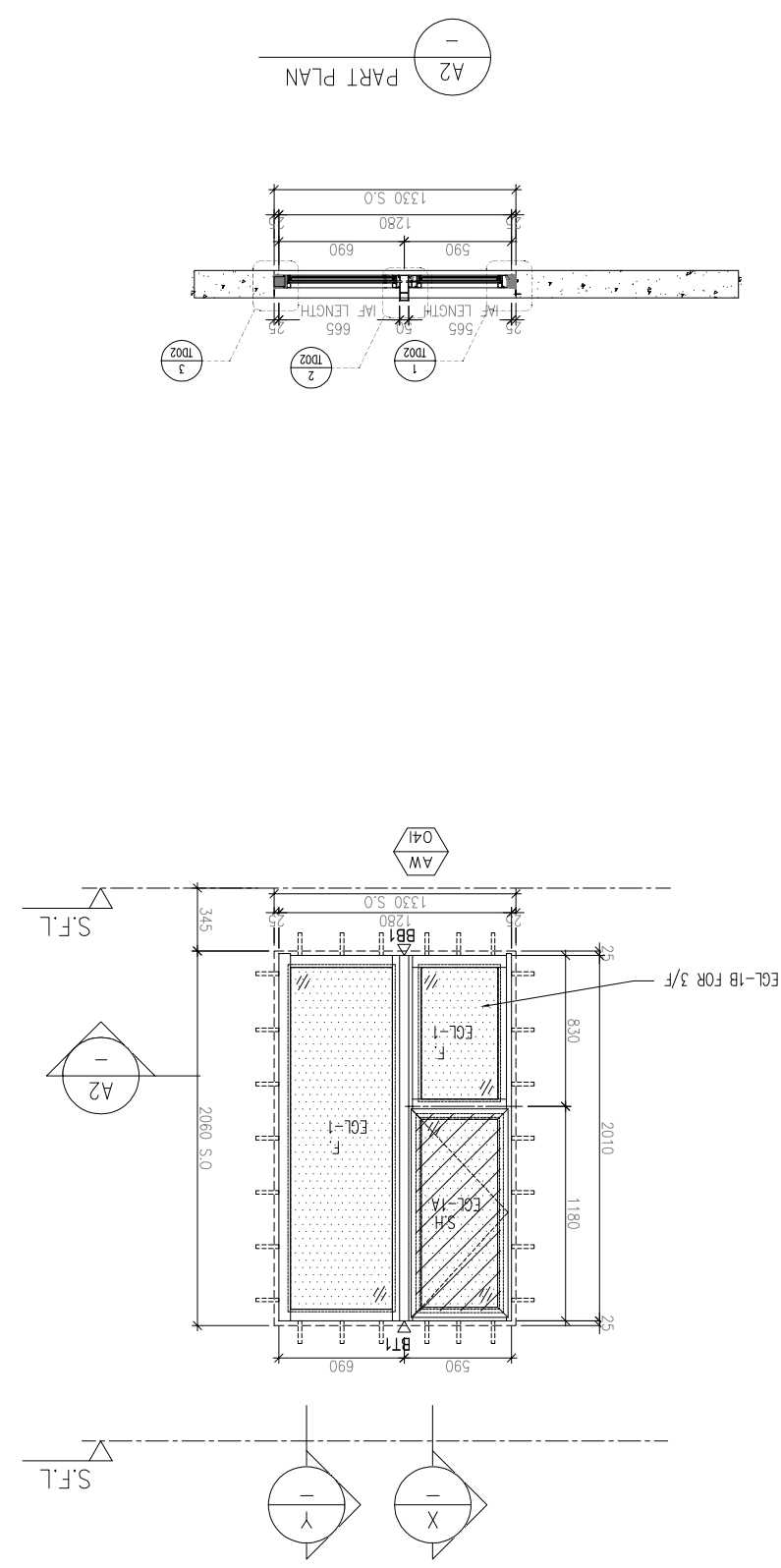
MIDI ALUMINIUM FABRICATOR LTD.
美特鋁寶有限公司
Units 6-8, Sunray Industrial Centre, 1/F
610 Cha Kwo Ling Road, Kowloon
Tel: 23489211-4 Fax: (852) 27272666

DWG NO. : J856-IAF-T3-LP03 REV. : -

TOWER 3 46/F



REMARKS
 QUANTITY 38 Nos.
 GLAZING
 SECTION
 LOCATION 3/F-46/F(4/F,13/F,14/F,24/F,34/F,44/F OMITTED) UNIT A9 AT TOWER 3
 WINDOW MARK 



REV. : -
 DWG NO. : J856-IAF-T3-WS02
 Tel:23489211-4 Fax:(852)2727666
 610 Cha Kwo Ling Road, Kowloon
 Units 6-8, Sunray Industrial Centre, 1/F
MIDI ALUMINIUM FABRICATOR LTD.
美特鋁質有限公司
 DRAWN BY : Ivon
 CHECKED BY :
 DATE : 20/11/2023
 SCALE : 1:40

TITLE :
 WINDOW SCHEDULE FOR
 TOWER 3 INDOOR ALUMINIUM FEATURE
 PROJECT :
 PROPOSED DEVELOPMENT ABOVE
 LIGHT RAIL TIN WING STOP, TSWTL
 NO.23, AREA 33, TIN SHUI WAI, N.T.
 JOB NO. : J-856

NO.	DATE	REVISED	BY

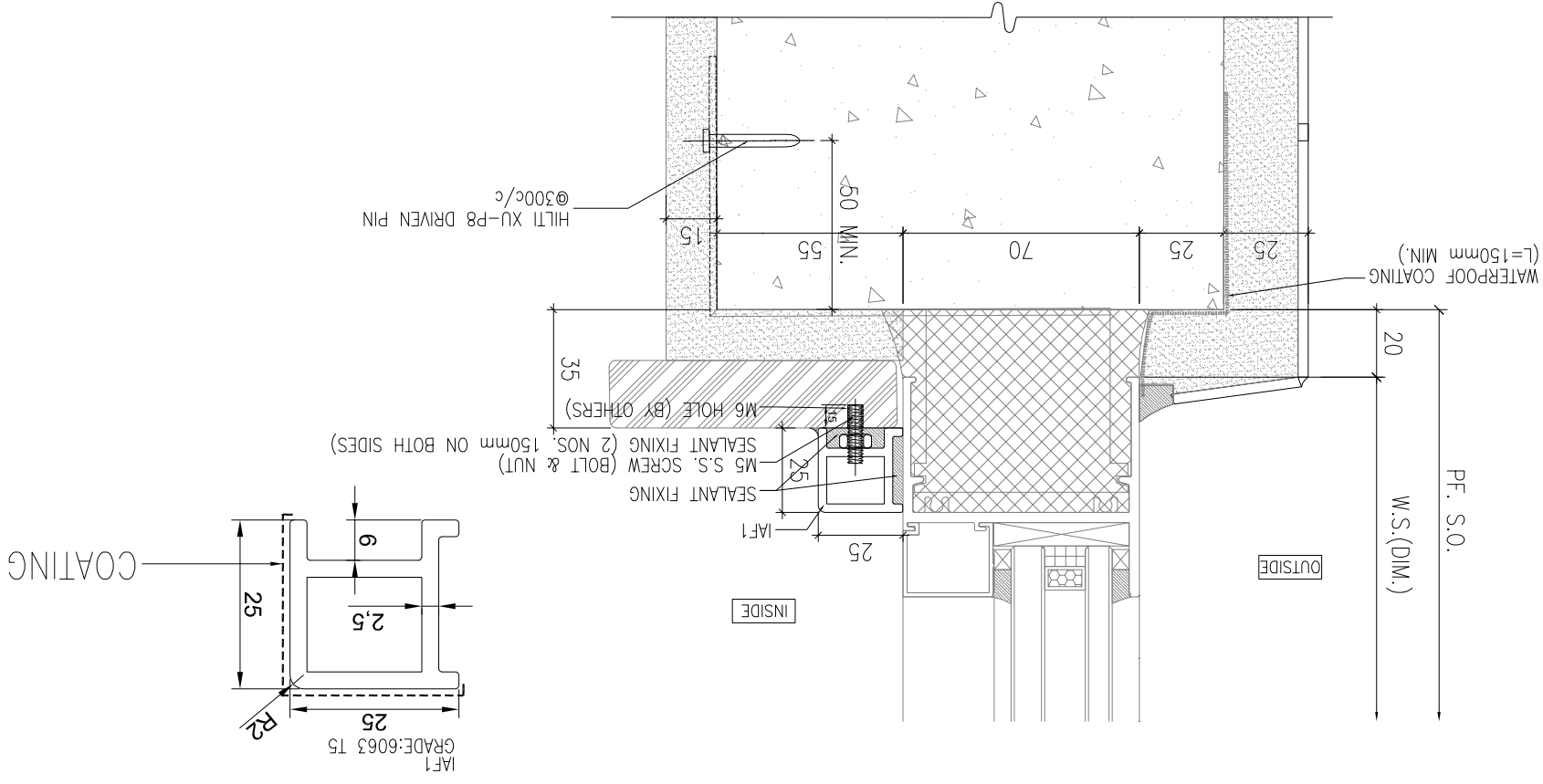
NOTE:
 1. ALL DIMENSIONS ARE IN mm.
 2. ALL ELEVATIONS ARE VIEWED FROM OUTSIDE.
 3. ALL DIMENSIONS TO BE VERIFIED ON SITE BEFORE FABRICATION.
 LEGEND:
 X1 --- DETAIL MARK NO.
 X001 --- REFER SHEET NO.
 1. F.F.L. --- FINISHED FLOOR LEVEL
 2. S.F.L. --- STRUCTURAL FLOOR LEVEL
 3. (R) --- REVERSED DETAIL

CLIENT :
SUN HUNG KAI REAL ESTATE AGENCY LTD.
 42/F SUN HUNG KAI CENTRE, WANCHAI, HONGKONG
 ARCHITECT :
iwk&partners architects
 MAIN CONTRACTOR :
Yee Fai Building Contractors Ltd.
 怡輝建築有限公司
 STRUCTURAL ENGINEER :
ARUP
 FACADE CONSULTANT:
ALPHA CONSULTING LIMITED
 Steel Structure & Facade Specialist

B.D. REF. :

ELEVATION

2 VERTICAL DETAIL SCALE 1:2



JOB NO. : J-856	
PROJECT : PROPOSED DEVELOPMENT ABOVE LIGHT RAIL TIN WING STOP, TSWTL NO.23, AREA 33, TIN SHUI WAI, N.T.	
TITLE : TYPICAL DETAILS FOR INDOOR ALUMINIUM FEATURE	
DATE : 02-Dec-23	SCALE : 1:2
DRAWN BY : Ivon	CHECKED BY :
美特鋁質有限公司 Units 6-8, Sunray Industrial Centre, 1/F 610 Cha Kwo Ling Road, Kowloon Tel:23489211-4 Fax:(852)2727666	
DWG NO. : J856-IAF-TD01	
REV. : -	

NO.	DATE	REVISED	BY

NOTE:

1. ALL DIMENSIONS ARE IN mm.
2. ALL ELEVATIONS ARE VIEWED FROM OUTSIDE.
3. ALL DIMENSIONS TO BE VERIFIED ON SITE BEFORE FABRICATION.

LEGEND:

CLIENT :

SUN HUNG KAI REAL ESTATE AGENCY LTD.
42/F SUN HUNG KAI CENTRE, WANCHAI, HONGKONG

ARCHITECT :

IWK&PARTNERS ARCHITECTS

MAIN CONTRACTOR :

Yee Fai Building Contractors Ltd.
怡輝建築有限公司

STRUCTURAL ENGINEER :

ARUP

FAÇADE CONSULTANT:

ALPHA CONSULTING LIMITED
Steel Structure & Façade Specialist

JOB NO. : J-856	
PROJECT : PROPOSED DEVELOPMENT ABOVE LIGHT RAIL TIN WING STOP, TSWTL NO.23, AREA 33, TIN SHUI WAI, N.T.	
TITLE : TYPICAL DETAILS FOR INDOOR ALUMINIUM FEATURE	
DATE : 02-Dec-23	SCALE : 1:3
DRAWN BY : Ivon	CHECKED BY :
 美特鋁寶有限公司 MIDI ALUMINIUM FABRICATOR LTD. Units 6-8, Sunray Industrial Centre, 1/F 610 Cha Kwo Ling Road, Kowloon Tel: 23489211-4 Fax: (852) 2727666	
DWG NO. : J856-IAF-TD02	
REV. : -	

NO.	DATE	REVISED	BY

NOTE:

1. ALL DIMENSIONS ARE IN mm.
2. ALL ELEVATIONS ARE VIEWED FROM OUTSIDE.
3. ALL DIMENSIONS TO BE VERIFIED ON SITE BEFORE FABRICATION.

LEGEND:

CLIENT :  **SUN HUNG KAI** REAL ESTATE AGENCY LTD.
 42/F SUN HUNG KAI CENTRE, WANCHAI, HONGKONG

ARCHITECT :  **iwk&partners** architects

MAIN CONTRACTOR :  **Yee Fai** Building Contractors Ltd.
 怡輝建築有限公司

STRUCTURAL ENGINEER :  **ARUP**

FAÇADE CONSULTANT :  **ALPHA CONSULTING LIMITED**
 Steel Structure & Façade Specialist

B.D. REF. :

