



工程指示 / 要求簡箋 ENGINEER INSTRUCTIONS (E.I.)

工程指示編號:	EI- 7047 B	修改版本:	B
	HK- 1498		
工程編號:	J 856	工程名稱:	天榮站
收件人:	生統/謝永林/York	發件人:	Iris
工程項目:	T1隔音門窗3mm隔音板加工圖+BM表(B版本)	日期:	14/08/2024

<input checked="" type="checkbox"/> 原合約工程包	<input type="checkbox"/> 原合約工程加 / 減賬 QT-	<input type="checkbox"/> 新工程報價 QT-
--	--	------------------------------------

信件批核號碼/圖紙參考編號:	批核模具圖紙編號:
客戶指示附件:	管理內部批簽署:

<input type="checkbox"/> 初步鋁料 B.M.	<input type="checkbox"/> 加工拆圖, 然後生產	<input type="checkbox"/> 尺寸表
<input type="checkbox"/> 正式鋁料 B.M.	<input type="checkbox"/> 技術上資料/指示	<input type="checkbox"/> 報價
<input type="checkbox"/> 配件 B.M.	<input type="checkbox"/> 樣辦或貨品說明書	<input type="checkbox"/> 分判合約
<input type="checkbox"/> 其他:		

內容: T1隔音門窗3mm隔音板加工圖+BM表(B版本)
完成上列要求日期: 20/12/2024

國內

<input type="checkbox"/> 生產技術總監	<input type="checkbox"/> 連附件	<input checked="" type="checkbox"/> 技術部	<input checked="" type="checkbox"/> 連附件	<input type="checkbox"/> 生產部	<input type="checkbox"/> 連附件
<input type="checkbox"/> 採購部	<input type="checkbox"/> 連附件	<input checked="" type="checkbox"/> 生產統籌部	<input checked="" type="checkbox"/> 連附件	<input type="checkbox"/> 報關組	<input type="checkbox"/> 連附件
<input type="checkbox"/> 質檢部	<input type="checkbox"/> 連附件	<input type="checkbox"/> 會計部	<input type="checkbox"/> 連附件	<input type="checkbox"/> 機械設計部	<input type="checkbox"/> 連附件
<input type="checkbox"/> 香港辦	<input type="checkbox"/> 連附件	<input type="checkbox"/> 其他:			

香港

<input type="checkbox"/> 行政部	<input type="checkbox"/> 連附件	<input type="checkbox"/> 會計部	<input type="checkbox"/> 連附件	<input type="checkbox"/> 統籌部	<input type="checkbox"/> 連附件	<input type="checkbox"/> 工程部	<input type="checkbox"/> 連附件
<input type="checkbox"/> 採購部	<input type="checkbox"/> 連附件	<input type="checkbox"/> QS部	<input type="checkbox"/> 連附件	<input checked="" type="checkbox"/> 地盤管理	<input checked="" type="checkbox"/> 連附件	<input type="checkbox"/> 維修部	<input type="checkbox"/> 連附件

*發件人簽署: Iris	*組別成員批核簽署: 
傳遞編號:	項目經理簽署: 

圖則登記表  
DRAWING REGISTER

接收日期 Receiving Date (適用於客戶圖則)

工程名稱 Project Title: 天水圍天榮站	年								
隔音門窗(T1座)隔音板拆圖	月								
工程編號 Project No: J-856	日								
分發予 Distributed To									
	年	24							
	月	08							
	日	12							
圖則編號 Drg. No.	圖則名稱 Drawing Title	修訂編號 Revision No.							
L-BH	3mm隔音板	1	-						
J856-SD-AS-5101	位置圖	2	-						
J856-SD-AS-5102	位置圖	3	-						
J856-SD-AS-5103	位置圖	4	-						
J856-SD-AS-5104	位置圖	5	-						
J856-SD-AS-5105	位置圖	6	-						
J856-SD-AS-5106	位置圖	7	-						
J856-SD-AS-5107	位置圖	8	-						

序號	隔音板編號	顏色與類型/加工圖參考	厚度 (mm)	隔音板尺寸		數量 (塊)	總面積 (平方米)	使用樓層	使用位置	分座	分格寬度	分格高度	使用窗號
				寬度 (W mm)	高度 (H mm)								
1	L-BH05a	3mm THK. MIRCO PERFORATED ABSORBER	3	1268	2225.5	37	104.412	3/F-45/F	A8-LIV	T1座	1298	2263.5	AW-A-05a
2	L-BH05a(1)	3mm THK. MIRCO PERFORATED ABSORBER	3	1317	2225.5	38	111.377	3/F-46F	A5-LIV	T1座	1347	2263.5	AW-A-05a
						37	108.446	3/F-45/F	A7-LIV				
3	L-BH02bR	3mm THK. MIRCO PERFORATED ABSORBER	3	685	1660.5	7	7.962	6/F-12/F	A8-BR3	T1座	715	1698.5	AW-A-02bR
						20	22.749	3/F-26/F	A8-BR2				
4	L-BH02b	3mm THK. MIRCO PERFORATED ABSORBER	3	685	1660.5	38	43.223	3/F-46/F	A5-BR2	T1座	715	1698.5	AW-A-02b
						37	42.085	3/F-45/F	A7-BR2				
5	L-BH04ai	3mm THK. MIRCO PERFORATED ABSORBER	3	800	1675.5	38	50.935	3/F-46/F	B5-MBR	T1座	830	1713.5	AW-A-04ai
						37	48.229	3/F-45/F	A6-MBR				
6	L-BH04c	3mm THK. MIRCO PERFORATED ABSORBER	3	785	1660.5	37	48.229	3/F-45/F	A7-MBR	T1座	815	1698.5	AW-A-04c
						37	48.229	3/F-45/F	A7-MBR				
7	L-BH05	3mm THK. MIRCO PERFORATED ABSORBER	3	1190	2225.5	37	97.989	3/F-45/F	A6-LIV	T1座	1220	2263.5	AW-A-05
						38	100.637	3/F-46/F	B5-LIV				
						515	990.407						
								合計:					

註明：計算參考數值/  
所屬位置分格

送呈：  
副本：  
A/C Code:  
此BM依據E16962A第八版計算

日期：  
日期：  
日期：  
日期：

周廣志  
謝永林  
總計隔音板面積 (平方米) :  
990.407

計算：  
核對：  
批准：

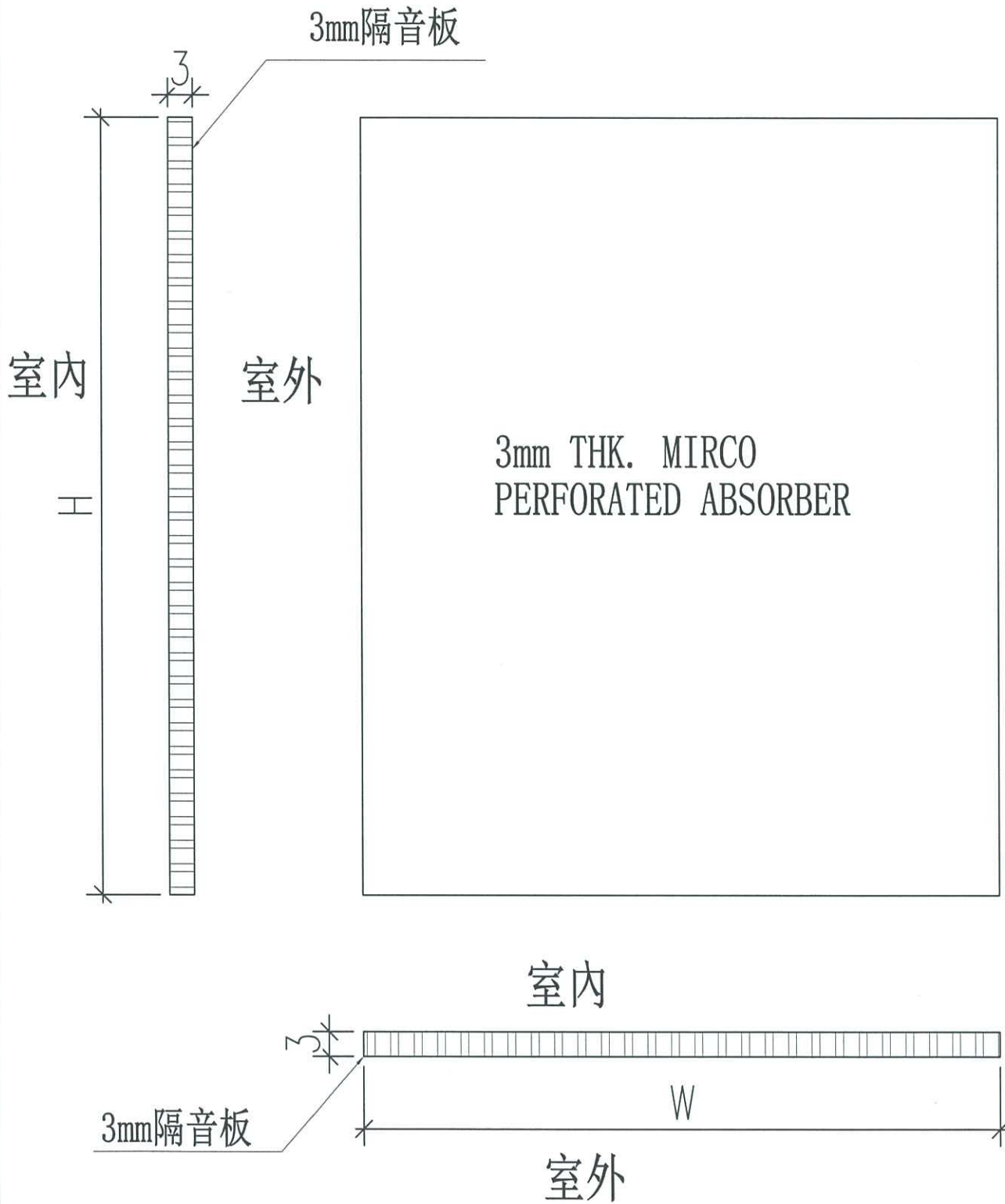
工程號： J-856  
地盤名稱： 天水圍天樂站  
項目類別： 隔音板 (T1座)  
修改版次：

美特鋁質有限公司  
MDI Aluminium Fabricator Ltd.



美特鋁質 有限公司  
MIDI Aluminium Fabricator Ltd.

工程號 J856 | 地盤 天榮站



名稱	3mm 隔音板	制圖	周廣志	2024. 08. 08	修改			
材料	/	復核	謝永林	2024. 08. 12	日期			
顏色	見圖	批准			圖號	L-BH		



B.D. REF :

CLIENT : **SUN HUNG KAI REAL ESTATE DEVELOPMENT LTD.**  
 11/F, SUN HUNG KAI CENTRE, HONGKONG, HONGKONG

ARCHITECT : **lwk&partners**  
 ARCHITECTS

MAIN CONTRACTOR : **怡輝建築有限公司**  
 Yee Fui Building Construction Ltd.

STRUCTURAL ENGINEER : **ARUP**

FAÇADE CONSULTANT : **ALPHA CONSULTING LIMITED**  
 Steel Structure & Façade Specialist

NOTE:  
 1. ALL DIMENSIONS ARE IN mm.  
 2. ALL ELEVATIONS ARE VIEWED FROM OUTSIDE.  
 3. ALL DIMENSIONS TO BE VERIFIED ON SITE BEFORE FABRICATION.

LEGEND:  
 1. F.F.L. -- FINISHED FLOOR LEVEL  
 2. S.F.L. -- STRUCTURAL FLOOR LEVEL

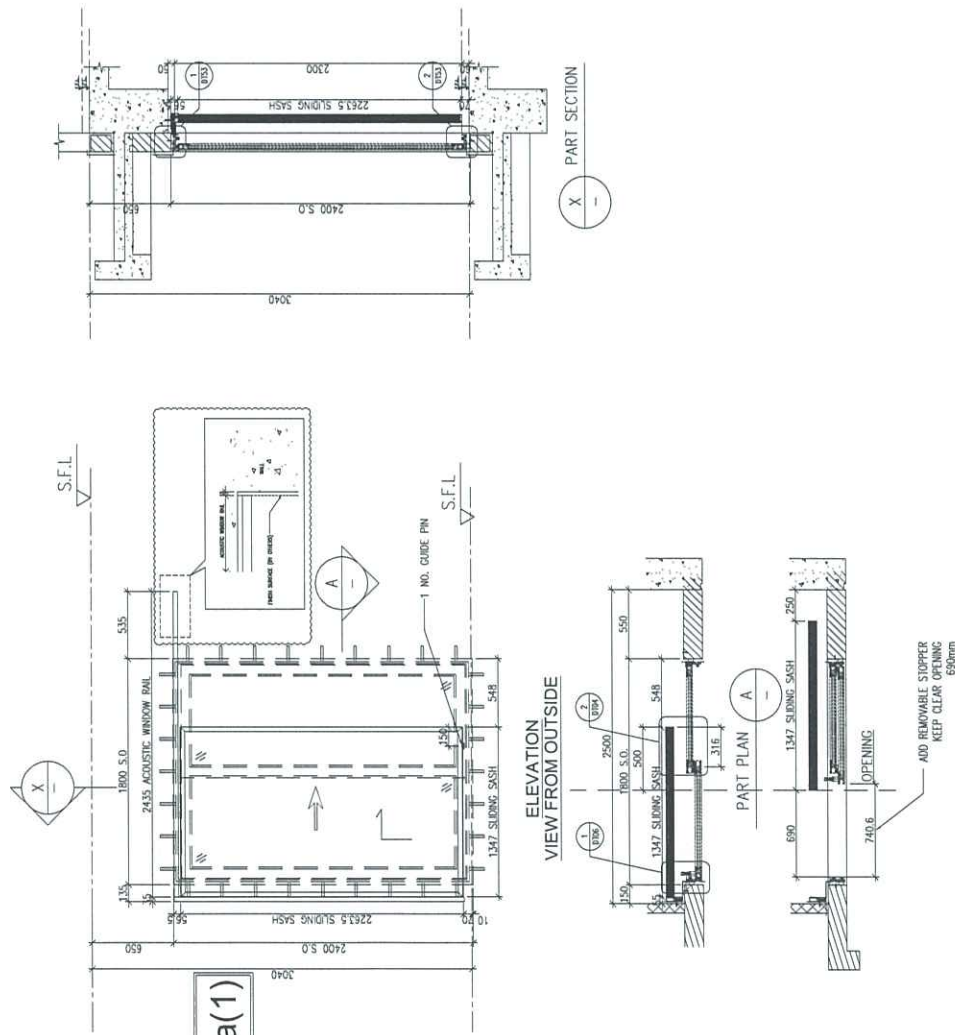
REV.	DATE	REVISION
F	16/07/2023	REVISION SUBJECT TO ALPHA CONSULTING
E	16/06/2023	REVISION SUBJECT TO ALPHA CONSULTING
D	15/06/2023	REVISION SUBJECT TO ARCH/COMBAT
C	17/05/2023	REVISION SUBJECT TO ARCH/COMBAT
B	27/03/2023	REVISION SUBJECT TO ARCH/COMBAT
A	16/07/2023	REVISION SUBJECT TO ARCH/COMBAT
NA	DATE	REVISION

JOB NO. : J-856

PROJECT : PROPOSED DEVELOPMENT ABOVE LIGHT RAIL TIN WING STOP, ISWTL NO.23 AREA 33, TIN SHUI WAI, N.T.

TITLE : WINDOW SCHEDULE FOR TOWER 1 ACOUSTIC WINDOW

DATE : 06-Jan-23 SCALE : 1:40  
 DRAWN BY : Ivan CHECKED BY :  
**美特鋁質有限公司**  
 MTD Aluminium Fabricator Ltd.  
 16/F, 6-8, So Kwai San Street, Yuen Long, N.T.  
 610 Cha Kwo Ling Road, Kowloon  
 Tel: 2489211-4 Fax: (852) 27272656  
 DWG NO. : J856-SD-AS-5102 REV. : F



L-BH05a(1)

AW-A-05a					
LOCATION	A5-LIV	A7-LIV	B6-LIV		
FLOOR	3/F-46/F	3/F-45/F	3/F-46/F		
MPA	YES	YES	YES		
TOP & SIDE SAM	YES	YES	YES		
QUANTITY	38	37	38		
OVERLAPPING(REQUIRE)	500	500	500		
OVERLAPPING(PROVIDED)	500	500	500		

B.D. REF :

CLIENT :



227, Sun Hong Kee Centre, Waiwan, Hongkong

ARCHITECT :



MAIN CONTRACTOR :



STRUCTURAL ENGINEER :



FAÇADE CONSULTANT :



NOTE:

1. ALL DIMENSIONS ARE IN mm.
2. ALL ELEVATIONS ARE VIEWED FROM OUTSIDE.
3. ALL DIMENSIONS TO BE VERIFIED ON SITE BEFORE FABRICATION.

LEGEND:

1. F.F.L. -- FINISHED FLOOR LEVEL
2. S.F.L. -- STRUCTURAL FLOOR LEVEL

D	16/11/2023	PERSON SUBJECT TO ALPHA CONSULTANT
C	10/09/2023	PERSON SUBJECT TO ADJUSTMENT
B	11/09/2023	PERSON SUBJECT TO ADJUSTMENT
A	27/03/2023	PERSON SUBJECT TO ADJUSTMENT
REVISED		

JOB NO. : J-8556

PROJECT : PROPOSED DEVELOPMENT ABOVE LIGHT RAIL TIN WING STOP TSM/TL NO.23, AREA 33, TIN SHUI WAI, N.T.

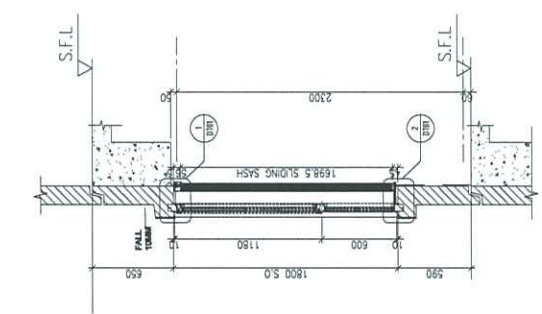
TITLE : WINDOW SCHEDULE FOR TOWER 1 ACOUSTIC WINDOW

DATE : 06-Jun-23 SCALE : 1:40

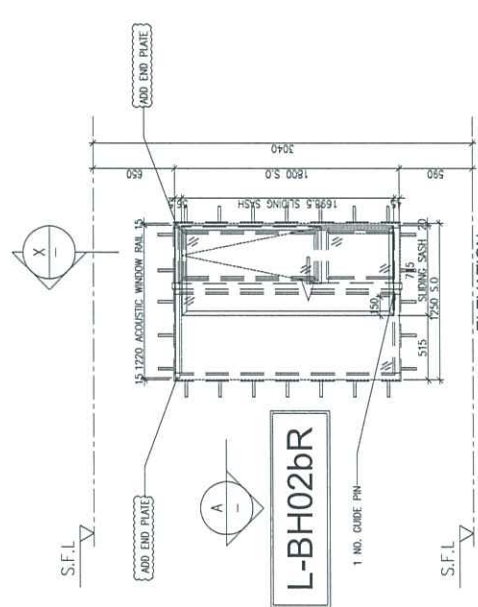
DRAWN BY : Ivan CHECKED BY :



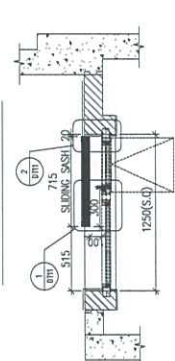
618 Cha Kwo Ling Road, Kowloon Tel: 23489211-4 Fax: (852) 27277656 DWG NO. : JBS-5-S0-AS-5103 REV. : D



X - - PART SECTION



ELEVATION VIEW FROM OUTSIDE



A - - PART PLAN

AW-A-02bR					
LOCATION	A8-BR3	A8-BR2			
FLOOR	6/F-12/F	3/F-26/F			
MPA	YES	YES	YES		
TOP & SIDE SAM	NO	NO	NO		
QUANTITY	7	20			
OVERLAPPING(REQUIRE)	253	253			
OVERLAPPING(PROVIDED)	300	300			

B.D. REF :

CLIENT :



1577 Sun Hung Kai Centre, Kowloon, Hong Kong

ARCHITECT :



MAIN CONTRACTOR :



STRUCTURAL ENGINEER :



FAÇADE CONSULTANT :



Steel, Structure & Façade Specialist

NOTE :

1. ALL DIMENSIONS ARE IN mm.
2. ALL ELEVATIONS ARE VIEWED FROM OUTSIDE.
3. ALL DIMENSIONS TO BE VERIFIED ON SITE BEFORE FABRICATION.

LEGEND :

1. FFL --- FINISHED FLOOR LEVEL
2. S.F.L --- STRUCTURAL FLOOR LEVEL

NO.	DATE	REVISION
E	16/07/2023	REVISION SUBJECT TO ALPHA CONSULTANT
D	16/08/2023	REVISION SUBJECT TO ARCHITECT
C	17/05/2023	REVISION SUBJECT TO ARCHITECT
B	25/03/2023	REVISION SUBJECT TO ARCHITECT
A	16/07/2023	REVISION SUBJECT TO ARCHITECT

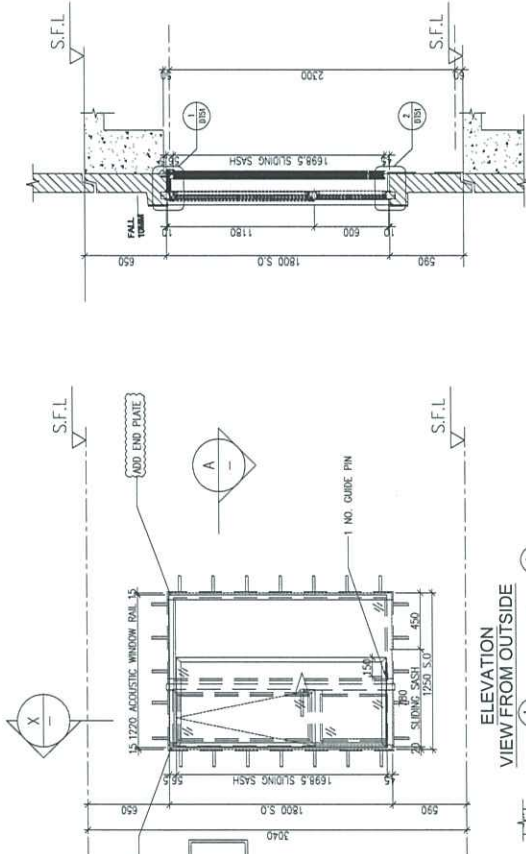
JOB NO. : J-B56

PROJECT : PROPOSED DEVELOPMENT ABOVE LIGHT RAIL TIN WING STOP, ISWTL NO.23, AREA 33, TIN SHUI WAI, N.T.

TITLE : WINDOW SCHEDULE FOR TOWER 1 ACOUSTIC WINDOW

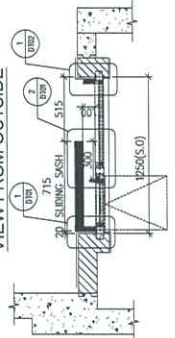
DATE : 06-Jan-23 SCALE : 1:40

DRAWN BY : Ivan CHECKED BY :



ELEVATION FROM OUTSIDE

PART SECTION



PART PLAN

L-BH02b

AW-A-02b				
LOCATION	A5-BR2	A7-BR2	B6-BR2	
FLOOR	3/F-46/F	3/F-45/F	3/F-46/F	
MPA	YES	YES	YES	
TOP & SIDE SAM	YES	YES	YES	
QUANTITY	38	37	38	
OVERLAPPING(REQUIRE)	300	300	300	
OVERLAPPING(PROVIDED)	300	300	300	

B.D. REF :

CLIENT :

**SUN HUNG KAI**  
**REAL ESTATE DEVELOPMENT LTD.**  
 227, 228, 229A, 230A, 231, 232, 233, 234, 235, 236, 237, 238, 239, 240, 241, 242, 243, 244, 245, 246, 247, 248, 249, 250, 251, 252, 253, 254, 255, 256, 257, 258, 259, 260, 261, 262, 263, 264, 265, 266, 267, 268, 269, 270, 271, 272, 273, 274, 275, 276, 277, 278, 279, 280, 281, 282, 283, 284, 285, 286, 287, 288, 289, 290, 291, 292, 293, 294, 295, 296, 297, 298, 299, 300, 301, 302, 303, 304, 305, 306, 307, 308, 309, 310, 311, 312, 313, 314, 315, 316, 317, 318, 319, 320, 321, 322, 323, 324, 325, 326, 327, 328, 329, 330, 331, 332, 333, 334, 335, 336, 337, 338, 339, 340, 341, 342, 343, 344, 345, 346, 347, 348, 349, 350, 351, 352, 353, 354, 355, 356, 357, 358, 359, 360, 361, 362, 363, 364, 365, 366, 367, 368, 369, 370, 371, 372, 373, 374, 375, 376, 377, 378, 379, 380, 381, 382, 383, 384, 385, 386, 387, 388, 389, 390, 391, 392, 393, 394, 395, 396, 397, 398, 399, 400, 401, 402, 403, 404, 405, 406, 407, 408, 409, 410, 411, 412, 413, 414, 415, 416, 417, 418, 419, 420, 421, 422, 423, 424, 425, 426, 427, 428, 429, 430, 431, 432, 433, 434, 435, 436, 437, 438, 439, 440, 441, 442, 443, 444, 445, 446, 447, 448, 449, 450, 451, 452, 453, 454, 455, 456, 457, 458, 459, 460, 461, 462, 463, 464, 465, 466, 467, 468, 469, 470, 471, 472, 473, 474, 475, 476, 477, 478, 479, 480, 481, 482, 483, 484, 485, 486, 487, 488, 489, 490, 491, 492, 493, 494, 495, 496, 497, 498, 499, 500, 501, 502, 503, 504, 505, 506, 507, 508, 509, 510, 511, 512, 513, 514, 515, 516, 517, 518, 519, 520, 521, 522, 523, 524, 525, 526, 527, 528, 529, 530, 531, 532, 533, 534, 535, 536, 537, 538, 539, 540, 541, 542, 543, 544, 545, 546, 547, 548, 549, 550, 551, 552, 553, 554, 555, 556, 557, 558, 559, 560, 561, 562, 563, 564, 565, 566, 567, 568, 569, 570, 571, 572, 573, 574, 575, 576, 577, 578, 579, 580, 581, 582, 583, 584, 585, 586, 587, 588, 589, 590, 591, 592, 593, 594, 595, 596, 597, 598, 599, 600, 601, 602, 603, 604, 605, 606, 607, 608, 609, 610, 611, 612, 613, 614, 615, 616, 617, 618, 619, 620, 621, 622, 623, 624, 625, 626, 627, 628, 629, 630, 631, 632, 633, 634, 635, 636, 637, 638, 639, 640, 641, 642, 643, 644, 645, 646, 647, 648, 649, 650, 651, 652, 653, 654, 655, 656, 657, 658, 659, 660, 661, 662, 663, 664, 665, 666, 667, 668, 669, 670, 671, 672, 673, 674, 675, 676, 677, 678, 679, 680, 681, 682, 683, 684, 685, 686, 687, 688, 689, 690, 691, 692, 693, 694, 695, 696, 697, 698, 699, 700, 701, 702, 703, 704, 705, 706, 707, 708, 709, 710, 711, 712, 713, 714, 715, 716, 717, 718, 719, 720, 721, 722, 723, 724, 725, 726, 727, 728, 729, 730, 731, 732, 733, 734, 735, 736, 737, 738, 739, 740, 741, 742, 743, 744, 745, 746, 747, 748, 749, 750, 751, 752, 753, 754, 755, 756, 757, 758, 759, 760, 761, 762, 763, 764, 765, 766, 767, 768, 769, 770, 771, 772, 773, 774, 775, 776, 777, 778, 779, 780, 781, 782, 783, 784, 785, 786, 787, 788, 789, 790, 791, 792, 793, 794, 795, 796, 797, 798, 799, 800, 801, 802, 803, 804, 805, 806, 807, 808, 809, 810, 811, 812, 813, 814, 815, 816, 817, 818, 819, 820, 821, 822, 823, 824, 825, 826, 827, 828, 829, 830, 831, 832, 833, 834, 835, 836, 837, 838, 839, 840, 841, 842, 843, 844, 845, 846, 847, 848, 849, 850, 851, 852, 853, 854, 855, 856, 857, 858, 859, 860, 861, 862, 863, 864, 865, 866, 867, 868, 869, 870, 871, 872, 873, 874, 875, 876, 877, 878, 879, 880, 881, 882, 883, 884, 885, 886, 887, 888, 889, 890, 891, 892, 893, 894, 895, 896, 897, 898, 899, 900, 901, 902, 903, 904, 905, 906, 907, 908, 909, 910, 911, 912, 913, 914, 915, 916, 917, 918, 919, 920, 921, 922, 923, 924, 925, 926, 927, 928, 929, 930, 931, 932, 933, 934, 935, 936, 937, 938, 939, 940, 941, 942, 943, 944, 945, 946, 947, 948, 949, 950, 951, 952, 953, 954, 955, 956, 957, 958, 959, 960, 961, 962, 963, 964, 965, 966, 967, 968, 969, 970, 971, 972, 973, 974, 975, 976, 977, 978, 979, 980, 981, 982, 983, 984, 985, 986, 987, 988, 989, 990, 991, 992, 993, 994, 995, 996, 997, 998, 999, 1000

ARCHITECT :  
**lwk&partners**  
 ARCHITECTS

MAIN CONTRACTOR :

**怡輝建築有限公司**  
**Yee Fui Building Contractors Ltd.**

STRUCTURAL ENGINEER :

**ARUP**

FAÇADE CONSULTANT:

**ALPHA CONSULTING LIMITED**  
 Steel Structures & Façade Specialist Ltd.

NOTE:

1. ALL DIMENSIONS ARE IN mm.
2. ALL ELEVATIONS ARE VIEWED FROM OUTSIDE.
3. ALL DIMENSIONS TO BE VERIFIED ON SITE BEFORE FABRICATION.

LEGEND:

1. F.F.L. --- FINISHED FLOOR LEVEL
2. S.F.L. --- STRUCTURAL FLOOR LEVEL

REV	DATE	DESCRIPTION
E	16/07/2023	REVISION SUBJECT TO ALPHA CONSULTANT
D	16/07/2023	REVISION SUBJECT TO ARCH/COMBAT
C	17/07/2023	REVISION SUBJECT TO ARCH/COMBAT
B	27/07/2023	REVISION SUBJECT TO ARCH/COMBAT
A	12/07/2023	REVISION SUBJECT TO ARCH/COMBAT

JOB NO. : J-856

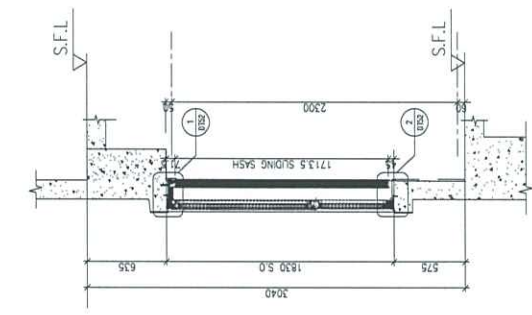
PROJECT :  
 PROPOSED DEVELOPMENT ABOVE  
 LIGHT RAIL TIN WING STOP, ISWTL  
 NO.23, AREA 33, TIN SHUI WAI, N.T.

TITLE :  
 WINDOW SCHEDULE FOR  
 TOWER 1 ACOUSTIC WINDOW

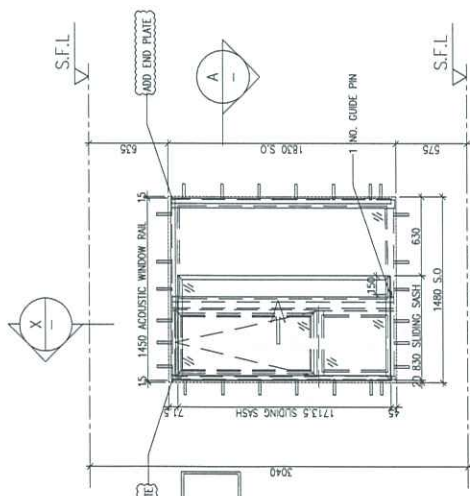
DATE : 06-Jan-23 SCALE : 1:40

DRAWN BY : Ivan CHECKED BY :

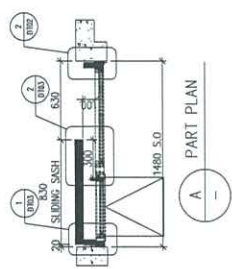
**美特鋁質有限公司**  
**MIDI**  
 Aluminum & Steel Fabrication Contractor Ltd.  
 Units 6-8, Sunway Industrial Centre, 1/F  
 610 Chee Nee Ling Road, Kowloon  
 Tel: 23489211-4 Fax: (852) 7777666  
 DWG NO. : JB56-SD-AS-5105 REV. : E



X PART SECTION



ELEVATION VIEW FROM OUTSIDE



A PART PLAN

**L-BH04ai**

AW-A-04ai	
LOCATION	B5-MBR
FLOOR	3/F-46/F
MPA	YES
TOP & SIDE SAM	YES
QUANTITY	38
OVERLAPPING(REQUIRED)	300
OVERLAPPING(PROVIDED)	300

B.D. REF :

CLIENT :

**SUN HUNG KAI**  
**REAL ESTATE AGENCY LTD.**  
 427F SUN HUNG KAI CENTRE, WONGSICHAO, HONGKONG

ARCHITECT :

**lw&partners**  
**ARCHITECTS**

MAIN CONTRACTOR :

**怡輝建築有限公司**  
**Yee Hei Building Contractors Ltd.**

STRUCTURAL ENGINEER :

**ARUP**

FAÇADE CONSULTANT :

**ALPHA CONSULTING LIMITED**  
 Steel Structure & Façade Specialist

NOTE :

1. ALL DIMENSIONS ARE IN mm.
2. ALL ELEVATIONS ARE VIEWED FROM OUTSIDE.
3. ALL DIMENSIONS TO BE VERIFIED ON SITE BEFORE FABRICATION.

LEGEND :

1. F.F.L. -- FINISHED FLOOR LEVEL
2. S.F.L. -- STRUCTURAL FLOOR LEVEL

NO.	REVISED	REVISION
E	16/07/2023	REVISION SUBJECT TO ALPHA COMMENT
D	10/06/2023	REVISION SUBJECT TO ADJUSTMENT
C	11/05/2023	REVISION SUBJECT TO ADJUSTMENT
B	29/03/2023	REVISION SUBJECT TO ADJUSTMENT
A	12/07/2023	REVISION SUBJECT TO ADJUSTMENT

JOB NO. : J-856

PROJECT :

PROPOSED DEVELOPMENT ABOVE  
 LIGHT RAIL TAN WING STOP TSM/TL  
 NO.23, AREA 33, TIN SHUI WAI, N.T.

TITLE :

WINDOW SCHEDULE FOR  
 TOWER 1 ACOUSTIC WINDOW

DATE : 06-Jun-23

SCALE : 1:40

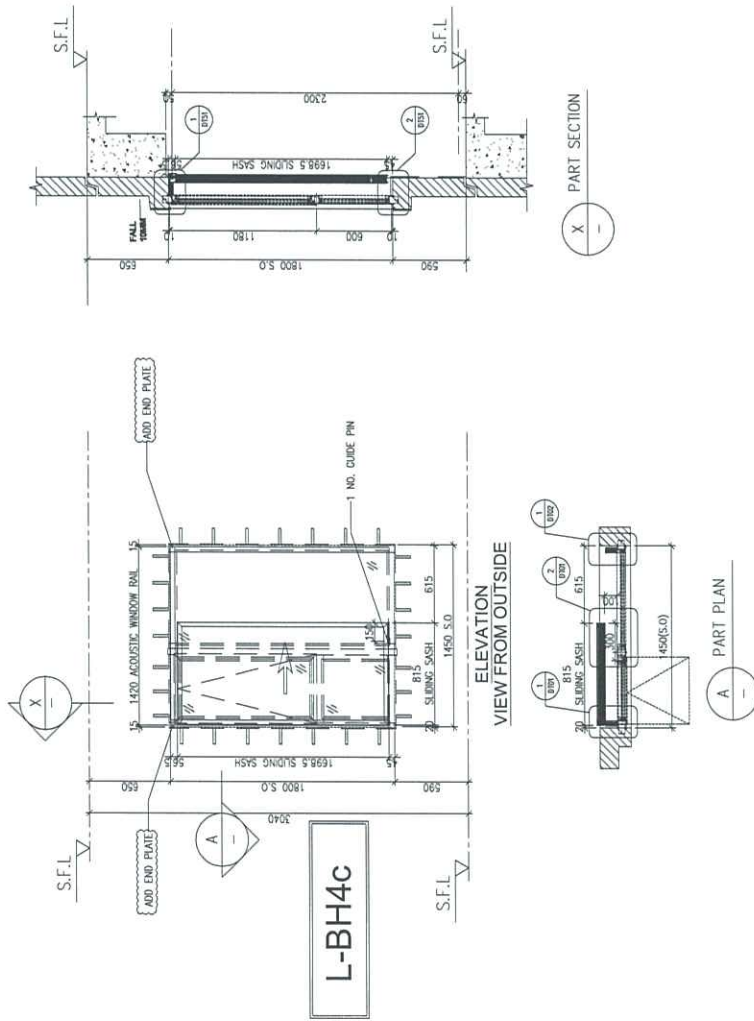
DRAWN BY : Ivan

CHECKED BY :

**美特鋁質有限公司**  
**MTD Aluminium Fabricator Ltd.**  
 16th Floor, Suning Building, 1/  
 610 Cha Kwo Ling Road, Kowloon  
 1652489211-4, Fax: (852)27272656

DWG NO. : 4656-SD-AS-5106

REV. : E



AW-A-04C					
LOCATION	A5-MBR	A6-MBR	A7-MBR		
FLOOR	3/F-46/F	3/F-45/F	3/F-45/F		
MPA	YES	YES	YES		
TOP & SIDE SAM	YES	YES	YES		
QUANTITY	38	37	37		
OVERLAPPING(REQUIRE)	300	300	300		
OVERLAPPING(PROVIDED)	300	300	300		

B.D. REF :

CLIENT :



677 Sun Hung Kai Centre, Wai Tsing, Hong Kong

ARCHITECT :



MAIN CONTRACTOR :



STRUCTURAL ENGINEER :



FAÇADE CONSULTANT :



Steel Structure & Façade Specialist

NOTE:

1. ALL DIMENSIONS ARE IN mm.
2. ALL ELEVATIONS ARE VIEWED FROM OUTSIDE.
3. ALL DIMENSIONS TO BE VERIFIED ON SITE BEFORE FABRICATION.

LEGEND:

1. F.F.L. -- FINISHED FLOOR LEVEL
2. S.F.L. -- STRUCTURAL FLOOR LEVEL

NO.	DATE	REVISION
F	16/04/2023	REVISION SUBJECT TO ALPHA CONSULTANT
E	10/04/2023	REVISION SUBJECT TO ARCHITECT
D	10/04/2023	REVISION SUBJECT TO ARCHITECT
C	11/05/2023	REVISION SUBJECT TO ARCHITECT
B	21/03/2023	REVISION SUBJECT TO ARCHITECT
A	12/01/2023	REVISION SUBJECT TO ARCHITECT
REV		REVISED
DR		

JOB NO. : J-856

PROJECT : PROPOSED DEVELOPMENT ABOVE LIGHT RAIL TIN WING STOP TSM/TL NO.23, AREA 33, TIN SHUI WAI, N.T.

TITLE : WINDOW SCHEDULE FOR TOWER 1 ACOUSTIC WINDOW

DATE : 06-Jun-23

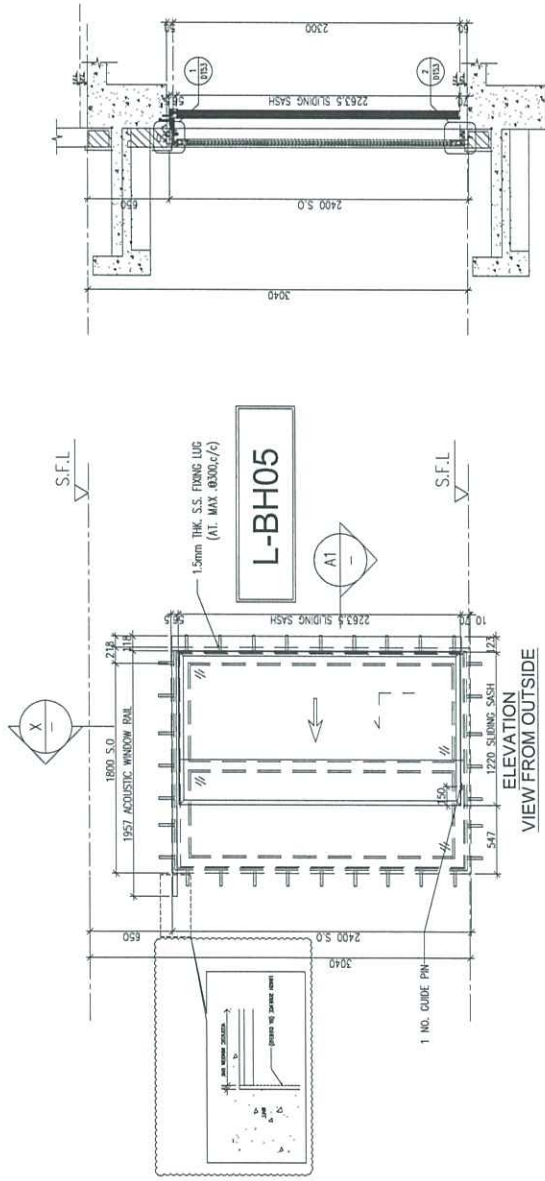
SCALE : 1:40

DRAWN BY : Ivan

CHECKED BY :

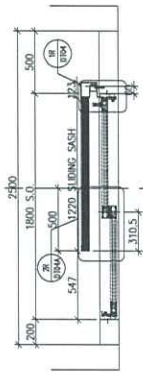


619 Cha Kwo Ling Road, Kowloon  
Tel: 2348211-4 Fax: (852) 27277666  
DWC NO. : J856-S0-AS-5107 REV. : F



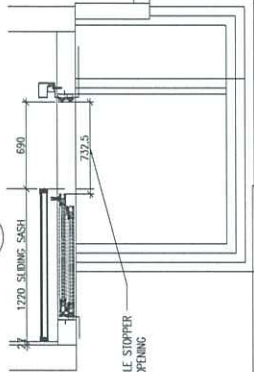
ELEVATION VIEW FROM OUTSIDE

X - X



PART PLAN

A1 - A1



AW-A-05		LOCATION	B5-LIV
FLOOR	A6-LIV	3/F-45/F	3/F-46/F
MPA	YES	YES	YES
TOP & SIDE SAM	YES	YES	YES
QUANTITY	37	38	38
OVERLAPPING(REQUIRE)	500	500	500
OVERLAPPING(PROVIDED)	500	500	500