



工程指示 / 要求簡箋 ENGINEER INSTRUCTIONS (E.I.)

工程指示編號:	EI- 7047 B	修改版本:	B
	HK- 1498		
工程編號:	J 856	工程名稱:	天榮站
收件人:	生統/謝永林	發件人:	Iris
工程項目:	T1隔音門窗3mm隔音板加工圖+BM表(B版本)	日期:	14/08/2024

<input checked="" type="checkbox"/> 原合約工程包	<input type="checkbox"/> 原合約工程加 / 減賬 QT-	<input type="checkbox"/> 新工程報價 QT-
--	--	------------------------------------

信件批核號碼/圖紙參考編號:	批核模具圖紙編號:
客戶指示附件:	管理內部批簽署:

<input type="checkbox"/> 初步鋁料 B.M.	<input type="checkbox"/> 加工拆圖, 然後生產	<input type="checkbox"/> 尺寸表
<input type="checkbox"/> 正式鋁料 B.M.	<input type="checkbox"/> 技術上資料/指示	<input type="checkbox"/> 報價
<input type="checkbox"/> 配件 B.M.	<input type="checkbox"/> 樣辦或貨品說明書	<input type="checkbox"/> 分判合約
<input type="checkbox"/> 其他:		

內容: T1隔音門窗3mm隔音板加工圖+BM表(B版本)
完成上列要求日期: 20/12/2024

國內

<input type="checkbox"/> 生產技術總監	<input type="checkbox"/> 連附件	<input checked="" type="checkbox"/> 技術部	<input checked="" type="checkbox"/> 連附件	<input type="checkbox"/> 生產部	<input type="checkbox"/> 連附件
<input type="checkbox"/> 採購部	<input type="checkbox"/> 連附件	<input checked="" type="checkbox"/> 生產統籌部	<input checked="" type="checkbox"/> 連附件	<input type="checkbox"/> 報關組	<input type="checkbox"/> 連附件
<input type="checkbox"/> 質檢部	<input type="checkbox"/> 連附件	<input type="checkbox"/> 會計部	<input type="checkbox"/> 連附件	<input type="checkbox"/> 機械設計部	<input type="checkbox"/> 連附件
<input type="checkbox"/> 香港辦	<input type="checkbox"/> 連附件	<input type="checkbox"/> 其他:			

香港

<input type="checkbox"/> 行政部	<input type="checkbox"/> 連附件	<input type="checkbox"/> 會計部	<input type="checkbox"/> 連附件	<input type="checkbox"/> 統籌部	<input type="checkbox"/> 連附件	<input type="checkbox"/> 工程部	<input type="checkbox"/> 連附件
<input type="checkbox"/> 採購部	<input type="checkbox"/> 連附件	<input type="checkbox"/> QS部	<input type="checkbox"/> 連附件	<input checked="" type="checkbox"/> 地盤管理	<input checked="" type="checkbox"/> 連附件	<input type="checkbox"/> 維修部	<input type="checkbox"/> 連附件

*發件人簽署: Iris	*組別成員批核簽署: 
傳遞編號:	項目經理簽署: 

圖則登記表
DRAWING REGISTER

接收日期 Receiving Date (適用於客戶圖則)

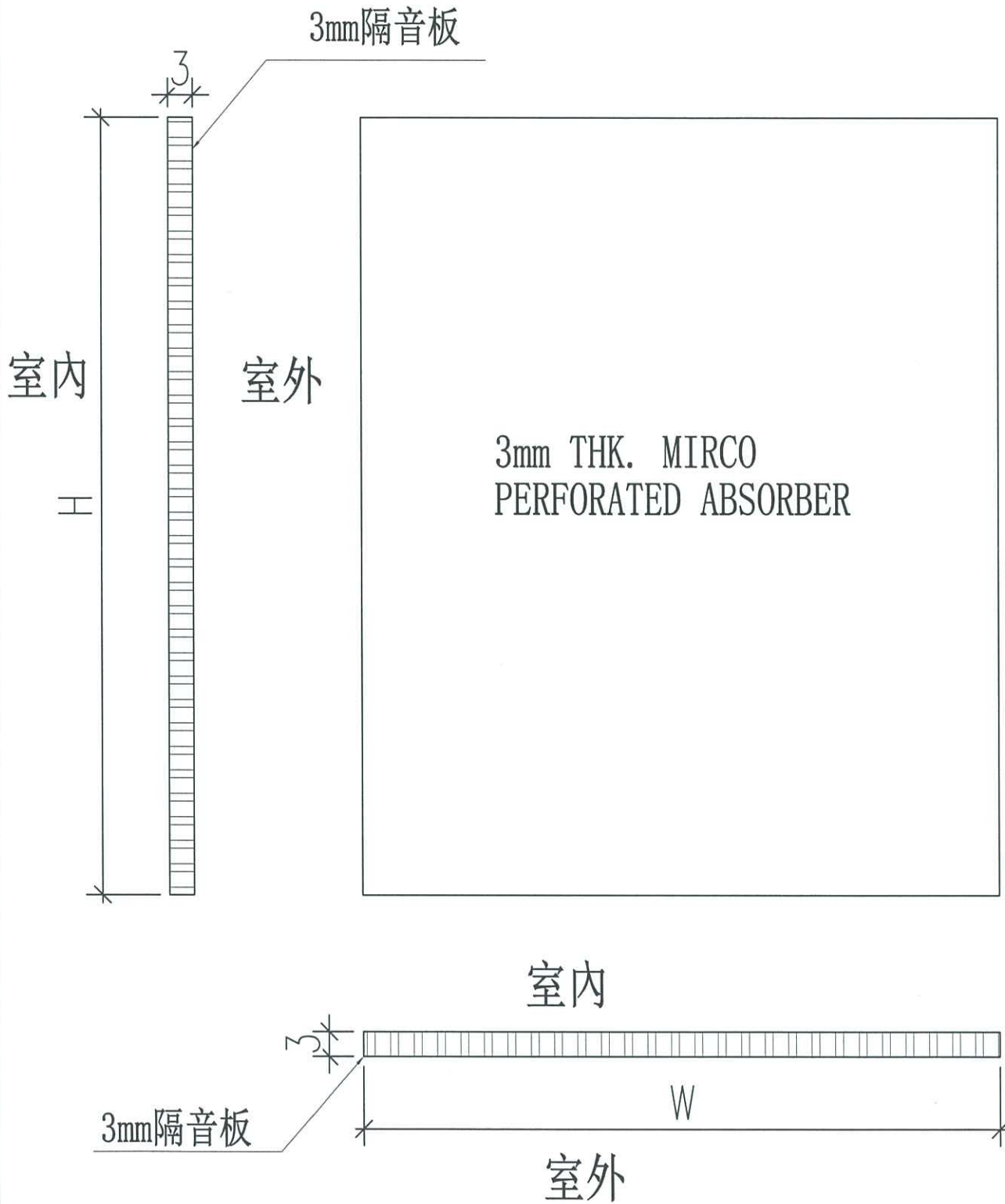
工程名稱 Project Title: 天水圍天榮站	年								
隔音門窗(T1座)隔音板拆圖	月								
工程編號 Project No: J-856	日								
分發予 Distributed To									
	年	24							
	月	08							
	日	12							
圖則編號 Drg. No.	圖則名稱 Drawing Title	修訂編號 Revision No.							
L-BH	3mm隔音板	1	-						
J856-SD-AS-5101	位置圖	2	-						
J856-SD-AS-5102	位置圖	3	-						
J856-SD-AS-5103	位置圖	4	-						
J856-SD-AS-5104	位置圖	5	-						
J856-SD-AS-5105	位置圖	6	-						
J856-SD-AS-5106	位置圖	7	-						
J856-SD-AS-5107	位置圖	8	-						

序號	隔音板編號	顏色與類型/加工圖參考	厚度 (mm)	隔音板尺寸		數量 (塊)	總面積 (平方米)	使用樓層	使用位置	分座	分格寬度	分格高度	使用窗號
				寬度 (W mm)	高度 (H mm)								
美特鋁質有限公司 MDI Aluminium Fabricator Ltd. 廠用隔音板B.M.表 工程號: J-856 地盤名稱: 天水圍天樂站 項目類別: 隔音板 (T1座) 修改版次: 計算: 周廣志 核對: 謝永林 批准: 日期: 2024.08.08 日期: 2024.08.12 送呈: 胡哥 副本: A/C Code: 此BM依據E16962A第八版計算 990.407 總計隔音板面積 (平方米):													
1	L-BH05a	3mm THK. MIRCO PERFORATED ABSORBER	3	1268	2225.5	37	104.412	3/F-45/F	A8-LIV	T1座	1298	2263.5	AW-A-05a
2	L-BH05a(1)	3mm THK. MIRCO PERFORATED ABSORBER	3	1317	2225.5	38	111.377	3/F-46F	A5-LIV	T1座	1347	2263.5	AW-A-05a
						37	108.446	3/F-45/F	A7-LIV				
3	L-BH02bR	3mm THK. MIRCO PERFORATED ABSORBER	3	685	1660.5	7	7.962	6/F-12/F	A8-BR3	T1座	715	1698.5	AW-A-02bR
						20	22.749	3/F-26/F	A8-BR2				
4	L-BH02b	3mm THK. MIRCO PERFORATED ABSORBER	3	685	1660.5	38	43.223	3/F-46/F	A5-BR2	T1座	715	1698.5	AW-A-02b
						37	42.085	3/F-45/F	A7-BR2				
5	L-BH04ai	3mm THK. MIRCO PERFORATED ABSORBER	3	800	1675.5	38	50.935	3/F-46/F	B5-MBR	T1座	830	1713.5	AW-A-04ai
						37	48.229	3/F-45/F	A6-MBR				
6	L-BH04c	3mm THK. MIRCO PERFORATED ABSORBER	3	785	1660.5	37	48.229	3/F-45/F	A7-MBR	T1座	815	1698.5	AW-A-04c
						37	48.229	3/F-45/F	A7-MBR				
7	L-BH05	3mm THK. MIRCO PERFORATED ABSORBER	3	1190	2225.5	37	97.989	3/F-45/F	A6-LIV	T1座	1220	2263.5	AW-A-05
						38	100.637	3/F-46/F	B5-LIV				
						515	990.407						
						合計:							



美特鋁質 有限公司
MIDI Aluminium Fabricator Ltd.

工程號 J856 | 地盤 天榮站



名稱	3mm隔音板	制圖	周廣志	2024.08.08	修改			
材料	/	復核	謝永林	2024.08.12	日期			
顏色	見圖	批准			圖號	L-BH		

B.D. REF :

CLEAN :



ARCHITECT :



MAIN CONTRACTOR :



STRUCTURAL ENGINEER :



FAÇADE CONSULTANT :



NOTE :

1. ALL DIMENSIONS ARE IN mm.
2. ALL ELEVATIONS ARE VIEWED FROM OUTSIDE.
3. ALL DIMENSIONS TO BE VERIFIED ON SITE BEFORE FABRICATION.

LEGEND :

1. F.F.L. -- FINISHED FLOOR LEVEL
2. S.F.L. -- STRUCTURAL FLOOR LEVEL

NO.	DATE	REVISION
F	16/07/2023	REVISION SUBJECT TO ALPHA CONSULTANT
E	16/07/2023	REVISION SUBJECT TO ALPHA CONSULTANT
D	15/07/2023	REVISION SUBJECT TO ARCHITECT
C	17/05/2023	REVISION SUBJECT TO ARCHITECT
B	27/03/2023	REVISION SUBJECT TO ARCHITECT
A	16/07/2023	REVISION SUBJECT TO ARCHITECT
NA	DATE	REVISION

JOB NO. : J-856

PROJECT : PROPOSED DEVELOPMENT ABOVE LIGHT RAIL TIN WING STOP, ISWTL NO.23, AREA 33, TIN SHUI WAI, N.T.

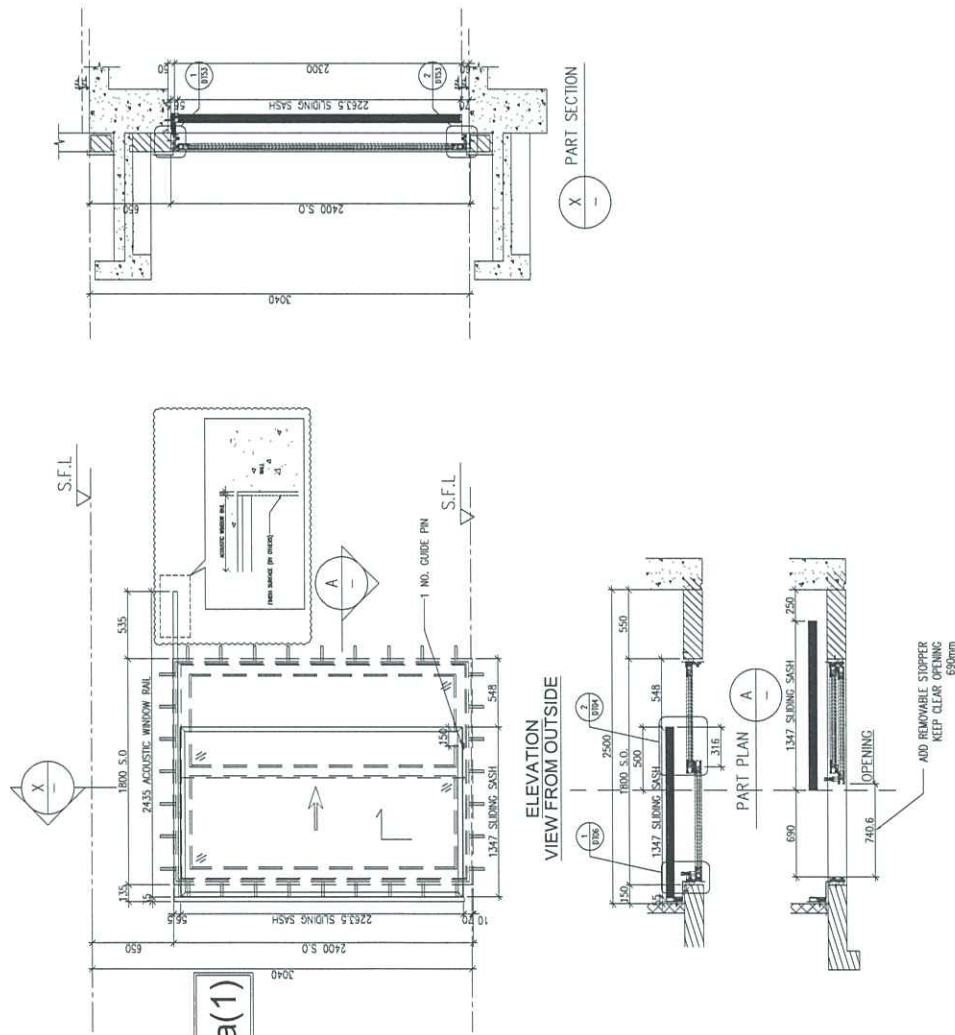
TITLE : WINDOW SCHEDULE FOR TOWER 1 ACOUSTIC WINDOW

DATE : 06-Jan-23 SCALE : 1:40

DRAWN BY : Ivan CHECKED BY :



DWG NO. : J856-SD-AS-5102 REV. : F



L-BH05a(1)

AW-A-05a					
LOCATION	A5-LIV	A7-LIV	B6-LIV		
FLOOR	3/F-46/F	3/F-45/F	3/F-46/F		
MPA	YES	YES	YES		
TOP & SIDE SAM	YES	YES	YES		
QUANTITY	38	37	38		
OVERLAPPING(REQUIRE)	500	500	500		
OVERLAPPING(PROVIDED)	500	500	500		

B.D. REF :

CLIENT :



227, Sun Hong Kee Centre, Waiwan, Hongkong

ARCHITECT :



MAIN CONTRACTOR :



STRUCTURAL ENGINEER :



FAÇADE CONSULTANT :



Alpha Structures & Façade Specialist Ltd

NOTE :

1. ALL DIMENSIONS ARE IN mm.
2. ALL ELEVATIONS ARE VIEWED FROM OUTSIDE.
3. ALL DIMENSIONS TO BE VERIFIED ON SITE BEFORE FABRICATION.

LEGEND :

1. F.F.L. -- FINISHED FLOOR LEVEL
2. S.F.L. -- STRUCTURAL FLOOR LEVEL

D	16/11/2023	PERSON SUBJECT TO ALPHA CONSULTANT
C	10/09/2023	PERSON SUBJECT TO ADJUSTMENT
B	11/09/2023	PERSON SUBJECT TO ADJUSTMENT
A	27/03/2023	PERSON SUBJECT TO ADJUSTMENT
REVISED		

JOB NO. : J-8556

PROJECT : PROPOSED DEVELOPMENT ABOVE LIGHT RAIL TIN WING STOP TSM/TL NO.23, AREA 33, TIN SHUI WAI, N.T.

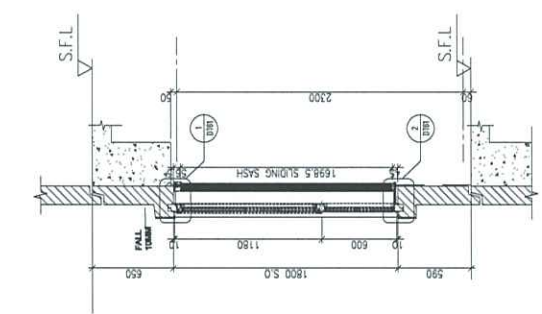
TITLE : WINDOW SCHEDULE FOR TOWER 1 ACOUSTIC WINDOW

DATE : 06-Jun-23 SCALE : 1:40

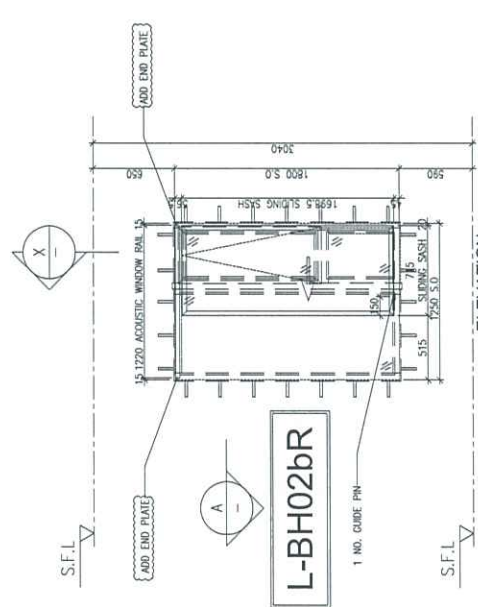
DRAWN BY : Ivan CHECKED BY :



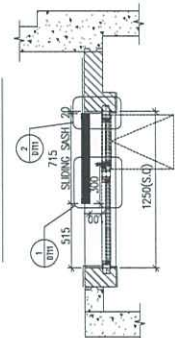
619 Cha Kwo Ling Road, Kowloon Tel: 23489211-4 Fax: (852) 27277656 DWG NO. : 48556-SD-AS-5103 REV. : D



X - - PART SECTION



ELEVATION VIEW FROM OUTSIDE



A - - PART PLAN

AW-A-02bR					
LOCATION	A8-BR3	A8-BR2			
FLOOR	6/F-12/F	3/F-26/F			
MPA	YES	YES	YES		
TOP & SIDE SAM	NO	NO	NO		
QUANTITY	7	20			
OVERLAPPING(REQUIRE)	253	253			
OVERLAPPING(PROVIDED)	300	300			

B.D. REF :

CLIENT :



1577 Sun Hung Kai Centre, Wai Tsing, Tungshan, Hong Kong

ARCHITECT :



MAIN CONTRACTOR :



STRUCTURAL ENGINEER :



FAÇADE CONSULTANT :



Steel, Structure & Façade Specialist

NOTE :

1. ALL DIMENSIONS ARE IN mm.
2. ALL ELEVATIONS ARE VIEWED FROM OUTSIDE.
3. ALL DIMENSIONS TO BE VERIFIED ON SITE BEFORE FABRICATION.

LEGEND :

1. FFL --- FINISHED FLOOR LEVEL
2. S.F.L --- STRUCTURAL FLOOR LEVEL

NO.	DATE	REVISION
E	16/07/2023	REVISION SUBJECT TO ALPHA CONSULTANT
D	16/08/2023	REVISION SUBJECT TO ARCHITECT
C	17/05/2023	REVISION SUBJECT TO ARCHITECT
B	25/03/2023	REVISION SUBJECT TO ARCHITECT
A	16/07/2023	REVISION SUBJECT TO ARCHITECT

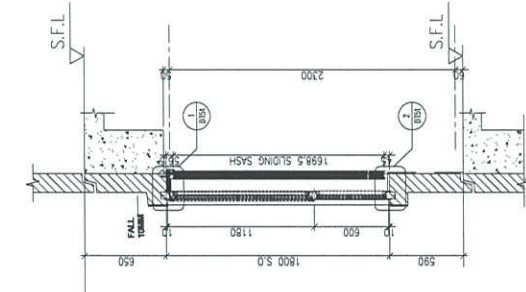
JOB NO. : J-B56

PROJECT : PROPOSED DEVELOPMENT ABOVE LIGHT RAIL TIN WING STOP, TSWTL NO.23, AREA 33, TIN SHUI WAI, N.T.

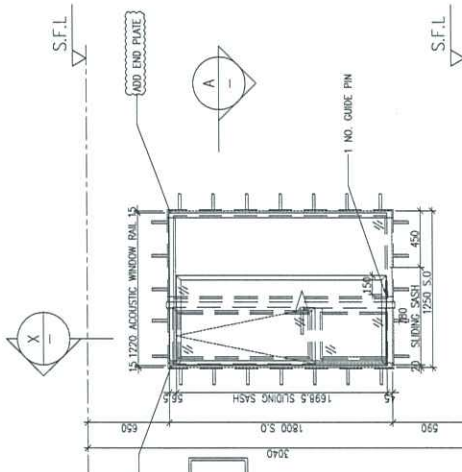
TITLE : WINDOW SCHEDULE FOR TOWER 1 ACOUSTIC WINDOW

DATE : 06-Jan-23 SCALE : 1:40

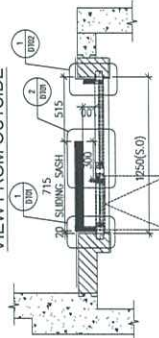
DRAWN BY : Ivan CHECKED BY :



X PART SECTION



A ELEVATION FROM OUTSIDE



A PART PLAN

L-BH02b

AW-A-02b				
LOCATION	A5-BR2	A7-BR2	B6-BR2	
FLOOR	3/F-46/F	3/F-45/F	3/F-46/F	
MPA	YES	YES	YES	
TOP & SIDE SAM	YES	YES	YES	
QUANTITY	38	37	38	
OVERLAPPING(REQUIRE)	300	300	300	
OVERLAPPING(PROVIDED)	300	300	300	

B.D. REF. :

CLIENT :

SUN HUNG KAI
REAL ESTATE DEVELOPMENT LTD.
 227, 228, 229A, 230A, 231, 232, 233, 234, 235, 236, 237, 238, 239, 240, 241, 242, 243, 244, 245, 246, 247, 248, 249, 250, 251, 252, 253, 254, 255, 256, 257, 258, 259, 260, 261, 262, 263, 264, 265, 266, 267, 268, 269, 270, 271, 272, 273, 274, 275, 276, 277, 278, 279, 280, 281, 282, 283, 284, 285, 286, 287, 288, 289, 290, 291, 292, 293, 294, 295, 296, 297, 298, 299, 300, 301, 302, 303, 304, 305, 306, 307, 308, 309, 310, 311, 312, 313, 314, 315, 316, 317, 318, 319, 320, 321, 322, 323, 324, 325, 326, 327, 328, 329, 330, 331, 332, 333, 334, 335, 336, 337, 338, 339, 340, 341, 342, 343, 344, 345, 346, 347, 348, 349, 350, 351, 352, 353, 354, 355, 356, 357, 358, 359, 360, 361, 362, 363, 364, 365, 366, 367, 368, 369, 370, 371, 372, 373, 374, 375, 376, 377, 378, 379, 380, 381, 382, 383, 384, 385, 386, 387, 388, 389, 390, 391, 392, 393, 394, 395, 396, 397, 398, 399, 400, 401, 402, 403, 404, 405, 406, 407, 408, 409, 410, 411, 412, 413, 414, 415, 416, 417, 418, 419, 420, 421, 422, 423, 424, 425, 426, 427, 428, 429, 430, 431, 432, 433, 434, 435, 436, 437, 438, 439, 440, 441, 442, 443, 444, 445, 446, 447, 448, 449, 450, 451, 452, 453, 454, 455, 456, 457, 458, 459, 460, 461, 462, 463, 464, 465, 466, 467, 468, 469, 470, 471, 472, 473, 474, 475, 476, 477, 478, 479, 480, 481, 482, 483, 484, 485, 486, 487, 488, 489, 490, 491, 492, 493, 494, 495, 496, 497, 498, 499, 500, 501, 502, 503, 504, 505, 506, 507, 508, 509, 510, 511, 512, 513, 514, 515, 516, 517, 518, 519, 520, 521, 522, 523, 524, 525, 526, 527, 528, 529, 530, 531, 532, 533, 534, 535, 536, 537, 538, 539, 540, 541, 542, 543, 544, 545, 546, 547, 548, 549, 550, 551, 552, 553, 554, 555, 556, 557, 558, 559, 560, 561, 562, 563, 564, 565, 566, 567, 568, 569, 570, 571, 572, 573, 574, 575, 576, 577, 578, 579, 580, 581, 582, 583, 584, 585, 586, 587, 588, 589, 590, 591, 592, 593, 594, 595, 596, 597, 598, 599, 600, 601, 602, 603, 604, 605, 606, 607, 608, 609, 610, 611, 612, 613, 614, 615, 616, 617, 618, 619, 620, 621, 622, 623, 624, 625, 626, 627, 628, 629, 630, 631, 632, 633, 634, 635, 636, 637, 638, 639, 640, 641, 642, 643, 644, 645, 646, 647, 648, 649, 650, 651, 652, 653, 654, 655, 656, 657, 658, 659, 660, 661, 662, 663, 664, 665, 666, 667, 668, 669, 670, 671, 672, 673, 674, 675, 676, 677, 678, 679, 680, 681, 682, 683, 684, 685, 686, 687, 688, 689, 690, 691, 692, 693, 694, 695, 696, 697, 698, 699, 700, 701, 702, 703, 704, 705, 706, 707, 708, 709, 710, 711, 712, 713, 714, 715, 716, 717, 718, 719, 720, 721, 722, 723, 724, 725, 726, 727, 728, 729, 730, 731, 732, 733, 734, 735, 736, 737, 738, 739, 740, 741, 742, 743, 744, 745, 746, 747, 748, 749, 750, 751, 752, 753, 754, 755, 756, 757, 758, 759, 760, 761, 762, 763, 764, 765, 766, 767, 768, 769, 770, 771, 772, 773, 774, 775, 776, 777, 778, 779, 780, 781, 782, 783, 784, 785, 786, 787, 788, 789, 790, 791, 792, 793, 794, 795, 796, 797, 798, 799, 800, 801, 802, 803, 804, 805, 806, 807, 808, 809, 810, 811, 812, 813, 814, 815, 816, 817, 818, 819, 820, 821, 822, 823, 824, 825, 826, 827, 828, 829, 830, 831, 832, 833, 834, 835, 836, 837, 838, 839, 840, 841, 842, 843, 844, 845, 846, 847, 848, 849, 850, 851, 852, 853, 854, 855, 856, 857, 858, 859, 860, 861, 862, 863, 864, 865, 866, 867, 868, 869, 870, 871, 872, 873, 874, 875, 876, 877, 878, 879, 880, 881, 882, 883, 884, 885, 886, 887, 888, 889, 890, 891, 892, 893, 894, 895, 896, 897, 898, 899, 900, 901, 902, 903, 904, 905, 906, 907, 908, 909, 910, 911, 912, 913, 914, 915, 916, 917, 918, 919, 920, 921, 922, 923, 924, 925, 926, 927, 928, 929, 930, 931, 932, 933, 934, 935, 936, 937, 938, 939, 940, 941, 942, 943, 944, 945, 946, 947, 948, 949, 950, 951, 952, 953, 954, 955, 956, 957, 958, 959, 960, 961, 962, 963, 964, 965, 966, 967, 968, 969, 970, 971, 972, 973, 974, 975, 976, 977, 978, 979, 980, 981, 982, 983, 984, 985, 986, 987, 988, 989, 990, 991, 992, 993, 994, 995, 996, 997, 998, 999, 1000

ARCHITECT :
iwk&partners
 ARCHITECTS

MAIN CONTRACTOR :

怡輝建築有限公司
Yee Fui Building Contractors Ltd.

STRUCTURAL ENGINEER :

ARUP

FAÇADE CONSULTANT:

ALPHA CONSULTING LIMITED
 Steel Structures & Façade Specialist Ltd.

NOTE:

1. ALL DIMENSIONS ARE IN mm.
2. ALL ELEVATIONS ARE VIEWED FROM OUTSIDE.
3. ALL DIMENSIONS TO BE VERIFIED ON SITE BEFORE FABRICATION.

LEGEND:

1. F.F.L. --- FINISHED FLOOR LEVEL
2. S.F.L. --- STRUCTURAL FLOOR LEVEL

REV	DATE	DESCRIPTION
E	16/07/2023	REVISION SUBJECT TO ALPHA CONSULTANT
D	16/07/2023	REVISION SUBJECT TO ARCH/COMBAT
C	17/07/2023	REVISION SUBJECT TO ARCH/COMBAT
B	27/07/2023	REVISION SUBJECT TO ARCH/COMBAT
A	12/07/2023	REVISION SUBJECT TO ARCH/COMBAT

JOB NO. : J-856

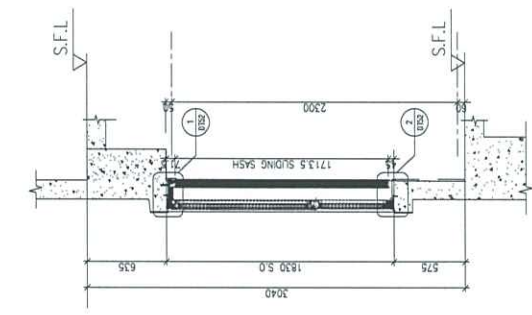
PROJECT :
 PROPOSED DEVELOPMENT ABOVE
 LIGHT RAIL TIN WING STOP, ISWTL
 NO.23, AREA 33, TIN SHUI WAI, N.T.

TITLE :
 WINDOW SCHEDULE FOR
 TOWER 1 ACOUSTIC WINDOW

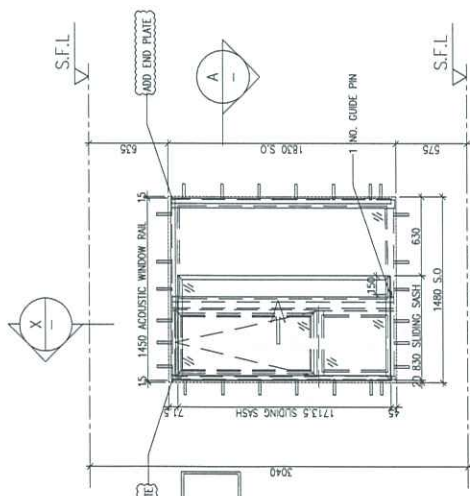
DATE : 06-Jan-23 SCALE : 1:40

DRAWN BY : Ivan CHECKED BY :

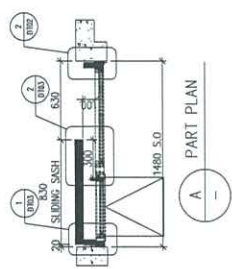
美特铝质有限公司
MIDI
 Aluminum & Steel Fabrication Contractor Ltd.
 Units 6-8, Sunway Industrial Centre, 1/F
 610 Chee Nee Ling Road, Kowloon
 Tel: 23489211-4 Fax: (852) 7777666
 DWG NO. : JB56-SD-AS-5105 REV. : E



X PART SECTION



ELEVATION VIEW FROM OUTSIDE



A PART PLAN

L-BH04ai

AW-A-04ai	
LOCATION	B5-MBR
FLOOR	3/F-46/F
MPA	YES
TOP & SIDE SAM	YES
QUANTITY	38
OVERLAPPING(REQUIRED)	300
OVERLAPPING(PROVIDED)	300

B.D. REF :

CLIENT :

SUN HUNG KAI
REAL ESTATE AGENCY LTD.
677, 684, 685, 686, 687, 688, 689, 690, 691, 692, 693, 694, 695, 696, 697, 698, 699, 700, 701, 702, 703, 704, 705, 706, 707, 708, 709, 710, 711, 712, 713, 714, 715, 716, 717, 718, 719, 720, 721, 722, 723, 724, 725, 726, 727, 728, 729, 730, 731, 732, 733, 734, 735, 736, 737, 738, 739, 740, 741, 742, 743, 744, 745, 746, 747, 748, 749, 750, 751, 752, 753, 754, 755, 756, 757, 758, 759, 760, 761, 762, 763, 764, 765, 766, 767, 768, 769, 770, 771, 772, 773, 774, 775, 776, 777, 778, 779, 780, 781, 782, 783, 784, 785, 786, 787, 788, 789, 790, 791, 792, 793, 794, 795, 796, 797, 798, 799, 800, 801, 802, 803, 804, 805, 806, 807, 808, 809, 810, 811, 812, 813, 814, 815, 816, 817, 818, 819, 820, 821, 822, 823, 824, 825, 826, 827, 828, 829, 830, 831, 832, 833, 834, 835, 836, 837, 838, 839, 840, 841, 842, 843, 844, 845, 846, 847, 848, 849, 850, 851, 852, 853, 854, 855, 856, 857, 858, 859, 860, 861, 862, 863, 864, 865, 866, 867, 868, 869, 870, 871, 872, 873, 874, 875, 876, 877, 878, 879, 880, 881, 882, 883, 884, 885, 886, 887, 888, 889, 890, 891, 892, 893, 894, 895, 896, 897, 898, 899, 900, 901, 902, 903, 904, 905, 906, 907, 908, 909, 910, 911, 912, 913, 914, 915, 916, 917, 918, 919, 920, 921, 922, 923, 924, 925, 926, 927, 928, 929, 930, 931, 932, 933, 934, 935, 936, 937, 938, 939, 940, 941, 942, 943, 944, 945, 946, 947, 948, 949, 950, 951, 952, 953, 954, 955, 956, 957, 958, 959, 960, 961, 962, 963, 964, 965, 966, 967, 968, 969, 970, 971, 972, 973, 974, 975, 976, 977, 978, 979, 980, 981, 982, 983, 984, 985, 986, 987, 988, 989, 990, 991, 992, 993, 994, 995, 996, 997, 998, 999, 1000

ARCHITECT :

lwk&partners
ARCHITECTS

MAIN CONTRACTOR :

怡和建築有限公司
Yee Ho Building Contractors Ltd.

STRUCTURAL ENGINEER :

ARUP

FAÇADE CONSULTANT :

ALPHA CONSULTING LIMITED
Steel Structure & Façade Specialist

NOTE :

1. ALL DIMENSIONS ARE IN mm.
2. ALL ELEVATIONS ARE VIEWED FROM OUTSIDE.
3. ALL DIMENSIONS TO BE VERIFIED ON SITE BEFORE FABRICATION.

LEGEND :

1. F.F.L. -- FINISHED FLOOR LEVEL
2. S.F.L. -- STRUCTURAL FLOOR LEVEL

NO.	DATE	REVISION
E	16/07/2023	REVISION SUBJECT TO ALPHA COMMENT
D	10/06/2023	REVISION SUBJECT TO ADJUSTMENT
C	11/05/2023	REVISION SUBJECT TO ADJUSTMENT
B	29/03/2023	REVISION SUBJECT TO ADJUSTMENT
A	12/07/2023	REVISION SUBJECT TO ADJUSTMENT

J-856

JOB NO. :

PROPOSED DEVELOPMENT ABOVE
LIGHT RAIL TAN WING STOP TSM/TL
NO.23, AREA 33, TIN SHUI WAI, N.T.

TITLE :

WINDOW SCHEDULE FOR
TOWER 1 ACOUSTIC WINDOW

DATE :

06-Jun-23

SCALE :

1:40

DRAWN BY :

lwai

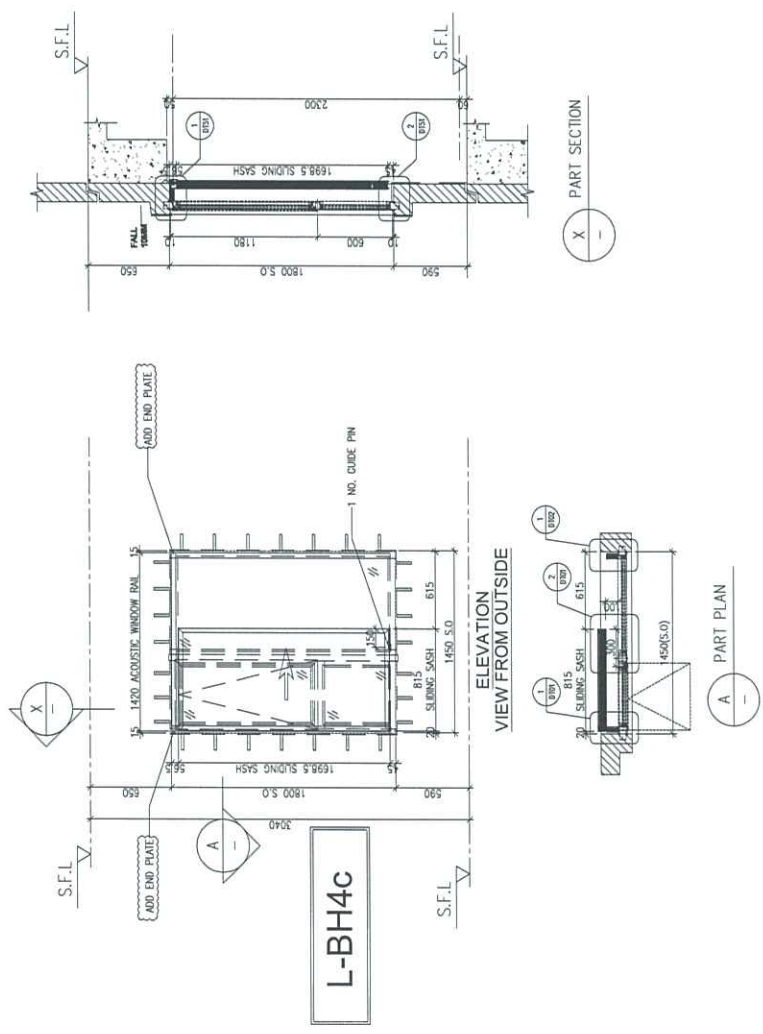
CHECKED BY :

MDI

美特鋁質有限公司
MIDI Aluminium Fabricator Ltd.
Unit 6-8, Saang Road, Kwai
610 Chee Kwo Ling Road, Kwai
1452489211-4, Fax: (852)2727656

DWG NO. : 4656-SD-AS-5106

REV. : E



AW-A-04C					
LOCATION	A5-MBR	A6-MBR	A7-MBR		
FLOOR	3/F-46/F	3/F-45/F	3/F-45/F		
MPA	YES	YES	YES		
TOP & SIDE SAM	YES	YES	YES		
QUANTITY	38	37	37		
OVERLAPPING(REQUIRE)	300	300	300		
OVERLAPPING(PROVIDED)	300	300	300		

B.D. REF :

CLIENT :



677 SUN HUNG KAI CENTRE, WONGKONG

ARCHITECT :



MAIN CONTRACTOR :



STRUCTURAL ENGINEER :



FAÇADE CONSULTANT :



NOTE:

1. ALL DIMENSIONS ARE IN mm.
2. ALL ELEVATIONS ARE VIEWED FROM OUTSIDE.
3. ALL DIMENSIONS TO BE VERIFIED ON SITE BEFORE FABRICATION.

LEGEND:

1. F.F.L. -- FINISHED FLOOR LEVEL
2. S.F.L. -- STRUCTURAL FLOOR LEVEL

NO.	DATE	REVISION
F	16/04/2023	REVISION SUBJECT TO ALPHA CONSULTING
E	10/04/2023	REVISION SUBJECT TO ARCHITECT
D	10/04/2023	REVISION SUBJECT TO ARCHITECT
C	11/05/2023	REVISION SUBJECT TO ARCHITECT
B	21/03/2023	REVISION SUBJECT TO ARCHITECT
A	12/01/2023	REVISION SUBJECT TO ARCHITECT
REV.	DATE	REVISION

JOB NO. : J-856

PROJECT : PROPOSED DEVELOPMENT ABOVE LIGHT RAIL TIN WING STOP TSM/TL NO.23, AREA 33, TIN SHUI WAI, N.T.

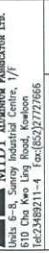
TITLE : WINDOW SCHEDULE FOR TOWER 1 ACOUSTIC WINDOW

DATE : 06-Jun-23

SCALE : 1:40

DRAWN BY : Ivan

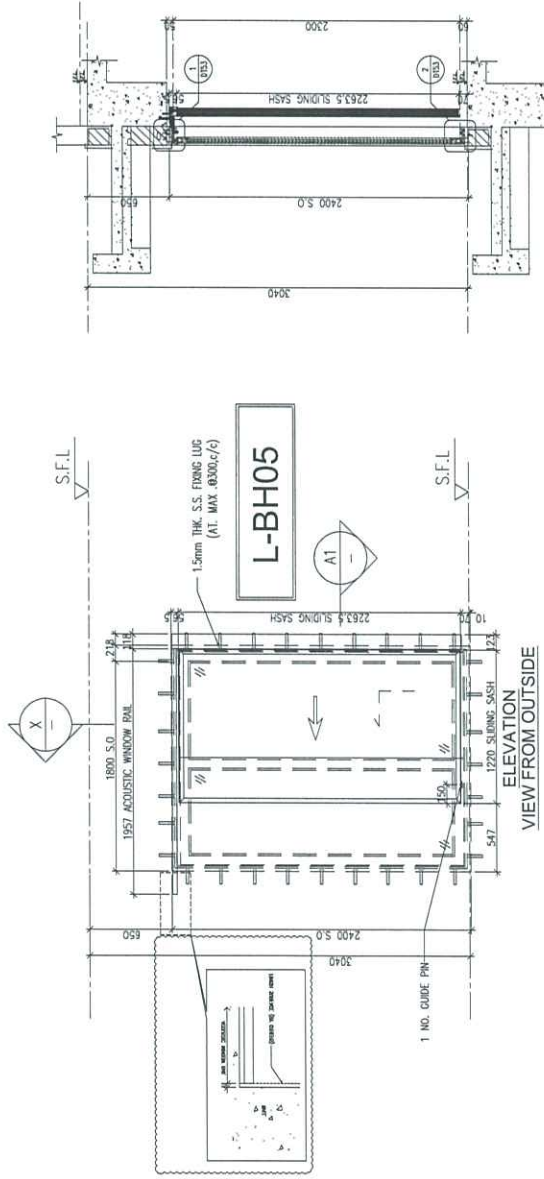
CHECKED BY :



619 Cha Kwo Ling Road, Kowloon Tel: 2348211-4 Fax: (852) 27277666

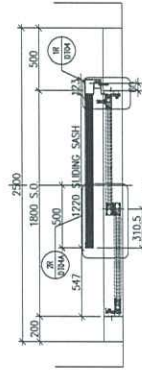
DWG NO. : 4856-S0-AS-5107

REV. : F

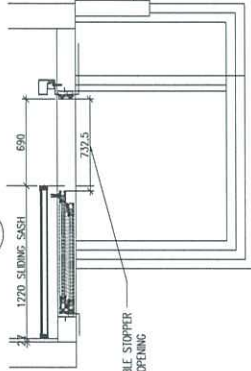


ELEVATION VIEW FROM OUTSIDE

X - X
PART SECTION



A1 - A1
PART PLAN



AW-A-05			
LOCATION	A6-LIV	B5-LIV	
FLOOR	3/F-45/F	3/F-46/F	
MPA	YES	YES	
TOP & SIDE SAM	YES	YES	
QUANTITY	37	38	
OVERLAPPING(REQUIRE)	500	500	
OVERLAPPING(PROVIDED)	500	500	