



工程指示 / 要求簡箋 ENGINEER INSTRUCTIONS(E.I.)

工程指示編號:	EI- 7005	修改版本:	-
	HK- 2660		
工程編號:	J 856	工程名稱:	天榮站
收件人:	生統/Maggie	發件人:	Iris
工程項目:	T1座 7F-11F 佛沙窗臨時片玻璃BM 地盤用	日期:	17/11/2023

<input checked="" type="checkbox"/> 原合約工程包	<input type="checkbox"/> 原合約工程加 / 減賬 QT-	<input type="checkbox"/> 新工程報價 QT-
--	--	------------------------------------

信件批核號碼/圖紙參考編號:	批核模具圖紙編號:
客戶指示附件:	管理內部批簽署:

<input type="checkbox"/> 初步鋁料 B.M.	<input type="checkbox"/> 加工拆圖, 然後生產	<input type="checkbox"/> 尺寸表
<input type="checkbox"/> 正式鋁料 B.M.	<input type="checkbox"/> 技術上資料/指示	<input type="checkbox"/> 報價
<input type="checkbox"/> 配件 B.M.	<input type="checkbox"/> 樣辦或貨品說明書	<input type="checkbox"/> 分判合約
<input type="checkbox"/> 其他:		

內容: T1座7F-11F佛沙窗臨時片玻璃 (BM表+加工圖+位置圖) 要做鋼化.
分層包裝
不需做熱浸
送貨前請與打理確認才可出貨 92767955

完成上列要求日期: 24/11/2023

國內

<input type="checkbox"/> 生產技術總監	<input type="checkbox"/> 連附件	<input checked="" type="checkbox"/> 技術部	<input checked="" type="checkbox"/> 連附件	<input type="checkbox"/> 生產部	<input type="checkbox"/> 連附件
<input type="checkbox"/> 採購部	<input type="checkbox"/> 連附件	<input checked="" type="checkbox"/> 生產統籌部	<input checked="" type="checkbox"/> 連附件	<input type="checkbox"/> 報關組	<input type="checkbox"/> 連附件
<input type="checkbox"/> 質檢部	<input type="checkbox"/> 連附件	<input type="checkbox"/> 會計部	<input type="checkbox"/> 連附件	<input type="checkbox"/> 機械設計部	<input type="checkbox"/> 連附件
<input type="checkbox"/> 香港辦	<input type="checkbox"/> 連附件	<input type="checkbox"/> 其他:			

香港

<input type="checkbox"/> 行政部	<input type="checkbox"/> 連附件	<input type="checkbox"/> 會計部	<input type="checkbox"/> 連附件	<input type="checkbox"/> 統籌部	<input type="checkbox"/> 連附件	<input type="checkbox"/> 工程部	<input type="checkbox"/> 連附件
<input checked="" type="checkbox"/> 採購部	<input checked="" type="checkbox"/> 連附件	<input type="checkbox"/> QS部	<input type="checkbox"/> 連附件	<input type="checkbox"/> 地盤管理	<input type="checkbox"/> 連附件	<input type="checkbox"/> 維修部	<input type="checkbox"/> 連附件

*發件人簽署: Iris	*組別成員批核簽署:
傳遞編號:	項目經理簽署:

美特鋁質有限公司 MDI Aluminium Fabricator Ltd.		工程號: J-856	計算: 方強	日期: 2023.11.16	送呈: 胡哥	註明: 計算參考數值/ 所屬位置分格																	
地盤用玻璃B.M.表		地盤名稱: 天水圍天樂站	核對: 謝永林	日期: 2023.11.17	副本: 正式數																		
項目類別: 修改版次:		佛沙窗臨時片		批准:		A/C Code: 依據EI-7002計算																	
修改內容		厚度 (mm)		玻璃尺寸		數量		總面積 (平方米)		使用位置		分屬類型		分格寬度		分格高度		使用窗號		樓層		每層用量	
序號	玻璃編號	顏色與類型/加工圖參考	寬度 (W mm)	高度 (H mm)	寬度 (W mm)	高度 (H mm)	塊	塊	(平方米)	使用窗層	使用位置	分屬類型	分格寬度	分格高度	使用窗號	樓層	每層用量						
1	EG1-1-1a	清片/8mm鋼化單片(L-GG)	452	544.5	452	544.5	5	5	1.231	7/F-11/F	TL-A2	70梗窗	590	600	AW02	5	1						
2	EG1-1-1a	清片/8mm鋼化單片(L-GG)	452	544.5	452	544.5	5	5	1.231	7/F-11/F	TL-B2	70梗窗	590	600	AW02	5	1						
3	EG1-1-1a	清片/8mm鋼化單片(L-GG)	452	544.5	452	544.5	10	10	2.461	7/F-11/F	TL-B1,A2	70梗窗	590	600	AW02R	5	2						
4	EG1-1-1a	清片/8mm鋼化單片(L-GG)	452	544.5	452	544.5	5	5	1.231	7/F-11/F	TL-A6	70梗窗	590	600	AW04c	5	1						
5	EG1-1-1b	清片/8mm鋼化單片(L-GG)	352	544.5	352	544.5	5	5	0.958	7/F-11/F	TL-B7	70梗窗	490	600	AW02a	5	1						
6	EG1-1-1b	清片/8mm鋼化單片(L-GG)	352	544.5	352	544.5	10	10	1.917	7/F-11/F	TL-A8,A8	70梗窗	490	600	AW02bR	5	2						
7	EG1-1-1	清片/8mm鋼化單片(L-GG)	452	774.5	452	774.5	5	5	1.750	7/F-11/F	TL-A2	70梗窗	590	830	AW03	5	1						
8	EG1-1-1	清片/8mm鋼化單片(L-GG)	452	774.5	452	774.5	5	5	1.750	7/F-11/F	TL-B2	70梗窗	590	830	AW04	5	1						
9	EG1-1-1	清片/8mm鋼化單片(L-GG)	452	774.5	452	774.5	5	5	1.750	7/F-11/F	TL-B7	70梗窗	590	830	AW04aR	5	1						
10	EG1-1-2	清片/8mm鋼化單片(L-GG)	410	1720	410	1720	5	5	3.526	7/F-11/F	TL-A2	70梗窗	490	1780	AW02	5	1						
11	EG1-1-2	清片/8mm鋼化單片(L-GG)	410	1720	410	1720	5	5	3.526	7/F-11/F	TL-B2	70梗窗	490	1780	AW02	5	1						
12	EG1-1-2	清片/8mm鋼化單片(L-GG)	410	1720	410	1720	10	10	7.052	7/F-11/F	TL-B1,A2	70梗窗	490	1780	AW02R	5	2						
13	EG1-1-2a	清片/8mm鋼化單片(L-GG)	660	1720	660	1720	5	5	5.676	7/F-11/F	TL-B7	70梗窗	740	1780	AW02a	5	1						
14	EG1-1-2b	清片/8mm鋼化單片(L-GG)	600	1664.5	600	1664.5	10	10	9.987	7/F-11/F	TL-A8,A8	70梗窗	740	1780	AW02bR	5	2						
15	EG1-1-3	清片/8mm鋼化單片(L-GG)	810	1950.0	810	1950.0	5	5	7.898	7/F-11/F	TL-A2	70梗窗	890	2010	AW03	5	1						
16	EG1-1-4	清片/8mm鋼化單片(L-GG)	610	1950.0	610	1950.0	5	5	5.948	7/F-11/F	TL-B2	70梗窗	690	2010	AW04	5	1						
17	EG1-1-4a	清片/8mm鋼化單片(L-GG)	760	1950.0	760	1950.0	5	5	7.410	7/F-11/F	TL-B7	70梗窗	840	2010	AW04aR	5	1						
18	EG1-1-4c	清片/8mm鋼化單片(L-GG)	760	1720.0	760	1720.0	5	5	6.536	7/F-11/F	TL-A6	70梗窗	840	1780	AW04c	5	1						
19	EG1-1A-1	清片/8mm鋼化單片(L-GG)	450	1064.5	450	1064.5	5	5	2.395	7/F-11/F	TL-A2	70生窗	590	1180	AW02	5	1						
20	EG1-1A-1	清片/8mm鋼化單片(L-GG)	450	1064.5	450	1064.5	5	5	2.395	7/F-11/F	TL-B2	70生窗	590	1180	AW02	5	1						
21	EG1-1A-1	清片/8mm鋼化單片(L-GG)	450	1064.5	450	1064.5	10	10	4.790	7/F-11/F	TL-B1,A2	70生窗	590	1180	AW02R	5	2						
22	EG1-1A-1	清片/8mm鋼化單片(L-GG)	450	1064.5	450	1064.5	5	5	2.395	7/F-11/F	TL-A2	70生窗	590	1180	AW03	5	1						
23	EG1-1A-1	清片/8mm鋼化單片(L-GG)	450	1064.5	450	1064.5	5	5	2.395	7/F-11/F	TL-B2	70生窗	590	1180	AW04	5	1						
24	EG1-1A-1	清片/8mm鋼化單片(L-GG)	450	1064.5	450	1064.5	5	5	2.395	7/F-11/F	TL-B7	70生窗	590	1180	AW04aR	5	1						
25	EG1-1A-1	清片/8mm鋼化單片(L-GG)	450	1064.5	450	1064.5	5	5	2.395	7/F-11/F	TL-A6	70生窗	590	1180	AW04c	5	1						
26	EG1-1A-2	清片/8mm鋼化單片(L-GG)	350	1064.5	350	1064.5	5	5	1.863	7/F-11/F	TL-B7	70生窗	490	1180	AW02a	5	1						
27	EG1-1A-2	清片/8mm鋼化單片(L-GG)	350	1064.5	350	1064.5	10	10	3.726	7/F-11/F	TL-A8,A8	70生窗	490	1180	AW02bR	5	2						
						合計:	165		96.587														

1).本表中玻璃採用清片/8mm鋼化單片

2).本表中所有玻璃對角線尺寸偏差要求不超過負2mm。

3).本表中玻璃要求粗磨邊處理並倒棱角，欄河玻璃頂底要精磨邊，而所有玻璃之入蠟方向需保持一致。

4).本表中所有玻璃成品均需做雙面保護，(室內做靜電膠紙-薄邊25mm)。

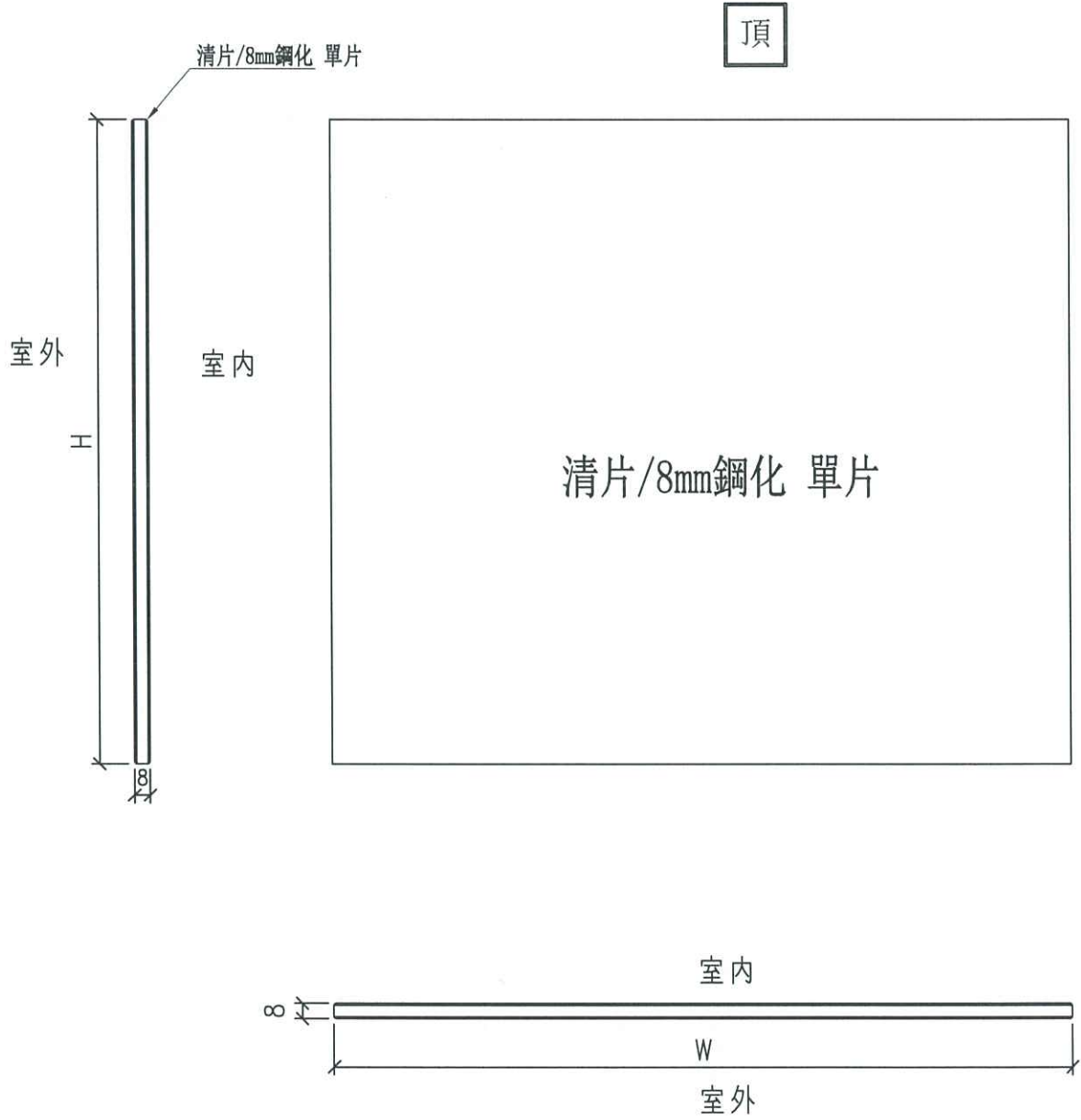
5).本表中所有玻璃成品均需注明室內外及其玻璃編號/使用位置/樓層，以便識別。

加工注意事項/玻璃類型描述:

美特鋁質 MIDI Aluminum Fabricator Ltd.		工程號: J-856		計算: 劉麗岩		日期: 2023.11.16		送呈: 胡哥		註明: 計算參考數值/ 所屬位置分格						
		地盤名稱: 天水圍天榮站		核對: 謝永林		日期: 2023.11.17		副本: 胡哥								
地盤用玻璃B.M.表		項目類別: 佛沙窗臨時片		批准:		A/C Code:		參考用								
		修改版次:		總計玻璃面積 (平方米):		96.587		依據EI-7002計算								
序號	修改內容	玻璃編號	顏色與類型/加工圖參考	厚度 (mm)	玻璃尺寸		數量 (塊)	總面積 (平方米)	使用機層	使用位置	分屬類型	分格寬度	分格高度	使用窗號	樓層	每層用量
					寬度 (W mm)	高度 (H mm)										
1		EGL-1-1a	清片/8mm鋼化單片(L-GG)	8	452	544.5	5	1.231	7/F-11/F	TL-A2	70梗窗	590	600	AW02	5	1
2		EGL-1-2	清片/8mm鋼化單片(L-GG)	8	410	1720	5	3.526	7/F-11/F	TL-A2	70梗窗	490	1780	AW02	5	1
3		EGL-1A-1	清片/8mm鋼化單片(L-GG)	8	450	1064.5	5	2.395	7/F-11/F	TL-A2	70生窗	590	1180	AW02	5	1
4		EGL-1-1	清片/8mm鋼化單片(L-GG)	8	452	774.5	5	1.750	7/F-11/F	TL-A2	70梗窗	590	830	AW03	5	1
5		EGL-1-3	清片/8mm鋼化單片(L-GG)	8	810	1950.0	5	7.898	7/F-11/F	TL-A2	70梗窗	890	2010	AW03	5	1
6		EGL-1A-1	清片/8mm鋼化單片(L-GG)	8	450	1064.5	5	2.395	7/F-11/F	TL-A2	70生窗	590	1180	AW03	5	1
7		EGL-1-1a	清片/8mm鋼化單片(L-GG)	8	452	544.5	5	1.231	7/F-11/F	TL-A6	70梗窗	590	600	AW04c	5	1
8		EGL-1-4c	清片/8mm鋼化單片(L-GG)	8	760	1720.0	5	6.536	7/F-11/F	TL-A6	70梗窗	840	1780	AW04c	5	1
9		EGL-1A-1	清片/8mm鋼化單片(L-GG)	8	450	1064.5	5	2.395	7/F-11/F	TL-A6	70生窗	590	1180	AW04c	5	1
10		EGL-1-1b	清片/8mm鋼化單片(L-GG)	8	352	544.5	10	1.917	7/F-11/F	TL-A8,A8	70梗窗	490	600	AW02bR	5	2
11		EGL-1-2b	清片/8mm鋼化單片(L-GG)	8	600	1664.5	10	9.987	7/F-11/F	TL-A8,A8	70梗窗	740	1780	AW02bR	5	2
12		EGL-1A-2	清片/8mm鋼化單片(L-GG)	8	350	1064.5	10	3.726	7/F-11/F	TL-A8,A8	70生窗	490	1180	AW02bR	5	2
13		EGL-1-1a	清片/8mm鋼化單片(L-GG)	8	452	544.5	10	2.461	7/F-11/F	TL-B1,A2	70梗窗	590	600	AW02R	5	2
14		EGL-1-2	清片/8mm鋼化單片(L-GG)	8	410	1720	10	7.052	7/F-11/F	TL-B1,A2	70梗窗	490	1780	AW02R	5	2
15		EGL-1A-1	清片/8mm鋼化單片(L-GG)	8	450	1064.5	10	4.790	7/F-11/F	TL-B1,A2	70生窗	590	1180	AW02R	5	2
16		EGL-1-1a	清片/8mm鋼化單片(L-GG)	8	452	544.5	5	1.231	7/F-11/F	TL-B2	70梗窗	590	600	AW02	5	1
17		EGL-1-2	清片/8mm鋼化單片(L-GG)	8	410	1720	5	3.526	7/F-11/F	TL-B2	70梗窗	490	1780	AW02	5	1
18		EGL-1A-1	清片/8mm鋼化單片(L-GG)	8	450	1064.5	5	2.395	7/F-11/F	TL-B2	70生窗	590	1180	AW02	5	1
19		EGL-1-1	清片/8mm鋼化單片(L-GG)	8	452	774.5	5	1.750	7/F-11/F	TL-B2	70梗窗	590	830	AW04	5	1
20		EGL-1-4	清片/8mm鋼化單片(L-GG)	8	610	1950.0	5	5.948	7/F-11/F	TL-B2	70梗窗	690	2010	AW04	5	1
21		EGL-1A-1	清片/8mm鋼化單片(L-GG)	8	450	1064.5	5	2.395	7/F-11/F	TL-B2	70生窗	590	1180	AW04	5	1
22		EGL-1-1b	清片/8mm鋼化單片(L-GG)	8	352	544.5	5	0.958	7/F-11/F	TL-B7	70梗窗	490	600	AW02a	5	1
23		EGL-1-2a	清片/8mm鋼化單片(L-GG)	8	660	1720	5	5.676	7/F-11/F	TL-B7	70梗窗	740	1780	AW02a	5	1
24		EGL-1A-2	清片/8mm鋼化單片(L-GG)	8	350	1064.5	5	1.863	7/F-11/F	TL-B7	70生窗	490	1180	AW02a	5	1
25		EGL-1-1	清片/8mm鋼化單片(L-GG)	8	452	774.5	5	1.750	7/F-11/F	TL-B7	70梗窗	590	830	AW04aR	5	1
26		EGL-1-4a	清片/8mm鋼化單片(L-GG)	8	760	1950.0	5	7.410	7/F-11/F	TL-B7	70梗窗	840	2010	AW04aR	5	1
27		EGL-1A-1	清片/8mm鋼化單片(L-GG)	8	450	1064.5	5	2.395	7/F-11/F	TL-B7	70生窗	590	1180	AW04aR	5	1
							合計:	165								
								96.587								

- 加工注意事項/玻璃類型描述:**
- 1). 本表中玻璃採用清片/8mm鋼化單片
 - 2). 本表中所有玻璃對角線尺寸偏差要求不超過負2mm。
 - 3). 本表中玻璃要求粗磨邊處理並倒棱角，欄河玻璃頂底要精磨邊，而所有玻璃之入爐方向需保持一致。
 - 4). 本表中所有玻璃成品均需做雙面保護，(室內做靜電膠紙-離邊25mm)。
 - 5). 本表中所有玻璃成品均需注明室內外及其玻璃編號/使用位置/機層，以便識別。

 美特鋁質有限公司 MIDI Aluminium Fabricator Ltd.				類別		物料號	
				制圖	黃瓊玉	2023.06.16	圖號 L-GG
修改				復核	謝永林	2023.06.16	數量 見BOM表
日期				批准			位置 見BOM表



工程號	J-856	地盤	天水圍天榮站	附 件
名稱	玻璃加工圖 (清片/8mm鋼化 單片)		採 用	
材 料		地盤	√	
顏 色	清片/8mm鋼化 單片	工廠		

B.D. REF :

CLIENT : **SUN HUNG KAI**
 REAL ESTATE AGENCY LTD.
 477 號 47 樓 香港 德輔道中, 香港

ARCHITECT : **hwk&partners**
 ARCHITECTS

MAIN CONTRACTOR : **怡和建築有限公司**
 Yee Ho Fook Building Contractors Ltd.

STRUCTURAL ENGINEER : **ARUP**
 FRANK CONSULTING

ALPHA CONSULTING LIMITED
 Steel Structures & Façade Specialist

NOTE:

- ALL DIMENSIONS ARE IN mm.
- ALL DIMENSIONS ARE MEASUREMENT FROM OUTSIDE.
- ALL DIMENSIONS TO BE CHECKED ON SITE BEFORE FABRICATION.

LEGEND:

① REIN. MARK NO. REFER SHEET NO.

- F.F.L. — FINISHED FLOOR LEVEL.
- S.F.L. — STRUCTURAL FLOOR LEVEL.
- ② — REVERSED DETAIL.
- GLASS LOGGING
- ④ — 10mm THK. CRISTAL CLEAR TEMPERED GLASS (FOR RT & ST)
- ⑤ — 10mm THK. CRISTAL TEMPERED ACID ETCHED GLASS (FOR SHH)

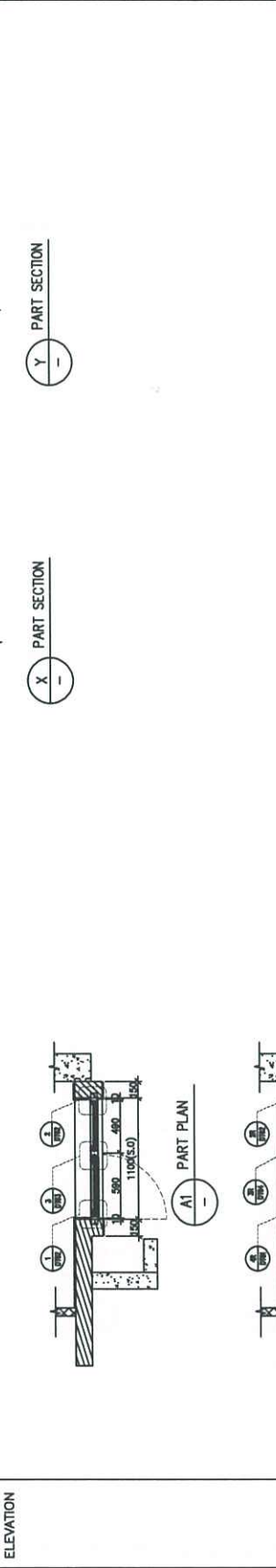
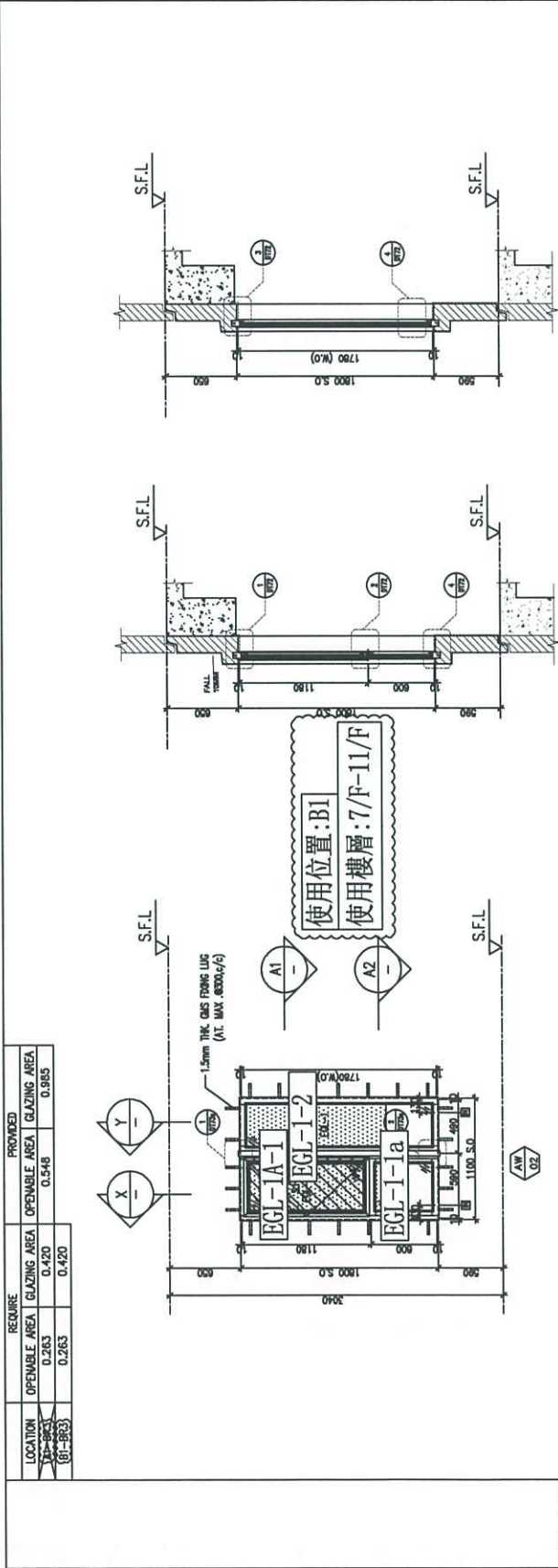
⑥ 20/20/2000 REVISION SUBJECT TO ACKNOWLEDGMENT
 ⑦ 21/20/2000 REVISION SUBJECT TO ACKNOWLEDGMENT
 ⑧ 22/20/2000 REVISION SUBJECT TO ACKNOWLEDGMENT
 ⑨ 23/20/2000 REVISION SUBJECT TO ACKNOWLEDGMENT
 ⑩ 24/20/2000 REVISION SUBJECT TO ACKNOWLEDGMENT

DATE	02-Aug-21	SCALE	1:40
DRAWN BY	Yvon	CHECKED BY	
JOB NO.	J-856		
PROJECT	PROPOSED DEVELOPMENT ABOVE LIGHT RAIL TUNNEL STOP, TSWTL NO.23, AREA 33.17W SHUI WAH, N.T.		
TITLE	WINDOW SCHEDULE FOR TOWER 1 ALUM. WINDOW		

DATE : 02-Aug-21
 SCALE : 1:40
 DRAWN BY : Yvon
 CHECKED BY :
 JOB NO. : J-856
 PROJECT : PROPOSED DEVELOPMENT ABOVE LIGHT RAIL TUNNEL STOP, TSWTL NO.23, AREA 33.17W SHUI WAH, N.T.
 TITLE : WINDOW SCHEDULE FOR TOWER 1 ALUM. WINDOW

AW 02/2021

AW 02/2021
 3/F-F-45/F(4/F,13/F,14/F,24/F,34/F,44/F OMITTED) UNIT B1
 70mm ALUM. SECTION
 EGL-1, EGL-1A
 (37 Nos)
 FACADE(TYPE T1PF02R/ T1PF02) FOR 3/F-F-45(F), 4 BAR HINGE-LIP HING (HHMS-N16)



WINDOW MARK	AW 02/2021	REMARKS
LOCATION	3/F-F-45/F(4/F,13/F,14/F,24/F,34/F,44/F OMITTED) UNIT A1	
SECTION	70mm ALUM. SECTION	
GLAZING	EGL-1, EGL-1A	
QUANTITY	(37 Nos)	
REMARKS	FACADE(TYPE T1PF04R FOR 3/F-F-45(F), 4 BAR HINGE-LIP HING (HHMS-N16)	

B.A. REF :

CLIENT :
SUN HUNG KAI
 REAL ESTATE AGENCY LTD.
 477 號 100 號 街 香港 新 豐 街 香港 新 豐 街

ARCHITECT :
lwk&partners
 1 2 3 4 5 6 7 8 9 10 11 12 13 14 15 16 17 18 19 20 21 22 23 24 25 26 27 28 29 30 31 32 33 34 35 36 37 38 39 40 41 42 43 44 45 46 47 48 49 50 51 52 53 54 55 56 57 58 59 60 61 62 63 64 65 66 67 68 69 70 71 72 73 74 75 76 77 78 79 80 81 82 83 84 85 86 87 88 89 90 91 92 93 94 95 96 97 98 99 100

M&E CONTRACTOR :
怡和建築有限公司
 Yee Ho Building Contractors Ltd.

STRUCTURAL ENGINEER :
ARUP

FRAME CONSULTING:
ALPHA CONSULTING LIMITED
 Alpha Structures & Facade Specialist

NOTE:
 1. ALL DIMENSIONS ARE IN MM.
 2. ALL DIMENSIONS ARE VIEWED FROM OUTSIDE.
 3. DIMENSIONS TO BE VIEWED ON SITE.
 4. REFER TO PROGRAM.

LEGEND:
 (A) CENTRAL MARK NO.
 (B) REFER SHEET NO.
 1. F.F.L. — FINISHED FLOOR LEVEL.
 2. S.F.L. — STRUCTURAL FLOOR LEVEL.
 3. (E) — REVERSED DETAIL.
 4. GLASS LEGEND
 EG-1 — 6mm+12mm AIR GAP+10mmP THK. LGLL
 EG-1B — 6mm+12mm AIR GAP+10mm CLEAR
 EG-1A — 6mm+12mm AIR GAP+10mmP THK. LGLL
 EG-2 — 10mm THK. CRYSTAL CLEAR
 EG-3 — 10mm THK. CRYSTAL CLEAR
 EG-4 — 10mm THK. CRYSTAL TEMPERED
 EG-5 — 10mm THK. CRYSTAL TEMPERED
 EG-6 — 10mm THK. CRYSTAL TEMPERED
 EG-7 — 10mm THK. CRYSTAL TEMPERED
 EG-8 — 10mm THK. CRYSTAL TEMPERED
 EG-9 — 10mm THK. CRYSTAL TEMPERED
 EG-10 — 10mm THK. CRYSTAL TEMPERED
 EG-11 — 10mm THK. CRYSTAL TEMPERED
 EG-12 — 10mm THK. CRYSTAL TEMPERED
 EG-13 — 10mm THK. CRYSTAL TEMPERED
 EG-14 — 10mm THK. CRYSTAL TEMPERED
 EG-15 — 10mm THK. CRYSTAL TEMPERED
 EG-16 — 10mm THK. CRYSTAL TEMPERED
 EG-17 — 10mm THK. CRYSTAL TEMPERED
 EG-18 — 10mm THK. CRYSTAL TEMPERED
 EG-19 — 10mm THK. CRYSTAL TEMPERED
 EG-20 — 10mm THK. CRYSTAL TEMPERED
 EG-21 — 10mm THK. CRYSTAL TEMPERED
 EG-22 — 10mm THK. CRYSTAL TEMPERED
 EG-23 — 10mm THK. CRYSTAL TEMPERED
 EG-24 — 10mm THK. CRYSTAL TEMPERED
 EG-25 — 10mm THK. CRYSTAL TEMPERED
 EG-26 — 10mm THK. CRYSTAL TEMPERED
 EG-27 — 10mm THK. CRYSTAL TEMPERED
 EG-28 — 10mm THK. CRYSTAL TEMPERED
 EG-29 — 10mm THK. CRYSTAL TEMPERED
 EG-30 — 10mm THK. CRYSTAL TEMPERED
 EG-31 — 10mm THK. CRYSTAL TEMPERED
 EG-32 — 10mm THK. CRYSTAL TEMPERED
 EG-33 — 10mm THK. CRYSTAL TEMPERED
 EG-34 — 10mm THK. CRYSTAL TEMPERED
 EG-35 — 10mm THK. CRYSTAL TEMPERED
 EG-36 — 10mm THK. CRYSTAL TEMPERED
 EG-37 — 10mm THK. CRYSTAL TEMPERED
 EG-38 — 10mm THK. CRYSTAL TEMPERED
 EG-39 — 10mm THK. CRYSTAL TEMPERED
 EG-40 — 10mm THK. CRYSTAL TEMPERED
 EG-41 — 10mm THK. CRYSTAL TEMPERED
 EG-42 — 10mm THK. CRYSTAL TEMPERED
 EG-43 — 10mm THK. CRYSTAL TEMPERED
 EG-44 — 10mm THK. CRYSTAL TEMPERED
 EG-45 — 10mm THK. CRYSTAL TEMPERED
 EG-46 — 10mm THK. CRYSTAL TEMPERED
 EG-47 — 10mm THK. CRYSTAL TEMPERED
 EG-48 — 10mm THK. CRYSTAL TEMPERED
 EG-49 — 10mm THK. CRYSTAL TEMPERED
 EG-50 — 10mm THK. CRYSTAL TEMPERED
 EG-51 — 10mm THK. CRYSTAL TEMPERED
 EG-52 — 10mm THK. CRYSTAL TEMPERED
 EG-53 — 10mm THK. CRYSTAL TEMPERED
 EG-54 — 10mm THK. CRYSTAL TEMPERED
 EG-55 — 10mm THK. CRYSTAL TEMPERED
 EG-56 — 10mm THK. CRYSTAL TEMPERED
 EG-57 — 10mm THK. CRYSTAL TEMPERED
 EG-58 — 10mm THK. CRYSTAL TEMPERED
 EG-59 — 10mm THK. CRYSTAL TEMPERED
 EG-60 — 10mm THK. CRYSTAL TEMPERED
 EG-61 — 10mm THK. CRYSTAL TEMPERED
 EG-62 — 10mm THK. CRYSTAL TEMPERED
 EG-63 — 10mm THK. CRYSTAL TEMPERED
 EG-64 — 10mm THK. CRYSTAL TEMPERED
 EG-65 — 10mm THK. CRYSTAL TEMPERED
 EG-66 — 10mm THK. CRYSTAL TEMPERED
 EG-67 — 10mm THK. CRYSTAL TEMPERED
 EG-68 — 10mm THK. CRYSTAL TEMPERED
 EG-69 — 10mm THK. CRYSTAL TEMPERED
 EG-70 — 10mm THK. CRYSTAL TEMPERED
 EG-71 — 10mm THK. CRYSTAL TEMPERED
 EG-72 — 10mm THK. CRYSTAL TEMPERED
 EG-73 — 10mm THK. CRYSTAL TEMPERED
 EG-74 — 10mm THK. CRYSTAL TEMPERED
 EG-75 — 10mm THK. CRYSTAL TEMPERED
 EG-76 — 10mm THK. CRYSTAL TEMPERED
 EG-77 — 10mm THK. CRYSTAL TEMPERED
 EG-78 — 10mm THK. CRYSTAL TEMPERED
 EG-79 — 10mm THK. CRYSTAL TEMPERED
 EG-80 — 10mm THK. CRYSTAL TEMPERED
 EG-81 — 10mm THK. CRYSTAL TEMPERED
 EG-82 — 10mm THK. CRYSTAL TEMPERED
 EG-83 — 10mm THK. CRYSTAL TEMPERED
 EG-84 — 10mm THK. CRYSTAL TEMPERED
 EG-85 — 10mm THK. CRYSTAL TEMPERED
 EG-86 — 10mm THK. CRYSTAL TEMPERED
 EG-87 — 10mm THK. CRYSTAL TEMPERED
 EG-88 — 10mm THK. CRYSTAL TEMPERED
 EG-89 — 10mm THK. CRYSTAL TEMPERED
 EG-90 — 10mm THK. CRYSTAL TEMPERED
 EG-91 — 10mm THK. CRYSTAL TEMPERED
 EG-92 — 10mm THK. CRYSTAL TEMPERED
 EG-93 — 10mm THK. CRYSTAL TEMPERED
 EG-94 — 10mm THK. CRYSTAL TEMPERED
 EG-95 — 10mm THK. CRYSTAL TEMPERED
 EG-96 — 10mm THK. CRYSTAL TEMPERED
 EG-97 — 10mm THK. CRYSTAL TEMPERED
 EG-98 — 10mm THK. CRYSTAL TEMPERED
 EG-99 — 10mm THK. CRYSTAL TEMPERED
 EG-100 — 10mm THK. CRYSTAL TEMPERED

1	20/20/20	PERFORM SUBJECT TO THE WORKMAN
2	20/20/20	PERFORM SUBJECT TO THE WORKMAN
3	20/20/20	PERFORM SUBJECT TO THE WORKMAN
4	20/20/20	PERFORM SUBJECT TO THE WORKMAN
5	20/20/20	PERFORM SUBJECT TO THE WORKMAN
6	20/20/20	PERFORM SUBJECT TO THE WORKMAN
7	20/20/20	PERFORM SUBJECT TO THE WORKMAN
8	20/20/20	PERFORM SUBJECT TO THE WORKMAN
9	20/20/20	PERFORM SUBJECT TO THE WORKMAN
10	20/20/20	PERFORM SUBJECT TO THE WORKMAN
11	20/20/20	PERFORM SUBJECT TO THE WORKMAN
12	20/20/20	PERFORM SUBJECT TO THE WORKMAN
13	20/20/20	PERFORM SUBJECT TO THE WORKMAN
14	20/20/20	PERFORM SUBJECT TO THE WORKMAN
15	20/20/20	PERFORM SUBJECT TO THE WORKMAN
16	20/20/20	PERFORM SUBJECT TO THE WORKMAN
17	20/20/20	PERFORM SUBJECT TO THE WORKMAN
18	20/20/20	PERFORM SUBJECT TO THE WORKMAN
19	20/20/20	PERFORM SUBJECT TO THE WORKMAN
20	20/20/20	PERFORM SUBJECT TO THE WORKMAN
21	20/20/20	PERFORM SUBJECT TO THE WORKMAN
22	20/20/20	PERFORM SUBJECT TO THE WORKMAN
23	20/20/20	PERFORM SUBJECT TO THE WORKMAN
24	20/20/20	PERFORM SUBJECT TO THE WORKMAN
25	20/20/20	PERFORM SUBJECT TO THE WORKMAN
26	20/20/20	PERFORM SUBJECT TO THE WORKMAN
27	20/20/20	PERFORM SUBJECT TO THE WORKMAN
28	20/20/20	PERFORM SUBJECT TO THE WORKMAN
29	20/20/20	PERFORM SUBJECT TO THE WORKMAN
30	20/20/20	PERFORM SUBJECT TO THE WORKMAN
31	20/20/20	PERFORM SUBJECT TO THE WORKMAN
32	20/20/20	PERFORM SUBJECT TO THE WORKMAN
33	20/20/20	PERFORM SUBJECT TO THE WORKMAN
34	20/20/20	PERFORM SUBJECT TO THE WORKMAN
35	20/20/20	PERFORM SUBJECT TO THE WORKMAN
36	20/20/20	PERFORM SUBJECT TO THE WORKMAN
37	20/20/20	PERFORM SUBJECT TO THE WORKMAN
38	20/20/20	PERFORM SUBJECT TO THE WORKMAN
39	20/20/20	PERFORM SUBJECT TO THE WORKMAN
40	20/20/20	PERFORM SUBJECT TO THE WORKMAN
41	20/20/20	PERFORM SUBJECT TO THE WORKMAN
42	20/20/20	PERFORM SUBJECT TO THE WORKMAN
43	20/20/20	PERFORM SUBJECT TO THE WORKMAN
44	20/20/20	PERFORM SUBJECT TO THE WORKMAN
45	20/20/20	PERFORM SUBJECT TO THE WORKMAN
46	20/20/20	PERFORM SUBJECT TO THE WORKMAN
47	20/20/20	PERFORM SUBJECT TO THE WORKMAN
48	20/20/20	PERFORM SUBJECT TO THE WORKMAN
49	20/20/20	PERFORM SUBJECT TO THE WORKMAN
50	20/20/20	PERFORM SUBJECT TO THE WORKMAN
51	20/20/20	PERFORM SUBJECT TO THE WORKMAN
52	20/20/20	PERFORM SUBJECT TO THE WORKMAN
53	20/20/20	PERFORM SUBJECT TO THE WORKMAN
54	20/20/20	PERFORM SUBJECT TO THE WORKMAN
55	20/20/20	PERFORM SUBJECT TO THE WORKMAN
56	20/20/20	PERFORM SUBJECT TO THE WORKMAN
57	20/20/20	PERFORM SUBJECT TO THE WORKMAN
58	20/20/20	PERFORM SUBJECT TO THE WORKMAN
59	20/20/20	PERFORM SUBJECT TO THE WORKMAN
60	20/20/20	PERFORM SUBJECT TO THE WORKMAN
61	20/20/20	PERFORM SUBJECT TO THE WORKMAN
62	20/20/20	PERFORM SUBJECT TO THE WORKMAN
63	20/20/20	PERFORM SUBJECT TO THE WORKMAN
64	20/20/20	PERFORM SUBJECT TO THE WORKMAN
65	20/20/20	PERFORM SUBJECT TO THE WORKMAN
66	20/20/20	PERFORM SUBJECT TO THE WORKMAN
67	20/20/20	PERFORM SUBJECT TO THE WORKMAN
68	20/20/20	PERFORM SUBJECT TO THE WORKMAN
69	20/20/20	PERFORM SUBJECT TO THE WORKMAN
70	20/20/20	PERFORM SUBJECT TO THE WORKMAN
71	20/20/20	PERFORM SUBJECT TO THE WORKMAN
72	20/20/20	PERFORM SUBJECT TO THE WORKMAN
73	20/20/20	PERFORM SUBJECT TO THE WORKMAN
74	20/20/20	PERFORM SUBJECT TO THE WORKMAN
75	20/20/20	PERFORM SUBJECT TO THE WORKMAN
76	20/20/20	PERFORM SUBJECT TO THE WORKMAN
77	20/20/20	PERFORM SUBJECT TO THE WORKMAN
78	20/20/20	PERFORM SUBJECT TO THE WORKMAN
79	20/20/20	PERFORM SUBJECT TO THE WORKMAN
80	20/20/20	PERFORM SUBJECT TO THE WORKMAN
81	20/20/20	PERFORM SUBJECT TO THE WORKMAN
82	20/20/20	PERFORM SUBJECT TO THE WORKMAN
83	20/20/20	PERFORM SUBJECT TO THE WORKMAN
84	20/20/20	PERFORM SUBJECT TO THE WORKMAN
85	20/20/20	PERFORM SUBJECT TO THE WORKMAN
86	20/20/20	PERFORM SUBJECT TO THE WORKMAN
87	20/20/20	PERFORM SUBJECT TO THE WORKMAN
88	20/20/20	PERFORM SUBJECT TO THE WORKMAN
89	20/20/20	PERFORM SUBJECT TO THE WORKMAN
90	20/20/20	PERFORM SUBJECT TO THE WORKMAN
91	20/20/20	PERFORM SUBJECT TO THE WORKMAN
92	20/20/20	PERFORM SUBJECT TO THE WORKMAN
93	20/20/20	PERFORM SUBJECT TO THE WORKMAN
94	20/20/20	PERFORM SUBJECT TO THE WORKMAN
95	20/20/20	PERFORM SUBJECT TO THE WORKMAN
96	20/20/20	PERFORM SUBJECT TO THE WORKMAN
97	20/20/20	PERFORM SUBJECT TO THE WORKMAN
98	20/20/20	PERFORM SUBJECT TO THE WORKMAN
99	20/20/20	PERFORM SUBJECT TO THE WORKMAN
100	20/20/20	PERFORM SUBJECT TO THE WORKMAN

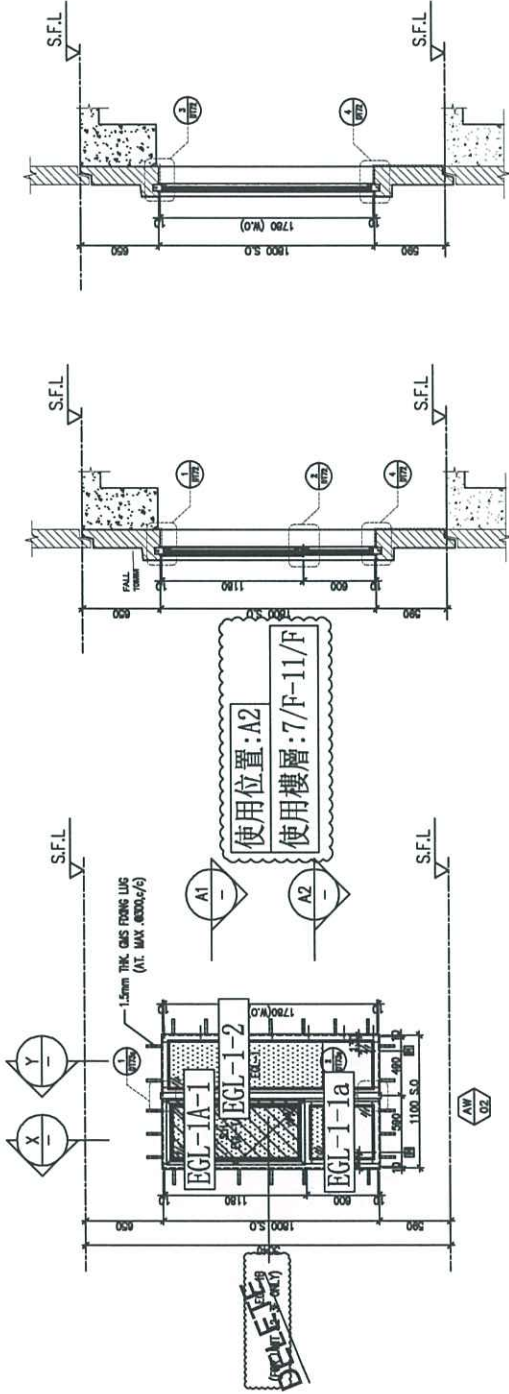
JOB NO. : J-855
 PROJECT : PROPOSED DEVELOPMENT ABOVE LIGHT RAIL TIN WING STOP, TSWTL NO.23, AREA 33, TIN SHUI WAI, N.T.

TITLE : WINDOW SCHEDULE FOR TOWER 1 ALUM. WINDOW

DATE : 02-Aug-21 SCALE : 1:40
 DRAWN BY : INON CHECKED BY :

窗務有限公司
 W&P Window & Partitions Ltd.
 110 Cheong Chee Road, #07-01/02
 Singapore 469011
 Tel: 62348821-4 Fax: 62347776
 DWP NO. : 8559-90-PW-5102 REV. : 1

LOCATION	GLAZING AREA	OPENABLE AREA	GLAZING AREA	PROVIDED
(A2-503)	0.420	0.420	0.548	0.985
(A2-502)	0.283	0.420		



ELEVATION

WINDOW MARK	SECTION	GLAZING	QUANTITY	REMARKS
(A2-503)	3/F-45/F (4/F, 13/F, 14/F, 24/F, 34/F, 44/F OMITTED) UNIT A2	70mm ALUM. SECTION EGL-1, EGL-1A	1 No. / 37 Nos	3/F-45/F (4/F, 13/F, 14/F, 24/F, 34/F, 44/F OMITTED) UNIT A2 (3/F) B. (A2-503) (A2-502) (A2-501) (A2-500) (A2-499) (A2-498) (A2-497) (A2-496) (A2-495) (A2-494) (A2-493) (A2-492) (A2-491) (A2-490) (A2-489) (A2-488) (A2-487) (A2-486) (A2-485) (A2-484) (A2-483) (A2-482) (A2-481) (A2-480) (A2-479) (A2-478) (A2-477) (A2-476) (A2-475) (A2-474) (A2-473) (A2-472) (A2-471) (A2-470) (A2-469) (A2-468) (A2-467) (A2-466) (A2-465) (A2-464) (A2-463) (A2-462) (A2-461) (A2-460) (A2-459) (A2-458) (A2-457) (A2-456) (A2-455) (A2-454) (A2-453) (A2-452) (A2-451) (A2-450) (A2-449) (A2-448) (A2-447) (A2-446) (A2-445) (A2-444) (A2-443) (A2-442) (A2-441) (A2-440) (A2-439) (A2-438) (A2-437) (A2-436) (A2-435) (A2-434) (A2-433) (A2-432) (A2-431) (A2-430) (A2-429) (A2-428) (A2-427) (A2-426) (A2-425) (A2-424) (A2-423) (A2-422) (A2-421) (A2-420) (A2-419) (A2-418) (A2-417) (A2-416) (A2-415) (A2-414) (A2-413) (A2-412) (A2-411) (A2-410) (A2-409) (A2-408) (A2-407) (A2-406) (A2-405) (A2-404) (A2-403) (A2-402) (A2-401) (A2-400) (A2-399) (A2-398) (A2-397) (A2-396) (A2-395) (A2-394) (A2-393) (A2-392) (A2-391) (A2-390) (A2-389) (A2-388) (A2-387) (A2-386) (A2-385) (A2-384) (A2-383) (A2-382) (A2-381) (A2-380) (A2-379) (A2-378) (A2-377) (A2-376) (A2-375) (A2-374) (A2-373) (A2-372) (A2-371) (A2-370) (A2-369) (A2-368) (A2-367) (A2-366) (A2-365) (A2-364) (A2-363) (A2-362) (A2-361) (A2-360) (A2-359) (A2-358) (A2-357) (A2-356) (A2-355) (A2-354) (A2-353) (A2-352) (A2-351) (A2-350) (A2-349) (A2-348) (A2-347) (A2-346) (A2-345) (A2-344) (A2-343) (A2-342) (A2-341) (A2-340) (A2-339) (A2-338) (A2-337) (A2-336) (A2-335) (A2-334) (A2-333) (A2-332) (A2-331) (A2-330) (A2-329) (A2-328) (A2-327) (A2-326) (A2-325) (A2-324) (A2-323) (A2-322) (A2-321) (A2-320) (A2-319) (A2-318) (A2-317) (A2-316) (A2-315) (A2-314) (A2-313) (A2-312) (A2-311) (A2-310) (A2-309) (A2-308) (A2-307) (A2-306) (A2-305) (A2-304) (A2-303) (A2-302) (A2-301) (A2-300) (A2-299) (A2-298) (A2-297) (A2-296) (A2-295) (A2-294) (A2-293) (A2-292) (A2-291) (A2-290) (A2-289) (A2-288) (A2-287) (A2-286) (A2-285) (A2-284) (A2-283) (A2-282) (A2-281) (A2-280) (A2-279) (A2-278) (A2-277) (A2-276) (A2-275) (A2-274) (A2-273) (A2-272) (A2-271) (A2-270) (A2-269) (A2-268) (A2-267) (A2-266) (A2-265) (A2-264) (A2-263) (A2-262) (A2-261) (A2-260) (A2-259) (A2-258) (A2-257) (A2-256) (A2-255) (A2-254) (A2-253) (A2-252) (A2-251) (A2-250) (A2-249) (A2-248) (A2-247) (A2-246) (A2-245) (A2-244) (A2-243) (A2-242) (A2-241) (A2-240) (A2-239) (A2-238) (A2-237) (A2-236) (A2-235) (A2-234) (A2-233) (A2-232) (A2-231) (A2-230) (A2-229) (A2-228) (A2-227) (A2-226) (A2-225) (A2-224) (A2-223) (A2-222) (A2-221) (A2-220) (A2-219) (A2-218) (A2-217) (A2-216) (A2-215) (A2-214) (A2-213) (A2-212) (A2-211) (A2-210) (A2-209) (A2-208) (A2-207) (A2-206) (A2-205) (A2-204) (A2-203) (A2-202) (A2-201) (A2-200) (A2-199) (A2-198) (A2-197) (A2-196) (A2-195) (A2-194) (A2-193) (A2-192) (A2-191) (A2-190) (A2-189) (A2-188) (A2-187) (A2-186) (A2-185) (A2-184) (A2-183) (A2-182) (A2-181) (A2-180) (A2-179) (A2-178) (A2-177) (A2-176) (A2-175) (A2-174) (A2-173) (A2-172) (A2-171) (A2-170) (A2-169) (A2-168) (A2-167) (A2-166) (A2-165) (A2-164) (A2-163) (A2-162) (A2-161) (A2-160) (A2-159) (A2-158) (A2-157) (A2-156) (A2-155) (A2-154) (A2-153) (A2-152) (A2-151) (A2-150) (A2-149) (A2-148) (A2-147) (A2-146) (A2-145) (A2-144) (A2-143) (A2-142) (A2-141) (A2-140) (A2-139) (A2-138) (A2-137) (A2-136) (A2-135) (A2-134) (A2-133) (A2-132) (A2-131) (A2-130) (A2-129) (A2-128) (A2-127) (A2-126) (A2-125) (A2-124) (A2-123) (A2-122) (A2-121) (A2-120) (A2-119) (A2-118) (A2-117) (A2-116) (A2-115) (A2-114) (A2-113) (A2-112) (A2-111) (A2-110) (A2-109) (A2-108) (A2-107) (A2-106) (A2-105) (A2-104) (A2-103) (A2-102) (A2-101) (A2-100) (A2-99) (A2-98) (A2-97) (A2-96) (A2-95) (A2-94) (A2-93) (A2-92) (A2-91) (A2-90) (A2-89) (A2-88) (A2-87) (A2-86) (A2-85) (A2-84) (A2-83) (A2-82) (A2-81) (A2-80) (A2-79) (A2-78) (A2-77) (A2-76) (A2-75) (A2-74) (A2-73) (A2-72) (A2-71) (A2-70) (A2-69) (A2-68) (A2-67) (A2-66) (A2-65) (A2-64) (A2-63) (A2-62) (A2-61) (A2-60) (A2-59) (A2-58) (A2-57) (A2-56) (A2-55) (A2-54) (A2-53) (A2-52) (A2-51) (A2-50) (A2-49) (A2-48) (A2-47) (A2-46) (A2-45) (A2-44) (A2-43) (A2-42) (A2-41) (A2-40) (A2-39) (A2-38) (A2-37) (A2-36) (A2-35) (A2-34) (A2-33) (A2-32) (A2-31) (A2-30) (A2-29) (A2-28) (A2-27) (A2-26) (A2-25) (A2-24) (A2-23) (A2-22) (A2-21) (A2-20) (A2-19) (A2-18) (A2-17) (A2-16) (A2-15) (A2-14) (A2-13) (A2-12) (A2-11) (A2-

B.D. REF :

CLIENT : **SUN HUNG KAI**
REAL ESTATE AGENCY LTD.
477 AND 480B WING STREET, WONGSICHAO, HONGKONG

ARCHITECT : **lwk&partners**
ARCHITECTS

M&E CONTRACTOR : **怡輝建築有限公司**
Yee Fui Building Contractors Ltd.

STRUCTURAL ENGINEER : **ARUP**

FRAME CONSULTING : **ALPHA CONSULTING LIMITED**
Steel Structures & Frame Specialist

NOTE:
1. ALL DIMENSIONS ARE IN MM.
2. ALL DIMENSIONS ARE VIEWED FROM OUTSIDE.
3. ALL DIMENSIONS TO BE TOURED ON SITE BEFORE PROCEEDING.

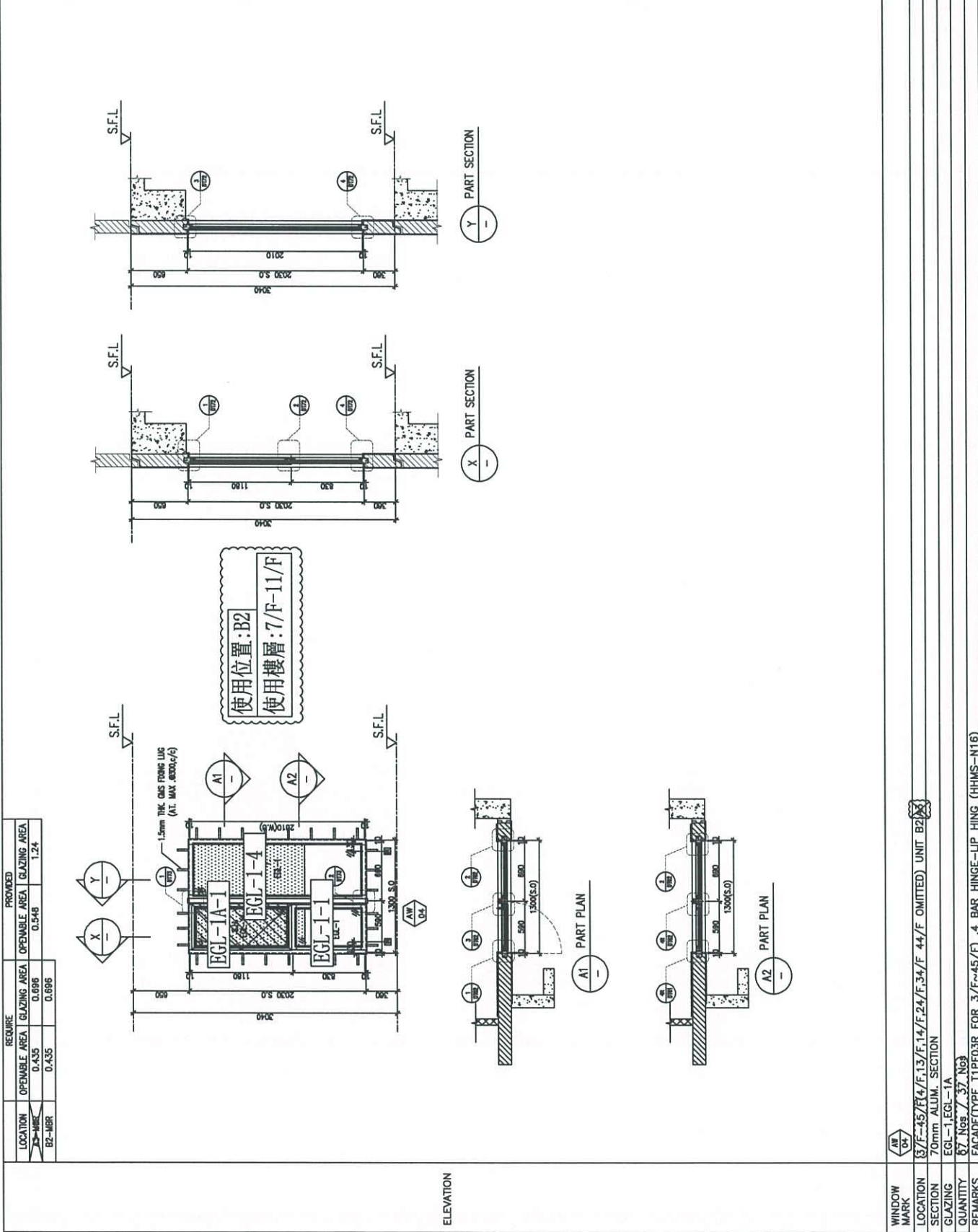
LEGEND:
① DETAIL MARK NO.
② REFER SHEET NO.
1. F.F.L. — FINISHED FLOOR LEVEL.
2. S.F.L. — STRUCTURAL FLOOR LEVEL.
3. Ⓞ — REVERSED DETAIL.
4. GLASS LEADING
EGL-1 — 12mm AIR GAP + 10mm TPK GLASS
EGL-1A — 12mm AIR GAP + 10mm TPK GLASS
EGL-1B — 12mm AIR GAP + 10mm TPK GLASS
EGL-1C — 12mm AIR GAP + 10mm TPK GLASS
EGL-1D — 12mm AIR GAP + 10mm TPK GLASS
EGL-1E — 12mm AIR GAP + 10mm TPK GLASS
EGL-1F — 12mm AIR GAP + 10mm TPK GLASS
EGL-1G — 12mm AIR GAP + 10mm TPK GLASS
EGL-1H — 12mm AIR GAP + 10mm TPK GLASS
EGL-1I — 12mm AIR GAP + 10mm TPK GLASS
EGL-1J — 12mm AIR GAP + 10mm TPK GLASS
EGL-1K — 12mm AIR GAP + 10mm TPK GLASS
EGL-1L — 12mm AIR GAP + 10mm TPK GLASS
EGL-1M — 12mm AIR GAP + 10mm TPK GLASS
EGL-1N — 12mm AIR GAP + 10mm TPK GLASS
EGL-1O — 12mm AIR GAP + 10mm TPK GLASS
EGL-1P — 12mm AIR GAP + 10mm TPK GLASS
EGL-1Q — 12mm AIR GAP + 10mm TPK GLASS
EGL-1R — 12mm AIR GAP + 10mm TPK GLASS
EGL-1S — 12mm AIR GAP + 10mm TPK GLASS
EGL-1T — 12mm AIR GAP + 10mm TPK GLASS
EGL-1U — 12mm AIR GAP + 10mm TPK GLASS
EGL-1V — 12mm AIR GAP + 10mm TPK GLASS
EGL-1W — 12mm AIR GAP + 10mm TPK GLASS
EGL-1X — 12mm AIR GAP + 10mm TPK GLASS
EGL-1Y — 12mm AIR GAP + 10mm TPK GLASS
EGL-1Z — 12mm AIR GAP + 10mm TPK GLASS

1	20/20/200	PERFORM SUBJECT TO ANCHORMENT
2	20/20/200	PERFORM SUBJECT TO ANCHORMENT
3	17/17/170	PERFORM SUBJECT TO ANCHORMENT
4	17/17/170	PERFORM SUBJECT TO ANCHORMENT
5	17/17/170	PERFORM SUBJECT TO ANCHORMENT
6	17/17/170	PERFORM SUBJECT TO ANCHORMENT
7	17/17/170	PERFORM SUBJECT TO ANCHORMENT
8	17/17/170	PERFORM SUBJECT TO ANCHORMENT
9	17/17/170	PERFORM SUBJECT TO ANCHORMENT
10	17/17/170	PERFORM SUBJECT TO ANCHORMENT
11	17/17/170	PERFORM SUBJECT TO ANCHORMENT
12	17/17/170	PERFORM SUBJECT TO ANCHORMENT
13	17/17/170	PERFORM SUBJECT TO ANCHORMENT
14	17/17/170	PERFORM SUBJECT TO ANCHORMENT
15	17/17/170	PERFORM SUBJECT TO ANCHORMENT
16	17/17/170	PERFORM SUBJECT TO ANCHORMENT
17	17/17/170	PERFORM SUBJECT TO ANCHORMENT
18	17/17/170	PERFORM SUBJECT TO ANCHORMENT
19	17/17/170	PERFORM SUBJECT TO ANCHORMENT
20	17/17/170	PERFORM SUBJECT TO ANCHORMENT

JOB NO. : J-855
PROJECT : PROPOSED DEVELOPMENT ABOVE LIGHT RAIL TUN WING STOP TSWTL NO.23, AREA 33, TIN SHUI WAI, N.T.

TITLE : WINDOW SCHEDULE FOR TOWER 1 ALUM. WINDOW

DATE : 02-Aug-21
SCALE : 1:40
DRAWN BY : Iwon
CHECKED BY :
M&E CONTRACTOR : **怡輝建築有限公司**
Yee Fui Building Contractors Ltd.
810 Des Voeux Road, Kowloon, HONG KONG
Tel: (852) 27777968
Fax: (852) 2777968
DWP NO. : 4056-S0-PW-5104
REV. : H



LOCATION	OPENABLE AREA	GLAZING AREA	GLAZING AREA
B2-MBR	0.435	0.096	1.24
B2-MBR	0.435	0.096	

WINDOW MARK	AR	OR
LOCATION	3/F-45/F, 4/F, 13/F, 14/F, 24/F, 34/F, 44/F OMITTED UNIT B2	
SECTION	70mm ALUM. SECTION	
GLAZING	EGL-1, EGL-1A	
QUANTITY	87 Nos. / 37 Nos.	
REMARKS	FACADE TYPE TIPOF3R FOR 3/F-45/F, 4 BAR HINGE-LIP HING (HIMS-NT16)	

B.D. REF :

CLIENT : **SUN HUNG KAI**
 REAL ESTATE AGENCY LTD.
 4077 Hoi Nam Rd Central, HONGKONG

ARCHITECT : **lwk&partners**
 ARCHITECTS

MAIN CONTRACTOR : **怡和建築有限公司**
 Yee Ho Fall Building Contractors Ltd.

STRUCTURAL ENGINEER : **ARUP**

FRAME CONSULTING : **ALPHA CONSULTING LIMITED**
 Steel Structures & Panels Specialist

NOTE:-

- ALL DIMENSIONS ARE IN mm.
- ALL DIMENSIONS ARE VIEWED FROM OUTSIDE.
- ALL DIMENSIONS TO BE VERIFIED ON SITE BEFORE PROCEEDING.

LEGEND:-

① - DETAIL MARK NO.
 ② - REFER SHEET NO.

- F.F.L. - FINISHED FLOOR LEVEL.
- S.F.L. - STRUCTURAL FLOOR LEVEL.
- ③ - REVERSED DETAIL.
- GLASS LEADING

EG-1 - 10mm THK. CRISTAL TEMPERED AND ETCHED GLASS (FOR SIGN)
 EG-2 - 10mm THK. CRISTAL TEMPERED AND ETCHED GLASS (FOR SIGN)
 EG-3 - 10mm THK. CRISTAL TEMPERED AND ETCHED GLASS (FOR SIGN)
 EG-4 - 10mm THK. CRISTAL TEMPERED AND ETCHED GLASS (FOR SIGN)

NO.	REVISION	DESCRIPTION
1	1	ISSUED SUBJECT TO THE WORKS
2	2	ISSUED SUBJECT TO AMENDMENT
3	3	ISSUED SUBJECT TO AMENDMENT
4	4	ISSUED SUBJECT TO AMENDMENT
5	5	ISSUED SUBJECT TO AMENDMENT
6	6	ISSUED SUBJECT TO AMENDMENT
7	7	ISSUED SUBJECT TO AMENDMENT
8	8	ISSUED SUBJECT TO AMENDMENT
9	9	ISSUED SUBJECT TO AMENDMENT
10	10	ISSUED SUBJECT TO AMENDMENT

JOB NO. : J-056

PROJECT : PROPOSED DEVELOPMENT ABOVE LIGHT RAIL TUN WING STOP, TSWTL NO.23, AREA 33, TIN SHUI WAI, N.T.

TITLE : WINDOW SCHEDULE FOR TOWER 1 ALUM. WINDOW

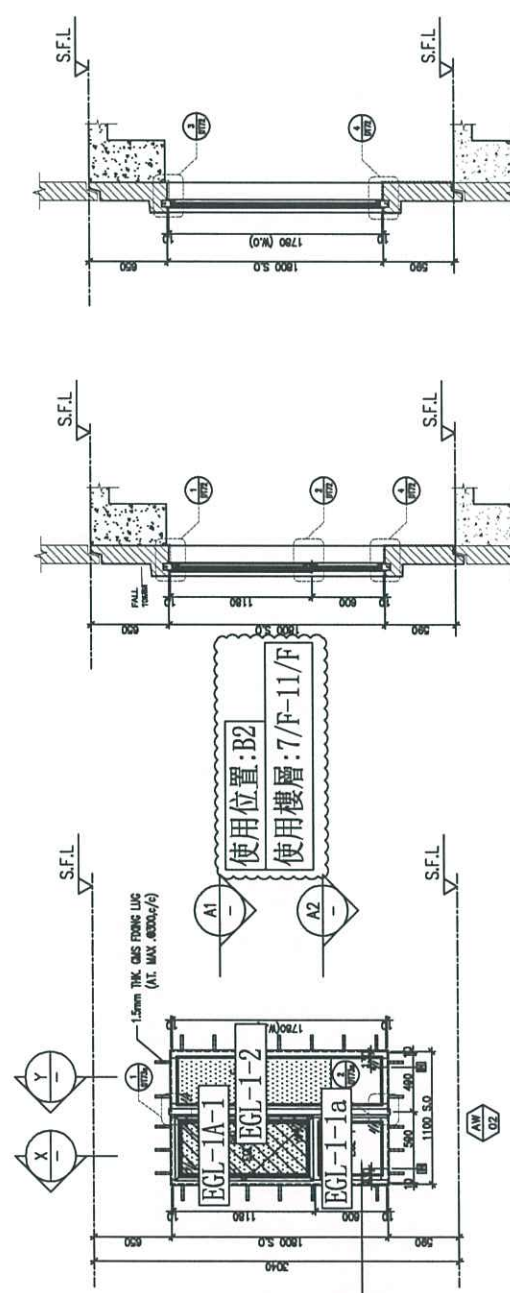
DATE : 02-Aug-21 SCALE : 1:40

DRAWN BY : Hoon CHECKED BY :

UNIT : **美特鋁業有限公司**
 METAL INDUSTRIES (HONGKONG) LTD.
 110, 112, 114, 116, 118, 120, 122, 124, 126, 128, 130, 132, 134, 136, 138, 140, 142, 144, 146, 148, 150, 152, 154, 156, 158, 160, 162, 164, 166, 168, 170, 172, 174, 176, 178, 180, 182, 184, 186, 188, 190, 192, 194, 196, 198, 200, 202, 204, 206, 208, 210, 212, 214, 216, 218, 220, 222, 224, 226, 228, 230, 232, 234, 236, 238, 240, 242, 244, 246, 248, 250, 252, 254, 256, 258, 260, 262, 264, 266, 268, 270, 272, 274, 276, 278, 280, 282, 284, 286, 288, 290, 292, 294, 296, 298, 300, 302, 304, 306, 308, 310, 312, 314, 316, 318, 320, 322, 324, 326, 328, 330, 332, 334, 336, 338, 340, 342, 344, 346, 348, 350, 352, 354, 356, 358, 360, 362, 364, 366, 368, 370, 372, 374, 376, 378, 380, 382, 384, 386, 388, 390, 392, 394, 396, 398, 400, 402, 404, 406, 408, 410, 412, 414, 416, 418, 420, 422, 424, 426, 428, 430, 432, 434, 436, 438, 440, 442, 444, 446, 448, 450, 452, 454, 456, 458, 460, 462, 464, 466, 468, 470, 472, 474, 476, 478, 480, 482, 484, 486, 488, 490, 492, 494, 496, 498, 500, 502, 504, 506, 508, 510, 512, 514, 516, 518, 520, 522, 524, 526, 528, 530, 532, 534, 536, 538, 540, 542, 544, 546, 548, 550, 552, 554, 556, 558, 560, 562, 564, 566, 568, 570, 572, 574, 576, 578, 580, 582, 584, 586, 588, 590, 592, 594, 596, 598, 600, 602, 604, 606, 608, 610, 612, 614, 616, 618, 620, 622, 624, 626, 628, 630, 632, 634, 636, 638, 640, 642, 644, 646, 648, 650, 652, 654, 656, 658, 660, 662, 664, 666, 668, 670, 672, 674, 676, 678, 680, 682, 684, 686, 688, 690, 692, 694, 696, 698, 700, 702, 704, 706, 708, 710, 712, 714, 716, 718, 720, 722, 724, 726, 728, 730, 732, 734, 736, 738, 740, 742, 744, 746, 748, 750, 752, 754, 756, 758, 760, 762, 764, 766, 768, 770, 772, 774, 776, 778, 780, 782, 784, 786, 788, 790, 792, 794, 796, 798, 800, 802, 804, 806, 808, 810, 812, 814, 816, 818, 820, 822, 824, 826, 828, 830, 832, 834, 836, 838, 840, 842, 844, 846, 848, 850, 852, 854, 856, 858, 860, 862, 864, 866, 868, 870, 872, 874, 876, 878, 880, 882, 884, 886, 888, 890, 892, 894, 896, 898, 900, 902, 904, 906, 908, 910, 912, 914, 916, 918, 920, 922, 924, 926, 928, 930, 932, 934, 936, 938, 940, 942, 944, 946, 948, 950, 952, 954, 956, 958, 960, 962, 964, 966, 968, 970, 972, 974, 976, 978, 980, 982, 984, 986, 988, 990, 992, 994, 996, 998, 1000

DWG NO. : H056-00-PW-5105 REV. : 1

LOCATION	OPENABLE AREA	GLAZING AREA	PROPOSED OPENABLE AREA	GLAZING AREA
B2-BR2	0.263	0.420	0.548	0.985



使用位置: B2
 使用樓層: 7/F-11/F

ELEVATION

PART SECTION
 Y -

PART SECTION
 X -

PART PLAN
 A1 -

PART PLAN
 A2 -

WINDOW MARK	REMARKS
AW 028	37 Nos FACADE(TYPE TIPFOS FOR 3/F~45/F) .4 BAR HINGE-LIP HING (HHMS-N16)
AW 029	37 Nos FACADE(TYPE TIPFOS FOR 3/F~45/F) .4 BAR HINGE-LIP HING (HHMS-N16)
AW 030	37 Nos FACADE(TYPE TIPFOS FOR 3/F~45/F) .4 BAR HINGE-LIP HING (HHMS-N16)
AW 031	37 Nos FACADE(TYPE TIPFOS FOR 3/F~45/F) .4 BAR HINGE-LIP HING (HHMS-N16)
AW 032	37 Nos FACADE(TYPE TIPFOS FOR 3/F~45/F) .4 BAR HINGE-LIP HING (HHMS-N16)
AW 033	37 Nos FACADE(TYPE TIPFOS FOR 3/F~45/F) .4 BAR HINGE-LIP HING (HHMS-N16)
AW 034	37 Nos FACADE(TYPE TIPFOS FOR 3/F~45/F) .4 BAR HINGE-LIP HING (HHMS-N16)
AW 035	37 Nos FACADE(TYPE TIPFOS FOR 3/F~45/F) .4 BAR HINGE-LIP HING (HHMS-N16)
AW 036	37 Nos FACADE(TYPE TIPFOS FOR 3/F~45/F) .4 BAR HINGE-LIP HING (HHMS-N16)
AW 037	37 Nos FACADE(TYPE TIPFOS FOR 3/F~45/F) .4 BAR HINGE-LIP HING (HHMS-N16)
AW 038	37 Nos FACADE(TYPE TIPFOS FOR 3/F~45/F) .4 BAR HINGE-LIP HING (HHMS-N16)
AW 039	37 Nos FACADE(TYPE TIPFOS FOR 3/F~45/F) .4 BAR HINGE-LIP HING (HHMS-N16)
AW 040	37 Nos FACADE(TYPE TIPFOS FOR 3/F~45/F) .4 BAR HINGE-LIP HING (HHMS-N16)
AW 041	37 Nos FACADE(TYPE TIPFOS FOR 3/F~45/F) .4 BAR HINGE-LIP HING (HHMS-N16)
AW 042	37 Nos FACADE(TYPE TIPFOS FOR 3/F~45/F) .4 BAR HINGE-LIP HING (HHMS-N16)
AW 043	37 Nos FACADE(TYPE TIPFOS FOR 3/F~45/F) .4 BAR HINGE-LIP HING (HHMS-N16)
AW 044	37 Nos FACADE(TYPE TIPFOS FOR 3/F~45/F) .4 BAR HINGE-LIP HING (HHMS-N16)
AW 045	37 Nos FACADE(TYPE TIPFOS FOR 3/F~45/F) .4 BAR HINGE-LIP HING (HHMS-N16)
AW 046	37 Nos FACADE(TYPE TIPFOS FOR 3/F~45/F) .4 BAR HINGE-LIP HING (HHMS-N16)
AW 047	37 Nos FACADE(TYPE TIPFOS FOR 3/F~45/F) .4 BAR HINGE-LIP HING (HHMS-N16)
AW 048	37 Nos FACADE(TYPE TIPFOS FOR 3/F~45/F) .4 BAR HINGE-LIP HING (HHMS-N16)
AW 049	37 Nos FACADE(TYPE TIPFOS FOR 3/F~45/F) .4 BAR HINGE-LIP HING (HHMS-N16)
AW 050	37 Nos FACADE(TYPE TIPFOS FOR 3/F~45/F) .4 BAR HINGE-LIP HING (HHMS-N16)
AW 051	37 Nos FACADE(TYPE TIPFOS FOR 3/F~45/F) .4 BAR HINGE-LIP HING (HHMS-N16)
AW 052	37 Nos FACADE(TYPE TIPFOS FOR 3/F~45/F) .4 BAR HINGE-LIP HING (HHMS-N16)
AW 053	37 Nos FACADE(TYPE TIPFOS FOR 3/F~45/F) .4 BAR HINGE-LIP HING (HHMS-N16)
AW 054	37 Nos FACADE(TYPE TIPFOS FOR 3/F~45/F) .4 BAR HINGE-LIP HING (HHMS-N16)
AW 055	37 Nos FACADE(TYPE TIPFOS FOR 3/F~45/F) .4 BAR HINGE-LIP HING (HHMS-N16)
AW 056	37 Nos FACADE(TYPE TIPFOS FOR 3/F~45/F) .4 BAR HINGE-LIP HING (HHMS-N16)
AW 057	37 Nos FACADE(TYPE TIPFOS FOR 3/F~45/F) .4 BAR HINGE-LIP HING (HHMS-N16)
AW 058	37 Nos FACADE(TYPE TIPFOS FOR 3/F~45/F) .4 BAR HINGE-LIP HING (HHMS-N16)
AW 059	37 Nos FACADE(TYPE TIPFOS FOR 3/F~45/F) .4 BAR HINGE-LIP HING (HHMS-N16)
AW 060	37 Nos FACADE(TYPE TIPFOS FOR 3/F~45/F) .4 BAR HINGE-LIP HING (HHMS-N16)
AW 061	37 Nos FACADE(TYPE TIPFOS FOR 3/F~45/F) .4 BAR HINGE-LIP HING (HHMS-N16)
AW 062	37 Nos FACADE(TYPE TIPFOS FOR 3/F~45/F) .4 BAR HINGE-LIP HING (HHMS-N16)
AW 063	37 Nos FACADE(TYPE TIPFOS FOR 3/F~45/F) .4 BAR HINGE-LIP HING (HHMS-N16)
AW 064	37 Nos FACADE(TYPE TIPFOS FOR 3/F~45/F) .4 BAR HINGE-LIP HING (HHMS-N16)
AW 065	37 Nos FACADE(TYPE TIPFOS FOR 3/F~45/F) .4 BAR HINGE-LIP HING (HHMS-N16)
AW 066	37 Nos FACADE(TYPE TIPFOS FOR 3/F~45/F) .4 BAR HINGE-LIP HING (HHMS-N16)
AW 067	37 Nos FACADE(TYPE TIPFOS FOR 3/F~45/F) .4 BAR HINGE-LIP HING (HHMS-N16)
AW 068	37 Nos FACADE(TYPE TIPFOS FOR 3/F~45/F) .4 BAR HINGE-LIP HING (HHMS-N16)
AW 069	37 Nos FACADE(TYPE TIPFOS FOR 3/F~45/F) .4 BAR HINGE-LIP HING (HHMS-N16)
AW 070	37 Nos FACADE(TYPE TIPFOS FOR 3/F~45/F) .4 BAR HINGE-LIP HING (HHMS-N16)
AW 071	37 Nos FACADE(TYPE TIPFOS FOR 3/F~45/F) .4 BAR HINGE-LIP HING (HHMS-N16)
AW 072	37 Nos FACADE(TYPE TIPFOS FOR 3/F~45/F) .4 BAR HINGE-LIP HING (HHMS-N16)
AW 073	37 Nos FACADE(TYPE TIPFOS FOR 3/F~45/F) .4 BAR HINGE-LIP HING (HHMS-N16)
AW 074	37 Nos FACADE(TYPE TIPFOS FOR 3/F~45/F) .4 BAR HINGE-LIP HING (HHMS-N16)
AW 075	37 Nos FACADE(TYPE TIPFOS FOR 3/F~45/F) .4 BAR HINGE-LIP HING (HHMS-N16)
AW 076	37 Nos FACADE(TYPE TIPFOS FOR 3/F~45/F) .4 BAR HINGE-LIP HING (HHMS-N16)
AW 077	37 Nos FACADE(TYPE TIPFOS FOR 3/F~45/F) .4 BAR HINGE-LIP HING (HHMS-N16)
AW 078	37 Nos FACADE(TYPE TIPFOS FOR 3/F~45/F) .4 BAR HINGE-LIP HING (HHMS-N16)
AW 079	37 Nos FACADE(TYPE TIPFOS FOR 3/F~45/F) .4 BAR HINGE-LIP HING (HHMS-N16)
AW 080	37 Nos FACADE(TYPE TIPFOS FOR 3/F~45/F) .4 BAR HINGE-LIP HING (HHMS-N16)
AW 081	37 Nos FACADE(TYPE TIPFOS FOR 3/F~45/F) .4 BAR HINGE-LIP HING (HHMS-N16)
AW 082	37 Nos FACADE(TYPE TIPFOS FOR 3/F~45/F) .4 BAR HINGE-LIP HING (HHMS-N16)
AW 083	37 Nos FACADE(TYPE TIPFOS FOR 3/F~45/F) .4 BAR HINGE-LIP HING (HHMS-N16)
AW 084	37 Nos FACADE(TYPE TIPFOS FOR 3/F~45/F) .4 BAR HINGE-LIP HING (HHMS-N16)
AW 085	37 Nos FACADE(TYPE TIPFOS FOR 3/F~45/F) .4 BAR HINGE-LIP HING (HHMS-N16)
AW 086	37 Nos FACADE(TYPE TIPFOS FOR 3/F~45/F) .4 BAR HINGE-LIP HING (HHMS-N16)
AW 087	37 Nos FACADE(TYPE TIPFOS FOR 3/F~45/F) .4 BAR HINGE-LIP HING (HHMS-N16)
AW 088	37 Nos FACADE(TYPE TIPFOS FOR 3/F~45/F) .4 BAR HINGE-LIP HING (HHMS-N16)
AW 089	37 Nos FACADE(TYPE TIPFOS FOR 3/F~45/F) .4 BAR HINGE-LIP HING (HHMS-N16)
AW 090	37 Nos FACADE(TYPE TIPFOS FOR 3/F~45/F) .4 BAR HINGE-LIP HING (HHMS-N16)
AW 091	37 Nos FACADE(TYPE TIPFOS FOR 3/F~45/F) .4 BAR HINGE-LIP HING (HHMS-N16)
AW 092	37 Nos FACADE(TYPE TIPFOS FOR 3/F~45/F) .4 BAR HINGE-LIP HING (HHMS-N16)
AW 093	37 Nos FACADE(TYPE TIPFOS FOR 3/F~45/F) .4 BAR HINGE-LIP HING (HHMS-N16)
AW 094	37 Nos FACADE(TYPE TIPFOS FOR 3/F~45/F) .4 BAR HINGE-LIP HING (HHMS-N16)
AW 095	37 Nos FACADE(TYPE TIPFOS FOR 3/F~45/F) .4 BAR HINGE-LIP HING (HHMS-N16)
AW 096	37 Nos FACADE(TYPE TIPFOS FOR 3/F~45/F) .4 BAR HINGE-LIP HING (HHMS-N16)
AW 097	37 Nos FACADE(TYPE TIPFOS FOR 3/F~45/F) .4 BAR HINGE-LIP HING (HHMS-N16)
AW 098	37 Nos FACADE(TYPE TIPFOS FOR 3/F~45/F) .4 BAR HINGE-LIP HING (HHMS-N16)
AW 099	37 Nos FACADE(TYPE TIPFOS FOR 3/F~45/F) .4 BAR HINGE-LIP HING (HHMS-N16)
AW 100	37 Nos FACADE(TYPE TIPFOS FOR 3/F~45/F) .4 BAR HINGE-LIP HING (HHMS-N16)

S.D. REF :

CLIENT :
SUN HUNG KAI
REAL ESTATE AGENCY LTD.
4077 HUI HING HOI CENTRAL, HONGKONG

ARCHITECT :
lwk&partners
ARCHITECTS

MAIN CONTRACTOR :
怡輝建築有限公司
Yee Fui Building Contractors Ltd.

STRUCTURAL ENGINEER :
ARUP

FRAME CONSULTING:
ALPHA CONSULTING LIMITED
Steel Structures & Frame Specialist

NOTE:
1. ALL DIMENSIONS ARE IN mm.
2. ALL DIMENSIONS ARE VIEWED FROM OUTSIDE.
3. ALL DIMENSIONS TO BE VERIFIED ON SITE.
4. BEFORE PROCEEDING.

LEGEND:
① - DETAIL MARK NO.
② - REFER SHEET NO.
1. F.F.L. - FINISHED FLOOR LEVEL.
2. S.F.L. - STRUCTURAL FLOOR LEVEL.
3. Ⓞ - REVERSED DETAIL.
4. GLASS LEADING
EGL-1 - 10mm THK. CRISTAL TEMPERED
EGL-1A - 10mm THK. CRISTAL TEMPERED
EGL-1B - 10mm THK. CRISTAL TEMPERED
EGL-1C - 10mm THK. CRISTAL TEMPERED
EGL-1D - 10mm THK. CRISTAL TEMPERED
EGL-1E - 10mm THK. CRISTAL TEMPERED
EGL-1F - 10mm THK. CRISTAL TEMPERED
EGL-1G - 10mm THK. CRISTAL TEMPERED
EGL-1H - 10mm THK. CRISTAL TEMPERED
EGL-1I - 10mm THK. CRISTAL TEMPERED
EGL-1J - 10mm THK. CRISTAL TEMPERED
EGL-1K - 10mm THK. CRISTAL TEMPERED
EGL-1L - 10mm THK. CRISTAL TEMPERED
EGL-1M - 10mm THK. CRISTAL TEMPERED
EGL-1N - 10mm THK. CRISTAL TEMPERED
EGL-1O - 10mm THK. CRISTAL TEMPERED
EGL-1P - 10mm THK. CRISTAL TEMPERED
EGL-1Q - 10mm THK. CRISTAL TEMPERED
EGL-1R - 10mm THK. CRISTAL TEMPERED
EGL-1S - 10mm THK. CRISTAL TEMPERED
EGL-1T - 10mm THK. CRISTAL TEMPERED
EGL-1U - 10mm THK. CRISTAL TEMPERED
EGL-1V - 10mm THK. CRISTAL TEMPERED
EGL-1W - 10mm THK. CRISTAL TEMPERED
EGL-1X - 10mm THK. CRISTAL TEMPERED
EGL-1Y - 10mm THK. CRISTAL TEMPERED
EGL-1Z - 10mm THK. CRISTAL TEMPERED

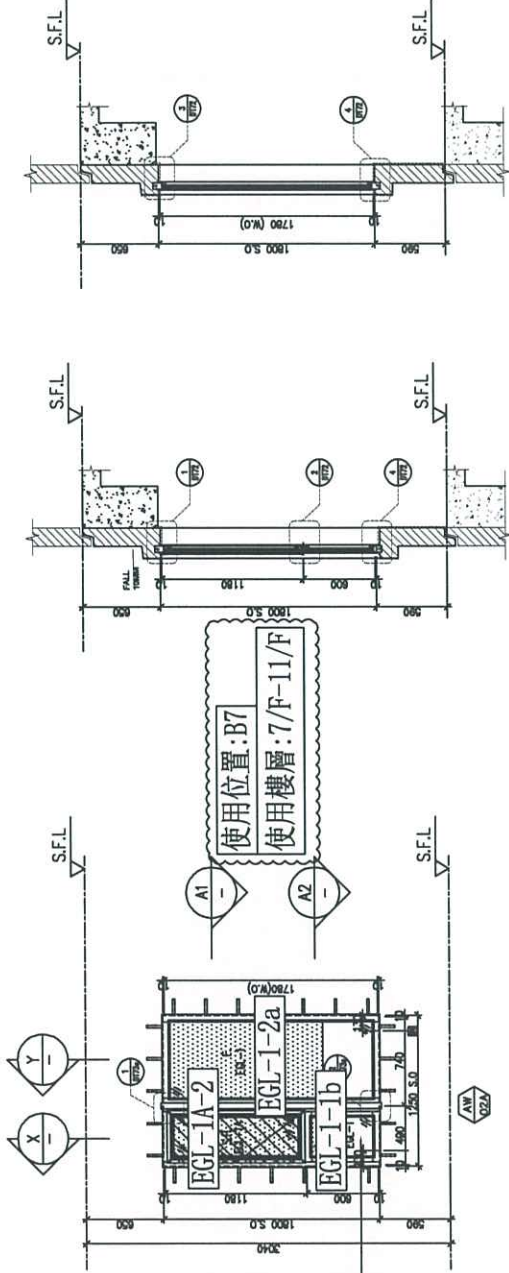
NO.	DESCRIPTION	REVISION
1	10/24/2021	ISSUED FOR TENDER
2	10/24/2021	ISSUED FOR TENDER
3	10/24/2021	ISSUED FOR TENDER
4	10/24/2021	ISSUED FOR TENDER
5	10/24/2021	ISSUED FOR TENDER
6	10/24/2021	ISSUED FOR TENDER
7	10/24/2021	ISSUED FOR TENDER
8	10/24/2021	ISSUED FOR TENDER
9	10/24/2021	ISSUED FOR TENDER
10	10/24/2021	ISSUED FOR TENDER

JOB NO. : J-855
PROJECT : PROPOSED DEVELOPMENT ABOVE LIGHT RAIL TUN WING STOP, TSWTL NO.23, AREA 33, TIN SHUI WAI, N.T.

TITLE : WINDOW SCHEDULE FOR TOWER 1 ALUM. WINDOW

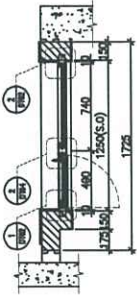
DATE : 02-Aug-21
SCALE : 1:40
DRAWN BY : Non
CHECKED BY :
MDDI ARCHITECTS ENGINEERS INC.
110 Cheong Chee Road, #04-01/02
Singapore 469007
Tel: +65 637272968
Fax: +65 637272968
REG NO. : 40565-S0-PW-5108
REV. : J

LOCATION (BT-862)	REQUIRE		PROVIDED	
	OPENABLE AREA	GLAZING AREA	OPENABLE AREA	GLAZING AREA
	0.263	0.420	0.438	1.19

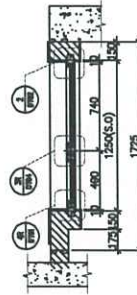


PART SECTION
Y -

PART SECTION
X -



PART PLAN
A1 -



PART PLAN
A2 -

ELEVATION

WINDOW MARK	REMARKS
3/F UNIT B7	
70mm ALUM. SECTION	
EGL-1, EGL-1A	
1 No	
4 BAR-HINGE-LIP HING (HHMS-N12)	

BD. REF :

CLIENT : **SUN HUNG KAI**
REAL ESTATE AGENCY LTD.
407 408 409 410 411 412 413 414 415 416 417 418 419 420 421 422 423 424 425 426 427 428 429 430 431 432 433 434 435 436 437 438 439 440 441 442 443 444 445 446 447 448 449 450 451 452 453 454 455 456 457 458 459 460 461 462 463 464 465 466 467 468 469 470 471 472 473 474 475 476 477 478 479 480 481 482 483 484 485 486 487 488 489 490 491 492 493 494 495 496 497 498 499 500

ARCHITECT : **lw&partners**
i n t e r i o r a r c h i t e c t s

WORK CONTRACTOR : **怡輝建築有限公司**
Yee Fui Building Contractors Ltd.

STRUCTURAL ENGINEER : **ARUP**

FRAME CONSULTING : **ALPHA CONSULTING LIMITED**
Steel Structures & Facade Specialist

NOTE :
1. ALL DIMENSIONS ARE IN mm.
2. ALL ELEVATIONS ARE VIEWED FROM OUTSIDE.
3. ALL DIMENSIONS TO BE VIEWED ON SITE.
4. REFERENCE TO FABRICATOR.

LEGEND:
① --- DETAIL MARK NO.
② --- REFER SHEET NO.

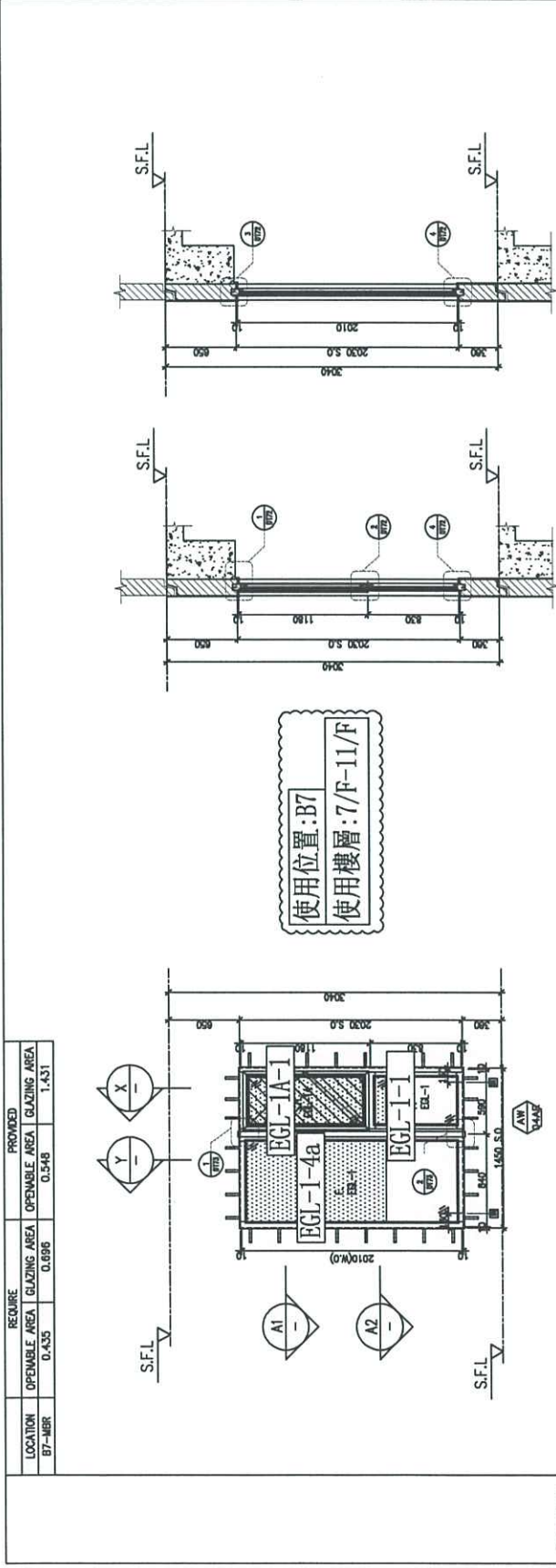
1. F.F.L. --- FINISHED FLOOR LEVEL.
2. S.F.L. --- STRUCTURAL FLOOR LEVEL.
3. Ⓞ --- REVERSED DETAIL.

4. GLASS LEGEND
EGL-1 --- 8mm+12mm AIR GAP+12mm THK. GLL
EGL-1a --- 8mm+12mm AIR GAP+12mm THK. GLL
EGL-2 --- 10mm THK. CRYSTAL CLEAR
EGL-3 --- 10mm THK. CRYSTAL TAMPED
EGL-4 --- 10mm THK. CRYSTAL TAMPED
AND ETCHED GLASS (FOR BAY)

NO.	DATE	REVISION
1	24/07/2016	ISSUED SUBJECT TO AMENDMENT
2	24/07/2016	ISSUED SUBJECT TO AMENDMENT
3	17/07/2016	ISSUED SUBJECT TO AMENDMENT
4	06/07/2016	ISSUED SUBJECT TO AMENDMENT
5	17/07/2016	ISSUED SUBJECT TO AMENDMENT
6	24/07/2016	ISSUED SUBJECT TO AMENDMENT

JOB NO. : J-056
PROJECT : PROPOSED DEVELOPMENT ABOVE LIGHT RAIL TIN WING STOP-TSWTL NO.23, AREA 33, TIN SHUI WAI, N.T.
TITLE : WINDOW SCHEDULE FOR TOWER 1 ALUM. WINDOW

DATE : 02-Aug-21
SCALE : 1:40
DRAWN BY : Non
CHECKED BY :
MDI
110 Che Koo Ling Road, Kowloon
Tel: (852) 27777666
Fax: (852) 27776666
DWG NO. : J056-SD-PW-3110
REV. : H



LOCATION	REQUIRE	PROVIDED
B7-MBR	OPENABLE AREA 0.435 GLAZING AREA 0.696	OPENABLE AREA 0.548 GLAZING AREA 1.431

WINDOW MARK	REMARKS
B7	AW 7000
LOCATION	3/F-E-45/F-R-4/F-13/F-14/F-24/F-34/F-44/F OMITTED UNIT B7
SECTION	70mm ALUM. SECTION
GLAZING	EGL-1, EGL-1a
QUANTITY	{37 N68}
REMARKS	FAÇADE(TYPE T1PF03R FOR 3/F-45/F) .4 BAR HINGE-LIP HING (HHMS-N16)

REQD. REF. :	
--------------	--

CLIENT :
SUN HUNG KAI
 REAL ESTATE AGENCY LTD.
 4/F SUN HUNG KAI CENTRE, WING LOK, HONGKONG

ARCHITECT :
lwk&partners
 ARCHITECTS

MAIN CONTRACTOR :
 怡耀建築有限公司
 Yip Yee Fui Building Contractors Ltd.

STRUCTURAL ENGINEER :
ARUP

FRAME CONSULTANT:
ALPHA CONSULTING LIMITED
 Steel Structures & Frame Specialist

NOTE:
 1. ALL DIMENSIONS ARE IN mm.
 2. ALL ELEVATIONS ARE VIEWED FROM OUTSIDE.
 3. DIMENSIONS SHOULD BE TOURED ON SITE.
 BEFORE FABRICATION.

LEGEND:
 (ST) — DETAIL MARK NO.
 (FFL) — FINISHED FLOOR LEVEL.
 (S.F.L) — STRUCTURAL FLOOR LEVEL.
 (R) — REVERSED DETAIL.

4. GLASS LEGEND
 EGL-1 — 8mm/65/12mm AIR GAP/10mm TPX LGL.
 EGL-1a — 8mm/65/12mm AIR GAP/10mm TPX LGL.
 EGL-1b — 8mm/65/12mm AIR GAP/10mm TPX LGL.
 EGL-2 — 10mm THK. CRISTAL. DRAW
 EGL-3 — 10mm THK. CRISTAL. DRAW
 EGL-4 — 10mm THK. CRISTAL. TEMPERED
 AND ETCHED GLASS (FOR BATH)

DATE	REVISION SUBJECT TO MODIFICATION
1	ISSUE
2	REVISION

JOB NO. : J-856

PROJECT :
 PROPOSED DEVELOPMENT ABOVE
 LIGHT RAIL TIN WING STOP/TSM/L
 NO.23, AREA 33, TIN SHUI WAI, N.T.

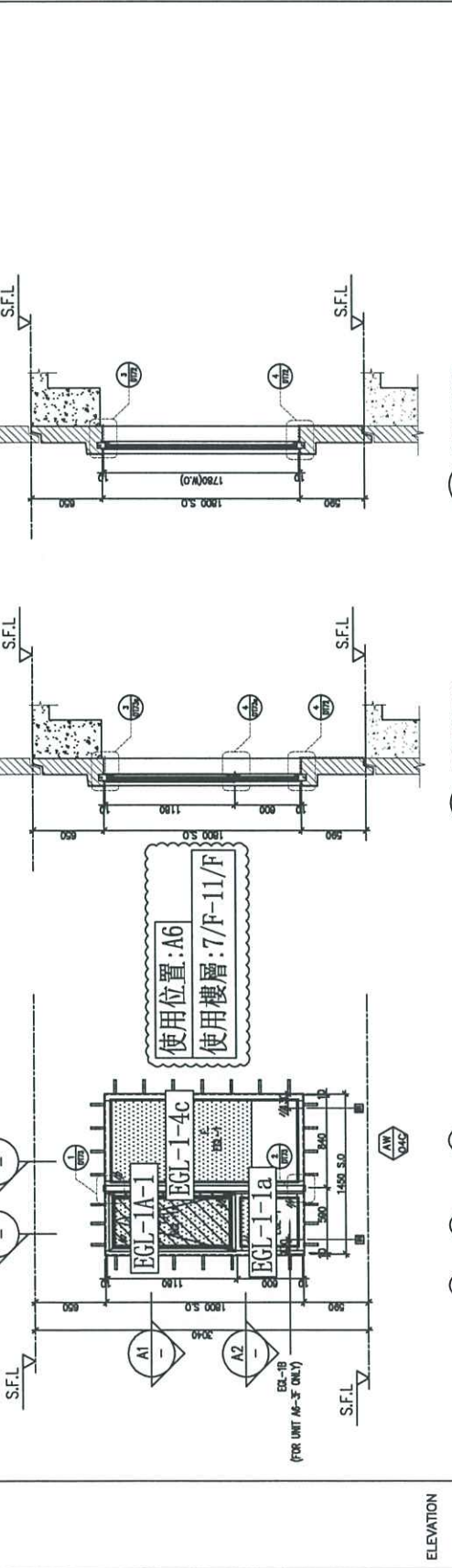
TITLE :
 WINDOW SCHEDULE FOR
 TOWER 1 ALUM. WINDOW

DATE : 02-Aug-21 SCALE : 1:40

DRAWN BY : NCH CHECKED BY :

AW 1060
 10/6/2021
 10/6/2021
 10/6/2021

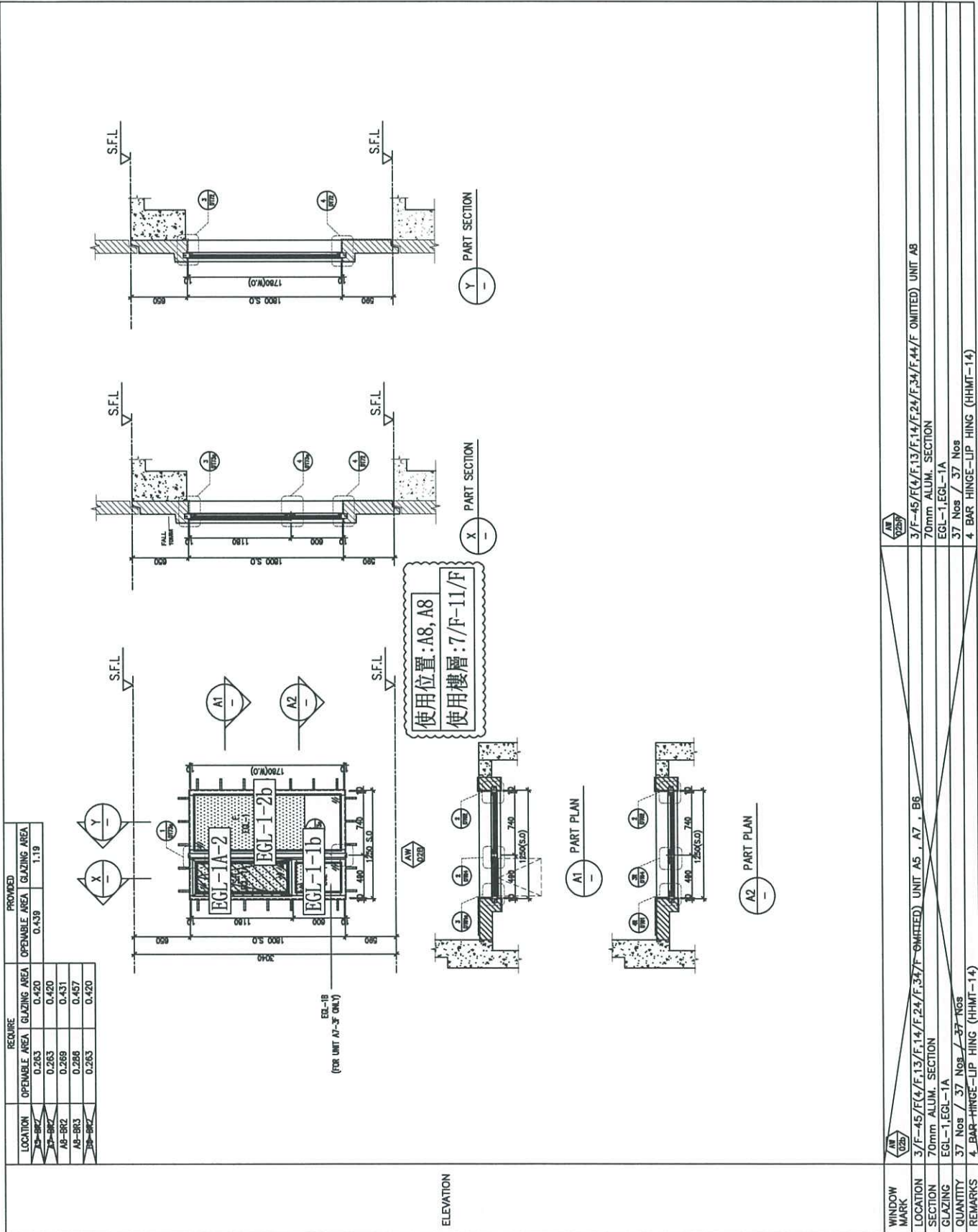
LOCATION	REQUIRE	PROVIDED
OPENABLE AREA	0.435	0.696
GLAZING AREA	0.295	0.707
GLAZING AREA	0.435	0.696
OPENABLE AREA	0.525	1.407



ELEVATION

WINDOW MARK	AW 1060
LOCATION	3/F-45/F(4/F,13/F,14/F,24/F,34/F,44/F OMITTED) UNIT A5, A6
SECTION	70mm ALUM. SECTION
GLAZING	EGL-1, EGL-1A
QUANTITY	37 Nos / 37 Nos / 37 Nos
REMARKS	4. BAR HINGE-LIP HING (HHMT-14)

DATE: 06-JUL-22
 DRAWN BY: Non
 CHECKED BY:
 DATE: 06-JUL-22
 SCALE: 1:40
 PROJECT: PROPOSED DEVELOPMENT ABOVE LIGHT RAIL TIN WING STOP, TSWHL NO.23, AREA 33, TIN SHUI WAI, N.T.
 TITLE: WINDOW SCHEDULE FOR TOWER 1 ALUM. WINDOW
 JOB NO.: J-856
 REVISION SUBJECT TO AMENDMENT
 24/07/2022
 14/07/2022
 17/07/2022
 REVISION SUBJECT TO AMENDMENT
 REVISION SUBJECT TO AMENDMENT
 REVISION SUBJECT TO AMENDMENT
 DATE: 06-JUL-22
 SCALE: 1:40
 DRAWN BY: Non
 CHECKED BY:
 PROJECT: PROPOSED DEVELOPMENT ABOVE LIGHT RAIL TIN WING STOP, TSWHL NO.23, AREA 33, TIN SHUI WAI, N.T.
 TITLE: WINDOW SCHEDULE FOR TOWER 1 ALUM. WINDOW
 JOB NO.: J-856
 REVISION SUBJECT TO AMENDMENT
 24/07/2022
 14/07/2022
 17/07/2022
 REVISION SUBJECT TO AMENDMENT
 REVISION SUBJECT TO AMENDMENT
 REVISION SUBJECT TO AMENDMENT



WINDOW MARK	REMARKS
A8	3/F-4S/F(4/F,13/F,14/F,24/F,34/F,44/F) OMITTED UNIT A8
A7	70mm ALUM. SECTION
A5	EGL-1, EGL-1A
A6	37 Nos / 37 Nos
A7	4 BAR HINGE-LIP HING (HHMT-14)