



美特鋁質有限公司  
MIDI ALUMINIUM FABRICATOR LTD.

優先排期在T1座  
玻璃前



工程指示 / 要求簡箋 ENGINEER INSTRUCTIONS (E.I.)

工程指示編號:	EI- 6970	修改版本:	-
	HK- 2595		
工程編號:	J 856	工程名稱:	天榮站
收件人:	生統 / Maggie	發件人:	Jingo
工程項目:	T2.T3座3F 46F F.D.門玻璃B.M表 (圖則表+加工圖)	日期:	10/11/2023

<input checked="" type="checkbox"/> 原合約工程包	<input type="checkbox"/> 原合約工程加 / 減賬 QT-	<input type="checkbox"/> 新工程報價 QT-
--	--	------------------------------------

信件批核號碼/圖紙參考編號:	批核模具圖紙編號:
客戶指示附件:	管理內部批簽署:

<input type="checkbox"/> 初步鋁料 B.M.	<input type="checkbox"/> 加工拆圖, 然後生產	<input type="checkbox"/> 尺寸表
<input type="checkbox"/> 正式鋁料 B.M.	<input type="checkbox"/> 技術上資料 / 指示	<input type="checkbox"/> 報價
<input type="checkbox"/> 配件 B.M.	<input type="checkbox"/> 樣辦或貨品說明書	<input type="checkbox"/> 分判合約
<input type="checkbox"/> 其他:		

內容: 需要T1看熱浸: 新鴻基COW, T1 (100%)  
分座包裝  
到地盤實際時間需與地盤打理確認 Alan 92767955

完成上列要求日期: 29/11/2023

國內

<input type="checkbox"/> 生產技術總監	<input type="checkbox"/> 連附件	<input checked="" type="checkbox"/> 技術部	<input checked="" type="checkbox"/> 連附件	<input type="checkbox"/> 生產部	<input type="checkbox"/> 連附件
<input type="checkbox"/> 採購部	<input type="checkbox"/> 連附件	<input checked="" type="checkbox"/> 生產統籌部	<input checked="" type="checkbox"/> 連附件	<input type="checkbox"/> 報關組	<input type="checkbox"/> 連附件
<input type="checkbox"/> 質檢部	<input type="checkbox"/> 連附件	<input type="checkbox"/> 會計部	<input type="checkbox"/> 連附件	<input type="checkbox"/> 機械設計部	<input type="checkbox"/> 連附件
<input type="checkbox"/> 香港辦	<input type="checkbox"/> 連附件	<input type="checkbox"/> 其他:			

香港

<input type="checkbox"/> 行政部	<input type="checkbox"/> 連附件	<input type="checkbox"/> 會計部	<input type="checkbox"/> 連附件	<input type="checkbox"/> 統籌部	<input type="checkbox"/> 連附件	<input type="checkbox"/> 工程部	<input type="checkbox"/> 連附件
<input checked="" type="checkbox"/> 採購部	<input checked="" type="checkbox"/> 連附件	<input type="checkbox"/> QS部	<input type="checkbox"/> 連附件	<input type="checkbox"/> 地盤管理	<input type="checkbox"/> 連附件	<input type="checkbox"/> 維修部	<input type="checkbox"/> 連附件

*發件人簽署: Jingo	*組別成員批核簽署: Jingo
傳遞編號:	項目經理簽署:



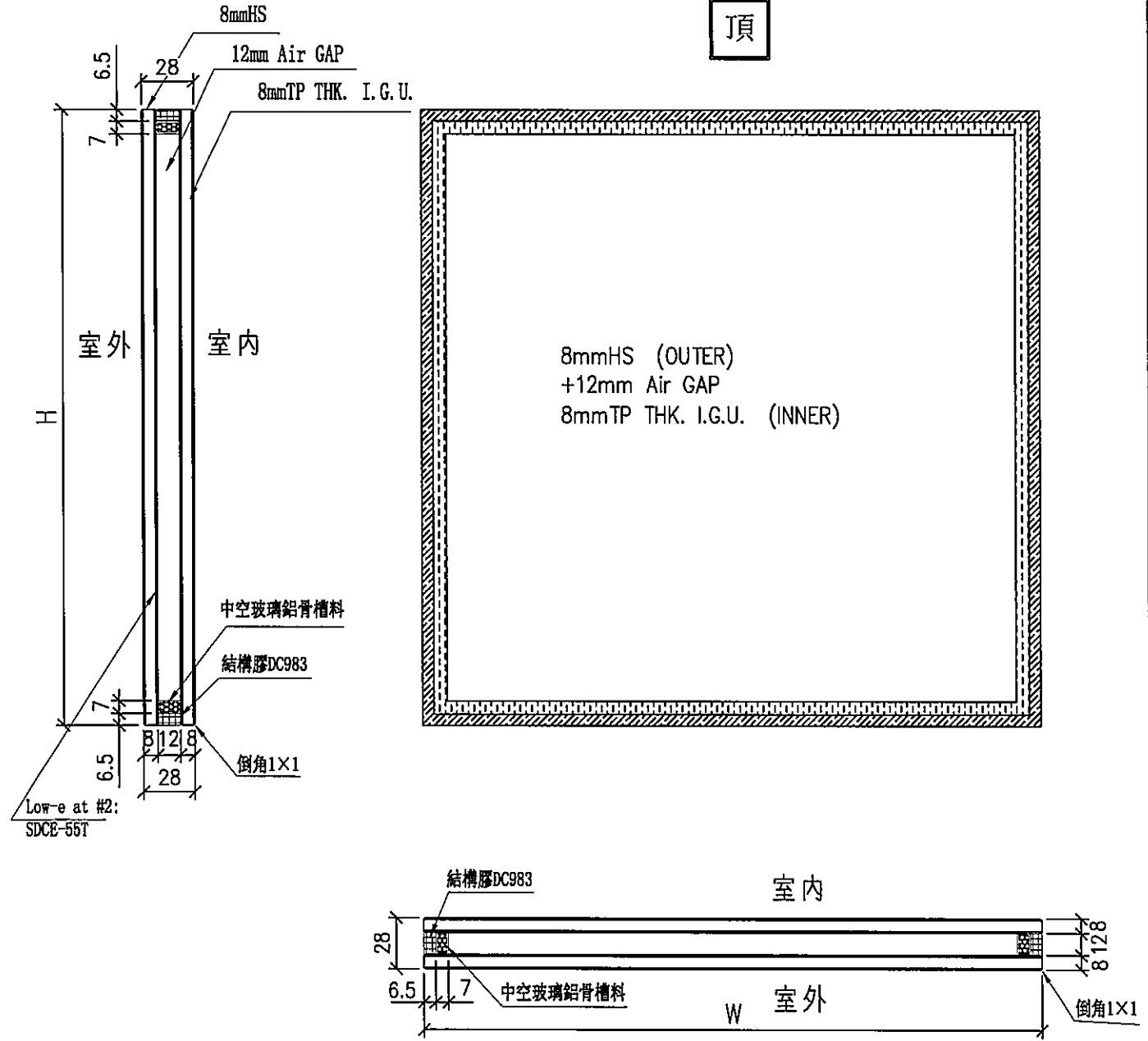
美特鋁質 MIDI Aluminum Fabricator Ltd.	工程號: J-856	計算: 劉龍浩	日期: 2023.10.30	送呈: 胡哥	註明: 計算參考數值/ 所屬位置分格	
	地盤名稱: 天水圍天榮站	核對: 謝永林	日期: 2023.11.07	副本:		
	項目類別: T2,T3座F.D門玻璃	批准:	A/C Code: 正式數			
底盤用玻璃B.M.表	修改版次:	總計玻璃面積 (平方米):	16.182	依據E16836計算		

序號	修改內容	玻璃編號	顏色與類型加工圖參考	厚度 (mm)	玻璃尺寸		數量 (塊)	總面積 (平方米)	使用樓層	使用位置	座數	分屬類型	分格1	分格高度	使用窗號	樓層	每層用量
					寬度 (W mm)	高度 (H mm)											
1		AW-09a-1	EGL-1A	28	498	2160	1	1.076	3/F	T3-B10	T3	70F.D門	750	2372	AW-09a	1	1
2		AW-09b-1	EGL-1A	28	498	2160	1	1.076	3/F	T3-A1	T3	70F.D門	750	2372	AW-09b	1	1
3		AW-09b-1	EGL-1A	28	498	2160	1	1.076	3/F	T3-B1	T3	70F.D門	750	2372	AW-09b	1	1
4		AW-09b-1	EGL-1A	28	498	2160	1	1.076	3/F	T3-B5	T3	70F.D門	750	2372	AW-09b	1	1
5		AW-09b-1	EGL-1A	28	498	2160	1	1.076	3/F	T3-B6	T3	70F.D門	750	2372	AW-09b	1	1
6		AW-09-1	EGL-1A	28	468	2165	1	1.013	46/F	T3-1B	T3	70F.D門	720	2377	AW-09	1	1
7		AW-09-1	EGL-1A	28	468	2165	1	1.013	46/F	T3-1A	T3	70F.D門	720	2377	AW-09R	1	1
8		AW-10a-1	EGL-1A	28	423	2165	1	0.916	46/F	T3-1A	T3	70F.D門	675	2377	AW-10a	1	1
9		AW-10-1	EGL-1A	28	598	2165	1	1.295	46/F	T3-2B	T3	70F.D門	850	2377	AW-10R	1	1
10		AW-10-1	EGL-1A	28	598	2165	2	2.589	46/F	T2-2B	T2	70F.D門	850	2377	AW-10	2	1
11		AW-09-1	EGL-1A	28	468	2165	1	1.013	46/F	T2-1A	T2	70F.D門	720	2377	AW-09	1	1
12		AW-09-1	EGL-1A	28	468	2165	1	1.013	46/F	T2-1B	T2	70F.D門	720	2377	AW-09R	1	1
13		AW-10bR-1	EGL-1A	28	498	2165	1	1.078	46/F	T2-2B	T2	70F.D門	750	2377	AW-10bR	1	1
14		AW-15-1	EGL-1A	28	403	2165	1	0.872	46/F	T2-2B	T2	70F.D門	645	2377	AW-15	1	1
						合計:	15	16.182									


- 1). 本表中玻璃採用三鑫公司產玻璃，
  - 2). 本表中所有玻璃對角線尺寸偏差要求不超過負2mm。
  - 3). 本表中玻璃要求粗磨邊處理並倒棱角，攔河玻璃頂底要精磨邊，而所有玻璃之人爐方向需保持一致。
  - 4). 本表中所有玻璃成品均需做雙面保護，用透明靜電膠紙加四周一寸PK白膠紙做雙面加固保護處理。
  - 5). 本表中所有玻璃成品均需注明室內外及其玻璃編號/使用位置/樓層，以便識別。
- EGL-1A--8mmHS+12mm AIR GAP+8mmTP THK. I.G.U.
- 加工注意事項/玻璃類型描述:**

 <b>美特鋁質有限公司</b> MIDI Aluminium Fabricator Ltd.				類別		物料號		
修改				制圖	劉龍浩	2023.10.30	圖號	EGL-1A
日期				復核	謝永林	2023.11.06	數量	見BOM表
				批准			位置	見BOM表

頂



工程號	J-856	地盤	天水圍天榮站	附 件	
名稱	玻璃加工圖 (70窗玻璃)		採用		
材料			地盤		√
顏色	8mmHS+12mm AIR GAP+8mmTP THK. I.G.U.		工廠		

 <b>美特鋁質</b> MIDI Aluminum Fabricator Ltd.	工程號: J-856	方強	日期: 2023.10.30	送呈: 胡哥	<b>註明: 計算參考數值/ 所屬位置分格</b>	
	地盤名稱: 天水圍天榮站	謝永林	日期: 2023.11.06	副本: 參考數		
底盤用玻璃B.M.表	項目類別: T2,T3座F.D門玻璃	批准:	總計玻璃面積 (平方米): 16.182	A/C Code: 依據E1683計算		
修改版次:						

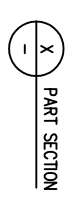
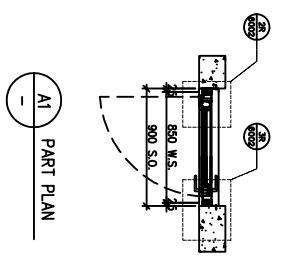
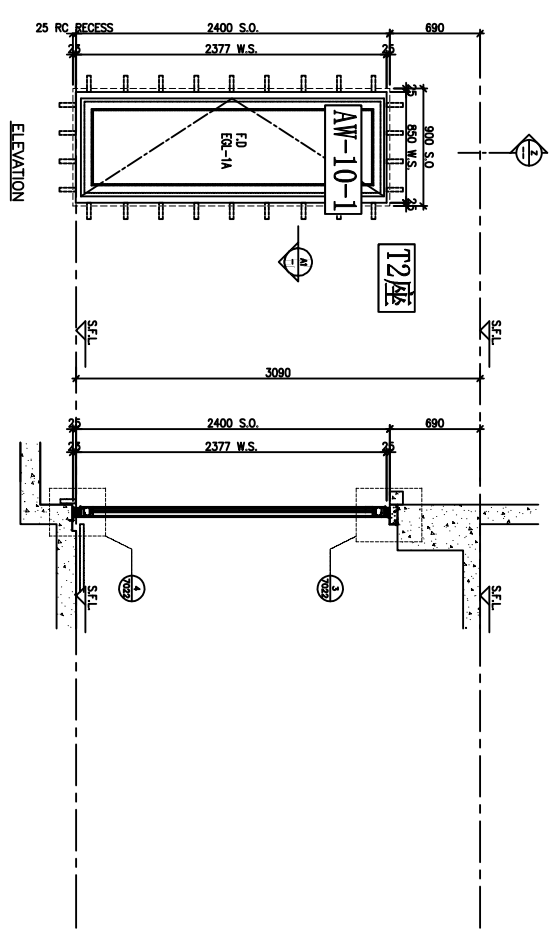
序號	修改內容	玻璃編號	顏色與類型/加工圖參考	厚度 (mm)	玻璃尺寸		數量 (塊)	總面積 (平方米)	使用樓層	使用位置	座數	分屬類型	分格 高度	使用窗號	樓層	每層用量
					寬度 (W mm)	高度 (H mm)										
1		AW-09a-1	EGL-1A	28	498	2160	1	1.076	3/F	T3-B10	T3	70F.D門	750	AW-09a	1	1
2		AW-09b-1	EGL-1A	28	498	2160	1	1.076	3/F	T3-A1	T3	70F.D門	750	AW-09b	1	1
							1	1.076		T3-B1						
							1	1.076		T3-B5						
							1	1.076		T3-B6						
3		AW-09-1	EGL-1A	28	468	2165	1	1.013	46/F	T3-1B	T3	70F.D門	720	AW-09	1	1
4		AW-10a-1	EGL-1A	28	423	2165	1	0.916	46/F	T3-1A	T3	70F.D門	675	AW-10a	1	1
5		AW-10-1	EGL-1A	28	598	2165	1	1.295	46/F	T3-2B	T3	70F.D門	850	AW-10R	1	1
							2	2.589		T2-2B	T2	AW-10		2	1	
6		AW-09-1	EGL-1A	28	468	2165	1	1.013	46/F	T2-1A	T2	70F.D門	720	AW-09	1	1
							1	1.013		T2-1B	T2	AW-09R		1	1	
7		AW-10bR-1	EGL-1A	28	498	2165	1	1.078	46/F	T2-2B	T2	70F.D門	750	AW-10bR	1	1
8		AW-15-1	EGL-1A	28	403	2165	1	0.872	46/F	T2-2B	T2	70F.D門	645	AW-15	1	1
						合計:	15	16.182								

- 1). 本表中玻璃採用三鑫公司產玻璃，
- 2). 本表中所有玻璃對角線尺寸偏差要求不超過負2mm。
- 3). 本表中玻璃要求粗磨處理並倒邊角，攔河玻璃頂底要精磨邊，而所有玻璃之人處方向需保持一致。
- 4). 本表中所有玻璃成品均需做雙面保護，用透明靜電膠紙加四周一寸FK白膠紙做雙面加固保護處理。
- 5). 本表中所有玻璃成品均需注明室內外及其玻璃編號/使用位置/樓層，以便識別。
- EGL-1A--8mmHS+12mm AIR GAP+8mmTP THK. I.G.U.
- 加工注意事項/玻璃類型描述:**





REQUIRE	AW-10 PROVIDED	AW-18 PROVIDED	AW-14&R PROVIDED
LOCATION	OPENABLE AREA GLAZING AREA	OPENABLE AREA GLAZING AREA	OPENABLE AREA GLAZING AREA
NUM. 2B LV./DIN	{1.463 2.346}	1.587 1.123	1.559 2.908 0.507 2.405



ELEVATION

WINDOW MARK	AW-10
LOCATION	46/F UNIT SIMPLEX 2B LV./DIN.
SECTION	70mm ALUM. SECTION
GLAZING	EQL-1A
QUANTITY	2 Nos.
REMARKS	-

B.O. REF :

CLIENT :  
**SUN HUNG KAI**  
 REAL ESTATE AGENT (TD)  
 42/F SUN HUNG WA CENTRE, WINGLOK, HONGKONG

ARCHITECT :  
**IWK&partners**  
 I n t e r i o r  
 A r c h i t e c t s

MAIN CONTRACTOR :  
**怡和建築有限公司**  
 Yee Hee Building Contractors Ltd.

STRUCTURAL ENGINEER :  
**ARUP**  
 ALPHA CONSULTING LIMITED  
 Steel Structures & Fabric Specialists

NOTE:  
 1. ALL DIMENSIONS ARE IN mm.  
 2. ALL ELEVATIONS ARE VIEWED FROM OUTSIDE.  
 3. ALL DIMENSIONS TO BE VERIFIED ON SITE BEFORE FABRICATION.

LEGEND:  
 (A1) DETAIL MARK NO.  
 (X) REFER SHEET NO.  
 1. F.F.L. --- FINISHED FLOOR LEVEL  
 2. S.F.L. --- STRUCTURAL FLOOR LEVEL  
 3. (R) --- REVERSED DETAIL  
 4. GLASS LENSID  
 EQL-1 --- 6mmx12mm AIR GAP+10mmTP THK. LG/L  
 EQL-2 --- 10mm THK. CRISTAL GRAY TEmPERED GLASS  
 EQL-4 --- 10mm THK. CRISTAL TEmPERED AND EMBED GLASS  
 EQL-1A --- 6mmx12mm AIR GAP+6mmTP THK. LG/L  
 RT1/RT1 --- FINISH DETAIL (DIN. NO. F201)  
 R22-T2000 DETAIL (DIN. NO. F202)

GLAZING AREA

NO.	DESC.	REVISION
1	ROOT TO 8011 & 7001 TO 7004 DETAILS	
2	REVISION SUBJECT TO ARCH/COMMIT	
3	REVISION SUBJECT TO ARCH/COMMIT	
4	REVISION SUBJECT TO ARCH/COMMIT	
5	REVISION SUBJECT TO ARCH/COMMIT	

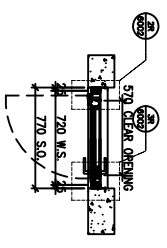
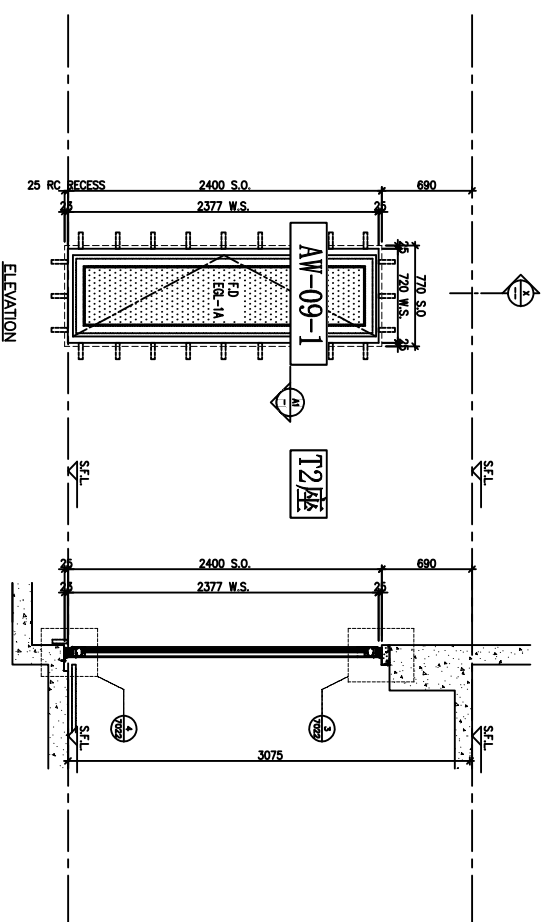
JOB NO. : J-656

PROJECT :  
 PROPOSED DEVELOPMENT ABOVE  
 LIGHT RAIL TIN WING STOP/SWTL  
 NO.23AREA 33,11N SHUI WAU, N.T.

TITLE :  
 WINDOW SCHEDULE FOR  
 TOWER 2 IN-SITU WINDOW

DATE : 02-Aug-21 SCALE : 1:40  
 DRAWN BY : Ivan CHECKED BY :  
 怡和建築有限公司  
 IWK & PARTNERS  
 4/F Sun Hung Wa Centre, Wing Lok, Hong Kong  
 Tel: 23498211-4 Fax: (852) 2727966  
 INC. NO. : J56-SD-W-5252 REV. : D

LOCATION	OPENABLE AREA	GLAZING AREA	OPENABLE AREA	GLAZING AREA	OPENABLE AREA	GLAZING AREA
SM. 1A KIT	0.609	0.974	1.292	0.935	1.122	0.893
SM. 1B KIT	0.639	1.023				



A1 PART PLAN

X PART SECTION

ELEVATION

WINDOW MARK	AW-09	AW-11
LOCATION	46/F UNIT SIMPLEX 1A KIT	46/F UNIT SIMPLEX 1B KIT
SECTION	70mm ALUM. SECTION	70mm ALUM. SECTION
GLAZING	EGL-1A	EGL-1A
QUANTITY	1 NO.	1 NO.
REMARKS		

B.O. REF :	
------------	--

CLIENT :  
**SUN HUNG KAI**  
 REAL ESTATE AGENCY LTD.  
 42/F SUN HUNG WA CENTRE, WINGLOK, HONGKONG

ARCHITECT :  
**hw&partners**  
 h w & p a r t n e r s

MAIN CONTRACTOR :  
**怡和建築有限公司**  
 Yee Hee Building Contractors Ltd.

STRUCTURAL ENGINEER :  
**ARUP**  
 ALPHA CONSULTING LIMITED  
 Steel Structures & Fabric Specialist

NOTE:  
 1. ALL DIMENSIONS ARE IN mm.  
 2. ALL ELEVATIONS ARE VIEWED FROM OUTSIDE.  
 3. ALL DIMENSIONS TO BE VERIFIED ON SITE BEFORE FABRICATION.

LEGEND:  
 (A1) DETAIL MARK NO.  
 (AW09) REFER SHEET NO.  
 1. F.F.L. --- FINISHED FLOOR LEVEL.  
 2. S.F.L. --- STRUCTURAL FLOOR LEVEL.  
 3. (A1) --- REVERSED DETAIL.  
 4. GLASS LENSID

EGL-1 --- 6mmx15+12mm AIR GAP+10mmTP THK. LG/L.  
 EGL-2 --- 10mm THK. CRISTAL GRAY TEmPERED GLASS  
 EGL-4 --- 10mm THK. CRISTAL TEmPERED AND EXTER GLASS  
 EGL-1A --- 6mmx15+12mm AIR GAP+10mmTP THK. LG/L.  
 RT1/RT1 --- FRAME DETAIL (DIMS. NO. F201)  
 R22-T2000 DETAIL (DIMS. NO. F202)

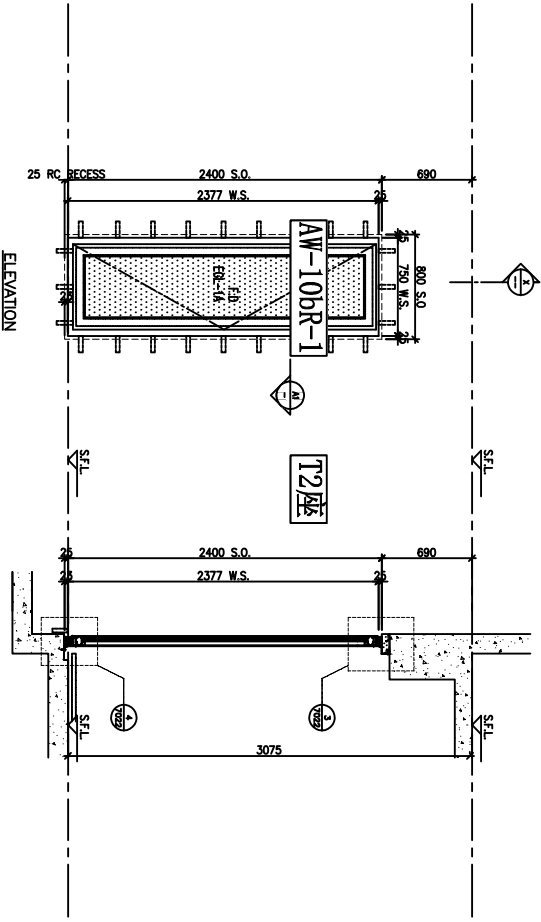
DATE	DESCRIPTION	BY	CHECKED BY
07/09/2023	REVISION SUBJECT TO ARCHITECT		
25/07/2023	REVISION SUBJECT TO ARCHITECT		

PROJECT :  
 PROPOSED DEVELOPMENT ABOVE  
 LIGHT RAIL TIN WING STOP/STW/L  
 NO.23/AREA 33, TIN SHUI WAU, N.T.

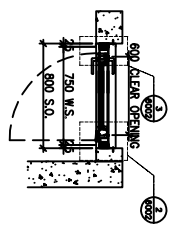
TITLE :  
 WINDOW SCHEDULE FOR  
 TOWER 2 IN-SITU WINDOW

DATE : 02-Aug-21 SCALE : 1:40  
 DRAWN BY : Ivan CHECKED BY :  
 怡和建築有限公司  
 42/F SUN HUNG WA CENTRE, WINGLOK, HONGKONG  
 401 Cheong Cheong Street, London  
 Tel: 23498211-4 Fax: (852) 27277966  
 DING NO. : 3556-SD-W-5255 REL : B

LOCATION	OPENABLE AREA	PROVIDED
SM. 2B MBR.	0.556	0.599
	1.36	0.999



ELEVATION



A1 PART PLAN

X PART SECTION

WINDOW MARK	AW
LOCATION	46/F UNIT SIMPLEX 2B MBR
SECTION	70mm ALUM. SECTION
GLAZING	EGL-1A
QUANTITY	1 NO.
REMARKS	

B.O. REF :

CLIENT :  
**SUN HUNG KAI**  
 REAL ESTATE AGENCY LTD.  
 46/F SUN HUNG KAI CENTRE, WINGLOK, HONGKONG

ARCHITECT :  
**Iw&partners**  
 I w & p a r t n e r s

MAIN CONTRACTOR :  
**怡和建築有限公司**  
 Yee Hee Building Contractors Ltd.

STRUCTURAL ENGINEER :  
**ARUP**  
 ALPHA CONSULTING LIMITED  
 Steel Structures & Fabric Specialist

NOTE:  
 1. ALL DIMENSIONS ARE IN mm.  
 2. ALL ELEVATIONS ARE VIEWED FROM OUTSIDE.  
 3. ALL DIMENSIONS TO BE VERIFIED ON SITE BEFORE FABRICATION.

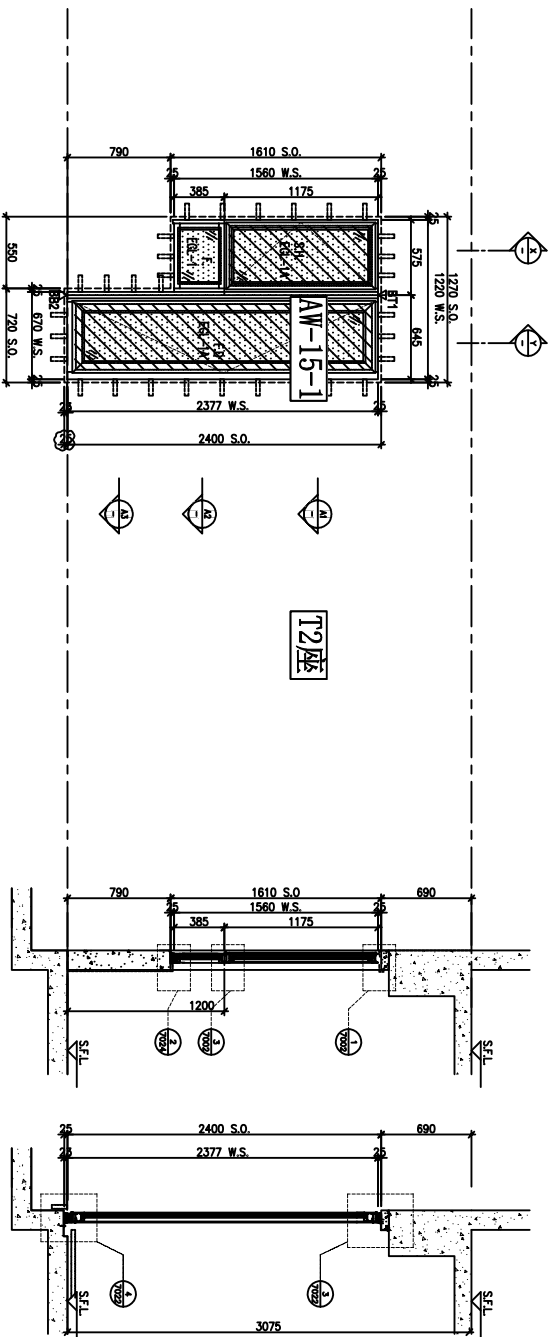
LEGEND:  
 (A1) DETAIL MARK NO.  
 (X) REFER SHEET NO.  
 1. F.F.L. --- FINISHED FLOOR LEVEL.  
 2. S.F.L. --- STRUCTURAL FLOOR LEVEL.  
 3. (R) --- REVERSED DETAIL.  
 4. GLASS LENSID

EGL-1--6mmx12mm AR 94+10mmTP THK. LG/L.  
 EGL-2--10mm THK. CRISTAL GRAY TEmPERED GLASS  
 EGL-4--10mm THK. CRISTAL TEmPERED AND EXTER GLASS  
 EGL-1A--6mmx12mm AR 94+10mmTP THK. LG/L.  
 RT1/RT1--FRAME DETAIL (DIMS. NO. F201)  
 R22-TYPING DETAIL (DIMS. NO. F202)

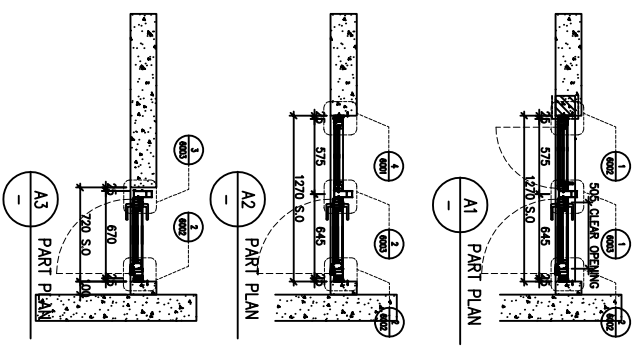
PROJECT :  
 PROPOSED DEVELOPMENT ABOVE  
 LIGHT RAIL TIN WING STOP/STW/L  
 NO.23/AREA 33, TIN SHUI WAI, N.T.

DATE : 02-Aug-21 SCALE : 1:40  
 DRAWN BY : Ivan CHECKED BY :  
 PROJECT NO. : J-556  
 Dwg No. : 02-Aug-21  
 Iw&partners  
 4/F, Sun Hung Kai Centre, Wing Lok, Hong Kong  
 Tel: 23498211-4 Fax: 23498277  
 INC. NO. : 056-SD-W-526 REL. : B

LOCATION	OPENABLE AREA	GLAZING AREA	OPENABLE AREA	GLAZING AREA
SM. 2B KIT.	0.478	0.764	1.637	1.32



ELEVATION



X PART SECTION

Y PART SECTION

WINDOW MARK	AW-15
LOCATION	46/F UNIT SIMPLEX 2B KIT
SECTION	70mm ALUM. SECTION
GLAZING	EGL-1/EGL-1A
QUANTITY	1 NO.
REMARKS	4 BAR HINGE-LIP HING (HHMS-N14)

B.O. REF :

CLIENT :  
**SUN HUNG KAI**  
 REAL ESTATE DEVELOPMENT LTD.  
 47/F SUN HUNG KAI CENTRE, WINGLOK, HONGKONG

ARCHITECT :  
**hw&partners**  
 o r n i t o r s

MAIN CONTRACTOR :  
**怡和建築有限公司**  
 Yee Hee Pui Building Construction Ltd.

STRUCTURAL ENGINEER :  
**ARUP**

FAÇADE CONSULTANT:  
**ALPHA CONSULTING LIMITED**  
 Steel Structure & Façade Specialist

NOTE:  
 1. ALL DIMENSIONS ARE IN mm.  
 2. ALL DIMENSIONS ARE VIEWED FROM OUTSIDE.  
 3. ALL DIMENSIONS TO BE VERIFIED ON SITE BEFORE FABRICATION.  
 LEGEND:  
 (A1) DETAIL MARK NO.  
 (A00) REFER SHEET NO.

1. F.F.L. --- FINISHED FLOOR LEVEL.  
 2. S.F.L. --- STRUCTURAL FLOOR LEVEL.  
 3. (R) --- REVERSED DETAIL.  
 4. GLASS LENSID  
 EGL-1 --- 6mmx1510mm HR 6PP+10mmTP THK. LG/LI.  
 EGL-2 --- 10mm THK. CRISTAL GRAY TEMPERED GLASS.  
 EGL-4 --- 10mm THK. CRISTAL TEMPERED AND EDGED GLASS.  
 EGL-1A --- 6mmx1510mm HR 6PP+10mmTP THK. LG/LI.  
 RT1/RT1 --- FRAME DETAIL (DIMS. NO. F201)  
 RSL-1200 --- DETAIL (DIMS. NO. F202)

GLAZING AREA  
 OPENABLE AREA  
 (ROOT TO 6011 & 7001 TO 7004A DETAILS REFER TO 3-4/F IN-SITU WINDOW SCHEDULE)

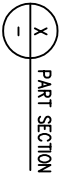
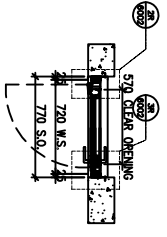
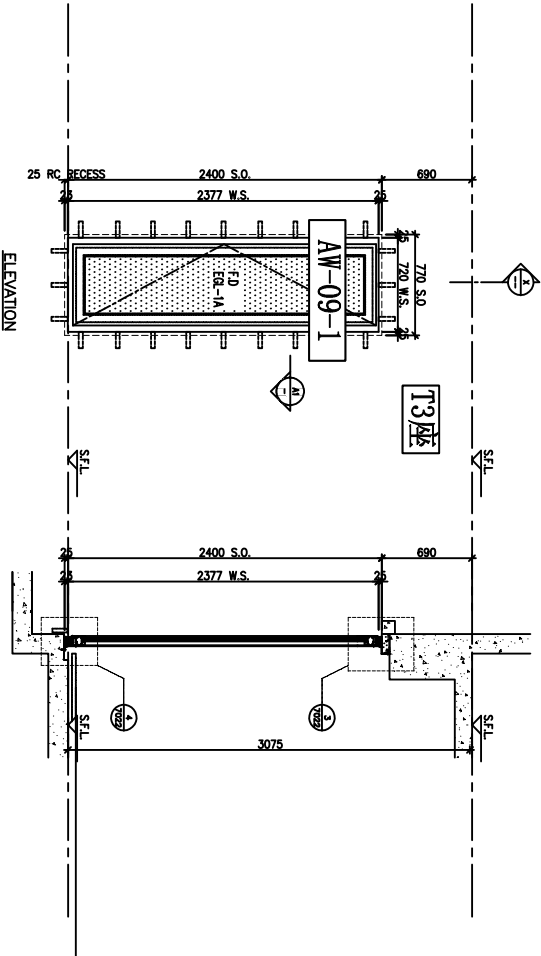
NO.	DATE	REVISION	REVISION SUBJECT TO ARCH/CLIENT COMMENT
1	25/07/2023	REVISION SUBJECT TO ARCH/CLIENT COMMENT	
2	07/08/2023	REVISION SUBJECT TO ARCH/CLIENT COMMENT	

PROJECT :  
 PROPOSED DEVELOPMENT ABOVE LIGHT RAIL TIN WING STOP/STW/L NO.23/AREA 33, TIN SHUI WAI, N.T.

TITLE :  
 WINDOW SCHEDULE FOR TOWER 2 IN-SITU WINDOW

DWG NO. : J-556  
 DATE : 02-Aug-21  
 SCALE : 1:40  
 DRAWN BY : Ivan  
 CHECKED BY :  
 怡和建築有限公司  
 47/F Sun Hung Kai Centre, Wing Lok, Hong Kong  
 怡和建築有限公司  
 47/F Sun Hung Kai Centre, Wing Lok, Hong Kong  
 DWG NO. : J556-01-W-5280  
 REL. : B

LOCATION	OPENABLE AREA	GLAZING AREA	PROVIDED
SM. 1A KIT	0.492	0.787	1.292
SM. 1B KIT	0.496	0.272	0.935



ELEVATION

WINDOW MARK	AW-09	AW-09
LOCATION	46/F UNIT SIMPLEX 1B KIT.	46/F UNIT SIMPLEX 1A KIT.
SECTION	70mm ALUM. SECTION	70mm ALUM. SECTION
GLAZING	EGL-1A	EGL-1A
QUANTITY	1 NO.	1 No.
REMARKS		

B.O. REF :

CLIENT :  
**SUN HUNG KAI**  
 REAL ESTATE AGENCY LTD.  
 42/F SUN HUNG WAH CENTRE, WINGLOK, HONGKONG

ARCHITECT :  
**IWK&partners**  
 I n t e r i o r  
 A r c h i t e c t s

MAIN CONTRACTOR :  
 怡和建築有限公司  
 Yee Hee Pui Building Contractors Ltd.

STRUCTURAL ENGINEER :  
**ARUP**

FAÇADE CONSULTANT:  
**ALPHA CONSULTING LIMITED**  
 Steel Structures & Façade Specialists

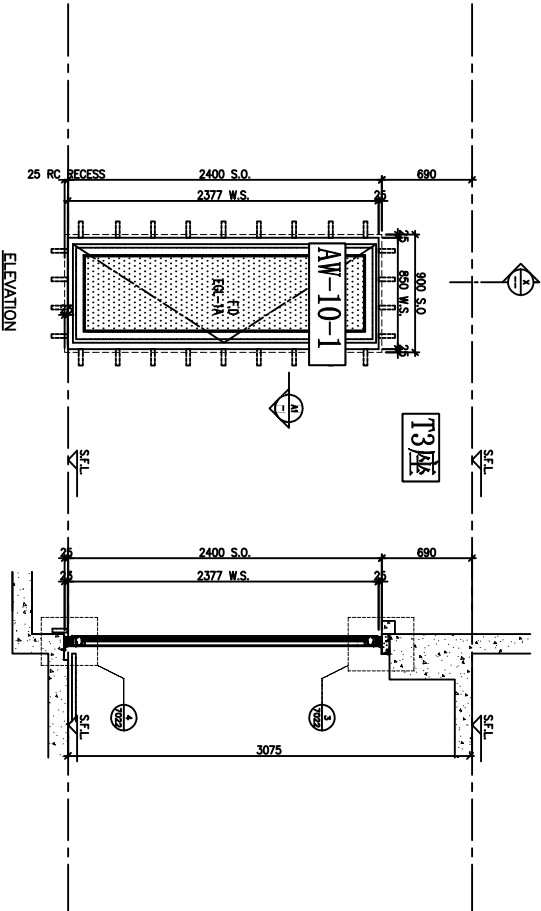
DATE : 02-Aug-21 SCALE : 1:40  
 DRAWN BY : Ivan CHECKED BY :  
 PROJECT : PROPOSED DEVELOPMENT ABOVE LIGHT RAIL TIN WING STOP/STW/L NO.23/AREA 33, TIN SHUI WAI, N.T.  
 TITLE : WINDOW SCHEDULE FOR TOWER 3 IN-SITU WINDOW  
 JOB NO. : J-656

NO.	DATE	REVISION	REVISION SUBJECT TO ARCHITECT/ENGINEER	BY
1	25/07/2023	REVISION SUBJECT TO ARCHITECT/ENGINEER		
2	07/08/2023	REVISION SUBJECT TO ARCHITECT/ENGINEER		

NOTES:  
 1. ALL DIMENSIONS ARE IN MM.  
 2. ALL ELEVATIONS ARE VIEWED FROM OUTSIDE.  
 3. ALL DIMENSIONS TO BE VERIFIED ON SITE BEFORE FABRICATION.  
 LEGEND:  
 (A1) DETAIL MARK NO.  
 (AW) REFER SHEET NO.  
 1. F.F.L. --- FINISHED FLOOR LEVEL.  
 2. S.F.L. --- STRUCTURAL FLOOR LEVEL.  
 3. (R) --- REVERSED DETAIL.  
 4. GLASS LENSID  
 EGL-1 --- 6mmHx12mm AR QP+10mmTP TK. LG/L.  
 EGL-2 --- 10mm TK. CRISTAL GRAY TEmPERED GLASS  
 EG-4 --- 10mm TK. CRISTAL TEmPERED AND ENDED GLASS  
 EGL-1A --- 6mmHx12mm AR QP+10mmTP TK. LG/L.  
 RT1/RT1 --- FRAME DETAIL (Dwg. NO. F201)  
 R22-T2000 DETAIL (Dwg. NO. F202)  
 GLAZING AREA  
 OPENABLE AREA  
 ROOT TO 8011 & 7001 TO 7004 DETAILS REFER TO 240F IN-SITU WINDOW SCHEDULE

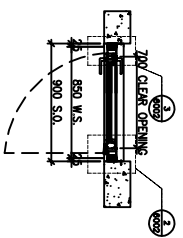
UNITED KINGDOM  
 11th Floor, 85, Abchurch Lane, London EC4N 3DF, UK  
 8/F, One King Lane Road, London  
 Tel: +44 (0)20 7592 2222 Fax: +44 (0)20 7592 2222  
 REG. NO. : 0566-50-1W-5357 REL. : B

LOCATION	OPENABLE AREA	GLAZING AREA	OPENABLE AREA	GLAZING AREA	OPENABLE AREA	GLAZING AREA
SM. 2B MBR.	0.747	1.195	1.587	1.213	0.507	2.737



ELEVATION

X PART SECTION



A1 PART PLAN

WINDOW MARK	AW-10-1
LOCATION	46/F UNIT SIMPLEX 2B MBR.
SECTION	70mm ALUM. SECTION
GLAZING	EGL-1A
QUANTITY	1 NO.
REMARKS	

B.O. REF :	
------------	--

CLIENT :  
**SUN HUNG KAI**  
 REAL ESTATE AGENCY LTD.  
 42/F SUN HUNG WA CENTRE, WINGLOK, HONGKONG

ARCHITECT :  
**Iw&partners**  
 I w & p a r t n e r s

MAIN CONTRACTOR :  
 怡和建築有限公司  
 Yee Hei Building Contractors Ltd.

STRUCTURAL ENGINEER :  
**ARUP**

FAÇADE CONSULTANT:  
**ALPHA CONSULTING LIMITED**  
 Steel Structures & Façade Specialist

NOTE:  
 1. ALL DIMENSIONS ARE IN mm.  
 2. ALL ELEVATIONS ARE VIEWED FROM OUTSIDE.  
 3. ALL DIMENSIONS TO BE VERIFIED ON SITE BEFORE FABRICATION.  
 LEGEND:  
 (A1) DETAIL MARK NO.  
 (AW) REFER SHEET NO.

1. F.F.L. --- FINISHED FLOOR LEVEL.  
 2. S.F.L. --- STRUCTURAL FLOOR LEVEL.  
 3. (R) --- REVERSED DETAIL.  
 4. GLASS LENSID

EGL-1 --- 6mmx15+12mm AR 9H+10mmTP THK. LG/LI.  
 EGL-2 --- 10mm THK. CRISTAL GRAY TEmPERED GLASS  
 EGL-4 --- 10mm THK. CRISTAL TEmPERED AND EXTER GLASS  
 EGL-1A --- 6mmx15+12mm AR 9H+10mmTP THK. LG/LI.  
 RT1/RT1 --- FRAME DETAIL (Dwg. NO. F201)  
 R22-T2000 DETAIL (Dwg. NO. F202)

GLAZING AREA

OPENABLE AREA  
 800 TO 801.1 & 700 TO 700.8 DETAILS REFER TO 3-4/F IN-SITU WINDOW SCHEDULE

DATE :	02-Aug-21	SCALE :	1:40
DRAWN BY :	Ivan	CHECKED BY :	
PROJECT :	PROPOSED DEVELOPMENT ABOVE LIGHT RAIL TIN WING STOP/SWTL NO.23/AREA 33, TIN SHUI WAI, N.T.		
JOB NO. :	J-656	REVISION SUBJECT TO APPROVAL :	
NO.	DATE	REVISION	BY
1	25/07/2023	REVISION SUBJECT TO APPROVAL	
2	07/08/2023	REVISION SUBJECT TO APPROVAL	

TITLE :  
 WINDOW SCHEDULE FOR TOWER 3 IN-SITU WINDOW

DATE : 02-Aug-21 SCALE : 1:40

DRAWN BY : Ivan CHECKED BY :

PROJECT : PROPOSED DEVELOPMENT ABOVE LIGHT RAIL TIN WING STOP/SWTL NO.23/AREA 33, TIN SHUI WAI, N.T.

JOB NO. : J-656

REVISION SUBJECT TO APPROVAL :

NO. DATE REVISION BY

1 25/07/2023 REVISION SUBJECT TO APPROVAL

2 07/08/2023 REVISION SUBJECT TO APPROVAL

DATE : 02-Aug-21 SCALE : 1:40

DRAWN BY : Ivan CHECKED BY :

PROJECT : PROPOSED DEVELOPMENT ABOVE LIGHT RAIL TIN WING STOP/SWTL NO.23/AREA 33, TIN SHUI WAI, N.T.

JOB NO. : J-656

REVISION SUBJECT TO APPROVAL :

NO. DATE REVISION BY

1 25/07/2023 REVISION SUBJECT TO APPROVAL

2 07/08/2023 REVISION SUBJECT TO APPROVAL

DATE : 02-Aug-21 SCALE : 1:40

DRAWN BY : Ivan CHECKED BY :

PROJECT : PROPOSED DEVELOPMENT ABOVE LIGHT RAIL TIN WING STOP/SWTL NO.23/AREA 33, TIN SHUI WAI, N.T.

JOB NO. : J-656

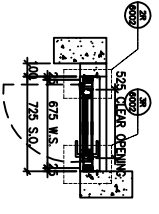
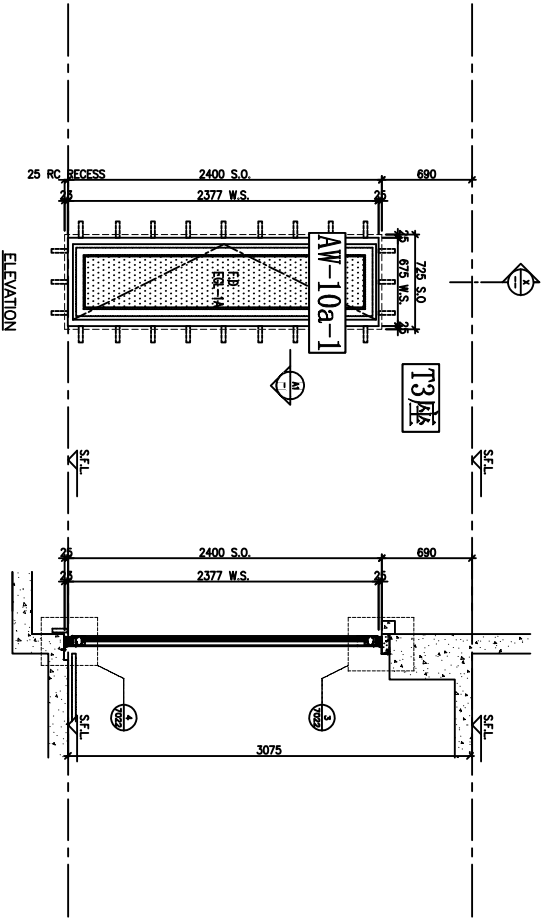
REVISION SUBJECT TO APPROVAL :

NO. DATE REVISION BY

1 25/07/2023 REVISION SUBJECT TO APPROVAL

2 07/08/2023 REVISION SUBJECT TO APPROVAL

LOCATION	OPENABLE AREA	PROVIDED
SM. 1A BR4.	0.463	0.743
	0.743	1.19
		0.839



ELEVATION

PART SECTION

WINDOW MARK	AW-10a
LOCATION	46/F UNIT SIMPLEX 1A BR4.
SECTION	70mm ALUM. SECTION
GLAZING	EGL-1A
QUANTITY	1 NO.
REMARKS	

B.O. REF :

CLIENT :  
**SUN HUNG KAI**  
 REAL ESTATE AGENCY LTD.  
 42/F SUN HUNG WAI CENTRE, WINGLOK, HONGKONG

ARCHITECT :  
**Y&K partners**  
 Y&K PARTNERS ARCHITECTS

MAIN CONTRACTOR :  
**怡和建築有限公司**  
 Yee Hee Building Contractors Ltd.

STRUCTURAL ENGINEER :  
**ARUP**

FAÇADE CONSULTANT:  
**ALPHA CONSULTING LIMITED**  
 Steel Structures & Façade Specialists

NOTE:  
 1. ALL DIMENSIONS ARE IN MM.  
 2. ALL ELEVATIONS ARE VIEWED FROM OUTSIDE.  
 3. ALL DIMENSIONS TO BE VERIFIED ON SITE BEFORE FABRICATION.

LEGEND:  
 (A1) DETAIL MARK NO.  
 (A00) REFER SHEET NO.

1. F.F.L. --- FINISHED FLOOR LEVEL  
 2. S.F.L. --- STRUCTURAL FLOOR LEVEL  
 3. (A) --- REVERSED DETAIL  
 4. GLASS LENSID

EGL-1 --- 6mmx12mm AIR GAP+10mmTP THK. LG/L  
 EGL-2 --- 10mm THK. CRISTAL GRAY TEmPERED GLASS  
 EGL-4 --- 10mm THK. CRISTAL TEmPERED AND EXTER GLASS  
 EGL-1A --- 6mmx12mm AIR GAP+10mmTP THK. LG/L  
 RT1/RT1 --- FRAME DETAIL (Dwg. NO. F201)  
 R22-T22 --- DETAIL (Dwg. NO. F202)

GLAZING AREA

OPENABLE AREA

800 TO 8011 & 700 TO 700A DETAILS REFER TO 3-4/F IN-SITU WINDOW SCHEDULE

NO.	DATE	REVISION SUBJECT TO APPROVAL/COMMENT	BY
1	25/07/2023	REVISION SUBJECT TO APPROVAL/COMMENT	REVISION
2	07/08/2023	REVISION SUBJECT TO APPROVAL/COMMENT	REVISION

JOB NO. : J-556

PROJECT : PROPOSED DEVELOPMENT ABOVE LIGHT RAIL TIN WING STOP/STW/L NO.23/AREA 33, TIN SHUI WAI, N.T.

TITLE : WINDOW SCHEDULE FOR TOWER 3 IN-SITU WINDOW

DATE : 02-Aug-21 SCALE : 1:40

DRAWN BY : Ivan CHECKED BY :

Y&K PARTNERS ARCHITECTS  
 17/F, One New Link Road, London  
 Tel: 23498211-4 Fax: 23498217/27966

怡和建築有限公司  
 42/F Sun Hung Wai Centre, Wing Lok, Hong Kong  
 Tel: 23498211-4 Fax: 23498217/27966

ARUP  
 11th Floor, 111 South Street, London  
 Tel: 23498211-4 Fax: 23498217/27966

ALPHA CONSULTING LIMITED  
 11/F, 111 South Street, London  
 Tel: 23498211-4 Fax: 23498217/27966