



工程指示 / 要求簡箋 ENGINEER INSTRUCTIONS(E.I.)

|         |                                |       |            |
|---------|--------------------------------|-------|------------|
| 工程指示編號: | EI- 6962                       | 修改版本: | -          |
|         | HK-2587                        |       |            |
| 工程編號:   | J 856                          | 工程名稱: | 天榮站        |
| 收件人:    | 生統/ 謝永林/林仁安                    | 發件人:  | Jingo      |
| 工程項目:   | 隔音窗8th shop drawing (確認只可拆窗玉用) | 日期:   | 09/11/2023 |

|  |  |                                    |
|--|--|------------------------------------|
| <input checked="" type="checkbox"/> 原合約工程包 | <input type="checkbox"/> 原合約工程加 / 減賬 QT- | <input type="checkbox"/> 新工程報價 QT- |
|--|--|------------------------------------|

|                |           |
|----------------|-----------|
| 信件批核號碼/圖紙參考編號: | 批核模具圖紙編號: |
| 客戶指示附件:        | 管理內部批簽署:  |

|                                    |                                     |                               |
|------------------------------------|-------------------------------------|-------------------------------|
| <input type="checkbox"/> 初步鋁料 B.M. | <input type="checkbox"/> 加工拆圖, 然後生產 | <input type="checkbox"/> 尺寸表  |
| <input type="checkbox"/> 正式鋁料 B.M. | <input type="checkbox"/> 技術上資料/指示   | <input type="checkbox"/> 報價   |
| <input type="checkbox"/> 配件 B.M.   | <input type="checkbox"/> 樣辦或貨品說明書   | <input type="checkbox"/> 分判合約 |
| <input type="checkbox"/> 其他:       |                                     |                               |

內容: 隔音窗8th shop drawing (確認只可拆窗玉用) 已放在server

完成上列要求日期: 13/11/2023

國內

|                                 |                              |   |   |                                |                              |
|---------------------------------|------------------------------|---|---|--------------------------------|------------------------------|
| <input type="checkbox"/> 生產技術總監 | <input type="checkbox"/> 連附件 | <input checked="" type="checkbox"/> 技術部   | <input checked="" type="checkbox"/> 連附件 | <input type="checkbox"/> 生產部   | <input type="checkbox"/> 連附件 |
| <input type="checkbox"/> 採購部    | <input type="checkbox"/> 連附件 | <input checked="" type="checkbox"/> 生產統籌部 | <input checked="" type="checkbox"/> 連附件 | <input type="checkbox"/> 報關組   | <input type="checkbox"/> 連附件 |
| <input type="checkbox"/> 質檢部    | <input type="checkbox"/> 連附件 | <input type="checkbox"/> 會計部              | <input type="checkbox"/> 連附件            | <input type="checkbox"/> 機械設計部 | <input type="checkbox"/> 連附件 |
| <input type="checkbox"/> 香港辦    | <input type="checkbox"/> 連附件 | <input type="checkbox"/> 其他:              |   |                                |                              |

香港

|                              |                              |                              |                              |                               |                              |                              |                              |
|------------------------------|------------------------------|------------------------------|------------------------------|-------------------------------|------------------------------|------------------------------|------------------------------|
| <input type="checkbox"/> 行政部 | <input type="checkbox"/> 連附件 | <input type="checkbox"/> 會計部 | <input type="checkbox"/> 連附件 | <input type="checkbox"/> 統籌部  | <input type="checkbox"/> 連附件 | <input type="checkbox"/> 工程部 | <input type="checkbox"/> 連附件 |
| <input type="checkbox"/> 採購部 | <input type="checkbox"/> 連附件 | <input type="checkbox"/> QS部 | <input type="checkbox"/> 連附件 | <input type="checkbox"/> 地盤管理 | <input type="checkbox"/> 連附件 | <input type="checkbox"/> 維修部 | <input type="checkbox"/> 連附件 |

|               |            |
|---------------|------------|
| *發件人簽署: Jingo | *組別成員批核簽署: |
| 傳遞編號:         | 項目經理簽署:    |

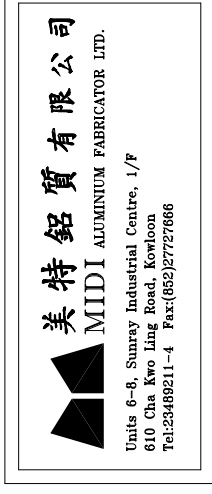
PROJECT :

PROPOSED DEVELOPMENT ABOVE  
LIGHT RAIL TIN WING STOP, TSWTL  
NO.23, AREA 33, TIN SHUI WAI, N.T.

8

SHOP DRAWING FOR ACOUSTIC WINDOW OF TOWER

DATE: 17-Oct-23



| NO. | DATE | REVISED | BY |
|-----|------|---------|----|
|     |      |         |    |

DWG NO. : J856-SD-AS-0000 REV. : G

# DRAWING SUBMISSION REGISTER

| PROJECT:<br>PROPOSED DEVELOPMENT ABOVE<br>LIGHT RAIL TIN WING STOP-TSWTL<br>NO.23, AREA 33, TIN SHUI WAI, N.T.<br><br>TITLE:<br>ACOUSTIC WINDOW OF TOWER<br>SHOPDRAWING SUBMISSION | DATE OF ISSUE                                    |       |    |    |    |    |    |    |    |    | SUBMISSION STATE<br>(FOR B.D./A.S.D)                                  |       | SUBMISSION STATE<br>(FOR CLIENT / CONSULTANT)                         |       | SUBMISSION STATE<br>(FOR ARCHITECT)                                   |       | FABRICATION / CONSTRUCTION STATE |      | ISSUE<br>SUB-CONT. |                  |      |
|--|--|-------|----|----|----|----|----|----|----|----|---|-------|---|-------|---|-------|----------------------------------|------|--------------------|------------------|------|
|  | ISSUE  |       | 1  | 2  | 3  | 4  | 5  | 6  | 7  | 8  | AP - APPROVED<br>AC - APPROVED SUB. TO CONDITION<br>NA - NOT APPROVED |       | AP - APPROVED<br>AC - APPROVED SUB. TO CONDITION<br>NA - NOT APPROVED |       | AP - APPROVED<br>AC - APPROVED SUB. TO CONDITION<br>NA - NOT APPROVED |       | ISSUE TO<br>CHINA OFFICE         |      |                    | ISSUE TO<br>SITE |      |
|  | DAY  | MONTH | 1  | 2  | 3  | 4  | 5  | 6  | 7  | 8  | COMMENT DATE  | STATE | COMMENT DATE  | STATE | COMMENT DATE  | STATE | REV.                             | DATE |                    | REV.             | DATE |
|  | YEAR   | YEAR  | 23 | 23 | 23 | 23 | 23 | 23 | 23 | 23 |   |       |   |       |   |       |                                  |      |                    |                  |      |
| DWG. NO.   | REVISONS   |       |    |    |    |    |    |    |    |    |   |       |   |       |   |       |                                  |      |                    |                  |      |
| J856-SD-AS-0000  | COVER PAGE                                       | -     | A  | B  | C  | D  | E  | F  | G  |    |   |       |   |       |   |       |                                  |      |                    |                  |      |
| J856-SD-AS-0001  | DRAWING REGISTER                                 | -     | A  | B  | C  | D  | E  | F  | G  |    |   |       |   |       |   |       |                                  |      |                    |                  |      |
| J856-SD-AS-3101  | PLAN FOR IN-SITU WINDOW AT TOWER 1 FOR 3F        | -     | A  | B  | B  | B  | B  | B  | B  |    |   |       |   |       |   |       |                                  |      |                    |                  |      |
| J856-SD-AS-3102  | PLAN FOR IN-SITU WINDOW AT TOWER 1 FOR 5F-4F     | -     | A  | B  | B  | B  | B  | B  | B  |    |   |       |   |       |   |       |                                  |      |                    |                  |      |
| J856-SD-AS-3103  | PLAN FOR IN-SITU WINDOW AT TOWER 1 FOR 4F        | -     | A  | A  | A  | A  | A  | A  | A  |    |   |       |   |       |   |       |                                  |      |                    |                  |      |
| J856-SD-AS-3301  | PLAN FOR IN-SITU WINDOW AT TOWER 3 FOR 3F        | -     | A  | A  | A  | A  | A  | A  | A  |    |   |       |   |       |   |       |                                  |      |                    |                  |      |
| J856-SD-AS-3302  | PLAN FOR IN-SITU WINDOW AT TOWER 3 FOR 4F        | -     | A  | B  | C  | D  | E  | E  | F  |    |   |       |   |       |   |       |                                  |      |                    |                  |      |
| J856-SD-AS-5101  | WINDOW SCHEDULE FOR TOWER 1 ACOUSTIC WINDOW      | -     | A  | B  | C  | D  | E  | E  | F  |    |   |       |   |       |   |       |                                  |      |                    |                  |      |
| J856-SD-AS-5102  | WINDOW SCHEDULE FOR TOWER 1 ACOUSTIC WINDOW      | -     | A  | B  | C  | D  | C  | C  | D  |    |   |       |   |       |   |       |                                  |      |                    |                  |      |
| J856-SD-AS-5103  | WINDOW SCHEDULE FOR TOWER 1 ACOUSTIC WINDOW      | -     | A  | B  | C  | C  | D  | D  | E  |    |   |       |   |       |   |       |                                  |      |                    |                  |      |
| J856-SD-AS-5104  | WINDOW SCHEDULE FOR TOWER 1 ACOUSTIC WINDOW      | -     | A  | B  | C  | C  | D  | D  | E  |    |   |       |   |       |   |       |                                  |      |                    |                  |      |
| J856-SD-AS-5105  | WINDOW SCHEDULE FOR TOWER 1 ACOUSTIC WINDOW      | -     | A  | B  | C  | C  | D  | D  | E  |    |   |       |   |       |   |       |                                  |      |                    |                  |      |
| J856-SD-AS-5106  | WINDOW SCHEDULE FOR TOWER 1 ACOUSTIC WINDOW      | -     | A  | B  | C  | C  | D  | D  | E  |    |   |       |   |       |   |       |                                  |      |                    |                  |      |
| J856-SD-AS-5107  | WINDOW SCHEDULE FOR TOWER 1 ACOUSTIC WINDOW      | -     | A  | B  | C  | D  | E  | E  | F  |    |   |       |   |       |   |       |                                  |      |                    |                  |      |
| J856-SD-AS-5301  | WINDOW SCHEDULE FOR TOWER 3 ACOUSTIC WINDOW      | -     | A  | B  | C  | C  | D  | D  | E  |    |   |       |   |       |   |       |                                  |      |                    |                  |      |
| J856-SD-AS-4302  | WINDOW SCHEDULE FOR TOWER 3 ACOUSTIC WINDOW      | -     | A  | B  | C  | D  | E  | E  | F  |    |   |       |   |       |   |       |                                  |      |                    |                  |      |
| J856-SD-AS-0701  | TYPICAL DETAILS FOR ACOUSTIC WINDOW              | -     | A  | A  | A  | A  | A  | B  | C  |    |   |       |   |       |   |       |                                  |      |                    |                  |      |
| J856-SD-AS-0702  | TYPICAL DETAILS FOR ACOUSTIC WINDOW              | -     | A  | A  | A  | B  | B  | C  | D  |    |   |       |   |       |   |       |                                  |      |                    |                  |      |
| J856-SD-AS-0703  | TYPICAL DETAILS FOR ACOUSTIC WINDOW              | -     | A  | A  | A  | A  | A  | B  | C  |    |   |       |   |       |   |       |                                  |      |                    |                  |      |
| J856-SD-AS-0704  | TYPICAL DETAILS FOR ACOUSTIC WINDOW              | -     | A  | B  | C  | D  | D  | D  | E  |    |   |       |   |       |   |       |                                  |      |                    |                  |      |
| J856-SD-AS-0704A   | TYPICAL DETAILS FOR ACOUSTIC WINDOW              | -     | -  | -  | -  | -  | -  | -  | A  |    |   |       |   |       |   |       |                                  |      |                    |                  |      |
| J856-SD-AS-0705  | TYPICAL DETAILS FOR ACOUSTIC WINDOW              | -     | -  | -  | -  | -  | -  | A  | B  | C  |   |       |   |       |   |       |                                  |      |                    |                  |      |
| J856-SD-AS-0706  | TYPICAL DETAILS FOR ACOUSTIC WINDOW              | -     | -  | -  | -  | -  | -  | A  | B  | C  |   |       |   |       |   |       |                                  |      |                    |                  |      |
| J856-SD-AS-0711  | TYPICAL DETAILS FOR ACOUSTIC WINDOW              | -     | -  | -  | -  | -  | -  | -  | A  |    |   |       |   |       |   |       |                                  |      |                    |                  |      |
| J856-SD-AS-0721  | TYPICAL DETAILS FOR ACOUSTIC WINDOW              | -     | -  | -  | -  | -  | -  | A  | A  | B  |   |       |   |       |   |       |                                  |      |                    |                  |      |
| J856-SD-AS-0722  | TYPICAL DETAILS FOR ACOUSTIC WINDOW              | -     | -  | -  | -  | -  | -  | A  | B  | B  | C   |       |   |       |   |       |                                  |      |                    |                  |      |
| J856-SD-AS-0751  | TYPICAL DETAILS FOR ACOUSTIC WINDOW              | -     | -  | -  | -  | -  | -  | A  | A  | B  | C   | D     |   |       |   |       |                                  |      |                    |                  |      |
| J856-SD-AS-0752  | TYPICAL DETAILS FOR ACOUSTIC WINDOW              | -     | -  | -  | -  | -  | -  | A  | A  | B  | C   | D     |   |       |   |       |                                  |      |                    |                  |      |
| J856-SD-AS-0753  | TYPICAL DETAILS FOR ACOUSTIC WINDOW              | -     | -  | -  | -  | -  | -  | A  | A  | B  | C   | D     |   |       |   |       |                                  |      |                    |                  |      |
| J856-SD-AS-0761  | TYPICAL DETAILS FOR ACOUSTIC WINDOW              | -     | -  | -  | -  | -  | -  | A  | B  | C  | D   |       |   |       |   |       |                                  |      |                    |                  |      |
| J856-SD-AS-0771  | TYPICAL DETAILS FOR ACOUSTIC WINDOW              | -     | -  | -  | -  | -  | -  | A  | B  | C  | D   |       |   |       |   |       |                                  |      |                    |                  |      |
| J856-SD-AS-0772  | TYPICAL DETAILS FOR ACOUSTIC WINDOW              | -     | -  | -  | -  | -  | -  | A  | B  | C  | D   |       |   |       |   |       |                                  |      |                    |                  |      |
| J856-SD-0V-5018  | TYPICAL DETAILS FOR CURTAIN WALL ACOUSTIC WINDOW | -     | -  | -  | -  | -  | -  | -  | -  | A  |   |       |   |       |   |       |                                  |      |                    |                  |      |
| J856-SD-0V-5018  | TYPICAL DETAILS FOR CURTAIN WALL ACOUSTIC WINDOW | -     | -  | -  | -  | -  | -  | -  | -  | A  |   |       |   |       |   |       |                                  |      |                    |                  |      |
| J856-SD-0V-5018  | TYPICAL DETAILS FOR CURTAIN WALL ACOUSTIC WINDOW | -     | -  | -  | -  | -  | -  | -  | -  | A  |   |       |   |       |   |       |                                  |      |                    |                  |      |
| J856-SD-0V-5018  | TYPICAL DETAILS FOR CURTAIN WALL ACOUSTIC WINDOW | -     | -  | -  | -  | -  | -  | -  | -  | A  |   |       |   |       |   |       |                                  |      |                    |                  |      |

IN-HOUSE DESIGN CHECKER



**業特鋁質有限公司**  
 YTD Engineering & Construction Co., Ltd.  
 Units 6-8, Sunny Industrial Centre,  
 610 Cha Kwo Ling Road, Kowloon  
 Tel: 2469211-4 Fax: (852) 2727866

DWG NO. : J856-SD-AS-0001      REV. : G

B.D. REF :

CLIENT : **SUN HUNG KAI**  
REAL ESTATE AGENCY LTD.  
427A SUN HUNG KAI CENTRE, WANCHAI, HONGKONG

ARCHITECT : **lwk&partners**  
ARCHITECTS

MAIN CONTRACTOR : **Yee Fai**  
Building Contractors Ltd.

STRUCTURAL ENGINEER : **ARUP**

FAÇADE CONSULTANT : **α ALPHA CONSULTING LIMITED**  
Steel Structures & Façade Specialties

NOTE :  
1. ALL DIMENSIONS ARE IN mm.  
2. ALL ELEVATIONS ARE VIEWED FROM OUTSIDE.  
3. ALL DIMENSIONS TO BE VERIFIED ON SITE BEFORE PARTICIPATION.  
LEGEND :

- 1. FFL --- FINISHED FLOOR LEVEL
  - 2. SFL --- STRUCTURAL FLOOR LEVEL
  - 3. Ⓞ --- REVERSED DETAIL
  - 4. GLASS LEGEND
- EG-1-15mm+12mm AR 04+8mmTP THK. I.G.U.  
EG-2-10mm THK. CLEAR TEMPERED GLASS  
EG-4-10mm THK. TEMPERED ACID ETCHED GLASS

REVISION SUBJECT TO ARCHITECTMENT  
REVISION SUBJECT TO ARCHITECTMENT

| NO. | DATE       | REVISION                          |
|-----|------------|-----------------------------------|
| B   | 22/05/2023 | REVISION SUBJECT TO ARCHITECTMENT |
| A   | 16/07/2023 | REVISION SUBJECT TO ARCHITECTMENT |

JOB NO. : J-856

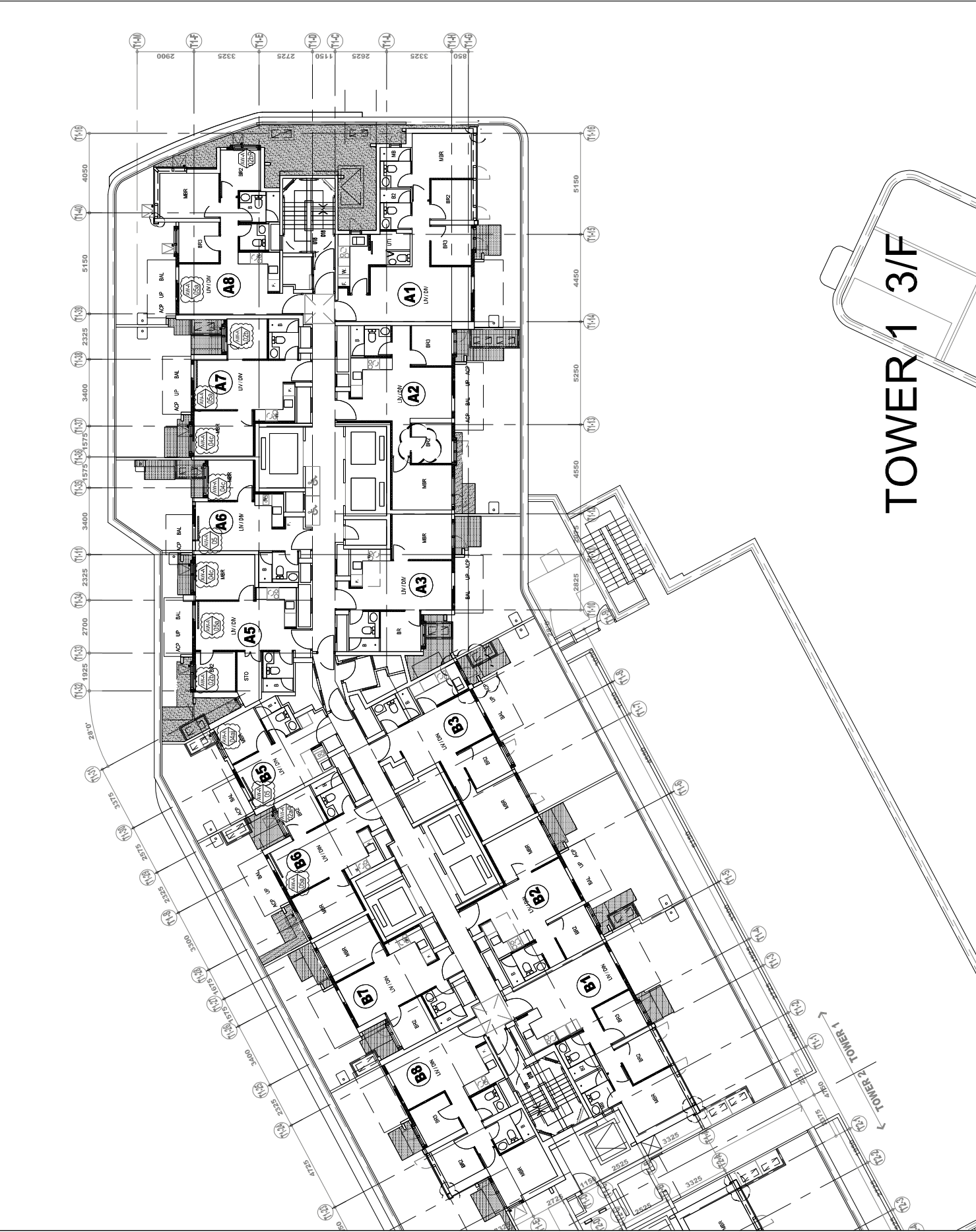
PROJECT : PROPOSED DEVELOPMENT ABOVE  
LIGHT RAIL TIN MING STOP/STWL  
NO.23,AREA 33,TIN SHUI WAI, N.T.

TITLE : PLAN FOR ACOUSTIC WINDOW  
AT TOWER 1 FOR 3F

DATE : 06-Jan-23 SCALE : 1:200

DRAWN BY : Ivan CHECKED BY :  
**美特铝质有限公司**  
M.T.D. Aluminium Ltd.  
Units 8-9, Sunny Industrial Centre,  
610 Cho Kwe Ling Road, Kwailoon  
Tel:23489211-4, Fax:(852)2727666

DWG NO. : J856-SD-AS-3101 REV. : B



# TOWER 1 3/F

B.D. REF :

CLIENT : **SUN HUNG KAI**  
REAL ESTATE AGENCY LTD.  
42/F SUN HUNG KAI CENTRE, WANCHAI, HONGKONG

ARCHITECT : **lwk&partners**  
a r c h i t e c t s

MAIN CONTRACTOR : **Yee Fai** Building Contractors Ltd.

STRUCTURAL ENGINEER :

FAÇADE CONSULTANT: **ARUP**  
**ALPHA CONSULTING LIMITED**  
Steel Structures & Façade Specialties

NOTE:  
1. ALL DIMENSIONS ARE IN mm.  
2. ALL ELEVATIONS ARE VIEWED FROM OUTSIDE.  
3. ALL DIMENSIONS TO BE VERIFIED ON SITE BEFORE FABRICATION.

LEGEND:  
① DETAIL MARK NO.  
② REFER SHEET NO.

1. F.F.L. --- FINISHED FLOOR LEVEL  
2. S.F.L. --- STRUCTURAL FLOOR LEVEL  
3. Ⓞ --- REVERSED DETAIL  
4. GLASS LEGEND  
EG-1---8mmH+12mm AR 0P+8mmTP THK. I.G.U.  
EG-2---10mm THK. CLEAR TEMPERED GLASS  
EG-4---10mm THK. TEMPERED ACID ETCHED GLASS

|    |            |                                 |      |
|----|------------|---------------------------------|------|
| B  | 20/05/2023 | REVISION SUBJECT TO APPROVEMENT | ivan |
| A  | 22/02/2023 | REVISION SUBJECT TO APPROVEMENT | ivan |
| NA | D/E        | REVISION                        | BT   |

JOB NO. : J-856

PROJECT : PROPOSED DEVELOPMENT ABOVE LIGHT RAIL TIN MING STOP/STWTL NO.23,AREA 33,TIN SHUI WAI, N.T.

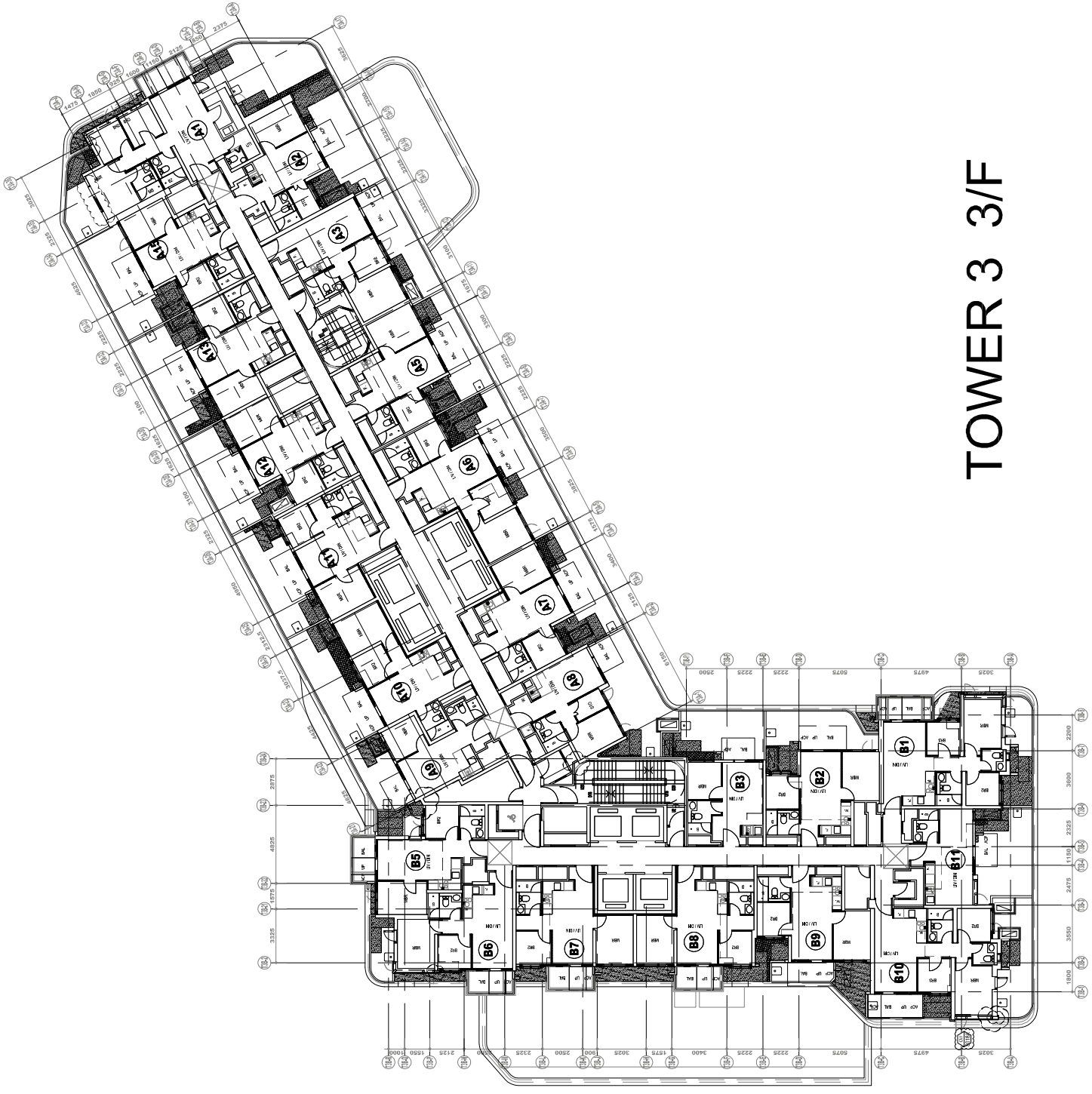
TITLE : PLAN FOR ACOUSTIC WINDOW AT TOWER 3

DATE : 02-Aug-21 SCALE : 1:200

DRAWN BY : ivan CHECKED BY :

**美特铝质有限公司**  
M.T.D. Aluminium Ltd.  
Units 8-9, Sunny Industrial Centre, 1/F  
610 Che Kwe Ling Road, Kwun Tong  
Tel:23489211-4 Fax:(852)2727666

DWG NO. : J856-SD-AS-3301 REV. : B



# TOWER 3 3/F

B.D. REF :

CLIENT : **SUN HUNG KAI**  
 REAL ESTATE AGENCY LTD.  
 42/F, SUN HUNG KAI CENTRE, MANDALAY, HONGKONG

ARCHITECT : **lwk&partners**  
 a r c h i t e c t s

MAIN CONTRACTOR : **Yee Fai Building Contractors Ltd.**

STRUCTURAL ENGINEER : **ARUP**

FAÇADE CONSULTANT : **α ALPHA CONSULTING LIMITED**  
 Steel Structures & Façade Specialties

NOTE:  
 1. ALL DIMENSIONS ARE IN mm.  
 2. ALL ELEVATIONS ARE VIEWED FROM OUTSIDE.  
 3. ALL DIMENSIONS TO BE VERIFIED ON SITE BEFORE FABRICATION.

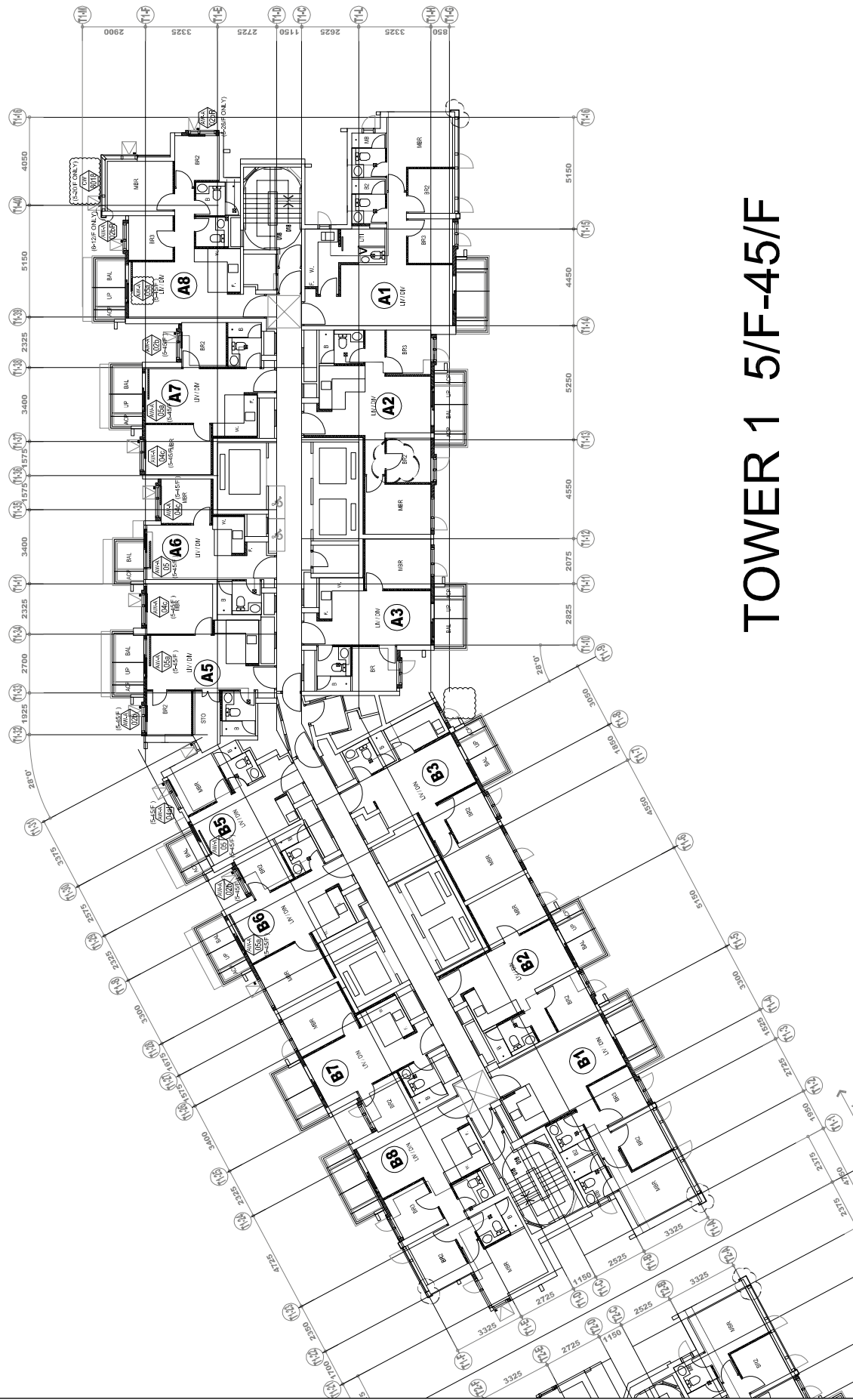
LEGEND:  
 XI DETAIL MARK NO.  
 (XXX) REFER SHEET NO.  
 1. F.F.L. --- FINISHED FLOOR LEVEL  
 2. S.F.L. --- STRUCTURAL FLOOR LEVEL  
 3. --- REVERSED DETAIL  
 4. GLASS LEGEND  
 EG-1-11-6mmH+12mm AR 6P+6mmTP THK. I.G.U.  
 EG-2-2-10mm THK. CLEAR TEMPERED GLASS  
 EG-4-4-10mm THK. TEMPERED ACID ETCHED GLASS

|                 |            |                                      |
|-----------------|------------|--------------------------------------|
| C               | 20/07/2023 | REVISION SUBJECT TO APPROVEMENT FROM |
| B               | 22/07/2023 | REVISION SUBJECT TO APPROVEMENT FROM |
| A               | 12/07/2023 | REVISION SUBJECT TO APPROVEMENT FROM |
| NO.             | DATE       | REVISION                             |
| JOB NO. : J-856 |            |                                      |

PROJECT : PROPOSED DEVELOPMENT ABOVE LIGHT RAIL TIN MING STOP/STWTL NO.23, AREA 33, TIN SHUI WAI, N.T.

TITLE : PLAN FOR ACOUSTIC WINDOW AT TOWER 1 FOR 5F-45F

DATE : 06-Jan-23 SCALE : 1:200  
 DRAWN BY : Ivan CHECKED BY :  
**美特铝质有限公司**  
 MTD Aluminium Ltd.  
 Units 8-9, Sunny Industrial Centre, 17  
 610 Cho Kwe Ling Road, Kwun Tong  
 Tel:23489211-4 Fax:(852)2727666  
 DWG NO. : J856-SD-IW-3102 REV. : C



# TOWER 1 5/F-45/F

B.D. REF :

CLIENT : **SUN HUNG KAI**  
REAL ESTATE AGENCY LTD.  
427, SUN HUNG KAI CENTRE, MANCHESTER, HONGKONG

ARCHITECT : **lwk&partners**  
a r c h i t e c t s

MAIN CONTRACTOR : **Yee Fai**  
裕輝建築有限公司  
Building Contractors Ltd.

STRUCTURAL ENGINEER : **ARUP**

FAÇADE CONSULTANT : **ALPHA CONSULTING LIMITED**  
Steel Structures & Façade Specialists

NOTE :  
1. ALL DIMENSIONS ARE IN mm.  
2. ALL ELEVATIONS ARE VIEWED FROM OUTSIDE.  
3. ALL DIMENSIONS TO BE VERIFIED ON SITE BEFORE FABRICATION.

LEGEND :  
X1 --- DETAIL MARK NO.  
X2 --- REFER SHEET NO.  
1. FFL --- FINISHED FLOOR LEVEL  
2. SFL --- STRUCTURAL FLOOR LEVEL  
3. --- REVERSED DETAIL  
4. GLASS LEGEND  
EG-1 --- 8mmH+12mm AR 6P+8mmTP THK. I.G.U.  
EG-2 --- 10mm THK. CLEAR TEMPERED GLASS  
EG-4 --- 10mm THK. TEMPERED ACID ETCHED GLASS

| NO. | DATE       | REVISION SUBJECT TO ACKNOWLEDGMENT | ISSUED BY |
|-----|------------|------------------------------------|-----------|
| A   | 26/09/2023 |                                    |           |

JOB NO. : J-856

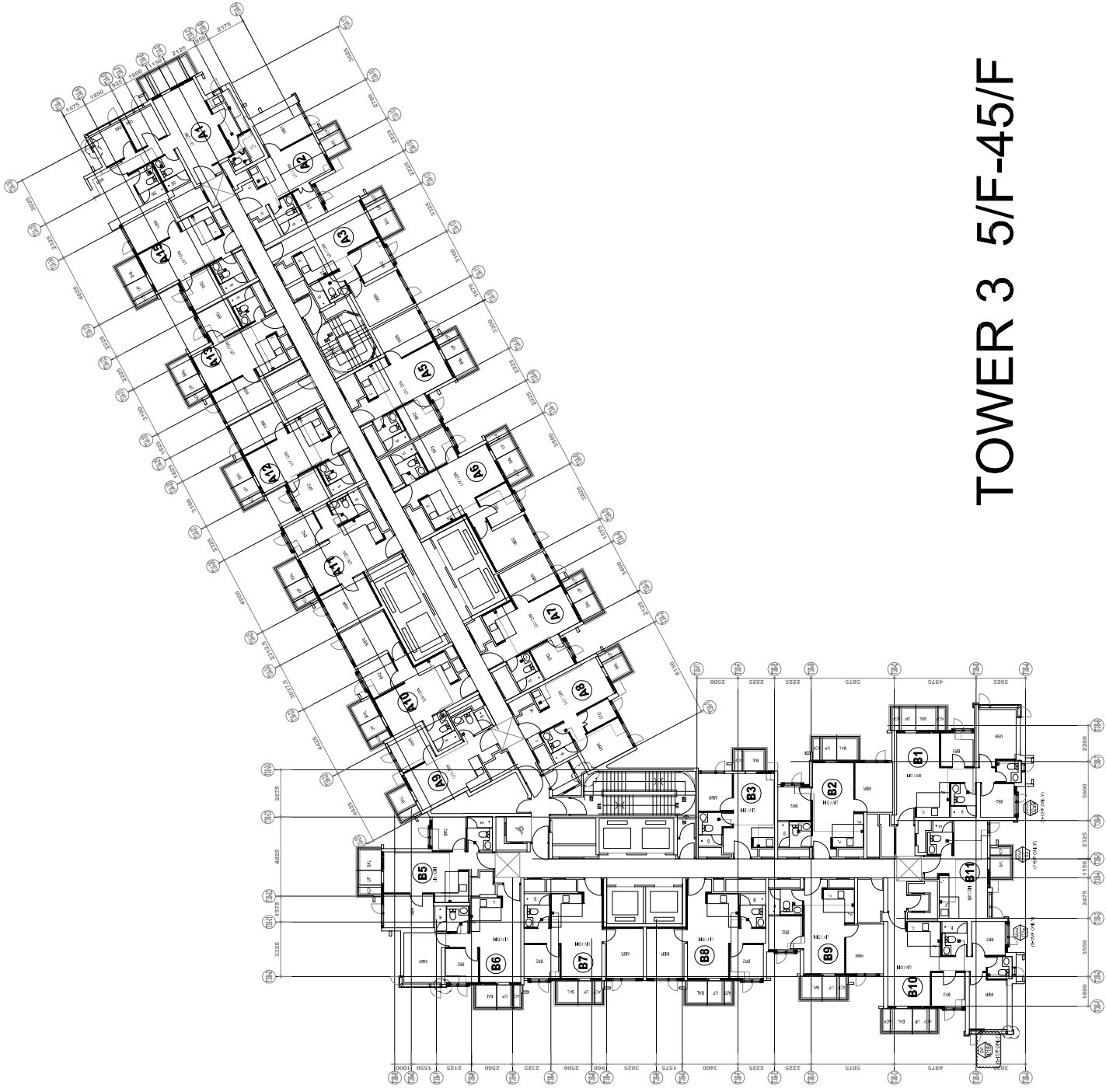
PROJECT : PROPOSED DEVELOPMENT ABOVE LIGHT RAIL TIN MING STOP/STWTL NO.23, AREA 33, TIN SHUI WAI, N.T.

TITLE : PLAN FOR IN-SITU WINDOW AT TOWER 3 FOR 5F-45F

DATE : 06-Jan-23 SCALE : 1:200

DRAWN BY : Ivan CHECKED BY :

美特鋁質有限公司  
METAL ALUMINIUM LTD.  
Units 8-9, Sunny Industrial Centre, /7  
610 Che Kwo Ling Road, Kwun Tong  
Tel: 23489211-4 Fax: (852) 2727666  
DWG NO. : J856-SD-IW-3302 REV. : A



B.D. REF :

CLIENT :

**SUN HUNG KAI**  
REAL ESTATE AGENCY LTD.  
4277 SUN HUNG KAI CENTRE, WANCHAI, HONGKONG

ARCHITECT :

**lwk&partners**  
a r c h i t e c t s

MAIN CONTRACTOR :

怡輝建築有限公司  
Yee Fai Building Contractors Ltd.

STRUCTURAL ENGINEER :

**ARUP**

FAÇADE CONSULTANT:

**α** ALPHA CONSULTING LIMITED  
Steel Structures & Façade Specialists

NOTE:

1. ALL DIMENSIONS ARE IN mm.
2. ALL ELEVATIONS ARE VIEWED FROM OUTSIDE.
3. ALL DIMENSIONS TO BE VERIFIED ON SITE BEFORE FABRICATION.

LEGEND:

- 1. F.F.L. -- FINISHED FLOOR LEVEL
- 2. S.F.L. -- STRUCTURAL FLOOR LEVEL
- 3. ⓧ -- REVERSED DETAIL
- 4. GLASS LEGEND

- EG1-1 -- 6mmHS+12mm AR 6P+6mmTP THK. I.G.U.
- EG1-2 -- 10mm THK. CLEAR TEMPERED GLASS
- EG1-4 -- 10mm THK. TEMPERED ACID ETCHED GLASS

EG1-3 -- 10mm THK. CLEAR TEMPERED GLASS

EG1-4 -- 10mm THK. TEMPERED ACID ETCHED GLASS

EG1-5 -- 10mm THK. CLEAR TEMPERED GLASS

EG1-6 -- 10mm THK. CLEAR TEMPERED GLASS

EG1-7 -- 10mm THK. CLEAR TEMPERED GLASS

EG1-8 -- 10mm THK. CLEAR TEMPERED GLASS

EG1-9 -- 10mm THK. CLEAR TEMPERED GLASS

EG1-10 -- 10mm THK. CLEAR TEMPERED GLASS

EG1-11 -- 10mm THK. CLEAR TEMPERED GLASS

EG1-12 -- 10mm THK. CLEAR TEMPERED GLASS

EG1-13 -- 10mm THK. CLEAR TEMPERED GLASS

EG1-14 -- 10mm THK. CLEAR TEMPERED GLASS

EG1-15 -- 10mm THK. CLEAR TEMPERED GLASS

EG1-16 -- 10mm THK. CLEAR TEMPERED GLASS

EG1-17 -- 10mm THK. CLEAR TEMPERED GLASS

EG1-18 -- 10mm THK. CLEAR TEMPERED GLASS

EG1-19 -- 10mm THK. CLEAR TEMPERED GLASS

EG1-20 -- 10mm THK. CLEAR TEMPERED GLASS

JOB NO. : J-856

PROJECT : PROPOSED DEVELOPMENT ABOVE LIGHT RAIL TIN WING STOP/STWTL NO.23,AREA 33,TIN SHUI WAI, N.T.

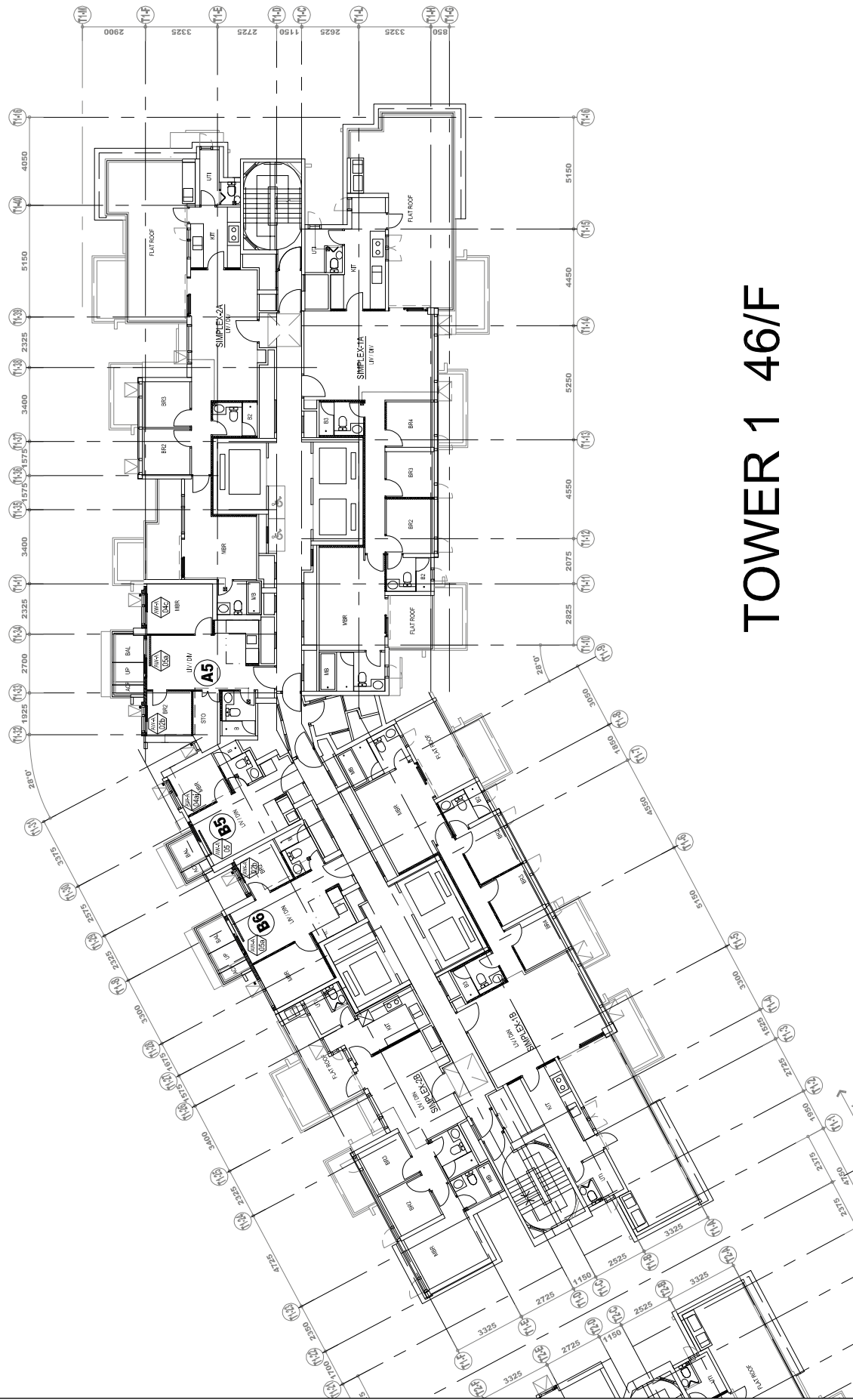
TITLE : PLAN FOR ACOUSTIC WINDOW AT TOWER 1

DATE : 02-Aug-21 SCALE : 1:200

DRAWN BY : Ivan CHECKED BY :

美特鋁質有限公司  
M.T.D. Aluminium Ltd.  
Units 8-9, Sunny Industrial Centre, 1/F  
610 Chee Kwe Ling Road, Kwun Tong  
Tel:23489211-4 Fax:(852)2727666

DWG NO. : JB56-SD-IW-3103 REV. : -



# TOWER 1 46/F

E.D. REF :

CLIENT :

**SUN HUNG KAI**  
REAL ESTATE AGENCY LTD.  
42/F SUN HUNG KAI CENTRE, MANOCHA, HONGKONG

ARCHITECT :

**lwk&partners**  
ARCHITECTS

MAIN CONTRACTOR :

**Yee Fal** Building Contractors Ltd.  
怡輝建築有限公司

STRUCTURAL ENGINEER :

**ARUP**

FAÇADE CONSULTANT :

**ALPHA CONSULTING LIMITED**  
Steel Structure & Façade Specialist

NOTE :

1. ALL DIMENSIONS ARE IN mm.
2. ALL ELEVATIONS ARE VIEWED FROM OUTSIDE.
3. ALL DIMENSIONS TO BE VERIFIED ON SITE BEFORE FABRICATION.

LEGEND :

1. F.F.L. -- FINISHED FLOOR LEVEL
2. S.F.L. -- STRUCTURAL FLOOR LEVEL

| NO.        | DATE       | DESCRIPTION                       |
|------------|------------|-----------------------------------|
| F          | 16/10/2023 | REVISION SUBJECT TO ALPHA COMMENT |
| E          | 10/09/2023 | REVISION SUBJECT TO ARCH/COMMENT  |
| D          | 13/09/2023 | REVISION SUBJECT TO ARCH/COMMENT  |
| C          | 17/05/2023 | REVISION SUBJECT TO ARCH/COMMENT  |
| B          | 27/05/2023 | REVISION SUBJECT TO ARCH/COMMENT  |
| A          | 16/07/2023 | REVISION SUBJECT TO ARCH/COMMENT  |
| REVISED BY |            |                                   |
| CHKD BY    |            |                                   |

JOB NO. : J-856

PROJECT : PROPOSED DEVELOPMENT ABOVE  
LIGHT RAIL TIN WING STOP-TSWTL  
NO.23,AREA 33,TIN SHUI WAI, N.T.

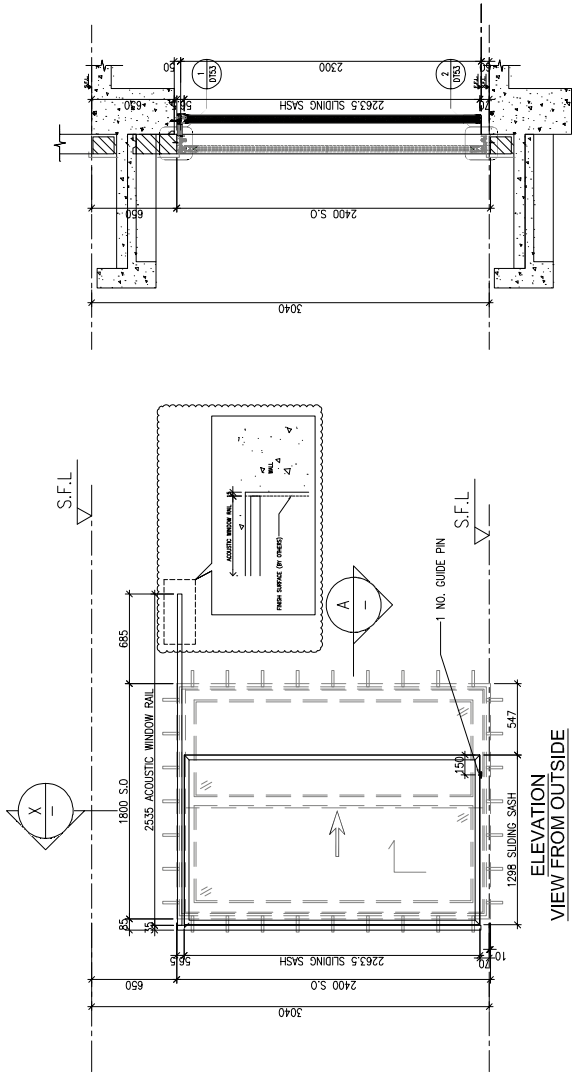
TITLE : WINDOW SCHEDULE FOR  
TOWER 1 ACOUSTIC WINDOW

DATE : 06-Jan-23 SCALE : 1:40

DRAWN BY : Ivan CHECKED BY :

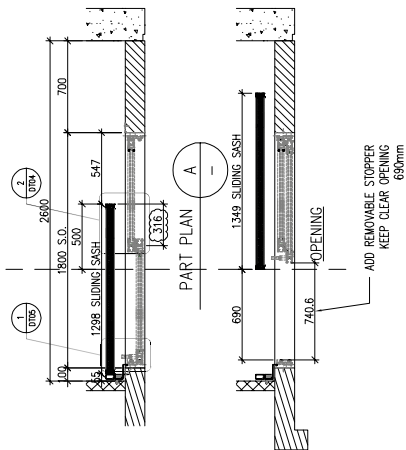
**Yee Fal** Building Contractors Ltd.  
Yee Fal Building Contractors Ltd.  
Units 6-8, Sunray Industrial Centre, 1/F  
610 Che Kwo Ling Road, Kowloon  
Tel:2248821-4 Fax:(852)2727666

DWG NO. : J856-SD-AS-5101 REV. : F



ELEVATION  
VIEW FROM OUTSIDE

X - - PART SECTION



PART PLAN  
PART SECTION

| AW-A-05a              |          |
|-----------------------|----------|
| LOCATION              | A8-LIV   |
| FLOOR                 | 3/F-45/F |
| MPA                   | YES      |
| TOP & SIDE SAM        | YES      |
| QUANTITY              | 37       |
| OVERLAPPING(REQUIRE)  | 500      |
| OVERLAPPING(PROVIDED) | 500      |

E.D. REF :

CLIENT : **SUN HUNG KAI**  
 REAL ESTATE AGENCY LTD.  
 42/F SUN HUNG KAI CENTRE, MANDALAY, HONGKONG

ARCHITECT : **lwk&partners**  
 a r c h i t e c t s

MAIN CONTRACTOR : **Yee Fal**  
 柏輝建築有限公司  
 Building Contractors Ltd.

STRUCTURAL ENGINEER : **ARUP**

FAÇADE CONSULTANT: **ALPHA CONSULTING LIMITED**  
 Steel Structure & Façade Specialist

NOTE :

1. ALL DIMENSIONS ARE IN mm.
2. ALL ELEVATIONS ARE VIEWED FROM OUTSIDE.
3. ALL DIMENSIONS TO BE VERIFIED ON SITE BEFORE FABRICATION.

LEGEND :

1. F.F.L. -- FINISHED FLOOR LEVEL
2. S.F.L. -- STRUCTURAL FLOOR LEVEL

| NO. | DATE       | DESCRIPTION                       |
|-----|------------|-----------------------------------|
| F   | 16/10/2023 | REVISION SUBJECT TO ALPHA COMMENT |
| E   | 10/09/2023 | REVISION SUBJECT TO ALPHA COMMENT |
| D   | 15/09/2023 | REVISION SUBJECT TO ARCHITECT     |
| C   | 17/05/2023 | REVISION SUBJECT TO ARCHITECT     |
| B   | 27/05/2023 | REVISION SUBJECT TO ARCHITECT     |
| A   | 16/07/2023 | REVISION SUBJECT TO ARCHITECT     |

JOB NO. : J-856

PROJECT : PROPOSED DEVELOPMENT ABOVE  
 LIGHT RAIL TIN WING STOP-TSWTL  
 NO.23,AREA 33,TIN SHUI WAI, N.T.

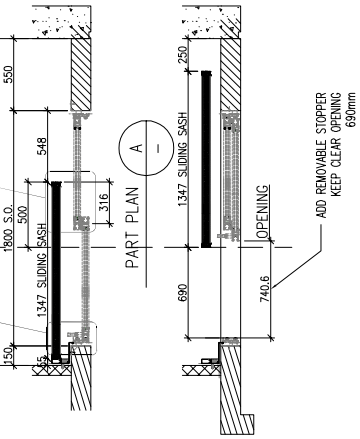
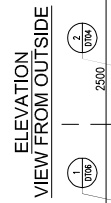
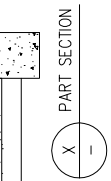
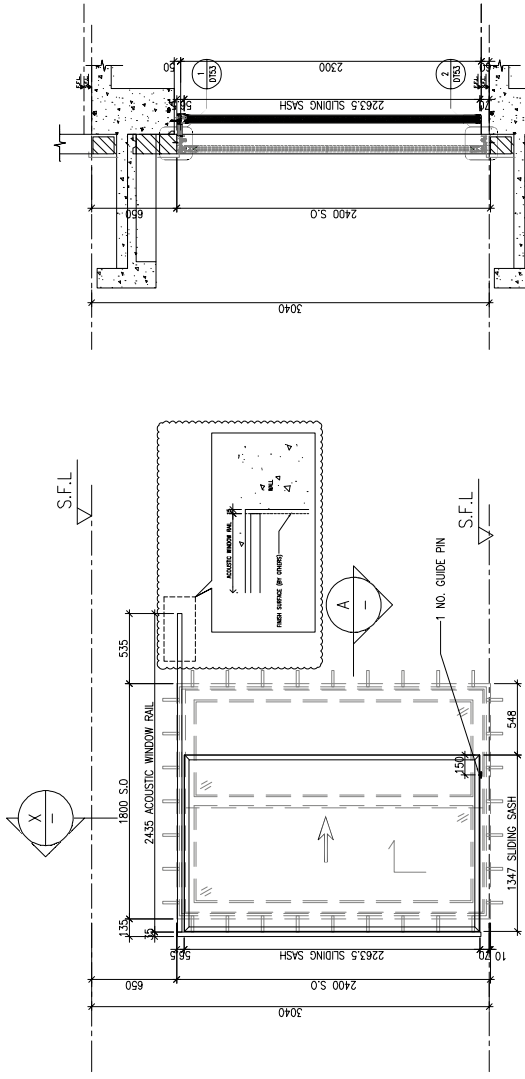
TITLE : WINDOW SCHEDULE FOR  
 TOWER 1 ACOUSTIC WINDOW

DATE : 06-Jan-23 SCALE : 1:40

DRAWN BY : Ivan CHECKED BY :

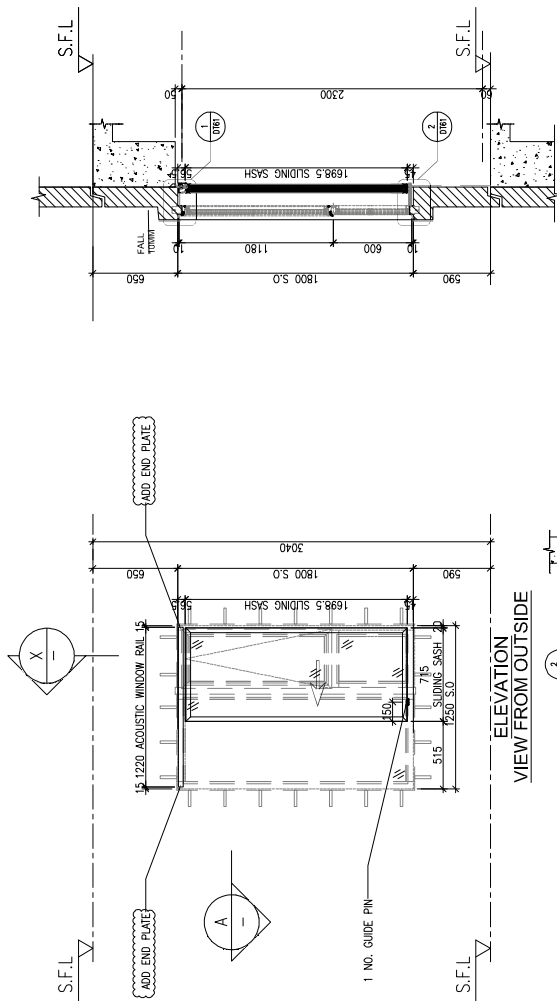
**YEE FAL**  
 Yee Fal Building Contractors Ltd.  
 Units 6-8, Sunray Industrial Centre, 1/F  
 610 Che Kwo Ling Road, Kowloon  
 Tel:22488211-4 Fax:(852)2727666

DWG NO. : J856-SD-AS-5102 REV. : F



| AW-A-05a              |          |          |          |  |  |
|-----------------------|----------|----------|----------|--|--|
| LOCATION              | A5-LIV   | A7-LIV   | B6-LIV   |  |  |
| FLOOR                 | 3/F-46/F | 3/F-45/F | 3/F-46/F |  |  |
| MPA                   | YES      | YES      | YES      |  |  |
| TOP & SIDE SAM        | YES      | YES      | YES      |  |  |
| QUANTITY              | 38       | 37       | 38       |  |  |
| OVERLAPPING(REQUIRE)  | 500      | 500      | 500      |  |  |
| OVERLAPPING(PROVIDED) | 500      | 500      | 500      |  |  |

E.D. REF :



X - X  
PART SECTION

ELEVATION FROM OUTSIDE

A - A  
PART PLAN

| AW-A-02bR             |          |          |  |  |
|-----------------------|----------|----------|--|--|
| LOCATION              | A8-BR3   | A8-BR2   |  |  |
| FLOOR                 | 6/F-12/F | 3/F-26/F |  |  |
| MPA                   | YES      | YES      |  |  |
| TOP & SIDE SAM        | NO       | NO       |  |  |
| QUANTITY              | 7        | 20       |  |  |
| OVERLAPPING(REQUIRE)  | 253      | 253      |  |  |
| OVERLAPPING(PROVIDED) | 300      | 300      |  |  |

CLIENT : **SUN HUNG KAI**  
REAL ESTATE AGENCY LTD.  
42/F SUN HUNG KAI CENTRE, MANCHA, HONGKONG

ARCHITECT : **lwk&partners**  
ARCHITECTS

MAIN CONTRACTOR : **Yee Fal**  
柏輝建築有限公司  
Building Contractors Ltd.

STRUCTURAL ENGINEER : **ARUP**

FACADE CONSULTANT : **ALPHA CONSULTING LIMITED**  
Steel Structure & Façade Specialist

NOTE :  
1. ALL DIMENSIONS ARE IN mm.  
2. ALL ELEVATIONS ARE VIEWED FROM OUTSIDE.  
3. ALL DIMENSIONS TO BE VERIFIED ON SITE BEFORE FABRICATION.

LEGEND :  
1. F.F.L. -- FINISHED FLOOR LEVEL  
2. S.F.L. -- STRUCTURAL FLOOR LEVEL

| NO. | DATE       | DESCRIPTION                       |
|-----|------------|-----------------------------------|
| D   | 16/10/2023 | REVISION SUBJECT TO ALPHA COMMENT |
| C   | 10/09/2023 | REVISION SUBJECT TO APPROVAL      |
| B   | 17/05/2023 | REVISION SUBJECT TO APPROVAL      |
| A   | 21/03/2023 | REVISION SUBJECT TO APPROVAL      |

JOB NO. : J-856

PROJECT : PROPOSED DEVELOPMENT ABOVE LIGHT RAIL TIN WING STOP-TS/WL NO.23, AREA 33, TIN SHUI WAI, N.T.

TITLE : WINDOW SCHEDULE FOR TOWER 1 ACOUSTIC WINDOW

DATE : 06-Jan-23 SCALE : 1:40

DRAWN BY : Ivan CHECKED BY :

**Yee Fal**  
Building Contractors Ltd.  
Units 6-8, Sunray Industrial Centre, 1/F  
610 Che Kwo Ling Road, Kowloon  
Tel: 22489211-4 Fax: (852) 2727666

ENG. NO. : J856-SD-AS-5103 REV. : D



E.D. REF :

CLIENT : **SUN HUNG KAI**  
 REAL ESTATE AGENCY LTD.  
 42/F SUN HUNG KAI CENTRE, WANCHAI, HONGKONG

ARCHITECT : **lwk&partners**  
 a r c h i t e c t s

MAIN CONTRACTOR : **Yee Fal**  
 Building Contractors Ltd.

STRUCTURAL ENGINEER : **ARUP**

FAÇADE CONSULTANT: **ALPHA CONSULTING LIMITED**  
 Steel Structure & Façade Specialist

NOTE :  
 1. ALL DIMENSIONS ARE IN mm.  
 2. ALL ELEVATIONS ARE VIEWED FROM OUTSIDE.  
 3. ALL DIMENSIONS TO BE VERIFIED ON SITE BEFORE FABRICATION.

LEGEND :  
 1. F.F.L. -- FINISHED FLOOR LEVEL  
 2. S.F.L. -- STRUCTURAL FLOOR LEVEL

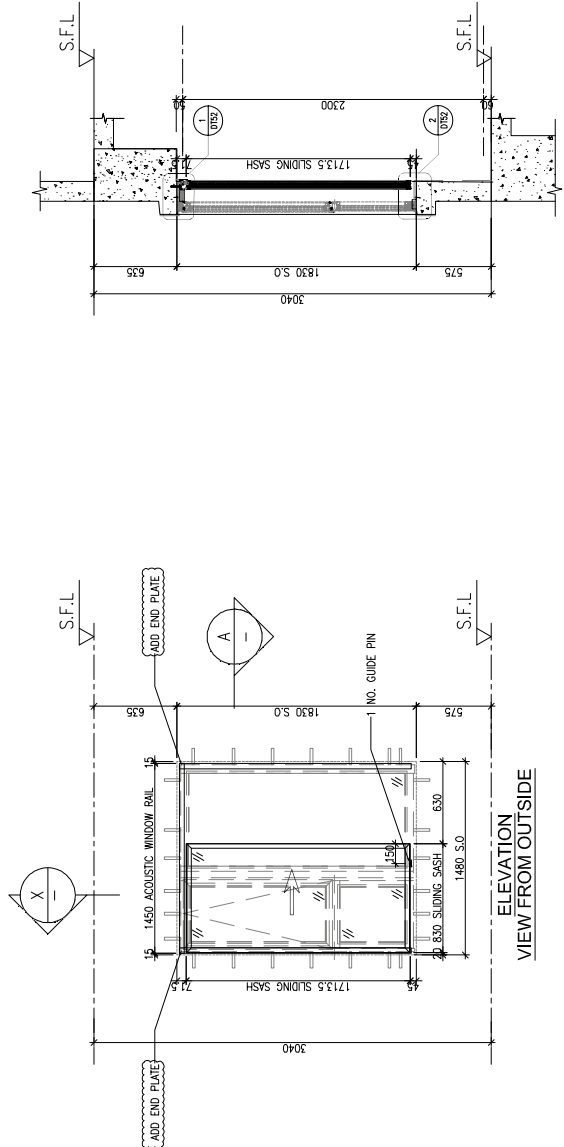
| NO. | DATE       | REVISION                          |
|-----|------------|-----------------------------------|
| E   | 16/10/2023 | REVISION SUBJECT TO ALPHA COMMENT |
| D   | 10/09/2023 | REVISION SUBJECT TO ARCHITECT     |
| C   | 17/05/2023 | REVISION SUBJECT TO ARCHITECT     |
| B   | 27/05/2023 | REVISION SUBJECT TO ARCHITECT     |
| A   | 12/07/2023 | REVISION SUBJECT TO ARCHITECT     |

JOB NO. : J-856

PROJECT :  
 PROPOSED DEVELOPMENT ABOVE  
 LIGHT RAIL TIN WING STOP-TSWL  
 NO.23,AREA 33,TIN SHUI WAI, N.T.

TITLE :  
 WINDOW SCHEDULE FOR  
 TOWER 1 ACOUSTIC WINDOW

DATE : 06-Jan-23 SCALE : 1:40  
 DRAWN BY : lvan CHECKED BY :  
**YIP YUEN MING**  
 YIP YUEN MING  
 YIP YUEN MING  
 Unit 6-8, Sunray Industrial Centre, 1/F  
 610 Che Kwo Ling Road, Kowloon  
 Tel:22489211-4 Fax:(852)2727666  
 DWG NO. : J856-SD-AS-5105 REV. : E



ELEVATION  
 VIEW FROM OUTSIDE



|                  |               |                 |                |           |                      |
|------------------|---------------|-----------------|----------------|-----------|----------------------|
| <b>AW-A-04ai</b> | <b>B5-MBR</b> | <b>3/F-46/F</b> | <b>YES</b>     | <b>38</b> | <b>300</b>           |
| LOCATION         | FLOOR         | MPA             | TOP & SIDE SAM | QUANTITY  | OVERLAPPING(REQUIRE) |
|                  |               |                 | YES            | 38        | 300                  |
|                  |               |                 | YES            | 300       | 300                  |
|                  |               |                 | YES            | 300       | 300                  |

E.D. REF :

CLIENT : **SUN HUNG KAI**  
 REAL ESTATE AGENCY LTD.  
 42/F SUN HUNG KAI CENTRE, MANOCHA, HONGKONG

ARCHITECT : **lwk&partners**  
 a r c h i t e c t s

MAIN CONTRACTOR : **怡輝建築有限公司**  
 Yee Fai Building Contractors Ltd.

STRUCTURAL ENGINEER : **ARUP**

FAÇADE CONSULTANT: **ALPHA CONSULTING LIMITED**  
 Steel Structure & Façade Specialist

NOTE:

1. ALL DIMENSIONS ARE IN mm.
2. ALL ELEVATIONS ARE VIEWED FROM OUTSIDE.
3. ALL DIMENSIONS TO BE VERIFIED ON SITE BEFORE FABRICATION.

LEGEND:

1. F.F.L. -- FINISHED FLOOR LEVEL
2. S.F.L. -- STRUCTURAL FLOOR LEVEL

| NO. | DATE       | DESCRIPTION                       |
|-----|------------|-----------------------------------|
| TE  | 16/10/2023 | REVISION SUBJECT TO ALPHA COMMENT |
| TD  | 10/09/2023 | REVISION SUBJECT TO ARCHITECT     |
| TC  | 17/05/2023 | REVISION SUBJECT TO ARCHITECT     |
| B   | 27/05/2023 | REVISION SUBJECT TO ARCHITECT     |
| A   | 12/07/2023 | REVISION SUBJECT TO ARCHITECT     |

JOB NO. : J-856

PROJECT : PROPOSED DEVELOPMENT ABOVE LIGHT RAIL TIN WING STOP-TSWTL NO.23, AREA 33, TIN SHUI WAI, N.T.

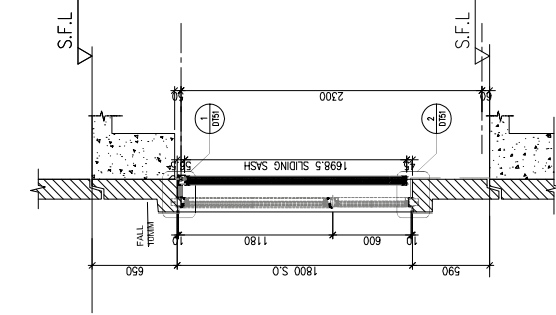
TITLE : WINDOW SCHEDULE FOR TOWER 1 ACOUSTIC WINDOW

DATE : 06-Jan-23 SCALE : 1:40

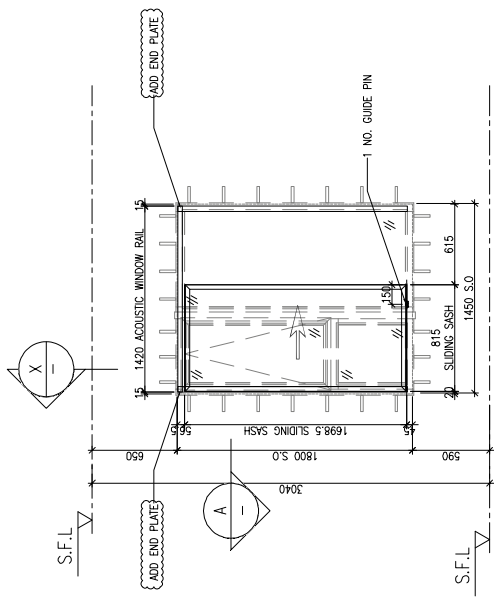
DRAWN BY : lvan CHECKED BY :

**YEE FAI BUILDING CONTRACTORS LTD.**  
 怡輝建築有限公司  
 Units 6-8, Sunray Industrial Centre, 1/F  
 610 Che Kwo Ling Road, Kowloon  
 Tel: 22489211-4 Fax: (852) 2727696

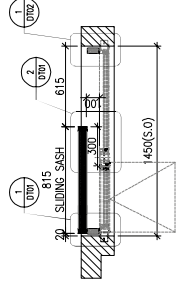
DWG NO. : J856-SD-AS-5106 REV. : E



PART SECTION  
 X —



ELEVATION FROM OUTSIDE



PART PLAN  
 A —  
 X —

| AW-A-04c              |          |          |          |  |  |
|-----------------------|----------|----------|----------|--|--|
| LOCATION              | A5-MBR   | A6-MBR   | A7-MBR   |  |  |
| FLOOR                 | 3/F-46/F | 3/F-45/F | 3/F-45/F |  |  |
| MPA                   | YES      | YES      | YES      |  |  |
| TOP & SIDE SAM        | YES      | YES      | YES      |  |  |
| QUANTITY              | 38       | 37       | 37       |  |  |
| OVERLAPPING(REQUIRE)  | 300      | 300      | 300      |  |  |
| OVERLAPPING(PROVIDED) | 300      | 300      | 300      |  |  |

E.D. REF :

CLIENT : **SUN HUNG KAI**  
 REAL ESTATE AGENCY LTD.  
 42/F SUN HUNG KAI CENTRE, MANDALAY, HONGKONG

ARCHITECT : **lwk&partners**  
 ARCHITECTS

MAIN CONTRACTOR : **Yee Fal**  
 Building Contractors Ltd.

STRUCTURAL ENGINEER : **ARUP**

FAÇADE CONSULTANT : **ALPHA CONSULTING LIMITED**  
 Steel Structure & Façade Specialist

NOTE :  
 1. ALL DIMENSIONS ARE IN mm.  
 2. ALL ELEVATIONS ARE VIEWED FROM OUTSIDE.  
 3. ALL DIMENSIONS TO BE VERIFIED ON SITE BEFORE FABRICATION.

LEGEND :  
 1. F.F.L. -- FINISHED FLOOR LEVEL  
 2. S.F.L. -- STRUCTURAL FLOOR LEVEL

| No. | DATE       | DESCRIPTION                       |
|-----|------------|-----------------------------------|
| F   | 16/10/2023 | REVISION SUBJECT TO ALPHA COMMENT |
| E   | 10/09/2023 | REVISION SUBJECT TO ARCH/COMMENT  |
| D   | 13/09/2023 | REVISION SUBJECT TO ARCH/COMMENT  |
| C   | 17/05/2023 | REVISION SUBJECT TO ARCH/COMMENT  |
| B   | 27/05/2023 | REVISION SUBJECT TO ARCH/COMMENT  |
| A   | 12/07/2023 | REVISION SUBJECT TO ARCH/COMMENT  |
|     | DATE       | DESCRIPTION                       |

JOB NO. : J-856

PROJECT : PROPOSED DEVELOPMENT ABOVE  
 LIGHT RAIL TIN WING STOP-TSWTL  
 NO.23, AREA 35, TIN SHUI WAI, N.T.

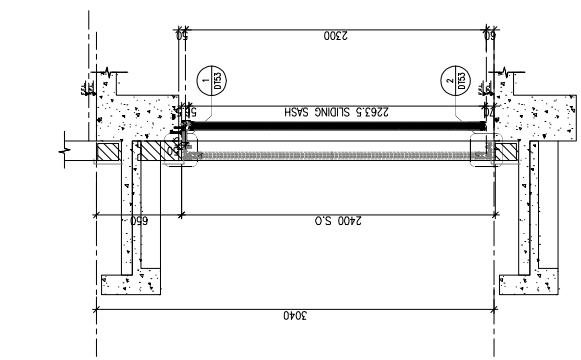
TITLE : WINDOW SCHEDULE FOR  
 TOWER 1 ACOUSTIC WINDOW

DATE : 06-Jan-23 SCALE : 1:40

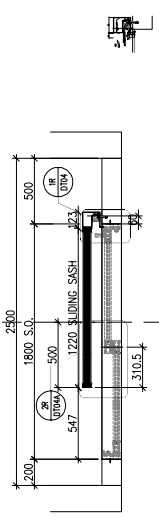
DRAWN BY : Ivan CHECKED BY :

**YEE FAL BUILDING CONTRACTORS LTD.**  
 610 Che Kwo Ling Road, Kowloon  
 Tel: 2248921-4 Fax: (852) 2727696

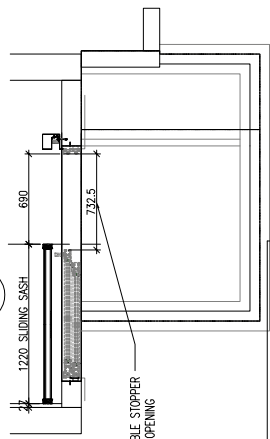
DWG NO. : J856-SD-AS-5107 REV. : F



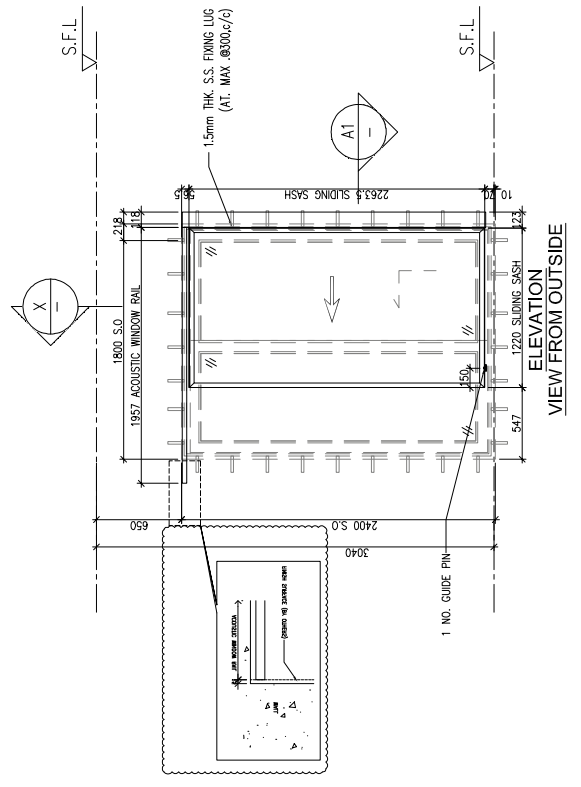
X-X PART SECTION



A1-A1 PART PLAN



| AW-A-05               |          |          |  |
|-----------------------|----------|----------|--|
| LOCATION              | A6-LIV   | B5-LIV   |  |
| FLOOR                 | 3/F-45/F | 3/F-46/F |  |
| MPA                   | YES      | YES      |  |
| TOP & SIDE SAM        | YES      | YES      |  |
| QUANTITY              | 37       | 38       |  |
| OVERLAPPING(REQUIRE)  | 500      | 500      |  |
| OVERLAPPING(PROVIDED) | 500      | 500      |  |



VIEW FROM OUTSIDE

ELEVATION

E.D. REF :

CLIENT : **SUN HUNG KAI**  
**REAL ESTATE AGENCY LTD.**  
 42/F SUN HUNG KAI CENTRE, WANCHAI, HONGKONG

ARCHITECT : **lwk&partners**  
 a r c h i t e c t s

MAIN CONTRACTOR : **怡輝建築有限公司**  
**Yee Fai Building Contractors Ltd.**

STRUCTURAL ENGINEER : **ARUP**

FAÇADE CONSULTANT: **ALPHA CONSULTING LIMITED**  
 Steel Structure & Façade Specialist

NOTE:  
 1. ALL DIMENSIONS ARE IN mm.  
 2. ALL ELEVATIONS ARE VIEWED FROM OUTSIDE.  
 3. ALL DIMENSIONS TO BE VERIFIED ON SITE BEFORE FABRICATION.

LEGEND:  
 1. F.F.L. -- FINISHED FLOOR LEVEL  
 2. S.F.L. -- STRUCTURAL FLOOR LEVEL

| NO. | DATE       | DESCRIPTION                           |
|-----|------------|---------------------------------------|
| 1   | 16/10/2023 | REVISION SUBJECT TO ALPHA COMMENT     |
| 2   | 10/09/2023 | REVISION SUBJECT TO ARCHITECT COMMENT |
| 3   | 17/05/2023 | REVISION SUBJECT TO ARCHITECT COMMENT |
| 4   | 27/05/2023 | REVISION SUBJECT TO ARCHITECT COMMENT |
| 5   | 16/07/2023 | REVISION SUBJECT TO ARCHITECT COMMENT |

JOB NO. : J-856

PROJECT : PROPOSED DEVELOPMENT ABOVE  
 LIGHT RAIL TIN WING STOP-TS/WL  
 NO.23,AREA 33,TIN SHUI WAI, N.T.

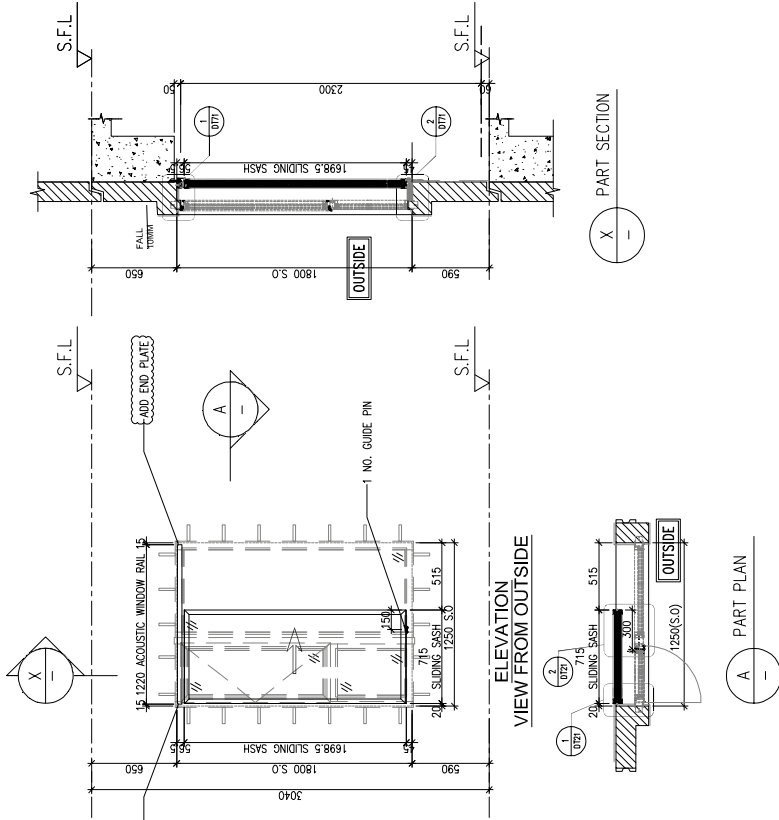
TITLE : WINDOW SCHEDULE FOR  
 TOWER 3 ACOUSTIC WINDOW

DATE : 06-Jan-23 SCALE : 1:40

DRAWN BY : Ivan CHECKED BY :

**美特 鋁質有限公司**  
**MTD** Aluminium & Glass Fabricator Ltd.  
 Units 6-8, Sunray Industrial Centre, 1/F  
 610 Che Kwo Ling Road, Kowloon  
 Tel:22489211-4 Fax:(852)2727666

DWG NO. : J856-SD-AS-5301 REV. : E



| LOCATION              | AW-A-02a | AW-A-02aR             |
|-----------------------|----------|-----------------------|
| FLOOR                 | B10-BR2  | B1-BR2                |
| MPA                   | 5/F-15/F | FLOOR                 |
| TOP & SIDE SAM        | NO       | MPA                   |
| QUANTITY              | 9        | TOP & SIDE SAM        |
| OVERLAPPING(REQUIRE)  | 253      | QUANTITY              |
| OVERLAPPING(PROVIDED) | 300      | OVERLAPPING(REQUIRE)  |
|                       |          | OVERLAPPING(PROVIDED) |

E.D. REF :

CLIENT :

**SUN HUNG KAI**  
REAL ESTATE AGENCY LTD.  
42/F SUN HUNG KAI CENTRE, MANCHA, HONGKONG

ARCHITECT :

**lwk&partners**  
ARCHITECTS

MAIN CONTRACTOR :

**Yee Fal**  
Building Contractors Ltd.

STRUCTURAL ENGINEER :

**ARUP**

FAÇADE CONSULTANT :

**ALPHA CONSULTING LIMITED**  
Steel Structure & Façade Specialist

NOTE :

1. ALL DIMENSIONS ARE IN mm.
2. ALL ELEVATIONS ARE VIEWED FROM OUTSIDE.
3. ALL DIMENSIONS TO BE VERIFIED ON SITE BEFORE FABRICATION.

LEGEND :

1. F.F.L. -- FINISHED FLOOR LEVEL
2. S.F.L. -- STRUCTURAL FLOOR LEVEL

| No. | DATE       | DESCRIPTION                       |
|-----|------------|-----------------------------------|
| F   | 16/10/2023 | REVISION SUBJECT TO ALPHA COMMENT |
| E   | 10/09/2023 | REVISION SUBJECT TO ARCH/COMMENT  |
| D   | 13/09/2023 | REVISION SUBJECT TO ARCH/COMMENT  |
| C   | 17/05/2023 | REVISION SUBJECT TO ARCH/COMMENT  |
| B   | 27/05/2023 | REVISION SUBJECT TO ARCH/COMMENT  |
| A   | 12/07/2023 | REVISION SUBJECT TO ARCH/COMMENT  |

JOB NO. : J-856

PROJECT : PROPOSED DEVELOPMENT ABOVE  
LIGHT RAIL TIN WING STOP-TSWTL  
NO.23,AREA 33,TIN SHUI WAI, N.T.

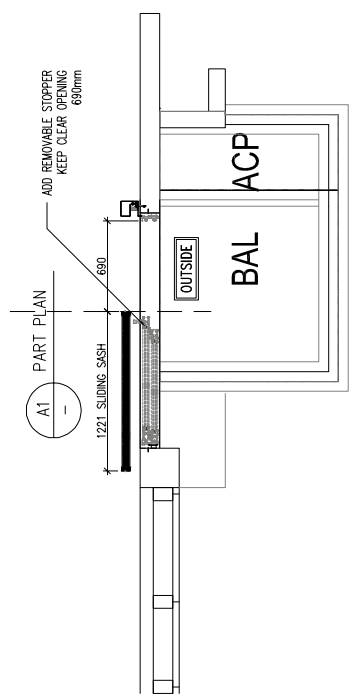
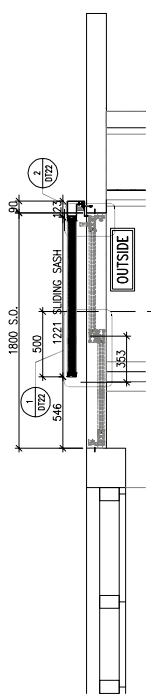
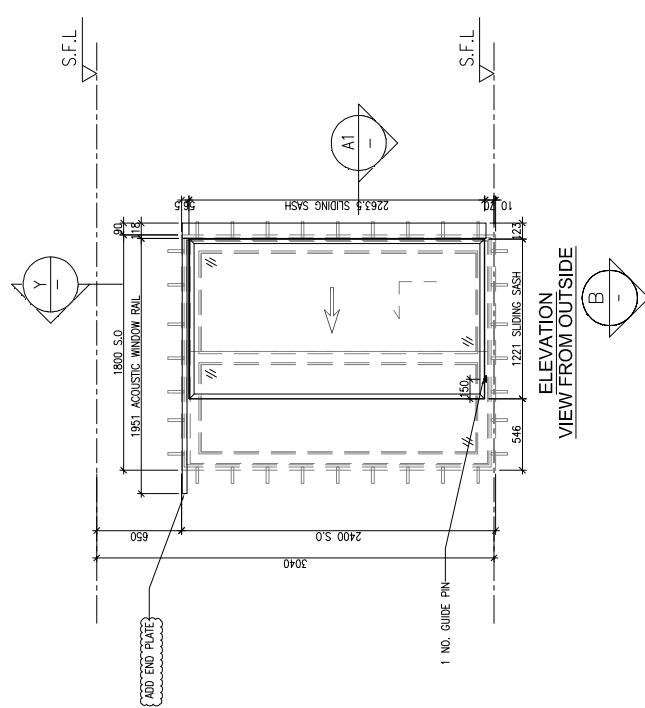
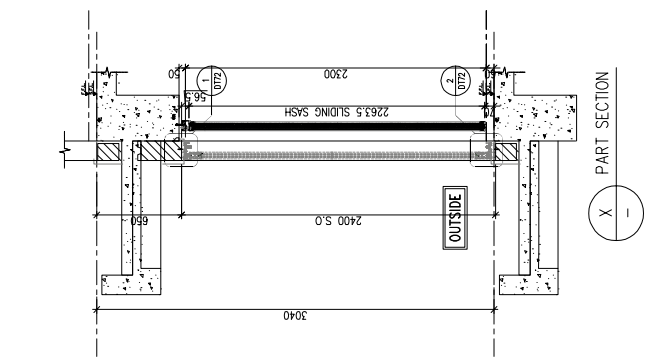
TITLE : WINDOW SCHEDULE FOR  
TOWER 3 ACOUSTIC WINDOW

DATE : 06-Jan-23 SCALE : 1:40

DRAWN BY : Ivan CHECKED BY :

**YEE FAL BUILDING CONTRACTORS LTD.**  
Units 6-8, Sunray Industrial Centre, 1/F  
610 Che Kwo Ling Road, Kowloon  
Tel:22489211-4 Fax:(852)2727696

REV. : F DWG NO. : J856-SD-AS-5302



| AW-A-05               |         |
|-----------------------|---------|
| LOCATION              | B11-LIV |
| FLOOR                 | 7/F-8/F |
| MPA                   | NO      |
| TOP & SIDE SAM        | NO      |
| QUANTITY              | 2       |
| OVERLAPPING(REQUIRE)  | 275     |
| OVERLAPPING(PROVIDED) | 500     |

E.D. REF :

CLIENT : **SUN HUNG KAI**  
 REAL ESTATE AGENCY LTD.  
 42/F SUN HUNG KAI CENTRE, HONGKONG

ARCHITECT : **lwk&partners**  
 a r c h i t e c t s

MAIN CONTRACTOR : **Yee Fal**  
 柏耀建築有限公司  
 Building Contractors Ltd.

STRUCTURAL ENGINEER : **ARUP**

FAÇADE CONSULTANT : **ALPHA CONSULTING LIMITED**  
 Steel Structure & Façade Specialist

- NOTE:
1. ALL DIMENSIONS ARE IN mm.
  2. ALL ELEVATIONS ARE VIEWED FROM OUTSIDE.
  3. ALL DIMENSIONS TO BE VERIFIED ON SITE BEFORE FABRICATION.
- LEGEND:
1. SOUND ABSORBING MATERIAL (PET12\_Noresstop Infill)
  2. 3mm THK MIRCO PERFORATED ABSORBER (PMA-type MPF335-3mm)
  3. 1mm THK PERFORATED ALUM. SHEET (Pomute Alum. sheet)

| NO. | DATE       | DESCRIPTION                      | BY  |
|-----|------------|----------------------------------|-----|
| C   | 17/07/2023 | GENERAL REVISION                 | lwk |
| B   | 6/7/2023   | GENERAL REVISION                 | lwk |
| A   | 20/3/2023  | REVISION SUBJECT TO APPROVALMENT | lwk |
| NO. | DATE       | REVISION                         | BY  |

JOB NO. : J-856

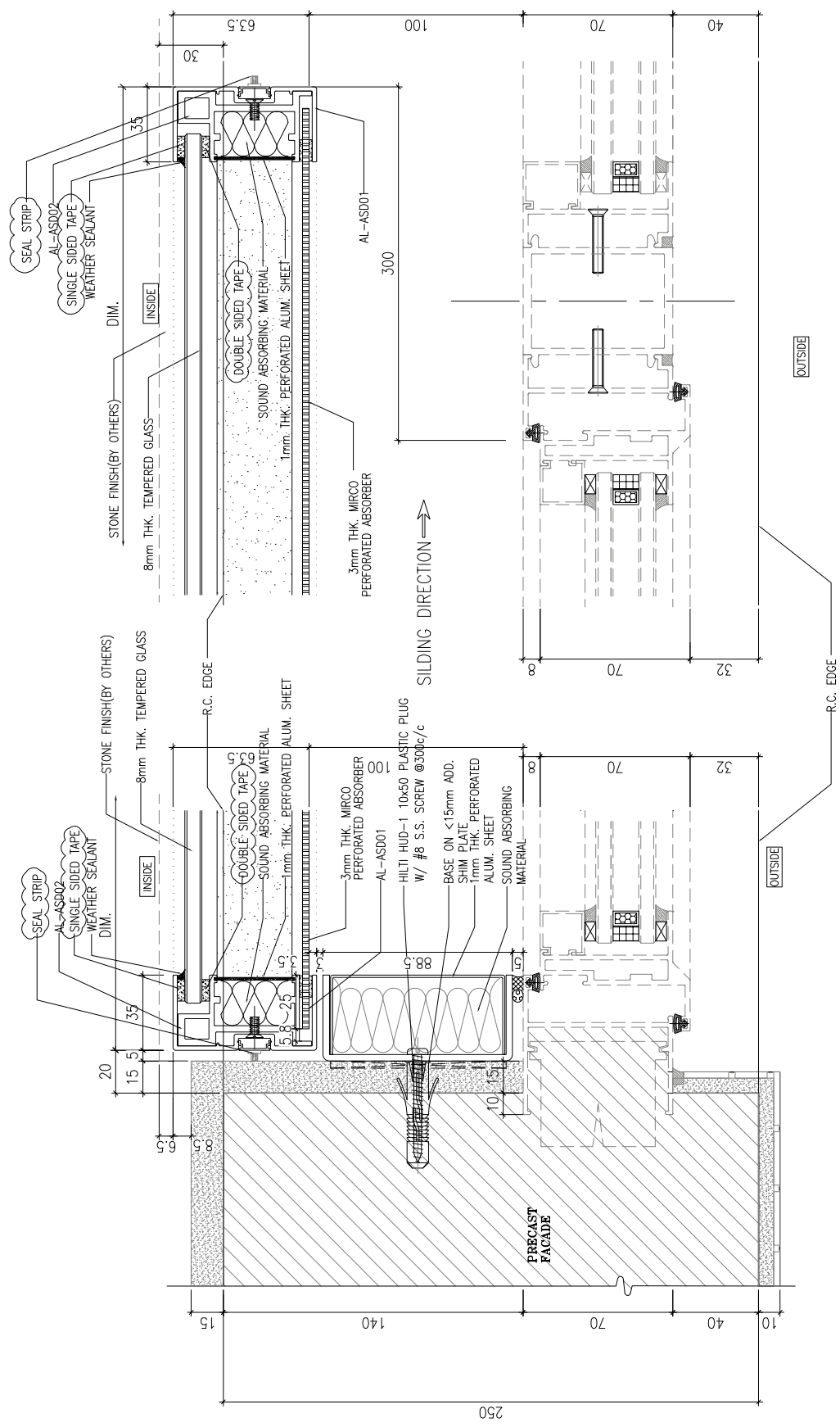
PROJECT : PROPOSED DEVELOPMENT ABOVE LIGHT RAIL TIN WING STOP-TWTL NO.23, AREA 33, TIN SHUI WAI, N.T.

TITLE : TYPICAL DETAILS FOR ACOUSTIC WINDOW

DATE : 06-Jun-23 SCALE : 1:40

DRAWN BY : lwk CHECKED BY : **黃特**  
**ALPHA CONSULTING LIMITED**  
 Unit 6-8, Sunray Industrial Centre, 1/F  
 610 Che Kwo Ling Road, Kowloon  
 Tel: 2248821-4 Fax: (852) 2727666

DWG NO. : J856-SD-AS-DT01 REV. : C



1 HORIZONTAL DETAIL  
 SCALE 1:2

2 HORIZONTAL DETAIL  
 SCALE 1:2

# TOP & SIDE SAM WITH MPA CASE

E.D. REF :

CLIENT :

**SUN HUNG KAI**  
REAL ESTATE AGENCY LTD.  
42/F SUN HUNG KAI CENTRE, MANOCHA, HONGKONG

ARCHITECT :

**lwk&partners**  
a r c h i t e c t s

MAIN CONTRACTOR :

柏輝建築有限公司  
**Yee Fai** Building Contractors Ltd.

STRUCTURAL ENGINEER :

**ARUP**

FACADE CONSULTANT :

**ALPHA CONSULTING LIMITED**  
Steel Structure & Façade Specialist

NOTE :

- 1. ALL DIMENSIONS ARE IN mm.
- 2. ALL ELEVATIONS ARE VIEWED FROM OUTSIDE.
- 3. ALL DIMENSIONS TO BE VERIFIED ON SITE BEFORE FABRICATION.

LEGEND :

- 1. SOUND ABSORBING MATERIAL (PET-Noisestop Infil)
- 2. 3mm THK MICO PERFORATED ABSORBER (PMA-type MPF335-3mm)
- 3. 1mm THK PERFORATED ALUM. SHEET (Pomute Alum. sheet)

| NO. | DATE       | DESCRIPTION                  | BY  |
|-----|------------|------------------------------|-----|
| D   | 11/10/2023 | GENERAL REVISION             | lwk |
| C   | 8/9/2023   | GENERAL REVISION             | lwk |
| B   | 15/6/2023  | REVISION SUBJECT TO APPROVAL | lwk |
| A   | 20/3/2023  | REVISION SUBJECT TO APPROVAL | lwk |

J-856

JOB NO. :

PROPOSED DEVELOPMENT ABOVE  
LIGHT RAIL TIN WING STOP-TWTL  
NO.23, AREA 35, TIN SHUI WAI, N.T.

TITLE :

TYPICAL DETAILS FOR  
ACOUSTIC WINDOW

DATE :

D6-Jan-23 SCALE : 1:40

CHECKED BY :

黃特 鋁質有限公司

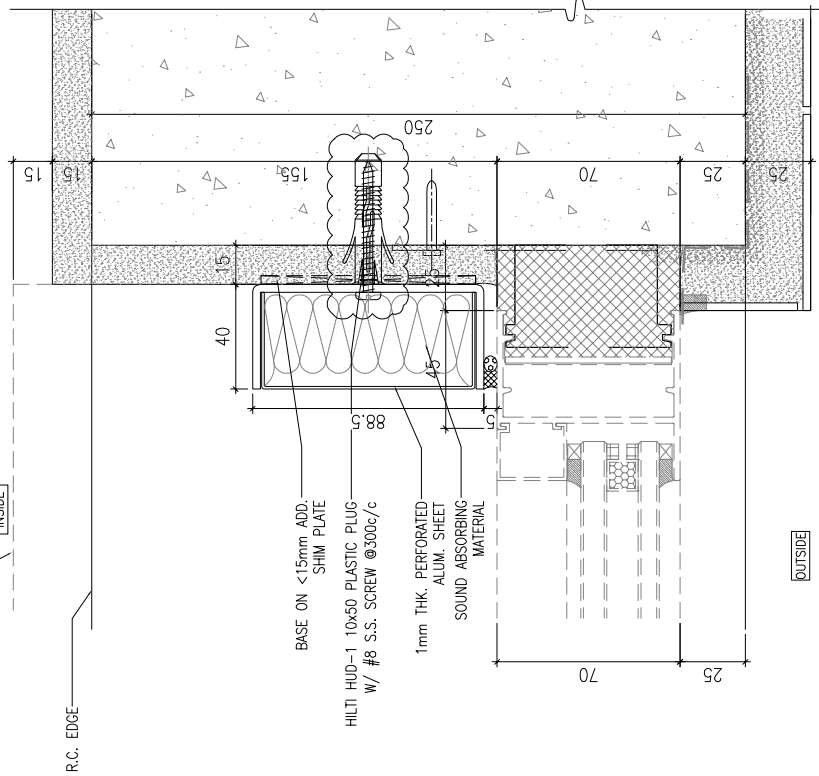
Unit 6-8, Sunray Industrial Centre, Yip  
610 Che Kwo Ling Road, Kowloon  
Tel: 2248921-4 Fax: (852) 2727666

REV. : D

STONE FINISH(BY OTHERS)

INSIDE

R.C. EDGE

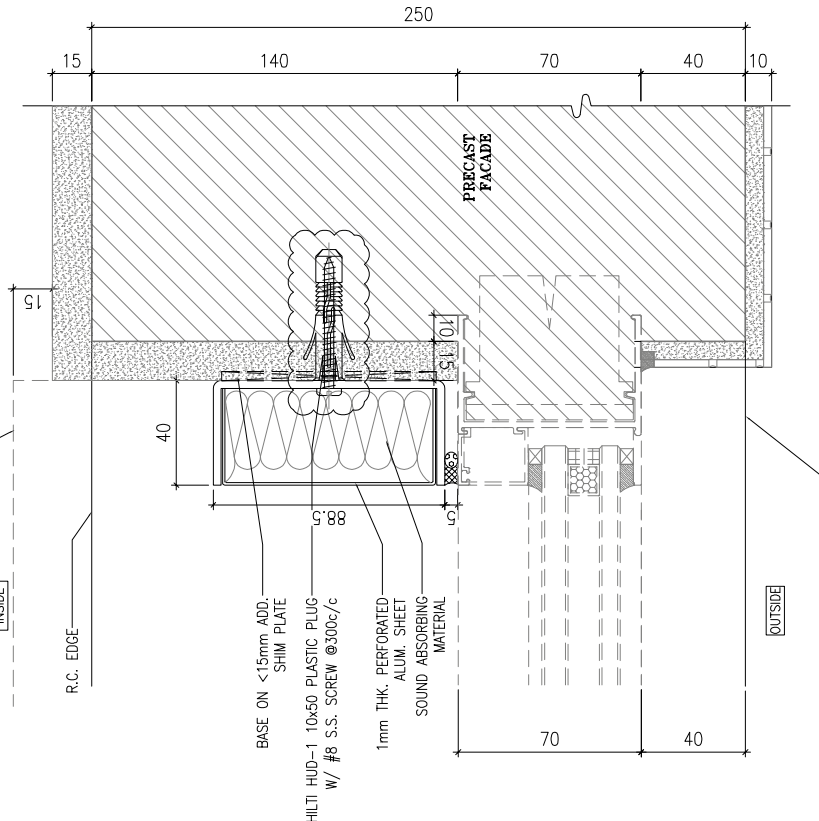


2 HORIZONTAL DETAIL  
SCALE 1:2

STONE FINISH(BY OTHERS)

INSIDE

R.C. EDGE



1 HORIZONTAL DETAIL  
SCALE 1:2

# TOP & SIDE SAM WITH MPA CASE

E.D. REF :

**SUN HUNG KAI**  
REAL ESTATE AGENCY LTD.  
42/F SUN HUNG KAI CENTRE, MANULIA, HONGKONG

**lwk&partners**  
ARCHITECTS

MAIN CONTRACTOR :  
**Yee Fal** Building Contractors Ltd.

STRUCTURAL ENGINEER :  
**ARUP**

FACADE CONSULTANT:  
**ALPHA CONSULTING LIMITED**  
Steel Structure & Façade Specialist

- NOTE:
1. ALL DIMENSIONS ARE IN mm.
  2. ALL ELEVATIONS ARE VIEWED FROM OUTSIDE.
  3. ALL DIMENSIONS TO BE VERIFIED ON SITE BEFORE FABRICATION.
- LEGEND:
1. SOUND ABSORBING MATERIAL (PET 12 Noisestop Infil)
  2. 3mm THK MIRCO PERFORATED ABSORBER (PMA-type MPF35-3mm)
  3. 1mm THK PERFORATED ALUM. SHEET (Pomute Alum. sheet)

| NO. | DATE       | REVISION SUBJECT TO APPROVEMENT | BY  |
|-----|------------|---------------------------------|-----|
| C   | 11/10/2023 | GENERAL REVISION                | lwk |
| B   | 6/9/2023   | GENERAL REVISION                | lwk |
| A   | 20/2/2023  | REVISION SUBJECT TO APPROVEMENT | lwk |

JOB NO. : J-856

PROJECT : PROPOSED DEVELOPMENT ABOVE LIGHT RAIL TIN WING STOP-TWTL NO.23, AREA 33, TIN SHUI WAI, N.T.

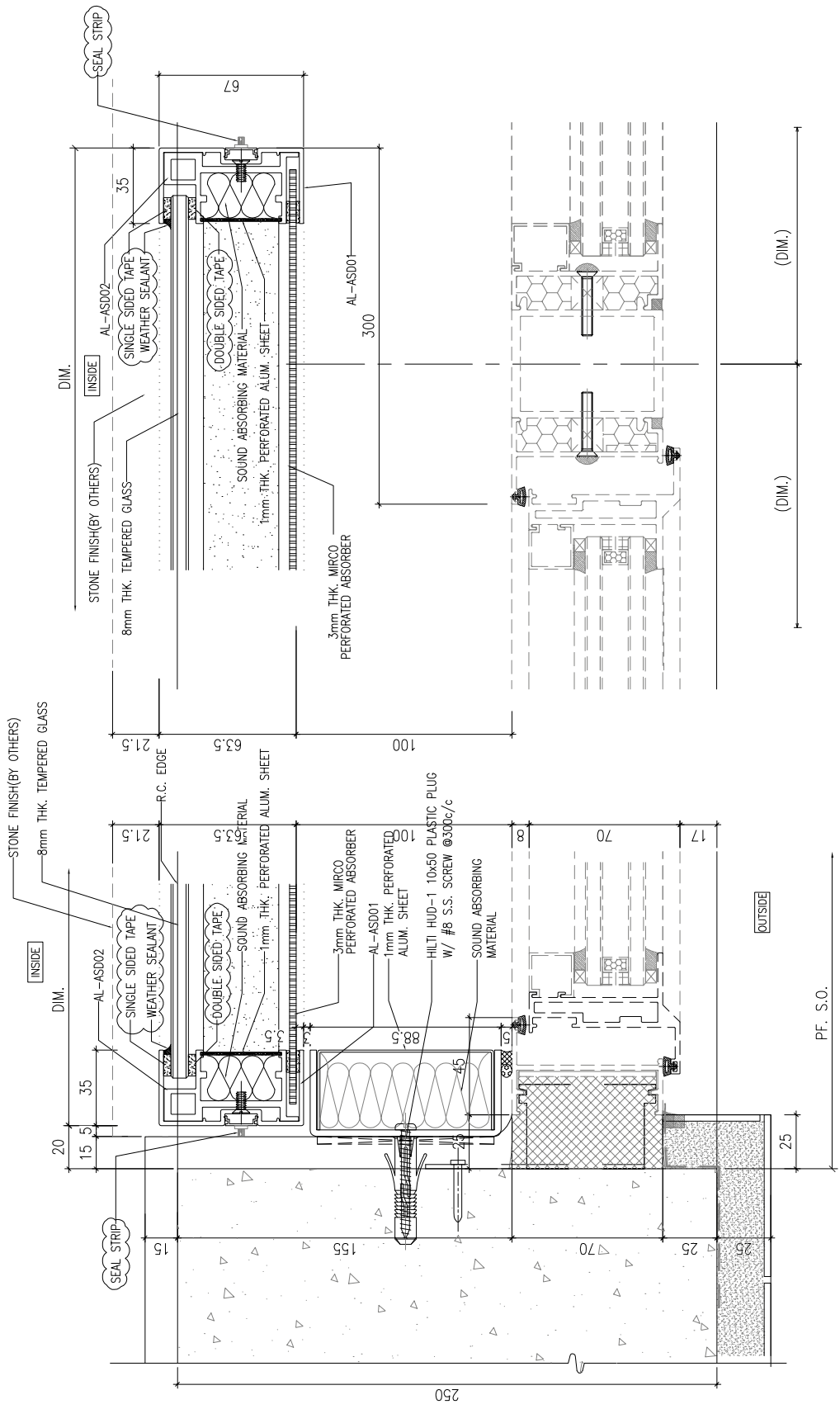
TITLE : TYPICAL DETAILS FOR ACOUSTIC WINDOW

DATE : 06-Jan-23 SCALE : 1:40

DRAWN BY : lwk CHECKED BY :

**YEE FAL BUILDING CONTRACTORS LTD.**  
Units 6-8, Sunray Industrial Centre, 1/F  
610 Che Kwo Ling Road, Kowloon  
Tel: 2248921-4 Fax: (852) 2727666

ENG. NO. : J856-SD-AS-D103 REV. : C



1 HORIZONTAL DETAIL  
SCALE 1:2

2 HORIZONTAL DETAIL  
SCALE 1:2

# TOP & SIDE SAM WITH MPA CASE





E.D. REF :

CLIENT :

**SUN HUNG KAI**  
REAL ESTATE AGENCY LTD.  
42/F SUN HUNG KAI CENTRE, MANHATTA, HONGKONG

ARCHITECT :

**lwk&partners**  
ARCHITECTS

MAIN CONTRACTOR :

**Yee Fal**  
Building Contractors Ltd.

STRUCTURAL ENGINEER :

**ARUP**

FACADE CONSULTANT :

**ALPHA CONSULTING LIMITED**  
Steel Structure & Façade Specialist

NOTE :

1. ALL DIMENSIONS ARE IN mm.
2. ALL ELEVATIONS ARE VIEWED FROM OUTSIDE.
3. ALL DIMENSIONS TO BE VERIFIED ON SITE BEFORE FABRICATION.

LEGEND :

1. SOUND ABSORBING MATERIAL (PEF12\_Noisetop Infill)
2. 3mm THK MIRCO PERFORATED ABSORBER (PMA-type MPF335-3mm)
3. 1mm THK PERFORATED ALUM. SHEET (Pomute Alum. sheet)

|     |            |                                 |     |
|-----|------------|---------------------------------|-----|
| C   | 11/10/2023 | GENERAL REVISION                | Rev |
| B   | 05/29/2023 | GENERAL REVISION                | Rev |
| A   | 15/06/2023 | REVISION SUBJECT TO APPROVEMENT | Rev |
| NO. | DATE       | REVISION                        | BY  |

JOB NO. : J-856

PROJECT :  
PROPOSED DEVELOPMENT ABOVE  
LIGHT RAIL TIN WING STOP-TS/WL  
NO.23, AREA 33, TIN SHUI WAI, N.T.

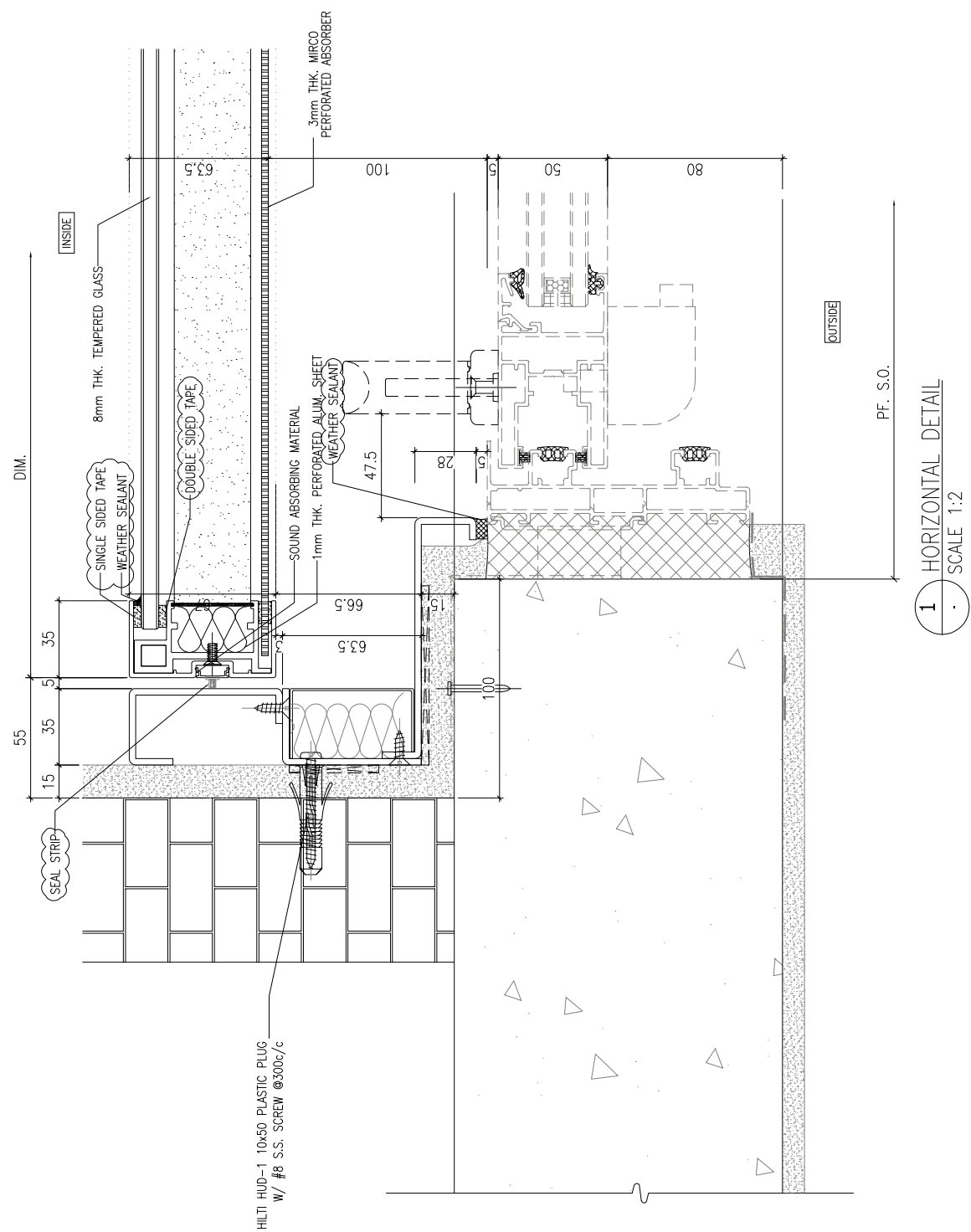
TITLE :  
TYPICAL DETAILS FOR  
ACOUSTIC WINDOW

DATE : 06-Jun-23 SCALE : 1:40

DRAWN BY : Ivan CHECKED BY :

**美特铝业有限公司**  
METAL INDUSTRIES  
Unit 6-8, Sunny Industrial Centre, 7/F  
610 Che Kwo Ling Road, Kowloon  
Tel: 22488211-4 Fax: (852) 2727666

DWG NO. : J856-SD-AS-DT05 REV. : C



1 HORIZONTAL DETAIL  
SCALE 1:2

# TOP & SIDE SAM WITH MPA CASE

E.D. REF :

CLIENT :

**SUN HUNG KAI**  
REAL ESTATE AGENCY LTD.  
42/F SUN HUNG KAI CENTRE, MANOHA, HONGKONG

ARCHITECT :

**lwk&partners**  
a r c h i t e c t s

MAIN CONTRACTOR :

**柏輝建築有限公司**  
Yee Fai Building Contractors Ltd.

STRUCTURAL ENGINEER :

**ARUP**

FACADE CONSULTANT :

**ALPHA CONSULTING LIMITED**  
Steel Structure & Façade Specialist

NOTE :

1. ALL DIMENSIONS ARE IN mm.
2. ALL ELEVATIONS ARE VIEWED FROM OUTSIDE.
3. ALL DIMENSIONS TO BE VERIFIED ON SITE BEFORE FABRICATION.

LEGEND :

1. SOUND ABSORBING MATERIAL (PEF12\_Noisetop Infill)
2. 3mm THK MIRCO PERFORATED ABSORBER (PMA-type MPF355-3mm)
3. 1mm THK PERFORATED ALUM. SHEET (Pomute Alum. sheet)

| NO.        | DATE       | DESCRIPTION                  |
|------------|------------|------------------------------|
| C          | 17/07/2023 | GENERAL REVISION             |
| B          | 08/09/2023 | GENERAL REVISION             |
| A          | 15/06/2023 | REVISION SUBJECT TO APPROVAL |
| REVISED BY |            |                              |

JOB NO. : J-856

PROJECT : PROPOSED DEVELOPMENT ABOVE LIGHT RAIL TIN WING STOP-TS/WL NO.23, AREA 33, TIN SHUI WAI, N.T.

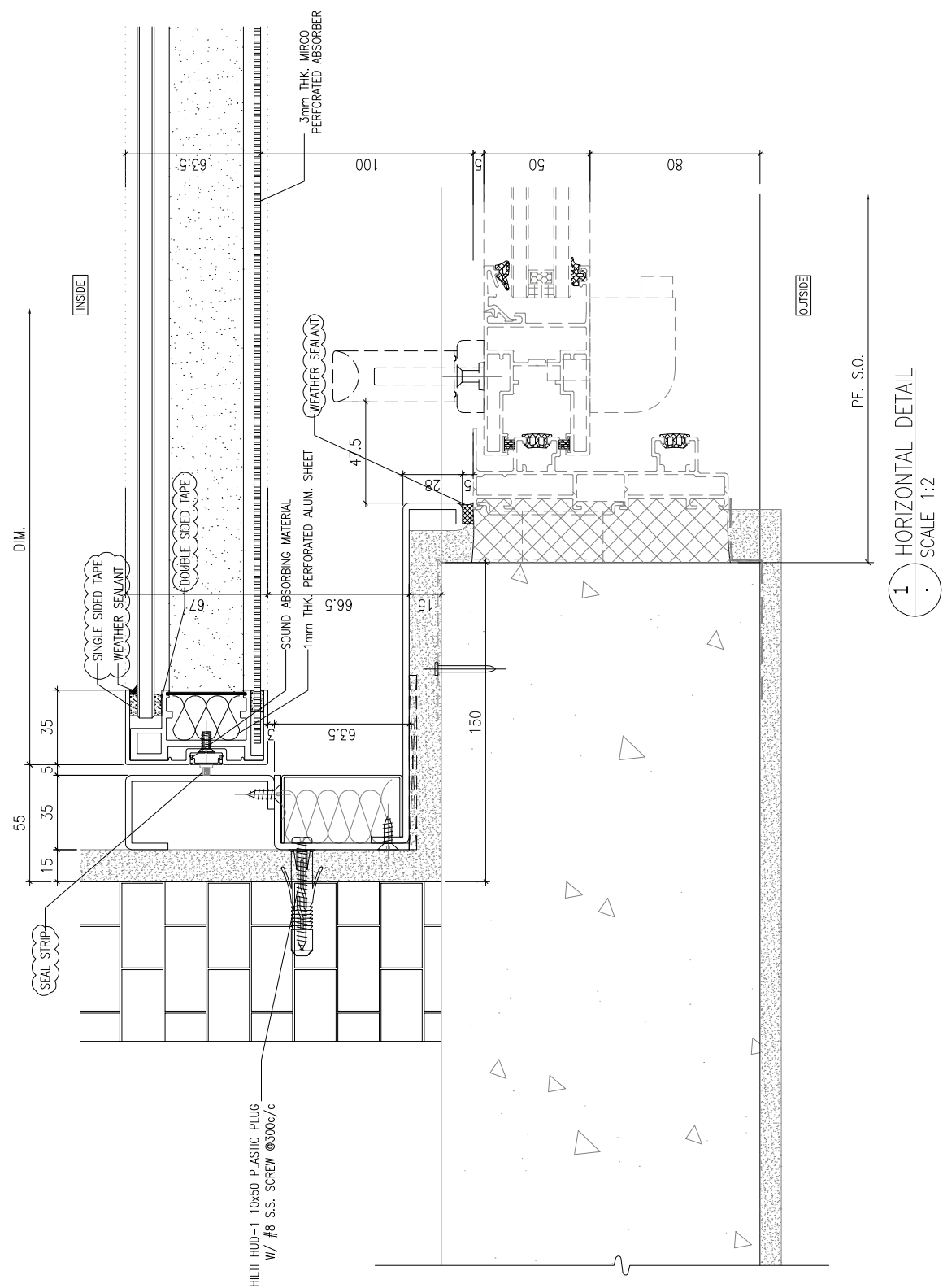
TITLE : TYPICAL DETAILS FOR ACOUSTIC WINDOW

DATE : 06-Jun-23 SCALE : 1:40

DRAWN BY : Ivan CHECKED BY :

**美特鋁質有限公司**  
METAL QUALITY  
Units 6-8, Sunray Industrial Centre, 7/F  
610 Che Kwo Ling Road, Kowloon  
Tel: 22489211-4 Fax: (852) 2727666

DWG NO. : J856-SD-AS-DT06 REV. : C



1 HORIZONTAL DETAIL  
SCALE 1:2

# TOP & SIDE SAM WITH MPA CASE

E.D. REF :

CLIENT :

SUN HUNG KAI REAL ESTATE AGENCY LTD.  
42/F SUN HUNG KAI CENTRE, MANOCHA, HONGKONG

ARCHITECT :

lw&partners

MAIN CONTRACTOR :

Yee Fal Building Contractors Ltd.

STRUCTURAL ENGINEER :

ARUP

FACADE CONSULTANT :

ALPHA CONSULTING LIMITED

Steel Structure & Façade Specialist

NOTE :

1. ALL DIMENSIONS ARE IN mm.  
2. ALL ELEVATIONS ARE VIEWED FROM OUTSIDE.  
3. ALL DIMENSIONS TO BE VERIFIED ON SITE BEFORE FABRICATION.

LEGEND :

1. SOUND ABSORBING MATERIAL (PET12-Noisestop Infill)  
2. 3mm THK MIRCO PERFORATED ABSORBER (PMA-type MPF335-3mm)  
3. 1mm THK PERFORATED ALUM. SHEET (Pomute Alum. sheet)

| NO. | DATE       | DESCRIPTION      | BY | CHK |
|-----|------------|------------------|----|-----|
| A   | 11/07/2023 | GENERAL REVISION |    |     |
|     |            | REISED           |    |     |

JOB NO. : J-856

PROJECT : PROPOSED DEVELOPMENT ABOVE LIGHT RAIL TIN WING STOP-TWTL NO.23, AREA 33, TIN SHUI WAI, N.T.

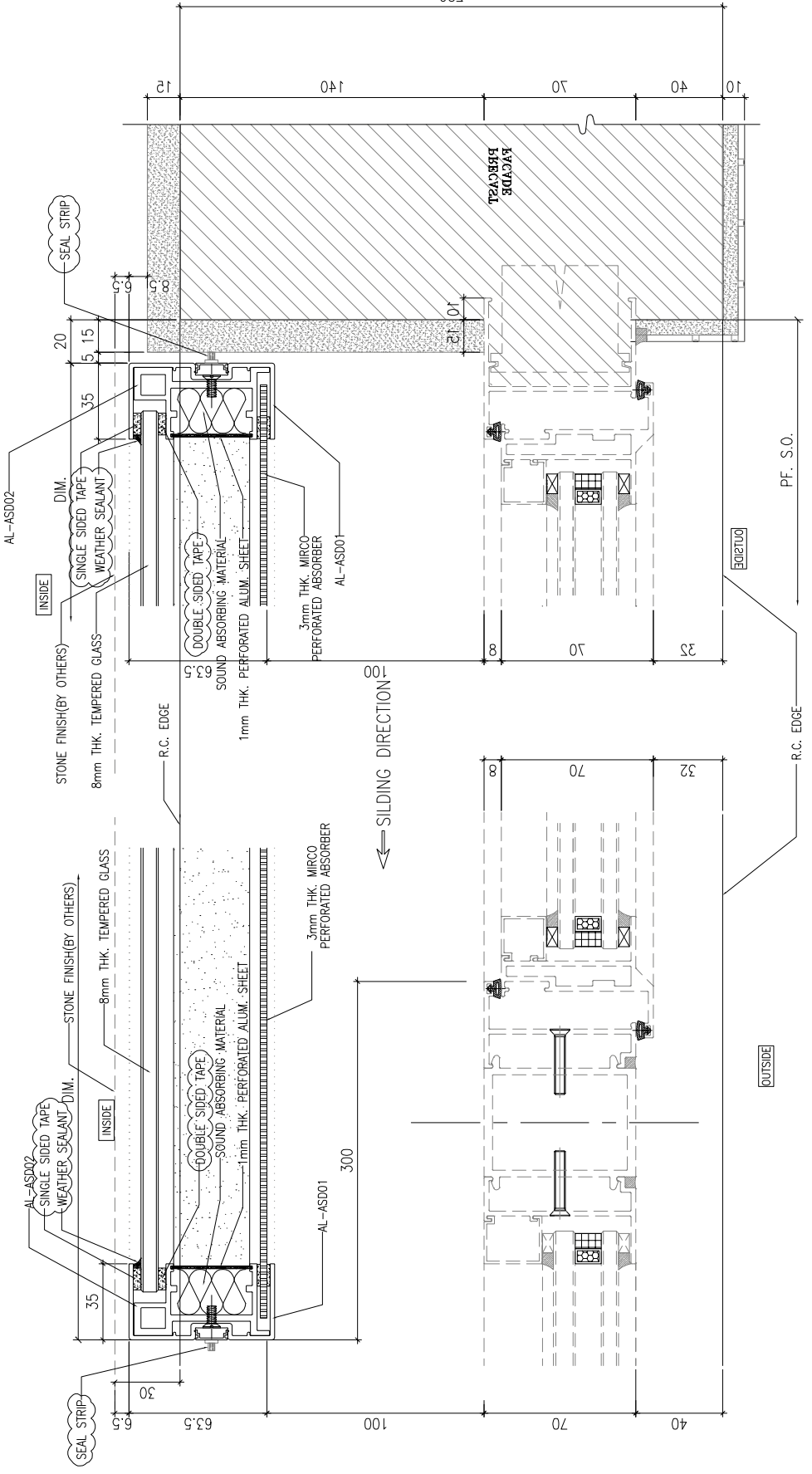
TITLE : TYPICAL DETAILS FOR ACOUSTIC WINDOW

DATE : 06-Jan-23 SCALE : 1:40

DRAWN BY : Ivan CHECKED BY :

YEE FAL BUILDING CONTRACTORS LTD.  
 美特鋁質有限公司  
 Unit 6-8, Sunray Industrial Centre, Yee Fal Building Contractor Ltd.  
 610 Che Kwo Ling Road, Kowloon  
 Tel: 2248921-4 Fax: (852) 2727666

DWG NO. : J856-SD-AS-DT11 REV. : A



2 HORIZONTAL DETAIL SCALE 1:2

1 HORIZONTAL DETAIL SCALE 1:2

# WITH MPA CASE

E.D. REF :

CLIENT :

SUN HUNG KAI  
REAL ESTATE AGENCY LTD.  
42/F SUN HUNG KAI CENTRE, MANOVA, HONGKONG

ARCHITECT :

lwk&partners  
ARCHITECTS

MAIN CONTRACTOR :

柏耀建築有限公司  
Yee Fai Building Contractors Ltd.

STRUCTURAL ENGINEER :

ARUP

FACADE CONSULTANT:

ALPHA CONSULTING LIMITED  
Steel Structure & Façade Specialist

NOTE:

- 1. ALL DIMENSIONS ARE IN mm.
- 2. ALL ELEVATIONS ARE VIEWED FROM OUTSIDE.
- 3. ALL DIMENSIONS TO BE VERIFIED ON SITE BEFORE FABRICATION.

LEGEND:

- 1. SOUND ABSORBING MATERIAL (PET12\_Noresstop Infill)
- 2. 3mm THK MICRO PERFORATED ABSORBER (PMA-type MPF355-3mm)
- 3. 1mm THK PERFORATED ALUM. SHEET (Pomute Alum. sheet)

| NO. | DATE       | REVISION | GENERAL REVISION                | APPROVED BY |
|-----|------------|----------|---------------------------------|-------------|
| B   | 17/10/2023 |          | GENERAL REVISION                |             |
| A   | 14/09/2023 |          | REVISION SUBJECT TO APPROVEMENT |             |
|     |            |          | REDESIGN                        |             |

JOB NO. : J-856

PROJECT :  
PROPOSED DEVELOPMENT ABOVE  
LIGHT RAIL TIN WING STOP-TWTL  
NO.23,AREA 35,TIN SHUI WAI, N.T.

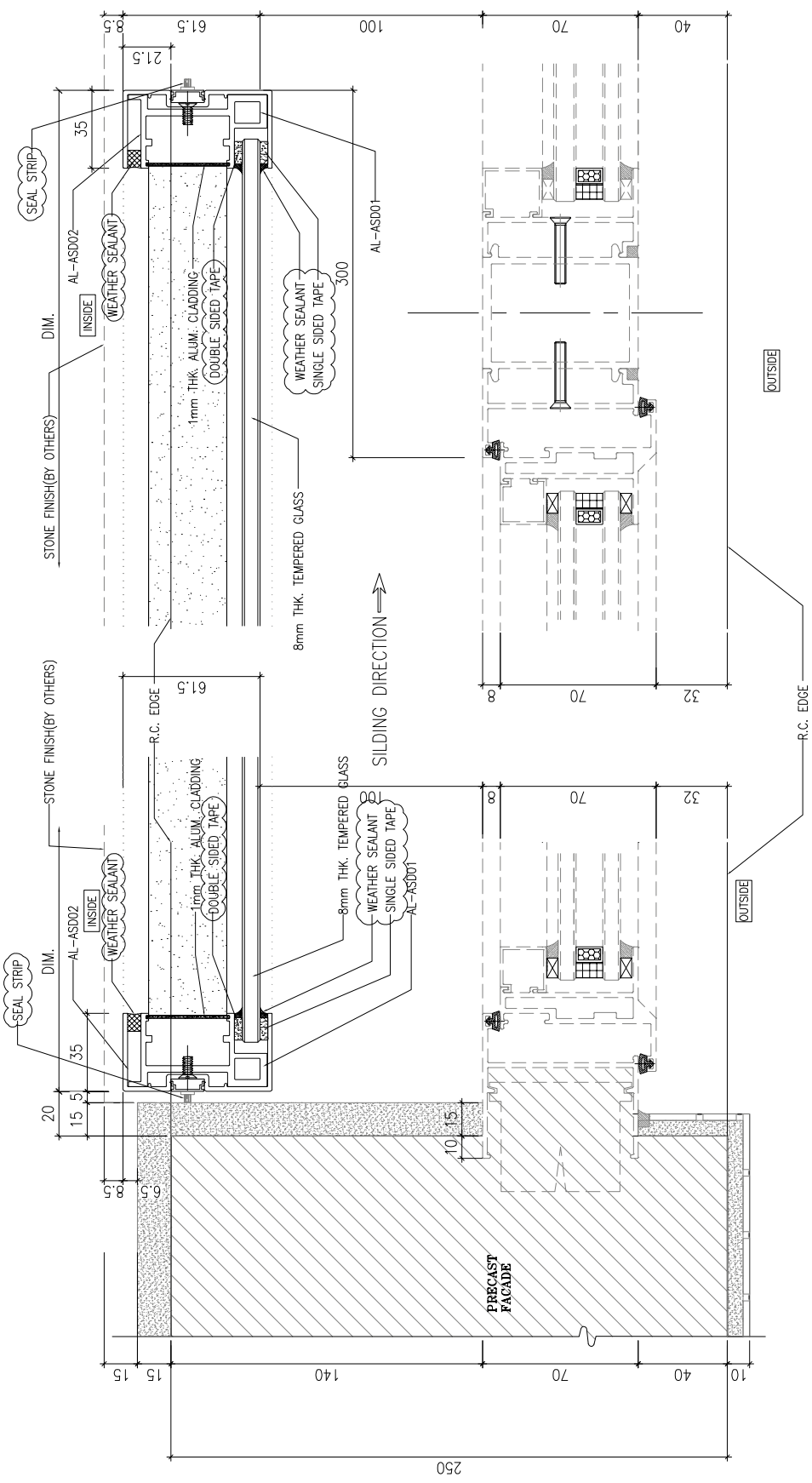
TITLE :  
TYPICAL DETAILS FOR  
ACOUSTIC WINDOW

DATE : 06-Jan-23 SCALE : 1:40

DRAWN BY : Ivan CHECKED BY :

美特鋁質有限公司  
M.T. ALUMINIUM  
ALUMINIUM FABRICATOR LTD.  
Units 6-8, Sunray Industrial Centre, Yip  
610 Che Kwo Ling Road, Kowloon  
Tel:22488211-4 Fax:(852)2727666

DWG NO. : J856-SD-AS-DT21 REV. : B



2 HORIZONTAL DETAIL  
SCALE 1:2

1 HORIZONTAL DETAIL  
SCALE 1:2

# WITH OUT MPA CASE

B.O. REF :

CLIENT :

SUN HUNG KAI  
REAL ESTATE AGENCY LTD.  
42/F SUN HUNG KAI CENTRE, MANOCHA, HONGKONG

ARCHITECT :

lwk&partners  
ARCHITECTS

MAIN CONTRACTOR :

柏耀建築有限公司  
Yee Fae Building Contractors Ltd.

STRUCTURAL ENGINEER :

ARUP

FACADE CONSULTANT :

ALPHA CONSULTING LIMITED  
Steel Structure & Façade Specialist

NOTE:  
1. ALL DIMENSIONS ARE IN mm.  
2. ALL ELEVATIONS ARE VIEWED FROM OUTSIDE.  
3. ALL DIMENSIONS TO BE VERIFIED ON SITE BEFORE FABRICATION.

LEGEND:

- 1. SOUND ABSORBING MATERIAL (PEF12, NoiseStop Infil)
- 2. 3mm THK MIRCO PERFORATED ABSORBER (PMA-type MPF355-3mm)
- 3. 1mm THK PERFORATED ALUM. SHEET (Pomute Alum. sheet)

| NO. | DATE       | DESCRIPTION                  |
|-----|------------|------------------------------|
| C   | 11/07/2023 | GENERAL REVISION             |
| B   | 14/05/2023 | REVISION SUBJECT TO APPROVAL |
| A   | 12/07/2023 | REVISION SUBJECT TO APPROVAL |

JOB NO. : J-856

PROJECT :  
PROPOSED DEVELOPMENT ABOVE  
LIGHT RAIL TIN WING STOP-TS/WL  
NO.23, AREA 35, TIN SHUI WAI, N.T.

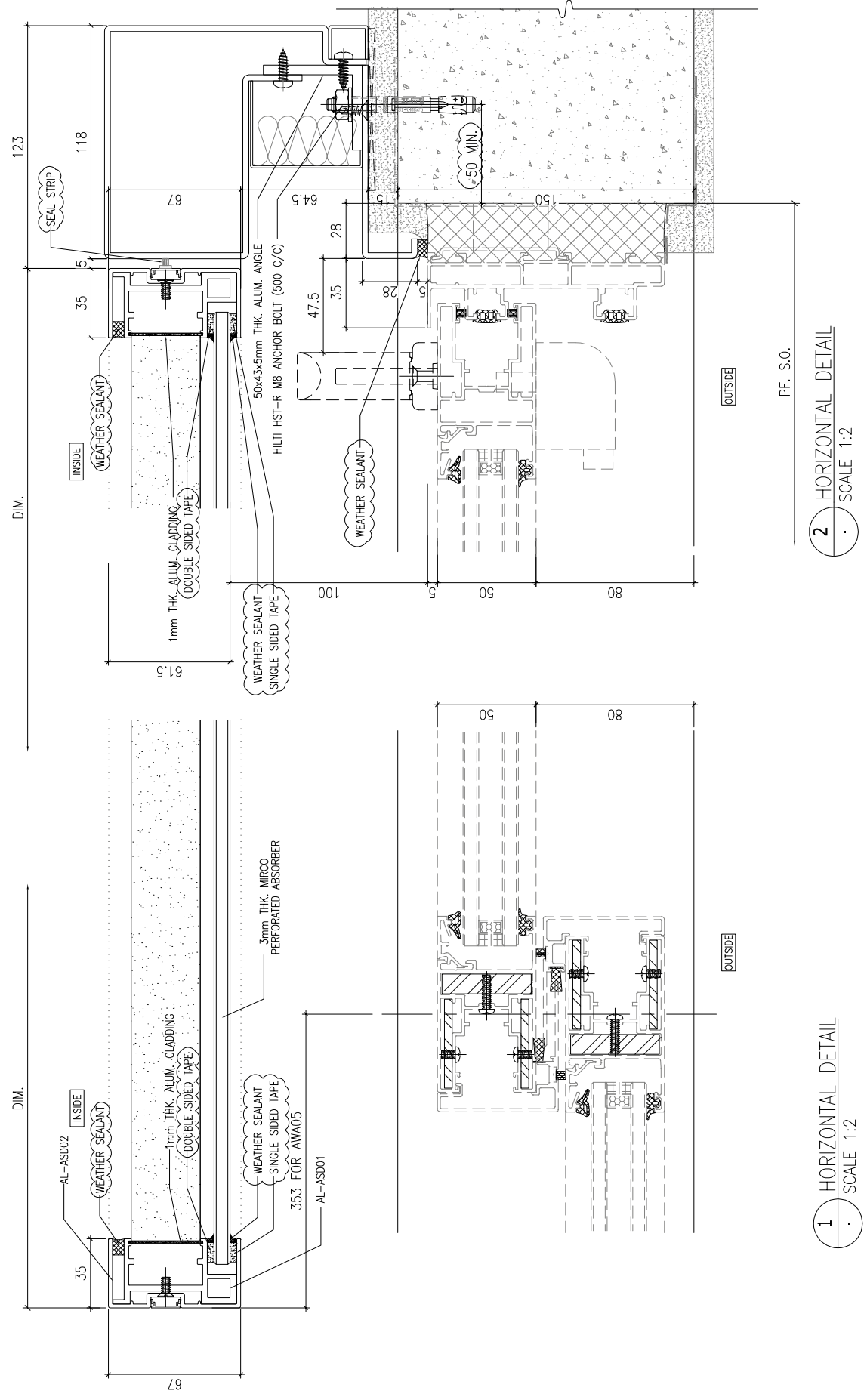
TITLE :  
TYPICAL DETAILS FOR  
ACOUSTIC WINDOW

DATE : 06-Jun-23 SCALE : 1:40

DRAWN BY : Ivan CHECKED BY :

美特鋁質有限公司  
METAL QUALITY  
Industrial Centre, 1/F  
610 Che Kwo Ling Road, Kowloon  
Tel: 2248821-4 Fax: (852) 2727666

DWG NO. : J856-SD-AS-D722 REV. : C



1 HORIZONTAL DETAIL  
SCALE 1:2

2 HORIZONTAL DETAIL  
SCALE 1:2

# WITH OUT MPA CASE



E.D. REF :

CLIENT : SUN HUNG KAI REAL ESTATE AGENCY LTD. 42/F SUN HUNG KAI CENTRE, MANHAT, HONGKONG

ARCHITECT : Iw&partners architectural

MAIN CONTRACTOR : 柏輝建築有限公司 Yee Fai Building Contractors Ltd.

STRUCTURAL ENGINEER : ARUP

FAÇADE CONSULTANT : ALPHA CONSULTING LIMITED Steel Structure & Façade Specialist

NOTE : 1. ALL DIMENSIONS ARE IN mm. 2. ALL ELEVATIONS ARE VIEWED FROM OUTSIDE. 3. ALL DIMENSIONS TO BE VERIFIED ON SITE BEFORE FABRICATION.

LEGEND : 1. SOUND ABSORBING MATERIAL (PEF12-Noisestop Infil) 2. 3mm THK MIRCO PERFORATED ABSORBER (PMAA-type MPF335-3mm) 3. 1mm THK PERFORATED ALUM. SHEET (Permute Alum. sheet)

Table with 4 columns: No., Date, Description, By. Rows include GENERAL REVISION, UPDATE AND INSTALL ASSOS MEND, REVISION SUBJECT TO APPROVEMENT, and REVISION SUBJECT TO REPLACEMENT.

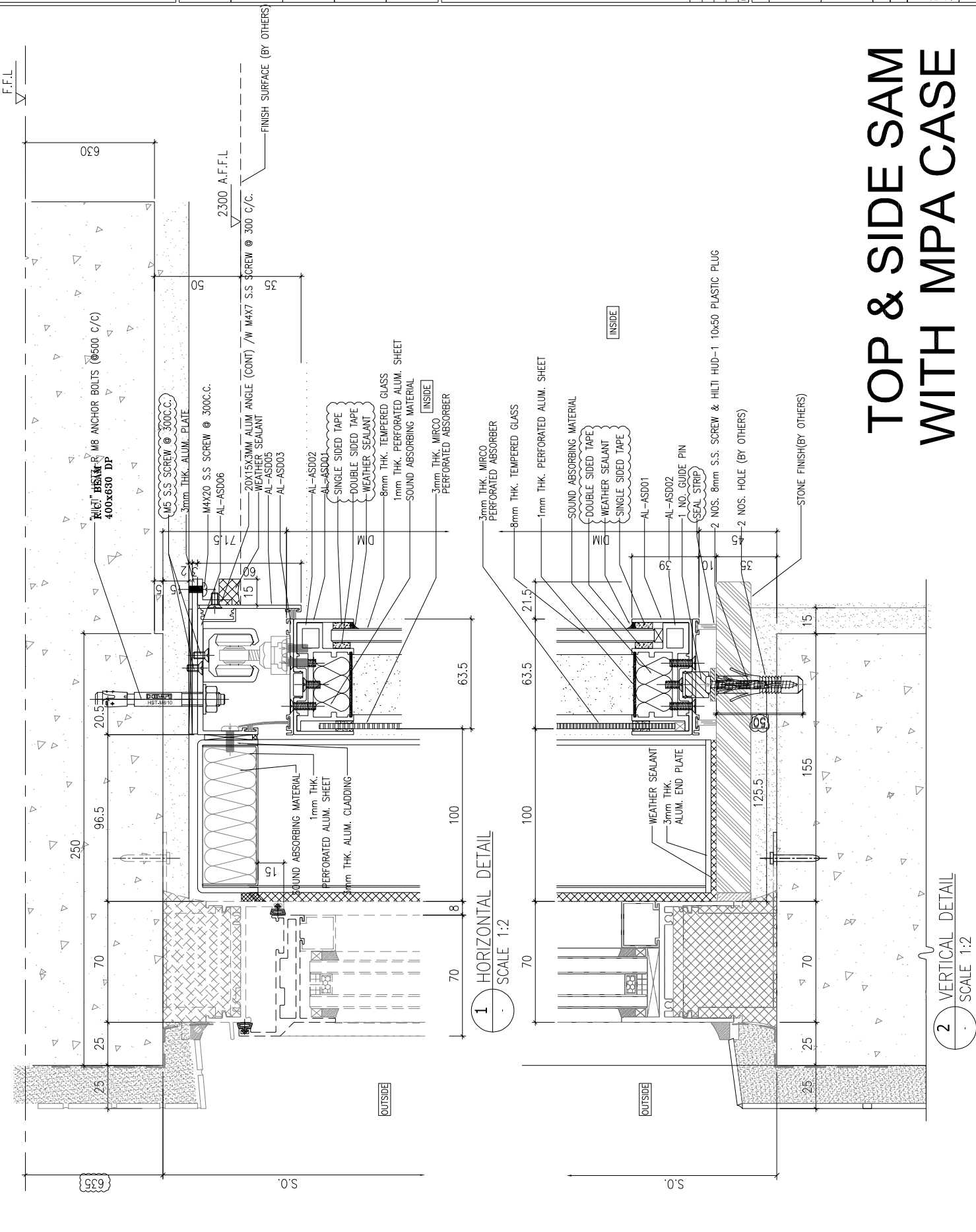
JOB NO. : J-856 PROJECT : PROPOSED DEVELOPMENT ABOVE LIGHT RAIL TIN WING STOP-TSWTL NO.23, AREA 35, TIN SHUI WAI, N.T.

TITLE : TYPICAL DETAILS FOR ACOUSTIC WINDOW

DATE : 06-Jan-23 SCALE : 1:40 DRAWN BY : Ivan CHECKED BY :

YIP YAT HO LIMITED 葉特 鋁質有限公司 Unit 6-8, Sunco Industrial Centre, 7/F, 610 Che Kwo Ling Road, Kowloon. Tel: 22488211-4 Fax: (852) 2727266

DWG NO. : J856-SD-AS-0752 REV. : D



# TOP & SIDE SAM WITH MPA CASE

1 HORIZONTAL DETAIL SCALE 1:2

2 VERTICAL DETAIL SCALE 1:2

B.D. REF :  
 CLIENT :  
 ARCHITECT :  
 MAIN CONTRACTOR :  
 STRUCTURAL ENGINEER :  
 FACADE CONSULTANT :

**SUN HUNG KAI**  
 REAL ESTATE AGENCY LTD.  
 42/F SUN HUNG KAI CENTRE, WINGHAI, HONGKONG

**lwk&partners**  
 ARCHITECTS

怡耀建築有限公司  
 Yee Fai Building Contractors Ltd.

**ARUP**  
 STRUCTURAL ENGINEER

**ALPHA CONSULTING LIMITED**  
 Facade Structure & Façade Specialist

**NOTE :**

1. ALL DIMENSIONS ARE IN mm
2. ALL ELEVATIONS ARE VIEWED FROM OUTSIDE.
3. ALL DIMENSIONS TO BE VERIFIED ON SITE BEFORE FABRICATION.

**LEGEND :**

1. SOUND ABSORBING MATERIAL (PET2\_Nosetop Infill)
2. 3mm THK MIRCO PERFORATED ABSORBER (PMMA-type MPP35-3mm)
3. 1mm THK PERFORATED ALUM. SHEET (Pomute Alum. sheet)

| REV | DATE       | REVISION                        |
|-----|------------|---------------------------------|
| D   | 15/10/2023 | GENERAL REVISION                |
| C   | 28/9/2023  | GENERAL REVISION                |
| B   | 10/8/2023  | REVISION SUBJECT TO APPROVEMENT |
| A   | 20/2/2023  | REVISION SUBJECT TO APPROVEMENT |
| NO. | DATE       | REVISION                        |

J-856

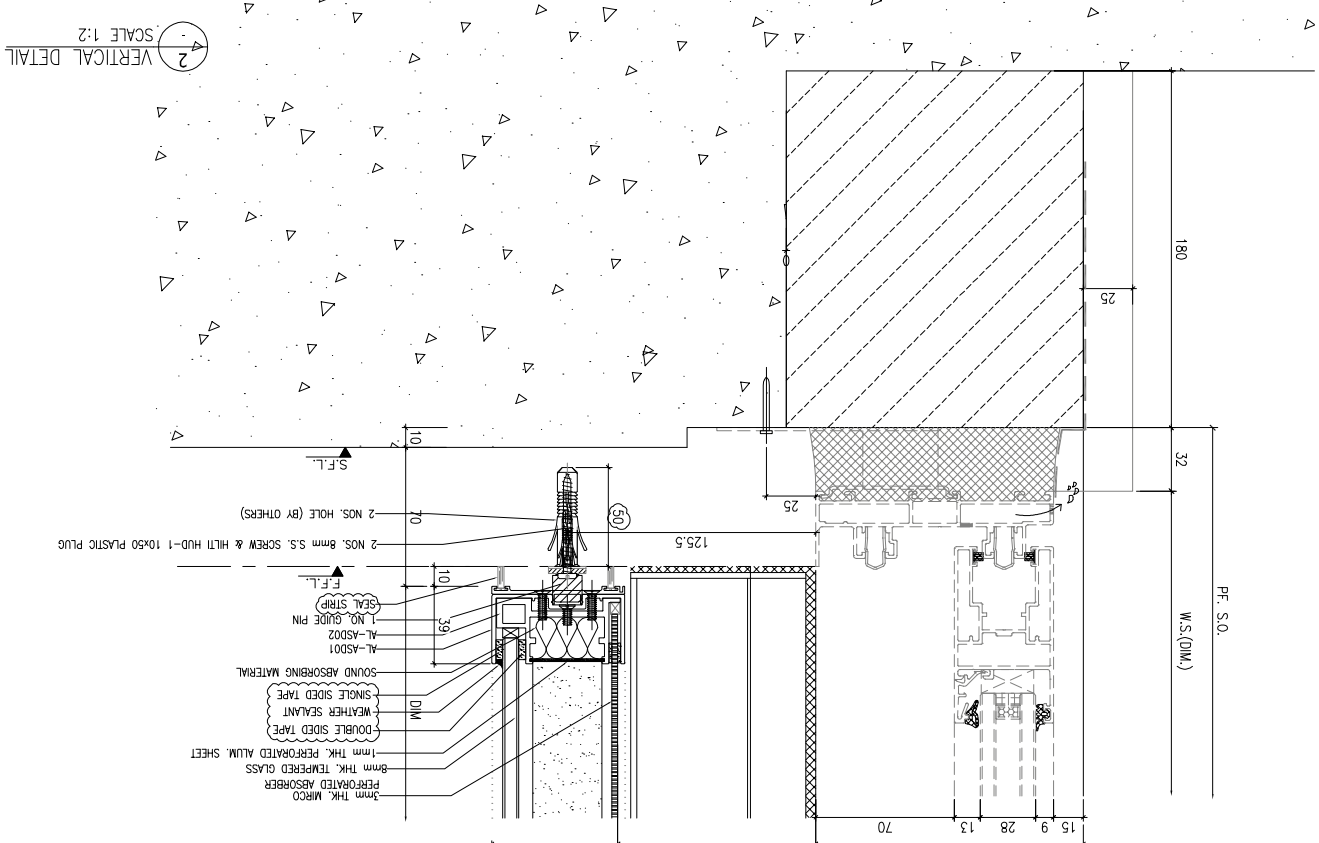
**PROJECT :**  
 PROPOSED DEVELOPMENT ABOVE  
 LIGHT RAIL TIN WING STOP:ISWTL  
 NO.23,AREA 33,TIN SHUI WAL, N.T.

**TITLE :**  
 TYPICAL DETAILS FOR  
 ACOUSTIC WINDOW

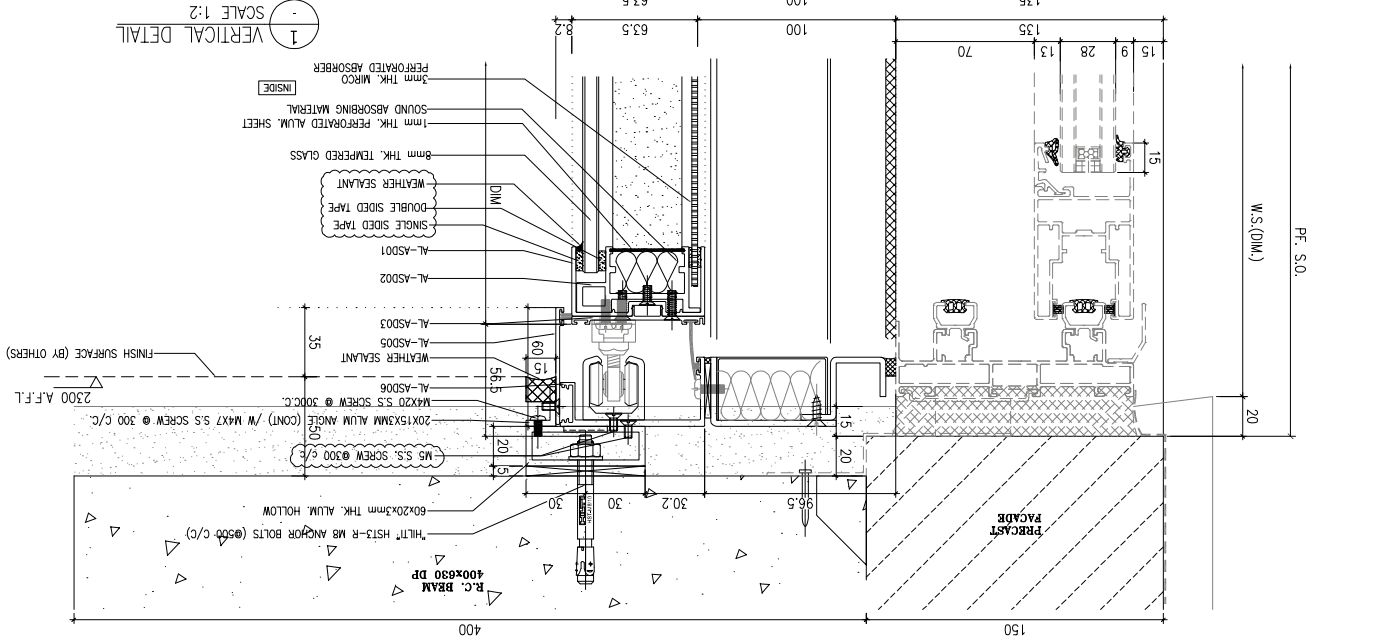
DATE : 06-Jan-23  
 SCALE : 1:40  
 DRAWN BY : Non  
 CHECKED BY :  
 慕特 鋸質有限公司  
 MTDY  
 2/F, Suning Industrial Centre, 1/  
 610 Che Kwo Ling Road, Kowloon  
 Tel:22489211-4 Fax:8522727666  
 DWG NO. : J856-SD-AS-0153  
 REV. : D

# TOP & SIDE SAM WITH MPA CASE

VERTICAL DETAIL 2 SCALE 1:2



VERTICAL DETAIL 1 SCALE 1:2









E.D. REF :

CLIENT : SUN HUNG KAI REAL ESTATE AGENCY LTD. 42/F SUN HUNG KAI CENTRE, MANDALAY, HONGKONG

ARCHITECT : IwK&partners ARCHITECTS

MAIN CONTRACTOR : 柏輝建築有限公司 Yee Fai Building Contractors Ltd.

STRUCTURAL ENGINEER : ARUP

FAÇADE CONSULTANT : ALPHA CONSULTING LIMITED Steel Structure & Façade Specialist

NOTE: 1. ALL DIMENSIONS ARE IN mm. 2. ALL ELEVATIONS ARE VIEWED FROM OUTSIDE. 3. ALL DIMENSIONS TO BE VERIFIED ON SITE BEFORE FABRICATION.

LEGEND: 1. SOUND ABSORBING MATERIAL (PEF12\_Noresstop Infil) 2. 3mm THK MICRO PERFORATED ABSORBER (PMAA-type MPF355-3mm) 3. 1mm THK PERFORATED ALUM. SHEET (Pomute Alum. sheet)

Table with columns: No., Date, Description, Revised, By. Row 1: 1, 13/10/2023, GENERAL REVISION, ,

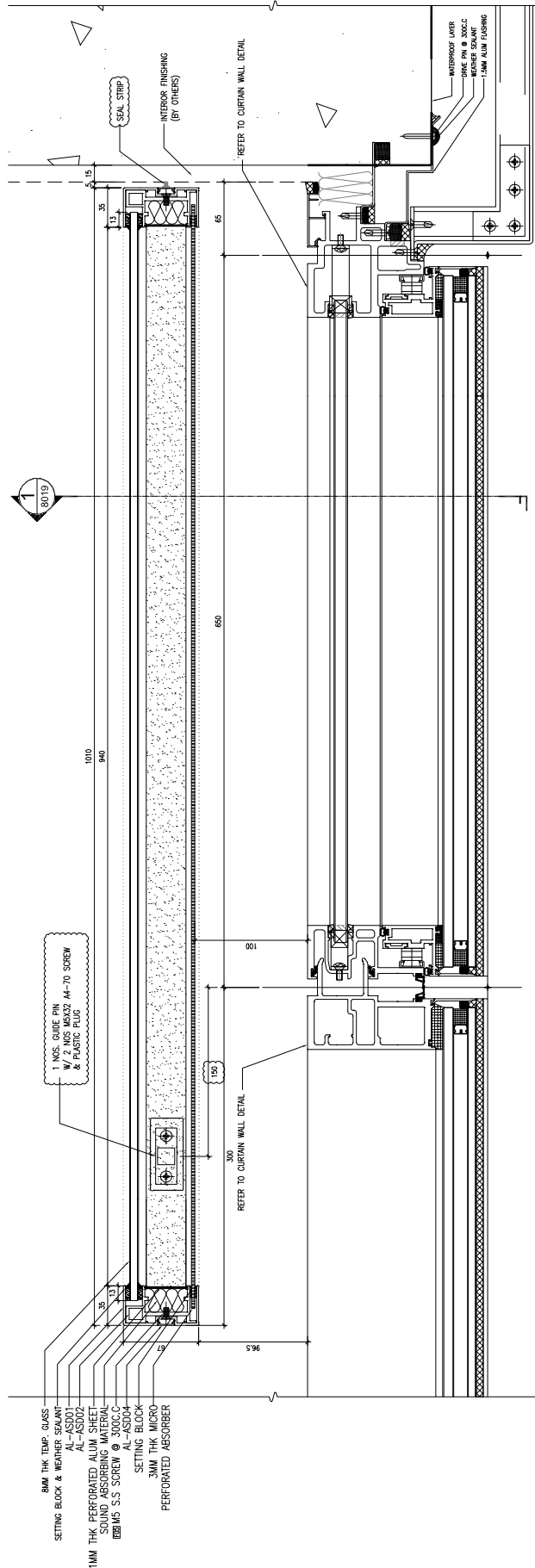
JOB NO. : J-856 PROJECT : PROPOSED DEVELOPMENT ABOVE LIGHT RAIL TIN WING STOP-TS/WL NO.23,AREA 33,TIN SHUI WAI, N.T.

TITLE : TYPICAL DETAIL FOR CURTAIN WALL ACOUSTIC WINDOW

DATE : 31-OCT-22 SCALE : 1:4 DRAWN BY : C.F. CHECKED BY :

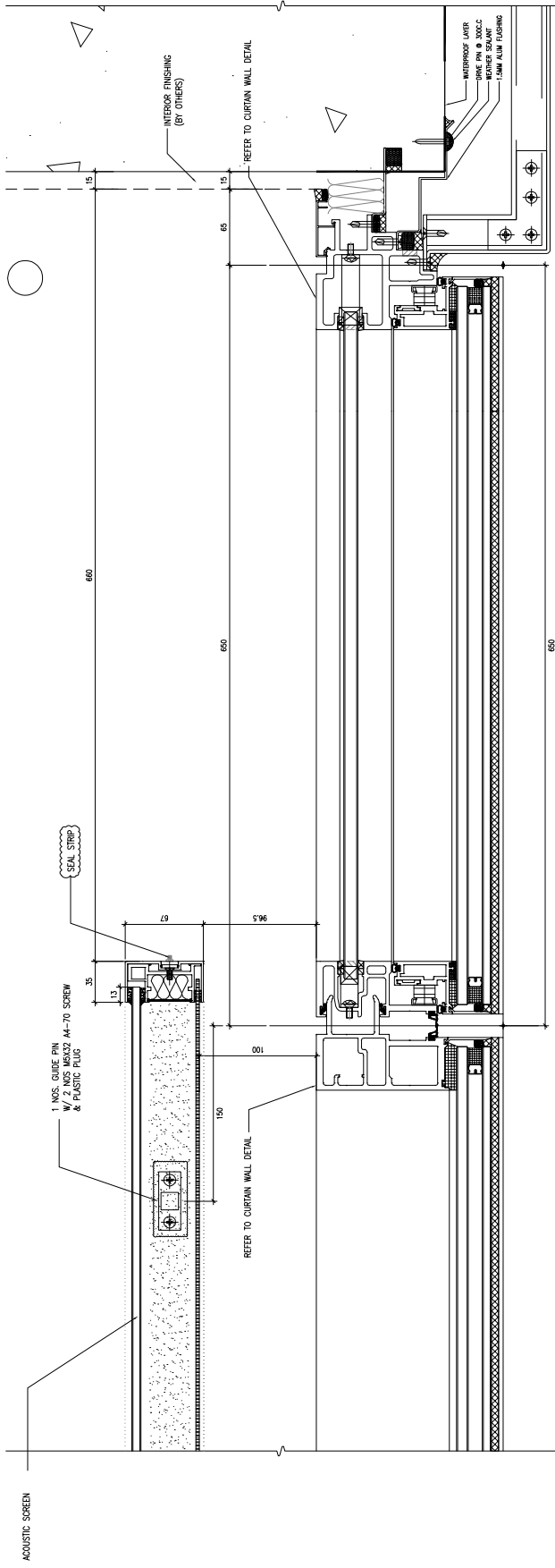
YIP YIP YIP 葉特 鋁質有限公司 1/F, YIP YIP YIP INDUSTRIAL BUILDING, Unit 6-8, Sunny Industrial Centre, 7/F, 610 Che Kwo Ling Road, Kowloon. Tel:22489211-4 Fax:(852)2727666

FIG. NO. : J856-S0-CW-8018 REV. : A



OUTSIDE

PLAN DETAIL ACOUSTIC SCREEN UNIT (ACOUSTIC MODE) A/W FOR 11 AS MARK (S4-2017) ONLY



OUTSIDE

PLAN DETAIL ACOUSTIC SCREEN(OPEN)

- 8MM THK TEMP. GLASS
- SETTING BLOCK & WEATHER SLANT
- AL-ASD04
- AL-ASD04
- 1MM THK PERFORATED ALUM SHEET
- SOUND ABSORBING MATERIAL
- 300CC
- AL-ASD04
- SETTING BLOCK
- 3MM THK MICRO PERFORATED ABSORBER

ACOUSTIC SCREEN



E.D. REF :

CLIENT :

ARCHITECT :

MAIN CONTRACTOR :

STRUCTURAL ENGINEER :

FAÇADE CONSULTANT :

**SUN HUNG KAI**  
REAL ESTATE AGENCY LTD.  
42/F SUN HUNG KAI CENTRE, MANHAT, HONGKONG

**lwk&partners**  
ARCHITECTS

**Yee Fal**  
Building Contractors Ltd.

**ARUP**

**ALPHA CONSULTING LIMITED**  
Steel Structure & Façade Specialist

NOTE:  
1. ALL DIMENSIONS ARE IN mm.  
2. ALL ELEVATIONS ARE VIEWED FROM OUTSIDE.  
3. ALL DIMENSIONS TO BE VERIFIED ON SITE BEFORE FABRICATION.

LEGEND:  
1. SOUND ABSORBING MATERIAL (PET12\_Noisetop Infill)  
2. 3mm THK MICRO PERFORATED ABSORBER (PMA-type MPF35-5mm)  
3. 1mm THK PERFORATED ALUM. SHEET (Pomute Alum. sheet)

| No. | DATE       | REVISION         |
|-----|------------|------------------|
| A   | 13/10/2023 | GENERAL REVISION |
|     |            | REVISED          |

JOB NO. : J-856

PROJECT :  
PROPOSED DEVELOPMENT ABOVE  
LIGHT RAIL TIN WING STOP-TWHL  
NO.2/3, AREA 35, TIN SHUI WAI, N.T.

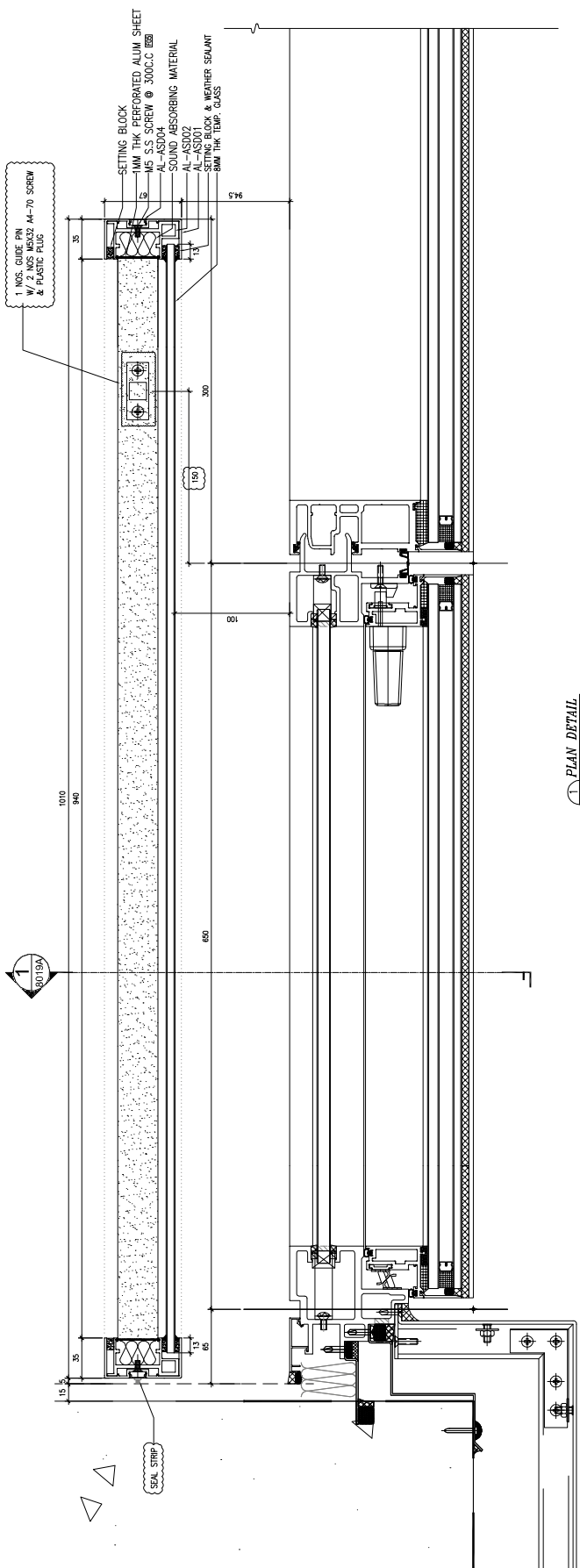
TITLE :  
TYPICAL DETAIL  
FOR CURTAIN WALL  
ACOUSTIC WINDOW

DATE : 31-OCT-22 SCALE : 1:4

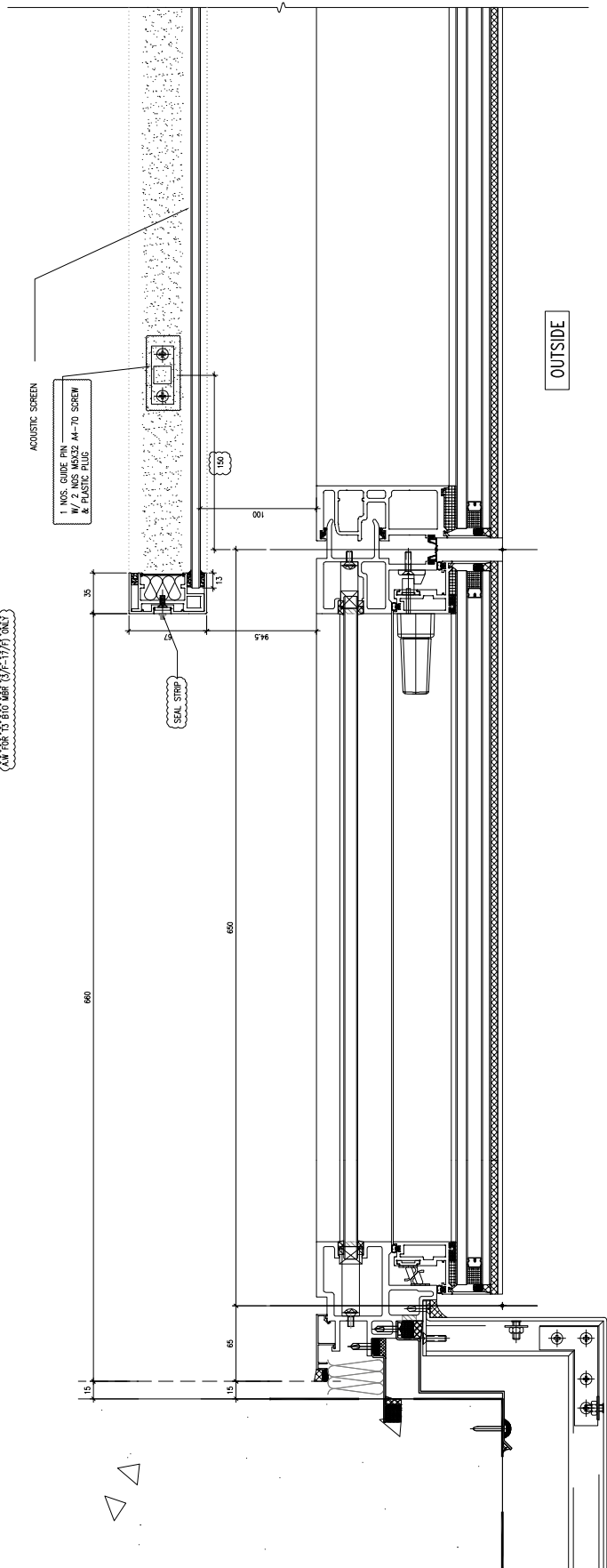
DRAWN BY : C.F. CHECKED BY :

**YEE FAL BUILDING CONTRACTORS LTD.**  
Units 6-8, Sunray Industrial Centre, 1/F  
610 Che Kwo Ling Road, Kowloon  
Tel: 2248821-4 Fax: (852) 2727666

DWG NO. : J856-S0-CW-8018A REV. : A



1 PLAN DETAIL  
ACOUSTIC SCREEN ANZ (ACROUSTIC WINDOW FOR TO BIG WER (2/F-17/F) ONLY)



1A PLAN DETAIL  
ACOUSTIC SCREEN (OPEN)

