



工程指示 / 要求簡箋 ENGINEER INSTRUCTIONS (E.I.)

工程指示編號:	EI- 6759.	修改版本:	-
	HK- 2192.		
工程編號:	J 856	工程名稱:	TSWTL23 天榮
收件人:	生統/ 謝永林 / 字	發件人:	Thomas Wong
工程項目:	Acoustic Window拆圖 (7th SD Drawing)	日期:	20/09/2023

<input checked="" type="checkbox"/> 原合約工程包	<input type="checkbox"/> 原合約工程加 / 減賬 QT-	<input type="checkbox"/> 新工程報價 QT-
--	--	------------------------------------

信件批核號碼/圖紙參考編號:	批核模具圖紙編號:
客戶指示附件:	管理內部批簽署:

<input type="checkbox"/> 初步鋁料 B.M.	<input type="checkbox"/> 加工拆圖, 然後生產	<input type="checkbox"/> 尺寸表
<input type="checkbox"/> 正式鋁料 B.M.	<input type="checkbox"/> 技術上資料/指示	<input type="checkbox"/> 報價
<input type="checkbox"/> 配件 B.M.	<input type="checkbox"/> 樣辦或貨品說明書	<input type="checkbox"/> 分判合約
<input type="checkbox"/> 其他:		

內容:  
Acoustic Window拆圖 (7th SD Drawing)  
請按建築師提供的意見更改加工圖以及拆圖(包括電子檔)

完成上列要求日期: 26/09/2023

國內

<input type="checkbox"/> 生產技術總監	<input type="checkbox"/> 連附件	<input checked="" type="checkbox"/> 技術部	<input checked="" type="checkbox"/> 連附件	<input type="checkbox"/> 生產部	<input type="checkbox"/> 連附件
<input type="checkbox"/> 採購部	<input type="checkbox"/> 連附件	<input checked="" type="checkbox"/> 生產統籌部	<input checked="" type="checkbox"/> 連附件	<input type="checkbox"/> 報關組	<input type="checkbox"/> 連附件
<input type="checkbox"/> 質檢部	<input type="checkbox"/> 連附件	<input type="checkbox"/> 會計部	<input type="checkbox"/> 連附件	<input type="checkbox"/> 機械設計部	<input type="checkbox"/> 連附件
<input type="checkbox"/> 香港辦	<input type="checkbox"/> 連附件	<input checked="" type="checkbox"/> 其他: 謝永林			

香港

<input type="checkbox"/> 行政部	<input type="checkbox"/> 連附件	<input type="checkbox"/> 會計部	<input type="checkbox"/> 連附件	<input type="checkbox"/> 統籌部	<input type="checkbox"/> 連附件	<input type="checkbox"/> 工程部	<input type="checkbox"/> 連附件
<input type="checkbox"/> 採購部	<input type="checkbox"/> 連附件	<input type="checkbox"/> QS部	<input type="checkbox"/> 連附件	<input type="checkbox"/> 地盤管理	<input type="checkbox"/> 連附件	<input type="checkbox"/> 維修部	<input type="checkbox"/> 連附件

*發件人簽署:	字	*組別成員批核簽署:	字
傳遞編號:		項目經理簽署:	

PROJECT :

PROPOSED DEVELOPMENT ABOVE  
LIGHT RAIL TIN WING STOP, TSWTL  
NO.23, AREA 33, TIN SHUI WAI, N.T.

7

SHOP DRAWING FOR ACOUSTIC WINDOW OF TOWER

DATE: 5-Sep-23



美特鋁質有限公司  
MIDI ALUMINIUM FABRICATOR LTD.

Units 6-8, Sunray Industrial Centre, 1/F  
610 Cha Kwo Ling Road, Kowloon  
Tel:23489211-4 Fax:(852)27727666

NO.	DATE	REVISED	BY
DWG NO. :	J856-SD-AS-0000	REV. :	F

# DRAWING SUBMISSION REGISTER

<b>PROJECT:</b> PROPOSED DEVELOPMENT ABOVE LIGHT RAIL TIN WING STOP, TSWTL NO.23, AREA 33, TIN SHUI WAI, N.T.  <b>TITLE:</b>  ACOUSTIC WINDOW OF TOWER SHOPDRAWING SUBMISSION	DATE OF ISSUE								SUBMISSION STATE (FOR B.D / A.S.D)	SUBMISSION STATE (FOR CLIENT / CONSULTANT)	SUBMISSION STATE (FOR ARCHITECT)	FABRICATION / CONSTRUCTION STATE											
	ISSUE	1	2	3	4	5	6	7		AP - APPROVED AC - APPROVED SUB. TO CONDITION NA - NOT APPROVED	AP - APPROVED AC - APPROVED SUB. TO CONDITION NA - NOT APPROVED	AP - APPROVED AC - APPROVED SUB. TO CONDITION NA - NOT APPROVED	ISSUE TO CHINA OFFICE	ISSUE TO SITE	ISSUE SUB-CONTI								
	DAY	6	16	22	15	16	10	5															
	MONTH	1	1	3	5	6	8	9															
	YEAR	23	23	23	23	23	23	23															
DRAWING TITLE	DWG. NO.	REVISIONS								COMMENT DATE	REV.	STATE	COMMENT DATE	REV.	STATE	COMMENT DATE	REV.	STATE	REV.	DATE	REV.	DATE	REV.
COVER PAGE	J856-SD-AS-0000	-	A	B	C	D	E	F															
DRAWING REGISTER	J856-SD-AS-0001	-	A	B	C	D	E	F															
PLAN FOR IN-SITU WINDOW AT TOWER 1 FOR 3F	J856-SD-AS-3101	-	A	B	B	B	B	B															
PLAN FOR IN-SITU WINDOW AT TOWER 1 FOR 5F-45F	J856-SD-AS-3102	-	A	B	B	B	B	B															
PLAN FOR IN-SITU WINDOW AT TOWER 1 FOR 46F	J856-SD-AS-3103					-	-	-															
PLAN FOR IN-SITU WINDOW AT TOWER 3 FOR 3F	J856-SD-AS-3301		-	A	A	A	A	B															
PLAN FOR IN-SITU WINDOW AT TOWER 3 FOR 5F-45F	J856-SD-AS-3302	-	-	-	-	-	-	A															
WINDOW SCHEDULE FOR TOWER 1 ACOUSTIC WINDOW	J856-SD-AS-5101	-	A	B	C	D	E	E															
WINDOW SCHEDULE FOR TOWER 1 ACOUSTIC WINDOW	J856-SD-AS-5102	-	A	B	C	D	E	E															
WINDOW SCHEDULE FOR TOWER 1 ACOUSTIC WINDOW	J856-SD-AS-5103	-	-	A	B	B	C	C															
WINDOW SCHEDULE FOR TOWER 1 ACOUSTIC WINDOW	J856-SD-AS-5104	-	A	B	C	C	D	D															
WINDOW SCHEDULE FOR TOWER 1 ACOUSTIC WINDOW	J856-SD-AS-5105	-	A	B	C	C	D	D															
WINDOW SCHEDULE FOR TOWER 1 ACOUSTIC WINDOW	J856-SD-AS-5106	-	A	B	C	C	D	D															
WINDOW SCHEDULE FOR TOWER 1 ACOUSTIC WINDOW	J856-SD-AS-5107	-	A	B	C	D	E	E															
WINDOW SCHEDULE FOR TOWER 3 ACOUSTIC WINDOW	J856-SD-AS-5301	-	A	B	C	C	D	D															
WINDOW SCHEDULE FOR TOWER 3 ACOUSTIC WINDOW	J856-SD-AS-5302	-	A	B	C	D	E	E															
TYPICAL DETAILS FOR ACOUSTIC WINDOW	J856-SD-AS-DT01	-	-	A	A	A	A	B															
TYPICAL DETAILS FOR ACOUSTIC WINDOW	J856-SD-AS-DT02	-	-	A	A	B	B	C															
TYPICAL DETAILS FOR ACOUSTIC WINDOW	J856-SD-AS-DT03	-	-	A	A	A	A	B															
TYPICAL DETAILS FOR ACOUSTIC WINDOW	J856-SD-AS-DT04	-	A	B	C	D	D	D															
TYPICAL DETAILS FOR ACOUSTIC WINDOW	J856-SD-AS-DT04A							-															
TYPICAL DETAILS FOR ACOUSTIC WINDOW	J856-SD-AS-DT05	-	-	-	-	A	A	B															
TYPICAL DETAILS FOR ACOUSTIC WINDOW	J856-SD-AS-DT06			-	-	A	A	B															
TYPICAL DETAILS FOR ACOUSTIC WINDOW	J856-SD-AS-DT11			-	-	-	-	-															
TYPICAL DETAILS FOR ACOUSTIC WINDOW	J856-SD-AS-DT21			-	-	A	A	A															
TYPICAL DETAILS FOR ACOUSTIC WINDOW	J856-SD-AS-DT22			-	-	A	B	B															
TYPICAL DETAILS FOR ACOUSTIC WINDOW	J856-SD-AS-DT51	-	-	A	A	A	B	C															
TYPICAL DETAILS FOR ACOUSTIC WINDOW	J856-SD-AS-DT52	-	-	A	A	A	B	C															
TYPICAL DETAILS FOR ACOUSTIC WINDOW	J856-SD-AS-DT53	-	-	A	A	A	B	C															
TYPICAL DETAILS FOR ACOUSTIC WINDOW	J856-SD-AS-DT61			-	-	-	A	B															
TYPICAL DETAILS FOR ACOUSTIC WINDOW	J856-SD-AS-DT71			-	-	A	B	C															
TYPICAL DETAILS FOR ACOUSTIC WINDOW	J856-SD-AS-DT72			-	-	A	B	C															
TYPICAL DETAILS FOR CURTAIN WALL ACOUSTIC WINDOW	J856-SD-CW-8018							-															
TYPICAL DETAILS FOR CURTAIN WALL ACOUSTIC WINDOW	J856-SD-CW-8018							-															
TYPICAL DETAILS FOR CURTAIN WALL ACOUSTIC WINDOW	J856-SD-CW-8018							-															
TYPICAL DETAILS FOR CURTAIN WALL ACOUSTIC WINDOW	J856-SD-CW-8018							-															

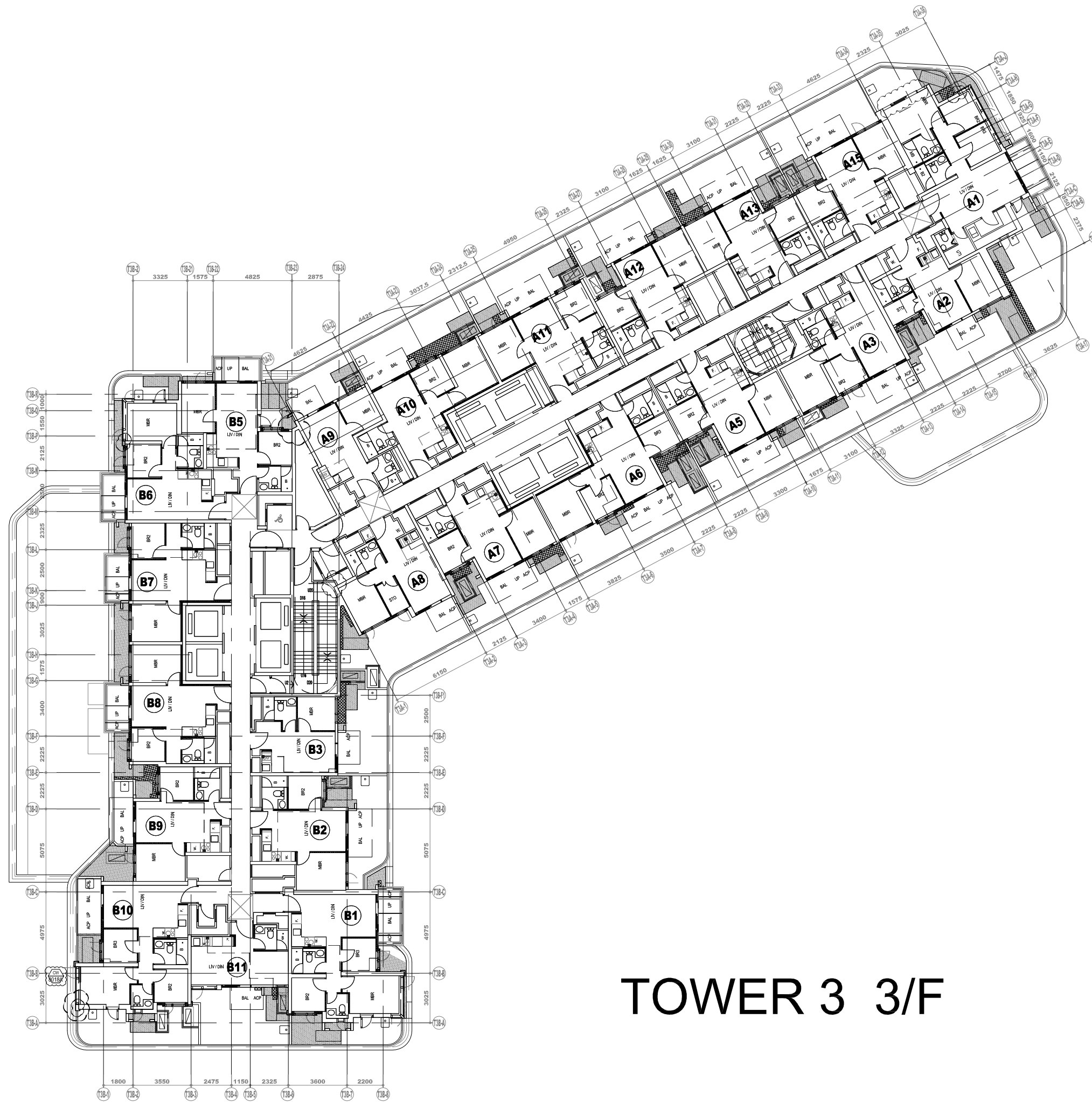
**IN-HOUSE DESIGN CHECKER**



**MIDI ALUMINIUM FABRICATOR LTD.**  
 Units 6-8, Sunray Industrial Centre, 1/F  
 610 Cha Kwo Ling Road, Kowloon  
 Tel:23489211-4 Fax:(852)27727666

DWG NO. : J856-SD-AS-0001 REV. : F





# TOWER 3 3/F

B.D. REF :

CLIENT :

**SUN HUNG KAI**  
REAL ESTATE AGENCY LTD.  
42/F SUN HUNG KAI CENTRE, WANCHAI, HONGKONG

ARCHITECT :

**lwk&partners**  
architects

MAIN CONTRACTOR :

**Yee Fai** 怡輝建築有限公司  
Building Contractors Ltd.

STRUCTURAL ENGINEER :

**ARUP**

FAÇADE CONSULTANT:

**ALPHA CONSULTING LIMITED**  
Steel Structure & Façade Specialist

NOTE :

1. ALL DIMENSIONS ARE IN mm.
2. ALL ELEVATIONS ARE VIEWED FROM OUTSIDE.
3. ALL DIMENSIONS TO BE VERIFIED ON SITE BEFORE FABRICATION.

LEGEND :

- X1 — DETAIL MARK NO.
- X001 — REFER SHEET NO.

1. F.F.L. — FINISHED FLOOR LEVEL
2. S.F.L. — STRUCTURAL FLOOR LEVEL
3. R — REVERSED DETAIL
4. GLASS LEGEND

EGL-1 — 8mmHS+12mm AIR GAP+8mmTP THK. I.G.U.

EGL-2 — 10mm THK. CLEAR TEMPERED GLASS

EGL-4 — 10mm THK. TEMPERED ACID ETCHED GLASS

B	28/08/2023	REVISION SUBJECT TO ARCH.COMMENT	Ivan
A	22/03/2023	REVISION SUBJECT TO ARCH.COMMENT	Ivan
NO.	DATE	REVISED	BY

JOB NO. : J-856

PROJECT : PROPOSED DEVELOPMENT ABOVE LIGHT RAIL TIN WING STOP, TSWTL NO.23, AREA 33, TIN SHUI WAI, N.T.

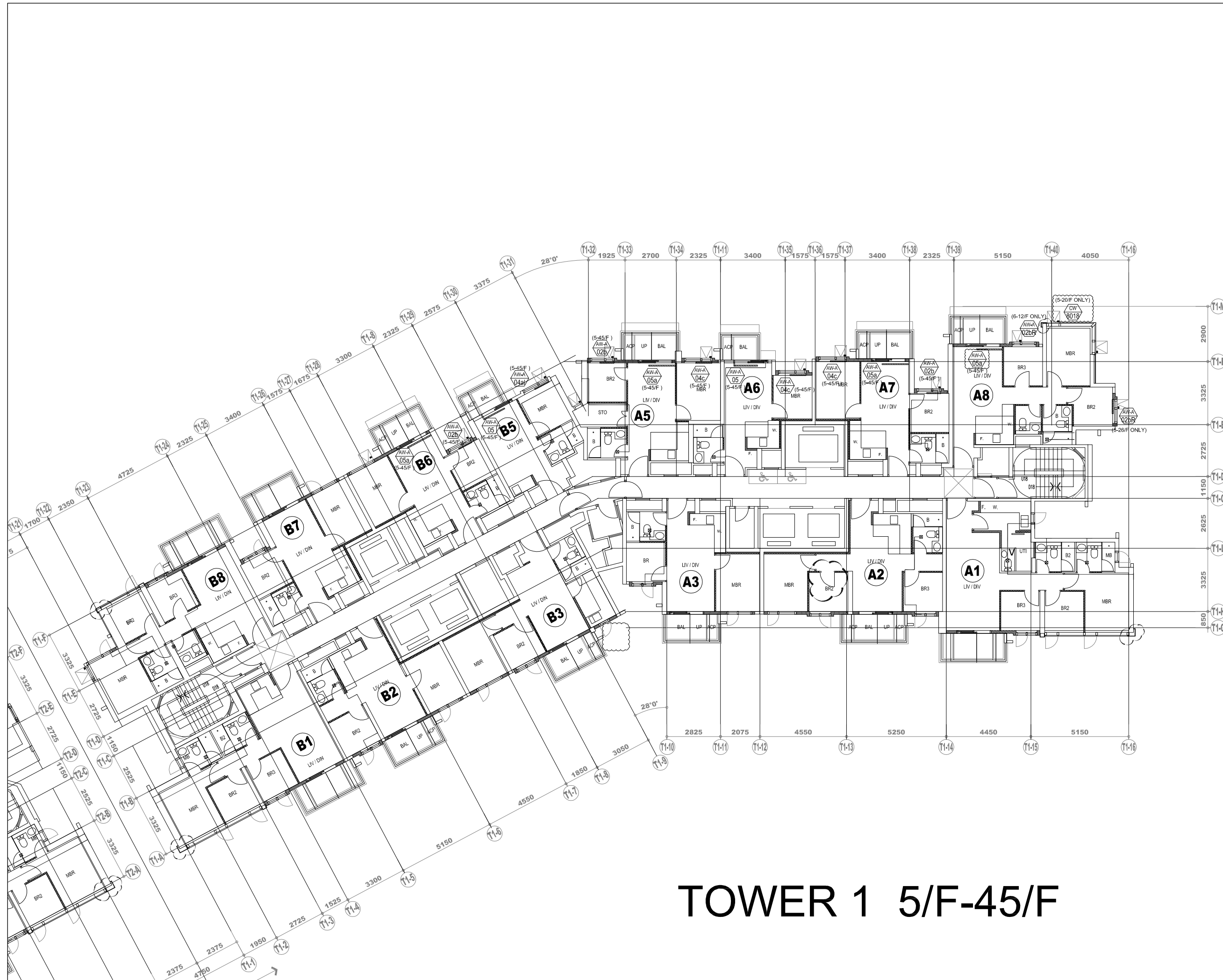
TITLE : PLAN FOR ACOUSTIC WINDOW AT TOWER 3

DATE : 02-Aug-21 SCALE : 1:200

DRAWN BY : Ivan CHECKED BY :

**美特鋁質有限公司**  
MIDI ALUMINIUM FABRICATOR LTD.  
Units 6-8, Sunray Industrial Centre, 1/F  
610 Cha Kwo Ling Road, Kowloon  
Tel:23489211-4 Fax:(852)2727666

DWG NO. : J856-SD-AS-3301 REV. : B



# TOWER 1 5/F-45/F

B.D. REF :

CLIENT :  
**SUN HUNG KAI**  
 REAL ESTATE AGENCY LTD.  
 42/F SUN HUNG KAI CENTRE, WANCHAI, HONGKONG

ARCHITECT :  
**lwk&partners**  
 architects

MAIN CONTRACTOR :  
**Yee Fai** Building Contractors Ltd.

STRUCTURAL ENGINEER :  
**ARUP**

FAÇADE CONSULTANT:  
**ALPHA CONSULTING LIMITED**  
 Steel Structure & Façade Specialist

NOTE :  
 1. ALL DIMENSIONS ARE IN mm.  
 2. ALL ELEVATIONS ARE VIEWED FROM OUTSIDE.  
 3. ALL DIMENSIONS TO BE VERIFIED ON SITE BEFORE FABRICATION.

LEGEND :  
 X1 — DETAIL MARK NO.  
 X001 — REFER SHEET NO.  
 1. F.F.L. — FINISHED FLOOR LEVEL  
 2. S.F.L. — STRUCTURAL FLOOR LEVEL  
 3. (R) — REVERSED DETAIL  
 4. GLASS LEGEND  
 EGL-1 — 8mmHS+12mm AIR GAP+8mmTP THK. I.G.U.  
 EGL-2 — 10mm THK. CLEAR TEMPERED GLASS  
 EGL-4 — 10mm THK. TEMPERED ACID ETCHED GLASS

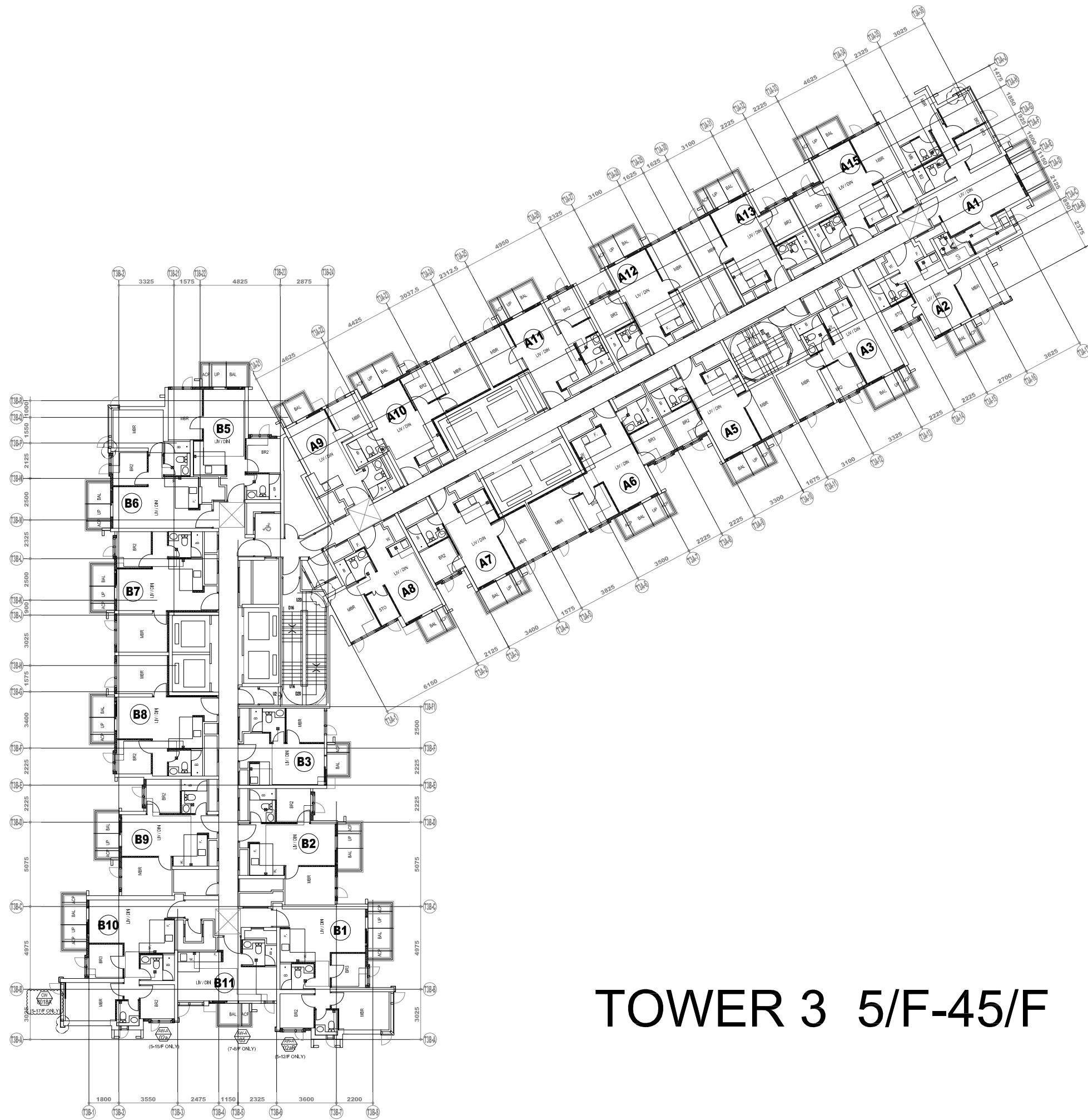
C	28/08/2023	REVISION SUBJECT TO ARCH.COMMENT	Ivan
B	22/03/2023	REVISION SUBJECT TO ARCH.COMMENT	Ivan
A	12/01/2023	REVISION SUBJECT TO ARCH.COMMENT	Ivan
NO.	DATE	REVISED	BY

JOB NO. : J-856  
 PROJECT : PROPOSED DEVELOPMENT ABOVE LIGHT RAIL TIN WING STOP, TSWL NO.23, AREA 33, TIN SHUI WAI, N.T.

TITLE : PLAN FOR ACOUSTIC WINDOW AT TOWER 1 FOR 5F-45F

DATE : 06-Jan-23 SCALE : 1:200  
 DRAWN BY : Ivan CHECKED BY :

**美特鋁質有限公司**  
**MIDI ALUMINIUM FABRICATOR LTD.**  
 Units 6-8, Sunray Industrial Centre, 1/F  
 610 Cha Kwo Ling Road, Kowloon  
 Tel:23489211-4 Fax:(852)2727666  
 DWG NO. : J856-SD-IW-3102 REV. : C



# TOWER 3 5/F-45/F

B.D. REF :

CLIENT :

**SUN HUNG KAI**  
REAL ESTATE AGENCY LTD.  
42/F SUN HUNG KAI CENTRE, WANCHAI, HONGKONG

ARCHITECT :

**lwk&partners**  
architects

MAIN CONTRACTOR :

**Yee Fai** 怡輝建築有限公司  
Building Contractors Ltd.

STRUCTURAL ENGINEER :

**ARUP**

FAÇADE CONSULTANT:

**ALPHA CONSULTING LIMITED**  
Steel Structure & Façade Specialist

NOTE :

1. ALL DIMENSIONS ARE IN mm.
2. ALL ELEVATIONS ARE VIEWED FROM OUTSIDE.
3. ALL DIMENSIONS TO BE VERIFIED ON SITE BEFORE FABRICATION.

LEGEND :

- x1 — DETAIL MARK NO.
- x001 — REFER SHEET NO.

1. F.F.L. -- FINISHED FLOOR LEVEL
2. S.F.L. -- STRUCTURAL FLOOR LEVEL
3. (R) -- REVERSED DETAIL
4. GLASS LEGEND

EGL-1 -- 8mmHS+12mm AIR GAP+8mmTP THK. I.G.U.

EGL-2 -- 10mm THK. CLEAR TEMPERED GLASS

EGL-4 -- 10mm THK. TEMPERED ACID ETCHED GLASS

NO.	DATE	REVISION	BY
A	28/08/2023	REVISION SUBJECT TO ARCH.COMMENT	Ivan

JOB NO. : J-856

PROJECT :  
PROPOSED DEVELOPMENT ABOVE  
LIGHT RAIL TIN WING STOP, TSWTL  
NO.23, AREA 33, TIN SHUI WAI, N.T.

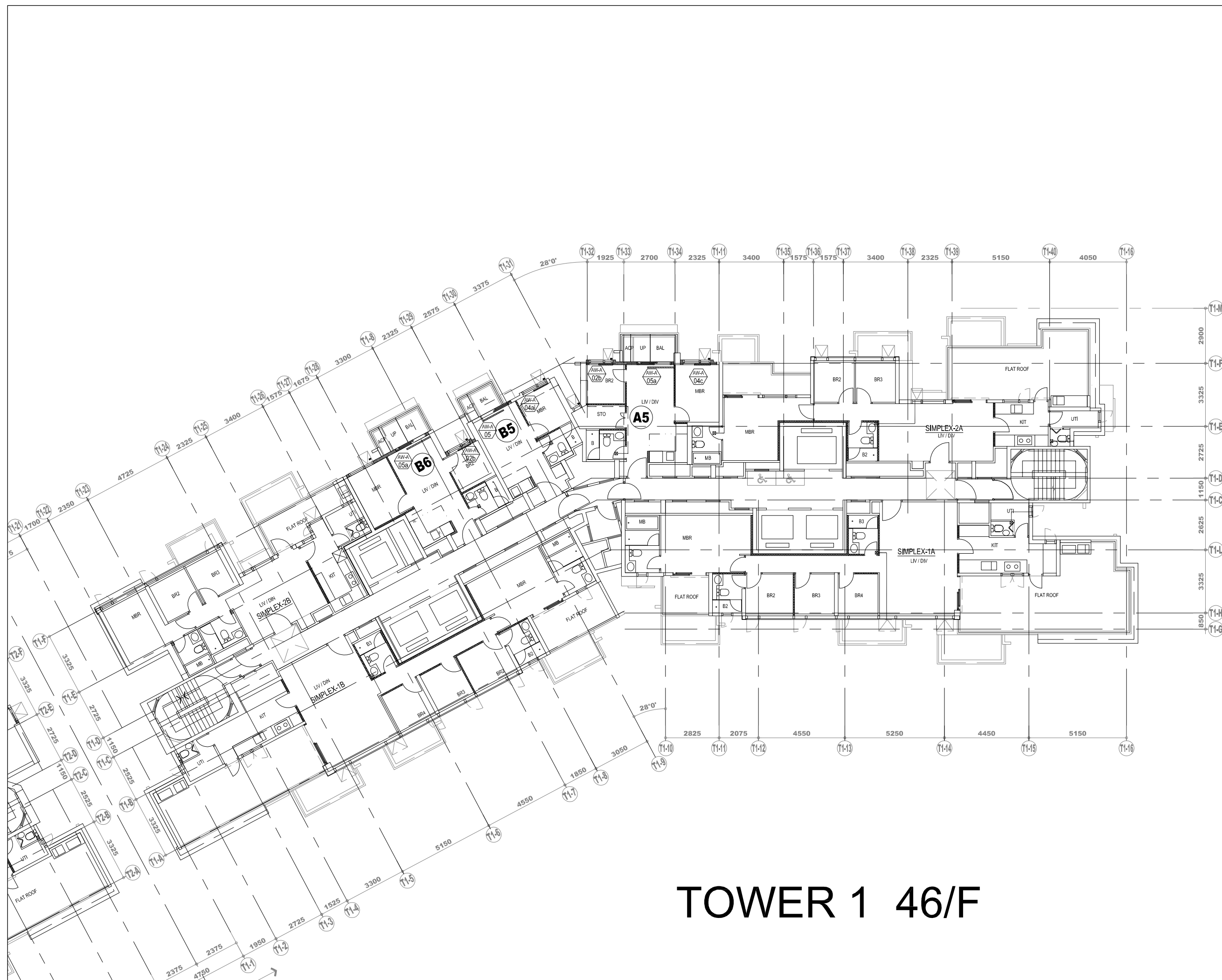
TITLE :  
PLAN FOR IN-SITU WINDOW  
AT TOWER 3 FOR 5F-45F

DATE : 06-Jan-23 SCALE : 1:200

DRAWN BY : Ivan CHECKED BY :

**美特鋁質有限公司**  
MIDI ALUMINIUM FABRICATOR LTD.  
Units 6-8, Sunray Industrial Centre, 1/F  
610 Cha Kwo Ling Road, Kowloon  
Tel: 23489211-4 Fax: (852) 2727666

DWG NO. : J856-SD-IW-3302 REV. : A



# TOWER 1 46/F

B.D. REF :

CLIENT :

**SUN HUNG KAI**  
REAL ESTATE AGENCY LTD.  
42/F SUN HUNG KAI CENTRE, WANCHAI, HONGKONG

ARCHITECT :

**IWK&partners**  
architects

MAIN CONTRACTOR :

**Yee Fai** 怡輝建築有限公司  
Building Contractors Ltd.

STRUCTURAL ENGINEER :

**ARUP**

FAÇADE CONSULTANT:

**ALPHA CONSULTING LIMITED**  
Steel Structure & Façade Specialist

NOTE :

1. ALL DIMENSIONS ARE IN mm.
2. ALL ELEVATIONS ARE VIEWED FROM OUTSIDE.
3. ALL DIMENSIONS TO BE VERIFIED ON SITE BEFORE FABRICATION.

LEGEND :

- X1 --- DETAIL MARK NO.
- X001 --- REFER SHEET NO.

1. F.F.L. --- FINISHED FLOOR LEVEL
2. S.F.L. --- STRUCTURAL FLOOR LEVEL
3. (R) --- REVERSED DETAIL
4. GLASS LEGEND

EGL-1 --- 8mmHS+12mm AIR GAP+8mmTP THK. I.G.U.

EGL-2 --- 10mm THK. CLEAR TEMPERED GLASS

EGL-4 --- 10mm THK. TEMPERED ACID ETCHED GLASS

NO.	DATE	REVISED	BY

JOB NO. : J-856

PROJECT : PROPOSED DEVELOPMENT ABOVE LIGHT RAIL TIN WING STOP, TSWTL NO.23, AREA 33, TIN SHUI WAI, N.T.

TITLE : PLAN FOR ACOUSTIC WINDOW AT TOWER 1

DATE : 02-Aug-21 SCALE : 1:200

DRAWN BY : Ivan CHECKED BY :

**MIDI** 美特鋁質有限公司  
ALUMINIUM FABRICATOR LTD.  
Units 6-8, Sunray Industrial Centre, 1/F  
610 Cha Kwo Ling Road, Kowloon  
Tel:23489211-4 Fax:(852)2727666

DWG NO. : J856-SD-IW-3103 REV. : -

B.D. REF :

CLIENT :  
**SUN HUNG KAI**  
 REAL ESTATE AGENCY LTD.  
 42/F SUN HUNG KAI CENTRE, WANCHAI, HONGKONG

ARCHITECT :  
**lwk&partners**  
 architects

MAIN CONTRACTOR :  
**Yee Fai** Building Contractors Ltd.

STRUCTURAL ENGINEER :  
**ARUP**

FACADE CONSULTANT:  
**ALPHA CONSULTING LIMITED**  
 Steel Structure & Facade Specialist

NOTE :  
 1. ALL DIMENSIONS ARE IN mm.  
 2. ALL ELEVATIONS ARE VIEWED FROM OUTSIDE.  
 3. ALL DIMENSIONS TO BE VERIFIED ON SITE BEFORE FABRICATION.

LEGEND :  
 1. F.F.L. -- FINISHED FLOOR LEVEL  
 2. S.F.L. -- STRUCTURAL FLOOR LEVEL

NO.	DATE	REVISED	BY
E	10/08/2023	REVISION SUBJECT TO ARCH.COMMENT	ivan
D	13/06/2023	REVISION SUBJECT TO ARCH.COMMENT	ivan
C	11/05/2023	REVISION SUBJECT TO ARCH.COMMENT	ivan
B	21/03/2023	REVISION SUBJECT TO ARCH.COMMENT	ivan
A	16/01/2023	REVISION SUBJECT TO ARCH.COMMENT	ivan

JOB NO. : J-856  
 PROJECT : PROPOSED DEVELOPMENT ABOVE LIGHT RAIL TIN WING STOP, TSWTL NO.23, AREA 33, TIN SHUI WAI, N.T.

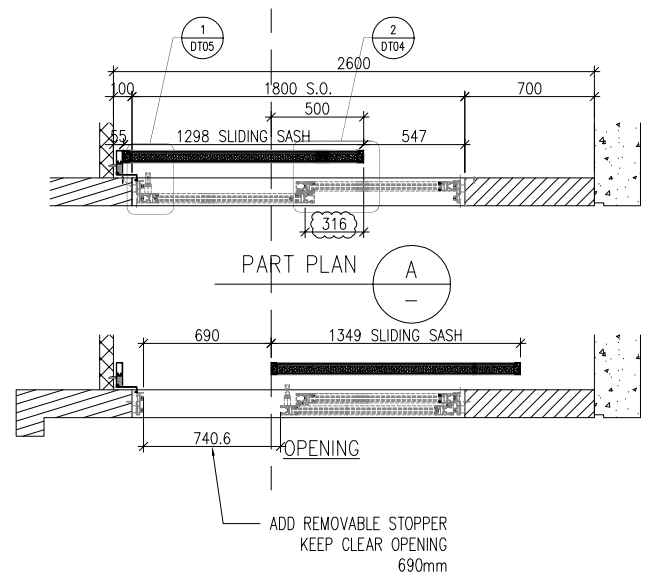
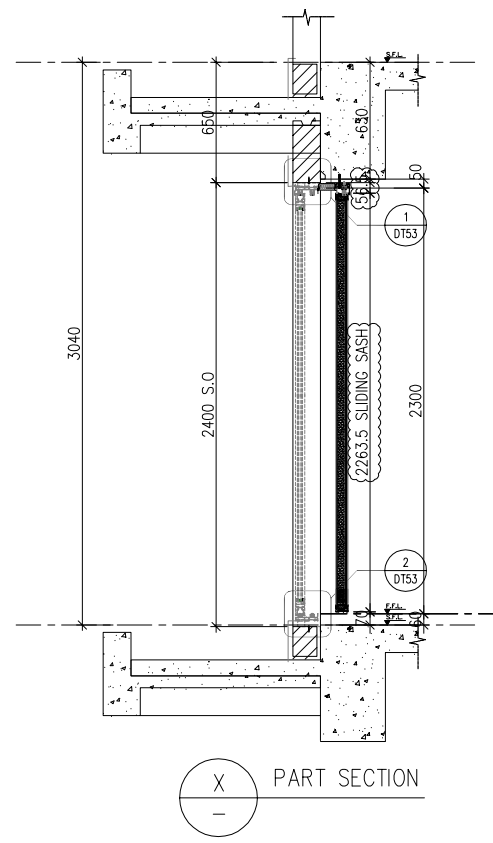
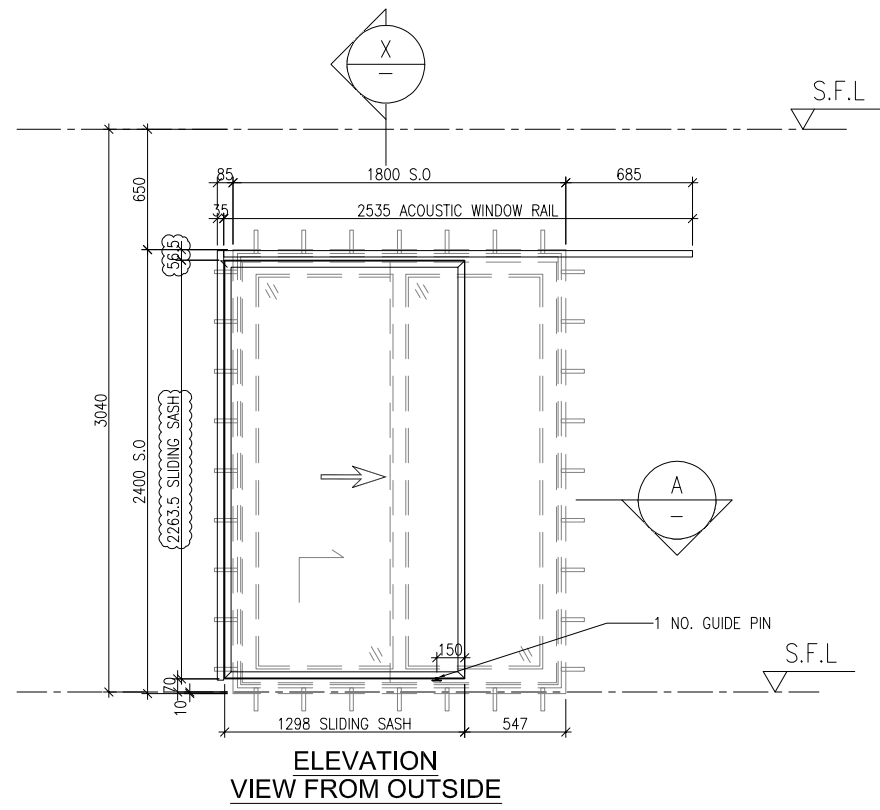
TITLE : WINDOW SCHEDULE FOR TOWER 1 ACOUSTIC WINDOW

DATE : 06-Jan-23 SCALE : 1:40

DRAWN BY : ivan CHECKED BY :

**美特鋁質有限公司**  
**MIDI ALUMINIUM FABRICATOR LTD.**  
 Units 6-8, Sunray Industrial Centre, 1/F  
 610 Cha Kwo Ling Road, Kowloon  
 Tel: 23489211-4 Fax: (852) 27727666

DWG NO. : J856-SD-AS-5101 REV. : E



AW-A-05a	
LOCATION	A8-LIV
FLOOR	3/F-45/F
MPA	YES
TOP & SIDE SAM	YES
QUANTITY	37
OVERLAPPING(REQUIRE)	500
OVERLAPPING(PROVIDED)	500

B.D. REF :

CLIENT :  
**SUN HUNG KAI**  
 REAL ESTATE AGENCY LTD.  
 42/F SUN HUNG KAI CENTRE, WANCHAI, HONGKONG

ARCHITECT :  
**lwk&partners**  
 architects

MAIN CONTRACTOR :  
**Yee Fai** Building Contractors Ltd.

STRUCTURAL ENGINEER :  
**ARUP**

FACADE CONSULTANT:  
**ALPHA CONSULTING LIMITED**  
 Steel Structure & Facade Specialist

NOTE :  
 1. ALL DIMENSIONS ARE IN mm.  
 2. ALL ELEVATIONS ARE VIEWED FROM OUTSIDE.  
 3. ALL DIMENSIONS TO BE VERIFIED ON SITE BEFORE FABRICATION.

LEGEND :  
 1. F.F.L. -- FINISHED FLOOR LEVEL  
 2. S.F.L. -- STRUCTURAL FLOOR LEVEL

NO.	DATE	REVISED	BY
E	10/08/2023	REVISION SUBJECT TO ARCH.COMMENT	ivan
D	15/06/2023	REVISION SUBJECT TO ARCH.COMMENT	ivan
C	11/05/2023	REVISION SUBJECT TO ARCH.COMMENT	ivan
B	21/03/2023	REVISION SUBJECT TO ARCH.COMMENT	ivan
A	16/01/2023	REVISION SUBJECT TO ARCH.COMMENT	ivan

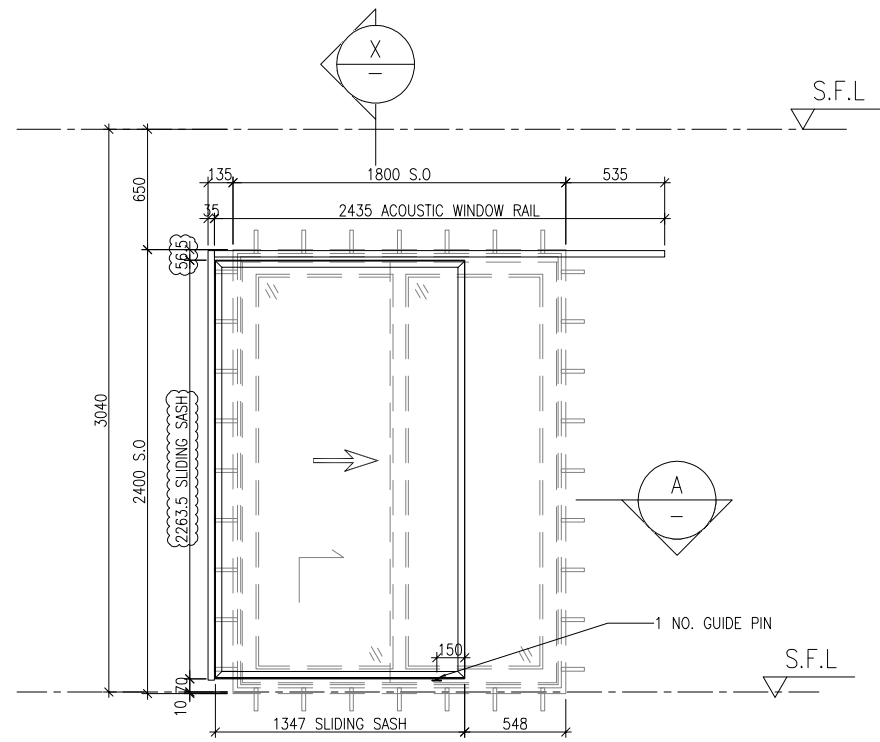
JOB NO. : J-856  
 PROJECT : PROPOSED DEVELOPMENT ABOVE LIGHT RAIL TIN WING STOP, TSWTL NO.23, AREA 33, TIN SHUI WAI, N.T.

TITLE : WINDOW SCHEDULE FOR TOWER 1 ACOUSTIC WINDOW

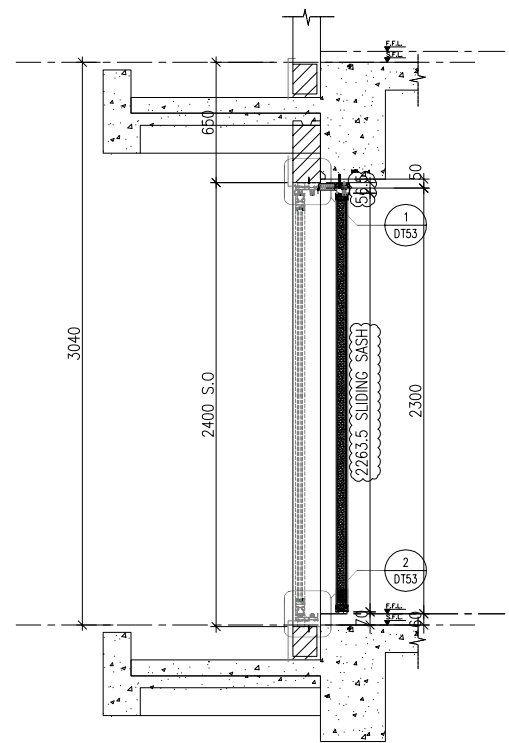
DATE : 06-Jan-23 SCALE : 1:40  
 DRAWN BY : Ivan CHECKED BY :

**美特鋁質有限公司**  
**MIDI ALUMINIUM FABRICATOR LTD.**  
 Units 6-8, Sunray Industrial Centre, 1/F  
 610 Cha Kwo Ling Road, Kowloon  
 Tel: 23489211-4 Fax: (852) 27727666

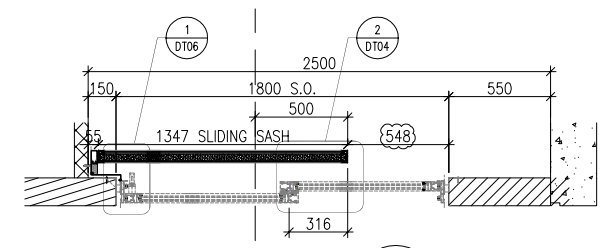
DWG NO. : J856-SD-AS-5102 REV. : E



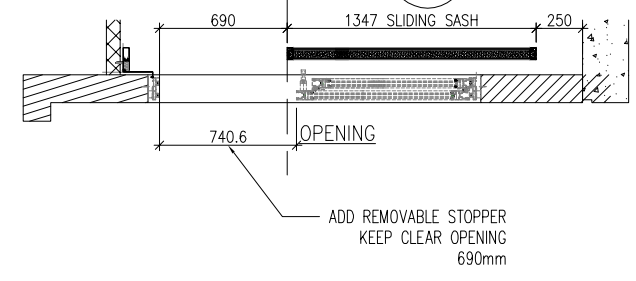
ELEVATION  
 VIEW FROM OUTSIDE



X  
 PART SECTION

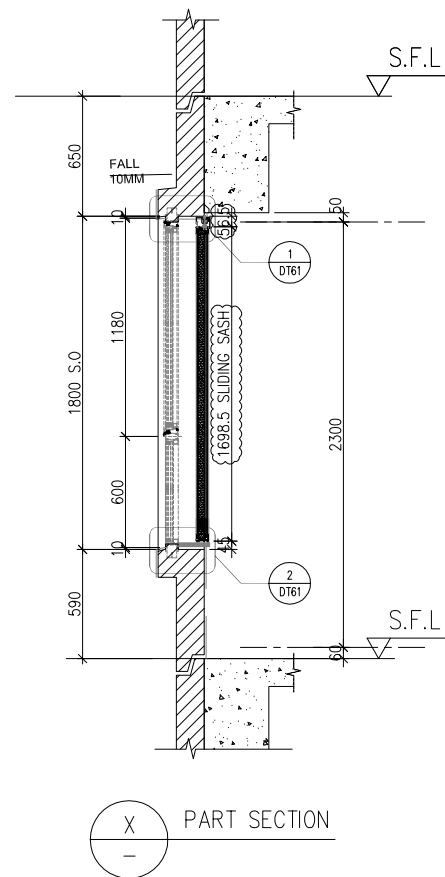
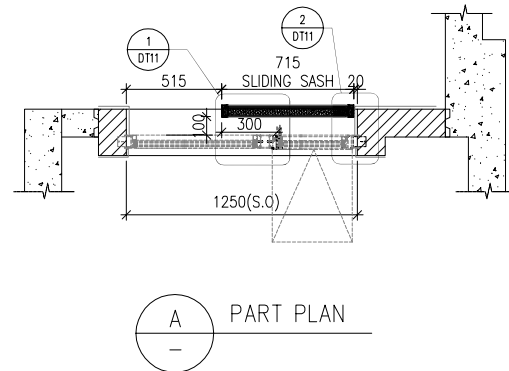
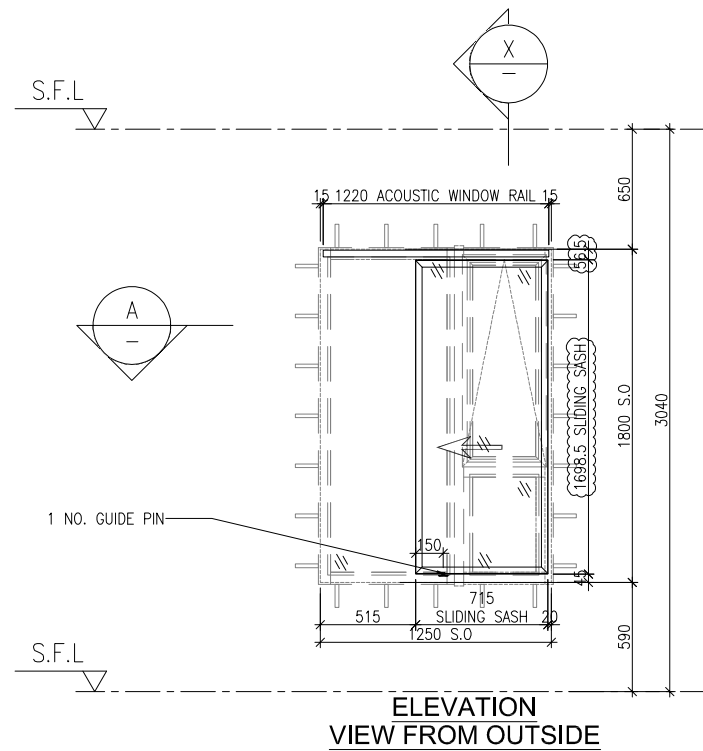


A  
 PART PLAN



**AW-A-05a**

	A5-LIV	A7-LIV	B6-LIV
LOCATION	A5-LIV	A7-LIV	B6-LIV
FLOOR	3/F-46/F	3/F-45/F	3/F-46/F
MPA	YES	YES	YES
TOP & SIDE SAM	YES	YES	YES
QUANTITY	38	37	38
OVERLAPPING(REQUIRE)	500	500	500
OVERLAPPING(PROVIDED)	500	500	500



AW-A-02bR		
LOCATION	A8-BR3	A8-BR2
FLOOR	6/F-12/F	3/F-26/F
MPA	YES	YES
TOP & SIDE SAM	NO	NO
QUANTITY	7	20
OVERLAPPING(REQUIRE)	253	253
OVERLAPPING(PROVIDED)	300	300

B.D. REF :

CLIENT :  
**SUN HUNG KAI**  
 REAL ESTATE AGENCY LTD.  
 42/F SUN HUNG KAI CENTRE, WANCHAI, HONGKONG

ARCHITECT :  
**Iwk&partners**  
 architects

MAIN CONTRACTOR :  
**Yee Fai** Building Contractors Ltd.

STRUCTURAL ENGINEER :  
**ARUP**

FACADE CONSULTANT:  
**ALPHA CONSULTING LIMITED**  
 Steel Structure & Facade Specialist

NOTE :  
 1. ALL DIMENSIONS ARE IN mm.  
 2. ALL ELEVATIONS ARE VIEWED FROM OUTSIDE.  
 3. ALL DIMENSIONS TO BE VERIFIED ON SITE BEFORE FABRICATION.

LEGEND :  
 1. F.F.L. -- FINISHED FLOOR LEVEL  
 2. S.F.L. -- STRUCTURAL FLOOR LEVEL

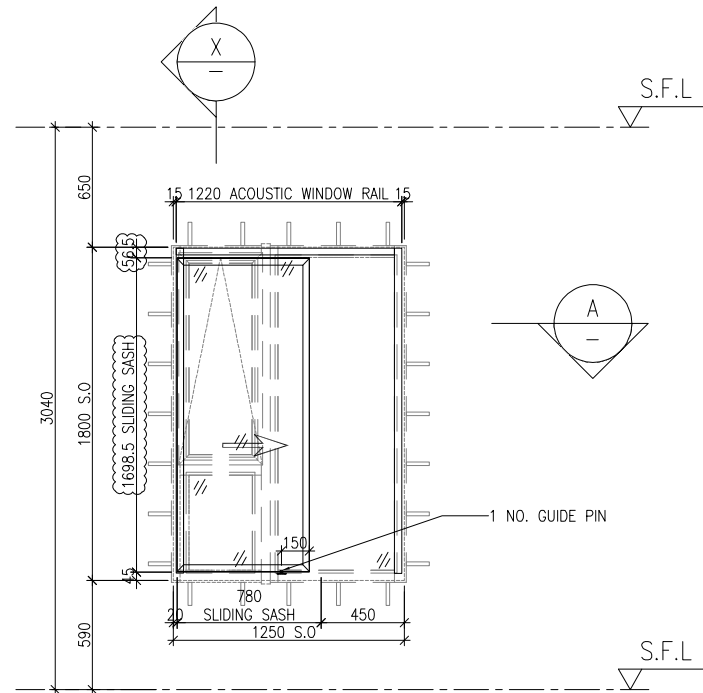
NO.	DATE	REVISED	BY
C	10/08/2023	REVISION SUBJECT TO ARCH.COMMENT	Ivan
B	11/05/2023	REVISION SUBJECT TO ARCH.COMMENT	Ivan
A	21/03/2023	REVISION SUBJECT TO ARCH.COMMENT	Ivan

JOB NO. : J-856  
 PROJECT : PROPOSED DEVELOPMENT ABOVE LIGHT RAIL TIN WING STOP, TSWTL NO.23, AREA 33, TIN SHUI WAI, N.T.

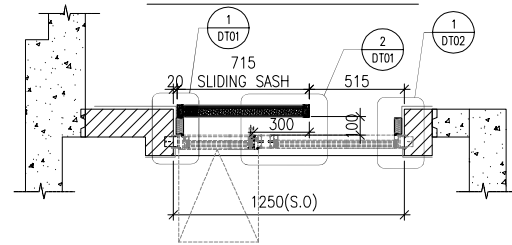
TITLE : WINDOW SCHEDULE FOR TOWER 1 ACOUSTIC WINDOW

DATE : 06-Jan-23 SCALE : 1:40  
 DRAWN BY : Ivan CHECKED BY :

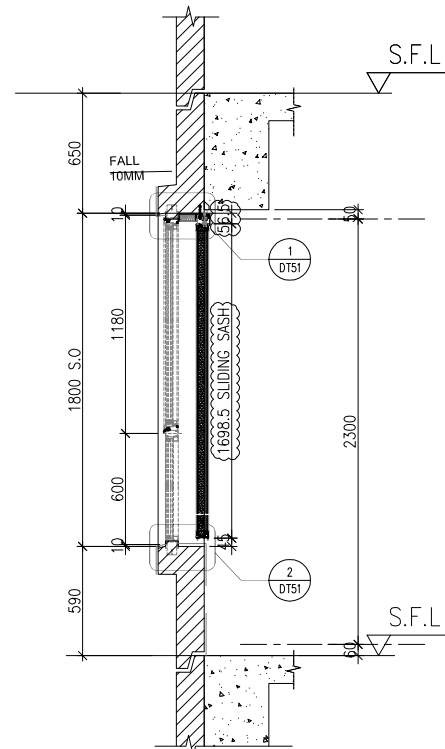
**美特鋁質有限公司**  
 MIDI ALUMINIUM FABRICATOR LTD.  
 Units 6-8, Sunray Industrial Centre, 1/F  
 610 Cha Kwo Ling Road, Kowloon  
 Tel: 23489211-4 Fax: (852) 27727666  
 DWG NO. : J856-SD-AS-5103 REV. : C



ELEVATION  
VIEW FROM OUTSIDE



PART PLAN



PART SECTION

### AW-A-02b

LOCATION	A5-BR2	A7-BR2	B6-BR2
FLOOR	3/F-46/F	3/F-45/F	3/F-46/F
MPA	YES	YES	YES
TOP & SIDE SAM	YES	YES	YES
QUANTITY	38	37	38
OVERLAPPING(REQUIRE)	300	300	300
OVERLAPPING(PROVIDED)	300	300	300

B.D. REF :

CLIENT :

**SUN HUNG KAI**  
REAL ESTATE AGENCY LTD.  
42/F SUN HUNG KAI CENTRE, WANCHAI, HONGKONG

ARCHITECT :

**lwk&partners**  
architects

MAIN CONTRACTOR :

**Yee Fai** Building Contractors Ltd.

STRUCTURAL ENGINEER :

**ARUP**

FACADE CONSULTANT:

**ALPHA CONSULTING LIMITED**  
Steel Structure & Facade Specialist

NOTE :

1. ALL DIMENSIONS ARE IN mm.
2. ALL ELEVATIONS ARE VIEWED FROM OUTSIDE.
3. ALL DIMENSIONS TO BE VERIFIED ON SITE BEFORE FABRICATION.

LEGEND :

1. F.F.L. -- FINISHED FLOOR LEVEL
2. S.F.L. -- STRUCTURAL FLOOR LEVEL

NO.	DATE	REVISED	BY
D	10/08/2023	REVISION SUBJECT TO ARCH.COMMENT	ivan
C	11/05/2023	REVISION SUBJECT TO ARCH.COMMENT	ivan
B	21/03/2023	REVISION SUBJECT TO ARCH.COMMENT	ivan
A	16/01/2023	REVISION SUBJECT TO ARCH.COMMENT	ivan

JOB NO. : J-856

PROJECT :  
PROPOSED DEVELOPMENT ABOVE  
LIGHT RAIL TIN WING STOP, TSWTL  
NO.23, AREA 33, TIN SHUI WAI, N.T.

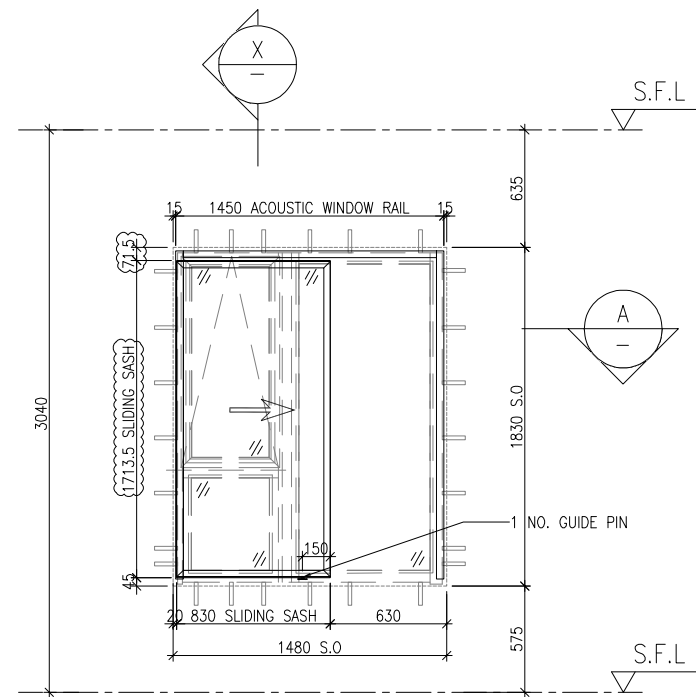
TITLE :  
WINDOW SCHEDULE FOR  
TOWER 1 ACOUSTIC WINDOW

DATE : 06-Jan-23 SCALE : 1:40

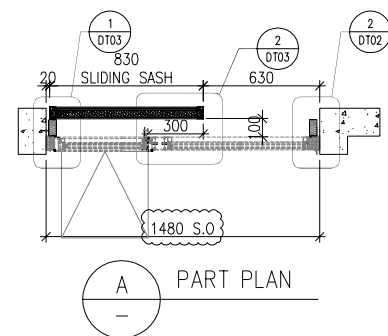
DRAWN BY : Ivan CHECKED BY :

**美特鋁質有限公司**  
MIDI ALUMINIUM FABRICATOR LTD.  
Units 6-8, Sunray Industrial Centre, 1/F  
610 Cha Kwo Ling Road, Kowloon  
Tel: 23489211-4 Fax: (852) 27727666

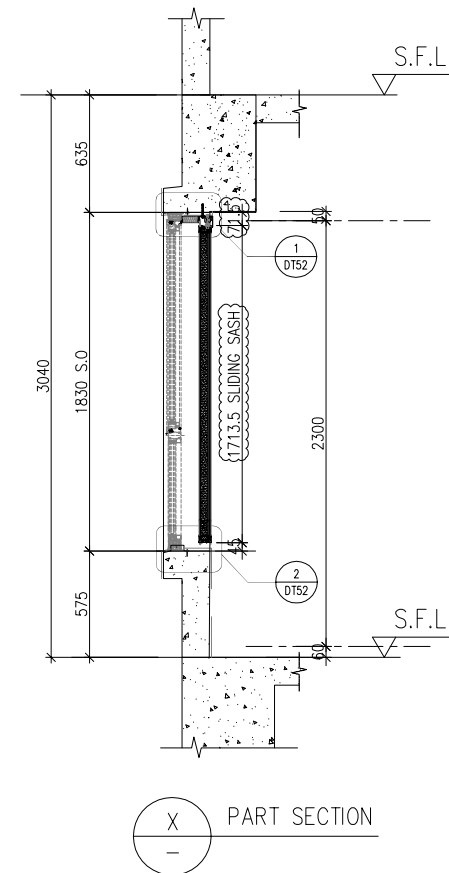
DWG NO. : J856-SD-AS-5104 REV. : D



**ELEVATION  
VIEW FROM OUTSIDE**



**PART PLAN**



**PART SECTION**

<b>AW-A-04ai</b>	
LOCATION	B5-MBR
FLOOR	3/F-46/F
MPA	YES
TOP & SIDE SAM	YES
QUANTITY	38
OVERLAPPING(REQUIRE)	300
OVERLAPPING(PROVIDED)	300

B.D. REF :

CLIENT :  
**SUN HUNG KAI**  
 REAL ESTATE AGENCY LTD.  
 42/F SUN HUNG KAI CENTRE, WANCHAI, HONGKONG

ARCHITECT :  
**IWK&partners**  
 architects

MAIN CONTRACTOR :  
**Yee Fai** Building Contractors Ltd.

STRUCTURAL ENGINEER :  
**ARUP**

FACADE CONSULTANT:  
**ALPHA CONSULTING LIMITED**  
 Steel Structure & Facade Specialist

**NOTE :**  
 1. ALL DIMENSIONS ARE IN mm.  
 2. ALL ELEVATIONS ARE VIEWED FROM OUTSIDE.  
 3. ALL DIMENSIONS TO BE VERIFIED ON SITE BEFORE FABRICATION.

**LEGEND :**  
 1. F.F.L. -- FINISHED FLOOR LEVEL  
 2. S.F.L. -- STRUCTURAL FLOOR LEVEL

D	10/08/2023	REVISION SUBJECT TO ARCH.COMMENT	Ivan
C	11/05/2023	REVISION SUBJECT TO ARCH.COMMENT	Ivan
B	21/03/2023	REVISION SUBJECT TO ARCH.COMMENT	Ivan
A	12/01/2023	REVISION SUBJECT TO ARCH.COMMENT	Ivan
NO.	DATE	REVISED	BY

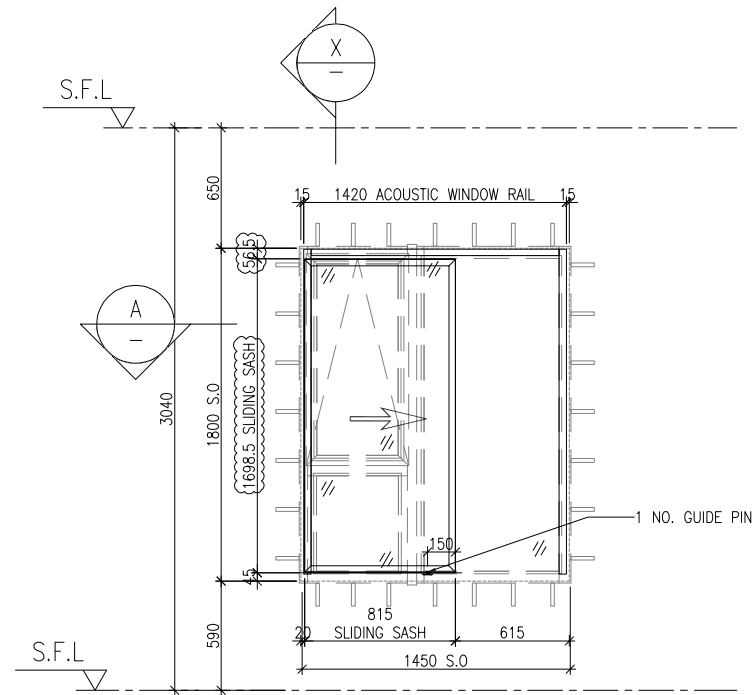
JOB NO. : J-856  
 PROJECT :  
 PROPOSED DEVELOPMENT ABOVE  
 LIGHT RAIL TIN WING STOP, TSWTL  
 NO.23, AREA 33, TIN SHUI WAI, N.T.

TITLE :  
 WINDOW SCHEDULE FOR  
 TOWER 1 ACOUSTIC WINDOW

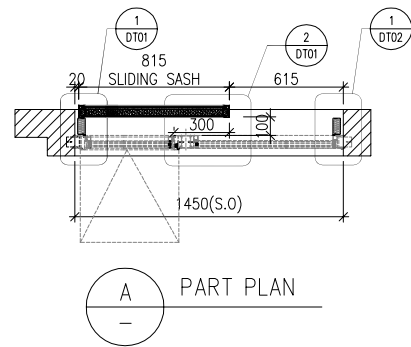
DATE : 06-Jan-23 SCALE : 1:40  
 DRAWN BY : Ivan CHECKED BY :

**美特鋁質有限公司**  
**MIDI ALUMINIUM FABRICATOR LTD.**  
 Units 6-8, Sunray Industrial Centre, 1/F  
 610 Cha Kwo Ling Road, Kowloon  
 Tel: 23489211-4 Fax: (852) 27727666

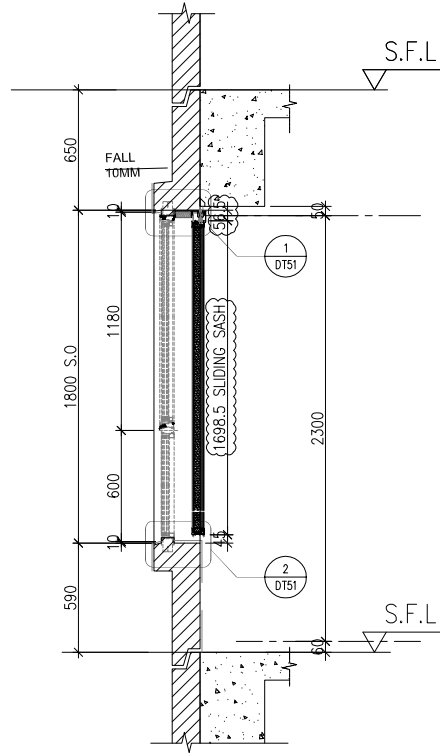
DWG NO. : J856-SD-AS-5105 REV. : D



ELEVATION  
VIEW FROM OUTSIDE



PART PLAN



PART SECTION

### AW-A-04c

LOCATION	A5-MBR	A6-MBR	A7-MBR
FLOOR	3/F-46/F	3/F-45/F	3/F-45/F
MPA	YES	YES	YES
TOP & SIDE SAM	YES	YES	YES
QUANTITY	38	37	37
OVERLAPPING(REQUIRE)	300	300	300
OVERLAPPING(PROVIDED)	300	300	300

B.D. REF :

CLIENT :

**SUN HUNG KAI**  
REAL ESTATE AGENCY LTD.  
42/F SUN HUNG KAI CENTRE, WANCHAI, HONGKONG

ARCHITECT :

**lwk&partners**  
architects

MAIN CONTRACTOR :

**Yee Fai** Building Contractors Ltd.

STRUCTURAL ENGINEER :

**ARUP**

FACADE CONSULTANT:

**ALPHA CONSULTING LIMITED**  
Steel Structure & Facade Specialist

NOTE :

1. ALL DIMENSIONS ARE IN mm.
2. ALL ELEVATIONS ARE VIEWED FROM OUTSIDE.
3. ALL DIMENSIONS TO BE VERIFIED ON SITE BEFORE FABRICATION.

LEGEND :

1. F.F.L. -- FINISHED FLOOR LEVEL
2. S.F.L. -- STRUCTURAL FLOOR LEVEL

NO.	DATE	REVISED	BY
D	10/08/2023	REVISION SUBJECT TO ARCH.COMMENT	ivan
C	11/05/2023	REVISION SUBJECT TO ARCH.COMMENT	ivan
B	21/03/2023	REVISION SUBJECT TO ARCH.COMMENT	ivan
A	12/01/2023	REVISION SUBJECT TO ARCH.COMMENT	ivan

JOB NO. : J-856

PROJECT :  
PROPOSED DEVELOPMENT ABOVE  
LIGHT RAIL TIN WING STOP, TSWTL  
NO.23, AREA 33, TIN SHUI WAI, N.T.

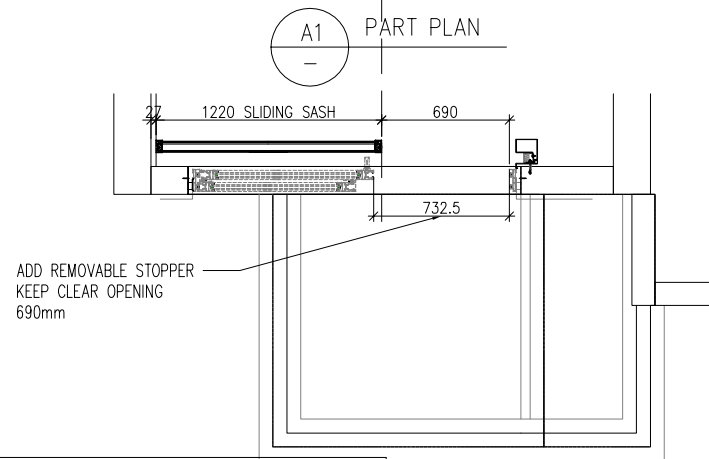
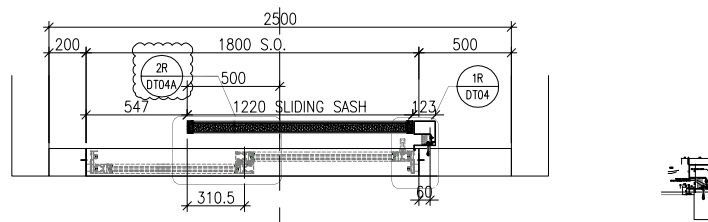
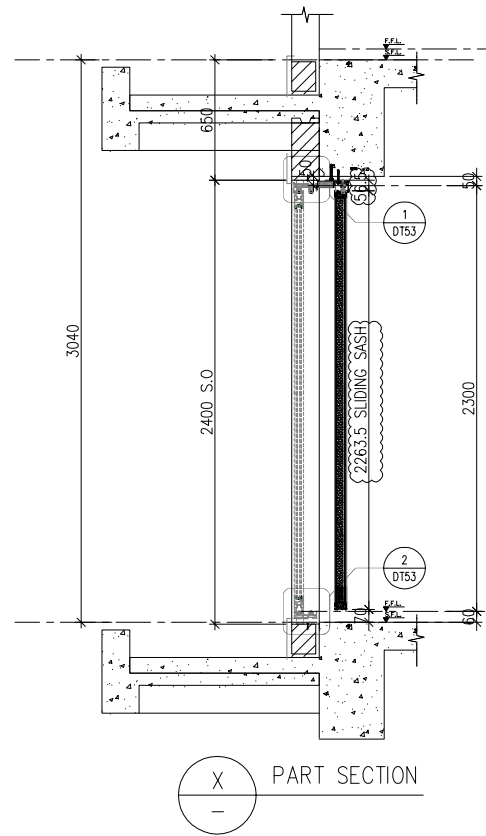
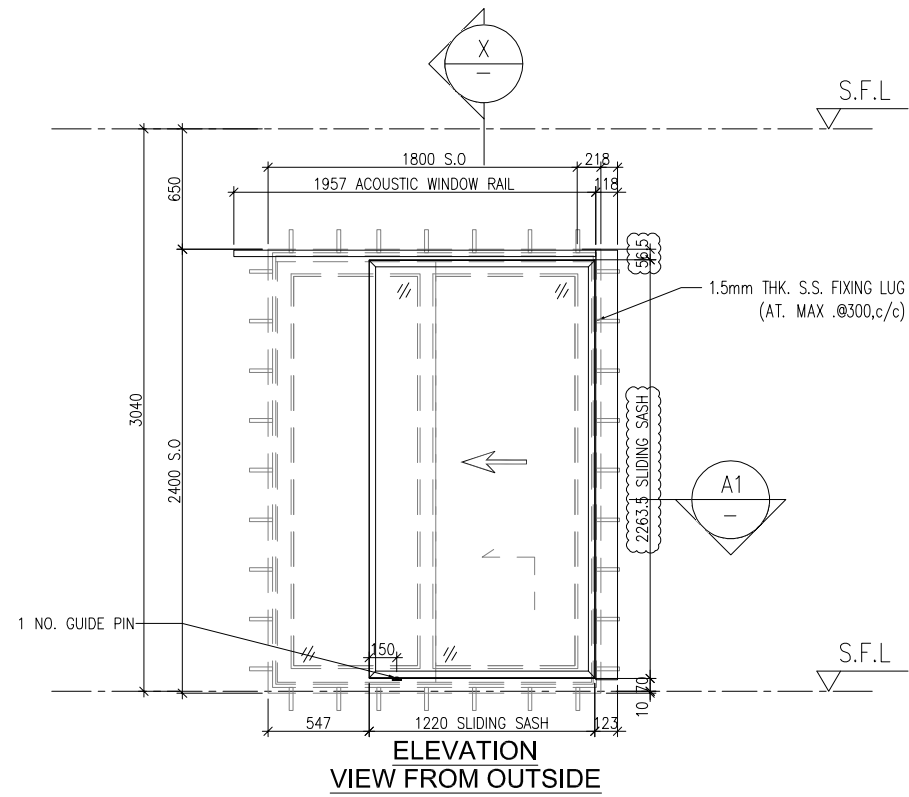
TITLE :  
WINDOW SCHEDULE FOR  
TOWER 1 ACOUSTIC WINDOW

DATE : 06-Jan-23 SCALE : 1:40

DRAWN BY : Ivan CHECKED BY :

**美特鋁質有限公司**  
**MIDI ALUMINIUM FABRICATOR LTD.**  
Units 6-8, Sunray Industrial Centre, 1/F  
610 Cha Kwo Ling Road, Kowloon  
Tel: 23489211-4 Fax: (852) 27727666

DWG NO. : J856-SD-AS-5106 REV. : D



### AW-A-05

LOCATION	A6-LIV	B5-LIV
FLOOR	3/F-45/F	3/F-46/F
MPA	YES	YES
TOP & SIDE SAM	YES	YES
QUANTITY	37	38
OVERLAPPING(REQUIRE)	500	500
OVERLAPPING(PROVIDED)	500	500

B.D. REF :

CLIENT :

**SUN HUNG KAI**  
REAL ESTATE AGENCY LTD.  
42/F SUN HUNG KAI CENTRE, WANCHAI, HONGKONG

ARCHITECT :

**lwk&partners**  
architects

MAIN CONTRACTOR :

**Yee Fai** Building Contractors Ltd.

STRUCTURAL ENGINEER :

**ARUP**

FACADE CONSULTANT:

**ALPHA CONSULTING LIMITED**  
Steel Structure & Facade Specialist

NOTE :

1. ALL DIMENSIONS ARE IN mm.
2. ALL ELEVATIONS ARE VIEWED FROM OUTSIDE.
3. ALL DIMENSIONS TO BE VERIFIED ON SITE BEFORE FABRICATION.

LEGEND :

1. F.F.L. -- FINISHED FLOOR LEVEL
2. S.F.L. -- STRUCTURAL FLOOR LEVEL

NO.	DATE	REVISED	BY
E	10/08/2023	REVISION SUBJECT TO ARCH.COMMENT	ivan
D	13/06/2023	REVISION SUBJECT TO ARCH.COMMENT	ivan
C	11/05/2023	REVISION SUBJECT TO ARCH.COMMENT	ivan
B	21/03/2023	REVISION SUBJECT TO ARCH.COMMENT	ivan
A	12/01/2023	REVISION SUBJECT TO ARCH.COMMENT	ivan

JOB NO. : J-856

PROJECT :  
PROPOSED DEVELOPMENT ABOVE  
LIGHT RAIL TIN WING STOP, TSWTL  
NO.23, AREA 33, TIN SHUI WAI, N.T.

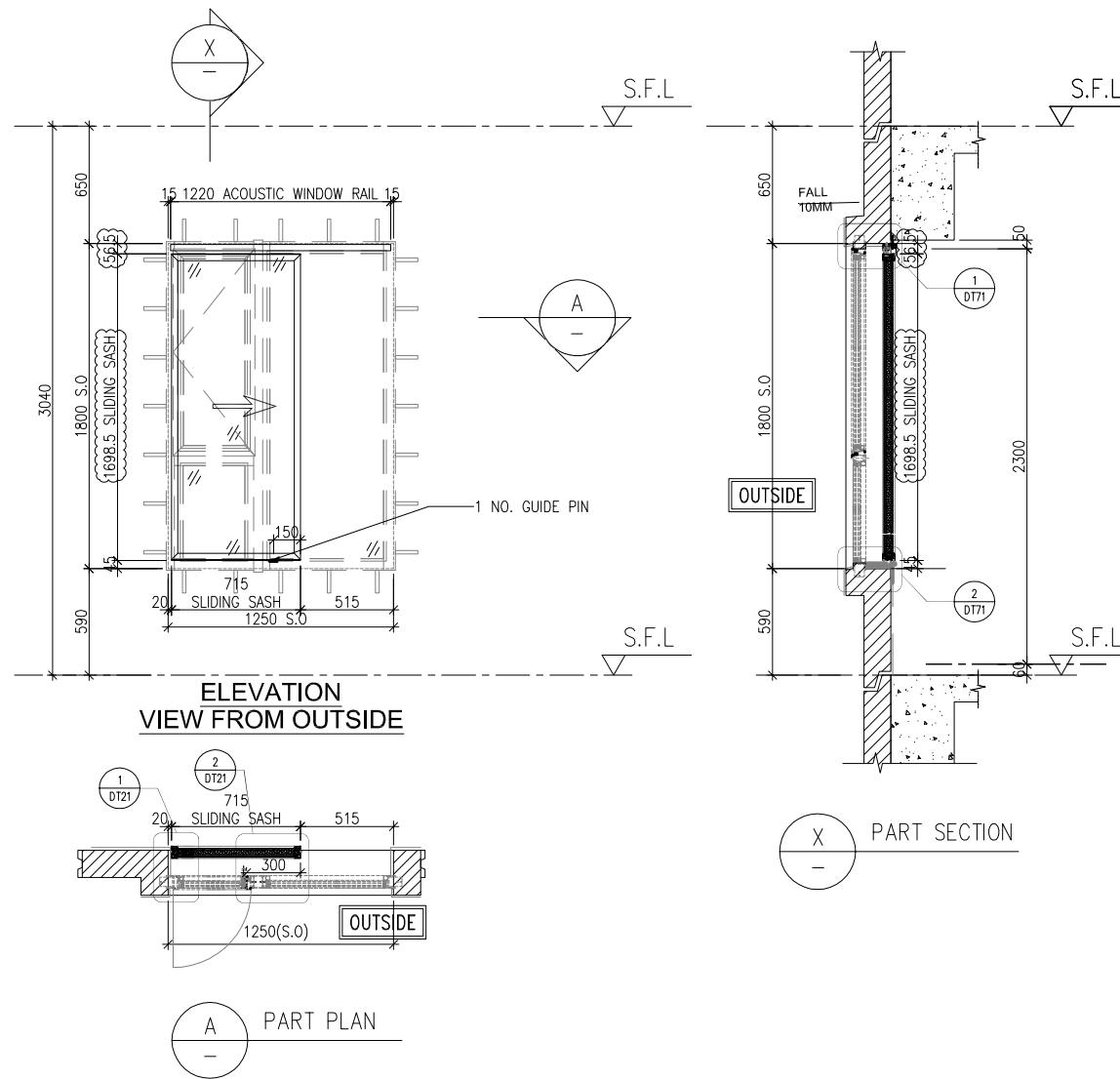
TITLE :  
WINDOW SCHEDULE FOR  
TOWER 1 ACOUSTIC WINDOW

DATE : 06-Jan-23 SCALE : 1:40

DRAWN BY : Ivan CHECKED BY :

**美特鋁質有限公司**  
**MIDI ALUMINIUM FABRICATOR LTD.**  
Units 6-8, Sunray Industrial Centre, 1/F  
610 Cha Kwo Ling Road, Kowloon  
Tel: 23489211-4 Fax: (852) 27727666

DWG NO. : J856-SD-AS-5107 REV. : E



B.D. REF :

CLIENT :  
**SUN HUNG KAI**  
 REAL ESTATE AGENCY LTD.  
 42/F SUN HUNG KAI CENTRE, WANCHAI, HONGKONG

ARCHITECT :  
**lwk&partners**  
 architects

MAIN CONTRACTOR :  
**Yee Fai** Building Contractors Ltd.

STRUCTURAL ENGINEER :  
**ARUP**

FACADE CONSULTANT:  
**ALPHA CONSULTING LIMITED**  
 Steel Structure & Facade Specialist

NOTE :  
 1. ALL DIMENSIONS ARE IN mm.  
 2. ALL ELEVATIONS ARE VIEWED FROM OUTSIDE.  
 3. ALL DIMENSIONS TO BE VERIFIED ON SITE BEFORE FABRICATION.

LEGEND :  
 1. F.F.L. -- FINISHED FLOOR LEVEL  
 2. S.F.L. -- STRUCTURAL FLOOR LEVEL

D	10/08/2023	REVISION SUBJECT TO ARCH.COMMENT	ivan
C	11/05/2023	REVISION SUBJECT TO ARCH.COMMENT	ivan
B	21/03/2023	REVISION SUBJECT TO ARCH.COMMENT	ivan
A	16/01/2023	REVISION SUBJECT TO ARCH.COMMENT	ivan
NO.	DATE	REVISED	BY

JOB NO. : J-856  
 PROJECT : PROPOSED DEVELOPMENT ABOVE LIGHT RAIL TIN WING STOP, TSWTL NO.23, AREA 33, TIN SHUI WAI, N.T.

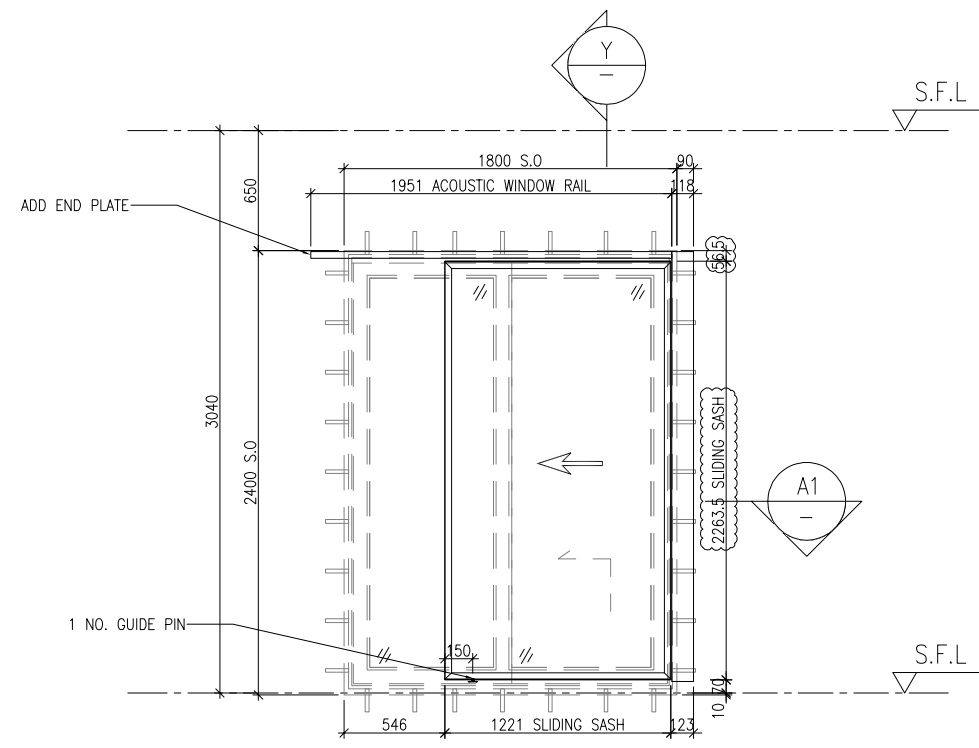
TITLE : WINDOW SCHEDULE FOR TOWER 3 ACOUSTIC WINDOW

DATE : 06-Jan-23 SCALE : 1:40  
 DRAWN BY : Ivan CHECKED BY :

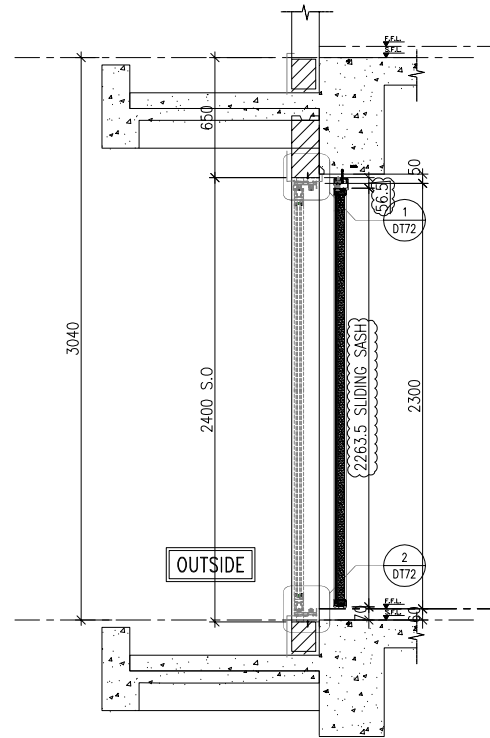
**美特鋁質有限公司**  
**MIDI ALUMINIUM FABRICATOR LTD.**  
 Units 6-8, Sunray Industrial Centre, 1/F  
 610 Cha Kwo Ling Road, Kowloon  
 Tel: 23489211-4 Fax: (852) 27727666

DWG NO. : J856-SD-AS-5301 REV. : D

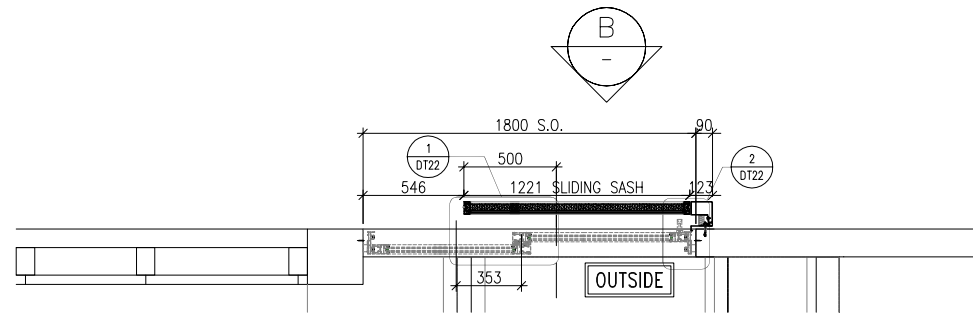
AW-A-02a		AW-A-02aR	
LOCATION	B10-BR2	LOCATION	B1-BR2
FLOOR	5/F-15/F	FLOOR	5/F-12/F
MPA	NO	MPA	NO
TOP & SIDE SAM	NO	TOP & SIDE SAM	NO
QUANTITY	9	QUANTITY	8
OVERLAPPING(REQUIRE)	253	OVERLAPPING(REQUIRE)	253
OVERLAPPING(PROVIDED)	300	OVERLAPPING(PROVIDED)	300



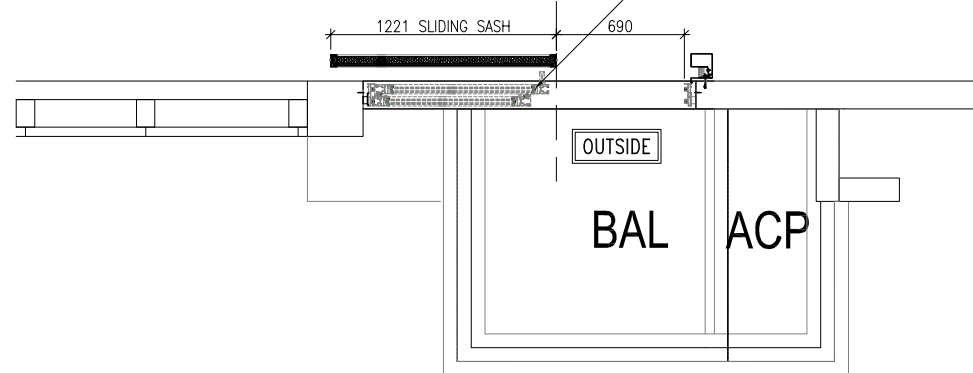
ELEVATION  
VIEW FROM OUTSIDE



X  
PART SECTION



A1  
PART PLAN



BAL ACP

### AW-A-05

LOCATION	B11-LIV
FLOOR	7/F-8/F
MPA	NO
TOP & SIDE SAM	NO
QUANTITY	2
OVERLAPPING(REQUIRE)	275
OVERLAPPING(PROVIDED)	500

B.D. REF :

CLIENT :

**SUN HUNG KAI**  
REAL ESTATE AGENCY LTD.  
42/F SUN HUNG KAI CENTRE, WANCHAI, HONGKONG

ARCHITECT :

**lwk&partners**  
architects

MAIN CONTRACTOR :

**Yee Fai** Building Contractors Ltd.

STRUCTURAL ENGINEER :

**ARUP**

FACADE CONSULTANT:

**ALPHA CONSULTING LIMITED**  
Steel Structure & Facade Specialist

NOTE :

1. ALL DIMENSIONS ARE IN mm.
2. ALL ELEVATIONS ARE VIEWED FROM OUTSIDE.
3. ALL DIMENSIONS TO BE VERIFIED ON SITE BEFORE FABRICATION.

LEGEND :

1. F.F.L. -- FINISHED FLOOR LEVEL
2. S.F.L. -- STRUCTURAL FLOOR LEVEL

NO.	DATE	REVISED	BY
E	10/08/2023	REVISION SUBJECT TO ARCH.COMMENT	ivan
D	13/06/2023	REVISION SUBJECT TO ARCH.COMMENT	ivan
C	11/05/2023	REVISION SUBJECT TO ARCH.COMMENT	ivan
B	21/03/2023	REVISION SUBJECT TO ARCH.COMMENT	ivan
A	12/01/2023	REVISION SUBJECT TO ARCH.COMMENT	ivan

JOB NO. : J-856

PROJECT :  
PROPOSED DEVELOPMENT ABOVE  
LIGHT RAIL TIN WING STOP, TSWTL  
NO.23, AREA 33, TIN SHUI WAI, N.T.

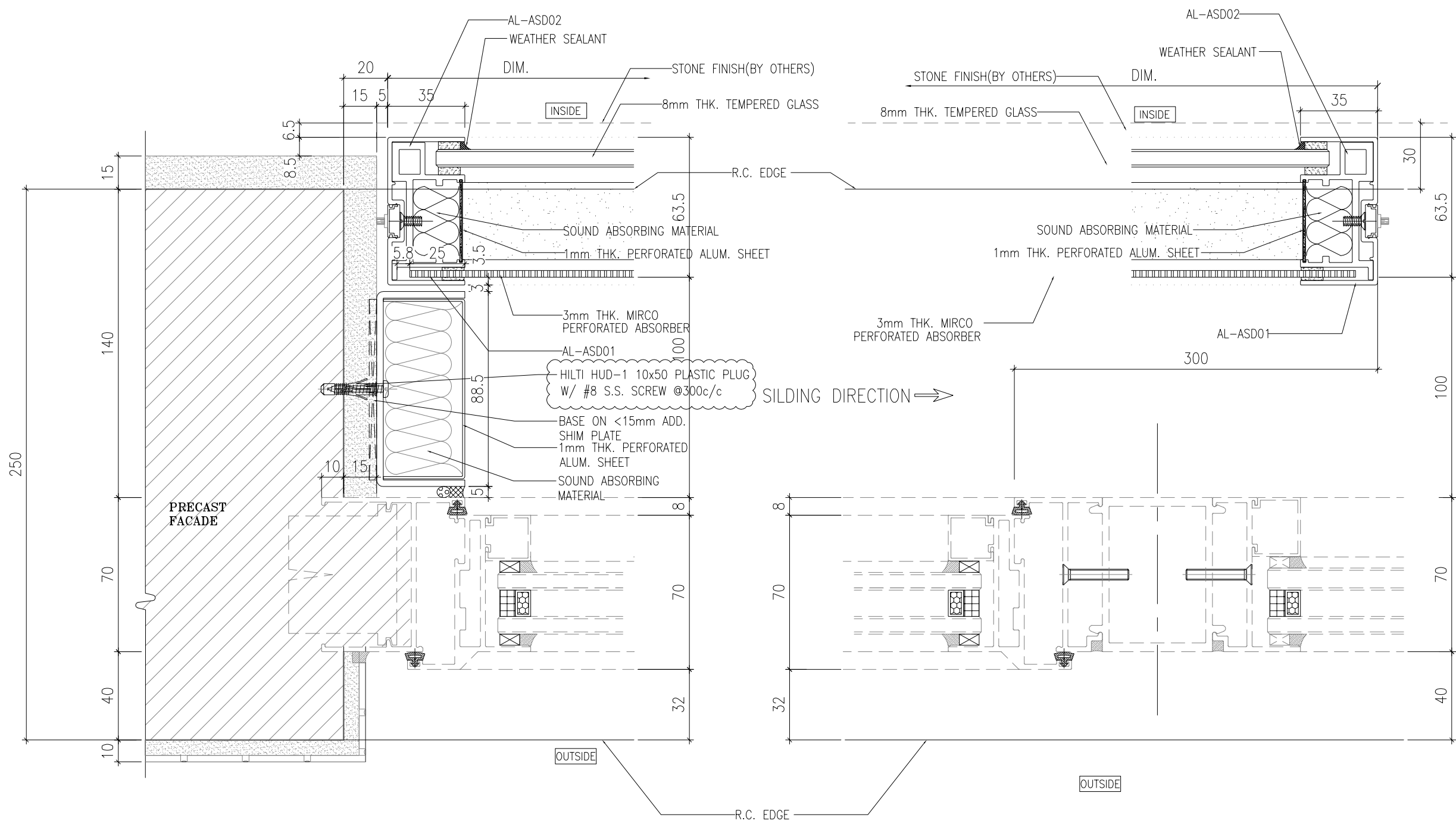
TITLE :  
WINDOW SCHEDULE FOR  
TOWER 3 ACOUSTIC WINDOW

DATE : 06-Jan-23 SCALE : 1:40

DRAWN BY : Ivan CHECKED BY :

**美特鋁質有限公司**  
MIDI ALUMINIUM FABRICATOR LTD.  
Units 6-8, Sunray Industrial Centre, 1/F  
610 Cha Kwo Ling Road, Kowloon  
Tel: 23489211-4 Fax: (852) 27727666

DWG NO. : J856-SD-AS-5302 REV. : E



1 HORIZONTAL DETAIL  
SCALE 1:2

2 HORIZONTAL DETAIL  
SCALE 1:2

# TOP & SIDE SAM WITH MPA CASE

B.D. REF :

CLIENT :  
 SUN HUNG KAI REAL ESTATE AGENCY LTD.  
 42/F SUN HUNG KAI CENTRE, WANCHAI, HONGKONG

ARCHITECT :  
 IWK&partners architects

MAIN CONTRACTOR :  
 怡輝建築有限公司 Yee Fai Building Contractors Ltd.

STRUCTURAL ENGINEER :  
 ARUP

FACADE CONSULTANT:  
 ALPHA CONSULTING LIMITED  
 Steel Structure & Facade Specialist

NOTE :  
 1. ALL DIMENSIONS ARE IN mm.  
 2. ALL ELEVATIONS ARE VIEWED FROM OUTSIDE.  
 3. ALL DIMENSIONS TO BE VERIFIED ON SITE BEFORE FABRICATION.

LEGEND :  
 1. SOUND ABSORBING MATERIAL (PEF12\_Noisestop Infill)  
 2. 3mm THK MIRCO PERFORATED ABSORBER (PMMA-type MPP535-3mm)  
 3. 1mm THK PERFORATED ALUM. SHEET (Pomute Alum. sheet)

B	6/9/2023	GENERAL REVISION	Ivan
A	20/3/2023	REVISION SUBJECT TO ARCH.COMMENT	Ivan
NO.	DATE	REVISED	BY

JOB NO. : J-856

PROJECT :  
 PROPOSED DEVELOPMENT ABOVE LIGHT RAIL TIN WING STOP, TSWTL NO.23, AREA 33, TIN SHUI WAI, N.T.

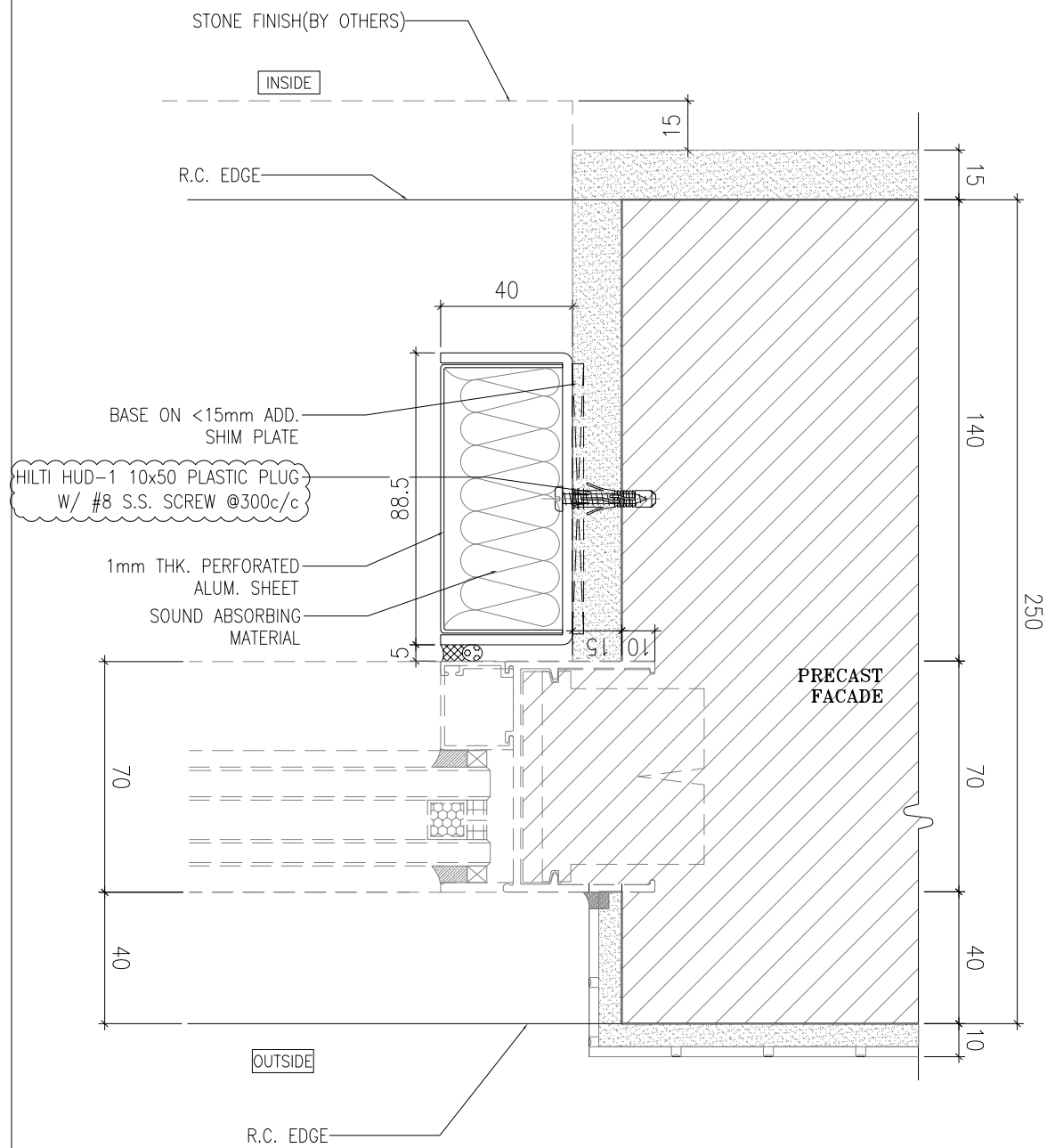
TITLE :  
 TYPICAL DETAILS FOR ACOUSTIC WINDOW

DATE : 06-Jan-23 SCALE : 1:40

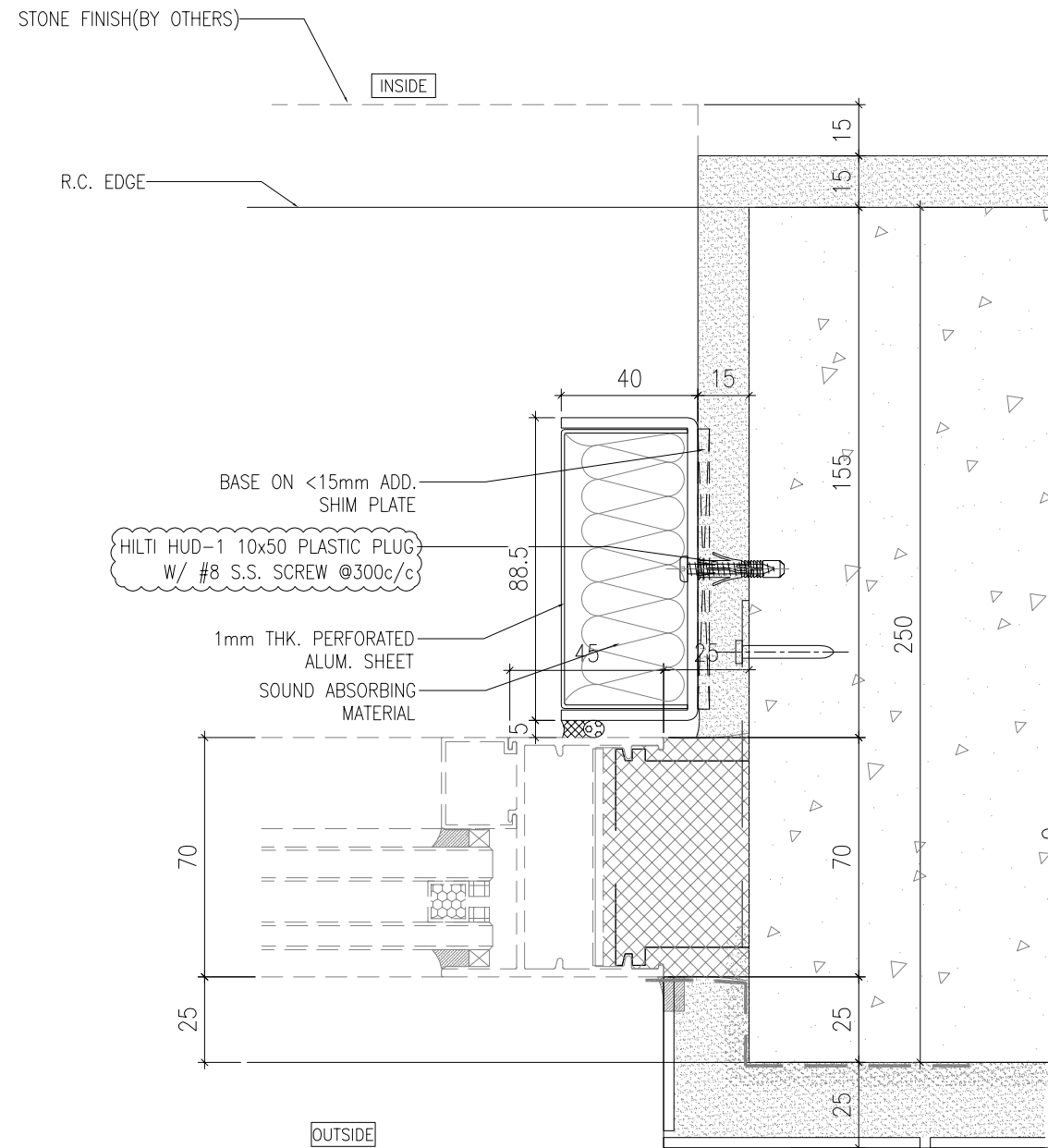
DRAWN BY : Ivan CHECKED BY :

美特鋁質有限公司 MIDI ALUMINIUM FABRICATOR LTD.  
 Units 6-8, Sunray Industrial Centre, 1/F  
 610 Cha Kwo Ling Road, Kowloon  
 Tel: 23489211-4 Fax: (852) 27727666

DWG NO. : J856-SD-AS-DT01 REV. : B



1 HORIZONTAL DETAIL  
SCALE 1:2



2 HORIZONTAL DETAIL  
SCALE 1:2

# TOP & SIDE SAM WITH MPA CASE

B.D. REF :

CLIENT :  
 SUN HUNG KAI REAL ESTATE AGENCY LTD.  
 42/F, SUN HUNG KAI CENTRE, WANCHAI, HONGKONG

ARCHITECT :  
 Iwk&partners architects

MAIN CONTRACTOR :  
 怡輝建築有限公司 Yee Fai Building Contractors Ltd.

STRUCTURAL ENGINEER :  
 ARUP

FACADE CONSULTANT:  
 ALPHA CONSULTING LIMITED  
 Steel Structure & Facade Specialist

NOTE :  
 1. ALL DIMENSIONS ARE IN mm.  
 2. ALL ELEVATIONS ARE VIEWED FROM OUTSIDE.  
 3. ALL DIMENSIONS TO BE VERIFIED ON SITE BEFORE FABRICATION.

LEGEND :  
 1. SOUND ABSORBING MATERIAL (PEF12\_Noisestop Infill)  
 2. 3mm THK MIRCO PERFORATED ABSORBER (PMMA-type MPP535-3mm)  
 3. 1mm THK PERFORATED ALUM. SHEET (Pomute Alum. sheet)

NO.	DATE	REVISED	BY
C	6/9/2023	GENERAL REVISION	Ivan
B	15/6/2023	REVISION SUBJECT TO ARCH.COMMENT	Ivan
A	20/3/2023	REVISION SUBJECT TO ARCH.COMMENT	Ivan

JOB NO. : J-856

PROJECT :  
 PROPOSED DEVELOPMENT ABOVE LIGHT RAIL TIN WING STOP, TSWTL NO.23, AREA 33, TIN SHUI WAI, N.T.

TITLE :  
 TYPICAL DETAILS FOR ACOUSTIC WINDOW

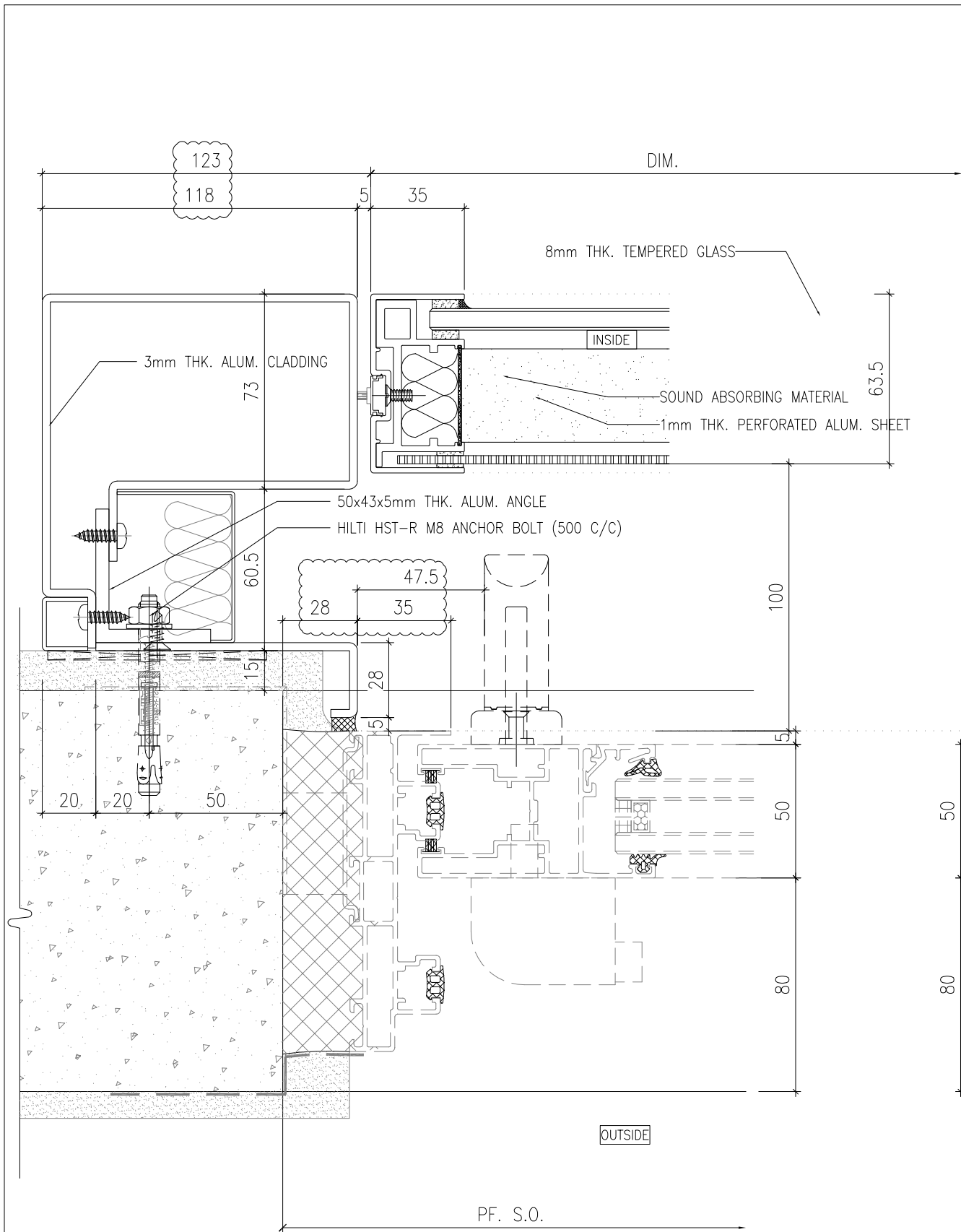
DATE : 06-Jan-23 SCALE : 1:40

DRAWN BY : Ivan CHECKED BY :

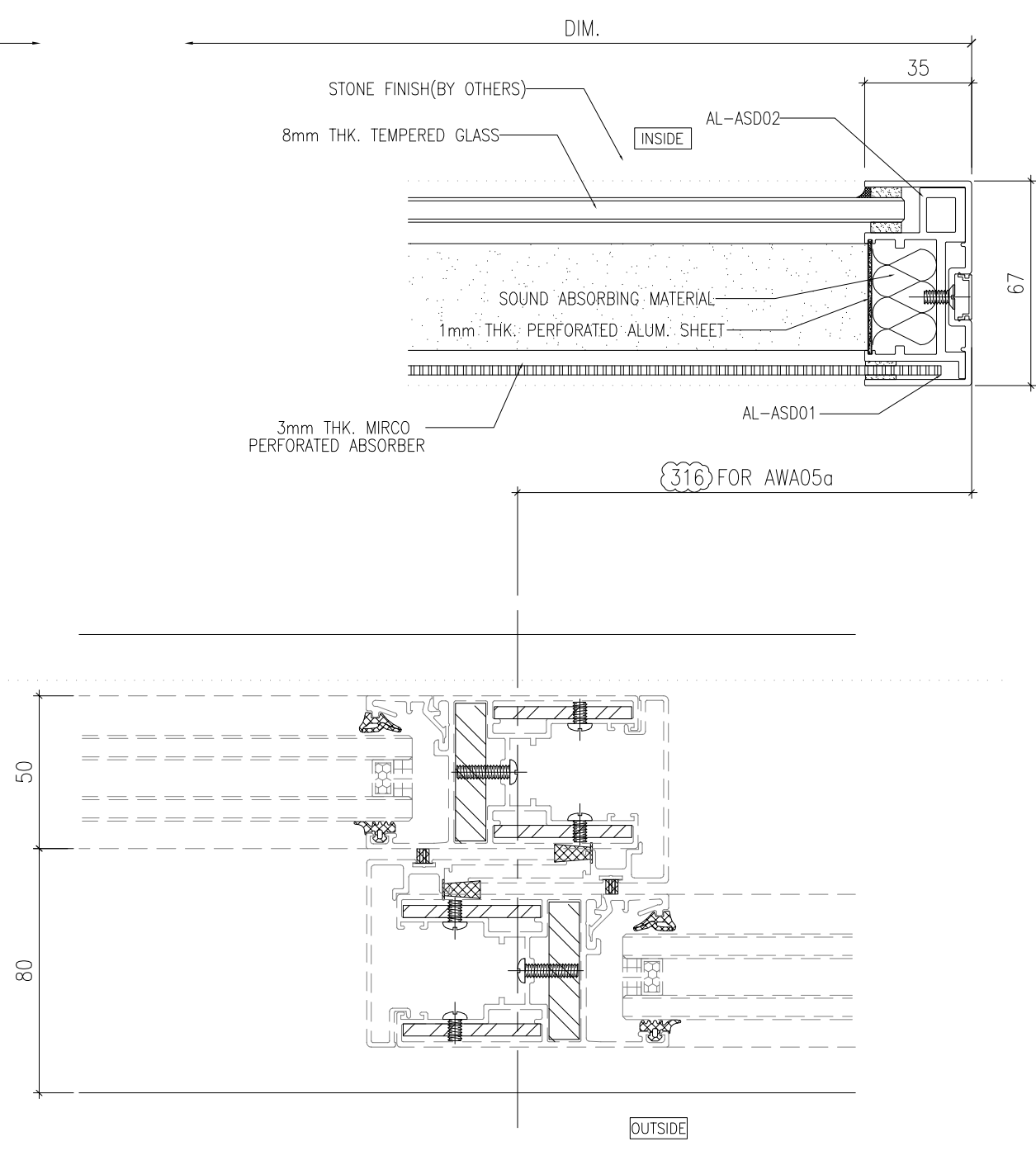
美特鋁質有限公司  
 MIDI ALUMINIUM FABRICATOR LTD.  
 Units 6-8, Sunray Industrial Centre, 1/F  
 610 Cha Kwo Ling Road, Kowloon  
 Tel: 23489211-4 Fax: (852) 27727666

DWG NO. : J856-SD-AS-DT02 REV. : C





1 HORIZONTAL DETAIL  
SCALE 1:2



2 HORIZONTAL DETAIL  
SCALE 1:2

# TOP & SIDE SAM WITH MPA CASE

B.D. REF :

CLIENT :  
**SUN HUNG KAI**  
REAL ESTATE AGENCY LTD.  
42/F SUN HUNG KAI CENTRE, WANCHAI, HONGKONG

ARCHITECT :  
**lwk&partners**  
architects

MAIN CONTRACTOR :  
**Yee Fai** 怡輝建築有限公司  
Building Contractors Ltd.

STRUCTURAL ENGINEER :  
**ARUP**

FACADE CONSULTANT:  
**ALPHA CONSULTING LIMITED**  
Steel Structure & Facade Specialist

NOTE :  
1. ALL DIMENSIONS ARE IN mm.  
2. ALL ELEVATIONS ARE VIEWED FROM OUTSIDE.  
3. ALL DIMENSIONS TO BE VERIFIED ON SITE BEFORE FABRICATION.

LEGEND :  
1. SOUND ABSORBING MATERIAL (PEF12\_Noisestop Infill)  
2. 3mm THK MIRCO PERFORATED ABSORBER (PMMA-type MPP535-3mm)  
3. 1mm THK PERFORATED ALUM. SHEET (Pomute Alum. sheet)

NO.	DATE	REVISED	BY
D	15/06/2023	REVISION SUBJECT TO ARCH.COMMENT	lvn
C	11/05/2023	REVISION SUBJECT TO ARCH.COMMENT	lvn
B	20/03/2023	REVISION SUBJECT TO ARCH.COMMENT	lvn
A	12/01/2023	REVISION SUBJECT TO ARCH.COMMENT	lvn

JOB NO. : J-856

PROJECT : PROPOSED DEVELOPMENT ABOVE LIGHT RAIL TIN WING STOP, TSWTL NO.23, AREA 33, TIN SHUI WAI, N.T.

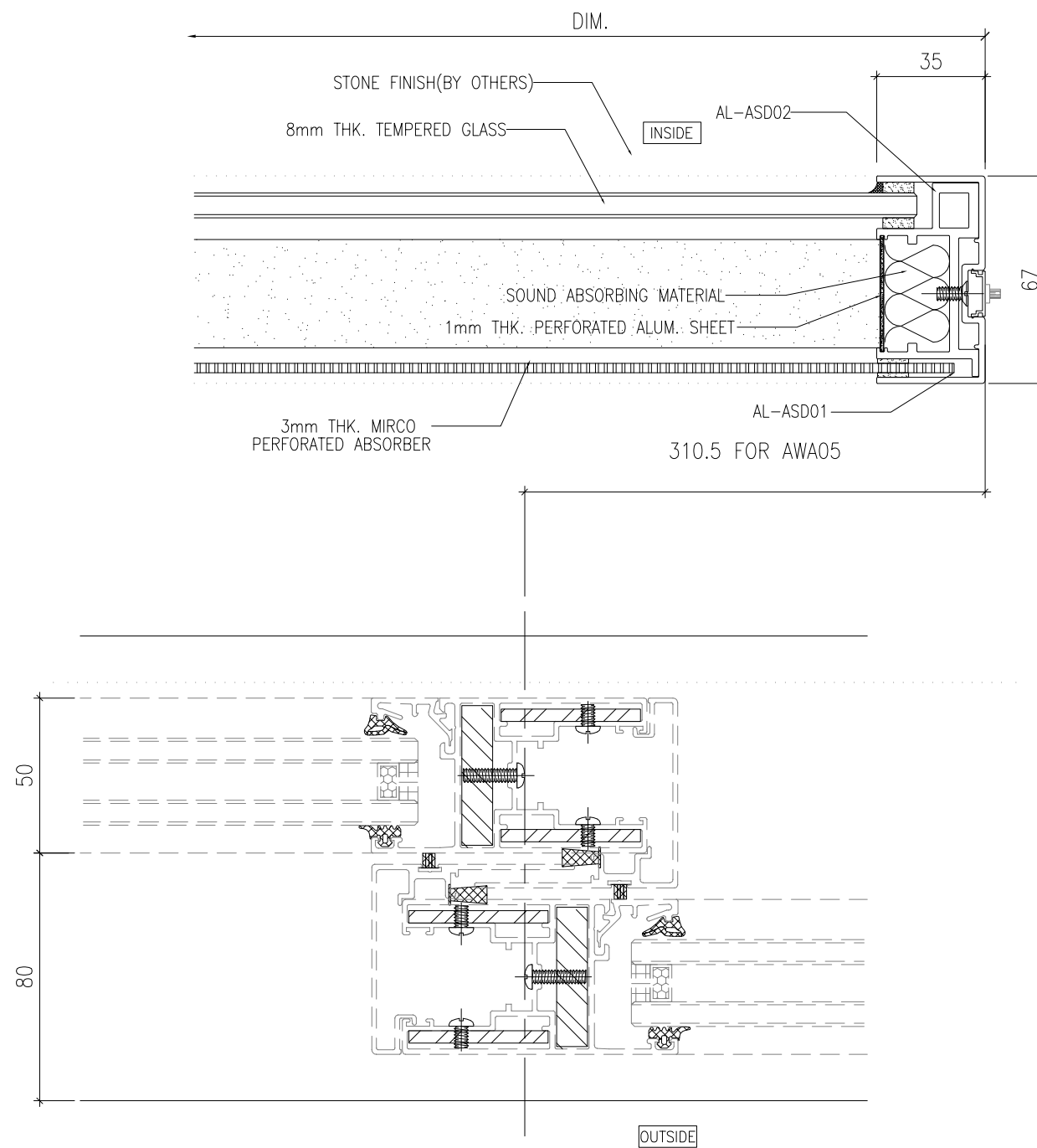
TITLE : TYPICAL DETAILS FOR ACOUSTIC WINDOW

DATE : 06-Jan-23 SCALE : 1:40

DRAWN BY : lvn CHECKED BY :

**MIDI** 美特鋁質有限公司  
ALUMINIUM FABRICATOR LTD.  
Units 6-8, Sunray Industrial Centre, 1/F  
610 Cha Kwo Ling Road, Kowloon  
Tel: 23489211-4 Fax: (852) 27727666

DWG NO. : J856-SD-AS-DT04 REV. : D



2 HORIZONTAL DETAIL  
SCALE 1:2

# TOP & SIDE SAM WITH MPA CASE

B.D. REF :

CLIENT :  
  
 42/F, SUN HUNG KAI CENTRE, WANCHAI, HONGKONG

ARCHITECT :  


MAIN CONTRACTOR :  


STRUCTURAL ENGINEER :  


FACADE CONSULTANT:  
  
 Steel Structure & Facade Specialist

NOTE :  
 1. ALL DIMENSIONS ARE IN mm.  
 2. ALL ELEVATIONS ARE VIEWED FROM OUTSIDE.  
 3. ALL DIMENSIONS TO BE VERIFIED ON SITE BEFORE FABRICATION.

LEGEND :  
 1. SOUND ABSORBING MATERIAL (PEF12\_Noisestop Infill)  
 2. 3mm THK MICRO PERFORATED ABSORBER (PMMA-type MPP535-3mm)  
 3. 1mm THK PERFORATED ALUM. SHEET (Pomute Alum. sheet)

NO.	DATE	REVISED	BY
-----	------	---------	----

JOB NO. : J-856

PROJECT :  
 PROPOSED DEVELOPMENT ABOVE LIGHT RAIL TIN WING STOP, TSWTL NO.23, AREA 33, TIN SHUI WAI, N.T.

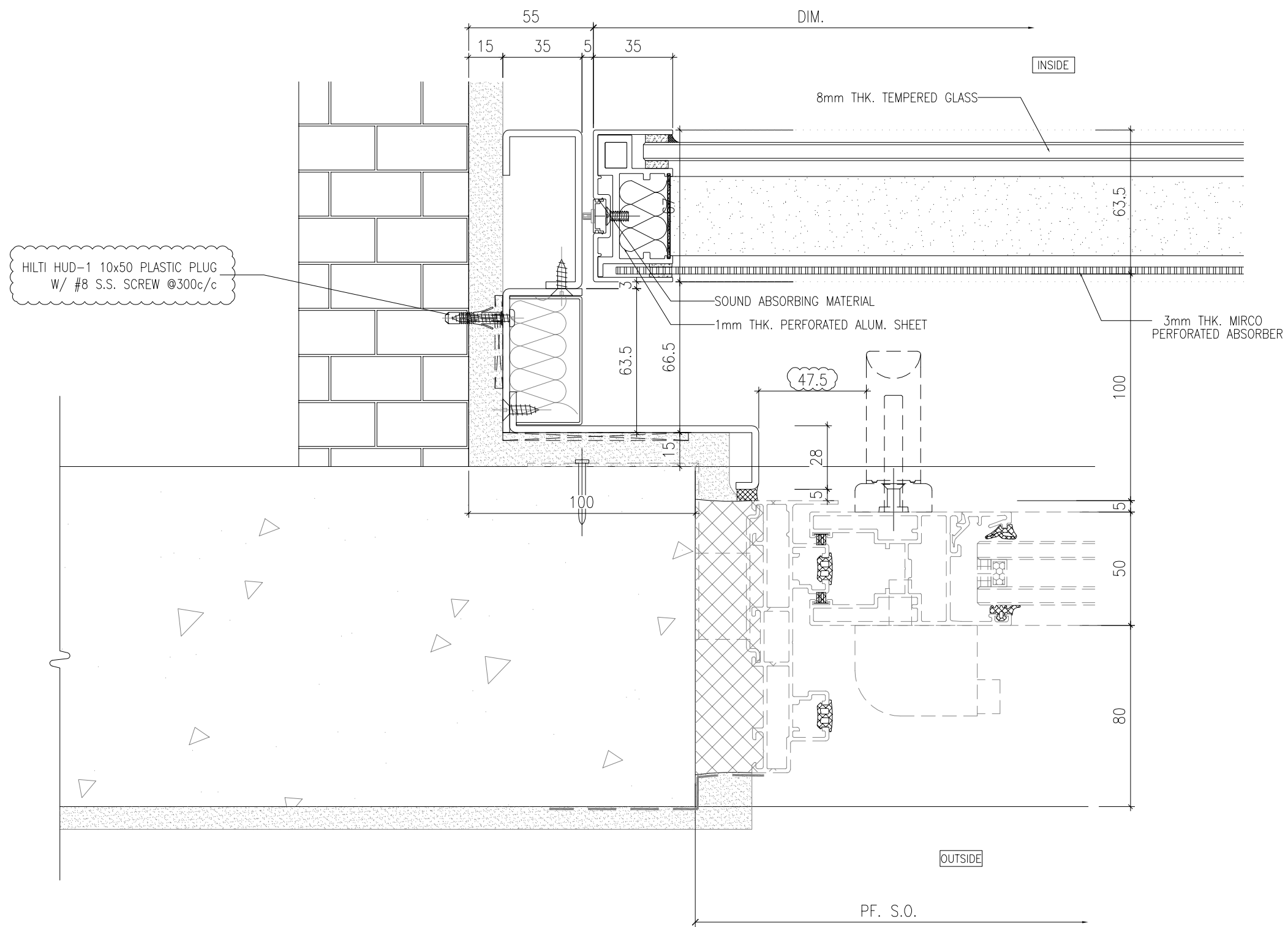
TITLE :  
 TYPICAL DETAILS FOR ACOUSTIC WINDOW

DATE : 06-Jan-23 SCALE : 1:40

DRAWN BY : Ivan CHECKED BY :

  
 MIDI ALUMINIUM FABRICATOR LTD.  
 Units 6-8, Sunray Industrial Centre, 1/F  
 610 Cha Kwo Ling Road, Kowloon  
 Tel: 23489211-4 Fax: (852) 27727666

DWG NO. : J856-SD-AS-DT04A REV. : -



1 HORIZONTAL DETAIL  
SCALE 1:2

# TOP & SIDE SAM WITH MPA CASE

B.D. REF :

CLIENT :  
**SUN HUNG KAI**  
 REAL ESTATE AGENCY LTD.  
 42/F SUN HUNG KAI CENTRE, WANCHAI, HONGKONG

ARCHITECT :  
**Iwk&partners**  
 architects

MAIN CONTRACTOR :  
**Yee Fai** Building Contractors Ltd.

STRUCTURAL ENGINEER :  
**ARUP**

FACADE CONSULTANT:  
**ALPHA CONSULTING LIMITED**  
 Steel Structure & Facade Specialist

NOTE :  
 1. ALL DIMENSIONS ARE IN mm.  
 2. ALL ELEVATIONS ARE VIEWED FROM OUTSIDE.  
 3. ALL DIMENSIONS TO BE VERIFIED ON SITE BEFORE FABRICATION.

LEGEND :  
 1. SOUND ABSORBING MATERIAL (PEF12\_Noisestop Infill)  
 2. 3mm THK MIRCO PERFORATED ABSORBER (PMMA-type MPP535-3mm)  
 3. 1mm THK PERFORATED ALUM. SHEET (Pomute Alum. sheet)

B	06/09/2023	GENERAL REVISION	Ivan
A	15/06/2023	REVISION SUBJECT TO ARCH.COMMENT	Ivan
NO.	DATE	REVISED	BY

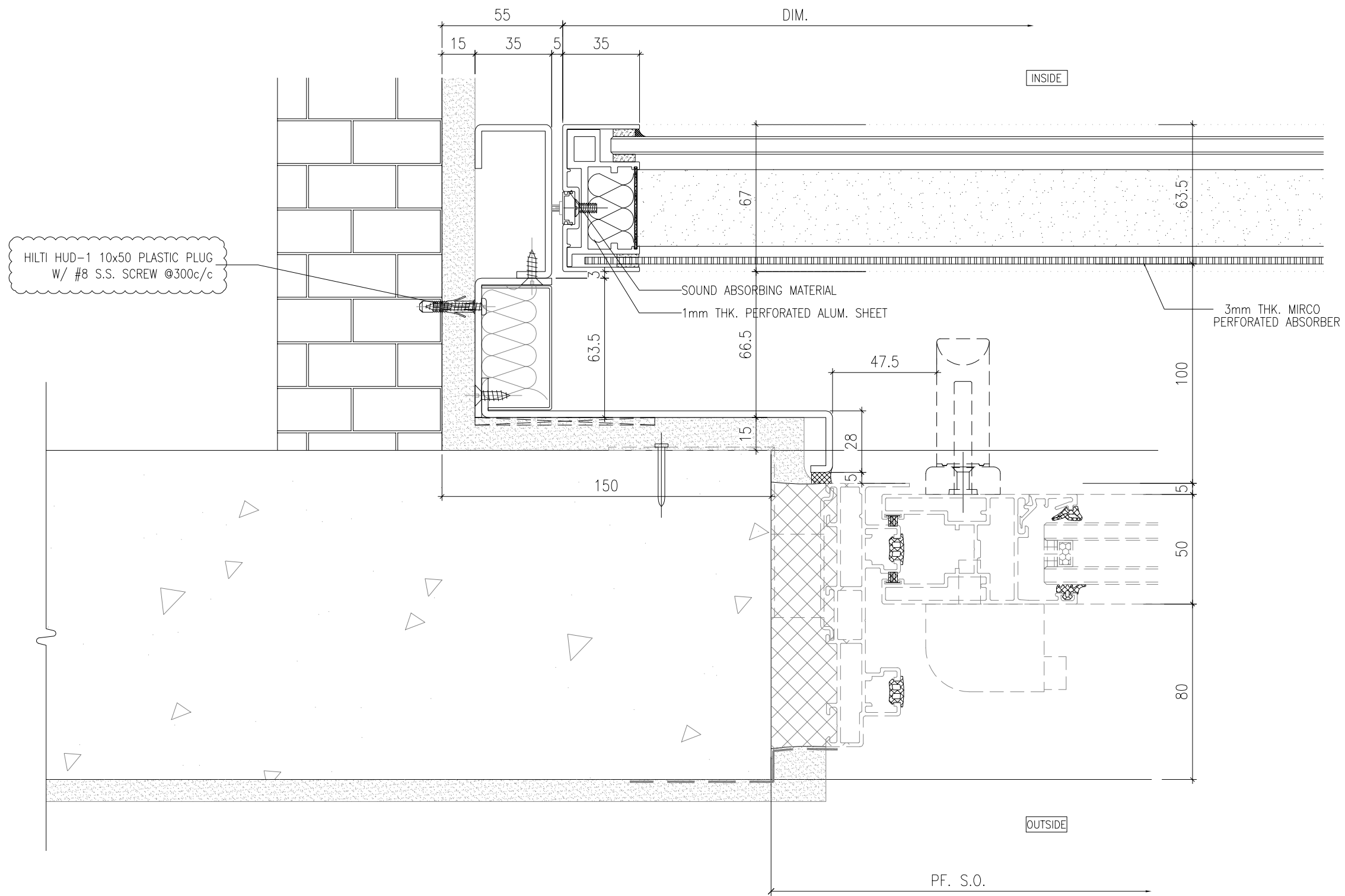
JOB NO. : J-856  
 PROJECT : PROPOSED DEVELOPMENT ABOVE LIGHT RAIL TIN WING STOP, TSWL NO.23, AREA 33, TIN SHUI WAI, N.T.

TITLE : TYPICAL DETAILS FOR ACOUSTIC WINDOW

DATE : 06-Jan-23 SCALE : 1:40  
 DRAWN BY : Ivan CHECKED BY :

**美特鋁質有限公司**  
 MIDI ALUMINIUM FABRICATOR LTD.  
 Units 6-8, Sunray Industrial Centre, 1/F  
 610 Cha Kwo Ling Road, Kowloon  
 Tel: 23489211-4 Fax: (852) 27727666

DWG NO. : J856-SD-AS-DT05 REV. : B



1 HORIZONTAL DETAIL  
SCALE 1:2

# TOP & SIDE SAM WITH MPA CASE

B.D. REF :

CLIENT :  
**SUN HUNG KAI**  
 REAL ESTATE AGENCY LTD.  
 42/F SUN HUNG KAI CENTRE, WANCHAI, HONGKONG

ARCHITECT :  
**Iwk&partners**  
 architects

MAIN CONTRACTOR :  
**Yee Fai** Building Contractors Ltd.

STRUCTURAL ENGINEER :  
**ARUP**

FACADE CONSULTANT:  
**ALPHA CONSULTING LIMITED**  
 Steel Structure & Facade Specialist

NOTE :  
 1. ALL DIMENSIONS ARE IN mm.  
 2. ALL ELEVATIONS ARE VIEWED FROM OUTSIDE.  
 3. ALL DIMENSIONS TO BE VERIFIED ON SITE BEFORE FABRICATION.

LEGEND :  
 1. SOUND ABSORBING MATERIAL (PEF12\_Noisestop Infill)  
 2. 3mm THK MIRCO PERFORATED ABSORBER (PMMA-type MPP535-3mm)  
 3. 1mm THK PERFORATED ALUM. SHEET (Pomute Alum. sheet)

B	06/09/2023	GENERAL REVISION	Ivan
A	15/06/2023	REVISION SUBJECT TO ARCH.COMMENT	Ivan
NO.	DATE	REVISED	BY

JOB NO. : J-856

PROJECT : PROPOSED DEVELOPMENT ABOVE LIGHT RAIL TIN WING STOP, TSWL NO.23, AREA 33, TIN SHUI WAI, N.T.

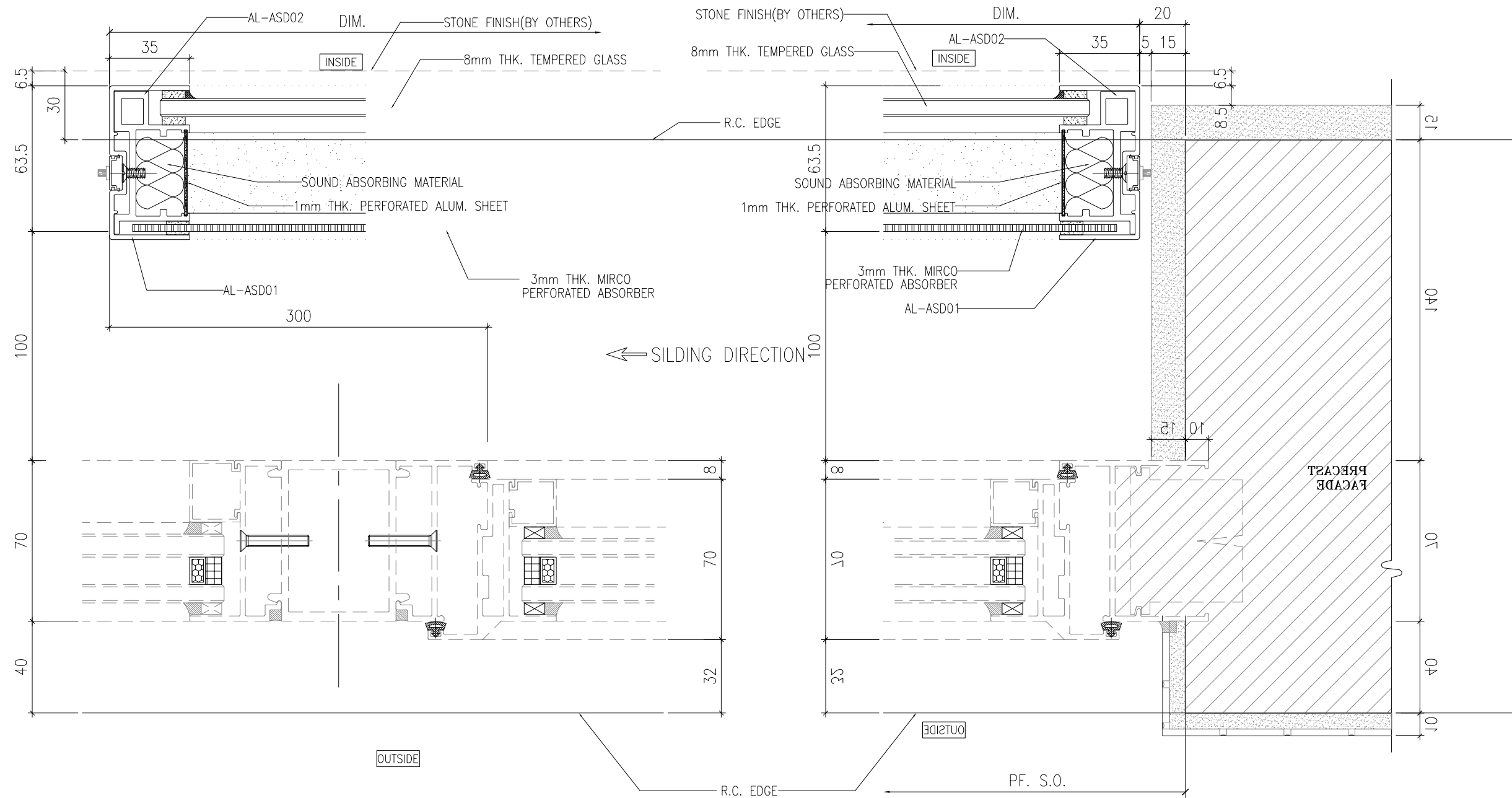
TITLE : TYPICAL DETAILS FOR ACOUSTIC WINDOW

DATE : 06-Jan-23 SCALE : 1:40

DRAWN BY : Ivan CHECKED BY :

**美特鋁質有限公司**  
 MIDI ALUMINIUM FABRICATOR LTD.  
 Units 6-8, Sunray Industrial Centre, 1/F  
 610 Cha Kwo Ling Road, Kowloon  
 Tel: 23489211-4 Fax: (852) 27727666

DWG NO. : J856-SD-AS-DT06 REV. : B

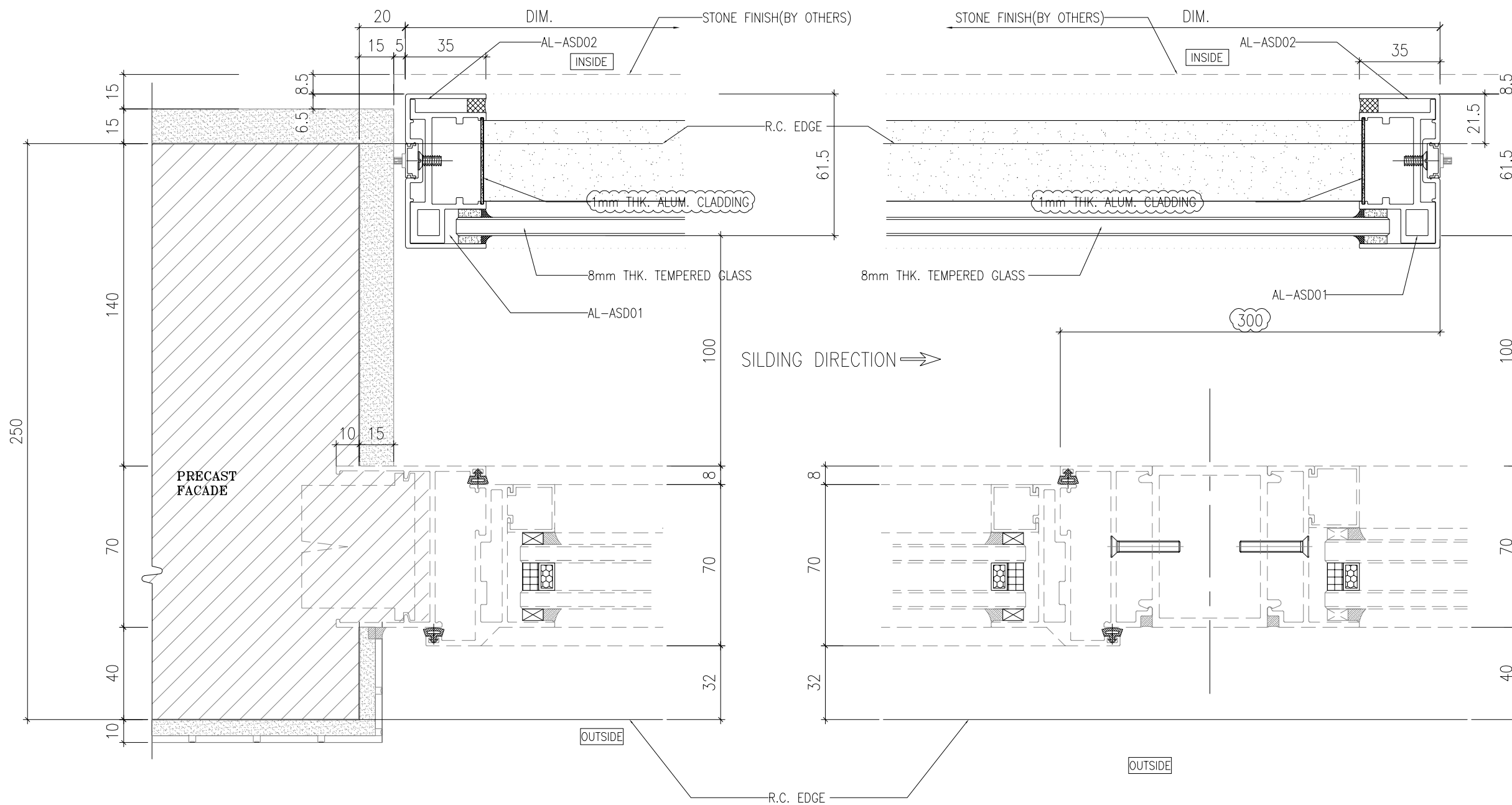


1 HORIZONTAL DETAIL  
SCALE 1:2

2 HORIZONTAL DETAIL  
SCALE 1:2

WITH MPA CASE

B.D. REF :			
CLIENT :			
 SUN HUNG KAI REAL ESTATE AGENCY LTD. 42/F SUN HUNG KAI CENTRE, WANCHAI, HONGKONG			
ARCHITECT :			
 IWK&partners architects			
MAIN CONTRACTOR :			
 怡輝建築有限公司 Yee Fai Building Contractors Ltd.			
STRUCTURAL ENGINEER :			
 ARUP			
FACADE CONSULTANT:			
 ALPHA CONSULTING LIMITED Steel Structure & Facade Specialist			
NOTE :			
1. ALL DIMENSIONS ARE IN mm. 2. ALL ELEVATIONS ARE VIEWED FROM OUTSIDE. 3. ALL DIMENSIONS TO BE VERIFIED ON SITE BEFORE FABRICATION.			
LEGEND :			
1. SOUND ABSORBING MATERIAL (PEF12_Noisestop Infill) 2. 3mm THK MIRCO PERFORATED ABSORBER (PMMA-type MPP535-3mm) 3. 1mm THK PERFORATED ALUM. SHEET (Pomute Alum. sheet)			
NO.	DATE	REVISED	BY
JOB NO. : J-856			
PROJECT :			
PROPOSED DEVELOPMENT ABOVE LIGHT RAIL TIN WING STOP, TSWTL NO.23, AREA 33, TIN SHUI WAI, N.T.			
TITLE :			
TYPICAL DETAILS FOR ACOUSTIC WINDOW			
DATE : 06-Jan-23		SCALE : 1:40	
DRAWN BY : Ivan		CHECKED BY :	
 MIDI ALUMINIUM FABRICATOR LTD. Units 6-8, Sunray Industrial Centre, 1/F 610 Cha Kwo Ling Road, Kowloon Tel: 23489211-4 Fax: (852) 2727666			
DWG NO. : J856-SD-AS-DT11			REV. : -



WITH OUT MPA CASE

B.D. REF :

CLIENT :  
**SUN HUNG KAI**  
 REAL ESTATE AGENCY LTD.  
 42/F SUN HUNG KAI CENTRE, WANCHAI, HONGKONG

ARCHITECT :  
**Iwk&partners**  
 architects

MAIN CONTRACTOR :  
**Yee Fai** Building Contractors Ltd.

STRUCTURAL ENGINEER :  
**ARUP**

FACADE CONSULTANT:  
**ALPHA CONSULTING LIMITED**  
 Steel Structure & Facade Specialist

NOTE :  
 1. ALL DIMENSIONS ARE IN mm.  
 2. ALL ELEVATIONS ARE VIEWED FROM OUTSIDE.  
 3. ALL DIMENSIONS TO BE VERIFIED ON SITE BEFORE FABRICATION.

LEGEND :  
 1. SOUND ABSORBING MATERIAL (PEF12\_Noisestop Infill)  
 2. 3mm THK MIRCO PERFORATED ABSORBER (PMMA-type MPP535-3mm)  
 3. 1mm THK PERFORATED ALUM. SHEET (Pomute Alum. sheet)

A	14/06/2023	REVISION SUBJECT TO ARCH.COMMENT	Ivan
NO.	DATE	REVISED	BY

JOB NO. : J-856  
 PROJECT : PROPOSED DEVELOPMENT ABOVE LIGHT RAIL TIN WING STOP, TSWTL NO.23, AREA 33, TIN SHUI WAI, N.T.

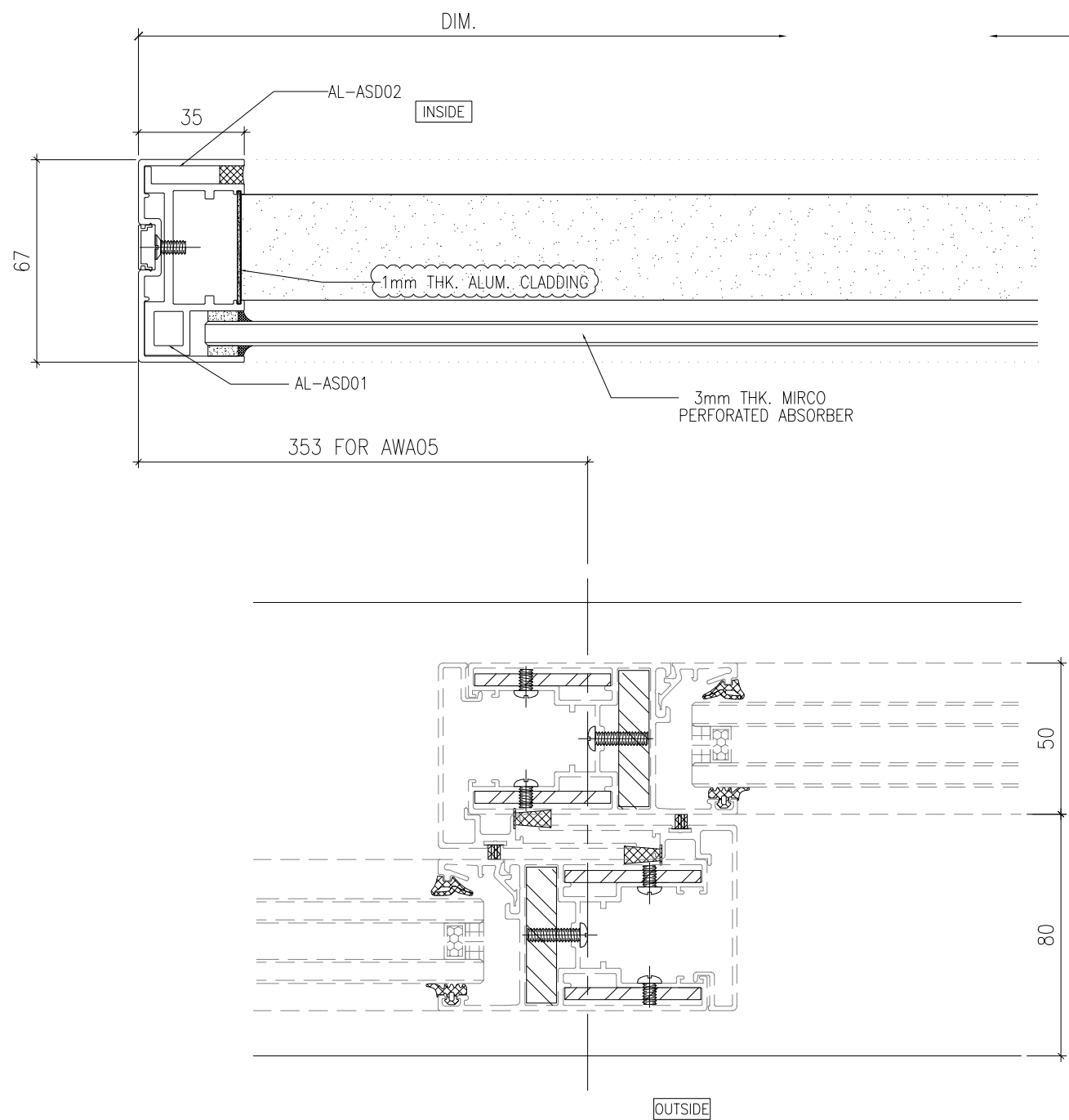
TITLE : TYPICAL DETAILS FOR ACOUSTIC WINDOW

DATE : 06-Jan-23 SCALE : 1:40

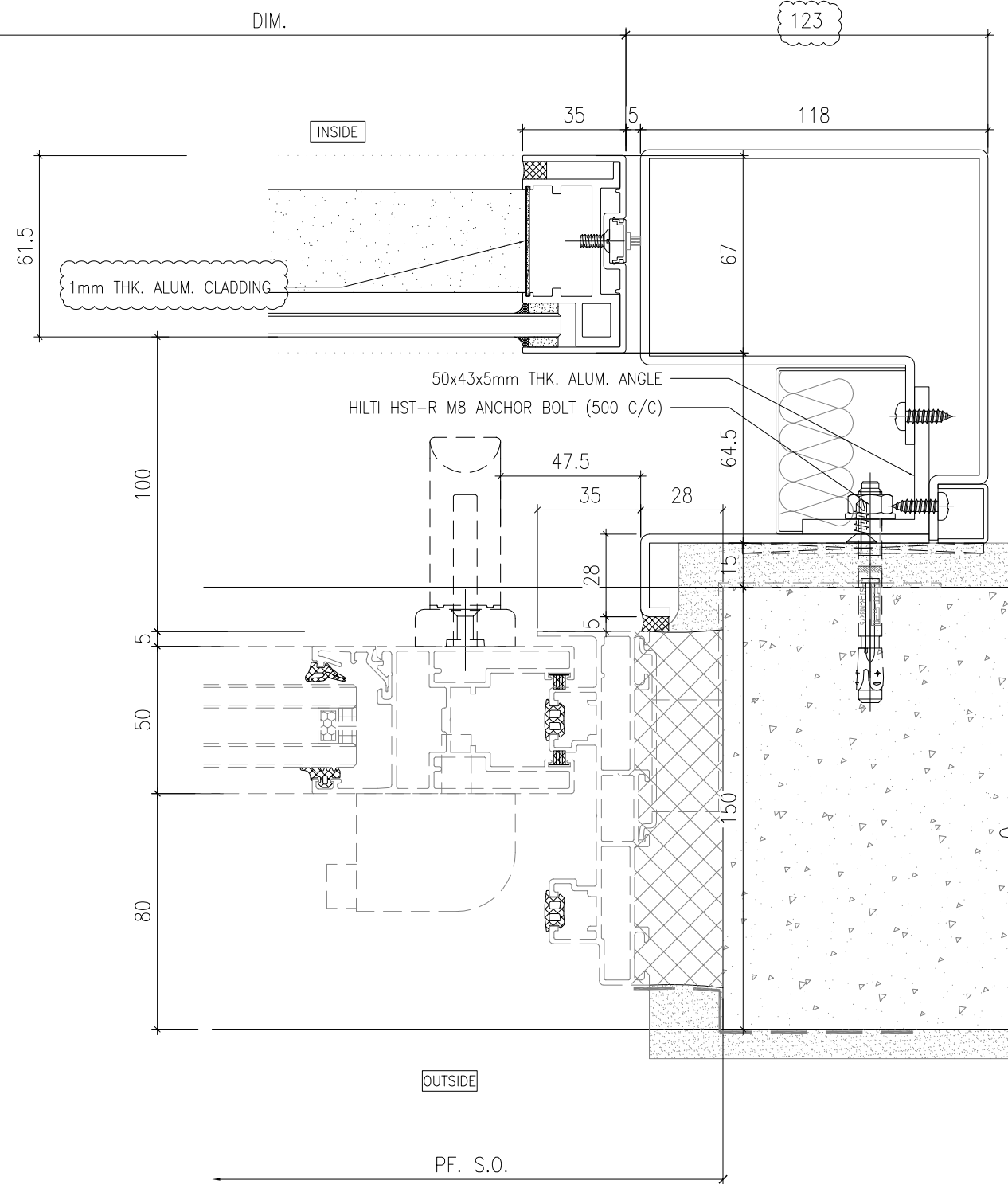
DRAWN BY : Ivan CHECKED BY :

**MIDI ALUMINIUM FABRICATOR LTD.**  
 Units 6-8, Sunray Industrial Centre, 1/F  
 610 Cha Kwo Ling Road, Kowloon  
 Tel: 23489211-4 Fax: (852) 27727666

DWG NO. : J856-SD-AS-DT21 REV. : A



1 HORIZONTAL DETAIL  
SCALE 1:2



2 HORIZONTAL DETAIL  
SCALE 1:2

WITH OUT MPA CASE

B.D. REF :

CLIENT :  
**SUN HUNG KAI**  
REAL ESTATE AGENCY LTD.  
42/F SUN HUNG KAI CENTRE, WANCHAI, HONGKONG

ARCHITECT :  
**lwk&partners**  
architects

MAIN CONTRACTOR :  
**Yee Fai** Building Contractors Ltd.

STRUCTURAL ENGINEER :  
**ARUP**

FACADE CONSULTANT:  
**ALPHA CONSULTING LIMITED**  
Steel Structure & Facade Specialist

NOTE :  
1. ALL DIMENSIONS ARE IN mm.  
2. ALL ELEVATIONS ARE VIEWED FROM OUTSIDE.  
3. ALL DIMENSIONS TO BE VERIFIED ON SITE BEFORE FABRICATION.

LEGEND :  
1. SOUND ABSORBING MATERIAL (PEF12\_Noisestop Infill)  
2. 3mm THK MIRCO PERFORATED ABSORBER (PMMA-type MPP535-3mm)  
3. 1mm THK PERFORATED ALUM. SHEET (Pomute Alum. sheet)

NO.	DATE	REVISED	BY
B	14/06/2023	REVISION SUBJECT TO ARCH.COMMENT	Ivan
A	12/01/2023	REVISION SUBJECT TO ARCH.COMMENT	Ivan

JOB NO. : J-856  
PROJECT : PROPOSED DEVELOPMENT ABOVE LIGHT RAIL TIN WING STOP, TSWTL NO.23, AREA 33, TIN SHUI WAI, N.T.

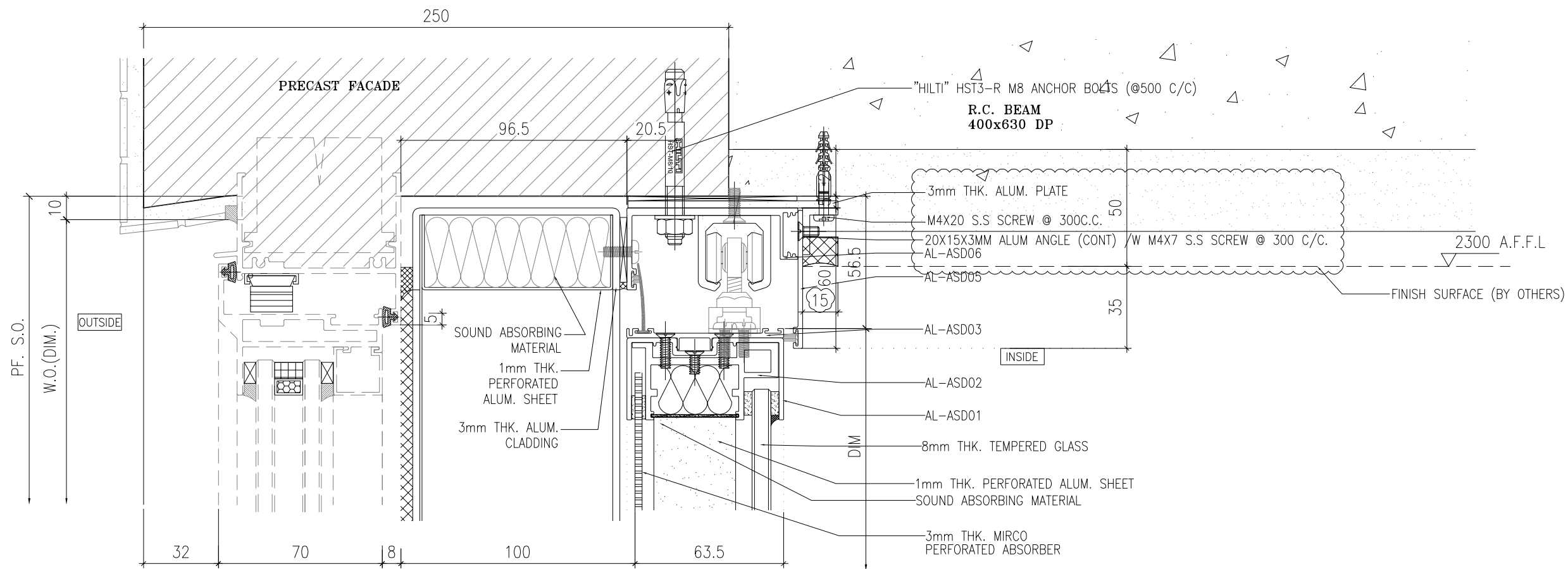
TITLE : TYPICAL DETAILS FOR ACOUSTIC WINDOW

DATE : 06-Jan-23 SCALE : 1:40

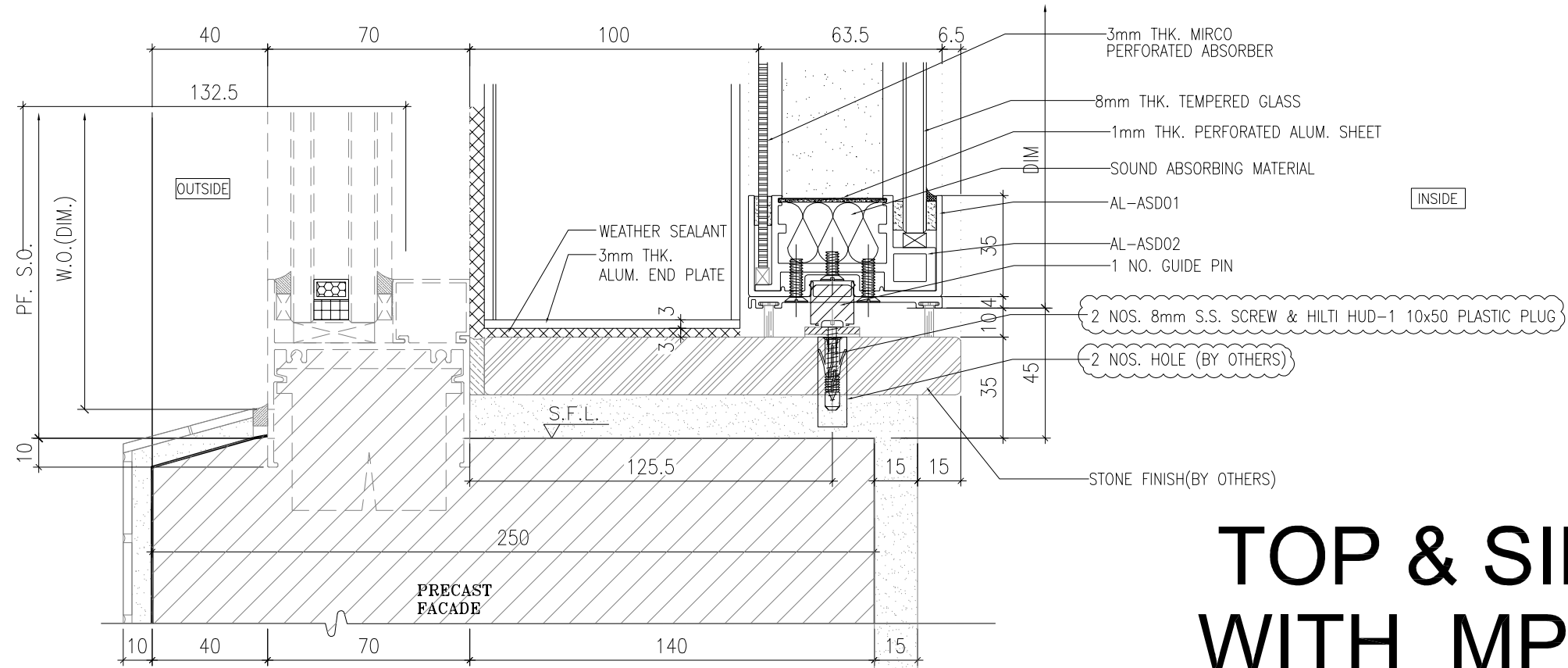
DRAWN BY : Ivan CHECKED BY :

**美特鋁質有限公司**  
MIDI ALUMINIUM FABRICATOR LTD.  
Units 6-8, Sunray Industrial Centre, 1/F  
610 Cha Kwo Ling Road, Kowloon  
Tel: 23489211-4 Fax: (852) 27727666

DWG NO. : J856-SD-AS-DT22 REV. : B



1 VERTICAL DETAIL  
SCALE 1:2



2 VERTICAL DETAIL  
SCALE 1:2

# TOP & SIDE SAM WITH MPA CASE

B.D. REF :

CLIENT :  
**SUN HUNG KAI**  
 REAL ESTATE AGENCY LTD.  
 42/F SUN HUNG KAI CENTRE, WANCHAI, HONGKONG

ARCHITECT :  
**IWK&partners**  
 architects

MAIN CONTRACTOR :  
**Yee Fai** Building Contractors Ltd.

STRUCTURAL ENGINEER :  
**ARUP**

FACADE CONSULTANT:  
**ALPHA CONSULTING LIMITED**  
 Steel Structure & Facade Specialist

NOTE :  
 1. ALL DIMENSIONS ARE IN mm.  
 2. ALL ELEVATIONS ARE VIEWED FROM OUTSIDE.  
 3. ALL DIMENSIONS TO BE VERIFIED ON SITE BEFORE FABRICATION.

LEGEND :  
 1. SOUND ABSORBING MATERIAL (PEF12\_Noisestop Infill)  
 2. 3mm THK MICRO PERFORATED ABSORBER (PMMA-type MPP535-3mm)  
 3. 1mm THK PERFORATED ALUM. SHEET (Pomute Alum. sheet)

NO.	DATE	REVISED	BY
C	28/8/2023	UPDATE AND INSTALL ASD05 METHOD	Ivan
B	10/8/2023	REVISION SUBJECT TO ARCH.COMMENT	Ivan
A	20/3/2023	REVISION SUBJECT TO ARCH.COMMENT	Ivan

JOB NO. : J-856

PROJECT : PROPOSED DEVELOPMENT ABOVE LIGHT RAIL TIN WING STOP, TSWL NO.23, AREA 33, TIN SHUI WAI, N.T.

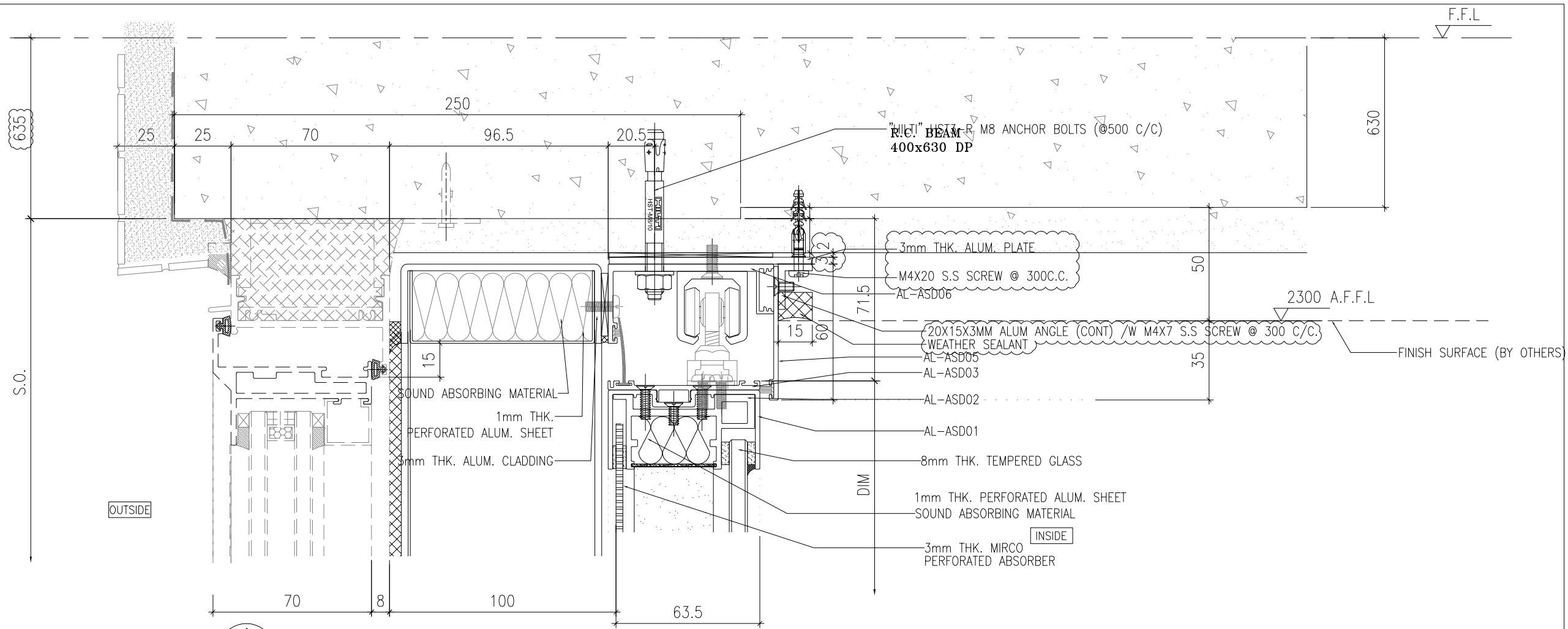
TITLE : TYPICAL DETAILS FOR ACOUSTIC WINDOW

DATE : 06-Jan-23 SCALE : 1:40

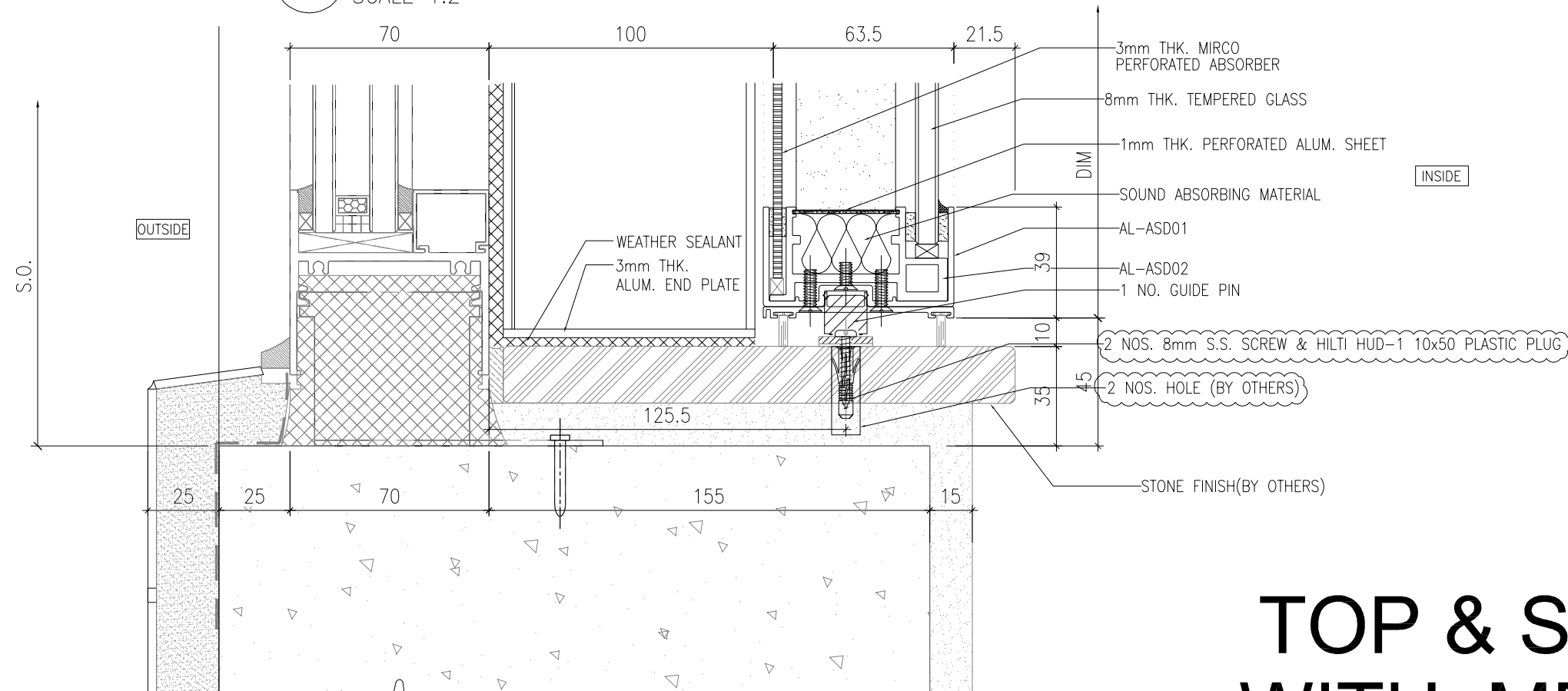
DRAWN BY : Ivan CHECKED BY :

**美特鋁質有限公司**  
 MIDI ALUMINIUM FABRICATOR LTD.  
 Units 6-8, Sunray Industrial Centre, 1/F  
 610 Cha Kwo Ling Road, Kowloon  
 Tel: 23489211-4 Fax: (852) 27727666

DWG NO. : J856-SD-AS-DT51 REV. : C



1 HORIZONTAL DETAIL  
SCALE 1:2



2 VERTICAL DETAIL  
SCALE 1:2

# TOP & SIDE SAM WITH MPA CASE

B.D. REF :

CLIENT :  
**SUN HUNG KAI**  
REAL ESTATE AGENCY LTD.  
42/F SUN HUNG KAI CENTRE, WANCHAI, HONGKONG

ARCHITECT :  
**lwk&partners**  
architects

MAIN CONTRACTOR :  
**Yee Fai** Building Contractors Ltd.

STRUCTURAL ENGINEER :  
**ARUP**

FACADE CONSULTANT:  
**ALPHA CONSULTING LIMITED**  
Steel Structure & Facade Specialist

NOTE :  
1. ALL DIMENSIONS ARE IN mm.  
2. ALL ELEVATIONS ARE VIEWED FROM OUTSIDE.  
3. ALL DIMENSIONS TO BE VERIFIED ON SITE BEFORE FABRICATION.

LEGEND :  
1. SOUND ABSORBING MATERIAL (PEF12\_Noisestop Infill)  
2. 3mm THK MIRCO PERFORATED ABSORBER (PMMA-type MPP535-3mm)  
3. 1mm THK PERFORATED ALUM. SHEET (Pomute Alum. sheet)

NO.	DATE	REVISED	BY
C	28/8/2023	UPDATE AND INSTALL ASD05 METHOD	Ivan
B	10/8/2023	REVISION SUBJECT TO ARCH.COMMENT	Ivan
A	20/3/2023	REVISION SUBJECT TO ARCH.COMMENT	Ivan

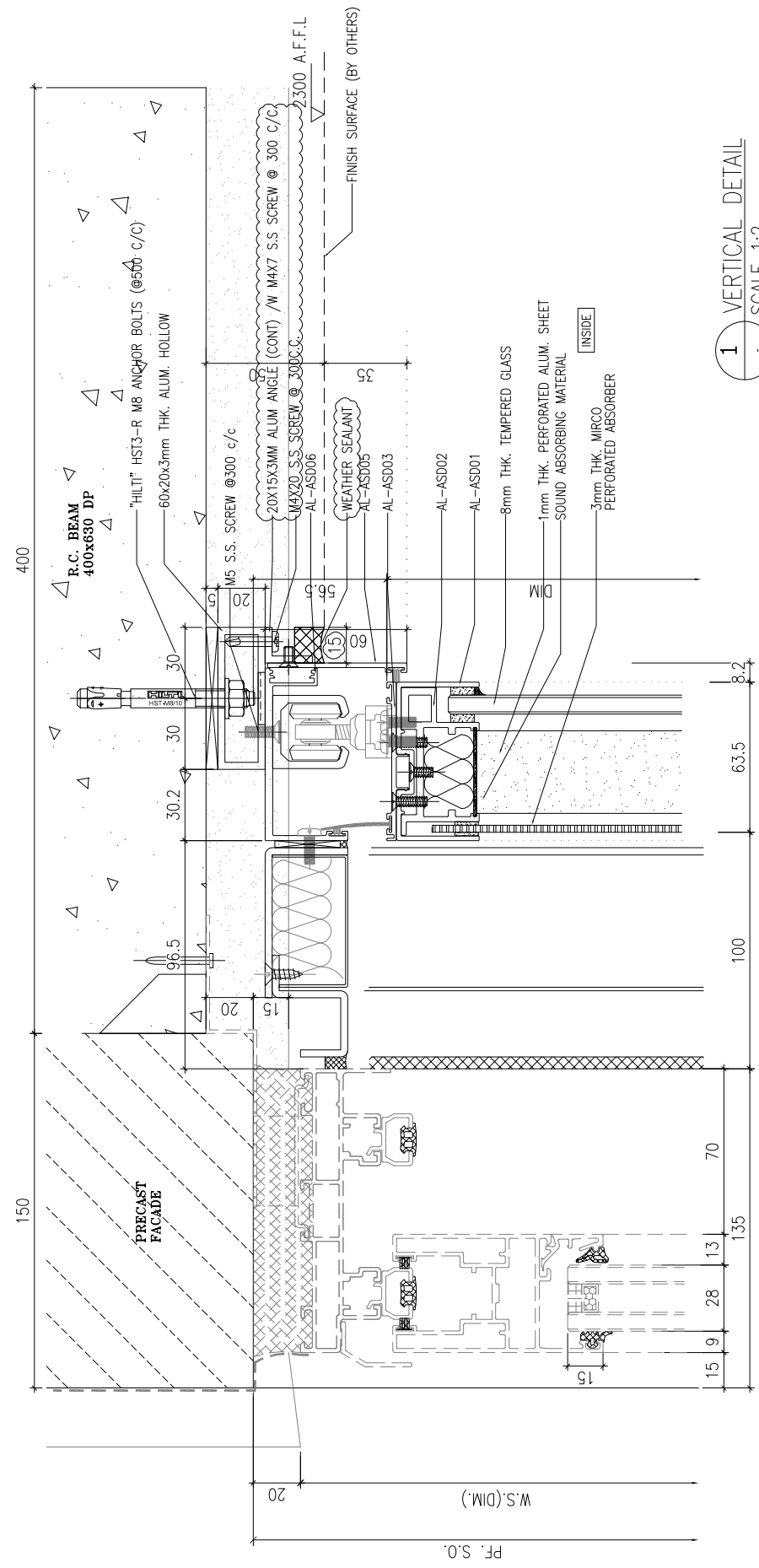
JOB NO. : J-856  
PROJECT : PROPOSED DEVELOPMENT ABOVE LIGHT RAIL TIN WING STOP, TSWL NO.23, AREA 33, TIN SHUI WAI, N.T.

TITLE : TYPICAL DETAILS FOR ACOUSTIC WINDOW

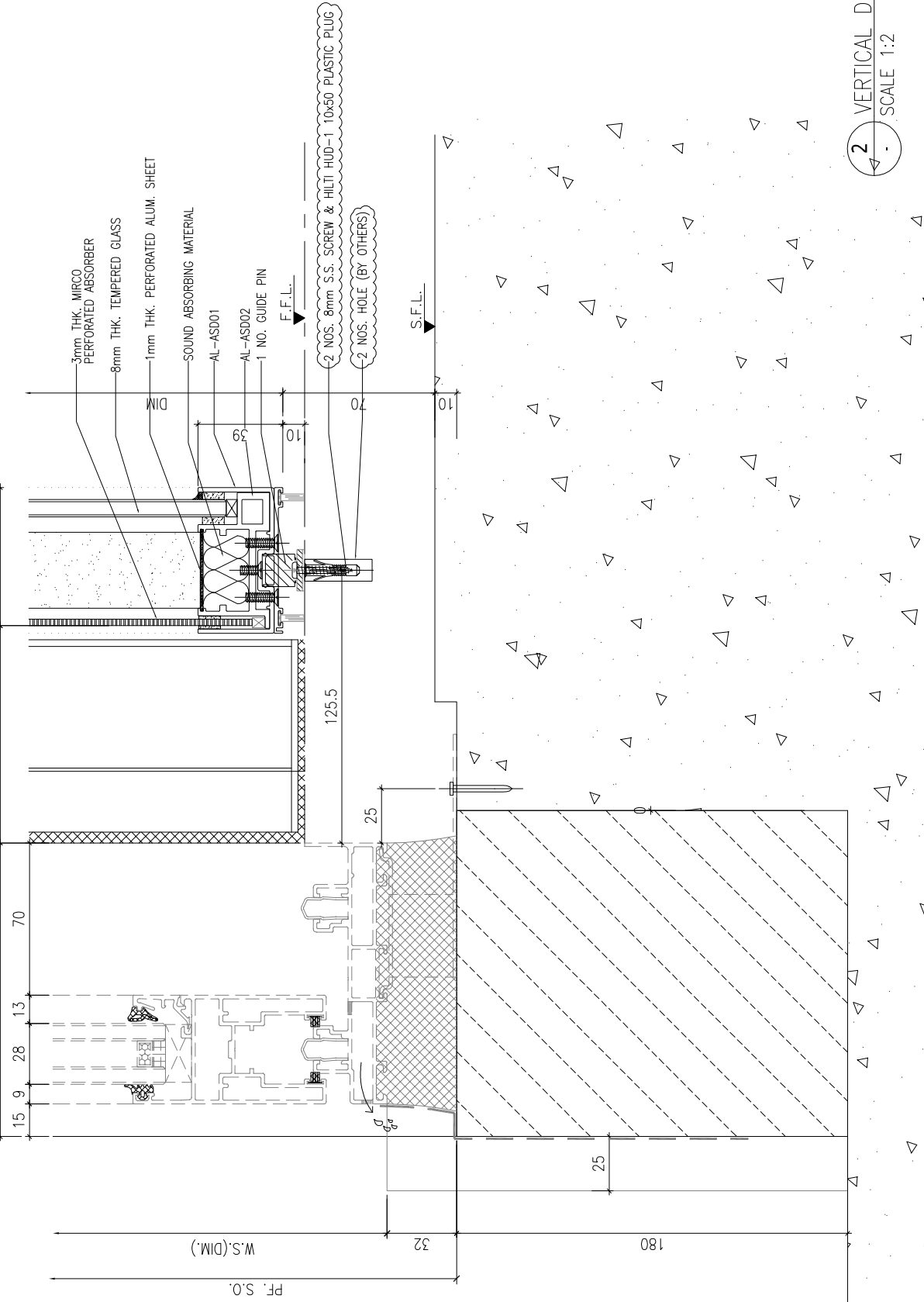
DATE : 06-Jan-23 SCALE : 1:40  
DRAWN BY : Ivan CHECKED BY :

**美特鋁質有限公司**  
MIDI ALUMINIUM FABRICATOR LTD.  
Units 6-8, Sunray Industrial Centre, 1/F  
610 Cha Kwo Ling Road, Kowloon  
Tel: 23489211-4 Fax: (852) 27727666

DWG NO. : J856-SD-AS-DT52 REV. : C



1 VERTICAL DETAIL  
SCALE 1:2



2 VERTICAL DETAIL  
SCALE 1:2

# TOP & SIDE SAM WITH MPA CASE

B.D. REF :

CLIENT :

**SUN HUNG KAI**  
REAL ESTATE AGENCY LTD.  
42/F SUN HUNG KAI CENTRE, WANCHAI, HONGKONG

ARCHITECT :

**lwk&partners**  
architects

MAIN CONTRACTOR :

**Yee Fai** Building Contractors Ltd.

STRUCTURAL ENGINEER :

**ARUP**

FACADE CONSULTANT:

**ALPHA CONSULTING LIMITED**  
Steel Structure & Facade Specialist

NOTE :

1. ALL DIMENSIONS ARE IN mm.
2. ALL ELEVATIONS ARE VIEWED FROM OUTSIDE.
3. ALL DIMENSIONS TO BE VERIFIED ON SITE BEFORE FABRICATION.

LEGEND :

1. SOUND ABSORBING MATERIAL (PEF12\_Noisestop Infill)
2. 3mm THK MIRCO PERFORATED ABSORBER (PMMA-type MPP535-3mm)
3. 1mm THK PERFORATED ALUM. SHEET (Pomute Alum. sheet)

NO.	DATE	REVISION	BY
C	28/8/2023	UPDATE AND INSTALL ASD05 METHOD	Ivan
B	10/8/2023	REVISION SUBJECT TO ARCH.COMMENT	Ivan
A	20/3/2023	REVISION SUBJECT TO ARCH.COMMENT	Ivan

JOB NO. : J-856

PROJECT :  
PROPOSED DEVELOPMENT ABOVE  
LIGHT RAIL TIN WING STOP, TSWTL  
NO.23, AREA 33, TIN SHUI WAI, N.T.

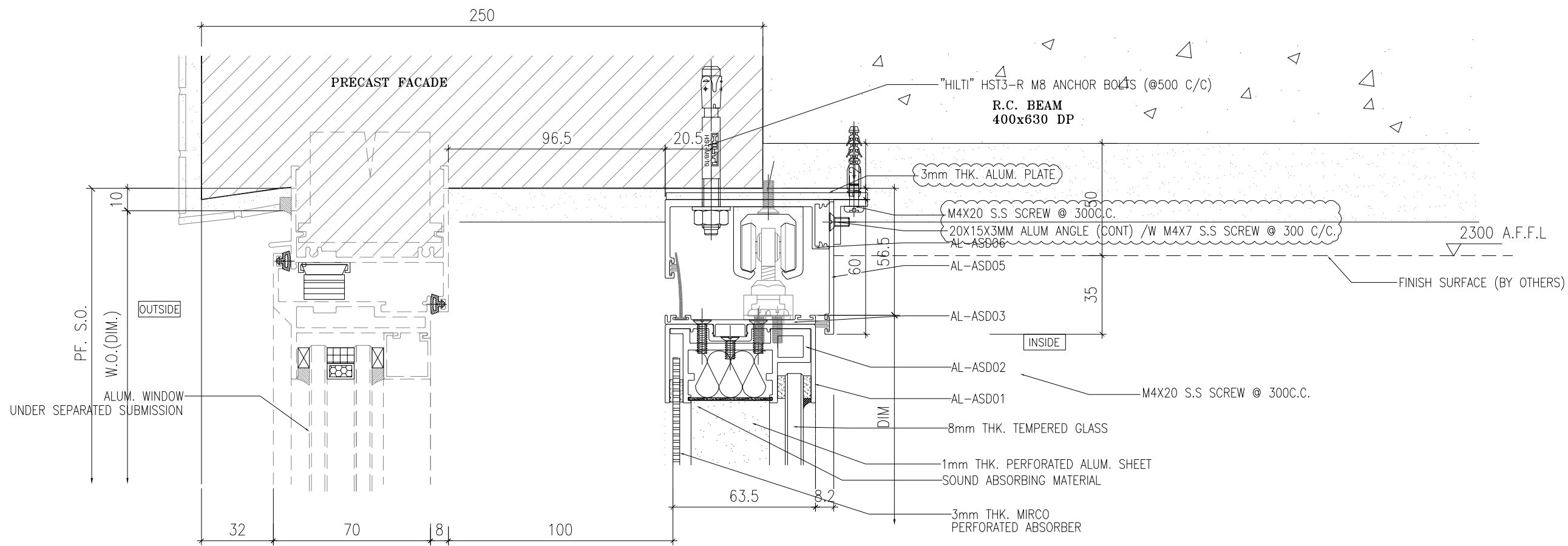
TITLE :  
TYPICAL DETAILS FOR  
ACOUSTIC WINDOW

DATE : 06-Jan-23 SCALE : 1:40

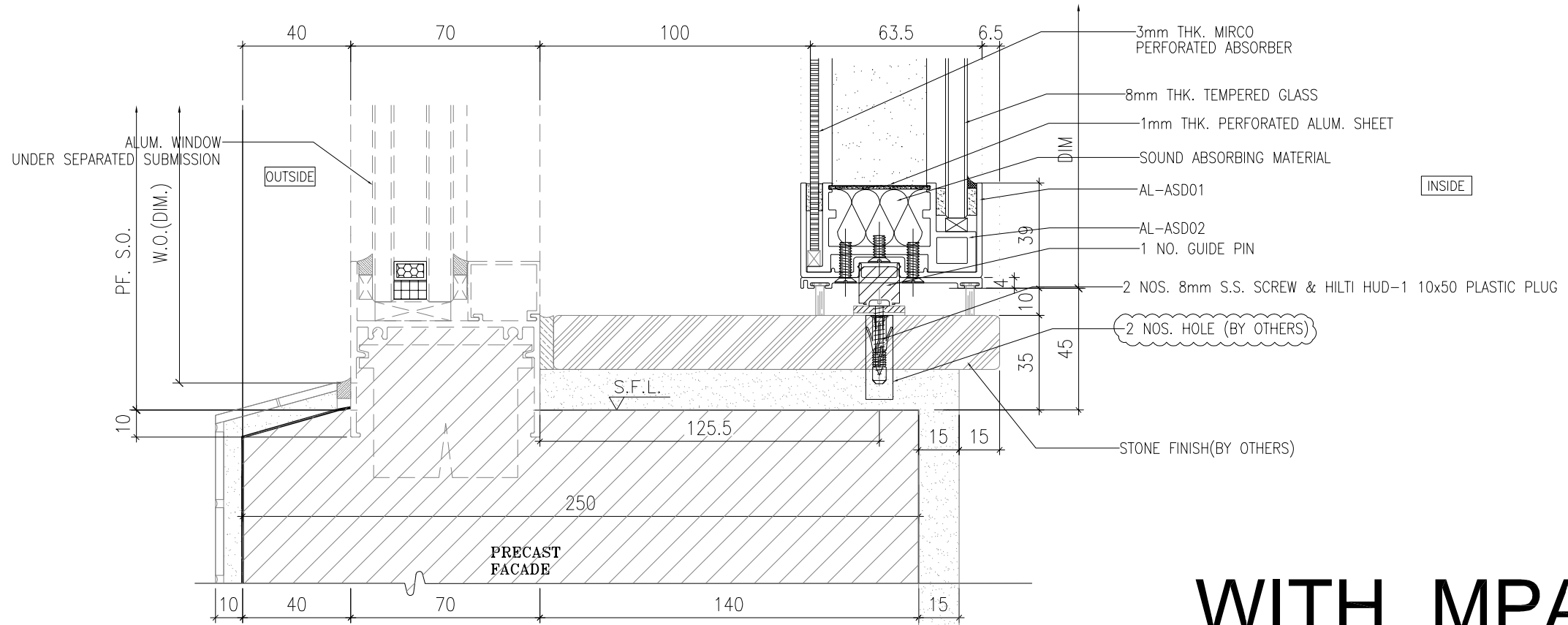
DRAWN BY : Ivan CHECKED BY :

**美特鋁質有限公司**  
**MIDI ALUMINUM FABRICATOR LTD.**  
Units 6-8, Sunray Industrial Centre, 1/F  
610 Cha Kwo Ling Road, Kowloon  
Tel: 23489211-4 Fax: (852) 27727666

DWG NO. : J856-SD-AS-DT53 REV. : C



1 VERTICAL DETAIL  
SCALE 1:2



2 VERTICAL DETAIL  
SCALE 1:2

**WITH MPA CASE**

B.D. REF :

CLIENT :  
**SUN HUNG KAI**  
 REAL ESTATE AGENCY LTD.  
 42/F SUN HUNG KAI CENTRE, WANCHAI, HONGKONG

ARCHITECT :  
**Iwk&partners**  
 architects

MAIN CONTRACTOR :  
**怡輝建築有限公司**  
**Yee Fai** Building Contractors Ltd.

STRUCTURAL ENGINEER :  
**ARUP**

FACADE CONSULTANT:  
**ALPHA CONSULTING LIMITED**  
 Steel Structure & Facade Specialist

- NOTE :
1. ALL DIMENSIONS ARE IN mm.
  2. ALL ELEVATIONS ARE VIEWED FROM OUTSIDE.
  3. ALL DIMENSIONS TO BE VERIFIED ON SITE BEFORE FABRICATION.
- LEGEND :
1. SOUND ABSORBING MATERIAL (PEF12\_Noisestop Infill)
  2. 3mm THK MIRCO PERFORATED ABSORBER (PMMA-type MPP535-3mm)
  3. 1mm THK PERFORATED ALUM. SHEET (Pomute Alum. sheet)

NO.	DATE	REVISED	BY
B	28/8/2023	UPDATE AND INSTALL ASD05 METHOD	Ivan
A	10/8/2023	REVISION SUBJECT TO ARCH.COMMENT	Ivan

JOB NO. : J-856

PROJECT : PROPOSED DEVELOPMENT ABOVE LIGHT RAIL TIN WING STOP, TSWL NO.23, AREA 33, TIN SHUI WAI, N.T.

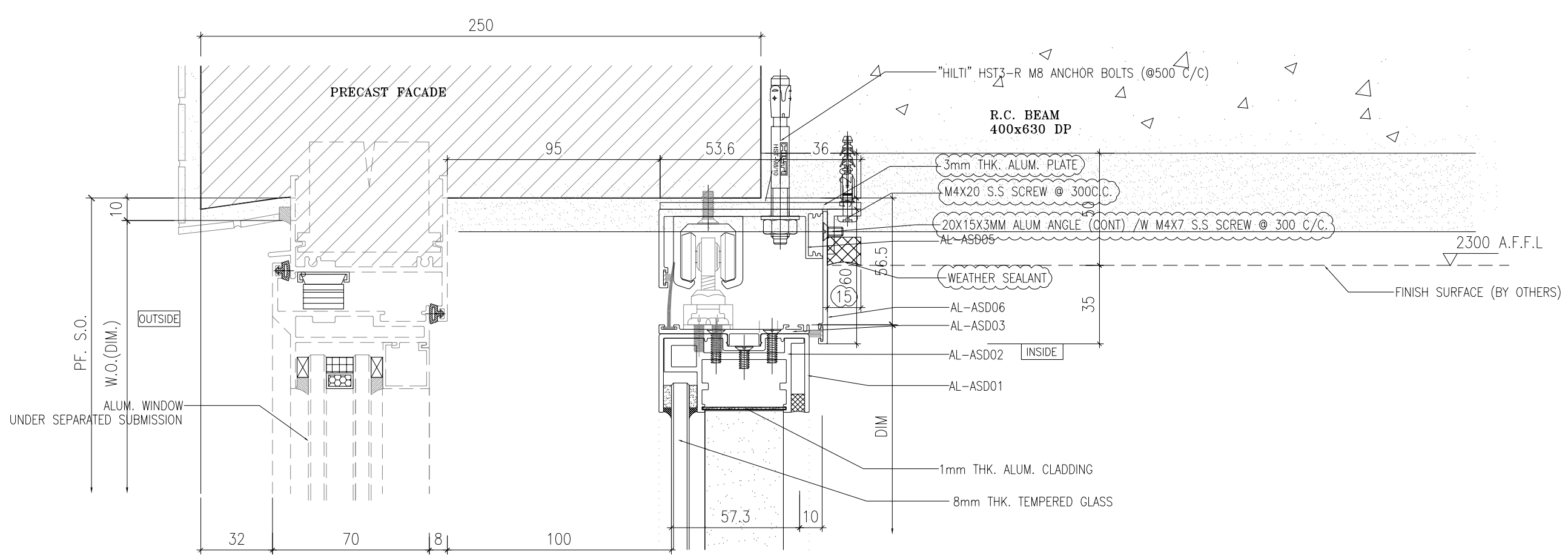
TITLE : TYPICAL DETAILS FOR ACOUSTIC WINDOW

DATE : 06-Jan-23 SCALE : 1:40

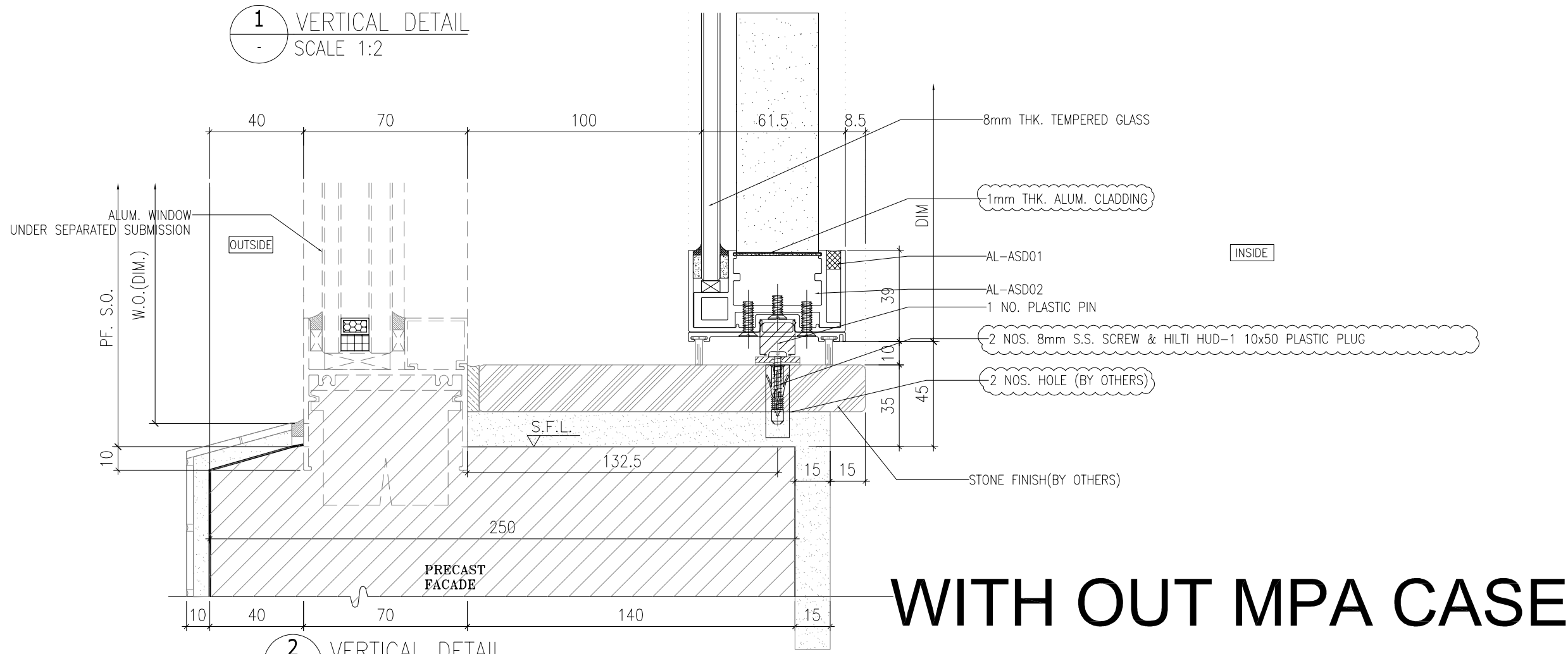
DRAWN BY : Ivan CHECKED BY :

**美特鋁質有限公司**  
**MIDI** ALUMINIUM FABRICATOR LTD.  
 Units 6-8, Sunray Industrial Centre, 1/F  
 610 Cha Kwo Ling Road, Kowloon  
 Tel: 23489211-4 Fax: (852) 27727666

DWG NO. : J856-SD-AS-DT61 REV. : B



1 VERTICAL DETAIL  
SCALE 1:2



2 VERTICAL DETAIL  
SCALE 1:2

**WITH OUT MPA CASE**

B.D. REF :

CLIENT :  
**SUN HUNG KAI**  
 REAL ESTATE AGENCY LTD.  
 42/F SUN HUNG KAI CENTRE, WANCHAI, HONGKONG

ARCHITECT :  
**Iwk&partners**  
 architects

MAIN CONTRACTOR :  
**Yee Fai** Building Contractors Ltd.

STRUCTURAL ENGINEER :  
**ARUP**

FACADE CONSULTANT:  
**ALPHA CONSULTING LIMITED**  
 Steel Structure & Facade Specialist

NOTE :  
 1. ALL DIMENSIONS ARE IN mm.  
 2. ALL ELEVATIONS ARE VIEWED FROM OUTSIDE.  
 3. ALL DIMENSIONS TO BE VERIFIED ON SITE BEFORE FABRICATION.

LEGEND :  
 1. SOUND ABSORBING MATERIAL (PEF12\_Noisestop Infill)  
 2. 3mm THK MIRCO PERFORATED ABSORBER (PMMA-type MPP535-3mm)  
 3. 1mm THK PERFORATED ALUM. SHEET (Pomute Alum. sheet)

NO.	DATE	REVISED	BY
C	28/8/2023	UPDATE AND INSTALL ASD05 METHOD	Ivan
B	10/8/2023	REVISION SUBJECT TO ARCH.COMMENT	Ivan
A	14/6/2023	REVISION SUBJECT TO ARCH.COMMENT	Ivan

JOB NO. : J-856

PROJECT : PROPOSED DEVELOPMENT ABOVE LIGHT RAIL TIN WING STOP, TSWTL NO.23, AREA 33, TIN SHUI WAI, N.T.

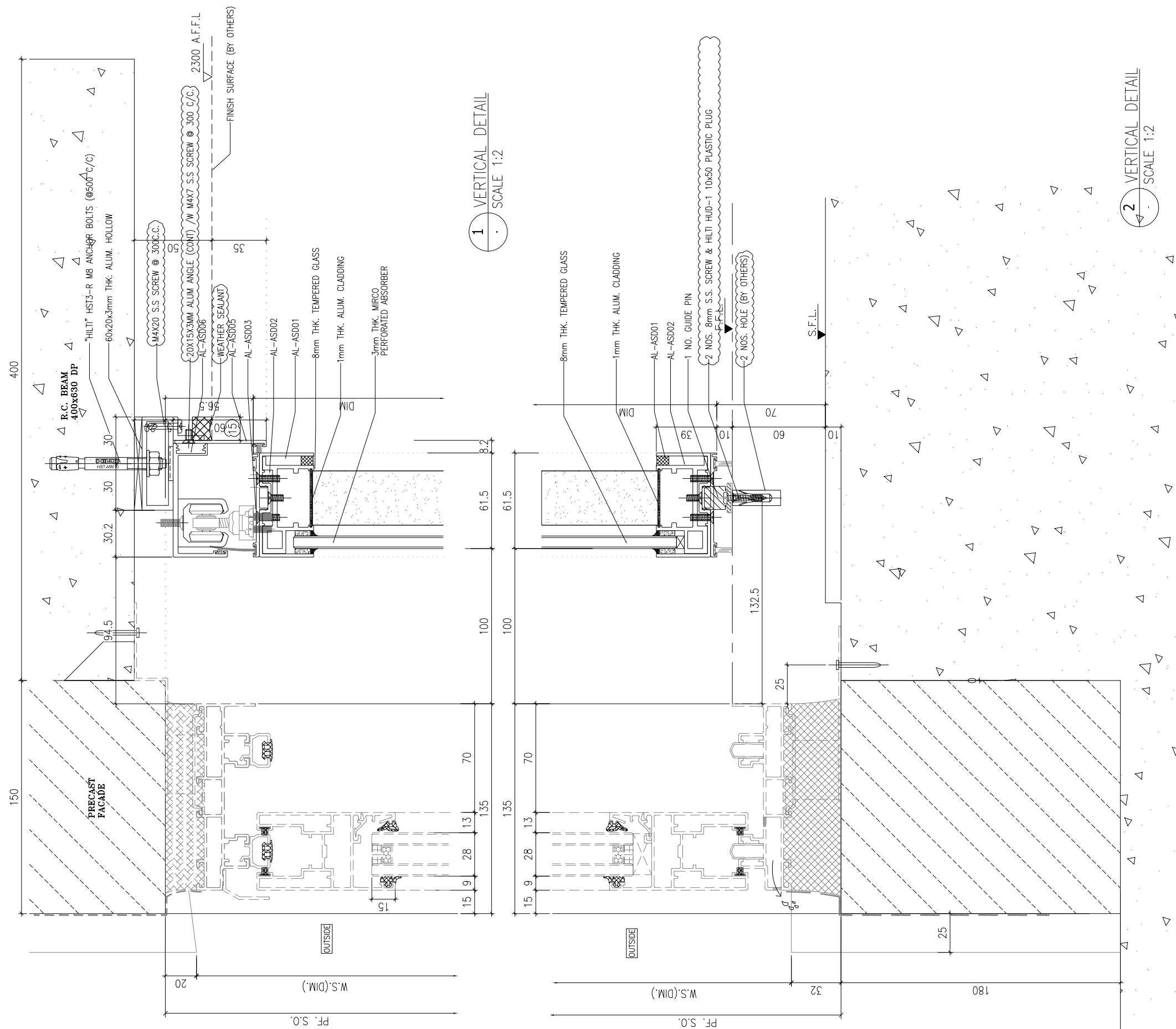
TITLE : TYPICAL DETAILS FOR ACOUSTIC WINDOW

DATE : 06-Jan-23 SCALE : 1:40

DRAWN BY : Ivan CHECKED BY :

**MIDI ALUMINIUM FABRICATOR LTD.**  
 Units 6-8, Sunray Industrial Centre, 1/F  
 610 Cha Kwo Ling Road, Kowloon  
 Tel: 23489211-4 Fax: (852) 27727666

DWG NO. : J856-SD-AS-DT71 REV. : C



1 VERTICAL DETAIL  
SCALE 1:2

2 VERTICAL DETAIL  
SCALE 1:2

# WITH OUT MPA CASE

B.D. REF :

CLIENT :  
**SUN HUNG KAI**  
 REAL ESTATE AGENCY LTD.  
 42/F SUN HUNG KAI CENTRE, WANCHAI, HONGKONG

ARCHITECT :  
**lwk&partners**  
 architects

MAIN CONTRACTOR :  
**Yee Fai** Building Contractors Ltd.

STRUCTURAL ENGINEER :  
**ARUP**

FACADE CONSULTANT:  
**ALPHA CONSULTING LIMITED**  
 Steel Structure & Facade Specialist

NOTE :  
 1. ALL DIMENSIONS ARE IN mm.  
 2. ALL ELEVATIONS ARE VIEWED FROM OUTSIDE.  
 3. ALL DIMENSIONS TO BE VERIFIED ON SITE BEFORE FABRICATION.

LEGEND :  
 1. SOUND ABSORBING MATERIAL (PEF12\_Noisestop Infill)  
 2. 3mm THK MIRCO PERFORATED ABSORBER (PMMA-type MPP535-3mm)  
 3. 1mm THK PERFORATED ALUM. SHEET (Pomute Alum. sheet)

C	28/8/2023	UPDATE AND INSTALL ASD05 METHOD	Ivan
B	10/8/2023	REVISION SUBJECT TO ARCH.COMMENT	Ivan
A	14/6/2023	REVISION SUBJECT TO ARCH.COMMENT	Ivan
NO.	DATE	REVISED	BY

JOB NO. : J-856

PROJECT : PROPOSED DEVELOPMENT ABOVE LIGHT RAIL TIN WING STOP, TSWTL NO.23, AREA 33, TIN SHUI WAI, N.T.

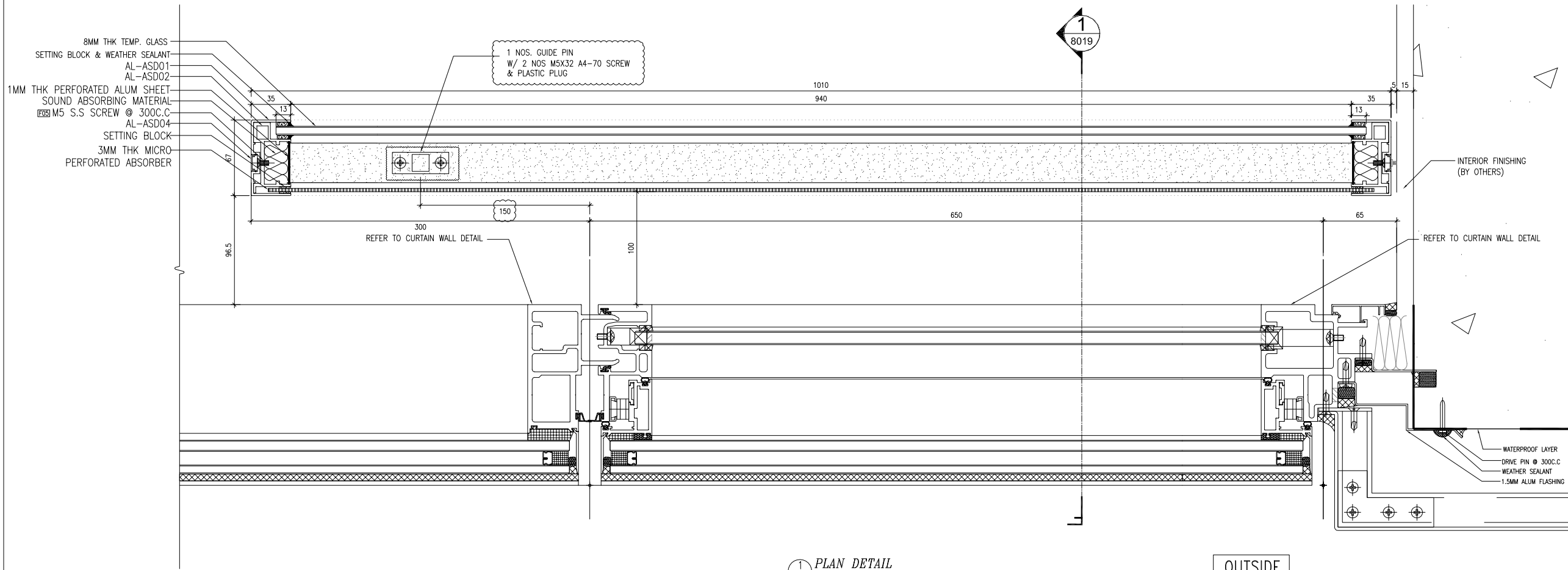
TITLE : TYPICAL DETAILS FOR ACOUSTIC WINDOW

DATE : 06-Jan-23 SCALE : 1:40

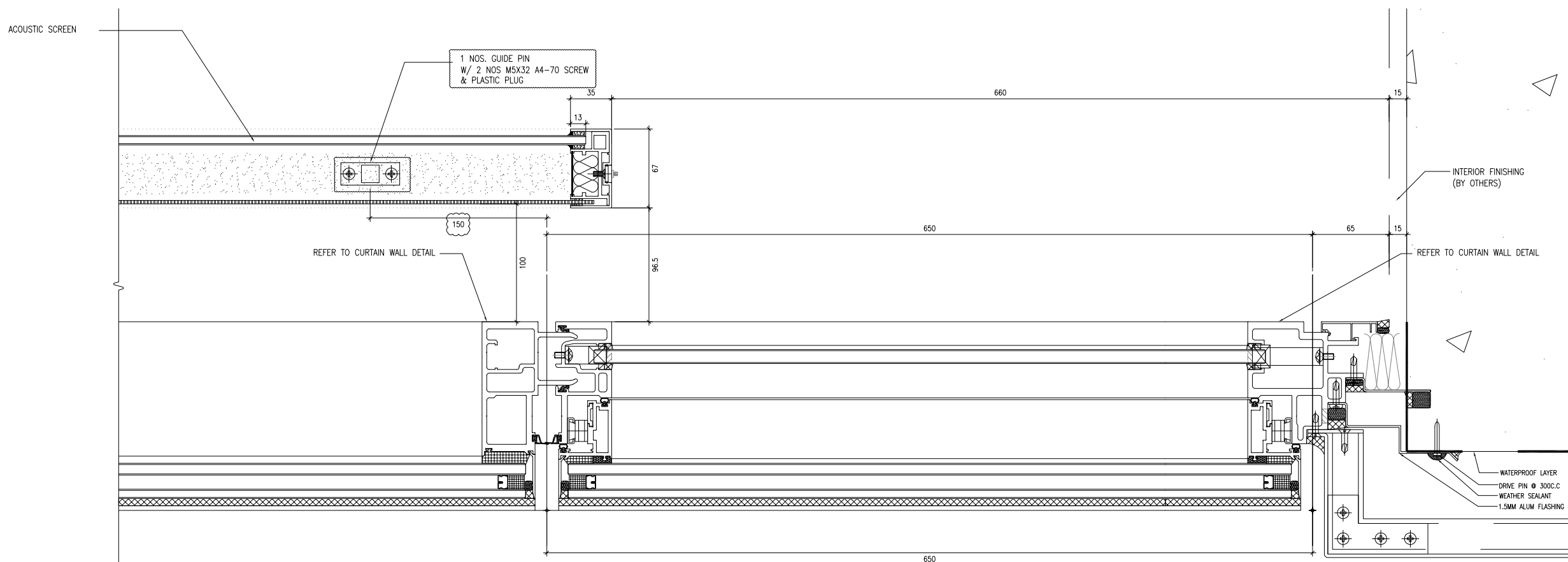
DRAWN BY : Ivan CHECKED BY :

**美特鋁質有限公司**  
 MIDI ALUMINUM FABRICATOR LTD.  
 Units 6-8, Sunray Industrial Centre, 1/F  
 610 Cha Kwo Ling Road, Kowloon  
 Tel:23489211-4 Fax:(852)2727666

DWG NO. : J856-SD-AS-DT72 REV. : C



1  
8018 PLAN DETAIL  
ACOUSTIC SCREEN AW1 (● ACOUSTIC MODE)  
A.W FOR T1 A8 MBR (5/F-20/F) ONLY



1A  
8018 PLAN DETAIL  
ACOUSTIC SCREEN(OPEN)

B.D. REF :

CLIENT :  
**SUN HUNG KAI**  
REAL ESTATE AGENCY LTD.  
42/F SUN HUNG KAI CENTRE, WANCHAI, HONGKONG

ARCHITECT :  
**lwk&partners**  
architects

MAIN CONTRACTOR :  
**Yee Fai** Building Contractors Ltd.

STRUCTURAL ENGINEER :  
**ARUP**

FACADE CONSULTANT:  
**ALPHA CONSULTING LIMITED**  
Steel Structure & Facade Specialist

NOTE :  
1. ALL DIMENSIONS ARE IN mm.  
2. ALL ELEVATIONS ARE VIEWED FROM OUTSIDE.  
3. ALL DIMENSIONS TO BE VERIFIED ON SITE BEFORE FABRICATION.

LEGEND :  
1. SOUND ABSORBING MATERIAL (PEF12\_Noisestop Infill)  
2. 3mm THK MICRO PERFORATED ABSORBER (PMMA-type MPP535-3mm)  
3. 1mm THK PERFORATED ALUM. SHEET (Pomute Alum. sheet)

NO.	DATE	REVISED	BY

JOB NO. : J-856  
PROJECT : PROPOSED DEVELOPMENT ABOVE LIGHT RAIL TIN WING STOP, TSWTL NO.23, AREA 33, TIN SHUI WAI, N.T.

TITLE : TYPICAL DETAIL FOR CURTAIN WALL ACOUSTIC WINDOW

DATE : 31-OCT-22 SCALE : 1:4

DRAWN BY : C.F. CHECKED BY :

**MIDI ALUMINIUM FABRICATOR LTD.**  
Units 6-8, Sunray Industrial Centre, 1/F  
610 Cha Kwo Ling Road, Kowloon  
Tel: 23489211-4 Fax: (852) 27727666

DWG NO. : J856-SD-CW-8018 REV. : -

B.D. REF :

CLIENT :  
**SUN HUNG KAI**  
REAL ESTATE AGENCY LTD.  
42/F SUN HUNG KAI CENTRE, WANCHAI, HONGKONG

ARCHITECT :  
**lwk&partners**  
architects

MAIN CONTRACTOR :  
**Yee Fai** 怡輝建築有限公司  
Building Contractors Ltd.

STRUCTURAL ENGINEER :  
**ARUP**

FACADE CONSULTANT:  
**ALPHA CONSULTING LIMITED**  
Steel Structure & Facade Specialist

NOTE :  
1. ALL DIMENSIONS ARE IN mm.  
2. ALL ELEVATIONS ARE VIEWED FROM OUTSIDE.  
3. ALL DIMENSIONS TO BE VERIFIED ON SITE BEFORE FABRICATION.

LEGEND :  
1. SOUND ABSORBING MATERIAL (PEF12\_Noisestop Infill)  
2. 3mm THK MIRCO PERFORATED ABSORBER (PMMA-type MPP535-3mm)  
3. 1mm THK PERFORATED ALUM. SHEET (Pomute Alum. sheet)

NO. DATE REVISED BY

JOB NO. : J-856  
PROJECT : PROPOSED DEVELOPMENT ABOVE LIGHT RAIL TIN WING STOP, TSWTL NO.23, AREA 33, TIN SHUI WAI, N.T.

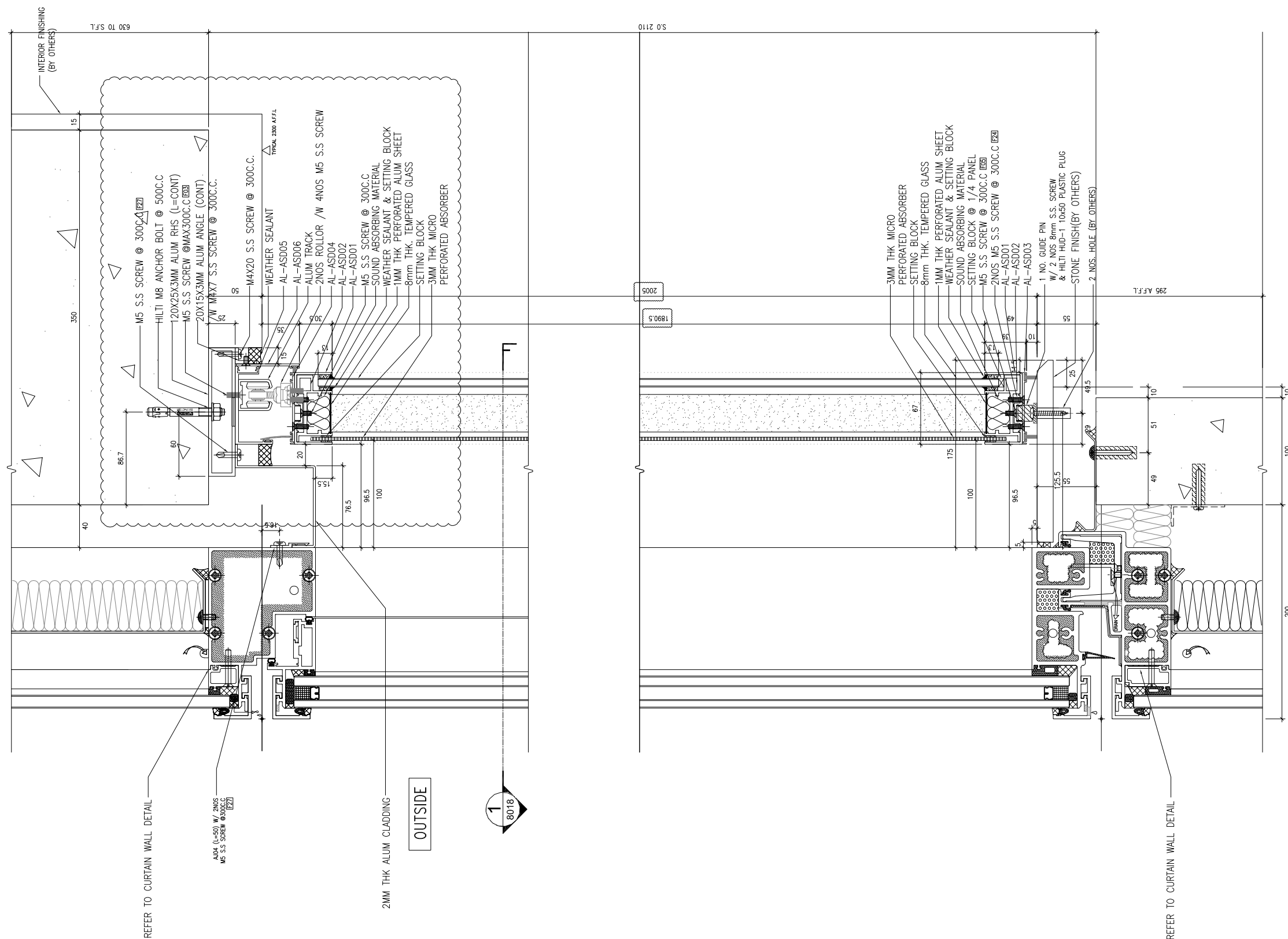
TITLE : TYPICAL DETAIL FOR CURTAIN WALL ACOUSTIC WINDOW

DATE : 31-OCT-22 SCALE : 1:4

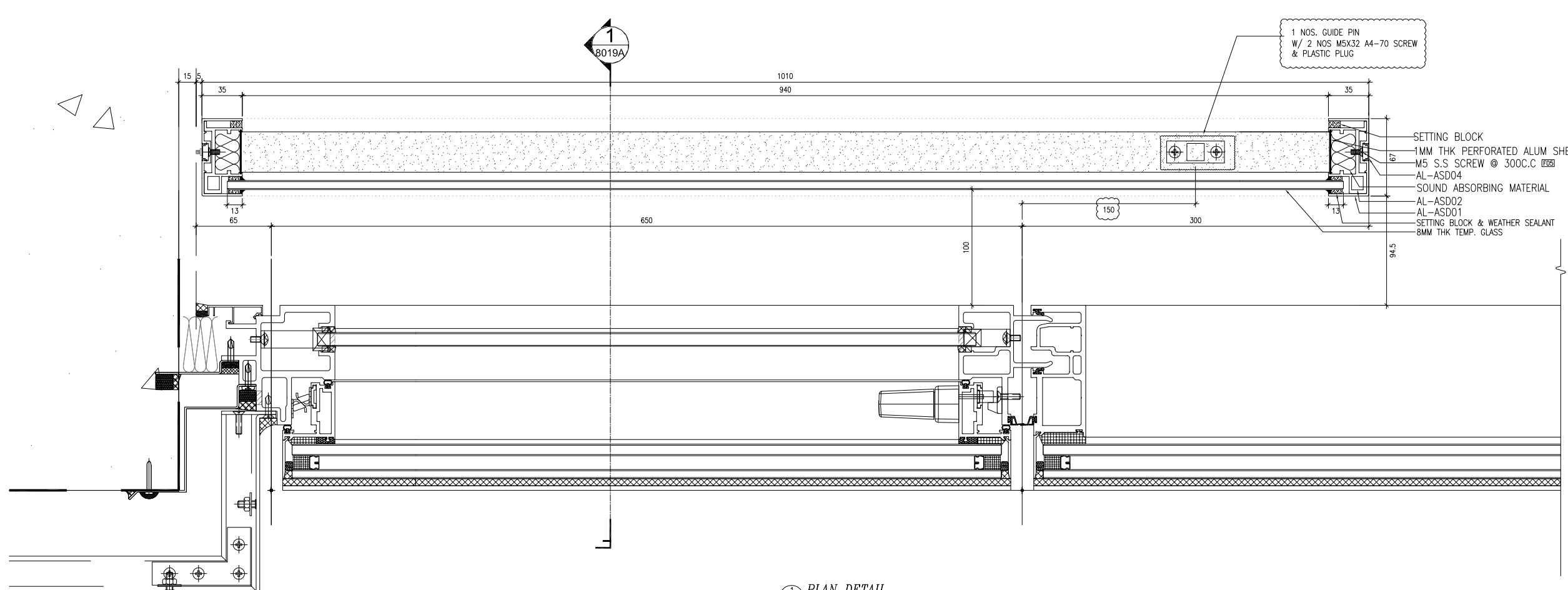
DRAWN BY : C.F. CHECKED BY :

**美特鋁質有限公司**  
MIDI ALUMINUM FABRICATOR LTD.  
Units 6-8, Sunray Industrial Centre, 1/F  
610 Cha Kwo Ling Road, Kowloon  
Tel:23489211-4 Fax:(852)2727666

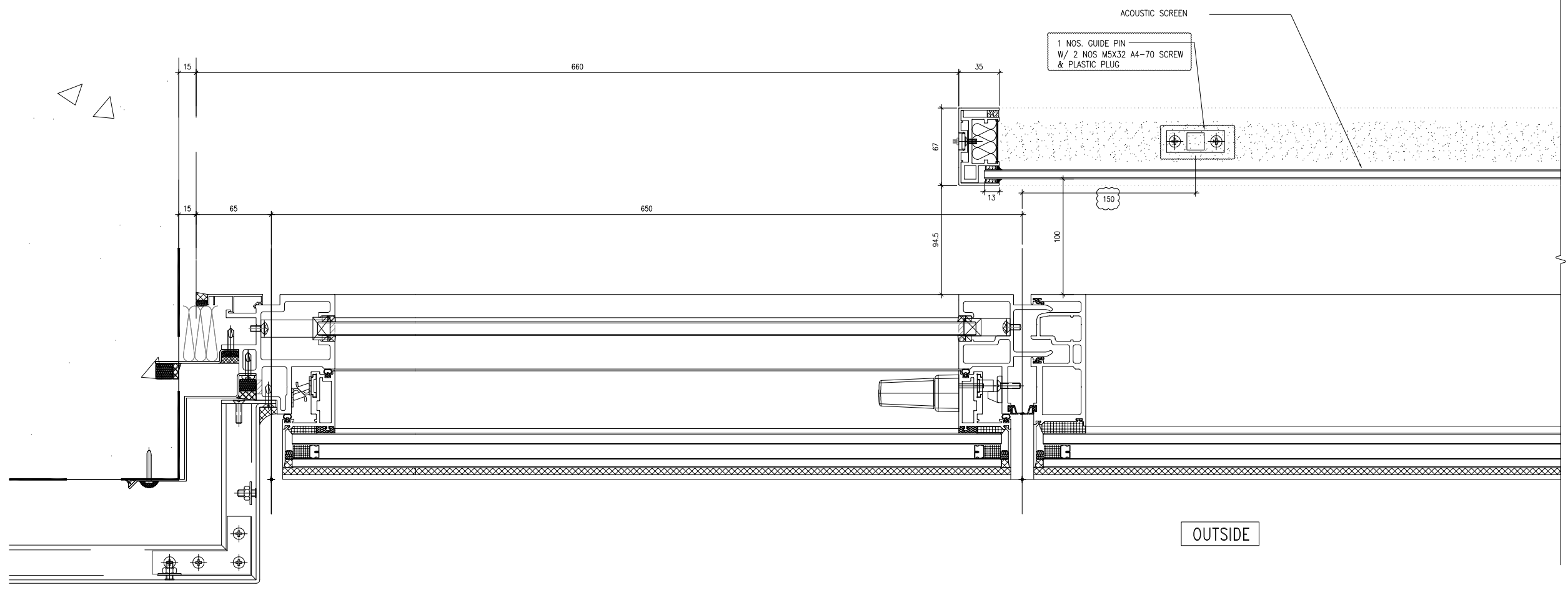
DWG NO. : J856-SD-CW-8019 REV. : -



SECTION DETAIL  
ACOUSTIC SCREEN AW1



1 PLAN DETAIL  
 8018A ACOUSTIC SCREEN AW2 (ACOUSTIC MODE)  
 A.W FOR T3 B10 MBR (3/F-17/F) ONLY



1A PLAN DETAIL  
 8018A ACOUSTIC SCREEN(OPEN)

B.D. REF :

CLIENT :  
**SUN HUNG KAI**  
 REAL ESTATE AGENCY LTD.  
 42/F, SUN HUNG KAI CENTRE, WANCHAI, HONGKONG

ARCHITECT :  
**lwk&partners**  
 architects

MAIN CONTRACTOR :  
**Yee Fai** Building Contractors Ltd.

STRUCTURAL ENGINEER :  
**ARUP**

FACADE CONSULTANT:  
**ALPHA CONSULTING LIMITED**  
 Steel Structure & Facade Specialist

NOTE :  
 1. ALL DIMENSIONS ARE IN mm.  
 2. ALL ELEVATIONS ARE VIEWED FROM OUTSIDE.  
 3. ALL DIMENSIONS TO BE VERIFIED ON SITE BEFORE FABRICATION.

LEGEND :  
 1. SOUND ABSORBING MATERIAL (PEF12\_Noisestop Infill)  
 2. 3mm THK MIRCO PERFORATED ABSORBER (PMMA-type MPP535-3mm)  
 3. 1mm THK PERFORATED ALUM. SHEET (Pomute Alum. sheet)

NO.	DATE	REVISED	BY

JOB NO. : J-856  
 PROJECT : PROPOSED DEVELOPMENT ABOVE LIGHT RAIL TIN WING STOP, TSWL NO.23, AREA 33, TIN SHUI WAI, N.T.

TITLE : TYPICAL DETAIL FOR CURTAIN WALL ACOUSTIC WINDOW

DATE : 31-OCT-22 SCALE : 1:4

DRAWN BY : C.F CHECKED BY :

**MIDI ALUMINIUM FABRICATOR LTD.**  
 Units 6-8, Sunray Industrial Centre, 1/F  
 610 Cha Kwo Ling Road, Kowloon  
 Tel: 23489211-4 Fax: (852) 27727666

DWG NO. : J856-SD-CW-8018A REV. : -

