



工程指示 / 要求簡箋 ENGINEER INSTRUCTIONS(E.I.)

工程指示編號:	EI- 6453A	修改版本:	-
	HK- 1725		
工程編號:	J 856	工程名稱:	TSWTL23 天榮
收件人:	生統/ Maggie	發件人:	Thomas Wong
工程項目:	T3趟門AW-302樣板玻璃(BM表+加工圖+位置圖)(修改A)	日期:	02/08/2023

<input checked="" type="checkbox"/> 原合約工程包	<input type="checkbox"/> 原合約工程加 / 減脹 QT-	<input type="checkbox"/> 新工程報價 QT-
--	--	------------------------------------

信件批核號碼/圖紙參考編號:	批核模具圖紙編號:
客戶指示附件:	管理內部批簽署:

<input type="checkbox"/> 初步鋁料 B.M.	<input type="checkbox"/> 加工拆圖, 然後生產	<input type="checkbox"/> 尺寸表
<input type="checkbox"/> 正式鋁料 B.M.	<input type="checkbox"/> 技術上資料/指示	<input type="checkbox"/> 報價
<input type="checkbox"/> 配件 B.M.	<input type="checkbox"/> 樣辦或貨品說明書	<input type="checkbox"/> 分判合約
<input type="checkbox"/> 其他:		

內容: T3趟門AW-302樣板玻璃(BM表+加工圖+位置圖)(修改A) (依據微信群ivan提供資料修改高寬各加6mm) 需要看熱浸
完成上列要求日期: 9月初

國內

<input type="checkbox"/> 生產技術總監	<input type="checkbox"/> 連附件	<input checked="" type="checkbox"/> 技術部	<input checked="" type="checkbox"/> 連附件	<input type="checkbox"/> 生產部	<input type="checkbox"/> 連附件
<input type="checkbox"/> 採購部	<input type="checkbox"/> 連附件	<input checked="" type="checkbox"/> 生產統籌部	<input checked="" type="checkbox"/> 連附件	<input type="checkbox"/> 報關組	<input type="checkbox"/> 連附件
<input type="checkbox"/> 質檢部	<input type="checkbox"/> 連附件	<input type="checkbox"/> 會計部	<input type="checkbox"/> 連附件	<input type="checkbox"/> 機械設計部	<input type="checkbox"/> 連附件
<input type="checkbox"/> 香港辦	<input type="checkbox"/> 連附件	<input type="checkbox"/> 其他:			

香港

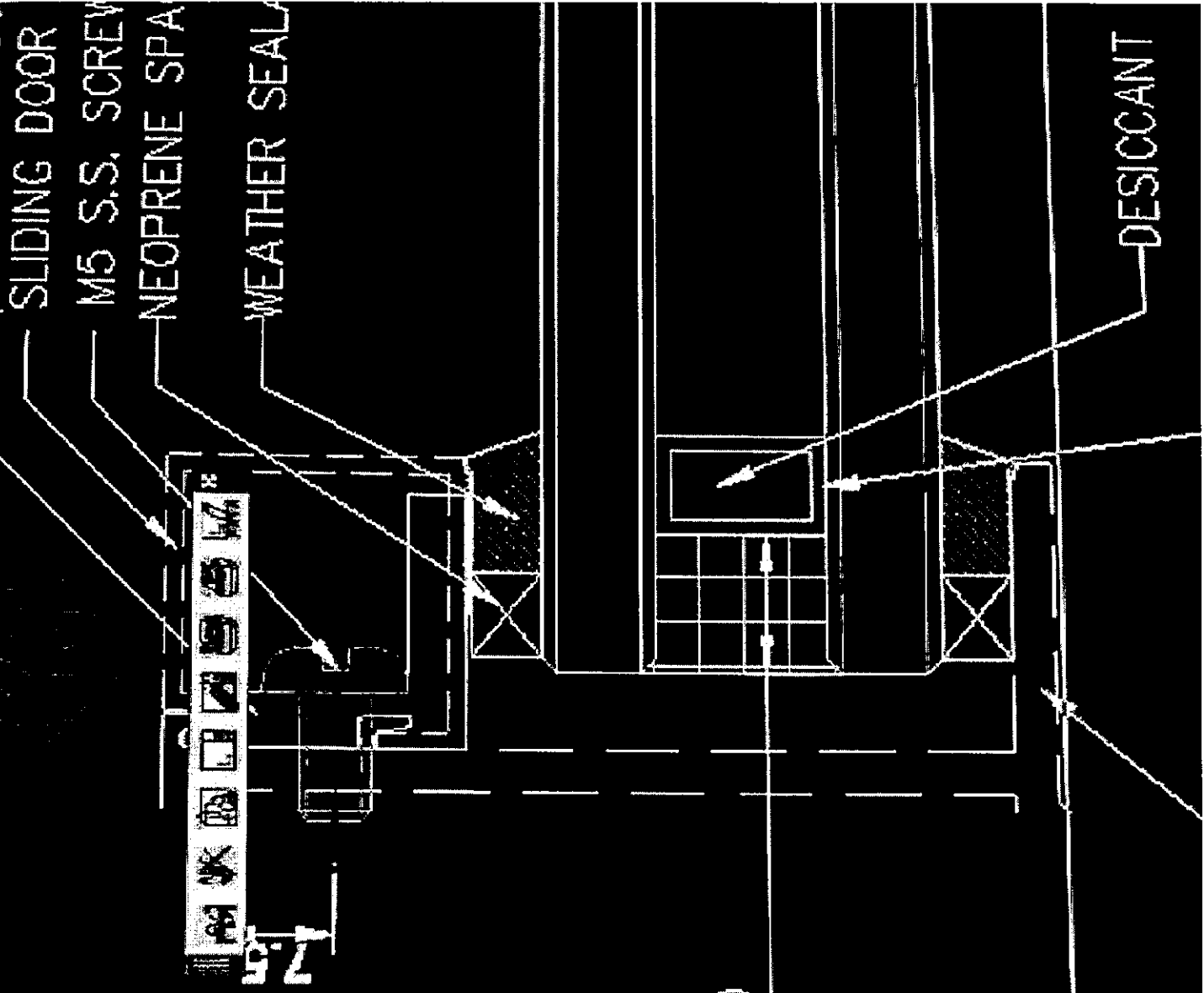
<input type="checkbox"/> 行政部	<input type="checkbox"/> 連附件	<input type="checkbox"/> 會計部	<input type="checkbox"/> 連附件	<input type="checkbox"/> 統籌部	<input type="checkbox"/> 連附件	<input type="checkbox"/> 工程部	<input type="checkbox"/> 連附件
<input checked="" type="checkbox"/> 採購部	<input checked="" type="checkbox"/> 連附件	<input type="checkbox"/> QS部	<input type="checkbox"/> 連附件	<input type="checkbox"/> 地盤管理	<input type="checkbox"/> 連附件	<input type="checkbox"/> 維修部	<input type="checkbox"/> 連附件

*發件人簽署: 瑋	*組別成員批核簽署: [Signature]
傳遞編號:	項目經理簽署: [Signature]

圖則登記表
DRAWING REGISTER


圖則登記表 DRAWING REGISTER		接收日期 Receiving Date (適用於客戶圖則)									
工程名稱 Project Title:	天水圍天榮站	年									
	T3趟門樣板玻璃 (玻璃加工圖/位置圖)	月									
工程編號 Project No:	J-856	日									
分發予 Distributed To		發出日期 Issued Date									
		年	23	23							
		月	7	7							
		日	6	29							
圖則編號 Drg. No.	圖則名稱 Drawing Title	修訂編號 Revision No.									
EGL-1	玻璃加工圖 (大梗窗玻璃+小梗窗玻璃)	1	-	A							
J856-SD-IW-5352	玻璃位置圖	2	-	-							

美特鋁質 MTDI Aluminium Fabricator Ltd.		工程號: J-856	方強	日期: 2023.07.05	送呈: 胡哥	註明: 計算參考數值/ 所屬位置分格										
廠用玻璃B.M.表		地盤名稱: 天水圍天榮站	核對: 謝永林	日期: 2023.07.06	副本:											
		項目類別: T3座/趟門/襟板	批准:		A/C Code: 正式數											
		修改版次: A 2023.07.29	總計玻璃面積 (平方米):	10.289	依據EI6301計算											
序號	修改內容	玻璃編號	顏色與類型/加工圖參考	厚度 (mm)	玻璃尺寸 (W mm) (H mm)		數量 (塊)	總面積 (平方米)	使用樓層	使用位置	分類類型	分格1 高度	座數	使用窗號	樓層	每層 用量
					寬度	高度										
1	A:修改尺寸	AW-302-1	EGL-1	30	1168	2113	2	4.936	46/F	T3-1B	70趟門玉	1289	T3	AW-302	1	2
2	A:修改尺寸	AW-302-2	EGL-1	30	1182	2264	2	5.353	46/F	T3-1B	70趟門	1261	T3	AW-302	1	2
						合計:	4	10.289								
1).本表中玻璃採用三鑫公司產玻璃，																
2).本表中所有玻璃對角線尺寸偏差要求不超過負2mm。																
3).本表中玻璃要求粗磨邊處理並倒稜角，攔河玻璃頂底要精磨邊，而所有玻璃之人爐方向需保持一致。																
4).本表中所有玻璃成品均需做雙面保護，用透明靜電膠紙加四周一寸FK白膠紙做雙面加固保護處理。																
5).本表中所有玻璃成品均需注明室內外及其玻璃編號/使用位置/樓層，以便識別。																
EGL-1--8mmHS+12mm AIR GAP+10mmTP THK. I.G.U.																
加工注意事項																
項/玻璃類型																
描述:																



11 mm (SEALANT BITE)

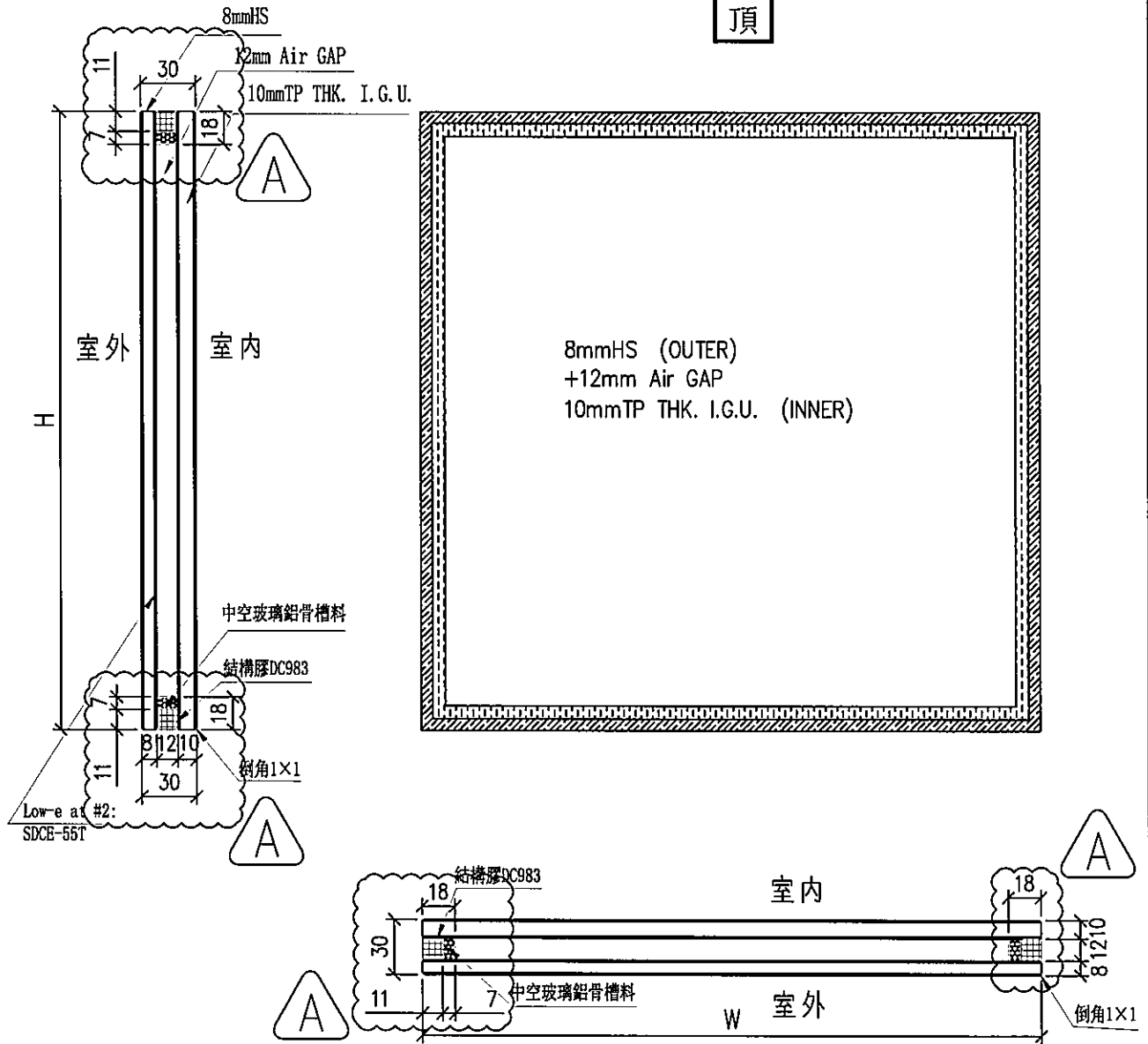
OF WROUGHT,

 美特鋁質有限公司 MIDI Aluminium Fabricator Ltd.			類別		物料號		
修改	A		制圖	黃瓊玉	2023.02.24	圖號	EGL-1
日期	23.07.29		復核	謝永林	2023.02.25	數量	見BOM表
			批准			位置	見BOM表

依據微信群ivan提供資料修改



頂



工程號	J-856	地盤	天水圍天榮站	附件
名稱	玻璃加工圖 (入則46F趟門玻璃)		採用	
材料			地盤	
顏色	8mmHS+12mm AIR GAP+10mmTP THK. I.G.U.		工廠	√

B.D. REF :

CLIENT : **SUN HUNG KAI**
REAL ESTATE DEVELOPMENT LTD.
C/O YIP YAT HOI CLINIC, HONGKONG

ARCHITECT : **IWK&partners**
INTERNATIONAL

MAIN CONTRACTOR : **怡耀建築有限公司**
Yip Yee Fat Building Contractors Ltd.

STRUCTURAL ENGINEER : **ARUP**

FRAME CONSULTANT: **ALPHA CONSULTING LIMITED**
Steel Structures & Fabric Specialist

NOTE:
1. ALL DIMENSIONS ARE IN mm.
2. ALL ELEVATIONS ARE VIEWED FROM OUTSIDE.
3. ALL DIMENSIONS TO BE VERIFIED ON SITE.
4. REFER TO DRAWING FOR FINISHES.

LEGEND:
① - DETAIL MARK NO.
② - REFER SHEET NO.
1. F.F.L. - FINISHED FLOOR LEVEL.
2. S.F.L. - STRUCTURAL FLOOR LEVEL.
3. Ⓞ - REVERSED DETAIL.
4. GLASS LEGEND

GL-1 - 10mm THK. CRISTAL GRAY TEMPERED GLASS
GL-2 - 10mm THK. CRISTAL GRAY TEMPERED GLASS
GL-3 - 10mm THK. CRISTAL GRAY TEMPERED AND DRINK GLASS
GL-4 - 10mm THK. CRISTAL GRAY TEMPERED AND DRINK GLASS
GL-5 - 10mm THK. CRISTAL GRAY TEMPERED AND DRINK GLASS
GL-6 - 10mm THK. CRISTAL GRAY TEMPERED AND DRINK GLASS
GL-7 - 10mm THK. CRISTAL GRAY TEMPERED AND DRINK GLASS
GL-8 - 10mm THK. CRISTAL GRAY TEMPERED AND DRINK GLASS
GL-9 - 10mm THK. CRISTAL GRAY TEMPERED AND DRINK GLASS
GL-10 - 10mm THK. CRISTAL GRAY TEMPERED AND DRINK GLASS
GL-11 - 10mm THK. CRISTAL GRAY TEMPERED AND DRINK GLASS
GL-12 - 10mm THK. CRISTAL GRAY TEMPERED AND DRINK GLASS
GL-13 - 10mm THK. CRISTAL GRAY TEMPERED AND DRINK GLASS
GL-14 - 10mm THK. CRISTAL GRAY TEMPERED AND DRINK GLASS
GL-15 - 10mm THK. CRISTAL GRAY TEMPERED AND DRINK GLASS
GL-16 - 10mm THK. CRISTAL GRAY TEMPERED AND DRINK GLASS
GL-17 - 10mm THK. CRISTAL GRAY TEMPERED AND DRINK GLASS
GL-18 - 10mm THK. CRISTAL GRAY TEMPERED AND DRINK GLASS
GL-19 - 10mm THK. CRISTAL GRAY TEMPERED AND DRINK GLASS
GL-20 - 10mm THK. CRISTAL GRAY TEMPERED AND DRINK GLASS
GL-21 - 10mm THK. CRISTAL GRAY TEMPERED AND DRINK GLASS
GL-22 - 10mm THK. CRISTAL GRAY TEMPERED AND DRINK GLASS
GL-23 - 10mm THK. CRISTAL GRAY TEMPERED AND DRINK GLASS
GL-24 - 10mm THK. CRISTAL GRAY TEMPERED AND DRINK GLASS
GL-25 - 10mm THK. CRISTAL GRAY TEMPERED AND DRINK GLASS
GL-26 - 10mm THK. CRISTAL GRAY TEMPERED AND DRINK GLASS
GL-27 - 10mm THK. CRISTAL GRAY TEMPERED AND DRINK GLASS
GL-28 - 10mm THK. CRISTAL GRAY TEMPERED AND DRINK GLASS
GL-29 - 10mm THK. CRISTAL GRAY TEMPERED AND DRINK GLASS
GL-30 - 10mm THK. CRISTAL GRAY TEMPERED AND DRINK GLASS
GL-31 - 10mm THK. CRISTAL GRAY TEMPERED AND DRINK GLASS
GL-32 - 10mm THK. CRISTAL GRAY TEMPERED AND DRINK GLASS
GL-33 - 10mm THK. CRISTAL GRAY TEMPERED AND DRINK GLASS
GL-34 - 10mm THK. CRISTAL GRAY TEMPERED AND DRINK GLASS
GL-35 - 10mm THK. CRISTAL GRAY TEMPERED AND DRINK GLASS
GL-36 - 10mm THK. CRISTAL GRAY TEMPERED AND DRINK GLASS
GL-37 - 10mm THK. CRISTAL GRAY TEMPERED AND DRINK GLASS
GL-38 - 10mm THK. CRISTAL GRAY TEMPERED AND DRINK GLASS
GL-39 - 10mm THK. CRISTAL GRAY TEMPERED AND DRINK GLASS
GL-40 - 10mm THK. CRISTAL GRAY TEMPERED AND DRINK GLASS
GL-41 - 10mm THK. CRISTAL GRAY TEMPERED AND DRINK GLASS
GL-42 - 10mm THK. CRISTAL GRAY TEMPERED AND DRINK GLASS
GL-43 - 10mm THK. CRISTAL GRAY TEMPERED AND DRINK GLASS
GL-44 - 10mm THK. CRISTAL GRAY TEMPERED AND DRINK GLASS
GL-45 - 10mm THK. CRISTAL GRAY TEMPERED AND DRINK GLASS
GL-46 - 10mm THK. CRISTAL GRAY TEMPERED AND DRINK GLASS
GL-47 - 10mm THK. CRISTAL GRAY TEMPERED AND DRINK GLASS
GL-48 - 10mm THK. CRISTAL GRAY TEMPERED AND DRINK GLASS
GL-49 - 10mm THK. CRISTAL GRAY TEMPERED AND DRINK GLASS
GL-50 - 10mm THK. CRISTAL GRAY TEMPERED AND DRINK GLASS
GL-51 - 10mm THK. CRISTAL GRAY TEMPERED AND DRINK GLASS
GL-52 - 10mm THK. CRISTAL GRAY TEMPERED AND DRINK GLASS
GL-53 - 10mm THK. CRISTAL GRAY TEMPERED AND DRINK GLASS
GL-54 - 10mm THK. CRISTAL GRAY TEMPERED AND DRINK GLASS
GL-55 - 10mm THK. CRISTAL GRAY TEMPERED AND DRINK GLASS
GL-56 - 10mm THK. CRISTAL GRAY TEMPERED AND DRINK GLASS
GL-57 - 10mm THK. CRISTAL GRAY TEMPERED AND DRINK GLASS
GL-58 - 10mm THK. CRISTAL GRAY TEMPERED AND DRINK GLASS
GL-59 - 10mm THK. CRISTAL GRAY TEMPERED AND DRINK GLASS
GL-60 - 10mm THK. CRISTAL GRAY TEMPERED AND DRINK GLASS
GL-61 - 10mm THK. CRISTAL GRAY TEMPERED AND DRINK GLASS
GL-62 - 10mm THK. CRISTAL GRAY TEMPERED AND DRINK GLASS
GL-63 - 10mm THK. CRISTAL GRAY TEMPERED AND DRINK GLASS
GL-64 - 10mm THK. CRISTAL GRAY TEMPERED AND DRINK GLASS
GL-65 - 10mm THK. CRISTAL GRAY TEMPERED AND DRINK GLASS
GL-66 - 10mm THK. CRISTAL GRAY TEMPERED AND DRINK GLASS
GL-67 - 10mm THK. CRISTAL GRAY TEMPERED AND DRINK GLASS
GL-68 - 10mm THK. CRISTAL GRAY TEMPERED AND DRINK GLASS
GL-69 - 10mm THK. CRISTAL GRAY TEMPERED AND DRINK GLASS
GL-70 - 10mm THK. CRISTAL GRAY TEMPERED AND DRINK GLASS
GL-71 - 10mm THK. CRISTAL GRAY TEMPERED AND DRINK GLASS
GL-72 - 10mm THK. CRISTAL GRAY TEMPERED AND DRINK GLASS
GL-73 - 10mm THK. CRISTAL GRAY TEMPERED AND DRINK GLASS
GL-74 - 10mm THK. CRISTAL GRAY TEMPERED AND DRINK GLASS
GL-75 - 10mm THK. CRISTAL GRAY TEMPERED AND DRINK GLASS
GL-76 - 10mm THK. CRISTAL GRAY TEMPERED AND DRINK GLASS
GL-77 - 10mm THK. CRISTAL GRAY TEMPERED AND DRINK GLASS
GL-78 - 10mm THK. CRISTAL GRAY TEMPERED AND DRINK GLASS
GL-79 - 10mm THK. CRISTAL GRAY TEMPERED AND DRINK GLASS
GL-80 - 10mm THK. CRISTAL GRAY TEMPERED AND DRINK GLASS
GL-81 - 10mm THK. CRISTAL GRAY TEMPERED AND DRINK GLASS
GL-82 - 10mm THK. CRISTAL GRAY TEMPERED AND DRINK GLASS
GL-83 - 10mm THK. CRISTAL GRAY TEMPERED AND DRINK GLASS
GL-84 - 10mm THK. CRISTAL GRAY TEMPERED AND DRINK GLASS
GL-85 - 10mm THK. CRISTAL GRAY TEMPERED AND DRINK GLASS
GL-86 - 10mm THK. CRISTAL GRAY TEMPERED AND DRINK GLASS
GL-87 - 10mm THK. CRISTAL GRAY TEMPERED AND DRINK GLASS
GL-88 - 10mm THK. CRISTAL GRAY TEMPERED AND DRINK GLASS
GL-89 - 10mm THK. CRISTAL GRAY TEMPERED AND DRINK GLASS
GL-90 - 10mm THK. CRISTAL GRAY TEMPERED AND DRINK GLASS
GL-91 - 10mm THK. CRISTAL GRAY TEMPERED AND DRINK GLASS
GL-92 - 10mm THK. CRISTAL GRAY TEMPERED AND DRINK GLASS
GL-93 - 10mm THK. CRISTAL GRAY TEMPERED AND DRINK GLASS
GL-94 - 10mm THK. CRISTAL GRAY TEMPERED AND DRINK GLASS
GL-95 - 10mm THK. CRISTAL GRAY TEMPERED AND DRINK GLASS
GL-96 - 10mm THK. CRISTAL GRAY TEMPERED AND DRINK GLASS
GL-97 - 10mm THK. CRISTAL GRAY TEMPERED AND DRINK GLASS
GL-98 - 10mm THK. CRISTAL GRAY TEMPERED AND DRINK GLASS
GL-99 - 10mm THK. CRISTAL GRAY TEMPERED AND DRINK GLASS
GL-100 - 10mm THK. CRISTAL GRAY TEMPERED AND DRINK GLASS

PROJECT : PROPOSED DEVELOPMENT ABOVE LIGHT RAIL IN WING STOP/STW/L NO.23 AREA 35/31N SHOP W/L, N.T.

TITLE : WINDOW SCHEDULE FOR TOWER 3 IN-SITU WINDOW

DATE : 02-Aug-21 SCALE : 1:40

DRAWN BY : hton CHECKED BY :

JOB NO. : J-856

WINDOW MARK : **AW-302**

LOCATION : 46/F UNIT SIMPLEX 1B LIV./DIN. AT TOWER 3

SECTION : 70mm ALUM. SECTION

GLAZING : EGL-1A

QUANTITY : 1 NO.

REMARKS : SEGENIA SLIDING DOOR SYSTEM

DATE : 02-Aug-21 SCALE : 1:40

DRAWN BY : hton CHECKED BY :

JOB NO. : J-856

PROJECT : PROPOSED DEVELOPMENT ABOVE LIGHT RAIL IN WING STOP/STW/L NO.23 AREA 35/31N SHOP W/L, N.T.

TITLE : WINDOW SCHEDULE FOR TOWER 3 IN-SITU WINDOW

DATE : 02-Aug-21 SCALE : 1:40

DRAWN BY : hton CHECKED BY :

JOB NO. : J-856

PROJECT : PROPOSED DEVELOPMENT ABOVE LIGHT RAIL IN WING STOP/STW/L NO.23 AREA 35/31N SHOP W/L, N.T.

TITLE : WINDOW SCHEDULE FOR TOWER 3 IN-SITU WINDOW

DATE : 02-Aug-21 SCALE : 1:40

DRAWN BY : hton CHECKED BY :

JOB NO. : J-856

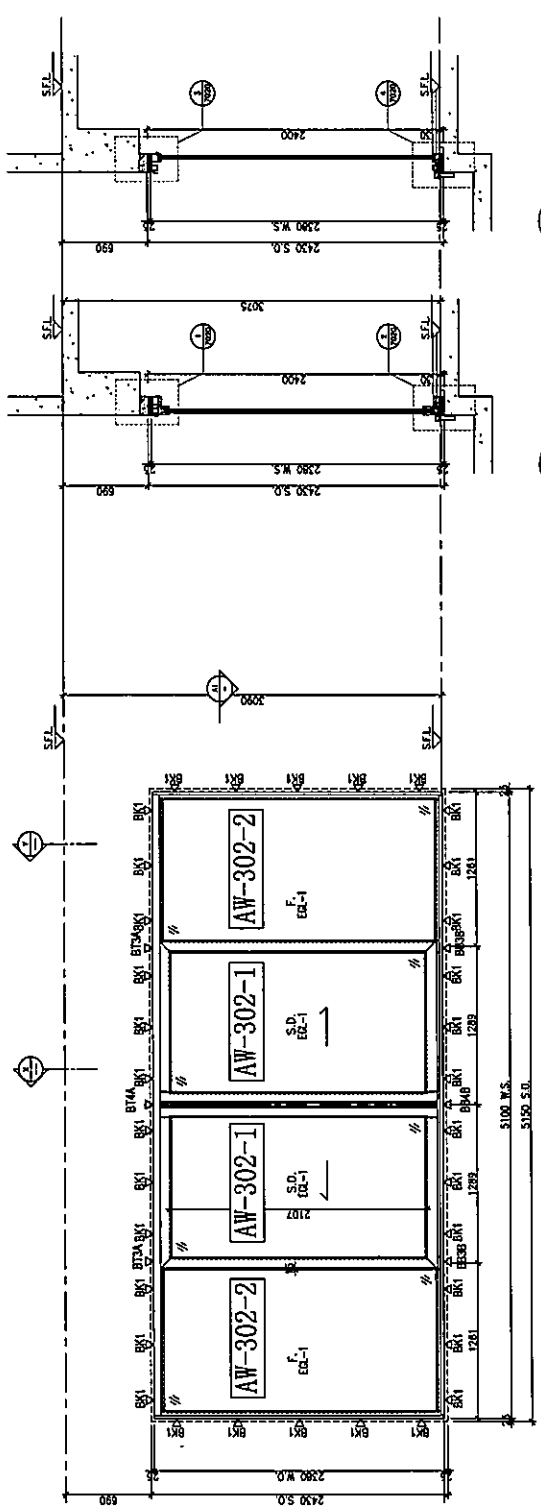
PROJECT : PROPOSED DEVELOPMENT ABOVE LIGHT RAIL IN WING STOP/STW/L NO.23 AREA 35/31N SHOP W/L, N.T.

TITLE : WINDOW SCHEDULE FOR TOWER 3 IN-SITU WINDOW

DATE : 02-Aug-21 SCALE : 1:40

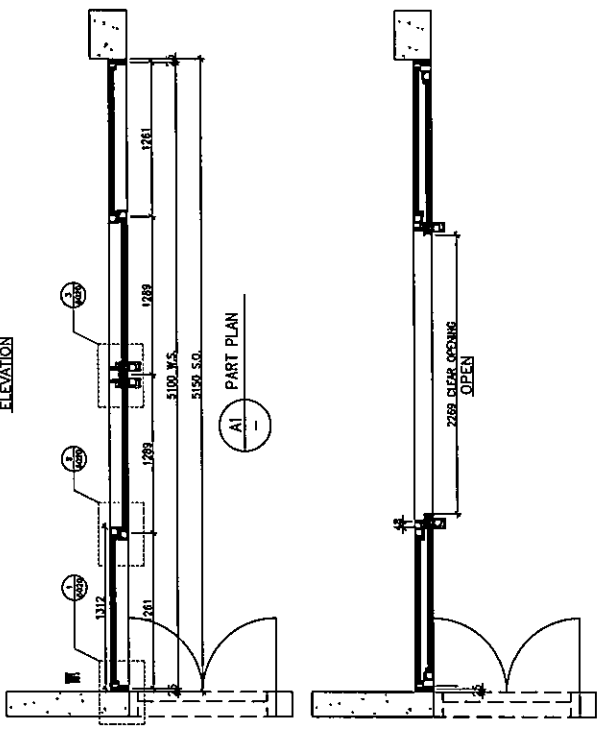
DRAWN BY : hton CHECKED BY :

JOB NO. : J-856



Y - PART SECTION

X - PART SECTION



ELEVATION

A1 - PART PLAN

WINDOW MARK	AW-302
LOCATION	46/F UNIT SIMPLEX 1B LIV./DIN. AT TOWER 3
SECTION	70mm ALUM. SECTION
GLAZING	EGL-1A
QUANTITY	1 NO.
REMARKS	SEGENIA SLIDING DOOR SYSTEM

AW-302

46/F UNIT SIMPLEX 1B LIV./DIN. AT TOWER 3

70mm ALUM. SECTION

EGL-1A

1 NO.

SEGENIA SLIDING DOOR SYSTEM

AW-302

46/F UNIT SIMPLEX 1B LIV./DIN. AT TOWER 3

70mm ALUM. SECTION

EGL-1A

1 NO.

SEGENIA SLIDING DOOR SYSTEM

AW-302

46/F UNIT SIMPLEX 1B LIV./DIN. AT TOWER 3

70mm ALUM. SECTION

EGL-1A

1 NO.

SEGENIA SLIDING DOOR SYSTEM

AW-302

46/F UNIT SIMPLEX 1B LIV./DIN. AT TOWER 3

70mm ALUM. SECTION

EGL-1A

1 NO.

SEGENIA SLIDING DOOR SYSTEM

AW-302

46/F UNIT SIMPLEX 1B LIV./DIN. AT TOWER 3

70mm ALUM. SECTION

EGL-1A

1 NO.

SEGENIA SLIDING DOOR SYSTEM

AW-302

46/F UNIT SIMPLEX 1B LIV./DIN. AT TOWER 3

70mm ALUM. SECTION

EGL-1A

1 NO.

SEGENIA SLIDING DOOR SYSTEM

AW-302

46/F UNIT SIMPLEX 1B LIV./DIN. AT TOWER 3

70mm ALUM. SECTION

EGL-1A

1 NO.

SEGENIA SLIDING DOOR SYSTEM

AW-302

46/F UNIT SIMPLEX 1B LIV./DIN. AT TOWER 3

70mm ALUM. SECTION

EGL-1A

1 NO.

SEGENIA SLIDING DOOR SYSTEM