



工程指示 / 要求簡箋 ENGINEER INSTRUCTIONS(E.I.)

工程指示編號:	EI- 6449	修改版本:	A
	HK-1745		
工程編號:	J 856	工程名稱:	天榮站
收件人:	生統/ 王良 / 謝永林	發件人:	Jingo
工程項目:	46F 趟門AW302工廠展示樣板及試水測試用設計拆圖 (絲吉利亞)	日期:	08/08/2023

<input checked="" type="checkbox"/> 原合約工程包	<input type="checkbox"/> 原合約工程加 / 減賬 QT-	<input type="checkbox"/> 新工程報價 QT-
--	--	------------------------------------

信件批核號碼/圖紙參考編號:	批核模具圖紙編號:
客戶指示附件:	管理內部批簽署:

<input type="checkbox"/> 初步鋁料 B.M.	<input type="checkbox"/> 加工拆圖, 然後生產	<input type="checkbox"/> 尺寸表
<input type="checkbox"/> 正式鋁料 B.M.	<input type="checkbox"/> 技術上資料/指示	<input type="checkbox"/> 報價
<input type="checkbox"/> 配件 B.M.	<input type="checkbox"/> 樣辦或貨品說明書	<input type="checkbox"/> 分判合約
<input type="checkbox"/> 其他:		

內容:	應SHKP的要求, 趟門1幅於工廠展示樣板及作自行試水測試 註: 趟門完成展示及測試後需運往盤安裝大樓作貨用, 請提供加工圖
完成上列要求日期:	12/08/2023

國內

<input type="checkbox"/> 生產技術總監	<input type="checkbox"/> 連附件	<input checked="" type="checkbox"/> 技術部	<input checked="" type="checkbox"/> 連附件	<input type="checkbox"/> 生產部	<input type="checkbox"/> 連附件
<input type="checkbox"/> 採購部	<input type="checkbox"/> 連附件	<input checked="" type="checkbox"/> 生產統籌部	<input checked="" type="checkbox"/> 連附件	<input type="checkbox"/> 報關組	<input type="checkbox"/> 連附件
<input checked="" type="checkbox"/> 質檢部	<input checked="" type="checkbox"/> 連附件	<input type="checkbox"/> 會計部	<input type="checkbox"/> 連附件	<input type="checkbox"/> 機械設計部	<input type="checkbox"/> 連附件
<input type="checkbox"/> 香港辦	<input type="checkbox"/> 連附件	<input type="checkbox"/> 其他:			

香港

<input type="checkbox"/> 行政部	<input type="checkbox"/> 連附件	<input type="checkbox"/> 會計部	<input type="checkbox"/> 連附件	<input type="checkbox"/> 統籌部	<input type="checkbox"/> 連附件	<input type="checkbox"/> 工程部	<input type="checkbox"/> 連附件
<input type="checkbox"/> 採購部	<input type="checkbox"/> 連附件	<input type="checkbox"/> QS部	<input type="checkbox"/> 連附件	<input checked="" type="checkbox"/> 地盤管理	<input checked="" type="checkbox"/> 連附件	<input type="checkbox"/> 維修部	<input type="checkbox"/> 連附件

*發件人簽署: Jingo	*組別成員批核簽署:
傳遞編號:	項目經理簽署:

E.D. REF :

CLIENT :

SUN HUNG KAI  
REAL ESTATE AGENCY LTD.  
42/F SUN HUNG KAI CENTRE, MANDALAY, HONGKONG

ARCHITECT :

lwk&partners  
ARCHITECTS

MAIN CONTRACTOR :

怡輝建築有限公司  
Yee Fai Building Contractors Ltd.

STRUCTURAL ENGINEER :

ARUP

FACADE CONSULTANT:

ALPHA CONSULTING LIMITED  
Steel Structure & Façade Specialist

NOTE:  
1. ALL DIMENSIONS ARE IN mm.  
2. ALL ELEVATIONS ARE VIEWED FROM OUTSIDE.  
3. ALL DIMENSIONS TO BE VERIFIED ON SITE BEFORE FABRICATION.

LEGEND:

DETAIL MARK NO. REFER SHEET NO.

F.F.L. --- FINISHED FLOOR LEVEL

S.F.L. --- STRUCTURAL FLOOR LEVEL

--- REVERSED DETAIL

GLASS LEGEND

EQ-1 --- 8mmHS+12mm AIR GAP+10mmTP THK. I.G.U.

EQ-2 --- 10mm THK. CRYSTAL GRAY TEMPERED GLASS

EQ-4 --- 10mm THK. CRYSTAL TEMPERED AND ETCHED GLASS

EQ-1A --- 8mmHS+12mm AIR GAP+8mmTP THK. I.G.U.

B11/B81 --- FILING DETAIL (DWG. NO. F001)

B02-FRONT DETAIL (DWG. NO. F002)

GLAZING AREA

OPENABLE AREA

J-856

PROPOSED DEVELOPMENT ABOVE  
LIGHT RAIL TIN WING STOP-TS/WL  
NO.23,AREA 35,1IN SHUI WAI, N.T.

TITLE : WINDOW SCHEDULE FOR  
TOWER 3 IN-SITU WINDOW

DATE : 02-Aug-21

SCALE : 1:40

DRAWN BY : Ivan

CHECKED BY :

YIP TING YU

YIP TING YU

YIP TING YU

YIP TING YU

YIP TING YU

YIP TING YU

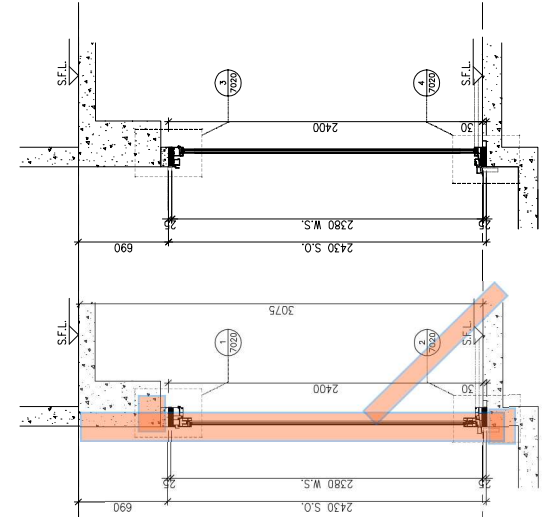
YIP TING YU

YIP TING YU

YIP TING YU

YIP TING YU

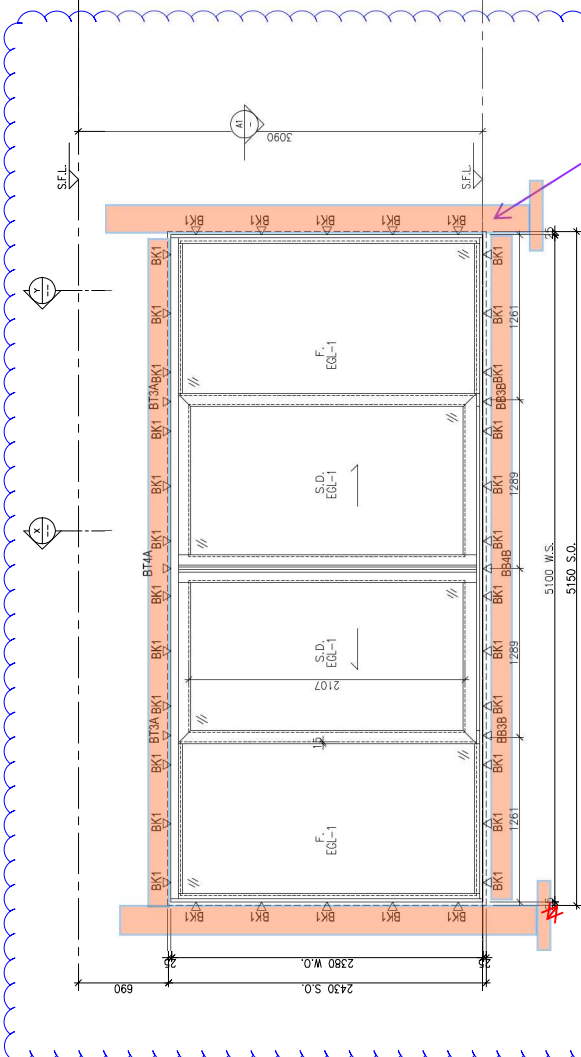
YIP TING YU



PART SECTION X

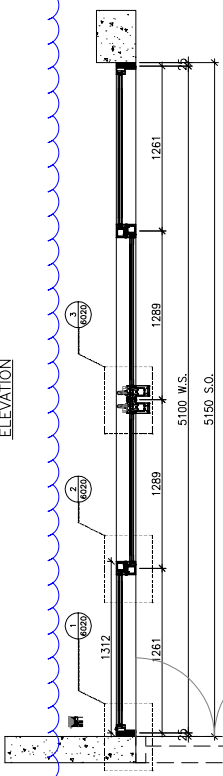
PART SECTION Y

樣板要求  
2 邊以鐵通作固定及  
配底掌

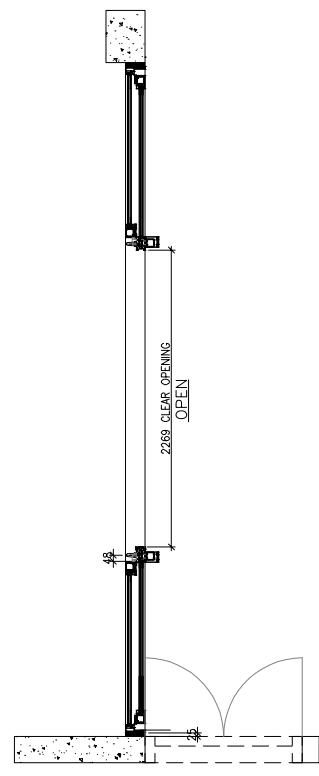


ELEVATION

ELEVATION



PART PLAN A1



WINDOW MARK	AW 302
LOCATION	46/F UNIT SIMPLEX 1B LIV./DIN. AT TOWER 3
SECTION	70mm ALUM. SECTION
GLAZING	EGL-1A
QUANTITY	1 NO.
REMARKS	SIEMENIA SILDING DOOR SYSTEM

AW 302

46/F UNIT SIMPLEX 1B LIV./DIN. AT TOWER 3

70mm ALUM. SECTION

EGL-1A

1 NO.

SIEMENIA SILDING DOOR SYSTEM

AW 302

46/F UNIT SIMPLEX 1B LIV./DIN. AT TOWER 3

70mm ALUM. SECTION

EGL-1A

1 NO.

SIEMENIA SILDING DOOR SYSTEM

AW 302

46/F UNIT SIMPLEX 1B LIV./DIN. AT TOWER 3

70mm ALUM. SECTION

EGL-1A

1 NO.

SIEMENIA SILDING DOOR SYSTEM

AW 302

46/F UNIT SIMPLEX 1B LIV./DIN. AT TOWER 3

70mm ALUM. SECTION

EGL-1A

1 NO.

SIEMENIA SILDING DOOR SYSTEM

AW 302

46/F UNIT SIMPLEX 1B LIV./DIN. AT TOWER 3

70mm ALUM. SECTION

EGL-1A

1 NO.

SIEMENIA SILDING DOOR SYSTEM

AW 302

46/F UNIT SIMPLEX 1B LIV./DIN. AT TOWER 3

70mm ALUM. SECTION

EGL-1A

1 NO.

SIEMENIA SILDING DOOR SYSTEM

AW 302

46/F UNIT SIMPLEX 1B LIV./DIN. AT TOWER 3

70mm ALUM. SECTION

EGL-1A

1 NO.

SIEMENIA SILDING DOOR SYSTEM

AW 302

46/F UNIT SIMPLEX 1B LIV./DIN. AT TOWER 3

70mm ALUM. SECTION

EGL-1A

1 NO.

SIEMENIA SILDING DOOR SYSTEM

AW 302

46/F UNIT SIMPLEX 1B LIV./DIN. AT TOWER 3

70mm ALUM. SECTION

EGL-1A

1 NO.

SIEMENIA SILDING DOOR SYSTEM

AW 302

46/F UNIT SIMPLEX 1B LIV./DIN. AT TOWER 3

70mm ALUM. SECTION

EGL-1A

1 NO.

SIEMENIA SILDING DOOR SYSTEM

AW 302

46/F UNIT SIMPLEX 1B LIV./DIN. AT TOWER 3

70mm ALUM. SECTION

EGL-1A

1 NO.

SIEMENIA SILDING DOOR SYSTEM

AW 302

46/F UNIT SIMPLEX 1B LIV./DIN. AT TOWER 3

70mm ALUM. SECTION

EGL-1A

1 NO.

SIEMENIA SILDING DOOR SYSTEM

AW 302

46/F UNIT SIMPLEX 1B LIV./DIN. AT TOWER 3

70mm ALUM. SECTION

EGL-1A

1 NO.

SIEMENIA SILDING DOOR SYSTEM

AW 302

46/F UNIT SIMPLEX 1B LIV./DIN. AT TOWER 3

70mm ALUM. SECTION

EGL-1A

1 NO.

SIEMENIA SILDING DOOR SYSTEM

AW 302

46/F UNIT SIMPLEX 1B LIV./DIN. AT TOWER 3

70mm ALUM. SECTION

EGL-1A

1 NO.

SIEMENIA SILDING DOOR SYSTEM

AW 302

46/F UNIT SIMPLEX 1B LIV./DIN. AT TOWER 3

70mm ALUM. SECTION

EGL-1A

1 NO.

SIEMENIA SILDING DOOR SYSTEM

AW 302

46/F UNIT SIMPLEX 1B LIV./DIN. AT TOWER 3

70mm ALUM. SECTION

EGL-1A

1 NO.

SIEMENIA SILDING DOOR SYSTEM

AW 302

46/F UNIT SIMPLEX 1B LIV./DIN. AT TOWER 3

70mm ALUM. SECTION

EGL-1A

1 NO.

SIEMENIA SILDING DOOR SYSTEM

AW 302

46/F UNIT SIMPLEX 1B LIV./DIN. AT TOWER 3

70mm ALUM. SECTION

EGL-1A

1 NO.

SIEMENIA SILDING DOOR SYSTEM

AW 302

46/F UNIT SIMPLEX 1B LIV./DIN. AT TOWER 3

70mm ALUM. SECTION

EGL-1A

1 NO.

SIEMENIA SILDING DOOR SYSTEM

AW 302

46/F UNIT SIMPLEX 1B LIV./DIN. AT TOWER 3

70mm ALUM. SECTION

EGL-1A

1 NO.

SIEMENIA SILDING DOOR SYSTEM

AW 302

46/F UNIT SIMPLEX 1B LIV./DIN. AT TOWER 3

70mm ALUM. SECTION

EGL-1A

1 NO.

SIEMENIA SILDING DOOR SYSTEM

AW 302

46/F UNIT SIMPLEX 1B LIV./DIN. AT TOWER 3

70mm ALUM. SECTION

EGL-1A

1 NO.

SIEMENIA SILDING DOOR SYSTEM

AW 302

46/F UNIT SIMPLEX 1B LIV./DIN. AT TOWER 3

70mm ALUM. SECTION

EGL-1A

1 NO.

SIEMENIA SILDING DOOR SYSTEM

AW 302

46/F UNIT SIMPLEX 1B LIV./DIN. AT TOWER 3

70mm ALUM. SECTION

EGL-1A

1 NO.

SIEMENIA SILDING DOOR SYSTEM

AW 302

46/F UNIT SIMPLEX 1B LIV./DIN. AT TOWER 3

70mm ALUM. SECTION

EGL-1A

1 NO.

SIEMENIA SILDING DOOR SYSTEM

AW 302

46/F UNIT SIMPLEX 1B LIV./DIN. AT TOWER 3

70mm ALUM. SECTION

EGL-1A

1 NO.

SIEMENIA SILDING DOOR SYSTEM

AW 302

46/F UNIT SIMPLEX 1B LIV./DIN. AT TOWER 3

70mm ALUM. SECTION

EGL-1A

1 NO.

SIEMENIA SILDING DOOR SYSTEM

AW 302

46/F UNIT SIMPLEX 1B LIV./DIN. AT TOWER 3

70mm ALUM. SECTION

EGL-1A

1 NO.

SIEMENIA SILDING DOOR SYSTEM

AW 302

46/F UNIT SIMPLEX 1B LIV./DIN. AT TOWER 3

70mm ALUM. SECTION

EGL-1A

1 NO.

SIEMENIA SILDING DOOR SYSTEM

AW 302

46/F UNIT SIMPLEX 1B LIV./DIN. AT TOWER 3

70mm ALUM. SECTION

EGL-1A

1 NO.

SIEMENIA SILDING DOOR SYSTEM

AW 302

46/F UNIT SIMPLEX 1B LIV./DIN. AT TOWER 3

70mm ALUM. SECTION

EGL-1A

1 NO.

SIEMENIA SILDING DOOR SYSTEM

AW 302

46/F UNIT SIMPLEX 1B LIV./DIN. AT TOWER 3

70mm ALUM. SECTION

EGL-1A

1 NO.

SIEMENIA SILDING DOOR SYSTEM

AW 302

46/F UNIT SIMPLEX 1B LIV./DIN. AT TOWER 3

70mm ALUM. SECTION

EGL-1A

1 NO.

SIEMENIA SILDING DOOR SYSTEM

AW 302

46/F UNIT SIMPLEX 1B LIV./DIN. AT TOWER 3

70mm ALUM. SECTION

EGL-1A

1 NO.

SIEMENIA SILDING DOOR SYSTEM

AW 302

46/F UNIT SIMPLEX 1B LIV./DIN. AT TOWER 3

70mm ALUM. SECTION

EGL-1A

1 NO.

SIEMENIA SILDING DOOR SYSTEM

AW 302

46/F UNIT SIMPLEX 1B LIV./DIN. AT TOWER 3

70mm ALUM. SECTION

EGL-1A

1 NO.

SIEMENIA SILDING DOOR SYSTEM

AW 302

46/F UNIT SIMPLEX 1B LIV./DIN. AT TOWER 3

70mm ALUM. SECTION

EGL-1A

1 NO.

SIEMENIA SILDING DOOR SYSTEM

AW 302

46/F UNIT SIMPLEX 1B LIV./DIN. AT TOWER 3

70mm ALUM. SECTION

EGL-1A

1 NO.

SIEMENIA SILDING DO

E.D. REF :

CLIENT :

SUN HUNG KAI  
REAL ESTATE AGENCY LTD.  
42/F SUN HUNG KAI CENTRE, MANHANG, HONGKONG

ARCHITECT :

lwk&partners  
ARCHITECTS

MAIN CONTRACTOR :

怡輝建築有限公司  
Yee Fai Building Contractors Ltd.

STRUCTURAL ENGINEER :

ARUP

TRACER CONSULTANT:

ALPHA CONSULTING LIMITED  
Steel Structure & Façade Specialist

NOTE:  
1. ALL DIMENSIONS ARE IN mm.  
2. ALL ELEVATIONS ARE VIEWED FROM OUTSIDE.  
3. ALL DIMENSIONS TO BE VERIFIED ON SITE BEFORE FABRICATION.

LEGEND:

DETAIL MARK NO. REFER SHEET NO.  
1. F.F.L. --- FINISHED FLOOR LEVEL  
2. S.F.L. --- STRUCTURAL FLOOR LEVEL  
3. --- REVERSED DETAIL  
4. G.A.S. LEGEND

EQ-1---8mmx12mm AR GAP+10mmTP THK. I.G.U.  
EQ-1A---8mmx12mm AR GAP+8mmTP THK. I.G.U.  
EQ-2---10mm THK. CLEAR TEMPERED GLASS  
EQ-4---10mm THK. TEMPERED ACID ETCHED GLASS

NO. DATE DWE RESED BR

J-859

PROJECT : PROPOSED RESIDENTIAL / COMMERCIAL DEVELOPMENT AT NKIL NO.6951 KAI TAK AREA 4C, SITE 3 KAI TAK, KOWLOON

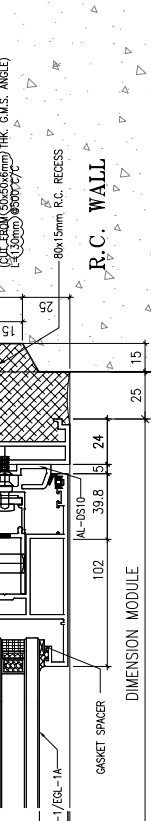
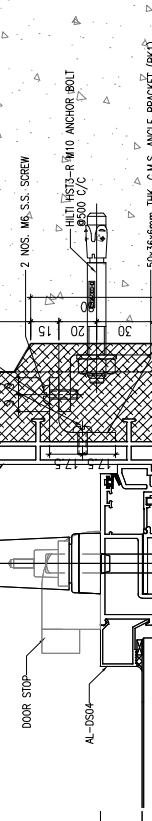
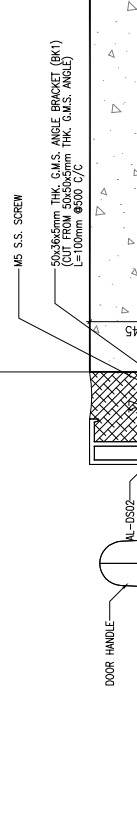
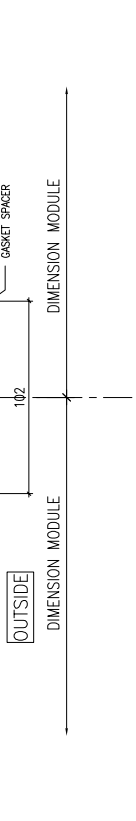
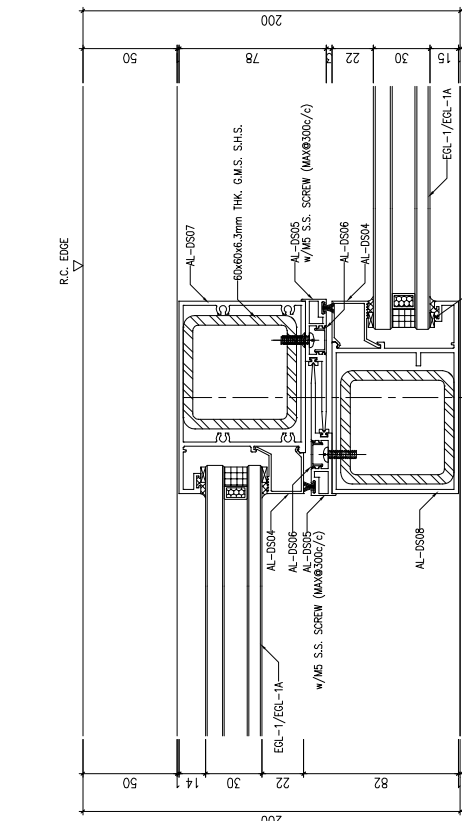
TITLE : TYPICAL DETAILS FOR IN-SITU WINDOW

DATE : 10-Nov-21 SCALE : 1:2

DRAWN BY : Ivan CHECKED BY :

YIP YIP YIP  
YIP YIP YIP  
Unit 6-8, Sunco Industrial Centre, 1/F  
610 Che Kwo Ling Road, Kowloon  
Tel:22489211-4 Fax:(852)2727666

ENG. NO. : JB56-SD-IW-6020 REV. : -



角碼焊接於通內

15mm (框邊至鐵通邊) 以膠收口

1 樣板-要求 4 邊以鐵通作固定及配底掌

3 HORIZONTAL DETAIL  
SCALE 1:2

E.D. REF :

CLIENT :

ARCHITECT :

MAIN CONTRACTOR :

STRUCTURAL ENGINEER :

FAÇADE CONSULTANT :

TRAFFIC CONSULTANT :

DATE :

DRAWN BY :

CHECKED BY :

TITLE :

SCALE :

PROJECT :

JOB NO. :

NO. :

DATE :

REVISION :

BY :

DATE :

REVISION :

BY :

DATE :

REVISION :

BY :

**SUN HUNG KAI**  
REAL ESTATE AGENCY LTD.  
42/F SUN HUNG KAI CENTRE, WING LOK, HONGKONG

**lwk&partners**  
ARCHITECTS

怡輝建築有限公司  
Yeep Fai Building Consultant Ltd.

**ARUP**  
STRUCTURAL ENGINEER

**ALPHA CONSULTING LIMITED**  
Steel Structure & Façade Specialist

NOTE :  
1. ALL DIMENSIONS ARE IN mm.  
2. ALL ELEVATIONS ARE VIEWED FROM OUTSIDE.  
3. ALL DIMENSIONS TO BE VERIFIED ON SITE BEFORE FABRICATION.

LEGEND :  
① DETAIL MARK NO.  
② REFER SHEET NO.

1. F.F.L. --- FINISHED FLOOR LEVEL  
2. S.F.L. --- STRUCTURAL FLOOR LEVEL  
3. --- RECESSED DETAIL  
4. GLASS LEGEND  
EGL-1 --- 6mmHS+12mm AIR GAP+10mmTP THK. I.G.U.  
EGL-1A --- 8mmHS+12mm AIR GAP+8mmTP THK. I.G.U.  
EGL-2 --- 10mm THK. CLEAR TEMPERED GLASS  
EGL-4 --- 10mm THK. TEMPERED ACID ETCHED GLASS

NO.	DATE	REVISION	BY
		J-859	

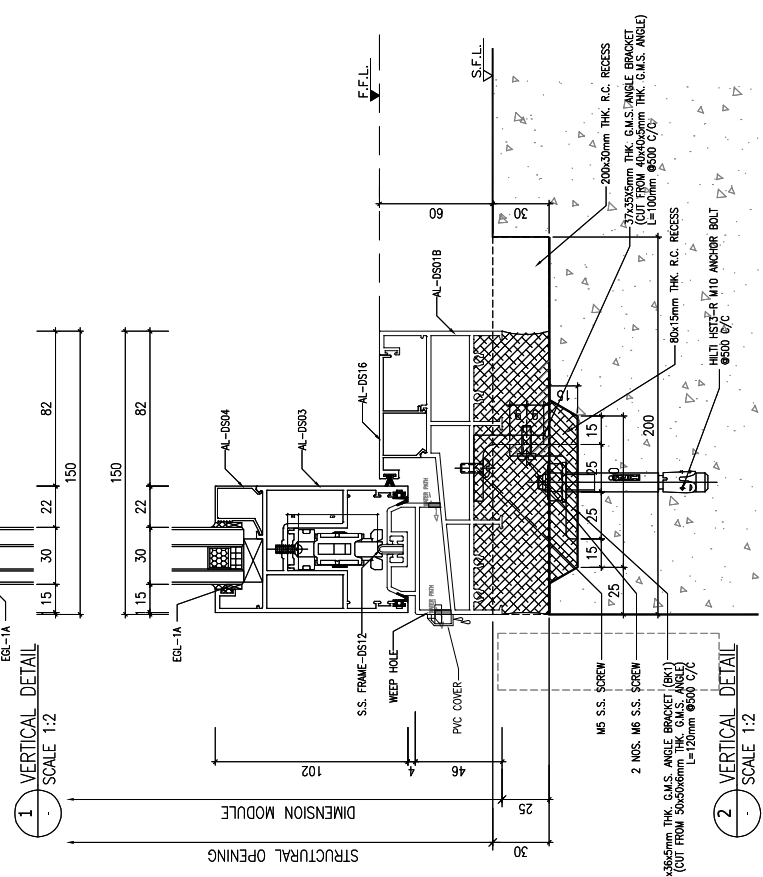
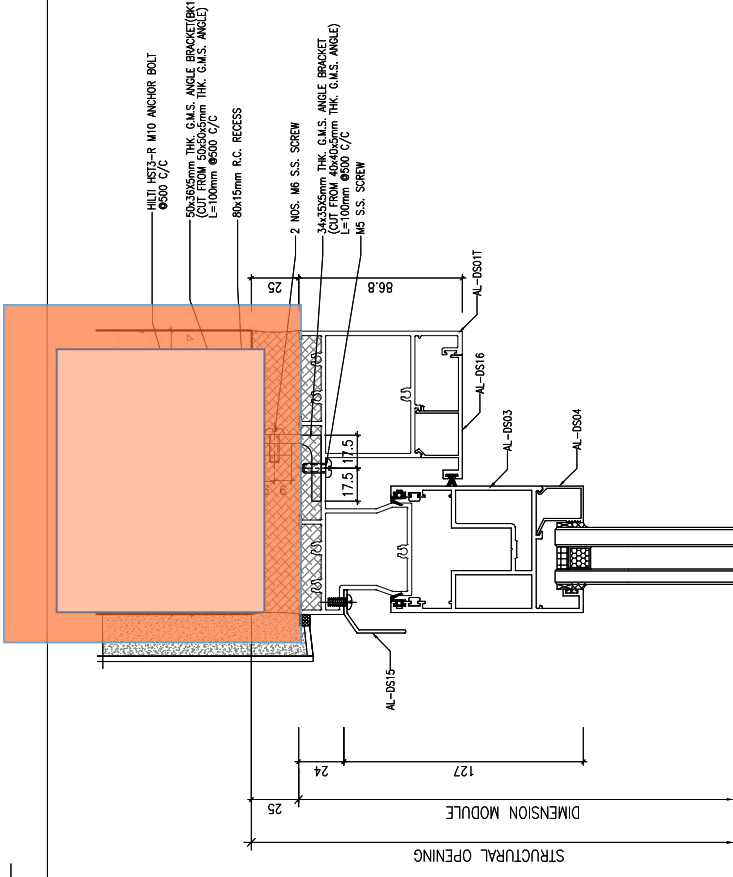
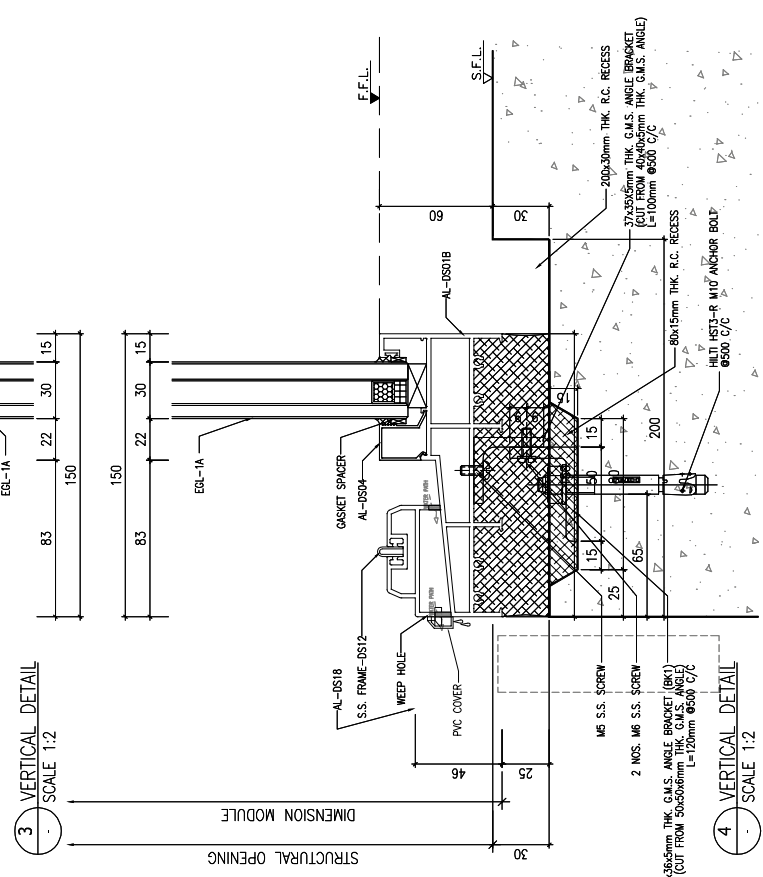
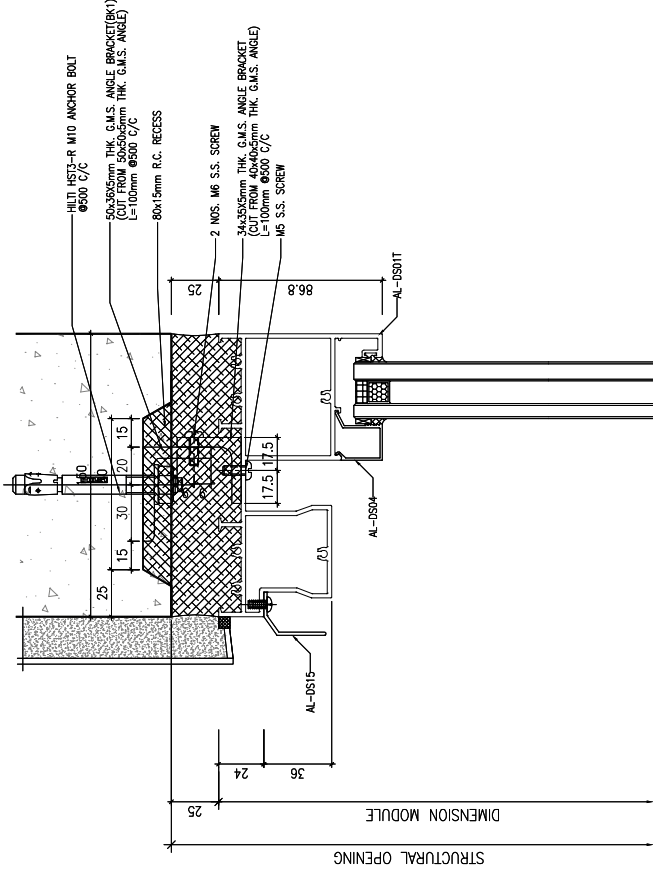
PROPOSED RESIDENTIAL / COMMERCIAL DEVELOPMENT AT NKIL NO.6551 KAI TAK AREA 4C, SITE 3 KAI TAK, KOWLOON

TYPICAL DETAILS FOR IN-SITU WINDOW

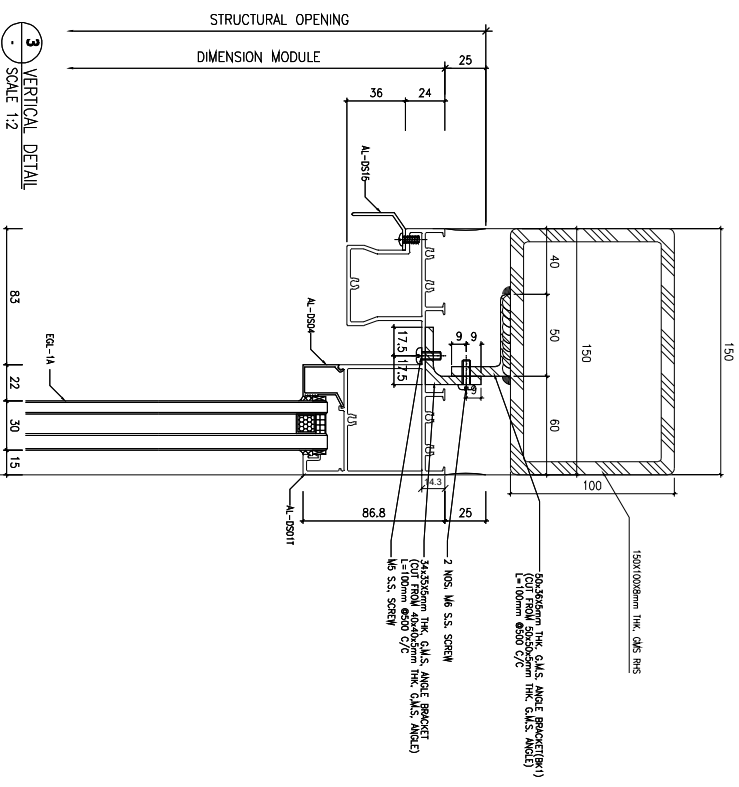
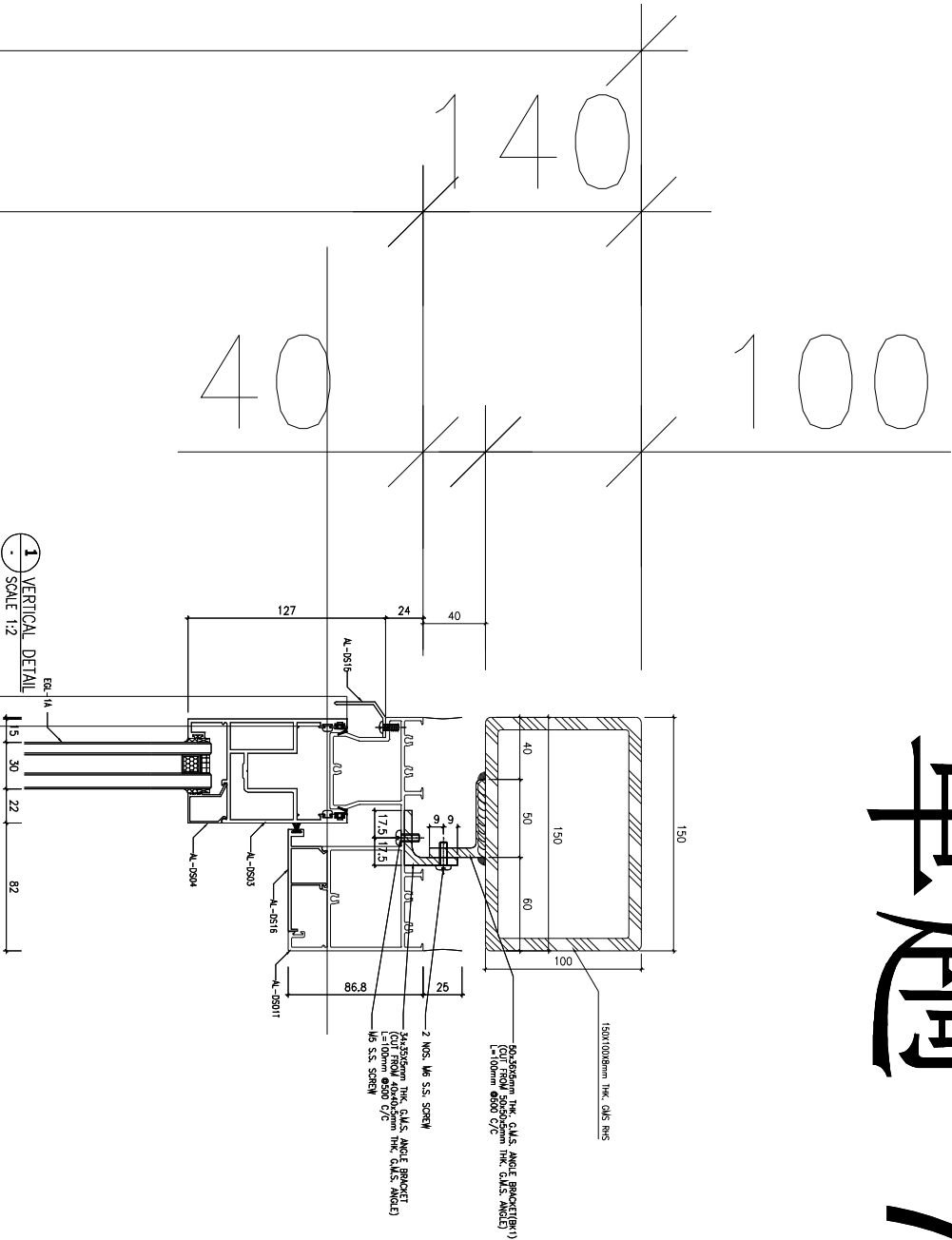
DATE : 10-Nov-21 SCALE : 1:2

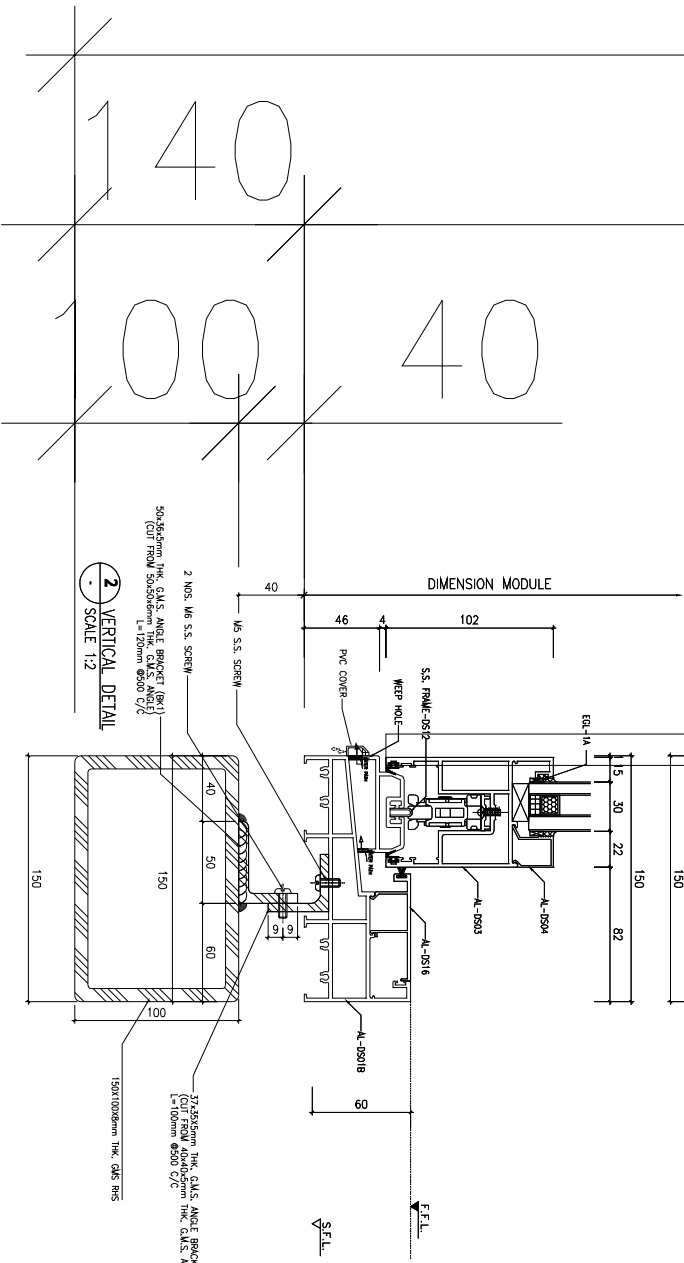
DRAWN BY : Ivan  
CHECKED BY :  
M&T  
M&T  
M&T  
Units 6-8, Sunco Industrial Centre, 7/F, 610 Cha Kwo Ling Road, Kowloon  
Tel: 2489211-4 Fax: (852) 7727666

DWG NO. : JB56-SD-1W-7020 REV. : -



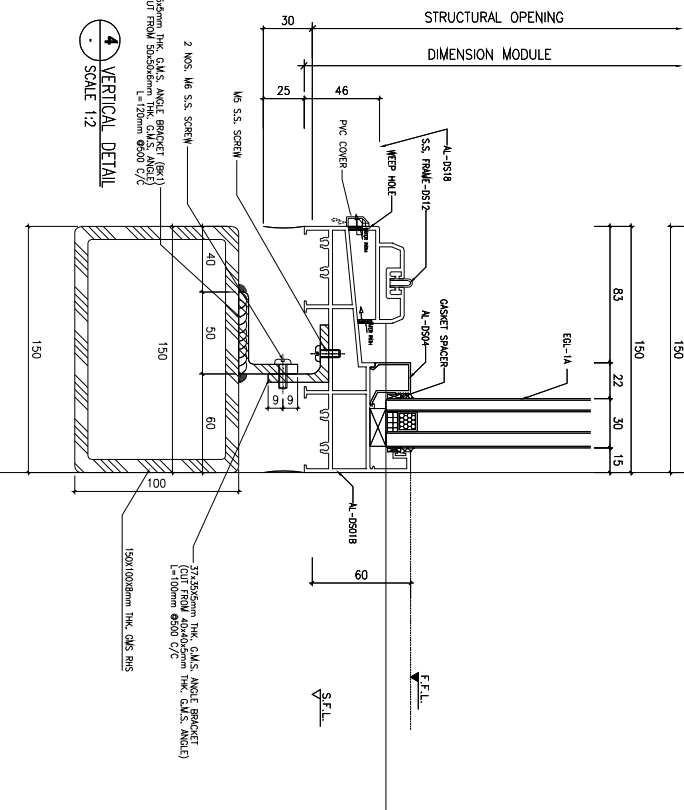
# 單趟 7020





2 VERTICAL DETAIL  
SCALE 1:2

4 VERTICAL DETAIL  
SCALE 1:2



4 VERTICAL DETAIL  
SCALE 1:2

