



工程指示 / 要求簡箋 ENGINEER INSTRUCTIONS(E.I.)

工程指示編號:	EI- 6390	修改版本:	-
	HK-6 1418		
工程編號:	J 856	工程名稱:	TSWTL23 天榮
收件人:	生統/謝永林	發件人:	Thomas Wong
工程項目:	Acoustic Window拆圖 (5th SD Drawing)	日期:	26/06/2023

<input checked="" type="checkbox"/> 原合約工程包	<input type="checkbox"/> 原合約工程加 / 減賬 QT-	<input type="checkbox"/> 新工程報價 QT-
--	--	------------------------------------

信件批核號碼/圖紙參考編號:	批核模具圖紙編號:
客戶指示附件:	管理內部批簽署:

<input type="checkbox"/> 初步鋁料 B.M.	<input type="checkbox"/> 加工拆圖, 然後生產	<input type="checkbox"/> 尺寸表
<input type="checkbox"/> 正式鋁料 B.M.	<input type="checkbox"/> 技術上資料/指示	<input type="checkbox"/> 報價
<input type="checkbox"/> 配件 B.M.	<input type="checkbox"/> 樣辦或貨品說明書	<input type="checkbox"/> 分判合約
<input type="checkbox"/> 其他:		

內容: 請按建築師提供的意見更改加工圖以及拆圖 (包括電子檔).
完成上列要求日期: 03/07/2023

國內

<input type="checkbox"/> 生產技術總監	<input type="checkbox"/> 連附件	<input checked="" type="checkbox"/> 技術部	<input checked="" type="checkbox"/> 連附件	<input type="checkbox"/> 生產部	<input type="checkbox"/> 連附件
<input type="checkbox"/> 採購部	<input type="checkbox"/> 連附件	<input checked="" type="checkbox"/> 生產統籌部	<input checked="" type="checkbox"/> 連附件	<input type="checkbox"/> 報關組	<input type="checkbox"/> 連附件
<input type="checkbox"/> 質檢部	<input type="checkbox"/> 連附件	<input type="checkbox"/> 會計部	<input type="checkbox"/> 連附件	<input type="checkbox"/> 機械設計部	<input type="checkbox"/> 連附件
<input type="checkbox"/> 香港辦	<input type="checkbox"/> 連附件	<input checked="" type="checkbox"/> 其他: 謝永林			

香港

<input type="checkbox"/> 行政部	<input type="checkbox"/> 連附件	<input type="checkbox"/> 會計部	<input type="checkbox"/> 連附件	<input type="checkbox"/> 統籌部	<input type="checkbox"/> 連附件	<input type="checkbox"/> 工程部	<input type="checkbox"/> 連附件
<input type="checkbox"/> 採購部	<input type="checkbox"/> 連附件	<input type="checkbox"/> QS部	<input type="checkbox"/> 連附件	<input type="checkbox"/> 地盤管理	<input type="checkbox"/> 連附件	<input type="checkbox"/> 維修部	<input type="checkbox"/> 連附件

*發件人簽署:	*組別成員批核簽署:
傳遞編號:	項目經理簽署:

PROJECT :

PROPOSED DEVELOPMENT ABOVE
LIGHT RAIL TIN WING STOP, TSWTL
NO.23, AREA 33, TIN SHUI WAI, N.T.

5

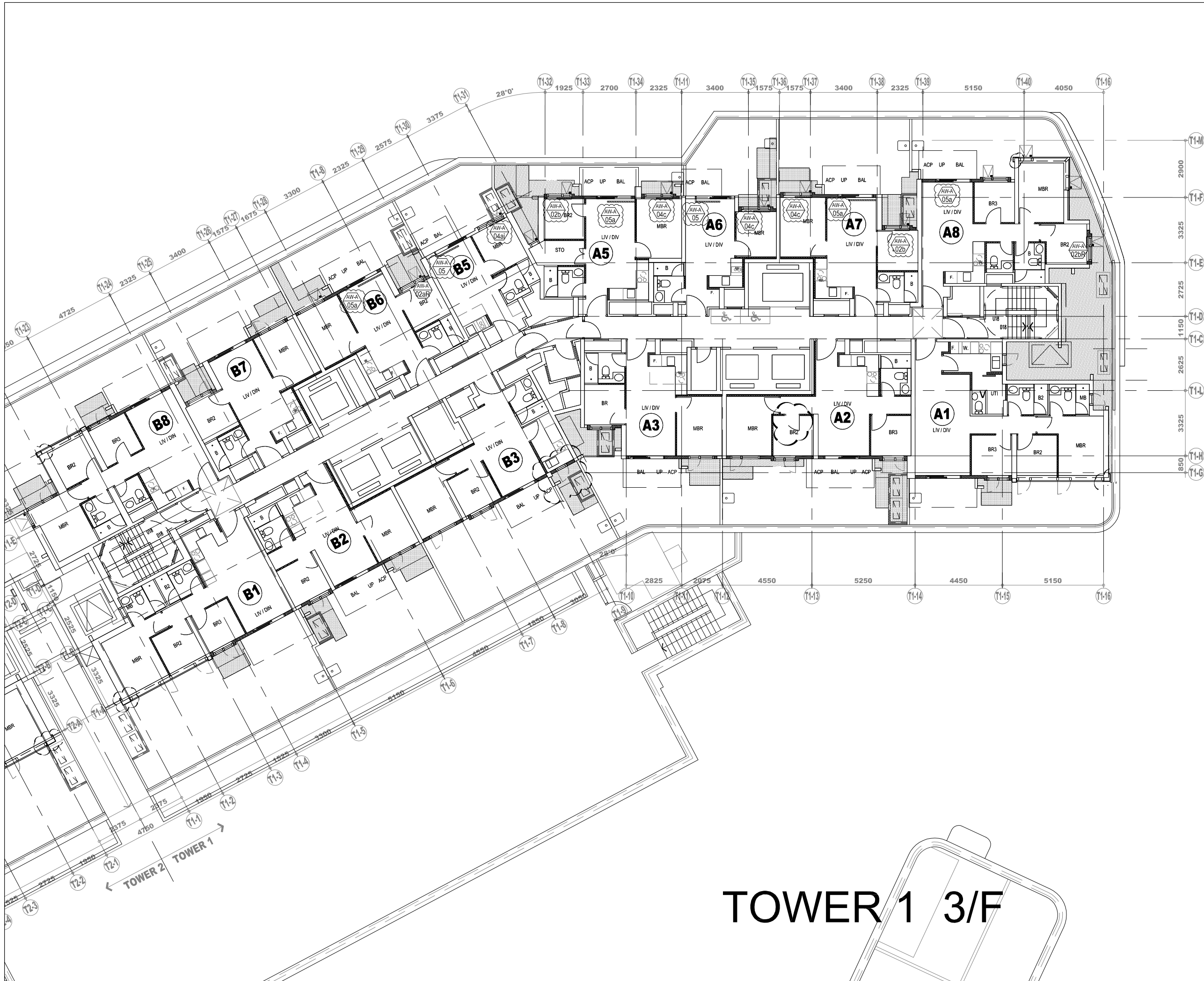
SHOP DRAWING FOR ACOUSTIC WINDOW OF TOWER

DATE: 16-JUN-23



Units 6-8, Sunray Industrial Centre, 1/F
610 Cha Kwo Ling Road, Kowloon
Tel:23489211-4 Fax:(852)27727666

NO.	DATE	REVISED	BY
DWG NO. :	J856-SD-AS-0000	REV. :	D



B.D. REF :

CLIENT :
SUN HUNG KAI
 REAL ESTATE AGENCY LTD.
 42/F SUN HUNG KAI CENTRE, WANCHAI, HONGKONG

ARCHITECT :
lwk&partners
 architects

MAIN CONTRACTOR :
Yee Fai Building Contractors Ltd.

STRUCTURAL ENGINEER :
ARUP

FAÇADE CONSULTANT:
ALPHA CONSULTING LIMITED
 Steel Structure & Façade Specialist

NOTE :
 1. ALL DIMENSIONS ARE IN mm.
 2. ALL ELEVATIONS ARE VIEWED FROM OUTSIDE.
 3. ALL DIMENSIONS TO BE VERIFIED ON SITE BEFORE FABRICATION.

LEGEND :
 (X1) --- DETAIL MARK NO.
 (X001) --- REFER SHEET NO.
 1. F.F.L. --- FINISHED FLOOR LEVEL
 2. S.F.L. --- STRUCTURAL FLOOR LEVEL
 3. (R) --- REVERSED DETAIL
 4. GLASS LEGEND
 EGL-1---8mmHS+12mm AIR GAP+8mmTP THK. I.G.U.
 EGL-2---10mm THK. CLEAR TEMPERED GLASS
 EGL-4---10mm THK. TEMPERED ACID ETCHED GLASS

B	22/03/2023	REVISION SUBJECT TO ARCH.COMMENT	lven
A	16/01/2023	REVISION SUBJECT TO ARCH.COMMENT	lven
NO.	DATE	REVISED	BY

JOB NO. : J-856
 PROJECT :
 PROPOSED DEVELOPMENT ABOVE
 LIGHT RAIL TIN WING STOP,TSWTL
 NO.23,AREA 33,TIN SHUI WAI, N.T.

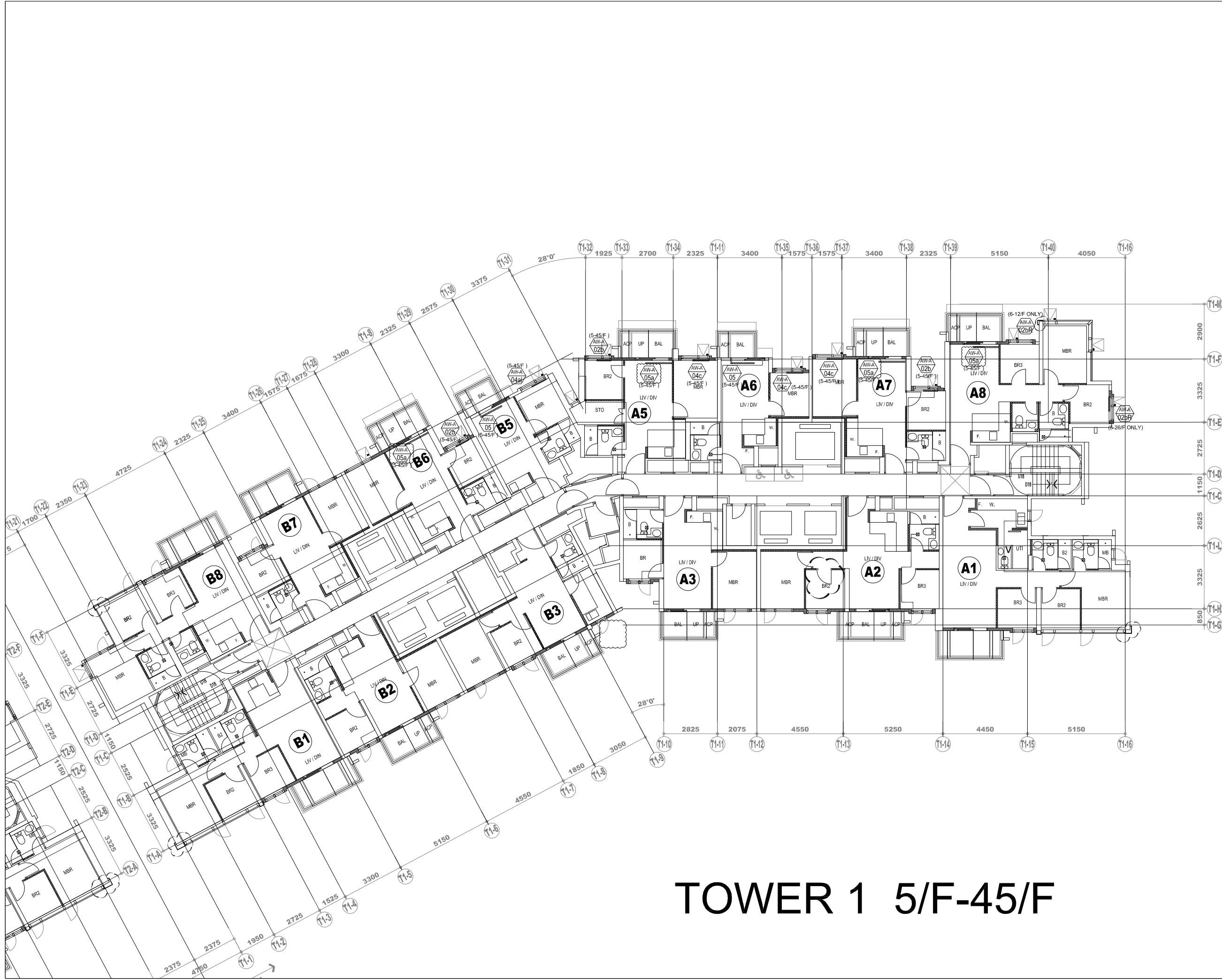
TITLE :
 PLAN FOR ACOUSTIC WINDOW
 AT TOWER 1 FOR 3F

DATE : 06-Jan-23 SCALE : 1:200

DRAWN BY : lven CHECKED BY :

美特鋁質有限公司
MIDI ALUMINIUM FABRICATOR LTD.
 Units 6-8, Sunray Industrial Centre, 1/F
 610 Cha Kwo Ling Road, Kowloon
 Tel:23489211-4 Fax:(852)2727666

DWG NO. : J856-SD-AS-3101 REV. : B



TOWER 1 5/F-45/F

B.D. REF :

CLIENT :
SUN HUNG KAI
 REAL ESTATE AGENCY LTD.
 42/F SUN HUNG KAI CENTRE, WANCHAI, HONGKONG

ARCHITECT :
lwk&partners
 architects

MAIN CONTRACTOR :
怡輝建築有限公司
Yee Fai Building Contractors Ltd.

STRUCTURAL ENGINEER :
ARUP

FACADE CONSULTANT:
ALPHA CONSULTING LIMITED
 Steel Structure & Facade Specialist

NOTE :
 1. ALL DIMENSIONS ARE IN mm.
 2. ALL ELEVATIONS ARE VIEWED FROM OUTSIDE.
 3. ALL DIMENSIONS TO BE VERIFIED ON SITE BEFORE FABRICATION.

LEGEND :
 X1 --- DETAIL MARK NO.
 X001 --- REFER SHEET NO.
 1. F.F.L. --- FINISHED FLOOR LEVEL
 2. S.F.L. --- STRUCTURAL FLOOR LEVEL
 3. (R) --- REVERSED DETAIL
 4. GLASS LEGEND
 EGL-1 --- 8mmHS+12mm AIR GAP+8mmTP THK. I.G.U.
 EGL-2 --- 10mm THK. CLEAR TEMPERED GLASS
 EGL-4 --- 10mm THK. TEMPERED ACID ETCHED GLASS

B	22/03/2023	REVISION SUBJECT TO ARCH.COMMENT	Ivan
A	12/01/2023	REVISION SUBJECT TO ARCH.COMMENT	Ivan
NO.	DATE	REVISED	BY

JOB NO. : J-856
 PROJECT : PROPOSED DEVELOPMENT ABOVE LIGHT RAIL TIN WING STOP, TSWTL NO.23, AREA 33, TIN SHUI WAI, N.T.

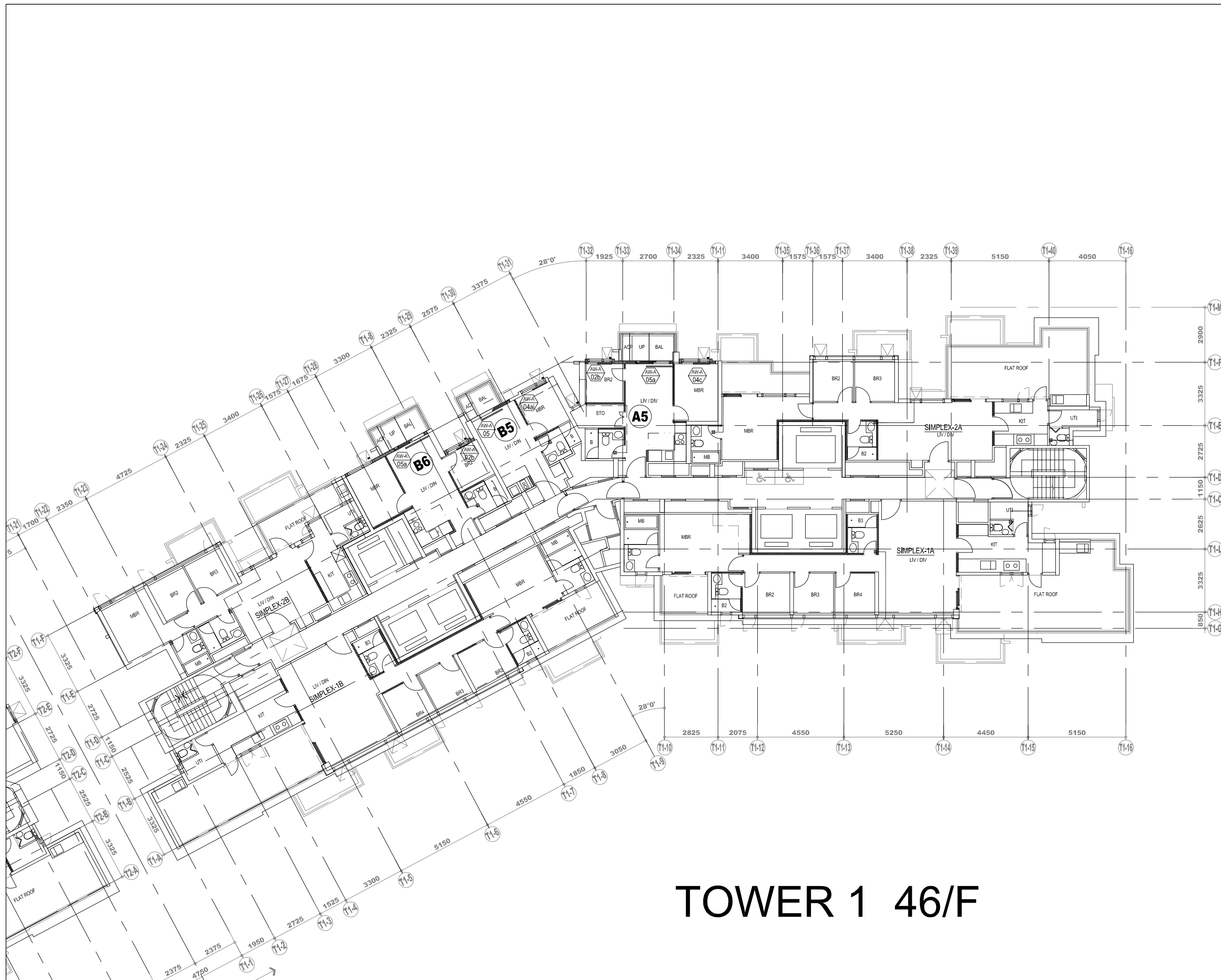
TITLE : PLAN FOR ACOUSTIC WINDOW AT TOWER 1 FOR 5F-45F

DATE : 06-Jan-23 SCALE : 1:200

DRAWN BY : Ivan CHECKED BY :


美特鋁質有限公司
MIDI ALUMINIUM FABRICATOR LTD.
 Units 6-8, Sunray Industrial Centre, 1/F
 610 Cha Kwo Ling Road, Kowloon
 Tel:23489211-4 Fax:(852)2772666


DWG NO. : J856-SD-IW-3102 REV. : B





TOWER 1 46/F


B.D. REF :

CLIENT :

SUN HUNG KAI
 REAL ESTATE AGENCY LTD.
 42/F SUN HUNG KAI CENTRE, WANCHAI, HONGKONG

ARCHITECT :

Iwk&partners
 architects

MAIN CONTRACTOR :

Yee Fai Building Contractors Ltd.

STRUCTURAL ENGINEER :

ARUP

FAÇADE CONSULTANT:

ALPHA CONSULTING LIMITED
 Steel Structure & Façade Specialist

NOTE :
 1. ALL DIMENSIONS ARE IN mm.
 2. ALL ELEVATIONS ARE VIEWED FROM OUTSIDE.
 3. ALL DIMENSIONS TO BE VERIFIED ON SITE BEFORE FABRICATION.

LEGEND :
 X1 --- DETAIL MARK NO.
 X001 --- REFER SHEET NO.


1. F.F.L. --- FINISHED FLOOR LEVEL
 2. S.F.L. --- STRUCTURAL FLOOR LEVEL
 3. --- REVERSED DETAIL
 4. GLASS LEGEND
 EGL-1 --- 8mmHS+12mm AIR GAP+8mmTP THK. I.G.U.
 EGL-2 --- 10mm THK. CLEAR TEMPERED GLASS
 EGL-4 --- 10mm THK. TEMPERED ACID ETCHED GLASS

NO.	DATE	REVISED	BY

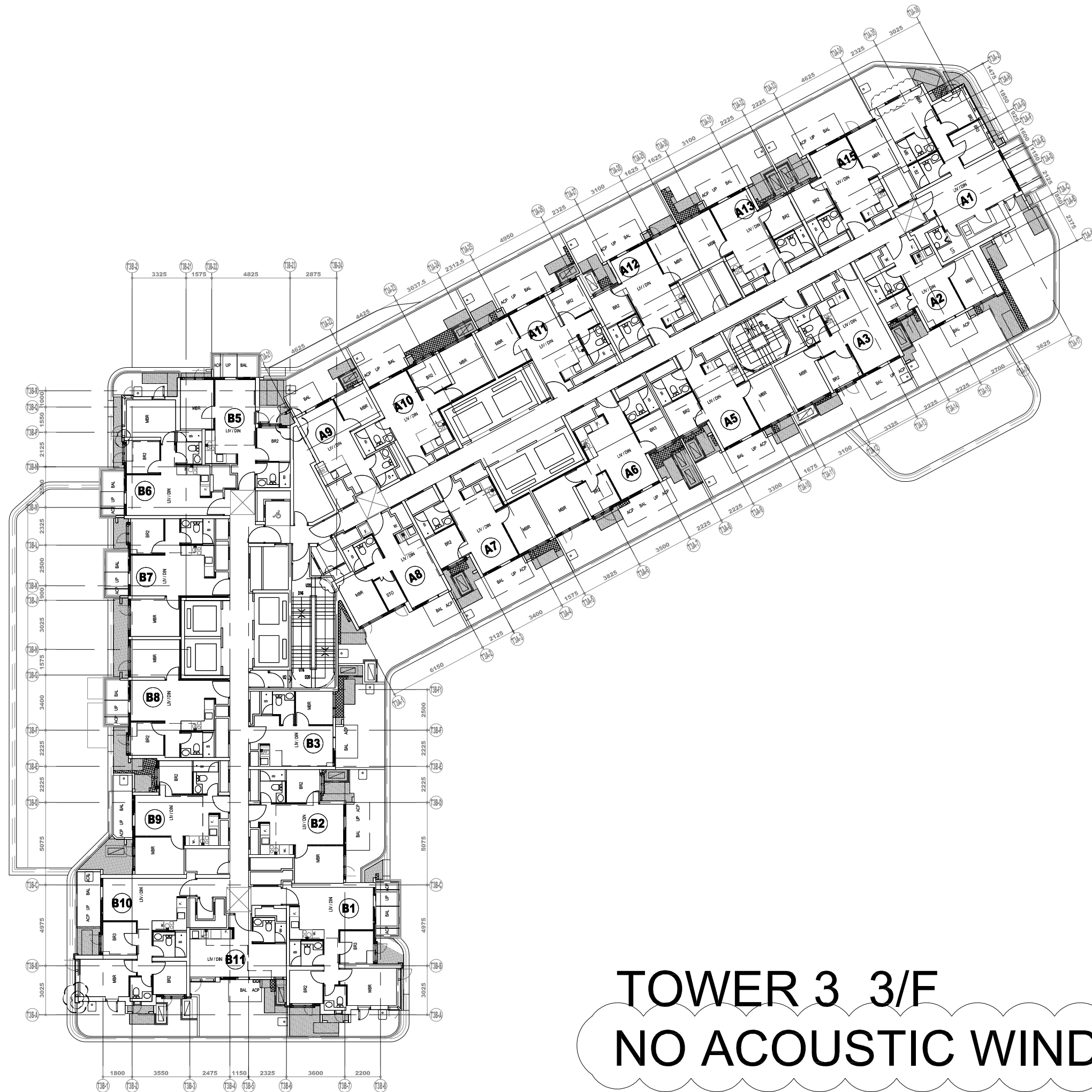
JOB NO. : J-856
 PROJECT : PROPOSED DEVELOPMENT ABOVE LIGHT RAIL TIN WING STOP, TSWTL NO.23, AREA 33, TIN SHUI WAI, N.T.

TITLE : PLAN FOR ACOUSTIC WINDOW AT TOWER 1

DATE : 02-Aug-21 SCALE : 1:200
 DRAWN BY : Ivan CHECKED BY :


MIDI ALUMINIUM FABRICATOR LTD.
 Units 6-8, Sunray Industrial Centre, 1/F
 610 Cha Kwo Ling Road, Kowloon
 Tel:23489211-4 Fax:(852)27727666

DWG NO. : J856-SD-IW-3103 REV. : -



TOWER 3 3/F
NO ACOUSTIC WINDOW

B.D. REF :

CLIENT :

SUN HUNG KAI
 REAL ESTATE AGENCY LTD.
 42/F SUN HUNG KAI CENTRE, WANCHAI, HONGKONG

ARCHITECT :

lwk&partners
 architects

MAIN CONTRACTOR :

怡輝建築有限公司
 Yee Fai Building Contractors Ltd.

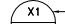

STRUCTURAL ENGINEER :

ARUP

FACADE CONSULTANT:

ALPHA CONSULTING LIMITED
 Steel Structure & Facade Specialist

NOTE :
 1. ALL DIMENSIONS ARE IN mm.
 2. ALL ELEVATIONS ARE VIEWED FROM OUTSIDE.
 3. ALL DIMENSIONS TO BE VERIFIED ON SITE BEFORE FABRICATION.

LEGEND :
 -- DETAIL MARK NO.
 -- REFER SHEET NO.
 1. F.F.L. -- FINISHED FLOOR LEVEL
 2. S.F.L. -- STRUCTURAL FLOOR LEVEL
 3. (R) -- REVERSED DETAIL
 4. GLASS LEGEND
 EGL-1 -- 8mmHS+12mm AIR GAP+8mmTP THK. I.G.U.
 EGL-2 -- 10mm THK. CLEAR TEMPERED GLASS
 EGL-4 -- 10mm THK. TEMPERED ACID ETCHED GLASS

NO.	DATE	REVISED	BY
A	22/03/2023	REVISION SUBJECT TO ARCH.COMMENT	ivan

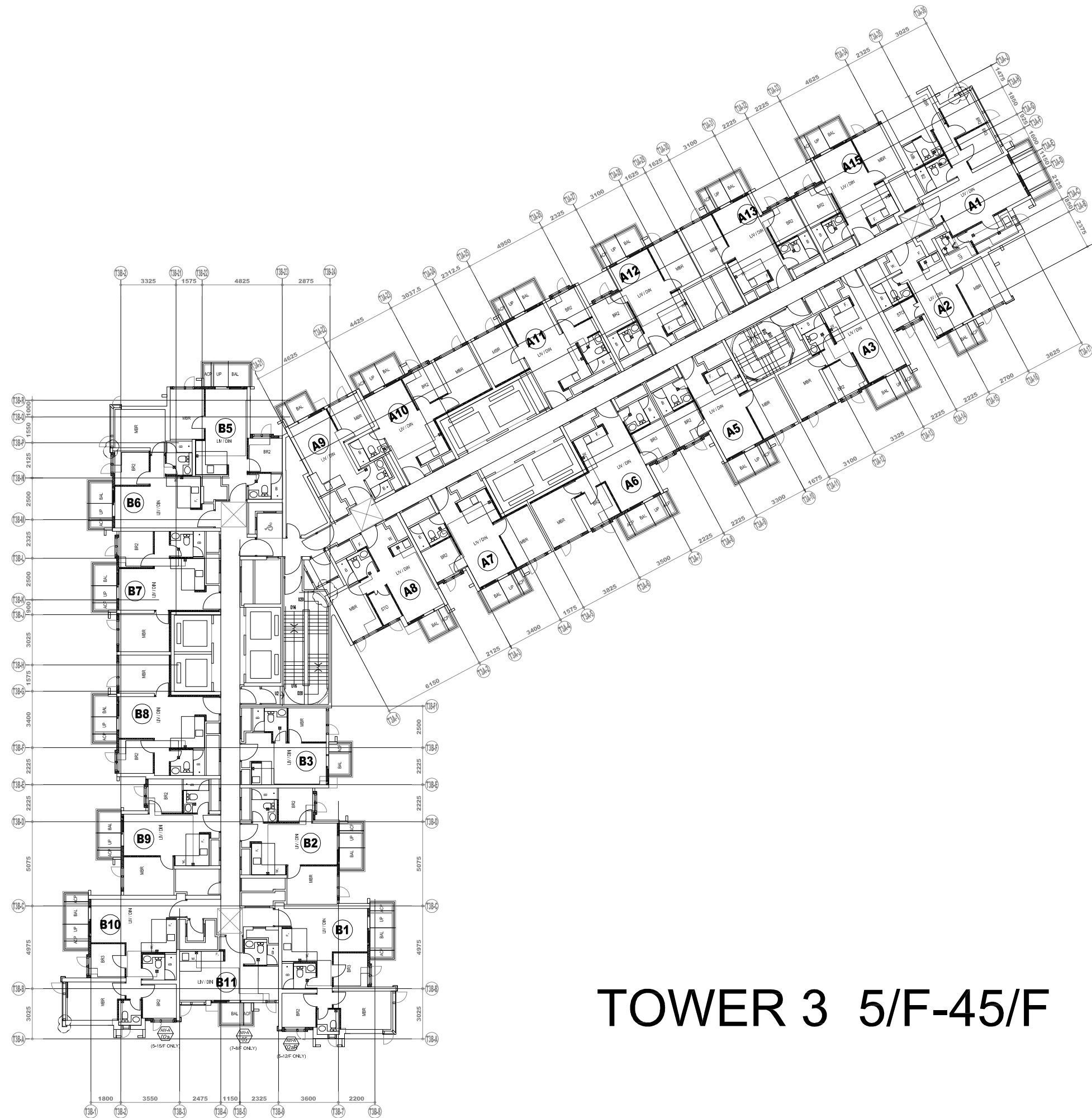
JOB NO. : J-856
 PROJECT :
 PROPOSED DEVELOPMENT ABOVE
 LIGHT RAIL TIN WING STOP, TSWTL
 NO.23, AREA 33, TIN SHUI WAI, N.T.

TITLE :
 PLAN FOR ACOUSTIC WINDOW
 AT TOWER 3

DATE : 02-Aug-21 SCALE : 1:200
 DRAWN BY : ivan CHECKED BY :


美特鋁質有限公司
 MIDI ALUMINIUM FABRICATOR LTD.
 Units 6-8, Sunray Industrial Centre, 1/F
 610 Cha Kwo Ling Road, Kowloon
 Tel: 23489211-4 Fax: (852) 2727666

DWG NO. : J856-SD-AS-3301 REV. : A



TOWER 3 5/F-45/F

B.D. REF :

CLIENT :

SUN HUNG KAI
REAL ESTATE AGENCY LTD.
42/F SUN HUNG KAI CENTRE, WANCHAI, HONGKONG

ARCHITECT :

lwk&partners
architects

MAIN CONTRACTOR :

Yee Fai Building Contractors Ltd.

STRUCTURAL ENGINEER :

ARUP

FACADE CONSULTANT:

ALPHA CONSULTING LIMITED
Steel Structure & Facade Specialist

NOTE :

1. ALL DIMENSIONS ARE IN mm.
2. ALL ELEVATIONS ARE VIEWED FROM OUTSIDE.
3. ALL DIMENSIONS TO BE VERIFIED ON SITE BEFORE FABRICATION.

LEGEND :

- X1 — DETAIL MARK NO.
- X001 — REFER SHEET NO.
- 1. F.F.L. — FINISHED FLOOR LEVEL
- 2. S.F.L. — STRUCTURAL FLOOR LEVEL
- 3. (R) — REVERSED DETAIL
- 4. GLASS LEGEND
- EGL-1 — 8mmHS+12mm AIR GAP+8mmTP THK. I.G.U.
- EGL-2 — 10mm THK. CLEAR TEMPERED GLASS
- EGL-4 — 10mm THK. TEMPERED ACID ETCHED GLASS

NO.	DATE	REVISED	BY

JOB NO. : J-856

PROJECT :
PROPOSED DEVELOPMENT ABOVE
LIGHT RAIL TIN WING STOP, TSWTL
NO.23, AREA 33, TIN SHUI WAI, N.T.

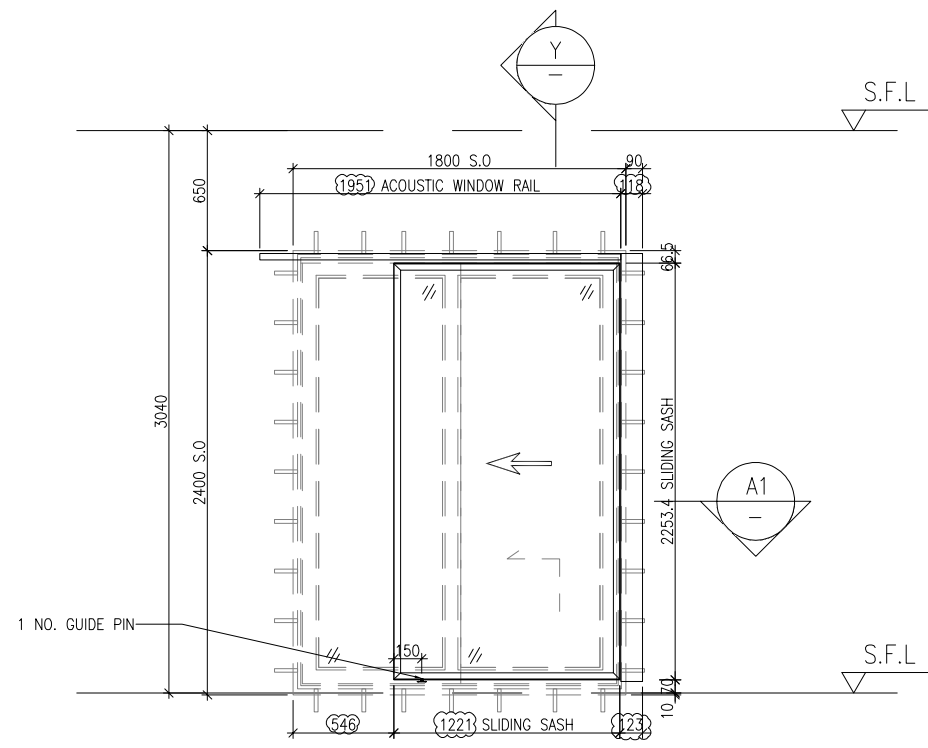
TITLE :
PLAN FOR IN-SITU WINDOW
AT TOWER 3 FOR 5F-45F

DATE : 06-Jan-23 SCALE : 1:200

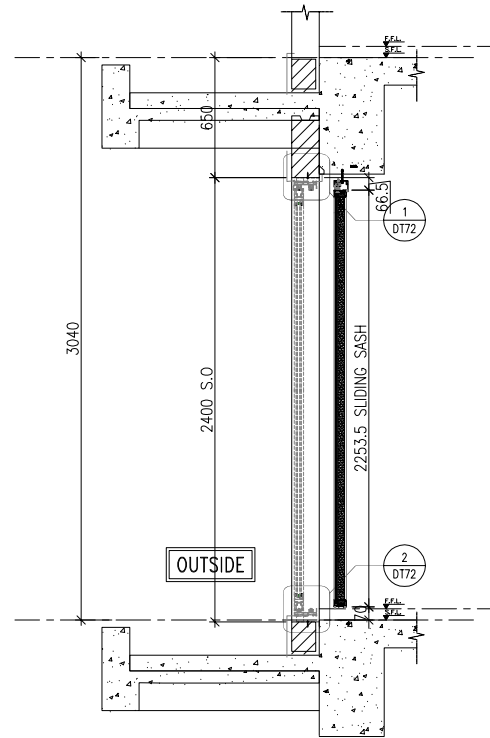
DRAWN BY : Ivan CHECKED BY :

美特鋁質有限公司
MIDI ALUMINIUM FABRICATOR LTD.
Units 6-8, Sunray Industrial Centre, 1/F
610 Cha Kwo Ling Road, Kowloon
Tel: 23489211-4 Fax: (852) 27726666

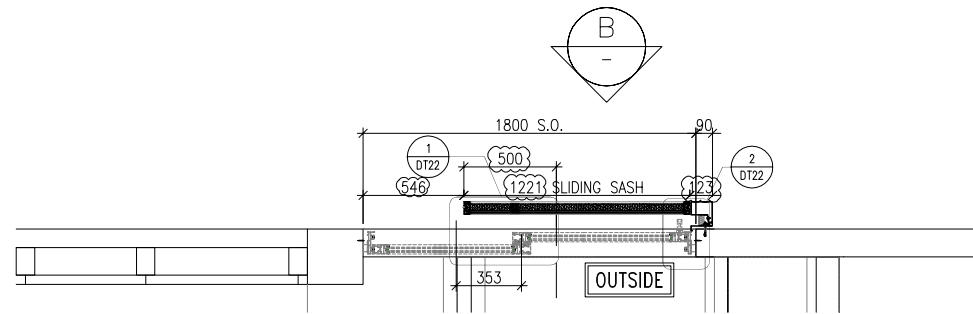
DWG NO. : J856-SD-IW-3302 REV. : -



ELEVATION
VIEW FROM OUTSIDE

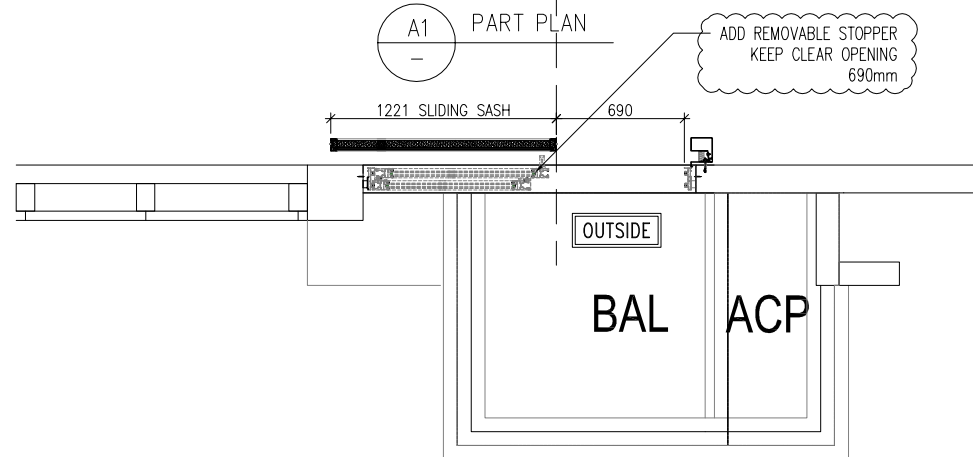


X
PART SECTION



A1
PART PLAN

ADD REMOVABLE STOPPER
KEEP CLEAR OPENING
690mm



BAL ACP

AW-A-05

LOCATION	B11-LIV
FLOOR	7/F-8/F
MPA	NO
TOP & SIDE SAM	NO
QUANTITY	2
OVERLAPPING(REQUIRE)	275
OVERLAPPING(PROVIDED)	500

B.D. REF :

CLIENT :

SUN HUNG KAI
REAL ESTATE AGENCY LTD.
42/F SUN HUNG KAI CENTRE, WANCHAI, HONGKONG

ARCHITECT :

lwk&partners
architects

MAIN CONTRACTOR :

Yee Fai Building Contractors Ltd.

STRUCTURAL ENGINEER :

ARUP

FACADE CONSULTANT:

ALPHA CONSULTING LIMITED
Steel Structure & Facade Specialist

NOTE :

1. ALL DIMENSIONS ARE IN mm.
2. ALL ELEVATIONS ARE VIEWED FROM OUTSIDE.
3. ALL DIMENSIONS TO BE VERIFIED ON SITE BEFORE FABRICATION.

LEGEND :

1. F.F.L. -- FINISHED FLOOR LEVEL
2. S.F.L. -- STRUCTURAL FLOOR LEVEL

NO.	DATE	REVISED	BY
D	13/06/2023	REVISION SUBJECT TO ARCH.COMMENT	ivan
C	11/05/2023	REVISION SUBJECT TO ARCH.COMMENT	ivan
B	21/03/2023	REVISION SUBJECT TO ARCH.COMMENT	ivan
A	12/01/2023	REVISION SUBJECT TO ARCH.COMMENT	ivan

JOB NO. : J-856

PROJECT :
PROPOSED DEVELOPMENT ABOVE
LIGHT RAIL TIN WING STOP, TSWTL
NO.23, AREA 33, TIN SHUI WAI, N.T.

TITLE :
WINDOW SCHEDULE FOR
TOWER 3 ACOUSTIC WINDOW

DATE : 06-Jan-23 SCALE : 1:40

DRAWN BY : Ivan CHECKED BY :

美特鋁質有限公司
MIDI ALUMINIUM FABRICATOR LTD.
Units 6-8, Sunray Industrial Centre, 1/F
610 Cha Kwo Ling Road, Kowloon
Tel: 23489211-4 Fax: (852) 27727666

DWG NO. : J856-SD-AS-5302 REV. : D

B.D. REF :

CLIENT :

 42/F SUN HUNG KAI CENTRE, WANCHAI, HONGKONG

ARCHITECT :


MAIN CONTRACTOR :


STRUCTURAL ENGINEER :


FAÇADE CONSULTANT:

 Steel Structure & Façade Specialist

NOTE :
 1. ALL DIMENSIONS ARE IN mm.
 2. ALL ELEVATIONS ARE VIEWED FROM OUTSIDE.
 3. ALL DIMENSIONS TO BE VERIFIED ON SITE BEFORE FABRICATION.

LEGEND :
 1. F.F.L. -- FINISHED FLOOR LEVEL
 2. S.F.L. -- STRUCTURAL FLOOR LEVEL

NO.	DATE	REVISED	BY
D	13/06/2023	REVISION SUBJECT TO ARCH.COMMENT	ivan
C	11/05/2023	REVISION SUBJECT TO ARCH.COMMENT	ivan
B	21/03/2023	REVISION SUBJECT TO ARCH.COMMENT	ivan
A	16/01/2023	REVISION SUBJECT TO ARCH.COMMENT	ivan

JOB NO. : J-856
 PROJECT : PROPOSED DEVELOPMENT ABOVE LIGHT RAIL TIN WING STOP, TSWTL NO.23, AREA 33, TIN SHUI WAI, N.T.

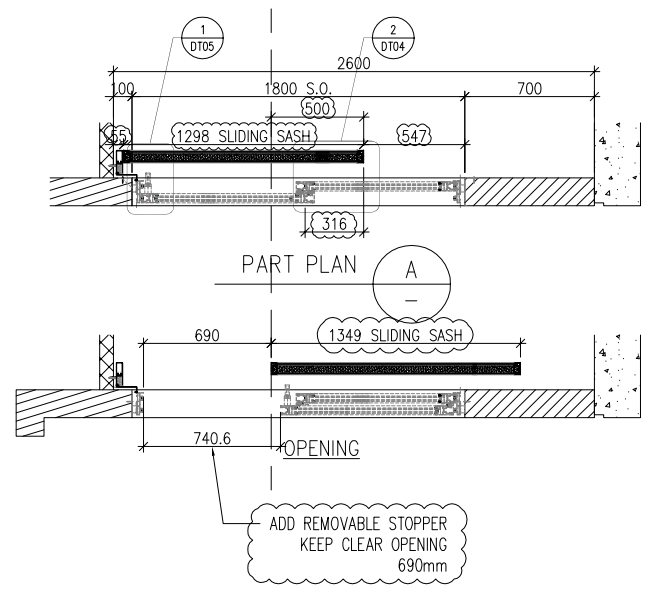
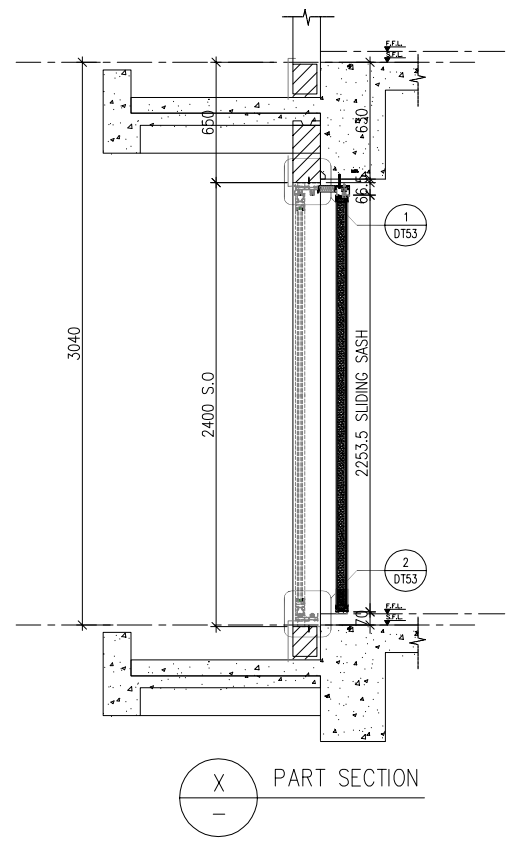
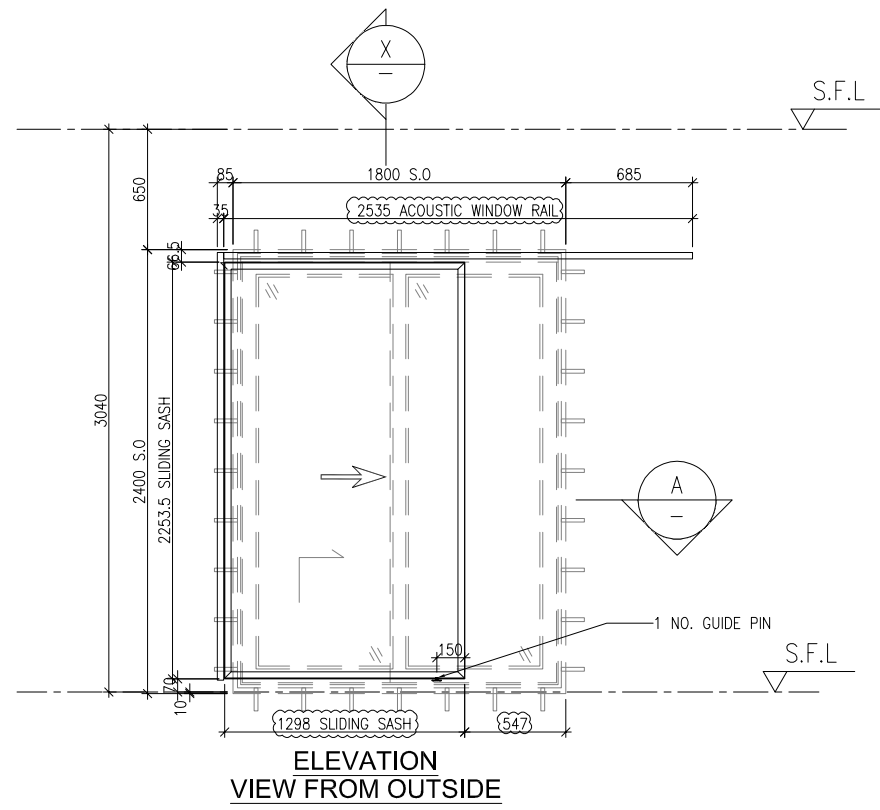
TITLE : WINDOW SCHEDULE FOR TOWER 1 ACOUSTIC WINDOW

DATE : 06-Jan-23 SCALE : 1:40

DRAWN BY : Ivan CHECKED BY :


MIDI ALUMINIUM FABRICATOR LTD.
 Units 6-8, Sunray Industrial Centre, 1/F
 610 Cha Kwo Ling Road, Kowloon
 Tel: 23489211-4 Fax: (852) 27727666

DWG NO. : J856-SD-AS-5101 REV. : D



AW-A-05a	
LOCATION	A8-LIV
FLOOR	3/F-45/F
MPA	YES
TOP & SIDE SAM	YES
QUANTITY	37
OVERLAPPING(REQUIRE)	500
OVERLAPPING(PROVIDED)	500

B.D. REF :

CLIENT :

 42/F SUN HUNG KAI CENTRE, WANCHAI, HONGKONG

ARCHITECT :


MAIN CONTRACTOR :


STRUCTURAL ENGINEER :


FAÇADE CONSULTANT:

 Steel Structure & Façade Specialist

NOTE :
 1. ALL DIMENSIONS ARE IN mm.
 2. ALL ELEVATIONS ARE VIEWED FROM OUTSIDE.
 3. ALL DIMENSIONS TO BE VERIFIED ON SITE BEFORE FABRICATION.

LEGEND :
 1. F.F.L. -- FINISHED FLOOR LEVEL
 2. S.F.L. -- STRUCTURAL FLOOR LEVEL

NO.	DATE	REVISED	BY
D	15/06/2023	REVISION SUBJECT TO ARCH.COMMENT	ivan
C	11/05/2023	REVISION SUBJECT TO ARCH.COMMENT	ivan
B	21/03/2023	REVISION SUBJECT TO ARCH.COMMENT	ivan
A	16/01/2023	REVISION SUBJECT TO ARCH.COMMENT	ivan

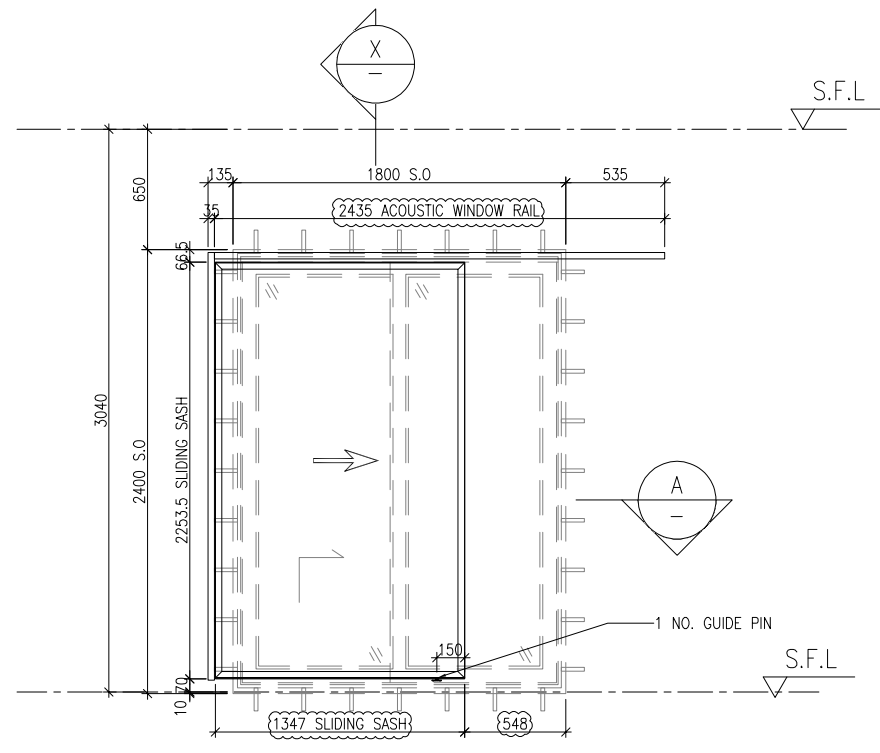
JOB NO. : J-856
 PROJECT : PROPOSED DEVELOPMENT ABOVE LIGHT RAIL TIN WING STOP, TSWTL NO.23, AREA 33, TIN SHUI WAI, N.T.

TITLE : WINDOW SCHEDULE FOR TOWER 1 ACOUSTIC WINDOW

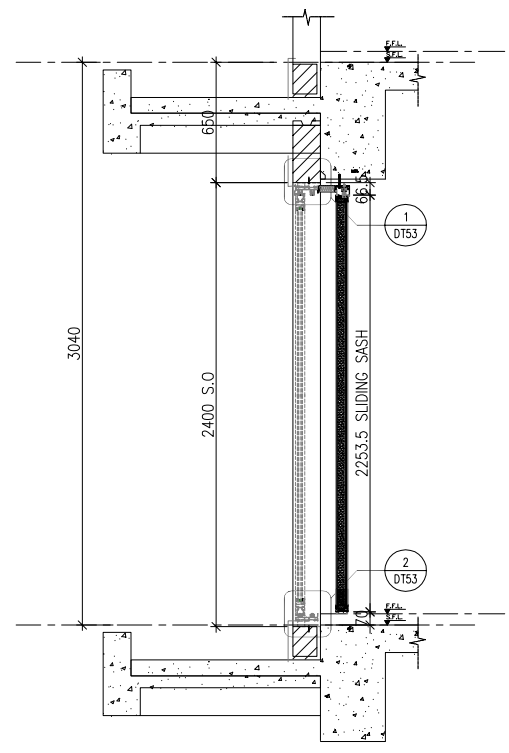
DATE : 06-Jan-23 SCALE : 1:40
 DRAWN BY : Ivan CHECKED BY :


MIDI ALUMINIUM FABRICATOR LTD.
 Units 6-8, Sunray Industrial Centre, 1/F
 610 Cha Kwo Ling Road, Kowloon
 Tel: 23489211-4 Fax: (852) 27727666

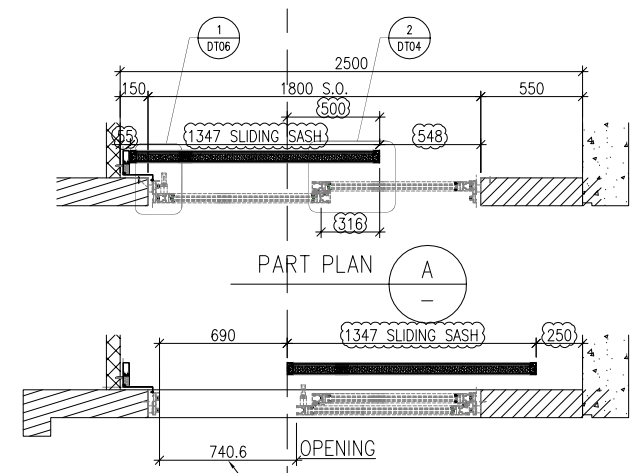
DWG NO. : J856-SD-AS-5102 REV. : D



ELEVATION
VIEW FROM OUTSIDE



X-X PART SECTION

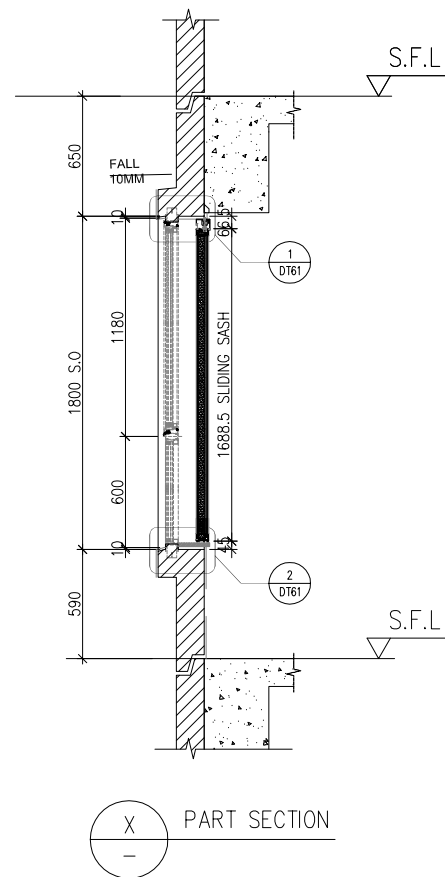
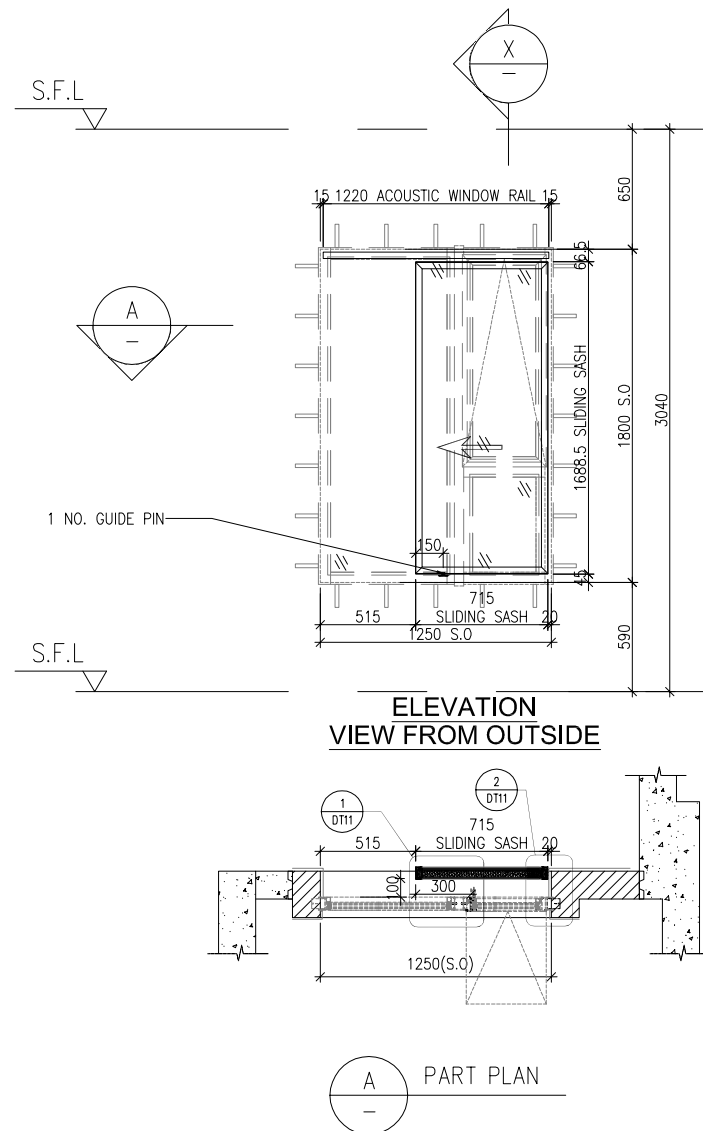


A-A PART PLAN

ADD REMOVABLE STOPPER
KEEP CLEAR OPENING
690mm

AW-A-05a

	A5-LIV	A7-LIV	B6-LIV
LOCATION	A5-LIV	A7-LIV	B6-LIV
FLOOR	3/F-46/F	3/F-45/F	3/F-46/F
MPA	YES	YES	YES
TOP & SIDE SAM	YES	YES	YES
QUANTITY	38	37	38
OVERLAPPING(REQUIRE)	500	500	500
OVERLAPPING(PROVIDED)	500	500	500



AW-A-02bR

LOCATION	A8-BR3	A8-BR2
FLOOR	6/F-12/F	3/F-26/F
MPA	YES	YES
TOP & SIDE SAM	NO	NO
QUANTITY	7	19
OVERLAPPING(REQUIRE)	253	253
OVERLAPPING(PROVIDED)	300	300

B.D. REF :

CLIENT :

SUN HUNG KAI
REAL ESTATE AGENCY LTD.
42/F SUN HUNG KAI CENTRE, WANCHAI, HONGKONG

ARCHITECT :

lwk&partners
architects

MAIN CONTRACTOR :

Yee Fai Building Contractors Ltd.

STRUCTURAL ENGINEER :

ARUP

FACADE CONSULTANT:

ALPHA CONSULTING LIMITED
Steel Structure & Facade Specialist

NOTE :

1. ALL DIMENSIONS ARE IN mm.
2. ALL ELEVATIONS ARE VIEWED FROM OUTSIDE.
3. ALL DIMENSIONS TO BE VERIFIED ON SITE BEFORE FABRICATION.

LEGEND :

1. F.F.L. -- FINISHED FLOOR LEVEL
2. S.F.L. -- STRUCTURAL FLOOR LEVEL

NO.	DATE	REVISED	BY
B	11/05/2023	REVISION SUBJECT TO ARCH.COMMENT	Ivan
A	21/03/2023	REVISION SUBJECT TO ARCH.COMMENT	Ivan

JOB NO. : J-856

PROJECT :
PROPOSED DEVELOPMENT ABOVE
LIGHT RAIL TIN WING STOP, TSWTL
NO.23, AREA 33, TIN SHUI WAI, N.T.

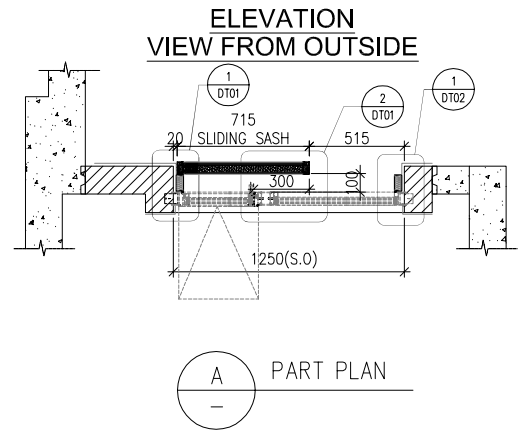
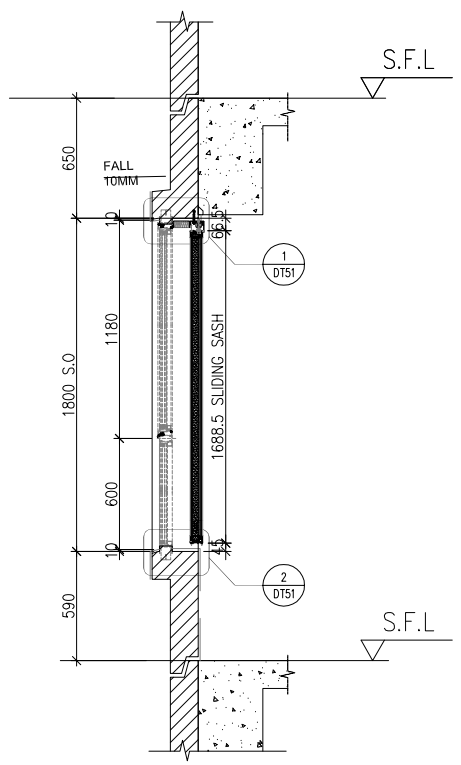
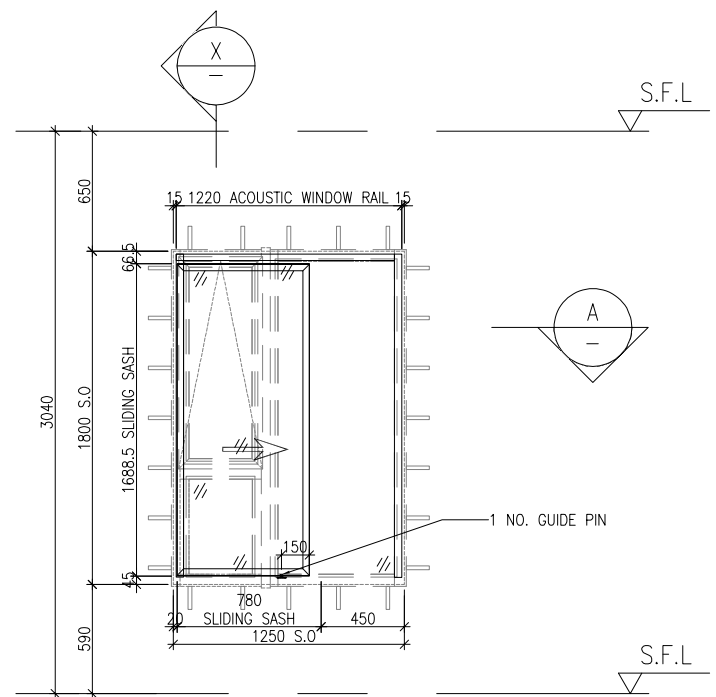
TITLE :
WINDOW SCHEDULE FOR
TOWER 1 ACOUSTIC WINDOW

DATE : 06-Jan-23 SCALE : 1:40

DRAWN BY : Ivan CHECKED BY :

美特鋁質有限公司
MIDI ALUMINIUM FABRICATOR LTD.
Units 6-8, Sunray Industrial Centre, 1/F
610 Cha Kwo Ling Road, Kowloon
Tel: 23489211-4 Fax: (852) 27727666

DWG NO. : J856-SD-AS-5103 REV. : B



X
—
PART SECTION

ELEVATION
VIEW FROM OUTSIDE

A
—
PART PLAN

B.D. REF :

CLIENT :

 42/F SUN HUNG KAI CENTRE, WANCHAI, HONGKONG

ARCHITECT :


MAIN CONTRACTOR :


STRUCTURAL ENGINEER :


FACADE CONSULTANT:

 Steel Structure & Facade Specialist

NOTE :
 1. ALL DIMENSIONS ARE IN mm.
 2. ALL ELEVATIONS ARE VIEWED FROM OUTSIDE.
 3. ALL DIMENSIONS TO BE VERIFIED ON SITE BEFORE FABRICATION.

LEGEND :
 1. F.F.L. -- FINISHED FLOOR LEVEL
 2. S.F.L. -- STRUCTURAL FLOOR LEVEL

C	11/05/2023	REVISION SUBJECT TO ARCH.COMMENT	ivan
B	21/03/2023	REVISION SUBJECT TO ARCH.COMMENT	ivan
A	16/01/2023	REVISION SUBJECT TO ARCH.COMMENT	ivan
NO.	DATE	REVISED	BY

JOB NO. : J-856
 PROJECT :
 PROPOSED DEVELOPMENT ABOVE
 LIGHT RAIL TIN WING STOP, TSWTL
 NO.23, AREA 33, TIN SHUI WAI, N.T.

TITLE :
 WINDOW SCHEDULE FOR
 TOWER 1 ACOUSTIC WINDOW

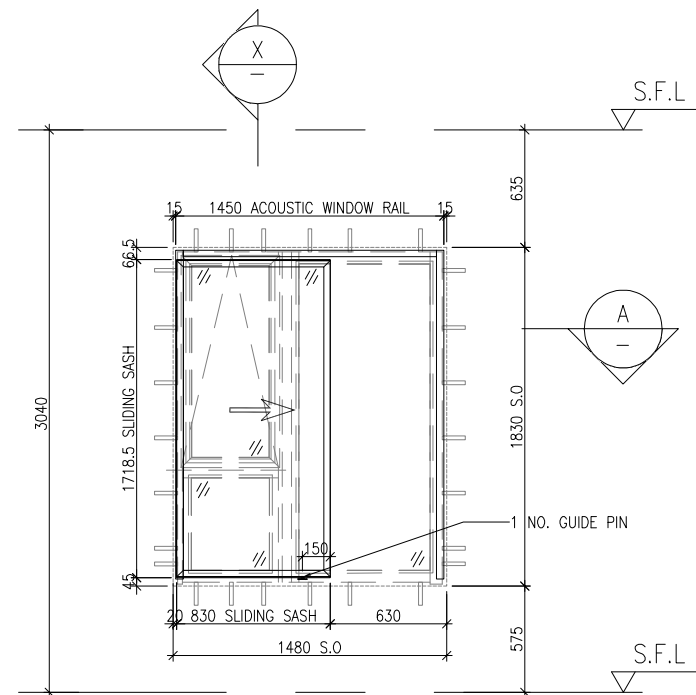
DATE : 06-Jan-23 SCALE : 1:40
 DRAWN BY : Ivan CHECKED BY :


 MIDI ALUMINIUM FABRICATOR LTD.
 Units 6-8, Sunray Industrial Centre, 1/F
 610 Cha Kwo Ling Road, Kowloon
 Tel: 23489211-4 Fax: (852) 27727666

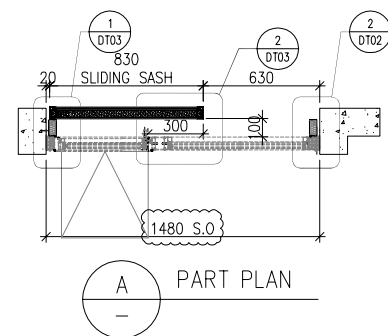
DWG NO. : J856-SD-AS-5104 REV. : C

AW-A-02b

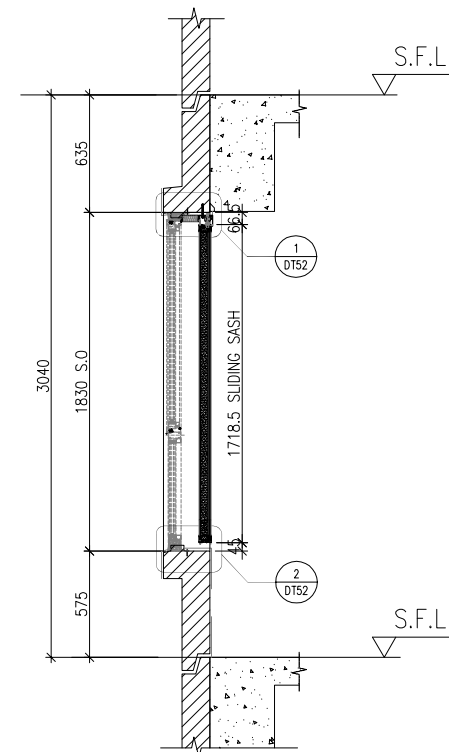
LOCATION	A5-BR2	A7-BR2	B6-BR2
FLOOR	3/F-46/F	3/F-45/F	3/F-46/F
MPA	YES	YES	YES
TOP & SIDE SAM	YES	YES	YES
QUANTITY	38	37	38
OVERLAPPING(REQUIRE)	300	300	300
OVERLAPPING(PROVIDED)	300	300	300



**ELEVATION
VIEW FROM OUTSIDE**



PART PLAN



PART SECTION

AW-A-04ai

LOCATION	B5-MBR
FLOOR	3/F-46/F
MPA	YES
TOP & SIDE SAM	YES
QUANTITY	38
OVERLAPPING(REQUIRE)	300
OVERLAPPING(PROVIDED)	300

B.D. REF :

CLIENT :
SUN HUNG KAI
 REAL ESTATE AGENCY LTD.
 42/F SUN HUNG KAI CENTRE, WANCHAI, HONGKONG

ARCHITECT :
Iwk&partners
 architects

MAIN CONTRACTOR :
Yee Fai Building Contractors Ltd.

STRUCTURAL ENGINEER :
ARUP

FACADE CONSULTANT:
ALPHA CONSULTING LIMITED
 Steel Structure & Facade Specialist

NOTE :
 1. ALL DIMENSIONS ARE IN mm.
 2. ALL ELEVATIONS ARE VIEWED FROM OUTSIDE.
 3. ALL DIMENSIONS TO BE VERIFIED ON SITE BEFORE FABRICATION.

LEGEND :
 1. F.F.L. -- FINISHED FLOOR LEVEL
 2. S.F.L. -- STRUCTURAL FLOOR LEVEL

NO.	DATE	REVISED	BY
C	11/05/2023	REVISION SUBJECT TO ARCH.COMMENT	Ivan
B	21/03/2023	REVISION SUBJECT TO ARCH.COMMENT	Ivan
A	12/01/2023	REVISION SUBJECT TO ARCH.COMMENT	Ivan

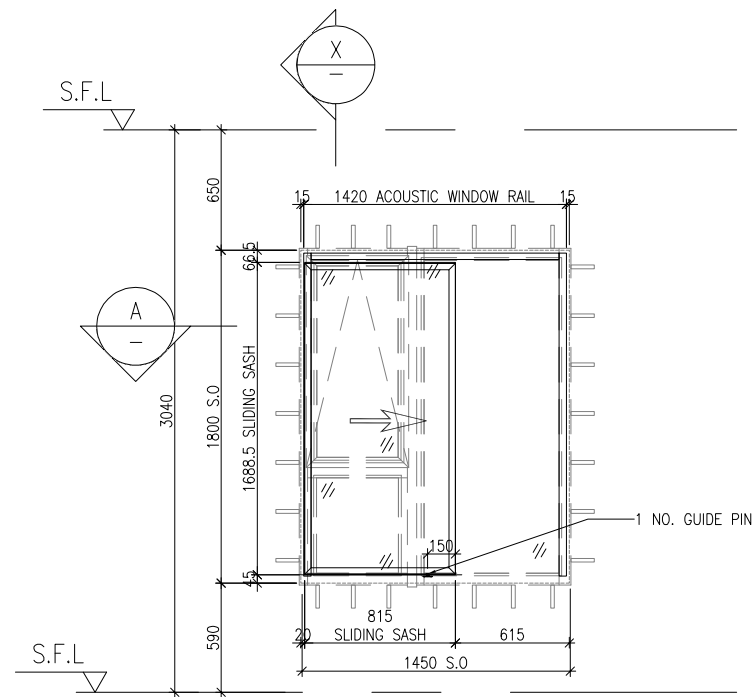
JOB NO. : J-856
 PROJECT :
 PROPOSED DEVELOPMENT ABOVE
 LIGHT RAIL TIN WING STOP, TSWTL
 NO.23, AREA 33, TIN SHUI WAI, N.T.

TITLE :
 WINDOW SCHEDULE FOR
 TOWER 1 ACOUSTIC WINDOW

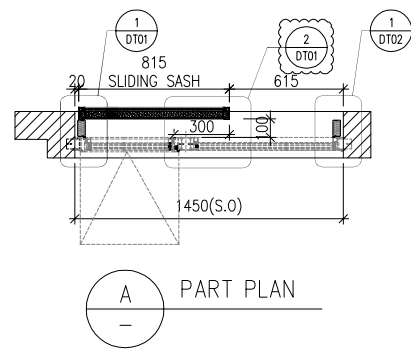
DATE : 06-Jan-23 SCALE : 1:40
 DRAWN BY : Ivan CHECKED BY :

美特鋁質有限公司
MIDI ALUMINIUM FABRICATOR LTD.
 Units 6-8, Sunray Industrial Centre, 1/F
 610 Cha Kwo Ling Road, Kowloon
 Tel: 23489211-4 Fax: (852) 27727666

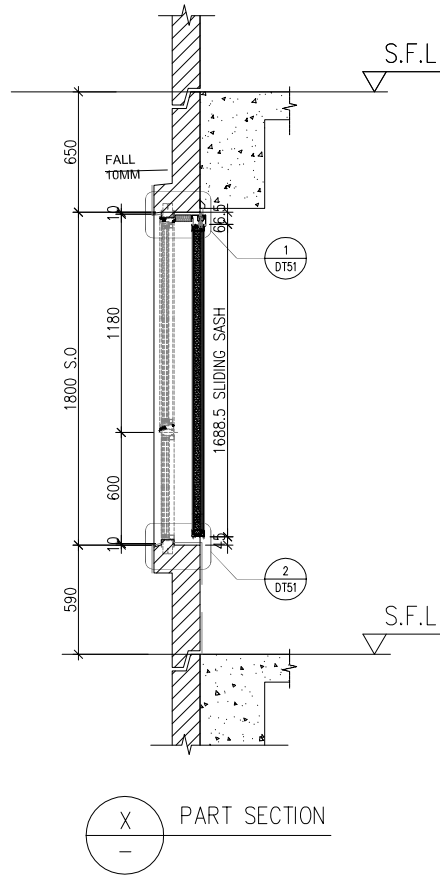
DWG NO. : J856-SD-AS-5105 REV. : C



ELEVATION
VIEW FROM OUTSIDE



PART PLAN



PART SECTION

AW-A-04c

LOCATION	A5-MBR	A6-MBR	A7-MBR
FLOOR	3/F-46/F	3/F-45/F	3/F-45/F
MPA	YES	YES	YES
TOP & SIDE SAM	YES	YES	YES
QUANTITY	38	37	37
OVERLAPPING(REQUIRE)	300	300	300
OVERLAPPING(PROVIDED)	300	300	300

B.D. REF :

CLIENT :
SUN HUNG KAI
 REAL ESTATE AGENCY LTD.
 42/F SUN HUNG KAI CENTRE, WANCHAI, HONGKONG

ARCHITECT :
Iwk&partners
 architects

MAIN CONTRACTOR :
Yee Fai Building Contractors Ltd.

STRUCTURAL ENGINEER :
ARUP

FACADE CONSULTANT:
ALPHA CONSULTING LIMITED
 Steel Structure & Facade Specialist

NOTE :
 1. ALL DIMENSIONS ARE IN mm.
 2. ALL ELEVATIONS ARE VIEWED FROM OUTSIDE.
 3. ALL DIMENSIONS TO BE VERIFIED ON SITE BEFORE FABRICATION.

LEGEND :
 1. F.F.L. -- FINISHED FLOOR LEVEL
 2. S.F.L. -- STRUCTURAL FLOOR LEVEL

NO.	DATE	REVISED	BY
C	11/05/2023	REVISION SUBJECT TO ARCH.COMMENT	Ivan
B	21/03/2023	REVISION SUBJECT TO ARCH.COMMENT	Ivan
A	12/01/2023	REVISION SUBJECT TO ARCH.COMMENT	Ivan

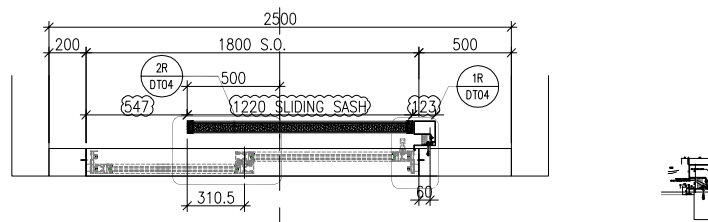
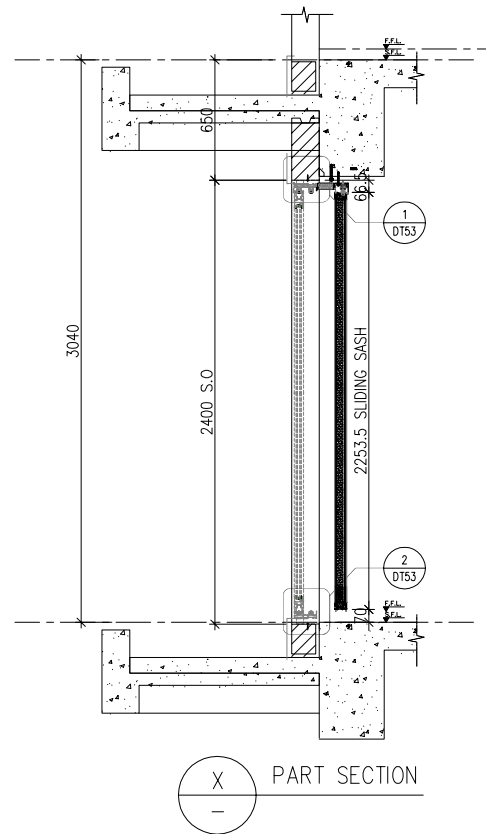
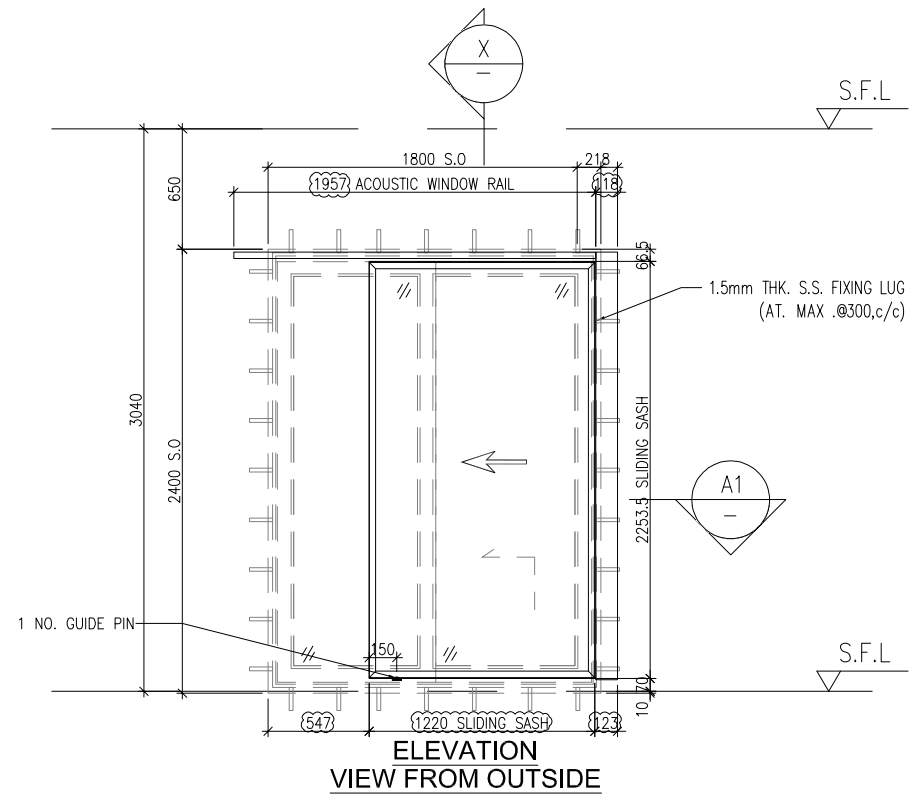
JOB NO. : J-856
 PROJECT :
 PROPOSED DEVELOPMENT ABOVE
 LIGHT RAIL TIN WING STOP, TSWTL
 NO.23, AREA 33, TIN SHUI WAI, N.T.

TITLE :
 WINDOW SCHEDULE FOR
 TOWER 1 ACOUSTIC WINDOW

DATE : 06-Jan-23 SCALE : 1:40
 DRAWN BY : Ivan CHECKED BY :

MIDI ALUMINIUM FABRICATOR LTD.
 Units 6-8, Sunray Industrial Centre, 1/F
 610 Cha Kwo Ling Road, Kowloon
 Tel: 23489211-4 Fax: (852) 27727666

DWG NO. : J856-SD-AS-5106 REV. : C



ADD REMOVABLE STOPPER
KEEP CLEAR OPENING
690mm

AW-A-05

LOCATION	A6-LIV	B5-LIV
FLOOR	3/F-45/F	3/F-46/F
MPA	YES	YES
TOP & SIDE SAM	YES	YES
QUANTITY	37	38
OVERLAPPING(REQUIRE)	500	500
OVERLAPPING(PROVIDED)	500	500

B.D. REF :

CLIENT :

SUN HUNG KAI
REAL ESTATE AGENCY LTD.
42/F SUN HUNG KAI CENTRE, WANCHAI, HONGKONG

ARCHITECT :

lwk&partners
architects

MAIN CONTRACTOR :

Yee Fai Building Contractors Ltd.

STRUCTURAL ENGINEER :

ARUP

FACADE CONSULTANT:

ALPHA CONSULTING LIMITED
Steel Structure & Facade Specialist

NOTE :

1. ALL DIMENSIONS ARE IN mm.
2. ALL ELEVATIONS ARE VIEWED FROM OUTSIDE.
3. ALL DIMENSIONS TO BE VERIFIED ON SITE BEFORE FABRICATION.

LEGEND :

1. F.F.L. -- FINISHED FLOOR LEVEL
2. S.F.L. -- STRUCTURAL FLOOR LEVEL

NO.	DATE	REVISED	BY
D	13/06/2023	REVISION SUBJECT TO ARCH.COMMENT	ivan
C	11/05/2023	REVISION SUBJECT TO ARCH.COMMENT	ivan
B	21/03/2023	REVISION SUBJECT TO ARCH.COMMENT	ivan
A	12/01/2023	REVISION SUBJECT TO ARCH.COMMENT	ivan

JOB NO. : J-856

PROJECT :
PROPOSED DEVELOPMENT ABOVE
LIGHT RAIL TIN WING STOP, TSWTL
NO.23, AREA 33, TIN SHUI WAI, N.T.

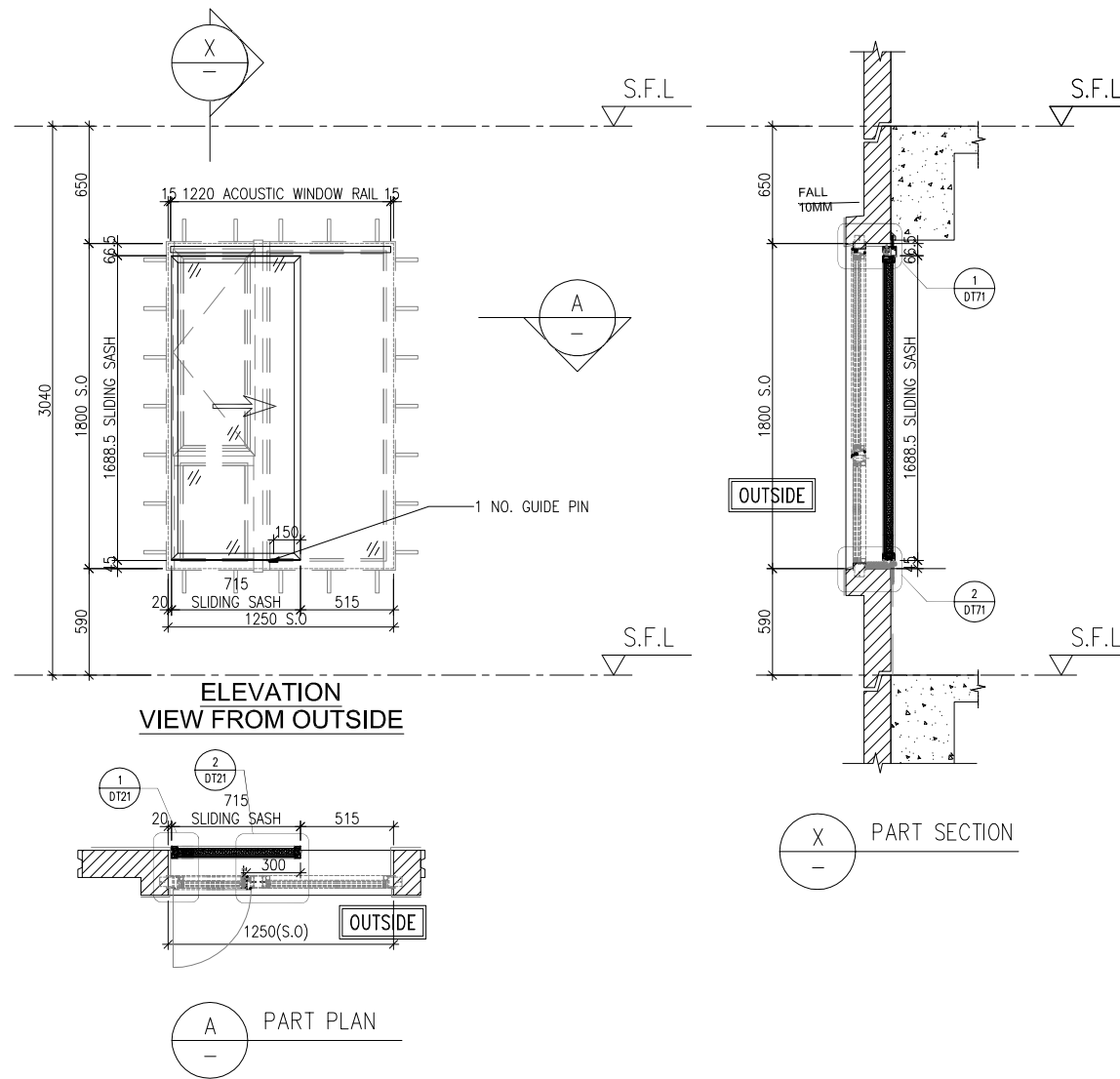
TITLE :
WINDOW SCHEDULE FOR
TOWER 1 ACOUSTIC WINDOW

DATE : 06-Jan-23 SCALE : 1:40

DRAWN BY : Ivan CHECKED BY :

美特鋁質有限公司
MIDI ALUMINIUM FABRICATOR LTD.
Units 6-8, Sunray Industrial Centre, 1/F
610 Cha Kwo Ling Road, Kowloon
Tel: 23489211-4 Fax: (852) 27727666

DWG NO. : J856-SD-AS-5107 REV. : D



B.D. REF :

CLIENT :
SUN HUNG KAI
 REAL ESTATE AGENCY LTD.
 42/F SUN HUNG KAI CENTRE, WANCHAI, HONGKONG

ARCHITECT :
lwk&partners
 architects

MAIN CONTRACTOR :
Yee Fai Building Contractors Ltd.

STRUCTURAL ENGINEER :
ARUP

FACADE CONSULTANT:
ALPHA CONSULTING LIMITED
 Steel Structure & Facade Specialist

NOTE :
 1. ALL DIMENSIONS ARE IN mm.
 2. ALL ELEVATIONS ARE VIEWED FROM OUTSIDE.
 3. ALL DIMENSIONS TO BE VERIFIED ON SITE BEFORE FABRICATION.

LEGEND :
 1. F.F.L. -- FINISHED FLOOR LEVEL
 2. S.F.L. -- STRUCTURAL FLOOR LEVEL

C	11/05/2023	REVISION SUBJECT TO ARCH.COMMENT	Ivan
B	21/03/2023	REVISION SUBJECT TO ARCH.COMMENT	Ivan
A	16/01/2023	REVISION SUBJECT TO ARCH.COMMENT	Ivan
NO.	DATE	REVISED	BY

JOB NO. : J-856
 PROJECT : PROPOSED DEVELOPMENT ABOVE LIGHT RAIL TIN WING STOP, TSWTL NO.23, AREA 33, TIN SHUI WAI, N.T.

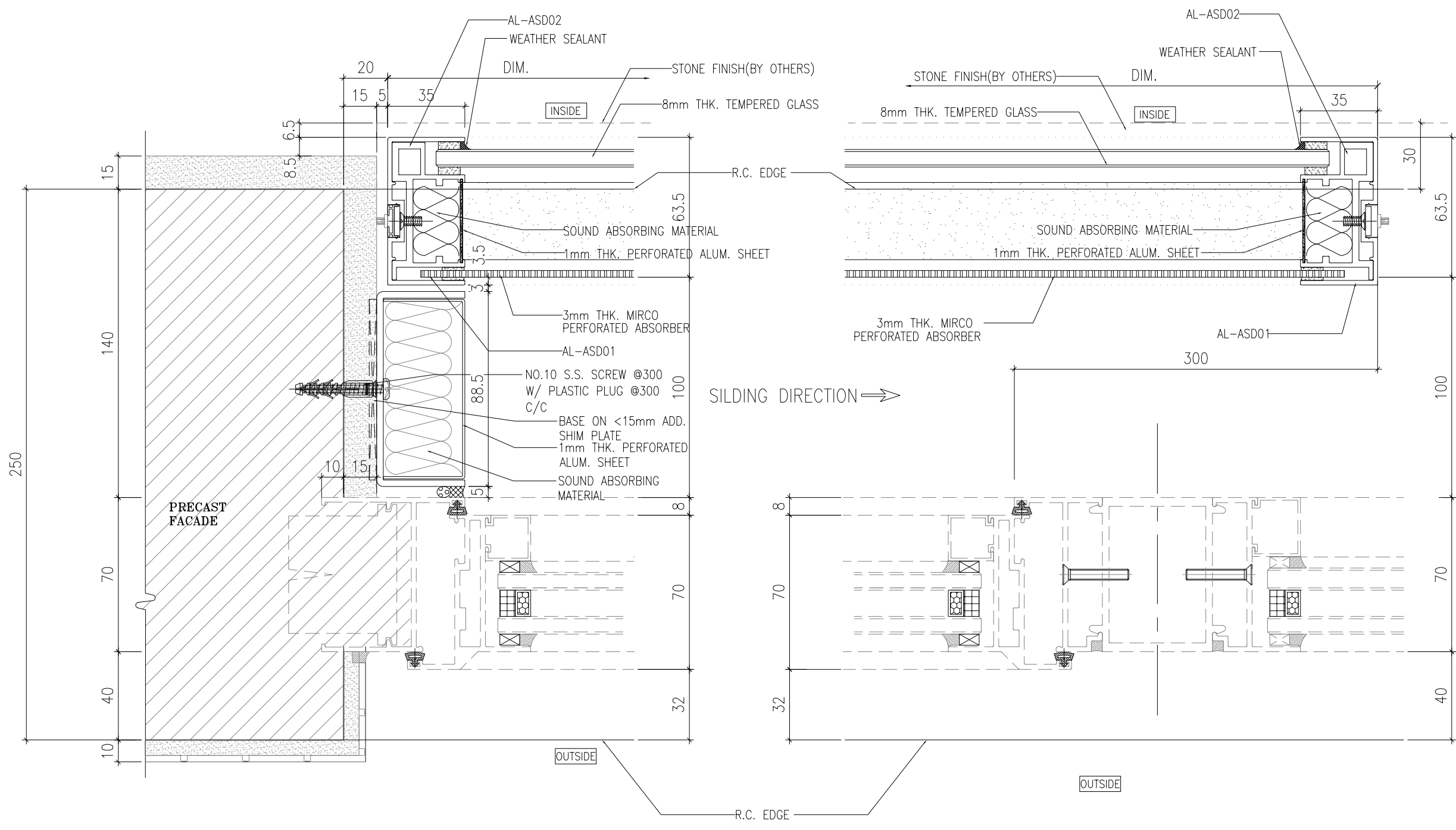
TITLE : WINDOW SCHEDULE FOR TOWER 3 ACOUSTIC WINDOW

DATE : 06-Jan-23 SCALE : 1:40
 DRAWN BY : Ivan CHECKED BY :

美特鋁質有限公司
MIDI ALUMINIUM FABRICATOR LTD.
 Units 6-8, Sunray Industrial Centre, 1/F
 610 Cha Kwo Ling Road, Kowloon
 Tel: 23489211-4 Fax: (852) 27727666

DWG NO. : J856-SD-AS-5301 REV. : C

AW-A-02a		AW-A-02aR	
LOCATION	B10-BR2	LOCATION	B1-BR2
FLOOR	5/F-15/F	FLOOR	5/F-12/F
MPA	NO	MPA	NO
TOP & SIDE SAM	NO	TOP & SIDE SAM	NO
QUANTITY	9	QUANTITY	8
OVERLAPPING(REQUIRE)	253	OVERLAPPING(REQUIRE)	253
OVERLAPPING(PROVIDED)	300	OVERLAPPING(PROVIDED)	300



1 HORIZONTAL DETAIL
SCALE 1:2

2 HORIZONTAL DETAIL
SCALE 1:2

TOP & SIDE SAM WITH MPA CASE

B.D. REF :

CLIENT :
 SUN HUNG KAI REAL ESTATE AGENCY LTD.
 42/F SUN HUNG KAI CENTRE, WANCHAI, HONGKONG

ARCHITECT :
 IWK&partners architects

MAIN CONTRACTOR :
 怡輝建築有限公司 Yee Fai Building Contractors Ltd.

STRUCTURAL ENGINEER :
 ARUP

FAÇADE CONSULTANT:
 ALPHA CONSULTING LIMITED
 Steel Structure & Façade Specialist

NOTE :
 1. ALL DIMENSIONS ARE IN mm.
 2. ALL ELEVATIONS ARE VIEWED FROM OUTSIDE.
 3. ALL DIMENSIONS TO BE VERIFIED ON SITE BEFORE FABRICATION.

LEGEND :
 1. SOUND ABSORBING MATERIAL (PEF12_Noisestop Infill)
 2. 3mm THK MIRCO PERFORATED ABSORBER (PMMA-type MPP535-3mm)
 3. 1mm THK PERFORATED ALUM. SHEET (Pomute Alum. sheet)

NO.	DATE	REVISION	REVISOR	BY
A	20/3/2023	REVISION SUBJECT TO ARCH.COMMENT	Ivan	

JOB NO. : J-856

PROJECT : PROPOSED DEVELOPMENT ABOVE LIGHT RAIL TIN WING STOP, TSWTL NO.23, AREA 33, TIN SHUI WAI, N.T.

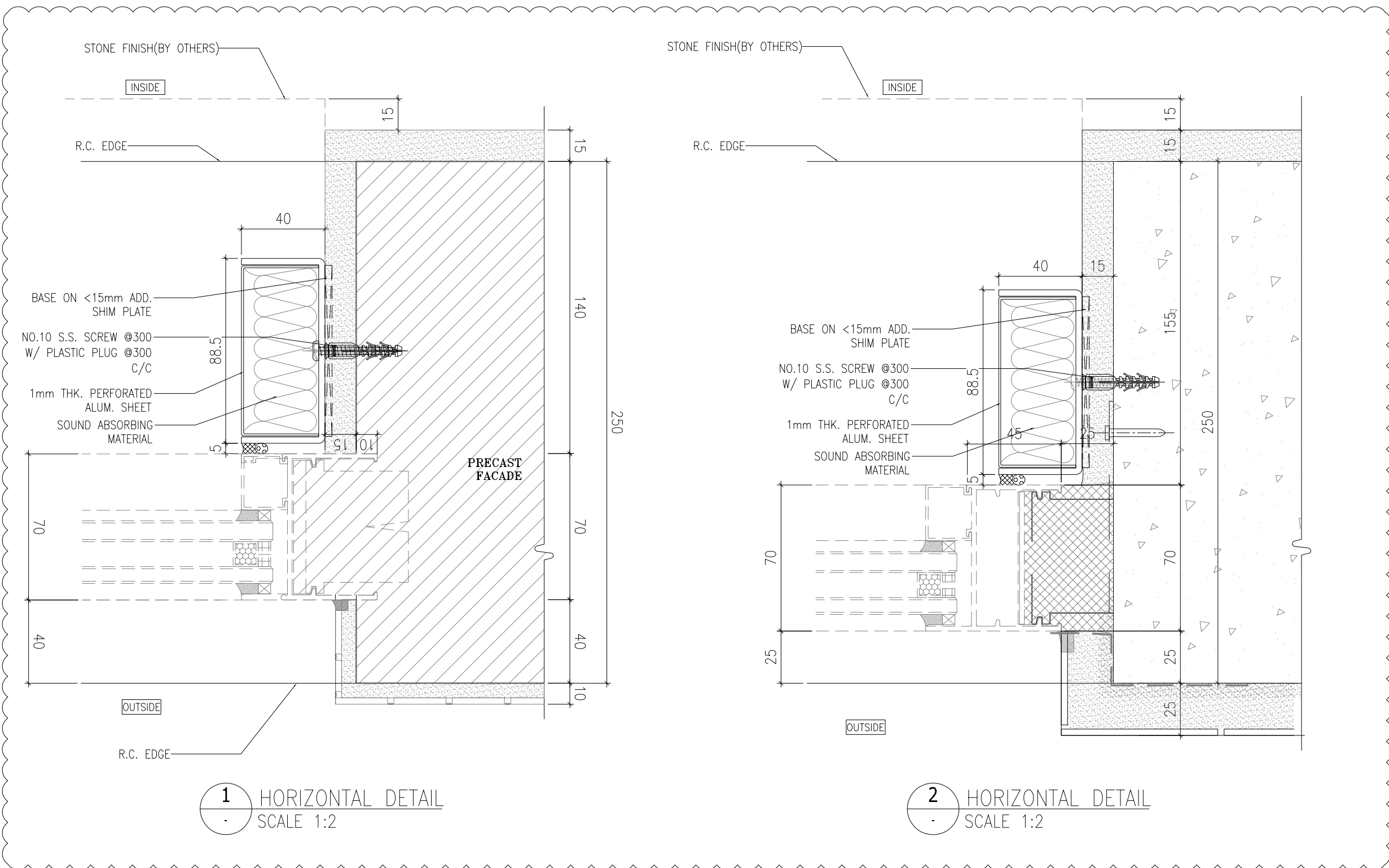
TITLE : TYPICAL DETAILS FOR ACOUSTIC WINDOW

DATE : 06-Jan-23 SCALE : 1:40

DRAWN BY : Ivan CHECKED BY :

美特鋁質有限公司
 MIDI ALUMINIUM FABRICATOR LTD.
 Units 6-8, Sunray Industrial Centre, 1/F
 610 Cha Kwo Ling Road, Kowloon
 Tel: 23489211-4 Fax: (852) 27727666

DWG NO. : J856-SD-AS-DT01 REV. : A



1 HORIZONTAL DETAIL
SCALE 1:2

2 HORIZONTAL DETAIL
SCALE 1:2

TOP & SIDE SAM WITH MPA CASE

B.D. REF :

CLIENT :
SUN HUNG KAI
 REAL ESTATE AGENCY LTD.
 42/F, SUN HUNG KAI CENTRE, WANCHAI, HONGKONG

ARCHITECT :
Iwk&partners
 architects

MAIN CONTRACTOR :
怡輝建築有限公司
Yee Fai Building Contractors Ltd.

STRUCTURAL ENGINEER :
ARUP

FACADE CONSULTANT:
ALPHA CONSULTING LIMITED
 Steel Structure & Facade Specialist

NOTE :
 1. ALL DIMENSIONS ARE IN mm.
 2. ALL ELEVATIONS ARE VIEWED FROM OUTSIDE.
 3. ALL DIMENSIONS TO BE VERIFIED ON SITE BEFORE FABRICATION.

LEGEND :
 1. SOUND ABSORBING MATERIAL (PEF12_Noisestop Infill)
 2. 3mm THK MIRCO PERFORATED ABSORBER (PMMA-type MPP535-3mm)
 3. 1mm THK PERFORATED ALUM. SHEET (Pomute Alum. sheet)

B	15/6/2023	REVISION SUBJECT TO ARCH.COMMENT	Ivan
A	20/3/2023	REVISION SUBJECT TO ARCH.COMMENT	Ivan
NO.	DATE	REVISED	BY

JOB NO. : J-856

PROJECT :
 PROPOSED DEVELOPMENT ABOVE LIGHT RAIL TIN WING STOP, TSWTL NO.23, AREA 33, TIN SHUI WAI, N.T.

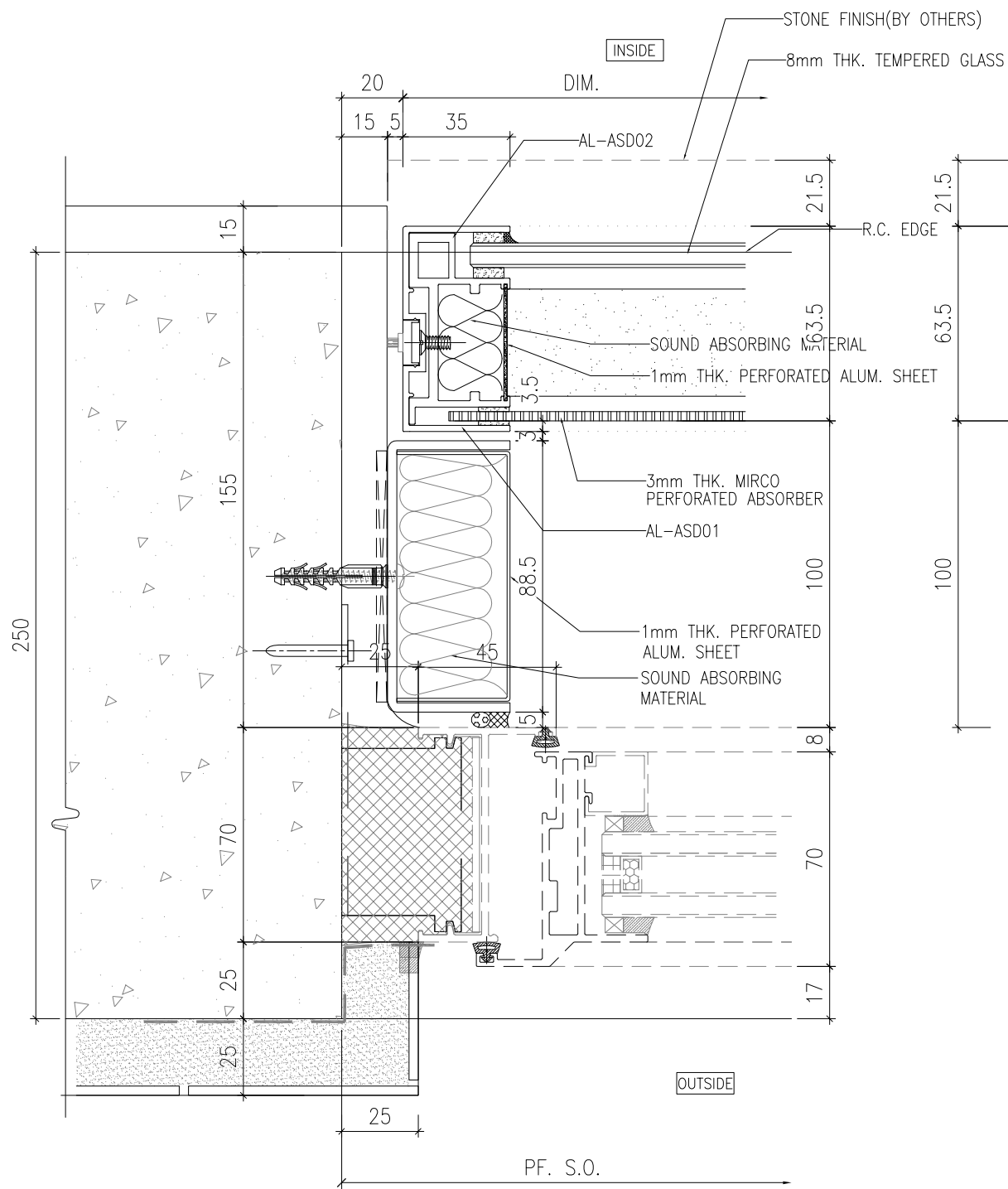
TITLE :
 TYPICAL DETAILS FOR ACOUSTIC WINDOW

DATE : 06-Jan-23 SCALE : 1:40

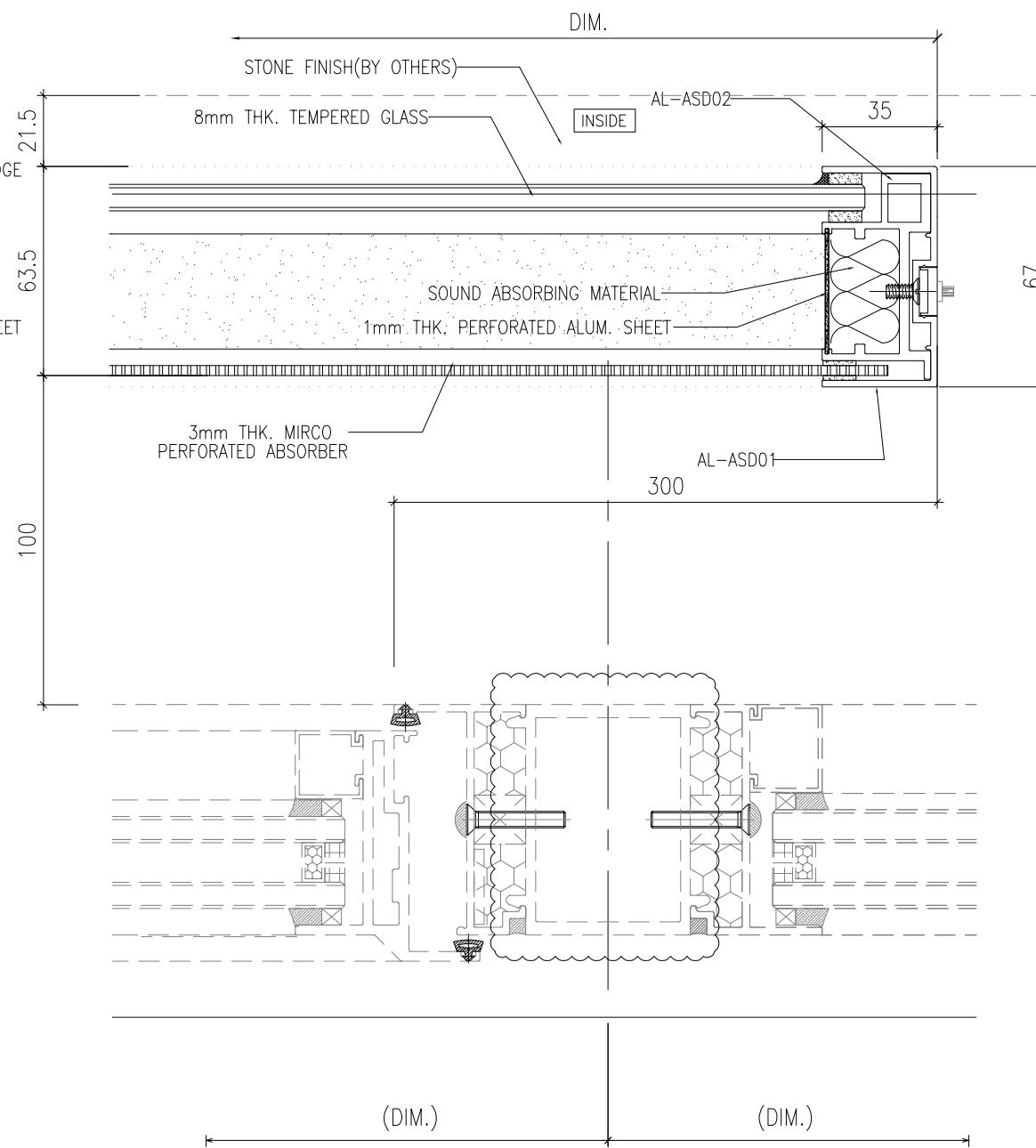
DRAWN BY : Ivan CHECKED BY :

美特鋁質有限公司
MIDI ALUMINIUM FABRICATOR LTD.
 Units 6-8, Sunray Industrial Centre, 1/F
 610 Cha Kwo Ling Road, Kowloon
 Tel: 23489211-4 Fax: (852) 27727666

DWG NO. : J856-SD-AS-DT02 REV. : B



1 HORIZONTAL DETAIL
SCALE 1:2



2 HORIZONTAL DETAIL
SCALE 1:2

TOP & SIDE SAM WITH MPA CASE

B.D. REF :

CLIENT :
SUN HUNG KAI
REAL ESTATE AGENCY LTD.
42/F SUN HUNG KAI CENTRE, WANCHAI, HONGKONG

ARCHITECT :
lwk&partners
architects

MAIN CONTRACTOR :
Yee Fai Building Contractors Ltd.

STRUCTURAL ENGINEER :
ARUP

FACADE CONSULTANT:
ALPHA CONSULTING LIMITED
Steel Structure & Facade Specialist

NOTE :
1. ALL DIMENSIONS ARE IN mm.
2. ALL ELEVATIONS ARE VIEWED FROM OUTSIDE.
3. ALL DIMENSIONS TO BE VERIFIED ON SITE BEFORE FABRICATION.

LEGEND :
1. SOUND ABSORBING MATERIAL (PEF12_Noisestop Infill)
2. 3mm THK MIRCO PERFORATED ABSORBER (PMMA-type MPP535-3mm)
3. 1mm THK PERFORATED ALUM. SHEET (Pomute Alum. sheet)

A	20/3/2023	REVISION SUBJECT TO ARCH.COMMENT	Ivan
NO.	DATE	REVISED	BY

JOB NO. : J-856
PROJECT : PROPOSED DEVELOPMENT ABOVE LIGHT RAIL TIN WING STOP, TSWTL NO.23, AREA 33, TIN SHUI WAI, N.T.

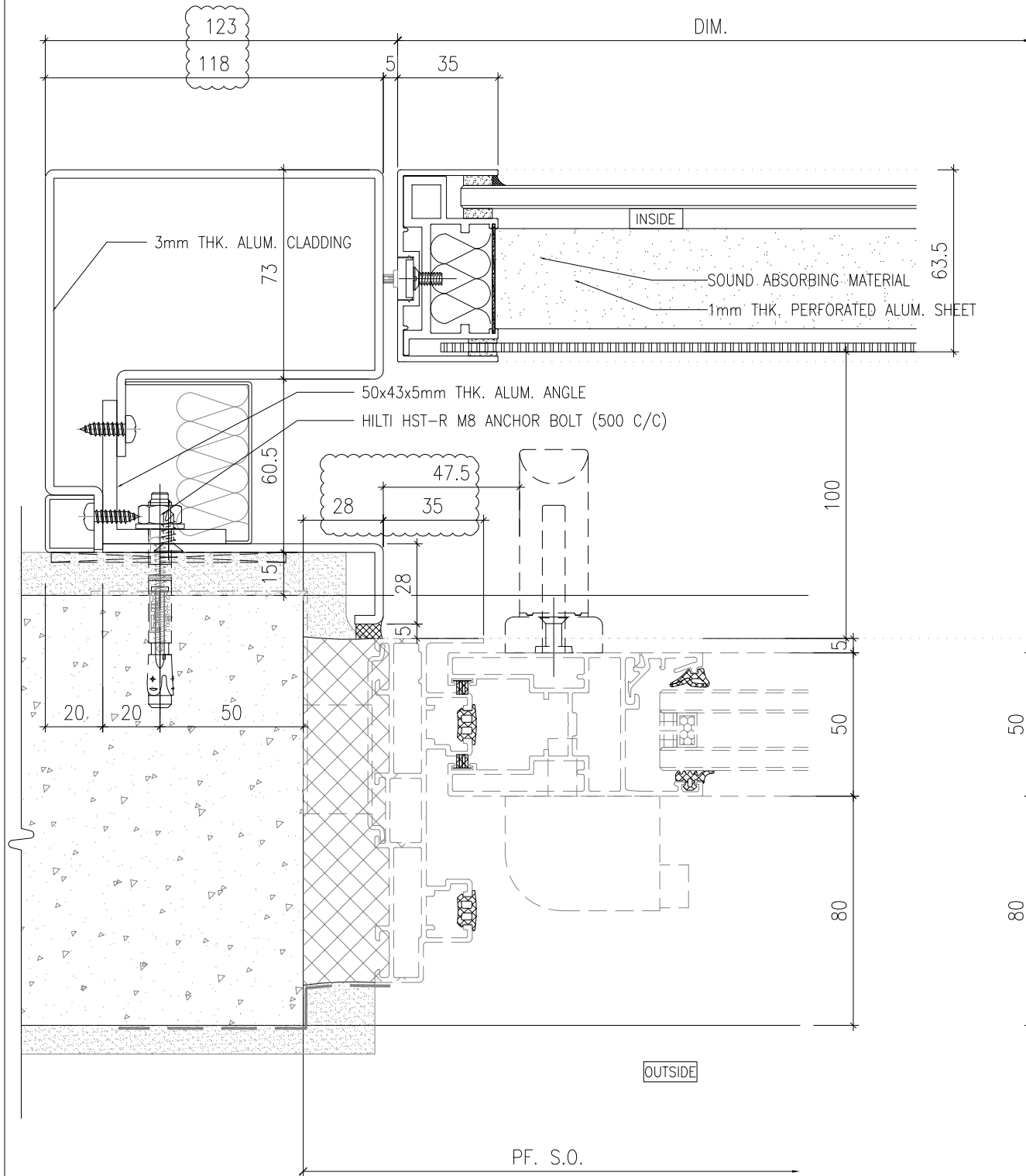
TITLE : TYPICAL DETAILS FOR ACOUSTIC WINDOW

DATE : 06-Jan-23 SCALE : 1:40

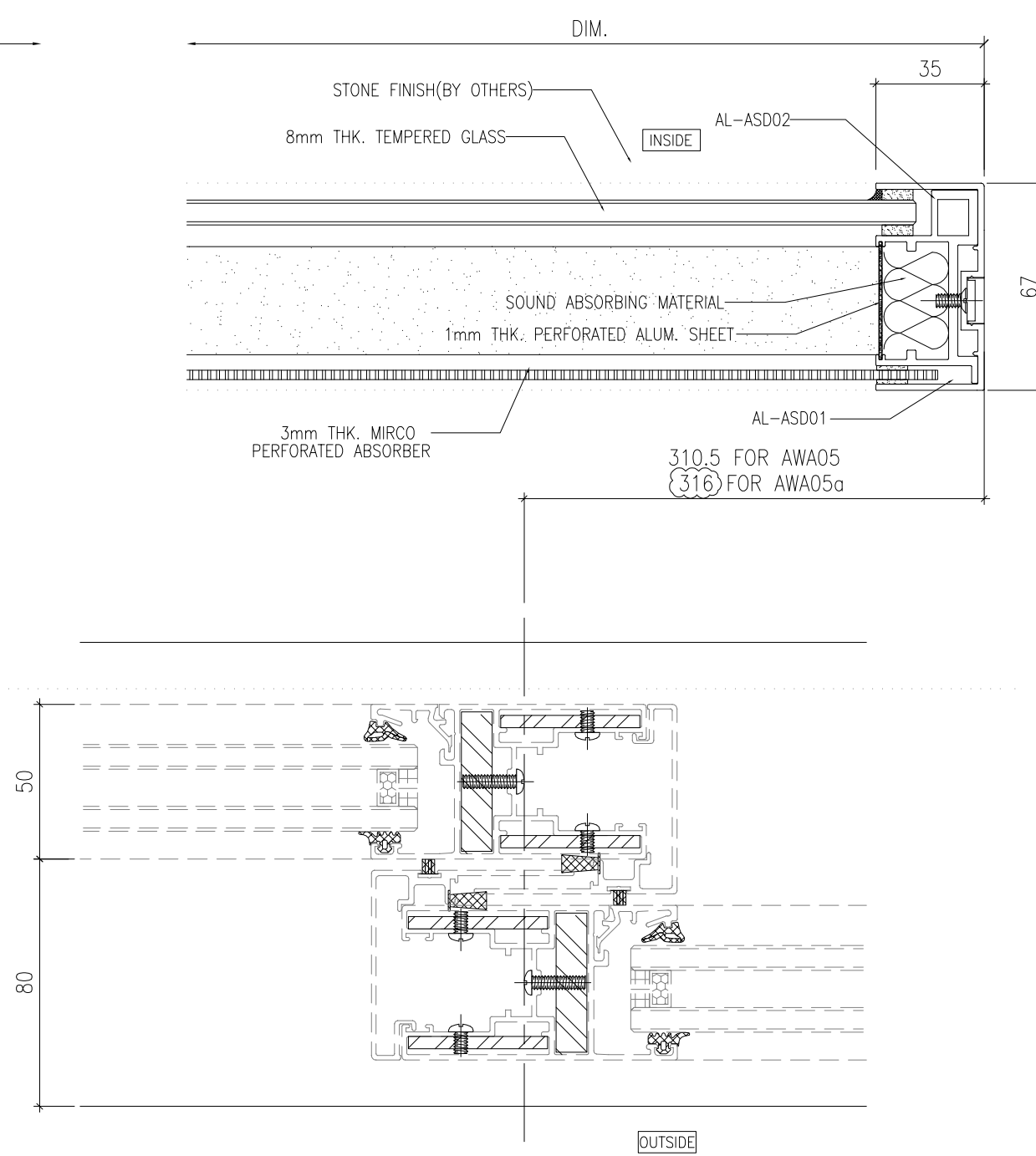
DRAWN BY : Ivan CHECKED BY :

美特鋁質有限公司
MIDI ALUMINIUM FABRICATOR LTD.
Units 6-8, Sunray Industrial Centre, 1/F
610 Cha Kwo Ling Road, Kowloon
Tel: 23489211-4 Fax: (852) 2727666

DWG NO. : J856-SD-AS-DT03 REV. : A



1 HORIZONTAL DETAIL
SCALE 1:2



2 HORIZONTAL DETAIL
SCALE 1:2

TOP & SIDE SAM WITH MPA CASE

B.D. REF :

CLIENT :
SUN HUNG KAI
 REAL ESTATE AGENCY LTD.
 42/F SUN HUNG KAI CENTRE, WANCHAI, HONGKONG

ARCHITECT :
IWK&partners
 architects

MAIN CONTRACTOR :
怡輝建築有限公司
Yee Fai Building Contractors Ltd.

STRUCTURAL ENGINEER :
ARUP

FACADE CONSULTANT:
ALPHA CONSULTING LIMITED
 Steel Structure & Facade Specialist

NOTE :
 1. ALL DIMENSIONS ARE IN mm.
 2. ALL ELEVATIONS ARE VIEWED FROM OUTSIDE.
 3. ALL DIMENSIONS TO BE VERIFIED ON SITE BEFORE FABRICATION.

LEGEND :
 1. SOUND ABSORBING MATERIAL (PEF12_Noisestop Infill)
 2. 3mm THK MIRCO PERFORATED ABSORBER (PMMA-type MPP535-3mm)
 3. 1mm THK PERFORATED ALUM. SHEET (Pomute Alum. sheet)

NO.	DATE	REVISED	BY
D	15/06/2023	REVISION SUBJECT TO ARCH.COMMENT	ivan
C	11/05/2023	REVISION SUBJECT TO ARCH.COMMENT	ivan
B	20/03/2023	REVISION SUBJECT TO ARCH.COMMENT	ivan
A	12/01/2023	REVISION SUBJECT TO ARCH.COMMENT	ivan

JOB NO. : J-856

PROJECT :
 PROPOSED DEVELOPMENT ABOVE LIGHT RAIL TIN WING STOP, TSWTL NO.23, AREA 33, TIN SHUI WAI, N.T.

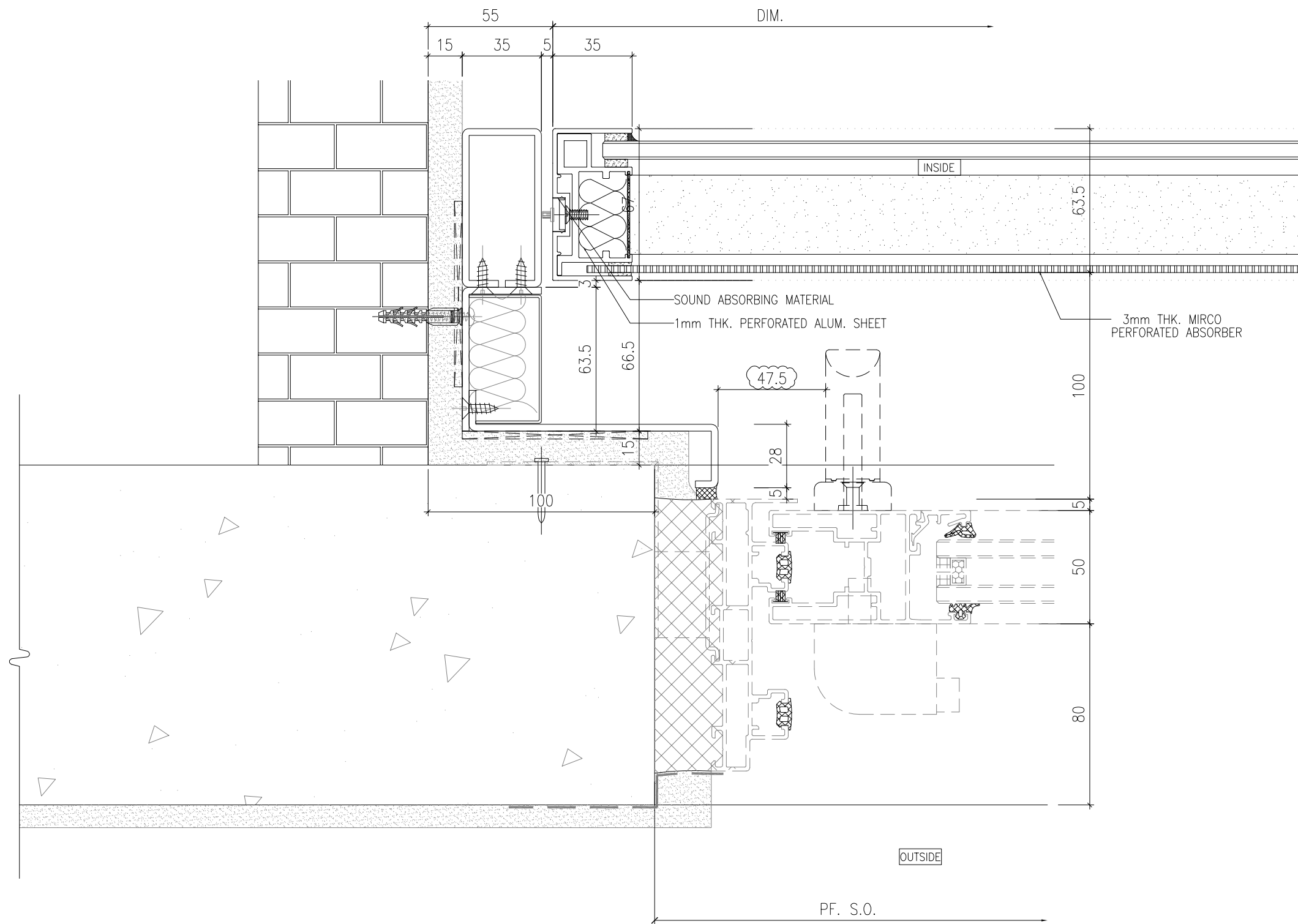
TITLE :
 TYPICAL DETAILS FOR ACOUSTIC WINDOW

DATE : 06-Jan-23 SCALE : 1:40

DRAWN BY : ivan CHECKED BY :

美特鋁質有限公司
MIDI ALUMINIUM FABRICATOR LTD.
 Units 6-8, Sunray Industrial Centre, 1/F
 610 Cha Kwo Ling Road, Kowloon
 Tel: 23489211-4 Fax: (852) 27727666

DWG NO. : J856-SD-AS-DT04 REV. : D



1 HORIZONTAL DETAIL
SCALE 1:2

TOP & SIDE SAM WITH MPA CASE

B.D. REF :

CLIENT :

 SUN HUNG KAI
 REAL ESTATE AGENCY LTD.
 42/F SUN HUNG KAI CENTRE, WANCHAI, HONGKONG

ARCHITECT :

 Iwk&partners
 architects

MAIN CONTRACTOR :

 怡輝建築有限公司
 Yee Fai Building Contractors Ltd.

STRUCTURAL ENGINEER :

 ARUP

FACADE CONSULTANT:

 ALPHA CONSULTING LIMITED
 Steel Structure & Facade Specialist

NOTE :
 1. ALL DIMENSIONS ARE IN mm.
 2. ALL ELEVATIONS ARE VIEWED FROM OUTSIDE.
 3. ALL DIMENSIONS TO BE VERIFIED ON SITE BEFORE FABRICATION.

LEGEND :
 1. SOUND ABSORBING MATERIAL (PEF12_Noisestop Infill)
 2. 3mm THK MIRCO PERFORATED ABSORBER (PMMA-type MPP535-3mm)
 3. 1mm THK PERFORATED ALUM. SHEET (Pomute Alum. sheet)

A	15/06/2023	REVISION SUBJECT TO ARCH.COMMENT	Ivan
NO.	DATE	REVISED	BY

JOB NO. : J-856
 PROJECT : PROPOSED DEVELOPMENT ABOVE LIGHT RAIL TIN WING STOP, TSWTL NO.23, AREA 33, TIN SHUI WAI, N.T.

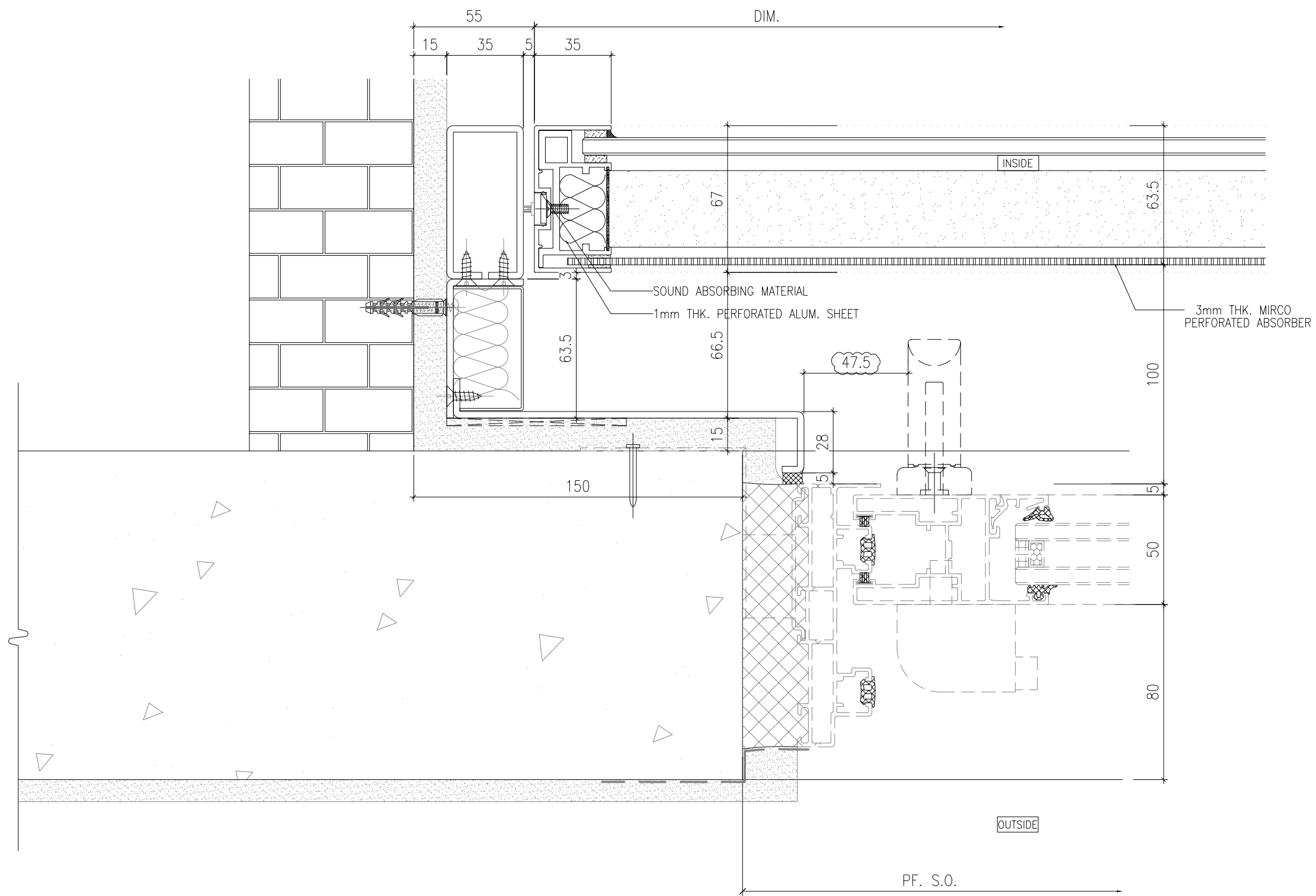
TITLE : TYPICAL DETAILS FOR ACOUSTIC WINDOW

DATE : 06-Jan-23 SCALE : 1:40

DRAWN BY : Ivan CHECKED BY :


 MIDI ALUMINIUM FABRICATOR LTD.
 Units 6-8, Sunray Industrial Centre, 1/F
 610 Cha Kwo Ling Road, Kowloon
 Tel: 23489211-4 Fax: (852) 27727666

DWG NO. : J856-SD-AS-DT05 REV. : A



1 HORIZONTAL DETAIL
SCALE 1:2

TOP & SIDE SAM WITH MPA CASE

B.D. REF :

CLIENT :
SUN HUNG KAI
 REAL ESTATE AGENCY LTD.
 42/F SUN HUNG KAI CENTRE, WANCHAI, HONGKONG

ARCHITECT :
Iwk&partners
 architects

MAIN CONTRACTOR :
Yee Fai Building Contractors Ltd.

STRUCTURAL ENGINEER :
ARUP

FACADE CONSULTANT:
ALPHA CONSULTING LIMITED
 Steel Structure & Facade Specialist

NOTE :
 1. ALL DIMENSIONS ARE IN mm.
 2. ALL ELEVATIONS ARE VIEWED FROM OUTSIDE.
 3. ALL DIMENSIONS TO BE VERIFIED ON SITE BEFORE FABRICATION.

LEGEND :
 1. SOUND ABSORBING MATERIAL (PEF12_Noisestop Infill)
 2. 3mm THK MIRCO PERFORATED ABSORBER (PMMA-type MPP535-3mm)
 3. 1mm THK PERFORATED ALUM. SHEET (Pomute Alum. sheet)

NO.	DATE	REVISED	BY
A	15/06/2023	REVISION SUBJECT TO ARCH.COMMENT	Ivan

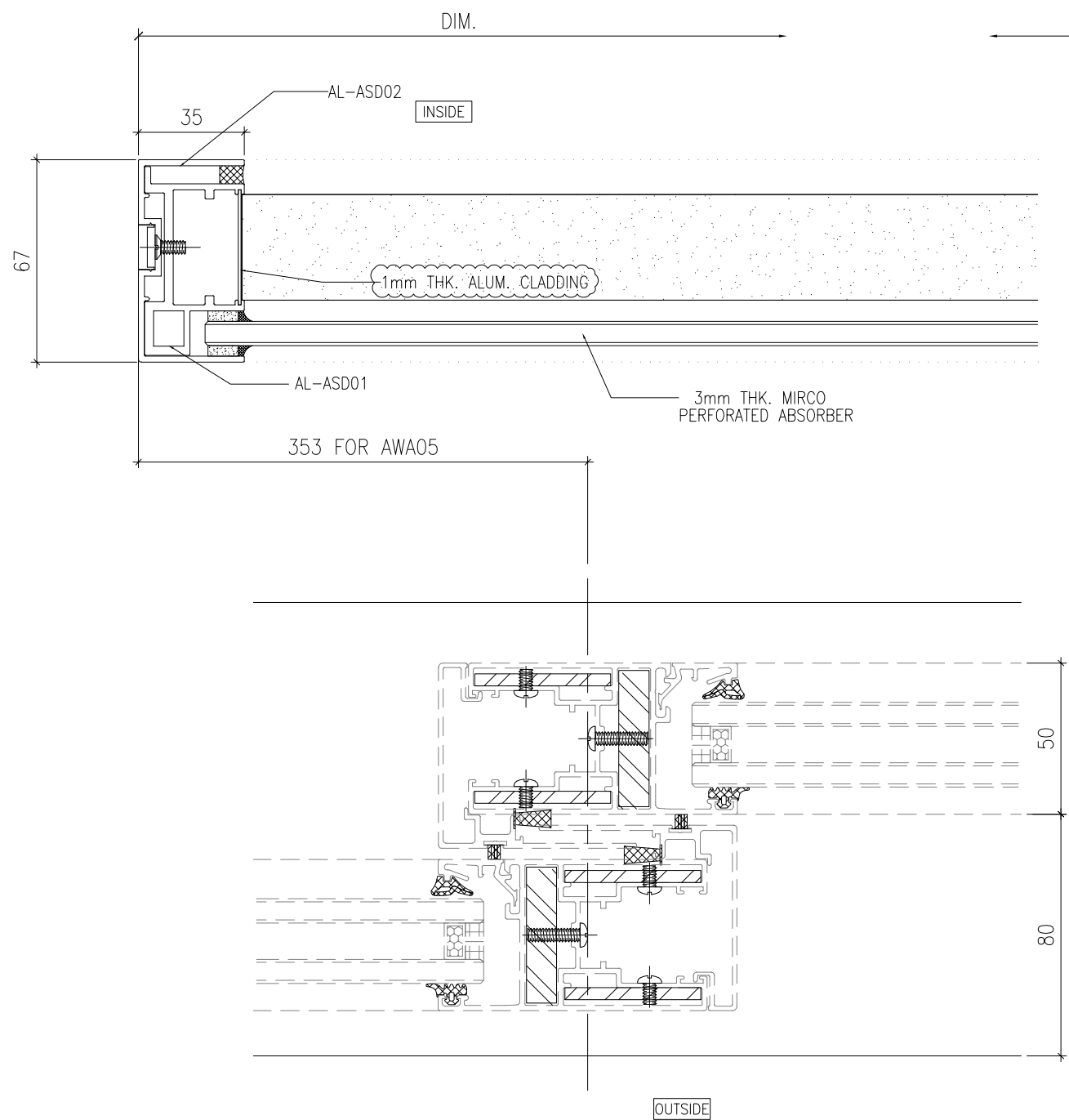
JOB NO. : J-856
 PROJECT : PROPOSED DEVELOPMENT ABOVE LIGHT RAIL TIN WING STOP, TSWL NO.23, AREA 33, TIN SHUI WAI, N.T.

TITLE : TYPICAL DETAILS FOR ACOUSTIC WINDOW

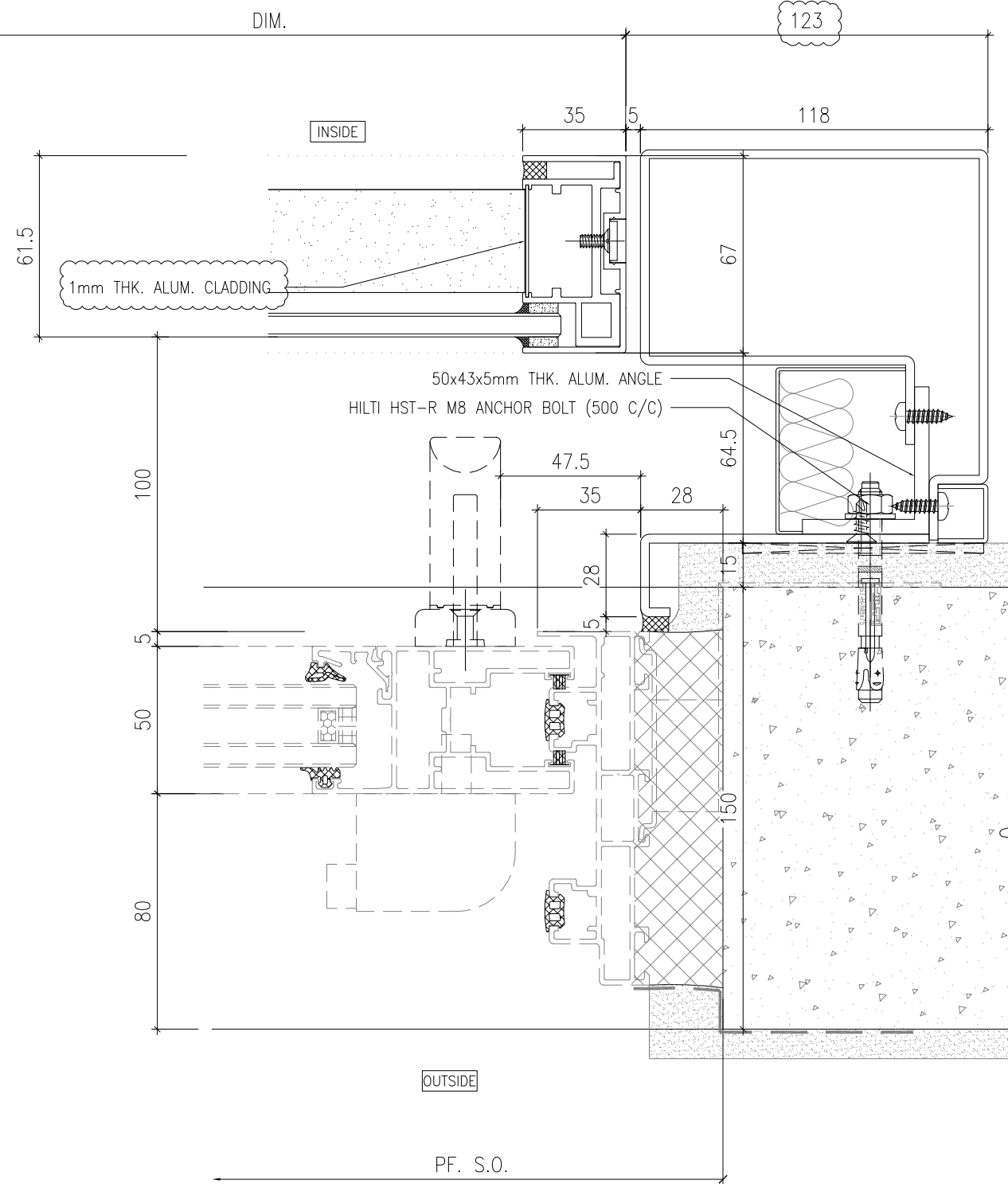
DATE : 06-Jan-23 SCALE : 1:40
 DRAWN BY : Ivan CHECKED BY :

美特鋁質有限公司
 MIDI ALUMINIUM FABRICATOR LTD.
 Units 6-8, Sunray Industrial Centre, 1/F
 610 Cha Kwo Ling Road, Kowloon
 Tel: 23489211-4 Fax: (852) 27727666

DWG NO. : J856-SD-AS-DT06 REV. : A



1 HORIZONTAL DETAIL
SCALE 1:2



2 HORIZONTAL DETAIL
SCALE 1:2

WITH OUT MPA CASE

B.D. REF :

CLIENT :
SUN HUNG KAI
REAL ESTATE AGENCY LTD.
42/F SUN HUNG KAI CENTRE, WANCHAI, HONGKONG

ARCHITECT :
lwk&partners
architects

MAIN CONTRACTOR :
Yee Fai Building Contractors Ltd.

STRUCTURAL ENGINEER :
ARUP

FACADE CONSULTANT:
ALPHA CONSULTING LIMITED
Steel Structure & Facade Specialist

NOTE :
1. ALL DIMENSIONS ARE IN mm.
2. ALL ELEVATIONS ARE VIEWED FROM OUTSIDE.
3. ALL DIMENSIONS TO BE VERIFIED ON SITE BEFORE FABRICATION.

LEGEND :
1. SOUND ABSORBING MATERIAL (PEF12_Noisestop Infill)
2. 3mm THK MIRCO PERFORATED ABSORBER (PMMA-type MPP535-3mm)
3. 1mm THK PERFORATED ALUM. SHEET (Pomute Alum. sheet)

NO.	DATE	REVISED	BY
B	14/06/2023	REVISION SUBJECT TO ARCH.COMMENT	Ivan
A	12/01/2023	REVISION SUBJECT TO ARCH.COMMENT	Ivan

JOB NO. : J-856
PROJECT : PROPOSED DEVELOPMENT ABOVE LIGHT RAIL TIN WING STOP, TSWTL NO.23, AREA 33, TIN SHUI WAI, N.T.

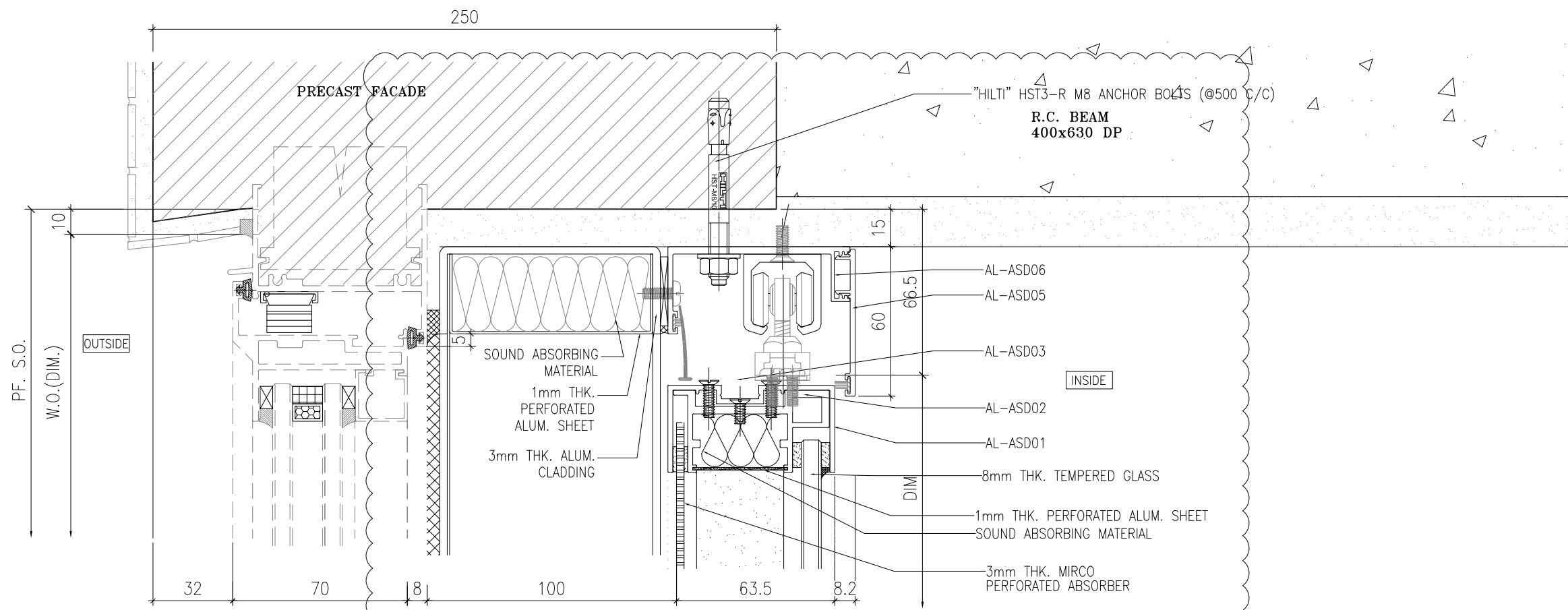
TITLE : TYPICAL DETAILS FOR ACOUSTIC WINDOW

DATE : 06-Jan-23 SCALE : 1:40

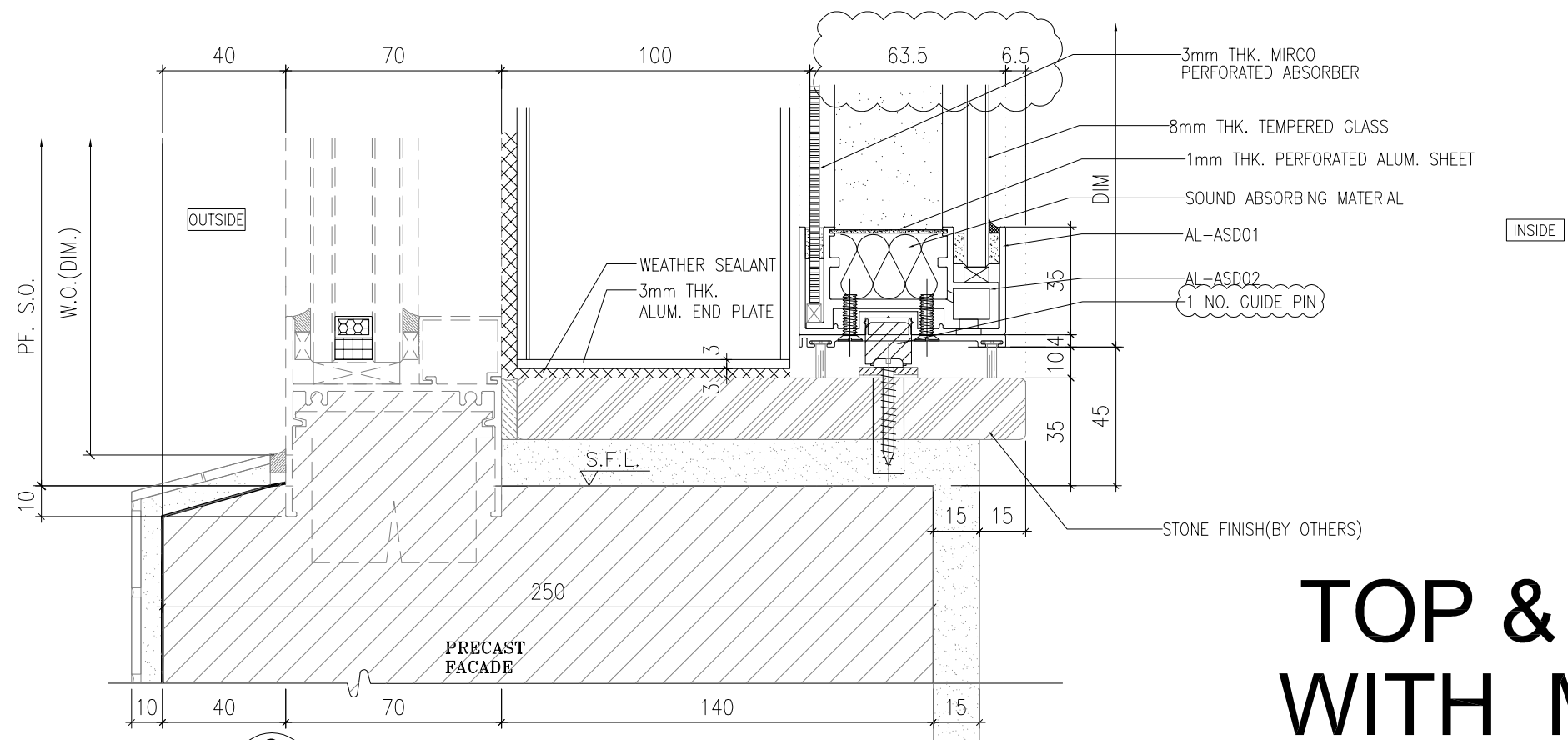
DRAWN BY : Ivan CHECKED BY :

MIDI ALUMINIUM FABRICATOR LTD.
Units 6-8, Sunray Industrial Centre, 1/F
610 Cha Kwo Ling Road, Kowloon
Tel: 23489211-4 Fax: (852) 27727666

DWG NO. : J856-SD-AS-DT22 REV. : B



1 VERTICAL DETAIL
SCALE 1:2



2 VERTICAL DETAIL
SCALE 1:2

TOP & SIDE SAM WITH MPA CASE

B.D. REF :

CLIENT :
SUN HUNG KAI
 REAL ESTATE AGENCY LTD.
 42/F SUN HUNG KAI CENTRE, WANCHAI, HONGKONG

ARCHITECT :
IWK&partners
 architects

MAIN CONTRACTOR :
Yee Fai Building Contractors Ltd.

STRUCTURAL ENGINEER :
ARUP

FACADE CONSULTANT:
ALPHA CONSULTING LIMITED
 Steel Structure & Facade Specialist

- NOTE :
1. ALL DIMENSIONS ARE IN mm.
 2. ALL ELEVATIONS ARE VIEWED FROM OUTSIDE.
 3. ALL DIMENSIONS TO BE VERIFIED ON SITE BEFORE FABRICATION.
- LEGEND :
1. SOUND ABSORBING MATERIAL (PEF12_Noisestop Infill)
 2. 3mm THK MIRCO PERFORATED ABSORBER (PMMA-type MPP535-3mm)
 3. 1mm THK PERFORATED ALUM. SHEET (Pomute Alum. sheet)

NO.	DATE	REVISION	REVISOR	BY
A	20/3/2023	REVISION SUBJECT TO ARCH.COMMENT	Ivan	

JOB NO. : J-856

PROJECT : PROPOSED DEVELOPMENT ABOVE LIGHT RAIL TIN WING STOP, TSWL NO.23, AREA 33, TIN SHUI WAI, N.T.

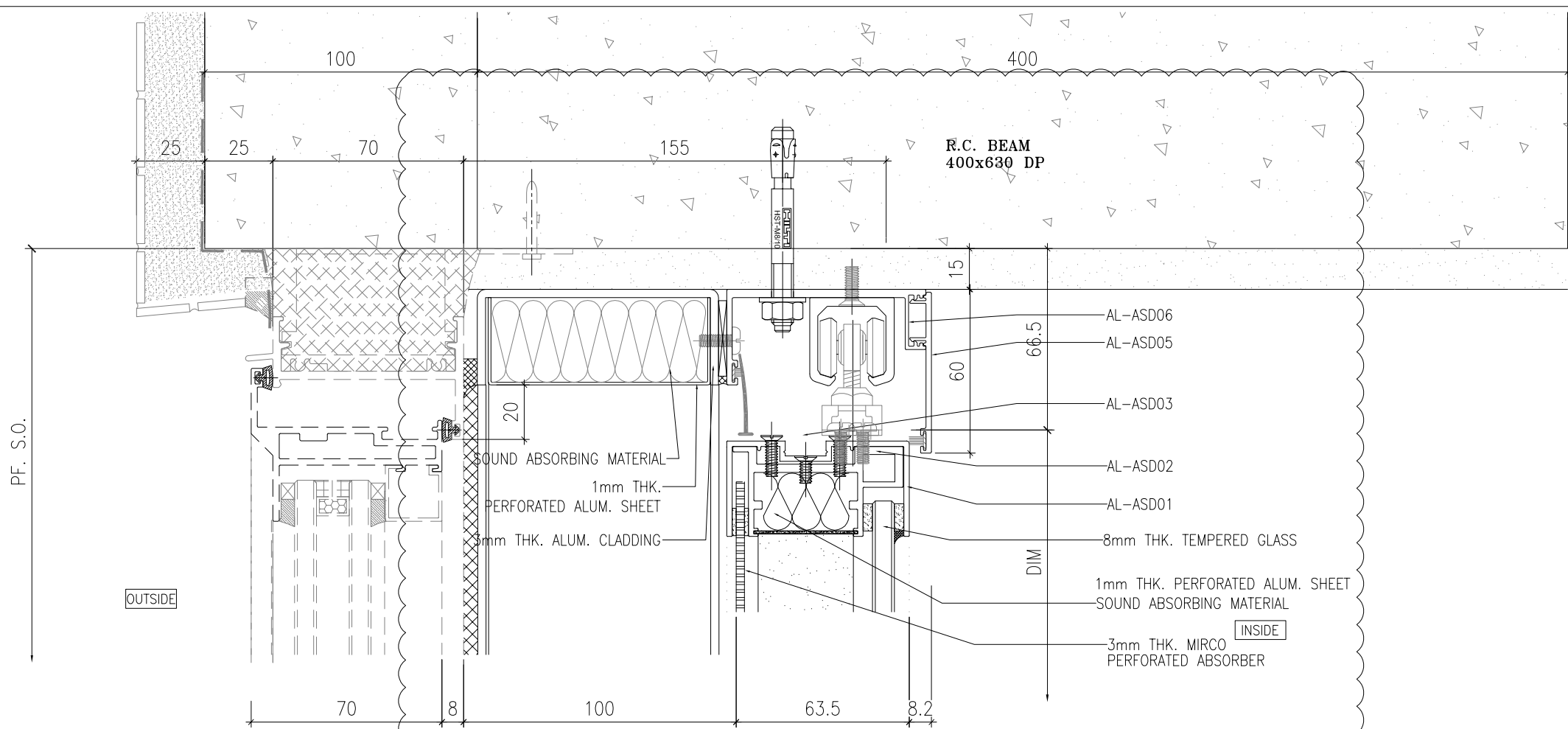
TITLE : TYPICAL DETAILS FOR ACOUSTIC WINDOW

DATE : 06-Jan-23 SCALE : 1:40

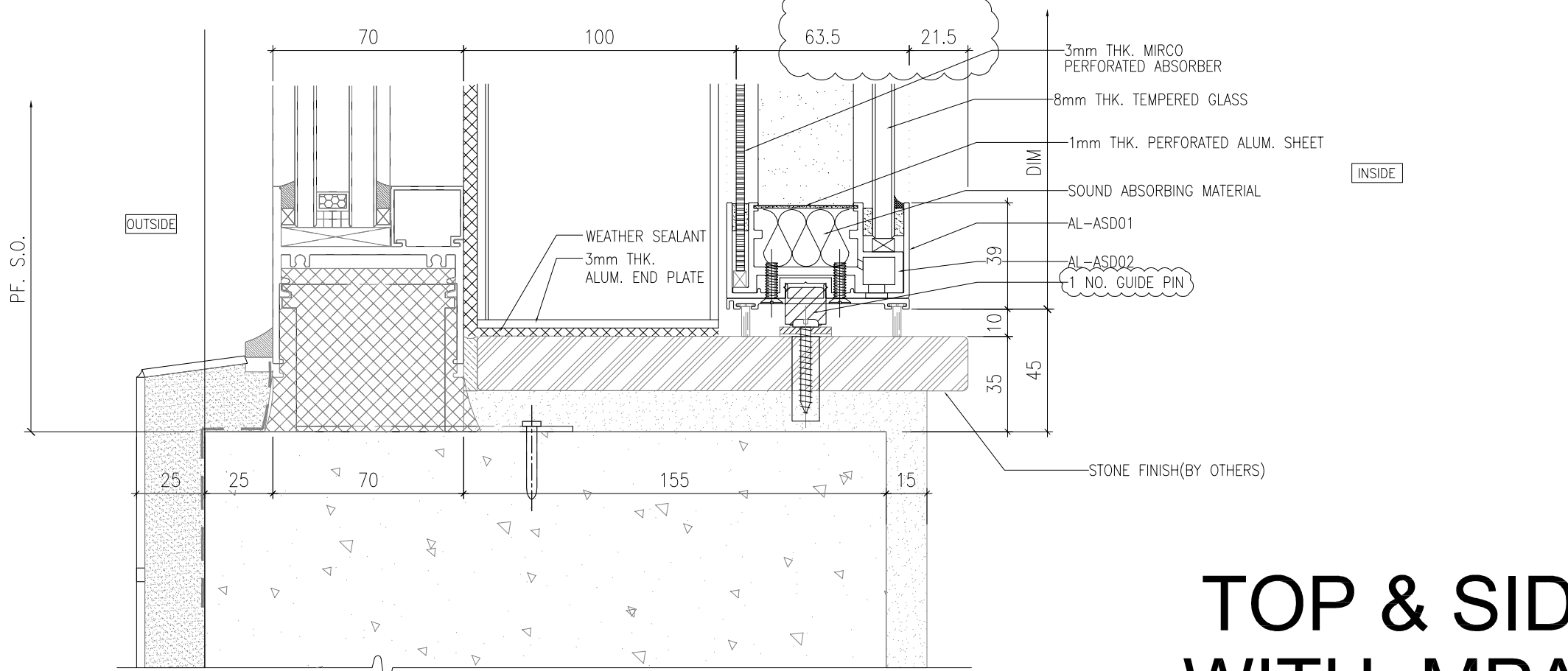
DRAWN BY : Ivan CHECKED BY :

美特鋁質有限公司
 MIDI ALUMINIUM FABRICATOR LTD.
 Units 6-8, Sunray Industrial Centre, 1/F
 610 Cha Kwo Ling Road, Kowloon
 Tel: 23489211-4 Fax: (852) 27727666

DWG NO. : J856-SD-AS-DT51 REV. : -



1 HORIZONTAL DETAIL
SCALE 1:2



2 VERTICAL DETAIL
SCALE 1:2

TOP & SIDE SAM WITH MPA CASE

B.D. REF :

CLIENT :
SUN HUNG KAI
 REAL ESTATE AGENCY LTD.
 42/F SUN HUNG KAI CENTRE, WANCHAI, HONGKONG

ARCHITECT :
IWK&partners
 architects

MAIN CONTRACTOR :
Yee Fai Building Contractors Ltd.

STRUCTURAL ENGINEER :
ARUP

FACADE CONSULTANT:
ALPHA CONSULTING LIMITED
 Steel Structure & Facade Specialist

- NOTE :
- ALL DIMENSIONS ARE IN mm.
 - ALL ELEVATIONS ARE VIEWED FROM OUTSIDE.
 - ALL DIMENSIONS TO BE VERIFIED ON SITE BEFORE FABRICATION.
- LEGEND :
- SOUND ABSORBING MATERIAL (PEF12_Noisestop Infill)
 - 3mm THK MIRCO PERFORATED ABSORBER (PMMA-type MPP535-3mm)
 - 1mm THK PERFORATED ALUM. SHEET (Pomute Alum. sheet)

A	20/3/2023	REVISION SUBJECT TO ARCH.COMMENT	Ivan
NO.	DATE	REVISED	BY

JOB NO. : J-856

PROJECT : PROPOSED DEVELOPMENT ABOVE LIGHT RAIL TIN WING STOP, TSWTL NO.23, AREA 33, TIN SHUI WAI, N.T.

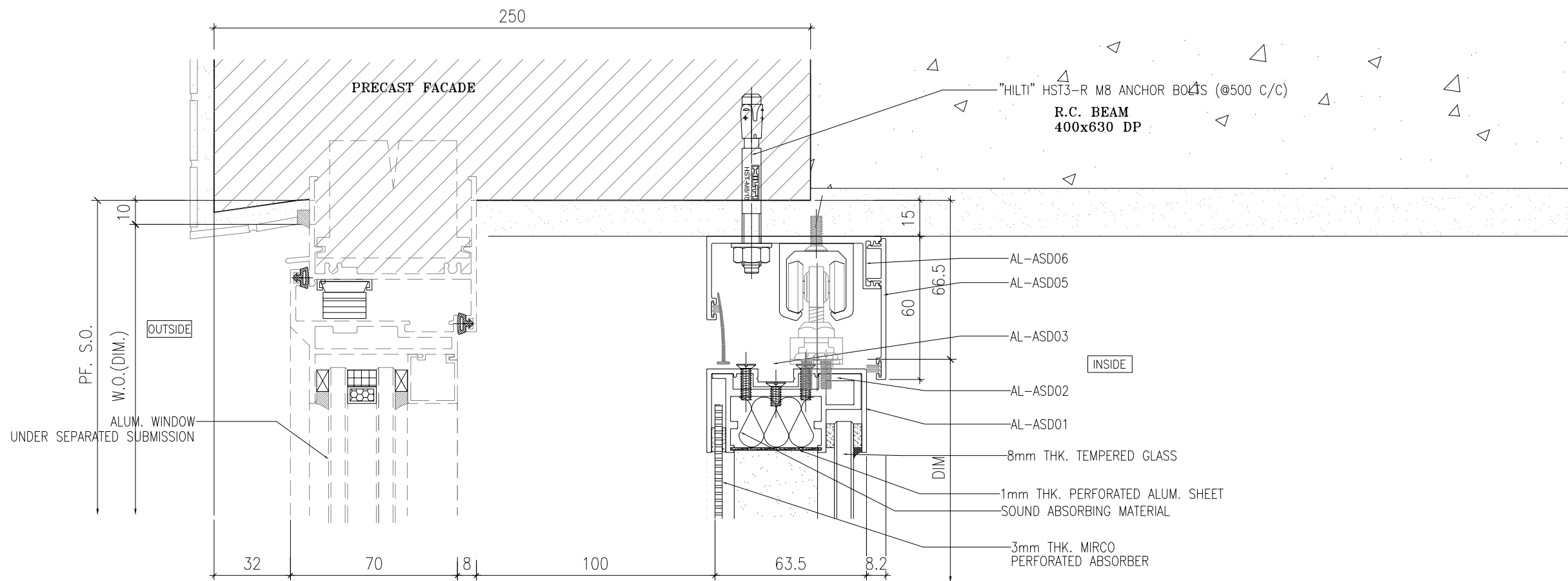
TITLE : TYPICAL DETAILS FOR ACOUSTIC WINDOW

DATE : 06-Jan-23 SCALE : 1:40

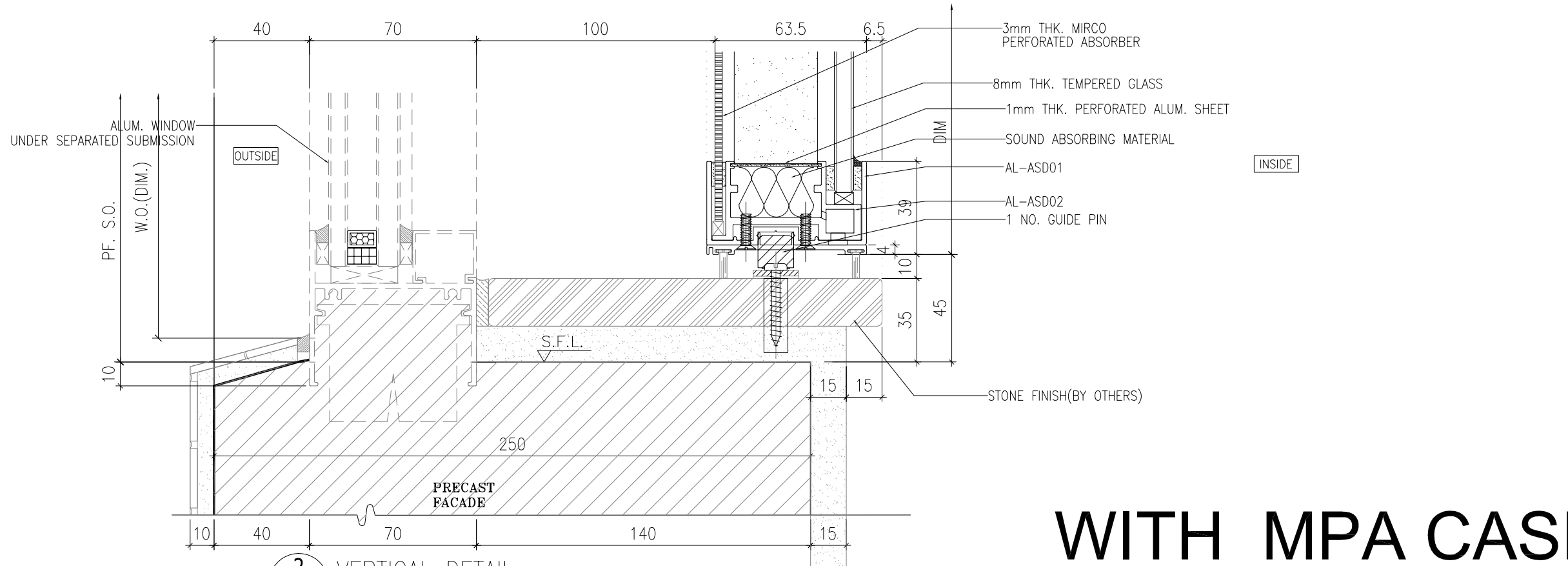
DRAWN BY : Ivan CHECKED BY :

美特鋁質有限公司
 MIDI ALUMINIUM FABRICATOR LTD.
 Units 6-8, Sunray Industrial Centre, 1/F
 610 Cha Kwo Ling Road, Kowloon
 Tel: 23489211-4 Fax: (852) 2727666

DWG NO. : J856-SD-AS-DT52 REV. : -



1 VERTICAL DETAIL
SCALE 1:2



2 VERTICAL DETAIL
SCALE 1:2

WITH MPA CASE

B.D. REF :

CLIENT :
SUN HUNG KAI
 REAL ESTATE AGENCY LTD.
 42/F, SUN HUNG KAI CENTRE, WANCHAI, HONGKONG

ARCHITECT :
IWK&partners
 architects

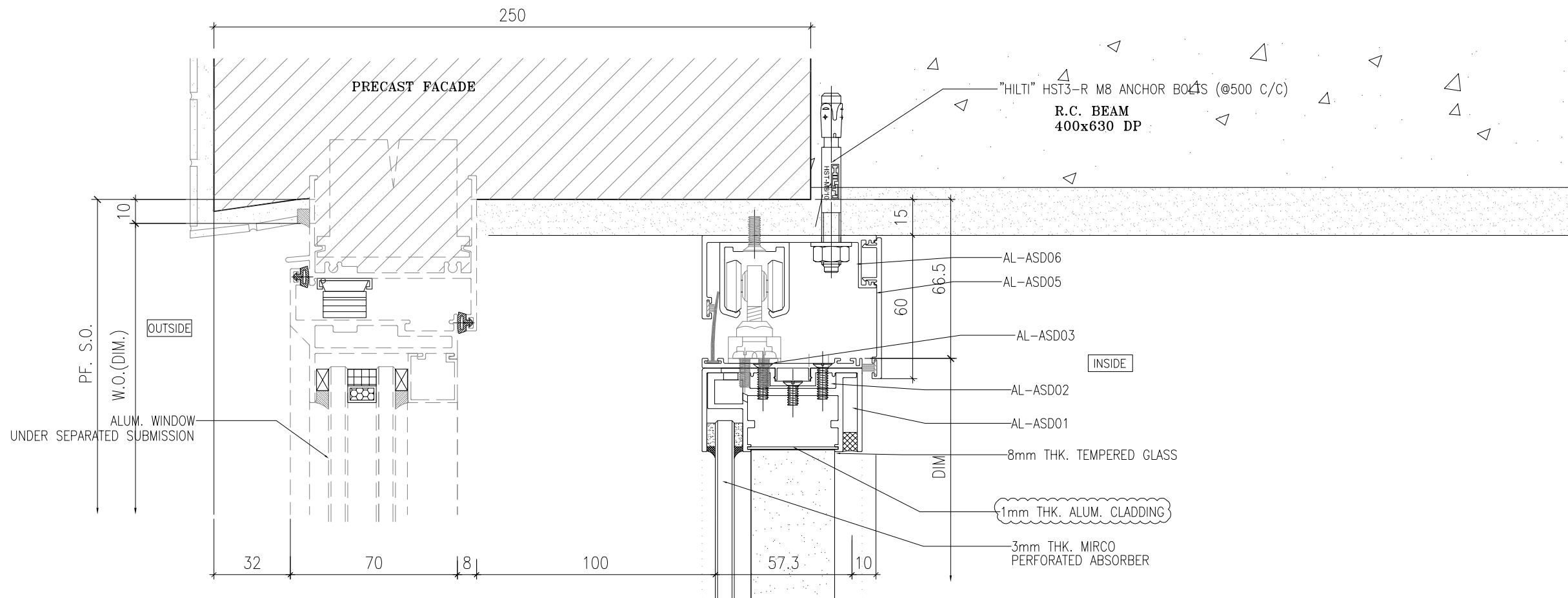
MAIN CONTRACTOR :
Yee Fai Building Contractors Ltd.

STRUCTURAL ENGINEER :
ARUP

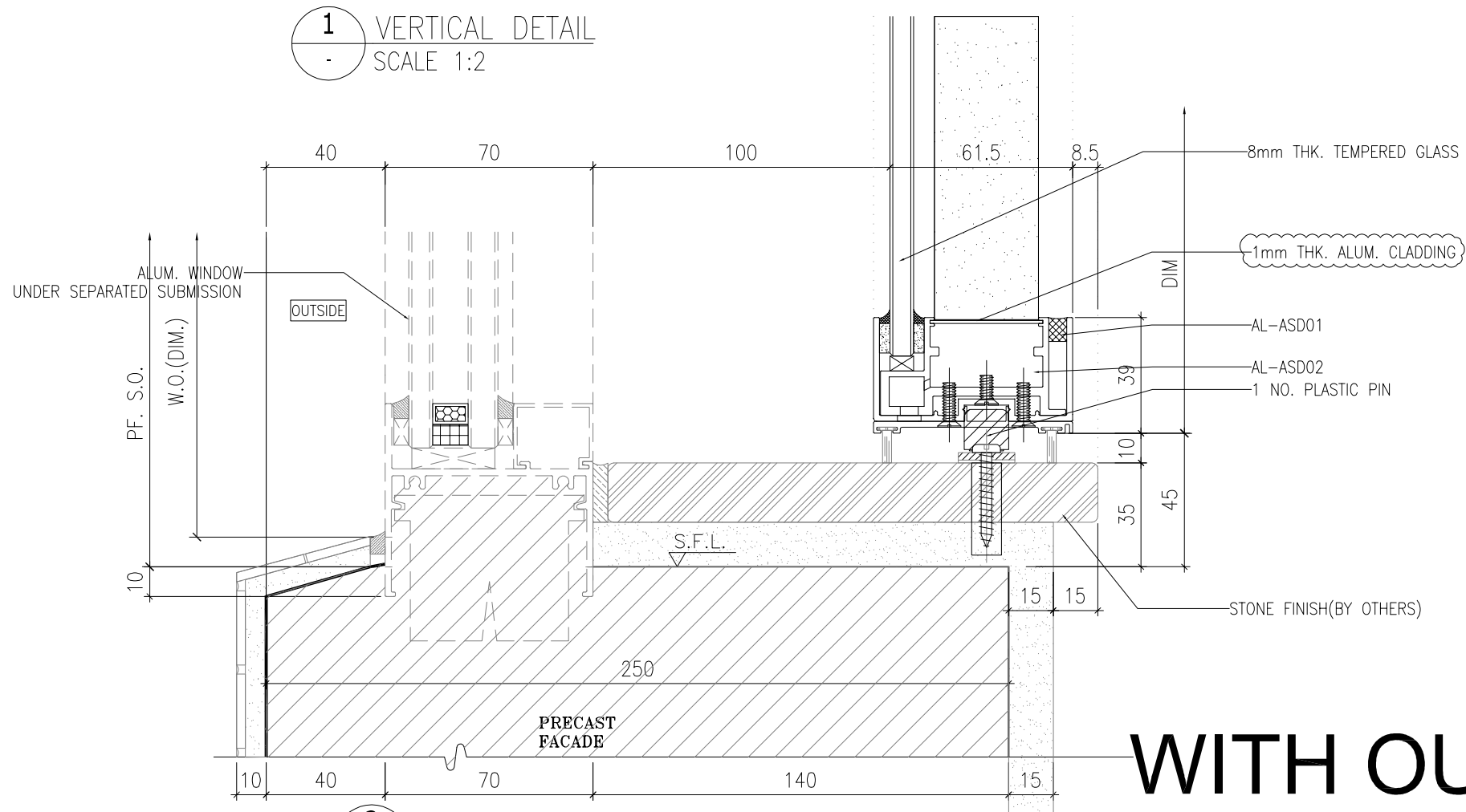
FACADE CONSULTANT:
ALPHA CONSULTING LIMITED
 Steel Structure & Facade Specialist

- NOTE :
1. ALL DIMENSIONS ARE IN mm.
 2. ALL ELEVATIONS ARE VIEWED FROM OUTSIDE.
 3. ALL DIMENSIONS TO BE VERIFIED ON SITE BEFORE FABRICATION.
- LEGEND :
1. SOUND ABSORBING MATERIAL (PEF12_Noisestop Infill)
 2. 3mm THK MICRO PERFORATED ABSORBER (PMMA-type MPP535-3mm)
 3. 1mm THK PERFORATED ALUM. SHEET (Pomute Alum. sheet)

NO.	DATE	REVISED	BY
JOB NO. : J-856			
PROJECT : PROPOSED DEVELOPMENT ABOVE LIGHT RAIL TIN WING STOP, TSWTL NO.23, AREA 33, TIN SHUI WAI, N.T.			
TITLE : TYPICAL DETAILS FOR ACOUSTIC WINDOW			
DATE : 06-Jan-23		SCALE : 1:40	
DRAWN BY : Ivan		CHECKED BY :	
美特鋁質有限公司 MIDI ALUMINIUM FABRICATOR LTD. Units 6-8, Sunray Industrial Centre, 1/F 610 Cha Kwo Ling Road, Kowloon Tel: 23489211-4 Fax: (852) 27727666			
DWG NO. : J856-SD-AS-DT61			REV. : -



1 VERTICAL DETAIL
SCALE 1:2



2 VERTICAL DETAIL
SCALE 1:2

WITH OUT MPA CASE

B.D. REF :

CLIENT :
SUN HUNG KAI
 REAL ESTATE AGENCY LTD.
 42/F SUN HUNG KAI CENTRE, WANCHAI, HONGKONG

ARCHITECT :
IWK&partners
 architects

MAIN CONTRACTOR :
Yee Fai Building Contractors Ltd.

STRUCTURAL ENGINEER :
ARUP

FAÇADE CONSULTANT:
ALPHA CONSULTING LIMITED
 Steel Structure & Façade Specialist

- NOTE :
- ALL DIMENSIONS ARE IN mm.
 - ALL ELEVATIONS ARE VIEWED FROM OUTSIDE.
 - ALL DIMENSIONS TO BE VERIFIED ON SITE BEFORE FABRICATION.
- LEGEND :
- SOUND ABSORBING MATERIAL (PEF12_Noisestop Infill)
 - 3mm THK MIRCO PERFORATED ABSORBER (PMMA-type MPP535-3mm)
 - 1mm THK PERFORATED ALUM. SHEET (Pomute Alum. sheet)

A	14/6/2023	REVISION SUBJECT TO ARCH.COMMENT	Ivan
NO.	DATE	REVISED	BY

JOB NO. : J-856

PROJECT :
 PROPOSED DEVELOPMENT ABOVE
 LIGHT RAIL TIN WING STOP, TSWTL
 NO.23, AREA 33, TIN SHUI WAI, N.T.

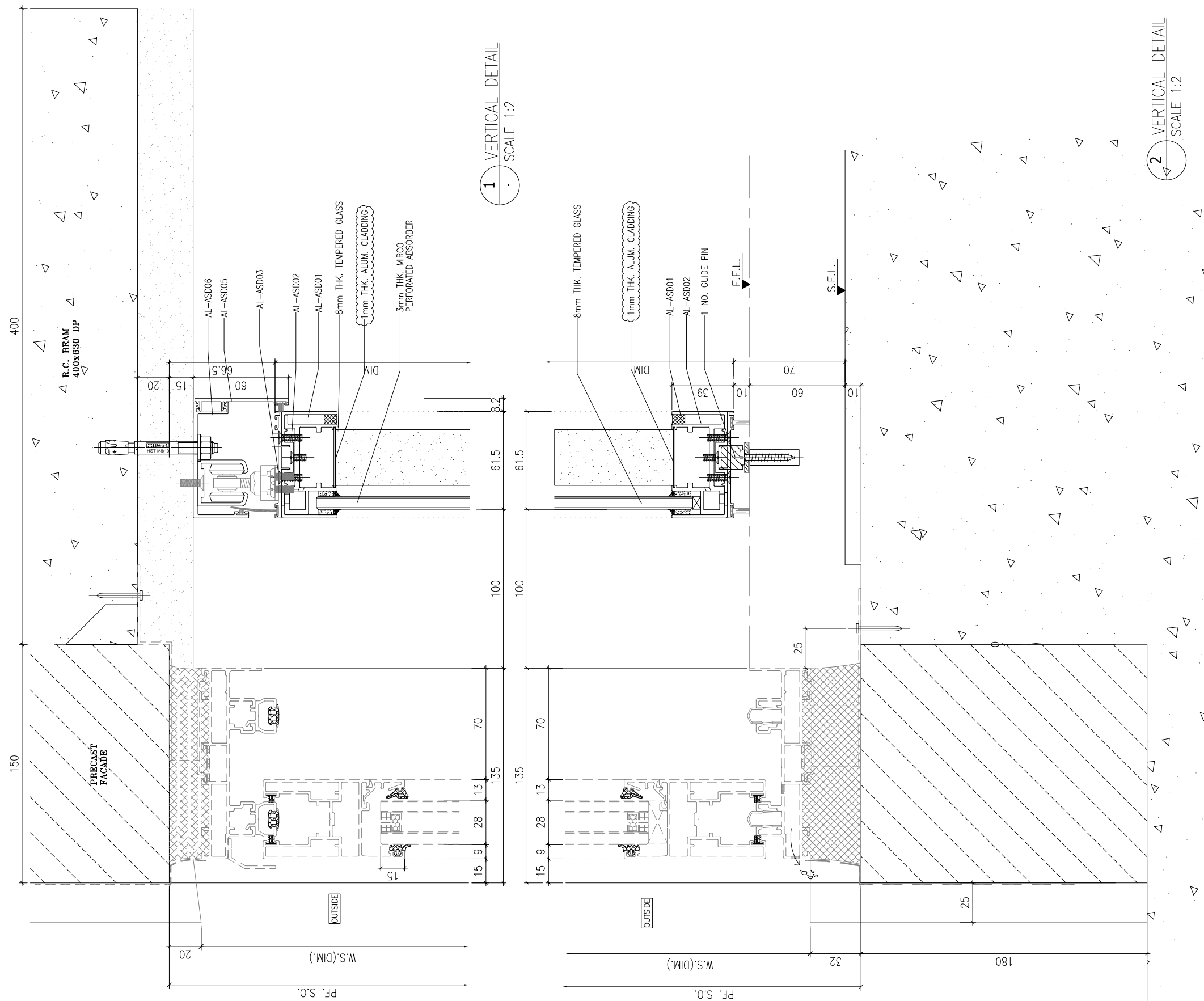
TITLE :
 TYPICAL DETAILS FOR
 ACOUSTIC WINDOW

DATE : 06-Jan-23 SCALE : 1:40

DRAWN BY : Ivan CHECKED BY :

美特鋁質有限公司
 MIDI ALUMINIUM FABRICATOR LTD.
 Units 6-8, Sunray Industrial Centre, 1/F
 610 Cha Kwo Ling Road, Kowloon
 Tel: 23489211-4 Fax: (852) 27727666

DWG NO. : J856-SD-AS-DT71 REV. : A



1 VERTICAL DETAIL
SCALE 1:2

2 VERTICAL DETAIL
SCALE 1:2

WITH OUT MPA CASE

B.D. REF :

CLIENT :
SUN HUNG KAI
 REAL ESTATE AGENCY LTD.
 42/F SUN HUNG KAI CENTRE, WANCHAI, HONGKONG

ARCHITECT :
lwk&partners
 architects

MAIN CONTRACTOR :
Yee Fai Building Contractors Ltd.

STRUCTURAL ENGINEER :
ARUP

FACADE CONSULTANT:
ALPHA CONSULTING LIMITED
 Steel Structure & Facade Specialist

NOTE :
 1. ALL DIMENSIONS ARE IN mm.
 2. ALL ELEVATIONS ARE VIEWED FROM OUTSIDE.
 3. ALL DIMENSIONS TO BE VERIFIED ON SITE BEFORE FABRICATION.

LEGEND :
 1. SOUND ABSORBING MATERIAL (PEF12_Noisestop Infill)
 2. 3mm THK MIRCO PERFORATED ABSORBER (PMMA-type MPP535-3mm)
 3. 1mm THK PERFORATED ALUM. SHEET (Pomute Alum. sheet)

NO.	DATE	REVISION	BY
A	14/6/2023	REVISION SUBJECT TO ARCH.COMMENT	Ivan

JOB NO. : J-856

PROJECT :
 PROPOSED DEVELOPMENT ABOVE LIGHT RAIL TIN WING STOP, TSWTL NO.23, AREA 33, TIN SHUI WAI, N.T.

TITLE :
 TYPICAL DETAILS FOR ACOUSTIC WINDOW

DATE : 06-Jan-23 SCALE : 1:40

DRAWN BY : Ivan CHECKED BY :

美特鋁質有限公司
 MIDI ALUMINUM FABRICATOR LTD.
 Units 6-8, Sunray Industrial Centre, 1/F
 610 Cha Kwo Ling Road, Kowloon
 Tel:23489211-4 Fax:(852)27727666

DWG NO. : J856-SD-AS-DT72 REV. : A