



工程指示 / 要求簡箋 ENGINEER INSTRUCTIONS(E.I.)

工程指示編號:	EI- 6185.	修改版本:	-
	HK- 1069		
工程編號:	J 856	工程名稱:	TSWTL23 天榮
收件人:	生統/謝永林	發件人:	Thomas Wong
工程項目:	46/F 佛沙窗拆圖	日期:	16/05/2023

<input checked="" type="checkbox"/> 原合約工程包	<input type="checkbox"/> 原合約工程加 / 減脹 QT-	<input type="checkbox"/> 新工程報價 QT-
--	--	------------------------------------

信件批核號碼/圖紙參考編號:	批核模具圖紙編號:
客戶指示附件:	管理內部批簽署:

<input type="checkbox"/> 初步鋁料 B.M.	<input type="checkbox"/> 加工拆圖, 然後生產	<input type="checkbox"/> 尺寸表
<input type="checkbox"/> 正式鋁料 B.M.	<input type="checkbox"/> 技術上資料/指示	<input type="checkbox"/> 報價
<input type="checkbox"/> 配件 B.M.	<input type="checkbox"/> 樣辦或貨品說明書	<input type="checkbox"/> 分判合約
<input type="checkbox"/> 其他:		

內容:
請按此圖拆圖

附件CAD,PDF放伺服器

先拆 T2,
T3, T1 待通知才拆

完成上列要求日期: 19/05/2023

國內

<input type="checkbox"/> 生產技術總監	<input type="checkbox"/> 連附件	<input checked="" type="checkbox"/> 技術部	<input checked="" type="checkbox"/> 連附件	<input type="checkbox"/> 生產部	<input type="checkbox"/> 連附件
<input type="checkbox"/> 採購部	<input type="checkbox"/> 連附件	<input checked="" type="checkbox"/> 生產統籌部	<input checked="" type="checkbox"/> 連附件	<input type="checkbox"/> 報關組	<input type="checkbox"/> 連附件
<input type="checkbox"/> 質檢部	<input type="checkbox"/> 連附件	<input type="checkbox"/> 會計部	<input type="checkbox"/> 連附件	<input type="checkbox"/> 機械設計部	<input type="checkbox"/> 連附件
<input checked="" type="checkbox"/> 香港辦	<input checked="" type="checkbox"/> 連附件	<input type="checkbox"/> 其他:			

香港

<input type="checkbox"/> 行政部	<input type="checkbox"/> 連附件	<input type="checkbox"/> 會計部	<input type="checkbox"/> 連附件	<input type="checkbox"/> 統籌部	<input type="checkbox"/> 連附件	<input type="checkbox"/> 工程部	<input type="checkbox"/> 連附件
<input type="checkbox"/> 採購部	<input type="checkbox"/> 連附件	<input type="checkbox"/> QS部	<input type="checkbox"/> 連附件	<input type="checkbox"/> 地盤管理	<input type="checkbox"/> 連附件	<input type="checkbox"/> 維修部	<input type="checkbox"/> 連附件

*發件人簽署:		*組別成員批核簽署:	
傳遞編號:		項目經理簽署:	

PROJECT :

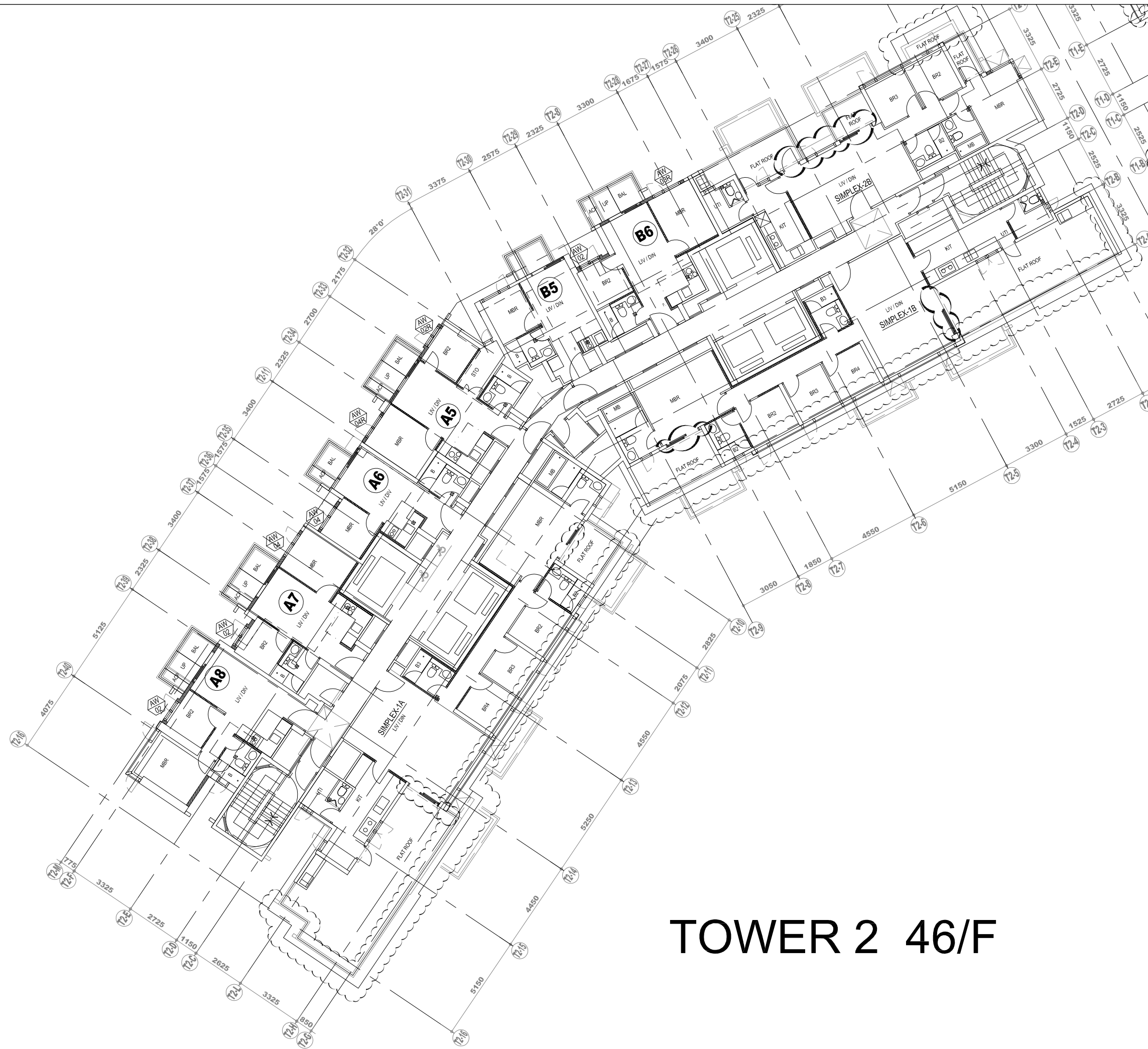
PROPOSED DEVELOPMENT ABOVE
LIGHT RAIL TIN WING STOP, TSWTL
NO.23, AREA 33, TIN SHUI WAI, N.T.

1

SHOP DRAWING FOR ALUM. PRECAST WINDOW OF TOWER 46F

DATE: 15-MAY-23





TOWER 2 46/F

B.D. REF :

CLIENT :
SUN HUNG KAI
 REAL ESTATE AGENCY LTD.
 42/F SUN HUNG KAI CENTRE, WANCHAI, HONGKONG

ARCHITECT :
lwk&partners
 architects

MAIN CONTRACTOR :
Yee Fai Building Contractors Ltd.

STRUCTURAL ENGINEER :
ARUP

FACADE CONSULTANT:
ALPHA CONSULTING LIMITED
 Steel Structure & Facade Specialist

NOTE :
 1. ALL DIMENSIONS ARE IN mm.
 2. ALL ELEVATIONS ARE VIEWED FROM OUTSIDE.
 3. ALL DIMENSIONS TO BE VERIFIED ON SITE BEFORE FABRICATION.

LEGEND :
 X1 — DETAIL MARK NO.
 X001 — REFER SHEET NO.
 1. F.F.L. --- FINISHED FLOOR LEVEL
 2. S.F.L. --- STRUCTURAL FLOOR LEVEL
 3. R --- REVERSED DETAIL
 4. GLASS LEGEND
 EGL-1---8mmHS+12mm AIR GAP+8mmTP THK. I.G.U.
 EGL-2---10mm THK. CLEAR TEMPERED GLASS
 EGL-4---10mm THK. TEMPERED ACID ETCHED GLASS

NO.	DATE	REVISED	BY
-----	------	---------	----

JOB NO. : J-856
 PROJECT : PROPOSED DEVELOPMENT ABOVE LIGHT RAIL TIN WING STOP, TSWTL NO.23, AREA 33, TIN SHUI WAI, N.T.

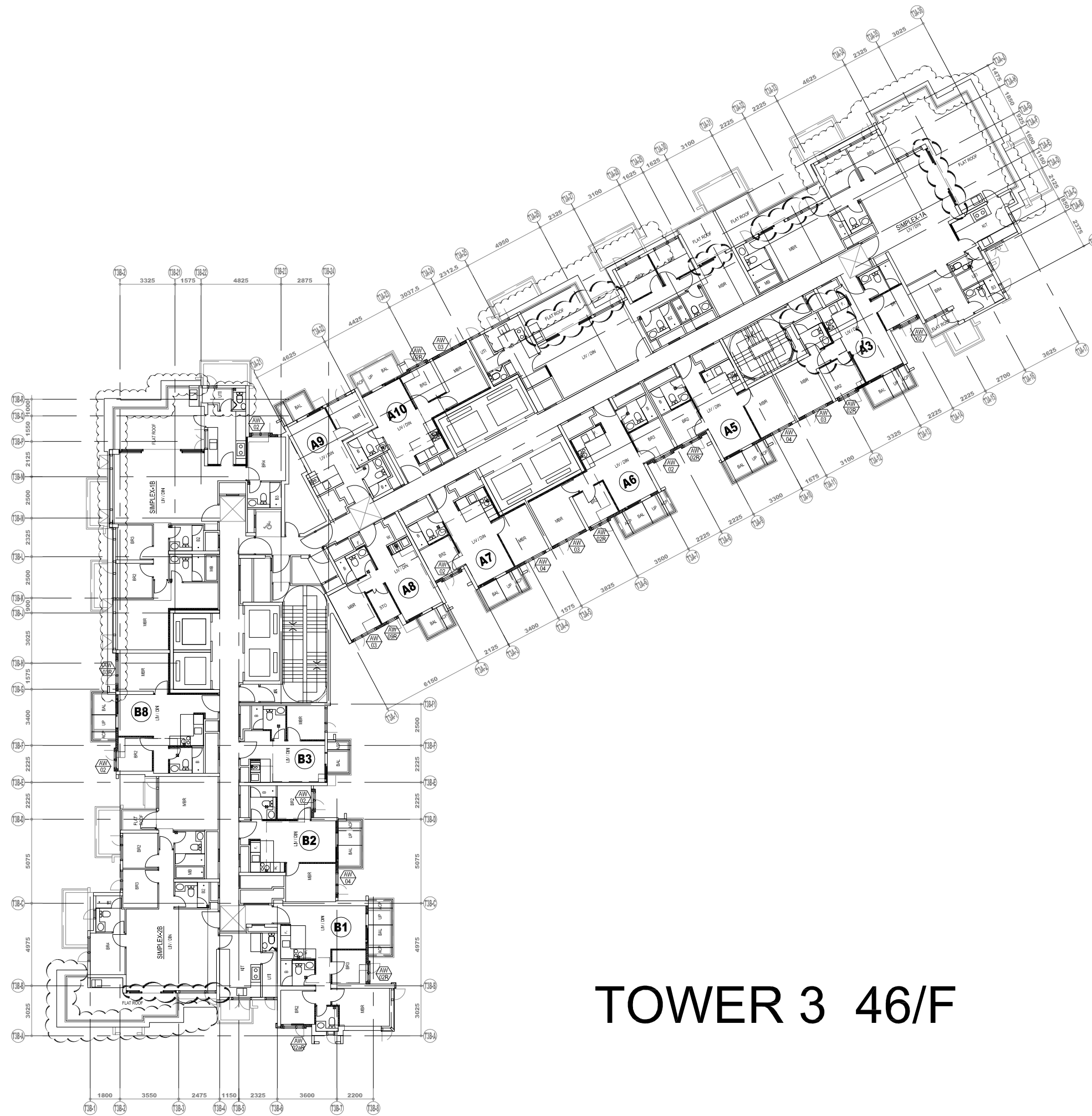
TITLE : PLAN FOR PRECAST WINDOW AT TOWER 2

DATE : 02-Aug-21 SCALE : 1:200

DRAWN BY : Ivan CHECKED BY :

美特鋁質有限公司
MIDI ALUMINIUM FABRICATOR LTD.
 Units 6-8, Sunray Industrial Centre, 1/F
 610 Cha Kwo Ling Road, Kowloon
 Tel:23489211-4 Fax:(852)2727666

DWG NO. : J856-SD-PW-3203 REV. : -



TOWER 3 46/F

B.D. REF :

CLIENT :

 42/F SUN HUNG KAI CENTRE, WANCHAI, HONGKONG

ARCHITECT :

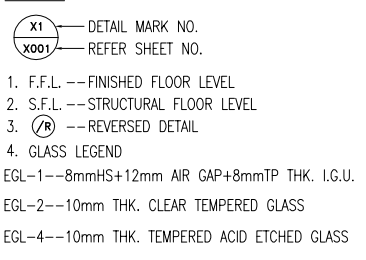

MAIN CONTRACTOR :


STRUCTURAL ENGINEER :


FACADE CONSULTANT:

 Steel Structure & Facade Specialist

NOTE :
 1. ALL DIMENSIONS ARE IN mm.
 2. ALL ELEVATIONS ARE VIEWED FROM OUTSIDE.
 3. ALL DIMENSIONS TO BE VERIFIED ON SITE BEFORE FABRICATION.

LEGEND :

 1. F.F.L. -- FINISHED FLOOR LEVEL
 2. S.F.L. -- STRUCTURAL FLOOR LEVEL
 3. (R) -- REVERSED DETAIL
 4. GLASS LEGEND
 EGL-1--8mmHS+12mm AIR GAP+8mmTP THK. I.G.U.
 EGL-2--10mm THK. CLEAR TEMPERED GLASS
 EGL-4--10mm THK. TEMPERED ACID ETCHED GLASS

NO.	DATE	REVISED	BY

JOB NO. : J-856
 PROJECT : PROPOSED DEVELOPMENT ABOVE LIGHT RAIL TIN WING STOP, TSWL NO.23, AREA 33, TIN SHUI WAI, N.T.

TITLE : PLAN FOR PRECAST WINDOW AT TOWER 3

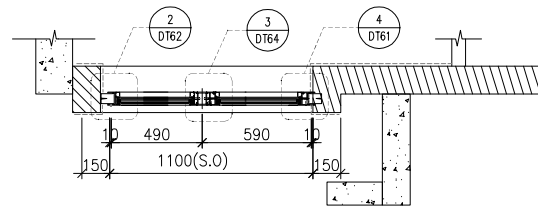
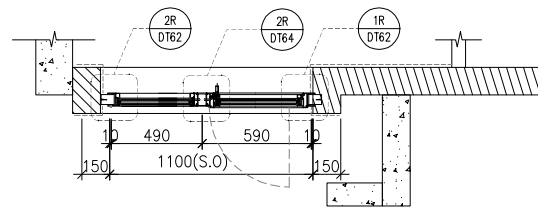
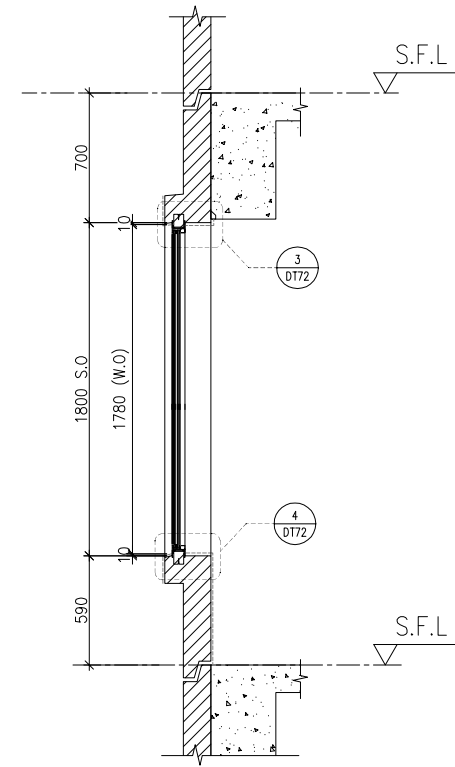
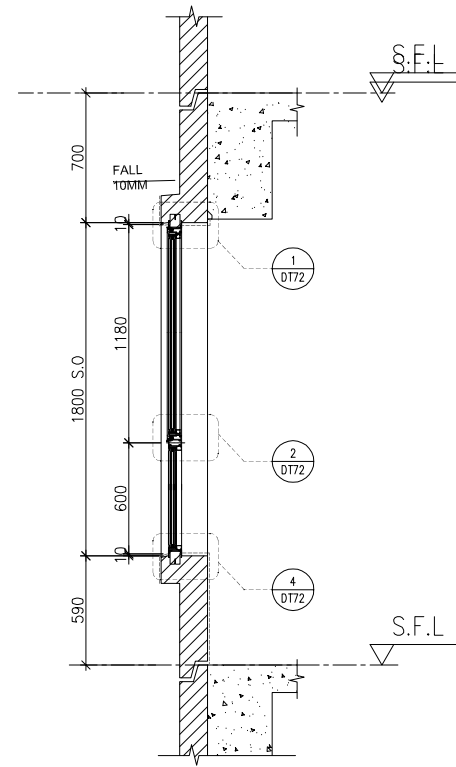
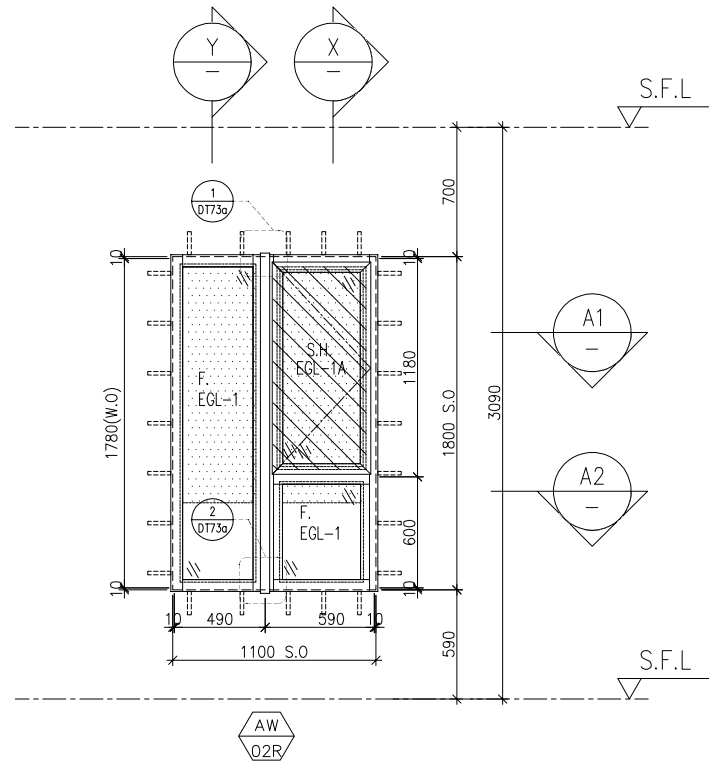
DATE : 02-Aug-21 SCALE : 1:200

DRAWN BY : Ivan CHECKED BY :


 MIDI ALUMINIUM FABRICATOR LTD.
 Units 6-8, Sunray Industrial Centre, 1/F
 610 Cha Kwo Ling Road, Kowloon
 Tel:23489211-4 Fax:(852)27727666

DWG NO. : J856-SD-PW-3303 REV. : -

LOCATION	REQUIRE		PROVIDED	
	OPENABLE AREA	GLAZING AREA	OPENABLE AREA	GLAZING AREA
A5-BR2	0.263	0.420	0.548	0.985



A1 PART PLAN

A2 PART PLAN

ELEVATION

FACADE CODE		
LWK	鴻輝	UNIT
PF-02R	T2PF-18	A5

WINDOW MARK



LOCATION	46/F UNIT A5
SECTION	70mm ALUM. SECTION
GLAZING	EGL-1,EGL-1A
QUANTITY	1 Nos
REMARKS	4 BAR HINGE-LIP HING (HHMS-N16)

B.D. REF :

CLIENT :



ARCHITECT :



MAIN CONTRACTOR :



STRUCTURAL ENGINEER :



FACADE CONSULTANT:



NOTE :

1. ALL DIMENSIONS ARE IN mm.
2. ALL ELEVATIONS ARE VIEWED FROM OUTSIDE.
3. ALL DIMENSIONS TO BE VERIFIED ON SITE BEFORE FABRICATION.

LEGEND :

- (X1) --- DETAIL MARK NO.
- (X001) --- REFER SHEET NO.

1. F.F.L. -- FINISHED FLOOR LEVEL
2. S.F.L. -- STRUCTURAL FLOOR LEVEL
3. (R) -- REVERSED DETAIL

4. GLASS LEGEND
- EGL-1--8mmHS+12mm AIR GAP+10mmTP THK. I.G.U.
 - EGL-1A--8mmHS+12mm AIR GAP+8mmTP THK. I.G.U.
 - EGL-1B--8mmHS+12mm AIR GAP+10mm CLEAR TEMPERED ACID ETCHED THK. (FROSTED ON #3).I.G.U.
 - EGL-2--10mm THK. CRYSTAL GRAY TEMPERED GLASS (FOR KIT & ST)
 - EGL-4--10mm THK. CRYSTAL TEMPERED ACID ETCHED GLASS (FOR BATH)

NO.	DATE	REVISED	BY

JOB NO. : J-856

PROJECT : PROPOSED DEVELOPMENT ABOVE LIGHT RAIL TIN WING STOP,TSWTL NO.23,AREA 33,TIN SHUI WAI, N.T.

TITLE : WINDOW SCHEDULE FOR TOWER 2 ALUM. WINDOW

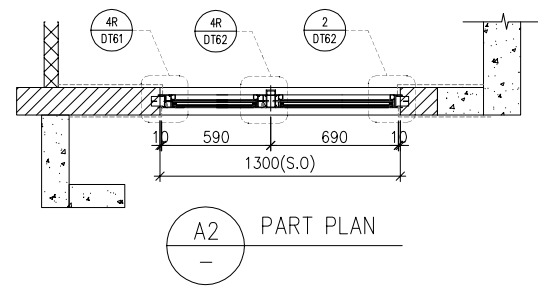
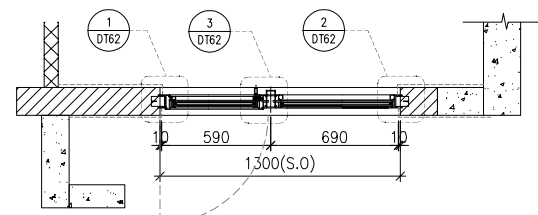
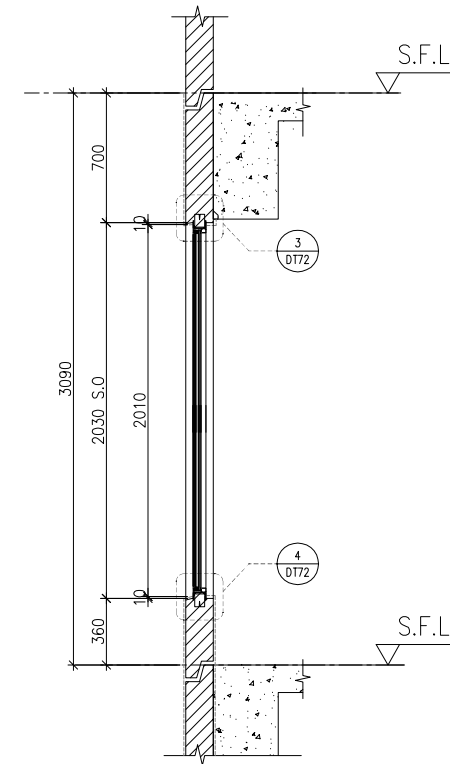
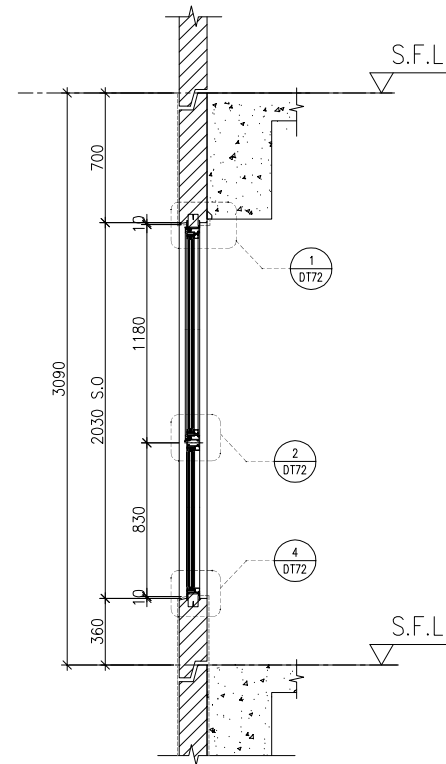
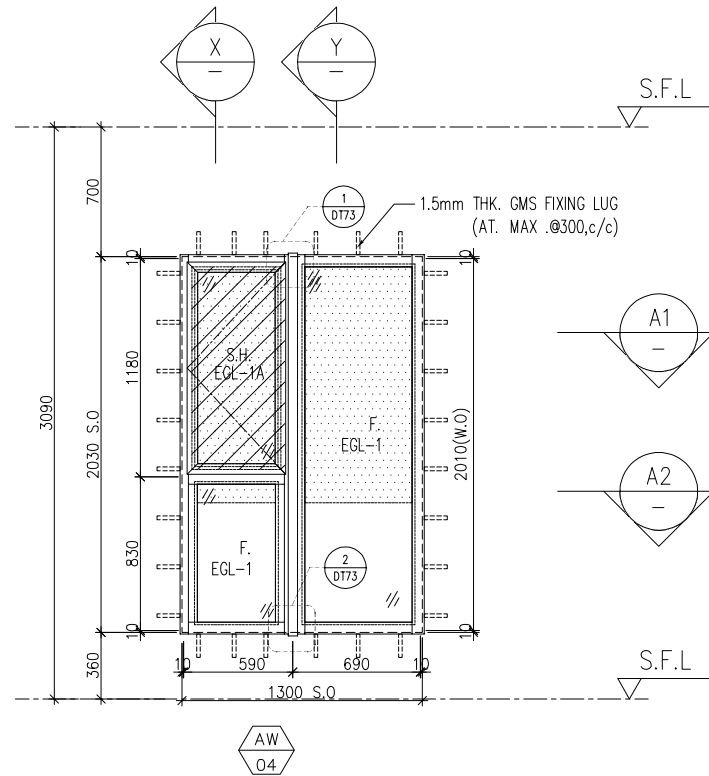
DATE : 02-Aug-21 SCALE : 1:40

DRAWN BY : Ivan CHECKED BY :



DWG NO. : J856-SD-PW-5251 REV. : -

LOCATION	REQUIRE		PROVIDED	
	OPENABLE AREA	GLAZING AREA	OPENABLE AREA	GLAZING AREA
A7-MBR	0.435	0.696	0.548	1.24



ELEVATION

FACADE CODE		
LWK	鴻輝	UNIT
PF-04R	T2PF-15	A7

WINDOW MARK



LOCATION	46/F UNIT A7
SECTION	70mm ALUM. SECTION
GLAZING	EGL-1,EGL-1A
QUANTITY	1 No
REMARKS	4 BAR HINGE-LIP HING (HHMS-N16)

B.D. REF :

CLIENT :
SUN HUNG KAI
 REAL ESTATE AGENCY LTD.
 42/F SUN HUNG KAI CENTRE, WANCHAI, HONGKONG

ARCHITECT :
IWK&partners
 architects

MAIN CONTRACTOR :
Yee Fai Building Contractors Ltd.

STRUCTURAL ENGINEER :
ARUP

FACADE CONSULTANT:
ALPHA CONSULTING LIMITED
 Steel Structure & Facade Specialist

NOTE :
 1. ALL DIMENSIONS ARE IN mm.
 2. ALL ELEVATIONS ARE VIEWED FROM OUTSIDE.
 3. ALL DIMENSIONS TO BE VERIFIED ON SITE BEFORE FABRICATION.

LEGEND :
 (X1) --- DETAIL MARK NO.
 (X001) --- REFER SHEET NO.
 1. F.F.L. --- FINISHED FLOOR LEVEL
 2. S.F.L. --- STRUCTURAL FLOOR LEVEL
 3. (R) --- REVERSED DETAIL
 4. GLASS LEGEND
 EGL-1--8mmHS+12mm AIR GAP+10mmTP THK. I.G.U.
 EGL-1A--8mmHS+12mm AIR GAP+8mmTP THK. I.G.U.
 EGL-1B--8mmHS+12mm AIR GAP+10mm CLEAR TEMPERED ACID ETCHED THK. (FROSTED ON #3).I.G.U.
 EGL-2--10mm THK. CRYSTAL GRAY TEMPERED GLASS (FOR KIT & ST)
 EGL-4--10mm THK. CRYSTAL TEMPERED ACID ETCHED GLASS (FOR BATH)

NO.	DATE	REVISED	BY

JOB NO. : J-856

PROJECT :
 PROPOSED DEVELOPMENT ABOVE LIGHT RAIL TIN WING STOP,TSWTL NO.23,AREA 33,TIN SHUI WAI, N.T.

TITLE :
 WINDOW SCHEDULE FOR TOWER 2 ALUM. WINDOW

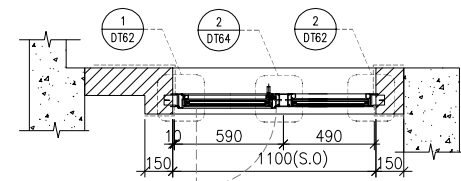
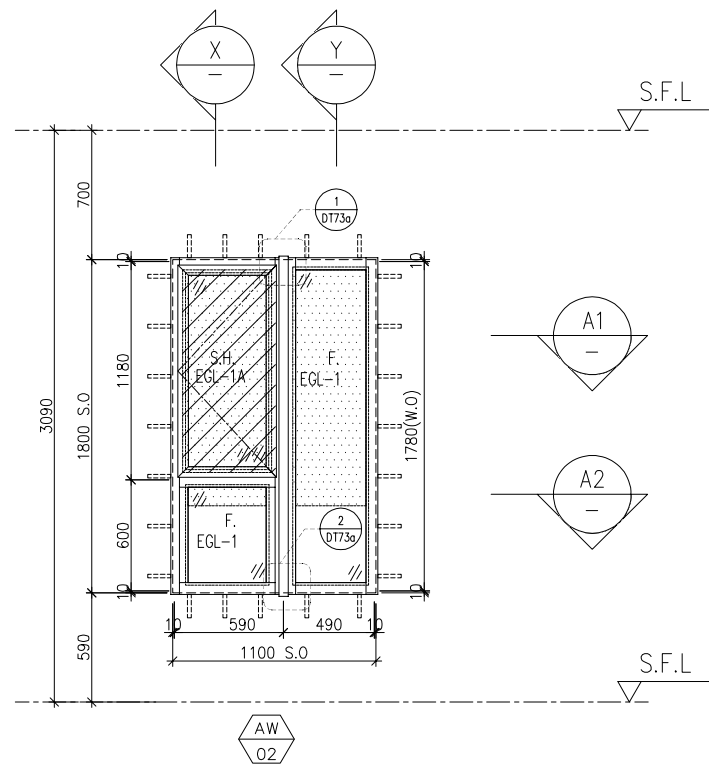
DATE : 02-Aug-21 SCALE : 1:40

DRAWN BY : Ivan CHECKED BY :

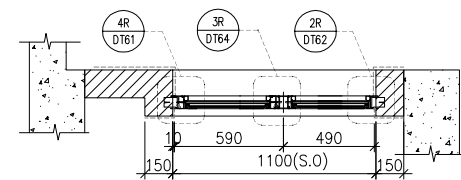
MIDI ALUMINIUM FABRICATOR LTD.
 Units 6-8, Sunray Industrial Centre, 1/F
 610 Cha Kwo Ling Road, Kowloon
 Tel:23489211-4 Fax:(852)27727666

DWG NO. : J856-SD-PW-5252 REV. : -

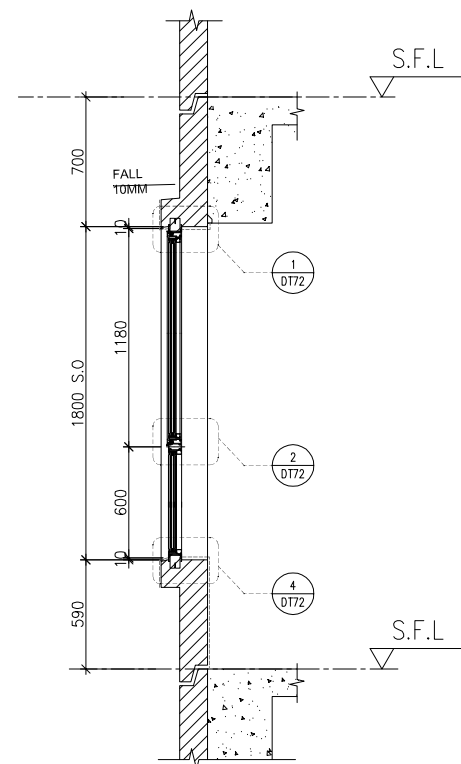
LOCATION	REQUIRE		PROVIDED	
	OPENABLE AREA	GLAZING AREA	OPENABLE AREA	GLAZING AREA
A7-BR2	0.263	0.420	0.548	0.985
B6-BR2	0.263	0.420		



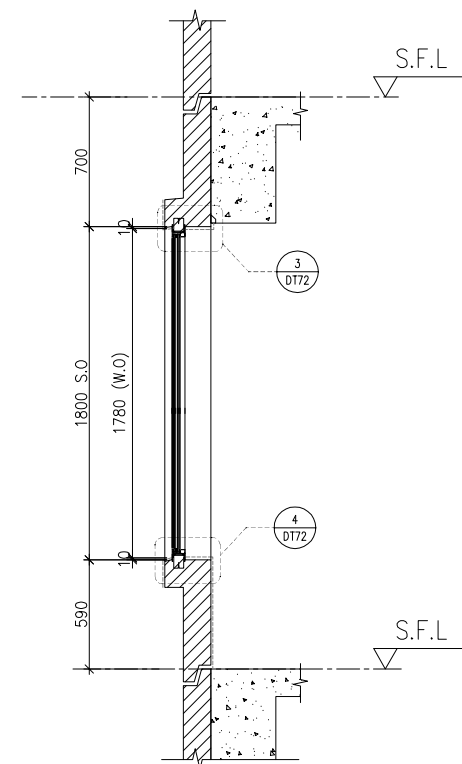
A1 PART PLAN



A2 PART PLAN



X PART SECTION



Y PART SECTION

ELEVATION

FACADE CODE		
LWK	鴻輝	UNIT
PF-05	T2PF-14	A7
PF-05	T2PF-22	B6

WINDOW MARK



LOCATION	46/F UNIT A7 , B6
SECTION	70mm ALUM. SECTION
GLAZING	EGL-1,EGL-1A
QUANTITY	1 No / 1 No
REMARKS	4 BAR HINGE-LIP HING (HHMS-N16)

B.D. REF :

CLIENT :
SUN HUNG KAI
 REAL ESTATE AGENCY LTD.
 42/F SUN HUNG KAI CENTRE, WANCHAI, HONGKONG

ARCHITECT :
IWK&partners
 architects

MAIN CONTRACTOR :
Yee Fai Building Contractors Ltd.

STRUCTURAL ENGINEER :
ARUP

FACADE CONSULTANT:
ALPHA CONSULTING LIMITED
 Steel Structure & Facade Specialist

NOTE :
 1. ALL DIMENSIONS ARE IN mm.
 2. ALL ELEVATIONS ARE VIEWED FROM OUTSIDE.
 3. ALL DIMENSIONS TO BE VERIFIED ON SITE BEFORE FABRICATION.

LEGEND :
 X1 --- DETAIL MARK NO.
 X001 --- REFER SHEET NO.
 1. F.F.L. --- FINISHED FLOOR LEVEL
 2. S.F.L. --- STRUCTURAL FLOOR LEVEL
 3. (R) --- REVERSED DETAIL
 4. GLASS LEGEND
 EGL-1--8mmHS+12mm AIR GAP+10mmTP THK. I.G.U.
 EGL-1A--8mmHS+12mm AIR GAP+8mmTP THK. I.G.U.
 EGL-1B--8mmHS+12mm AIR GAP+10mm CLEAR TEMPERED ACID ETCHED THK. (FROSTED ON #3)I.G.U.
 EGL-2--10mm THK. CRYSTAL GRAY TEMPERED GLASS (FOR KIT & ST)
 EGL-4--10mm THK. CRYSTAL TEMPERED ACID ETCHED GLASS (FOR BATH)

NO.	DATE	REVISED	BY

JOB NO. : J-856
 PROJECT : PROPOSED DEVELOPMENT ABOVE LIGHT RAIL TIN WING STOP,TSWTL NO.23,AREA 33,TIN SHUI WAI, N.T.

TITLE : WINDOW SCHEDULE FOR TOWER 2 ALUM. WINDOW

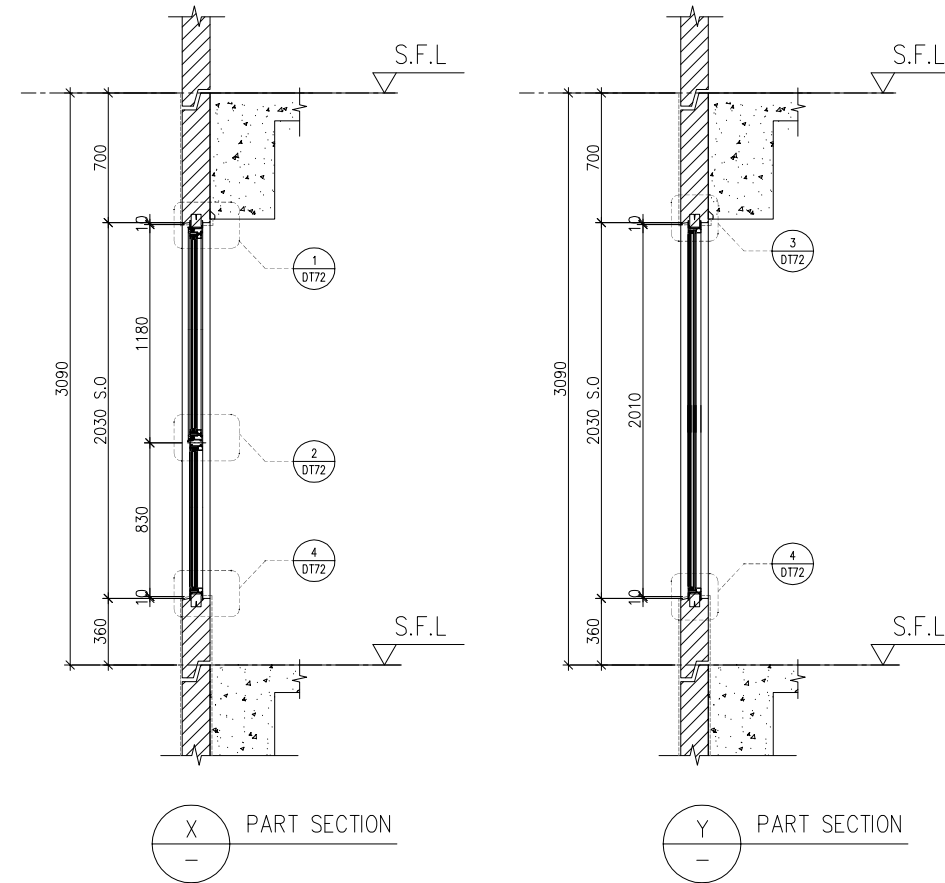
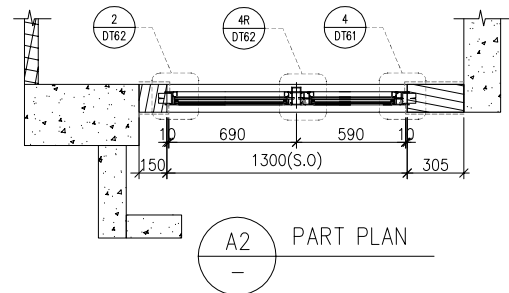
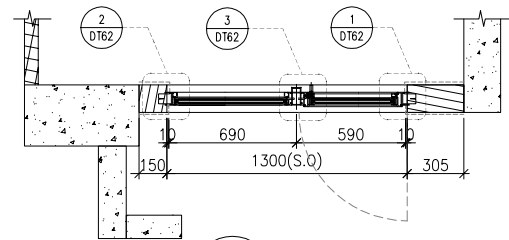
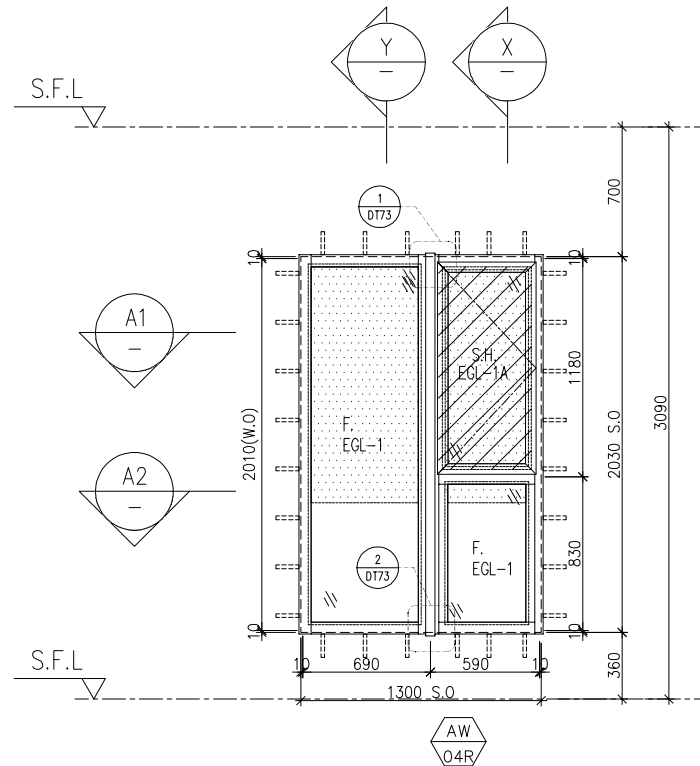
DATE : 02-Aug-21 SCALE : 1:40

DRAWN BY : Ivan CHECKED BY :

美特鋁質有限公司
MIDI ALUMINIUM FABRICATOR LTD.
 Units 6-8, Sunray Industrial Centre, 1/F
 610 Cha Kwo Ling Road, Kowloon
 Tel:23489211-4 Fax:(852)27727666

DWG NO. : J856-SD-PW-5253 REV. : -

LOCATION	REQUIRE		PROVIDED	
	OPENABLE AREA	GLAZING AREA	OPENABLE AREA	GLAZING AREA
A5-MBR	0.435	0.696	0.548	1.24
A6-MBR	0.295	0.472		



ELEVATION

FACADE CODE

LWK	鴻輝	UNIT
PF-06R	T2PF-17	A5
PF-??	T2PF-15A	A6

WINDOW MARK	AW 04R
LOCATION	46/F UNIT A5
SECTION	70mm ALUM. SECTION
GLAZING	EGL-1,EGL-1A
QUANTITY	1 No
REMARKS	4 BAR HINGE-LIP HING (HHMS-N16)

WINDOW MARK	AW 04
LOCATION	46/F UNIT A6
SECTION	70mm ALUM. SECTION
GLAZING	EGL-1,EGL-1A
QUANTITY	1 No
REMARKS	4 BAR HINGE-LIP HING (HHMS-N16)

B.D. REF :

CLIENT :

SUN HUNG KAI
REAL ESTATE AGENCY LTD.
42/F SUN HUNG KAI CENTRE, WANCHAI, HONGKONG

ARCHITECT :

lwk&partners
architects

MAIN CONTRACTOR :

Yee Fai Building Contractors Ltd.

STRUCTURAL ENGINEER :

ARUP

FACADE CONSULTANT:

ALPHA CONSULTING LIMITED
Steel Structure & Facade Specialist

NOTE :

- ALL DIMENSIONS ARE IN mm.
- ALL ELEVATIONS ARE VIEWED FROM OUTSIDE.
- ALL DIMENSIONS TO BE VERIFIED ON SITE BEFORE FABRICATION.

LEGEND :

X1 --- DETAIL MARK NO.
X001 --- REFER SHEET NO.

- F.F.L. --- FINISHED FLOOR LEVEL
- S.F.L. --- STRUCTURAL FLOOR LEVEL
- (R) --- REVERSED DETAIL
- GLASS LEGEND
EGL-1--8mmHS+12mm AIR GAP+10mmTP THK. I.G.U.
EGL-1A--8mmHS+12mm AIR GAP+8mmTP THK. I.G.U.
EGL-1B--8mmHS+12mm AIR GAP+10mm CLEAR TEMPERED ACID ETCHED THK. (FROSTED ON #3).I.G.U.
EGL-2--10mm THK. CRYSTAL GRAY TEMPERED GLASS (FOR KIT & ST)
EGL-4--10mm THK. CRYSTAL TEMPERED ACID ETCHED GLASS (FOR BATH)

NO.	DATE	REVISED	BY

JOB NO. : J-856

PROJECT : PROPOSED DEVELOPMENT ABOVE LIGHT RAIL TIN WING STOP,TSWTL NO.23,AREA 33,TIN SHUI WAI, N.T.

TITLE : WINDOW SCHEDULE FOR TOWER 2 ALUM. WINDOW

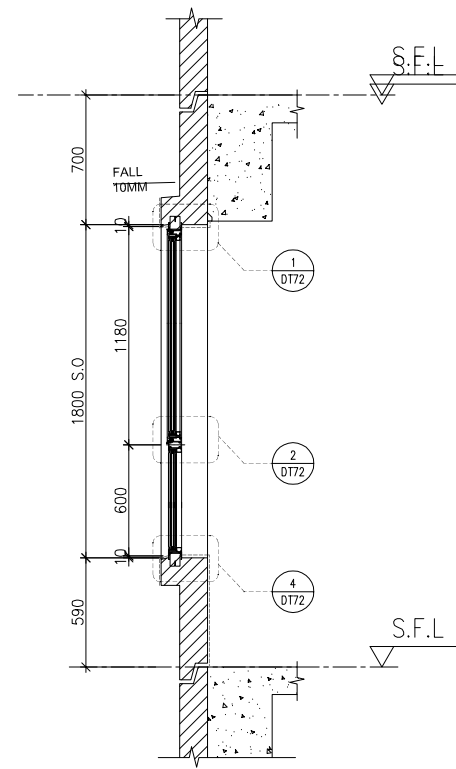
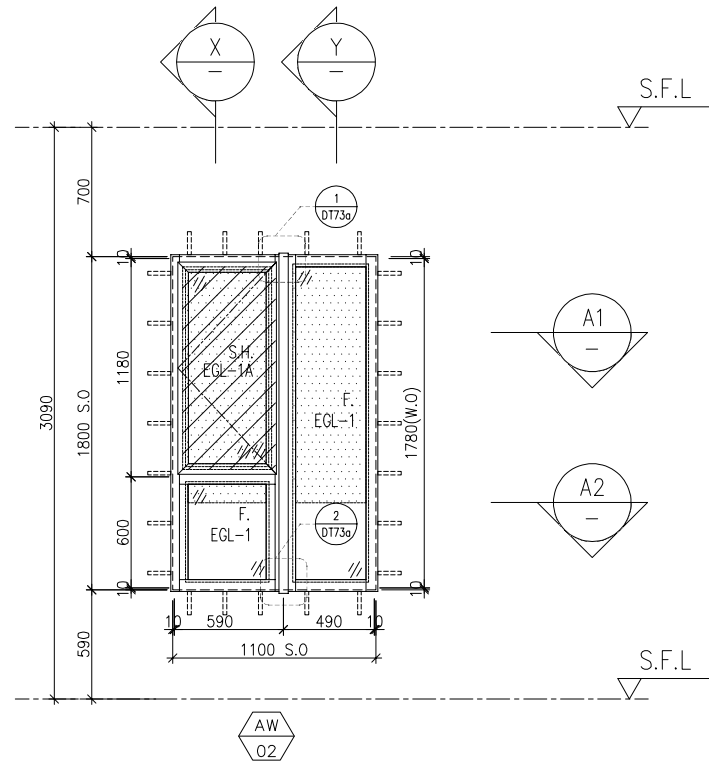
DATE : 02-Aug-21 SCALE : 1:40

DRAWN BY : Ivan CHECKED BY :

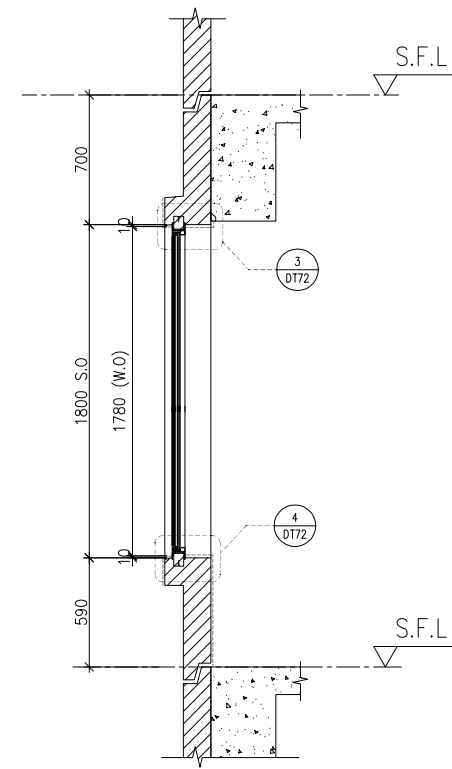
美特鋁質有限公司
MIDI ALUMINIUM FABRICATOR LTD.
Units 6-8, Sunray Industrial Centre, 1/F
610 Cha Kwo Ling Road, Kowloon
Tel:23489211-4 Fax:(852)27727666

DWG NO. : J856-SD-PW-5254 REV. : -

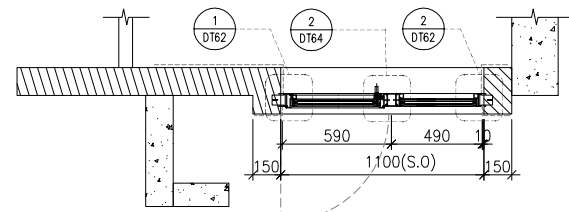
LOCATION	REQUIRE		PROVIDED	
	OPENABLE AREA	GLAZING AREA	OPENABLE AREA	GLAZING AREA
A8-BR2	0.263	0.420	0.548	0.985



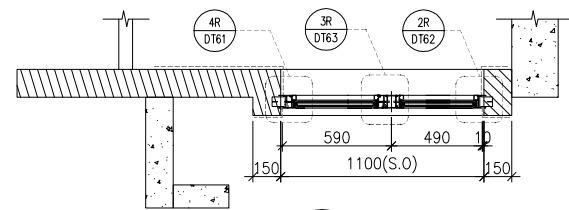
X PART SECTION



Y PART SECTION



A1 PART PLAN



A2 PART PLAN

FACADE CODE

LWK	鴻輝	UNIT
PF-08	T2PF-13	A8

WINDOW MARK



LOCATION	46/F UNIT A8
SECTION	70mm ALUM. SECTION
GLAZING	EGL-1, EGL-1A
QUANTITY	1 No
REMARKS	4 BAR HINGE-LIP HING (HHMS-N16)

B.D. REF :

CLIENT :
SUN HUNG KAI
 REAL ESTATE AGENCY LTD.
 42/F SUN HUNG KAI CENTRE, WANCHAI, HONGKONG

ARCHITECT :
IWK&partners
 architects

MAIN CONTRACTOR :
Yee Fai Building Contractors Ltd.

STRUCTURAL ENGINEER :
ARUP

FACADE CONSULTANT:
ALPHA CONSULTING LIMITED
 Steel Structure & Facade Specialist

- NOTE :
1. ALL DIMENSIONS ARE IN mm.
 2. ALL ELEVATIONS ARE VIEWED FROM OUTSIDE.
 3. ALL DIMENSIONS TO BE VERIFIED ON SITE BEFORE FABRICATION.

- LEGEND :
- (X1) --- DETAIL MARK NO.
 - (X001) --- REFER SHEET NO.

1. F.F.L. --- FINISHED FLOOR LEVEL
2. S.F.L. --- STRUCTURAL FLOOR LEVEL
3. (R) --- REVERSED DETAIL
4. GLASS LEGEND
 EGL-1--8mmHS+12mm AIR GAP+10mmTP THK. I.G.U.
 EGL-1A--8mmHS+12mm AIR GAP+8mmTP THK. I.G.U.
 EGL-1B--8mmHS+12mm AIR GAP+10mm CLEAR TEMPERED ACID ETCHED THK. (FROSTED ON #3)I.G.U.
 EGL-2--10mm THK. CRYSTAL GRAY TEMPERED GLASS (FOR KIT & ST)
 EGL-4--10mm THK. CRYSTAL TEMPERED ACID ETCHED GLASS (FOR BATH)

NO.	DATE	REVISED	BY

JOB NO. : J-856

PROJECT :
 PROPOSED DEVELOPMENT ABOVE LIGHT RAIL TIN WING STOP, TSWTL NO.23, AREA 33, TIN SHUI WAI, N.T.

TITLE :
 WINDOW SCHEDULE FOR TOWER 2 ALUM. WINDOW

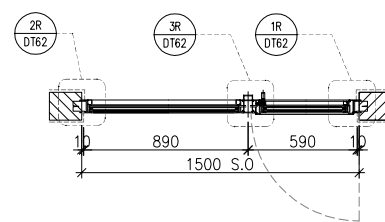
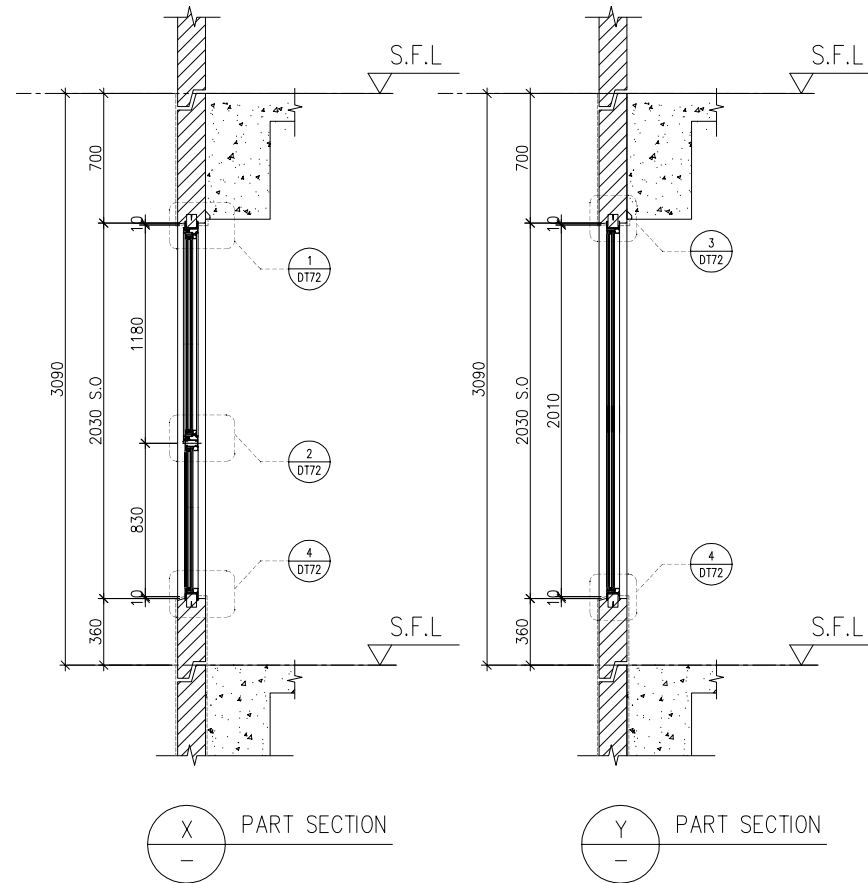
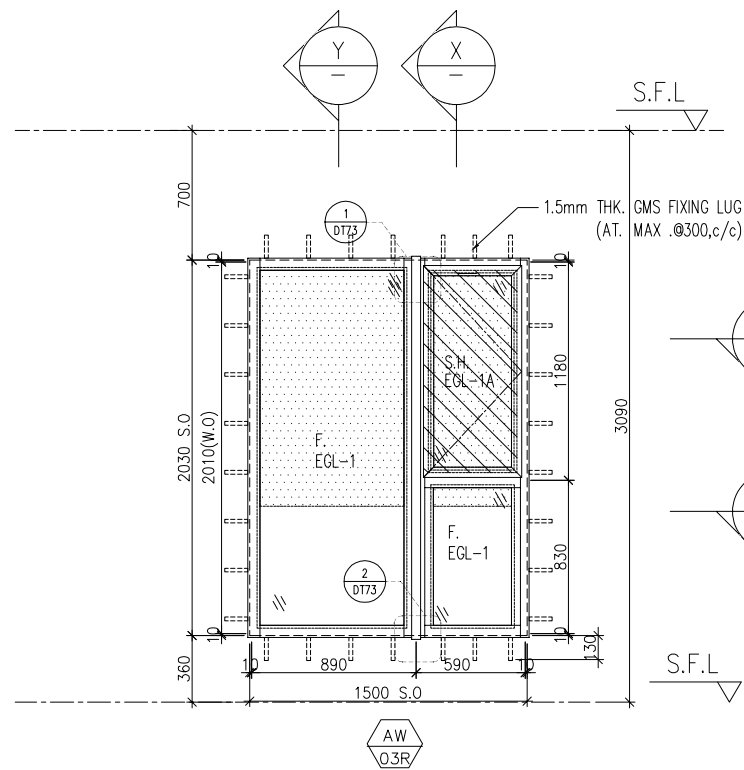
DATE : 02-Aug-21 SCALE : 1:40

DRAWN BY : Ivan CHECKED BY :

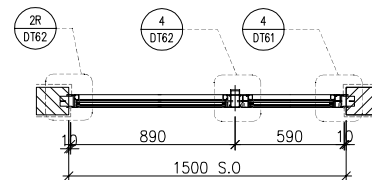
美特鋁質有限公司
MIDI ALUMINIUM FABRICATOR LTD.
 Units 6-8, Sunray Industrial Centre, 1/F
 610 Cha Kwo Ling Road, Kowloon
 Tel:23489211-4 Fax:(852)27727666

DWG NO. : J856-SD-PW-5255 REV. : -

LOCATION	REQUIRE		PROVIDED	
	OPENABLE AREA	GLAZING AREA	OPENABLE AREA	GLAZING AREA
B6-MBR	0.435	0.696	0.548	1.495



A1 PART PLAN



A2 PART PLAN

FACADE CODE		
LWK	鴻輝	UNIT
PF-20R	T2PF-23	B6

WINDOW MARK



LOCATION	46/F UNIT B6
SECTION	70mm ALUM. SECTION
GLAZING	EGL-1,EGL-1A
QUANTITY	1 No
REMARKS	4 BAR HINGE-LIP HING (HHMS-N16)

B.D. REF :

CLIENT :
SUN HUNG KAI
 REAL ESTATE AGENCY LTD.
 42/F SUN HUNG KAI CENTRE, WANCHAI, HONGKONG

ARCHITECT :
lwk&partners
 architects

MAIN CONTRACTOR :
Yee Fai Building Contractors Ltd.

STRUCTURAL ENGINEER :
ARUP

FACADE CONSULTANT:
ALPHA CONSULTING LIMITED
 Steel Structure & Facade Specialist

NOTE :
 1. ALL DIMENSIONS ARE IN mm.
 2. ALL ELEVATIONS ARE VIEWED FROM OUTSIDE.
 3. ALL DIMENSIONS TO BE VERIFIED ON SITE BEFORE FABRICATION.

LEGEND :
 X1 — DETAIL MARK NO.
 X001 — REFER SHEET NO.

1. F.F.L. -- FINISHED FLOOR LEVEL
 2. S.F.L. -- STRUCTURAL FLOOR LEVEL
 3. (R) -- REVERSED DETAIL
 4. GLASS LEGEND
 EGL-1--8mmHS+12mm AIR GAP+10mmTP THK. I.G.U.
 EGL-1A--8mmHS+12mm AIR GAP+8mmTP THK. I.G.U.
 EGL-1B--8mmHS+12mm AIR GAP+10mm CLEAR TEMPERED ACID ETCHED THK. (FROSTED ON #3)I.G.U.
 EGL-2--10mm THK. CRYSTAL GRAY TEMPERED GLASS (FOR KIT & ST)
 EGL-4--10mm THK. CRYSTAL TEMPERED ACID ETCHED GLASS (FOR BATH)

NO.	DATE	REVISED	BY

JOB NO. : J-856

PROJECT :
 PROPOSED DEVELOPMENT ABOVE LIGHT RAIL TIN WING STOP,TSWTL NO.23,AREA 33,TIN SHUI WAI, N.T.

TITLE :
 WINDOW SCHEDULE FOR TOWER 2 ALUM. WINDOW

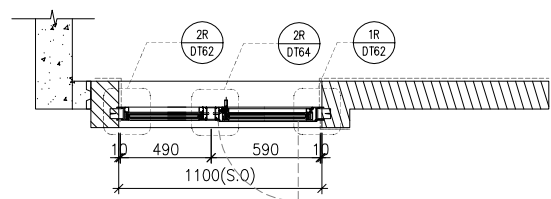
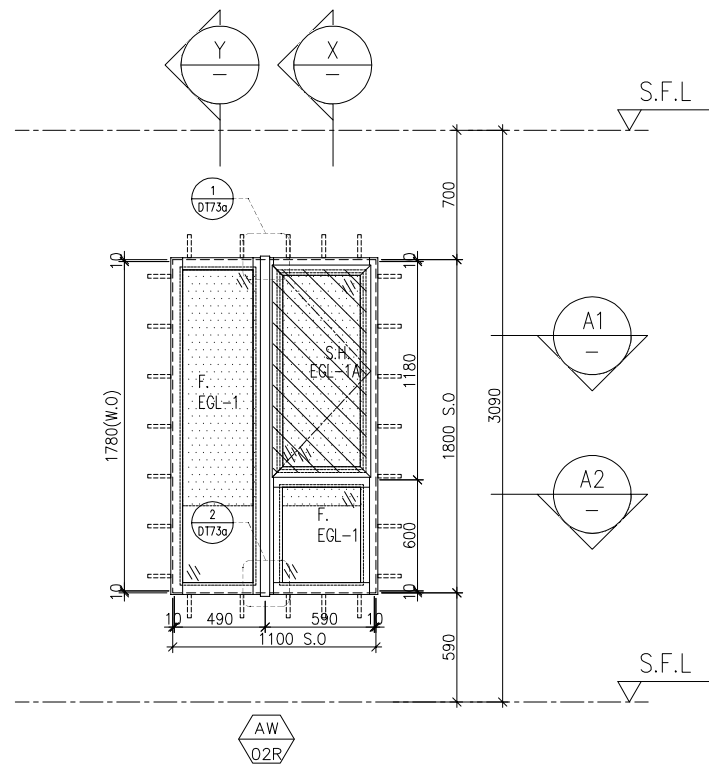
DATE : 02-Aug-21 SCALE : 1:40

DRAWN BY : Ivan CHECKED BY :

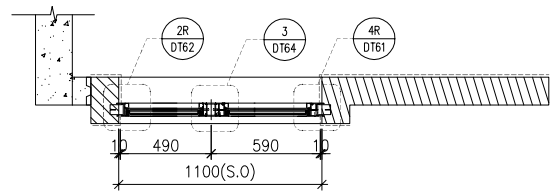
美特鋁質有限公司
MIDI ALUMINIUM FABRICATOR LTD.
 Units 6-8, Sunray Industrial Centre, 1/F
 610 Cha Kwo Ling Road, Kowloon
 Tel:23489211-4 Fax:(852)27727666

DWG NO. : J856-SD-PW-5256 REV. : -

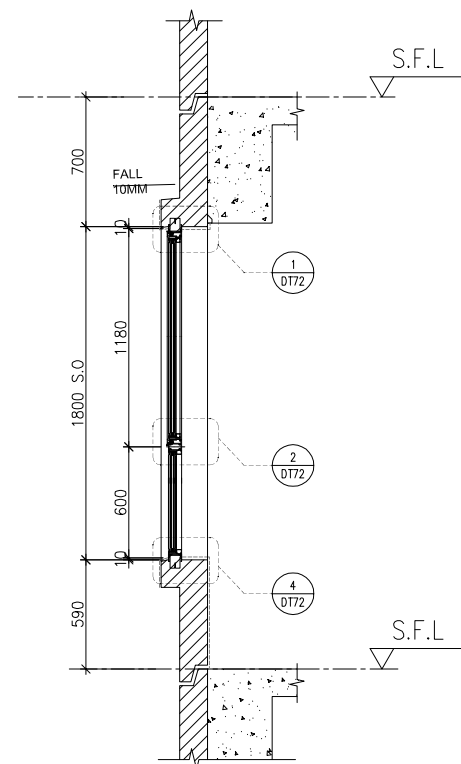
LOCATION	REQUIRE		PROVIDED	
	OPENABLE AREA	GLAZING AREA	OPENABLE AREA	GLAZING AREA
A3-BR2	0.263	0.420	0.548	0.985
A10-BR2	0.263	0.420		



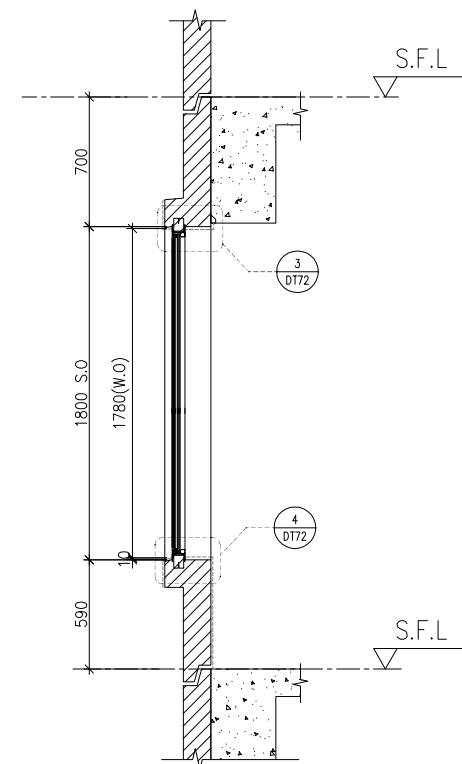
A1 PART PLAN



A2 PART PLAN



X PART SECTION



Y PART SECTION

ELEVATION

FACADE CODE		
LWK	鴻輝	UNIT
PF-02R	T3PF-05	A3
PF-02R	T3PF-37	A10

WINDOW MARK



LOCATION	46/F UNIT A3,A10
SECTION	70mm ALUM. SECTION
GLAZING	EGL-1,EGL-1A
QUANTITY	1 No / 1 No
REMARKS	4 BAR HINGE-LIP HING (HHMS-N16)

B.D. REF :

CLIENT :
SUN HUNG KAI
 REAL ESTATE AGENCY LTD.
 42/F SUN HUNG KAI CENTRE, WANCHAI, HONGKONG

ARCHITECT :
IWK&partners
 architects

MAIN CONTRACTOR :
Yee Fai Building Contractors Ltd.

STRUCTURAL ENGINEER :
ARUP

FACADE CONSULTANT:
ALPHA CONSULTING LIMITED
 Steel Structure & Facade Specialist

NOTE :
 1. ALL DIMENSIONS ARE IN mm.
 2. ALL ELEVATIONS ARE VIEWED FROM OUTSIDE.
 3. ALL DIMENSIONS TO BE VERIFIED ON SITE BEFORE FABRICATION.

LEGEND :
 X1 — DETAIL MARK NO.
 X001 — REFER SHEET NO.
 1. F.F.L. -- FINISHED FLOOR LEVEL
 2. S.F.L. -- STRUCTURAL FLOOR LEVEL
 3. (R) -- REVERSED DETAIL
 4. GLASS LEGEND
 EGL-1 -- 8mmHS+12mm AIR GAP+10mmTP THK. I.G.U.
 EGL-1A -- 8mmHS+12mm AIR GAP+8mmTP THK. I.G.U.
 EGL-1B -- 8mmHS+12mm AIR GAP+10mm CLEAR TEMPERED ACID ETCHED THK. (FROSTED ON #3) I.G.U.
 EGL-2 -- 10mm THK. CRYSTAL GRAY TEMPERED GLASS (FOR KIT & ST)
 EGL-4 -- 10mm THK. CRYSTAL TEMPERED ACID ETCHED GLASS (FOR BATH)

NO.	DATE	REVISED	BY

JOB NO. : J-856

PROJECT :
 PROPOSED DEVELOPMENT ABOVE LIGHT RAIL TIN WING STOP, TSWTL NO.23, AREA 33, TIN SHUI WAI, N.T.

TITLE :
 WINDOW SCHEDULE FOR TOWER 3 ALUM. WINDOW

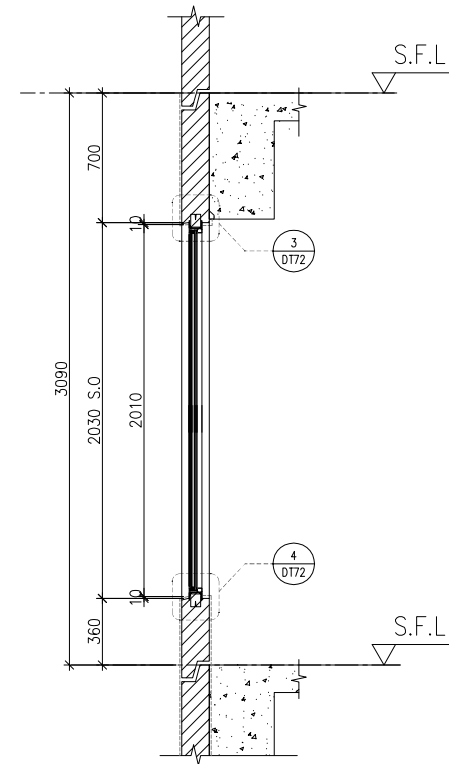
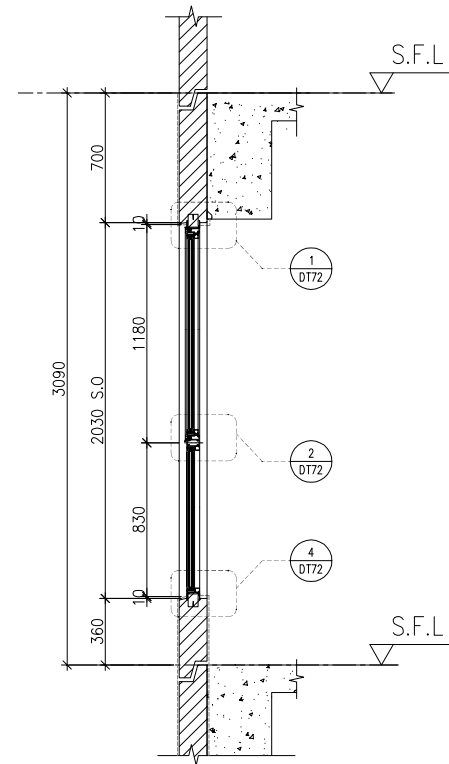
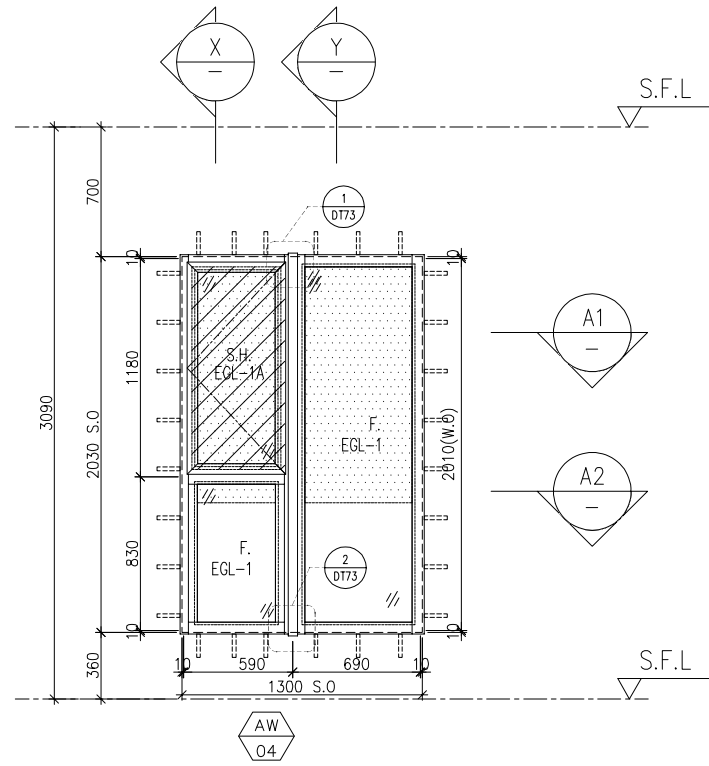
DATE : 02-Aug-21 SCALE : 1:40

DRAWN BY : Ivan CHECKED BY :

美特鋁質有限公司
MIDI ALUMINIUM FABRICATOR LTD.
 Units 6-8, Sunray Industrial Centre, 1/F
 610 Cha Kwo Ling Road, Kowloon
 Tel:23489211-4 Fax:(852)27727666

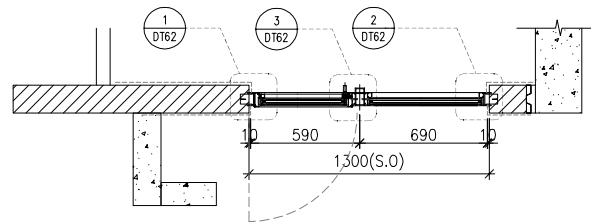
DWG NO. : J856-SD-PW-5351 REV. : -

LOCATION	REQUIRE		PROVIDED	
	OPENABLE AREA	GLAZING AREA	OPENABLE AREA	GLAZING AREA
A5-MBR	0.435	0.696	0.548	1.24
A7-MBR	0.435	0.696		
B2-MBR	0.435	0.696		

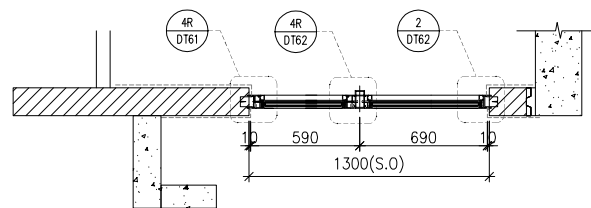


X PART SECTION

Y PART SECTION



A1 PART PLAN



A2 PART PLAN

FACADE CODE		
LWK	鴻輝	UNIT
PF-04	T3PF-08	A5
PF-04	T3PF-12	A7
PF-04R	T3PF-19	B2

WINDOW MARK

LOCATION	46/F UNIT A5, A7, B2
SECTION	70mm ALUM. SECTION
GLAZING	EGL-1, EGL-1A
QUANTITY	1 No / 1 No / 1 No
REMARKS	4 BAR HINGE-LIP HING (HHMS-N16)

B.D. REF :

CLIENT :
SUN HUNG KAI
 REAL ESTATE AGENCY LTD.
 42/F SUN HUNG KAI CENTRE, WANCHAI, HONGKONG

ARCHITECT :
lwk&partners
 architects

MAIN CONTRACTOR :
Yee Fai Building Contractors Ltd.

STRUCTURAL ENGINEER :
ARUP

FACADE CONSULTANT:
ALPHA CONSULTING LIMITED
 Steel Structure & Facade Specialist

NOTE :
 1. ALL DIMENSIONS ARE IN mm.
 2. ALL ELEVATIONS ARE VIEWED FROM OUTSIDE.
 3. ALL DIMENSIONS TO BE VERIFIED ON SITE BEFORE FABRICATION.

LEGEND :
 -- DETAIL MARK NO.
 -- REFER SHEET NO.

1. F.F.L. -- FINISHED FLOOR LEVEL
 2. S.F.L. -- STRUCTURAL FLOOR LEVEL
 3. (R) -- REVERSED DETAIL
 4. GLASS LEGEND
 EGL-1 -- 8mmHS+12mm AIR GAP+10mmTP THK. I.G.U.
 EGL-1A -- 8mmHS+12mm AIR GAP+8mmTP THK. I.G.U.
 EGL-1B -- 8mmHS+12mm AIR GAP+10mm CLEAR TEMPERED ACID ETCHED THK. (FROSTED ON #3) I.G.U.
 EGL-2 -- 10mm THK. CRYSTAL GRAY TEMPERED GLASS (FOR KIT & ST)
 EGL-4 -- 10mm THK. CRYSTAL TEMPERED ACID ETCHED GLASS (FOR BATH)

NO.	DATE	REVISED	BY

JOB NO. : J-856

PROJECT :
 PROPOSED DEVELOPMENT ABOVE LIGHT RAIL TIN WING STOP, TSWTL NO.23, AREA 33, TIN SHUI WAI, N.T.

TITLE :
 WINDOW SCHEDULE FOR TOWER 3 ALUM. WINDOW

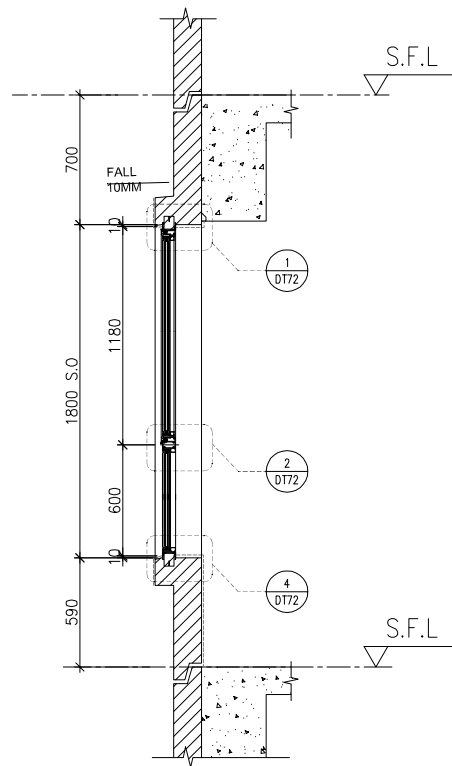
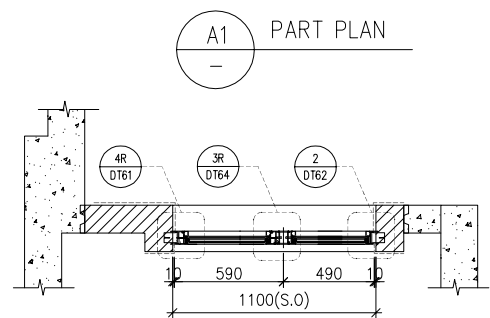
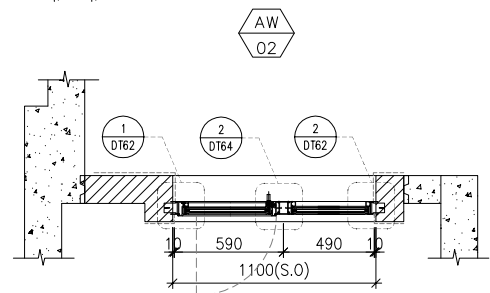
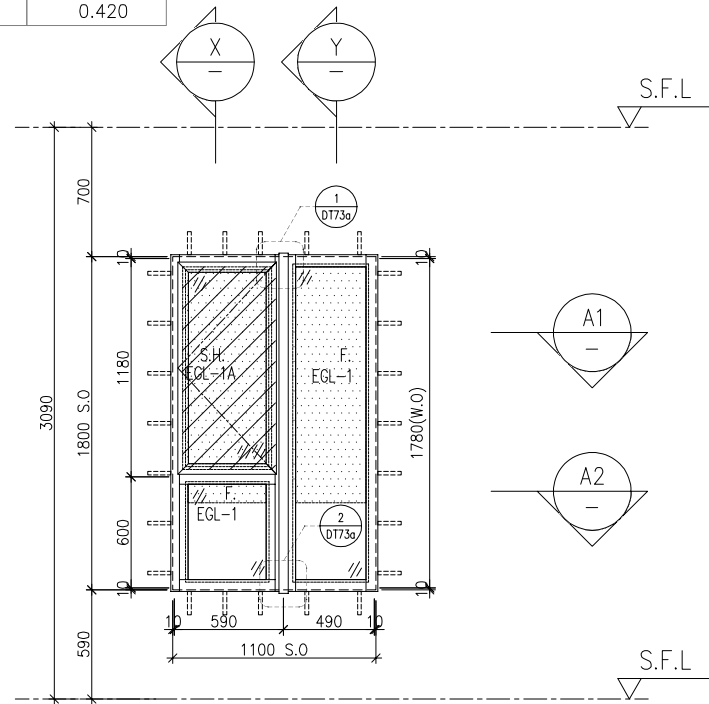
DATE : 02-Aug-21 SCALE : 1:40

DRAWN BY : Ivan CHECKED BY :

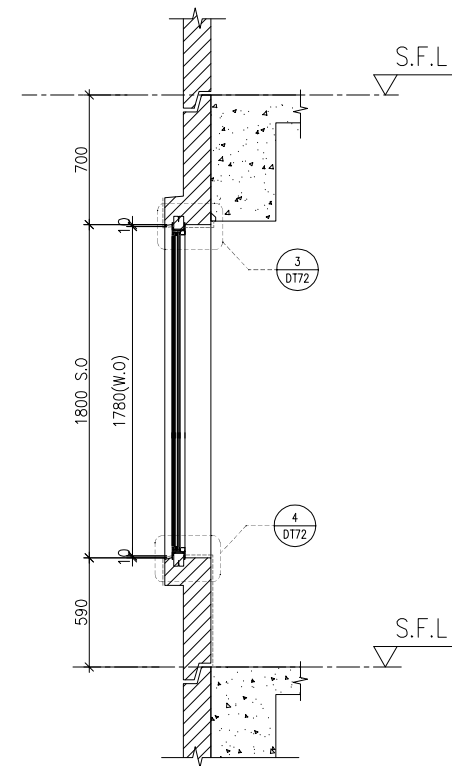
美特鋁質有限公司
MIDI ALUMINIUM FABRICATOR LTD.
 Units 6-8, Sunray Industrial Centre, 1/F
 610 Cha Kwo Ling Road, Kowloon
 Tel: 23489211-4 Fax: (852) 27727666

DWG NO. : J856-SD-PW-5352 REV. : -

LOCATION	REQUIRE		PROVIDED	
	OPENABLE AREA	GLAZING AREA	OPENABLE AREA	GLAZING AREA
A3-BR1	N/A	N/A	0.548	0.985
A7-BR2	0.263	0.420		
B2-BR2	0.263	0.420		
SIM.-1B-BR4	0.263	0.420		



X PART SECTION



Y PART SECTION

ELEVATION

FACADE CODE		
LWK	鴻輝	UNIT
PF-05	T3PF-04	A3
PF-05	T3PF-13	A7
PF-05	T3PF-34	SIM.-1B
PF-05	T3PF-18	B2

WINDOW MARK

LOCATION	46/F UNIT A3 , A7 , B5 , B2
SECTION	70mm ALUM. SECTION
GLAZING	EGL-1,EGL-1A
QUANTITY	1 No / 1 No / 1 No / 1 No
REMARKS	4 BAR HINGE-LIP HING (HHMS-N16)

B.D. REF :

CLIENT :

 42/F SUN HUNG KAI CENTRE, WANCHAI, HONGKONG

ARCHITECT :

MAIN CONTRACTOR :

 怡輝建築有限公司

STRUCTURAL ENGINEER :

FACADE CONSULTANT:

 ALPHA CONSULTING LIMITED
 Steel Structure & Facade Specialist

NOTE :
 1. ALL DIMENSIONS ARE IN mm.
 2. ALL ELEVATIONS ARE VIEWED FROM OUTSIDE.
 3. ALL DIMENSIONS TO BE VERIFIED ON SITE BEFORE FABRICATION.

LEGEND :
 -- DETAIL MARK NO.
 -- REFER SHEET NO.
 1. F.F.L. -- FINISHED FLOOR LEVEL
 2. S.F.L. -- STRUCTURAL FLOOR LEVEL
 3. (R) -- REVERSED DETAIL
 4. GLASS LEGEND
 EGL-1--8mmHS+12mm AIR GAP+10mmTP THK. I.G.U.
 EGL-1A--8mmHS+12mm AIR GAP+8mmTP THK. I.G.U.
 EGL-1B--8mmHS+12mm AIR GAP+10mm CLEAR TEMPERED ACID ETCHED THK. (FROSTED ON #3)I.G.U.
 EGL-2--10mm THK. CRYSTAL GRAY TEMPERED GLASS (FOR KIT & ST)
 EGL-4--10mm THK. CRYSTAL TEMPERED ACID ETCHED GLASS (FOR BATH)

NO.	DATE	REVISED	BY

JOB NO. : J-856

PROJECT :
 PROPOSED DEVELOPMENT ABOVE LIGHT RAIL TIN WING STOP,TSWTL NO.23,AREA 33,TIN SHUI WAI, N.T.

TITLE :
 WINDOW SCHEDULE FOR TOWER 3 ALUM. WINDOW

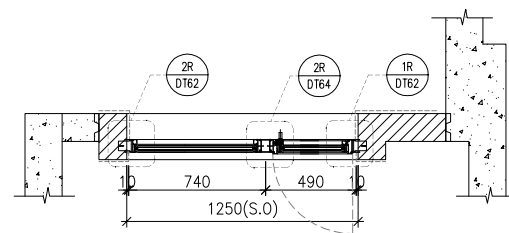
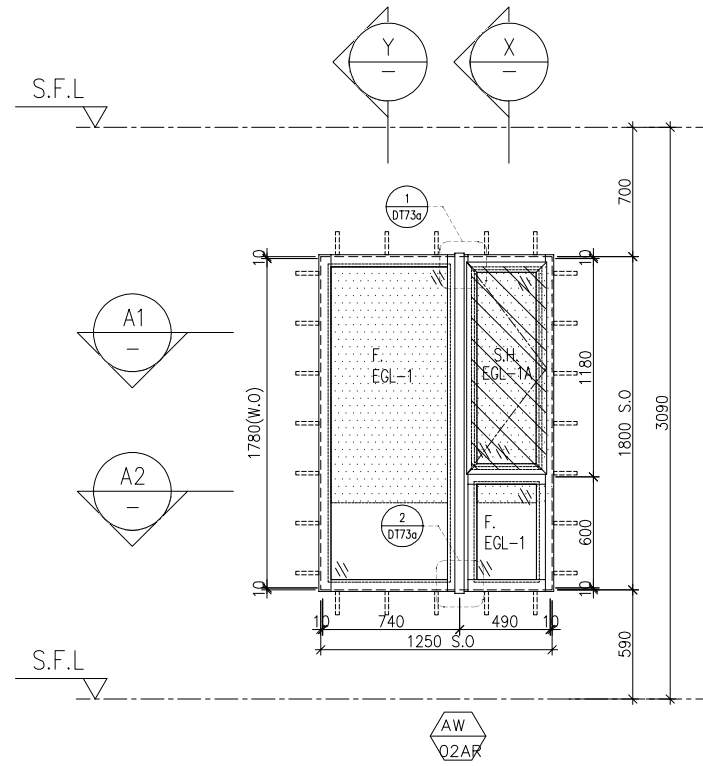
DATE : 02-Aug-21 SCALE : 1:40

DRAWN BY : Ivan CHECKED BY :

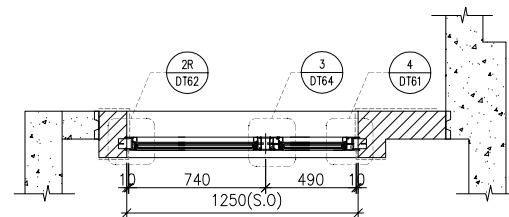
MIDI ALUMINIUM FABRICATOR LTD.
 Units 6-8, Sunray Industrial Centre, 1/F
 610 Cha Kwo Ling Road, Kowloon
 Tel:23489211-4 Fax:(852)27727666

DWG NO. : J856-SD-PW-5353 REV. : -

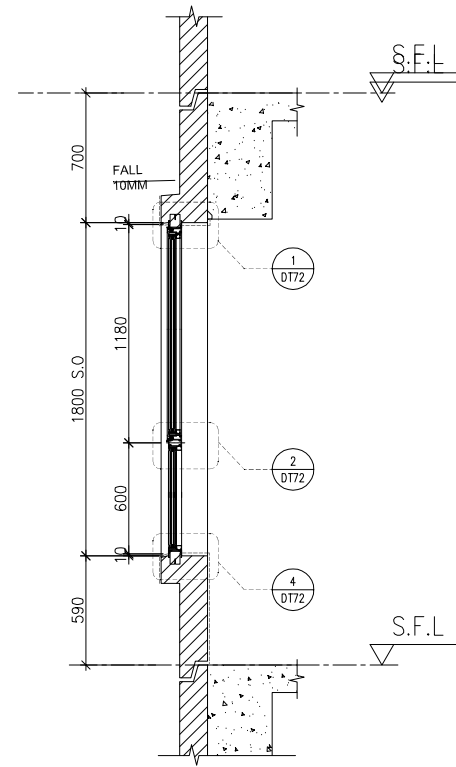
LOCATION	REQUIRE		PROVIDED	
	OPENABLE AREA	GLAZING AREA	OPENABLE AREA	GLAZING AREA
B1-BR2	0.283	0.452	0.439	1.19



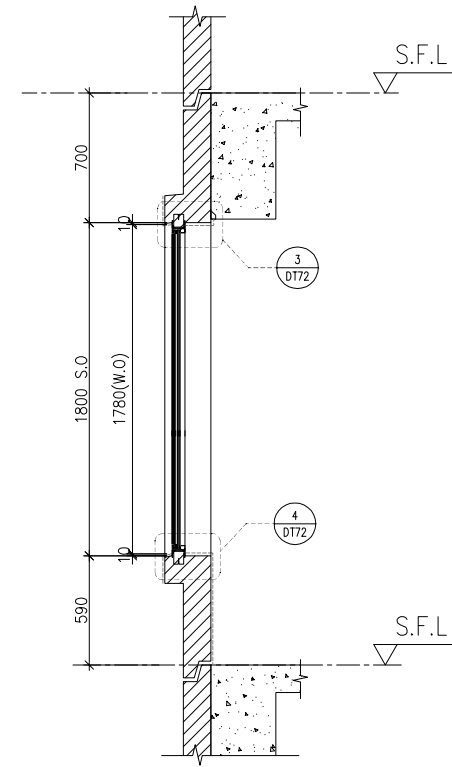
A1 PART PLAN



A2 PART PLAN



X PART SECTION



Y PART SECTION

ELEVATION

FACADE CODE		
LWK	鴻輝	UNIT
PF-05R	T3PF-21	B1

WINDOW MARK



LOCATION	46/F UNIT B1
SECTION	70mm ALUM. SECTION
GLAZING	EGL-1, EGL-1A
QUANTITY	1 No
REMARKS	4 BAR HINGE-LIP HING (HHMS-N12)

B.D. REF :

CLIENT :
SUN HUNG KAI
 REAL ESTATE AGENCY LTD.
 42/F SUN HUNG KAI CENTRE, WANCHAI, HONGKONG

ARCHITECT :
lwk&partners
 architects

MAIN CONTRACTOR :
Yee Fai Building Contractors Ltd.

STRUCTURAL ENGINEER :
ARUP

FACADE CONSULTANT:
ALPHA CONSULTING LIMITED
 Steel Structure & Facade Specialist

NOTE :
 1. ALL DIMENSIONS ARE IN mm.
 2. ALL ELEVATIONS ARE VIEWED FROM OUTSIDE.
 3. ALL DIMENSIONS TO BE VERIFIED ON SITE BEFORE FABRICATION.

LEGEND :
 (X1) --- DETAIL MARK NO.
 (X001) --- REFER SHEET NO.
 1. F.F.L. --- FINISHED FLOOR LEVEL
 2. S.F.L. --- STRUCTURAL FLOOR LEVEL
 3. (R) --- REVERSED DETAIL
 4. GLASS LEGEND
 EGL-1--8mmHS+12mm AIR GAP+10mmTP THK. I.G.U.
 EGL-1A--8mmHS+12mm AIR GAP+8mmTP THK. I.G.U.
 EGL-1B--8mmHS+12mm AIR GAP+10mm CLEAR TEMPERED ACID ETCHED THK. (FROSTED ON #3).I.G.U.
 EGL-2--10mm THK. CRYSTAL GRAY TEMPERED GLASS (FOR KIT & ST)
 EGL-4--10mm THK. CRYSTAL TEMPERED ACID ETCHED GLASS (FOR BATH)

NO.	DATE	REVISED	BY

JOB NO. : J-856

PROJECT :
 PROPOSED DEVELOPMENT ABOVE LIGHT RAIL TIN WING STOP, TSWTL NO.23, AREA 33, TIN SHUI WAI, N.T.

TITLE :
 WINDOW SCHEDULE FOR TOWER 3 ALUM. WINDOW

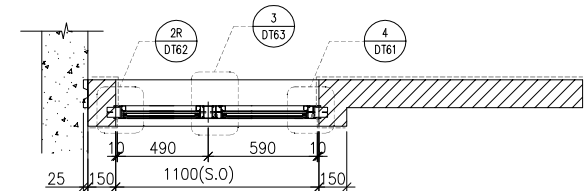
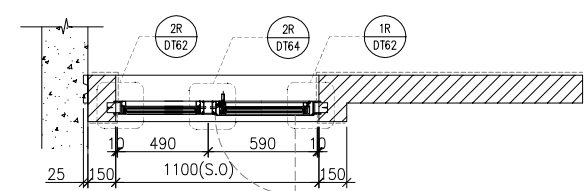
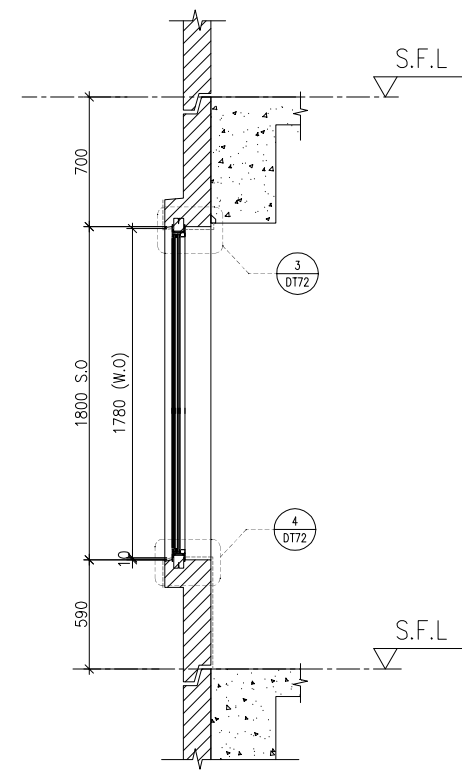
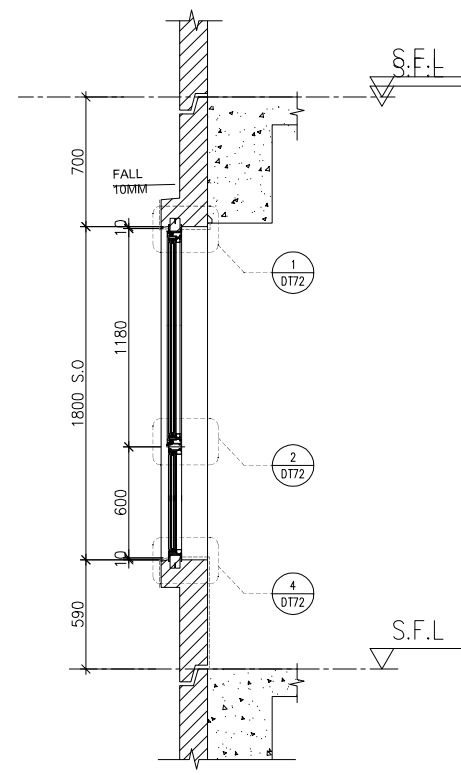
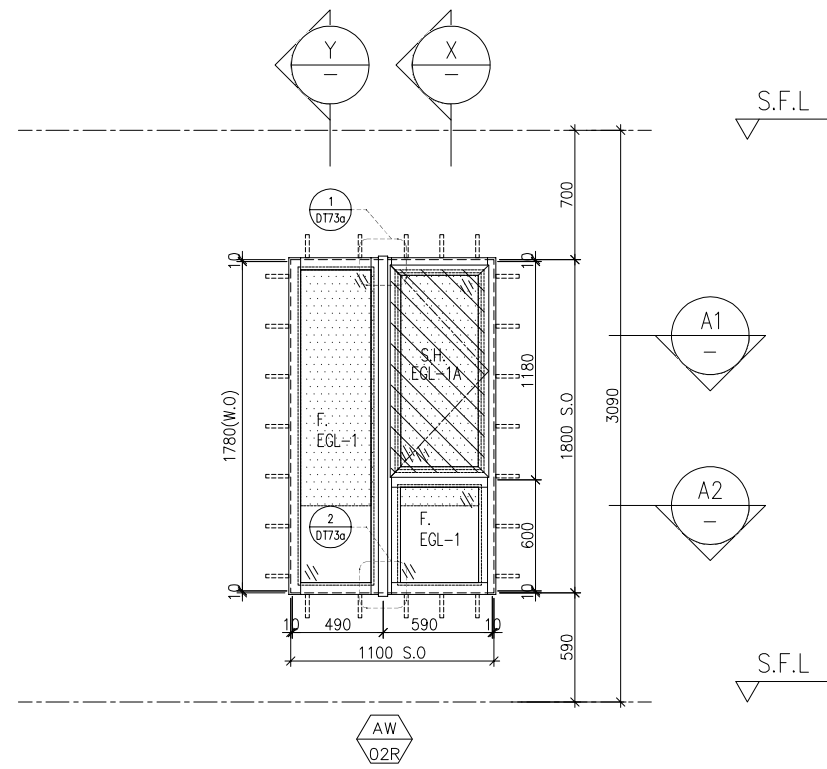
DATE : 22-Apr-22 SCALE : 1:40

DRAWN BY : Ivan CHECKED BY :

美特鋁質有限公司
MIDI ALUMINIUM FABRICATOR LTD.
 Units 6-8, Sunray Industrial Centre, 1/F
 610 Cha Kwo Ling Road, Kowloon
 Tel:23489211-4 Fax:(852)2727666

DWG NO. : J856-SD-PW-5354 REV. : -

LOCATION	REQUIRE		PROVIDED	
	OPENABLE AREA	GLAZING AREA	OPENABLE AREA	GLAZING AREA
A6-BR2	0.263	0.420	0.548	0.985
B1-BR3	0.263	0.420		



ELEVATION

FACADE CODE		
LWK	鴻輝	UNIT
PF-08R	T3PF-10	A6
PF-08R	T3PF-20	B1

WINDOW MARK



LOCATION	46/F UNIT A6 , B1
SECTION	70mm ALUM. SECTION
GLAZING	EGL-1,EGL-1A
QUANTITY	1 No / 1 No
REMARKS	4 BAR HINGE-LIP HING (HHMS-N16)

B.D. REF :

CLIENT :
SUN HUNG KAI
 REAL ESTATE AGENCY LTD.
 42/F SUN HUNG KAI CENTRE, WANCHAI, HONGKONG

ARCHITECT :
IWK&partners
 architects

MAIN CONTRACTOR :
Yee Fai Building Contractors Ltd.

STRUCTURAL ENGINEER :
ARUP

FACADE CONSULTANT:
ALPHA CONSULTING LIMITED
 Steel Structure & Facade Specialist

NOTE :
 1. ALL DIMENSIONS ARE IN mm.
 2. ALL ELEVATIONS ARE VIEWED FROM OUTSIDE.
 3. ALL DIMENSIONS TO BE VERIFIED ON SITE BEFORE FABRICATION.

LEGEND :
 (X1) --- DETAIL MARK NO.
 (X001) --- REFER SHEET NO.
 1. F.F.L. --- FINISHED FLOOR LEVEL
 2. S.F.L. --- STRUCTURAL FLOOR LEVEL
 3. (R) --- REVERSED DETAIL
 4. GLASS LEGEND
 EGL-1--8mmHS+12mm AIR GAP+10mmTP THK. I.G.U.
 EGL-1A--8mmHS+12mm AIR GAP+8mmTP THK. I.G.U.
 EGL-1B--8mmHS+12mm AIR GAP+10mm CLEAR TEMPERED ACID ETCHED THK. (FROSTED ON #3).I.G.U.
 EGL-2--10mm THK. CRYSTAL GRAY TEMPERED GLASS (FOR KIT & ST)
 EGL-4--10mm THK. CRYSTAL TEMPERED ACID ETCHED GLASS (FOR BATH)

NO.	DATE	REVISED	BY

JOB NO. : J-856

PROJECT :
 PROPOSED DEVELOPMENT ABOVE LIGHT RAIL TIN WING STOP,TSWTL NO.23,AREA 33,TIN SHUI WAI, N.T.

TITLE :
 WINDOW SCHEDULE FOR TOWER 3 ALUM. WINDOW

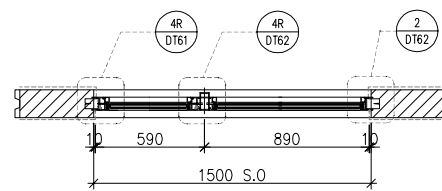
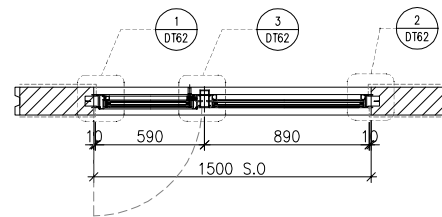
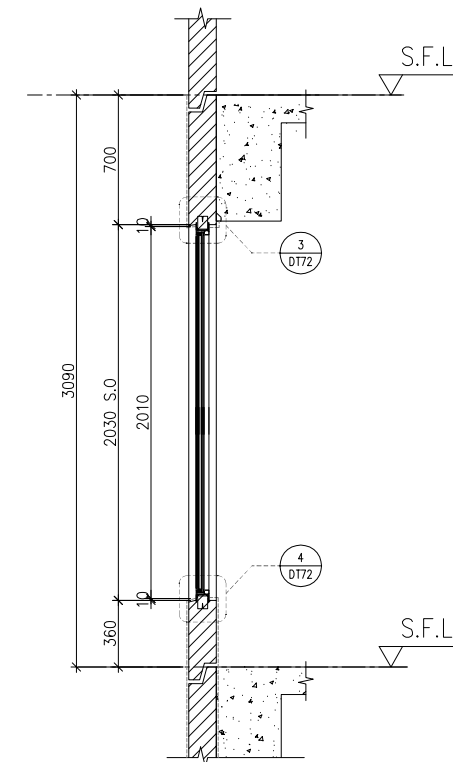
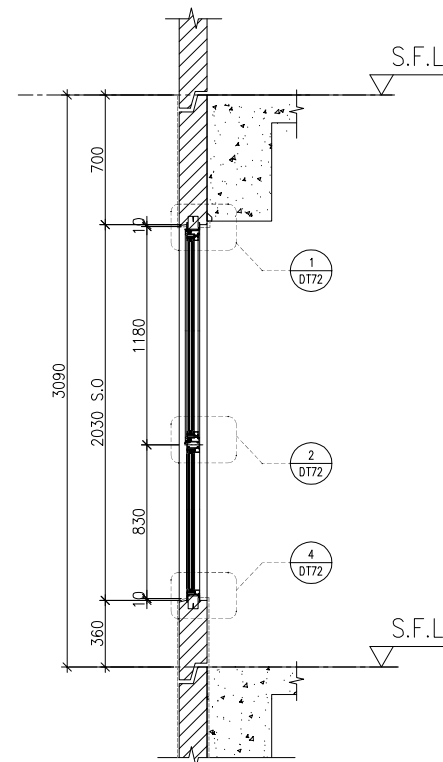
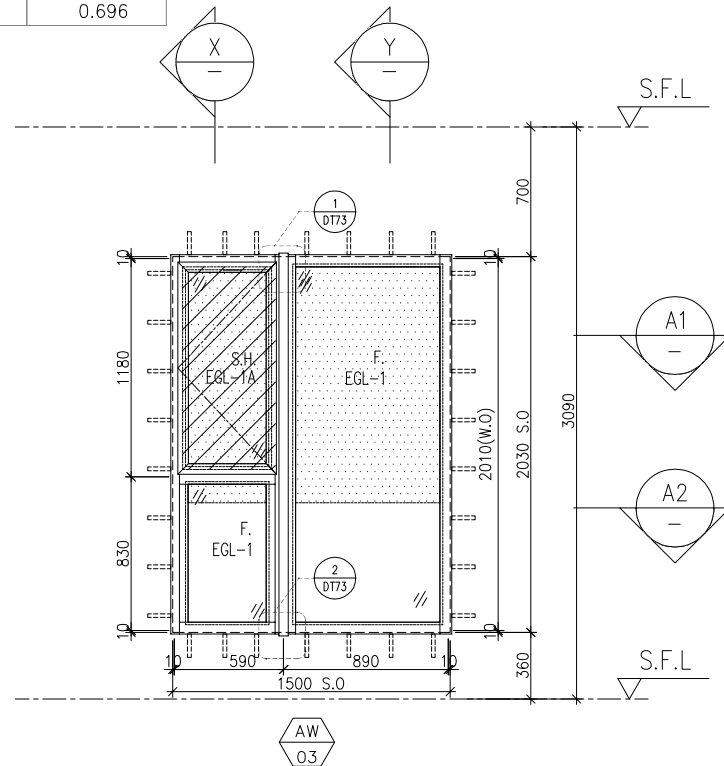
DATE : 02-Aug-21 SCALE : 1:40

DRAWN BY : Ivan CHECKED BY :

美特鋁質有限公司
MIDI ALUMINIUM FABRICATOR LTD.
 Units 6-8, Sunray Industrial Centre, 1/F
 610 Cha Kwo Ling Road, Kowloon
 Tel:23489211-4 Fax:(852)27727666

DWG NO. : J856-SD-PW-5355 REV. : -

LOCATION	REQUIRE		PROVIDED	
	OPENABLE AREA	GLAZING AREA	OPENABLE AREA	GLAZING AREA
A1-MBR	0.435	0.696	0.548	1.495
A3-MBR	0.460	0.736		
A6-MBR	0.473	0.757		
B8-MBR	0.435	0.696		



ELEVATION

FACADE CODE		
LWK	鴻輝	UNIT
PF-10	T3PF-06	A3
PF-10	T3PF-11	A6
PF-10	T3PF-38	A10
PF-10R	T3PF-29	B8

WINDOW MARK	AW 03	AW 03R
LOCATION	46/F UNIT A3, A6, A10	46/F UNIT B8
SECTION	70mm ALUM. SECTION	70mm ALUM. SECTION
GLAZING	EGL-1, EGL-1A	EGL-1, EGL-1A
QUANTITY	1 No / 1 No / 1 No	1 No
REMARKS	4 BAR HINGE-LIP HING (HHMS-N16)	4 BAR HINGE-LIP HING (HHMS-N16)

B.D. REF :

CLIENT :
SUN HUNG KAI
 REAL ESTATE AGENCY LTD.
 42/F SUN HUNG KAI CENTRE, WANCHAI, HONGKONG

ARCHITECT :
Iwk&partners
 architects

MAIN CONTRACTOR :
Yee Fai Building Contractors Ltd.

STRUCTURAL ENGINEER :
ARUP

FACADE CONSULTANT:
ALPHA CONSULTING LIMITED
 Steel Structure & Facade Specialist

NOTE :
 1. ALL DIMENSIONS ARE IN mm.
 2. ALL ELEVATIONS ARE VIEWED FROM OUTSIDE.
 3. ALL DIMENSIONS TO BE VERIFIED ON SITE BEFORE FABRICATION.

LEGEND :
 X1 --- DETAIL MARK NO.
 X001 --- REFER SHEET NO.
 1. F.F.L. --- FINISHED FLOOR LEVEL
 2. S.F.L. --- STRUCTURAL FLOOR LEVEL
 3. (R) --- REVERSED DETAIL
 4. GLASS LEGEND
 EGL-1--8mmHS+12mm AIR GAP+10mmTP THK. I.G.U.
 EGL-1A--8mmHS+12mm AIR GAP+8mmTP THK. I.G.U.
 EGL-1B--8mmHS+12mm AIR GAP+10mm CLEAR TEMPERED ACID ETCHED THK. (FROSTED ON #3)I.G.U.
 EGL-2--10mm THK. CRYSTAL GRAY TEMPERED GLASS (FOR KIT & ST)
 EGL-4--10mm THK. CRYSTAL TEMPERED ACID ETCHED GLASS (FOR BATH)

NO.	DATE	REVISED	BY

JOB NO. : J-856

PROJECT :
 PROPOSED DEVELOPMENT ABOVE LIGHT RAIL TIN WING STOP, TSWTL NO.23, AREA 33, TIN SHUI WAI, N.T.

TITLE :
 WINDOW SCHEDULE FOR TOWER 3 ALUM. WINDOW

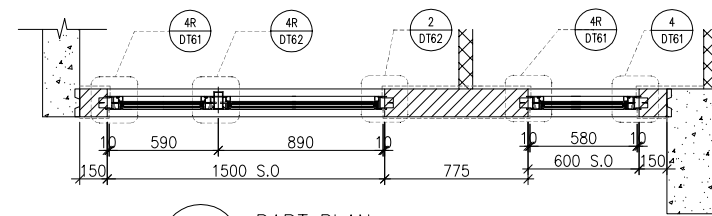
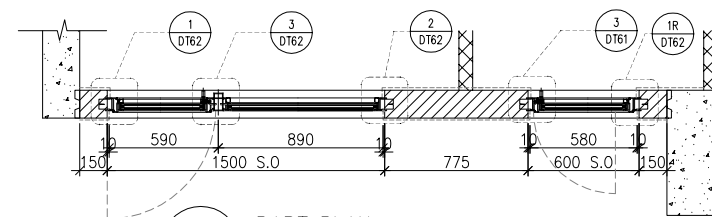
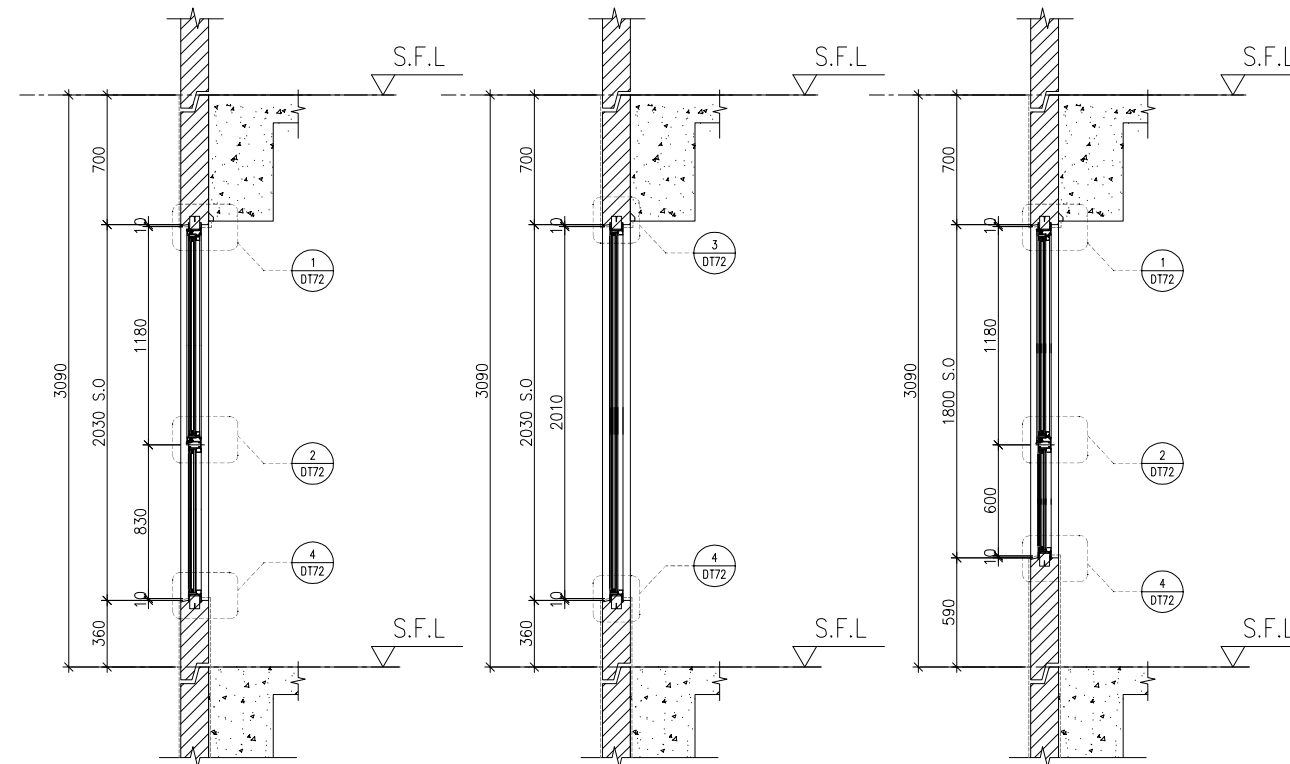
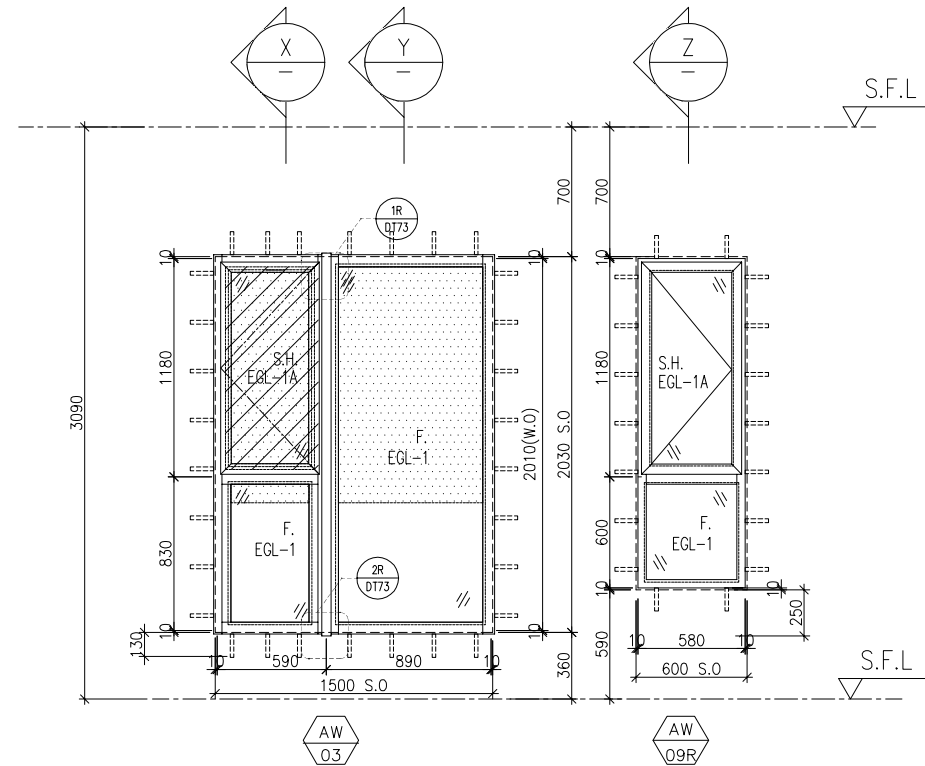
DATE : 02-Aug-21 SCALE : 1:40

DRAWN BY : Ivan CHECKED BY :

美特鋁質有限公司
MIDI ALUMINIUM FABRICATOR LTD.
 Units 6-8, Sunray Industrial Centre, 1/F
 610 Cha Kwo Ling Road, Kowloon
 Tel:23489211-4 Fax:(852)27727666

DWG NO. : J856-SD-PW-5356 REV. : -

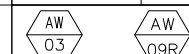
REQUIRE		PROVIDED		REQUIRE		PROVIDED	
LOCATION	OPENABLE AREA	GLAZING AREA	OPENABLE AREA	GLAZING AREA	LOCATION	OPENABLE AREA	GLAZING AREA
A8-MBR	0.388	0.620	0.548	1.495	A8-STO	N/A	N/A
						N/A	N/A



ELEVATION

FACADE CODE		
LWK	鴻輝	UNIT
PF-15	T3PF-14	A8

WINDOW MARK



LOCATION

46/F UNIT A8

SECTION

70mm ALUM. SECTION

GLAZING

EGL-1, EGL-1A

QUANTITY

1 No

REMARKS

4 BAR HINGE-LIP HING (HHMS-N16)

B.D. REF :

CLIENT :
SUN HUNG KAI
 REAL ESTATE AGENCY LTD.
 42/F SUN HUNG KAI CENTRE, WANCHAI, HONGKONG

ARCHITECT :
IWK&partners
 architects

MAIN CONTRACTOR :
怡輝建築有限公司
Yee Fai Building Contractors Ltd.

STRUCTURAL ENGINEER :
ARUP

FACADE CONSULTANT:
ALPHA CONSULTING LIMITED
 Steel Structure & Facade Specialist

NOTE :
 1. ALL DIMENSIONS ARE IN mm.
 2. ALL ELEVATIONS ARE VIEWED FROM OUTSIDE.
 3. ALL DIMENSIONS TO BE VERIFIED ON SITE BEFORE FABRICATION.

LEGEND :
 (X1) --- DETAIL MARK NO.
 (X001) --- REFER SHEET NO.

1. F.F.L. --- FINISHED FLOOR LEVEL
 2. S.F.L. --- STRUCTURAL FLOOR LEVEL
 3. (R) --- REVERSED DETAIL
 4. GLASS LEGEND
 EGL-1--8mmHS+12mm AIR GAP+10mmTP THK. I.G.U.
 EGL-1A--8mmHS+12mm AIR GAP+8mmTP THK. I.G.U.
 EGL-1B--8mmHS+12mm AIR GAP+10mm CLEAR TEMPERED ACID ETCHED THK. (FROSTED ON #3)I.G.U.
 EGL-2--10mm THK. CRYSTAL GRAY TEMPERED GLASS (FOR KIT & ST)
 EGL-4--10mm THK. CRYSTAL TEMPERED ACID ETCHED GLASS (FOR BATH)

NO.	DATE	REVISED	BY

JOB NO. : J-856

PROJECT :
 PROPOSED DEVELOPMENT ABOVE LIGHT RAIL TIN WING STOP, TSWTL NO.23, AREA 33, TIN SHUI WAI, N.T.

TITLE :
 WINDOW SCHEDULE FOR TOWER 3 ALUM. WINDOW

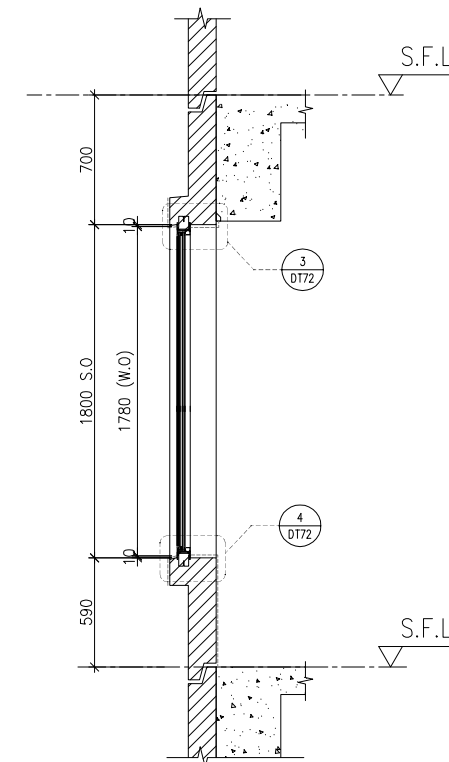
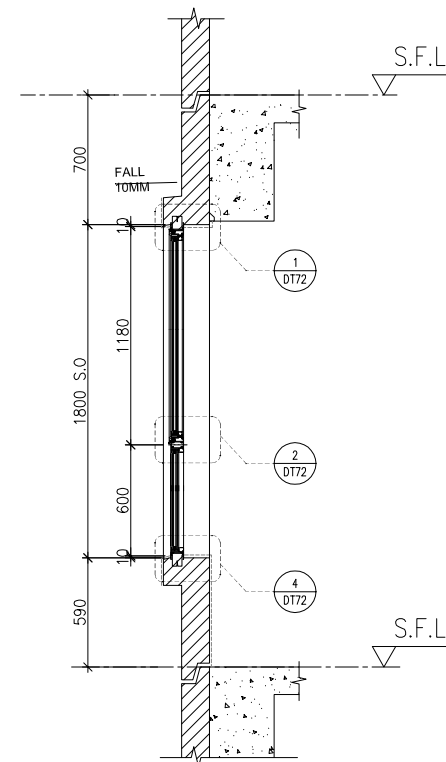
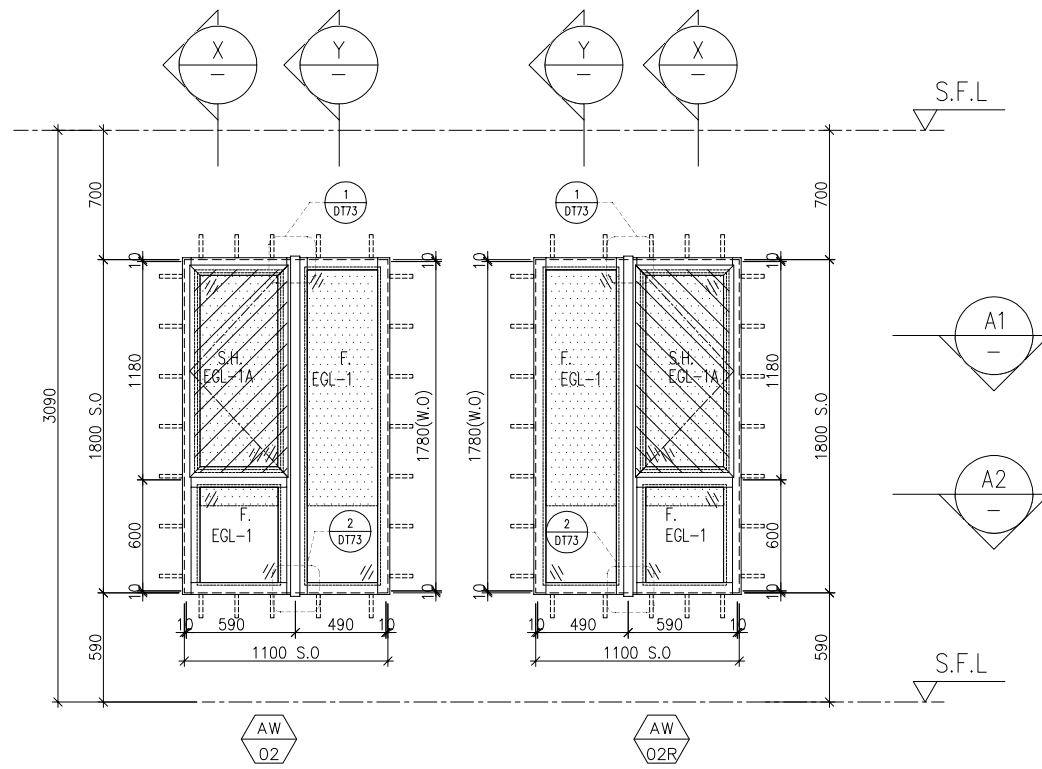
DATE : 02-Aug-21 SCALE : 1:40

DRAWN BY : Ivan CHECKED BY :

美特鋁質有限公司
MIDI ALUMINIUM FABRICATOR LTD.
 Units 6-8, Sunray Industrial Centre, 1/F
 610 Cha Kwo Ling Road, Kowloon
 Tel:23489211-4 Fax:(852)27727666

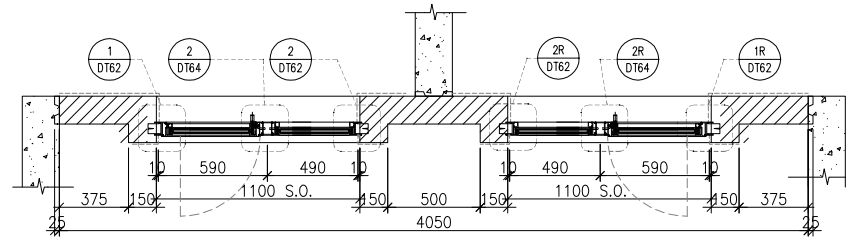
DWG NO. : J856-SD-PW-5357 REV. : -

REQUIRE		PROVIDED		REQUIRE		PROVIDED		
LOCATION	OPENABLE AREA	GLAZING AREA	OPENABLE AREA	GLAZING AREA	LOCATION	OPENABLE AREA	GLAZING AREA	
A6-BR3	0.263	0.420	0.548	0.985	A5-BR2	0.263	0.420	0.548

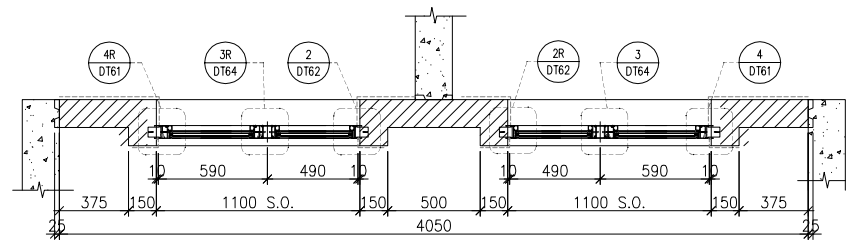


X PART SECTION

Y PART SECTION



A1 PART PLAN

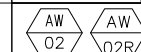


A2 PART PLAN

FACADE CODE

LWK	鴻輝	UNIT
PF-16	T3PF-09	A5
PF-16	T3PF-09	A6

WINDOW MARK



LOCATION 46/F UNIT A6&A5

SECTION 70mm ALUM. SECTION

GLAZING EGL-1, EGL-1A

QUANTITY 1 No

REMARKS 4 BAR HINGE-LIP HING (HHMS-N16)

B.D. REF :

CLIENT :
SUN HUNG KAI
 REAL ESTATE AGENCY LTD.
 42/F SUN HUNG KAI CENTRE, WANCHAI, HONGKONG

ARCHITECT :
IWK&partners
 architects

MAIN CONTRACTOR :
Yee Fai Building Contractors Ltd.

STRUCTURAL ENGINEER :
ARUP

FACADE CONSULTANT:
ALPHA CONSULTING LIMITED
 Steel Structure & Facade Specialist

NOTE :
 1. ALL DIMENSIONS ARE IN mm.
 2. ALL ELEVATIONS ARE VIEWED FROM OUTSIDE.
 3. ALL DIMENSIONS TO BE VERIFIED ON SITE BEFORE FABRICATION.

LEGEND :
 X1 — DETAIL MARK NO.
 X001 — REFER SHEET NO.
 1. F.F.L. -- FINISHED FLOOR LEVEL
 2. S.F.L. -- STRUCTURAL FLOOR LEVEL
 3. (R) -- REVERSED DETAIL
 4. GLASS LEGEND
 EGL-1 -- 8mmHS+12mm AIR GAP+10mmTP THK. I.G.U.
 EGL-1A -- 8mmHS+12mm AIR GAP+8mmTP THK. I.G.U.
 EGL-1B -- 8mmHS+12mm AIR GAP+10mm CLEAR TEMPERED ACID ETCHED THK. (FROSTED ON #3) I.G.U.
 EGL-2 -- 10mm THK. CRYSTAL GRAY TEMPERED GLASS (FOR KIT & ST)
 EGL-4 -- 10mm THK. CRYSTAL TEMPERED ACID ETCHED GLASS (FOR BATH)

NO.	DATE	REVISED	BY

JOB NO. : J-856

PROJECT : PROPOSED DEVELOPMENT ABOVE LIGHT RAIL TIN WING STOP, TSWTL NO.23, AREA 33, TIN SHUI WAI, N.T.

TITLE : WINDOW SCHEDULE FOR TOWER 3 ALUM. WINDOW

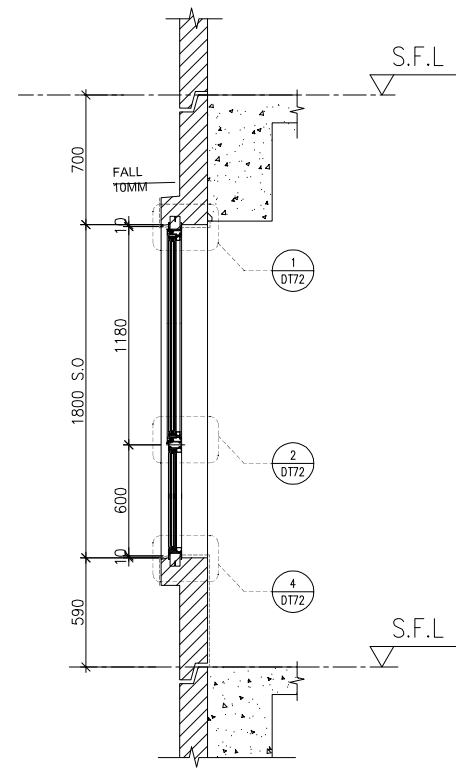
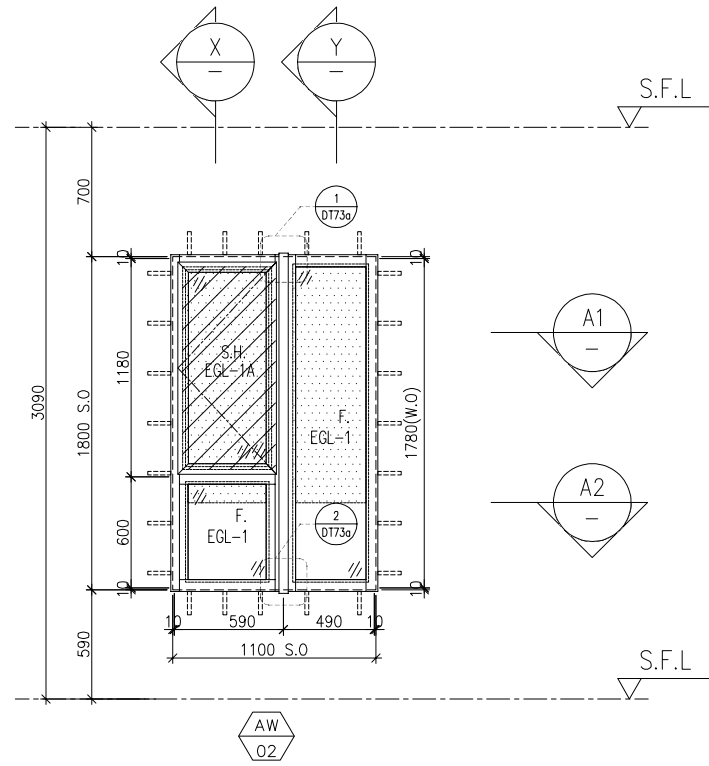
DATE : 02-Aug-21 SCALE : 1:40

DRAWN BY : Ivan CHECKED BY :

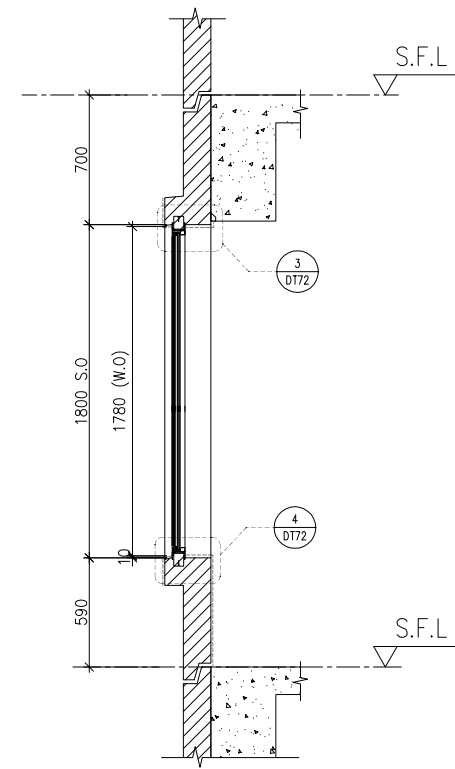
美特鋁質有限公司
MIDI ALUMINIUM FABRICATOR LTD.
 Units 6-8, Sunray Industrial Centre, 1/F
 610 Cha Kwo Ling Road, Kowloon
 Tel: 23489211-4 Fax: (852) 27727666

DWG NO. : J856-SD-PW-5358 REV. : -

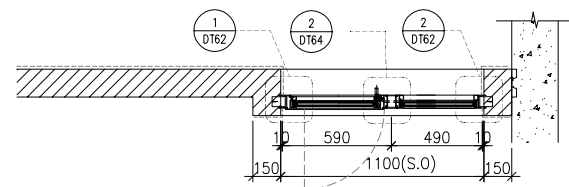
LOCATION	REQUIRE		PROVIDED	
	OPENABLE AREA	GLAZING AREA	OPENABLE AREA	GLAZING AREA
B8-BR2	0.263	0.420	0.548	0.985



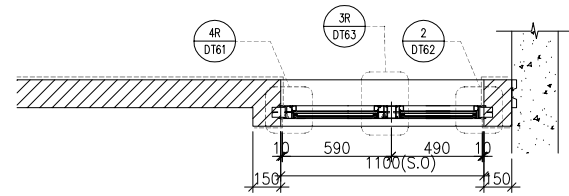
X PART SECTION



Y PART SECTION



A1 PART PLAN



A2 PART PLAN

FACADE CODE		
LWK	鴻輝	UNIT
PF-19	T3PF-28	B8

WINDOW MARK



LOCATION	46/F UNIT B8
SECTION	70mm ALUM. SECTION
GLAZING	EGL-1, EGL-1A
QUANTITY	1 No.
REMARKS	FACADE(TYPE T3PF19 FOR 3/F~45/F) ,4 BAR HINGE-LIP HING (HHMS-N16)

B.D. REF :

CLIENT :
SUN HUNG KAI
 REAL ESTATE AGENCY LTD.
 42/F SUN HUNG KAI CENTRE, WANCHAI, HONGKONG

ARCHITECT :
IWK&partners
 architects

MAIN CONTRACTOR :
Yee Fai Building Contractors Ltd.

STRUCTURAL ENGINEER :
ARUP

FACADE CONSULTANT:
ALPHA CONSULTING LIMITED
 Steel Structure & Facade Specialist

NOTE :
 1. ALL DIMENSIONS ARE IN mm.
 2. ALL ELEVATIONS ARE VIEWED FROM OUTSIDE.
 3. ALL DIMENSIONS TO BE VERIFIED ON SITE BEFORE FABRICATION.

LEGEND :
 X1 --- DETAIL MARK NO.
 X001 --- REFER SHEET NO.
 1. F.F.L. --- FINISHED FLOOR LEVEL
 2. S.F.L. --- STRUCTURAL FLOOR LEVEL
 3. (R) --- REVERSED DETAIL
 4. GLASS LEGEND
 EGL-1--8mmHS+12mm AIR GAP+10mmTP THK. I.G.U.
 EGL-1A--8mmHS+12mm AIR GAP+8mmTP THK. I.G.U.
 EGL-1B--8mmHS+12mm AIR GAP+10mm CLEAR TEMPERED ACID ETCHED THK. (FROSTED ON #3)I.G.U.
 EGL-2--10mm THK. CRYSTAL GRAY TEMPERED GLASS (FOR KIT & ST)
 EGL-4--10mm THK. CRYSTAL TEMPERED ACID ETCHED GLASS (FOR BATH)

NO.	DATE	REVISED	BY

JOB NO. : J-856

PROJECT :
 PROPOSED DEVELOPMENT ABOVE LIGHT RAIL TIN WING STOP, TSWTL NO.23, AREA 33, TIN SHUI WAI, N.T.

TITLE :
 WINDOW SCHEDULE FOR TOWER 3 ALUM. WINDOW

DATE : 02-Aug-21 SCALE : 1:40

DRAWN BY : Ivan CHECKED BY :

美特鋁質有限公司
MIDI ALUMINIUM FABRICATOR LTD.
 Units 6-8, Sunray Industrial Centre, 1/F
 610 Cha Kwo Ling Road, Kowloon
 Tel:23489211-4 Fax:(852)27727666

DWG NO. : J856-SD-PW-5359 REV. : -