



工程指示 / 要求簡箋 ENGINEER INSTRUCTIONS(E.I.)

工程指示編號:	EI- 6185D	修改版本:	D
	HK- 2136		
工程編號:	J 856	工程名稱:	TSWTL23 天榮
收件人:	生統/謝永林	發件人:	Thomas Wong
工程項目:	46F 佛沙窗 (修改D 補拆3rd Shop Drawing)拆圖用	日期:	14/09/2023

<input checked="" type="checkbox"/> 原合約工程包	<input type="checkbox"/> 原合約工程加 / 減脹 QT-	<input type="checkbox"/> 新工程報價 QT-
--	--	------------------------------------

信件批核號碼/圖紙參考編號:	批核模具圖紙編號:
客戶指示附件:	管理內部批簽署:

<input type="checkbox"/> 初步鋁料 B.M.	<input type="checkbox"/> 加工拆圖, 然後生產	<input type="checkbox"/> 尺寸表
<input type="checkbox"/> 正式鋁料 B.M.	<input type="checkbox"/> 技術上資料/指示	<input type="checkbox"/> 報價
<input type="checkbox"/> 配件 B.M.	<input type="checkbox"/> 樣辦或貨品說明書	<input type="checkbox"/> 分判合約
<input type="checkbox"/> 其他:		

內容: 46F 佛沙窗拆圖 (修改D 補拆3rd Shop Drawing) 請按附件的Shop Drawing拆圖(存伺服器)
完成上列要求日期: 18/09/2023

國內

<input checked="" type="checkbox"/> 生產技術總監	<input checked="" type="checkbox"/> 連附件	<input type="checkbox"/> 技術部	<input type="checkbox"/> 連附件	<input type="checkbox"/> 生產部	<input type="checkbox"/> 連附件
<input type="checkbox"/> 採購部	<input type="checkbox"/> 連附件	<input checked="" type="checkbox"/> 生產統籌部	<input checked="" type="checkbox"/> 連附件	<input type="checkbox"/> 報關組	<input type="checkbox"/> 連附件
<input type="checkbox"/> 質檢部	<input type="checkbox"/> 連附件	<input type="checkbox"/> 會計部	<input type="checkbox"/> 連附件	<input type="checkbox"/> 機械設計部	<input type="checkbox"/> 連附件
<input type="checkbox"/> 香港辦	<input type="checkbox"/> 連附件	<input checked="" type="checkbox"/> 其他: 謝永林			

香港

<input type="checkbox"/> 行政部	<input type="checkbox"/> 連附件	<input type="checkbox"/> 會計部	<input type="checkbox"/> 連附件	<input type="checkbox"/> 統籌部	<input type="checkbox"/> 連附件	<input type="checkbox"/> 工程部	<input type="checkbox"/> 連附件
<input type="checkbox"/> 採購部	<input type="checkbox"/> 連附件	<input type="checkbox"/> QS部	<input type="checkbox"/> 連附件	<input type="checkbox"/> 地盤管理	<input type="checkbox"/> 連附件	<input type="checkbox"/> 維修部	<input type="checkbox"/> 連附件

*發件人簽署:		*組別成員批核簽署:	
傳遞編號:		項目經理簽署:	

PROJECT :

PROPOSED DEVELOPMENT ABOVE  
LIGHT RAIL TIN WING STOP, TSWTL  
NO.23, AREA 33, TIN SHUI WAI, N.T.

3

SHOP DRAWING FOR ALUM. PRECAST WINDOW OF TOWER 46F

DATE: 03-AUG-23



美特鋁質有限公司  
MIDI ALUMINIUM FABRICATOR LTD.

Units 6-8, Sunray Industrial Centre, 1/F  
610 Cha Kwo Ling Road, Kowloon  
Tel:23489211-4 Fax:(852)27727666

# DRAWING SUBMISSION REGISTER

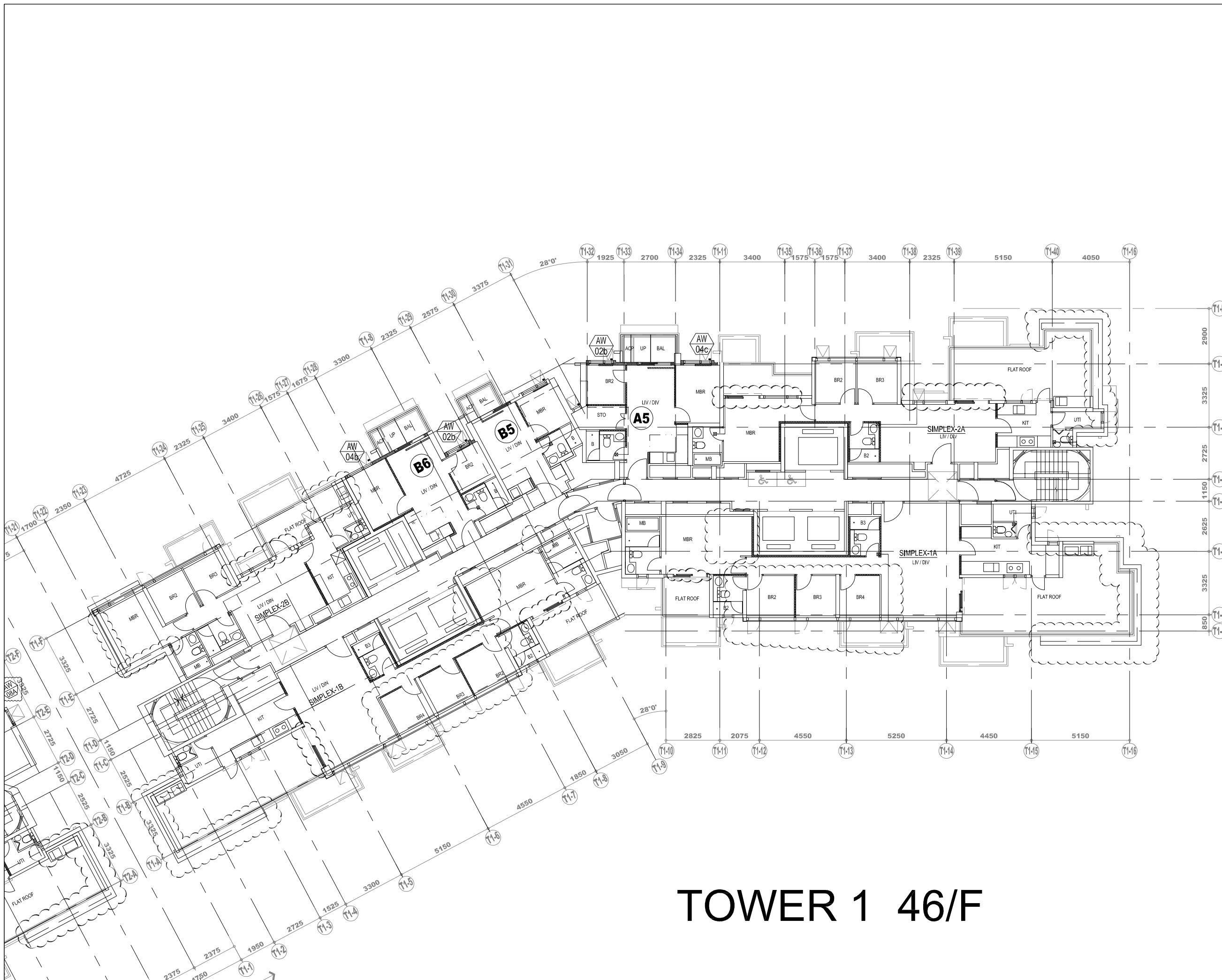
<b>PROJECT:</b> PROPOSED DEVELOPMENT ABOVE LIGHT RAIL TIN WING STOP, TSWTL NO.23, AREA 33, TIN SHUI WAI, N.T.  <b>TITLE:</b>  ALUM. PRECAST WINDOW OF TOWER 46F SHOPDRAWING SUBMISSION	<b>DATE OF ISSUE</b>										<b>SUBMISSION STATE (FOR B.D / A.S.D)</b>			<b>SUBMISSION STATE (FOR CLIENT / CONSULTANT)</b>			<b>SUBMISSION STATE (FOR ARCHITECT)</b>			<b>FABRICATION / CONSTRUCTION STATE</b>					
	ISSUE	1	2	3								AP - APPROVED	AP - APPROVED	AP - APPROVED	<b>ISSUE TO CHINA OFFICE</b>		<b>ISSUE TO SITE</b>		<b>ISSUE TO SUB-CONTRACTOR</b>						
	DAY	16	15	3								AC - APPROVED SUB. TO CONDITION	AC - APPROVED SUB. TO CONDITION	AC - APPROVED SUB. TO CONDITION											
	MONTH	5	6	8								NA - NOT APPROVED	NA - NOT APPROVED	NA - NOT APPROVED											
	YEAR	23	23	23																					

DRAWING TITLE	DWG. NO.	REVISIONS										COMMENT DATE	REV.	STATE	COMMENT DATE	REV.	STATE	COMMENT DATE	REV.	STATE	REV.	DATE	REV.	DATE	REV.	DATE
COVER PAGE	J856-SD-PW-0000	-	A	B																						
DRAWING REGISTER	J856-SD-PW-0001	-	A	B																						
PLAN FOR PRECAST WINDOW AT TOWER 1(46/F)	J856-SD-PW-3103			-																						
PLAN FOR PRECAST WINDOW AT TOWER 1(46/F)	J856-SD-PW-3203	-	A	A																						
PLAN FOR PRECAST WINDOW AT TOWER 1(46/F)	J856-SD-PW-3303	-		-																						
WINDOW SCHEDULE FOR TOWER 1 ALUM. WINDOW	J856-SD-PW-5151			-																						
WINDOW SCHEDULE FOR TOWER 1 ALUM. WINDOW	J856-SD-IW-5152			-																						
WINDOW SCHEDULE FOR TOWER 1 ALUM. WINDOW	J856-SD-IW-5153			-																						
WINDOW SCHEDULE FOR TOWER 2 ALUM. WINDOW	J856-SD-PW-5251	-		-																						
WINDOW SCHEDULE FOR TOWER 2 ALUM. WINDOW	J856-SD-PW-5252	-		-																						
WINDOW SCHEDULE FOR TOWER 2 ALUM. WINDOW	J856-SD-PW-5253	-		-																						
WINDOW SCHEDULE FOR TOWER 2 ALUM. WINDOW	J856-SD-PW-5254	-		-																						
WINDOW SCHEDULE FOR TOWER 2 ALUM. WINDOW	J856-SD-PW-5255	-		-																						
WINDOW SCHEDULE FOR TOWER 2 ALUM. WINDOW	J856-SD-PW-5256	-		-																						
WINDOW SCHEDULE FOR TOWER 2 ALUM. WINDOW	J856-SD-PW-5257			-																						
WINDOW SCHEDULE FOR TOWER 3 ALUM. WINDOW	J856-SD-PW-5351	-		-																						
WINDOW SCHEDULE FOR TOWER 3 ALUM. WINDOW	J856-SD-PW-5352	-		-																						
WINDOW SCHEDULE FOR TOWER 3 ALUM. WINDOW	J856-SD-PW-5353	-		-																						
WINDOW SCHEDULE FOR TOWER 3 ALUM. WINDOW	J856-SD-PW-5354	-		-																						
WINDOW SCHEDULE FOR TOWER 3 ALUM. WINDOW	J856-SD-PW-5355	-		-																						
WINDOW SCHEDULE FOR TOWER 3 ALUM. WINDOW	J856-SD-PW-5356	-		-																						
WINDOW SCHEDULE FOR TOWER 3 ALUM. WINDOW	J856-SD-PW-5357	-		-																						
WINDOW SCHEDULE FOR TOWER 3 ALUM. WINDOW	J856-SD-PW-5358	-		-																						
WINDOW SCHEDULE FOR TOWER 3 ALUM. WINDOW	J856-SD-PW-5359	-		-																						
TYPICAL DETAILS FOR FOR ALUM. WINDOW	J856-SD-PW-DT61			-																						
TYPICAL DETAILS FOR FOR ALUM. WINDOW	J856-SD-PW-DT61a			-																						
TYPICAL DETAILS FOR FOR ALUM. WINDOW	J856-SD-PW-DT65			-																						

IN-HOUSE DESIGN CHECKER

**美特鋁質有限公司**  
 MIDI ALUMINIUM FABRICATOR LTD.  
 Units 6-8, Sunray Industrial Centre, 1/F  
 610 Cha Kwo Ling Road, Kowloon  
 Tel:23489211-4 Fax:(852)27727666

DWG NO. : J856-SD-PW-0001
REV. : B



# TOWER 1 46/F

B.D. REF :

CLIENT :  
**SUN HUNG KAI**  
 REAL ESTATE AGENCY LTD.  
 42/F SUN HUNG KAI CENTRE, WANCHAI, HONGKONG

ARCHITECT :  
**lwk&partners**  
 architects

MAIN CONTRACTOR :  
**Yee Fai** Building Contractors Ltd.

STRUCTURAL ENGINEER :  
**ARUP**

FACADE CONSULTANT:  
**ALPHA CONSULTING LIMITED**  
 Steel Structure & Facade Specialist

NOTE :  
 1. ALL DIMENSIONS ARE IN mm.  
 2. ALL ELEVATIONS ARE VIEWED FROM OUTSIDE.  
 3. ALL DIMENSIONS TO BE VERIFIED ON SITE BEFORE FABRICATION.

LEGEND :  
 X1 --- DETAIL MARK NO.  
 X001 --- REFER SHEET NO.  
 1. F.F.L. --- FINISHED FLOOR LEVEL  
 2. S.F.L. --- STRUCTURAL FLOOR LEVEL  
 3. (R) --- REVERSED DETAIL  
 4. GLASS LEGEND  
 EGL-1 --- 8mmHS+12mm AIR GAP+8mmTP THK. I.G.U.  
 EGL-2 --- 10mm THK. CLEAR TEMPERED GLASS  
 EGL-4 --- 10mm THK. TEMPERED ACID ETCHED GLASS

NO.	DATE	REVISED	BY

JOB NO. : J-856  
 PROJECT : PROPOSED DEVELOPMENT ABOVE LIGHT RAIL TIN WING STOP, TSWTL NO.23, AREA 33, TIN SHUI WAI, N.T.

TITLE : PLAN FOR PRECAST WINDOW AT TOWER 1

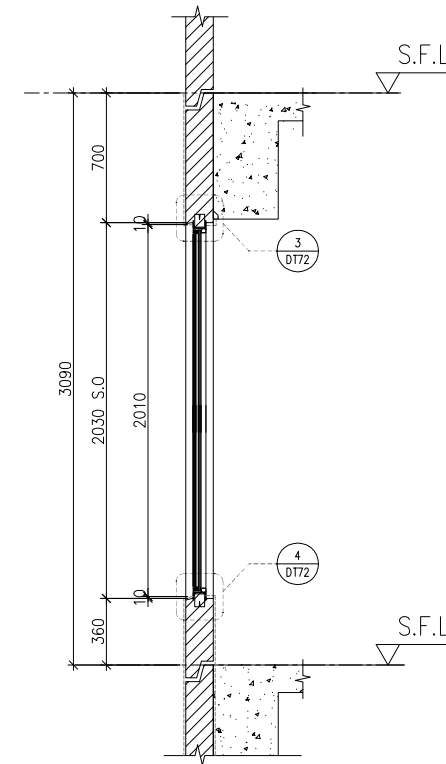
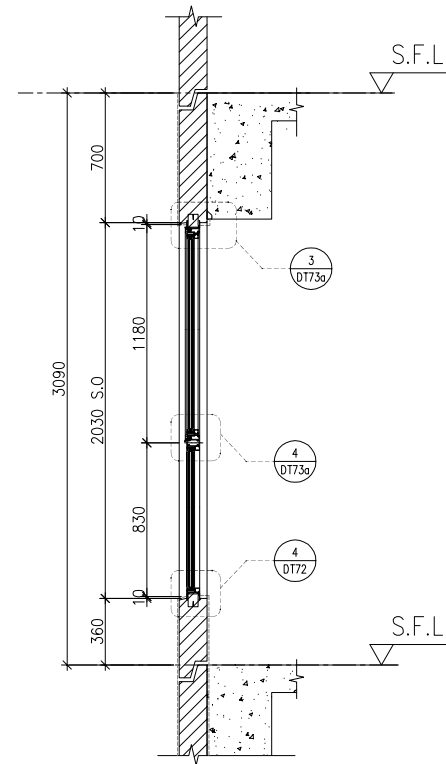
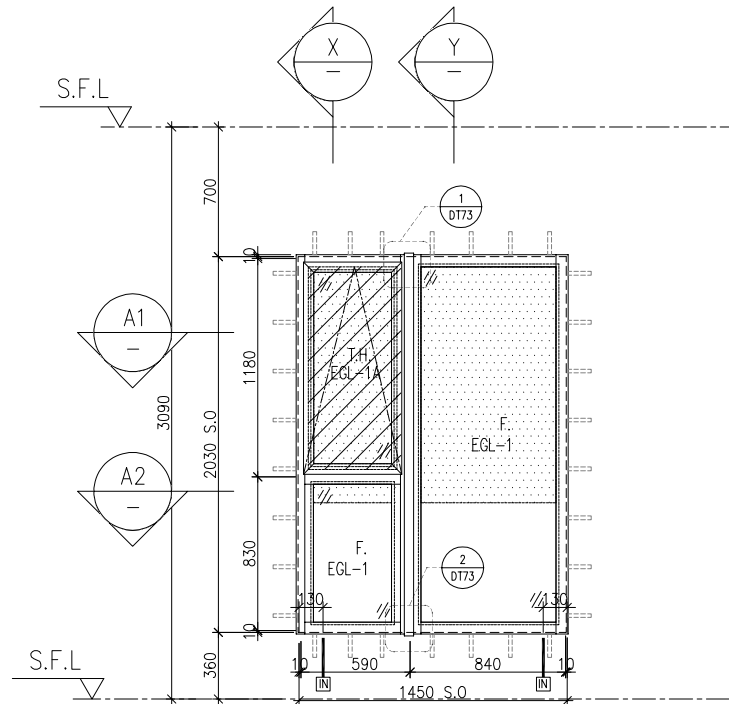
DATE : 02-Aug-21 SCALE : 1:200

DRAWN BY : Ivan CHECKED BY :

**美特鋁質有限公司**  
**MIDI ALUMINIUM FABRICATOR LTD.**  
 Units 6-8, Sunray Industrial Centre, 1/F  
 610 Cha Kwo Ling Road, Kowloon  
 Tel: 23489211-4 Fax: (852) 2727666

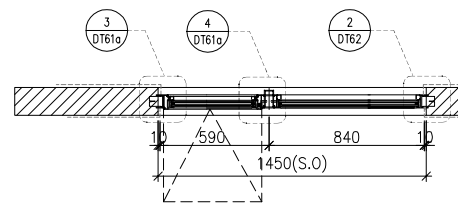
DWG NO. : J856-SD-PW-3103 REV. : -

LOCATION	REQUIRE		PROVIDED	
	OPENABLE AREA	GLAZING AREA	OPENABLE AREA	GLAZING AREA
B6-MBR	0.435	0.696	0.548	1.431



X PART SECTION

Y PART SECTION



A1 PART PLAN



A2 PART PLAN

ELEVATION

FACADE CODE	
鴻輝	UNIT
T1PF-16	B6-MBR

WINDOW MARK 

LOCATION	46/F UNIT B6
SECTION	70mm ALUM. SECTION
GLAZING	EGL-1,EGL-1A
QUANTITY	1 No
REMARKS	4 BAR HINGE-LIP HING (HHMT-14)

B.D. REF :

CLIENT :  
  
 42/F SUN HUNG KAI CENTRE, WANCHAI, HONGKONG

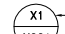
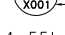
ARCHITECT :  


MAIN CONTRACTOR :  


STRUCTURAL ENGINEER :  


FACADE CONSULTANT:  
  
 Steel Structure & Facade Specialist

NOTE :  
 1. ALL DIMENSIONS ARE IN mm.  
 2. ALL ELEVATIONS ARE VIEWED FROM OUTSIDE.  
 3. ALL DIMENSIONS TO BE VERIFIED ON SITE BEFORE FABRICATION.

LEGEND :  
 -- DETAIL MARK NO.  
 -- REFER SHEET NO.  
 1. F.F.L. -- FINISHED FLOOR LEVEL  
 2. S.F.L. -- STRUCTURAL FLOOR LEVEL  
 3. (R) -- REVERSED DETAIL  
 4. GLASS LEGEND  
 EGL-1--8mmHS+12mm AIR GAP+10mmTP THK. I.G.U.  
 EGL-1A--8mmHS+12mm AIR GAP+8mmTP THK. I.G.U.  
 EGL-1B--8mmHS+12mm AIR GAP+10mm CLEAR TEMPERED ACID ETCHED THK. (FROSTED ON #3)I.G.U.  
 EGL-2--10mm THK. CRYSTAL GRAY TEMPERED GLASS (FOR KIT & ST)  
 EGL-4--10mm THK. CRYSTAL TEMPERED ACID ETCHED GLASS (FOR BATH)

NO.	DATE	REVISED	BY

JOB NO. : J-856

PROJECT :  
 PROPOSED DEVELOPMENT ABOVE LIGHT RAIL TIN WING STOP,TSWTL NO.23,AREA 33,TIN SHUI WAI, N.T.

TITLE :  
 WINDOW SCHEDULE FOR TOWER 1 ALUM. WINDOW

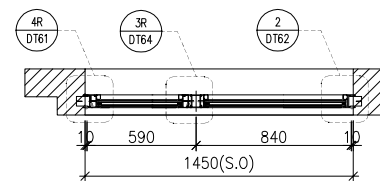
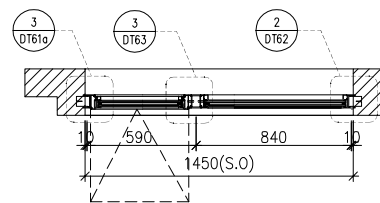
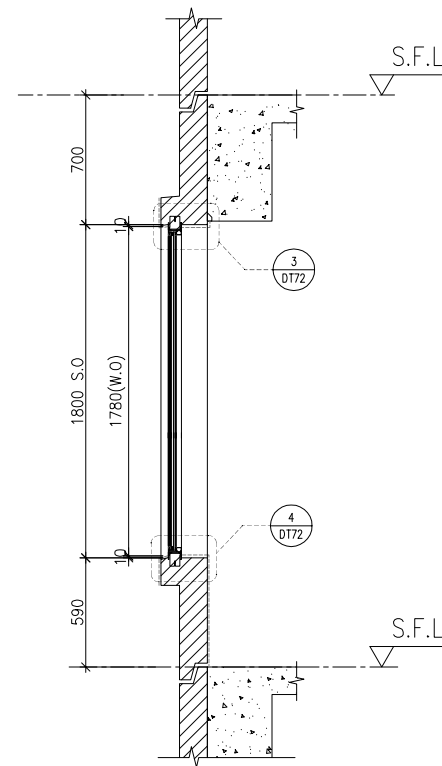
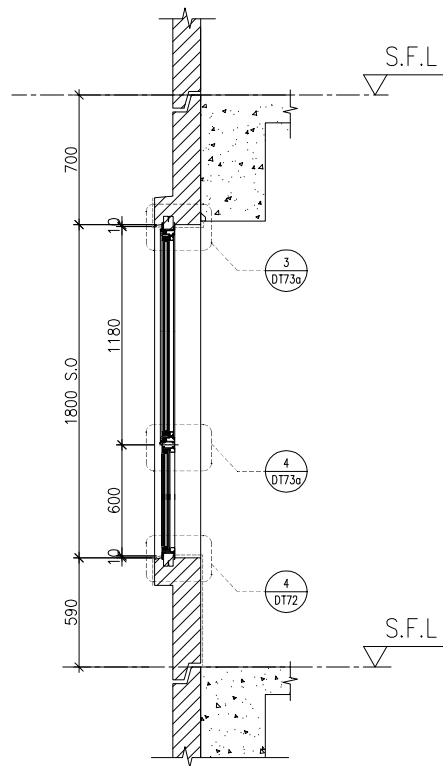
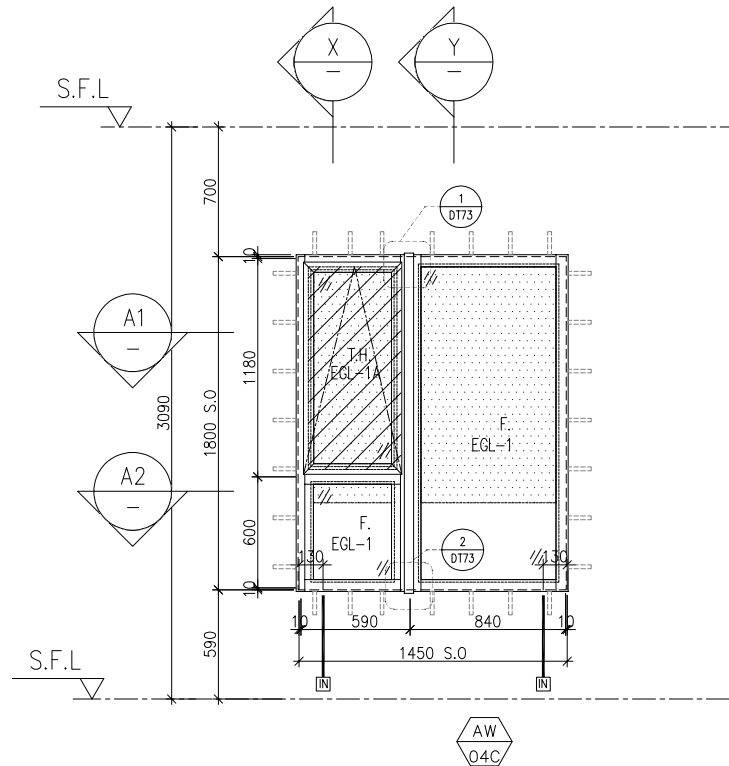
DATE : 02-Aug-21 SCALE : 1:40

DRAWN BY : Ivan CHECKED BY :

  
 MIDI ALUMINIUM FABRICATOR LTD.  
 Units 6-8, Sunray Industrial Centre, 1/F  
 610 Cha Kwo Ling Road, Kowloon  
 Tel:23489211-4 Fax:(852)27727666

DWG NO. : J856-SD-PW-5151 REV. : -

LOCATION	REQUIRE		PROVIDED	
	OPENABLE AREA	GLAZING AREA	OPENABLE AREA	GLAZING AREA
A5-MBR	0.435	0.696	0.525	1.407



ELEVATION

FACADE CODE	
鴻輝	UNIT
T1PF-22	A5-MBR

WINDOW MARK

LOCATION 46/F UNIT A5

SECTION 70mm ALUM. SECTION

GLAZING EGL-1,EGL-1A

QUANTITY 1 No

REMARKS 4 BAR HINGE-LIP HING (HHMT-14)

B.D. REF :

CLIENT :  
  
 SUN HUNG KAI REAL ESTATE AGENCY LTD.  
 42/F SUN HUNG KAI CENTRE, WANCHAI, HONGKONG

ARCHITECT :  
  
 Iwk&partners architects

MAIN CONTRACTOR :  
  
 怡輝建築有限公司  
 Yee Fai Building Contractors Ltd.

STRUCTURAL ENGINEER :  
  
 ARUP

FACADE CONSULTANT:  
  
 ALPHA CONSULTING LIMITED  
 Steel Structure & Facade Specialist

NOTE :  
 1. ALL DIMENSIONS ARE IN mm.  
 2. ALL ELEVATIONS ARE VIEWED FROM OUTSIDE.  
 3. ALL DIMENSIONS TO BE VERIFIED ON SITE BEFORE FABRICATION.

LEGEND :  
 X1 -- DETAIL MARK NO.  
 X001 -- REFER SHEET NO.

1. F.F.L. -- FINISHED FLOOR LEVEL  
 2. S.F.L. -- STRUCTURAL FLOOR LEVEL  
 3. (R) -- REVERSED DETAIL  
 4. GLASS LEGEND  
 EGL-1--8mmHS+12mm AIR GAP+10mmTP THK. I.G.U.  
 EGL-1A--8mmHS+12mm AIR GAP+8mmTP THK. I.G.U.  
 EGL-1B--8mmHS+12mm AIR GAP+10mm CLEAR TEMPERED ACID ETCHED THK. (FROSTED ON #3)I.G.U.  
 EGL-2--10mm THK. CRYSTAL GRAY TEMPERED GLASS (FOR KIT & ST)  
 EGL-4--10mm THK. CRYSTAL TEMPERED ACID ETCHED GLASS (FOR BATH)

NO.	DATE	REVISED	BY

JOB NO. : J-856

PROJECT :  
 PROPOSED DEVELOPMENT ABOVE LIGHT RAIL TIN WING STOP,TSWTL NO.23,AREA 33,TIN SHUI WAI, N.T.

TITLE :  
 WINDOW SCHEDULE FOR TOWER 1 ALUM. WINDOW

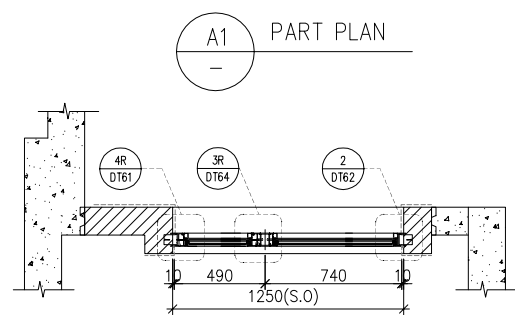
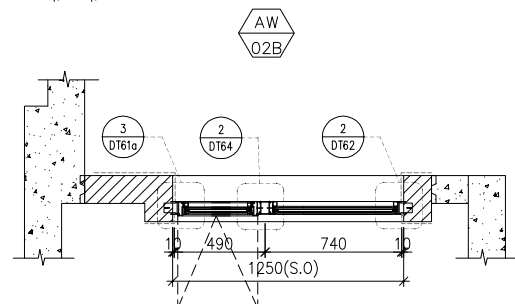
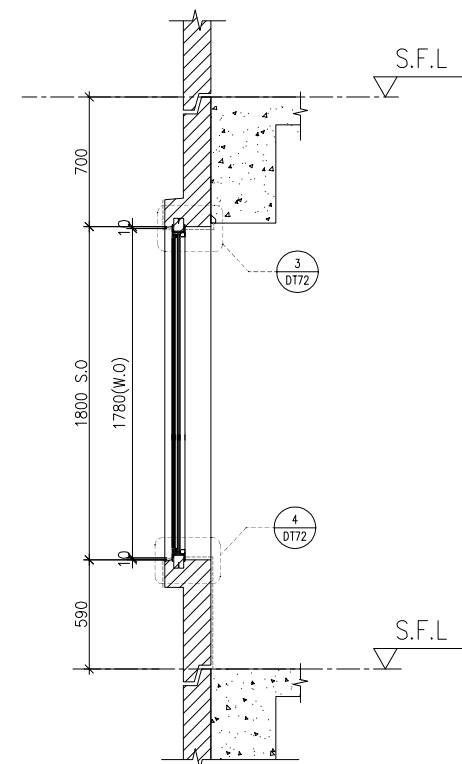
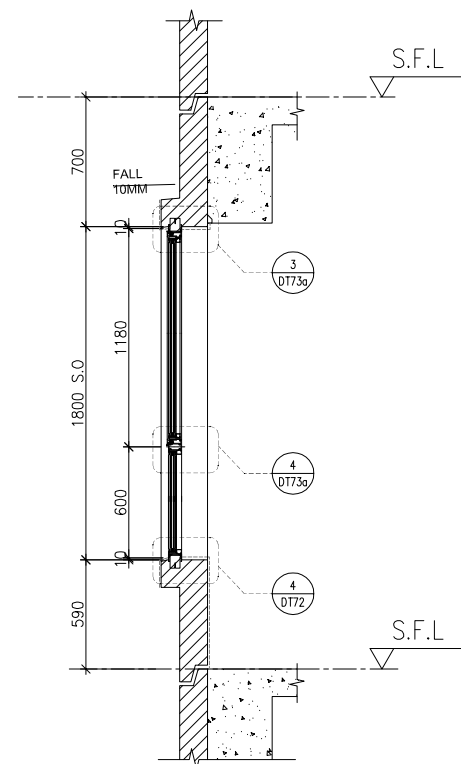
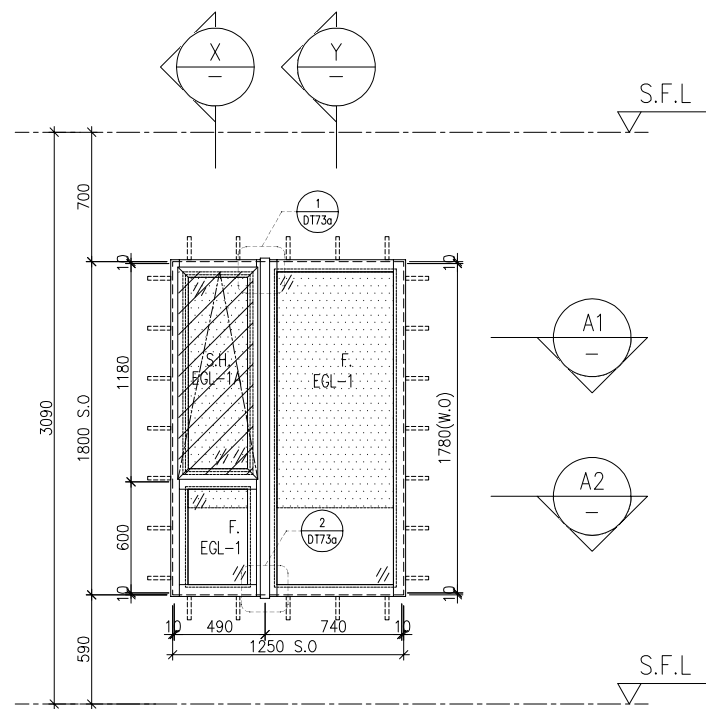
DATE : 02-Aug-21 SCALE : 1:40

DRAWN BY : Ivan CHECKED BY :

MIDI ALUMINIUM FABRICATOR LTD.  
 Units 6-8, Sunray Industrial Centre, 1/F  
 610 Cha Kwo Ling Road, Kowloon  
 Tel:23489211-4 Fax:(852)2727666

DWG NO. : J856-SD-PW-5152 REV. : -

LOCATION	REQUIRE		PROVIDED	
	OPENABLE AREA	GLAZING AREA	OPENABLE AREA	GLAZING AREA
A5-BR2	0.263	0.420	0.439	1.19
B6-BR2	0.263	0.420		



ELEVATION

FACADE CODE	
鴻輝	UNIT
T1PF-21	A5-BR2
T1PF-17	B6-BR2

WINDOW MARK

LOCATION 46/F UNIT A5 , B6  
SECTION 70mm ALUM. SECTION  
GLAZING EGL-1,EGL-1A  
QUANTITY 1 No / 1 No  
REMARKS 4 BAR HINGE-LIP HING (HHMT-14)

B.D. REF :

CLIENT :  
  
42/F SUN HUNG KAI CENTRE, WANCHAI, HONGKONG

ARCHITECT :

MAIN CONTRACTOR :

STRUCTURAL ENGINEER :

FACADE CONSULTANT:  
  
Steel Structure & Facade Specialist

NOTE :  
1. ALL DIMENSIONS ARE IN mm.  
2. ALL ELEVATIONS ARE VIEWED FROM OUTSIDE.  
3. ALL DIMENSIONS TO BE VERIFIED ON SITE BEFORE FABRICATION.

LEGEND :  
 -- DETAIL MARK NO.  
 -- REFER SHEET NO.  
1. F.F.L. -- FINISHED FLOOR LEVEL  
2. S.F.L. -- STRUCTURAL FLOOR LEVEL  
3. -- REVERSED DETAIL  
4. GLASS LEGEND  
EGL-1--8mmHS+12mm AIR GAP+10mmTP THK. I.G.U.  
EGL-1A--8mmHS+12mm AIR GAP+8mmTP THK. I.G.U.  
EGL-1B--8mmHS+12mm AIR GAP+10mm CLEAR TEMPERED ACID ETCHED THK. (FROSTED ON #3).I.G.U.  
EGL-2--10mm THK. CRYSTAL GRAY TEMPERED GLASS (FOR KIT & ST)  
EGL-4--10mm THK. CRYSTAL TEMPERED ACID ETCHED GLASS (FOR BATH)

NO.	DATE	REVISED	BY

JOB NO. : J-856

PROJECT :  
PROPOSED DEVELOPMENT ABOVE LIGHT RAIL TIN WING STOP,TSWTL NO.23,AREA 33,TIN SHUI WAI, N.T.

TITLE :  
WINDOW SCHEDULE FOR TOWER 1 ALUM. WINDOW

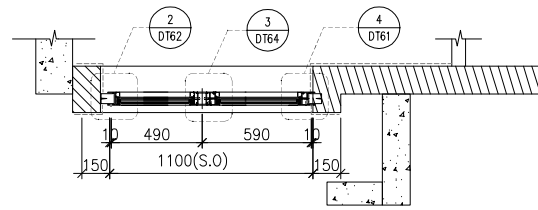
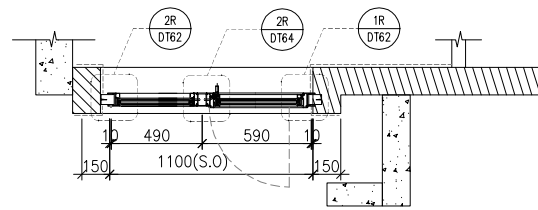
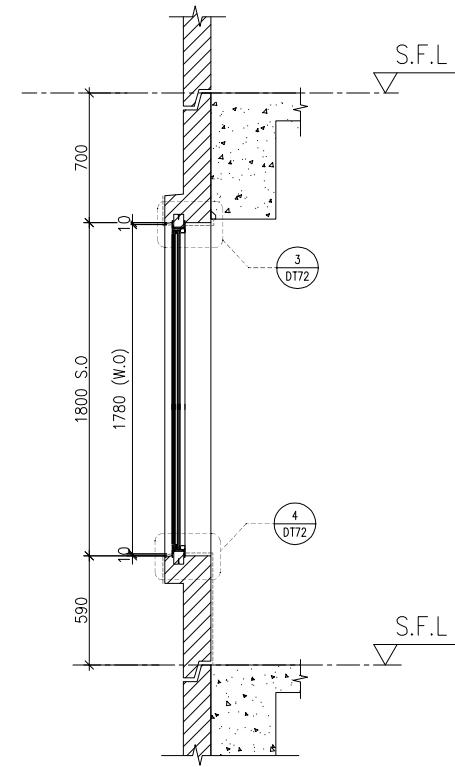
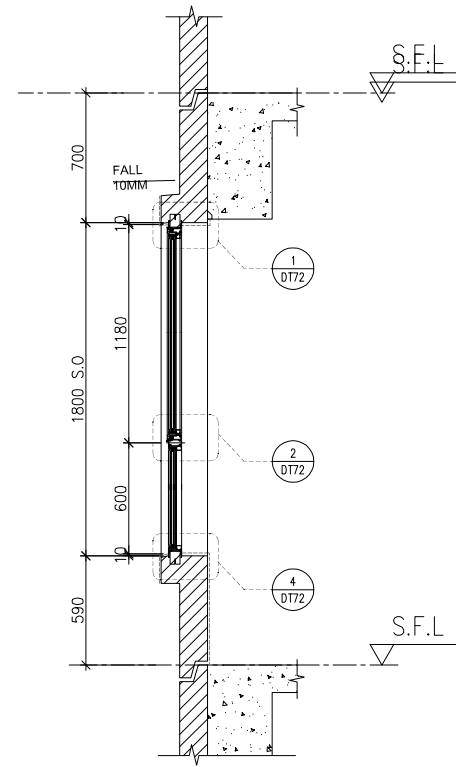
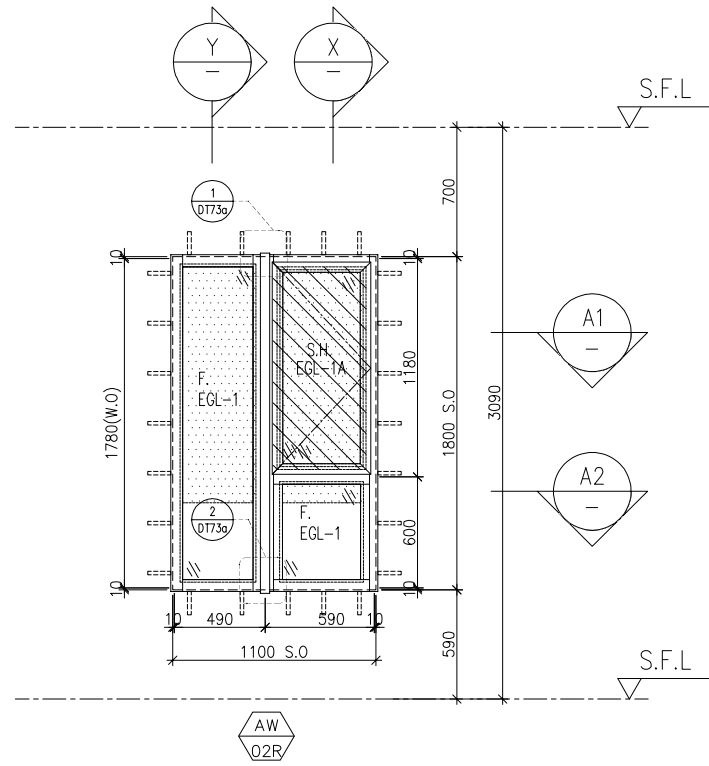
DATE : 06-Jul-22 SCALE : 1:40

DRAWN BY : Ivan CHECKED BY :

MIDI ALUMINIUM FABRICATOR LTD.  
Units 6-8, Sunray Industrial Centre, 1/F  
610 Cha Kwo Ling Road, Kowloon  
Tel:23489211-4 Fax:(852)27727666

DWG NO. : J856-SD-PW-5153 REV. : -

LOCATION	REQUIRE		PROVIDED	
	OPENABLE AREA	GLAZING AREA	OPENABLE AREA	GLAZING AREA
A5-BR2	0.263	0.420	0.548	0.985



ELEVATION

FACADE CODE		
LWK	鴻輝	UNIT
PF-02R	T2PF-18	A5

WINDOW MARK



LOCATION

46/F UNIT A5

SECTION

70mm ALUM. SECTION

GLAZING

EGL-1,EGL-1A

QUANTITY

1 Nos

REMARKS

4 BAR HINGE-LIP HING (HHMS-N16)

B.D. REF :

CLIENT :



ARCHITECT :



MAIN CONTRACTOR :



STRUCTURAL ENGINEER :



FACADE CONSULTANT:



NOTE :

1. ALL DIMENSIONS ARE IN mm.
2. ALL ELEVATIONS ARE VIEWED FROM OUTSIDE.
3. ALL DIMENSIONS TO BE VERIFIED ON SITE BEFORE FABRICATION.

LEGEND :

- (X1) --- DETAIL MARK NO.
- (X001) --- REFER SHEET NO.

1. F.F.L. -- FINISHED FLOOR LEVEL
2. S.F.L. -- STRUCTURAL FLOOR LEVEL
3. (R) -- REVERSED DETAIL

4. GLASS LEGEND
- EGL-1--8mmHS+12mm AIR GAP+10mmTP THK. I.G.U.
  - EGL-1A--8mmHS+12mm AIR GAP+8mmTP THK. I.G.U.
  - EGL-1B--8mmHS+12mm AIR GAP+10mm CLEAR TEMPERED ACID ETCHED THK. (FROSTED ON #3).I.G.U.
  - EGL-2--10mm THK. CRYSTAL GRAY TEMPERED GLASS (FOR KIT & ST)
  - EGL-4--10mm THK. CRYSTAL TEMPERED ACID ETCHED GLASS (FOR BATH)

NO.	DATE	REVISED	BY

JOB NO. : J-856

PROJECT : PROPOSED DEVELOPMENT ABOVE LIGHT RAIL TIN WING STOP,TSWTL NO.23,AREA 33,TIN SHUI WAI, N.T.

TITLE : WINDOW SCHEDULE FOR TOWER 2 ALUM. WINDOW

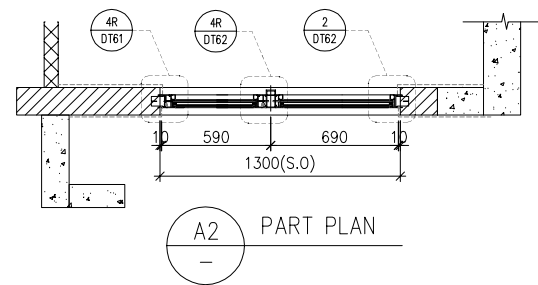
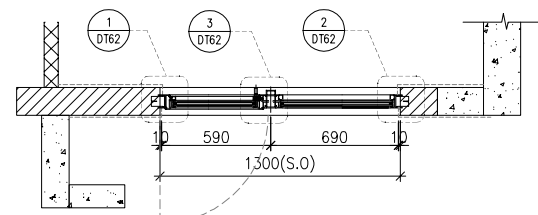
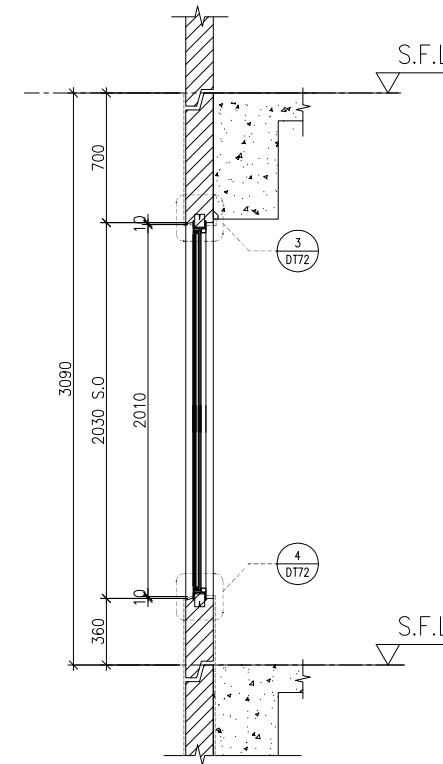
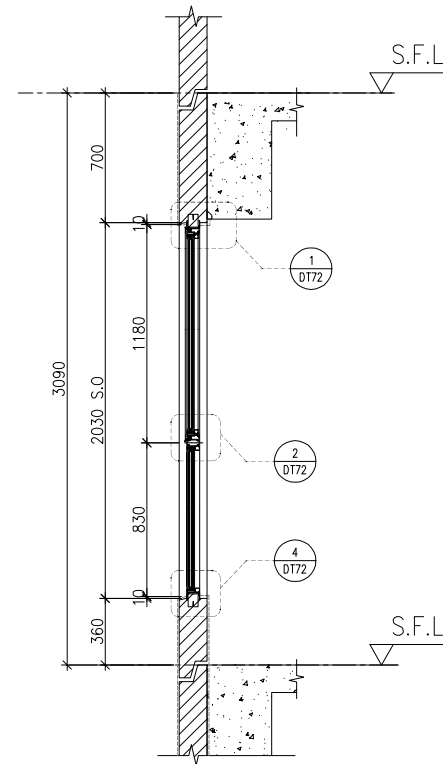
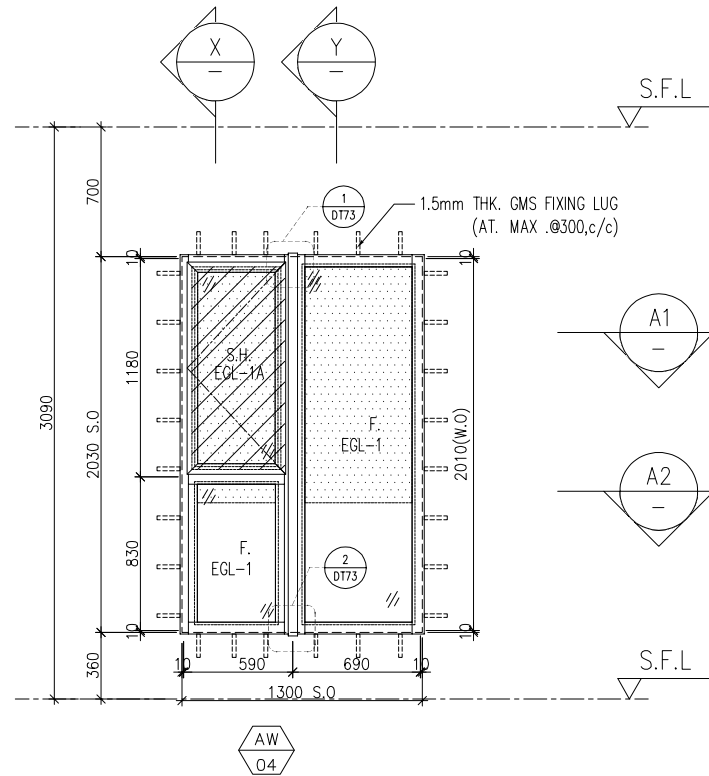
DATE : 02-Aug-21 SCALE : 1:40

DRAWN BY : Ivan CHECKED BY :



DWG NO. : J856-SD-PW-5251 REV. : -

LOCATION	REQUIRE		PROVIDED	
	OPENABLE AREA	GLAZING AREA	OPENABLE AREA	GLAZING AREA
A7-MBR	0.435	0.696	0.548	1.24



ELEVATION

FACADE CODE		
LWK	鴻輝	UNIT
PF-04R	T2PF-15	A7

WINDOW MARK



LOCATION	46/F UNIT A7
SECTION	70mm ALUM. SECTION
GLAZING	EGL-1,EGL-1A
QUANTITY	1 No
REMARKS	4 BAR HINGE-LIP HING (HHMS-N16)

B.D. REF :

CLIENT :  
**SUN HUNG KAI**  
 REAL ESTATE AGENCY LTD.  
 42/F SUN HUNG KAI CENTRE, WANCHAI, HONGKONG

ARCHITECT :  
**IWK&partners**  
 architects

MAIN CONTRACTOR :  
**Yee Fai** Building Contractors Ltd.

STRUCTURAL ENGINEER :  
**ARUP**

FACADE CONSULTANT:  
**ALPHA CONSULTING LIMITED**  
 Steel Structure & Facade Specialist

NOTE :  
 1. ALL DIMENSIONS ARE IN mm.  
 2. ALL ELEVATIONS ARE VIEWED FROM OUTSIDE.  
 3. ALL DIMENSIONS TO BE VERIFIED ON SITE BEFORE FABRICATION.

LEGEND :  
 (X1) --- DETAIL MARK NO.  
 (X001) --- REFER SHEET NO.  
 1. F.F.L. --- FINISHED FLOOR LEVEL  
 2. S.F.L. --- STRUCTURAL FLOOR LEVEL  
 3. (R) --- REVERSED DETAIL  
 4. GLASS LEGEND  
 EGL-1--8mmHS+12mm AIR GAP+10mmTP THK. I.G.U.  
 EGL-1A--8mmHS+12mm AIR GAP+8mmTP THK. I.G.U.  
 EGL-1B--8mmHS+12mm AIR GAP+10mm CLEAR TEMPERED ACID ETCHED THK. (FROSTED ON #3).I.G.U.  
 EGL-2--10mm THK. CRYSTAL GRAY TEMPERED GLASS (FOR KIT & ST)  
 EGL-4--10mm THK. CRYSTAL TEMPERED ACID ETCHED GLASS (FOR BATH)

NO.	DATE	REVISED	BY

JOB NO. : J-856

PROJECT :  
 PROPOSED DEVELOPMENT ABOVE LIGHT RAIL TIN WING STOP,TSWTL NO.23,AREA 33,TIN SHUI WAI, N.T.

TITLE :  
 WINDOW SCHEDULE FOR TOWER 2 ALUM. WINDOW

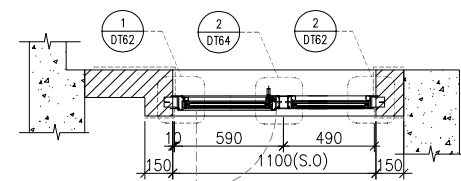
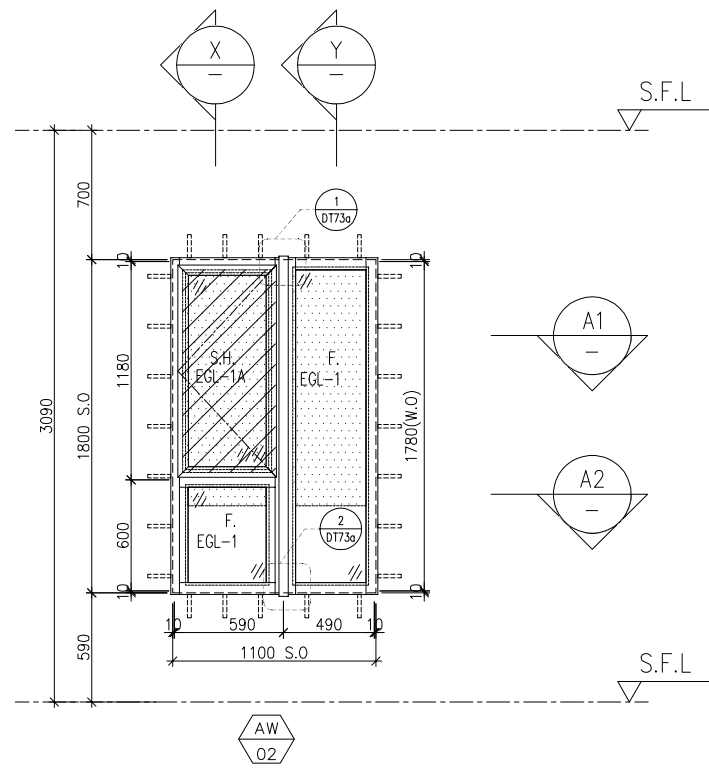
DATE : 02-Aug-21 SCALE : 1:40

DRAWN BY : Ivan CHECKED BY :

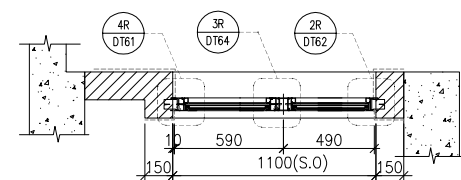
**MIDI ALUMINIUM FABRICATOR LTD.**  
 Units 6-8, Sunray Industrial Centre, 1/F  
 610 Cha Kwo Ling Road, Kowloon  
 Tel:23489211-4 Fax:(852)27727666

DWG NO. : J856-SD-PW-5252 REV. : -

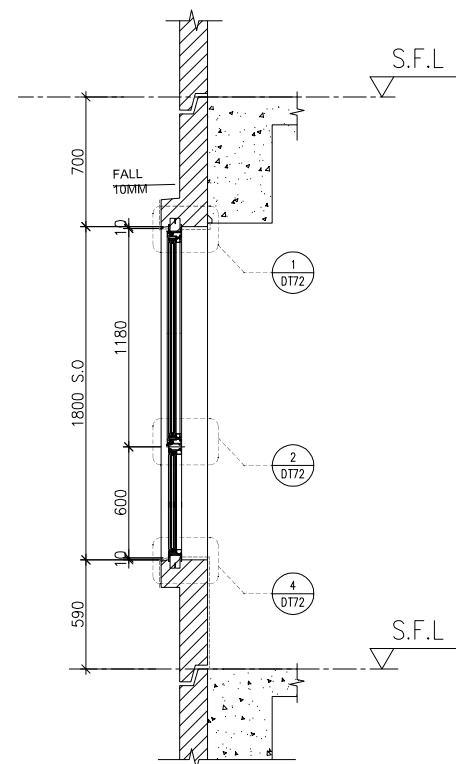
LOCATION	REQUIRE		PROVIDED	
	OPENABLE AREA	GLAZING AREA	OPENABLE AREA	GLAZING AREA
A7-BR2	0.263	0.420	0.548	0.985
B6-BR2	0.263	0.420		



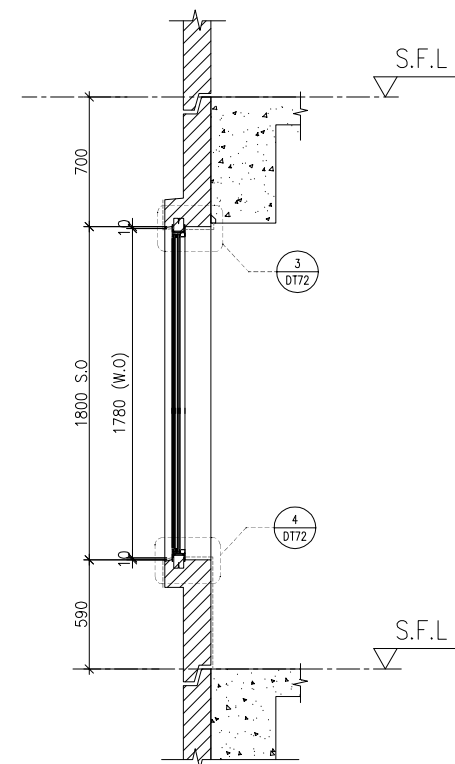
A1 PART PLAN



A2 PART PLAN



X PART SECTION



Y PART SECTION

ELEVATION

FACADE CODE

LWK	鴻輝	UNIT
PF-05	T2PF-14	A7
PF-05	T2PF-22	B6

WINDOW MARK



LOCATION	46/F UNIT A7 , B6
SECTION	70mm ALUM. SECTION
GLAZING	EGL-1,EGL-1A
QUANTITY	1 No / 1 No
REMARKS	4 BAR HINGE-LIP HING (HHMS-N16)

B.D. REF :

CLIENT :  
**SUN HUNG KAI**  
 REAL ESTATE AGENCY LTD.  
 42/F SUN HUNG KAI CENTRE, WANCHAI, HONGKONG

ARCHITECT :  
**Iwk&partners**  
 architects

MAIN CONTRACTOR :  
**Yee Fai** Building Contractors Ltd.

STRUCTURAL ENGINEER :  
**ARUP**

FACADE CONSULTANT:  
**ALPHA CONSULTING LIMITED**  
 Steel Structure & Facade Specialist

NOTE :  
 1. ALL DIMENSIONS ARE IN mm.  
 2. ALL ELEVATIONS ARE VIEWED FROM OUTSIDE.  
 3. ALL DIMENSIONS TO BE VERIFIED ON SITE BEFORE FABRICATION.

LEGEND :  
 (X1) --- DETAIL MARK NO.  
 (X001) --- REFER SHEET NO.  
 1. F.F.L. --- FINISHED FLOOR LEVEL  
 2. S.F.L. --- STRUCTURAL FLOOR LEVEL  
 3. (R) --- REVERSED DETAIL  
 4. GLASS LEGEND  
 EGL-1--8mmHS+12mm AIR GAP+10mmTP THK. I.G.U.  
 EGL-1A--8mmHS+12mm AIR GAP+8mmTP THK. I.G.U.  
 EGL-1B--8mmHS+12mm AIR GAP+10mm CLEAR TEMPERED ACID ETCHED THK. (FROSTED ON #3)I.G.U.  
 EGL-2--10mm THK. CRYSTAL GRAY TEMPERED GLASS (FOR KIT & ST)  
 EGL-4--10mm THK. CRYSTAL TEMPERED ACID ETCHED GLASS (FOR BATH)

NO.	DATE	REVISED	BY

JOB NO. : J-856

PROJECT :  
 PROPOSED DEVELOPMENT ABOVE LIGHT RAIL TIN WING STOP,TSWTL NO.23,AREA 33,TIN SHUI WAI, N.T.

TITLE :  
 WINDOW SCHEDULE FOR TOWER 2 ALUM. WINDOW

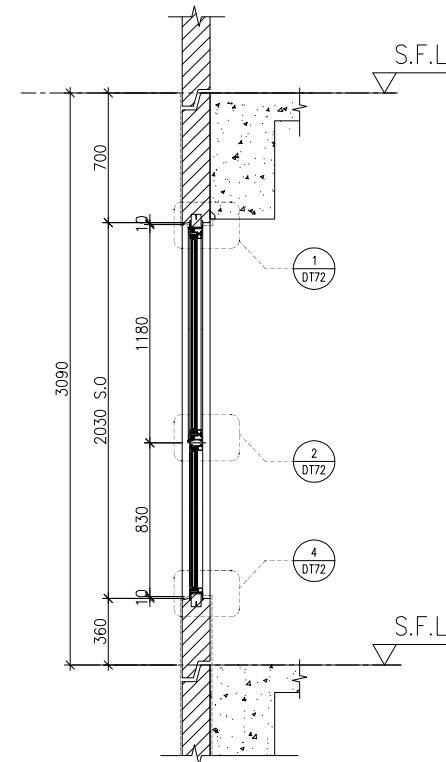
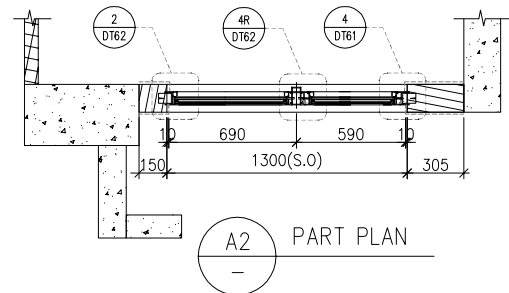
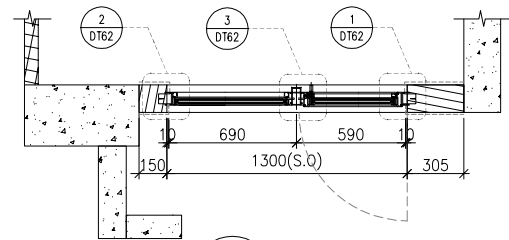
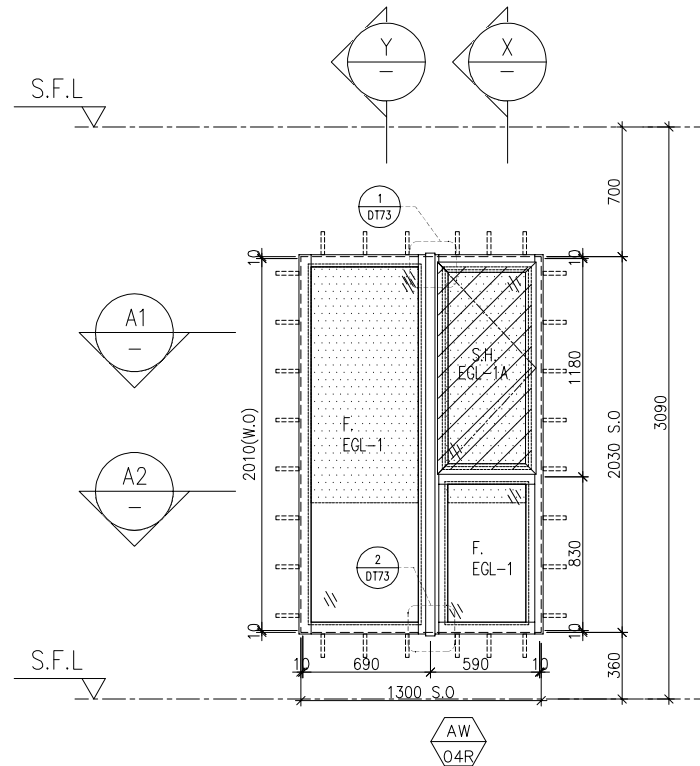
DATE : 02-Aug-21 SCALE : 1:40

DRAWN BY : Ivan CHECKED BY :

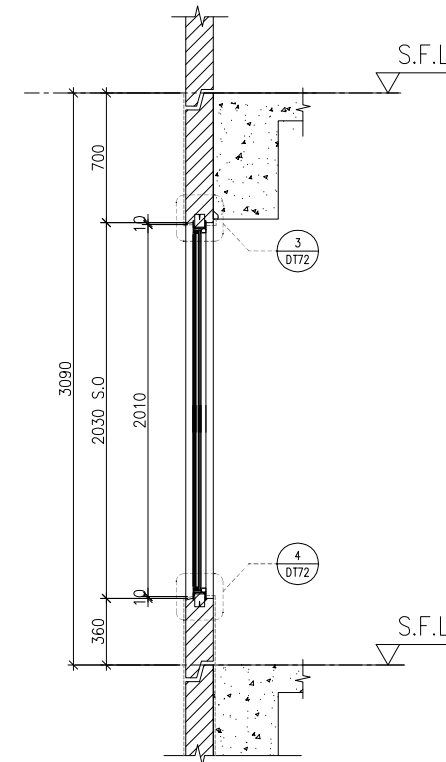
**美特鋁質有限公司**  
**MIDI ALUMINIUM FABRICATOR LTD.**  
 Units 6-8, Sunray Industrial Centre, 1/F  
 610 Cha Kwo Ling Road, Kowloon  
 Tel:23489211-4 Fax:(852)27727666

DWG NO. : J856-SD-PW-5253 REV. : -

LOCATION	REQUIRE		PROVIDED	
	OPENABLE AREA	GLAZING AREA	OPENABLE AREA	GLAZING AREA
A5-MBR	0.435	0.696	0.548	1.24
A6-MBR	0.295	0.472		



X PART SECTION



Y PART SECTION

ELEVATION

FACADE CODE

LWK	鴻輝	UNIT
PF-06R	T2PF-17	A5
PF-??	T2PF-15A	A6

WINDOW MARK	AW 04R
LOCATION	46/F UNIT A5
SECTION	70mm ALUM. SECTION
GLAZING	EGL-1, EGL-1A
QUANTITY	1 No
REMARKS	4 BAR HINGE-LIP HING (HHMS-N16)

WINDOW MARK	AW 04
LOCATION	46/F UNIT A6
SECTION	70mm ALUM. SECTION
GLAZING	EGL-1, EGL-1A
QUANTITY	1 No
REMARKS	4 BAR HINGE-LIP HING (HHMS-N16)

B.D. REF :

CLIENT :  
**SUN HUNG KAI**  
 REAL ESTATE AGENCY LTD.  
 42/F SUN HUNG KAI CENTRE, WANCHAI, HONGKONG

ARCHITECT :  
**IWK&partners**  
 architects

MAIN CONTRACTOR :  
**Yee Fai** Building Contractors Ltd.

STRUCTURAL ENGINEER :  
**ARUP**

FACADE CONSULTANT:  
**ALPHA CONSULTING LIMITED**  
 Steel Structure & Facade Specialist

NOTE :  
 1. ALL DIMENSIONS ARE IN mm.  
 2. ALL ELEVATIONS ARE VIEWED FROM OUTSIDE.  
 3. ALL DIMENSIONS TO BE VERIFIED ON SITE BEFORE FABRICATION.

LEGEND :  
 X1 --- DETAIL MARK NO.  
 X001 --- REFER SHEET NO.  
 1. F.F.L. --- FINISHED FLOOR LEVEL  
 2. S.F.L. --- STRUCTURAL FLOOR LEVEL  
 3. (R) --- REVERSED DETAIL  
 4. GLASS LEGEND  
 EGL-1--8mmHS+12mm AIR GAP+10mmTP THK. I.G.U.  
 EGL-1A--8mmHS+12mm AIR GAP+8mmTP THK. I.G.U.  
 EGL-1B--8mmHS+12mm AIR GAP+10mm CLEAR TEMPERED ACID ETCHED THK. (FROSTED ON #3).I.G.U.  
 EGL-2--10mm THK. CRYSTAL GRAY TEMPERED GLASS (FOR KIT & ST)  
 EGL-4--10mm THK. CRYSTAL TEMPERED ACID ETCHED GLASS (FOR BATH)

NO.	DATE	REVISED	BY

JOB NO. : J-856  
 PROJECT : PROPOSED DEVELOPMENT ABOVE LIGHT RAIL TIN WING STOP, TSWTL NO.23, AREA 33, TIN SHUI WAI, N.T.

TITLE : WINDOW SCHEDULE FOR TOWER 2 ALUM. WINDOW

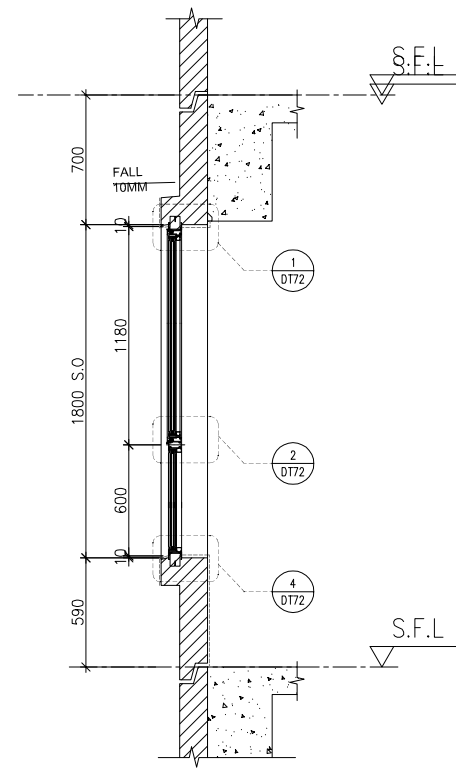
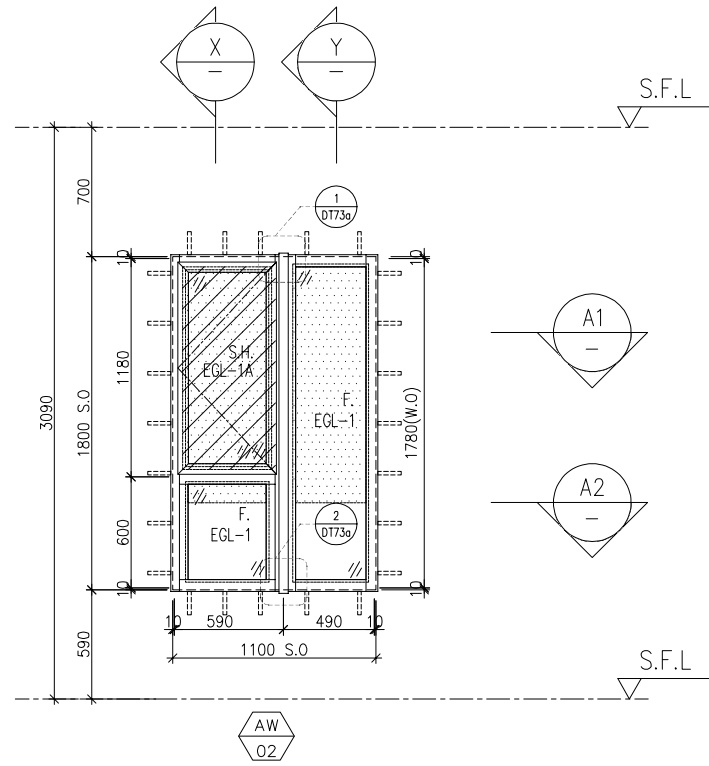
DATE : 02-Aug-21 SCALE : 1:40

DRAWN BY : Ivan CHECKED BY :

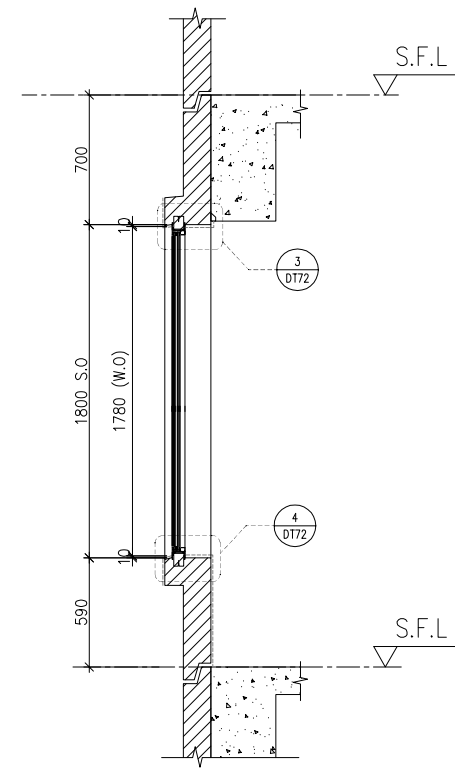
**美特鋁質有限公司**  
 MIDI ALUMINIUM FABRICATOR LTD.  
 Units 6-8, Sunray Industrial Centre, 1/F  
 610 Cha Kwo Ling Road, Kowloon  
 Tel:23489211-4 Fax:(852)27727666

DWG NO. : J856-SD-PW-5254 REV. : -

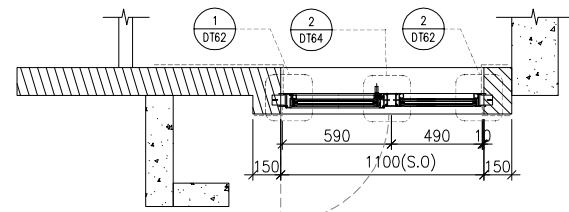
LOCATION	REQUIRE		PROVIDED	
	OPENABLE AREA	GLAZING AREA	OPENABLE AREA	GLAZING AREA
A8-BR2	0.263	0.420	0.548	0.985



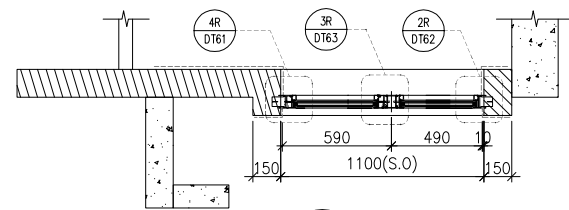
X PART SECTION



Y PART SECTION



A1 PART PLAN



A2 PART PLAN

FACADE CODE

LWK	鴻輝	UNIT
PF-08	T2PF-13	A8

WINDOW MARK



LOCATION	46/F UNIT A8
SECTION	70mm ALUM. SECTION
GLAZING	EGL-1, EGL-1A
QUANTITY	1 No
REMARKS	4 BAR HINGE-LIP HING (HHMS-N16)

B.D. REF :

CLIENT :  
**SUN HUNG KAI**  
 REAL ESTATE AGENCY LTD.  
 42/F SUN HUNG KAI CENTRE, WANCHAI, HONGKONG

ARCHITECT :  
**IWK&partners**  
 architects

MAIN CONTRACTOR :  
**Yee Fai** Building Contractors Ltd.

STRUCTURAL ENGINEER :  
**ARUP**

FACADE CONSULTANT:  
**ALPHA CONSULTING LIMITED**  
 Steel Structure & Facade Specialist

NOTE :  
 1. ALL DIMENSIONS ARE IN mm.  
 2. ALL ELEVATIONS ARE VIEWED FROM OUTSIDE.  
 3. ALL DIMENSIONS TO BE VERIFIED ON SITE BEFORE FABRICATION.

LEGEND :  
 (X1) — DETAIL MARK NO.  
 (X001) — REFER SHEET NO.  
 1. F.F.L. -- FINISHED FLOOR LEVEL  
 2. S.F.L. -- STRUCTURAL FLOOR LEVEL  
 3. (R) -- REVERSED DETAIL  
 4. GLASS LEGEND  
 EGL-1 -- 8mmHS+12mm AIR GAP+10mmTP THK. I.G.U.  
 EGL-1A -- 8mmHS+12mm AIR GAP+8mmTP THK. I.G.U.  
 EGL-1B -- 8mmHS+12mm AIR GAP+10mm CLEAR TEMPERED ACID ETCHED THK. (FROSTED ON #3) I.G.U.  
 EGL-2 -- 10mm THK. CRYSTAL GRAY TEMPERED GLASS (FOR KIT & ST)  
 EGL-4 -- 10mm THK. CRYSTAL TEMPERED ACID ETCHED GLASS (FOR BATH)

NO.	DATE	REVISED	BY

JOB NO. : J-856

PROJECT :  
 PROPOSED DEVELOPMENT ABOVE LIGHT RAIL TIN WING STOP, TSWTL NO.23, AREA 33, TIN SHUI WAI, N.T.

TITLE :  
 WINDOW SCHEDULE FOR TOWER 2 ALUM. WINDOW

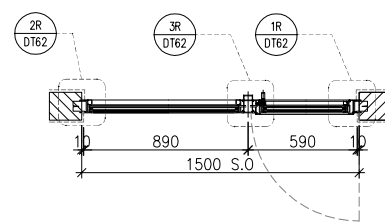
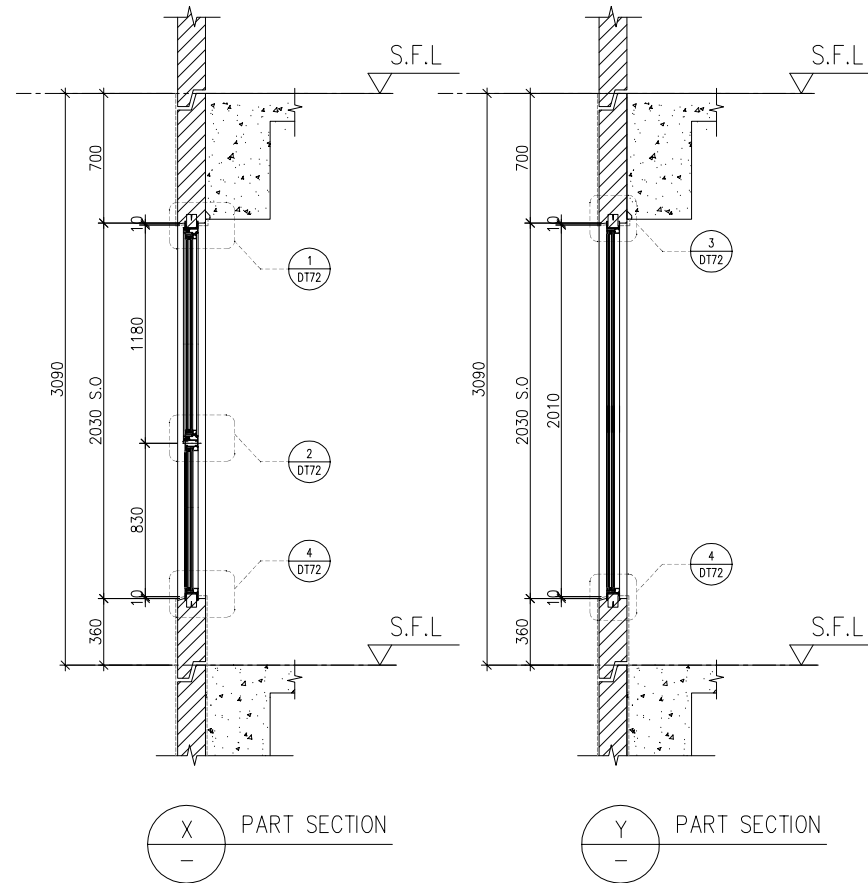
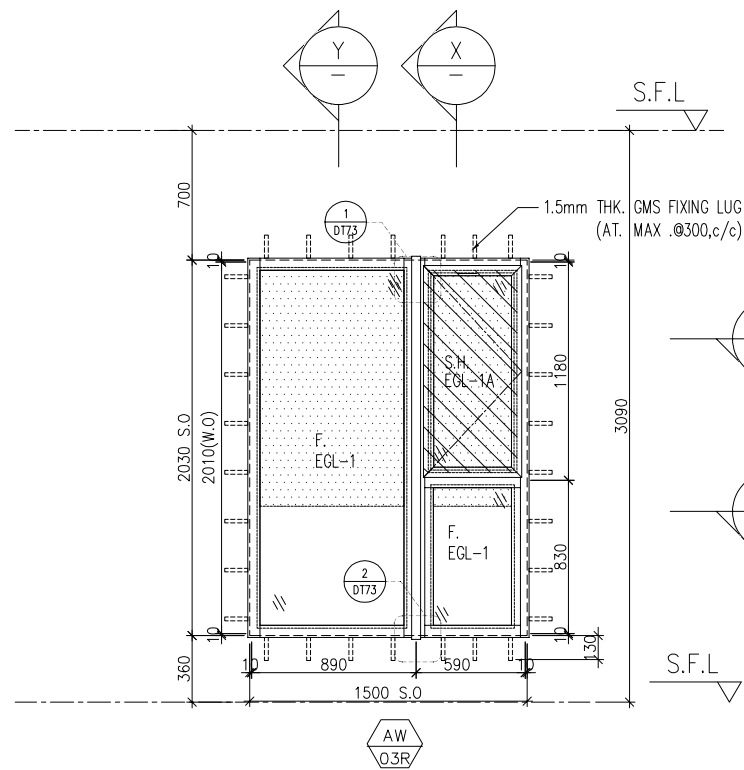
DATE : 02-Aug-21 SCALE : 1:40

DRAWN BY : Ivan CHECKED BY :

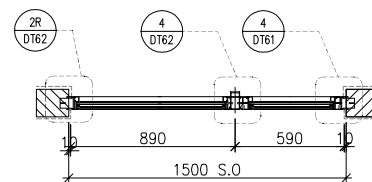
**美特鋁質有限公司**  
**MIDI ALUMINIUM FABRICATOR LTD.**  
 Units 6-8, Sunray Industrial Centre, 1/F  
 610 Cha Kwo Ling Road, Kowloon  
 Tel: 23489211-4 Fax: (852) 27727666

DWG NO. : J856-SD-PW-5255 REV. : -

LOCATION	REQUIRE		PROVIDED	
	OPENABLE AREA	GLAZING AREA	OPENABLE AREA	GLAZING AREA
B6-MBR	0.435	0.696	0.548	1.495



A1 PART PLAN



A2 PART PLAN

FACADE CODE		
LWK	鴻輝	UNIT
PF-20R	T2PF-23	B6

WINDOW MARK

LOCATION 46/F UNIT B6

SECTION 70mm ALUM. SECTION

GLAZING EGL-1,EGL-1A

QUANTITY 1 No

REMARKS 4 BAR HINGE-LIP HING (HHMS-N16)

B.D. REF :

CLIENT :  
**SUN HUNG KAI**  
 REAL ESTATE AGENCY LTD.  
 42/F SUN HUNG KAI CENTRE, WANCHAI, HONGKONG

ARCHITECT :  
**lwk&partners**  
 architects

MAIN CONTRACTOR :  
**Yee Fai** Building Contractors Ltd.

STRUCTURAL ENGINEER :  
**ARUP**

FACADE CONSULTANT:  
**ALPHA CONSULTING LIMITED**  
 Steel Structure & Facade Specialist

NOTE :  
 1. ALL DIMENSIONS ARE IN mm.  
 2. ALL ELEVATIONS ARE VIEWED FROM OUTSIDE.  
 3. ALL DIMENSIONS TO BE VERIFIED ON SITE BEFORE FABRICATION.

LEGEND :  
 -- DETAIL MARK NO.  
 -- REFER SHEET NO.

1. F.F.L. -- FINISHED FLOOR LEVEL  
 2. S.F.L. -- STRUCTURAL FLOOR LEVEL  
 3. -- REVERSED DETAIL  
 4. GLASS LEGEND  
 EGL-1--8mmHS+12mm AIR GAP+10mmTP THK. I.G.U.  
 EGL-1A--8mmHS+12mm AIR GAP+8mmTP THK. I.G.U.  
 EGL-1B--8mmHS+12mm AIR GAP+10mm CLEAR TEMPERED ACID ETCHED THK. (FROSTED ON #3)I.G.U.  
 EGL-2--10mm THK. CRYSTAL GRAY TEMPERED GLASS (FOR KIT & ST)  
 EGL-4--10mm THK. CRYSTAL TEMPERED ACID ETCHED GLASS (FOR BATH)

NO.	DATE	REVISED	BY

JOB NO. : J-856

PROJECT :  
 PROPOSED DEVELOPMENT ABOVE LIGHT RAIL TIN WING STOP,TSWTL NO.23,AREA 33,TIN SHUI WAI, N.T.

TITLE :  
 WINDOW SCHEDULE FOR TOWER 2 ALUM. WINDOW

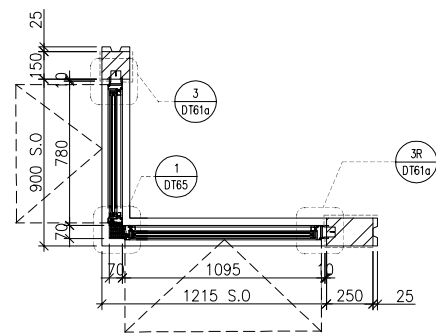
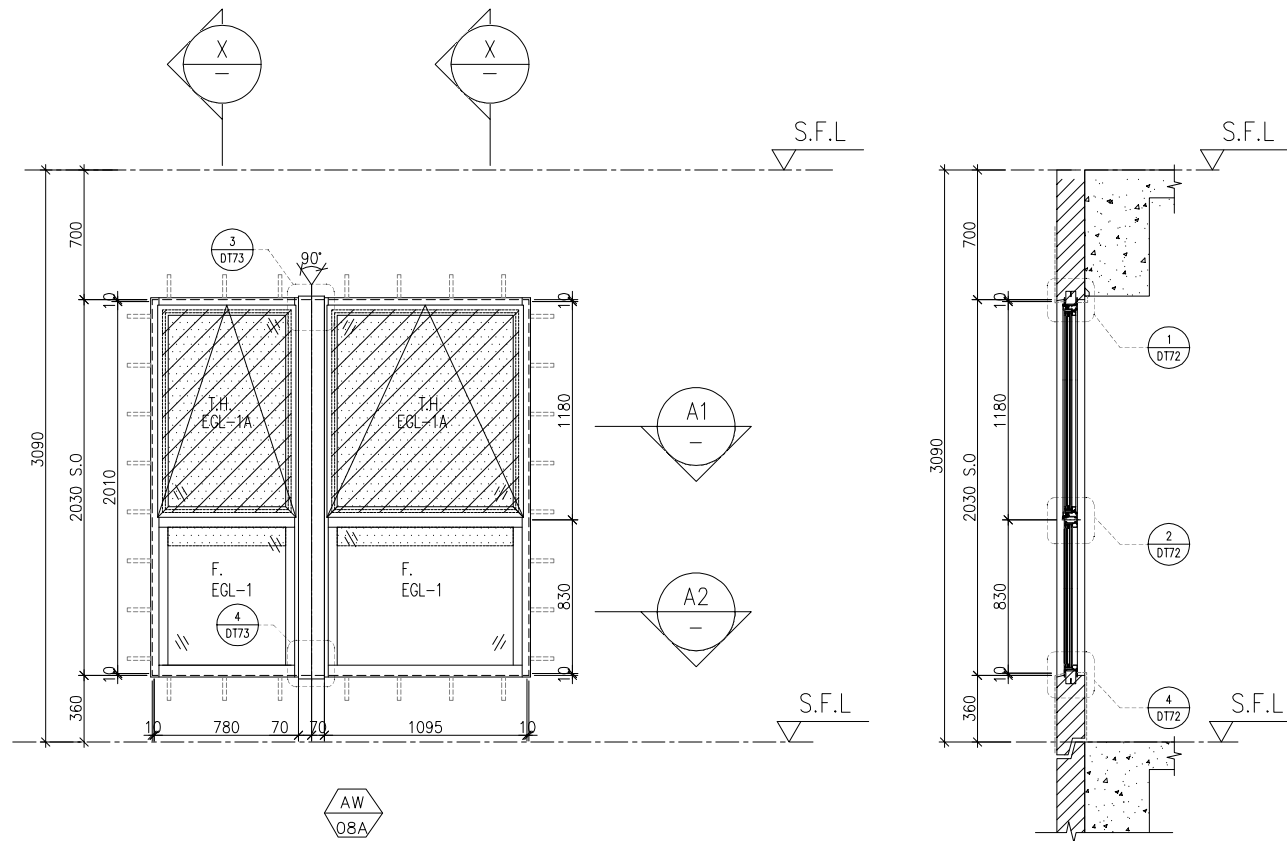
DATE : 02-Aug-21 SCALE : 1:40

DRAWN BY : Ivan CHECKED BY :

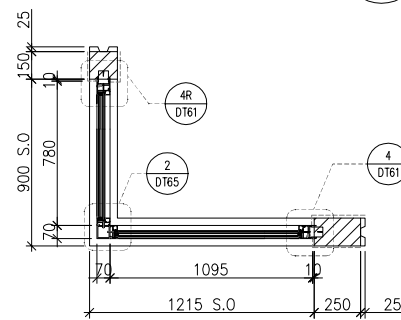
**美特鋁質有限公司**  
**MIDI ALUMINIUM FABRICATOR LTD.**  
 Units 6-8, Sunray Industrial Centre, 1/F  
 610 Cha Kwo Ling Road, Kowloon  
 Tel:23489211-4 Fax:(852)27727666

DWG NO. : J856-SD-PW-5256 REV. : -

LOCATION	REQUIRE		PROVIDED	
	OPENABLE AREA	GLAZING AREA	OPENABLE AREA	GLAZING AREA
SIM. 2B-MBR	N/A	N/A	1.866	1.798



A1 PART PLAN



A2 PART PLAN

X PART SECTION

ELEVATION

FACADE CODE		
LWK	鴻輝	UNIT
PF-13	T2PF-27	SIM. 2B

WINDOW MARK



LOCATION	46/F UNIT SIMPLEX 2B
SECTION	70mm ALUM. SECTION
GLAZING	EGL-1,EGL-1A
QUANTITY	1 No.
REMARKS	4 BAR HINGE-LIP HING (HHMT-14 LEFT/HHMT-18 RIGHT)

B.D. REF :

CLIENT :  
**SUN HUNG KAI**  
 REAL ESTATE AGENCY LTD.  
 42/F SUN HUNG KAI CENTRE, WANCHAI, HONGKONG

ARCHITECT :  
**IWK&partners**  
 architects

MAIN CONTRACTOR :  
**Yee Fai** Building Contractors Ltd.

STRUCTURAL ENGINEER :  
**ARUP**

FACADE CONSULTANT:  
**ALPHA CONSULTING LIMITED**  
 Steel Structure & Facade Specialist

- NOTE :
1. ALL DIMENSIONS ARE IN mm.
  2. ALL ELEVATIONS ARE VIEWED FROM OUTSIDE.
  3. ALL DIMENSIONS TO BE VERIFIED ON SITE BEFORE FABRICATION.

- LEGEND :
- (X1) --- DETAIL MARK NO.  
 (X001) --- REFER SHEET NO.
1. F.F.L. --- FINISHED FLOOR LEVEL
  2. S.F.L. --- STRUCTURAL FLOOR LEVEL
  3. (R) --- REVERSED DETAIL
  4. GLASS LEGEND  
 EGL-1--8mmHS+12mm AIR GAP+10mmTP THK. I.G.U.  
 EGL-1A--8mmHS+12mm AIR GAP+8mmTP THK. I.G.U.  
 EGL-1B--8mmHS+12mm AIR GAP+10mm CLEAR TEMPERED ACID ETCHED THK. (FROSTED ON #3)I.G.U.  
 EGL-2--10mm THK. CRYSTAL GRAY TEMPERED GLASS (FOR KIT & ST)  
 EGL-4--10mm THK. CRYSTAL TEMPERED ACID ETCHED GLASS (FOR BATH)

NO.	DATE	REVISED	BY

JOB NO. : J-856

PROJECT :  
 PROPOSED DEVELOPMENT ABOVE LIGHT RAIL TIN WING STOP,TSWTL NO.23,AREA 33,TIN SHUI WAI, N.T.

TITLE :  
 WINDOW SCHEDULE FOR TOWER 2 ALUM. WINDOW

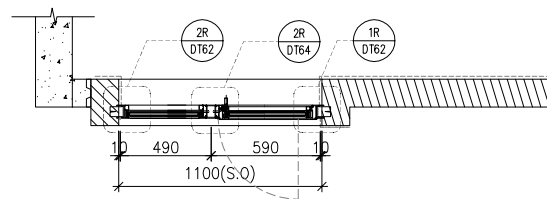
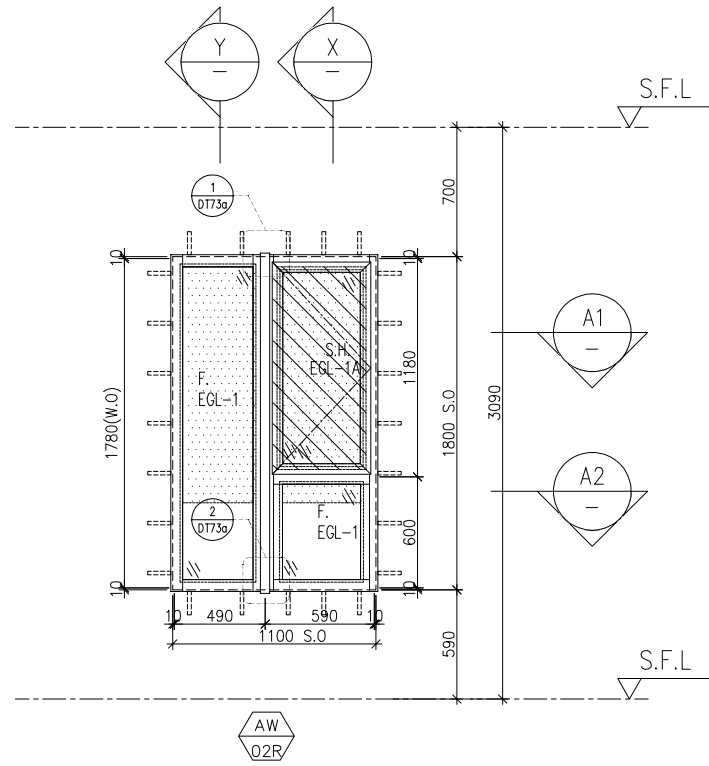
DATE : 02-Aug-21 SCALE : 1:40

DRAWN BY : Ivan CHECKED BY :

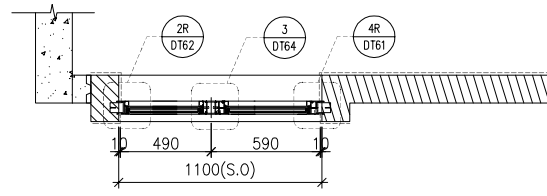
**美特鋁質有限公司**  
**MIDI ALUMINIUM FABRICATOR LTD.**  
 Units 6-8, Sunray Industrial Centre, 1/F  
 610 Cha Kwo Ling Road, Kowloon  
 Tel:23489211-4 Fax:(852)27727666

DWG NO. : J856-SD-PW-5257 REV. : -

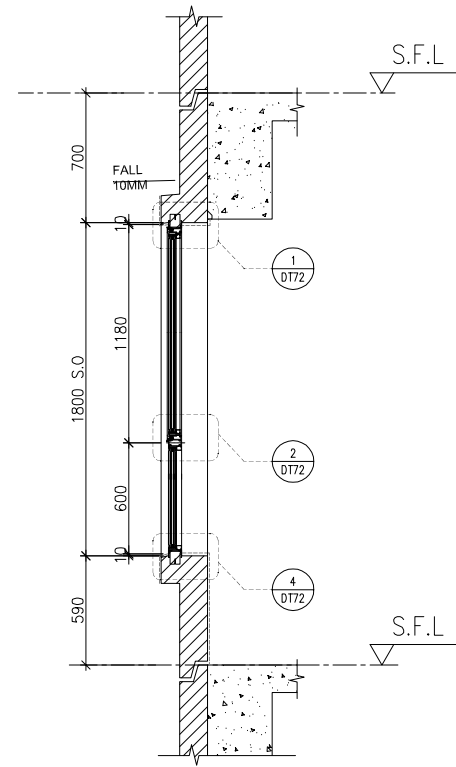
LOCATION	REQUIRE		PROVIDED	
	OPENABLE AREA	GLAZING AREA	OPENABLE AREA	GLAZING AREA
A3-BR2	0.263	0.420	0.548	0.985
A10-BR2	0.263	0.420		



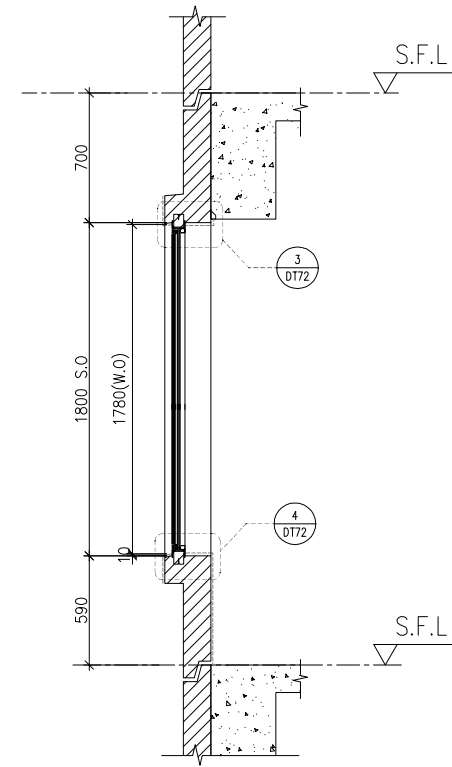
A1 PART PLAN



A2 PART PLAN



X PART SECTION



Y PART SECTION

ELEVATION

FACADE CODE		
LWK	鴻輝	UNIT
PF-02R	T3PF-05	A3
PF-02R	T3PF-37	A10

WINDOW MARK



LOCATION	46/F UNIT A3,A10
SECTION	70mm ALUM. SECTION
GLAZING	EGL-1,EGL-1A
QUANTITY	1 No / 1 No
REMARKS	4 BAR HINGE-LIP HING (HHMS-N16)

B.D. REF :

CLIENT :



ARCHITECT :



MAIN CONTRACTOR :



STRUCTURAL ENGINEER :



FACADE CONSULTANT:



NOTE :

1. ALL DIMENSIONS ARE IN mm.
2. ALL ELEVATIONS ARE VIEWED FROM OUTSIDE.
3. ALL DIMENSIONS TO BE VERIFIED ON SITE BEFORE FABRICATION.

LEGEND :

- X1 — DETAIL MARK NO.
- X001 — REFER SHEET NO.

1. F.F.L. -- FINISHED FLOOR LEVEL
2. S.F.L. -- STRUCTURAL FLOOR LEVEL
3. (R) -- REVERSED DETAIL

4. GLASS LEGEND
- EGL-1--8mmHS+12mm AIR GAP+10mmTP THK. I.G.U.
  - EGL-1A--8mmHS+12mm AIR GAP+8mmTP THK. I.G.U.
  - EGL-1B--8mmHS+12mm AIR GAP+10mm CLEAR TEMPERED ACID ETCHED THK. (FROSTED ON #3).I.G.U.
  - EGL-2--10mm THK. CRYSTAL GRAY TEMPERED GLASS (FOR KIT & ST)
  - EGL-4--10mm THK. CRYSTAL TEMPERED ACID ETCHED GLASS (FOR BATH)

NO.	DATE	REVISED	BY

JOB NO. : J-856

PROJECT : PROPOSED DEVELOPMENT ABOVE LIGHT RAIL TIN WING STOP,TSWTL NO.23,AREA 33,TIN SHUI WAI, N.T.

TITLE : WINDOW SCHEDULE FOR TOWER 3 ALUM. WINDOW

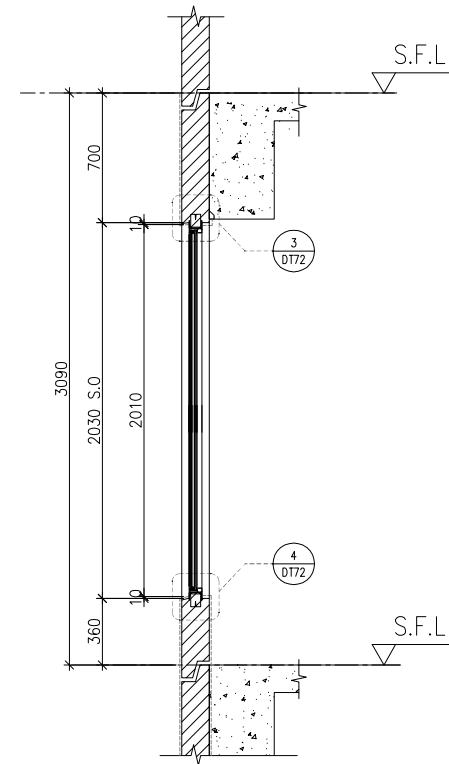
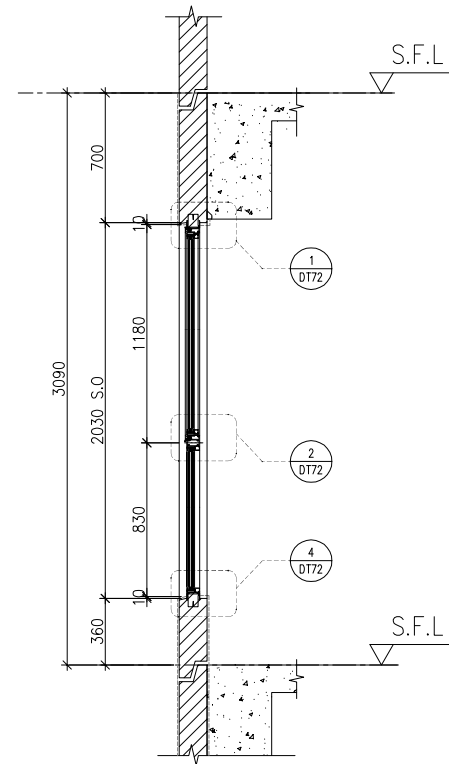
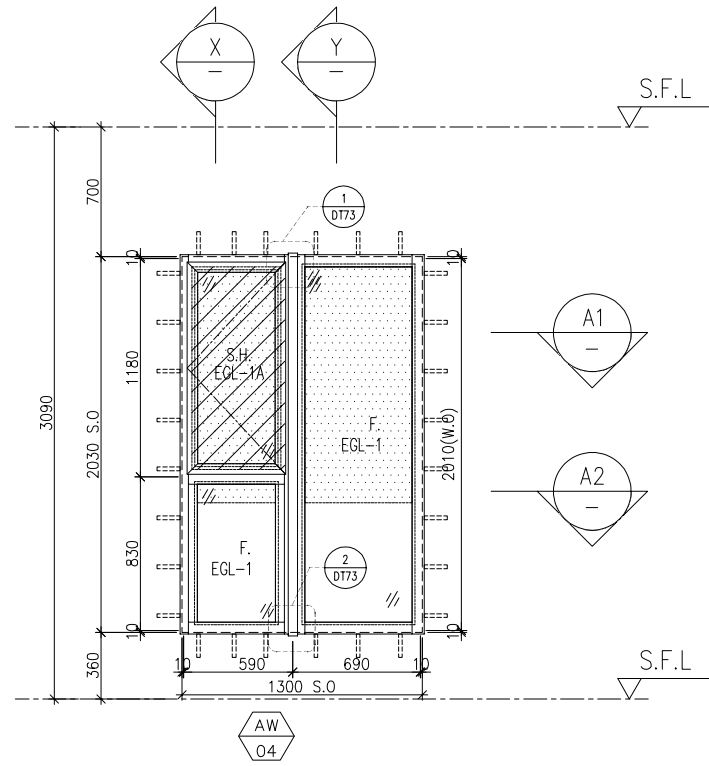
DATE : 02-Aug-21 SCALE : 1:40

DRAWN BY : Ivan CHECKED BY :



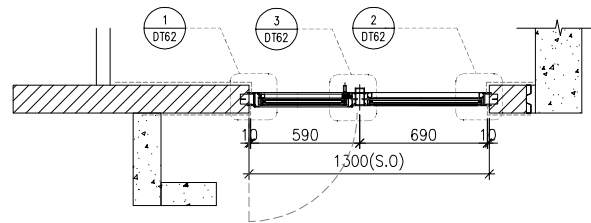
DWG NO. : J856-SD-PW-5351 REV. : -

LOCATION	REQUIRE		PROVIDED	
	OPENABLE AREA	GLAZING AREA	OPENABLE AREA	GLAZING AREA
A5-MBR	0.435	0.696	0.548	1.24
A7-MBR	0.435	0.696		
B2-MBR	0.435	0.696		

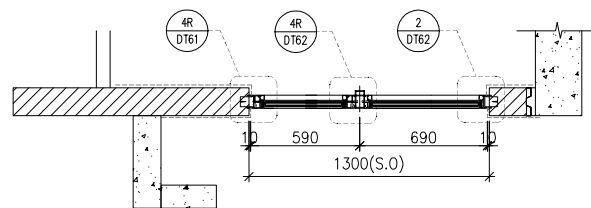


X PART SECTION

Y PART SECTION



A1 PART PLAN



A2 PART PLAN

FACADE CODE		
LWK	鴻輝	UNIT
PF-04	T3PF-08	A5
PF-04	T3PF-12	A7
PF-04R	T3PF-19	B2

WINDOW MARK



LOCATION	46/F UNIT A5, A7, B2
SECTION	70mm ALUM. SECTION
GLAZING	EGL-1, EGL-1A
QUANTITY	1 No / 1 No / 1 No
REMARKS	4 BAR HINGE-LIP HING (HHMS-N16)

B.D. REF :

CLIENT :  
**SUN HUNG KAI**  
 REAL ESTATE AGENCY LTD.  
 42/F SUN HUNG KAI CENTRE, WANCHAI, HONGKONG

ARCHITECT :  
**lwk&partners**  
 architects

MAIN CONTRACTOR :  
**Yee Fai** Building Contractors Ltd.

STRUCTURAL ENGINEER :  
**ARUP**

FACADE CONSULTANT:  
**ALPHA CONSULTING LIMITED**  
 Steel Structure & Facade Specialist

NOTE :  
 1. ALL DIMENSIONS ARE IN mm.  
 2. ALL ELEVATIONS ARE VIEWED FROM OUTSIDE.  
 3. ALL DIMENSIONS TO BE VERIFIED ON SITE BEFORE FABRICATION.

LEGEND :  
 X1 — DETAIL MARK NO.  
 X001 — REFER SHEET NO.

1. F.F.L. -- FINISHED FLOOR LEVEL  
 2. S.F.L. -- STRUCTURAL FLOOR LEVEL  
 3. (R) -- REVERSED DETAIL  
 4. GLASS LEGEND  
 EGL-1 -- 8mmHS+12mm AIR GAP+10mmTP THK. I.G.U.  
 EGL-1A -- 8mmHS+12mm AIR GAP+8mmTP THK. I.G.U.  
 EGL-1B -- 8mmHS+12mm AIR GAP+10mm CLEAR TEMPERED ACID ETCHED THK. (FROSTED ON #3) I.G.U.  
 EGL-2 -- 10mm THK. CRYSTAL GRAY TEMPERED GLASS (FOR KIT & ST)  
 EGL-4 -- 10mm THK. CRYSTAL TEMPERED ACID ETCHED GLASS (FOR BATH)

NO.	DATE	REVISED	BY

JOB NO. : J-856

PROJECT :  
 PROPOSED DEVELOPMENT ABOVE LIGHT RAIL TIN WING STOP, TSWTL NO.23, AREA 33, TIN SHUI WAI, N.T.

TITLE :  
 WINDOW SCHEDULE FOR TOWER 3 ALUM. WINDOW

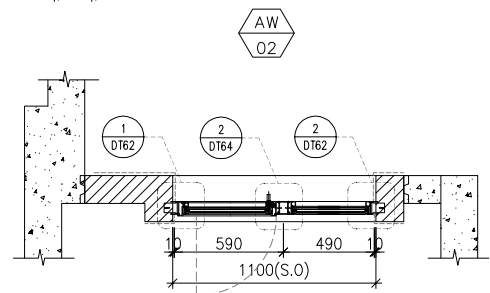
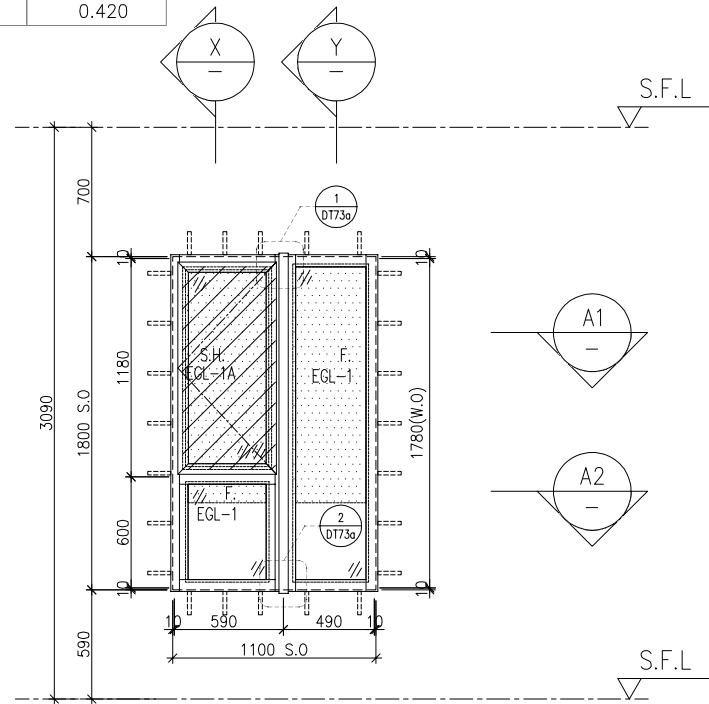
DATE : 02-Aug-21 SCALE : 1:40

DRAWN BY : Ivan CHECKED BY :

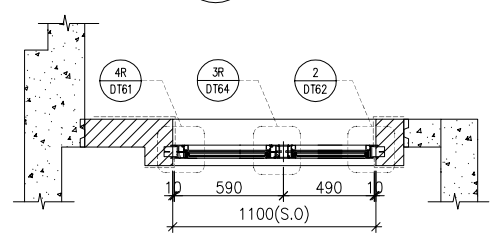
**美特鋁質有限公司**  
**MIDI ALUMINIUM FABRICATOR LTD.**  
 Units 6-8, Sunray Industrial Centre, 1/F  
 610 Cha Kwo Ling Road, Kowloon  
 Tel: 23489211-4 Fax: (852) 27727666

DWG NO. : J856-SD-PW-5352 REV. : -

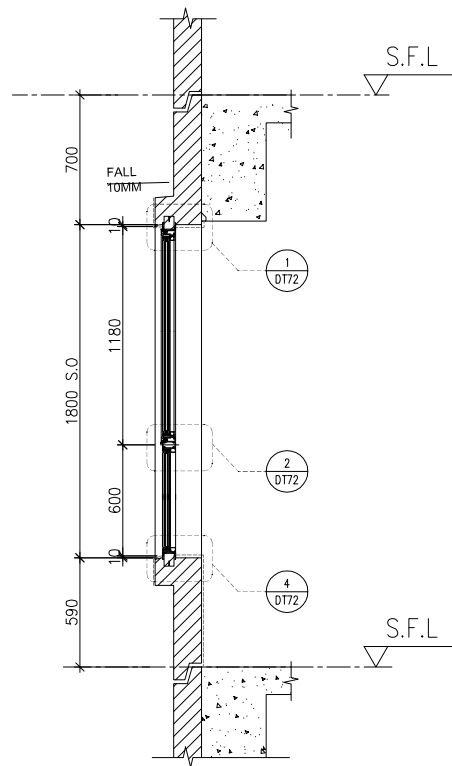
LOCATION	REQUIRE		PROVIDED	
	OPENABLE AREA	GLAZING AREA	OPENABLE AREA	GLAZING AREA
A3-BR1	N/A	N/A	0.548	0.985
A7-BR2	0.263	0.420		
B2-BR2	0.263	0.420		
SIM.-1B-BR4	0.263	0.420		



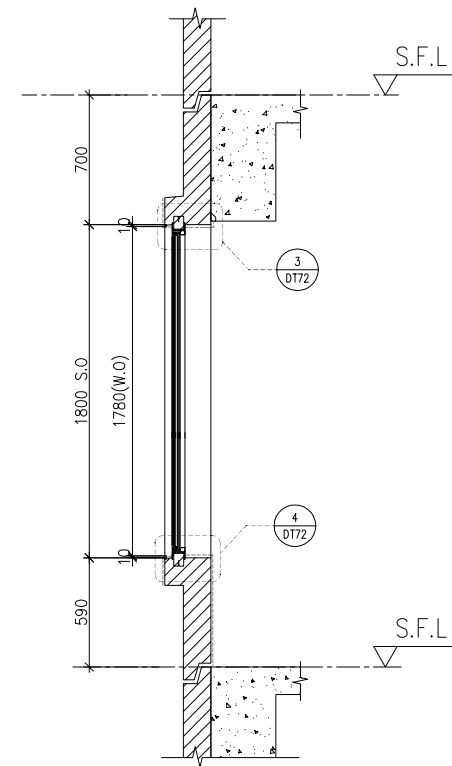
A1 PART PLAN



A2 PART PLAN



X PART SECTION



Y PART SECTION

FACADE CODE		
LWK	鴻輝	UNIT
PF-05	T3PF-04	A3
PF-05	T3PF-13	A7
PF-05	T3PF-34	SIM.-1B
PF-05	T3PF-18	B2

WINDOW MARK



LOCATION 46/F UNIT A3, A7, B5, B2

SECTION 70mm ALUM. SECTION

GLAZING EGL-1, EGL-1A

QUANTITY 1 No / 1 No / 1 No / 1 No

REMARKS 4 BAR HINGE-LIP HING (HHMS-N16)

B.D. REF :

CLIENT :  
**SUN HUNG KAI**  
 REAL ESTATE AGENCY LTD.  
 42/F SUN HUNG KAI CENTRE, WANCHAI, HONGKONG

ARCHITECT :  
**Iwk&partners**  
 architects

MAIN CONTRACTOR :  
**Yee Fai** Building Contractors Ltd.

STRUCTURAL ENGINEER :  
**ARUP**

FACADE CONSULTANT:  
**ALPHA CONSULTING LIMITED**  
 Steel Structure & Facade Specialist

NOTE :  
 1. ALL DIMENSIONS ARE IN mm.  
 2. ALL ELEVATIONS ARE VIEWED FROM OUTSIDE.  
 3. ALL DIMENSIONS TO BE VERIFIED ON SITE BEFORE FABRICATION.

LEGEND :  
 (X1) --- DETAIL MARK NO.  
 (X001) --- REFER SHEET NO.  
 1. F.F.L. -- FINISHED FLOOR LEVEL  
 2. S.F.L. -- STRUCTURAL FLOOR LEVEL  
 3. (R) -- REVERSED DETAIL  
 4. GLASS LEGEND  
 EGL-1 -- 8mmHS+12mm AIR GAP+10mmTP THK. I.G.U.  
 EGL-1A -- 8mmHS+12mm AIR GAP+8mmTP THK. I.G.U.  
 EGL-1B -- 8mmHS+12mm AIR GAP+10mm CLEAR TEMPERED ACID ETCHED THK. (FROSTED ON #3) I.G.U.  
 EGL-2 -- 10mm THK. CRYSTAL GRAY TEMPERED GLASS (FOR KIT & ST)  
 EGL-4 -- 10mm THK. CRYSTAL TEMPERED ACID ETCHED GLASS (FOR BATH)

NO.	DATE	REVISED	BY

JOB NO. : J-856

PROJECT : PROPOSED DEVELOPMENT ABOVE LIGHT RAIL TIN WING STOP, TSWTL NO.23, AREA 33, TIN SHUI WAI, N.T.

TITLE : WINDOW SCHEDULE FOR TOWER 3 ALUM. WINDOW

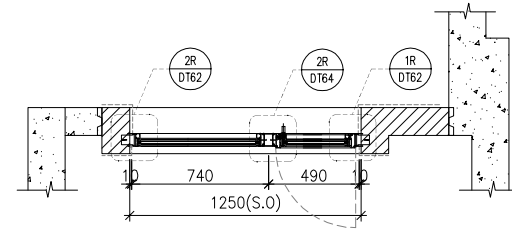
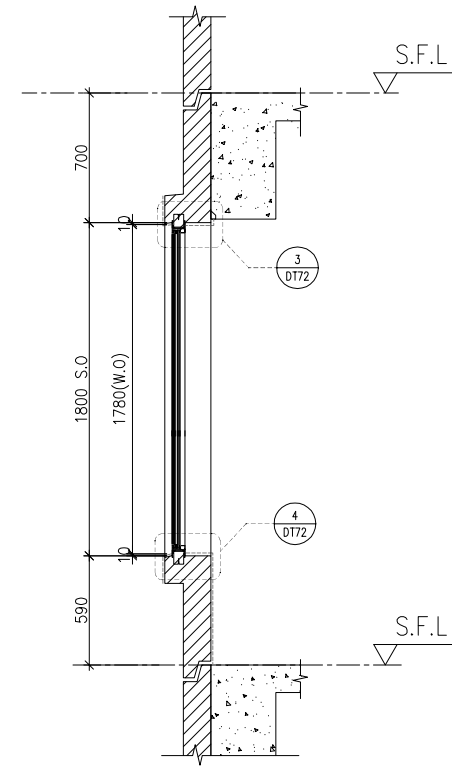
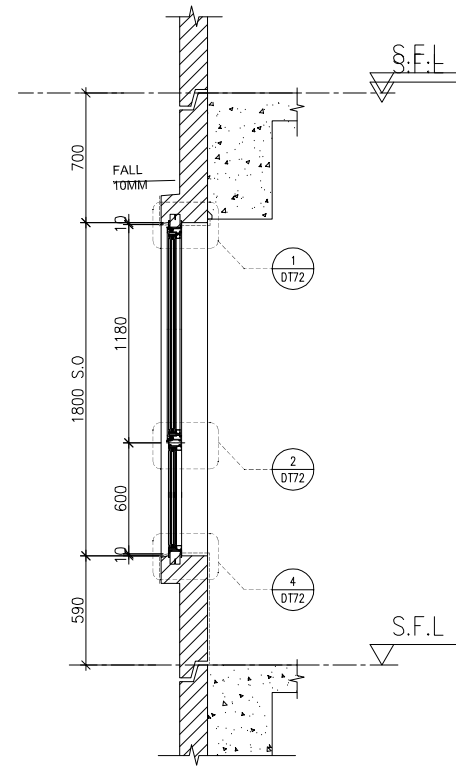
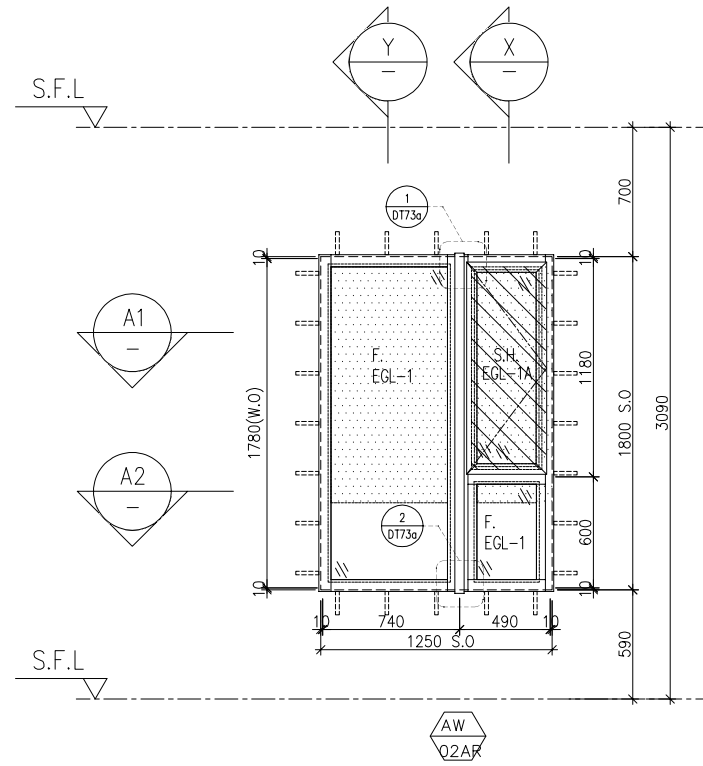
DATE : 02-Aug-21 SCALE : 1:40

DRAWN BY : Ivan CHECKED BY :

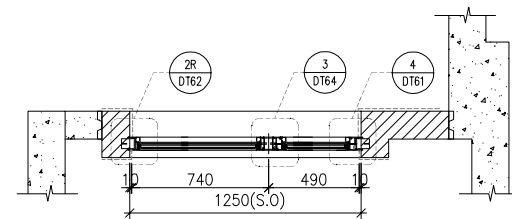
**美特鋁質有限公司**  
 MIDI ALUMINIUM FABRICATOR LTD.  
 Units 6-8, Sunray Industrial Centre, 1/F  
 610 Cha Kwo Ling Road, Kowloon  
 Tel: 23489211-4 Fax: (852) 27727666

DWG NO. : J856-SD-PW-5353 REV. : -

LOCATION	REQUIRE		PROVIDED	
	OPENABLE AREA	GLAZING AREA	OPENABLE AREA	GLAZING AREA
B1-BR2	0.283	0.452	0.439	1.19



A1 PART PLAN



A2 PART PLAN

ELEVATION

FACADE CODE		
LWK	鴻輝	UNIT
PF-05R	T3PF-21	B1

WINDOW MARK



LOCATION	46/F UNIT B1
SECTION	70mm ALUM. SECTION
GLAZING	EGL-1, EGL-1A
QUANTITY	1 No
REMARKS	4 BAR HINGE-LIP HING (HHMS-N12)

B.D. REF :

CLIENT :



ARCHITECT :



MAIN CONTRACTOR :



STRUCTURAL ENGINEER :



FACADE CONSULTANT:



NOTE :

1. ALL DIMENSIONS ARE IN mm.
2. ALL ELEVATIONS ARE VIEWED FROM OUTSIDE.
3. ALL DIMENSIONS TO BE VERIFIED ON SITE BEFORE FABRICATION.

LEGEND :

- (X1) --- DETAIL MARK NO.  
(X001) --- REFER SHEET NO.

1. F.F.L. --- FINISHED FLOOR LEVEL
2. S.F.L. --- STRUCTURAL FLOOR LEVEL
3. (R) --- REVERSED DETAIL

4. GLASS LEGEND  
EGL-1--8mmHS+12mm AIR GAP+10mmTP THK. I.G.U.  
EGL-1A--8mmHS+12mm AIR GAP+8mmTP THK. I.G.U.  
EGL-1B--8mmHS+12mm AIR GAP+10mm CLEAR TEMPERED ACID ETCHED THK. (FROSTED ON #3)I.G.U.  
EGL-2--10mm THK. CRYSTAL GRAY TEMPERED GLASS (FOR KIT & ST)  
EGL-4--10mm THK. CRYSTAL TEMPERED ACID ETCHED GLASS (FOR BATH)

NO.	DATE	REVISED	BY

JOB NO. : J-856

PROJECT : PROPOSED DEVELOPMENT ABOVE LIGHT RAIL TIN WING STOP, TSWTL NO.23, AREA 33, TIN SHUI WAI, N.T.

TITLE : WINDOW SCHEDULE FOR TOWER 3 ALUM. WINDOW

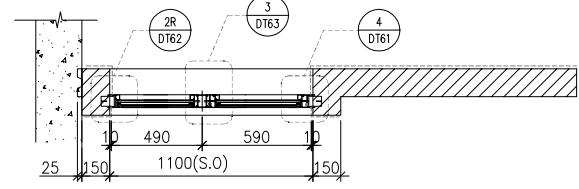
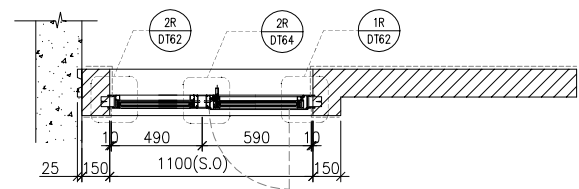
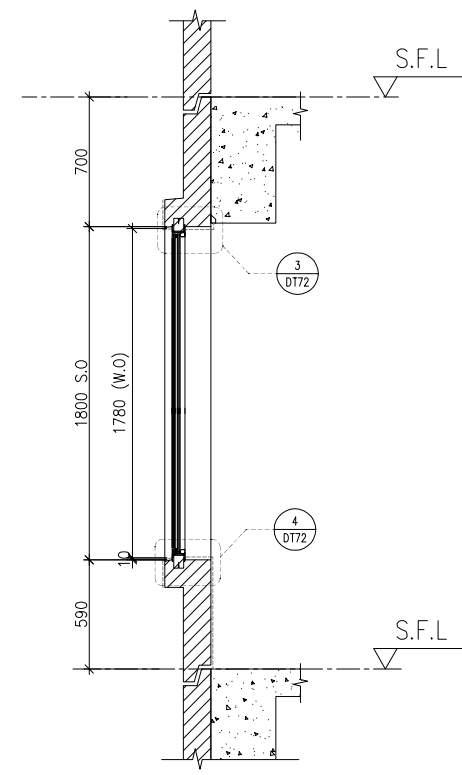
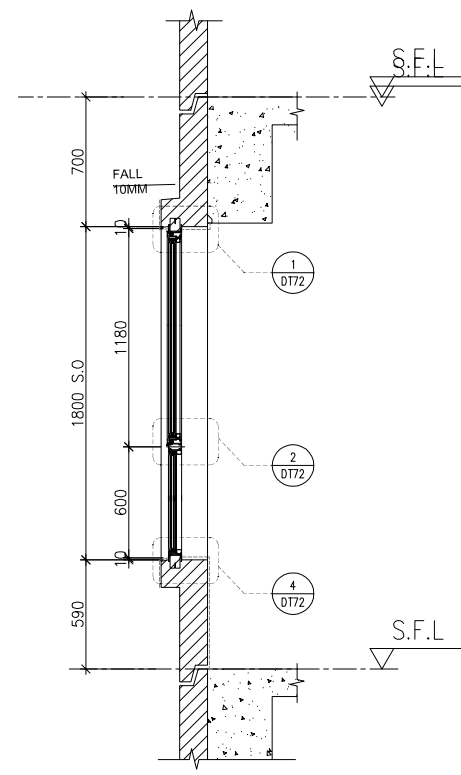
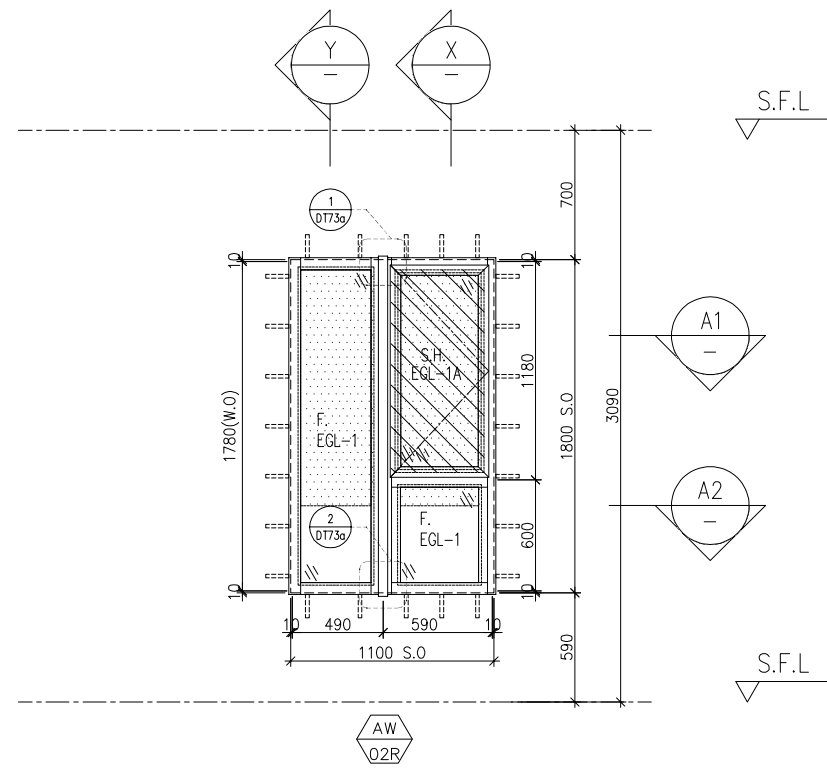
DATE : 22-Apr-22 SCALE : 1:40

DRAWN BY : Ivan CHECKED BY :



DWG NO. : J856-SD-PW-5354 REV. : -

LOCATION	REQUIRE		PROVIDED	
	OPENABLE AREA	GLAZING AREA	OPENABLE AREA	GLAZING AREA
A6-BR2	0.263	0.420	0.548	0.985
B1-BR3	0.263	0.420		



ELEVATION

FACADE CODE		
LWK	鴻輝	UNIT
PF-08R	T3PF-10	A6
PF-08R	T3PF-20	B1

WINDOW MARK



LOCATION	46/F UNIT A6 , B1
SECTION	70mm ALUM. SECTION
GLAZING	EGL-1,EGL-1A
QUANTITY	1 No / 1 No
REMARKS	4 BAR HINGE-LIP HING (HHMS-N16)

B.D. REF :

CLIENT :  
  
 42/F SUN HUNG KAI CENTRE, WANCHAI, HONGKONG

ARCHITECT :  


MAIN CONTRACTOR :  


STRUCTURAL ENGINEER :  


FACADE CONSULTANT:  


NOTE :  
 1. ALL DIMENSIONS ARE IN mm.  
 2. ALL ELEVATIONS ARE VIEWED FROM OUTSIDE.  
 3. ALL DIMENSIONS TO BE VERIFIED ON SITE BEFORE FABRICATION.

LEGEND :  
 (X1) --- DETAIL MARK NO.  
 (X001) --- REFER SHEET NO.  
 1. F.F.L. --- FINISHED FLOOR LEVEL  
 2. S.F.L. --- STRUCTURAL FLOOR LEVEL  
 3. (R) --- REVERSED DETAIL  
 4. GLASS LEGEND  
 EGL-1--8mmHS+12mm AIR GAP+10mmTP THK. I.G.U.  
 EGL-1A--8mmHS+12mm AIR GAP+8mmTP THK. I.G.U.  
 EGL-1B--8mmHS+12mm AIR GAP+10mm CLEAR TEMPERED ACID ETCHED THK. (FROSTED ON #3)I.G.U.  
 EGL-2--10mm THK. CRYSTAL GRAY TEMPERED GLASS (FOR KIT & ST)  
 EGL-4--10mm THK. CRYSTAL TEMPERED ACID ETCHED GLASS (FOR BATH)

NO.	DATE	REVISED	BY

JOB NO. : J-856

PROJECT :  
 PROPOSED DEVELOPMENT ABOVE LIGHT RAIL TIN WING STOP,TSWTL NO.23,AREA 33,TIN SHUI WAI, N.T.

TITLE :  
 WINDOW SCHEDULE FOR TOWER 3 ALUM. WINDOW

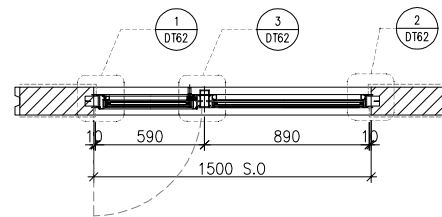
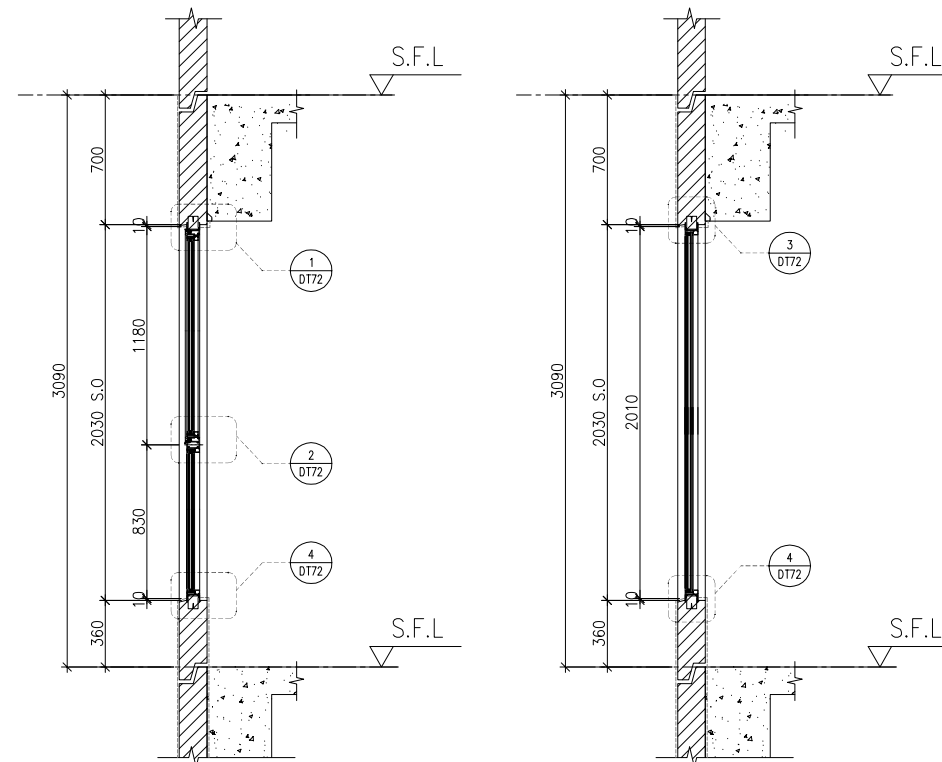
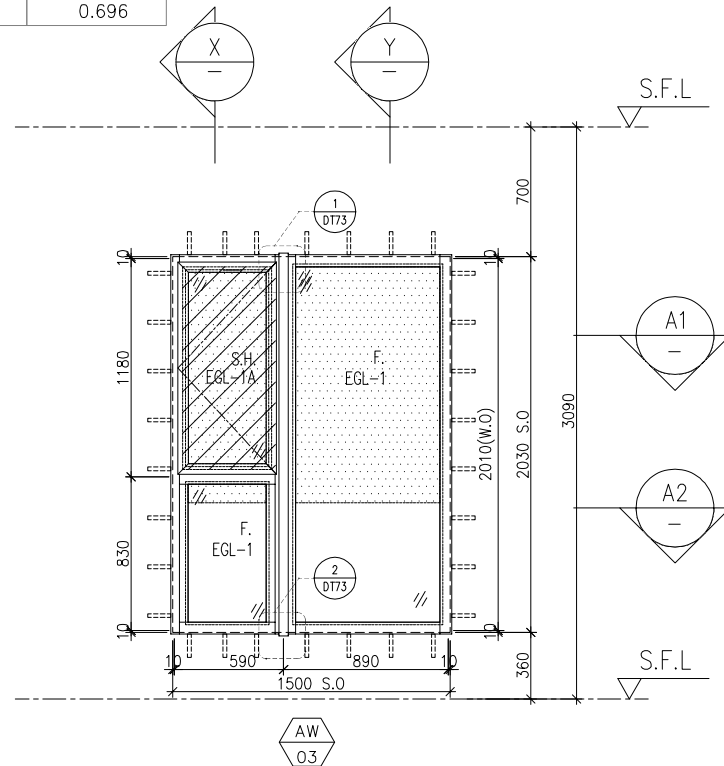
DATE : 02-Aug-21 SCALE : 1:40

DRAWN BY : Ivan CHECKED BY :

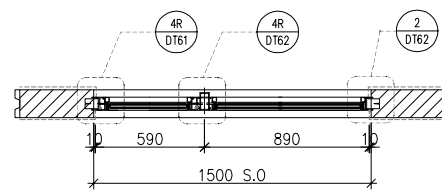
  
 MIDI ALUMINIUM FABRICATOR LTD.  
 Units 6-8, Sunray Industrial Centre, 1/F  
 610 Cha Kwo Ling Road, Kowloon  
 Tel:23489211-4 Fax:(852)27727666

DWG NO. : J856-SD-PW-5355 REV. : -

LOCATION	REQUIRE		PROVIDED	
	OPENABLE AREA	GLAZING AREA	OPENABLE AREA	GLAZING AREA
A1-MBR	0.435	0.696	0.548	1.495
A3-MBR	0.460	0.736		
A6-MBR	0.473	0.757		
B8-MBR	0.435	0.696		



A1 PART PLAN



A2 PART PLAN

FACADE CODE		
LWK	鴻輝	UNIT
PF-10	T3PF-06	A3
PF-10	T3PF-11	A6
PF-10	T3PF-38	A10
PF-10R	T3PF-29	B8

WINDOW MARK	AW 03	AW 03R
LOCATION	46/F UNIT A3, A6, A10	46/F UNIT B8
SECTION	70mm ALUM. SECTION	70mm ALUM. SECTION
GLAZING	EGL-1, EGL-1A	EGL-1, EGL-1A
QUANTITY	1 No / 1 No / 1 No	1 No
REMARKS	4 BAR HINGE-LIP HING (HHMS-N16)	4 BAR HINGE-LIP HING (HHMS-N16)

B.D. REF :

CLIENT :  
**SUN HUNG KAI**  
 REAL ESTATE AGENCY LTD.  
 42/F SUN HUNG KAI CENTRE, WANCHAI, HONGKONG

ARCHITECT :  
**IWK&partners**  
 architects

MAIN CONTRACTOR :  
**Yee Fai** Building Contractors Ltd.

STRUCTURAL ENGINEER :  
**ARUP**

FACADE CONSULTANT:  
**ALPHA CONSULTING LIMITED**  
 Steel Structure & Facade Specialist

NOTE :  
 1. ALL DIMENSIONS ARE IN mm.  
 2. ALL ELEVATIONS ARE VIEWED FROM OUTSIDE.  
 3. ALL DIMENSIONS TO BE VERIFIED ON SITE BEFORE FABRICATION.

LEGEND :  
 X1 — DETAIL MARK NO.  
 X001 — REFER SHEET NO.  
 1. F.F.L. -- FINISHED FLOOR LEVEL  
 2. S.F.L. -- STRUCTURAL FLOOR LEVEL  
 3. (R) -- REVERSED DETAIL  
 4. GLASS LEGEND  
 EGL-1 -- 8mmHS+12mm AIR GAP+10mmTP THK. I.G.U.  
 EGL-1A -- 8mmHS+12mm AIR GAP+8mmTP THK. I.G.U.  
 EGL-1B -- 8mmHS+12mm AIR GAP+10mm CLEAR TEMPERED ACID ETCHED THK. (FROSTED ON #3) I.G.U.  
 EGL-2 -- 10mm THK. CRYSTAL GRAY TEMPERED GLASS (FOR KIT & ST)  
 EGL-4 -- 10mm THK. CRYSTAL TEMPERED ACID ETCHED GLASS (FOR BATH)

NO.	DATE	REVISED	BY

JOB NO. : J-856

PROJECT :  
 PROPOSED DEVELOPMENT ABOVE LIGHT RAIL TIN WING STOP, TSWTL NO.23, AREA 33, TIN SHUI WAI, N.T.

TITLE :  
 WINDOW SCHEDULE FOR TOWER 3 ALUM. WINDOW

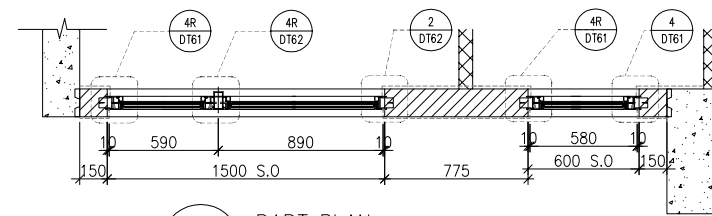
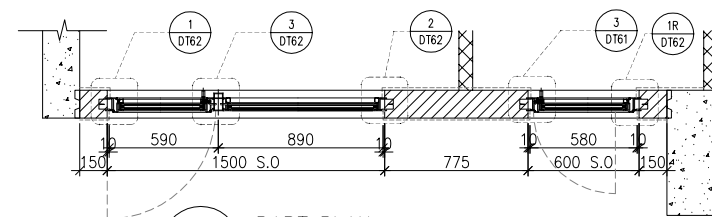
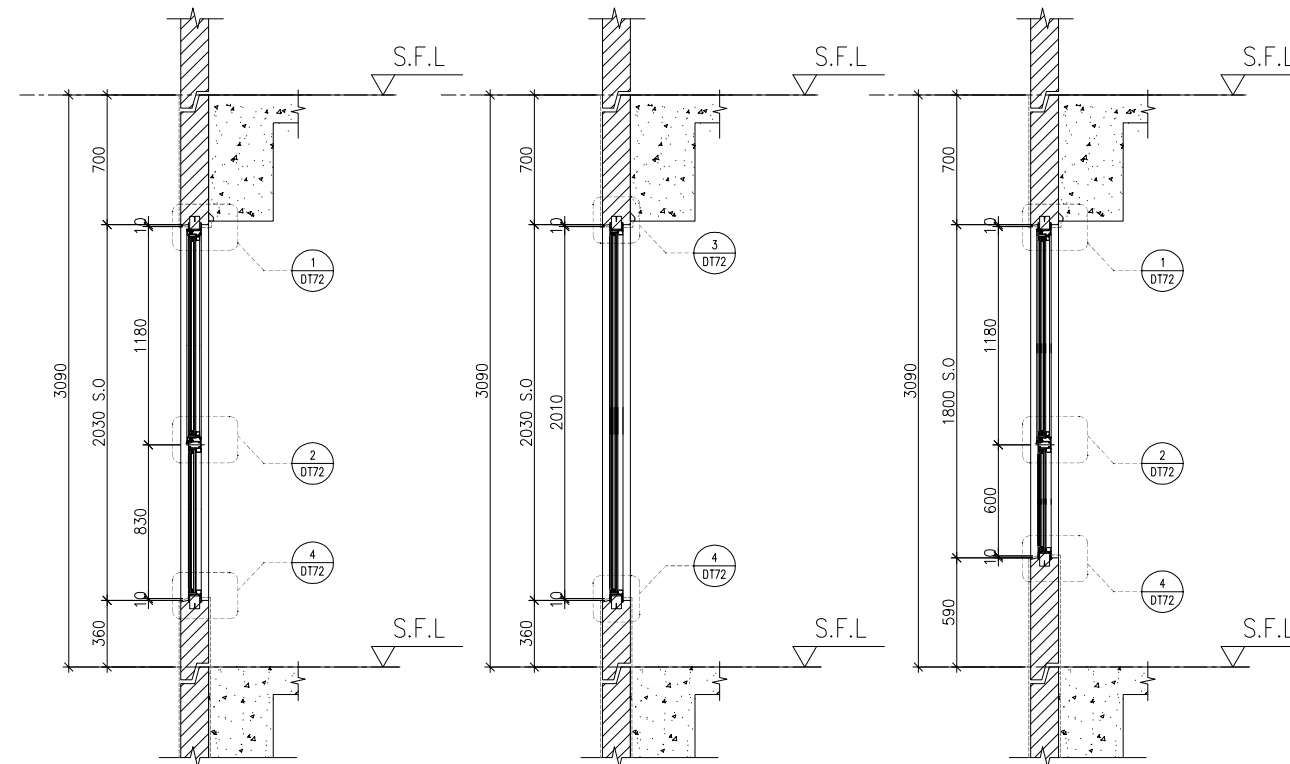
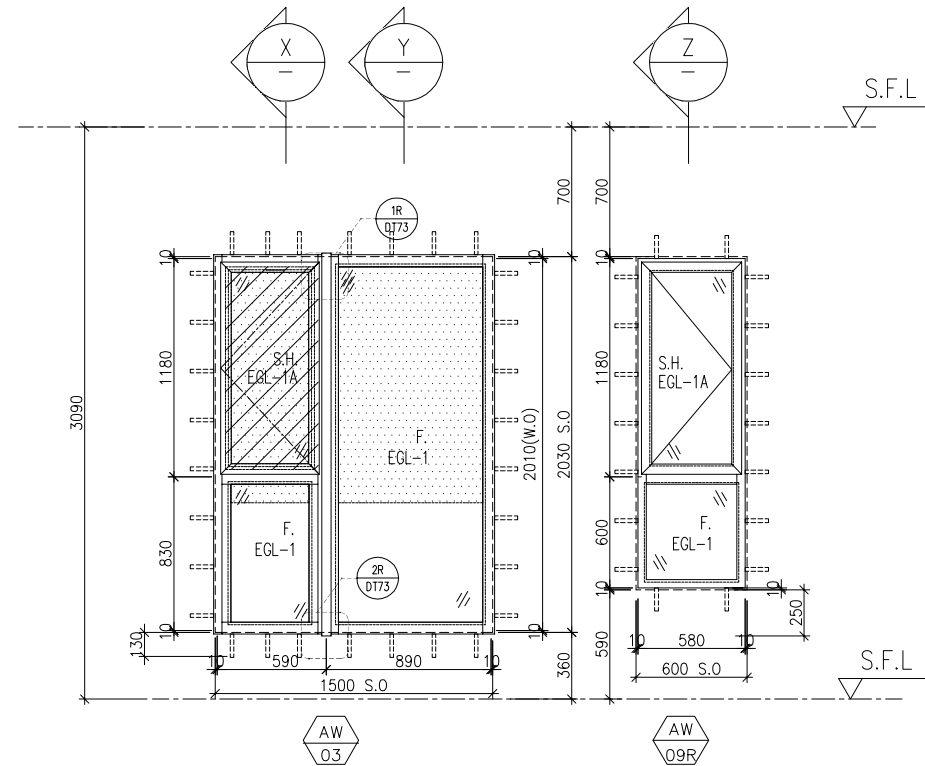
DATE : 02-Aug-21 SCALE : 1:40

DRAWN BY : Ivan CHECKED BY :

**美特鋁質有限公司**  
 MIDI ALUMINIUM FABRICATOR LTD.  
 Units 6-8, Sunray Industrial Centre, 1/F  
 610 Cha Kwo Ling Road, Kowloon  
 Tel: 23489211-4 Fax: (852) 27727666

DWG NO. : J856-SD-PW-5356 REV. : -

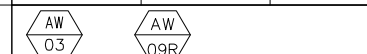
REQUIRE		PROVIDED		REQUIRE		PROVIDED	
LOCATION	OPENABLE AREA	GLAZING AREA	OPENABLE AREA	GLAZING AREA	LOCATION	OPENABLE AREA	GLAZING AREA
A8-MBR	0.388	0.620	0.548	1.495	A8-STO	N/A	N/A
						N/A	N/A



ELEVATION

FACADE CODE		
LWK	鴻輝	UNIT
PF-15	T3PF-14	A8

WINDOW MARK



LOCATION

46/F UNIT A8

SECTION

70mm ALUM. SECTION

GLAZING

EGL-1, EGL-1A

QUANTITY

1 No

REMARKS

4 BAR HINGE-LIP HING (HHMS-N16)

B.D. REF :

CLIENT :  
**SUN HUNG KAI**  
 REAL ESTATE AGENCY LTD.  
 42/F SUN HUNG KAI CENTRE, WANCHAI, HONGKONG

ARCHITECT :  
**IWK&partners**  
 architects

MAIN CONTRACTOR :  
**怡輝建築有限公司**  
**Yee Fai** Building Contractors Ltd.

STRUCTURAL ENGINEER :  
**ARUP**

FACADE CONSULTANT:  
**ALPHA CONSULTING LIMITED**  
 Steel Structure & Facade Specialist

NOTE :  
 1. ALL DIMENSIONS ARE IN mm.  
 2. ALL ELEVATIONS ARE VIEWED FROM OUTSIDE.  
 3. ALL DIMENSIONS TO BE VERIFIED ON SITE BEFORE FABRICATION.

LEGEND :  
 (X1) --- DETAIL MARK NO.  
 (X001) --- REFER SHEET NO.  
 1. F.F.L. --- FINISHED FLOOR LEVEL  
 2. S.F.L. --- STRUCTURAL FLOOR LEVEL  
 3. (R) --- REVERSED DETAIL  
 4. GLASS LEGEND  
 EGL-1--8mmHS+12mm AIR GAP+10mmTP THK. I.G.U.  
 EGL-1A--8mmHS+12mm AIR GAP+8mmTP THK. I.G.U.  
 EGL-1B--8mmHS+12mm AIR GAP+10mm CLEAR TEMPERED ACID ETCHED THK. (FROSTED ON #3)I.G.U.  
 EGL-2--10mm THK. CRYSTAL GRAY TEMPERED GLASS (FOR KIT & ST)  
 EGL-4--10mm THK. CRYSTAL TEMPERED ACID ETCHED GLASS (FOR BATH)

NO.	DATE	REVISED	BY

JOB NO. : J-856

PROJECT :  
 PROPOSED DEVELOPMENT ABOVE LIGHT RAIL TIN WING STOP, TSWTL NO.23, AREA 33, TIN SHUI WAI, N.T.

TITLE :  
 WINDOW SCHEDULE FOR TOWER 3 ALUM. WINDOW

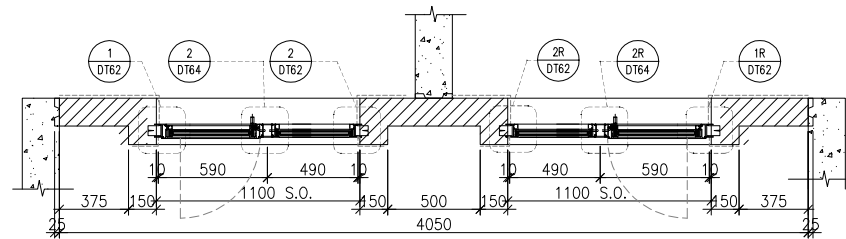
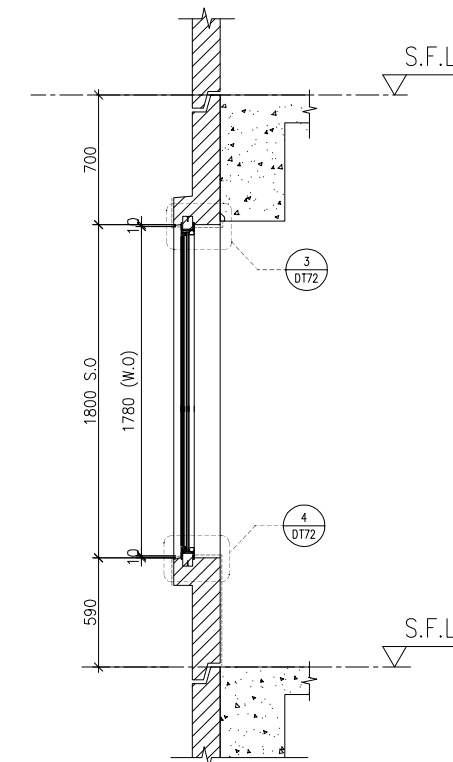
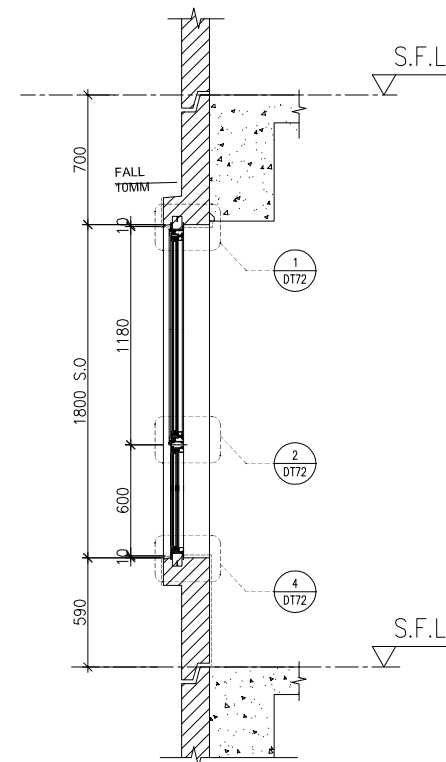
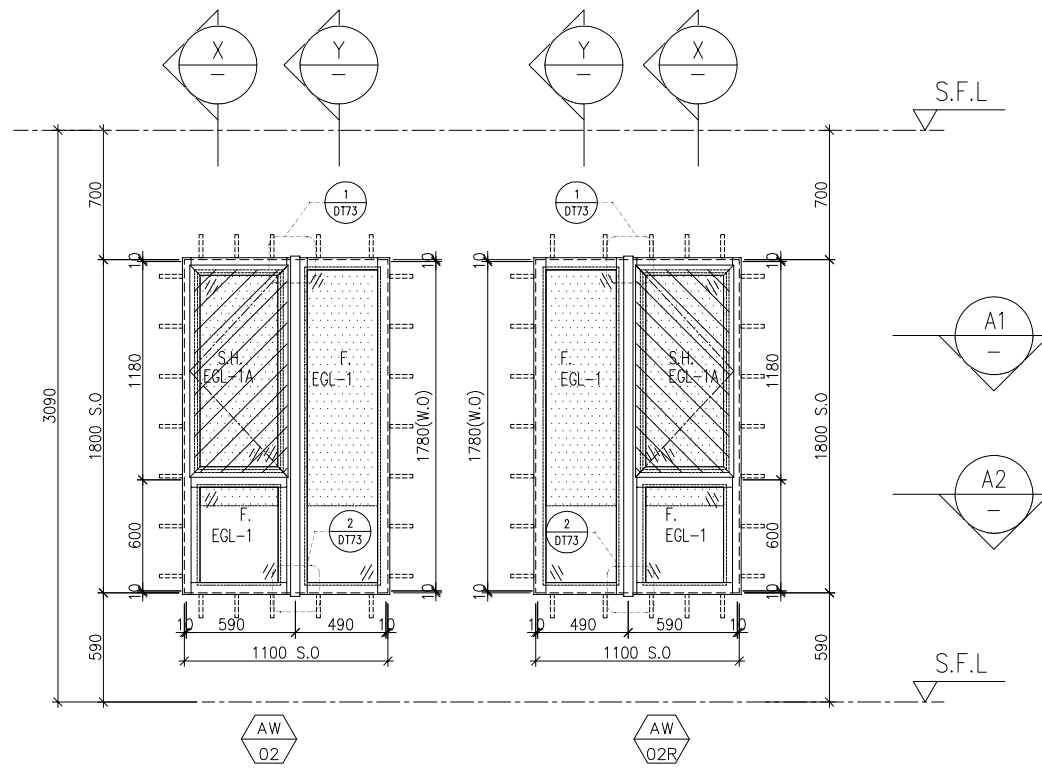
DATE : 02-Aug-21 SCALE : 1:40

DRAWN BY : Ivan CHECKED BY :

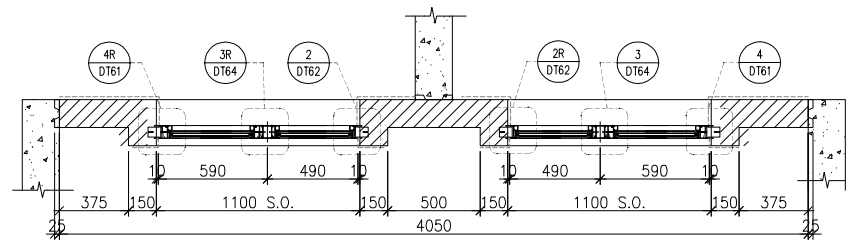
**美特鋁質有限公司**  
**MIDI ALUMINIUM FABRICATOR LTD.**  
 Units 6-8, Sunray Industrial Centre, 1/F  
 610 Cha Kwo Ling Road, Kowloon  
 Tel:23489211-4 Fax:(852)27727666

DWG NO. : J856-SD-PW-5357 REV. : -

REQUIRE		PROVIDED		REQUIRE		PROVIDED		
LOCATION	OPENABLE AREA	GLAZING AREA	OPENABLE AREA	GLAZING AREA	LOCATION	OPENABLE AREA	GLAZING AREA	
A6-BR3	0.263	0.420	0.548	0.985	A5-BR2	0.263	0.420	0.548



A1 PART PLAN



A2 PART PLAN

FACADE CODE

LWK	鴻輝	UNIT
PF-16	T3PF-09	A5
PF-16	T3PF-09	A6

WINDOW MARK	AW 02 AW 02R
-------------	--------------

LOCATION	46/F UNIT A6&A5
SECTION	70mm ALUM. SECTION
GLAZING	EGL-1,EGL-1A
QUANTITY	1 No
REMARKS	4 BAR HINGE-LIP HING (HHMS-N16)

B.D. REF :

CLIENT :  
**SUN HUNG KAI**  
 REAL ESTATE AGENCY LTD.  
 42/F SUN HUNG KAI CENTRE, WANCHAI, HONGKONG

ARCHITECT :  
**IWK&partners**  
 architects

MAIN CONTRACTOR :  
**Yee Fai** Building Contractors Ltd.

STRUCTURAL ENGINEER :  
**ARUP**

FACADE CONSULTANT:  
**ALPHA CONSULTING LIMITED**  
 Steel Structure & Facade Specialist

NOTE :  
 1. ALL DIMENSIONS ARE IN mm.  
 2. ALL ELEVATIONS ARE VIEWED FROM OUTSIDE.  
 3. ALL DIMENSIONS TO BE VERIFIED ON SITE BEFORE FABRICATION.

LEGEND :  
 (X1) --- DETAIL MARK NO.  
 (X001) --- REFER SHEET NO.  
 1. F.F.L. --- FINISHED FLOOR LEVEL  
 2. S.F.L. --- STRUCTURAL FLOOR LEVEL  
 3. (R) --- REVERSED DETAIL  
 4. GLASS LEGEND  
 EGL-1--8mmHS+12mm AIR GAP+10mmTP THK. I.G.U.  
 EGL-1A--8mmHS+12mm AIR GAP+8mmTP THK. I.G.U.  
 EGL-1B--8mmHS+12mm AIR GAP+10mm CLEAR TEMPERED ACID ETCHED THK. (FROSTED ON #3)I.G.U.  
 EGL-2--10mm THK. CRYSTAL GRAY TEMPERED GLASS (FOR KIT & ST)  
 EGL-4--10mm THK. CRYSTAL TEMPERED ACID ETCHED GLASS (FOR BATH)

NO.	DATE	REVISED	BY

JOB NO. : J-856

PROJECT :  
 PROPOSED DEVELOPMENT ABOVE LIGHT RAIL TIN WING STOP,TSWTL NO.23,AREA 33,TIN SHUI WAI, N.T.

TITLE :  
 WINDOW SCHEDULE FOR TOWER 3 ALUM. WINDOW

DATE : 02-Aug-21 SCALE : 1:40

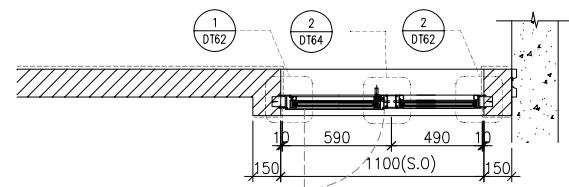
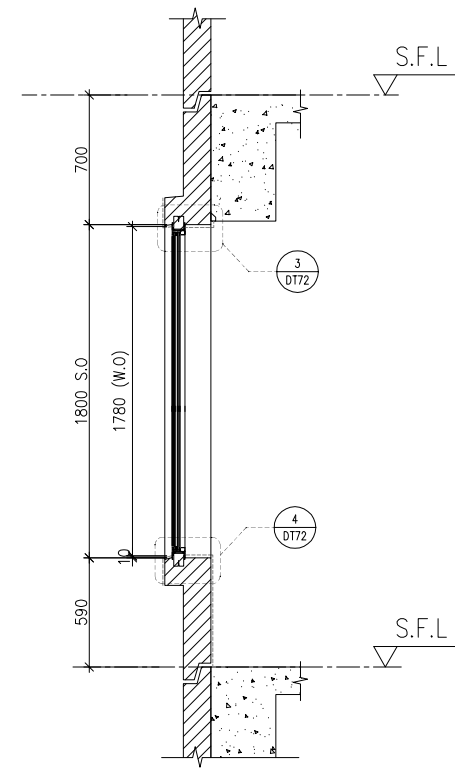
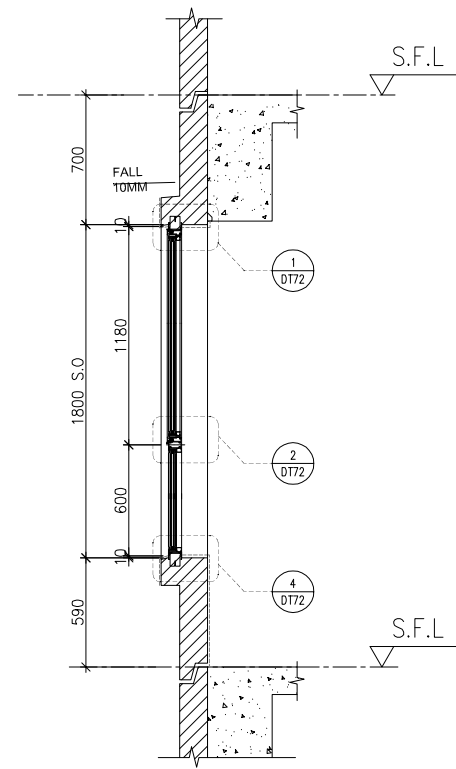
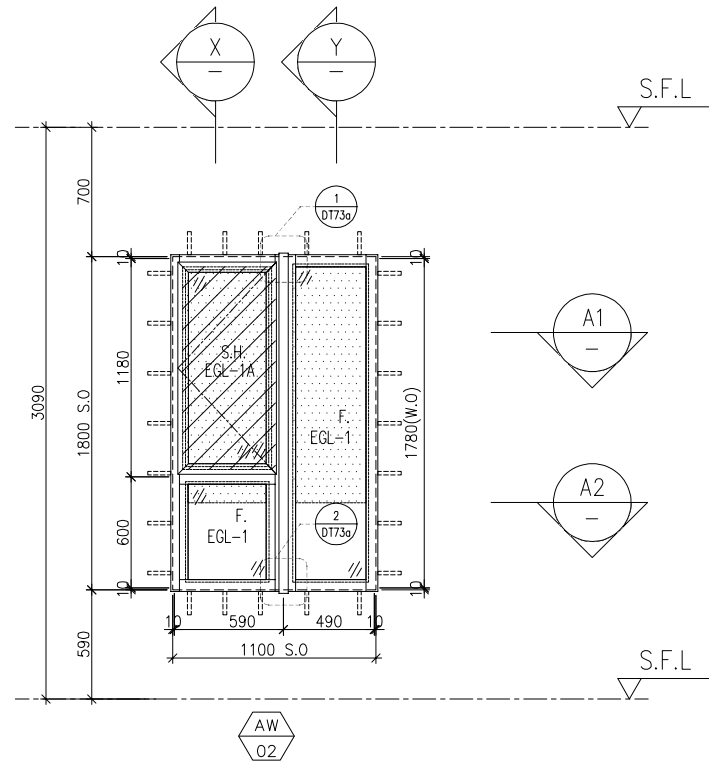
DRAWN BY : Ivan CHECKED BY :

**美特鋁質有限公司**  
**MIDI ALUMINIUM FABRICATOR LTD.**  
 Units 6-8, Sunray Industrial Centre, 1/F  
 610 Cha Kwo Ling Road, Kowloon  
 Tel:23489211-4 Fax:(852)2727666

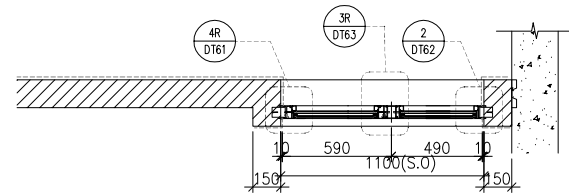
DWG NO. : J856-SD-PW-5358 REV. : -

ELEVATION

LOCATION	REQUIRE		PROVIDED	
	OPENABLE AREA	GLAZING AREA	OPENABLE AREA	GLAZING AREA
B8-BR2	0.263	0.420	0.548	0.985



A1 PART PLAN



A2 PART PLAN

FACADE CODE		
LWK	鴻輝	UNIT
PF-19	T3PF-28	B8

WINDOW MARK



LOCATION	46/F UNIT B8
SECTION	70mm ALUM. SECTION
GLAZING	EGL-1, EGL-1A
QUANTITY	1 No.
REMARKS	FACADE(TYPE T3PF19 FOR 3/F~45/F) ,4 BAR HINGE-LIP HING (HHMS-N16)

B.D. REF :

CLIENT :  
**SUN HUNG KAI**  
 REAL ESTATE AGENCY LTD.  
 42/F SUN HUNG KAI CENTRE, WANCHAI, HONGKONG

ARCHITECT :  
**IWK&partners**  
 architects

MAIN CONTRACTOR :  
**Yee Fai** Building Contractors Ltd.

STRUCTURAL ENGINEER :  
**ARUP**

FACADE CONSULTANT:  
**ALPHA CONSULTING LIMITED**  
 Steel Structure & Facade Specialist

NOTE :  
 1. ALL DIMENSIONS ARE IN mm.  
 2. ALL ELEVATIONS ARE VIEWED FROM OUTSIDE.  
 3. ALL DIMENSIONS TO BE VERIFIED ON SITE BEFORE FABRICATION.

LEGEND :  
 X1 --- DETAIL MARK NO.  
 X001 --- REFER SHEET NO.  
 1. F.F.L. --- FINISHED FLOOR LEVEL  
 2. S.F.L. --- STRUCTURAL FLOOR LEVEL  
 3. (R) --- REVERSED DETAIL  
 4. GLASS LEGEND  
 EGL-1--8mmHS+12mm AIR GAP+10mmTP THK. I.G.U.  
 EGL-1A--8mmHS+12mm AIR GAP+8mmTP THK. I.G.U.  
 EGL-1B--8mmHS+12mm AIR GAP+10mm CLEAR TEMPERED ACID ETCHED THK. (FROSTED ON #3)I.G.U.  
 EGL-2--10mm THK. CRYSTAL GRAY TEMPERED GLASS (FOR KIT & ST)  
 EGL-4--10mm THK. CRYSTAL TEMPERED ACID ETCHED GLASS (FOR BATH)

NO.	DATE	REVISED	BY

JOB NO. : J-856

PROJECT :  
 PROPOSED DEVELOPMENT ABOVE LIGHT RAIL TIN WING STOP, TSWTL NO.23, AREA 33, TIN SHUI WAI, N.T.

TITLE :  
 WINDOW SCHEDULE FOR TOWER 3 ALUM. WINDOW

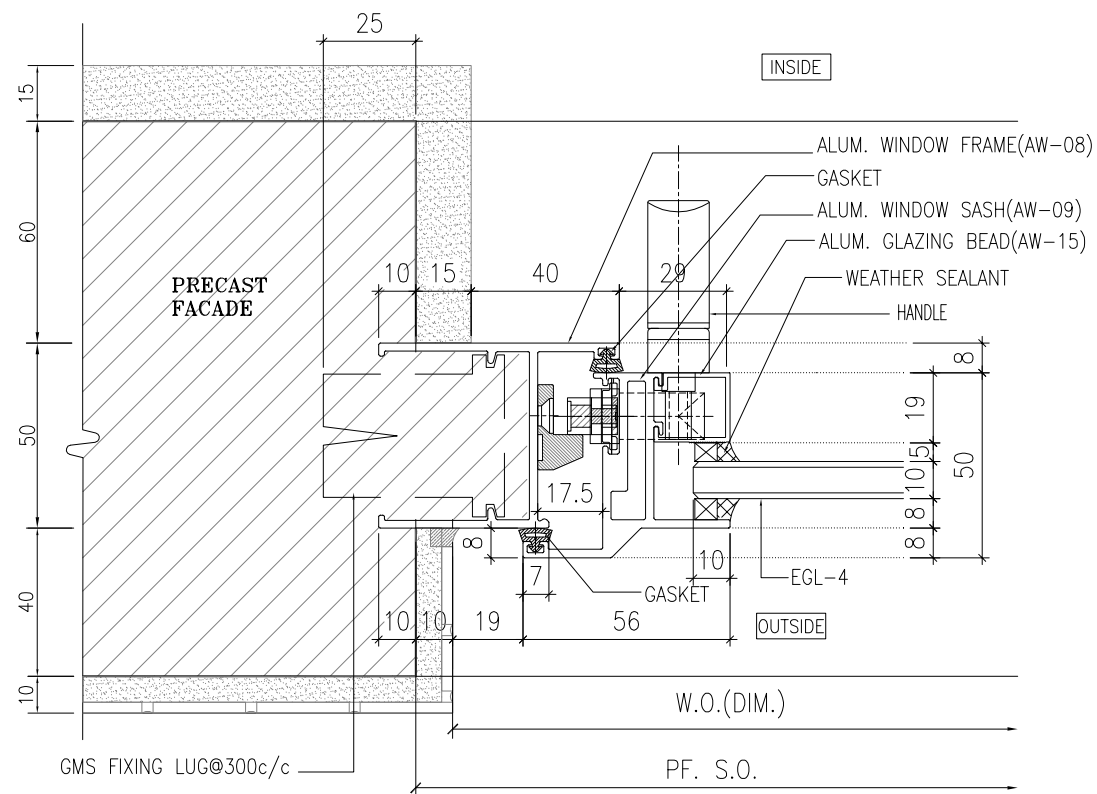
DATE : 02-Aug-21 SCALE : 1:40

DRAWN BY : Ivan CHECKED BY :

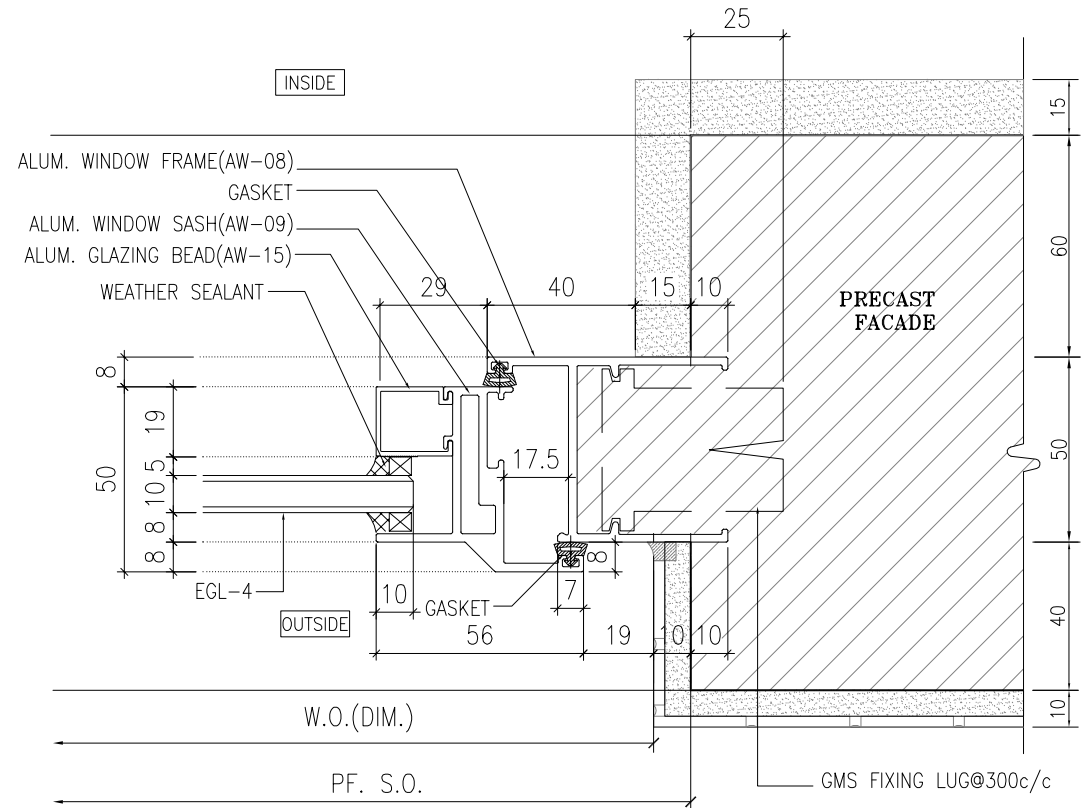
**美特鋁質有限公司**  
**MIDI ALUMINIUM FABRICATOR LTD.**  
 Units 6-8, Sunray Industrial Centre, 1/F  
 610 Cha Kwo Ling Road, Kowloon  
 Tel:23489211-4 Fax:(852)27727666

DWG NO. : J856-SD-PW-5359 REV. : -

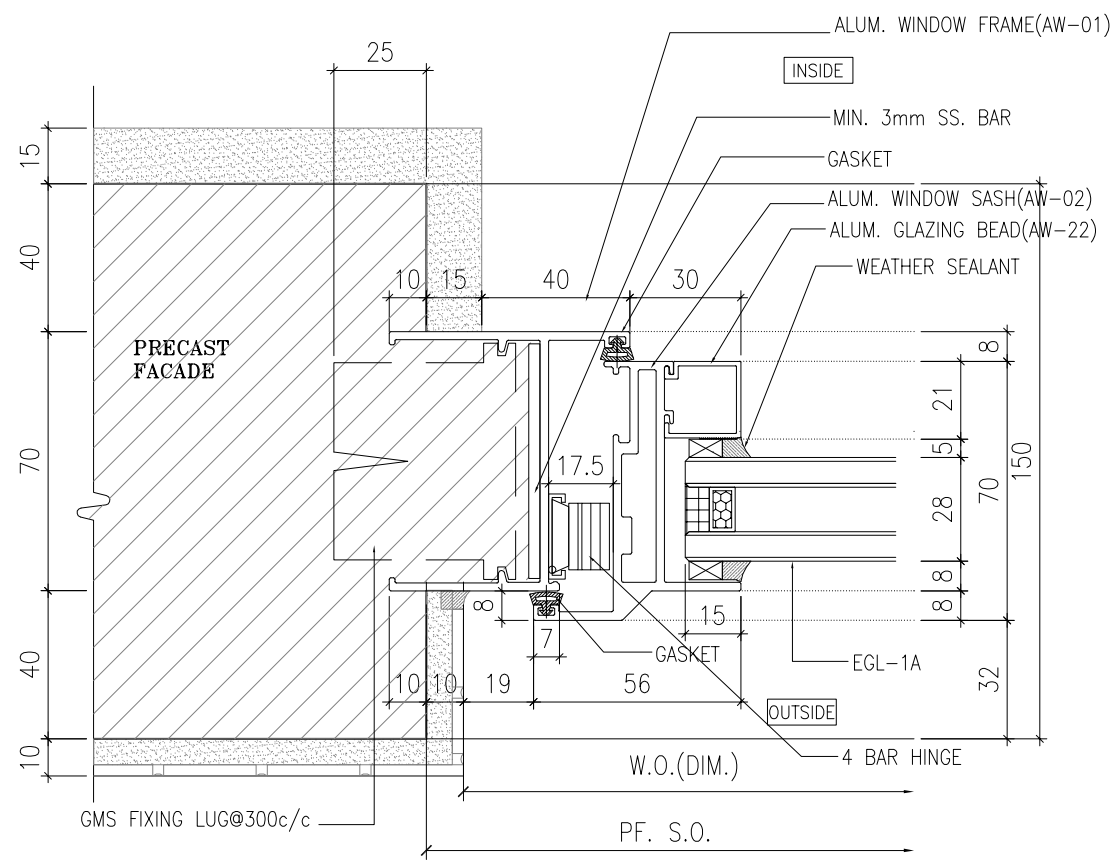




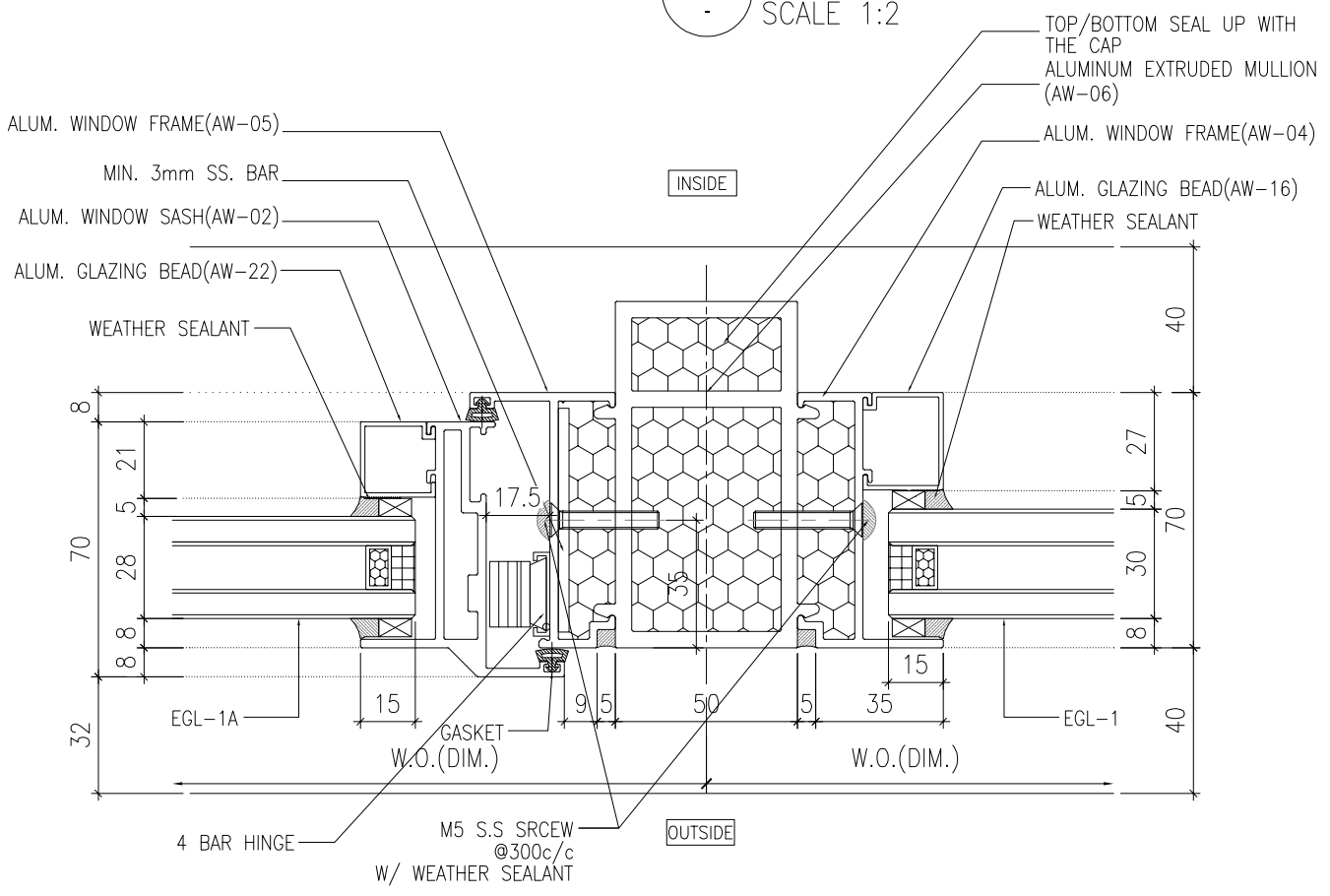
1 HORIZONTAL DETAIL  
SCALE 1:2



2 HORIZONTAL DETAIL  
SCALE 1:2



3 HORIZONTAL DETAIL  
SCALE 1:2



4 HORIZONTAL DETAIL  
SCALE 1:2

B.D. REF :

CLIENT :  
**SUN HUNG KAI**  
 REAL ESTATE AGENCY LTD.  
 42/F SUN HUNG KAI CENTRE, WANCHAI, HONGKONG

ARCHITECT :  
**IWK&partners**  
 architects

MAIN CONTRACTOR :  
**Yee Fai** Building Contractors Ltd.

STRUCTURAL ENGINEER :  
**ARUP**

FACADE CONSULTANT:  
**ALPHA CONSULTING LIMITED**  
 Steel Structure & Facade Specialist

- NOTE :
1. ALL DIMENSIONS ARE IN mm.
  2. ALL ELEVATIONS ARE VIEWED FROM OUTSIDE.
  3. ALL DIMENSIONS TO BE VERIFIED ON SITE BEFORE FABRICATION.

- LEGEND :
- (X1) -- DETAIL MARK NO.
  - (X001) -- REFER SHEET NO.

1. F.F.L. -- FINISHED FLOOR LEVEL
  2. S.F.L. -- STRUCTURAL FLOOR LEVEL
  3. (R) -- REVERSED DETAIL
  4. GLASS LEGEND
- EGL-1--8mmHS+12mm AIR GAP+10mmTP THK. I.G.U.  
 EGL-1A--8mmHS+12mm AIR GAP+8mmTP THK. I.G.U.  
 EGL-1B--8mmHS+12mm AIR GAP+10mm CLEAR TEMPERED ACID ETCHED THK. (FROSTED ON #3)I.G.U.  
 EGL-2--10mm THK. CRYSTAL GRAY TEMPERED GLASS (FOR KIT & ST)  
 EGL-4--10mm THK. CRYSTAL TEMPERED ACID ETCHED GLASS (FOR BATH)

NO.	DATE	REVISED	BY
C	25/08/2022	REVISION SUBJECT TO ARCH.COMMENT	Ivan
B	02/11/2021	REVISION SUBJECT TO ARCH.COMMENT	Ivan
A	30/10/2021	REVISION SUBJECT TO ARCH.COMMENT	Ivan

JOB NO. : J-856

PROJECT :  
 PROPOSED DEVELOPMENT ABOVE LIGHT RAIL TIN WING STOP, TSWTL NO.23, AREA 33, TIN SHUI WAI, N.T.

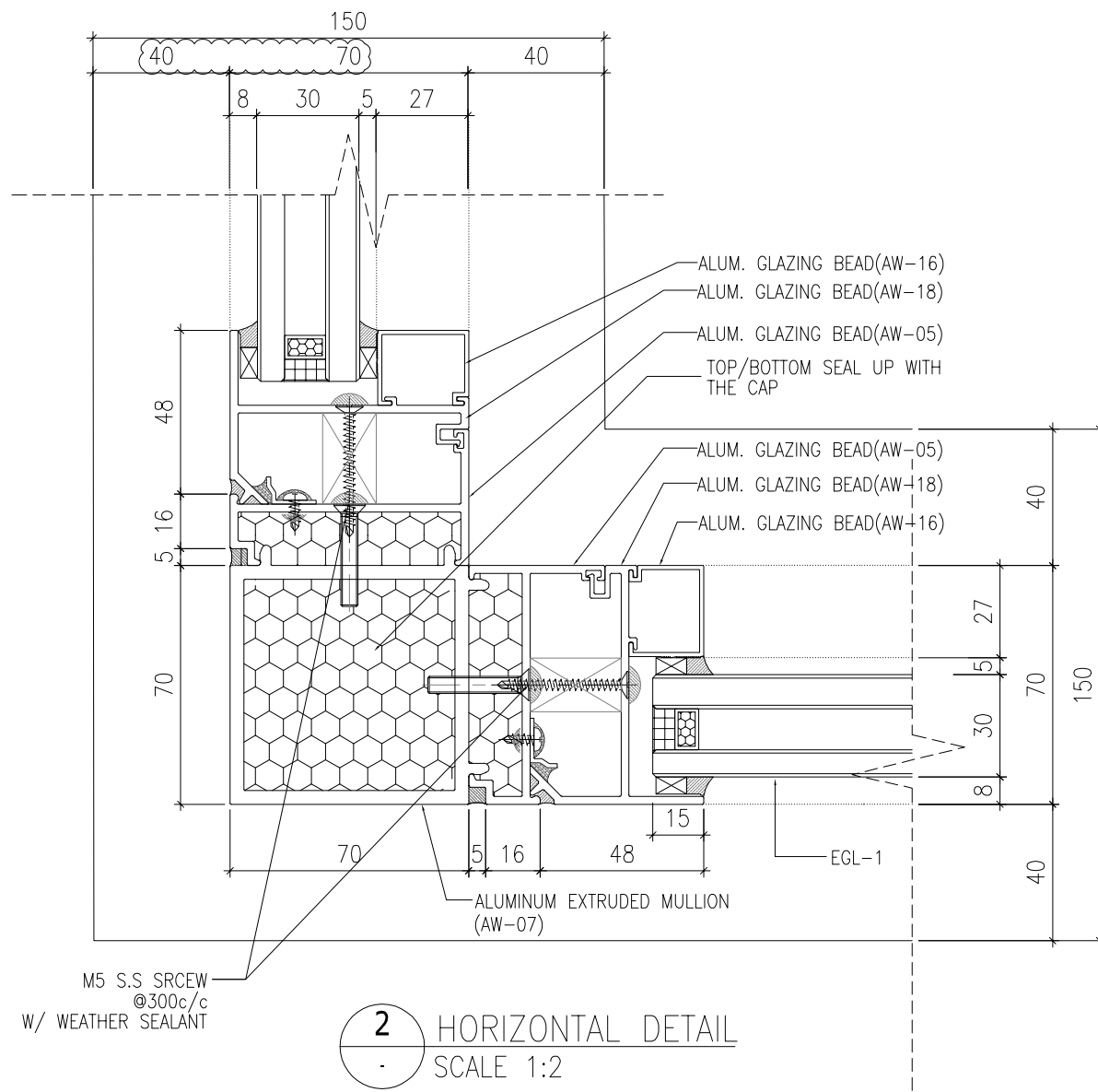
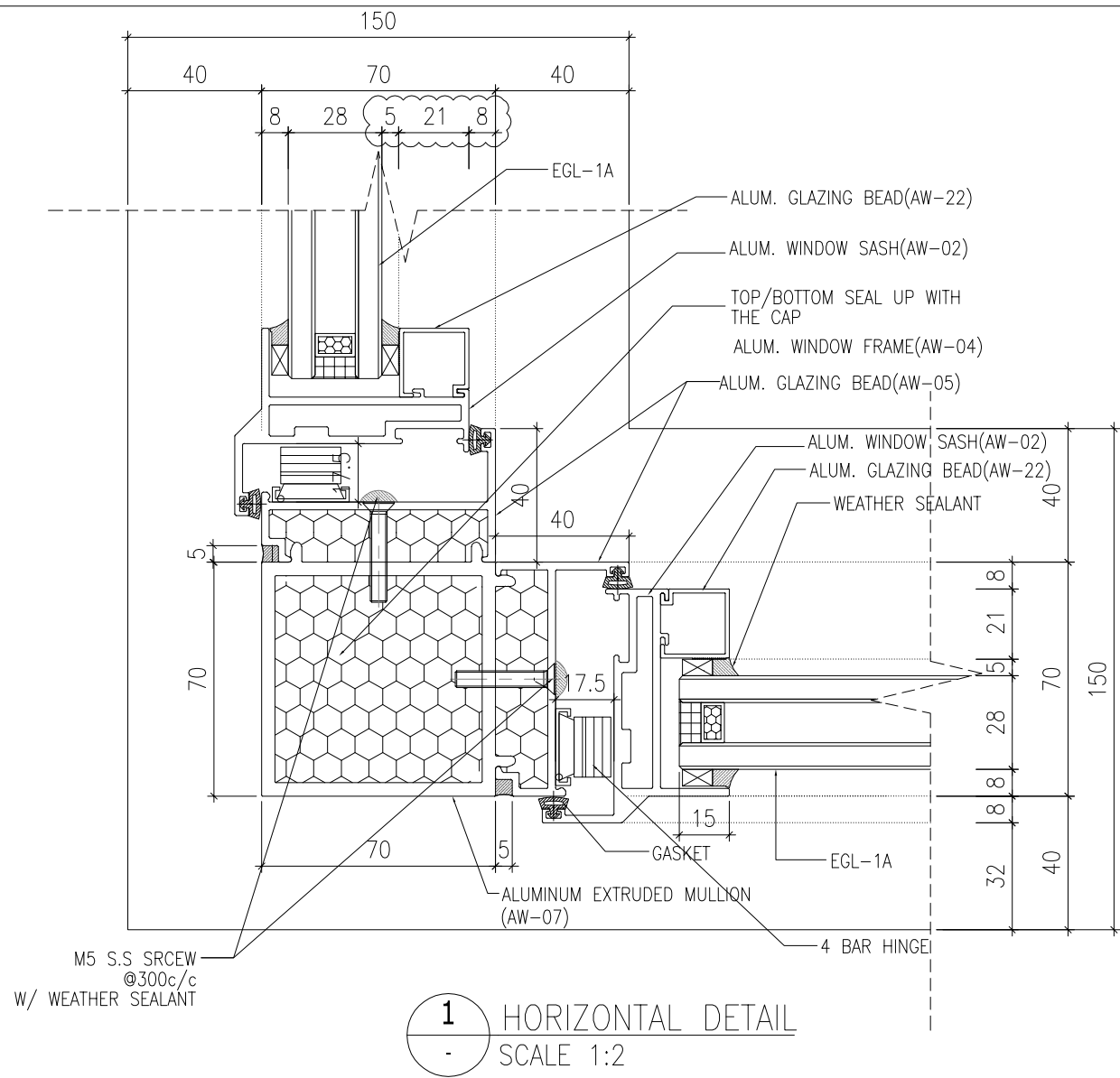
TITLE :  
 TYPICAL DETAILS FOR ALUM. WINDOW

DATE : 02-Aug-21 SCALE : 1:40

DRAWN BY : Ivan CHECKED BY :

**MIDI ALUMINIUM FABRICATOR LTD.**  
 Units 6-8, Sunray Industrial Centre, 1/F  
 610 Cha Kwo Ling Road, Kowloon  
 Tel:23489211-4 Fax:(852)2727666

DWG NO. : J856-SD-PW-DT61a REV. : C



B.D. REF :

CLIENT :  
**SUN HUNG KAI**  
 REAL ESTATE AGENCY LTD.  
 42/F SUN HUNG KAI CENTRE, WANCHAI, HONGKONG

ARCHITECT :  
**IWK&partners**  
 architects

MAIN CONTRACTOR :  
**Yee Fai** Building Contractors Ltd.

STRUCTURAL ENGINEER :  
**ARUP**

FACADE CONSULTANT:  
**ALPHA CONSULTING LIMITED**  
 Steel Structure & Facade Specialist

NOTE :  
 1. ALL DIMENSIONS ARE IN mm.  
 2. ALL ELEVATIONS ARE VIEWED FROM OUTSIDE.  
 3. ALL DIMENSIONS TO BE VERIFIED ON SITE BEFORE FABRICATION.

LEGEND :  
 (X1) --- DETAIL MARK NO.  
 (X001) --- REFER SHEET NO.

1. F.F.L. --- FINISHED FLOOR LEVEL  
 2. S.F.L. --- STRUCTURAL FLOOR LEVEL  
 3. (R) --- REVERSED DETAIL  
 4. GLASS LEGEND  
 EGL-1--8mmHS+12mm AIR GAP+10mmTP THK. I.G.U.  
 EGL-1A--8mmHS+12mm AIR GAP+8mmTP THK. I.G.U.  
 EGL-1B--8mmHS+12mm AIR GAP+10mm CLEAR TEMPERED ACID ETCHED THK. (FROSTED ON #3)I.G.U.  
 EGL-2--10mm THK. CRYSTAL GRAY TEMPERED GLASS (FOR KIT & ST)  
 EGL-4--10mm THK. CRYSTAL TEMPERED ACID ETCHED GLASS (FOR BATH)

A	03/08/2023	REVISION SUBJECT TO ARCH.COMMENT	ivan
NO.	DATE	REVISED	BY

JOB NO. : J-856

PROJECT :  
 PROPOSED DEVELOPMENT ABOVE LIGHT RAIL TIN WING STOP,TSWTL NO.23,AREA 33,TIN SHUI WAI, N.T.

TITLE :  
 TYPICAL DETAILS FOR ALUM. WINDOW

DATE : 02-Aug-21 SCALE : 1:40

DRAWN BY : Ivan CHECKED BY :

**美特鋁質有限公司**  
 MIDI ALUMINIUM FABRICATOR LTD.  
 Units 6-8, Sunray Industrial Centre, 1/F  
 610 Cha Kwo Ling Road, Kowloon  
 Tel:23489211-4 Fax:(852)27727666

DWG NO. : J856-SD-PW-DT65 REV. : A