



工程指示編號: EI-1056	修改版本: -
HK-	
工程編號: J 856	工程名稱: 天樂站
收件人: Magie	發件人: jingo
工程項目: Sale mockup_售樓樣板房拆圖牆門 玻璃BM表	日期: 19/04/2023

<input checked="" type="checkbox"/> 原合約工程包	<input type="checkbox"/> 原合約工程加 / 減脹 QT-	<input type="checkbox"/> 新工程報價 QT-
--	--	------------------------------------

信件批核號碼 / 圖紙參考編號:	批核模貝圖紙編號:	客戶指示附件:	管理內部批簽署:
------------------	-----------	---------	----------


<input type="checkbox"/> 初步鋁料 B.M.	<input type="checkbox"/> 加工拆圖, 然後生產	<input type="checkbox"/> 尺寸表
<input type="checkbox"/> 正式鋁料 B.M.	<input type="checkbox"/> 技術上資料 / 指示	<input type="checkbox"/> 報價
<input type="checkbox"/> 配件 B.M.	<input type="checkbox"/> 樣辦或貨品說明書	<input type="checkbox"/> 分判合約
<input type="checkbox"/> 其他:		

內容: 玻璃要做強化, 不用熱浸, Midi只供應玻璃, 東南安裝 收貨聯絡人: 先生97869202, Markus 96614002, Mat 9436 0283 地點: 南昌站V Walk	
完成上列要求日期: 22/04/2023	

<input type="checkbox"/> 生產技術總監	<input type="checkbox"/> 連附件	<input type="checkbox"/> 技術部	<input type="checkbox"/> 連附件	<input type="checkbox"/> 生產部	<input type="checkbox"/> 連附件
<input type="checkbox"/> 採購部	<input type="checkbox"/> 連附件	<input type="checkbox"/> 生產統籌部	<input type="checkbox"/> 連附件	<input type="checkbox"/> 報關組	<input type="checkbox"/> 連附件
<input type="checkbox"/> 質檢部	<input type="checkbox"/> 連附件	<input type="checkbox"/> 會計部	<input type="checkbox"/> 連附件	<input type="checkbox"/> 機械設計部	<input type="checkbox"/> 連附件
<input type="checkbox"/> 香港辦	<input type="checkbox"/> 連附件	<input type="checkbox"/> 其他:			

<input checked="" type="checkbox"/> 採購部	<input checked="" type="checkbox"/> 連附件	<input type="checkbox"/> OS部	<input type="checkbox"/> 連附件	<input type="checkbox"/> 地盤管理	<input type="checkbox"/> 連附件	<input type="checkbox"/> 維修部	<input type="checkbox"/> 連附件
<input type="checkbox"/> 行政部	<input type="checkbox"/> 連附件	<input type="checkbox"/> 會計部	<input type="checkbox"/> 連附件	<input type="checkbox"/> 統籌部	<input type="checkbox"/> 連附件	<input type="checkbox"/> 工程部	<input type="checkbox"/> 連附件

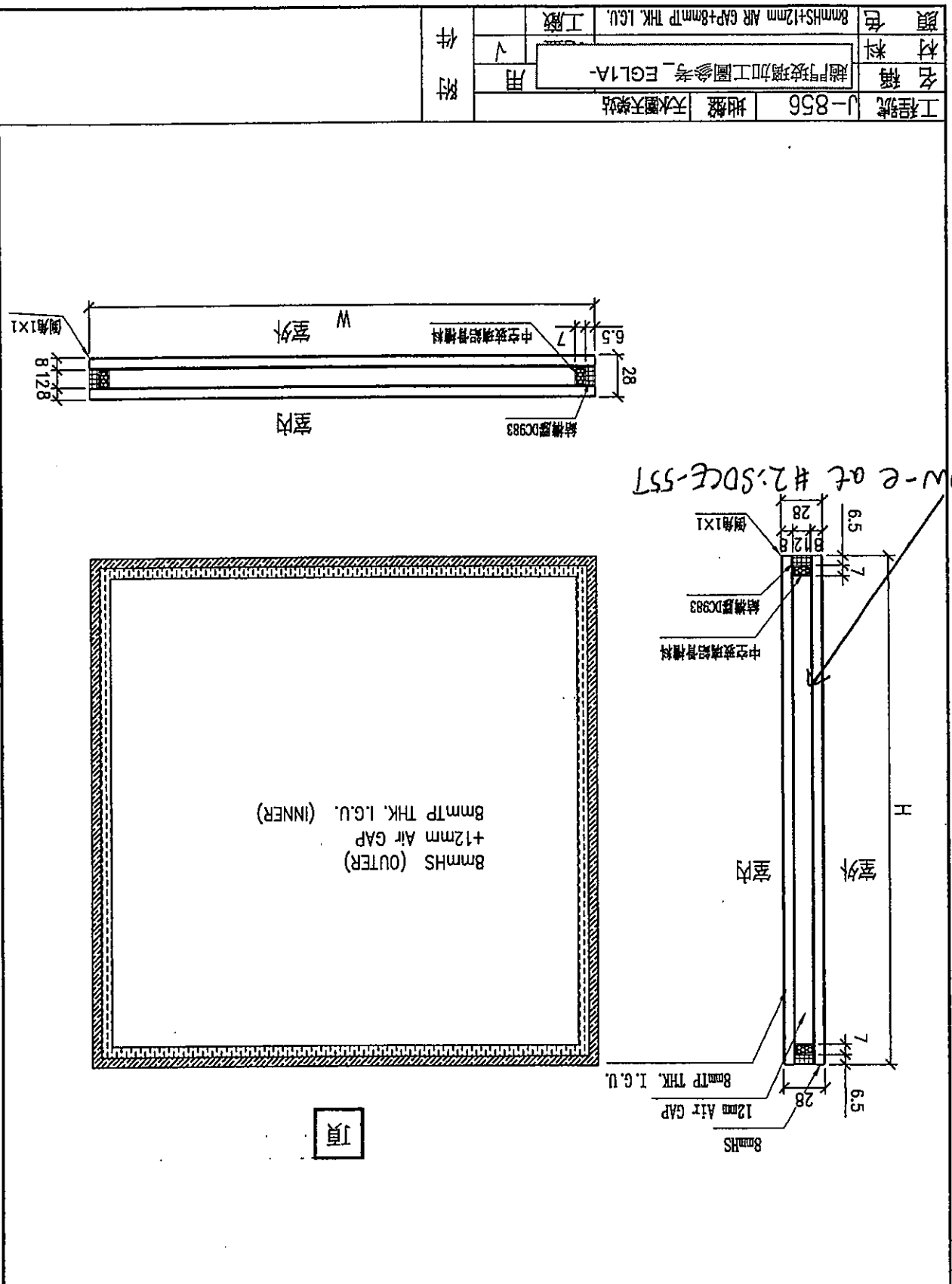
*發件人簽署: jingo	*組別成員批核簽署:
傳遞編號:	項目經理簽署:

 <b>美特鋁質有限公司</b> MIDI Aluminium Fabricator Ltd.	工程號: J-856 計算: 陳日強 日期: 2023/3/25 送呈:	地盤名稱: 天樂站 核對:	日期:	副本:	項目類別: 18F售樓辦房 用玻璃 批准:	日期:	此BM依據 施工圖資料計算初步BM	BM編號:	總計玻璃面積 (平方米): 18.88	A/C Code:
	地盤用玻璃B.M.表	項目類別: 18F售樓辦房 用玻璃	批准:	日期:	此BM依據 施工圖資料計算初步BM	總計玻璃面積 (平方米): 18.88	A/C Code:	BM編號:	總計玻璃面積 (平方米): 18.88	A/C Code:

序號	修改標示	厚度(mm)	顏色與名稱(類別)	玻璃尺寸			數量 (塊)	總面積 (平方米)	玻璃編號	備註
				寬度(mm)	高度(mm)	備註				
1		28	8mm THK, CLEAR HS GLASS+12AIR GAP+8mm THK, CLEAR TP GLASS	738.5	2131		8	856-SD-GL01	用在AW-01 趟門	
2				696	2131		1	856-SD-GL02	用在AW-05 趟門	
3				781	2131		1	856-SD-GL03	用在AW-05 趟門	
4				775.5	2131		1	856-SD-GL04	用在AW-05 a趟門	
5				701.5	2131		1	856-SD-GL05	用在AW-05 a趟門	
6										
7										
8										
9										
10										
11										
12										
13										
14										
15										
16										
17	加工說明:						12	18.88		
18										
19										
20										
21										
22										

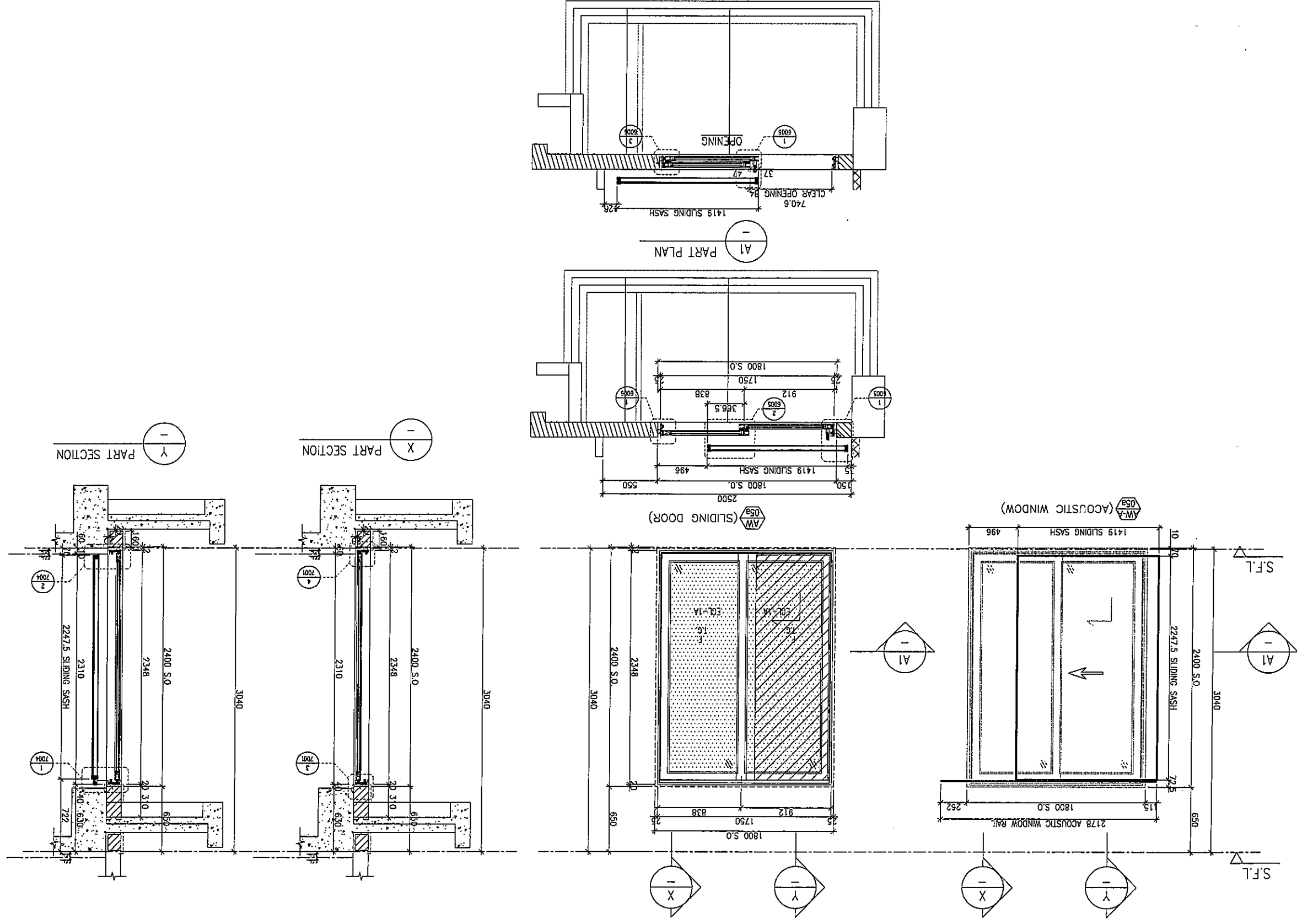
玻璃加工圖參考\_EGL1A- LOW E-SDCE-55Tat #2

日期					
修改					
類別	物料號	圖號	數量	位置	位置
		EGL-1A	2023.02.25	數量	位置
			2023.02.24	數量	位置
			2023.02.25	數量	位置
			2023.02.25	數量	位置
			2023.02.25	數量	位置



工程號	J-856	地點	天水圍天樂站
名稱	窗門玻璃加工圖參考_EGL1A-		
材料	√		
顏色	8mmHS+12mm AIR GAP+8mmTP THK. I.G.U. 工廠		

LOCATION	OPENABLE AREA	GLAZING AREA	GLAZING AREA	GLAZING AREA
AS-LIV	1.198	1.409	1.675	2.99
	OPENABLE AREA	GLAZING AREA	GLAZING AREA	GLAZING AREA
	REQUIRE			PROVIDED



**CLIENT:** SUN HUNG KAI REAL ESTATE AGENCY LTD. 42/F SUN HUNG KAI CENTRE, WANGSUI, HONGKONG

**ARCHITECT:** IWK&PARTNERS ARCHITECTS

**MAIN CONTRACTOR:** YEE FAI BUILDING CONCRETE CO. LTD. 怡輝建築有限公司

**STRUCTURAL ENGINEER:** ARUP

**FAÇADE CONSULTANT:** ALPHA CONSULTING LIMITED Steel Structure & Façade Specialist

**NOTE:**  
 1. ALL DIMENSIONS ARE IN mm.  
 2. ALL ELEVATIONS ARE VIEWED FROM OUTSIDE.  
 3. ALL DIMENSIONS TO BE VERIFIED ON SITE BEFORE FABRICATION.

**LEGEND:**  
 (X1) DETAIL MARK NO.  
 (X001) REFER SHEET NO.  
 1. F.F.L. -- FINISHED FLOOR LEVEL  
 2. S.F.L. -- STRUCTURAL FLOOR LEVEL  
 3. (R) -- REVERSED DETAIL  
 4. GLASS LEGEND  
 EGL-1 -- 8mmHS+12mm AIR GAP+10mmTP THK. I.G.U.  
 EGL-2 -- 10mm THK. CRYSTAL GRAY TEMPERED GLASS  
 EGL-4 -- 10mm THK. CRYSTAL TEMPERED AND ETCHED GLASS  
 EGL-1A -- 8mmHS+12mm AIR GAP+8mmTP THK. I.G.U.  
 EGL-1A -- 8mmHS+12mm AIR GAP+8mmTP THK. I.G.U.  
 BTT/BBI -- FIXING DETAIL (DWG. NO. F001)  
 BBT -- FIXING DETAIL (DWG. NO. F002)  
 GLAZING AREA  
 OPENABLE AREA

**JOB NO.:** J-856

**PROJECT:** PROPOSED DEVELOPMENT ABOVE LIGHT RAIL TIN WING STOP, TSWTL NO.23, AREA 33, TIN SHUI WAI, N.T.

**TITLE:** WINDOW SCHEDULE FOR SALES MOCK-UP AT TOWER 1 (IN-SITU WINDOW)

**DATE:** 02-Aug-21 **SCALE:** 1:40

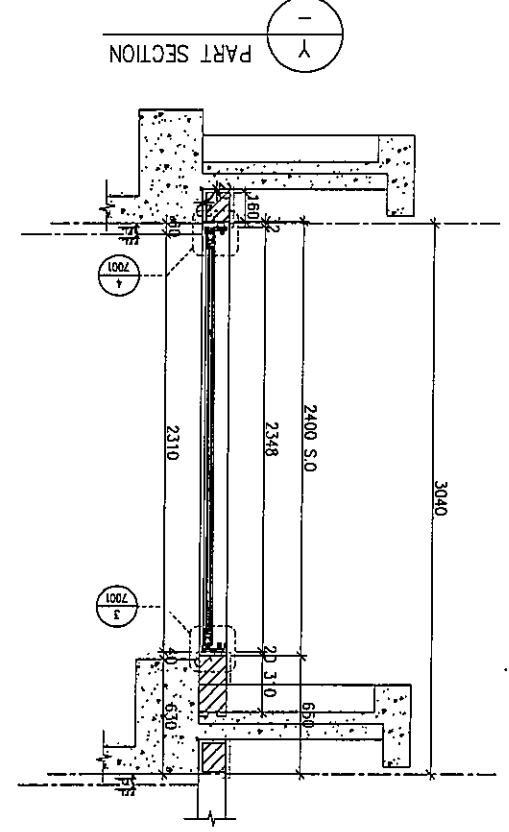
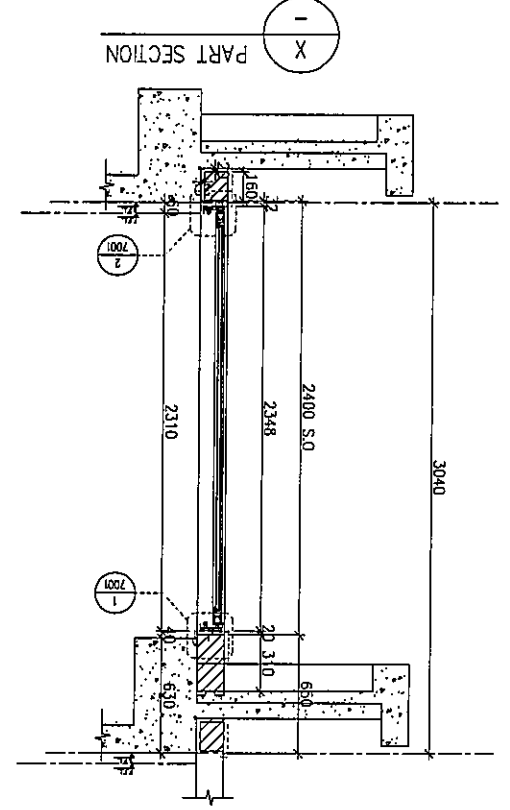
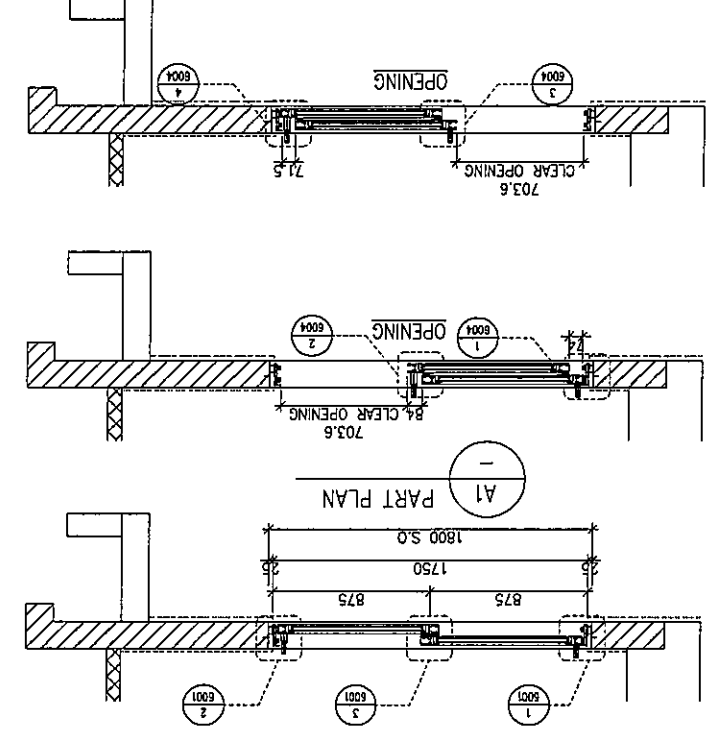
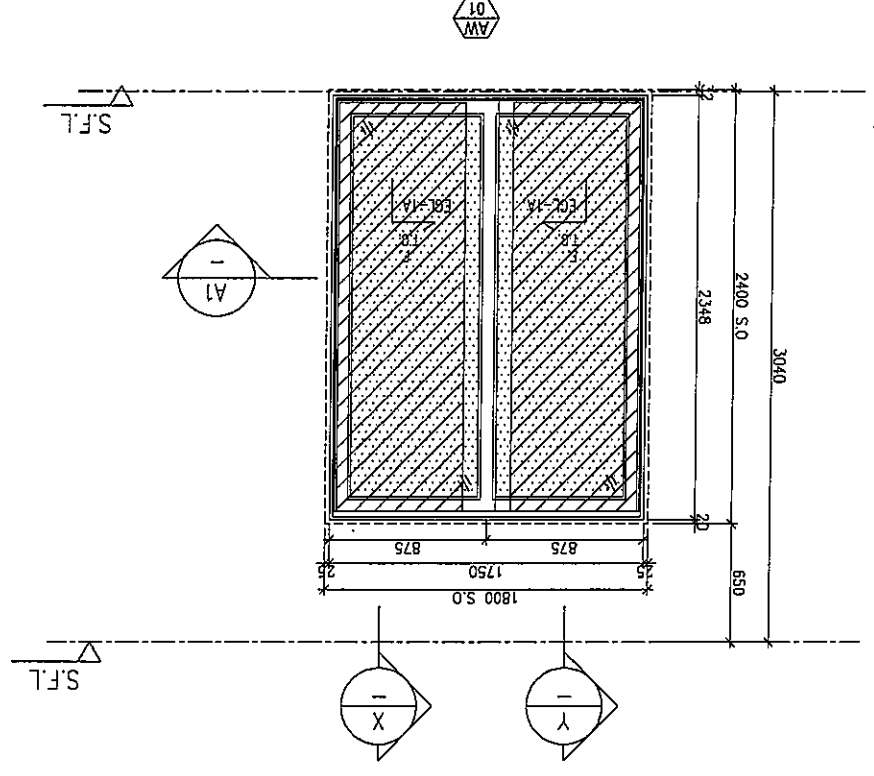
**DRAWN BY:** YI **CHECKED BY:** YI

**COMPANY:** MIDIA ALUMINUM FABRICATOR LTD. 美特鋁業有限公司  
 Units 8-8, Sunny Industrial Centre, 1/F, 61D Che Kwo Ling Road, Kowloon  
 Tel: 23489211-4 Fax: (852) 27273666

**DWG NO.:** J856-SD-MU-5101 **REV.:** -

REMARKS	QUANTITY	GLAZING	SECTION	LOCATION	WINDOW MARK
	1 NO.	EGL-1, EGL-1A	70mm ALUM. SECTION	18/F -- LIV./DIN. OF UNIT A5 (TOWER 1)	AW-05A & AW-05B (ACOUSTIC WINDOW)

LOCATION	OPENABLE AREA	GLAZING AREA	OPENABLE AREA	GLAZING AREA
A1-LIV	1,447	1,682	1,591	2,99
	REQUIRE		PROVIDED	



ELEVATION

WINDOW MARK  
AW 01

REMARKS	-
QUANTITY	2 Nos.
GLAZING	EGL-1A
SECTION	70mm ALUM. SECTION
LOCATION	18/F - LIV./DIN. OF UNIT A1 (TOWER 2)

DATE	02-Aug-21	SCALE	1:40
DRAWN BY	Y1	CHECKED BY	
TITLE : WINDOW SCHEDULE FOR SALES MOCK-UP AT TOWER 2 (IN-SITU WINDOW)			
PROJECT : PROPOSED DEVELOPMENT ABOVE LIGHT RAIL TIN WING STOP TSWTL NO.23, AREA 33, TIN SHUI WA, N.T.			
JOB NO. : J-856			

NO.	DATE	REVISION	BY
LEGEND: 1. ALL DIMENSIONS ARE IN MM. 2. ALL ELEVATIONS ARE VIEWED FROM OUTSIDE. 3. ALL DIMENSIONS TO BE VERIFIED ON SITE BEFORE FABRICATION. 4. CLASS LEGEND EGL-1--6mmHS+12mm AIR GAP+10mmTP THK. I.G.U. EGL-2--10mm THK. CRYSTAL GRAY TEMPERED GLASS EGL-4--10mm THK. CRYSAL TEMPERED ACID ETCHED GLASS EGL-1A--6mmHS+12mm AIR GAP+8mmTP THK. I.G.U. B1/B81-FIXING DETAIL (DWG. NO. FD01) B82-FIXING DETAIL (DWG. NO. FD02)			

CLIENT : SUN HUNG KAI REAL ESTATE AGENCY LTD. 42/F SUN HUNG KAI CENTRE, WINGLOK, HONGKONG

ARCHITECT : iw&partners

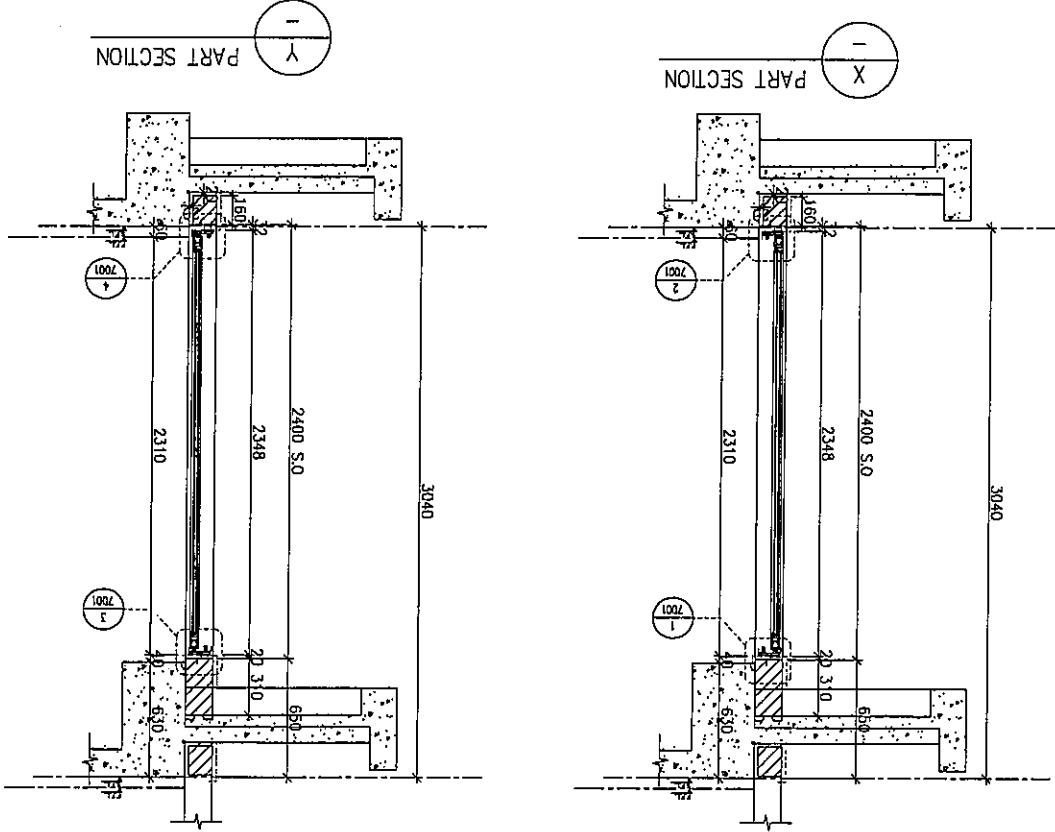
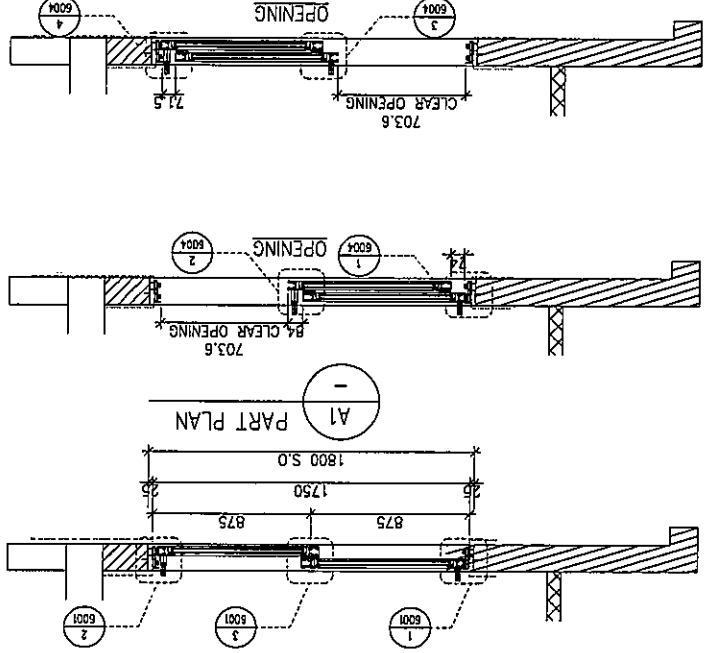
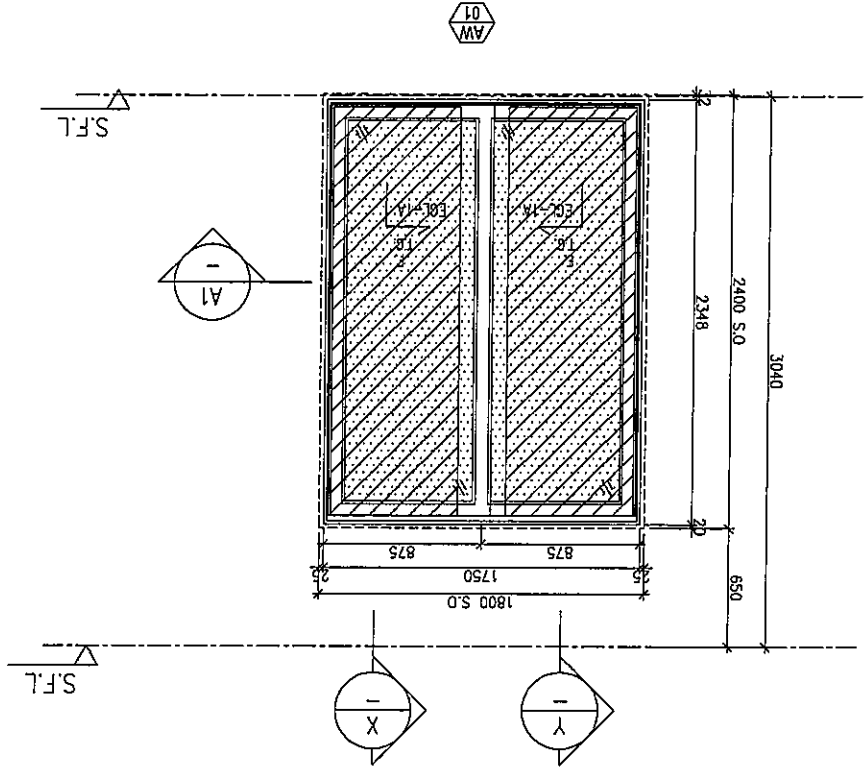
MAIN CONTRACTOR : Yee Fal Building Contractors Ltd. 怡輝建築有限公司

STRUCTURAL ENGINEER : ARUP

FAÇADE CONSULTANT : ALPHA CONSULTING LIMITED Steel Structure & Façade Specialist

DWG NO. : J856-SD-MU-5201 REV. : -

LOCATION	REQUIRE	PROVIDED
OPENABLE AREA	1.641	1.591
GLAZING AREA	1.792	2.99
GLAZING AREA	(NOT ENOUGH)	



ELEVATION

WINDOW MARK  
AM 01

LOCATION  
18/F - LIV./DIN. OF UNIT B8 (TOWER 2)

SECTION  
70mm ALUM. SECTION

QUANTITY  
1 NO.

REMARKS  
-

B.O. REF :

CLIENT : SUN HUNG KAI REAL ESTATE AGENCY LTD. 42/F SUN HUNG KAI CENTRE, WINGLAI, HONGKONG

ARCHITECT : Iw&partners

MAIN CONTRACTOR : Yee Fai Building Contractors Ltd. 怡輝建築有限公司

STRUCTURAL ENGINEER : ARUP

FAÇADE CONSULTANT : ALPHA CONSULTING LIMITED Steel Structure & Façade Specialist

NOTE:  
1. ALL DIMENSIONS ARE IN MM.  
2. ALL ELEVATIONS ARE VIEWED FROM OUTSIDE.  
3. ALL DIMENSIONS TO BE VERIFIED ON SITE BEFORE FABRICATION.  
LEGEND:  
X1 DETAIL MARK NO.  
X2 REFER SHEET NO.  
1. F.F.L.-- FINISHED FLOOR LEVEL  
2. S.F.L.-- STRUCTURAL FLOOR LEVEL  
3. --- REVERSED DETAIL  
4. GLASS LEGEND  
EGL-1--8mmHS+12mm AIR GAP+10mmTP THK. LG.LL  
EGL-2--10mm THK. CRYSTAL TEMPERED AND ETCHED GLASS  
EGL-4--10mm THK. CRYSTAL TEMPERED AND ETCHED GLASS  
EGL-1A--8mmHS+12mm AIR GAP+8mmTP THK. LG.LL  
BT1/BT1-FIXING DETAIL (DWG. NO. F001)  
BB2-FIXING DETAIL (DWG. NO. F002)  
GLAZING AREA  
OPENABLE AREA

PROJECT : PROPOSED DEVELOPMENT ABOVE LIGHT RAIL TIN WING STOP, TSMWL NO.23, AREA 33, TIN SHUI WAI, N.T.

TITLE : WINDOW SCHEDULE FOR SALES MOCK-UP AT TOWER 2 (IN-SITU WINDOW)

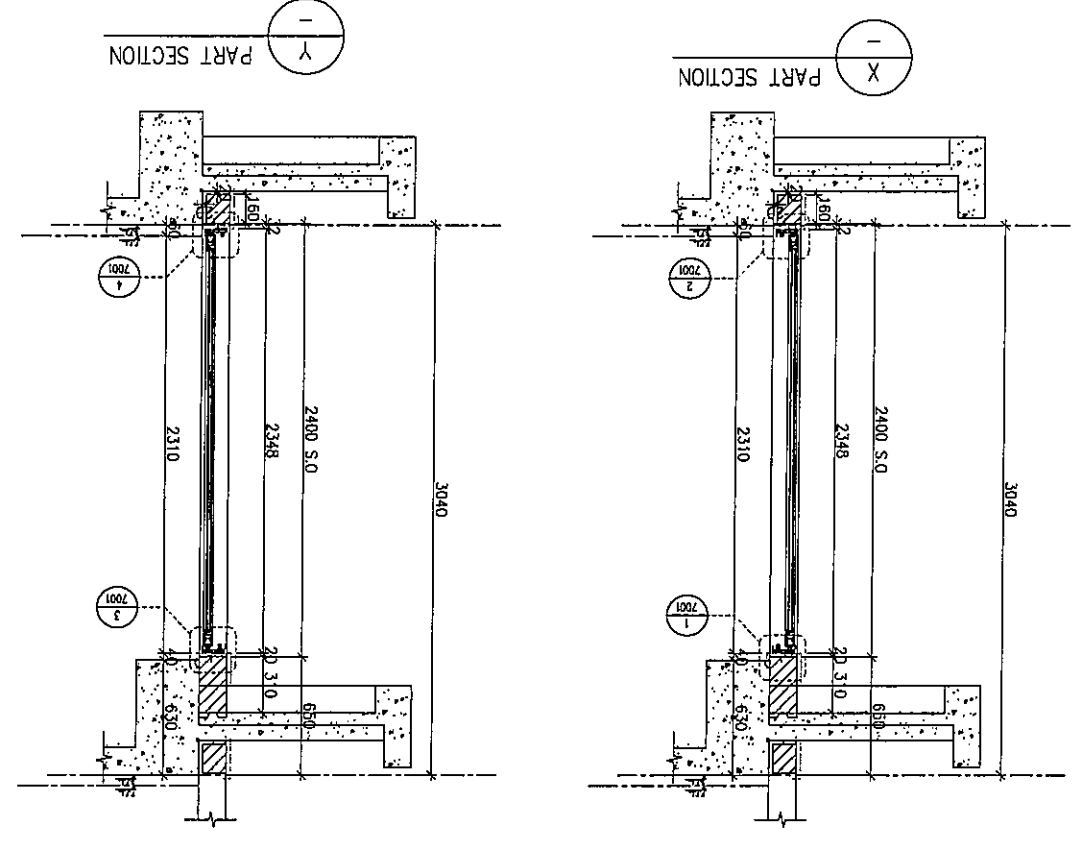
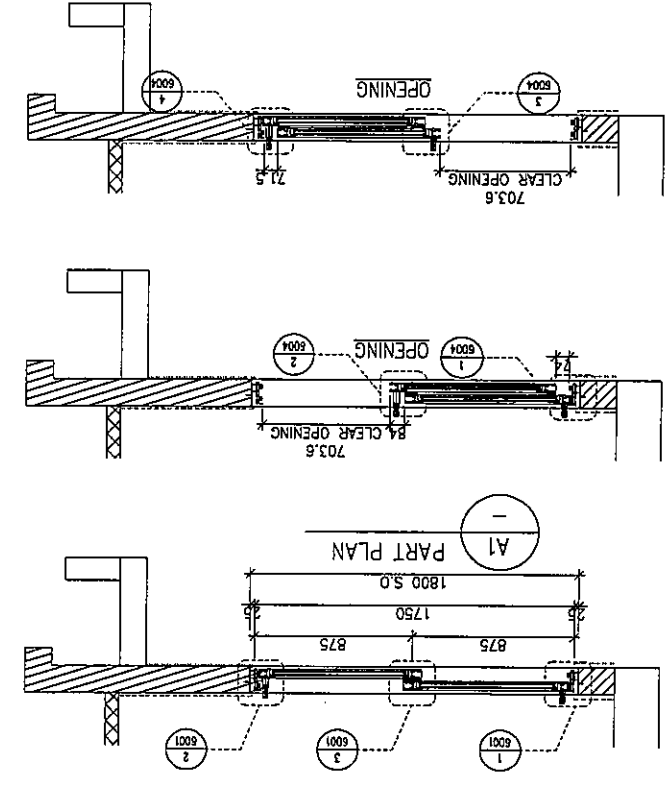
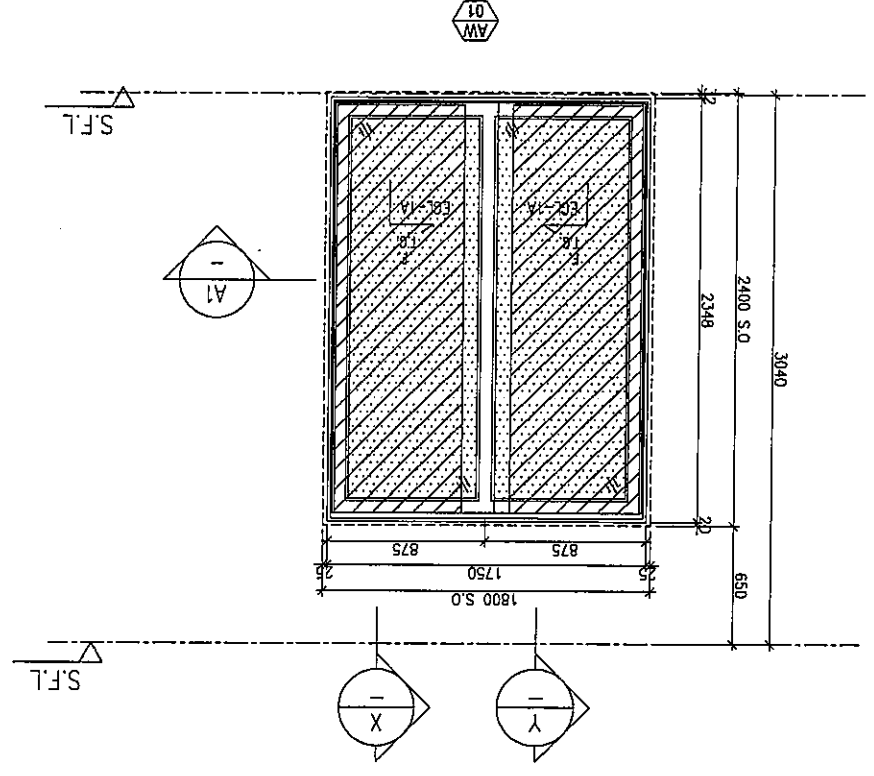
DATE : 02-AUG-21 SCALE : 1:40  
DRAWN BY : YI  
CHECKED BY :

JOB NO. : J-856

DWG NO. : J856-SD-MU-5202 REV. : -  
610 Cho Kwong Road, Kowloon  
Tel: 2349211-4 Fax: (852) 2727266  
Units 6-8, Sunny Industrial Centre, 1/F  
MIDI AUTOMOTIVE FABRICATOR LTD.  
美特鋁質有限公司

LOCATION	OPENABLE AREA	GLAZING AREA	OPENABLE AREA	GLAZING AREA
A11-LIV	1,240	1,475	1,591	1,791
			PROVIDED	

ELEVATION



WINDOW MARK  
AW 01

LOCATION 18/F - LIV/DIN. OF UNIT A11 (TOWER 3)

SECTION 70mm ALUM. SECTION

GLAZING EGL-1A

QUANTITY 1 NO.

REMARKS -

DATE: 02-Aug-21  
SCALE: 1:40  
DRAWN BY: Y1  
CHECKED BY:

JOB NO.: J-856  
PROJECT: PROPOSED DEVELOPMENT ABOVE LIGHT RAIL TIN WING STOP, TSWTL NO.23, AREA 33, TIN SHUI WA, N.T.  
TITLE: WINDOW SCHEDULE FOR SALES MOCK-UP AT TOWER 3 (IN-SITU WINDOW)

NO. BY DATE REVISION

LEGEND:  
 1. F.F.L. -- FINISHED FLOOR LEVEL  
 2. S.F.L. -- STRUCTURAL FLOOR LEVEL  
 3. (R) -- REVERSED DETAIL  
 4. GLASS LEGEND  
 ECL-1 -- 6mmHS+12mm AIR GAP+10mmTP THK. I.G.U.  
 ECL-2 -- 10mm THK. CRYSTAL GRAY TEMPERED GLASS  
 ECL-4 -- 10mm THK. CRYSTAL TEMPERED AND ETCHED GLASS  
 ECL-1A -- 6mmHS+12mm AIR GAP+8mmTP THK. I.G.U.  
 B91/B91-FIXING DETAIL (DWG. NO. FD01)  
 B92-FIXING DETAIL (DWG. NO. FD02)

GLAZING AREA  
 OPENABLE AREA

CLIENT: SUN HUNG KAI REAL ESTATE AGENCY LTD.  
 ARCHITECT: IWK&PARTNERS  
 MAIN CONTRACTOR: Yee Fai Building Contractors Ltd.  
 STRUCTURAL ENGINEER: ARUP  
 FACADE CONSULTANT: ALPHA CONSULTING LIMITED  
 Steel Structure & Facade Specialist

DWG NO.: J856-SD-MU-5301  
 REV: -  
 610 Chiu Kwo Ling Road, Kowloon  
 Units 6-8, Sunny Industrial Centre, 1/F  
 MIDJI ALUMINIUM FABRICATOR LTD.  
 美特铝业有限公司

