



工程指示 / 要求簡箋 ENGINEER INSTRUCTIONS(E.I.)

工程指示編號:	EI-6047	修改版本:	-
	HK-		
工程編號:	J256	工程名稱:	天榮站
收件人:	Maggie	發件人:	Jingo
工程項目:	Sale mockup_售樓樣板房拆圖窗玻璃BM表 以此為準	日期:	18/04/2023

<input checked="" type="checkbox"/> 原合約工程包	<input type="checkbox"/> 原合約工程加 / 減賬 QT-	<input type="checkbox"/> 新工程報價 QT-
--	--	------------------------------------

信件批核號碼/圖紙參考編號:	批核模具圖紙編號:
客戶指示附件:	管理內部批簽署:

<input type="checkbox"/> 初步鋁料 B.M.	<input type="checkbox"/> 加工拆圖, 然後生產	<input type="checkbox"/> 尺寸表
<input type="checkbox"/> 正式鋁料 B.M.	<input type="checkbox"/> 技術上資料/指示	<input type="checkbox"/> 報價
<input type="checkbox"/> 配件 B.M.	<input type="checkbox"/> 樣辦或貨品說明書	<input type="checkbox"/> 分判合約
<input type="checkbox"/> 其他:		

內容: 玻璃要做強化, 不用熱浸, Midi只供應玻璃, 東南安裝
收貨聯絡人Markus 96614002, Mat 9436 0283
地點: 南昌站V Walk

收貨: 優先通知洗生 9786 9202

完成上列要求日期: 22/04/2023

國內

<input type="checkbox"/> 生產技術總監	<input type="checkbox"/> 連附件	<input type="checkbox"/> 技術部	<input type="checkbox"/> 連附件	<input type="checkbox"/> 生產部	<input type="checkbox"/> 連附件
<input type="checkbox"/> 採購部	<input type="checkbox"/> 連附件	<input type="checkbox"/> 生產統籌部	<input type="checkbox"/> 連附件	<input type="checkbox"/> 報關組	<input type="checkbox"/> 連附件
<input type="checkbox"/> 質檢部	<input type="checkbox"/> 連附件	<input type="checkbox"/> 會計部	<input type="checkbox"/> 連附件	<input type="checkbox"/> 機械設計部	<input type="checkbox"/> 連附件
<input type="checkbox"/> 香港辦	<input type="checkbox"/> 連附件	<input type="checkbox"/> 其他:			

香港

<input type="checkbox"/> 行政部	<input type="checkbox"/> 連附件	<input type="checkbox"/> 會計部	<input type="checkbox"/> 連附件	<input type="checkbox"/> 統籌部	<input type="checkbox"/> 連附件	<input type="checkbox"/> 工程部	<input type="checkbox"/> 連附件
<input checked="" type="checkbox"/> 採購部	<input checked="" type="checkbox"/> 連附件	<input type="checkbox"/> QS部	<input type="checkbox"/> 連附件	<input type="checkbox"/> 地盤管理	<input type="checkbox"/> 連附件	<input type="checkbox"/> 維修部	<input type="checkbox"/> 連附件

*發件人簽署: Jingo	*組別成員批核簽署:
傳遞編號:	項目經理簽署:

圖則登記表
DRAWING REGISTER


接收日期 Receiving Date (適用於客戶圖則)

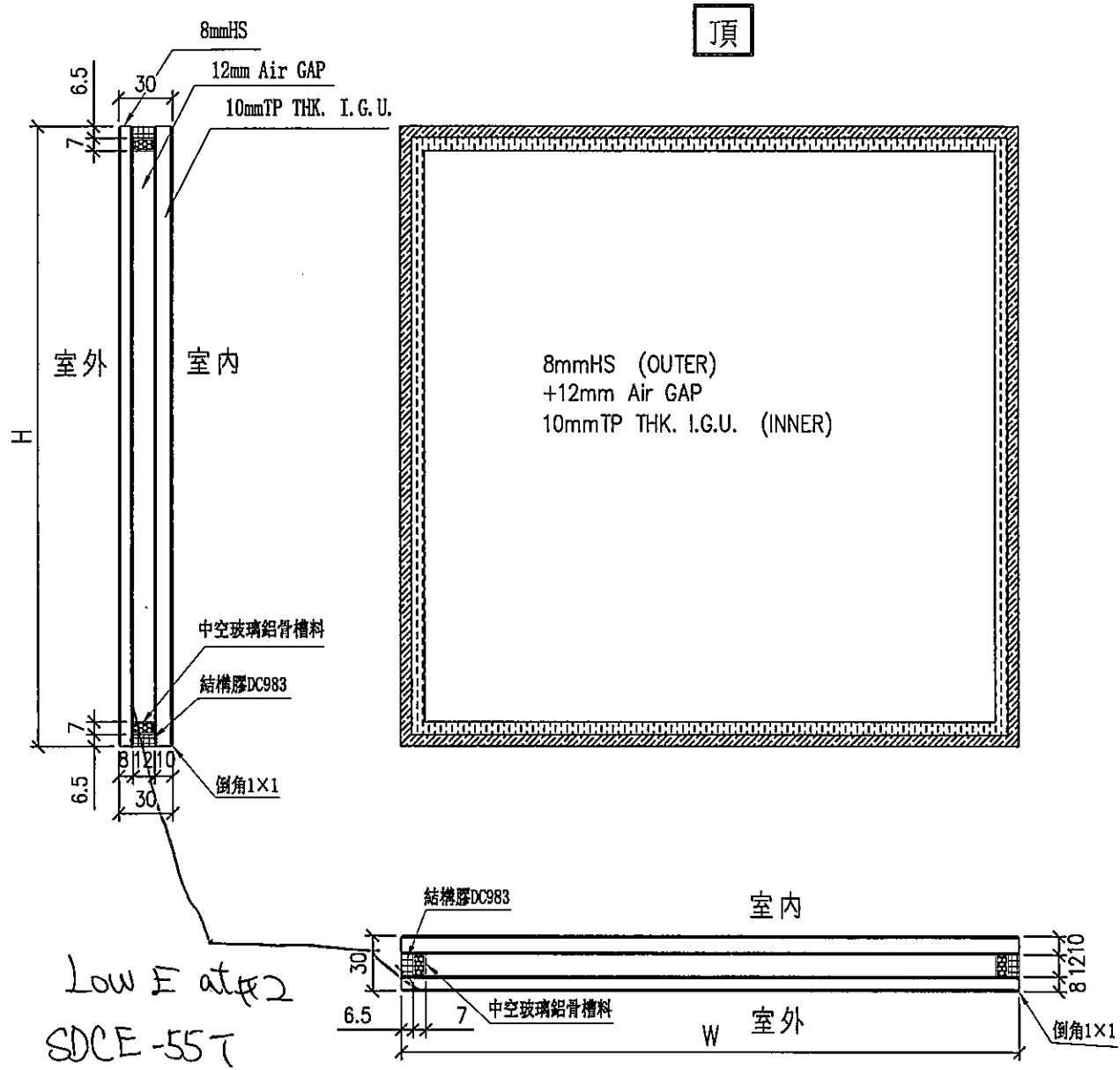
工程名稱 Project Title:	天水圍天榮站	年							
	T1.T2.T3-售樓處18/F佛沙窗改款後裝窗玻璃拆圖	月							
工程編號 Project No:	J-856	日							
分發予 Distributed To		年	23						
		月	04						
		日	17						
圖則編號 Drg. No.	圖則名稱 Drawing Title		修訂編號 Revision No.						
EGL-1	玻璃加工圖 (大梗窗玻璃+小梗窗玻璃)	1	-						
EGL-1A	玻璃加工圖 (70生窗玻璃)	2	-						
EGL-2	玻璃加工圖 (50生窗玻璃)	3	-						
EGL-4	玻璃加工圖 (50生窗玻璃)	4	-						
J856-SD-PW-5111	位置圖	5	-						
J856-SD-MU-5112	位置圖	6	-						
J856-SD-PW-5211	位置圖	7	-						
J856-SD-PW-5212	位置圖	8	-						
J856-SD-PW-5311	位置圖	9	-						
J856-SD-PW-5312	位置圖	10	-						
J856-SD-MU-5102	位置圖	11	-						
J856-SD-MU-5203	位置圖	12	-						
J856-SD-MU-5204	位置圖	13	-						
J856-SD-MU-5303	位置圖	14	-						

 美特鋁質 有限公司 MIDI Aluminium Fabricator Ltd.	工程號: J-856	計算: 黃瓊玉	日期: 2023.04.17	送呈: 胡哥	計算參考數值/ 所屬位置分格
	地盤名稱: 天水圍天頌站	核對: 謝永林	日期: 2023.04.17	副本:	
	項目類別: 售樓/樓板	批准:	A/C Code:		
地盤用玻璃B.M.表		修改版次:		總計玻璃面積(平方米): 18.983	依據EI-5799計算

序號	修改內容	玻璃編號	顏色與類型/加工圖參考	厚度 (mm)	玻璃尺寸		數量 (塊)	總面積 (平方米)	使用樓層	使用位置	分屬類型	分格寬度	分格高度	備註
					寬度 (W mm)	高度 (H mm)								
1		AW02b(售)-1	EGL-1	30	660	1720	1	1.135	18F樣板	T1-A5	70梗窗	740	1780	
2		AW02b(售)-2	EGL-1	30	352	544.5	1	0.192	18F樣板	T1-A5	70梗窗	490	600	
3		AW02b(售)-3	EGL-1A	28	350	1064.5	1	0.373	18F樣板	T1-A5	70生窗	490	1180	
4		AW04c(售)-1	EGL-1	30	760	1720	1	1.307	18F樣板	T1-A5	70梗窗	840	1780	
5		AW04c(售)-2	EGL-1	30	452	544.5	1	0.246	18F樣板	T1-A5	70梗窗	590	600	
6		AW04c(售)-3	EGL-1A	28	450	1064.5	1	0.479	18F樣板	T1-A5	70生窗	590	1180	
7		AW02(售)-1	EGL-1	30	410	1720	4	2.821	18F樣板	T2-A1,B8,T3-A11	70梗窗	490	1780	AW02.AW02R
8		AW02(售)-2	EGL-1	30	452	544.5	4	0.984	18F樣板	T2-A1,B8,T3-A11	70梗窗	590	600	AW02.AW02R
9		AW02(售)-3	EGL-1A	28	450	1064.5	4	1.916	18F樣板	T2-A1,B8,T3-A11	70生窗	590	1180	AW02.AW02R
10		AW08(售)-4	EGL-1	30	725	1950	1	1.414	18F樣板	T2-B8	70梗窗	780	2010	
11		AW08(售)-1	EGL-1	30	430	1950	1	0.839	18F樣板	T2-B8	70梗窗	505	2010	
12		AW08(售)-2	EGL-1	30	452	774.5	1	0.350	18F樣板	T2-B8	70梗窗	590	830	
13		AW08(售)-3	EGL-1A	28	450	1064.5	1	0.479	18F樣板	T2-B8	70生窗	590	1180	
14		AW04(售)-1	EGL-1	30	610	1950	1	1.190	18F樣板	T3-A11	70梗窗	690	2010	
15		AW04(售)-2	EGL-1	30	452	774.5	1	0.350	18F樣板	T3-A11	70梗窗	590	830	
16		AW04(售)-3	EGL-1A	28	450	1064.5	1	0.479	18F樣板	T3-A11	70生窗	590	1180	
17		AW06aT(售)-1	EGL-2	10	320	1040	1	0.333	18F樣板	T1-A5	50生窗	450	1190	
18		AW06R(售)-1	EGL-4	10	420	1040	2	0.874	18F樣板	T2-A1	50生窗	550	1190	
19		AW06k(售)-1	EGL-2	10	430	1040	2	0.894	18F樣板	T2-A1	50生窗	560	1190	
20		AW03i(售)-1	EGL-1	30	790	1910	1	1.509	18F樣板	T3-B3	70梗窗	890	2010	
21		AW03i(售)-2	EGL-1	30	452	754.5	1	0.341	18F樣板	T3-B3	70梗窗	590	830	
22		AW03i(售)-3	EGL-1A	28	450	1064.5	1	0.479	18F樣板	T3-B3	70生窗	590	1180	
							合計	33	18.983					

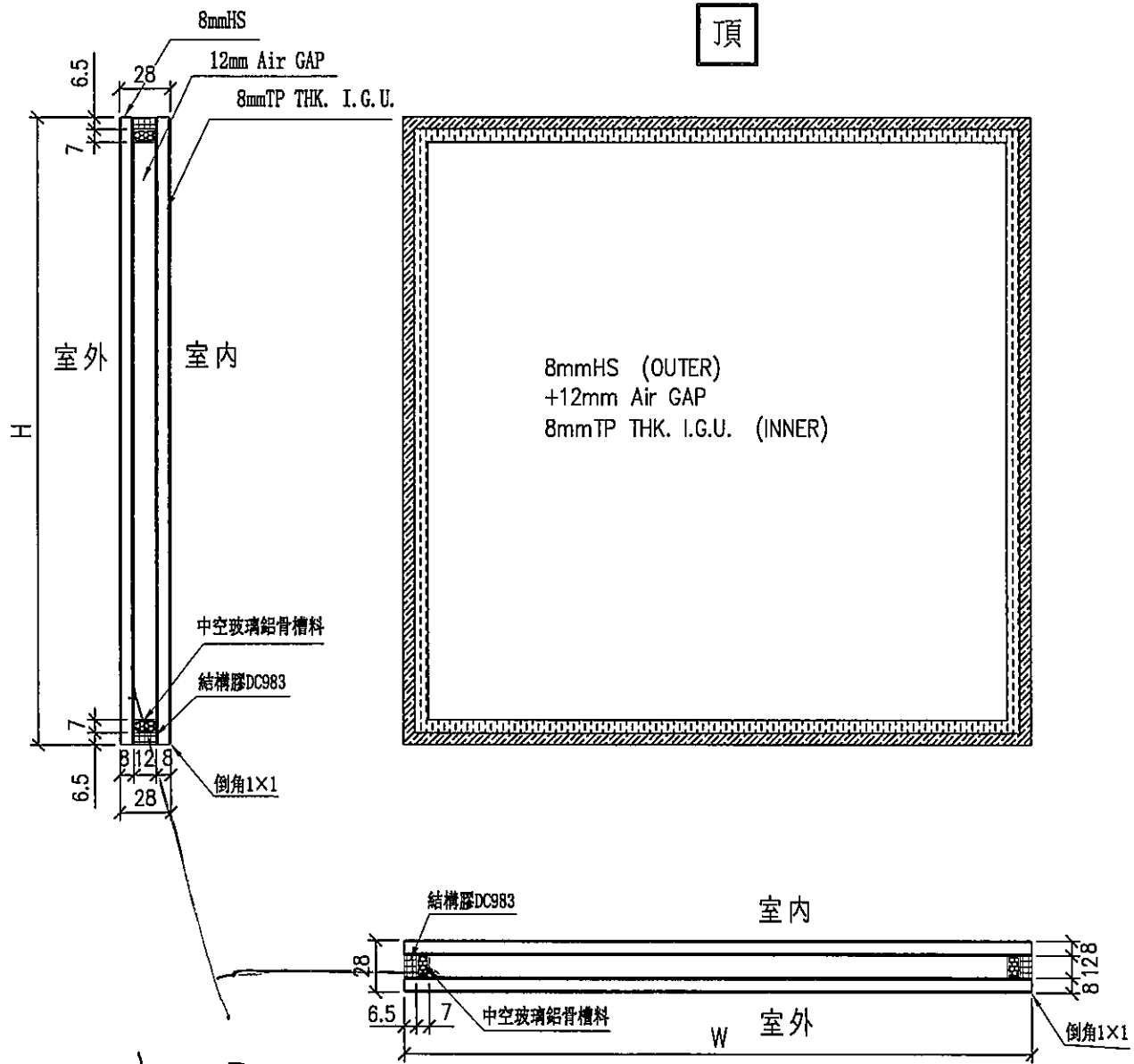
加工注意事項/玻璃類型描述:	1).本表中玻璃采用三鑫公司產玻璃，
	2).本表中所有玻璃對角線尺寸偏差要求不超過負2mm。
	3).本表中玻璃要求粗磨邊處理並倒棱角，攔河玻璃頂底要精磨邊，而所有玻璃之入爐方向需保持一致。
	4).本表中所有玻璃成品均需做雙面保護，用透明靜電膠紙加四周一寸FK白膠紙做雙面加固保護處理。
	5).本表中所有玻璃成品均需注明室內外及其玻璃編號/使用位置/樓層，以便識別。
	EGL-1--8mmHS+12mm AIR GAP+10mmTP THK. I.G.U. → Low-e SDCE-55T #2
	EGL-1A-8mmHS+12mm AIR GAP+8mmTP THK. I.G.U. → Low-e SDCE-55T #2
	EGL-2--10mm THK. CRYSTAL GRAY TEMPERED GLASS(FOR KIT & ST)
	EGL-4--10mm THK. CRYSTAL TEMPERED ACID ETCHED GLASS(FOR BATH)

 美特鋁質有限公司 MIDI Aluminium Fabricator Ltd.	類別	物料號	圖號	
	制圖 黃瓊玉	2023.02.24	EGL-1	
修改	復核 謝永林	2023.02.25	數量	見BOM表
日期	批准		位置	見BOM表




工程號	J-856	地盤	天水圍天榮站	附件
名稱	玻璃加工圖 (大梗窗玻璃+小梗窗玻璃)		採用	
材料		地盤	√	
顏色	8mmHS+12mm AIR GAP+10mmTP THK. I.G.U.	工廠		

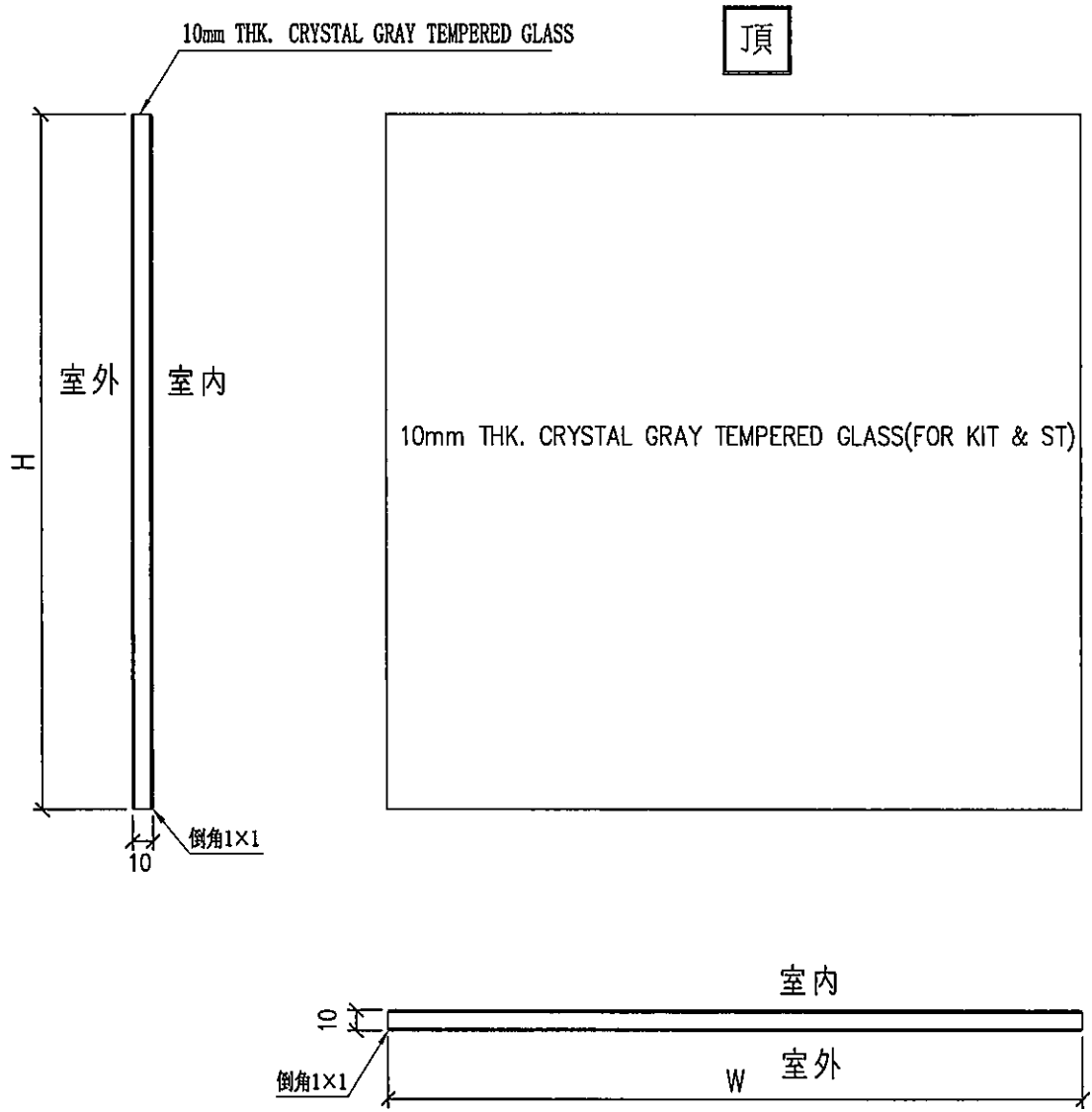
 美特鋁質有限公司 MIDI Aluminium Fabricator Ltd.				類別	物料號		
				制圖	黃瓊玉	2023.02.24	圖號 EGL-1A
修改				復核	謝永林	2023.02.25	數量 見BOM表
日期				批准			位置 見BOM表



Low-E at #2
SDCE-55i


工程號	J-856	地盤	天水圍天榮站	附件
名稱	玻璃加工圖 (70生窗玻璃)		採用	
材料		地盤	√	
顏色	8mmHS+12mm AIR GAP+8mmTP THK. I.G.U.		工廠	

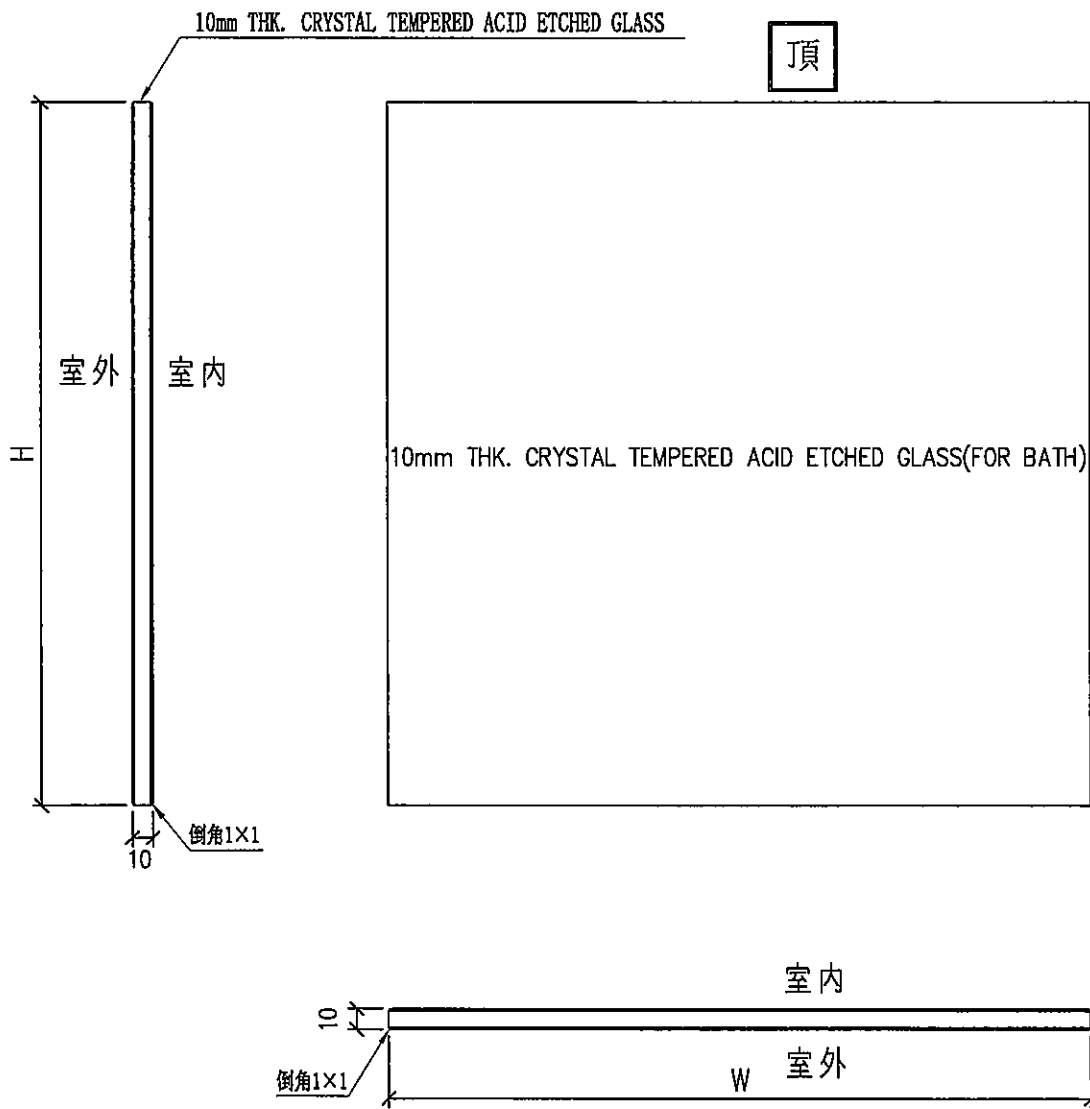
 美特鋁質有限公司 MIDI Aluminium Fabricator Ltd.				類別	物料號			
				制圖	黃瓊玉	2023.02.24	圖號	EGL-2
修改				復核	謝永林	2023.02.25	數量	見BOM表
日期				批准			位置	見BOM表



工程號	J-856	地盤	天水圍天榮站	附 件
名稱	玻璃加工圖 (50生窗玻璃)		採用	
材料		地盤	√	
顏色	10mm THK. CRYSTAL GRAY TEMPERED GLASS		工廠	

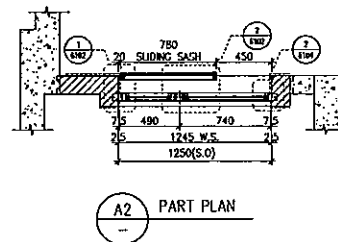
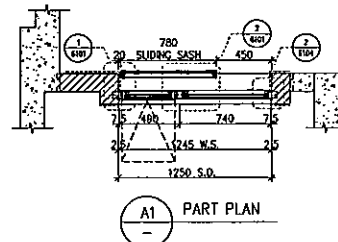
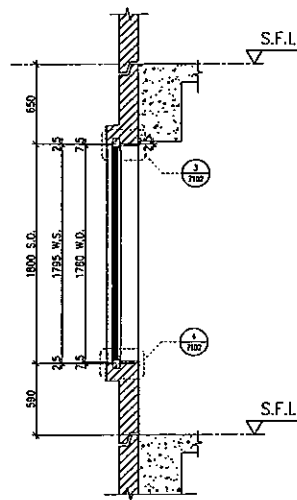
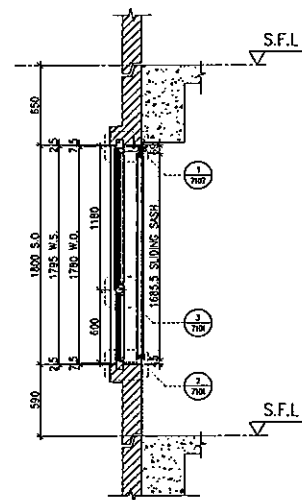
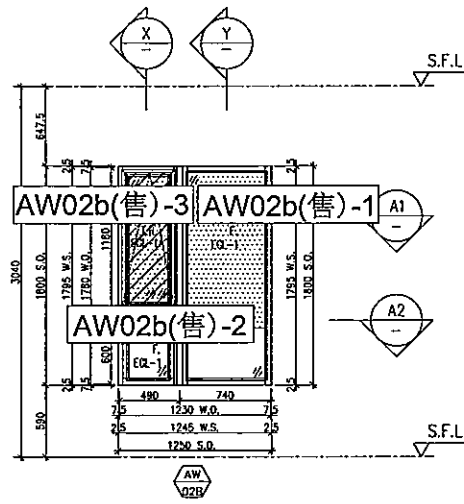
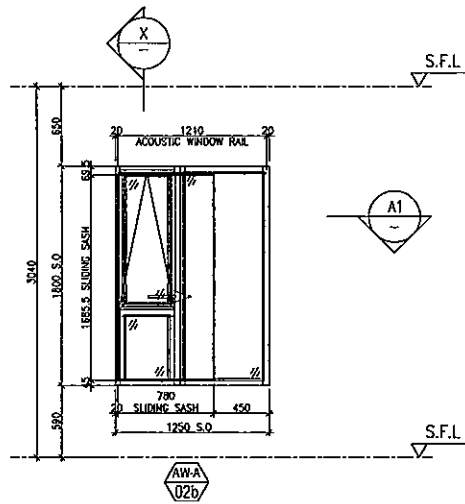
EG-DWG4

 美特鋁質有限公司 MIDI Aluminium Fabricator Ltd.				類別	物料號			
				制圖	黃瓊玉	2023.02.24	圖號	EGL-4
修改				復核	謝永林	2023.02.25	數量	見BOM表
日期				批准			位置	見BOM表



工程號	J-856	地盤	天水圍天榮站	附 件
名稱	玻璃加工圖 (50生窗玻璃)		採用	
材料		地盤	√	
顏色	10mm THK. CRYSTAL TEMPERED ACID ETCHED GLASS	工廠		

LOCATION	REQUIRE		PROVIDED	
	OPENABLE AREA	GLAZING AREA	OPENABLE AREA	GLAZING AREA
A5-BH2	0.263	0.420	0.439	1.19



ELEVATION

B.D. REF :

CLIENT :
 SUN HUNG KAI REAL ESTATE AGENCY LTD.
 4277 SUN HUNG KAI CENTRE, WONGCHAI, HONGKONG

ARCHITECT :
 IWK&partners ARCHITECTS

MAIN CONTRACTOR :
 怡輝建築有限公司 Yee Fai Building Contractors Ltd.

STRUCTURAL ENGINEER :
 ARUP

FAÇADE CONSULTANT :
 ALPHA CONSULTING LIMITED
 Steel Structure & Façade Specialist

NOTE :
 1. ALL DIMENSIONS ARE IN mm.
 2. ALL ELEVATIONS ARE VIEWED FROM OUTSIDE.
 3. ALL DIMENSIONS TO BE VERIFIED ON SITE BEFORE FABRICATION.

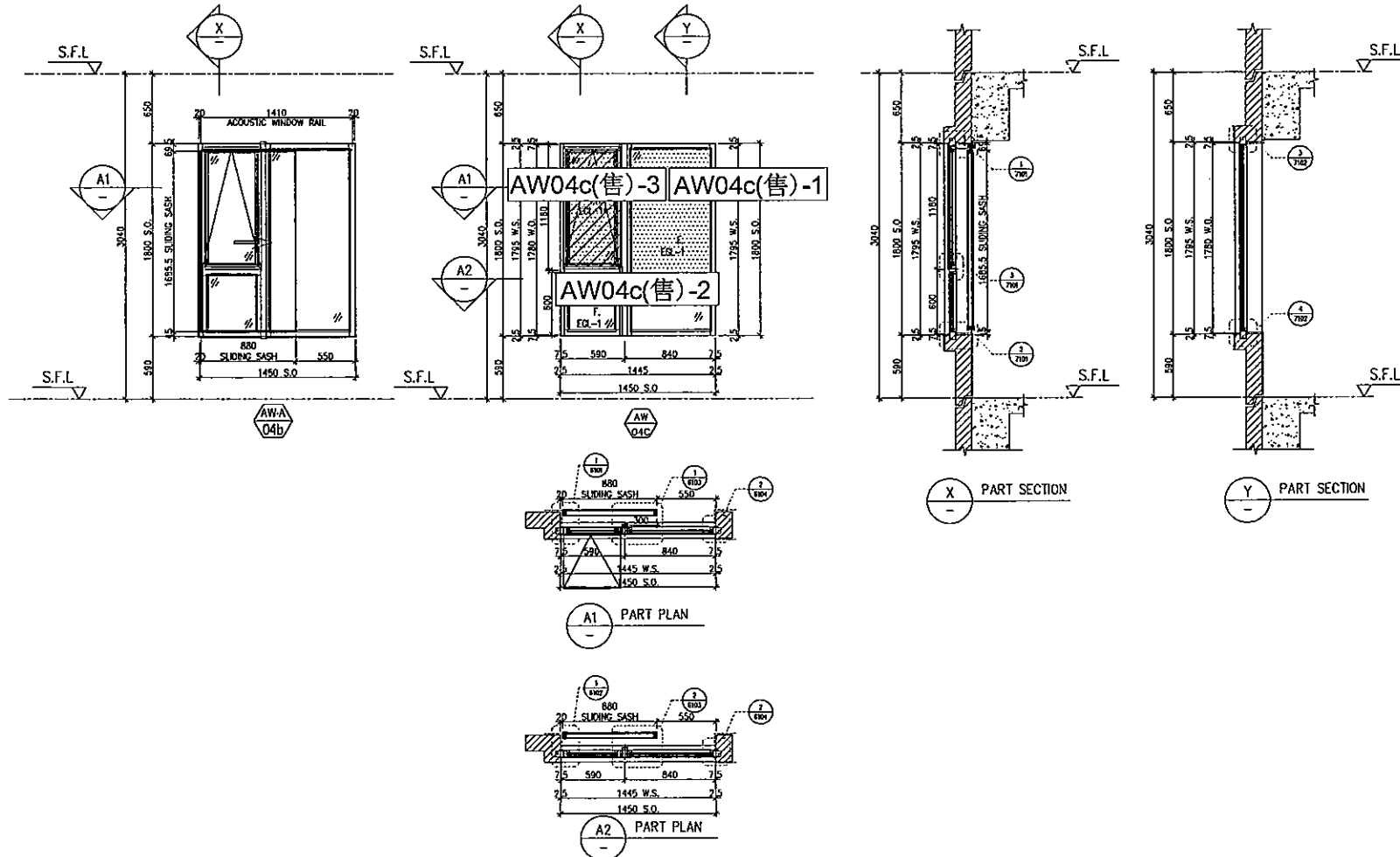
LEGEND :
 DETAIL MARK NO.
 REFER SHEET NO.
 1. F.F.L. --- FINISHED FLOOR LEVEL
 2. S.F.L. --- STRUCTURAL FLOOR LEVEL
 3. (Z) --- REVERSED DETAIL
 4. GLASS LEGEND
 EGL-1 --- 8mmH5+12mm AIR GAP+10mmIP THK. LGLU
 EGL-2 --- 10mm THK. CRYSTAL GRAY TEmPERED GLASS
 EGL-4 --- 10mm THK. CRYSTAL TEmPERED ACID ETCHED GLASS
 EGL-1A --- 8mmH5+12mm AIR GAP+8mmIP THK. LGLU
 ERT/BB1 --- FIXING DETAIL (DWG. NO. FD01)
 BB2 --- FIXING DETAIL (DWG. NO. FD02)

GLAZING AREA
 OPENABLE AREA

NO.	DATE	REVISION	BY
JOB NO. :	J-856		
PROJECT :	PROPOSED DEVELOPMENT ABOVE LIGHT RAIL TIN WING STOP, TSWTL NO.23, AREA 33, TIN SHUI WAL, N.T.		
TITLE :	WINDOW SCHEDULE FOR SALES MOCK-UP AT TOWER 1 (PRE-CAST FAÇADE WINDOW)		
DATE :	06-JUL-22	SCALE :	1:40
DRAWN BY :	YI	CHECKED BY :	
美特鋁質有限公司 MIDI ALUMINIUM FABRICATION LTD. Units 6-8, Sunny Industrial Centre, 1/F 610 Che Koo Ting Road, Kowloon Tel: 23489211-4 Fax: (852) 2727866 DWG NO. : J856-SD-PW-5111 REV. : -			

WINDOW MARK	& (ACOUSTIC WINDOW)
LOCATION	18/F - BR.2 OF UNIT A5 (TOWER 1)
SECTION	70mm ALUM. SECTION
GLAZING	EGL-1, EGL-1A
QUANTITY	1 No.
REMARKS	4 BAR HINGE-LIP HING (HHMT-14)

LOCATION	REQUIRE		PROVIDED	
	OPENABLE AREA	GLAZING AREA	OPENABLE AREA	GLAZING AREA
A5-MBR	0.435	0.696	0.525	1.407



ELEVATION

RD. REF :

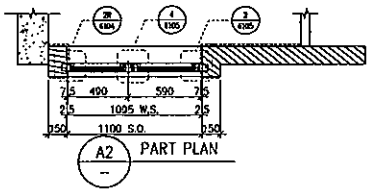
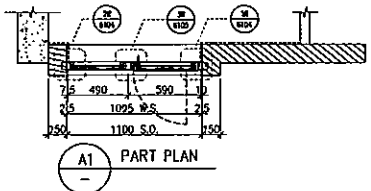
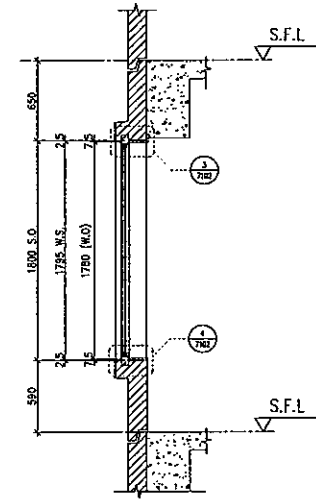
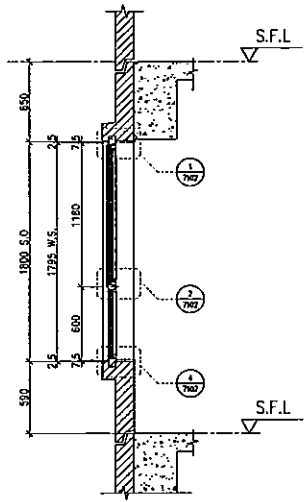
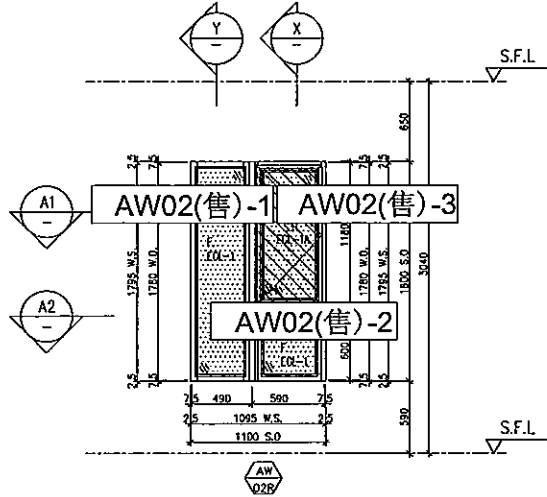
CLIENT :	SUN HUNG KAI REAL ESTATE AGENCY LTD. 1277 SUN HUNG KAI CENTRE, SHANGHAI HONGKONG
ARCHITECT :	lwk&partners architects
MAIN CONTRACTOR :	怡輝建築有限公司 Yee Fai Building Construction Ltd.
STRUCTURAL ENGINEER :	ARUP
FACADE CONSULTANT :	ALPHA CONSULTING LIMITED Steel Structure & Facade Specialist

NOTE :	<ol style="list-style-type: none"> ALL DIMENSIONS ARE IN mm. ALL ELEVATIONS ARE VIEWED FROM OUTSIDE. ALL DIMENSIONS TO BE VERIFIED ON SITE BEFORE FABRICATION.
LEGEND :	<ul style="list-style-type: none"> (X1) DETAIL MARK NO. (X2) REFER SHEET NO. 1. F.F.L. --- FINISHED FLOOR LEVEL 2. S.F.L. --- STRUCTURAL FLOOR LEVEL 3. (2) --- REVERSED DETAIL 4. GLASS LEGEND EGL-1 --- 8mm/15+12mm AIR GAP+10mmTP THK. LGLU. EGL-2 --- 10mm THK. CRYSTAL GRAY TAMPED GLASS EGL-4 --- 10mm THK. CRYSTAL TAMPED AND ETCHED GLASS EGL-1A --- 8mm/15+12mm AIR GAP+8mmTP THK. LGLU. B11/B11 --- FIXING DETAIL (DWG. NO. F001) B02 --- FIXING DETAIL (DWG. NO. F002) [Hatched Box] GLAZING AREA [Dotted Box] OPENABLE AREA

NO.	DATE	REVISED	BY
JOB NO. :	J-856		
PROJECT :	PROPOSED DEVELOPMENT ABOVE LIGHT RAIL TIN WING STOP, TSWTL NO.23, AREA 33, TIN SHUI WAI, N.T.		
TITLE :	WINDOW SCHEDULE FOR SALES MOCK-UP AT TOWER 1 (PRE-CAST FACADE WINDOW)		
DATE :	02-Aug-21	SCALE :	1:40
DRAWN BY :	YI	CHECKED BY :	
美特鋁質有限公司 MEI TIN ALUMINUM FABRICATION LTD. Units 6-8, Sunny Industrial Centre, 1/F 810 Che Kwo Ling Road, Kowloon Tel: 23489211-4 Fax: (852) 27727656			
DWG NO. :	J856-SD-MU-5112	REV. :	-

WINDOW MARK	AW-1 & AW-2 (ACOUSTIC WINDOW)
LOCATION	18/F - MBR. OF UNIT A5 (TOWER 1)
SECTION	70mm ALUM. SECTION
GLAZING	EGL-1, EGL-1A
QUANTITY	1 NO.
REMARKS	4 BAR HINGE-LIP HING (HHMT-14)

LOCATION	REQUIRE		PROVIDED	
	OPENABLE AREA	GLAZING AREA	OPENABLE AREA	GLAZING AREA
A1-BR1	0.263	0.420	0.548	0.985
B8-BR3	0.263	0.420	0.548	0.985



ELEVATION

G.D. REF :

CLIENT :
SUN HUNG KAI
 REAL ESTATE AGENCY LTD.
 1277 SUN HING SAN CENTER, HONGKONG

ARCHITECT :
lwk&partners
 ARCHITECTS

MAIN CONTRACTOR :
怡輝建築有限公司
 Yee Fai Construction Ltd.

STRUCTURAL ENGINEER :
ARUP

FACADE CONSULTANT:
ALPHA CONSULTING LIMITED
 Steel Structure & Façade Specialist

NOTE :
 1. ALL DIMENSIONS ARE IN mm.
 2. ALL ELEVATIONS ARE VIEWED FROM OUTSIDE.
 3. ALL DIMENSIONS TO BE VERIFIED ON SITE BEFORE FABRICATION.

LEGEND :
 (21) --- DETAIL MARK NO.
 (200) --- REFER SHEET NO.

1. F.F.L. --- FINISHED FLOOR LEVEL
 2. S.F.L. --- STRUCTURAL FLOOR LEVEL
 3. (2) --- REVERSED DETAIL

4. GLASS LEGEND
 EGL-1 --- 8mmES+12mm AIR GAP+10mmTP THK. LGLU.
 EGL-2 --- 10mm THK. CRYSTAL GRAY TEMPERED GLASS
 EGL-4 --- 10mm THK. CRYSTAL TEMPERED AND ETCHED GLASS
 EGL-1A --- 8mmES+12mm AIR GAP+8mmTP THK. LGLU.
 BH1/BH1 --- HINGE DETAIL (DWG. NO. FD01)
 BS2-BS2 --- DETAIL (DWG. NO. FD02)

GLAZING AREA
 OPENABLE AREA

NO.	DATE	REVISION	BY

JOB NO. : J-856

PROJECT :
 PROPOSED DEVELOPMENT ABOVE
 LIGHT RAIL TIN WING STOP, TSWL
 NO.23, ARCA 33, TIN SHUI WAL N.T.

TITLE :
 WINDOW SCHEDULE FOR
 SALES MOCK-UP AT TOWER 2
 (PRE-CAST FACADE WINDOW)

DATE : 02-Aug-21 SCALE : 1:40

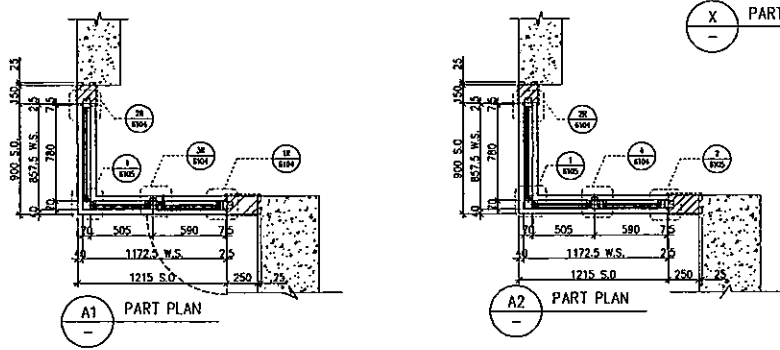
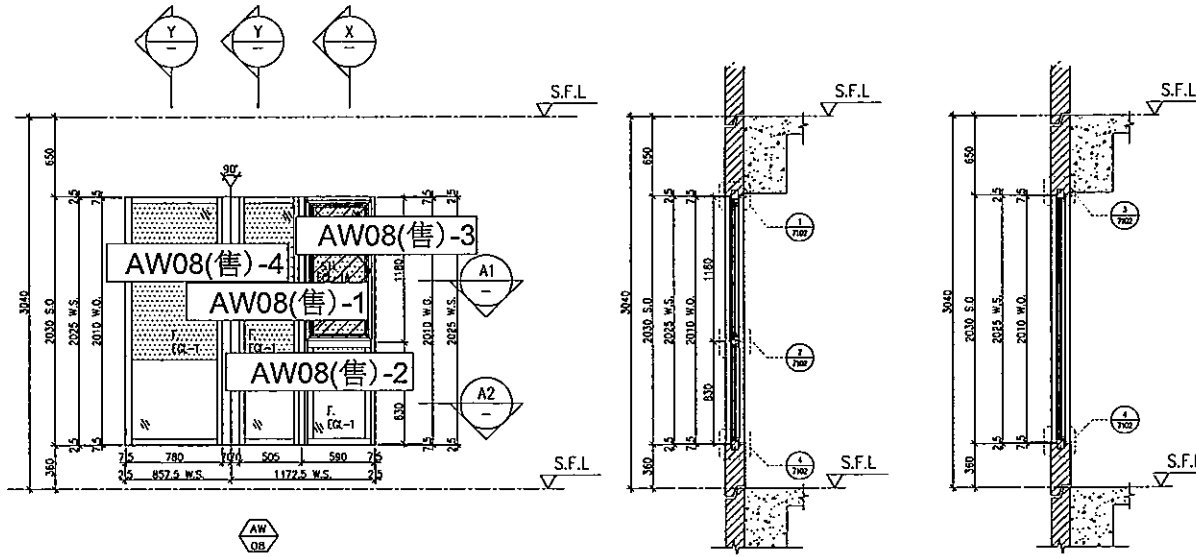
DRAWN BY : YI CHECKED BY :

美特銀質有限公司
 MTDI ALUMINIUM FABRICATOR LTD.
 Units 6-8, Suncoy Industrial Centre, 1/F
 610 Cho Kwo Ling Road, Kowloon
 Tel: 23489211-4 Fax: (852) 27727666

DWG NO. : J856-SO-PW-5211 REV. : -

WINDOW MARK	AW 02R
LOCATION	18/F - BR.3 OF UNIT A1 & B8 (TOWER 2)
SECTION	70mm ALUM. SECTION
GLAZING	EGL-1, EGL-1A
QUANTITY	2 Nos. (UNIT A1) / 1 No. (UNIT B8)
REMARKS	4 BAR HINGE-LIP HING (HHMS-N16)

LOCATION	REQUIRE		PROVIDED	
	OPENABLE AREA	GLAZING AREA	OPENABLE AREA	GLAZING AREA
B8-BR2	0.277	0.443	0.525	1.873



ELEVATION

WINDOW MARK	AW OB
LOCATION	18/F - BR.2 OF UNIT B8 (TOWER 2)
SECTION	70mm ALUM. SECTION
GLAZING	EGL-1,EGL-1A
QUANTITY	1 NO.
REMARKS	FAÇADE(TYPE T2PF13 FOR 3/F~42/F) ,4 BAR HINGE-LIP HING (HHMS-N16)

R.D. REF :

CLIENT :
 SUN HUNG KAI REAL ESTATE AGENCY LTD.
 4777 SUN HUNG KAI CENTRE, WONGAH, HONGKONG

ARCHITECT :
 IWK&partners
 ARCHITECTS

MAIN CONTRACTOR :
 怡輝建築有限公司
 Yee Fai Building Services Ltd.

STRUCTURAL ENGINEER :
 ARUP

FAÇADE CONSULTANT:
 ALPHA CONSULTING LIMITED
 Steel Structure & Façade Specialist

NOTE:
 1. ALL DIMENSIONS ARE IN mm.
 2. ALL ELEVATIONS ARE VIEWED FROM OUTSIDE.
 3. ALL DIMENSIONS TO BE VERIFIED ON SITE BEFORE FABRICATION.

LEGEND :
 -- DETAIL MARK NO.
 -- REFER SHEET NO.

1. F.F.L. -- FINISHED FLOOR LEVEL
 2. S.F.L. -- STRUCTURAL FLOOR LEVEL
 3. -- REVERSED DETAIL
 4. GLASS LEGEND
 EGL-1--8mmHS+12mm AIR GAP+10mmTP THK. LCU.
 EGL-2--10mm THK. CRYSTAL GRAY TEMPERED GLASS
 EGL-4--10mm THK. CRYSTAL TEMPERED ACID ETCHED GLASS
 EGL-1A--8mmHS+12mm AIR GAP+8mmTP THK. LCU.
 BT1/BT1-FIXING DETAIL (DWG. NO. F001)
 BEZ-FIXING DETAIL (DWG. NO. F002)

-- GLAZING AREA
 -- OPENABLE AREA

NO.	DATE	REVISED	BY

JOB NO. : J-B56

PROJECT :
 PROPOSED DEVELOPMENT ABOVE LIGHT RAIL TIN WING STOP,TSWIL NO.23,ARCA 33,TIN SHUI WAI, N.T.

TITLE :
 WINDOW SCHEDULE FOR SALES MOCK-UP AT TOWER 2 (PRE-CAST FAÇADE WINDOW)

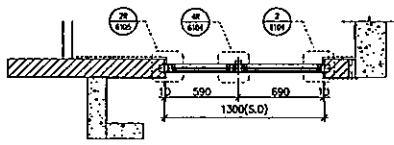
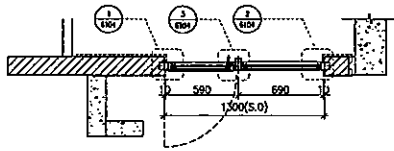
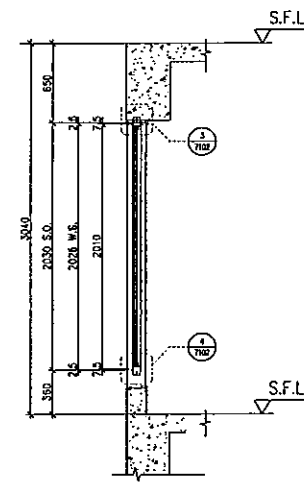
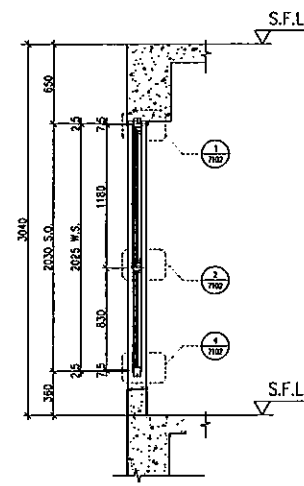
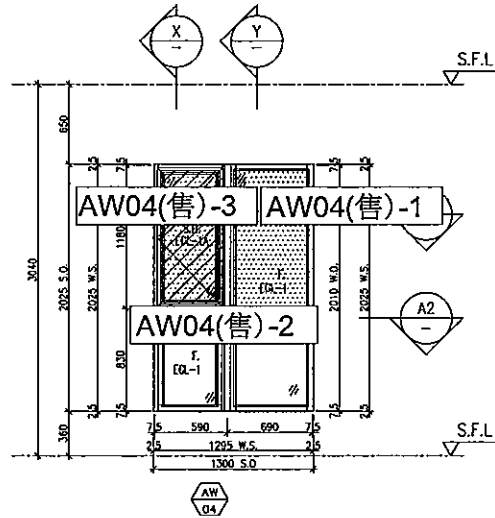
DATE : 02-Aug-21 SCALE : 1:40

DRAWN BY : YI CHECKED BY :

美特鋁質有限公司
 MIDI ALUMINUM FABRICATOR LTD.
 Units 6-8, Sunray Industrial Centre, 1/F
 610 Che Kwo Ling Road, Kowloon
 Tel:23488211-4 Fax:(852)27272665

DWG NO. : J556-SD-PW-5212 REV. : -

LOCATION	REQUIRE		PROVIDED	
	OPENABLE AREA	GLAZING AREA	OPENABLE AREA	GLAZING AREA
A11-MBR	0.435	0.696	0.548	1.24



X PART SECTION

Y PART SECTION

A1 PART PLAN

A2 PART PLAN

ELEVATION

WINDOW MARK	AW 04
LOCATION	18/F - MBR. OF UNIT A11 (TOWER 3)
SECTION	70mm ALUM. SECTION
GLAZING	EGL-1, EGL-1A
QUANTITY	1 NO.
REMARKS	4 BAR HINGE-LIP HING (HHMS-N16)

BLD. REF :

CLIENT :
 SUN HUNG KAI REAL ESTATE AGENCY LTD.
 427, 308, 306B, 304, 302, 300, HONGKONG

ARCHITECT :
 IWK&partners ARCHITECTS

MAIN CONTRACTOR :
 怡輝建築有限公司 Yee Fai Building Contractors Ltd.

STRUCTURAL ENGINEER :
 ARUP

FAÇADE CONSULTANT :
 ALPHA CONSULTING LIMITED
 Steel Structure & Façade Specialist

NOTE:
 1. ALL DIMENSIONS ARE IN mm.
 2. ALL ELEVATIONS ARE VIEWED FROM OUTSIDE.
 3. ALL DIMENSIONS TO BE VERIFIED ON SITE BEFORE FABRICATION.

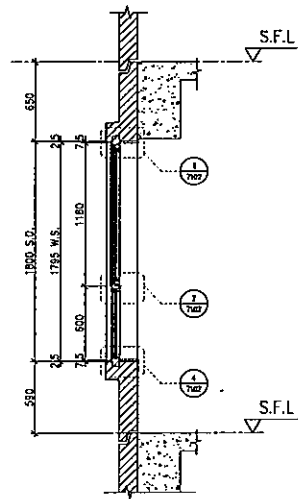
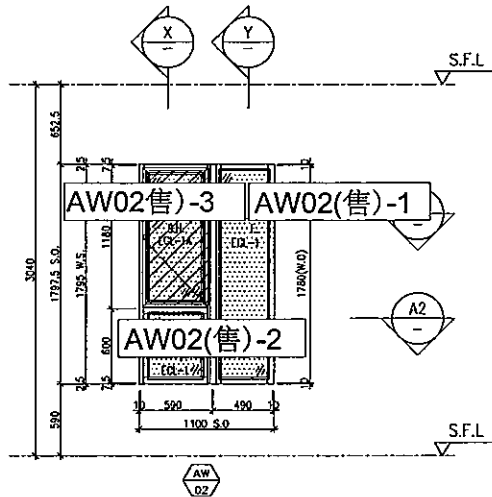
LEGEND :

21 --- DETAIL MARK NO.
 XXX --- REFER SHEET NO.

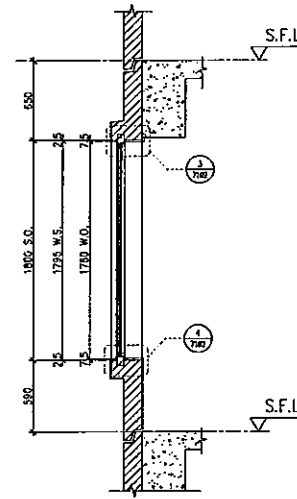
1. F.F.L. --- FINISHED FLOOR LEVEL
 2. S.F.L. --- STRUCTURAL FLOOR LEVEL
 3. (REV) --- REVERSED DETAIL
 4. GLASS LEGEND
 EGL-1 --- 8mm/15+12mm AIR GAP+10mmTP THK. LGLU.
 EGL-2 --- 10mm THK. CRYSTAL GRAY TEMPERED GLASS
 EGL-4 --- 10mm THK. CRYSTAL TEMPERED AND ETCHED GLASS
 EGL-1A --- 8mm/15+12mm AIR GAP+8mmTP THK. LGLU.
 811/801 --- FIXING DETAIL (DWC. NO. F001)
 812 --- FIXING DETAIL (DWC. NO. F002)
 GLAZING AREA
 OPENABLE AREA

NO.	DATE	REVISION	BY
JOB NO. : J-855		PROJECT : PROPOSED DEVELOPMENT ABOVE LIGHT RAIL TIN WING STOP, TSWTL NO.23, AREA 33, TIN SHUI WAI, N.T.	
TITLE : WINDOW SCHEDULE FOR SALES MOCK-UP AT TOWER 3 (PRE-CAST FAÇADE WINDOW)			
DATE : 02-Aug-21	SCALE : 1:40	DRAWN BY : YI	CHECKED BY :
美特鋁質有限公司 Units: 6-B, Sunny Industrial Centre, 1/F, 610 Che Kwo Ling Road, Kowloon Tel: 23483211-4 Fax: (852) 2727666 DWG NO. : J856-SD-PW-5311 RLV. : -			

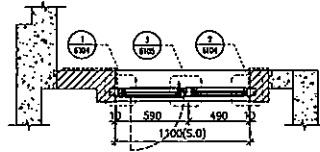
LOCATION	REQUIRE		PROVIDED	
	OPENABLE AREA	GLAZING AREA	OPENABLE AREA	GLAZING AREA
A11-BR2	0.263	0.420	0.548	0.985



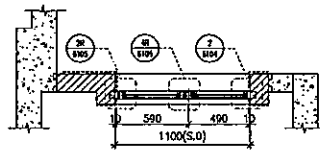
X PART SECTION



Y PART SECTION



A1 PART PLAN



A2 PART PLAN

ELEVATION

WINDOW MARK	AW D2
LOCATION	18/F - BR.2 OF UNIT A11 (TOWER 3)
SECTION	70mm ALUM. SECTION
GLAZING	EGL-1, EGL-1A
QUANTITY	1 NO.
REMARKS	4 BAR HINGE-LIP HING (HHMS-N15)

B.D. REF :

CLIENT :
 SUN HUNG KAI REAL ESTATE AGENCY LTD.
 427 SUN HUNG KAI CENTRE, HONGKONG

ARCHITECT :
 Iwk&partners ARCHITECTS

MAIN CONTRACTOR :
 怡輝建築有限公司 Yee Fat Building Contractors Ltd.

STRUCTURAL ENGINEER :
 ARUP

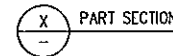
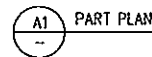
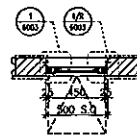
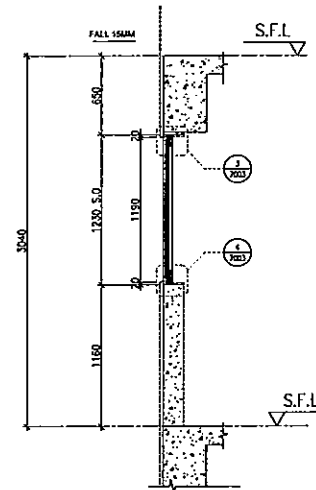
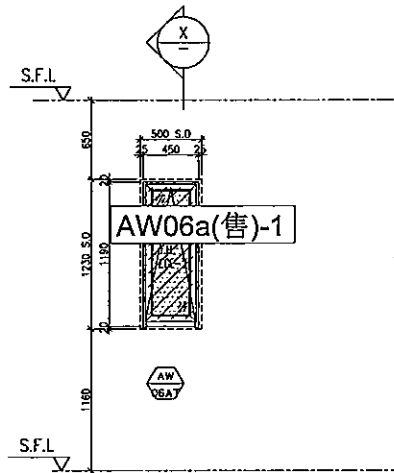
FACADE CONSULTANT :
 ALPHA CONSULTING LIMITED
 Steel Structure & Facade Specialist

- NOTE:
1. ALL DIMENSIONS ARE IN MM.
 2. ALL ELEVATIONS ARE VIEWED FROM OUTSIDE.
 3. ALL DIMENSIONS TO BE VERIFIED ON SITE BEFORE FABRICATION.

- LEGEND:
- (X) DETAIL MARK NO.
 - (Y) DETAIL SHEET NO.
 - 1. F.F.L. -- FINISHED FLOOR LEVEL
 - 2. S.F.L. -- STRUCTURAL FLOOR LEVEL
 - 3. (Z) -- REVERSED DETAIL
 - 4. GLASS LEGEND
 - DDL-1--8mmE5+12mm AIR GAP+10mmTP THK. LGLU.
 - EGL-2--10mm THK. CRYSTAL GRAY TEMPERED GLASS
 - EGL-4--10mm THK. CRYSTAL TEMPERED ACID ETCHED GLASS
 - EGL-1A-8mmE5+12mm AIR GAP+5mmTP THK. LGLU.
 - B11/SB1-FIXING DETAIL (DWG. NO. FD01)
 - B82-FIXING DETAIL (DWG. NO. FD02)
 - GLAZING AREA
 - OPENABLE AREA

NO.	DATE	REVISED	BY
JOB NO. : J-B56			
PROJECT : PROPOSED DEVELOPMENT ABOVE LIGHT RAIL TIN WING STOP, TSWTL NO.23, AREA 33, TIN SHUI WAI, N.T.			
TITLE : WINDOW SCHEDULE FOR SALES MOCK-UP AT TOWER 3 (PRE-CAST FACADE WINDOW)			
DATE : 02-Aug-21		SCALE : 1:40	
DRAWN BY : YI		CHECKED BY :	
美特鋁質有限公司 MIDI ALUMINUM FABRICATOR LTD. Units 6-8, Sunny Industrial Centre, 1/F 610 Cha Kwo Ling Road, Kowloon Tel: 23489211-4 Fax: (852) 2727866			
DWG NO. : JB56-SD-PW-5312		REV. : --	

LOCATION	REQUIRE		PROVIDED	
	OPENABLE AREA	GLAZING AREA	OPENABLE AREA	GLAZING AREA
A5-ST RM	N/A	N/A	0.389	0.306



ELEVATION

B.D. REF :

CLIENT :

SUN HUNG KAI
REAL ESTATE AGENCY LTD.
12/7 SUN HUNG KAI CENTRE, HONGKONG

ARCHITECT :

lwk&partners
ARCHITECTS

MAIN CONTRACTOR :

怡輝建築有限公司
Yee Fai Building Development Ltd.

STRUCTURAL ENGINEER :

ARUP

FACADE CONSULTANT:

ALPHA CONSULTING LIMITED
Steel Structure & Facade Specialist

NOTE:

1. ALL DIMENSIONS ARE IN mm.
2. ALL ELEVATIONS ARE VIEWED FROM OUTSIDE.
3. ALL DIMENSIONS TO BE VERIFIED ON SITE BEFORE FABRICATION.

LEGEND:

- ① --- DETAIL MARK NO.
- ② --- REFER SHEET NO.

1. F.F.L. --- FINISHED FLOOR LEVEL.
2. S.F.L. --- STRUCTURAL FLOOR LEVEL.
3. (2) --- REVERSED DETAIL.
4. GLASS LEGEND

EDL-1 --- 8mmES+12mm AIR GAP+10mmTP THK. L.G.U.

EDL-2 --- 10mm THK. CRYSTAL GRAY TEMPERED GLASS

EDL-4 --- 10mm THK. CRYSTAL TEMPERED ACID ETCHED GLASS

EDL-1A --- 8mmES+12mm AIR GAP+8mmTP THK. L.G.U.

U11/BH1 --- FIXING DETAIL (DWG. NO. F001)

BH2 --- FIXING DETAIL (DWG. NO. F002)

GLAZING AREA

OPENABLE AREA

NO.	REV.	REVISION	BY

JOB NO. : J-856

PROJECT : PROPOSED DEVELOPMENT ABOVE LIGHT RAIL TIN WING STOP, TSNLT NO.23, AREA 33, TIN SHUI WAI, N.T.

TITLE : WINDOW SCHEDULE FOR SALES MOCK-UP AT TOWER 1 (IN-SITU WINDOW)

DATE : 22-Jun-22 SCALE : 1:40

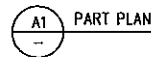
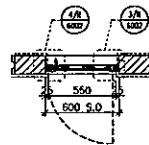
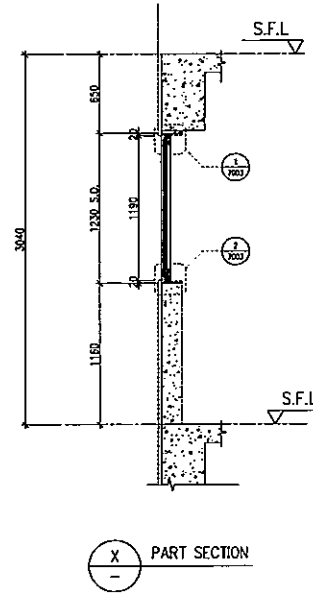
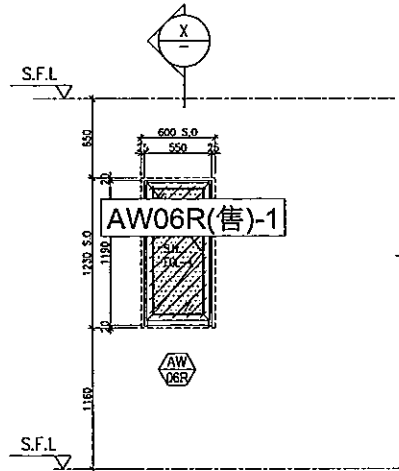
DRAWN BY : YI CHECKED BY :

美特鋁質有限公司
METAL ALUMINUM FABRICATOR LTD.
Shop 6-8, Sunny Industrial Centre, 1/F
610 Cha Kwo Ling Road, Yuenbon
Tel: 23489211-4 Fax: (852) 27272666

DWG NO. : J056-SD-MU-5102 REV. : -

WINDOW MARK	AW 06a(售)-1
LOCATION	18/F - STO. OF UNIT A5 (TOWER 1)
SECTION	50mm ALUM. SECTION
GLAZING	EGL-2
QUANTITY	1 NO.
REMARKS	50mm ALUM. WINDOW SECTION , 4 BAR HINGE-LIP HING (HHMT-14)

LOCATION	REQUIRE		PROVIDED	
	OPENABLE AREA	GLAZING AREA	OPENABLE AREA	GLAZING AREA
A1-M.BATH	0.318	0.318	0.497	0.408



ELEVATION

BLD. REF. :

CLIENT :

SUN HUNG KAI
 REAL ESTATE AGENCY LTD.
 4377 308 HANG ON CENTER, HANG HONG

ARCHITECT :

IWK&partners
 ARCHITECTS

MAIN CONTRACTOR :

怡輝建築有限公司
 Yee Fai Construction Ltd.

STRUCTURAL ENGINEER :

ARUP

FACADE CONSULTANT:

ALPHA CONSULTING LIMITED
 Steel Structures & Façade Specialist

NOTE :
 1. ALL DIMENSIONS ARE IN mm.
 2. ALL ELEVATIONS ARE VIEWED FROM OUTSIDE.
 3. ALL DIMENSIONS TO BE VERIFIED ON SITE BEFORE FABRICATION.

LEGEND :
 DETAIL MARK NO. REFER SHEET NO.
 1. F.F.L. -- FINISHED FLOOR LEVEL
 2. S.F.L. -- STRUCTURAL FLOOR LEVEL
 3. (X) -- REVERSED DETAIL
 4. GLASS LEGEND

EGL-1 -- 8mm/15+12mm AR CAP+10mmTP THK LGU.
 EGL-2 -- 10mm THK CRYSTAL GRAY TEMPERED GLASS
 EGL-4 -- 10mm THK CRYSTAL TEMPERED AND ETCHED GLASS
 EGL-1A -- 8mm/15+12mm AR CAP+8mmTP THK LGU.
 B11/B11 -- FIXING DETAIL (DWG. NO. F101)
 B12 -- FIXING DETAIL (DWG. NO. F102)
 GLAZING AREA
 OPENABLE AREA

NO.	DATE	REVISION	BY
-----	------	----------	----

JOB NO. : J-856

PROJECT :
 PROPOSED DEVELOPMENT ABOVE
 LIGHT RAIL TIN WING STOP, TSWTL
 NO.23, AREA 33, TIN SHUI WAI, N.T.

TITLE :
 WINDOW SCHEDULE FOR
 SALES MOCK-UP AT TOWER 2
 (IN-SITU WINDOW)

DATE : 22/06/2022 SCALE : 1:40

DRAWN BY : YI CHECKED BY :

美特鋁質有限公司
 MIDI ALUMINIUM FABRICATOR LTD.
 Units 6-8, Sunny Industrial Centre, 1/F
 610 Che Kwo Ling Road, Kowloon
 Tel: 2483211-4 Fax: (852) 2772666

DWG NO. : JB56-SD-MU-5203 REV. : -

WINDOW MARK



LOCATION 18/F - M. BATH OF UNIT A1 (TOWER 2)

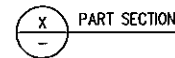
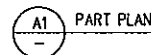
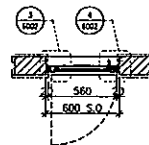
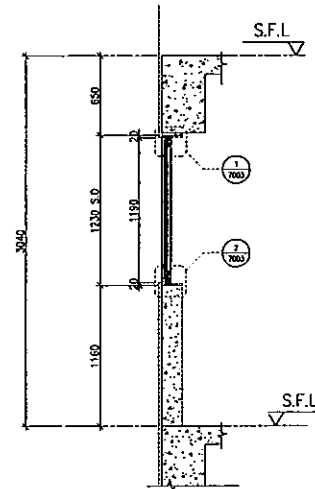
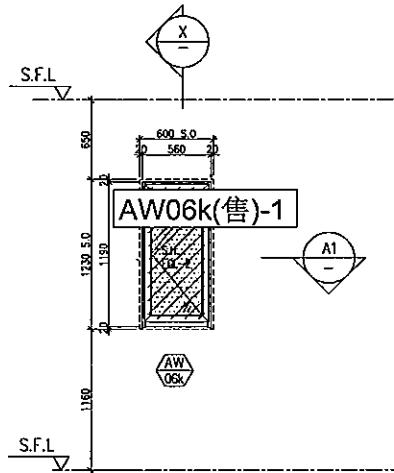
SECTION 50mm ALUM. SECTION

GLAZING EGL-4

QUANTITY 2 Nos.

REMARKS

LOCATION	REQUIRE		PROVIDED	
	OPENABLE AREA	GLAZING AREA	OPENABLE AREA	GLAZING AREA
A1-KIT	0.278	0.411	0.508	0.418



ELEVATION

R.D. REF :

CLIENT :

ARCHITECT :

MAIN CONTRACTOR :

STRUCTURAL ENGINEER :

FACADE CONSULTANT:

NOTE:
 1. ALL DIMENSIONS ARE IN mm.
 2. ALL ELEVATIONS ARE VIEWED FROM OUTSIDE.
 3. ALL DIMENSIONS TO BE VERIFIED ON SITE BEFORE FABRICATION.

LEGEND:
 (A1) DETAIL MARK NO.
 (X) REFER SHEET NO.

1. F.F.L. -- FINISHED FLOOR LEVEL
 2. S.F.L. -- STRUCTURAL FLOOR LEVEL
 3. (3) -- REVERSED DETAIL
 4. GLASS LEGEND

EGL-1 -- 8mm/5+12mm AIR GAP+10mmTP THK. LGLL
 EGL-2 -- 10mm THK. CRYSTAL GRAY TEMPERED GLASS
 EGL-4 -- 10mm THK. CRYSTAL TEMPERED ACID ETCHED GLASS
 EGL-1A -- 8mm/5+12mm AIR GAP+8mmTP THK. LGLL
 DT1/BB1 -- FIXING DETAIL (DWG. NO. FD01)
 BB2 -- FIXING DETAIL (DWG. NO. FD02)
 GLAZING AREA
 OPENABLE AREA

NO.	DATE	REVISED	BY

KIT NO. : J-B56

PROJECT : PROPOSED DEVELOPMENT ABOVE LIGHT RAIL TIN WING STOP, TWTL NO.23, AREA 33, TIN SHUI WAL, N.T.

TITLE : WINDOW SCHEDULE FOR SALES MOCK-UP AT TOWER 2 (IN-SITU WINDOW)

DATE : 22/06/2022 SCALE : 1:40

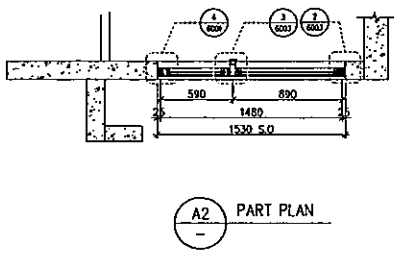
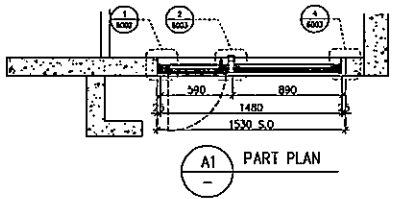
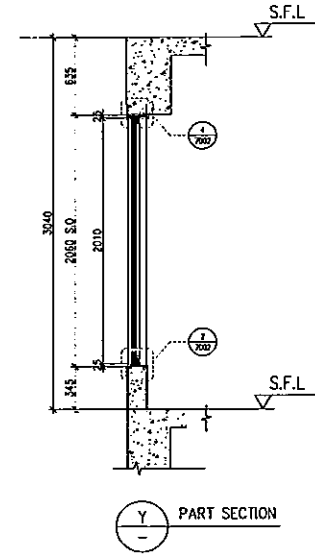
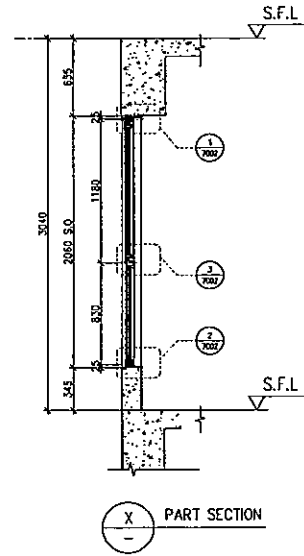
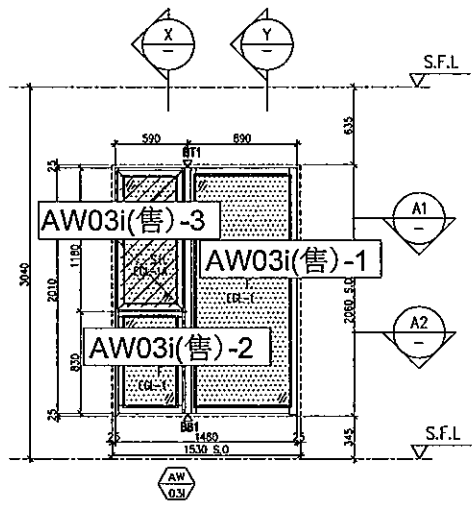
DRAWN BY : Y1 CHECKED BY :

美特铝业有限公司
 MIDI ALUMINIUM FABRICATOR LTD.
 Units 5-8, Sunway Industrial Centre, 1/F
 810 Cho Kwo Ling Road, Kowloon
 Tel: 23489211-4 Fax: (852) 27272666

DWG NO. : JB56-S0-MU-5204 REV. : -

WINDOW MARK	
LOCATION	18/F - KIT. OF UNIT A1 (TOWER 2)
SECTION	50mm ALUM. SECTION
GLAZING	EGL-2
QUANTITY	2 Nos.
REMARKS	50mm ALUM. WINDOW SECTION, 4 BAR HINGE-LIP HING (HHMS-N14)

LOCATION	REQUIRE		PROVIDED	
	OPENABLE AREA	GLAZING AREA	OPENABLE AREA	GLAZING AREA
B3-MBR	0.295	0.472	0.525	2.169



ELEVATION

WINDOW MARK	AW 03i
LOCATION	18/F - MBR. OF UNIT B3 (TOWER 3)
SECTION	70mm ALUM. SECTION
GLAZING	EGL-1 / EGL-1A
QUANTITY	1 NO.
REMARKS	70mm ALUM. WINDOW SECTION , 4 BAR HINGE-LIP HING (HHMS-N14)

R.O. REF :

CLIENT :
SUN HUNG KAI
 REAL ESTATE AGENCY LTD.
 4277 SUN HUNG KAI CENTER, WINGLOI HOINGROAD

ARCHITECT :
lwk&partners
 architects

MAIN CONTRACTOR :
怡輝建築有限公司
 Yee Fai Building Construction Ltd.

STRUCTURAL ENGINEER :
ARUP

FACADE CONSULTANT:
ALPHA CONSULTING LIMITED
 Steel Structure & Facade Specialist

NOTE:
 1. ALL DIMENSIONS ARE IN mm.
 2. ALL ELEVATIONS ARE VIEWED FROM OUTSIDE.
 3. ALL DIMENSIONS TO BE VERIFIED ON SITE BEFORE FABRICATION.

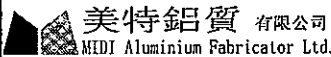
- LEGEND:
- (AW) - DETAIL MARK NO.
 - (R/S) - REFER SHEET NO.
 - 1. F.F.L. -- FINISHED FLOOR LEVEL
 - 2. S.F.L. -- STRUCTURAL FLOOR LEVEL
 - 3. (2) -- REVERSED DETAIL
 - 4. GLASS LEGEND
 - EGL-1 -- 8mmES+12mm AIR GAP+10mmTP THK. LGU.
 - EGL-2 -- 10mm THK. CRYSTAL GRAY TEMPERED GLASS
 - EGL-4 -- 10mm THK. CRYSTAL TEMPERED ACID ETCHED GLASS
 - EGL-1A -- 8mmES+12mm AIR GAP+8mmTP THK. LGU.
 - DT1/DT11 -- FIXING DETAIL (DWG. NO. FD01)
 - DT2 -- FIXING DETAIL (DWG. NO. FD02)
 - [Pattern] GLAZING AREA
 - [Pattern] OPENABLE AREA

NO.	DATE	REVISED	BY
JOB NO.:	J-B56		
PROJECT:	PROPOSED DEVELOPMENT ABOVE LIGHT RAIL TIN WING STOP, TSWTL NO.23, AREA 33, TIN SHUI WAI, N.T.		
TITLE:	WINDOW SCHEDULE FOR SALES MOCK-UP AT TOWER 3 (IN-SITU WINDOW)		
DATE:	21-Jun-22	SCALE:	1:40
DRAWN BY:	Y1	CHECKED BY:	
美特鋁質有限公司 MTD ALUMINUM FABRICATOR LTD. Units 6-8, Sunray Industrial Centre, 1/2 610 Cho Kwo Ling Road, Kwailoon Tel: 23489211-4 Fax: (852) 2727566			
DWG NO.:	J856-SD-MU-5303	REV.:	-

參考用

圖則登記表 DRAWING REGISTER		接收日期 Receiving Date (適用於客戶圖則)						
工程名稱 Project Title:	天水圍天榮站	年						
T1.T2.T3-售樓處18/F佛沙窗改款後裝窗玻璃拆圖		月						
工程編號 Project No:	J-856	日						
分發予 Distributed To		年	23					
		月	04					
		日	17					
圖則編號 Drg. No.	圖則名稱 Drawing Title	修訂編號 Revision No.						
EGL-1	玻璃加工圖 (大梗窗玻璃+小梗窗玻璃)	1	-					
EGL-1A	玻璃加工圖 (70生窗玻璃)	2	-					
EGL-2	玻璃加工圖 (50生窗玻璃)	3	-					
EGL-4	玻璃加工圖 (50生窗玻璃)	4	-					
J856-SD-PW-5111	位置圖	5	-					
J856-SD-MU-5112	位置圖	6	-					
J856-SD-PW-5211	位置圖	7	-					
J856-SD-PW-5212	位置圖	8	-					
J856-SD-PW-5311	位置圖	9	-					
J856-SD-PW-5312	位置圖	10	-					
J856-SD-MU-5102	位置圖	11	-					
J856-SD-MU-5203	位置圖	12	-					
J856-SD-MU-5204	位置圖	13	-					
J856-SD-MU-5303	位置圖	14	-					

參考用


 美特鋁質 有限公司 MEDI Aluminium Fabricator Ltd.	工程號: J-856	計算: 黃瓊玉	日期: 2023.04.17	送呈: 胡哥	計算參考數值/ 所屬位置分格
	地盤名稱: 天水圍天第站	核對: 謝永林	日期: 2023.04.17	副本:	
地盤用玻璃B.M.表	項目類別: 售樓/樣板	批准:	A/C Code:		依據EI-5799計算
修改版次:		總計玻璃面積(平方米): 18.983			

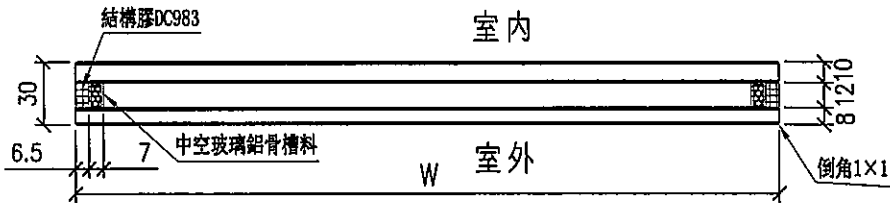
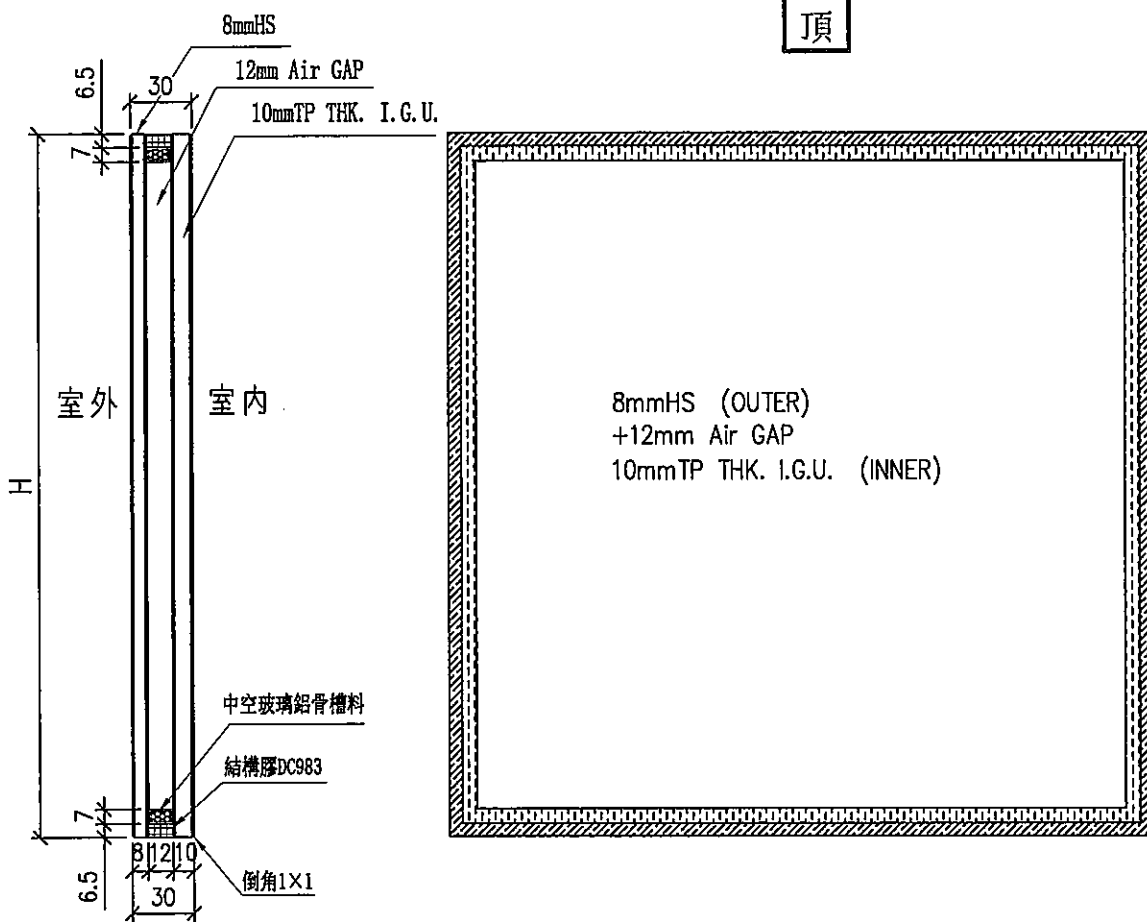
序號	修改內容	玻璃編號	顏色與類型/加工圖參考	厚度 (mm)	玻璃尺寸		數量 (塊)	總面積 (平方米)	使用樓層	使用位置	分屬類型	分格寬度	分格高度	備註
					寬度 (W mm)	高度 (H mm)								
1		AW02b(售) -1	EGL-1	30	660	1720	1	1.135	18F樣板	T1-A5	70梗窗	740	1780	
2		AW02b(售) -2	EGL-1	30	352	544.5	1	0.192	18F樣板	T1-A5	70梗窗	490	600	
3		AW02b(售) -3	EGL-1A	28	350	1064.5	1	0.373	18F樣板	T1-A5	70生窗	490	1180	
4		AW04c(售) -1	EGL-1	30	760	1720	1	1.307	18F樣板	T1-A5	70梗窗	840	1780	
5		AW04c(售) -2	EGL-1	30	452	544.5	1	0.246	18F樣板	T1-A5	70梗窗	590	600	
6		AW04c(售) -3	EGL-1A	28	450	1064.5	1	0.479	18F樣板	T1-A5	70生窗	590	1180	
7		AW02(售) -1	EGL-1	30	410	1720	4	2.821	18F樣板	T2-A1.B8,T3-A11	70梗窗	490	1780	AW02.AW02R
8		AW02(售) -2	EGL-1	30	452	544.5	4	0.984	18F樣板	T2-A1.B8,T3-A11	70梗窗	590	600	AW02.AW02R
9		AW02(售) -3	EGL-1A	28	450	1064.5	4	1.916	18F樣板	T2-A1.B8,T3-A11	70生窗	590	1180	AW02.AW02R
10		AW08(售) -4	EGL-1	30	725	1950	1	1.414	18F樣板	T2-B8	70梗窗	780	2010	
11		AW08(售) -1	EGL-1	30	430	1950	1	0.839	18F樣板	T2-B8	70梗窗	505	2010	
12		AW08(售) -2	EGL-1	30	452	774.5	1	0.350	18F樣板	T2-B8	70梗窗	590	830	
13		AW08(售) -3	EGL-1A	28	450	1064.5	1	0.479	18F樣板	T2-B8	70生窗	590	1180	
14		AW04(售) -1	EGL-1	30	610	1950	1	1.190	18F樣板	T3-A11	70梗窗	690	2010	
15		AW04(售) -2	EGL-1	30	452	774.5	1	0.350	18F樣板	T3-A11	70梗窗	590	830	
16		AW04(售) -3	EGL-1A	28	450	1064.5	1	0.479	18F樣板	T3-A11	70生窗	590	1180	
17		AW06aT(售)-1	EGL-2	10	320	1040	1	0.333	18F樣板	T1-A5	50生窗	450	1190	
18		AW06R(售)-1	EGL-4	10	420	1040	2	0.874	18F樣板	T2-A1	50生窗	550	1190	
19		AW06k(售)-1	EGL-2	10	430	1040	2	0.894	18F樣板	T2-A1	50生窗	560	1190	
20		AW03i(售) -1	EGL-1	30	790	1910	1	1.509	18F樣板	T3-B3	70梗窗	890	2010	
21		AW03i(售) -2	EGL-1	30	452	754.5	1	0.341	18F樣板	T3-B3	70梗窗	590	830	
22		AW03i(售) -3	EGL-1A	28	450	1064.5	1	0.479	18F樣板	T3-B3	70生窗	590	1180	
							合計	33	18.983					

加工注意事項/玻璃類型描述:	1).本表中玻璃採用三鑫公司產玻璃。
	2).本表中所有玻璃對角線尺寸偏差要求不超過負2mm。
	3).本表中玻璃要求粗磨邊處理並倒棱角，擺河玻璃頂底要精磨邊，而所有玻璃之入爐方向需保持一致。
	4).本表中所有玻璃成品均需做雙面保護，用透明靜電膠紙加四周一寸FK白膠紙做雙面加固保護處理。
	5).本表中所有玻璃成品均需注明室內外及其玻璃編號/使用位置/樓層，以便識別。
	EGL-1-8mmHS+12mm AIR GAP+10mmTP THK. I.G.U.
EGL-1A-8mmHS+12mm AIR GAP+8mmTP THK. I.G.U.	
EGL-2-10mm THK. CRYSTAL GRAY TEMPERED GLASS(FOR KIT & ST)	
EGL-4-10mm THK. CRYSTAL TEMPERED ACID ETCHED GLASS(FOR BATH)	

參考用

EG-DWG4

 美特鋁質有限公司 MIDI Aluminium Fabricator Ltd.				類別	物料號		
				制圖	黃瓊玉	2023.02.24	圖號
修改				復核	謝永林	2023.02.25	數量
日期				批准			位置
							見BOM表
							見BOM表

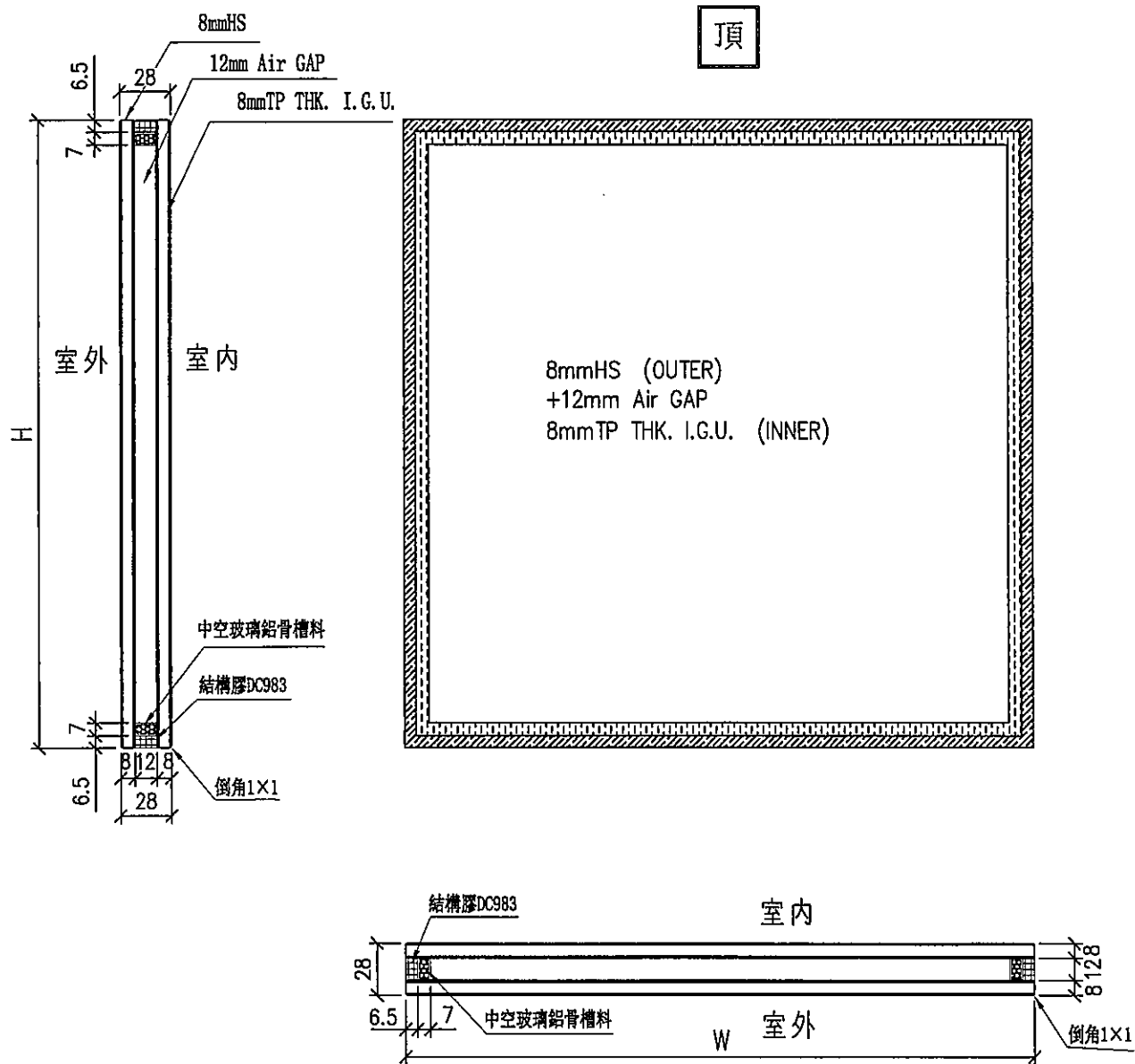


工程號	J-856	地盤	天水圍天榮站	附 件	
名稱	玻璃加工圖 (大梗窗玻璃+小梗窗玻璃)		採用		
材料			地盤		√
顏色	8mmHS+12mm AIR GAP+10mmTP THK. I.G.U.		工廠		

參考用

EG-DWG4

 美特鋁質有限公司 MIDI Aluminium Fabricator Ltd.				類別	物料號		
				制圖	黃瓊玉	2023.02.24	圖號 EGL-1A
修改				復核	謝永林	2023.02.25	數量 見BOM表
日期				批准			位置 見BOM表

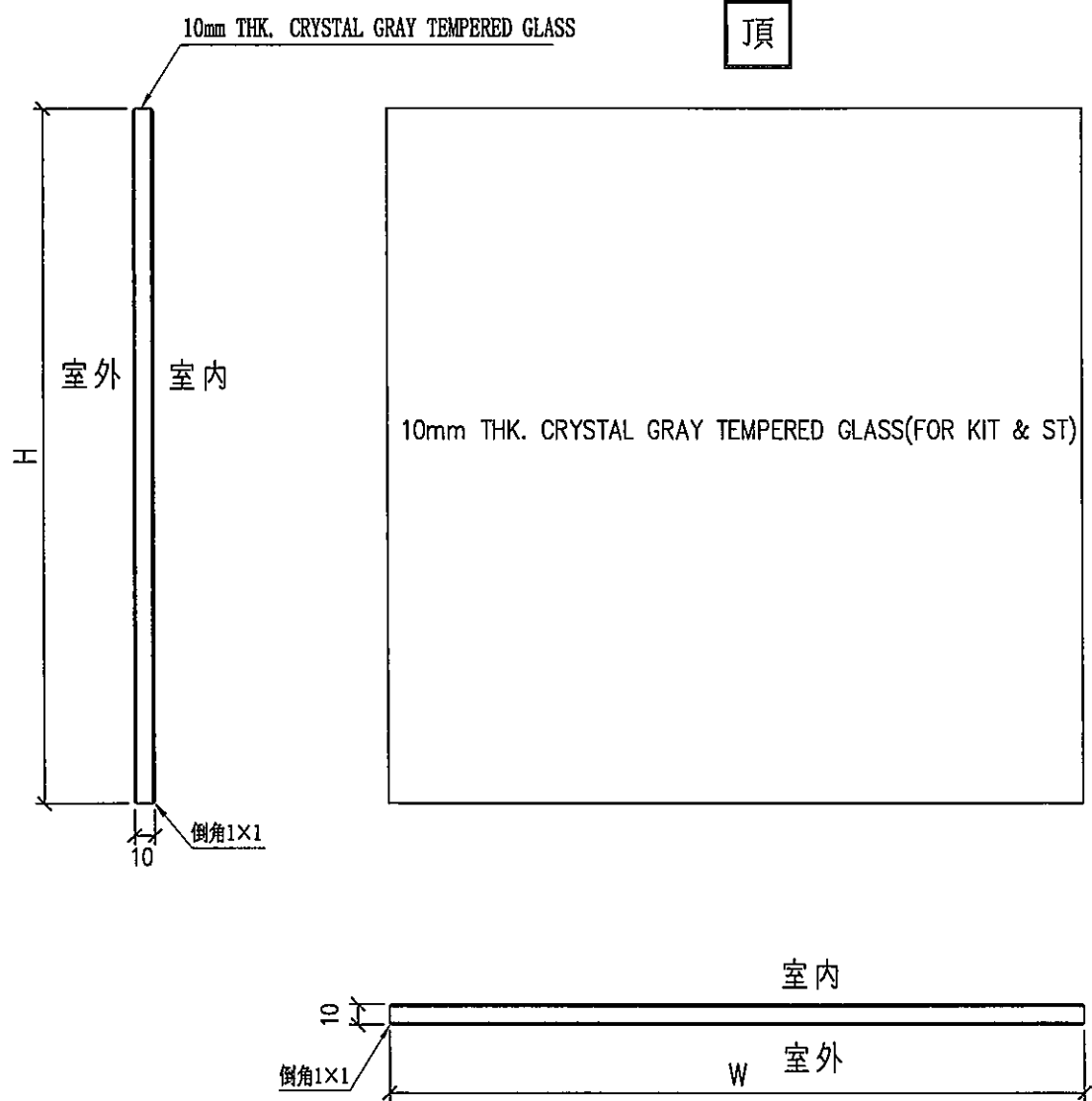


工程號	J-856	地盤	天水圍天榮站	附件	
名稱	玻璃加工圖 (70生窗玻璃)		採用		
材料			地盤		√
顏色	8mmHS+12mm AIR GAP+8mmTP THK. I.G.U.		工廠		

參考用


EG-DWG4

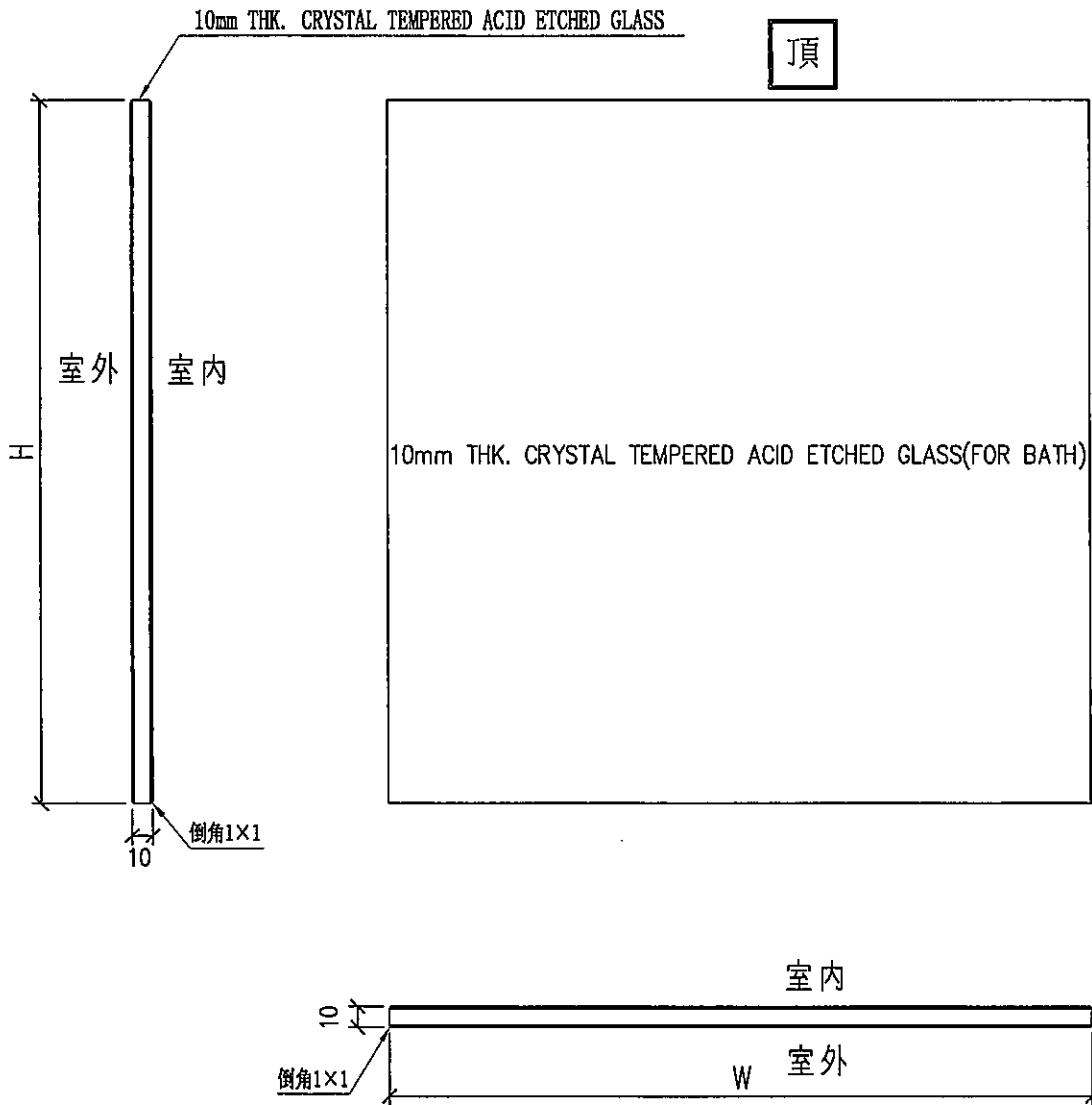
 美特鋁質有限公司 MIDI Aluminium Fabricator Ltd.				類別	物料號			
				制圖	黃瓊玉	2023.02.24	圖號	EGL-2
修改				復核	謝永林	2023.02.25	數量	見BOM表
日期				批准			位置	見BOM表



工程號	J-856	地盤	天水圍天榮站	附 件
名稱	玻璃加工圖 (50生窗玻璃)		採用	
材料		地盤	√	
顏色	10mm THK. CRYSTAL GRAY TEMPERED GLASS		工廠	

參考用

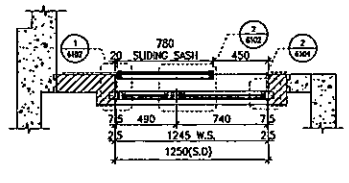
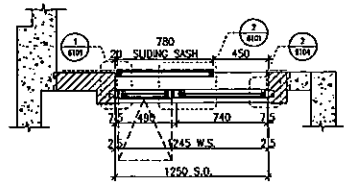
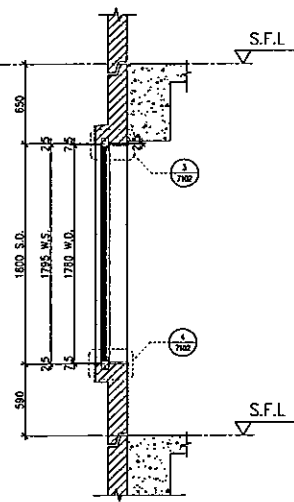
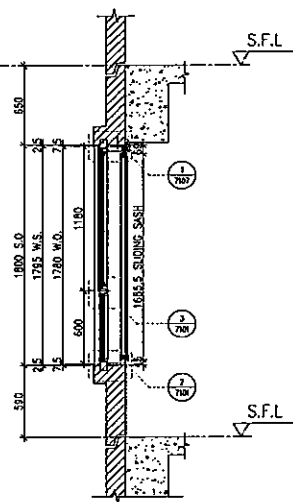
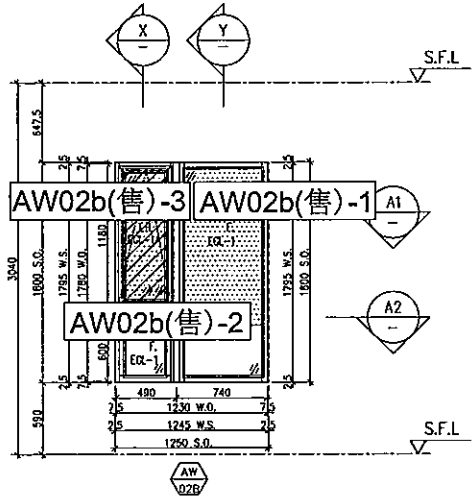
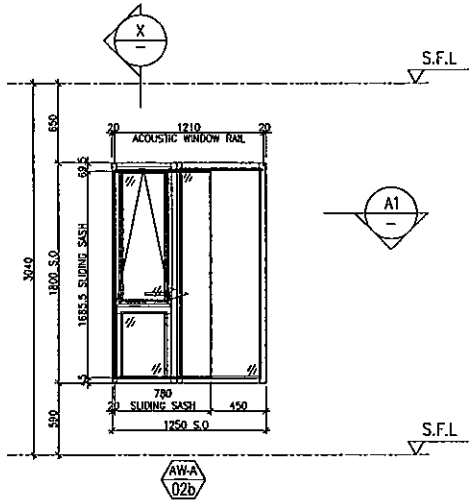
 美特鋁質有限公司 MIDI Aluminium Fabricator Ltd.				類別	物料號		
				制圖 黃瓊玉	2023.02.24	圖號	EGL-4
修改				復核 謝永林	2023.02.25	數量	見BOM表
日期				批准		位置	見BOM表



工程號	J-856	地盤	天水圍天榮站	附 件
名稱	玻璃加工圖 (50生窗玻璃)		採用	
材料		地盤	√	
顏色	10mm THK. CRYSTAL TEMPERED ACID ETCHED GLASS		工廠	

參考用

LOCATION	REQUIRE		PROVIDED	
	OPENABLE AREA	GLAZING AREA	OPENABLE AREA	GLAZING AREA
A5-BR2	0.263	0.420	0.439	1.19



ELEVATION

BLD. REF :

CLIENT :	SUN HUNG KAI REAL ESTATE AGENCY LTD. 42/7 SUN HUNG KAI CENTRE, WANCHAI, HONGKONG
ARCHITECT :	lwk&partners ARCHITECTS
MAIN CONTRACTOR :	怡輝建築有限公司 Yee Fai Building Construction Ltd.
STRUCTURAL ENGINEER :	ARUP
FACADE CONSULTANT :	ALPHA CONSULTING LIMITED Steel Structure & Facade Specialist

- NOTE:
1. ALL DIMENSIONS ARE IN mm.
 2. ALL ELEVATIONS ARE VIEWED FROM OUTSIDE.
 3. ALL DIMENSIONS TO BE VERIFIED ON SITE BEFORE FABRICATION.

- LEGEND:
- ① - DETAIL MARK NO.
 - ② - REFER SHEET NO.
 - 1. F.F.L. -- FINISHED FLOOR LEVEL
 - 2. S.F.L. -- STRUCTURAL FLOOR LEVEL
 - 3. ⌊ -- REVERSED DETAIL
 - 4. GLASS LEGEND
 - EGL-1 -- 8mmES+12mm AIR CAP+10mmTP THK. I.G.U.
 - EGL-2 -- 10mm THK. CRYSTAL GRAY TEMPERED GLASS
 - EGL-4 -- 10mm THK. CRYSTAL TEMPERED AND ETCHED GLASS
 - EGL-1A -- 8mmES+12mm AIR CAP+3mmTP THK. I.G.U.
 - BH1/BH1 -- FIXING DETAIL (DWG. NO. FD01)
 - BH2 -- FIXING DETAIL (DWG. NO. FD02)
 - ▨ -- GLAZING AREA
 - ▩ -- OPENABLE AREA

NO.	DATE	REVISION	BY
-----	------	----------	----

JOB NO.:	J-B56
PROJECT:	PROPOSED DEVELOPMENT ABOVE LIGHT RAIL TIN WING STOP, TSWTL NO.23, AREA 33, TIN SHUI WAI, N.T.

TITLE:	WINDOW SCHEDULE FOR SALES MOCK-UP AT TOWER 1 (PRE-CAST FACADE WINDOW)
--------	---

DATE:	06-JUL-22	SCALE:	1:40
-------	-----------	--------	------

DRAWN BY:	YI	CHECKED BY:	
-----------	----	-------------	--

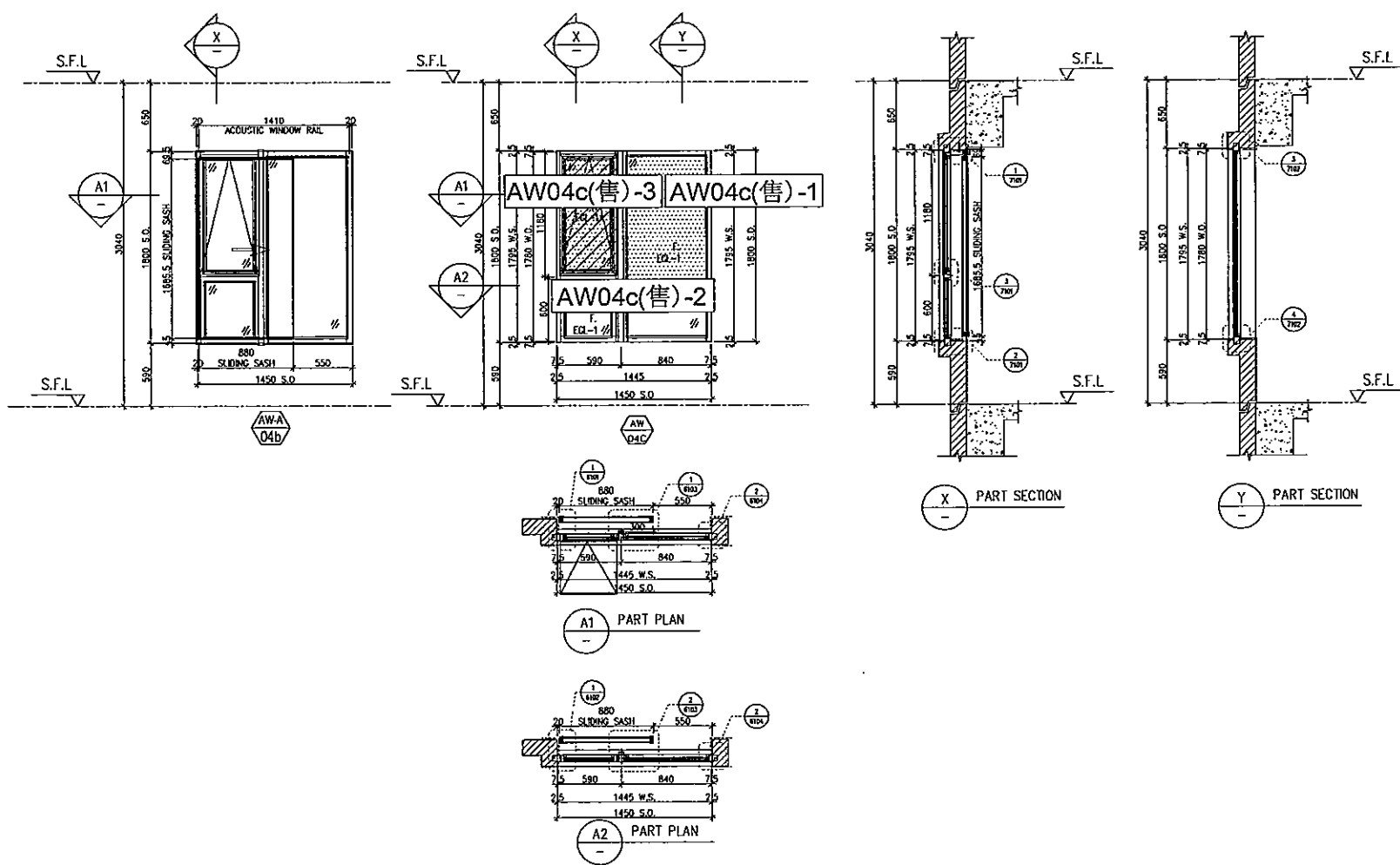
美特鋁質有限公司
MIDI ALUMINIUM MANUFACTURER LTD.
Units 6-8, Sunny Industrial Centre, 1/F
610 Cho Kwo Ling Road, Kowloon
Tel: 23489211-4 Fax: (852) 2727668

WINDOW MARK	AW 02b & AW-1 02b (ACOUSTIC WINDOW)
LOCATION	1B/F - BR.2 OF UNIT A5 (TOWER 1)
SECTION	70mm ALUM. SECTION
GLAZING	EGL--1, EGL--1A
QUANTITY	1 No.
REMARKS	4 BAR HINGE-LIP HING (HHMT-14)

DWG NO.:	J856-SD-PW-5111	REV.:	-
----------	-----------------	-------	---

參考用

LOCATION	REQUIRE		PROVIDED	
	OPENABLE AREA	GLAZING AREA	OPENABLE AREA	GLAZING AREA
A5-MBR	0.435	0.696	0.525	1.407



ELEVATION

B.D. REF :

CLIENT :	SUN HUNG KAI REAL ESTATE AGENCY LTD. 12/F SUN HUNG KAI CENTRE, WANCHAI, HONGKONG
ARCHITECT :	lw&partners architects
MAIN CONTRACTOR :	怡輝建築有限公司 Yee Fai Building Contractors Ltd.
STRUCTURAL ENGINEER :	ARUP
FACADE CONSULTANT :	ALPHA CONSULTING LIMITED Steel Structure & Facade Specialist

NOTE:
1. ALL DIMENSIONS ARE IN mm.
2. ALL ELEVATIONS ARE VIEWED FROM OUTSIDE.
3. ALL DIMENSIONS TO BE VERIFIED ON SITE BEFORE FABRICATION.

- LEGEND:
- AW - DETAIL MARK NO.
 - REF - REFER SHEET NO.
 - 1. F.F.L. -- FINISHED FLOOR LEVEL
 - 2. S.F.L. -- STRUCTURAL FLOOR LEVEL
 - 3. (Z) -- REVERSED DETAIL
 - 4. GLASS LEGEND
- EGL-1 -- 8mmES+12mm AIR GAP+10mmTP THK. L.G.U.
EGL-2 -- 10mm THK. CRYSTAL GRAY TEMPERED GLASS
EGL-4 -- 10mm THK. CRYSTAL TEMPERED AND ENCHED GLASS
EGL-1A -- 8mmES+12mm AIR GAP+8mmTP THK. L.G.U.
BT1/BT1-1 -- FIXING DETAIL (DWG. NO. FD01)
BT2 -- FIXING DETAIL (DWG. NO. FD02)
- GLAZING AREA
OPENABLE AREA

NO.	DATE	REVISION
-----	------	----------

JOB NO. : J-856
PROJECT : PROPOSED DEVELOPMENT ABOVE LIGHT RAIL TIN WING STOP, ISWTL NO.23, AREA 33, TIN SHUI WAI, N.T.

TITLE : WINDOW SCHEDULE FOR SALES MOCK-UP AT TOWER 1 (PRE-CAST FACADE WINDOW)

DATE : 02-Aug-21 SCALE : 1:40

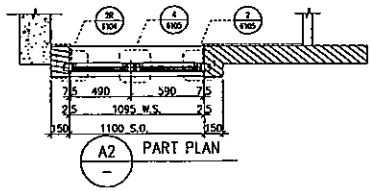
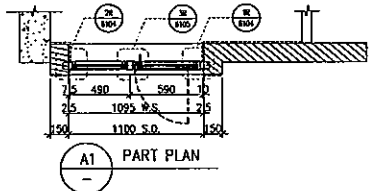
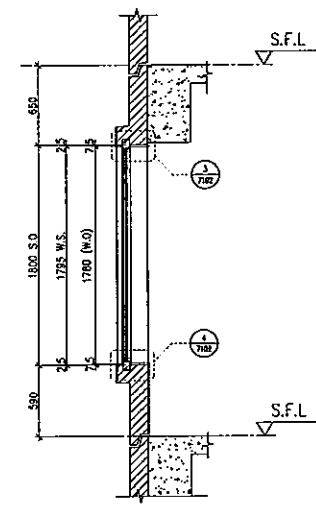
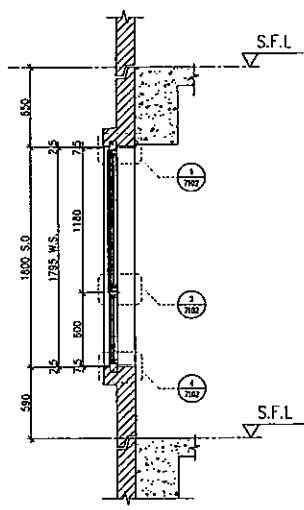
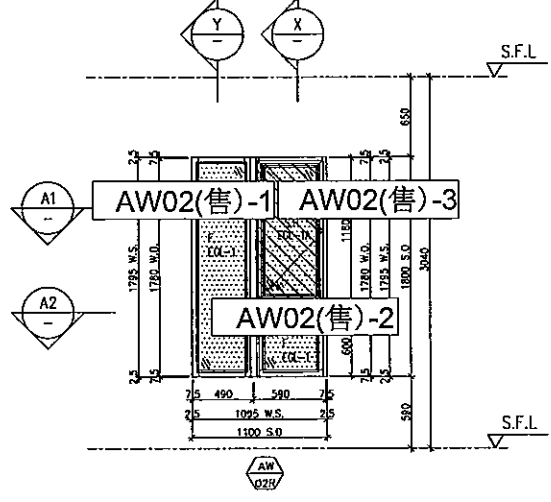
DRAWN BY : YI CHECKED BY :

美特鋁質有限公司
MIDI ALUMINIUM FABRICATOR LTD.
Units 6-8, Sunny Industrial Centre, 1/F
810 Cha Kwo Ling Road, Kowloon
Tel: 22489211-4 Fax: (852) 27272666
DWG NO. : J856-SD-MU-5112 RLV. : -

WINDOW MARK	AW 04c & AW 04b (ACOUSTIC WINDOW)
LOCATION	18/F - MBR. OF UNIT A5 (TOWER 1)
SECTION	70mm ALUM. SECTION
GLAZING	EGL-1, EGL-1A
QUANTITY	1 NO.
REMARKS	4 BAR HINGE-LIP HING (HHMT-14)

參考用

LOCATION	REQUIRE		PROVIDED	
	OPENABLE AREA	GLAZING AREA	OPENABLE AREA	GLAZING AREA
A1-BR1	0.263	0.420	0.548	0.985
B8-BR3	0.263	0.420	0.548	0.985



ELEVATION

B.O. REF :

CLIENT :
 SUN HUNG KAI REAL ESTATE AGENCY LTD.
 42/7 SUN HUNG KAI CO-OP, HONGKONG

ARCHITECT :
 IWK&PARTNERS ARCHITECTS

MAIN CONTRACTOR :
 怡輝建築有限公司 Yee Fai Building Contractors Ltd.

STRUCTURAL ENGINEER :
 ARUP

FACADE CONSULTANT :
 ALPHA CONSULTING LIMITED
 Steel Structure & Facade Specialist

NOTE:
 1. ALL DIMENSIONS ARE IN mm.
 2. ALL ELEVATIONS ARE VIEWED FROM OUTSIDE.
 3. ALL DIMENSIONS TO BE VERIFIED ON SITE BEFORE FABRICATION.

LEGEND:
 ① - DETAIL MARK NO.
 ② - REFER SHEET NO.
 1. F.F.L. -- FINISHED FLOOR LEVEL
 2. S.F.L. -- STRUCTURAL FLOOR LEVEL
 3. (⊖) -- REVERSED DETAIL
 4. GLASS LEGEND

EGL-1 -- 8mm(S+12mm AIR GAP+10mmTP THK. LG.U.)
 EGL-2 -- 10mm THK. CRYSTAL GRAY TEMPERED GLASS
 EGL-4 -- 10mm THK. CRYSTAL TEMPERED ACID ETCHED GLASS
 EGL-1A -- 8mm(S+12mm AIR GAP+8mmTP THK. LG.U.)
 BT1/BT1-1 -- FIXING DETAIL (DWG. NO. FD01)
 BT2 -- FIXING DETAIL (DWG. NO. FD02)
 GLAZING AREA
 OPENABLE AREA

NO.	DATE	REVISION	BY
-----	------	----------	----

JOB NO. : J-R56
 PROJECT : PROPOSED DEVELOPMENT ABOVE LIGHT RAIL TIN WING STOP, SWTL NO.23, AREA 33, TIN SHUI WAI, N.T.

TITLE : WINDOW SCHEDULE FOR SALES MOCK-UP AT TOWER 2 (PRE-CAST FACADE WINDOW)

DATE : 02-Aug-21 SCALE : 1:40

DRAWN BY : YI CHECKED BY :

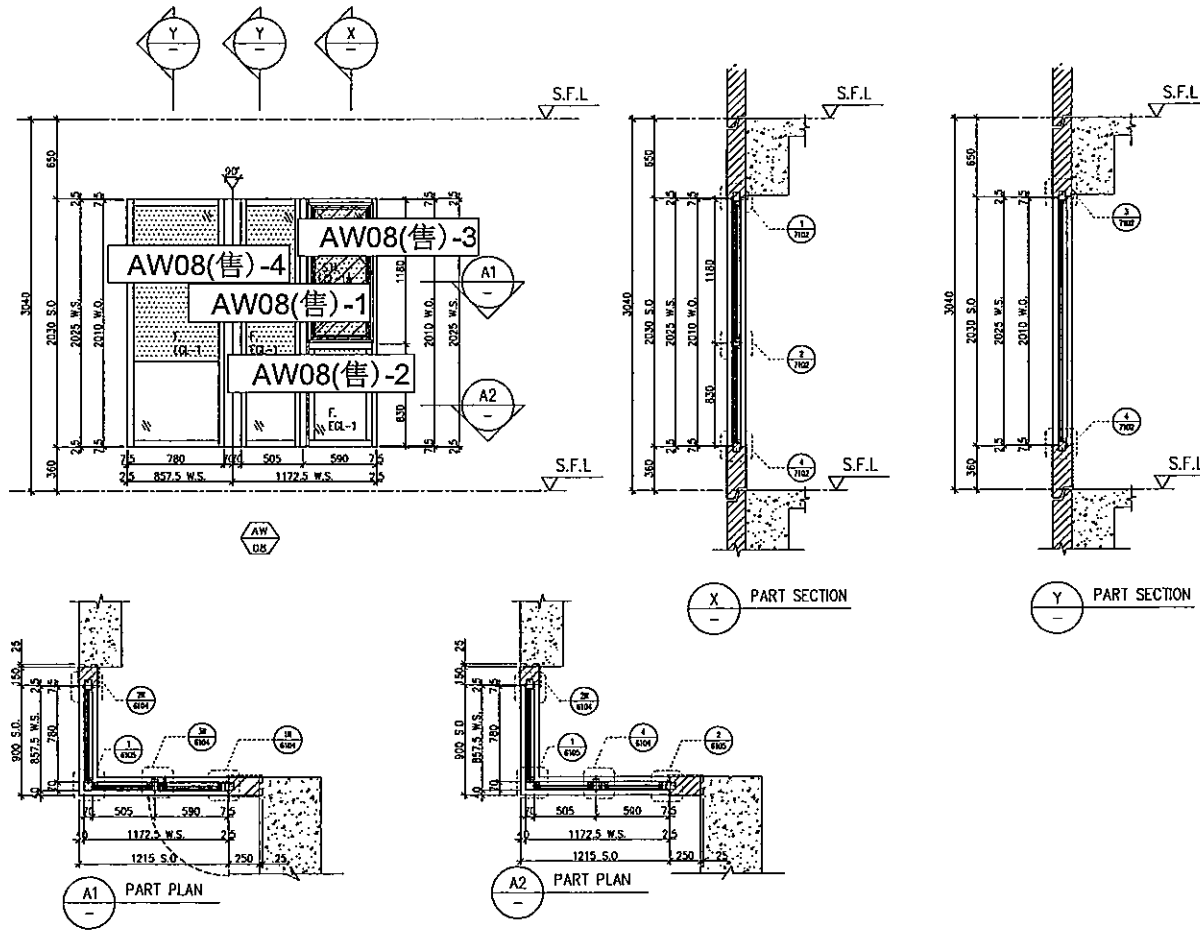
美特鋁質有限公司
 MIDI ALUMINIUM FABRICATION LTD.
 Units 6-8, Sunray Industrial Centre, 1/F
 610 Chee Koo Ling Road, Kwunoon
 Tel: 23483211-4 Fax: (852) 27272668

DWG NO. : JB56-SD-PW-5211 REV. : -

WINDOW MARK	
LOCATION	18/F - BR.3 OF UNIT A1 & B8 (TOWER 2)
SECTION	70mm ALUM. SECTION
GLAZING	EGL-1, EGL-1A
QUANTITY	2 Nos. (UNIT A1) / 1 No. (UNIT B8)
REMARKS	4 BAR HINGE-LIP HING (HHMS-N16)

參考用

LOCATION	REQUIRE		PROVIDED	
	OPENABLE AREA	GLAZING AREA	OPENABLE AREA	GLAZING AREA
B8-BR2	0.277	0.443	0.525	1.873



ELEVATION

WINDOW MARK



LOCATION	18/F -- BR.2 OF UNIT B8 (TOWER 2)
SECTION	70mm ALUM. SECTION
GLAZING	EGL-1, EGL-1A
QUANTITY	1 NO.
REMARKS	FAÇADE (TYPE T2PF13 FOR 3/F~42/F), 4 BAR HINGE-LIP HING (HHMS-N16)

U.D. REF :

CLIENT :
 SUN HUNG KAI REAL ESTATE AGENCY LTD.
 437 SUN HUNG KAI CENTRE, WAIKONG, HONGKONG

ARCHITECT :
 IWK&PARTNERS ARCHITECTS

MAIN CONTRACTOR :
 怡輝建築有限公司
 Yee Fai Construction Ltd.

STRUCTURAL ENGINEER :
 ARUP

FAÇADE CONSULTANT :
 ALPHA CONSULTING LIMITED
 Steel Structure & Façade Specialist

NOTE :
 1. ALL DIMENSIONS ARE IN mm.
 2. ALL ELEVATIONS ARE VIEWED FROM OUTSIDE.
 3. ALL DIMENSIONS TO BE VERIFIED ON SITE BEFORE FABRICATION.

LEGEND :
 -- DETAIL MARK NO.
 -- REFER SHEET NO.

1. F.F.L. -- FINISHED FLOOR LEVEL
 2. S.F.L. -- STRUCTURAL FLOOR LEVEL
 3. (with arrow) -- REVERSED DETAIL
 4. CLASS LEGEND

EGL-1 -- 8mm/5S+12mm AR GAP+10mmTP THK. L.G.U.
 EGL-2 -- 10mm THK. CRYSTAL GRAY TEMPERED GLASS
 EGL-4 -- 10mm THK. CRYSTAL TEMPERED ACID ETCHED GLASS
 EGL-1A -- 8mm/5S+12mm AR GAP+8mmTP THK. L.G.U.
 ST1/BB1 -- FIXING DETAIL (DWG. NO. FD01)
 BB2 -- FIXING DETAIL (DWG. NO. FD02)

GLAZING AREA
 OPENABLE AREA

NO.	DATE	REVISED	BY

JOB NO. : J-B55

PROJECT :
 PROPOSED DEVELOPMENT ABOVE LIGHT RAIL TUNN WING STOP, TSWTL NO.23, AREA 33, TIN SHUI WAI, H.T.

TITLE :
 WINDOW SCHEDULE FOR SALES MOCK-UP AT TOWER 2 (PRE-CAST FAÇADE WINDOW)

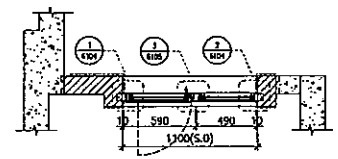
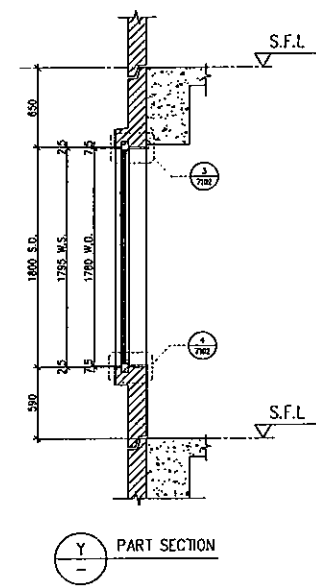
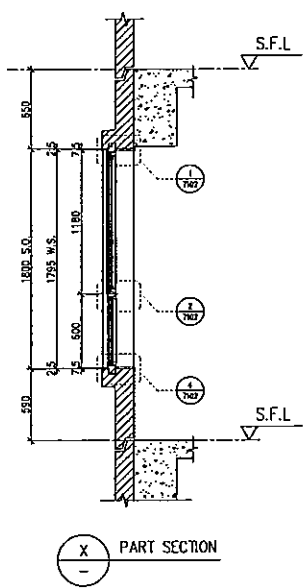
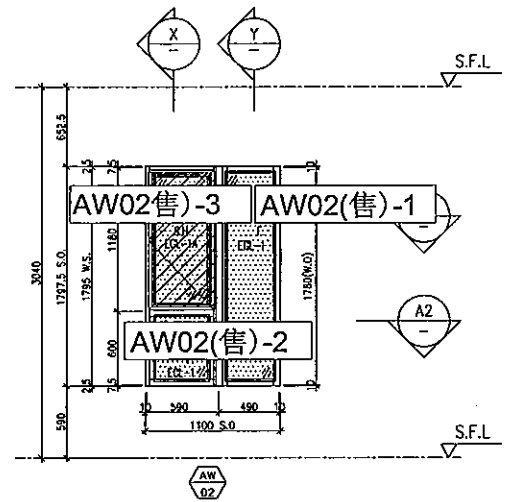
DATE : 02-Aug-21 SCALE : 1:40

DRAWN BY : Y1 CHECKED BY :

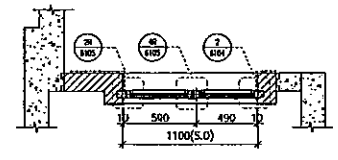
美特銘質有限公司
 Mei Tin Metal Products Co., Ltd.
 Units 6-8, Sunny Industrial Centre, 1/F
 610 Che Kwa Ling Road, Kowloon
 Tel: 23482211-4 Fax: (852) 27727668
 DWG NO. : JB56-SD-PW-5212 REV. : -

參考用

LOCATION	REQUIRE		PROVIDED	
	OPENABLE AREA	GLAZING AREA	OPENABLE AREA	GLAZING AREA
A11-BR2	0.263	0.420	0.548	0.985



A1 PART PLAN



A2 PART PLAN

ELEVATION

WINDOW MARK	AW 02
LOCATION	18/F - BR.2 OF UNIT A11 (TOWER 3)
SECTION	70mm ALUM. SECTION
GLAZING	EGL--1,EGL--1A
QUANTITY	1 NO.
REMARKS	4 BAR HINGE-LIP HING (HHMS-N16)

S.D. REF :

CLIENT :
 SUN HUNG KAI REAL ESTATE AGENCY LTD.
 42/F, SUN HUNG KAI CENTRE, HONGKONG

ARCHITECT :
 IWK&partners ARCHITECTS

MAIN CONTRACTOR :
 怡輝建築有限公司 Yee Fai Building Services Ltd.

STRUCTURAL ENGINEER :
 ARUP

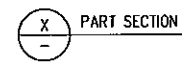
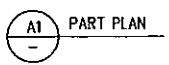
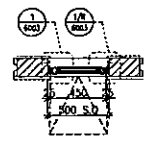
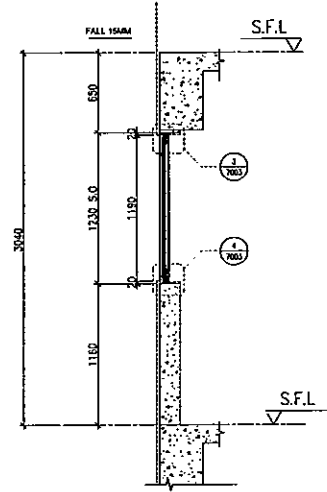
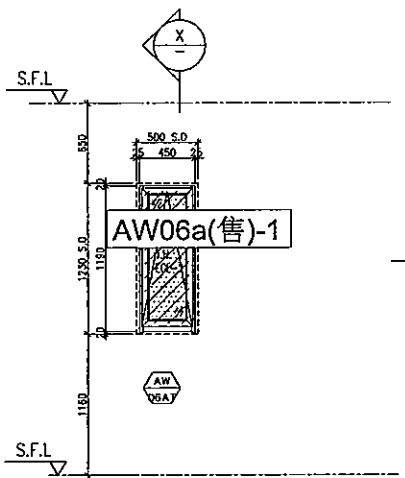
FACADE CONSULTANT:
 ALPHA CONSULTING LIMITED
 Steel Structure & Facade Specialist

- NOTE:
1. ALL DIMENSIONS ARE IN mm.
 2. ALL ELEVATIONS ARE VIEWED FROM OUTSIDE.
 3. ALL DIMENSIONS TO BE VERIFIED ON SITE BEFORE FABRICATION.
- LEGEND:
- (S1) DETAIL MARK NO.
 (S200) REFER SHEET NO.
1. F.F.L. -- FINISHED FLOOR LEVEL
 2. S.F.L. -- STRUCTURAL FLOOR LEVEL
 3. (R) -- REVERSED DETAIL
 4. GLASS LEGEND
- EGL-1--8mmGS+12mm AIR CAP+10mmTP THK. LGU.
 EGL-2--10mm THK. CRYSTAL GRAY TEMPERED GLASS
 EGL-4--10mm THK. CRYSTAL TEMPERED AND ETCHED GLASS
 EGL-1A--8mmGS+12mm AIR CAP+8mmTP THK. LGU.
 H11/H11--FIXING DETAIL (DWG. NO. F101)
 H12--FIXING DETAIL (DWG. NO. F102)
- GLAZING AREA
 OPENABLE AREA

NO.	DATE	REVISION	BY
JOB NO. :	J-856		
PROJECT :	PROPOSED DEVELOPMENT ABOVE LIGHT RAIL TIN WING STOP, TSWL NO.23, AREA 33, TIN SHUI WAI, N.T.		
TITLE :	WINDOW SCHEDULE FOR SALES MOCK-UP AT TOWER 3 (PRE-CAST FACADE WINDOW)		
DATE :	02-AUG-21	SCALE :	1:40
DRAWN BY :	YI	CHECKED BY :	
美特鋁質有限公司 MIDI ALUMINIUM FABRICATION LTD. Units 6-8, Sunny Industrial Centre, 1/F 810 Che Kwo Ling Road, Kowloon Tel: 23489211-4 Fax: (852) 2727666			
DWG NO. :	J856-SD-PW-5312	REV. :	-

參考用

LOCATION	REQUIRE		PROVIDED	
	OPENABLE AREA	GLAZING AREA	OPENABLE AREA	GLAZING AREA
A5-ST RM	N/A	N/A	0.389	0.306



ELEVATION

E.D. REF :

CLIENT :
 SUN HUNG KAI REAL ESTATE AGENCY LTD.
 43/F SUN HUNG KAI CENTRE, WINGLOK HONGKONG

ARCHITECT :
 IWK&partners ARCHITECTS

MAIN CONTRACTOR :
 怡輝建築有限公司 Yee Fai Building Contractors Ltd.

STRUCTURAL ENGINEER :
 ARUP

FACADE CONSULTANT :
 ALPHA CONSULTING LIMITED
 Steel Structure & Facade Specialist

NOTE :
 1. ALL DIMENSIONS ARE IN mm.
 2. ALL ELEVATIONS ARE VIEWED FROM OUTSIDE.
 3. ALL DIMENSIONS TO BE VERIFIED ON SITE BEFORE FABRICATION.

LEGEND :

(X) DETAIL MARK NO.
 (A1) REFER SHEET NO.

1. F.F.L. --- FINISHED FLOOR LEVEL
 2. S.F.L. --- STRUCTURAL FLOOR LEVEL
 3. (Z) --- REVERSED DETAIL
 4. CLASS LEGEND

EGL-1 --- 8mmHS+12mm AIR GAP+10mmTP THK. LGLU
 EGL-2 --- 10mm THK. CRYSTAL GRAY TEMPERED GLASS
 EGL-4 --- 10mm THK. CRYSTAL TEMPERED ACID ETCHED GLASS
 EGL-1A --- 8mmHS+12mm AIR GAP+8mmTP THK. LGLU
 DT1/DB1 --- FINING DETAIL (DWG. NO. FD01)
 DB2 --- FINING DETAIL (DWG. NO. FD02)

[Pattern] GLAZING AREA
 [Pattern] OPENABLE AREA

NO.	DATE	REVISION	BY

JOB NO. : J-B56

PROJECT : PROPOSED DEVELOPMENT ABOVE LIGHT RAIL TIN WING STOP, ISWTL NO.23, ARCA 33, TIN SHUI WAI, N.T.

TITLE : WINDOW SCHEDULE FOR SALES MOCK-UP AT TOWER 1 (IN-SITU WINDOW)

DATE : 22-JUN-22 SCALE : 1:40

DRAWN BY : YI CHECKED BY :

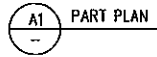
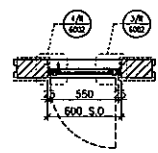
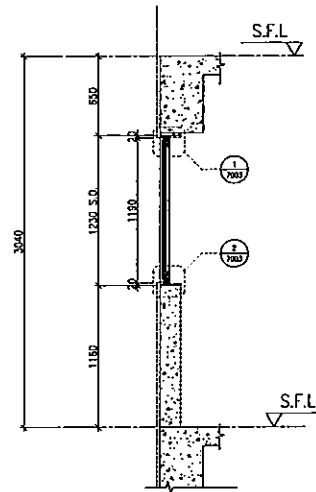
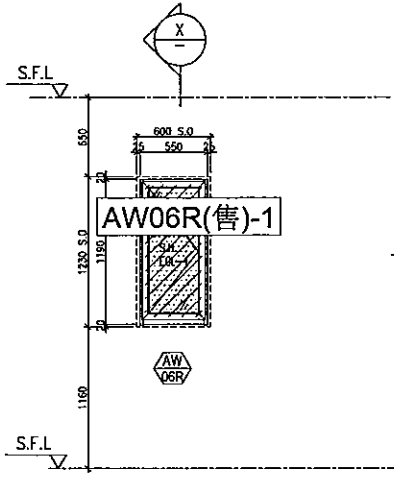
美特鋁質有限公司
 MEI TIN BUILDING SERVICES LTD.
 Units 6-8, Sunny Industrial Centre, 1/F
 610 Cho Koo Ling Road, Kowloon
 Tel: 23489211-4 Fax: (852) 27272666

DWG NO. : J856-SD-MU-S102 REV. : -

WINDOW MARK	
LOCATION	18/F - STO. OF UNIT A5 (TOWER 1)
SECTION	50mm ALUM. SECTION
GLAZING	EGL-2
QUANTITY	1 NO.
REMARKS	50mm ALUM. WINDOW SECTION , 4 BAR HINGE-LIP HING (HHMT-14)

參考用

LOCATION	REQUIRE		PROVIDED	
	OPENABLE AREA	GLAZING AREA	OPENABLE AREA	GLAZING AREA
A1-M.BATH	0.318	0.318	0.497	0.408



ELEVATION

ELD. REF :

CLIENT :

 4277 SUN HUNG KAI CENTRE, HONGKONG

ARCHITECT :

 ARCHITECTS

MAIN CONTRACTOR :

 Yee Fai Building Contractors Ltd.

STRUCTURAL ENGINEER :

 ARUP

FACADE CONSULTANT:

 Alpha Consulting Limited
 Steel Structure & Facade Specialist

NOTE:
 1. ALL DIMENSIONS ARE IN mm.
 2. ALL ELEVATIONS ARE VIEWED FROM OUTSIDE.
 3. ALL DIMENSIONS TO BE VERIFIED ON SITE BEFORE FABRICATION.

LEGEND:
 DETAIL MARK NO.
 REFER SHEET NO.

- F.F.L. --- FINISHED FLOOR LEVEL
- S.F.L. --- STRUCTURAL FLOOR LEVEL
- REVERSED DETAIL
- GLASS LEGEND
 ECL-1 --- 8mmHSG+12mm AIR GAP+10mmTP THK. L.G.U.
 ECL-2 --- 10mm THK. CRYSTAL GRAY TEMPERED GLASS
 ECL-4 --- 10mm THK. CRYSTAL TEMPERED ACID ETCHED GLASS
 ECL-1A --- 8mmHSG+12mm AIR GAP+8mmTP THK. L.G.U.
 B11/B11 --- FIXING DETAIL (DWG. NO. F001)
 B12 --- FIXING DETAIL (DWG. NO. F002)
- GLAZING AREA
 OPENABLE AREA

NO.	DATE	REVISION	BY

JOB NO. : J-B56

PROJECT :
 PROPOSED DEVELOPMENT ABOVE
 LIGHT RAIL TIN WING STOP, TSWTL
 NO.23, AREA 33, TIN SHUI WAI, N.T.

TITLE :
 WINDOW SCHEDULE FOR
 SALES MOCK-UP AT TOWER 2
 (IN-SITU WINDOW)

DATE : 22/06/2022 SCALE : 1:40

DRAWN BY : Y1 CHECKED BY :

英特鋁質有限公司
 MTR MIDLAND DEVELOPMENT LTD.
 Units 6-8, Sunny Industrial Centre, 1/F
 610 Che Kwo Ling Road, Kowloon
 Tel: 23482111-4 Fax: (852) 2772666

WINDOW MARK



LOCATION 18/F - M. BATH OF UNIT A1 (TOWER 2)

SECTION 50mm ALUM. SECTION

GLAZING ECL-4

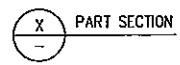
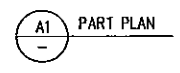
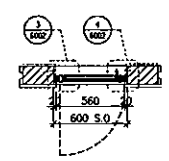
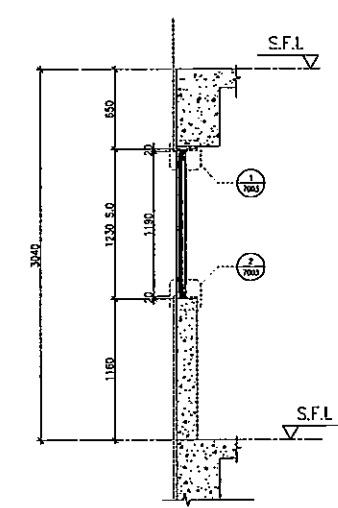
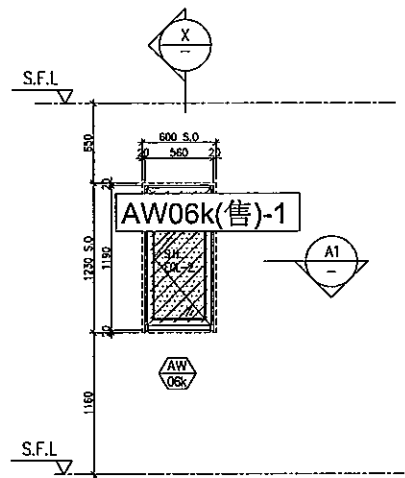
QUANTITY 2 Nos.

REMARKS

DWG NO. : JBSB-SD-MU-5203 REV. : -

參考用

LOCATION	REQUIRE		PROVIDED	
	OPENABLE AREA	GLAZING AREA	OPENABLE AREA	GLAZING AREA
A1-KIT	0.278	0.411	0.508	0.418



ELEVATION

B.D. REF :

CLIENT :
SUN HUNG KAI
 REAL ESTATE AGENCY LTD.
 42/F SUN HUNG KAI CENTRE, WANCHAI, HONGKONG

ARCHITECT :
IWK&partners
 architects

MAIN CONTRACTOR :
怡輝建築有限公司
 Yee Ho Film Building Contractors Ltd.

STRUCTURAL ENGINEER :
ARUP

FACADE CONSULTANT:
ALPHA CONSULTING LIMITED
 Steel Structures & Facade Specialist

NOTE :
 1. ALL DIMENSIONS ARE IN mm.
 2. ALL ELEVATIONS ARE VIEWED FROM OUTSIDE.
 3. ALL DIMENSIONS TO BE VERIFIED ON SITE BEFORE FABRICATION.

LEGEND :
 (X) DETAIL MARK NO.
 (REF) REFER SHEET NO.

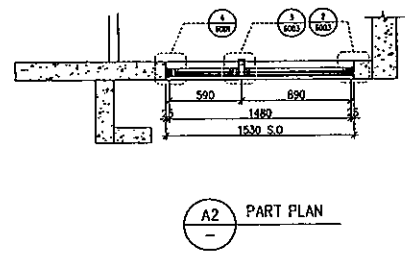
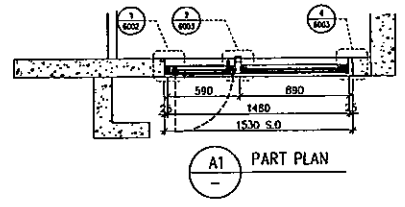
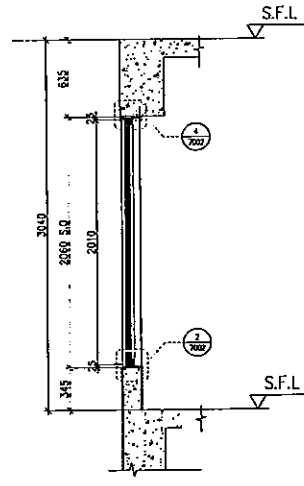
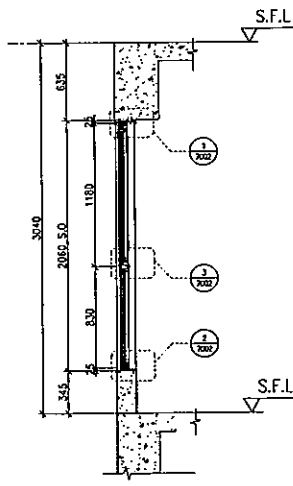
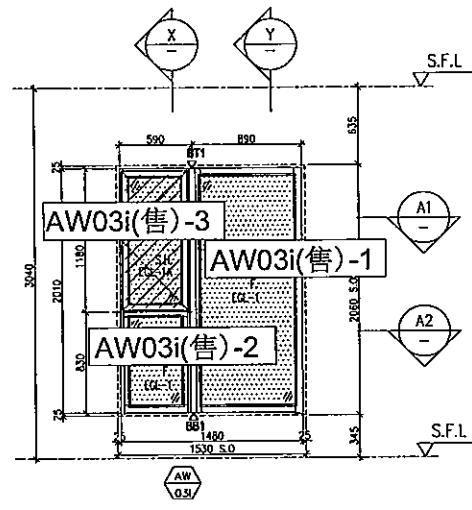
1. F.F.L. — FINISHED FLOOR LEVEL
 2. S.F.L. — STRUCTURAL FLOOR LEVEL
 3. (R) — REVERSED DETAIL
 4. GLASS LEGEND
 EGL-1 — 8mmHS+12mm AIR GAP+10mmTP THK. I.G.U.
 EGL-2 — 10mm THK. CRYSTAL GRAY TEmPERED GLASS
 EGL-4 — 10mm THK. CRYSTAL TEmPERED AND EIGED GLASS
 EGL-1A — 8mmHS+12mm AIR GAP+8mmTP THK. I.G.U.
 BT1/BT1 — FIXING DETAIL (DWG. NO. FD01)
 BB2 — FIXING DETAIL (DWG. NO. FD02)
 [Pattern] GLAZING AREA
 [Hatched] OPENABLE AREA

NO.	DATE	REVISION	BY
JOB NO. : J-856			
PROJECT : PROPOSED DEVELOPMENT ABOVE LIGHT RAIL TIN WING STOP, TSWTL NO.23, AREA 33, TIN SHUI WAI, N.T.			
TITLE : WINDOW SCHEDULE FOR SALES MOCK-UP AT TOWER 2 (IN-SITU WINDOW)			
DATE : 22/06/2022		SCALE : 1:40	
DRAWN BY : YI		CHECKED BY :	
美特鋁質有限公司 MIDI ALUMINIUM FABRICATOR LTD. Units 6-8, Survey Industrial Centre, 1/F 610 Chu Kuo Ling Road, Kowloon Tel:2489211-4 Fax:8522727866 DWG NO. : J856-SD-MU-5204 REV. : --			

WINDOW MARK	
LOCATION	1B/F - KIT. OF UNIT A1 (TOWER 2)
SECTION	50mm ALUM. SECTION
GLAZING	EGL-2
QUANTITY	2 Nos.
REMARKS	50mm ALUM. WINDOW SECTION , 4 BAR HINGE-LIP HING (HHMS-N14)

參考用

LOCATION	REQUIRE		PROVIDED	
	OPENABLE AREA	GLAZING AREA	OPENABLE AREA	GLAZING AREA
B3-MBR	0.295	0.472	0.525	2.169



ELEVATION

S.D. REF :

CLIENT :
 SUN HUNG KAI REAL ESTATE AGENCY LTD.
 4377 SUN HUNG KAI CENTRE, MANULIA, HONGKONG

ARCHITECT :
 IWK&partners architects

MAIN CONTRACTOR :
 怡輝建築有限公司
 Yee Fai Engineering Ltd.

STRUCTURAL ENGINEER :
 ARUP

FACADE CONSULTANT :
 ALPHA CONSULTING LIMITED
 Steel Structure & Facade Specialist

NOTE :

- ALL DIMENSIONS ARE IN mm.
- ALL ELEVATIONS ARE VIEWED FROM OUTSIDE.
- ALL DIMENSIONS TO BE VERIFIED ON SITE BEFORE FABRICATION.

LEGEND :

(X1) DETAIL MARK NO.
 (X001) REFER SHEET NO.

- F.F.L. -- FINISHED FLOOR LEVEL
- S.F.L. -- STRUCTURAL FLOOR LEVEL
- ② -- REVERSED DETAIL
- GLASS LEGEND

EGL-1 -- 8mm/5+12mm AIR GAP+10mmTP THK. LGLU
 EGL-2 -- 10mm THK. CRYSTAL GRAY TEMPERED GLASS
 EGL-4 -- 10mm THK. CRYSTAL TEMPERED AND ETCHED GLASS
 EGL-1A -- 8mm/5+12mm AIR GAP+8mmTP THK. LGLU
 ST1/B81 -- FIXING DETAIL (DWG. NO. FD01)
 B12 -- FIXING DETAIL (DWG. NO. FD02)

GLAZING AREA
 OPENABLE AREA

NO.	REV.	REVISION	BY

JOB NO. : J-856

PROJECT :
 PROPOSED DEVELOPMENT ABOVE
 LIGHT RAIL TIN WING STOP, TSWL
 NO.23, AREA 33, TIN SHUI WAI, N.T.

TITLE :
 WINDOW SCHEDULE FOR
 SALES MOCK-UP AT TOWER 3
 (IN-SITU WINDOW)

DATE : 21-JUN-22 SCALE : 1:40

DRAWN BY : YI CHECKED BY :

MIDI ALUMINIUM FABRICATOR LTD.
 Units 6-8, Sunray Industrial Centre, 1/F
 810 Chee Koo Road, Kowloon
 Tel: 23489211-4 Fax: (852) 27272666

DWG NO. : J856-SD-MU-5303 REV. : -

WINDOW MARK	
LOCATION	18/F -- MBR. OF UNIT B3 (TOWER 3)
SECTION	70mm ALUM. SECTION
GLAZING	EGL-1 / EGL-1A
QUANTITY	1 NO.
REMARKS	70mm ALUM. WINDOW SECTION , 4 BAR HINGE-LIP HING (HHMS-N14)