



工程指示 / 要求簡箋 ENGINEER INSTRUCTIONS(E.I.)

工程指示編號:	EI-5983	修改版本:	-
	HK-0689		
工程編號:	J 856	工程名稱:	天榮站
收件人:	技術部/謝永林	發件人:	Jingo
工程項目:	佛沙窗19-R2施工圖	日期:	11/04/2023

<input checked="" type="checkbox"/> 原合約工程包	<input type="checkbox"/> 原合約工程加 / 減賬 QT-	<input type="checkbox"/> 新工程報價 QT-
--	--	------------------------------------

信件批核號碼/圖紙參考編號:	批核模具圖紙編號:
客戶指示附件:	管理內部批簽署:

<input type="checkbox"/> 初步鋁料 B.M.	<input type="checkbox"/> 加工拆圖, 然後生產	<input type="checkbox"/> 尺寸表
<input type="checkbox"/> 正式鋁料 B.M.	<input type="checkbox"/> 技術上資料/指示	<input type="checkbox"/> 報價
<input type="checkbox"/> 配件 B.M.	<input type="checkbox"/> 樣辦或貨品說明書	<input type="checkbox"/> 分判合約
<input type="checkbox"/> 其他:		

內容: 補佛沙窗19-R2施工圖

完成上列要求日期: 12/04/2023

國內

<input type="checkbox"/> 生產技術總監	<input type="checkbox"/> 連附件	<input checked="" type="checkbox"/> 技術部	<input checked="" type="checkbox"/> 連附件	<input type="checkbox"/> 生產部	<input type="checkbox"/> 連附件
<input type="checkbox"/> 採購部	<input type="checkbox"/> 連附件	<input type="checkbox"/> 生產統籌部	<input type="checkbox"/> 連附件	<input type="checkbox"/> 報關組	<input type="checkbox"/> 連附件
<input type="checkbox"/> 質檢部	<input type="checkbox"/> 連附件	<input type="checkbox"/> 會計部	<input type="checkbox"/> 連附件	<input type="checkbox"/> 機械設計部	<input type="checkbox"/> 連附件
<input type="checkbox"/> 香港辦	<input type="checkbox"/> 連附件	<input type="checkbox"/> 其他:			

香港

<input type="checkbox"/> 行政部	<input type="checkbox"/> 連附件	<input type="checkbox"/> 會計部	<input type="checkbox"/> 連附件	<input type="checkbox"/> 統籌部	<input type="checkbox"/> 連附件	<input type="checkbox"/> 工程部	<input type="checkbox"/> 連附件
<input type="checkbox"/> 採購部	<input type="checkbox"/> 連附件	<input type="checkbox"/> QS部	<input type="checkbox"/> 連附件	<input type="checkbox"/> 地盤管理	<input type="checkbox"/> 連附件	<input type="checkbox"/> 維修部	<input type="checkbox"/> 連附件

*發件人簽署: Jingo	*組別成員批核簽署: Jingo
傳遞編號:	項目經理簽署:

PROJECT :

PROPOSED DEVELOPMENT ABOVE
LIGHT RAIL TIN WING STOP, TSWTL
NO.23, AREA 33, TIN SHUI WAI, N.T.

2

2ND SHOP DRAWING FOR SALES MOCK-UP OF TOWER

DATE: 06/03/2023

 美特鋁質有限公司
MIDI ALUMINIUM FABRICATOR LTD.

Units 6-8, Sunray Industrial Centre, 1/F
610 Cha Kwo Ling Road, Kowloon
Tel:23489211-4 Fax:(852)27727666

DRAWING SUBMISSION REGISTER

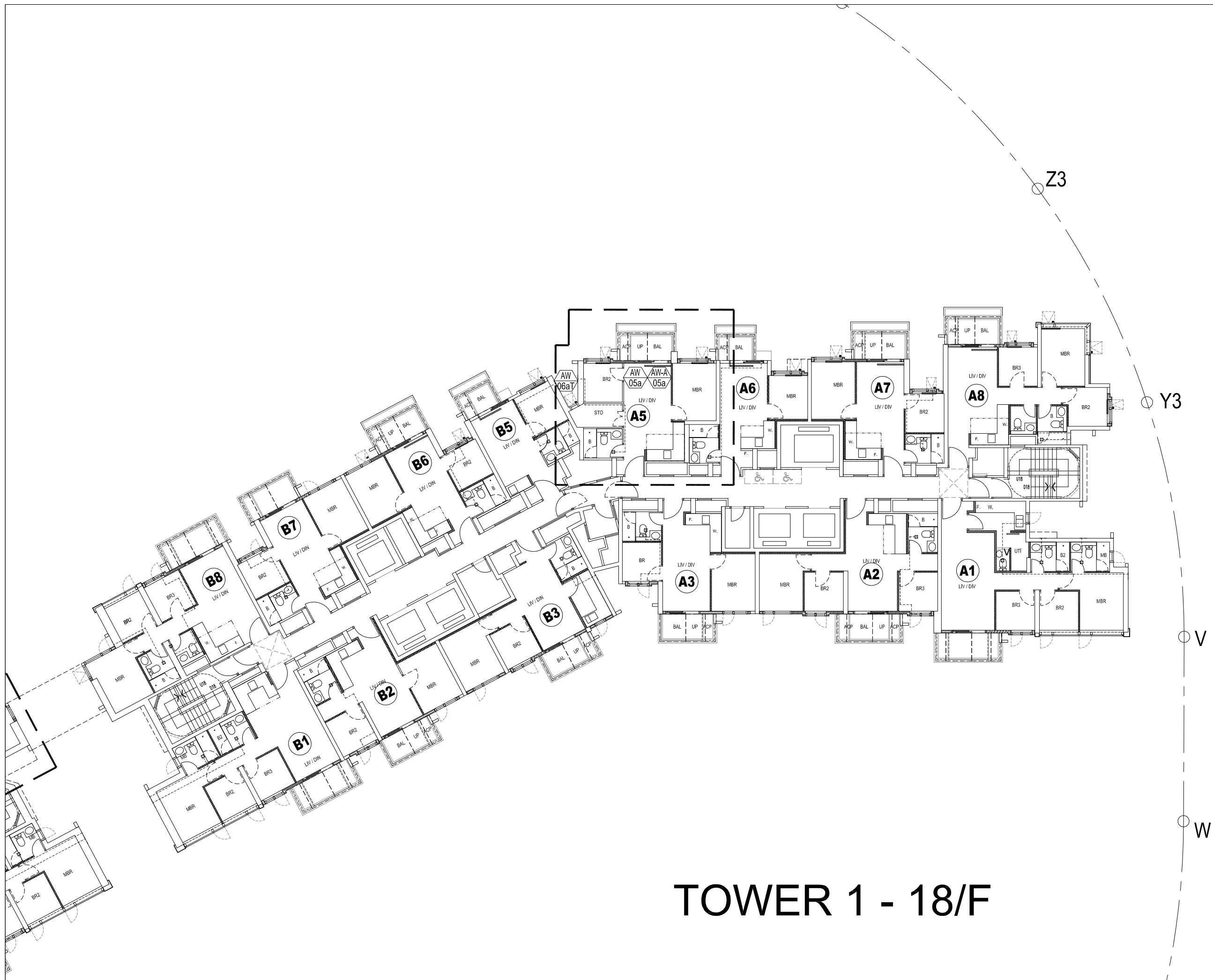
PROJECT: PROPOSED DEVELOPMENT ABOVE LIGHT RAIL TIN WING STOP, TSWTL NO.23, AREA 33, TIN SHUI WAI, N.T. TITLE: 2ND SHOP DRAWING SUBMISSION OF SALES MOCK-UP	DATE OF ISSUE										SUBMISSION STATE (FOR B.D / A.S.D)	SUBMISSION STATE (FOR CLIENT / CONSULTANT)	SUBMISSION STATE (FOR ARCHITECT)	FABRICATION / CONSTRUCTION STATE						
	ISSUE	1	2	3	4	5	6	7	8	9	10	AP - APPROVED	AP - APPROVED	AP - APPROVED	ISSUE TO CHINA OFFICE		ISSUE TO SITE		ISSUE TO SUB-CONTRACTOR	
	DAY	31	06									AC - APPROVED SUB. TO CONDITION	AC - APPROVED SUB. TO CONDITION	AC - APPROVED SUB. TO CONDITION						
	MONTH	1	03									NA - NOT APPROVED	NA - NOT APPROVED	NA - NOT APPROVED						
	YEAR	23	23																	

DRAWING TITLE	DWG. NO.	REVISIONS										COMMENT DATE	REV.	STATE	COMMENT DATE	REV.	STATE	COMMENT DATE	REV.	STATE	REV.	DATE	REV.	DATE	REV.	DATE		
COVER PAGE	J856-SD-MU-0000	-	A																									
DRAWING REGISTER	J856-SD-MU-0001	-	A																									
PLAN FOR SALES MOCK-UP AT TOWER 1	J856-SD-MU-3101	-	-																									
PLAN FOR SALES MOCK-UP AT TOWER 2	J856-SD-MU-3201	-	-																									
PLAN FOR SALES MOCK-UP AT TOWER 3	J856-SD-MU-3301	-	-																									
WINDOW SCHEDULE FOR SALES MOCK-UP AT TOWER 1 (IN-SITU WINDOW)	J856-SD-MU-5101	-	-																									
WINDOW SCHEDULE FOR SALES MOCK-UP AT TOWER 1 (IN-SITU WINDOW)	J856-SD-MU-5102	-	-																									
WINDOW SCHEDULE FOR SALES MOCK-UP AT TOWER 1 (PRE-CAST FAÇADE WINDOW)	J856-SD-MU-5111	-	-																									
WINDOW SCHEDULE FOR SALES MOCK-UP AT TOWER 1 (PRE-CAST FAÇADE WINDOW)	J856-SD-MU-5112	-	-																									
WINDOW SCHEDULE FOR SALES MOCK-UP AT TOWER 2 (IN-SITU WINDOW)	J856-SD-MU-5201	-	-																									
WINDOW SCHEDULE FOR SALES MOCK-UP AT TOWER 2 (IN-SITU WINDOW)	J856-SD-MU-5202	-	-																									
WINDOW SCHEDULE FOR SALES MOCK-UP AT TOWER 2 (IN-SITU WINDOW)	J856-SD-MU-5203	-	-																									
WINDOW SCHEDULE FOR SALES MOCK-UP AT TOWER 2 (IN-SITU WINDOW)	J856-SD-MU-5204	-	-																									
WINDOW SCHEDULE FOR SALES MOCK-UP AT TOWER 2 (PRE-CAST FAÇADE WINDOW)	J856-SD-MU-5211	-	-																									
WINDOW SCHEDULE FOR SALES MOCK-UP AT TOWER 2 (PRE-CAST FAÇADE WINDOW)	J856-SD-MU-5212	-	-																									
WINDOW SCHEDULE FOR SALES MOCK-UP AT TOWER 3 (IN-SITU WINDOW)	J856-SD-MU-5301	-	-																									
WINDOW SCHEDULE FOR SALES MOCK-UP AT TOWER 3 (IN-SITU WINDOW)	J856-SD-MU-5302	-	-																									
WINDOW SCHEDULE FOR SALES MOCK-UP AT TOWER 3 (IN-SITU WINDOW)	J856-SD-MU-5303	-	-																									
WINDOW SCHEDULE FOR SALES MOCK-UP AT TOWER 3 (PRE-CAST FAÇADE WINDOW)	J856-SD-MU-5311	-	-																									
WINDOW SCHEDULE FOR SALES MOCK-UP AT TOWER 3 (PRE-CAST FAÇADE WINDOW)	J856-SD-MU-5312	-	-																									
PART ELEV & PLAN & SECTION FOR SALES MOCK-UP (CURTAIN WALL) @ TOWER 2 FLAT B8	J856-SD-MU-5501	-	A																									
PART ELEV & PLAN & SECTION FOR SALES MOCK-UP (CURTAIN WALL) @ TOWER 2 FLAT A1	J856-SD-MU-5502	-	A																									
TYPICAL DETAILS FOR SALES MOCK-UP (IN-SITU WINDOW)	J856-SD-MU-6001	-	-																									
TYPICAL DETAILS FOR SALES MOCK-UP (IN-SITU WINDOW)	J856-SD-MU-6002	-	-																									
TYPICAL DETAILS FOR SALES MOCK-UP (IN-SITU WINDOW)	J856-SD-MU-6003	-	-																									
TYPICAL DETAILS FOR SALES MOCK-UP (IN-SITU WINDOW)	J856-SD-MU-6004	-	-																									
TYPICAL DETAILS FOR SALES MOCK-UP (IN-SITU WINDOW)	J856-SD-MU-6005	-	-																									
TYPICAL DETAILS FOR SALES MOCK-UP (IN-SITU WINDOW)	J856-SD-MU-6006	-	-																									
TYPICAL DETAILS FOR SALES MOCK-UP (PRE-CAST FAÇADE WINDOW)	J856-SD-MU-6101	-	-																									
TYPICAL DETAILS FOR SALES MOCK-UP (PRE-CAST FAÇADE WINDOW)	J856-SD-MU-6102	-	-																									
TYPICAL DETAILS FOR SALES MOCK-UP (PRE-CAST FAÇADE WINDOW)	J856-SD-MU-6103	-	-																									
TYPICAL DETAILS FOR SALES MOCK-UP (PRE-CAST FAÇADE WINDOW)	J856-SD-MU-6104	-	-																									
TYPICAL DETAILS FOR SALES MOCK-UP (PRE-CAST FAÇADE WINDOW)	J856-SD-MU-6105	-	-																									
TYPICAL DETAILS FOR SALES MOCK-UP (CURTAIN WALL)	J856-SD-MU-6501	-	-																									
TYPICAL DETAILS FOR SALES MOCK-UP (CURTAIN WALL)	J856-SD-MU-6502	-	-																									
TYPICAL DETAILS FOR SALES MOCK-UP (CURTAIN WALL)	J856-SD-MU-6503	-	-																									
TYPICAL DETAILS FOR SALES MOCK-UP (CURTAIN WALL)	J856-SD-MU-6504	-	-																									
TYPICAL DETAILS FOR SALES MOCK-UP (CURTAIN WALL)	J856-SD-MU-6505	-	-																									
TYPICAL DETAILS FOR SALES MOCK-UP (CURTAIN WALL)	J856-SD-MU-6506	-	-																									
TYPICAL DETAILS FOR SALES MOCK-UP (CURTAIN WALL)	J856-SD-MU-6507	-	-																									
TYPICAL DETAILS FOR SALES MOCK-UP (CURTAIN WALL)	J856-SD-MU-6508	-	-																									
TYPICAL DETAILS FOR SALES MOCK-UP (CURTAIN WALL)	J856-SD-MU-6509	-	-																									
TYPICAL DETAILS FOR SALES MOCK-UP (IN-SITU WINDOW)	J856-SD-MU-7001	-	-																									
TYPICAL DETAILS FOR SALES MOCK-UP (IN-SITU WINDOW)	J856-SD-MU-7002	-	-																									

IN-HOUSE DESIGN CHECKER


美特鋁質有限公司
MIDI ALUMINIUM FABRICATOR LTD.
 Units 6-8, Sunray Industrial Centre, 1/F
 610 Cha Kwo Ling Road, Kowloon
 Tel:23489211-4 Fax:(852)27727666


DWG NO. : J856-SD-MU-0001
REV. : A





TOWER 1 - 18/F


B.D. REF :

CLIENT :

 42/F SUN HUNG KAI CENTRE, WANCHAI, HONGKONG

ARCHITECT :


MAIN CONTRACTOR :


STRUCTURAL ENGINEER :


FACADE CONSULTANT:


NOTE :
 1. ALL DIMENSIONS ARE IN mm.
 2. ALL ELEVATIONS ARE VIEWED FROM OUTSIDE.
 3. ALL DIMENSIONS TO BE VERIFIED ON SITE BEFORE FABRICATION.

LEGEND :
 X1 ———— DETAIL MARK NO.
 X001 ———— REFER SHEET NO.

1. F.F.L. --- FINISHED FLOOR LEVEL
 2. S.F.L. --- STRUCTURAL FLOOR LEVEL
 3. (7R) --- REVERSED DETAIL
 4. GLASS LEGEND
 EGL-1 --- 8mmHS+12mm AIR GAP+8mmTP THK. I.G.U.
 EGL-2 --- 10mm THK. CLEAR TEMPERED GLASS
 EGL-4 --- 10mm THK. TEMPERED ACID ETCHED GLASS

NO.	DATE	REVISED	BY


JOB NO. : J-856

PROJECT :
 PROPOSED DEVELOPMENT ABOVE
 LIGHT RAIL TIN WING STOP, TSWTL
 NO.23, AREA 33, TIN SHUI WAI, N.T.

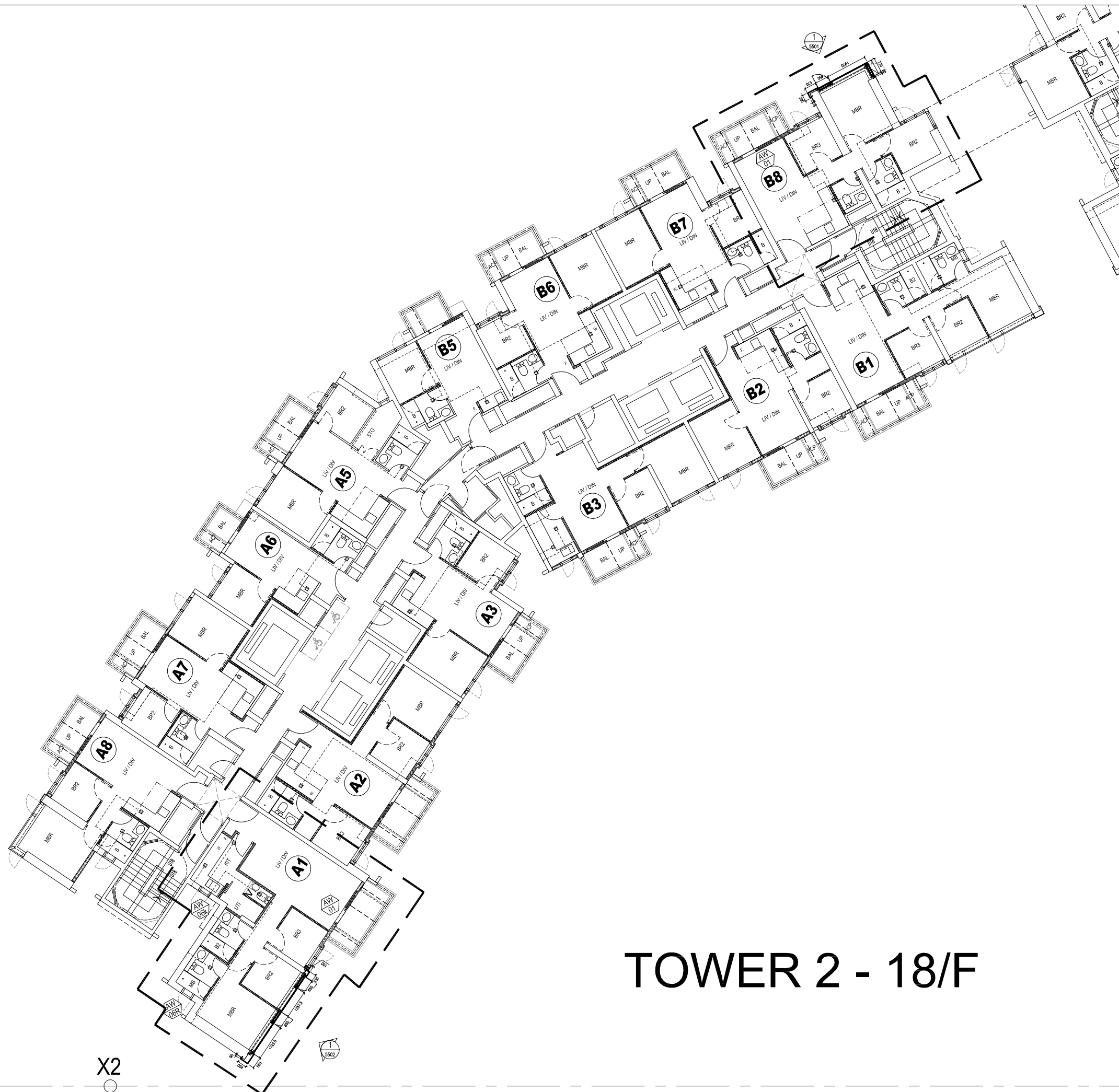
TITLE :
 PLAN FOR SALES MOCK-UP
 AT TOWER 1

DATE : 16-JAN-23 SCALE : 1:200

DRAWN BY : YI CHECKED BY :


 MIDI ALUMINIUM FABRICATOR LTD.
 Units 6-8, Sunray Industrial Centre, 1/F
 610 Cha Kwo Ling Road, Kowloon
 Tel: 23489211-4 Fax: (852) 27727666

DWG NO. : J856-SD-MU-3101 REV. : --



TOWER 2 - 18/F

Z2

X2

B.D. REF :

CLIENT :



ARCHITECT :



MAIN CONTRACTOR :



STRUCTURAL ENGINEER :



FACADE CONSULTANT:



NOTE :

1. ALL DIMENSIONS ARE IN mm.
2. ALL ELEVATIONS ARE VIEWED FROM OUTSIDE.
3. ALL DIMENSIONS TO BE VERIFIED ON SITE BEFORE FABRICATION.

LEGEND :

- X1 — DETAIL MARK NO.
- X001 — REFER SHEET NO.
- 1. F.F.L. -- FINISHED FLOOR LEVEL
- 2. S.F.L. -- STRUCTURAL FLOOR LEVEL
- 3. (R) -- REVERSED DETAIL
- 4. GLASS LEGEND
- EGL-1--8mmHS+12mm AIR GAP+8mmTP THK. I.G.U.
- EGL-2--10mm THK. CLEAR TEMPERED GLASS
- EGL-4--10mm THK. TEMPERED ACID ETCHED GLASS

NO.	DATE	REVISED	BY

JOB NO. : J-856

PROJECT : PROPOSED DEVELOPMENT ABOVE LIGHT RAIL TIN WING STOP, TSWTL NO.23, AREA 33, TIN SHUI WAI, N.T.

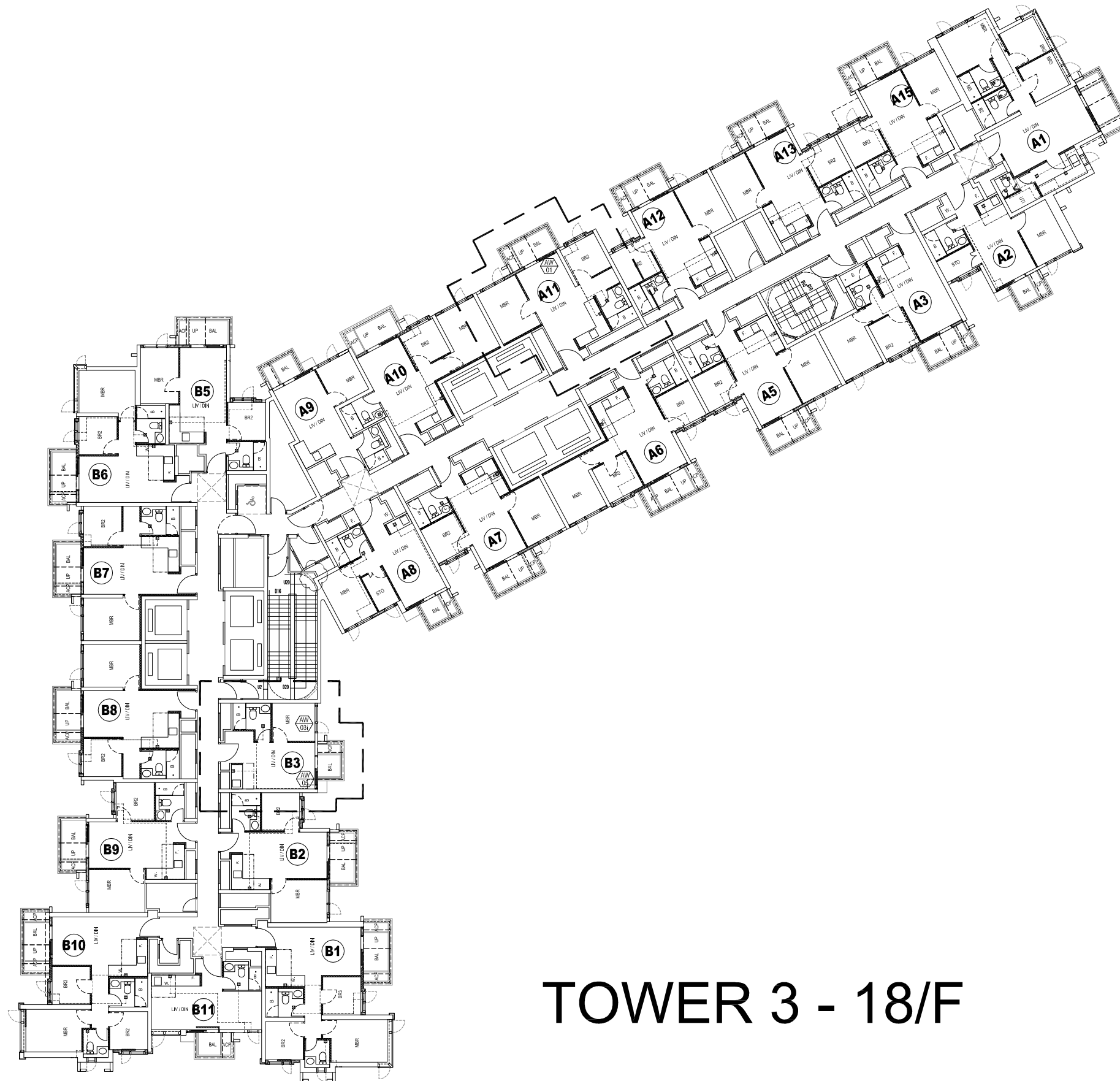
TITLE : PLAN FOR SALES MOCK-UP AT TOWER 2

DATE : 16-JAN-23 SCALE : 1:200

DRAWN BY : Y1 CHECKED BY :



DWG NO. : J856-SD-MU-3201 REV. : --



TOWER 3 - 18/F

B.D. REF :

CLIENT :

SUN HUNG KAI
REAL ESTATE AGENCY LTD.
42/F SUN HUNG KAI CENTRE, WANCHAI, HONGKONG

ARCHITECT :

lwk&partners
architects

MAIN CONTRACTOR :

Yee Fal Building Contractors Ltd.

STRUCTURAL ENGINEER :

ARUP

FAÇADE CONSULTANT:

ALPHA CONSULTING LIMITED
Steel Structure & Façade Specialist

NOTE :

1. ALL DIMENSIONS ARE IN mm.
2. ALL ELEVATIONS ARE VIEWED FROM OUTSIDE.
3. ALL DIMENSIONS TO BE VERIFIED ON SITE BEFORE FABRICATION.

LEGEND :

- (x1) — DETAIL MARK NO.
- (x001) — REFER SHEET NO.

1. F.F.L. — FINISHED FLOOR LEVEL
2. S.F.L. — STRUCTURAL FLOOR LEVEL
3. (R) — REVERSED DETAIL
4. GLASS LEGEND

EGL-1 — 8mmHS+12mm AIR GAP+8mmTP THK. I.G.U.

EGL-2 — 10mm THK. CLEAR TEMPERED GLASS

EGL-4 — 10mm THK. TEMPERED ACID ETCHED GLASS

NO.	DATE	REVISED	BY

JOB NO. : J-856

PROJECT : PROPOSED DEVELOPMENT ABOVE LIGHT RAIL TIN WING STOP, TSWTL NO.23, AREA 33, TIN SHUI WAI, N.T.

TITLE : PLAN FOR SALES MOCK-UP AT TOWER 3

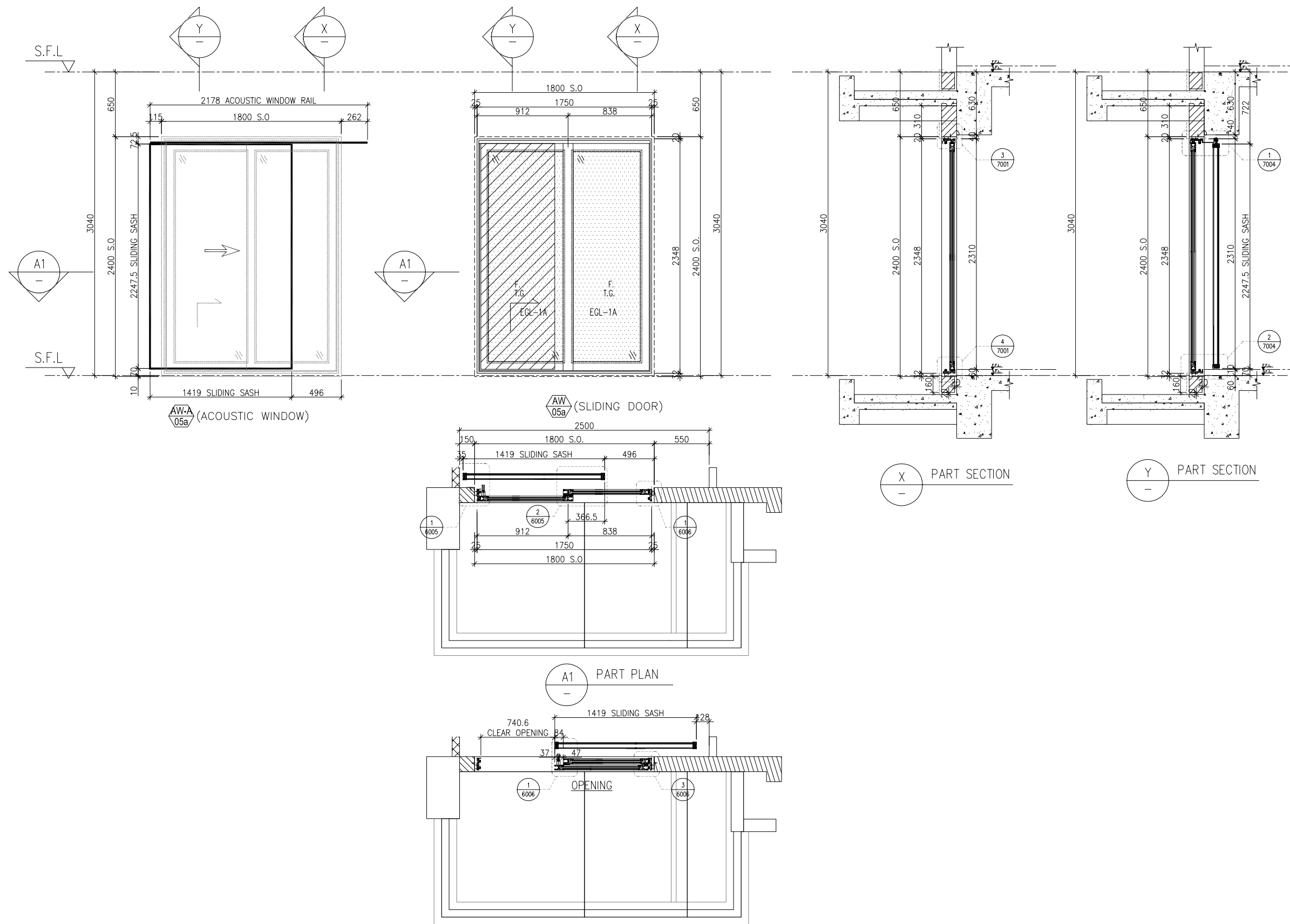
DATE : 16-JAN-23 SCALE : 1:250

DRAWN BY : Y1 CHECKED BY :

美特鋁質有限公司
MIDI ALUMINIUM FABRICATOR LTD.
Units 6-8, Sunray Industrial Centre, 1/F
610 Cha Kwo Ling Road, Kowloon
Tel:23489211-4 Fax:(852)2727666

DWG NO. : J856-SD-MU-3301 REV. : -

LOCATION	REQUIRE		PROVIDED	
	OPENABLE AREA	GLAZING AREA	OPENABLE AREA	GLAZING AREA
A5-LIV	1.198	1.409	1.675	2.99



ELEVATION

B.D. REF :

CLIENT :
SUN HUNG KAI
 REAL ESTATE AGENCY LTD.
 42/F SUN HUNG KAI CENTRE, WANCHAI, HONGKONG

ARCHITECT :
lwk&partners
 architects

MAIN CONTRACTOR :
Yee Fai Building Contractors Ltd.

STRUCTURAL ENGINEER :
ARUP

FAÇADE CONSULTANT:
ALPHA CONSULTING LIMITED
 Steel Structure & Façade Specialist

NOTE :
 1. ALL DIMENSIONS ARE IN mm.
 2. ALL ELEVATIONS ARE VIEWED FROM OUTSIDE.
 3. ALL DIMENSIONS TO BE VERIFIED ON SITE BEFORE FABRICATION.

LEGEND :
 X1 -- DETAIL MARK NO.
 X001 -- REFER SHEET NO.

1. F.F.L. -- FINISHED FLOOR LEVEL
 2. S.F.L. -- STRUCTURAL FLOOR LEVEL
 3. (R) -- REVERSED DETAIL
 4. GLASS LEGEND
 EGL-1 -- 8mmHS+12mm AIR GAP+10mmTP THK. I.G.U.
 EGL-2 -- 10mm THK. CRYSTAL GRAY TEMPERED GLASS
 EGL-4 -- 10mm THK. CRYSTAL TEMPERED ACID ETCHED GLASS
 EGL-1A -- 8mmHS+12mm AIR GAP+8mmTP THK. I.G.U.
 BT1/BB1 -- FIXING DETAIL (DWG. NO. FD01)
 BB2 -- FIXING DETAIL (DWG. NO. FD02)
 GLAZING AREA
 OPENABLE AREA

NO.	DATE	REVISED	BY

JOB NO. : J-856

PROJECT :
 PROPOSED DEVELOPMENT ABOVE
 LIGHT RAIL TIN WING STOP, TSWTL
 NO.23, AREA 33, TIN SHUI WAI, N.T.

TITLE :
 WINDOW SCHEDULE FOR
 SALES MOCK-UP AT TOWER 1
 (IN-SITU WINDOW)

DATE : 02-Aug-21 SCALE : 1:40

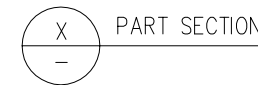
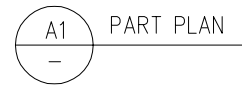
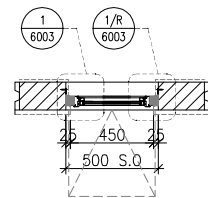
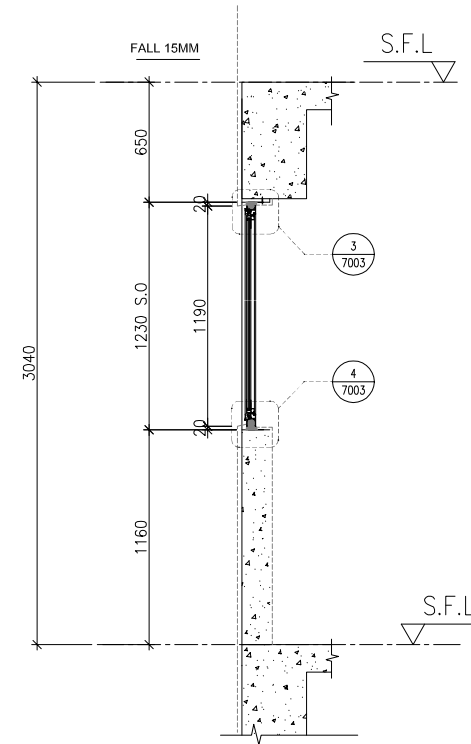
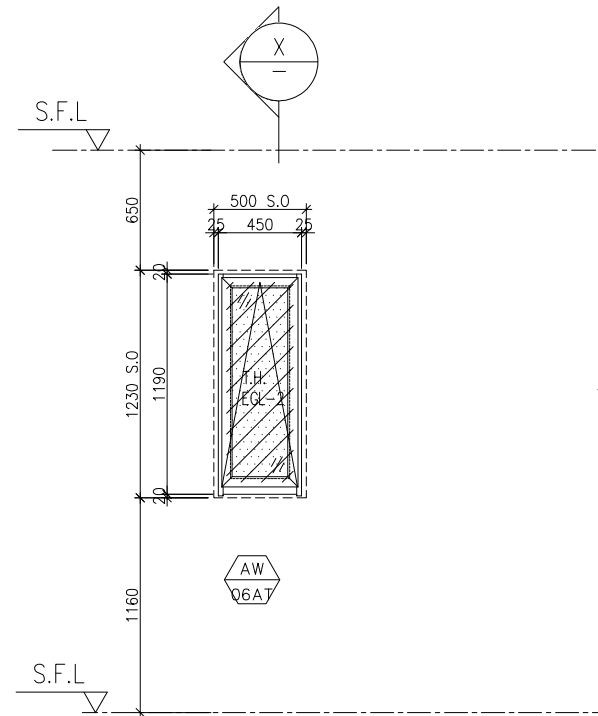
DRAWN BY : YI CHECKED BY :

美特鋁質有限公司
MIDI ALUMINIUM FABRICATOR LTD.
 Units 6-8, Sunray Industrial Centre, 1/F
 610 Cha Kwo Ling Road, Kowloon
 Tel: 23489211-4 Fax: (852) 27727666

DWG NO. : J856-SD-MU-5101 REV. : -

WINDOW MARK	AW 05a & AW-A 05a (ACOUSTIC WINDOW)
LOCATION	18/F - LIV./DIN. OF UNIT A5 (TOWER 1)
SECTION	70mm ALUM. SECTION
GLAZING	EGL-1, EGL-1A
QUANTITY	1 NO.
REMARKS	-

LOCATION	REQUIRE		PROVIDED	
	OPENABLE AREA	GLAZING AREA	OPENABLE AREA	GLAZING AREA
A5-ST RM	N/A	N/A	0.389	0.306



ELEVATION

B.D. REF :

CLIENT :
SUN HUNG KAI
 REAL ESTATE AGENCY LTD.
 42/F SUN HUNG KAI CENTRE, WANCHAI, HONGKONG

ARCHITECT :
Iwk&partners
 architects

MAIN CONTRACTOR :
怡輝建築有限公司
Yee Fai Building Contractors Ltd.

STRUCTURAL ENGINEER :
ARUP

FACADE CONSULTANT:
ALPHA CONSULTING LIMITED
 Steel Structure & Facade Specialist

NOTE :
 1. ALL DIMENSIONS ARE IN mm.
 2. ALL ELEVATIONS ARE VIEWED FROM OUTSIDE.
 3. ALL DIMENSIONS TO BE VERIFIED ON SITE BEFORE FABRICATION.

LEGEND :
 (X1) — DETAIL MARK NO.
 (X001) — REFER SHEET NO.

1. F.F.L. -- FINISHED FLOOR LEVEL
 2. S.F.L. -- STRUCTURAL FLOOR LEVEL
 3. (R) -- REVERSED DETAIL
 4. GLASS LEGEND
 EGL-1 -- 8mmHS+12mm AIR GAP+10mmTP THK. I.G.U.
 EGL-2 -- 10mm THK. CRYSTAL GRAY TEMPERED GLASS
 EGL-4 -- 10mm THK. CRYSTAL TEMPERED ACID ETCHED GLASS
 EGL-1A -- 8mmHS+12mm AIR GAP+8mmTP THK. I.G.U.
 BT1/BB1 -- FIXING DETAIL (DWG. NO. FD01)
 BB2 -- FIXING DETAIL (DWG. NO. FD02)
 GLAZING AREA
 OPENABLE AREA

NO.	DATE	REVISED	BY

JOB NO. : J-856

PROJECT :
 PROPOSED DEVELOPMENT ABOVE
 LIGHT RAIL TIN WING STOP, TSWTL
 NO.23, AREA 33, TIN SHUI WAI, N.T.

TITLE :
 WINDOW SCHEDULE FOR
 SALES MOCK-UP AT TOWER 1
 (IN-SITU WINDOW)

DATE : 22-Jun-22 SCALE : 1:40

DRAWN BY : YI CHECKED BY :

美特鋁質有限公司
MIDI ALUMINIUM FABRICATOR LTD.
 Units 6-8, Sunray Industrial Centre, 1/F
 610 Cha Kwo Ling Road, Kowloon
 Tel: 23489211-4 Fax: (852) 27727666

DWG NO. : J856-SD-MU-5102 REV. : -

WINDOW MARK



LOCATION 18/F - STO. OF UNIT A5 (TOWER 1)

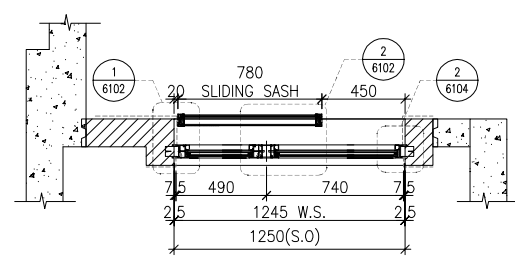
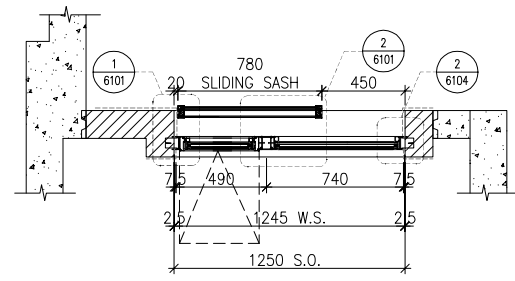
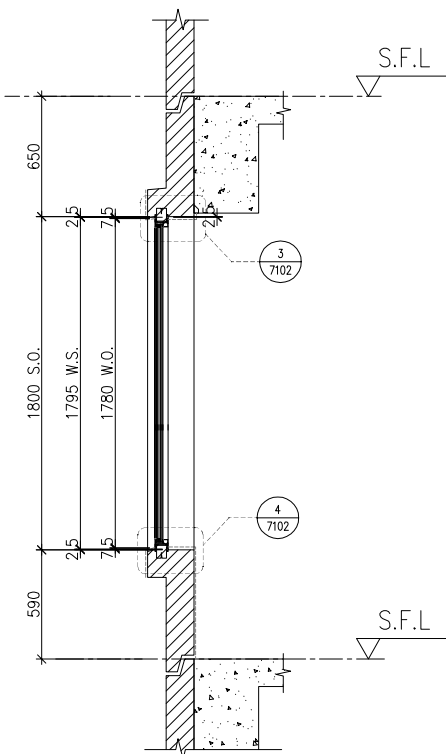
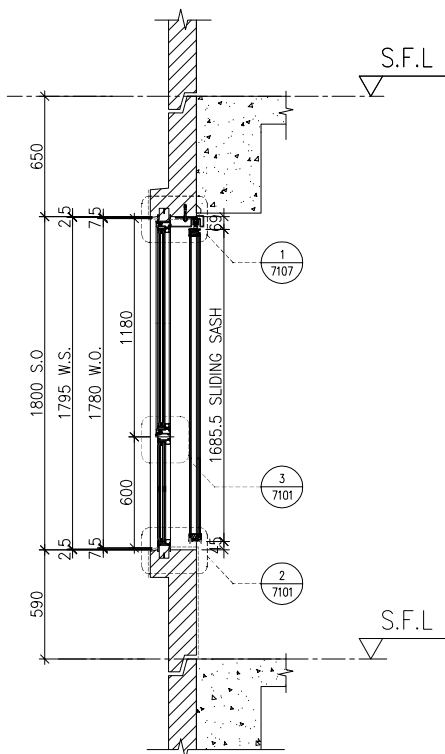
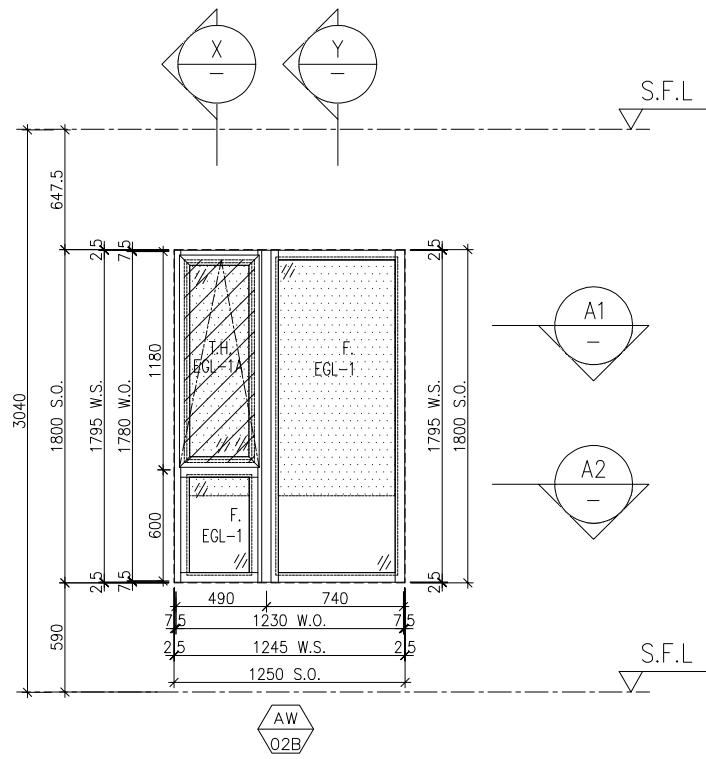
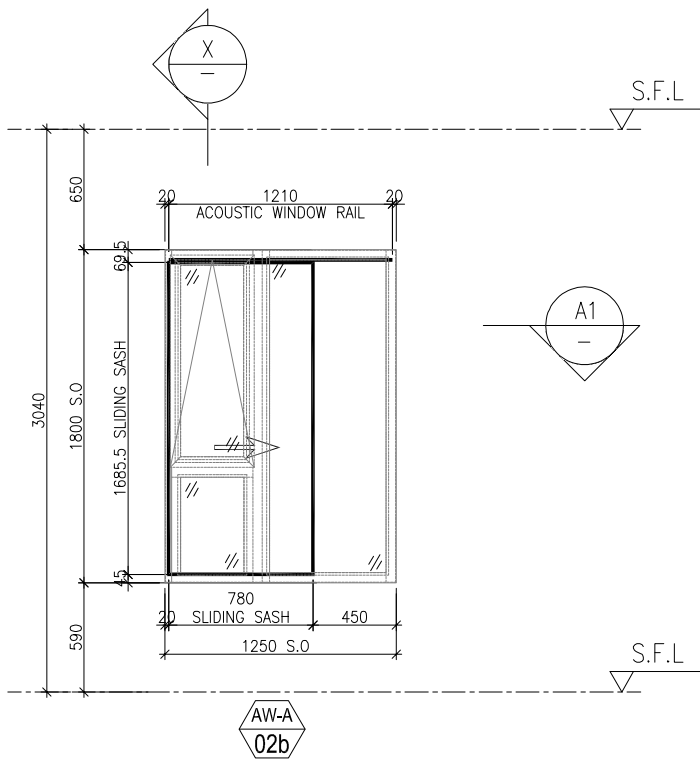
SECTION 50mm ALUM. SECTION

GLAZING EGL-2

QUANTITY 1 NO.

REMARKS 50mm ALUM. WINDOW SECTION , 4 BAR HINGE-LIP HING (HHMT-14)

LOCATION	REQUIRE		PROVIDED	
	OPENABLE AREA	GLAZING AREA	OPENABLE AREA	GLAZING AREA
A5-BR2	0.263	0.420	0.439	1.19



ELEVATION

B.D. REF :

CLIENT :
SUN HUNG KAI
 REAL ESTATE AGENCY LTD.
 42/F SUN HUNG KAI CENTRE, WANCHAI, HONGKONG

ARCHITECT :
lwk&partners
 architects

MAIN CONTRACTOR :
怡輝建築有限公司
Yee Fai Building Contractors Ltd.

STRUCTURAL ENGINEER :
ARUP

FAÇADE CONSULTANT:
ALPHA CONSULTING LIMITED
 Steel Structure & Façade Specialist

NOTE :
 1. ALL DIMENSIONS ARE IN mm.
 2. ALL ELEVATIONS ARE VIEWED FROM OUTSIDE.
 3. ALL DIMENSIONS TO BE VERIFIED ON SITE BEFORE FABRICATION.

LEGEND :
 X1 - DETAIL MARK NO.
 X001 - REFER SHEET NO.

1. F.F.L. -- FINISHED FLOOR LEVEL
 2. S.F.L. -- STRUCTURAL FLOOR LEVEL
 3. (R) -- REVERSED DETAIL
 4. GLASS LEGEND
 EGL-1 -- 8mmHS+12mm AIR GAP+10mmTP THK. I.G.U.
 EGL-2 -- 10mm THK. CRYSTAL GRAY TEMPERED GLASS
 EGL-4 -- 10mm THK. CRYSTAL TEMPERED ACID ETCHED GLASS
 EGL-1A -- 8mmHS+12mm AIR GAP+8mmTP THK. I.G.U.
 BT1/BB1 -- FIXING DETAIL (DWG. NO. FD01)
 BB2 -- FIXING DETAIL (DWG. NO. FD02)
 GLAZING AREA
 OPENABLE AREA

NO.	DATE	REVISED	BY

JOB NO. : J-856
 PROJECT : PROPOSED DEVELOPMENT ABOVE LIGHT RAIL TIN WING STOP, TSWTL NO.23, AREA 33, TIN SHUI WAI, N.T.

TITLE : WINDOW SCHEDULE FOR SALES MOCK-UP AT TOWER 1 (PRE-CAST FAÇADE WINDOW)

DATE : 06-Jul-22 SCALE : 1:40

DRAWN BY : YI CHECKED BY :

美特鋁質有限公司
MIDI ALUMINIUM FABRICATOR LTD.
 Units 6-8, Sunray Industrial Centre, 1/F
 610 Cha Kwo Ling Road, Kowloon
 Tel:23489211-4 Fax:(852)2727666

DWG NO. : J856-SD-PW-5111 REV. : -

WINDOW MARK	AW 02b & AW-A 02b (ACOUSTIC WINDOW)
LOCATION	18/F - BR.2 OF UNIT A5 (TOWER 1)
SECTION	70mm ALUM. SECTION
GLAZING	EGL-1, EGL-1A
QUANTITY	1 No.
REMARKS	4 BAR HINGE-LIP HING (HHMT-14)

LOCATION	REQUIRE		PROVIDED	
	OPENABLE AREA	GLAZING AREA	OPENABLE AREA	GLAZING AREA
A5-MBR	0.435	0.696	0.525	1.407

B.D. REF :

CLIENT :

 42/F SUN HUNG KAI CENTRE, WANCHAI, HONGKONG

ARCHITECT :


MAIN CONTRACTOR :


STRUCTURAL ENGINEER :


FAÇADE CONSULTANT:



 Steel Structure & Façade Specialist

NOTE :
 1. ALL DIMENSIONS ARE IN mm.
 2. ALL ELEVATIONS ARE VIEWED FROM OUTSIDE.
 3. ALL DIMENSIONS TO BE VERIFIED ON SITE BEFORE FABRICATION.

LEGEND :
 X1 --- DETAIL MARK NO.
 X001 --- REFER SHEET NO.

1. F.F.L. --- FINISHED FLOOR LEVEL
 2. S.F.L. --- STRUCTURAL FLOOR LEVEL
 3. (R) --- REVERSED DETAIL
 4. GLASS LEGEND

EGL-1--8mmHS+12mm AIR GAP+10mmTP THK. I.G.U.
 EGL-2--10mm THK. CRYSTAL GRAY TEMPERED GLASS
 EGL-4--10mm THK. CRYSTAL TEMPERED ACID ETCHED GLASS
 EGL-1A-8mmHS+12mm AIR GAP+8mmTP THK. I.G.U.
 BT1/BB1--FIXING DETAIL (DWG. NO. FD01)
 BB2--FIXING DETAIL (DWG. NO. FD02)

 GLAZING AREA
 OPENABLE AREA

NO.	DATE	REVISED	BY

JOB NO. : J-856

PROJECT :
 PROPOSED DEVELOPMENT ABOVE
 LIGHT RAIL TIN WING STOP, TSWTL
 NO.23, AREA 33, TIN SHUI WAI, N.T.

TITLE :
 WINDOW SCHEDULE FOR
 SALES MOCK-UP AT TOWER 1
 (PRE-CAST FAÇADE WINDOW)

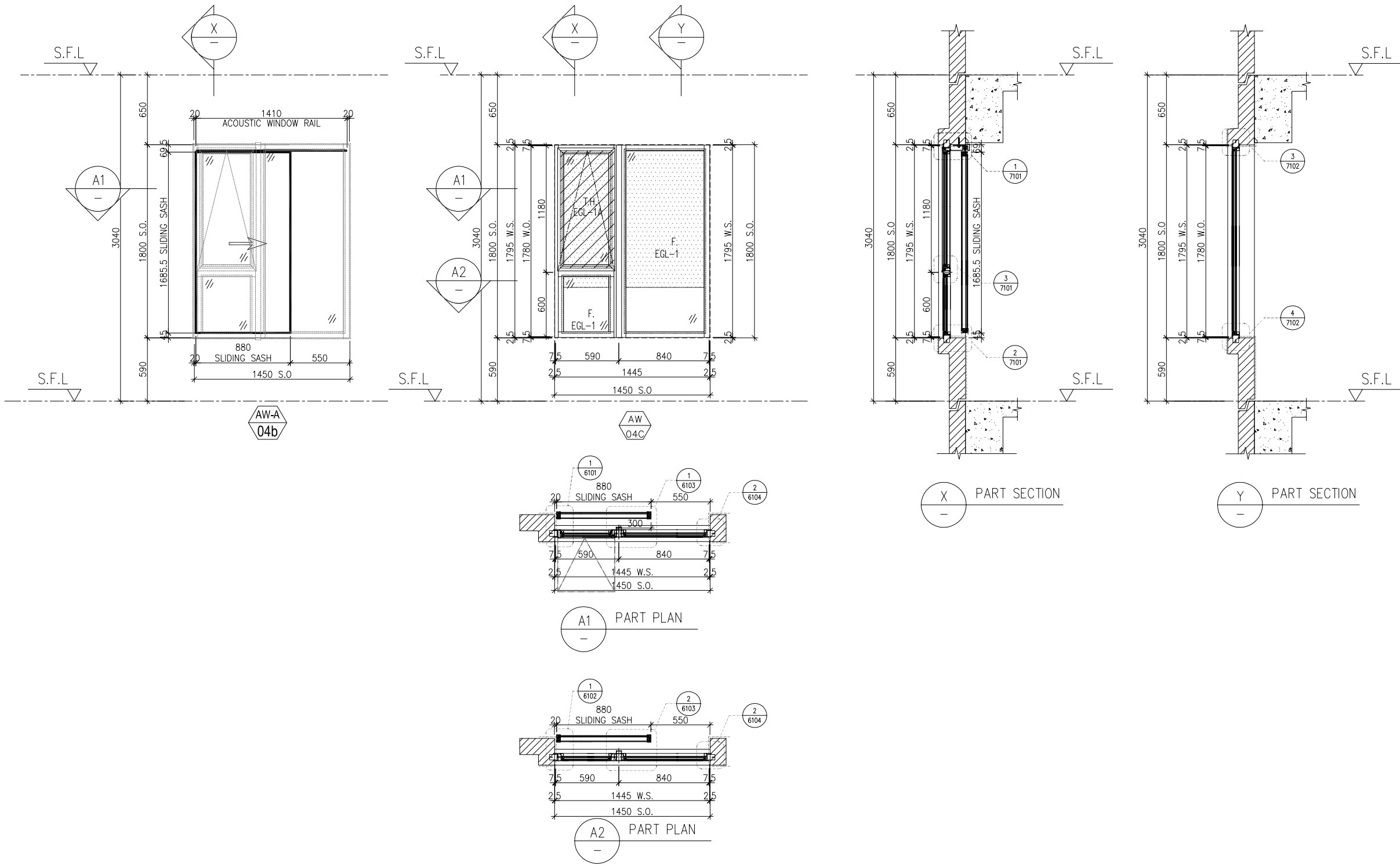
DATE : 02-Aug-21 SCALE : 1:40

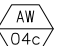
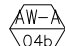
DRAWN BY : YI CHECKED BY :


MIDI ALUMINIUM FABRICATOR LTD.
 Units 6-8, Sunray Industrial Centre, 1/F
 610 Cha Kwo Ling Road, Kowloon
 Tel: 23489211-4 Fax: (852) 27727666

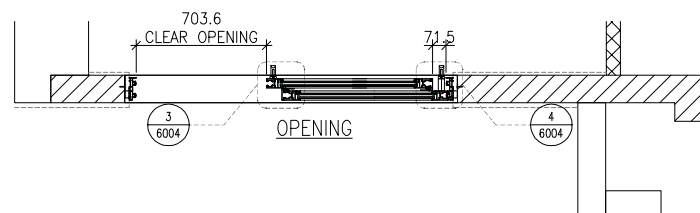
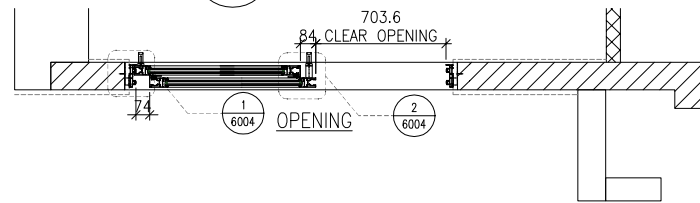
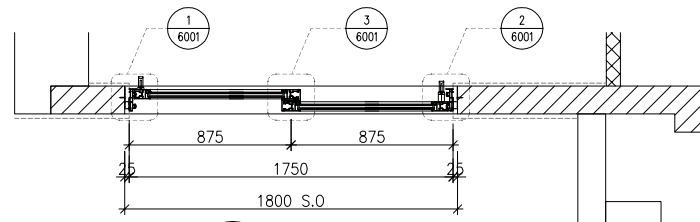
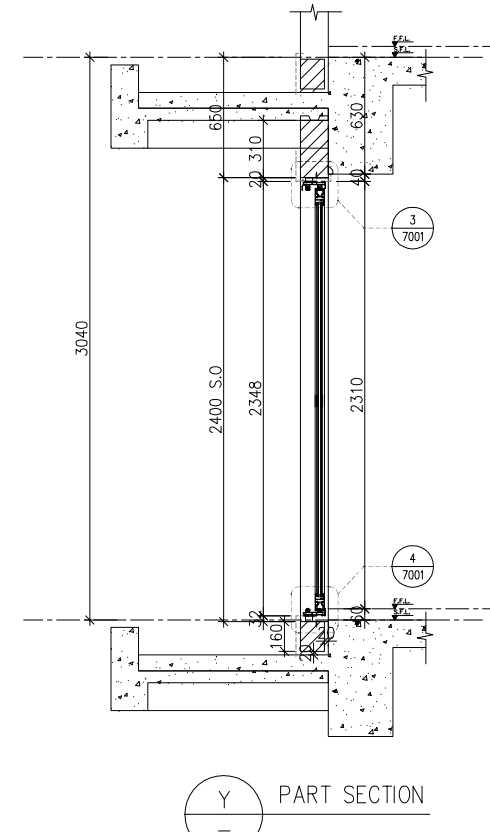
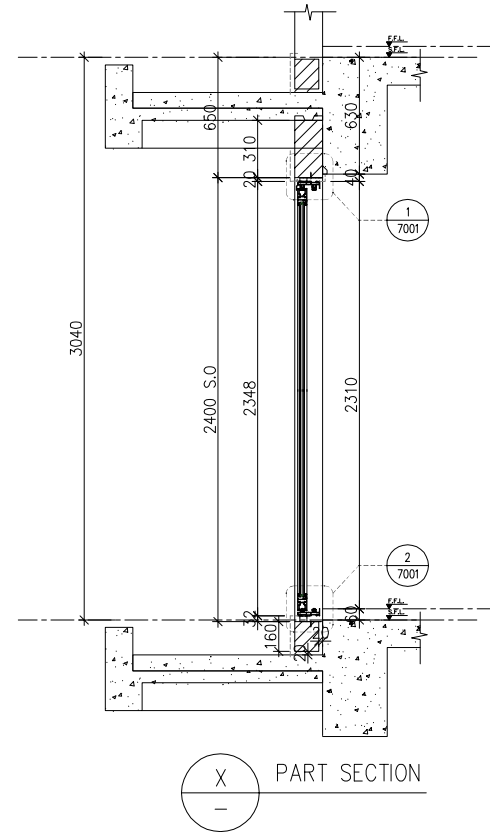
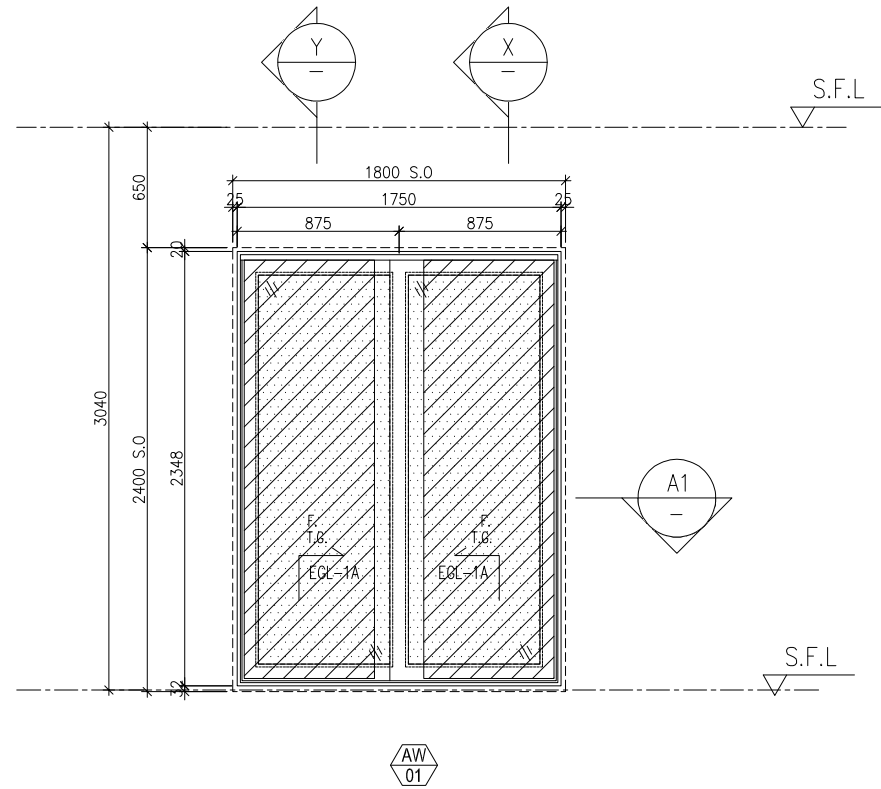
DWG NO. : J856-SD-MU-5112 REV. : -

ELEVATION



WINDOW MARK	 &  (ACOUSTIC WINDOW)
LOCATION	18/F - MBR. OF UNIT A5 (TOWER 1)
SECTION	70mm ALUM. SECTION
GLAZING	EGL-1, EGL-1A
QUANTITY	1 NO.
REMARKS	4 BAR HINGE-LIP HING (HHMT-14)

LOCATION	REQUIRE		PROVIDED	
	OPENABLE AREA	GLAZING AREA	OPENABLE AREA	GLAZING AREA
A1-LIV	1.447	1.682	1.591	2.99



ELEVATION

WINDOW MARK

AW 01

LOCATION 18/F - LIV./DIN. OF UNIT A1 (TOWER 2)

SECTION 70mm ALUM. SECTION

GLAZING EGL-1A

QUANTITY 2 Nos.

REMARKS -

B.D. REF :

CLIENT :

SUN HUNG KAI
REAL ESTATE AGENCY LTD.
42/F SUN HUNG KAI CENTRE, WANCHAI, HONGKONG

ARCHITECT :

lwk&partners
architects

MAIN CONTRACTOR :

Yee Fai Building Contractors Ltd.

STRUCTURAL ENGINEER :

ARUP

FACADE CONSULTANT:

ALPHA CONSULTING LIMITED
Steel Structure & Facade Specialist

NOTE :

- ALL DIMENSIONS ARE IN mm.
- ALL ELEVATIONS ARE VIEWED FROM OUTSIDE.
- ALL DIMENSIONS TO BE VERIFIED ON SITE BEFORE FABRICATION.

LEGEND :

- X1 - DETAIL MARK NO.
- X001 - REFER SHEET NO.

- F.F.L. -- FINISHED FLOOR LEVEL
- S.F.L. -- STRUCTURAL FLOOR LEVEL
- (R) -- REVERSED DETAIL
- GLASS LEGEND

- EGL-1 -- 8mmHS+12mm AIR GAP+10mmTP THK. I.G.U.
- EGL-2 -- 10mm THK. CRYSTAL GRAY TEMPERED GLASS
- EGL-4 -- 10mm THK. CRYSTAL TEMPERED ACID ETCHED GLASS
- EGL-1A -- 8mmHS+12mm AIR GAP+8mmTP THK. I.G.U.
- BT1/BB1 -- FIXING DETAIL (DWG. NO. FD01)
- BB2 -- FIXING DETAIL (DWG. NO. FD02)

- GLAZING AREA
- OPENABLE AREA

NO.	DATE	REVISED	BY

JOB NO. : J-856

PROJECT : PROPOSED DEVELOPMENT ABOVE LIGHT RAIL TIN WING STOP, TSWTL NO.23, AREA 33, TIN SHUI WAI, N.T.

TITLE : WINDOW SCHEDULE FOR SALES MOCK-UP AT TOWER 2 (IN-SITU WINDOW)

DATE : 02-Aug-21 SCALE : 1:40

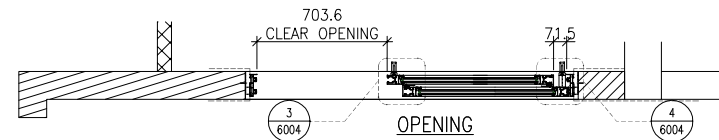
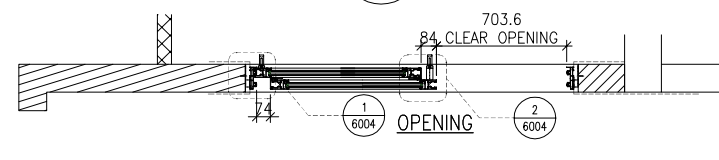
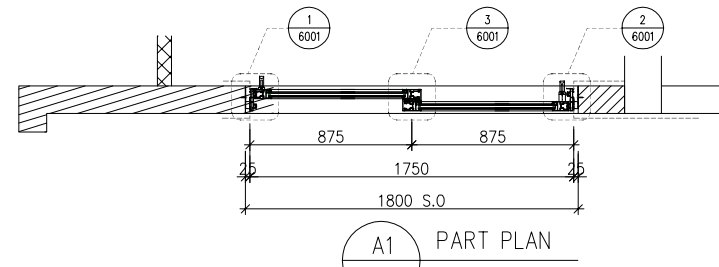
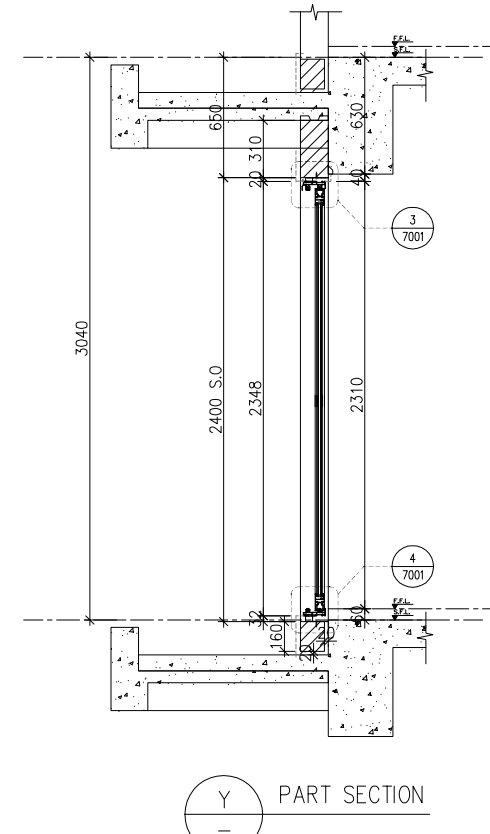
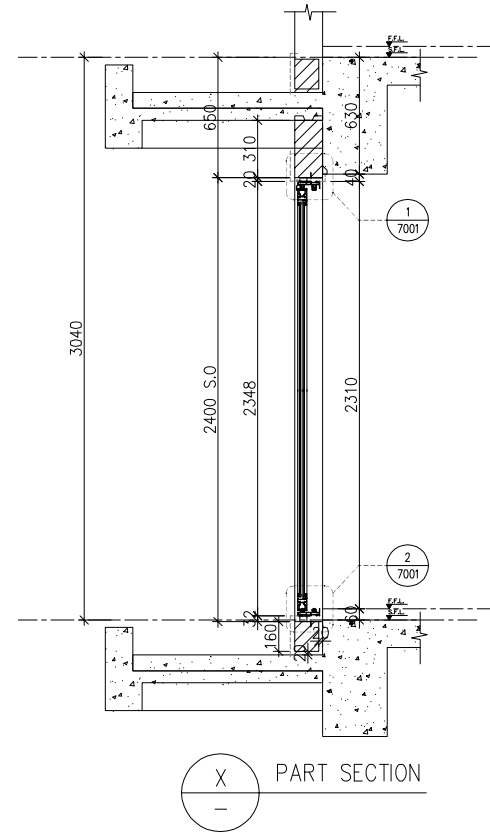
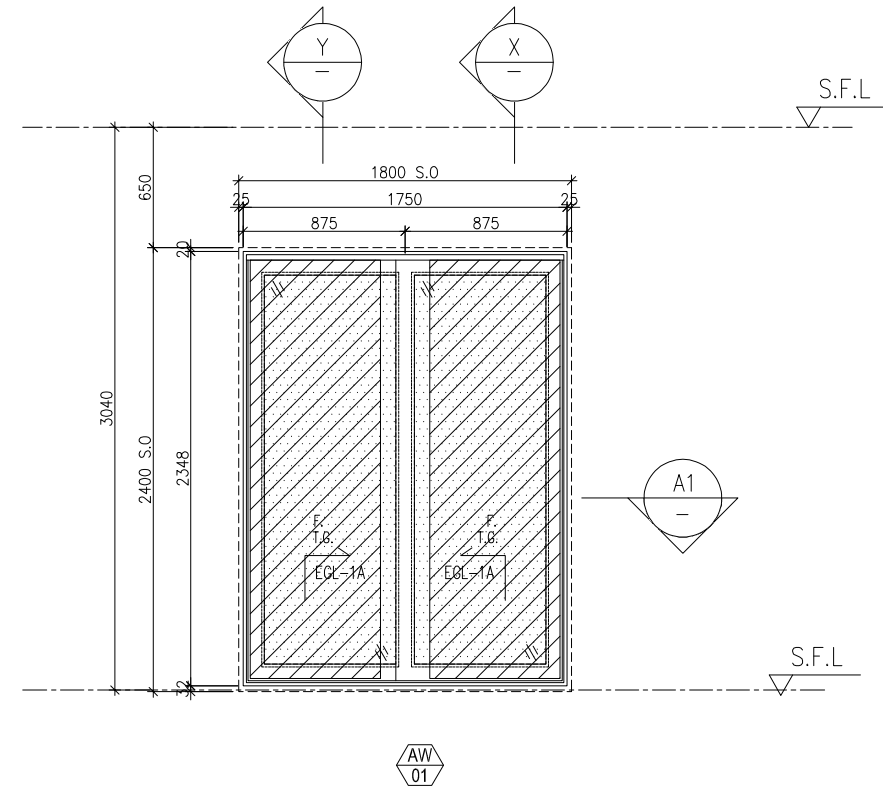
DRAWN BY : YI CHECKED BY :

MIDI ALUMINIUM FABRICATOR LTD.
Units 6-8, Sunray Industrial Centre, 1/F
610 Cha Kwo Ling Road, Kowloon
Tel: 23489211-4 Fax: (852) 27727666

DWG NO. : J856-SD-MU-5201 REV. : -

LOCATION	REQUIRE		PROVIDED	
	OPENABLE AREA	GLAZING AREA	OPENABLE AREA	GLAZING AREA
B8-LIV	1.641	1.792	1.591	2.99

(NOT ENOUGH)



ELEVATION

WINDOW MARK

AW
01

LOCATION 18/F - LIV./DIN. OF UNIT B8 (TOWER 2)

SECTION 70mm ALUM. SECTION

GLAZING EGL-1A

QUANTITY 1 NO.

REMARKS -

B.D. REF :

CLIENT :

SUN HUNG KAI
REAL ESTATE AGENCY LTD.
42/F SUN HUNG KAI CENTRE, WANCHAI, HONGKONG

ARCHITECT :

lwk&partners
architects

MAIN CONTRACTOR :

Yee Fai Building Contractors Ltd.

STRUCTURAL ENGINEER :

ARUP

FACADE CONSULTANT:

ALPHA CONSULTING LIMITED
Steel Structure & Facade Specialist

NOTE :

1. ALL DIMENSIONS ARE IN mm.
2. ALL ELEVATIONS ARE VIEWED FROM OUTSIDE.
3. ALL DIMENSIONS TO BE VERIFIED ON SITE BEFORE FABRICATION.

LEGEND :

- X1 - DETAIL MARK NO.
- X001 - REFER SHEET NO.

1. F.F.L. -- FINISHED FLOOR LEVEL
2. S.F.L. -- STRUCTURAL FLOOR LEVEL
3. (R) -- REVERSED DETAIL
4. GLASS LEGEND

- EGL-1--8mmHS+12mm AIR GAP+10mmTP THK. I.G.U.
- EGL-2--10mm THK. CRYSTAL GRAY TEMPERED GLASS
- EGL-4--10mm THK. CRYSTAL TEMPERED ACID ETCHED GLASS
- EGL-1A--8mmHS+12mm AIR GAP+8mmTP THK. I.G.U.
- BT1/BB1--FIXING DETAIL (DWG. NO. FD01)
- BB2--FIXING DETAIL (DWG. NO. FD02)

- GLAZING AREA
- OPENABLE AREA

NO.	DATE	REVISED	BY

JOB NO. : J-856

PROJECT : PROPOSED DEVELOPMENT ABOVE LIGHT RAIL TIN WING STOP, TSWTL NO.23, AREA 33, TIN SHUI WAI, N.T.

TITLE : WINDOW SCHEDULE FOR SALES MOCK-UP AT TOWER 2 (IN-SITU WINDOW)

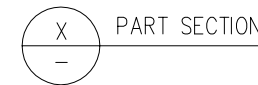
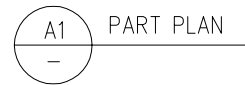
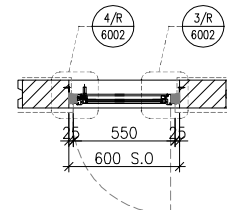
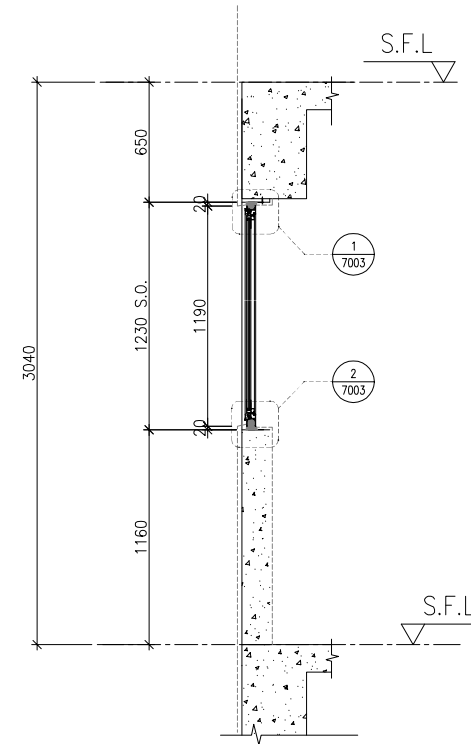
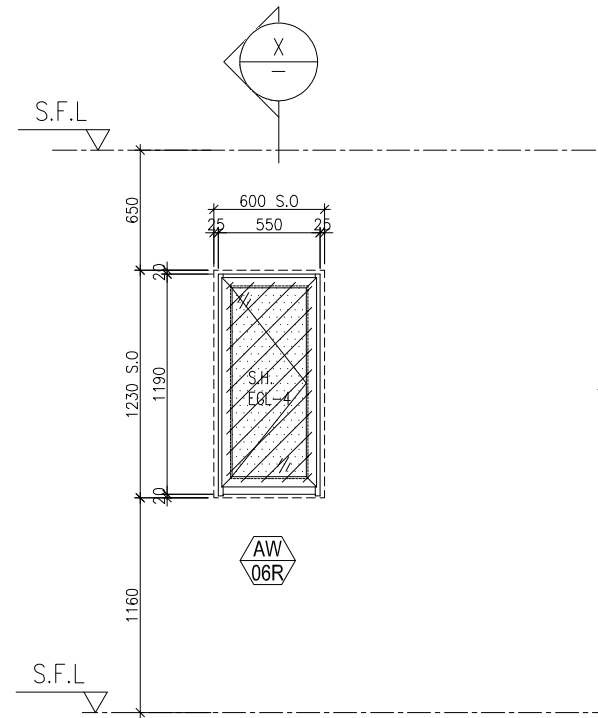
DATE : 02-Aug-21 SCALE : 1:40

DRAWN BY : YI CHECKED BY :

MIDI ALUMINIUM FABRICATOR LTD.
Units 6-8, Sunray Industrial Centre, 1/F
610 Cha Kwo Ling Road, Kowloon
Tel: 23489211-4 Fax: (852) 27727666

DWG NO. : J856-SD-MU-5202 REV. : -

LOCATION	REQUIRE		PROVIDED	
	OPENABLE AREA	GLAZING AREA	OPENABLE AREA	GLAZING AREA
A1-M.BATH	0.318	0.318	0.497	0.408



ELEVATION

B.D. REF :

CLIENT :

 42/F SUN HUNG KAI CENTRE, WANCHAI, HONGKONG

ARCHITECT :

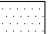
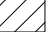

MAIN CONTRACTOR :


STRUCTURAL ENGINEER :


FACADE CONSULTANT:


NOTE :
 1. ALL DIMENSIONS ARE IN mm.
 2. ALL ELEVATIONS ARE VIEWED FROM OUTSIDE.
 3. ALL DIMENSIONS TO BE VERIFIED ON SITE BEFORE FABRICATION.

LEGEND :
 X1 — DETAIL MARK NO.
 X001 — REFER SHEET NO.

1. F.F.L. -- FINISHED FLOOR LEVEL
 2. S.F.L. -- STRUCTURAL FLOOR LEVEL
 3. (R) -- REVERSED DETAIL
 4. GLASS LEGEND
 EGL-1 -- 8mmHS+12mm AIR GAP+10mmTP THK. I.G.U.
 EGL-2 -- 10mm THK. CRYSTAL GRAY TEMPERED GLASS
 EGL-4 -- 10mm THK. CRYSTAL TEMPERED ACID ETCHED GLASS
 EGL-1A -- 8mmHS+12mm AIR GAP+8mmTP THK. I.G.U.
 BT1/BB1 -- FIXING DETAIL (DWG. NO. FD01)
 BB2 -- FIXING DETAIL (DWG. NO. FD02)
 GLAZING AREA
 OPENABLE AREA

NO.	DATE	REVISED	BY

JOB NO. : J-856

PROJECT :
 PROPOSED DEVELOPMENT ABOVE
 LIGHT RAIL TIN WING STOP, TSWTL
 NO.23, AREA 33, TIN SHUI WAI, N.T.

TITLE :
 WINDOW SCHEDULE FOR
 SALES MOCK-UP AT TOWER 2
 (IN-SITU WINDOW)

DATE : 22/06/2022 SCALE : 1:40

DRAWN BY : Y1 CHECKED BY :


 MIDI ALUMINIUM FABRICATOR LTD.
 Units 6-8, Sunray Industrial Centre, 1/F
 610 Cha Kwo Ling Road, Kowloon
 Tel: 23489211-4 Fax: (852) 27727666

DWG NO. : J856-SD-MU-5203 REV. : -

WINDOW MARK



LOCATION 18/F - M. BATH OF UNIT A1 (TOWER 2)

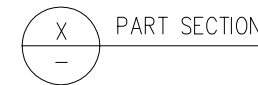
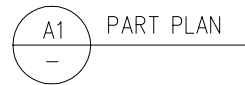
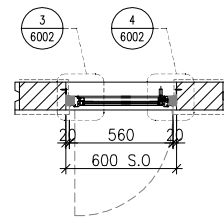
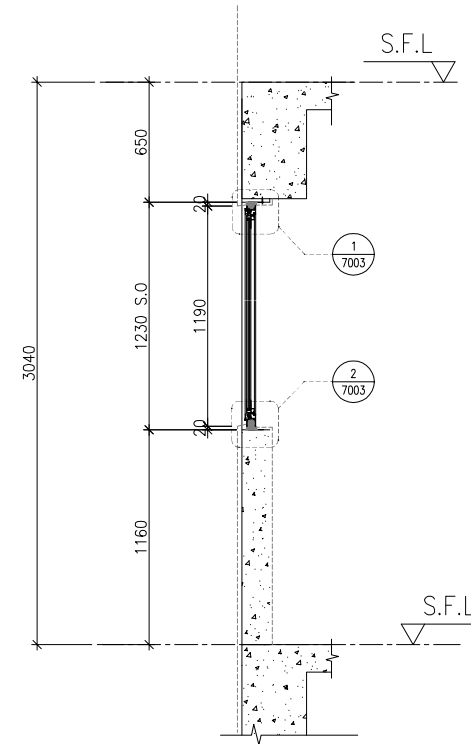
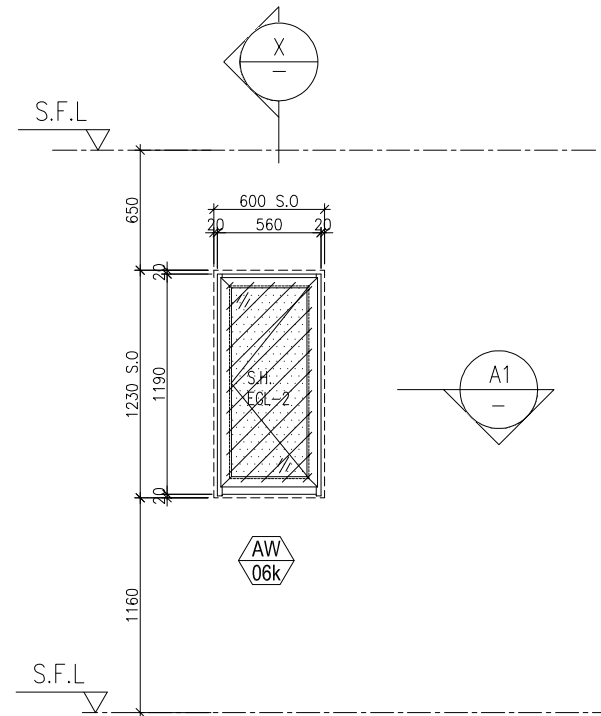
SECTION 50mm ALUM. SECTION

GLAZING EGL-4

QUANTITY 2 Nos.

REMARKS

LOCATION	REQUIRE		PROVIDED	
	OPENABLE AREA	GLAZING AREA	OPENABLE AREA	GLAZING AREA
A1-KIT	0.278	0.411	0.508	0.418



ELEVATION

B.D. REF :

CLIENT :

 42/F SUN HUNG KAI CENTRE, WANCHAI, HONGKONG

ARCHITECT :


MAIN CONTRACTOR :

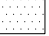
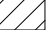

STRUCTURAL ENGINEER :


FACADE CONSULTANT:

 Steel Structure & Facade Specialist

NOTE :
 1. ALL DIMENSIONS ARE IN mm.
 2. ALL ELEVATIONS ARE VIEWED FROM OUTSIDE.
 3. ALL DIMENSIONS TO BE VERIFIED ON SITE BEFORE FABRICATION.

LEGEND :
 X1 --- DETAIL MARK NO.
 X001 --- REFER SHEET NO.

1. F.F.L. --- FINISHED FLOOR LEVEL
 2. S.F.L. --- STRUCTURAL FLOOR LEVEL
 3. (R) --- REVERSED DETAIL
 4. GLASS LEGEND
 EGL-1 -- 8mmHS+12mm AIR GAP+10mmTP THK. I.G.U.
 EGL-2 -- 10mm THK. CRYSTAL GRAY TEMPERED GLASS
 EGL-4 -- 10mm THK. CRYSTAL TEMPERED ACID ETCHED GLASS
 EGL-1A -- 8mmHS+12mm AIR GAP+8mmTP THK. I.G.U.
 BT1/BB1 -- FIXING DETAIL (DWG. NO. FD01)
 BB2 -- FIXING DETAIL (DWG. NO. FD02)
 GLAZING AREA
 OPENABLE AREA

NO.	DATE	REVISED	BY

JOB NO. : J-856

PROJECT :
 PROPOSED DEVELOPMENT ABOVE
 LIGHT RAIL TIN WING STOP, TSWTL
 NO.23, AREA 33, TIN SHUI WAI, N.T.

TITLE :
 WINDOW SCHEDULE FOR
 SALES MOCK-UP AT TOWER 2
 (IN-SITU WINDOW)

DATE : 22/06/2022 SCALE : 1:40

DRAWN BY : Y1 CHECKED BY :


 MIDI ALUMINIUM FABRICATOR LTD.
 Units 6-8, Sunray Industrial Centre, 1/F
 610 Cha Kwo Ling Road, Kowloon
 Tel: 23489211-4 Fax: (852) 27727666

DWG NO. : J856-SD-MU-5204 REV. : -

WINDOW MARK



LOCATION 18/F - KIT. OF UNIT A1 (TOWER 2)

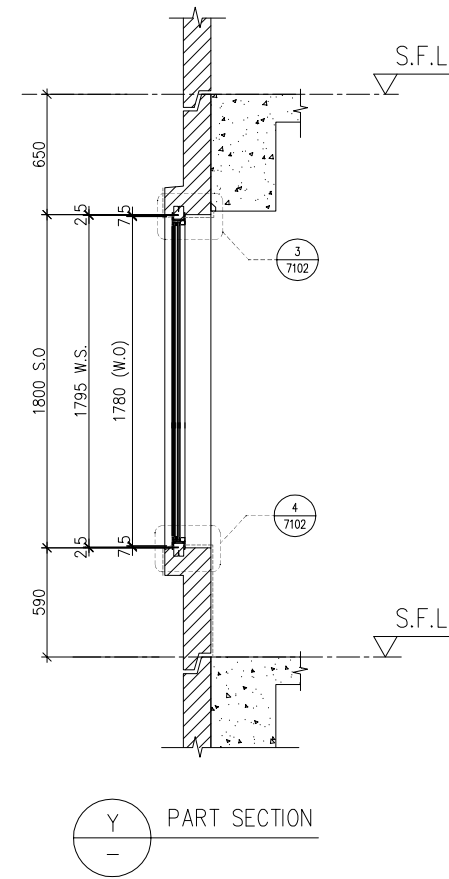
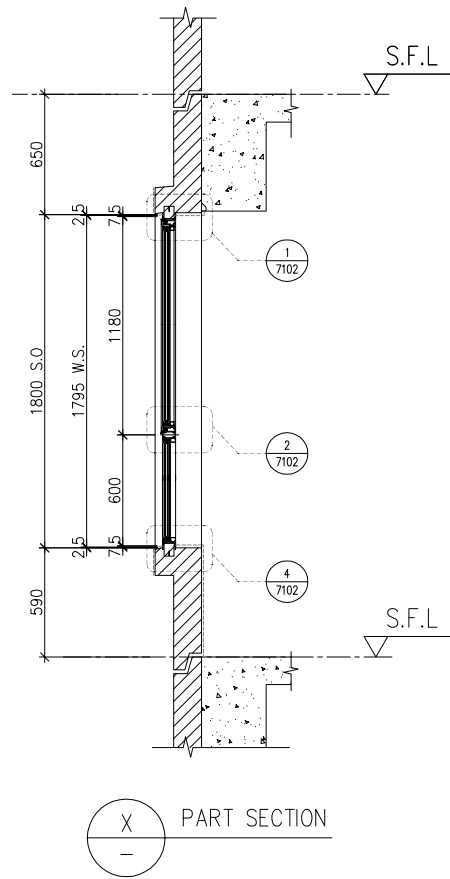
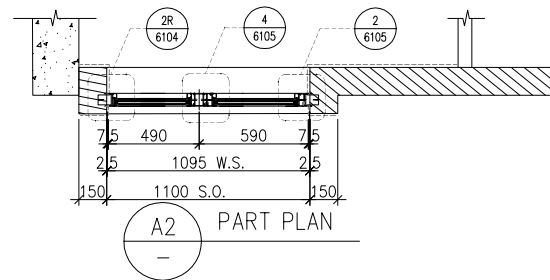
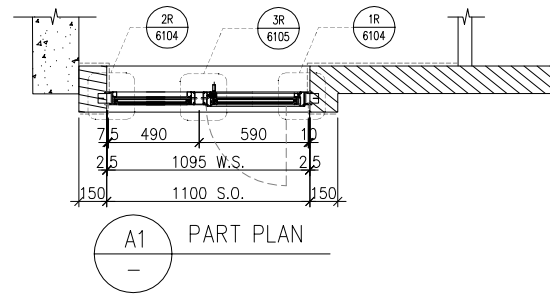
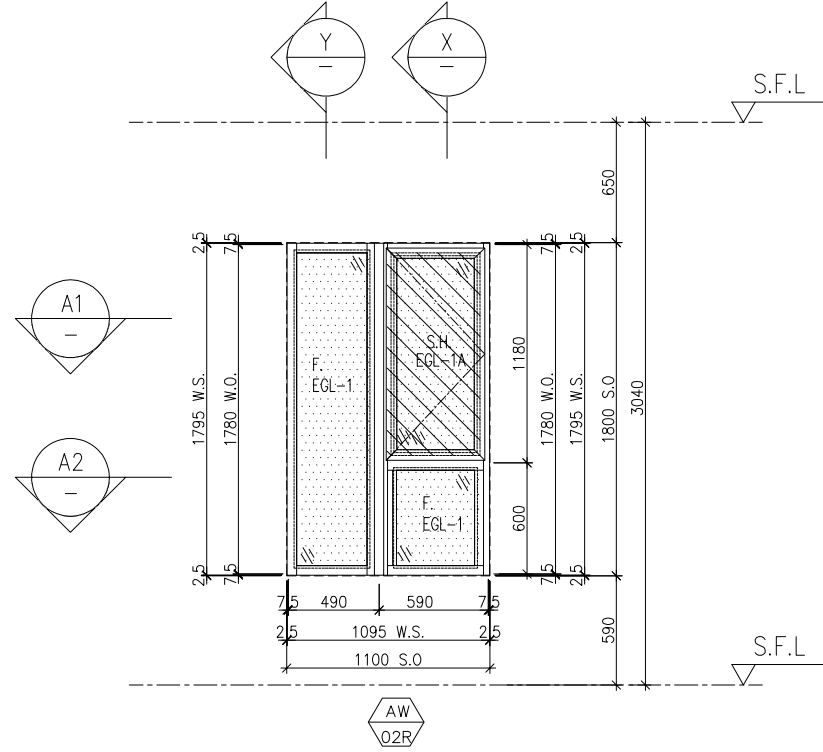
SECTION 50mm ALUM. SECTION

GLAZING EGL-2

QUANTITY 2 Nos.

REMARKS 50mm ALUM. WINDOW SECTION , 4 BAR HINGE-LIP HING (HHMS-N14)

LOCATION	REQUIRE		PROVIDED	
	OPENABLE AREA	GLAZING AREA	OPENABLE AREA	GLAZING AREA
A1-BR1	0.263	0.420	0.548	0.985
B8-BR3	0.263	0.420	0.548	0.985



ELEVATION

B.D. REF :

CLIENT :
SUN HUNG KAI
 REAL ESTATE AGENCY LTD.
 42/F SUN HUNG KAI CENTRE, WANCHAI, HONGKONG

ARCHITECT :
IWK&partners
 architects

MAIN CONTRACTOR :
Yee Fai Building Contractors Ltd.

STRUCTURAL ENGINEER :
ARUP

FACADE CONSULTANT:
ALPHA CONSULTING LIMITED
 Steel Structure & Facade Specialist

NOTE :
 1. ALL DIMENSIONS ARE IN mm.
 2. ALL ELEVATIONS ARE VIEWED FROM OUTSIDE.
 3. ALL DIMENSIONS TO BE VERIFIED ON SITE BEFORE FABRICATION.

LEGEND :
 X1 — DETAIL MARK NO.
 X001 — REFER SHEET NO.

1. F.F.L. -- FINISHED FLOOR LEVEL
 2. S.F.L. -- STRUCTURAL FLOOR LEVEL
 3. (R) -- REVERSED DETAIL
 4. GLASS LEGEND
 EGL-1 -- 8mmHS+12mm AIR GAP+10mmTP THK. I.G.U.
 EGL-2 -- 10mm THK. CRYSTAL GRAY TEMPERED GLASS
 EGL-4 -- 10mm THK. CRYSTAL TEMPERED ACID ETCHED GLASS
 EGL-1A -- 8mmHS+12mm AIR GAP+8mmTP THK. I.G.U.
 BT1/BB1 -- FIXING DETAIL (DWG. NO. FD01)
 BB2 -- FIXING DETAIL (DWG. NO. FD02)

GLAZING AREA
 OPENABLE AREA

NO.	DATE	REVISED	BY

JOB NO. : J-856

PROJECT :
 PROPOSED DEVELOPMENT ABOVE
 LIGHT RAIL TIN WING STOP, TSWTL
 NO.23, AREA 33, TIN SHUI WAI, N.T.

TITLE :
 WINDOW SCHEDULE FOR
 SALES MOCK-UP AT TOWER 2
 (PRE-CAST FACADE WINDOW)

DATE : 02-Aug-21 SCALE : 1:40

DRAWN BY : Y1 CHECKED BY :

MIDI ALUMINIUM FABRICATOR LTD.
 Units 6-8, Sunray Industrial Centre, 1/F
 610 Cha Kwo Ling Road, Kowloon
 Tel: 23489211-4 Fax: (852) 2727666

DWG NO. : J856-SD-PW-5211 REV. : -

WINDOW MARK



LOCATION 18/F - BR.3 OF UNIT A1 & B8 (TOWER 2)

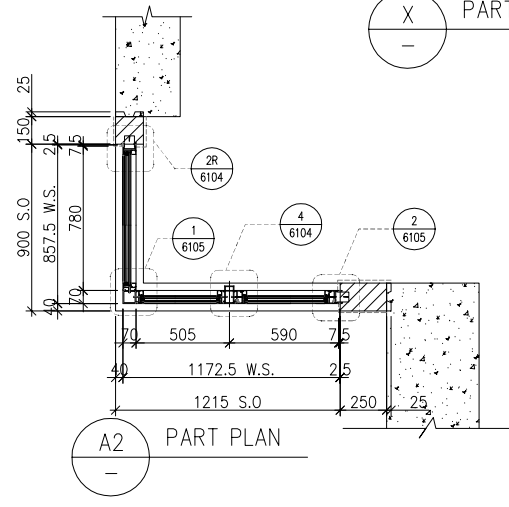
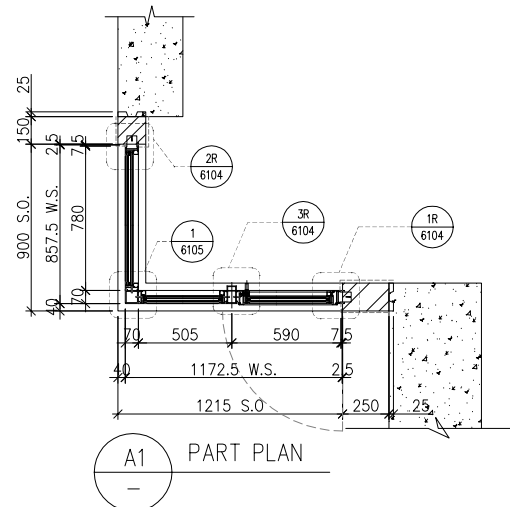
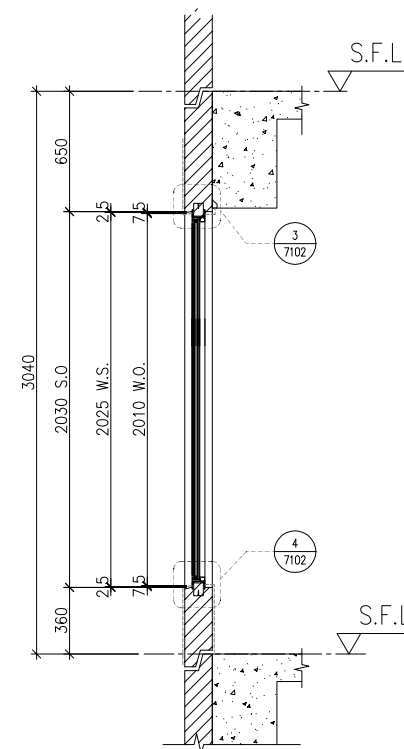
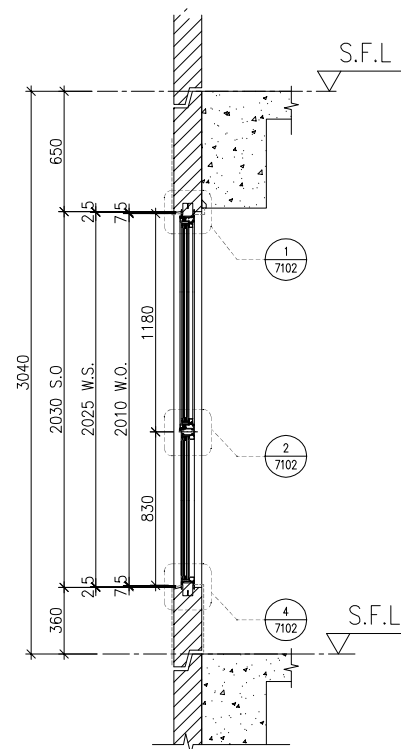
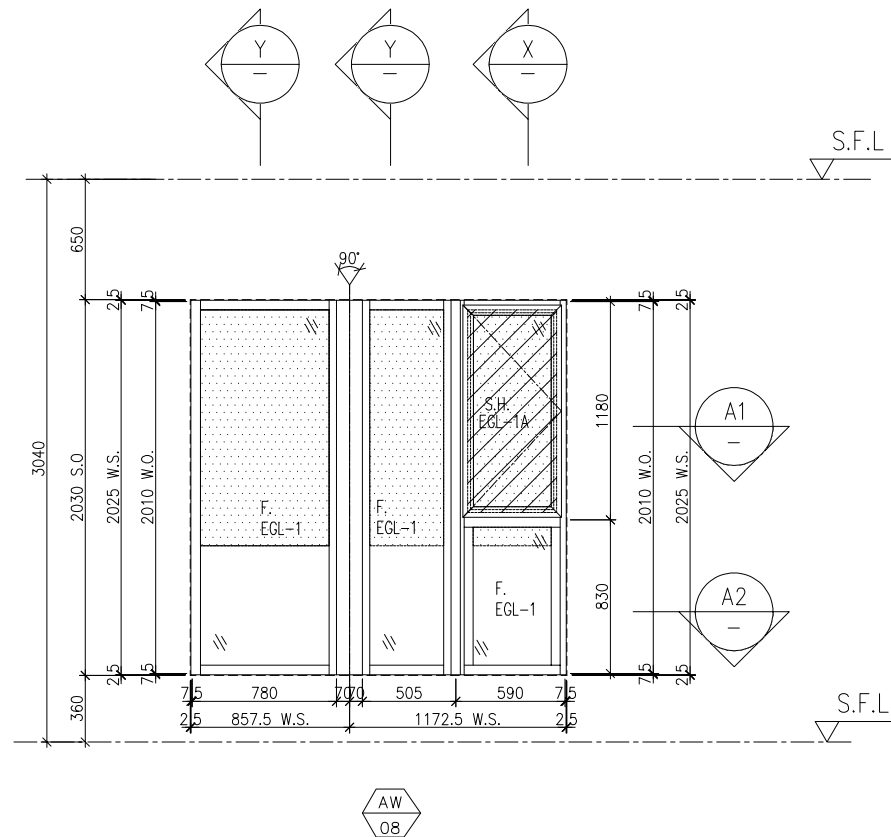
SECTION 70mm ALUM. SECTION

GLAZING EGL-1, EGL-1A

QUANTITY 2 Nos. (UNIT A1) / 1 No. (UNIT B8)

REMARKS 4 BAR HINGE-LIP HING (HHMS-N16)

LOCATION	REQUIRE		PROVIDED	
	OPENABLE AREA	GLAZING AREA	OPENABLE AREA	GLAZING AREA
B8-BR2	0.277	0.443	0.525	1.873



ELEVATION

B.D. REF :

CLIENT :
SUN HUNG KAI
 REAL ESTATE AGENCY LTD.
 42/F SUN HUNG KAI CENTRE, WANCHAI, HONGKONG

ARCHITECT :
Iwk&partners
 architects

MAIN CONTRACTOR :
Yee Fai Building Contractors Ltd.

STRUCTURAL ENGINEER :
ARUP

FACADE CONSULTANT:
ALPHA CONSULTING LIMITED
 Steel Structure & Facade Specialist

NOTE :
 1. ALL DIMENSIONS ARE IN mm.
 2. ALL ELEVATIONS ARE VIEWED FROM OUTSIDE.
 3. ALL DIMENSIONS TO BE VERIFIED ON SITE BEFORE FABRICATION.

LEGEND :
 (X1) --- DETAIL MARK NO.
 (X001) --- REFER SHEET NO.

1. F.F.L. --- FINISHED FLOOR LEVEL
 2. S.F.L. --- STRUCTURAL FLOOR LEVEL
 3. (R) --- REVERSED DETAIL
 4. GLASS LEGEND
 EGL-1 --- 8mmHS+12mm AIR GAP+10mmTP THK. I.G.U.
 EGL-2 --- 10mm THK. CRYSTAL GRAY TEMPERED GLASS
 EGL-4 --- 10mm THK. CRYSTAL TEMPERED ACID ETCHED GLASS
 EGL-1A --- 8mmHS+12mm AIR GAP+8mmTP THK. I.G.U.
 BT1/BB1 --- FIXING DETAIL (DWG. NO. FD01)
 BB2 --- FIXING DETAIL (DWG. NO. FD02)
 GLAZING AREA
 OPENABLE AREA

NO.	DATE	REVISED	BY

JOB NO. : J-856
 PROJECT : PROPOSED DEVELOPMENT ABOVE LIGHT RAIL TIN WING STOP, TSWTL NO.23, AREA 33, TIN SHUI WAI, N.T.

TITLE : WINDOW SCHEDULE FOR SALES MOCK-UP AT TOWER 2 (PRE-CAST FACADE WINDOW)

DATE : 02-Aug-21 SCALE : 1:40

DRAWN BY : Y1 CHECKED BY :

MIDI ALUMINIUM FABRICATOR LTD.
 Units 6-8, Sunray Industrial Centre, 1/F
 610 Cha Kwo Ling Road, Kowloon
 Tel: 23489211-4 Fax: (852) 2727666

DWG NO. : J856-SD-PW-5212 REV. : -

WINDOW MARK

LOCATION 18/F - BR.2 OF UNIT B8 (TOWER 2)

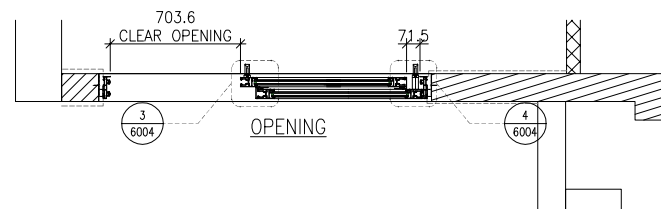
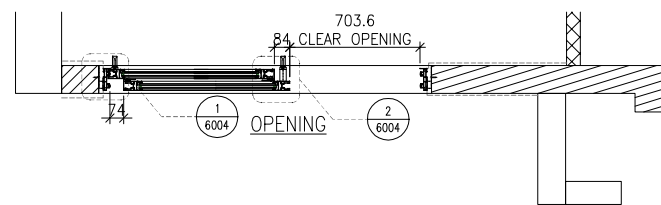
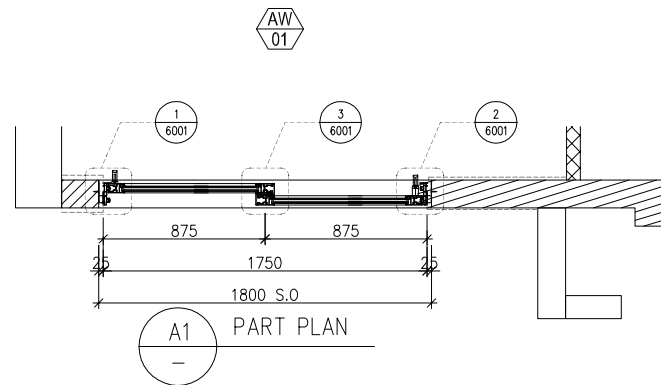
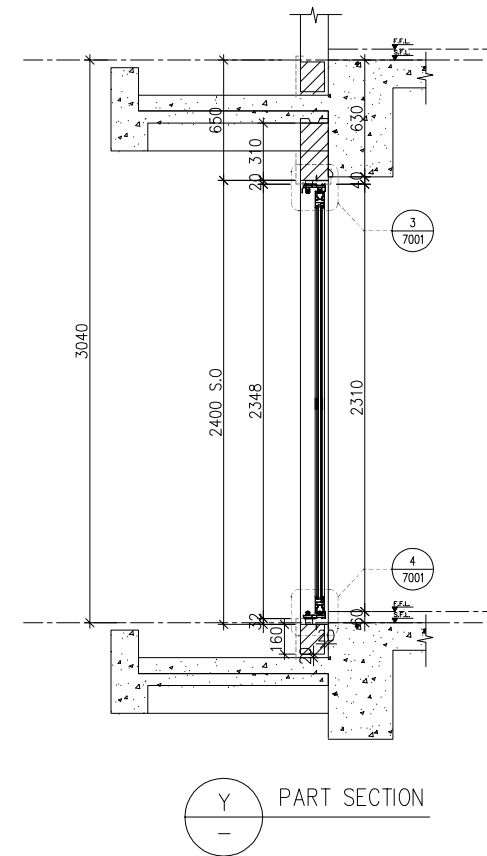
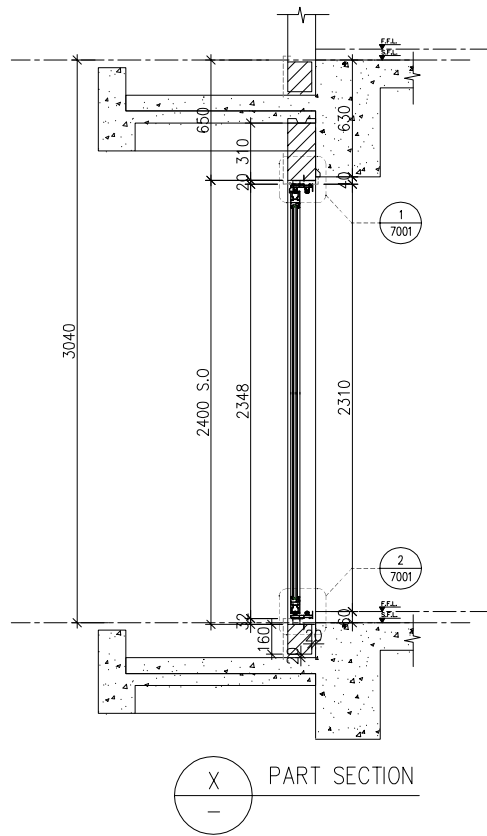
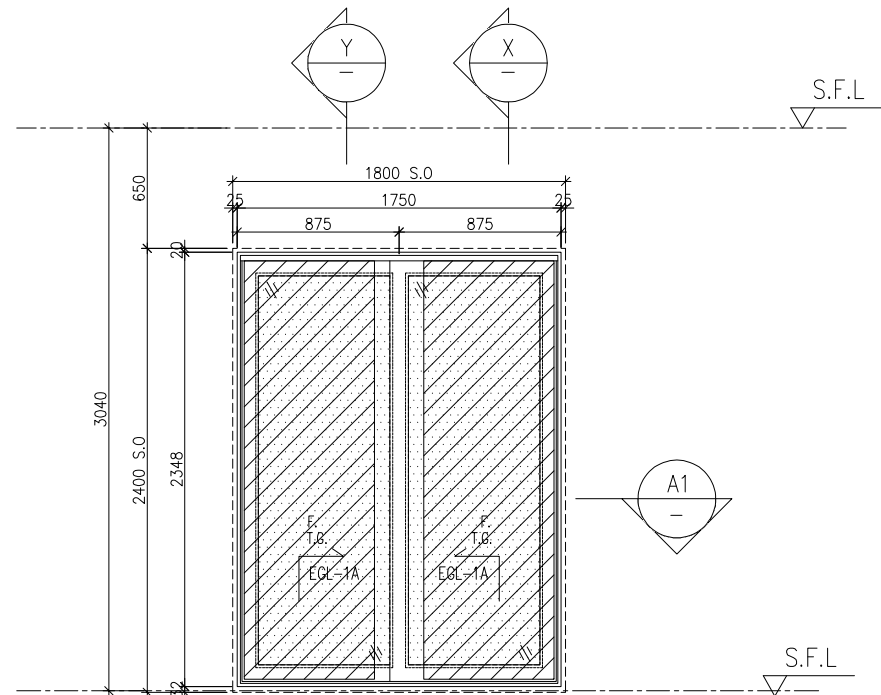
SECTION 70mm ALUM. SECTION

GLAZING EGL-1, EGL-1A

QUANTITY 1 NO.

REMARKS FACADE (TYPE T2PF13 FOR 3/F~42/F) , 4 BAR HINGE-LIP HING (HHMS-N16)

LOCATION	REQUIRE		PROVIDED	
	OPENABLE AREA	GLAZING AREA	OPENABLE AREA	GLAZING AREA
A11-LIV	1.240	1.475	1.591	2.99



ELEVATION

WINDOW MARK



LOCATION 18/F - LIV./DIN. OF UNIT A11 (TOWER 3)

SECTION 70mm ALUM. SECTION

GLAZING EGL-1A

QUANTITY 1 NO.

REMARKS -

B.D. REF :

CLIENT :
SUN HUNG KAI
 REAL ESTATE AGENCY LTD.
 42/F SUN HUNG KAI CENTRE, WANCHAI, HONGKONG

ARCHITECT :
Iwk&partners
 architects

MAIN CONTRACTOR :
Yee Fai Building Contractors Ltd.

STRUCTURAL ENGINEER :
ARUP

FACADE CONSULTANT:
ALPHA CONSULTING LIMITED
 Steel Structure & Facade Specialist

NOTE :
 1. ALL DIMENSIONS ARE IN mm.
 2. ALL ELEVATIONS ARE VIEWED FROM OUTSIDE.
 3. ALL DIMENSIONS TO BE VERIFIED ON SITE BEFORE FABRICATION.

LEGEND :
 X1 - DETAIL MARK NO.
 X001 - REFER SHEET NO.

1. F.F.L. -- FINISHED FLOOR LEVEL
 2. S.F.L. -- STRUCTURAL FLOOR LEVEL
 3. (R) -- REVERSED DETAIL
 4. GLASS LEGEND
 EGL-1 -- 8mmHS+12mm AIR GAP+10mmTP THK. I.G.U.
 EGL-2 -- 10mm THK. CRYSTAL GRAY TEMPERED GLASS
 EGL-4 -- 10mm THK. CRYSTAL TEMPERED ACID ETCHED GLASS
 EGL-1A -- 8mmHS+12mm AIR GAP+8mmTP THK. I.G.U.
 BT1/BB1 -- FIXING DETAIL (DWG. NO. FD01)
 BB2 -- FIXING DETAIL (DWG. NO. FD02)
 GLAZING AREA
 OPENABLE AREA

NO.	DATE	REVISED	BY

JOB NO. : J-856

PROJECT :
 PROPOSED DEVELOPMENT ABOVE
 LIGHT RAIL TIN WING STOP, TSWTL
 NO.23, AREA 33, TIN SHUI WAI, N.T.

TITLE :
 WINDOW SCHEDULE FOR
 SALES MOCK-UP AT TOWER 3
 (IN-SITU WINDOW)

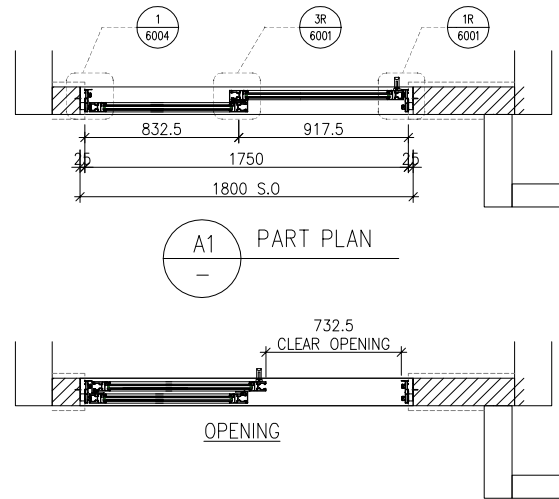
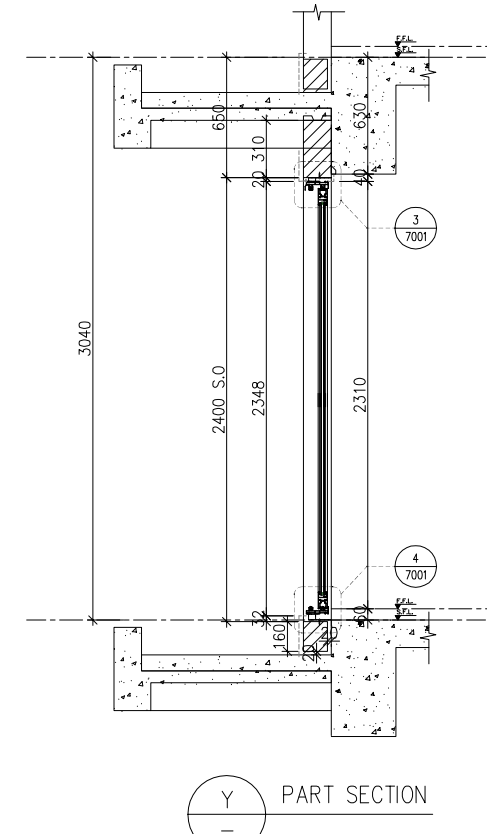
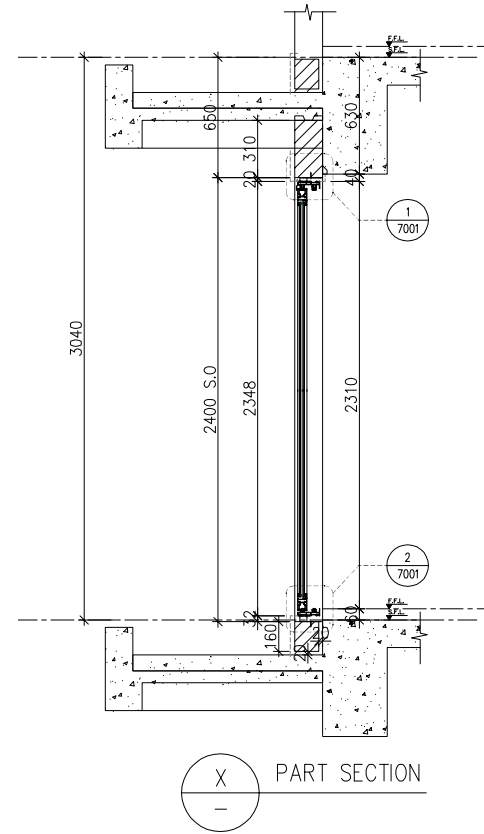
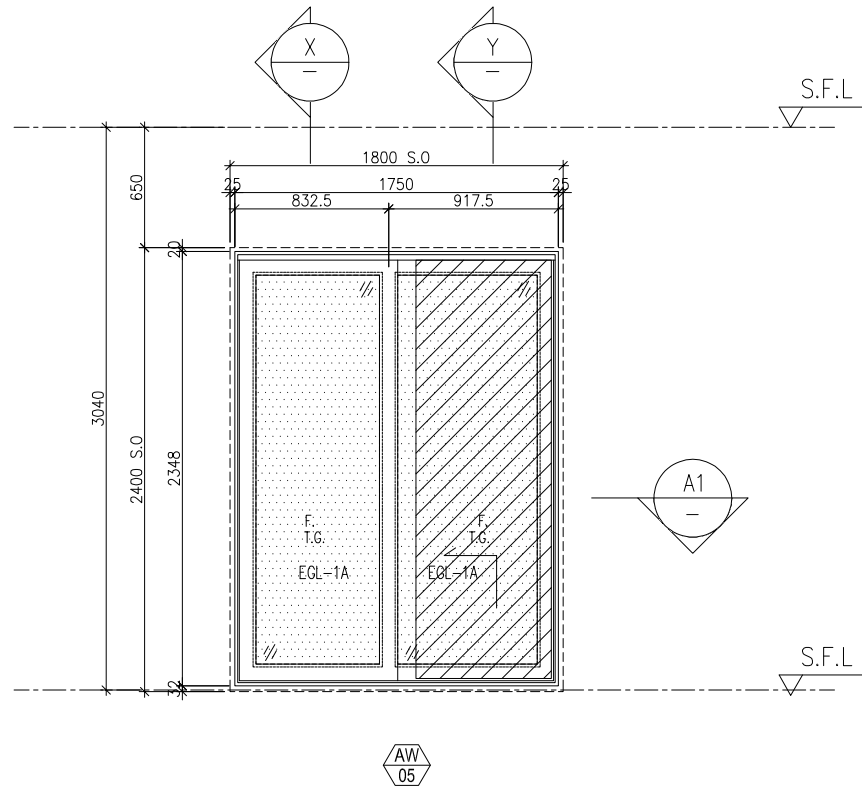
DATE : 02-Aug-21 SCALE : 1:40

DRAWN BY : Y1 CHECKED BY :

MIDI ALUMINIUM FABRICATOR LTD.
 Units 6-8, Sunray Industrial Centre, 1/F
 610 Cha Kwo Ling Road, Kowloon
 Tel: 23489211-4 Fax: (852) 27727666

DWG NO. : J856-SD-MU-5301 REV. : -

LOCATION	REQUIRE		PROVIDED	
	OPENABLE AREA	GLAZING AREA	OPENABLE AREA	GLAZING AREA
B3-LIV	1.001	1.053	1.657	2.99



ELEVATION

B.D. REF :

CLIENT :
SUN HUNG KAI
 REAL ESTATE AGENCY LTD.
 42/F SUN HUNG KAI CENTRE, WANCHAI, HONGKONG

ARCHITECT :
Iwk&partners
 architects

MAIN CONTRACTOR :
Yee Fai Building Contractors Ltd.

STRUCTURAL ENGINEER :
ARUP

FACADE CONSULTANT:
ALPHA CONSULTING LIMITED
 Steel Structure & Facade Specialist

NOTE :
 1. ALL DIMENSIONS ARE IN mm.
 2. ALL ELEVATIONS ARE VIEWED FROM OUTSIDE.
 3. ALL DIMENSIONS TO BE VERIFIED ON SITE BEFORE FABRICATION.

LEGEND :
 X1 --- DETAIL MARK NO.
 X001 --- REFER SHEET NO.

1. F.F.L. --- FINISHED FLOOR LEVEL
 2. S.F.L. --- STRUCTURAL FLOOR LEVEL
 3. (R) --- REVERSED DETAIL
 4. GLASS LEGEND
 EGL-1 --- 8mmHS+12mm AIR GAP+10mmTP THK. I.G.U.
 EGL-2 --- 10mm THK. CRYSTAL GRAY TEMPERED GLASS
 EGL-4 --- 10mm THK. CRYSTAL TEMPERED ACID ETCHED GLASS
 EGL-1A --- 8mmHS+12mm AIR GAP+8mmTP THK. I.G.U.
 BT1/BB1 --- FIXING DETAIL (DWG. NO. FD01)
 BB2 --- FIXING DETAIL (DWG. NO. FD02)

GLAZING AREA
 OPENABLE AREA

NO.	DATE	REVISED	BY

JOB NO. : J-856

PROJECT :
 PROPOSED DEVELOPMENT ABOVE
 LIGHT RAIL TIN WING STOP, TSWTL
 NO.23, AREA 33, TIN SHUI WAI, N.T.

TITLE :
 WINDOW SCHEDULE FOR
 SALES MOCK-UP AT TOWER 3
 (IN-SITU WINDOW)

DATE : 02-Aug-21 SCALE : 1:40

DRAWN BY : YI CHECKED BY :

MIDI ALUMINIUM FABRICATOR LTD.
 Units 6-8, Sunray Industrial Centre, 1/F
 610 Cha Kwo Ling Road, Kowloon
 Tel: 23489211-4 Fax: (852) 27727666

DWG NO. : J856-SD-MU-5302 REV. : -

WINDOW MARK

AW 05

LOCATION 18/F - LIV./DIN. OF UNIT B3 (TOWER 3)

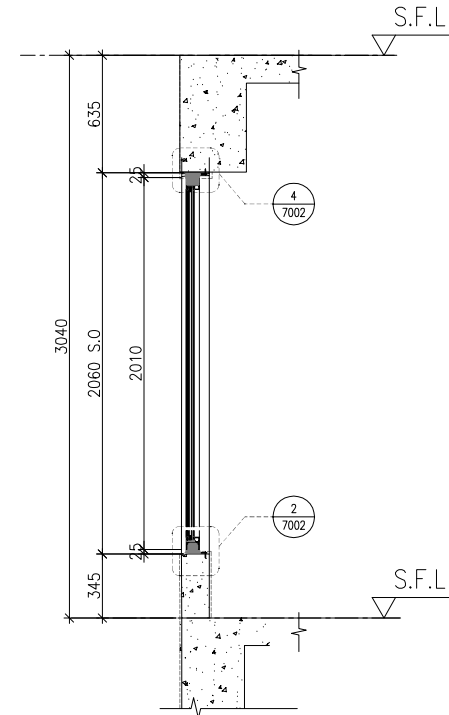
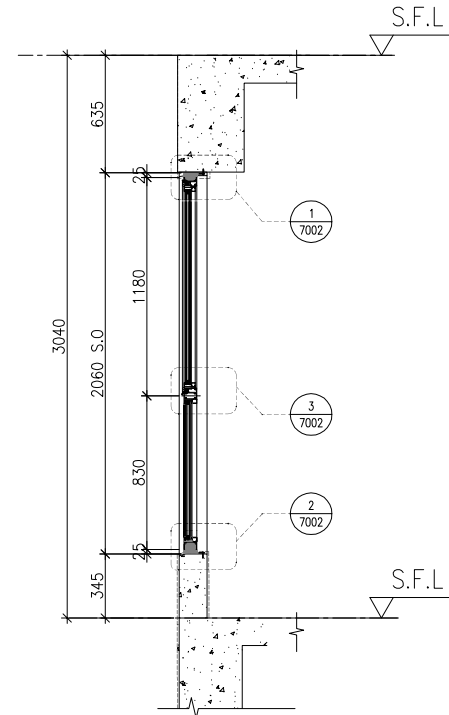
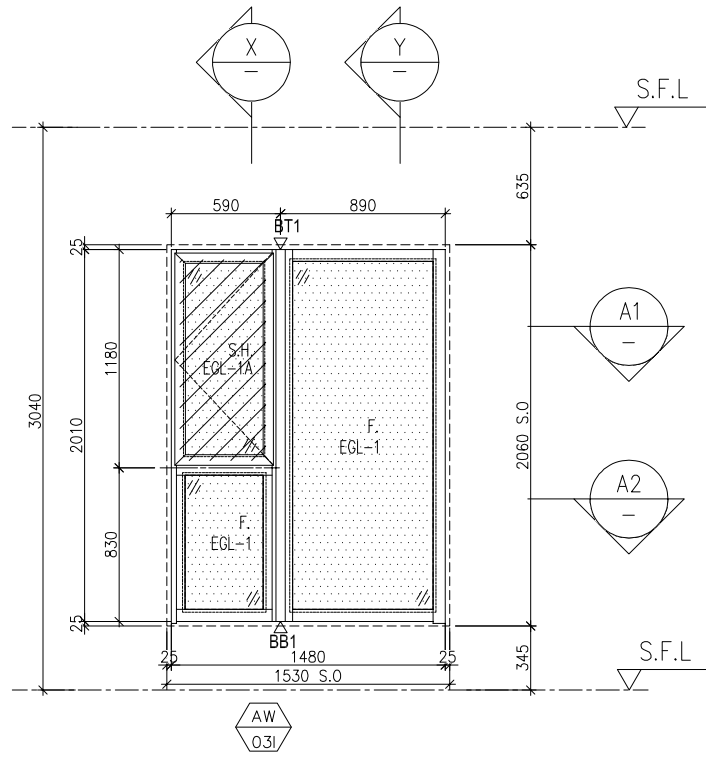
SECTION 70mm ALUM. SECTION

GLAZING EGL-1A

QUANTITY 1 NO.

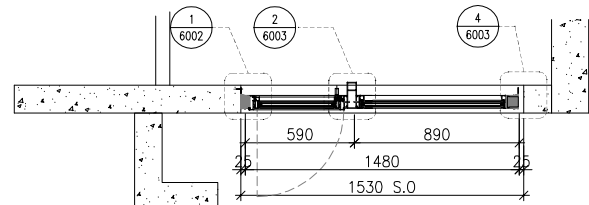
REMARKS -

LOCATION	REQUIRE		PROVIDED	
	OPENABLE AREA	GLAZING AREA	OPENABLE AREA	GLAZING AREA
B3-MBR	0.295	0.472	0.525	2.169

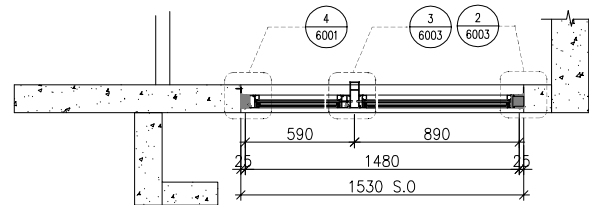


X PART SECTION

Y PART SECTION



A1 PART PLAN



A2 PART PLAN

ELEVATION

WINDOW MARK



LOCATION 18/F - MBR. OF UNIT B3 (TOWER 3)

SECTION 70mm ALUM. SECTION

GLAZING EGL-1 / EGL-1A

QUANTITY 1 NO.

REMARKS 70mm ALUM. WINDOW SECTION , 4 BAR HINGE-LIP HING (HHMS-N14)

B.D. REF :

CLIENT :



ARCHITECT :



MAIN CONTRACTOR :



STRUCTURAL ENGINEER :



FACADE CONSULTANT:



NOTE :

1. ALL DIMENSIONS ARE IN mm.
2. ALL ELEVATIONS ARE VIEWED FROM OUTSIDE.
3. ALL DIMENSIONS TO BE VERIFIED ON SITE BEFORE FABRICATION.

LEGEND :

- (X1) --- DETAIL MARK NO.
- (X001) --- REFER SHEET NO.

1. F.F.L. --- FINISHED FLOOR LEVEL
2. S.F.L. --- STRUCTURAL FLOOR LEVEL
3. (R) --- REVERSED DETAIL
4. GLASS LEGEND

EGL-1--8mmHS+12mm AIR GAP+10mmTP THK. I.G.U.

EGL-2--10mm THK. CRYSTAL GRAY TEMPERED GLASS

EGL-4--10mm THK. CRYSTAL TEMPERED ACID ETCHED GLASS

EGL-1A-8mmHS+12mm AIR GAP+8mmTP THK. I.G.U.

BT1/BB1--FIXING DETAIL (DWG. NO. FD01)

BB2--FIXING DETAIL (DWG. NO. FD02)

(Dotted pattern) GLAZING AREA

(Hatched pattern) OPENABLE AREA

NO.	DATE	REVISED	BY

JOB NO. : J-856

PROJECT : PROPOSED DEVELOPMENT ABOVE LIGHT RAIL TIN WING STOP, TSWTL NO.23, AREA 33, TIN SHUI WAI, N.T.

TITLE : WINDOW SCHEDULE FOR SALES MOCK-UP AT TOWER 3 (IN-SITU WINDOW)

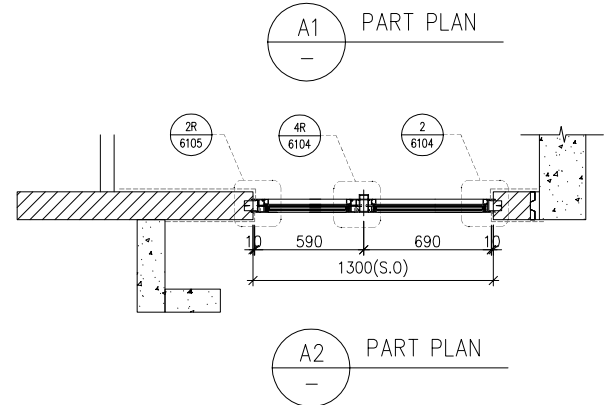
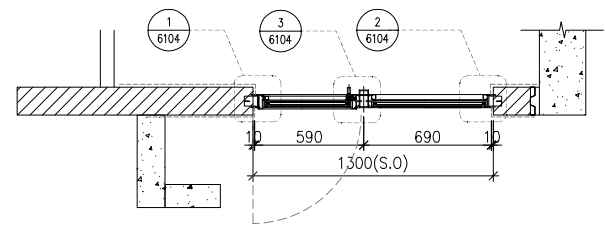
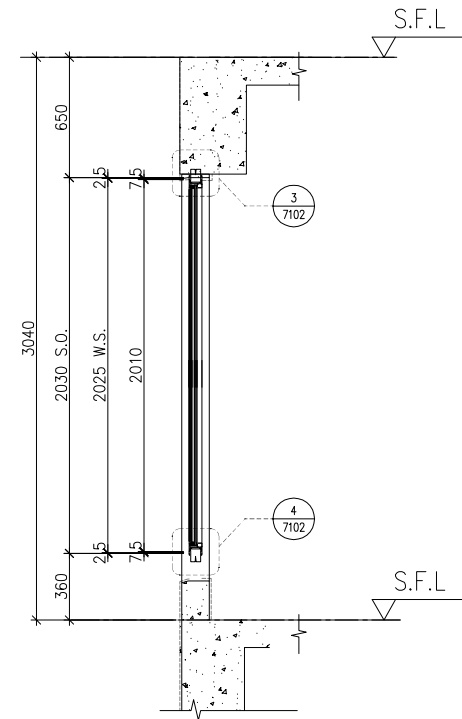
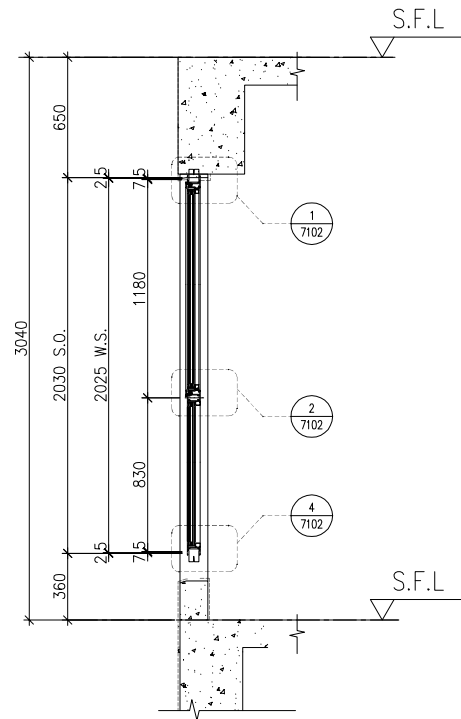
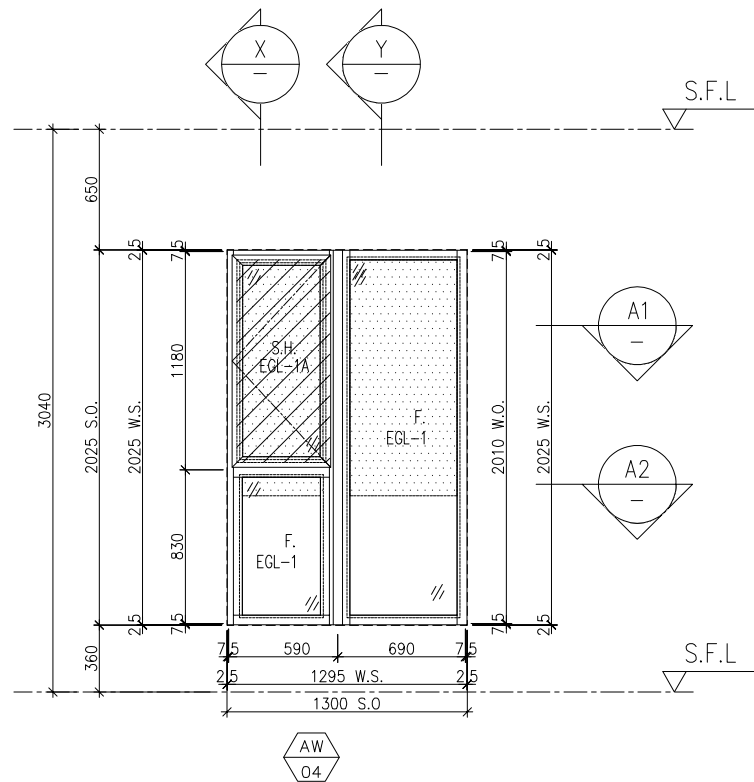
DATE : 21-Jun-22 SCALE : 1:40

DRAWN BY : Y1 CHECKED BY :



DWG NO. : J856-SD-MU-5303 REV. : -

LOCATION	REQUIRE		PROVIDED	
	OPENABLE AREA	GLAZING AREA	OPENABLE AREA	GLAZING AREA
A11-MBR	0.435	0.696	0.548	1.24



ELEVATION

WINDOW MARK



LOCATION 18/F - MBR. OF UNIT A11 (TOWER 3)
SECTION 70mm ALUM. SECTION
GLAZING EGL-1,EGL-1A
QUANTITY 1 NO.
REMARKS 4 BAR HINGE-LIP HING (HHMS-N16)

B.D. REF :

CLIENT :

42/F SUN HUNG KAI CENTRE, WANCHAI, HONGKONG

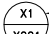
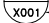
ARCHITECT :


MAIN CONTRACTOR :


STRUCTURAL ENGINEER :


FACADE CONSULTANT:


NOTE :
1. ALL DIMENSIONS ARE IN mm.
2. ALL ELEVATIONS ARE VIEWED FROM OUTSIDE.
3. ALL DIMENSIONS TO BE VERIFIED ON SITE BEFORE FABRICATION.

LEGEND :
 -- DETAIL MARK NO.
 -- REFER SHEET NO.

1. F.F.L. -- FINISHED FLOOR LEVEL
2. S.F.L. -- STRUCTURAL FLOOR LEVEL
3. (R) -- REVERSED DETAIL
4. GLASS LEGEND
EGL-1 -- 8mmHS+12mm AIR GAP+10mmTP THK. I.G.U.
EGL-2 -- 10mm THK. CRYSTAL GRAY TEMPERED GLASS
EGL-4 -- 10mm THK. CRYSTAL TEMPERED ACID ETCHED GLASS
EGL-1A -- 8mmHS+12mm AIR GAP+8mmTP THK. I.G.U.
BT1/BB1 -- FIXING DETAIL (DWG. NO. FD01)
BB2 -- FIXING DETAIL (DWG. NO. FD02)

 GLAZING AREA
 OPENABLE AREA

NO.	DATE	REVISED	BY

JOB NO. : J-856

PROJECT :
PROPOSED DEVELOPMENT ABOVE
LIGHT RAIL TIN WING STOP,TSWTL
NO.23,AREA 33,TIN SHUI WAI, N.T.

TITLE :
WINDOW SCHEDULE FOR
SALES MOCK-UP AT TOWER 3
(PRE-CAST FACADE WINDOW)

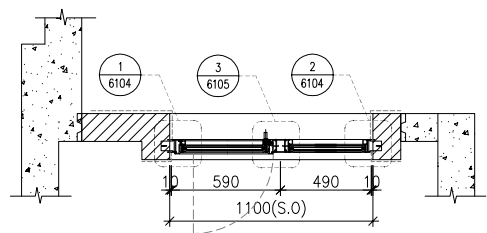
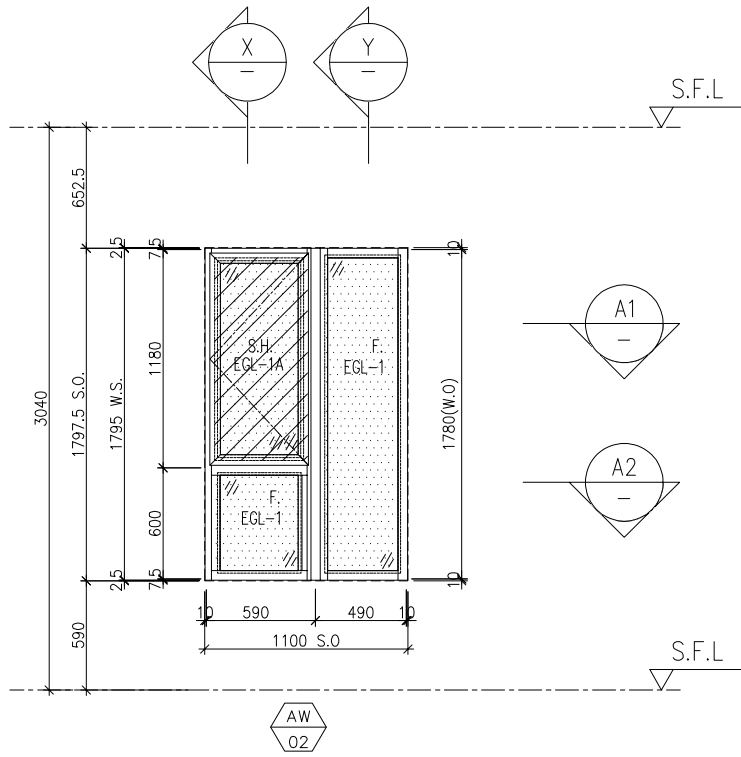
DATE : 02-Aug-21 SCALE : 1:40

DRAWN BY : Y1 CHECKED BY :

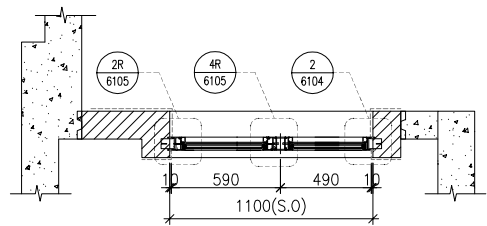

MIDI ALUMINIUM FABRICATOR LTD.
Units 6-8, Sunray Industrial Centre, 1/F
610 Cha Kwo Ling Road, Kowloon
Tel:23489211-4 Fax:(852)27727666

DWG NO. : J856-SD-PW-5311 REV. : -

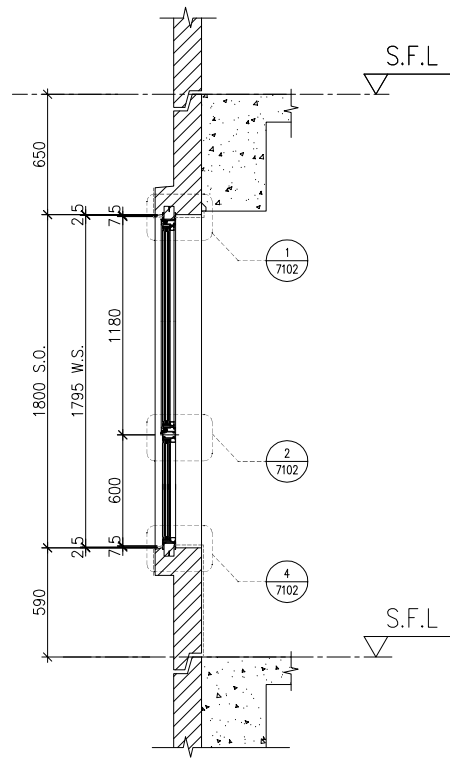
LOCATION	REQUIRE		PROVIDED	
	OPENABLE AREA	GLAZING AREA	OPENABLE AREA	GLAZING AREA
A11-BR2	0.263	0.420	0.548	0.985



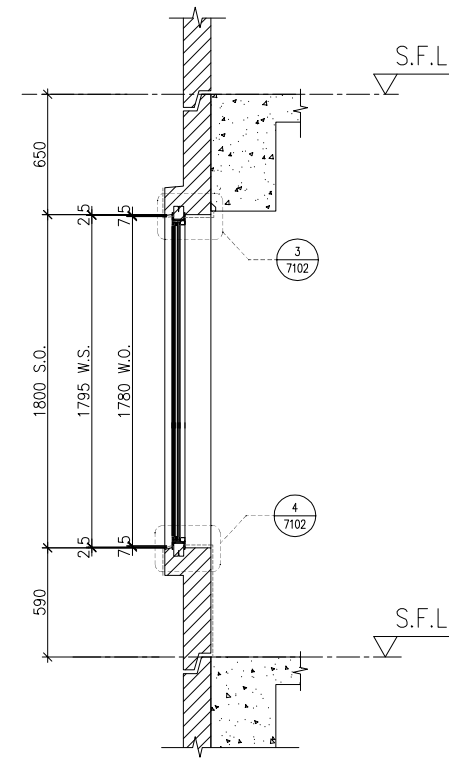
A1 PART PLAN



A2 PART PLAN



X PART SECTION



Y PART SECTION

ELEVATION

WINDOW MARK



LOCATION 18/F - BR.2 OF UNIT A11 (TOWER 3)
SECTION 70mm ALUM. SECTION
GLAZING EGL-1,EGL-1A
QUANTITY 1 NO.
REMARKS 4 BAR HINGE-LIP HING (HHMS-N16)

B.D. REF :

CLIENT :
SUN HUNG KAI
REAL ESTATE AGENCY LTD.
42/F SUN HUNG KAI CENTRE, WANCHAI, HONGKONG

ARCHITECT :
IWK&partners
architects

MAIN CONTRACTOR :
Yee Fai Building Contractors Ltd.

STRUCTURAL ENGINEER :
ARUP

FACADE CONSULTANT:
ALPHA CONSULTING LIMITED
Steel Structure & Facade Specialist

NOTE :
1. ALL DIMENSIONS ARE IN mm.
2. ALL ELEVATIONS ARE VIEWED FROM OUTSIDE.
3. ALL DIMENSIONS TO BE VERIFIED ON SITE BEFORE FABRICATION.

LEGEND :
 -- DETAIL MARK NO.
 -- REFER SHEET NO.

1. F.F.L. -- FINISHED FLOOR LEVEL
2. S.F.L. -- STRUCTURAL FLOOR LEVEL
3. (R) -- REVERSED DETAIL
4. GLASS LEGEND
EGL-1--8mmHS+12mm AIR GAP+10mmTP THK. I.G.U.
EGL-2--10mm THK. CRYSTAL GRAY TEMPERED GLASS
EGL-4--10mm THK. CRYSTAL TEMPERED ACID ETCHED GLASS
EGL-1A--8mmHS+12mm AIR GAP+8mmTP THK. I.G.U.
BT1/BB1--FIXING DETAIL (DWG. NO. FD01)
BB2--FIXING DETAIL (DWG. NO. FD02)
 GLAZING AREA
 OPENABLE AREA

NO.	DATE	REVISED	BY

JOB NO. : J-856

PROJECT :
PROPOSED DEVELOPMENT ABOVE
LIGHT RAIL TIN WING STOP,TSWTL
NO.23,AREA 33,TIN SHUI WAI, N.T.

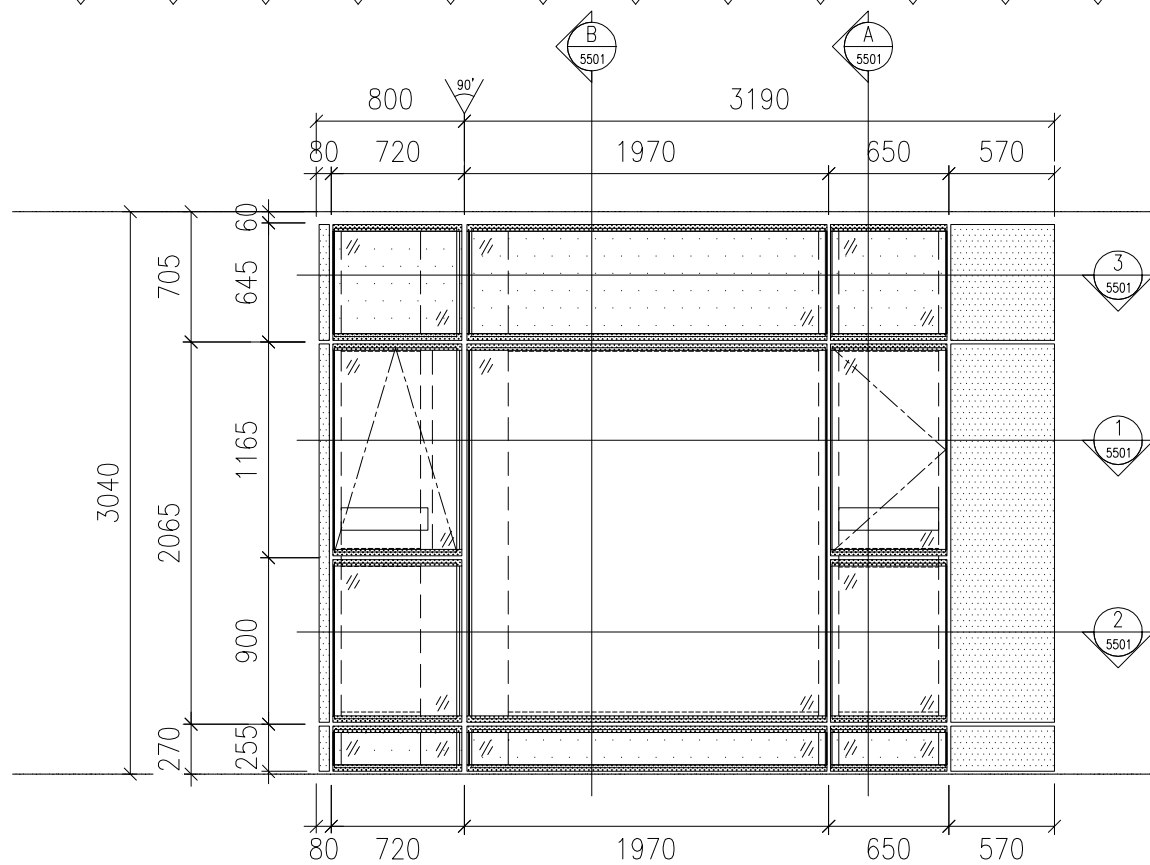
TITLE :
WINDOW SCHEDULE FOR
SALES MOCK-UP AT TOWER 3
(PRE-CAST FACADE WINDOW)

DATE : 02-Aug-21 SCALE : 1:40

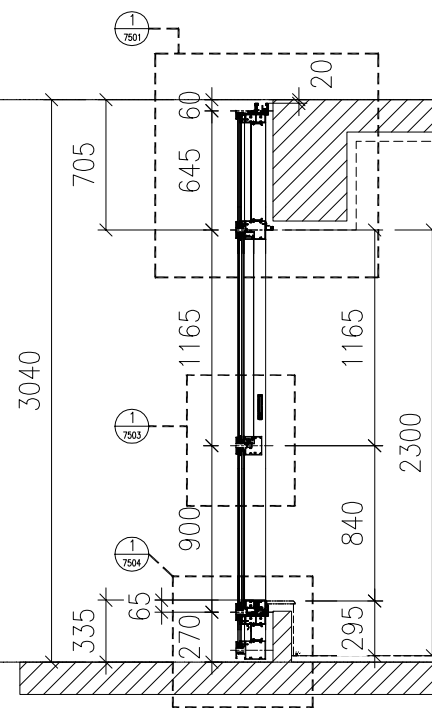
DRAWN BY : Y1 CHECKED BY :

美特鋁質有限公司
MIDI ALUMINIUM FABRICATOR LTD.
Units 6-8, Sunray Industrial Centre, 1/F
610 Cha Kwo Ling Road, Kowloon
Tel:23489211-4 Fax:(852)2727666

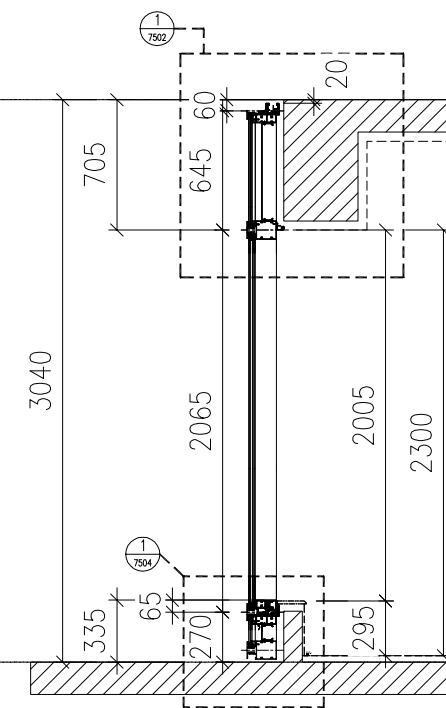
DWG NO. : J856-SD-PW-5312 REV. : -



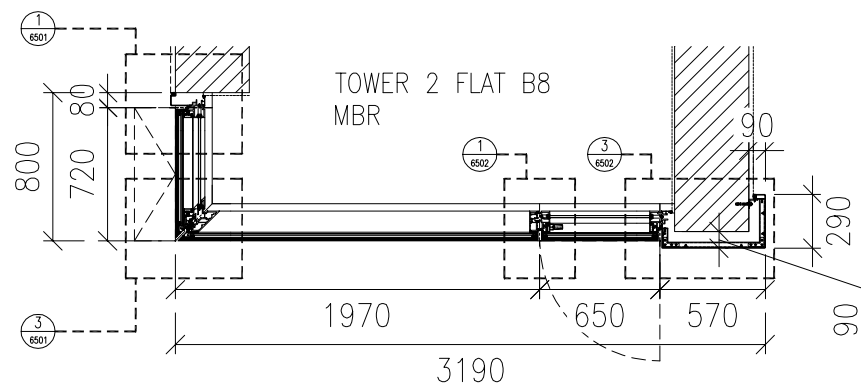
1 PART ELEVATION
5501 CURTAIN WALL



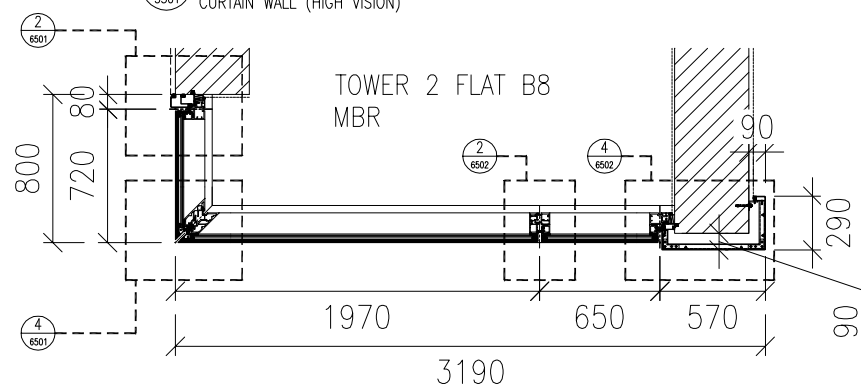
A PART SECTION
5501 CURTAIN WALL (OPENABLE)



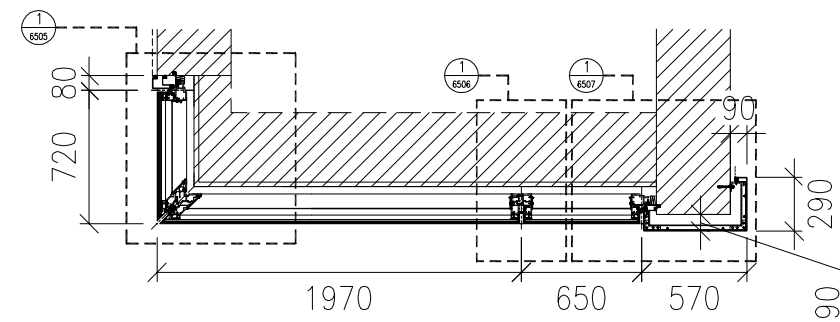
B PART SECTION
5501 CURTAIN WALL (FIX)



1 PART PLAN
5501 CURTAIN WALL (HIGH VISION)



2 PART PLAN
5501 CURTAIN WALL (LOW VISION)



3 PART PLAN
5501 CURTAIN WALL (SPANDREL)

B.D. REF :

CLIENT :

SUN HUNG KAI
REAL ESTATE AGENCY LTD.
42/F SUN HUNG KAI CENTRE, WANCHAI, HONGKONG

ARCHITECT :

lwk&partners
architects

MAIN CONTRACTOR :

Yee Fai Building Contractors Ltd.

STRUCTURAL ENGINEER :

ARUP

FAÇADE CONSULTANT:

ALPHA CONSULTING LIMITED
Steel Structure & Façade Specialist

NOTE :

1. ALL DIMENSIONS ARE IN mm.
2. ALL ELEVATIONS ARE VIEWED FROM OUTSIDE.
3. ALL DIMENSIONS TO BE VERIFIED ON SITE BEFORE FABRICATION.

LEGEND :

- x1 — DETAIL MARK NO.
- x001 — REFER SHEET NO.

1. F.F.L. — FINISHED FLOOR LEVEL
2. S.F.L. — STRUCTURAL FLOOR LEVEL
3. (R) — REVERSED DETAIL

NO.	DATE	REVISED	BY
A	06/03/23	2ND SUBMISSION	

JOB NO. : J-856

PROJECT : PROPOSED DEVELOPMENT ABOVE LIGHT RAIL TIN WING STOP, TSWTL NO.23, AREA 33, TIN SHUI WAI, N.T.

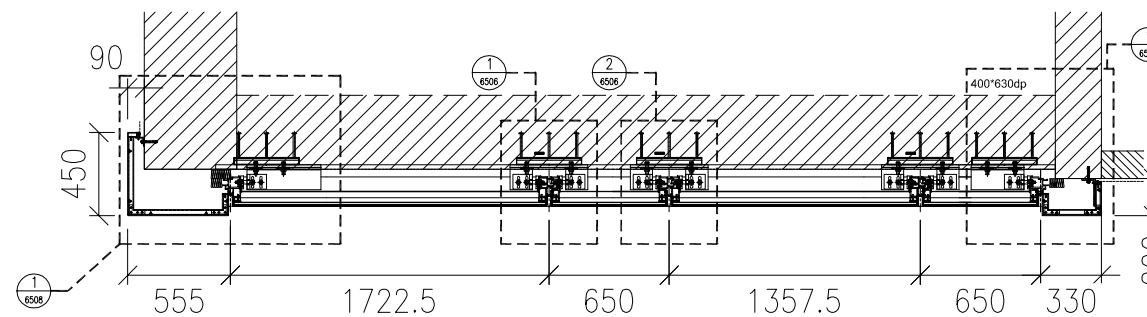
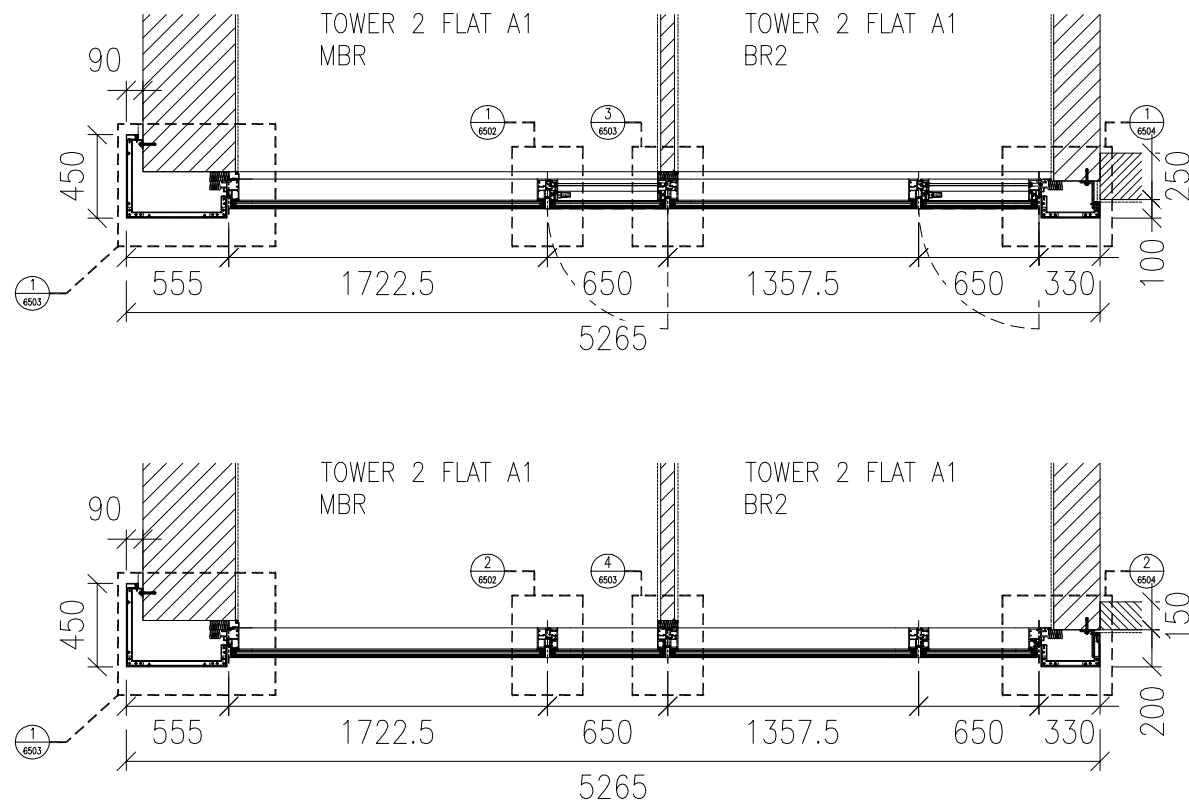
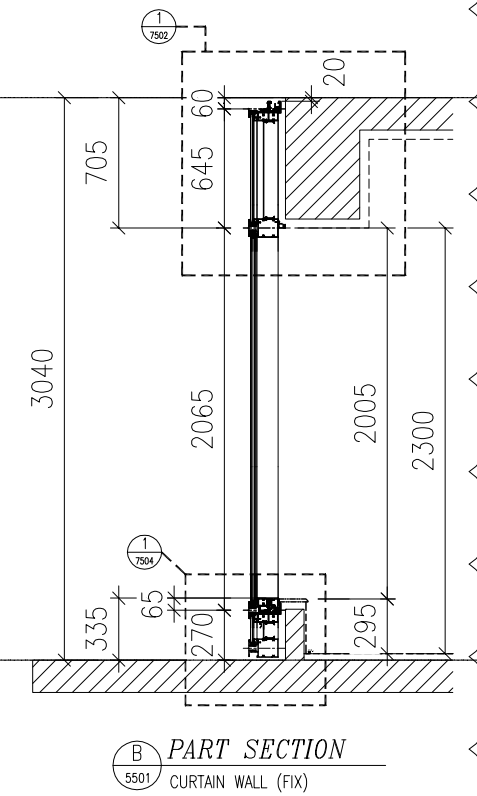
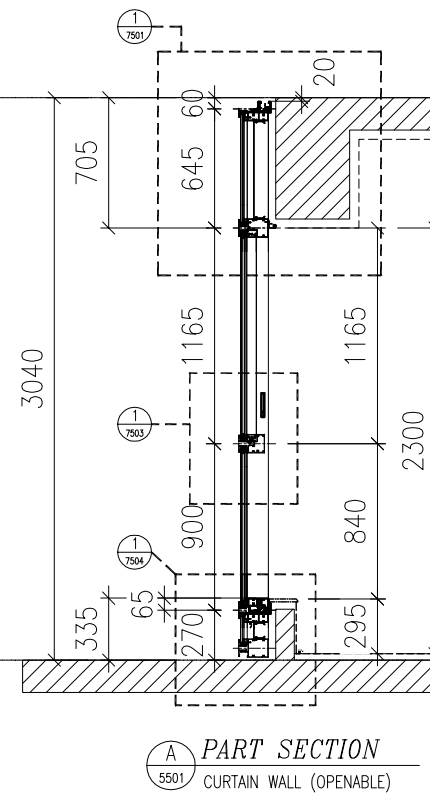
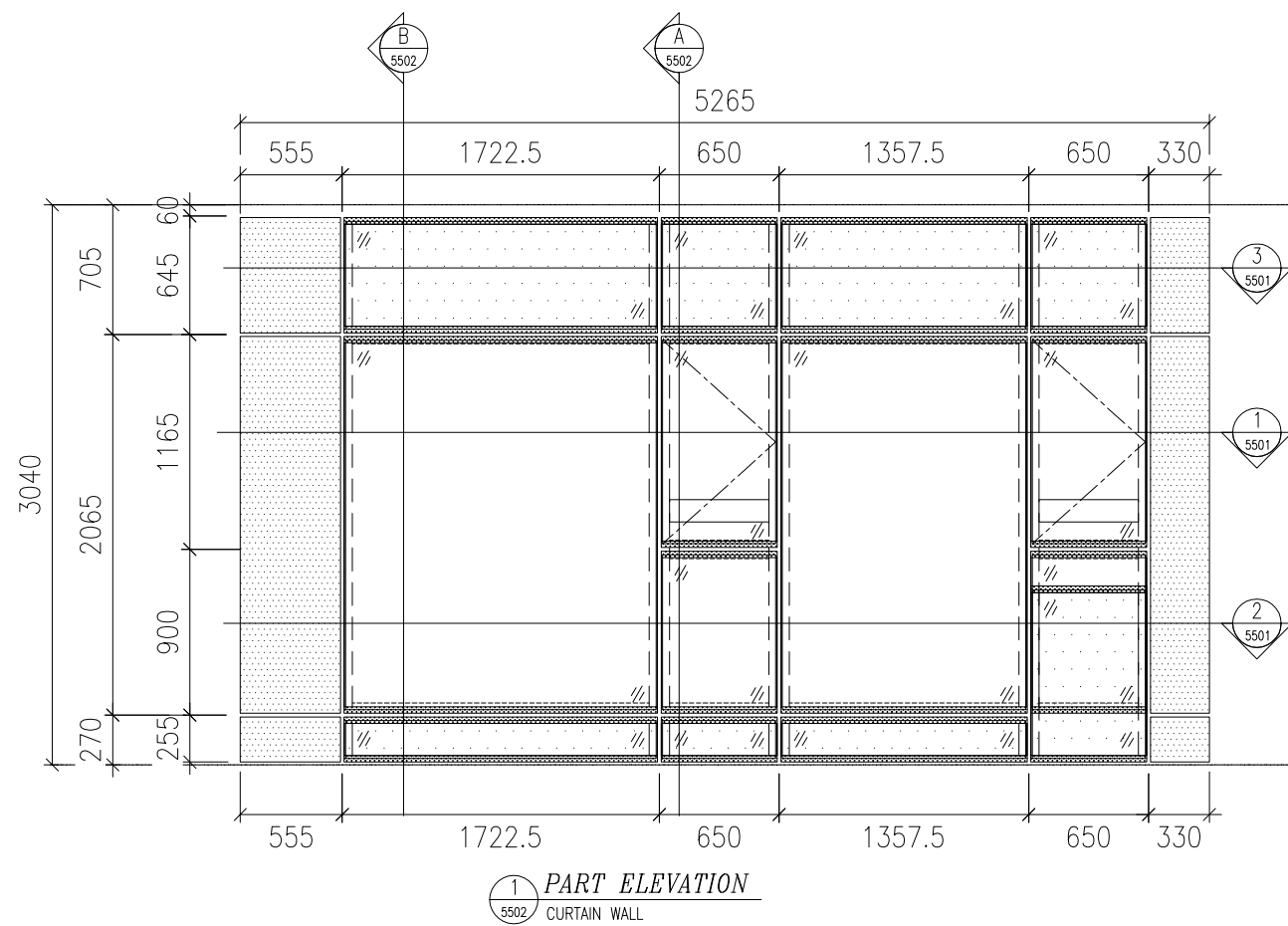
TITLE : PART ELEV & PLAN & SECTION FOR SALES MOCK-UP (CURTAIN WALL) @ TOWER 2 FLAT B8

DATE : 20-JAN-23 SCALE : 1:40

DRAWN BY : C.F. CHECKED BY :

美特鋁質有限公司
MIDI ALUMINIUM FABRICATOR LTD.
Units 6-8, Sunray Industrial Centre, 1/F
610 Cha Kwo Ling Road, Kowloon
Tel:23489211-4 Fax:(852)2727666

DWG NO. : J856-SD-MU-5501 REV. : A



REMARK:
TOTAL 2 SET CURTAIN WALL SALES MOCK-UP
FOR TOWER 2 FLAT A1 CW

B.D. REF :

CLIENT :
SUN HUNG KAI
REAL ESTATE AGENCY LTD.
42/F SUN HUNG KAI CENTRE, WANCHAI, HONGKONG

ARCHITECT :
lwk&partners
architects

MAIN CONTRACTOR :
Yee Fai 怡輝建築有限公司
Building Contractors Ltd.

STRUCTURAL ENGINEER :
ARUP

FACADE CONSULTANT:
ALPHA CONSULTING LIMITED
Steel Structure & Facade Specialist

NOTE :
1. ALL DIMENSIONS ARE IN mm.
2. ALL ELEVATIONS ARE VIEWED FROM OUTSIDE.
3. ALL DIMENSIONS TO BE VERIFIED ON SITE BEFORE FABRICATION.

LEGEND :
x1 — DETAIL MARK NO.
x001 — REFER SHEET NO.
1. F.F.L. — FINISHED FLOOR LEVEL
2. S.F.L. — STRUCTURAL FLOOR LEVEL
3. (R) — REVERSED DETAIL

NO.	DATE	REVISED	BY
A	06/03/23	2ND SUBMISSION	

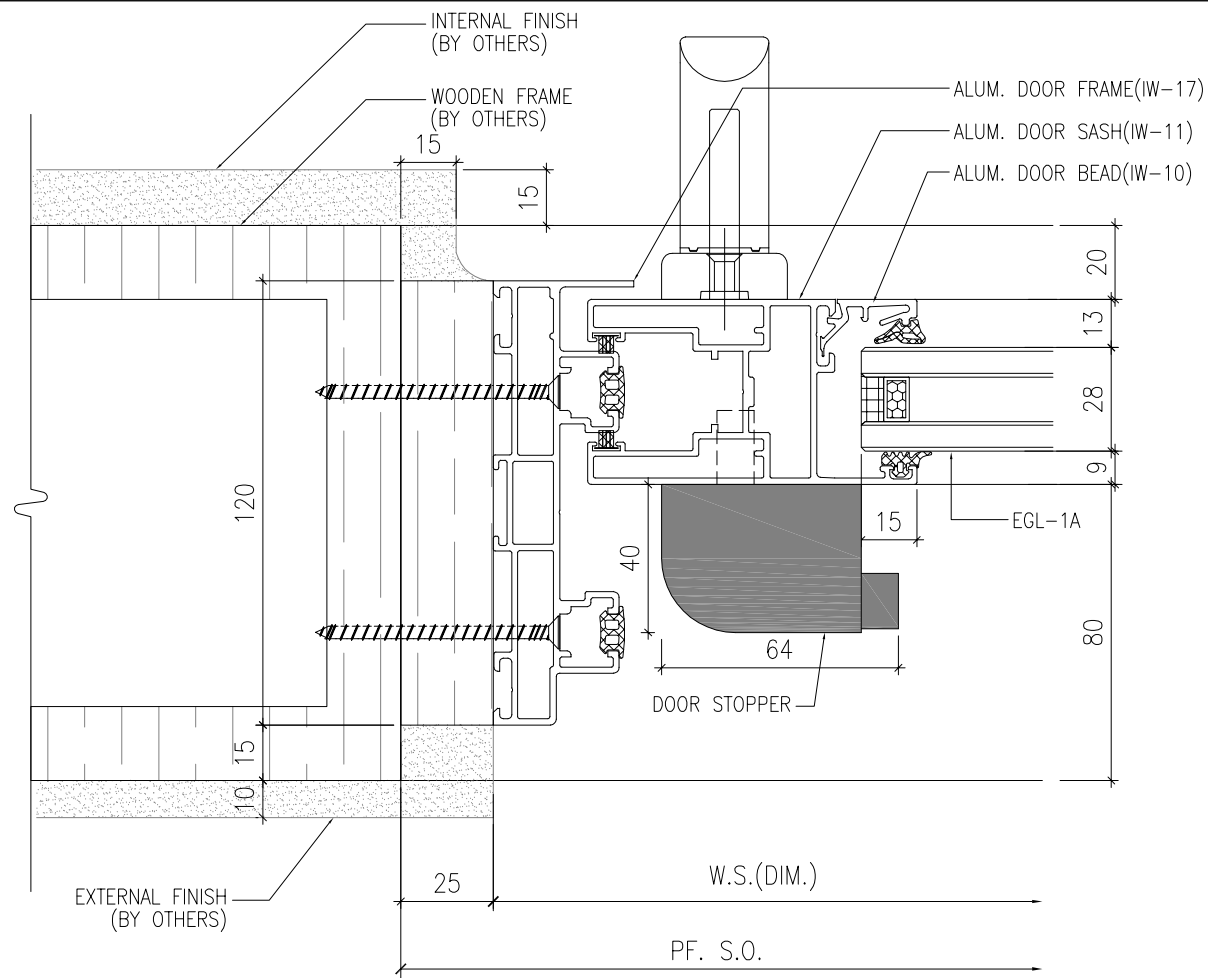
JOB NO. : J-856
PROJECT : PROPOSED DEVELOPMENT ABOVE LIGHT RAIL TIN WING STOP, TSWTL NO.23, AREA 33, TIN SHUI WAI, N.T.

TITLE : PART ELEV & PLAN & SECTION FOR SALES MOCK-UP (CURTAIN WALL) @ TOWER 2 FLAT A1

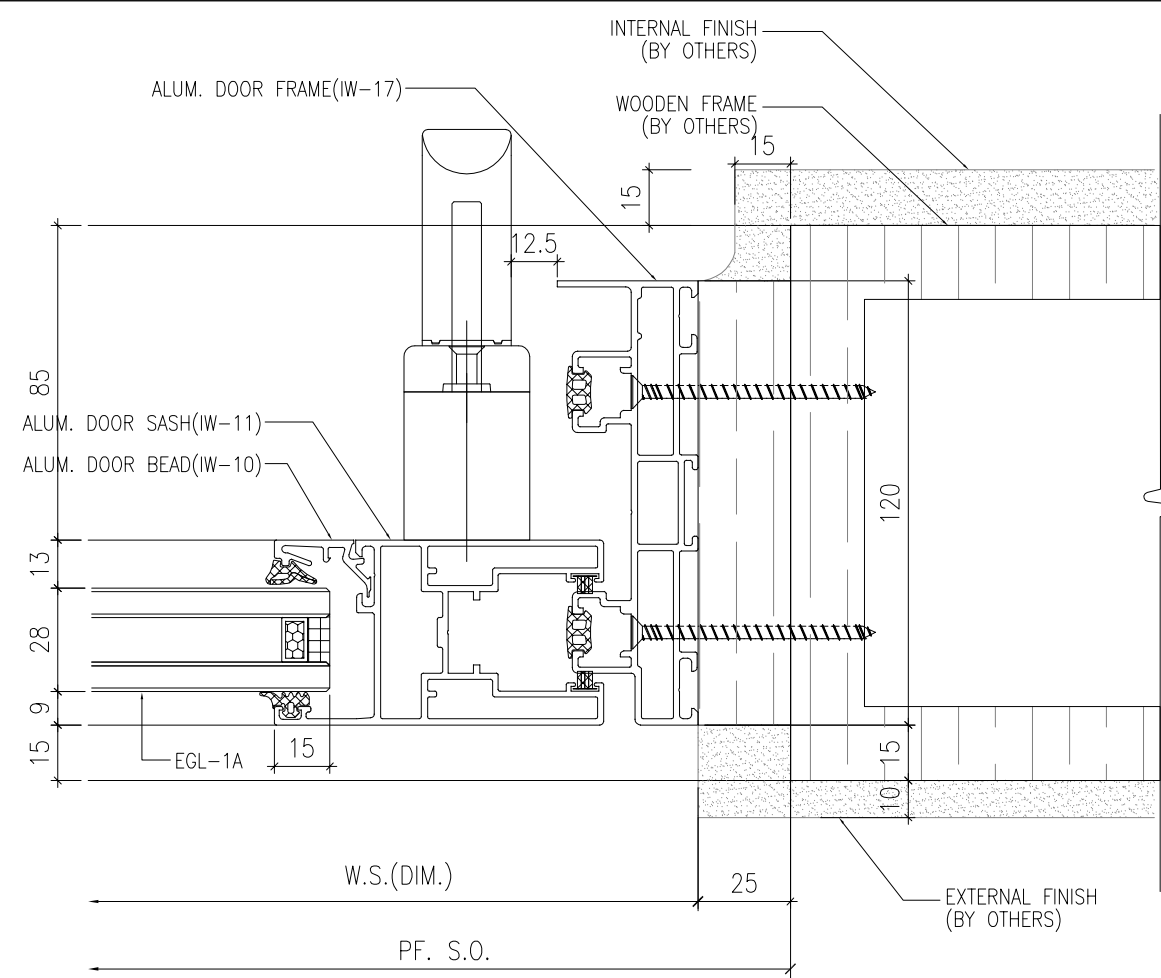
DATE : 20-JAN-23 SCALE : 1:40
DRAWN BY : C.F. CHECKED BY :

美特鋁質有限公司
MIDI ALUMINIUM FABRICATOR LTD.
Units 6-8, Sunray Industrial Centre, 1/F
610 Cha Kwo Ling Road, Kowloon
Tel:23489211-4 Fax:(852)2727666

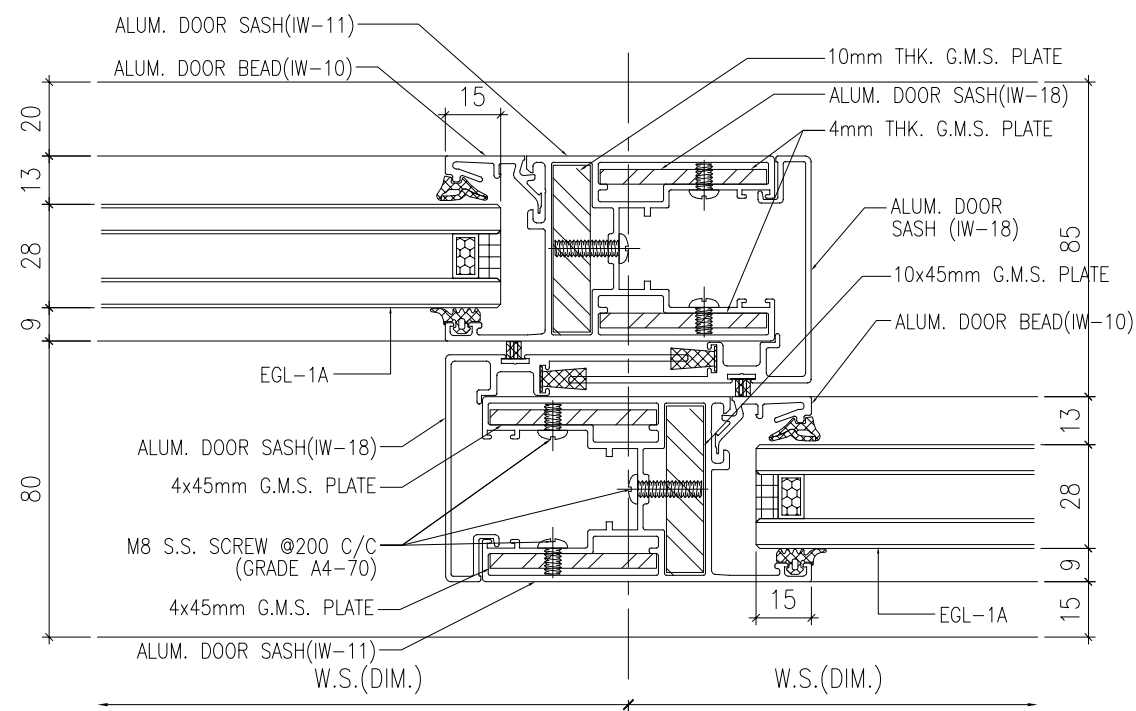
DWG NO. : J856-SD-MU-5502 REV. : A



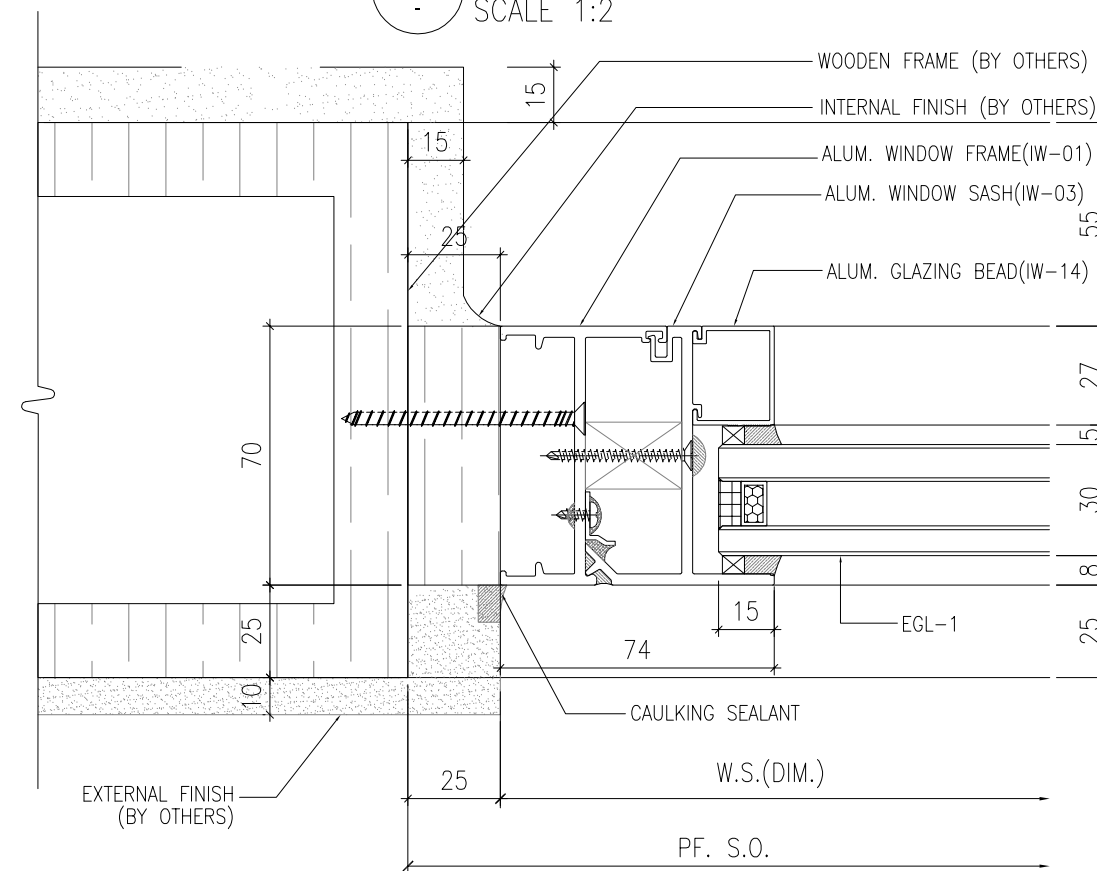
1 HORIZONTAL DETAIL
SCALE 1:2



2 HORIZONTAL DETAIL
SCALE 1:2



3 HORIZONTAL DETAIL
SCALE 1:2



4 HORIZONTAL DETAIL
SCALE 1:2

B.D. REF : _____

CLIENT : **SUN HUNG KAI REAL ESTATE AGENCY LTD.**
42/F SUN HUNG KAI CENTRE, WANCHAI, HONGKONG

ARCHITECT : **lwk&partners architects**

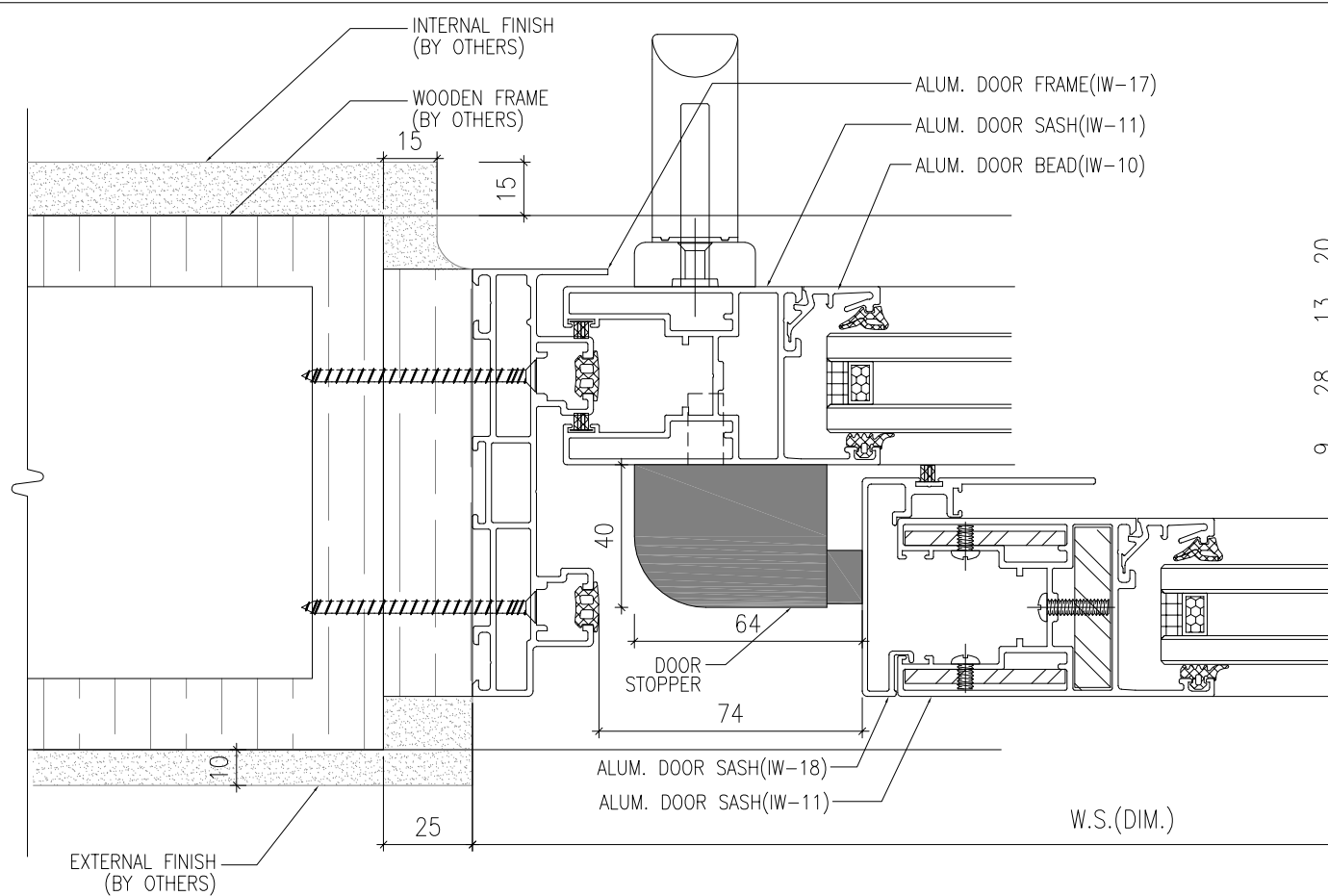
MAIN CONTRACTOR : **Yee Fai Building Contractors Ltd.**

STRUCTURAL ENGINEER : **ARUP**

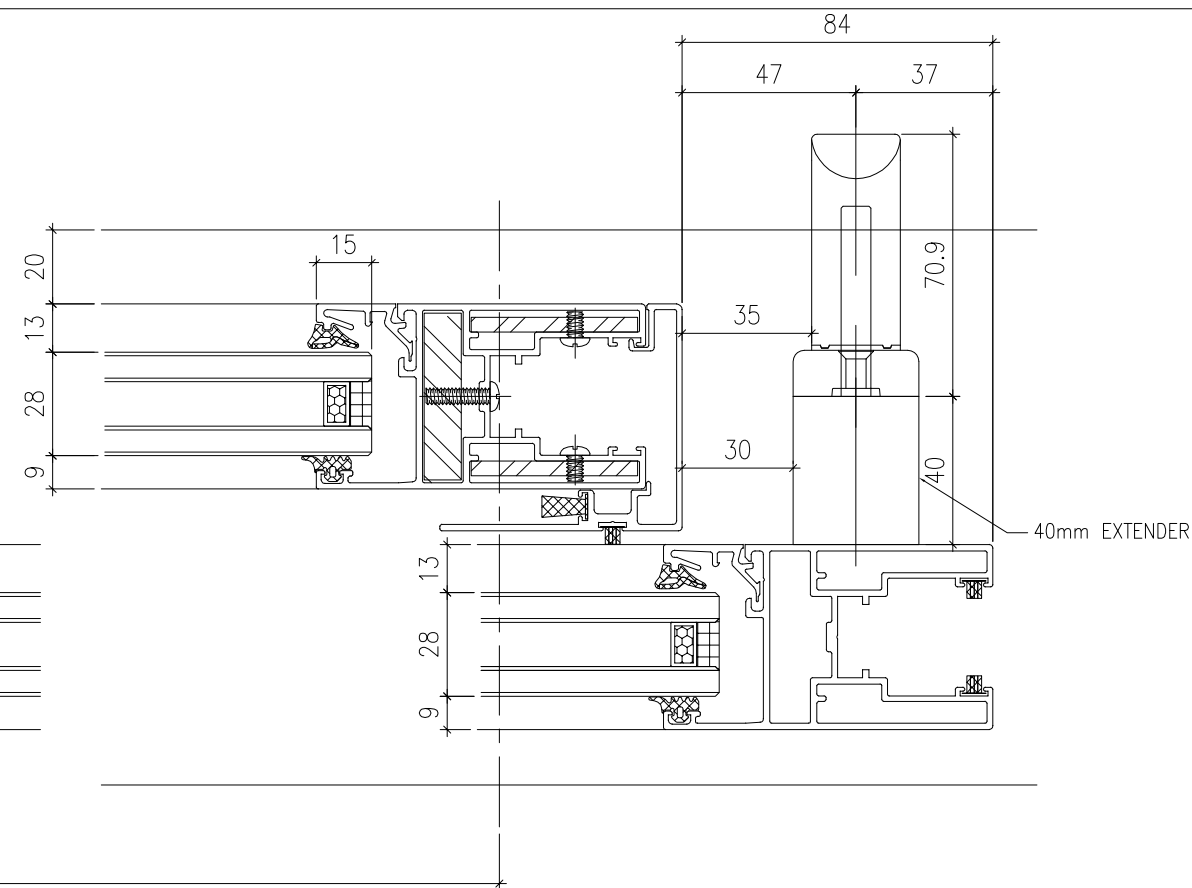
FAÇADE CONSULTANT : **ALPHA CONSULTING LIMITED**
Steel Structure & Façade Specialist

- NOTE :
- ALL DIMENSIONS ARE IN mm.
 - ALL ELEVATIONS ARE VIEWED FROM OUTSIDE.
 - ALL DIMENSIONS TO BE VERIFIED ON SITE BEFORE FABRICATION.
- LEGEND :
- X1 - DETAIL MARK NO.
X001 - REFER SHEET NO.
- F.F.L. -- FINISHED FLOOR LEVEL
 - S.F.L. -- STRUCTURAL FLOOR LEVEL
 - R -- REVERSED DETAIL
 - GLASS LEGEND
- EGL-1--8mmHS+12mm AIR GAP+10mmTP THK. I.G.U.
EGL-1A--8mmHS+12mm AIR GAP+8mmTP THK. I.G.U.
EGL-2--10mm THK. CLEAR TEMPERED GLASS
EGL-4--10mm THK. TEMPERED ACID ETCHED GLASS

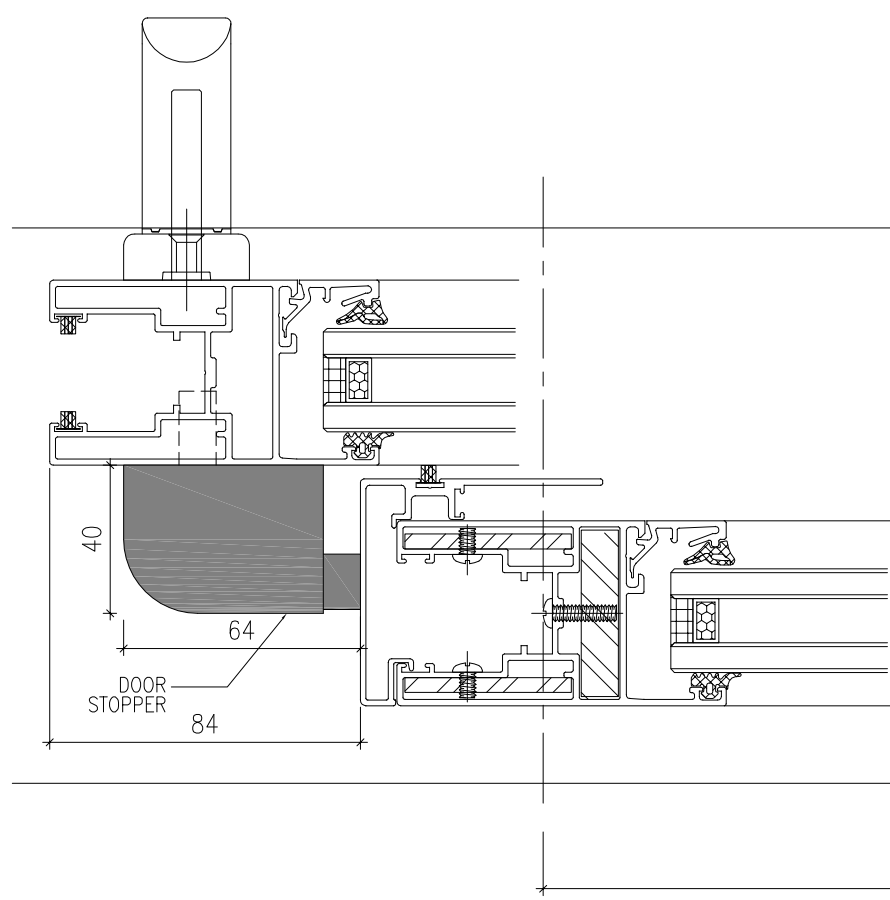
NO.	DATE	REVISED	BY
JOB NO. : J-856			
PROJECT : PROPOSED DEVELOPMENT ABOVE LIGHT RAIL TIN WING STOP, TSWTL NO.23, AREA 33, TIN SHUI WAI, N.T.			
TITLE : TYPICAL DETAILS FOR SALES MOCK-UP (IN-SITU WINDOW)			
DATE : 16-JAN-23		SCALE : 1:2	
DRAWN BY : Y1		CHECKED BY :	
美特鋁質有限公司 MIDI ALUMINIUM FABRICATOR LTD. Units 6-8, Sunray Industrial Centre, 1/F 610 Cha Kwo Ling Road, Kowloon Tel: 23489211-4 Fax: (852) 2727666			
DWG NO. : J856-SD-MWJ-660021			REV. : -



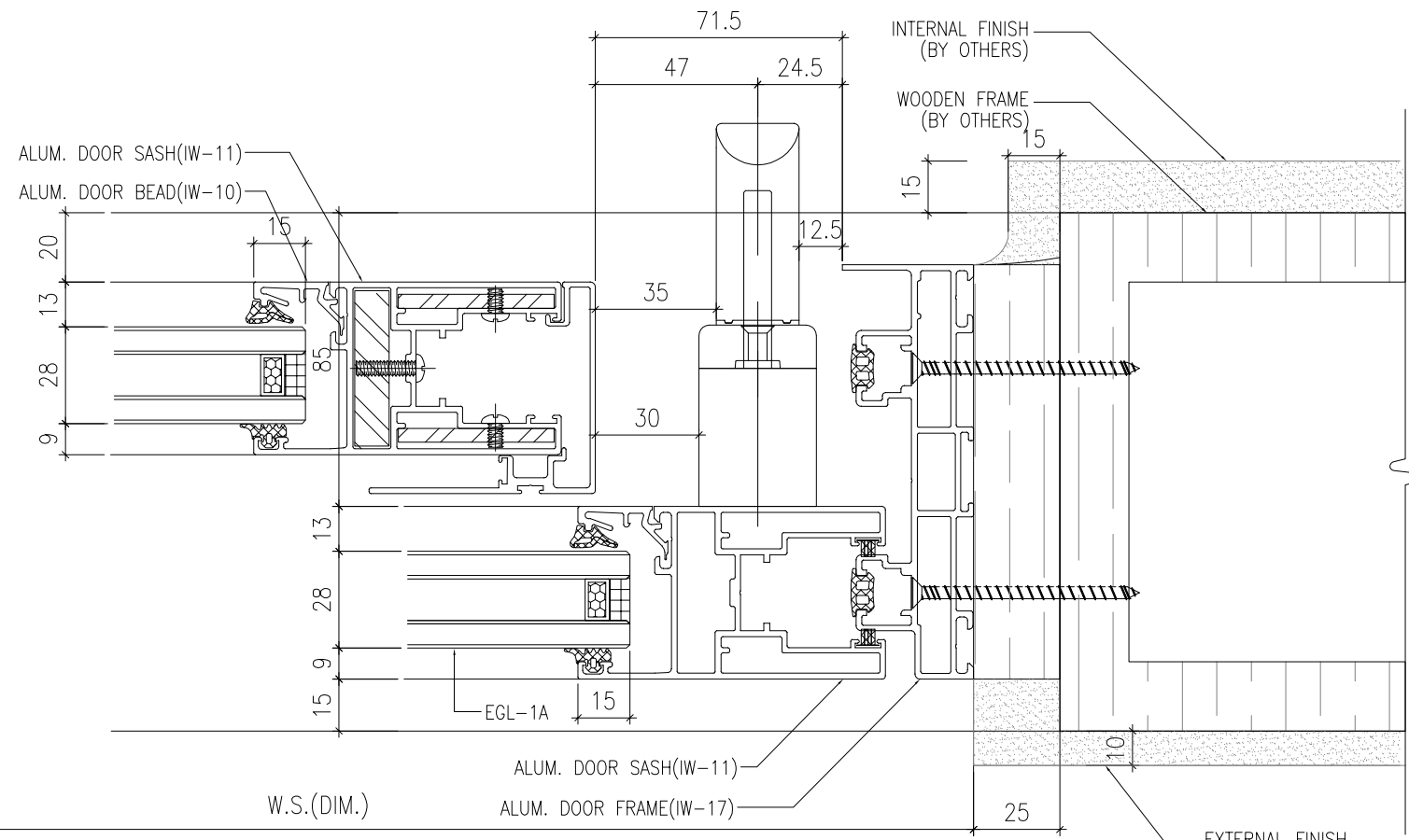
1 HORIZONTAL DETAIL
SCALE 1:2



2 HORIZONTAL DETAIL
SCALE 1:2





3 HORIZONTAL DETAIL
SCALE 1:2





4 HORIZONTAL DETAIL
SCALE 1:2


B.D. REF : _____

CLIENT :
 **SUN HUNG KAI**
 REAL ESTATE AGENCY LTD.
 42/F SUN HUNG KAI CENTRE, WANCHAI, HONGKONG

ARCHITECT :
 **Iwk&partners**
 architects

MAIN CONTRACTOR :
 **Yee Fai** Building Contractors Ltd.

STRUCTURAL ENGINEER :
 **ARUP**

FACADE CONSULTANT:
 **ALPHA CONSULTING LIMITED**
 Steel Structure & Facade Specialist

NOTE :
 1. ALL DIMENSIONS ARE IN mm.
 2. ALL ELEVATIONS ARE VIEWED FROM OUTSIDE.
 3. ALL DIMENSIONS TO BE VERIFIED ON SITE BEFORE FABRICATION.

LEGEND :
 X1 - DETAIL MARK NO.
 X001 - REFER SHEET NO.

1. F.F.L. -- FINISHED FLOOR LEVEL
 2. S.F.L. -- STRUCTURAL FLOOR LEVEL
 3. (R) -- REVERSED DETAIL
 4. GLASS LEGEND
 EGL-1--8mmHS+12mm AIR GAP+10mmTP THK. I.G.U.
 EGL-1A--8mmHS+12mm AIR GAP+8mmTP THK. I.G.U.
 EGL-2--10mm THK. CLEAR TEMPERED GLASS
 EGL-4--10mm THK. TEMPERED ACID ETCHED GLASS

NO.	DATE	REVISED	BY


JOB NO. : J-856

PROJECT : PROPOSED DEVELOPMENT ABOVE LIGHT RAIL TIN WING STOP, TSWTL NO.23, AREA 33, TIN SHUI WAI, N.T.

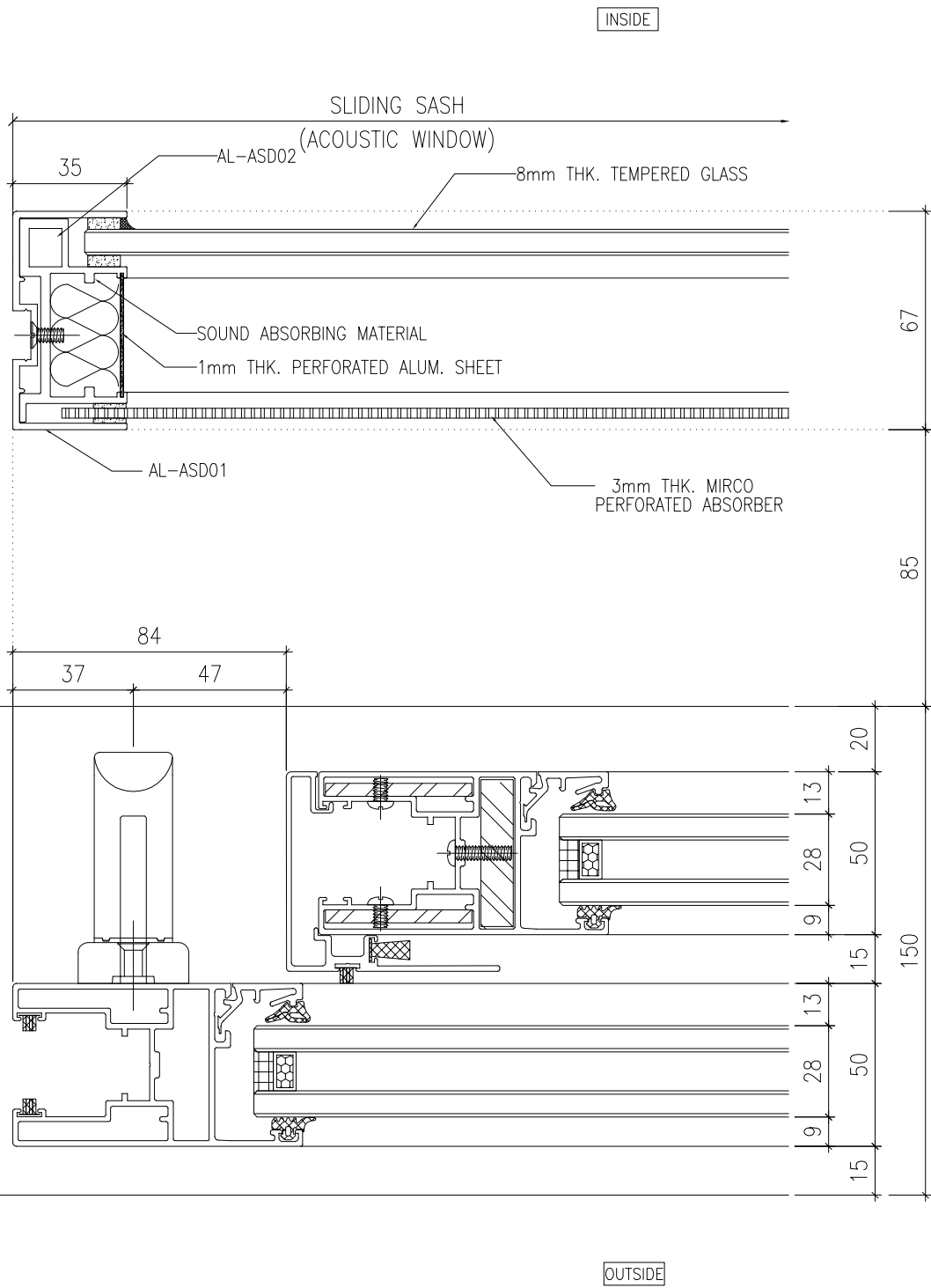
TITLE : TYPICAL DETAILS FOR SALES MOCK-UP (IN-SITU WINDOW)

DATE : 16-JAN-23 SCALE : 1:2

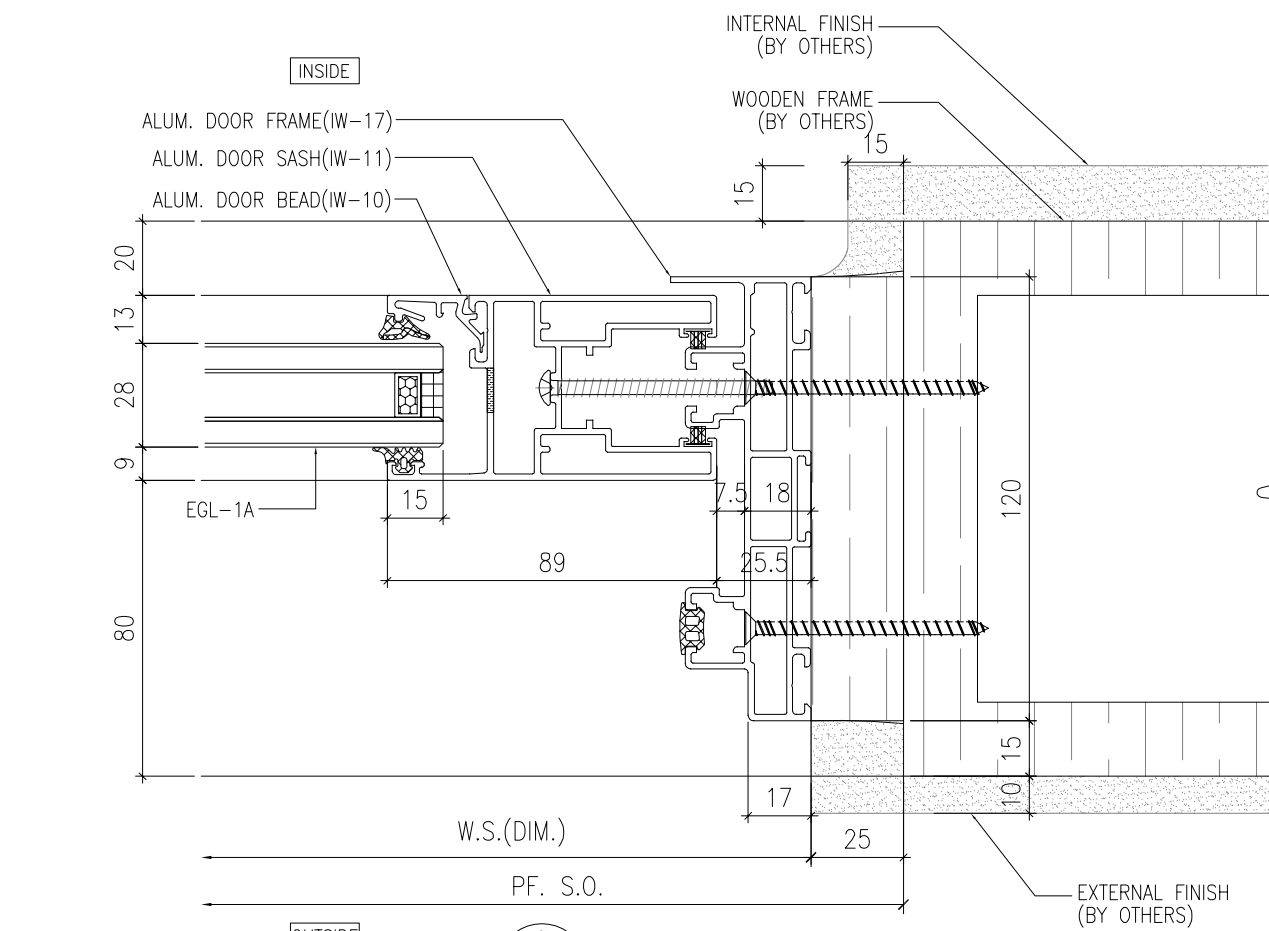
DRAWN BY : Y1 CHECKED BY : _____

 **美特鋁質有限公司**
 MIDI ALUMINIUM FABRICATOR LTD.
 Units 6-8, Sunray Industrial Centre, 1/F
 610 Cha Kwo Ling Road, Kowloon
 Tel: 23489211-4 Fax: (852) 27727666

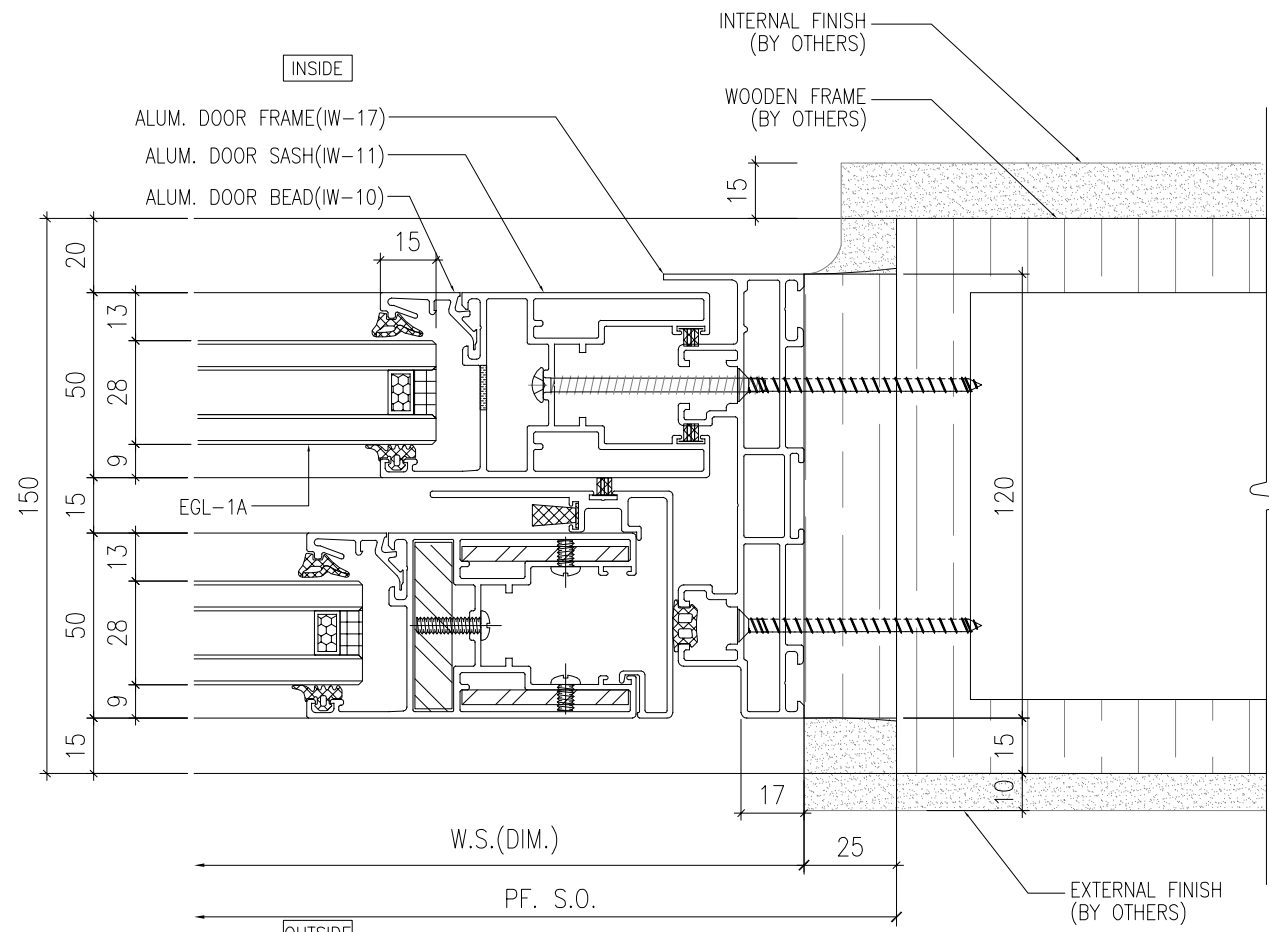
DWG NO. : J856-SD-IW-6004 REV. : -



1 HORIZONTAL DETAIL
SCALE 1:2



2 HORIZONTAL DETAIL
SCALE 1:2



3 HORIZONTAL DETAIL
SCALE 1:2

B.D. REF :

CLIENT :
 SUN HUNG KAI REAL ESTATE AGENCY LTD.
 42/F SUN HUNG KAI CENTRE, WANCHAI, HONGKONG

ARCHITECT :
 IWK&partners architects

MAIN CONTRACTOR :
 怡輝建築有限公司 Yee Fai Building Contractors Ltd.

STRUCTURAL ENGINEER :
 ARUP

FACADE CONSULTANT:
 ALPHA CONSULTING LIMITED
 Steel Structure & Facade Specialist

NOTE :
 1. ALL DIMENSIONS ARE IN mm.
 2. ALL ELEVATIONS ARE VIEWED FROM OUTSIDE.
 3. ALL DIMENSIONS TO BE VERIFIED ON SITE BEFORE FABRICATION.

LEGEND :
 X1 - DETAIL MARK NO.
 X001 - REFER SHEET NO.

1. F.F.L. -- FINISHED FLOOR LEVEL
 2. S.F.L. -- STRUCTURAL FLOOR LEVEL
 3. (R) -- REVERSED DETAIL
 4. GLASS LEGEND
 EGL-1 -- 8mmHS+12mm AIR GAP+10mmTP THK. I.G.U.
 EGL-1A -- 8mmHS+12mm AIR GAP+8mmTP THK. I.G.U.
 EGL-2 -- 10mm THK. CLEAR TEMPERED GLASS
 EGL-4 -- 10mm THK. TEMPERED ACID ETCHED GLASS

NO.	DATE	REVISED	BY

JOB NO. : J-856

PROJECT : PROPOSED DEVELOPMENT ABOVE LIGHT RAIL TIN WING STOP, TSWL NO.23, AREA 33, TIN SHUI WAI, N.T.

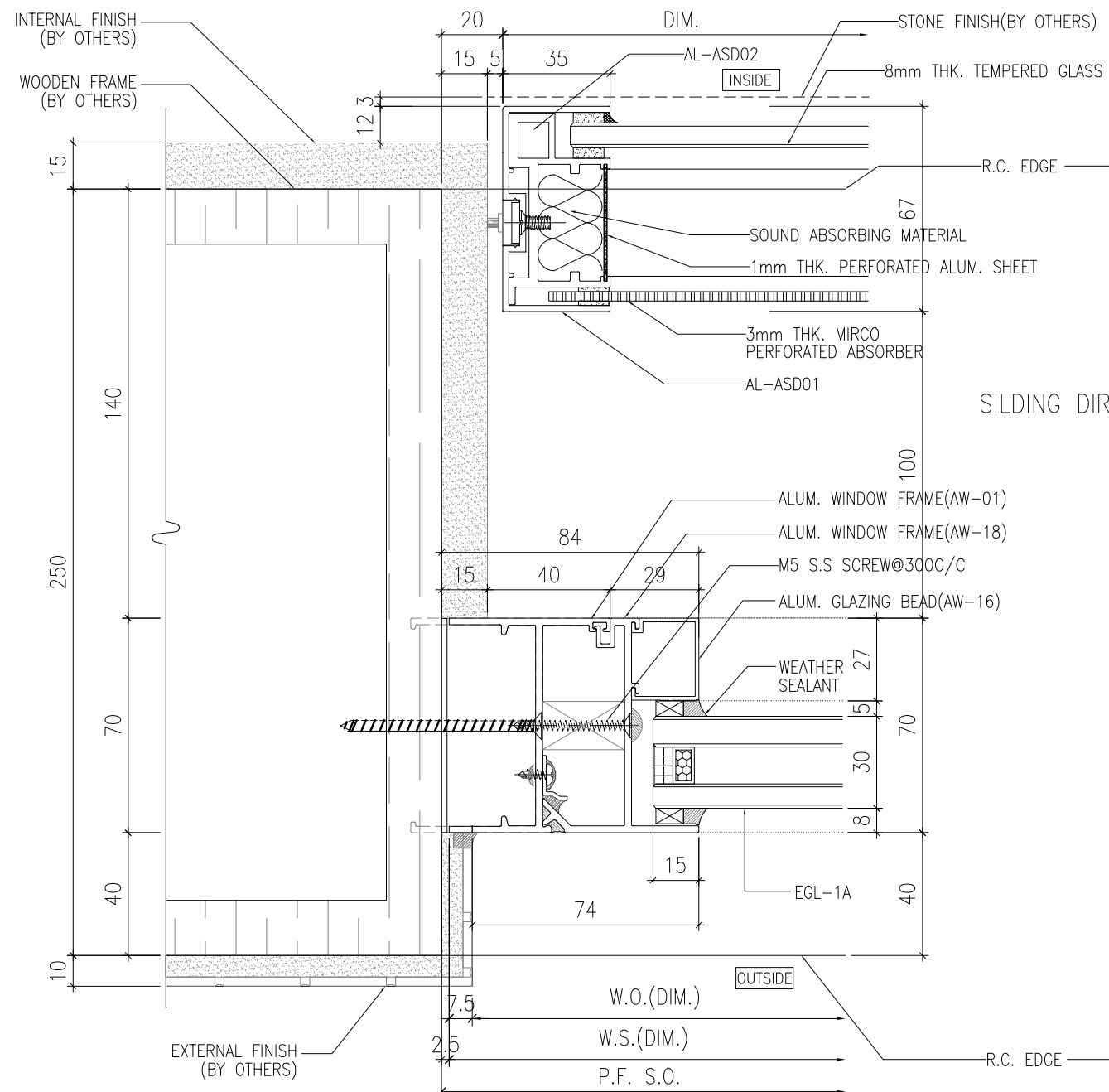
TITLE : TYPICAL DETAILS FOR SALES MOCK-UP (IN-SITU WINDOW)

DATE : 16-JAN-23 SCALE : 1:2

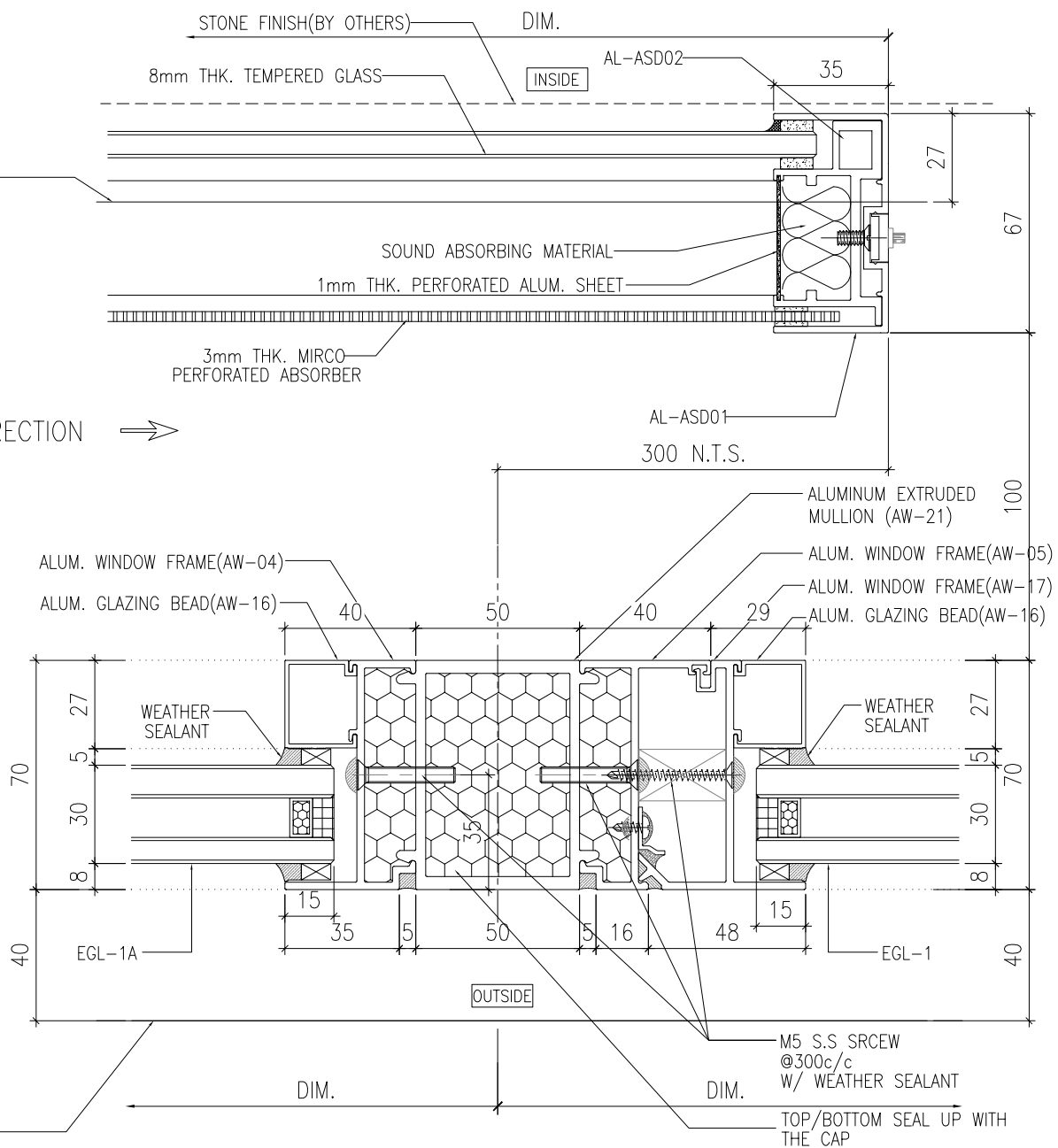
DRAWN BY : Y1 CHECKED BY :

美特鋁質有限公司
 MIDI ALUMINIUM FABRICATOR LTD.
 Units 6-8, Sunray Industrial Centre, 1/F
 610 Cha Kwo Ling Road, Kowloon
 Tel: 23489211-4 Fax: (852) 27727666

DWG NO. : J856-SD-IW-6006 REV. : -



1 HORIZONTAL DETAIL
SCALE 1:2



2 HORIZONTAL DETAIL
SCALE 1:2

B.D. REF :

CLIENT :
SUN HUNG KAI
REAL ESTATE AGENCY LTD.
42/F SUN HUNG KAI CENTRE, WANCHAI, HONGKONG

ARCHITECT :
lwk&partners
architects

MAIN CONTRACTOR :
Yee Fai Building Contractors Ltd.

STRUCTURAL ENGINEER :
ARUP

FACADE CONSULTANT:
ALPHA CONSULTING LIMITED
Steel Structure & Facade Specialist

NOTE :
1. ALL DIMENSIONS ARE IN mm.
2. ALL ELEVATIONS ARE VIEWED FROM OUTSIDE.
3. ALL DIMENSIONS TO BE VERIFIED ON SITE BEFORE FABRICATION.

LEGEND :
X1 - DETAIL MARK NO.
X001 - REFER SHEET NO.
1. F.F.L. -- FINISHED FLOOR LEVEL
2. S.F.L. -- STRUCTURAL FLOOR LEVEL
3. (R) -- REVERSED DETAIL
4. GLASS LEGEND
EGL-1--8mmHS+12mm AIR GAP+10mmTP THK. I.G.U.
EGL-1A--8mmHS+12mm AIR GAP+8mmTP THK. I.G.U.
EGL-2--10mm THK. CLEAR TEMPERED GLASS
EGL-4--10mm THK. TEMPERED ACID ETCHED GLASS

NO.	DATE	REVISED	BY

JOB NO. : J-856
PROJECT : PROPOSED DEVELOPMENT ABOVE LIGHT RAIL TIN WING STOP, TSWTL NO.23, AREA 33, TIN SHUI WAI, N.T.

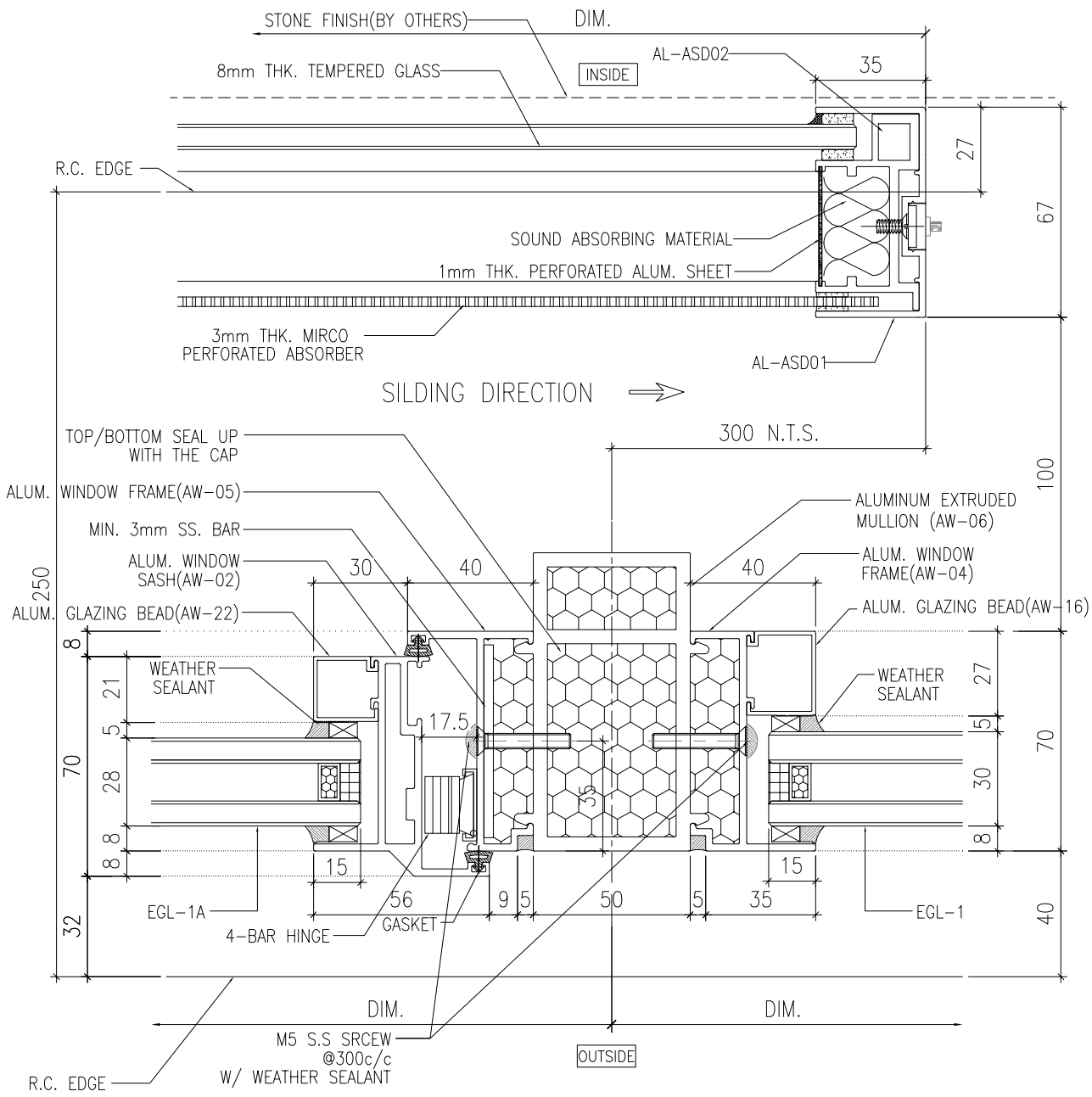
TITLE : TYPICAL DETAILS FOR SALES MOCK-UP (PRE-CAST FACADE WINDOW)

DATE : 16-JAN-23 SCALE : 1:2

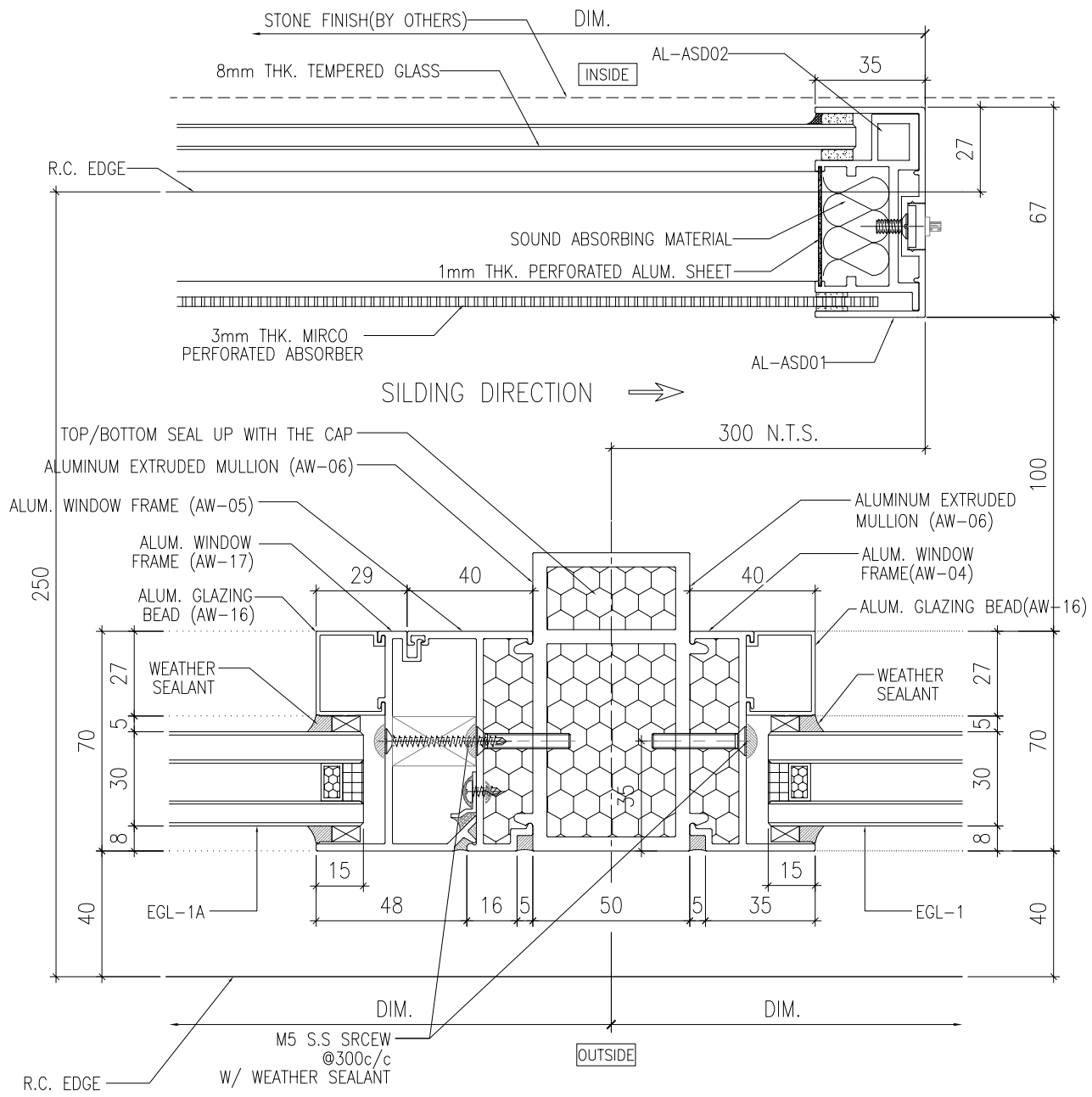
DRAWN BY : Y1 CHECKED BY :

美特鋁質有限公司
MIDI ALUMINIUM FABRICATOR LTD.
Units 6-8, Sunray Industrial Centre, 1/F
610 Cha Kwo Ling Road, Kowloon
Tel:23489211-4 Fax:(852)2727666

DWG NO. : J856-SD-IW-6102 REV. : -



1 HORIZONTAL DETAIL
SCALE 1:2



2 HORIZONTAL DETAIL
SCALE 1:2

B.D. REF :

CLIENT :
SUN HUNG KAI
REAL ESTATE AGENCY LTD.
42/F SUN HUNG KAI CENTRE, WANCHAI, HONGKONG

ARCHITECT :
lwk&partners
architects

MAIN CONTRACTOR :
Yee Fai Building Contractors Ltd.

STRUCTURAL ENGINEER :
ARUP

FAÇADE CONSULTANT:
ALPHA CONSULTING LIMITED
Steel Structure & Façade Specialist

NOTE :
1. ALL DIMENSIONS ARE IN mm.
2. ALL ELEVATIONS ARE VIEWED FROM OUTSIDE.
3. ALL DIMENSIONS TO BE VERIFIED ON SITE BEFORE FABRICATION.

LEGEND :
X1 - DETAIL MARK NO.
X001 - REFER SHEET NO.
1. F.F.L. -- FINISHED FLOOR LEVEL
2. S.F.L. -- STRUCTURAL FLOOR LEVEL
3. (R) -- REVERSED DETAIL
4. GLASS LEGEND
EGL-1 -- 8mmHS+12mm AIR GAP+10mmTP THK. I.G.U.
EGL-1A -- 8mmHS+12mm AIR GAP+8mmTP THK. I.G.U.
EGL-2 -- 10mm THK. CLEAR TEMPERED GLASS
EGL-4 -- 10mm THK. TEMPERED ACID ETCHED GLASS

NO.	DATE	REVISED	BY

JOB NO. : J-856
PROJECT : PROPOSED DEVELOPMENT ABOVE LIGHT RAIL TIN WING STOP, TSWTL NO.23, AREA 33, TIN SHUI WAI, N.T.

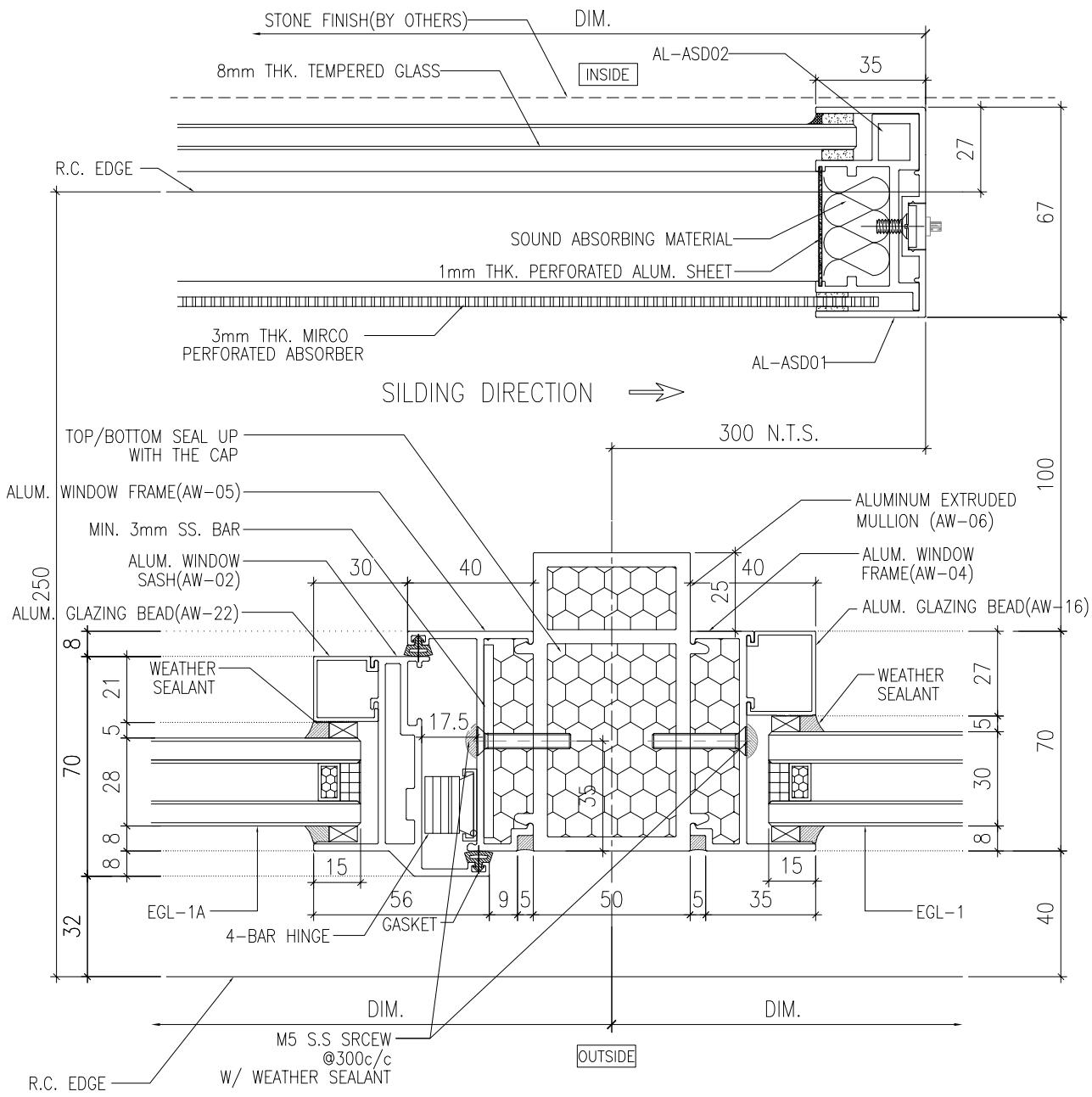
TITLE : TYPICAL DETAILS FOR SALES MOCK-UP (PRE-CAST FAÇADE WINDOW)

DATE : 16-JAN-23 SCALE : 1:2

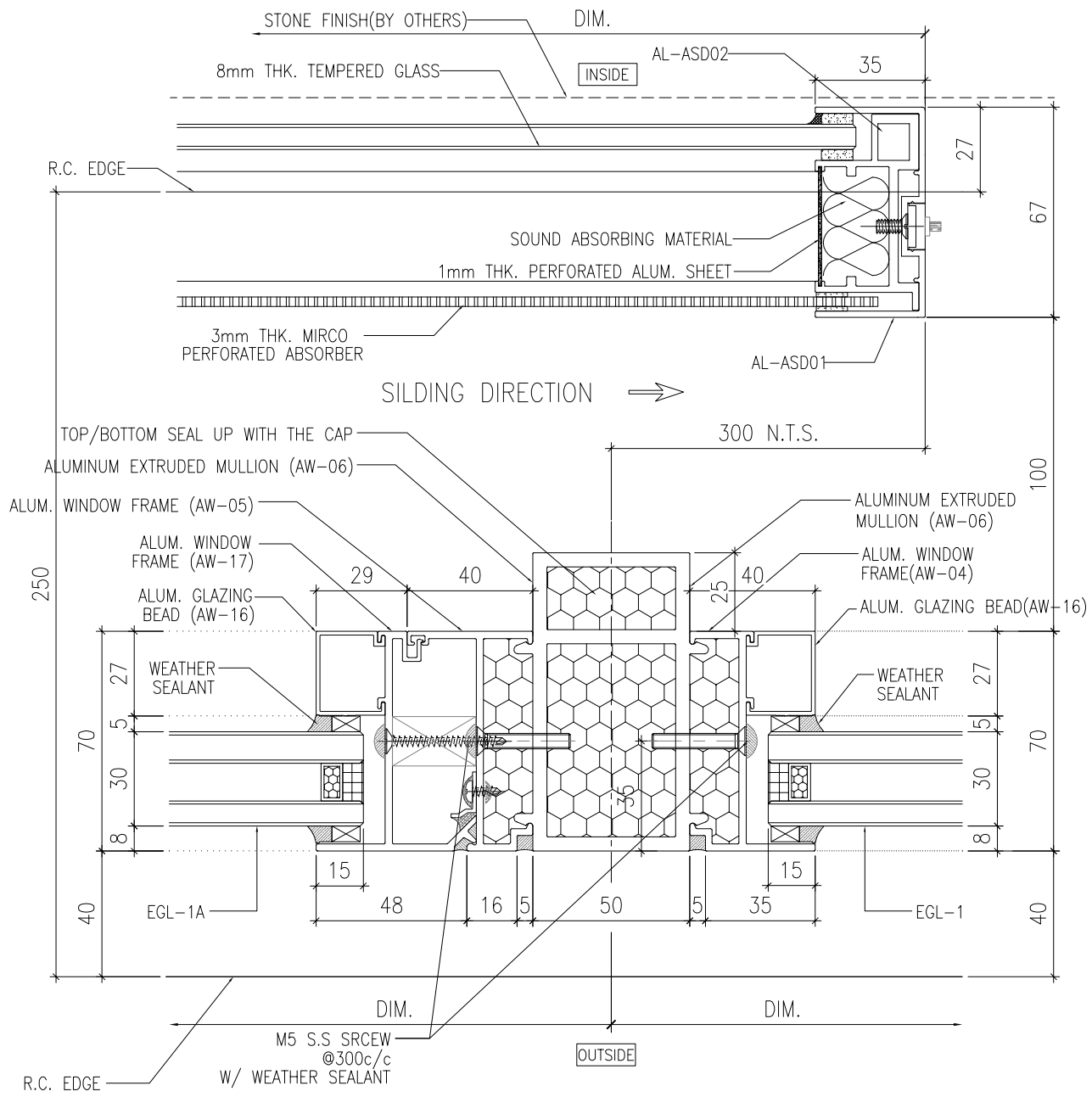
DRAWN BY : Y1 CHECKED BY :

美特鋁質有限公司
MIDI ALUMINIUM FABRICATOR LTD.
Units 6-8, Sunray Industrial Centre, 1/F
610 Cha Kwo Ling Road, Kowloon
Tel: 23489211-4 Fax: (852) 2727666

DWG NO. : J856-SD-IW-6103 REV. : -



1 HORIZONTAL DETAIL
SCALE 1:2



2 HORIZONTAL DETAIL
SCALE 1:2

B.D. REF :

CLIENT :
SUN HUNG KAI
REAL ESTATE AGENCY LTD.
42/F SUN HUNG KAI CENTRE, WANCHAI, HONGKONG

ARCHITECT :
lwk&partners
architects

MAIN CONTRACTOR :
Yee Fai Building Contractors Ltd.

STRUCTURAL ENGINEER :
ARUP

FAÇADE CONSULTANT :
ALPHA CONSULTING LIMITED
Steel Structure & Façade Specialist

NOTE :
1. ALL DIMENSIONS ARE IN mm.
2. ALL ELEVATIONS ARE VIEWED FROM OUTSIDE.
3. ALL DIMENSIONS TO BE VERIFIED ON SITE BEFORE FABRICATION.

LEGEND :
X1 - DETAIL MARK NO.
X001 - REFER SHEET NO.
1. F.F.L. -- FINISHED FLOOR LEVEL
2. S.F.L. -- STRUCTURAL FLOOR LEVEL
3. (R) -- REVERSED DETAIL
4. GLASS LEGEND
EGL-1 -- 8mmHS+12mm AIR GAP+10mmTP THK. I.G.U.
EGL-1A -- 8mmHS+12mm AIR GAP+8mmTP THK. I.G.U.
EGL-2 -- 10mm THK. CLEAR TEMPERED GLASS
EGL-4 -- 10mm THK. TEMPERED ACID ETCHED GLASS

NO.	DATE	REVISED	BY

JOB NO. : J-856
PROJECT : PROPOSED DEVELOPMENT ABOVE LIGHT RAIL TIN WING STOP, TSWTL NO.23, AREA 33, TIN SHUI WAI, N.T.

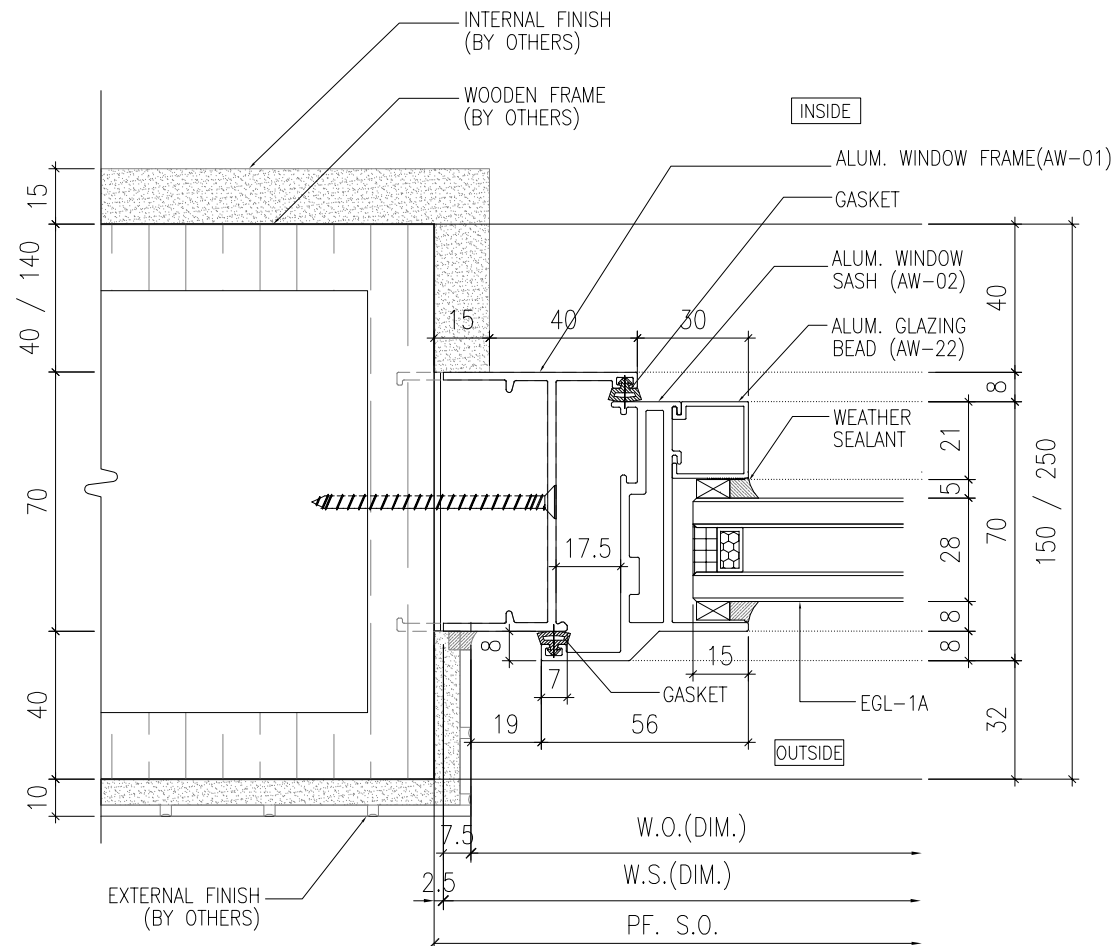
TITLE : TYPICAL DETAILS FOR SALES MOCK-UP (PRE-CAST FAÇADE WINDOW)

DATE : 16-JAN-23 SCALE : 1:2

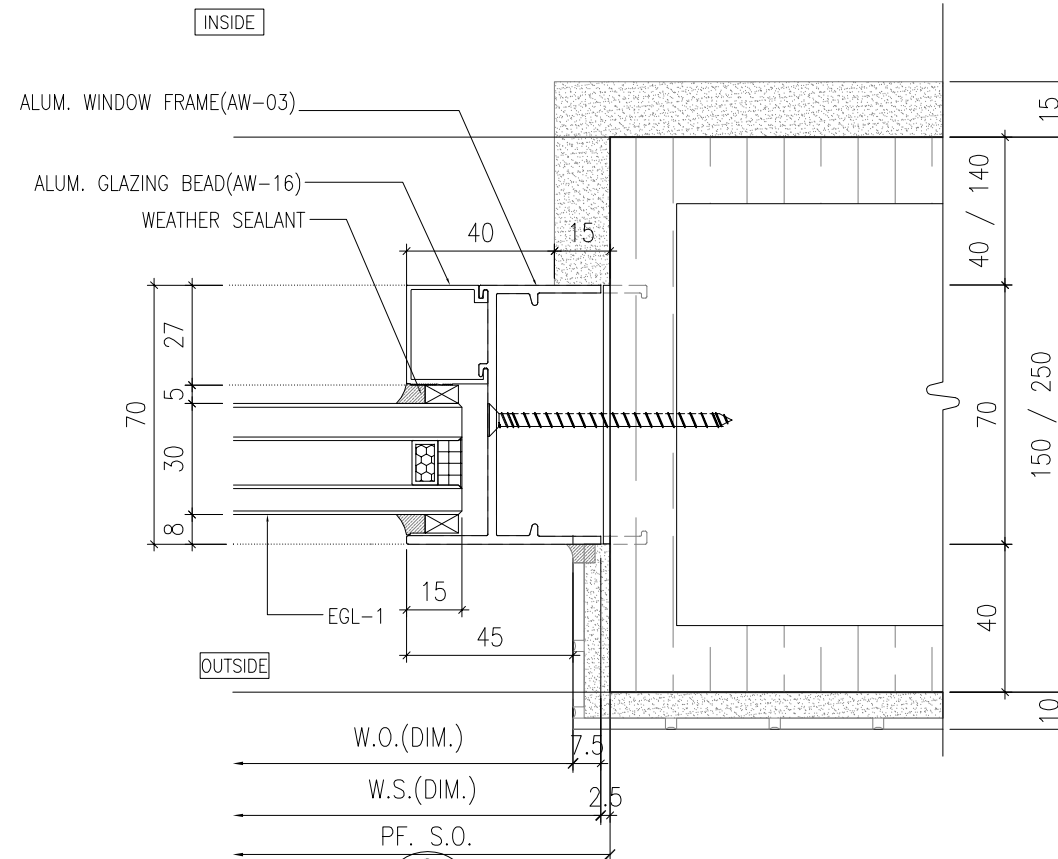
DRAWN BY : Y1 CHECKED BY :

美特鋁質有限公司
MIDI ALUMINIUM FABRICATOR LTD.
Units 6-8, Sunray Industrial Centre, 1/F
610 Cha Kwo Ling Road, Kowloon
Tel: 23489211-4 Fax: (852) 2727666

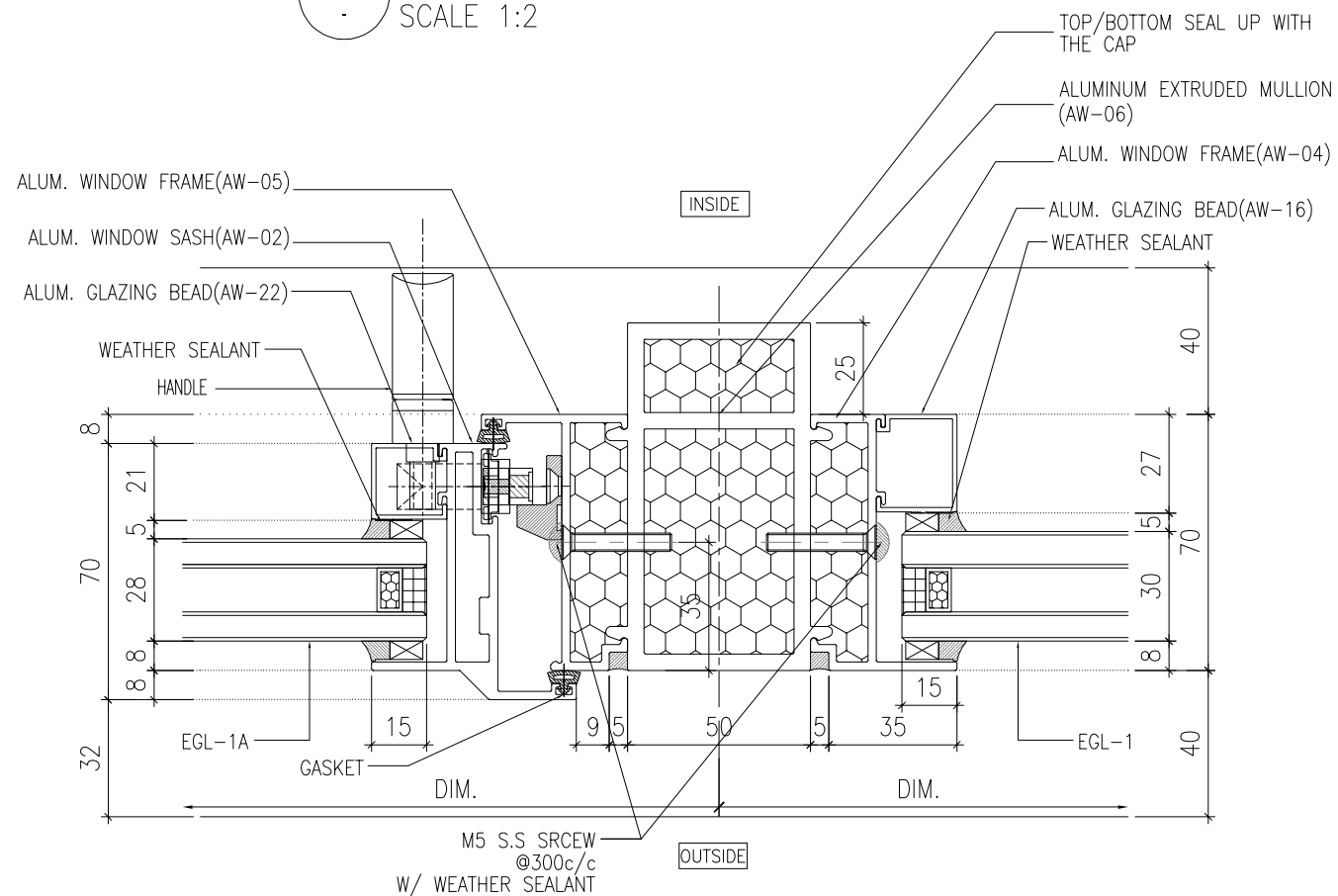
DWG NO. : J856-SD-IW-6103 REV. : -



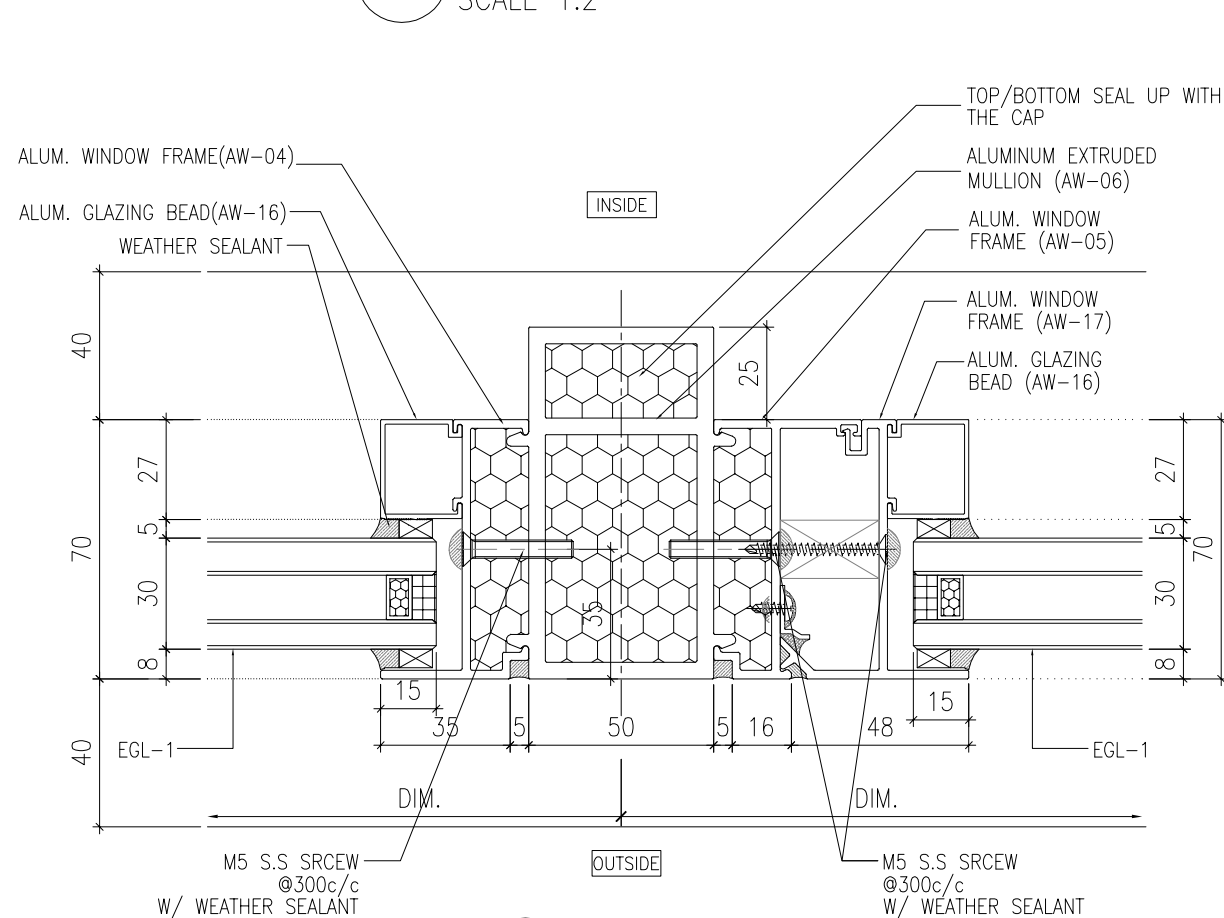
1 HORIZONTAL DETAIL
SCALE 1:2



2 HORIZONTAL DETAIL
SCALE 1:2



3 HORIZONTAL DETAIL
SCALE 1:2



4 HORIZONTAL DETAIL
SCALE 1:2

B.D. REF :

CLIENT :
SUN HUNG KAI
REAL ESTATE AGENCY LTD.
42/F SUN HUNG KAI CENTRE, WANCHAI, HONGKONG

ARCHITECT :
lwk&partners
architects

MAIN CONTRACTOR :
Yee Fai Building Contractors Ltd.

STRUCTURAL ENGINEER :
ARUP

FAÇADE CONSULTANT:
ALPHA CONSULTING LIMITED
Steel Structure & Façade Specialist

NOTE :
1. ALL DIMENSIONS ARE IN mm.
2. ALL ELEVATIONS ARE VIEWED FROM OUTSIDE.
3. ALL DIMENSIONS TO BE VERIFIED ON SITE BEFORE FABRICATION.

LEGEND :
X1 - DETAIL MARK NO.
X001 - REFER SHEET NO.

1. F.F.L. -- FINISHED FLOOR LEVEL
2. S.F.L. -- STRUCTURAL FLOOR LEVEL
3. (R) -- REVERSED DETAIL
4. GLASS LEGEND
EGL-1--8mmHS+12mm AIR GAP+10mmTP THK. I.G.U.
EGL-1A--8mmHS+12mm AIR GAP+8mmTP THK. I.G.U.
EGL-2--10mm THK. CLEAR TEMPERED GLASS
EGL-4--10mm THK. TEMPERED ACID ETCHED GLASS

NO.	DATE	REVISED	BY

JOB NO. : J-856
PROJECT : PROPOSED DEVELOPMENT ABOVE LIGHT RAIL TIN WING STOP, TSWTL NO.23, AREA 33, TIN SHUI WAI, N.T.

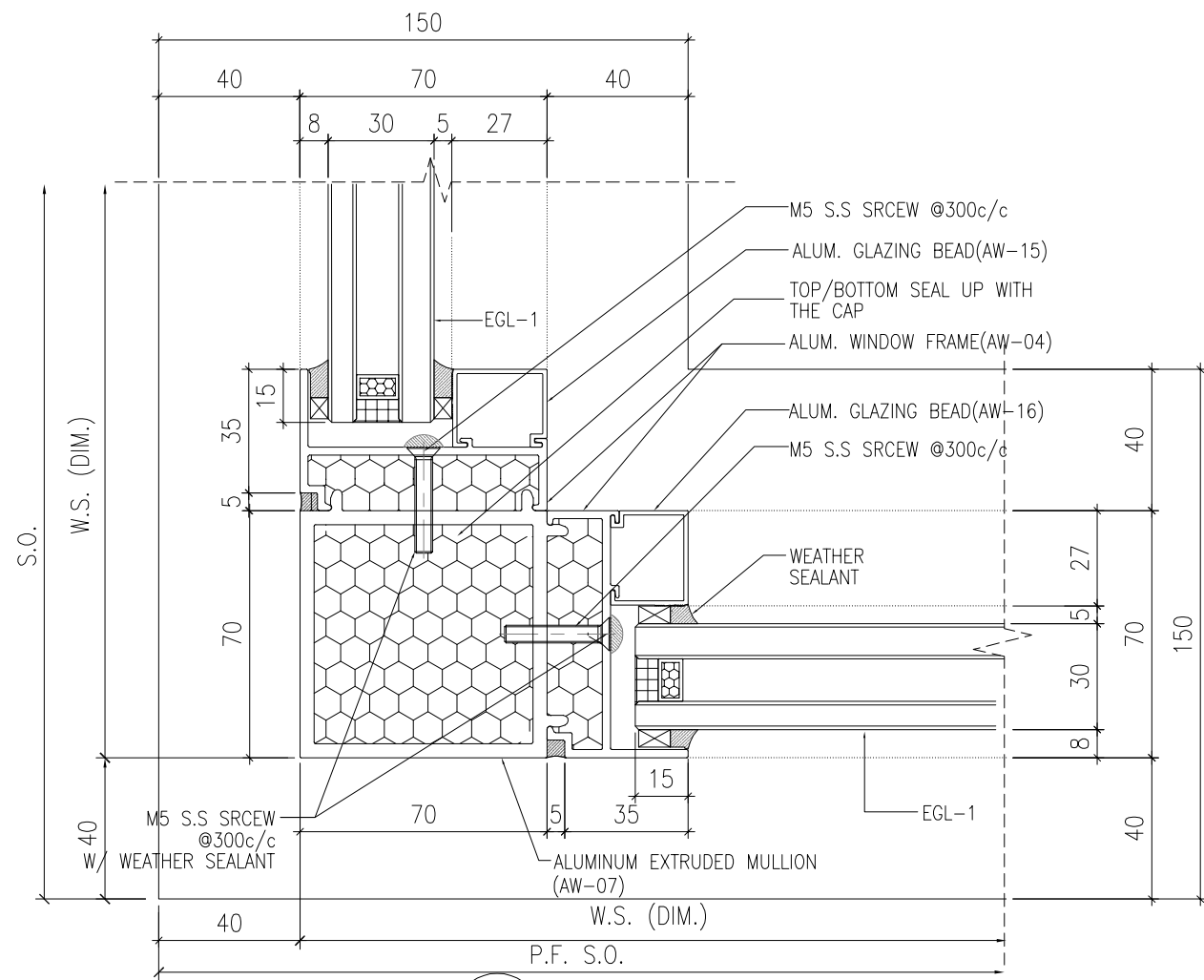
TITLE : TYPICAL DETAILS FOR SALES MOCK-UP (PRE-CAST FAÇADE WINDOW)

DATE : 16-JAN-23 SCALE : 1:2

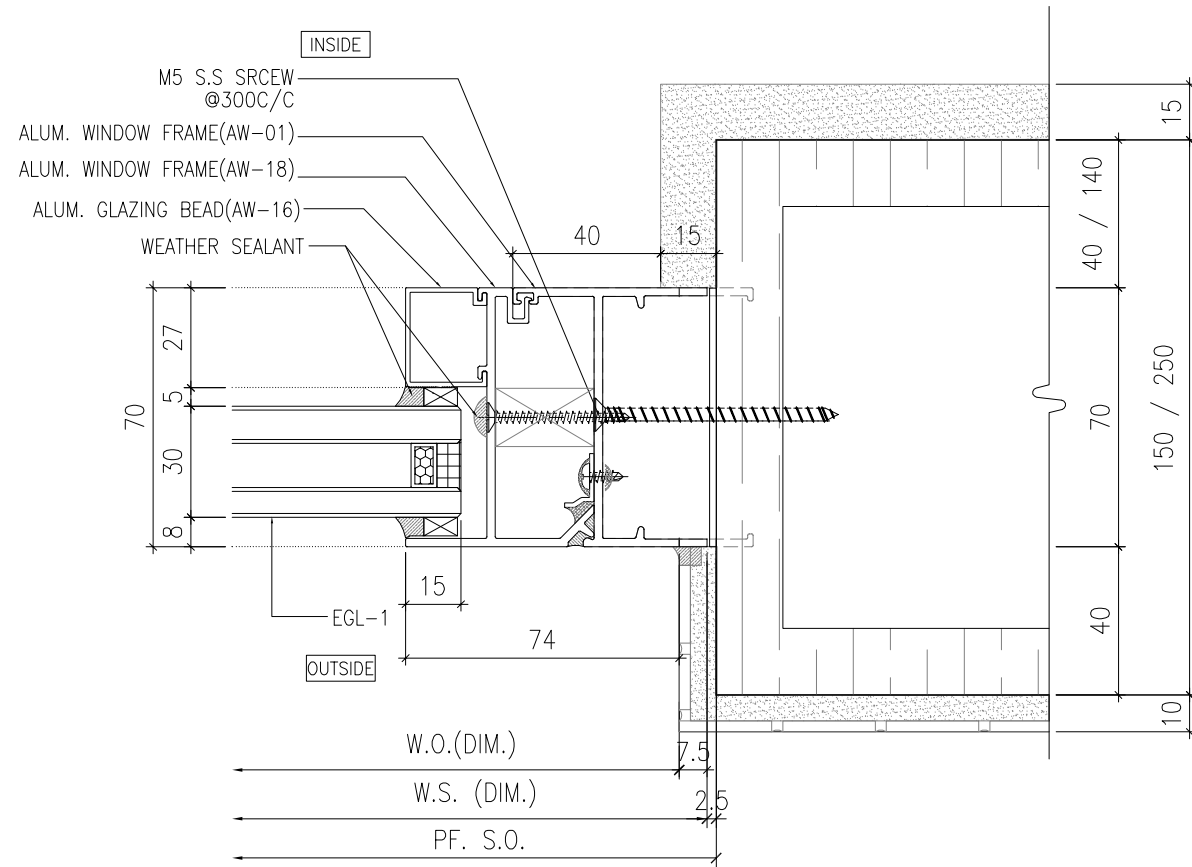
DRAWN BY : YI CHECKED BY :

MIDI ALUMINIUM FABRICATOR LTD.
Units 6-8, Sunray Industrial Centre, 1/F
610 Cha Kwo Ling Road, Kowloon
Tel:23489211-4 Fax:(852)2727666

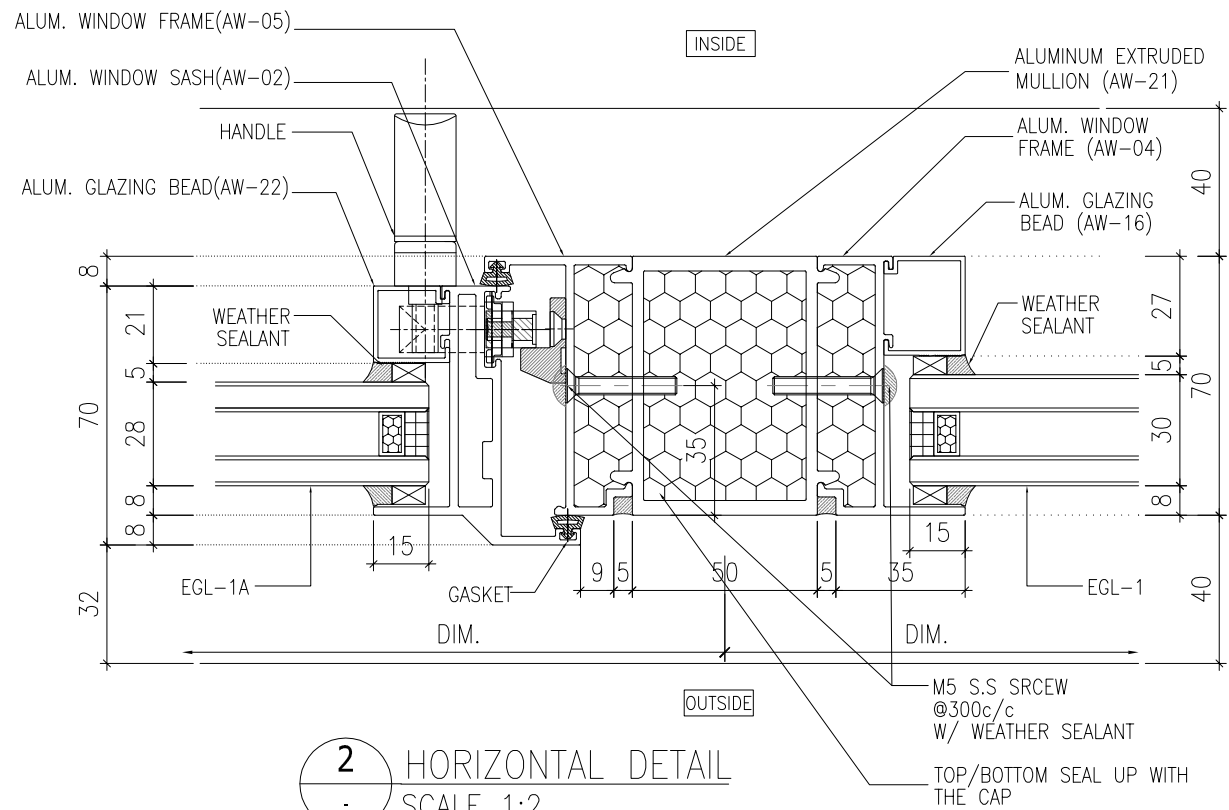
DWG NO. : J856-SD-IW-6104 REV. : -



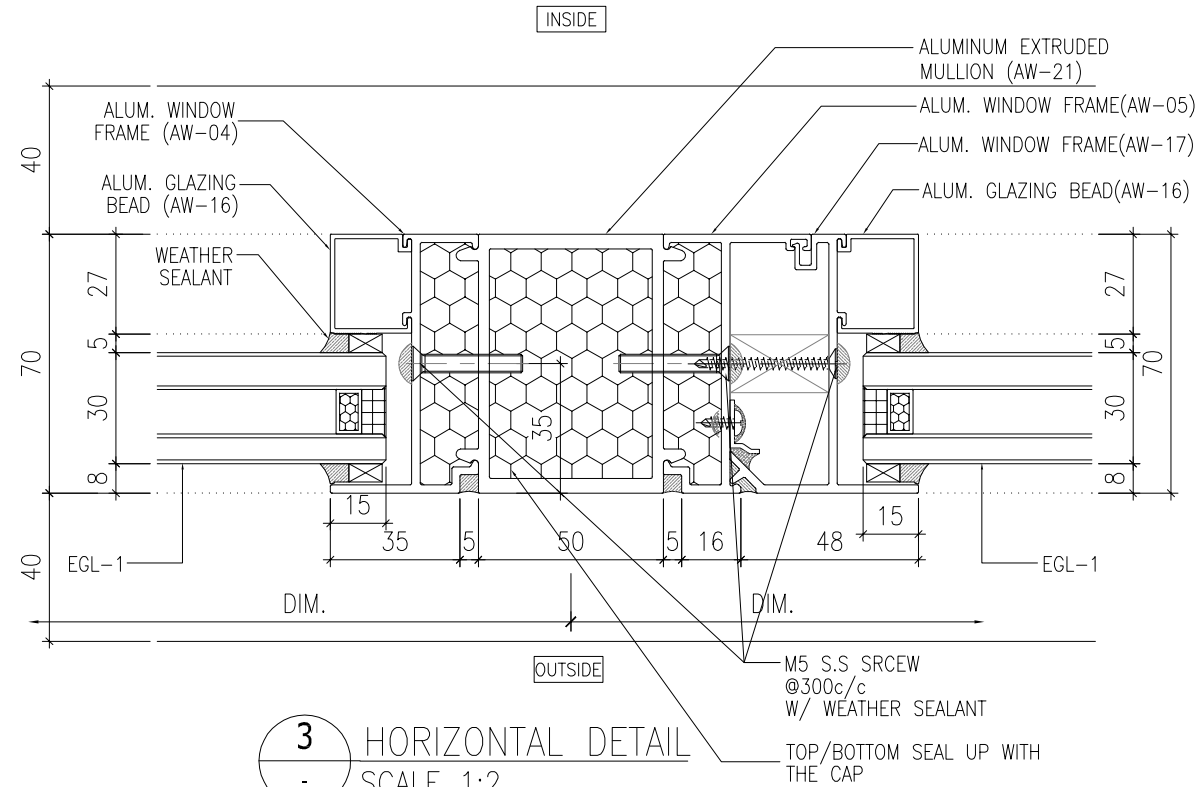
1 HORIZONTAL DETAIL
SCALE 1:2



2 HORIZONTAL DETAIL
SCALE 1:2



2 HORIZONTAL DETAIL
SCALE 1:2



3 HORIZONTAL DETAIL
SCALE 1:2

B.D. REF :
.....

CLIENT :
SUN HUNG KAI
REAL ESTATE AGENCY LTD.
42/F SUN HUNG KAI CENTRE, WANCHAI, HONGKONG

ARCHITECT :
lwk&partners
architects

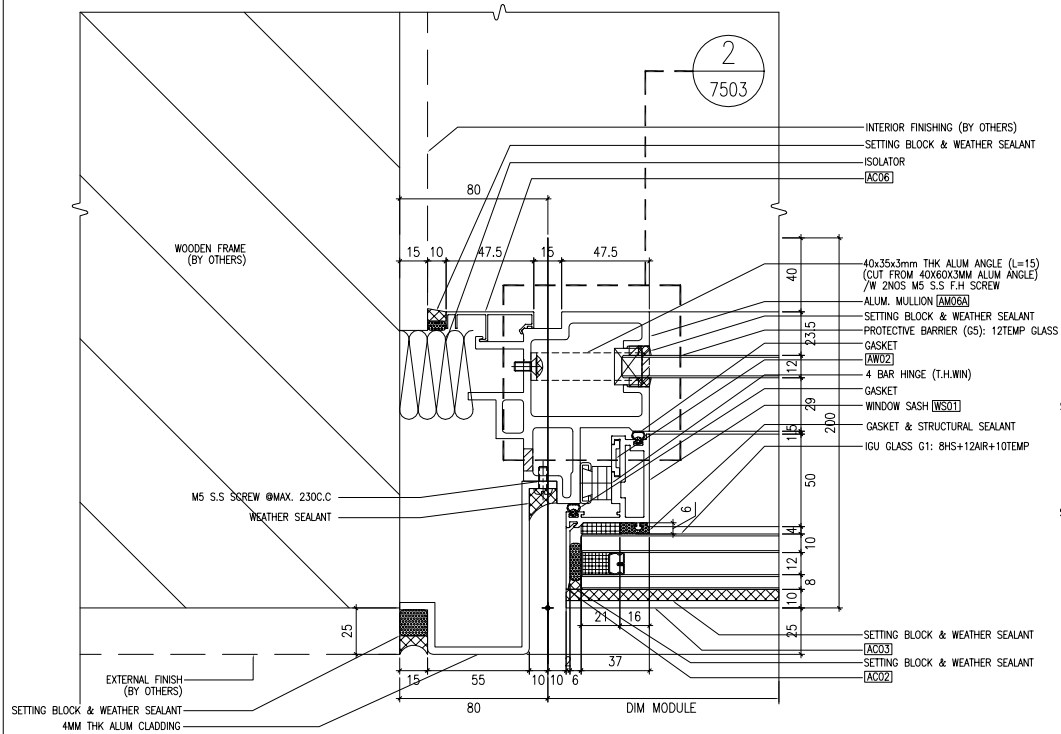
MAIN CONTRACTOR :
Yee Fai Building Contractors Ltd.

STRUCTURAL ENGINEER :
ARUP

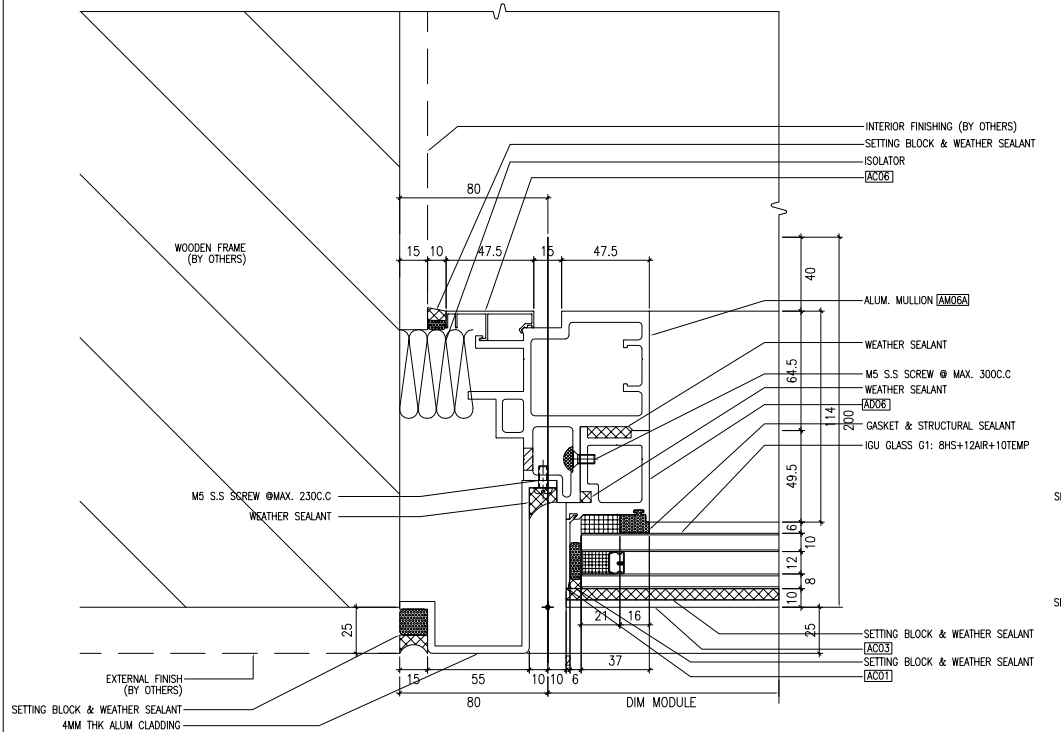
FAÇADE CONSULTANT:
ALPHA CONSULTING LIMITED
Steel Structure & Façade Specialist

- NOTE :
- ALL DIMENSIONS ARE IN mm.
 - ALL ELEVATIONS ARE VIEWED FROM OUTSIDE.
 - ALL DIMENSIONS TO BE VERIFIED ON SITE BEFORE FABRICATION.
- LEGEND :
- X1 - DETAIL MARK NO.
X001 - REFER SHEET NO.
- F.F.L. -- FINISHED FLOOR LEVEL
 - S.F.L. -- STRUCTURAL FLOOR LEVEL
 - R -- REVERSED DETAIL
 - GLASS LEGEND
EGL-1--8mmHS+12mm AIR GAP+10mmTP THK. I.G.U.
EGL-1A--8mmHS+12mm AIR GAP+8mmTP THK. I.G.U.
EGL-2--10mm THK. CLEAR TEMPERED GLASS
EGL-4--10mm THK. TEMPERED ACID ETCHED GLASS

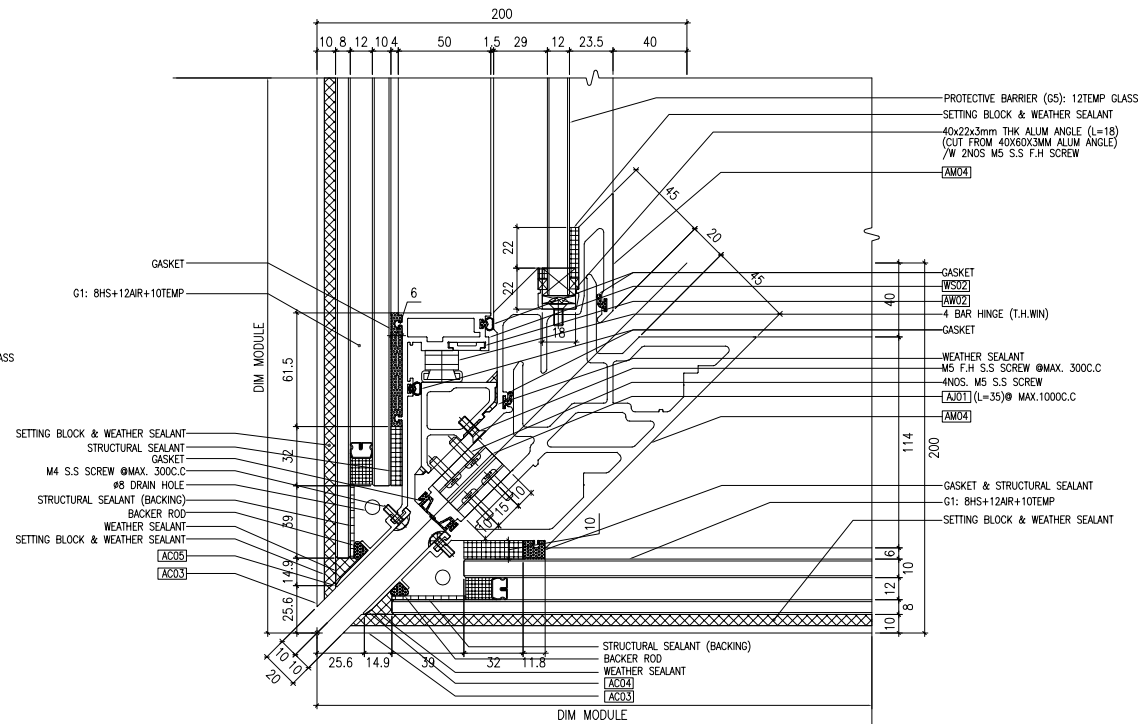
NO.	DATE	REVISED	BY
JOB NO. :	J-856		
PROJECT :	PROPOSED DEVELOPMENT ABOVE LIGHT RAIL TIN WING STOP, TSWTL NO.23, AREA 33, TIN SHUI WAI, N.T.		
TITLE :	TYPICAL DETAILS FOR SALES MOCK-UP (PRE-CAST FAÇADE WINDOW)		
DATE :	16-JAN-23	SCALE :	1:2
DRAWN BY :	YI	CHECKED BY :	
<p>美特鋁質有限公司 MIDI ALUMINIUM FABRICATOR LTD. Units 6-8, Sunray Industrial Centre, 1/F 610 Cha Kwo Ling Road, Kowloon Tel:23489211-4 Fax:(852)27727666</p>			
DWG NO. :	J856-SD-IW-6105	REV. :	-



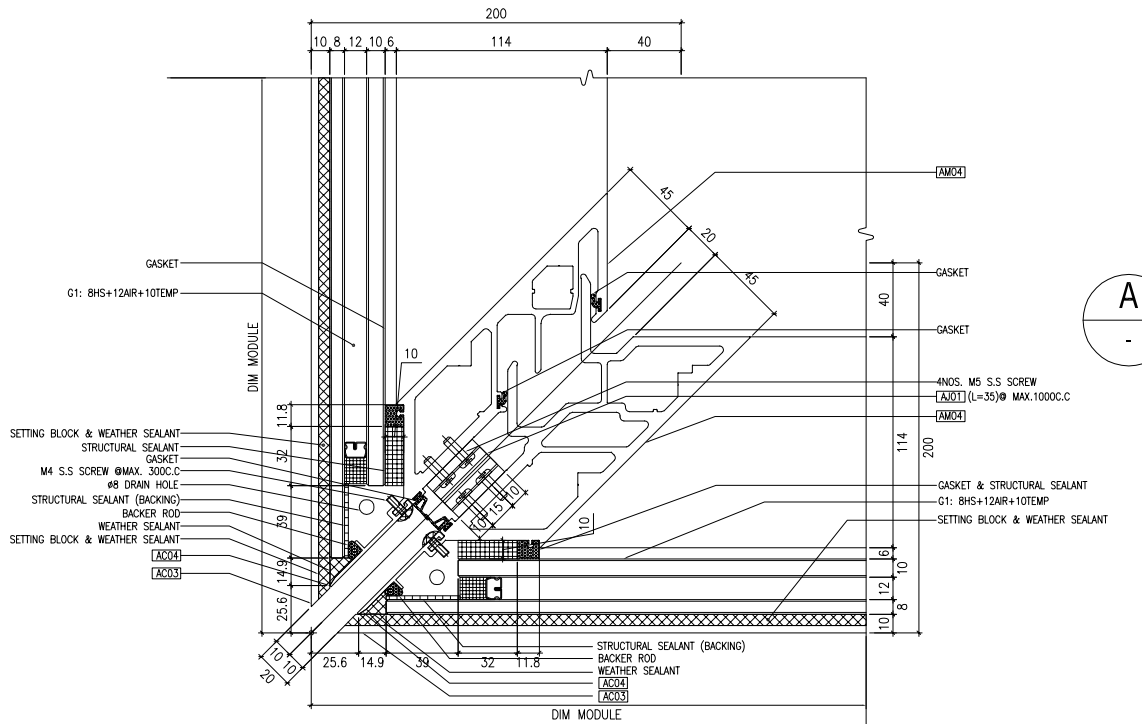
1 HORIZONTAL DETAIL
SCALE 1:4



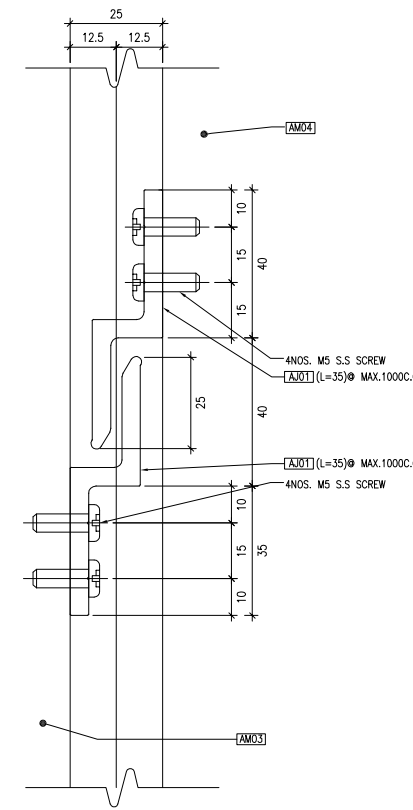
2 HORIZONTAL DETAIL
SCALE 1:4



3 HORIZONTAL DETAIL
SCALE 1:4



4 HORIZONTAL DETAIL
SCALE 1:4



A SECTION DETAIL
SCALE NTS

B.D. REF :
.....

CLIENT :
SUN HUNG KAI
REAL ESTATE AGENCY LTD.
42/F SUN HUNG KAI CENTRE, WANCHAI, HONGKONG

ARCHITECT :
IWK&partners
architects

MAIN CONTRACTOR :
Yee Fai 怡輝建築有限公司
Building Contractors Ltd.

STRUCTURAL ENGINEER :
ARUP

FAÇADE CONSULTANT:
ALPHA CONSULTING LIMITED
Steel Structure & Façade Specialist

NOTE :
1. ALL DIMENSIONS ARE IN mm.
2. ALL ELEVATIONS ARE VIEWED FROM OUTSIDE.
3. ALL DIMENSIONS TO BE VERIFIED ON SITE BEFORE FABRICATION.

LEGEND :
X1 - DETAIL MARK NO.
X001 - REFER SHEET NO.

1. F.F.L. -- FINISHED FLOOR LEVEL
2. S.F.L. -- STRUCTURAL FLOOR LEVEL
3. (R) -- REVERSED DETAIL

NO.	DATE	REVISED	BY

JOB NO. : J-856

PROJECT : PROPOSED DEVELOPMENT ABOVE LIGHT RAIL TIN WING STOP, TSWTL NO.23, AREA 33, TIN SHUI WAI, N.T.

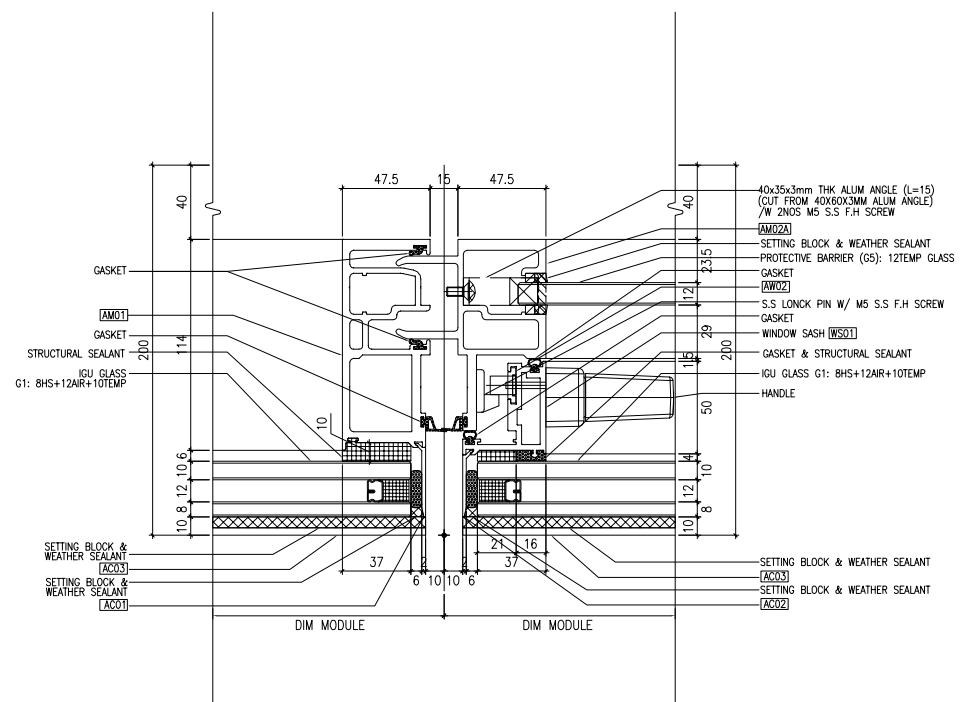
TITLE : TYPICAL DETAILS FOR SALES MOCK-UP (CURTAIN WALL)

DATE : 20-JAN-23 SCALE : 1:4

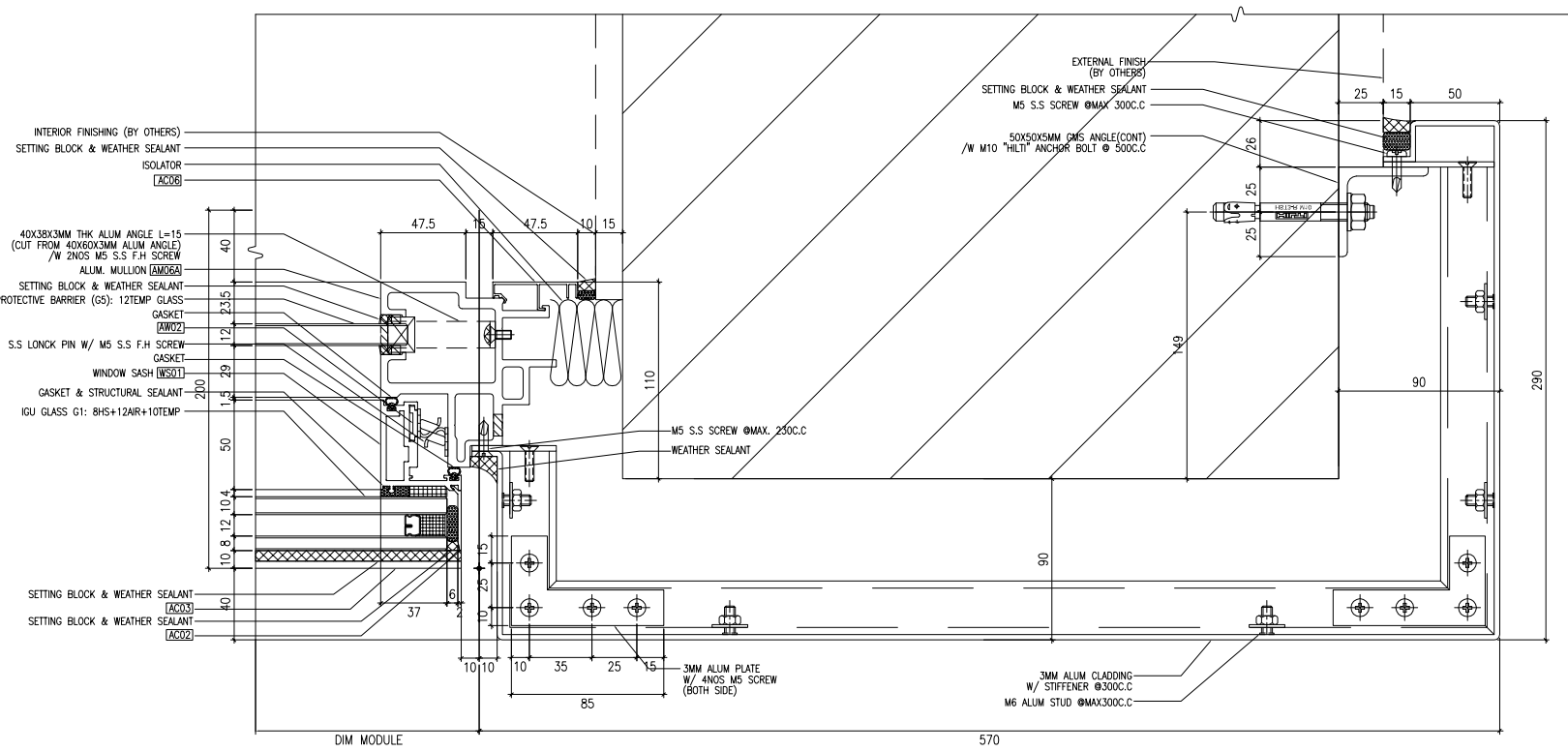
DRAWN BY : CF CHECKED BY :

MIDI 美特鋁質有限公司
ALUMINIUM FABRICATOR LTD.
Units 6-8, Sunray Industrial Centre, 1/F
610 Cha Kwo Ling Road, Kowloon
Tel: 23489211-4 Fax: (852) 2727666

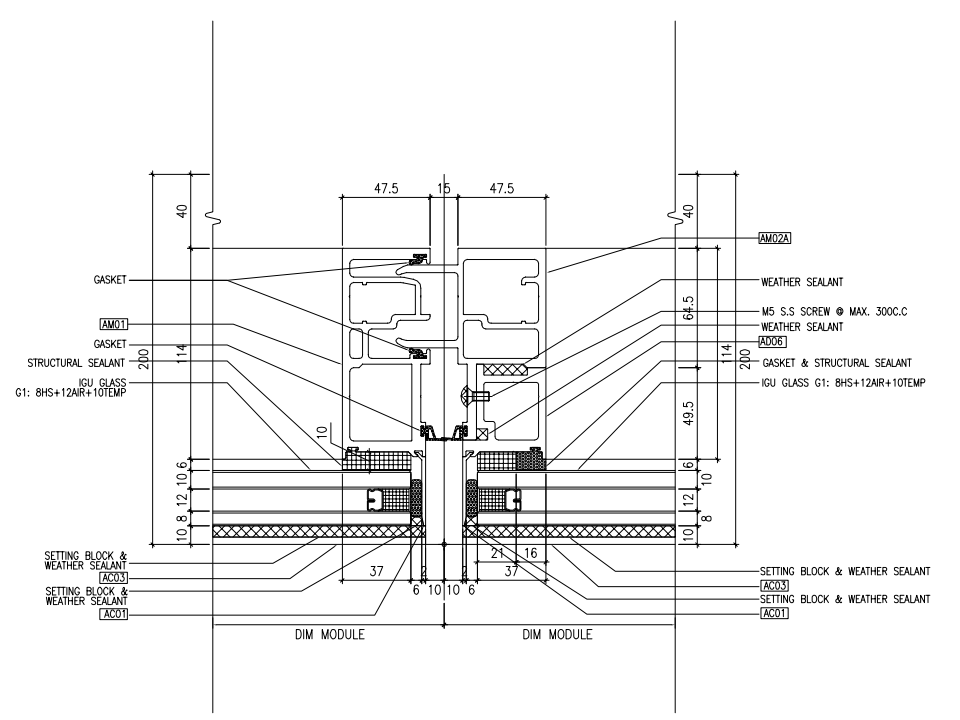
DWG NO. : J856-SD-MU-6501 REV. : -



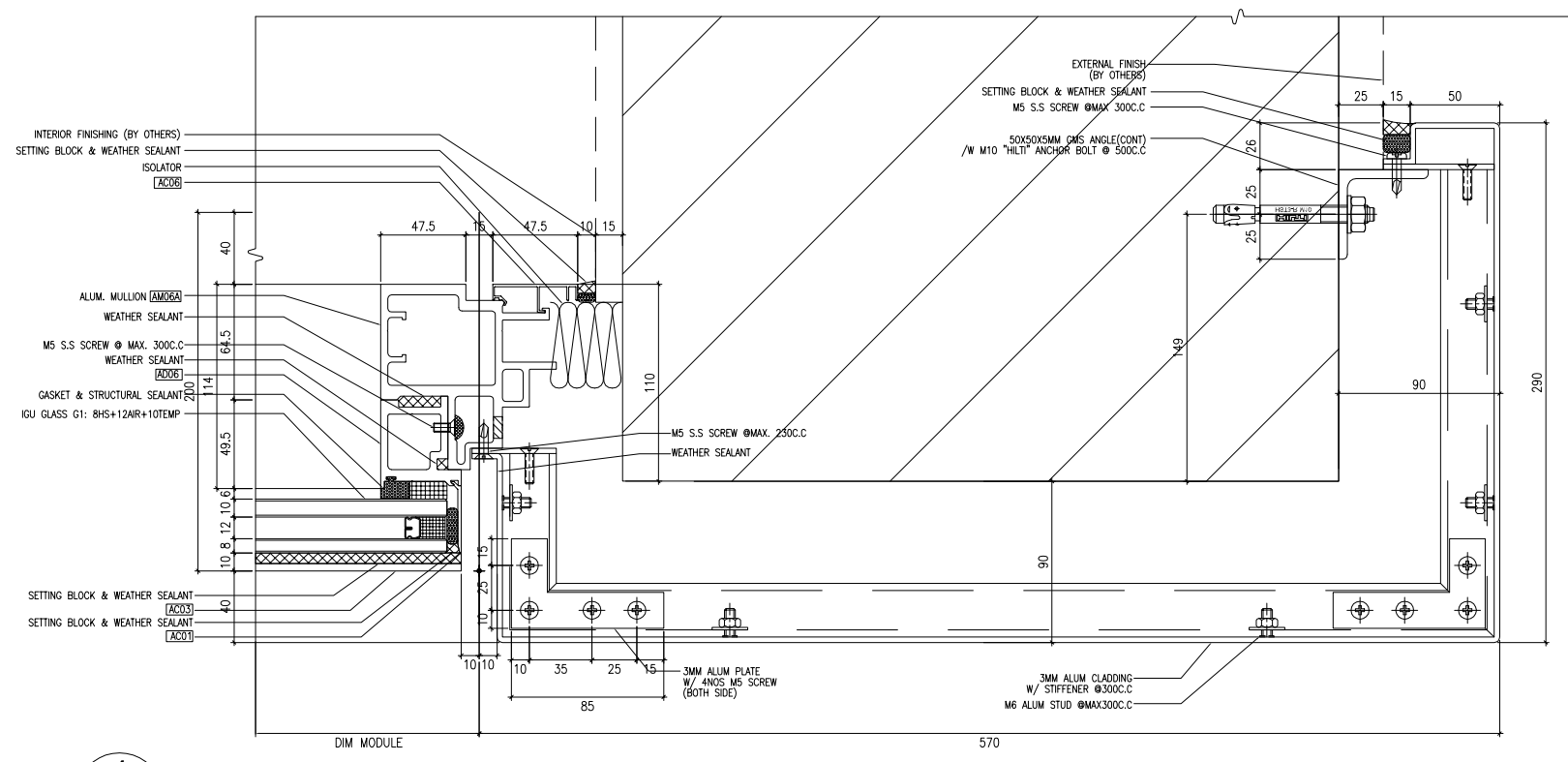
1 HORIZONTAL DETAIL
SCALE 1:4



3 HORIZONTAL DETAIL
SCALE 1:4



2 HORIZONTAL DETAIL
SCALE 1:4



4 HORIZONTAL DETAIL
SCALE 1:4

B.D. REF :
.....

CLIENT :
SUN HUNG KAI
REAL ESTATE AGENCY LTD.
42/F SUN HUNG KAI CENTRE, WANCHAI, HONGKONG

ARCHITECT :
lwk&partners
architects

MAIN CONTRACTOR :
Yee Fai 怡輝建築有限公司
Building Contractors Ltd.

STRUCTURAL ENGINEER :
ARUP

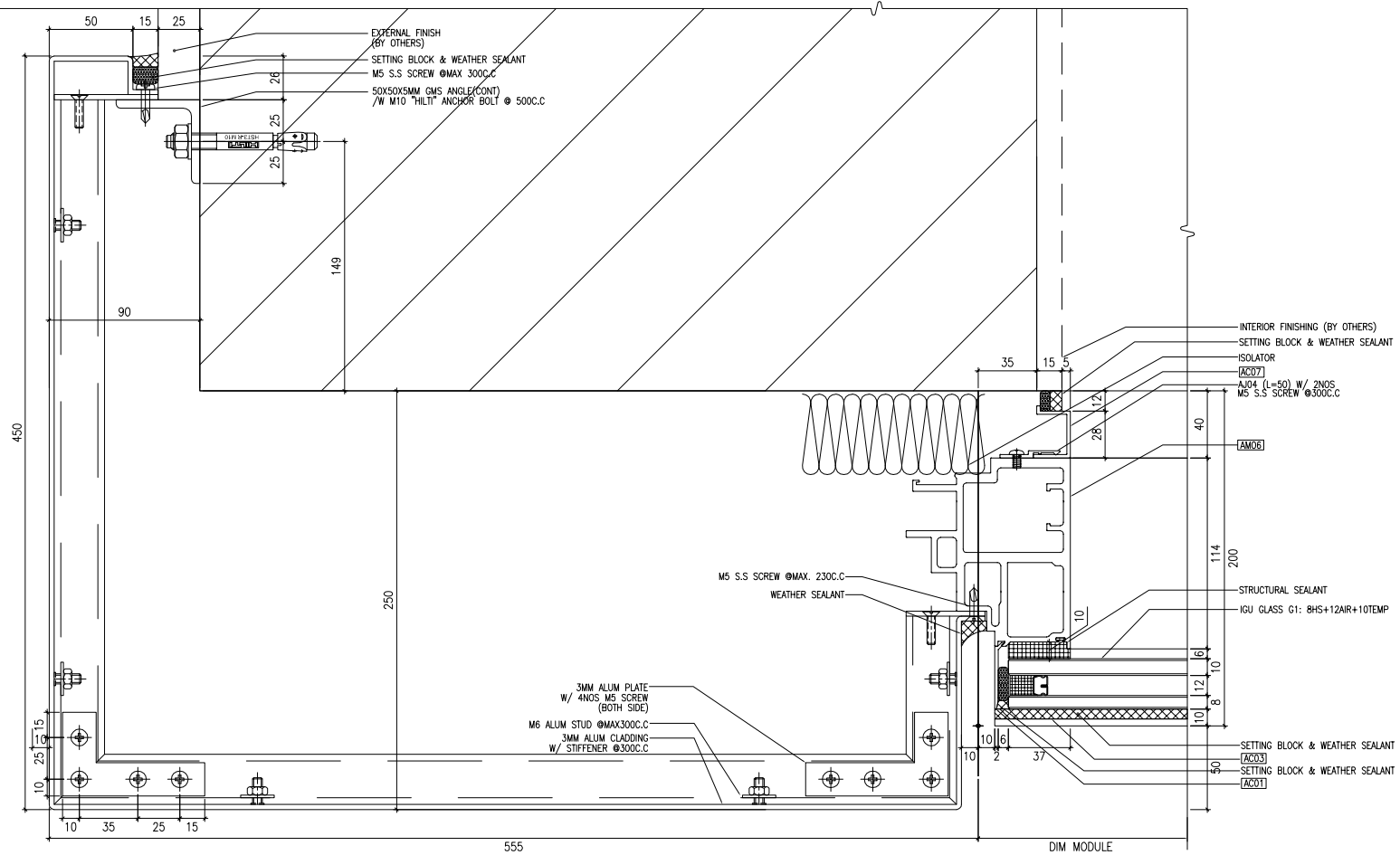
FAÇADE CONSULTANT:
ALPHA CONSULTING LIMITED
Steel Structure & Façade Specialist

NOTE :
1. ALL DIMENSIONS ARE IN mm.
2. ALL ELEVATIONS ARE VIEWED FROM OUTSIDE.
3. ALL DIMENSIONS TO BE VERIFIED ON SITE BEFORE FABRICATION.

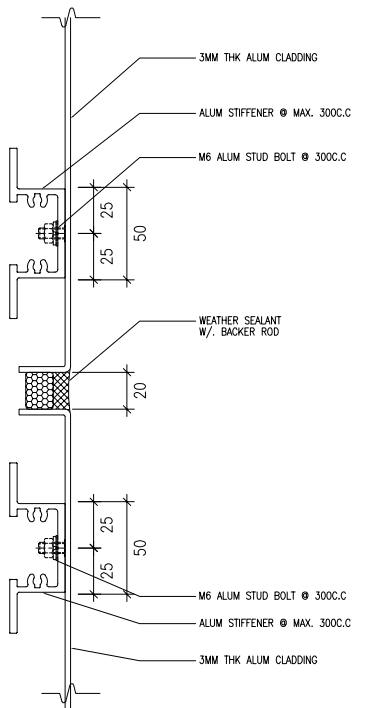
LEGEND :
X1 --- DETAIL MARK NO.
X001 --- REFER SHEET NO.

1. F.F.L. --- FINISHED FLOOR LEVEL
2. S.F.L. --- STRUCTURAL FLOOR LEVEL
3. (R) --- REVERSED DETAIL

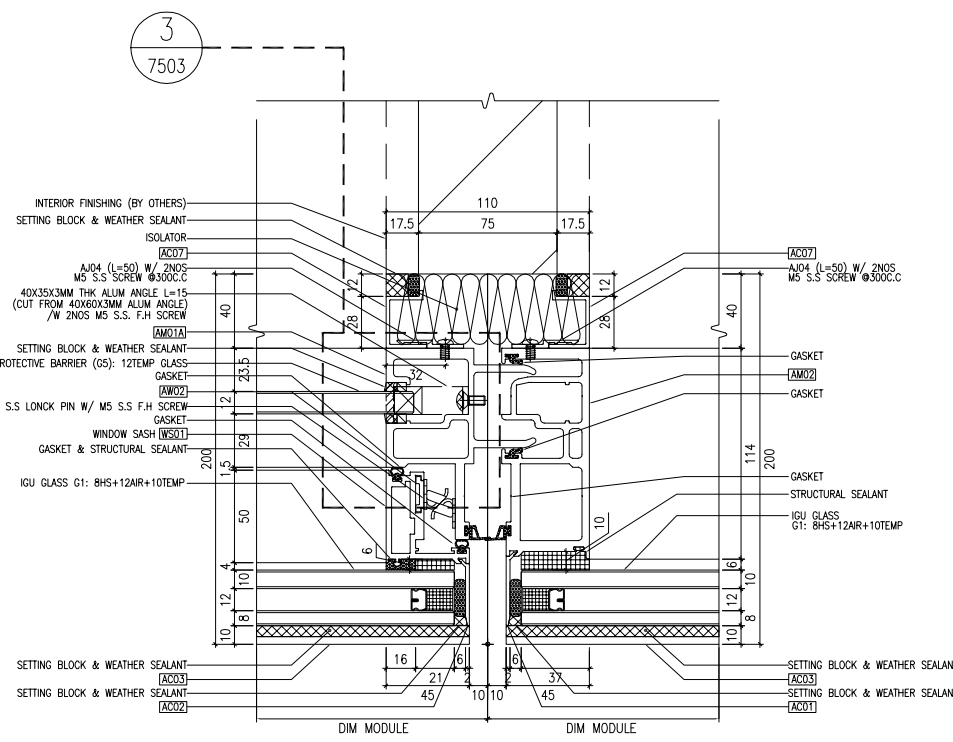
NO.	DATE	REVISED	BY
JOB NO. : J-856			
PROJECT : PROPOSED DEVELOPMENT ABOVE LIGHT RAIL TIN WING STOP, TSWL NO.23, AREA 33, TIN SHUI WAI, N.T.			
TITLE : TYPICAL DETAILS FOR SALES MOCK-UP (CURTAIN WALL)			
DATE : 20-JAN-23		SCALE : 1:4	
DRAWN BY : CF		CHECKED BY :	
美特鋁質有限公司 MIDI ALUMINIUM FABRICATOR LTD. Units 6-8, Sunray Industrial Centre, 1/F 610 Cha Kwo Ling Road, Kowloon Tel: 23489211-4 Fax: (852) 2727666			
DWG NO. : J856-SD-MU-6502			REV. : -



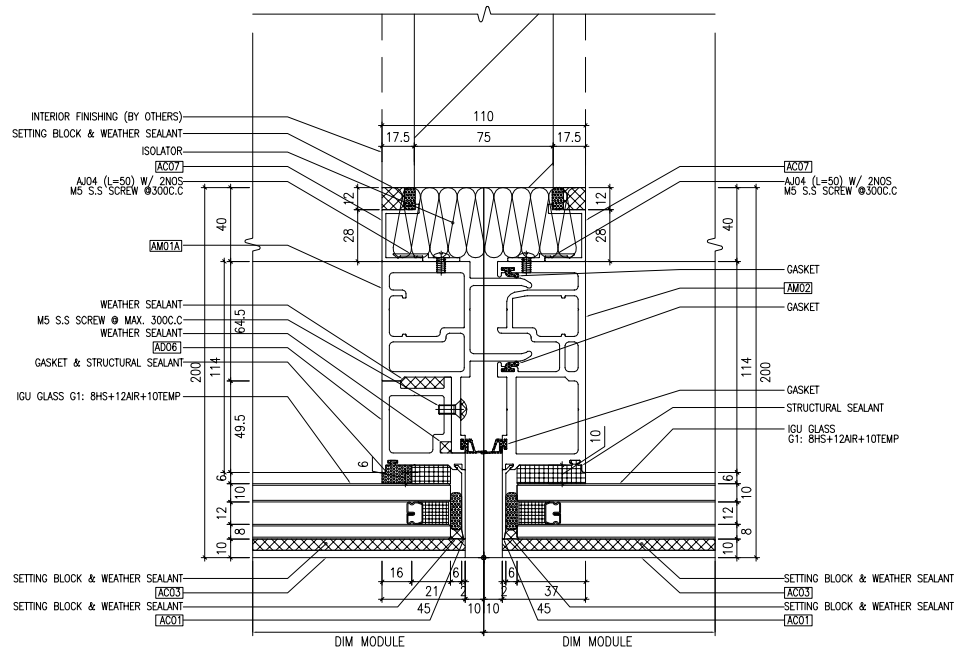
1 HORIZONTAL DETAIL
 SCALE 1:4



2 TYPICAL SECTION OF CLADDING JOINT
 NTS



3 HORIZONTAL DETAIL
 SCALE 1:4



4 HORIZONTAL DETAIL
 SCALE 1:4

B.D. REF :

CLIENT :
SUN HUNG KAI
 REAL ESTATE AGENCY LTD.
 42/F SUN HUNG KAI CENTRE, WANCHAI, HONGKONG

ARCHITECT :
lwk&partners
 architects

MAIN CONTRACTOR :
怡輝建築有限公司
Yee Fai Building Contractors Ltd.

STRUCTURAL ENGINEER :
ARUP

FAÇADE CONSULTANT:
ALPHA CONSULTING LIMITED
 Steel Structure & Façade Specialist

NOTE :
 1. ALL DIMENSIONS ARE IN mm.
 2. ALL ELEVATIONS ARE VIEWED FROM OUTSIDE.
 3. ALL DIMENSIONS TO BE VERIFIED ON SITE BEFORE FABRICATION.

LEGEND :
 X1 — DETAIL MARK NO.
 X001 — REFER SHEET NO.
 1. F.F.L. — FINISHED FLOOR LEVEL
 2. S.F.L. — STRUCTURAL FLOOR LEVEL
 3. (R) — REVERSED DETAIL

NO.	DATE	REVISED	BY

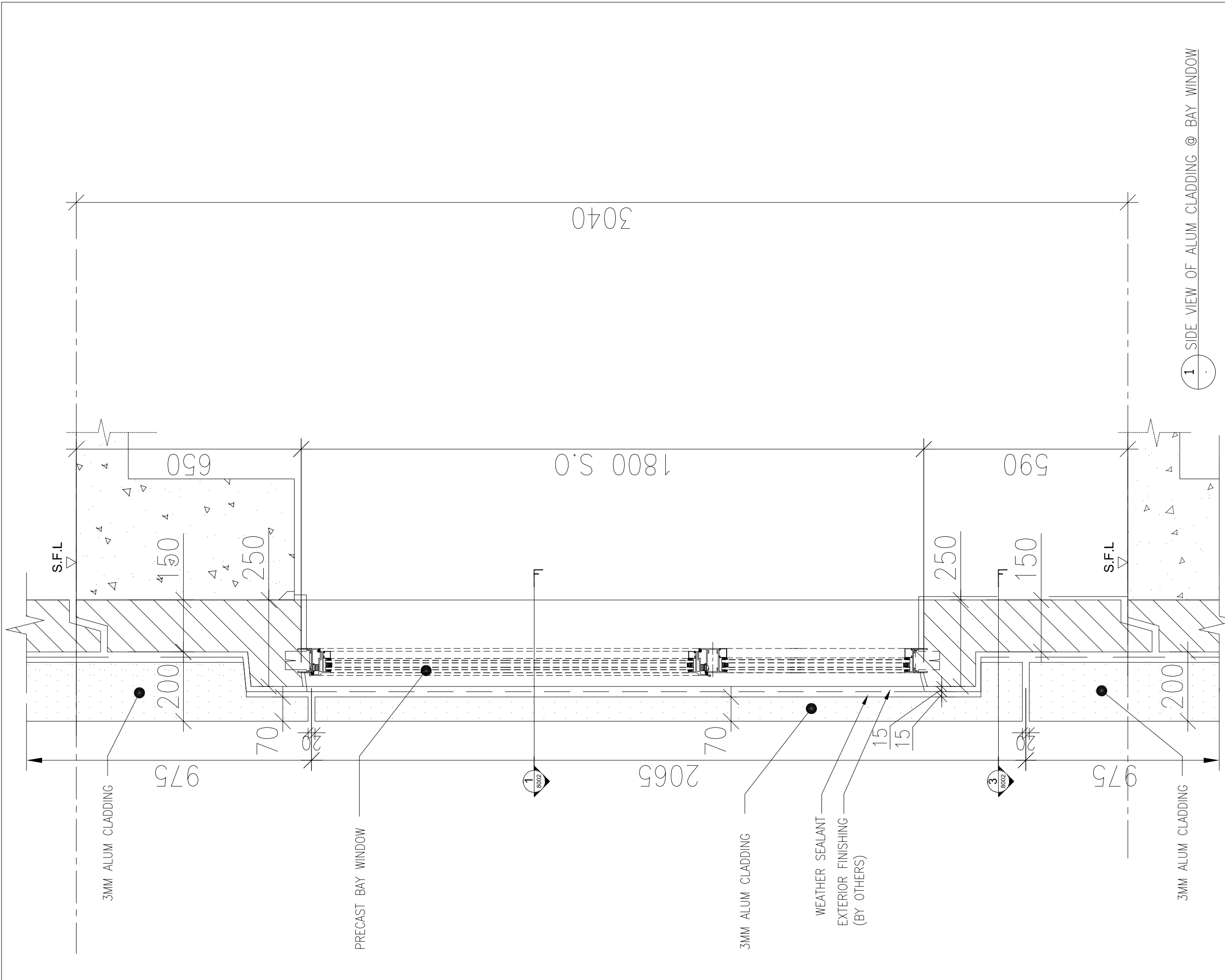
JOB NO. : J-856
 PROJECT : PROPOSED DEVELOPMENT ABOVE LIGHT RAIL TIN WING STOP, TSWTL NO.23, AREA 33, TIN SHUI WAI, N.T.

TITLE : TYPICAL DETAILS FOR SALES MOCK-UP (CURTAIN WALL)

DATE : 20-JAN-23 SCALE : 1:4
 DRAWN BY : CF CHECKED BY :

美特鋁質有限公司
MIDI ALUMINIUM FABRICATOR LTD.
 Units 6-8, Sunray Industrial Centre, 1/F
 610 Cha Kwo Ling Road, Kowloon
 Tel: 23489211-4 Fax: (852) 2727666

DWG NO. : J856-SD-MU-6503 REV. : -



1 SIDE VIEW OF ALUM CLADDING @ BAY WINDOW

B.D. REF :
 CLIENT :

SUN HUNG KAI
 REAL ESTATE AGENCY LTD.
 42/F SUN HUNG KAI CENTRE, WANCHAI, HONGKONG

ARCHITECT :
lwk&partners
 architects

MAIN CONTRACTOR :
Yee Fai Building Contractors Ltd.

STRUCTURAL ENGINEER :
ARUP

FACADE CONSULTANT:
ALPHA CONSULTING LIMITED
 Steel Structure & Facade Specialist

NOTE :
 1. ALL DIMENSIONS ARE IN mm.
 2. ALL ELEVATIONS ARE VIEWED FROM OUTSIDE.
 3. ALL DIMENSIONS TO BE VERIFIED ON SITE BEFORE FABRICATION.

LEGEND :
 X1 — DETAIL MARK NO.
 X001 — REFER SHEET NO.
 1. F.F.L. -- FINISHED FLOOR LEVEL
 2. S.F.L. -- STRUCTURAL FLOOR LEVEL
 3. (R) -- REVERSED DETAIL

NO.	DATE	REVISED	BY

JOB NO. : J-856
 PROJECT : PROPOSED DEVELOPMENT ABOVE LIGHT RAIL TIN WING STOP, TSWTL NO.23, AREA 33, TIN SHUI WAI, N.T.

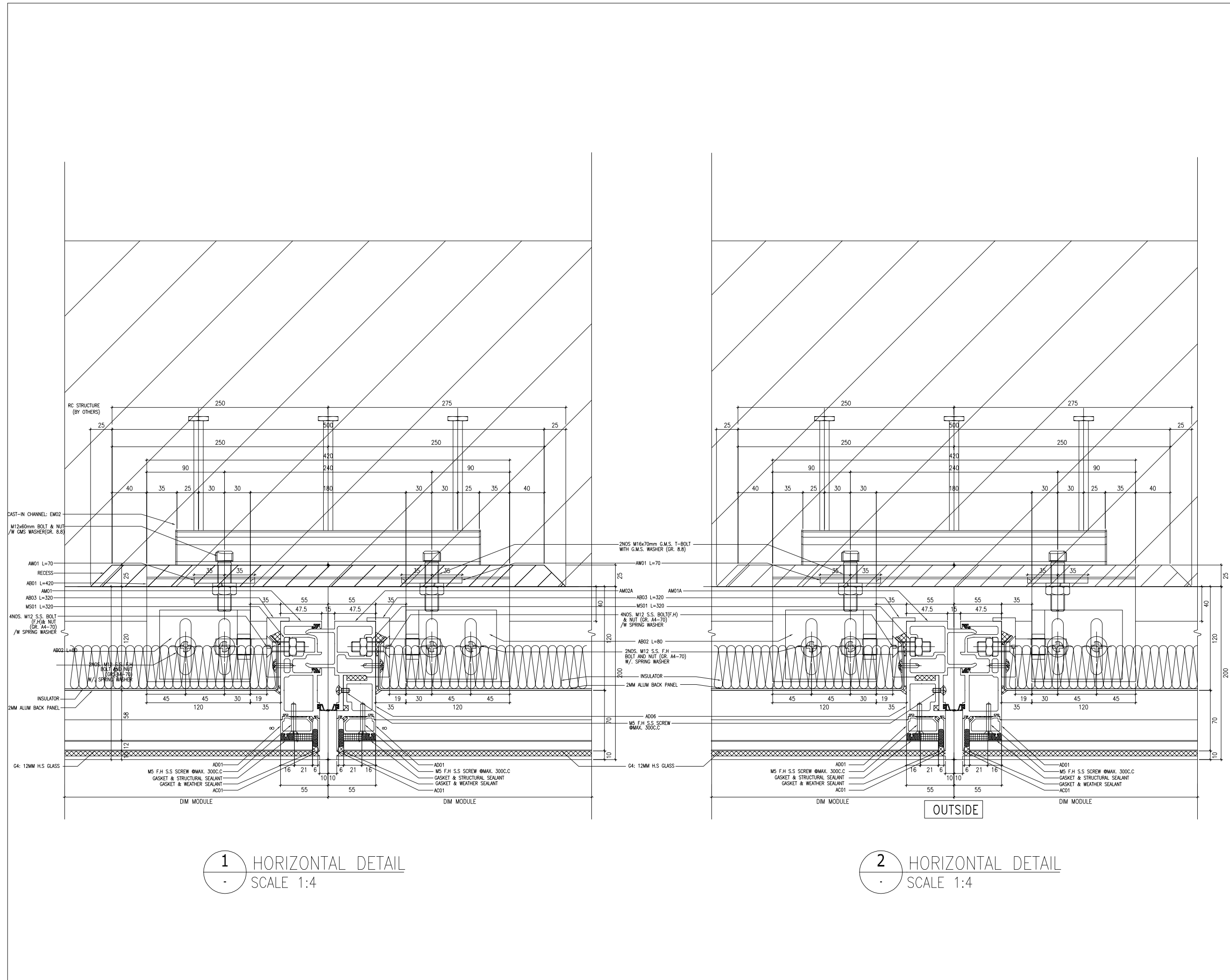
TITLE : TYPICAL DETAILS FOR SALES MOCK-UP (CURTAIN WALL)

DATE : 20-JAN-23 SCALE : 1:4

DRAWN BY : CF CHECKED BY :

MIDI 美特鋁質有限公司
 ALUMINIUM FABRICATOR LTD.
 Units 6-8, Sunray Industrial Centre, 1/F
 610 Cha Kwo Ling Road, Kowloon
 Tel:23489211-4 Fax:(852)2727666

DWG NO. : J856-SD-MU-6504A REV. : -



1 HORIZONTAL DETAIL
SCALE 1:4

2 HORIZONTAL DETAIL
SCALE 1:4

B.D. REF :
.....

CLIENT :
SUN HUNG KAI
REAL ESTATE AGENCY LTD.
42/F SUN HUNG KAI CENTRE, WANCHAI, HONGKONG

ARCHITECT :
lwk&partners
architects

MAIN CONTRACTOR :
Yee Fai Building Contractors Ltd.

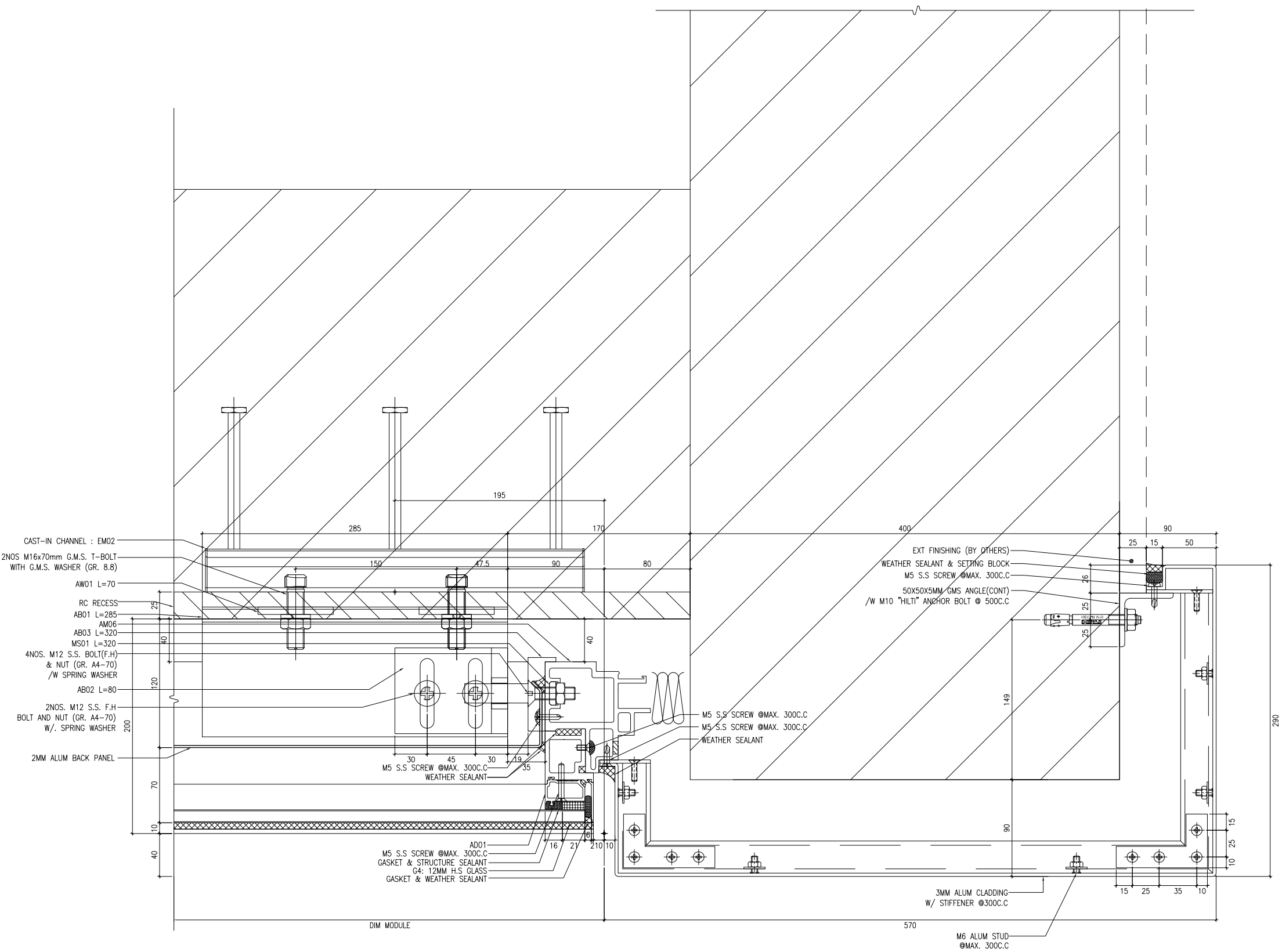
STRUCTURAL ENGINEER :
ARUP

FAÇADE CONSULTANT:
ALPHA CONSULTING LIMITED
Steel Structure & Façade Specialist

NOTE :
1. ALL DIMENSIONS ARE IN mm.
2. ALL ELEVATIONS ARE VIEWED FROM OUTSIDE.
3. ALL DIMENSIONS TO BE VERIFIED ON SITE BEFORE FABRICATION.

LEGEND :
X1 --- DETAIL MARK NO.
X001 --- REFER SHEET NO.
1. F.F.L. --- FINISHED FLOOR LEVEL
2. S.F.L. --- STRUCTURAL FLOOR LEVEL
3. (R) --- REVERSED DETAIL

NO.	DATE	REVISED	BY
JOB NO. : J-856			
PROJECT : PROPOSED DEVELOPMENT ABOVE LIGHT RAIL TIN WING STOP, TSWTL NO.23, AREA 33, TIN SHUI WAI, N.T.			
TITLE : TYPICAL DETAILS FOR SALES MOCK-UP (CURTAIN WALL)			
DATE : 20-JAN-23		SCALE : 1:4	
DRAWN BY : CF		CHECKED BY :	
美特鋁質有限公司 MIDI ALUMINIUM FABRICATOR LTD. Units 6-8, Sunray Industrial Centre, 1/F 610 Cha Kwo Ling Road, Kowloon Tel:23489211-4 Fax:(852)2727666			
DWG NO. : J856-SD-MU-6506			REV. : -



CAST-IN CHANNEL : EM02
 2NOS M16x70mm G.M.S. T-BOLT WITH G.M.S. WASHER (GR. 8.8)
 AW01 L=70
 RC RECESS
 AB01 L=285
 AM06
 AB03 L=320
 MS01 L=320
 4NOS. M12 S.S. BOLT(F.H) & NUT (GR. A4-70) /W SPRING WASHER
 AB02 L=80
 2NOS. M12 S.S. F.H BOLT AND NUT (GR. A4-70) W/. SPRING WASHER
 2MM ALUM BACK PANEL

EXT FINISHING (BY OTHERS)
 WEATHER SEALANT & SETTING BLOCK
 M5 S.S. SCREW @MAX. 300C.C
 50X50X5MM GMS ANGLE(CONT) /W M10 "HILT" ANCHOR BOLT @ 500C.C

M5 S.S. SCREW @MAX. 300C.C
 M5 S.S. SCREW @MAX. 300C.C
 WEATHER SEALANT
 ADD01
 M5 S.S. SCREW @MAX. 300C.C
 GASKET & STRUCTURE SEALANT
 G4: 12MM H.S GLASS
 GASKET & WEATHER SEALANT

3MM ALUM CLADDING W/ STIFFENER @300C.C
 M6 ALUM STUD @MAX. 300C.C

B.D. REF :

CLIENT :

 SUN HUNG KAI REAL ESTATE AGENCY LTD.
 42/F SUN HUNG KAI CENTRE, WANCHAI, HONGKONG

ARCHITECT :

 Iwk&partners architects

MAIN CONTRACTOR :

 怡輝建築有限公司
 Yee Fai Building Contractors Ltd.

STRUCTURAL ENGINEER :

 ARUP

FACADE CONSULTANT:

 ALPHA CONSULTING LIMITED
 Steel Structure & Facade Specialist

NOTE :
 1. ALL DIMENSIONS ARE IN mm.
 2. ALL ELEVATIONS ARE VIEWED FROM OUTSIDE.
 3. ALL DIMENSIONS TO BE VERIFIED ON SITE BEFORE FABRICATION.

LEGEND :
 X1 — DETAIL MARK NO.
 X001 — REFER SHEET NO.
 1. F.F.L. -- FINISHED FLOOR LEVEL
 2. S.F.L. -- STRUCTURAL FLOOR LEVEL
 3. (R) -- REVERSED DETAIL

NO.	DATE	REVISED	BY

JOB NO. : J-856
 PROJECT : PROPOSED DEVELOPMENT ABOVE LIGHT RAIL TIN WING STOP, TSWTL NO.23, AREA 33, TIN SHUI WAI, N.T.

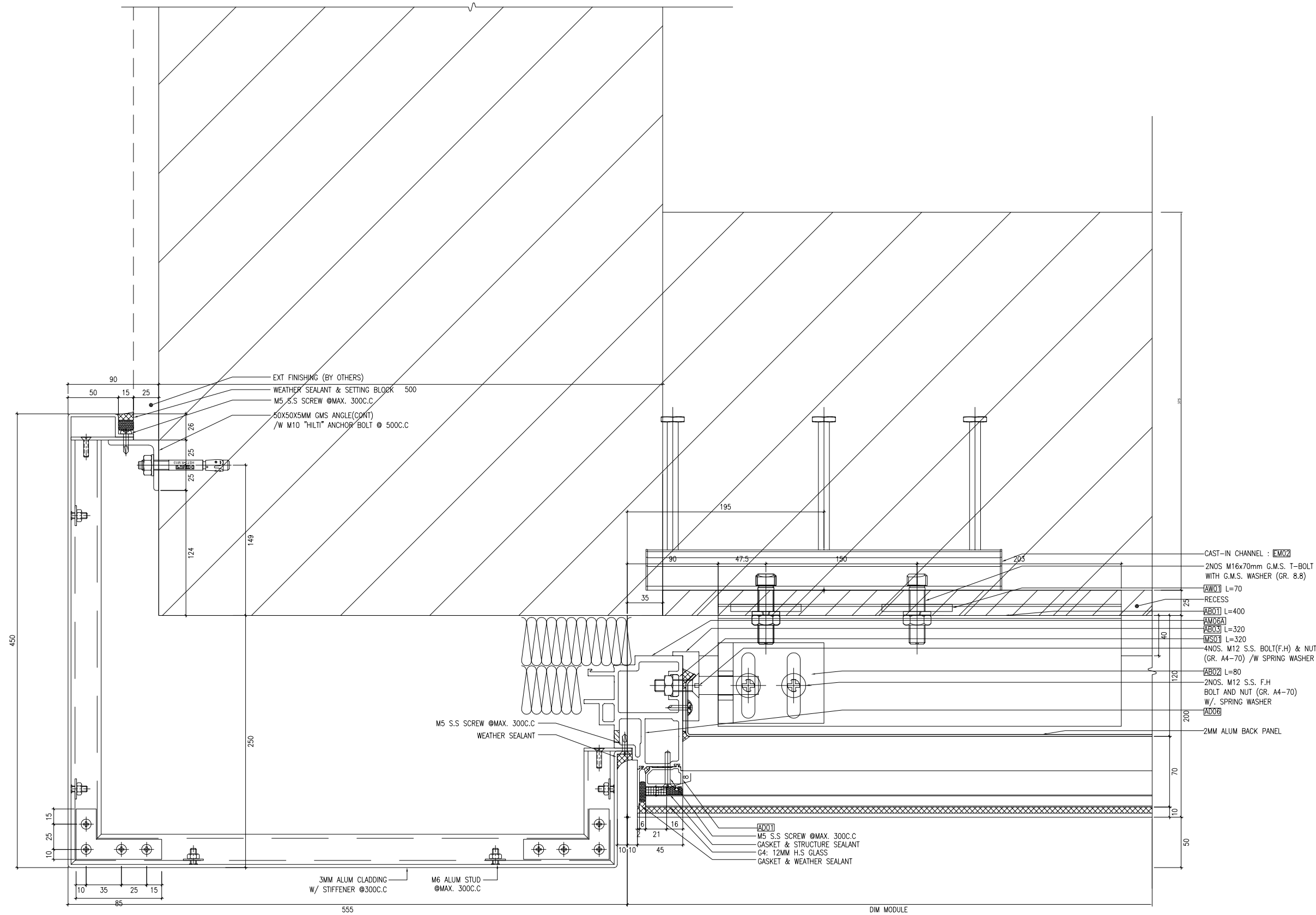
TITLE : TYPICAL DETAILS FOR SALES MOCK-UP (CURTAIN WALL)

DATE : 20-JAN-23 SCALE : 1:4

DRAWN BY : CF CHECKED BY :

MIDI ALUMINIUM FABRICATOR LTD.
 Units 6-8, Sunray Industrial Centre, 1/F
 610 Cha Kwo Ling Road, Kowloon
 Tel:23489211-4 Fax:(852)2727666

DWG NO. : J856-SD-MU-6507 REV. : -



1 HORIZONTAL DETAIL
SCALE 1:4

B.D. REF :

CLIENT :

 SUN HUNG KAI
 REAL ESTATE AGENCY LTD.
 42/F SUN HUNG KAI CENTRE, WANCHAI, HONGKONG

ARCHITECT :

 Iwk&partners
 architects

MAIN CONTRACTOR :

 怡輝建築有限公司
 Yee Fai Building Contractors Ltd.

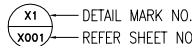
STRUCTURAL ENGINEER :

 ARUP

FAÇADE CONSULTANT:

 ALPHA CONSULTING LIMITED
 Steel Structure & Façade Specialist

NOTE :
 1. ALL DIMENSIONS ARE IN mm.
 2. ALL ELEVATIONS ARE VIEWED FROM OUTSIDE.
 3. ALL DIMENSIONS TO BE VERIFIED ON SITE BEFORE FABRICATION.

LEGEND :

 X1 --- DETAIL MARK NO.
 X001 --- REFER SHEET NO.

1. F.F.L. --- FINISHED FLOOR LEVEL
 2. S.F.L. --- STRUCTURAL FLOOR LEVEL
 3. (R) --- REVERSED DETAIL

NO.	DATE	REVISED	BY

JOB NO. : J-856
 PROJECT : PROPOSED DEVELOPMENT ABOVE LIGHT RAIL TIN WING STOP, TSWTL NO.23, AREA 33, TIN SHUI WAI, N.T.

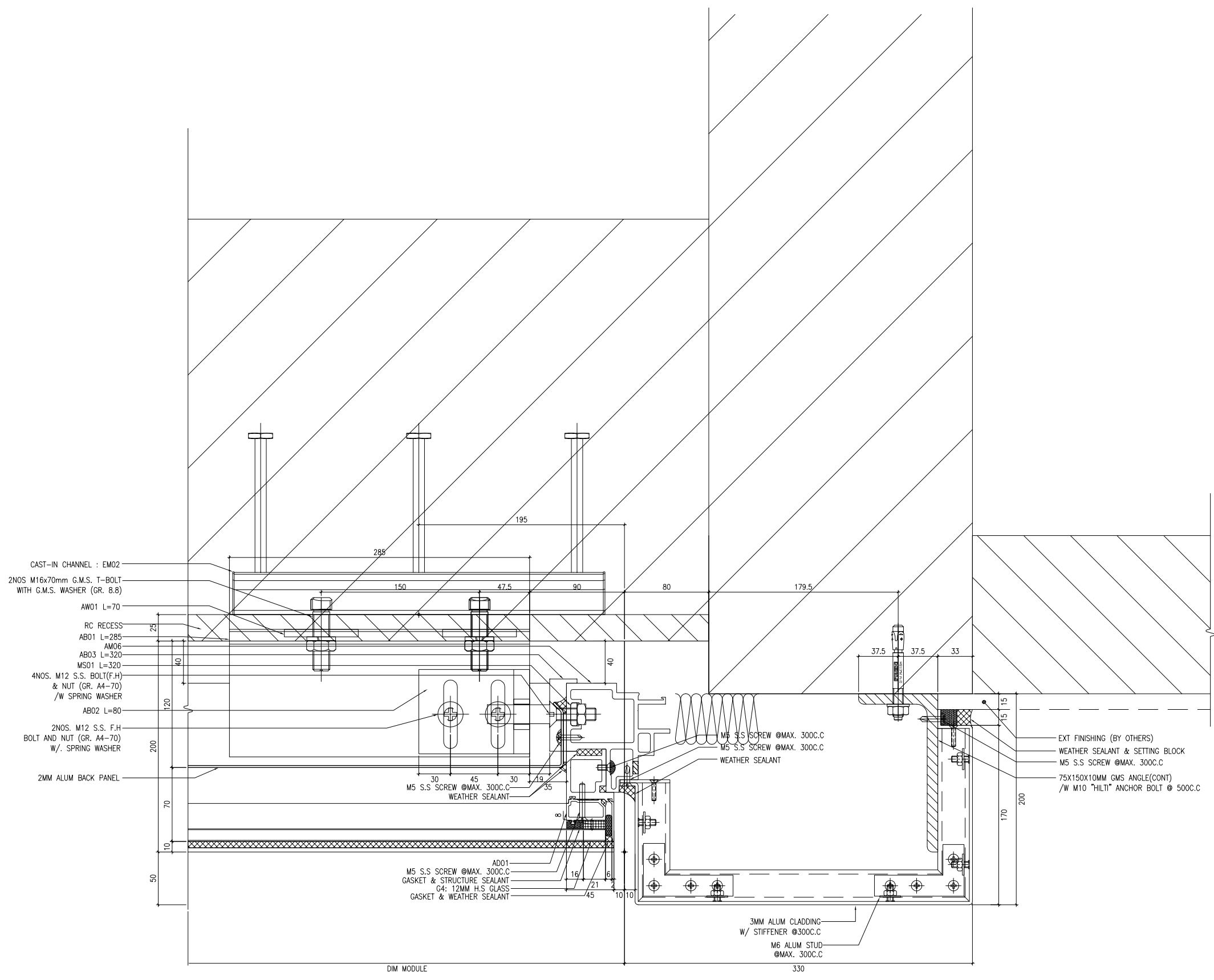
TITLE : TYPICAL DETAILS FOR SALES MOCK-UP (CURTAIN WALL)

DATE : 20-JAN-23 SCALE : 1:4

DRAWN BY : CF CHECKED BY :


 MIDI ALUMINIUM FABRICATOR LTD.
 Units 6-8, Sunray Industrial Centre, 1/F
 610 Cha Kwo Ling Road, Kowloon
 Tel:23489211-4 Fax:(852)2727666

DWG NO. : J856-SD-MU-6508 REV. : -



1 HORIZONTAL DETAIL
SCALE 1:4

B.D. REF :

CLIENT :

 42/F SUN HUNG KAI CENTRE, WANCHAI, HONGKONG

ARCHITECT :

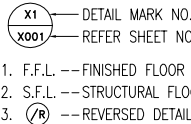

MAIN CONTRACTOR :


STRUCTURAL ENGINEER :


FACADE CONSULTANT:

 Steel Structure & Facade Specialist

NOTE :
 1. ALL DIMENSIONS ARE IN mm.
 2. ALL ELEVATIONS ARE VIEWED FROM OUTSIDE.
 3. ALL DIMENSIONS TO BE VERIFIED ON SITE BEFORE FABRICATION.

LEGEND :

 1. F.F.L. -- FINISHED FLOOR LEVEL
 2. S.F.L. -- STRUCTURAL FLOOR LEVEL
 3. (R) -- REVERSED DETAIL

NO.	DATE	REVISED	BY

JOB NO. : J-856
 PROJECT : PROPOSED DEVELOPMENT ABOVE LIGHT RAIL TIN WING STOP, TSWL NO.23, AREA 33, TIN SHUI WAI, N.T.

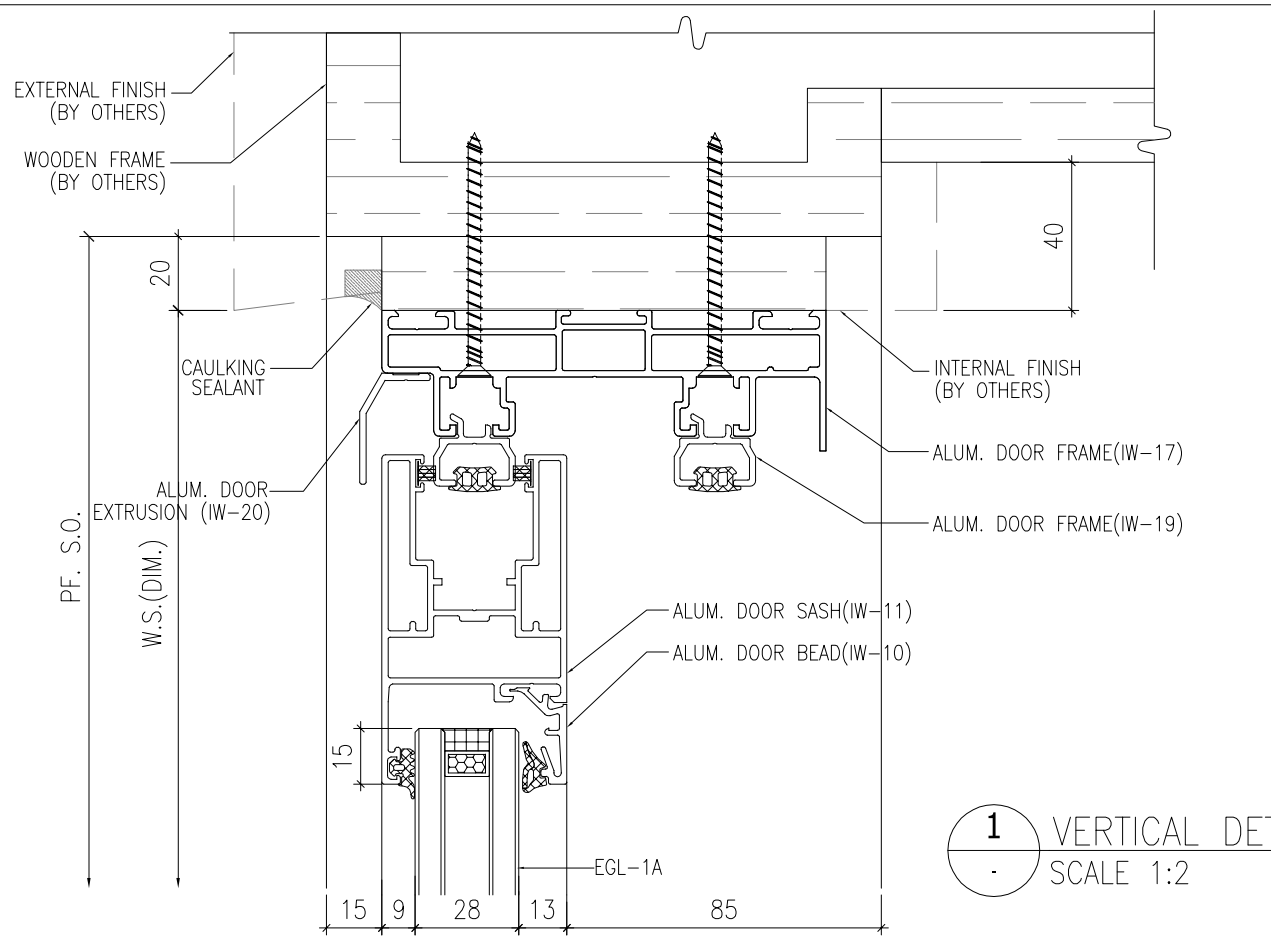
TITLE : TYPICAL DETAILS FOR SALES MOCK-UP (CURTAIN WALL)

DATE : 20-JAN-23 SCALE : 1:4

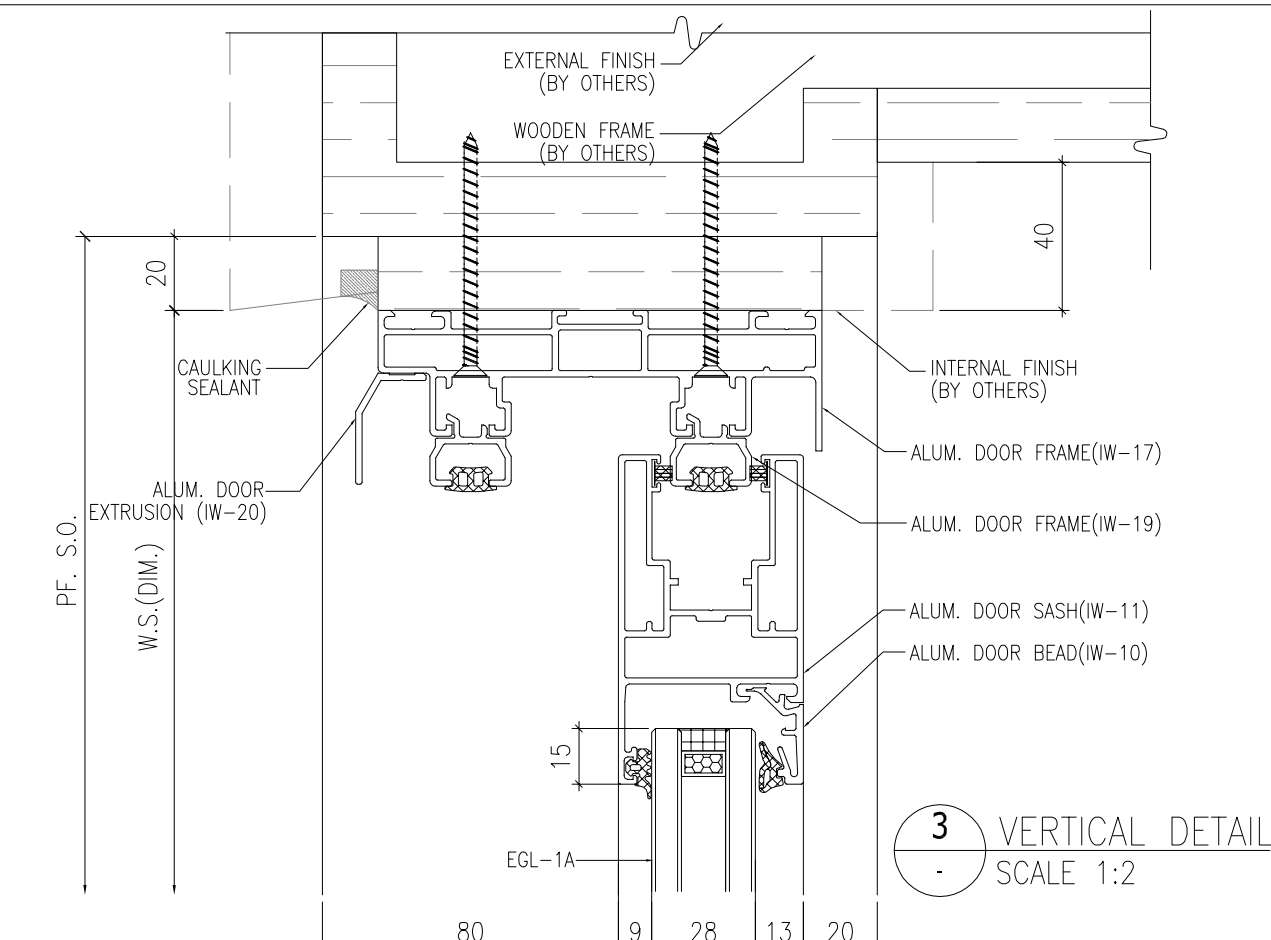
DRAWN BY : CF CHECKED BY :


 MIDI ALUMINIUM FABRICATOR LTD.
 Units 6-8, Sunray Industrial Centre, 1/F
 610 Cha Kwo Ling Road, Kowloon
 Tel:23489211-4 Fax:(852)2727666

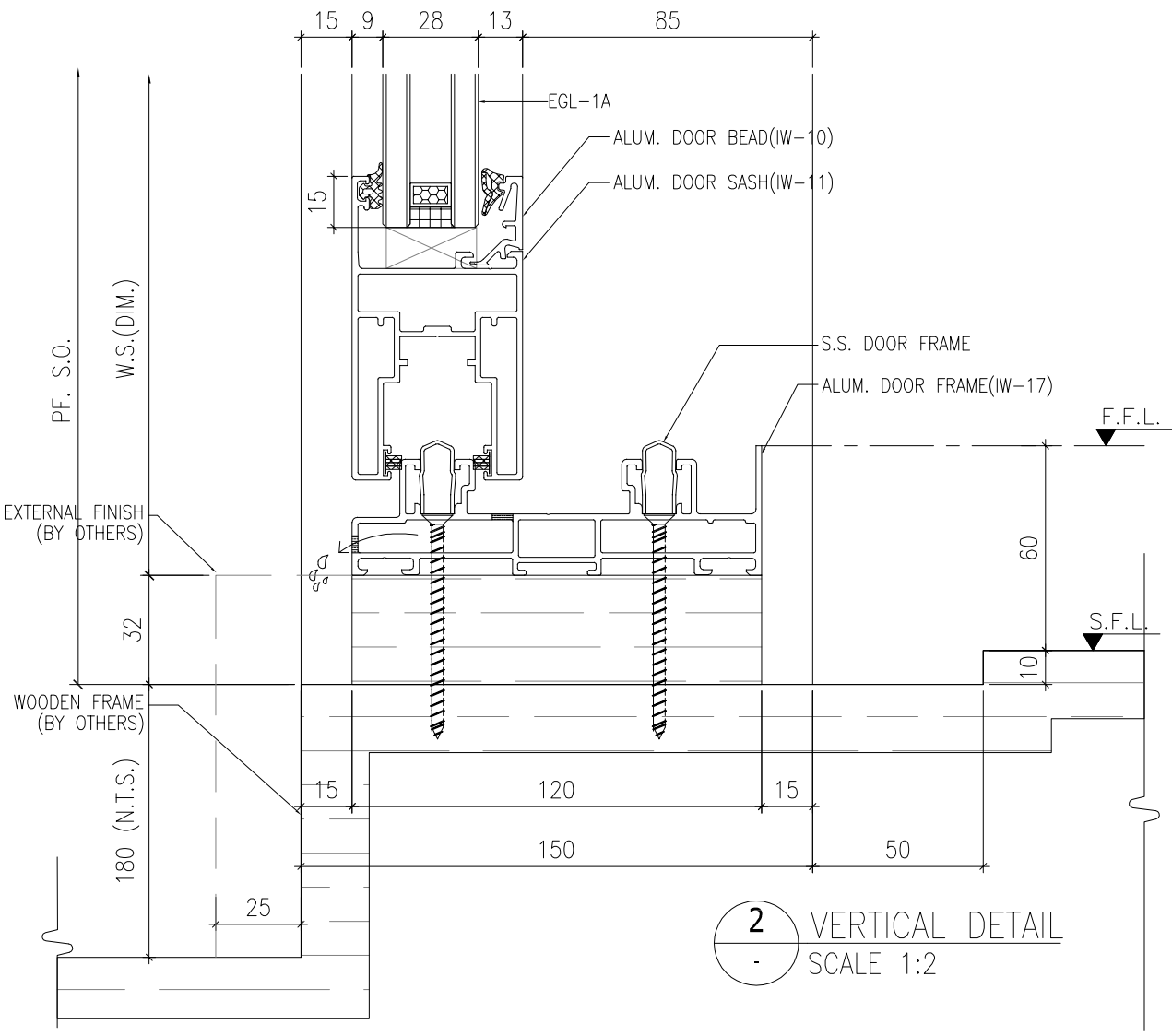
DWG NO. : J856-SD-MU-6509 REV. : -



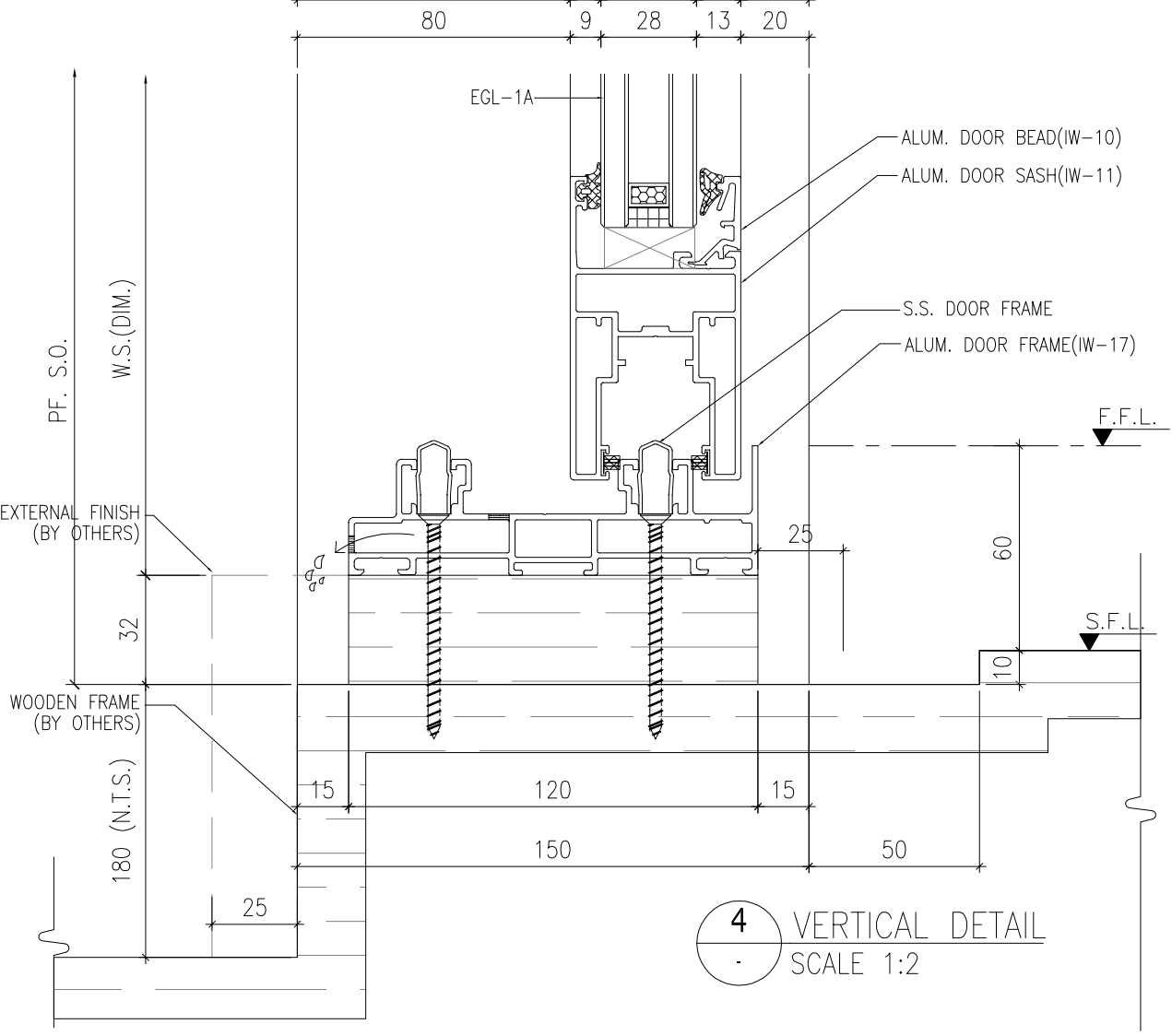
1 VERTICAL DETAIL
SCALE 1:2



3 VERTICAL DETAIL
SCALE 1:2



2 VERTICAL DETAIL
SCALE 1:2



4 VERTICAL DETAIL
SCALE 1:2

B.D. REF : _____

CLIENT : **SUN HUNG KAI REAL ESTATE AGENCY LTD.**
42/F SUN HUNG KAI CENTRE, WANCHAI, HONGKONG

ARCHITECT : **lwk&partners architects**

MAIN CONTRACTOR : **Yee Fai Building Contractors Ltd.**

STRUCTURAL ENGINEER : **ARUP**

FACADE CONSULTANT : **ALPHA CONSULTING LIMITED**
Steel Structure & Facade Specialist

NOTE :
1. ALL DIMENSIONS ARE IN mm.
2. ALL ELEVATIONS ARE VIEWED FROM OUTSIDE.
3. ALL DIMENSIONS TO BE VERIFIED ON SITE BEFORE FABRICATION.

LEGEND :
X1 - DETAIL MARK NO.
X001 - REFER SHEET NO.

1. F.F.L. -- FINISHED FLOOR LEVEL
2. S.F.L. -- STRUCTURAL FLOOR LEVEL
3. (R) -- REVERSED DETAIL
4. GLASS LEGEND
EGL-1--8mmHS+12mm AIR GAP+10mmTP THK. I.G.U.
EGL-1A--8mmHS+12mm AIR GAP+8mmTP THK. I.G.U.
EGL-2--10mm THK. CLEAR TEMPERED GLASS
EGL-4--10mm THK. TEMPERED ACID ETCHED GLASS

NO.	DATE	REVISED	BY

JOB NO. : J-856

PROJECT : PROPOSED DEVELOPMENT ABOVE LIGHT RAIL TIN WING STOP, TSWTL NO.23, AREA 33, TIN SHUI WAI, N.T.

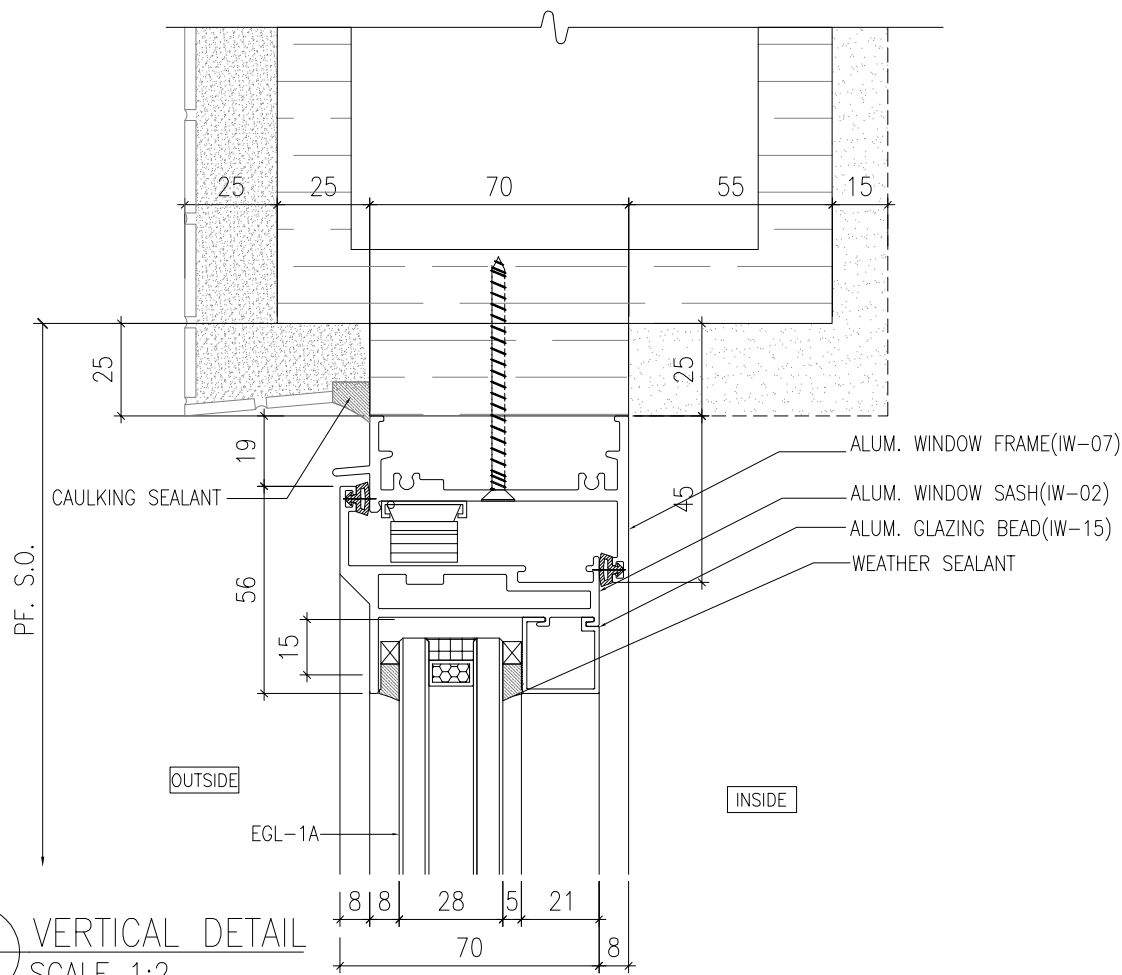
TITLE : TYPICAL DETAILS FOR SALES MOCK-UP (IN-SITU WINDOW)

DATE : 16-JAN-23 SCALE : 1:2

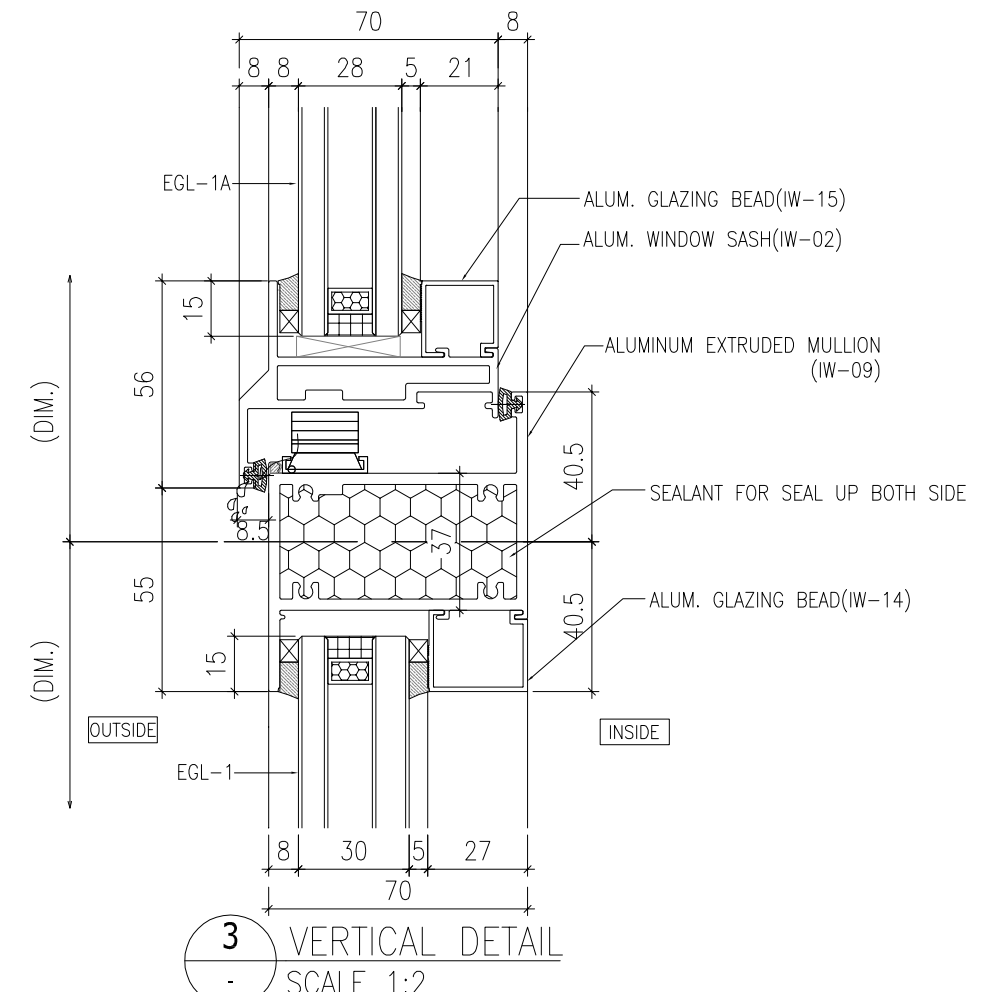
DRAWN BY : YI CHECKED BY : _____

美特鋁質有限公司
MIDI ALUMINIUM FABRICATOR LTD.
Units 6-8, Sunray Industrial Centre, 1/F
610 Cha Kwo Ling Road, Kowloon
Tel: 23489211-4 Fax: (852) 27727666

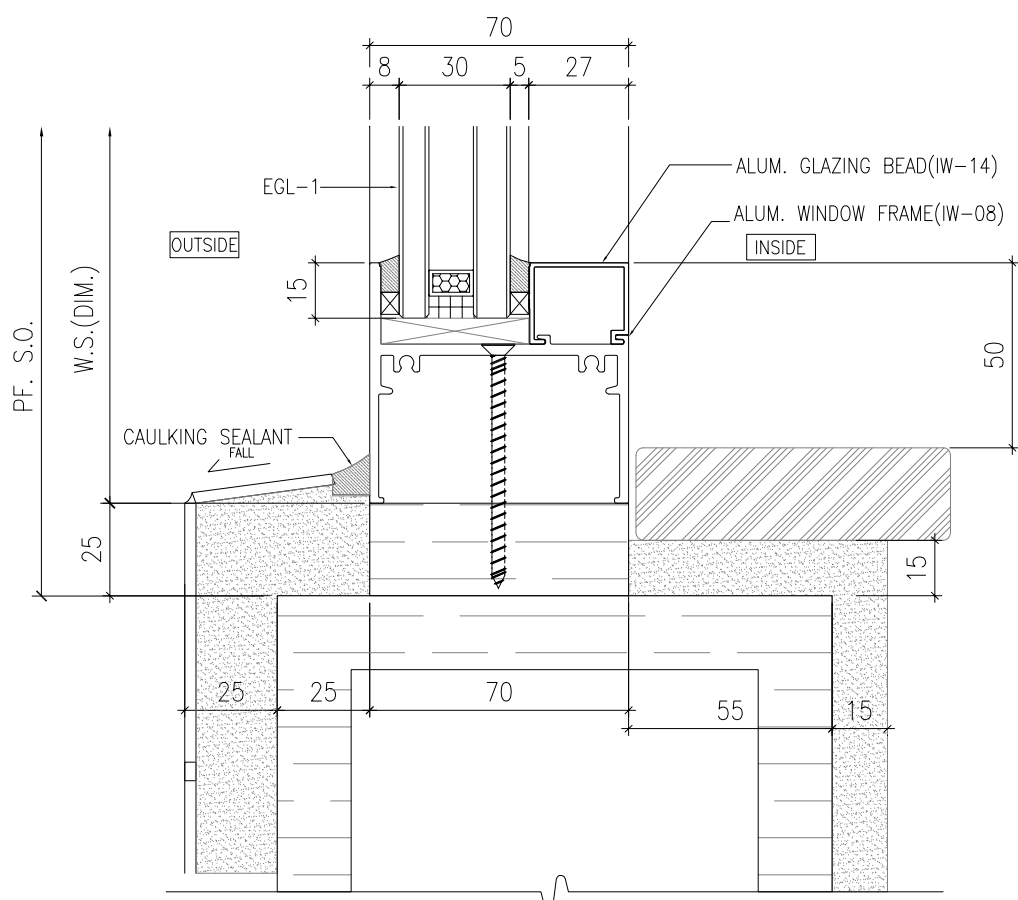
DWG NO. : J856-SD-MU-7001 REV. : -



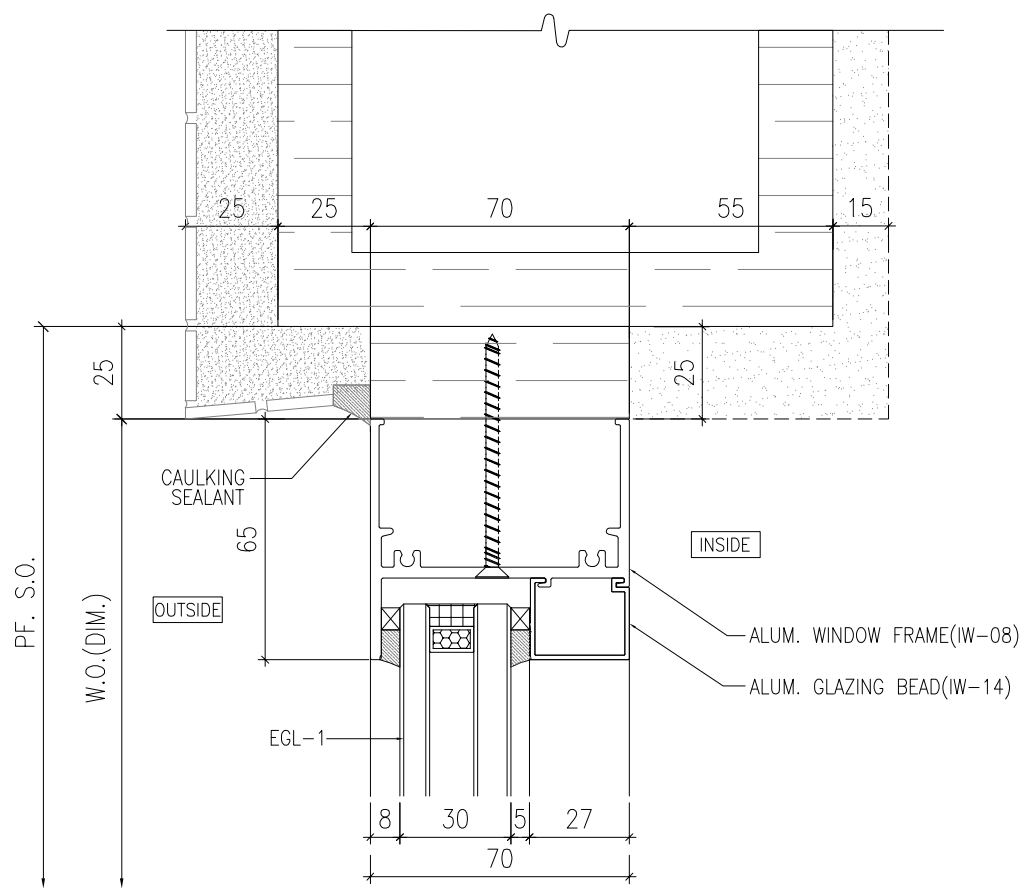
1 VERTICAL DETAIL
SCALE 1:2



3 VERTICAL DETAIL
SCALE 1:2



2 VERTICAL DETAIL
SCALE 1:2



4 VERTICAL DETAIL
SCALE 1:2

B.D. REF : _____

CLIENT :
SUN HUNG KAI
 REAL ESTATE AGENCY LTD.
 42/F SUN HUNG KAI CENTRE, WANCHAI, HONGKONG

ARCHITECT :
Iwk&partners
 architects

MAIN CONTRACTOR :
Yee Fai Building Contractors Ltd.

STRUCTURAL ENGINEER :
ARUP

FACADE CONSULTANT:
ALPHA CONSULTING LIMITED
 Steel Structure & Facade Specialist

NOTE :
 1. ALL DIMENSIONS ARE IN mm.
 2. ALL ELEVATIONS ARE VIEWED FROM OUTSIDE.
 3. ALL DIMENSIONS TO BE VERIFIED ON SITE BEFORE FABRICATION.

LEGEND :
 X1 - DETAIL MARK NO.
 X001 - REFER SHEET NO.

1. F.F.L. -- FINISHED FLOOR LEVEL
 2. S.F.L. -- STRUCTURAL FLOOR LEVEL
 3. (R) -- REVERSED DETAIL
 4. GLASS LEGEND
 EGL-1--8mmHS+12mm AIR GAP+10mmTP THK. I.G.U.
 EGL-1A--8mmHS+12mm AIR GAP+8mmTP THK. I.G.U.
 EGL-2--10mm THK. CLEAR TEMPERED GLASS
 EGL-4--10mm THK. TEMPERED ACID ETCHED GLASS

NO.	DATE	REVISED	BY

JOB NO. : J-856

PROJECT :
 PROPOSED DEVELOPMENT ABOVE
 LIGHT RAIL TIN WING STOP, TSWTL
 NO.23, AREA 33, TIN SHUI WAI, N.T.

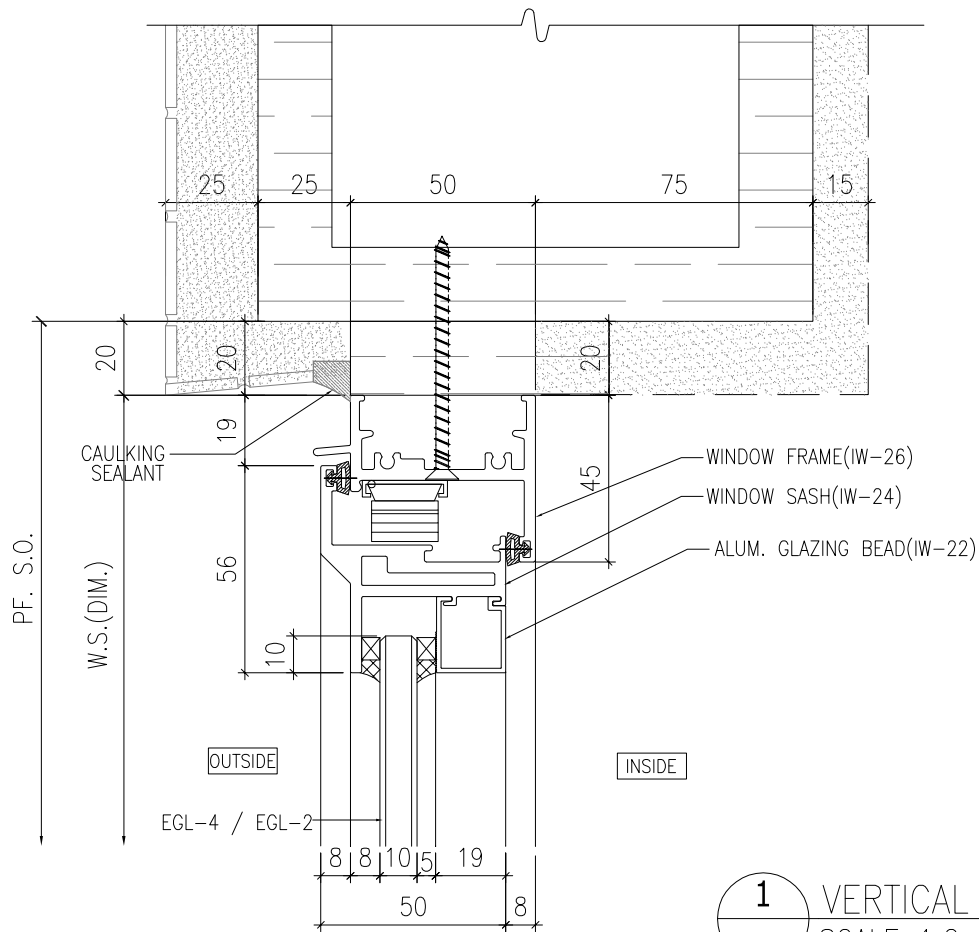
TITLE :
 TYPICAL DETAILS FOR
 SALES MOCK-UP
 (IN-SITU WINDOW)

DATE : 16-JAN-23 SCALE : 1:2

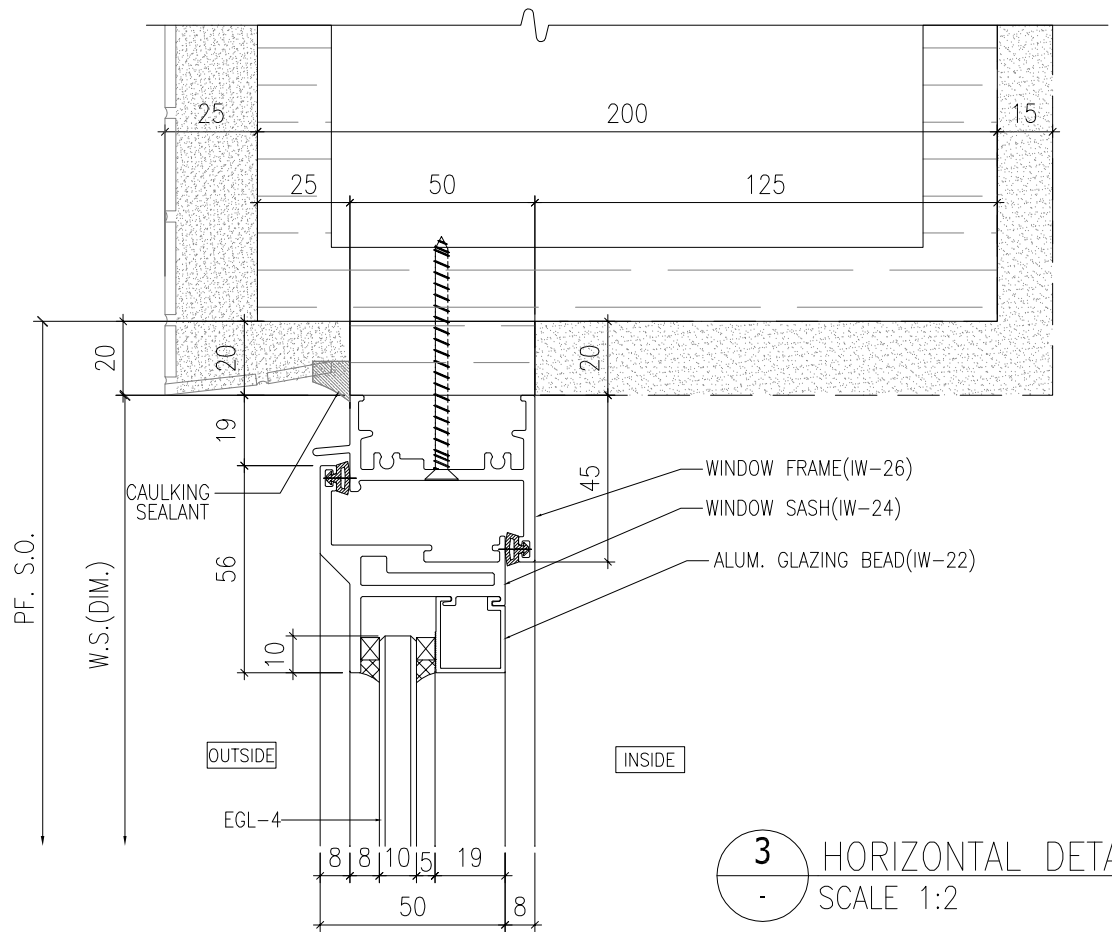
DRAWN BY : Y1 CHECKED BY : _____

MIDI ALUMINIUM FABRICATOR LTD.
 Units 6-8, Sunray Industrial Centre, 1/F
 610 Cha Kwo Ling Road, Kowloon
 Tel: 23489211-4 Fax: (852) 2727666

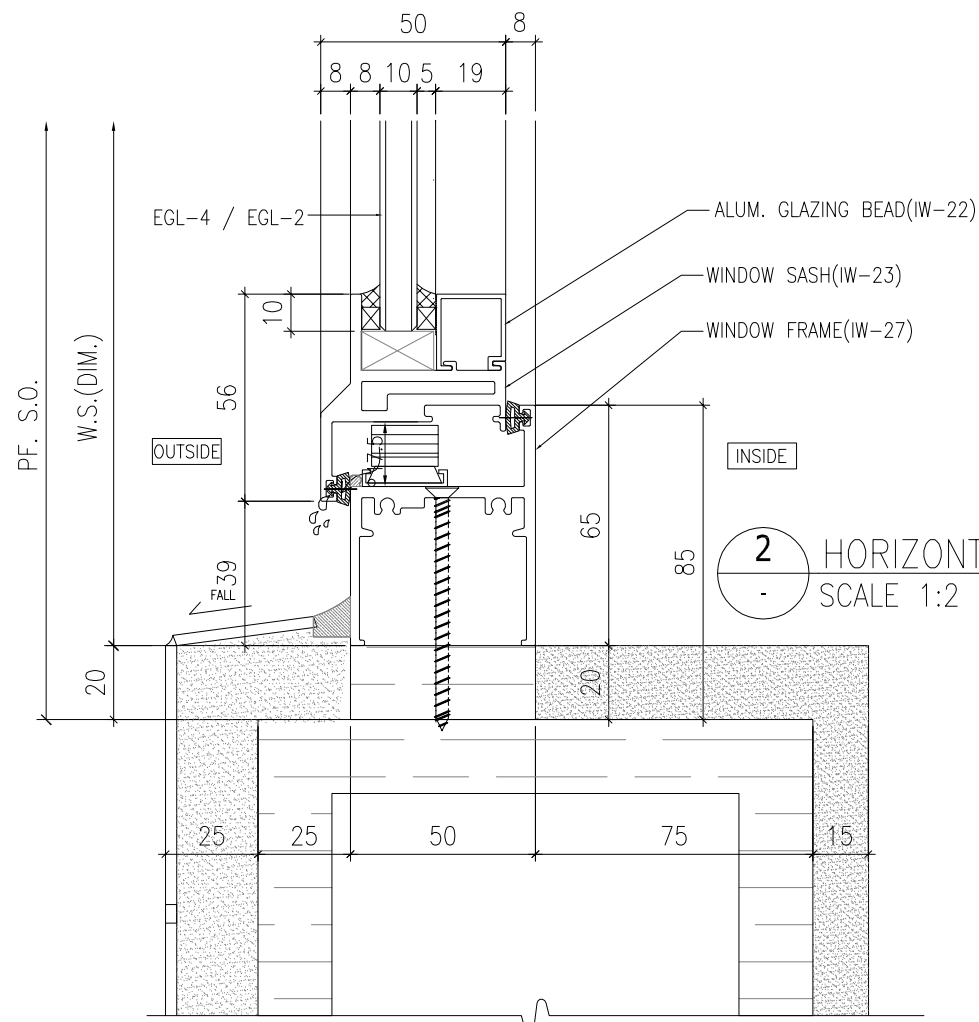
DWG NO. : J856-SD-MU-7002 REV. : -



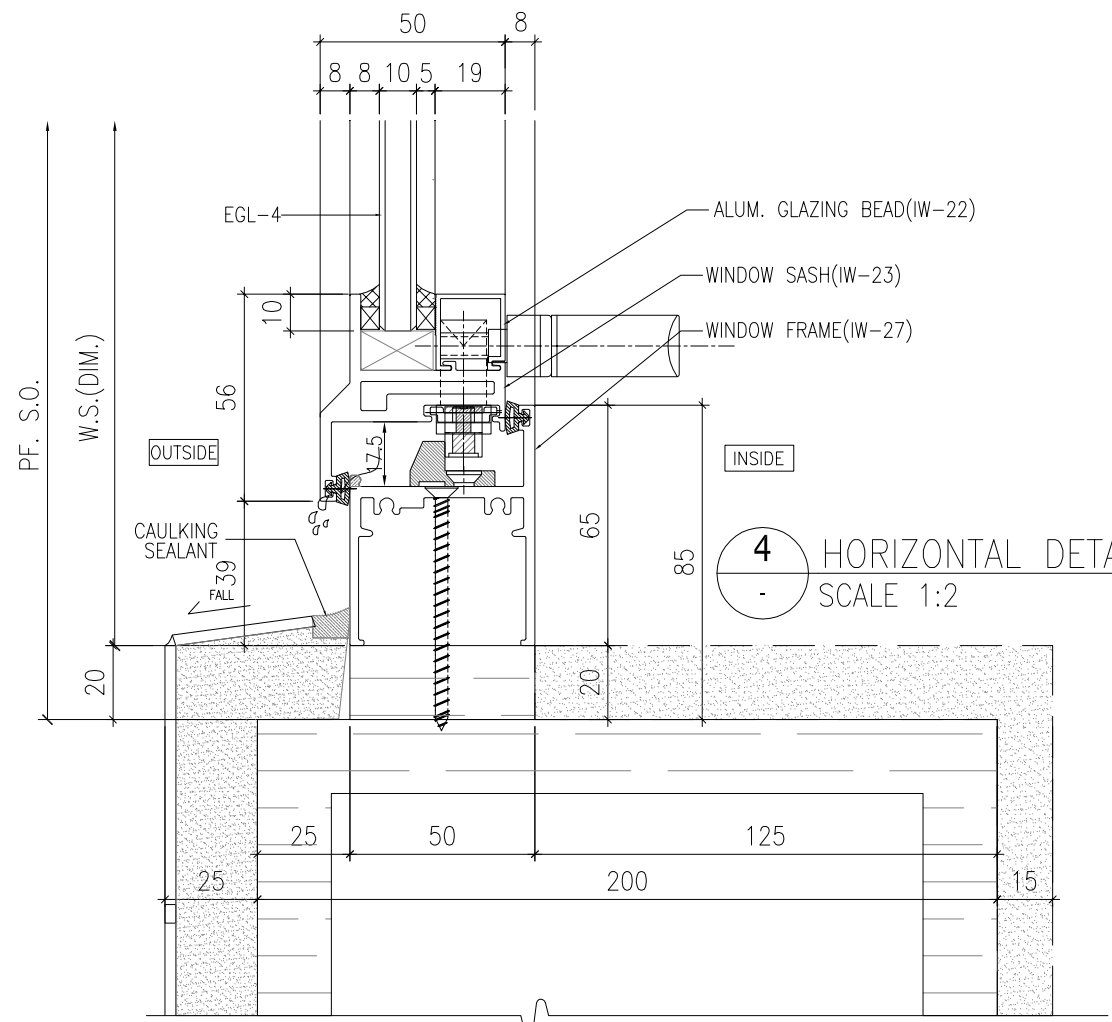
1 VERTICAL DETAIL
SCALE 1:2



3 HORIZONTAL DETAIL
SCALE 1:2



2 HORIZONTAL DETAIL
SCALE 1:2



4 HORIZONTAL DETAIL
SCALE 1:2

B.D. REF :

CLIENT :
SUN HUNG KAI
 REAL ESTATE AGENCY LTD.
 42/F SUN HUNG KAI CENTRE, WANCHAI, HONGKONG

ARCHITECT :
Iwk&partners
 architects

MAIN CONTRACTOR :
Yee Fai Building Contractors Ltd.

STRUCTURAL ENGINEER :
ARUP

FACADE CONSULTANT:
ALPHA CONSULTING LIMITED
 Steel Structure & Facade Specialist

NOTE :
 1. ALL DIMENSIONS ARE IN mm.
 2. ALL ELEVATIONS ARE VIEWED FROM OUTSIDE.
 3. ALL DIMENSIONS TO BE VERIFIED ON SITE BEFORE FABRICATION.

LEGEND :
 X1 - DETAIL MARK NO.
 X001 - REFER SHEET NO.

1. F.F.L. -- FINISHED FLOOR LEVEL
 2. S.F.L. -- STRUCTURAL FLOOR LEVEL
 3. (R) -- REVERSED DETAIL
 4. GLASS LEGEND
 EGL-1--8mmHS+12mm AIR GAP+10mmTP THK. I.G.U.
 EGL-1A--8mmHS+12mm AIR GAP+8mmTP THK. I.G.U.
 EGL-2--10mm THK. CLEAR TEMPERED GLASS
 EGL-4--10mm THK. TEMPERED ACID ETCHED GLASS

NO.	DATE	REVISED	BY

JOB NO. : J-856

PROJECT :
 PROPOSED DEVELOPMENT ABOVE
 LIGHT RAIL TIN WING STOP, TSWTL
 NO.23, AREA 33, TIN SHUI WAI, N.T.

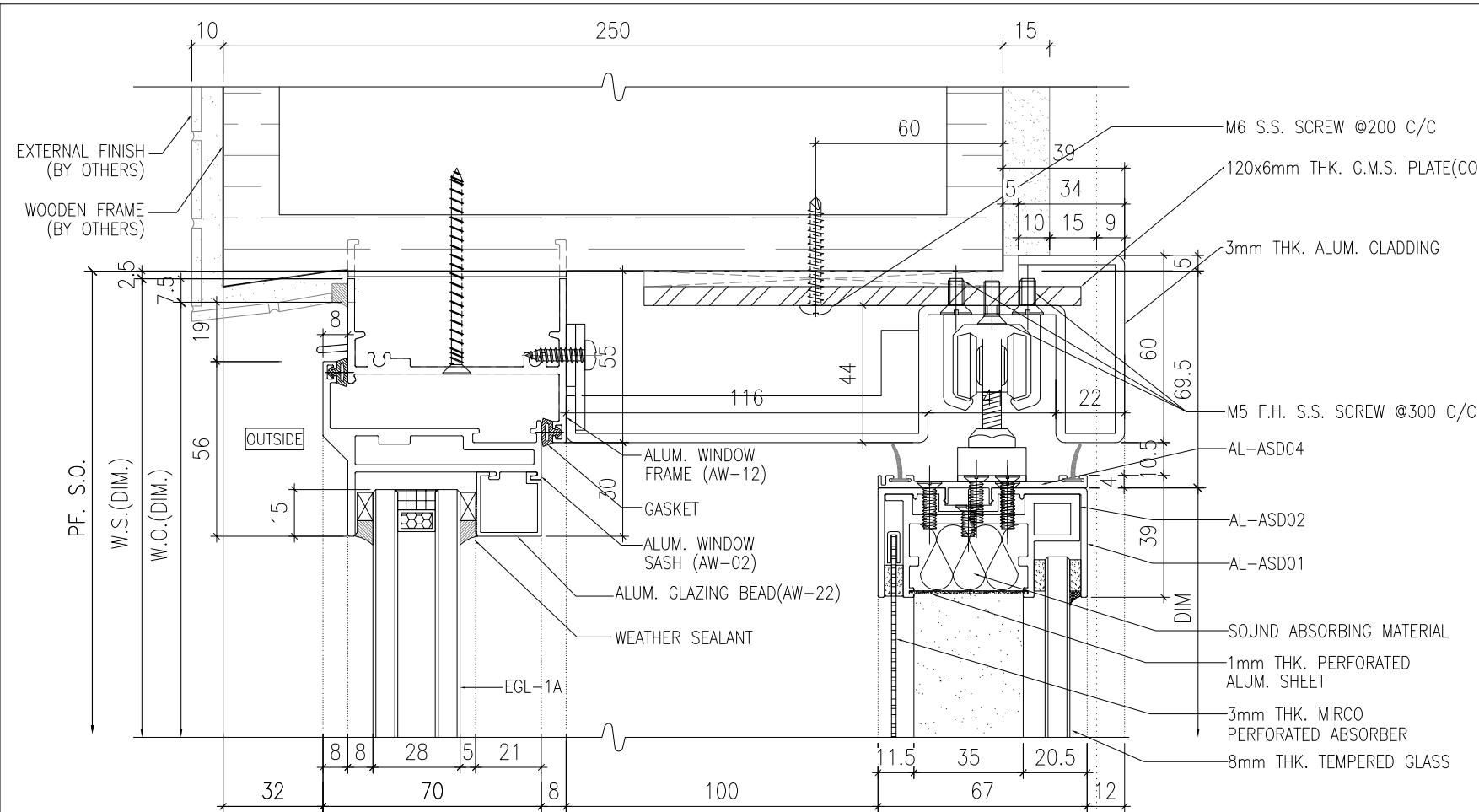
TITLE :
 TYPICAL DETAILS FOR
 SALES MOCK-UP
 (IN-SITU WINDOW)

DATE : 16-JAN-23 SCALE : 1:2

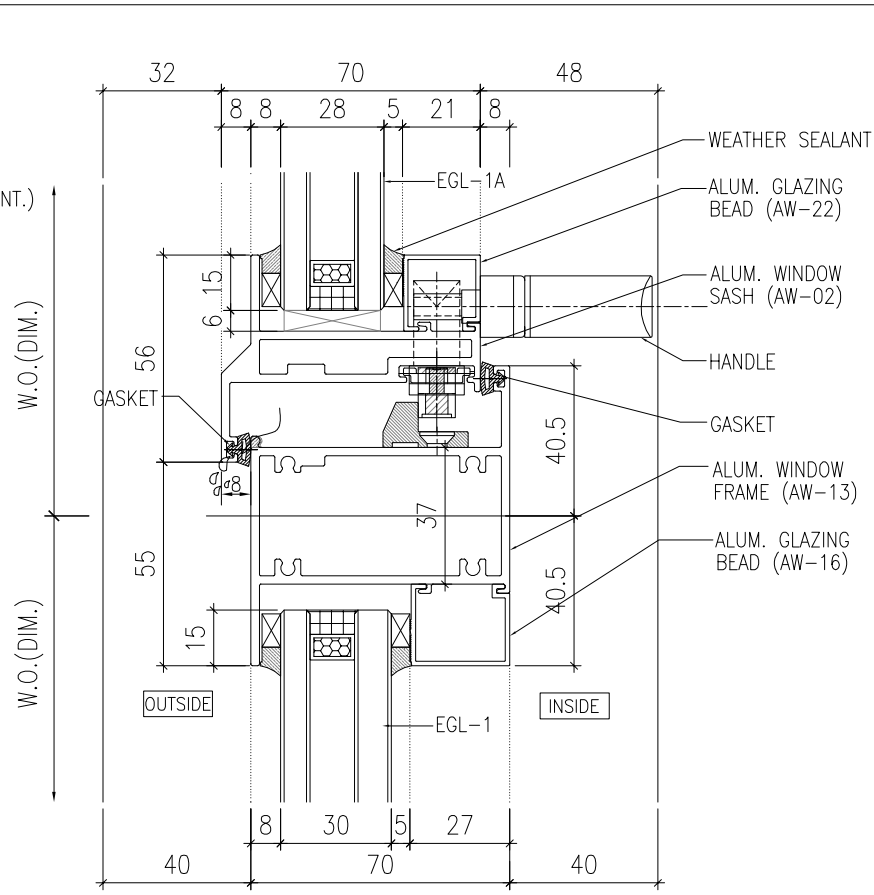
DRAWN BY : Y1 CHECKED BY :

MIDI ALUMINIUM FABRICATOR LTD.
 Units 6-8, Sunray Industrial Centre, 1/F
 610 Cha Kwo Ling Road, Kowloon
 Tel:23489211-4 Fax:(852)27727666

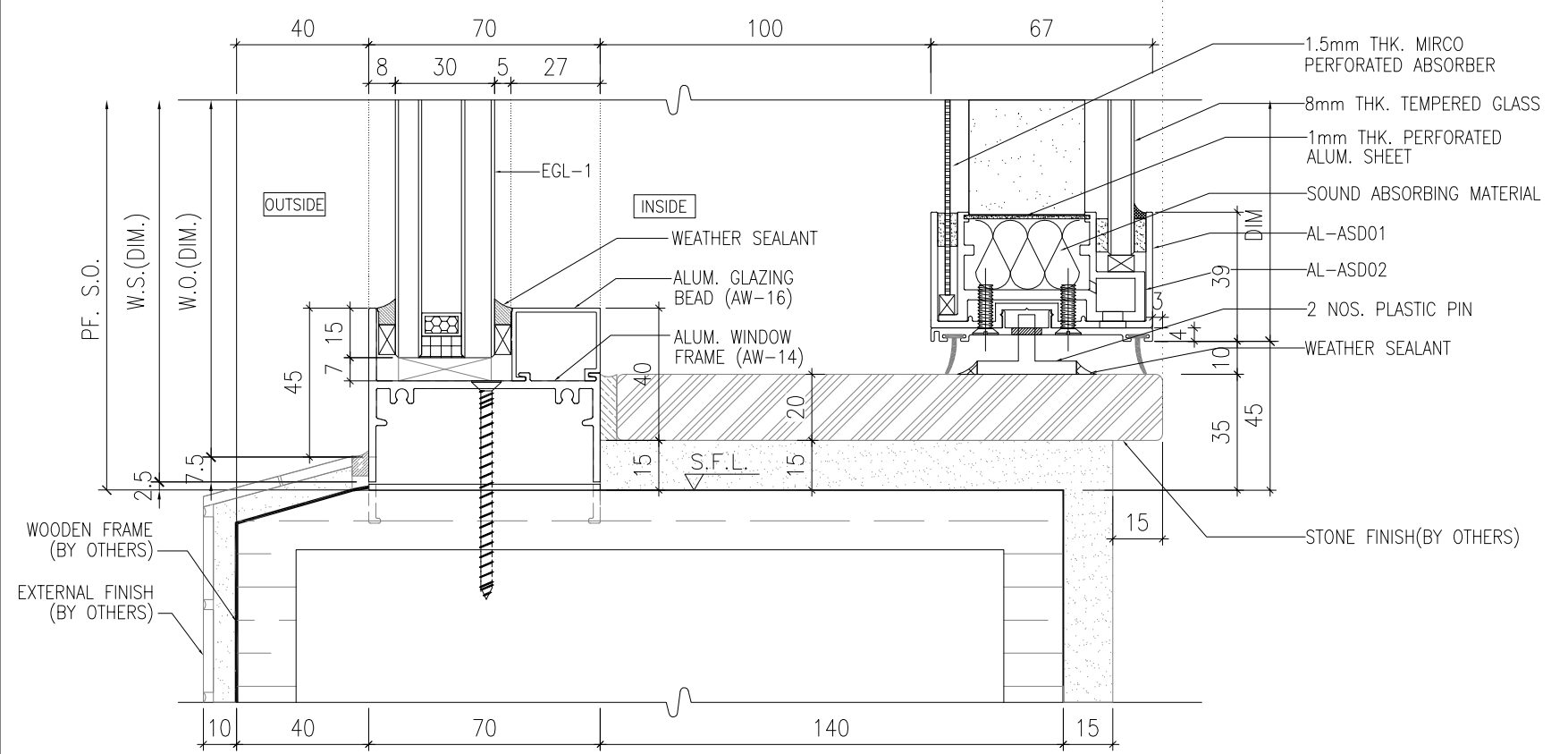
DWG NO. : J856-SD-MU-7003 REV. : -



1 VERTICAL DETAIL
SCALE 1:2



3 HORIZONTAL DETAIL
SCALE 1:2



2 VERTICAL DETAIL
SCALE 1:2

B.D. REF :

CLIENT :

SUN HUNG KAI
REAL ESTATE AGENCY LTD.
42/F SUN HUNG KAI CENTRE, WANCHAI, HONGKONG

ARCHITECT :

lwk&partners
architects

MAIN CONTRACTOR :

Yee Fai Building Contractors Ltd.

STRUCTURAL ENGINEER :

ARUP

FAÇADE CONSULTANT:

ALPHA CONSULTING LIMITED
Steel Structure & Façade Specialist

NOTE :

- ALL DIMENSIONS ARE IN mm.
- ALL ELEVATIONS ARE VIEWED FROM OUTSIDE.
- ALL DIMENSIONS TO BE VERIFIED ON SITE BEFORE FABRICATION.

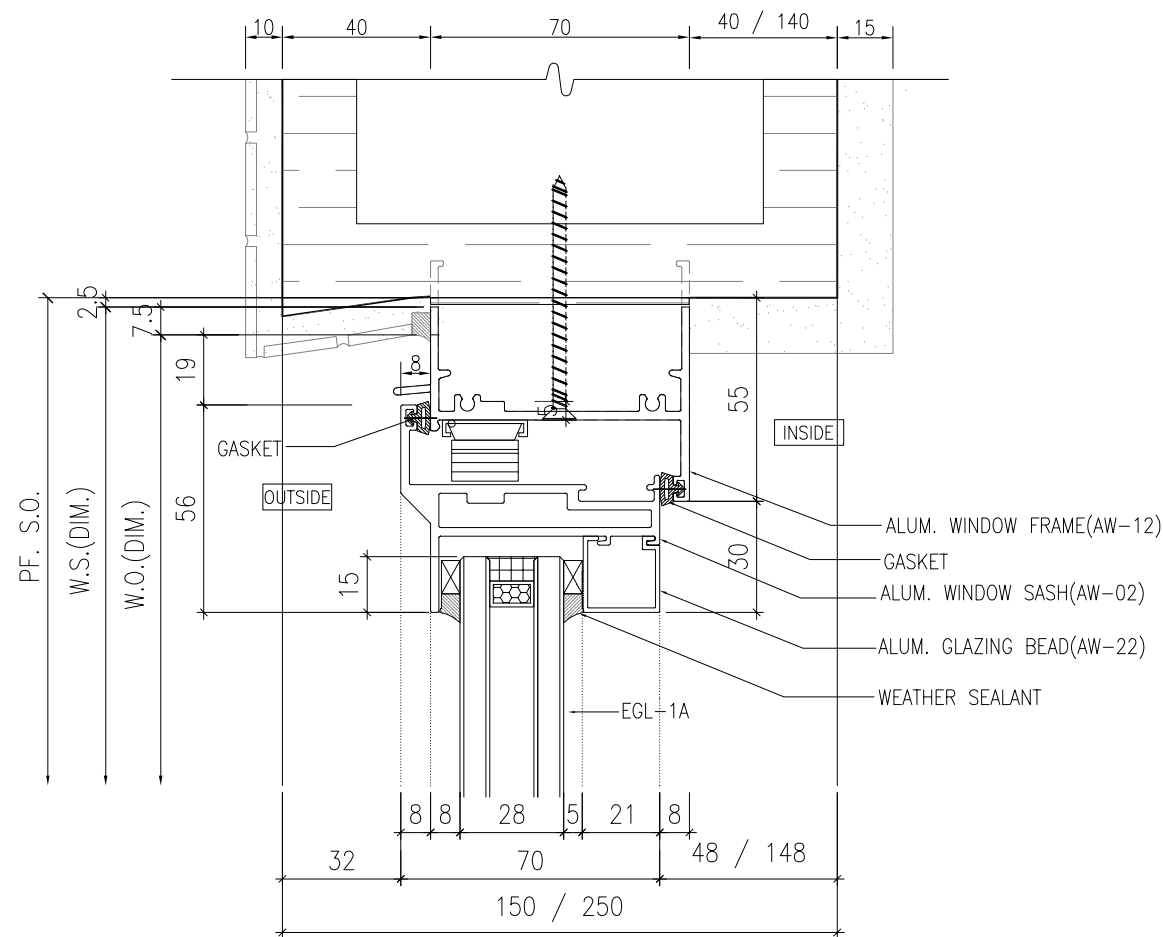
LEGEND :

X1 - DETAIL MARK NO.
X001 - REFER SHEET NO.

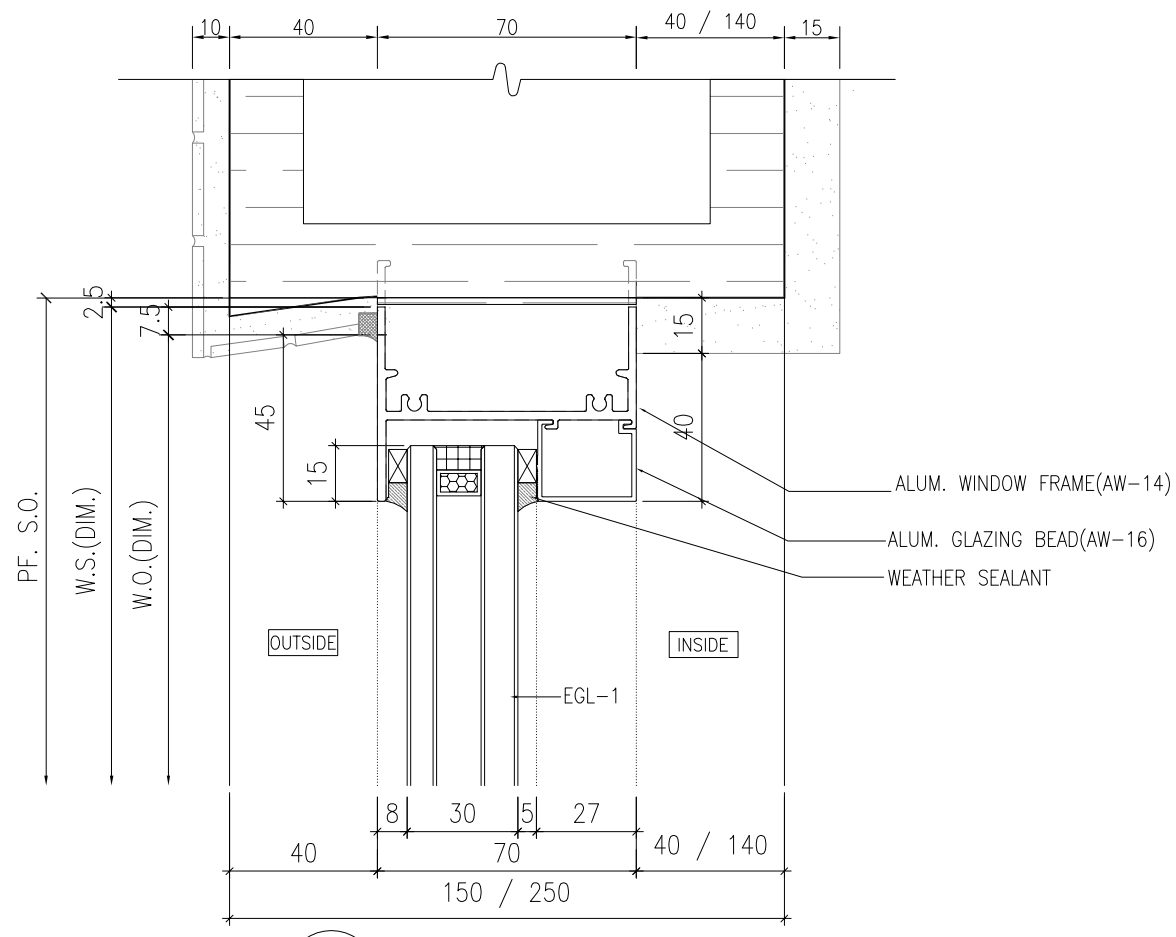
- F.F.L. -- FINISHED FLOOR LEVEL
- S.F.L. -- STRUCTURAL FLOOR LEVEL
- (R) -- REVERSED DETAIL
- GLASS LEGEND

EGL-1--8mmHS+12mm AIR GAP+10mmTP THK. I.G.U.
EGL-1A--8mmHS+12mm AIR GAP+8mmTP THK. I.G.U.
EGL-2--10mm THK. CLEAR TEMPERED GLASS
EGL-4--10mm THK. TEMPERED ACID ETCHED GLASS

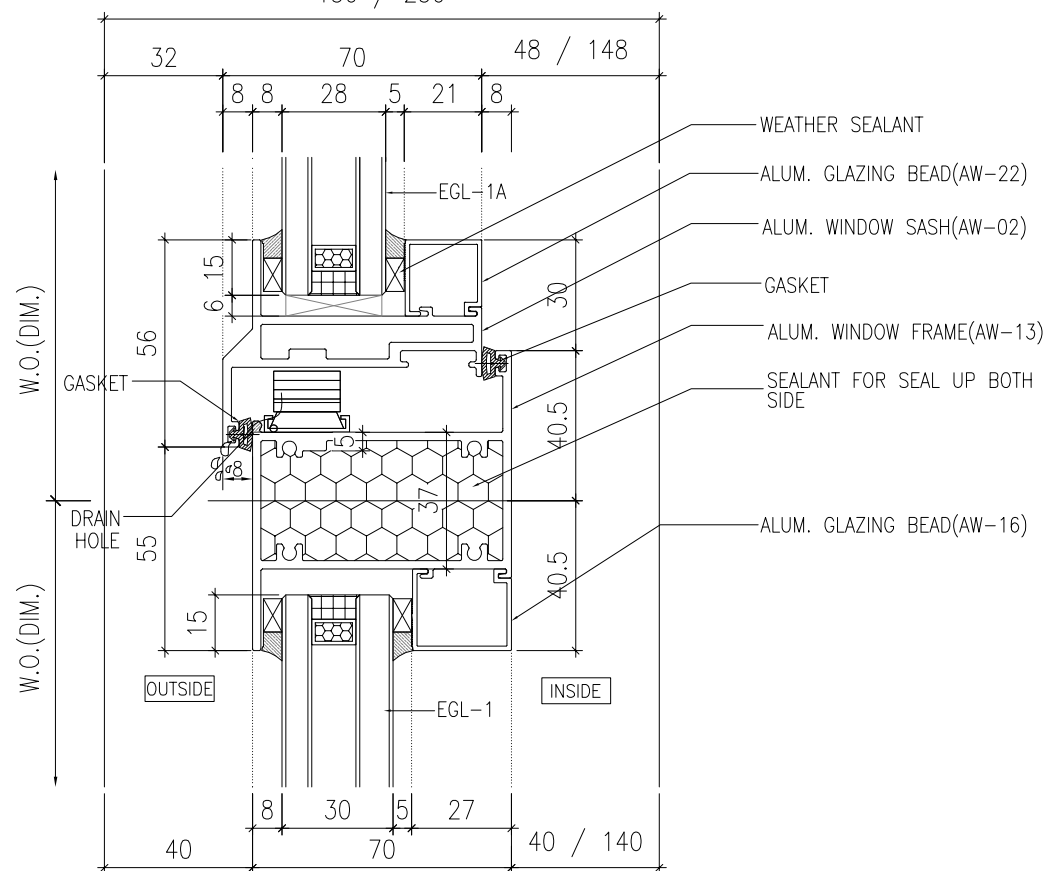
NO.	DATE	REVISED	BY
JOB NO. : J-856			
PROJECT : PROPOSED DEVELOPMENT ABOVE LIGHT RAIL TIN WING STOP,TSWTL NO.23,AREA 33,TIN SHUI WAI, N.T.			
TITLE : TYPICAL DETAILS FOR SALES MOCK-UP (PRE-CAST FAÇADE WINDOW)			
DATE : 16-JAN-23		SCALE : 1:2	
DRAWN BY : Y1		CHECKED BY :	
<p>美特鋁質有限公司 MIDI ALUMINIUM FABRICATOR LTD. Units 6-8, Sunray Industrial Centre, 1/F 610 Cha Kwo Ling Road, Kowloon Tel:23489211-4 Fax:(852)2727666</p>			
DWG NO. : J856-SD-MU-7101			REV. : -



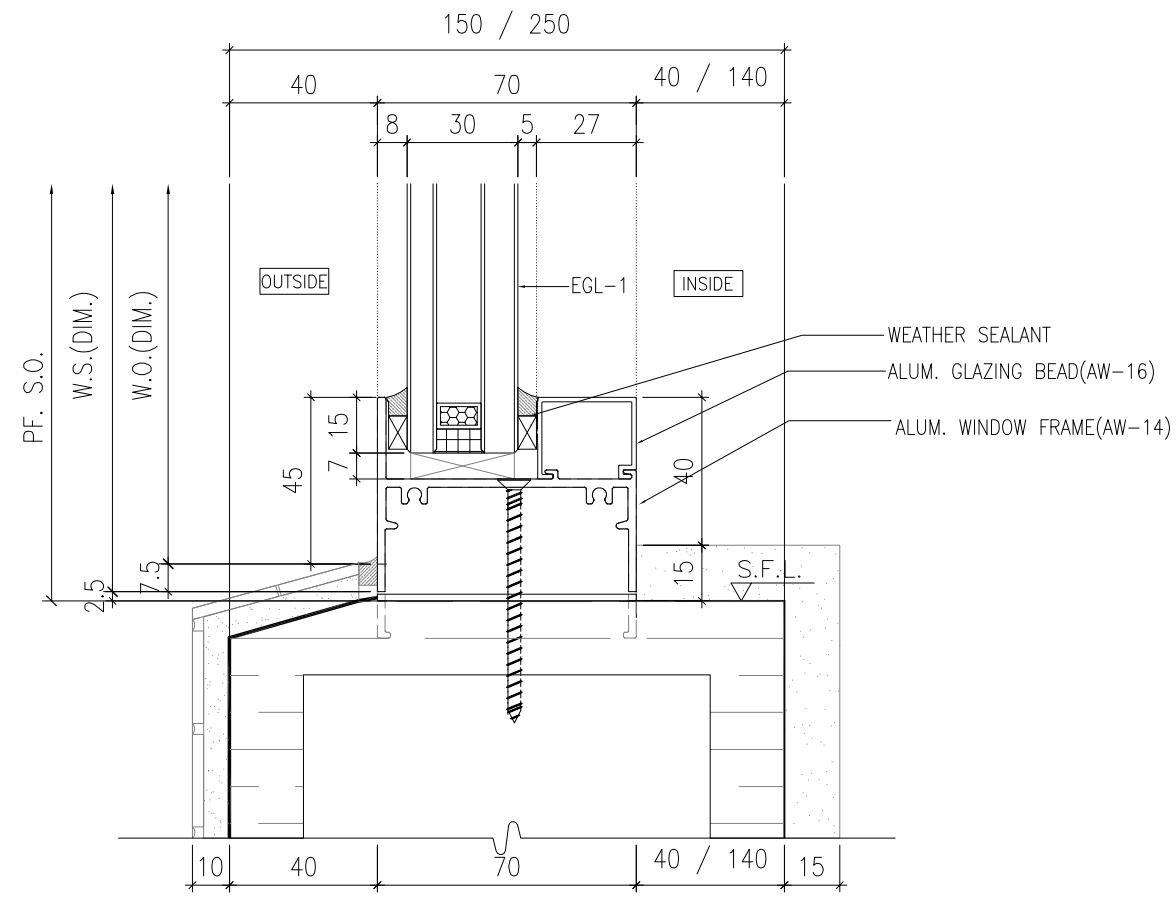
1 VERTICAL DETAIL
SCALE 1:2
150 / 250



3 VERTICAL DETAIL
SCALE 1:2
150 / 250



2 VERTICAL DETAIL
SCALE 1:2



4 VERTICAL DETAIL
SCALE 1:2

B.D. REF :

CLIENT :
SUN HUNG KAI
REAL ESTATE AGENCY LTD.
42/F SUN HUNG KAI CENTRE, WANCHAI, HONGKONG

ARCHITECT :
lwk&partners
architects

MAIN CONTRACTOR :
Yee Fai Building Contractors Ltd.

STRUCTURAL ENGINEER :
ARUP

FAÇADE CONSULTANT:
ALPHA CONSULTING LIMITED
Steel Structure & Façade Specialist

NOTE :
1. ALL DIMENSIONS ARE IN mm.
2. ALL ELEVATIONS ARE VIEWED FROM OUTSIDE.
3. ALL DIMENSIONS TO BE VERIFIED ON SITE BEFORE FABRICATION.

LEGEND :
X1 - DETAIL MARK NO.
X001 - REFER SHEET NO.
1. F.F.L. -- FINISHED FLOOR LEVEL
2. S.F.L. -- STRUCTURAL FLOOR LEVEL
3. (R) -- REVERSED DETAIL
4. GLASS LEGEND
EGL-1 -- 8mmHS+12mm AIR GAP+10mmTP THK. I.G.U.
EGL-1A -- 8mmHS+12mm AIR GAP+8mmTP THK. I.G.U.
EGL-2 -- 10mm THK. CLEAR TEMPERED GLASS
EGL-4 -- 10mm THK. TEMPERED ACID ETCHED GLASS

NO.	DATE	REVISED	BY

JOB NO. : J-856

PROJECT :
PROPOSED DEVELOPMENT ABOVE
LIGHT RAIL TIN WING STOP, TSWTL
NO.23, AREA 33, TIN SHUI WAI, N.T.

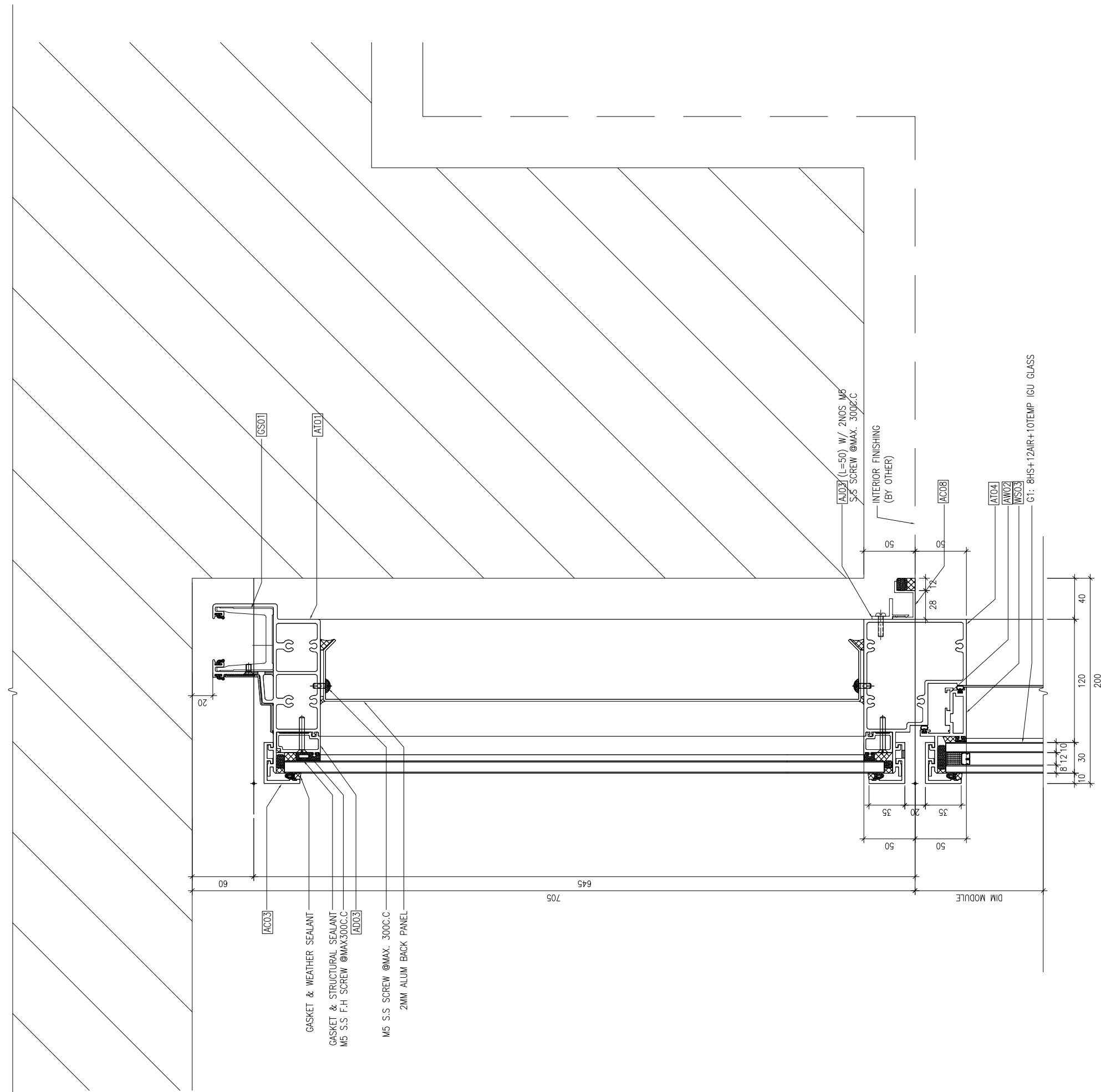
TITLE :
TYPICAL DETAILS FOR
SALES MOCK-UP
(PRE-CAST FAÇADE WINDOW)

DATE : 16-JAN-23 SCALE : 1:2

DRAWN BY : YI CHECKED BY :

美特鋁質有限公司
MIDI ALUMINIUM FABRICATOR LTD.
Units 6-8, Sunray Industrial Centre, 1/F
610 Cha Kwo Ling Road, Kowloon
Tel: 23489211-4 Fax: (852) 27727666

DWG NO. : J856-SD-MU-7102 REV. : -



1 VERTICAL DETAIL
 SCALE 1:4

B.D. REF :

CLIENT :
SUN HUNG KAI
 REAL ESTATE AGENCY LTD.
 42/F SUN HUNG KAI CENTRE, WANCHAI, HONGKONG

ARCHITECT :
lwk&partners
 architects

MAIN CONTRACTOR :
Yee Fai Building Contractors Ltd.

STRUCTURAL ENGINEER :
ARUP

FAÇADE CONSULTANT:
ALPHA CONSULTING LIMITED
 Steel Structure & Façade Specialist

NOTE :
 1. ALL DIMENSIONS ARE IN mm.
 2. ALL ELEVATIONS ARE VIEWED FROM OUTSIDE.
 3. ALL DIMENSIONS TO BE VERIFIED ON SITE BEFORE FABRICATION.

LEGEND :
 X1 — DETAIL MARK NO.
 X001 — REFER SHEET NO.
 1. F.F.L. -- FINISHED FLOOR LEVEL
 2. S.F.L. -- STRUCTURAL FLOOR LEVEL
 3. (R) -- REVERSED DETAIL

NO.	DATE	REVISED	BY

JOB NO. : J-856
 PROJECT : PROPOSED DEVELOPMENT ABOVE LIGHT RAIL TIN WING STOP, TSWTL NO.23, AREA 33, TIN SHUI WAI, N.T.

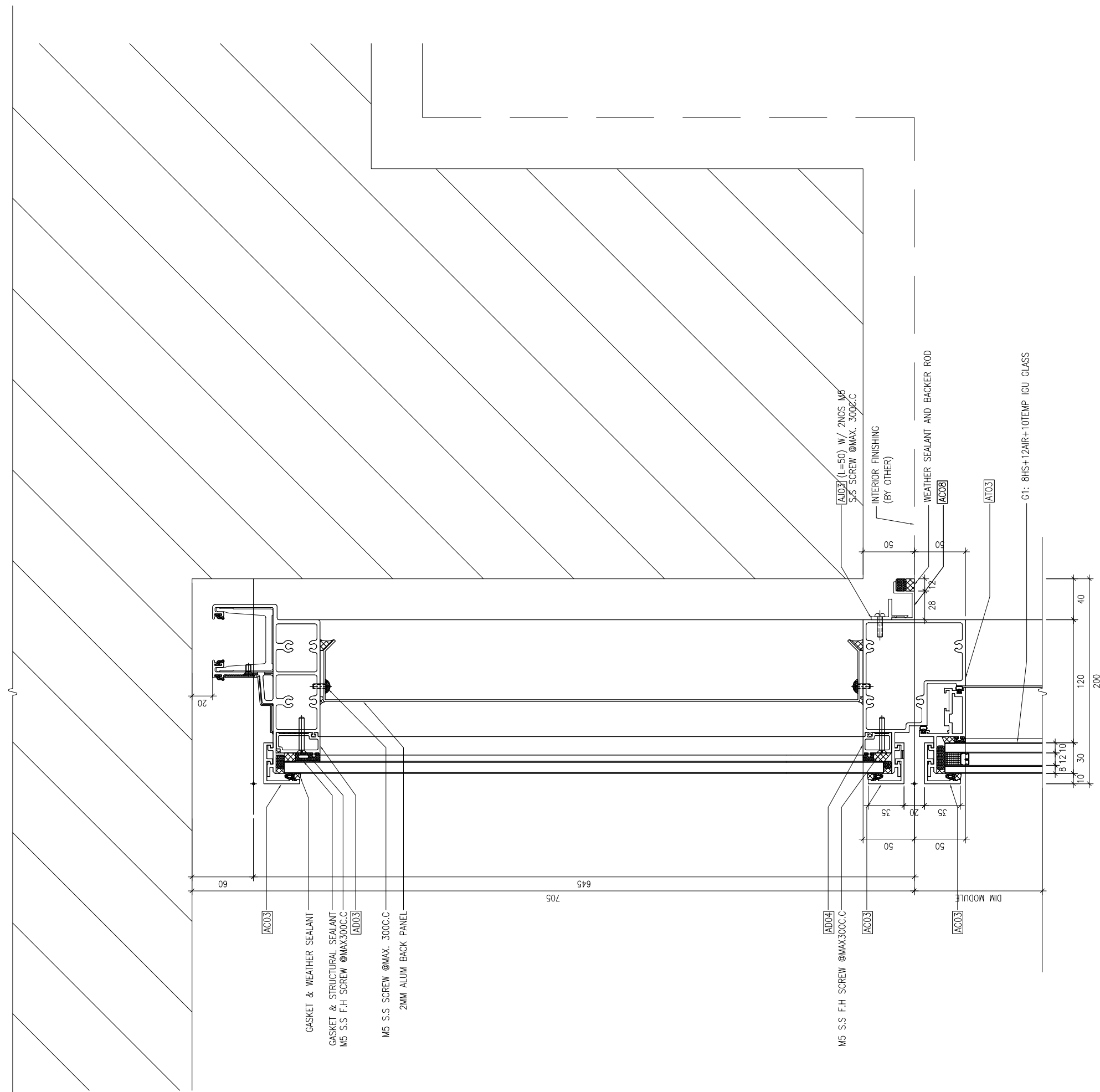
TITLE : TYPICAL DETAILS FOR SALES MOCK-UP (CURTAIN WALL)

DATE : 20-JAN-23 SCALE : 1:4

DRAWN BY : CF CHECKED BY :

美特鋁質有限公司
MIDI ALUMINIUM FABRICATOR LTD.
 Units 6-8, Sunray Industrial Centre, 1/F
 610 Cha Kwo Ling Road, Kowloon
 Tel:23489211-4 Fax:(852)2727666

DWG NO. : J856-SD-MU-7501 REV. : -



1 VERTICAL DETAIL
SCALE 1:4

B.D. REF :
.....

CLIENT :
SUN HUNG KAI
REAL ESTATE AGENCY LTD.
42/F SUN HUNG KAI CENTRE, WANCHAI, HONGKONG

ARCHITECT :
lwk&partners
a r c h i t e c t s

MAIN CONTRACTOR :
Yee Fai Building Contractors Ltd.

STRUCTURAL ENGINEER :
ARUP

FAÇADE CONSULTANT:
ALPHA CONSULTING LIMITED
Steel Structure & Façade Specialist

NOTE :
1. ALL DIMENSIONS ARE IN mm.
2. ALL ELEVATIONS ARE VIEWED FROM OUTSIDE.
3. ALL DIMENSIONS TO BE VERIFIED ON SITE BEFORE FABRICATION.

LEGEND :
X1 — DETAIL MARK NO.
X001 — REFER SHEET NO.
1. F.F.L. -- FINISHED FLOOR LEVEL
2. S.F.L. -- STRUCTURAL FLOOR LEVEL
3. (R) -- REVERSED DETAIL

NO.	DATE	REVISED	BY

JOB NO. : J-856
PROJECT : PROPOSED DEVELOPMENT ABOVE LIGHT RAIL TIN WING STOP, TSWTL NO.23, AREA 33, TIN SHUI WAI, N.T.

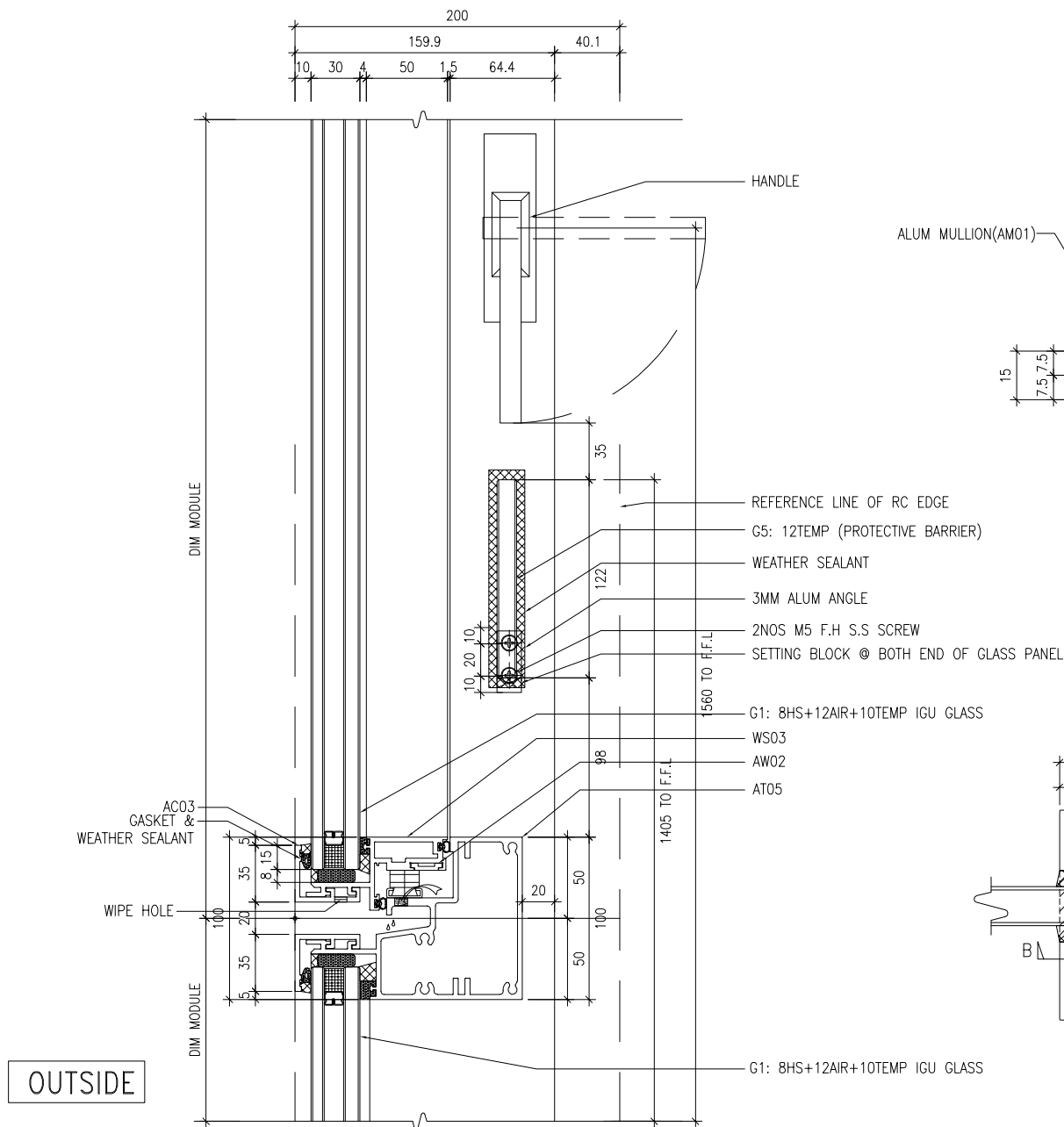
TITLE : TYPICAL DETAILS FOR SALES MOCK-UP (CURTAIN WALL)

DATE : 20-JAN-23 SCALE : 1:4

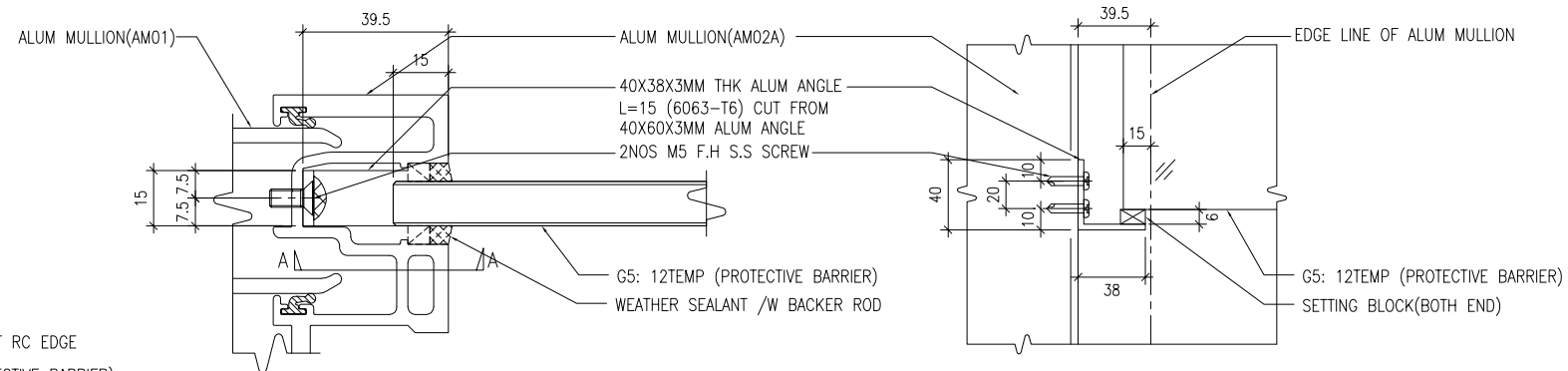
DRAWN BY : CF CHECKED BY :

美特鋁質有限公司
MIDI ALUMINIUM FABRICATOR LTD.
Units 6-8, Sunray Industrial Centre, 1/F
610 Cha Kwo Ling Road, Kowloon
Tel:23489211-4 Fax:(852)2727666

DWG NO. : J856-SD-MU-7502 REV. : -

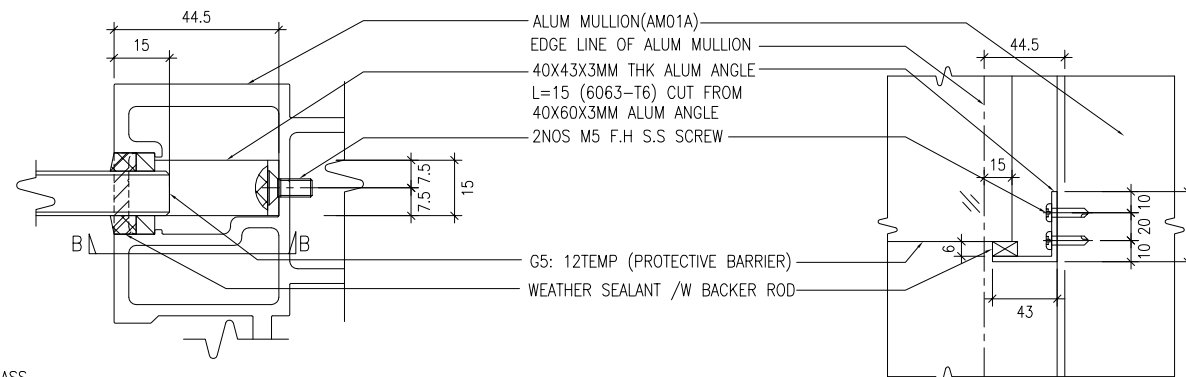


1 VERTICAL DETAIL
SCALE 1:4



2 BLOWUP DETAIL
NTS

VIEW A-A



3 BLOWUP DETAIL
NTS

VIEW B-B

B.D. REF :

CLIENT :

SUN HUNG KAI
REAL ESTATE AGENCY LTD.
42/F SUN HUNG KAI CENTRE, WANCHAI, HONGKONG

ARCHITECT :

IWK&partners
architects

MAIN CONTRACTOR :

Yee Fai 怡輝建築有限公司
Building Contractors Ltd.

STRUCTURAL ENGINEER :

ARUP

FAÇADE CONSULTANT:

ALPHA CONSULTING LIMITED
Steel Structure & Façade Specialist

NOTE :

1. ALL DIMENSIONS ARE IN mm.
2. ALL ELEVATIONS ARE VIEWED FROM OUTSIDE.
3. ALL DIMENSIONS TO BE VERIFIED ON SITE BEFORE FABRICATION.

LEGEND :

- x1 - DETAIL MARK NO.
- x001 - REFER SHEET NO.

1. F.F.L. -- FINISHED FLOOR LEVEL
2. S.F.L. -- STRUCTURAL FLOOR LEVEL
3. (R) -- REVERSED DETAIL

NO.	DATE	REVISED	BY
-----	------	---------	----

JOB NO. : J-856

PROJECT :
PROPOSED DEVELOPMENT ABOVE
LIGHT RAIL TIN WING STOP, TSWTL
NO.23, AREA 33, TIN SHUI WAI, N.T.

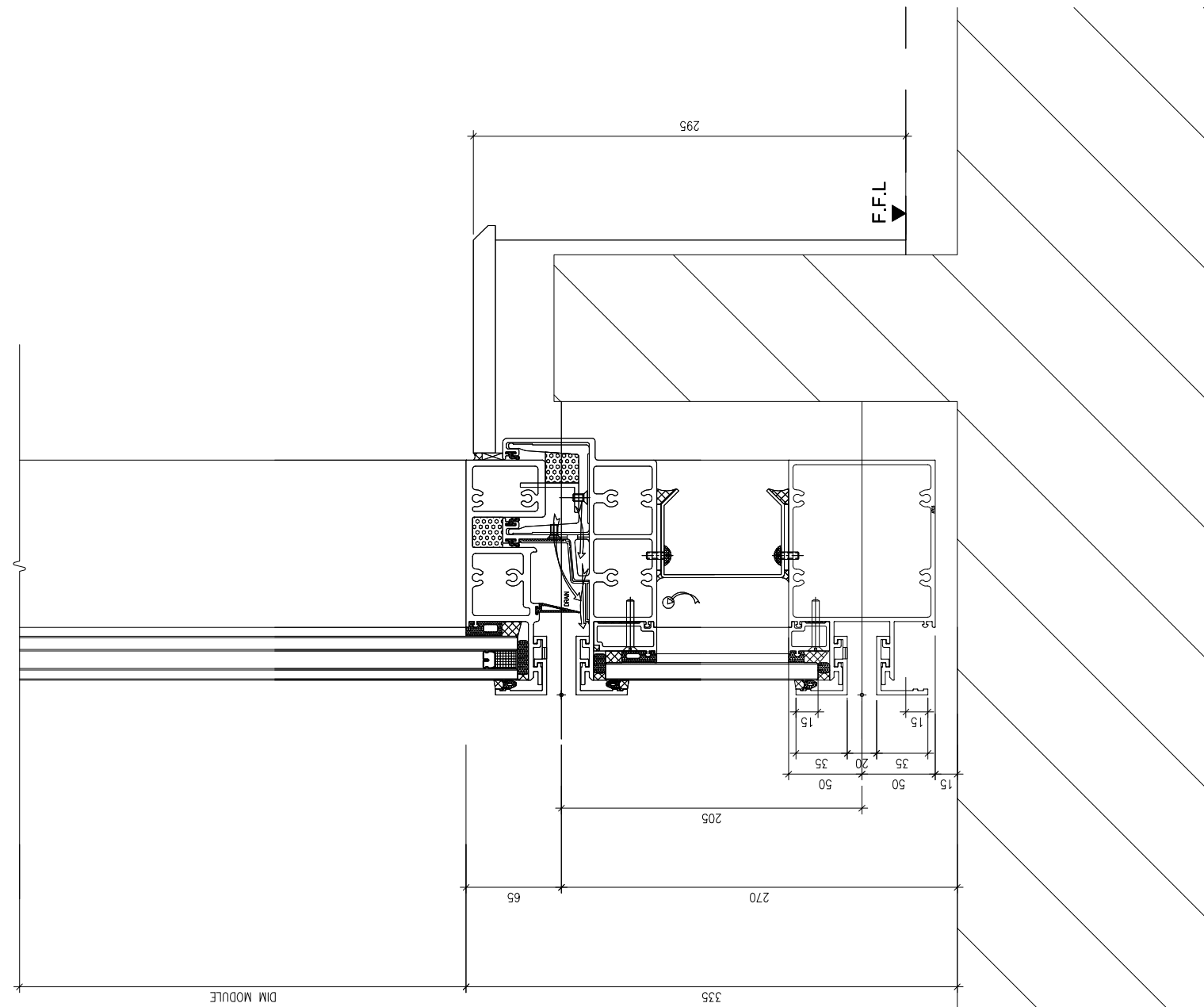
TITLE :
TYPICAL DETAILS FOR
SALES MOCK-UP
(CURTAIN WALL)

DATE : 20-JAN-23 SCALE : 1:4

DRAWN BY : CF CHECKED BY :

美特鋁質有限公司
MIDI ALUMINIUM FABRICATOR LTD.
Units 6-8, Sunray Industrial Centre, 1/F
610 Cha Kwo Ling Road, Kowloon
Tel: 23489211-4 Fax: (852) 2727666

DWG NO. : J856-SD-MU-7503 REV. : -



B.D. REF :

CLIENT :

 42/F SUN HUNG KAI CENTRE, WANCHAI, HONGKONG

ARCHITECT :

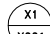
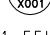


MAIN CONTRACTOR :


STRUCTURAL ENGINEER :


FACADE CONSULTANT:

 Steel Structure & Facade Specialist

NOTE :
 1. ALL DIMENSIONS ARE IN mm.
 2. ALL ELEVATIONS ARE VIEWED FROM OUTSIDE.
 3. ALL DIMENSIONS TO BE VERIFIED ON SITE BEFORE FABRICATION.

LEGEND :
 — DETAIL MARK NO.
 — REFER SHEET NO.
 1. F.F.L. -- FINISHED FLOOR LEVEL
 2. S.F.L. -- STRUCTURAL FLOOR LEVEL
 3.  -- REVERSED DETAIL

NO.	DATE	REVISED	BY
—	06/03/23	2ND SUBMISSION (NEW)	

JOB NO. : J-856
 PROJECT : PROPOSED DEVELOPMENT ABOVE LIGHT RAIL TIN WING STOP, TSWTL NO.23, AREA 33, TIN SHUI WAI, N.T.

TITLE : TYPICAL DETAILS FOR SALES MOCK-UP (CURTAIN WALL)

DATE : 20-JAN-23 SCALE : 1:4

DRAWN BY : CF CHECKED BY :


 MIDI ALUMINIUM FABRICATOR LTD.
 Units 6-8, Sunray Industrial Centre, 1/F
 610 Cha Kwo Ling Road, Kowloon
 Tel:23489211-4 Fax:(852)2727666

DWG NO. : J856-SD-MU-7504 REV. : -