

工程指示 / 要求簡箋 ENGINEER INSTRUCTIONS(E.I.)

工程指示編號:	EI- 5889	修改版本:	-
	HK- 0535		
工程編號:	J 856	工程名稱:	天榮站
收件人:	生統 / 峰少	發件人:	Lai Sik Hung
工程項目:	售樓辦房 趟門生產	日期:	21/03/2023

<input type="checkbox"/> 原合約工程包	<input type="checkbox"/> 原合約工程加 / 減賬 QT-	<input type="checkbox"/> 新工程報價 QT-
---------------------------------	--	------------------------------------

信件批核號碼/圖紙參考編號:	批核模具圖紙編號:
客戶指示附件:	管理內部批簽署:

<input type="checkbox"/> 初步鋁料 B.M.	<input type="checkbox"/> 加工拆圖, 然後生產	<input type="checkbox"/> 尺寸表
<input type="checkbox"/> 正式鋁料 B.M.	<input type="checkbox"/> 技術上資料 / 指示	<input type="checkbox"/> 報價
<input type="checkbox"/> 配件 B.M.	<input type="checkbox"/> 樣辦或貨品說明書	<input type="checkbox"/> 分判合約
<input type="checkbox"/> 其他:		

內容:  
售樓辦房 趟門生產

峰少, 請幫忙儘快生產附件的6幅趟門,  
送貨地點是南昌站V Walk售樓辦房

完成上列要求日期: 29/03/2023

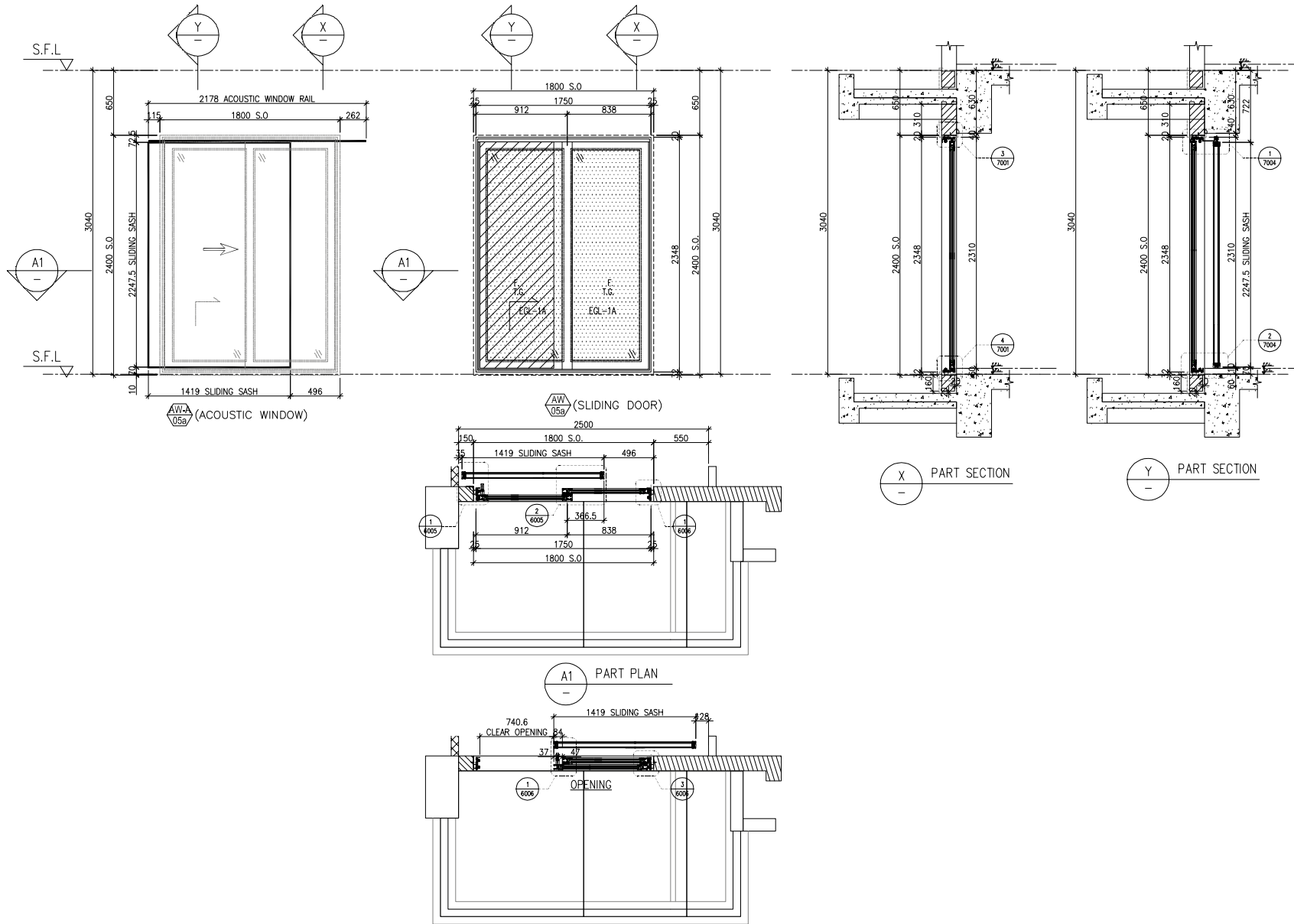
國內

<input type="checkbox"/> 生產技術總監	<input type="checkbox"/> 連附件	<input checked="" type="checkbox"/> 技術部	<input checked="" type="checkbox"/> 連附件	<input type="checkbox"/> 生產部	<input type="checkbox"/> 連附件
<input type="checkbox"/> 採購部	<input type="checkbox"/> 連附件	<input checked="" type="checkbox"/> 生產統籌部	<input checked="" type="checkbox"/> 連附件	<input type="checkbox"/> 報關組	<input type="checkbox"/> 連附件
<input type="checkbox"/> 質檢部	<input type="checkbox"/> 連附件	<input type="checkbox"/> 會計部	<input type="checkbox"/> 連附件	<input type="checkbox"/> 機械設計部	<input type="checkbox"/> 連附件
<input checked="" type="checkbox"/> 香港辦	<input checked="" type="checkbox"/> 連附件	<input checked="" type="checkbox"/> 其他: 峰少			

<input type="checkbox"/> 行政部	<input type="checkbox"/> 連附件	<input type="checkbox"/> 會計部	<input type="checkbox"/> 連附件	<input type="checkbox"/> 統籌部	<input type="checkbox"/> 連附件	<input type="checkbox"/> 工程部	<input type="checkbox"/> 連附件
<input type="checkbox"/> 採購部	<input type="checkbox"/> 連附件	<input type="checkbox"/> QS部	<input type="checkbox"/> 連附件	<input type="checkbox"/> 地盤管理	<input type="checkbox"/> 連附件	<input type="checkbox"/> 維修部	<input type="checkbox"/> 連附件

*發件人簽署:		*組別成員批核簽署:	
傳遞編號:		項目經理簽署:	

LOCATION	REQUIRE		PROVIDED	
	OPENABLE AREA	GLAZING AREA	OPENABLE AREA	GLAZING AREA
A5-LIV	1.198	1.409	1.675	2.99



ELEVATION

WINDOW MARK	$\frac{AW}{05a}$ & $\frac{AW-A}{05a7}$ (ACOUSTIC WINDOW)
LOCATION	18/F - LIV./DIN. OF UNIT A5 (TOWER 1)
SECTION	70mm ALUM. SECTION
GLAZING	EGL-1, EGL-1A
QUANTITY	1 NO.
REMARKS	-

B.D. REF :

CLIENT :  
**SUN HUNG KAI**  
 REAL ESTATE AGENCY LTD.  
 42/F SUN HUNG KAI CENTRE, WANCHAI, HONGKONG

ARCHITECT :  
**lwk&partners**  
 architects

MAIN CONTRACTOR :  
**怡耀建築有限公司**  
 Yee Fal Building Contractors Ltd.

STRUCTURAL ENGINEER :  
**ARUP**

FACADE CONSULTANT:  
**ALPHA CONSULTING LIMITED**  
 Steel Structure & Facade Specialist

- NOTE:
1. ALL DIMENSIONS ARE IN mm.
  2. ALL ELEVATIONS ARE VIEWED FROM OUTSIDE.
  3. ALL DIMENSIONS TO BE VERIFIED ON SITE BEFORE FABRICATION.
- LEGEND:
- X1 - DETAIL MARK NO.
  - X001 - REFER SHEET NO.
1. F.F.L. -- FINISHED FLOOR LEVEL
  2. S.F.L. -- STRUCTURAL FLOOR LEVEL
  3. (R) -- REVERSED DETAIL
  4. GLASS LEGEND
- EGL-1 -- 8mmHS+12mm AIR GAP+10mmTP THK. I.G.U.  
 EGL-2 -- 10mm THK. CRYSTAL GRAY TEMPERED GLASS  
 EGL-4 -- 10mm THK. CRYSTAL TEMPERED ACID ETCHED GLASS  
 EGL-1A -- 8mmHS+12mm AIR GAP+8mmTP THK. I.G.U.  
 BT1/BB1 -- FIXING DETAIL (DWG. NO. FD01)  
 BB2 -- FIXING DETAIL (DWG. NO. FD02)
- GLAZING AREA  
 OPENABLE AREA

NO.	DATE	REVISED	BY

JOB NO. : J-856

PROJECT :  
 PROPOSED DEVELOPMENT ABOVE  
 LIGHT RAIL TIN WING STOP, TSWTL  
 NO.23, AREA 33, TIN SHUI WAI, N.T.

TITLE :  
 WINDOW SCHEDULE FOR  
 SALES MOCK-UP AT TOWER 1  
 (IN-SITU WINDOW)

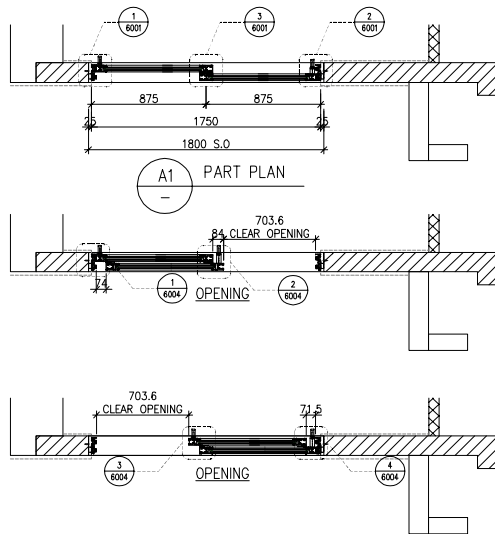
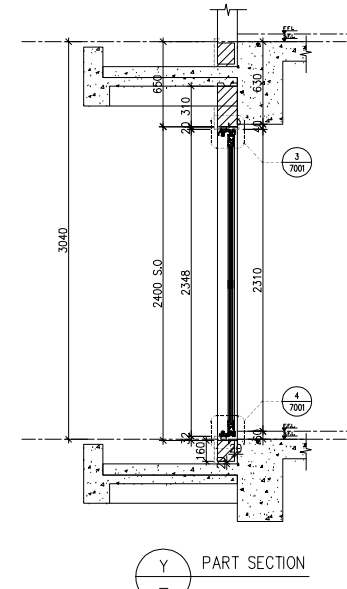
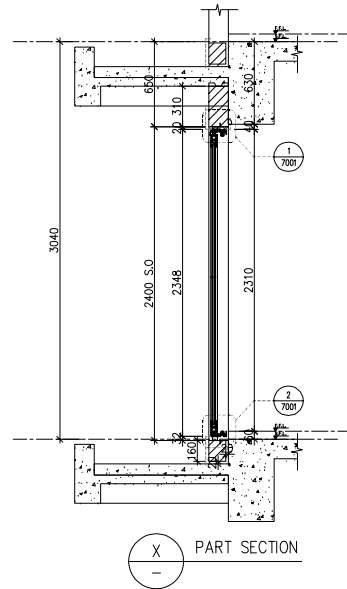
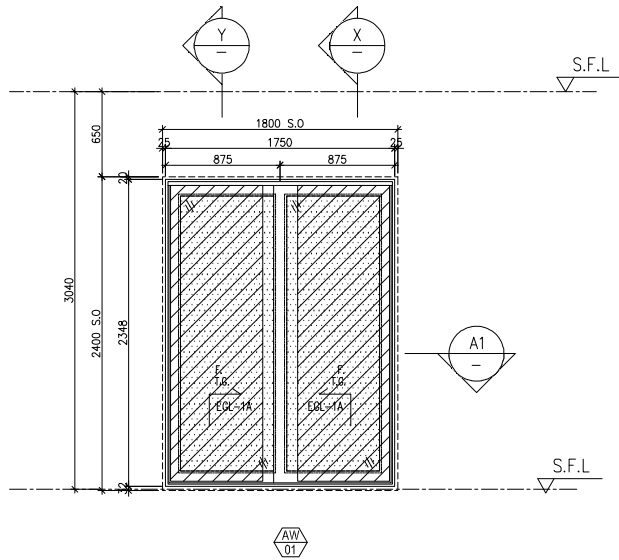
DATE : 02-Aug-21 SCALE : 1:40

DRAWN BY : YI CHECKED BY :

**美特鋁質有限公司**  
 MIDT ALUMINIUM FABRICATOR LTD.  
 Units 6-8, Sunray Industrial Centre, 1/F  
 610 Cha Kwo Ling Road, Kowloon  
 Tel: 23489211-4 Fax: (852) 2727666

DWG NO. : J856-SD-MU-5101 REV. : -

LOCATION	REQUIRE		PROVIDED	
	OPENABLE AREA	GLAZING AREA	OPENABLE AREA	GLAZING AREA
A1-LIV	1.447	1.682	1.591	2.99



ELEVATION

WINDOW MARK	AW 01
LOCATION	18/F - LIV./DIN. OF UNIT A1 (TOWER 2)
SECTION	70mm ALUM. SECTION
GLAZING	EGL-1A
QUANTITY	2 Nos.
REMARKS	-

B.D. REF :

CLIENT :

**SUN HUNG KAI**  
REAL ESTATE AGENCY LTD.  
42/F SUN HUNG KAI CENTRE, WANCHAI, HONGKONG

ARCHITECT :

**lwk&partners**  
architects

MAIN CONTRACTOR :

**Yee Fal** Building Contractors Ltd.

STRUCTURAL ENGINEER :

**ARUP**

FACADE CONSULTANT:

**ALPHA CONSULTING LIMITED**  
Steel Structure & Facade Specialist

NOTE:

- ALL DIMENSIONS ARE IN mm.
- ALL ELEVATIONS ARE VIEWED FROM OUTSIDE.
- ALL DIMENSIONS TO BE VERIFIED ON SITE BEFORE FABRICATION.

LEGEND:

X1 - DETAIL MARK NO.  
X001 - REFER SHEET NO.

- F.F.L. -- FINISHED FLOOR LEVEL
- S.F.L. -- STRUCTURAL FLOOR LEVEL
- (R) -- REVERSED DETAIL
- GLASS LEGEND

EGL-1--8mmHS+12mm AIR GAP+10mmTP THK. I.G.U.  
EGL-2--10mm THK. CRYSTAL GRAY TEMPERED GLASS  
EGL-4--10mm THK. CRYSTAL TEMPERED ACID ETCHED GLASS  
EGL-1A--8mmHS+12mm AIR GAP+8mmTP THK. I.G.U.  
BT1/BT1--FIXING DETAIL (DWG. NO. FD01)  
BB2--FIXING DETAIL (DWG. NO. FD02)

GLAZING AREA  
OPENABLE AREA

NO.	DATE	REVISED	BY

JOB NO. : J-856

PROJECT :

PROPOSED DEVELOPMENT ABOVE LIGHT RAIL TIN WING STOP, TSWTL NO.23, AREA 33, TIN SHUI WAI, N.T.

TITLE :

WINDOW SCHEDULE FOR SALES MOCK-UP AT TOWER 2 (IN-SITU WINDOW)

DATE : 02-Aug-21 SCALE : 1:40

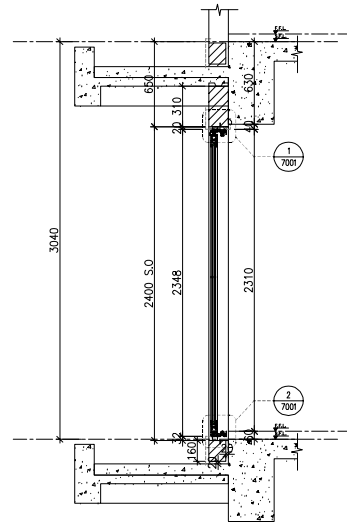
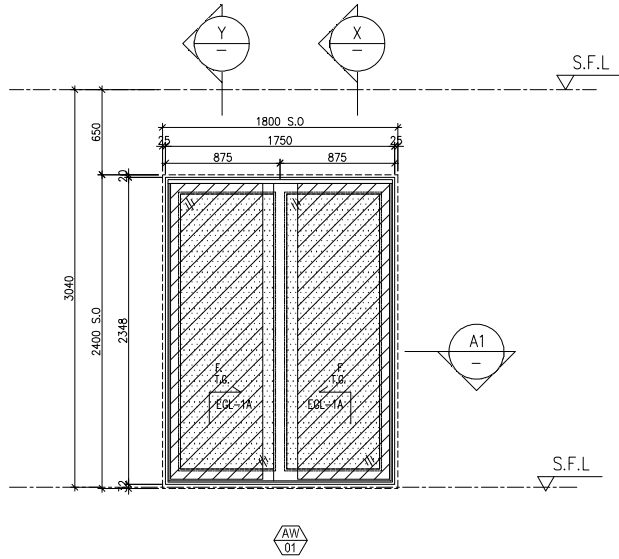
DRAWN BY : YI CHECKED BY :

**MIDI ALUMINIUM FABRICATOR LTD.**  
Units 6-8, Sunray Industrial Centre, 1/F  
610 Cha Kwo Ling Road, Kowloon  
Tel:23489211-4 Fax:(852)2727666

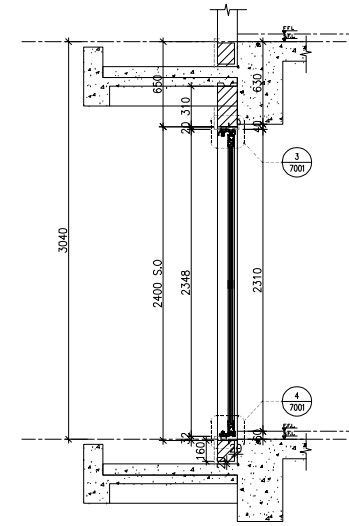
DWG NO. : J856-SD-MU-5201 REV. : -

LOCATION	REQUIRE		PROVIDED	
	OPENABLE AREA	GLAZING AREA	OPENABLE AREA	GLAZING AREA
B8-LIV	1.641	1.792	1.591	2.99

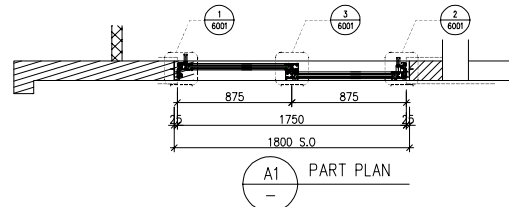
(NOT ENOUGH)



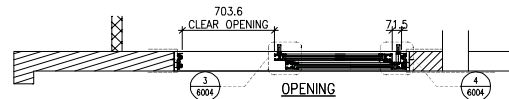
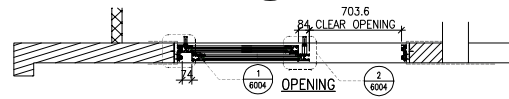
X  
—  
PART SECTION



Y  
—  
PART SECTION



A1  
—  
PART PLAN



ELEVATION

WINDOW MARK  
AW 01

LOCATION	18/F - LIV./DIN. OF UNIT B8 (TOWER 2)
SECTION	70mm ALUM. SECTION
GLAZING	EGL-1A
QUANTITY	1 NO.
REMARKS	—

B.D. REF :

CLIENT :  
**SUN HUNG KAI**  
 REAL ESTATE AGENCY LTD.  
 42/F SUN HUNG KAI CENTRE, WANCHAI, HONGKONG

ARCHITECT :  
**IWK&partners**  
 architects

MAIN CONTRACTOR :  
**Yee Fal**  
 Building Contractors Ltd.

STRUCTURAL ENGINEER :  
**ARUP**

FACADE CONSULTANT:  
**ALPHA CONSULTING LIMITED**  
 Steel Structure & Facade Specialist

NOTE:  
 1. ALL DIMENSIONS ARE IN mm.  
 2. ALL ELEVATIONS ARE VIEWED FROM OUTSIDE.  
 3. ALL DIMENSIONS TO BE VERIFIED ON SITE BEFORE FABRICATION.

LEGEND :

X1 — DETAIL MARK NO.  
 X001 — REFER SHEET NO.

1. F.F.L. — FINISHED FLOOR LEVEL  
 2. S.F.L. — STRUCTURAL FLOOR LEVEL  
 3. (Z) — REVERSED DETAIL  
 4. GLASS LEGEND

EGL-1 — 8mmHS+12mm AIR GAP+10mmTP THK. I.G.U.  
 EGL-2 — 10mm THK. CRYSTAL GRAY TEMPERED GLASS  
 EGL-4 — 10mm THK. CRYSTAL TEMPERED ACID ETCHED GLASS  
 EGL-1A — 8mmHS+12mm AIR GAP+8mmTP THK. I.G.U.  
 BT1/BT1 — FIXING DETAIL (DWG. NO. FD01)  
 BB2 — FIXING DETAIL (DWG. NO. FD02)

GLAZING AREA  
 OPENABLE AREA

NO.	DATE	REVISED	BY

JOB NO. : J-856

PROJECT :  
 PROPOSED DEVELOPMENT ABOVE  
 LIGHT RAIL TIN WING STOP, TSWTL  
 NO.23, AREA 33, TIN SHUI WAI, N.T.

TITLE :  
 WINDOW SCHEDULE FOR  
 SALES MOCK-UP AT TOWER 2  
 (IN-SITU WINDOW)

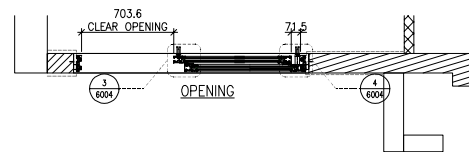
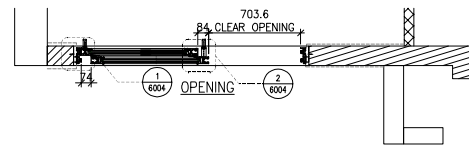
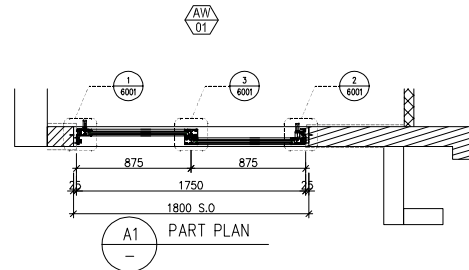
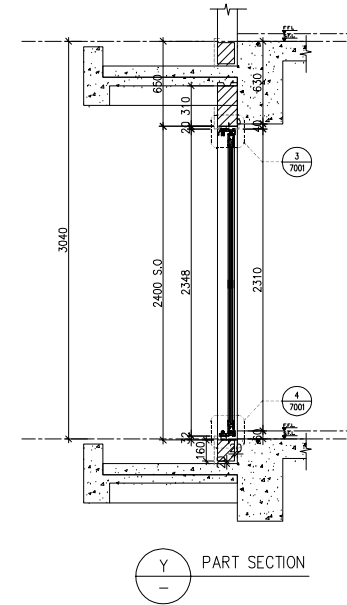
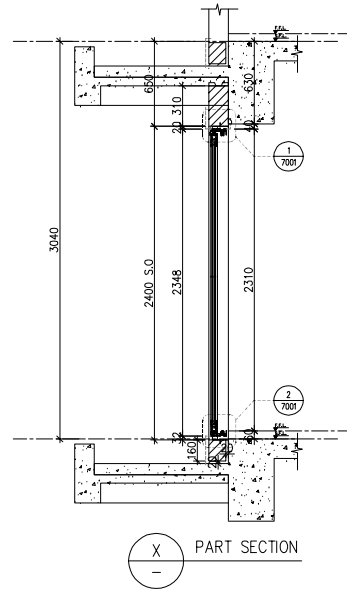
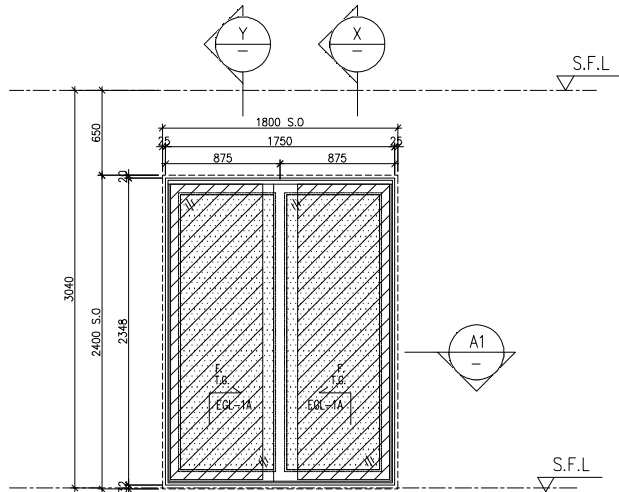
DATE : 02-Aug-21 SCALE : 1:40

DRAWN BY : YI CHECKED BY :

**美特鋁質有限公司**  
 MIDI ALUMINIUM FABRICATOR LTD.  
 Units 6-8, Sunray Industrial Centre, 1/F  
 610 Cha Kwo Ling Road, Kowloon  
 Tel: 23489211-4 Fax: (852) 2727666

DWG NO. : J856-SD-MU-5202 REV. : —

LOCATION	REQUIRE		PROVIDED	
	OPENABLE AREA	GLAZING AREA	OPENABLE AREA	GLAZING AREA
A11-LIV	1.240	1.475	1.591	2.99



ELEVATION

B.D. REF :

CLIENT :  
**SUN HUNG KAI**  
 REAL ESTATE AGENCY LTD.  
 42/F SUN HUNG KAI CENTRE, WANCHAI, HONGKONG

ARCHITECT :  
**lwk&partners**  
 architects

MAIN CONTRACTOR :  
**怡耀建築有限公司**  
 Yee Fal Building Contractors Ltd.

STRUCTURAL ENGINEER :  
**ARUP**

FACADE CONSULTANT:  
**ALPHA CONSULTING LIMITED**  
 Steel Structure & Facade Specialist

NOTE:  
 1. ALL DIMENSIONS ARE IN mm.  
 2. ALL ELEVATIONS ARE VIEWED FROM OUTSIDE.  
 3. ALL DIMENSIONS TO BE VERIFIED ON SITE BEFORE FABRICATION.

LEGEND:  
 X1 - DETAIL MARK NO.  
 X001 - REFER SHEET NO.

1. F.F.L. -- FINISHED FLOOR LEVEL  
 2. S.F.L. -- STRUCTURAL FLOOR LEVEL  
 3. (Z) -- REVERSED DETAIL  
 4. GLASS LEGEND

EGL-1 -- 8mmHS+12mm AIR GAP+10mmTP THK. I.G.U.  
 EGL-2 -- 10mm THK. CRYSTAL GRAY TEMPERED GLASS  
 EGL-4 -- 10mm THK. CRYSTAL TEMPERED ACID ETCHED GLASS  
 EGL-1A -- 8mmHS+12mm AIR GAP+8mmTP THK. I.G.U.  
 BT1/B81 -- FIXING DETAIL (DWG. NO. FD01)  
 BB2 -- FIXING DETAIL (DWG. NO. FD02)

GLAZING AREA  
 OPENABLE AREA

NO.	DATE	REVISED	BY

JOB NO. : J-856

PROJECT :  
 PROPOSED DEVELOPMENT ABOVE  
 LIGHT RAIL TIN WING STOP, TSWTL  
 NO.23, AREA 33, TIN SHUI WAI, N.T.

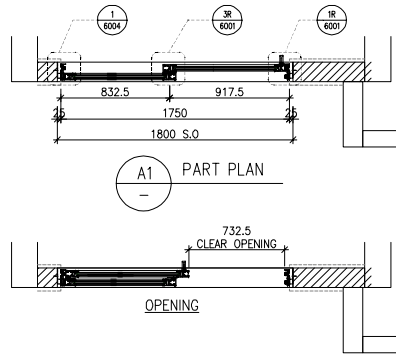
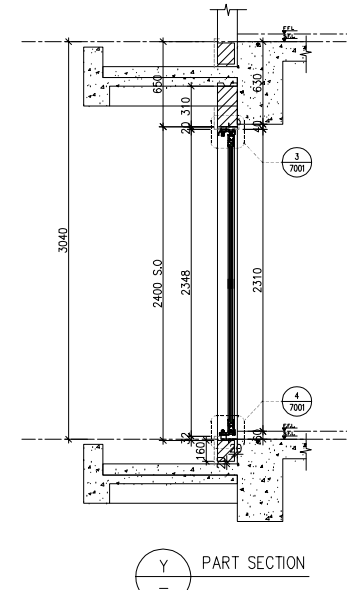
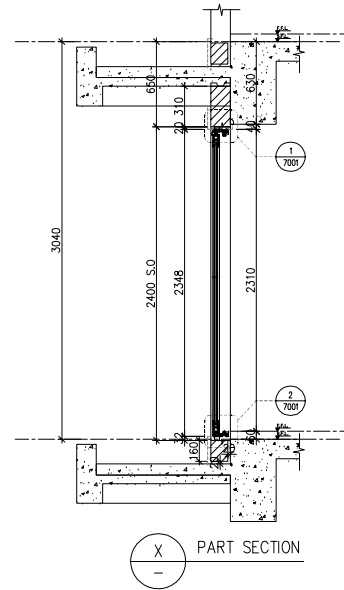
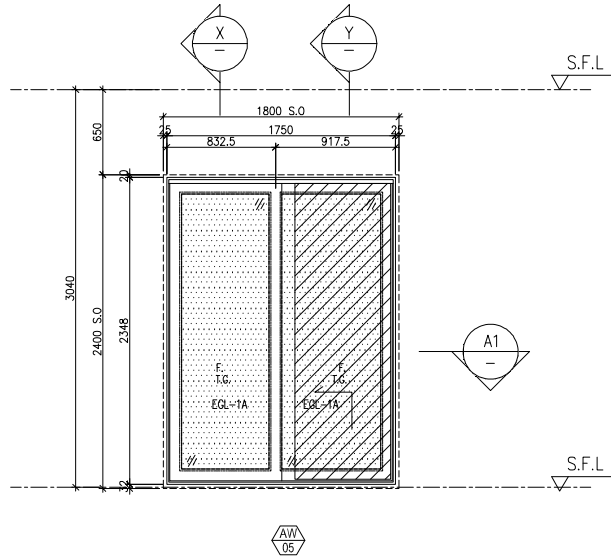
TITLE :  
 WINDOW SCHEDULE FOR  
 SALES MOCK-UP AT TOWER 3  
 (IN-SITU WINDOW)

DATE : 02-Aug-21 SCALE : 1:40  
 DRAWN BY : YI CHECKED BY :

WINDOW MARK	AW 01
LOCATION	18/F - LIV./DIN. OF UNIT A11 (TOWER 3)
SECTION	70mm ALUM. SECTION
GLAZING	EGL-1A
QUANTITY	1 NO.
REMARKS	-

**美特鋁質有限公司**  
 MIDY ALUMINIUM FABRICATOR LTD.  
 Units 6-8, Sunray Industrial Centre, 1/F  
 610 Cha Kwo Ling Road, Kowloon  
 Tel:23489211-4 Fax:(852)2727666  
 DWG NO. : J856-SD-MU-5301 REV. : -

LOCATION	REQUIRE		PROVIDED	
	OPENABLE AREA	GLAZING AREA	OPENABLE AREA	GLAZING AREA
B3-LIV	1.001	1.053	1.657	2.99



ELEVATION

WINDOW MARK

AW  
D5

LOCATION 18/F - LIV./DIN. OF UNIT B3 (TOWER 3)

SECTION 70mm ALUM. SECTION

GLAZING EGL-1A

QUANTITY 1 NO.

REMARKS -

B.D. REF :

CLIENT :  
**SUN HUNG KAI**  
REAL ESTATE AGENCY LTD.  
42/F SUN HUNG KAI CENTRE, WANCHAI, HONGKONG

ARCHITECT :  
**IWK&partners**  
architects

MAIN CONTRACTOR :  
**Yee Fal** Building Contractors Ltd.

STRUCTURAL ENGINEER :  
**ARUP**

FACADE CONSULTANT:  
**ALPHA CONSULTING LIMITED**  
Steel Structure & Facade Specialist

NOTE:  
1. ALL DIMENSIONS ARE IN mm.  
2. ALL ELEVATIONS ARE VIEWED FROM OUTSIDE.  
3. ALL DIMENSIONS TO BE VERIFIED ON SITE BEFORE FABRICATION.

LEGEND:  
X1 - DETAIL MARK NO.  
X001 - REFER SHEET NO.

1. F.F.L. -- FINISHED FLOOR LEVEL  
2. S.F.L. -- STRUCTURAL FLOOR LEVEL  
3. (R) -- REVERSED DETAIL  
4. GLASS LEGEND  
EGL-1--8mmHS+12mm AIR GAP+10mmTP THK. I.G.U.  
EGL-2--10mm THK. CRYSTAL GRAY TEMPERED GLASS  
EGL-4--10mm THK. CRYSTAL TEMPERED ACID ETCHED GLASS  
EGL-1A--8mmHS+12mm AIR GAP+8mmTP THK. I.G.U.  
BT1/BT1--FIXING DETAIL (DWG. NO. FD01)  
BB2--FIXING DETAIL (DWG. NO. FD02)  
GLAZING AREA  
OPENABLE AREA

NO. DATE REVISED BY

JOB NO. : J-856

PROJECT :  
PROPOSED DEVELOPMENT ABOVE  
LIGHT RAIL TIN WING STOP,TSWTL  
NO.23,AREA 33,TIN SHUI WAI, N.T.

TITLE :  
WINDOW SCHEDULE FOR  
SALES MOCK-UP AT TOWER 3  
(IN-SITU WINDOW)

DATE : 02-Aug-21 SCALE : 1:40

DRAWN BY : YI CHECKED BY :

**MIDI** ALUMINIUM FABRICATOR LTD.  
Units 6-8, Sunray Industrial Centre, 1/F  
610 Cha Kwo Ling Road, Kowloon  
Tel:23489211-4 Fax:(852)2727666

DWG NO. : J856-SD-MU-5302 REV. : -