

工程指示 / 要求簡箋 ENGINEER INSTRUCTIONS(E.I.)

工程指示編號:	EI-5799	修改版本:	-
	HK-0359		
工程編號:	J 856	工程名稱:	天榮站
收件人:	技術部/林仁安	發件人:	Lai Sik Hung
工程項目:	售樓辦房拆圖 - 鋁門窗及單元件	日期:	02/03/2023

<input type="checkbox"/> 原合約工程包	<input type="checkbox"/> 原合約工程加 / 減賬 QT-	<input type="checkbox"/> 新工程報價 QT-
---------------------------------	--	------------------------------------

信件批核號碼/圖紙參考編號:	批核模具圖紙編號:
客戶指示附件:	管理內部批簽署:

<input type="checkbox"/> 初步鋁料 B.M.	<input type="checkbox"/> 加工拆圖, 然後生產	<input type="checkbox"/> 尺寸表
<input type="checkbox"/> 正式鋁料 B.M.	<input type="checkbox"/> 技術上資料/指示	<input type="checkbox"/> 報價
<input type="checkbox"/> 配件 B.M.	<input type="checkbox"/> 樣辦或貨品說明書	<input type="checkbox"/> 分判合約
<input type="checkbox"/> 其他:		

內容: 售樓辦房拆圖 - 鋁門窗及單元件

鋁門窗: 技術部請幫忙儘快處理

單元件: 林仁安請幫忙儘快處理

完成上列要求日期: 06/03/2023

國內

<input type="checkbox"/> 生產技術總監	<input type="checkbox"/> 連附件	<input checked="" type="checkbox"/> 技術部	<input checked="" type="checkbox"/> 連附件	<input type="checkbox"/> 生產部	<input type="checkbox"/> 連附件
<input type="checkbox"/> 採購部	<input type="checkbox"/> 連附件	<input checked="" type="checkbox"/> 生產統籌部	<input checked="" type="checkbox"/> 連附件	<input type="checkbox"/> 報關組	<input type="checkbox"/> 連附件
<input type="checkbox"/> 質檢部	<input type="checkbox"/> 連附件	<input type="checkbox"/> 會計部	<input type="checkbox"/> 連附件	<input type="checkbox"/> 機械設計部	<input type="checkbox"/> 連附件
<input checked="" type="checkbox"/> 香港辦	<input checked="" type="checkbox"/> 連附件	<input checked="" type="checkbox"/> 其他: 林仁安			

<input type="checkbox"/> 行政部	<input type="checkbox"/> 連附件	<input type="checkbox"/> 會計部	<input type="checkbox"/> 連附件	<input type="checkbox"/> 統籌部	<input type="checkbox"/> 連附件	<input type="checkbox"/> 工程部	<input type="checkbox"/> 連附件
<input type="checkbox"/> 採購部	<input type="checkbox"/> 連附件	<input type="checkbox"/> QS部	<input type="checkbox"/> 連附件	<input type="checkbox"/> 地盤管理	<input type="checkbox"/> 連附件	<input type="checkbox"/> 維修部	<input type="checkbox"/> 連附件

*發件人簽署:		*組別成員批核簽署:	
傳遞編號:		項目經理簽署:	

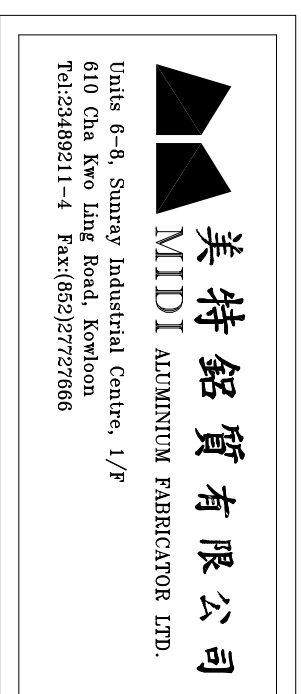
PROJECT :

PROPOSED DEVELOPMENT ABOVE
LIGHT RAIL TIN WING STOP, TSWTL
NO.23, AREA 33, TIN SHUI WAI, N.T.

1

SHOP DRAWING FOR SALES MOCK-UP OF TOWER

DATE: 31/01/2023



CLIENT :

SUN HUNG KAI
REAL ESTATE AGENCY LTD.

42/F, SUN HUNG KAI CENTRE, WANCHAI, HONGKONG

ARCHITECT :

Iw&partners
A R C H I T E C T S

MAIN CONTRACTOR :

怡輝建築有限公司
Yee Fai Building Contractors Ltd.

STRUCTURAL ENGINEER :

ARUP

FAÇADE CONSULTANT:

ALPHA CONSULTING LIMITED
Steel Structure & Façade Specialist

NOTE :

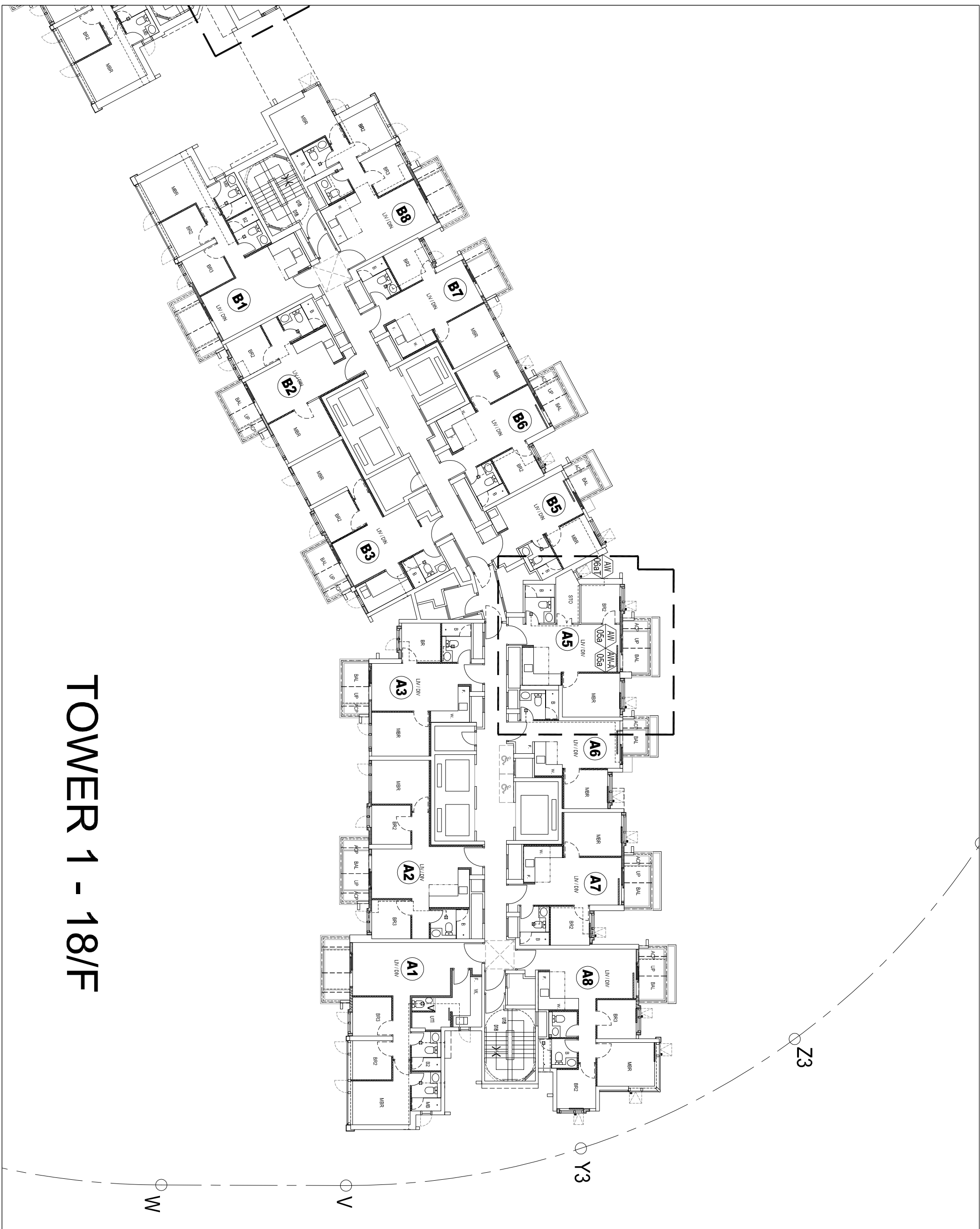
1. ALL DIMENSIONS ARE IN mm.
2. ALL ELEVATIONS ARE VIEWED FROM OUTSIDE.
3. ALL DIMENSIONS TO BE VERIFIED ON SITE BEFORE FABRICATION.

LEGEND :

⊗1 --- DETAIL MARK NO.
⊗000 --- REFER SHEET NO.

1. F.F.L. --- FINISHED FLOOR LEVEL
2. S.F.L. --- STRUCTURAL FLOOR LEVEL
3. ⊗ --- REVERSED DETAIL
4. GLASS LEGEND

EQ.-1 --- 9mmHS+12mm AIR GAP+6mmTP THK. LGU.
EQ.-2 --- 10mm THK. CLEAR TEMPERED GLASS
EQ.-4 --- 10mm THK. TEMPERED ACID ETCHED GLASS



TOWER 1 - 18/F

NO.	DATE	REVISION	BY

JOB NO. : J-856

PROJECT : PROPOSED DEVELOPMENT ABOVE LIGHT RAIL TIN WING STOP, TSWL NO.23, AREA 33, TIN SHUI WAI, N.T.

TITLE : PLAN FOR SALES MOCK-UP AT TOWER 1

DATE : 16-JAN-23 SCALE : 1:200

DRAWN BY : YI CHECKED BY :

美特鋁質有限公司
MIDI ALUMINIUM FABRICATOR LTD.
Units 6-8, Sunroy Industrial Centre, 1/F
610 Cho Kwo Ling Road, Kowloon
Tel: 23489211-4 Fax: (852) 27272666

DWG NO. : JB56-SD-MU-3101 REV : -

CLIENT :

SUN HUNG KAI
REAL ESTATE AGENCY LTD.
42/7, SUN HUNG KAI CENTRE, WANCHAI, HONGKONG

ARCHITECT :

IWK&partners
A R C H I T E C T S

MAIN CONTRACTOR :

怡輝建築有限公司
Yee Fai Building Contractors Ltd.

STRUCTURAL ENGINEER :

ARUP

FAÇADE CONSULTANT:

ALPHA CONSULTING LIMITED
Steel Structure & Façade Specialist

NOTE :

1. ALL DIMENSIONS ARE IN mm.
2. ALL ELEVATIONS ARE VIEWED FROM OUTSIDE.
3. ALL DIMENSIONS TO BE VERIFIED ON SITE BEFORE FABRICATION.

LEGEND :

⊗1 --- DETAIL MARK NO.
⊗001 --- REFER SHEET NO.

1. F.F.L.--FINISHED FLOOR LEVEL
2. S.F.L.--STRUCTURAL FLOOR LEVEL
3. Ⓟ --REVERSED DETAIL
4. GLASS LEGEND

EQ.-1---6mmH+12mm AIR GAP+6mmTP THK. IG.U.
EQ.-2---10mm THK. CLEAR TEMPERED GLASS
EQ.-4---10mm THK. TEMPERED ACID ETCHED GLASS

NO.	DATE	REVISION	BY

JOB NO. : J-856

PROJECT :
PROPOSED DEVELOPMENT ABOVE
LIGHT RAIL TIN WING STOP,15WTL
NO.23,AREA 33,TIN SHUI WAI, N.T.

TITLE :
PLAN FOR SALES MOCK-UP
AT TOWER 2

DATE : 16-JAN-23 SCALE : 1:200

DRAWN BY : YI CHECKED BY :

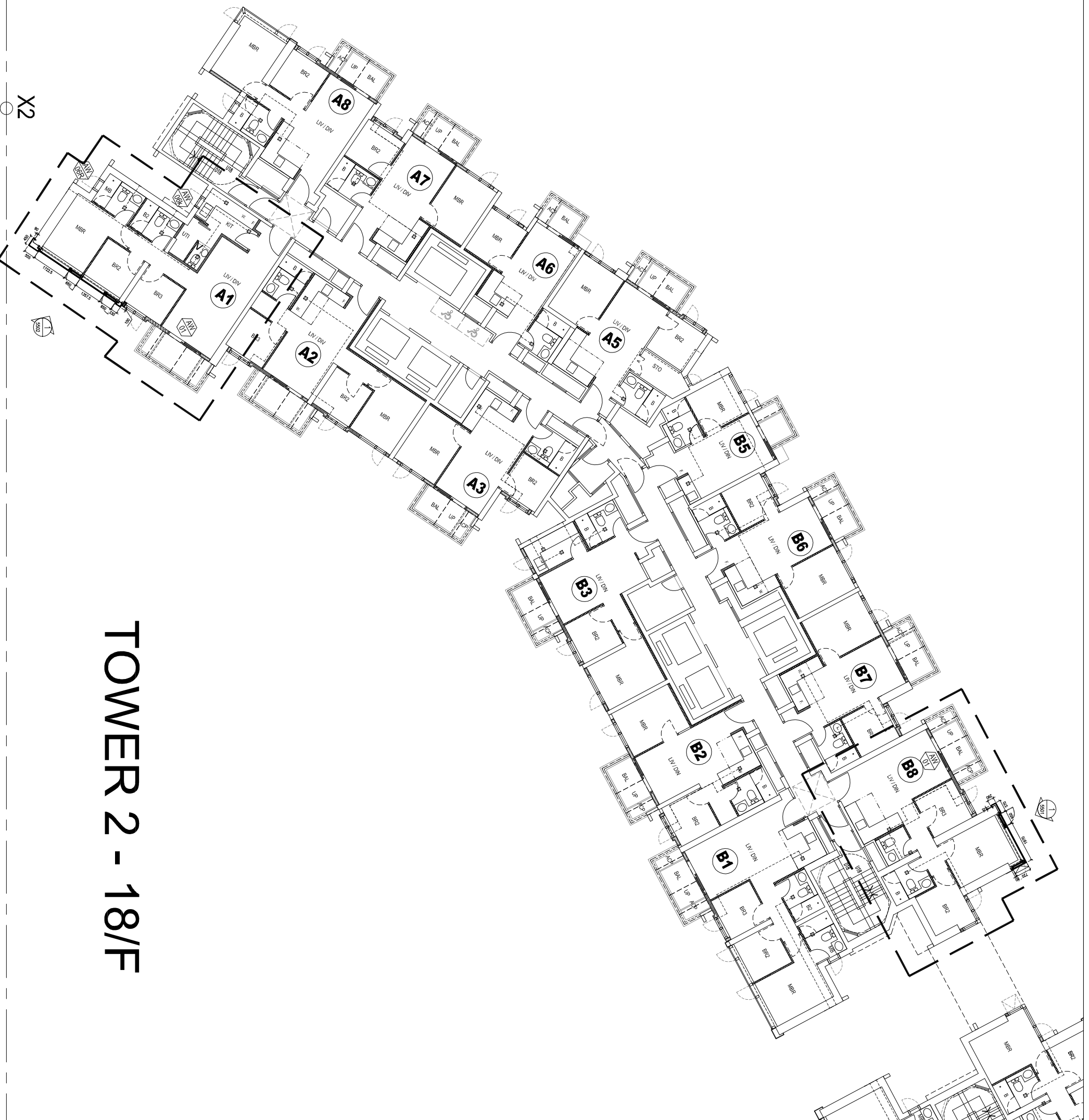
美特鋁質有限公司
MIDI ALUMINIUM FABRICATOR LTD.
Units 6-8, Sunray Industrial Centre, 1/F
610 Cho Kwo Ling Road, Kowloon
Tel:23489211-4 Fax:(852)27272666

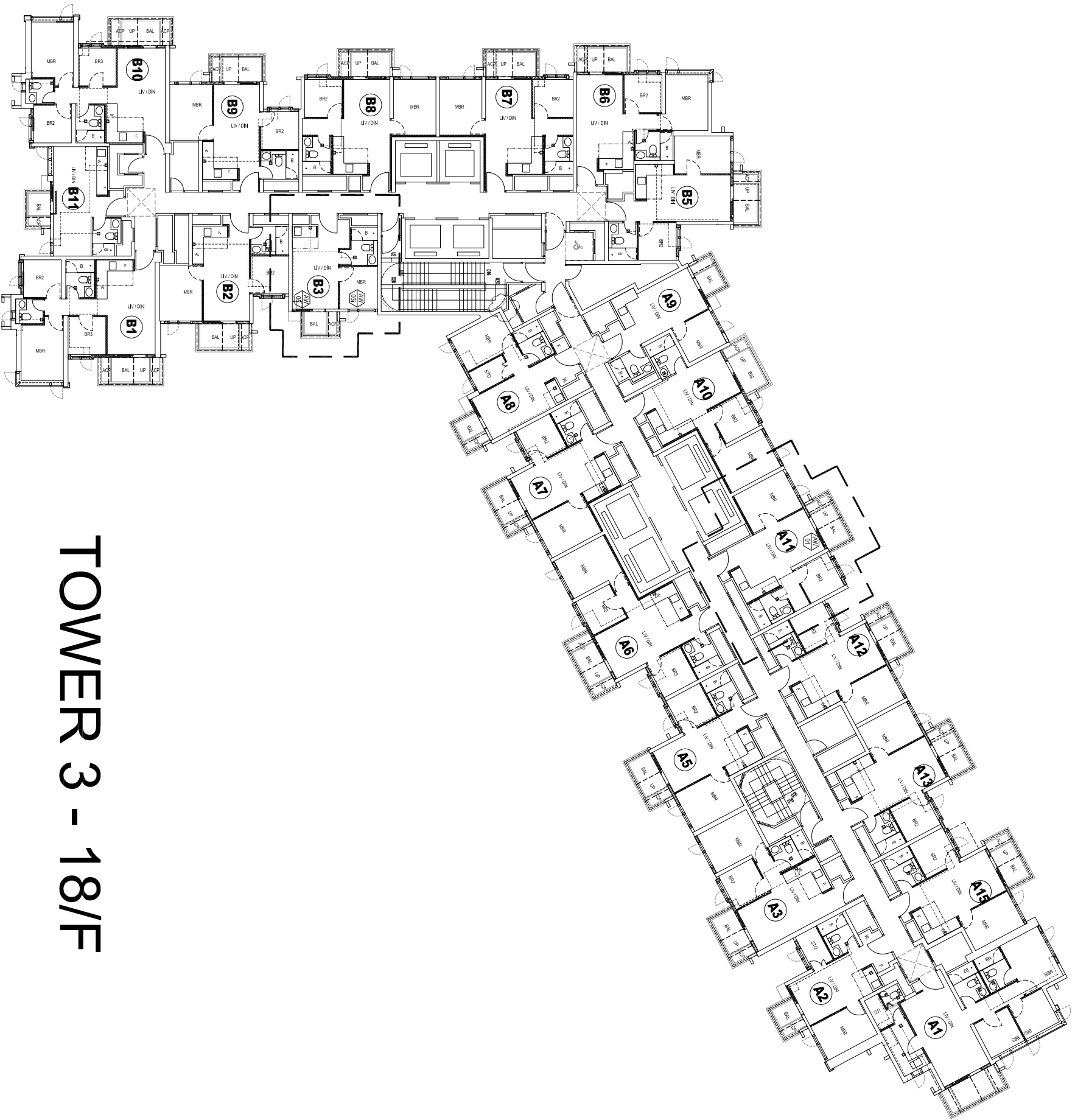
DWG NO. : J856-SD-MU-3201 REV : -

Z2

X2

TOWER 2 - 18/F





TOWER 3 - 18/F

CLIENT :

SUN HUNG KAI
REAL ESTATE AGENCY LTD.

42/F SUN HUNG KAI CENTRE, WANCHAI, HONGKONG

ARCHITECT :

lwk&partners
a r c h i t e c t s

MAIN CONTRACTOR :

怡輝建築有限公司
Yee Fai Building Contractors Ltd.

STRUCTURAL ENGINEER :

ARUP

FAÇADE CONSULTANT:

ALPHA CONSULTING LIMITED
Steel Structure & Façade Specialist

NOTE :

1. ALL DIMENSIONS ARE IN mm.
2. ALL ELEVATIONS ARE VIEWED FROM OUTSIDE.
3. ALL DIMENSIONS TO BE VERIFIED ON SITE BEFORE FABRICATION.

LEGEND :

⊗11—DETAIL MARK NO.
⊗001—REFER SHEET NO.

1. F.F.L.—FINISHED FLOOR LEVEL
2. S.F.L.—STRUCTURAL FLOOR LEVEL
3. ⊗R—REVERSED DETAIL

4. GLASS LEGEND

EQ-1—8mmHS+12mm AIR GAP+8mmTP THK. L&U.
EQ-2—10mm THK. CLEAR TEMPERED GLASS
EQ-4—10mm THK. TEMPERED ACID ETCHED GLASS

NO.	DATE	REVISED	BY

JOB NO. : J-856

PROJECT :
PROPOSED DEVELOPMENT ABOVE
LIGHT RAIL TIN WING STOP-TSWTL
NO.23,AREA 33,TIN SHUI WAI, N.T.

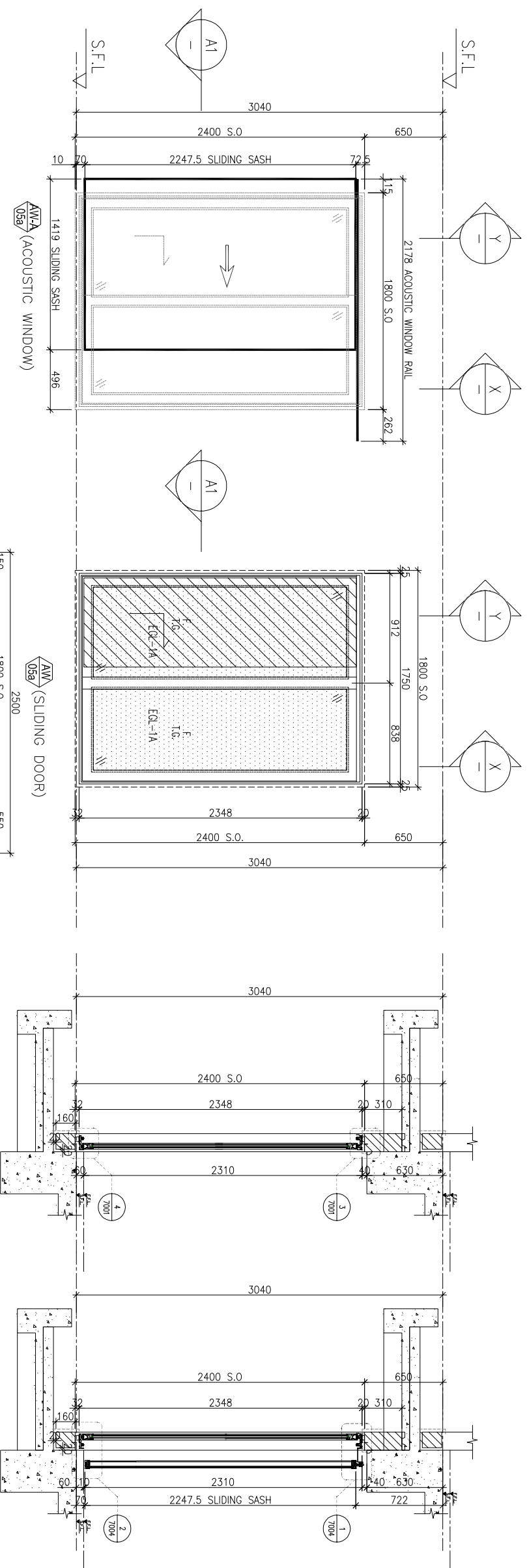
TITLE :
PLAN FOR SALES MOCK-UP
AT TOWER 3

DATE : 16-JAN-23 SCALE : 1:250

DRAWN BY : Y1 CHECKED BY :

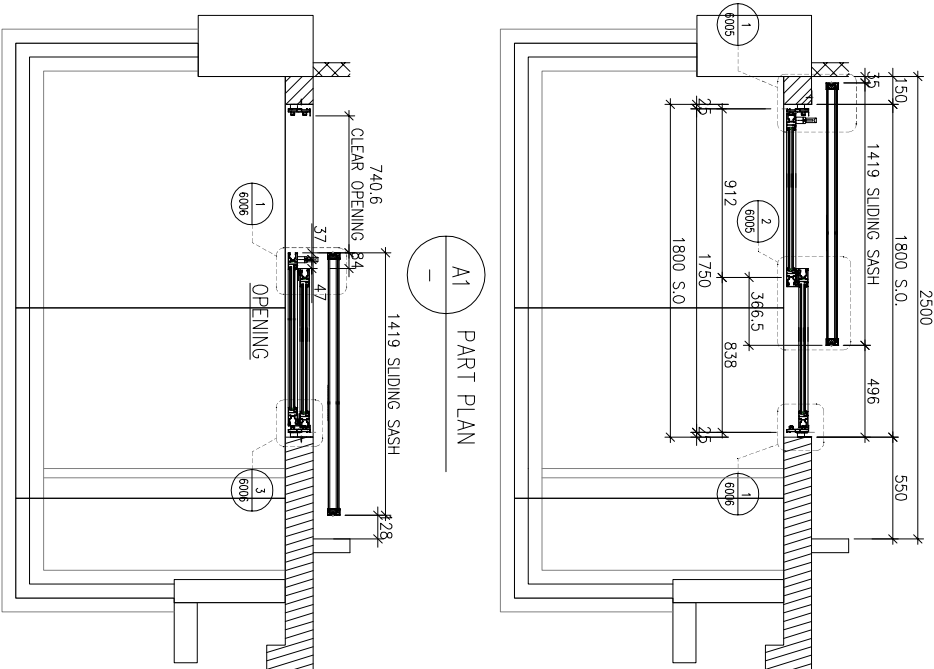
美特鋁質有限公司
MIDI ALUMINIUM FABRICATOR LTD.
Units 6-8, Sunray Industrial Centre, 1/F
610 Ona Kwo Ling Road, Kowloon
Tel:23489211-4 Fax:(852)27277666
DWG NO. : J856-SD-MU-3301 REV. : -

REQUIRE		PROVIDED	
LOCATION	OPENABLE AREA	GLAZING AREA	OPENABLE AREA
A5-LIV	1,198	1,409	1,675
			GLAZING AREA
			2,99



ELEVATION

A1 PART PLAN



WINDOW MARK	AW-05d & AW-1A (ACOUSTIC WINDOW)
LOCATION	18/F - LIV./DIN. OF UNIT A5 (TOWER 1)
SECTION	70mm ALUM. SECTION
GLAZING	EGL-1, EGL-1A
QUANTITY	1 NO.
REMARKS	-

BD. REF. :

CLIENT :

SUN HUNG KAI
REAL ESTATE AGENCY LTD.
42/F SUN HUNG KAI CENTRE, WANCHAI, HONGKONG

ARCHITECT :

lwk&partners
A R C H I T E C T S

MAIN CONTRACTOR :

Yee Fai 怡輝建築有限公司
Building Contractors Ltd.

STRUCTURAL ENGINEER :

ARUP
ALPHA CONSULTING LIMITED
Steel Structure & Façade Specialist

FAÇADE CONSULTANT :

ARUP
ALPHA CONSULTING LIMITED
Steel Structure & Façade Specialist

- NOTE :
1. ALL DIMENSIONS ARE IN mm.
 2. ALL ELEVATIONS ARE VIEWED FROM OUTSIDE.
 3. ALL DIMENSIONS TO BE VERIFIED ON SITE BEFORE FABRICATION.

LEGEND :

- (X1) --- DETAIL MARK NO.
- (X001) --- REFER SHEET NO.
- 1. F.F.L. --- FINISHED FLOOR LEVEL
- 2. S.F.L. --- STRUCTURAL FLOOR LEVEL
- 3. (R) --- REVERSED DETAIL
- 4. GLASS LEGEND

EGL-1--8mmHS+12mm AR GAP+10mmTP THK. I.G.U.
EGL-2--10mm THK. CRYSTAL GRAY TEMPERED GLASS
EGL-4--10mm THK. CRYSTAL TEMPERED AND ETCHED GLASS
EGL-1A--8mmHS+12mm AR GAP+8mmTP THK. I.G.U.
BT1/BB1--FIXING DETAIL (DWG. NO. F001)
BB2--FIXING DETAIL (DWG. NO. F002)

GLAZING AREA
OPENABLE AREA

NO.	DATE	REASON	BY

JOB NO. :

J-856

PROJECT :

PROPOSED DEVELOPMENT ABOVE
LIGHT RAIL TIN WING STOP/TSWTL
NO.23,AREA 33,TIN SHUI WA, N.T.

TITLE :

WINDOW SCHEDULE FOR
SALES MOCK-UP AT TOWER 1
(IN-SITU WINDOW)

DATE : 02-Aug-21 SCALE : 1:40

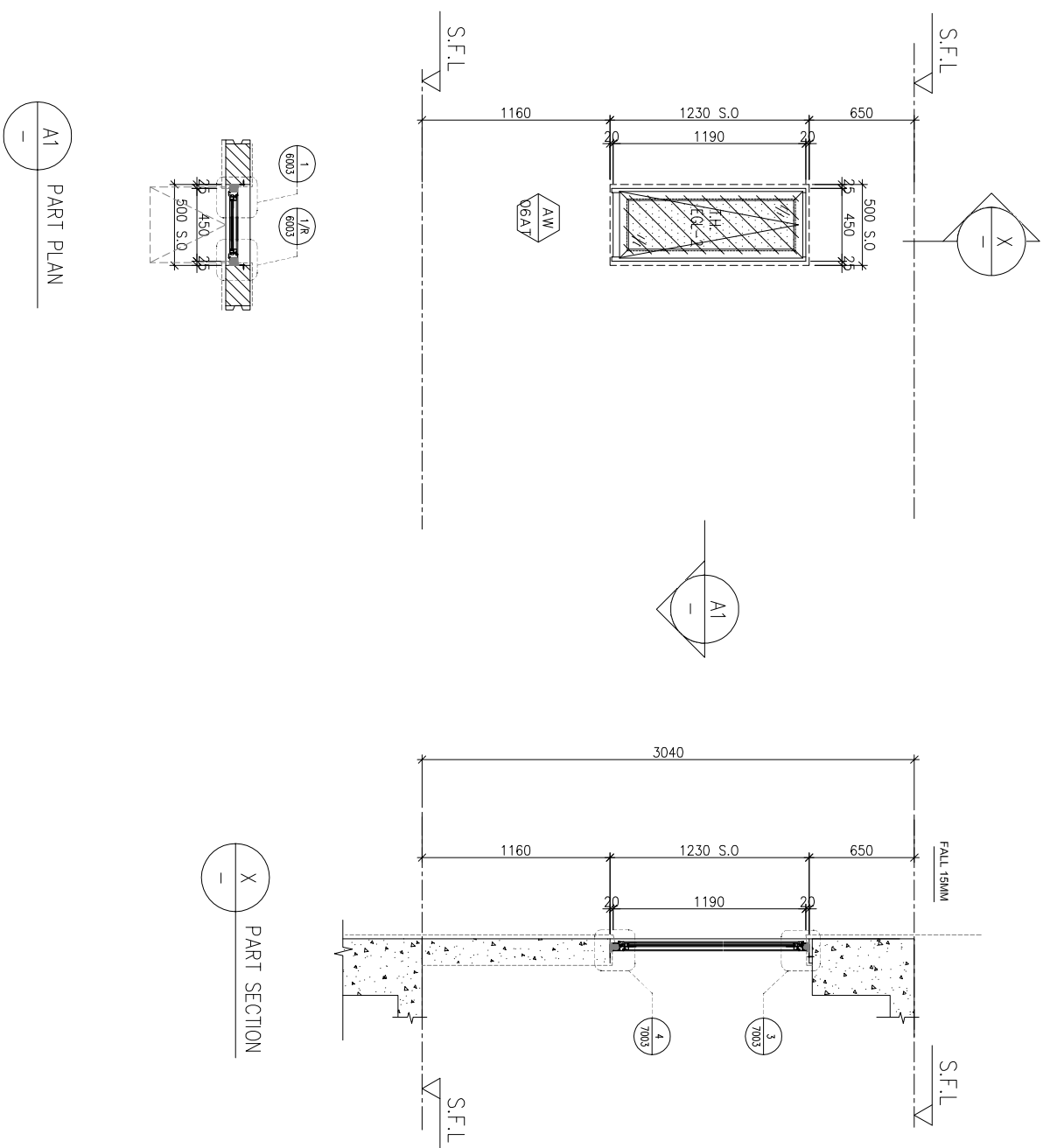
DRAWN BY : Y1 CHECKED BY :

美特铝质有限公司
MIDI ALUMINIUM FABRICATOR LTD.
Units 6-8, Sunray Industrial Centre, 1/F
610 Cho Kwai Ling Road, Kowloon
Tel:23489211-4 Fax:(852)2727666

DWG NO. : J856-SD-MU-5101 REV. : -

REQUIRE		PROVIDED	
LOCATION	OPENABLE AREA	OPENABLE AREA	GLAZING AREA
A5-ST RM	N/A	N/A	0.389
			0.306

ELEVATION



WINDOW MARK	AM 06A7
LOCATION	18/F - STO. OF UNIT A5 (TOWER 1)
SECTION	50mm ALUM. SECTION
GLAZING	EGL-2
QUANTITY	1 NO.
REMARKS	50mm ALUM. WINDOW SECTION , 4 BAR HINGE-LIP HING (HHMT-14)

B.D. REF :

CLIENT :

SUN HUNG KAI
REAL ESTATE AGENCY LTD.

42/F, SUN HUNG KAI CENTRE, WANCHAI, HONGKONG

ARCHITECT :

lwk&partners
a r c h i t e c t s

MAIN CONTRACTOR :

怡輝建築有限公司
Yee Fai Building Contractors Ltd.

STRUCTURAL ENGINEER :

ARUP

FAÇADE CONSULTANT:

ALPHA CONSULTING LIMITED
Steel Structure & Façade Specialist

- NOTE :
1. ALL DIMENSIONS ARE IN mm.
 2. ALL ELEVATIONS ARE VIEWED FROM OUTSIDE.
 3. ALL DIMENSIONS TO BE VERIFIED ON SITE BEFORE FABRICATION.

LEGEND :

(X1) — DETAIL MARK NO.
(X001) — REFER SHEET NO.

1. F.F.L. --- FINISHED FLOOR LEVEL
2. S.F.L. --- STRUCTURAL FLOOR LEVEL
3. (R) --- REVERSED DETAIL

4. GLASS LEGEND

EGL-1 -- 8mmHS+12mm AIR GAP+10mmTP THK. I.G.U.
EGL-2 -- 10mm THK. CRYSTAL GRAY TEMPERED GLASS
EGL-4 -- 10mm THK. CRYSTAL TEMPERED AND ETCHED GLASS
EGL-1A -- 8mmHS+12mm AIR GAP+8mmTP THK. I.G.U.
BT1/BB1 -- FIXING DETAIL (DWG. NO. F001)
BB2 -- FIXING DETAIL (DWG. NO. F002)

GLAZING AREA

OPENABLE AREA

NO.	DATE	REASON	BY

JOB NO. : J-856

PROJECT : PROPOSED DEVELOPMENT ABOVE LIGHT RAIL TIN WING STOP-TSWTL NO.23,AREA 33,TIN SHUI WAI, N.T.

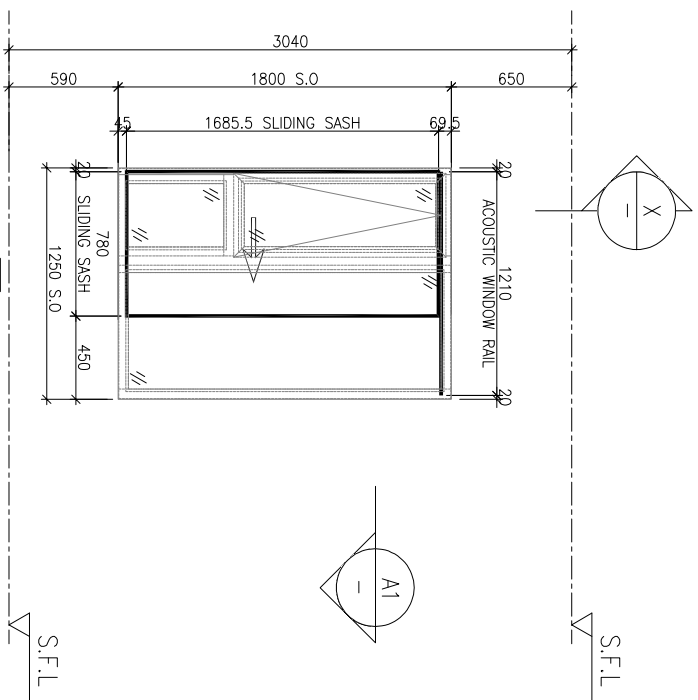
TITLE : WINDOW SCHEDULE FOR SALES MOCK-UP AT TOWER 1 (IN-SITU WINDOW)

DATE : 22-Jun-22 SCALE : 1:40

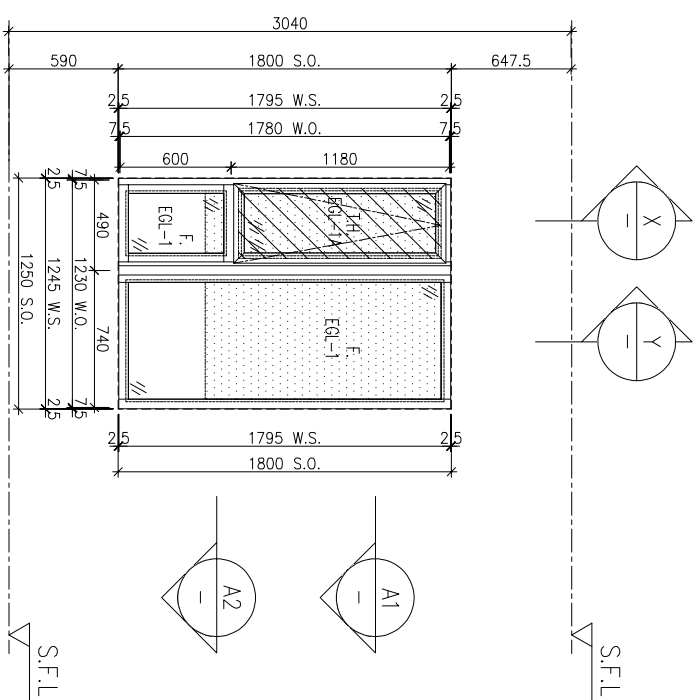
DRAWN BY : YI CHECKED BY :

美特鋁質有限公司
MIDI ALUMINIUM FABRICATOR LTD.
Units 6-8, Sunray Industrial Centre, 1/F
610 Cho Kwai Ling Road, Kowloon
Tel:23489211-4 Fax:(852)2727666
DWG NO. : J856-SD-MU-5102 REV : -

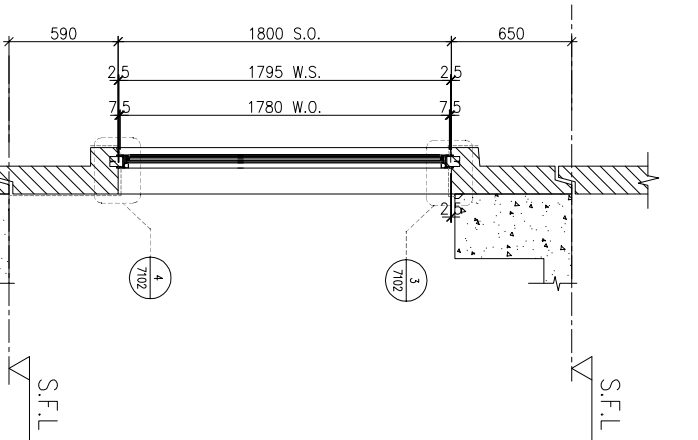
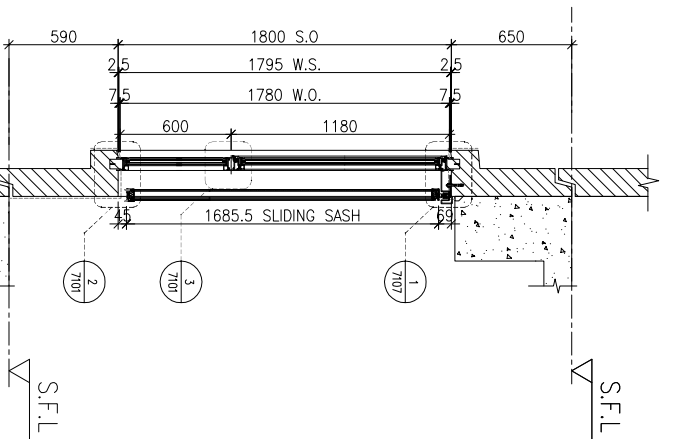
REQUIRED		PROVIDED	
LOCATION	OPENABLE AREA	GLAZING AREA	OPENABLE AREA
A5-BR2	0.263	0.420	0.439
			GLAZING AREA
			1.19



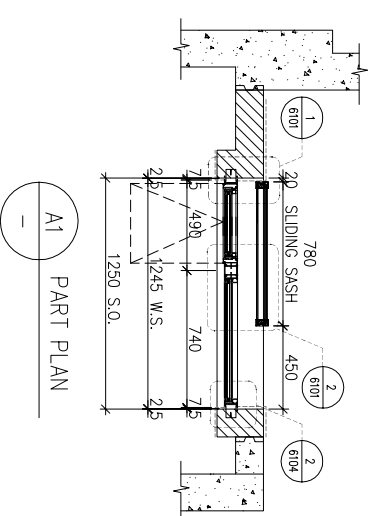
AWA
02b



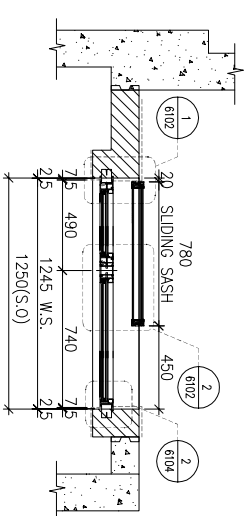
AW
02B



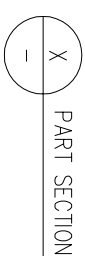
ELEVATION



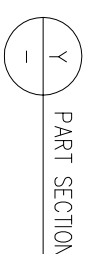
A1
PART PLAN



A2
PART PLAN



X
PART SECTION



Y
PART SECTION

WINDOW MARK	AW & AW-A (ACOUSTIC WINDOW) 02b
LOCATION	18/F - BR.2 OF UNIT A5 (TOWER 1)
SECTION	70mm ALUM. SECTION
GLAZING	EGL-1, EGL-1A
QUANTITY	1 No.
REMARKS	4 BAR HINGE-LIP HING (HHMT-14)

B.D. REF :

CLIENT :

SUN HUNG KAI
REAL ESTATE AGENCY LTD.
42/F, SUN HUNG KAI CENTRE, WANCHAI, HONGKONG

ARCHITECT :

lwk&partners
a r c h i t e c t s

MAIN CONTRACTOR :

Yee Fai 怡輝建築有限公司
Building Contractors Ltd.

STRUCTURAL ENGINEER :

ARUP

FAÇADE CONSULTANT :

ALPHA CONSULTING LIMITED
Steel Structure & Façade Specialist

NOTE:
1. ALL DIMENSIONS ARE IN mm.
2. ALL ELEVATIONS ARE VIEWED FROM OUTSIDE.
3. ALL DIMENSIONS TO BE VERIFIED ON SITE BEFORE FABRICATION.

LEGEND :

- (X1) --- DETAIL MARK NO.
- (X001) --- REFER SHEET NO.
- 1. F.F.L. --- FINISHED FLOOR LEVEL
- 2. S.F.L. --- STRUCTURAL FLOOR LEVEL
- 3. (R) --- REVERSED DETAIL

4. GLASS LEGEND

- EGL-1 --- 6mmHS+12mm AIR GAP+10mmTP THK. I.G.U.
- EGL-2 --- 10mm THK. CRYSTAL GRAY TEMPERED GLASS
- EGL-4 --- 10mm THK. CRYSTAL TEMPERED AND ETCHED GLASS
- EGL-1A --- 6mmHS+12mm AIR GAP+8mmTP THK. I.G.U.
- BT1/BB1 --- FIXING DETAIL (DWG. NO. F001)
- BB2 --- FIXING DETAIL (DWG. NO. F002)

GLAZING AREA

OPENABLE AREA

NO.	DATE	REASON	BY

JOB NO. : J-856

PROJECT :
PROPOSED DEVELOPMENT ABOVE
LIGHT RAIL TIN WING STOP-TSWTL
NO.23,AREA 33,TIN SHUI WA, N.T.

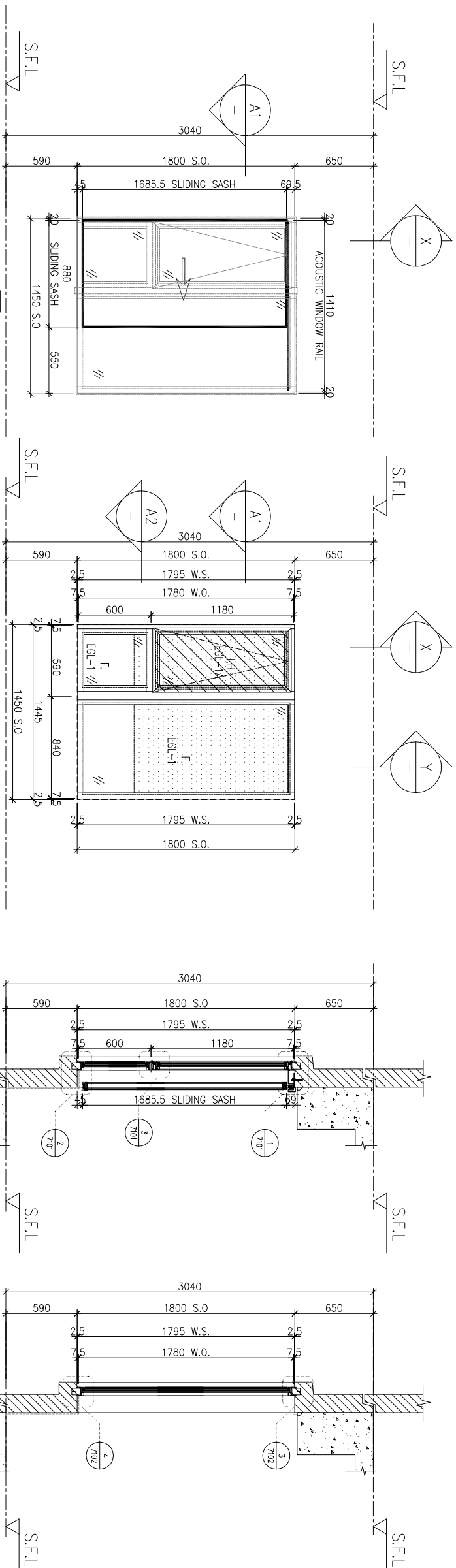
TITLE :
WINDOW SCHEDULE FOR
SALES MOCK-UP AT TOWER 1
(PRE-CAST FAÇADE WINDOW)

DATE : 06-Jul-22 SCALE : 1:40

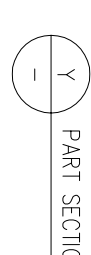
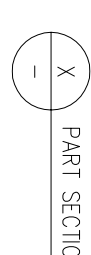
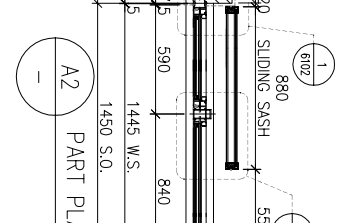
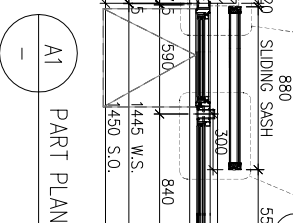
DRAWN BY : YI CHECKED BY :

美特铝质有限公司
MIDI ALUMINUM FABRICATOR LTD.
Units 6-8, Sunray Industrial Centre, 1/F
610 Cho Kwai Ling Road, Kowloon
Tel:23489211-4 Fax:(852)2727666
DWG NO. : J856-SD-PW-5111 REV : -

REQUIRED		PROVIDED	
LOCATION	OPENABLE AREA	GLAZING AREA	OPENABLE AREA
A5-MBR	0.435	0.696	0.525
			GLAZING AREA
			1.407



ELEVATION



WINDOW MARK	AW-04c & AW-04b (ACOUSTIC WINDOW)
LOCATION	18/F - MBR. OF UNIT A5 (TOWER 1)
SECTION	70mm ALUM. SECTION
GLAZING	EGL-1, EGL-1A
QUANTITY	1 NO.
REMARKS	4 BAR HINGE-LIP HING (HHMT-14)

BD. REF :

CLIENT :
SUN HUNG KAI
 REAL ESTATE AGENCY LTD.
 42/F SUN HUNG KAI CENTRE, WANCHAI, HONGKONG

ARCHITECT :
lwk&partners
 a r c h i t e c t s

MAIN CONTRACTOR :
怡輝建築有限公司
Yee Fai Building Contractors Ltd.

STRUCTURAL ENGINEER :
ARUP

FAÇADE CONSULTANT :
ALPHA CONSULTING LIMITED
 Steel Structure & Façade Specialist

NOTE:
 1. ALL DIMENSIONS ARE IN mm.
 2. ALL ELEVATIONS ARE VIEWED FROM OUTSIDE.
 3. ALL DIMENSIONS TO BE VERIFIED ON SITE BEFORE FABRICATION.
 LEGEND:
 (X1) --- DETAIL MARK NO.
 (X001) --- REFER SHEET NO.
 1. F.F.L. --- FINISHED FLOOR LEVEL
 2. S.F.L. --- STRUCTURAL FLOOR LEVEL
 3. (R) --- REVERSED DETAIL
 4. GLASS LEGEND
 EGL-1 --- 6mmHS+12mm AIR GAP+10mmTP THK. I.G.U.
 EGL-2 --- 10mm THK. CRYSTAL GRAY TEMPERED GLASS
 EGL-4 --- 10mm THK. CRYSTAL TEMPERED AND ETCHED GLASS
 EGL-1A --- 6mmHS+12mm AIR GAP+8mmTP THK. I.G.U.
 BT1/BB1 --- FIXING DETAIL (DWG. NO. F001)
 BB2 --- FIXING DETAIL (DWG. NO. F002)

GLAZING AREA
 OPENABLE AREA

NO.	DATE	REASON	BY
	J-856		

PROJECT :
 PROPOSED DEVELOPMENT ABOVE
 LIGHT RAIL TIN WING STOP/TSWTL
 NO.23,AREA 33,TIN SHUI WAI, N.T.

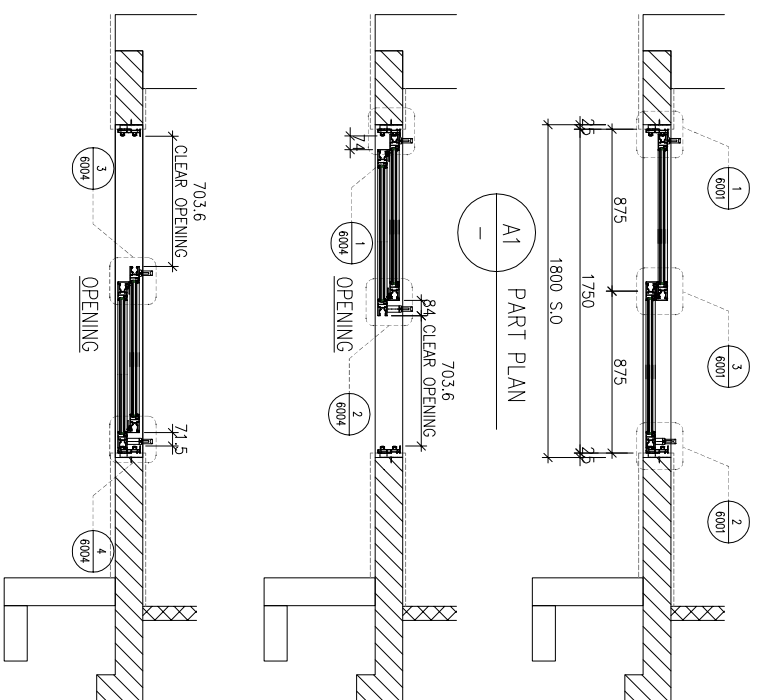
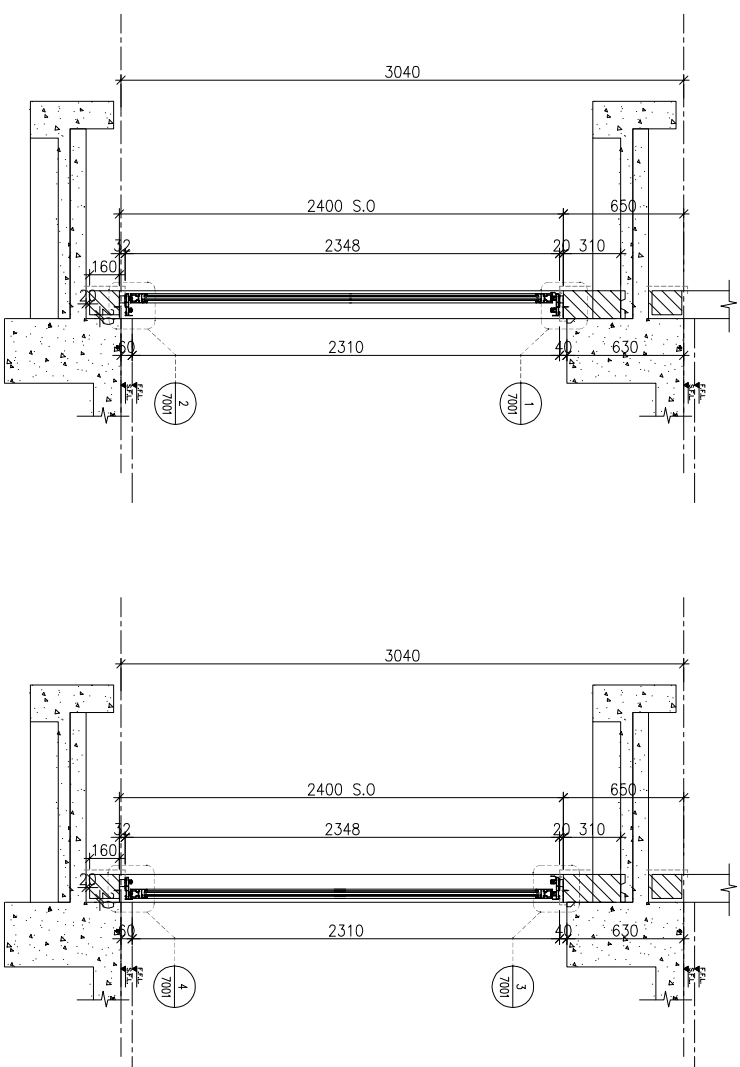
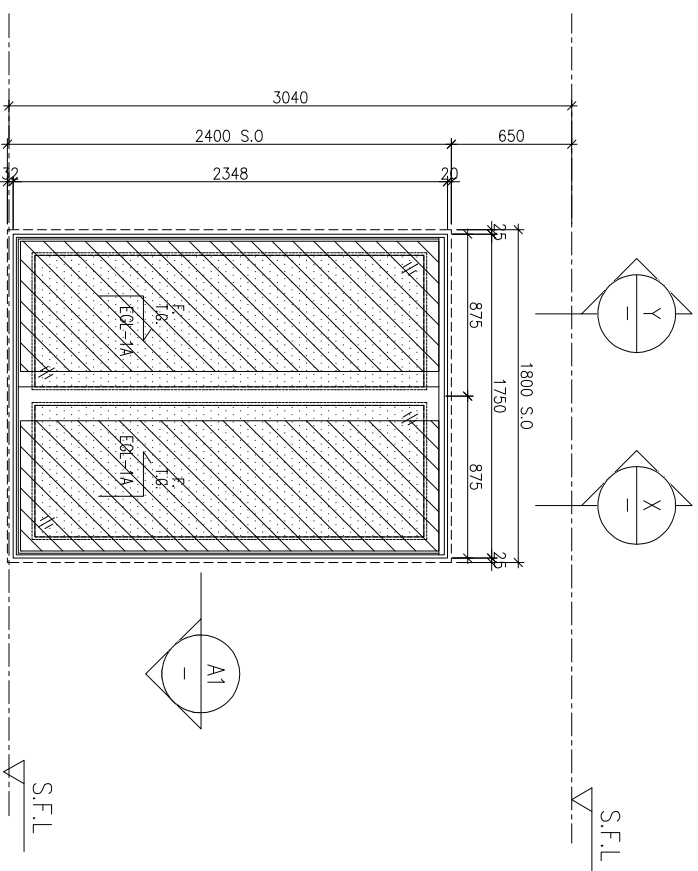
TITLE :
 WINDOW SCHEDULE FOR
 SALES MOCK-UP AT TOWER 1
 (PRE-CAST FAÇADE WINDOW)

DATE : 02-Aug-21
 SCALE : 1:40
 DRAWN BY : Y1
 CHECKED BY :

UNITA 6-8 Sunway Industrial Centre, 1/F
 610 Cho Kwai Ling Road, Kowloon
 Tel:23489211-4 Fax:(852)2727666
 DWG NO. : J856-SD-MU-5112
 REV. : -

美特鋁質有限公司
 MIDT ALUMINIUM FABRICATOR LTD.

LOCATION	OPENABLE AREA	GLAZING AREA	OPENABLE AREA	GLAZING AREA
A1-LIV	1.447	1.682	1.591	2.99



BD. REF : _____

CLIENT : **SUN HUNG KAI**
REAL ESTATE AGENCY LTD.
42/F, SUN HUNG KAI CENTRE, WANCHAI, HONGKONG

ARCHITECT : **lwk&partners**
a r c h i t e c t s

MAIN CONTRACTOR : **怡輝建築有限公司**
Yee Fai Building Contractors Ltd.

STRUCTURAL ENGINEER : **ARUP**
ALPHA CONSULTING LIMITED
Steel Structure & Facade Specialist

FAÇADE CONSULTANT:

NOTE:
1. ALL DIMENSIONS ARE IN mm.
2. ALL ELEVATIONS ARE VIEWED FROM OUTSIDE.
3. ALL DIMENSIONS TO BE VERIFIED ON SITE BEFORE FABRICATION.

LEGEND:
X1 --- DETAIL MARK NO.
X1001 --- REFER SHEET NO.

1. F.F.L. --- FINISHED FLOOR LEVEL
2. S.F.L. --- STRUCTURAL FLOOR LEVEL
3. (R) --- REVERSED DETAIL
4. GLASS LEGEND
EG1-1 --- 8mmHS+12mm AR GAP+10mmTP THK. I.G.U.
EG1-2 --- 10mm THK. CRYSTAL GRAY TEMPERED GLASS
EG1-4 --- 10mm THK. CRYSTAL TEMPERED AND ETCHED GLASS
EG1-1A --- 8mmHS+12mm AR GAP+8mmTP THK. I.G.U.
BT1/BB1 --- FIXING DETAIL (DWG. NO. FD01)
BB2 --- FIXING DETAIL (DWG. NO. FD02)

GLAZING AREA
OPENABLE AREA

WINDOW MARK	LOCATION	SECTION	GLAZING	QUANTITY	REMARKS
A1-01	18/F - LIV./DIN. OF UNIT A1 (TOWER 2)	70mm ALUM. SECTION	EGL-1A	2 Nos.	-

JOB NO. : J-856

PROJECT : PROPOSED DEVELOPMENT ABOVE LIGHT RAIL TIN WING STOP/TSWTL NO.23,AREA 33,TIN SHUI WAI, N.T.

TITLE : WINDOW SCHEDULE FOR SALES MOCK-UP AT TOWER 2 (IN-SITU WINDOW)

DATE : 02-Aug-21 SCALE : 1:40

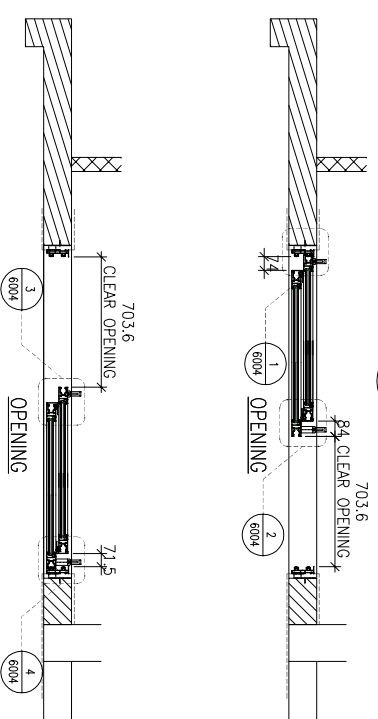
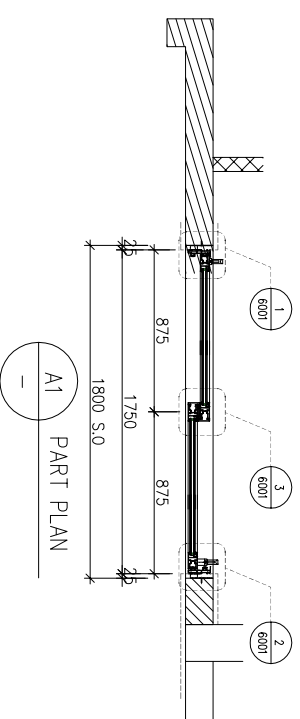
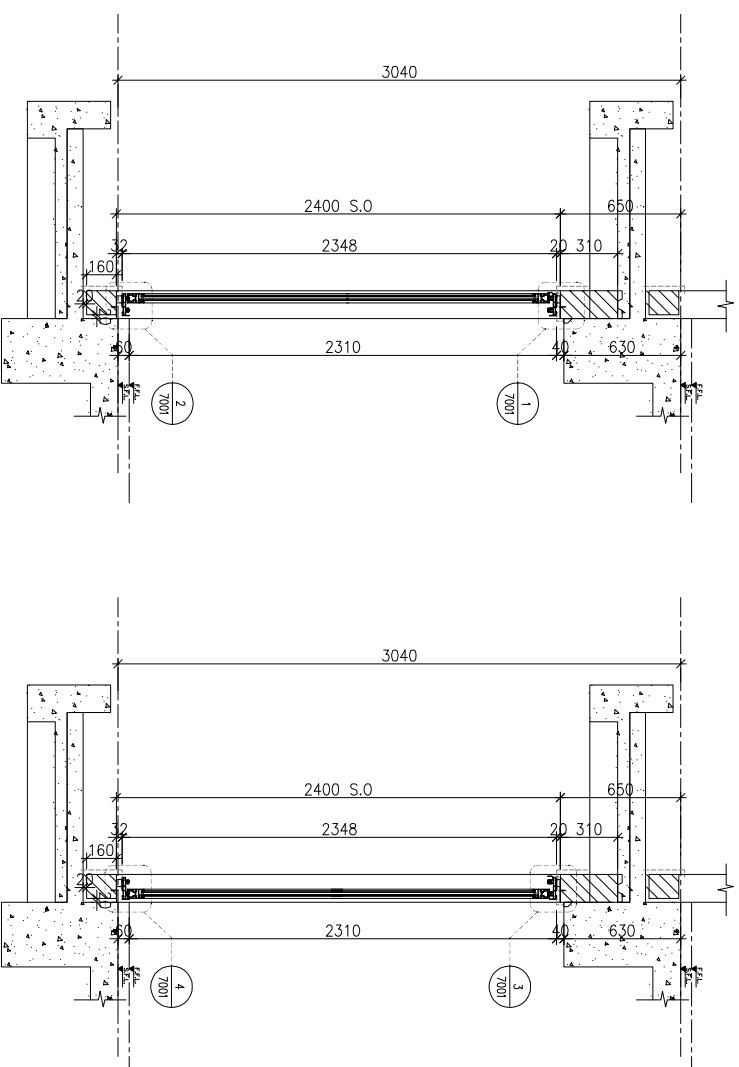
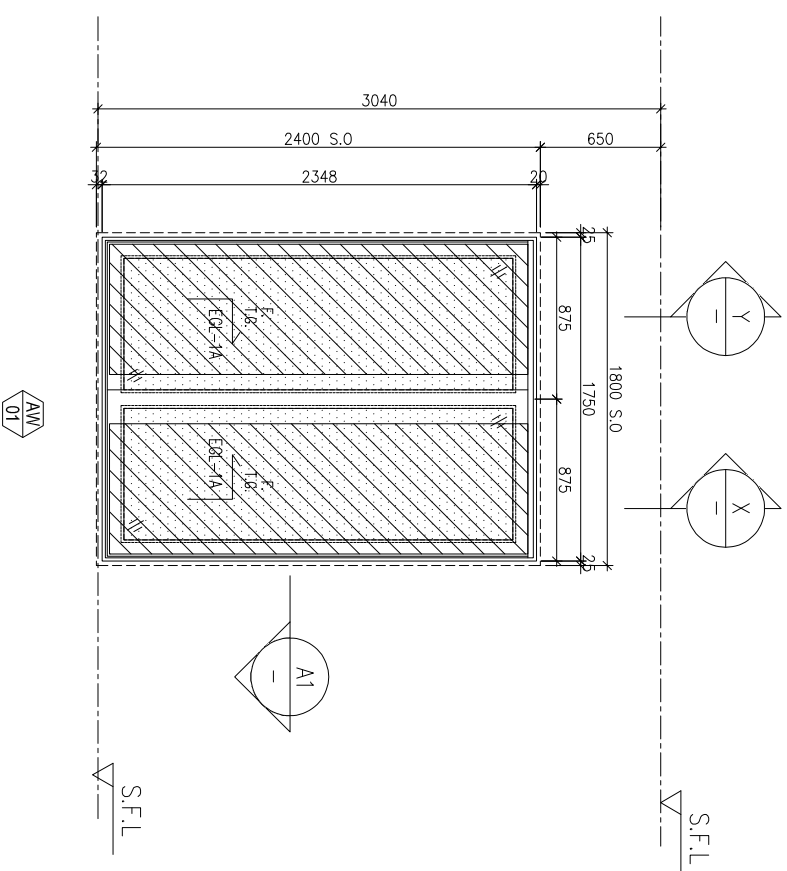
DRAWN BY : YI CHECKED BY :

UNITA 6-8 Sunway Industrial Centre, 1/F
610 Cho Kwai Ling Road, Kowloon
Tel:23489211-4 Fax:(852)2727666

DWG NO. : J856-SD-MU-5201 REV : -

REQUIRED		PROVIDED		
LOCATION	OPENABLE AREA	GLAZING AREA	OPENABLE AREA	GLAZING AREA
B8-LIV	1.641	1.792	1.591	2.99

(NOT ENOUGH)



BD. REF. :	
CLIENT :	SUN HUNG KAI REAL ESTATE AGENCY LTD. <small>42/F SUN HUNG KAI CENTRE, WANCHAI, HONGKONG</small>
ARCHITECT :	lwk&partners <small>a r c h i t e c t s</small>
MAIN CONTRACTOR :	怡輝建築有限公司 Yee Fai Building Contractors Ltd.
STRUCTURAL ENGINEER :	ARUP <small>ALPHA CONSULTING LIMITED Steel Structure & Facade Specialist</small>
FAÇADE CONSULTANT :	ARUP <small>ALPHA CONSULTING LIMITED Steel Structure & Facade Specialist</small>

NOTE:
1. ALL DIMENSIONS ARE IN mm.
2. ALL ELEVATIONS ARE VIEWED FROM OUTSIDE.
3. ALL DIMENSIONS TO BE VERIFIED ON SITE BEFORE FABRICATION.

LEGEND:
(X1) --- DETAIL MARK NO.
(X001) --- REFER SHEET NO.
1. F.F.L. --- FINISHED FLOOR LEVEL
2. S.F.L. --- STRUCTURAL FLOOR LEVEL
3. (R) --- REVERSED DETAIL
4. GLASS LEGEND

EQ1-1---8mmHS+12mm AR GAP+10mmTP THK. I.G.U.
EQ1-2---10mm THK. CRYSTAL GRAY TEMPERED GLASS
EQ1-4---10mm THK. CRYSTAL TEMPERED AND ETCHED GLASS
EQ1-1A---8mmHS+12mm AR GAP+8mmTP THK. I.G.U.
BT1/BB1---FIXING DETAIL (DWG. NO. F001)
BB2---FIXING DETAIL (DWG. NO. F002)
GLAZING AREA
OPENABLE AREA

NO.	DATE	REASON	BY

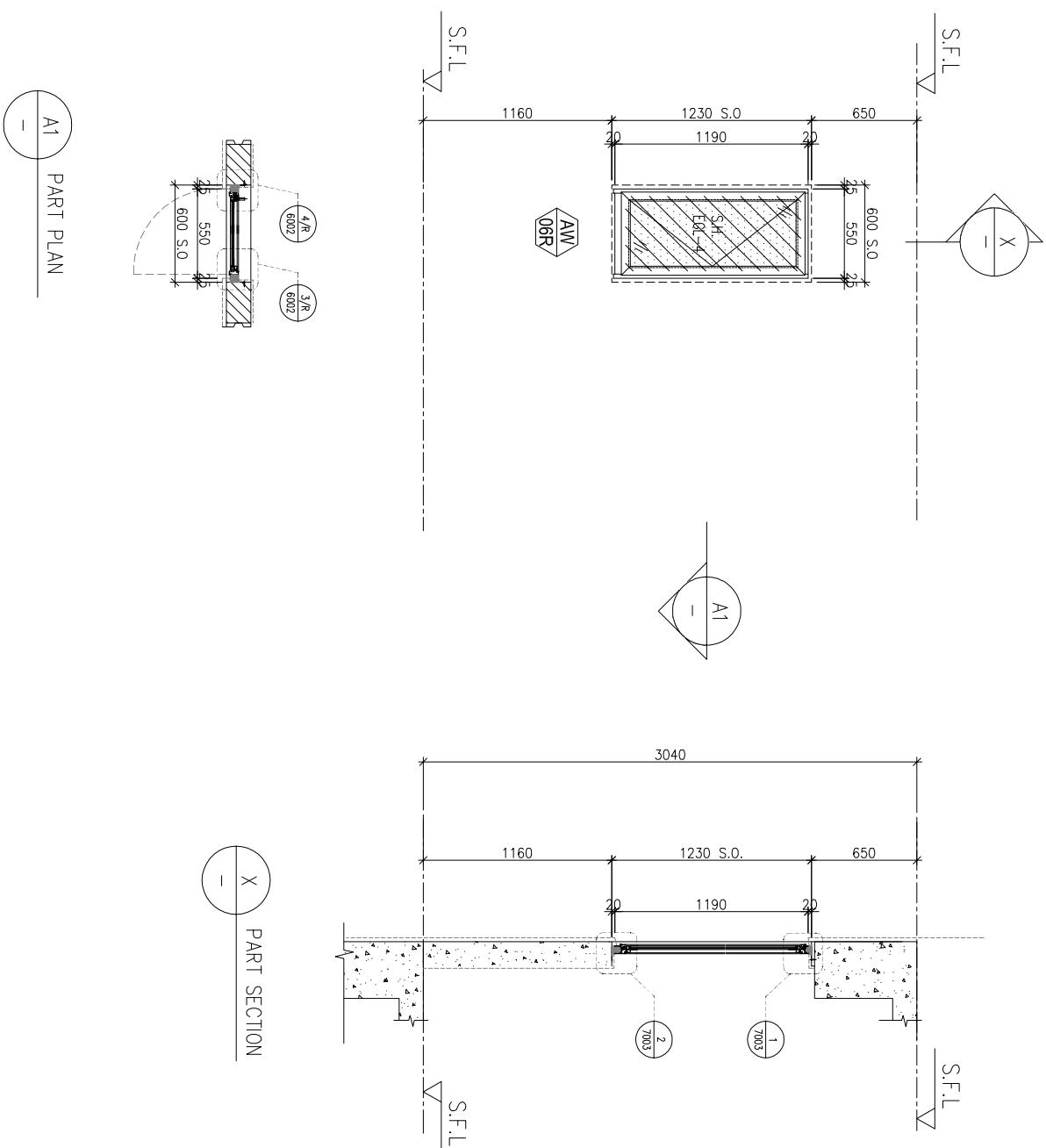
JOB NO. : J-856
PROJECT : PROPOSED DEVELOPMENT ABOVE LIGHT RAIL TIN WING STOP-TSWTL NO.23,AREA 33,TIN SHUI WA, N.T.
TITLE : WINDOW SCHEDULE FOR SALES MOCK-UP AT TOWER 2 (IN-SITU WINDOW)
DATE : 02-Aug-21
SCALE : 1:40
DRAWN BY : YI
CHECKED BY :

UNITA 6-8 Sunray Industrial Centre, 1/F
610 Cho Kwai Ling Road, Kowloon
Tel:23489211-4 Fax:(852)2727666
DWC NO. : J856-SD-MU-5202 REV. : -

WINDOW MARK	AW 01
LOCATION	18/F - LIV./DIN. OF UNIT B8 (TOWER 2)
SECTION	70mm ALUM. SECTION
GLAZING	EGL-1A
QUANTITY	1 NO.
REMARKS	-

REQUIRE		PROVIDED	
LOCATION	OPENABLE AREA	GLAZING AREA	OPENABLE AREA
A1-M.BATH	0.318	0.318	0.497
			GLAZING AREA
			0.408

ELEVATION



WINDOW MARK	AW 06R
LOCATION	18/F - M. BATH OF UNIT A1 (TOWER 2)
SECTION	50mm ALUM. SECTION
GLAZING	EGL-4
QUANTITY	2 Nos.
REMARKS	

B.D. REF :

CLIENT :

SUN HUNG KAI
REAL ESTATE AGENCY LTD.

42/F, SUN HUNG KAI CENTRE, WANCHAI, HONGKONG

ARCHITECT :

lwk&partners
a r c h i t e c t s

MAIN CONTRACTOR :

怡輝建築有限公司
Yee Fai Building Contractors Ltd.

STRUCTURAL ENGINEER :

ARUP

FAÇADE CONSULTANT:

ALPHA CONSULTING LIMITED
Steel Structure & Façade Specialist

NOTE :

1. ALL DIMENSIONS ARE IN mm.
2. ALL ELEVATIONS ARE VIEWED FROM OUTSIDE.
3. ALL DIMENSIONS TO BE VERIFIED ON SITE BEFORE FABRICATION.

LEGEND :

(X1) — DETAIL MARK NO.
(X001) — REFER SHEET NO.

1. F.F.L. --- FINISHED FLOOR LEVEL
2. S.F.L. --- STRUCTURAL FLOOR LEVEL
3. (R) --- REVERSED DETAIL

4. GLASS LEGEND

- EGL-1 -- 6mmHS+12mm AIR GAP+10mmTP THK. I.G.U.
EGL-2 -- 10mm THK. CRYSTAL GRAY TEMPERED GLASS
EGL-4 -- 10mm THK. CRYSTAL TEMPERED AND ETCHED GLASS
EGL-1A -- 6mmHS+12mm AIR GAP+8mmTP THK. I.G.U.
BT1/BB1 -- FIXING DETAIL (DWG. NO. F001)
BB2 -- FIXING DETAIL (DWG. NO. F002)

GLAZING AREA

OPENABLE AREA

NO.	DATE	REASON	BY

JOB NO. : J-856

PROJECT : PROPOSED DEVELOPMENT ABOVE LIGHT RAIL TIN WING STOP-TSWTL NO.23,AREA 33,TIN SHUI WAI, N.T.

TITLE : WINDOW SCHEDULE FOR SALES MOCK-UP AT TOWER 2 (IN-SITU WINDOW)

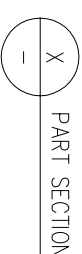
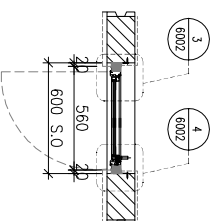
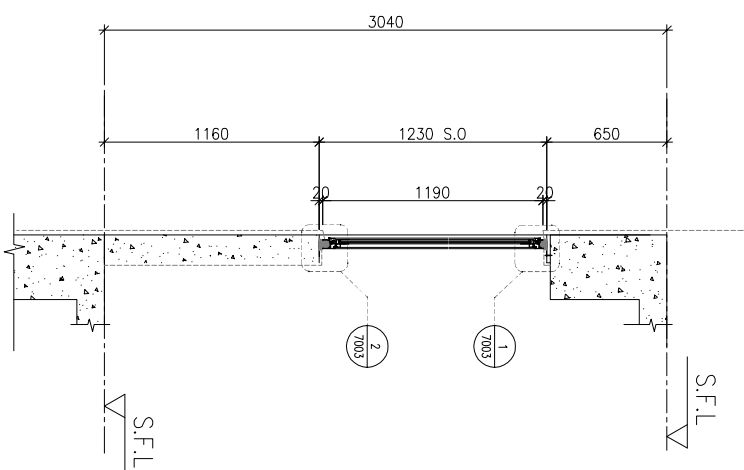
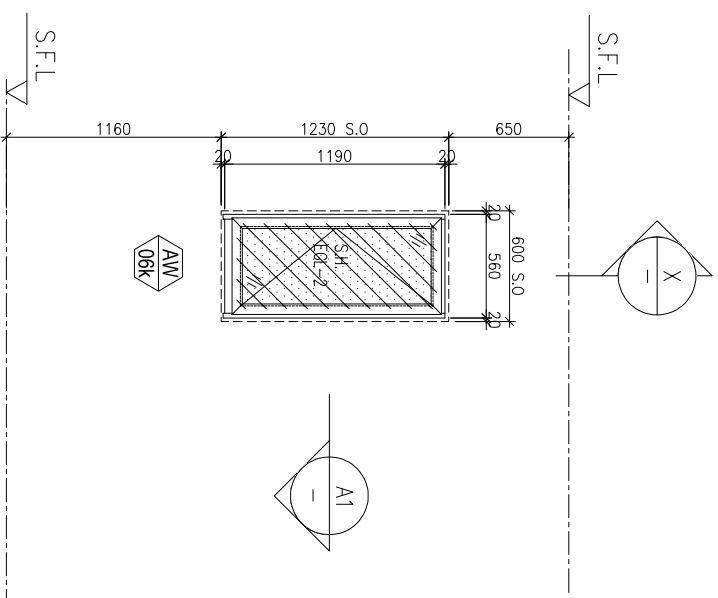
DATE : 22/06/2022 SCALE : 1:40
DRAWN BY : YI CHECKED BY :

美特鋁質有限公司
MIDI ALUMINIUM FABRICATOR LTD.

Units 6-8, Sunray Industrial Centre, 1/F
610 Cho Kwong Road, Kowloon
Tel:23489211-4 Fax:(852)2727666

DWG NO. : J856-SD-MU-5203 REV : -

REQUIRE		PROVIDED	
LOCATION	OPENABLE AREA	OPENABLE AREA	GLAZING AREA
A1-KIT	0.278	0.411	0.508
			0.418



ELEVATION

WINDOW MARK	AW 06K
LOCATION	18/F - KIT. OF UNIT A1 (TOWER 2)
SECTION	50mm ALUM. SECTION
GLAZING	EGL-2
QUANTITY	2 Nos.
REMARKS	50mm ALUM. WINDOW SECTION , 4 BAR HINGE-LIP HING (HHMS-N14)

B.D. REF :

CLIENT :

SUN HUNG KAI
REAL ESTATE AGENCY LTD.

42/F, SUN HUNG KAI CENTRE, WANCHAI, HONGKONG

ARCHITECT :

lwk&partners
a r c h i t e c t s

MAIN CONTRACTOR :

怡輝建築有限公司
Yee Fai Building Contractors Ltd.

STRUCTURAL ENGINEER :

ARUP

FAÇADE CONSULTANT:

ALPHA CONSULTING LIMITED
Steel Structure & Façade Specialist

- NOTE :
1. ALL DIMENSIONS ARE IN mm.
 2. ALL ELEVATIONS ARE VIEWED FROM OUTSIDE.
 3. ALL DIMENSIONS TO BE VERIFIED ON SITE BEFORE FABRICATION.

LEGEND :

(X1) — DETAIL MARK NO.
(X001) — REFER SHEET NO.

1. F.F.L. --- FINISHED FLOOR LEVEL
2. S.F.L. --- STRUCTURAL FLOOR LEVEL
3. (R) --- REVERSED DETAIL

4. GLASS LEGEND

EGL-1 -- 6mmHS+12mm AIR GAP+10mmTP THK. LGU.
EGL-2 -- 10mm THK. CRYSTAL GRAY TEMPERED GLASS
EGL-4 -- 10mm THK. CRYSTAL TEMPERED AND ETCHED GLASS
EGL-1A -- 6mmHS+12mm AIR GAP+8mmTP THK. LGU.
BT1/BB1 -- FIXING DETAIL (DWG. NO. F001)
BB2 -- FIXING DETAIL (DWG. NO. F002)

GLAZING AREA

OPENABLE AREA

NO.	DATE	REASON	BY

JOB NO. : J-856

PROJECT : PROPOSED DEVELOPMENT ABOVE LIGHT RAIL TIN WING STOP-TSWTL NO.23,AREA 33,TIN SHUI WAI, N.T.

TITLE : WINDOW SCHEDULE FOR SALES MOCK-UP AT TOWER 2 (IN-SITU WINDOW)

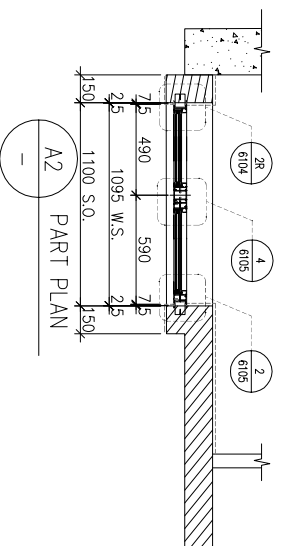
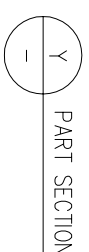
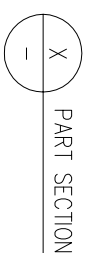
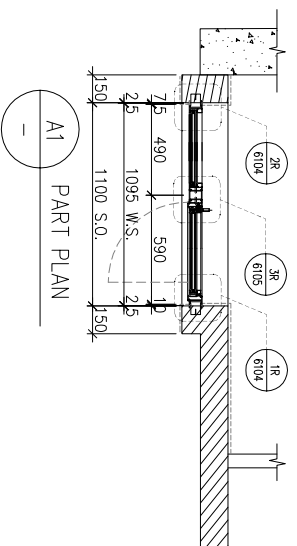
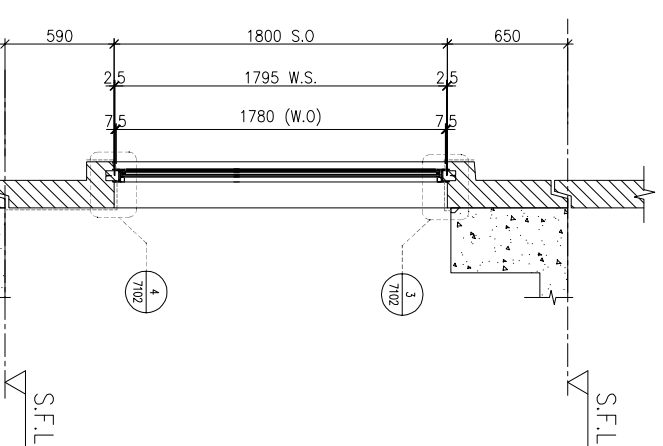
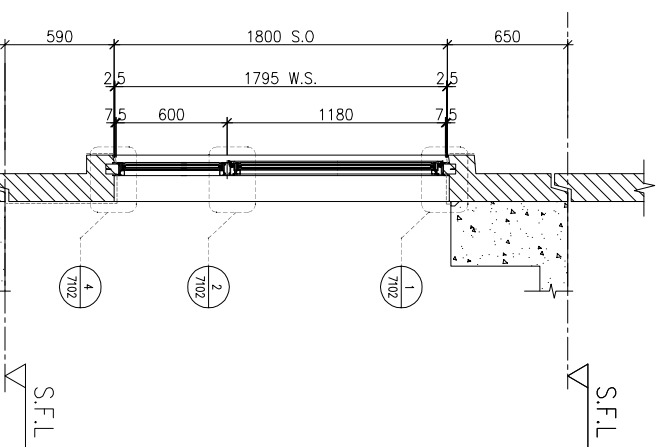
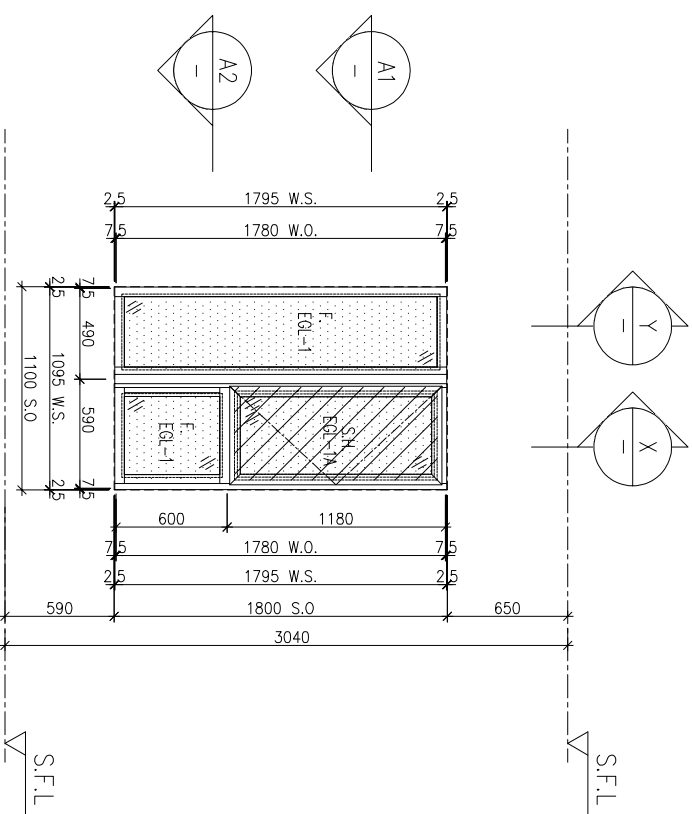
DATE : 22/06/2022 SCALE : 1:40
DRAWN BY : YI CHECKED BY :

美特鋁質有限公司
MIDI ALUMINIUM FABRICATOR LTD.

Units 6-8, Sunray Industrial Centre, 1/F
610 Cho Kwai Ling Road, Kowloon
Tel:23489211-4 Fax:(852)2727666

DWG NO. : J856-SD-MU-5204 REV. : -

REQUIRED		PROVIDED	
LOCATION	OPENABLE AREA	GLAZING AREA	OPENABLE AREA
A1-BR1	0.263	0.420	0.548
GLAZING AREA			0.985
LOCATION	OPENABLE AREA	GLAZING AREA	OPENABLE AREA
B8-BR3	0.263	0.420	0.548
GLAZING AREA			0.985



ELEVATION

WINDOW MARK	AW 02R
LOCATION	18/F - BR.3 OF UNIT A1 & B8 (TOWER 2)
SECTION	70mm ALUM. SECTION
GLAZING	EGL-1, EGL-1A
QUANTITY	2 Nos. (UNIT A1) / 1 No. (UNIT B8)
REMARKS	4 BAR HINGE-LIP HING (HHMS-N16)

BD. REF :

CLIENT :

SUN HUNG KAI
REAL ESTATE AGENCY LTD.

42/F, SUN HUNG KAI CENTRE, WANCHAI, HONGKONG

ARCHITECT :

lwk&partners
a r c h i t e c t s

MAIN CONTRACTOR :

Yee Fai 怡輝建築有限公司
Building Contractors Ltd.

STRUCTURAL ENGINEER :

ARUP

FAÇADE CONSULTANT :

ALPHA CONSULTING LIMITED
Steel Structure & Façade Specialist

- NOTE :
1. ALL DIMENSIONS ARE IN mm.
 2. ALL ELEVATIONS ARE VIEWED FROM OUTSIDE.
 3. ALL DIMENSIONS TO BE VERIFIED ON SITE BEFORE FABRICATION.

LEGEND :

- (X1) --- DETAIL MARK NO.
- (X001) --- REFER SHEET NO.
- 1. F.F.L. --- FINISHED FLOOR LEVEL
- 2. S.F.L. --- STRUCTURAL FLOOR LEVEL
- 3. (R) --- REVERSED DETAIL

4. GLASS LEGEND

- EGL-1 --- 6mmHS+12mm AIR GAP+10mmTP THK. LGU.
- EGL-2 --- 10mm THK. CRYSTAL GRAY TEMPERED GLASS
- EGL-4 --- 10mm THK. CRYSTAL TEMPERED AND ETCHED GLASS
- EGL-1A --- 6mmHS+12mm AIR GAP+8mmTP THK. LGU.
- BT1/BB1 --- FIXING DETAIL (DWG. NO. F001)
- BB2 --- FIXING DETAIL (DWG. NO. F002)

- GLAZING AREA
- OPENABLE AREA

NO.	DATE	REASON	BY

JOB NO. : J-856

PROJECT : PROPOSED DEVELOPMENT ABOVE LIGHT RAIL TIN WING STOP/TSWTL NO.23,AREA 33,TIN SHUI WAI, N.T.

TITLE : WINDOW SCHEDULE FOR SALES MOCK-UP AT TOWER 2 (PRE-CAST FAÇADE WINDOW)

DATE : 02-Aug-21 SCALE : 1:40

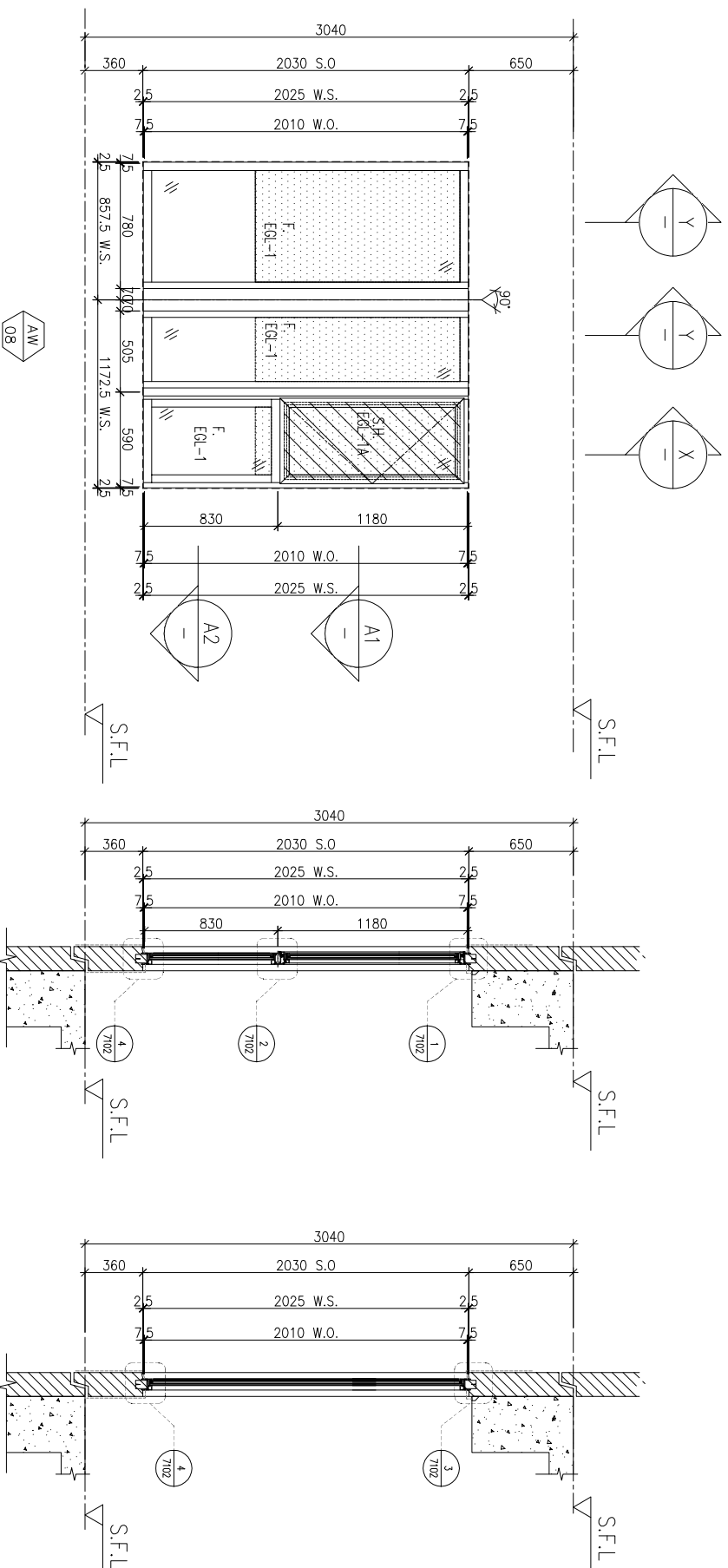
DRAWN BY : Y1 CHECKED BY :

美特鋁質有限公司
MIDI ALUMINIUM FABRICATOR LTD.

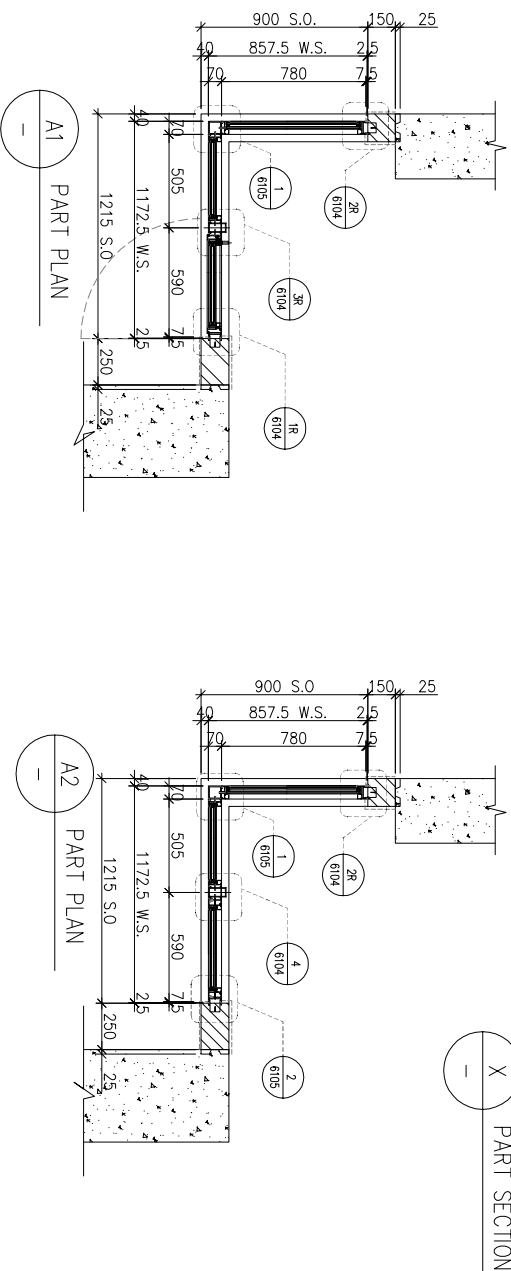
Units 6-8, Sunray Industrial Centre, 1/F
610 Cho Kwai Ling Road, Kowloon
Tel:23489211-4 Fax:(852)2727666

DWG NO. : J856-SD-PW-5211 REV. : -

REQUIRED		PROVIDED	
LOCATION	OPENABLE AREA	GLAZING AREA	OPENABLE AREA
B8-BR2	0.277	0.443	0.525
			GLAZING AREA
			1.873



ELEVATION



WINDOW MARK	AW 08
LOCATION	18/F - BR.2 OF UNIT B8 (TOWER 2)
SECTION	70mm ALUM. SECTION
GLAZING	EGL-1, EGL-1A
QUANTITY	1 NO.
REMARKS	FACADE(TYPE T2PF13 FOR 3/F~42/F) ,4 BAR HINGE-LIP HING (HHMS-N16)

BD. REF. :

CLIENT :

SUN HUNG KAI
REAL ESTATE AGENCY LTD.
42/F, SUN HUNG KAI CENTRE, WANCHAI, HONGKONG

ARCHITECT :

lwk&partners
a r c h i t e c t s

MAIN CONTRACTOR :

怡輝建築有限公司
Yee Fai Building Contractors Ltd.

STRUCTURAL ENGINEER :

ARUP

FAÇADE CONSULTANT :

ALPHA CONSULTING LIMITED
Steel Structure & Façade Specialist

- NOTE :
1. ALL DIMENSIONS ARE IN mm.
 2. ALL ELEVATIONS ARE VIEWED FROM OUTSIDE.
 3. ALL DIMENSIONS TO BE VERIFIED ON SITE BEFORE FABRICATION.

LEGEND :

- (X1) --- DETAIL MARK NO.
- (X001) --- REFER SHEET NO.
- 1. F.F.L. --- FINISHED FLOOR LEVEL
- 2. S.F.L. --- STRUCTURAL FLOOR LEVEL
- 3. (R) --- REVERSED DETAIL
- 4. GLASS LEGEND

- EGL-1 --- 6mmHS+12mm AIR GAP+10mmTP THK. I.G.U.
- EGL-2 --- 10mm THK. CRYSTAL GRAY TEMPERED GLASS
- EGL-4 --- 10mm THK. CRYSTAL TEMPERED AND ETCHED GLASS
- EGL-1A --- 6mmHS+12mm AIR GAP+8mmTP THK. I.G.U.
- B11/BB1 --- FIXING DETAIL (DWG. NO. F001)
- BB2 --- FIXING DETAIL (DWG. NO. F002)

- [Pattern] GLAZING AREA
- [Pattern] OPENABLE AREA

NO.	DATE	REASON	BY

JOB NO. : J-856

PROJECT :
PROPOSED DEVELOPMENT ABOVE
LIGHT RAIL TIN WING STOP-TSWTL
NO.23,AREA 33,TIN SHUI WAI, N.T.

TITLE :
WINDOW SCHEDULE FOR
SALES MOCK-UP AT TOWER 2
(PRE-CAST FACADE WINDOW)

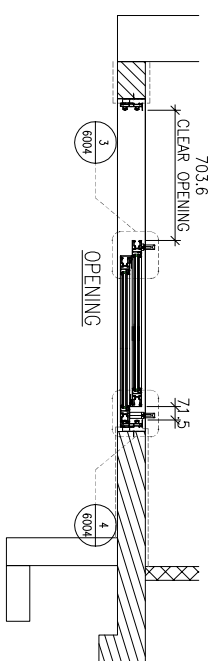
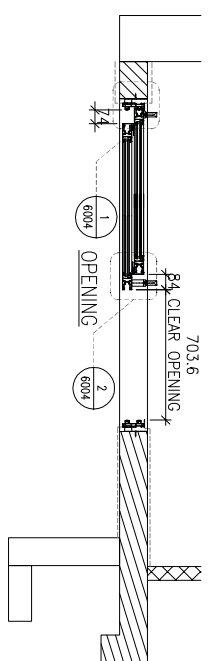
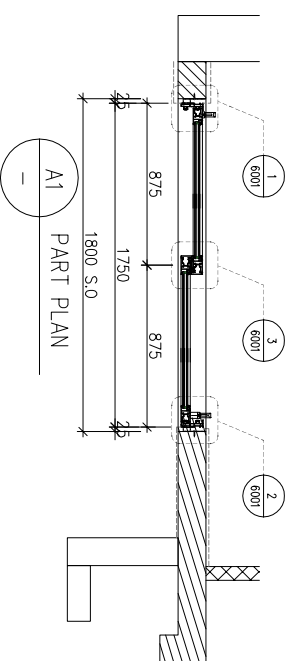
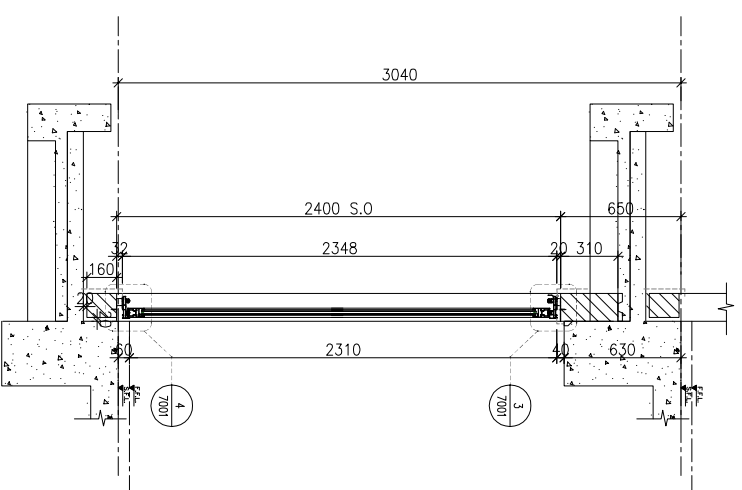
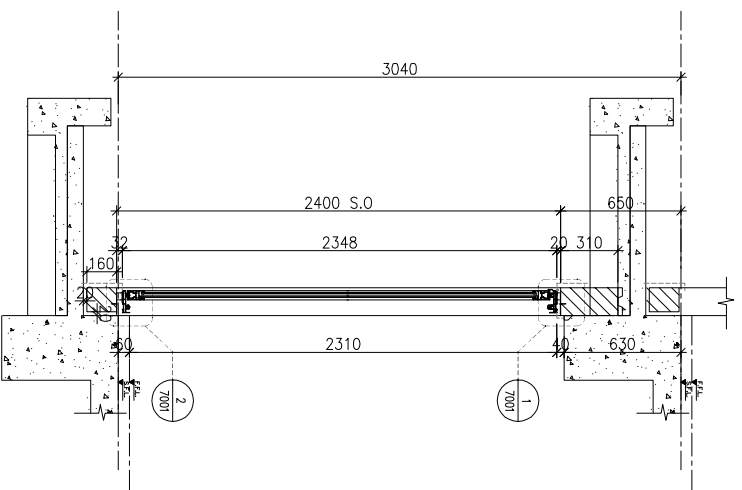
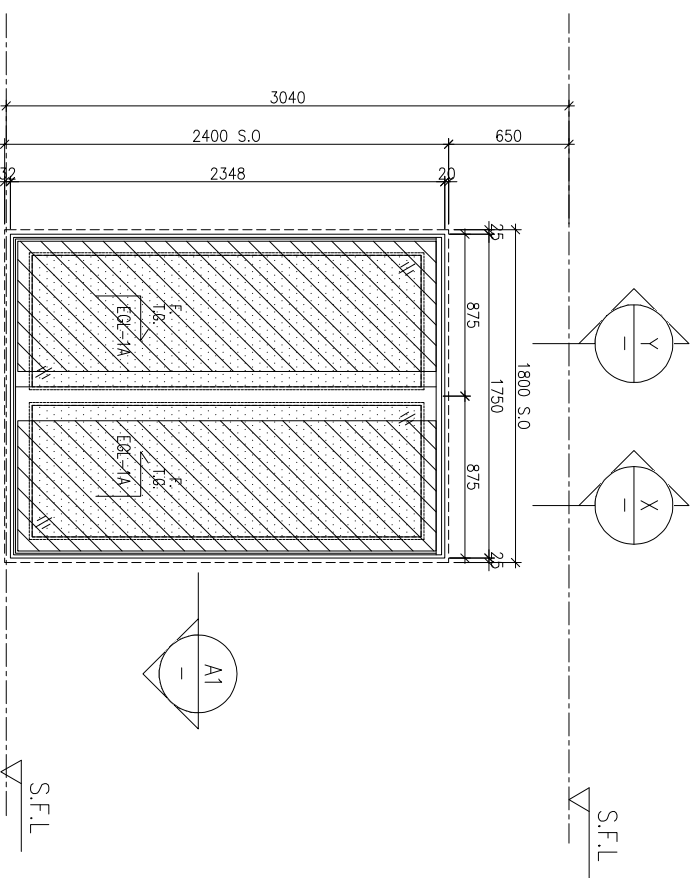
DATE : 02-Aug-21 SCALE : 1:40

DRAWN BY : Y1 CHECKED BY :

美特鋁質有限公司
MIDI ALUMINIUM FABRICATOR LTD.
Units 6-8, Sunray Industrial Centre, 1/F
610 Cho Kwai Ling Road, Kowloon
Tel:23489211-4 Fax:(852)2727666

DWG NO. : J856-SD-PW-5212 REV. : -

REQUIRED		PROVIDED		
LOCATION	OPENABLE AREA	GLAZING AREA	OPENABLE AREA	GLAZING AREA
A11-LIV	1.240	1.475	1.591	2.99



BD. REF : _____

CLIENT : **SUN HUNG KAI**
REAL ESTATE AGENCY LTD.
42/F SUN HUNG KAI CENTRE, WANCHAI, HONGKONG

ARCHITECT : **lwk&partners**
a r c h i t e c t s

MAIN CONTRACTOR : **怡輝建築有限公司**
Yee Fai Building Contractors Ltd.

STRUCTURAL ENGINEER : **ARUP**
ALPHA CONSULTING LIMITED
Steel Structure & Facade Specialist

FAÇADE CONSULTANT:

- NOTE :
1. ALL DIMENSIONS ARE IN mm.
 2. ALL ELEVATIONS ARE VIEWED FROM OUTSIDE.
 3. ALL DIMENSIONS TO BE VERIFIED ON SITE BEFORE FABRICATION.
- LEGEND :
- (X1) --- DETAIL MARK NO.
 - (X001) --- REFER SHEET NO.
 - 1. F.F.L. --- FINISHED FLOOR LEVEL
 - 2. S.F.L. --- STRUCTURAL FLOOR LEVEL
 - 3. (R) --- REVERSED DETAIL
 - 4. GLASS LEGEND
 - EGL-1 --- 8mmHS+12mm AIR GAP+10mmTP THK. I.G.U.
 - EGL-2 --- 10mm THK. CRYSTAL GRAY TEMPERED GLASS
 - EGL-4 --- 10mm THK. CRYSTAL TEMPERED ACID ETCHED GLASS
 - EGL-1A --- 8mmHS+12mm AIR GAP+8mmTP THK. I.G.U.
 - B11/BB1 --- FIXING DETAIL (DWG. NO. F001)
 - BB2 --- FIXING DETAIL (DWG. NO. F002)
- GLAZING AREA
- OPENABLE AREA

NO.	DATE	REVISION	BY

JOB NO. : J-856

PROJECT : PROPOSED DEVELOPMENT ABOVE LIGHT RAIL TIN WING STOP/TSTWTL NO.23,AREA 33,TIN SHUI WAI, N.T.

TITLE : WINDOW SCHEDULE FOR SALES MOCK-UP AT TOWER 3 (IN-SITU WINDOW)

DATE : 02-Aug-21 SCALE : 1:40

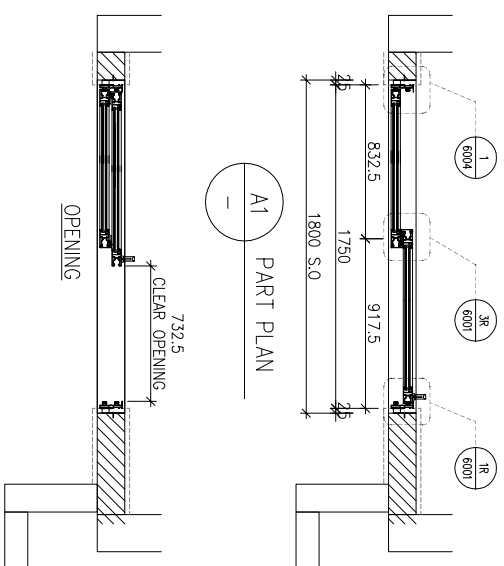
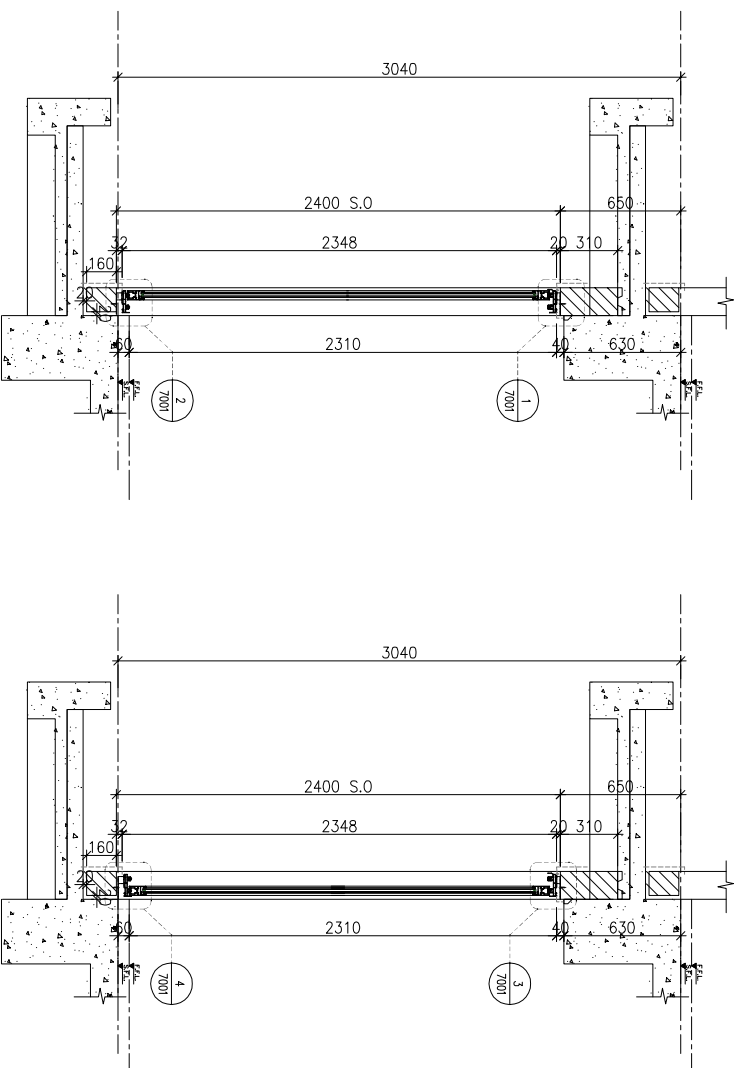
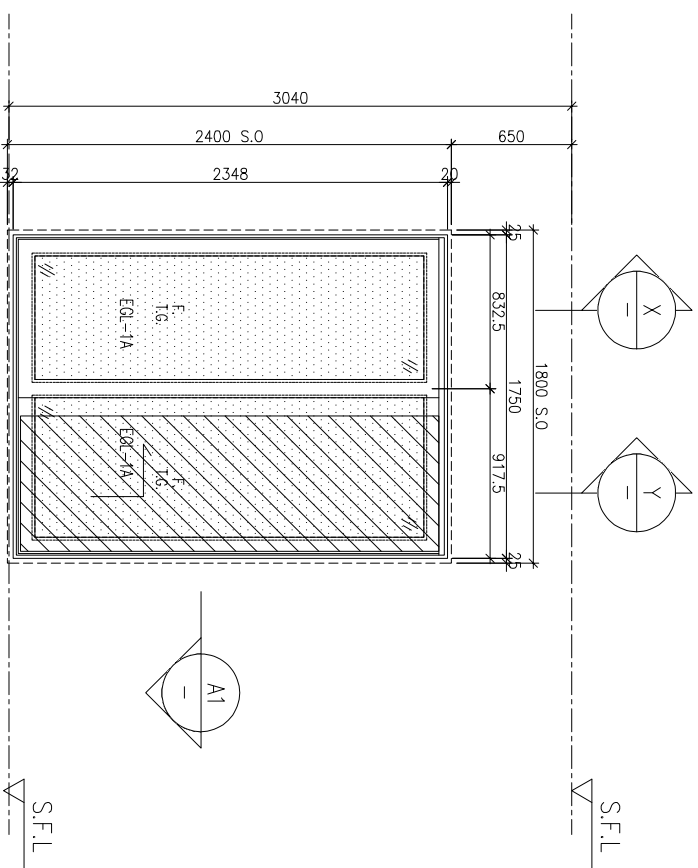
DRAWN BY : YI CHECKED BY :

美特鋁質有限公司
MIDI ALUMINIUM FABRICATOR LTD.
Units 6-8, Sunray Industrial Centre, 1/F
610 Cho Kwai Ling Road, Kwai Moon
Tel:23489211-4 Fax:(852)2727666

DWG NO. : J856-SD-MU-5301 REV : -

WINDOW MARK	LOCATION	SECTION	GLAZING	QUANTITY	REMARKS
AW 01	18/F - LIV./DIN. OF UNIT A11 (TOWER 3)	70mm ALUM. SECTION	EGL-1A	1 NO.	-

LOCATION	OPENABLE AREA	GLAZING AREA	OPENABLE AREA	GLAZING AREA
B3-LIV	1.001	1.053	1.657	2.99



BD. REF : _____

CLIENT : **SUN HUNG KAI**
REAL ESTATE AGENCY LTD.
42/F, SUN HUNG KAI CENTRE, WANCHAI, HONGKONG

ARCHITECT : **lwk&partners**
a r c h i t e c t s

MAIN CONTRACTOR : **怡輝建築有限公司**
Yee Fai Building Contractors Ltd.

STRUCTURAL ENGINEER : **ARUP**

FAÇADE CONSULTANT : **ALPHA CONSULTING LIMITED**
Steel Structure & Façade Specialist

NOTE :
1. ALL DIMENSIONS ARE IN mm.
2. ALL ELEVATIONS ARE VIEWED FROM OUTSIDE.
3. ALL DIMENSIONS TO BE VERIFIED ON SITE BEFORE FABRICATION.

LEGEND :
 X1 --- DETAIL MARK NO.
 X001 --- REFER SHEET NO.
 1. F.F.L. --- FINISHED FLOOR LEVEL
 2. S.F.L. --- STRUCTURAL FLOOR LEVEL
 3. --- REVERSED DETAIL
 4. GLASS LEGEND
 EQL-1 --- 8mmHS+12mm AIR GAP+10mmTP THK. I.G.U.
 EQL-2 --- 10mm THK. CRYSTAL GRAY TEMPERED GLASS
 EQL-4 --- 10mm THK. CRYSTAL TEMPERED AND ETCHED GLASS
 EQL-1A --- 8mmHS+12mm AIR GAP+8mmTP THK. I.G.U.
 BT1/BB1 --- FIXING DETAIL (DWG. NO. F001)
 BB2 --- FIXING DETAIL (DWG. NO. F002)

GLAZING AREA
 OPENABLE AREA

TITLE : WINDOW SCHEDULE FOR SALES MOCK-UP AT TOWER 3 (IN-SITU WINDOW)

DATE : 02-Aug-21 SCALE : 1:40
 DRAWN BY : Y1 CHECKED BY : _____

JOB NO. : J-856

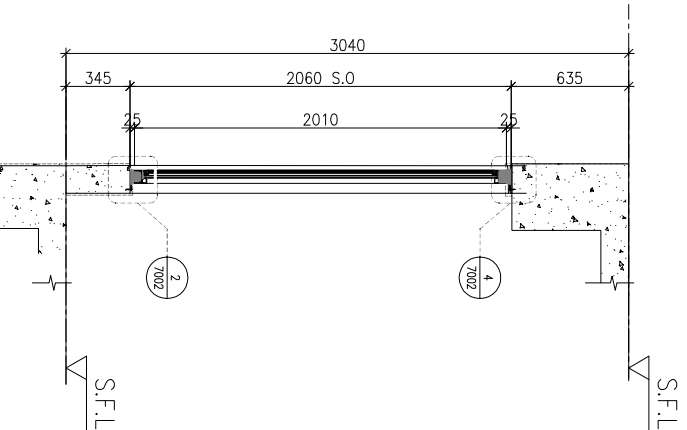
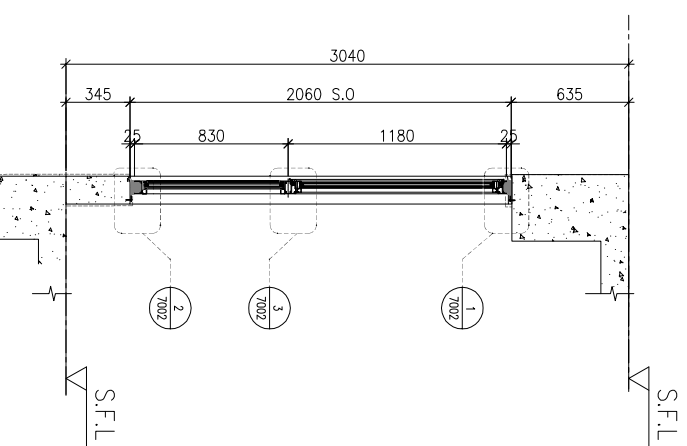
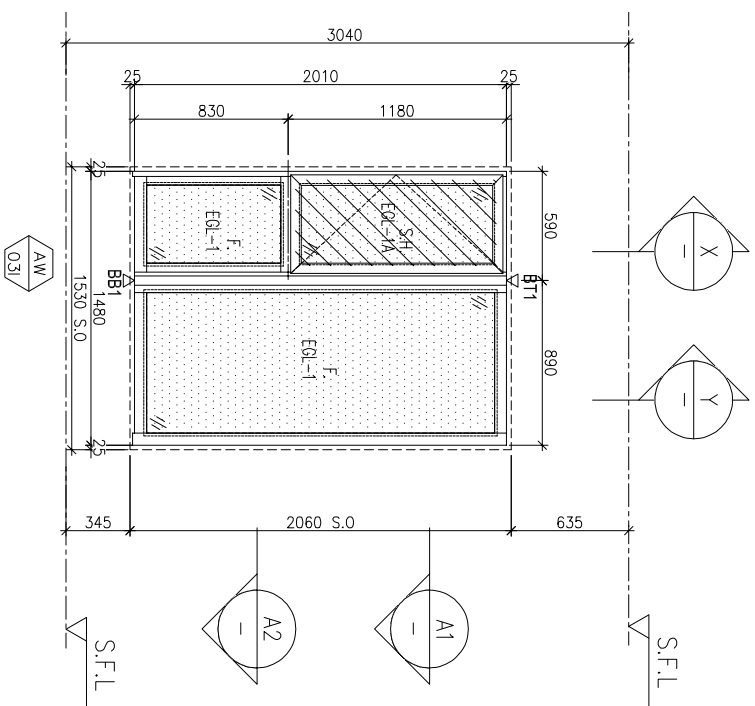
PROJECT : PROPOSED DEVELOPMENT ABOVE LIGHT RAIL TIN WING STOP-TSWTL NO.23,AREA 33,TIN SHUI WAI, N.T.

UNITA 6-8 Sunray Industrial Centre, 1/F
 610 Cho Kwai Ling Road, Kowloon
 Tel:23489211-4 Fax:(852)2727666

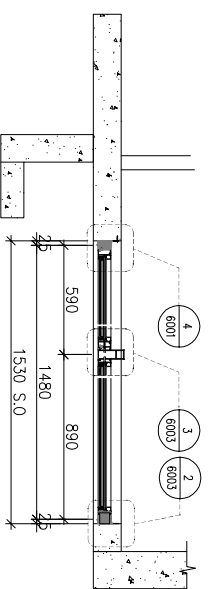
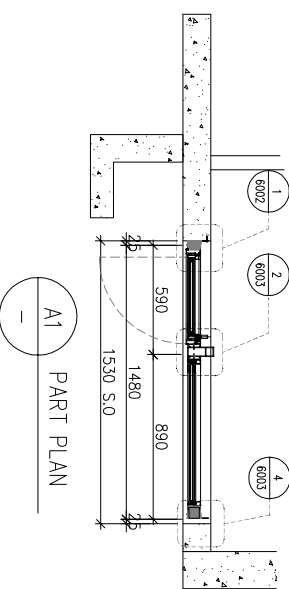
DWG NO. : J856-SD-MU-5302 REV : -

WINDOW MARK	LOCATION	SECTION	GLAZING	QUANTITY	REMARKS
AW 05	18/F - LIV./DIN. OF UNIT B3 (TOWER 3)	70mm ALUM. SECTION	EGL-1A	1 NO.	-

REQUIRED		PROVIDED	
LOCATION	OPENABLE AREA	GLAZING AREA	OPENABLE AREA
B3-MBR	0.295	0.472	0.525
			GLAZING AREA
			2.169



ELEVATION



WINDOW MARK	AW 03/
LOCATION	18/F - MBR. OF UNIT B3 (TOWER 3)
SECTION	70mm ALUM. SECTION
GLAZING	EGL-1 / EGL-1A
QUANTITY	1 NO.
REMARKS	70mm ALUM. WINDOW SECTION , 4 BAR HINGE-LIP HING (HHMS-N14)

BD. REF :

CLIENT :

SUN HUNG KAI
REAL ESTATE AGENCY LTD.
42/F, SUN HUNG KAI CENTRE, WANCHAI, HONGKONG

ARCHITECT :

lwk&partners
a r c h i t e c t s

MAIN CONTRACTOR :

怡輝建築有限公司
Yee Fai Building Contractors Ltd.

STRUCTURAL ENGINEER :

ARUP

FAÇADE CONSULTANT:

ALPHA CONSULTING LIMITED
Steel Structure & Façade Specialist

- NOTE :
1. ALL DIMENSIONS ARE IN mm.
 2. ALL ELEVATIONS ARE VIEWED FROM OUTSIDE.
 3. ALL DIMENSIONS TO BE VERIFIED ON SITE BEFORE FABRICATION.

LEGEND :

(X1) --- DETAIL MARK NO.
(X001) --- REFER SHEET NO.

1. F.F.L. --- FINISHED FLOOR LEVEL
2. S.F.L. --- STRUCTURAL FLOOR LEVEL
3. (R) --- REVERSED DETAIL

4. GLASS LEGEND

EGL-1 -- 8mmHS+12mm AIR GAP+10mmTP THK. I.G.U.
EGL-2 -- 10mm THK. CRYSTAL GRAY TEmPERED GLASS
EGL-4 -- 10mm THK. CRYSTAL TEmPERED ACID ETCHED GLASS
EGL-1A -- 8mmHS+12mm AIR GAP+8mmTP THK. I.G.U.
BT1/BBT1 -- FIXING DETAIL (DWG. NO. F001)
BB2 -- FIXING DETAIL (DWG. NO. F002)

GLAZING AREA

OPENABLE AREA

NO.	DATE	REVISION	BY

JOB NO. : J-856

PROJECT : PROPOSED DEVELOPMENT ABOVE LIGHT RAIL TIN WING STOP-TSWTL NO.23,AREA 33,TIN SHUI WAI, N.T.

TITLE :

WINDOW SCHEDULE FOR SALES MOCK-UP AT TOWER 3 (IN-SITU WINDOW)

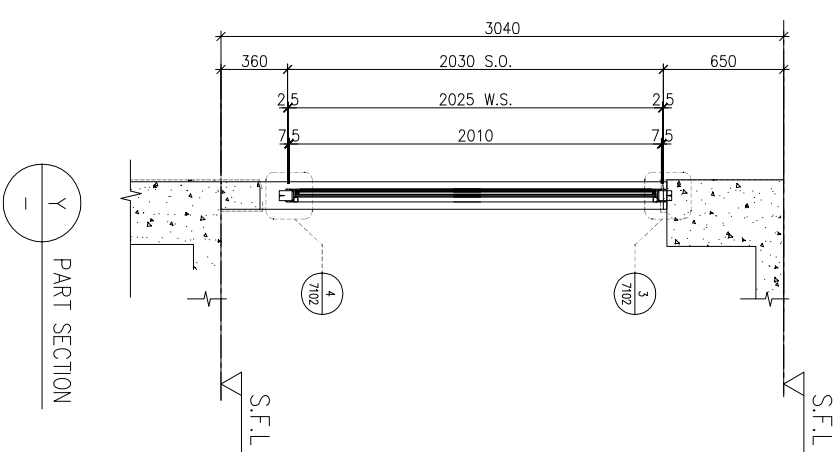
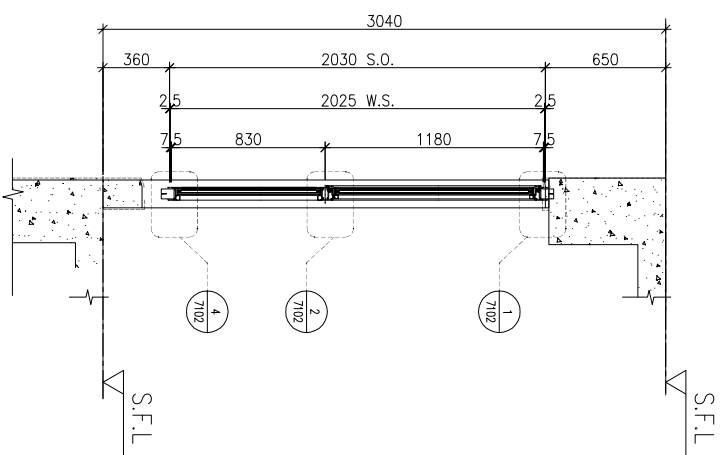
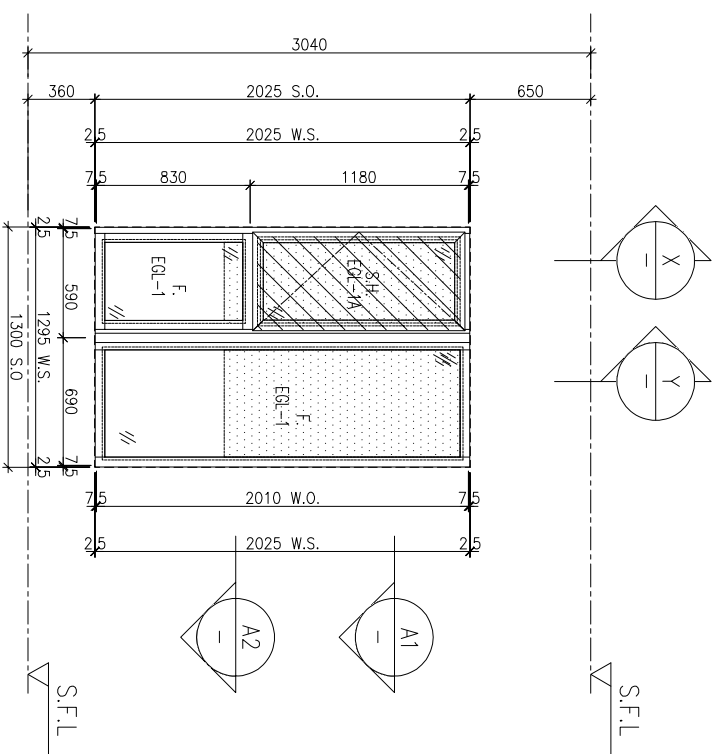
DATE : 21-Jun-22 SCALE : 1:40

DRAWN BY : YI CHECKED BY :

美特鋁質有限公司
MIDI ALUMINIUM FABRICATOR LTD.
Units 6-8, Sunray Industrial Centre, 1/F
610 Cho Kwai Ling Road, Kowloon
Tel:23489211-4 Fax:(852)2727666

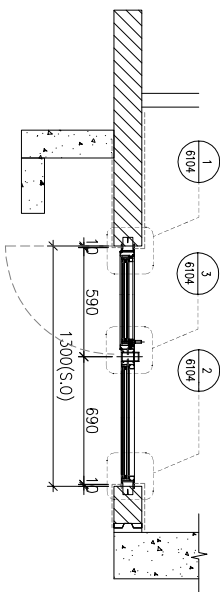
DWG NO. : J856-SD-MU-5303 REV. : -

REQUIRED		PROVIDED	
LOCATION	OPENABLE AREA	GLAZING AREA	OPENABLE AREA
A11-MBR	0.435	0.696	0.548
			GLAZING AREA
			1.24

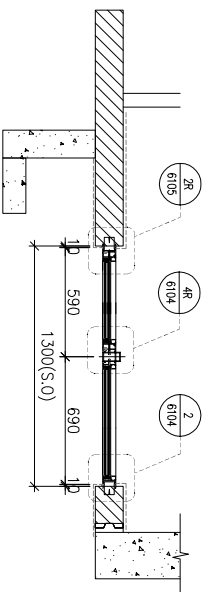


ELEVATION

A1
PART PLAN



A2
PART PLAN



WINDOW MARK	AW 04
LOCATION	18/F - MBR. OF UNIT A11 (TOWER 3)
SECTION	70mm ALUM. SECTION
GLAZING	EGL-1, EGL-1A
QUANTITY	1 NO.
REMARKS	4 BAR HINGE-LIP HING (HHMS-N16)

BD. REF :

CLIENT :

SUN HUNG KAI
REAL ESTATE AGENCY LTD.
42/F, SUN HUNG KAI CENTRE, WANCHAI, HONGKONG

ARCHITECT :

lwk&partners
a r c h i t e c t s

MAIN CONTRACTOR :

怡輝建築有限公司
Yee Fai Building Contractors Ltd.

STRUCTURAL ENGINEER :

ARUP

FAÇADE CONSULTANT :

ALPHA CONSULTING LIMITED
Steel Structure & Façade Specialist

- NOTE :
1. ALL DIMENSIONS ARE IN mm.
 2. ALL ELEVATIONS ARE VIEWED FROM OUTSIDE.
 3. ALL DIMENSIONS TO BE VERIFIED ON SITE BEFORE FABRICATION.

LEGEND :

- (X1) --- DETAIL MARK NO.
(X001) --- REFER SHEET NO.
1. F.F.L. --- FINISHED FLOOR LEVEL
2. S.F.L. --- STRUCTURAL FLOOR LEVEL
3. (R) --- REVERSED DETAIL

4. GLASS LEGEND

- EGL-1 --- 6mmHS+12mm AIR GAP+10mmTP THK. I.G.U.
EGL-2 --- 10mm THK. CRYSTAL GRAY TEMPERED GLASS
EGL-4 --- 10mm THK. CRYSTAL TEMPERED AND ETCHED GLASS
EGL-1A --- 6mmHS+12mm AIR GAP+8mmTP THK. I.G.U.
B11/BB1 --- FIXING DETAIL (DWG. NO. F001)
BB2 --- FIXING DETAIL (DWG. NO. F002)

GLAZING AREA

OPENABLE AREA

NO.	DATE	REVISION	BY

JOB NO. : J-856

PROJECT : PROPOSED DEVELOPMENT ABOVE LIGHT RAIL TIN WING STOP-TSWTL NO.23, AREA 33, TIN SHUI WAI, N.T.

TITLE :

WINDOW SCHEDULE FOR SALES MOCK-UP AT TOWER 3 (PRE-CAST FAÇADE WINDOW)

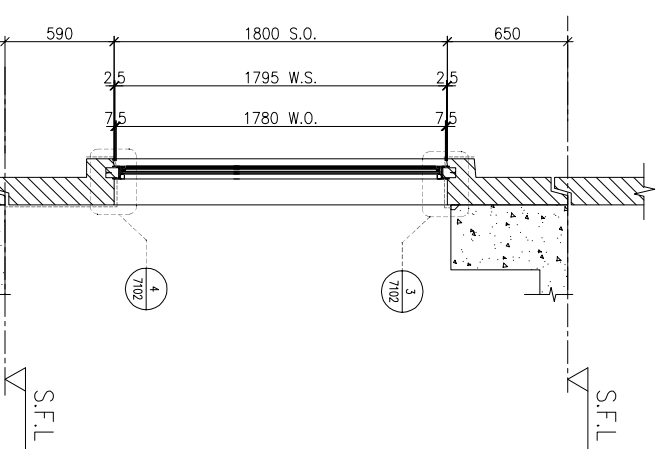
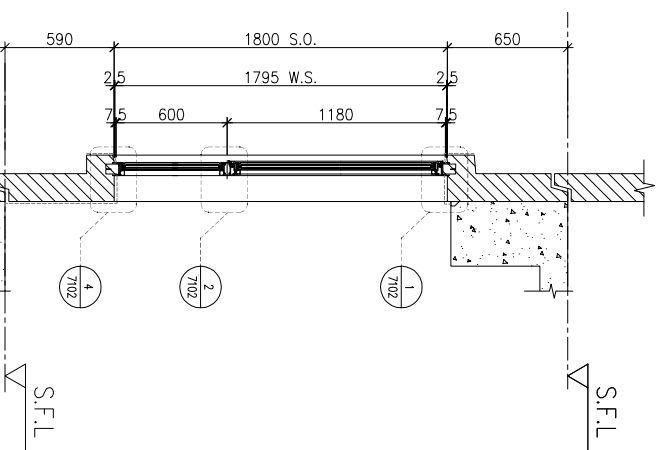
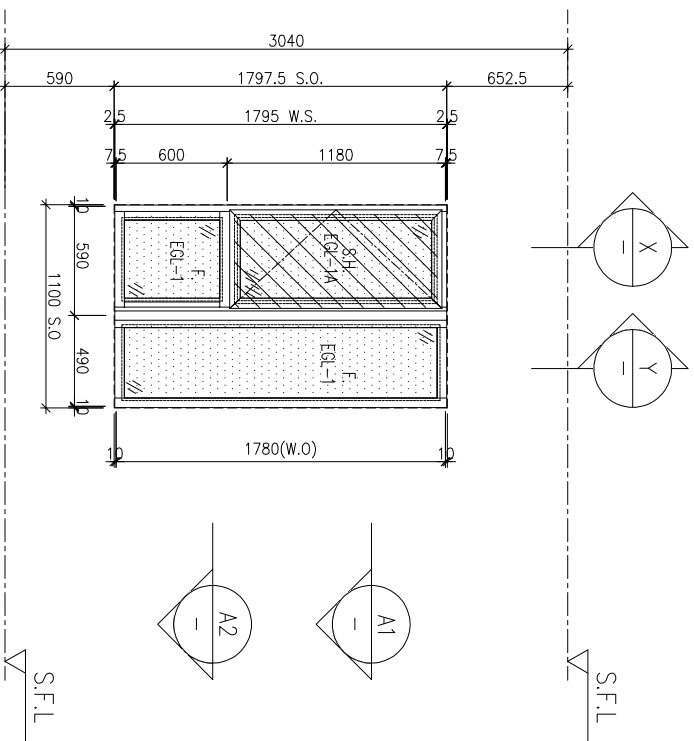
DATE : 02-Aug-21 SCALE : 1:40

DRAWN BY : Y1 CHECKED BY :

美特鋁質有限公司
MIDI ALUMINIUM FABRICATOR LTD.
Units 6-8, Sunray Industrial Centre, 1/F
610 Cho Kwai Ling Road, Kowloon
Tel: 23489211-4 Fax: (852) 2727666

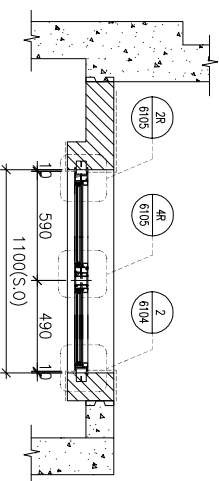
DWG NO. : J856-SD-PW-5311 REV. : -

LOCATION	OPENABLE AREA	GLAZING AREA	OPENABLE AREA	GLAZING AREA
A11-BR2	0.263	0.420	0.548	0.985



ELEVATION

A1 PART PLAN



A2 PART PLAN

AW 02

WINDOW MARK	18/F - BR.2 OF UNIT A11 (TOWER 3)
LOCATION	70mm ALUM. SECTION
SECTION	EGL-1, EGL-1A
GLAZING	1 NO.
QUANTITY	4 BAR HINGE-LIP HING (HHMS-N16)
REMARKS	

BD. REF :

CLIENT :

SUN HUNG KAI
REAL ESTATE AGENCY LTD.
42/F SUN HUNG KAI CENTRE, WANCHAI, HONGKONG

ARCHITECT :

lwk&partners
a r c h i t e c t s

MAIN CONTRACTOR :

怡輝建築有限公司
Yee Fai Building Contractors Ltd.

STRUCTURAL ENGINEER :

ARUP

FAÇADE CONSULTANT :

ALPHA CONSULTING LIMITED
Steel Structure & Façade Specialist

- NOTE :
1. ALL DIMENSIONS ARE IN mm.
 2. ALL ELEVATIONS ARE VIEWED FROM OUTSIDE.
 3. ALL DIMENSIONS TO BE VERIFIED ON SITE BEFORE FABRICATION.

LEGEND :

(X1) --- DETAIL MARK NO.
(X001) --- REFER SHEET NO.

1. F.F.L. --- FINISHED FLOOR LEVEL
2. S.F.L. --- STRUCTURAL FLOOR LEVEL
3. (R) --- REVERSED DETAIL

4. GLASS LEGEND

- EQ1-1 --- 6mmHS+12mm AR GAP+10mmTP THK. I.G.U.
EQ1-2 --- 10mm THK. CRYSTAL GRAY TEMPERED GLASS
EQ1-4 --- 10mm THK. CRYSTAL TEMPERED AND ETCHED GLASS
EQ1-1A --- 6mmHS+12mm AR GAP+8mmTP THK. I.G.U.
BT1/BB1 --- FIXING DETAIL (DWG. NO. F001)
BB2 --- FIXING DETAIL (DWG. NO. F002)

GLAZING AREA
OPENABLE AREA

NO.	DATE	REVISION	BY

JOB NO. : J-856

PROJECT : PROPOSED DEVELOPMENT ABOVE LIGHT RAIL TIN WING STOP/TSWTL NO.23, AREA 33, TIN SHUI WAI, N.T.

TITLE :

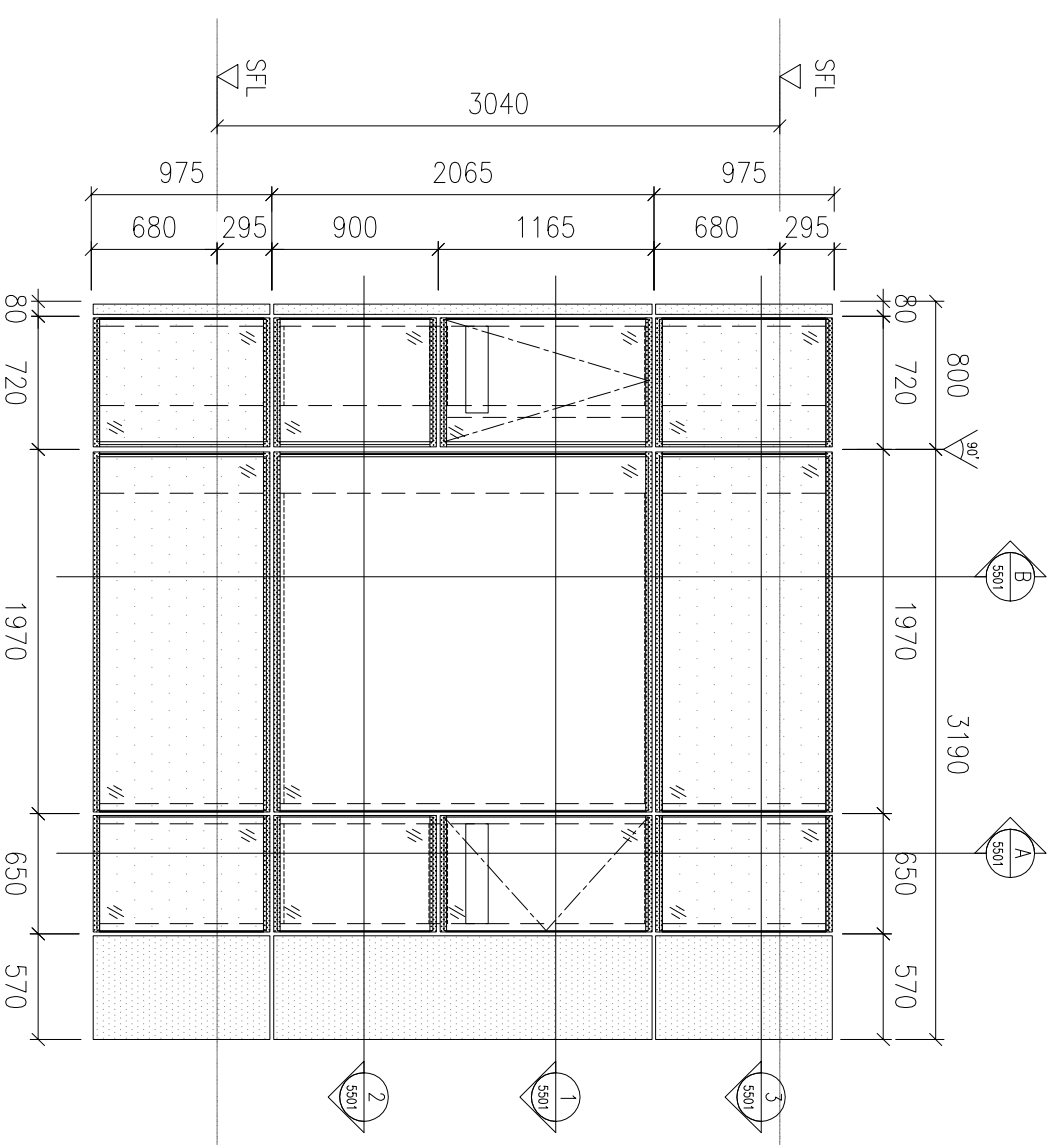
WINDOW SCHEDULE FOR SALES MOCK-UP AT TOWER 3 (PRE-CAST FAÇADE WINDOW)

DATE : 02-Aug-21 SCALE : 1:40

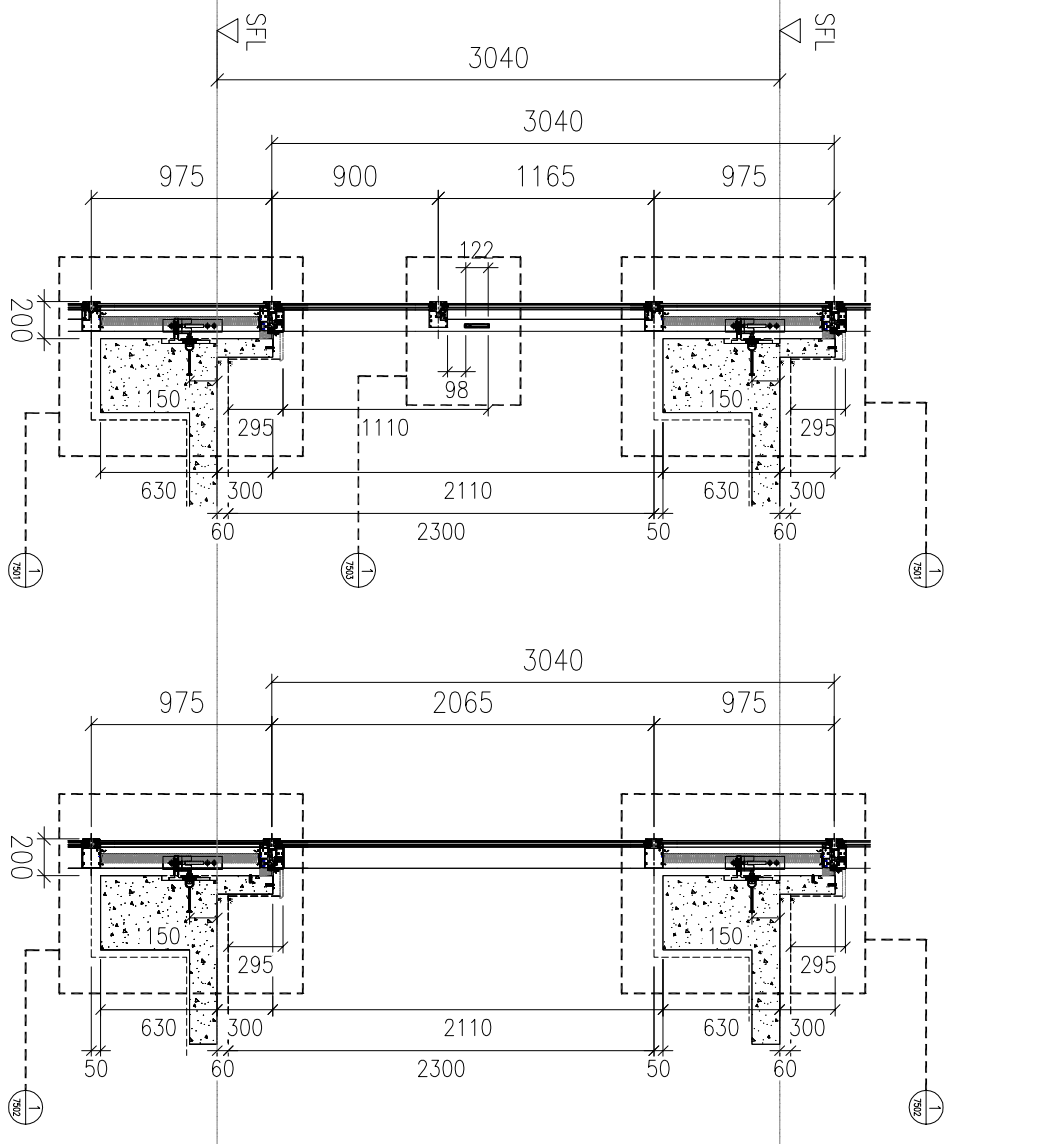
DRAWN BY : Y1 CHECKED BY :

美特鋁質有限公司
MIDI ALUMINIUM FABRICATOR LTD.
Units 6-8, Sunray Industrial Centre, 1/F
610 Cho Kwo Ling Road, Kowloon
Tel: 23489211-4 Fax: (852) 2727666

DWG NO. : J856-SD-PW-5312 REV. : -

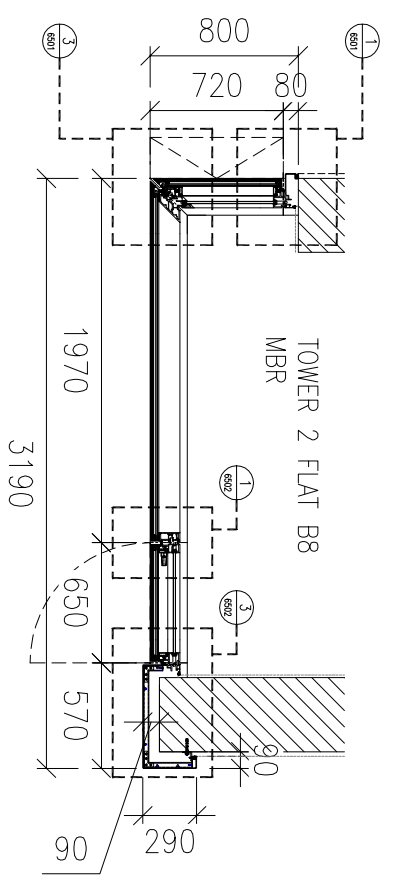


1 PART ELEVATION
5501 CURTAIN WALL

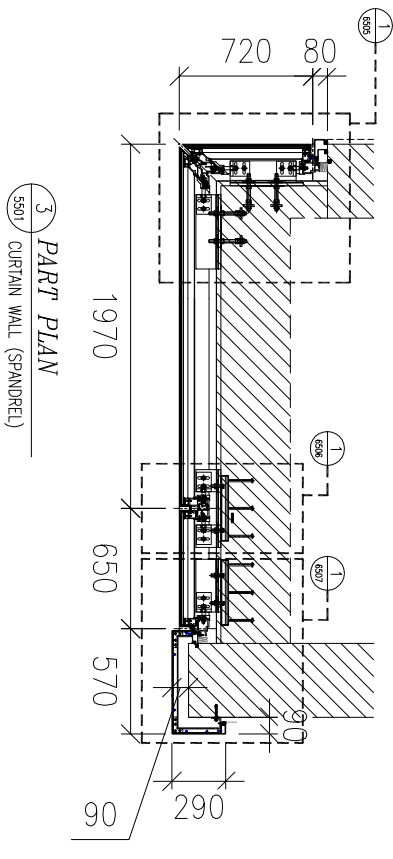


A PART SECTION
5501 CURTAIN WALL (OPENABLE)

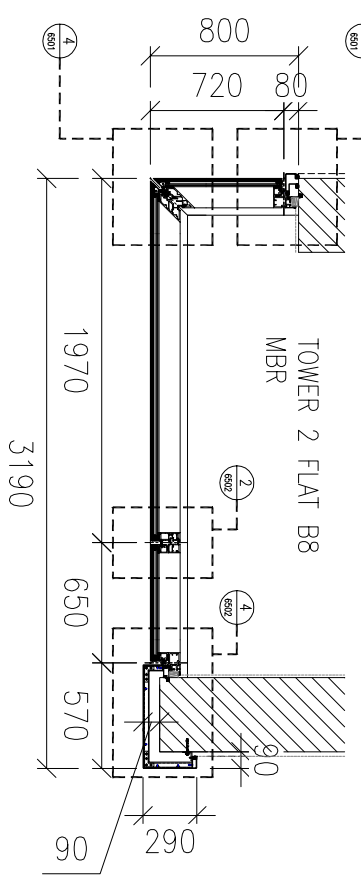
B PART SECTION
5501 CURTAIN WALL (FIX)



1 PART PLAN
5501 CURTAIN WALL (HIGH VISION)



3 PART PLAN
5501 CURTAIN WALL (SPANDREL)



2 PART PLAN
5501 CURTAIN WALL (LOW VISION)

B.O. REF : _____

CLIENT :

SUN HUNG KAI
REAL ESTATE AGENCY LTD.
42/F SUN HUNG KAI CENTRE, WANGCHAI, HONGKONG

ARCHITECT :

IWK&partners
A R C H I T E C T S

MAIN CONTRACTOR :

Yee Fai 怡輝建築有限公司
Building Contractors Ltd.

STRUCTURAL ENGINEER :

ARUP

FAÇADE CONSULTANT:

ALPHA CONSULTING LIMITED
Steel Structure & Façade Specialist

NOTE :

1. ALL DIMENSIONS ARE IN mm.
2. ALL ELEVATIONS ARE VIEWED FROM OUTSIDE.
3. ALL DIMENSIONS TO BE VERIFIED ON SITE BEFORE FABRICATION.

LEGEND :

- X1 DETAIL MARK NO.
- X001 REFER SHEET NO.
- 1. F.F.L.--FINISHED FLOOR LEVEL
- 2. S.F.L.--STRUCTURAL FLOOR LEVEL
- 3. (R)--REVERSED DETAIL

NO.	DATE	REVISED	BY

JOB NO. : J-856

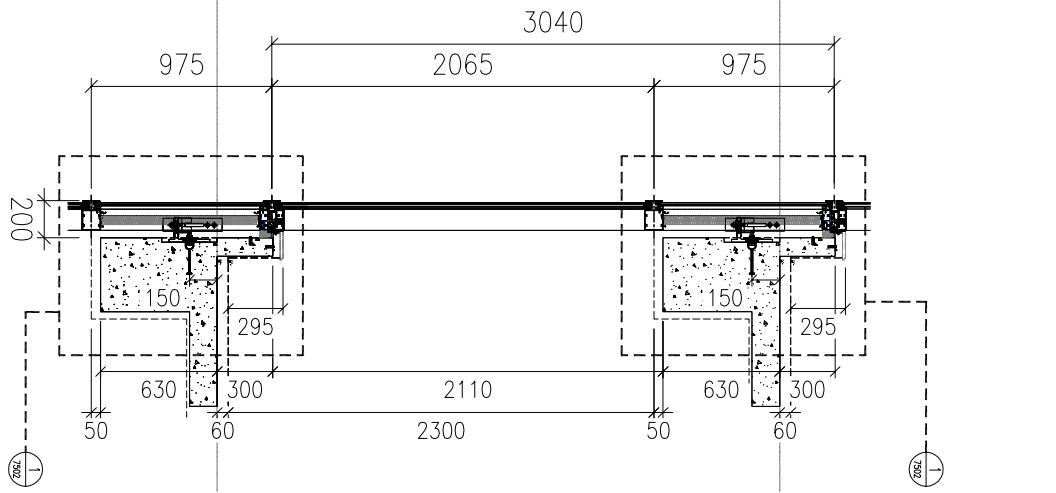
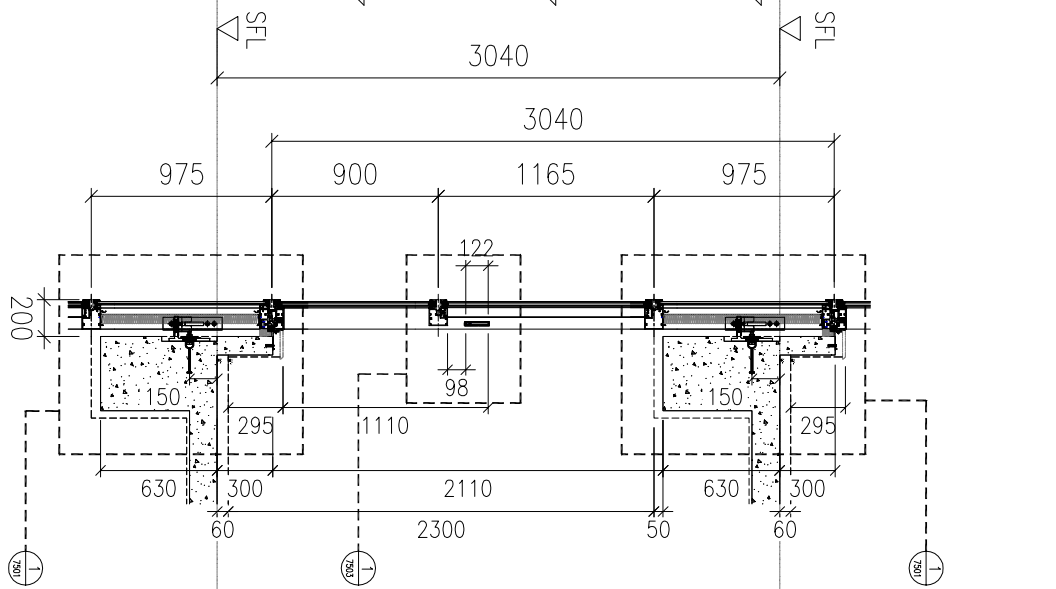
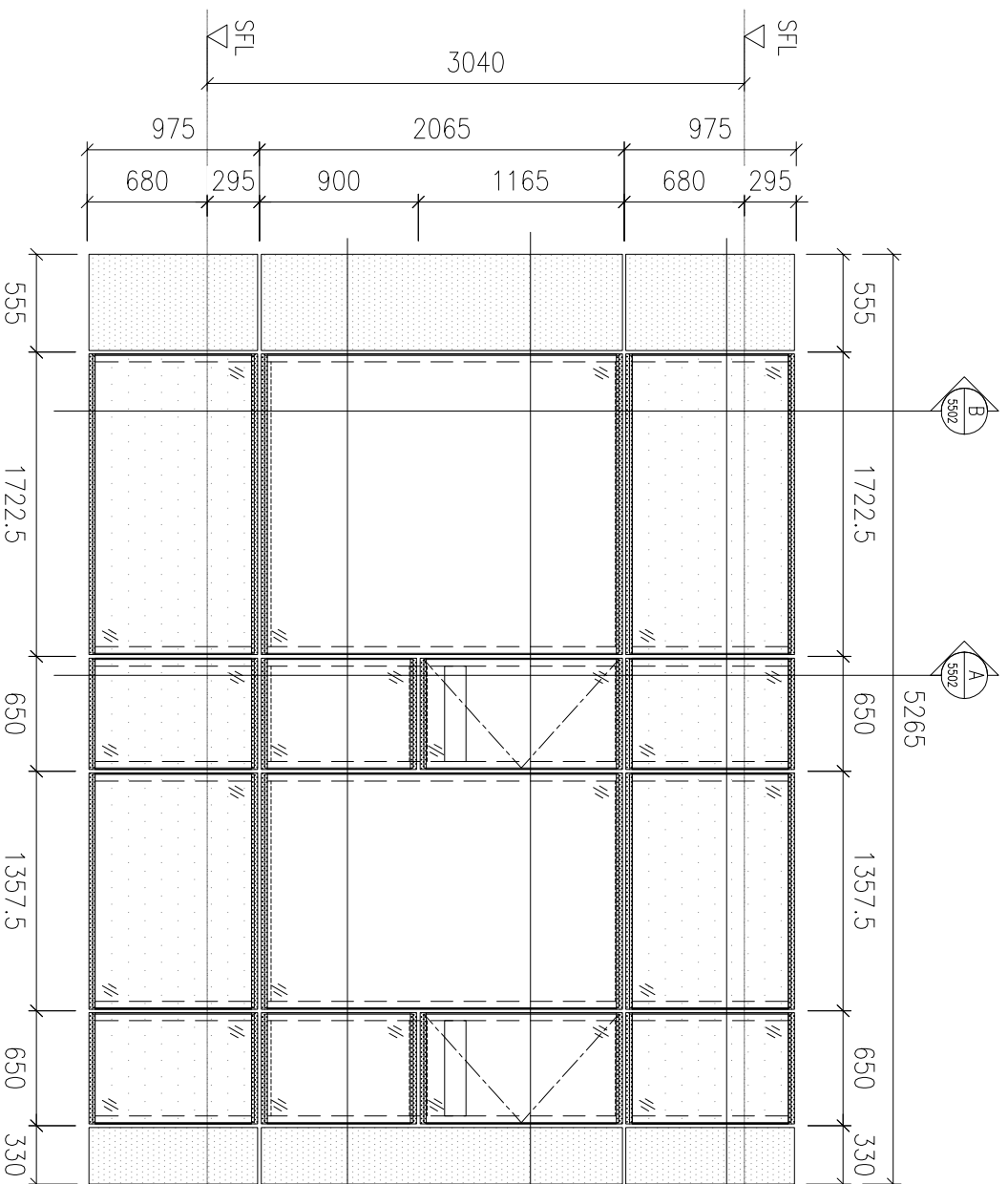
PROJECT : PROPOSED DEVELOPMENT ABOVE LIGHT RAIL TIN WING STOP TSWTL NO.23, AREA 33, TIN SHUI WAI, N.T.

TITLE : PART ELEV & PLAN & SECTION FOR SALES MOCK-UP (CURTAIN WALL) @ TOWER 2 FLAT B8

DATE : 20-JAN-23 SCALE : 1:40

DRAWN BY : C.F. CHECKED BY :

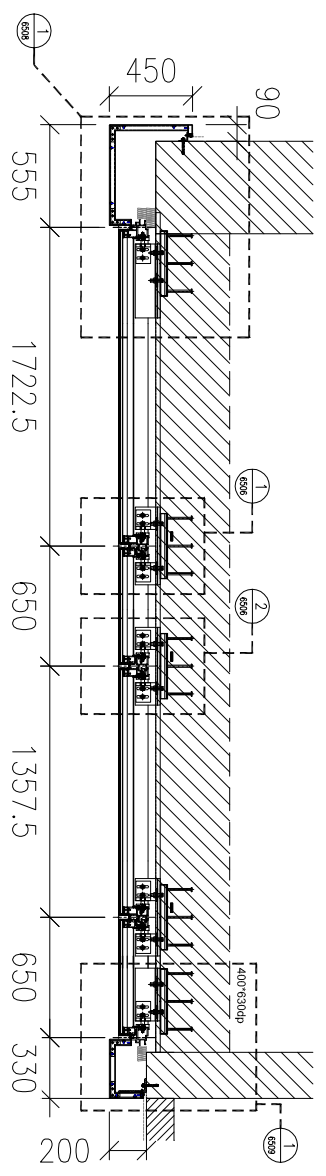
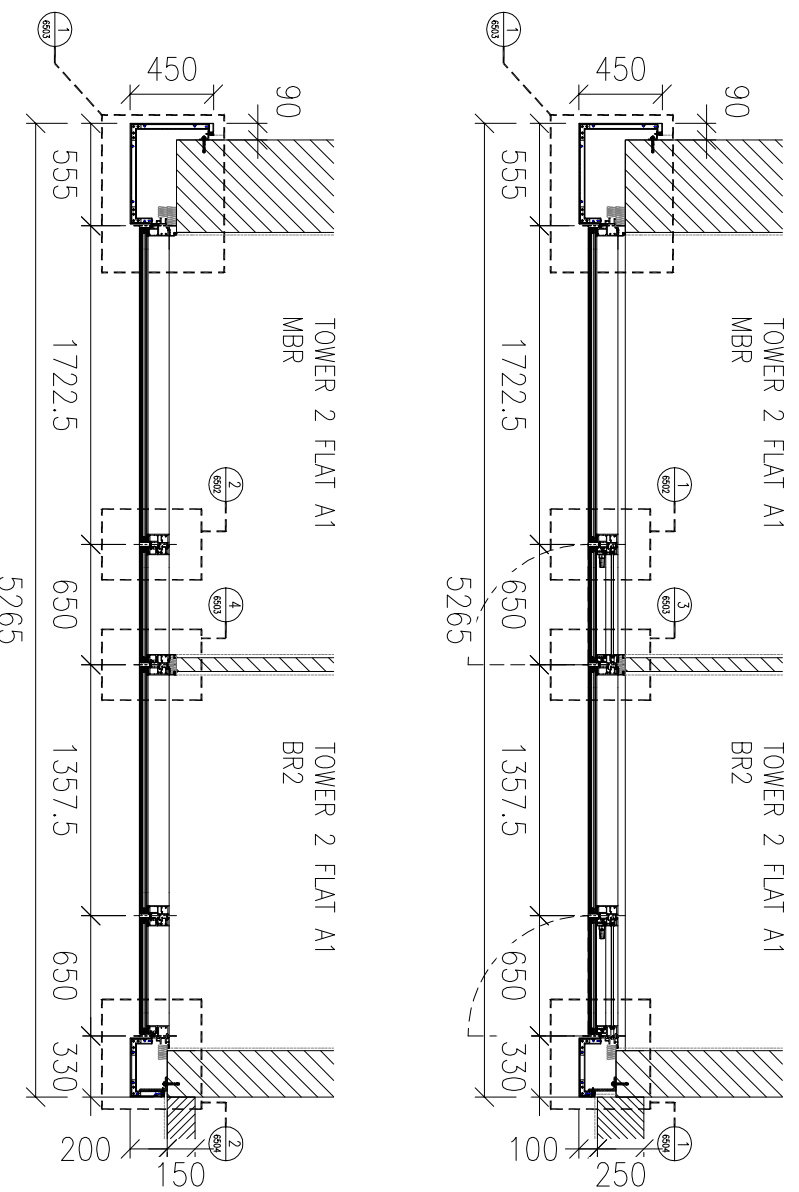
美特經貿有限公司
MIDI ALUMINIUM FABRICATOR LTD.
Units 6-8, Sunray Industrial Centre, 1/F
610 Ono Kwong Road, Kowloon
Tel: 23489211-4 Fax: (852) 27277866
DWG NO. : J856-SD-MU-5501 REV. : -



(1) PART ELEVATION
5502 CURTAIN WALL

(A) PART SECTION
5502 CURTAIN WALL (OPENABLE)

(B) PART SECTION
5502 CURTAIN WALL (FIX)



NOTE:
1. ALL DIMENSIONS ARE IN mm.
2. ALL ELEVATIONS ARE VIEWED FROM OUTSIDE.
3. ALL DIMENSIONS TO BE VERIFIED ON SITE BEFORE FABRICATION.

LEGEND:
 (X1) DETAIL MARK NO.
 (X001) REFER SHEET NO.
 1. F.F.L.--FINISHED FLOOR LEVEL
 2. S.F.L.--STRUCTURAL FLOOR LEVEL
 3. (R) --REVERSED DETAIL

REMARK:
TOTAL 2 SET CURTAIN WALL SALES MOCK-UP
FOR TOWER 2 FLAT A1 CW

B.O. REF : _____

CLIENT :

SUN HUNG KAI
REAL ESTATE AGENCY LTD.
42/F SUN HUNG KAI CENTRE, WANGCHAI, HONGKONG

ARCHITECT :
IWK&partners
A R C H I T E C T S

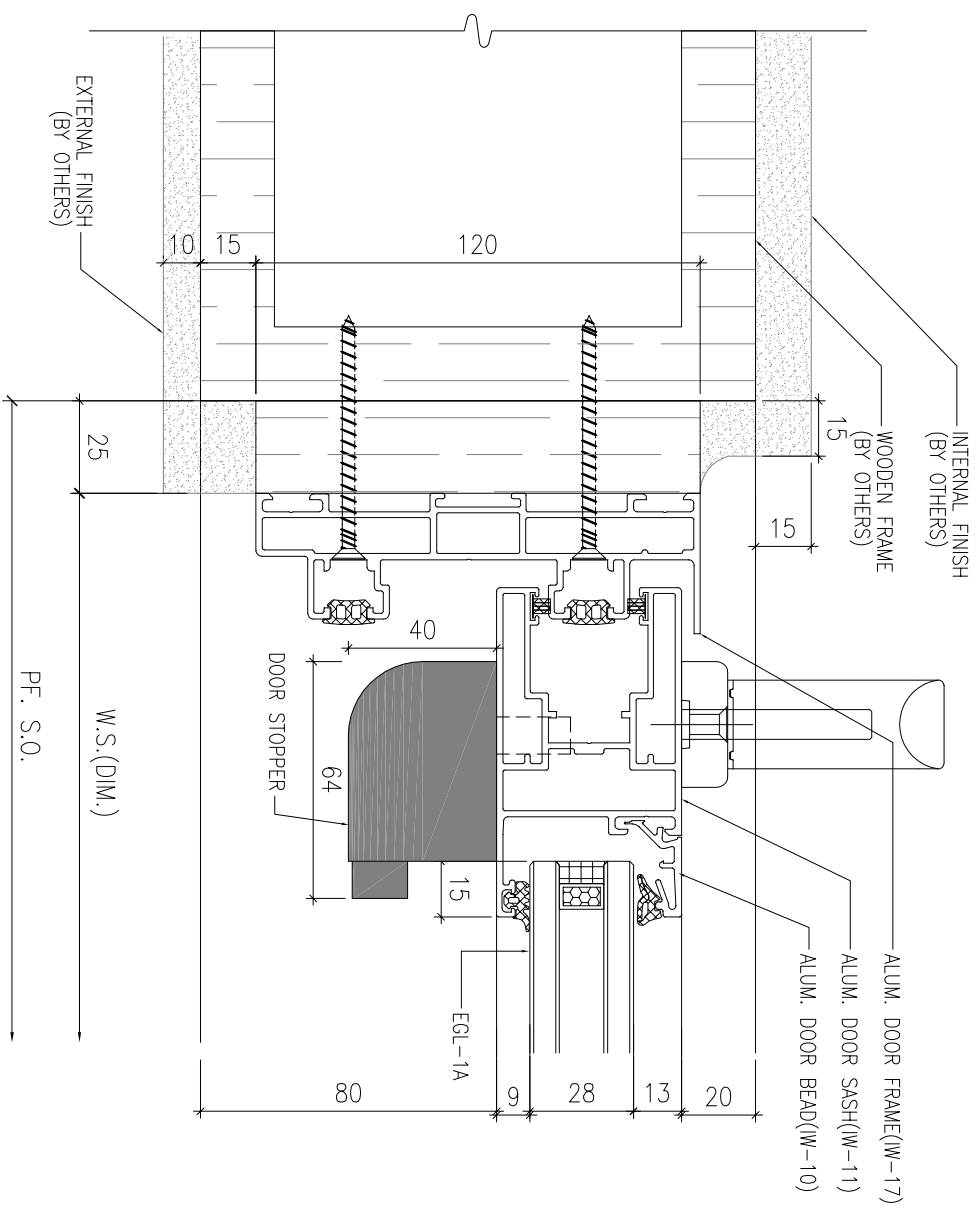
MAIN CONTRACTOR :
Yee Fai Building Contractors Ltd.

STRUCTURAL ENGINEER :
ARUP

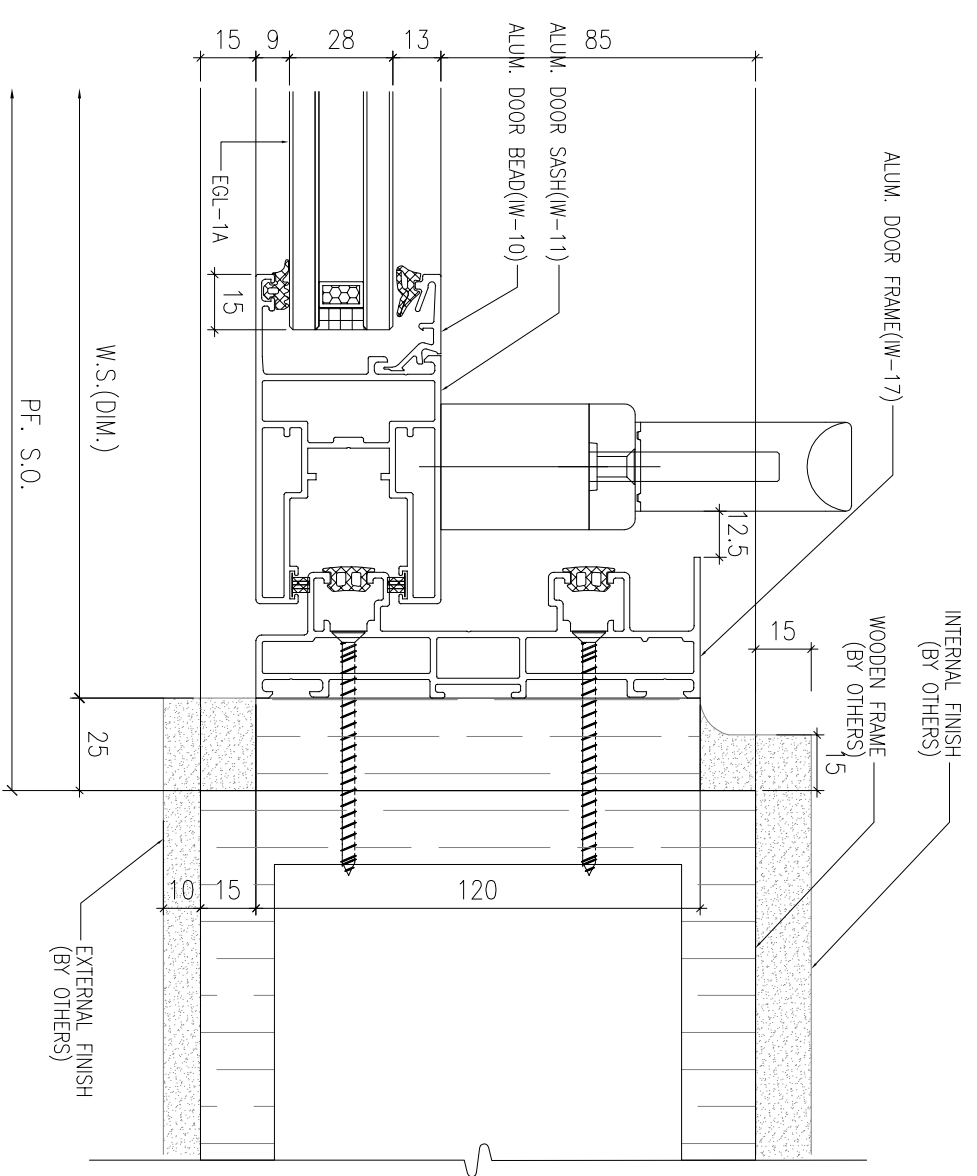
FAÇADE CONSULTANT:
ALPHA CONSULTING LIMITED
Steel Structure & Façade Specialist

美特經貿有限公司
MIDI ALUMINIUM FABRICATOR LTD.
Units 6-8, Sunray Industrial Centre, 1/F
610 Ono Kwong Road, Kwun Tong,
Tel: 23489211-4 Fax: (852) 27277866
DWG NO. : J856-SD-MU-5502

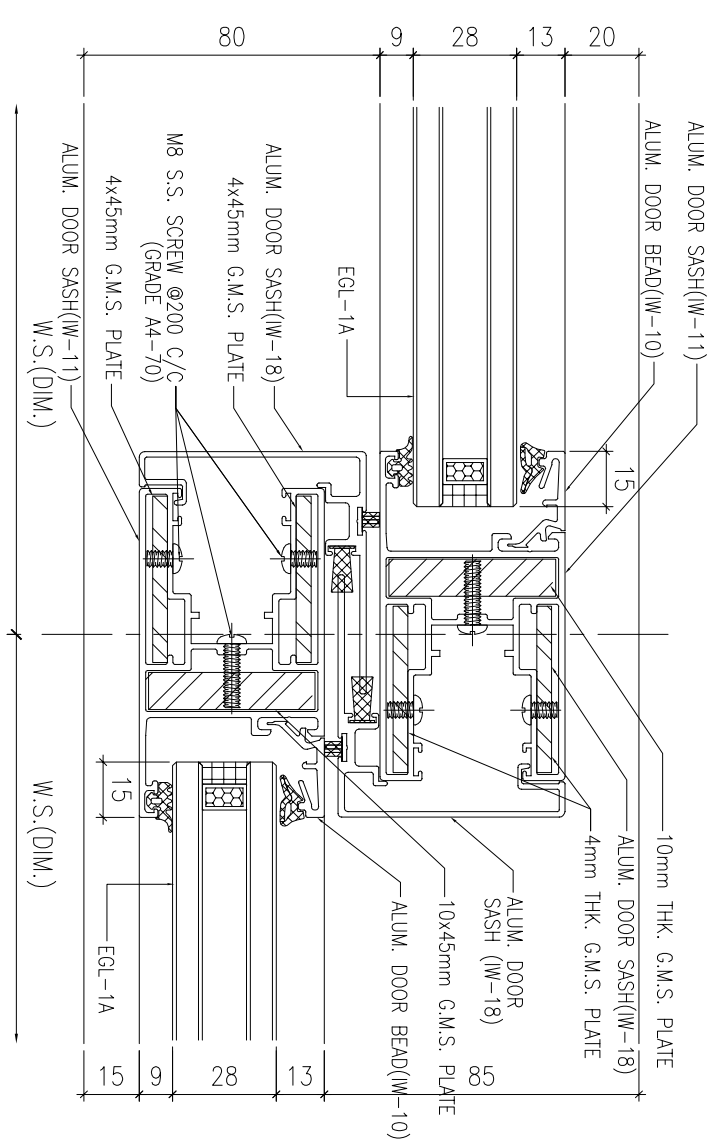
DATE : 20-JAN-23	SCALE : 1:40	
DRAWN BY : C.F	CHECKED BY :	
JOB NO. : J-856		
PROJECT : PROPOSED DEVELOPMENT ABOVE LIGHT RAIL TIN WING STOP, TSWTL NO.23, AREA 33, TIN SHUI WAI, N.T.		
TITLE : PART ELEV & PLAN & SECTION FOR SALES MOCK-UP (CURTAIN WALL) @ TOWER 2 FLAT A1		
NO.	DATE	REVISION



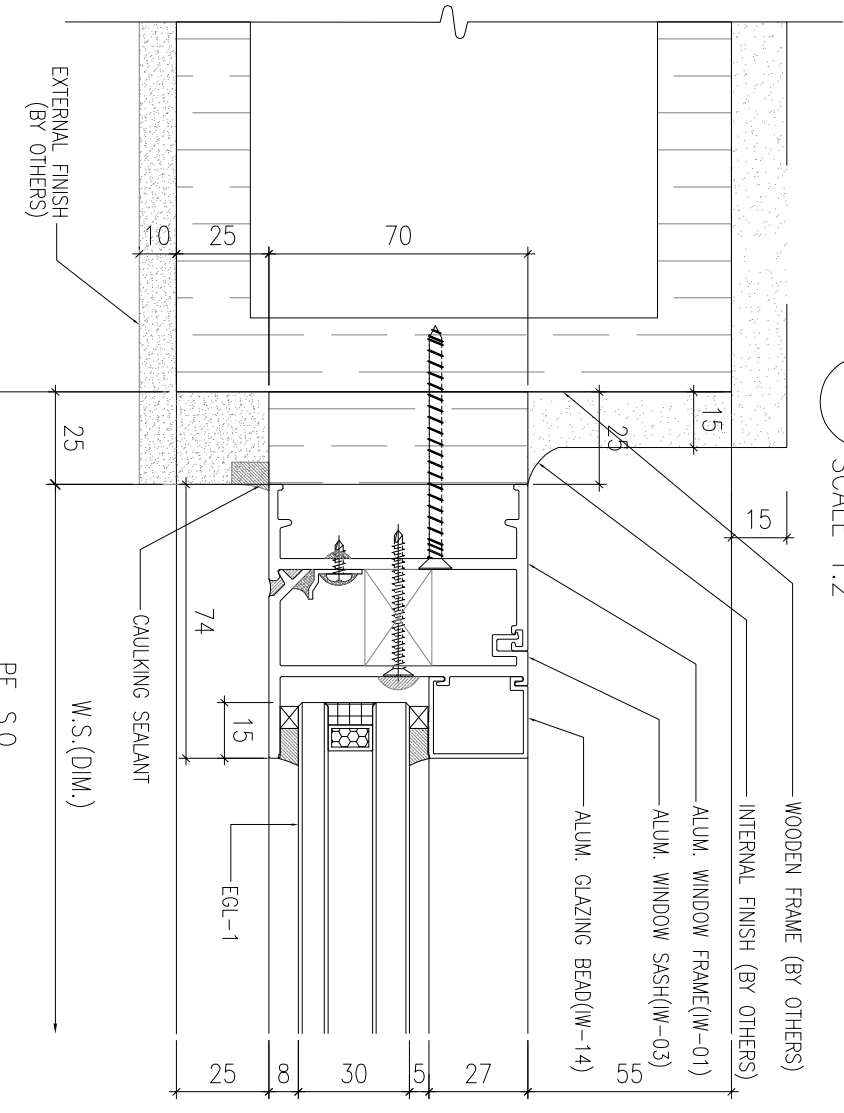
1 HORIZONTAL DETAIL
SCALE 1:2



2 HORIZONTAL DETAIL
SCALE 1:2



3 HORIZONTAL DETAIL
SCALE 1:2



4 HORIZONTAL DETAIL
SCALE 1:2

B.D. REF :

CLIENT :

SUN HUNG KAI
REAL ESTATE AGENCY LTD.
42/F SUN HUNG KAI CENTRE, WANCHAI, HONGKONG

ARCHITECT :

lwk&partners
a r c h i t e c t s

MAIN CONTRACTOR :

Yee Fai 怡輝建築有限公司
Building Contractors Ltd.

STRUCTURAL ENGINEER :

ARUP
ALPHA CONSULTING LIMITED
Steel Structure & Facade Specialist

FAÇADE CONSULTANT :

ARUP
ALPHA CONSULTING LIMITED
Steel Structure & Facade Specialist

- NOTE :
1. ALL DIMENSIONS ARE IN mm.
 2. ALL ELEVATIONS ARE VIEWED FROM OUTSIDE.
 3. ALL DIMENSIONS TO BE VERIFIED ON SITE BEFORE FABRICATION.

LEGEND :

- (X1) --- DETAIL MARK NO.
- (X001) --- REFER SHEET NO.

1. F.F.L. --- FINISHED FLOOR LEVEL
 2. S.F.L. --- STRUCTURAL FLOOR LEVEL
 3. (R) --- REVERSED DETAIL
 4. GLASS LEGEND
- EGL-1-1---6mmH+12mm AIR GAP+10mmTP THK. LG.U.
EGL-1A---6mmH+12mm AIR GAP+9mmTP THK. LG.U.
EGL-2---10mm THK. CLEAR TEMPERED GLASS
EGL-4---10mm THK. TEMPERED ACID ETCHED GLASS

NO.	DATE	REASON	BY
J-856			

JOB NO. : J-856

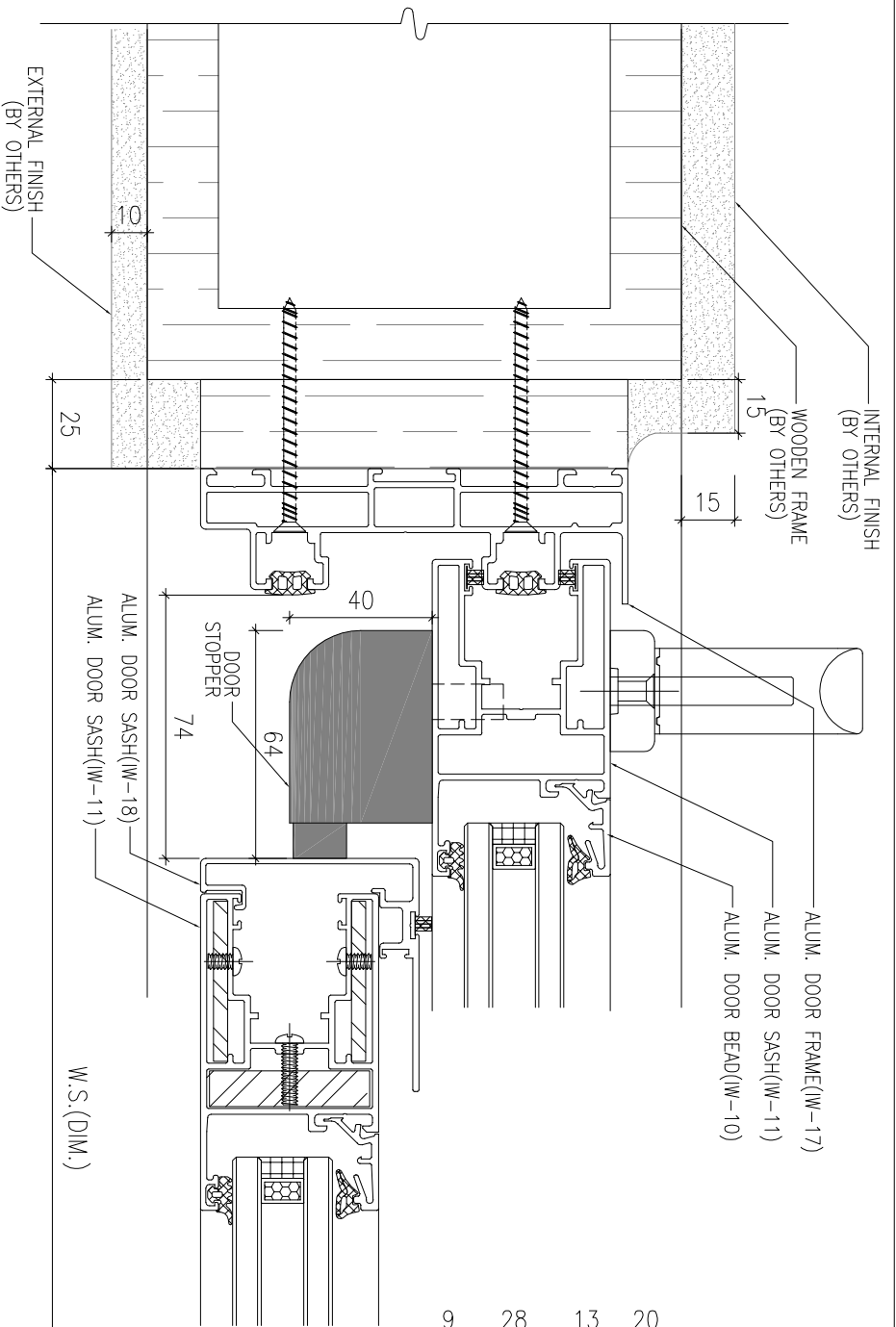
PROJECT : PROPOSED DEVELOPMENT ABOVE LIGHT RAIL TIN WING STOP,T5WTL NO.23,AREA 33,TIN SHUI WAI, N.T.

TITLE : TYPICAL DETAILS FOR SALES MOCK-UP (IN-SITU WINDOW)

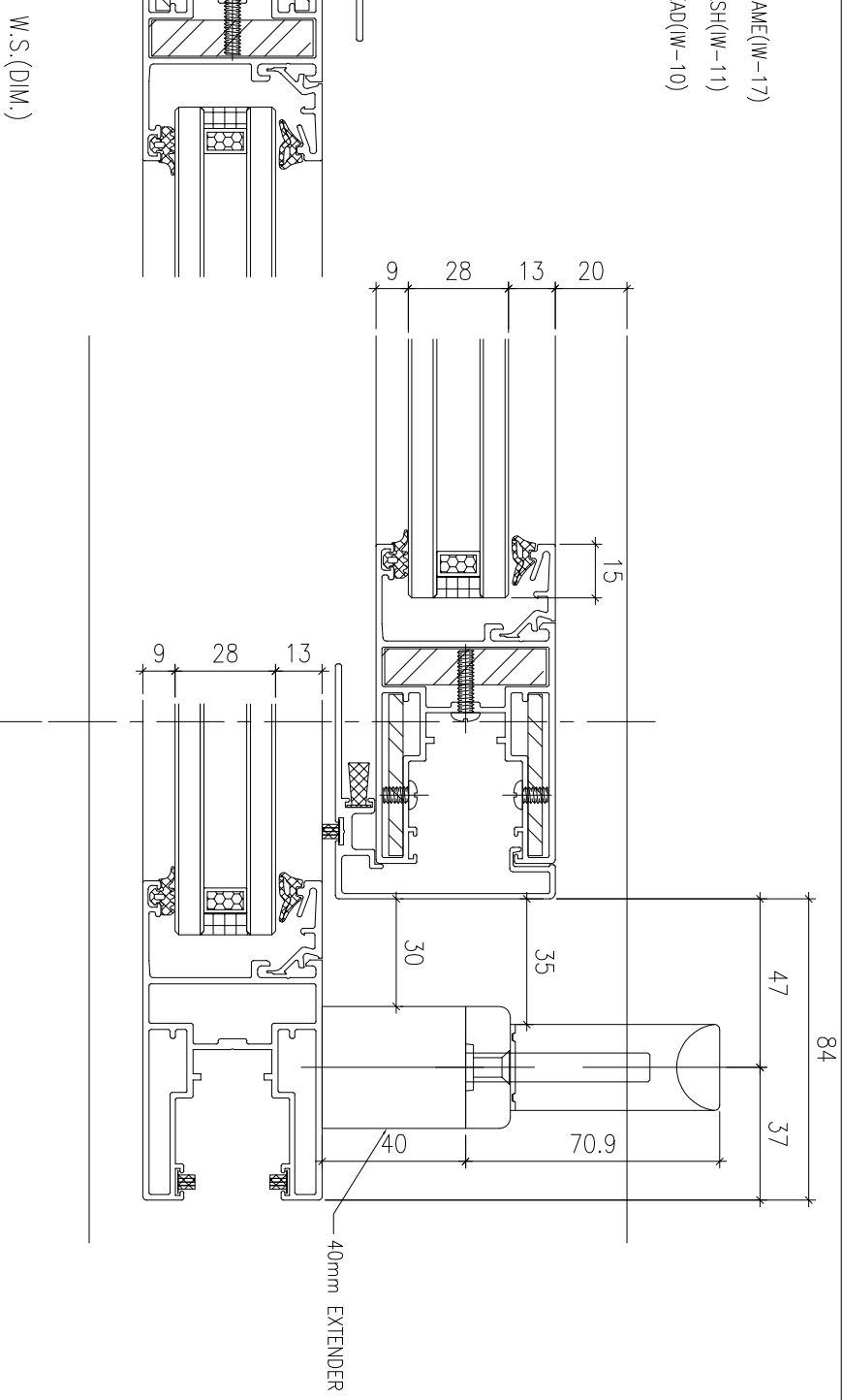
DATE : 16-JAN-23 SCALE : 1:2

DRAWN BY : YI CHECKED BY :

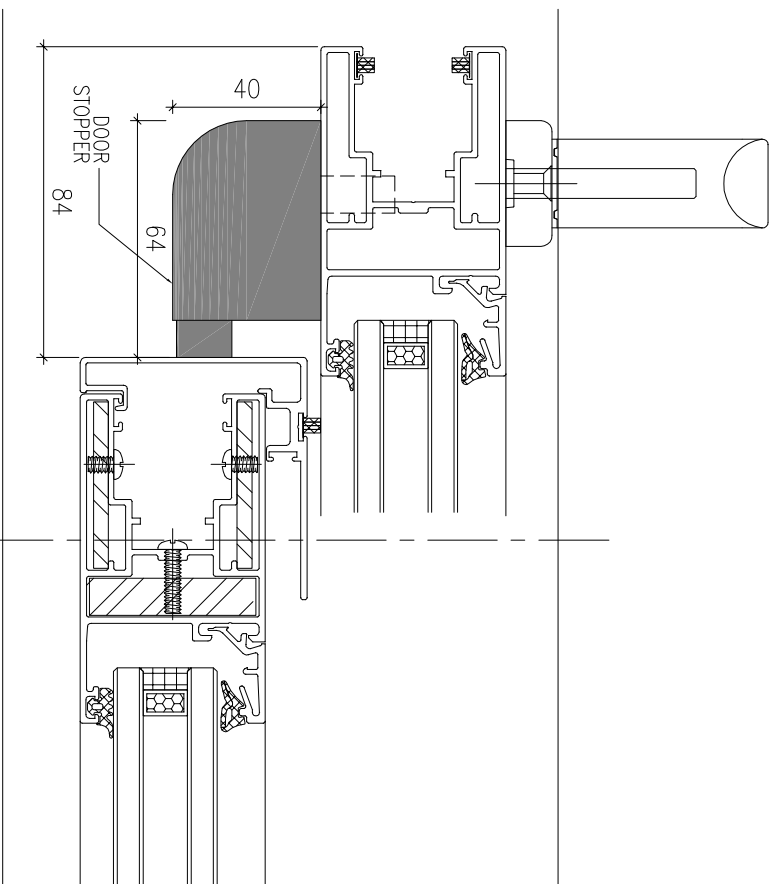
美特鋁質有限公司
MIDI ALUMINIUM FABRICATOR LTD.
Units 6-8, Sunny Industrial Centre, 1/F
610 Cho Kwai Ling Road, Kowloon
Tel:23489211-4 Fax:(852)27272666
DWG NO. : J856-SD-WA-60021 REV : -



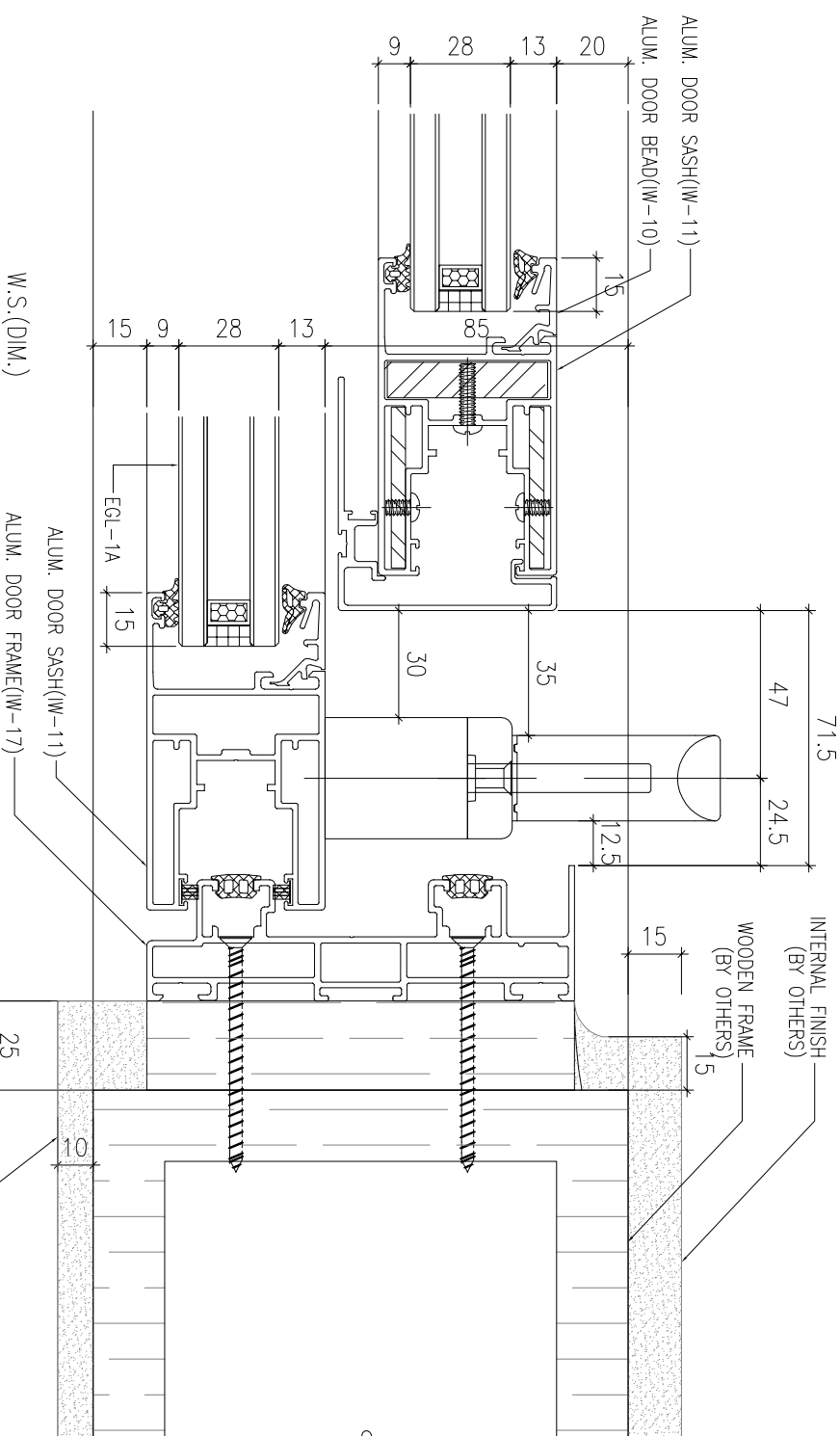
1 HORIZONTAL DETAIL
SCALE 1:2



2 HORIZONTAL DETAIL
SCALE 1:2



3 HORIZONTAL DETAIL
SCALE 1:2



4 HORIZONTAL DETAIL
SCALE 1:2

B.D. REF :

CLIENT :

SUN HUNG KAI
REAL ESTATE AGENCY LTD.
42/F, SUN HUNG KAI CENTRE, WANCHAI, HONGKONG

ARCHITECT :

lwk&partners
a r c h i t e c t s

MAIN CONTRACTOR :

Yee Fai 怡輝建築有限公司
Building Contractors Ltd.

STRUCTURAL ENGINEER :

ARUP

FAÇADE CONSULTANT :

ALPHA CONSULTING LIMITED
Steel Structure & Façade Specialist

- NOTE :
1. ALL DIMENSIONS ARE IN mm.
 2. ALL ELEVATIONS ARE VIEWED FROM OUTSIDE.
 3. ALL DIMENSIONS TO BE VERIFIED ON SITE BEFORE FABRICATION.

LEGEND :

X1 ——— DETAIL MARK NO.
X1001 ——— REFER SHEET NO.

1. F.F.L. --- FINISHED FLOOR LEVEL
2. S.F.L. --- STRUCTURAL FLOOR LEVEL
3. (R) --- REVERSED DETAIL

4. GLASS LEGEND

- EGL-1 --- 8mmH+12mm AIR GAP+10mmTP THK. I.G.U.
EGL-1A --- 9mmH+12mm AIR GAP+9mmTP THK. I.G.U.
EGL-2 --- 10mm THK. CLEAR TEMPERED GLASS
EGL-4 --- 10mm THK. TEMPERED ACID ETCHED GLASS

NO.	DATE	REASON	BY

JOB NO. : J-856

PROJECT :
PROPOSED DEVELOPMENT ABOVE
LIGHT RAIL TIN WING STOP,TSWTL
NO.23,AREA 33,TIN SHUI WAI, N.T.

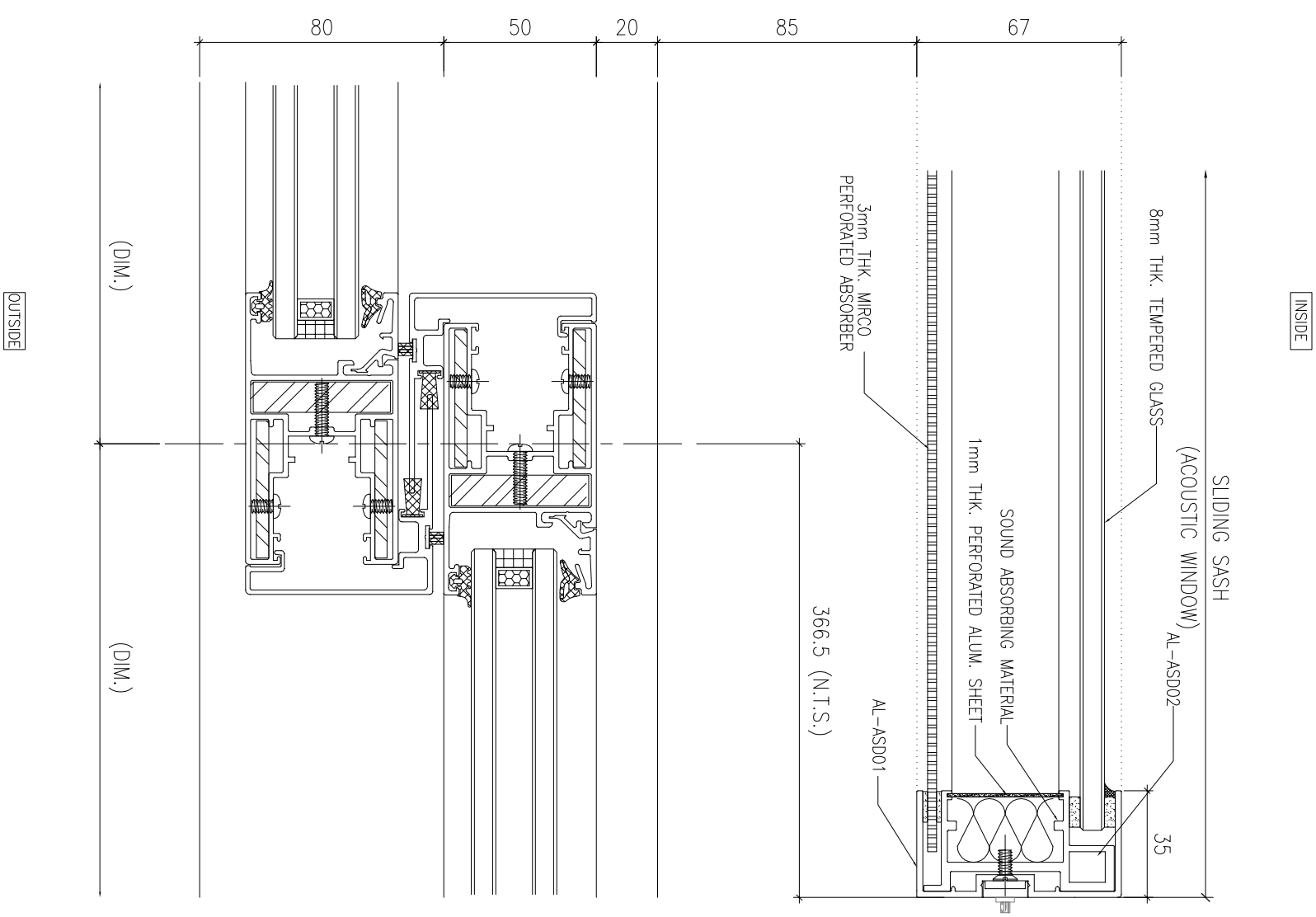
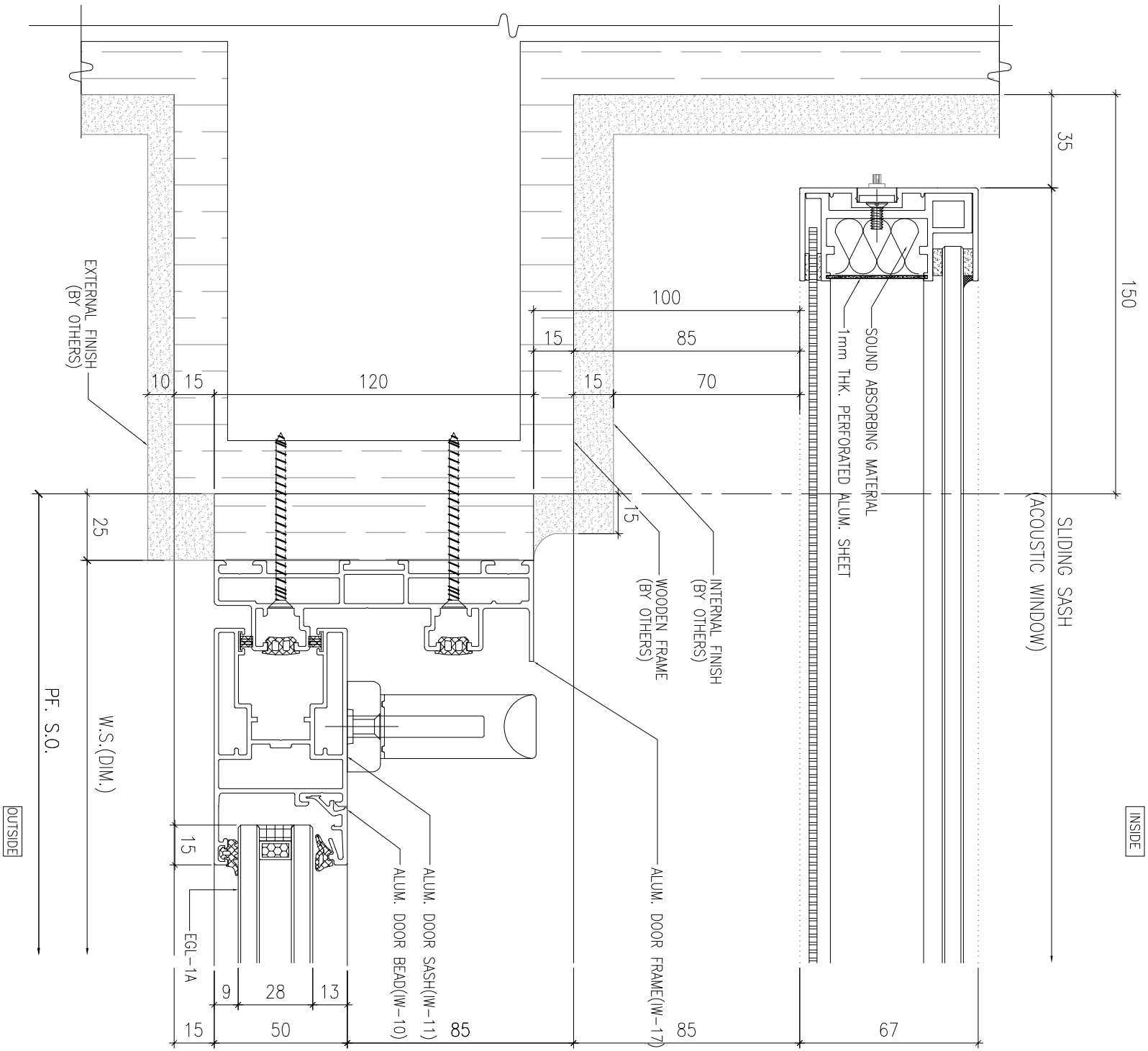
TITLE :
TYPICAL DETAILS FOR
SALES MOCK-UP
(IN-SITU WINDOW)

DATE : 16-JAN-23 SCALE : 1:2

DRAWN BY : YI CHECKED BY :

美特鋁質有限公司
MIDI ALUMINUM FABRICATOR LTD.
Units 6-8, Sunray Industrial Centre, 1/F
610 Cho Kwai Ling Road, Kowloon
Tel:23489211-4 Fax:(852)2727666

DWG NO. : J856-SD-W-6004 REV. : -



B.D. REF. :

CLIENT :

SUN HUNG KAI
REAL ESTATE AGENCY LTD.
42/F, SUN HUNG KAI CENTRE, WANCHAI, HONGKONG

ARCHITECT :

lwk&partners
A R C H I T E C T S

MAIN CONTRACTOR :

Yee Fai 怡輝建築有限公司
Building Contractors Ltd.

STRUCTURAL ENGINEER :

ARUP

FAÇADE CONSULTANT :

ALPHA CONSULTING LIMITED
Steel Structure & Façade Specialist

NOTE :

1. ALL DIMENSIONS ARE IN mm.
2. ALL ELEVATIONS ARE VIEWED FROM OUTSIDE.
3. ALL DIMENSIONS TO BE VERIFIED ON SITE BEFORE FABRICATION.

LEGEND :

- (X1) --- DETAIL MARK NO.
- (X001) --- REFER SHEET NO.

1. F.F.L. --- FINISHED FLOOR LEVEL
2. S.F.L. --- STRUCTURAL FLOOR LEVEL
3. (R) --- REVERSED DETAIL

4. GLASS LEGEND
- EQ1-1 --- 8mmHx5+12mm AIR GAP+10mmTP THK. LG.U.
- EQ1-1A --- 8mmHx5+12mm AIR GAP+9mmTP THK. LG.U.
- EQ1-2 --- 10mm THK. CLEAR TEMPERED GLASS
- EQ1-4 --- 10mm THK. TEMPERED ACID ETCHED GLASS

NO.	DATE	REASON	BY
J-856			

JOB NO. : J-856

PROJECT : PROPOSED DEVELOPMENT ABOVE LIGHT RAIL TIN WING STOP-TSWTL NO.23,AREA 33,TIN SHUI WAL, N.T.

TITLE : TYPICAL DETAILS FOR SALES MOCK-UP (IN-SITU WINDOW)

DATE : 16-JAN-23 SCALE : 1:2

DRAWN BY : Y1 CHECKED BY :

美特鋁質有限公司
MIDI ALUMINIUM FABRICATOR LTD.
Units 6-8, Sunray Industrial Centre, Kowloon
610 Cho Kwo Ling Road, Kowloon
Tel:23489211-4 Fax:(852)2727666
DWG NO. : J856-SD-W-6005 REV. : -

B.D. REF :

CLIENT :

SUN HUNG KAI
REAL ESTATE AGENCY LTD.
42/F, SUN HUNG KAI CENTRE, WANCHAI, HONGKONG

ARCHITECT :

lwk&partners
a r c h i t e c t s

MAIN CONTRACTOR :

Yee Fai 怡輝建築有限公司
Building Contractors Ltd.

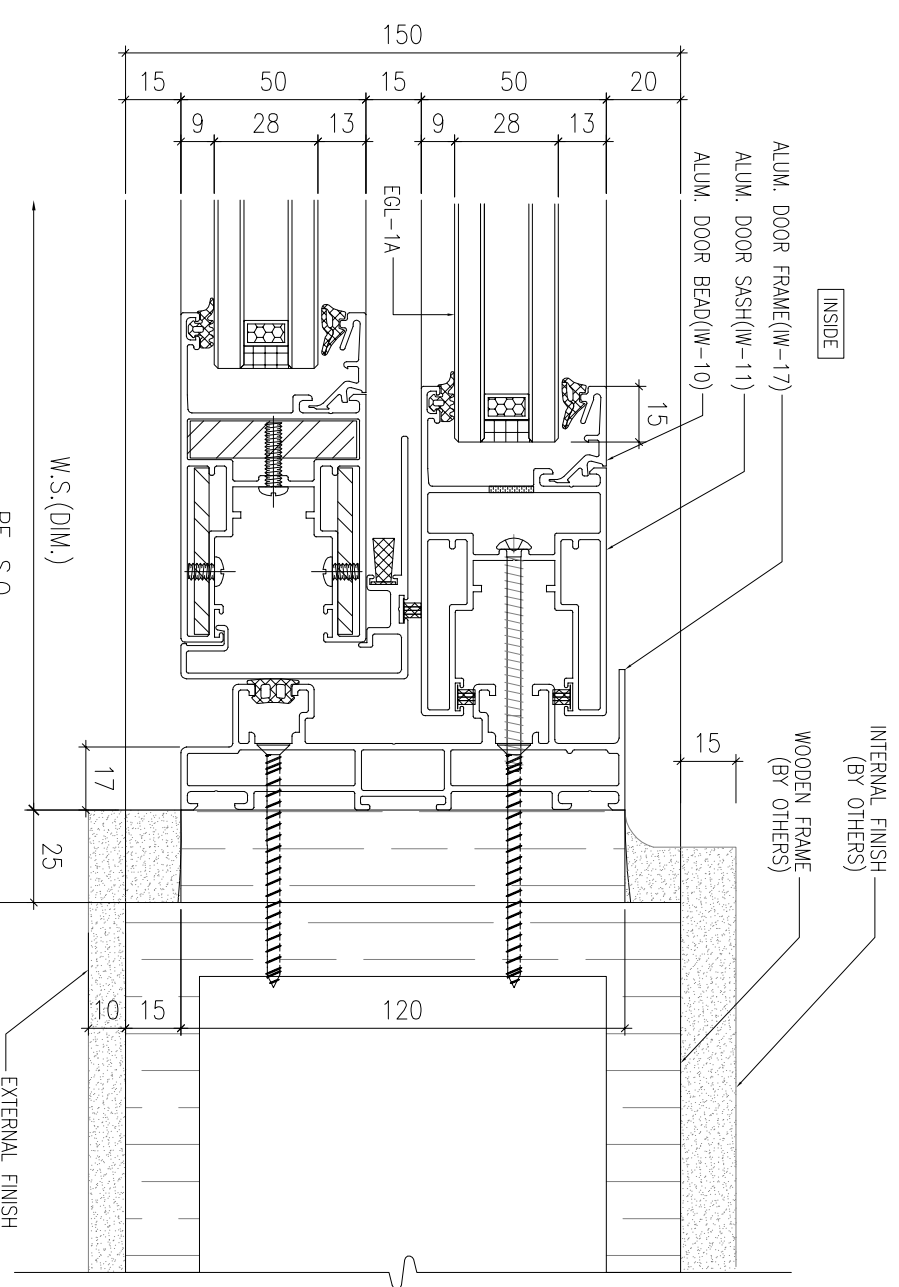
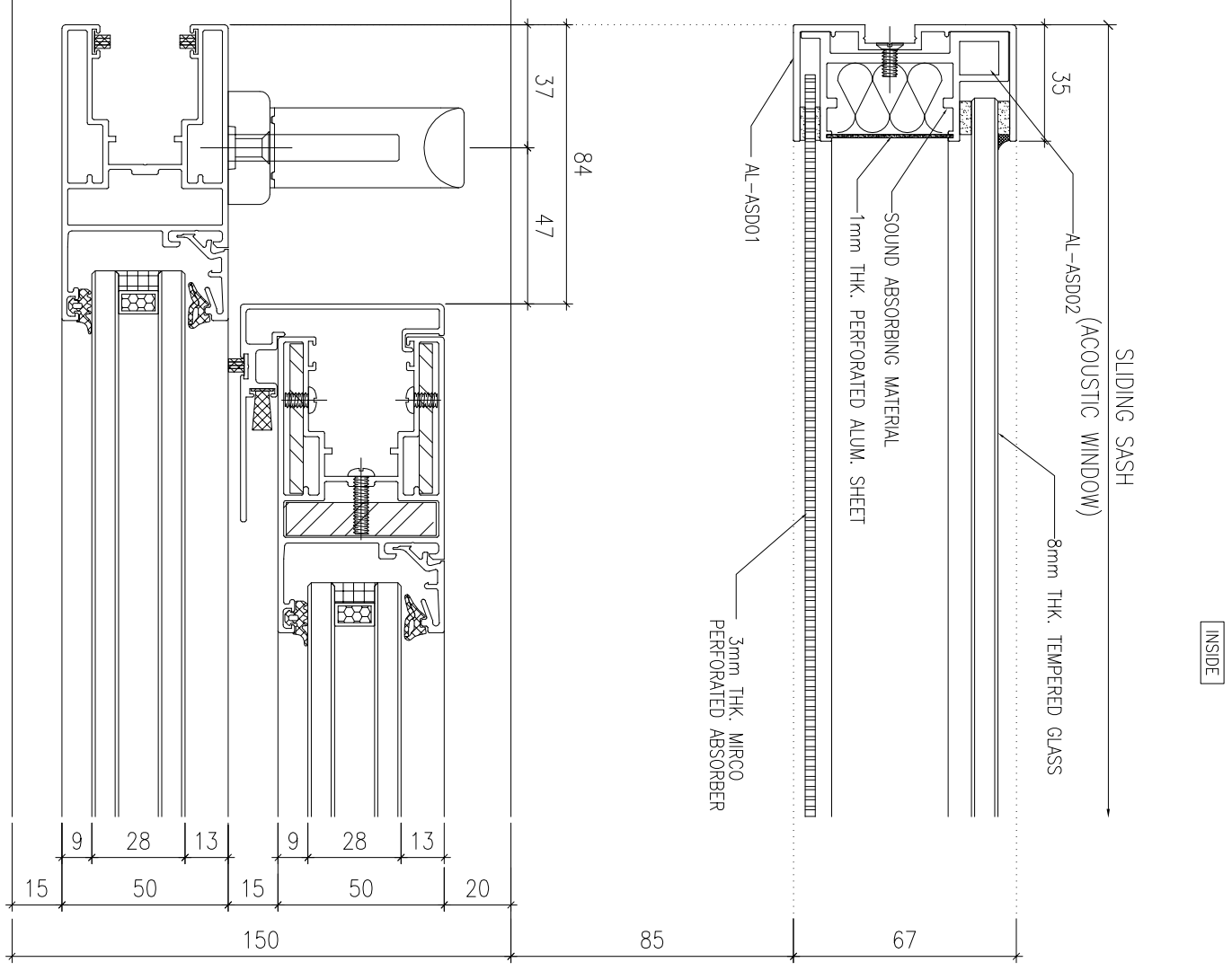
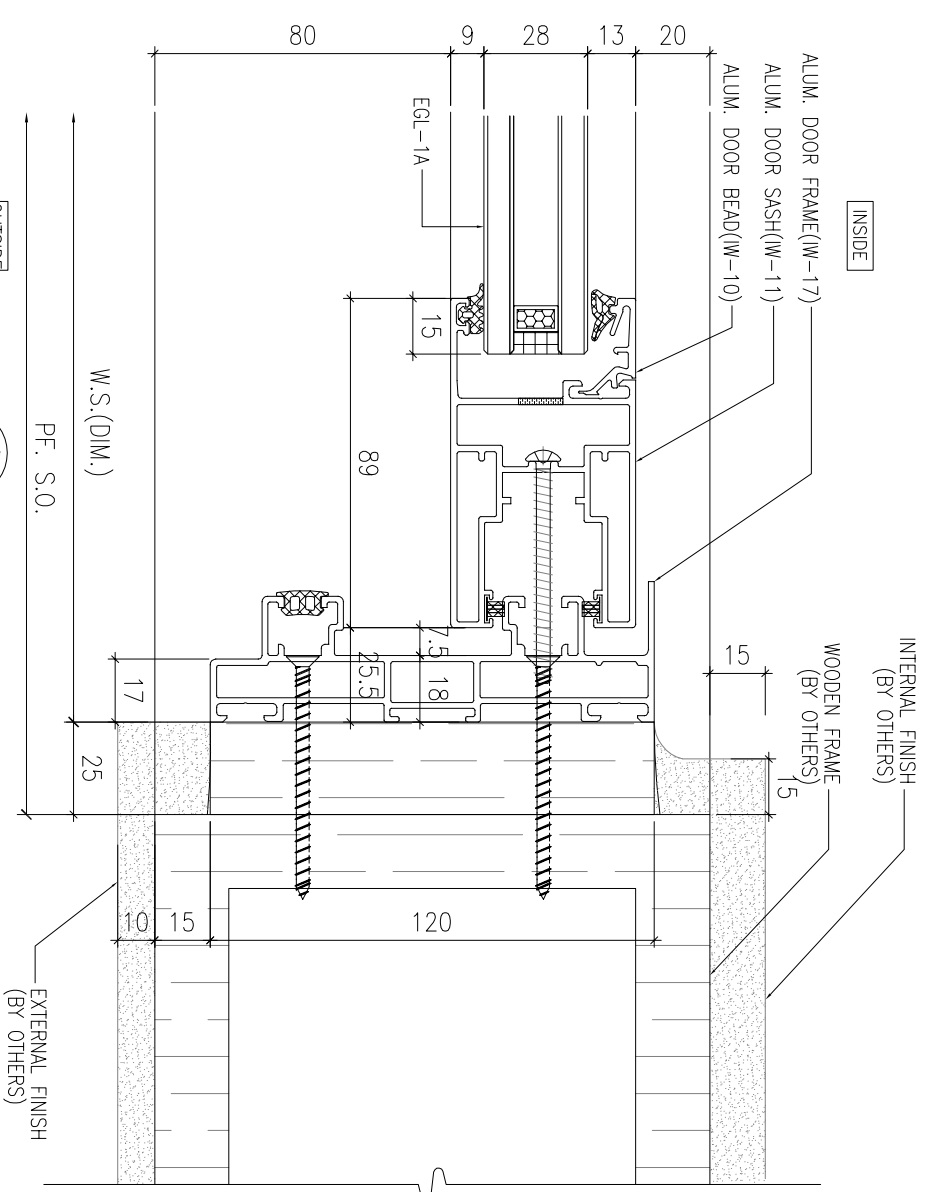
STRUCTURAL ENGINEER :

ARUP

FAÇADE CONSULTANT :

ALPHA CONSULTING LIMITED
Steel Structure & Façade Specialist

2 HORIZONTAL DETAIL
SCALE 1:2



3 HORIZONTAL DETAIL
SCALE 1:2

1 HORIZONTAL DETAIL
SCALE 1:2

NOTE:
1. ALL DIMENSIONS ARE IN mm.
2. ALL ELEVATIONS ARE VIEWED FROM OUTSIDE.
3. ALL DIMENSIONS TO BE VERIFIED ON SITE BEFORE FABRICATION.

LEGEND:
X1 --- DETAIL MARK NO.
X001 --- REFER SHEET NO.

1. F.F.L. --- FINISHED FLOOR LEVEL
2. S.F.L. --- STRUCTURAL FLOOR LEVEL
3. (R) --- REVERSED DETAIL
4. GLASS LEGEND
EGL-1 --- 6mmHx5+12mm AIR GAP+10mmTP THK. I.G.U.
EGL-1A --- 6mmHx5+12mm AIR GAP+9mmTP THK. I.G.U.
EGL-2 --- 10mm THK. CLEAR TEMPERED GLASS
EGL-4 --- 10mm THK. TEMPERED ACID ETCHED GLASS

NO.	DATE	REVISION	BY
JOB NO. :	J-856		
PROJECT :	PROPOSED DEVELOPMENT ABOVE LIGHT RAIL TIN WING STOP-TSWTL NO.23,AREA 33,TIN SHUI WA, N.T.		
TITLE :	TYPICAL DETAILS FOR SALES MOCK-UP (IN-SITU WINDOW)		
DATE :	16-JAN-23	SCALE :	1:2
DRAWN BY :	YI	CHECKED BY :	
Units 6-8, Sunny Industrial Centre, 1/F 610 Cho Kwong Road, Kowloon Tel:23489211-4 Fax:(852)2727666 DWG NO. : J856-SD-W-6006 REV : -			

B.D. REF :

CLIENT :

SUN HUNG KAI
REAL ESTATE AGENCY LTD.
42/F SUN HUNG KAI CENTRE, WANCHAI, HONGKONG

ARCHITECT :

IWK&partners
a r c h i t e c t s

MAIN CONTRACTOR :

怡輝建築有限公司
Yee Fai Building Contractors Ltd.

STRUCTURAL ENGINEER :

ARUP
ALPHA CONSULTING LIMITED
Steel Structure & Facade Specialist

FAÇADE CONSULTANT :

ARUP
ALPHA CONSULTING LIMITED
Steel Structure & Facade Specialist

NOTE :

1. ALL DIMENSIONS ARE IN mm.
2. ALL ELEVATIONS ARE VIEWED FROM OUTSIDE.
3. ALL DIMENSIONS TO BE VERIFIED ON SITE BEFORE FABRICATION.

LEGEND :

X1 --- DETAIL MARK NO.
X001 --- REFER SHEET NO.

1. F.F.L. --- FINISHED FLOOR LEVEL
2. S.F.L. --- STRUCTURAL FLOOR LEVEL
3. **R** --- REVERSED DETAIL

4. GLASS LEGEND

EGL-1 --- 8mmH5+12mm AIR GAP+10mmTP THK. I.G.U.
 EGL-1A --- 8mmH5+12mm AIR GAP+9mmTP THK. I.G.U.
 EGL-2 --- 10mm THK. CLEAR TEMPERED GLASS
 EGL-4 --- 10mm THK. TEMPERED ACID ETCHED GLASS

NO.	DATE	REASON	BY

JOB NO. : J-856

PROJECT :
 PROPOSED DEVELOPMENT ABOVE
 LIGHT RAIL TIN WING STOP, TSWL
 NO.23, AREA 33, TIN SHUI WAI, N.T.

TITLE :
 TYPICAL DETAILS FOR
 SALES MOCK-UP
 (PRE-CAST FAÇADE WINDOW)

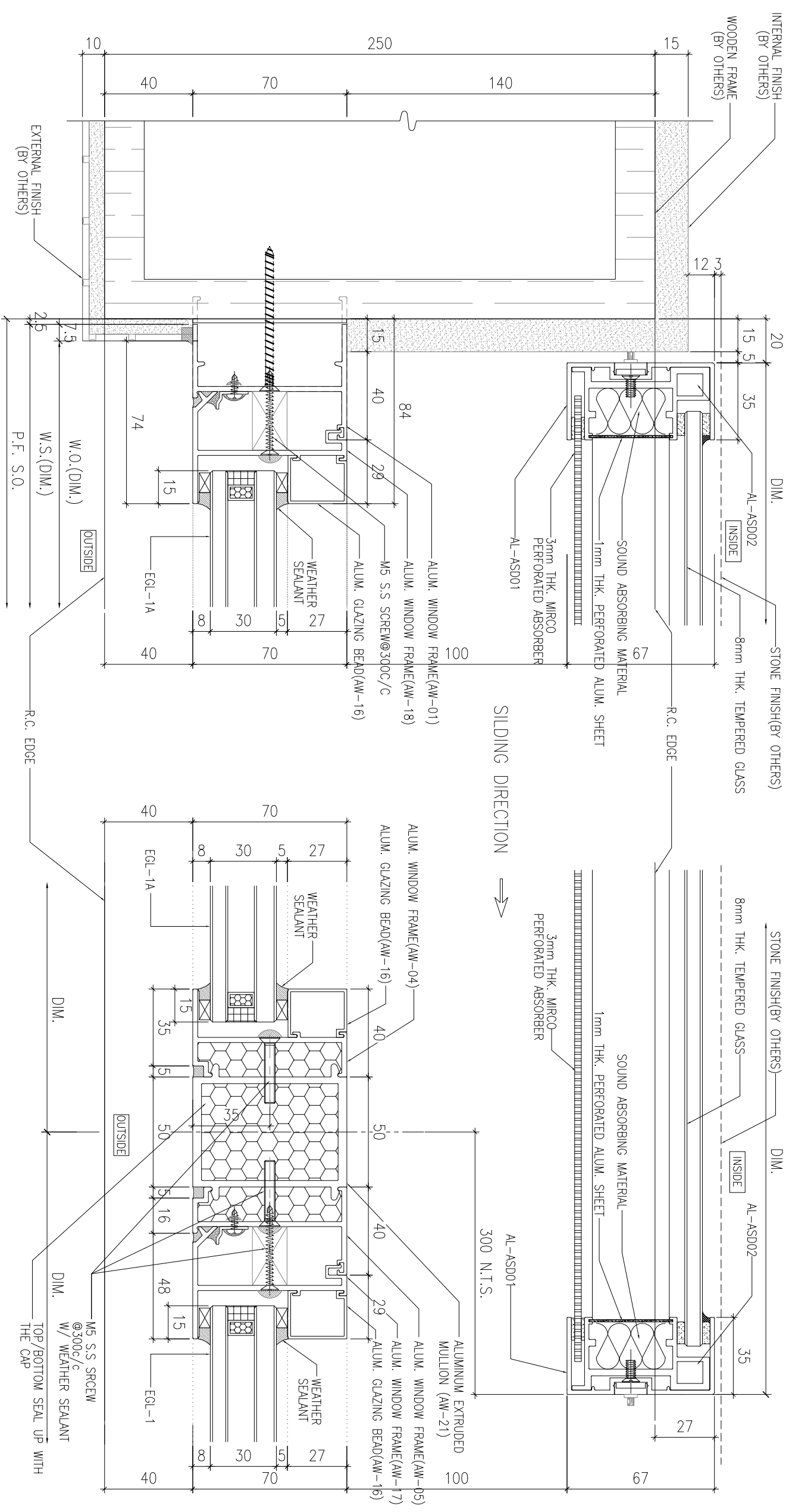
DATE : 16-JAN-23 SCALE : 1:2

DRAWN BY : YI CHECKED BY :

美特鋁質有限公司
MDI ALUMINIUM FABRICATOR LTD.
 Units 6-8, Sunray Industrial Centre, 1/F
 610 Cho Kwong Road, Kowloon
 Tel: 23489211-4 Fax: (852) 2727666
 DWG NO. : J856-SD-W-6102 REV. : -

1 HORIZONTAL DETAIL
SCALE 1:2

2 HORIZONTAL DETAIL
SCALE 1:2



B.D. REF :

CLIENT :

SUN HUNG KAI
REAL ESTATE AGENCY LTD.

42/F SUN HUNG KAI CENTRE, WANCHAI, HONGKONG

ARCHITECT :

Iw&partners
a r c h i t e c t s

MAIN CONTRACTOR :

怡輝建築有限公司
Yee Fai Building Contractors Ltd.

STRUCTURAL ENGINEER :

ARUP

FAÇADE CONSULTANT :

ALPHA CONSULTING LIMITED
Steel Structure & Façade Specialist

NOTE :

1. ALL DIMENSIONS ARE IN mm.
2. ALL ELEVATIONS ARE VIEWED FROM OUTSIDE.
3. ALL DIMENSIONS TO BE VERIFIED ON SITE BEFORE FABRICATION.

LEGEND :

(X1) --- DETAIL MARK NO.
(X001) --- REFER SHEET NO.

1. F.F.L. --- FINISHED FLOOR LEVEL
2. S.F.L. --- STRUCTURAL FLOOR LEVEL
3. (R) --- REVERSED DETAIL

4. GLASS LEGEND

- EGL-1 --- 8mmH+12mm AIR GAP+10mmTP THK. IG.U.
EGL-1A --- 8mmH+12mm AIR GAP+9mmTP THK. IG.U.
EGL-2 --- 10mm THK. CLEAR TEMPERED GLASS
EGL-4 --- 10mm THK. TEMPERED ACID ETCHED GLASS

NO.	DATE	REASON	BY

JOB NO. : J-856

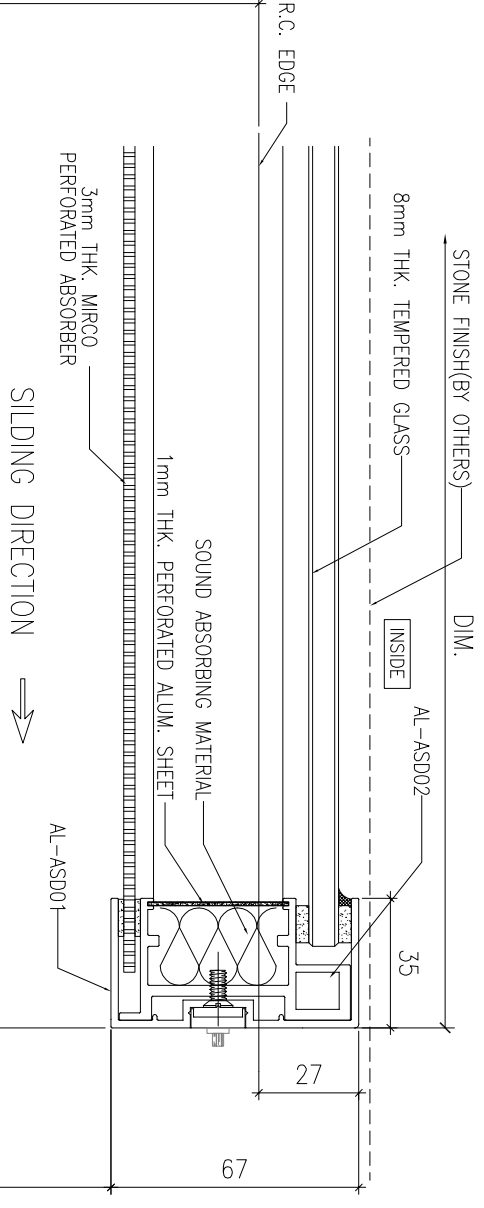
PROJECT : PROPOSED DEVELOPMENT ABOVE LIGHT RAIL TIN WING STOP-TS/WTL NO.23,AREA 33,TIN SHUI WAL, N.T.

TITLE : TYPICAL DETAILS FOR SALES MOCK-UP (PRE-CAST FAÇADE WINDOW)

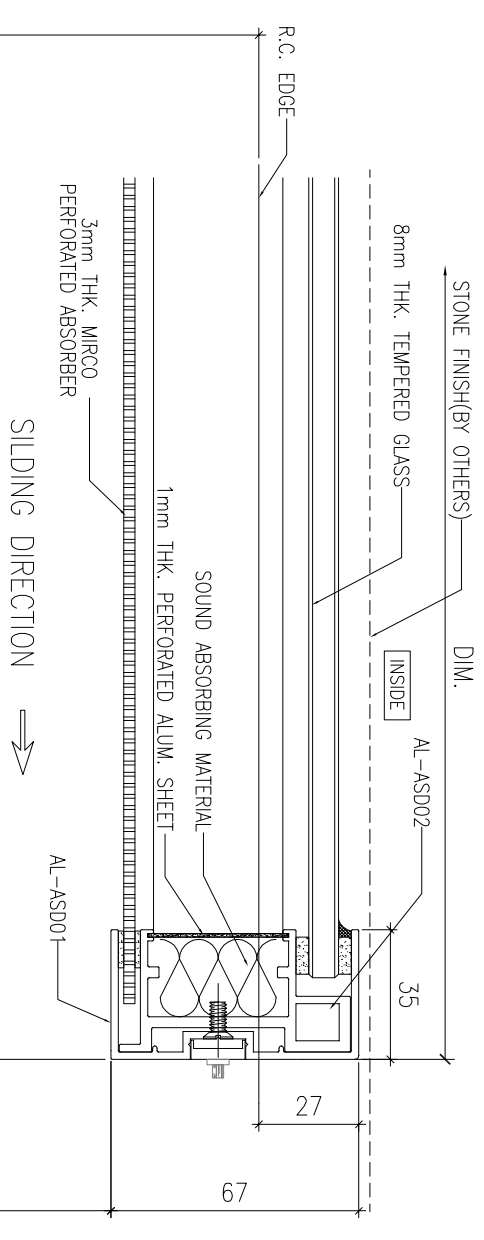
DATE : 16-JAN-23 SCALE : 1:2

DRAWN BY : YI CHECKED BY :

美特鋁質有限公司
MIDI ALUMINIUM FABRICATOR LTD.
Units 6-8, Sunray Industrial Centre, 1/F
610 Cho Kwai Ling Road, Kowloon
Tel:23489211-4 Fax:(852)27727666
DWG NO. : J856-SD-W-6103 REV. : -



1 HORIZONTAL DETAIL
SCALE 1:2



2 HORIZONTAL DETAIL
SCALE 1:2

B.D. REF :

CLIENT :

SUN HUNG KAI
REAL ESTATE AGENCY LTD.
42/F SUN HUNG KAI CENTRE, WANCHAI, HONGKONG

ARCHITECT :

IWK&partners
a r c h i t e c t s

MAIN CONTRACTOR :

怡輝建築有限公司
Yee Fai Building Contractors Ltd.

STRUCTURAL ENGINEER :

ARUP

FAÇADE CONSULTANT :

ALPHA CONSULTING LIMITED
Steel Structure & Façade Specialist

NOTE :

1. ALL DIMENSIONS ARE IN mm.
2. ALL ELEVATIONS ARE VIEWED FROM OUTSIDE.
3. ALL DIMENSIONS TO BE VERIFIED ON SITE BEFORE FABRICATION.

LEGEND :

- (X1) --- DETAIL MARK NO.
- (X001) --- REFER SHEET NO.

1. F.F.L. --- FINISHED FLOOR LEVEL
2. S.F.L. --- STRUCTURAL FLOOR LEVEL
3. (R) --- REVERSED DETAIL

4. GLASS LEGEND

- EGL-1 --- 8mmHx5+12mm AIR GAP+10mmTP THK. I.G.U.
- EGL-1A --- 8mmHx5+12mm AIR GAP+9mmTP THK. I.G.U.
- EGL-1A --- 10mm THK. CLEAR TEMPERED GLASS
- EGL-2 --- 10mm THK. CLEAR TEMPERED GLASS
- EGL-4 --- 10mm THK. TEMPERED ACID ETCHED GLASS

NO.	DATE	REASON	BY

JOB NO. : J-856

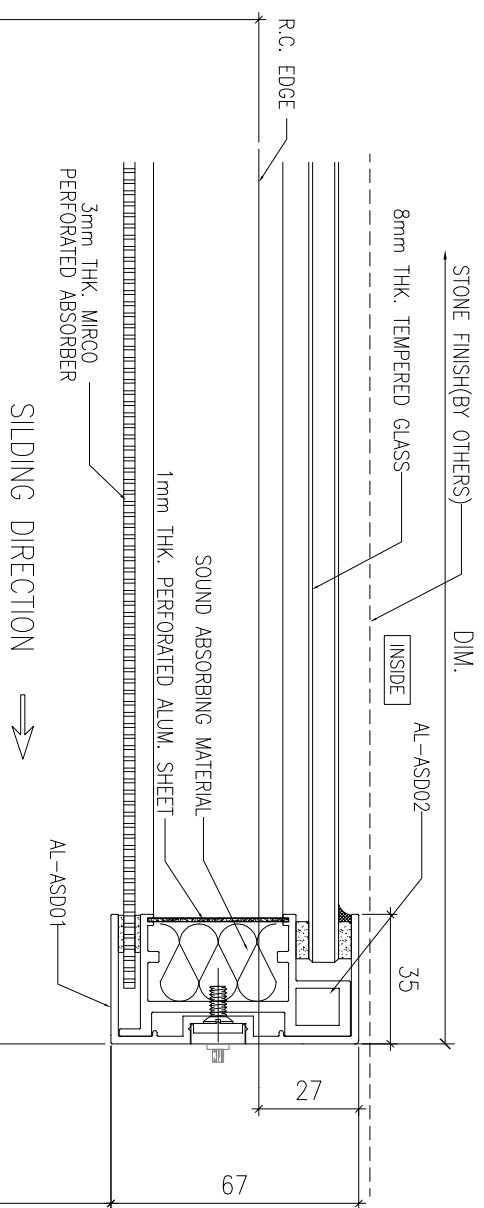
PROJECT : PROPOSED DEVELOPMENT ABOVE LIGHT RAIL TIN WING STOP-TS/WTL NO.23,AREA 33,TIN SHUI WAI, N.T.

TITLE : TYPICAL DETAILS FOR SALES MOCK-UP (PRE-CAST FAÇADE WINDOW)

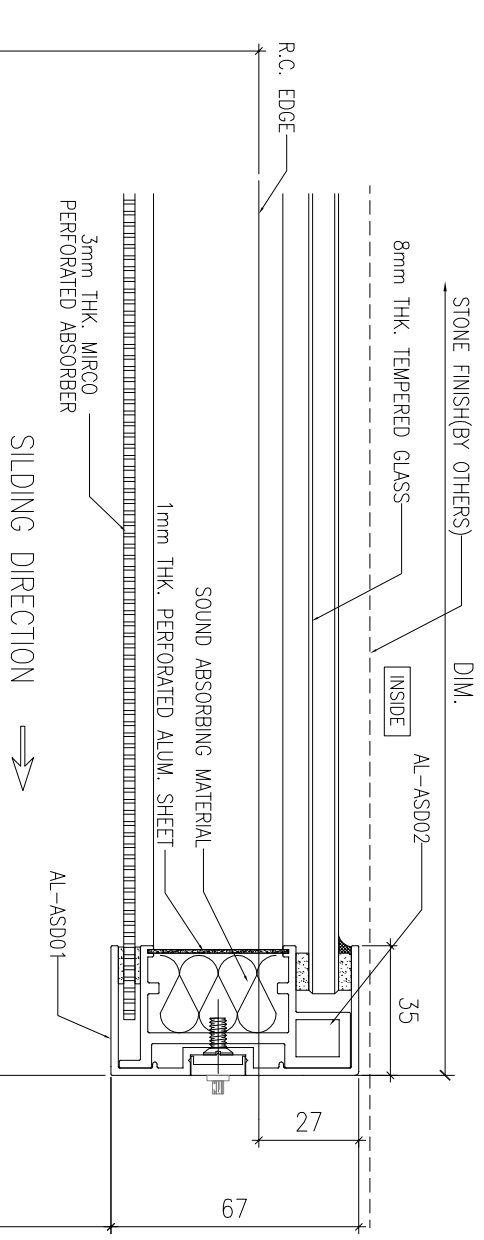
DATE : 16-JAN-23 SCALE : 1:2

DRAWN BY : YI CHECKED BY :

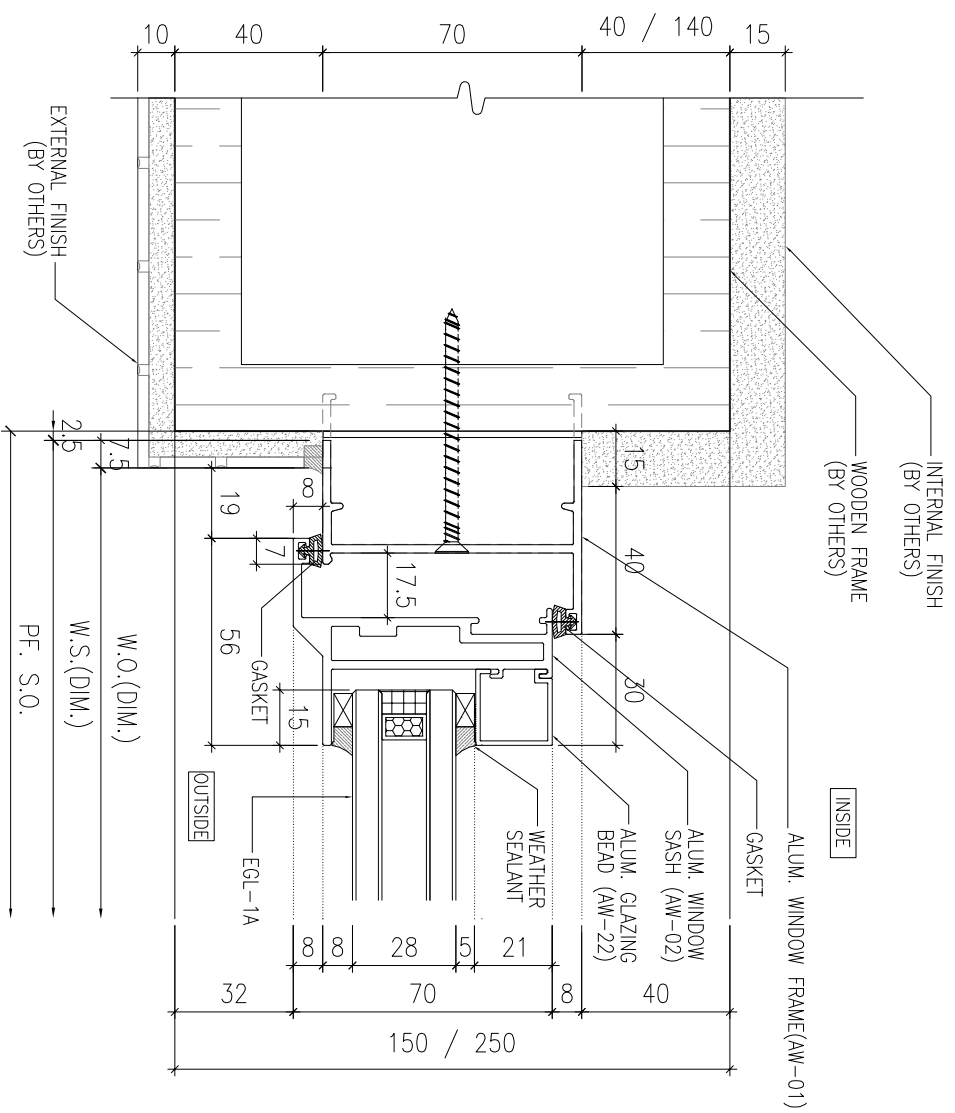
美特鋁質有限公司
MIDI ALUMINIUM FABRICATOR LTD.
Units 6-8, Sunray Industrial Centre, 1/F
610 Cho Kwo Ling Road, Kowloon
Tel:23489211-4 Fax:(852)2727666
DWG NO. : J856-SD-W-6103 REV : -



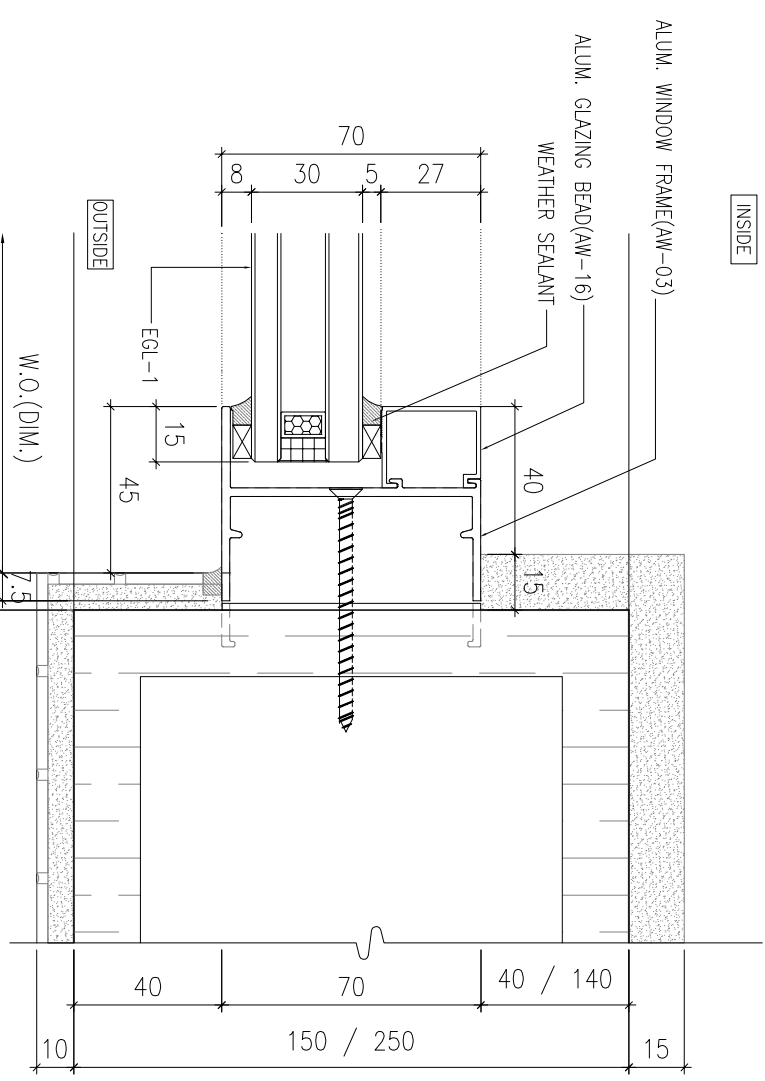
1 HORIZONTAL DETAIL
SCALE 1:2



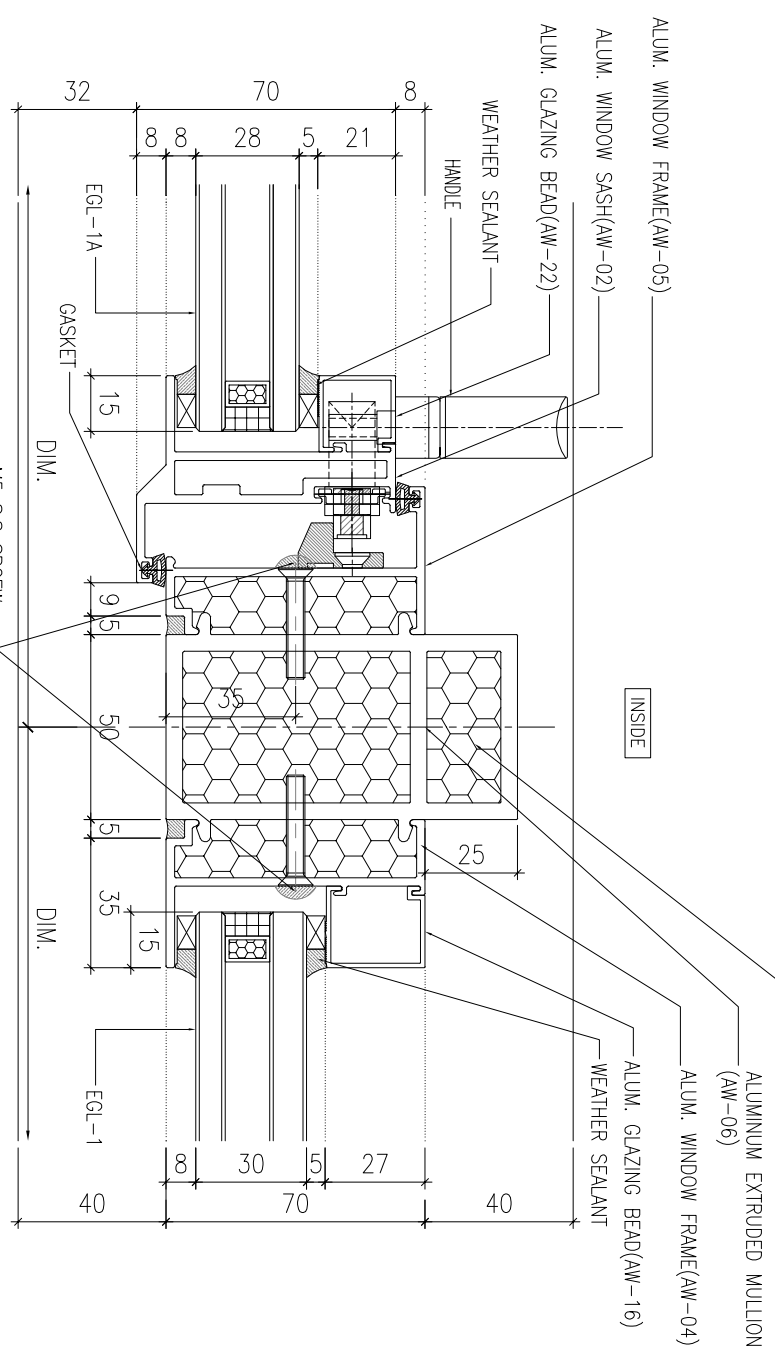
2 HORIZONTAL DETAIL
SCALE 1:2



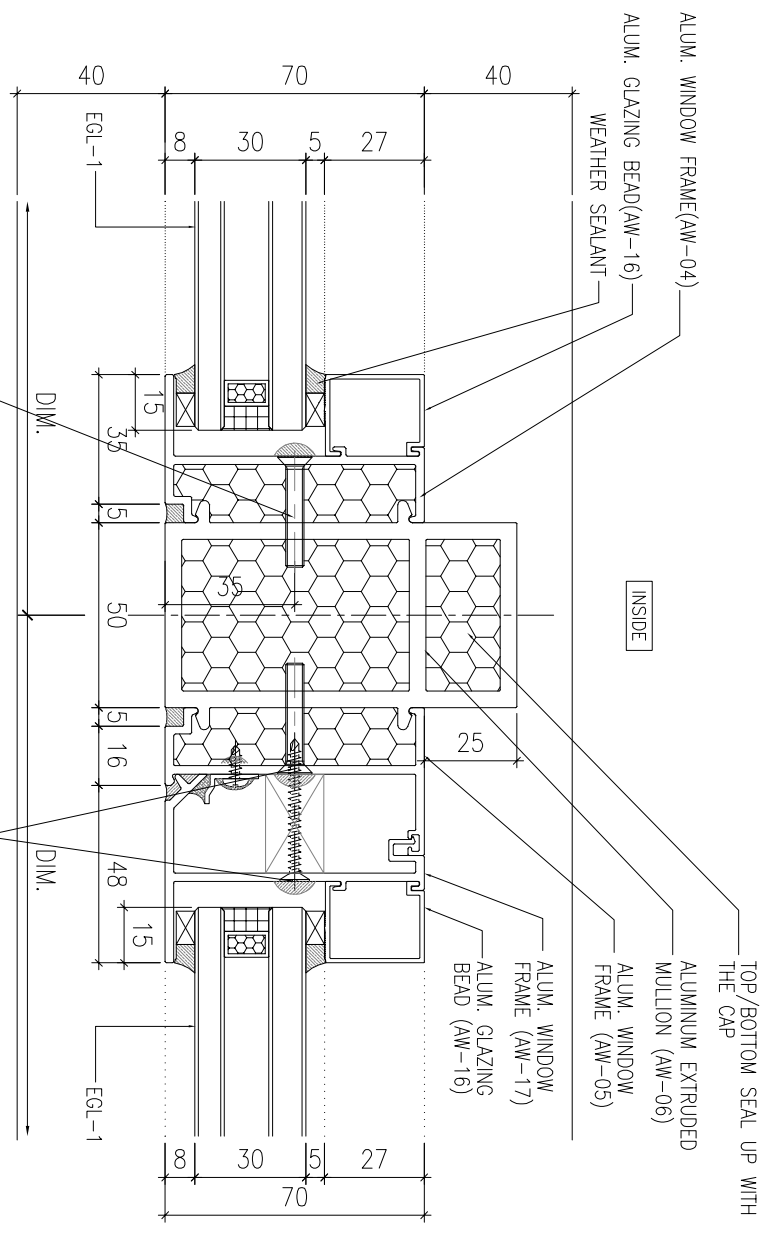
1 HORIZONTAL DETAIL
SCALE 1:2



2 HORIZONTAL DETAIL
SCALE 1:2



3 HORIZONTAL DETAIL
SCALE 1:2



4 HORIZONTAL DETAIL
SCALE 1:2

B.D. REF :

CLIENT :
SUN HUNG KAI
 REAL ESTATE AGENCY LTD.
 42/F, SUN HUNG KAI CENTRE, WANCHAI, HONGKONG

ARCHITECT :
lwk&partners
 a r c h i t e c t s

MAIN CONTRACTOR :
Yee Fai
 Building Contractors Ltd.

STRUCTURAL ENGINEER :
ARUP
 ALPHA CONSULTING LIMITED
 Steel Structure & Facade Specialist

NOTE:
 1. ALL DIMENSIONS ARE IN mm.
 2. ALL ELEVATIONS ARE VIEWED FROM OUTSIDE.
 3. ALL DIMENSIONS TO BE VERIFIED ON SITE BEFORE FABRICATION.

LEGEND:
 (X1) --- DETAIL MARK NO.
 (X001) --- REFER SHEET NO.
 1. F.F.L. --- FINISHED FLOOR LEVEL
 2. S.F.L. --- STRUCTURAL FLOOR LEVEL
 3. (R) --- REVERSED DETAIL
 4. GLASS LEGEND
 EQL-1 --- 6mmH5+12mm AIR GAP+10mmTP THK. LG.U.
 EQL-1A --- 6mmH5+12mm AIR GAP+9mmTP THK. LG.U.
 EQL-2 --- 10mm THK. CLEAR TEMPERED GLASS
 EQL-4 --- 10mm THK. TEMPERED ACID ETCHED GLASS

TITLE :
 TYPICAL DETAILS FOR
 SALES MOCK-UP
 (PRE-CAST FACADE WINDOW)

DATE : 16-JAN-23
 SCALE : 1:2
 DRAWN BY : YI
 CHECKED BY :

JOB NO. : J-856
 PROJECT : PROPOSED DEVELOPMENT ABOVE LIGHT RAIL TIN WING STOP, TSWL NO.23, AREA 33, TIN SHUI WAI, N.T.
 美特鋁質有限公司
 MIDT ALUMINIUM FABRICATOR LTD.
 Units 6-8, Sunny Industrial Centre, Kowloon
 610 Cho Kwong Road, Kowloon
 Tel:23489211-4 Fax:(852)2727666
 DWG NO. : J856-SD-W-6104
 REV : -

B.O. REF :

CLIENT :

SUN HUNG KAI
REAL ESTATE AGENCY LTD.
42/F SUN HUNG KAI CENTRE, WANGCHAI, HONGKONG

ARCHITECT :

lwk&partners
a r c h i t e c t s

MAIN CONTRACTOR :

Yee Fai 怡輝建築有限公司
Building Contractors Ltd.

STRUCTURAL ENGINEER :

ARUP

FAÇADE CONSULTANT:

ALPHA CONSULTING LIMITED
Steel Structure & Façade Specialist

NOTE:

1. ALL DIMENSIONS ARE IN mm.
2. ALL ELEVATIONS ARE VIEWED FROM OUTSIDE.
3. ALL DIMENSIONS TO BE VERIFIED ON SITE BEFORE FABRICATION.

LEGEND:

- (X1) — DETAIL MARK NO.
- (X001) — REFER SHEET NO.
- 1. F.F.L. — FINISHED FLOOR LEVEL
- 2. S.F.L. — STRUCTURAL FLOOR LEVEL
- 3. (R) — REVERSED DETAIL

NO.	DATE	REVISION	BY

JOB NO. : J-856

PROJECT : PROPOSED DEVELOPMENT ABOVE LIGHT RAIL TIN WING STOP, TSWTL NO.23, AREA 33, TIN SHUI WAI, N.T.

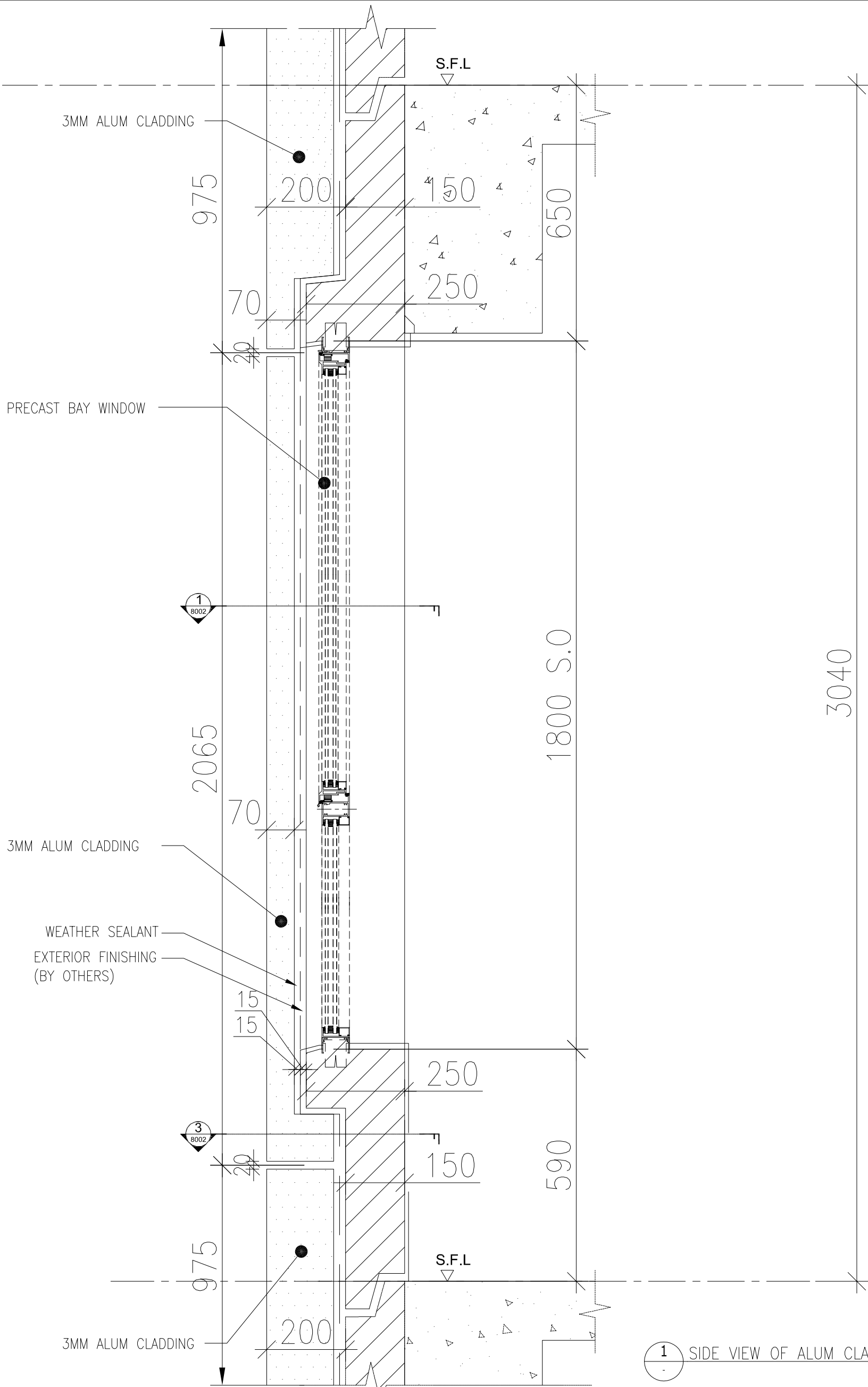
TITLE :

TYPICAL DETAILS FOR SALES MOCK-UP (CURTAIN WALL)

DATE : 20-JAN-23 SCALE : 1:4

DRAWN BY : CF CHECKED BY :

MIDI 美特鋁質有限公司
ALUMINIUM FABRICATOR LTD.
Units 6-8, Sunray Industrial Centre, 1/F
610 Ona Kwong Road, Kowloon
Tel: 23489211-4 Fax: (852) 27277866
DWG NO. : J856-SD-MU-6504A REV. : -



1 SIDE VIEW OF ALUM CLADDING @ BAY WINDOW

B.O. REF :

CLIENT :

SUN HUNG KAI
REAL ESTATE AGENCY LTD.

42/F SUN HUNG KAI CENTRE, WANGCHAI, HONGKONG

ARCHITECT :

hw&partners
a r c h i t e c t s

MAIN CONTRACTOR :

怡輝建築有限公司
Yee Fai Building Contractors Ltd.

STRUCTURAL ENGINEER :

ARUP

FAÇADE CONSULTANT:

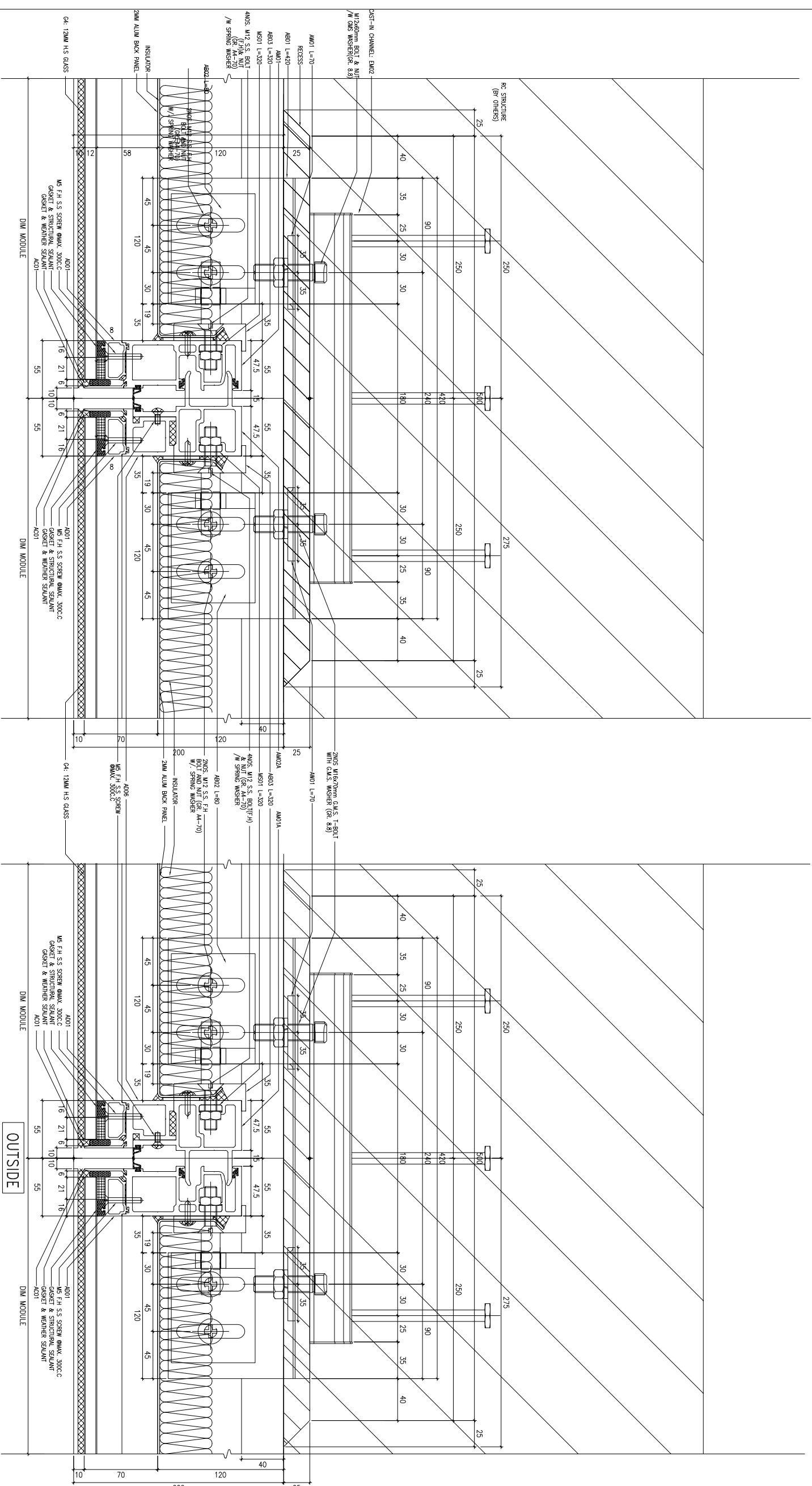
ALPHA CONSULTING LIMITED
Steel Structure & Façade Specialist

NOTE :

1. ALL DIMENSIONS ARE IN mm.
2. ALL ELEVATIONS ARE VIEWED FROM OUTSIDE.
3. ALL DIMENSIONS TO BE VERIFIED ON SITE BEFORE FABRICATION.

LEGEND :

- (X1) DETAIL MARK NO.
- (X001) REFER SHEET NO.
- 1. F.F.L. -- FINISHED FLOOR LEVEL
- 2. S.F.L. -- STRUCTURAL FLOOR LEVEL
- 3. (R) -- REVERSED DETAIL



1 HORIZONTAL DETAIL

SCALE 1:4

2 HORIZONTAL DETAIL

SCALE 1:4

TITLE : TYPICAL DETAILS FOR SALES MOCK-UP (CURTAIN WALL)

DATE : 20-JAN-23 SCALE : 1:4
DRAWN BY : CF CHECKED BY :

美特經貿有限公司
MIDI ALUMINIUM FABRICATOR LTD.
Units 6-8, Sunray Industrial Centre, 1/F
610 Cho Kwong Road, Kowloon
Tel: 23489211-4 Fax: (852) 27277866
DWG NO. : J856-SD-MU-6506 REV. : -

B.O. REF :

CLIENT :

SUN HUNG KAI
REAL ESTATE AGENCY LTD.

42/F SUN HUNG KAI CENTRE, WANGCHAI, HONGKONG

ARCHITECT :

lwk&partners
a r c h i t e c t s

MAIN CONTRACTOR :

怡輝建築有限公司
Yee Fai Building Contractors Ltd.

STRUCTURAL ENGINEER :

ARUP

FAÇADE CONSULTANT:

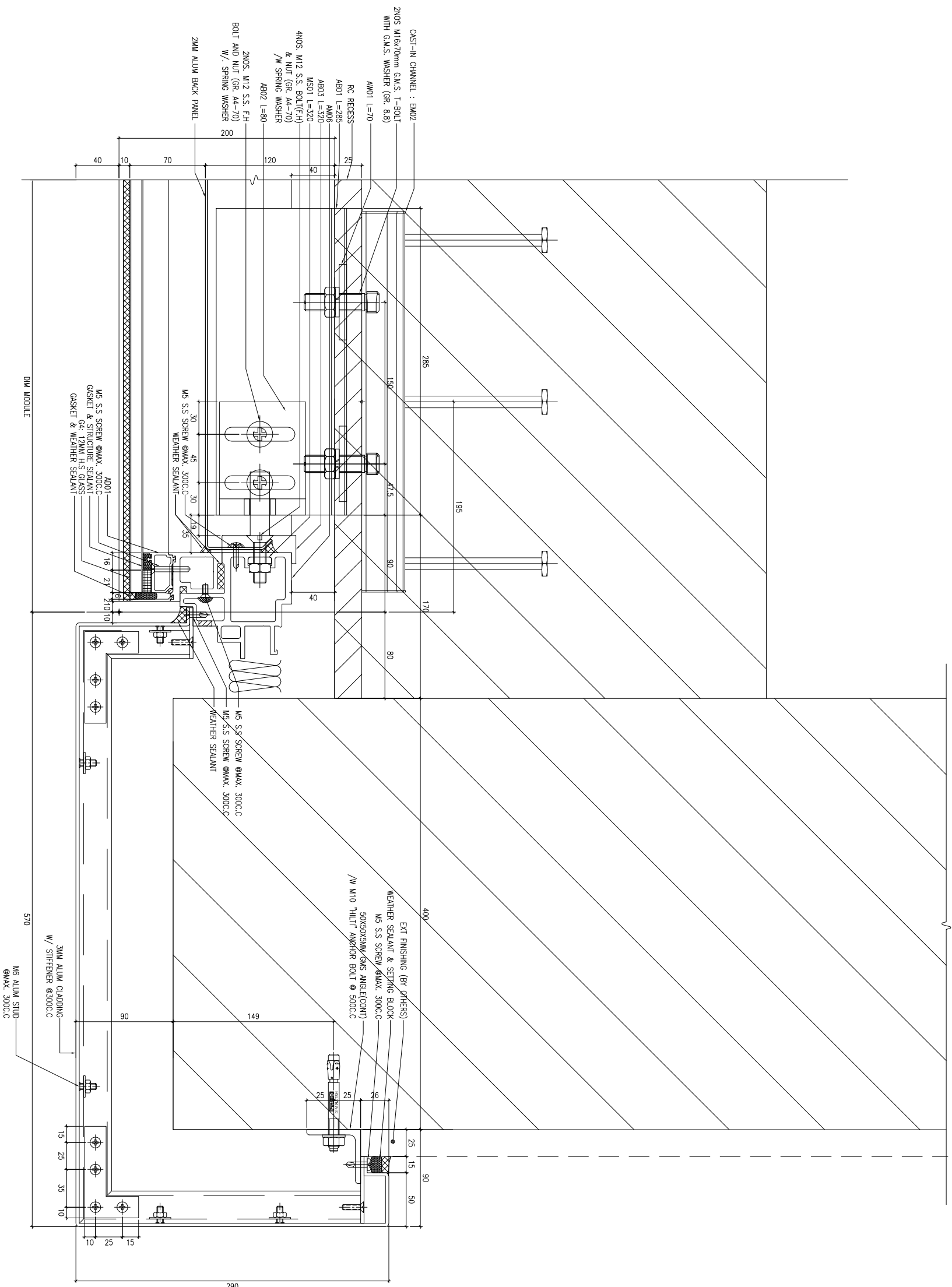
ALPHA CONSULTING LIMITED
Steel Structure & Façade Specialist

NOTE :

1. ALL DIMENSIONS ARE IN mm.
2. ALL ELEVATIONS ARE VIEWED FROM OUTSIDE.
3. ALL DIMENSIONS TO BE VERIFIED ON SITE BEFORE FABRICATION.

LEGEND :

- (X1) DETAIL MARK NO.
- (X001) REFER SHEET NO.
- 1. F.F.L. -- FINISHED FLOOR LEVEL
- 2. S.F.L. -- STRUCTURAL FLOOR LEVEL
- 3. (R) -- REVERSED DETAIL



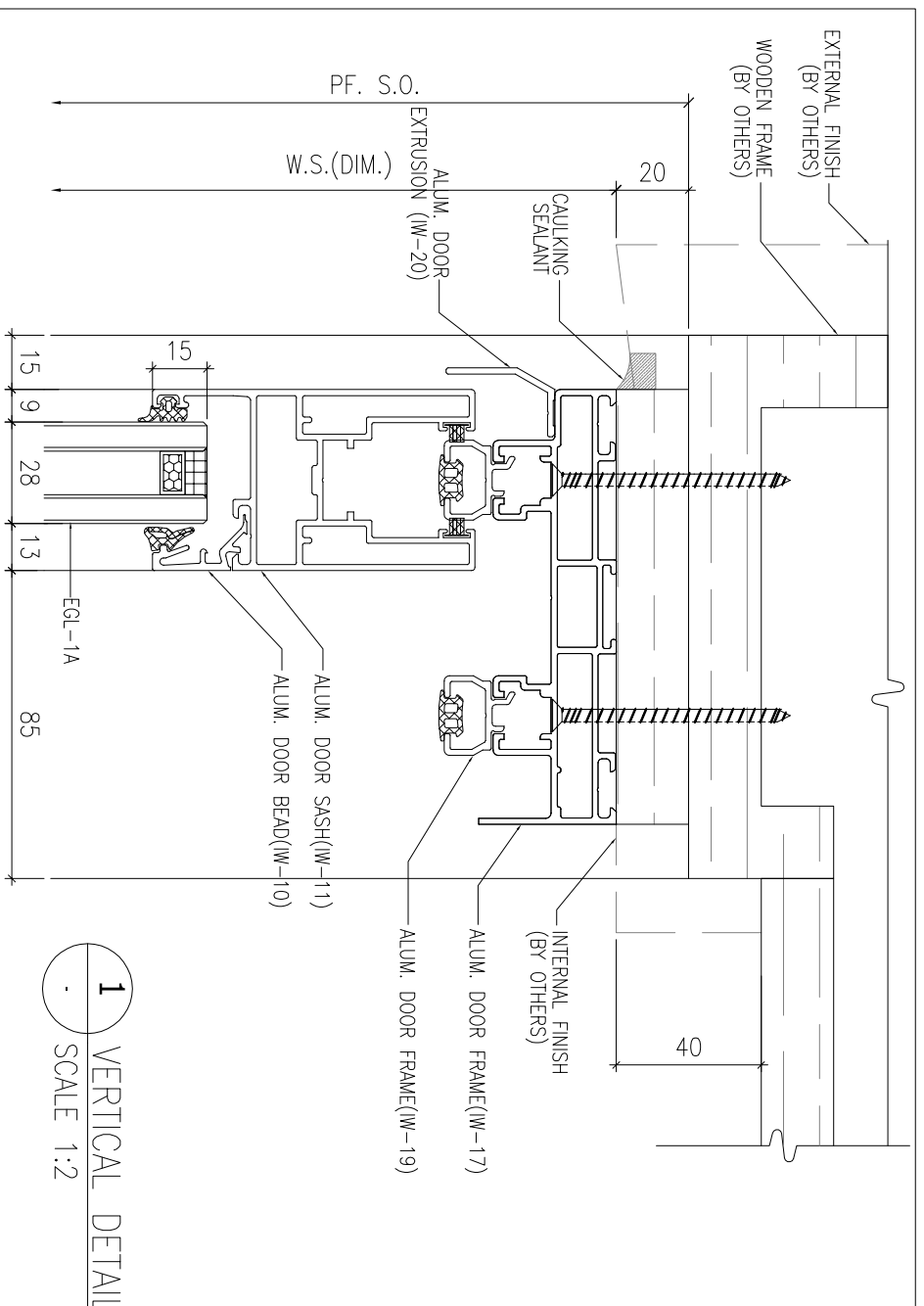
1 HORIZONTAL DETAIL
SCALE 1:4

TITLE :
TYPICAL DETAILS FOR
SALES MOCK-UP
(CURTAIN WALL)

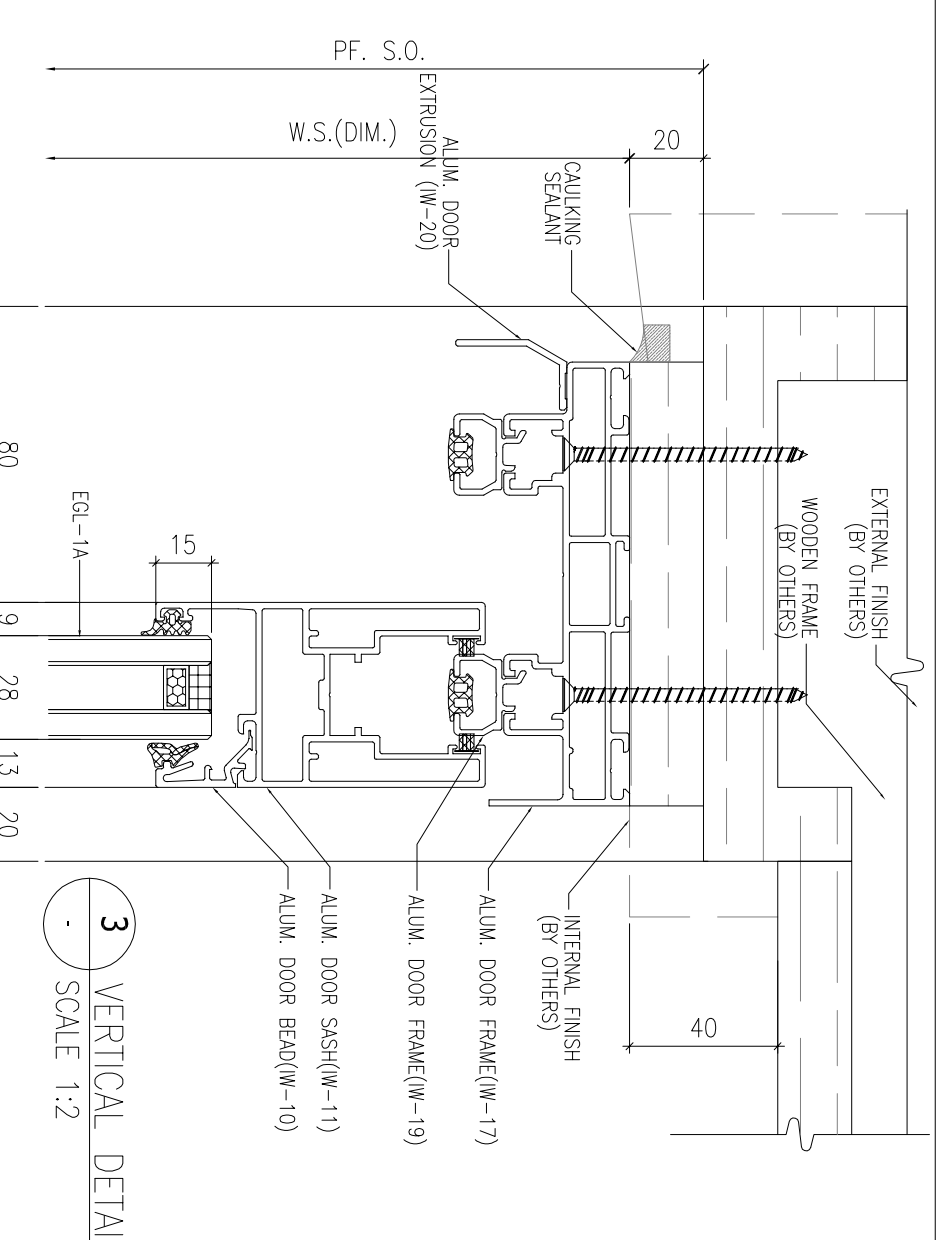
DATE : 20-JAN-23 SCALE : 1:4

DRAWN BY : CF CHECKED BY :

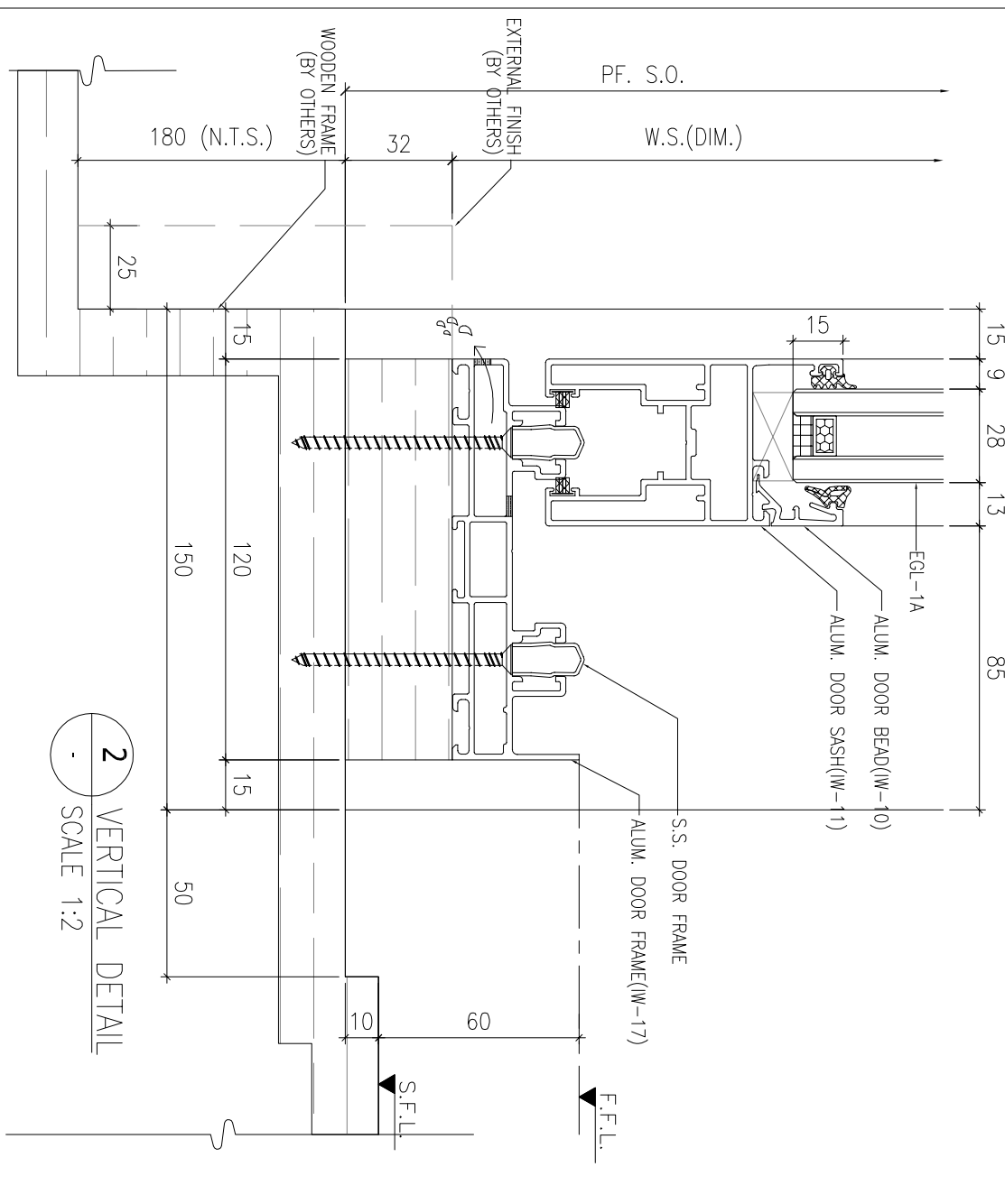
美特鋁質有限公司
MIDI ALUMINIUM FABRICATOR LTD.
Units 6-8, Sunray Industrial Centre, 1/F
610 Cho Kwong Road, Kowloon
Tel:23489211-4 Fax:(852)27277866
DWG NO. : J856-SD-MU-6507 REV. : -



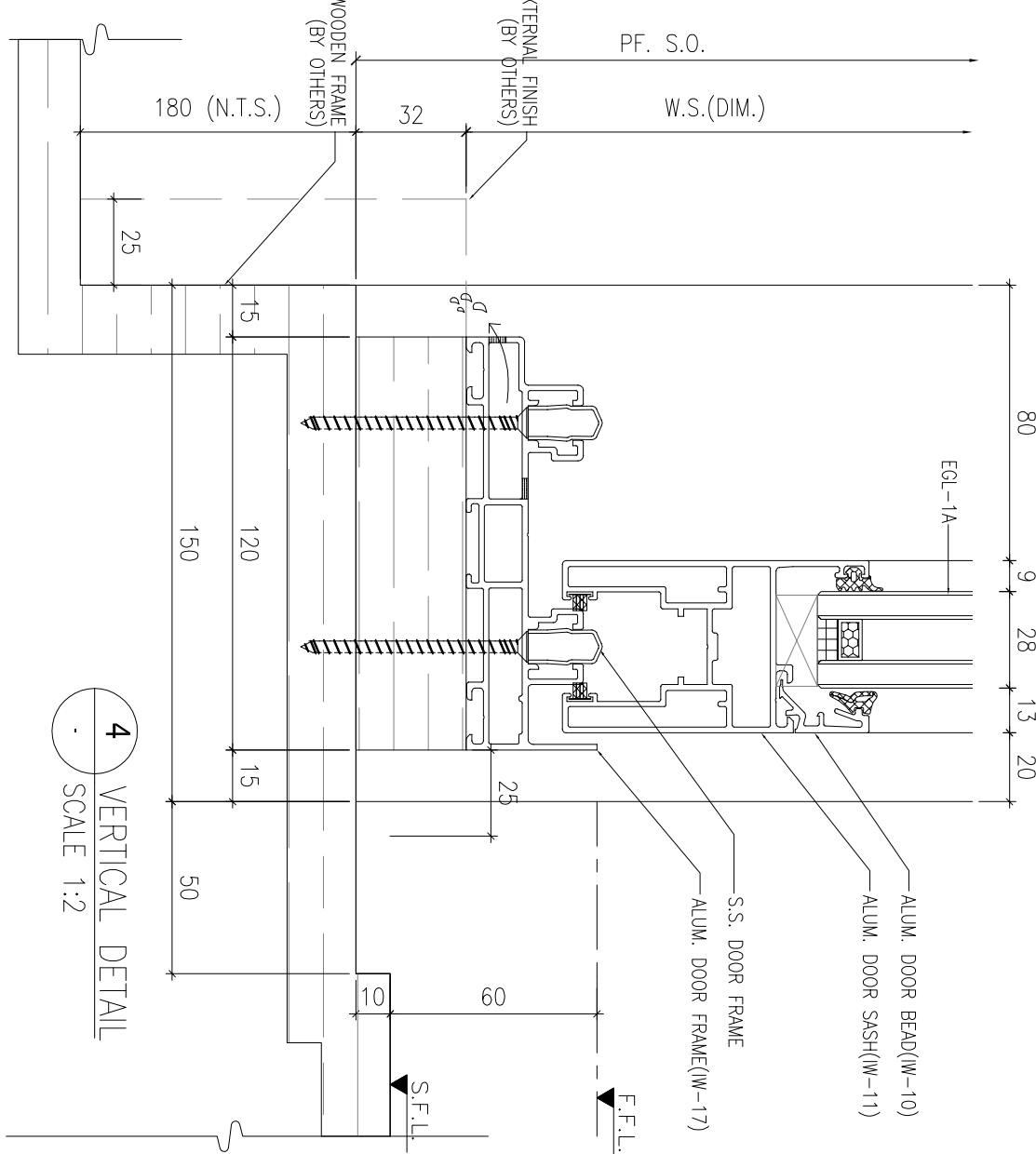
1 VERTICAL DETAIL
SCALE 1:2



3 VERTICAL DETAIL
SCALE 1:2



2 VERTICAL DETAIL
SCALE 1:2



4 VERTICAL DETAIL
SCALE 1:2

BD. REF. :

CLIENT : **SUN HUNG KAI**
REAL ESTATE AGENCY LTD.
42/F, SUN HUNG KAI CENTRE, WANCHAI, HONGKONG

ARCHITECT : **lwk&partners**
ARCHITECTS

MAIN CONTRACTOR : **怡輝建築有限公司**
Yeek Fai Building Contractors Ltd.

STRUCTURAL ENGINEER : **ARUP**

FAÇADE CONSULTANT : **ALPHA CONSULTING LIMITED**
Steel Structure & Façade Specialist

- NOTE :
1. ALL DIMENSIONS ARE IN mm.
 2. ALL ELEVATIONS ARE VIEWED FROM OUTSIDE.
 3. ALL DIMENSIONS TO BE VERIFIED ON SITE BEFORE FABRICATION.

- LEGEND :
- (X1) --- DETAIL MARK NO.
 - (X001) --- REFER SHEET NO.

1. F.F.L. --- FINISHED FLOOR LEVEL
 2. S.F.L. --- STRUCTURAL FLOOR LEVEL
 3. (R) --- REVERSED DETAIL
 4. GLASS LEGEND
- EGL-1 --- 8mmH5+12mm AIR GAP+10mmTP THK. IG.U.
EGL-1A --- 6mmH5+12mm AIR GAP+9mmTP THK. IG.U.
EGL-2 --- 10mm THK. CLEAR TEMPERED GLASS
EGL-4 --- 10mm THK. TEMPERED ACID ETCHED GLASS

NO.	DATE	REASON	BY
J-856			

TITLE : TYPICAL DETAILS FOR SALES MOCK-UP (IN-SITU WINDOW)

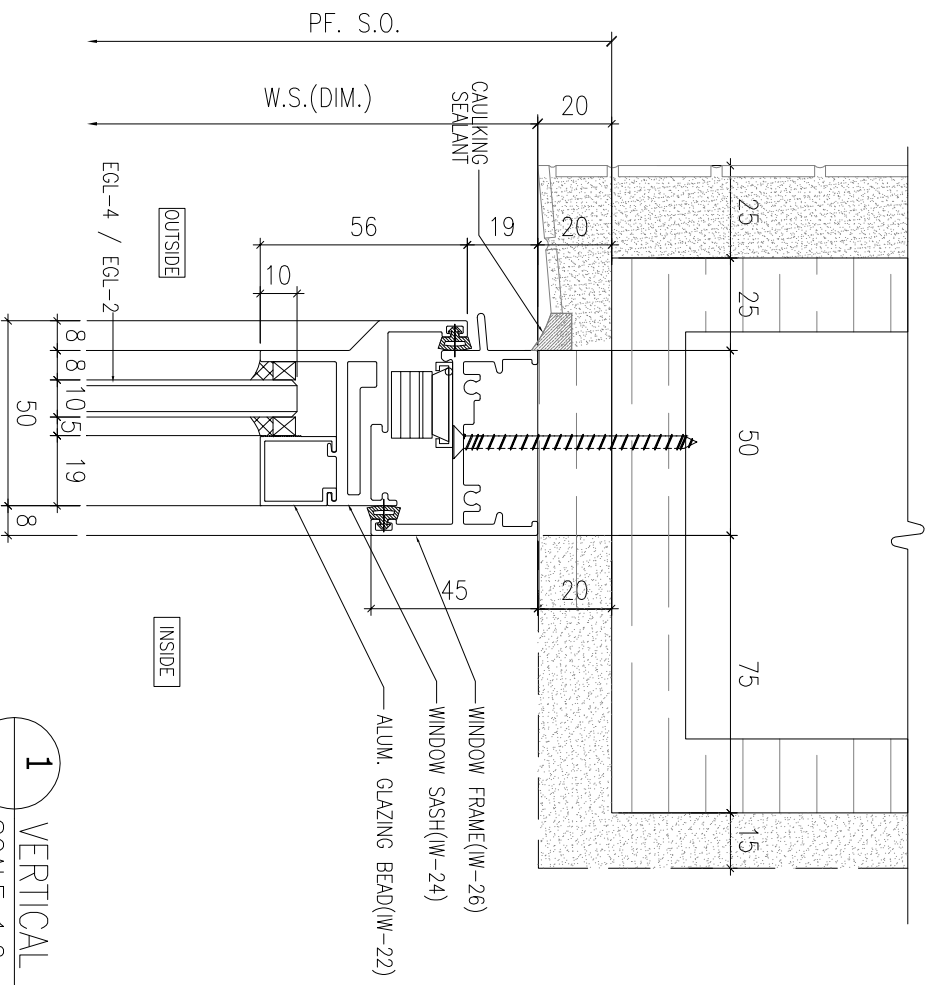
DATE : 16-JAN-23 SCALE : 1:2

DRAWN BY : YI CHECKED BY :

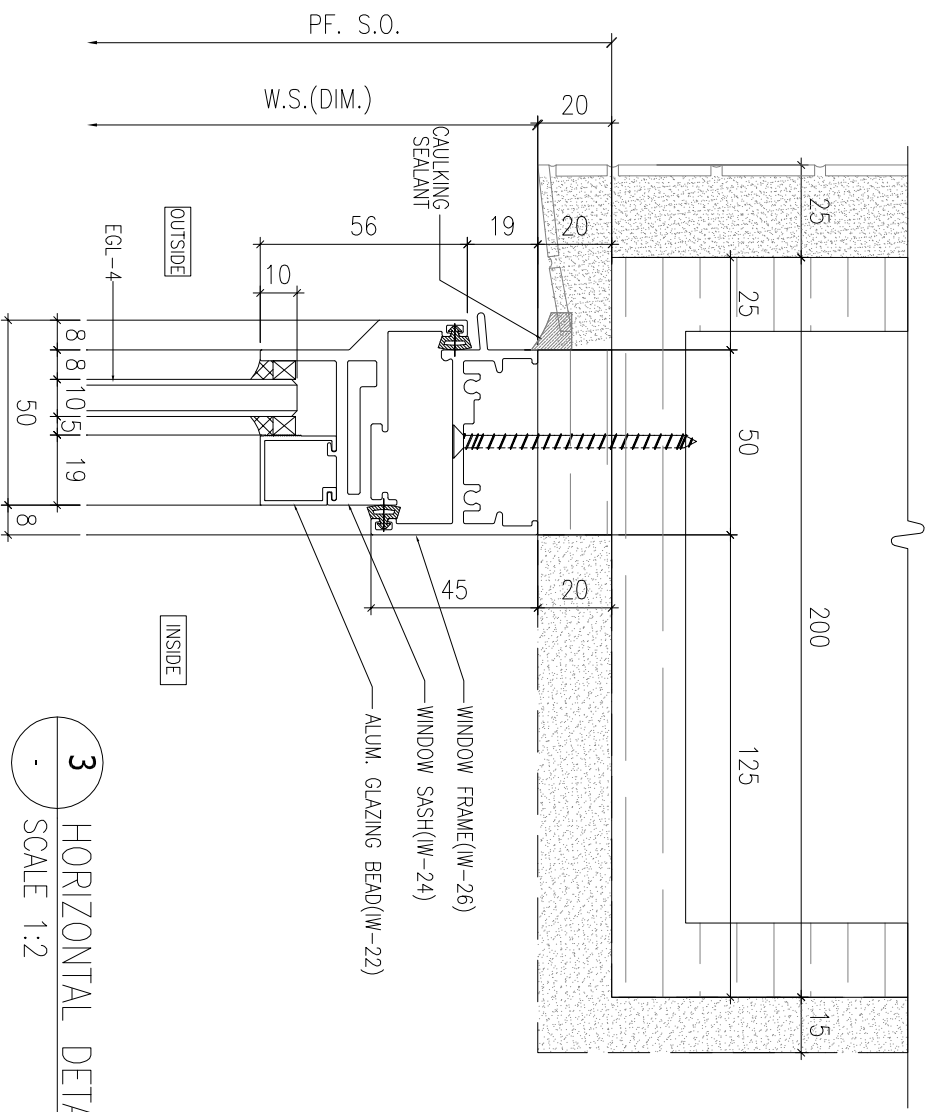
PROJECT : PROPOSED DEVELOPMENT ABOVE LIGHT RAIL TIN WING STOP-TS/WTL NO.23,AREA 33,TIN SHUI WAI, N.T.

UNITED ALUMINUM FABRICATOR LTD.
MIDI
Units 6-8, Sunray Industrial Centre, 1/F
610 Cho Kwai Ling Road, Kowloon
Tel:23489211-4 Fax:(852)27727666

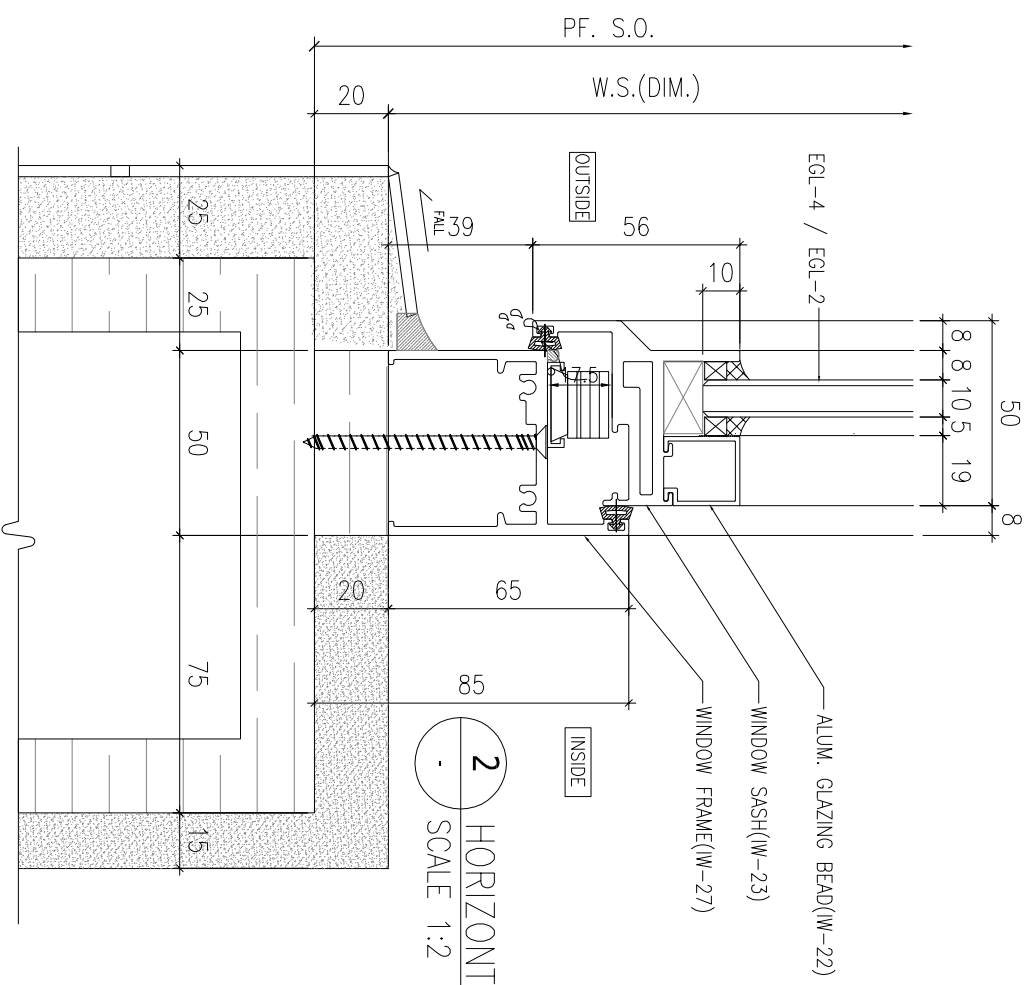
DWG NO. : J856-SD-MU-7001 REV. : -



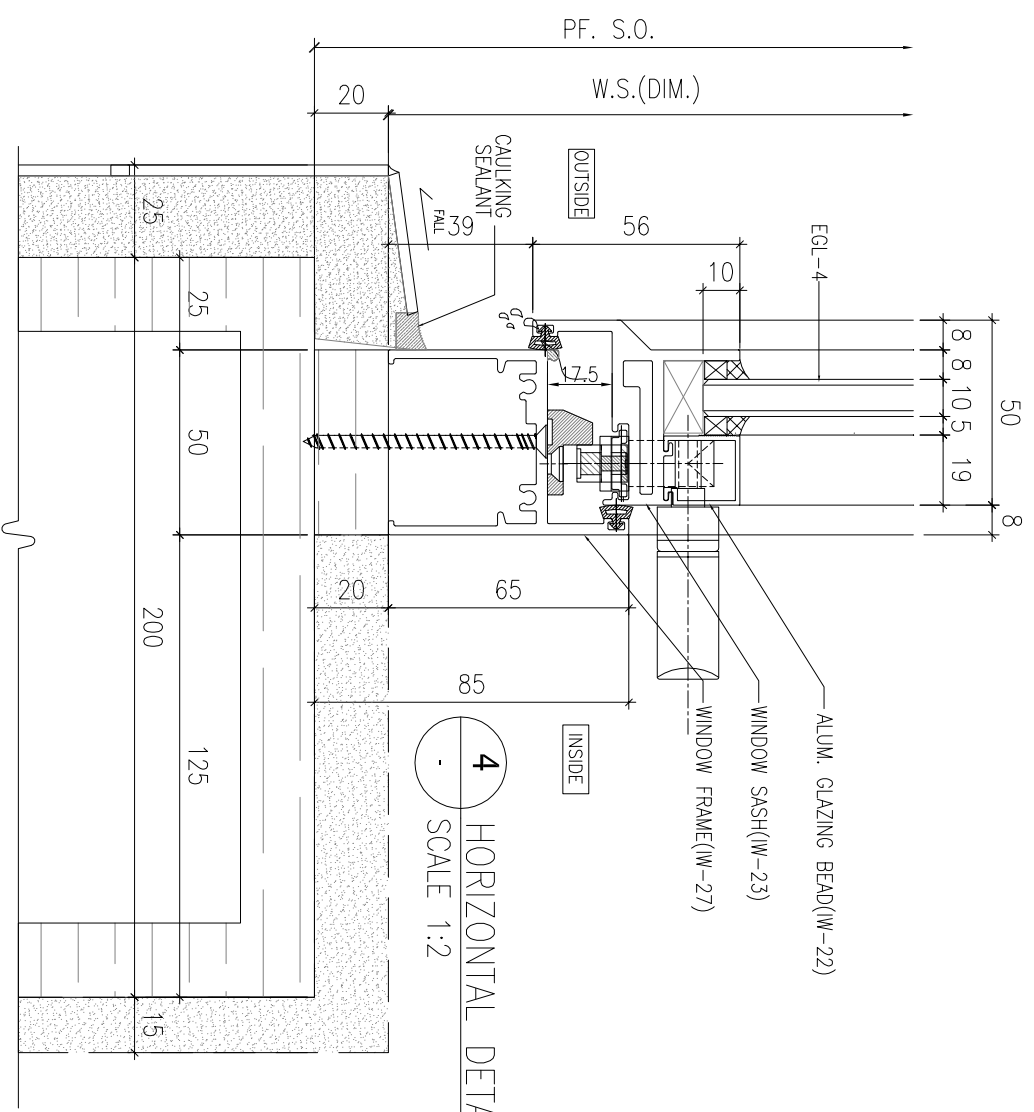
1 VERTICAL DETAIL
SCALE 1:2



3 HORIZONTAL DETAIL
SCALE 1:2



2 HORIZONTAL DETAIL
SCALE 1:2



4 HORIZONTAL DETAIL
SCALE 1:2

BD. REF. :

CLIENT :

SUN HUNG KAI
REAL ESTATE AGENCY LTD.
42/F SUN HUNG KAI CENTRE, WANCHAI, HONGKONG

ARCHITECT :

lwk&partners
a r c h i t e c t s

MAIN CONTRACTOR :

怡輝建築有限公司
Yee Fai Building Contractors Ltd.

STRUCTURAL ENGINEER :

ARUP

FAÇADE CONSULTANT :

ALPHA CONSULTING LIMITED
Steel Structure & Façade Specialist

NOTE :

1. ALL DIMENSIONS ARE IN mm.
2. ALL ELEVATIONS ARE VIEWED FROM OUTSIDE.
3. ALL DIMENSIONS TO BE VERIFIED ON SITE BEFORE FABRICATION.

LEGEND :

- (X1) --- DETAIL MARK NO.
- (X001) --- REFER SHEET NO.

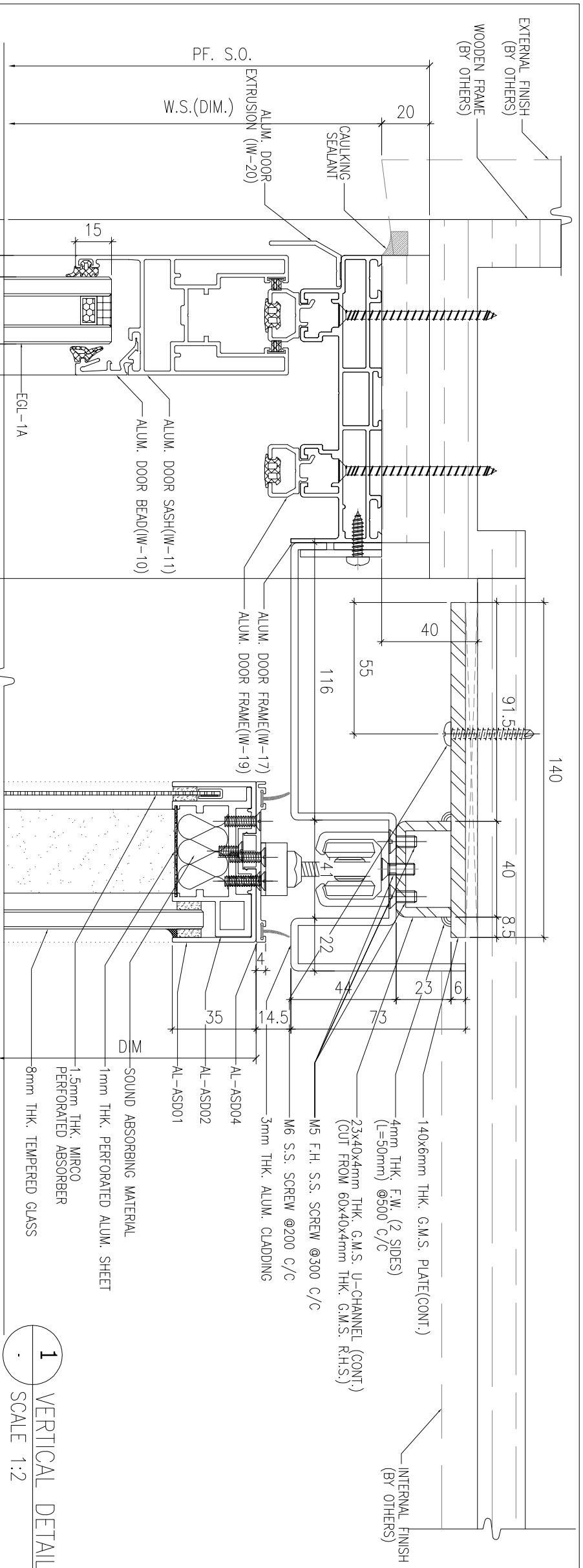
1. F.F.L. --- FINISHED FLOOR LEVEL
2. S.F.L. --- STRUCTURAL FLOOR LEVEL
3. (R) --- REVERSED DETAIL
4. GLASS LEGEND

EGL-1---8mmH5+12mm AIR GAP+10mmTP THK. LG.U.
EGL-1A---6mmH5+12mm AIR GAP+6mmTP THK. LG.U.
EGL-2---10mm THK. CLEAR TEMPERED GLASS
EGL-4---10mm THK. TEMPERED ACID ETCHED GLASS

NO.	DATE	REVISION	BY
J-856			

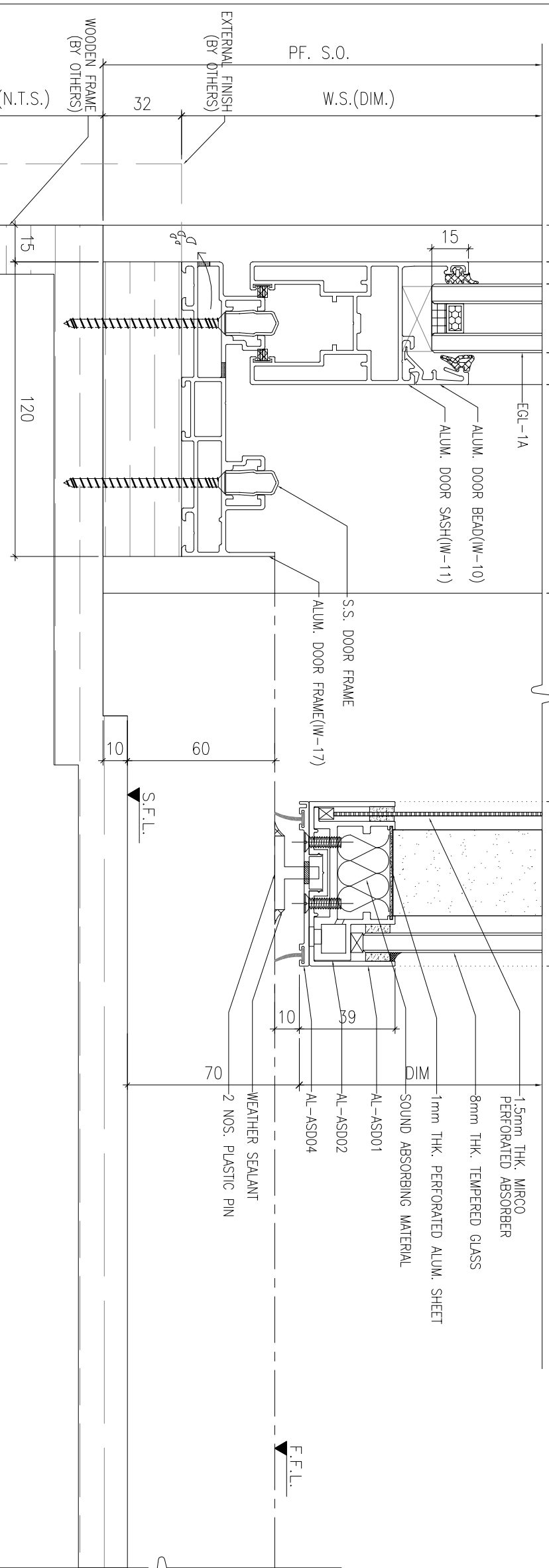
JOB NO. : J-856
PROJECT : PROPOSED DEVELOPMENT ABOVE LIGHT RAIL TIN WING STOP-TS/WTL NO.23,AREA 33,TIN SHUI WAL, N.T.
TITLE : TYPICAL DETAILS FOR SALES MOCK-UP (IN-SITU WINDOW)
DATE : 16-JAN-23 SCALE : 1:2
DRAWN BY : YI CHECKED BY :

美特鋁質有限公司
MDI ALUMINIUM FABRICATOR LTD.
Units 6-8, Sunray Industrial Centre, Kowloon
610 Cho Kwai Ling Road, Kowloon
Tel:23489211-4 Fax:(852)2727666
DWG NO. : J856-SD-MU-7003 REV. : -



NOTE:
1. ALL DIMENSIONS ARE IN mm.
2. ALL ELEVATIONS ARE VIEWED FROM OUTSIDE.
3. ALL DIMENSIONS TO BE VERIFIED ON SITE BEFORE FABRICATION.

1 VERTICAL DETAIL
SCALE 1:2



NOTE:
1. ALL DIMENSIONS ARE IN mm.
2. ALL ELEVATIONS ARE VIEWED FROM OUTSIDE.
3. ALL DIMENSIONS TO BE VERIFIED ON SITE BEFORE FABRICATION.

2 VERTICAL DETAIL
SCALE 1:2

B.D. REF :

CLIENT :

SUN HUNG KAI
REAL ESTATE AGENCY LTD.
42/F SUN HUNG KAI CENTRE, WANCHAI, HONGKONG

ARCHITECT :

lwk&partners
ARCHITECTS

MAIN CONTRACTOR :

怡輝建築有限公司
Yee Fai Building Contractors Ltd.

STRUCTURAL ENGINEER :

ARUP
ALPHA CONSULTING LIMITED
Steel Structure & Facade Specialist

FAÇADE CONSULTANT :

ARUP
ALPHA CONSULTING LIMITED
Steel Structure & Facade Specialist

NOTE:
1. ALL DIMENSIONS ARE IN mm.
2. ALL ELEVATIONS ARE VIEWED FROM OUTSIDE.
3. ALL DIMENSIONS TO BE VERIFIED ON SITE BEFORE FABRICATION.

LEGEND :

X1 --- DETAIL MARK NO.
X1001 --- REFER SHEET NO.

1. F.F.L. --- FINISHED FLOOR LEVEL
2. S.F.L. --- STRUCTURAL FLOOR LEVEL
3. (R) --- REVERSED DETAIL
4. GLASS LEGEND

EGL-1---8mmH5+12mm AIR GAP+10mmTP THK. I.G.U.
EGL-1A---9mmH5+12mm AIR GAP+9mmTP THK. I.G.U.
EGL-2---10mm THK. CLEAR TEMPERED GLASS
EGL-4---10mm THK. TEMPERED ACID ETCHED GLASS

NO.	DATE	REASON	BY

JOB NO. : J-856

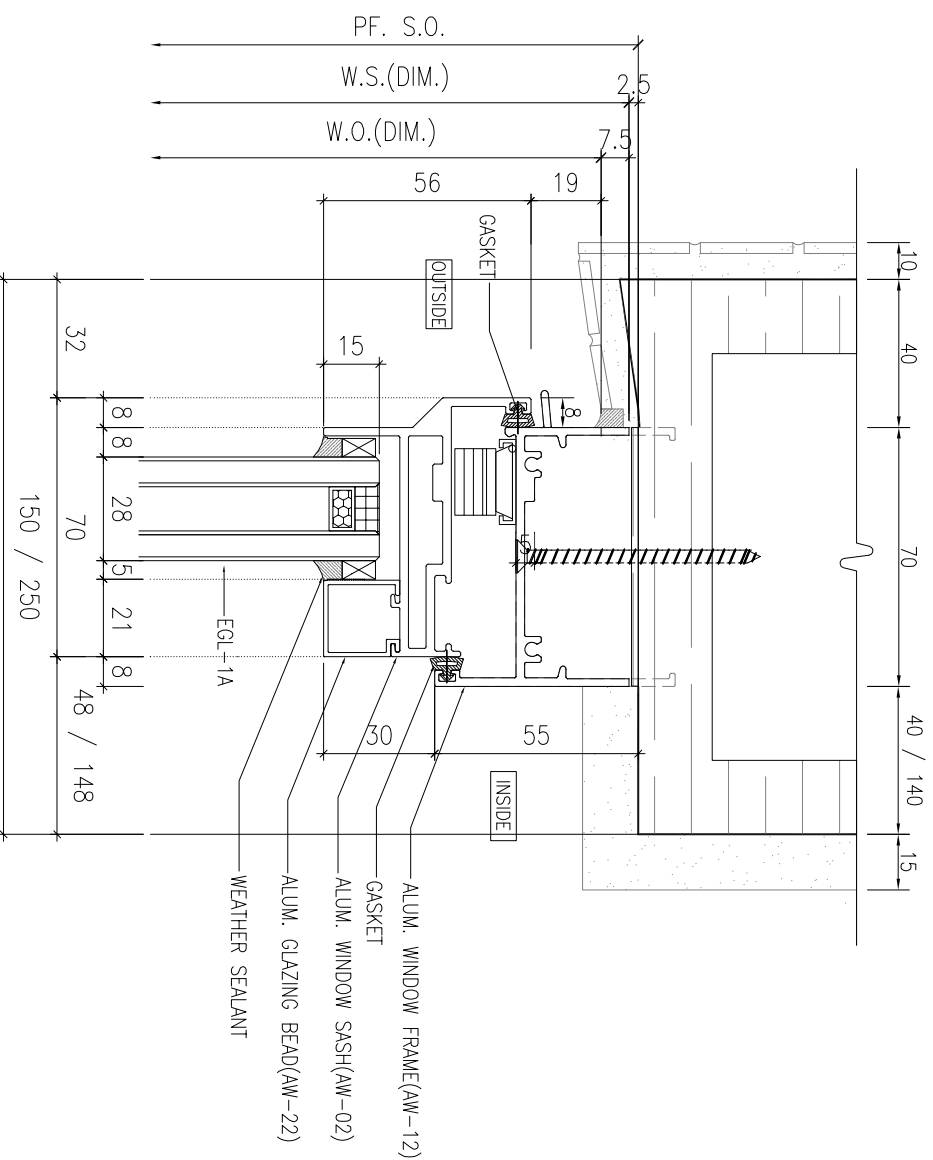
PROJECT :
PROPOSED DEVELOPMENT ABOVE
LIGHT RAIL TIN WING STOP,T5WTL
NO.23,AREA 33,TIN SHUI WA, N.T.

TITLE :
TYPICAL DETAILS FOR
SALES MOCK-UP
(IN-SITU WINDOW)

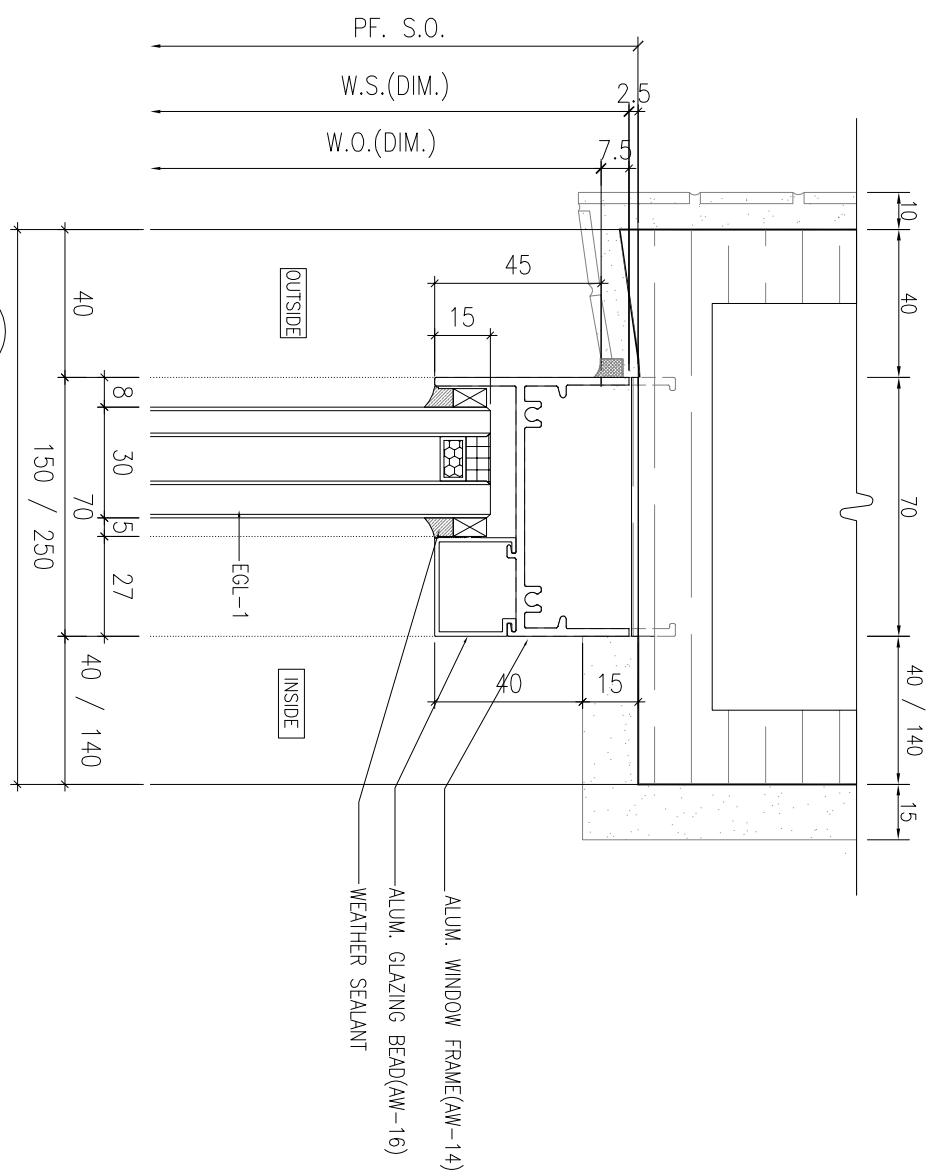
DATE : 16-JAN-23 SCALE : 1:2

DRAWN BY : YI CHECKED BY :

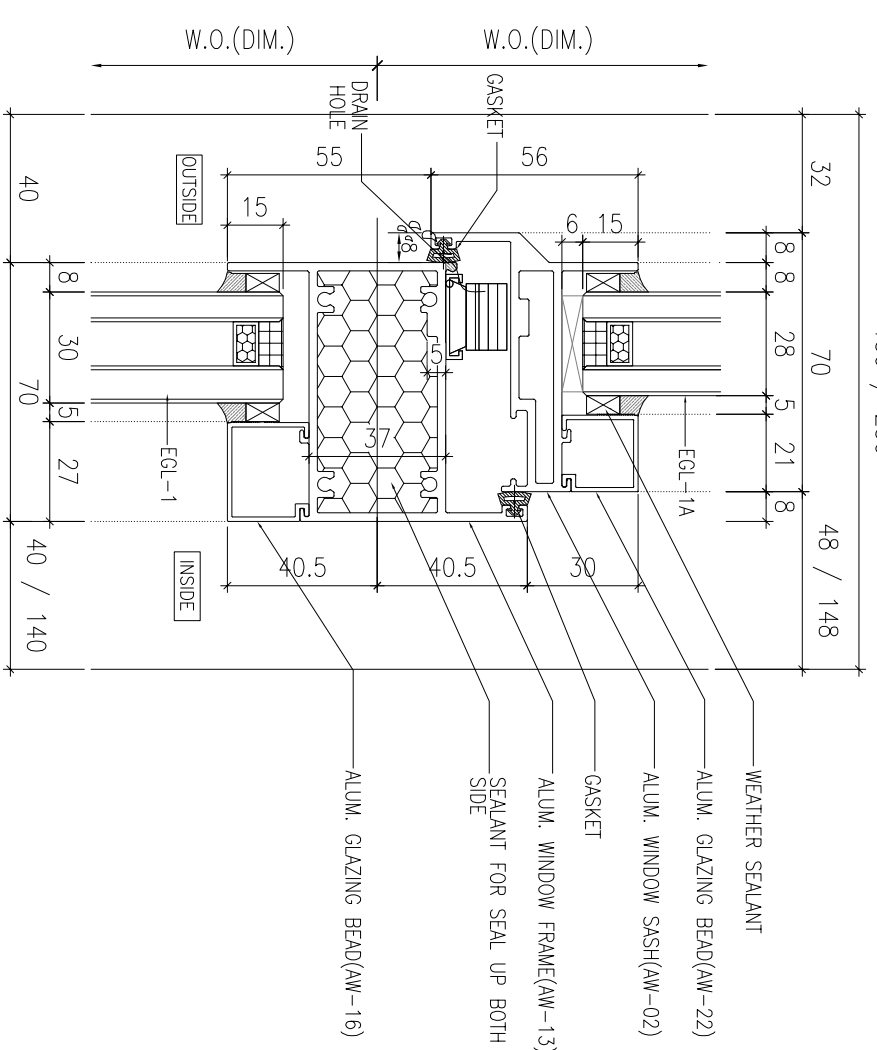
美特鋁質有限公司
MIDI ALUMINIUM FABRICATOR LTD.
Units 6-8, Sunray Industrial Centre, 1/F
610 Cho Kwo Ling Road, Kowloon
Tel:23489211-4 Fax:(852)27727666
DWG NO. : J856-SD-MU-7004 REV. : -



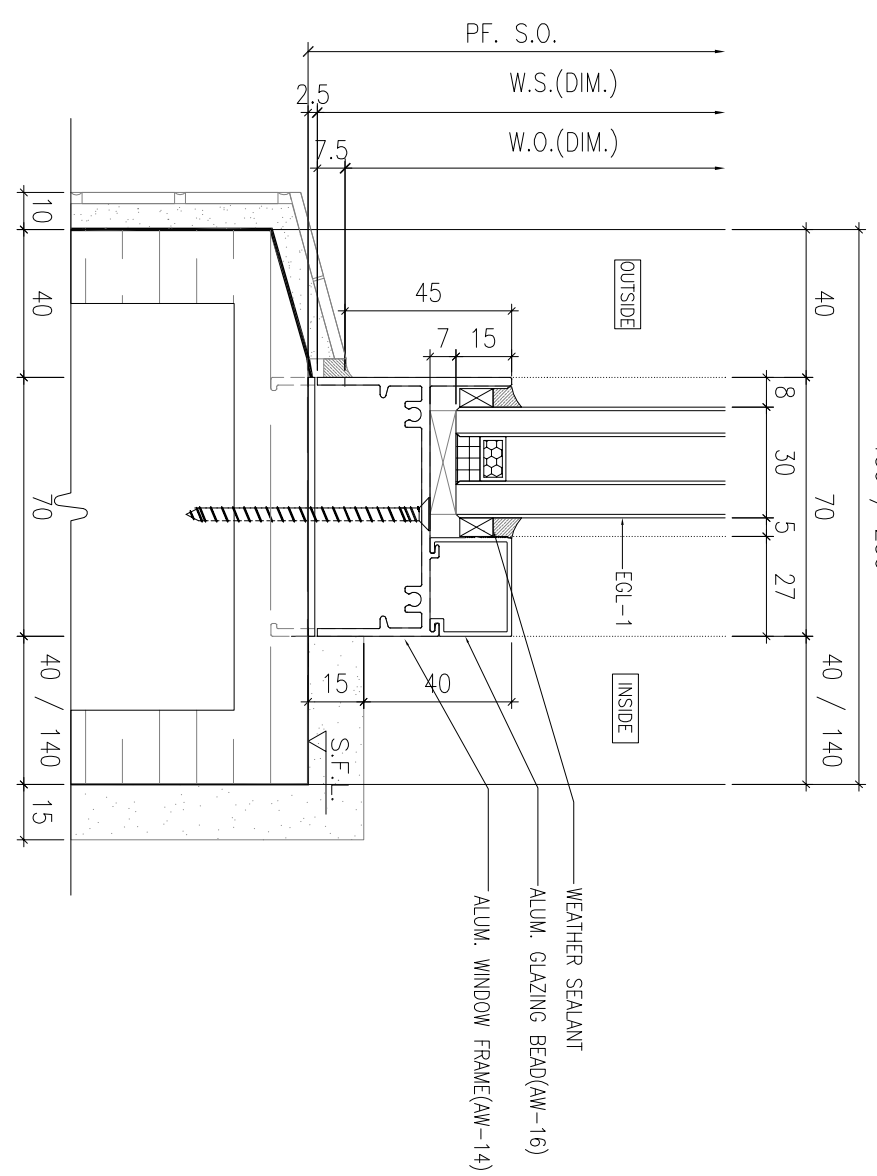
1 VERTICAL DETAIL
SCALE 1:2



3 VERTICAL DETAIL
SCALE 1:2



2 VERTICAL DETAIL
SCALE 1:2



4 VERTICAL DETAIL
SCALE 1:2

B.D. REF :

CLIENT :



42/F, SUN HUNG KAI CENTRE, WANCHAI, HONGKONG

ARCHITECT :



MAIN CONTRACTOR :



STRUCTURAL ENGINEER :



FAÇADE CONSULTANT :



Steel Structure & Façade Specialist

- NOTE :
1. ALL DIMENSIONS ARE IN mm.
 2. ALL ELEVATIONS ARE VIEWED FROM OUTSIDE.
 3. ALL DIMENSIONS TO BE VERIFIED ON SITE BEFORE FABRICATION.

LEGEND :

- (X1) --- DETAIL MARK NO.
- (X001) --- REFER SHEET NO.

1. F.F.L. --- FINISHED FLOOR LEVEL
 2. S.F.L. --- STRUCTURAL FLOOR LEVEL
 3. (R) --- REVERSED DETAIL
 4. GLASS LEGEND
- EGL-1 --- 6mmH5+12mm AIR GAP+10mmTP THK. LG.U.
 EGL-1A --- 6mmH5+12mm AIR GAP+9mmTP THK. LG.U.
 EGL-2 --- 10mm THK. CLEAR TEMPERED GLASS
 EGL-4 --- 10mm THK. TEMPERED ACID ETCHED GLASS

NO.	DATE	REVISION	BY

JOB NO. : J-856

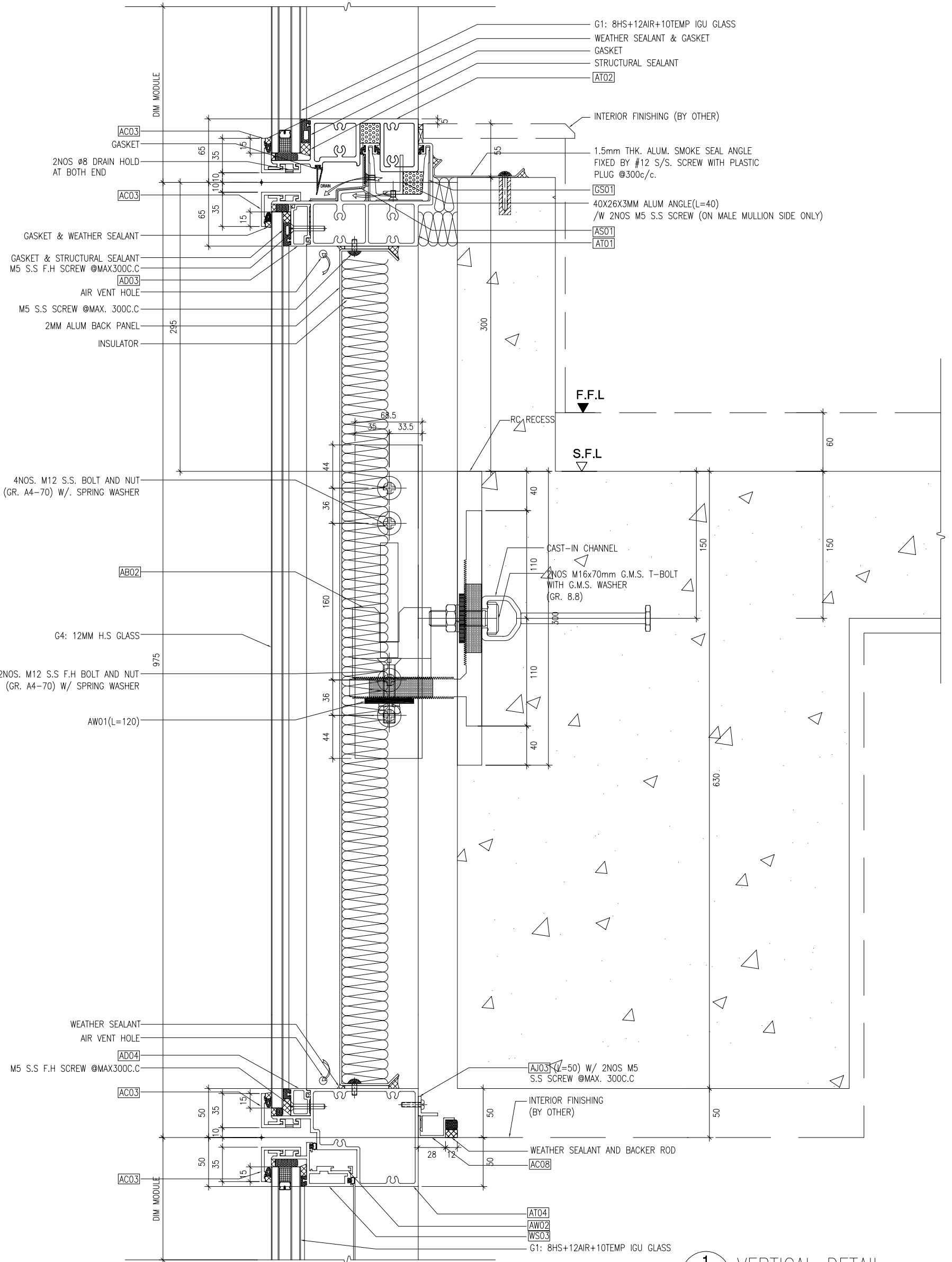
PROJECT : PROPOSED DEVELOPMENT ABOVE LIGHT RAIL TIN WING STOP-TS/WTL NO.23,AREA 33,TIN SHUI WA, N.T.

TITLE : TYPICAL DETAILS FOR SALES MOCK-UP (PRE-CAST FAÇADE WINDOW)

DATE : 16-JAN-23 SCALE : 1:2

DRAWN BY : YI CHECKED BY :

美特鋁質有限公司
 MIDI ALUMINIUM FABRICATOR LTD.
 Units 6-8, Sunny Industrial Centre, 1/F
 610 Cho Kwong Road, Kwunmoon
 Tel:23489211-4 Fax:(852)27275666
 DWG NO. : J856-SD-MU-7102 REV : -



1 VERTICAL DETAIL
SCALE 1:4

B.O. REF :

CLIENT :

SUN HUNG KAI
 REAL ESTATE AGENCY LTD.
 42/F SUN HUNG KAI CENTRE, WANGCHAI, HONGKONG

ARCHITECT :
lwk&partners
 A R C H I T E C T S

MAIN CONTRACTOR :
Yee Fai Building Contractors Ltd.

STRUCTURAL ENGINEER :
ARUP

FACADE CONSULTANT :
ALPHA CONSULTING LIMITED
 Steel Structure & Facade Specialist

NOTE :
 1. ALL DIMENSIONS ARE IN mm.
 2. ALL ELEVATIONS ARE VIEWED FROM OUTSIDE.
 3. ALL DIMENSIONS TO BE VERIFIED ON SITE BEFORE FABRICATION.

LEGEND :
 (X1) --- DETAIL MARK NO.
 (X001) --- REFER SHEET NO.
 1. F.F.L. --- FINISHED FLOOR LEVEL
 2. S.F.L. --- STRUCTURAL FLOOR LEVEL
 3. (R) --- REVERSED DETAIL

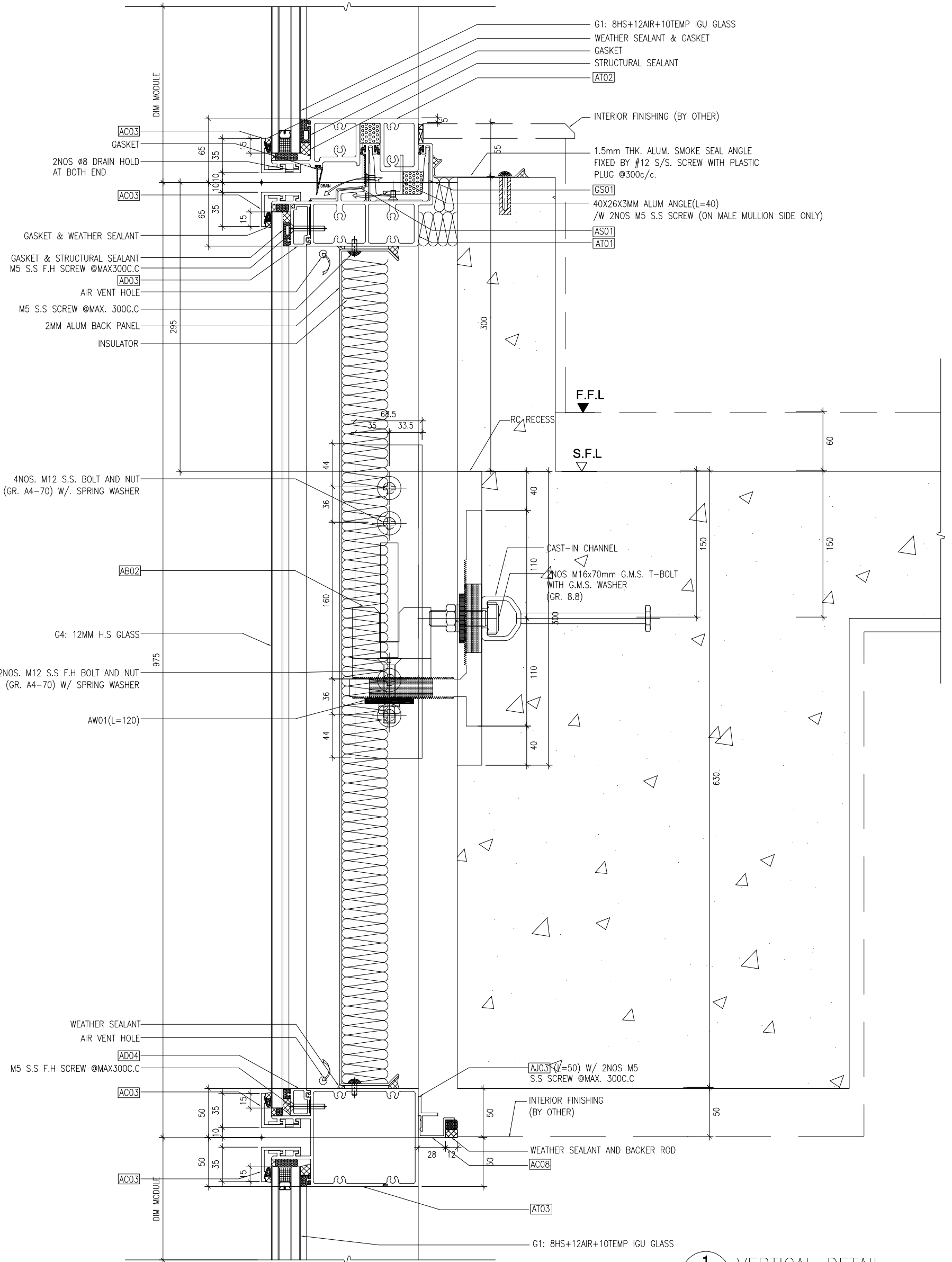
NO.	DATE	REVISION

JOB NO. : J-856
 PROJECT : PROPOSED DEVELOPMENT ABOVE LIGHT RAIL TIN WING STOP-TSWTL NO.23, AREA 33, TIN SHUI WAI, N.T.

TITLE : TYPICAL DETAILS FOR SALES MOCK-UP (CURTAIN WALL)

DATE : 20-JAN-23
 SCALE : 1:4
 DRAWN BY : CF
 CHECKED BY :

MIDI ALUMINIUM FABRICATOR LTD.
 Units 6-8, Sunray Industrial Centre, 1/F
 610 Ona Kwong Road, Kowloon
 Tel: 23489211-4 Fax: (852) 27277666
 DWG NO. : J856-SD-MU-7501
 REV. : -



1 VERTICAL DETAIL
SCALE 1:4

B.O. REF :

CLIENT :

SUN HUNG KAI
REAL ESTATE AGENCY LTD.
42/F SUN HUNG KAI CENTRE, WANGCHAI, HONGKONG

ARCHITECT :

lw&partners
A R C H I T E C T S

MAIN CONTRACTOR :

怡輝建築有限公司
Yee Fai Building Contractors Ltd.

STRUCTURAL ENGINEER :

ARUP

FAÇADE CONSULTANT :

ALPHA CONSULTING LIMITED
Steel Structure & Façade Specialist

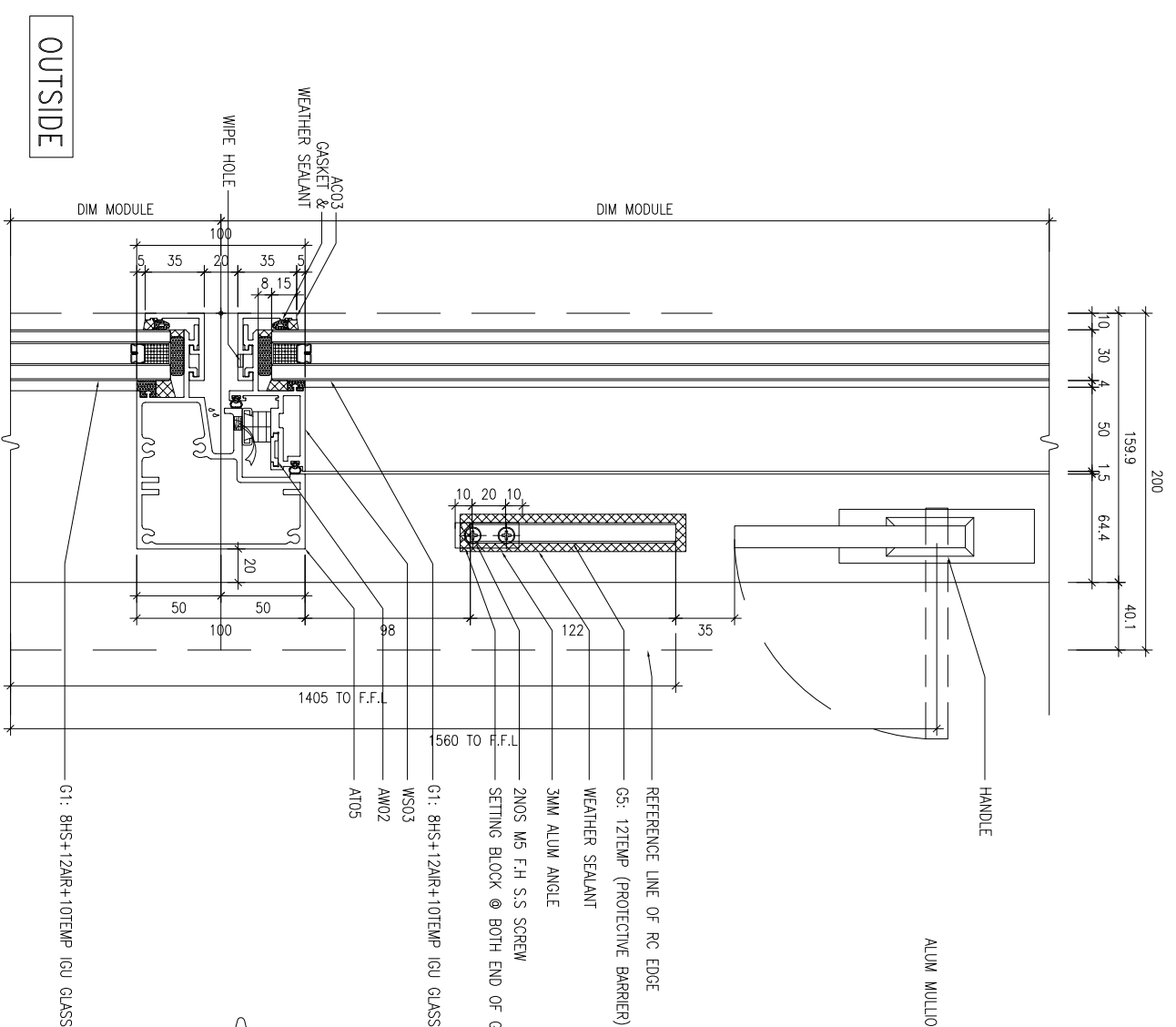
NOTE :

1. ALL DIMENSIONS ARE IN mm.
2. ALL ELEVATIONS ARE VIEWED FROM OUTSIDE.
3. ALL DIMENSIONS TO BE VERIFIED ON SITE BEFORE FABRICATION.

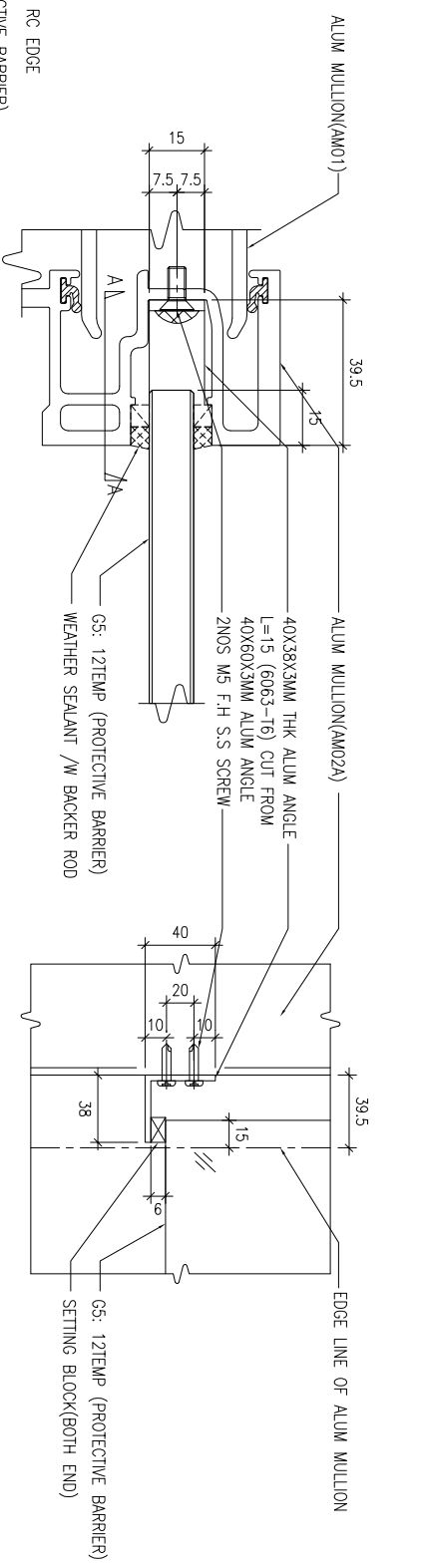
LEGEND :

- (X1) — DETAIL MARK NO.
- (X001) — REFER SHEET NO.
- 1. F.F.L. — FINISHED FLOOR LEVEL
- 2. S.F.L. — STRUCTURAL FLOOR LEVEL
- 3. (R) — REVERSED DETAIL

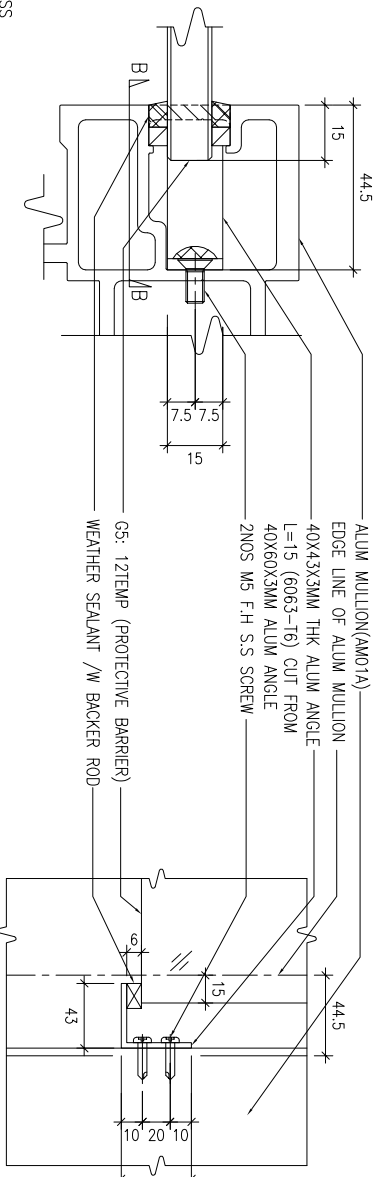
NO.	DATE	REVISION
JOB NO. :	J-856	
PROJECT :	PROPOSED DEVELOPMENT ABOVE LIGHT RAIL TIN WING STOP-TSWTL NO.23, AREA 33, TIN SHUI WAI, N.T.	
TITLE :	TYPICAL DETAILS FOR SALES MOCK-UP (CURTAIN WALL)	
DATE :	20-JAN-23	SCALE : 1:4
DRAWN BY :	CF	CHECKED BY :
<p>美特鋁質有限公司 MIDI ALUMINIUM FABRICATOR LTD. Units 6-8, Sunray Industrial Centre, 1/F 610 Cho Kwong Road, Kowloon Tel: 23489211-4 Fax: (852) 27277666 DWG NO. : J856-SD-MU-7502</p>		
REV. :	-	



1 VERTICAL DETAIL
SCALE 1:4



2 BLOWUP DETAIL
NTS



3 BLOWUP DETAIL
NTS

B.O. REF :

CLIENT :



ARCHITECT :



MAIN CONTRACTOR :



STRUCTURAL ENGINEER :



FAÇADE CONSULTANT :



NOTE :

1. ALL DIMENSIONS ARE IN mm.
2. ALL ELEVATIONS ARE VIEWED FROM OUTSIDE.
3. ALL DIMENSIONS TO BE VERIFIED ON SITE BEFORE FABRICATION.

LEGEND :

- ⊗ X1 --- DETAIL MARK NO.
- ⊗ X001 --- REFER SHEET NO.
- 1. F.F.L. --- FINISHED FLOOR LEVEL
- 2. S.F.L. --- STRUCTURAL FLOOR LEVEL
- 3. Ⓡ --- REVERSED DETAIL

NO.	DATE	REVISION	BY
JOB NO. :	J-8556		
PROJECT :	PROPOSED DEVELOPMENT ABOVE LIGHT RAIL TIN WING STOP-TSWTL NO.23,AREA 33,TIN SHUI WAI, N.T.		
TITLE :	TYPICAL DETAILS FOR SALES MOCK-UP (CURTAIN WALL)		
DATE :	20-JAN-23	SCALE : 1:4	
DRAWN BY :	CF	CHECKED BY :	

DWG NO. : J856-SD-MU-7503 REV. : -