



工程指示 / 要求簡箋 ENGINEER INSTRUCTIONS(E.I.)

|         |            |       |            |
|---------|------------|-------|------------|
| 工程指示編號: | EI- 5430   | 修改版本: | -          |
|         | HK- 2170   |       |            |
| 工程編號:   | J 856      | 工程名稱: | TSWTL23    |
| 收件人:    | 生統 / 謝永林   | 發件人:  | BearLam    |
| 工程項目:   | 工地窗不銹鋼磨耳設計 | 日期:   | 05/12/2022 |

|                                 |  |                                    |
|---------------------------------|--|------------------------------------|
| <input type="checkbox"/> 原合約工程包 | <input type="checkbox"/> 原合約工程加 / 減賬 QT- | <input type="checkbox"/> 新工程報價 QT- |
|---------------------------------|--|------------------------------------|

|                |           |
|----------------|-----------|
| 信件批核號碼/圖紙參考編號: | 批核模具圖紙編號: |
| 客戶指示附件:        | 管理內部批簽署:  |

|                                    |                                     |                               |
|------------------------------------|-------------------------------------|-------------------------------|
| <input type="checkbox"/> 初步鋁料 B.M. | <input type="checkbox"/> 加工拆圖, 然後生產 | <input type="checkbox"/> 尺寸表  |
| <input type="checkbox"/> 正式鋁料 B.M. | <input type="checkbox"/> 技術上資料 / 指示 | <input type="checkbox"/> 報價   |
| <input type="checkbox"/> 配件 B.M.   | <input type="checkbox"/> 樣辦或貨品說明書   | <input type="checkbox"/> 分判合約 |
| <input type="checkbox"/> 其他:       |                                     |                               |

內容: 現附上最新的工地窗圖紙, 請根據圖紙設計有關於工地窗用的各項不銹鋼磨耳, 請先與QC部 & 生產部相議有關的設計及改良, 以便可以盡快安裝生產及開模, 不銹鋼磨耳厚度為:1.5mm

完成上列要求日期: 09/12/2022

國內

|   |   |   |   |                                |                              |
|---|---|---|---|--------------------------------|------------------------------|
| <input type="checkbox"/> 生產技術總監         | <input type="checkbox"/> 連附件            | <input checked="" type="checkbox"/> 技術部   | <input checked="" type="checkbox"/> 連附件 | <input type="checkbox"/> 生產部   | <input type="checkbox"/> 連附件 |
| <input type="checkbox"/> 採購部            | <input type="checkbox"/> 連附件            | <input checked="" type="checkbox"/> 生產統籌部 | <input checked="" type="checkbox"/> 連附件 | <input type="checkbox"/> 報關組   | <input type="checkbox"/> 連附件 |
| <input checked="" type="checkbox"/> 質檢部 | <input checked="" type="checkbox"/> 連附件 | <input type="checkbox"/> 會計部              | <input type="checkbox"/> 連附件            | <input type="checkbox"/> 機械設計部 | <input type="checkbox"/> 連附件 |
| <input checked="" type="checkbox"/> 香港辦 | <input checked="" type="checkbox"/> 連附件 | <input type="checkbox"/> 其他:              |   |                                |                              |

香港

|                              |                              |                              |                              |                               |                              |                              |                              |
|------------------------------|------------------------------|------------------------------|------------------------------|-------------------------------|------------------------------|------------------------------|------------------------------|
| <input type="checkbox"/> 行政部 | <input type="checkbox"/> 連附件 | <input type="checkbox"/> 會計部 | <input type="checkbox"/> 連附件 | <input type="checkbox"/> 統籌部  | <input type="checkbox"/> 連附件 | <input type="checkbox"/> 工程部 | <input type="checkbox"/> 連附件 |
| <input type="checkbox"/> 採購部 | <input type="checkbox"/> 連附件 | <input type="checkbox"/> QS部 | <input type="checkbox"/> 連附件 | <input type="checkbox"/> 地盤管理 | <input type="checkbox"/> 連附件 | <input type="checkbox"/> 維修部 | <input type="checkbox"/> 連附件 |

|         |                 |            |                              |
|---------|-----------------|------------|------------------------------|
| *發件人簽署: | <i>Bear Lam</i> | *組別成員批核簽署: | <i>[Signature] 5/12/2022</i> |
| 傳遞編號:   |                 | 項目經理簽署:    | <i>[Signature]</i>           |

PROJECT :

PROPOSED DEVELOPMENT ABOVE  
LIGHT RAIL TIN WING STOP, TSWTL  
NO.23, AREA 33, TIN SHUI WAI, N.T.

9

SHOP DRAWING FOR IN-SITU WINDOW OF TOWER

DATE: 29-Nov-22

 美特鋁質有限公司  
MIDI ALUMINIUM FABRICATOR LTD.

Units 6-8, Sunray Industrial Centre, 1/F  
610 Cha Kwo Ling Road, Kowloon  
Tel:23489211-4 Fax:(852)27727666

|                           |            |                                  |          |
|---------------------------|------------|----------------------------------|----------|
| H                         | 29/11/2022 | REVISION SUBJECT TO ARCH.COMMENT | Ivan     |
| G                         | 27/08/2022 | REVISION SUBJECT TO ARCH.COMMENT | Ivan     |
| F                         | 1/08/2022  | REVISION SUBJECT TO ARCH.COMMENT | Ivan     |
| E                         | 18/07/2022 | REVISION SUBJECT TO ARCH.COMMENT | Ivan     |
| D                         | 24/06/2022 | REVISION SUBJECT TO ARCH.COMMENT | Ivan     |
| C                         | 20/01/2022 | REVISION SUBJECT TO ARCH.COMMENT | Ivan     |
| B                         | 24/11/2021 | REVISION SUBJECT TO ARCH.COMMENT | Ivan     |
| A                         | 16/11/2021 | REVISION SUBJECT TO ARCH.COMMENT | Ivan     |
| NO.                       | DATE       | REVISED                          | BY       |
| DWG NO. : J856-SD-IW-0000 |            |                                  | REV. : H |

# DRAWING SUBMISSION REGISTER

| PROJECT:<br>PROPOSED DEVELOPMENT ABOVE<br>LIGHT RAIL TIN WING STOP, TSWTL<br>NO.23, AREA 33, TIN SHUI WAI, N.T.<br><br>TITLE:<br><br>IN-SITU WINDOW OF TOWER<br>SHOPDRAWING SUBMISSION | DATE OF ISSUE   |           |    |    |    |    |    |    |    |  | SUBMISSION STATE<br>(FOR B.D / A.S.D) |                   |      | SUBMISSION STATE<br>(FOR CLIENT / CONSULTANT) |                   |      | SUBMISSION STATE<br>(FOR ARCHITECT) |                   |      | FABRICATION / CONSTRUCTION STATE |                          |      |                  |      |                            |      |
|--|-----------------|-----------|----|----|----|----|----|----|----|--|---------------------------------------|-------------------|------|---|-------------------|------|-------------------------------------|-------------------|------|----------------------------------|--------------------------|------|------------------|------|----------------------------|------|
|  | ISSUE           | 1         | 2  | 3  | 4  | 5  | 6  | 7  | 8  |  |                                       | AP - APPROVED     |      |   | AP - APPROVED     |      |                                     | AP - APPROVED     |      |                                  | ISSUE TO<br>CHINA OFFICE |      | ISSUE TO<br>SITE |      | ISSUE TO<br>SUB-CONTRACTOR |      |
|  | DAY             | 15        | 16 | 24 | 13 | 24 | 1  | 27 | 29 |  | AC - APPROVED SUB. TO CONDITION       |                   |      | AC - APPROVED SUB. TO CONDITION               |                   |      | AC - APPROVED SUB. TO CONDITION     |                   |      |                                  |                          |      |                  |      |                            |      |
|  | MONTH           | 9         | 11 | 11 | 1  | 6  | 8  | 8  | 11 |  |                                       | NA - NOT APPROVED |      |   | NA - NOT APPROVED |      |                                     | NA - NOT APPROVED |      |                                  |                          |      |                  |      |                            |      |
|  | YEAR            | 21        | 21 | 21 | 22 | 22 | 22 | 22 | 22 |  |                                       |                   |      |   |                   |      |                                     |                   |      |                                  |                          |      |                  |      |                            |      |
| DRAWING TITLE  | DWG. NO.        | REVISIONS |    |    |    |    |    |    |    |  |                                       | COMMENT DATE      | REV. | STATE   | COMMENT DATE      | REV. | STATE                               | COMMENT DATE      | REV. | STATE                            | REV.                     | DATE | REV.             | DATE | REV.                       | DATE |
| COVER PAGE   | J856-SD-IW-0000 | -         | A  | B  | C  | D  | F  | G  | H  |  |                                       |                   |      |   |                   |      |                                     |                   |      |                                  |                          |      |                  |      |                            |      |
| DRAWING REGISTER   | J856-SD-IW-0001 | -         | A  | B  | C  | D  | E  | F  | G  |  |                                       |                   |      |   |                   |      |                                     |                   |      |                                  |                          |      |                  |      |                            |      |
| DRAWING REGISTER   | J856-SD-IW-0002 | -         | A  | B  | C  | D  | E  | F  | G  |  |                                       |                   |      |   |                   |      |                                     |                   |      |                                  |                          |      |                  |      |                            |      |
| DRAWING REGISTER   | J856-SD-IW-0003 | -         | A  | B  | C  | D  | E  | F  | G  |  |                                       |                   |      |   |                   |      |                                     |                   |      |                                  |                          |      |                  |      |                            |      |
| GENERAL NOTES FOR IN-SITU WINDOW   | J856-SD-IW-GN01 | -         | -  |    |    |    |    | -  | -  |  |                                       |                   |      |   |                   |      |                                     |                   |      |                                  |                          |      |                  |      |                            |      |
| GENERAL NOTES FOR IN-SITU WINDOW   | J856-SD-IW-GN02 | -         | -  |    |    |    |    | -  | -  |  |                                       |                   |      |   |                   |      |                                     |                   |      |                                  |                          |      |                  |      |                            |      |
| EXTRUSION LIST FOR IN-SITU WINDOW  | J856-SD-IW-1101 | -         | A  | A  | A  | A  | A  | A  | A  |  |                                       |                   |      |   |                   |      |                                     |                   |      |                                  |                          |      |                  |      |                            |      |
| EXTRUSION LIST FOR IN-SITU WINDOW  | J856-SD-IW-1102 | -         | A  | A  | A  | B  | C  | D  | D  |  |                                       |                   |      |   |                   |      |                                     |                   |      |                                  |                          |      |                  |      |                            |      |
| EXTRUSION LIST FOR IN-SITU WINDOW  | J856-SD-IW-1103 | -         |    |    |    |    |    |    |    |  |                                       |                   |      |   |                   |      |                                     |                   |      |                                  |                          |      |                  |      |                            |      |
| PLAN FOR IN-SITU WINDOW AT TOWER 1   | J856-SD-IW-3101 | -         | A  | B  | C  | D  | D  | D  | E  |  |                                       |                   |      |   |                   |      |                                     |                   |      |                                  |                          |      |                  |      |                            |      |
| PLAN FOR IN-SITU WINDOW AT TOWER 1   | J856-SD-IW-3102 | -         |    | A  | B  | C  | C  | D  | E  |  |                                       |                   |      |   |                   |      |                                     |                   |      |                                  |                          |      |                  |      |                            |      |
| PLAN FOR IN-SITU LOUVER AT TOWER 1   | J856-SD-IW-3106 |           |    |    |    |    |    |    | -  |  |                                       |                   |      |   |                   |      |                                     |                   |      |                                  |                          |      |                  |      |                            |      |
| PLAN FOR IN-SITU LOUVER AT TOWER 1   | J856-SD-IW-3107 |           |    |    |    |    |    |    | -  |  |                                       |                   |      |   |                   |      |                                     |                   |      |                                  |                          |      |                  |      |                            |      |
| PLAN FOR IN-SITU WINDOW AT TOWER 2   | J856-SD-IW-3201 | -         | A  | B  | C  | D  | E  | E  | F  |  |                                       |                   |      |   |                   |      |                                     |                   |      |                                  |                          |      |                  |      |                            |      |
| PLAN FOR IN-SITU WINDOW AT TOWER 2   | J856-SD-IW-3202 | -         |    | A  | B  | C  | D  | D  | E  |  |                                       |                   |      |   |                   |      |                                     |                   |      |                                  |                          |      |                  |      |                            |      |
| PLAN FOR IN-SITU LOUVER AT TOWER 2   | J856-SD-IW-3206 |           |    |    |    |    |    |    | -  |  |                                       |                   |      |   |                   |      |                                     |                   |      |                                  |                          |      |                  |      |                            |      |
| PLAN FOR IN-SITU LOUVER AT TOWER 2   | J856-SD-IW-3207 |           |    |    |    |    |    |    | -  |  |                                       |                   |      |   |                   |      |                                     |                   |      |                                  |                          |      |                  |      |                            |      |
| PLAN FOR IN-SITU WINDOW AT TOWER 3   | J856-SD-IW-3301 | -         | A  | B  | C  | D  | E  | E  | F  |  |                                       |                   |      |   |                   |      |                                     |                   |      |                                  |                          |      |                  |      |                            |      |
| PLAN FOR IN-SITU WINDOW AT TOWER 3   | J856-SD-IW-3302 | -         |    | A  | B  | C  | D  | D  | E  |  |                                       |                   |      |   |                   |      |                                     |                   |      |                                  |                          |      |                  |      |                            |      |
| PLAN FOR IN-SITU LOUVER AT TOWER 3   | J856-SD-IW-3306 |           |    |    |    |    |    |    | -  |  |                                       |                   |      |   |                   |      |                                     |                   |      |                                  |                          |      |                  |      |                            |      |
| PLAN FOR IN-SITU LOUVER AT TOWER 3   | J856-SD-IW-3307 |           |    |    |    |    |    |    | -  |  |                                       |                   |      |   |                   |      |                                     |                   |      |                                  |                          |      |                  |      |                            |      |
| WINDOW SCHEDULE FOR TOWER 1 IN-SITU WINDOW   | J856-SD-IW-5101 | -         | A  | B  | B  | C  | D  | E  | E  |  |                                       |                   |      |   |                   |      |                                     |                   |      |                                  |                          |      |                  |      |                            |      |
| WINDOW SCHEDULE FOR TOWER 1 IN-SITU WINDOW   | J856-SD-IW-5102 | -         | A  | B  | B  | C  | D  | E  | E  |  |                                       |                   |      |   |                   |      |                                     |                   |      |                                  |                          |      |                  |      |                            |      |
| WINDOW SCHEDULE FOR TOWER 1 IN-SITU WINDOW   | J856-SD-IW-5103 | -         | A  | B  | B  | C  | D  | E  | E  |  |                                       |                   |      |   |                   |      |                                     |                   |      |                                  |                          |      |                  |      |                            |      |
| WINDOW SCHEDULE FOR TOWER 1 IN-SITU WINDOW   | J856-SD-IW-5104 | -         | A  | B  | C  | C  | C  | C  | C  |  |                                       |                   |      |   |                   |      |                                     |                   |      |                                  |                          |      |                  |      |                            |      |
| WINDOW SCHEDULE FOR TOWER 1 IN-SITU WINDOW   | J856-SD-IW-5105 | -         | A  | B  | B  | C  | D  | E  | E  |  |                                       |                   |      |   |                   |      |                                     |                   |      |                                  |                          |      |                  |      |                            |      |
| WINDOW SCHEDULE FOR TOWER 1 IN-SITU WINDOW   | J856-SD-IW-5106 | -         | A  | B  | C  | C  | C  | C  | C  |  |                                       |                   |      |   |                   |      |                                     |                   |      |                                  |                          |      |                  |      |                            |      |
| WINDOW SCHEDULE FOR TOWER 1 IN-SITU WINDOW   | J856-SD-IW-5107 | -         | A  | B  | B  | C  | C  | C  | C  |  |                                       |                   |      |   |                   |      |                                     |                   |      |                                  |                          |      |                  |      |                            |      |
| WINDOW SCHEDULE FOR TOWER 1 IN-SITU WINDOW   | J856-SD-IW-5108 | -         | A  | B  | B  | C  | C  | C  | C  |  |                                       |                   |      |   |                   |      |                                     |                   |      |                                  |                          |      |                  |      |                            |      |
| WINDOW SCHEDULE FOR TOWER 1 IN-SITU WINDOW   | J856-SD-IW-5109 | -         | A  | B  | B  | C  | C  | C  | C  |  |                                       |                   |      |   |                   |      |                                     |                   |      |                                  |                          |      |                  |      |                            |      |
| WINDOW SCHEDULE FOR TOWER 1 IN-SITU WINDOW   | J856-SD-IW-5110 | -         | A  | B  | B  | C  | C  | C  | C  |  |                                       |                   |      |   |                   |      |                                     |                   |      |                                  |                          |      |                  |      |                            |      |
| WINDOW SCHEDULE FOR TOWER 1 IN-SITU WINDOW   | J856-SD-IW-5111 |           |    | A  | B  | B  | C  | D  | D  |  |                                       |                   |      |   |                   |      |                                     |                   |      |                                  |                          |      |                  |      |                            |      |
| WINDOW SCHEDULE FOR TOWER 1 IN-SITU WINDOW   | J856-SD-IW-5112 |           |    | A  | B  | B  | C  | D  | D  |  |                                       |                   |      |   |                   |      |                                     |                   |      |                                  |                          |      |                  |      |                            |      |
| WINDOW SCHEDULE FOR TOWER 1 IN-SITU WINDOW   | J856-SD-IW-5113 |           |    |    |    | -  | -  | -  | -  |  |                                       |                   |      |   |                   |      |                                     |                   |      |                                  |                          |      |                  |      |                            |      |
| WINDOW SCHEDULE FOR TOWER 1 IN-SITU WINDOW   | J856-SD-IW-5114 |           |    |    |    | -  | -  | -  | -  |  |                                       |                   |      |   |                   |      |                                     |                   |      |                                  |                          |      |                  |      |                            |      |
| WINDOW SCHEDULE FOR TOWER 1 IN-SITU WINDOW   | J856-SD-IW-5115 |           |    |    |    | -  | -  | -  | -  |  |                                       |                   |      |   |                   |      |                                     |                   |      |                                  |                          |      |                  |      |                            |      |
| WINDOW SCHEDULE FOR TOWER 1 IN-SITU WINDOW   | J856-SD-IW-5116 |           |    |    |    |    |    |    | -  |  |                                       |                   |      |   |                   |      |                                     |                   |      |                                  |                          |      |                  |      |                            |      |
| WINDOW SCHEDULE FOR TOWER 2 IN-SITU WINDOW   | J856-SD-IW-5201 | -         | A  | B  | B  | C  | D  | E  | E  |  |                                       |                   |      |   |                   |      |                                     |                   |      |                                  |                          |      |                  |      |                            |      |
| WINDOW SCHEDULE FOR TOWER 2 IN-SITU WINDOW   | J856-SD-IW-5202 | -         | A  | B  | B  | C  | D  | E  | E  |  |                                       |                   |      |   |                   |      |                                     |                   |      |                                  |                          |      |                  |      |                            |      |
| WINDOW SCHEDULE FOR TOWER 2 IN-SITU WINDOW   | J856-SD-IW-5203 | -         | A  | B  | B  | C  | D  | E  | E  |  |                                       |                   |      |   |                   |      |                                     |                   |      |                                  |                          |      |                  |      |                            |      |
| WINDOW SCHEDULE FOR TOWER 2 IN-SITU WINDOW   | J856-SD-IW-5204 | -         | A  | B  | C  | C  | C  | C  | C  |  |                                       |                   |      |   |                   |      |                                     |                   |      |                                  |                          |      |                  |      |                            |      |
| WINDOW SCHEDULE FOR TOWER 2 IN-SITU WINDOW   | J856-SD-IW-5205 | -         | A  | B  | B  | C  | D  | E  | E  |  |                                       |                   |      |   |                   |      |                                     |                   |      |                                  |                          |      |                  |      |                            |      |
| WINDOW SCHEDULE FOR TOWER 2 IN-SITU WINDOW   | J856-SD-IW-5206 | -         | A  | B  | C  | C  | C  | C  | C  |  |                                       |                   |      |   |                   |      |                                     |                   |      |                                  |                          |      |                  |      |                            |      |
| WINDOW SCHEDULE FOR TOWER 2 IN-SITU WINDOW   | J856-SD-IW-5207 | -         | A  | B  | B  | C  | C  | C  | C  |  |                                       |                   |      |   |                   |      |                                     |                   |      |                                  |                          |      |                  |      |                            |      |
| WINDOW SCHEDULE FOR TOWER 2 IN-SITU WINDOW   | J856-SD-IW-5208 | -         | A  | B  | B  | C  | C  | C  | C  |  |                                       |                   |      |   |                   |      |                                     |                   |      |                                  |                          |      |                  |      |                            |      |

|  |
|--|
| IN-HOUSE DESIGN CHECKER  |
|  |
| <b>美特鋁質有限公司</b><br>MIDI ALUMINIUM FABRICATOR LTD.<br>Units 6-8, Sunray Industrial Centre, 1/F<br>610 Cha Kwo Ling Road, Kowloon<br>Tel: 23489211-4 Fax: (852) 27727666 |
| DWG NO. : J856-SD-IW-0001    REV. : G  |

# DRAWING SUBMISSION REGISTER

| PROJECT:<br>PROPOSED DEVELOPMENT ABOVE<br>LIGHT RAIL TIN WING STOP, TSWTL<br>NO.23, AREA 33, TIN SHUI WAI, N.T.<br><br>TITLE:<br><br>IN-SITU WINDOW OF TOWER<br>SHOPDRAWING SUBMISSION | DATE OF ISSUE    |           |    |    |    |    |    |    |    |   | SUBMISSION STATE<br>(FOR B.D / A.S.D) |                                 |      | SUBMISSION STATE<br>(FOR CLIENT / CONSULTANT) |                                 |      | SUBMISSION STATE<br>(FOR ARCHITECT) |                                 |      | FABRICATION / CONSTRUCTION STATE |                          |      |                  |      |                            |      |
|--|------------------|-----------|----|----|----|----|----|----|----|---|---------------------------------------|---------------------------------|------|---|---------------------------------|------|-------------------------------------|---------------------------------|------|----------------------------------|--------------------------|------|------------------|------|----------------------------|------|
|  | ISSUE            | 1         | 2  | 3  | 4  | 5  | 6  | 7  | 8  |   |                                       | AP - APPROVED                   |      |   | AP - APPROVED                   |      |                                     | AP - APPROVED                   |      |                                  | ISSUE TO<br>CHINA OFFICE |      | ISSUE TO<br>SITE |      | ISSUE TO<br>SUB-CONTRACTOR |      |
|  | DAY              | 15        | 16 | 24 | 13 | 24 | 1  | 27 | 29 |   |                                       | AC - APPROVED SUB. TO CONDITION |      |   | AC - APPROVED SUB. TO CONDITION |      |                                     | AC - APPROVED SUB. TO CONDITION |      |                                  |                          |      |                  |      |                            |      |
|  | MONTH            | 9         | 11 | 11 | 1  | 6  | 8  | 8  | 11 |   |                                       | NA - NOT APPROVED               |      |   | NA - NOT APPROVED               |      |                                     | NA - NOT APPROVED               |      |                                  |                          |      |                  |      |                            |      |
|  | YEAR             | 21        | 21 | 21 | 22 | 22 | 22 | 22 | 22 |   |                                       |                                 |      |   |                                 |      |                                     |                                 |      |                                  |                          |      |                  |      |                            |      |
| DRAWING TITLE  | DWG. NO.         | REVISIONS |    |    |    |    |    |    |    |   |                                       | COMMENT DATE                    | REV. | STATE   | COMMENT DATE                    | REV. | STATE                               | COMMENT DATE                    | REV. | STATE                            | REV.                     | DATE | REV.             | DATE | REV.                       | DATE |
| WINDOW SCHEDULE FOR TOWER 2 IN-SITU WINDOW   | J856-SD-IW-5209  | -         | A  | B  | B  | C  | C  | C  | C  |   |                                       |                                 |      |   |                                 |      |                                     |                                 |      |                                  |                          |      |                  |      |                            |      |
| WINDOW SCHEDULE FOR TOWER 2 IN-SITU WINDOW   | J856-SD-IW-5210  | -         | A  | B  | B  | B  | B  | B  | B  |   |                                       |                                 |      |   |                                 |      |                                     |                                 |      |                                  |                          |      |                  |      |                            |      |
| WINDOW SCHEDULE FOR TOWER 2 IN-SITU WINDOW   | J856-SD-IW-5211  | -         | A  | B  | B  | C  | C  | C  | C  |   |                                       |                                 |      |   |                                 |      |                                     |                                 |      |                                  |                          |      |                  |      |                            |      |
| WINDOW SCHEDULE FOR TOWER 2 IN-SITU WINDOW   | J856-SD-IW-5212  | -         |    | A  | B  | B  | C  | C  | C  |   |                                       |                                 |      |   |                                 |      |                                     |                                 |      |                                  |                          |      |                  |      |                            |      |
| WINDOW SCHEDULE FOR TOWER 2 IN-SITU WINDOW   | J856-SD-IW-5213  | -         |    | A  | B  | B  | C  | D  | D  |   |                                       |                                 |      |   |                                 |      |                                     |                                 |      |                                  |                          |      |                  |      |                            |      |
| WINDOW SCHEDULE FOR TOWER 2 IN-SITU WINDOW   | J856-SD-IW-5214  |           |    |    |    | -  | A  | A  | A  |   |                                       |                                 |      |   |                                 |      |                                     |                                 |      |                                  |                          |      |                  |      |                            |      |
| WINDOW SCHEDULE FOR TOWER 2 IN-SITU WINDOW   | J856-SD-IW-5215  |           |    |    |    |    | -  | A  | A  | B |                                       |                                 |      |   |                                 |      |                                     |                                 |      |                                  |                          |      |                  |      |                            |      |
| WINDOW SCHEDULE FOR TOWER 2 IN-SITU WINDOW   | J856-SD-IW-5216  |           |    |    |    |    | -  | A  | A  | A |                                       |                                 |      |   |                                 |      |                                     |                                 |      |                                  |                          |      |                  |      |                            |      |
| WINDOW SCHEDULE FOR TOWER 3 IN-SITU WINDOW   | J856-SD-IW-5301  | -         | A  | B  | B  | C  | D  | E  | F  |   |                                       |                                 |      |   |                                 |      |                                     |                                 |      |                                  |                          |      |                  |      |                            |      |
| WINDOW SCHEDULE FOR TOWER 3 IN-SITU WINDOW   | J856-SD-IW-5302  | -         | A  | B  | B  | C  | D  | E  | F  |   |                                       |                                 |      |   |                                 |      |                                     |                                 |      |                                  |                          |      |                  |      |                            |      |
| WINDOW SCHEDULE FOR TOWER 3 IN-SITU WINDOW   | J856-SD-IW-5303  | -         | A  | B  | C  | C  | D  | D  | D  |   |                                       |                                 |      |   |                                 |      |                                     |                                 |      |                                  |                          |      |                  |      |                            |      |
| WINDOW SCHEDULE FOR TOWER 3 IN-SITU WINDOW   | J856-SD-IW-5304  | -         | A  | B  | B  | C  | D  | E  | F  |   |                                       |                                 |      |   |                                 |      |                                     |                                 |      |                                  |                          |      |                  |      |                            |      |
| WINDOW SCHEDULE FOR TOWER 3 IN-SITU WINDOW   | J856-SD-IW-5305  | -         | A  | B  | C  | C  | D  | D  | D  |   |                                       |                                 |      |   |                                 |      |                                     |                                 |      |                                  |                          |      |                  |      |                            |      |
| WINDOW SCHEDULE FOR TOWER 3 IN-SITU WINDOW   | J856-SD-IW-5306  | -         | A  | B  | B  | C  | D  | E  | F  |   |                                       |                                 |      |   |                                 |      |                                     |                                 |      |                                  |                          |      |                  |      |                            |      |
| WINDOW SCHEDULE FOR TOWER 3 IN-SITU WINDOW   | J856-SD-IW-5307  | -         | A  | B  | B  | C  | C  | C  | C  |   |                                       |                                 |      |   |                                 |      |                                     |                                 |      |                                  |                          |      |                  |      |                            |      |
| WINDOW SCHEDULE FOR TOWER 3 IN-SITU WINDOW   | J856-SD-IW-5308  | -         | A  | B  | B  | C  | C  | C  | C  |   |                                       |                                 |      |   |                                 |      |                                     |                                 |      |                                  |                          |      |                  |      |                            |      |
| WINDOW SCHEDULE FOR TOWER 3 IN-SITU WINDOW   | J856-SD-IW-5309  | -         | A  | B  | B  | C  | C  | C  | C  |   |                                       |                                 |      |   |                                 |      |                                     |                                 |      |                                  |                          |      |                  |      |                            |      |
| WINDOW SCHEDULE FOR TOWER 3 IN-SITU WINDOW   | J856-SD-IW-5310  | -         | A  | B  | B  | C  | C  | C  | C  |   |                                       |                                 |      |   |                                 |      |                                     |                                 |      |                                  |                          |      |                  |      |                            |      |
| WINDOW SCHEDULE FOR TOWER 3 IN-SITU WINDOW   | J856-SD-IW-5311  | -         | A  | B  | B  | C  | D  | D  | E  |   |                                       |                                 |      |   |                                 |      |                                     |                                 |      |                                  |                          |      |                  |      |                            |      |
| WINDOW SCHEDULE FOR TOWER 3 IN-SITU WINDOW   | J856-SD-IW-5312  | -         |    | A  | B  | B  | C  | D  | E  |   |                                       |                                 |      |   |                                 |      |                                     |                                 |      |                                  |                          |      |                  |      |                            |      |
| WINDOW SCHEDULE FOR TOWER 3 IN-SITU WINDOW   | J856-SD-IW-5313  | -         |    | A  | B  | B  | C  | D  | E  |   |                                       |                                 |      |   |                                 |      |                                     |                                 |      |                                  |                          |      |                  |      |                            |      |
| WINDOW SCHEDULE FOR TOWER 3 IN-SITU WINDOW   | J856-SD-IW-5314  | -         |    | A  | B  | C  | D  | D  | D  |   |                                       |                                 |      |   |                                 |      |                                     |                                 |      |                                  |                          |      |                  |      |                            |      |
| WINDOW SCHEDULE FOR TOWER 3 IN-SITU WINDOW   | J856-SD-IW-5315  | -         |    | A  | B  | B  | C  | C  | D  |   |                                       |                                 |      |   |                                 |      |                                     |                                 |      |                                  |                          |      |                  |      |                            |      |
| WINDOW SCHEDULE FOR TOWER 3 IN-SITU WINDOW   | J856-SD-IW-5316  | -         |    | A  | B  | B  | B  | B  | B  |   |                                       |                                 |      |   |                                 |      |                                     |                                 |      |                                  |                          |      |                  |      |                            |      |
| WINDOW SCHEDULE FOR TOWER 3 IN-SITU WINDOW   | J856-SD-IW-5317  | -         |    | A  | A  | B  | C  | C  | D  |   |                                       |                                 |      |   |                                 |      |                                     |                                 |      |                                  |                          |      |                  |      |                            |      |
| WINDOW SCHEDULE FOR TOWER 3 IN-SITU WINDOW   | J856-SD-IW-5318  |           |    |    |    | -  | A  | A  | B  |   |                                       |                                 |      |   |                                 |      |                                     |                                 |      |                                  |                          |      |                  |      |                            |      |
| WINDOW SCHEDULE FOR TOWER 3 IN-SITU WINDOW   | J856-SD-IW-5319  |           |    |    |    | -  | A  | A  | C  |   |                                       |                                 |      |   |                                 |      |                                     |                                 |      |                                  |                          |      |                  |      |                            |      |
| WINDOW SCHEDULE FOR TOWER 3 IN-SITU WINDOW   | J856-SD-IW-5320  |           |    |    |    | -  | A  | A  | B  |   |                                       |                                 |      |   |                                 |      |                                     |                                 |      |                                  |                          |      |                  |      |                            |      |
| WINDOW SCHEDULE FOR TOWER 3 IN-SITU WINDOW   | J856-SD-IW-5321  |           |    |    |    |    |    |    | -  |   |                                       |                                 |      |   |                                 |      |                                     |                                 |      |                                  |                          |      |                  |      |                            |      |
| WINDOW SCHEDULE FOR TOWER IN-SITU LOUVER   | J856-SD-IW-5401  |           |    |    |    |    |    |    | -  |   |                                       |                                 |      |   |                                 |      |                                     |                                 |      |                                  |                          |      |                  |      |                            |      |
| WINDOW SCHEDULE FOR TOWER IN-SITU LOUVER   | J856-SD-IW-5402  |           |    |    |    |    |    |    | -  |   |                                       |                                 |      |   |                                 |      |                                     |                                 |      |                                  |                          |      |                  |      |                            |      |
| TYPICAL DETAILS FOR IN-SITU WINDOW   | J856-SD-IW-6001  | -         | -  | -  | A  | A  | B  | B  | B  |   |                                       |                                 |      |   |                                 |      |                                     |                                 |      |                                  |                          |      |                  |      |                            |      |
| TYPICAL DETAILS FOR IN-SITU WINDOW   | J856-SD-IW-6002  | -         | -  | -  | A  | A  | B  | B  | B  |   |                                       |                                 |      |   |                                 |      |                                     |                                 |      |                                  |                          |      |                  |      |                            |      |
| TYPICAL DETAILS FOR IN-SITU WINDOW   | J856-SD-IW-6003  | -         | -  | -  | A  | A  | B  | B  | B  |   |                                       |                                 |      |   |                                 |      |                                     |                                 |      |                                  |                          |      |                  |      |                            |      |
| TYPICAL DETAILS FOR IN-SITU WINDOW   | J856-SD-IW-6004  | -         | A  | B  | B  | C  | D  | D  | D  |   |                                       |                                 |      |   |                                 |      |                                     |                                 |      |                                  |                          |      |                  |      |                            |      |
| IN-SITU WINDOW SECTION TYPICAL LOCK & HINGES DETAIL  | J856-SD-IW-6005  | -         | A  | A  | A  | A  | A  | A  | A  |   |                                       |                                 |      |   |                                 |      |                                     |                                 |      |                                  |                          |      |                  |      |                            |      |
| TYPICAL DETAILS FOR IN-SITU WINDOW   | J856-SD-IW-6006  | -         | A  | A  | A  | B  | C  | C  | C  |   |                                       |                                 |      |   |                                 |      |                                     |                                 |      |                                  |                          |      |                  |      |                            |      |
| TYPICAL DETAILS FOR IN-SITU WINDOW   | J856-SD-IW-6007  | -         | A  | A  | A  | A  | A  | C  | C  |   |                                       |                                 |      |   |                                 |      |                                     |                                 |      |                                  |                          |      |                  |      |                            |      |
| IN-SITU WINDOW SECTION TYPICAL LOCK & HINGES DETAIL  | J856-SD-IW-6007a | -         | A  | A  | A  | A  | A  | A  | A  |   |                                       |                                 |      |   |                                 |      |                                     |                                 |      |                                  |                          |      |                  |      |                            |      |
| TYPICAL DETAILS FOR IN-SITU WINDOW   | J856-SD-IW-6008  |           |    |    |    | -  | A  | A  | A  |   |                                       |                                 |      |   |                                 |      |                                     |                                 |      |                                  |                          |      |                  |      |                            |      |
| TYPICAL DETAILS FOR IN-SITU WINDOW   | J856-SD-IW-6009  |           |    |    |    |    |    |    | -  |   |                                       |                                 |      |   |                                 |      |                                     |                                 |      |                                  |                          |      |                  |      |                            |      |
| TYPICAL DETAILS FOR IN-SITU WINDOW   | J856-SD-IW-7001  | -         | A  | B  | B  | B  | C  | C  | C  |   |                                       |                                 |      |   |                                 |      |                                     |                                 |      |                                  |                          |      |                  |      |                            |      |
| TYPICAL DETAILS FOR IN-SITU WINDOW   | J856-SD-IW-7002  | -         | A  | B  | B  | C  | D  | D  | D  |   |                                       |                                 |      |   |                                 |      |                                     |                                 |      |                                  |                          |      |                  |      |                            |      |
| TYPICAL DETAILS FOR IN-SITU WINDOW   | J856-SD-IW-7003  | -         | A  | B  | B  | C  | D  | D  | D  |   |                                       |                                 |      |   |                                 |      |                                     |                                 |      |                                  |                          |      |                  |      |                            |      |

|  |
|--|
| IN-HOUSE DESIGN CHECKER  |
|  |
| <br>Units 6-8, Sunray Industrial Centre, 1/F<br>610 Cha Kwo Ling Road, Kowloon<br>Tel:23489211-4 Fax:(852)2727666 |
| DWG NO. : J856-SD-IW-0002    REV. : G  |

# DRAWING SUBMISSION REGISTER

| <b>PROJECT:</b><br>PROPOSED DEVELOPMENT ABOVE<br>LIGHT RAIL TIN WING STOP, TSWTL<br>NO.23, AREA 33, TIN SHUI WAI, N.T.<br><br><b>TITLE:</b><br><br>IN-SITU WINDOW OF TOWER<br>SHOPDRAWING SUBMISSION | DATE OF ISSUE    |           |    |    |    |    |    |    |    |   | SUBMISSION STATE<br>(FOR B.D / A.S.D) |               |      | SUBMISSION STATE<br>(FOR CLIENT / CONSULTANT) |               |      | SUBMISSION STATE<br>(FOR ARCHITECT) |               |      | FABRICATION / CONSTRUCTION STATE |                          |      |                  |      |                            |      |
|--|------------------|-----------|----|----|----|----|----|----|----|---|---------------------------------------|---------------|------|---|---------------|------|-------------------------------------|---------------|------|----------------------------------|--------------------------|------|------------------|------|----------------------------|------|
|  | ISSUE            | 1         | 2  | 3  | 4  | 5  | 6  | 7  | 8  |   |                                       | AP - APPROVED |      |   | AP - APPROVED |      |                                     | AP - APPROVED |      |                                  | ISSUE TO<br>CHINA OFFICE |      | ISSUE TO<br>SITE |      | ISSUE TO<br>SUB-CONTRACTOR |      |
|  | DAY              | 29        | 16 | 24 | 13 | 24 | 1  | 27 | 29 |   | AC - APPROVED SUB. TO CONDITION       |               |      | AC - APPROVED SUB. TO CONDITION               |               |      | AC - APPROVED SUB. TO CONDITION     |               |      |                                  |                          |      |                  |      |                            |      |
|  | MONTH            | 4         | 11 | 11 | 1  | 6  | 8  | 8  | 11 |   | NA - NOT APPROVED                     |               |      | NA - NOT APPROVED                             |               |      | NA - NOT APPROVED                   |               |      |                                  |                          |      |                  |      |                            |      |
|  | YEAR             | 21        | 21 | 21 | 22 | 22 | 22 | 22 | 22 |   |                                       |               |      |   |               |      |                                     |               |      |                                  |                          |      |                  |      |                            |      |
| DRAWING TITLE  | DWG. NO.         | REVISIONS |    |    |    |    |    |    |    |   |                                       | COMMENT DATE  | REV. | STATE   | COMMENT DATE  | REV. | STATE                               | COMMENT DATE  | REV. | STATE                            | REV.                     | DATE | REV.             | DATE | REV.                       | DATE |
| G.M.S FIXING LUG TYPICAL DETAIL FOR IN-SITU WINDOW   | J856-SD-IW-7004  | -         | A  | A  | A  | A  | A  | A  | A  | A |                                       |               |      |   |               |      |                                     |               |      |                                  |                          |      |                  |      |                            |      |
| G.M.S FIXING LUG TYPICAL DETAIL FOR IN-SITU WINDOW   | J856-SD-IW-7005  | -         | A  | A  | A  | A  | A  | A  | A  | A |                                       |               |      |   |               |      |                                     |               |      |                                  |                          |      |                  |      |                            |      |
| TYPICAL DETAILS FOR IN-SITU WINDOW   | J856-SD-IW-7006  | -         | A  | B  | B  | B  | C  | C  | C  |   |                                       |               |      |   |               |      |                                     |               |      |                                  |                          |      |                  |      |                            |      |
| TYPICAL DETAILS FOR IN-SITU WINDOW   | J856-SD-IW-7007  | -         | A  | B  | B  | B  | B  | B  | B  |   |                                       |               |      |   |               |      |                                     |               |      |                                  |                          |      |                  |      |                            |      |
| TYPICAL DETAILS FOR IN-SITU WINDOW   | J856-SD-IW-7008  | -         | A  | B  | B  | C  | D  | D  | D  |   |                                       |               |      |   |               |      |                                     |               |      |                                  |                          |      |                  |      |                            |      |
| TYPICAL DETAILS FOR IN-SITU WINDOW   | J856-SD-IW-7008a |           |    |    |    |    |    |    |    | - |                                       |               |      |   |               |      |                                     |               |      |                                  |                          |      |                  |      |                            |      |
| IN-SITU. WINDOW SECTION TYPICAL LOCK & HINGES DETAIL   | J856-SD-IW-7009  | -         | A  | B  | B  | B  | B  | B  | B  |   |                                       |               |      |   |               |      |                                     |               |      |                                  |                          |      |                  |      |                            |      |
| TYPICAL DETAILS FOR IN-SITU WINDOW   | J856-SD-IW-7010  | -         | A  | B  | B  | B  | B  | B  | B  |   |                                       |               |      |   |               |      |                                     |               |      |                                  |                          |      |                  |      |                            |      |
| IN-SITU. WINDOW SECTION TYPICAL LOCK & HINGES DETAIL   | J856-SD-IW-7011  | -         | A  | B  | B  | B  | B  | B  | B  |   |                                       |               |      |   |               |      |                                     |               |      |                                  |                          |      |                  |      |                            |      |
| TYPICAL DETAILS FOR IN-SITU WINDOW   | J856-SD-IW-7012  | -         | A  | B  | B  | B  | B  | B  | B  |   |                                       |               |      |   |               |      |                                     |               |      |                                  |                          |      |                  |      |                            |      |
| IN-SITU. WINDOW SECTION TYPICAL LOCK & HINGES DETAIL   | J856-SD-IW-7013  | -         | A  | A  | A  | A  | A  | A  | A  |   |                                       |               |      |   |               |      |                                     |               |      |                                  |                          |      |                  |      |                            |      |
| IN-SITU. WINDOW SECTION TYPICAL LOCK & HINGES DETAIL   | J856-SD-IW-7014  | -         | A  | A  | A  | A  | A  | A  | B  | B |                                       |               |      |   |               |      |                                     |               |      |                                  |                          |      |                  |      |                            |      |
| IN-SITU. WINDOW SECTION TYPICAL LOCK & HINGES DETAIL   | J856-SD-IW-7015  | -         |    |    |    |    |    |    |    |   |                                       |               |      |   |               |      |                                     |               |      |                                  |                          |      |                  |      |                            |      |
| TYPICAL EARTHING BONDING DETAILS OF IN-SITU  | J856-SD-IW-7016  |           |    |    |    |    |    |    |    |   |                                       |               |      |   |               |      |                                     |               |      |                                  |                          |      |                  |      |                            |      |
| FIXING DETAILS OF IN-SITU  | J856-SD-IW-FD01  | -         |    |    |    |    | -  | A  | B  | B |                                       |               |      |   |               |      |                                     |               |      |                                  |                          |      |                  |      |                            |      |
| FIXING DETAILS OF IN-SITU  | J856-SD-IW-FD02  | -         |    |    |    |    | -  | A  | B  | B |                                       |               |      |   |               |      |                                     |               |      |                                  |                          |      |                  |      |                            |      |
| FIXING DETAILS OF IN-SITU  | J856-SD-IW-FD03  |           |    |    |    |    |    |    |    |   |                                       |               |      |   |               |      |                                     |               |      |                                  |                          |      |                  |      |                            |      |

IN-HOUSE DESIGN CHECKER

Units 6-8, Sunray Industrial Centre, 1/F  
 610 Cha Kwo Ling Road, Kowloon  
 Tel: 23489211-4 Fax: (852) 27727666

DWC NO. : J856-SD-IW-0003 REV. : G

# GENERAL NOTES FOR IN-SITU ALUM. WINDOW PAGE 1

## CODES AND STANDARDS

1. CODE OF PRACTICE ON WIND EFFECTS IN HONG KONG 2004.
2. CODE OF PRACTICE FOR DEAD AND IMPOSED LOADS 2011.
3. CODE OF PRACTICE FOR STRUCTURAL USE OF CONCRETE 2013.
4. CODE OF PRACTICE FOR THE STRUCTURAL USE OF STEEL 2011.
5. CODE OF PRACTICE FOR STRUCTURAL USE OF GLASS 2018.
6. STRUCTURAL USE OF ALUMINIUM, BS 8118-1:1991. (WIND LOAD FACTOR OF 1.4 FOR ALUMINIUM DESIGN TO PNP APP53)
7. BUILDING (CONSTRUCTION) REGULATIONS CAP 123.
8. APP37 CURTAIN WALL, WINDOW AND WINDOW WALL SYSTEM.
9. APP110 PROTECTIVE BARRIERS.
10. APP116 ALUMINIUM WINDOWS.

## DESIGN WIND LOAD

CODE OF PRACTICE ON WIND EFFECTS IN HONG KONG 2004.

|  |                  |
|--|------------------|
| HEIGHT ABOVE GROUND LEVEL              | VERTICAL SURFACE |
| BASIC WIND PRESSURE                    | <148.3m          |
| TOPOGRAPHY FACTOR (S <sub>o</sub> )    | 3.044kPa         |
| PRESSURE COEFFICIENT (C <sub>p</sub> ) | 1.00             |
| DESIGN WIND PRESSURE                   | +1.0/-1.4        |
|  | +3.044/-4.261kPa |

## IMPOSED LOAD ON PROTECTIVE BARRIERS (FOR DOMESTIC USE)

| CATEGORY   | LINE LOAD TO BE APPLIED AT A HEIGHT OF 1.1m ABOVE THE FLOOR LEVEL (kN/m) | UNIFORMLY DISTRIBUTED LOAD TO BE APPLIED ON THE INFILL BETWEEN FLOOR AND TOP RAIL (kPa) | CONCENTRATED LOAD TO BE APPLIED ON ANY PART OF THE INFILL BETWEEN FLOOR AND TOP RAIL (kN) |
|--|--|---|---|
| AREAS WHERE CONGREGATION OF PEOPLE IS NOT EXPECTED | 0.75   | 1.0   | 0.5   |

## STEEL

ALL STRUCTURAL STEEL SECTIONS SHALL BE GRADE S275 JO CLASS 1 WELDABLE STRUCTURAL STEEL AND COMPLYING WITH BS EN 10210 2006 FOR HOLLOW SECTION AND BS EN 10025 FOR OTHER SECTIONS.

ALL STRUCTURAL STEEL SHALL BE HOT-DIP GALVANIZED AND COMPLY WITH BS EN ISO 1461 WITH MIN 85 μm COATING THICKNESS.

ALL CUT/WELDED AREAS IN GALVANIZED STEEL SHALL BE MADE GOOD BY AT LEAST TWO COATS OF ZINC RICH PRIMER TO BS 4652.

|                          |                     |
|--------------------------|---------------------|
| DENSITY                  | 77kN/m <sup>3</sup> |
| YOUNG'S MODULUS          | 205,000MPa          |
| YIELD STRENGTH           | 275MPa              |
| MINIMUM TENSILE STRENGTH | 430MPa              |
| DESIGN STRENGTH (≤16mm)  | 275MPa              |
| DESIGN STRENGTH (≤40mm)  | 265MPa              |

## ALUMINIUM EXTRUSION

UNLESS OTHERWISE STATED, ALL ALUMINIUM EXTRUSIONS SHALL BE GRADE 6063-T6/6061-T6 AND COMPLY WITH BS EN 755-2 AND BS EN 573-3.

|                 |                       |
|-----------------|-----------------------|
| DENSITY         | 27.2kN/m <sup>3</sup> |
| YOUNG'S MODULUS | 70,000MPa             |

|                           | 6063-T6 | 6061-T6 | 6063-T5 |
|---------------------------|---------|---------|---------|
| 0.2% PROOF STRESS         | 160MPa  | 240MPa  | 110MPa  |
| MINIMUM TENSILE STRENGTH  | 215MPa  | 280MPa  | 150MPa  |
| LIMITING BENDING STRENGTH | 160MPa  | 240MPa  | 110MPa  |
| LIMITING TENSILE STRENGTH | 175MPa  | 260MPa  | 130MPa  |
| LIMITING SHEAR STRENGTH   | 95MPa   | 145MPa  | 65MPa   |

## FASTENERS/SCREWS

ALL STAINLESS STEEL SCREW AND BOLT SHALL BE GRADE 316 AND COMPLY WITH BS EN ISO 3506.

|                          |        |
|--------------------------|--------|
| 0.2% PROOF STRESS        | 450MPa |
| MINIMUM TENSILE STRENGTH | 700MPa |
| DESIGN TENSILE STRENGTH  | 450MPa |
| DESIGN SHEAR STRENGTH    | 311MPa |
| DESIGN BEARING STRENGTH  | 828MPa |

PROTECTION OF BI-METALLIC CORROSION (BITAMEN PAINT ECT.)

ALL EXPOSED SURFACE OF ALUM. EXTRUSION SHALL BE FINISHED WITH PVF2 COATING 40 MICRONS

ALL SCREWS SHALL BE M5 S.S SCREW SPACING @300c/c MAX. UNLESS OTHERWISE STATED.

## ANCHOR BOLT

1. ALL ANCHOR BOLT SHALL BE ACCORDING TO MANUFACTURER'S TECHNICAL DATA.
2. INSTALLATION OF ANCHOR BOLT FOLLOW WITH MANUFACTURER'S RECOMMENDATION.
3. FACTOR OF SAFETY = 3

| B.D. REF.                           | TYPE                                   | MINIMUM CONCRETE THICKNESS (mm) | EFFECTIVE ANCHORAGE DEPTH (mm) | MINIMUM EDGE DISTANCE (mm) | MINIMUM SPACING (mm) | RECOMMENDED TENSILE FORCE (KN) | RECOMMENDED SHEAR FORCE (KN) | PULL-OUT TEST LOAD (KN) | CONCRETE FACTOR          |
|-------------------------------------|--|---------------------------------|--------------------------------|----------------------------|----------------------|--------------------------------|------------------------------|-------------------------|--------------------------|
| BD-AF 149<br>(FOR CRACKED CONCRETE) | "HILTI" HST3-R M10 SAFETY ANCHOR BOLTS | 120                             | 60                             | 45                         | 40                   | 5.00                           | 8.40                         | 1.50 x 5.00<br>= 7.50   | 1.342 x 7.50<br>= 10.065 |

## GLASS

ALL GLASS PANELS SHALL BE COMPLIED WITH BS 952 AND DESIGN TO CODE OF PRACTICE FOR STRUCTURAL USE OF GLASS 2018.

IMPACT TEST TO BE COMPLIED WITH BS EN 12600( CLASS 1)

|                 |                     |
|-----------------|---------------------|
| DENSITY         | 26kN/m <sup>3</sup> |
| YOUNG'S MODULUS | 70,000MPa           |

ULTIMATE DESIGN STRENGTH OF GLASS

|                             |  |
|-----------------------------|--|
| HEAT STRENGTHENED GLASS(HS) | BENDING STRENGTH (SHORT TERM DURATION) |
| TEMPERED GLASS(TP)          | 40MPa                                  |
|                             | 80MPa                                  |

ALL TEMPERED GLASS SHALL COMPLY WITH HEAT SOAK TEST REQUIREMENT IN ACCORDANCE WITH PNP APP 37-2022.

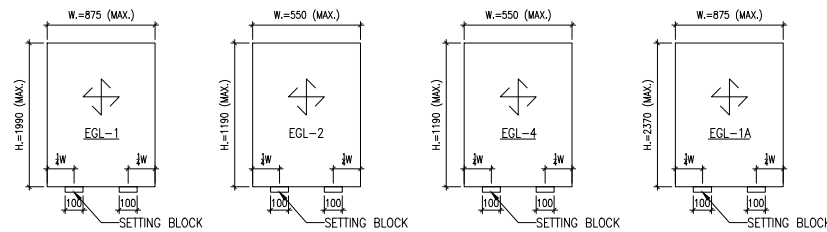
HEAT SOAK PROCESS CONFORMING TO BS EN 14179-1: 2016 AND COMPLYING WITH CODE OF PRACTICE FOR STRUCTURAL USE OF GLASS 2018 SHOULD BE CARRIED OUT.

EGL-1--8mmHS+12mm AIR GAP+10mmTP THK. I.G.U.

EGL-2--10mm THK. CLEAR TEMPERED GLASS

EGL-4--10mm THK. TEMPERED ACID ETCHED GLASS

EGL-1A-8mmHS+12mm AIR GAP+8mmTP THK. I.G.U.

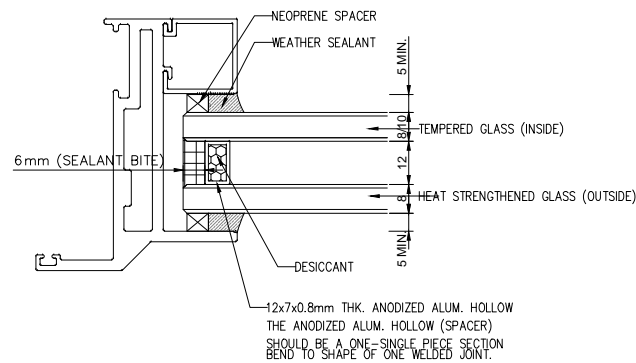


## TYPICAL GLASS DETAIL

FOR DOUBLE GLAZING GLASS UNIT (I.G.U)

QUALITY ASSURANCE DOCUMENT SUCH AS TEST REPORT / CERTIFICATES INDICATING COMPLES WITH ASTM E2190 OR EQUIVALENT WITH RESPECT TO THE SEAL PERFORMANCE.

FOR INSTALLING GLASS UNIT SHALL BE SUBMITTED BEFORE COMMENCEMENT OF WORK.



## IGU

### SEALANT, GASKET AND SETTING BLOCK

ALL STRUCTURAL SEALANT SHALL BE 'DOWSIL 983' (BD-SS001), ALLOWABLE STRESS = 138kPa.

ALL WEATHER SEALANT SHALL BE 'DOWSIL 791'.

ALL SETTING BLOCK SHALL BE SILICONE RUBBER WITH HARDNESS OF 85±5 SHORE A, MINIMUM 100mm IN LENGTH AT 1/4 SPAN UNLESS OTHERWISE STATED

ALL GASKET SHALL BE NEOPRENE OR SILICONE RUBBER WHEN IN CONTACT WITH SEALANT, WITH HARDNESS OF 65±5 SHORE A.

## ISOLATOR

PVC TAPE TO BE APPLIED BETWEEN DISSIMILAR METAL TO PREVENT BIMETALLIC CORROSION TO PD6484.

## STAINLESS STEEL

ALL STAINLESS STEEL SECTION BE OF GRADE 304 AND COMPLYING WITH BS EN 10088 PART 1-3 : 2005

|                         |                           |
|-------------------------|---------------------------|
| DENSITY                 | 8000kg/m <sup>3</sup>     |
| MODULES OF ELASTICITY   | 200,000 N/mm <sup>2</sup> |
| 0.2% PROOF STRENGTH     | 200 N/mm <sup>2</sup>     |
| TENSILE STRENGTH        | 530 N/mm <sup>2</sup>     |
| DESIGN BENDING STRENGTH | 200 N/mm <sup>2</sup>     |

## CONCRETE

ALL CONCRETE STRUCTURES SHOWN IN THIS SUBMISSION ARE FOR INFORMATION ONLY.

CONCRETE STRNGTH SHALL BE 45MPa. (MIN.)

## WELDING

ALL WELDING TO BE COMPLIED WITH BS EN 1011-1. DESIGN WELD STRENGTH = 220 MPa

ALL WELDING PROCEDURES TO COMPLY WITH BS EN ISO 15614.

ALL WELD TO BE 5mm THICK FILLET WELD ALL AROUND UNLESS OTHERWISE STATED.

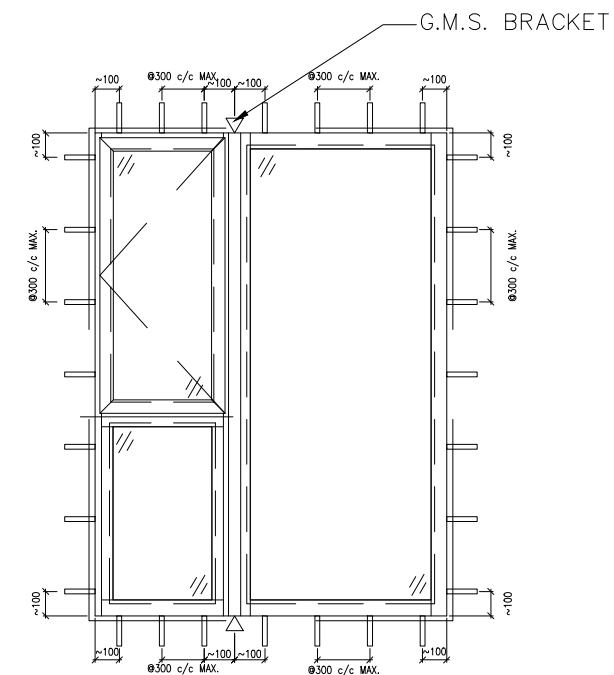
ALL WELD SHALL BE DONE BY QULIFIED WELDER TESTED TO BS EN 287-1.

## DRIVE PIN

DRIVE PIN TO BE "HILTI" X-U PB, DESIGN & INSTALLATION SHOULD BE COMPLIED WITH MANUFACTURER'S RECOMMENDATION RECOMMEND TENSILE OR SHEAR LOAD=1.6KN MIN. EMBED DEPTH=25mm FACTOR OF SAFETY=4.0

## FIXING LUG

THE SIZE OF S.S. FIXING LUG TO BE 1.5mm THK. AND SPACING @300mm C/C MAX. UNLESS OTHERS STATED.



TYP. DETAIL FOR FIXING LUG

B.D. REF :

CLIENT :



ARCHITECT :



MAIN CONTRACTOR :



STRUCTURAL ENGINEER :



FAÇADE CONSULTANT:



NOTE :

1. ALL DIMENSIONS ARE IN mm.
2. ALL ELEVATIONS ARE VIEWED FROM OUTSIDE.
3. ALL DIMENSIONS TO BE VERIFIED ON SITE BEFORE FABRICATION.

LEGEND :

| NO. | DATE | REVISED | BY |
|-----|------|---------|----|
|     |      |         |    |

JOB NO. : J-856

PROJECT : PROPOSED DEVELOPMENT ABOVE LIGHT RAIL TIN WING STOP,TSWTL NO.23,AREA 33,TIN SHUI WAI, N.T.

TITLE : GENERAL NOTES FOR ALUM. WINDOW

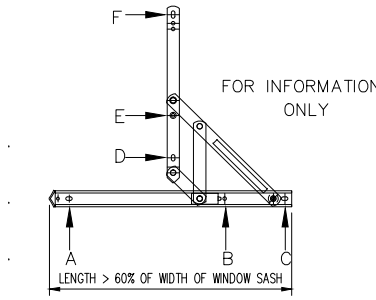
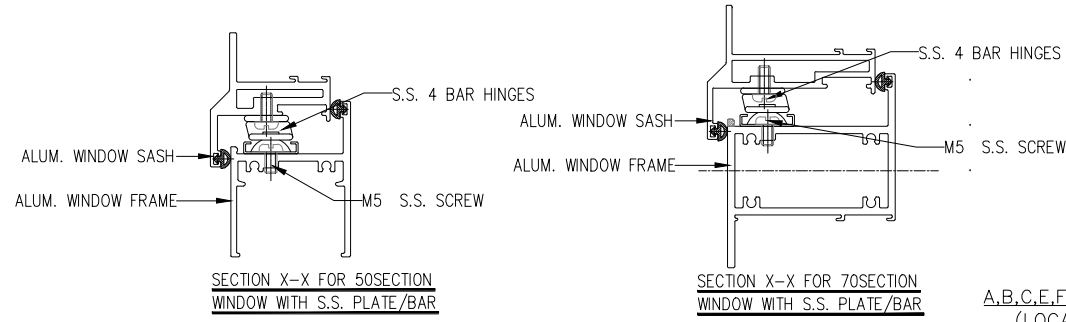
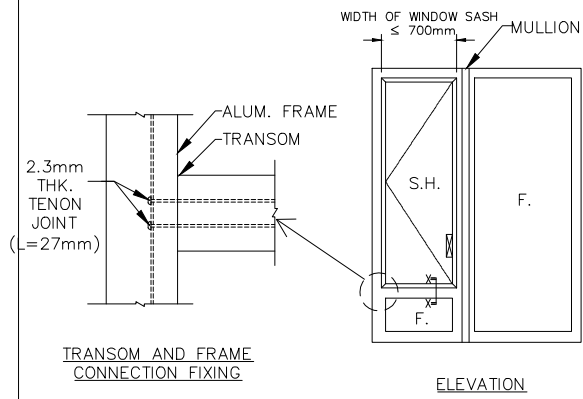
DATE : 18-Aug-22 SCALE : 1:3

DRAWN BY : Ivan CHECKED BY :

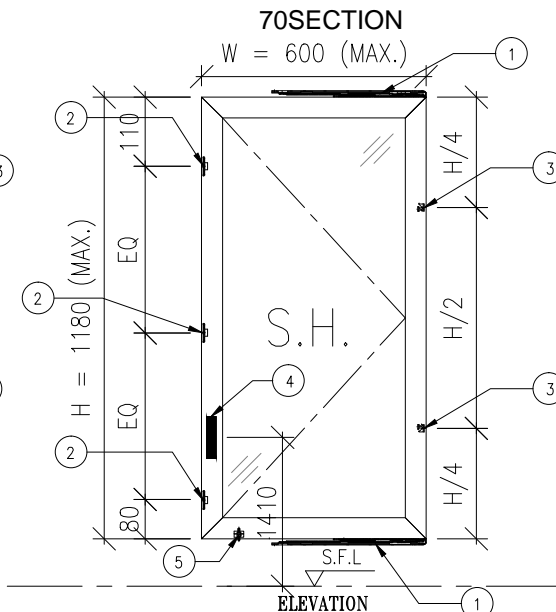
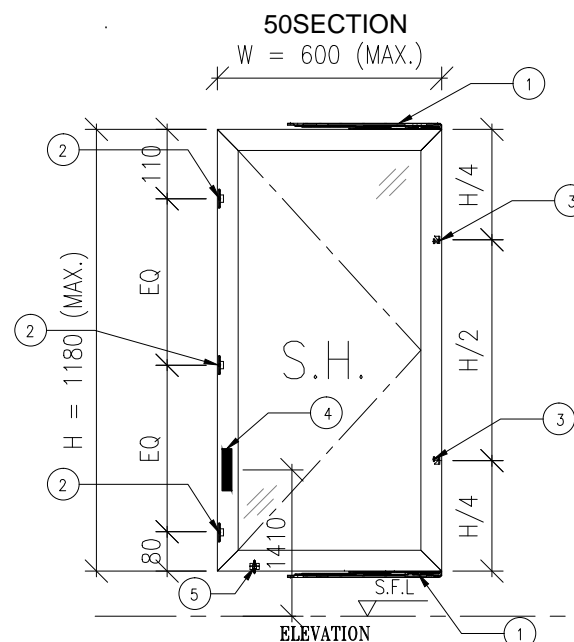
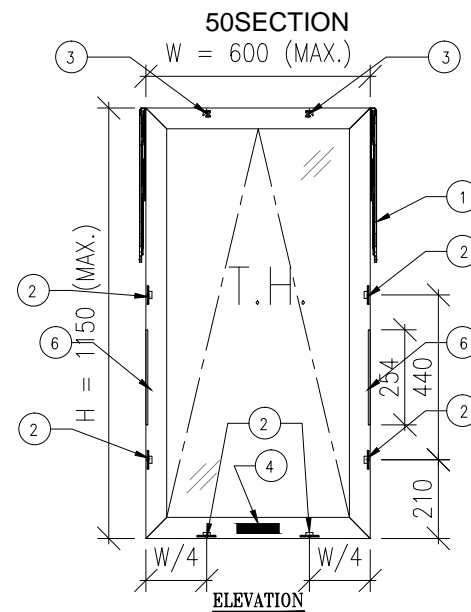
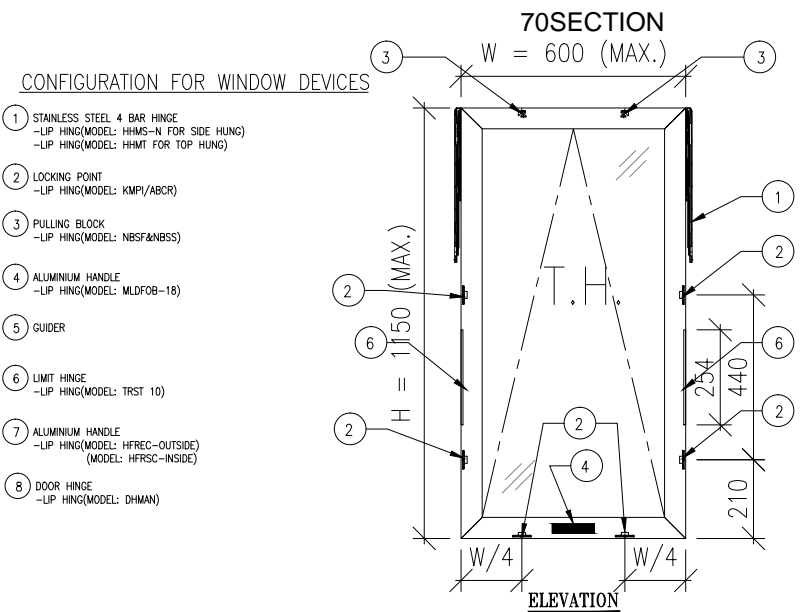
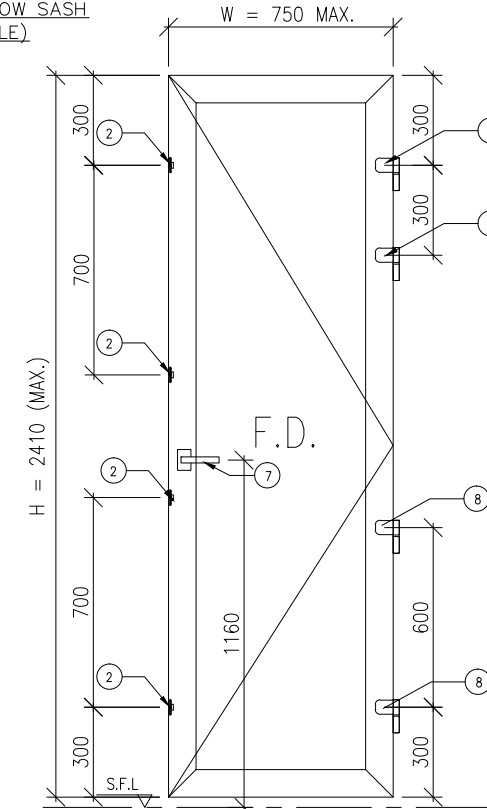
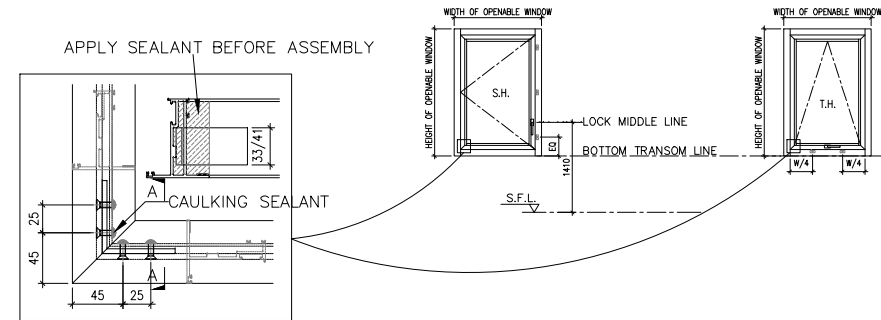
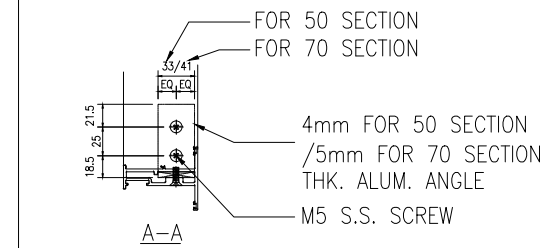


DWG NO. : J856-SD-IW-GN01 REV. : -

# GENERAL NOTES FOR IN-SITU ALUM. WINDOW PAGE 2



S.S. 4 BAR HINGE (LIP HING)  
 A,B,C,E,F-LOCATION FOR SCREW TO WINDOW FRAME/SASH  
 (LOCAL THICKENING BY S.S. PLATE/BAR(MIN.3mm))  
 D=LOCATION FOR SCREW TO WINDOW SASH  
 (LOCAL THICKENING BY ANGLE).



## CONFIGURATION FOR WINDOW DEVICES

- ① STAINLESS STEEL 4 BAR HINGE  
-LIP HING(MODEL: HHMS-N FOR SIDE HUNG)  
-LIP HING(MODEL: HHMT FOR TOP HUNG)
- ② LOCKING POINT  
-LIP HING(MODEL: KMP/ABCR)
- ③ PULLING BLOCK  
-LIP HING(MODEL: NBSF&NBSS)
- ④ ALUMINIUM HANDLE  
-LIP HING(MODEL: MLDF08-18)
- ⑤ GUIDER
- ⑥ LIMIT HINGE  
-LIP HING(MODEL: TRST 10)
- ⑦ ALUMINIUM HANDLE  
-LIP HING(MODEL: HFRSC-OUTSIDE)  
(MODEL: HFRSC-INSIDE)
- ⑧ DOOR HINGE  
-LIP HING(MODEL: DHMAN)

B.D. REF :

CLIENT :

**SUN HUNG KAI**  
 REAL ESTATE AGENCY LTD.  
 42/F SUN HUNG KAI CENTRE, WANCHAI, HONGKONG

ARCHITECT :

**IWK&partners**  
 architects

MAIN CONTRACTOR :

**Yee Fai** Building Contractors Ltd.

STRUCTURAL ENGINEER :

**ARUP**

FACADE CONSULTANT:

**ALPHA CONSULTING LIMITED**  
 Steel Structure & Facade Specialist

NOTE :

1. ALL DIMENSIONS ARE IN mm.
2. ALL ELEVATIONS ARE VIEWED FROM OUTSIDE.
3. ALL DIMENSIONS TO BE VERIFIED ON SITE BEFORE FABRICATION.

LEGEND :

| NO. | DATE | REVISED | BY |
|-----|------|---------|----|
|-----|------|---------|----|

JOB NO. : J-856

PROJECT : PROPOSED DEVELOPMENT ABOVE LIGHT RAIL TIN WING STOP, TSWTL NO.23, AREA 33, TIN SHUI WAI, N.T.

TITLE : GENERAL NOTES FOR ALUM. WINDOW

DATE : 18-Aug-22 SCALE : 1:3

DRAWN BY : Ivan CHECKED BY :

**美特铝质有限公司**  
**MIDI ALUMINIUM FABRICATOR LTD.**  
 Units 6-8, Sunray Industrial Centre, 1/F  
 610 Cha Kwo Ling Road, Kowloon  
 Tel:23489211-4 Fax:(852)2772666

DWG NO. : J856-SD-IW-GN02 REV. : -

MEMBER : IW-01  
GRADE : 6063-T6  
FINISH : PVF2 3-COATING

CKHK15860

REGIONS

| MASS PROPERTIES (UNIT)            | VALUES                    |
|-----------------------------------|---------------------------|
| Area (mm²)                        | 333.5                     |
| Perimeter (mm)                    | 302.8                     |
| Bounding Box - X (mm)             | -20.0 to 25.0             |
| Bounding Box - Y (mm)             | -39.8 to 30.2             |
| Centroid - X (mm)                 | 0.0                       |
| Centroid - Y (mm)                 | 0.0                       |
| Moments of Inertia - X (mm⁴)      | 250222.1                  |
| Moments of Inertia - Y (mm⁴)      | 28278.0                   |
| Product of Inertia - XY (mm⁴)     | -14043.1                  |
| Radius of Gyration - X (mm)       | 23.5                      |
| Radius of Gyration - Y (mm)       | 9.1                       |
| Principal moments along X-Y (mm⁴) | 252972.2 along (1.0 -0.1) |
| Principal moments along Y-X (mm⁴) | 25975.3 along (0.1 1.0)   |
| Elastic Modulus - Zx (mm²)        | I / y-max= 6071.7         |
| Elastic Modulus - Zy (mm²)        | I / x-max= 1148.8         |

MEMBER : IW-02  
GRADE : 6063-T6  
FINISH : PVF2 3-COATING

REGIONS

| MASS PROPERTIES (UNIT)            | VALUES                   |
|-----------------------------------|--------------------------|
| Area (mm²)                        | 336.4                    |
| Perimeter (mm)                    | 318.9                    |
| Bounding Box - X (mm)             | -26.1 to 27.9            |
| Bounding Box - Y (mm)             | -29.5 to 40.5            |
| Centroid - X (mm)                 | 0.0                      |
| Centroid - Y (mm)                 | 0.0                      |
| Moments of Inertia - X (mm⁴)      | 215308.1                 |
| Moments of Inertia - Y (mm⁴)      | 33679.8                  |
| Product of Inertia - XY (mm⁴)     | -4935.9                  |
| Radius of Gyration - X (mm)       | 25.5                     |
| Radius of Gyration - Y (mm)       | 12.1                     |
| Principal moments along X-Y (mm⁴) | 215442.2 along (1.0 0.0) |
| Principal moments along Y-X (mm⁴) | 33545.7 along (0.0 1.0)  |
| Elastic Modulus - Zx (mm²)        | I / y-max= 494.8         |
| Elastic Modulus - Zy (mm²)        | I / x-max= 1320.3        |

MEMBER : IW-03  
GRADE : 6063-T6  
FINISH : PVF2 3-COATING

REGIONS

| MASS PROPERTIES (UNIT)            | VALUES                   |
|-----------------------------------|--------------------------|
| Area (mm²)                        | 329.8                    |
| Perimeter (mm)                    | 316.3                    |
| Bounding Box - X (mm)             | -25.5 to 25.5            |
| Bounding Box - Y (mm)             | -26.4 to 43.6            |
| Centroid - X (mm)                 | 0.0                      |
| Centroid - Y (mm)                 | 0.0                      |
| Moments of Inertia - X (mm⁴)      | 215308.1                 |
| Moments of Inertia - Y (mm⁴)      | 33679.8                  |
| Product of Inertia - XY (mm⁴)     | -4935.9                  |
| Radius of Gyration - X (mm)       | 25.5                     |
| Radius of Gyration - Y (mm)       | 12.1                     |
| Principal moments along X-Y (mm⁴) | 215442.2 along (1.0 0.0) |
| Principal moments along Y-X (mm⁴) | 33545.7 along (0.0 1.0)  |
| Elastic Modulus - Zx (mm²)        | I / y-max= 494.8         |
| Elastic Modulus - Zy (mm²)        | I / x-max= 1320.3        |

MEMBER : IW-04  
GRADE : 6063-T6  
FINISH : PVF2 3-COATING

REGIONS

| MASS PROPERTIES (UNIT)            | VALUES                   |
|-----------------------------------|--------------------------|
| Area (mm²)                        | 329.8                    |
| Perimeter (mm)                    | 283.3                    |
| Bounding Box - X (mm)             | -16.4 to 16.4            |
| Bounding Box - Y (mm)             | -39.4 to 30.6            |
| Centroid - X (mm)                 | 0.0                      |
| Centroid - Y (mm)                 | 0.0                      |
| Moments of Inertia - X (mm⁴)      | 220211.8                 |
| Moments of Inertia - Y (mm⁴)      | 22472.3                  |
| Product of Inertia - XY (mm⁴)     | 24545.9                  |
| Radius of Gyration - X (mm)       | 26.7                     |
| Radius of Gyration - Y (mm)       | 8.3                      |
| Principal moments along X-Y (mm⁴) | 223242.2 along (1.0 0.1) |
| Principal moments along Y-X (mm⁴) | 17502.8 along (-0.1 1.0) |
| Elastic Modulus - Zx (mm²)        | I / y-max= 5285.5        |
| Elastic Modulus - Zy (mm²)        | I / x-max= 887.0         |

MEMBER : IW-05  
GRADE : 6063-T6  
FINISH : PVF2 3-COATING

REGIONS

| MASS PROPERTIES (UNIT)            | VALUES                       |
|-----------------------------------|------------------------------|
| Area (mm²)                        | 555.3                        |
| Perimeter (mm)                    | 411.2                        |
| Bounding Box - X (mm)             | -37.8 to 32.2                |
| Bounding Box - Y (mm)             | -34.5 to 30.5                |
| Centroid - X (mm)                 | 0.00                         |
| Centroid - Y (mm)                 | 0.00                         |
| Moments of Inertia - X (mm⁴)      | 129378.65                    |
| Moments of Inertia - Y (mm⁴)      | 43758.95                     |
| Product of Inertia - XY (mm⁴)     | -37320.77                    |
| Radius of Gyration - X (mm)       | 14.04                        |
| Radius of Gyration - Y (mm)       | 26.58                        |
| Principal moments along X-Y (mm⁴) | 126214.94 along (0.99 0.11)  |
| Principal moments along Y-X (mm⁴) | 441749.88 along (-0.11 0.99) |
| Elastic Modulus - Zx (mm²)        | I / y-max= 1167.28           |
| Elastic Modulus - Zy (mm²)        | I / x-max= 11587.58          |

MEMBER : IW-06  
GRADE : 6063-T6  
FINISH : PVF2 3-COATING

REGIONS

| MASS PROPERTIES (UNIT)            | VALUES                    |
|-----------------------------------|---------------------------|
| Area (mm²)                        | 1309.49                   |
| Perimeter (mm)                    | 896.62                    |
| Bounding Box - X (mm)             | -31.0 to 31.0             |
| Bounding Box - Y (mm)             | -70.9 to 68.1             |
| Centroid - X (mm)                 | 0.00                      |
| Centroid - Y (mm)                 | 0.00                      |
| Moments of Inertia - X (mm⁴)      | 284122.24                 |
| Moments of Inertia - Y (mm⁴)      | 58278.81                  |
| Product of Inertia - XY (mm⁴)     | 29218.8                   |
| Radius of Gyration - X (mm)       | 14.83                     |
| Radius of Gyration - Y (mm)       | 46.8                      |
| Principal moments along X-Y (mm⁴) | 214                       |
| Principal moments along Y-X (mm⁴) | 284122.24 along (1.0 0.0) |
| Principal moments along X-Y (mm⁴) | 58278.81 along (0.0 1.0)  |
| Elastic Modulus - Zx (mm²)        | I / y-max= 4953.1         |
| Elastic Modulus - Zy (mm²)        | I / x-max= 18873.04       |

MEMBER : IW-07  
GRADE : 6063-T6  
FINISH : PVF2 3-COATING

REGIONS

| MASS PROPERTIES (UNIT)            | VALUES                   |
|-----------------------------------|--------------------------|
| Area (mm²)                        | 400.9                    |
| Perimeter (mm)                    | 352.7                    |
| Bounding Box - X (mm)             | -46.2 to 33.8            |
| Bounding Box - Y (mm)             | -25.4 to 19.6            |
| Centroid - X (mm)                 | 0.0                      |
| Centroid - Y (mm)                 | 0.0                      |
| Moments of Inertia - X (mm⁴)      | 28329.2                  |
| Moments of Inertia - Y (mm⁴)      | 318343.6                 |
| Product of Inertia - XY (mm⁴)     | 29218.8                  |
| Radius of Gyration - X (mm)       | 8.5                      |
| Radius of Gyration - Y (mm)       | 28.7                     |
| Principal moments along X-Y (mm⁴) | 28384.4 along (1.0 -0.1) |
| Principal moments along Y-X (mm⁴) | 319288.1 along (0.1 1.0) |
| Elastic Modulus - Zx (mm²)        | I / y-max= 1155.4        |
| Elastic Modulus - Zy (mm²)        | I / x-max= 884.4         |

MEMBER : IW-08  
GRADE : 6063-T6  
FINISH : PVF2 3-COATING

REGIONS

| MASS PROPERTIES (UNIT)            | VALUES                   |
|-----------------------------------|--------------------------|
| Area (mm²)                        | 459.1                    |
| Perimeter (mm)                    | 411.6                    |
| Bounding Box - X (mm)             | -31.8 to 38.2            |
| Bounding Box - Y (mm)             | -33.6 to 31.4            |
| Centroid - X (mm)                 | 0.0                      |
| Centroid - Y (mm)                 | 0.0                      |
| Moments of Inertia - X (mm⁴)      | 98837.7                  |
| Moments of Inertia - Y (mm⁴)      | 37224.7                  |
| Product of Inertia - XY (mm⁴)     | 3212.1                   |
| Radius of Gyration - X (mm)       | 14.7                     |
| Radius of Gyration - Y (mm)       | 28.7                     |
| Principal moments along X-Y (mm⁴) | 95791.8 along (1.0 -0.1) |
| Principal moments along Y-X (mm⁴) | 38083.3 along (0.1 1.0)  |
| Elastic Modulus - Zx (mm²)        | I / y-max= 2886.9        |
| Elastic Modulus - Zy (mm²)        | I / x-max= 9878.0        |

MEMBER : IW-09  
GRADE : 6063-T6  
FINISH : PVF2 3-COATING

REGIONS

| MASS PROPERTIES (UNIT)            | VALUES                      |
|-----------------------------------|-----------------------------|
| Area (mm²)                        | 80.8                        |
| Perimeter (mm)                    | 563.7                       |
| Bounding Box - X (mm)             | -40.1 to 40.9               |
| Bounding Box - Y (mm)             | -40.1 to 40.9               |
| Centroid - X (mm)                 | 0.00                        |
| Centroid - Y (mm)                 | 0.00                        |
| Moments of Inertia - X (mm⁴)      | 23625.72                    |
| Moments of Inertia - Y (mm⁴)      | 44927.40                    |
| Product of Inertia - XY (mm⁴)     | -40199.06                   |
| Radius of Gyration - X (mm)       | 14.4                        |
| Radius of Gyration - Y (mm)       | 36.2                        |
| Principal moments along X-Y (mm⁴) | 118883.31 along (0.98 0.2)  |
| Principal moments along Y-X (mm⁴) | 51304.15 along (-0.22 0.98) |
| Elastic Modulus - Zx (mm²)        | I / y-max= 467.9            |
| Elastic Modulus - Zy (mm²)        | I / x-max= 1318.8           |

MEMBER : IW-10  
GRADE : 6063-T6  
FINISH : PVF2 3-COATING

REGIONS

| MASS PROPERTIES (UNIT)            | VALUES                     |
|-----------------------------------|----------------------------|
| Area (mm²)                        | 92.59                      |
| Perimeter (mm)                    | 115.17                     |
| Bounding Box - X (mm)             | -12.6 to 12.6              |
| Bounding Box - Y (mm)             | -11.64 to 3.85             |
| Centroid - X (mm)                 | 0.00                       |
| Centroid - Y (mm)                 | 0.00                       |
| Moments of Inertia - X (mm⁴)      | 1009.18                    |
| Moments of Inertia - Y (mm⁴)      | 5887.55                    |
| Product of Inertia - XY (mm⁴)     | -1133.63                   |
| Radius of Gyration - X (mm)       | 3.30                       |
| Radius of Gyration - Y (mm)       | 12.7                       |
| Principal moments along X-Y (mm⁴) | 758.61 along (0.98 0.2)    |
| Principal moments along Y-X (mm⁴) | 6138.29 along (-0.22 0.98) |
| Elastic Modulus - Zx (mm²)        | I / y-max= 84.9            |
| Elastic Modulus - Zy (mm²)        | I / x-max= 440.8           |

MEMBER : IW-11  
GRADE : 6063-T6  
FINISH : PVF2 3-COATING

REGIONS

| MASS PROPERTIES (UNIT)            | VALUES                      |
|-----------------------------------|-----------------------------|
| Area (mm²)                        | 436.6                       |
| Perimeter (mm)                    | 800.9                       |
| Bounding Box - X (mm)             | -39.0 to 50.0               |
| Bounding Box - Y (mm)             | -23.6 to 26.4               |
| Centroid - X (mm)                 | 0.00                        |
| Centroid - Y (mm)                 | 0.00                        |
| Moments of Inertia - X (mm⁴)      | 240342.76                   |
| Moments of Inertia - Y (mm⁴)      | 473561.81                   |
| Product of Inertia - XY (mm⁴)     | 184                         |
| Radius of Gyration - X (mm)       | 18.8                        |
| Radius of Gyration - Y (mm)       | 33.8                        |
| Principal moments along X-Y (mm⁴) | 474711.8 along (0.98 0.18)  |
| Principal moments along Y-X (mm⁴) | 18949.58 along (-0.18 0.98) |
| Elastic Modulus - Zx (mm²)        | I / y-max= 12402.0          |
| Elastic Modulus - Zy (mm²)        | I / x-max= 5141.05          |

MEMBER : IW-12  
GRADE : 6063-T6  
FINISH : PVF2 3-COATING

REGIONS

| MASS PROPERTIES (UNIT)            | VALUES                      |
|-----------------------------------|-----------------------------|
| Area (mm²)                        | 618.82                      |
| Perimeter (mm)                    | 548.4                       |
| Bounding Box - X (mm)             | -40.5 to 34.5               |
| Bounding Box - Y (mm)             | -37.6 to 30.4               |
| Centroid - X (mm)                 | 0.00                        |
| Centroid - Y (mm)                 | 0.00                        |
| Moments of Inertia - X (mm⁴)      | 465625.05                   |
| Moments of Inertia - Y (mm⁴)      | 208262.79                   |
| Product of Inertia - XY (mm⁴)     | 48368.18                    |
| Radius of Gyration - X (mm)       | 27.41                       |
| Radius of Gyration - Y (mm)       | 18.33                       |
| Principal moments along X-Y (mm⁴) | 474711.8 along (0.98 0.18)  |
| Principal moments along Y-X (mm⁴) | 18949.58 along (-0.18 0.98) |
| Elastic Modulus - Zx (mm²)        | I / y-max= 12402.0          |
| Elastic Modulus - Zy (mm²)        | I / x-max= 5141.05          |

MEMBER : IW-13  
GRADE : 6063-T6  
FINISH : PVF2 3-COATING

REGIONS

| MASS PROPERTIES (UNIT)            | VALUES                       |
|-----------------------------------|------------------------------|
| Area (mm²)                        | 684.29                       |
| Perimeter (mm)                    | 627.63                       |
| Bounding Box - X (mm)             | -46.1 to 45.9                |
| Bounding Box - Y (mm)             | -39.3 to 30.7                |
| Centroid - X (mm)                 | 0.00                         |
| Centroid - Y (mm)                 | 0.00                         |
| Moments of Inertia - X (mm⁴)      | 507448.26                    |
| Moments of Inertia - Y (mm⁴)      | 348855.50                    |
| Product of Inertia - XY (mm⁴)     | 7184.26                      |
| Radius of Gyration - X (mm)       | 27.23                        |
| Radius of Gyration - Y (mm)       | 22.27                        |
| Principal moments along X-Y (mm⁴) | 507973.83 along (1.00 0.00)  |
| Principal moments along Y-X (mm⁴) | 348311.22 along (-0.00 1.00) |
| Elastic Modulus - Zx (mm²)        | I / y-max= 12913.44          |
| Elastic Modulus - Zy (mm²)        | I / x-max= 7549.26           |

MEMBER : IW-14  
GRADE : 6063-T6  
FINISH : PVF2 3-COATING

REGIONS

| MASS PROPERTIES (UNIT)            | VALUES                      |
|-----------------------------------|-----------------------------|
| Area (mm²)                        | 149.68                      |
| Perimeter (mm)                    | 182.8                       |
| Bounding Box - X (mm)             | -13.7 to 13.3               |
| Bounding Box - Y (mm)             | -13.3 to 8.72               |
| Centroid - X (mm)                 | 0.00                        |
| Centroid - Y (mm)                 | 0.00                        |
| Moments of Inertia - X (mm⁴)      | 5758.44                     |
| Moments of Inertia - Y (mm⁴)      | 1162.16                     |
| Product of Inertia - XY (mm⁴)     | 265.84                      |
| Radius of Gyration - X (mm)       | 7.85                        |
| Radius of Gyration - Y (mm)       | 10.9                        |
| Principal moments along X-Y (mm⁴) | 57462.57 along (1.00 -0.00) |
| Principal moments along Y-X (mm⁴) | 11235.12 along (0.00 1.00)  |
| Elastic Modulus - Zx (mm²)        | I / y-max= 433.4            |
| Elastic Modulus - Zy (mm²)        | I / x-max= 833.4            |

MEMBER : IW-15  
GRADE : 6063-T6  
FINISH : PVF2 3-COATING

REGIONS

| MASS PROPERTIES (UNIT)            | VALUES                    |
|-----------------------------------|---------------------------|
| Area (mm²)                        | 85.54                     |
| Perimeter (mm)                    | 148.68                    |
| Bounding Box - X (mm)             | -10.0 to 10.49            |
| Bounding Box - Y (mm)             | -11.56 to 8.54            |
| Centroid - X (mm)                 | 0.00                      |
| Centroid - Y (mm)                 | 0.00                      |
| Moments of Inertia - X (mm⁴)      | 4731.50                   |
| Moments of Inertia - Y (mm⁴)      | 5880.84                   |
| Product of Inertia - XY (mm⁴)     | 4.13                      |
| Radius of Gyration - X (mm)       | 7.44                      |
| Radius of Gyration - Y (mm)       | 8.36                      |
| Principal moments along X-Y (mm⁴) | 4731.49 along (1.00 0.00) |
| Principal moments along Y-X (mm⁴) | 5880.84 along (0.00 1.00) |
| Elastic Modulus - Zx (mm²)        | I / y-max= 409.46         |
| Elastic Modulus - Zy (mm²)        | I / x-max= 569.02         |

MEMBER : IW-16  
GRADE : 6063-T6  
FINISH :

REGIONS

| MASS PROPERTIES (UNIT)            | VALUES                     |
|-----------------------------------|----------------------------|
| Area (mm²)                        | 88.71                      |
| Perimeter (mm)                    | 120.18                     |
| Bounding Box - X (mm)             | -14.46 to 14.54            |
| Bounding Box - Y (mm)             | -13.17 to 8.83             |
| Centroid - X (mm)                 | 0.00                       |
| Centroid - Y (mm)                 | 0.00                       |
| Moments of Inertia - X (mm⁴)      | 6302.03                    |
| Moments of Inertia - Y (mm⁴)      | 13204.86                   |
| Product of Inertia - XY (mm⁴)     | 10.60                      |
| Radius of Gyration - X (mm)       | 7.99                       |
| Radius of Gyration - Y (mm)       | 11.70                      |
| Principal moments along X-Y (mm⁴) | 6302.02 along (1.00 0.00)  |
| Principal moments along Y-X (mm⁴) | 13204.88 along (0.00 1.00) |
| Elastic Modulus - Zx (mm²)        | I / y-max= 478.38          |
| Elastic Modulus - Zy (mm²)        | I / x-max= 628.83          |

B.D. REF :

CLIENT :  
**SUN HUNG KAI**  
REAL ESTATE AGENCY LTD.  
42/F SUN HUNG KAI CENTRE, WANCHAI, HONGKONG

ARCHITECT :  
**Iwk&partners**  
architects

MAIN CONTRACTOR :  
**Yee Fai** Building Contractors Ltd.

STRUCTURAL ENGINEER :  
**ARUP**

FAÇADE CONSULTANT:  
**ALPHA CONSULTING LIMITED**  
Steel Structure & Façade Specialist

NOTE :  
1. ALL DIMENSIONS ARE IN MM.  
2. ALL ELEVATIONS ARE VIEWED FROM OUTSIDE.  
3. ALL DIMENSIONS TO BE VERIFIED ON SITE BEFORE FABRICATION.

LEGEND :  
X1 --- DETAIL MARK NO.  
X001 --- REFER SHEET NO.

1. F.F.L. --- FINISHED FLOOR LEVEL  
2. S.F.L. --- STRUCTURAL FLOOR LEVEL  
3. (R) --- REVERSED DETAIL  
4. GLASS LEGEND  
EGL-1 --- 8mmHS+12mm AIR GAP+10mmTP THK. I.G.U.  
EGL-1A --- 8mmHS+12mm AIR GAP+8mmTP THK. I.G.U.  
EGL-2 --- 10mm THK. CLEAR TEMPERED GLASS  
EGL-4 --- 10mm THK. TEMPERED ACID ETCHED GLASS

| A NO. | DATE | REVISION SUBJECT TO ARCH.COMMENT | ISSUED BY |
|-------|------|----------------------------------|-----------|
|-------|------|----------------------------------|-----------|

JOB NO. : J-856  
PROJECT : PROPOSED DEVELOPMENT ABOVE LIGHT RAIL TIN WING STOP, TSWTL NO.23, AREA 33, TIN SHUI WAI, N.T.

TITLE : DIE LIST FOR IN-SITU WINDOW

DATE : 02-Aug-21 SCALE : 1:40  
DRAWN BY : Ivan CHECKED BY :

**美特鋁質有限公司**  
MIDI ALUMINIUM FABRICATOR LTD.  
Units 6-8, Sunray Industrial Centre, 1/F  
610 Cha Kwo Ling Road, Kowloon  
Tel: 23489211-4 Fax: (852) 27727666  
DWG NO. : J856-SD-IW-1101 REV. : A

MEMBER : IW-17  
GRADE : 6063-T6  
FINISH : PVF2 3-COATING

**PROPERTIES**

| MASS PROPERTIES (UNIT)                           | VALUES                       |
|--|------------------------------|
| Area (mm <sup>2</sup> ) :                        | 792.24                       |
| Perimeter (mm) :                                 | 857.56                       |
| Bounding Box - X (mm) :                          | -52.56 to 62.42              |
| Bounding Box - Y (mm) :                          | -17.98 to 23.38              |
| Centroid - X (mm) :                              | 0.00                         |
| Centroid - Y (mm) :                              | 0.00                         |
| Moments of inertia - X (mm <sup>4</sup> ) :      | 65944.12                     |
| Moments of inertia - Y (mm <sup>4</sup> ) :      | 1042991.35                   |
| Product of inertia - XY (mm <sup>4</sup> ) :     | 22107.78                     |
| Radius of gyration - X (mm) :                    | 9.43                         |
| Radius of gyration - Y (mm) :                    | 37.49                        |
| Principal moments along X-Y (mm <sup>4</sup> ) : | 65444.59 along [1.00 -0.32]  |
| Principal moments along X-Y (mm <sup>4</sup> ) : | 1043391.38 along [0.39 0.80] |
| Elastic Modulus - 2x (mm <sup>2</sup> ) :        | 1 / I y-max= 2921.13         |
| Elastic Modulus - 2y (mm <sup>2</sup> ) :        | 1 / I x-max= 14707.30        |

MEMBER : IW-18  
GRADE : 6063-T6  
FINISH : PVF2 3-COATING

**PROPERTIES**

| MASS PROPERTIES (UNIT)                           | VALUES                      |
|--|-----------------------------|
| Area (mm <sup>2</sup> ) :                        | 291.59                      |
| Perimeter (mm) :                                 | 361.21                      |
| Bounding Box - X (mm) :                          | -48.26 to 17.25             |
| Bounding Box - Y (mm) :                          | -17.98 to 43.44             |
| Centroid - X (mm) :                              | 0.00                        |
| Centroid - Y (mm) :                              | 0.00                        |
| Moments of inertia - X (mm <sup>4</sup> ) :      | 14482.28                    |
| Moments of inertia - Y (mm <sup>4</sup> ) :      | 86307.07                    |
| Product of inertia - XY (mm <sup>4</sup> ) :     | -43007.68                   |
| Radius of gyration - X (mm) :                    | 21.29                       |
| Radius of gyration - Y (mm) :                    | 17.99                       |
| Principal moments along X-Y (mm <sup>4</sup> ) : | 18145.43 along [0.80 -0.59] |
| Principal moments along X-Y (mm <sup>4</sup> ) : | 49832.92 along [0.39 0.80]  |
| Elastic Modulus - 2x (mm <sup>2</sup> ) :        | 1 / I y-max= 3124.37        |
| Elastic Modulus - 2y (mm <sup>2</sup> ) :        | 1 / I x-max= 1995.72        |

MEMBER : IW-19  
GRADE : 6063-T6  
FINISH : PVF2 3-COATING

**PROPERTIES**

| MASS PROPERTIES (UNIT)                           | VALUES                     |
|--|----------------------------|
| Area (mm <sup>2</sup> ) :                        | 99.28                      |
| Perimeter (mm) :                                 | 122.31                     |
| Bounding Box - X (mm) :                          | -15.73 to 11.39            |
| Bounding Box - Y (mm) :                          | -8.89 to 10.63             |
| Centroid - X (mm) :                              | 0.00                       |
| Centroid - Y (mm) :                              | 0.00                       |
| Moments of inertia - X (mm <sup>4</sup> ) :      | 2823.69                    |
| Moments of inertia - Y (mm <sup>4</sup> ) :      | 5584.24                    |
| Product of inertia - XY (mm <sup>4</sup> ) :     | 263.58                     |
| Radius of gyration - X (mm) :                    | 5.33                       |
| Radius of gyration - Y (mm) :                    | 7.50                       |
| Principal moments along X-Y (mm <sup>4</sup> ) : | 2796.25 along [1.00 -0.59] |
| Principal moments along X-Y (mm <sup>4</sup> ) : | 5429.18 along [0.20 1.00]  |
| Elastic Modulus - 2x (mm <sup>2</sup> ) :        | 1 / I y-max= 265.53        |
| Elastic Modulus - 2y (mm <sup>2</sup> ) :        | 1 / I x-max= 494.55        |

MEMBER : IW-20  
GRADE : 6063-T6  
FINISH : PVF2 3-COATING

**PROPERTIES**

| MASS PROPERTIES (UNIT)                           | VALUES                     |
|--|----------------------------|
| Area (mm <sup>2</sup> ) :                        | 73.68                      |
| Perimeter (mm) :                                 | 89.72                      |
| Bounding Box - X (mm) :                          | -5.07 to 13.83             |
| Bounding Box - Y (mm) :                          | -19.15 to 10.85            |
| Centroid - X (mm) :                              | 0.00                       |
| Centroid - Y (mm) :                              | 0.00                       |
| Moments of inertia - X (mm <sup>4</sup> ) :      | 6670.95                    |
| Moments of inertia - Y (mm <sup>4</sup> ) :      | 2255.74                    |
| Product of inertia - XY (mm <sup>4</sup> ) :     | -250.40                    |
| Radius of gyration - X (mm) :                    | 9.51                       |
| Radius of gyration - Y (mm) :                    | 5.53                       |
| Principal moments along X-Y (mm <sup>4</sup> ) : | 6044.51 along [0.90 -0.44] |
| Principal moments along X-Y (mm <sup>4</sup> ) : | 842.22 along [0.44 0.90]   |
| Elastic Modulus - 2x (mm <sup>2</sup> ) :        | 1 / I y-max= 348.32        |
| Elastic Modulus - 2y (mm <sup>2</sup> ) :        | 1 / I x-max= 161.24        |

MEMBER : IW-21  
GRADE : 6063-T6  
FINISH : PVF2 3-COATING

**PROPERTIES**

| MASS PROPERTIES (UNIT)                           | VALUES                    |
|--|---------------------------|
| Area (mm <sup>2</sup> ) :                        | 47.84                     |
| Perimeter (mm) :                                 | 97.86                     |
| Bounding Box - X (mm) :                          | -9.25 to 5.30             |
| Bounding Box - Y (mm) :                          | -11.64 to 9.87            |
| Centroid - X (mm) :                              | 0.00                      |
| Centroid - Y (mm) :                              | 0.00                      |
| Moments of inertia - X (mm <sup>4</sup> ) :      | 2012.74                   |
| Moments of inertia - Y (mm <sup>4</sup> ) :      | 855.75                    |
| Product of inertia - XY (mm <sup>4</sup> ) :     | 101.91                    |
| Radius of gyration - X (mm) :                    | 6.49                      |
| Radius of gyration - Y (mm) :                    | 4.15                      |
| Principal moments along X-Y (mm <sup>4</sup> ) : | 2012.74 along [1.00 0.00] |
| Principal moments along X-Y (mm <sup>4</sup> ) : | 855.75 along [0.00 1.00]  |
| Elastic Modulus - 2x (mm <sup>2</sup> ) :        | 1 / I y-max= 172.81       |
| Elastic Modulus - 2y (mm <sup>2</sup> ) :        | 1 / I x-max= 155.90       |

MEMBER : IW-22  
GRADE : 6063-T6  
FINISH : PVF2 3-COATING

**PROPERTIES**

| MASS PROPERTIES (UNIT)                           | VALUES                    |
|--|---------------------------|
| Area (mm <sup>2</sup> ) :                        | 80.74                     |
| Perimeter (mm) :                                 | 140.64                    |
| Bounding Box - X (mm) :                          | -9.39 to 9.61             |
| Bounding Box - Y (mm) :                          | -28.77 to 8.97            |
| Centroid - X (mm) :                              | 0.00                      |
| Centroid - Y (mm) :                              | 0.00                      |
| Moments of inertia - X (mm <sup>4</sup> ) :      | 115827.9                  |
| Moments of inertia - Y (mm <sup>4</sup> ) :      | 28615.8                   |
| Product of inertia - XY (mm <sup>4</sup> ) :     | -11295.5                  |
| Radius of gyration - X (mm) :                    | 35.1                      |
| Radius of gyration - Y (mm) :                    | 16.76                     |
| Principal moments along X-Y (mm <sup>4</sup> ) : | 119217.2 along [1.0 -0.2] |
| Principal moments along X-Y (mm <sup>4</sup> ) : | 25205.25 along [0.2 1.0]  |
| Elastic Modulus - 2x (mm <sup>2</sup> ) :        | 1 / I y-max= 402.1        |
| Elastic Modulus - 2y (mm <sup>2</sup> ) :        | 1 / I x-max= 1131.8       |

MEMBER : IW-23  
GRADE : 6063-T6  
FINISH : PVF2 3-COATING

**PROPERTIES**

| MASS PROPERTIES (UNIT)                           | VALUES                    |
|--|---------------------------|
| Area (mm <sup>2</sup> ) :                        | 287.6                     |
| Perimeter (mm) :                                 | 262.4                     |
| Bounding Box - X (mm) :                          | -19.7 to 25.3             |
| Bounding Box - Y (mm) :                          | -28.77 to 21.3            |
| Centroid - X (mm) :                              | 0.0                       |
| Centroid - Y (mm) :                              | 0.0                       |
| Moments of inertia - X (mm <sup>4</sup> ) :      | 115827.9                  |
| Moments of inertia - Y (mm <sup>4</sup> ) :      | 28615.8                   |
| Product of inertia - XY (mm <sup>4</sup> ) :     | -11295.5                  |
| Radius of gyration - X (mm) :                    | 35.1                      |
| Radius of gyration - Y (mm) :                    | 16.76                     |
| Principal moments along X-Y (mm <sup>4</sup> ) : | 119217.2 along [1.0 -0.2] |
| Principal moments along X-Y (mm <sup>4</sup> ) : | 25205.25 along [0.2 1.0]  |
| Elastic Modulus - 2x (mm <sup>2</sup> ) :        | 1 / I y-max= 402.1        |
| Elastic Modulus - 2y (mm <sup>2</sup> ) :        | 1 / I x-max= 1131.8       |

MEMBER : IW-24  
GRADE : 6063-T6  
FINISH : PVF2 3-COATING

**PROPERTIES**

| MASS PROPERTIES (UNIT)                           | VALUES                       |
|--|------------------------------|
| Area (mm <sup>2</sup> ) :                        | 448.79                       |
| Perimeter (mm) :                                 | 348.79                       |
| Bounding Box - X (mm) :                          | -28.07 to 27.93              |
| Bounding Box - Y (mm) :                          | -20.77 to 29.23              |
| Centroid - X (mm) :                              | 0.00                         |
| Centroid - Y (mm) :                              | 0.00                         |
| Moments of inertia - X (mm <sup>4</sup> ) :      | 109165.85                    |
| Moments of inertia - Y (mm <sup>4</sup> ) :      | 42756.51                     |
| Product of inertia - XY (mm <sup>4</sup> ) :     | -11294.10                    |
| Radius of gyration - X (mm) :                    | 15.60                        |
| Radius of gyration - Y (mm) :                    | 13.76                        |
| Principal moments along X-Y (mm <sup>4</sup> ) : | 112713.62 along [0.98 -0.23] |
| Principal moments along X-Y (mm <sup>4</sup> ) : | 39208.74 along [0.22 0.98]   |
| Elastic Modulus - 2x (mm <sup>2</sup> ) :        | 1 / I y-max= 134.14          |
| Elastic Modulus - 2y (mm <sup>2</sup> ) :        | 1 / I x-max= 153.58          |

MEMBER : IW-25  
GRADE : 6063-T6  
FINISH : PVF2 3-COATING

**PROPERTIES**

| MASS PROPERTIES (UNIT)                           | VALUES                       |
|--|------------------------------|
| Area (mm <sup>2</sup> ) :                        | 792.85                       |
| Perimeter (mm) :                                 | 858.01                       |
| Bounding Box - X (mm) :                          | -45.95 to 34.05              |
| Bounding Box - Y (mm) :                          | -35.56 to 30.92              |
| Centroid - X (mm) :                              | 0.00                         |
| Centroid - Y (mm) :                              | 0.00                         |
| Moments of inertia - X (mm <sup>4</sup> ) :      | 165118.82                    |
| Moments of inertia - Y (mm <sup>4</sup> ) :      | 157464.83                    |
| Product of inertia - XY (mm <sup>4</sup> ) :     | 40755.20                     |
| Radius of gyration - X (mm) :                    | 14.38                        |
| Radius of gyration - Y (mm) :                    | 20.78                        |
| Principal moments along X-Y (mm <sup>4</sup> ) : | 181288.82 along [1.00 -0.10] |
| Principal moments along X-Y (mm <sup>4</sup> ) : | 157494.73 along [0.10 1.00]  |
| Elastic Modulus - 2x (mm <sup>2</sup> ) :        | 1 / I y-max= 446.89          |
| Elastic Modulus - 2y (mm <sup>2</sup> ) :        | 1 / I x-max= 12479.20        |

MEMBER : IW-26  
GRADE : 6063-T6  
FINISH : PVF2 3-COATING

**PROPERTIES**

| MASS PROPERTIES (UNIT)                           | VALUES                   |
|--|--------------------------|
| Area (mm <sup>2</sup> ) :                        | 356.9                    |
| Perimeter (mm) :                                 | 312.1                    |
| Bounding Box - X (mm) :                          | -26.1 to 23.9            |
| Bounding Box - Y (mm) :                          | -25.7 to 19.5            |
| Centroid - X (mm) :                              | 0.0                      |
| Centroid - Y (mm) :                              | 0.0                      |
| Moments of inertia - X (mm <sup>4</sup> ) :      | 29045.5                  |
| Moments of inertia - Y (mm <sup>4</sup> ) :      | 173185.4                 |
| Product of inertia - XY (mm <sup>4</sup> ) :     | -23350.0                 |
| Radius of gyration - X (mm) :                    | 9.0                      |
| Radius of gyration - Y (mm) :                    | 29.2                     |
| Principal moments along X-Y (mm <sup>4</sup> ) : | 25457.6 along [1.0 -0.3] |
| Principal moments along X-Y (mm <sup>4</sup> ) : | 148873.6 along [0.2 1.0] |
| Elastic Modulus - 2x (mm <sup>2</sup> ) :        | 1 / I y-max= 113.1       |
| Elastic Modulus - 2y (mm <sup>2</sup> ) :        | 1 / I x-max= 4028.9      |

MEMBER : IW-27  
GRADE : 6063-T6  
FINISH : PVF2 3-COATING

**PROPERTIES**

| MASS PROPERTIES (UNIT)                           | VALUES                    |
|--|---------------------------|
| Area (mm <sup>2</sup> ) :                        | 419.6                     |
| Perimeter (mm) :                                 | 374.5                     |
| Bounding Box - X (mm) :                          | -27.2 to 22.8             |
| Bounding Box - Y (mm) :                          | -33.6 to 31.4             |
| Centroid - X (mm) :                              | 0.0                       |
| Centroid - Y (mm) :                              | 0.0                       |
| Moments of inertia - X (mm <sup>4</sup> ) :      | 93959.9                   |
| Moments of inertia - Y (mm <sup>4</sup> ) :      | 173185.4                  |
| Product of inertia - XY (mm <sup>4</sup> ) :     | -23350.0                  |
| Radius of gyration - X (mm) :                    | 15.0                      |
| Radius of gyration - Y (mm) :                    | 29.2                      |
| Principal moments along X-Y (mm <sup>4</sup> ) : | 87597.7 along [1.0 0.3]   |
| Principal moments along X-Y (mm <sup>4</sup> ) : | 178547.5 along [-0.3 1.0] |
| Elastic Modulus - 2x (mm <sup>2</sup> ) :        | 1 / I y-max= 279.1        |
| Elastic Modulus - 2y (mm <sup>2</sup> ) :        | 1 / I x-max= 6362.4       |

MEMBER : IW-28  
GRADE : 6063-T6  
FINISH : PVF2 3-COATING

**PROPERTIES**

| MASS PROPERTIES (UNIT)                           | VALUES                    |
|--|---------------------------|
| Area (mm <sup>2</sup> ) :                        | 845.4                     |
| Perimeter (mm) :                                 | 493.2                     |
| Bounding Box - X (mm) :                          | -31.0 to 31.0             |
| Bounding Box - Y (mm) :                          | -35.2 to 34.8             |
| Centroid - X (mm) :                              | 0.0                       |
| Centroid - Y (mm) :                              | 0.0                       |
| Moments of inertia - X (mm <sup>4</sup> ) :      | 629413.3                  |
| Moments of inertia - Y (mm <sup>4</sup> ) :      | 1145868.4                 |
| Product of inertia - XY (mm <sup>4</sup> ) :     | 0.0                       |
| Radius of gyration - X (mm) :                    | 26.8                      |
| Radius of gyration - Y (mm) :                    | 32.2                      |
| Principal moments along X-Y (mm <sup>4</sup> ) : | 629413.3 along [1.0 0.0]  |
| Principal moments along X-Y (mm <sup>4</sup> ) : | 1145868.4 along [0.0 1.0] |
| Elastic Modulus - 2x (mm <sup>2</sup> ) :        | 1 / I y-max= 11209.4      |
| Elastic Modulus - 2y (mm <sup>2</sup> ) :        | 1 / I x-max= 11205.2      |

MEMBER : IW-29  
GRADE : 6063-T6  
FINISH : PVF2 3-COATING

**PROPERTIES**

| MASS PROPERTIES (UNIT)                           | VALUES                      |
|--|-----------------------------|
| Area (mm <sup>2</sup> ) :                        | 855.9                       |
| Perimeter (mm) :                                 | 516.39                      |
| Bounding Box - X (mm) :                          | -28.2 to 21.8               |
| Bounding Box - Y (mm) :                          | -40.5 to 40.5               |
| Centroid - X (mm) :                              | 0.00                        |
| Centroid - Y (mm) :                              | 0.00                        |
| Moments of inertia - X (mm <sup>4</sup> ) :      | 28848.47                    |
| Moments of inertia - Y (mm <sup>4</sup> ) :      | 117161.31                   |
| Product of inertia - XY (mm <sup>4</sup> ) :     | 0.00                        |
| Radius of gyration - X (mm) :                    | 18.4                        |
| Radius of gyration - Y (mm) :                    | 10.6                        |
| Principal moments along X-Y (mm <sup>4</sup> ) : | 28848.47 along [1.00 0.00]  |
| Principal moments along X-Y (mm <sup>4</sup> ) : | 117161.31 along [0.00 1.00] |
| Elastic Modulus - 2x (mm <sup>2</sup> ) :        | 1 / I y-max= 350.0          |
| Elastic Modulus - 2y (mm <sup>2</sup> ) :        | 1 / I x-max= 929.74         |

MEMBER : IW-30  
GRADE : 6063-T6  
FINISH : PVF2 3-COATING

**PROPERTIES**

| MASS PROPERTIES (UNIT)                           | VALUES                    |
|--|---------------------------|
| Area (mm <sup>2</sup> ) :                        | 424.8                     |
| Perimeter (mm) :                                 | 380.3                     |
| Bounding Box - X (mm) :                          | -31.8 to 33.2             |
| Bounding Box - Y (mm) :                          | -31.6 to 38.4             |
| Centroid - X (mm) :                              | 0.0                       |
| Centroid - Y (mm) :                              | 0.0                       |
| Moments of inertia - X (mm <sup>4</sup> ) :      | 355073.2                  |
| Moments of inertia - Y (mm <sup>4</sup> ) :      | 192451.2                  |
| Product of inertia - XY (mm <sup>4</sup> ) :     | -37208.7                  |
| Radius of gyration - X (mm) :                    | 29.8                      |
| Radius of gyration - Y (mm) :                    | 15.2                      |
| Principal moments along X-Y (mm <sup>4</sup> ) : | 359147.4 along [1.0 -0.1] |
| Principal moments along X-Y (mm <sup>4</sup> ) : | 187811.2 along [0.1 1.0]  |
| Elastic Modulus - 2x (mm <sup>2</sup> ) :        | 1 / I y-max= 923.8        |
| Elastic Modulus - 2y (mm <sup>2</sup> ) :        | 1 / I x-max= 2944.1       |

MEMBER : IW-31  
GRADE : 6063-T6  
FINISH : PVF2 3-COATING

**PROPERTIES**

| MASS PROPERTIES (UNIT)                           | VALUES                   |
|--|--------------------------|
| Area (mm <sup>2</sup> ) :                        | 309.3                    |
| Perimeter (mm) :                                 | 280.8                    |
| Bounding Box - X (mm) :                          | -16.2 to 23.8            |
| Bounding Box - Y (mm) :                          | -29.6 to 40.4            |
| Centroid - X (mm) :                              | 0.0                      |
| Centroid - Y (mm) :                              | 0.0                      |
| Moments of inertia - X (mm <sup>4</sup> ) :      | 214126.7                 |
| Moments of inertia - Y (mm <sup>4</sup> ) :      | 192451.2                 |
| Product of inertia - XY (mm <sup>4</sup> ) :     | -19189.9                 |
| Radius of gyration - X (mm) :                    | 26.3                     |
| Radius of gyration - Y (mm) :                    | 13.8                     |
| Principal moments along X-Y (mm <sup>4</sup> ) : | 17362.8 along [0.1 -1.0] |
| Principal moments along X-Y (mm <sup>4</sup> ) : | 378111.2 along [1.0 0.1] |
| Elastic Modulus - 2x (mm <sup>2</sup> ) :        | 1 / I y-max= 529.4       |
| Elastic Modulus - 2y (mm <sup>2</sup> ) :        | 1 / I x-max= 809.0       |

MEMBER : (M1)80x40x4mm THK. G.M.S. R.H.S.  
GRADE : S275  
FINISH : .

**PROPERTIES**

| MASS PROPERTIES (UNIT)                           | VALUES                    |
|--|---------------------------|
| Area (mm <sup>2</sup> ) :                        | 879.8                     |
| Perimeter (mm) :                                 | 433.8                     |
| Bounding Box - X (mm) :                          | -20.0 to 20.0             |
| Bounding Box - Y (mm) :                          | -40.0 to 40.0             |
| Centroid - X (mm) :                              | 0.0                       |
| Centroid - Y (mm) :                              | 0.0                       |
| Moments of inertia - X (mm <sup>4</sup> ) :      | 620481.1                  |
| Moments of inertia - Y (mm <sup>4</sup> ) :      | 1240962.2                 |
| Product of inertia - XY (mm <sup>4</sup> ) :     | 0.0                       |
| Radius of gyration - X (mm) :                    | 23.9                      |
| Radius of gyration - Y (mm) :                    | 17.8                      |
| Principal moments along X-Y (mm <sup>4</sup> ) : | 620481.1 along [1.0 0.0]  |
| Principal moments along X-Y (mm <sup>4</sup> ) : | 1240962.2 along [0.0 1.0] |
| Elastic Modulus - 2x (mm <sup>2</sup> ) :        | 1 / I y-max= 1789.1       |
| Elastic Modulus - 2y (mm <sup>2</sup> ) :        | 1 / I x-max= 1120.1       |

B.D. REF : .....

CLIENT :  
**SUN HUNG KAI**  
REAL ESTATE AGENCY LTD.  
42/F SUN HUNG KAI CENTRE, WANCHAI, HONGKONG

ARCHITECT :  
**IWK&partners**  
architects

MAIN CONTRACTOR :  
**Yee Fai** Building Contractors Ltd.

STRUCTURAL ENGINEER :  
**ARUP**

FAÇADE CONSULTANT:  
**ALPHA CONSULTING LIMITED**  
Steel Structure & Façade Specialist

NOTE :  
1. ALL DIMENSIONS ARE IN MM.  
2. ALL ELEVATIONS ARE VIEWED FROM OUTSIDE.  
3. ALL DIMENSIONS TO BE VERIFIED ON SITE BEFORE FABRICATION.

LEGEND :  
X1 — DETAIL MARK NO.  
X001 — REFER SHEET NO.  
1. F.F.L. --- FINISHED FLOOR LEVEL  
2. S.F.L. --- STRUCTURAL FLOOR LEVEL  
3. (R) --- REVERSED DETAIL  
4. GLASS LEGEND  
EGL-1 --- 8mmHS+12mm AIR GAP+10mmTP THK. I.G.U.  
EGL-1A --- 8mmHS+12mm AIR GAP+8mmTP THK. I.G.U.  
EGL-2 --- 10mm THK. CLEAR TEMPERED GLASS  
EGL-4 --- 10mm THK. TEMPERED ACID ETCHED GLASS

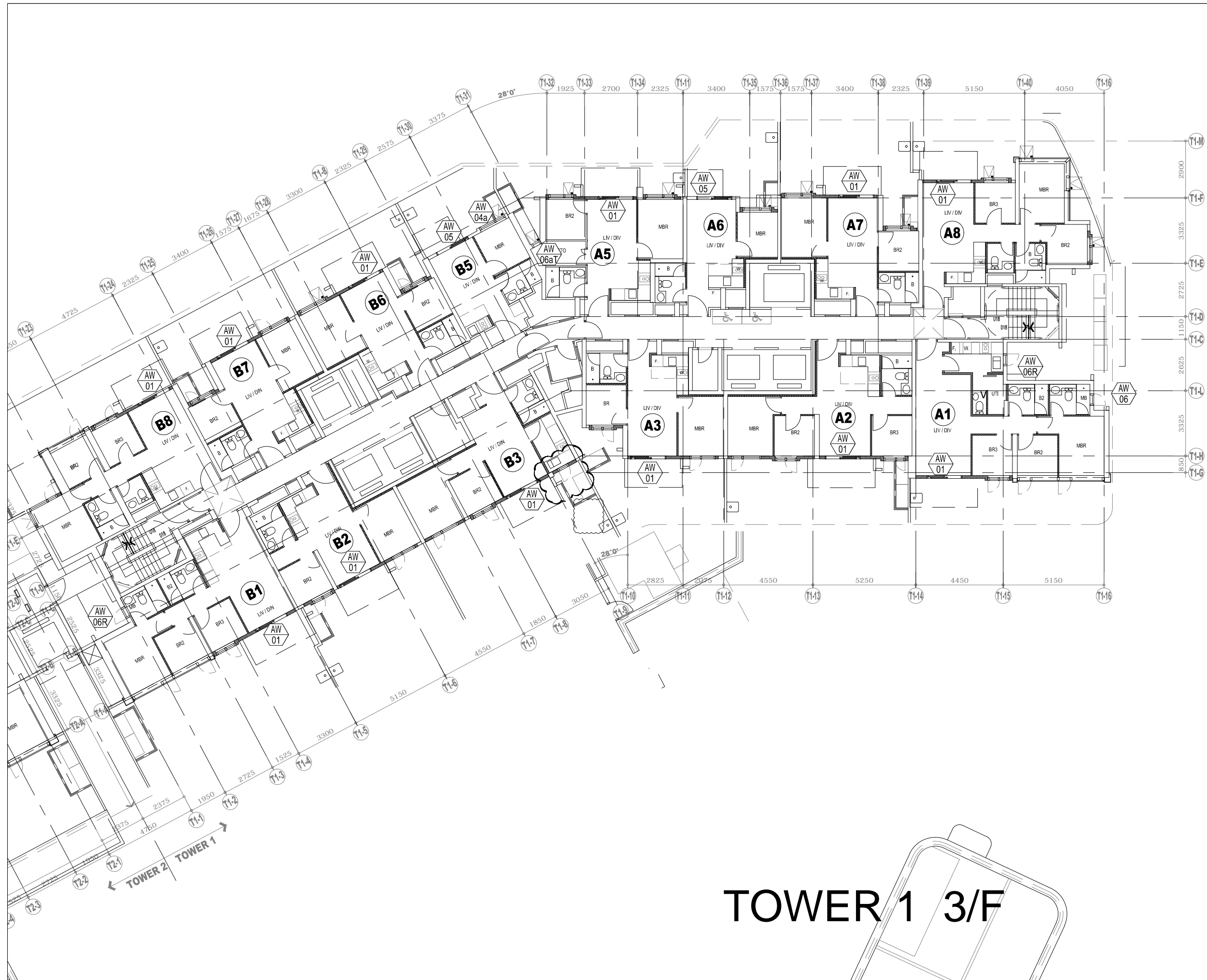
| D | 26/08/2022 | REVISION SUBJECT TO ARCH.COMMENT | ivan |
|---|------------|----------------------------------|------|
| C | 16/07/2022 | REVISION SUBJECT TO ARCH.COMMENT | ivan |
| B | 20/06/2022 | REVISION SUBJECT TO ARCH.COMMENT | ivan |
| A | 10/11/2021 | REVISION SUBJECT TO ARCH.COMMENT | ivan |

JOB NO. : J-856  
PROJECT : PROPOSED DEVELOPMENT ABOVE LIGHT RAIL TIN WING STOP, TSWTL NO.23, AREA 33, TIN SHUI WAI, N.T.

TITLE : DIE LIST FOR IN-SITU WINDOW

DATE : 02-Aug-21 SCALE : 1:40  
DRAWN BY : Ivan CHECKED BY :

**MIDI ALUMINIUM FABRICATOR LTD.**  
Units 6-8, Sunray Industrial Centre, 1/F  
610 Cha Kwo Ling Road, Kowloon  
Tel: 2348911-4 Fax: (852) 2727666  
DWG NO. : J856-SD-IW-1102 REV. : D



# TOWER 1 3/F

B.D. REF :

CLIENT :  
**SUN HUNG KAI**  
 REAL ESTATE AGENCY LTD.  
 42/F SUN HUNG KAI CENTRE, WANCHAI, HONGKONG

ARCHITECT :  
**IWK&partners**  
 architects

MAIN CONTRACTOR :  
**Yee Fai** Building Contractors Ltd.

STRUCTURAL ENGINEER :  
**ARUP**

FAÇADE CONSULTANT:  
**ALPHA CONSULTING LIMITED**  
 Steel Structure & Façade Specialist

NOTE :  
 1. ALL DIMENSIONS ARE IN mm.  
 2. ALL ELEVATIONS ARE VIEWED FROM OUTSIDE.  
 3. ALL DIMENSIONS TO BE VERIFIED ON SITE BEFORE FABRICATION.

LEGEND :  
 X1 — DETAIL MARK NO.  
 X001 — REFER SHEET NO.  
 1. F.F.L. — FINISHED FLOOR LEVEL  
 2. S.F.L. — STRUCTURAL FLOOR LEVEL  
 3. (R) — REVERSED DETAIL  
 4. GLASS LEGEND  
 EGL-1 — 8mmHS+12mm AIR GAP+8mmTP THK. I.G.U.  
 EGL-2 — 10mm THK. CLEAR TEMPERED GLASS  
 EGL-4 — 10mm THK. TEMPERED ACID ETCHED GLASS

| NO. | DATE       | REVISED                          | BY   |
|-----|------------|----------------------------------|------|
| E   | 11/11/2022 | UPDATE 14TH 20221109 GBP         | ivan |
| D   | 22/06/2022 | REVISION SUBJECT TO ARCH.COMMENT | ivan |
| C   | 13/01/2022 | REVISION SUBJECT TO ARCH.COMMENT | ivan |
| B   | 23/11/2021 | REVISION SUBJECT TO ARCH.COMMENT | ivan |
| A   | 09/11/2021 | REVISION SUBJECT TO ARCH.COMMENT | ivan |

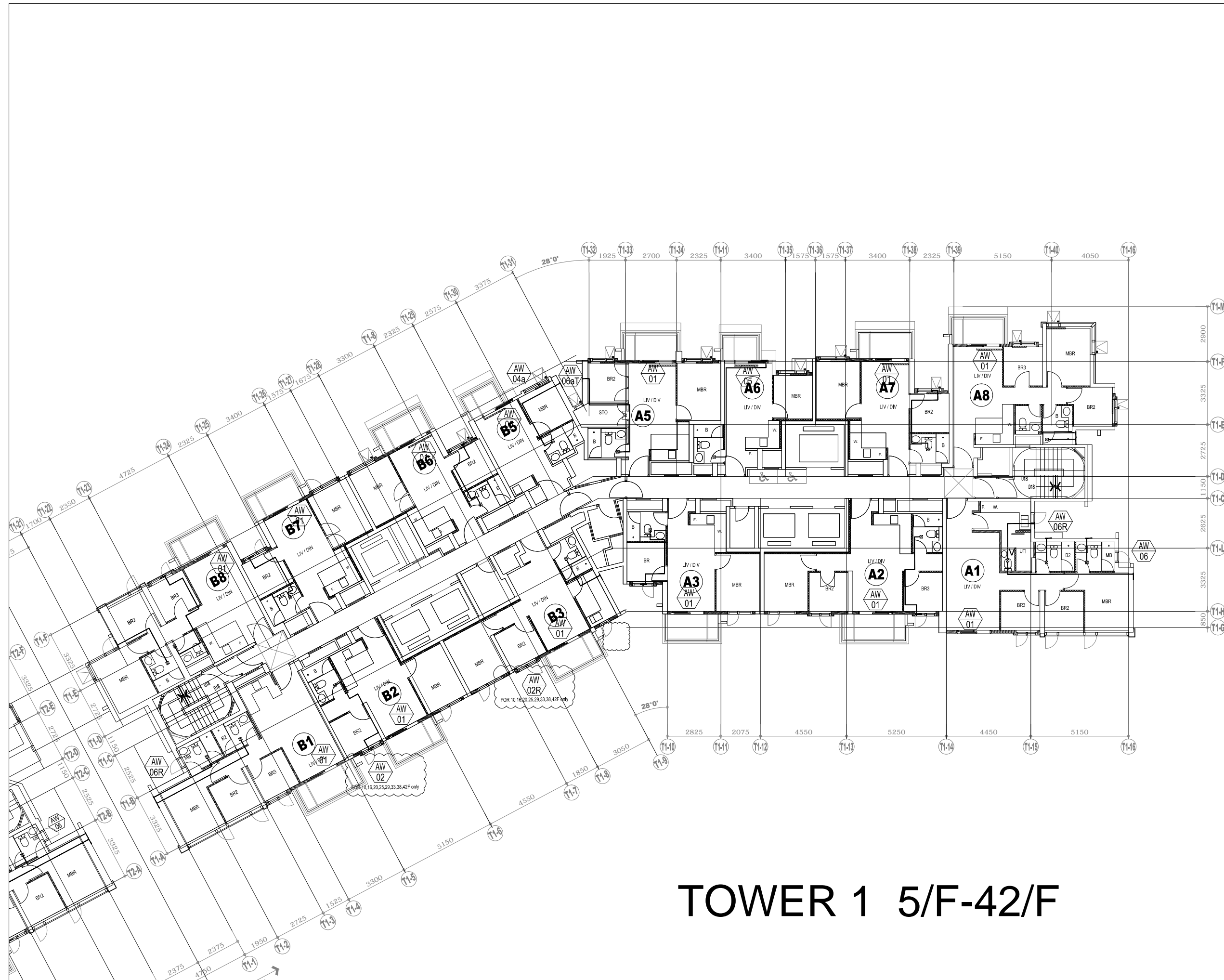
JOB NO. : J-856  
 PROJECT : PROPOSED DEVELOPMENT ABOVE LIGHT RAIL TIN WING STOP, TSWTL NO.23, AREA 33, TIN SHUI WAI, N.T.

TITLE : PLAN FOR IN-SITU WINDOW AT TOWER 1

DATE : 02-Aug-21 SCALE : 1:200  
 DRAWN BY : ivan CHECKED BY :

**美特鋁質有限公司**  
 MIDI ALUMINIUM FABRICATOR LTD.  
 Units 6-8, Sunray Industrial Centre, 1/F  
 610 Cha Kwo Ling Road, Kowloon  
 Tel: 23489211-4 Fax: (852) 2727666

DWG NO. : J856-SD-IW-3101 REV. : E



# TOWER 1 5/F-42/F

B.D. REF :

CLIENT :  
**SUN HUNG KAI**  
 REAL ESTATE AGENCY LTD.  
 42/F SUN HUNG KAI CENTRE, WANCHAI, HONGKONG

ARCHITECT :  
**lwk&partners**  
 architects

MAIN CONTRACTOR :  
**Yee Fai** Building Contractors Ltd.

STRUCTURAL ENGINEER :  
**ARUP**

FAÇADE CONSULTANT:  
**ALPHA CONSULTING LIMITED**  
 Steel Structure & Façade Specialist

NOTE :  
 1. ALL DIMENSIONS ARE IN mm.  
 2. ALL ELEVATIONS ARE VIEWED FROM OUTSIDE.  
 3. ALL DIMENSIONS TO BE VERIFIED ON SITE BEFORE FABRICATION.

LEGEND :  
 X1 — DETAIL MARK NO.  
 X001 — REFER SHEET NO.  
 1. F.F.L. — FINISHED FLOOR LEVEL  
 2. S.F.L. — STRUCTURAL FLOOR LEVEL  
 3. (R) — REVERSED DETAIL  
 4. GLASS LEGEND  
 EGL-1 — 8mmHS+12mm AIR GAP+8mmTP THK. I.G.U.  
 EGL-2 — 10mm THK. CLEAR TEMPERED GLASS  
 EGL-4 — 10mm THK. TEMPERED ACID ETCHED GLASS

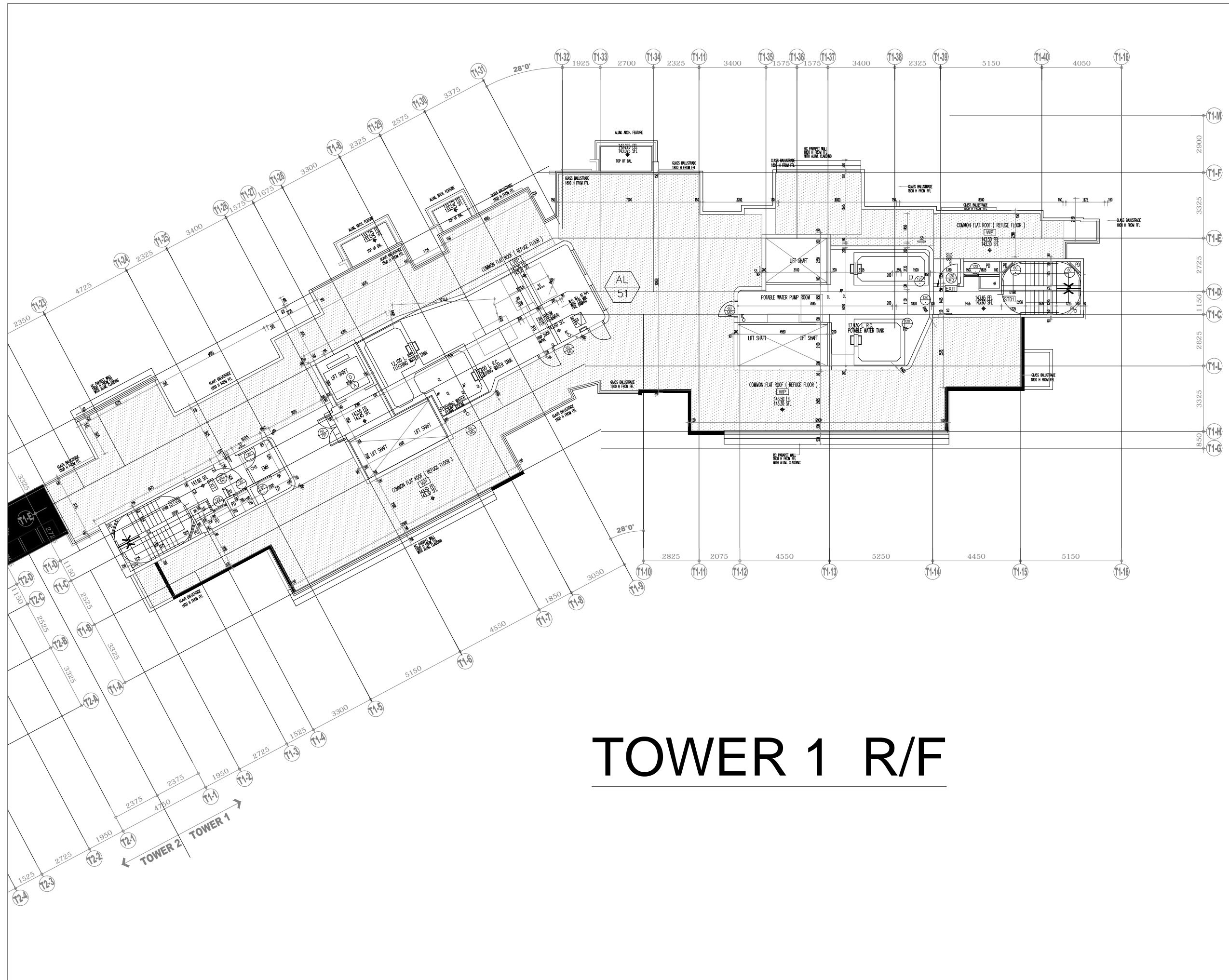
| NO. | DATE       | REVISED                          | BY   |
|-----|------------|----------------------------------|------|
| E   | 11/11/2022 | UPDATE 14TH 20221109 GBP         | ivan |
| D   | 25/07/2022 | REVISION SUBJECT TO ARCH.COMMENT | ivan |
| C   | 21/06/2022 | REVISION SUBJECT TO ARCH.COMMENT | ivan |
| B   | 13/01/2022 | REVISION SUBJECT TO ARCH.COMMENT | ivan |
| A   | 23/11/2021 | REVISION SUBJECT TO ARCH.COMMENT | ivan |

JOB NO. : J-856  
 PROJECT : PROPOSED DEVELOPMENT ABOVE LIGHT RAIL TIN WING STOP, TSWTL NO.23, AREA 33, TIN SHUI WAI, N.T.

TITLE : PLAN FOR IN-SITU WINDOW AT TOWER 1

DATE : 02-Aug-21 SCALE : 1:200  
 DRAWN BY : ivan CHECKED BY :

**美特鋁質有限公司**  
**MIDI ALUMINIUM FABRICATOR LTD.**  
 Units 6-8, Sunray Industrial Centre, 1/F  
 610 Cha Kwo Ling Road, Kowloon  
 Tel: 23489211-4 Fax: (852) 27727666  
 DWG NO. : J856-SD-IW-3102 REV. : G



# TOWER 1 R/F

B.D. REF :

CLIENT :

**SUN HUNG KAI**  
REAL ESTATE AGENCY LTD.  
42/F SUN HUNG KAI CENTRE, WANCHAI, HONGKONG

ARCHITECT :

**Iwk&partners**  
architects

MAIN CONTRACTOR :

**Yee Fai** Building Contractors Ltd.

STRUCTURAL ENGINEER :

**ARUP**

FAÇADE CONSULTANT:

**ALPHA CONSULTING LIMITED**  
Steel Structure & Façade Specialist

NOTE :

1. ALL DIMENSIONS ARE IN mm.
2. ALL ELEVATIONS ARE VIEWED FROM OUTSIDE.
3. ALL DIMENSIONS TO BE VERIFIED ON SITE BEFORE FABRICATION.

LEGEND :

- X1 — DETAIL MARK NO.
- X001 — REFER SHEET NO.

1. F.F.L. — FINISHED FLOOR LEVEL
2. S.F.L. — STRUCTURAL FLOOR LEVEL
3. (R) — REVERSED DETAIL
4. GLASS LEGEND

EGL-1 — 8mm+12mm AIR GAP+8mm THK. I.G.U.  
EGL-2 — 10mm THK. CLEAR TEMPERED GLASS

| NO. | DATE | REVISED | BY |
|-----|------|---------|----|
|     |      |         |    |

JOB NO. : J-856

PROJECT : PROPOSED DEVELOPMENT ABOVE LIGHT RAIL TIN WING STOP, TSWTL NO.23, AREA 33, TIN SHUI WAI, N.T.

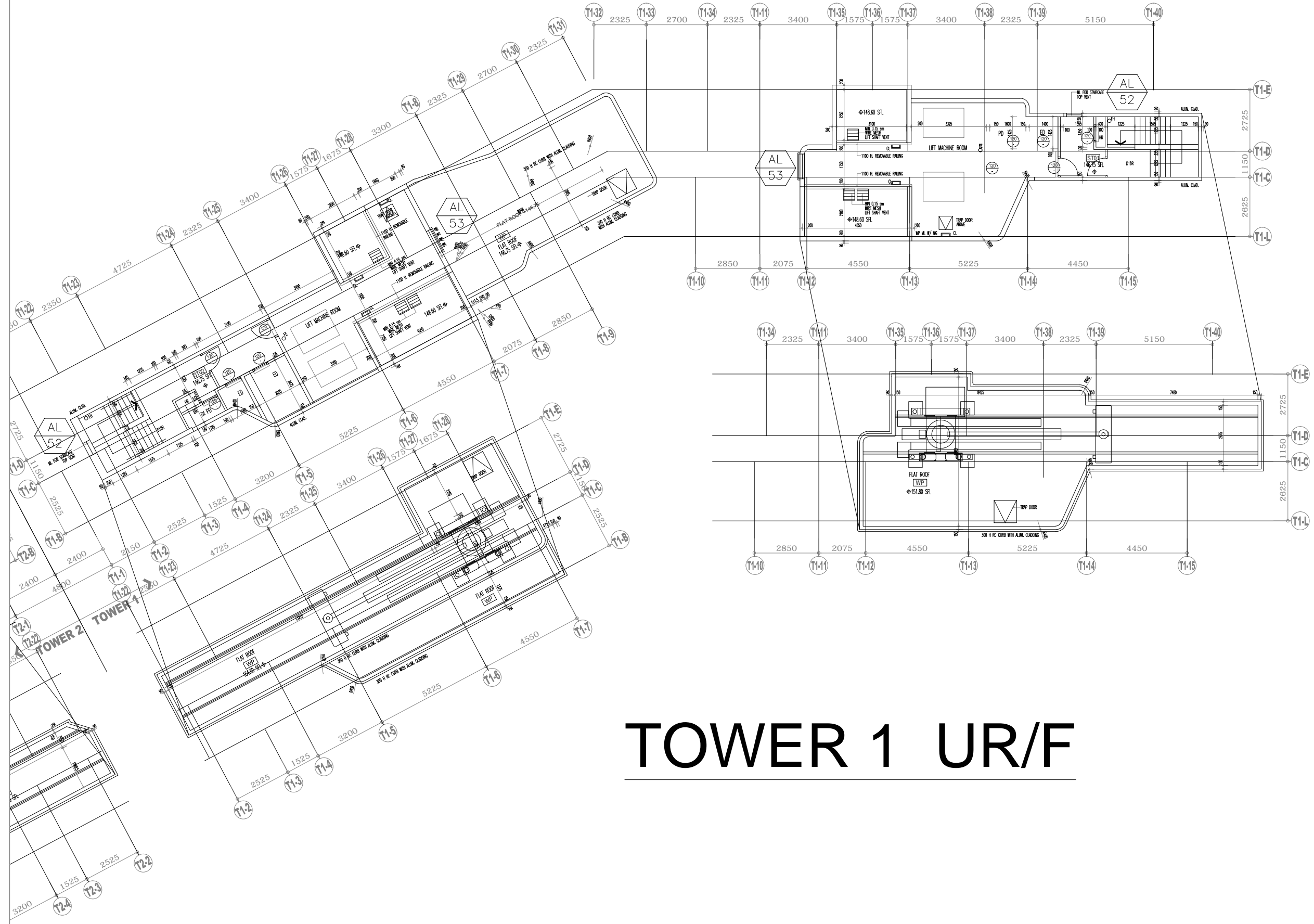
TITLE : PLAN FOR IN-SITU LOUVER TOWER 1

DATE : 02-Aug-21 SCALE : 1:40

DRAWN BY : Ivan CHECKED BY :

**美特鋁質有限公司**  
MIDI ALUMINIUM FABRICATOR LTD.  
Units 6-8, Sunray Industrial Centre, 1/F  
610 Cha Kwo Ling Road, Kowloon  
Tel: 23489211-4 Fax: (852) 27727666

DWG NO. : J856-SD-IW-3107 REV. : -



# TOWER 1 UR/F

B.D. REF :

CLIENT :  
**SUN HUNG KAI**  
 REAL ESTATE AGENCY LTD.  
 42/F SUN HUNG KAI CENTRE, WANCHAI, HONGKONG

ARCHITECT :  
**IWK&partners**  
 architects

MAIN CONTRACTOR :  
**Yee Fai** Building Contractors Ltd.

STRUCTURAL ENGINEER :  
**ARUP**

FAÇADE CONSULTANT:  
**ALPHA CONSULTING LIMITED**  
 Steel Structure & Façade Specialist

- NOTE :
1. ALL DIMENSIONS ARE IN mm.
  2. ALL ELEVATIONS ARE VIEWED FROM OUTSIDE.
  3. ALL DIMENSIONS TO BE VERIFIED ON SITE BEFORE FABRICATION.
- LEGEND :
- X1 — DETAIL MARK NO.
  - X001 — REFER SHEET NO.
1. F.F.L. — FINISHED FLOOR LEVEL
  2. S.F.L. — STRUCTURAL FLOOR LEVEL
  3. Ⓡ — REVERSED DETAIL
  4. GLASS LEGEND
- EGL-1 — 8mm+12mm AIR GAP+8mm THK. I.G.U.  
 EGL-2 — 10mm THK. CLEAR TEMPERED GLASS

| NO. | DATE | REVISED | BY |
|-----|------|---------|----|
|     |      |         |    |

JOB NO. : J-856  
 PROJECT : PROPOSED DEVELOPMENT ABOVE LIGHT RAIL TIN WING STOP, TSWTL NO.23, AREA 33, TIN SHUI WAI, N.T.

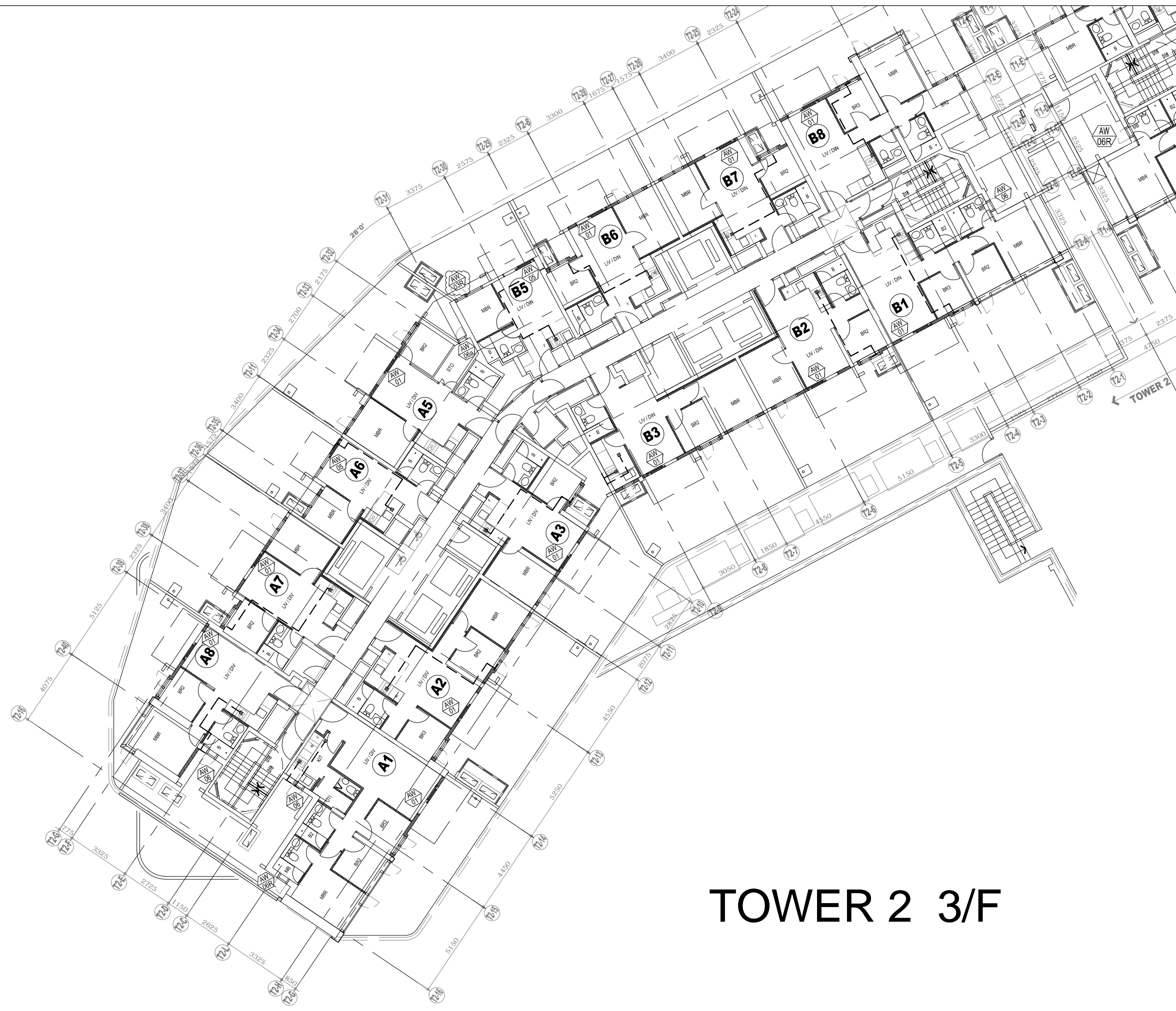
TITLE : PLAN FOR IN-SITU LOUVER T1&T2 R/F

DATE : 02-Aug-21 SCALE : 1:40

DRAWN BY : Ivan CHECKED BY :

**美特鋁質有限公司**  
**MIDI ALUMINIUM FABRICATOR LTD.**  
 Units 6-8, Sunray Industrial Centre, 1/F  
 610 Cha Kwo Ling Road, Kowloon  
 Tel:23489211-4 Fax:(852)2772666

DWG NO. : J856-SD-IW-3107 REV. : -



# TOWER 2 3/F

B.D. REF :

CLIENT :  
**SUN HUNG KAI**  
 REAL ESTATE AGENCY LTD.  
 42/F SUN HUNG KAI CENTRE, WANCHAI, HONGKONG

ARCHITECT :  
**IWK&partners**  
 architects

MAIN CONTRACTOR :  
**Yee Fai** Building Contractors Ltd.

STRUCTURAL ENGINEER :  
**ARUP**

FAÇADE CONSULTANT:  
**ALPHA CONSULTING LIMITED**  
 Steel Structure & Façade Specialist

NOTE :  
 1. ALL DIMENSIONS ARE IN mm.  
 2. ALL ELEVATIONS ARE VIEWED FROM OUTSIDE.  
 3. ALL DIMENSIONS TO BE VERIFIED ON SITE BEFORE FABRICATION.

LEGEND :  
 X1 — DETAIL MARK NO.  
 X001 — REFER SHEET NO.  
 1. F.F.L. — FINISHED FLOOR LEVEL  
 2. S.F.L. — STRUCTURAL FLOOR LEVEL  
 3. (R) — REVERSED DETAIL  
 4. GLASS LEGEND  
 EGL-1 — 8mmHS+12mm AIR GAP+8mmTP THK. I.G.U.  
 EGL-2 — 10mm THK. CLEAR TEMPERED GLASS  
 EGL-4 — 10mm THK. TEMPERED ACID ETCHED GLASS

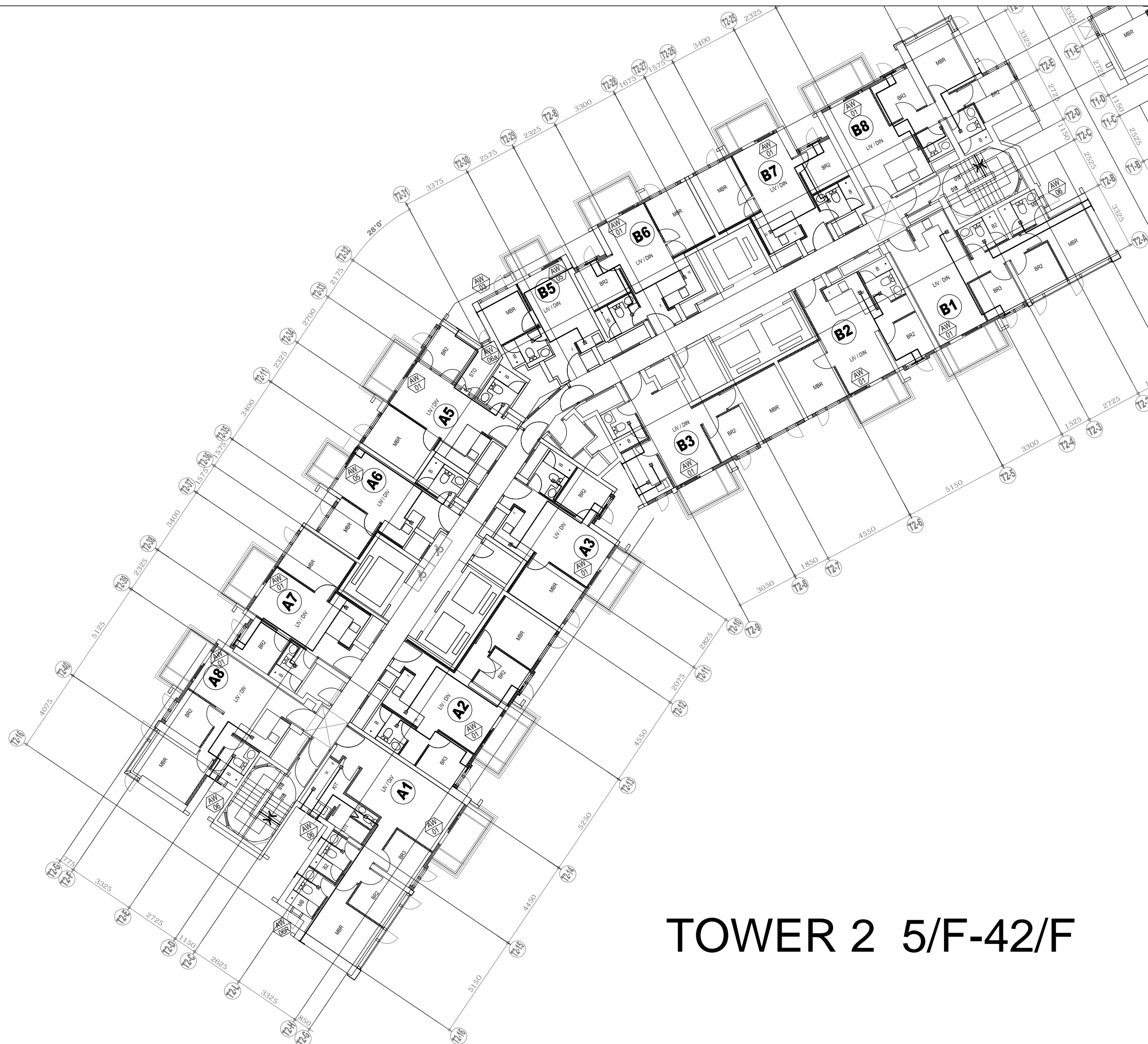
| NO. | DATE       | REVISED                          | BY   |
|-----|------------|----------------------------------|------|
| F   | 11/11/2022 | UPDATE 14TH 20221109 GBP         | Ivan |
| E   | 11/07/2022 | REVISION SUBJECT TO ARCH.COMMENT | Ivan |
| D   | 22/06/2022 | REVISION SUBJECT TO ARCH.COMMENT | Ivan |
| C   | 13/01/2022 | REVISION SUBJECT TO ARCH.COMMENT | Ivan |
| B   | 23/11/2021 | REVISION SUBJECT TO ARCH.COMMENT | Ivan |
| A   | 09/11/2021 | REVISION SUBJECT TO ARCH.COMMENT | Ivan |

JOB NO. : J-856  
 PROJECT : PROPOSED DEVELOPMENT ABOVE LIGHT RAIL TIN WING STOP, TSWTL NO.23, AREA 33, TIN SHUI WAI, N.T.

TITLE : PLAN FOR IN-SITU WINDOW AT TOWER 2

DATE : 02-Aug-21 SCALE : 1:200  
 DRAWN BY : Ivan CHECKED BY :

**美特鋁質有限公司**  
 MIDI ALUMINIUM FABRICATOR LTD.  
 Units 6-8, Sunray Industrial Centre, 1/F  
 610 Cha Kwo Ling Road, Kowloon  
 Tel:23489211-4 Fax:(852)27727666  
 DWG NO. : J856-SD-IW-3201 REV. : F



| WINDOW MARK | QUANTITY |
|-------------|----------|
| AW-02       | 9        |
| AW-02R      | 4        |
| AW-03R      | 3        |
| AW-04       | 5        |
| AW-04R      | 1        |
| AW-06       | 1        |
| AW-08       | 1        |

# TOWER 2 5/F-42/F

B.D. REF :

CLIENT :  
  
**SUN HUNG KAI**  
 REAL ESTATE AGENCY LTD.  
 42/F SUN HUNG KAI CENTRE, WANCHAI, HONGKONG

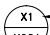

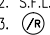
ARCHITECT :  
  
**Iwk&partners**  
 architects

MAIN CONTRACTOR :  
  
**Yee Fai** Building Contractors Ltd.

STRUCTURAL ENGINEER :  
  
**ARUP**

FACADE CONSULTANT:  
  
**ALPHA CONSULTING LIMITED**  
 Steel Structure & Facade Specialist

NOTE :  
 1. ALL DIMENSIONS ARE IN mm.  
 2. ALL ELEVATIONS ARE VIEWED FROM OUTSIDE.  
 3. ALL DIMENSIONS TO BE VERIFIED ON SITE BEFORE FABRICATION.

LEGEND :  
 — DETAIL MARK NO.  
 — REFER SHEET NO.  
 1. F.F.L. — FINISHED FLOOR LEVEL  
 2. S.F.L. — STRUCTURAL FLOOR LEVEL  
 3.  — REVERSED DETAIL  
 4. GLASS LEGEND  
 EGL-1 — 8mmHS+12mm AIR GAP+8mmTP THK. I.G.U.  
 EGL-2 — 10mm THK. CLEAR TEMPERED GLASS  
 EGL-4 — 10mm THK. TEMPERED ACID ETCHED GLASS

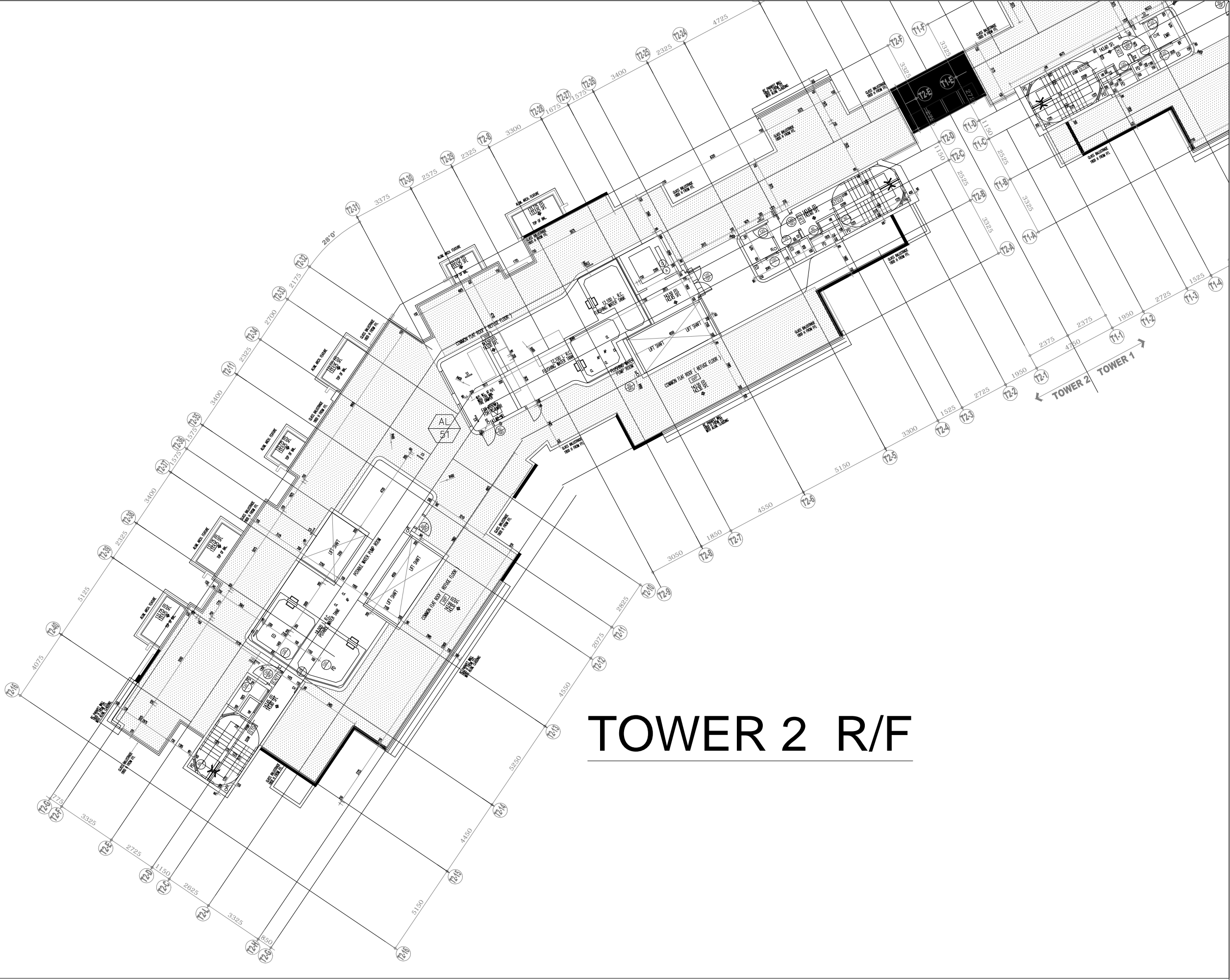
| NO. | DATE       | REVISED                          | BY   |
|-----|------------|----------------------------------|------|
| E   | 11/11/2022 | UPDATE 14TH 20221109 GBP         | ivan |
| D   | 11/07/2022 | REVISION SUBJECT TO ARCH.COMMENT | ivan |
| C   | 21/06/2022 | REVISION SUBJECT TO ARCH.COMMENT | ivan |
| B   | 13/01/2022 | REVISION SUBJECT TO ARCH.COMMENT | ivan |
| A   | 23/11/2021 | REVISION SUBJECT TO ARCH.COMMENT | ivan |

JOB NO. : J-856  
 PROJECT : PROPOSED DEVELOPMENT ABOVE LIGHT RAIL TIN WING STOP, TSWTL NO.23, AREA 33, TIN SHUI WAI, N.T.

TITLE : PLAN FOR IN-SITU WINDOW AT TOWER 2

DATE : 02-Aug-21 SCALE : 1:200  
 DRAWN BY : ivan CHECKED BY :

  
**MIDI ALUMINIUM FABRICATOR LTD.**  
 Units 6-8, Sunray Industrial Centre, 1/F  
 610 Cha Kwo Ling Road, Kowloon  
 Tel: 23489211-4 Fax: (852) 27727666  
 DWG NO. : J856-SD-IW-3202 REV. : E



# TOWER 2 R/F

B.D. REF :

CLIENT :  
**SUN HUNG KAI**  
 REAL ESTATE AGENCY LTD.  
 42/F SUN HUNG KAI CENTRE, WANCHAI, HONGKONG

ARCHITECT :  
**IWK&partners**  
 architects

MAIN CONTRACTOR :  
**Yee Fai** Building Contractors Ltd.

STRUCTURAL ENGINEER :  
**ARUP**

FACADE CONSULTANT:  
**ALPHA CONSULTING LIMITED**  
 Steel Structure & Facade Specialist

NOTE :  
 1. ALL DIMENSIONS ARE IN mm.  
 2. ALL ELEVATIONS ARE VIEWED FROM OUTSIDE.  
 3. ALL DIMENSIONS TO BE VERIFIED ON SITE BEFORE FABRICATION.

LEGEND :  
 X1 — DETAIL MARK NO.  
 X001 — REFER SHEET NO.  
 1. F.F.L. — FINISHED FLOOR LEVEL  
 2. S.F.L. — STRUCTURAL FLOOR LEVEL  
 3. (R) — REVERSED DETAIL  
 4. GLASS LEGEND  
 EGL-1 — 8mm+12mm AIR GAP+8mm THK. I.G.U.  
 EGL-2 — 10mm THK. CLEAR TEMPERED GLASS

| NO. | DATE | REVISED | BY |
|-----|------|---------|----|
|     |      |         |    |

JOB NO. : J-856  
 PROJECT : PROPOSED DEVELOPMENT ABOVE LIGHT RAIL TIN WING STOP, TSWTL NO.23, AREA 33, TIN SHUI WAI, N.T.

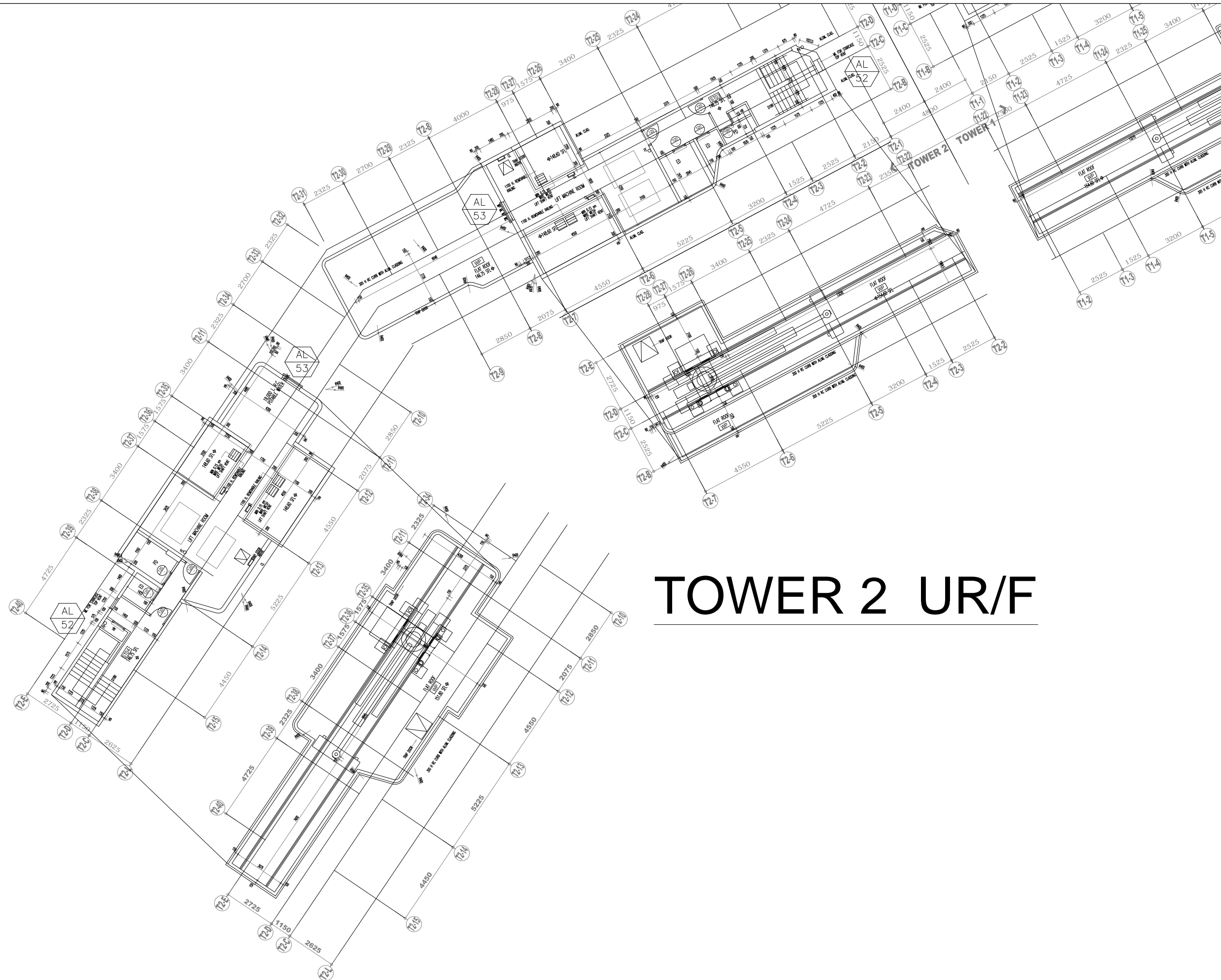
TITLE : PLAN FOR IN-SITU LOUVER AT TOWER 2

DATE : 02-Aug-21 SCALE : 1:40

DRAWN BY : Ivan CHECKED BY :

**美特鋁質有限公司**  
**MIDI ALUMINIUM FABRICATOR LTD.**  
 Units 6-8, Sunray Industrial Centre, 1/F  
 610 Cha Kwo Ling Road, Kowloon  
 Tel:23489211-4 Fax:(852)2772666

DWG NO. : J856-SD-IW-3207 REV. : -



# TOWER 2 UR/F

B.D. REF :

CLIENT :  
**SUN HUNG KAI**  
 REAL ESTATE AGENCY LTD.  
 42/F SUN HUNG KAI CENTRE, WANCHAI, HONGKONG

ARCHITECT :  
**IWK&partners**  
 architects

MAIN CONTRACTOR :  
**Yee Fai** Building Contractors Ltd.

STRUCTURAL ENGINEER :  
**ARUP**

FACADE CONSULTANT:  
**ALPHA CONSULTING LIMITED**  
 Steel Structure & Facade Specialist

NOTE :  
 1. ALL DIMENSIONS ARE IN mm.  
 2. ALL ELEVATIONS ARE VIEWED FROM OUTSIDE.  
 3. ALL DIMENSIONS TO BE VERIFIED ON SITE BEFORE FABRICATION.

LEGEND :  
 X1 — DETAIL MARK NO.  
 X001 — REFER SHEET NO.  
 1. F.F.L. — FINISHED FLOOR LEVEL  
 2. S.F.L. — STRUCTURAL FLOOR LEVEL  
 3. (R) — REVERSED DETAIL  
 4. GLASS LEGEND  
 EGL-1 — 8mm+12mm AIR GAP+8mm THK. I.G.U.  
 EGL-2 — 10mm THK. CLEAR TEMPERED GLASS

| NO. | DATE | REVISED | BY |
|-----|------|---------|----|
|-----|------|---------|----|

JOB NO. : J-856

PROJECT :  
 PROPOSED DEVELOPMENT ABOVE  
 LIGHT RAIL TIN WING STOP, TSWTL  
 NO.23, AREA 33, TIN SHUI WAI, N.T.

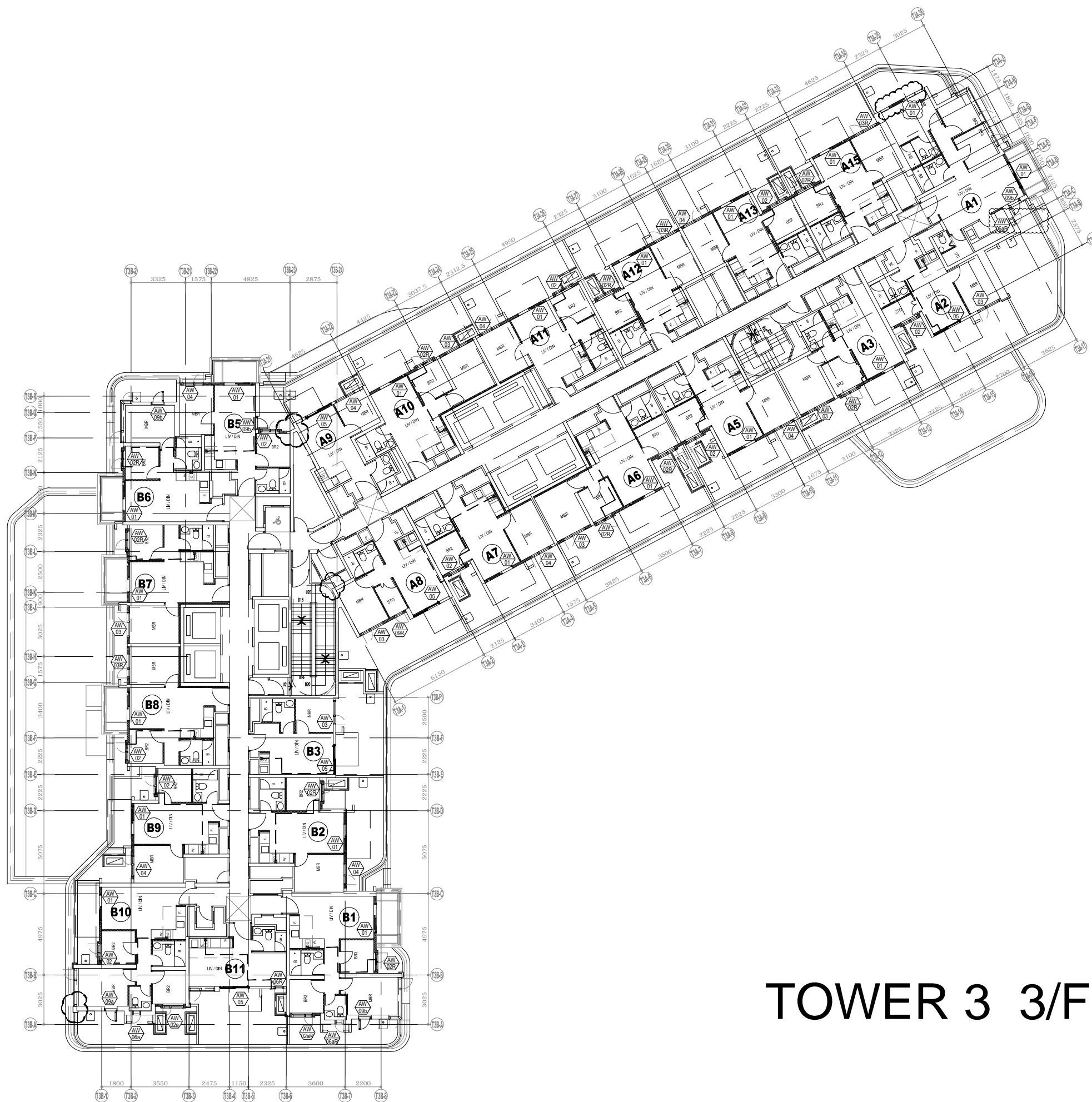
TITLE :  
 PLAN FOR IN-SITU LOUVER  
 AT TOWER 3

DATE : 02-Aug-21 SCALE : 1:40

DRAWN BY : Ivan CHECKED BY :

**美特鋁質有限公司**  
**MIDI ALUMINIUM FABRICATOR LTD.**  
 Units 6-8, Sunray Industrial Centre, 1/F  
 610 Cha Kwo Ling Road, Kowloon  
 Tel: 23489211-4 Fax: (852) 27727666

DWG NO. : J856-SD-IW-3207 REV. : -



| WINDOW MARK | QUANTITY |
|-------------|----------|
| AW-02       | 9        |
| AW-02R      | 10       |
| AW-02a      | 1        |
| AW-02aR     | 1        |
| AW-03       | 5        |
| AW-03R      | 3        |
| AW-04       | 7        |
| AW-09R      | 1        |

# TOWER 3 3/F

B.D. REF :

CLIENT :

**SUN HUNG KAI**  
REAL ESTATE AGENCY LTD.  
42/F SUN HUNG KAI CENTRE, WANCHAI, HONGKONG

ARCHITECT :

**IWK&partners**  
architects

MAIN CONTRACTOR :

**Yee Fai** Building Contractors Ltd.

STRUCTURAL ENGINEER :

**ARUP**

FAÇADE CONSULTANT:

**ALPHA CONSULTING LIMITED**  
Steel Structure & Façade Specialist

NOTE :

1. ALL DIMENSIONS ARE IN mm.
2. ALL ELEVATIONS ARE VIEWED FROM OUTSIDE.
3. ALL DIMENSIONS TO BE VERIFIED ON SITE BEFORE FABRICATION.

LEGEND :

- x1 — DETAIL MARK NO.
- x001 — REFER SHEET NO.

1. F.F.L. — FINISHED FLOOR LEVEL
2. S.F.L. — STRUCTURAL FLOOR LEVEL
3. (R) — REVERSED DETAIL
4. GLASS LEGEND

EGL-1 — 8mmHS+12mm AIR GAP+8mmTP THK. I.G.U.

EGL-2 — 10mm THK. CLEAR TEMPERED GLASS

EGL-4 — 10mm THK. TEMPERED ACID ETCHED GLASS

| NO. | DATE       | REVISED                          | BY   |
|-----|------------|----------------------------------|------|
| F   | 11/11/2022 | UPDATE 14TH 20221109 GBP         | Ivan |
| E   | 28/07/2022 | REVISION SUBJECT TO ARCH.COMMENT | Ivan |
| D   | 22/06/2022 | REVISION SUBJECT TO ARCH.COMMENT | Ivan |
| C   | 13/01/2022 | REVISION SUBJECT TO ARCH.COMMENT | Ivan |
| B   | 23/11/2021 | REVISION SUBJECT TO ARCH.COMMENT | Ivan |
| A   | 09/11/2021 | REVISION SUBJECT TO ARCH.COMMENT | Ivan |

JOB NO. : J-856

PROJECT :  
PROPOSED DEVELOPMENT ABOVE  
LIGHT RAIL TIN WING STOP, TSWTL  
NO.23, AREA 33, TIN SHUI WAI, N.T.

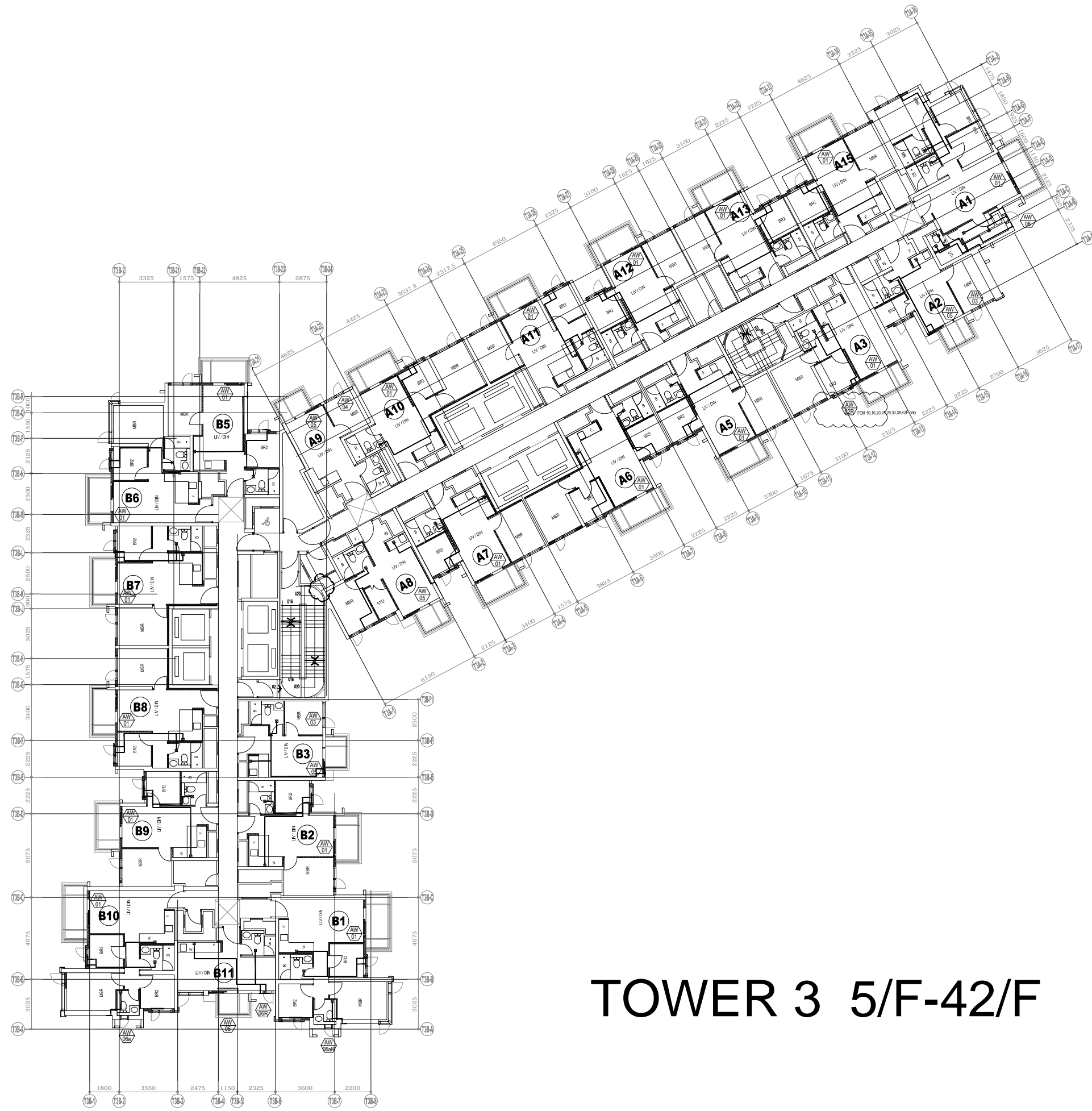
TITLE :  
PLAN FOR IN-SITU WINDOW  
AT TOWER 3

DATE : 02-Aug-21 SCALE : 1:200

DRAWN BY : Ivan CHECKED BY :

**美特鋁質有限公司**  
MIDI ALUMINIUM FABRICATOR LTD.  
Units 6-8, Sunray Industrial Centre, 1/F  
610 Cha Kwo Ling Road, Kowloon  
Tel: 23489211-4 Fax: (852) 27727666

DWG NO. : J856-SD-IW-3301 REV. : F



# TOWER 3 5/F-42/F

B.D. REF :

CLIENT :  
**SUN HUNG KAI**  
 REAL ESTATE AGENCY LTD.  
 42/F SUN HUNG KAI CENTRE, WANCHAI, HONGKONG

ARCHITECT :  
**lwk&partners**  
 architects

MAIN CONTRACTOR :  
**Yee Fai** Building Contractors Ltd.

STRUCTURAL ENGINEER :  
**ARUP**

FACADE CONSULTANT:  
**ALPHA CONSULTING LIMITED**  
 Steel Structure & Facade Specialist

NOTE :  
 1. ALL DIMENSIONS ARE IN mm.  
 2. ALL ELEVATIONS ARE VIEWED FROM OUTSIDE.  
 3. ALL DIMENSIONS TO BE VERIFIED ON SITE BEFORE FABRICATION.

LEGEND :  
 X1 — DETAIL MARK NO.  
 X001 — REFER SHEET NO.  
 1. F.F.L. — FINISHED FLOOR LEVEL  
 2. S.F.L. — STRUCTURAL FLOOR LEVEL  
 3. (R) — REVERSED DETAIL  
 4. GLASS LEGEND  
 EGL-1 — 8mmHS+12mm AIR GAP+8mmTP THK. I.G.U.  
 EGL-2 — 10mm THK. CLEAR TEMPERED GLASS  
 EGL-4 — 10mm THK. TEMPERED ACID ETCHED GLASS

| NO. | DATE       | REVISED                          | BY   |
|-----|------------|----------------------------------|------|
| E   | 11/11/2022 | UPDATE 14TH 20221109 GBP         | ivan |
| D   | 28/07/2022 | REVISION SUBJECT TO ARCH.COMMENT | ivan |
| C   | 21/06/2022 | REVISION SUBJECT TO ARCH.COMMENT | ivan |
| B   | 13/01/2022 | REVISION SUBJECT TO ARCH.COMMENT | ivan |
| A   | 23/11/2021 | REVISION SUBJECT TO ARCH.COMMENT | ivan |

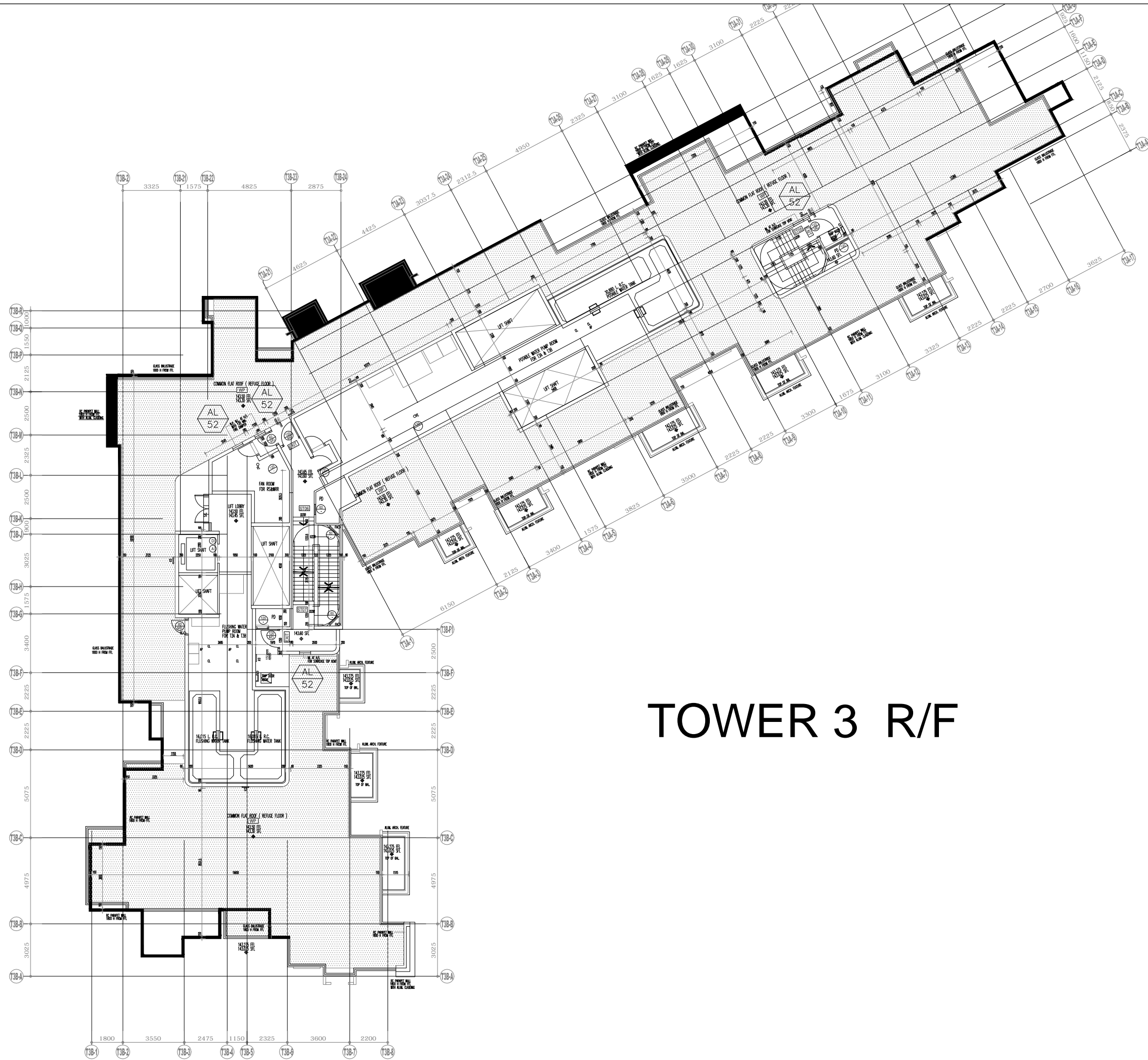
JOB NO. : J-856  
 PROJECT : PROPOSED DEVELOPMENT ABOVE LIGHT RAIL TIN WING STOP, TSWTL NO.23, AREA 33, TIN SHUI WAI, N.T.

TITLE : PLAN FOR IN-SITU WINDOW AT TOWER 3

DATE : 02-Aug-21 SCALE : 1:200  
 DRAWN BY : ivan CHECKED BY :

**美特鋁質有限公司**  
**MIDI ALUMINIUM FABRICATOR LTD.**  
 Units 6-8, Sunray Industrial Centre, 1/F  
 610 Cha Kwo Ling Road, Kowloon  
 Tel: 23489211-4 Fax: (852) 27727666

DWG NO. : J856-SD-IW-3302 REV. : E



# TOWER 3 R/F

B.D. REF :

CLIENT :

**SUN HUNG KAI**  
REAL ESTATE AGENCY LTD.  
42/F SUN HUNG KAI CENTRE, WANCHAI, HONGKONG

ARCHITECT :

**Iwk&partners**  
architects

MAIN CONTRACTOR :

**Yee Fai** Building Contractors Ltd.

STRUCTURAL ENGINEER :

**ARUP**

FACADE CONSULTANT:

**ALPHA CONSULTING LIMITED**  
Steel Structure & Facade Specialist

NOTE :

1. ALL DIMENSIONS ARE IN mm.
2. ALL ELEVATIONS ARE VIEWED FROM OUTSIDE.
3. ALL DIMENSIONS TO BE VERIFIED ON SITE BEFORE FABRICATION.

LEGEND :

- X1 — DETAIL MARK NO.
- X001 — REFER SHEET NO.

1. F.F.L. — FINISHED FLOOR LEVEL
2. S.F.L. — STRUCTURAL FLOOR LEVEL
3. (R) — REVERSED DETAIL
4. GLASS LEGEND

EGL-1 — 8mm+12mm AIR GAP+8mm THK. I.G.U.  
EGL-2 — 10mm THK. CLEAR TEMPERED GLASS

| NO. | DATE | REVISED | BY |
|-----|------|---------|----|
|     |      |         |    |

JOB NO. : J-856

PROJECT : PROPOSED DEVELOPMENT ABOVE LIGHT RAIL TIN WING STOP, TSWTL NO.23, AREA 33, TIN SHUI WAI, N.T.

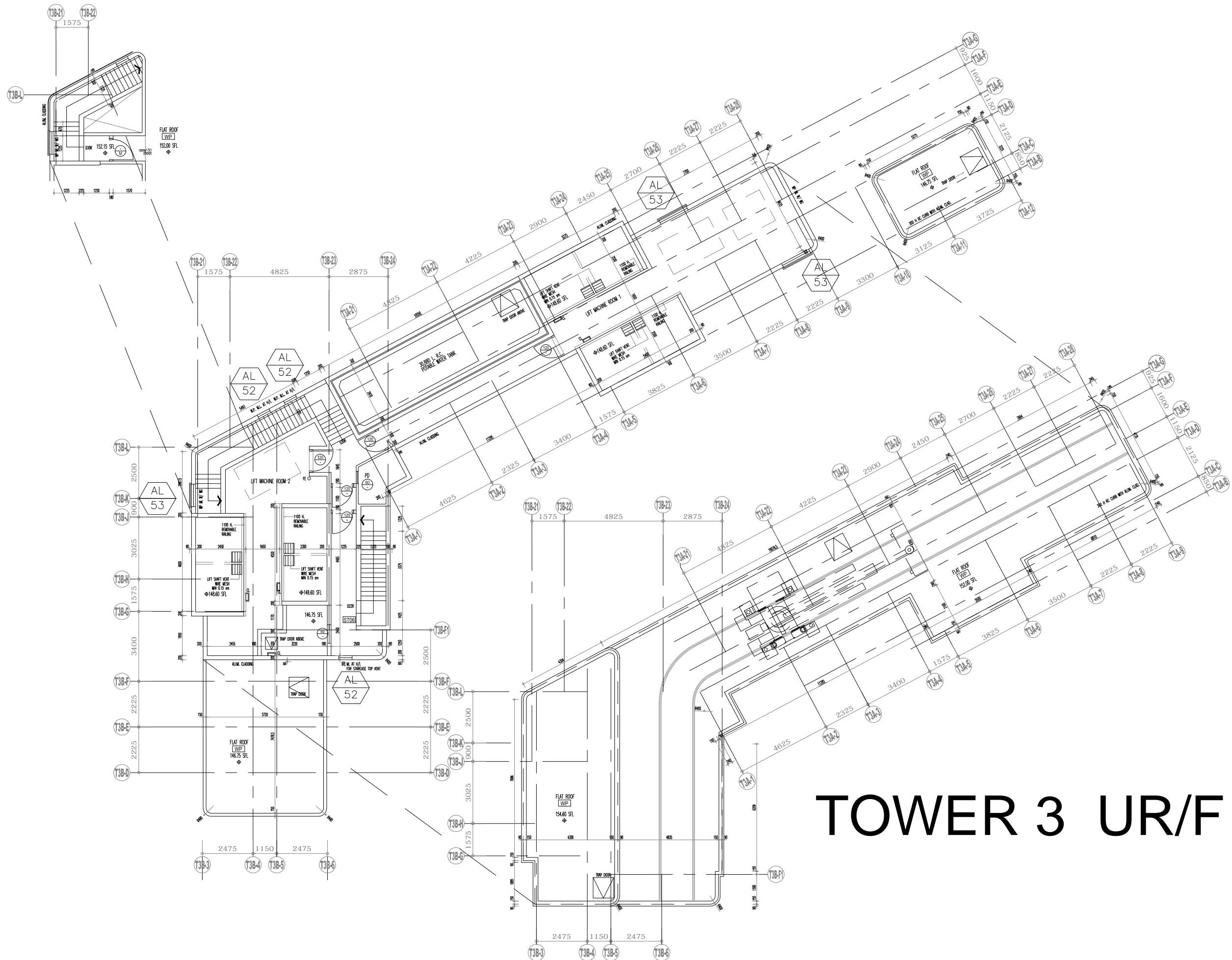
TITLE : PLAN FOR IN-SITU LOUVER AT TOWER 3

DATE : 02-Aug-21 SCALE : 1:40

DRAWN BY : Ivan CHECKED BY :

**美特铝质有限公司**  
MIDI ALUMINIUM FABRICATOR LTD.  
Units 6-8, Sunray Industrial Centre, 1/F  
610 Cha Kwo Ling Road, Kowloon  
Tel: 23489211-4 Fax: (852) 27727666

DWG NO. : J856-SD-IW-3306 REV. : -



# TOWER 3 UR/F

B.D. REF :

CLIENT :  
**SUN HUNG KAI**  
 REAL ESTATE AGENCY LTD.  
 42/F SUN HUNG KAI CENTRE, WANCHAI, HONGKONG

ARCHITECT :  
**IWK&partners**  
 architects

MAIN CONTRACTOR :  
**Yee Fai** Building Contractors Ltd.

STRUCTURAL ENGINEER :  
**ARUP**

FAÇADE CONSULTANT:  
**ALPHA CONSULTING LIMITED**  
 Steel Structure & Façade Specialist

NOTE :  
 1. ALL DIMENSIONS ARE IN mm.  
 2. ALL ELEVATIONS ARE VIEWED FROM OUTSIDE.  
 3. ALL DIMENSIONS TO BE VERIFIED ON SITE BEFORE FABRICATION.

LEGEND :  
 X1 — DETAIL MARK NO.  
 X001 — REFER SHEET NO.  
 1. F.F.L. — FINISHED FLOOR LEVEL  
 2. S.F.L. — STRUCTURAL FLOOR LEVEL  
 3. (R) — REVERSED DETAIL  
 4. GLASS LEGEND  
 EGL-1 — 8mm+12mm AIR GAP+8mm THK. I.G.U.  
 EGL-2 — 10mm THK. CLEAR TEMPERED GLASS

| NO. | DATE | REVISED | BY |
|-----|------|---------|----|
|     |      |         |    |

JOB NO. : J-856  
 PROJECT : PROPOSED DEVELOPMENT ABOVE LIGHT RAIL TIN WING STOP, TSWTL NO.23, AREA 33, TIN SHUI WAI, N.T.

TITLE : PLAN FOR IN-SITU LOUVER AT TOWER 3

DATE : 02-Aug-21 SCALE : 1:40

DRAWN BY : Ivan CHECKED BY :

**美特鋁質有限公司**  
**MIDI ALUMINIUM FABRICATOR LTD.**  
 Units 6-8, Sunray Industrial Centre, 1/F  
 610 Cha Kwo Ling Road, Kowloon  
 Tel: 23489211-4 Fax: (852) 27727666

DWG NO. : J856-SD-IW-3307 REV. : -

| LOCATION | OPENABLE AREA | GLAZING AREA | OPENABLE AREA | GLAZING AREA |
|----------|---------------|--------------|---------------|--------------|
| A1-LIV   | 1.447         | 1,682        | 1.591         | 1,681        |

BD. REF :

CLIENT :  
**SUN HUNG KAI**  
 REAL ESTATE AGENCY LTD.  
 42/F, SUN HUNG KAI CENTRE, WANCHAI, HONGKONG

ARCHITECT :  
**lwk&partners**  
 a r c h i t e c t s

MAIN CONTRACTOR :  
 怡輝建築有限公司  
**Yee Fai Building Contractors Ltd.**

STRUCTURAL ENGINEER :  
**ARUP**  
 ALPHA CONSULTING LIMITED  
 Steel Structure & Façade Specialist

FAÇADE CONSULTANT:

NOTE:  
 1. ALL DIMENSIONS ARE IN mm.  
 2. ALL ELEVATIONS ARE VIEWED FROM OUTSIDE.  
 3. ALL DIMENSIONS TO BE VERIFIED ON SITE BEFORE FABRICATION.

LEGEND:  
 (X1) --- DETAIL MARK NO.  
 (X001) --- REFER SHEET NO.

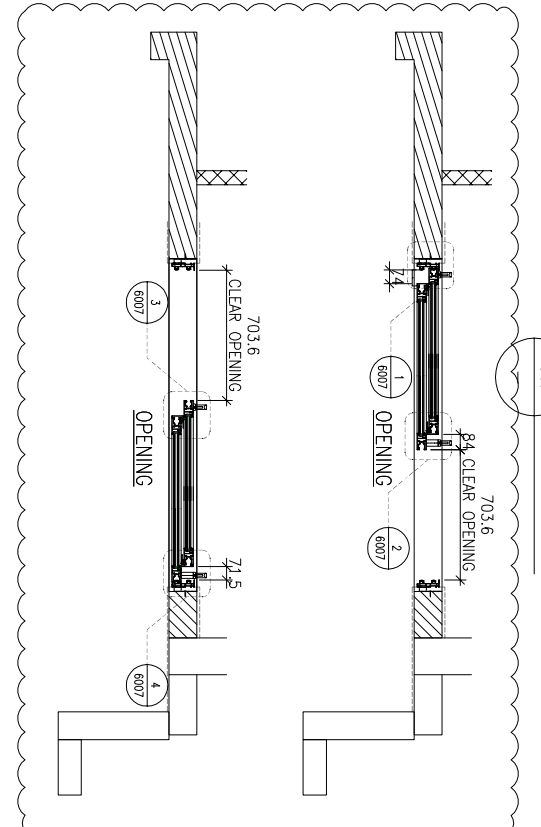
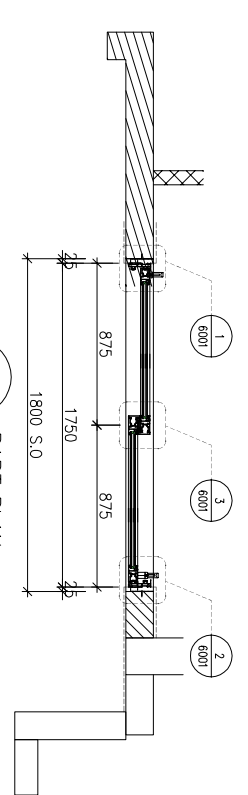
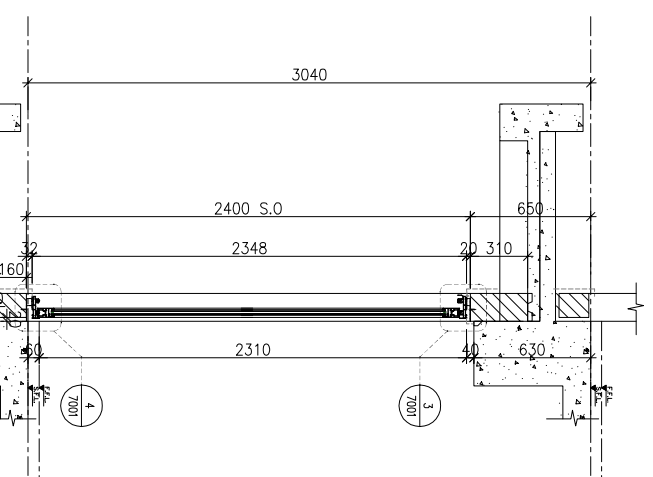
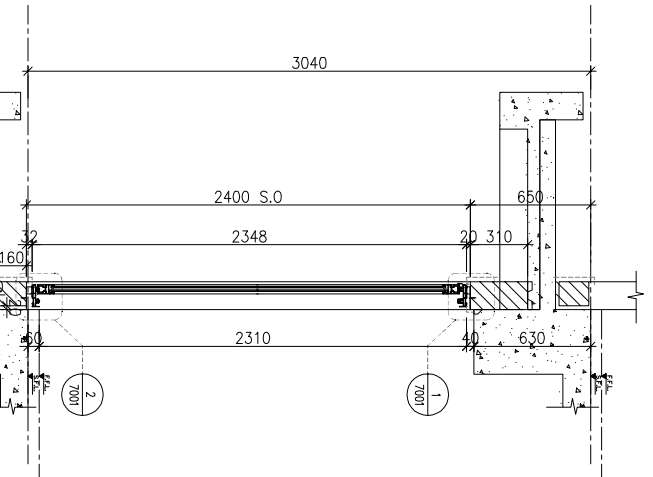
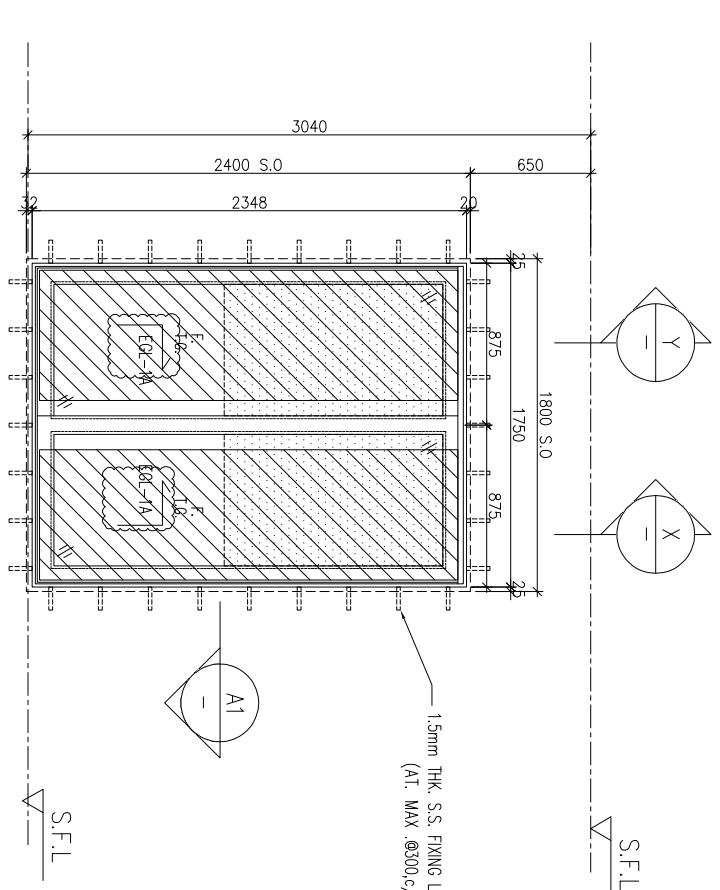
1. F.F.L. --- FINISHED FLOOR LEVEL  
 2. S.F.L. --- STRUCTURAL FLOOR LEVEL  
 3. (R) --- REVERSED DETAIL  
 4. GLASS LEGEND  
 EG1-1 --- 8mmHS+12mm AIR GAP+10mmTP THK. I.G.U.  
 EG1-2 --- 10mm THK. CLEAR TEMPERED GLASS  
 EG1-4 --- 10mm THK. TEMPERED ACID ETCHED GLASS  
 EG1-1A --- 8mmHS+12mm AIR GAP+8mmTP THK. I.G.U.  
 BT1/BB1 --- FIXING DETAIL (DWG. NO. F001)  
 BB2 --- FIXING DETAIL (DWG. NO. F002)

| NO. | DATE       | REVISION                         | REVISION SUBJECT TO ARCH-COMMENT | BY |
|-----|------------|----------------------------------|----------------------------------|----|
| E   | 28/07/2022 | REVISION SUBJECT TO ARCH-COMMENT | None                             |    |
| D   | 28/07/2022 | REVISION SUBJECT TO ARCH-COMMENT | None                             |    |
| C   | 22/06/2022 | REVISION SUBJECT TO ARCH-COMMENT | None                             |    |
| B   | 23/11/2021 | REVISION SUBJECT TO ARCH-COMMENT | None                             |    |
| A   | 10/11/2021 | REVISION SUBJECT TO ARCH-COMMENT | None                             |    |

JOB NO. : J-856  
 PROJECT : PROPOSED DEVELOPMENT ABOVE LIGHT RAIL TIN WING STOP-TSWTL NO.23,AREA 33,TIN SHUI WAI, N.T.  
 TITLE : WINDOW SCHEDULE FOR TOWER 1 IN-SITU WINDOW

DATE : 02-Aug-21  
 SCALE : 1:40  
 DRAWN BY : Ivan  
 CHECKED BY :

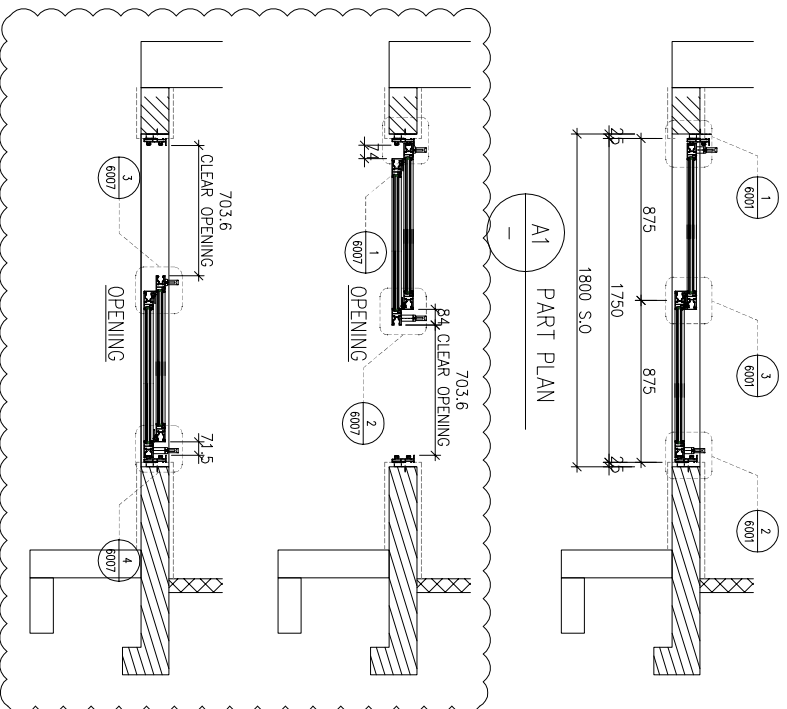
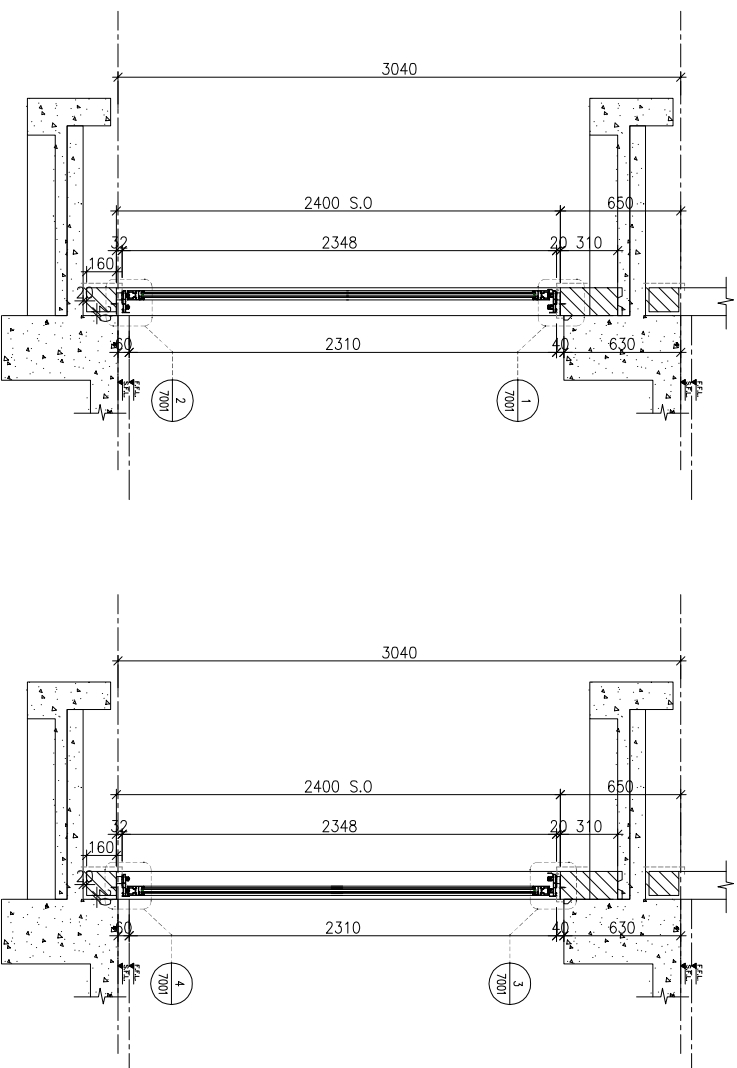
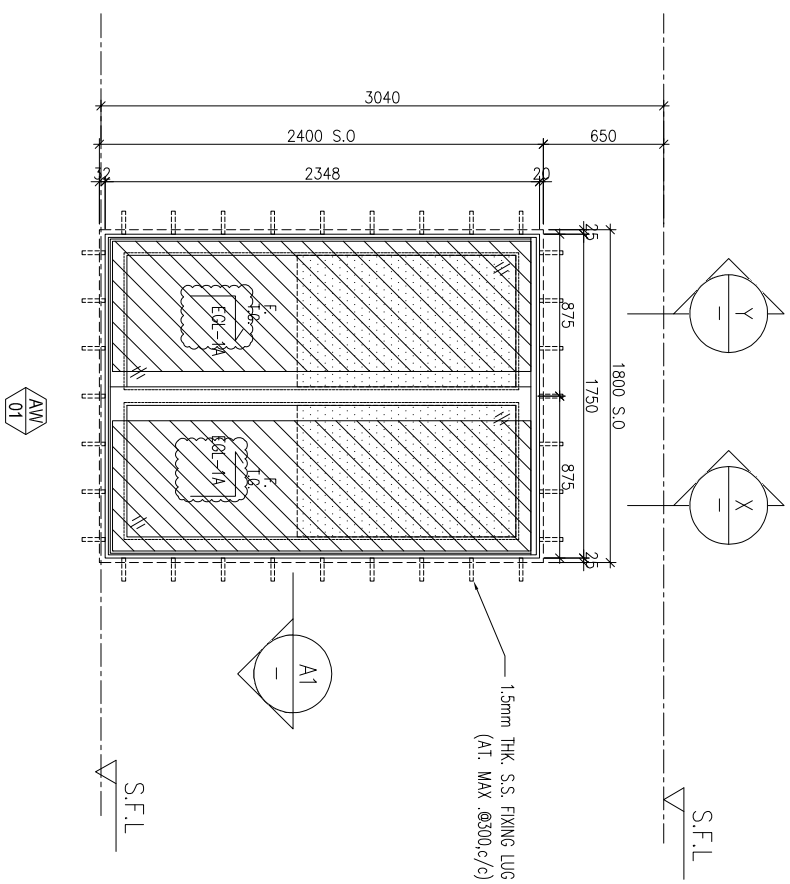
美特鋁質有限公司  
**MIDI ALUMINIUM FABRICATOR LTD.**  
 Units 6-8, Sunray Industrial Centre, 1/F  
 610 Cho Kwai Ling Road, Kwai Tsoum  
 Tel:23489211-4 Fax:(852)2727666  
 DWG NO. : J856-SD-W-5101 REV. : E



ELEVATION

| WINDOW MARK | LOCATION                                 | SECTION            | GLAZING | QUANTITY | REMARKS                          |
|-------------|--|--------------------|---------|----------|----------------------------------|
| AW 01       | 3/F-42/F,4/F,13/F,14/F,24/F,34/F OMITTED | 70mm ALUM. SECTION | EG1-1A  | 35 Nos.  | FAÇADE(TYPE T1PF01 FOR 3/F-42/F) |

| REQUIRED |               | PROVIDED     |              |
|----------|---------------|--------------|--------------|
| LOCATION | OPENABLE AREA | GLAZING AREA | GLAZING AREA |
| A2-LIV   | 1.272         | 1.527        | 1.591        |
| A5-LIV   | 1.198         | 1.409        | 1.681        |
| B3-LIV   | 1.048         | 1.486        |              |



BD. REF : \_\_\_\_\_

CLIENT : **SUN HUNG KAI**  
REAL ESTATE AGENCY LTD.  
42/F, SUN HUNG KAI CENTRE, WANCHAI, HONGKONG

ARCHITECT : **lwk&partners**  
a r c h i t e c t s

MAIN CONTRACTOR : **怡輝建築有限公司**  
**Yee Fai Building Contractors Ltd.**

STRUCTURAL ENGINEER : **ARUP**

FAÇADE CONSULTANT : **ALPHA CONSULTING LIMITED**  
Steel Structure & Façade Specialist

NOTE :  
1. ALL DIMENSIONS ARE IN mm.  
2. ALL ELEVATIONS ARE VIEWED FROM OUTSIDE.  
3. ALL DIMENSIONS TO BE VERIFIED ON SITE BEFORE FABRICATION.

LEGEND :  
 (X1) --- DETAIL MARK NO.  
 (X001) --- REFER SHEET NO.

1. F.F.L. --- FINISHED FLOOR LEVEL  
 2. S.F.L. --- STRUCTURAL FLOOR LEVEL  
 3. (R) --- REVERSED DETAIL

4. GLASS LEGEND  
 EGI-1 --- 6mmHS+12mm AIR GAP+10mmTP THK. I.G.U.  
 EGI-2 --- 10mm THK. CLEAR TEMPERED GLASS  
 EGI-4 --- 10mm THK. TEMPERED ACID ETCHED GLASS  
 EGI-1A --- 6mmHS+12mm AIR GAP+8mmTP THK. I.G.U.  
 B11/BB1 --- FIXING DETAIL (DWG. NO. F001)  
 BB2 --- FIXING DETAIL (DWG. NO. F002)

| NO. | DATE       | REVISION | SUBJECT TO ARCH-COMMENT | BY  |
|-----|------------|----------|-------------------------|-----|
| E   | 26/08/2022 | REVISION | SUBJECT TO ARCH-COMMENT | hwk |
| D   | 28/07/2022 | REVISION | SUBJECT TO ARCH-COMMENT | hwk |
| C   | 22/06/2022 | REVISION | SUBJECT TO ARCH-COMMENT | hwk |
| B   | 23/11/2021 | REVISION | SUBJECT TO ARCH-COMMENT | hwk |
| A   | 10/11/2021 | REVISION | SUBJECT TO ARCH-COMMENT | hwk |

JOB NO. : J-856

PROJECT : PROPOSED DEVELOPMENT ABOVE LIGHT RAIL TIN WING STOP-TSWTL NO.23,AREA 33,TIN SHUI WAI, N.T.

TITLE : WINDOW SCHEDULE FOR TOWER 1 IN-SITU WINDOW

DATE : 02-Aug-21 SCALE : 1:40

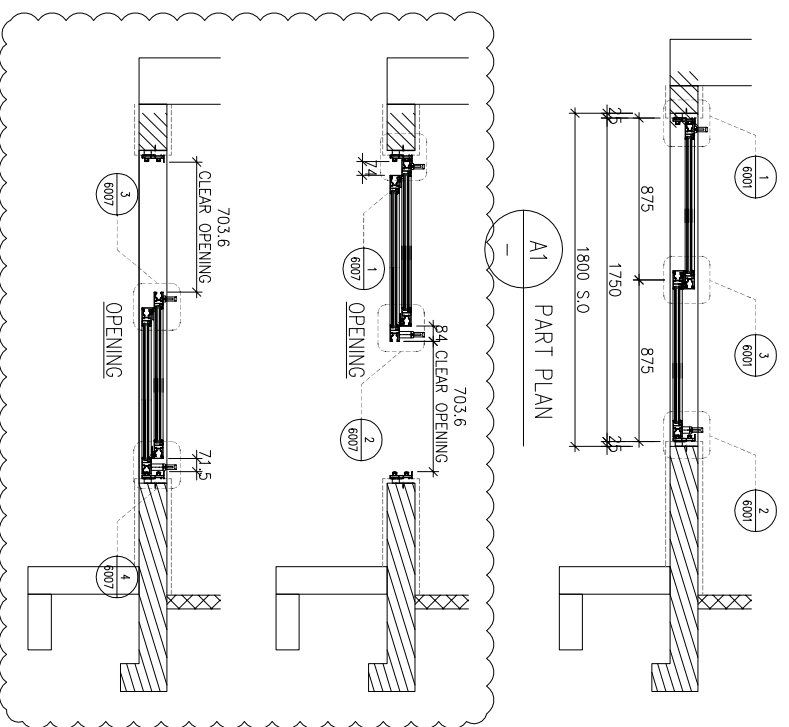
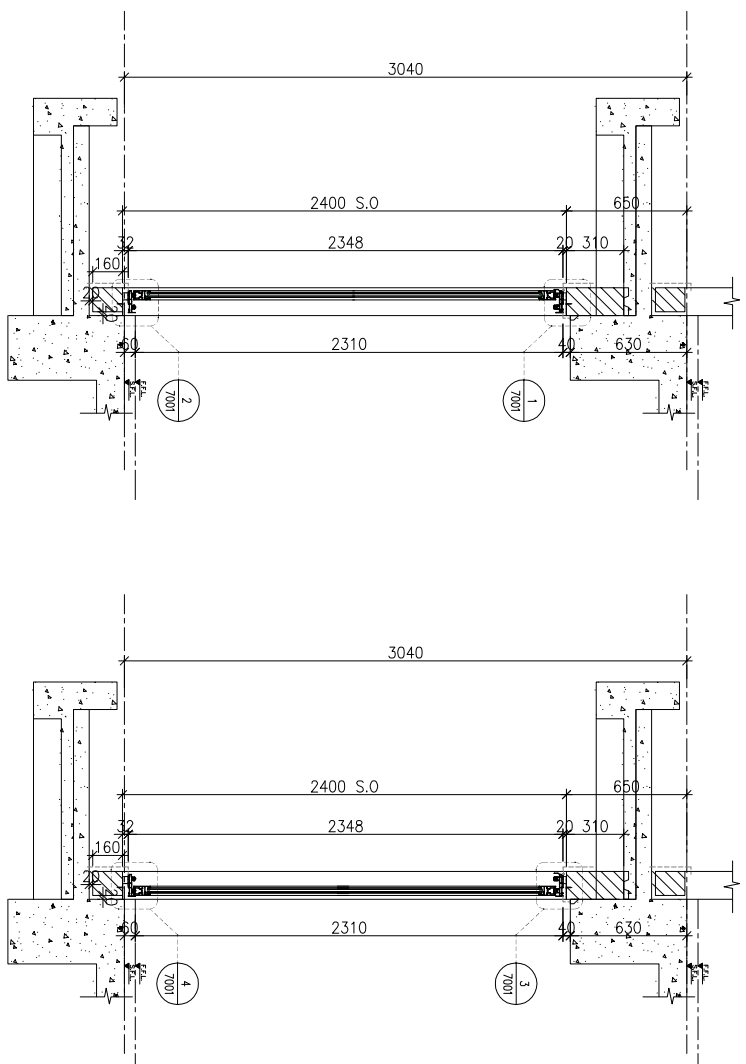
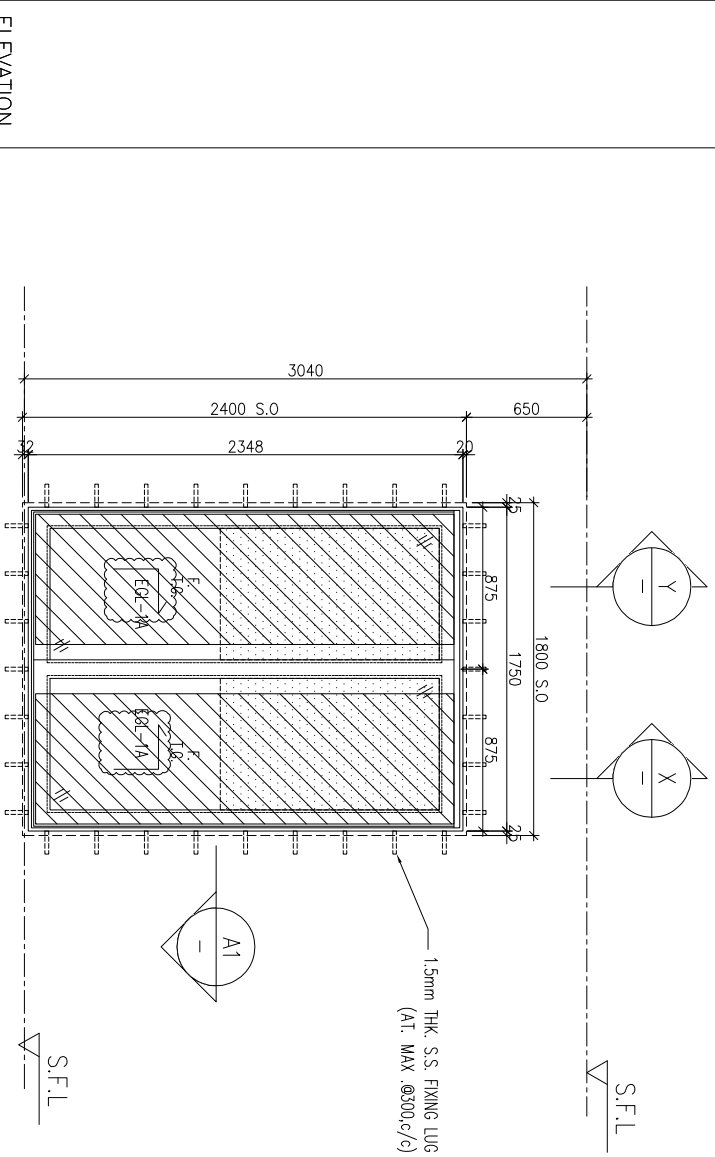
DRAWN BY : IYON CHECKED BY :

**美特鋁質有限公司**  
MIDI ALUMINIUM FABRICATOR LTD.  
Units 6-8, Sunray Industrial Centre, 1/F  
610 Cho Kwai Ling Road, Kwai Tsou  
Tel:23489211-4 Fax:(852)27272666  
DWG NO. : J856-SD-W-5102 REV : E

| WINDOW MARK | LOCATION                                 | SECTION            | GLAZING | QUANTITY                | REMARKS                          |
|-------------|--|--------------------|---------|-------------------------|----------------------------------|
| AW 01       | 3/F-42/F,4/F,13/F,14/F,24/F,34/F OMITTED | 70mm ALUM. SECTION | EGI-1A  | 35 Nos./35 Nos./35 Nos. | FAÇADE(TYPE T1PF02 FOR 3/F-42/F) |

ELEVATION

| REQUIRED |               | PROVIDED     |              |
|----------|---------------|--------------|--------------|
| LOCATION | OPENABLE AREA | GLAZING AREA | GLAZING AREA |
| A3-LIV   | 1.212         | 1.416        | 1.591        |
| A5-LIV   | 1.210         | 1.429        |              |
| B2-LIV   | 1.240         | 1.475        |              |
| B6-LIV   | 1.196         | 1.405        |              |
| B7-LIV   | 1.196         | 1.405        |              |



| WINDOW MARK | LOCATION  | SECTION            | QUANTITY                                | REMARKS                           |
|-------------|---|--------------------|---|-----------------------------------|
| AW 01       | 3/F-42/F(4/F,13/F,14/F,24/F,34/F OMITTED) UNIT A3,A7,B6,B2,B7 | 70mm ALUM. SECTION | 35 Nos./35 Nos./35 Nos./35 Nos./35 Nos. | FAÇADE(TYPE T1PF04 FOR 3/F~42/F)  |
| AW 01       | 3/F-42/F(4/F,13/F,14/F,24/F,34/F OMITTED) UNIT B7             | 70mm ALUM. SECTION | 35 Nos./35 Nos./35 Nos./35 Nos./35 Nos. | FAÇADE(TYPE T1PF04R FOR 3/F~42/F) |

DEFERRE

BD. REF :

CLIENT :

**SUN HUNG KAI**  
REAL ESTATE AGENCY LTD.  
42/F, SUN HUNG KAI CENTRE, WANCHAI, HONGKONG

ARCHITECT :

**lwk&partners**  
a r c h i t e c t s

MAIN CONTRACTOR :

**怡輝建築有限公司**  
**Yee Fai Building Contractors Ltd.**

STRUCTURAL ENGINEER :

**ARUP**

FAÇADE CONSULTANT :

**ALPHA CONSULTING LIMITED**  
Steel Structure & Façade Specialist

- NOTE :
1. ALL DIMENSIONS ARE IN mm.
  2. ALL ELEVATIONS ARE VIEWED FROM OUTSIDE.
  3. ALL DIMENSIONS TO BE VERIFIED ON SITE BEFORE FABRICATION.

LEGEND :

- (X1) --- DETAIL MARK NO.  
(X001) --- REFER SHEET NO.
1. F.F.L. --- FINISHED FLOOR LEVEL
  2. S.F.L. --- STRUCTURAL FLOOR LEVEL
  3. (R) --- REVERSED DETAIL

4. GLASS LEGEND

- EGL-1 --- 6mmHS+12mm AIR GAP+10mmTP THK. I.G.U.  
EGL-2 --- 10mm THK. CLEAR TEMPERED GLASS  
EGL-4 --- 10mm THK. TEMPERED ACID ETCHED GLASS  
EGL-1A --- 6mmHS+12mm AIR GAP+8mmTP THK. I.G.U.  
BT1/BB1 --- FIXING DETAIL (DWG. NO. F001)  
BB2 --- FIXING DETAIL (DWG. NO. F002)

| NO. | DATE       | REVISION                         | REVISION SUBJECT TO ARCH-COMMENT | BY   |
|-----|------------|----------------------------------|----------------------------------|------|
| E   | 26/08/2022 | REVISION SUBJECT TO ARCH-COMMENT | None                             | None |
| D   | 28/07/2022 | REVISION SUBJECT TO ARCH-COMMENT | None                             | None |
| C   | 22/06/2022 | REVISION SUBJECT TO ARCH-COMMENT | None                             | None |
| B   | 23/11/2021 | REVISION SUBJECT TO ARCH-COMMENT | None                             | None |
| A   | 10/11/2021 | REVISION SUBJECT TO ARCH-COMMENT | None                             | None |

JOB NO. : J-856

PROJECT :

PROPOSED DEVELOPMENT ABOVE  
LIGHT RAIL TIN WING STOP-TSWTL  
NO.23,AREA 33,TIN SHUI WAI, N.T.

TITLE :

WINDOW SCHEDULE FOR  
TOWER 1 IN-SITU WINDOW

DATE : 02-Aug-21 SCALE : 1:40

DRAWN BY : IYON CHECKED BY :

**美特鋁質有限公司**  
MIDI ALUMINIUM FABRICATOR LTD.  
Units 6-8, Sunray Industrial Centre, 1/F  
610 Cho Kwai Ling Road, Kowloon  
Tel:23489211-4 Fax:(852)27272666  
DWG NO. : J856-SD-W-5103 REV. : E

B.D. REF :

CLIENT :

**SUN HUNG KAI**  
REAL ESTATE AGENCY LTD.  
42/F SUN HUNG KAI CENTRE, WANCHAI, HONGKONG

ARCHITECT :

**lwk&partners**  
a r c h i t e c t s

MAIN CONTRACTOR :

**怡輝建築有限公司**  
**Yee Fai Building Contractors Ltd.**

STRUCTURAL ENGINEER :

**ARUP**

FAÇADE CONSULTANT :

**ALPHA CONSULTING LIMITED**  
Steel Structure & Façade Specialist

NOTE :

1. ALL DIMENSIONS ARE IN mm.
2. ALL ELEVATIONS ARE VIEWED FROM OUTSIDE.
3. ALL DIMENSIONS TO BE VERIFIED ON SITE BEFORE FABRICATION.

LEGEND :

- (X1) --- DETAIL MARK NO.
- (X001) --- REFER SHEET NO.
- 1. F.F.L. --- FINISHED FLOOR LEVEL
- 2. S.F.L. --- STRUCTURAL FLOOR LEVEL
- 3. (R) --- REVERSED DETAIL

4. GLASS LEGEND

- EGL-1 --- 6mmHS+12mm AIR GAP+10mmTP THK. I.G.U.
- EGL-2 --- 10mm THK. CLEAR TEMPERED GLASS
- EGL-4 --- 10mm THK. TEMPERED ACID ETCHED GLASS
- EGL-1A --- 6mmHS+12mm AIR GAP+8mmTP THK. I.G.U. BT1/BB1-FIXING DETAIL (DWG. NO. F001)
- BB2-FIXING DETAIL (DWG. NO. F002)

| NO. | DATE       | REVISION                         | SUBJECT TO ARCH-COMMENT | BY  |
|-----|------------|----------------------------------|-------------------------|-----|
| C   | 13/01/2022 | REVISION SUBJECT TO ARCH-COMMENT |                         | hen |
| B   | 23/11/2021 | REVISION SUBJECT TO ARCH-COMMENT |                         | hen |
| A   | 10/11/2021 | REVISION SUBJECT TO ARCH-COMMENT |                         | hen |

JOB NO. : J-856

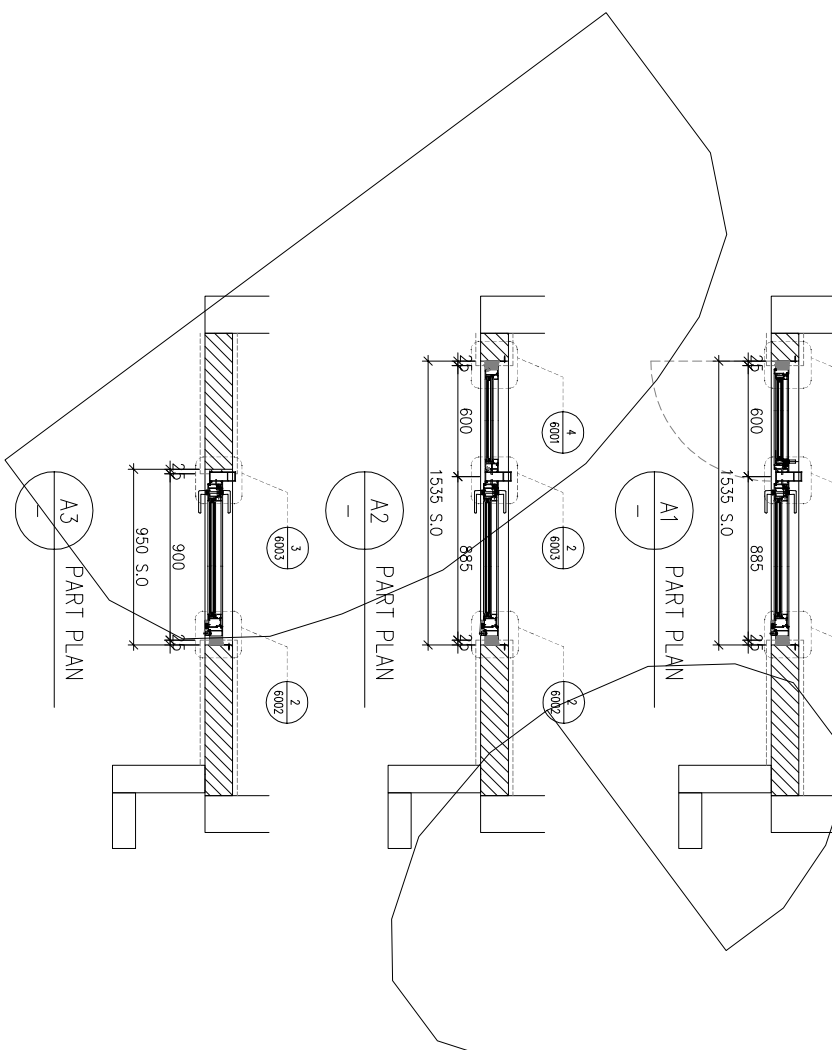
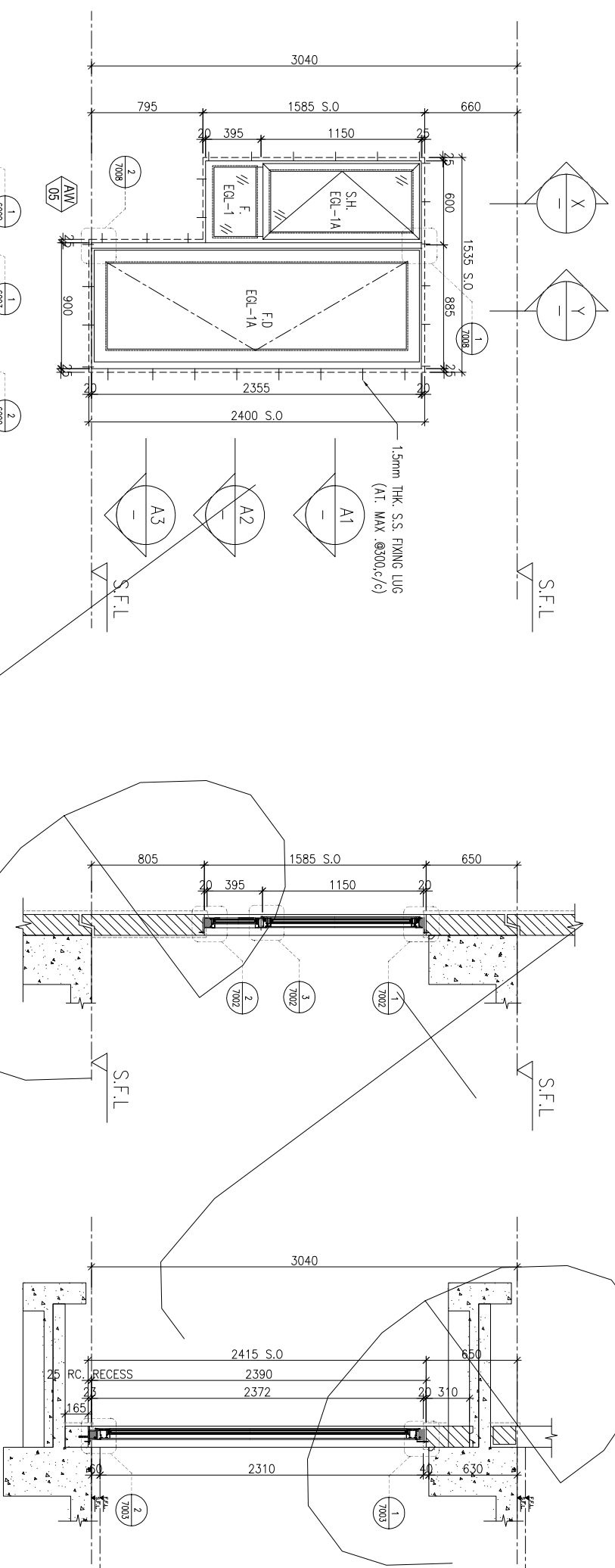
PROJECT : PROPOSED DEVELOPMENT ABOVE LIGHT RAIL TIN WING STOP-TSWTL NO.23,AREA 33,TIN SHUI WAI, N.T.

TITLE : WINDOW SCHEDULE FOR TOWER 1 IN-SITU WINDOW

DATE : 02-Aug-21 SCALE : 1:40

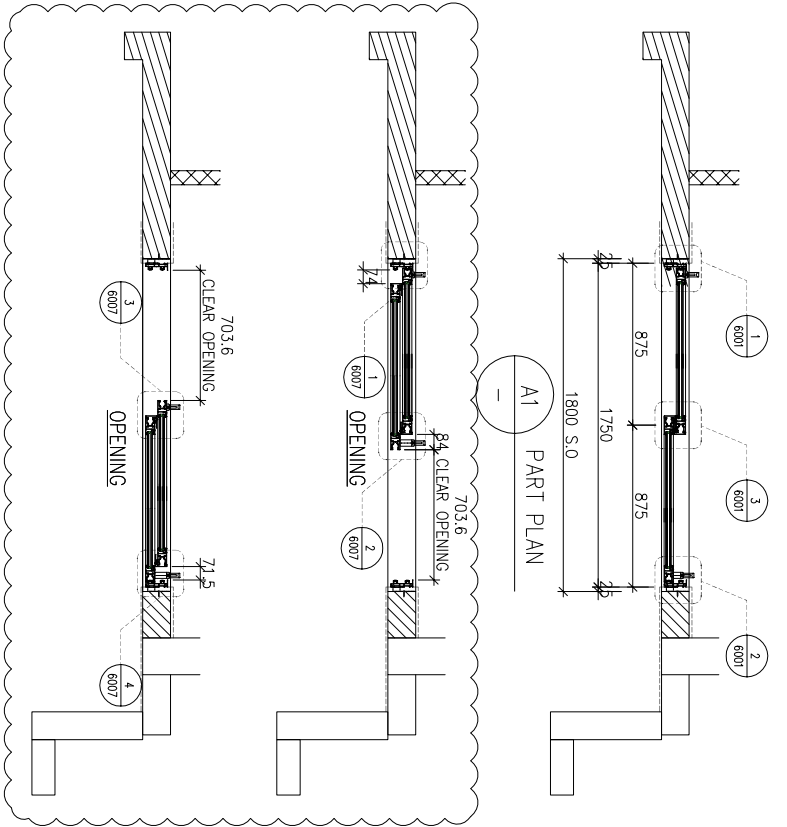
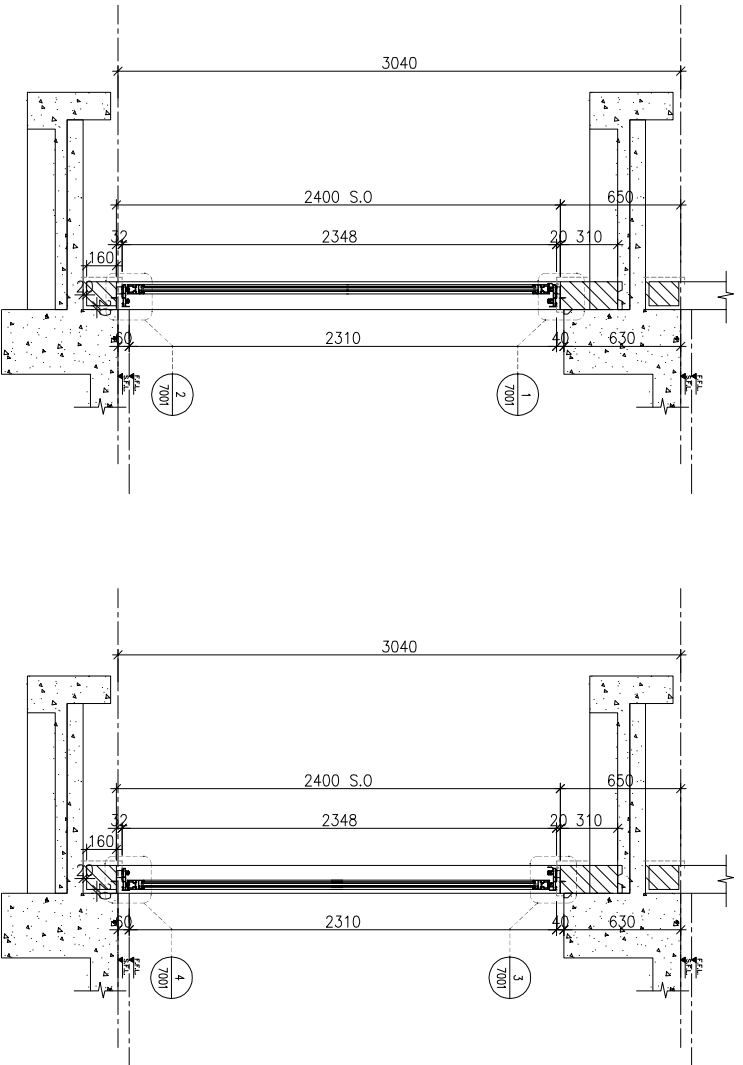
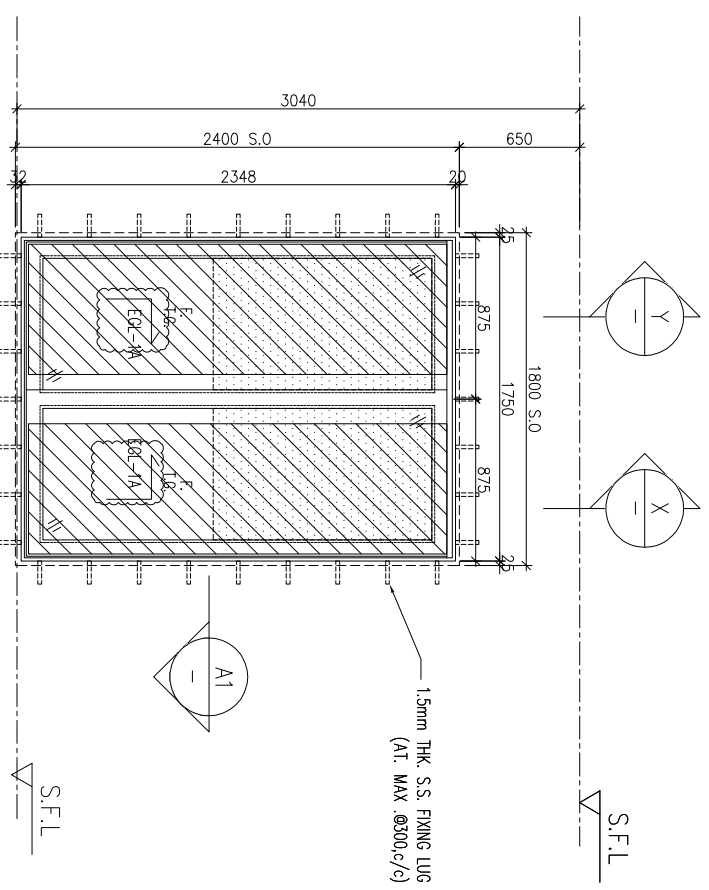
DRAWN BY : IYON CHECKED BY :

**美特鋁質有限公司**  
MIDI ALUMINIUM FABRICATOR LTD.  
Units 6-8, Sunray Industrial Centre, 1/F  
610 Cho Kwai Ling Road, Kwai Tsou  
Tel:23489211-4 Fax:(852)2727666  
DWG NO. : J856-SD-W-5104 REV. : C



|             |   |
|-------------|---|
| WINDOW MARK | AM 05   |
| LOCATION    | 5/F-42/F(13/F,14/F,24/F,34/F OMITTED) UNIT A6 |
| SECTION     | 70mm ALUM. SECTION                            |
| GLAZING     | EGL-1, EGL-1A                                 |
| QUANTITY    | 34 Nos  |
| REMARKS     | FAÇADE(TYPE T1PF07 FOR 5/F-42/F)              |

| REQUIRED |               | PROVIDED     |              |
|----------|---------------|--------------|--------------|
| LOCATION | OPENABLE AREA | GLAZING AREA | GLAZING AREA |
| A8-LIV   | 1.488         | 1.669        | 1.591        |
| B1-LIV   | 1.429         | 1.778        | 1.681        |
| B8-LIV   | 1.641         | 1.792        | 1.681        |



BD. REF : \_\_\_\_\_

CLIENT : **SUN HUNG KAI**  
REAL ESTATE AGENCY LTD.  
42/F, SUN HUNG KAI CENTRE, WANCHAI, HONGKONG

ARCHITECT : **lwk&partners**  
a r c h i t e c t s

MAIN CONTRACTOR : **怡輝建築有限公司**  
**Yee Fai Building Contractors Ltd.**

STRUCTURAL ENGINEER : **ARUP**

FAÇADE CONSULTANT : **ALPHA CONSULTING LIMITED**  
Steel Structure & Façade Specialist

NOTE :

1. ALL DIMENSIONS ARE IN mm.
2. ALL ELEVATIONS ARE VIEWED FROM OUTSIDE.
3. ALL DIMENSIONS TO BE VERIFIED ON SITE BEFORE FABRICATION.

LEGEND :

(X1) --- DETAIL MARK NO.  
(X001) --- REFER SHEET NO.

1. F.F.L. --- FINISHED FLOOR LEVEL
2. S.F.L. --- STRUCTURAL FLOOR LEVEL
3. (R) --- REVERSED DETAIL

4. GLASS LEGEND

EG1-1 --- 6mmHS+12mm AIR GAP+10mmTP THK. I.G.U.  
EG1-2 --- 10mm THK. CLEAR TEMPERED GLASS  
EG1-4 --- 10mm THK. TEMPERED ACID ETCHED GLASS  
EG1-1A --- 6mmHS+12mm AIR GAP+8mmTP THK. I.G.U.  
BT1/BB1 --- FIXING DETAIL (DWG. NO. F001)  
BB2 --- FIXING DETAIL (DWG. NO. F002)

| NO. | DATE       | REVISION                         | REVISION SUBJECT TO ARCH-COMMENT | BY   |
|-----|------------|----------------------------------|----------------------------------|------|
| E   | 26/08/2022 | REVISION SUBJECT TO ARCH-COMMENT | None                             | None |
| D   | 28/07/2022 | REVISION SUBJECT TO ARCH-COMMENT | None                             | None |
| C   | 22/06/2022 | REVISION SUBJECT TO ARCH-COMMENT | None                             | None |
| B   | 23/11/2021 | REVISION SUBJECT TO ARCH-COMMENT | None                             | None |
| A   | 10/11/2021 | REVISION SUBJECT TO ARCH-COMMENT | None                             | None |

JOB NO. : J-856

PROJECT : PROPOSED DEVELOPMENT ABOVE LIGHT RAIL TIN WING STOP-TSWTL NO.23,AREA 33,TIN SHUI WAI, N.T.

TITLE : WINDOW SCHEDULE FOR TOWER 1 IN-SITU WINDOW

DATE : 02-Aug-21 SCALE : 1:40

DRAWN BY : IYVN CHECKED BY :

**美特鋁質有限公司**  
MIDI ALUMINIUM FABRICATOR LTD.  
Units 6-8, Sunray Industrial Centre, 1/F  
610 Cho Kwai Ling Road, Kowloon  
Tel:23489211-4 Fax:(852)27272666

DWG NO. : J856-SD-W-5105 REV. : E

| WINDOW MARK | AW 01   | AW 01   |
|-------------|---|---|
| LOCATION    | 3/F-42/F(4/F,13/F,14/F,24/F,34/F OMITTED) UNIT A8,B1,B8 | 3/F-42/F(4/F,13/F,14/F,24/F,34/F OMITTED) UNIT B8 |
| SECTION     | 70mm ALUM. SECTION                                      | 70mm ALUM. SECTION                                |
| GLAZING     | EG1-1A  | EG1-1A  |
| QUANTITY    | 35 Nos./35 Nos./35 Nos.                                 | 35 Nos.   |
| REMARKS     | FAÇADE(TYPE T1PF08 FOR 3/F~42/F)                        | FAÇADE(TYPE T1PF08R FOR 3/F~42/F)                 |

**DELETE**

B.D. REF :

CLIENT :

**SUN HUNG KAI**  
REAL ESTATE AGENCY LTD.

42/F, SUN HUNG KAI CENTRE, WANCHAI, HONGKONG

ARCHITECT :

**lwk&partners**  
a r c h i t e c t s

MAIN CONTRACTOR :

**怡輝建築有限公司**  
**Yee Fai Building Contractors Ltd.**

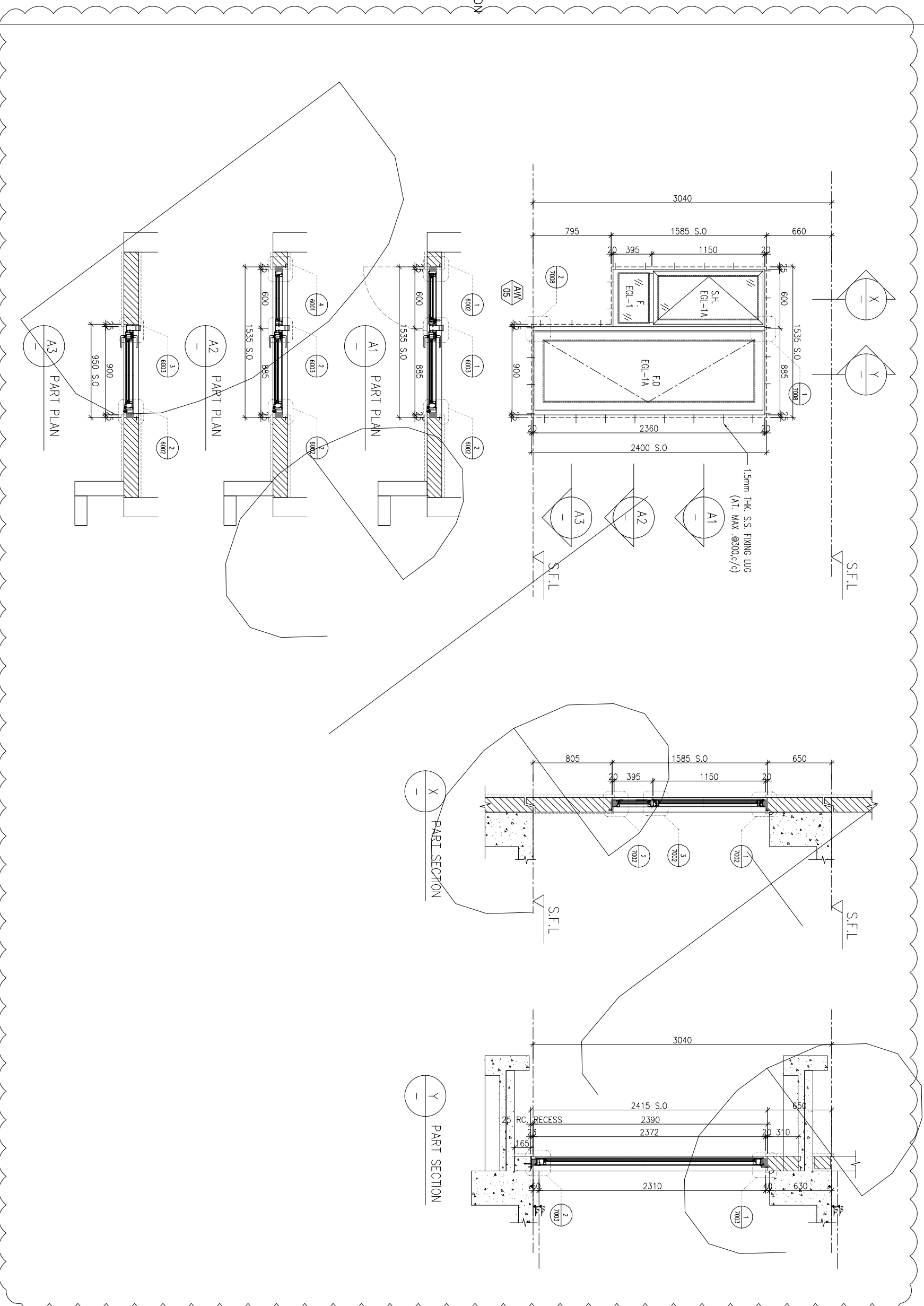
STRUCTURAL ENGINEER :

**ARUP**

FAÇADE CONSULTANT :

**ALPHA CONSULTING LIMITED**  
Steel Structure & Façade Specialist

ELEVATION



|             |   |
|-------------|---|
| WINDOW MARK | AM 05   |
| LOCATION    | 5/F-42/F(13/F,14/F,24/F,34/F OMITTED) UNIT B5 |
| SECTION     | 70mm ALUM. SECTION                            |
| GLAZING     | EGL-1, EGL-1A                                 |
| QUANTITY    | 34 Nos  |
| REMARKS     | FAÇADE(TYPE T1PF11 FOR 5/F-42/F)              |

- NOTE:
1. ALL DIMENSIONS ARE IN mm.
  2. ALL ELEVATIONS ARE VIEWED FROM OUTSIDE.
  3. ALL DIMENSIONS TO BE VERIFIED ON SITE BEFORE FABRICATION.

- LEGEND:
- (X1) --- DETAIL MARK NO.
  - (X001) --- REFER SHEET NO.
  - 1. F.F.L. --- FINISHED FLOOR LEVEL
  - 2. S.F.L. --- STRUCTURAL FLOOR LEVEL
  - 3. (R) --- REVERSED DETAIL

4. GLASS LEGEND
- EGL-1 --- 8mmHS+12mm AIR GAP+10mmTP THK. I.G.U.
  - EGL-2 --- 10mm THK. CLEAR TEMPERED GLASS
  - EGL-4 --- 10mm THK. TEMPERED ACID ETCHED GLASS
  - EGL-1A --- 8mmHS+12mm AIR GAP+8mmTP THK. I.G.U. BT1/BB1-FIXING DETAIL (DWG. NO. F001)
  - BB2-FIXING DETAIL (DWG. NO. F002)

| NO. | DATE       | REVISION                         | SUBJECT TO ARCH-COMMENT | BY  |
|-----|------------|----------------------------------|-------------------------|-----|
| C   | 13/01/2022 | REVISION SUBJECT TO ARCH-COMMENT |                         | hen |
| B   | 23/11/2021 | REVISION SUBJECT TO ARCH-COMMENT |                         | hen |
| A   | 10/11/2021 | REVISION SUBJECT TO ARCH-COMMENT |                         | hen |

JOB NO. : J-856

PROJECT : PROPOSED DEVELOPMENT ABOVE LIGHT RAIL TIN WING STOP-TSWTL NO.23,AREA 33,TIN SHUI WAI, N.T.

TITLE : WINDOW SCHEDULE FOR TOWER 1 IN-SITU WINDOW

DATE : 02-Aug-21 SCALE : 1:40

DRAWN BY : ivan CHECKED BY :

**美特鋁質有限公司**  
MIDI ALUMINUM FABRICATOR LTD.

Units 6-8, Sunray Industrial Centre, 1/F  
610 Cho Kwo Ling Road, Kwai Tsou  
Tel:23489211-4 Fax:(852)2727666

DWG NO. : J856-SD-W-5106 REV. : C

B.D. REF :

CLIENT :

**SUN HUNG KAI**  
REAL ESTATE AGENCY LTD.

42/F, SUN HUNG KAI CENTRE, WANCHAI, HONGKONG

ARCHITECT :

**lwk&partners**  
a r c h i t e c t s

MAIN CONTRACTOR :

**怡輝建築有限公司**  
**Yee Fai** Building Contractors Ltd.

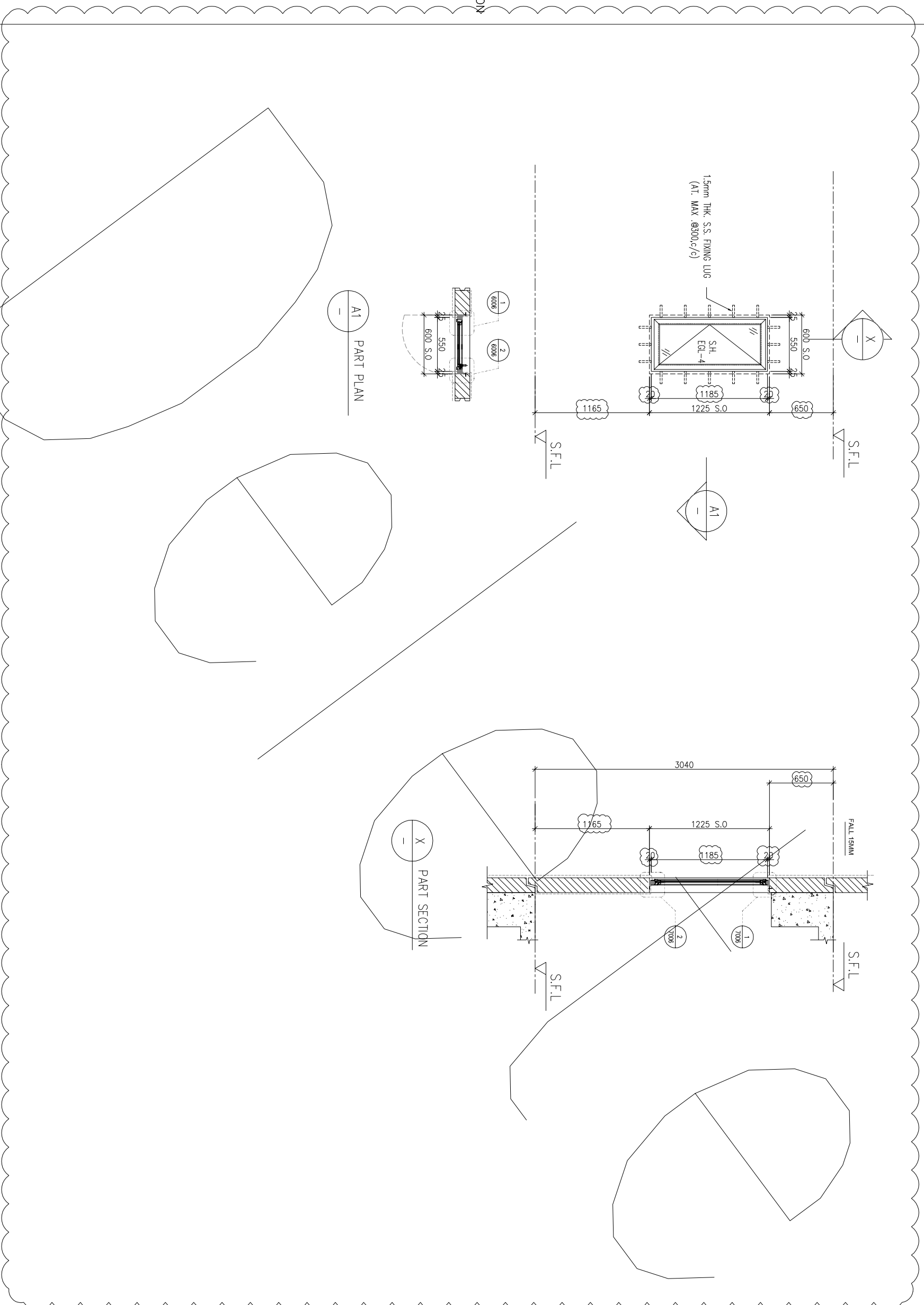
STRUCTURAL ENGINEER :

**ARUP**

FAÇADE CONSULTANT:

**ALPHA CONSULTING LIMITED**  
Steel Structure & Façade Specialist

ELEVATION



NOTE :

1. ALL DIMENSIONS ARE IN mm.  
2. ALL ELEVATIONS ARE VIEWED FROM OUTSIDE.  
3. ALL DIMENSIONS TO BE VERIFIED ON SITE BEFORE FABRICATION.

LEGEND :

(X1) --- DETAIL MARK NO.  
(X001) --- REFER SHEET NO.

1. F.F.L. --- FINISHED FLOOR LEVEL  
2. S.F.L. --- STRUCTURAL FLOOR LEVEL  
3. (R) --- REVERSED DETAIL

4. GLASS LEGEND

EGL-1--8mmHS+12mm AIR GAP+10mmTP THK. I.G.U.  
EGL-2--10mm THK. CLEAR TEMPERED GLASS  
EGL-4--10mm THK. TEMPERED ACID ETCHED GLASS  
EGL-1A--8mmHS+12mm AIR GAP+8mmTP THK. I.G.U.  
BT1/BB1--FIXING DETAIL (DWG. NO. FD01)  
BB2--FIXING DETAIL (DWG. NO. FD02)

| NO. | DWG.       | REVISION                         | SUBJECT TO ARCH.COMMENT | BY  |
|-----|------------|----------------------------------|-------------------------|-----|
| C   | 22/06/2022 | REVISION SUBJECT TO ARCH.COMMENT |                         | hwn |
| B   | 24/11/2021 | REVISION SUBJECT TO ARCH.COMMENT |                         | hwn |
| A   | 10/11/2021 | REVISION SUBJECT TO ARCH.COMMENT |                         | hwn |

JOB NO. : J-856

PROJECT : PROPOSED DEVELOPMENT ABOVE LIGHT RAIL TIN WING STOP-TSWTL NO.23,AREA 33,TIN SHUI WA, N.T.

TITLE : WINDOW SCHEDULE FOR TOWER 1 IN-SITU WINDOW

DATE : 06-Aug-21 SCALE : 1:40

DRAWN BY : IYVN CHECKED BY :

**美特鋁質有限公司**  
MIDI ALUMINIUM FABRICATOR LTD.

Units 6-8, Sunray Industrial Centre, 1/F  
610 Cho Kwai Ling Road, Kowloon  
Tel:23489211-4 Fax:(852)2727666

DWG NO. : J856-SD-W-5107 REV. : C

|             |   |
|-------------|---|
| WINDOW MARK | 127   |
| LOCATION    | 3/F-42/F(4/F,13/F,14/F,24/F,34/F OMITTED) UNIT A1 |
| SECTION     | 50mm ALUM. SECTION                                |
| GLAZING     | EGL-4   |
| QUANTITY    | 35 Nos.   |
| REMARKS     |   |

B.D. REF :

CLIENT :

**SUN HUNG KAI**  
REAL ESTATE AGENCY LTD.

42/F, SUN HUNG KAI CENTRE, WANCHAI, HONGKONG

ARCHITECT :

**lwk&partners**  
a r c h i t e c t s

MAIN CONTRACTOR :

**怡輝建築有限公司**  
**Yee Fai Building Contractors Ltd.**

STRUCTURAL ENGINEER :

**ARUP**

FAÇADE CONSULTANT:

**ALPHA CONSULTING LIMITED**  
Steel Structure & Façade Specialist

NOTE :

1. ALL DIMENSIONS ARE IN mm.
2. ALL ELEVATIONS ARE VIEWED FROM OUTSIDE.
3. ALL DIMENSIONS TO BE VERIFIED ON SITE BEFORE FABRICATION.

LEGEND :

(X1) — DETAIL MARK NO.  
(X001) — REFER SHEET NO.

1. F.F.L. --- FINISHED FLOOR LEVEL
2. S.F.L. --- STRUCTURAL FLOOR LEVEL
3. (R) --- REVERSED DETAIL

4. GLASS LEGEND

EQ1-1 --- 8mmHS+12mm AIR GAP+10mmTP THK. I.G.U.  
 EQ1-2 --- 10mm THK. CLEAR TEMPERED GLASS  
 EQ1-4 --- 10mm THK. TEMPERED ACID ETCHED GLASS  
 EQ1-1A --- 8mmHS+12mm AIR GAP+8mmTP THK. I.G.U.  
 BT1/BB1 --- FIXING DETAIL (DWG. NO. FD01)  
 BB2 --- FIXING DETAIL (DWG. NO. FD02)

| NO. | DATE       | REVISION                         | SUBJECT TO ARCH-COMMENT | BY  |
|-----|------------|----------------------------------|-------------------------|-----|
| C   | 22/06/2022 | REVISION SUBJECT TO ARCH-COMMENT |                         | hwn |
| B   | 24/11/2021 | REVISION SUBJECT TO ARCH-COMMENT |                         | hwn |
| A   | 10/11/2021 | REVISION SUBJECT TO ARCH-COMMENT |                         | hwn |

JOB NO. : J-856

PROJECT : PROPOSED DEVELOPMENT ABOVE LIGHT RAIL TIN WING STOP-TSWTL NO.23,AREA 33,TIN SHUI WA, N.T.

TITLE : WINDOW SCHEDULE FOR TOWER 1 IN-SITU WINDOW

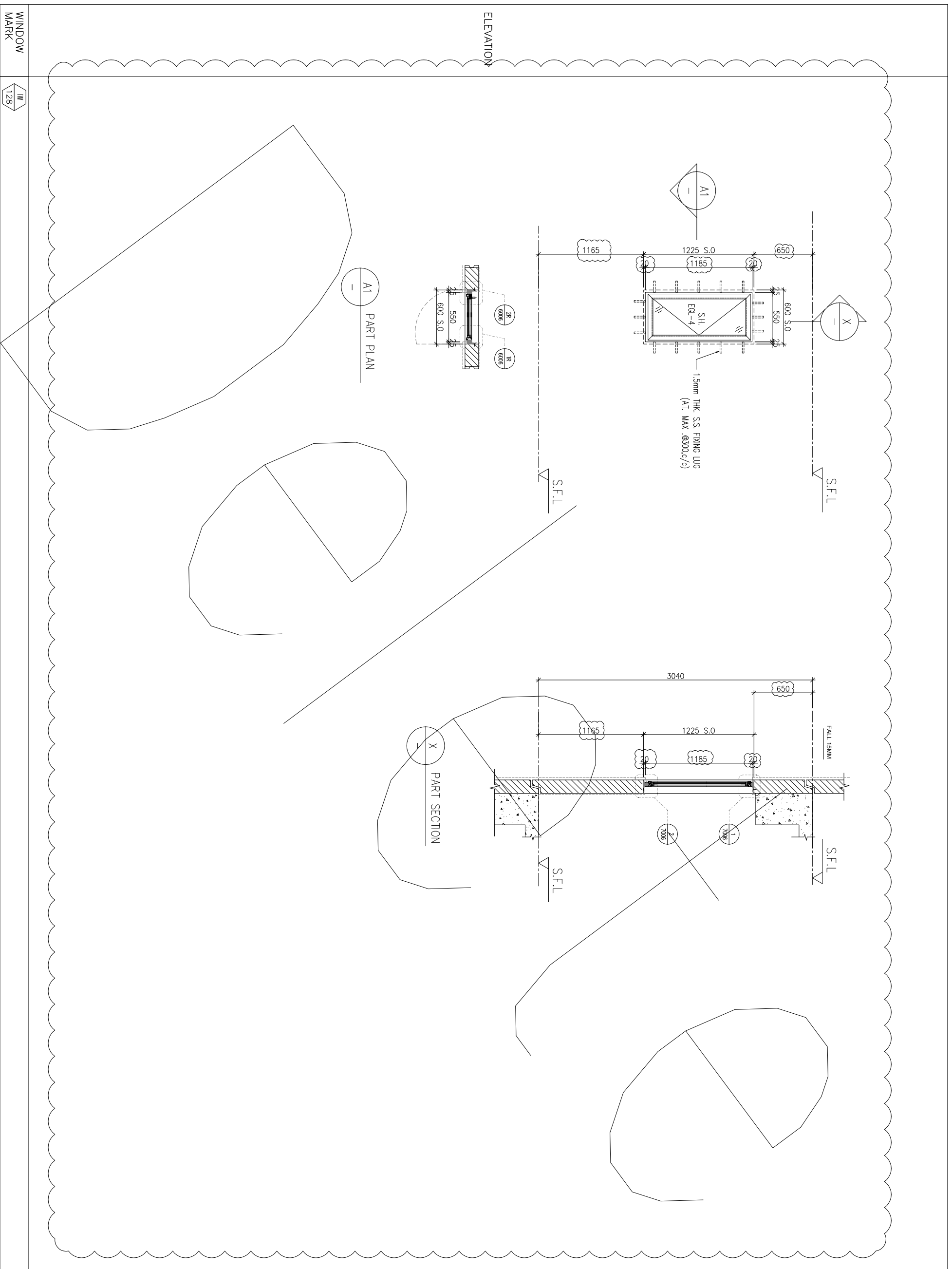
DATE : 06-Aug-21 SCALE : 1:40

DRAWN BY : IYVN CHECKED BY :

**美特鋁質有限公司**  
MIDI ALUMINIUM FABRICATOR LTD.

Units 6-8, Sunray Industrial Centre, 1/F  
610 Cho Kwo Ling Road, Kwai Tsou  
Tel:23489211-4 Fax:(852)2727666

DWG NO. : J856-SD-W-5108 REV. : C



|             |   |
|-------------|---|
| WINDOW MARK | W<br>128  |
| LOCATION    | 3/F-42/F(4/F,13/F,14/F,24/F,34/F OMITTED) UNIT B1 |
| SECTION     | 50mm ALUM. SECTION                                |
| GLAZING     | EG1-4   |
| QUANTITY    | 35 Nos.   |
| REMARKS     |   |

B.D. REF :

CLIENT :

**SUN HUNG KAI**  
REAL ESTATE AGENCY LTD.

42/F, SUN HUNG KAI CENTRE, WANCHAI, HONGKONG

ARCHITECT :

**lwk&partners**  
a r c h i t e c t s

MAIN CONTRACTOR :

**怡輝建築有限公司**  
**Yee Fai Building Contractors Ltd.**

STRUCTURAL ENGINEER :

**ARUP**

FAÇADE CONSULTANT :

**ALPHA CONSULTING LIMITED**  
Steel Structure & Façade Specialist

NOTE :

1. ALL DIMENSIONS ARE IN mm.
2. ALL ELEVATIONS ARE VIEWED FROM OUTSIDE.
3. ALL DIMENSIONS TO BE VERIFIED ON SITE BEFORE FABRICATION.

LEGEND :

(X1) — DETAIL MARK NO.  
(X001) — REFER SHEET NO.

1. F.F.L. --- FINISHED FLOOR LEVEL
2. S.F.L. --- STRUCTURAL FLOOR LEVEL
3. (R) --- REVERSED DETAIL

4. GLASS LEGEND

EGL-1 --- 8mmHS+12mm AIR GAP+10mmTP THK. I.G.U.  
 EGL-2 --- 10mm THK. CLEAR TEMPERED GLASS  
 EGL-4 --- 10mm THK. TEMPERED ACID ETCHED GLASS  
 EGL-1A --- 8mmHS+12mm AIR GAP+8mmTP THK. I.G.U.  
 BT1/BB1 --- FIXING DETAIL (DWG. NO. FD01)  
 BB2 --- FIXING DETAIL (DWG. NO. FD02)

| NO. | DATE       | REVISION                         | SUBJECT TO ARCH-COMMENT | BY  |
|-----|------------|----------------------------------|-------------------------|-----|
| C   | 22/06/2022 | REVISION SUBJECT TO ARCH-COMMENT |                         | hwn |
| B   | 24/11/2021 | REVISION SUBJECT TO ARCH-COMMENT |                         | hwn |
| A   | 10/11/2021 | REVISION SUBJECT TO ARCH-COMMENT |                         | hwn |

JOB NO. : J-856

PROJECT : PROPOSED DEVELOPMENT ABOVE LIGHT RAIL TIN WING STOP-TSWTL NO.23,AREA 33,TIN SHUI WAI, N.T.

TITLE : WINDOW SCHEDULE FOR TOWER 1 IN-SITU WINDOW

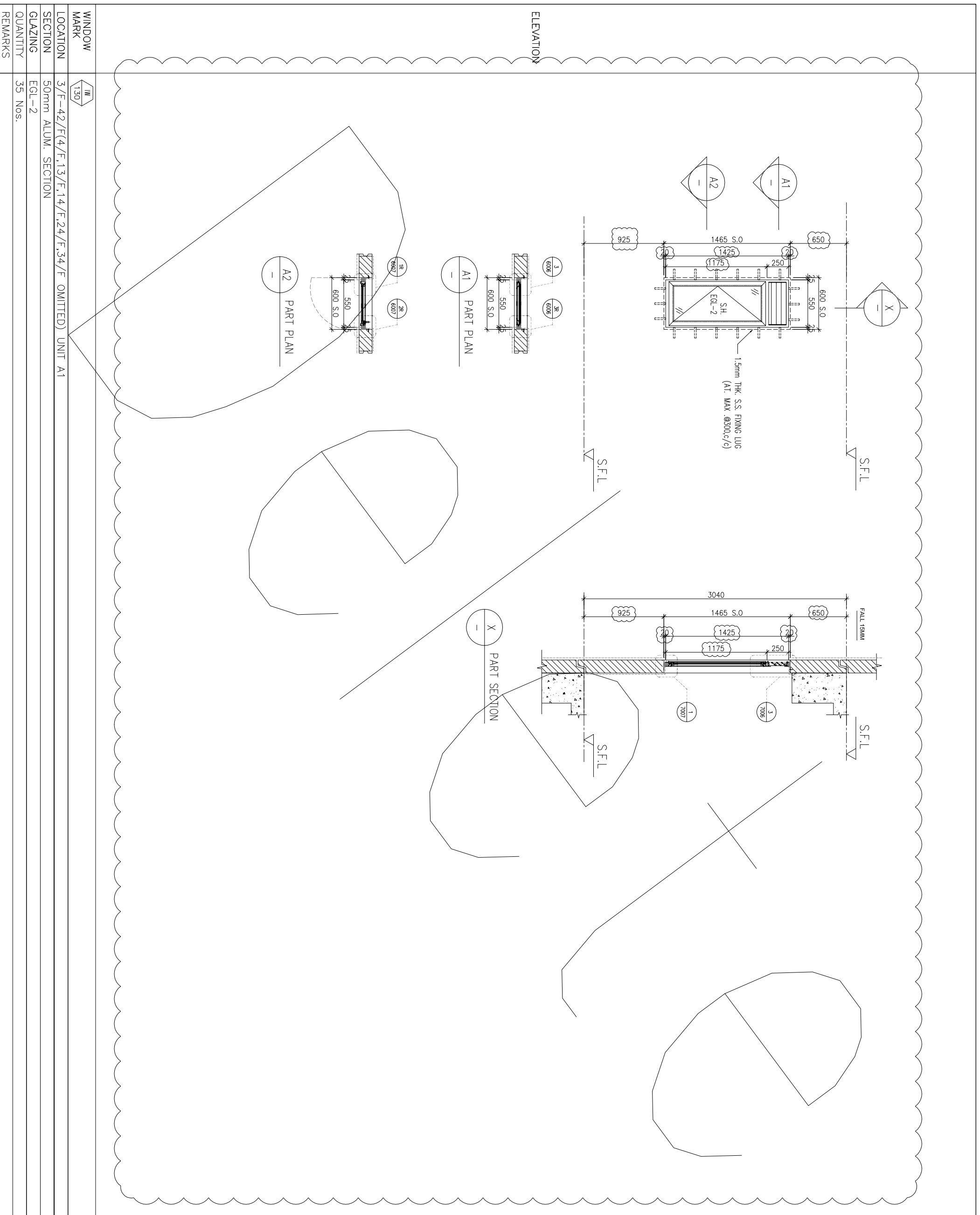
DATE : 06-Aug-21 SCALE : 1:40

DRAWN BY : ivon CHECKED BY :

**美特鋁質有限公司**  
MIDI ALUMINIUM FABRICATOR LTD.

Units 6-8, Sunray Industrial Centre, 1/F  
610 Cho Kwai Ling Road, Kwai Tsou  
Tel:23489211-4 Fax:(852)2727566

DWG NO. : J856-SD-W-5109 REV. : C



ELEVATION

A1 PART PLAN

A2 PART PLAN

X PART SECTION

WINDOW MARK

W  
130/

LOCATION

3/F-42/F(4/F,13/F,14/F,24/F,34/F OMITTED) UNIT A1

SECTION

50mm ALUM. SECTION

GLAZING

EGL-2

QUANTITY

35 Nos.

REMARKS

B.D. REF :

CLIENT :

**SUN HUNG KAI**  
REAL ESTATE AGENCY LTD.  
42/F, SUN HUNG KAI CENTRE, WANCHAI, HONGKONG

ARCHITECT :

**lwk&partners**  
a r c h i t e c t s

MAIN CONTRACTOR :

**怡輝建築有限公司**  
**Yee Fai Building Contractors Ltd.**

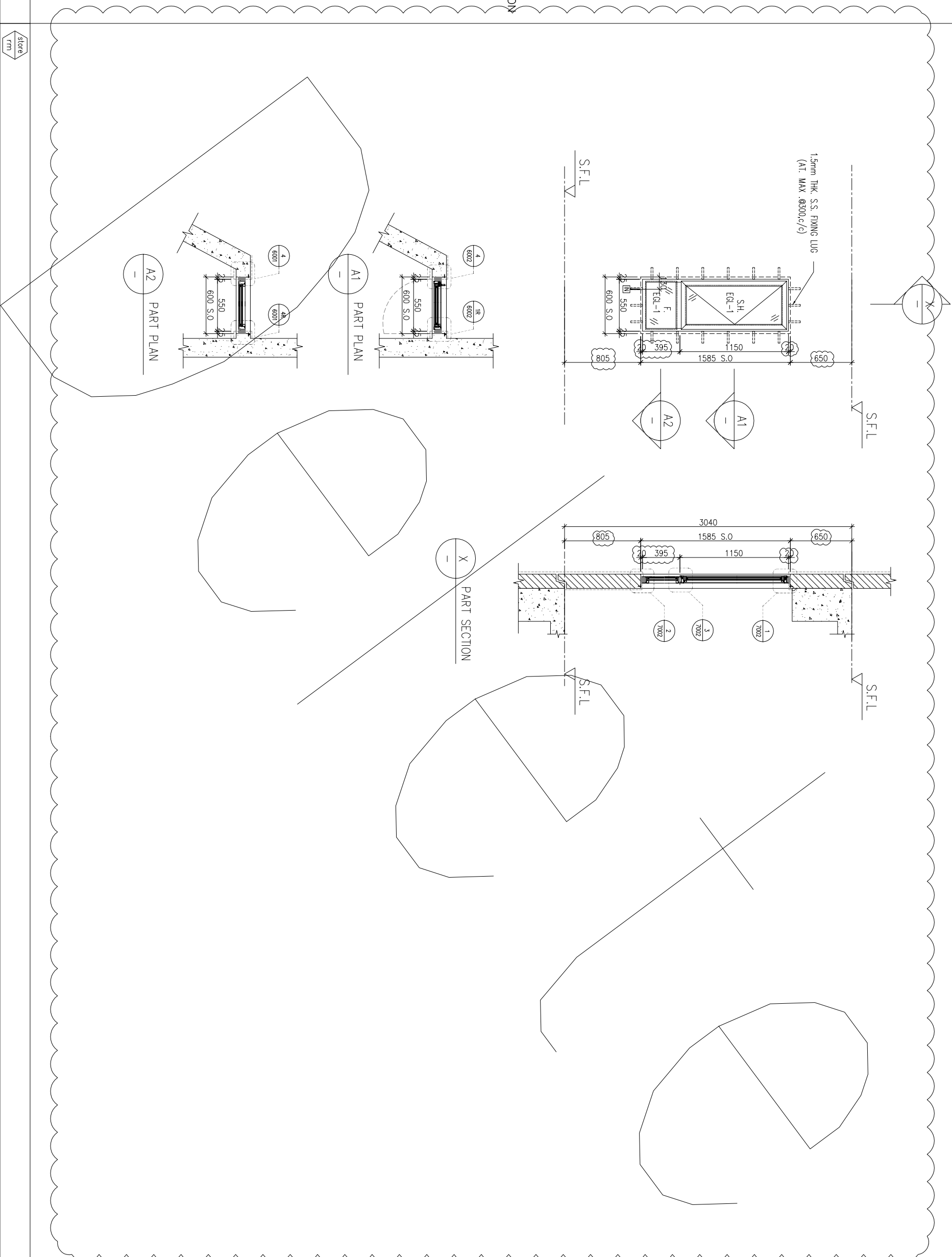
STRUCTURAL ENGINEER :

**ARUP**

FAÇADE CONSULTANT :

**ALPHA CONSULTING LIMITED**  
Steel Structure & Façade Specialist

ELEVATION



PART SECTION X-X

PART PLAN A1

PART PLAN A2

|             |   |
|-------------|---|
| WINDOW MARK | store   |
| LOCATION    | 3/F-42/F, 4/F, 13/F, 14/F, 24/F, 34/F OMITTED UNIT A5 |
| SECTION     | 70mm ALUM. SECTION                                    |
| GLAZING     | EGL-1   |
| QUANTITY    | 35 Nos.   |
| REMARKS     |   |

NOTE :

1. ALL DIMENSIONS ARE IN mm.
2. ALL ELEVATIONS ARE VIEWED FROM OUTSIDE.
3. ALL DIMENSIONS TO BE VERIFIED ON SITE BEFORE FABRICATION.

LEGEND :

- (X1) --- DETAIL MARK NO.
- (X001) --- REFER SHEET NO.
- 1. F.F.L. --- FINISHED FLOOR LEVEL
- 2. S.F.L. --- STRUCTURAL FLOOR LEVEL
- 3. (R) --- REVERSED DETAIL
- 4. GLASS LEGEND

EGL-1--8mmHS+12mm AIR GAP+10mmTP THK. I.G.U.  
 EGL-2--10mm THK. CLEAR TEMPERED GLASS  
 EGL-4--10mm THK. TEMPERED ACID ETCHED GLASS  
 EGL-1A--8mmHS+12mm AIR GAP+8mmTP THK. I.G.U.  
 BT1/BB1--FIXING DETAIL (DWG. NO. FD01)  
 BB2--FIXING DETAIL (DWG. NO. FD02)

JOB NO. : J-856

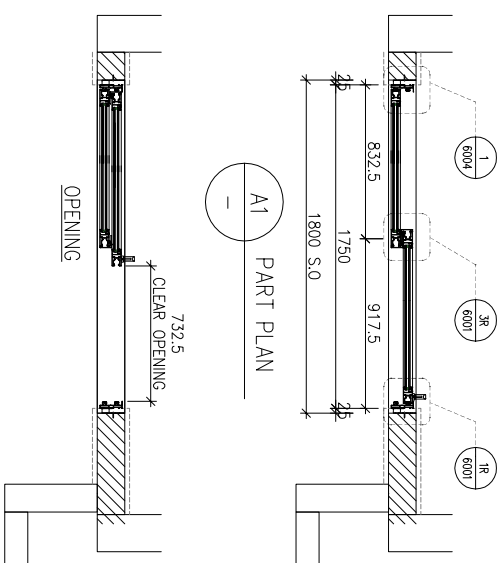
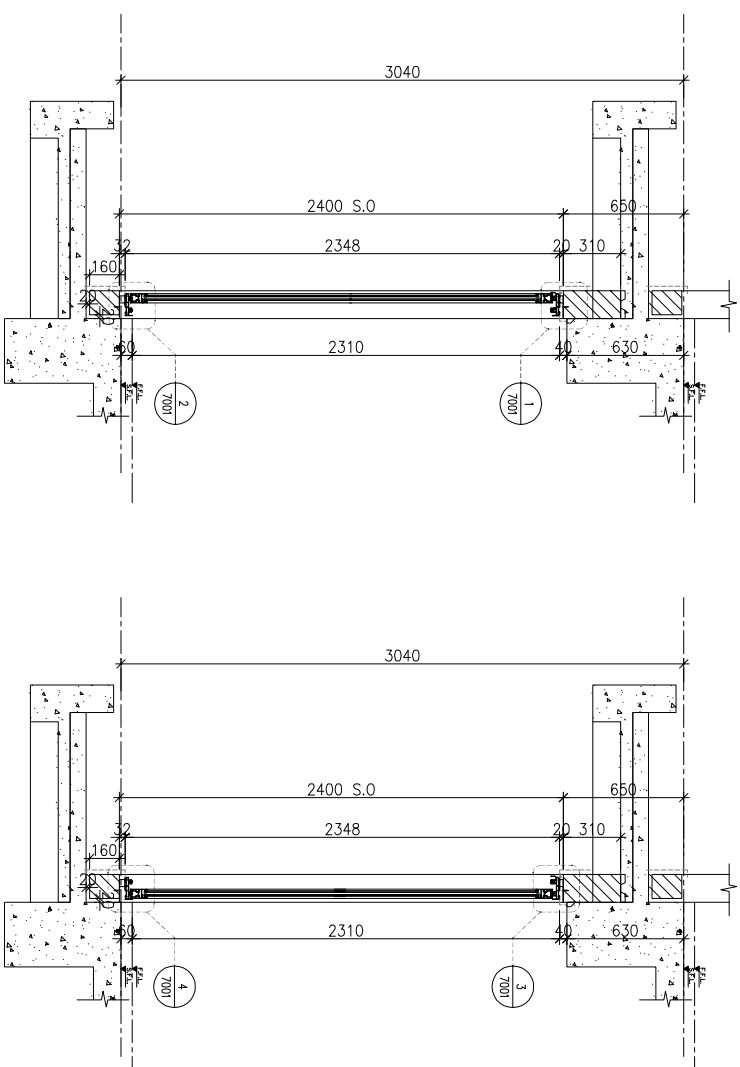
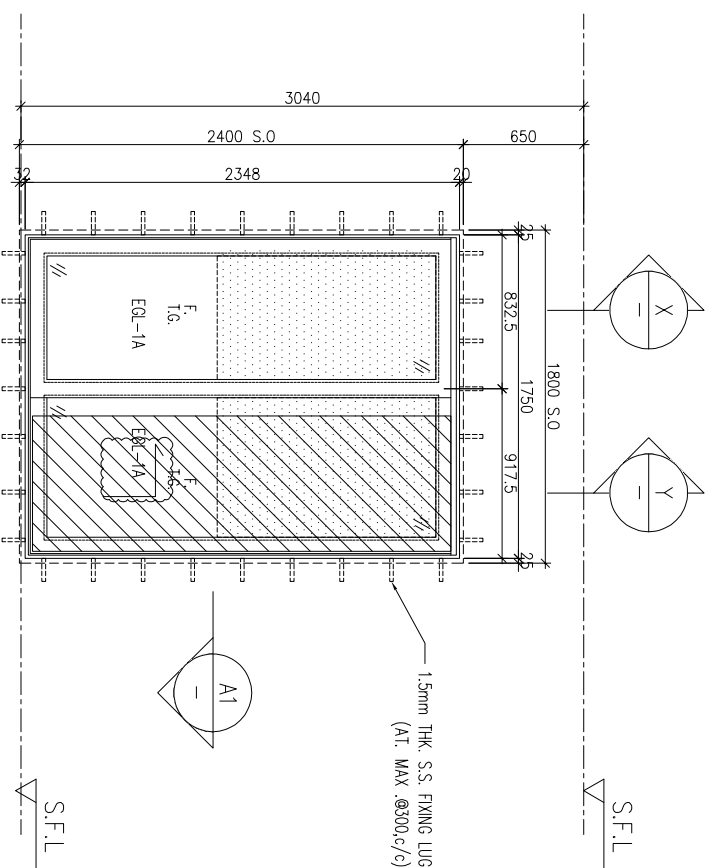
PROJECT :  
 PROPOSED DEVELOPMENT ABOVE  
 LIGHT RAIL TIN WING STOP-TSWTL  
 NO.23,AREA 33,TIN SHUI WA, N.T.

TITLE :  
 WINDOW SCHEDULE FOR  
 TOWER 1 IN-SITU WINDOW

DATE : 06-Aug-21 SCALE : 1:40  
 DRAWN BY : IYVN CHECKED BY :

**美特鋁質有限公司**  
**MIDI ALUMINIUM FABRICATOR LTD.**  
 Units 6-8, Sunray Industrial Centre, 1/F  
 610 Cho Kwai Ling Road, Kowloon  
 Tel:23489211-4 Fax:(852)2727566  
 DWG NO. : J856-SD-W-5110 REV : C

| REQUIRED |               | PROVIDED     |               |
|----------|---------------|--------------|---------------|
| LOCATION | OPENABLE AREA | GLAZING AREA | OPENABLE AREA |
| A6-LIV   | 1.092         | 1.239        | 1.657         |
|          |               |              | 1.681         |



ELEVATION

|             |   |
|-------------|---|
| WINDOW MARK | AM 05   |
| LOCATION    | 3/F-42/F(4/F,13/F,14/F,24/F,34/F OMITTED) UNIT A6 |
| SECTION     | 70mm ALUM. SECTION                                |
| GLAZING     | EGL-1A  |
| QUANTITY    | 35 Nos.   |
| REMARKS     | FAÇADE(TYPE T1PF07 FOR 3/F-42/F)                  |

BD. REF :

CLIENT :

**SUN HUNG KAI**  
REAL ESTATE AGENCY LTD.  
42/F SUN HUNG KAI CENTRE, WANCHAI, HONGKONG

ARCHITECT :

**lwk&partners**  
a r c h i t e c t s

MAIN CONTRACTOR :

**怡輝建築有限公司**  
**Yee Fai Building Contractors Ltd.**

STRUCTURAL ENGINEER :

**ARUP**

FAÇADE CONSULTANT :

**ALPHA CONSULTING LIMITED**  
Steel Structure & Façade Specialist

- NOTE :
1. ALL DIMENSIONS ARE IN mm.
  2. ALL ELEVATIONS ARE VIEWED FROM OUTSIDE.
  3. ALL DIMENSIONS TO BE VERIFIED ON SITE BEFORE FABRICATION.

LEGEND :

- (X1) --- DETAIL MARK NO.
- (X001) --- REFER SHEET NO.

1. F.F.L. --- FINISHED FLOOR LEVEL
2. S.F.L. --- STRUCTURAL FLOOR LEVEL
3. (R) --- REVERSED DETAIL

4. GLASS LEGEND
- EGL-1 --- 8mmHS+12mm AIR GAP+10mmTP THK. I.G.U.
- EGL-2 --- 10mm THK. CLEAR TEMPERED GLASS
- EGL-4 --- 10mm THK. TEMPERED ACID ETCHED GLASS
- EGL-1A --- 8mmHS+12mm AIR GAP+8mmTP THK. I.G.U.
- BT1/BB1 --- FIXING DETAIL (DWG. NO. F001)
- BB2 --- FIXING DETAIL (DWG. NO. F002)

| NO. | DATE       | REVISION                         | SUBJECT TO ARCH-COMMENT | BY   |
|-----|------------|----------------------------------|-------------------------|------|
| D   | 26/08/2022 | REVISION SUBJECT TO ARCH-COMMENT |                         | ivan |
| C   | 28/07/2022 | REVISION SUBJECT TO ARCH-COMMENT |                         | ivan |
| B   | 13/01/2022 | REVISION SUBJECT TO ARCH-COMMENT |                         | ivan |
| A   | 23/11/2021 | REVISION SUBJECT TO ARCH-COMMENT |                         | ivan |

JOB NO. : J-856

PROJECT :

PROPOSED DEVELOPMENT ABOVE  
LIGHT RAIL TIN WING STOP-TSWTL  
NO.23,AREA 33,TIN SHUI WAI, N.T.

TITLE :

WINDOW SCHEDULE FOR  
TOWER 1 IN-SITU WINDOW

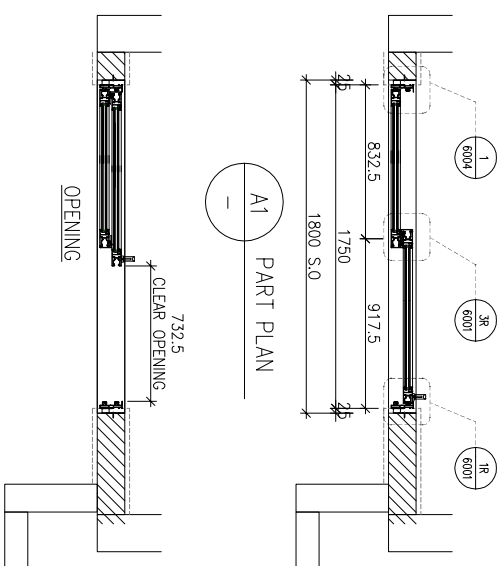
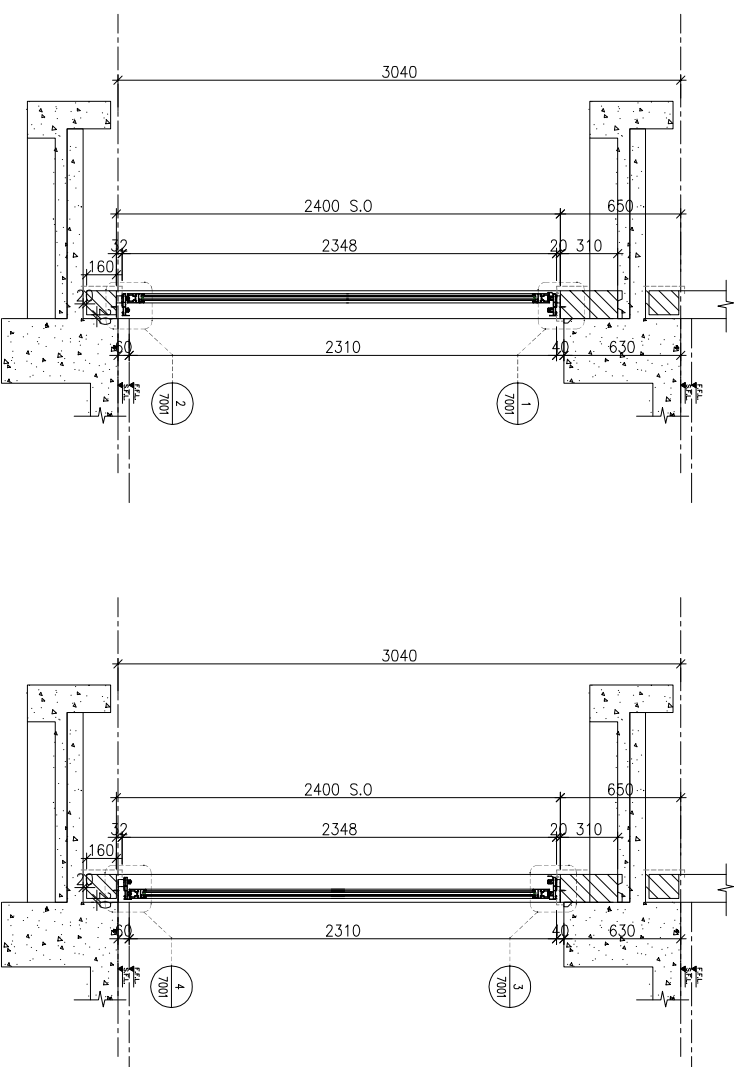
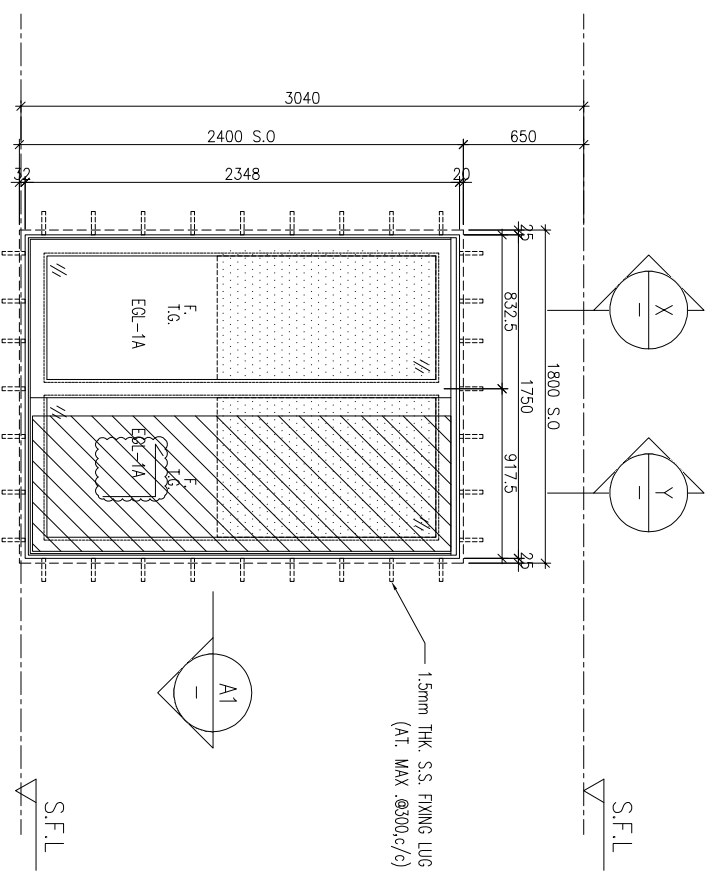
DATE : 02-Aug-21 SCALE : 1:40

DRAWN BY : ivan CHECKED BY :

**美特鋁質有限公司**  
**MIDI ALUMINUM FABRICATOR LTD.**  
Units 6-8, Sunray Industrial Centre, 1/F  
610 Cho Kwai Ling Road, Kwai Tsoum  
Tel:23489211-4 Fax:(852)2727666

DWG NO. : J856-SD-W-5111 REV. : D

| REQUIRED |               | PROVIDED     |               |
|----------|---------------|--------------|---------------|
| LOCATION | OPENABLE AREA | GLAZING AREA | OPENABLE AREA |
| B5-LIV   | 0.951         | 1.053        | 1.657         |
|          |               |              | 1.681         |



BD. REF : \_\_\_\_\_

CLIENT : **SUN HUNG KAI**  
REAL ESTATE AGENCY LTD.  
42/F, SUN HUNG KAI CENTRE, WANCHAI, HONGKONG

ARCHITECT : **lwk&partners**  
a r c h i t e c t s

MAIN CONTRACTOR : **怡輝建築有限公司**  
**Yee Fai Building Contractors Ltd.**

STRUCTURAL ENGINEER : **ARUP**

FAÇADE CONSULTANT : **ALPHA CONSULTING LIMITED**  
Steel Structure & Façade Specialist

NOTE :  
1. ALL DIMENSIONS ARE IN mm.  
2. ALL ELEVATIONS ARE VIEWED FROM OUTSIDE.  
3. ALL DIMENSIONS TO BE VERIFIED ON SITE BEFORE FABRICATION.

LEGEND :  
 (X1) --- DETAIL MARK NO.  
 (X001) --- REFER SHEET NO.  
 1. F.F.L. --- FINISHED FLOOR LEVEL  
 2. S.F.L. --- STRUCTURAL FLOOR LEVEL  
 3. (R) --- REVERSED DETAIL  
 4. GLASS LEGEND  
 EQ-1-1 --- 6mmHS+12mm AIR GAP+10mmTP THK. I.G.U.  
 EQ-2-2 --- 10mm THK. CLEAR TEMPERED GLASS  
 EQ-4-4 --- 10mm THK. TEMPERED ACID ETCHED GLASS  
 EQ-1A --- 6mmHS+12mm AIR GAP+8mmTP THK. I.G.U.  
 BT1/BB1 --- FIXING DETAIL (DWG. NO. F001)  
 BB2 --- FIXING DETAIL (DWG. NO. F002)

| NO. | DATE       | REVISION                         | SUBJECT TO ARCH-COMMENT | BY  |
|-----|------------|----------------------------------|-------------------------|-----|
| 0   | 26/08/2022 | REVISION SUBJECT TO ARCH-COMMENT |                         | hwn |
| C   | 28/07/2022 | REVISION SUBJECT TO ARCH-COMMENT |                         | hwn |
| B   | 13/01/2022 | REVISION SUBJECT TO ARCH-COMMENT |                         | hwn |
| A   | 23/11/2021 | REVISION SUBJECT TO ARCH-COMMENT |                         | hwn |

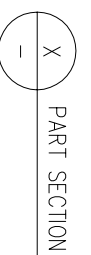
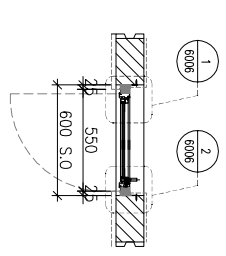
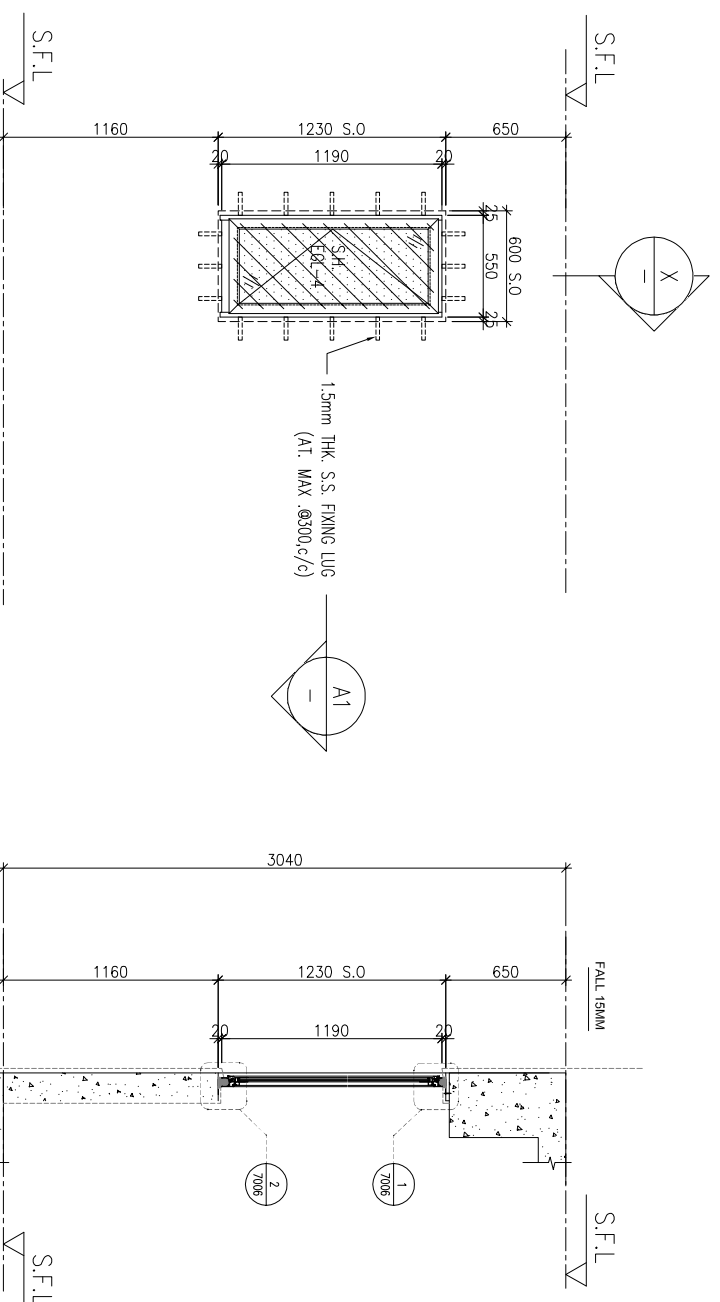
JOB NO. : J-856  
 PROJECT : PROPOSED DEVELOPMENT ABOVE LIGHT RAIL TIN WING STOP-TSWTL NO.23,AREA 33,TIN SHUI WAI, N.T.  
 TITLE : WINDOW SCHEDULE FOR TOWER 1 IN-SITU WINDOW

DATE : 02-Aug-21  
 SCALE : 1:40  
 DRAWN BY : IYON  
 CHECKED BY :

**美特鋁質有限公司**  
MIDI ALUMINIUM FABRICATOR LTD.  
Units 6-8, Sunray Industrial Centre, 1/F  
610 Cho Kwai Ling Road, Kwai Tsoum  
Tel:23489211-4 Fax:(852)2727666  
DWG NO. : J856-SD-W-5112 REV : D

| WINDOW MARK | LOCATION  | SECTION            | GLAZING | QUANTITY | REMARKS                          |
|-------------|---|--------------------|---------|----------|----------------------------------|
| AM 05       | 3/F-42/F(4/F,13/F,14/F,24/F,34/F OMITTED) UNIT B5 | 70mm ALUM. SECTION | EGL-1A  | 35 Nos.  | FAÇADE(TYPE T1PF11 FOR 3/F-42/F) |

| REQUIRED  |               | PROVIDED     |               |              |
|-----------|---------------|--------------|---------------|--------------|
| LOCATION  | OPENABLE AREA | GLAZING AREA | OPENABLE AREA | GLAZING AREA |
| A1-M.BATH | 0.318         | 0.318        | 0.497         | 0.408        |
| A1-KIT    | 0.278         | 0.444        |               |              |
| B1-M.BATH | 0.318         | 0.318        |               |              |



ELEVATION

| WINDOW MARK | LOCATION  | SECTION    | QUANTITY | REMARKS |
|-------------|---|------------|----------|---------|
| AM 06       | 3/F-42/F(4/F,13/F,14/F,24/F,34/F OMITTED)                   | UNIT A1 AT |          |         |
|             | 50mm ALUM. SECTION  |            |          |         |
|             | EGL-4   |            |          |         |
|             | 35 Nos  |            |          |         |
|             | 50mm ALUM. WINDOW SECTION , 4 BAR HINGE-LIP HING (HHMS-N14) |            |          |         |

B.D. REF :

CLIENT :



ARCHITECT :



MAIN CONTRACTOR :



STRUCTURAL ENGINEER :



FAÇADE CONSULTANT :



- NOTE :
1. ALL DIMENSIONS ARE IN mm.
  2. ALL ELEVATIONS ARE VIEWED FROM OUTSIDE.
  3. ALL DIMENSIONS TO BE VERIFIED ON SITE BEFORE FABRICATION.

LEGEND :

- (X1) --- DETAIL MARK NO.
- (X001) --- REFER SHEET NO.
- 1. F.F.L. --- FINISHED FLOOR LEVEL
- 2. S.F.L. --- STRUCTURAL FLOOR LEVEL
- 3. (R) --- REVERSED DETAIL
- 4. GLASS LEGEND

- EGL-1 --- 6mmHS+12mm AIR GAP+10mmTP THK. I.G.U.
- EGL-2 --- 10mm THK. CLEAR TEMPERED GLASS
- EGL-4 --- 10mm THK. TEMPERED ACID ETCHED GLASS
- EGL-1A --- 6mmHS+12mm AIR GAP+8mmTP THK. I.G.U.
- B1/B1B1 --- FIXING DETAIL (DWG. NO. F001)
- BB2 --- FIXING DETAIL (DWG. NO. F002)

| NO. | DATE | REVISION | BY |
|-----|------|----------|----|
|     |      |          |    |

JOB NO. : J-856

PROJECT : PROPOSED DEVELOPMENT ABOVE LIGHT RAIL TIN WING STOP-TSWTL NO.23,AREA 33,TIN SHUI WAI, N.T.

TITLE : WINDOW SCHEDULE FOR TOWER 1 IN-SITU WINDOW

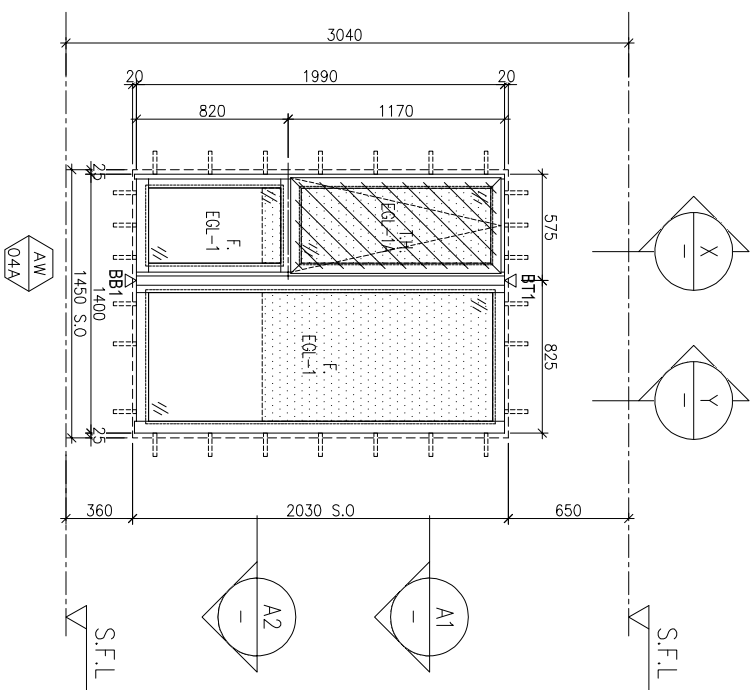
DATE : 22-Jun-22 SCALE : 1:40

DRAWN BY : IYON CHECKED BY :

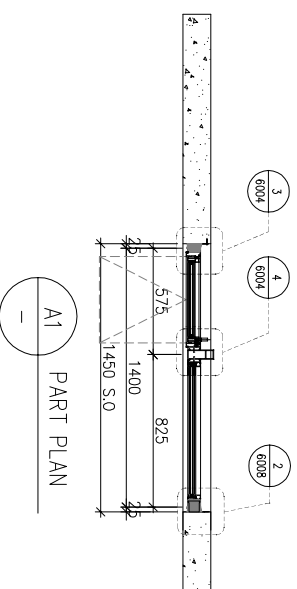
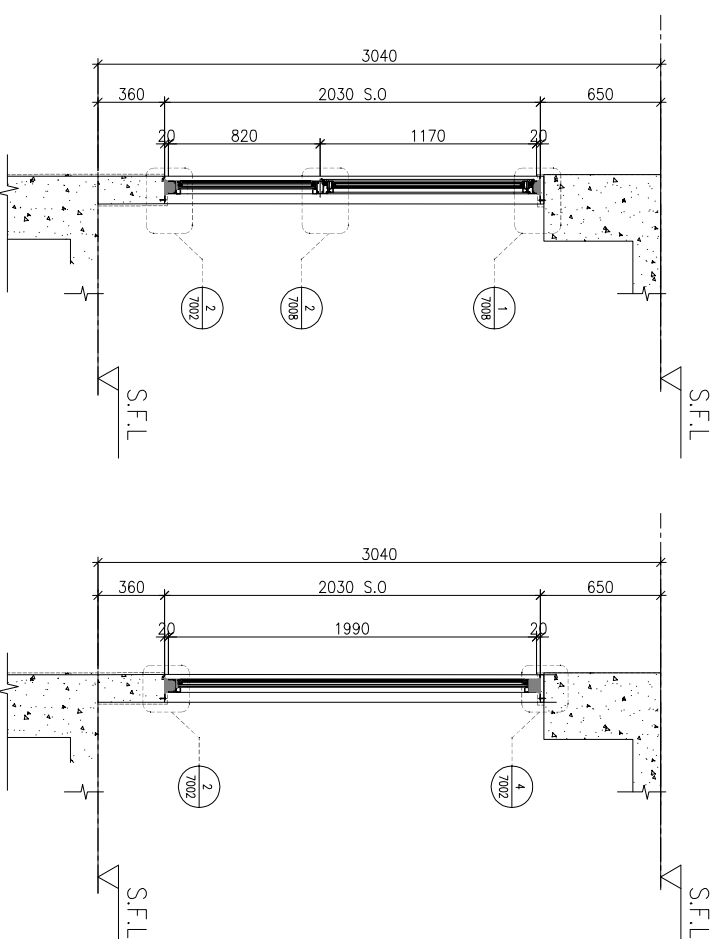


DWG NO. : J856-SD-W-5113 REV. : -

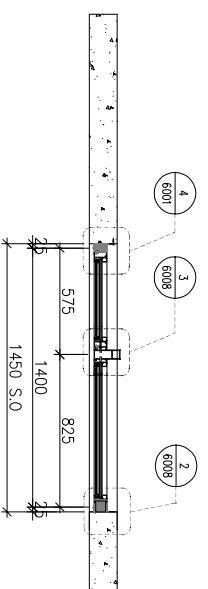
| REQUIRED |               | PROVIDED     |               |
|----------|---------------|--------------|---------------|
| LOCATION | OPENABLE AREA | GLAZING AREA | OPENABLE AREA |
| B5-MBR   | 0.295         | 0.472        | 0.504         |
|          |               |              | GLAZING AREA  |
|          |               |              | 1.321         |



ELEVATION



A1 PART PLAN



A2 PART PLAN

| WINDOW MARK | LOCATION                              | SECTION            | GLAZING        | QUANTITY | REMARKS  |
|-------------|---------------------------------------|--------------------|----------------|----------|--|
| AW<br>04d   | 3/F-42/F, 4/F, 13/F, 14/F, 24/F, 34/F | 70mm ALUM. SECTION | EGL-1 / EGL-1A | 35 Nos   | 70mm ALUM. WINDOW SECTION , 4 BAR HINGE-LIP HING (HHMT-14) |

BD. REF :

CLIENT :

**SUN HUNG KAI**  
REAL ESTATE AGENCY LTD.

42/F, SUN HUNG KAI CENTRE, WANCHAI, HONGKONG

ARCHITECT :

**lwk&partners**  
a r c h i t e c t s

MAIN CONTRACTOR :

**怡輝建築有限公司**  
**Yee Fai Building Contractors Ltd.**

STRUCTURAL ENGINEER :

**ARUP**

FAÇADE CONSULTANT :

**ALPHA CONSULTING LIMITED**  
Steel Structure & Façade Specialist

- NOTE :
1. ALL DIMENSIONS ARE IN mm.
  2. ALL ELEVATIONS ARE VIEWED FROM OUTSIDE.
  3. ALL DIMENSIONS TO BE VERIFIED ON SITE BEFORE FABRICATION.

LEGEND :

(X1) --- DETAIL MARK NO.  
(X001) --- REFER SHEET NO.

1. F.F.L. --- FINISHED FLOOR LEVEL
2. S.F.L. --- STRUCTURAL FLOOR LEVEL
3. (R) --- REVERSED DETAIL

4. GLASS LEGEND

- EGL-1 --- 8mmHS+12mm AIR GAP+10mmTP THK. I.G.U.  
EGL-2 --- 10mm THK. CLEAR TEMPERED GLASS  
EGL-4 --- 10mm THK. TEMPERED ACID ETCHED GLASS  
EGL-1A --- 8mmHS+12mm AIR GAP+8mmTP THK. I.G.U.  
BT1/BB1 --- FIXING DETAIL (DWG. NO. F001)  
BB2 --- FIXING DETAIL (DWG. NO. F002)

| NO. | DATE | REVISION | BY |
|-----|------|----------|----|
|     |      |          |    |

JOB NO. : J-856

PROJECT : PROPOSED DEVELOPMENT ABOVE LIGHT RAIL TIN WING STOP-TSWTL NO.23, AREA 33, TIN SHUI WAI, N.T.

TITLE :

WINDOW SCHEDULE FOR TOWER 1 IN-SITU WINDOW

DATE : 22-Jun-22 SCALE : 1:40

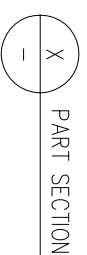
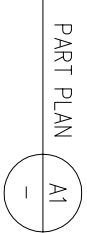
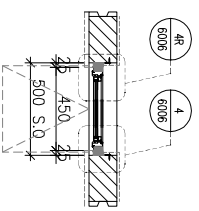
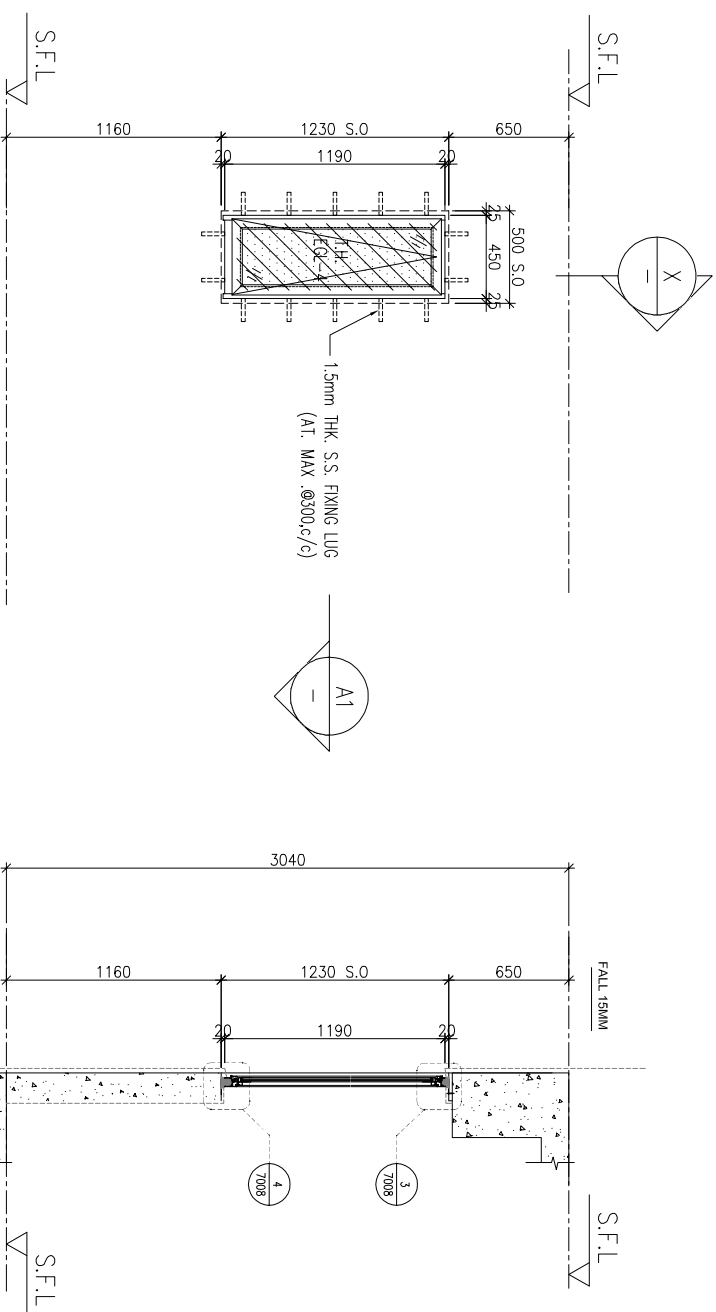
DRAWN BY : Ivan CHECKED BY :

**美特鋁質有限公司**  
MIDI ALUMINIUM FABRICATOR LTD.

Units 6-8, Sunray Industrial Centre, 1/F  
610 Cho Kwai Ling Road, Kowloon  
Tel: 23489211-4 Fax: (852) 2727666

DWG NO. : J856-SD-W-5114 REV. : -

| REQUIRE  |               | PROVIDED      |              |
|----------|---------------|---------------|--------------|
| LOCATION | OPENABLE AREA | OPENABLE AREA | GLAZING AREA |
| A5-ST RM | N/A           | 0.389         | 0.306        |



ELEVATION

| WINDOW MARK | LOCATION                                  | SECTION            | QUANTITY | REMARKS  |
|-------------|---|--------------------|----------|--|
| AM<br>060T  | 3/F-42/F(4/F,13/F,14/F,24/F,34/F OMITTED) | 50mm ALUM. SECTION | 35 Nos   | 50mm ALUM. WINDOW SECTION , 4 BAR HINGE-LIP HING (HHMT-14) |

B.D. REF :

CLIENT :

**SUN HUNG KAI**  
REAL ESTATE AGENCY LTD.

42/F, SUN HUNG KAI CENTRE, WANCHAI, HONGKONG

ARCHITECT :

**lwk&partners**  
a r c h i t e c t s

MAIN CONTRACTOR :

**Yee Fai** 怡輝建築有限公司  
Building Contractors Ltd.

STRUCTURAL ENGINEER :

**ARUP**

FAÇADE CONSULTANT:

**ALPHA CONSULTING LIMITED**  
Steel Structure & Façade Specialist

- NOTE :
1. ALL DIMENSIONS ARE IN mm.
  2. ALL ELEVATIONS ARE VIEWED FROM OUTSIDE.
  3. ALL DIMENSIONS TO BE VERIFIED ON SITE BEFORE FABRICATION.

LEGEND :

(X1) — DETAIL MARK NO.  
(X001) — REFER SHEET NO.

1. F.F.L. --- FINISHED FLOOR LEVEL
2. S.F.L. --- STRUCTURAL FLOOR LEVEL
3. (R) --- REVERSED DETAIL

4. GLASS LEGEND

- EQ1-1---8mmHS+12mm AIR GAP+10mmTP THK. I.G.U.  
EQ1-2---10mm THK. CLEAR TEMPERED GLASS  
EQ1-4---10mm THK. TEMPERED ACID ETCHED GLASS  
EQ1-1A---8mmHS+12mm AIR GAP+8mmTP THK. I.G.U.  
BT1/BB1---FIXING DETAIL (DWG. NO. F001)  
BB2---FIXING DETAIL (DWG. NO. F002)

| NO. | DATE | REASON | BY |
|-----|------|--------|----|
|     |      |        |    |

JOB NO. : J-856

PROJECT :  
PROPOSED DEVELOPMENT ABOVE  
LIGHT RAIL TIN WING STOP-TSWTL  
NO.23,AREA 33,TIN SHUI WAL, N.T.

TITLE :

WINDOW SCHEDULE FOR  
TOWER 1 IN-SITU WINDOW

DATE : 22-Jun-22 SCALE : 1:40

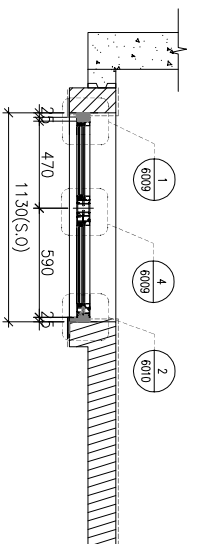
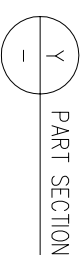
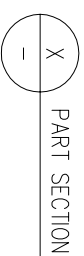
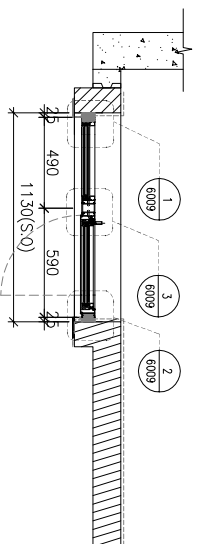
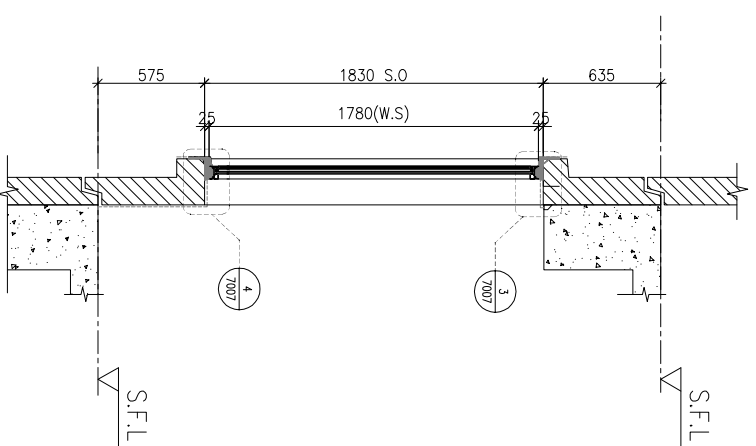
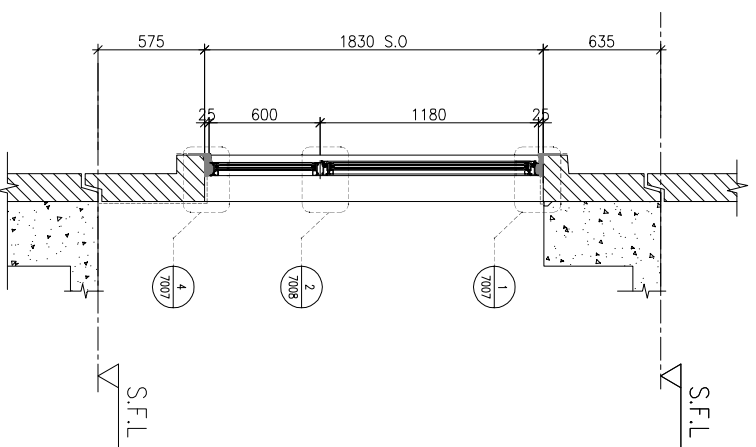
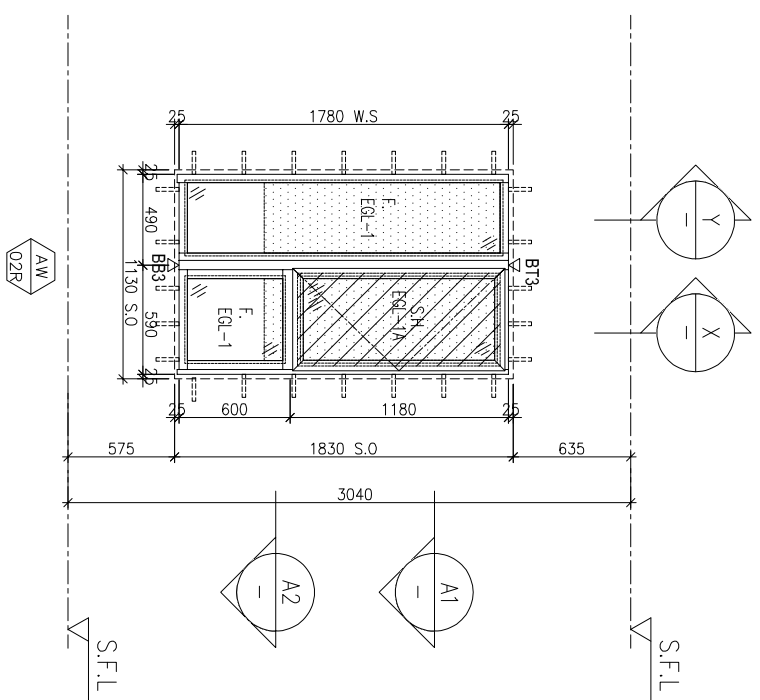
DRAWN BY : IYON CHECKED BY :

**美特鋁質有限公司**  
MIDI ALUMINIUM FABRICATOR LTD.

Units 6-8, Sunray Industrial Centre, 1/F  
610 Cho Kwai Ling Road, Kowloon  
Tel:23489211-4 Fax:(852)2727666

DWG NO. : J856-SD-W-5115 REV : -

| LOCATION | OPENABLE AREA | GLAZING AREA | OPENABLE AREA | GLAZING AREA |
|----------|---------------|--------------|---------------|--------------|
| A2-BR1   | 0.263         | 0.420        | 0.548         | 0.985        |



ELEVATION

| WINDOW MARK  | PRECAST WINDOW CHANGE TO IN-SITU WINDOW                            | PRECAST WINDOW CHANGE TO IN-SITU WINDOW |
|--|--|---|
| 10/F,16/F,20/F,25/F,29/F,33/F,38/F,42/F UNIT B3                    | 10/F,16/F,20/F,25/F,29/F,33/F,38/F,42/F UNIT B2                    |   |
| 70mm ALUM. SECTION   | 70mm ALUM. SECTION   |   |
| EGL-1,EGL-1A   | EGL-1,EGL-1A   |   |
| 8 Nos  | 8 Nos  |   |
| FACADE(TYPE T1PF-08 FOR 3/F~42/F) ,4 BAR HINGE-LIP HING (HHMS-N16) | FACADE(TYPE T1PF-08 FOR 3/F~42/F) ,4 BAR HINGE-LIP HING (HHMS-N16) |   |

BD. REF :

CLIENT :

**SUN HUNG KAI**  
REAL ESTATE AGENCY LTD.  
42/F SUN HUNG KAI CENTRE, WANCHAI, HONGKONG

ARCHITECT :

**lwk&partners**  
a r c h i t e c t s

MAIN CONTRACTOR :

**怡輝建築有限公司**  
**Yee Fai Building Contractors Ltd.**

STRUCTURAL ENGINEER :

**ARUP**

FACADE CONSULTANT:

**ALPHA CONSULTING LIMITED**  
Steel Structure & Façade Specialist

- NOTE:
1. ALL DIMENSIONS ARE IN mm.
  2. ALL ELEVATIONS ARE VIEWED FROM OUTSIDE.
  3. ALL DIMENSIONS TO BE VERIFIED ON SITE BEFORE FABRICATION.

LEGEND :

- (X1) --- DETAIL MARK NO.
- (X001) --- REFER SHEET NO.
- 1. F.F.L. --- FINISHED FLOOR LEVEL
- 2. S.F.L. --- STRUCTURAL FLOOR LEVEL
- 3. (R) --- REVERSED DETAIL
- 4. GLASS LEGEND

- EGL-1 --- 6mmHS+12mm AIR GAP+10mmTP THK. I.G.U.
- EGL-2 --- 10mm THK. CLEAR TEMPERED GLASS
- EGL-4 --- 10mm THK. TEMPERED ACID ETCHED GLASS
- EGL-1A --- 6mmHS+12mm AIR GAP+8mmTP THK. I.G.U.
- BT1/BB1 --- FIXING DETAIL (DWG. NO. F001)
- BB2 --- FIXING DETAIL (DWG. NO. F002)

| NO. | DATE | REVISION | BY |
|-----|------|----------|----|
|     |      |          |    |

JOB NO. : J-856

PROJECT :  
PROPOSED DEVELOPMENT ABOVE  
LIGHT RAIL TIN WING STOP-TSWTL  
NO.23,AREA 33,TIN SHUI WAL, N.T.

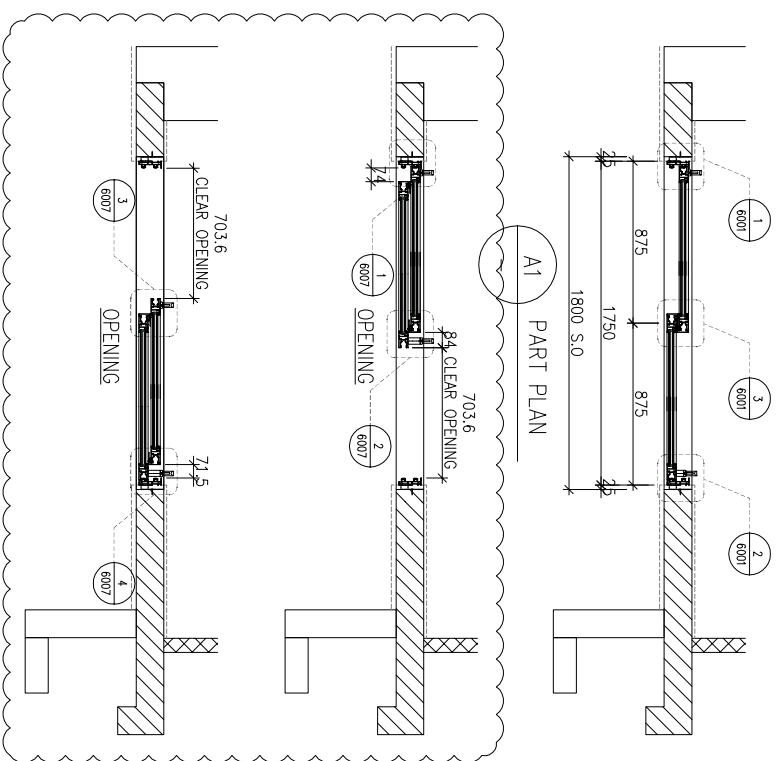
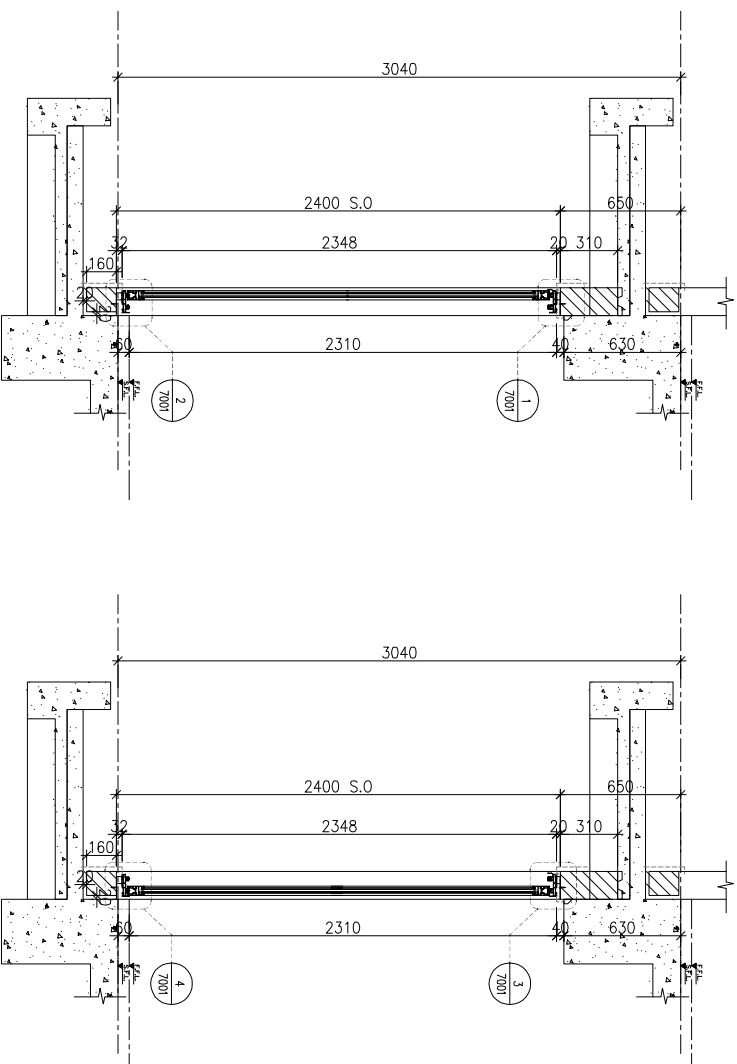
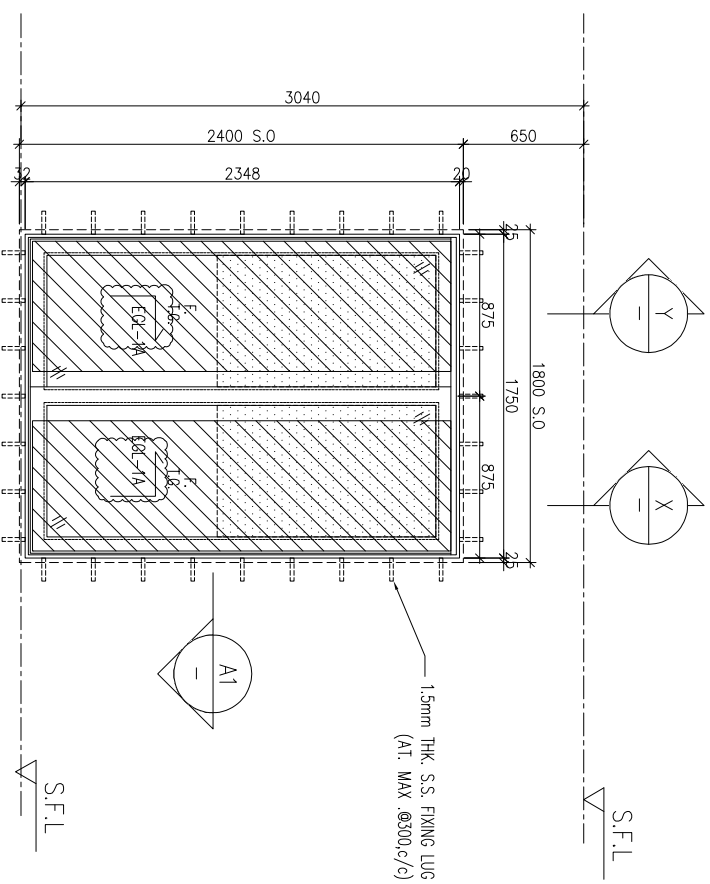
TITLE :  
WINDOW SCHEDULE FOR  
TOWER 3 ALUM. WINDOW

DATE : 02-Aug-21 SCALE : 1:40

DRAWN BY : IYVN CHECKED BY :

**業特鋁質有限公司**  
MIDI ALUMINIUM FABRICATOR LTD.  
Units 6-8, Sunray Industrial Centre, 1/F  
610 Cho Kwai Ling Road, Kwai Moon  
Tel:23489211-4 Fax:(852)2727666  
DWG NO. : J856-SD-W-5116 REV. : -

| LOCATION | OPENABLE AREA | GLAZING AREA | OPENABLE AREA | GLAZING AREA |
|----------|---------------|--------------|---------------|--------------|
| A1-LIV   | 1.447         | 1,682        | 1,591         | 1,681        |



BD. REF : \_\_\_\_\_

CLIENT : **SUN HUNG KAI**  
REAL ESTATE AGENCY LTD.  
42/F, SUN HUNG KAI CENTRE, WANCHAI, HONGKONG

ARCHITECT : **lwk&partners**  
a r c h i t e c t s

MAIN CONTRACTOR : **怡輝建築有限公司**  
**Yee Fai Building Contractors Ltd.**

STRUCTURAL ENGINEER : **ARUP**  
ALPHA CONSULTING LIMITED  
Steel Structure & Façade Specialist

FAÇADE CONSULTANT :

NOTE :  
1. ALL DIMENSIONS ARE IN mm.  
2. ALL ELEVATIONS ARE VIEWED FROM OUTSIDE.  
3. ALL DIMENSIONS TO BE VERIFIED ON SITE BEFORE FABRICATION.

LEGEND :  
 (X1) --- DETAIL MARK NO.  
 (X001) --- REFER SHEET NO.

1. F.F.L. --- FINISHED FLOOR LEVEL  
 2. S.F.L. --- STRUCTURAL FLOOR LEVEL  
 3. (R) --- REVERSED DETAIL

4. GLASS LEGEND  
 EG1-1 --- 8mmHS+12mm AIR GAP+10mmTP THK. I.G.U.  
 EG1-2 --- 10mm THK. CLEAR TEMPERED GLASS  
 EG1-4 --- 10mm THK. TEMPERED ACID ETCHED GLASS  
 EG1-1A --- 8mmHS+12mm AIR GAP+8mmTP THK. I.G.U.  
 B11/BB1 --- FIXING DETAIL (DWG. NO. F001)  
 BB2 --- FIXING DETAIL (DWG. NO. F002)

| NO. | DATE       | REVISION                         | SUBJECT TO ARCH-COMMENT | BY |
|-----|------------|----------------------------------|-------------------------|----|
| E   | 26/08/2022 | REVISION SUBJECT TO ARCH-COMMENT | None                    |    |
| D   | 28/07/2022 | REVISION SUBJECT TO ARCH-COMMENT | None                    |    |
| C   | 22/06/2022 | REVISION SUBJECT TO ARCH-COMMENT | None                    |    |
| B   | 23/11/2021 | REVISION SUBJECT TO ARCH-COMMENT | None                    |    |
| A   | 10/11/2021 | REVISION SUBJECT TO ARCH-COMMENT | None                    |    |

JOB NO. : J-856

PROJECT : PROPOSED DEVELOPMENT ABOVE LIGHT RAIL TIN WING STOP-TS/WTL NO.23,AREA 33,TIN SHUI WAI, N.T.

TITLE : WINDOW SCHEDULE FOR TOWER 2 IN-SITU WINDOW

DATE : 02-Aug-21 SCALE : 1:40

DRAWN BY : Ivan CHECKED BY :

| WINDOW MARK | LOCATION                                 | SECTION            | GLAZING | QUANTITY | REMARKS                          |
|-------------|--|--------------------|---------|----------|----------------------------------|
| AW 01       | 3/F-42/F,4/F,13/F,14/F,24/F,34/F OMITTED | 70mm ALUM. SECTION | EG1-1A  | 35 Nos.  | FAÇADE(TYPE T2PF01 FOR 3/F-42/F) |

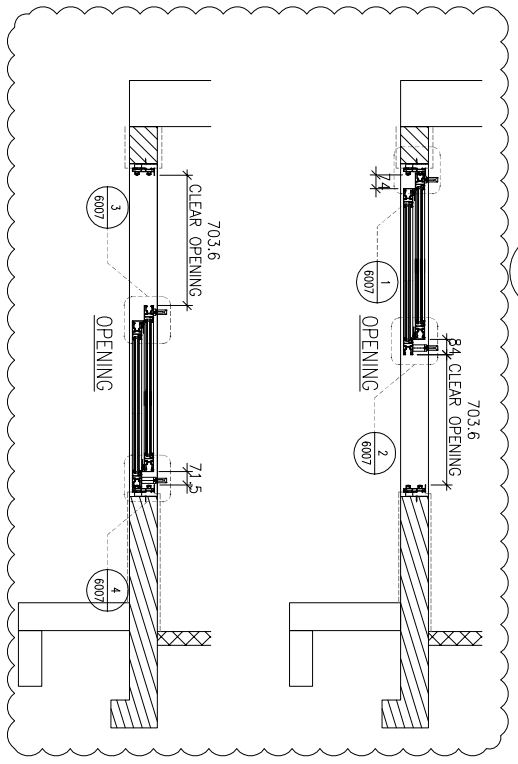
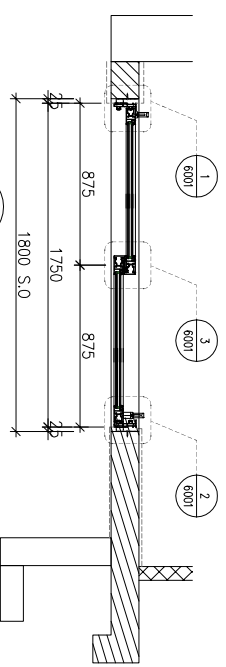
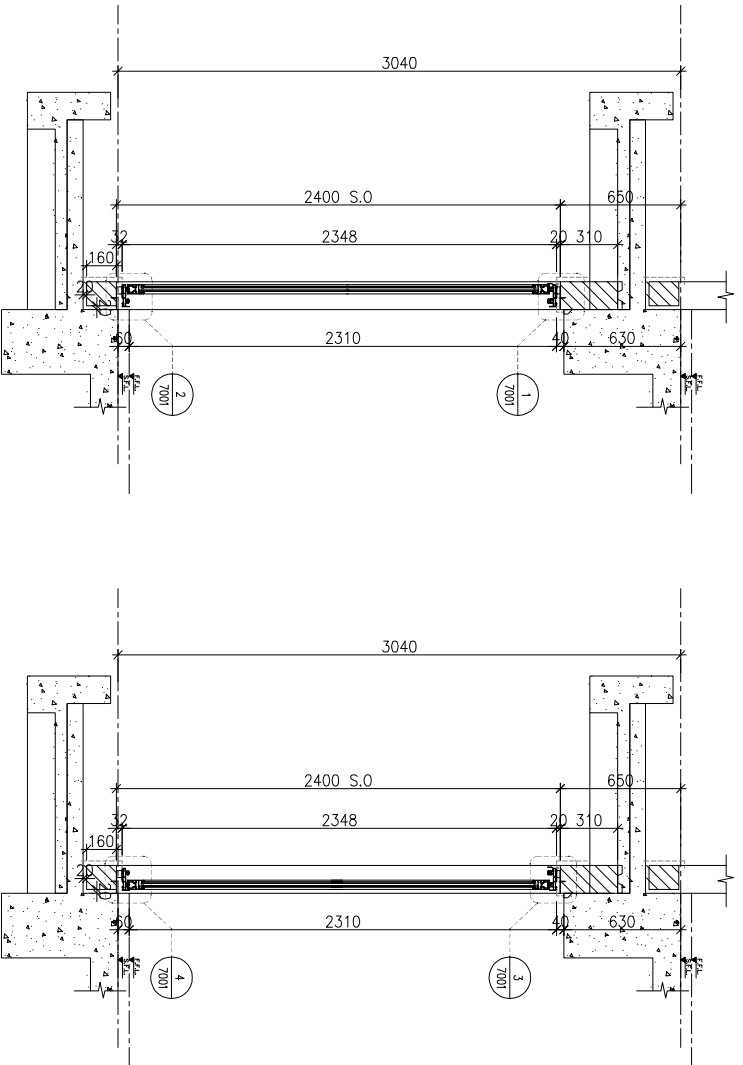
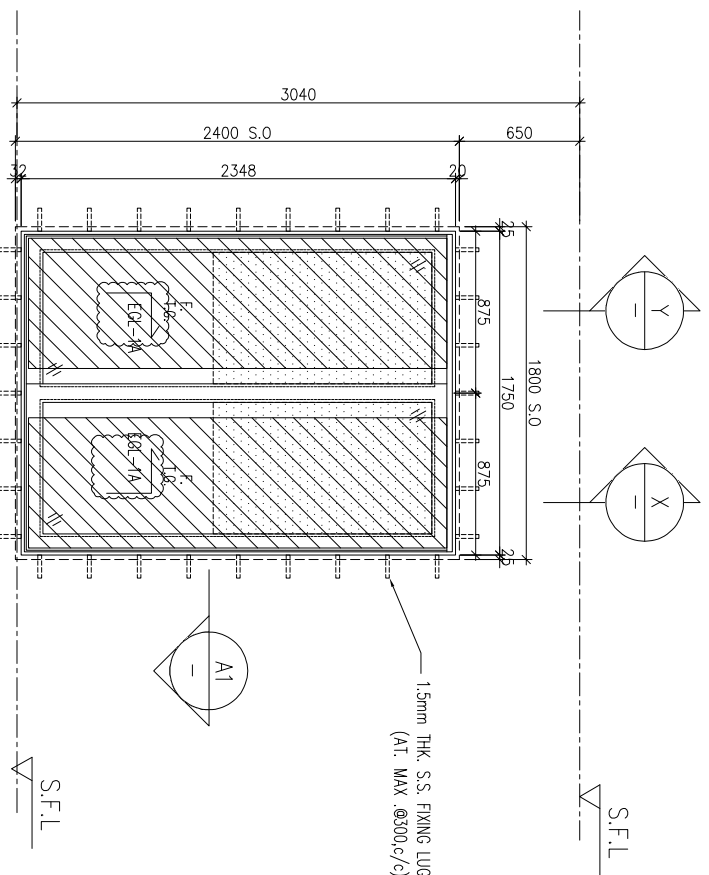
DATE : 02-Aug-21 SCALE : 1:40

DRAWN BY : Ivan CHECKED BY :

**美特鋁質有限公司**  
MIDI ALUMINIUM FABRICATOR LTD.  
Units 6-8, Sunray Industrial Centre, 1/F  
610 Cho Kwai Ling Road, Kowloon  
Tel:23489211-4 Fax:(852)2727666

DWG NO. : J856-SD-W-5201 REV. : E

| REQUIRED |               | PROVIDED     |              |
|----------|---------------|--------------|--------------|
| LOCATION | OPENABLE AREA | GLAZING AREA | GLAZING AREA |
| A2-LIV   | 1.272         | 1.527        | 1.591        |
| A5-LIV   | 1.198         | 1.409        | 1.681        |
| B3-LIV   | 1.048         | 1.486        |              |



| WINDOW MARK | LOCATION  | SECTION            | GLAZING | QUANTITY                | REMARKS                           |
|-------------|---|--------------------|---------|-------------------------|-----------------------------------|
| AW 01       | 3/F~42/F(4/F,13/F,14/F,24/F,34/F OMITTED) UNIT A2, A5, B3 | 70mm ALUM. SECTION | EGL-1A  | 35 Nos./35 Nos./35 Nos. | FACADE(TYPE T2PF02 FOR 3/F~42/F)  |
| AW 01R      | 3/F~42/F(4/F,13/F,14/F,24/F,34/F OMITTED) UNIT B3         | 70mm ALUM. SECTION | EGL-1A  | 35 Nos.                 | FACADE(TYPE T2PF02R FOR 3/F~42/F) |

DELETED

BD. REF :

CLIENT :  
**SUN HUNG KAI**  
 REAL ESTATE AGENCY LTD.  
 42/F SUN HUNG KAI CENTRE, WANCHAI, HONGKONG

ARCHITECT :  
**lwk&partners**  
 a r c h i t e c t s

MAIN CONTRACTOR :  
**怡輝建築有限公司**  
**Yee Fai Building Contractors Ltd.**

STRUCTURAL ENGINEER :  
**ARUP**

FACADE CONSULTANT:  
**ALPHA CONSULTING LIMITED**  
 Steel Structure & Façade Specialist

NOTE:  
 1. ALL DIMENSIONS ARE IN mm.  
 2. ALL ELEVATIONS ARE VIEWED FROM OUTSIDE.  
 3. ALL DIMENSIONS TO BE VERIFIED ON SITE BEFORE FABRICATION.

LEGEND:  
 (X1) --- DETAIL MARK NO.  
 (X001) --- REFER SHEET NO.

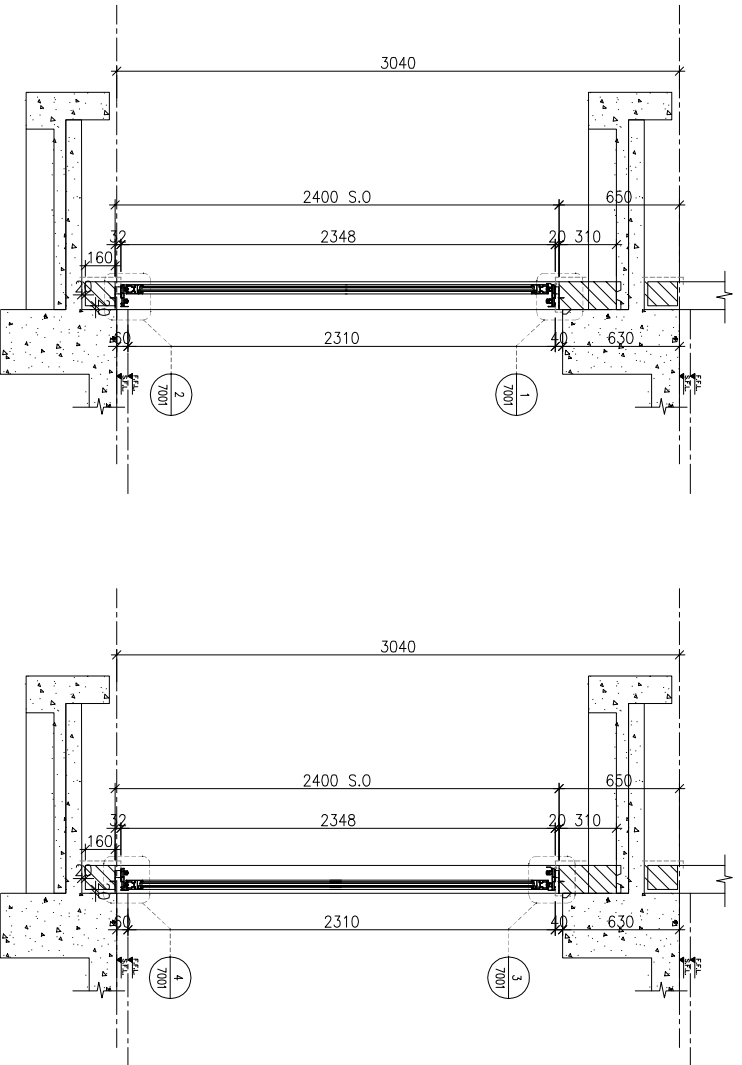
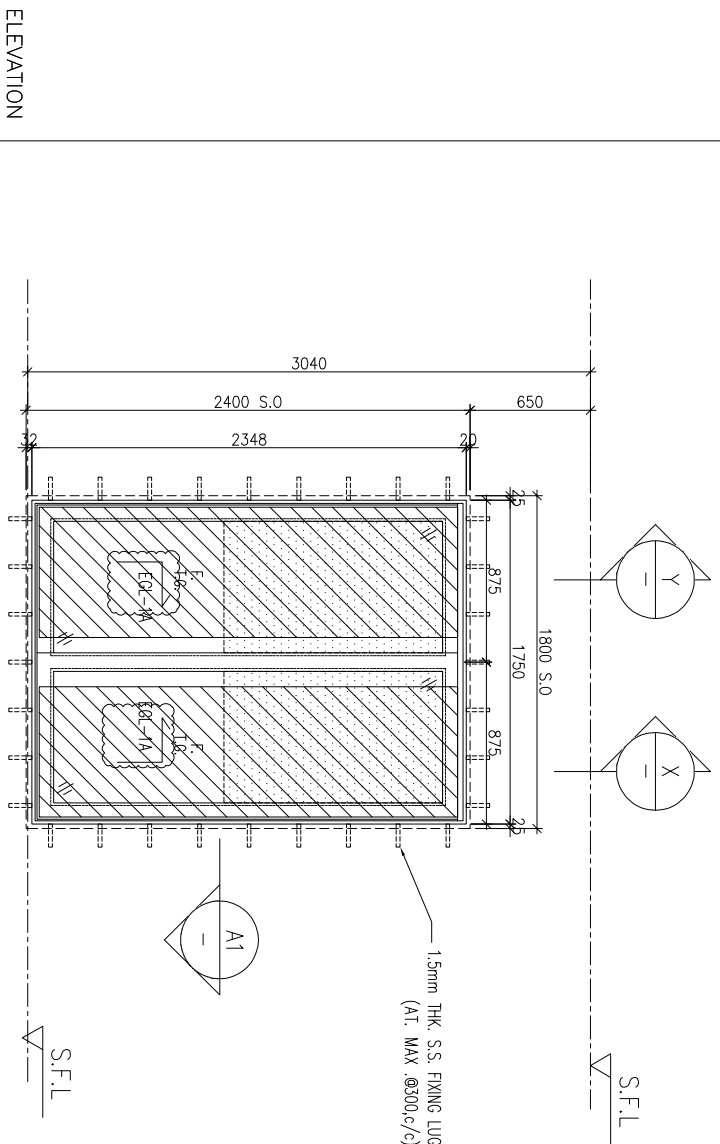
1. F.F.L. --- FINISHED FLOOR LEVEL  
 2. S.F.L. --- STRUCTURAL FLOOR LEVEL  
 3. (R) --- REVERSED DETAIL  
 4. GLASS LEGEND  
 EGL-1 --- 6mmHS+12mm AIR GAP+10mmTP THK. I.G.U.  
 EGL-2 --- 10mm THK. CLEAR TEMPERED GLASS  
 EGL-4 --- 10mm THK. TEMPERED ACID ETCHED GLASS  
 EGL-1A --- 6mmHS+12mm AIR GAP+8mmTP THK. I.G.U.  
 B11/BB1 --- FIXING DETAIL (DWG. NO. F001)  
 BB2 --- FIXING DETAIL (DWG. NO. F002)

| NO. | DATE       | REVISION                         | SUBJECT TO ARCH-COMMENT | BY |
|-----|------------|----------------------------------|-------------------------|----|
| E   | 26/08/2022 | REVISION SUBJECT TO ARCH-COMMENT | None                    |    |
| D   | 28/07/2022 | REVISION SUBJECT TO ARCH-COMMENT | None                    |    |
| C   | 22/06/2022 | REVISION SUBJECT TO ARCH-COMMENT | None                    |    |
| B   | 23/11/2021 | REVISION SUBJECT TO ARCH-COMMENT | None                    |    |
| A   | 10/11/2021 | REVISION SUBJECT TO ARCH-COMMENT | None                    |    |

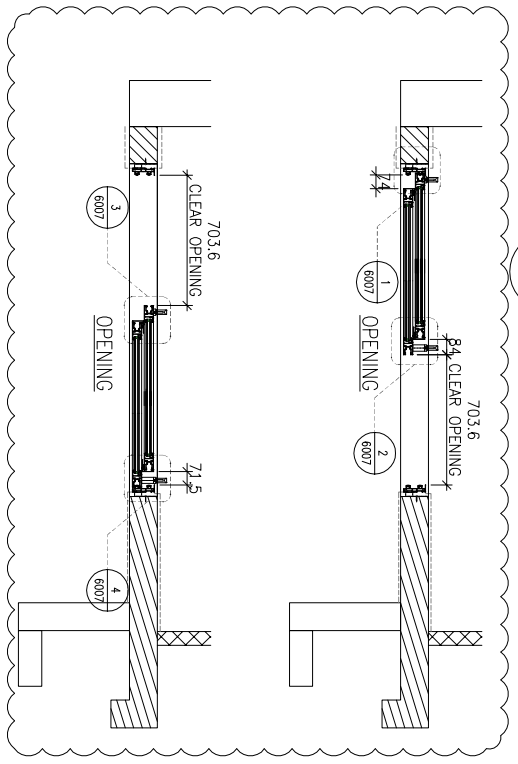
JOB NO. : J-856  
 PROJECT : PROPOSED DEVELOPMENT ABOVE LIGHT RAIL TIN WING STOP-TSWTL NO.23,AREA 33,TIN SHUI WAI, N.T.  
 TITLE : WINDOW SCHEDULE FOR TOWER 2 IN-SITU WINDOW

DATE : 02-Aug-21 SCALE : 1:40  
 DRAWN BY : IYVN CHECKED BY :  
**美特鋁質有限公司**  
 MIDT ALUMINIUM FABRICATOR LTD.  
 Units 6-8, Sunray Industrial Centre, 1/F  
 610 Cho Kwai Ling Road, Kowloon  
 Tel:23489211-4 Fax:(852)27272666  
 DWG NO. : J856-SD-W-5202 REV. : E

| REQUIRED |               | PROVIDED     |              |
|----------|---------------|--------------|--------------|
| LOCATION | OPENABLE AREA | GLAZING AREA | GLAZING AREA |
| A3-LIV   | 1.202         | 1.416        | 1.591        |
| A7-LIV   | 1.155         | 1.339        |              |
| B2-LIV   | 1.240         | 1.475        | 1.681        |
| B6-LIV   | 1.196         | 1.405        |              |
| B7-LIV   | 1.196         | 1.405        |              |



A1 PART PLAN



| WINDOW MARK | LOCATION  | SECTION            | QUANTITY                                | REMARKS                           |
|-------------|---|--------------------|---|-----------------------------------|
| AW 01       | 3/F-42/F, 4/F, 13/F, 14/F, 24/F, 34/F (OMITTED) UNIT B7, B2, A3, A7, B6 | 70mm ALUM. SECTION | 35 Nos./35 Nos./35 Nos./35 Nos./35 Nos. | FAÇADE (TYPE T2PF04 FOR 3/F~42/F) |

DELETE

BD. REF :

CLIENT :  

 42/F SUN HUNG KAI CENTRE, WANCHAI, HONGKONG

ARCHITECT :  

 a r c h i t e c t s

MAIN CONTRACTOR :  

 怡輝建築有限公司  
 Yee Fai Building Contractors Ltd.

STRUCTURAL ENGINEER :  

 ALPHA CONSULTING LIMITED  
 Steel Structure & Façade Specialist

FAÇADE CONSULTANT:  

 ALPHA CONSULTING LIMITED  
 Steel Structure & Façade Specialist

NOTE:  
 1. ALL DIMENSIONS ARE IN mm.  
 2. ALL ELEVATIONS ARE VIEWED FROM OUTSIDE.  
 3. ALL DIMENSIONS TO BE VERIFIED ON SITE BEFORE FABRICATION.

LEGEND:  
 (X1) --- DETAIL MARK NO.  
 (X001) --- REFER SHEET NO.

1. F.F.L. --- FINISHED FLOOR LEVEL  
 2. S.F.L. --- STRUCTURAL FLOOR LEVEL  
 3. (R) --- REVERSED DETAIL  
 4. GLASS LEGEND  
 EG1-1 --- 8mmHS+12mm AIR GAP+10mmTP THK. I.G.U.  
 EG1-2 --- 10mm THK. CLEAR TEMPERED GLASS  
 EG1-4 --- 10mm THK. TEMPERED ACID ETCHED GLASS  
 EG1-1A --- 8mmHS+12mm AIR GAP+8mmTP THK. I.G.U.  
 BT1/BB1 --- FIXING DETAIL (DWG. NO. F001)  
 BB2 --- FIXING DETAIL (DWG. NO. F002)

| NO. | DATE       | REVISION                         | REVISION SUBJECT TO ARCH-COMMENT | BY |
|-----|------------|----------------------------------|----------------------------------|----|
| E   | 26/08/2022 | REVISION SUBJECT TO ARCH-COMMENT | None                             |    |
| D   | 28/07/2022 | REVISION SUBJECT TO ARCH-COMMENT | None                             |    |
| C   | 22/06/2022 | REVISION SUBJECT TO ARCH-COMMENT | None                             |    |
| B   | 23/11/2021 | REVISION SUBJECT TO ARCH-COMMENT | None                             |    |
| A   | 10/11/2021 | REVISION SUBJECT TO ARCH-COMMENT | None                             |    |

JOB NO. : J-856  
 PROJECT : PROPOSED DEVELOPMENT ABOVE LIGHT RAIL TIN WING STOP/TSWTL NO.23, AREA 33, TIN SHUI WAI, N.T.  
 TITLE : WINDOW SCHEDULE FOR TOWER 2 IN-SITU WINDOW

DATE : 02-Aug-21 SCALE : 1:40  
 DRAWN BY : IYON CHECKED BY :  

 美特鋁質有限公司  
 Units 6-8, Sunray Industrial Centre, 1/F  
 610 Cho Kwai Ling Road, Kwai Tsou  
 Tel: 23489211-4 Fax: (852) 27272666  
 DWG NO. : J856-SD-W-5203 REV. : E

B.D. REF :

CLIENT :

**SUN HUNG KAI**  
REAL ESTATE AGENCY LTD.  
42/F SUN HUNG KAI CENTRE, WANCHAI, HONGKONG

ARCHITECT :

**lwk&partners**  
a r c h i t e c t s

MAIN CONTRACTOR :

**怡輝建築有限公司**  
**Yee Fai Building Contractors Ltd.**

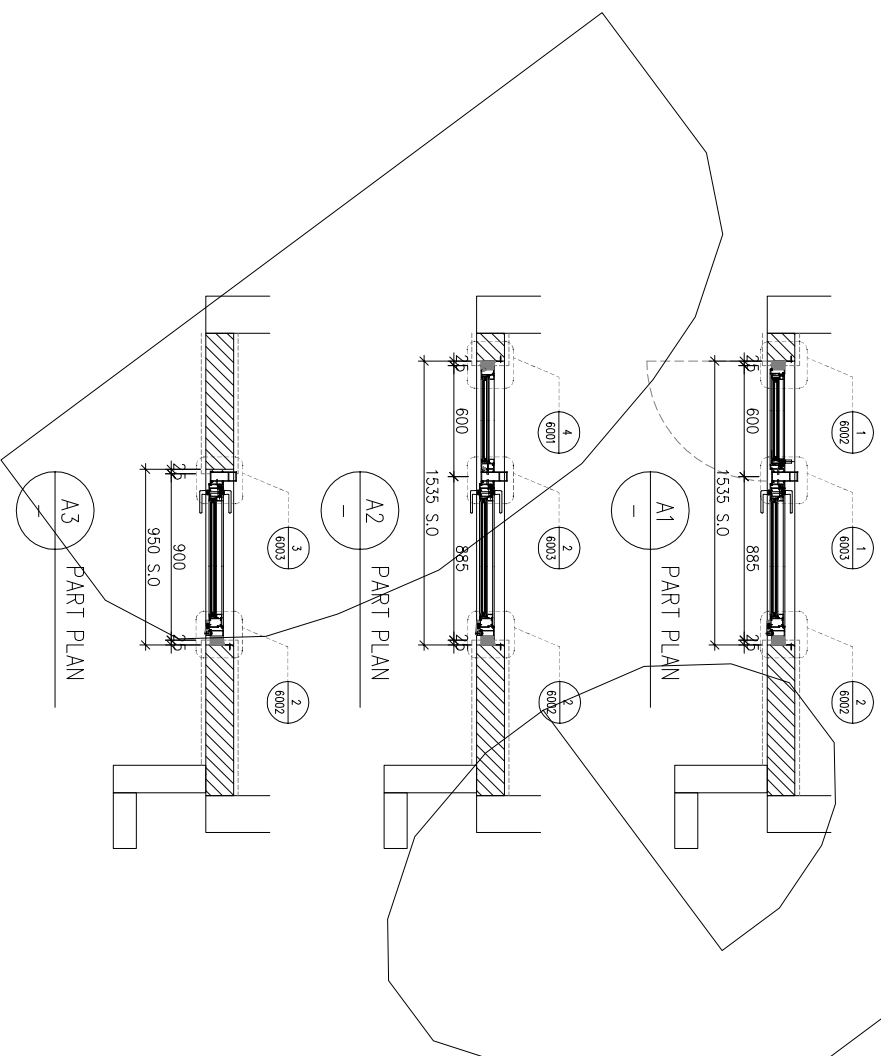
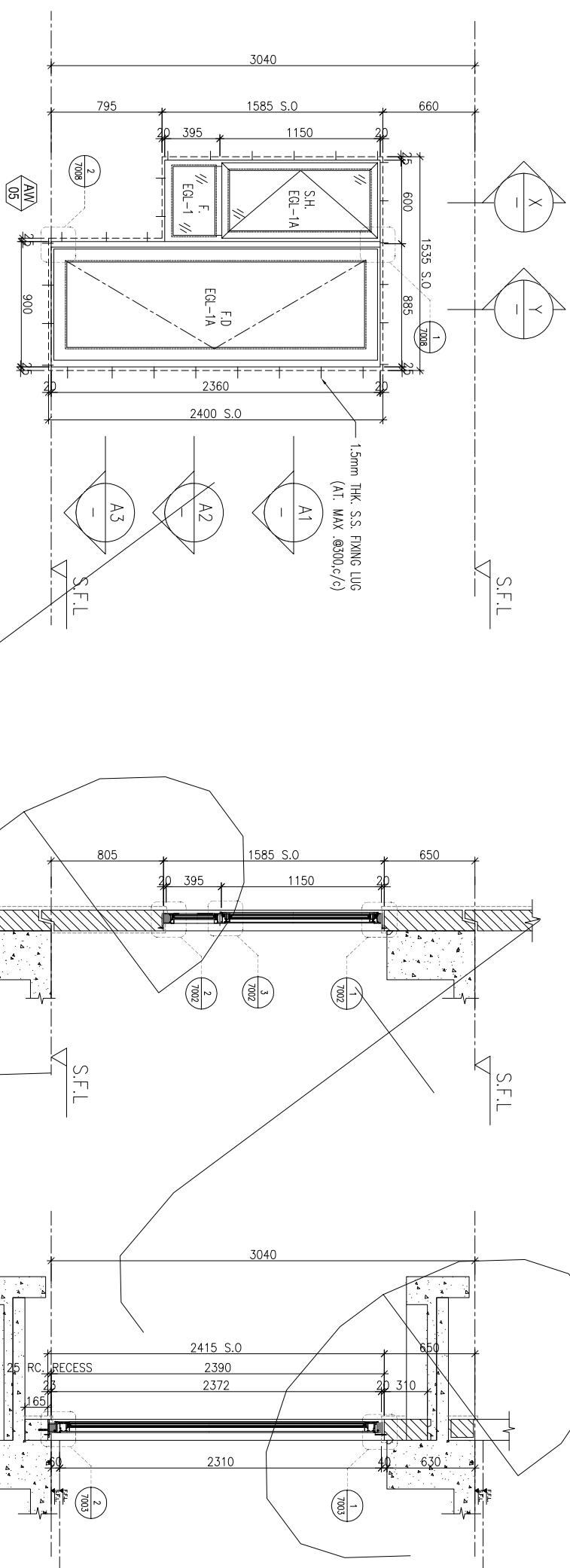
STRUCTURAL ENGINEER :

**ARUP**

FAÇADE CONSULTANT :

**ALPHA CONSULTING LIMITED**  
Steel Structure & Façade Specialist

ELEVATION



|             |   |
|-------------|---|
| WINDOW MARK | AM 05   |
| LOCATION    | 5/F-42/F(13/F,14/F,24/F,34/F OMITTED) UNIT A6 |
| SECTION     | 70mm ALUM. SECTION                            |
| GLAZING     | EGL-1A  |
| QUANTITY    | 34 Nos  |
| REMARKS     | FAÇADE(TYPE T2PF07 FOR 5/F-42/F)              |

NOTE :

1. ALL DIMENSIONS ARE IN mm.
2. ALL ELEVATIONS ARE VIEWED FROM OUTSIDE.
3. ALL DIMENSIONS TO BE VERIFIED ON SITE BEFORE FABRICATION.

LEGEND :

- (X1) --- DETAIL MARK NO.
- (X001) --- REFER SHEET NO.
- 1. F.F.L. --- FINISHED FLOOR LEVEL
- 2. S.F.L. --- STRUCTURAL FLOOR LEVEL
- 3. (R) --- REVERSED DETAIL

4. GLASS LEGEND

- EGL-1 --- 6mmHS+12mm AIR GAP+10mmTP THK. I.G.U.
- EGL-2 --- 10mm THK. CLEAR TEMPERED GLASS
- EGL-4 --- 10mm THK. TEMPERED ACID ETCHED GLASS
- EGL-1A --- 6mmHS+12mm AIR GAP+8mmTP THK. I.G.U. BT1/BB1-FIXING DETAIL (DWG. NO. F001)
- BB2-FIXING DETAIL (DWG. NO. F002)

| NO. | DATE       | REVISION                         | REVISION SUBJECT TO ARCH-COMMENT | BY   |
|-----|------------|----------------------------------|----------------------------------|------|
| C   | 13/01/2022 | REVISION SUBJECT TO ARCH-COMMENT | None                             | None |
| B   | 23/11/2021 | REVISION SUBJECT TO ARCH-COMMENT | None                             | None |
| A   | 10/11/2021 | REVISION SUBJECT TO ARCH-COMMENT | None                             | None |

JOB NO. : J-856

PROJECT : PROPOSED DEVELOPMENT ABOVE LIGHT RAIL TIN WING STOP-TSWTL NO.23,AREA 33,TIN SHUI WAI, N.T.

TITLE : WINDOW SCHEDULE FOR TOWER 2 IN-SITU WINDOW

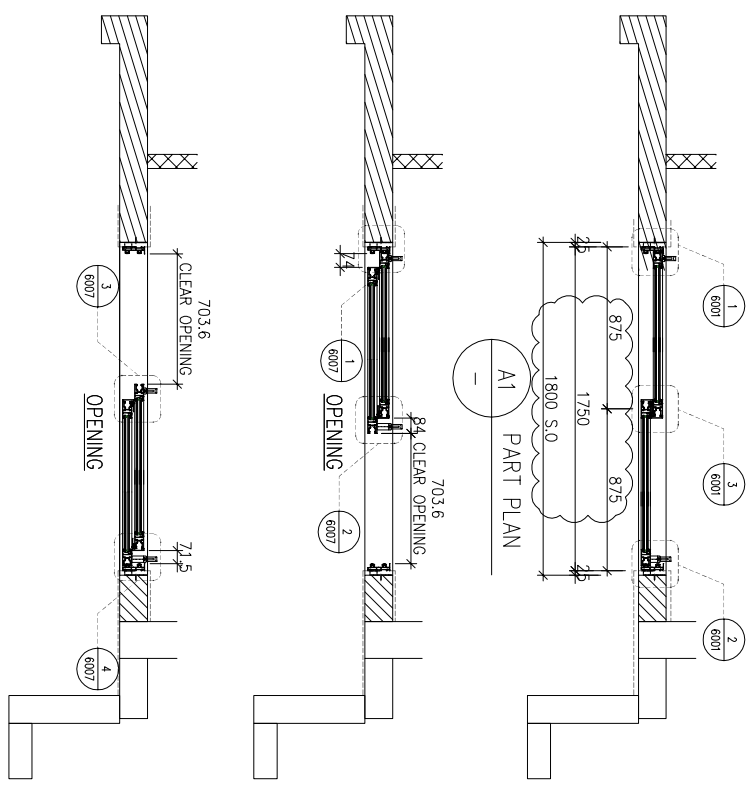
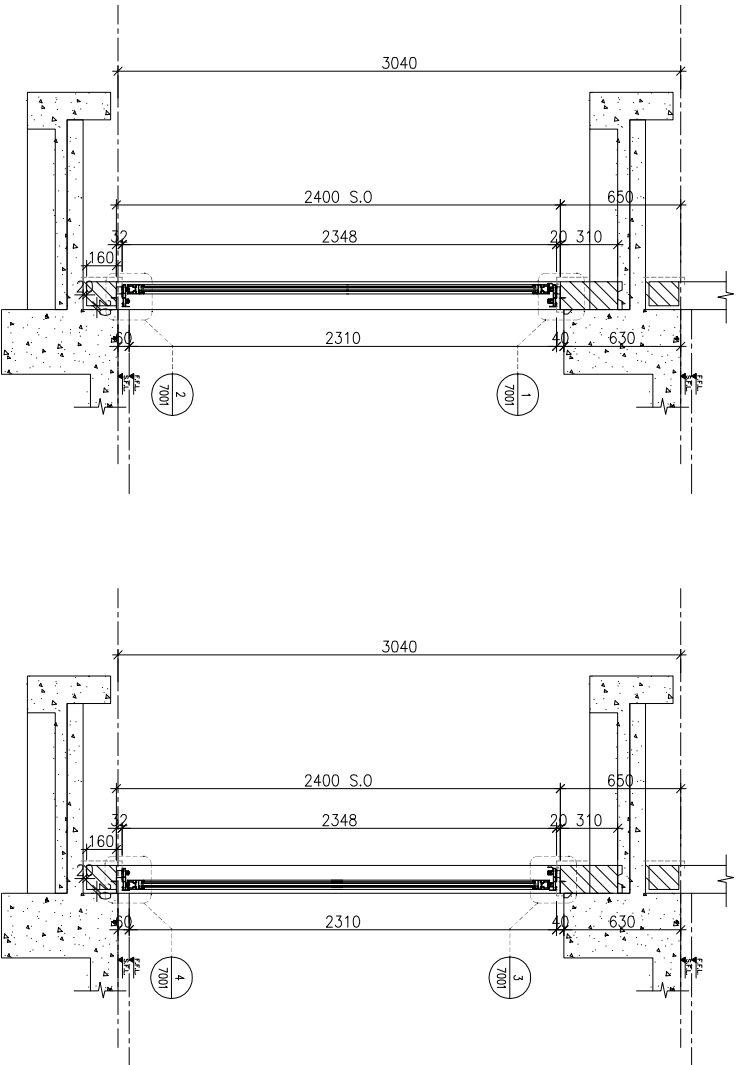
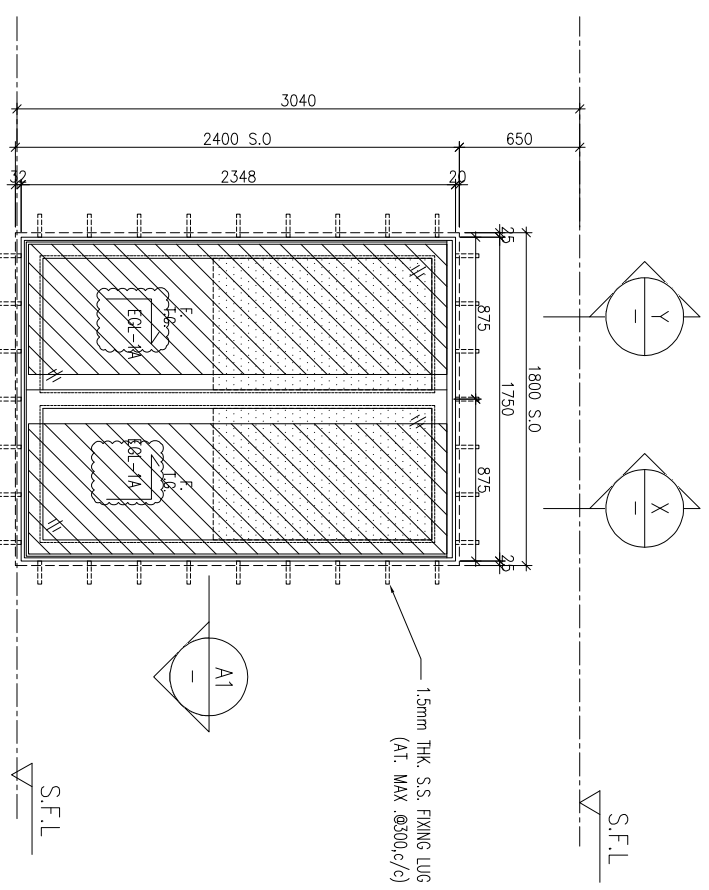
DATE : 02-Aug-21 SCALE : 1:40

DRAWN BY : IYON CHECKED BY :

**美特鋁質有限公司**  
MIDI ALUMINIUM FABRICATOR LTD.  
Units 6-8, Sunray Industrial Centre, 1/F  
610 Cho Kwo Ling Road, Kwai Tsoum  
Tel:23489211-4 Fax:(852)2727666

DWG NO. : J856-SD-W-5204 REV. : C

| REQUIRE  |               | PROVIDED     |               |
|----------|---------------|--------------|---------------|
| LOCATION | OPENABLE AREA | GLAZING AREA | OPENABLE AREA |
| A8-LIV   | 0.922         | 1.475        | 1.591         |
| B1-LIV   | 1.429         | 1.778        | 1.681         |
| B8-LIV   | 1.638         | 1.787        |               |



| WINDOW MARK | LOCATION                                      | SECTION         | GLAZING | QUANTITY                 | REMARKS                           |
|-------------|---|-----------------|---------|--------------------------|-----------------------------------|
| AW 01       | 3/F-42/F, 4/F, 13/F, 14/F, 24/F, 34/F OMITTED | UNIT B8, A8, B1 | EGL-1A  | 35 Nos / 35 Nos / 35 Nos | FACADE (TYPE T2PF08 FOR 3/F-42/F) |

| WINDOW MARK | LOCATION                                      | SECTION | GLAZING | QUANTITY | REMARKS                            |
|-------------|---|---------|---------|----------|------------------------------------|
| AW 01       | 3/F-42/F, 4/F, 13/F, 14/F, 24/F, 34/F OMITTED | UNIT B1 | EGL-1A  | 35 Nos   | FACADE (TYPE T2PF08R FOR 3/F-42/F) |

|  |  |              |
|--|--|--------------|
| DATE : 02-Aug-21   |  | SCALE : 1:40 |
| DRAWN BY : IYVN  |  | CHECKED BY : |
|  |  |              |
| Units 6-8, Sunray Industrial Centre, 1/F<br>610 Cho Kwa Ling Road, Kwai Tsing<br>Tel: 23489211-4 Fax: (852) 27272666 |  |              |
| DWG NO. : J856-SD-W-5205   |  | REV. : E     |

TITLE : WINDOW SCHEDULE FOR TOWER 2 IN-SITU WINDOW

| NO. | DATE       | REVISION                         | REVISION SUBJECT TO ARCH-COMMENT | BY |
|-----|------------|----------------------------------|----------------------------------|----|
| E   | 26/08/2022 | REVISION SUBJECT TO ARCH-COMMENT | None                             |    |
| D   | 28/07/2022 | REVISION SUBJECT TO ARCH-COMMENT | None                             |    |
| C   | 22/06/2022 | REVISION SUBJECT TO ARCH-COMMENT | None                             |    |
| B   | 23/11/2021 | REVISION SUBJECT TO ARCH-COMMENT | None                             |    |
| A   | 10/11/2021 | REVISION SUBJECT TO ARCH-COMMENT | None                             |    |

NOTE :  
 1. ALL DIMENSIONS ARE IN mm.  
 2. ALL ELEVATIONS ARE VIEWED FROM OUTSIDE.  
 3. ALL DIMENSIONS TO BE VERIFIED ON SITE BEFORE FABRICATION.  
 LEGEND :  
 (X1) --- DETAIL MARK NO.  
 (X001) --- REFER SHEET NO.  
 1. F.F.L. --- FINISHED FLOOR LEVEL  
 2. S.F.L. --- STRUCTURAL FLOOR LEVEL  
 3. (R) --- REVERSED DETAIL  
 4. GLASS LEGEND  
 EGL-1 --- 8mmHS+12mm AIR GAP+10mmTP THK. I.G.U.  
 EGL-2 --- 10mm THK. CLEAR TEMPERED GLASS  
 EGL-4 --- 10mm THK. TEMPERED ACID ETCHED GLASS  
 EGL-1A --- 8mmHS+12mm AIR GAP+8mmTP THK. I.G.U.  
 B11/BB1 --- FIXING DETAIL (DWG. NO. F001)  
 BB2 --- FIXING DETAIL (DWG. NO. F002)

BD. REF. :

CLIENT : 42/F SUN HUNG KAI CENTRE, WANCHAI, HONGKONG

ARCHITECT : ARCHITECTS

MAIN CONTRACTOR : 怡輝建築有限公司

STRUCTURAL ENGINEER : ARUP

FACADE CONSULTANT : ALPHA CONSULTING LIMITED  
Steel Structure & Facade Specialist

B.D. REF :

CLIENT :

**SUN HUNG KAI**  
REAL ESTATE AGENCY LTD.

42/F, SUN HUNG KAI CENTRE, WANCHAI, HONGKONG

ARCHITECT :

**lwk&partners**  
a r c h i t e c t s

MAIN CONTRACTOR :

**怡輝建築有限公司**  
**Yee Fai Building Contractors Ltd.**

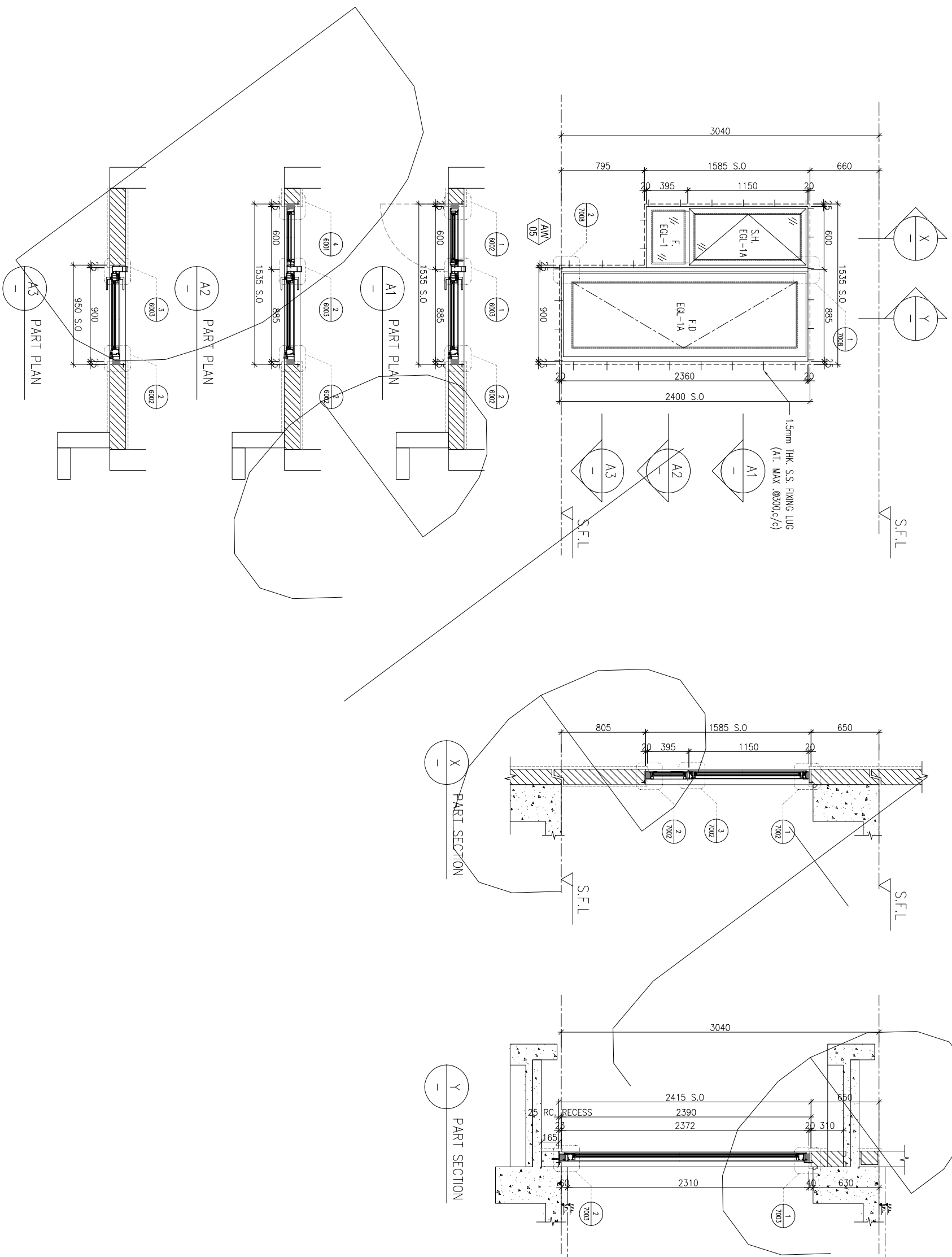
STRUCTURAL ENGINEER :

**ARUP**

FAÇADE CONSULTANT :

**ALPHA CONSULTING LIMITED**  
Steel Structure & Façade Specialist

ELEVATION



|             |   |
|-------------|---|
| WINDOW MARK | AM 05   |
| LOCATION    | 5/F-42/F(13/F,14/F,24/F,34/F OMITTED) UNIT B5 |
| SECTION     | 70mm ALUM. SECTION                            |
| GLAZING     | EGL-1, EGL-1A                                 |
| QUANTITY    | 34 Nos  |
| REMARKS     | FAÇADE(TYPE T2PF11 FOR 5/F-42/F)              |

NOTE :

1. ALL DIMENSIONS ARE IN mm.
2. ALL ELEVATIONS ARE VIEWED FROM OUTSIDE.
3. ALL DIMENSIONS TO BE VERIFIED ON SITE BEFORE FABRICATION.

LEGEND :

- (X1) --- DETAIL MARK NO.
- (X001) --- REFER SHEET NO.
- 1. F.F.L. --- FINISHED FLOOR LEVEL
- 2. S.F.L. --- STRUCTURAL FLOOR LEVEL
- 3. (R) --- REVERSED DETAIL

4. GLASS LEGEND

- EGL-1 --- 6mmHS+12mm AIR GAP+10mmTP THK. I.G.U.
- EGL-2 --- 10mm THK. CLEAR TEMPERED GLASS
- EGL-4 --- 10mm THK. TEMPERED ACID ETCHED GLASS
- EGL-1A --- 8mmHS+12mm AIR GAP+8mmTP THK. I.G.U.
- BT1/BB1 --- FIXING DETAIL (DWG. NO. F001)
- BB2 --- FIXING DETAIL (DWG. NO. F002)

JOB NO. : J-856

PROJECT :  
PROPOSED DEVELOPMENT ABOVE  
LIGHT RAIL TIN WING STOP-TSWTL  
NO.23,AREA 33,TIN SHUI WAI, N.T.

TITLE :  
WINDOW SCHEDULE FOR  
TOWER 2 IN-SITU WINDOW

DATE : 02-Aug-21 SCALE : 1:40

DRAWN BY : Ivan CHECKED BY :

**美特鋁質有限公司**  
MIDI ALUMINIUM FABRICATOR LTD.  
Units 6-8, Sunray Industrial Centre, 1/F  
610 Cho Kwo Ling Road, Kwai Tsou  
Tel:23489211-4 Fax:(852)2727666  
DWG NO. : J856-SD-W-5206 REV. : C

B.D. REF :

CLIENT :

**SUN HUNG KAI**  
REAL ESTATE AGENCY LTD.

42/F, SUN HUNG KAI CENTRE, WANCHAI, HONGKONG

ARCHITECT :

**lwk&partners**  
a r c h i t e c t s

MAIN CONTRACTOR :

**怡輝建築有限公司**  
**Yee Fai Building Contractors Ltd.**

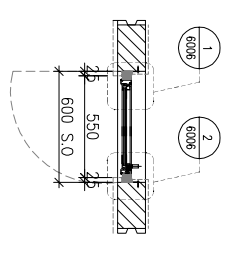
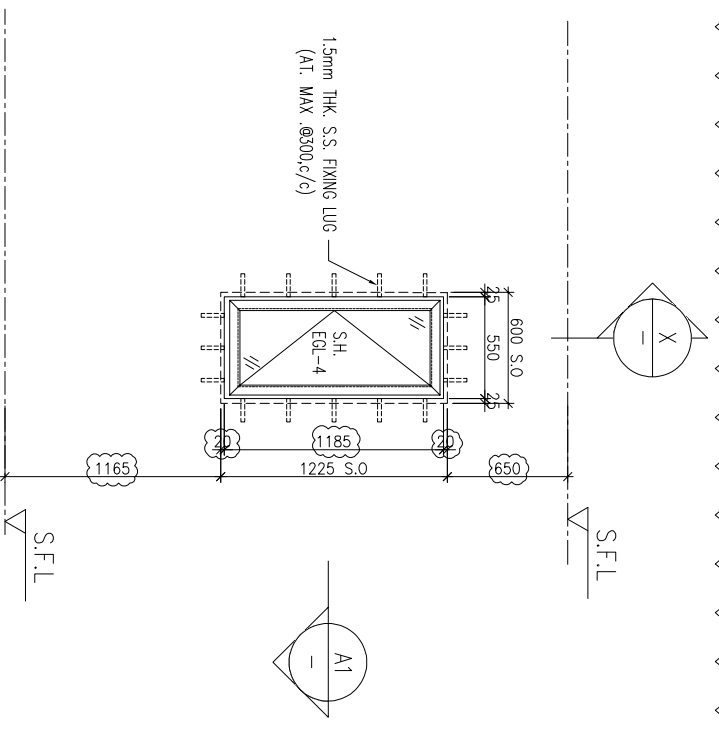
STRUCTURAL ENGINEER :

**ARUP**

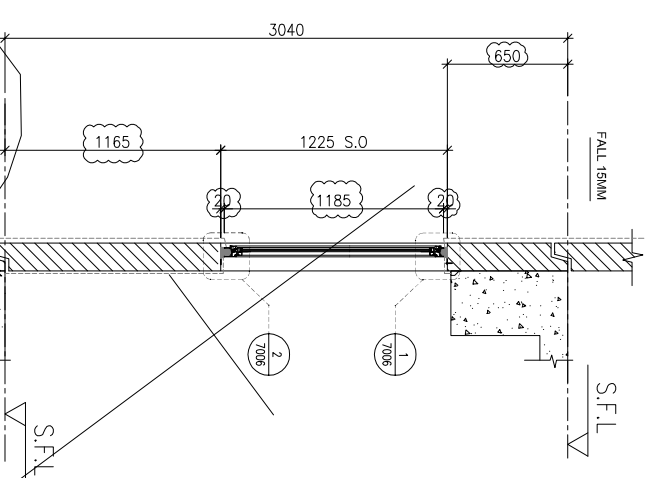
FAÇADE CONSULTANT :

**ALPHA CONSULTING LIMITED**  
Steel Structure & Façade Specialist

ELEVATION



A1 PART PLAN



X PART SECTION

|             |   |
|-------------|---|
| WINDOW MARK | W 226   |
| LOCATION    | 3/F-42/F(4/F,13/F,14/F,24/F,34/F OMITTED) UNIT B1 |
| SECTION     | 50mm ALUM. SECTION                                |
| GLAZING     | EGL-4   |
| QUANTITY    | 35 Nos.   |
| REMARKS     |   |

NOTE :

1. ALL DIMENSIONS ARE IN mm.
2. ALL ELEVATIONS ARE VIEWED FROM OUTSIDE.
3. ALL DIMENSIONS TO BE VERIFIED ON SITE BEFORE FABRICATION.

LEGEND :

X1 — DETAIL MARK NO.  
X2001 — REFER SHEET NO.

1. F.F.L. --- FINISHED FLOOR LEVEL
2. S.F.L. --- STRUCTURAL FLOOR LEVEL
3. (R) --- REVERSED DETAIL

4. GLASS LEGEND

- EGL-1 --- 6mmHS+12mm AIR GAP+10mmTP THK. I.G.U.
- EGL-2 --- 10mm THK. CLEAR TEMPERED GLASS
- EGL-4 --- 10mm THK. TEMPERED ACID ETCHED GLASS
- EGL-1A --- 6mmHS+12mm AIR GAP+8mmTP THK. I.G.U.
- B11/BB1 --- FIXING DETAIL (DWG. NO. FD01)
- BB2 --- FIXING DETAIL (DWG. NO. FD02)

| NO. | DWG.       | REVISION                         | SUBJECT TO ARCH.COMMENT | BY  |
|-----|------------|----------------------------------|-------------------------|-----|
| C   | 22/06/2022 | REVISION SUBJECT TO ARCH.COMMENT |                         | hwn |
| B   | 24/11/2021 | REVISION SUBJECT TO ARCH.COMMENT |                         | hwn |
| A   | 10/11/2021 | REVISION SUBJECT TO ARCH.COMMENT |                         | hwn |

JOB NO. : J-856

PROJECT : PROPOSED DEVELOPMENT ABOVE LIGHT RAIL TIN WING STOP-TSWTL NO.23,AREA 33,TIN SHUI WAI, N.T.

TITLE : WINDOW SCHEDULE FOR TOWER 2 IN-SITU WINDOW

DATE : 06-Aug-21 SCALE : 1:40

DRAWN BY : IYVN CHECKED BY :

**美特鋁質有限公司**  
MIDI ALUMINIUM FABRICATOR LTD.  
Units 6-8, Sunray Industrial Centre, 1/F  
610 Cho Kwai Ling Road, Kwai Tsou  
Tel:23489211-4 Fax:(852)2727666

DWG NO. : J856-SD-W-5207 REV. : C

B.D. REF :

CLIENT :

**SUN HUNG KAI**  
REAL ESTATE AGENCY LTD.

42/F, SUN HUNG KAI CENTRE, WANCHAI, HONGKONG

ARCHITECT :

**lwk&partners**  
a r c h i t e c t s

MAIN CONTRACTOR :

**怡輝建築有限公司**  
**Yee Fai** Building Contractors Ltd.

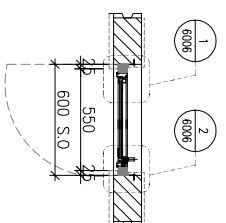
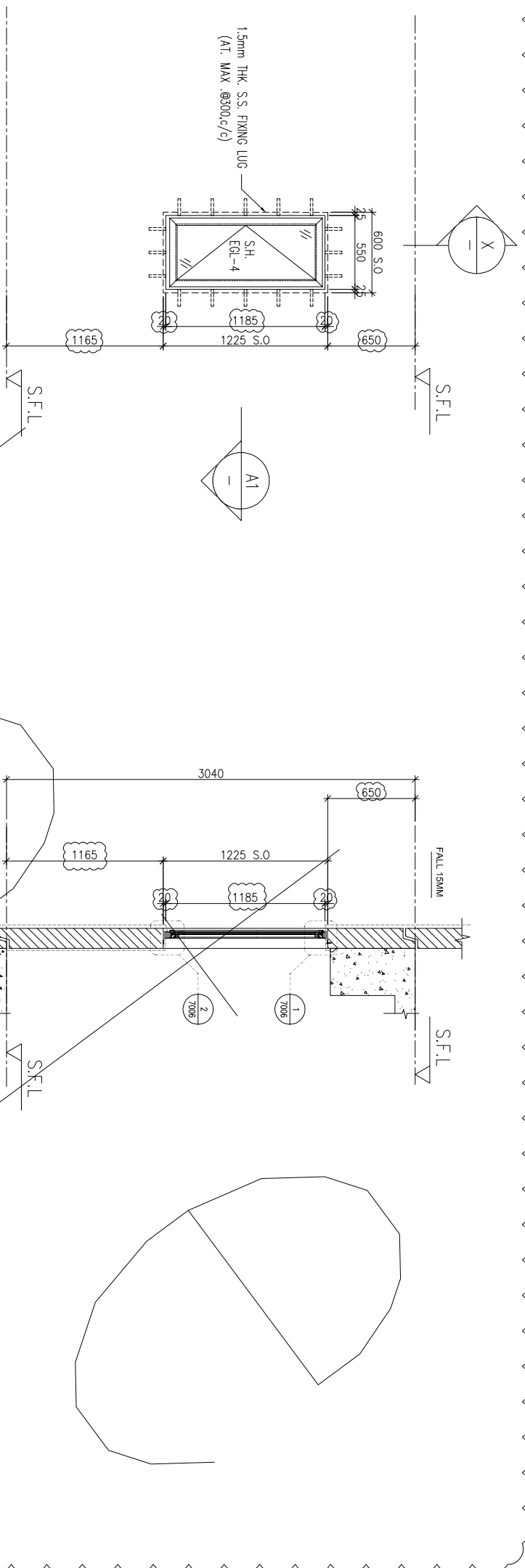
STRUCTURAL ENGINEER :

**ARUP**

FAÇADE CONSULTANT:

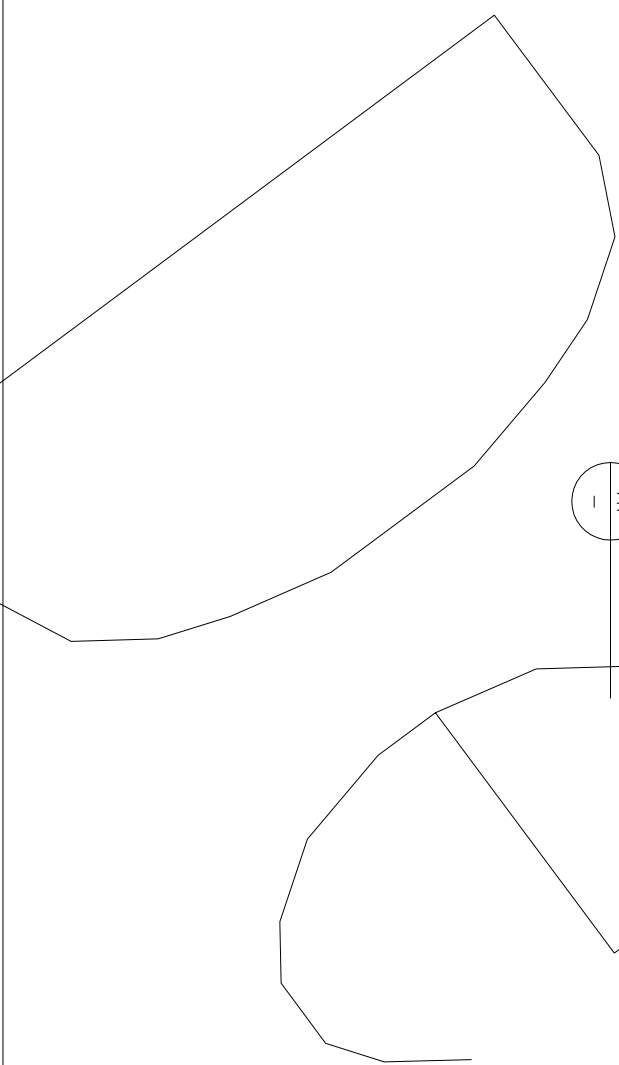
**ALPHA CONSULTING LIMITED**  
Steel Structure & Façade Specialist

ELEVATION



A1 - PART PLAN

X - PART SECTION



|             |   |
|-------------|---|
| WINDOW MARK | W 2227  |
| LOCATION    | 3/F-42/F, 4/F, 13/F, 14/F, 24/F, 34/F OMITTED UNIT A8 |
| SECTION     | 50mm ALUM. SECTION                                    |
| GLAZING     | EGL-4   |
| QUANTITY    | 35 Nos.   |
| REMARKS     |   |

NOTE :

1. ALL DIMENSIONS ARE IN mm.
2. ALL ELEVATIONS ARE VIEWED FROM OUTSIDE.
3. ALL DIMENSIONS TO BE VERIFIED ON SITE BEFORE FABRICATION.

LEGEND :

(X1) - DETAIL MARK NO.  
(X001) - REFER SHEET NO.

1. F.F.L. --- FINISHED FLOOR LEVEL
2. S.F.L. --- STRUCTURAL FLOOR LEVEL
3. (R) --- REVERSED DETAIL

4. GLASS LEGEND

- EGL-1 -- 6mmHS+12mm AIR GAP+10mmTP THK. I.G.U.  
 EGL-2 -- 10mm THK. CLEAR TEMPERED GLASS  
 EGL-4 -- 10mm THK. TEMPERED ACID ETCHED GLASS  
 EGL-1A -- 6mmHS+12mm AIR GAP+8mmTP THK. I.G.U.  
 BT1/BB1 -- FINING DETAIL (DWG. NO. FD01)  
 BB2 -- FINING DETAIL (DWG. NO. FD02)

JOB NO. : J-856

PROJECT :  
 PROPOSED DEVELOPMENT ABOVE  
 LIGHT RAIL TIN WING STOP-TSWTL  
 NO.23, AREA 33, TIN SHUI WAI, N.T.

TITLE :  
 WINDOW SCHEDULE FOR  
 TOWER 2 IN-SITU WINDOW

DATE : 06-Aug-21 SCALE : 1:40

DRAWN BY : IYVN CHECKED BY :

**美特鋁質有限公司**  
**MIDI ALUMINIUM FABRICATOR LTD.**  
 Units 6-8, Sunray Industrial Centre, 1/F  
 610 Cho Kwo Ling Road, Kwai Tsoum  
 Tel: 23489211-4 Fax: (852) 2727666

DWG NO. : J856-SD-W-5208 REV. : C

B.D. REF :

CLIENT :

**SUN HUNG KAI**  
REAL ESTATE AGENCY LTD.

42/F, SUN HUNG KAI CENTRE, WANCHAI, HONGKONG

ARCHITECT :

**lwk&partners**  
a r c h i t e c t s

MAIN CONTRACTOR :

**怡輝建築有限公司**  
**Yee Fai** Building Contractors Ltd.

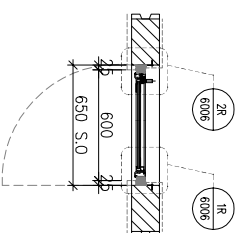
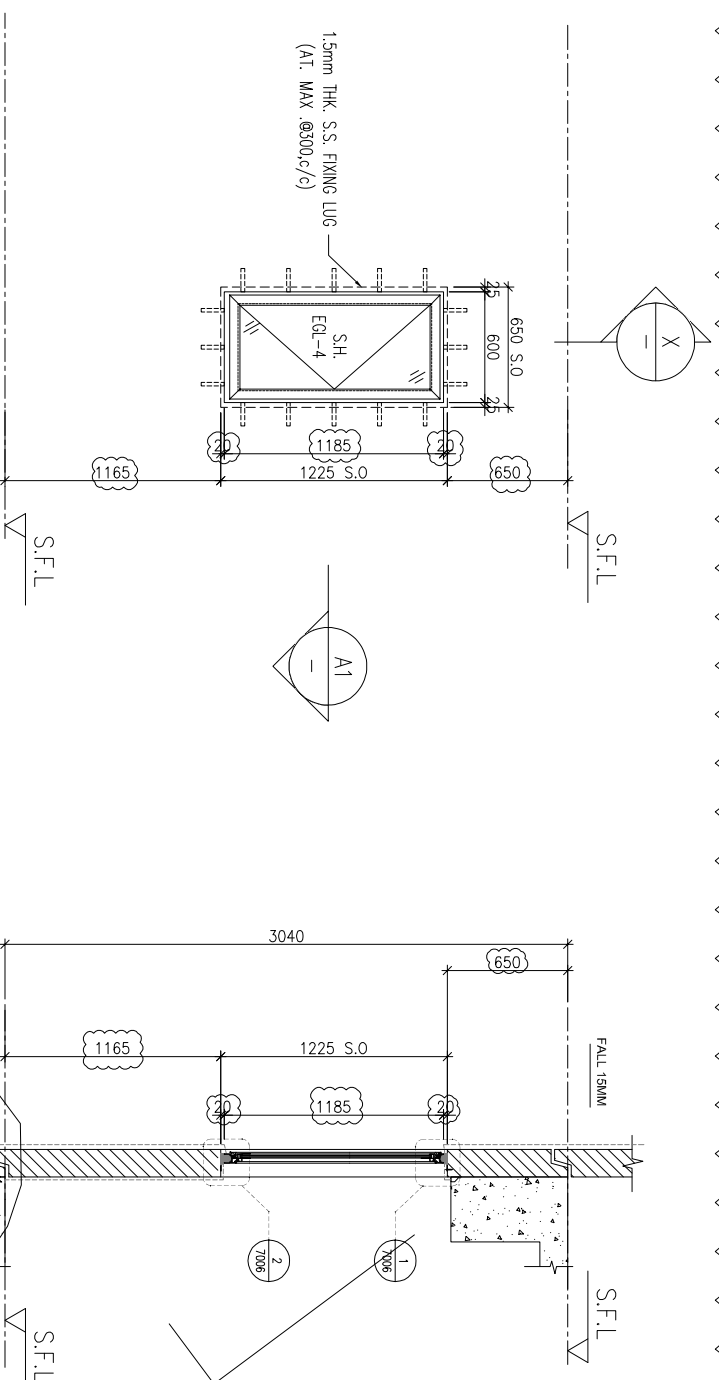
STRUCTURAL ENGINEER :

**ARUP**

FAÇADE CONSULTANT :

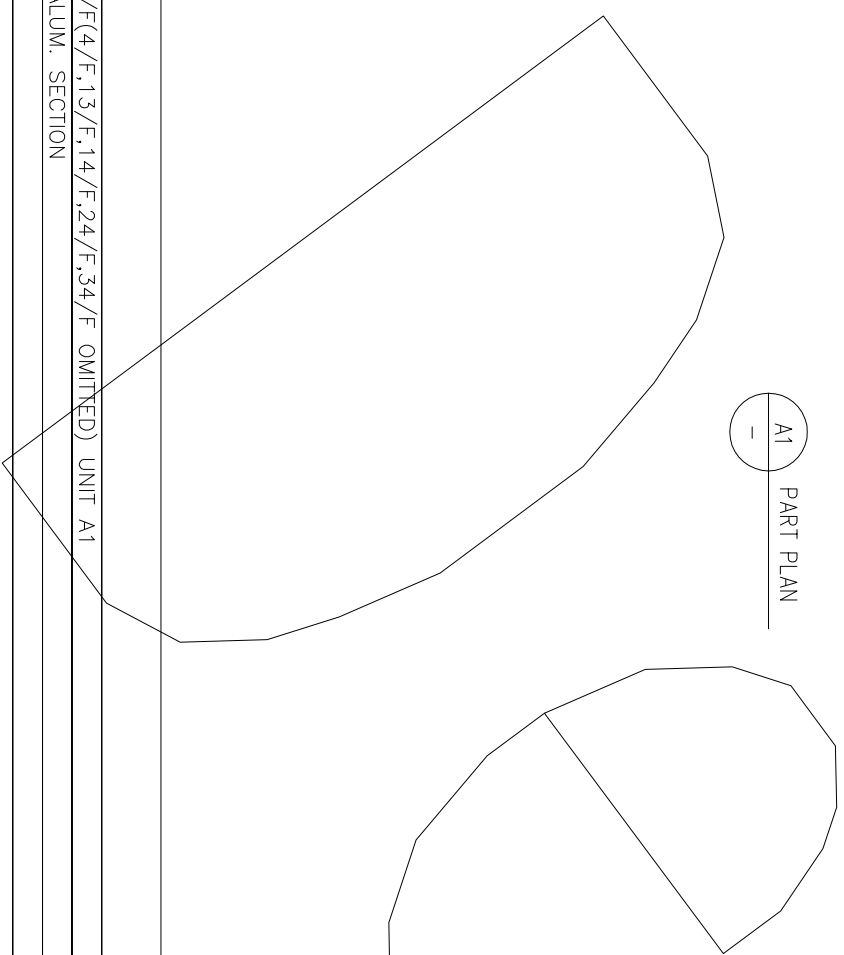
**ALPHA CONSULTING LIMITED**  
Steel Structure & Façade Specialist

ELEVATION



A1 PART PLAN

X PART SECTION



|             |   |
|-------------|---|
| WINDOW MARK | W 228   |
| LOCATION    | 3/F-42/F, 4/F, 13/F, 14/F, 24/F, 34/F OMITTED UNIT A1 |
| SECTION     | 50mm ALUM. SECTION                                    |
| GLAZING     | EGL-4   |
| QUANTITY    | 35 Nos.   |
| REMARKS     |   |

NOTE :

1. ALL DIMENSIONS ARE IN mm.
2. ALL ELEVATIONS ARE VIEWED FROM OUTSIDE.
3. ALL DIMENSIONS TO BE VERIFIED ON SITE BEFORE FABRICATION.

LEGEND :

X1 ——— DETAIL MARK NO.  
X001 ——— REFER SHEET NO.

1. F.F.L. --- FINISHED FLOOR LEVEL
2. S.F.L. --- STRUCTURAL FLOOR LEVEL
3. (R) --- REVERSED DETAIL

4. GLASS LEGEND

EGL-1 -- 6mmHS+12mm AIR GAP+10mmTP THK. I.G.U.  
EGL-2 -- 10mm THK. CLEAR TEMPERED GLASS  
EGL-4 -- 10mm THK. TEMPERED ACID ETCHED GLASS  
EGL-1A -- 6mmHS+12mm AIR GAP+8mmTP THK. I.G.U.  
BT1/BB1 -- FIXING DETAIL (DWG. NO. FD01)  
BB2 -- FIXING DETAIL (DWG. NO. FD02)

| NO. | DATE       | REVISION                         | SUBJECT TO ARCH-COMMENT | BY  |
|-----|------------|----------------------------------|-------------------------|-----|
| C   | 22/06/2022 | REVISION SUBJECT TO ARCH-COMMENT |                         | hwn |
| B   | 24/11/2021 | REVISION SUBJECT TO ARCH-COMMENT |                         | hwn |
| A   | 10/11/2021 | REVISION SUBJECT TO ARCH-COMMENT |                         | hwn |

JOB NO. : J-856

PROJECT : PROPOSED DEVELOPMENT ABOVE LIGHT RAIL TIN WING STOP-TSWTL NO.23, AREA 33, TIN SHUI WAI, N.T.

TITLE : WINDOW SCHEDULE FOR TOWER 2 IN-SITU WINDOW

DATE : 06-Aug-21

SCALE : 1:40

DRAWN BY : Ivn

CHECKED BY :

**美特鋁質有限公司**  
MIDI ALUMINIUM FABRICATOR LTD.

Units 6-8, Sunray Industrial Centre, 1/F  
610 Cho Kwai Ling Road, Kowloon  
Tel: 23489211-4 Fax: (852) 2727666

DWG NO. : J856-SD-W-5209 REV. : C

B.D. REF :

CLIENT :

**SUN HUNG KAI**  
REAL ESTATE AGENCY LTD.

42/F, SUN HUNG KAI CENTRE, WANCHAI, HONGKONG

ARCHITECT :

**lwk&partners**  
a r c h i t e c t s

MAIN CONTRACTOR :

**怡輝建築有限公司**  
**Yee Fai** Building Contractors Ltd.

STRUCTURAL ENGINEER :

**ARUP**

FAÇADE CONSULTANT :

**ALPHA CONSULTING LIMITED**  
Steel Structure & Façade Specialist

NOTE :

1. ALL DIMENSIONS ARE IN mm.
2. ALL ELEVATIONS ARE VIEWED FROM OUTSIDE.
3. ALL DIMENSIONS TO BE VERIFIED ON SITE BEFORE FABRICATION.

LEGEND :

(X1) — DETAIL MARK NO.  
(X001) — REFER SHEET NO.

1. F.F.L. --- FINISHED FLOOR LEVEL
2. S.F.L. --- STRUCTURAL FLOOR LEVEL
3. (R) --- REVERSED DETAIL

4. GLASS LEGEND

EGL-1 -- 6mmHS+12mm AIR GAP+10mmTP THK. I.G.U.  
 EGL-2 -- 10mm THK. CLEAR TEMPERED GLASS  
 EGL-4 -- 10mm THK. TEMPERED ACID ETCHED GLASS  
 EGL-1A -- 6mmHS+12mm AIR GAP+8mmTP THK. I.G.U.  
 BT1/BB1 -- FIXING DETAIL (DWG. NO. FD01)  
 BB2 -- FIXING DETAIL (DWG. NO. FD02)

| NO. | DATE       | REVISION                         | SUBJECT TO ARCH-COMMENT | BY   |
|-----|------------|----------------------------------|-------------------------|------|
| B   | 22/06/2022 | REVISION SUBJECT TO ARCH-COMMENT |                         | ivan |
| A   | 10/11/2021 | REVISION SUBJECT TO ARCH-COMMENT |                         | ivan |

JOB NO. : J-856

PROJECT : PROPOSED DEVELOPMENT ABOVE LIGHT RAIL TIN WING STOP-TSWTL NO.23, AREA 33, TIN SHUI WAI, N.T.

TITLE : WINDOW SCHEDULE FOR TOWER 2 IN-SITU WINDOW

DATE : 06-Aug-21

SCALE : 1:40

DRAWN BY : ivan

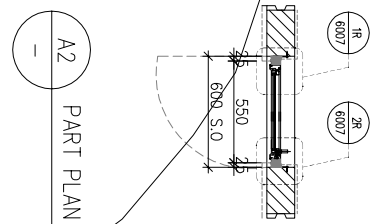
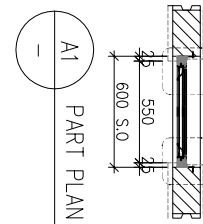
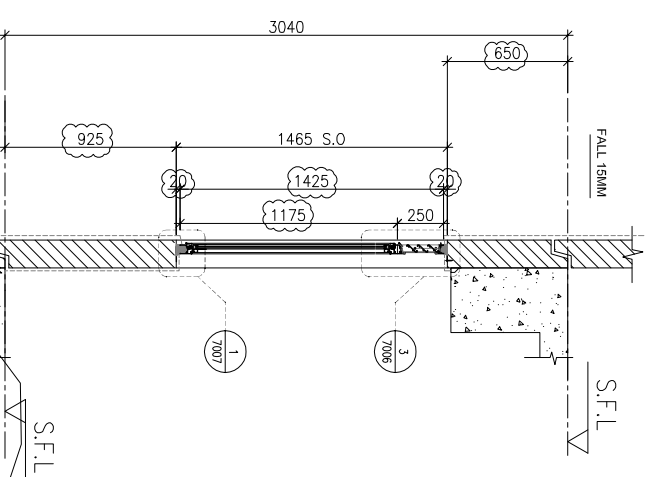
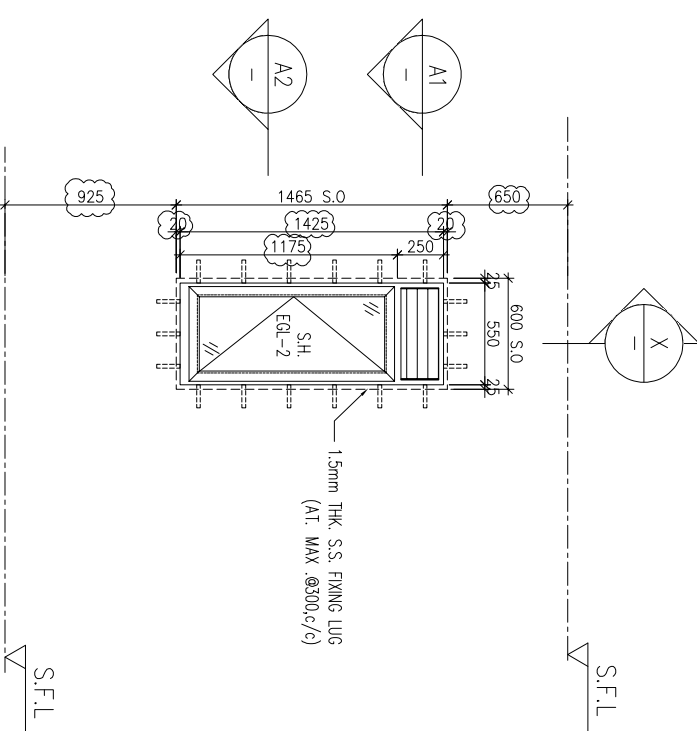
CHECKED BY :

**美特鋁質有限公司**  
MIDI ALUMINIUM FABRICATOR LTD.

Units 6-8, Sunray Industrial Centre, 1/F  
610 Cho Kwai Ling Road, Kwai Moon  
Tel: 23489211-4 Fax: (852) 2727666

DWG NO. : J856-SD-W-5210 REV. : B

ELEVATION



| WINDOW MARK | LOCATION                                      | SECTION            | GLAZING | QUANTITY | REMARKS |
|-------------|---|--------------------|---------|----------|---------|
| W<br>229    | 3/F-42/F, 4/F, 13/F, 14/F, 24/F, 34/F OMITTED | 50mm ALUM. SECTION | EGL-2   | 35 Nos.  |         |

B.D. REF :

CLIENT :

**SUN HUNG KAI**  
REAL ESTATE AGENCY LTD.

42/F, SUN HUNG KAI CENTRE, WANCHAI, HONGKONG

ARCHITECT :

**lwk&partners**  
a r c h i t e c t s

MAIN CONTRACTOR :

**怡輝建築有限公司**  
**Yee Fai Building Contractors Ltd.**

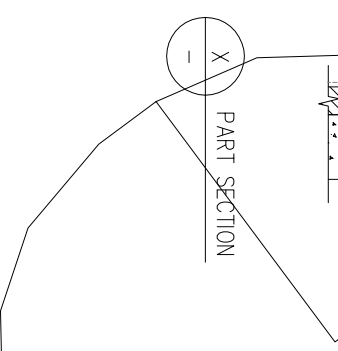
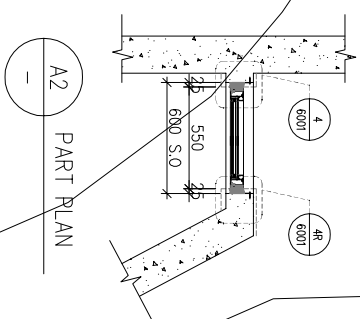
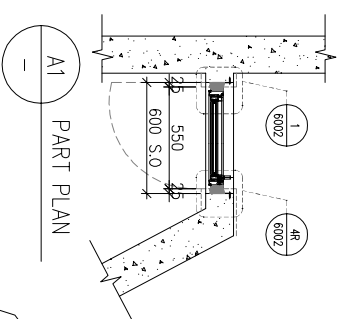
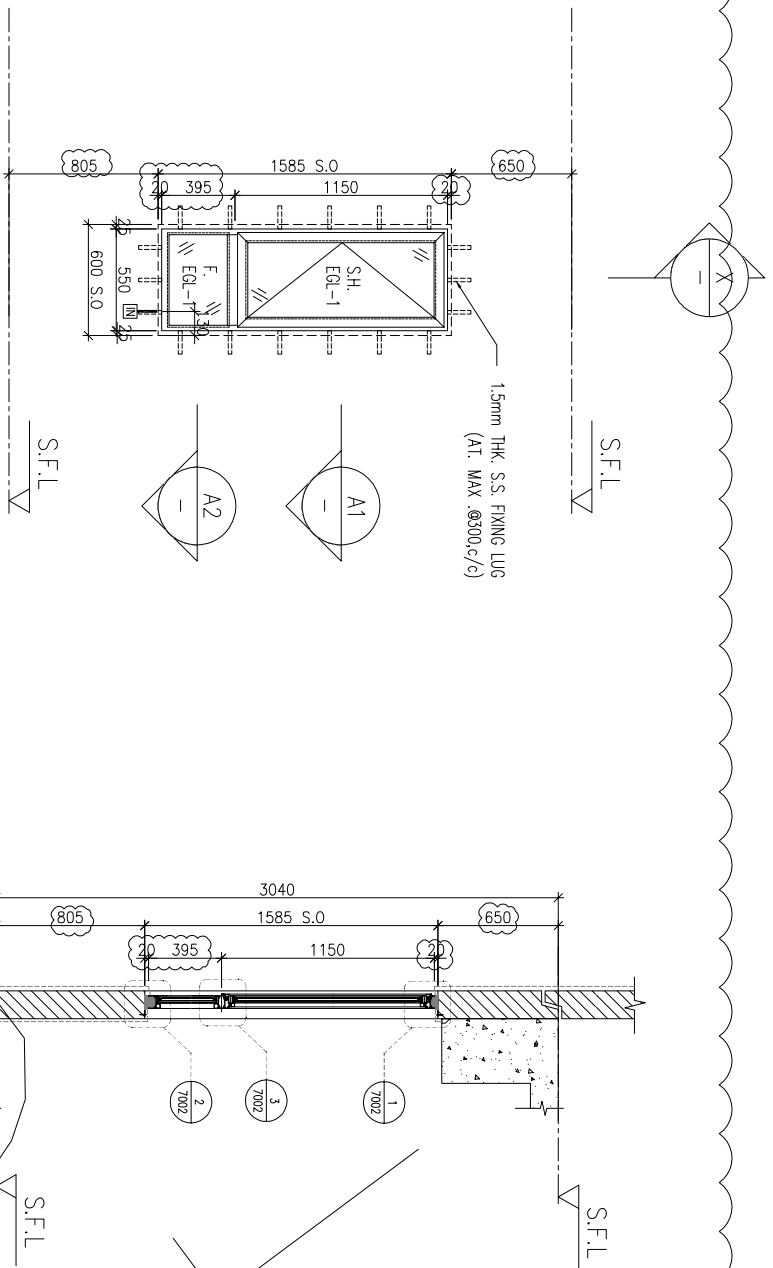
STRUCTURAL ENGINEER :

**ARUP**

FAÇADE CONSULTANT :

**ALPHA CONSULTING LIMITED**  
Steel Structure & Façade Specialist

ELEVATION



|             |   |
|-------------|---|
| WINDOW MARK | store<br>mm                                       |
| LOCATION    | 3F-42/F.4/F.13/F.14/F.24/F.34/F. OMITTED) UNIT A5 |
| SECTION     | 70mm ALUM. SECTION                                |
| GLAZING     | EGL-1   |
| QUANTITY    | 35 Nos.   |
| REMARKS     |   |

NOTE:  
 1. ALL DIMENSIONS ARE IN mm.  
 2. ALL ELEVATIONS ARE VIEWED FROM OUTSIDE.  
 3. ALL DIMENSIONS TO BE VERIFIED ON SITE BEFORE FABRICATION.

LEGEND :

(X1) — DETAIL MARK NO.  
 (X001) — REFER SHEET NO.

1. F.F.L. --- FINISHED FLOOR LEVEL  
 2. S.F.L. --- STRUCTURAL FLOOR LEVEL  
 3. (R) --- REVERSED DETAIL

4. GLASS LEGEND

EGL-1 -- 8mmHS+12mm AIR GAP+10mmTP THK. I.G.U.  
 EGL-2 -- 10mm THK. CLEAR TEMPERED GLASS  
 EGL-4 -- 10mm THK. TEMPERED ACID ETCHED GLASS  
 EGL-1A -- 8mmHS+12mm AIR GAP+8mmTP THK. I.G.U.  
 BT1/BB1 -- FIXING DETAIL (DWG. NO. FD01)  
 BB2 -- FIXING DETAIL (DWG. NO. FD02)

| NO. | DATE       | REVISION                         | SUBJECT TO ARCH.COMMENT | BY  |
|-----|------------|----------------------------------|-------------------------|-----|
| C   | 22/06/2022 | REVISION SUBJECT TO ARCH.COMMENT |                         | hwn |
| B   | 24/11/2021 | REVISION SUBJECT TO ARCH.COMMENT |                         | hwn |
| A   | 10/11/2021 | REVISION SUBJECT TO ARCH.COMMENT |                         | hwn |

JOB NO. : J-856

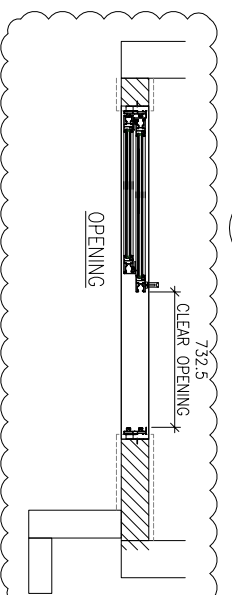
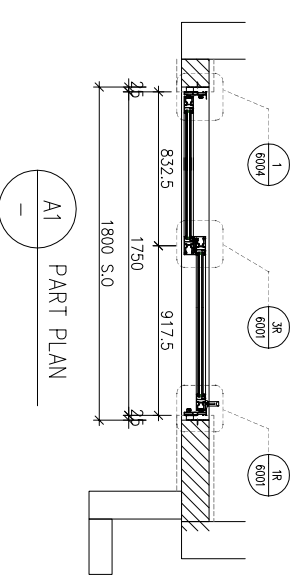
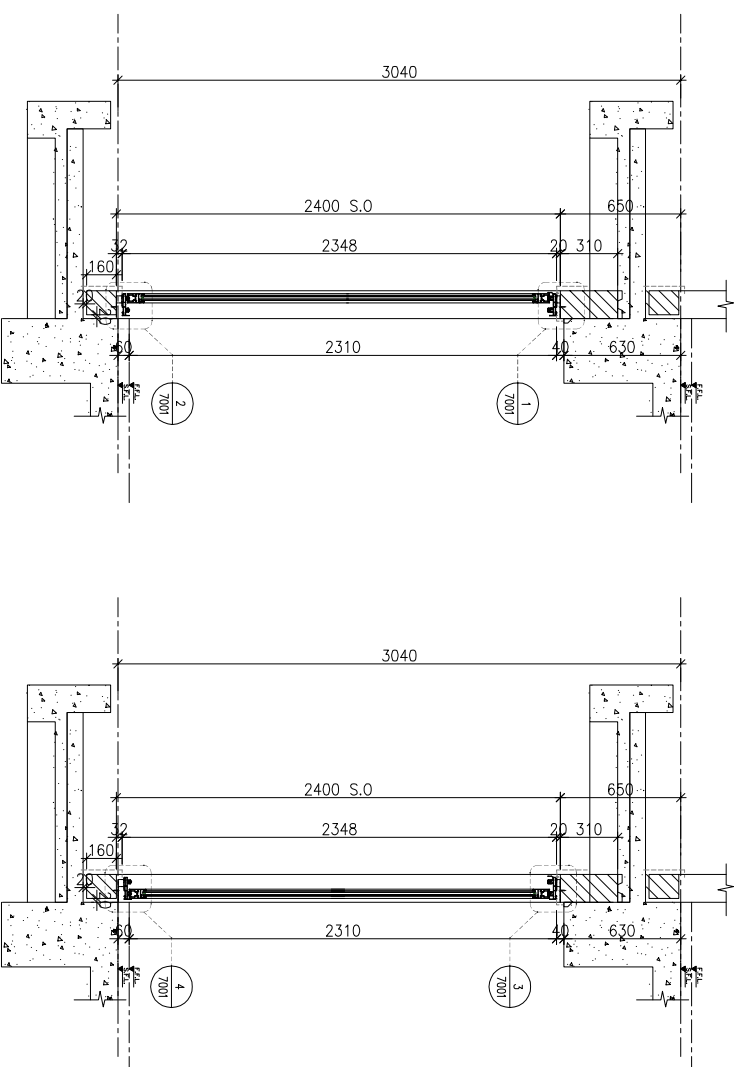
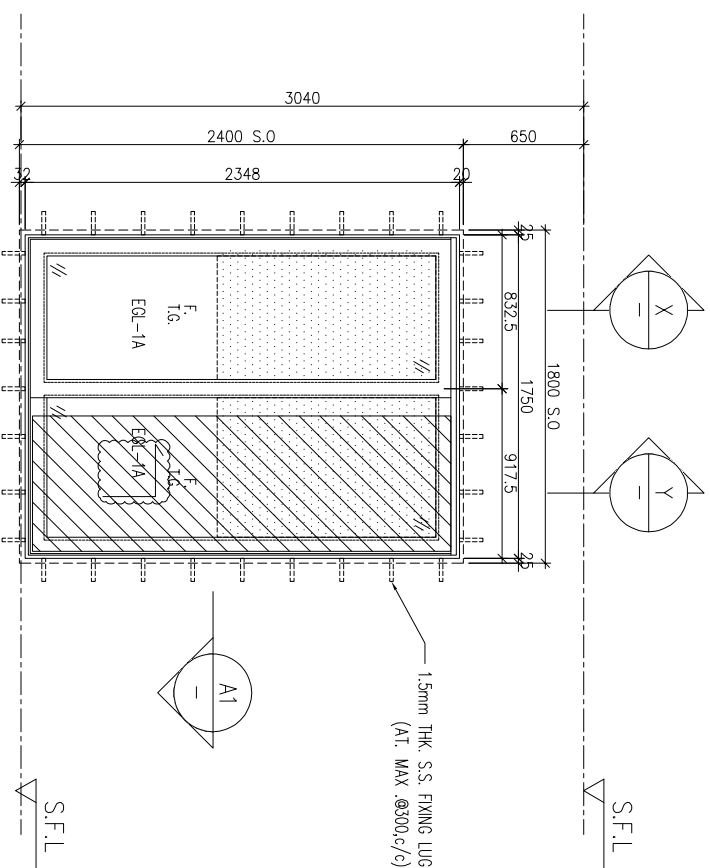
PROJECT :  
 PROPOSED DEVELOPMENT ABOVE  
 LIGHT RAIL TIN WING STOP-TSWTL  
 NO.23,AREA 33,TIN SHUI WAI, N.T.

TITLE :  
 WINDOW SCHEDULE FOR  
 TOWER 2 IN-SITU WINDOW

DATE : 06-Aug-21 SCALE : 1:40  
 DRAWN BY : Ivnv CHECKED BY :

**美特鋁質有限公司**  
**MIDI ALUMINIUM FABRICATOR LTD.**  
 Units 6-8, Sunray Industrial Centre, 1/F  
 610 Cho Kwai Ling Road, Kowloon  
 Tel:23489211-4 Fax:(852)2727666  
 DWG NO. : J856-SD-W-5211 REV. : C

| REQUIRE  |               | PROVIDED     |               |
|----------|---------------|--------------|---------------|
| LOCATION | OPENABLE AREA | GLAZING AREA | OPENABLE AREA |
| A6-LIV   | 1.092         | 1.239        | 1.657         |
|          |               |              | 1.681         |



|             |   |
|-------------|---|
| WINDOW MARK | AW 05   |
| LOCATION    | 3/F-42/F(4/F,13/F,14/F,24/F,34/F OMITTED) UNIT A6 |
| SECTION     | 70mm ALUM. SECTION                                |
| GLAZING     | EGL-1A  |
| QUANTITY    | 35 Nos.   |
| REMARKS     | FAÇADE(TYPE T2PF07 FOR 3/F-42/F)                  |

BD. REF :

CLIENT :

**SUN HUNG KAI**  
REAL ESTATE AGENCY LTD.

42/F, SUN HUNG KAI CENTRE, WANCHAI, HONGKONG

ARCHITECT :

**lwk&partners**  
a r c h i t e c t s

MAIN CONTRACTOR :

**怡輝建築有限公司**  
**Yee Fai Building Contractors Ltd.**

STRUCTURAL ENGINEER :

**ARUP**

FAÇADE CONSULTANT :

**ALPHA CONSULTING LIMITED**  
Steel Structure & Façade Specialist

NOTE :

1. ALL DIMENSIONS ARE IN mm.
2. ALL ELEVATIONS ARE VIEWED FROM OUTSIDE.
3. ALL DIMENSIONS TO BE VERIFIED ON SITE BEFORE FABRICATION.

LEGEND :

**X1** --- DETAIL MARK NO.  
**X001** --- REFER SHEET NO.

1. F.F.L. --- FINISHED FLOOR LEVEL
2. S.F.L. --- STRUCTURAL FLOOR LEVEL
3. **(R)** --- REVERSED DETAIL

4. GLASS LEGEND

- EGL-1 --- 8mmHS+12mm AIR GAP+10mmTP THK. IGLU  
EGL-2 --- 10mm THK. CLEAR TEMPERED GLASS  
EGL-4 --- 10mm THK. TEMPERED ACID ETCHED GLASS  
EGL-1A --- 8mmHS+12mm AIR GAP+8mmTP THK. IGLU  
BT1/BB1 --- FIXING DETAIL (DWG. NO. F001)  
BB2 --- FIXING DETAIL (DWG. NO. F002)

| NO. | DATE       | REVISION                         | SUBJECT TO ARCH-COMMENT | BY  |
|-----|------------|----------------------------------|-------------------------|-----|
| C   | 28/07/2022 | REVISION SUBJECT TO ARCH-COMMENT |                         | hen |
| B   | 13/07/2022 | REVISION SUBJECT TO ARCH-COMMENT |                         | hen |
| A   | 23/11/2021 | REVISION SUBJECT TO ARCH-COMMENT |                         | hen |

JOB NO. : J-856

PROJECT : PROPOSED DEVELOPMENT ABOVE LIGHT RAIL TIN WING STOP-TSWTL NO.23,AREA 33,TIN SHUI WAI, N.T.

TITLE : WINDOW SCHEDULE FOR TOWER 2 IN-SITU WINDOW

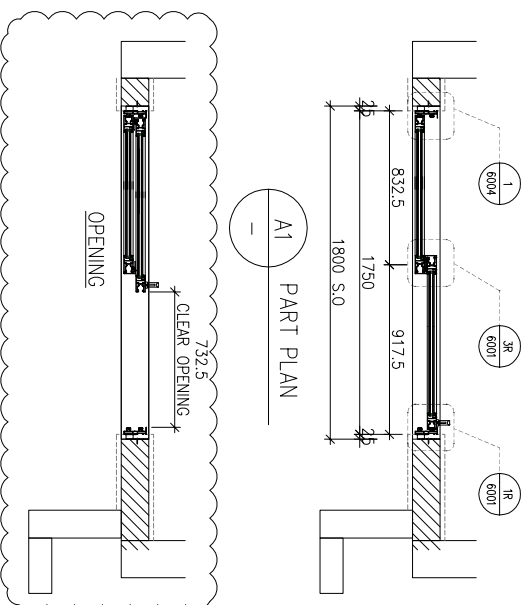
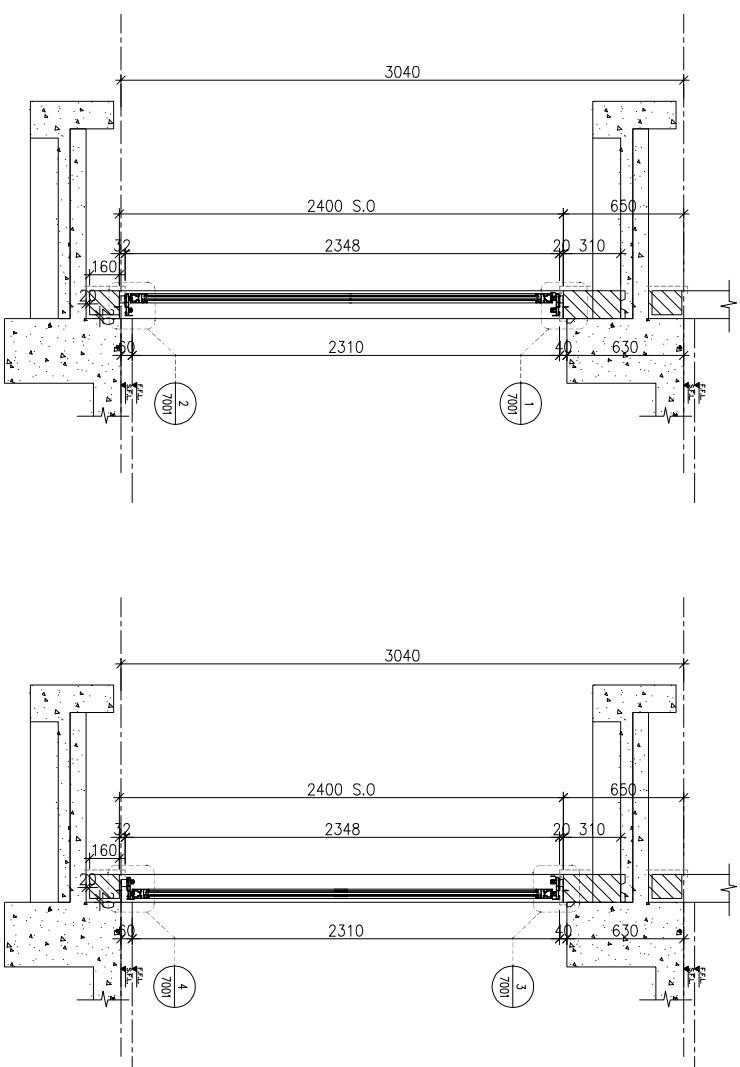
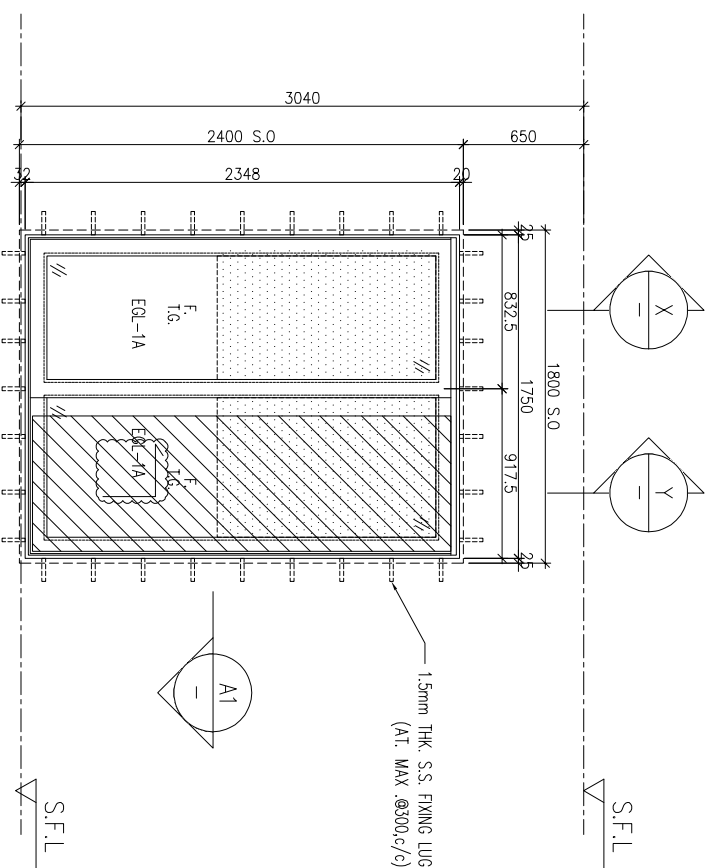
DATE : 02-Aug-21 SCALE : 1:40

DRAWN BY : IYON CHECKED BY :

**美特鋁質有限公司**  
MIDI ALUMINIUM FABRICATOR LTD.  
Units 6-8, Sunray Industrial Centre, 1/F  
610 Cho Kwo Ling Road, Kowloon  
Tel:23489211-4 Fax:(852)2727666

DWG NO. : J856-SD-W-5212 REV. : C

| REQUIRE  |               | PROVIDED     |               |
|----------|---------------|--------------|---------------|
| LOCATION | OPENABLE AREA | GLAZING AREA | OPENABLE AREA |
| B5-LIV   | 0.951         | 1.053        | 1.657         |
|          |               |              | 1.681         |



BD. REF : \_\_\_\_\_

CLIENT : **SUN HUNG KAI**  
REAL ESTATE AGENCY LTD.  
42/F, SUN HUNG KAI CENTRE, WANCHAI, HONGKONG

ARCHITECT : **lwk&partners**  
a r c h i t e c t s

MAIN CONTRACTOR : **怡輝建築有限公司**  
**Yee Fai Building Contractors Ltd.**

STRUCTURAL ENGINEER : **ARUP**

FAÇADE CONSULTANT : **ALPHA CONSULTING LIMITED**  
Steel Structure & Façade Specialist

NOTE :  
1. ALL DIMENSIONS ARE IN mm.  
2. ALL ELEVATIONS ARE VIEWED FROM OUTSIDE.  
3. ALL DIMENSIONS TO BE VERIFIED ON SITE BEFORE FABRICATION.

LEGEND :  
 (X1) --- DETAIL MARK NO.  
 (X001) --- REFER SHEET NO.  
 1. F.F.L. --- FINISHED FLOOR LEVEL  
 2. S.F.L. --- STRUCTURAL FLOOR LEVEL  
 3. (R) --- REVERSED DETAIL  
 4. GLASS LEGEND  
 EQ-1-1 --- 8mmHS+12mm AIR GAP+10mmTP THK. I.G.U.  
 EQ-2-2 --- 10mm THK. CLEAR TEMPERED GLASS  
 EQ-4-4 --- 10mm THK. TEMPERED ACID ETCHED GLASS  
 EQ-1A --- 8mmHS+12mm AIR GAP+8mmTP THK. I.G.U.  
 BT1/BB1 --- FIXING DETAIL (DWG. NO. F001)  
 BB2 --- FIXING DETAIL (DWG. NO. F002)

| NO. | DATE       | REVISION                         | SUBJECT TO ARCH-COMMENT | BY  |
|-----|------------|----------------------------------|-------------------------|-----|
| D   | 26/08/2022 | REVISION SUBJECT TO ARCH-COMMENT |                         | lwk |
| C   | 28/07/2022 | REVISION SUBJECT TO ARCH-COMMENT |                         | lwk |
| B   | 13/01/2022 | REVISION SUBJECT TO ARCH-COMMENT |                         | lwk |
| A   | 23/11/2021 | REVISION SUBJECT TO ARCH-COMMENT |                         | lwk |

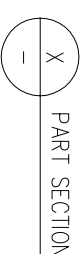
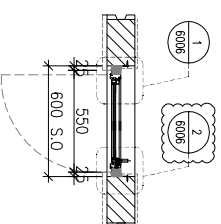
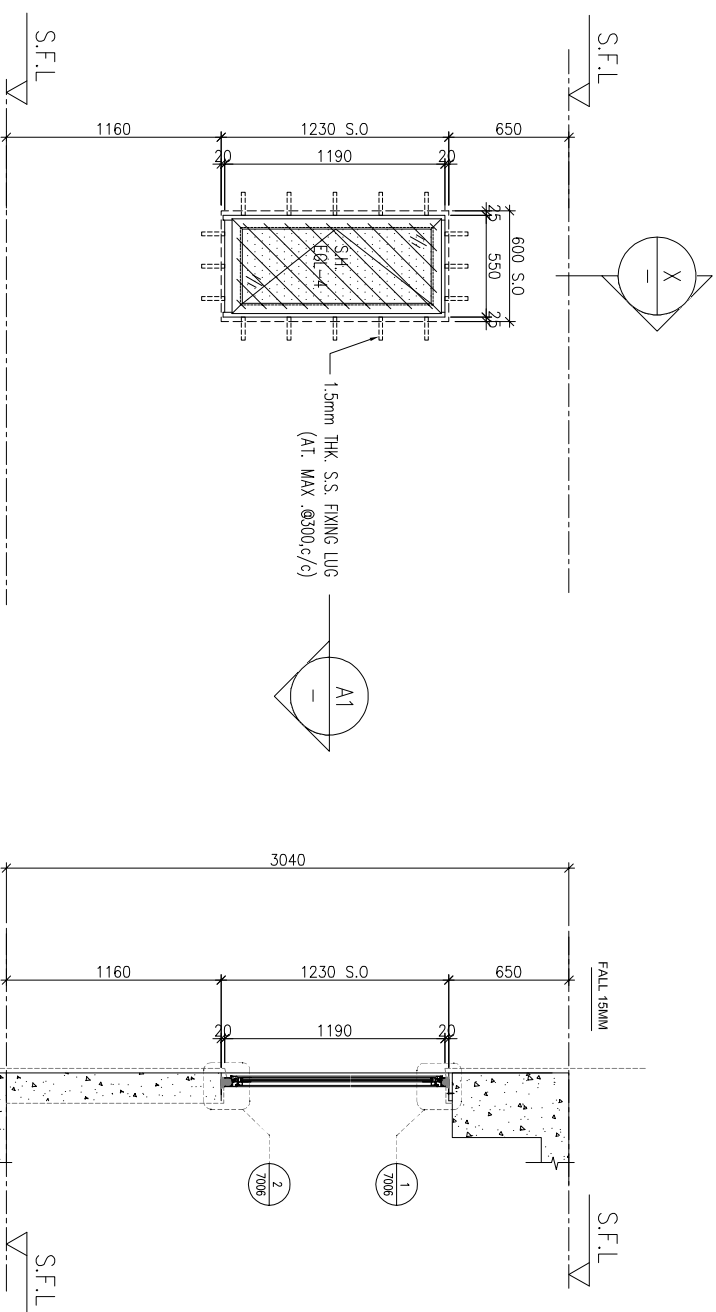
JOB NO. : J-856  
 PROJECT : PROPOSED DEVELOPMENT ABOVE LIGHT RAIL TIN WING STOP-TSWTL NO.23,AREA 33,TIN SHUI WAI, N.T.  
 TITLE : WINDOW SCHEDULE FOR TOWER 2 IN-SITU WINDOW

DATE : 02-Aug-21 SCALE : 1:40  
 DRAWN BY : IYON CHECKED BY :

**美特鋁質有限公司**  
MIDI ALUMINIUM FABRICATOR LTD.  
Units 6-8, Sunray Industrial Centre, 1/F  
610 Cho Kwai Ling Road, Kwai Tsoum  
Tel:23489211-4 Fax:(852)2727666  
DWG NO. : J856-SD-W-5213 REV : D

|             |   |
|-------------|---|
| WINDOW MARK | AM 05   |
| LOCATION    | 3/F-42/F(4/F,13/F,14/F,24/F,34/F OMITTED) UNIT B5 |
| SECTION     | 70mm ALUM. SECTION                                |
| GLAZING     | EGL-1A  |
| QUANTITY    | 35 Nos.   |
| REMARKS     | FAÇADE(TYPE T2PF11 FOR 3/F-42/F)                  |

| REQUIRED |               | PROVIDED     |               |              |
|----------|---------------|--------------|---------------|--------------|
| LOCATION | OPENABLE AREA | GLAZING AREA | OPENABLE AREA | GLAZING AREA |
| A1-KIT   | 0.278         | 0.444        | 0.497         | 0.408        |
| A1-MBATH | 0.318         | 0.318        |               |              |
| A8-MBATH | 0.199         | 0.318        |               |              |
| B1-MBATH | 0.318         | 0.318        |               |              |



ELEVATION

| WINDOW MARK | REQUIRE   | PROVIDED           |
|-------------|---|--------------------|
| AM 06       | 3/F-42/F(4/F,13/F,14/F,24/F,34/F OMITTED) UNIT A1,A8,B1     | AM 06R             |
| SECTION     | 50mm ALUM. SECTION  | 50mm ALUM. SECTION |
| GLAZING     | EGL-4   | EGL-4              |
| QUANTITY    | 35 Nos./35 Nos./35 Nos.                                     | 35 Nos.            |
| REMARKS     | 50mm ALUM. WINDOW SECTION , 4 BAR HINGE-LIP HING (HHMS-N14) |                    |

B.D. REF :

CLIENT :

**SUN HUNG KAI**  
REAL ESTATE AGENCY LTD.  
42/F, SUN HUNG KAI CENTRE, WANCHAI, HONGKONG

ARCHITECT :

**lwk&partners**  
a r c h i t e c t s

MAIN CONTRACTOR :

**Yee Fai** 怡輝建築有限公司  
Building Contractors Ltd.

STRUCTURAL ENGINEER :

**ARUP**

FAÇADE CONSULTANT:

**ALPHA CONSULTING LIMITED**  
Steel Structure & Façade Specialist

NOTE:  
1. ALL DIMENSIONS ARE IN mm.  
2. ALL ELEVATIONS ARE VIEWED FROM OUTSIDE.  
3. ALL DIMENSIONS TO BE VERIFIED ON SITE BEFORE FABRICATION.

LEGEND :

(X1) --- DETAIL MARK NO.  
(X001) --- REFER SHEET NO.

1. F.F.L. --- FINISHED FLOOR LEVEL  
2. S.F.L. --- STRUCTURAL FLOOR LEVEL  
3. (R) --- REVERSED DETAIL

4. GLASS LEGEND

EGL-1 --- 6mmHS+12mm AIR GAP+10mmTP THK. I.G.U.  
EGL-2 --- 10mm THK. CLEAR TEMPERED GLASS  
EGL-4 --- 10mm THK. TEMPERED ACID ETCHED GLASS  
EGL-1A --- 6mmHS+12mm AIR GAP+8mmTP THK. I.G.U.  
B11/BB1 --- FIXING DETAIL (DWG. NO. F001)  
BB2 --- FIXING DETAIL (DWG. NO. F002)

| NO. | DATE       | REVISION SUBJECT TO ARCH/COMMENT | ISSUED BY |
|-----|------------|----------------------------------|-----------|
| A   | 11/07/2022 |                                  |           |

JOB NO. : J-856

PROJECT :  
PROPOSED DEVELOPMENT ABOVE  
LIGHT RAIL TIN WING STOP/TSWTL  
NO.23,AREA 33,TIN SHUI WAI, N.T.

TITLE :  
WINDOW SCHEDULE FOR  
TOWER 2 IN-SITU WINDOW

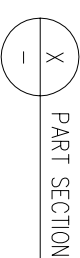
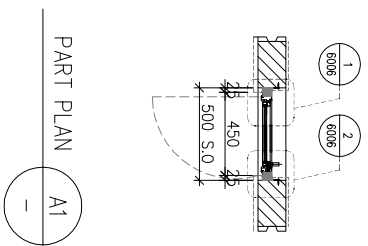
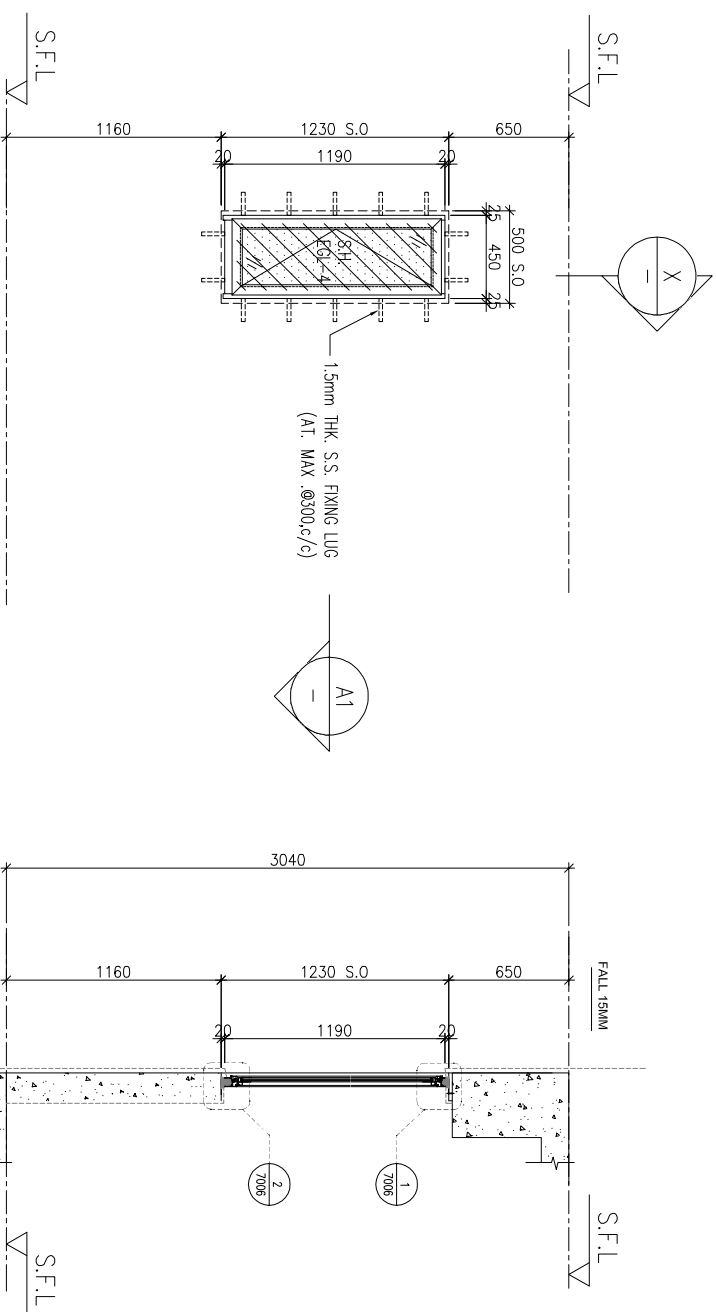
DATE : 22/06/2022 SCALE : 1:40

DRAWN BY : IYVN CHECKED BY :

**美特鋁質有限公司**  
MIDI ALUMINIUM FABRICATOR LTD.  
Units 6-8, Sunray Industrial Centre, 1/F  
610 Cho Kwai Ling Road, Kowloon  
Tel:23489211-4 Fax:(852)2727666

DWG NO. : J856-SD-W-5214 REV : A

| REQUIRE  |               | PROVIDED     |               |
|----------|---------------|--------------|---------------|
| LOCATION | OPENABLE AREA | GLAZING AREA | OPENABLE AREA |
| A5-ST RM | N/A           | N/A          | 0.389         |
|          |               |              | 0.306         |



ELEVATION

|             |   |
|-------------|---|
| WINDOW MARK | AM<br>066   |
| LOCATION    | 3/F-42/F(4/F,13/F,14/F,24/F,34/F OMITTED) UNIT A5           |
| SECTION     | 50mm ALUM. SECTION  |
| GLAZING     | EGL-4   |
| QUANTITY    | 35 Nos.   |
| REMARKS     | 50mm ALUM. WINDOW SECTION , 4 BAR HINGE-LIP HINGE (HMS-N12) |

B.D. REF :

CLIENT :

**SUN HUNG KAI**  
REAL ESTATE AGENCY LTD.

42/F, SUN HUNG KAI CENTRE, WANCHAI, HONGKONG

ARCHITECT :

**lwk&partners**  
a r c h i t e c t s

MAIN CONTRACTOR :

**Yee Fai** 怡輝建築有限公司  
Building Contractors Ltd.

STRUCTURAL ENGINEER :

**ARUP**

FAÇADE CONSULTANT:

**ALPHA CONSULTING LIMITED**  
Steel Structure & Façade Specialist

NOTE :

1. ALL DIMENSIONS ARE IN mm.
2. ALL ELEVATIONS ARE VIEWED FROM OUTSIDE.
3. ALL DIMENSIONS TO BE VERIFIED ON SITE BEFORE FABRICATION.

LEGEND :

(X1) — DETAIL MARK NO.  
(X001) — REFER SHEET NO.

1. F.F.L. --- FINISHED FLOOR LEVEL
2. S.F.L. --- STRUCTURAL FLOOR LEVEL
3. (R) --- REVERSED DETAIL

4. GLASS LEGEND

- EGL-1 --- 6mmHS+12mm AIR GAP+10mmTP THK. I.G.U.  
EGL-2 --- 10mm THK. CLEAR TEMPERED GLASS  
EGL-4 --- 10mm THK. TEMPERED ACID ETCHED GLASS  
EGL-1A --- 6mmHS+12mm AIR GAP+8mmTP THK. I.G.U.  
BT1/BB1 --- FIXING DETAIL (DWG. NO. F001)  
BB2 --- FIXING DETAIL (DWG. NO. F002)

| NO. | DATE       | REVISION                         | SUBJECT TO ARCH-COMMENT | BY   |
|-----|------------|----------------------------------|-------------------------|------|
| B   | 09/11/2022 | REVISION SUBJECT TO ARCH-COMMENT |                         | ivan |
| A   | 11/07/2022 | REVISION SUBJECT TO ARCH-COMMENT |                         | ivan |

JOB NO. : J-856

PROJECT :

PROPOSED DEVELOPMENT ABOVE  
LIGHT RAIL TIN WING STOP-TSWTL  
NO.23,AREA 33,TIN SHUI WAI, N.T.

TITLE :

WINDOW SCHEDULE FOR  
TOWER 2 IN-SITU WINDOW

DATE : 22/06/2022

SCALE : 1:40

DRAWN BY : ivan

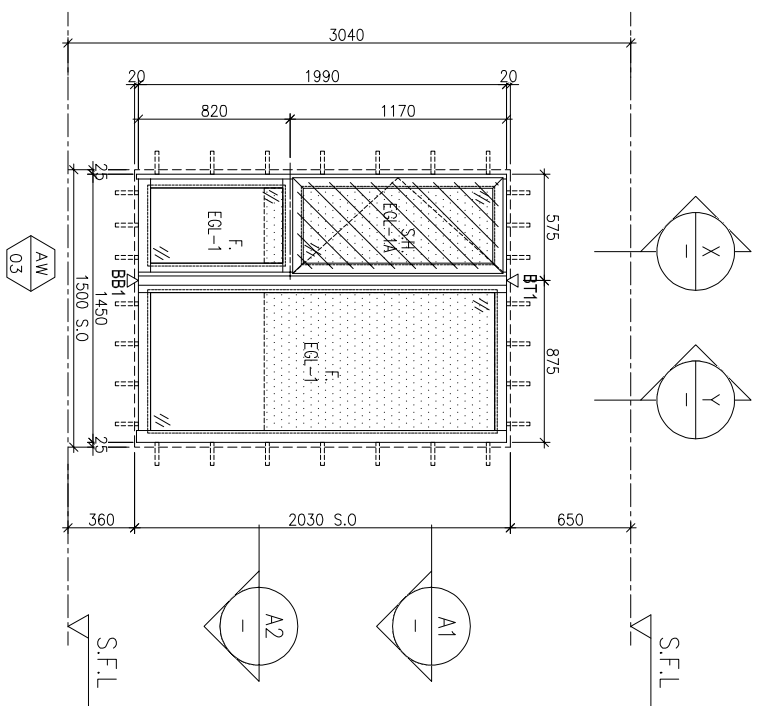
CHECKED BY :

**美特鋁質有限公司**  
MIDI ALUMINIUM FABRICATOR LTD.

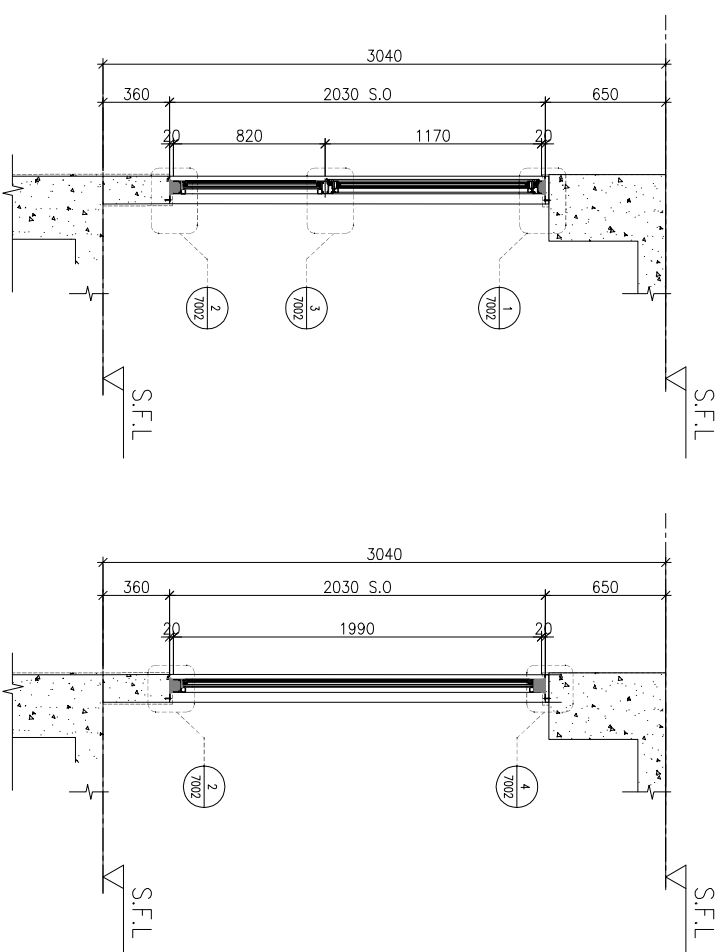
Units 6-8, Sunray Industrial Centre, 1/F  
610 Cho Kwai Ling Road, Kowloon  
Tel:23489211-4 Fax:(852)2727666

DWG NO. : J856-SD-W-5215 REV. : B

| LOCATION | OPENABLE AREA | GLAZING AREA | OPENABLE AREA | GLAZING AREA |
|----------|---------------|--------------|---------------|--------------|
| B5-MBR   | 0.295         | 0.472        | 0.504         | 1.383        |

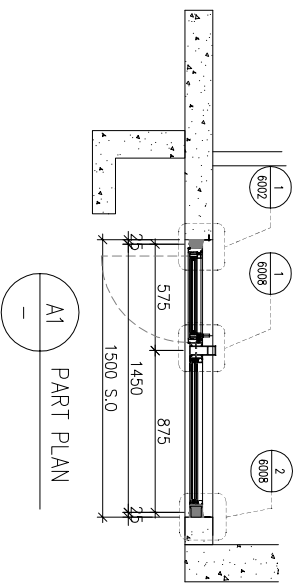


ELEVATION

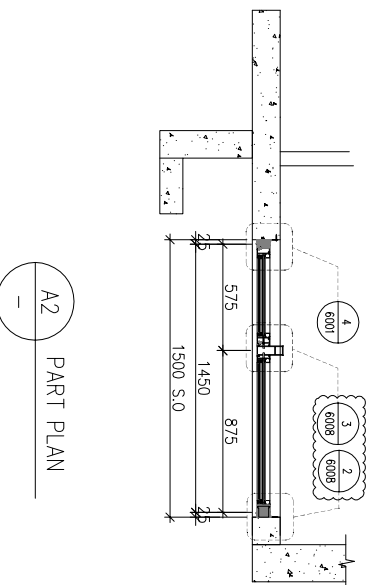


X-X PART SECTION

Y-Y PART SECTION



A1 PART PLAN



A2 PART PLAN

| WINDOW MARK | REQUIRE       | PROVIDED   |
|-------------|---------------|--|
| AM 03       | LOCATION      | OPENABLE AREA  |
| AM 03       | B5-MBR        | 0.295  |
| AM 03       | GLAZING AREA  | 0.472  |
| AM 03       | OPENABLE AREA | 0.504  |
| AM 03       | GLAZING AREA  | 1.383  |
| AM 03       | LOCATION      | 5/F-42/F, 13/F, 14/F, 24/F, 34/F OMITTED                   |
| AM 03       | SECTION       | 70mm ALUM. SECTION   |
| AM 03       | GLAZING       | EGL-1 / EGL-1A   |
| AM 03       | QUANTITY      | 34 Nos.  |
| AM 03       | REMARKS       | 70mm ALUM. WINDOW SECTION, 4 BAR HINGE-LIP HING (HHMS-N14) |

| WINDOW MARK | REQUIRE  | PROVIDED           |
|-------------|----------|--------------------|
| AM 03R      | LOCATION | 3/F UNIT A1        |
| AM 03R      | SECTION  | 50mm ALUM. SECTION |
| AM 03R      | GLAZING  | EGL-4              |
| AM 03R      | QUANTITY | 1 No.              |

BD. REF. : \_\_\_\_\_

CLIENT : **SUN HUNG KAI**  
REAL ESTATE AGENCY LTD.  
42/F, SUN HUNG KAI CENTRE, WANCHAI, HONGKONG

ARCHITECT : **lwk&partners**  
a r c h i t e c t s

MAIN CONTRACTOR : **怡輝建築有限公司**  
**Yee Fai Building Contractors Ltd.**

STRUCTURAL ENGINEER : **ARUP**

FAÇADE CONSULTANT : **ALPHA CONSULTING LIMITED**  
Steel Structure & Façade Specialist

NOTE :  
1. ALL DIMENSIONS ARE IN mm.  
2. ALL ELEVATIONS ARE VIEWED FROM OUTSIDE.  
3. ALL DIMENSIONS TO BE VERIFIED ON SITE BEFORE FABRICATION.

LEGEND :  
X1 --- DETAIL MARK NO.  
X001 --- REFER SHEET NO.

1. F.F.L. --- FINISHED FLOOR LEVEL  
2. S.F.L. --- STRUCTURAL FLOOR LEVEL  
3. (R) --- REVERSED DETAIL  
4. GLASS LEGEND  
EGL-1 --- 8mmHS+12mm AIR GAP+10mmTP THK. I.G.U.  
EGL-2 --- 10mm THK. CLEAR TEMPERED GLASS  
EGL-4 --- 10mm THK. TEMPERED ACID ETCHED GLASS  
EGL-1A --- 8mmHS+12mm AIR GAP+8mmTP THK. I.G.U.  
BT1/BBT1 --- FIXING DETAIL (DWG. NO. F001)  
BB2 --- FIXING DETAIL (DWG. NO. F002)

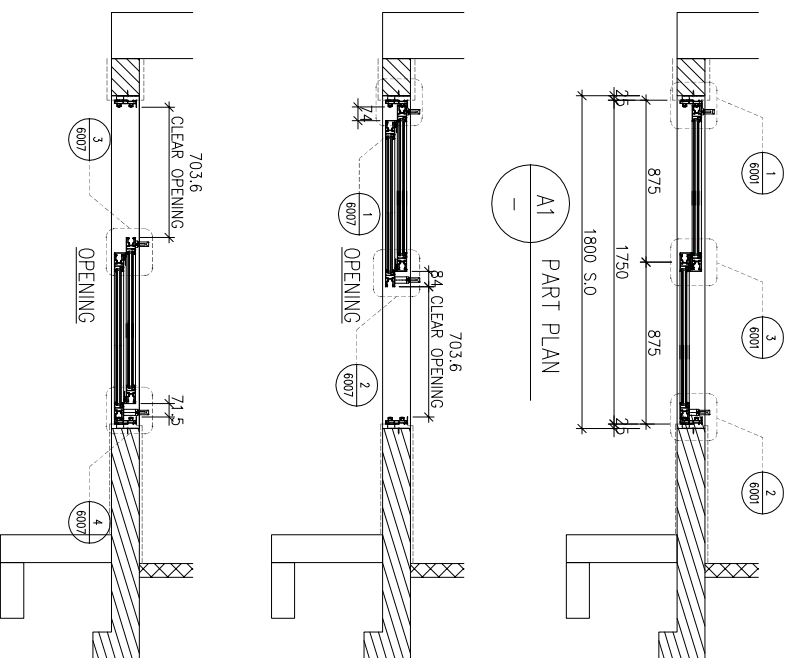
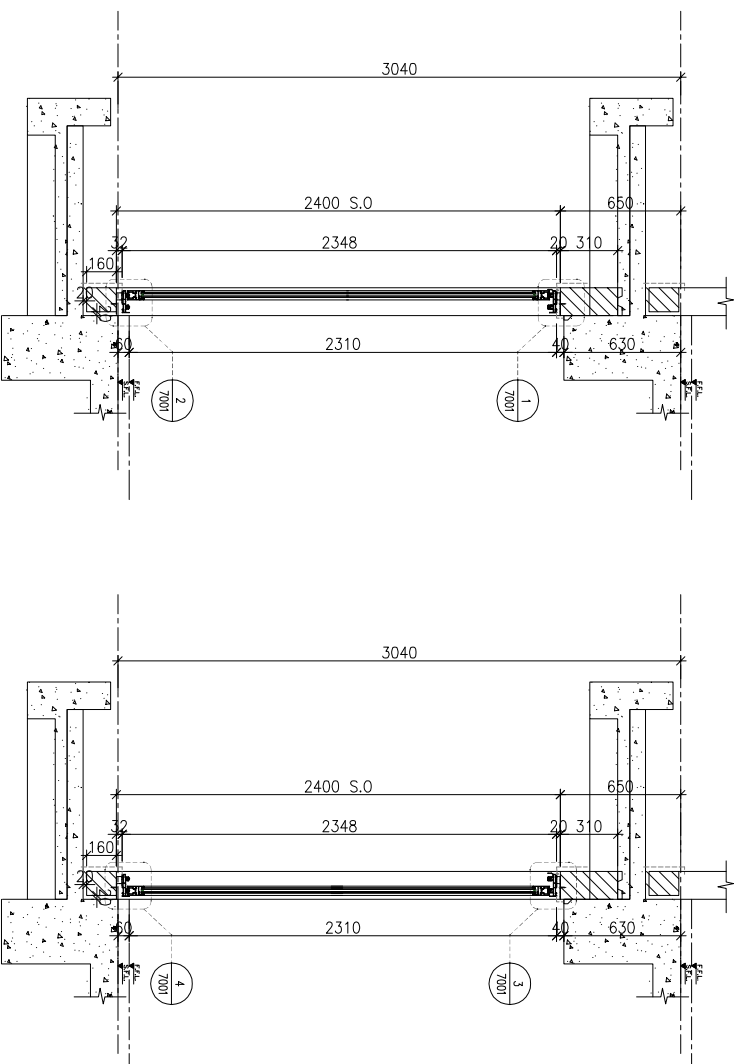
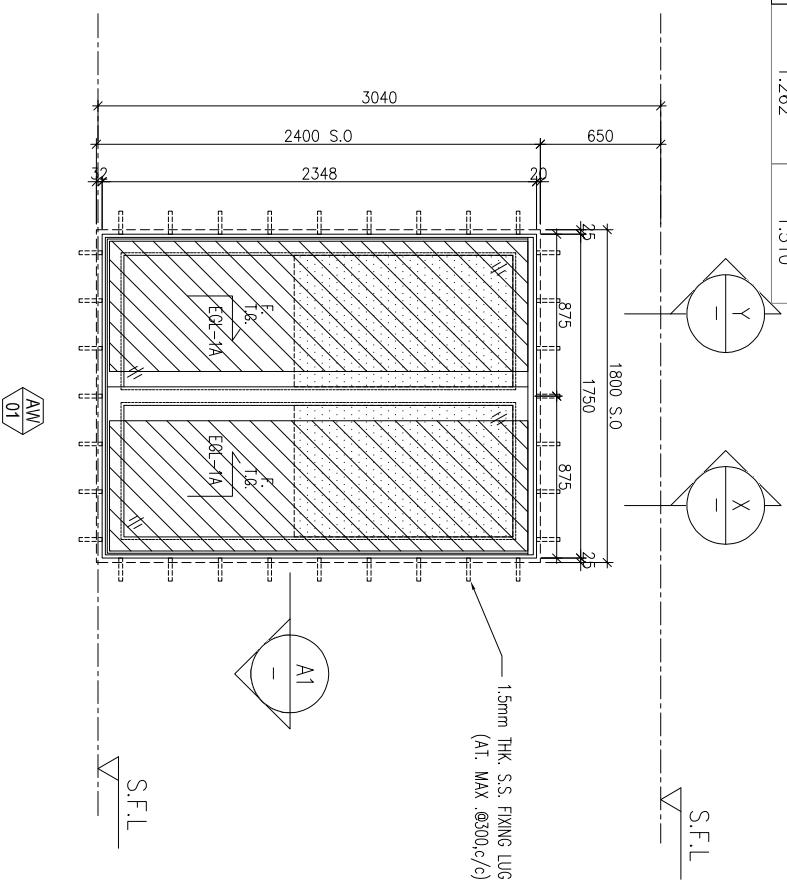
| NO. | DATE       | REVISION                         | SUBJECT TO ARCH-COMMENT | BY   |
|-----|------------|----------------------------------|-------------------------|------|
| B   | 11/11/2022 | REVISION SUBJECT TO ARCH-COMMENT |                         | ivan |
| A   | 11/07/2022 | REVISION SUBJECT TO ARCH-COMMENT |                         | ivan |

JOB NO. : J-856  
PROJECT : PROPOSED DEVELOPMENT ABOVE LIGHT RAIL TIN WING STOP-TSWTL NO.23, AREA 33, TIN SHUI WAI, N.T.  
TITLE : WINDOW SCHEDULE FOR TOWER 2 IN-SITU WINDOW

DATE : 22/06/2022 SCALE : 1:40  
DRAWN BY : ivan CHECKED BY :  
Units 6-8, Sunray Industrial Centre, 1/F  
610 Cho Kwai Ling Road, Kowloon  
Tel: 23489211-4 Fax: (852) 27272666  
DWG NO. : J856-SD-W-5216 REV. : B

**美特鋁質有限公司**  
MIDI ALUMINIUM FABRICATOR LTD.  
Units 6-8, Sunray Industrial Centre, 1/F  
610 Cho Kwai Ling Road, Kowloon  
Tel: 23489211-4 Fax: (852) 27272666

| REQUIRED |               | PROVIDED     |               |              |
|----------|---------------|--------------|---------------|--------------|
| LOCATION | OPENABLE AREA | GLAZING AREA | OPENABLE AREA | GLAZING AREA |
| A9-LIV   | 1.267         | 1.518        | 1.591         | 1.681        |
| B6-LIV   | 0.922         | 1.475        |               |              |
| B7-LIV   | 1.360         | 1.667        |               |              |
| B8-LIV   | 1.262         | 1.510        |               |              |



BD. REF : \_\_\_\_\_

CLIENT : **SUN HUNG KAI**  
REAL ESTATE AGENCY LTD.  
42/F, SUN HUNG KAI CENTRE, WANCHAI, HONGKONG

ARCHITECT : **lwk&partners**  
a r c h i t e c t s

MAIN CONTRACTOR : **怡輝建築有限公司**  
**Yee Fai Building Contractors Ltd.**

STRUCTURAL ENGINEER : **ARUP**

FAÇADE CONSULTANT : **ALPHA CONSULTING LIMITED**  
Steel Structure & Façade Specialist

NOTE :  
1. ALL DIMENSIONS ARE IN mm.  
2. ALL ELEVATIONS ARE VIEWED FROM OUTSIDE.  
3. ALL DIMENSIONS TO BE VERIFIED ON SITE BEFORE FABRICATION.

LEGEND :  
 (X1) --- DETAIL MARK NO.  
 (X001) --- REFER SHEET NO.  
 1. F.F.L. --- FINISHED FLOOR LEVEL  
 2. S.F.L. --- STRUCTURAL FLOOR LEVEL  
 3. (R) --- REVERSED DETAIL  
 4. GLASS LEGEND  
 EG1-1 --- 8mmHS+12mm AIR GAP+10mmTP THK. I.G.U.  
 EG1-2 --- 10mm THK. CLEAR TEMPERED GLASS  
 EG1-4 --- 10mm THK. TEMPERED ACID ETCHED GLASS  
 EG1-1A --- 8mmHS+12mm AIR GAP+8mmTP THK. I.G.U.  
 B11/BB1 --- FIXING DETAIL (DWG. NO. F001)  
 BB2 --- FIXING DETAIL (DWG. NO. F002)

| NO. | DATE       | REVISION | SUBJECT TO ARCH-COMMENT | BY  |
|-----|------------|----------|-------------------------|-----|
| F   | 11/11/2022 | REVISION | SUBJECT TO ARCH-COMMENT | hwn |
| E   | 26/08/2022 | REVISION | SUBJECT TO ARCH-COMMENT | hwn |
| D   | 28/07/2022 | REVISION | SUBJECT TO ARCH-COMMENT | hwn |
| C   | 22/06/2022 | REVISION | SUBJECT TO ARCH-COMMENT | hwn |
| B   | 23/11/2021 | REVISION | SUBJECT TO ARCH-COMMENT | hwn |
| A   | 10/11/2021 | REVISION | SUBJECT TO ARCH-COMMENT | hwn |

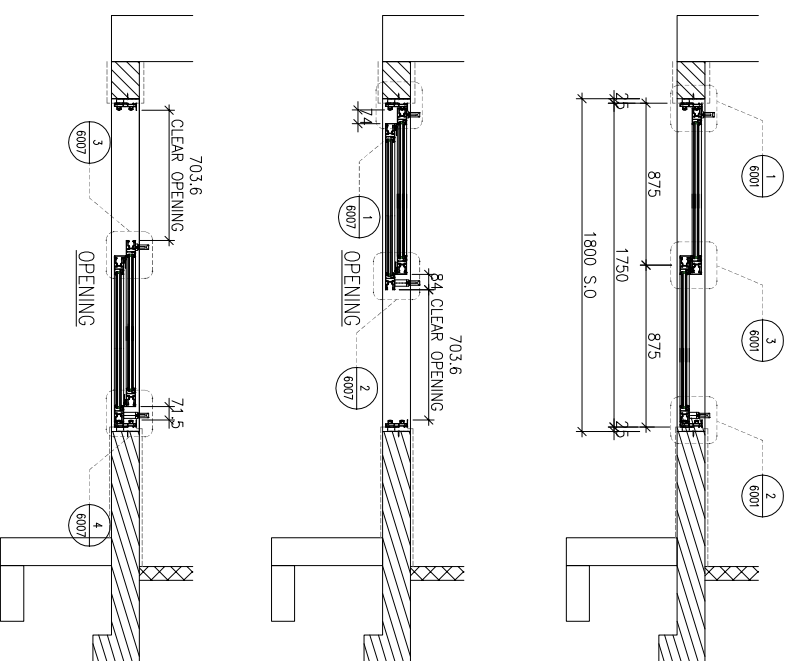
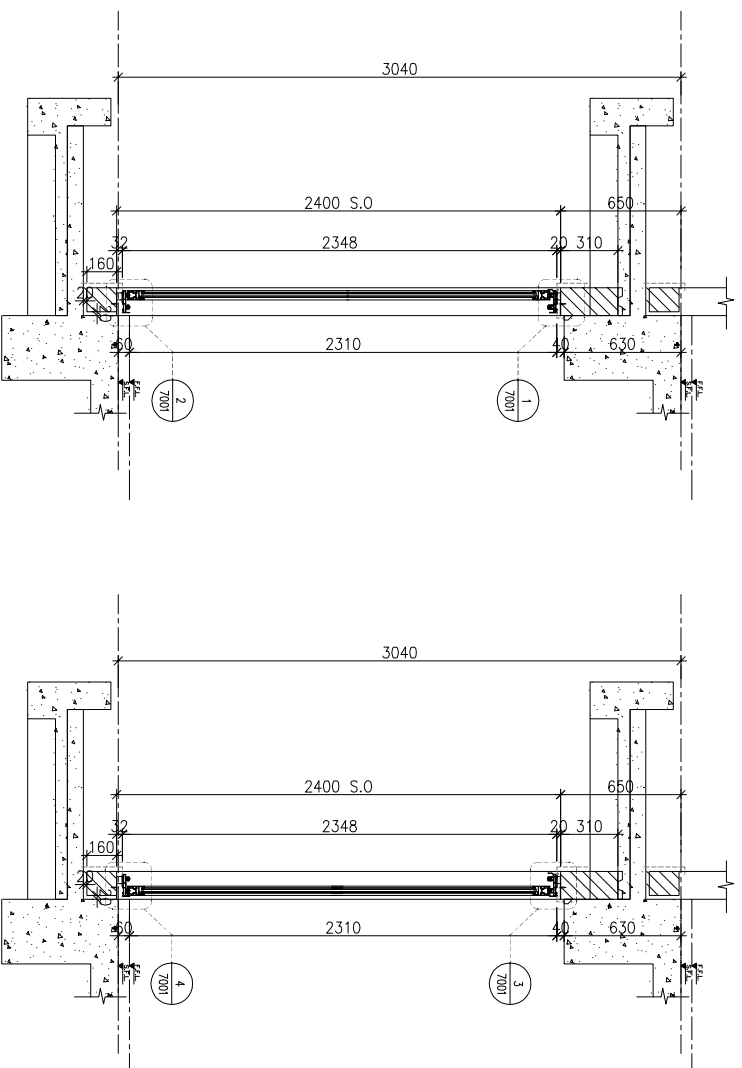
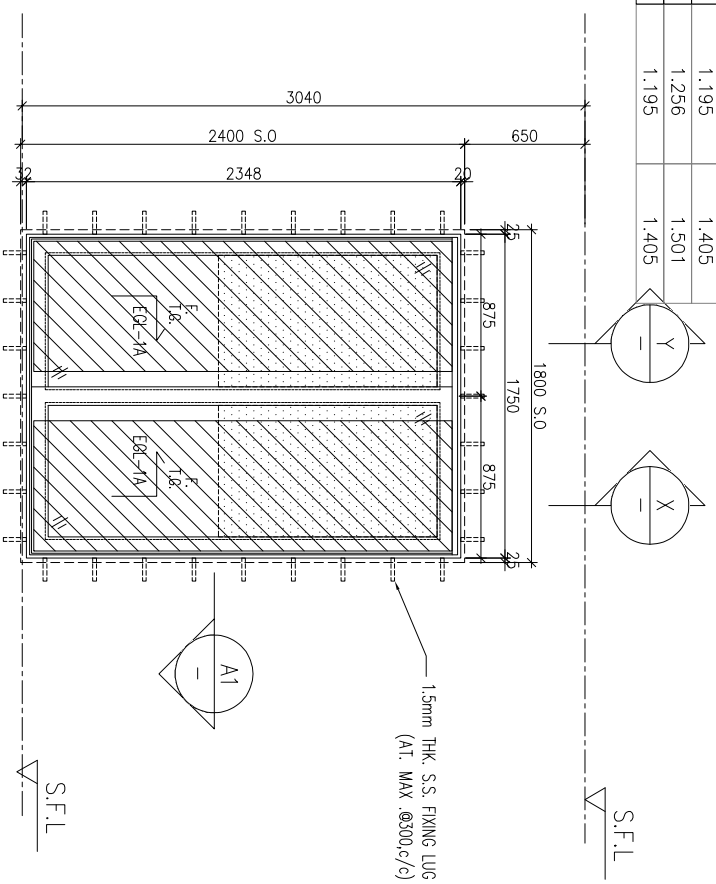
JOB NO. : J-856  
 PROJECT : PROPOSED DEVELOPMENT ABOVE LIGHT RAIL TIN WING STOP-TSWTL NO.23,AREA 33,TIN SHUI WAI, N.T.  
 TITLE : WINDOW SCHEDULE FOR TOWER 3 IN-SITU WINDOW

DATE : 02-Aug-21  
 SCALE : 1:40  
 DRAWN BY : IYVN  
 CHECKED BY :

**美特鋁質有限公司**  
MIDI ALUMINIUM FABRICATOR LTD.  
Units 6-8, Sunray Industrial Centre, 1/F  
610 Cho Kwai Ling Road, Kwai Tsoum  
Tel:23489211-4 Fax:(852)27272666  
DWG NO. : J856-SD-W-5301 REV : F

| WINDOW MARK | LOCATION                                 | SECTION            | GLAZING | QUANTITY                        | REMARKS                          |
|-------------|--|--------------------|---------|---------------------------------|----------------------------------|
| AW 01       | 3/F-42/F,4/F,13/F,14/F,24/F,34/F OMITTED | 70mm ALUM. SECTION | EG1-1A  | 35 Nos./35 Nos./35 Nos./35 Nos. | FAÇADE(TYPE T3PF02 FOR 3/F-42/F) |

| REQUIRED    |               | PROVIDED     |              |
|-------------|---------------|--------------|--------------|
| LOCATION    | OPENABLE AREA | GLAZING AREA | GLAZING AREA |
| A3-LIV      | 1.229         | 1.457        | 1.591        |
| A6-LIV      | 1.195         | 1.405        | 1.681        |
| A10-LIV     | 1.240         | 1.475        |              |
| A11-LIV     | 1.196         | 1.405        |              |
| A12-LIV     | 1.196         | 1.405        |              |
| A13-LIV     | 1.196         | 1.405        |              |
| B5-LIV      | 1.195         | 1.405        |              |
| (A4W1&A6W9) | 1.256         | 1.501        |              |
| B11-LIV     | 1.195         | 1.405        |              |



| WINDOW MARK | AW 01   |
|-------------|---|
| LOCATION    | 3/F-42/F, 4/F, 13/F, 14/F, 24/F, 34/F OMITTED UNIT (A5, A7, A11, A12, A13, A15, B2, B5, B9) |
| SECTION     | 70mm ALUM. SECTION  |
| GLAZING     | EGL-1A  |
| QUANTITY    | 35 Nos./35 Nos./35 Nos./35 Nos./35 Nos./35 Nos./35 Nos./35 Nos.                             |
| REMARKS     | FACADE TYPE T3PF04 FOR 3/F-42/F   |

BD. REF :

CLIENT :

**SUN HUNG KAI**  
REAL ESTATE AGENCY LTD.  
42/F SUN HUNG KAI CENTRE, WANCHAI, HONGKONG

ARCHITECT :

**lwk&partners**  
ARCHITECTS

MAIN CONTRACTOR :

**Yee Fai** 怡輝建築有限公司  
Building Contractors Ltd.

STRUCTURAL ENGINEER :

**ARUP**

FACADE CONSULTANT :

**ALPHA CONSULTING LIMITED**  
Steel Structure & Facade Specialist

- NOTE :
1. ALL DIMENSIONS ARE IN mm.
  2. ALL ELEVATIONS ARE VIEWED FROM OUTSIDE.
  3. ALL DIMENSIONS TO BE VERIFIED ON SITE BEFORE FABRICATION.

LEGEND :

(X1) --- DETAIL MARK NO.  
(X001) --- REFER SHEET NO.

1. F.F.L. --- FINISHED FLOOR LEVEL
2. S.F.L. --- STRUCTURAL FLOOR LEVEL
3. (R) --- REVERSED DETAIL

4. GLASS LEGEND

EGL-1 --- 8mmHS+12mm AIR GAP+10mmTP THK. IGLU  
EGL-2 --- 10mm THK. CLEAR TEMPERED GLASS  
EGL-4 --- 10mm THK. TEMPERED ACID ETCHED GLASS  
EGL-1A --- 8mmHS+12mm AIR GAP+8mmTP THK. IGLU  
BT1/BB1 --- FIXING DETAIL (DWG. NO. F001)  
BB2 --- FIXING DETAIL (DWG. NO. F002)

| NO. | DATE       | REVISION | SUBJECT TO ARCH-COMMENT | BY  |
|-----|------------|----------|-------------------------|-----|
| F   | 11/11/2022 | REVISION | SUBJECT TO ARCH-COMMENT | hwk |
| E   | 26/08/2022 | REVISION | SUBJECT TO ARCH-COMMENT | hwk |
| D   | 28/07/2022 | REVISION | SUBJECT TO ARCH-COMMENT | hwk |
| C   | 22/06/2022 | REVISION | SUBJECT TO ARCH-COMMENT | hwk |
| B   | 23/11/2021 | REVISION | SUBJECT TO ARCH-COMMENT | hwk |
| A   | 10/11/2021 | REVISION | SUBJECT TO ARCH-COMMENT | hwk |

JOB NO. : J-856

PROJECT :

PROPOSED DEVELOPMENT ABOVE  
LIGHT RAIL TIN WING STOP-TSWTL  
NO.23, AREA 33, TIN SHUI WAI, N.T.

TITLE :

WINDOW SCHEDULE FOR  
TOWER 3 IN-SITU WINDOW

DATE : 02-Aug-21 SCALE : 1:40

DRAWN BY : IYON CHECKED BY :

**MDI** 美特鋁質有限公司  
ALUMINIUM FABRICATOR LTD.

Units 6-8, Sunray Industrial Centre, 1/F  
610 Cho Kwong Road, Kwunmoon  
Tel: 23489211-4 Fax: (852) 2727666

DWG NO. : J856-SD-W-5302 REV. : F

B.D. REF :

CLIENT :

**SUN HUNG KAI**  
REAL ESTATE AGENCY LTD.  
42/F SUN HUNG KAI CENTRE, WANCHAI, HONGKONG

ARCHITECT :

**lwk&partners**  
a r c h i t e c t s

MAIN CONTRACTOR :

**怡輝建築有限公司**  
**Yee Fai Building Contractors Ltd.**

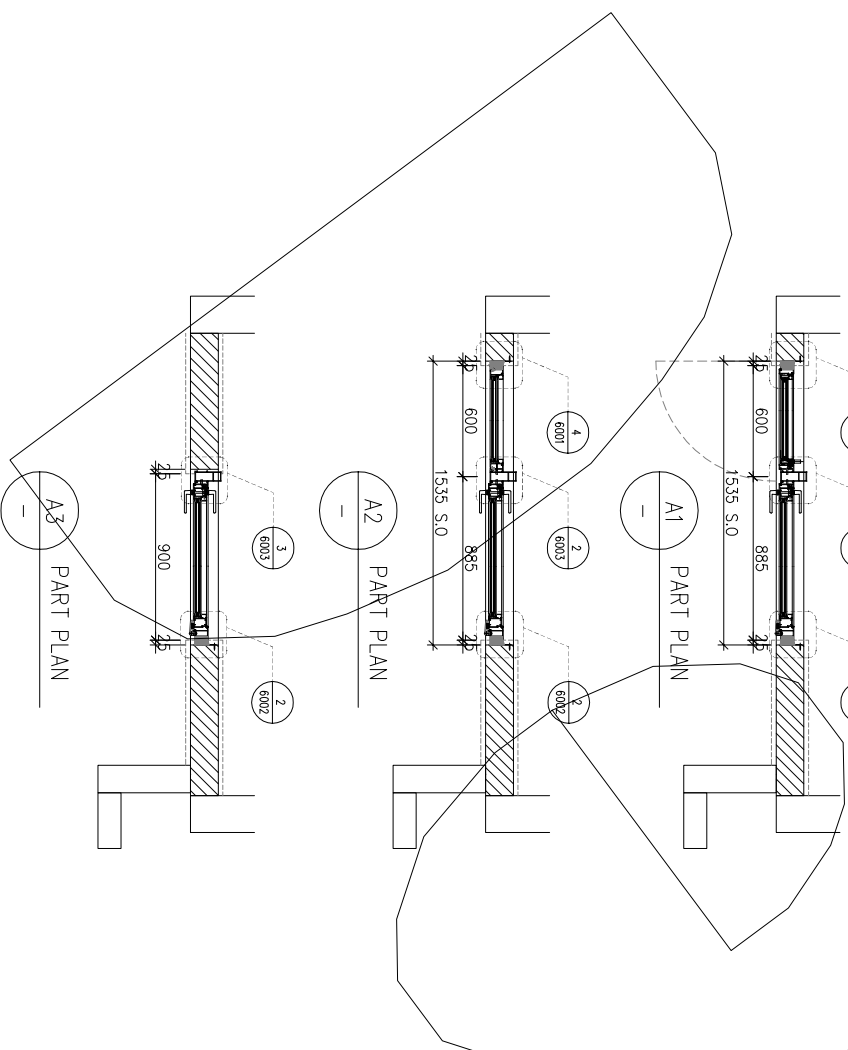
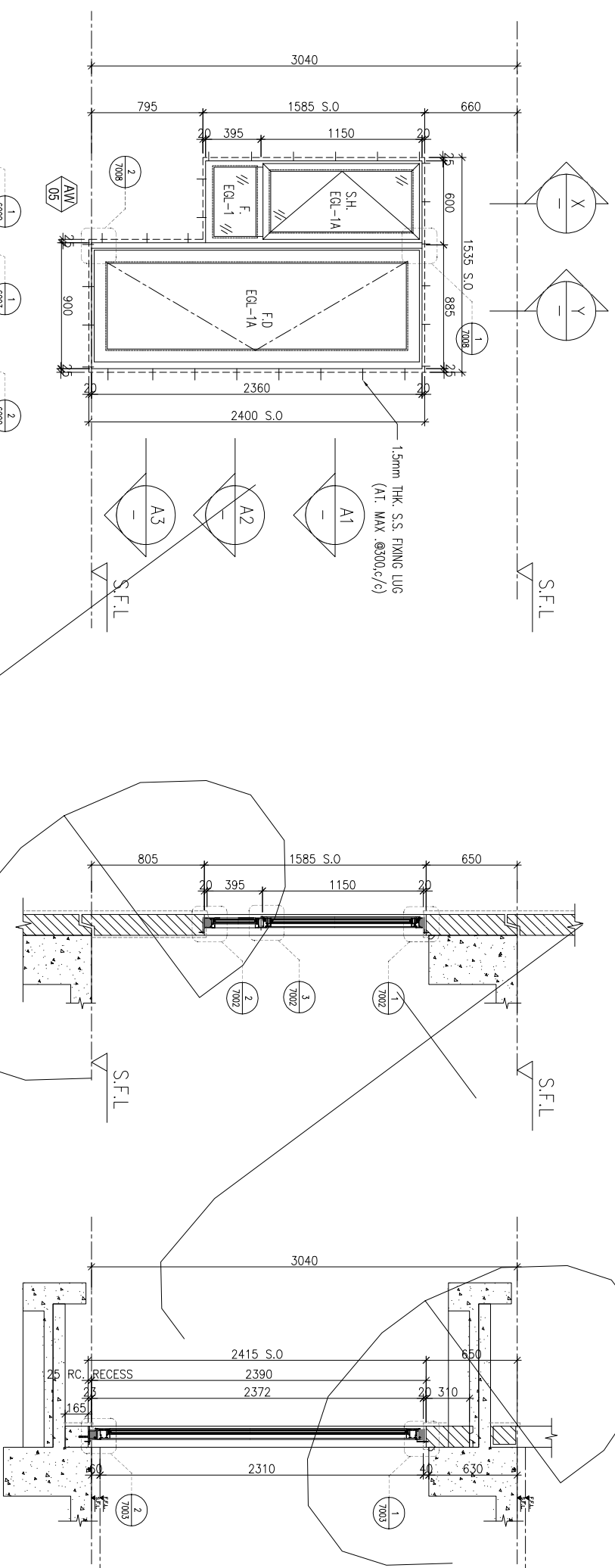
STRUCTURAL ENGINEER :

**ARUP**

FAÇADE CONSULTANT :

**ALPHA CONSULTING LIMITED**  
Steel Structure & Façade Specialist

ELEVATION



|             |   |
|-------------|---|
| WINDOW MARK | AM 05   |
| LOCATION    | 5/F-42/F(13/F,14/F,24/F,34/F OMITTED) UNIT A1,A7,A8 |
| SECTION     | 70mm ALUM. SECTION                                  |
| GLAZING     | EGL-1/EGL-1A  |
| QUANTITY    | 34 Nos/34 Nos/34 Nos                                |
| REMARKS     | FAÇADE(TYPE 13PF07 FOR 5/F-42/F)                    |

NOTE:  
1. ALL DIMENSIONS ARE IN mm.  
2. ALL ELEVATIONS ARE VIEWED FROM OUTSIDE.  
3. ALL DIMENSIONS TO BE VERIFIED ON SITE BEFORE FABRICATION.  
LEGEND:  
X1 — DETAIL MARK NO.  
X001 — REFER SHEET NO.

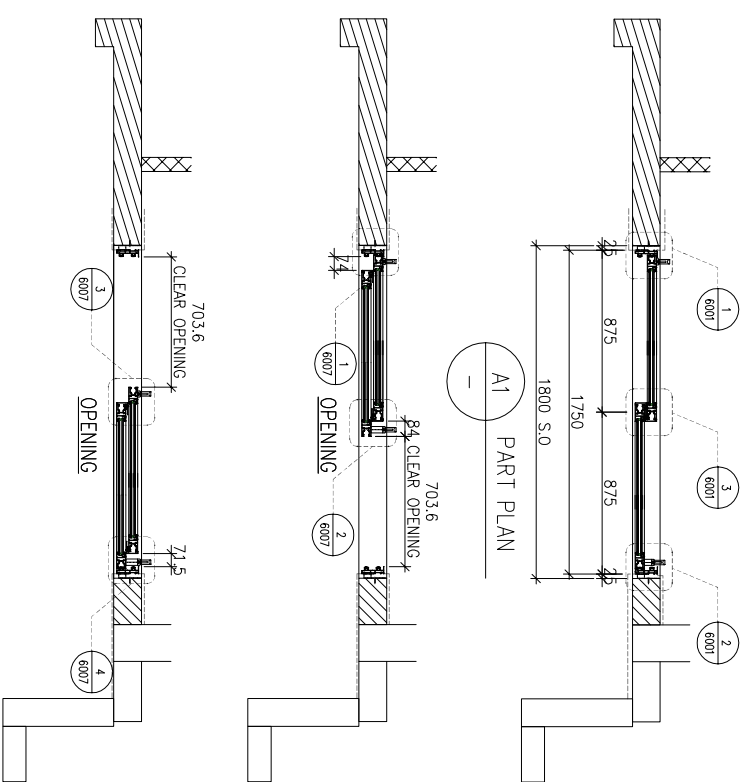
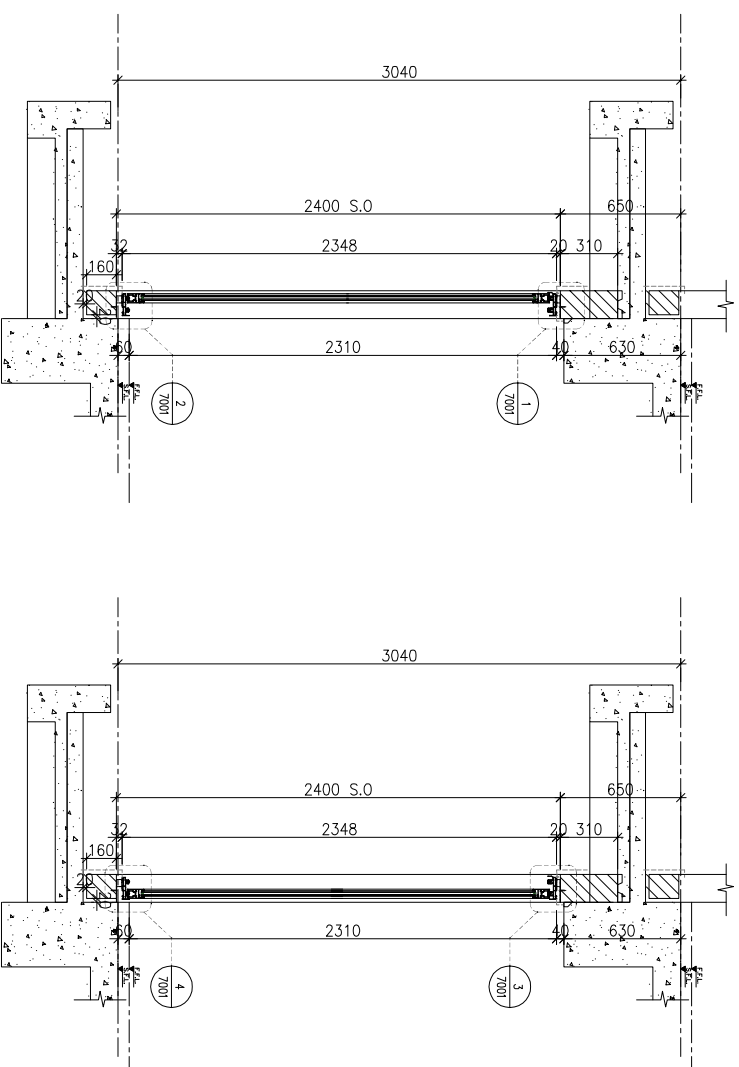
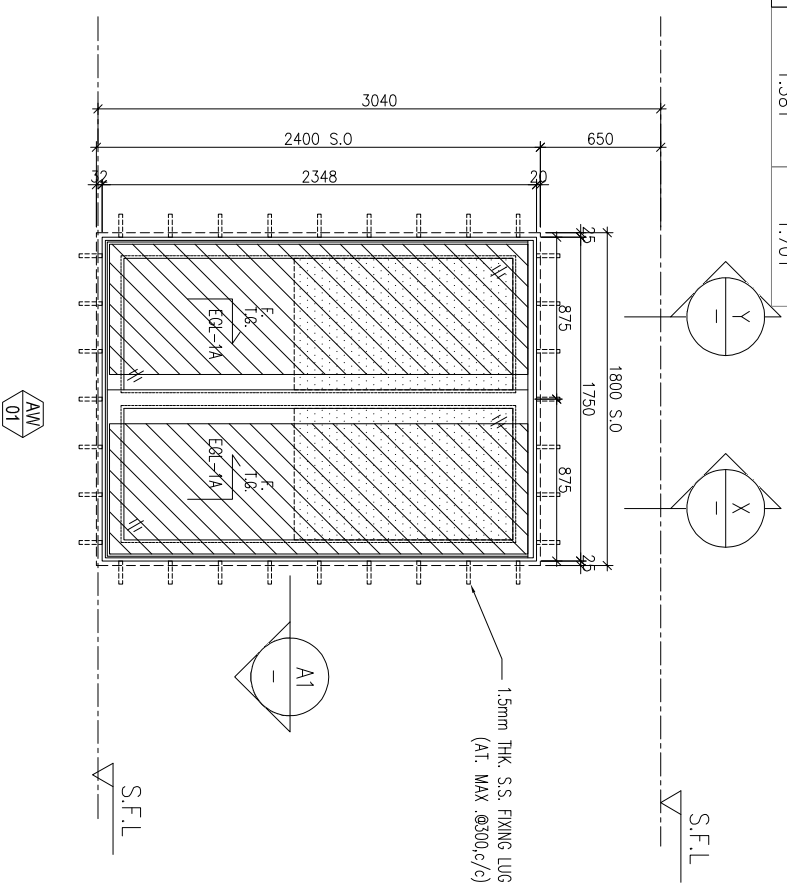
1. F.F.L. --- FINISHED FLOOR LEVEL  
2. S.F.L. --- STRUCTURAL FLOOR LEVEL  
3. (R) --- REVERSED DETAIL  
4. GLASS LEGEND  
EGL-1 --- 6mmHS+12mm AIR GAP+10mmTP THK. I.G.U.  
EGL-2 --- 10mm THK. CLEAR TEMPERED GLASS  
EGL-4 --- 10mm THK. TEMPERED ACID ETCHED GLASS  
EGL-1A --- 8mmHS+12mm AIR GAP+8mmTP THK. I.G.U.  
BT1/BB1 --- FINING DETAIL (DWG. NO. F001)  
BB2 --- FINING DETAIL (DWG. NO. F002)

| NO. | DATE       | REVISION                         | REVISION SUBJECT TO ARCH-COMMENT | BY   |
|-----|------------|----------------------------------|----------------------------------|------|
| D   | 11/07/2022 | REVISION SUBJECT TO ARCH-COMMENT | None                             | None |
| C   | 13/09/2022 | REVISION SUBJECT TO ARCH-COMMENT | None                             | None |
| B   | 23/11/2021 | REVISION SUBJECT TO ARCH-COMMENT | None                             | None |
| A   | 10/11/2021 | REVISION SUBJECT TO ARCH-COMMENT | None                             | None |

JOB NO. : J-856  
PROJECT : PROPOSED DEVELOPMENT ABOVE LIGHT RAIL TIN WING STOP-TSWTL NO.23,AREA 33,TIN SHUI WAI, N.T.  
TITLE : WINDOW SCHEDULE FOR TOWER 3 IN-SITU WINDOW

DATE : 02-Aug-21 SCALE : 1:40  
DRAWN BY : Ivan CHECKED BY :  
**美特鋁質有限公司**  
MIDI ALUMINUM FABRICATOR LTD.  
Units 6-8, Sunray Industrial Centre, 1/F  
610 Cho Kwai Ling Road, Kwailoon  
Tel:23489211-4 Fax:(852)2727666  
DWG NO. : J856-SD-W-5303 REV : D

| REQUIRED |               | PROVIDED     |              |
|----------|---------------|--------------|--------------|
| LOCATION | OPENABLE AREA | GLAZING AREA | GLAZING AREA |
| A2-LIV   | 1.240         | 1.477        | 1.591        |
| A5-LIV   | 1.287         | 1.550        | 1.681        |
| B1-LIV   | 1.381         | 1.701        |              |
| B3-LIV   | 1.381         | 1.701        |              |



BD. REF. :

CLIENT : **SUN HUNG KAI**  
REAL ESTATE AGENCY LTD.  
42/F, SUN HUNG KAI CENTRE, WANCHAI, HONGKONG

ARCHITECT : **lwk&partners**  
a r c h i t e c t s

MAIN CONTRACTOR : **怡輝建築有限公司**  
**Yee Fai Building Contractors Ltd.**

STRUCTURAL ENGINEER : **ARUP**

FAÇADE CONSULTANT : **ALPHA CONSULTING LIMITED**  
Steel Structure & Façade Specialist

NOTE :

1. ALL DIMENSIONS ARE IN mm.
2. ALL ELEVATIONS ARE VIEWED FROM OUTSIDE.
3. ALL DIMENSIONS TO BE VERIFIED ON SITE BEFORE FABRICATION.

LEGEND :

(X1) --- DETAIL MARK NO.  
(X001) --- REFER SHEET NO.

1. F.F.L. --- FINISHED FLOOR LEVEL
2. S.F.L. --- STRUCTURAL FLOOR LEVEL
3. (R) --- REVERSED DETAIL

4. GLASS LEGEND

EQ1-1 --- 6mmHS+12mm AIR GAP+10mmTP THK. I.G.U.  
EQ1-2 --- 10mm THK. CLEAR TEMPERED GLASS  
EQ1-4 --- 10mm THK. TEMPERED ACID ETCHED GLASS  
EQ1-1A --- 6mmHS+12mm AIR GAP+8mmTP THK. I.G.U.  
BT1/BB1 --- FIXING DETAIL (DWG. NO. F001)  
BB2 --- FIXING DETAIL (DWG. NO. F002)

| NO. | DATE       | REVISION                         | REVISION SUBJECT TO ARCH-COMMENT | BY |
|-----|------------|----------------------------------|----------------------------------|----|
| F   | 11/11/2022 | REVISION SUBJECT TO ARCH-COMMENT | None                             |    |
| E   | 26/08/2022 | REVISION SUBJECT TO ARCH-COMMENT | None                             |    |
| D   | 28/07/2022 | REVISION SUBJECT TO ARCH-COMMENT | None                             |    |
| C   | 22/06/2022 | REVISION SUBJECT TO ARCH-COMMENT | None                             |    |
| B   | 23/11/2021 | REVISION SUBJECT TO ARCH-COMMENT | None                             |    |
| A   | 10/11/2021 | REVISION SUBJECT TO ARCH-COMMENT | None                             |    |

JOB NO. : J-856

PROJECT : PROPOSED DEVELOPMENT ABOVE LIGHT RAIL TIN WING STOP-TSWTL NO.23,AREA 33,TIN SHUI WAI, N.T.

TITLE : WINDOW SCHEDULE FOR TOWER 3 IN-SITU WINDOW

DATE : 02-Aug-21 SCALE : 1:40

DRAWN BY : IYON CHECKED BY :

| WINDOW MARK | LOCATION                                 | SECTION            | QUANTITY                    | REMARKS                          |
|-------------|--|--------------------|-----------------------------|----------------------------------|
| AW 01       | 3/F-42/F,4/F,13/F,14/F,24/F,34/F OMITTED | 70mm ALUM. SECTION | 35 Nos/35 Nos/35 Nos/35 Nos | FAÇADE(TYPE T3PF08 FOR 3/F-42/F) |

UNIT 6-8, Sunray Industrial Centre, 1/F  
610 Cho Kwai Ling Road, Kowloon  
Tel:23489211-4 Fax:(852)27272666

**美特鋁質有限公司**  
MIDI ALUMINIUM FABRICATOR LTD.

DWG NO. : J856-SD-W-5304 REV. : F

B.D. REF :

CLIENT :

**SUN HUNG KAI**  
REAL ESTATE AGENCY LTD.

42/F, SUN HUNG KAI CENTRE, WANCHAI, HONGKONG

ARCHITECT :

**lwk&partners**  
a r c h i t e c t s

MAIN CONTRACTOR :

**怡輝建築有限公司**  
**Yee Fai Building Contractors Ltd.**

STRUCTURAL ENGINEER :

**ARUP**

FAÇADE CONSULTANT :

**ALPHA CONSULTING LIMITED**  
Steel Structure & Façade Specialist

NOTE :

1. ALL DIMENSIONS ARE IN mm.
2. ALL ELEVATIONS ARE VIEWED FROM OUTSIDE.
3. ALL DIMENSIONS TO BE VERIFIED ON SITE BEFORE FABRICATION.

LEGEND :

(X1) — DETAIL MARK NO.  
(X001) — REFER SHEET NO.

1. F.F.L. --- FINISHED FLOOR LEVEL
2. S.F.L. --- STRUCTURAL FLOOR LEVEL
3. (R) --- REVERSED DETAIL

4. GLASS LEGEND

EGL-1 --- 6mmHS+12mm AIR GAP+10mmTP THK. I.G.U.  
 EGL-2 --- 10mm THK. CLEAR TEMPERED GLASS  
 EGL-4 --- 10mm THK. TEMPERED ACID ETCHED GLASS  
 EGL-1A --- 6mmHS+12mm AIR GAP+8mmTP THK. I.G.U.  
 BT1/BB1 --- FIXING DETAIL (DWG. NO. FD01)  
 BB2 --- FIXING DETAIL (DWG. NO. FD02)

| NO. | DATE       | REVISION                         | SUBJECT TO ARCH-COMMENT | BY   |
|-----|------------|----------------------------------|-------------------------|------|
| D   | 11/07/2022 | REVISION SUBJECT TO ARCH-COMMENT |                         | ivan |
| C   | 13/09/2022 | REVISION SUBJECT TO ARCH-COMMENT |                         | ivan |
| B   | 23/11/2021 | REVISION SUBJECT TO ARCH-COMMENT |                         | ivan |
| A   | 10/11/2021 | REVISION SUBJECT TO ARCH-COMMENT |                         | ivan |

JOB NO. :

J-856

PROJECT :

PROPOSED DEVELOPMENT ABOVE  
LIGHT RAIL TIN WING STOP-TSWTL  
NO.23,AREA 33,TIN SHUI WA, N.T.

TITLE :

WINDOW SCHEDULE FOR  
TOWER 3 IN-SITU WINDOW

DATE : 02-Aug-21 SCALE : 1:40

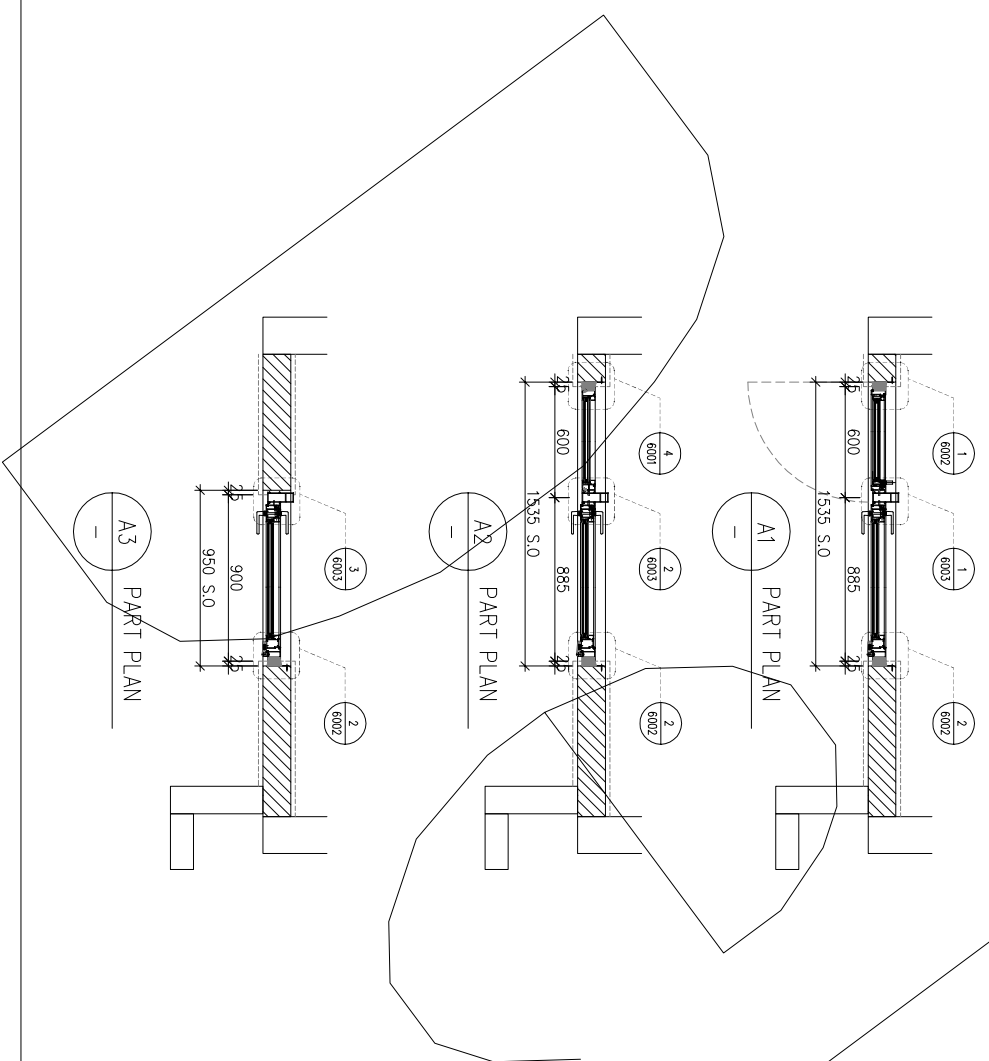
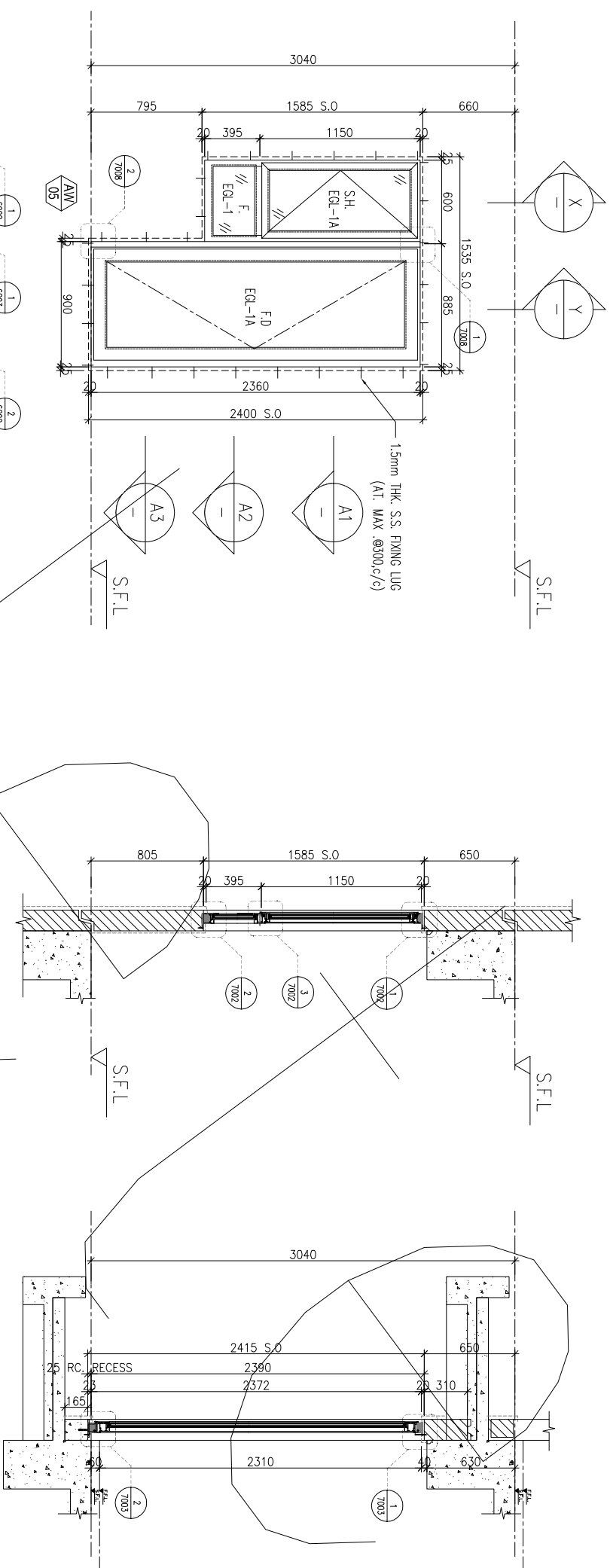
DRAWN BY : Ivan

CHECKED BY :

**美特鋁質有限公司**  
MIDI ALUMINUM FABRICATOR LTD.

Units 6-8, Sunray Industrial Centre, 1/F  
610 Cho Kwai Ling Road, Kwailoon  
Tel:23489211-4 Fax:(852)2727666

DWG NO. : J856-SD-W-5305 REV. : D



ELEVATION

WINDOW MARK

AM 05

LOCATION 5/F-42/F(4/F,13/F,14/F,24/F,34/F OMITTED) UNIT B10

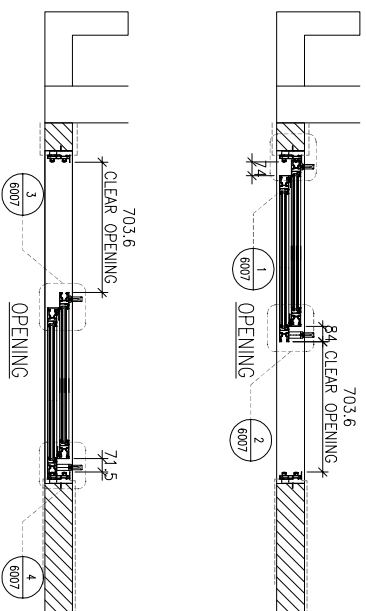
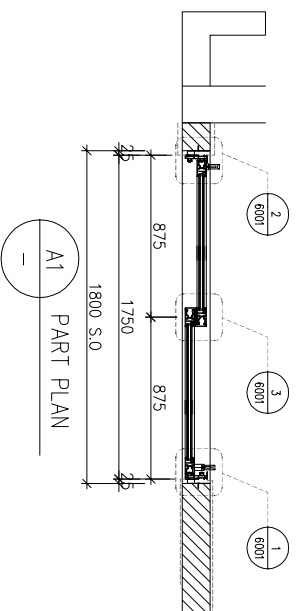
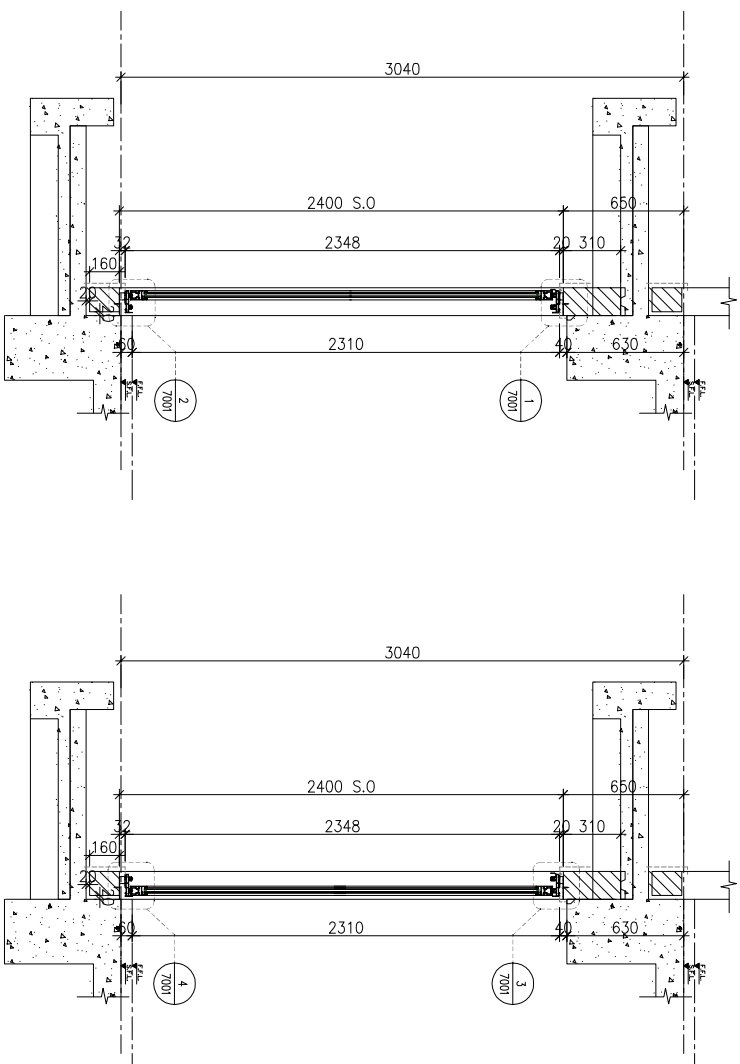
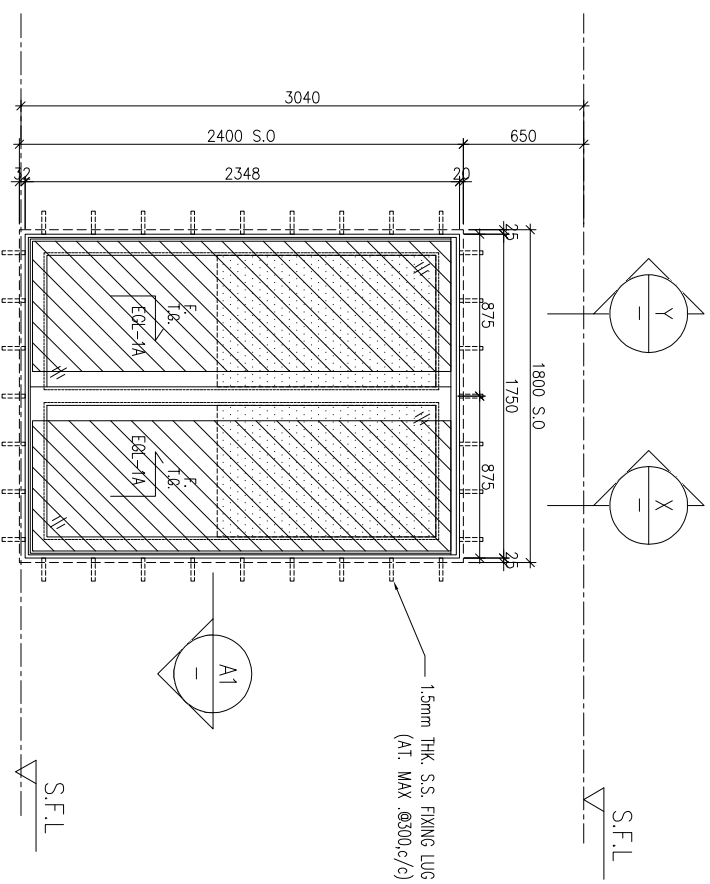
SECTION 70mm ALUM. SECTION

GLAZING EGL-1/EGL-1A

QUANTITY 34 Nos

REMARKS FAÇADE(TYPE T3PF11 FOR 5/F-42/F)

| LOCATION | OPENABLE AREA | GLAZING AREA | OPENABLE AREA | GLAZING AREA |
|----------|---------------|--------------|---------------|--------------|
| A15-LIV  | 1.511         | 1.746        | 1.591         | 1.681        |



ELEVATION

| WINDOW MARK | LOCATION                                      | SECTION            | GLAZING | QUANTITY                 | REMARKS                           |
|-------------|---|--------------------|---------|--------------------------|-----------------------------------|
| AW 01       | 3/F-42/F, 4/F, 13/F, 14/F, 24/F, 34/F OMITTED | 70mm ALUM. SECTION | EGL-1A  | 36 Nos. (3/F FOR 2 Nos.) | FACADE (TYPE 13PF17 FOR 3/F-42/F) |

BD. REF :

CLIENT :  
**SUN HUNG KAI**  
 REAL ESTATE AGENCY LTD.  
 42/F, SUN HUNG KAI CENTRE, WANCHAI, HONGKONG

ARCHITECT :  
**lwk&partners**  
 a r c h i t e c t s

MAIN CONTRACTOR :  
 怡輝建築有限公司  
**Yee Fai Building Contractors Ltd.**

STRUCTURAL ENGINEER :

**ARUP**  
 ALPHA CONSULTING LIMITED  
 Steel Structure & Façade Specialist

FAÇADE CONSULTANT:

NOTE:  
 1. ALL DIMENSIONS ARE IN mm.  
 2. ALL ELEVATIONS ARE VIEWED FROM OUTSIDE.  
 3. ALL DIMENSIONS TO BE VERIFIED ON SITE BEFORE FABRICATION.

LEGEND:  
 (X1) --- DETAIL MARK NO.  
 (X001) --- REFER SHEET NO.

1. F.F.L. --- FINISHED FLOOR LEVEL  
 2. S.F.L. --- STRUCTURAL FLOOR LEVEL  
 3. (R) --- REVERSED DETAIL

4. GLASS LEGEND  
 EGL-1 --- 6mmHS+12mm AIR GAP+10mmTP THK. I.G.U.  
 EGL-2 --- 10mm THK. CLEAR TEMPERED GLASS  
 EGL-4 --- 10mm THK. TEMPERED ACID ETCHED GLASS  
 EGL-1A --- 6mmHS+12mm AIR GAP+8mmTP THK. I.G.U.  
 B11/BB1 --- FIXING DETAIL (DWG. NO. F001)  
 BB2 --- FIXING DETAIL (DWG. NO. F002)

| NO. | DATE       | REVISION                         | SUBJECT TO ARCH-COMMENT | BY |
|-----|------------|----------------------------------|-------------------------|----|
| F   | 11/11/2022 | REVISION SUBJECT TO ARCH-COMMENT | None                    |    |
| E   | 26/08/2022 | REVISION SUBJECT TO ARCH-COMMENT | None                    |    |
| D   | 28/07/2022 | REVISION SUBJECT TO ARCH-COMMENT | None                    |    |
| C   | 22/06/2022 | REVISION SUBJECT TO ARCH-COMMENT | None                    |    |
| B   | 23/11/2021 | REVISION SUBJECT TO ARCH-COMMENT | None                    |    |
| A   | 10/11/2021 | REVISION SUBJECT TO ARCH-COMMENT | None                    |    |

JOB NO. : J-856  
 PROJECT : PROPOSED DEVELOPMENT ABOVE LIGHT RAIL TIN WING STOP/TSWTL NO.23, AREA 33, TIN SHUI WAI, N.T.  
 TITLE : WINDOW SCHEDULE FOR TOWER 3 IN-SITU WINDOW

DATE : 02-Aug-21 SCALE : 1:40

DRAWN BY : IYON CHECKED BY :

**美特鋁質有限公司**  
 MIDY ALUMINIUM FABRICATOR LTD.  
 Units 6-8, Sunray Industrial Centre, 1/F  
 610 Cho Kwai Ling Road, Kwai Tsuen  
 Tel: 23489211-4 Fax: (852) 27272666  
 DWG NO. : J856-SD-W-5306 REV. : F

B.D. REF :

CLIENT :

**SUN HUNG KAI**  
REAL ESTATE AGENCY LTD.  
42/F, SUN HUNG KAI CENTRE, WANCHAI, HONGKONG

ARCHITECT :

**lwk&partners**  
a r c h i t e c t s

MAIN CONTRACTOR :

**怡輝建築有限公司**  
**Yee Fai Building Contractors Ltd.**

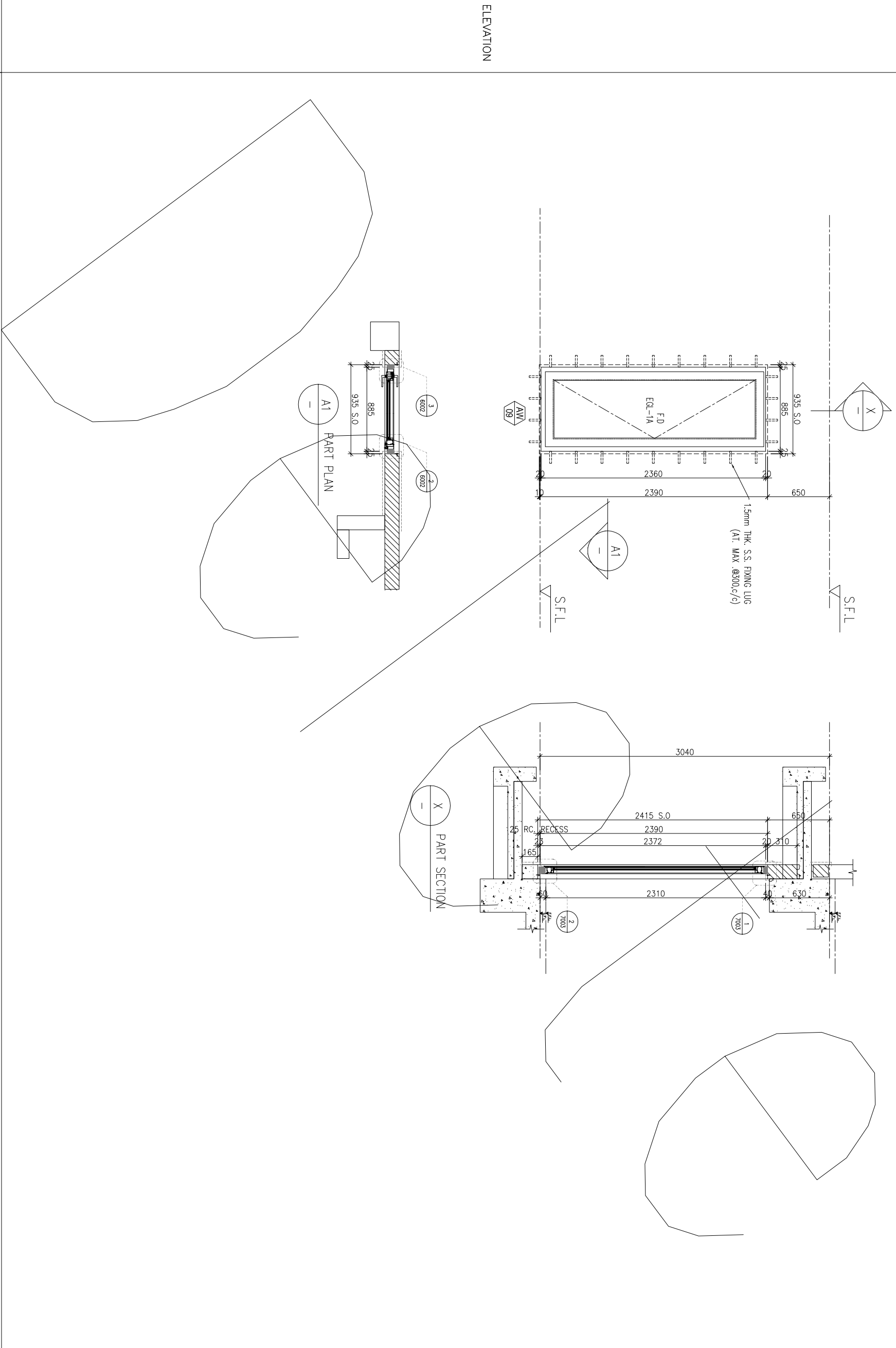
STRUCTURAL ENGINEER :

**ARUP**

FAÇADE CONSULTANT:

**ALPHA CONSULTING LIMITED**  
Steel Structure & Façade Specialist

ELEVATION



NOTE :

1. ALL DIMENSIONS ARE IN mm.
2. ALL ELEVATIONS ARE VIEWED FROM OUTSIDE.
3. ALL DIMENSIONS TO BE VERIFIED ON SITE BEFORE FABRICATION.

LEGEND :

(X1) --- DETAIL MARK NO.  
(X001) --- REFER SHEET NO.

1. F.F.L. --- FINISHED FLOOR LEVEL
2. S.F.L. --- STRUCTURAL FLOOR LEVEL
3. (R) --- REVERSED DETAIL

4. GLASS LEGEND

EG1-1--8mmHS+12mm AIR GAP+10mmTP THK. I.G.U.  
 EG1-2--10mm THK. CLEAR TEMPERED GLASS  
 EG1-4--10mm THK. TEMPERED ACID ETCHED GLASS  
 EG1-1A-8mmHS+12mm AIR GAP+8mmTP THK. I.G.U.  
 BT1/BB1--FIXING DETAIL (DWG. NO. F001)  
 BB2--FIXING DETAIL (DWG. NO. F002)

| NO. | DATE       | REVISION                         | SUBJECT TO ARCH-COMMENT | BY  |
|-----|------------|----------------------------------|-------------------------|-----|
| C   | 22/06/2022 | REVISION SUBJECT TO ARCH-COMMENT |                         | hcn |
| B   | 23/11/2021 | REVISION SUBJECT TO ARCH-COMMENT |                         | hcn |
| A   | 10/11/2021 | REVISION SUBJECT TO ARCH-COMMENT |                         | hcn |

JOB NO. : J-856

PROJECT : PROPOSED DEVELOPMENT ABOVE LIGHT RAIL TIN WING STOP-TSWTL NO.23,AREA 33,TIN SHUI WAI, N.T.

TITLE : WINDOW SCHEDULE FOR TOWER 3 IN-SITU WINDOW

DATE : 02-Aug-21 SCALE : 1:40

DRAWN BY : ivon CHECKED BY :

|             |  |
|-------------|--|
| WINDOW MARK | AW 09  |
| LOCATION    | 3/F-6/F&10/F-42/F(4/F,13/F,14/F,24/F,34/F OMITTED) UNIT B2 |
| SECTION     | 70mm ALUM. SECTION   |
| GLAZING     | EG1-1A   |
| QUANTITY    | 32 Nos   |
| REMARKS     | FAÇADE(TYPE T3PF18 FOR 3/F-42/F)                           |

DATE : 02-Aug-21 SCALE : 1:40

DRAWN BY : ivon CHECKED BY :

Units 6-8, Sunray Industrial Centre, 1/F  
 610 Cho Kwo Ling Road, Kowloon  
**業特鋁質有限公司**  
**MIDI ALUMINIUM FABRICATOR LTD.**  
 Tel:23489211-4 Fax:(852)2727666

DWG NO. : J856-SD-W-5307 REV. : C

B.D. REF :

CLIENT :

**SUN HUNG KAI**  
REAL ESTATE AGENCY LTD.

42/F, SUN HUNG KAI CENTRE, WANCHAI, HONGKONG

ARCHITECT :

**lwk&partners**  
a r c h i t e c t s

MAIN CONTRACTOR :

**怡輝建築有限公司**  
**Yee Fai Building Contractors Ltd.**

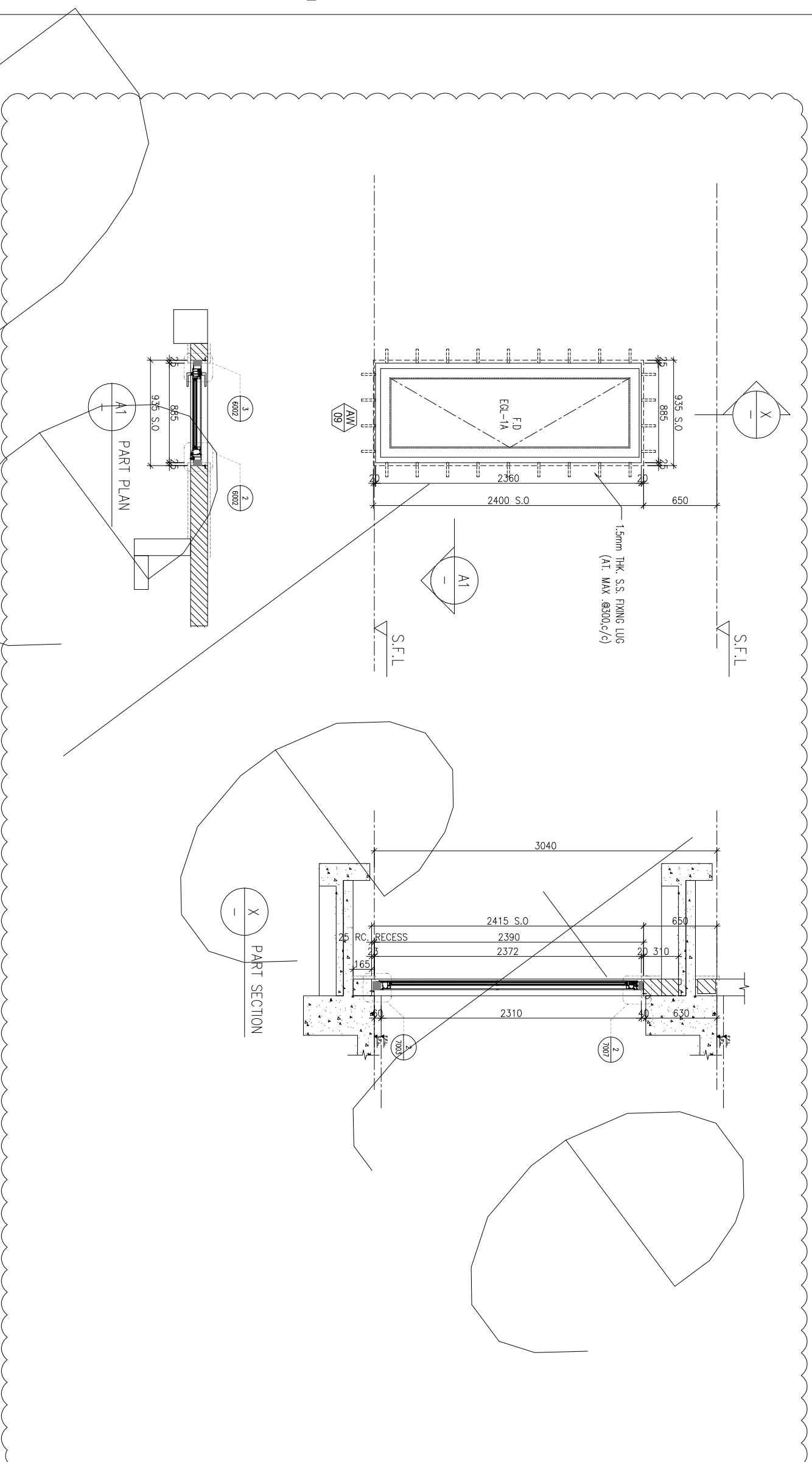
STRUCTURAL ENGINEER :

**ARUP**

FAÇADE CONSULTANT:

**ALPHA CONSULTING LIMITED**  
Steel Structure & Façade Specialist

ELEVATION



|             |                                  |
|-------------|----------------------------------|
| WINDOW MARK | AW 09                            |
| LOCATION    | 7/F-9/F UNIT B2                  |
| SECTION     | 70mm ALUM. SECTION               |
| GLAZING     | EGL-1A                           |
| QUANTITY    | 3 Nos                            |
| REMARKS     | FAÇADE(TYPE T3PF18 FOR 3/F-42/F) |

NOTE:

1. ALL DIMENSIONS ARE IN mm.
2. ALL ELEVATIONS ARE VIEWED FROM OUTSIDE.
3. ALL DIMENSIONS TO BE VERIFIED ON SITE BEFORE FABRICATION.

LEGEND :

- (X1) --- DETAIL MARK NO.
- (X001) --- REFER SHEET NO.

1. F.F.L. --- FINISHED FLOOR LEVEL
2. S.F.L. --- STRUCTURAL FLOOR LEVEL
3. (R) --- REVERSED DETAIL

4. GLASS LEGEND

- EGL-1 --- 6mmHS+12mm AIR GAP+10mmTP THK. I.G.U.
- EGL-2 --- 10mm THK. CLEAR TEMPERED GLASS
- EGL-4 --- 10mm THK. TEMPERED ACID ETCHED GLASS
- EGL-1A --- 6mmHS+12mm AIR GAP+8mmTP THK. I.G.U.
- BT1/BB1 --- FIXING DETAIL (DWG. NO. F001)
- BB2 --- FIXING DETAIL (DWG. NO. F002)

JOB NO. : J-856

PROJECT :

PROPOSED DEVELOPMENT ABOVE  
LIGHT RAIL TIN WING STOP-TSWTL  
NO.23,AREA 33,TIN SHUI WAI, N.T.

TITLE :

WINDOW SCHEDULE FOR  
TOWER 3 IN-SITU WINDOW

DATE : 02-Aug-21 SCALE : 1:40

DRAWN BY : IYON CHECKED BY :

**美特鋁質有限公司**  
MIDI ALUMINUM FABRICATOR LTD.

Units 6-8, Sunray Industrial Centre, 1/F  
610 Cho Kwo Ling Road, Kowloon  
Tel:23489211-4 Fax:(852)2727666

DWG NO. : J856-SD-W-5308 REV. : C

B.D. REF :

CLIENT :

**SUN HUNG KAI**  
REAL ESTATE AGENCY LTD.

42/F, SUN HUNG KAI CENTRE, WANCHAI, HONGKONG

ARCHITECT :

**lwk&partners**  
a r c h i t e c t s

MAIN CONTRACTOR :

**怡輝建築有限公司**  
Yee Fai Building Contractors Ltd.

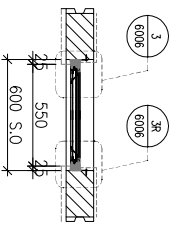
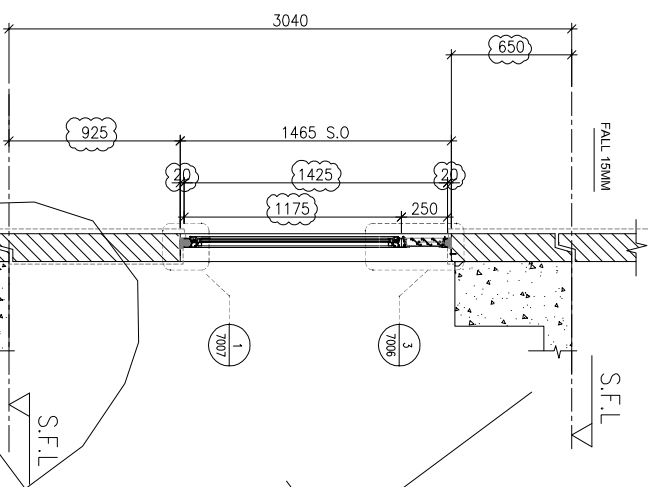
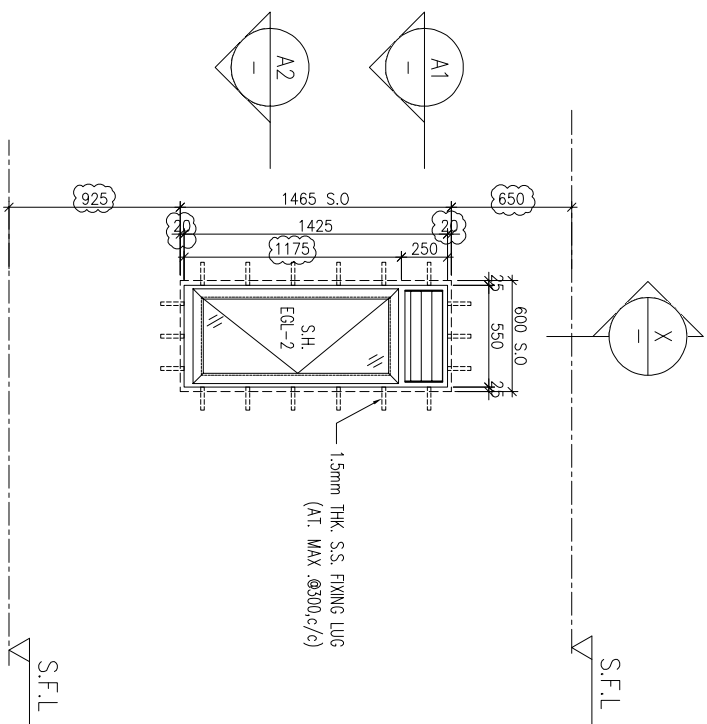
STRUCTURAL ENGINEER :

**ARUP**

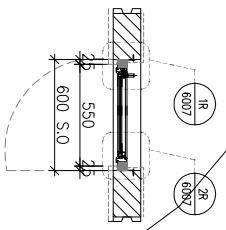
FAÇADE CONSULTANT:

**ALPHA CONSULTING LIMITED**  
Steel Structure & Façade Specialist

ELEVATION

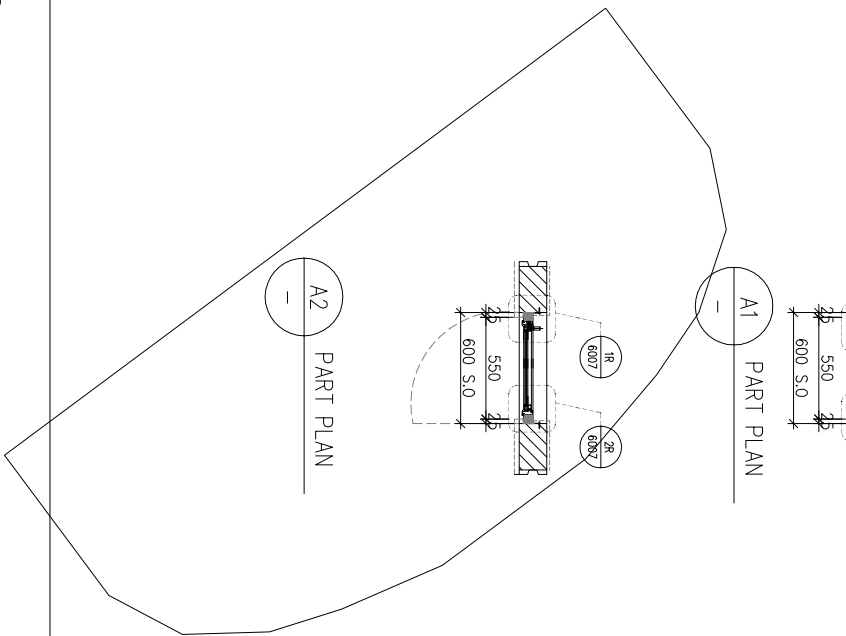


A1 PART PLAN



A2 PART PLAN

X PART SECTION



|             |   |
|-------------|---|
| WINDOW MARK | 345/W   |
| LOCATION    | 5/F-42/F(3/F,14/F,24/F,34/F OMITTED) UNIT A15 |
| SECTION     | 50mm ALUM. SECTION                            |
| GLAZING     | EQL-2   |
| QUANTITY    | 34 Nos.                                       |
| REMARKS     |   |

NOTE :

1. ALL DIMENSIONS ARE IN mm.
2. ALL ELEVATIONS ARE VIEWED FROM OUTSIDE.
3. ALL DIMENSIONS TO BE VERIFIED ON SITE BEFORE FABRICATION.

LEGEND :

⊗ X1 --- DETAIL MARK NO.  
⊗ X001 --- REFER SHEET NO.

1. F.F.L. --- FINISHED FLOOR LEVEL
2. S.F.L. --- STRUCTURAL FLOOR LEVEL
3. (R) --- REVERSED DETAIL

4. GLASS LEGEND

- EQL-1 --- 8mmHS+12mm AIR GAP+10mmTP THK. I.G.U.  
 EQL-2 --- 10mm THK. CLEAR TEMPERED GLASS  
 EQL-4 --- 10mm THK. TEMPERED ACID ETCHED GLASS  
 EQL-1A --- 8mmHS+12mm AIR GAP+8mmTP THK. I.G.U.  
 B11/BB1 --- FIXING DETAIL (DWG. NO. F001)  
 BB2 --- FIXING DETAIL (DWG. NO. F002)

| NO. | DATE       | REVISION                         | SUBJECT TO ARCH-COMMENT | BY |
|-----|------------|----------------------------------|-------------------------|----|
| C   | 22/06/2022 | REVISION SUBJECT TO ARCH-COMMENT | None                    |    |
| B   | 23/11/2021 | REVISION SUBJECT TO ARCH-COMMENT | None                    |    |
| A   | 10/11/2021 | REVISION SUBJECT TO ARCH-COMMENT | None                    |    |

JOB NO. : J-856

PROJECT : PROPOSED DEVELOPMENT ABOVE LIGHT RAIL TIN WING STOP-TSWTL NO.23,AREA 33,TIN SHUI WAI, N.T.

TITLE : WINDOW SCHEDULE FOR TOWER 3 IN-SITU WINDOW

DATE : 06-Aug-21 SCALE : 1:40

DRAWN BY : IYVN CHECKED BY :

**美特鋁質有限公司**  
MIDI ALUMINIUM FABRICATOR LTD.

Units 6-8, Sunray Industrial Centre, 1/F  
610 Cho Kwai Ling Road, Kowloon  
Tel:23489211-4 Fax:(852)2727666

DWG NO. : J856-SD-W-5309 REV. : C

B.D. REF :

CLIENT :

**SUN HUNG KAI**  
REAL ESTATE AGENCY LTD.

42/F, SUN HUNG KAI CENTRE, WANCHAI, HONGKONG

ARCHITECT :

**lwk&partners**  
a r c h i t e c t s

MAIN CONTRACTOR :

**怡輝建築有限公司**  
**Yee Fai Building Contractors Ltd.**

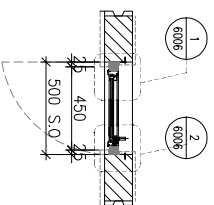
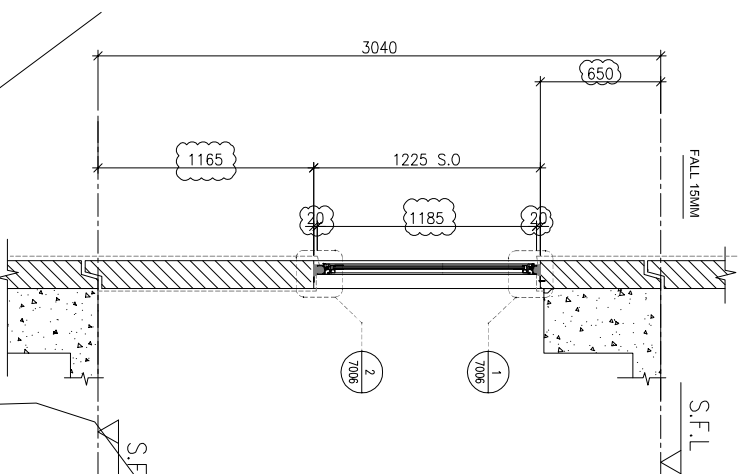
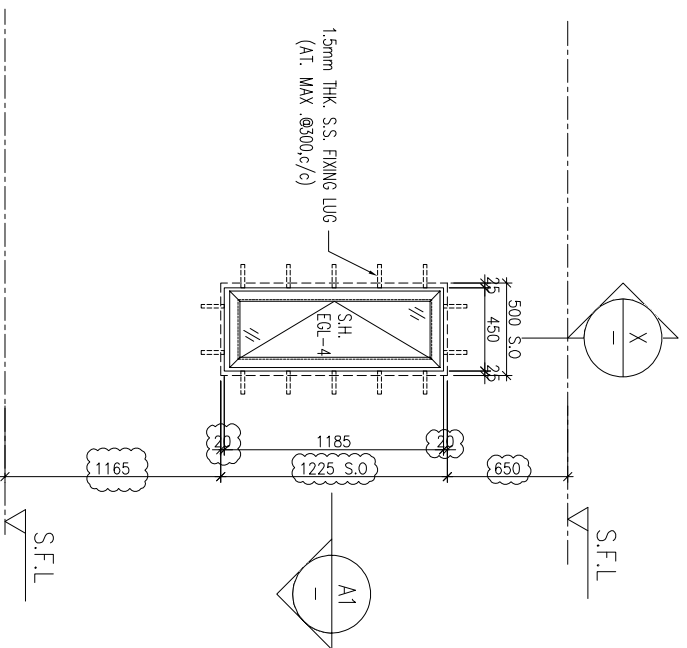
STRUCTURAL ENGINEER :

**ARUP**

FAÇADE CONSULTANT:

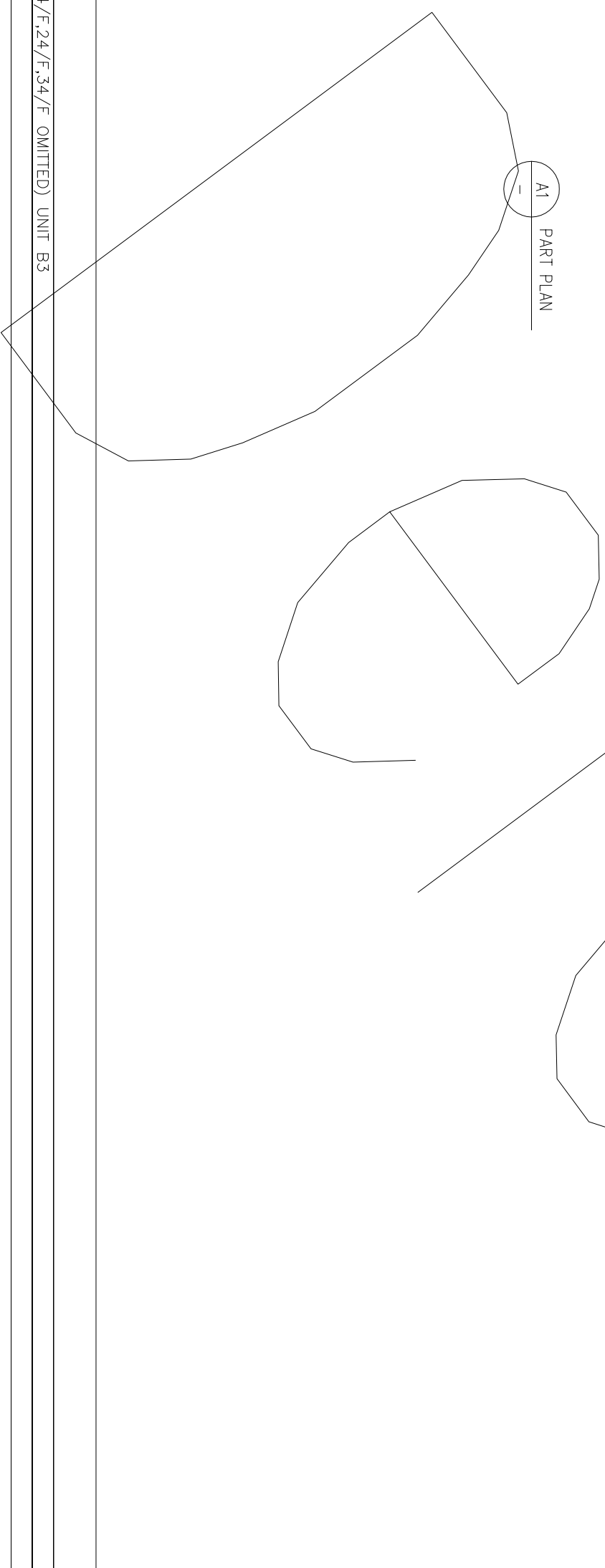
**ALPHA CONSULTING LIMITED**  
Steel Structure & Façade Specialist

ELEVATION



A1 PART PLAN

X PART SECTION



|             |   |
|-------------|---|
| WINDOW MARK | W<br>346  |
| LOCATION    | 3/F-42/F(4/F,13/F,14/F,24/F,34/F OMITTED) UNIT B3 |
| SECTION     | 50mm ALUM. SECTION                                |
| GLAZING     | EGL-4   |
| QUANTITY    | 35 Nos.   |
| REMARKS     |   |

NOTE :

1. ALL DIMENSIONS ARE IN mm.
2. ALL ELEVATIONS ARE VIEWED FROM OUTSIDE.
3. ALL DIMENSIONS TO BE VERIFIED ON SITE BEFORE FABRICATION.

LEGEND :

(X1) --- DETAIL MARK NO.  
(X001) --- REFER SHEET NO.

1. F.F.L. --- FINISHED FLOOR LEVEL
2. S.F.L. --- STRUCTURAL FLOOR LEVEL
3. (R) --- REVERSED DETAIL

4. GLASS LEGEND

EGL-1--8mmHS+12mm AIR GAP+10mmTP THK. I.G.U.  
 EGL-2--10mm THK. CLEAR TEMPERED GLASS  
 EGL-4--10mm THK. TEMPERED ACID ETCHED GLASS  
 EGL-1A--8mmHS+12mm AIR GAP+8mmTP THK. I.G.U.  
 BT1/BB1--FIXING DETAIL (DWG. NO. F001)  
 BB2--FIXING DETAIL (DWG. NO. F002)

JOB NO. : J-856

PROJECT : PROPOSED DEVELOPMENT ABOVE LIGHT RAIL TIN WING STOP-TSWTL NO.23,AREA 33,TIN SHUI WAI, N.T.

TITLE : WINDOW SCHEDULE FOR TOWER 3 IN-SITU WINDOW

DATE : 06-Aug-21 SCALE : 1:40

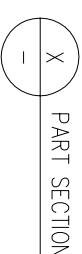
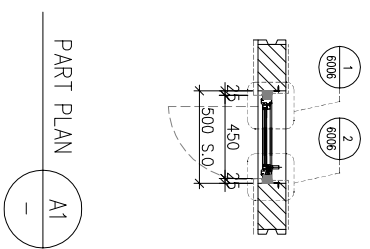
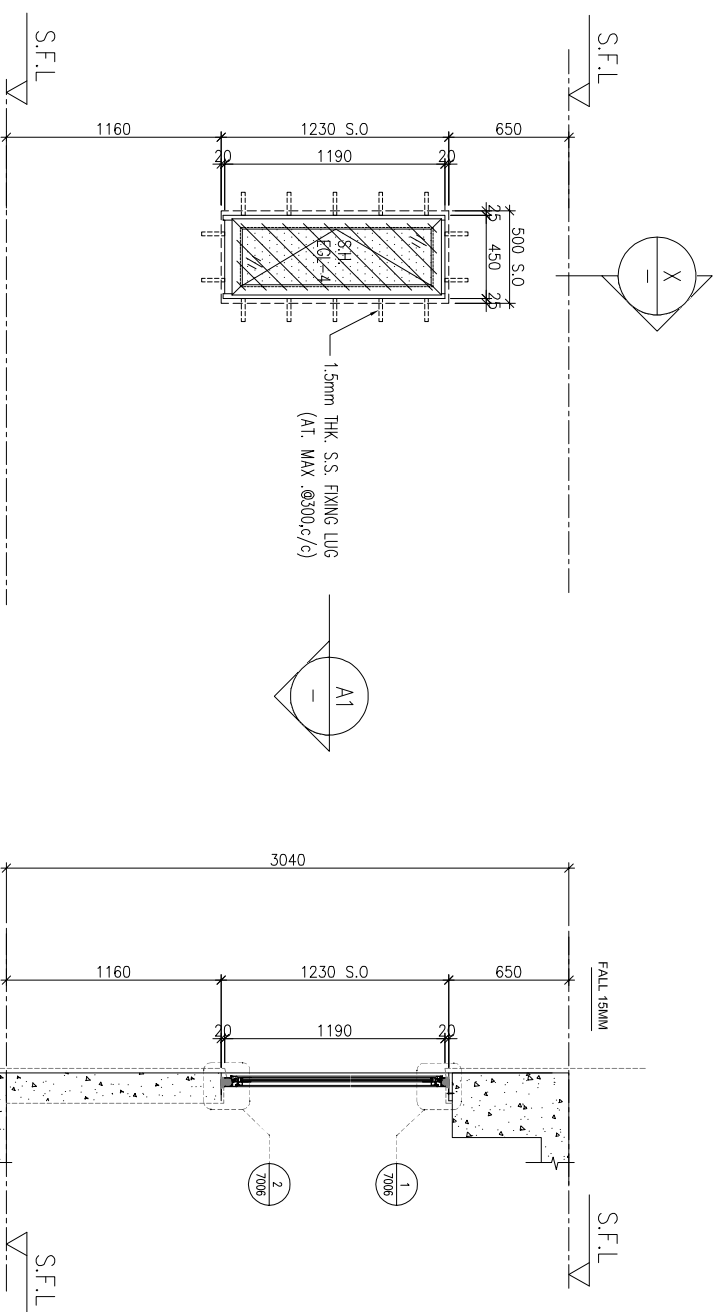
DRAWN BY : IYON CHECKED BY :

**美特鋁質有限公司**  
MIDI ALUMINIUM FABRICATOR LTD.

Units 6-8, Sunray Industrial Centre, 1/F  
610 Cho Kwo Ling Road, Kowloon  
Tel:23489211-4 Fax:(852)2727666

DWG NO. : J856-SD-W-5310 REV. : C

| REQUIRED  |               | PROVIDED     |               |              |
|-----------|---------------|--------------|---------------|--------------|
| LOCATION  | OPENABLE AREA | GLAZING AREA | OPENABLE AREA | GLAZING AREA |
| B1-BATH 2 | 0.283         | 0.452        | 0.389         | 0.306        |
| B3-BATH 2 | 0.283         | 0.452        |               |              |

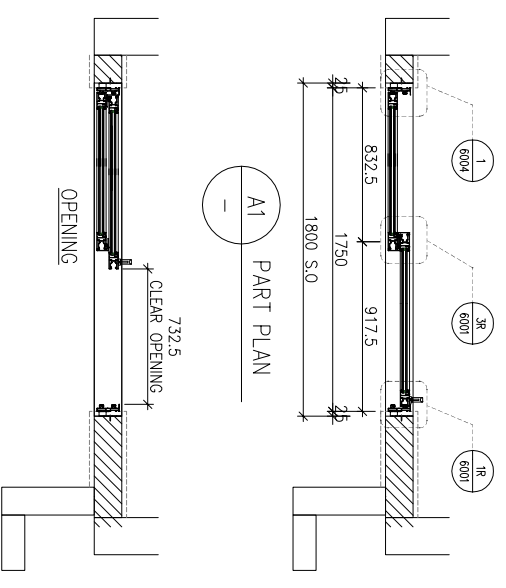
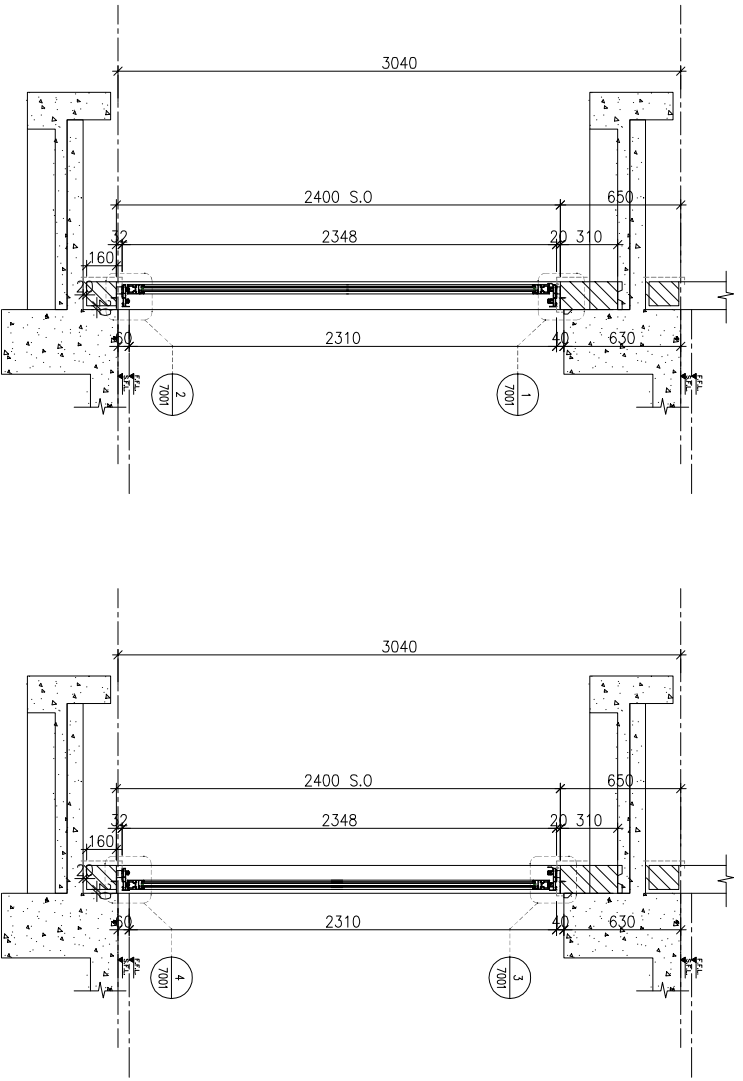
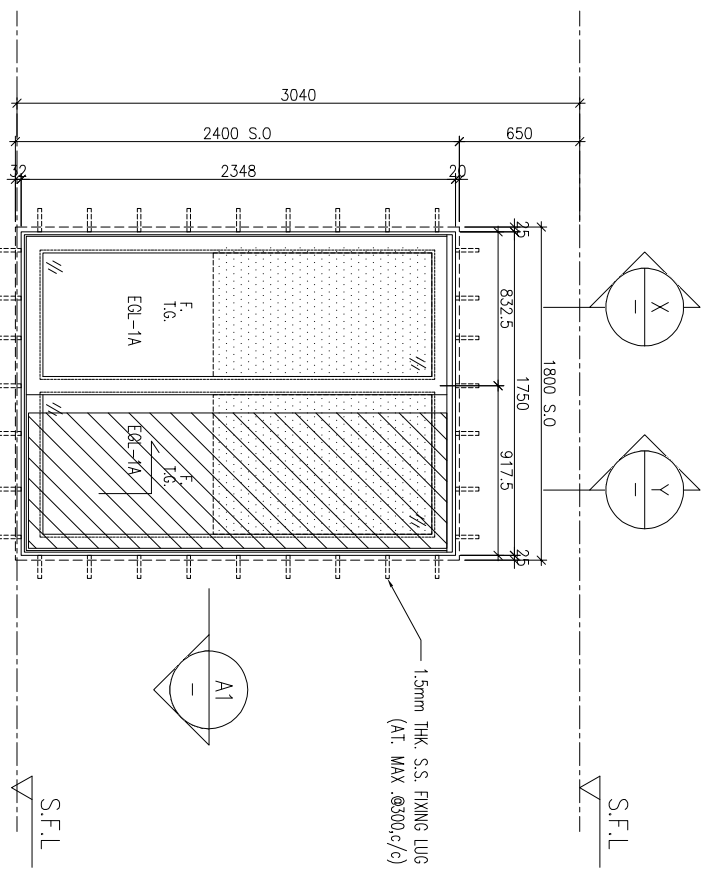


ELEVATION

| WINDOW MARK | REVISION  | DATE | DESCRIPTION |
|-------------|---|------|-------------|
| AW 06d      |   |      |             |
| LOCATION    | 3/F-42/F(4/F,13/F,14/F,24/F,34/F OMITTED) UNIT (B10)        |      |             |
| SECTION     | 50mm ALUM. SECTION  |      |             |
| GLAZING     | EGL-4   |      |             |
| QUANTITY    | 35 Nos.   |      |             |
| REMARKS     | 50mm ALUM. WINDOW SECTION , 4 BAR HINGE-LIP HING (HHMS-N14) |      |             |

| B.D. REF :            |   |                                  |                                  |          |                                  |    |   |            |                                  |      |  |   |            |                                  |      |  |   |            |                                  |      |  |   |            |                                  |      |  |   |            |                                  |      |  |
|-----------------------|---|----------------------------------|----------------------------------|----------|----------------------------------|----|---|------------|----------------------------------|------|--|---|------------|----------------------------------|------|--|---|------------|----------------------------------|------|--|---|------------|----------------------------------|------|--|---|------------|----------------------------------|------|--|
| CLIENT :              | <b>SUN HUNG KAI</b><br><b>REAL ESTATE AGENCY LTD.</b><br><small>42/F SUN HUNG KAI CENTRE, WANCHAI, HONGKONG</small>   |                                  |                                  |          |                                  |    |   |            |                                  |      |  |   |            |                                  |      |  |   |            |                                  |      |  |   |            |                                  |      |  |   |            |                                  |      |  |
| ARCHITECT :           | <b>lwk&amp;partners</b><br><small>a r c h i t e c t s</small>   |                                  |                                  |          |                                  |    |   |            |                                  |      |  |   |            |                                  |      |  |   |            |                                  |      |  |   |            |                                  |      |  |   |            |                                  |      |  |
| MAIN CONTRACTOR :     | <b>怡輝建築有限公司</b><br><b>Yee Fai Building Contractors Ltd.</b>   |                                  |                                  |          |                                  |    |   |            |                                  |      |  |   |            |                                  |      |  |   |            |                                  |      |  |   |            |                                  |      |  |   |            |                                  |      |  |
| STRUCTURAL ENGINEER : | <b>ARUP</b><br><small>ALPHA CONSULTING LIMITED<br/> Steel Structure &amp; Façade Specialist</small>   |                                  |                                  |          |                                  |    |   |            |                                  |      |  |   |            |                                  |      |  |   |            |                                  |      |  |   |            |                                  |      |  |   |            |                                  |      |  |
| FAÇADE CONSULTANT :   | <b>ALPHA CONSULTING LIMITED</b><br>Steel Structure & Façade Specialist  |                                  |                                  |          |                                  |    |   |            |                                  |      |  |   |            |                                  |      |  |   |            |                                  |      |  |   |            |                                  |      |  |   |            |                                  |      |  |
| NOTE :                | 1. ALL DIMENSIONS ARE IN mm.<br>2. ALL ELEVATIONS ARE VIEWED FROM OUTSIDE.<br>3. ALL DIMENSIONS TO BE VERIFIED ON SITE BEFORE FABRICATION.<br>LEGEND :<br>( X1 ) --- DETAIL MARK NO.<br>( X001 ) --- REFER SHEET NO.<br>1. F.F.L. --- FINISHED FLOOR LEVEL<br>2. S.F.L. --- STRUCTURAL FLOOR LEVEL<br>3. ( R ) --- REVERSED DETAIL<br>4. GLASS LEGEND<br>EGL-1 --- 6mmHS+12mm AIR GAP+10mmTP THK. LGU.<br>EGL-2 --- 10mm THK. CLEAR TEMPERED GLASS<br>EGL-4 --- 10mm THK. TEMPERED ACID ETCHED GLASS<br>EGL-1A --- 6mmHS+12mm AIR GAP+8mmTP THK. LGU.<br>B11/BB1 --- FIXING DETAIL (DWG. NO. F001)<br>BB2 --- FIXING DETAIL (DWG. NO. F002)   |                                  |                                  |          |                                  |    |   |            |                                  |      |  |   |            |                                  |      |  |   |            |                                  |      |  |   |            |                                  |      |  |   |            |                                  |      |  |
| REVISION              | <table border="1"> <thead> <tr> <th>NO.</th> <th>DATE</th> <th>REVISION</th> <th>REVISION SUBJECT TO ARCH-COMMENT</th> <th>BY</th> </tr> </thead> <tbody> <tr> <td>E</td> <td>11/11/2022</td> <td>REVISION SUBJECT TO ARCH-COMMENT</td> <td>None</td> <td></td> </tr> <tr> <td>D</td> <td>28/07/2022</td> <td>REVISION SUBJECT TO ARCH-COMMENT</td> <td>None</td> <td></td> </tr> <tr> <td>C</td> <td>22/06/2022</td> <td>REVISION SUBJECT TO ARCH-COMMENT</td> <td>None</td> <td></td> </tr> <tr> <td>B</td> <td>24/11/2021</td> <td>REVISION SUBJECT TO ARCH-COMMENT</td> <td>None</td> <td></td> </tr> <tr> <td>A</td> <td>10/11/2021</td> <td>REVISION SUBJECT TO ARCH-COMMENT</td> <td>None</td> <td></td> </tr> </tbody> </table> | NO.                              | DATE                             | REVISION | REVISION SUBJECT TO ARCH-COMMENT | BY | E | 11/11/2022 | REVISION SUBJECT TO ARCH-COMMENT | None |  | D | 28/07/2022 | REVISION SUBJECT TO ARCH-COMMENT | None |  | C | 22/06/2022 | REVISION SUBJECT TO ARCH-COMMENT | None |  | B | 24/11/2021 | REVISION SUBJECT TO ARCH-COMMENT | None |  | A | 10/11/2021 | REVISION SUBJECT TO ARCH-COMMENT | None |  |
| NO.                   | DATE  | REVISION                         | REVISION SUBJECT TO ARCH-COMMENT | BY       |                                  |    |   |            |                                  |      |  |   |            |                                  |      |  |   |            |                                  |      |  |   |            |                                  |      |  |   |            |                                  |      |  |
| E                     | 11/11/2022  | REVISION SUBJECT TO ARCH-COMMENT | None                             |          |                                  |    |   |            |                                  |      |  |   |            |                                  |      |  |   |            |                                  |      |  |   |            |                                  |      |  |   |            |                                  |      |  |
| D                     | 28/07/2022  | REVISION SUBJECT TO ARCH-COMMENT | None                             |          |                                  |    |   |            |                                  |      |  |   |            |                                  |      |  |   |            |                                  |      |  |   |            |                                  |      |  |   |            |                                  |      |  |
| C                     | 22/06/2022  | REVISION SUBJECT TO ARCH-COMMENT | None                             |          |                                  |    |   |            |                                  |      |  |   |            |                                  |      |  |   |            |                                  |      |  |   |            |                                  |      |  |   |            |                                  |      |  |
| B                     | 24/11/2021  | REVISION SUBJECT TO ARCH-COMMENT | None                             |          |                                  |    |   |            |                                  |      |  |   |            |                                  |      |  |   |            |                                  |      |  |   |            |                                  |      |  |   |            |                                  |      |  |
| A                     | 10/11/2021  | REVISION SUBJECT TO ARCH-COMMENT | None                             |          |                                  |    |   |            |                                  |      |  |   |            |                                  |      |  |   |            |                                  |      |  |   |            |                                  |      |  |   |            |                                  |      |  |
| JOB NO. :             | J-856   |                                  |                                  |          |                                  |    |   |            |                                  |      |  |   |            |                                  |      |  |   |            |                                  |      |  |   |            |                                  |      |  |   |            |                                  |      |  |
| PROJECT :             | PROPOSED DEVELOPMENT ABOVE LIGHT RAIL TIN WING STOP-TSWTL NO.23,AREA 33,TIN SHUI WAI, N.T.  |                                  |                                  |          |                                  |    |   |            |                                  |      |  |   |            |                                  |      |  |   |            |                                  |      |  |   |            |                                  |      |  |   |            |                                  |      |  |
| TITLE :               | WINDOW SCHEDULE FOR TOWER 3 IN-SITU WINDOW  |                                  |                                  |          |                                  |    |   |            |                                  |      |  |   |            |                                  |      |  |   |            |                                  |      |  |   |            |                                  |      |  |   |            |                                  |      |  |
| DATE :                | 06-Aug-21   |                                  |                                  |          |                                  |    |   |            |                                  |      |  |   |            |                                  |      |  |   |            |                                  |      |  |   |            |                                  |      |  |   |            |                                  |      |  |
| SCALE :               | 1:40  |                                  |                                  |          |                                  |    |   |            |                                  |      |  |   |            |                                  |      |  |   |            |                                  |      |  |   |            |                                  |      |  |   |            |                                  |      |  |
| DRAWN BY :            | Ivan  |                                  |                                  |          |                                  |    |   |            |                                  |      |  |   |            |                                  |      |  |   |            |                                  |      |  |   |            |                                  |      |  |   |            |                                  |      |  |
| CHECKED BY :          |   |                                  |                                  |          |                                  |    |   |            |                                  |      |  |   |            |                                  |      |  |   |            |                                  |      |  |   |            |                                  |      |  |   |            |                                  |      |  |
| UNITS :               | Units 6-8, Sunray Industrial Centre, 1/F, 610 Cho Kwai Ling Road, Kowloon<br>Tel:23489211-4 Fax:(852)2727666  |                                  |                                  |          |                                  |    |   |            |                                  |      |  |   |            |                                  |      |  |   |            |                                  |      |  |   |            |                                  |      |  |   |            |                                  |      |  |
| DWG NO. :             | J856-SD-W-5311  |                                  |                                  |          |                                  |    |   |            |                                  |      |  |   |            |                                  |      |  |   |            |                                  |      |  |   |            |                                  |      |  |   |            |                                  |      |  |
| REV. :                | E   |                                  |                                  |          |                                  |    |   |            |                                  |      |  |   |            |                                  |      |  |   |            |                                  |      |  |   |            |                                  |      |  |   |            |                                  |      |  |

| REQUIRED |               | PROVIDED     |               |              |
|----------|---------------|--------------|---------------|--------------|
| LOCATION | OPENABLE AREA | GLAZING AREA | OPENABLE AREA | GLAZING AREA |
| A1-LIV   | 1.015         | 1.116        | 1.657         | 1.681        |
| A7-LIV   | 1.023         | 1.129        |               |              |
| A8-LIV   | 1.082         | 1.222        |               |              |



| WINDOW MARK | LOCATION  | SECTION            | QUANTITY                | REMARKS                          |
|-------------|---|--------------------|-------------------------|----------------------------------|
| AW 05       | 3/F-42/F(4/F, 13/F, 14/F, 24/F, 34/F OMITTED) UNIT {A2, A8, A9} | 70mm ALUM. SECTION | 35 Nos./35 Nos./35 Nos. | FAÇADE(TYPE T3PF07 FOR 3/F-42/F) |

BD. REF :

CLIENT :  
**SUN HUNG KAI**  
 REAL ESTATE AGENCY LTD.  
 42/F, SUN HUNG KAI CENTRE, WANCHAI, HONGKONG

ARCHITECT :  
**lwk&partners**  
 a r c h i t e c t s

MAIN CONTRACTOR :  
 怡輝建築有限公司  
**Yee Fai Building Contractors Ltd.**

STRUCTURAL ENGINEER :  
**ARUP**  
 ALPHA CONSULTING LIMITED  
 Steel Structure & Façade Specialist

FAÇADE CONSULTANT:

NOTE:  
 1. ALL DIMENSIONS ARE IN mm.  
 2. ALL ELEVATIONS ARE VIEWED FROM OUTSIDE.  
 3. ALL DIMENSIONS TO BE VERIFIED ON SITE BEFORE FABRICATION.

LEGEND:  
 X1 --- DETAIL MARK NO.  
 X001 --- REFER SHEET NO.

1. F.F.L. --- FINISHED FLOOR LEVEL
  2. S.F.L. --- STRUCTURAL FLOOR LEVEL
  3. (R) --- REVERSED DETAIL
  4. GLASS LEGEND
- EQC-1 --- 8mmHS+12mm AIR GAP+10mmTP THK. I.G.U.  
 EQC-2 --- 10mm THK. CLEAR TEMPERED GLASS  
 EQC-4 --- 10mm THK. TEMPERED ACID ETCHED GLASS  
 EQC-1A --- 8mmHS+12mm AIR GAP+8mmTP THK. I.G.U.  
 BT1/BB1 --- FIXING DETAIL (DWG. NO. F001)  
 BB2 --- FIXING DETAIL (DWG. NO. F002)

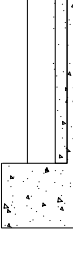
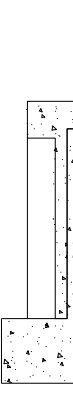
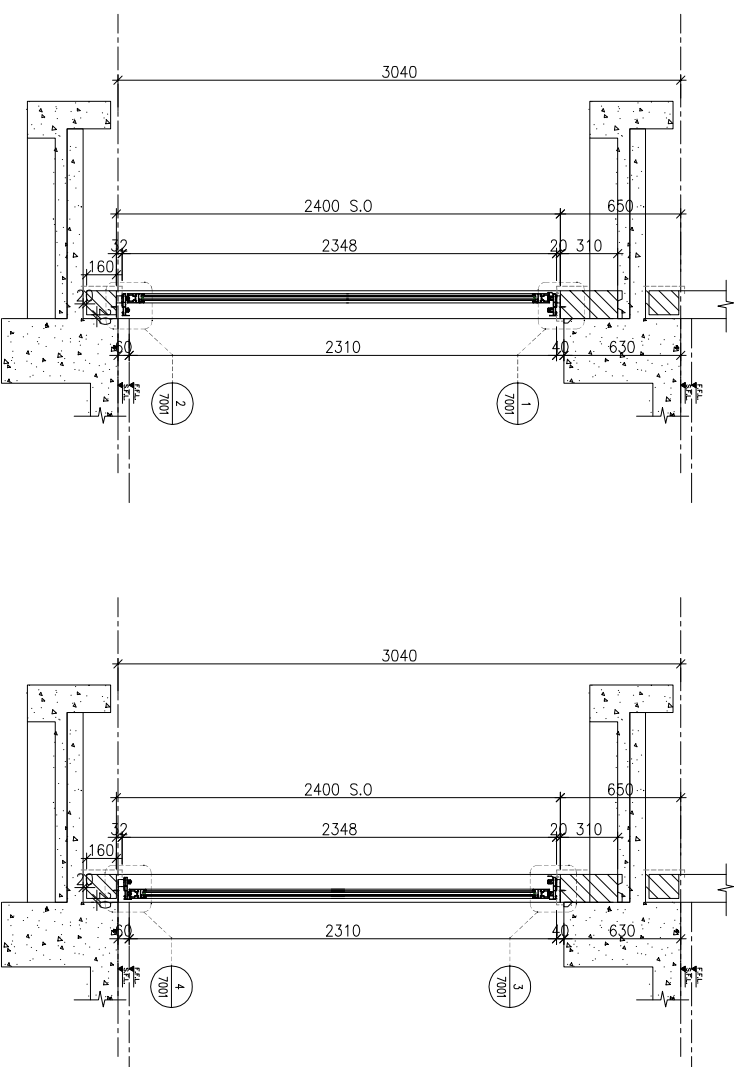
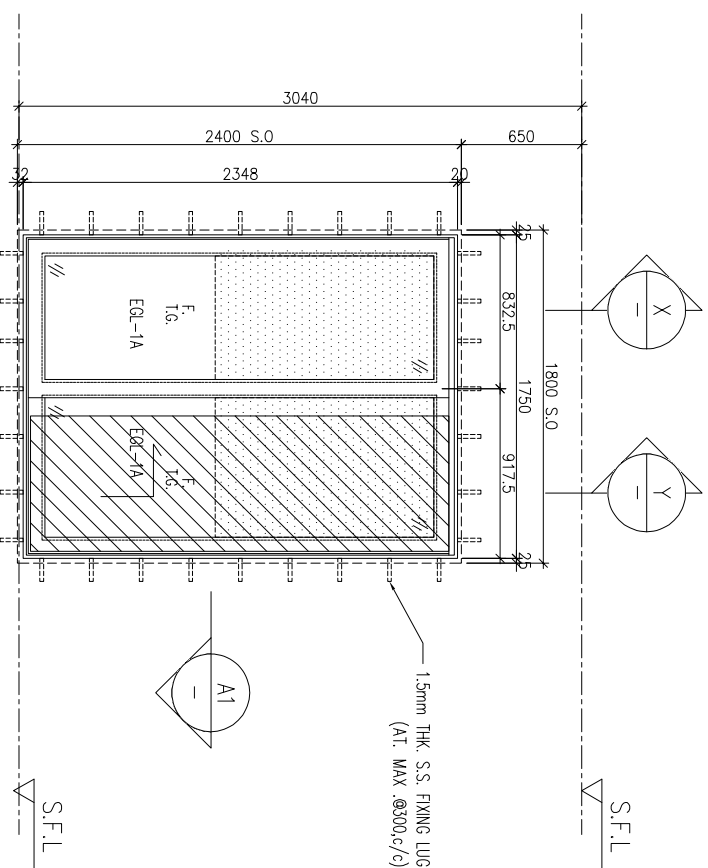
| NO. | DATE       | REVISION | SUBJECT TO ARCH-COMMENT | BY  |
|-----|------------|----------|-------------------------|-----|
| E   | 11/11/2022 | REVISION | SUBJECT TO ARCH-COMMENT | hwn |
| D   | 26/08/2022 | REVISION | SUBJECT TO ARCH-COMMENT | hwn |
| C   | 28/07/2022 | REVISION | SUBJECT TO ARCH-COMMENT | hwn |
| B   | 13/01/2022 | REVISION | SUBJECT TO ARCH-COMMENT | hwn |
| A   | 23/11/2021 | REVISION | SUBJECT TO ARCH-COMMENT | hwn |

JOB NO. : J-856  
 PROJECT : PROPOSED DEVELOPMENT ABOVE LIGHT RAIL TIN WING STOP-TSWTL NO.23, AREA 33, TIN SHUI WAI, N.T.  
 TITLE : WINDOW SCHEDULE FOR TOWER 3 IN-SITU WINDOW

DATE : 02-Aug-21  
 SCALE : 1:40  
 DRAWN BY : IYON  
 CHECKED BY :

UNITA 6-8, SUNRISE INDUSTRIAL CENTRE, 1/F  
 610 CHO KWA LING ROAD, KOWLOON  
 美特鋁質有限公司  
 MIDT ALUMINIUM FABRICATOR LTD.  
 Tel: 23489211-4 Fax: (852) 2727666  
 DWG NO. : J856-SD-W-5312 REV. : E

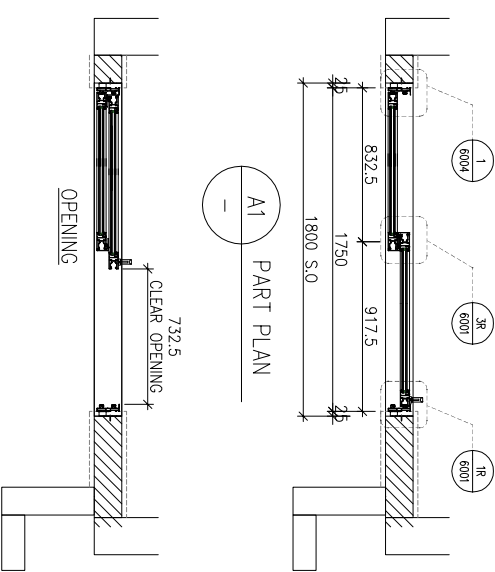
| REQUIRED |               | PROVIDED     |               |
|----------|---------------|--------------|---------------|
| LOCATION | OPENABLE AREA | GLAZING AREA | OPENABLE AREA |
| B2-LIV   | N/A           | N/A          | 1.657         |
| B10-LIV  | 1.001         | 1.053        | 1.681         |



NOTE:  
 1. ALL DIMENSIONS ARE IN mm.  
 2. ALL ELEVATIONS ARE VIEWED FROM OUTSIDE.  
 3. ALL DIMENSIONS TO BE VERIFIED ON SITE BEFORE FABRICATION.

- LEGEND:
- (X1) --- DETAIL MARK NO.
  - (X001) --- REFER SHEET NO.
  - 1. F.F.L. --- FINISHED FLOOR LEVEL
  - 2. S.F.L. --- STRUCTURAL FLOOR LEVEL
  - 3. (R) --- REVERSED DETAIL
  - 4. GLASS LEGEND

EQC-1 --- 8mmHS+12mm AIR GAP+10mmTP THK. I.G.U.  
 EQC-2 --- 10mm THK. CLEAR TEMPERED GLASS  
 EQC-4 --- 10mm THK. TEMPERED ACID ETCHED GLASS  
 EQC-1A --- 8mmHS+12mm AIR GAP+8mmTP THK. I.G.U.  
 B11/BB1 --- FIXING DETAIL (DWG. NO. F001)  
 BB2 --- FIXING DETAIL (DWG. NO. F002)



| NO. | DATE       | REVISION | SUBJECT TO ARCH-COMMENT | BY   |
|-----|------------|----------|-------------------------|------|
| E   | 11/11/2022 | REVISION | SUBJECT TO ARCH-COMMENT | ivan |
| D   | 26/08/2022 | REVISION | SUBJECT TO ARCH-COMMENT | ivan |
| C   | 28/07/2022 | REVISION | SUBJECT TO ARCH-COMMENT | ivan |
| B   | 13/01/2022 | REVISION | SUBJECT TO ARCH-COMMENT | ivan |
| A   | 23/11/2021 | REVISION | SUBJECT TO ARCH-COMMENT | ivan |

JOB NO. : J-856  
 PROJECT : PROPOSED DEVELOPMENT ABOVE LIGHT RAIL TIN WING STOP-TSWTL NO.23,AREA 33,TIN SHUI WAI, N.T.

TITLE : WINDOW SCHEDULE FOR TOWER 3 IN-SITU WINDOW

DATE : 02-Aug-21  
 SCALE : 1:40  
 DRAWN BY : ivan  
 CHECKED BY :

UNITAS 6-8 Sunray Industrial Centre, 1/F  
 610 Cho Kwai Ling Road, Kowloon  
 Tel:23489211-4 Fax:(852)27272666  
**美特铝质有限公司**  
**MIDI ALUMINIUM FABRICATOR LTD.**

WING SCHEDULE FOR TOWER 3 IN-SITU WINDOW

DATE : 02-Aug-21  
 SCALE : 1:40  
 DRAWN BY : ivan  
 CHECKED BY :

WING SCHEDULE FOR TOWER 3 IN-SITU WINDOW

DATE : 02-Aug-21  
 SCALE : 1:40  
 DRAWN BY : ivan  
 CHECKED BY :

WING SCHEDULE FOR TOWER 3 IN-SITU WINDOW

DATE : 02-Aug-21  
 SCALE : 1:40  
 DRAWN BY : ivan  
 CHECKED BY :

| WINDOW MARK | LOCATION   | SECTION            | GLAZING | QUANTITY       | REMARKS                          |
|-------------|--|--------------------|---------|----------------|----------------------------------|
| AM 05       | 3/F-42/F(4/F,13/F,14/F,24/F,34/F OMITTED) UNIT {B3, B11} | 70mm ALUM. SECTION | EGL-1A  | 35 Nos/ 35 Nos | FACADE(TYPE T3PF11 FOR 3/F-42/F) |

BD. REF :

CLIENT : **SUN HUNG KAI REAL ESTATE AGENCY LTD.**  
 42/F SUN HUNG KAI CENTRE, WANCHAI, HONGKONG

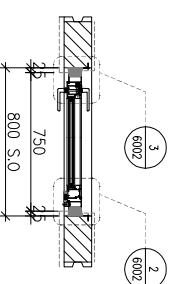
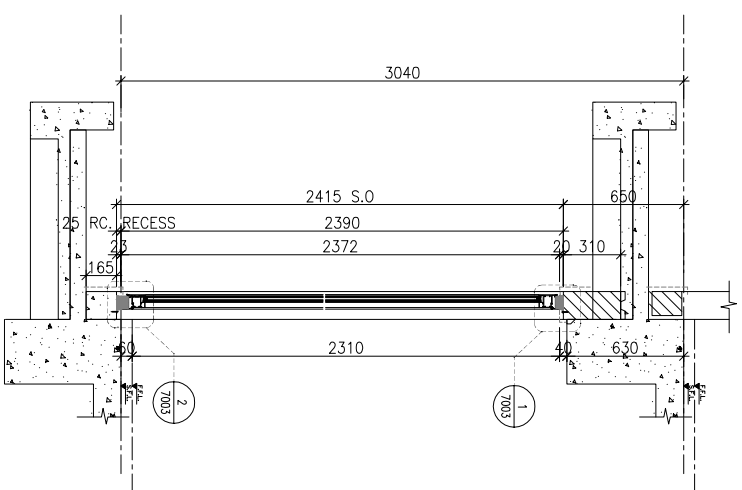
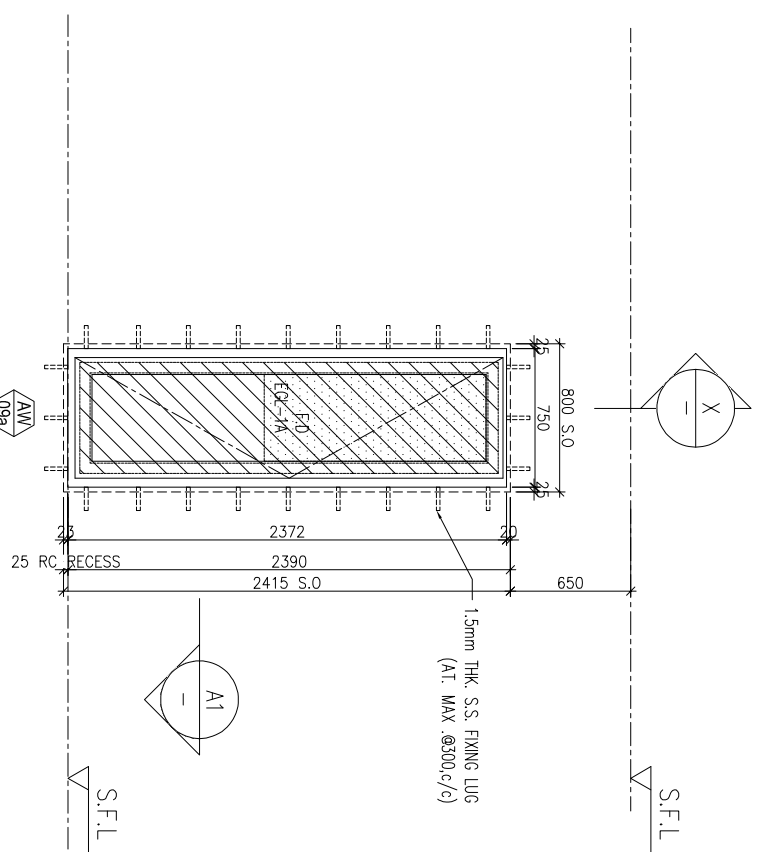
ARCHITECT : **lwk&partners**  
 a r c h i t e c t s

MAIN CONTRACTOR : **怡輝建築有限公司**  
**Yee Fai Building Contractors Ltd.**

STRUCTURAL ENGINEER : **ARUP**

FACADE CONSULTANT : **ALPHA CONSULTING LIMITED**  
 Steel Structure & Facade Specialist

| REQUIRE  |               | PROVIDED     |               |
|----------|---------------|--------------|---------------|
| LOCATION | OPENABLE AREA | GLAZING AREA | OPENABLE AREA |
| B3-MBR   | 0.464         | 0.742        | 1.357         |
| A15-KIT  | 0.257         | 0.411        | 0.561         |



X PART SECTION

ELEVATION

| WINDOW MARK | LOCATION     | SECTION            | GLAZING | QUANTITY | REMARKS |
|-------------|--------------|--------------------|---------|----------|---------|
| AM<br>09d   | 3/F UNIT B10 | 70mm ALUM. SECTION | EGL-2   | (1No.)   |         |

B.D. REF :

CLIENT :

**SUN HUNG KAI**  
REAL ESTATE AGENCY LTD.  
42/F SUN HUNG KAI CENTRE, WANCHAI, HONGKONG

ARCHITECT :

**lwk&partners**  
a r c h i t e c t s

MAIN CONTRACTOR :

**怡輝建築有限公司**  
**Yee Fai** Building Contractors Ltd.

STRUCTURAL ENGINEER :

**ARUP**

FAÇADE CONSULTANT:

**ALPHA CONSULTING LIMITED**  
Steel Structure & Façade Specialist

- NOTE :
1. ALL DIMENSIONS ARE IN mm.
  2. ALL ELEVATIONS ARE VIEWED FROM OUTSIDE.
  3. ALL DIMENSIONS TO BE VERIFIED ON SITE BEFORE FABRICATION.

LEGEND :

X1 ——— DETAIL MARK NO.  
X001 ——— REFER SHEET NO.

1. F.F.L. --- FINISHED FLOOR LEVEL
2. S.F.L. --- STRUCTURAL FLOOR LEVEL
3. (R) --- REVERSED DETAIL

4. GLASS LEGEND

- EGL-1 -- 6mmHS+12mm AIR GAP+10mmTP THK. I.G.U.  
EGL-2 -- 10mm THK. CLEAR TEMPERED GLASS  
EGL-4 -- 10mm THK. TEMPERED ACID ETCHED GLASS  
EGL-1A -- 6mmHS+12mm AIR GAP+8mmTP THK. I.G.U.  
B11/BB1 -- FIXING DETAIL (DWG. NO. F001)  
BB2 -- FIXING DETAIL (DWG. NO. F002)

| NO. | DATE       | REVISION SUBJECT TO ARCH-COMMENT | BY  |
|-----|------------|----------------------------------|-----|
| 0   | 11/11/2022 | REVISION SUBJECT TO ARCH-COMMENT | lwk |
| C   | 22/06/2022 | REVISION SUBJECT TO ARCH-COMMENT | lwk |
| B   | 13/01/2022 | REVISION SUBJECT TO ARCH-COMMENT | lwk |
| A   | 10/11/2021 | REVISION SUBJECT TO ARCH-COMMENT | lwk |

JOB NO. : J-856

PROJECT : PROPOSED DEVELOPMENT ABOVE LIGHT RAIL TIN WING STOP-TSWTL NO.23,AREA 33,TIN SHUI WAI, N.T.

TITLE : WINDOW SCHEDULE FOR TOWER 3 IN-SITU WINDOW

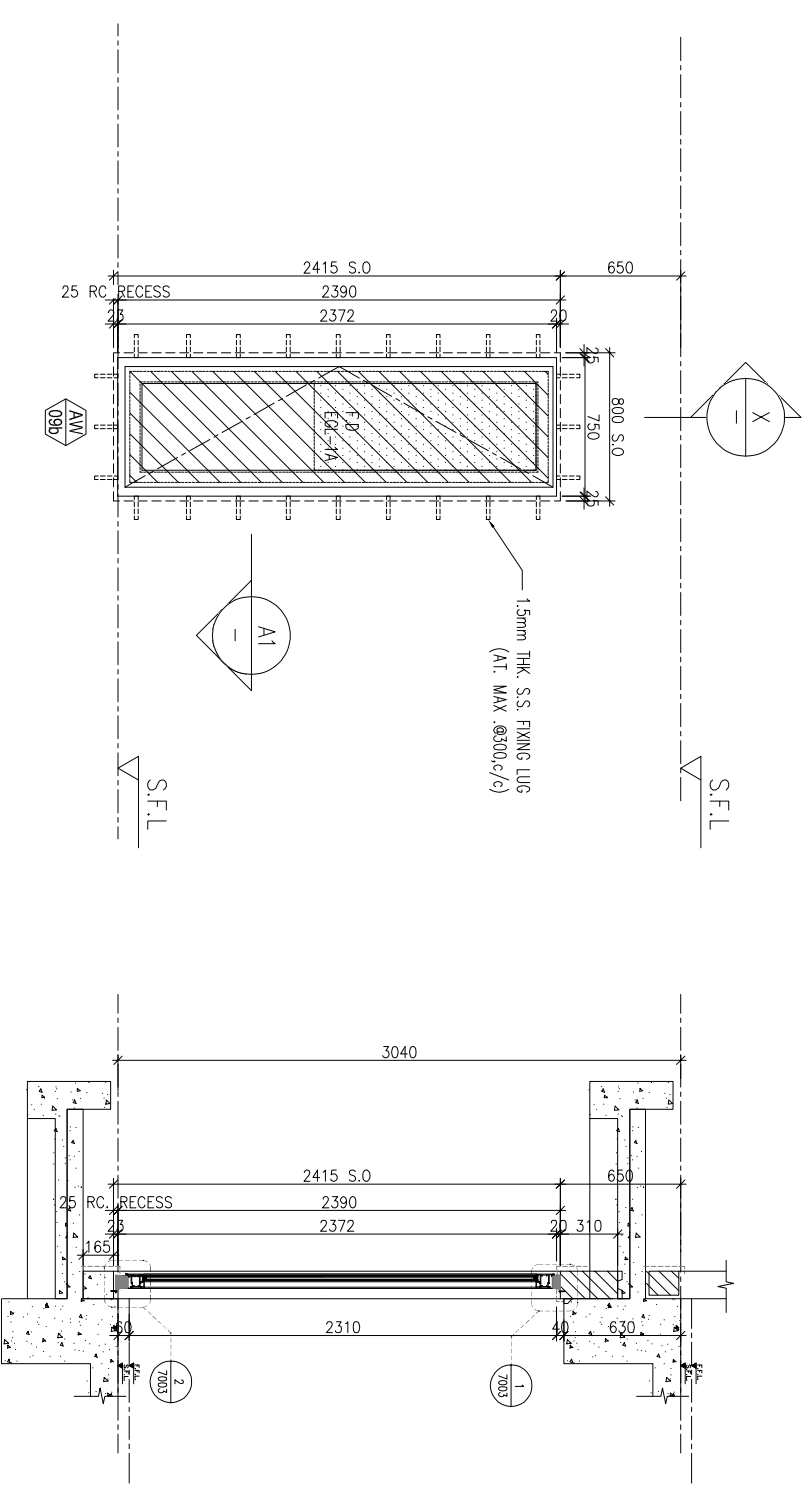
DATE : 06-Aug-21 SCALE : 1:40

DRAWN BY : lwn CHECKED BY :

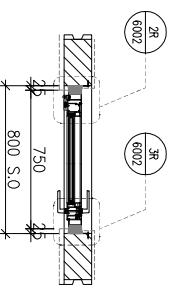
**美特鋁質有限公司**  
MIDI ALUMINIUM FABRICATOR LTD.  
Units 6-8, Sunray Industrial Centre, 1/F  
610 Cho Kwai Ling Road, Kwai Moon  
Tel:23489211-4 Fax:(852)2727666

DWG NO. : J856-SD-W-5314 REV. : D

| REQUIRE              |               | PROVIDED     |              |
|----------------------|---------------|--------------|--------------|
| LOCATION             | OPENABLE AREA | GLAZING AREA | GLAZING AREA |
| B1-MBR               | 0.464         | 0.742        | 1.357        |
| B8-MBR               | 0.452         | 0.732        | 0.561        |
| (B9-LIV (AMB) & B9B) | 1.256         | 1.501        |              |



ELEVATION



PART SECTION

| WINDOW MARK | LOCATION                  | SECTION            | GLAZING | QUANTITY                  | REMARKS |
|-------------|---------------------------|--------------------|---------|---------------------------|---------|
| AM<br>09b   | 3/F UNIT (A1, B1, B5, B6) | 70mm ALUM. SECTION | EGL-1A  | 1No. / 1No. / 1No. / 1No. |         |

B.D. REF :

CLIENT :

**SUN HUNG KAI**  
REAL ESTATE AGENCY LTD.  
42/F, SUN HUNG KAI CENTRE, WANCHAI, HONGKONG

ARCHITECT :

**lwk&partners**  
a r c h i t e c t s

MAIN CONTRACTOR :

**怡輝建築有限公司**  
**Yee Fai Building Contractors Ltd.**

STRUCTURAL ENGINEER :

**ARUP**

FAÇADE CONSULTANT :

**ALPHA CONSULTING LIMITED**  
Steel Structure & Façade Specialist

- NOTE :
1. ALL DIMENSIONS ARE IN mm.
  2. ALL ELEVATIONS ARE VIEWED FROM OUTSIDE.
  3. ALL DIMENSIONS TO BE VERIFIED ON SITE BEFORE FABRICATION.
- LEGEND :
- (X1) --- DETAIL MARK NO.
  - (X001) --- REFER SHEET NO.

1. F.F.L. --- FINISHED FLOOR LEVEL
  2. S.F.L. --- STRUCTURAL FLOOR LEVEL
  3. (R) --- REVERSED DETAIL
  4. GLASS LEGEND
- EGL-1 --- 6mmHS+12mm AIR GAP+10mmTP THK. I.G.U.  
EGL-2 --- 10mm THK. CLEAR TEMPERED GLASS  
EGL-4 --- 10mm THK. TEMPERED ACID ETCHED GLASS  
EGL-1A --- 8mmHS+12mm AIR GAP+8mmTP THK. I.G.U.  
B11/BB1 --- FIXING DETAIL (DWG. NO. F001)  
BB2 --- FIXING DETAIL (DWG. NO. F002)

| NO. | DATE       | REVISION                         | SUBJECT TO ARCH-COMMENT | BY   |
|-----|------------|----------------------------------|-------------------------|------|
| D   | 12/11/2022 | REVISION SUBJECT TO ARCH-COMMENT | None                    | None |
| C   | 11/07/2022 | REVISION SUBJECT TO ARCH-COMMENT | None                    | None |
| B   | 13/01/2022 | REVISION SUBJECT TO ARCH-COMMENT | None                    | None |
| A   | 10/11/2021 | REVISION SUBJECT TO ARCH-COMMENT | None                    | None |

JOB NO. : J-856

PROJECT : PROPOSED DEVELOPMENT ABOVE LIGHT RAIL TIN WING STOP-TSWTL NO.23, AREA 33, TIN SHUI WAI, N.T.

TITLE : WINDOW SCHEDULE FOR TOWER 3 IN-SITU WINDOW

DATE : 06-Aug-21 SCALE : 1:40

DRAWN BY : Ivan CHECKED BY :

**美特鋁質有限公司**  
MIDI ALUMINIUM FABRICATOR LTD.  
Units 6-8, Sunray Industrial Centre, 1/F  
610 Cho Kwai Ling Road, Kwai Tsoum  
Tel: 23489211-4 Fax: (852) 2727666

DWG NO. : J856-SD-W-5315 REV. : D

B.D. REF :

CLIENT :

**SUN HUNG KAI**  
REAL ESTATE AGENCY LTD.

42/F, SUN HUNG KAI CENTRE, WANCHAI, HONGKONG

ARCHITECT :

**lwk&partners**  
a r c h i t e c t s

MAIN CONTRACTOR :

**怡輝建築有限公司**  
Yee Fai Building Contractors Ltd.

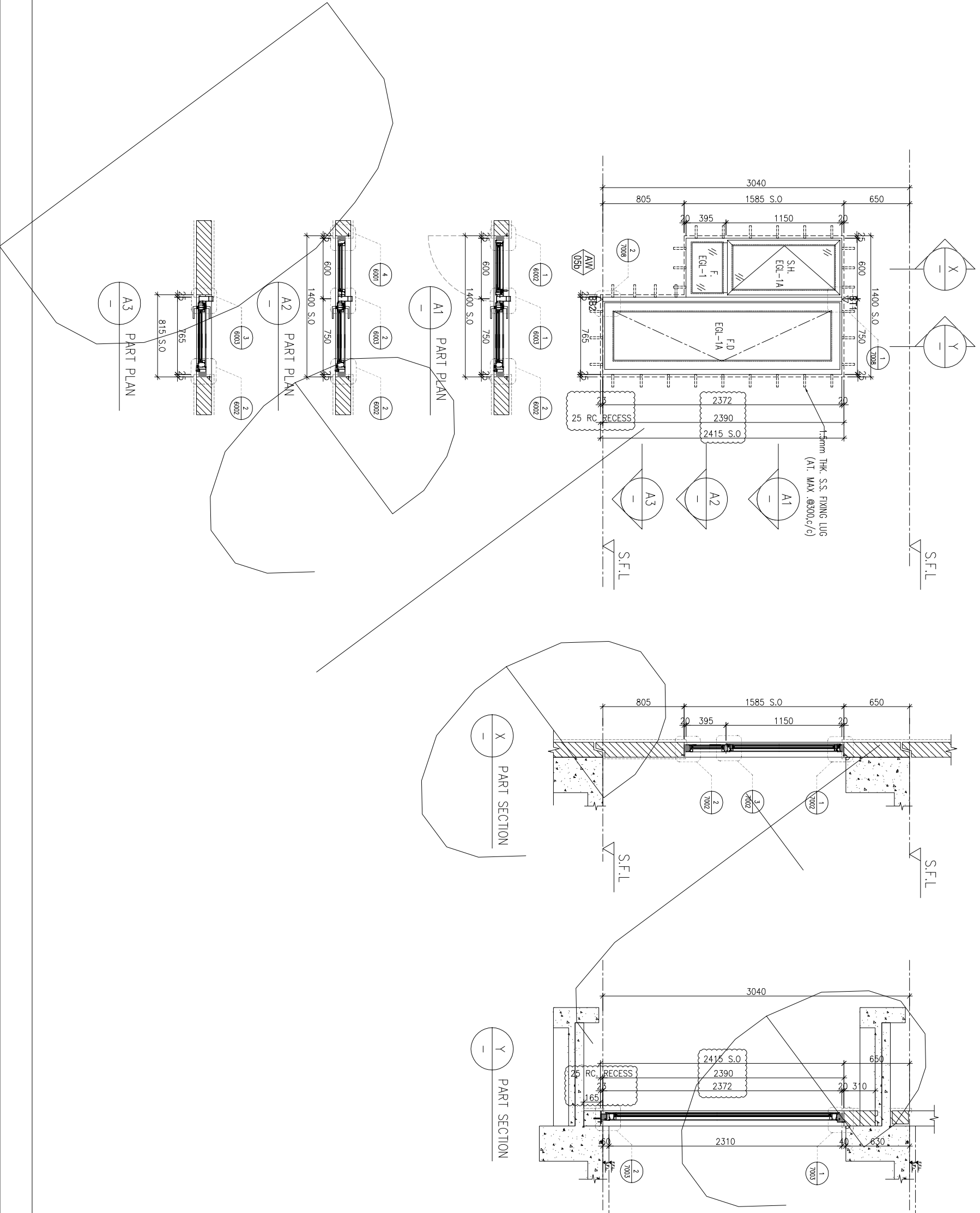
STRUCTURAL ENGINEER :

**ARUP**  
ALPHA CONSULTING LIMITED  
Steel Structure & Façade Specialist

FAÇADE CONSULTANT :

**α** ALPHA CONSULTING LIMITED  
Steel Structure & Façade Specialist

ELEVATION



|             |                    |
|-------------|--------------------|
| WINDOW MARK | AM 05b             |
| LOCATION    | 3/F UNIT A15 MBR   |
| SECTION     | 70mm ALUM. SECTION |
| GLAZING     | EGL-1/EGL-1A       |
| QUANTITY    | 1 No.              |
| REMARKS     |                    |

NOTE :

1. ALL DIMENSIONS ARE IN mm.
2. ALL ELEVATIONS ARE VIEWED FROM OUTSIDE.
3. ALL DIMENSIONS TO BE VERIFIED ON SITE BEFORE FABRICATION.

LEGEND :

(X1) --- DETAIL MARK NO.  
(X001) --- REFER SHEET NO.

1. F.F.L. --- FINISHED FLOOR LEVEL
2. S.F.L. --- STRUCTURAL FLOOR LEVEL
3. (R) --- REVERSED DETAIL

4. GLASS LEGEND

- EGL-1 --- 8mmHS+12mm AIR GAP+10mmTP THK. I.G.U.
- EGL-2 --- 10mm THK. CLEAR TEMPERED GLASS
- EGL-4 --- 10mm THK. TEMPERED ACID ETCHED GLASS
- EGL-1A --- 8mmHS+12mm AIR GAP+8mmTP THK. I.G.U.
- B11/BB1 --- FIXING DETAIL (DWG. NO. F001)
- BB2 --- FIXING DETAIL (DWG. NO. F002)

| NO. | DATE       | REVISION                         | REVISION SUBJECT TO ARCH-COMMENT | BY   |
|-----|------------|----------------------------------|----------------------------------|------|
| B   | 13/01/2022 | REVISION SUBJECT TO ARCH-COMMENT |                                  | ivan |
| A   | 13/01/2022 | REVISION SUBJECT TO ARCH-COMMENT |                                  | ivan |

JOB NO. : J-856

PROJECT : PROPOSED DEVELOPMENT ABOVE LIGHT RAIL TIN WING STOP-TS/WTL NO.23, AREA 33, TIN SHUI WAI, N.T.

TITLE : WINDOW SCHEDULE FOR TOWER 3 IN-SITU WINDOW

DATE : 02-Aug-21 SCALE : 1:40

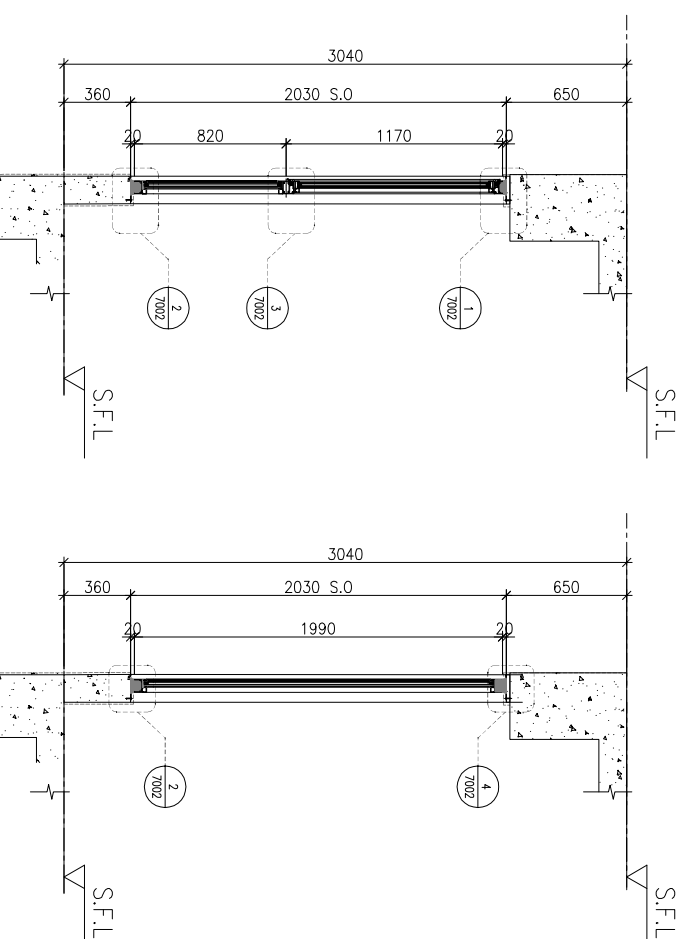
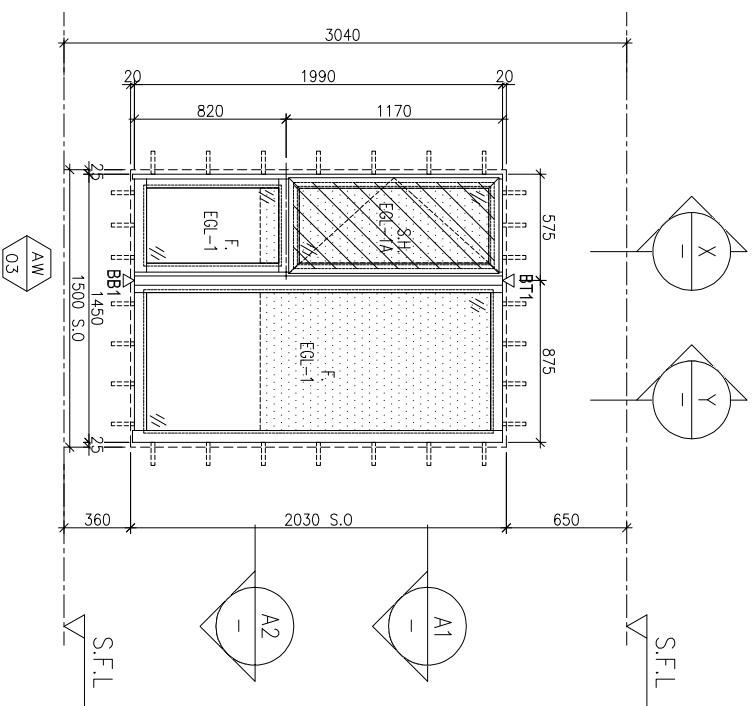
DRAWN BY : ivan CHECKED BY :

**美特鋁質有限公司**  
MIDI ALUMINIUM FABRICATOR LTD.  
Units 6-8, Sunray Industrial Centre, 1/F  
610 Cho Kwai Ling Road, Kowloon  
Tel: 23489211-4 Fax: (852) 2727666

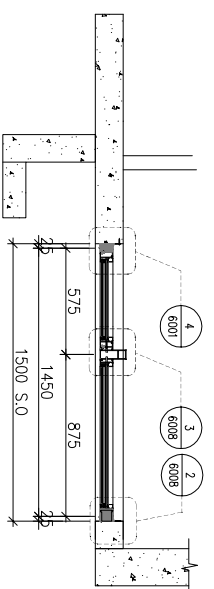
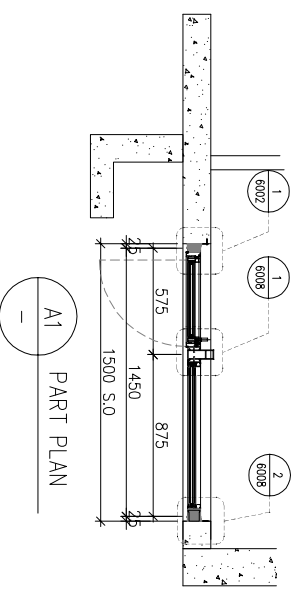
DWG NO. : J856-SD-W-5316 REV. : B



| REQUIRED |               | PROVIDED     |               |
|----------|---------------|--------------|---------------|
| LOCATION | OPENABLE AREA | GLAZING AREA | OPENABLE AREA |
| A1-MBR   | 0.388         | 0.620        | 1.884         |
| B10-MBR  | 0.295         | 0.472        | 1.52          |



ELEVATION



| WINDOW MARK | LOCATION  | SECTION            | GLAZING        | QUANTITY        | REMARKS   |
|-------------|---|--------------------|----------------|-----------------|---|
| AW 03       | 3/F-42/F(4/F,13/F,14/F,24/F,34/F OMITTED) UNIT A2, B3 | 70mm ALUM. SECTION | EGL-1 / EGL-1A | 35 Nos./35 Nos. | 70mm ALUM. WINDOW SECTION , 4 BAR HINGE-LIP HING (HHMS-N14) |

BD. REF :

CLIENT :

**SUN HUNG KAI**  
REAL ESTATE AGENCY LTD.  
42/F SUN HUNG KAI CENTRE, WANCHAI, HONGKONG

ARCHITECT :

**lwk&partners**  
a r c h i t e c t s

MAIN CONTRACTOR :

**怡輝建築有限公司**  
**Yee Fai** Building Contractors Ltd.

STRUCTURAL ENGINEER :

**ARUP**

FAÇADE CONSULTANT :

**ALPHA CONSULTING LIMITED**  
Steel Structure & Façade Specialist

NOTE :

1. ALL DIMENSIONS ARE IN mm.
2. ALL ELEVATIONS ARE VIEWED FROM OUTSIDE.
3. ALL DIMENSIONS TO BE VERIFIED ON SITE BEFORE FABRICATION.

LEGEND :

(X1) --- DETAIL MARK NO.  
(X001) --- REFER SHEET NO.

1. F.F.L. --- FINISHED FLOOR LEVEL
2. S.F.L. --- STRUCTURAL FLOOR LEVEL
3. (R) --- REVERSED DETAIL

4. GLASS LEGEND

- EQI-1 --- 8mmHS+12mm AIR GAP+10mmTP THK. I.G.U.  
EQI-2 --- 10mm THK. CLEAR TEMPERED GLASS  
EQI-4 --- 10mm THK. TEMPERED ACID ETCHED GLASS  
EQI-1A --- 8mmHS+12mm AIR GAP+8mmTP THK. I.G.U.  
BT1/BBT1 --- FIXING DETAIL (DWG. NO. F001)  
BB2 --- FIXING DETAIL (DWG. NO. F002)

| NO. | DATE       | REVISION                         | BY   |
|-----|------------|----------------------------------|------|
| B   | 11/11/2022 | REVISION SUBJECT TO ARCH-COMMENT | ivan |
| A   | 11/7/2022  | REVISION SUBJECT TO ARCH-COMMENT | ivan |

JOB NO. : J-856

PROJECT : PROPOSED DEVELOPMENT ABOVE LIGHT RAIL TIN WING STOP-TSWTL NO.23,AREA 33,TIN SHUI WAI, N.T.

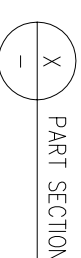
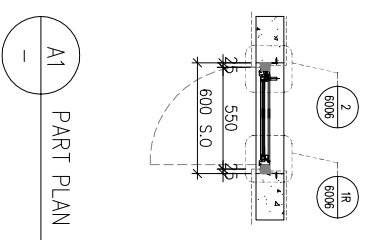
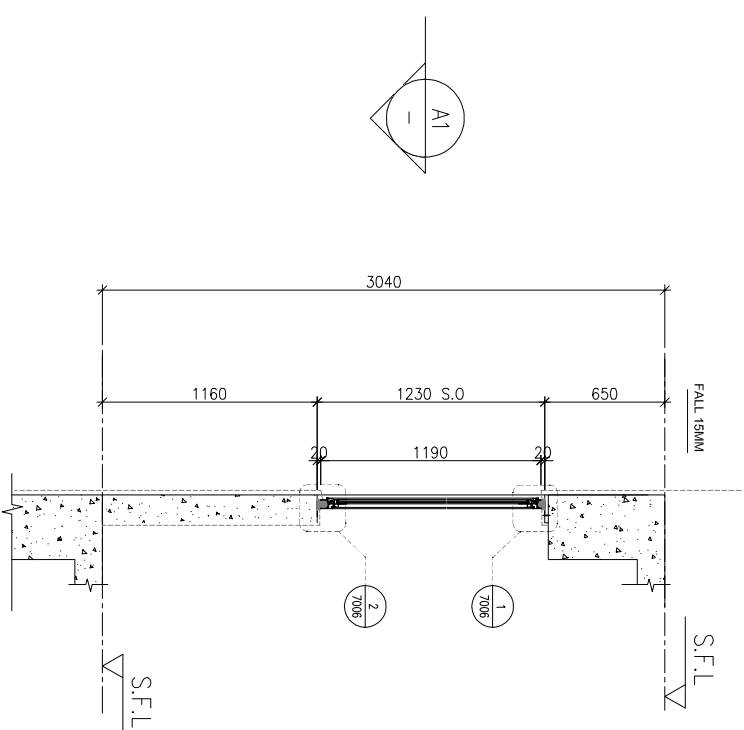
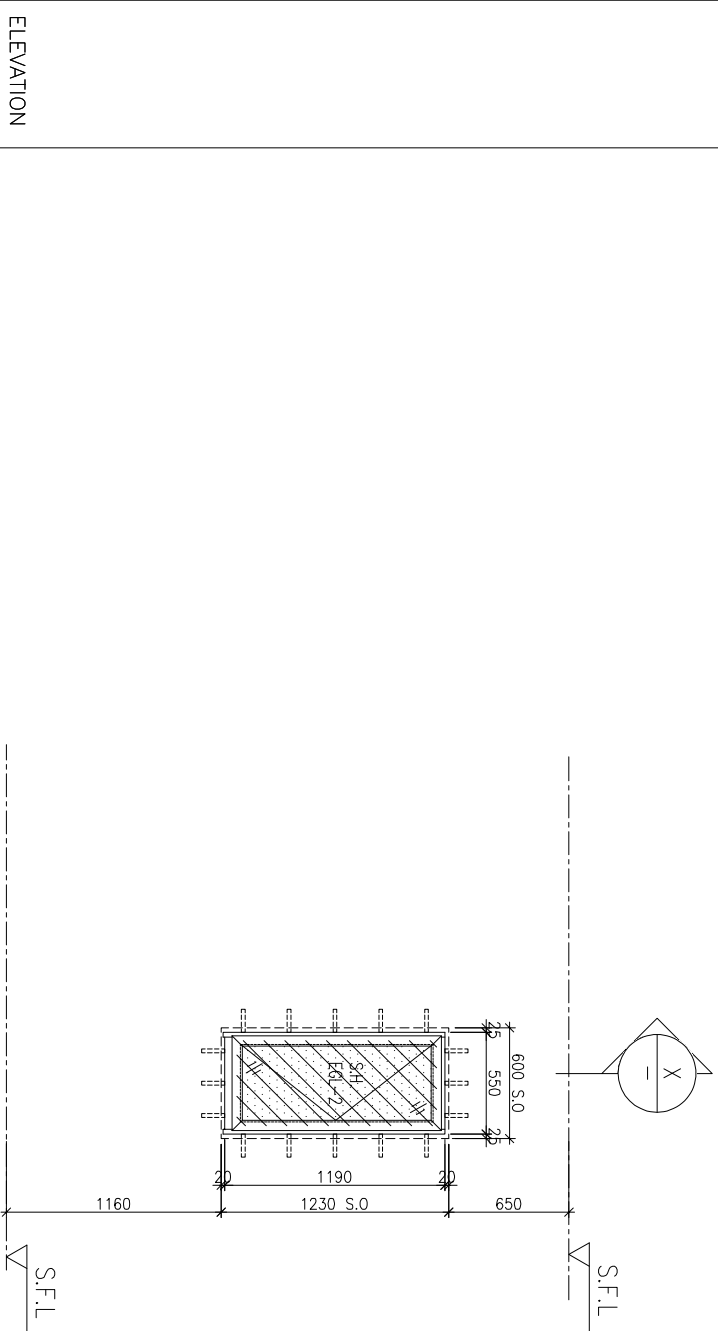
TITLE : WINDOW SCHEDULE FOR TOWER 3 IN-SITU WINDOW

DATE : 21-Jun-22 SCALE : 1:40

DRAWN BY : Ivan CHECKED BY :

**美特鋁質有限公司**  
MIDI ALUMINIUM FABRICATOR LTD.  
Units 6-8, Sunray Industrial Centre, 1/F  
610 Cho Kwai Ling Road, Kowloon  
Tel:23489211-4 Fax:(852)2727666  
DWG NO. : J856-SD-W-5318 REV : B

| REQUIRED |               | PROVIDED     |               |
|----------|---------------|--------------|---------------|
| LOCATION | OPENABLE AREA | GLAZING AREA | OPENABLE AREA |
| B2-LIV   | N/A           | N/A          | 0.497         |
| A15-KIT  | 0.295         | 0.472        | 0.408         |



ELEVATION

| WINDOW MARK   | REQUIRE       | PROVIDED      |
|---|---------------|---------------|
| AM 06R  | OPENABLE AREA | GLAZING AREA  |
| 3/F-42/F(4/F,13/F,14/F,24/F,34/F OMITTED) UNIT {B11}        | N/A           | N/A           |
| 50mm ALUM. SECTION  | 0.295         | 0.472         |
| GLAZING   | GLAZING AREA  | OPENABLE AREA |
| EGL-2   | N/A           | 0.497         |
| 35 Nos.   | 0.408         |               |
| REMARKS   | GLAZING AREA  | OPENABLE AREA |
| 50mm ALUM. WINDOW SECTION , 4 BAR HINGE-LIP HING (HHMS-N14) | 0.408         |               |

| WINDOW MARK   | REQUIRE       | PROVIDED      |
|---|---------------|---------------|
| AM 06   | OPENABLE AREA | GLAZING AREA  |
| 5/F-42/F(4/F,13/F,14/F,24/F,34/F OMITTED) UNIT {A1}         | N/A           | N/A           |
| 50mm ALUM. SECTION  | 0.295         | 0.472         |
| GLAZING   | GLAZING AREA  | OPENABLE AREA |
| EGL-2   | N/A           | 0.497         |
| 34 Nos.   | 0.408         |               |
| REMARKS   | GLAZING AREA  | OPENABLE AREA |
| 50mm ALUM. WINDOW SECTION , 4 BAR HINGE-LIP HING (HHMS-N14) | 0.408         |               |

B.D. REF :

CLIENT :

**SUN HUNG KAI**  
REAL ESTATE AGENCY LTD.  
42/F SUN HUNG KAI CENTRE, WANCHAI, HONGKONG

ARCHITECT :

**lwk&partners**  
a r c h i t e c t s

MAIN CONTRACTOR :

**怡輝建築有限公司**  
**Yee Fai Building Contractors Ltd.**

STRUCTURAL ENGINEER :

**ARUP**

FAÇADE CONSULTANT :

**ALPHA CONSULTING LIMITED**  
Steel Structure & Façade Specialist

ELEVATION

NOTE :  
1. ALL DIMENSIONS ARE IN mm.  
2. ALL ELEVATIONS ARE VIEWED FROM OUTSIDE.  
3. ALL DIMENSIONS TO BE VERIFIED ON SITE BEFORE FABRICATION.

LEGEND :

(X1) — DETAIL MARK NO.  
(X001) — REFER SHEET NO.

1. F.F.L. --- FINISHED FLOOR LEVEL  
2. S.F.L. --- STRUCTURAL FLOOR LEVEL  
3. (R) --- REVERSED DETAIL

4. GLASS LEGEND

EGL-1 --- 8mmHS+12mm AIR GAP+10mmTP THK. I.G.U.  
EGL-2 --- 10mm THK. CLEAR TEMPERED GLASS  
EGL-4 --- 10mm THK. TEMPERED ACID ETCHED GLASS  
EGL-1A --- 8mmHS+12mm AIR GAP+8mmTP THK. I.G.U.  
B11/BB1 --- FIXING DETAIL (DWG. NO. F001)  
BB2 --- FIXING DETAIL (DWG. NO. F002)

| NO. | DATE       | REVISION                         | SUBJECT TO ARCH-COMMENT | BY  |
|-----|------------|----------------------------------|-------------------------|-----|
| C   | 11/11/2022 | REVISION SUBJECT TO ARCH-COMMENT |                         | hwn |
| B   | 31/9/2022  | REVISION SUBJECT TO ARCH-COMMENT |                         | hwn |
| A   | 11/7/2022  | REVISION SUBJECT TO ARCH-COMMENT |                         | hwn |

JOB NO. : J-856

PROJECT : PROPOSED DEVELOPMENT ABOVE LIGHT RAIL TIN WING STOP-TSWTL NO.23,AREA 33,TIN SHUI WAI, N.T.

TITLE : WINDOW SCHEDULE FOR TOWER 3 IN-SITU WINDOW

DATE : 21-Jun-22 SCALE : 1:40

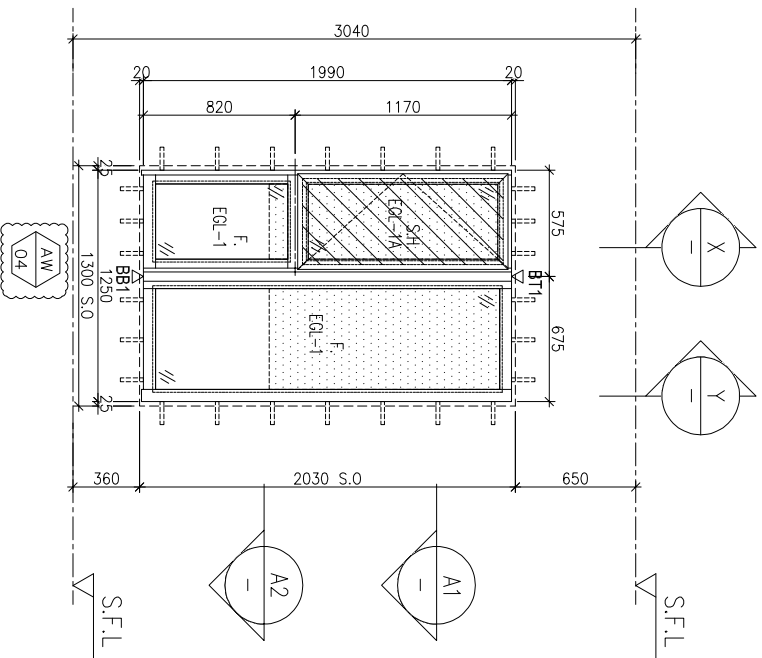
DRAWN BY : ivon CHECKED BY :

Units 6-8, Sunray Industrial Centre, 1/F  
610 Cho Kwo Ling Road, Kwai Tsoum  
Tel:23489211-4 Fax:(852)2727666

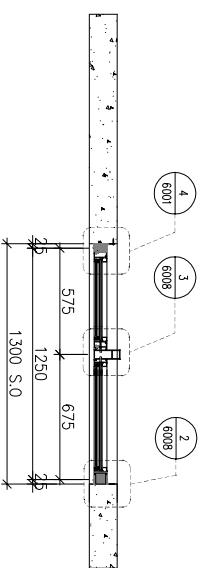
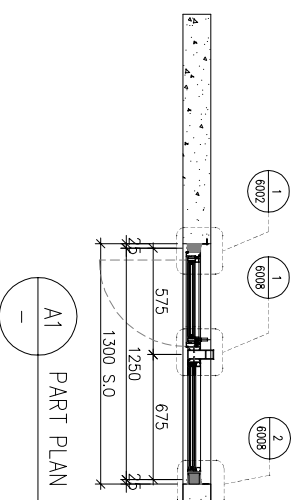
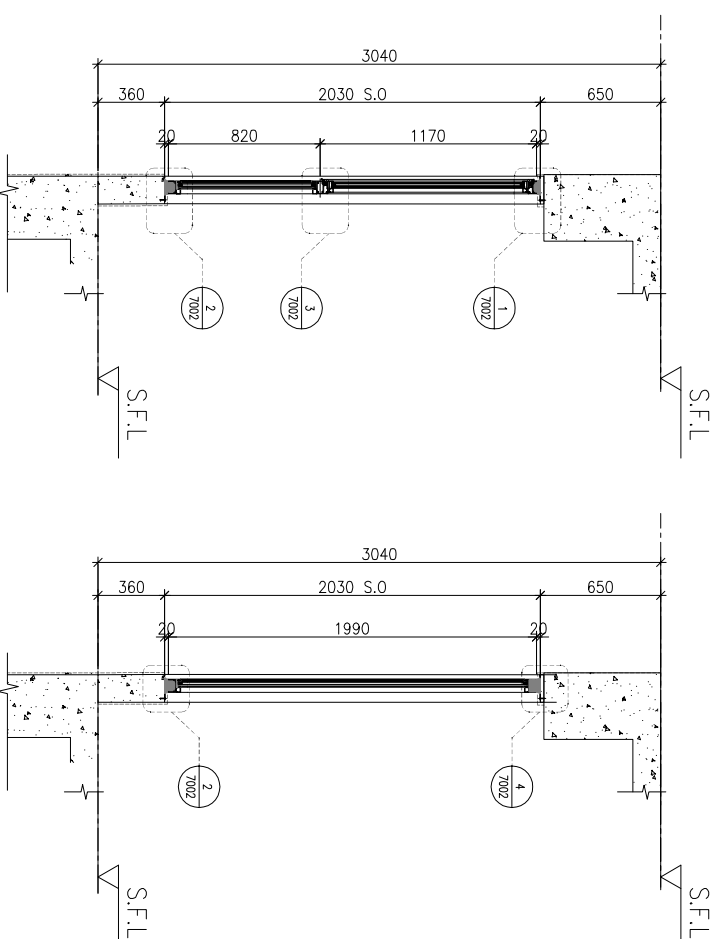
**美特鋁質有限公司**  
MIDI ALUMINIUM FABRICATOR LTD.

DWG NO. : J856-SD-W-5319 REV : C

| REQUIRED |               | PROVIDED     |               |
|----------|---------------|--------------|---------------|
| LOCATION | OPENABLE AREA | GLAZING AREA | OPENABLE AREA |
| A8-MBR   | 0.295         | 0.472        | 0.504         |
|          |               |              | GLAZING AREA  |
|          |               |              | 1.134         |



ELEVATION



|             |   |
|-------------|---|
| WINDOW MARK | AW 04   |
| LOCATION    | 3/F-42/F(4/F,13/F,14/F,24/F,34/F OMITTED) UNIT (29)         |
| SECTION     | 70mm ALUM. SECTION  |
| GLAZING     | EGL-1 / EGL-1A  |
| QUANTITY    | 35 Nos./35 Nos.   |
| REMARKS     | 70mm ALUM. WINDOW SECTION , 4 BAR HINGE-LIP HING (HHMS-N14) |

BD. REF :

CLIENT :

**SUN HUNG KAI**  
REAL ESTATE AGENCY LTD.  
42/F SUN HUNG KAI CENTRE, WANCHAI, HONGKONG

ARCHITECT :

**lwk&partners**  
a r c h i t e c t s

MAIN CONTRACTOR :

**怡輝建築有限公司**  
**Yee Fai** Building Contractors Ltd.

STRUCTURAL ENGINEER :

**ARUP**

FAÇADE CONSULTANT :

**ALPHA CONSULTING LIMITED**  
Steel Structure & Façade Specialist

NOTE :

1. ALL DIMENSIONS ARE IN mm.
2. ALL ELEVATIONS ARE VIEWED FROM OUTSIDE.
3. ALL DIMENSIONS TO BE VERIFIED ON SITE BEFORE FABRICATION.

LEGEND :

(X1) --- DETAIL MARK NO.  
(X001) --- REFER SHEET NO.

1. F.F.L. --- FINISHED FLOOR LEVEL
2. S.F.L. --- STRUCTURAL FLOOR LEVEL
3. (R) --- REVERSED DETAIL

4. GLASS LEGEND

EGL-1 --- 8mmHS+12mm AIR GAP+10mmTP THK. I.G.U.  
EGL-2 --- 10mm THK. CLEAR TEMPERED GLASS  
EQG-4 --- 10mm THK. TEMPERED ACID ETCHED GLASS  
EGL-1A --- 8mmHS+12mm AIR GAP+8mmTP THK. I.G.U.  
BT1/BB1 --- FIXING DETAIL (DWG. NO. F001)  
BB2 --- FIXING DETAIL (DWG. NO. F002)

| NO. | DATE       | REVISION                         | REVISION SUBJECT TO ARCH-COMMENT | BY   |
|-----|------------|----------------------------------|----------------------------------|------|
| B   | 11/11/2022 | REVISION SUBJECT TO ARCH-COMMENT |                                  | ivan |
| A   | 11/7/2022  | REVISION SUBJECT TO ARCH-COMMENT |                                  | ivan |

JOB NO. : J-856

PROJECT : PROPOSED DEVELOPMENT ABOVE LIGHT RAIL TIN WING STOP-TSWTL NO.23,AREA 33,TIN SHUI WAI, N.T.

TITLE : WINDOW SCHEDULE FOR TOWER 3 IN-SITU WINDOW

DATE : 21-Jun-22 SCALE : 1:40

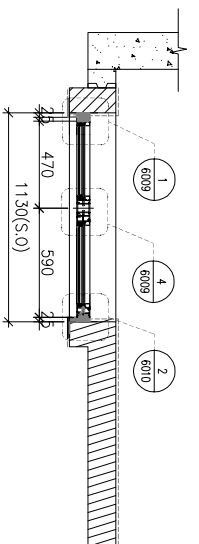
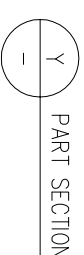
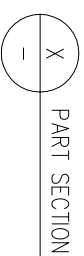
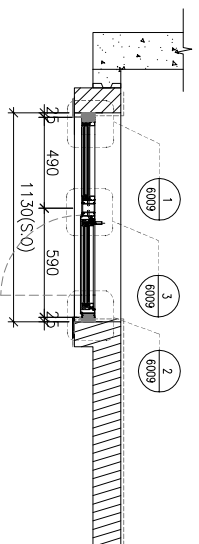
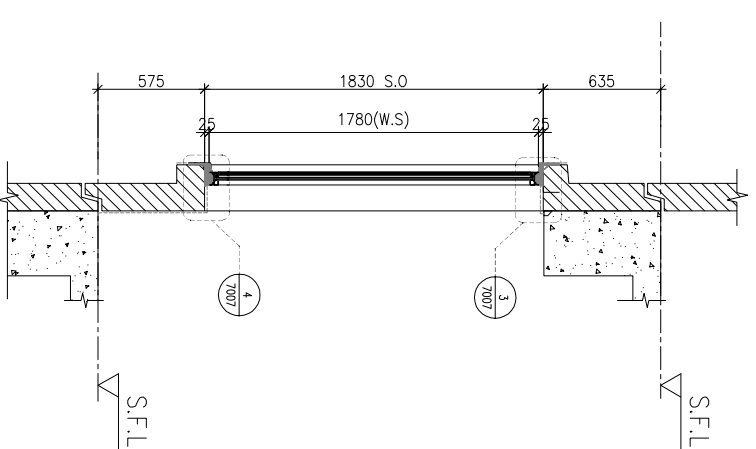
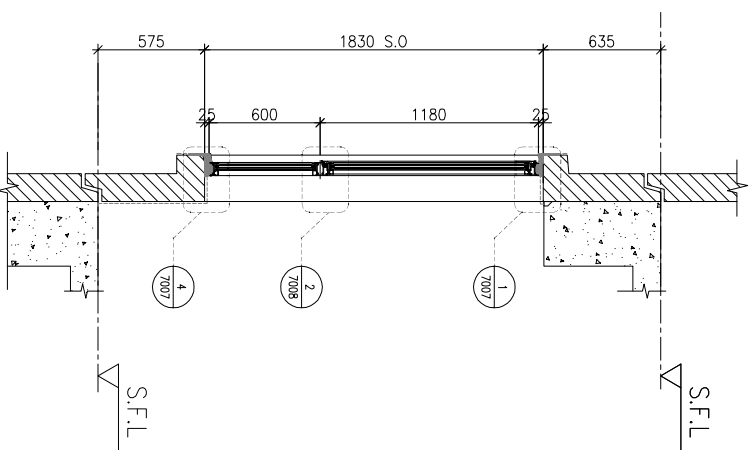
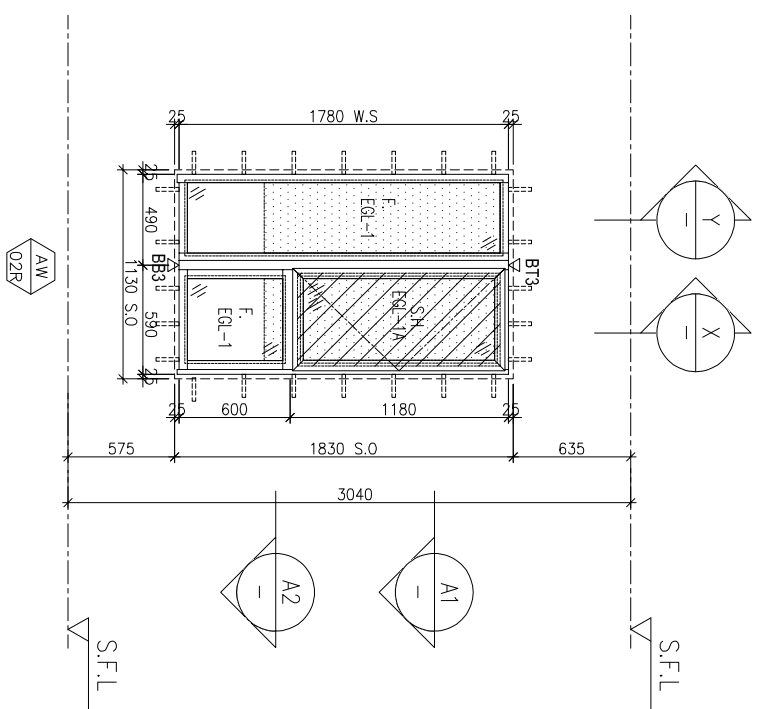
DRAWN BY : Ivan CHECKED BY :

**美特鋁質有限公司**  
MIDI ALUMINIUM FABRICATOR LTD.

Units 6-8, Sunray Industrial Centre, 1/F  
610 Cho Kwai Ling Road, Kowloon  
Tel:23489211-4 Fax:(852)2727666

DWG NO. : J856-SD-W-5320 REV : B

| LOCATION | OPENABLE AREA | GLAZING AREA | OPENABLE AREA | GLAZING AREA |
|----------|---------------|--------------|---------------|--------------|
| A2-BR1   | 0.263         | 0.420        | 0.548         | 0.985        |



| FACADE CODE |         |      |
|-------------|---------|------|
| LWK         | 鴻輝      | UNIT |
| PF-02R      | T3PF-05 | A3   |

**PRECAST WINDOW CHANGE TO IN-SITU WINDOW**

|             |   |
|-------------|---|
| WINDOW MARK | 10/F,16/F,20/F,25/F,29/F,33/F,38/F,42/F UNIT A3                     |
| LOCATION    | 70mm ALUM. SECTION  |
| SECTION     | EGL-1, EGL-1A   |
| GLAZING     | 8 Nos   |
| QUANTITY    | FACADE(TYPE T3PF02R FOR 3/F~42/F) , 4 BAR HINGE-LIP HING (HHMS-N16) |
| REMARKS     |   |

BD. REF :

CLIENT :

**SUN HUNG KAI**  
REAL ESTATE AGENCY LTD.  
42/F, SUN HUNG KAI CENTRE, WANCHAI, HONGKONG

ARCHITECT :

**lwk&partners**  
a r c h i t e c t s

MAIN CONTRACTOR :

**怡輝建築有限公司**  
**Yee Fai Building Contractors Ltd.**

STRUCTURAL ENGINEER :

**ARUP**

FACADE CONSULTANT:

**ALPHA CONSULTING LIMITED**  
Steel Structure & Façade Specialist

- NOTE:
1. ALL DIMENSIONS ARE IN mm.
  2. ALL ELEVATIONS ARE VIEWED FROM OUTSIDE.
  3. ALL DIMENSIONS TO BE VERIFIED ON SITE BEFORE FABRICATION.

LEGEND :

(X1) --- DETAIL MARK NO.  
(X001) --- REFER SHEET NO.

1. F.F.L. --- FINISHED FLOOR LEVEL
2. S.F.L. --- STRUCTURAL FLOOR LEVEL
3. (R) --- REVERSED DETAIL

4. GLASS LEGEND

- EGL-1 --- 6mmHS+12mm AIR GAP+10mmTP THK. I.G.U.  
EGL-2 --- 10mm THK. CLEAR TEMPERED GLASS  
EGL-4 --- 10mm THK. TEMPERED ACID ETCHED GLASS  
EGL-1A --- 6mmHS+12mm AIR GAP+8mmTP THK. I.G.U.  
BT1/BRT1 --- FIXING DETAIL (DWG. NO. F001)  
BB2 --- FIXING DETAIL (DWG. NO. F002)

| NO. | DATE | REVISION | BY |
|-----|------|----------|----|
|     |      |          |    |

JOB NO. : J-856

PROJECT :  
PROPOSED DEVELOPMENT ABOVE  
LIGHT RAIL TIN WING STOP-TSWTL  
NO.23,AREA 33,TIN SHUI WAI, N.T.

TITLE :

WINDOW SCHEDULE FOR  
TOWER 3 ALUM. WINDOW

DATE : 02-Aug-21 SCALE : 1:40

DRAWN BY : Ivan CHECKED BY :

**美特鋁質有限公司**  
MIDI ALUMINIUM FABRICATOR LTD.  
Units 6-8, Sunray Industrial Centre, 1/F  
610 Cho Kwai Ling Road, Kwai Moon  
Tel:23489211-4 Fax:(852)2727666  
DWG NO. : J856-SD-PW-5321 REV. : -

B.D. REF : \_\_\_\_\_

CLIENT :



42/F, SUN HUNG KAI CENTRE, WANCHAI, HONGKONG

ARCHITECT :



MAIN CONTRACTOR :



STRUCTURAL ENGINEER :

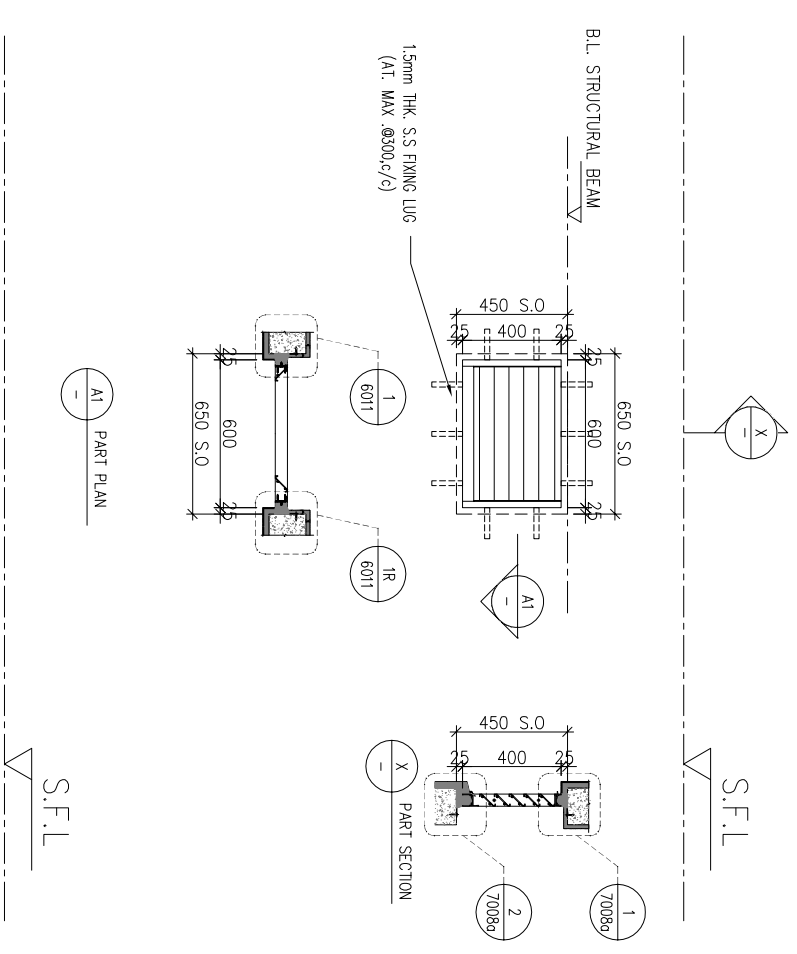
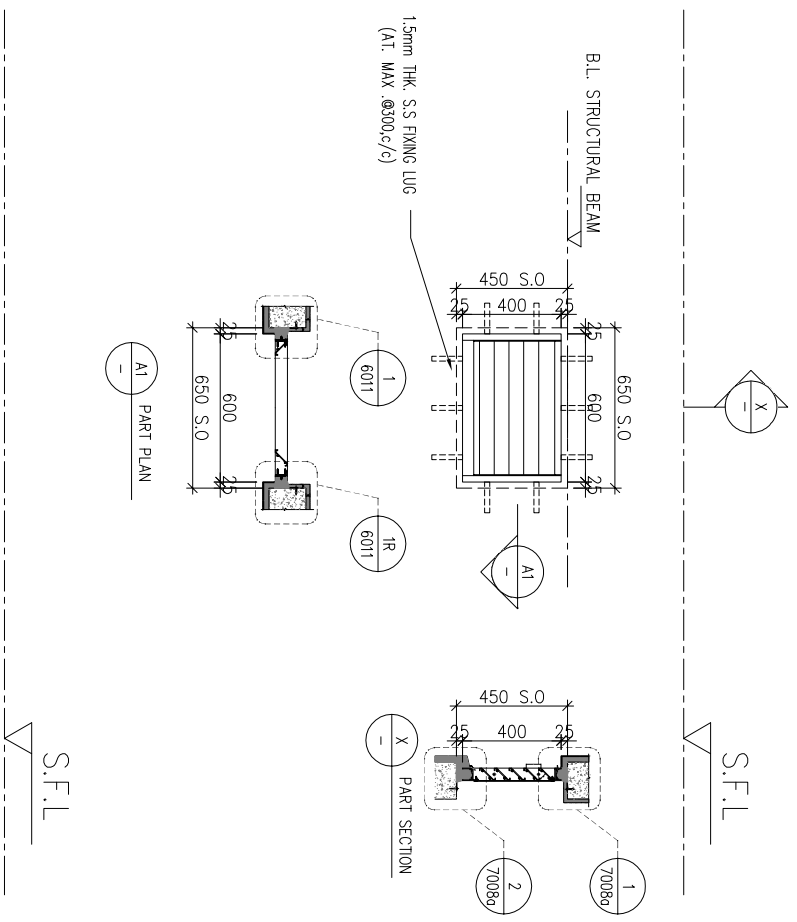


FAÇADE CONSULTANT:



Steel Structure & Façade Specialist

ELEVATION



NOTE:

1. ALL DIMENSIONS ARE IN mm.
2. ALL ELEVATIONS ARE VIEWED FROM OUTSIDE.
3. ALL DIMENSIONS TO BE VERIFIED ON SITE BEFORE FABRICATION.

LEGEND :

(X1) ———— DETAIL MARK NO.  
 (X001) ———— REFER SHEET NO.

1. F.F.L. --- FINISHED FLOOR LEVEL  
 2. S.F.L. --- STRUCTURAL FLOOR LEVEL  
 3. (R) --- REVERSED DETAIL

4. GLASS LEGEND

EQ1-1 --- 6mmHS+12mm AIR GAP+10mmTP THK. I.G.U.  
 EQ1-2 --- 10mm THK. CLEAR TEMPERED GLASS  
 EQ1-4 --- 10mm THK. TEMPERED ACID ETCHED GLASS  
 EQ1-1A --- 6mmHS+12mm AIR GAP+8mmTP THK. I.G.U.  
 BT1/BB1 --- FIXING DETAIL (DWG. NO. F001)  
 BB2 --- FIXING DETAIL (DWG. NO. F002)

| NO.   | DATE | REASON | BY |
|-------|------|--------|----|
| J-856 |      |        |    |

JOB NO. : J-856

PROJECT : PROPOSED DEVELOPMENT ABOVE LIGHT RAIL TIN WING STOP/TSTWTL NO.23,AREA 33,TIN SHUI WAL, N.T.

TITLE : WINDOW SCHEDULE FOR TOWER IN-SITU LOUVER

DATE : 06-Aug-21

SCALE : 1:40

DRAWN BY : Ivan

CHECKED BY :

**美特铝质有限公司**  
**MIDI ALUMINIUM FABRICATOR LTD.**  
 Units 6-8, Sunray Industrial Centre, 1/F  
 610 Cho Kwai Ling Road, Kowloon  
 Tel:23489211-4 Fax:(852)2727666  
 DWG NO. : J856-SD-W-5401 REV : -

|    |                          |        |
|----|--------------------------|--------|
| T1 | R/F: FAN ROOM FOR RS&MRR | 1 NOS. |
| T2 |                          | 1 NOS. |



|             |   |
|-------------|---|
| WINDOW MARK | AL 51   |
| LOCATION    | 50mm ALUM. SECTION                                  |
| SECTION     | ALUM. LOUVER BLADE COLOR CODE: BLACK FREE AREA: 50% |
| QUANTITY    | 2 NOS.  |
| REMARKS     | SS WIRE MESH  |

|             |  |
|-------------|--|
| WINDOW MARK | AL 52  |
| LOCATION    | 50mm ALUM. SECTION                                   |
| SECTION     | ALUM. LOUVER BLADE COLOUR CODE: BLACK FREE AREA: 50% |
| QUANTITY    | 11 NOS.  |
| REMARKS     | SS WIRE MESH   |

B.D. REF :

CLIENT :

**SUN HUNG KAI**  
REAL ESTATE AGENCY LTD.  
42/F, SUN HUNG KAI CENTRE, WANCHAI, HONGKONG

ARCHITECT :

**lwk&partners**  
a r c h i t e c t s

MAIN CONTRACTOR :

**怡輝建築有限公司**  
**Yee Fai Building Contractors Ltd.**

STRUCTURAL ENGINEER :

**ARUP**

FAÇADE CONSULTANT:

**ALPHA CONSULTING LIMITED**  
Steel Structure & Façade Specialist

NOTE :

1. ALL DIMENSIONS ARE IN mm.
2. ALL ELEVATIONS ARE VIEWED FROM OUTSIDE.
3. ALL DIMENSIONS TO BE VERIFIED ON SITE BEFORE FABRICATION.

LEGEND :

(X1) — DETAIL MARK NO.  
(X001) — REFER SHEET NO.

1. F.F.L. --- FINISHED FLOOR LEVEL
2. S.F.L. --- STRUCTURAL FLOOR LEVEL
3. (R) --- REVERSED DETAIL

4. GLASS LEGEND

EQ1-1--8mmHS+12mm AIR GAP+10mmTP THK. I.G.U.  
EQ1-2--10mm THK. CLEAR TEMPERED GLASS  
EQ1-4--10mm THK. TEMPERED ACID ETCHED GLASS  
EQ1-1A-8mmHS+12mm AIR GAP+8mmTP THK. I.G.U.  
BT1/BB1-FIXING DETAIL (DWG. NO. F001)  
BB2-FIXING DETAIL (DWG. NO. F002)

NO. DATE REVISION BY

J-856

JOB NO. : J-856

PROJECT :  
PROPOSED DEVELOPMENT ABOVE  
LIGHT RAIL TIN WING STOP-TSWTL  
NO.23,AREA 33,TIN SHUI WAI, N.T.

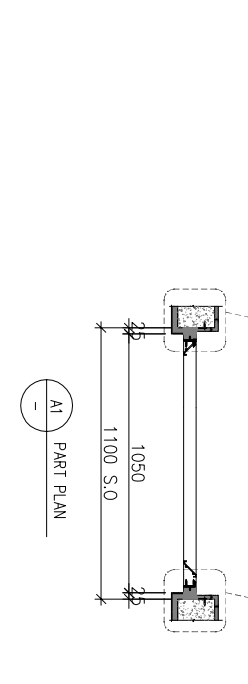
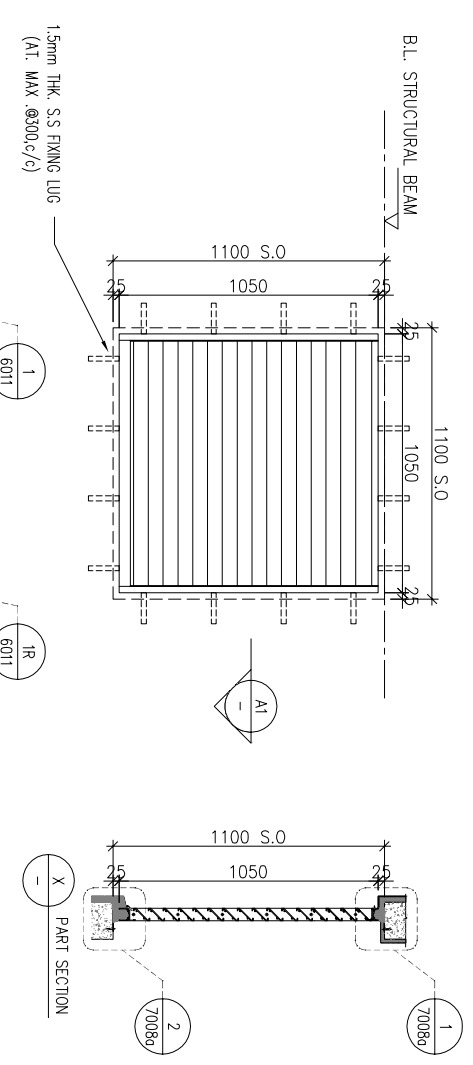
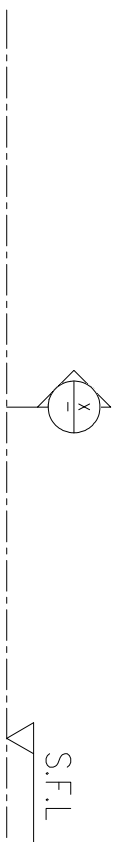
TITLE :  
LOUVER SCHEDULE FOR  
TOWER IN-SITU LOUVER

DATE : 06-Aug-21 SCALE : 1:40

DRAWN BY : IYVN CHECKED BY :

**美特鋁質有限公司**  
MIDI ALUMINIUM FABRICATOR LTD.  
Units 6-8, Sunray Industrial Centre, 1/F  
610 Cho Kwai Ling Road, Kowloon  
Tel:23489211-4 Fax:(852)2727666

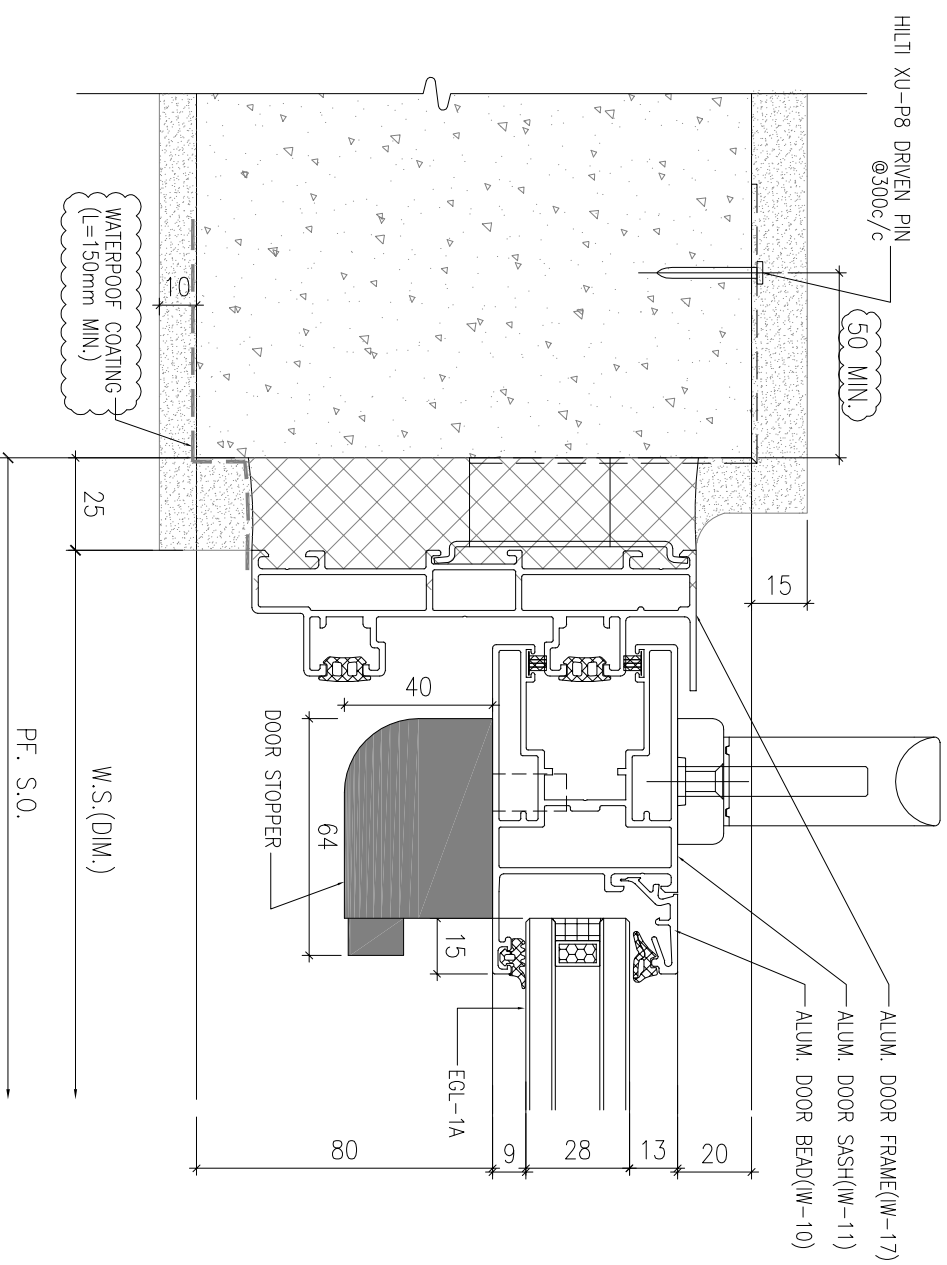
DWG NO. : J856-SD-IW-5402 REV. : -



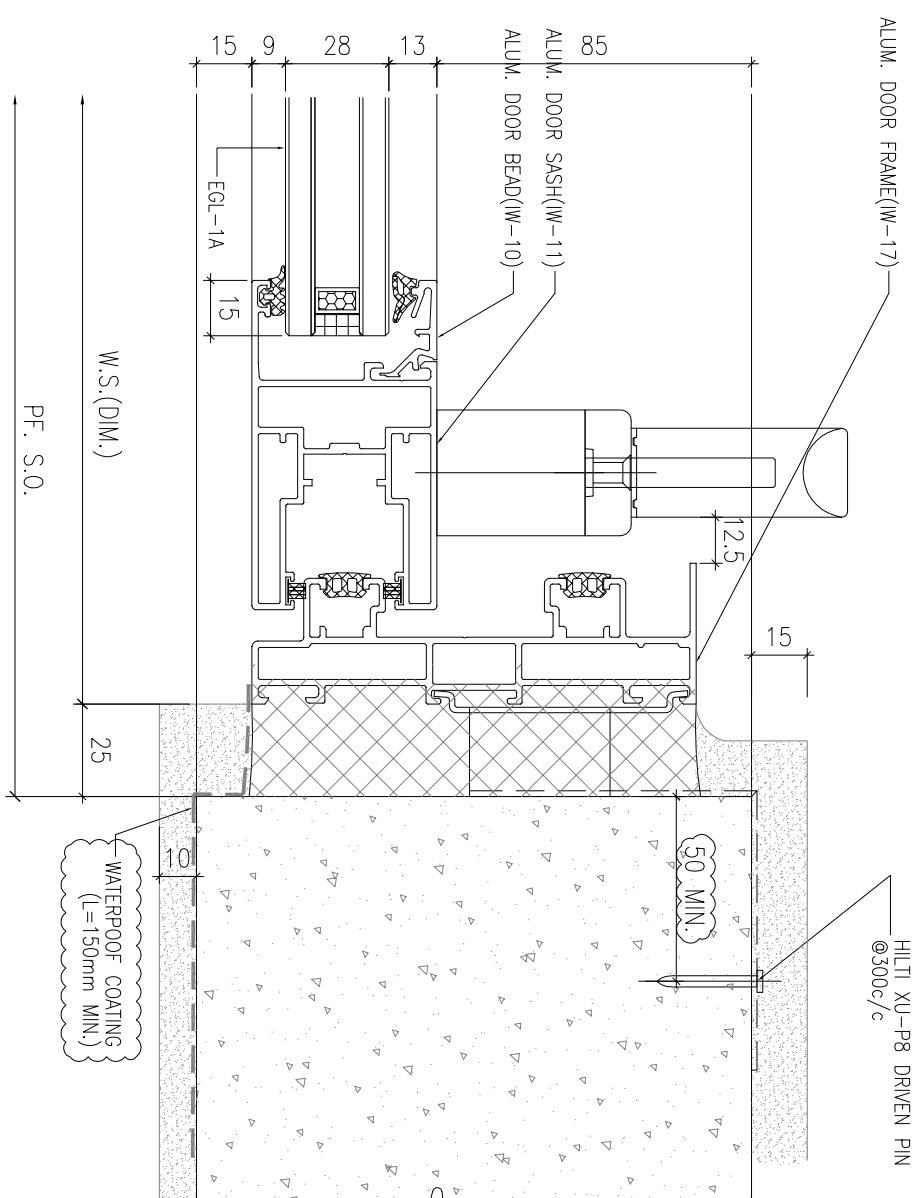
ELEVATION

|             |  |
|-------------|--|
| WINDOW MARK | AL<br>53   |
| LOCATION    |  |
| SECTION     | 50mm ALUM. SECTION                                   |
| GLAZING     | ALUM. LOUVER BLADE COLOUR CODE: BLACK FREE AREA: 50% |
| QUANTITY    | 6 NOS.   |
| REMARKS     | SS WIRE MESH   |

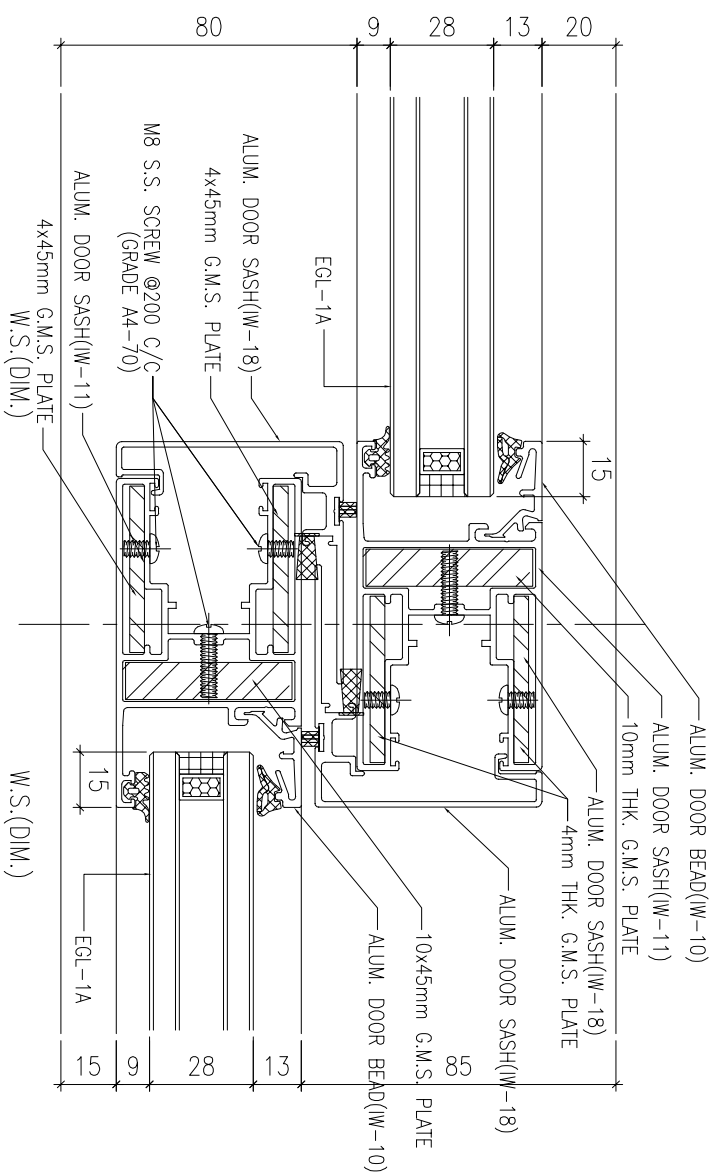
|    |        |
|----|--------|
| T1 | 2 NOS. |
| T2 | 2 NOS. |
| T3 | 2 NOS. |



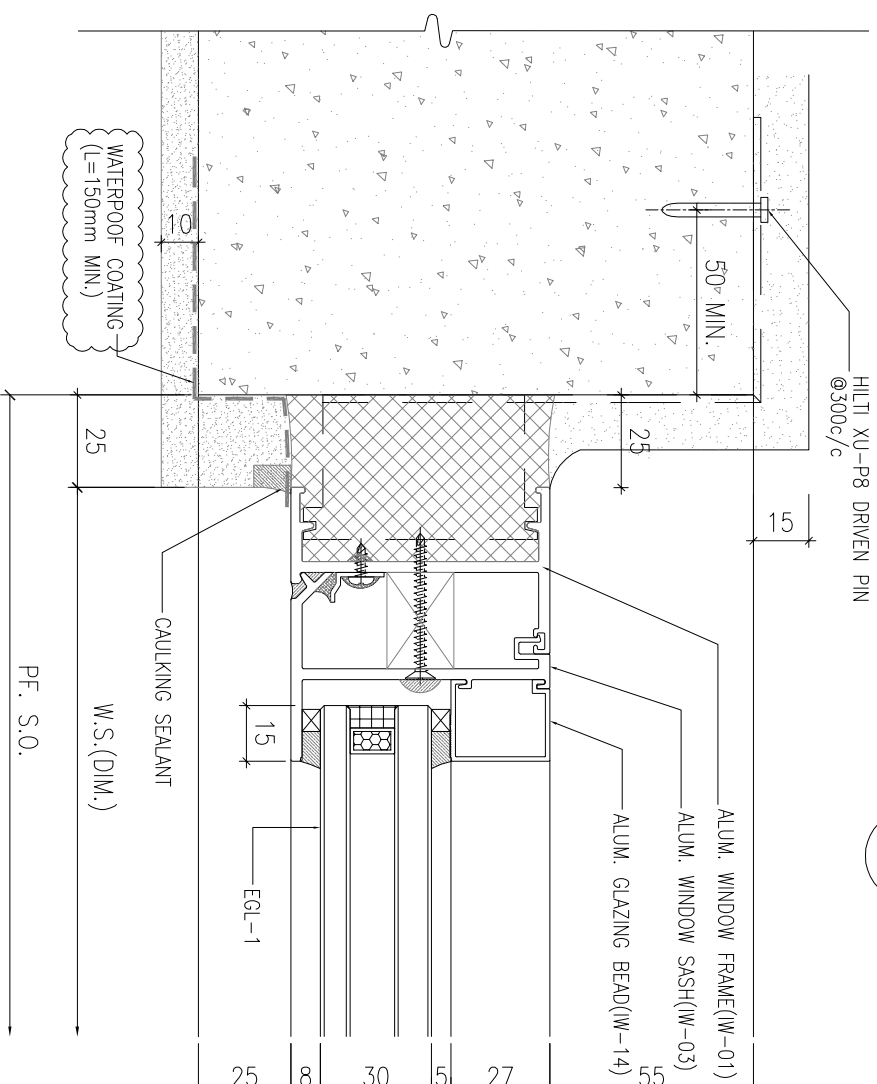
1 HORIZONTAL DETAIL  
SCALE 1:2



2 HORIZONTAL DETAIL  
SCALE 1:2



3 HORIZONTAL DETAIL  
SCALE 1:2



4 HORIZONTAL DETAIL  
SCALE 1:2

B.D. REF :

CLIENT :

**SUN HUNG KAI**  
REAL ESTATE AGENCY LTD.  
42/F SUN HUNG KAI CENTRE, WANCHAI, HONGKONG

ARCHITECT :

**lwk&partners**  
ARCHITECTS

MAIN CONTRACTOR :

**Yee Fai** 怡輝建築有限公司  
Building Contractors Ltd.

STRUCTURAL ENGINEER :

**ARUP**

FAÇADE CONSULTANT :

**ALPHA CONSULTING LIMITED**  
Steel Structure & Façade Specialist

NOTE :

1. ALL DIMENSIONS ARE IN mm.
2. ALL ELEVATIONS ARE VIEWED FROM OUTSIDE.
3. ALL DIMENSIONS TO BE VERIFIED ON SITE BEFORE FABRICATION.

LEGEND :

X1 --- DETAIL MARK NO.  
X001 --- REFER SHEET NO.

1. F.F.L. --- FINISHED FLOOR LEVEL
2. S.F.L. --- STRUCTURAL FLOOR LEVEL
3. (R) --- REVERSED DETAIL

4. GLASS LEGEND

EGL-1 --- 6mmH+12mm AIR GAP+10mmTP THK. I.G.U.  
EGL-1A --- 6mmH+12mm AIR GAP+9mmTP THK. I.G.U.  
EGL-2 --- 10mm THK. CLEAR TEMPERED GLASS  
EGL-4 --- 10mm THK. TEMPERED ACID ETCHED GLASS

| NO. | DATE       | REVISION                          | REVISION SUBJECT TO ARCH.COMMENT | BY |
|-----|------------|-----------------------------------|----------------------------------|----|
| B   | 28/07/2022 | REVISION SUBJECT TO ALPHA COMMENT |                                  |    |
| A   | 10/11/2021 | REVISION SUBJECT TO ARCH.COMMENT  |                                  |    |

JOB NO. : J-856

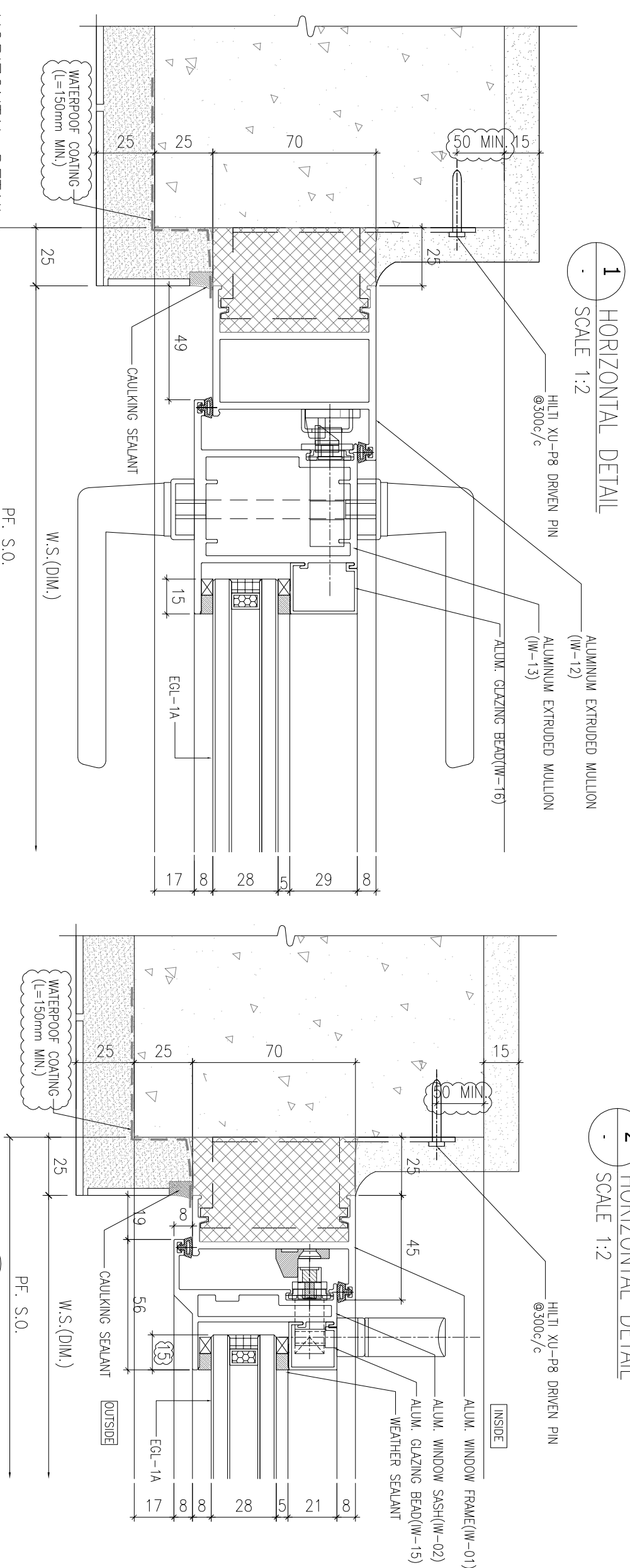
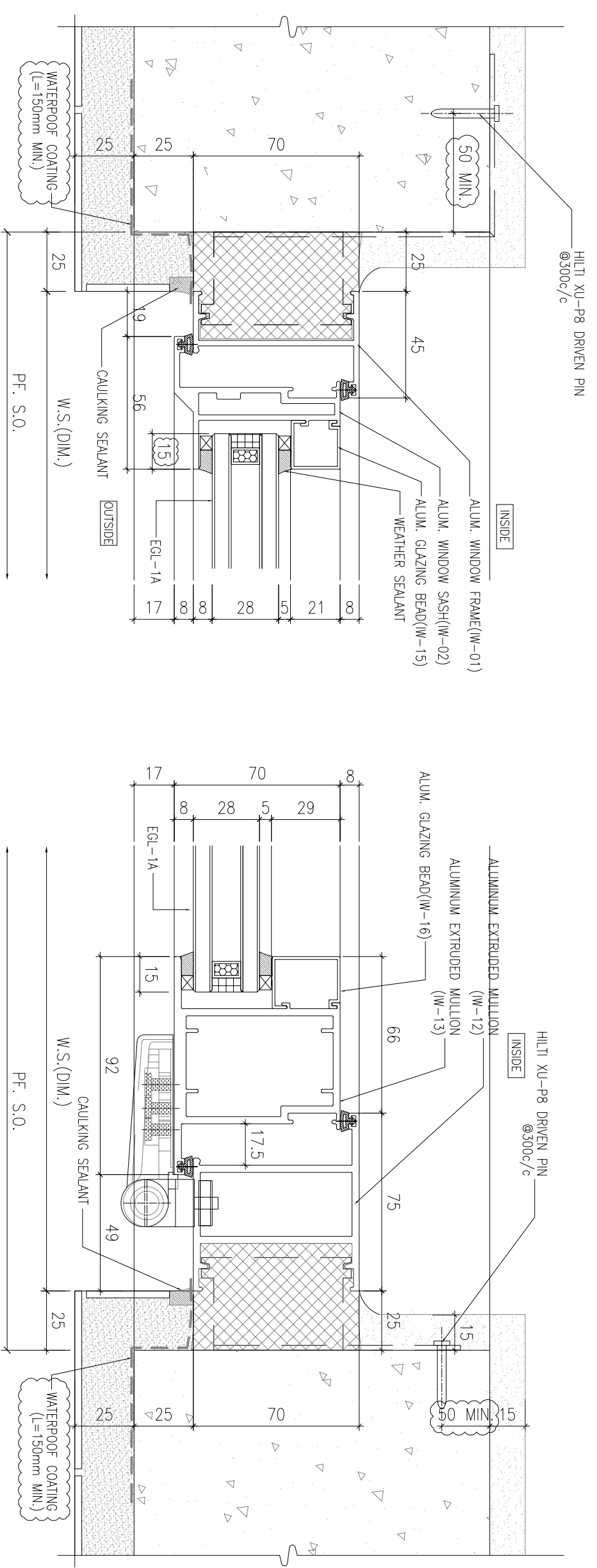
PROJECT : PROPOSED DEVELOPMENT ABOVE LIGHT RAIL TIN WING STOP/TSWTL NO.23,AREA 33,TIN SHUI WAI, N.T.

TITLE : TYPICAL DETAILS FOR IN-SITU WINDOW

DATE : 02-Aug-21 SCALE : 1:40

DRAWN BY : IYVN CHECKED BY :

**美特鋁質有限公司**  
MIDI ALUMINIUM FABRICATOR LTD.  
Units 6-8, Sunray Industrial Centre, 1/F  
610 Cho Kwai Ling Road, Kowloon  
Tel:23489211-4 Fax:(852)27275666  
DWG NO. : J856-SD-W-6001 REV. : B



B.D. REF :

CLIENT :



42/F, SUN HUNG KAI CENTRE, WANCHAI, HONGKONG

ARCHITECT :



MAIN CONTRACTOR :



STRUCTURAL ENGINEER :



FAÇADE CONSULTANT :



Steel Structure & Façade Specialist

- NOTE :**
1. ALL DIMENSIONS ARE IN mm.
  2. ALL ELEVATIONS ARE VIEWED FROM OUTSIDE.
  3. ALL DIMENSIONS TO BE VERIFIED ON SITE BEFORE FABRICATION.
- LEGEND :**
- X1 --- DETAIL MARK NO.
  - X1001 --- REFER SHEET NO.

1. F.F.L. --- FINISHED FLOOR LEVEL
  2. S.F.L. --- STRUCTURAL FLOOR LEVEL
  3. (R) --- REVERSED DETAIL
- 4. GLASS LEGEND**
- EGL-1---8mmH+12mm AIR GAP+10mmTP THK. IG.U.
  - EGL-1A---8mmH+12mm AIR GAP+9mmTP THK. IG.U.
  - EGL-2---10mm THK. CLEAR TEMPERED GLASS
  - EGL-4---10mm THK. TEMPERED ACID ETCHED GLASS

| NO. | DATE       | REVISION                          | REVISION SUBJECT TO ARCH/COMMENT | BY   |
|-----|------------|-----------------------------------|----------------------------------|------|
| B   | 28/07/2022 | REVISION SUBJECT TO ALPHA COMMENT |                                  | ivan |
| A   | 10/11/2021 | REVISION SUBJECT TO ARCH/COMMENT  |                                  | ivan |

JOB NO. : J-856

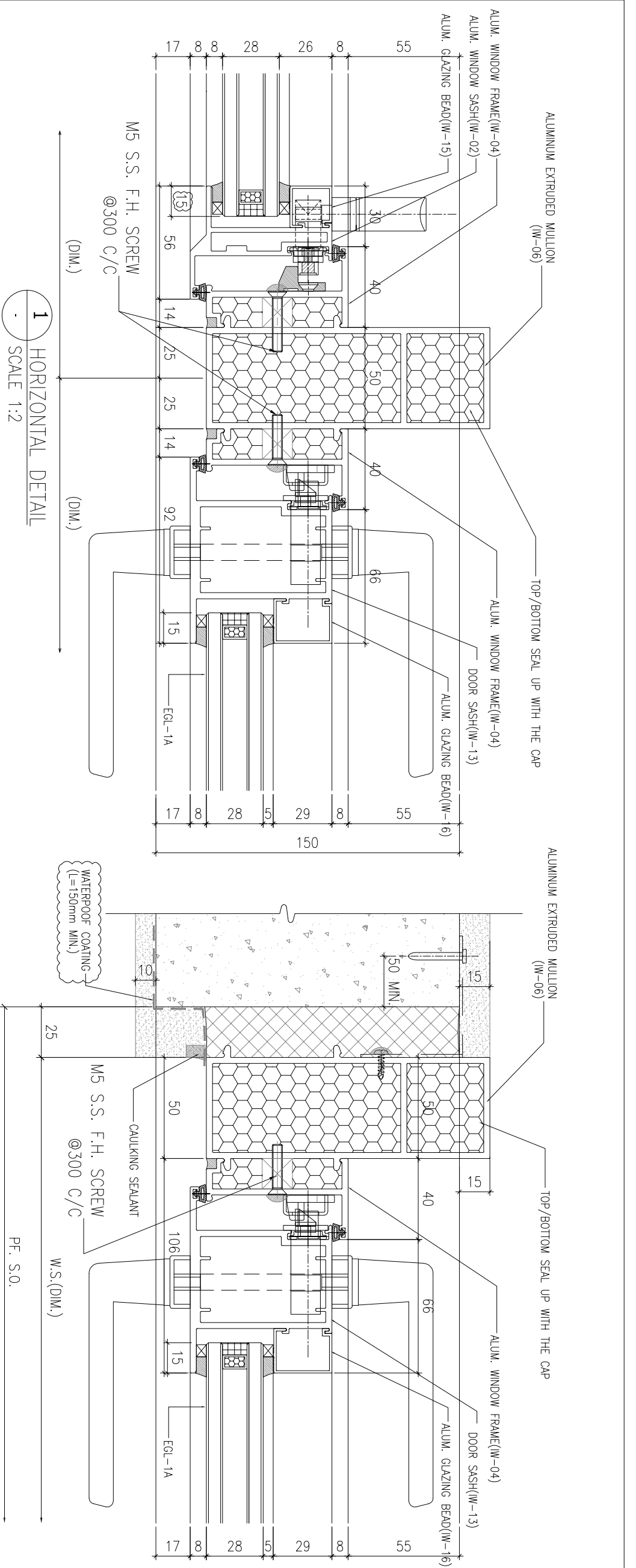
PROJECT : PROPOSED DEVELOPMENT ABOVE LIGHT RAIL TIN WING STOP,TSWTL NO.23,AREA 33,TIN SHUI WAI, N.T.

TITLE : TYPICAL DETAILS FOR IN-SITU WINDOW

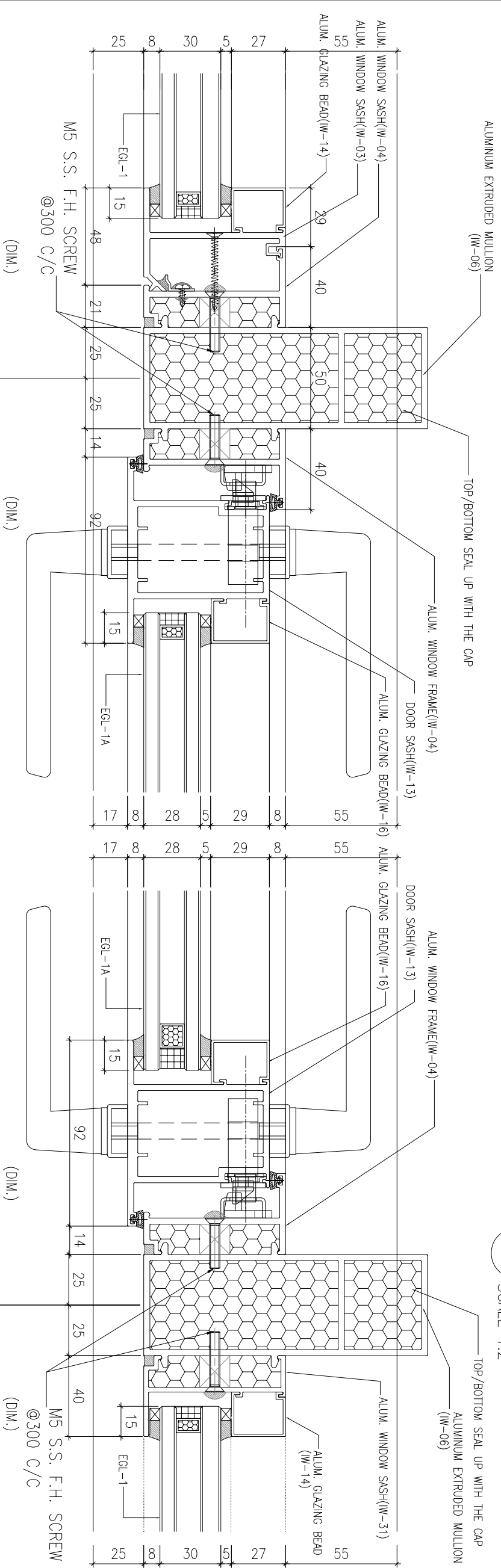
DATE : 02-Aug-21 SCALE : 1:40

DRAWN BY : Ivan CHECKED BY :

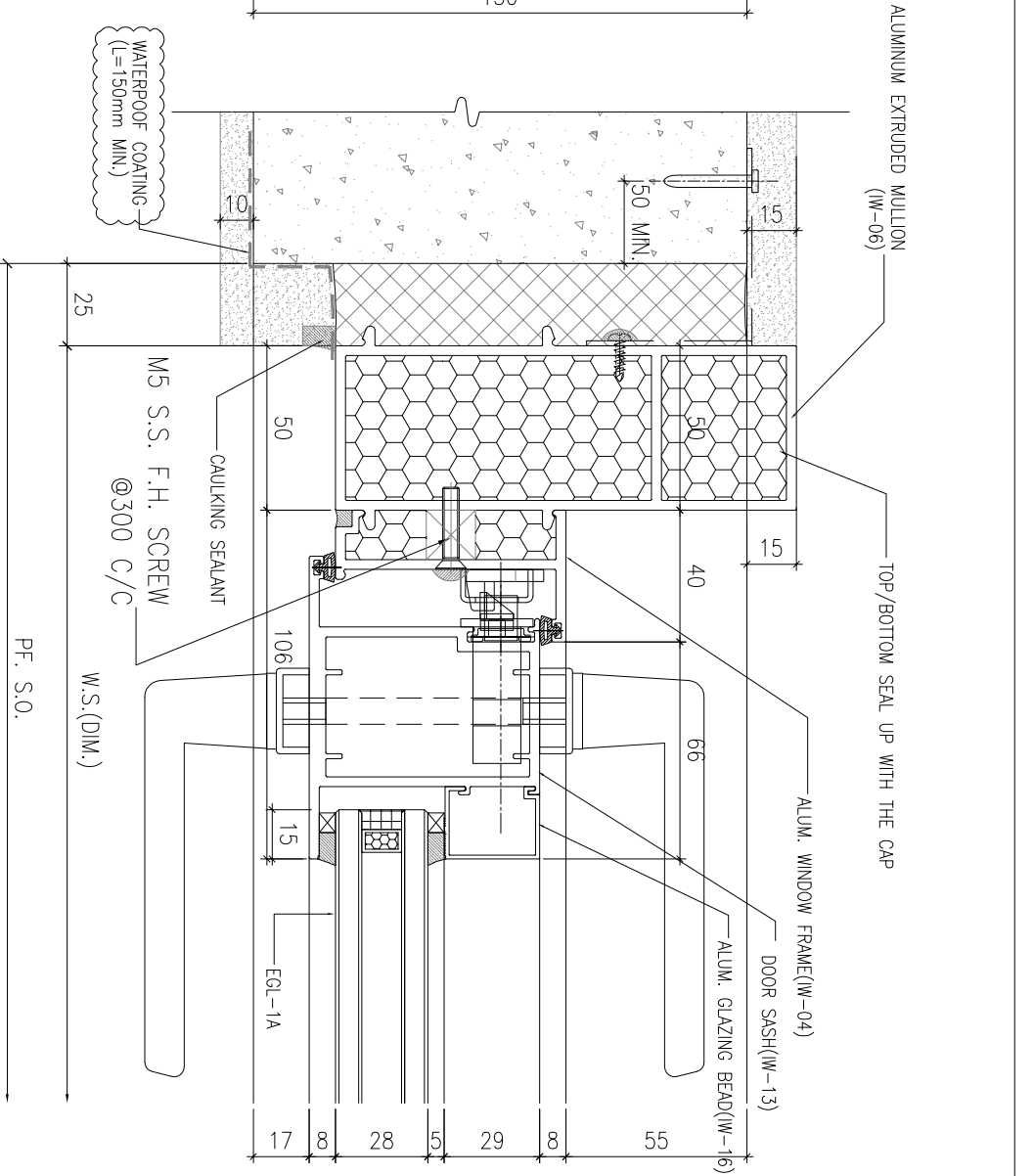
UNITED ALUMINIUM FABRICATOR LTD.  
MIDI 美特铝质有限公司  
Units 6-8, Sunray Industrial Centre, 1/F  
610 Cho Kwo Ling Road, Kowloon  
Tel:23489211-4 Fax:(852)2727666  
DWG NO. : J856-SD-W-6002 REV. : B



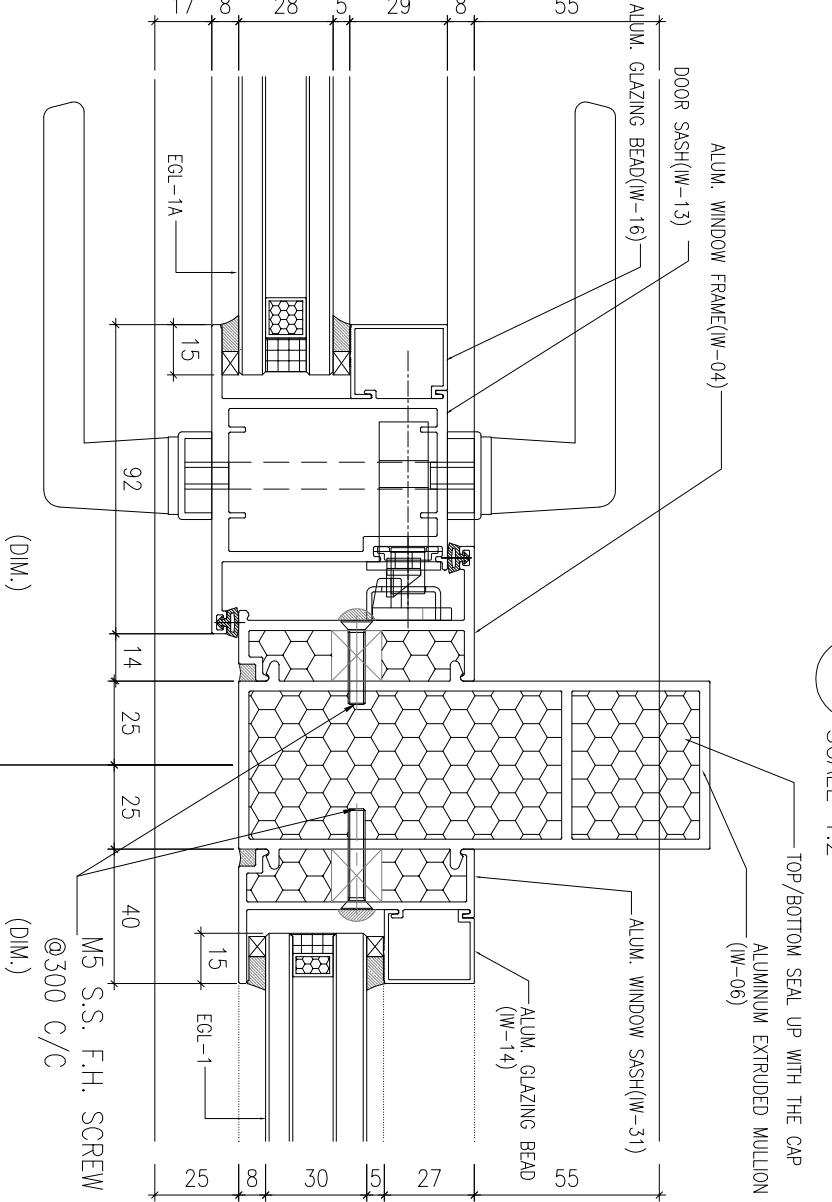
1 HORIZONTAL DETAIL  
SCALE 1:2



2 HORIZONTAL DETAIL  
SCALE 1:2



3 HORIZONTAL DETAIL  
SCALE 1:2



4 HORIZONTAL DETAIL  
SCALE 1:2

BD. REF. :

CLIENT : **SUN HUNG KAI**  
REAL ESTATE AGENCY LTD.  
42/F SUN HUNG KAI CENTRE, WANCHAI, HONGKONG

ARCHITECT : **lwk&partners**  
A R C H I T E C T S

MAIN CONTRACTOR : **Yee Fai Building Contractors Ltd.**

STRUCTURAL ENGINEER : **ARUP**

FAÇADE CONSULTANT : **ALPHA CONSULTING LIMITED**  
Steel Structure & Façade Specialist

- NOTE :
1. ALL DIMENSIONS ARE IN mm.
  2. ALL ELEVATIONS ARE VIEWED FROM OUTSIDE.
  3. ALL DIMENSIONS TO BE VERIFIED ON SITE BEFORE FABRICATION.
- LEGEND :
- X1 --- DETAIL MARK NO.
- X001 --- REFER SHEET NO.

1. F.F.L. --- FINISHED FLOOR LEVEL
  2. S.F.L. --- STRUCTURAL FLOOR LEVEL
  3. (R) --- REVERSED DETAIL
  4. GLASS LEGEND
- EGL-1 --- 6mmH+12mm AIR GAP+10mmTP THK. I.G.U.
- EGL-1A --- 6mmH+12mm AIR GAP+9mmTP THK. I.G.U.
- EGL-2 --- 10mm THK. CLEAR TEMPERED GLASS
- EGL-4 --- 10mm THK. TEMPERED ACID ETCHED GLASS

| NO. | DATE       | REVISION                          | REVISION SUBJECT TO ARCH.COMMENT | BY  |
|-----|------------|-----------------------------------|----------------------------------|-----|
| B   | 28/07/2022 | REVISION SUBJECT TO ALPHA COMMENT |                                  | lwk |
| A   | 10/11/2021 | REVISION SUBJECT TO ARCH.COMMENT  |                                  | lwk |

JOB NO. : J-856

PROJECT : PROPOSED DEVELOPMENT ABOVE LIGHT RAIL TIN WING STOP-TS/WTL NO.23,AREA 33,TIN SHUI WAI, N.T.

TITLE : TYPICAL DETAILS FOR IN-SITU WINDOW

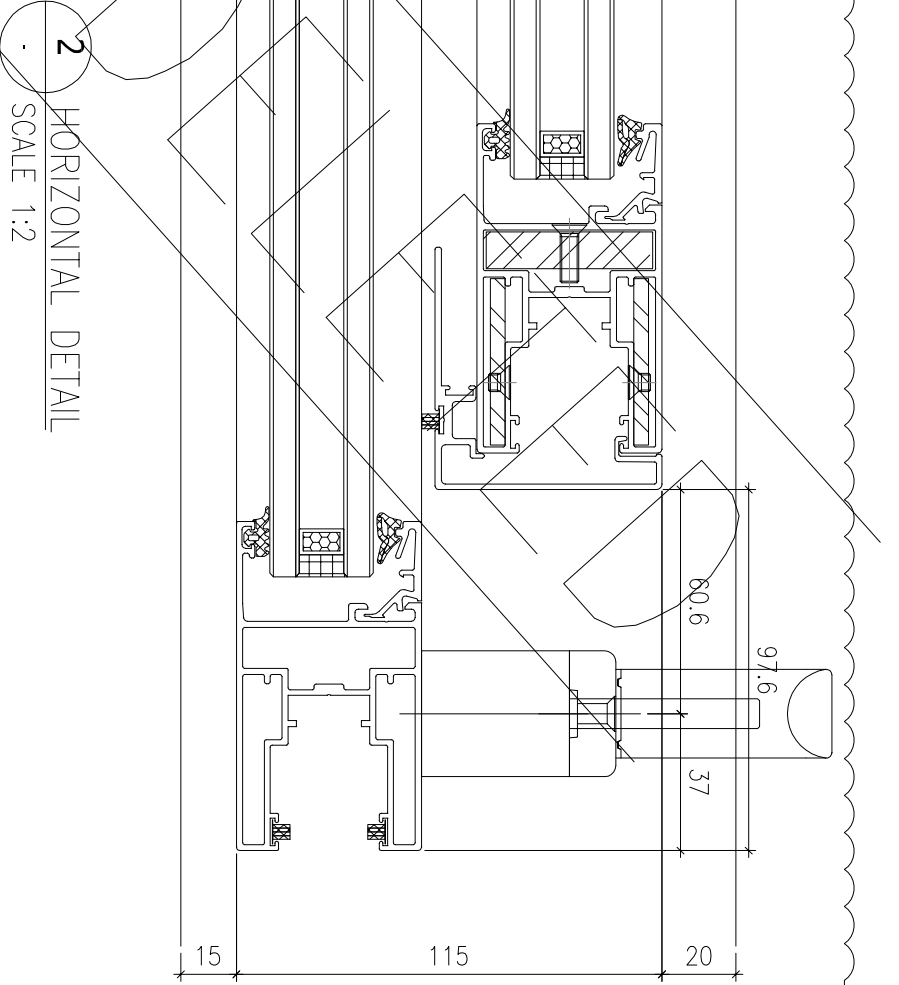
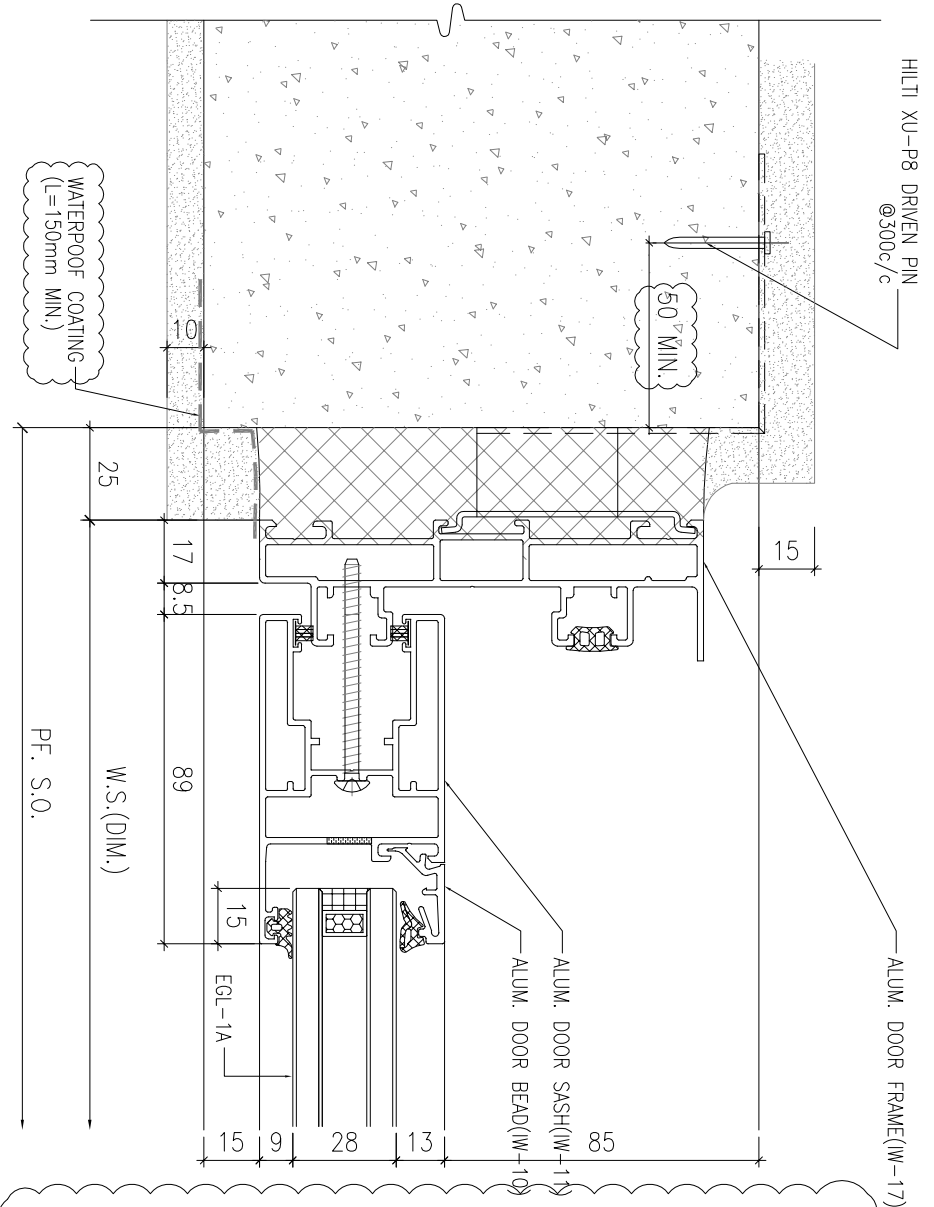
DATE : 02-Aug-21 SCALE : 1:40

DRAWN BY : lwnn CHECKED BY :

UNITED ALUMINUM FABRICATOR LTD.  
MIDI ALUMINUM FABRICATOR LTD.

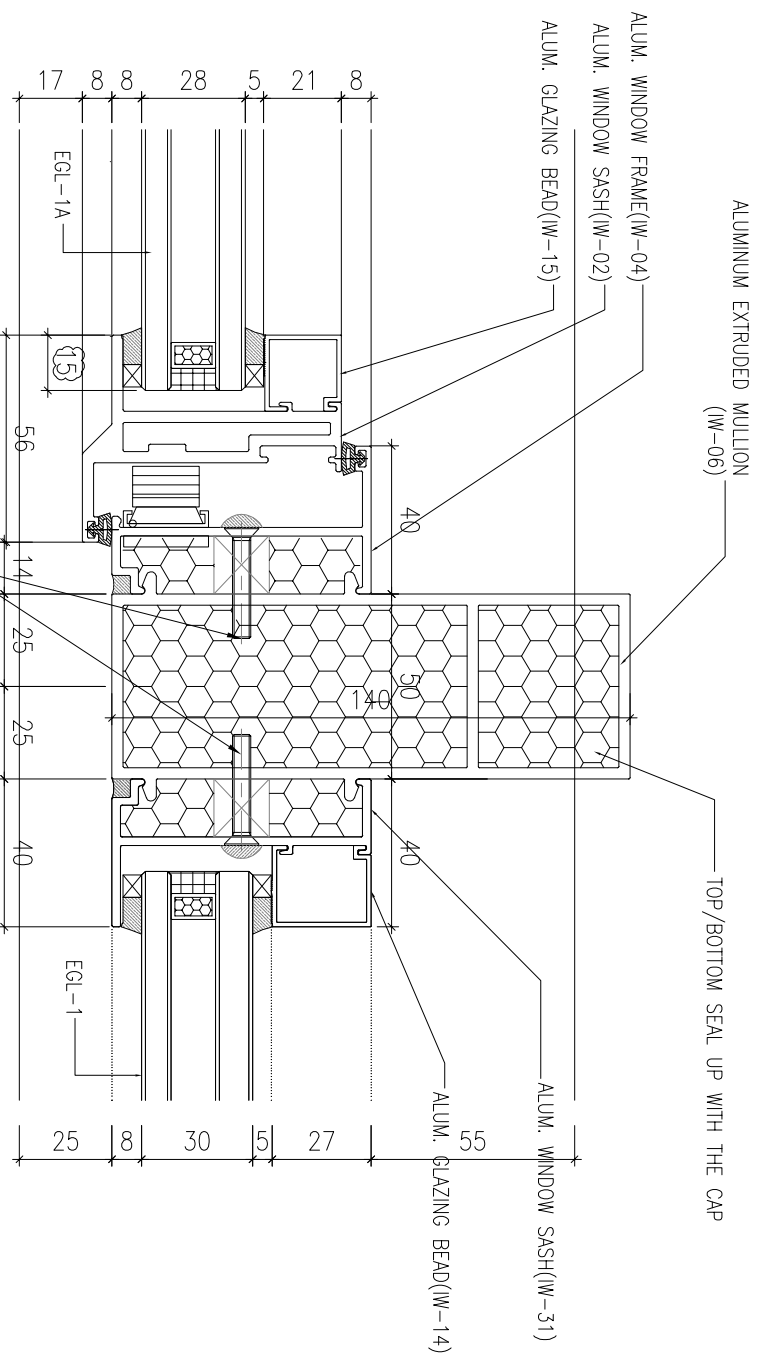
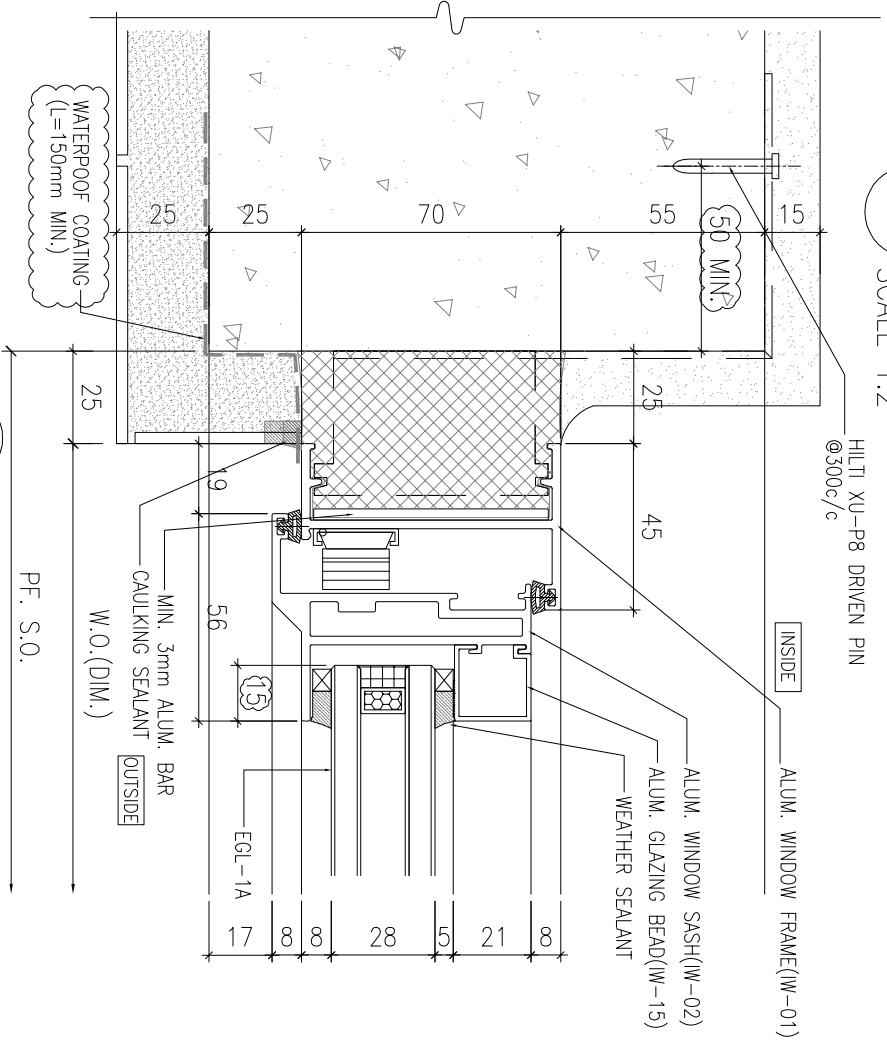
Units 6-8, Sunny Industrial Centre, 1/F  
610 Cho Kwong Road, Kowloon  
Tel:23489211-4 Fax:(852)27275666

DWG NO. : J856-SD-W-6003 REV. : B



1 HORIZONTAL DETAIL  
SCALE 1:2

2 HORIZONTAL DETAIL  
SCALE 1:2



3 HORIZONTAL DETAIL  
SCALE 1:2

4 HORIZONTAL DETAIL  
SCALE 1:2

B.D. REF :

CLIENT :

**SUN HUNG KAI**  
REAL ESTATE AGENCY LTD.  
42/F, SUN HUNG KAI CENTRE, WANCHAI, HONGKONG

ARCHITECT :

**lwk&partners**  
ARCHITECTS

MAIN CONTRACTOR :

**Yee Fai** 怡輝建築有限公司  
Building Contractors Ltd.

STRUCTURAL ENGINEER :

**ARUP**

FAÇADE CONSULTANT :

**Alpha Consulting Limited**  
Steel Structure & Façade Specialist

- NOTE :
1. ALL DIMENSIONS ARE IN mm.
  2. ALL ELEVATIONS ARE VIEWED FROM OUTSIDE.
  3. ALL DIMENSIONS TO BE VERIFIED ON SITE BEFORE FABRICATION.

LEGEND :

X1 --- DETAIL MARK NO.  
X001 --- REFER SHEET NO.

1. F.F.L. --- FINISHED FLOOR LEVEL
  2. S.F.L. --- STRUCTURAL FLOOR LEVEL
  3. (R) --- REVERSED DETAIL
  4. GLASS LEGEND
- EGL-1 --- 6mmH5+12mm AIR GAP+10mmTP THK. LG.U.  
EGL-1A --- 6mmH5+12mm AIR GAP+9mmTP THK. LG.U.  
EGL-2 --- 10mm THK. CLEAR TEMPERED GLASS  
EGL-4 --- 10mm THK. TEMPERED ACID ETCHED GLASS

| NO. | DATE       | REVISION                          | BY  |
|-----|------------|-----------------------------------|-----|
| D   | 28/07/2022 | REVISION SUBJECT TO ALPHA COMMENT | lwn |
| C   | 22/06/2022 | REVISION SUBJECT TO ARCH.COMMENT  | lwn |
| B   | 13/01/2022 | REVISION SUBJECT TO ARCH.COMMENT  | lwn |
| A   | 10/11/2021 | REVISION SUBJECT TO ARCH.COMMENT  | lwn |

JOB NO. : J-856

PROJECT : PROPOSED DEVELOPMENT ABOVE LIGHT RAIL TIN WING STOP-TS/WTL NO.23, AREA 33, TIN SHUI WAI, N.T.

TITLE : FIXING DETAILS FOR IN-SITU WINDOW

DATE : 02-Aug-21 SCALE : 1:40

DRAWN BY : lwnn CHECKED BY :

**MDI** 美特鋁質有限公司  
ALUMINIUM FABRICATOR LTD.  
Units 6-8, Sunray Industrial Centre, 1/F  
610 Cho Kwai Ling Road, Kowloon  
Tel:23489211-4 Fax:(852)27727666  
DWG NO. : J856-SD-W-6004 REV : D

B.D. REF :

CLIENT :

**SUN HUNG KAI**  
REAL ESTATE AGENCY LTD.  
42/F, SUN HUNG KAI CENTRE, WANCHAI, HONGKONG

ARCHITECT :

**lwk&partners**  
a r c h i t e c t s

MAIN CONTRACTOR :

**怡輝建築有限公司**  
**Yee Fai Building Contractors Ltd.**

STRUCTURAL ENGINEER :

**ARUP**

FAÇADE CONSULTANT :

**ALPHA CONSULTING LIMITED**  
Steel Structure & Façade Specialist

NOTE :

1. ALL DIMENSIONS ARE IN mm.
2. ALL ELEVATIONS ARE VIEWED FROM OUTSIDE.
3. ALL DIMENSIONS TO BE VERIFIED ON SITE BEFORE FABRICATION.

LEGEND :

**X1** --- DETAIL MARK NO.  
**X001** --- REFER SHEET NO.

1. F.F.L. --- FINISHED FLOOR LEVEL
2. S.F.L. --- STRUCTURAL FLOOR LEVEL
3. **(R)** --- REVERSED DETAIL

4. GLASS LEGEND

EQ-1 --- 6mmH5+12mm AIR GAP+10mmTP THK. IG.U.  
 EQ-1A --- 6mmH5+12mm AIR GAP+9mmTP THK. IG.U.  
 EQ-2 --- 10mm THK. CLEAR TEMPERED GLASS  
 EQ-4 --- 10mm THK. TEMPERED ACID ETCHED GLASS

| NO. | DATE       | REVISION SUBJECT TO ARCH/COMMENT | ISSUED BY |
|-----|------------|----------------------------------|-----------|
| A   | 10/11/2021 |                                  |           |

JOB NO. : J-856

PROJECT :  
 PROPOSED DEVELOPMENT ABOVE  
 LIGHT RAIL TIN WING STOP/TSWTL  
 NO.23,AREA 33,TIN SHUI WAI, N.T.

TITLE :  
 IN-SITU WINDOW SECTION  
 TYPICAL LOOK & HINGES DETAIL

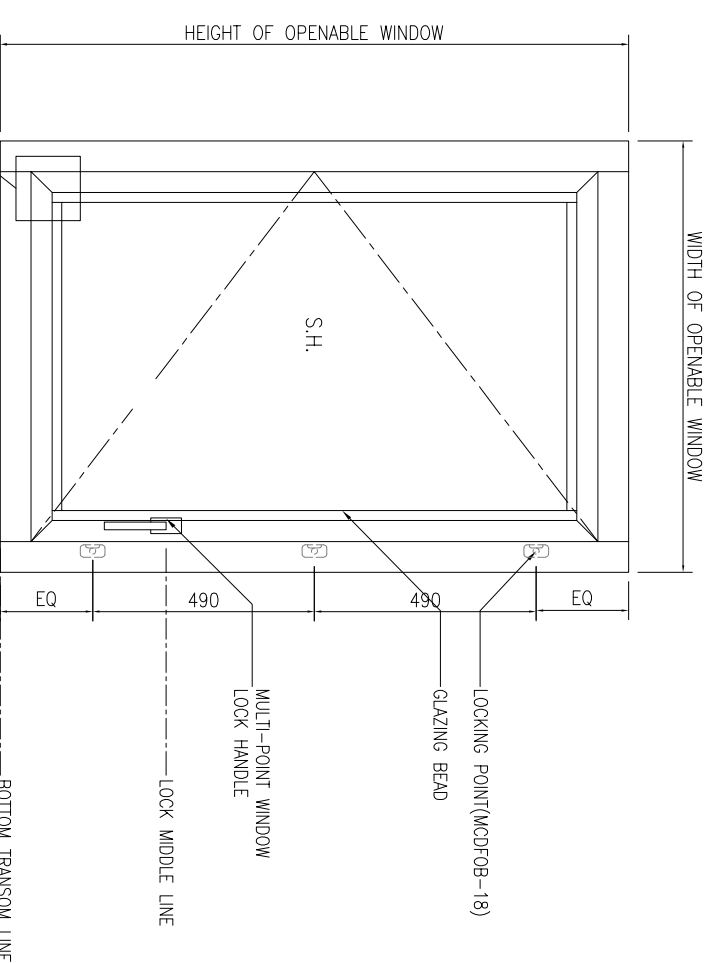
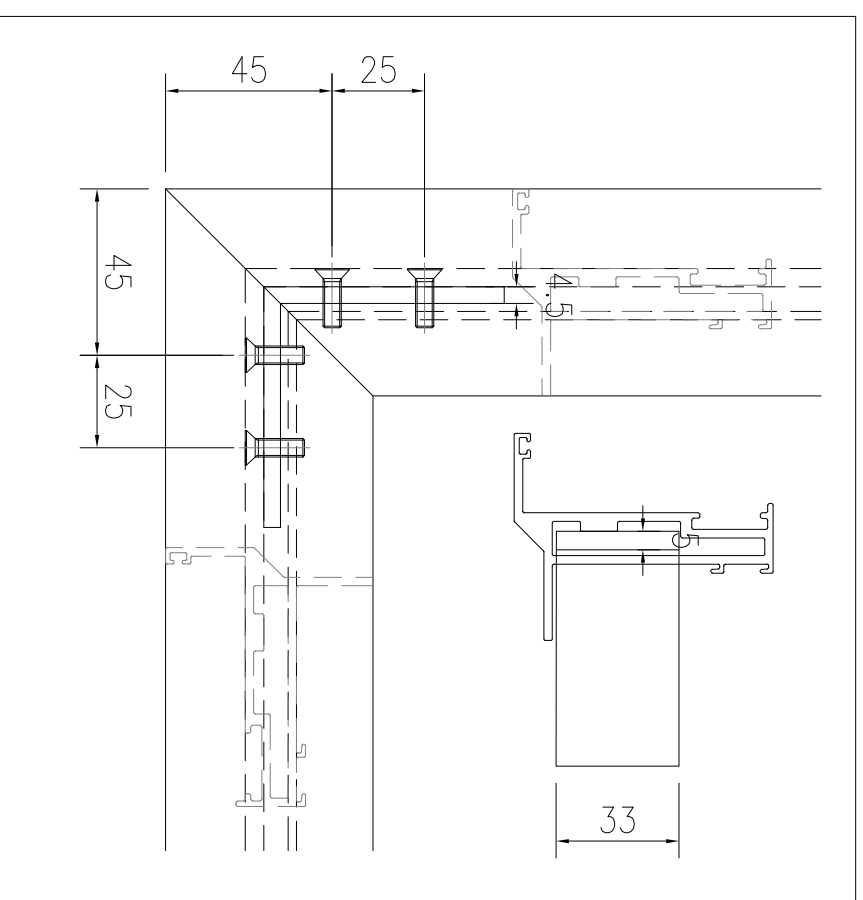
DATE : 02-Aug-21 SCALE : 1:40

DRAWN BY : IYON CHECKED BY :

**美特鋁質有限公司**  
**MDI ALUMINIUM FABRICATOR LTD.**  
 Units 6-8, Sunray Industrial Centre, 1/F  
 610 Cho Kwo Ling Road, Kowloon  
 Tel:23489211-4 Fax:(852)2727666

DWG NO. : J856-SD-W-6005 REV. : A

# 70窗



01 TYPICAL SECTION

S.F.L.

CLIENT :



42/F, SUN HUNG KAI CENTRE, WANCHAI, HONGKONG

ARCHITECT :



MAIN CONTRACTOR :



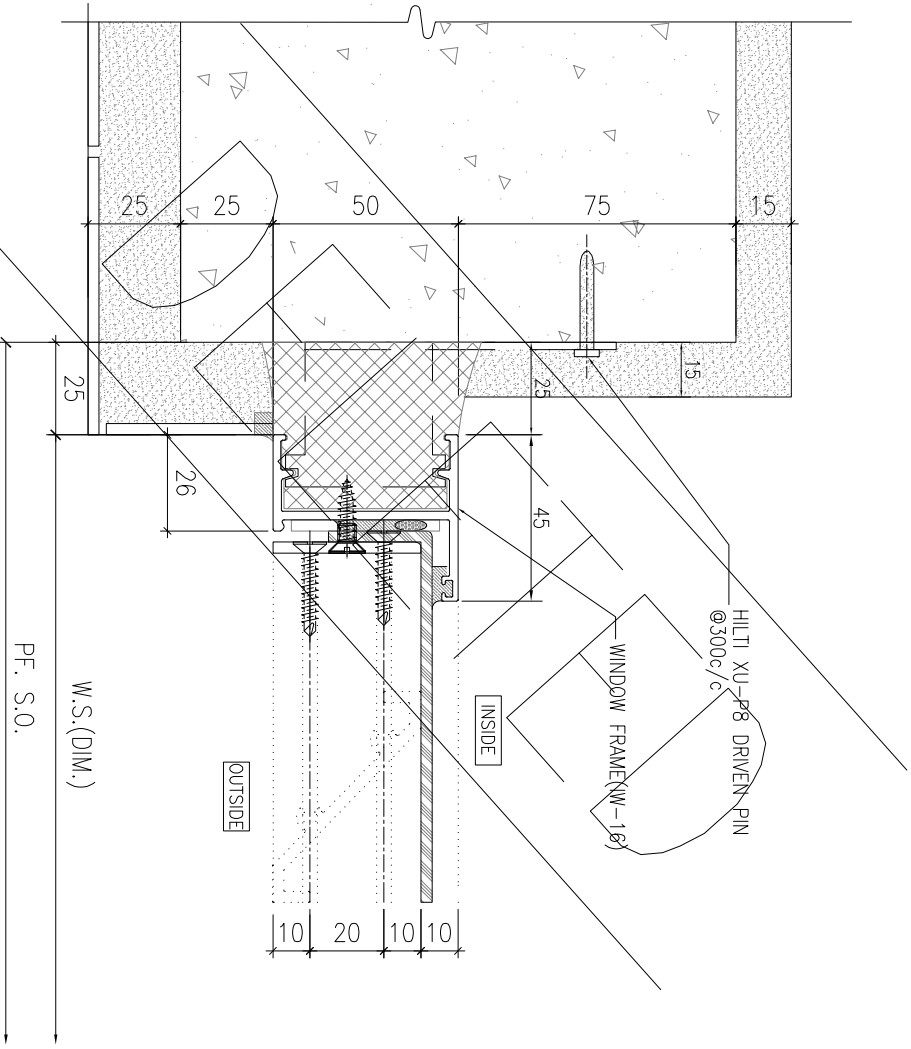
STRUCTURAL ENGINEER :



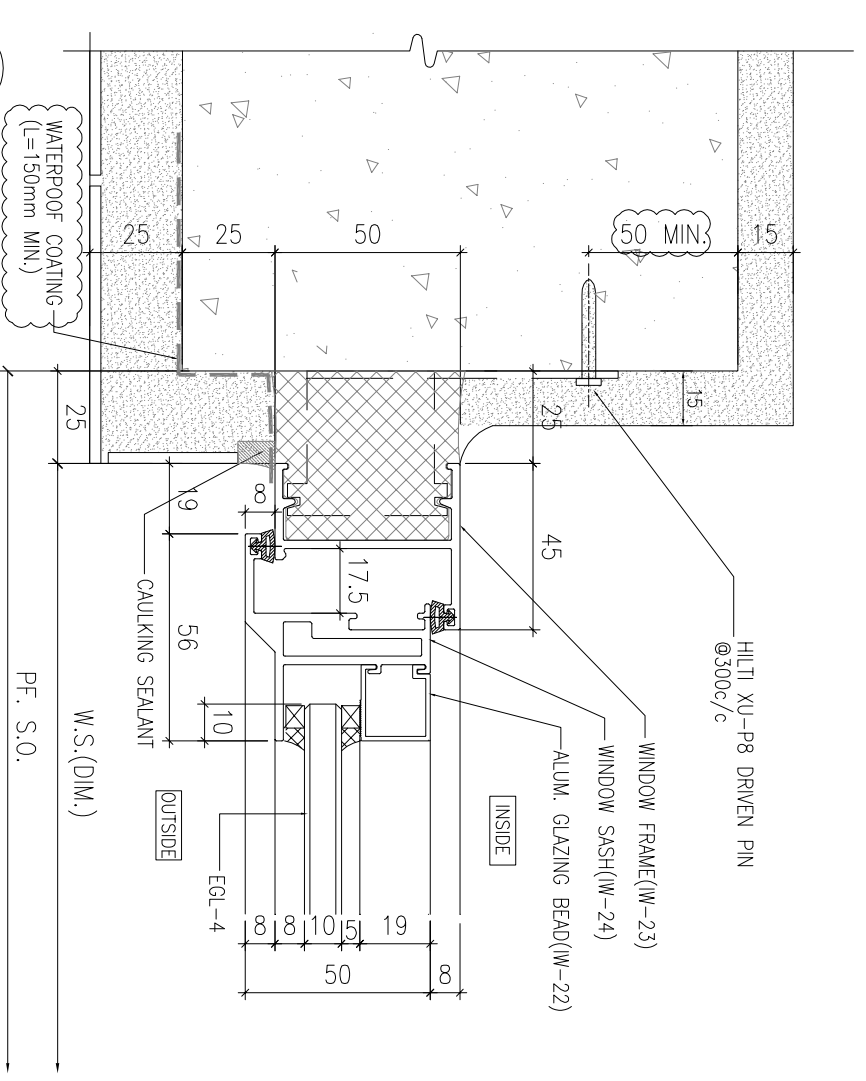
FAÇADE CONSULTANT :



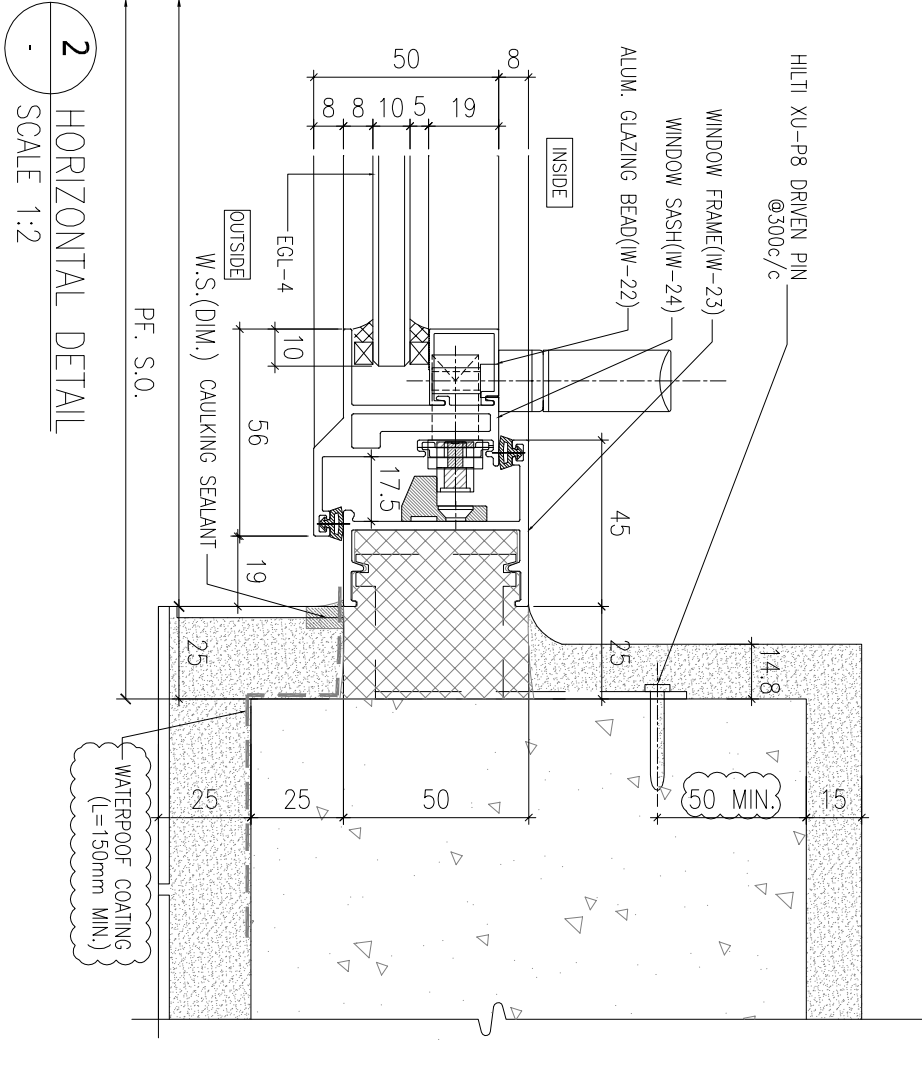
Steel Structure & Façade Specialist



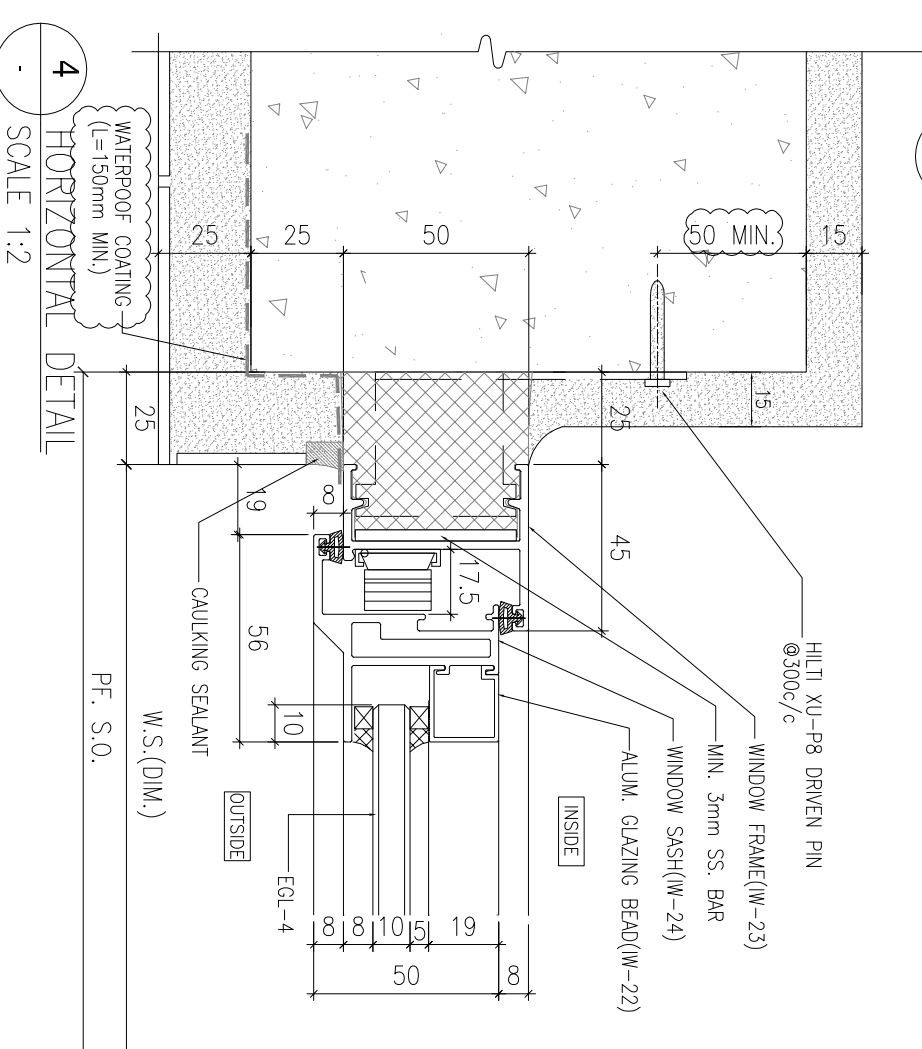
3 HORIZONTAL DETAIL  
SCALE 1:2



1 HORIZONTAL DETAIL  
SCALE 1:2



2 HORIZONTAL DETAIL  
SCALE 1:2



4 HORIZONTAL DETAIL  
SCALE 1:2

- NOTE :
1. ALL DIMENSIONS ARE IN mm.
  2. ALL ELEVATIONS ARE VIEWED FROM OUTSIDE.
  3. ALL DIMENSIONS TO BE VERIFIED ON SITE BEFORE FABRICATION.

LEGEND :

- (X1) --- DETAIL MARK NO.
- (X001) --- REFER SHEET NO.

1. F.F.L. --- FINISHED FLOOR LEVEL
2. S.F.L. --- STRUCTURAL FLOOR LEVEL
3. (R) --- REVERSED DETAIL

4. GLASS LEGEND
- EQ-1-1---8mmH+12mm AIR GAP+10mmTP THK. I.G.U.
  - EQ-1-1A---8mmH+12mm AIR GAP+9mmTP THK. I.G.U.
  - EQ-2---10mm THK. CLEAR TEMPERED GLASS
  - EQ-4---10mm THK. TEMPERED ACID ETCHED GLASS

| NO. | DATE       | REVISION                          | REVISION SUBJECT TO ARCH-COMMENT | BY  |
|-----|------------|-----------------------------------|----------------------------------|-----|
| C   | 28/07/2022 | REVISION SUBJECT TO ALPHA COMMENT |                                  | hwn |
| B   | 23/06/2022 | REVISION SUBJECT TO ARCH-COMMENT  |                                  | hwn |
| A   | 10/11/2021 | REVISION SUBJECT TO ARCH-COMMENT  |                                  | hwn |

JOB NO. : J-856

PROJECT : PROPOSED DEVELOPMENT ABOVE LIGHT RAIL TIN WING STOP, TSWL NO.23, AREA 33, TIN SHUI WAI, N.T.

TITLE : TYPICAL DETAILS FOR IN-SITU WINDOW

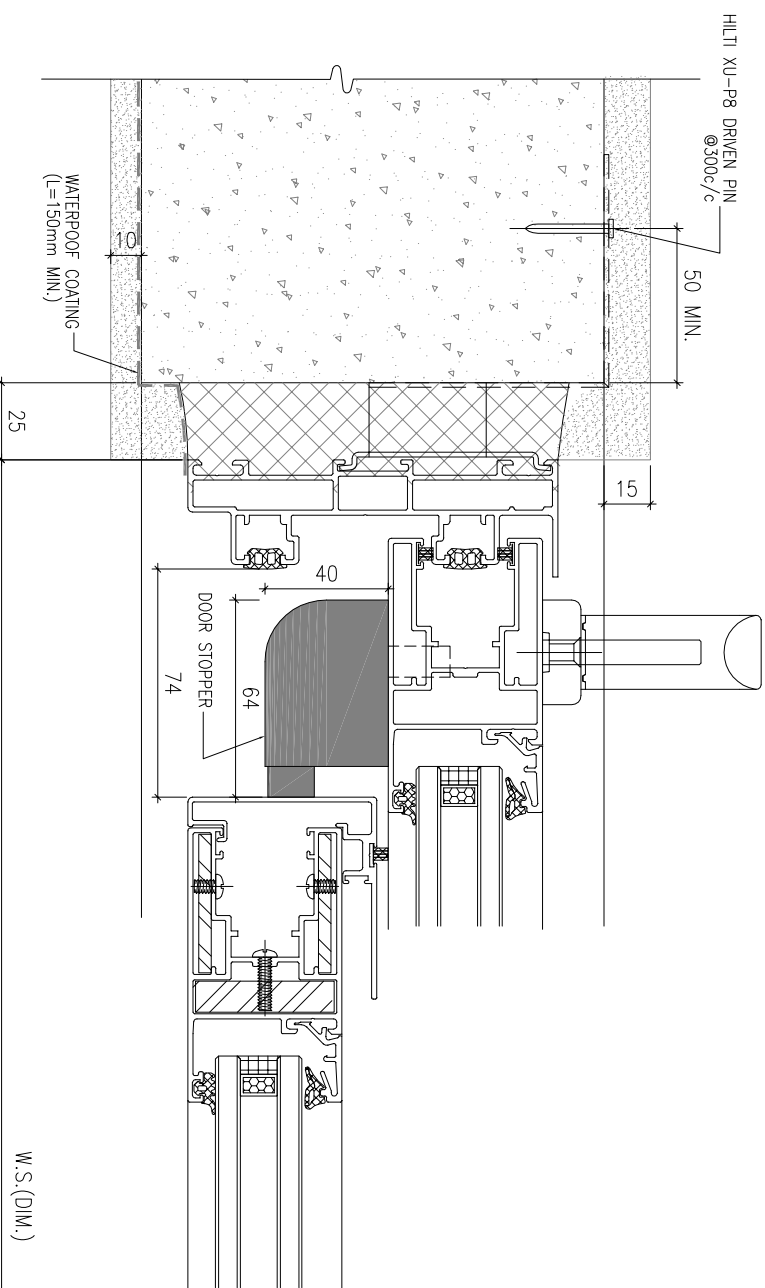
DATE : 02-Aug-21 SCALE : 1:40

DRAWN BY : IYVN CHECKED BY :

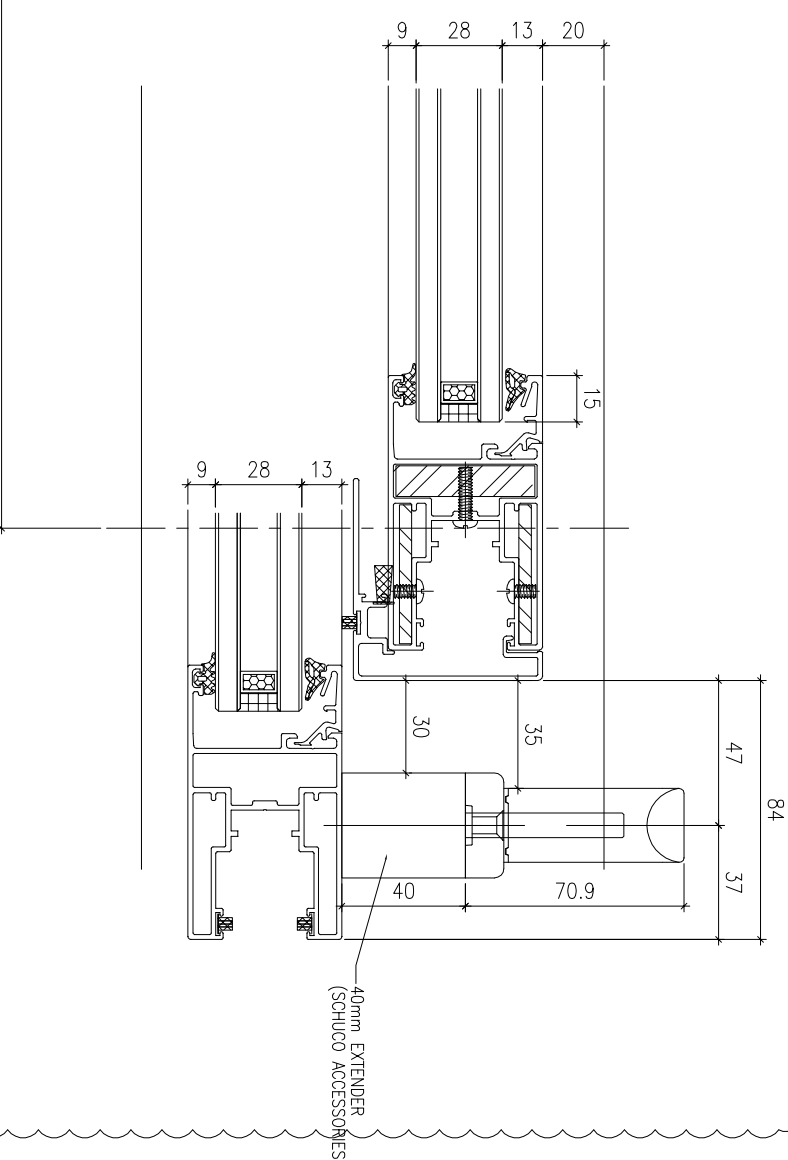
Units 6-8, Sunray Industrial Centre, 1/F  
610 Cho Kwo Ling Road, Kowloon  
Tel:23489211-4 Fax:(852)27272666  
DWG NO. : J856-SD-W-6006 REV : C



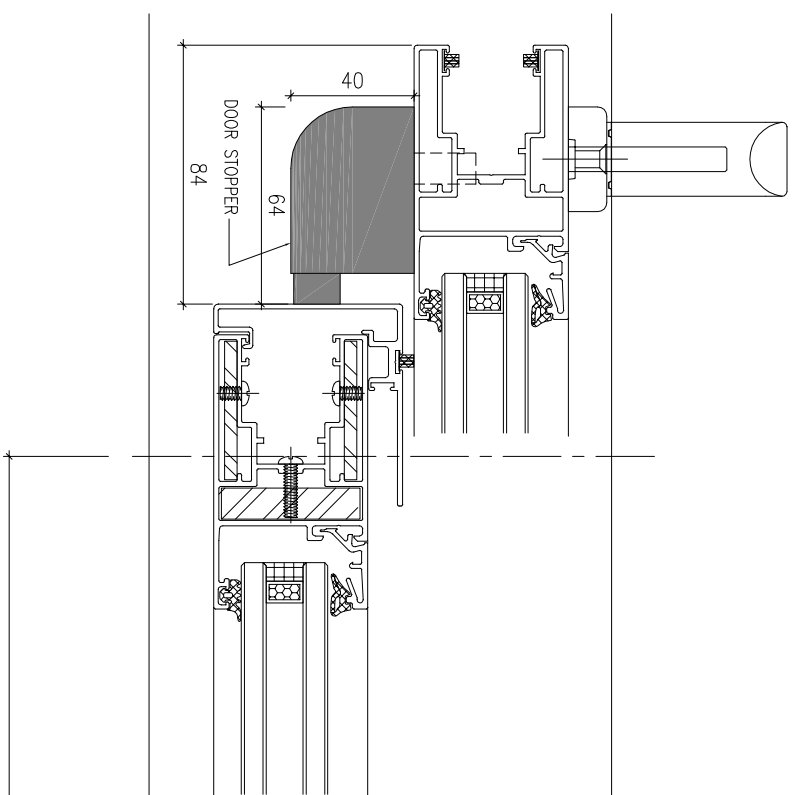
美特鋁質有限公司  
MIDI ARCHITECTURE FABRICATOR LTD.



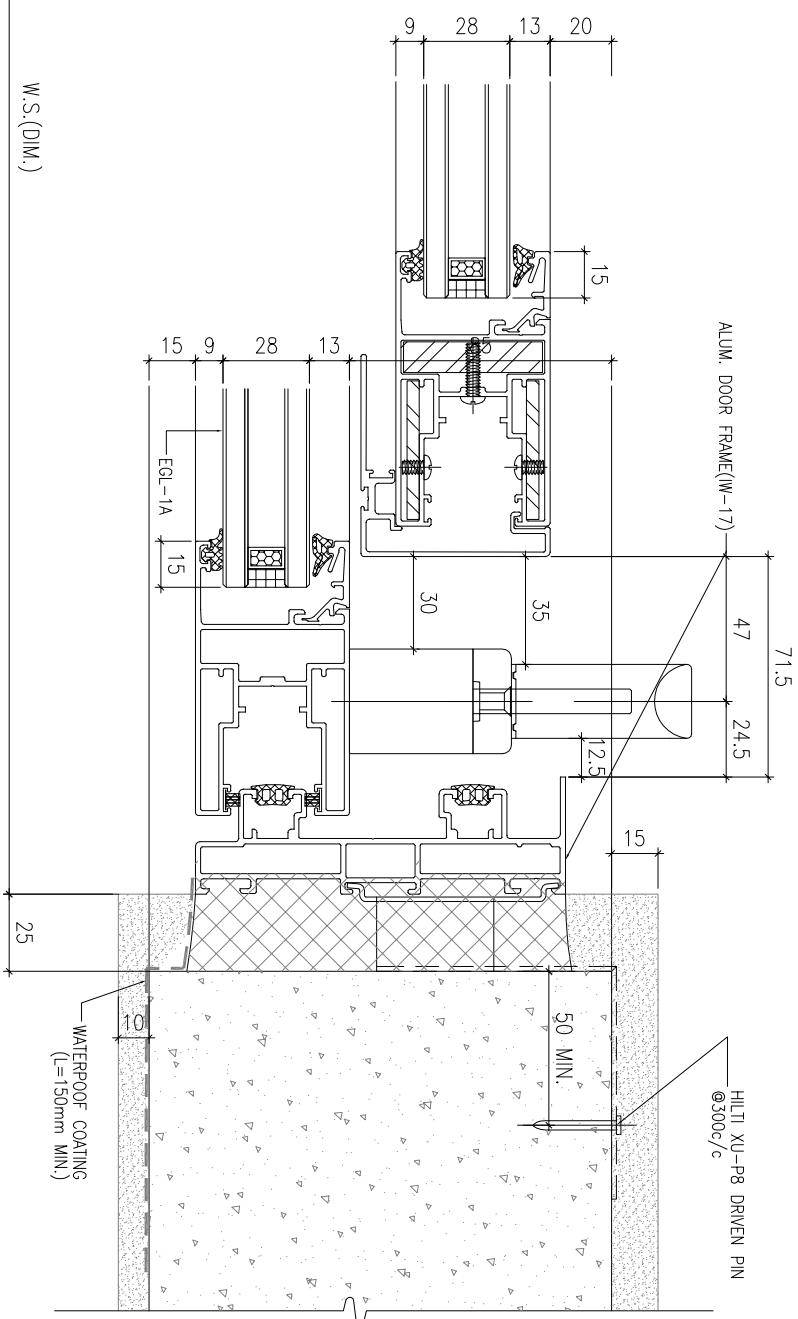
1 HORIZONTAL DETAIL  
SCALE 1:2



2 HORIZONTAL DETAIL  
SCALE 1:2



3 HORIZONTAL DETAIL  
SCALE 1:2



4 HORIZONTAL DETAIL  
SCALE 1:2

B.D. REF :

CLIENT :

**SUN HUNG KAI**  
REAL ESTATE AGENCY LTD.  
42/F SUN HUNG KAI CENTRE, WANCHAI, HONGKONG

ARCHITECT :  
**lwk&partners**  
a r c h i t e c t s

MAIN CONTRACTOR :  
**Yee Fai** 怡輝建築有限公司  
Building Contractors Ltd.

STRUCTURAL ENGINEER :

FAÇADE CONSULTANT:  
**ARUP**  
ALPHA CONSULTING LIMITED  
Steel Structure & Façade Specialist

NOTE:  
1. ALL DIMENSIONS ARE IN mm.  
2. ALL ELEVATIONS ARE VIEWED FROM OUTSIDE.  
3. ALL DIMENSIONS TO BE VERIFIED ON SITE BEFORE FABRICATION.

LEGEND:  
X1 --- DETAIL MARK NO.  
X001 --- REFER SHEET NO.  
1. F.F.L. --- FINISHED FLOOR LEVEL  
2. S.F.L. --- STRUCTURAL FLOOR LEVEL  
3. (R) --- REVERSED DETAIL  
4. GLASS LEGEND  
EQ1-1 --- 6mmH5+12mm AIR GAP+10mmTP THK. LG.U.  
EQ1-1A --- 6mmH5+12mm AIR GAP+9mmTP THK. LG.U.  
EQ1-2 --- 10mm THK. CLEAR TEMPERED GLASS  
EQ1-4 --- 10mm THK. TEMPERED ACID ETCHED GLASS

| NO. | DATE       | REVISION                         | SUBJECT TO ARCH-COMMENT | BY |
|-----|------------|----------------------------------|-------------------------|----|
| C   | 15/08/2022 | REVISION SUBJECT TO ARCH-COMMENT |                         | hw |
| B   | 23/06/2022 | REVISION SUBJECT TO ARCH-COMMENT |                         | hw |
| A   | 10/11/2021 | REVISION SUBJECT TO ARCH-COMMENT |                         | hw |

JOB NO. : J-856

PROJECT : PROPOSED DEVELOPMENT ABOVE LIGHT RAIL TIN WING STOP-TS/WTL NO.23, AREA 33, TIN SHUI WAI, N.T.

TITLE : G.M.S. FIXING LUG TYPICAL DETAIL FOR IN-SITU WINDOW

DATE : 02-Aug-21 SCALE : 1:60  
DRAWN BY : ivon CHECKED BY :  
JOB NO. : J-856

UNITED ALUMINUM FABRICATOR LTD.  
MIDI 美特鋁質有限公司  
Units 6-8, Sunray Industrial Centre, 1/F  
610 Cho Kwo Ling Road, Kowloon  
Tel:23489211-4 Fax:(852)27727666  
DWG NO. : J856-SD-W-6007 REV : C

B.D. REF :

CLIENT :

**SUN HUNG KAI**  
REAL ESTATE AGENCY LTD.

42/F, SUN HUNG KAI CENTRE, WANCHAI, HONGKONG

ARCHITECT :

**lwk&partners**  
a r c h i t e c t s

MAIN CONTRACTOR :

**YK** 怡輝建築有限公司  
**Yee Fai** Building Contractors Ltd.

STRUCTURAL ENGINEER :

**ARUP**

FAÇADE CONSULTANT :

**α** ALPHA CONSULTING LIMITED  
Steel Structure & Façade Specialist

NOTE :

1. ALL DIMENSIONS ARE IN mm.
2. ALL ELEVATIONS ARE VIEWED FROM OUTSIDE.
3. ALL DIMENSIONS TO BE VERIFIED ON SITE BEFORE FABRICATION.

LEGEND :

**X1** --- DETAIL MARK NO.  
**X001** --- REFER SHEET NO.

1. F.F.L. --- FINISHED FLOOR LEVEL
2. S.F.L. --- STRUCTURAL FLOOR LEVEL
3. **(R)** --- REVERSED DETAIL

4. GLASS LEGEND

EQ-1 --- 6mmH5+12mm AIR GAP+10mmTP THK. IG.U.  
 EQ-1A --- 6mmH5+12mm AIR GAP+9mmTP THK. IG.U.  
 EQ-2 --- 10mm THK. CLEAR TEMPERED GLASS  
 EQ-4 --- 10mm THK. TEMPERED ACID ETCHED GLASS

| NO. | A | DATE       | REVISION SUBJECT TO ARCH/COMMENT | BY |
|-----|---|------------|----------------------------------|----|
|     |   | 10/11/2021 |                                  |    |

JOB NO. : J-856

PROJECT : PROPOSED DEVELOPMENT ABOVE

LIGHT RAIL TIN WING STOP/TSWTL  
NO.23,AREA 33,TIN SHUI WAI, N.T.

TITLE : IN-SITU WINDOW SECTION

TYPICAL LOOK & HINGES DETAIL

DATE : 02-Aug-21 SCALE : 1:40

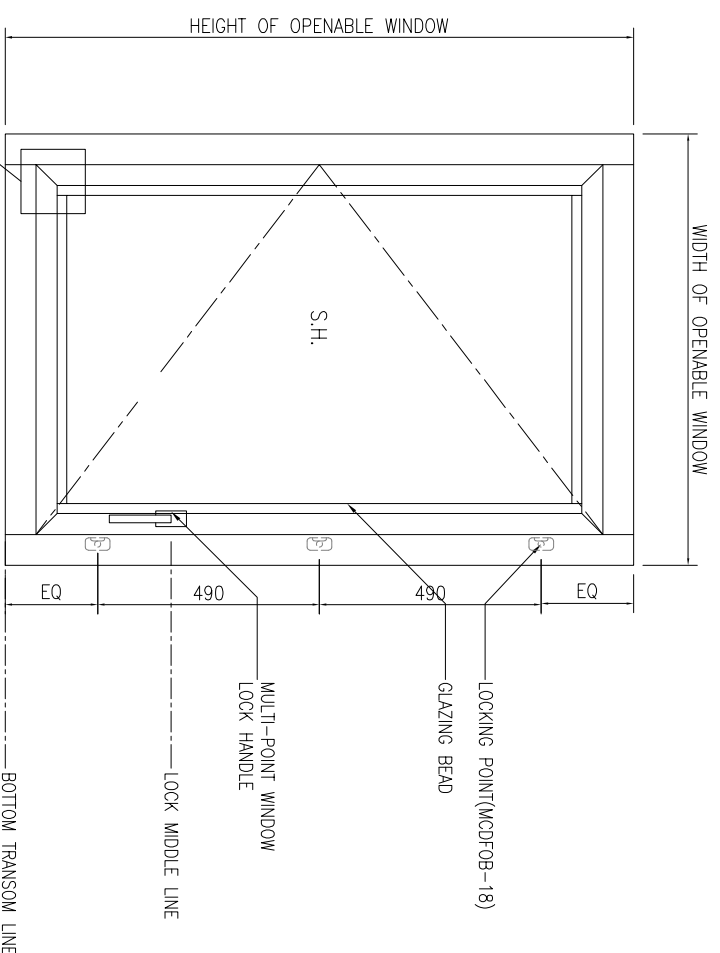
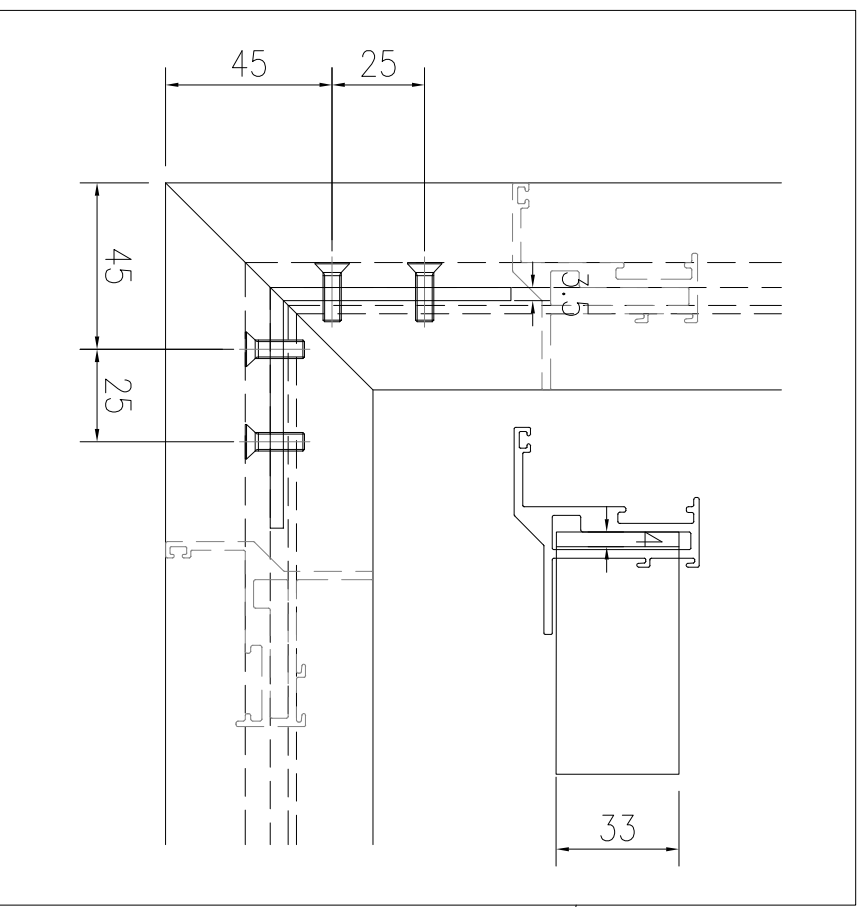
DRAWN BY : IYON CHECKED BY :

**美特鋁質有限公司**  
MDI ALUMINIUM FABRICATOR LTD.

Units 6-8, Sunray Industrial Centre, 1/F  
610 Cho Kwo Ling Road, Kowloon  
Tel:23489211-4 Fax:(852)2727666

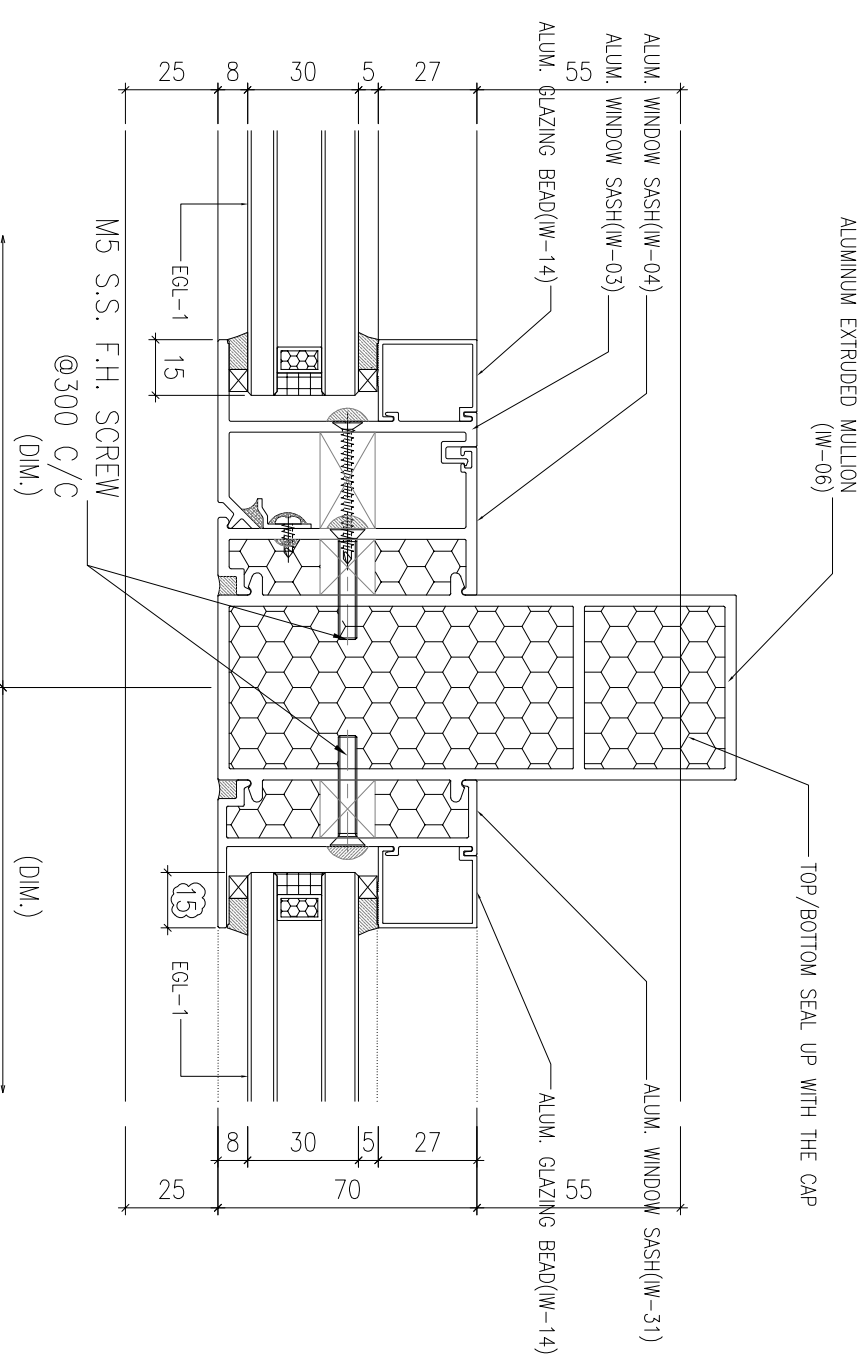
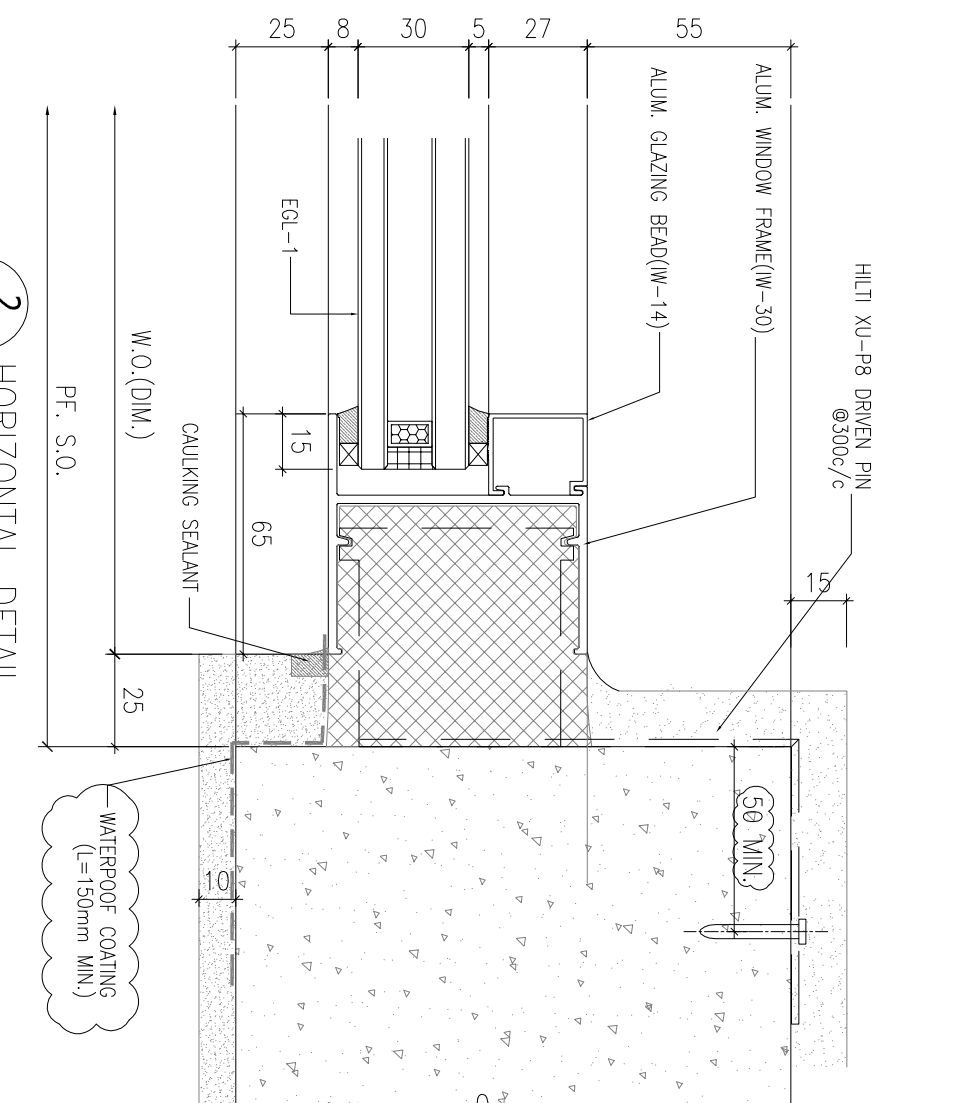
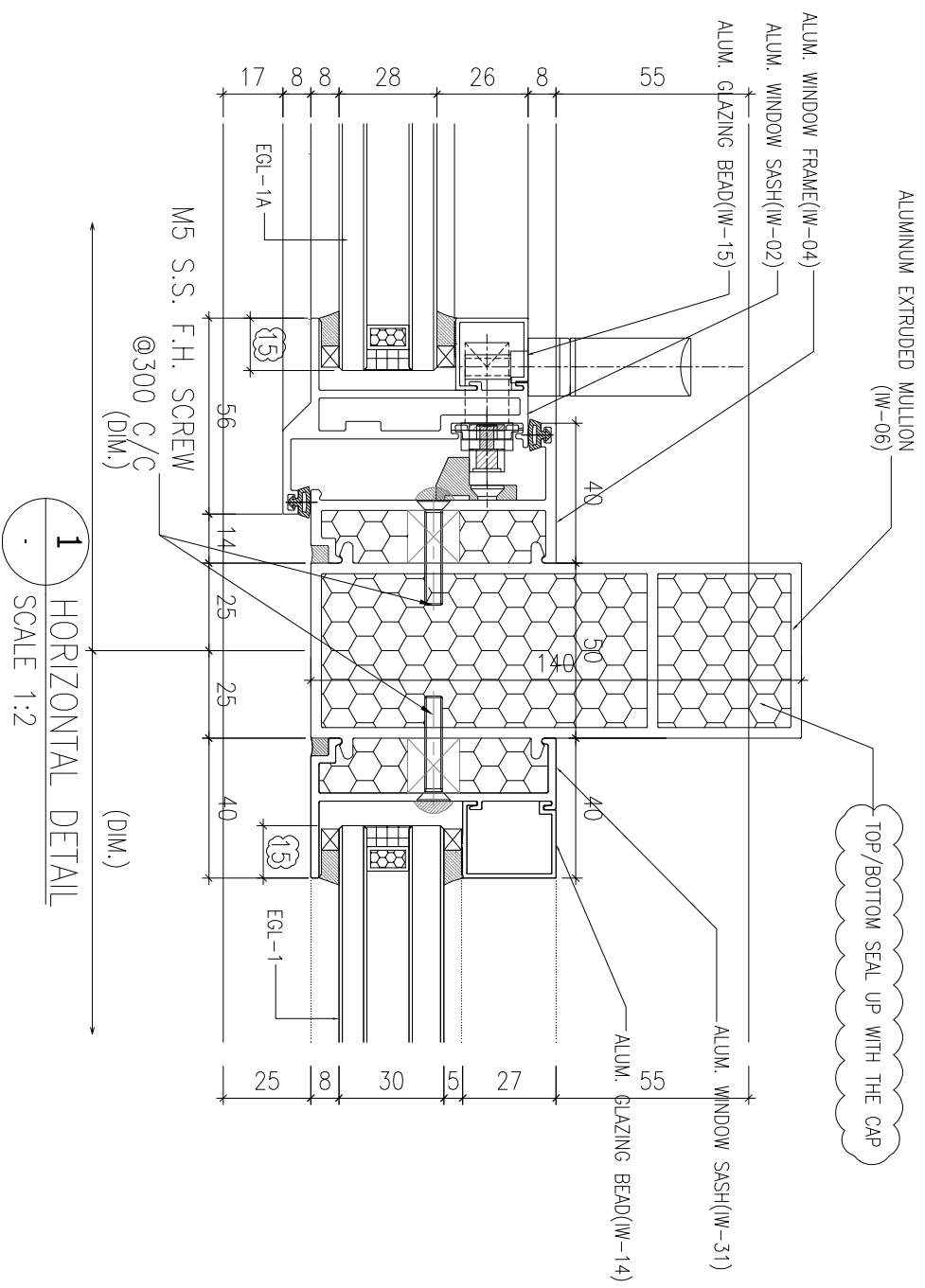
DWG NO. : J856-SD-W-6007g REV. : A

# 50窗



01 TYPICAL SECTION

S.F.L.



B.D. REF :

CLIENT : **SUN HUNG KAI REAL ESTATE AGENCY LTD.**  
42/F, SUN HUNG KAI CENTRE, WANCHAI, HONGKONG

ARCHITECT : **lwk&partners**  
a r c h i t e c t s

MAIN CONTRACTOR : **怡輝建築有限公司 Yee Fai Building Contractors Ltd.**

STRUCTURAL ENGINEER : **ARUP**

FAÇADE CONSULTANT : **ALPHA CONSULTING LIMITED**  
Steel Structure & Façade Specialist

NOTE :

1. ALL DIMENSIONS ARE IN mm.
2. ALL ELEVATIONS ARE VIEWED FROM OUTSIDE.
3. ALL DIMENSIONS TO BE VERIFIED ON SITE BEFORE FABRICATION.

LEGEND :

(X1) --- DETAIL MARK NO.

(X001) --- REFER SHEET NO.

1. F.F.L. --- FINISHED FLOOR LEVEL
2. S.F.L. --- STRUCTURAL FLOOR LEVEL
3. (R) --- REVERSED DETAIL
4. GLASS LEGEND

EGL-1 --- 6mmH+12mm AIR GAP+10mmTP THK. LG.U.

EGL-1A --- 6mmH+12mm AIR GAP+9mmTP THK. LG.U.

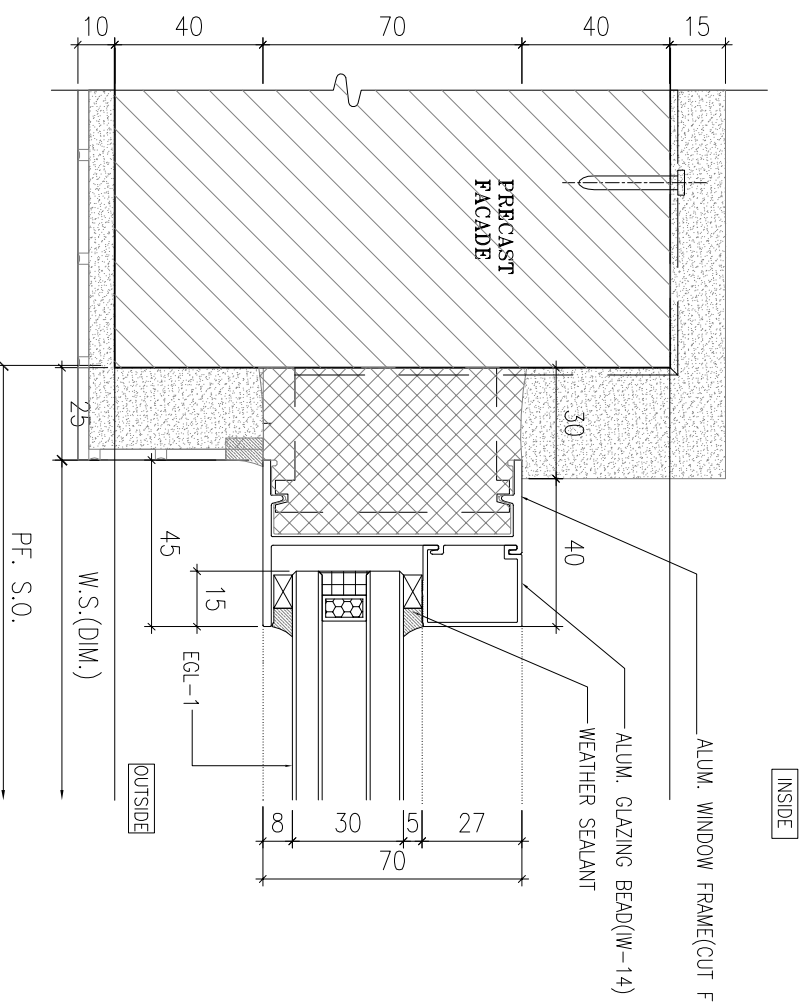
EGL-2 --- 10mm THK. CLEAR TEMPERED GLASS

EGL-4 --- 10mm THK. TEMPERED ACID ETCHED GLASS

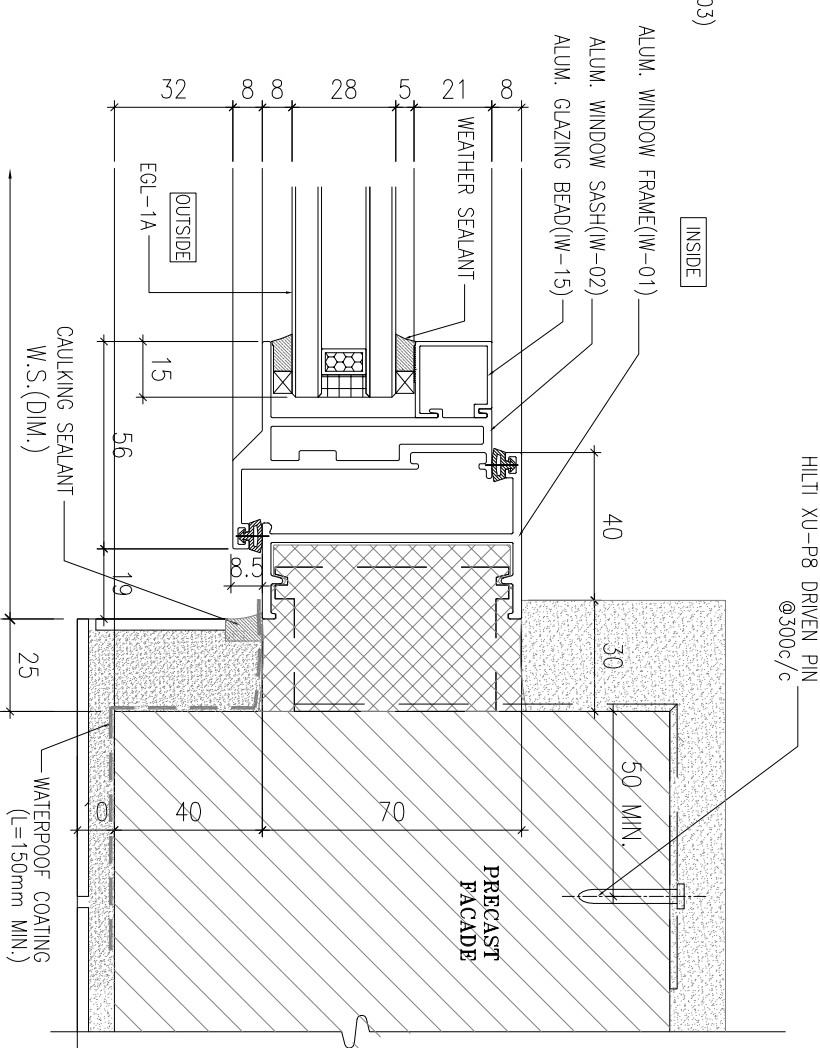
|  |              |          |    |
|--|--------------|----------|----|
| JOB NO. : J-856  |              |          |    |
| PROJECT : PROPOSED DEVELOPMENT ABOVE LIGHT RAIL TIN WING STOP-TSWTL NO.23,AREA 33,TIN SHUI WAI, N.T. |              |          |    |
| TITLE : TYPICAL DETAILS FOR IN-SITU WINDOW   |              |          |    |
| DATE : 20-Jun-22   | SCALE : 1:40 |          |    |
| DRAWN BY : IYON  | CHECKED BY : |          |    |
| REVISION SUBJECT TO ALPHA COMMENT  |              |          |    |
| NO.  | DATE         | REVISION | BY |
| A  | 28/07/2022   |          |    |

Units 6-8, Sunray Industrial Centre, Kowloon  
610 Cho Kwai Ling Road, Kowloon  
Tel:23489211-4 Fax:(852)2727666  
DWC NO. : J856-SD-W-6008 REV : A

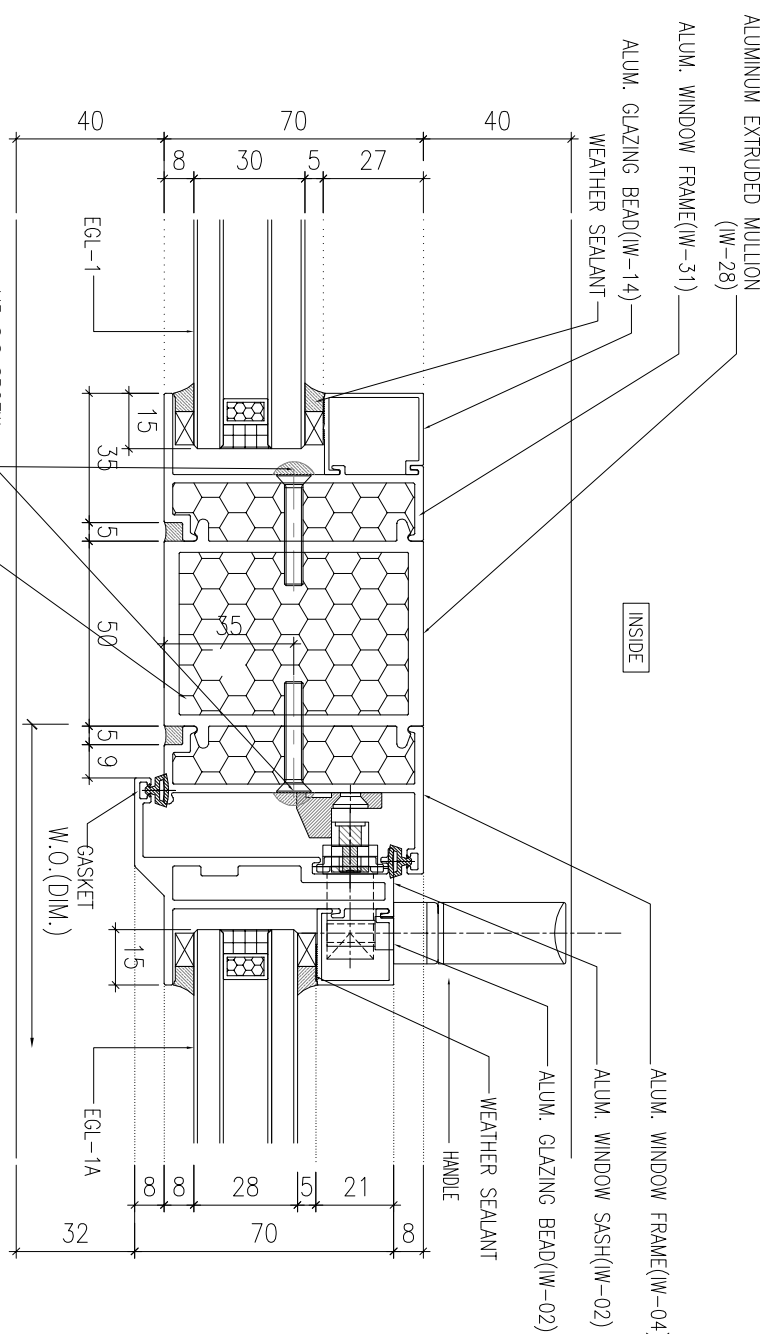
**美特鋁質有限公司**  
MIDI ALUMINUM FABRICATOR LTD.  
Units 6-8, Sunray Industrial Centre, Kowloon  
610 Cho Kwai Ling Road, Kowloon  
Tel:23489211-4 Fax:(852)2727666



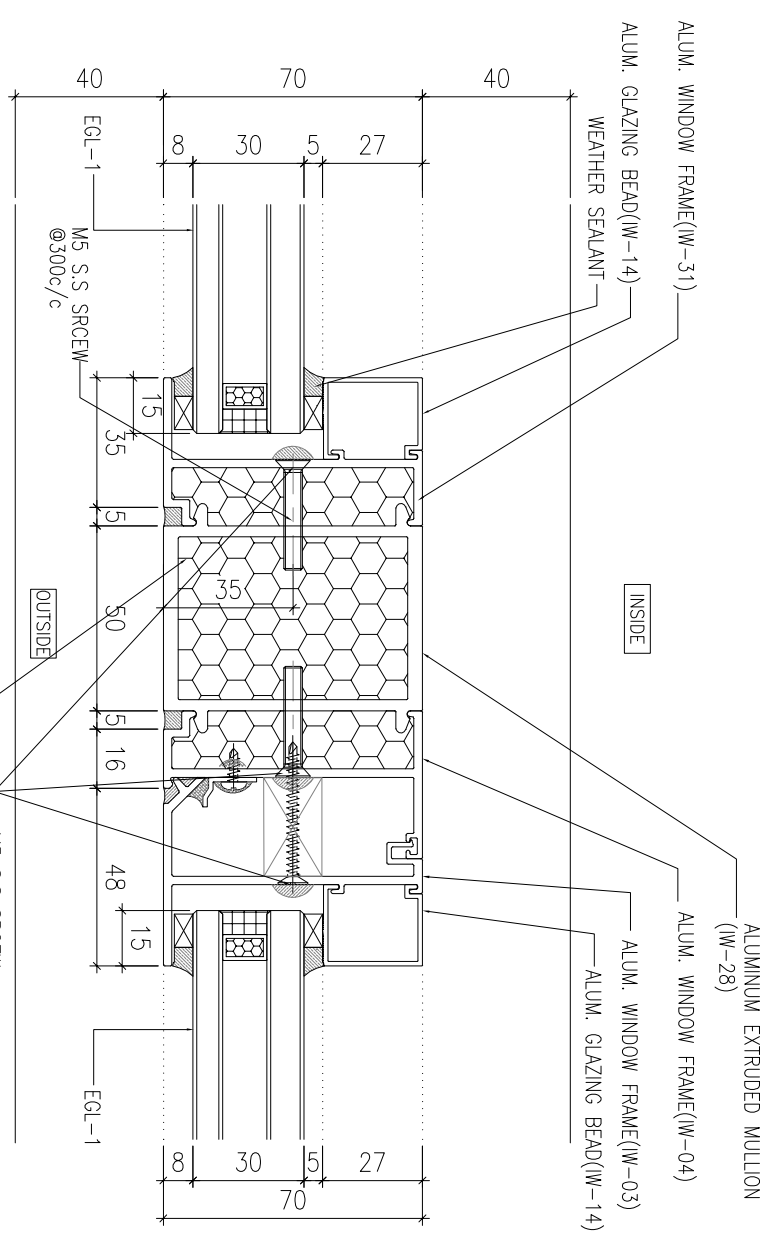
1 HORIZONTAL DETAIL  
SCALE 1:2



2 HORIZONTAL DETAIL  
SCALE 1:2



3 HORIZONTAL DETAIL  
SCALE 1:2



4 HORIZONTAL DETAIL  
SCALE 1:2

B.D. REF :

CLIENT :

**SUN HUNG KAI**  
REAL ESTATE AGENCY LTD.  
42/F, SUN HUNG KAI CENTRE, WANCHAI, HONGKONG

ARCHITECT :

**lwk&partners**  
a r c h i t e c t s

MANU CONTRACTOR :

**Yee Fai** 怡輝建築有限公司  
Building Contractors Ltd.

STRUCTURAL ENGINEER :

**ARUP**  
ALPHA CONSULTING LIMITED  
Steel Structure & Façade Specialist

FAÇADE CONSULTANT :

**ARUP**  
ALPHA CONSULTING LIMITED  
Steel Structure & Façade Specialist

NOTE :

1. ALL DIMENSIONS ARE IN mm.  
2. ALL ELEVATIONS ARE VIEWED FROM OUTSIDE.  
3. ALL DIMENSIONS TO BE VERIFIED ON SITE BEFORE FABRICATION.

LEGEND :

X1 --- DETAIL MARK NO.  
X001 --- REFER SHEET NO.

1. F.F.L. --- FINISHED FLOOR LEVEL  
2. S.F.L. --- STRUCTURAL FLOOR LEVEL  
3. (R) --- REVERSED DETAIL  
4. GLASS LEGEND

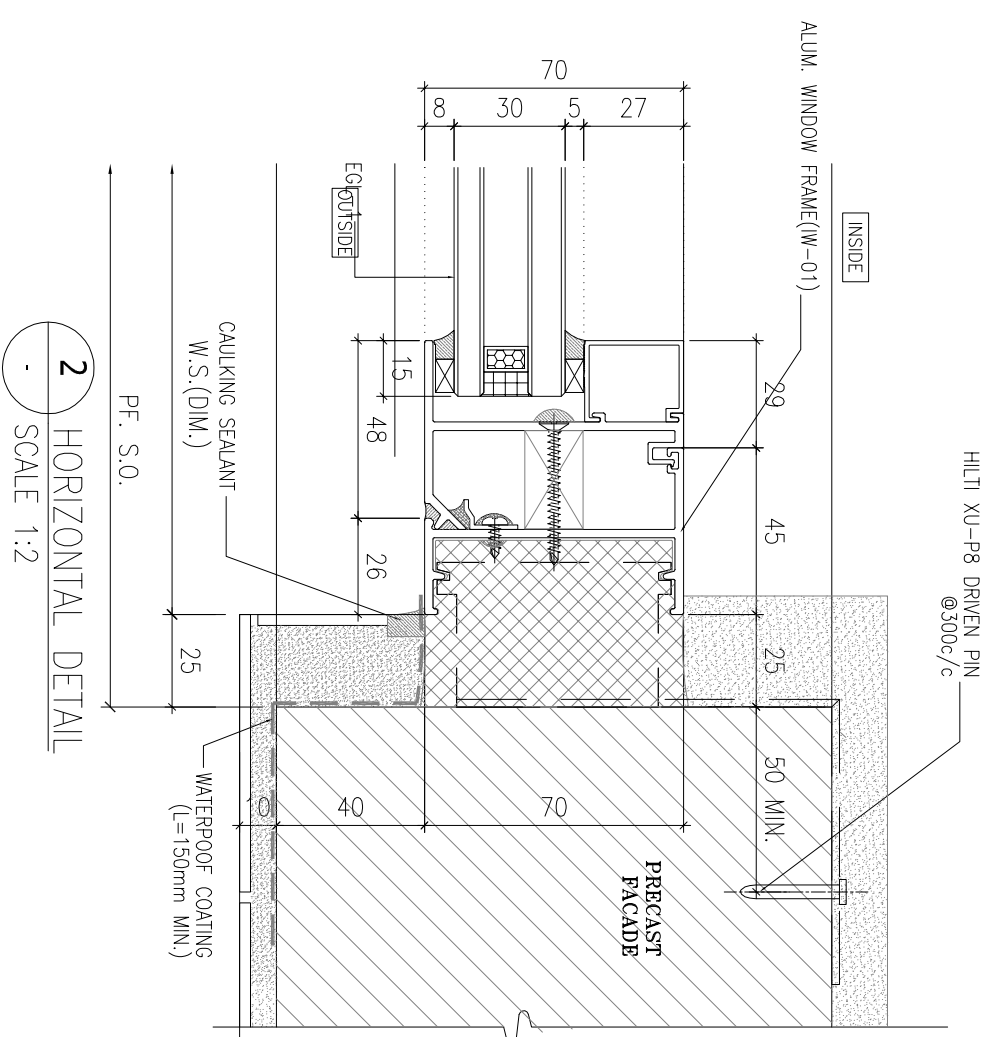
EGL-1 --- 6mmHx5+12mm AIR GAP+10mmTP THK. IG.U.  
EGL-1A --- 9mmHx5+12mm AIR GAP+9mmTP THK. IG.U.  
EGL-2 --- 10mm THK. CLEAR TEMPERED GLASS  
EGL-4 --- 10mm THK. TEMPERED ACID ETCHED GLASS

TITLE :  
TYPICAL DETAILS FOR  
IN-SITU WINDOW

DATE : 20-Jun-22 SCALE : 1:40  
DRAWN BY : IYON CHECKED BY :

PROJECT :  
PROPOSED DEVELOPMENT ABOVE  
LIGHT RAIL TIN WING STOP-TSWTL  
NO.23,AREA 33,TIN SHUI WAL, N.T.

UNITED ALUMINUM FABRICATOR LTD.  
Units 6-8, Sunray Industrial Centre, 1/F  
610 Cho Kwai Ling Road, Kowloon  
Tel:23489211-4 Fax:(852)27272666  
DWG NO. : J856-SD-W-6009 REV : -



B.D. REF :

CLIENT :

**SUN HUNG KAI**  
REAL ESTATE AGENCY LTD.

42/F, SUN HUNG KAI CENTRE, WANCHAI, HONGKONG

ARCHITECT :

**lwk&partners**  
a r c h i t e c t s

MAIN CONTRACTOR :

**怡輝建築有限公司**  
**Yee Fai Building Contractors Ltd.**

STRUCTURAL ENGINEER :

**ARUP**

FAÇADE CONSULTANT :

**ALPHA CONSULTING LIMITED**  
Steel Structure & Façade Specialist

NOTE :

1. ALL DIMENSIONS ARE IN mm.
2. ALL ELEVATIONS ARE VIEWED FROM OUTSIDE.
3. ALL DIMENSIONS TO BE VERIFIED ON SITE BEFORE FABRICATION.

LEGEND :

**X1** — DETAIL MARK NO.  
**X001** — REFER SHEET NO.

1. F.F.L. --- FINISHED FLOOR LEVEL
2. S.F.L. --- STRUCTURAL FLOOR LEVEL
3. **(R)** --- REVERSED DETAIL

4. GLASS LEGEND

- EQ-1-1---8mmH5+12mm AIR GAP+10mmTP THK. LG.U.  
EQ-1-1A---8mmH5+12mm AIR GAP+9mmTP THK. LG.U.  
EQ-2-2---10mm THK. CLEAR TEMPERED GLASS  
EQ-4-4---10mm THK. TEMPERED ACID ETCHED GLASS

| NO. | DATE | REASON | BY |
|-----|------|--------|----|
|     |      |        |    |

JOB NO. : J-856

PROJECT :  
PROPOSED DEVELOPMENT ABOVE  
LIGHT RAIL TIN WING STOP/TSWTL  
NO.23,AREA 33,TIN SHUI WAL, N.T.

TITLE :

TYPICAL DETAILS FOR  
IN-SITU WINDOW

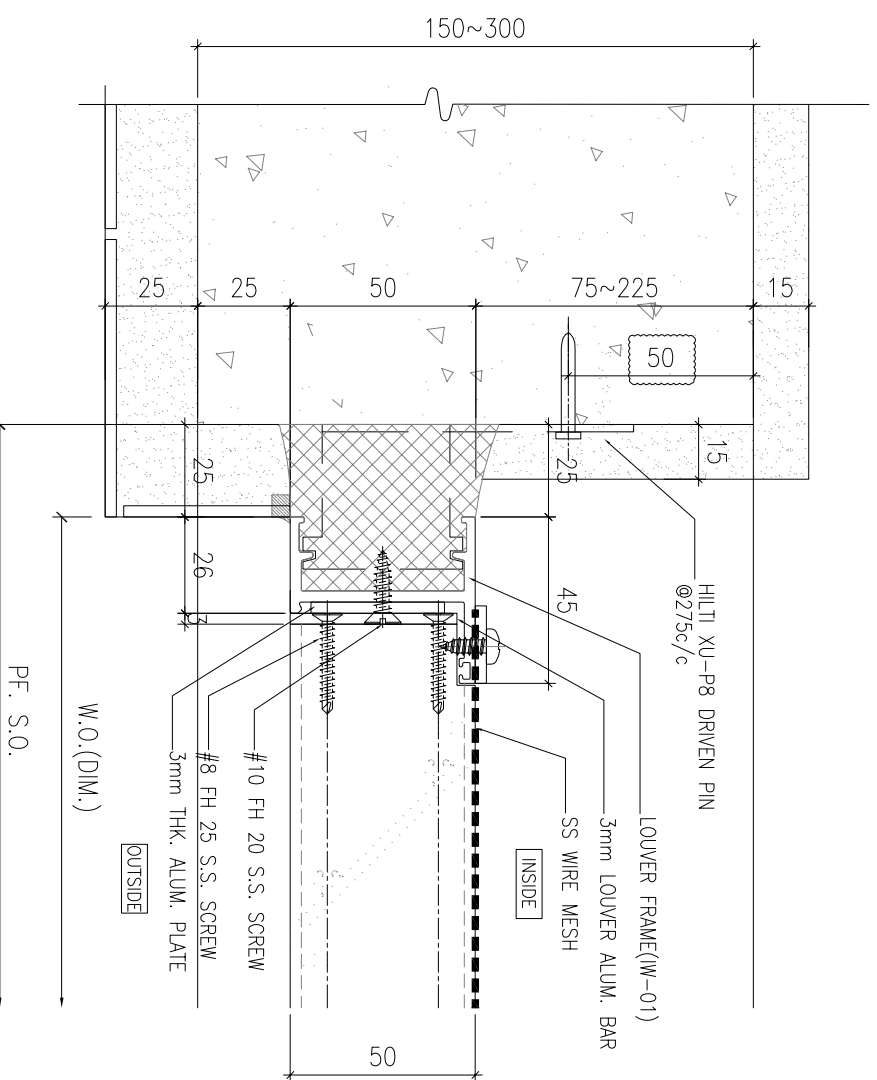
DATE : 20-Jun-22 SCALE : 1:40

DRAWN BY : IYON CHECKED BY :

**美特鋁質有限公司**  
**MDI ALUMINIUM FABRICATOR LTD.**

Units 6-8, Sunray Industrial Centre, 1/F  
610 Cho Kwo Ling Road, Kowloon  
Tel:23489211-4 Fax:(852)2727666

DWG NO. : J856-SD-W-6010 REV. : -



**1** HORIZONTAL DETAIL  
SCALE 1:2

B.D. REF :

CLIENT :

**SUN HUNG KAI**  
REAL ESTATE AGENCY LTD.  
42/F, SUN HUNG KAI CENTRE, WANCHAI, HONGKONG

ARCHITECT :

**lwk&partners**  
a r c h i t e c t s

MAIN CONTRACTOR :

**怡輝建築有限公司**  
**Yee Fai** Building Contractors Ltd.

STRUCTURAL ENGINEER :

**ARUP**

FAÇADE CONSULTANT:

**ALPHA CONSULTING LIMITED**  
Steel Structure & Façade Specialist

NOTE :

1. ALL DIMENSIONS ARE IN mm.
2. ALL ELEVATIONS ARE VIEWED FROM OUTSIDE.
3. ALL DIMENSIONS TO BE VERIFIED ON SITE BEFORE FABRICATION.

LEGEND :

- (X1) — DETAIL MARK NO.
- (X001) — REFER SHEET NO.

1. F.F.L. --- FINISHED FLOOR LEVEL
2. S.F.L. --- STRUCTURAL FLOOR LEVEL
3. (R) --- REVERSED DETAIL

4. GLASS LEGEND
- EGL-1 --- 6mmH5+12mm AIR GAP+10mmTP THK. LG.U.
- EGL-1A --- 6mmH5+12mm AIR GAP+9mmTP THK. LG.U.
- EGL-2 --- 10mm THK. CLEAR TEMPERED GLASS
- EGL-4 --- 10mm THK. TEMPERED ACID ETCHED GLASS

| NO. | DATE | REASON | BY |
|-----|------|--------|----|
|     |      |        |    |

JOB NO. : J-856

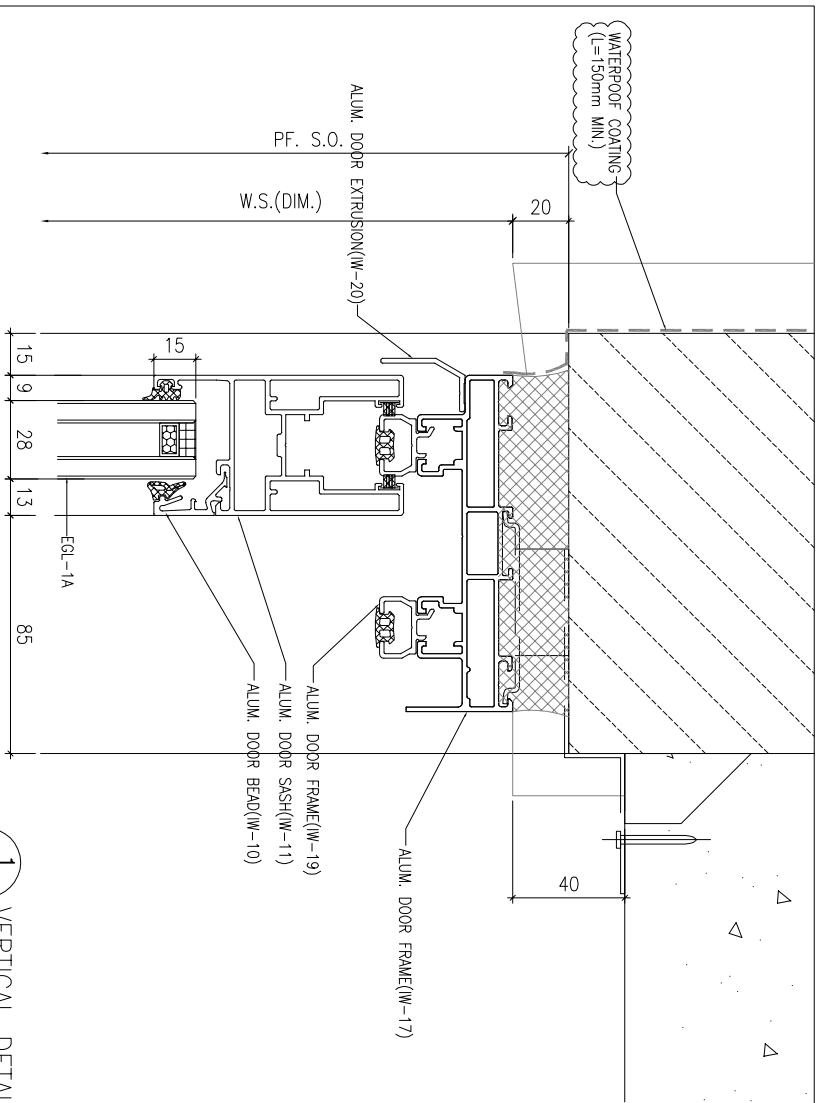
PROJECT :  
PROPOSED DEVELOPMENT ABOVE  
LIGHT RAIL TIN WING STOP/TSWTL  
NO.23,AREA 33,TIN SHUI WAI, N.T.

TITLE :  
TYPICAL DETAILS FOR  
IN-SITU WINDOW

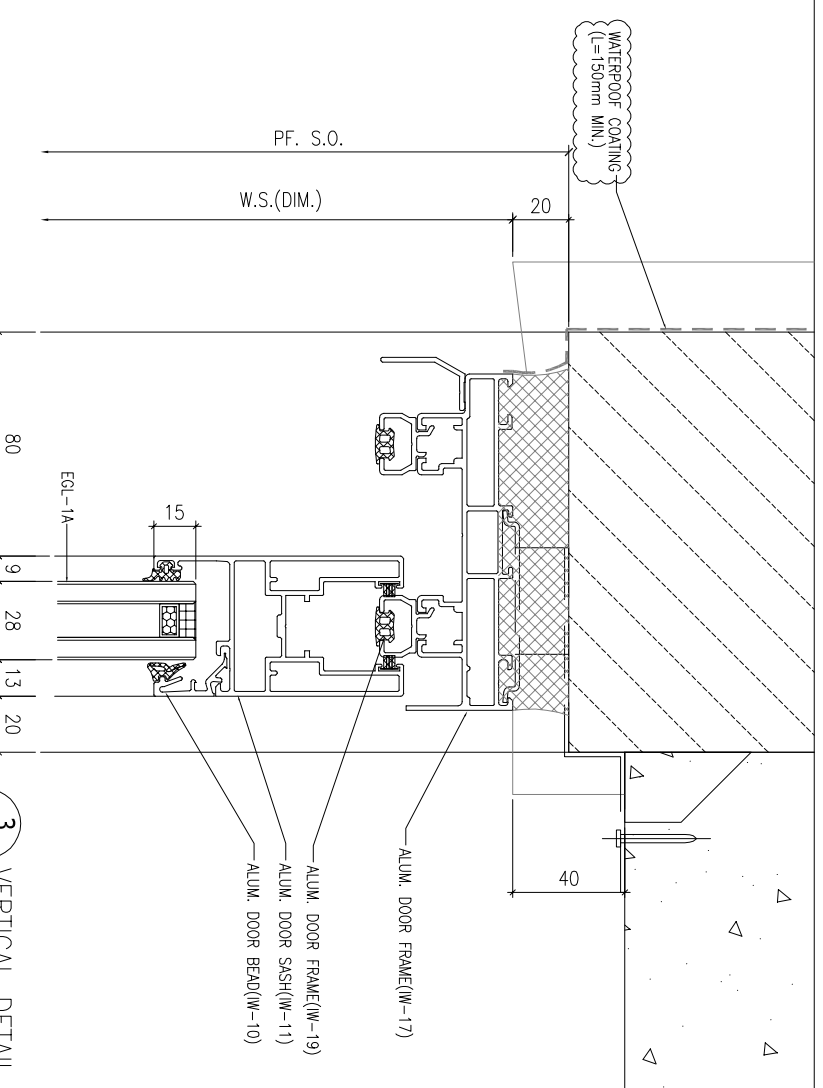
DATE : 20-Jun-22 SCALE : 1:40

DRAWN BY : IYON CHECKED BY :

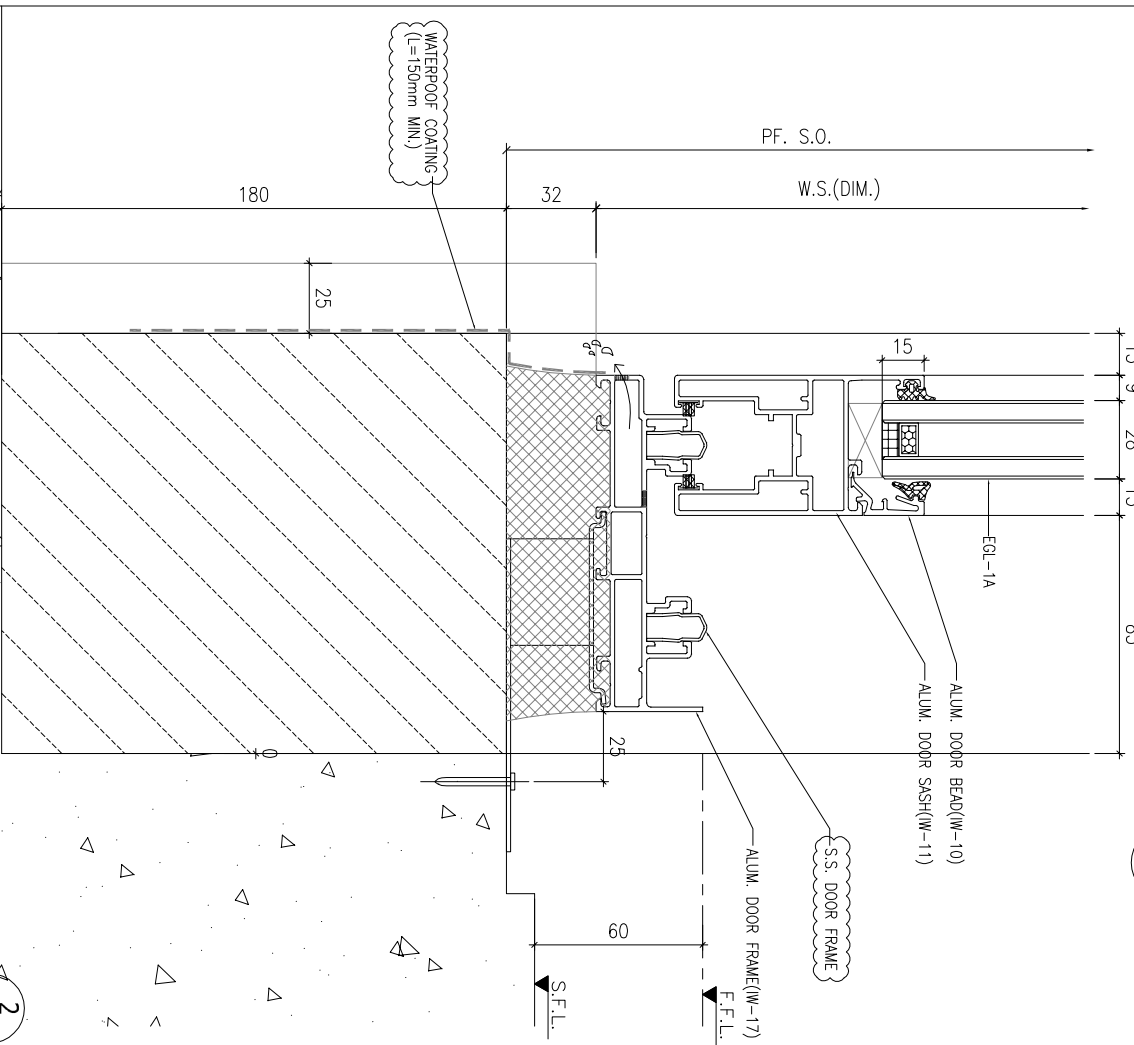
**美特鋁質有限公司**  
MDI ALUMINIUM FABRICATOR LTD.  
Units 6-8, Sunray Industrial Centre, 1/F  
610 Cho Kwo Ling Road, Kowloon  
Tel:23489211-4 Fax:(852)2727666  
DWG NO. : J856-SD-W-6010 REV : -



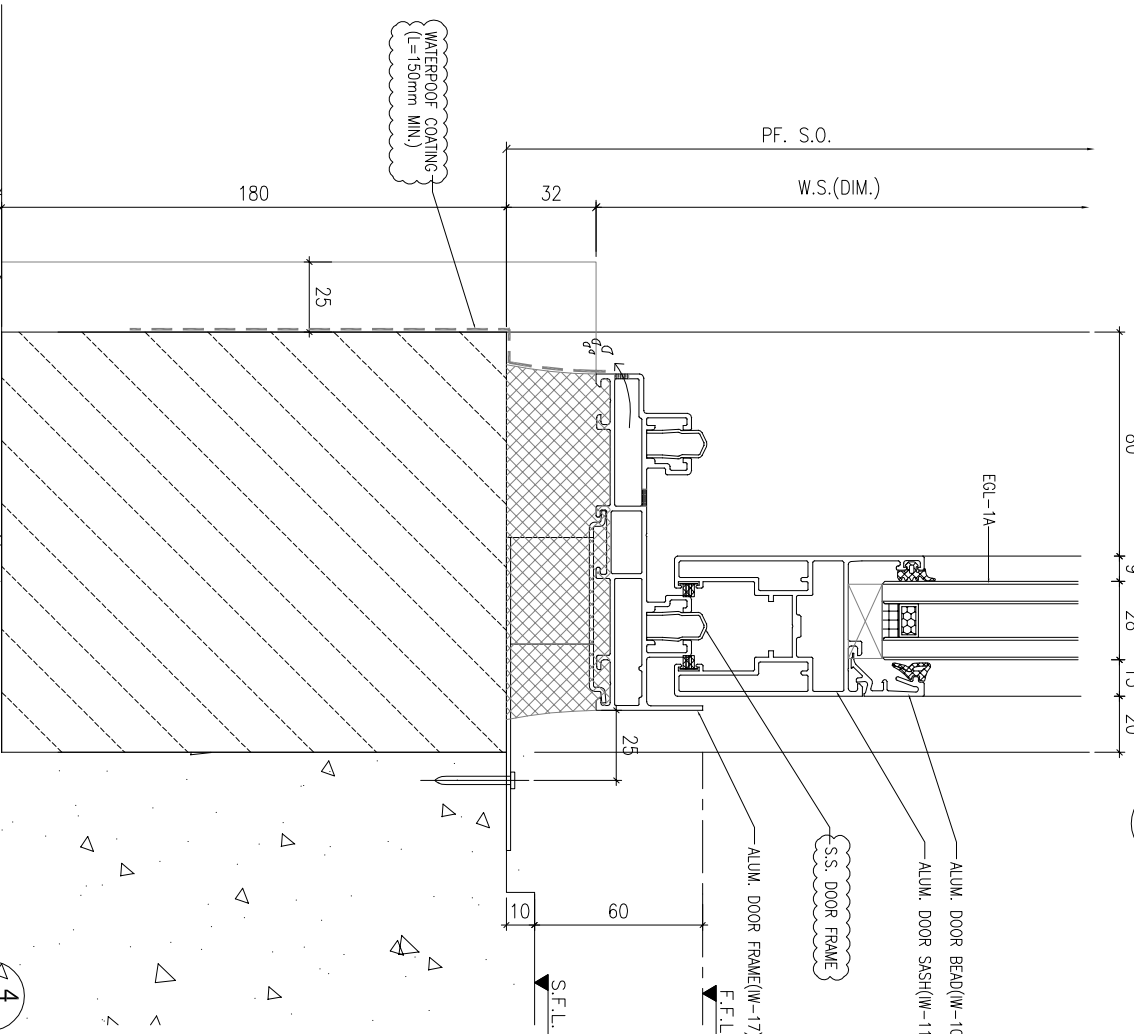
1 VERTICAL DETAIL  
SCALE 1:2



3 VERTICAL DETAIL  
SCALE 1:2



2 VERTICAL DETAIL  
SCALE 1:2



4 VERTICAL DETAIL  
SCALE 1:2

B.D. REF :

CLIENT :

**SUN HUNG KAI**  
REAL ESTATE AGENCY LTD.  
42/F, SUN HUNG KAI CENTRE, WANCHAI, HONGKONG

ARCHITECT :

**lwk&partners**  
a r c h i t e c t s

MAIN CONTRACTOR :

**怡輝建築有限公司**  
**Yee Fai** Building Contractors Ltd.

STRUCTURAL ENGINEER :

**ARUP**  
ALPHA CONSULTING LIMITED  
Steel Structure & Façade Specialist

FAÇADE CONSULTANT :

**ARUP**  
ALPHA CONSULTING LIMITED  
Steel Structure & Façade Specialist

- NOTE :
1. ALL DIMENSIONS ARE IN mm.
  2. ALL ELEVATIONS ARE VIEWED FROM OUTSIDE.
  3. ALL DIMENSIONS TO BE VERIFIED ON SITE BEFORE FABRICATION.

LEGEND :

(X1) --- DETAIL MARK NO.  
(X001) --- REFER SHEET NO.

1. F.F.L. --- FINISHED FLOOR LEVEL
2. S.F.L. --- STRUCTURAL FLOOR LEVEL
3. (R) --- REVERSED DETAIL

4. GLASS LEGEND

EQL-1 --- 6mmH+12mm AIR GAP+10mmTP THK. IG.U.  
EQL-1A --- 6mmH+12mm AIR GAP+9mmTP THK. IG.U.  
EQL-2 --- 10mm THK. CLEAR TEMPERED GLASS  
EQL-4 --- 10mm THK. TEMPERED ACID ETCHED GLASS

| NO. | DATE       | REVISION                         | REVISION SUBJECT TO ARCH-COMMENT | BY  |
|-----|------------|----------------------------------|----------------------------------|-----|
| C   | 28/07/2022 | REVISION SUBJECT TO ARCH-COMMENT |                                  | hwk |
| B   | 24/11/2021 | REVISION SUBJECT TO ARCH-COMMENT |                                  | hwk |
| A   | 10/11/2021 | REVISION SUBJECT TO ARCH-COMMENT |                                  | hwk |

JOB NO. : J-856

PROJECT :  
PROPOSED DEVELOPMENT ABOVE  
LIGHT RAIL TIN WING STOP-TSWTL  
NO.23,AREA 33,TIN SHUI WAI, N.T.

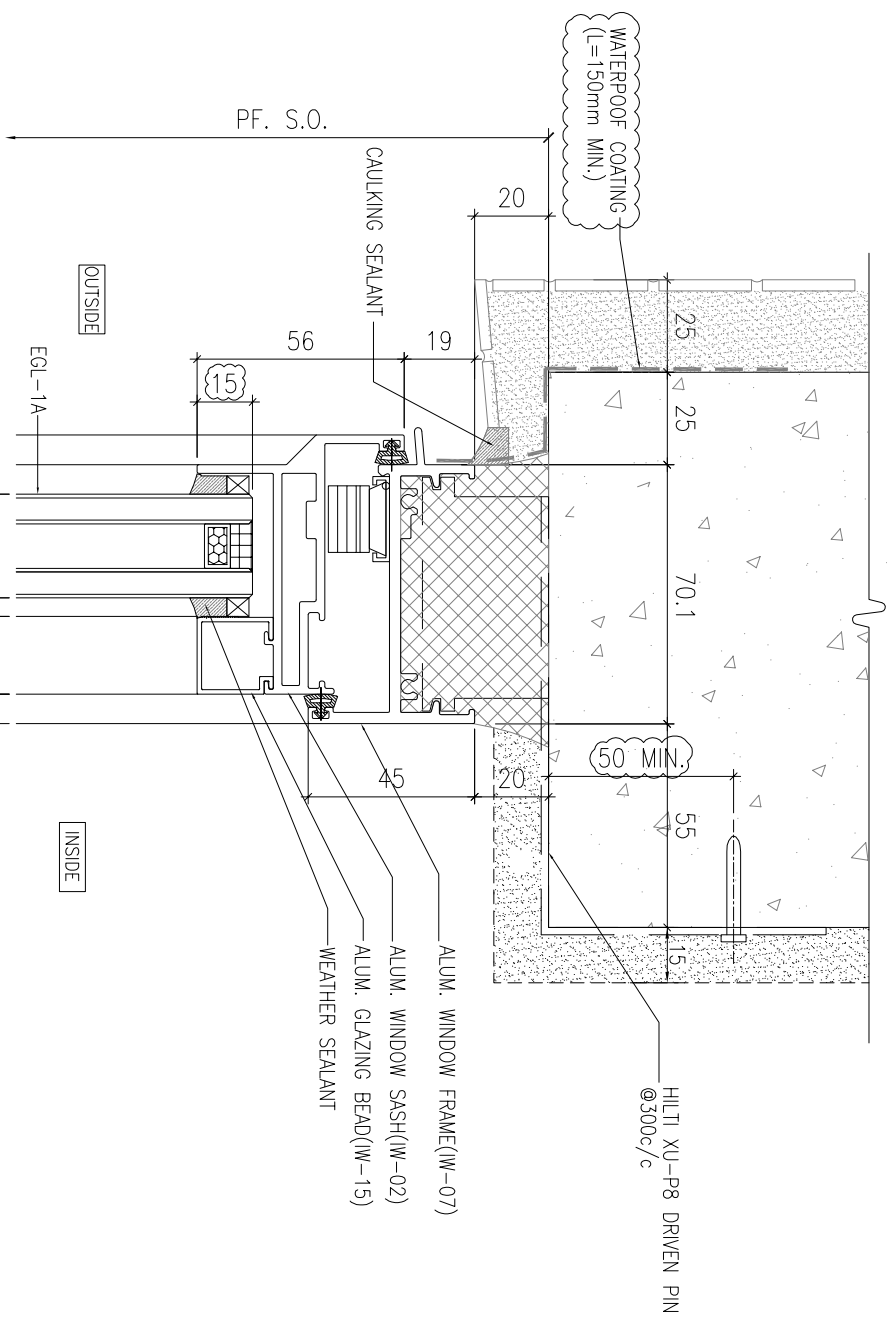
TITLE :  
TYPICAL DETAILS FOR  
IN-SITU WINDOW

DATE : 02-Aug-21 SCALE : 1:40

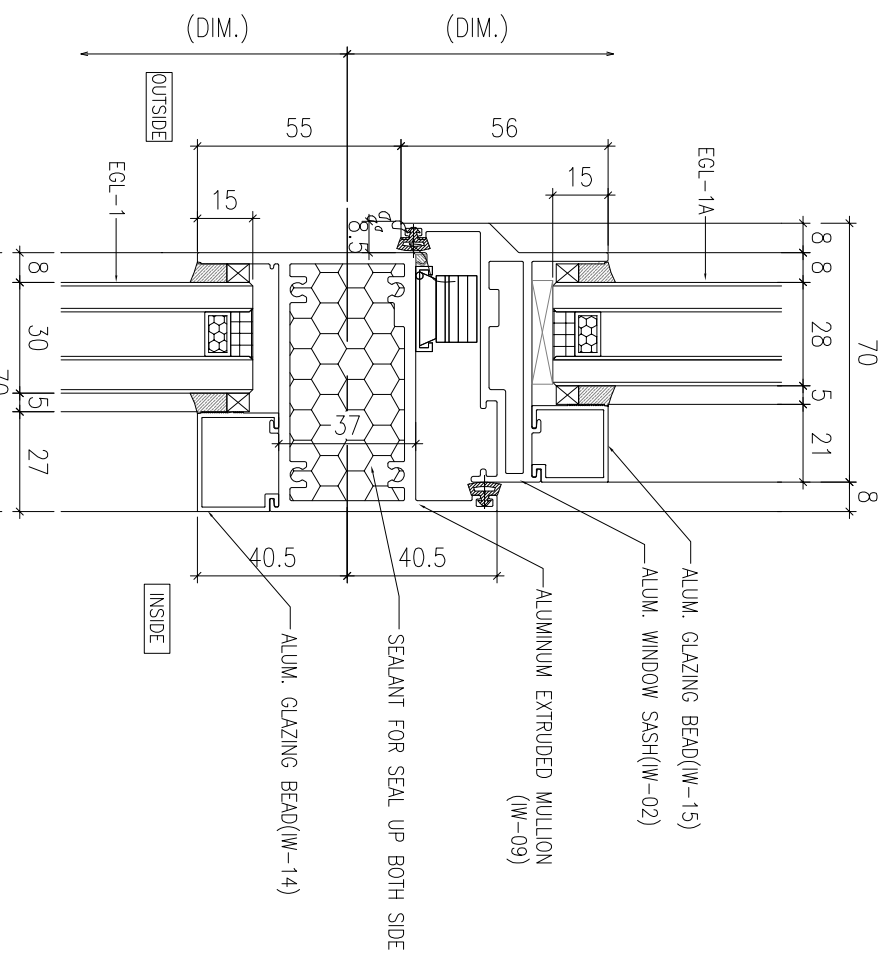
DRAWN BY : IYVN CHECKED BY :

**美特鋁質有限公司**  
MIDI ALUMINIUM FABRICATOR LTD.  
Units 6-8, Sunray Industrial Centre, 1/F  
610 Cho Kwai Ling Road, Kowloon  
Tel:23489211-4 Fax:(852)27727666

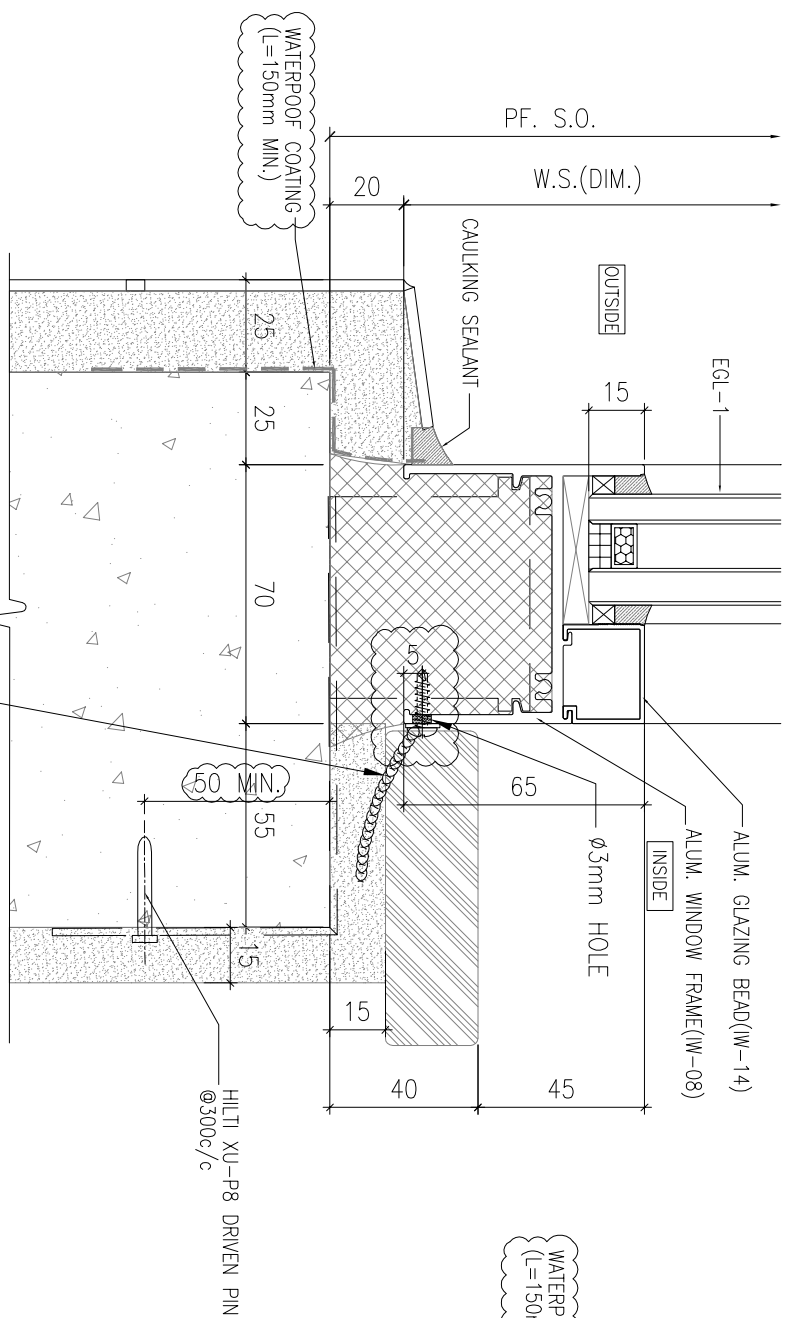
DWG NO. : J856-SD-W-7001 REV. : C



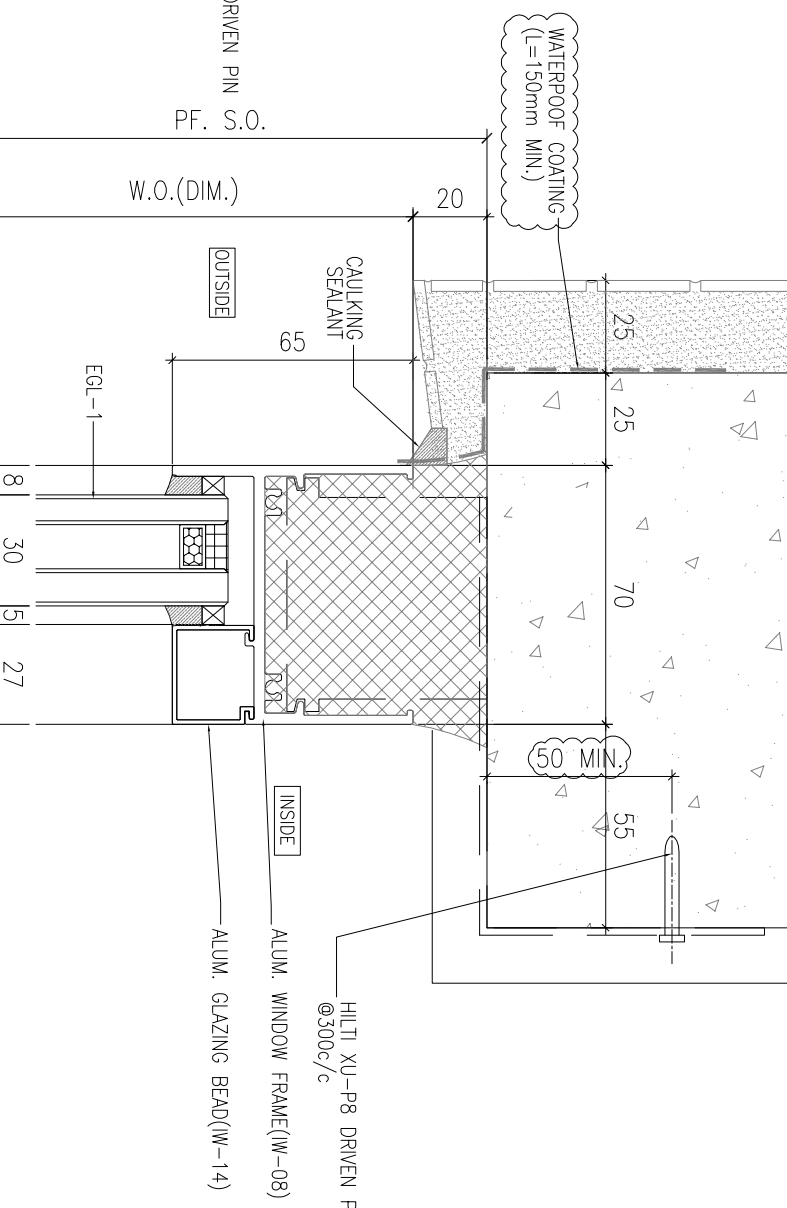
1 VERTICAL DETAIL  
SCALE 1:2



3 VERTICAL DETAIL  
SCALE 1:2



2 VERTICAL DETAIL  
SCALE 1:2



4 VERTICAL DETAIL  
SCALE 1:2

EARTHING BONDING COPPER WIRE W/ INSULATION AND SCREW TO BE SUPPLIED AND INSTALLED BY OTHERS

B.D. REF :

CLIENT :



42/F, SUN HUNG KAI CENTRE, WANCHAI, HONGKONG

ARCHITECT :



MAIN CONTRACTOR :



STRUCTURAL ENGINEER :



FAÇADE CONSULTANT :



- NOTE :
1. ALL DIMENSIONS ARE IN mm.
  2. ALL ELEVATIONS ARE VIEWED FROM OUTSIDE.
  3. ALL DIMENSIONS TO BE VERIFIED ON SITE BEFORE FABRICATION.

LEGEND :

- (X1) --- DETAIL MARK NO.
- (X001) --- REFER SHEET NO.

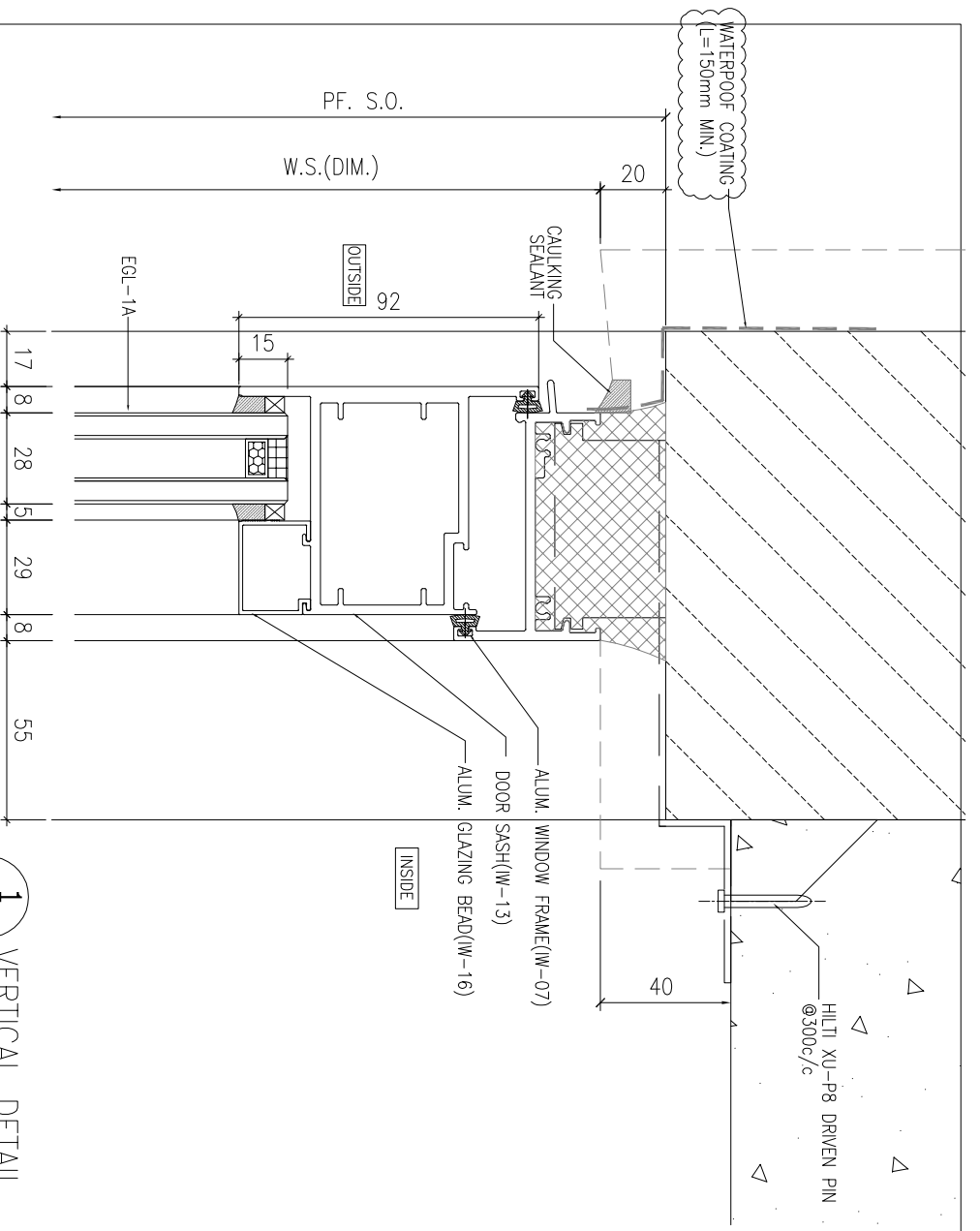
1. F.F.L. --- FINISHED FLOOR LEVEL
  2. S.F.L. --- STRUCTURAL FLOOR LEVEL
  3. (R) --- REVERSED DETAIL
  4. GLASS LEGEND
- EGL-1 --- 6mmH5+12mm AIR GAP+10mmTP THK. I.G.U.  
 EGL-1A --- 6mmH5+12mm AIR GAP+9mmTP THK. I.G.U.  
 EGL-2 --- 10mm THK. CLEAR TEMPERED GLASS  
 EGL-4 --- 10mm THK. TEMPERED ACID ETCHED GLASS

| NO. | DATE       | REVISION                         | REVISION SUBJECT TO ARCH-COMMENT | BY  |
|-----|------------|----------------------------------|----------------------------------|-----|
| D   | 28/07/2022 | REVISION SUBJECT TO ARCH-COMMENT |                                  | hwn |
| C   | 20/06/2022 | REVISION SUBJECT TO ARCH-COMMENT |                                  | hwn |
| B   | 24/11/2021 | REVISION SUBJECT TO ARCH-COMMENT |                                  | hwn |
| A   | 10/11/2021 | REVISION SUBJECT TO ARCH-COMMENT |                                  | hwn |

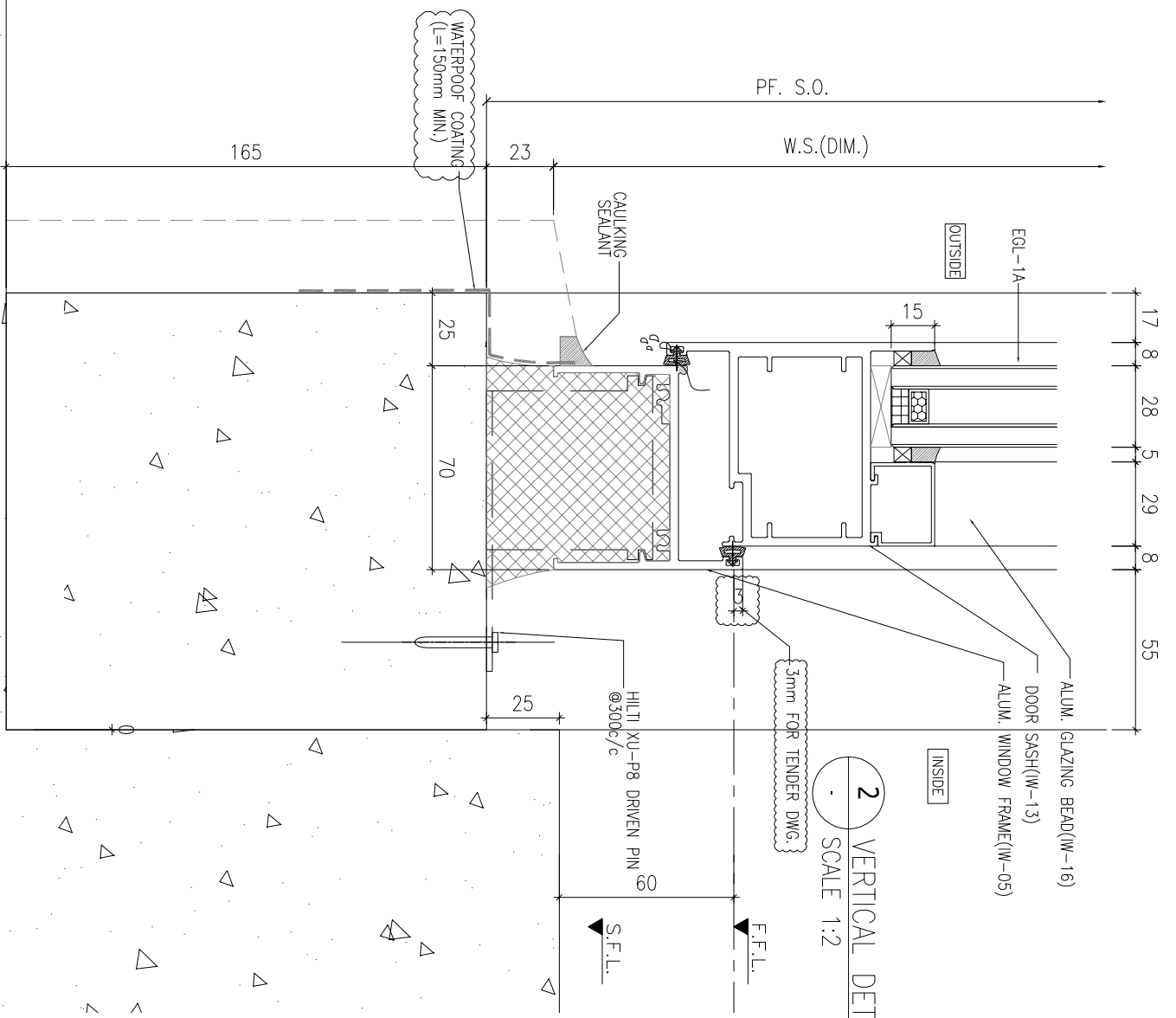
JOB NO. : J-856  
 PROJECT : PROPOSED DEVELOPMENT ABOVE LIGHT RAIL TIN WING STOP-TSWTL NO.23,AREA 33,TIN SHUI WAL, N.T.  
 TITLE : TYPICAL DETAILS FOR IN-SITU WINDOW

DATE : 02-Aug-21 SCALE : 1:40  
 DRAWN BY : IYVN CHECKED BY :

美特鋁質有限公司  
 MDI ALUMINIUM FABRICATOR LTD.  
 Units 6-8, Sunny Industrial Centre, 1/F  
 610 Cho Kwong Road, Kwunmoon  
 Tel:23489211-4 Fax:(852)2727666  
 DWG NO. : J856-SD-W-7002 REV : D



1 VERTICAL DETAIL  
SCALE 1:2



2 VERTICAL DETAIL  
SCALE 1:2

B.D. REF :

CLIENT :

**SUN HUNG KAI**  
REAL ESTATE AGENCY LTD.  
42/F, SUN HUNG KAI CENTRE, WANCHAI, HONGKONG

ARCHITECT :

**lwk&partners**  
a r c h i t e c t s

MAIN CONTRACTOR :

**怡輝建築有限公司**  
**Yee Fai Building Contractors Ltd.**

STRUCTURAL ENGINEER :

**ARUP**

FAÇADE CONSULTANT :

**ALPHA CONSULTING LIMITED**  
Steel Structure & Façade Specialist

NOTE :

1. ALL DIMENSIONS ARE IN mm.
2. ALL ELEVATIONS ARE VIEWED FROM OUTSIDE.
3. ALL DIMENSIONS TO BE VERIFIED ON SITE BEFORE FABRICATION.

LEGEND :

- (X1) --- DETAIL MARK NO.
- (X001) --- REFER SHEET NO.

1. F.F.L. --- FINISHED FLOOR LEVEL
2. S.F.L. --- STRUCTURAL FLOOR LEVEL
3. (R) --- REVERSED DETAIL
4. GLASS LEGEND

EGL-1 --- 6mmH5+12mm AIR GAP+10mmTP THK. LG.U.  
EGL-1A --- 6mmH5+12mm AIR GAP+9mmTP THK. LG.U.  
EGL-2 --- 10mm THK. CLEAR TEMPERED GLASS  
EGL-4 --- 10mm THK. TEMPERED ACID ETCHED GLASS

| NO. | DATE       | REVISION                          | SUBJECT TO ARCH.COMMENT | BY   |
|-----|------------|-----------------------------------|-------------------------|------|
| 0   | 28/07/2022 | REVISION SUBJECT TO ALPHA COMMENT | None                    | None |
| C   | 21/06/2022 | REVISION SUBJECT TO ARCH.COMMENT  | None                    | None |
| B   | 24/11/2021 | REVISION SUBJECT TO ARCH.COMMENT  | None                    | None |
| A   | 10/11/2021 | REVISION SUBJECT TO ARCH.COMMENT  | None                    | None |

JOB NO. : J-856

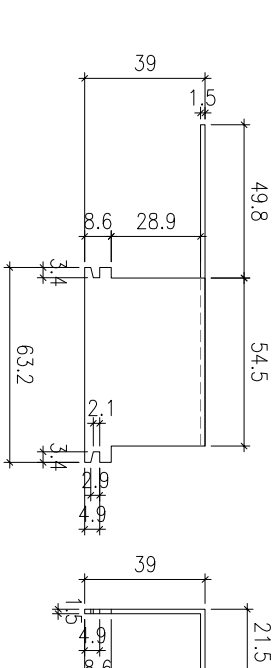
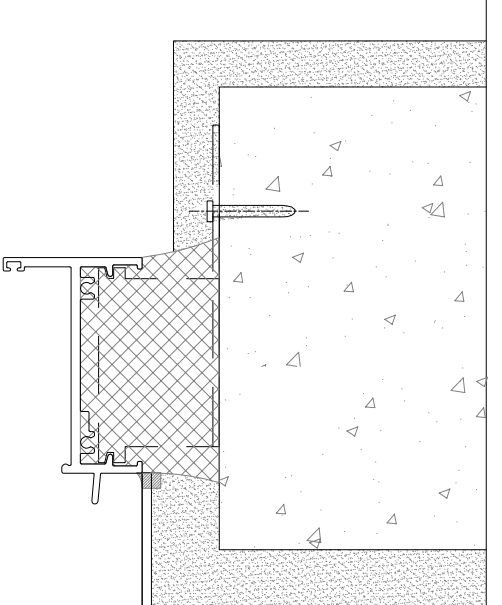
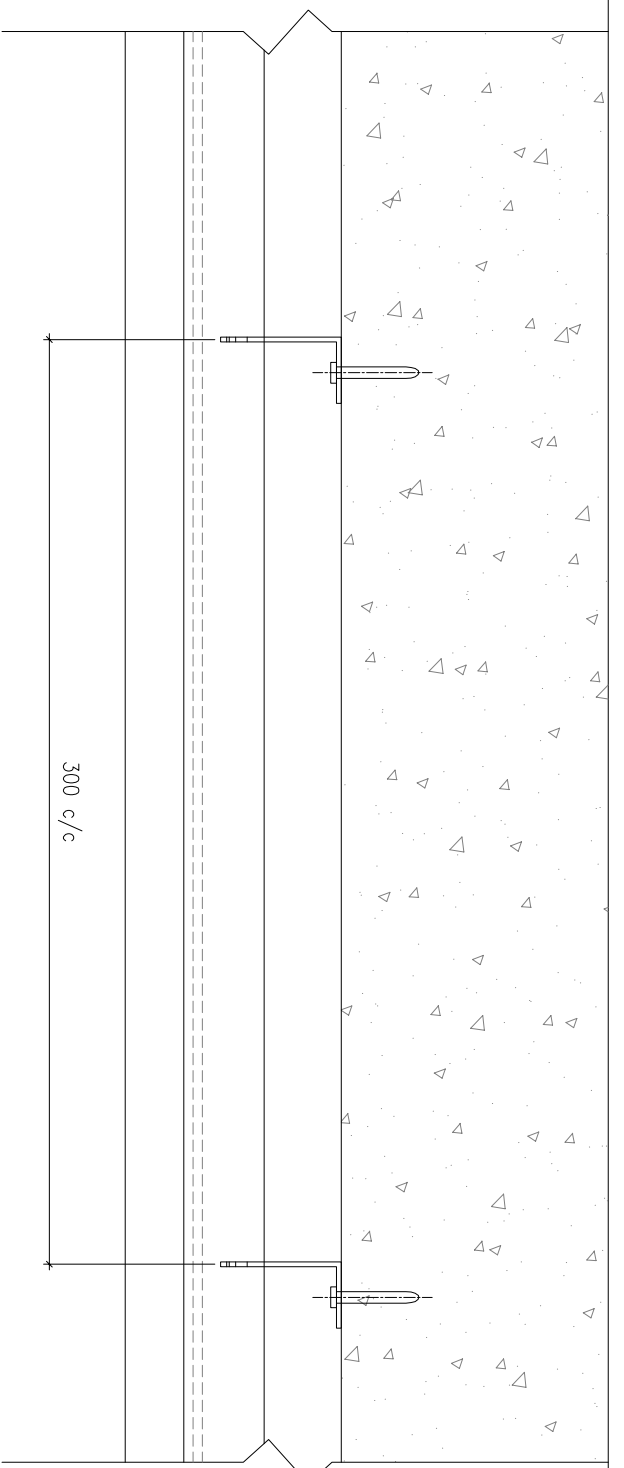
PROJECT : PROPOSED DEVELOPMENT ABOVE LIGHT RAIL TIN WING STOP,TSWTL NO.23,AREA 33,TIN SHUI WAL, N.T.

TITLE : TYPICAL DETAILS FOR IN-SITU WINDOW

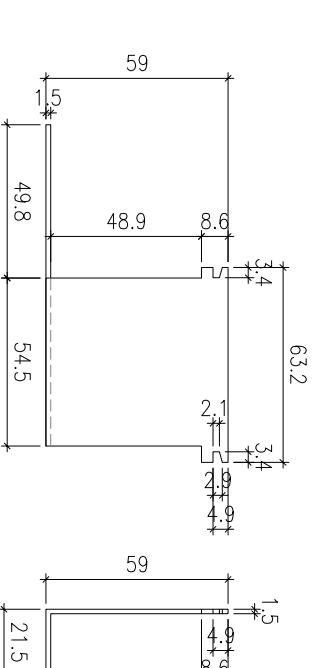
DATE : 02-Aug-21 SCALE : 1:40

DRAWN BY : IYON CHECKED BY :

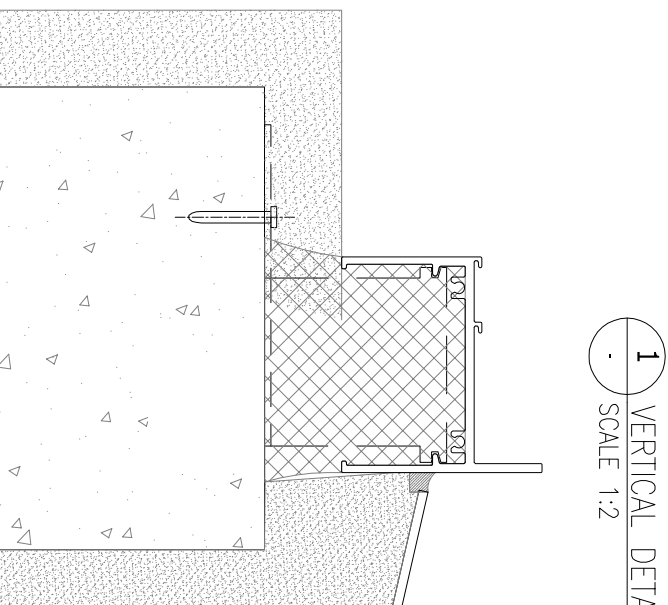
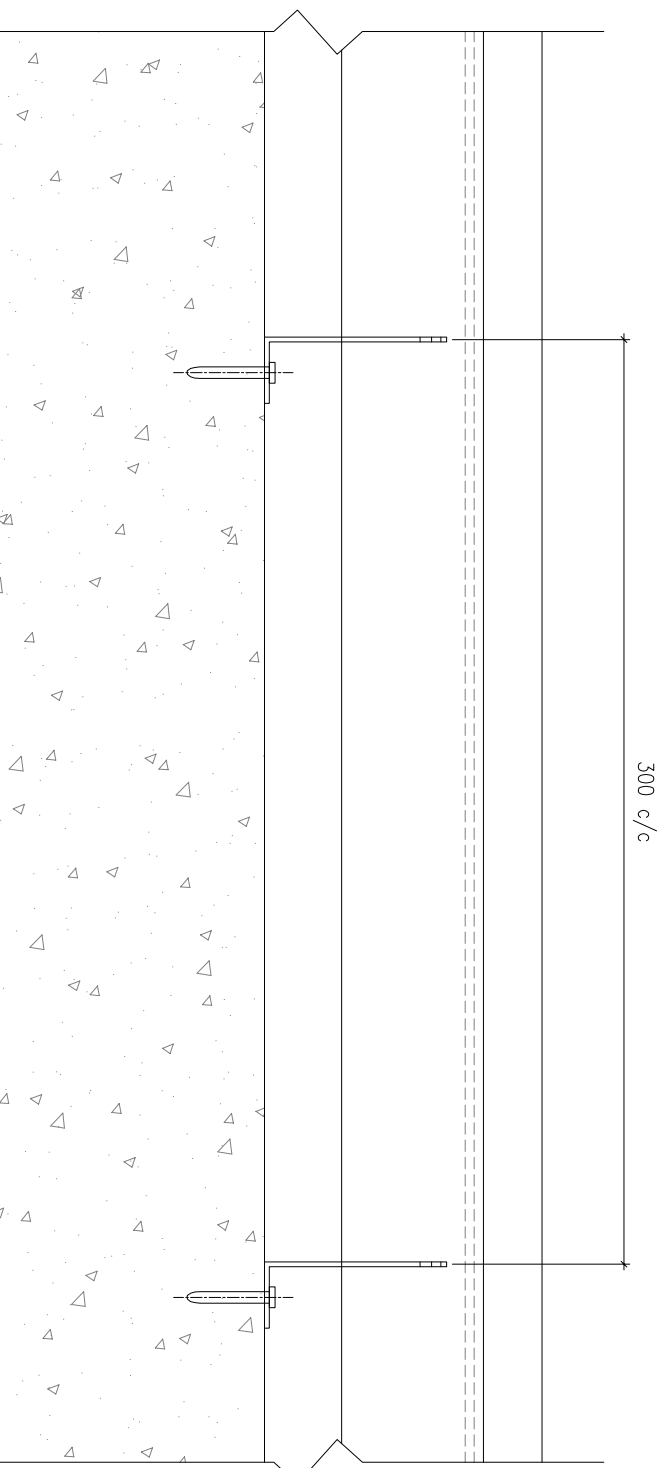
**美特鋁質有限公司**  
**MIDI ALUMINUM FABRICATOR LTD.**  
Units 6-8, Sunray Industrial Centre, 1/F  
610 Cho Kwo Ling Road, Kowloon  
Tel:23489211-4 Fax:(852)27727666  
DWG NO. : J856-SD-W-7003 REV : D



1 VERTICAL DETAIL  
SCALE 1:2



1 VERTICAL DETAIL  
SCALE 1:2



BD. REF :

CLIENT :

**SUN HUNG KAI**  
REAL ESTATE AGENCY LTD.  
42/F, SUN HUNG KAI CENTRE, WANCHAI, HONGKONG

ARCHITECT :

**lwk&partners**  
a r c h i t e c t s

MAIN CONTRACTOR :

**怡輝建築有限公司**  
**Yee Fai** Building Contractors Ltd.

STRUCTURAL ENGINEER :

**ARUP**

FAÇADE CONSULTANT:

**α ALPHA CONSULTING LIMITED**  
Steel Structure & Façade Specialist

NOTE :

1. ALL DIMENSIONS ARE IN mm.
2. ALL ELEVATIONS ARE VIEWED FROM OUTSIDE.
3. ALL DIMENSIONS TO BE VERIFIED ON SITE BEFORE FABRICATION.

LEGEND :

X1 — DETAIL MARK NO.  
X001 — REFER SHEET NO.

1. F.F.L. --- FINISHED FLOOR LEVEL
2. S.F.L. --- STRUCTURAL FLOOR LEVEL
3. (R) --- REVERSED DETAIL

4. GLASS LEGEND

- EQ1-1 --- 6mmH5+12mm AIR GAP+10mmTP THK. LG.U.  
EQ1-1A --- 6mmH5+12mm AIR GAP+9mmTP THK. LG.U.  
EQ1-2 --- 10mm THK. CLEAR TEMPERED GLASS  
EQ1-4 --- 10mm THK. TEMPERED ACID ETCHED GLASS

| NO. | DATE       | REVISION SUBJECT TO ARCH/COMMENT | ISSUED BY |
|-----|------------|----------------------------------|-----------|
| A   | 10/11/2021 |                                  |           |

JOB NO. : J-856

PROJECT :  
PROPOSED DEVELOPMENT ABOVE  
LIGHT RAIL TIN WING STOP/TSWTL  
NO.23,AREA 33,TIN SHUI WAI, N.T.

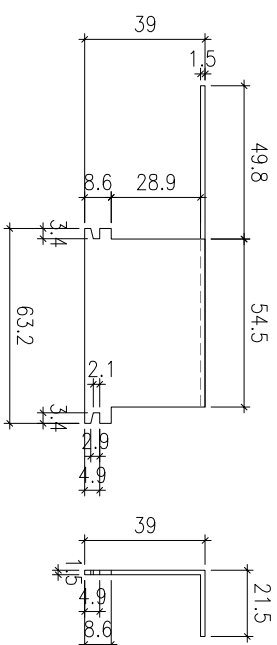
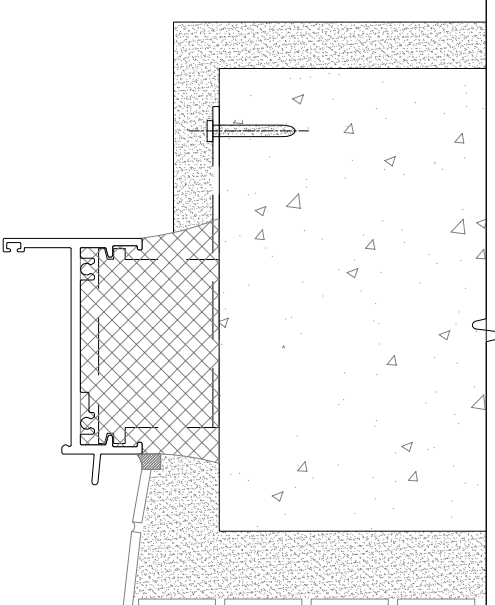
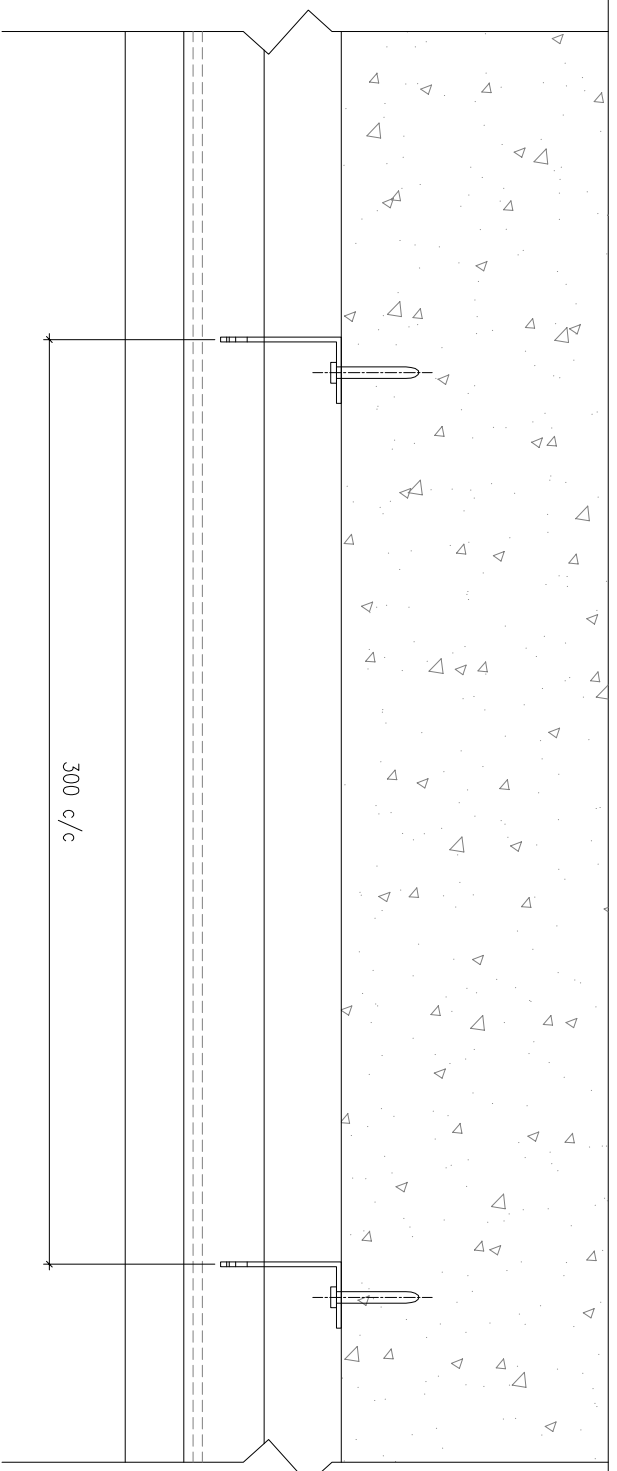
TITLE :  
G.M.S. FIXING LUG TYPICAL DETAIL  
FOR IN-SITU WINDOW

DATE : 02-Aug-21 SCALE : 1:60

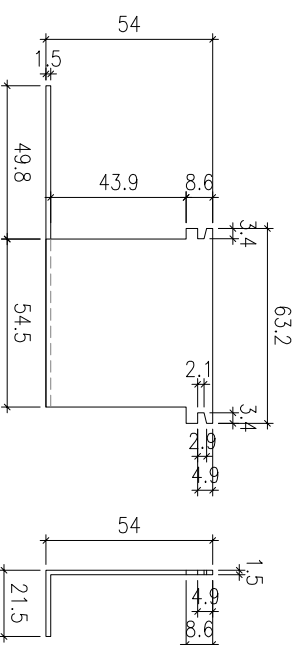
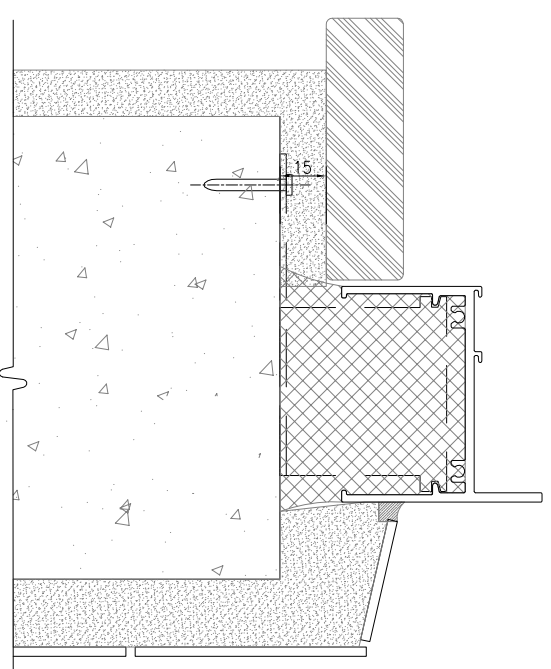
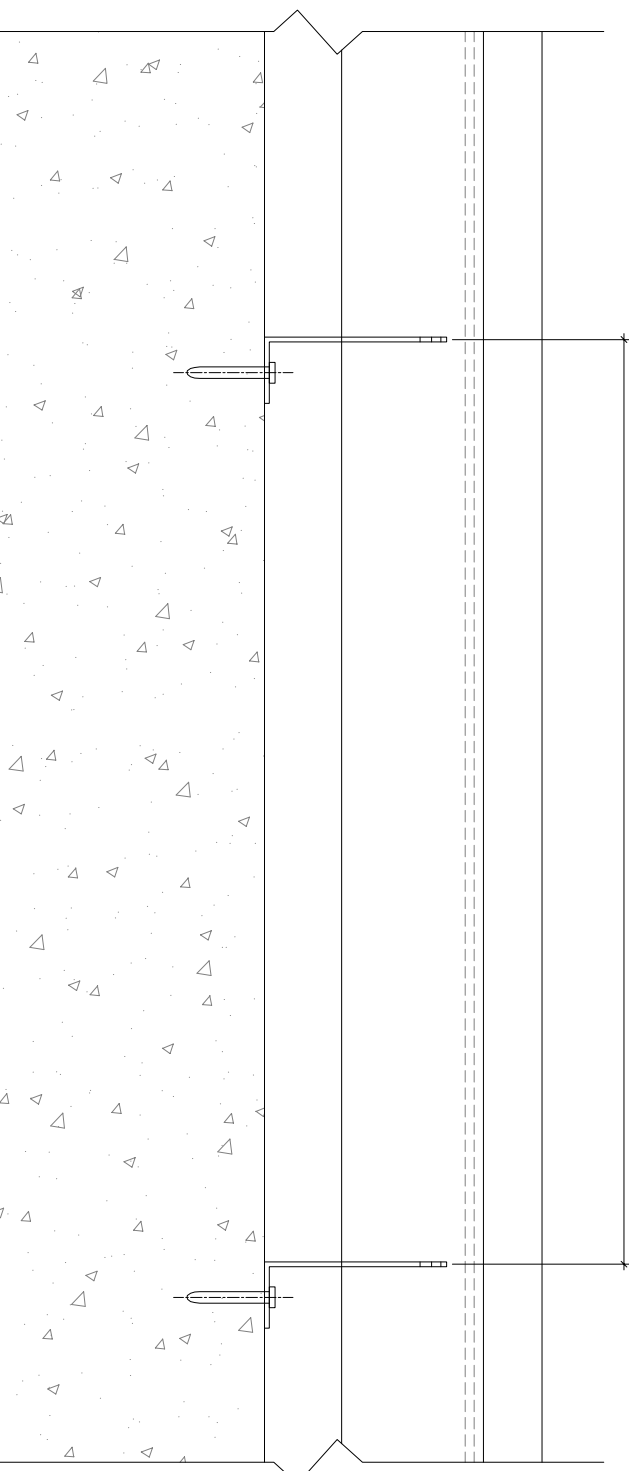
DRAWN BY : IYON CHECKED BY :

**美特鋁質有限公司**  
MIDI ALUMINIUM FABRICATOR LTD.  
Units 6-8, Sunray Industrial Centre, 1/F  
610 Cho Kwong Road, Kowloon  
Tel:23489211-4 Fax:(852)2727666

DWG NO. : J856-SD-W-7004 REV : A



1 VERTICAL DETAIL  
SCALE 1:2



1 VERTICAL DETAIL  
SCALE 1:2

BD. REF. :

CLIENT :

**SUN HUNG KAI**  
REAL ESTATE AGENCY LTD.  
42/F, SUN HUNG KAI CENTRE, WANCHAI, HONGKONG

ARCHITECT :

**lwk&partners**  
a r c h i t e c t s

MAIN CONTRACTOR :

**怡輝建築有限公司**  
**Yee Fai Building Contractors Ltd.**

STRUCTURAL ENGINEER :

**ARUP**

FAÇADE CONSULTANT :

**ALPHA CONSULTING LIMITED**  
Steel Structure & Façade Specialist

NOTE :

1. ALL DIMENSIONS ARE IN mm.
2. ALL ELEVATIONS ARE VIEWED FROM OUTSIDE.
3. ALL DIMENSIONS TO BE VERIFIED ON SITE BEFORE FABRICATION.

LEGEND :

X1 ——— DETAIL MARK NO.  
X001 ——— REFER SHEET NO.

1. F.F.L. --- FINISHED FLOOR LEVEL
2. S.F.L. --- STRUCTURAL FLOOR LEVEL
3. (R) --- REVERSED DETAIL

4. GLASS LEGEND

- EQ1-1 --- 6mmH5+12mm AIR GAP+10mmTP THK. LG.U.  
EQ1-1A --- 6mmH5+12mm AIR GAP+9mmTP THK. LG.U.  
EQ1-2 --- 10mm THK. CLEAR TEMPERED GLASS  
EQ1-4 --- 10mm THK. TEMPERED ACID ETCHED GLASS

| NO. | DATE       | REVISION SUBJECT TO ARCH/COMMENT | ISSUED BY |
|-----|------------|----------------------------------|-----------|
| A   | 10/11/2021 |                                  |           |

JOB NO. : J-856

PROJECT :  
PROPOSED DEVELOPMENT ABOVE  
LIGHT RAIL TIN WING STOP/TSWTL  
NO.23,AREA 33,TIN SHUI WA, N.T.

TITLE :  
G.M.S. FIXING LUG TYPICAL DETAIL  
FOR IN-SITU WINDOW

DATE : 02-Aug-21 SCALE : 1:60

DRAWN BY : IYON CHECKED BY :

**美特鋁質有限公司**  
MIDI ALUMINIUM FABRICATOR LTD.  
Units 6-8, Sunray Industrial Centre, 1/F  
610 Cho Kwo Ling Road, Kowloon  
Tel:23489211-4 Fax:(852)2727666  
DWG NO. : J856-SD-W-7005 REV : A

**SUN HUNG KAI**  
**REAL ESTATE AGENCY LTD.**  
 42/F, SUN HUNG KAI CENTRE, WANCHAI, HONGKONG

ARCHITECT :  
**lwk&partners**  
 a r c h i t e c t s

MAIN CONTRACTOR :  
**怡輝建築有限公司**  
**Yee Fai Building Contractors Ltd.**

STRUCTURAL ENGINEER :

**ARUP**  
 ALPHA CONSULTING LIMITED  
 Steel Structure & Facade Specialist

NOTE:  
 1. ALL DIMENSIONS ARE IN mm.  
 2. ALL ELEVATIONS ARE VIEWED FROM OUTSIDE.  
 3. ALL DIMENSIONS TO BE VERIFIED ON SITE BEFORE FABRICATION.

LEGEND:  
 (X1) --- DETAIL MARK NO.  
 (X001) --- REFER SHEET NO.

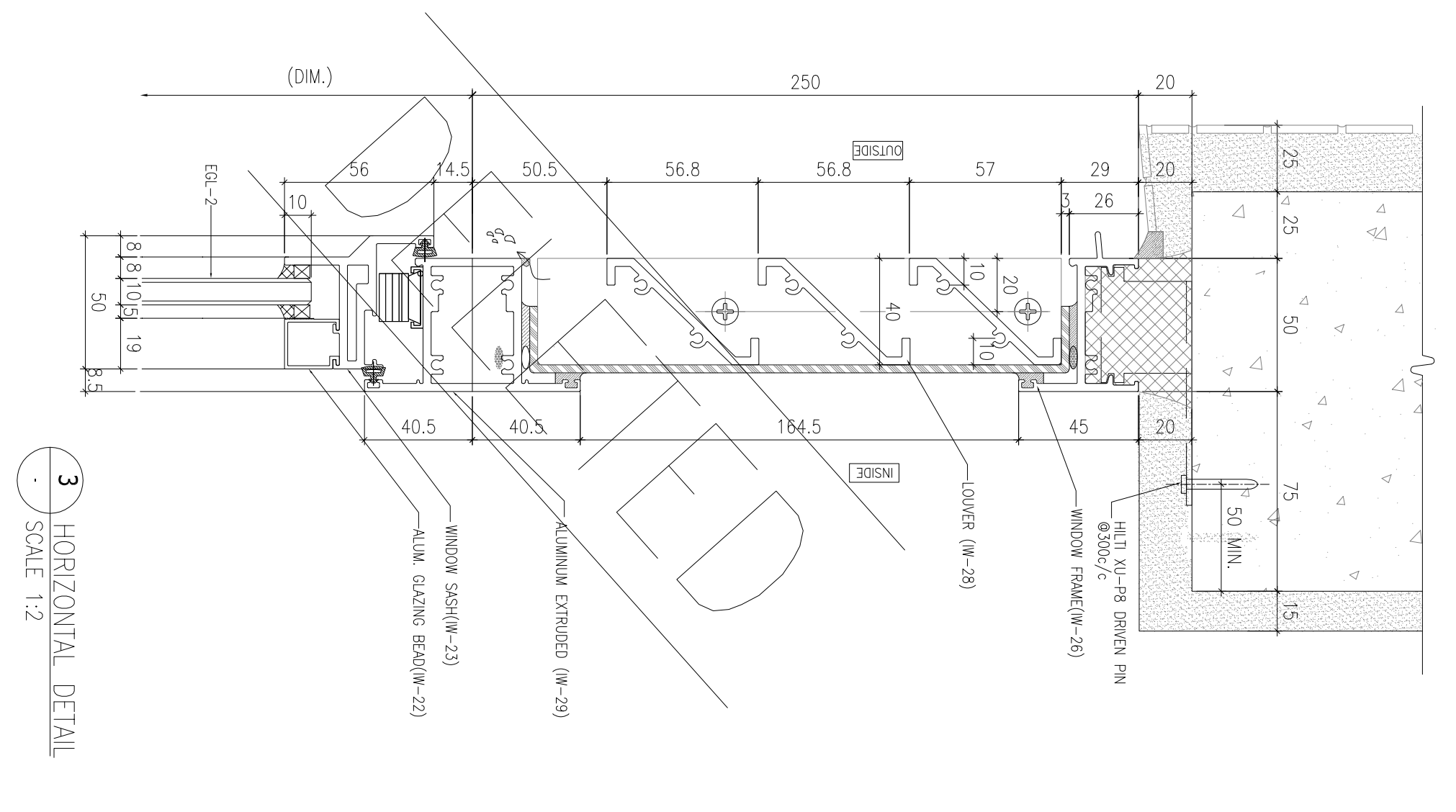
1. F.F.L. --- FINISHED FLOOR LEVEL
  2. S.F.L. --- STRUCTURAL FLOOR LEVEL
  3. (R) --- REVERSED DETAIL
  4. GLASS LEGEND
- EQ-1 --- 6mmH5+12mm AIR GAP+10mmTP THK. IG.U.  
 EQ-1A --- 6mmH5+12mm AIR GAP+9mmTP THK. IG.U.  
 EQ-2 --- 10mm THK. CLEAR TEMPERED GLASS  
 EQ-4 --- 10mm THK. TEMPERED ACID ETCHED GLASS

| NO. | DATE       | REVISION                          | BY  |
|-----|------------|-----------------------------------|-----|
| C   | 28/07/2022 | REVISION SUBJECT TO ALPHA COMMENT | lwn |
| B   | 24/11/2021 | REVISION SUBJECT TO ARCH COMMENT  | lwn |
| A   | 10/11/2021 | REVISION SUBJECT TO ARCH COMMENT  | lwn |

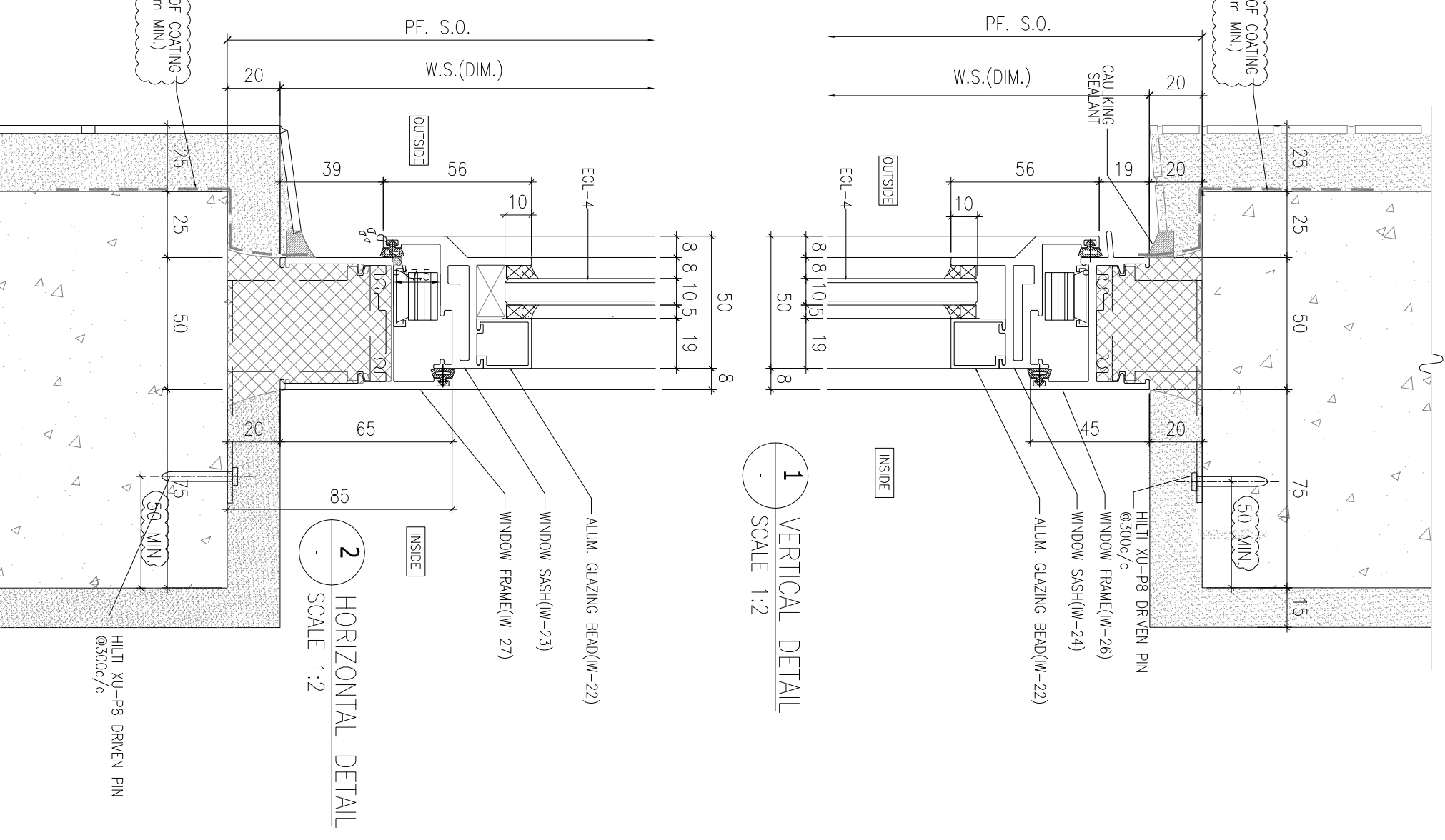
JOB NO. : J-856  
 PROJECT : PROPOSED DEVELOPMENT ABOVE LIGHT RAIL TIN WING STOP,T5WTL NO.23,AREA 33,TIN SHUI WAI, N.T.  
 TITLE : TYPICAL DETAILS FOR IN-SITU WINDOW

DATE : 02-Aug-21 SCALE : 1:40  
 DRAWN BY : lwnn CHECKED BY :

**美特鋁質有限公司**  
**MIDI ALUMINUM FABRICATOR LTD.**  
 Units 6-8, Sunray Industrial Centre, 1/F  
 610 Cho Kwong Road, Kwai Moon  
 Tel:23489211-4 Fax:(852)27727666  
 DWG NO. : J856-SD-W-7006 REV. : C

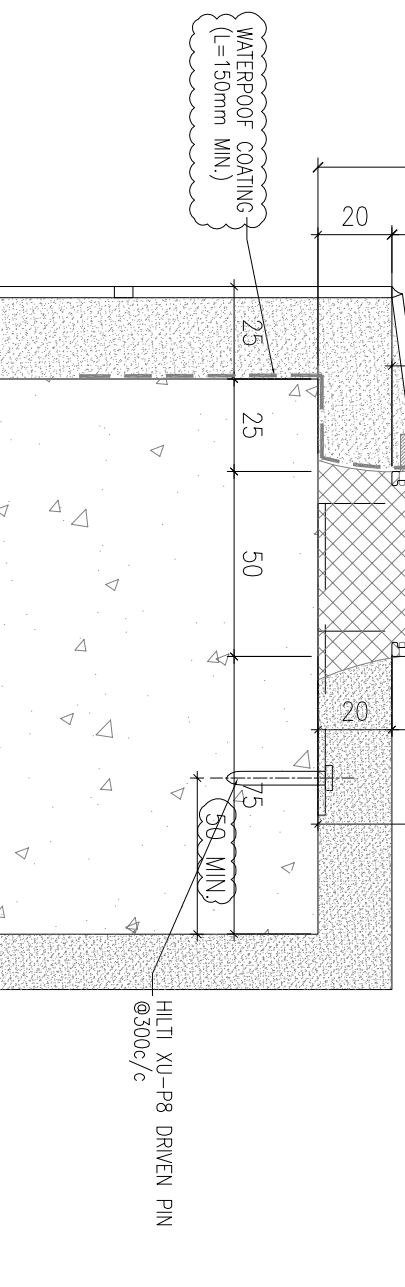


**3** HORIZONTAL DETAIL  
 SCALE 1:2

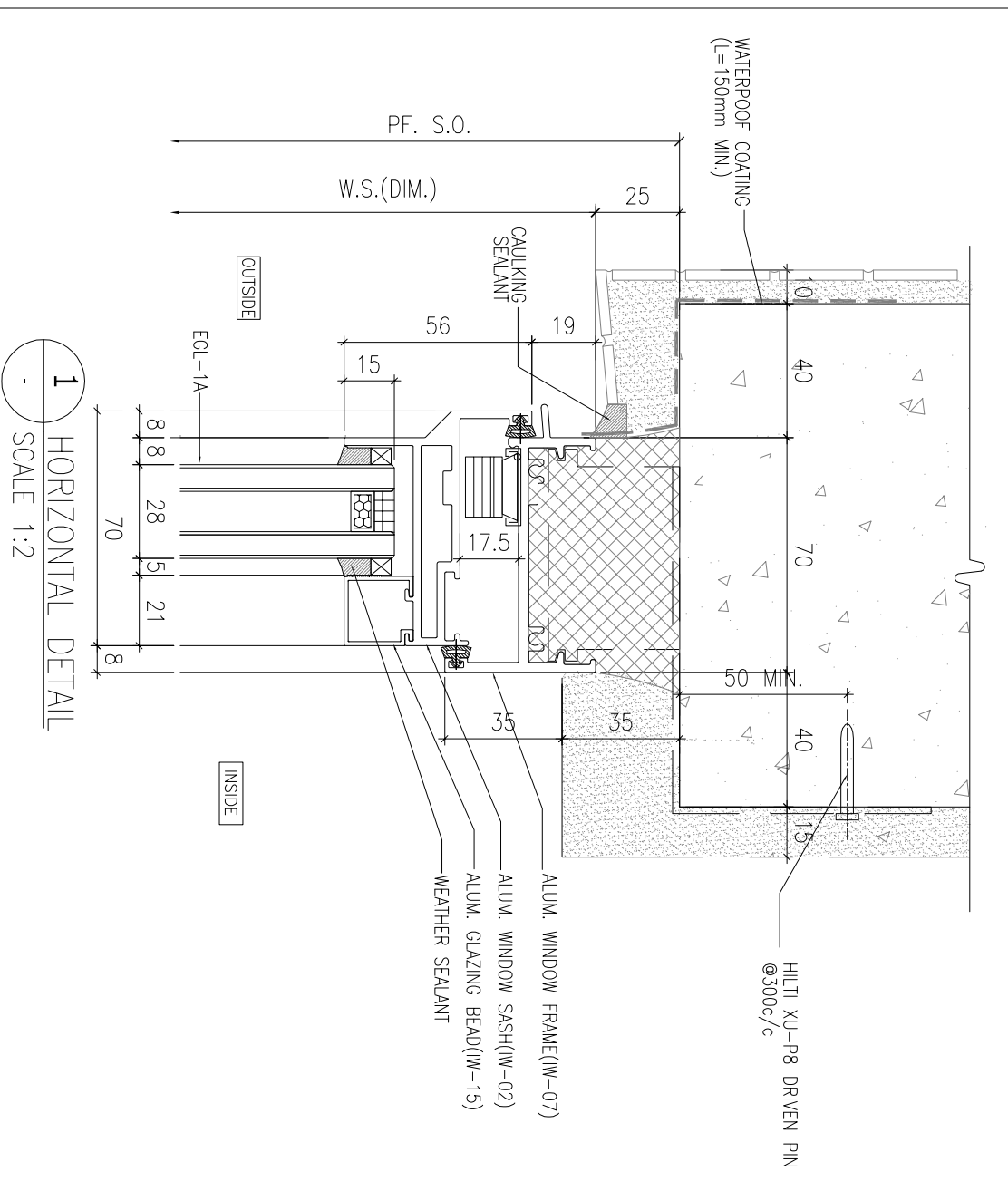


**1** VERTICAL DETAIL  
 SCALE 1:2

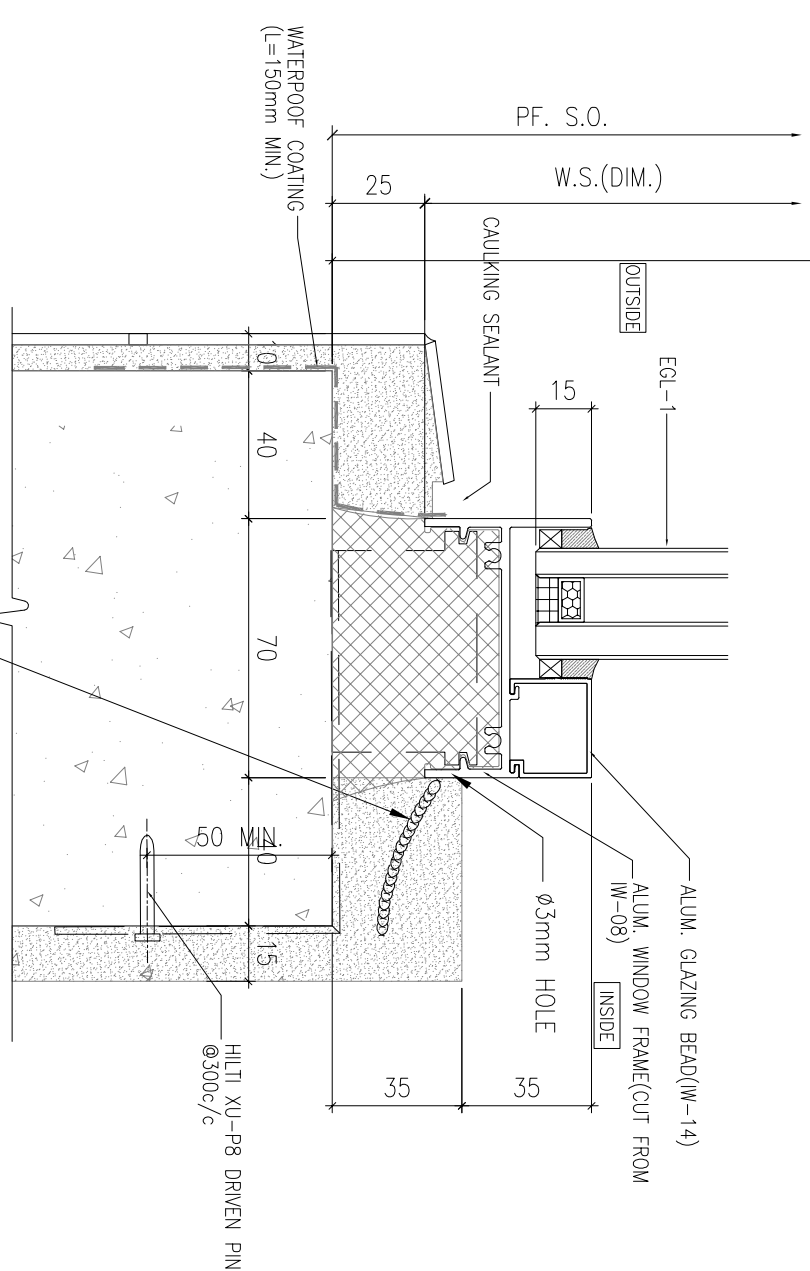
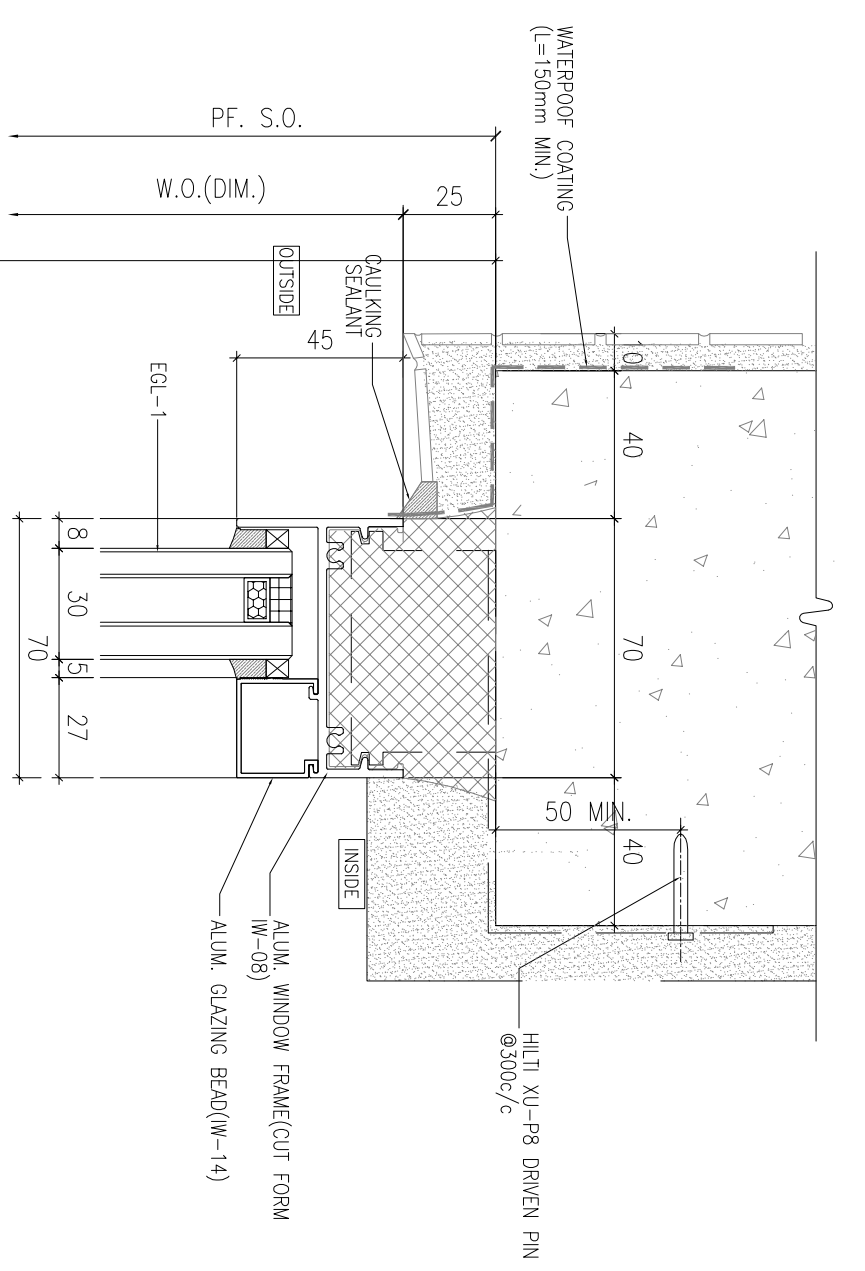
**2** HORIZONTAL DETAIL  
 SCALE 1:2



HILTI XU-P8 DRIVEN PIN @300c/c



1 HORIZONTAL DETAIL  
SCALE 1:2



EARTHING BONDING COPPER WIRE W/  
INSULATION AND SCREW TO BE SUPPLIED  
AND INSTALLED BY OTHERS

B.D. REF :

CLIENT :



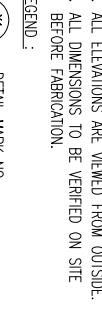
ARCHITECT :



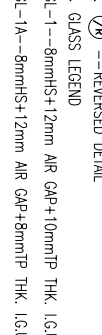
MAIN CONTRACTOR :



STRUCTURAL ENGINEER :



FAÇADE CONSULTANT :



NOTE :

1. ALL DIMENSIONS ARE IN mm.
2. ALL ELEVATIONS ARE VIEWED FROM OUTSIDE.
3. ALL DIMENSIONS TO BE VERIFIED ON SITE BEFORE FABRICATION.

LEGEND :

- X1 --- DETAIL MARK NO.
- X001 --- REFER SHEET NO.

1. F.F.L. --- FINISHED FLOOR LEVEL

2. S.F.L. --- STRUCTURAL FLOOR LEVEL

3. (R) --- REVERSED DETAIL

4. GLASS LEGEND

EGL-1A --- 6mmHx5+12mm AIR GAP+10mmTP THK. LG.U.

EGL-1A --- 6mmHx5+12mm AIR GAP+9mmTP THK. LG.U.

EGL-2 --- 10mm THK. CLEAR TEMPERED GLASS

EGL-4 --- 10mm THK. TEMPERED ACID ETCHED GLASS

| NO. | DATE       | REVISION                         | BY  |
|-----|------------|----------------------------------|-----|
| B   | 24/11/2021 | REVISION SUBJECT TO ARCH-COMMENT | hwk |
| A   | 10/11/2021 | REVISION SUBJECT TO ARCH-COMMENT | hwk |

JOB NO. : J-856

PROJECT : PROPOSED DEVELOPMENT ABOVE LIGHT RAIL TIN WING STOP-TS/WTL NO.23, AREA 33, TIN SHUI WA, N.T.

TITLE : TYPICAL DETAILS FOR IN-SITU WINDOW

DATE : 02-Aug-21 SCALE : 1:40

DRAWN BY : IYVON CHECKED BY :

REV. : B

DWG NO. : J856-SD-W-7007

Units 6-8, Sunray Industrial Centre, 1/F  
610 Cho Kwong Road, Kowloon  
Tel: 23489211-4 Fax: (852) 27272666

美特铝质有限公司  
MIDI ALUMINIUM FABRICATOR LTD.

CLIENT :



42/F, SUN HUNG KAI CENTRE, WANCHAI, HONGKONG

ARCHITECT :



MAIN CONTRACTOR :



STRUCTURAL ENGINEER :



FAÇADE CONSULTANT :



- NOTE :
1. ALL DIMENSIONS ARE IN mm.
  2. ALL ELEVATIONS ARE VIEWED FROM OUTSIDE.
  3. ALL DIMENSIONS TO BE VERIFIED ON SITE BEFORE FABRICATION.

LEGEND :

- (X1) --- DETAIL MARK NO.
- (X001) --- REFER SHEET NO.

1. F.F.L. --- FINISHED FLOOR LEVEL
2. S.F.L. --- STRUCTURAL FLOOR LEVEL
3. (R) --- REVERSED DETAIL

4. GLASS LEGEND
- EGL-1 --- 6mmH+12mm AIR GAP+10mmTP THK. LG.U.
  - EGL-1A --- 6mmH+12mm AIR GAP+9mmTP THK. LG.U.
  - EGL-2 --- 10mm THK. CLEAR TEMPERED GLASS
  - EGL-4 --- 10mm THK. TEMPERED ACID ETCHED GLASS

| NO. | DATE       | REVISION                          | REVISION SUBJECT TO ARCH-COMMENT | BY  |
|-----|------------|-----------------------------------|----------------------------------|-----|
| 0   | 28/07/2022 | REVISION SUBJECT TO ALPHA COMMENT |                                  | hcn |
| C   | 22/06/2022 | REVISION SUBJECT TO ARCH-COMMENT  |                                  | hcn |
| B   | 24/11/2021 | REVISION SUBJECT TO ARCH-COMMENT  |                                  | hcn |
| A   | 10/11/2021 | REVISION SUBJECT TO ARCH-COMMENT  |                                  | hcn |

JOB NO. : J-856

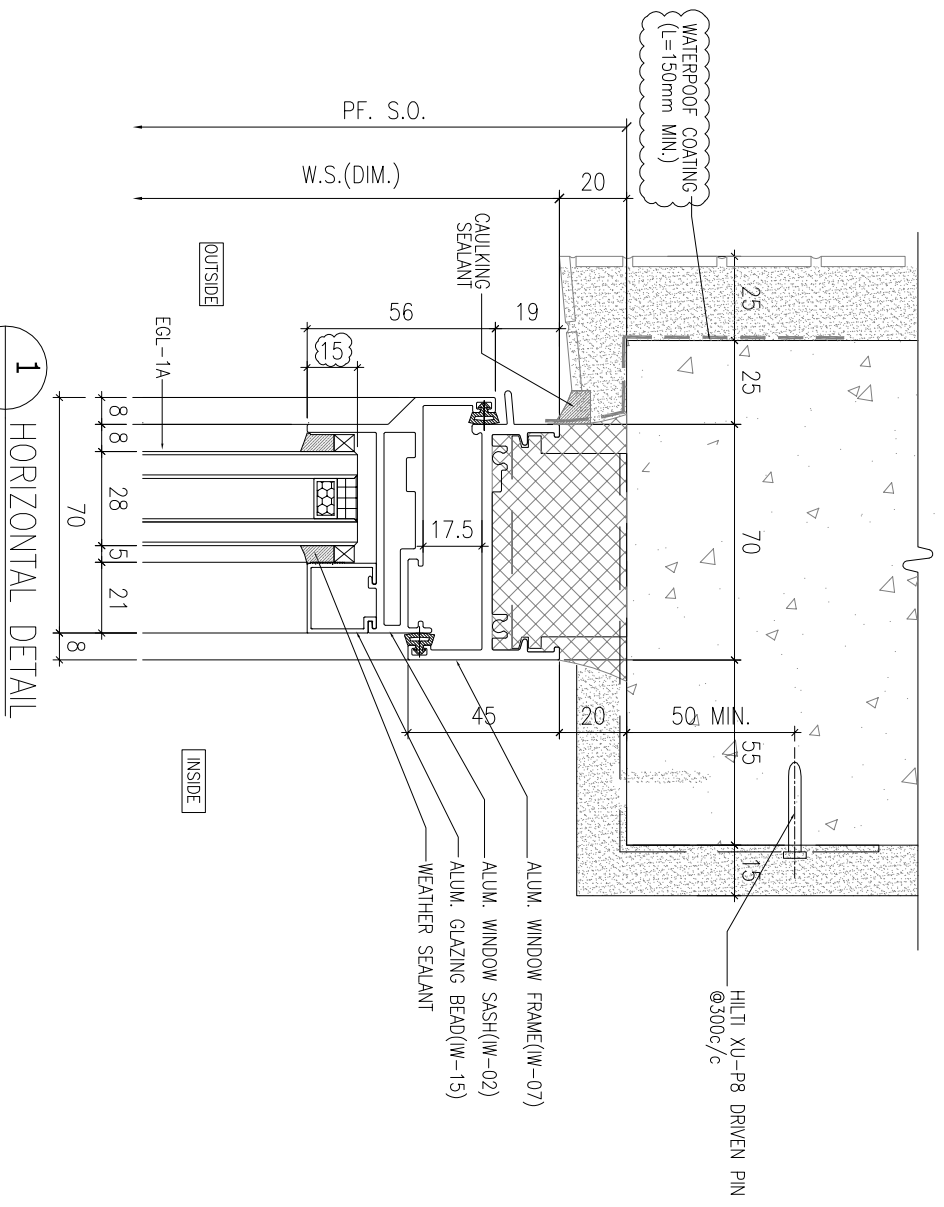
PROJECT : PROPOSED DEVELOPMENT ABOVE LIGHT RAIL TIN WING STOP-TS/WTL NO.23, AREA 33, TIN SHUI WAI, N.T.

TITLE : TYPICAL DETAILS FOR IN-SITU WINDOW

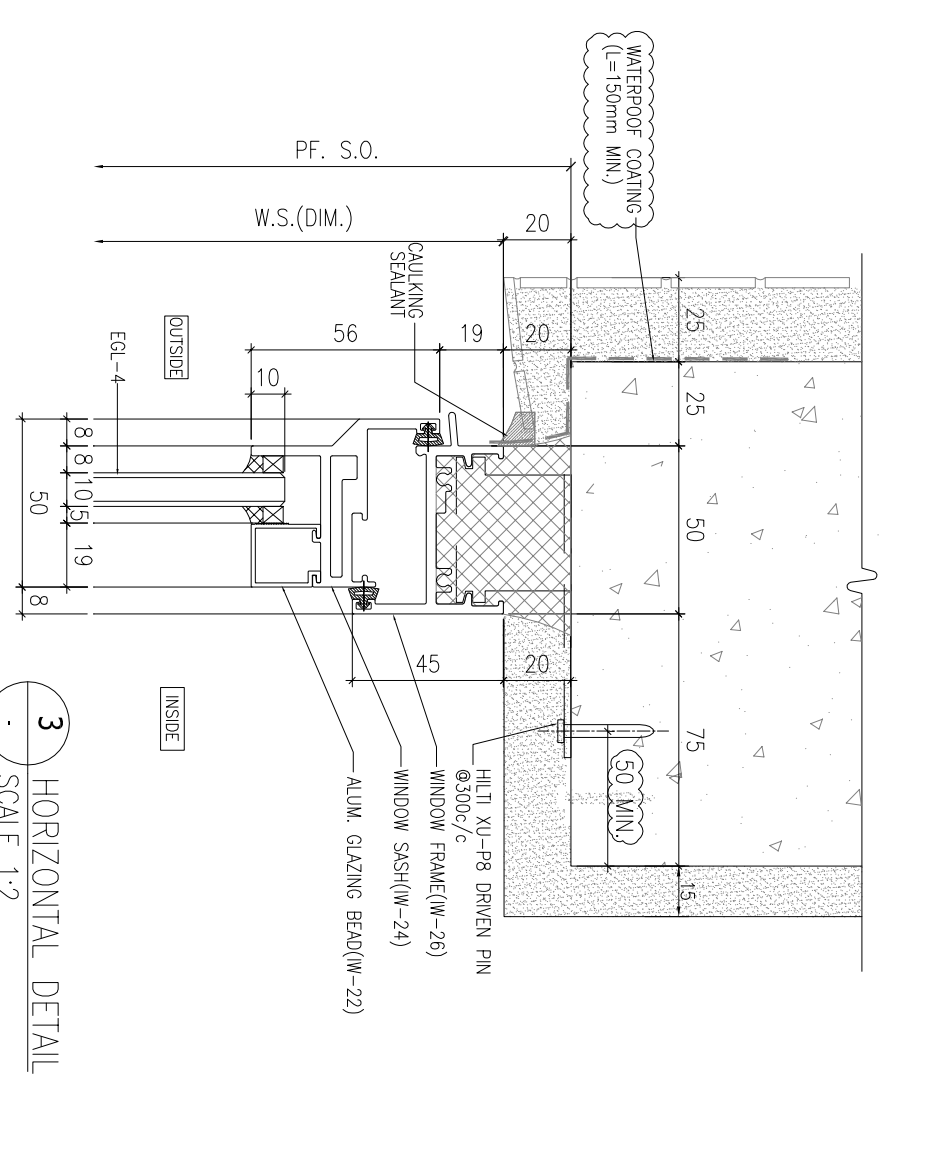
DATE : 02-Aug-21 SCALE : 1:40

DRAWN BY : IYVN CHECKED BY :

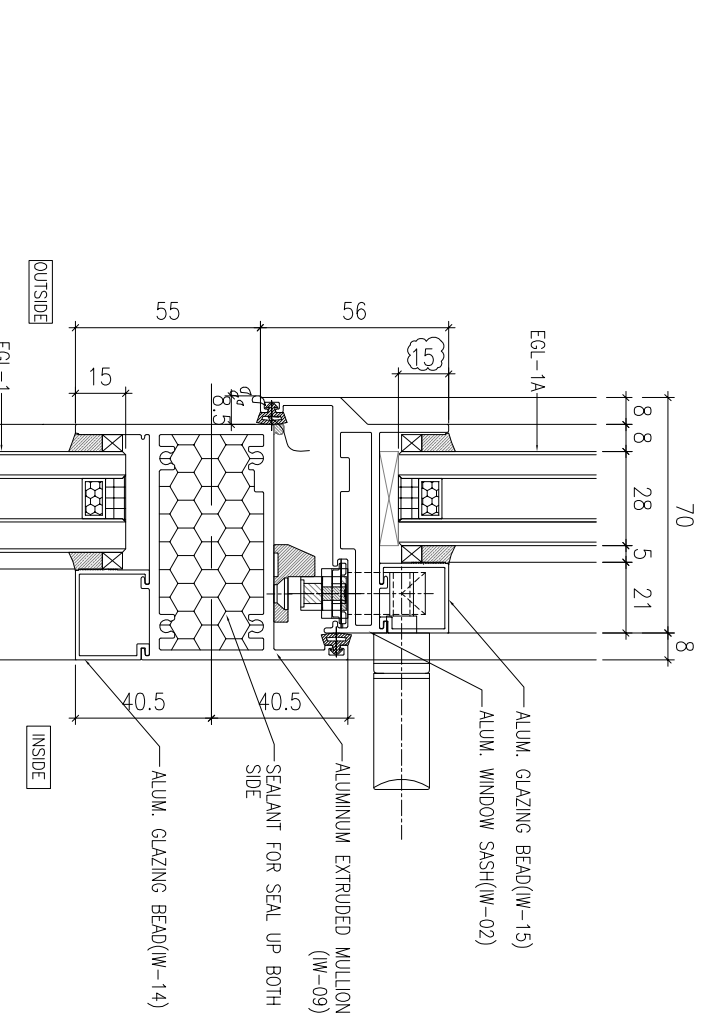
美特铝质有限公司  
MIDI ALUMINUM FABRICATOR LTD.  
Units 6-8, Sunray Industrial Centre, 1/F  
610 Cho Kwong Road, Kowloon  
Tel: 23489211-4 Fax: (852) 27272666  
DWG NO. : J856-SD-W-7008 REV. : D



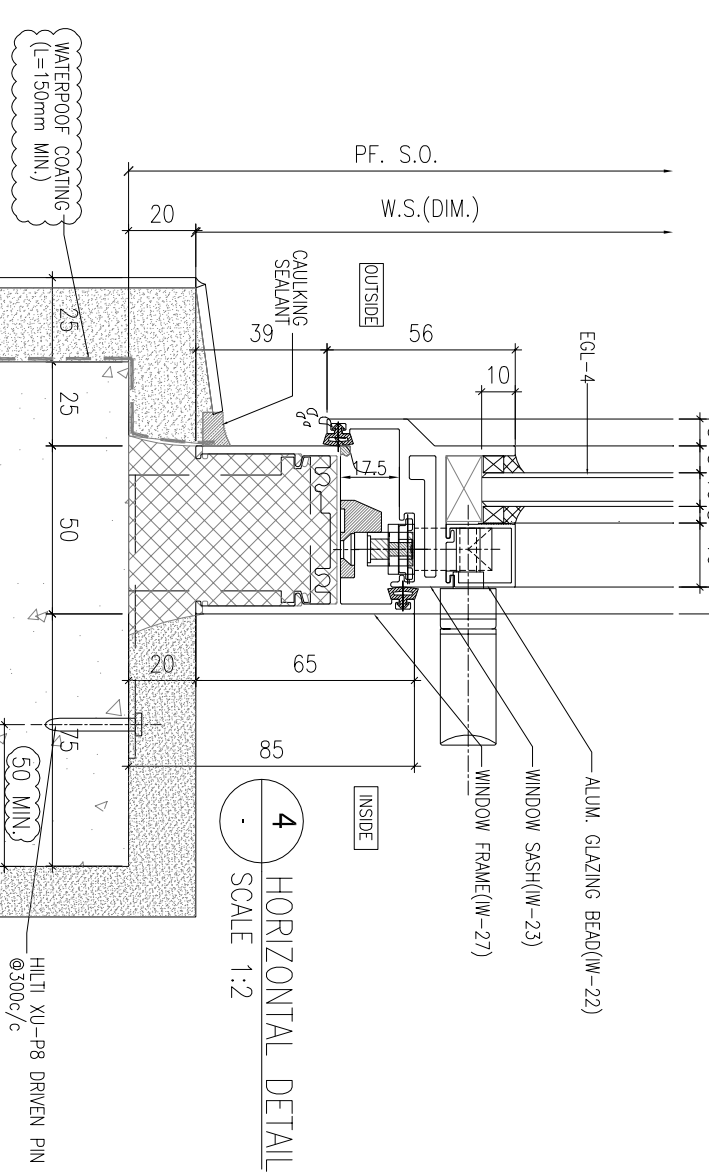
1 HORIZONTAL DETAIL  
SCALE 1:2



3 HORIZONTAL DETAIL  
SCALE 1:2



2 HORIZONTAL DETAIL  
SCALE 1:2



4 HORIZONTAL DETAIL  
SCALE 1:2

B.D. REF :

CLIENT :

**SUN HUNG KAI**  
REAL ESTATE AGENCY LTD.

42/F, SUN HUNG KAI CENTRE, WANCHAI, HONGKONG

ARCHITECT :

**lwk&partners**  
a r c h i t e c t s

MAIN CONTRACTOR :

**怡輝建築有限公司**  
**Yee Fai Building Contractors Ltd.**

STRUCTURAL ENGINEER :

**ARUP**

FAÇADE CONSULTANT:

**ALPHA CONSULTING LIMITED**  
Steel Structure & Façade Specialist

NOTE :

1. ALL DIMENSIONS ARE IN mm.
2. ALL ELEVATIONS ARE VIEWED FROM OUTSIDE.
3. ALL DIMENSIONS TO BE VERIFIED ON SITE BEFORE FABRICATION.

LEGEND :

(X1) --- DETAIL MARK NO.  
(X001) --- REFER SHEET NO.

1. F.F.L. --- FINISHED FLOOR LEVEL
2. S.F.L. --- STRUCTURAL FLOOR LEVEL
3. (R) --- REVERSED DETAIL

4. GLASS LEGEND

EQL-1 --- 6mmH5+12mm AIR GAP+10mmTP THK. IG.U.  
 EQL-1A --- 6mmH5+12mm AIR GAP+9mmTP THK. IG.U.  
 EQL-2 --- 10mm THK. CLEAR TEMPERED GLASS  
 EQL-4 --- 10mm THK. TEMPERED ACID ETCHED GLASS

| NO. | DATE | REASON | BY |
|-----|------|--------|----|
|     |      |        |    |

JOB NO. : J-856

PROJECT :  
 PROPOSED DEVELOPMENT ABOVE  
 LIGHT RAIL TIN WING STOP-TSWTL  
 NO.23,AREA 33,TIN SHUI WAL, N.T.

TITLE :  
 TYPICAL DETAILS FOR  
 IN-SITU WINDOW

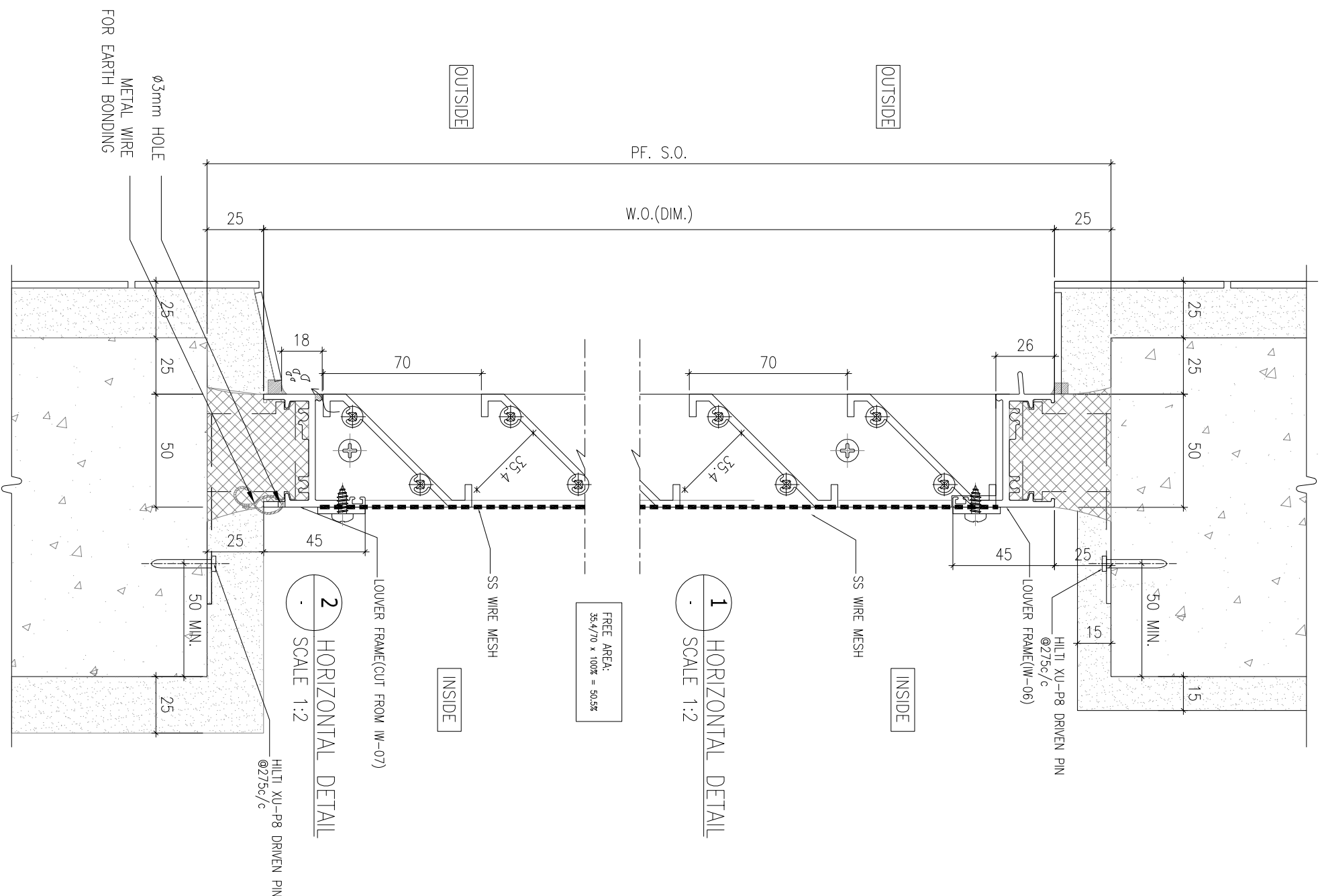
DATE : 02-Aug-21 SCALE : 1:40

DRAWN BY : IYON CHECKED BY :

**美特鋁質有限公司**  
**MDI ALUMINIUM FABRICATOR LTD.**

Units 6-8, Sunray Industrial Centre, 1/F  
 610 Cho Kwai Ling Road, Kowloon  
 Tel:23489211-4 Fax:(852)2727666

DWG NO. : J856-SD-W-7008g REV. : -



1 HORIZONTAL DETAIL  
SCALE 1:2

2 HORIZONTAL DETAIL  
SCALE 1:2

FREE AREA:  
35.4/70 x 100% = 50.5%

B.D. REF : . . . . .

CLIENT :

**SUN HUNG KAI**  
REAL ESTATE AGENCY LTD.  
42/F, SUN HUNG KAI CENTRE, WANCHAI, HONGKONG

ARCHITECT :

**lwk&partners**  
a r c h i t e c t s

MAIN CONTRACTOR :

**Yee Fai**  
Building Contractors Ltd.

STRUCTURAL ENGINEER :

**ARUP**

FAÇADE CONSULTANT :

**ALPHA CONSULTING LIMITED**  
Steel Structure & Façade Specialist

NOTE :

1. ALL DIMENSIONS ARE IN mm.
2. ALL ELEVATIONS ARE VIEWED FROM OUTSIDE.
3. ALL DIMENSIONS TO BE VERIFIED ON SITE BEFORE FABRICATION.

LEGEND :

- (X1) --- DETAIL MARK NO.
- (X001) --- REFER SHEET NO.

1. F.F.L. --- FINISHED FLOOR LEVEL
2. S.F.L. --- STRUCTURAL FLOOR LEVEL
3. (R) --- REVERSED DETAIL

4. GLASS LEGEND
- EQ1-1 --- 6mmH5+12mm AIR GAP+10mmTP THK. LG.U.
- EQ1-1A --- 6mmH5+12mm AIR GAP+9mmTP THK. LG.U.
- EQ1-2 --- 10mm THK. CLEAR TEMPERED GLASS
- EQ1-4 --- 10mm THK. TEMPERED ACID ETCHED GLASS

| NO. | DATE       | REVISION                         | BY |
|-----|------------|----------------------------------|----|
| B   | 13/01/2022 | REVISION SUBJECT TO ARCH-COMMENT | hw |
| A   | 10/11/2021 | REVISION SUBJECT TO ARCH-COMMENT | hw |

JOB NO. : J-856

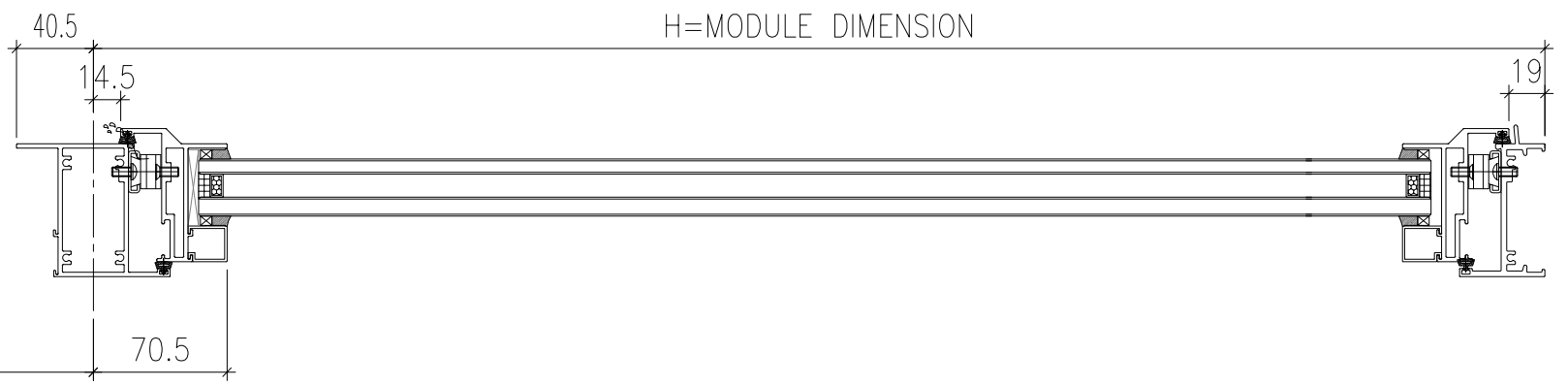
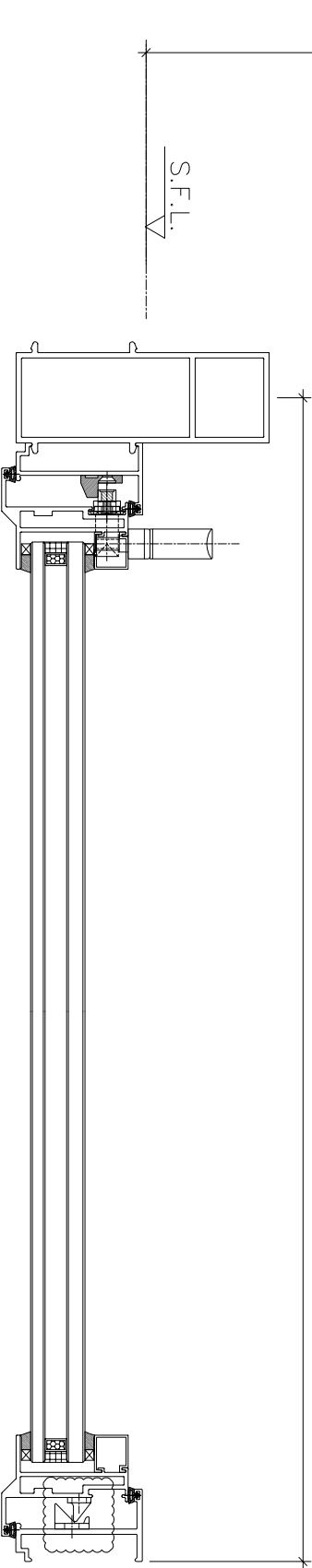
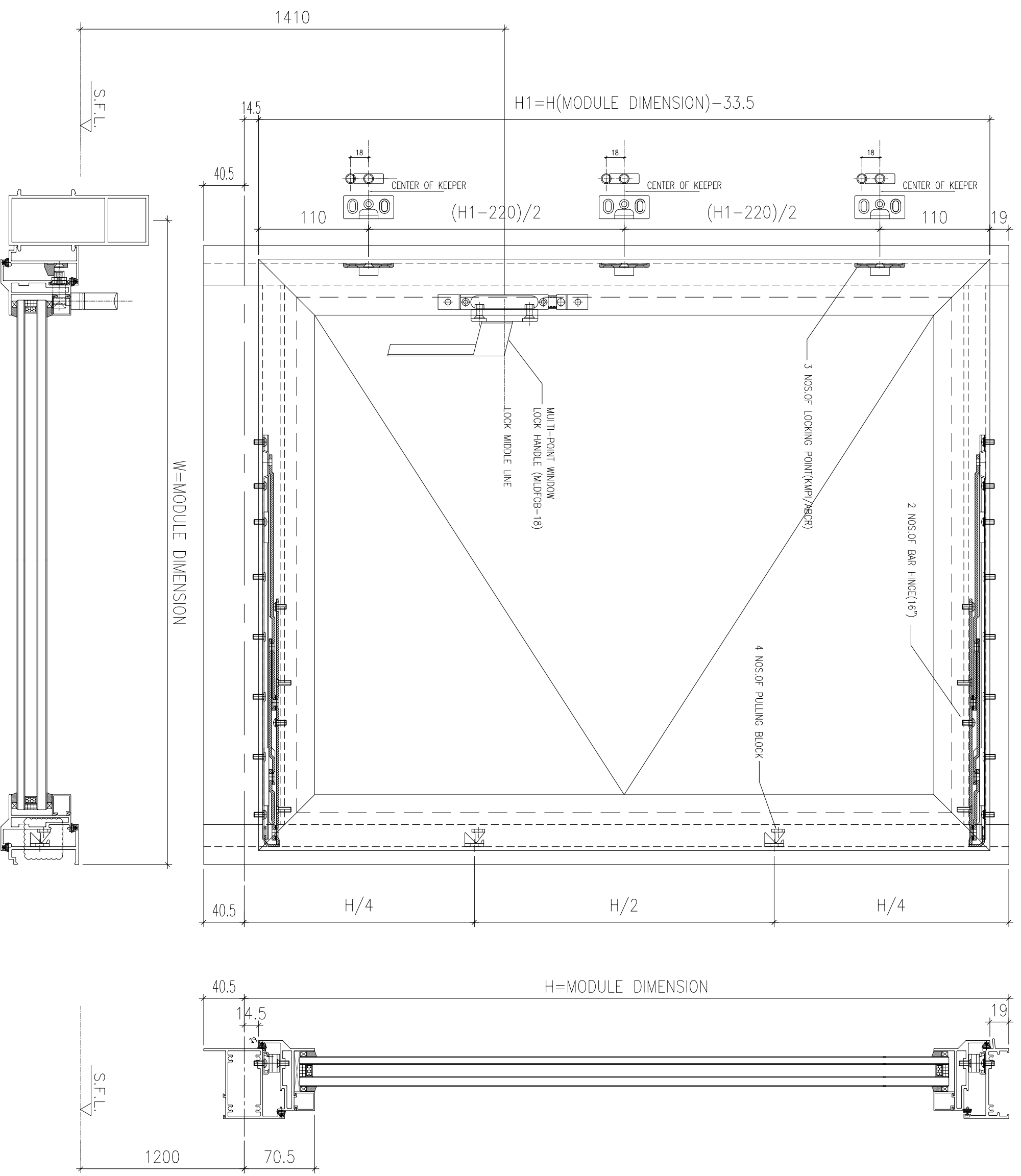
PROJECT : PROPOSED DEVELOPMENT ABOVE LIGHT RAIL TIN WING STOP-TSWTL NO.23,AREA 33,TIN SHUI WA, N.T.

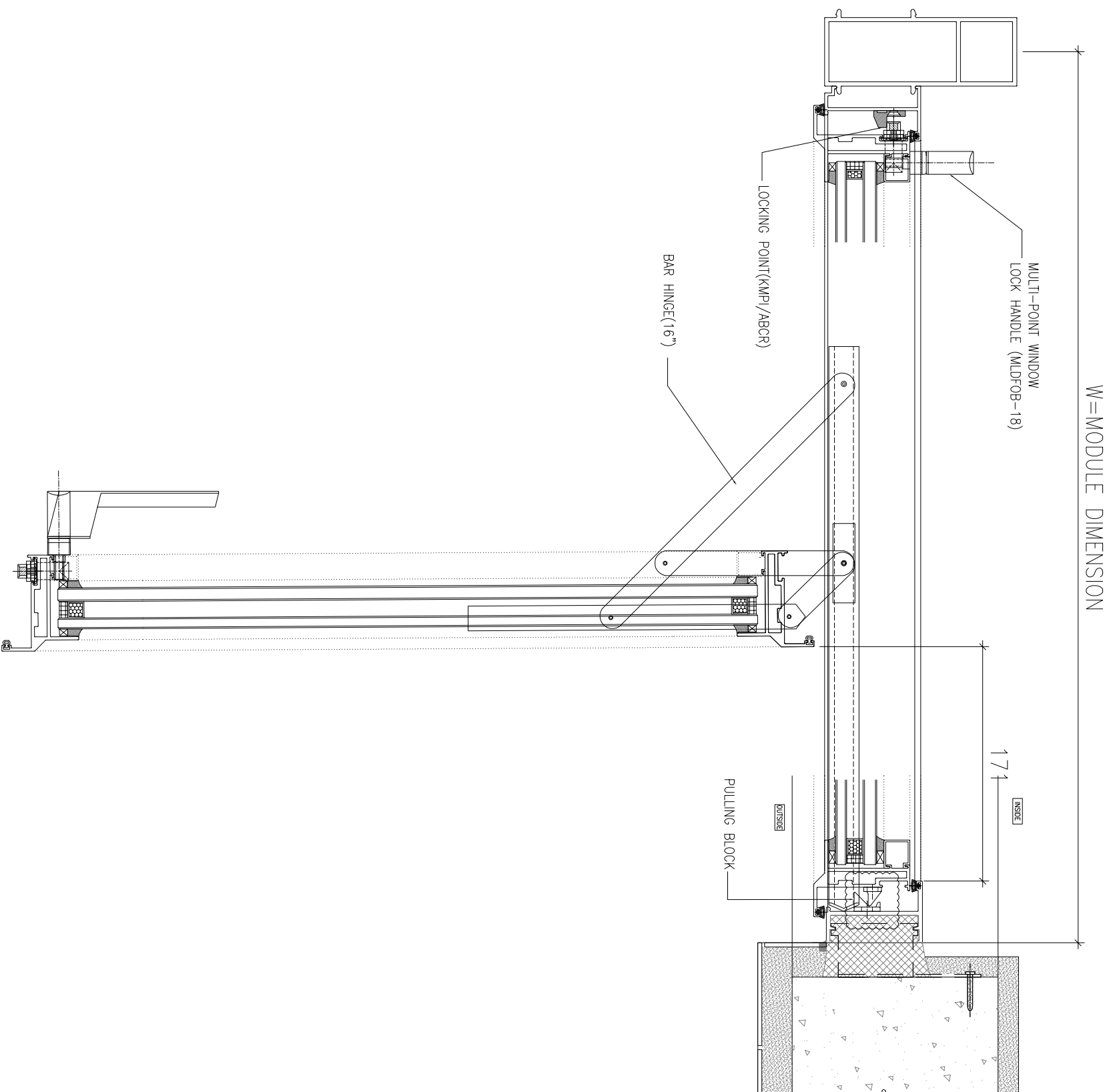
TITLE : IN-SITU WINDOW SECTION TYPICAL LOOK & HINGES DETAIL

DATE : 02-Aug-21 SCALE : 1:60

DRAWN BY : IYON CHECKED BY :

**美特铝质有限公司**  
MDI ALUMINIUM FABRICATOR LTD.  
Units 6-8, Sunray Industrial Centre, 1/F  
610 Cho Kwong Road, Kowloon  
Tel:23489211-4 Fax:(852)27275666  
DWG NO. : J856-SD-W-7009 REV. : B





B.D. REF : . . . . .

CLIENT :

**SUN HUNG KAI**  
REAL ESTATE AGENCY LTD.  
42/F, SUN HUNG KAI CENTRE, WANCHAI, HONGKONG

ARCHITECT :

**lwk&partners**  
a r c h i t e c t s

MAIN CONTRACTOR :

**Yee Fai** 怡輝建築有限公司  
Building Contractors Ltd.

STRUCTURAL ENGINEER :

**ARUP**

FAÇADE CONSULTANT:

**α ALPHA CONSULTING LIMITED**  
Steel Structure & Façade Specialist

NOTE :

1. ALL DIMENSIONS ARE IN mm.
2. ALL ELEVATIONS ARE VIEWED FROM OUTSIDE.
3. ALL DIMENSIONS TO BE VERIFIED ON SITE BEFORE FABRICATION.

LEGEND :

- (X1) — DETAIL MARK NO.
- (X001) — REFER SHEET NO.

1. F.F.L. --- FINISHED FLOOR LEVEL
2. S.F.L. --- STRUCTURAL FLOOR LEVEL
3. (R) --- REVERSED DETAIL

4. GLASS LEGEND
- EGL-1 --- 6mmH5+12mm AIR GAP+10mmTP THK. LG.U.
- EGL-1A --- 6mmH5+12mm AIR GAP+6mmTP THK. LG.U.
- EGL-2 --- 10mm THK. CLEAR TEMPERED GLASS
- EGL-4 --- 10mm THK. TEMPERED ACID ETCHED GLASS

| NO. | DATE       | REVISION                         | SUBJECT TO ARCH-COMMENT | BY   |
|-----|------------|----------------------------------|-------------------------|------|
| B   | 13/01/2022 | REVISION SUBJECT TO ARCH-COMMENT |                         | ivan |
| A   | 10/11/2021 | REVISION SUBJECT TO ARCH-COMMENT |                         | ivan |

JOB NO. : J-856

PROJECT :  
PROPOSED DEVELOPMENT ABOVE  
LIGHT RAIL TIN WING STOP-TSWTL  
NO.23,AREA 33,TIN SHUI WAI, N.T.

TITLE :  
TYPICAL DETAILS FOR  
IN-SITU WINDOW

DATE : 02-Aug-21 SCALE : 1:60

DRAWN BY : ivan CHECKED BY :

**美特鋁質有限公司**  
MDI ALUMINIUM FABRICATOR LTD.  
Units 6-8, Sunray Industrial Centre, 1/F  
610 Cho Kwo Ling Road, Kowloon  
Tel:23489211-4 Fax:(852)2727666  
DWG NO. : J856-SD-W-7010 REV. : B

B.D. REF : . . . . .

CLIENT :



42/F, SUN HUNG KAI CENTRE, WANCHAI, HONGKONG

ARCHITECT :



ARCHITECT :

MAIN CONTRACTOR :



Yee Fai Building Contractors Ltd.

STRUCTURAL ENGINEER :



FAÇADE CONSULTANT :



Steel Structure & Façade Specialist

NOTE :

1. ALL DIMENSIONS ARE IN mm.
2. ALL ELEVATIONS ARE VIEWED FROM OUTSIDE.
3. ALL DIMENSIONS TO BE VERIFIED ON SITE BEFORE FABRICATION.

LEGEND :

- (X1) --- DETAIL MARK NO.
- (X001) --- REFER SHEET NO.

1. F.F.L. --- FINISHED FLOOR LEVEL
2. S.F.L. --- STRUCTURAL FLOOR LEVEL
3. (R) --- REVERSED DETAIL

4. GLASS LEGEND

- EQ1-1 --- 8mmH5+12mm AIR GAP+10mmTP THK. I.G.U.
- EQ1-1A --- 6mmH5+12mm AIR GAP+9mmTP THK. I.G.U.
- EQ1-2 --- 10mm THK. CLEAR TEMPERED GLASS
- EQ1-4 --- 10mm THK. TEMPERED ACID ETCHED GLASS

| NO. | DATE       | REVISION                         | REVISION SUBJECT TO ARCH-COMMENT | BY  |
|-----|------------|----------------------------------|----------------------------------|-----|
| B   | 13/01/2022 | REVISION SUBJECT TO ARCH-COMMENT |                                  | hwn |
| A   | 10/11/2021 | REVISION SUBJECT TO ARCH-COMMENT |                                  | hwn |

JOB NO. : J-856

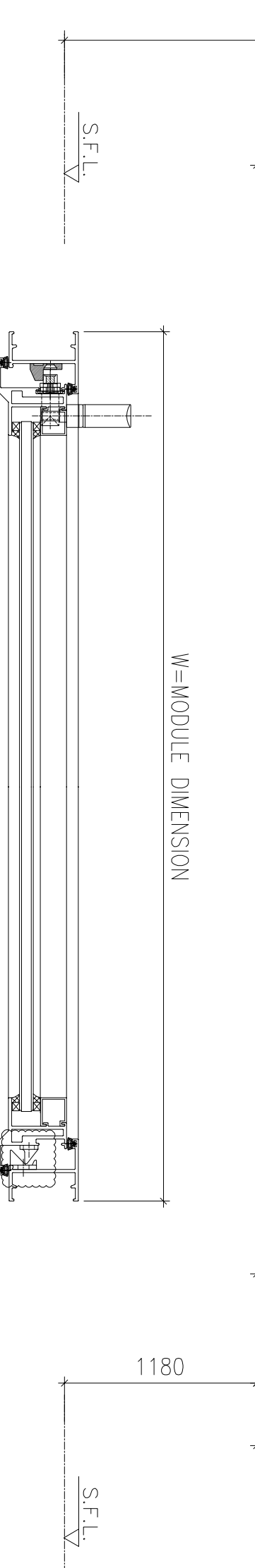
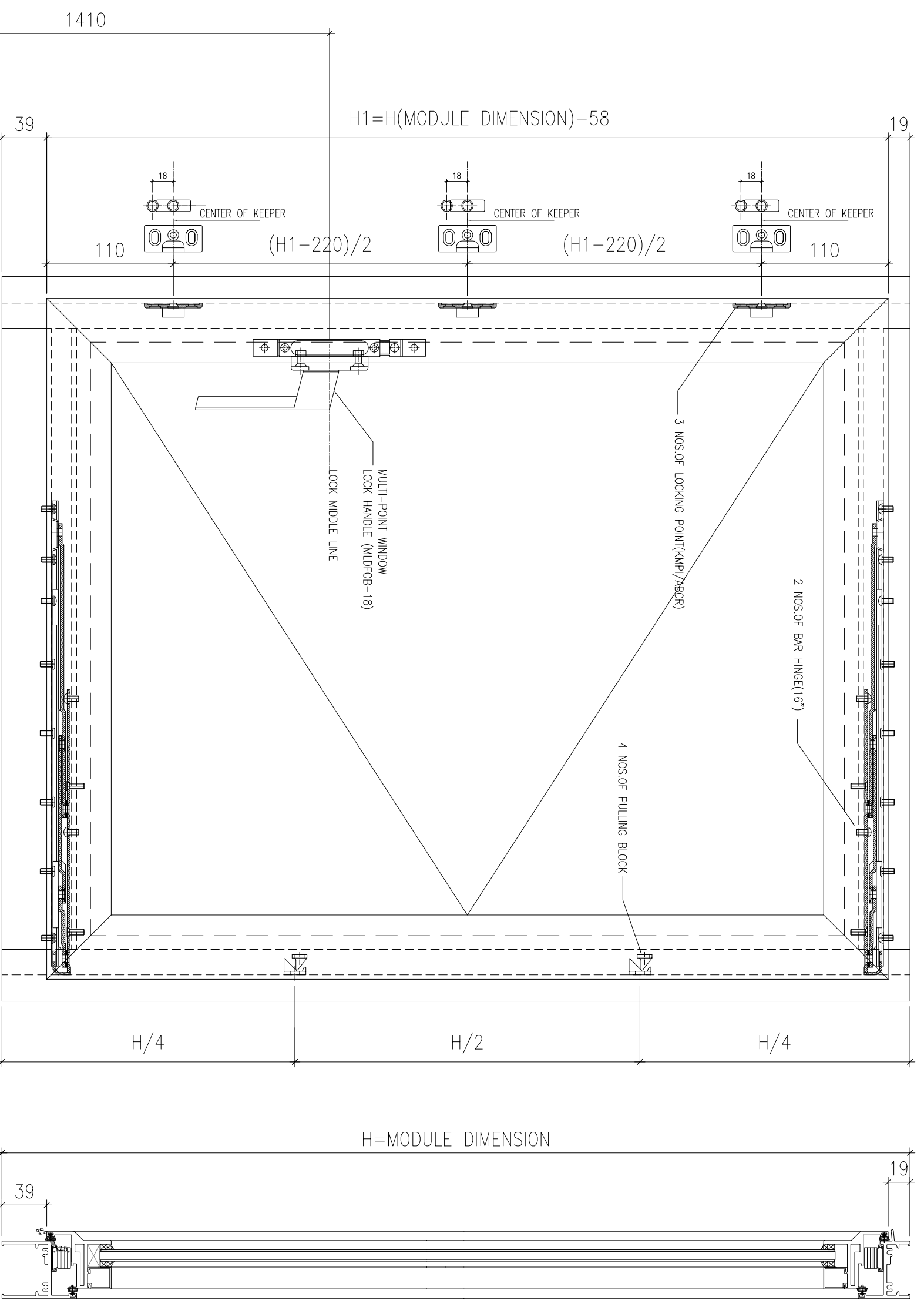
PROJECT : PROPOSED DEVELOPMENT ABOVE LIGHT RAIL TIN WING STOP-TS/WTL NO.23,AREA 33,TIN SHUI WAI, N.T.

TITLE : IN-SITU WINDOW SECTION TYPICAL LOOK & HINGES DETAIL

DATE : 02-Aug-21 SCALE : 1:60  
DRAWN BY : lvan CHECKED BY :

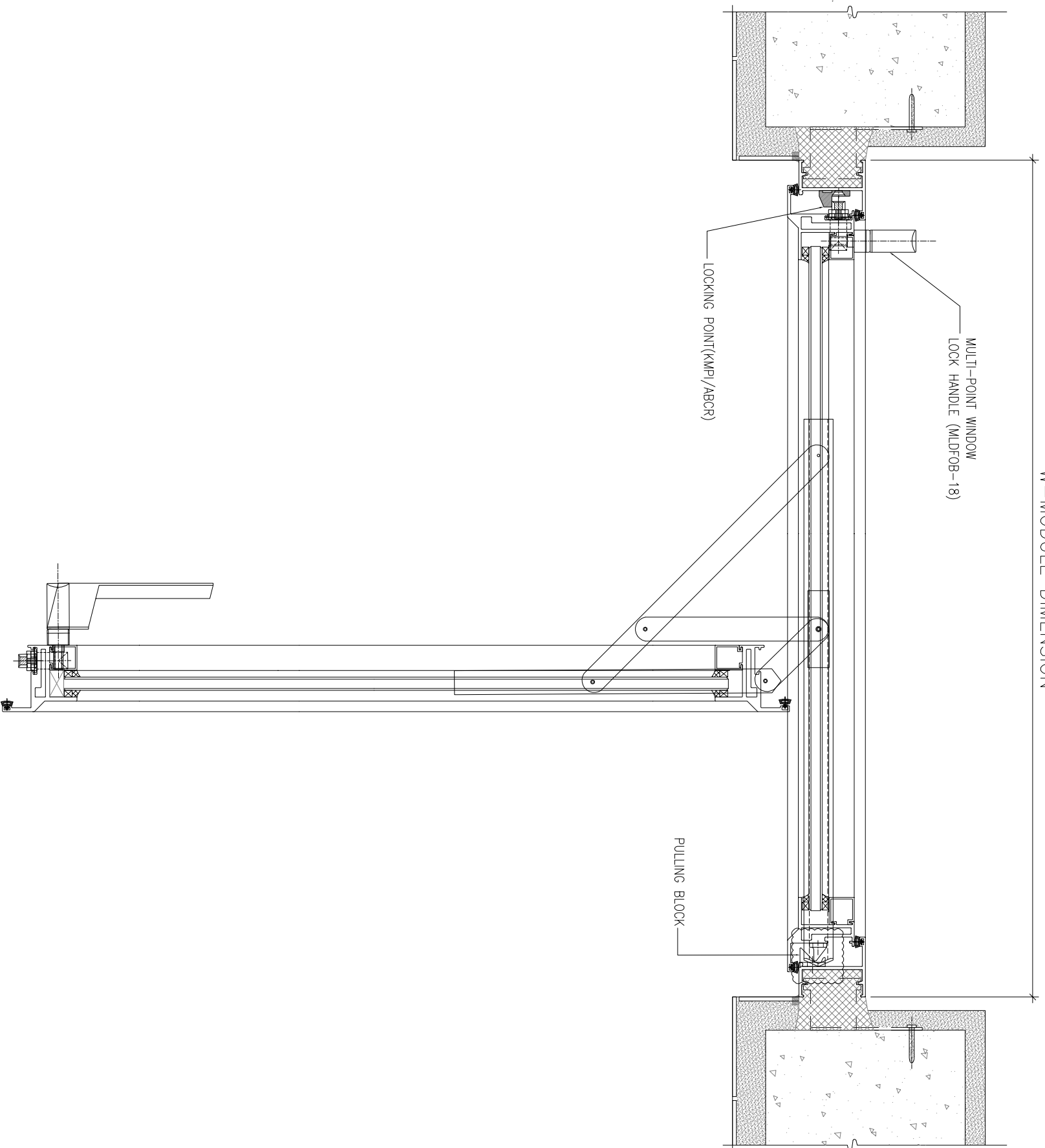


Units 6-8, Sunray Industrial Centre, 610 Cho Kwo Ling Road, Kowloon  
Tel:23489211-4 Fax:(852)2727666  
DWG NO. : J856-SD-W-7011 REV. : B



B.D. REF : . . . . .

W=MODULE DIMENSION



CLIENT :

**SUN HUNG KAI**  
REAL ESTATE AGENCY LTD.  
42/F, SUN HUNG KAI CENTRE, WANCHAI, HONGKONG

ARCHITECT :

**lwk&partners**  
a r c h i t e c t s

MAIN CONTRACTOR :

**Yee Fai** 怡輝建築有限公司  
Building Contractors Ltd.

STRUCTURAL ENGINEER :

**ARUP**

FAÇADE CONSULTANT:

**ALPHA CONSULTING LIMITED**  
Steel Structure & Façade Specialist

NOTE :

1. ALL DIMENSIONS ARE IN mm.
2. ALL ELEVATIONS ARE VIEWED FROM OUTSIDE.
3. ALL DIMENSIONS TO BE VERIFIED ON SITE BEFORE FABRICATION.

LEGEND :

(X1) ——— DETAIL MARK NO.  
(X001) ——— REFER SHEET NO.

1. F.F.L. --- FINISHED FLOOR LEVEL
2. S.F.L. --- STRUCTURAL FLOOR LEVEL
3. (R) --- REVERSED DETAIL

4. GLASS LEGEND

EQ1-1---8mmH5+12mm AIR GAP+10mmTP THK. LG.U.  
EQ1-1A---8mmH5+12mm AIR GAP+9mmTP THK. LG.U.  
EQ1-2---10mm THK. CLEAR TEMPERED GLASS  
EQ1-4---10mm THK. TEMPERED ACID ETCHED GLASS

| NO. | DATE       | REVISION                         | SUBJECT TO ARCH-COMMENT | BY   |
|-----|------------|----------------------------------|-------------------------|------|
| B   | 13/01/2022 | REVISION SUBJECT TO ARCH-COMMENT |                         | ivan |
| A   | 10/11/2021 | REVISION SUBJECT TO ARCH-COMMENT |                         | ivan |

JOB NO. : J-856

PROJECT :

PROPOSED DEVELOPMENT ABOVE  
LIGHT RAIL TIN WING STOP-TSWTL  
NO.23,AREA 33,TIN SHUI WAI, N.T.

TITLE :

TYPICAL DETAILS FOR  
IN-SITU WINDOW

DATE : 02-Aug-21 SCALE : 1:60

DRAWN BY : ivan CHECKED BY :

**美特鋁質有限公司**  
MDI ALUMINIUM FABRICATOR LTD.  
Units 6-8, Sunray Industrial Centre, 1/F  
610 Cho Kwo Ling Road, Kowloon  
Tel:23489211-4 Fax:(852)2727666

DWG NO. : J856-SD-W-7012 REV. : B

B.D. REF :

CLIENT :

**SUN HUNG KAI**  
REAL ESTATE AGENCY LTD.  
42/F, SUN HUNG KAI CENTRE, WANCHAI, HONGKONG

ARCHITECT :

**lwk&partners**  
A R C H I T E C T S

MAIN CONTRACTOR :

**怡輝建築有限公司**  
Yee Fai Building Contractors Ltd.

STRUCTURAL ENGINEER :

**ARUP**

FAÇADE CONSULTANT:

**ALPHA CONSULTING LIMITED**  
Steel Structure & Façade Specialists

NOTE :

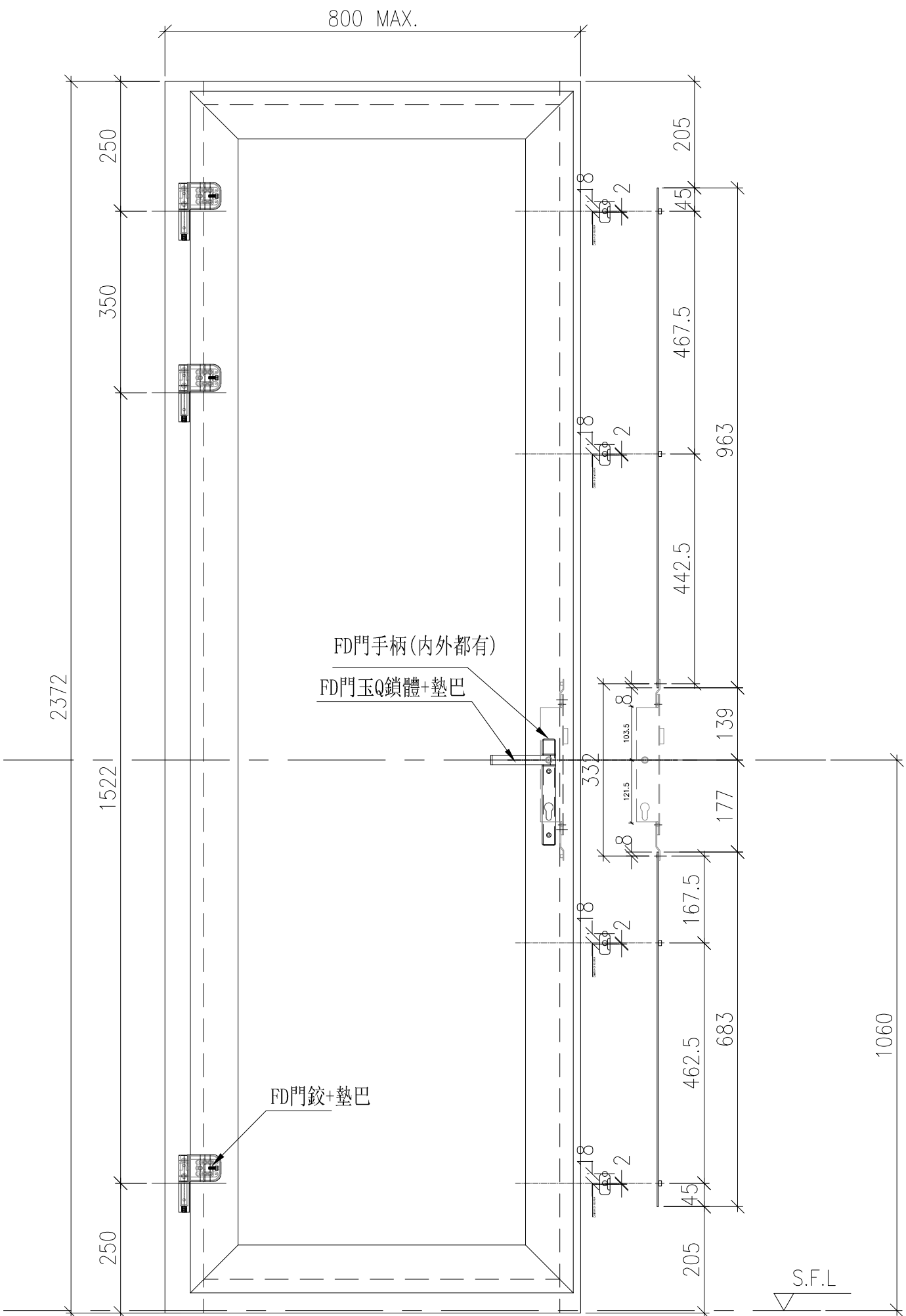
1. ALL DIMENSIONS ARE IN mm.
2. ALL ELEVATIONS ARE VIEWED FROM OUTSIDE.
3. ALL DIMENSIONS TO BE VERIFIED ON SITE BEFORE FABRICATION.

LEGEND :

(X1) — DETAIL MARK NO.  
(X001) — REFER SHEET NO.

1. F.F.L. --- FINISHED FLOOR LEVEL
2. S.F.L. --- STRUCTURAL FLOOR LEVEL
3. (R) --- REVERSED DETAIL
4. GLASS LEGEND

EGL-1-1--8mmHS+12mm AIR GAP+10mmTP THK. L&U.  
EGL-1A--8mmHS+12mm AIR GAP+8mmTP THK. L&U.  
EGL-2--10mm THK. CLEAR TEMPERED GLASS  
EGL-4--10mm THK. TEMPERED ACID ETCHED GLASS



2372

250

350

1522

250

800 MAX.

205

45

963

442.5

139

177

167.5

683

462.5

205

1060

S.F.L

TITLE : IN-SITU, WINDOW SECTION  
TYPICAL LOCK & HINGES DETAIL

DATE : 02-Aug-21 SCALE : 1:60

DRAWN BY : Ivorn CHECKED BY :

**慕特鋁寶有限公司**  
MIDI ALUMINIUM FABRICATOR LTD.  
Units 6-8, Sunray Industrial Centre, 1/F  
610 Cho Kwo Ling Road, Kowloon  
Tel:23489211-4 Fax:(852)27272666

DWG NO. : J856-SD-W-7013 REV. : A

| NO. | DATE       | REVISION SUBJECT TO ARCH/COMMENT | BY |
|-----|------------|----------------------------------|----|
| A   | 10/11/2021 | REVISION SUBJECT TO ARCH/COMMENT | BR |

JOB NO. : J-856

PROJECT : PROPOSED DEVELOPMENT ABOVE  
LIGHT RAIL TIN WING STOP, TSWL  
NO.23, AREA 33, TIN SHUI WAI, N.T.



B.D. REF : .....

CLIENT :

**SUN HUNG KAI**  
REAL ESTATE AGENCY LTD.  
42/F, SUN HUNG KAI CENTRE, WANCHAI, HONGKONG

ARCHITECT :

**lwk&partners**  
a r c h i t e c t s

MAIN CONTRACTOR :

**Yee Fai** 怡輝建築有限公司  
Building Contractors Ltd.

STRUCTURAL ENGINEER :

**ARUP**

FAÇADE CONSULTANT:

**ALPHA CONSULTING LIMITED**  
Steel Structure & Façade Specialist

NOTE :

1. ALL DIMENSIONS ARE IN mm.
2. ALL ELEVATIONS ARE VIEWED FROM OUTSIDE.
3. ALL DIMENSIONS TO BE VERIFIED ON SITE BEFORE FABRICATION.

LEGEND :

- (X1) --- DETAIL MARK NO.
- (X001) --- REFER SHEET NO.

1. F.F.L. --- FINISHED FLOOR LEVEL
2. S.F.L. --- STRUCTURAL FLOOR LEVEL
3. (R) --- REVERSED DETAIL
4. GLASS LEGEND  
EQ1-1 --- 6mmH5+12mm AIR GAP+10mmTP THK. LG.U.  
EQ1-1A --- 6mmH5+12mm AIR GAP+9mmTP THK. LG.U.  
EQ1-2 --- 10mm THK. CLEAR TEMPERED GLASS  
EQ1-4 --- 10mm THK. TEMPERED ACID ETCHED GLASS

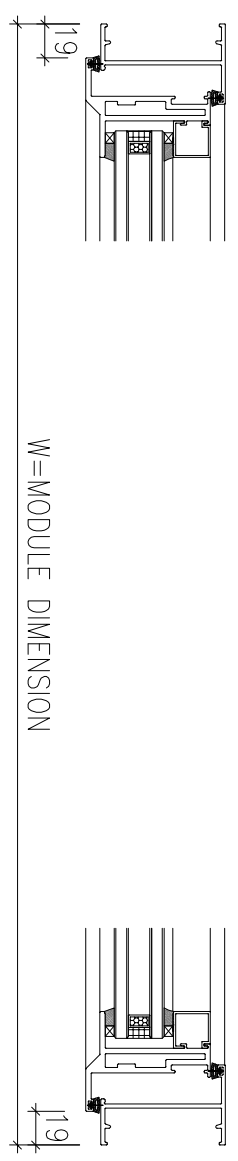
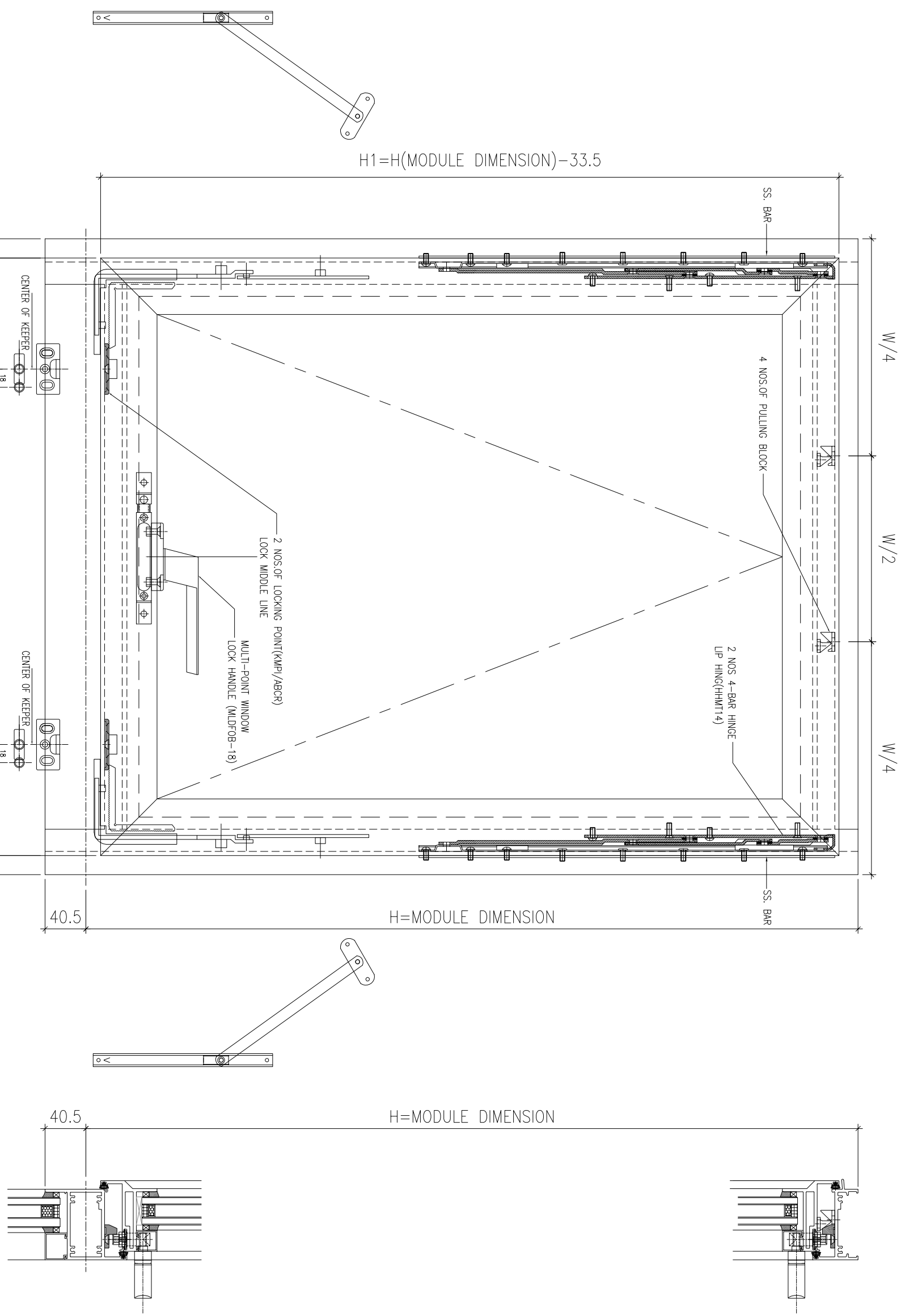
| NO.   | DATE | REASON | BY |
|-------|------|--------|----|
| J-856 |      |        |    |

PROJECT :  
PROPOSED DEVELOPMENT ABOVE  
LIGHT RAIL TIN WING STOP/TSWTL  
NO.23, AREA 33, TIN SHUI WAI, N.T.

TITLE :  
IN-SITU WINDOW SECTION  
TYPICAL LOOK & HINGERS DETAIL

DATE : 02-Aug-21 SCALE : 1:60  
DRAWN BY : IYVN CHECKED BY :

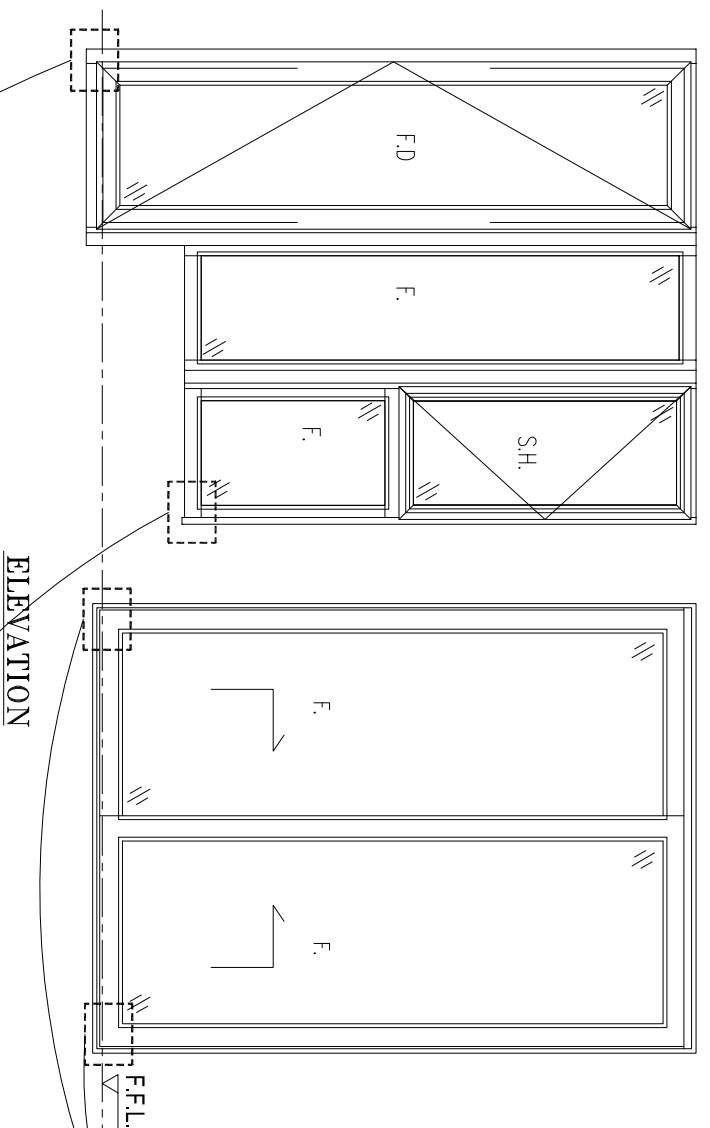
**美特鋁質有限公司**  
MDI ALUMINIUM FABRICATOR LTD.  
Units 6-8, Sunray Industrial Centre, 1/F  
610 Cho Kwai Ling Road, Kowloon  
Tel: 23489211-4 Fax: (852) 27272666  
DWG NO. : J856-SD-W-7015 REV : -



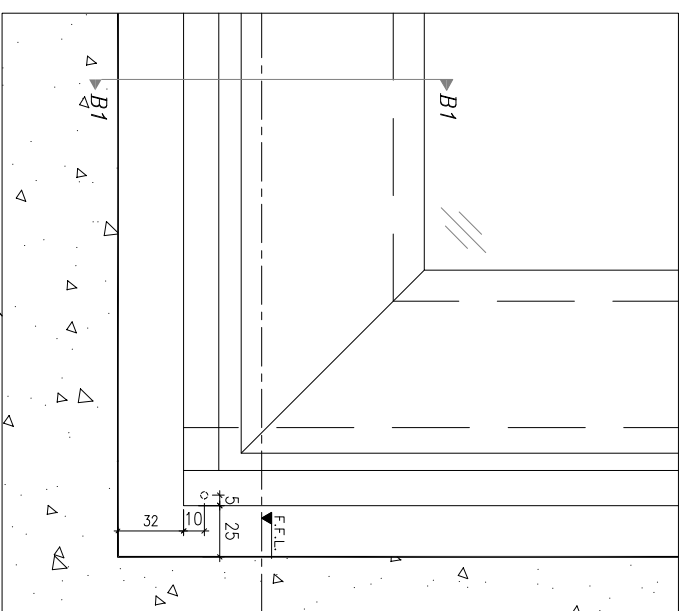
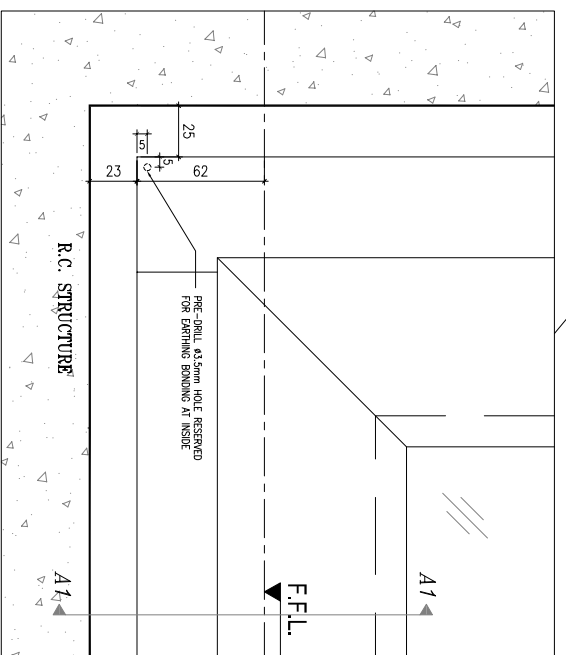
FRENCH DOOR

ALUM. WINDOW

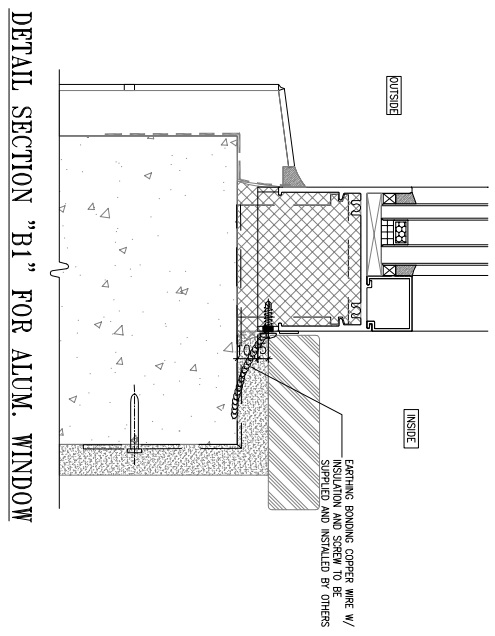
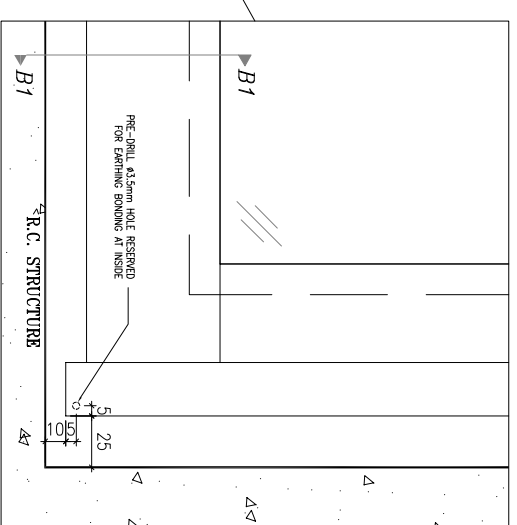
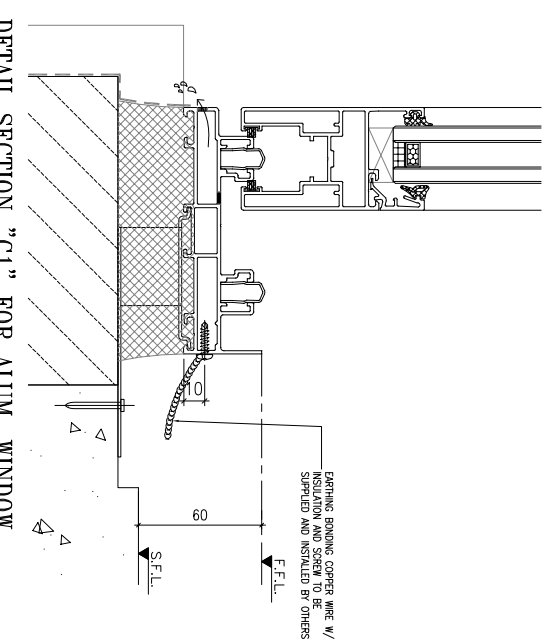
SLIDING DOOR



ELEVATION



DETAIL SECTION "C1" FOR ALUM. WINDOW



B.D. REF :

CLIENT :

**SUN HUNG KAI**  
REAL ESTATE AGENCY LTD.  
42/F, SUN HUNG KAI CENTRE, WANCHAI, HONGKONG

ARCHITECT :

**lwk&partners**  
a r c h i t e c t s

MAIN CONTRACTOR :

**怡輝建築有限公司**  
**Yee Fai Building Contractors Ltd.**

STRUCTURAL ENGINEER :

**ARUP**

FAÇADE CONSULTANT:

**ALPHA CONSULTING LIMITED**  
Steel Structure & Façade Specialist

NOTE :

1. ALL DIMENSIONS ARE IN mm.
2. ALL ELEVATIONS ARE VIEWED FROM OUTSIDE.
3. ALL DIMENSIONS TO BE VERIFIED ON SITE BEFORE FABRICATION.

LEGEND :

(X1) --- DETAIL MARK NO.  
(X001) --- REFER SHEET NO.

1. F.F.L. --- FINISHED FLOOR LEVEL
2. S.F.L. --- STRUCTURAL FLOOR LEVEL
3. (R) --- REVERSED DETAIL
4. GLASS LEGEND

EGL-1 --- 6mmH5+12mm AIR GAP+10mmTP THK. I.G.U.  
EGL-1A --- 6mmH5+12mm AIR GAP+9mmTP THK. I.G.U.  
EGL-2 --- 10mm THK. CLEAR TEMPERED GLASS  
EGL-4 --- 10mm THK. TEMPERED ACID ETCHED GLASS

| NO. | DATE       | REVISION                         | REVISION SUBJECT TO ARCH-COMMENT | BY   |
|-----|------------|----------------------------------|----------------------------------|------|
| B   | 13/10/2022 | REVISION SUBJECT TO ARCH-COMMENT |                                  | ivan |
| A   | 10/11/2021 | REVISION SUBJECT TO ARCH-COMMENT |                                  | ivan |

JOB NO. : J-856

PROJECT :

PROPOSED DEVELOPMENT ABOVE  
LIGHT RAIL TIN WING STOP-TSWTL  
NO.23,AREA 33,TIN SHUI WAI, N.T.

TITLE :

TYPICAL EARTHING  
BONDING DETAILS OF IN-SITU

DATE : 02-Aug-21 SCALE : 1:60  
DRAWN BY : ivan CHECKED BY :

**美特鋁質有限公司**  
**MIDI ALUMINIUM FABRICATOR LTD.**  
Units 6-8, Sunray Industrial Centre, 1/F  
610 Cho Kwong Road, Kowloon  
Tel:23489211-4 Fax:(852)27727666

DWG NO. : J856-SD-W-7016 REV. : B



B.D. REF :

CLIENT :

**SUN HUNG KAI**  
REAL ESTATE AGENCY LTD.

42/F, SUN HUNG KAI CENTRE, WANCHAI, HONGKONG

ARCHITECT :

**lwk&partners**  
a r c h i t e c t s

MAIN CONTRACTOR :

**怡輝建築有限公司**  
**Yee Fai** Building Contractors Ltd.

STRUCTURAL ENGINEER :

**ARUP**

FAÇADE CONSULTANT:

**ALPHA CONSULTING LIMITED**  
Steel Structure & Façade Specialist

NOTE :

1. ALL DIMENSIONS ARE IN mm.
2. ALL ELEVATIONS ARE VIEWED FROM OUTSIDE.
3. ALL DIMENSIONS TO BE VERIFIED ON SITE BEFORE FABRICATION.

LEGEND :

(X1) --- DETAIL MARK NO.  
(X001) --- REFER SHEET NO.

1. F.F.L. --- FINISHED FLOOR LEVEL
2. S.F.L. --- STRUCTURAL FLOOR LEVEL
3. (R) --- REVERSED DETAIL
4. GLASS LEGEND

EQ1-1 --- 6mmH5+12mm AIR GAP+10mmTP THK. IG.U.  
EQ1-1A --- 6mmH5+12mm AIR GAP+9mmTP THK. IG.U.  
EQ1-2 --- 10mm THK. CLEAR TEMPERED GLASS  
EQ1-4 --- 10mm THK. TEMPERED ACID ETCHED GLASS

| NO. | DATE       | REVISION                          | BY |
|-----|------------|-----------------------------------|----|
| B   | 26/08/2022 | REVISION SUBJECT TO ALPHA COMMENT |    |
| A   | 28/07/2022 | REVISION SUBJECT TO ALPHA COMMENT |    |

JOB NO. :

J-856

PROJECT :  
PROPOSED DEVELOPMENT ABOVE  
LIGHT RAIL TIN WING STOP, TSWTL  
NO.23, AREA 33, TIN SHUI WAI, N.T.

TITLE :

FIXING DETAILS  
OF IN-SITU

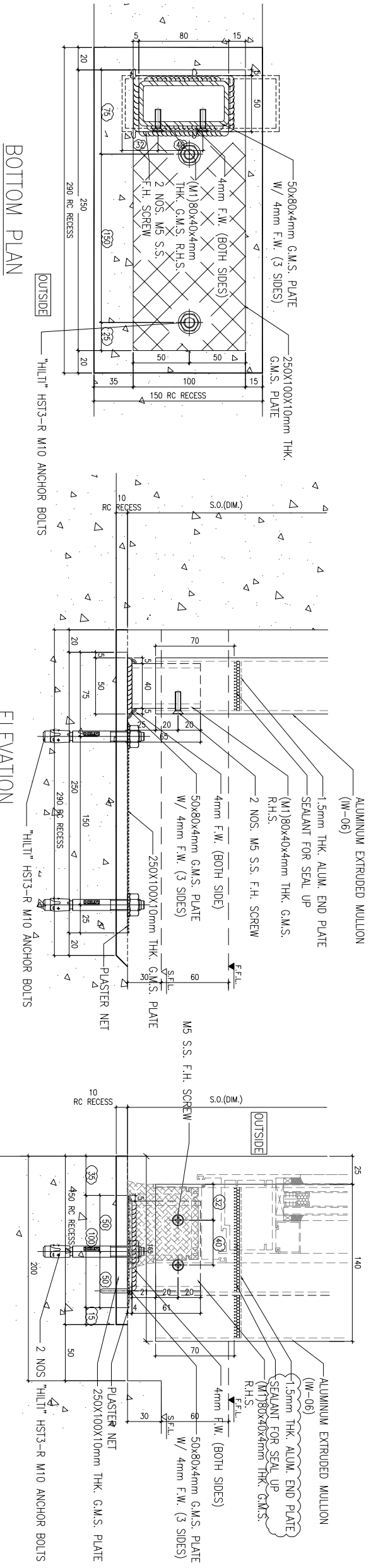
DATE : 21-Jun-22 SCALE : 1:60

DRAWN BY : IYON CHECKED BY :

**美特鋁質有限公司**  
**MDI ALUMINIUM FABRICATOR LTD.**  
Units 6-8, Sunray Industrial Centre, Kowloon  
610 Cho Kwong Road, Kowloon  
Tel: 23489211-4 Fax: (852) 27727666

DWG NO. : J856-SD-W-FD02 REV. : B

**BB2**



BOTTOM PLAN

ELEVATION

SECTION

