

工程指示 / 要求簡箋 ENGINEER INSTRUCTIONS(E.I.)

工程指示編號:	EI- 5397	修改版本:	-
	HK- 2125		
工程編號:	J 856	工程名稱:	TSWTL23
收件人:	生統 / 峰少	發件人:	BearLam
工程項目:	VMU:旭格ASS-50 趟明拆圖及加工圖	日期:	29/11/2022

<input type="checkbox"/> 原合約工程包	<input type="checkbox"/> 原合約工程加 / 減賬 QT-	<input type="checkbox"/> 新工程報價 QT-
---------------------------------	--	------------------------------------

信件批核號碼/圖紙參考編號:	批核模具圖紙編號:
客戶指示附件:	管理內部批簽署:

<input type="checkbox"/> 初步鋁料 B.M.	<input type="checkbox"/> 加工拆圖, 然後生產	<input type="checkbox"/> 尺寸表
<input type="checkbox"/> 正式鋁料 B.M.	<input type="checkbox"/> 技術上資料/指示	<input type="checkbox"/> 報價
<input type="checkbox"/> 配件 B.M.	<input type="checkbox"/> 樣辦或貨品說明書	<input type="checkbox"/> 分判合約
<input type="checkbox"/> 其他:		

內容: 請根據附件資料進行拆圖及加工圖, 以上為地盤板房所需的旭格ASS-50趟門, 數量為11個單位。
預算送地盤安裝日期為31/12/22 前, 煩請貴廠配合加工及生產

完成上列要求日期: 02/12/2022

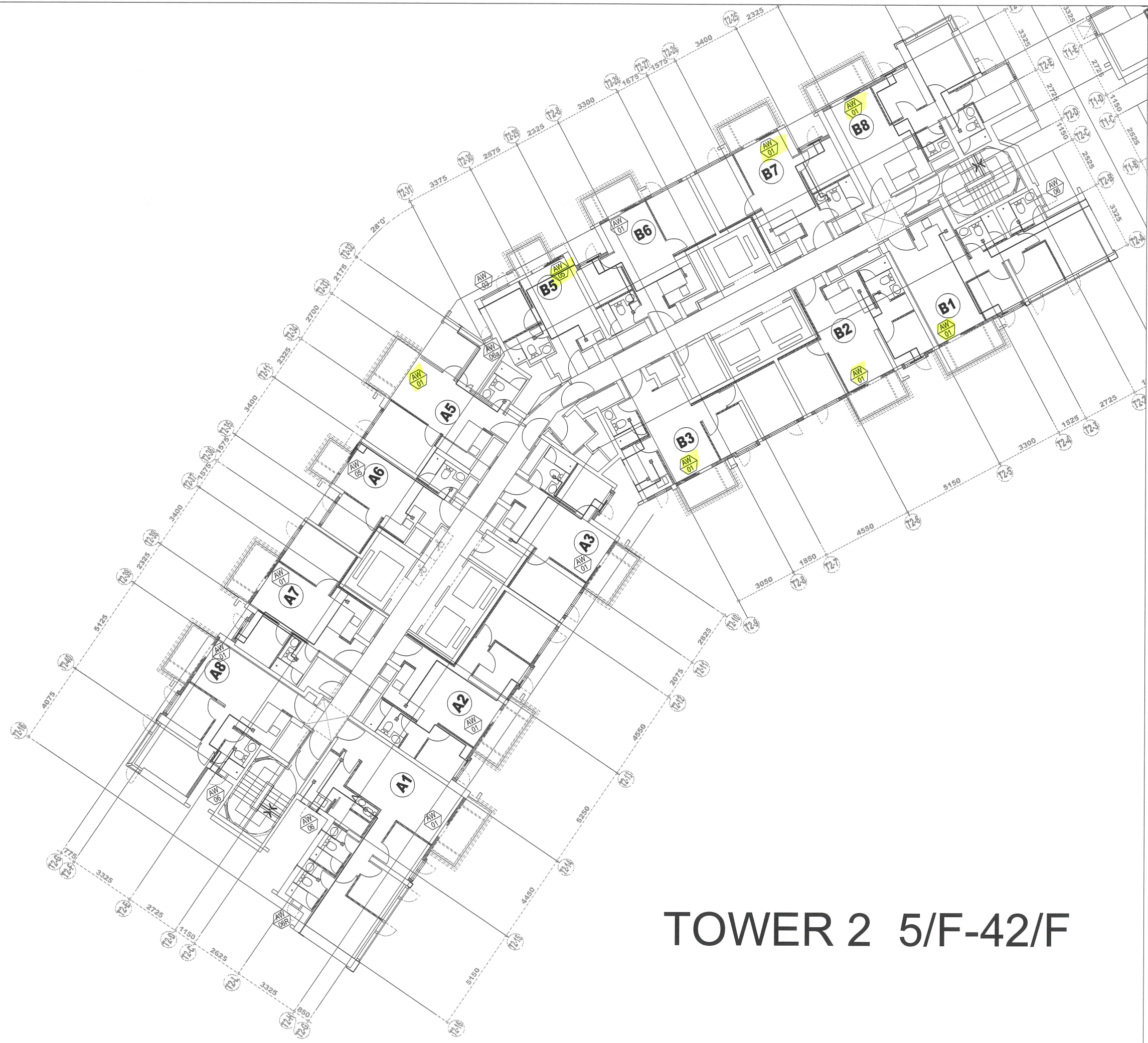
國內

<input type="checkbox"/> 生產技術總監	<input type="checkbox"/> 連附件	<input type="checkbox"/> 技術部	<input type="checkbox"/> 連附件	<input type="checkbox"/> 生產部	<input type="checkbox"/> 連附件
<input checked="" type="checkbox"/> 採購部	<input type="checkbox"/> 連附件	<input checked="" type="checkbox"/> 生產統籌部	<input checked="" type="checkbox"/> 連附件	<input type="checkbox"/> 報關組	<input type="checkbox"/> 連附件
<input type="checkbox"/> 質檢部	<input type="checkbox"/> 連附件	<input type="checkbox"/> 會計部	<input type="checkbox"/> 連附件	<input type="checkbox"/> 機械設計部	<input type="checkbox"/> 連附件
<input checked="" type="checkbox"/> 香港辦	<input checked="" type="checkbox"/> 連附件	<input type="checkbox"/> 其他:			

香港

<input type="checkbox"/> 行政部	<input type="checkbox"/> 連附件	<input type="checkbox"/> 會計部	<input type="checkbox"/> 連附件	<input type="checkbox"/> 統籌部	<input type="checkbox"/> 連附件	<input type="checkbox"/> 工程部	<input type="checkbox"/> 連附件
<input type="checkbox"/> 採購部	<input type="checkbox"/> 連附件	<input type="checkbox"/> QS部	<input type="checkbox"/> 連附件	<input checked="" type="checkbox"/> 地盤管理	<input checked="" type="checkbox"/> 連附件	<input type="checkbox"/> 維修部	<input type="checkbox"/> 連附件

*發件人簽署: <i>Bear Lam</i>	*組別成員批核簽署: <i>WJ 29/11/2022</i>
傳遞編號:	項目經理簽署: <i>WJ</i>



TOWER 2 5/F-42/F

B.D. REF :

CLIENT :
SUN HUNG KAI
 REAL ESTATE AGENCY LTD.
 42/F SUN HUNG KAI CENTRE, WANCHAI, HONGKONG

ARCHITECT :
lwk&partners
 architects

MAIN CONTRACTOR :
Yee Fai Building Contractors Ltd.

STRUCTURAL ENGINEER :
ARUP

FACADE CONSULTANT:
ALPHA CONSULTING LIMITED
 Steel Structure & Facade Specialist

NOTE :
 1. ALL DIMENSIONS ARE IN mm.
 2. ALL ELEVATIONS ARE VIEWED FROM OUTSIDE.
 3. ALL DIMENSIONS TO BE VERIFIED ON SITE BEFORE FABRICATION.

LEGEND :
 (X1) — DETAIL MARK NO.
 (X001) — REFER SHEET NO.
 1. F.F.L. — FINISHED FLOOR LEVEL
 2. S.F.L. — STRUCTURAL FLOOR LEVEL
 3. (B) — REVERSED DETAIL
 4. GLASS LEGEND
 EGL-1—8mmHS+12mm AIR GAP+8mmTP THK. I.G.U.
 EGL-2—10mm THK. CLEAR TEMPERED GLASS
 EGL-4—10mm THK. TEMPERED ACID ETCHED GLASS

E	11/1/2022	UPDATE 14TH 20221109 GBP	Ivan
D	11/07/2022	REVISION SUBJECT TO ARCH.COMMENT	Ivan
C	21/06/2022	REVISION SUBJECT TO ARCH.COMMENT	Ivan
B	13/01/2022	REVISION SUBJECT TO ARCH.COMMENT	Ivan
A	23/11/2021	REVISION SUBJECT TO ARCH.COMMENT	Ivan
NO.	DATE	REVISED	BY

JOB NO. : J-856
 PROJECT :
 PROPOSED DEVELOPMENT ABOVE
 LIGHT RAIL TIN WING STOP, TSWTL
 NO.23, AREA 33, TIN SHUI WAI, N.T.

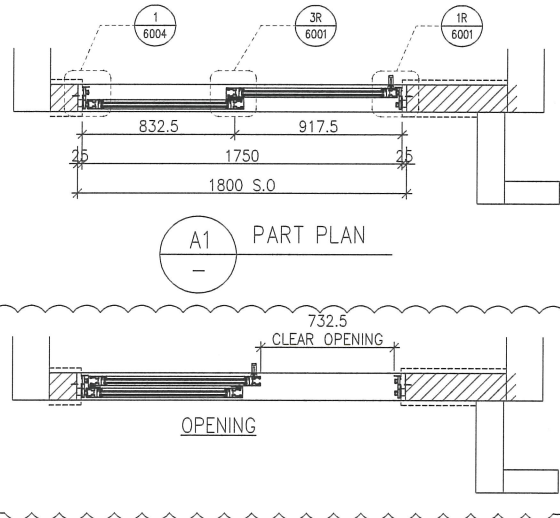
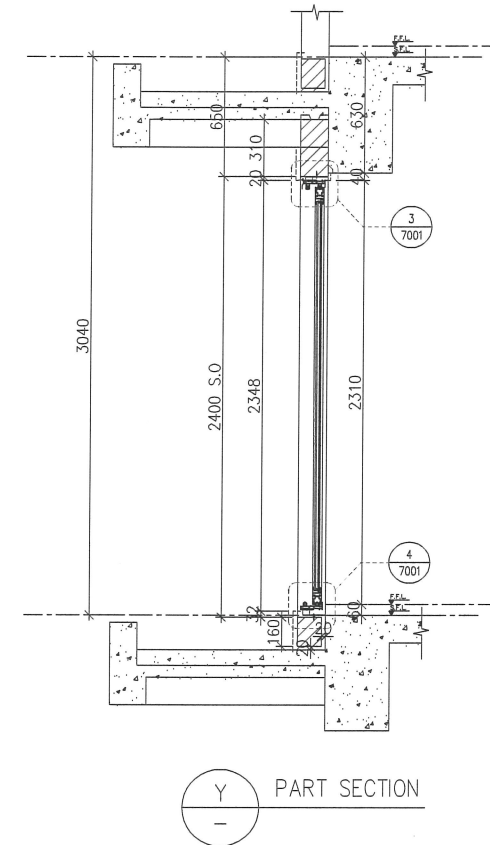
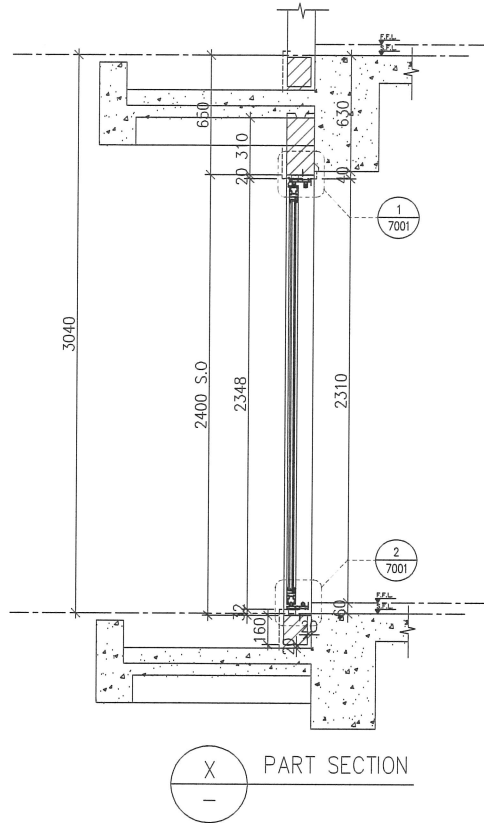
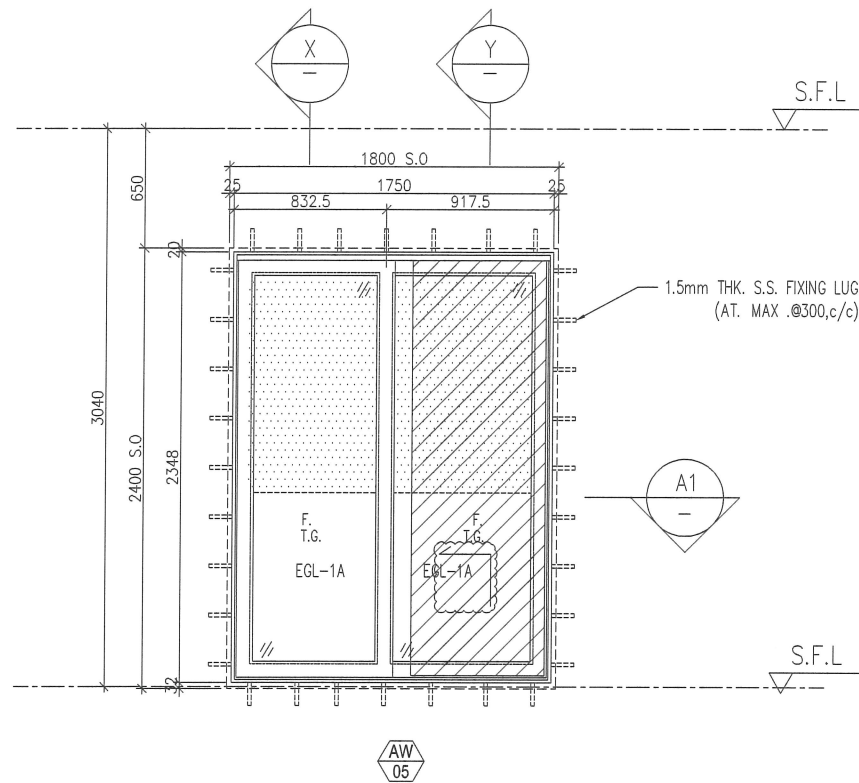
TITLE :
 PLAN FOR IN-SITU WINDOW
 AT TOWER 3

DATE : 02-Aug-21 SCALE : 1:200
 DRAWN BY : Ivan CHECKED BY :

美特鋁質有限公司
MIDI ALUMINIUM FABRICATOR LTD.
 Units 6-8, Sunray Industrial Centre, 1/F
 610 Cha Kwo Ling Road, Kowloon
 Tel:23489211-4 Fax:(852)27727666

DWG NO. : J856-SD-IW-3202 REV. : E

LOCATION	REQUIRE		PROVIDED	
	OPENABLE AREA	GLAZING AREA	OPENABLE AREA	GLAZING AREA
B5-LIV	0.951	1.053	{1.65}	1.681



ELEVATION

WINDOW MARK	AW 05
LOCATION	3/F-42/F(4/F,13/F,14/F,24/F,34/F OMITTED) UNIT B5
SECTION	70mm ALUM. SECTION
GLAZING	EGL-1A
QUANTITY	35 Nos.
REMARKS	FACADE(TYPE T2PF11 FOR 3/F-42/F)

B.D. REF :

CLIENT :
SUN HUNG KAI
 REAL ESTATE AGENCY LTD.
 42/F SUN HUNG KAI CENTRE, WANCHAI, HONGKONG

ARCHITECT :
lwk&partners
 architects

MAIN CONTRACTOR :
怡輝建築有限公司
Yee Fai Building Contractors Ltd.

STRUCTURAL ENGINEER :
ARUP

FACADE CONSULTANT:
ALPHA CONSULTING LIMITED
 Steel Structure & Facade Specialist

NOTE :
 1. ALL DIMENSIONS ARE IN mm.
 2. ALL ELEVATIONS ARE VIEWED FROM OUTSIDE.
 3. ALL DIMENSIONS TO BE VERIFIED ON SITE BEFORE FABRICATION.

LEGEND :
 X1 --- DETAIL MARK NO.
 X001 --- REFER SHEET NO.
 1. F.F.L. --- FINISHED FLOOR LEVEL
 2. S.F.L. --- STRUCTURAL FLOOR LEVEL
 3. /R --- REVERSED DETAIL
 4. GLASS LEGEND
 EGL-1 --- 8mmHS+12mm AIR GAP+10mmTP THK. I.G.U.
 EGL-2 --- 10mm THK. CLEAR TEMPERED GLASS
 EGL-4 --- 10mm THK. TEMPERED ACID ETCHED GLASS
 EGL-1A --- 8mmHS+12mm AIR GAP+8mmTP THK. I.G.U.
 BT1/BB1 --- FIXING DETAIL (DWG. NO. FD01)
 BB2 --- FIXING DETAIL (DWG. NO. FD02)

NO.	DATE	REVISION	BY
D	26/08/2022	REVISION SUBJECT TO ARCH.COMMENT	Ivan
C	28/07/2022	REVISION SUBJECT TO ARCH.COMMENT	Ivan
B	13/01/2022	REVISION SUBJECT TO ARCH.COMMENT	Ivan
A	23/11/2021	REVISION SUBJECT TO ARCH.COMMENT	Ivan

JOB NO. : J-856
 PROJECT : PROPOSED DEVELOPMENT ABOVE LIGHT RAIL TIN WING STOP, TSWTL NO.23, AREA 33, TIN SHUI WAI, N.T.

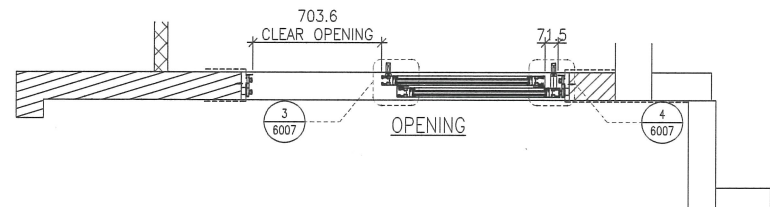
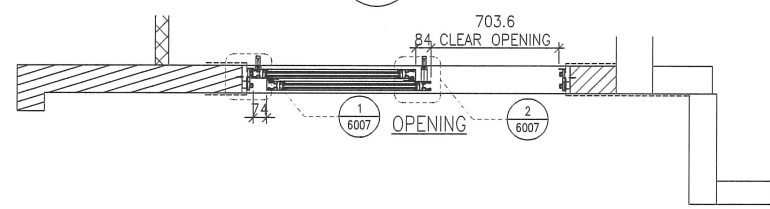
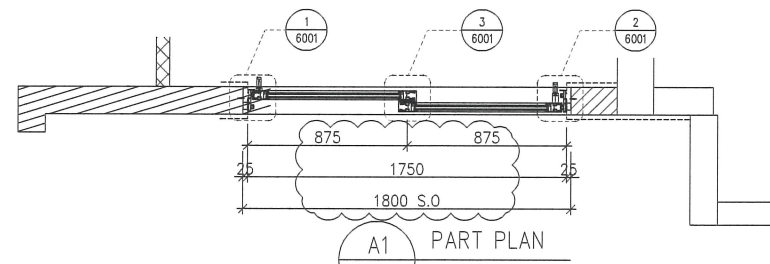
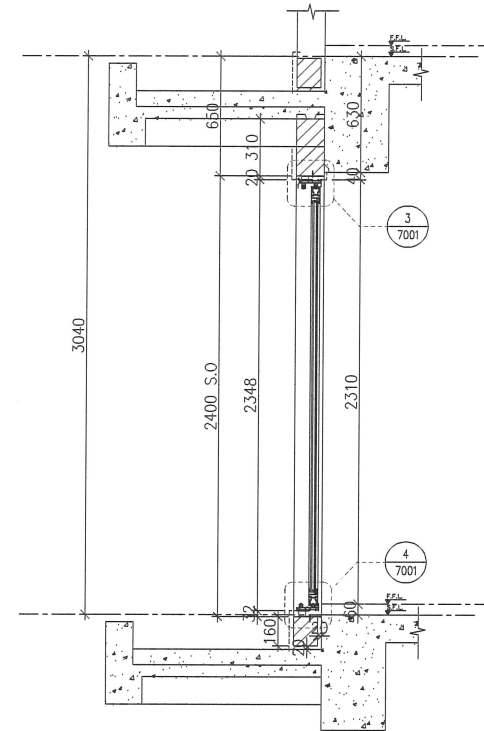
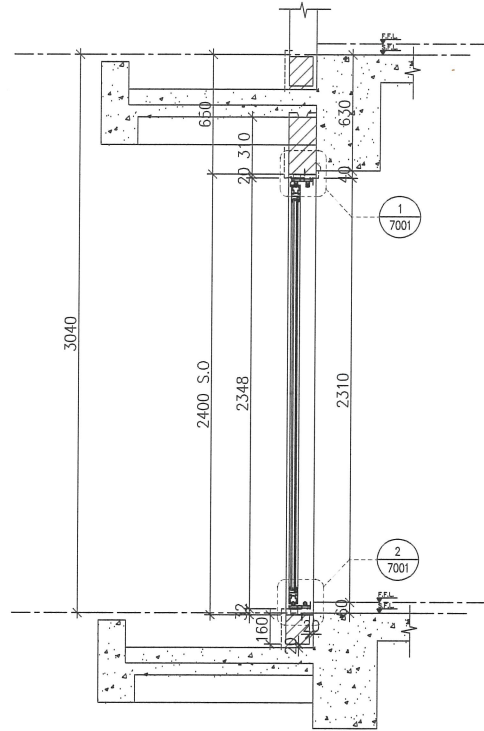
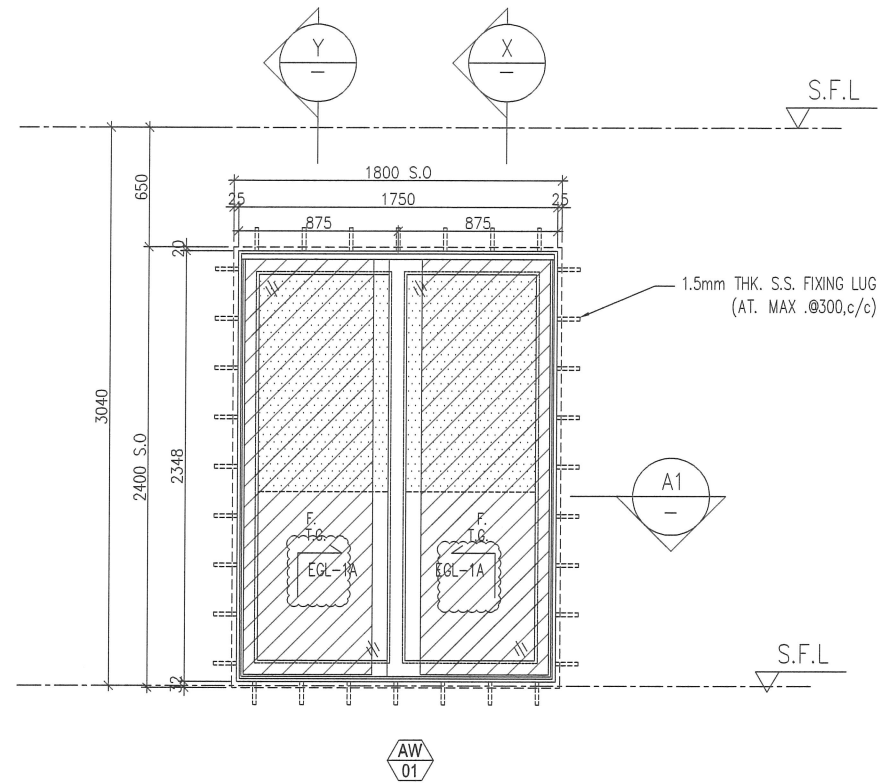
TITLE : WINDOW SCHEDULE FOR TOWER 2 IN-SITU WINDOW

DATE : 02-Aug-21 SCALE : 1:40
 DRAWN BY : Ivan CHECKED BY :

美特鋁質有限公司
MIDI ALUMINIUM FABRICATOR LTD.
 Units 6-8, Sunray Industrial Centre, 1/F
 610 Cha Kwo Ling Road, Kowloon
 Tel: 23489211-4 Fax: (852) 2727666

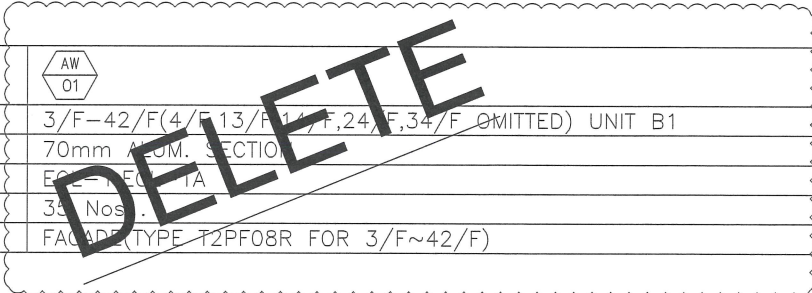
DWG NO. : J856-SD-IW-5213 REV. : D

LOCATION	REQUIRE		PROVIDED	
	OPENABLE AREA	GLAZING AREA	OPENABLE AREA	GLAZING AREA
A8-LIV	0.922	1.475	{1.591}	1.681
B1-LIV	1.429	1.778		
B8-LIV	1.638	1.787		



ELEVATION

WINDOW MARK	AW 01
LOCATION	3/F-42/F(4/F,13/F,14/F,24/F,34/F OMITTED) UNIT B8, A8, B1
SECTION	70mm ALUM. SECTION
GLAZING	EGL-1A
QUANTITY	(35 Nos/ 35 Nos./ 35 Nos.)
REMARKS	FACADE(TYPE T2PF08 FOR 3/F~42/F)



WINDOW MARK	AW 01
LOCATION	3/F-42/F(4/F,13/F,14/F,24/F,34/F OMITTED) UNIT B1
SECTION	70mm ALUM. SECTION
GLAZING	EGL-1A
QUANTITY	35 Nos.
REMARKS	FACADE(TYPE T2PF08R FOR 3/F~42/F)

B.D. REF :

CLIENT :
SUN HUNG KAI
 REAL ESTATE AGENCY LTD.
 42/F SUN HUNG KAI CENTRE, WANCHAI, HONGKONG

ARCHITECT :
lwk&partners
 architects

MAIN CONTRACTOR :
怡輝建築有限公司
 Yee Fai Building Contractors Ltd.

STRUCTURAL ENGINEER :
ARUP

FACADE CONSULTANT:
ALPHA CONSULTING LIMITED
 Steel Structure & Facade Specialist

NOTE :
 1. ALL DIMENSIONS ARE IN mm.
 2. ALL ELEVATIONS ARE VIEWED FROM OUTSIDE.
 3. ALL DIMENSIONS TO BE VERIFIED ON SITE BEFORE FABRICATION.

LEGEND :
 X1 --- DETAIL MARK NO.
 X001 --- REFER SHEET NO.
 1. F.F.L. --- FINISHED FLOOR LEVEL
 2. S.F.L. --- STRUCTURAL FLOOR LEVEL
 3. (R) --- REVERSED DETAIL
 4. GLASS LEGEND
 EGL-1--8mmHS+12mm AIR GAP+10mmTP THK. I.G.U.
 EGL-2--10mm THK. CLEAR TEMPERED GLASS
 EGL-4--10mm THK. TEMPERED ACID ETCHED GLASS
 EGL-1A-8mmHS+12mm AIR GAP+8mmTP THK. I.G.U.
 BT1/BB1-FIXING DETAIL (DWG. NO. FD01)
 BB2-FIXING DETAIL (DWG. NO. FD02)

NO.	DATE	REVISED	BY
E	28/08/2022	REVISION SUBJECT TO ARCH.COMMENT	ivan
D	28/07/2022	REVISION SUBJECT TO ARCH.COMMENT	ivan
C	22/06/2022	REVISION SUBJECT TO ARCH.COMMENT	ivan
B	23/11/2021	REVISION SUBJECT TO ARCH.COMMENT	ivan
A	10/11/2021	REVISION SUBJECT TO ARCH.COMMENT	ivan

JOB NO. : J-856
 PROJECT : PROPOSED DEVELOPMENT ABOVE LIGHT RAIL TIN WING STOP, TSWTL NO.23, AREA 33, TIN SHUI WAI, N.T.

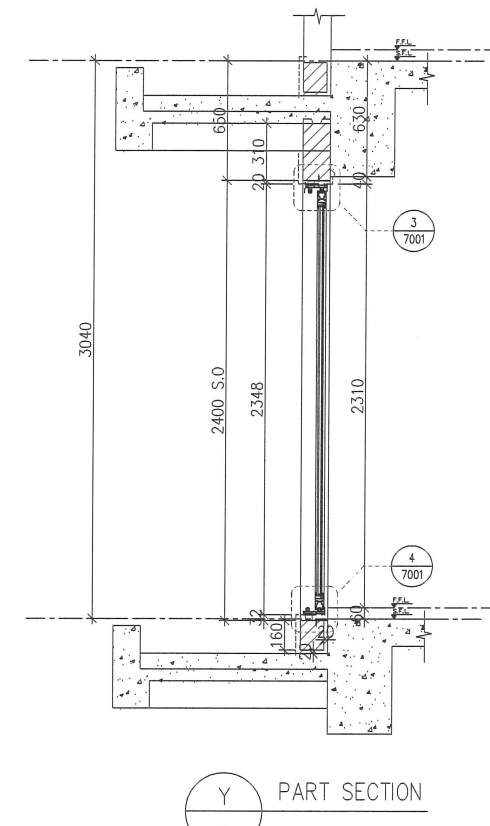
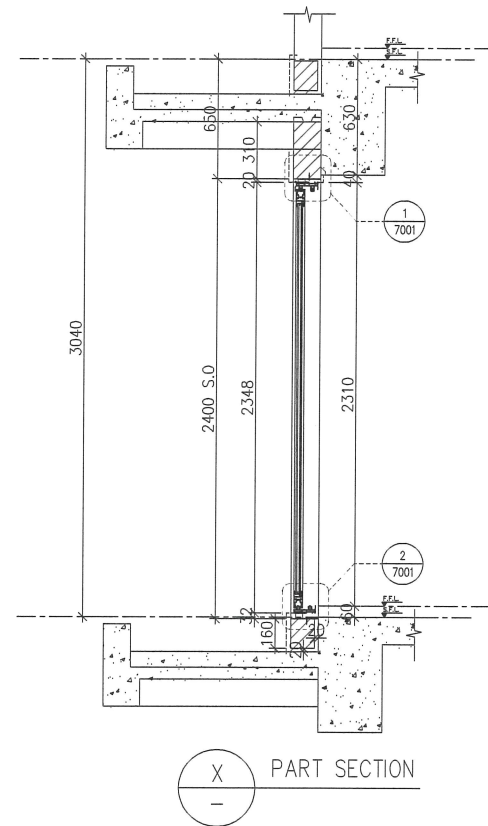
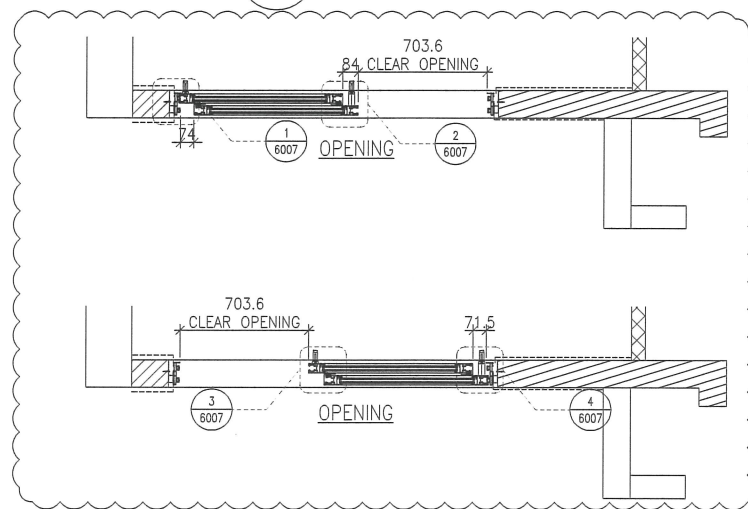
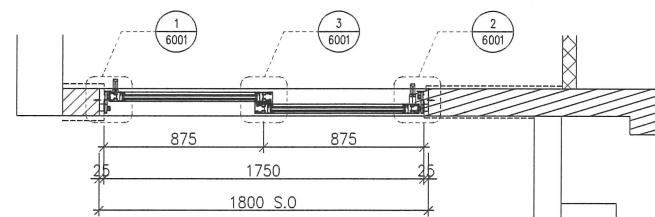
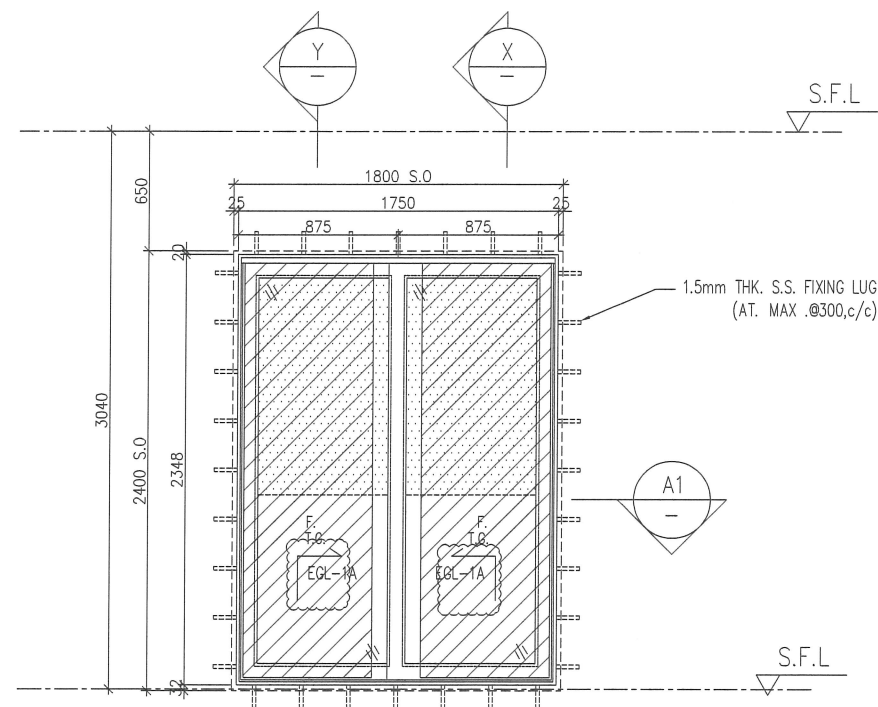
TITLE : WINDOW SCHEDULE FOR TOWER 2 IN-SITU WINDOW

DATE : 02-Aug-21 SCALE : 1:40
 DRAWN BY : ivan CHECKED BY :

美特鋁質有限公司
 MIDI ALUMINIUM FABRICATOR LTD.
 Units 6-8, Sunray Industrial Centre, 1/F
 610 Cho Kwo Ling Road, Kowloon
 Tel:23489211-4 Fax:(852)27727666

DWG NO. : J856-SD-IW-5205 REV. : E

LOCATION	REQUIRE		PROVIDED	
	OPENABLE AREA	GLAZING AREA	OPENABLE AREA	GLAZING AREA
A3-LIV	1.202	1.416	{1.591}	1.681
A7-LIV	1.155	1.339		
B2-LIV	1.240	1.475		
B6-LIV	1.196	1.405		
B7-LIV	1.196	1.405		



ELEVATION

WINDOW MARK	AW 01
LOCATION	3/F-42/F(4/F,13/F,14/F,24/F,34/F OMITTED) UNIT B7, B2, A3, A7, B6
SECTION	70mm ALUM. SECTION
GLAZING	EGL-1A
QUANTITY	35 Nos./35 Nos./35 Nos./35 Nos./35 Nos.
REMARKS	FACADE(TYPE T2PF04 FOR 3/F~42/F)

WINDOW MARK	AW 01
LOCATION	3/F-42/F(4/F,13/F,14/F,24/F,34/F OMITTED) UNIT B2,A3,A7,B6
SECTION	70mm ALUM. SECTION
GLAZING	EGL-1A
QUANTITY	35 Nos./35 Nos./35 Nos./35 Nos.
REMARKS	FACADE(TYPE T2PF04R FOR 3/F~42/F)

DELETE

B.D. REF :

CLIENT :
SUN HUNG KAI
 REAL ESTATE AGENCY LTD.
 42/F SUN HUNG KAI CENTRE, WANCHAI, HONGKONG

ARCHITECT :
IWK & PARTNERS
 ARCHITECTS

MAIN CONTRACTOR :
YEE FAI
 BUILDING CONTRACTORS LTD.

STRUCTURAL ENGINEER :
ARUP

FACADE CONSULTANT:
ALPHA CONSULTING LIMITED
 Steel Structure & Facade Specialist

- NOTE :
- ALL DIMENSIONS ARE IN mm.
 - ALL ELEVATIONS ARE VIEWED FROM OUTSIDE.
 - ALL DIMENSIONS TO BE VERIFIED ON SITE BEFORE FABRICATION.

- LEGEND :
- X1 --- DETAIL MARK NO.
 - X001 --- REFER SHEET NO.

- F.F.L. -- FINISHED FLOOR LEVEL
 - S.F.L. -- STRUCTURAL FLOOR LEVEL
 - (R) -- REVERSED DETAIL
 - GLASS LEGEND
- EGL-1--8mmHS+12mm AIR GAP+10mmTP THK. I.G.U.
 EGL-2--10mm THK. CLEAR TEMPERED GLASS
 EGL-4--10mm THK. TEMPERED ACID ETCHED GLASS
 EGL-1A-8mmHS+12mm AIR GAP+8mmTP THK. I.G.U.
 BT1/BB1-FIXING DETAIL (DWG. NO. FD01)
 BB2-FIXING DETAIL (DWG. NO. FD02)

NO.	DATE	REVISED	BY
E	26/08/2022	REVISION SUBJECT TO ARCH.COMMENT	ivan
D	28/07/2022	REVISION SUBJECT TO ARCH.COMMENT	ivan
C	22/06/2022	REVISION SUBJECT TO ARCH.COMMENT	ivan
B	23/11/2021	REVISION SUBJECT TO ARCH.COMMENT	ivan
A	10/11/2021	REVISION SUBJECT TO ARCH.COMMENT	ivan

JOB NO. : J-856
 PROJECT : PROPOSED DEVELOPMENT ABOVE LIGHT RAIL TIN WING STOP, TSWTL NO.23, AREA 33, TIN SHUI WAI, N.T.

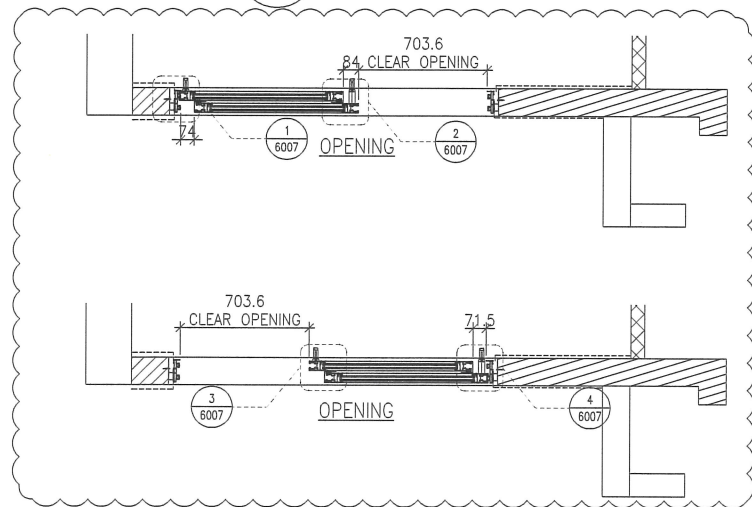
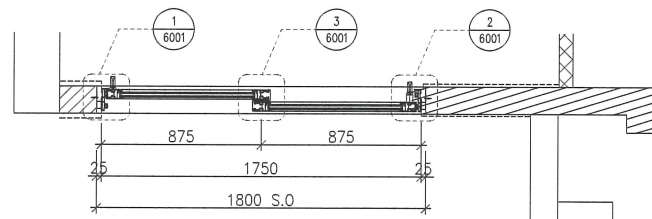
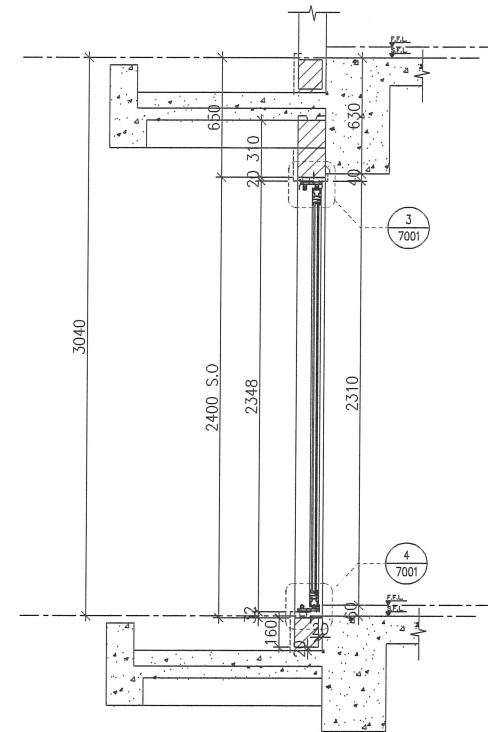
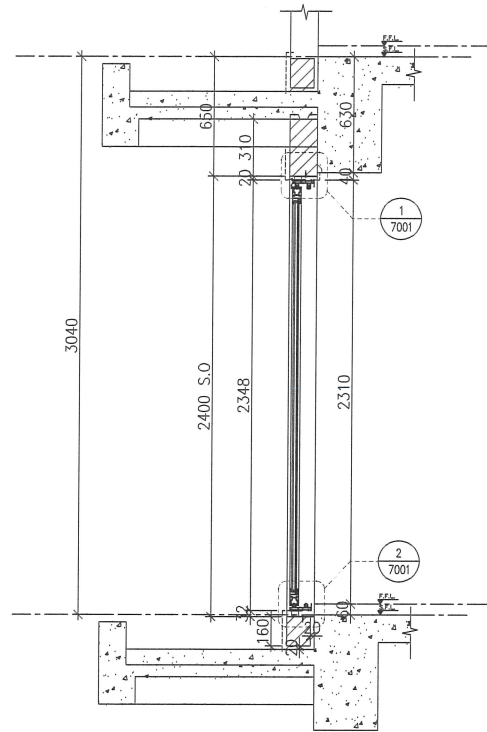
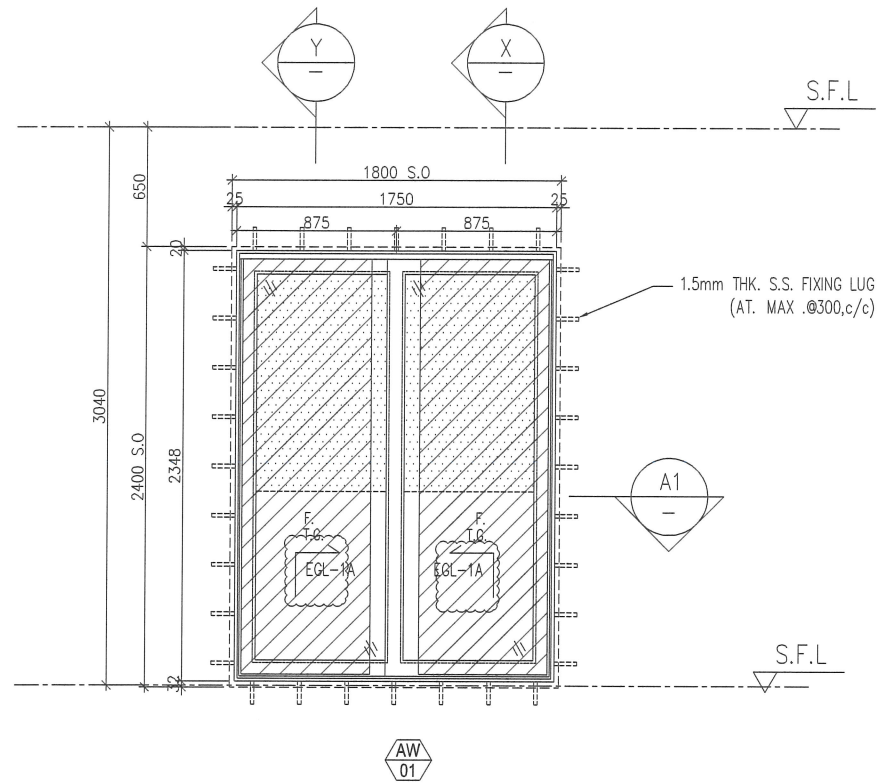
TITLE : WINDOW SCHEDULE FOR TOWER 2 IN-SITU WINDOW

DATE : 02-Aug-21 SCALE : 1:40
 DRAWN BY : Ivan CHECKED BY :

MIDI ALUMINUM FABRICATOR LTD.
 Units 6-8, Sunray Industrial Centre, 1/F
 610 Cha Kwo Ling Road, Kowloon
 Tel:23489211-4 Fax:(852)27727666

DWG NO. : J856-SD-IW-5203 REV. : E

LOCATION	REQUIRE		PROVIDED	
	OPENABLE AREA	GLAZING AREA	OPENABLE AREA	GLAZING AREA
A2-LIV	1.272	1.527	{1.591}	1.681
A5-LIV	1.198	1.409		
B3-LIV	1.048	1.486		



ELEVATION

B.D. REF :

CLIENT :
SUN HUNG KAI
 REAL ESTATE AGENCY LTD.
 42/F SUN HUNG KAI CENTRE, WANCHAI, HONGKONG

ARCHITECT :
IWK&partners
 architects

MAIN CONTRACTOR :
怡輝建築有限公司
 Yee Fai Building Contractors Ltd.

STRUCTURAL ENGINEER :
ARUP

FACADE CONSULTANT:
ALPHA CONSULTING LIMITED
 Steel Structure & Facade Specialist

NOTE :
 1. ALL DIMENSIONS ARE IN mm.
 2. ALL ELEVATIONS ARE VIEWED FROM OUTSIDE.
 3. ALL DIMENSIONS TO BE VERIFIED ON SITE BEFORE FABRICATION.

LEGEND :
 (X1) --- DETAIL MARK NO.
 (X001) --- REFER SHEET NO.
 1. F.F.L. --- FINISHED FLOOR LEVEL
 2. S.F.L. --- STRUCTURAL FLOOR LEVEL
 3. (R) --- REVERSED DETAIL
 4. GLASS LEGEND
 EGL-1---8mmHS+12mm AIR GAP+10mmTP THK. I.G.U.
 EGL-2---10mm THK. CLEAR TEMPERED GLASS
 EGL-4---10mm THK. TEMPERED ACID ETCHED GLASS
 EGL-1A-8mmHS+12mm AIR GAP+8mmTP THK. I.G.U.
 BT1/BB1-FIXING DETAIL (DWG. NO. FD01)
 BB2-FIXING DETAIL (DWG. NO. FD02)

NO.	DATE	REVISION	BY
E	26/08/2022	REVISION SUBJECT TO ARCH.COMMENT	Ivan
D	28/07/2022	REVISION SUBJECT TO ARCH.COMMENT	Ivan
C	22/06/2022	REVISION SUBJECT TO ARCH.COMMENT	Ivan
B	23/11/2021	REVISION SUBJECT TO ARCH.COMMENT	Ivan
A	10/11/2021	REVISION SUBJECT TO ARCH.COMMENT	Ivan

JOB NO. : J-856
 PROJECT :
 PROPOSED DEVELOPMENT ABOVE
 LIGHT RAIL TIN WING STOP, TSWTL
 NO.23, AREA 33, TIN SHUI WAI, N.T.

TITLE :
 WINDOW SCHEDULE FOR
 TOWER 2 IN-SITU WINDOW

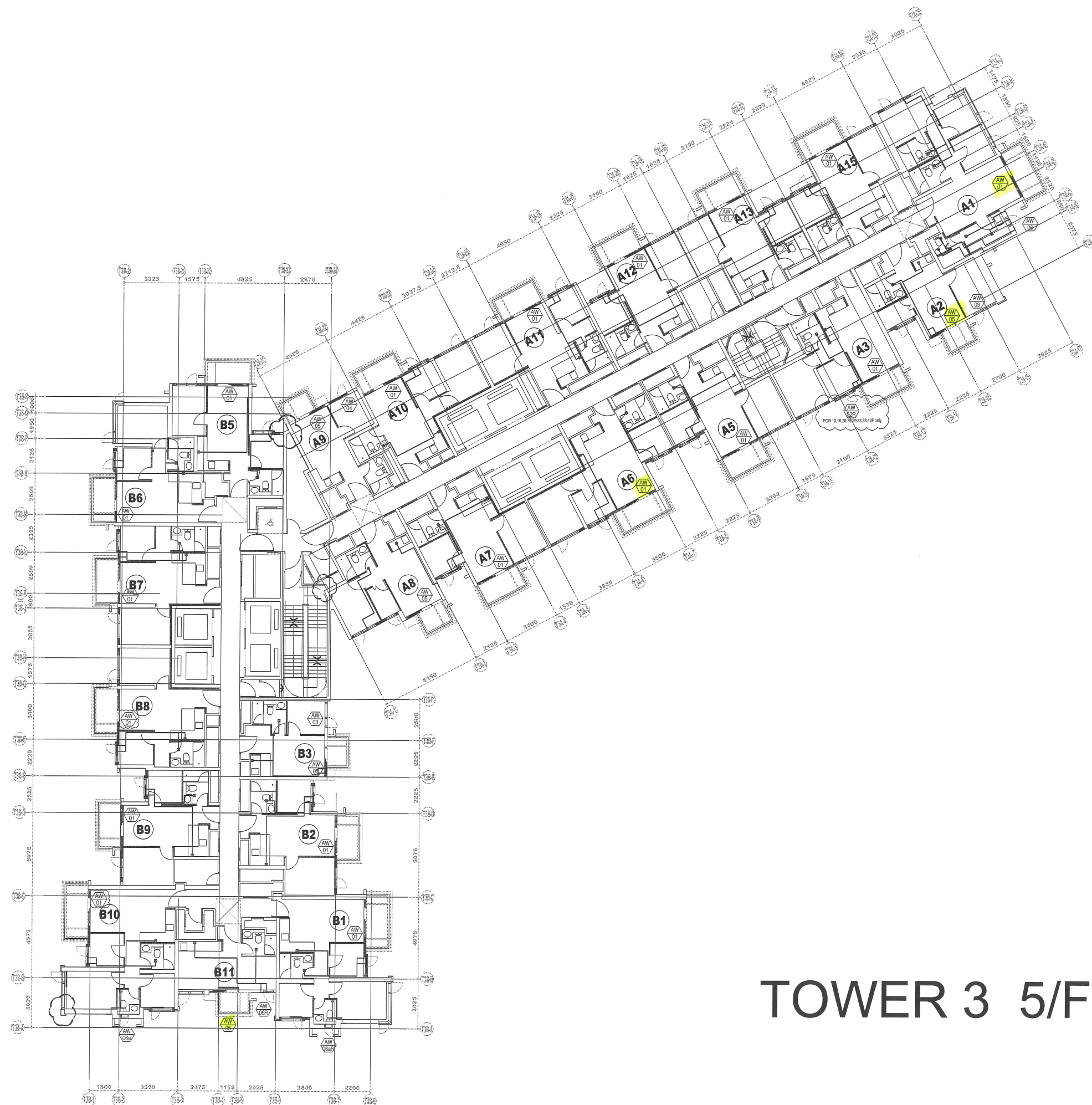
DATE : 02-Aug-21 SCALE : 1:40
 DRAWN BY : Ivan CHECKED BY :

美特鋁質有限公司
 MIDI ALUMINIUM FABRICATOR LTD.
 Units 6-8, Sunray Industrial Centre, 1/F
 610 Cha Kwo Ling Road, Kowloon
 Tel:23489211-4 Fax:(852)27727666

DWG NO. : J856-SD-IW-5202 REV. : E

WINDOW MARK	AW 01	AW 01R
LOCATION	3/F-42/F(4/F,13/F,14/F,24/F,34/F OMITTED) UNIT A2 , A5 , B3	3/F-42/F(4/F,13/F,14/F,24/F,34/F OMITTED) UNIT B3
SECTION	70mm ALUM. SECTION	70mm ALUM. SECTION
GLAZING	EGL-1A	EGL-1, EGL-1A
QUANTITY	35 Nos./35 Nos./35 Nos.	35 Nos.
REMARKS	FACADE(TYPE T2PF02 FOR 3/F~42/F)	FACADE(TYPE T2PF02R FOR 3/F~42/F)

DELETE



TOWER 3 5/F-42/F

B.D. REF :

CLIENT :

SUN HUNG KAI
REAL ESTATE AGENCY LTD.
42/F SUN HUNG KAI CENTRE, WANCHAI, HONGKONG

ARCHITECT :

lwk&partners
architects

MAIN CONTRACTOR :

Yee Fai Building Contractors Ltd.

STRUCTURAL ENGINEER :

ARUP

FACADE CONSULTANT:

ALPHA CONSULTING LIMITED
Steel Structure & Facade Specialist

NOTE :

1. ALL DIMENSIONS ARE IN mm.
2. ALL ELEVATIONS ARE VIEWED FROM OUTSIDE.
3. ALL DIMENSIONS TO BE VERIFIED ON SITE BEFORE FABRICATION.

LEGEND :

- (X1) --- DETAIL MARK NO.
- (X001) --- REFER SHEET NO.

1. F.F.L. -- FINISHED FLOOR LEVEL
2. S.F.L. -- STRUCTURAL FLOOR LEVEL
3. (R) -- REVERSED DETAIL
4. GLASS LEGEND

EGL-1--8mmHS+12mm AIR GAP+8mmTP THK. I.G.U.
EGL-2--10mm THK. CLEAR TEMPERED GLASS
EGL-4--10mm THK. TEMPERED ACID ETCHED GLASS

NO.	DATE	REVISION	BY
E	11/11/2022	UPDATE 14TH 20221109 GBP	Ivan
D	28/07/2022	REVISION SUBJECT TO ARCH.COMMENT	Ivan
C	21/06/2022	REVISION SUBJECT TO ARCH.COMMENT	Ivan
B	13/01/2022	REVISION SUBJECT TO ARCH.COMMENT	Ivan
A	23/11/2021	REVISION SUBJECT TO ARCH.COMMENT	Ivan

JOB NO. : J-856

PROJECT : PROPOSED DEVELOPMENT ABOVE LIGHT RAIL TIN WING STOP, TSWTL NO.23, AREA 33, TIN SHUI WAI, N.T.

TITLE : PLAN FOR IN-SITU WINDOW AT TOWER 3

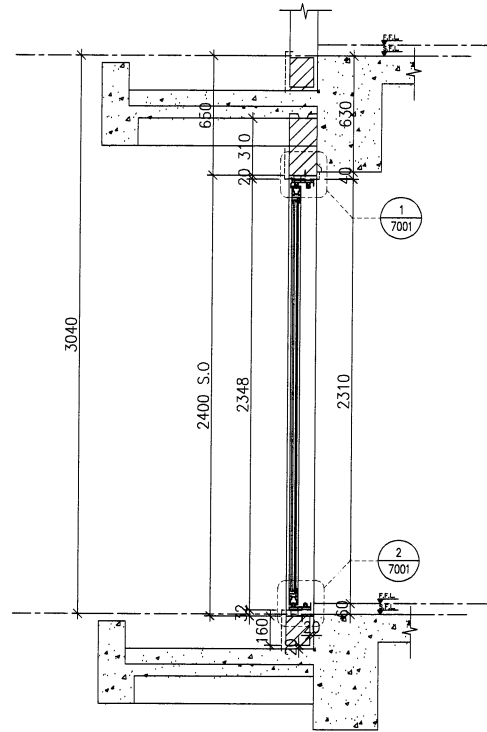
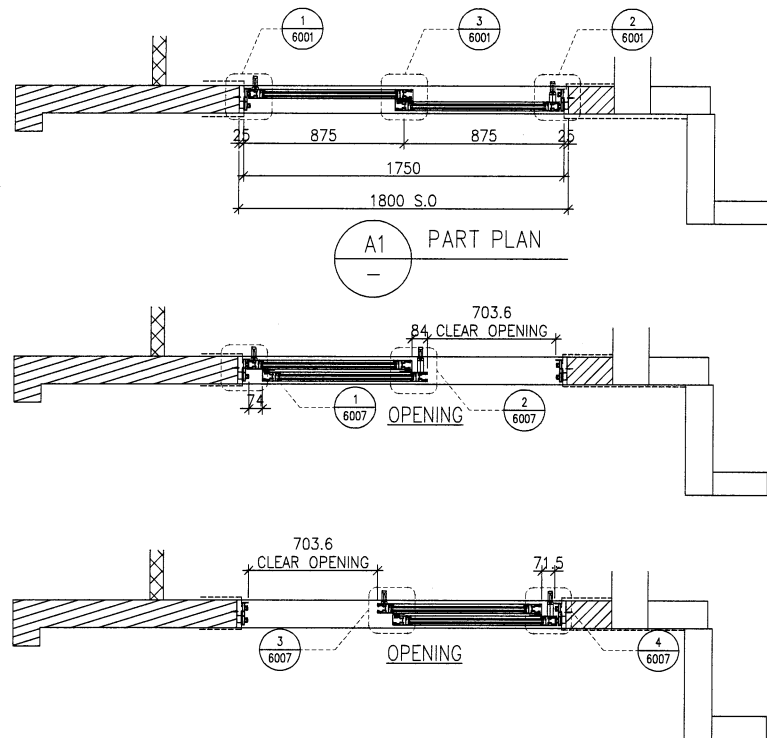
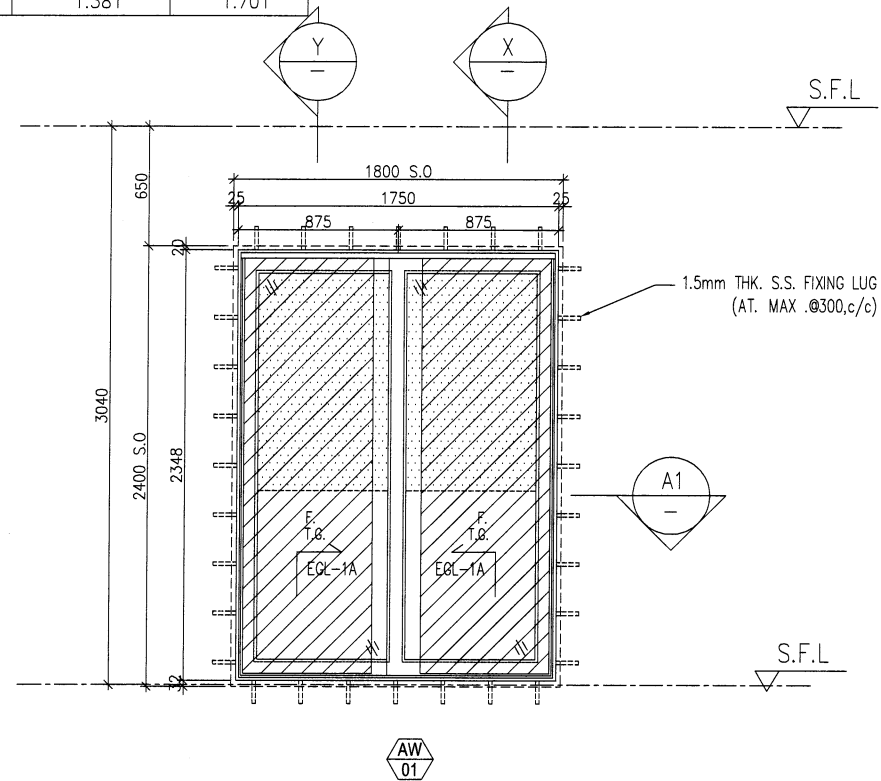
DATE : 02-Aug-21 SCALE : 1:200

DRAWN BY : Ivan CHECKED BY :

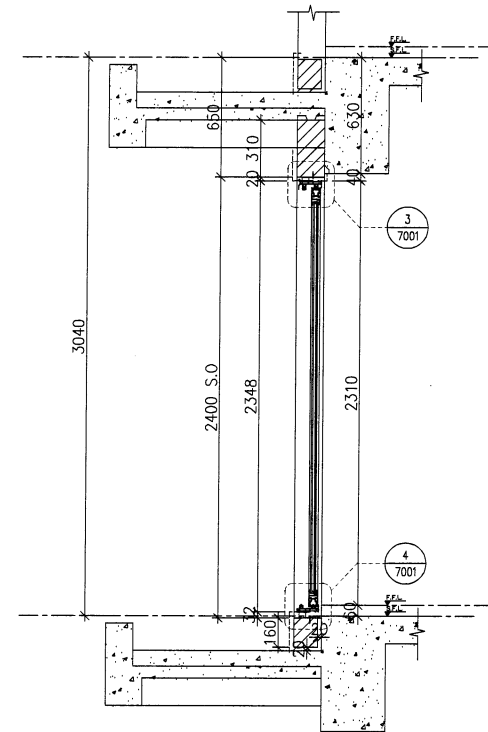
美特鋁質有限公司
MIDI ALUMINIUM FABRICATOR LTD.
Units 6-8, Sunray Industrial Centre, 1/F
610 Cha Kwo Ling Road, Kowloon
Tel:23489211-4 Fax:(852)2727666

DWG NO. : J856-SD-IW-3302 REV. : E

LOCATION	REQUIRE		PROVIDED	
	OPENABLE AREA	GLAZING AREA	OPENABLE AREA	GLAZING AREA
A2-LIV	1.240	1.477	{1.591}	1.681
A5-LIV	1.287	1.550		
B1-LIV	1.381	1.701		
B3-LIV	1.381	1.701		



X
-
PART SECTION



Y
-
PART SECTION

ELEVATION

B.D. REF :

CLIENT :
SUN HUNG KAI
REAL ESTATE AGENCY LTD.
42/F SUN HUNG KAI CENTRE, WANCHAI, HONGKONG

ARCHITECT :
lwk&partners
architects

MAIN CONTRACTOR :
怡輝建築有限公司
Yee Fai Building Contractors Ltd.

STRUCTURAL ENGINEER :
ARUP

FACADE CONSULTANT:
ALPHA CONSULTING LIMITED
Steel Structure & Facade Specialist

NOTE :
1. ALL DIMENSIONS ARE IN mm.
2. ALL ELEVATIONS ARE VIEWED FROM OUTSIDE.
3. ALL DIMENSIONS TO BE VERIFIED ON SITE BEFORE FABRICATION.

LEGEND :
X1 - DETAIL MARK NO.
X001 - REFER SHEET NO.
1. F.F.L. -- FINISHED FLOOR LEVEL
2. S.F.L. -- STRUCTURAL FLOOR LEVEL
3. (R) -- REVERSED DETAIL
4. GLASS LEGEND
EGL-1--8mmHS+12mm AIR GAP+10mmTP THK. I.G.U.
EGL-2--10mm THK. CLEAR TEMPERED GLASS
EGL-4--10mm THK. TEMPERED ACID ETCHED GLASS
EGL-1A-8mmHS+12mm AIR GAP+8mmTP THK. I.G.U.
BT1/BB1-FIXING DETAIL (DWG. NO. FD01)
BB2-FIXING DETAIL (DWG. NO. FD02)

NO.	DATE	REVISED	BY
F	11/11/2022	REVISION SUBJECT TO ARCH.COMMENT	ivan
E	26/08/2022	REVISION SUBJECT TO ARCH.COMMENT	ivan
D	28/07/2022	REVISION SUBJECT TO ARCH.COMMENT	ivan
C	22/06/2022	REVISION SUBJECT TO ARCH.COMMENT	ivan
B	23/11/2021	REVISION SUBJECT TO ARCH.COMMENT	ivan
A	10/11/2021	REVISION SUBJECT TO ARCH.COMMENT	ivan

JOB NO. : J-856
PROJECT : PROPOSED DEVELOPMENT ABOVE LIGHT RAIL TIN WING STOP,TSWTL NO.23,AREA 33,TIN SHUI WAI, N.T.

TITLE : WINDOW SCHEDULE FOR TOWER 3 IN-SITU WINDOW

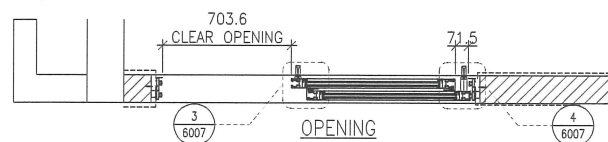
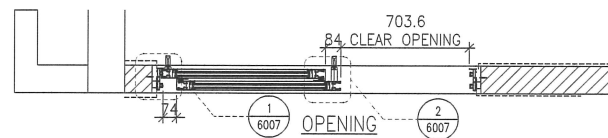
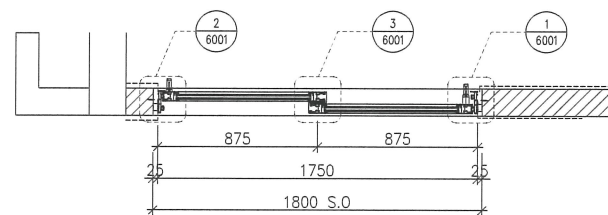
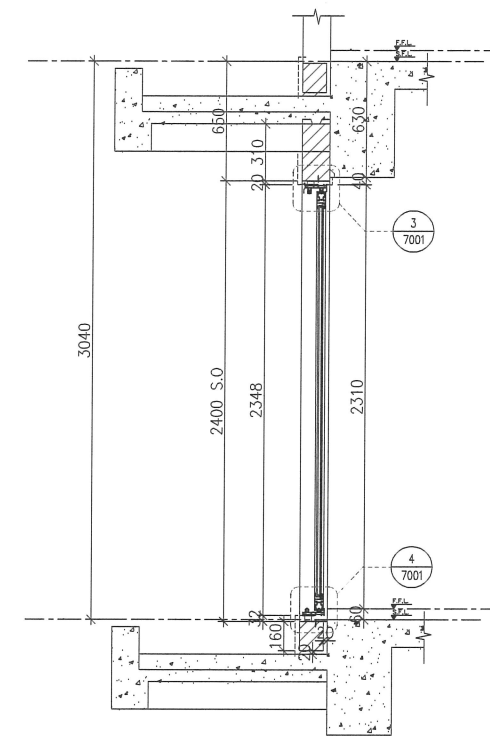
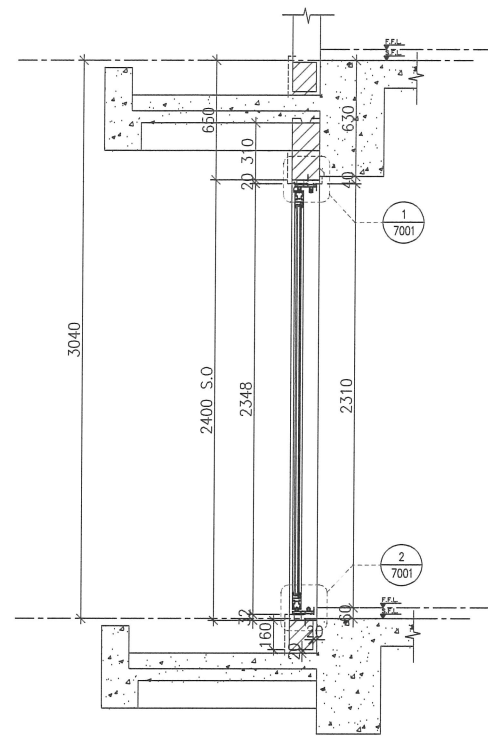
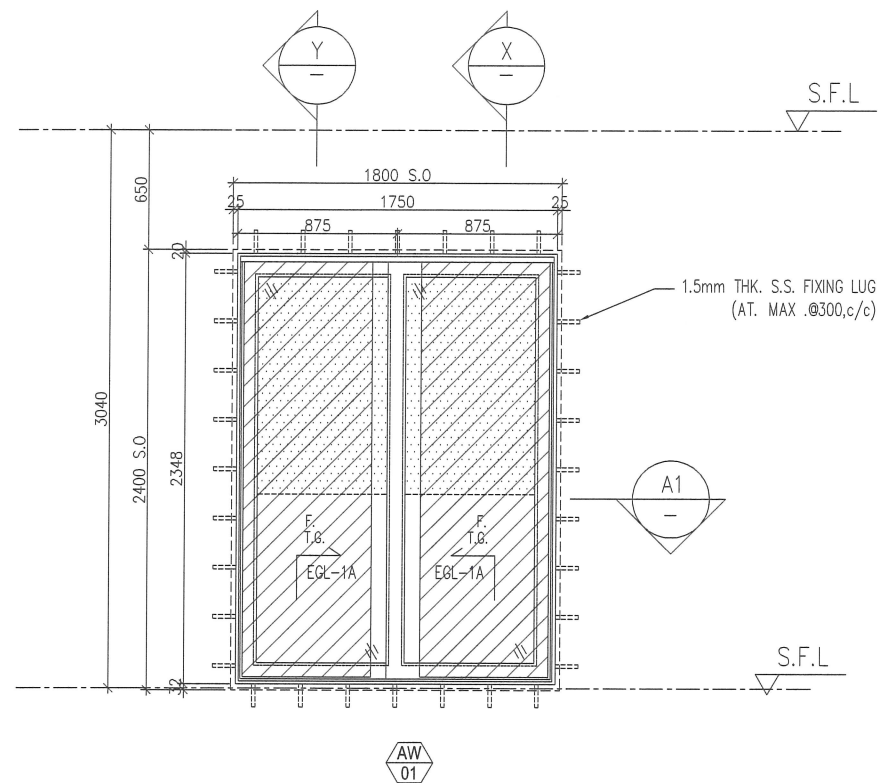
DATE : 02-Aug-21 SCALE : 1:40
DRAWN BY : ivan CHECKED BY :

美特鋁質有限公司
MIDI ALUMINIUM FABRICATOR LTD.
Units 6-8, Sunray Industrial Centre, 1/F
610 Cha Kwo Ling Road, Kowloon
Tel:23489211-4 Fax:(852)2727666

WINDOW MARK	AW 01
LOCATION	3/F-42/F(4/F,13/F,14/F,24/F,34/F OMITTED) UNIT {A3,A6,B1,B10}
SECTION	70mm ALUM. SECTION
GLAZING	EGL-1A
QUANTITY	35 Nos/35 Nos/35 Nos/35 Nos
REMARKS	FACADE(TYPE T3PF08 FOR 3/F~42/F)

DWG NO. : J856-SD-IW-5304 REV. : F

LOCATION	REQUIRE		PROVIDED	
	OPENABLE AREA	GLAZING AREA	OPENABLE AREA	GLAZING AREA
A15-LIV	1.511	1.746	{1.591}	1.681



ELEVATION

B.D. REF :

CLIENT :

SUN HUNG KAI
REAL ESTATE AGENCY LTD.
42/F SUN HUNG KAI CENTRE, WANCHAI, HONGKONG

ARCHITECT :

lwk&partners
architects

MAIN CONTRACTOR :

Yee Fai Building Contractors Ltd.

STRUCTURAL ENGINEER :

ARUP

FAÇADE CONSULTANT:

ALPHA CONSULTING LIMITED
Steel Structure & Façade Specialist

NOTE :

- ALL DIMENSIONS ARE IN mm.
- ALL ELEVATIONS ARE VIEWED FROM OUTSIDE.
- ALL DIMENSIONS TO BE VERIFIED ON SITE BEFORE FABRICATION.

LEGEND :

- X1 — DETAIL MARK NO.
- X001 — REFER SHEET NO.

- F.F.L. -- FINISHED FLOOR LEVEL
- S.F.L. -- STRUCTURAL FLOOR LEVEL
- (R) -- REVERSED DETAIL
- GLASS LEGEND

- EGL-1--8mmHS+12mm AIR GAP+10mmTP THK. I.G.U.
- EGL-2--10mm THK. CLEAR TEMPERED GLASS
- EGL-4--10mm THK. TEMPERED ACID ETCHED GLASS
- EGL-1A-8mmHS+12mm AIR GAP+8mmTP THK. I.G.U.
- BT1/BB1-FIXING DETAIL (DWG. NO. FD01)
- BB2-FIXING DETAIL (DWG. NO. FD02)

NO.	DATE	REVISED	BY
F	11/11/2022	REVISION SUBJECT TO ARCH.COMMENT	Ivan
E	26/08/2022	REVISION SUBJECT TO ARCH.COMMENT	Ivan
D	28/07/2022	REVISION SUBJECT TO ARCH.COMMENT	Ivan
C	22/06/2022	REVISION SUBJECT TO ARCH.COMMENT	Ivan
B	23/11/2021	REVISION SUBJECT TO ARCH.COMMENT	Ivan
A	10/11/2021	REVISION SUBJECT TO ARCH.COMMENT	Ivan

JOB NO. : J-856

PROJECT :
PROPOSED DEVELOPMENT ABOVE
LIGHT RAIL TIN WING STOP,TSWTL
NO.23,AREA 33,TIN SHUI WAI, N.T.

TITLE :
WINDOW SCHEDULE FOR
TOWER 3 IN-SITU WINDOW

DATE : 02-Aug-21 SCALE : 1:40

DRAWN BY : Ivan CHECKED BY :

MIDI ALUMINIUM FABRICATOR LTD.
Units 6-8, Sunray Industrial Centre, 1/F
610 Cho Kwo Ling Road, Kowloon
Tel:23489211-4 Fax:(852)27727866

DWG NO. : J856-SD-IW-5306 REV. : F

WINDOW MARK **AW 01**

LOCATION 3/F-42/F(4/F,13/F,14/F,24/F,34/F OMITTED) UNIT **A1**

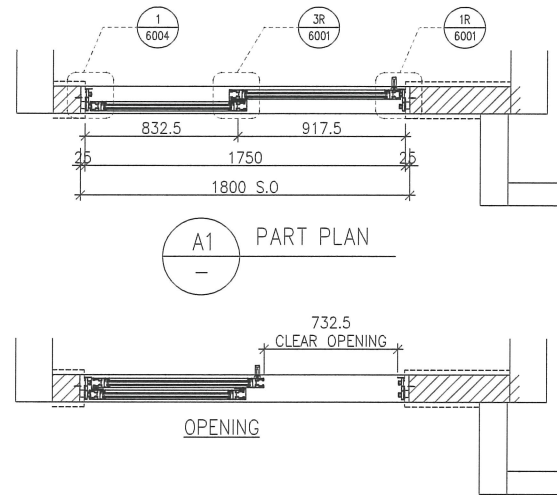
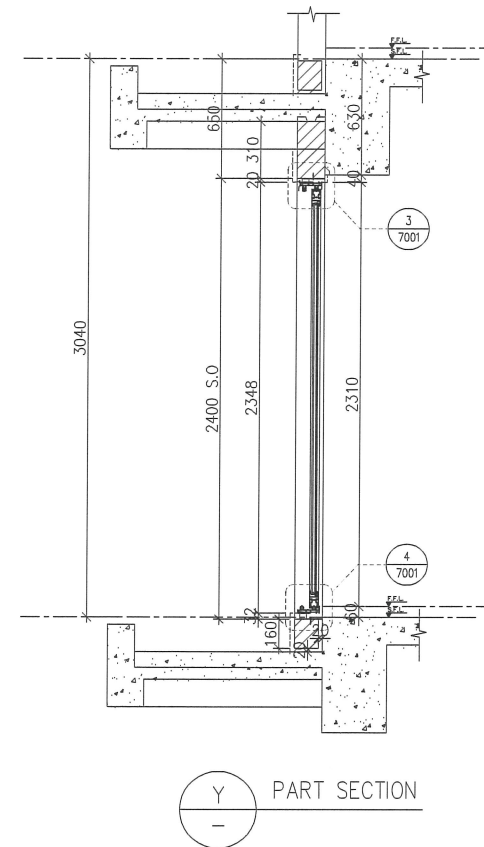
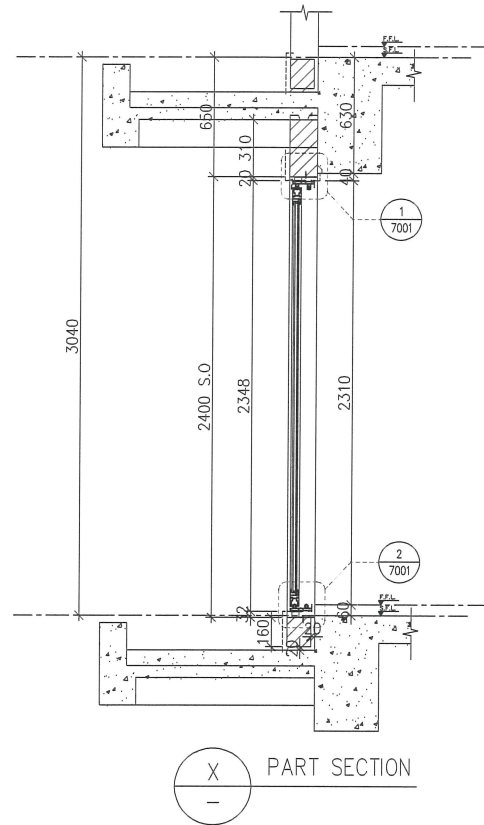
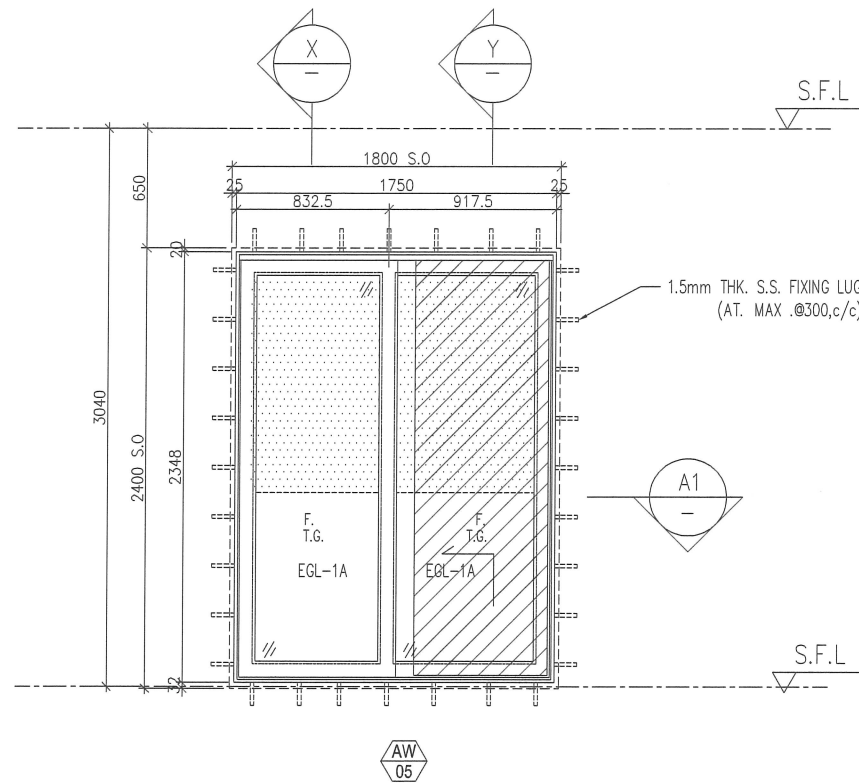
SECTION 70mm ALUM. SECTION

GLAZING EGL-1A

QUANTITY 36 Nos (3/F FOR 2 Nos.)

REMARKS FACADE(TYPE T3PF17 FOR 3/F~42/F)

LOCATION	REQUIRE		PROVIDED	
	OPENABLE AREA	GLAZING AREA	OPENABLE AREA	GLAZING AREA
A1-LIV	1.015	1.116	1.657	1.681
A7-LIV	1.023	1.129		
A8-LIV	1.082	1.222		



ELEVATION

B.D. REF :

CLIENT :
SUN HUNG KAI
 REAL ESTATE AGENCY LTD.
 42/F SUN HUNG KAI CENTRE, WANCHAI, HONGKONG

ARCHITECT :
IWK&partners
 architects

MAIN CONTRACTOR :
怡輝建築有限公司
 Yee Fai Building Contractors Ltd.

STRUCTURAL ENGINEER :
ARUP

FACADE CONSULTANT:
ALPHA CONSULTING LIMITED
 Steel Structure & Facade Specialist

NOTE :
 1. ALL DIMENSIONS ARE IN mm.
 2. ALL ELEVATIONS ARE VIEWED FROM OUTSIDE.
 3. ALL DIMENSIONS TO BE VERIFIED ON SITE BEFORE FABRICATION.

LEGEND :
 X1 --- DETAIL MARK NO.
 X001 --- REFER SHEET NO.
 1. F.F.L. --- FINISHED FLOOR LEVEL
 2. S.F.L. --- STRUCTURAL FLOOR LEVEL
 3. (R) --- REVERSED DETAIL
 4. GLASS LEGEND
 EGL-1---8mmHS+12mm AIR GAP+10mmTP THK. I.G.U.
 EGL-2---10mm THK. CLEAR TEMPERED GLASS
 EGL-4---10mm THK. TEMPERED ACID ETCHED GLASS
 EGL-1A---8mmHS+12mm AIR GAP+8mmTP THK. I.G.U.
 BT1/BB1---FIXING DETAIL (DWG. NO. FD01)
 BB2---FIXING DETAIL (DWG. NO. FD02)

NO.	DATE	REVISED	BY
E	11/11/2022	REVISION SUBJECT TO ARCH.COMMENT	ivan
D	26/08/2022	REVISION SUBJECT TO ARCH.COMMENT	ivan
C	28/07/2022	REVISION SUBJECT TO ARCH.COMMENT	ivan
B	13/01/2022	REVISION SUBJECT TO ARCH.COMMENT	ivan
A	23/11/2021	REVISION SUBJECT TO ARCH.COMMENT	ivan

JOB NO. : J-856
 PROJECT : PROPOSED DEVELOPMENT ABOVE LIGHT RAIL TIN WING STOP,TSWTL NO.23,AREA 33,TIN SHUI WAI, N.T.

TITLE : WINDOW SCHEDULE FOR TOWER 3 IN-SITU WINDOW

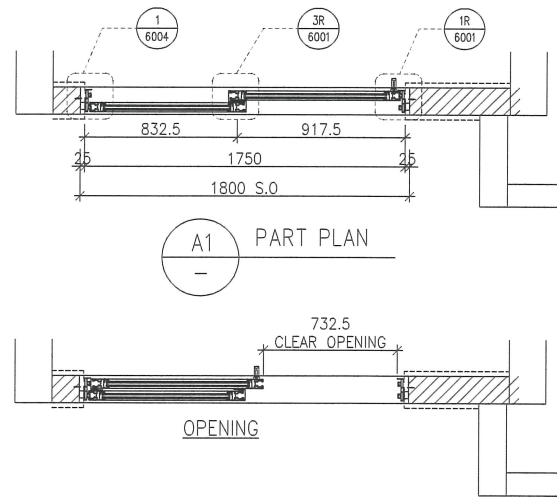
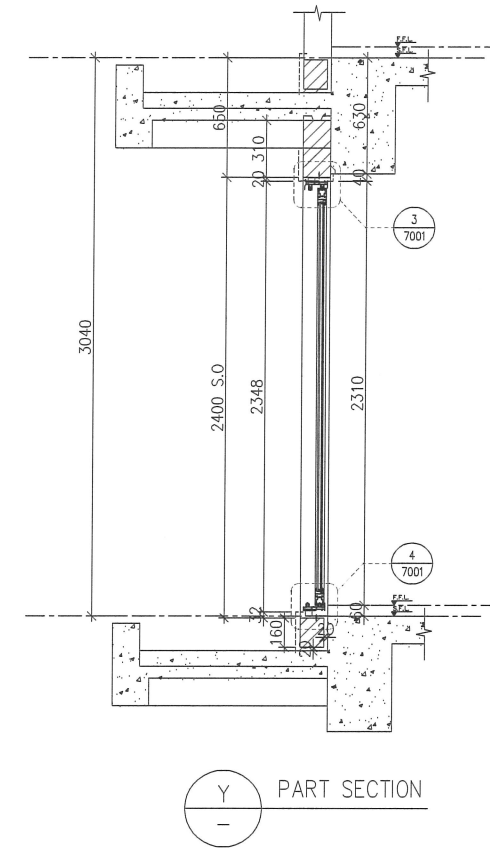
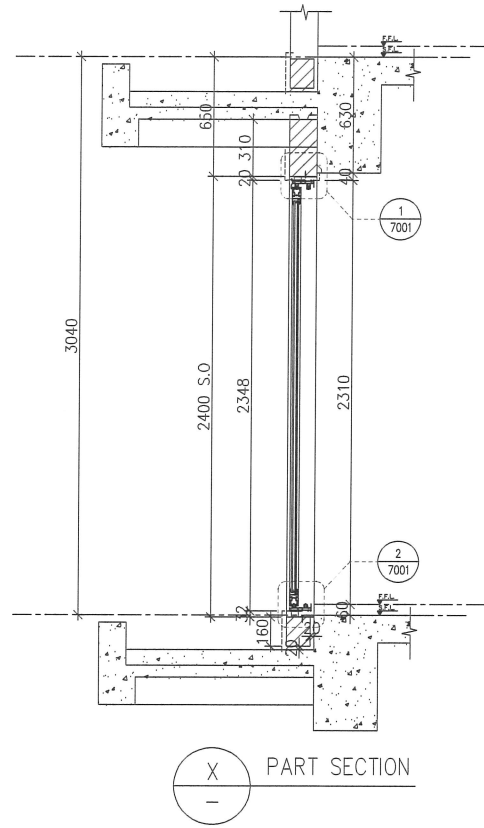
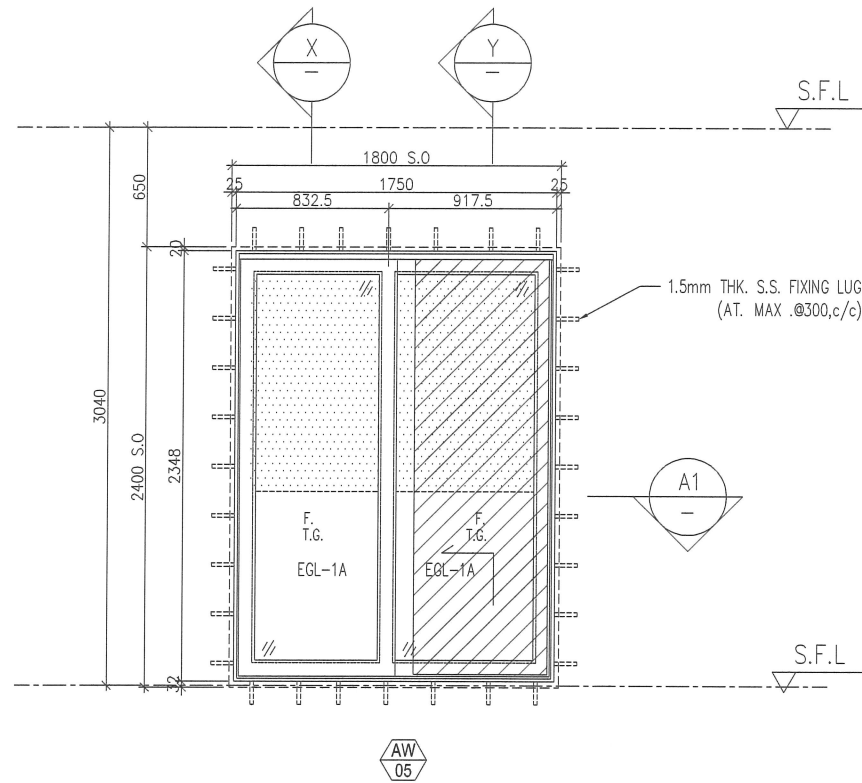
DATE : 02-Aug-21 SCALE : 1:40
 DRAWN BY : ivan CHECKED BY :

美特鋁質有限公司
 MIDI ALUMINIUM FABRICATOR LTD.
 Units 6-8, Sunray Industrial Centre, 1/F
 610 Cha Kwo Ling Road, Kowloon
 Tel:23489211-4 Fax:(852)27727866

DWG NO. : J856-SD-IW-5312 REV. : E

WINDOW MARK	AW 05
LOCATION	3/F-42/F(4/F,13/F,14/F,24/F,34/F OMITTED) UNIT A2,A8,A9
SECTION	70mm ALUM. SECTION
GLAZING	EGL-1A
QUANTITY	35 Nos/35 Nos/35 Nos
REMARKS	FACADE(TYPE T3PF07 FOR 3/F-42/F)

LOCATION	REQUIRE		PROVIDED	
	OPENABLE AREA	GLAZING AREA	OPENABLE AREA	GLAZING AREA
B2-LIV	N/A	N/A	(1.657)	1.681
B10-LIV	1.001	1.053		



ELEVATION

WINDOW MARK



LOCATION	3/F-42/F(4/F,13/F,14/F,24/F,34/F OMITTED) UNIT (B3, B11)
SECTION	70mm ALUM. SECTION
GLAZING	EGL-1A
QUANTITY	35 Nos/ 35 Nos
REMARKS	FACADE(TYPE T3PF11 FOR 3/F-42/F)

B.D. REF :

CLIENT :

SUN HUNG KAI
REAL ESTATE AGENCY LTD.
42/F SUN HUNG KAI CENTRE, WANCHAI, HONGKONG

ARCHITECT :

lwk&partners
architects

MAIN CONTRACTOR :

怡輝建築有限公司
Yee Fai Building Contractors Ltd.

STRUCTURAL ENGINEER :

ARUP

FACADE CONSULTANT:

ALPHA CONSULTING LIMITED
Steel Structure & Facade Specialist

NOTE :

1. ALL DIMENSIONS ARE IN mm.
2. ALL ELEVATIONS ARE VIEWED FROM OUTSIDE.
3. ALL DIMENSIONS TO BE VERIFIED ON SITE BEFORE FABRICATION.

LEGEND :

- x1 --- DETAIL MARK NO.
- x001 --- REFER SHEET NO.

1. F.F.L. --- FINISHED FLOOR LEVEL
2. S.F.L. --- STRUCTURAL FLOOR LEVEL
3. (R) --- REVERSED DETAIL
4. GLASS LEGEND

- EGL-1---8mmHS+12mm AIR GAP+10mmTP THK. I.G.U.
- EGL-2---10mm THK. CLEAR TEMPERED GLASS
- EGL-4---10mm THK. TEMPERED ACID ETCHED GLASS
- EGL-1A-8mmHS+12mm AIR GAP+8mmTP THK. I.G.U.
- BT1/BB1-FIXING DETAIL (DWG. NO. FD01)
- BB2-FIXING DETAIL (DWG. NO. FD02)

NO.	DATE	REVISED	BY
E	11/11/2022	REVISION SUBJECT TO ARCH.COMMENT	Ivan
D	26/08/2022	REVISION SUBJECT TO ARCH.COMMENT	Ivan
C	28/07/2022	REVISION SUBJECT TO ARCH.COMMENT	Ivan
B	13/01/2022	REVISION SUBJECT TO ARCH.COMMENT	Ivan
A	23/11/2021	REVISION SUBJECT TO ARCH.COMMENT	Ivan

JOB NO. : J-856

PROJECT :
PROPOSED DEVELOPMENT ABOVE
LIGHT RAIL TIN WING STOP, TSWTL
NO.23, AREA 33, TIN SHUI WAI, N.T.

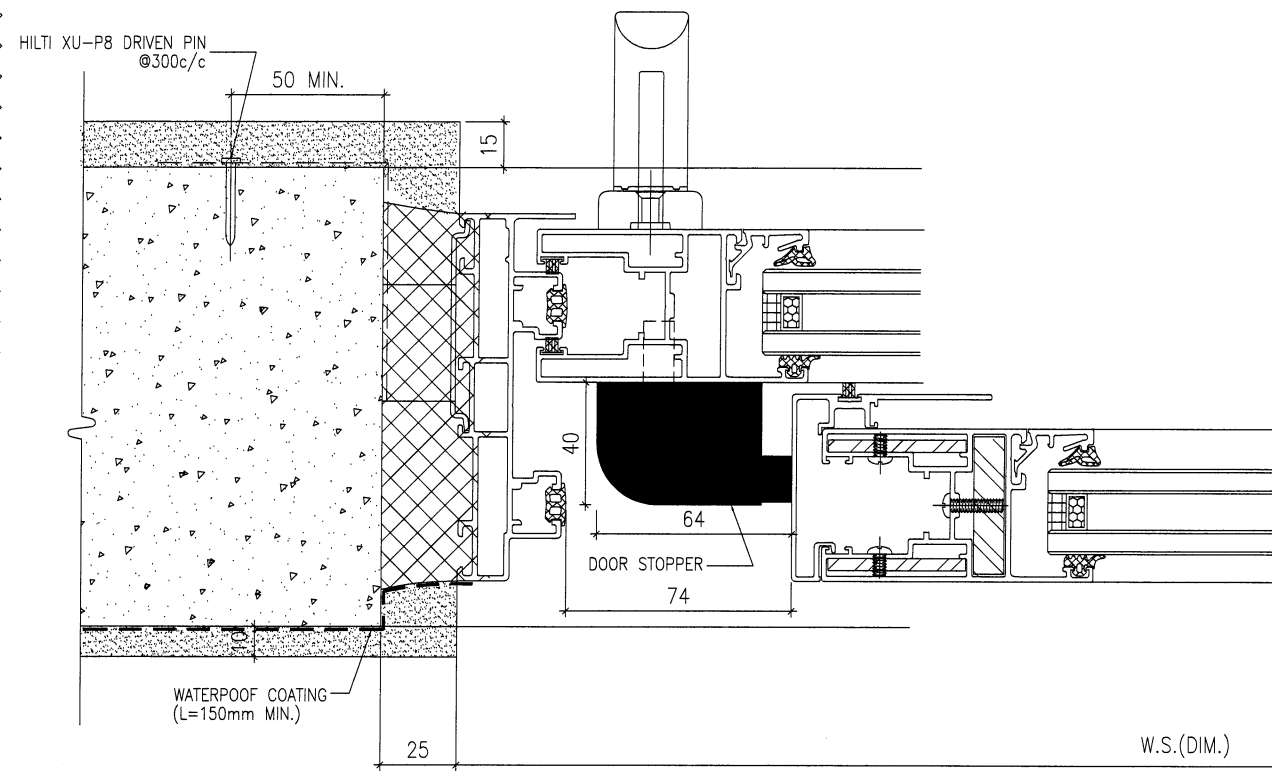
TITLE :
WINDOW SCHEDULE FOR
TOWER 3 IN-SITU WINDOW

DATE : 02-Aug-21 SCALE : 1:40

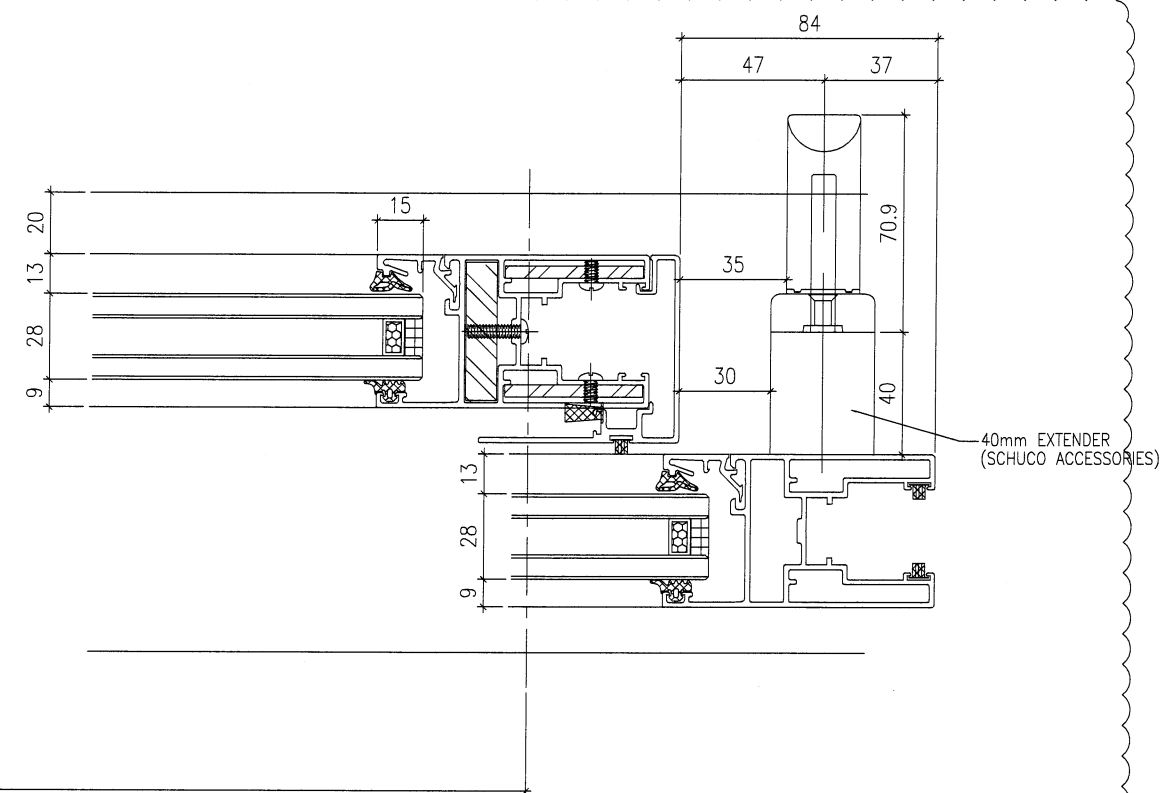
DRAWN BY : Ivan CHECKED BY :

美特鋁質有限公司
MIDI ALUMINIUM FABRICATOR LTD.
Units 6-8, Sunray Industrial Centre, 1/F
610 Cha Kwo Ling Road, Kowloon
Tel:23489211-4 Fax:(852)2727666

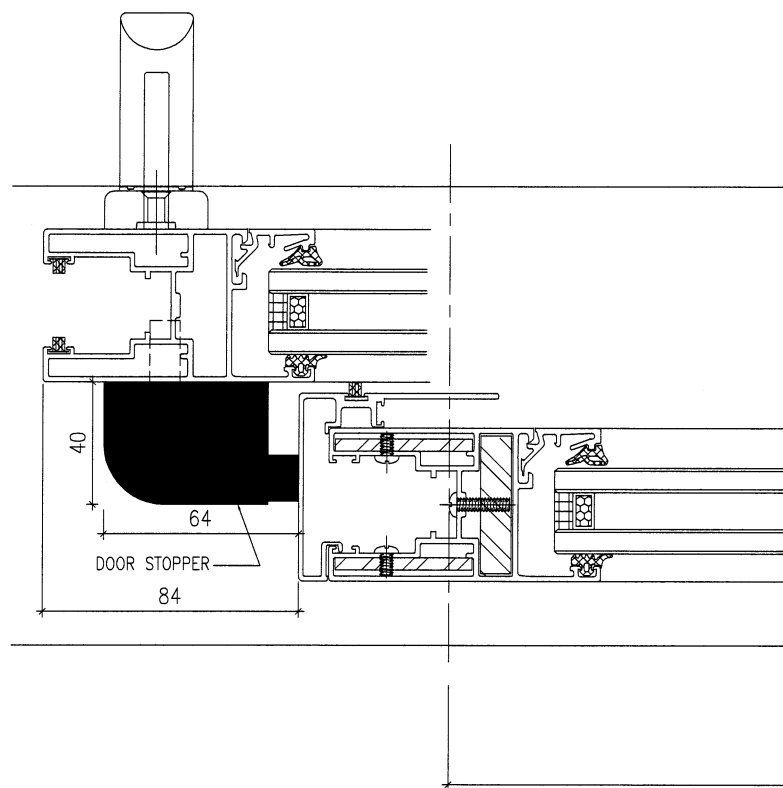
DWG NO. : J856-SD-IW-5313 REV. : E



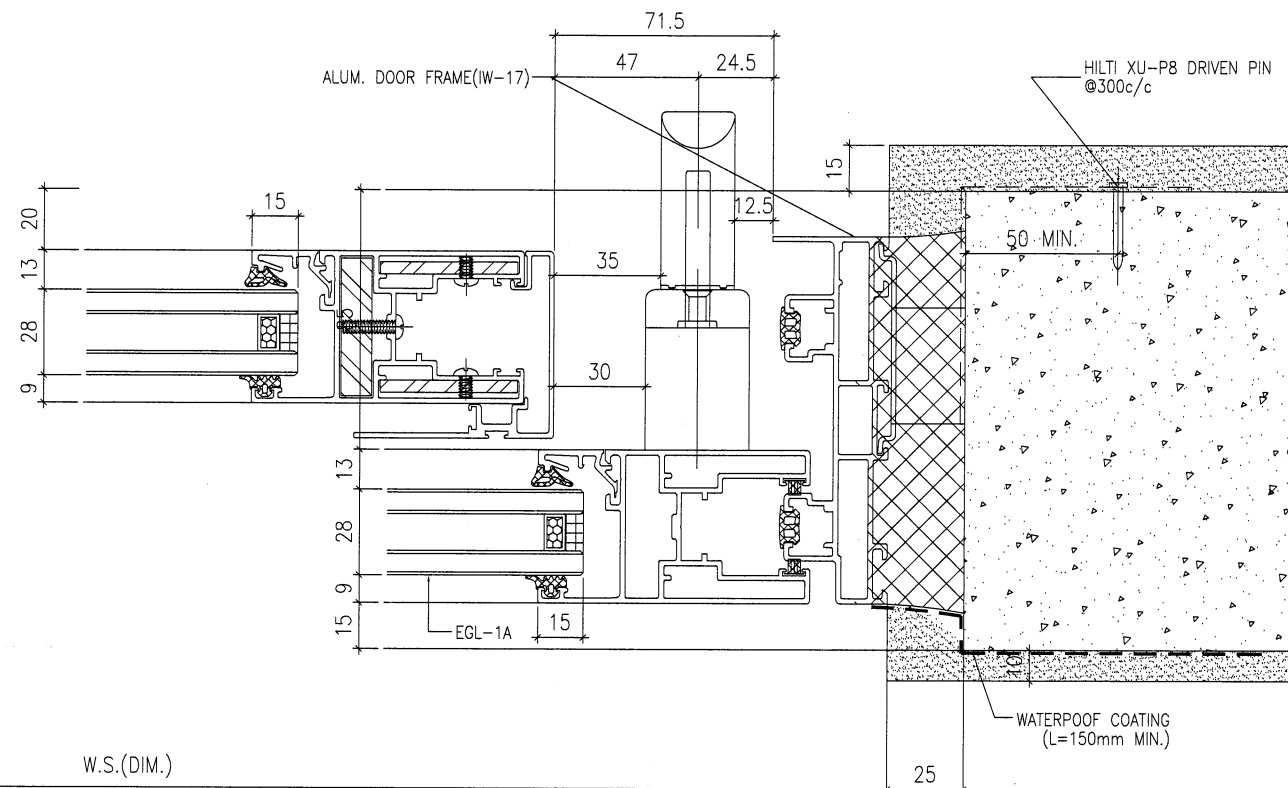
1 HORIZONTAL DETAIL
SCALE 1:2



2 HORIZONTAL DETAIL
SCALE 1:2



3 HORIZONTAL DETAIL
SCALE 1:2



4 HORIZONTAL DETAIL
SCALE 1:2

B.D. REF :

CLIENT :

SUN HUNG KAI
REAL ESTATE AGENCY LTD.
42/F SUN HUNG KAI CENTRE, WANCHAI, HONGKONG

ARCHITECT :

lwk&partners
architects

MAIN CONTRACTOR :

怡輝建築有限公司
Yee Fai Building Contractors Ltd.

STRUCTURAL ENGINEER :

ARUP

FACADE CONSULTANT:

ALPHA CONSULTING LIMITED
Steel Structure & Facade Specialist

NOTE :

1. ALL DIMENSIONS ARE IN mm.
2. ALL ELEVATIONS ARE VIEWED FROM OUTSIDE.
3. ALL DIMENSIONS TO BE VERIFIED ON SITE BEFORE FABRICATION.

LEGEND :

- X1 - DETAIL MARK NO.
- X001 - REFER SHEET NO.

1. F.F.L. -- FINISHED FLOOR LEVEL
2. S.F.L. -- STRUCTURAL FLOOR LEVEL
3. (R) -- REVERSED DETAIL
4. GLASS LEGEND

EGL-1--8mmHS+12mm AIR GAP+10mmTP THK. I.G.U.

EGL-1A--8mmHS+12mm AIR GAP+8mmTP THK. I.G.U.

EGL-2--10mm THK. CLEAR TEMPERED GLASS

EGL-4--10mm THK. TEMPERED ACID ETCHED GLASS

NO.	DATE	REVISED	BY
C	15/08/2022	REVISION SUBJECT TO ARCH.COMMENT	Ivan
B	23/06/2022	REVISION SUBJECT TO ARCH.COMMENT	Ivan
A	10/11/2021	REVISION SUBJECT TO ARCH.COMMENT	Ivan

JOB NO. : J-856

PROJECT :
PROPOSED DEVELOPMENT ABOVE
LIGHT RAIL TIN WING STOP, TSWTL
NO.23, AREA 33, TIN SHUI WAI, N.T.

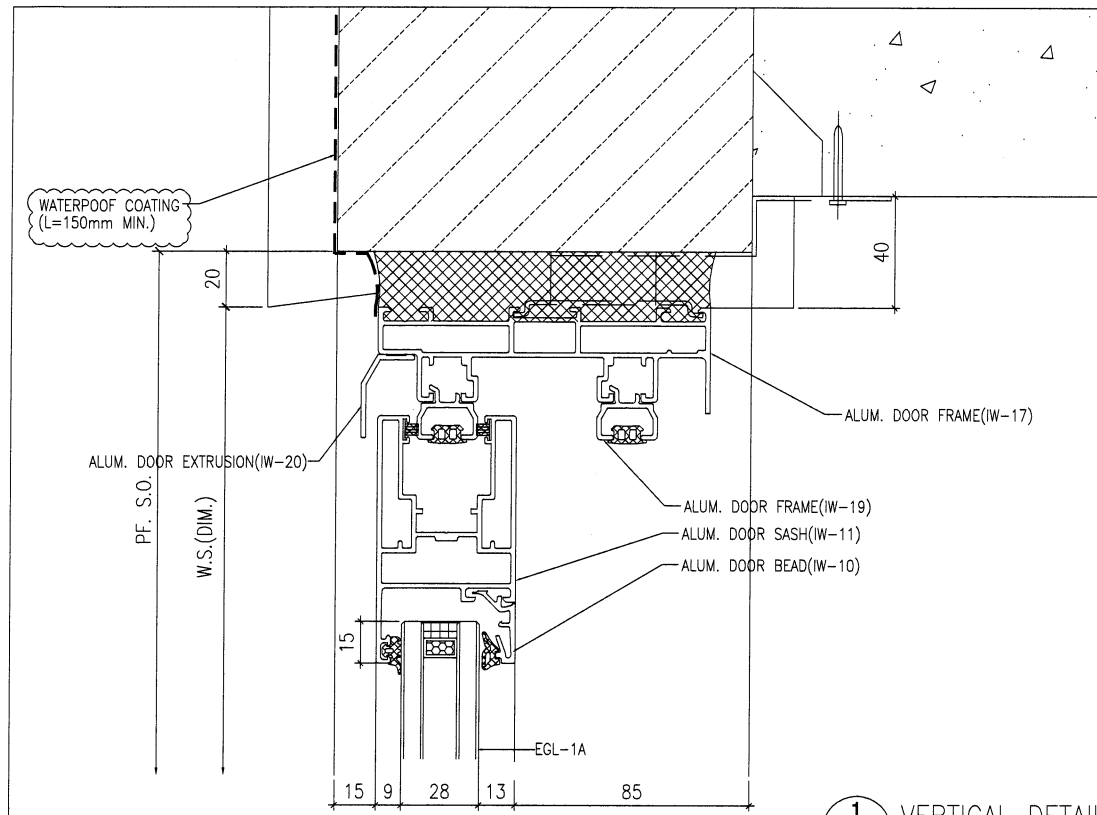
TITLE :
G.M.S FIXING LUG TYPICAL DETAIL
FOR IN-SITU WINDOW

DATE : 02-Aug-21 SCALE : 1:60

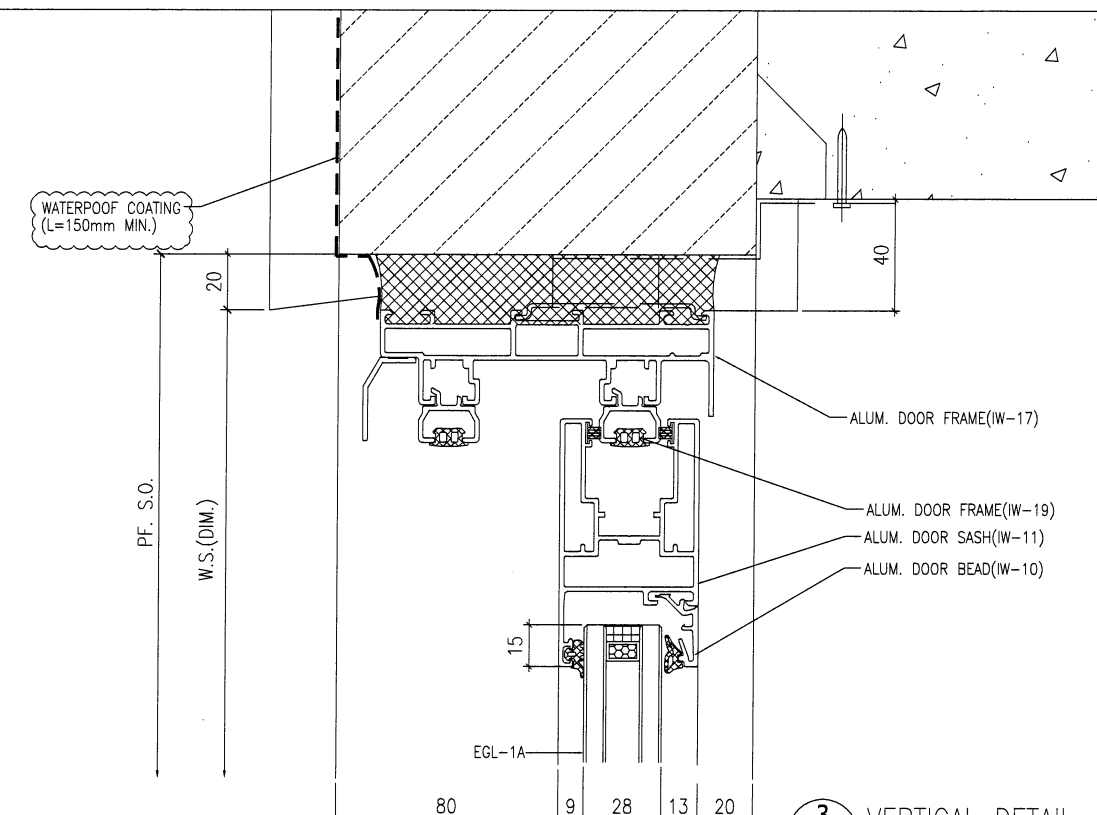
DRAWN BY : Ivan CHECKED BY :

美特鋁質有限公司
MIDI ALUMINIUM FABRICATOR LTD.
Units 6-8, Sunray Industrial Centre, 1/F
610 Cha Kwo Ling Road, Kowloon
Tel: 23489211-4 Fax: (852) 2727666

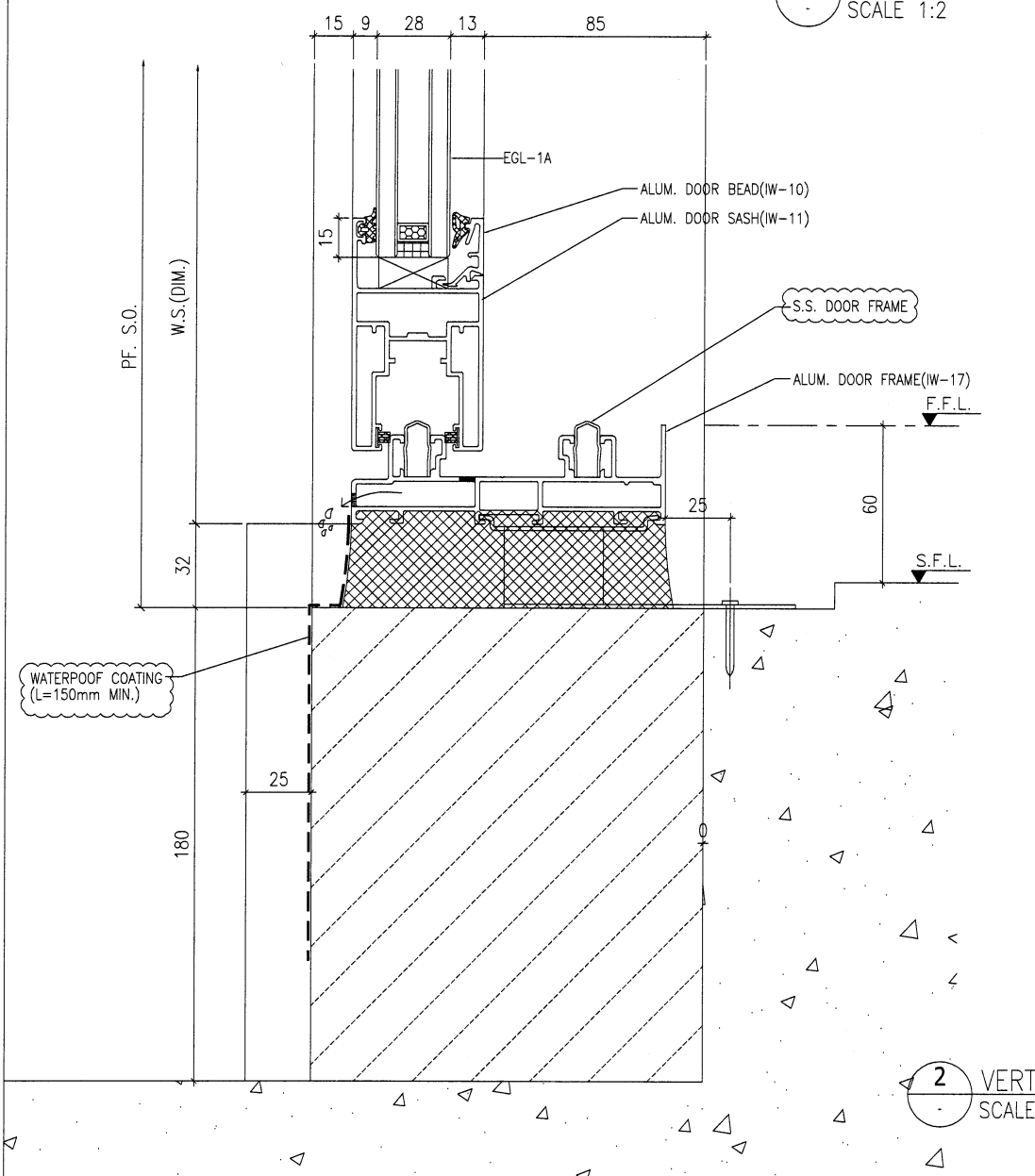
DWG NO. : J856-SD-IW-6007 REV. : C



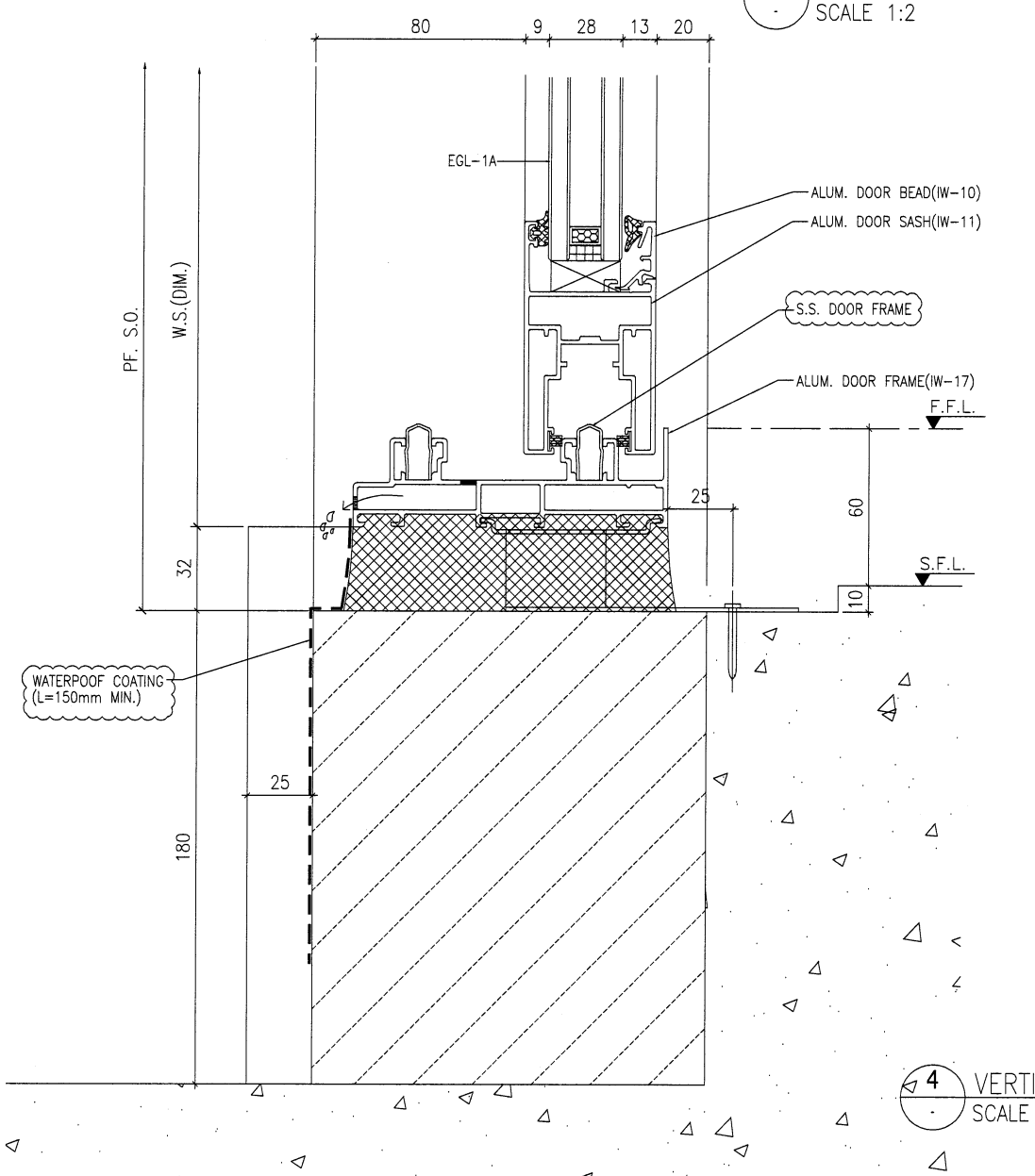
1 VERTICAL DETAIL
SCALE 1:2



3 VERTICAL DETAIL
SCALE 1:2



2 VERTICAL DETAIL
SCALE 1:2



4 VERTICAL DETAIL
SCALE 1:2

B.D. REF :
.....

CLIENT :
SUN HUNG KAI
REAL ESTATE AGENCY LTD.
42/F SUN HUNG KAI CENTRE, WANCHAI, HONGKONG

ARCHITECT :
lwk&partners
architects

MAIN CONTRACTOR :
Yee Fai Building Contractors Ltd.

STRUCTURAL ENGINEER :
ARUP

FACADE CONSULTANT:
ALPHA CONSULTING LIMITED
Steel Structure & Facade Specialist

NOTE :
1. ALL DIMENSIONS ARE IN mm.
2. ALL ELEVATIONS ARE VIEWED FROM OUTSIDE.
3. ALL DIMENSIONS TO BE VERIFIED ON SITE BEFORE FABRICATION.

LEGEND :
X1 --- DETAIL MARK NO.
X001 --- REFER SHEET NO.
1. F.F.L. --- FINISHED FLOOR LEVEL
2. S.F.L. --- STRUCTURAL FLOOR LEVEL
3. (R) --- REVERSED DETAIL
4. GLASS LEGEND
EGL-1--8mmHS+12mm AIR GAP+10mmTP THK. I.G.U.
EGL-1A--8mmHS+12mm AIR GAP+8mmTP THK. I.G.U.
EGL-2--10mm THK. CLEAR TEMPERED GLASS
EGL-4--10mm THK. TEMPERED ACID ETCHED GLASS

NO.	DATE	REVISED	BY
C	28/07/2022	REVISION SUBJECT TO ARCH.COMMENT	ivan
B	24/11/2021	REVISION SUBJECT TO ARCH.COMMENT	ivan
A	10/11/2021	REVISION SUBJECT TO ARCH.COMMENT	ivan

JOB NO. : J-856
PROJECT : PROPOSED DEVELOPMENT ABOVE LIGHT RAIL TIN WING STOP, TSWTL NO.23, AREA 33, TIN SHUI WAI, N.T.

TITLE : TYPICAL DETAILS FOR IN-SITU WINDOW

DATE : 02-Aug-21 SCALE : 1:40
DRAWN BY : Ivan CHECKED BY :

美特鋁質有限公司
MIDI ALUMINIUM FABRICATOR LTD.
Units 6-8, Sunray Industrial Centre, 1/F
610 Cho Kwo Ling Road, Kowloon
Tel: 23489211-4 Fax: (852) 27727666

DWG NO. : J856-SD-IW-7001 REV. : C