



工程指示 / 要求簡箋 ENGINEER INSTRUCTIONS(E.I.)

工程指示編號:	EI- 5278 A	修改版本:	A
	HK- 1920		
工程編號:	J 856	工程名稱:	TSWTL23
收件人:	生統/林仁安	發件人:	BearLam
工程項目:	工地現場樣板房、幕牆(拆圖 & BM表)(修訂A:只做T3:5/F-A1單位)	日期:	03/11/2022

<input type="checkbox"/> 原合約工程包	<input type="checkbox"/> 原合約工程加 / 減賬 QT-	<input type="checkbox"/> 新工程報價 QT-
---------------------------------	--	------------------------------------

信件批核號碼/圖紙參考編號:	批核模具圖紙編號:
客戶指示附件:	管理內部批簽署:

<input type="checkbox"/> 初步鋁料 B.M.	<input type="checkbox"/> 加工拆圖, 然後生產	<input type="checkbox"/> 尺寸表
<input type="checkbox"/> 正式鋁料 B.M.	<input type="checkbox"/> 技術上資料/指示	<input type="checkbox"/> 報價
<input type="checkbox"/> 配件 B.M.	<input type="checkbox"/> 樣辦或貨品說明書	<input type="checkbox"/> 分判合約
<input type="checkbox"/> 其他:		

內容: 工地現場幕牆樣板房位置:

T3:5/F-A1單位

現附上最新的圖紙, 請根據圖紙進行拆圖及統計BM, 會以鋁板包鐵通形式進行。

完成上列要求日期: 07 - 11 - 2022

國內

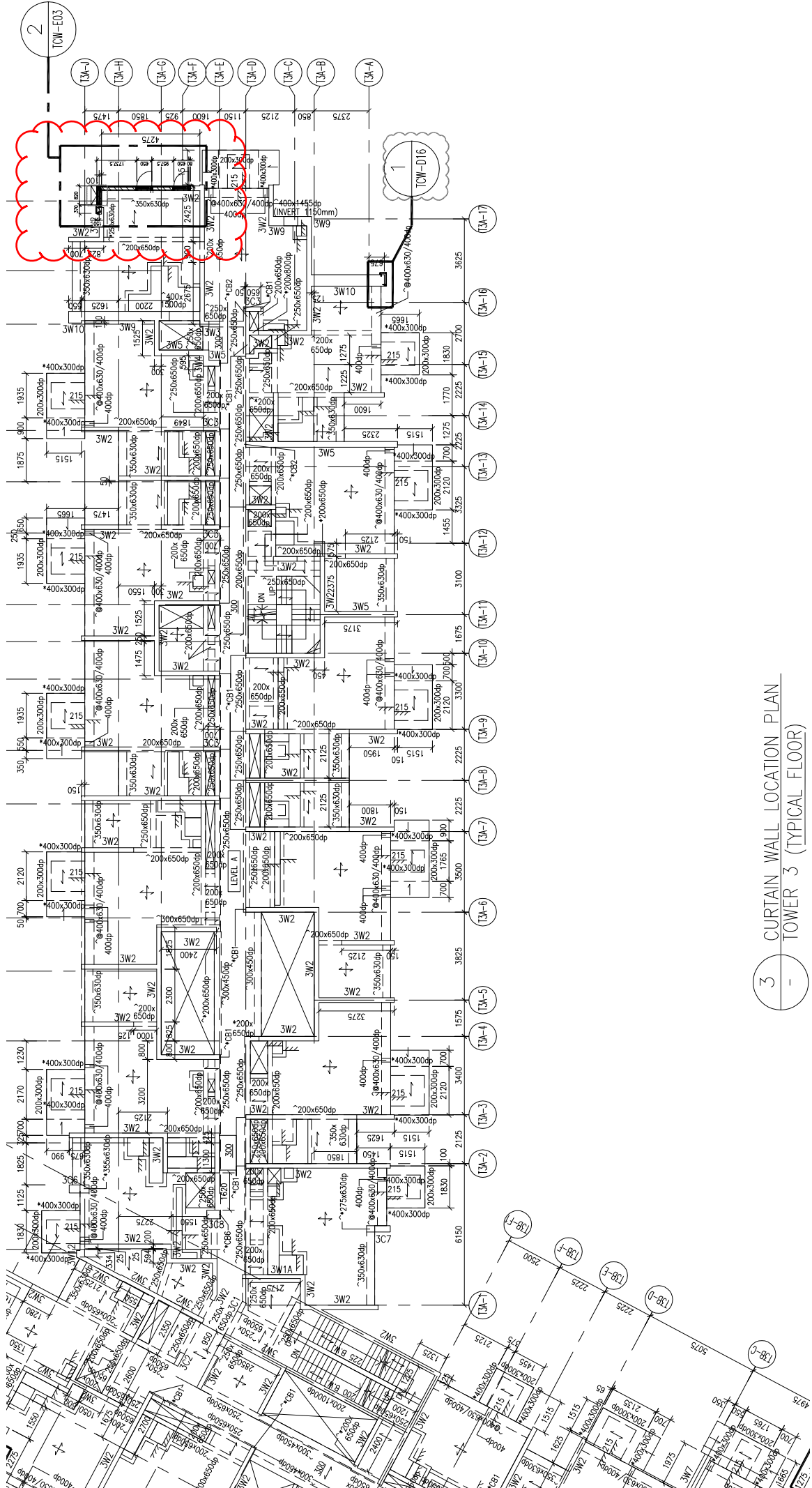
<input type="checkbox"/> 生產技術總監	<input type="checkbox"/> 連附件	<input type="checkbox"/> 技術部	<input type="checkbox"/> 連附件	<input type="checkbox"/> 生產部	<input type="checkbox"/> 連附件
<input type="checkbox"/> 採購部	<input type="checkbox"/> 連附件	<input checked="" type="checkbox"/> 生產統籌部	<input checked="" type="checkbox"/> 連附件	<input type="checkbox"/> 報關組	<input type="checkbox"/> 連附件
<input type="checkbox"/> 質檢部	<input type="checkbox"/> 連附件	<input type="checkbox"/> 會計部	<input type="checkbox"/> 連附件	<input type="checkbox"/> 機械設計部	<input type="checkbox"/> 連附件
<input checked="" type="checkbox"/> 香港辦	<input checked="" type="checkbox"/> 連附件	<input checked="" type="checkbox"/> 其他: 林仁安			

香港

<input type="checkbox"/> 行政部	<input type="checkbox"/> 連附件	<input type="checkbox"/> 會計部	<input type="checkbox"/> 連附件	<input type="checkbox"/> 統籌部	<input type="checkbox"/> 連附件	<input type="checkbox"/> 工程部	<input type="checkbox"/> 連附件
<input type="checkbox"/> 採購部	<input type="checkbox"/> 連附件	<input type="checkbox"/> QS部	<input type="checkbox"/> 連附件	<input type="checkbox"/> 地盤管理	<input type="checkbox"/> 連附件	<input type="checkbox"/> 維修部	<input type="checkbox"/> 連附件

*發件人簽署:	Bear Lam	*組別成員批核簽署:	[Signature] 3/11/2022
傳遞編號:		項目經理簽署:	[Signature]

VMU只做T3:5/F-A1單位



3 CURTAIN WALL LOCATION PLAN
- TOWER 3 (TYPICAL FLOOR)

BO REF: BD 3/760/09 (Pt. VI)

B.D. AMENDMENT

The works shown on these plans are Type II works:
 Superstructure (Curtain Wall)
 In respect of which consent is applied for the purpose of Part 17 of the Building Ordinance under regulation 35 of the Building (Administrative) Regulations.

D	4TH B.D. AMENDMENT	2022-10-31	CF
C <td>3rd B.D. AMENDMENT <td>2022-08-24 <td>JH</td> </td></td>	3rd B.D. AMENDMENT <td>2022-08-24 <td>JH</td> </td>	2022-08-24 <td>JH</td>	JH
B <td>2nd B.D. AMENDMENT <td>2022-05-18 <td>JH</td> </td></td>	2nd B.D. AMENDMENT <td>2022-05-18 <td>JH</td> </td>	2022-05-18 <td>JH</td>	JH
A <td>1st B.D. AMENDMENT <td>2020-11-30 <td>JH</td> </td></td>	1st B.D. AMENDMENT <td>2020-11-30 <td>JH</td> </td>	2020-11-30 <td>JH</td>	JH
- <td>1st B.D. SUBMISSION <td>2018-11-18 <td>-</td> </td></td>	1st B.D. SUBMISSION <td>2018-11-18 <td>-</td> </td>	2018-11-18 <td>-</td>	-

SUN HUNG KAI REAL ESTATE AGENT LTD.

lwk&partners
 architects

1/F, North Tower, World Finance Centre, 1800-1801, Tin Shui Tsui Road, Hong Kong
 T: 602-9272-6833 F: 602-9272-4988 E: lwk@lwk.com
 香港新界天水圍世界金融中心北座1800-1801樓

RES: **ARUP**

STRUCTURAL ENGINEER
SUN HUNG KAI ARCHITECTS AND ENGINEERS LTD.

FAÇADE CONSULTANT
ALPHA CONSULTING LIMITED
 Steel Structure & Façade Specialist

MAIN CONTRACTOR
YEE FAI CONSTRUCTION CO., LTD.

MANUFACTURER
美特堅有限公司
MTDI Aluminium Fabrication Ltd.
 Units 6-8, Sunny Industrial Centre, 1/
 610 Che Loo Road, Kowloon
 Tel: 23-89211-4 Fax: (852) 2727666

PROPOSED COMPREHENSIVE DEVELOPMENT AT LRT TIN WING STOP AT TIN SHUI WAI ON LOT NO. TSWTL23

DRAWING TITLE
 CURTAIN WALL ELEVATION (TOWER 3)

SCALE: 1:50 (A1)
 DATE: 2018-11-18
 DRAWN BY: KF
 CHECKED BY: JH
 JOB NO.: J6371

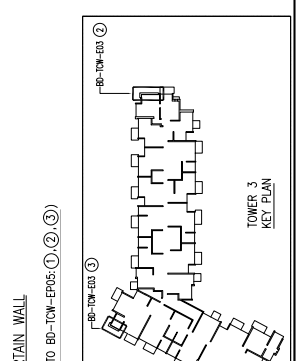
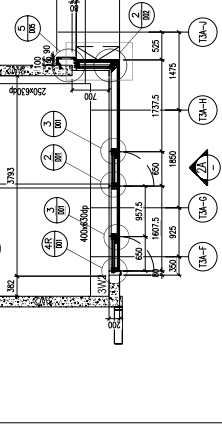
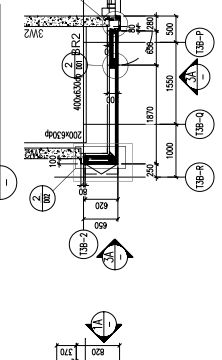
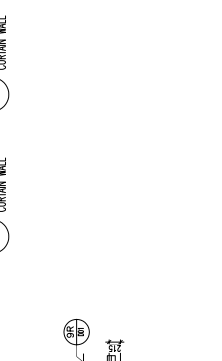
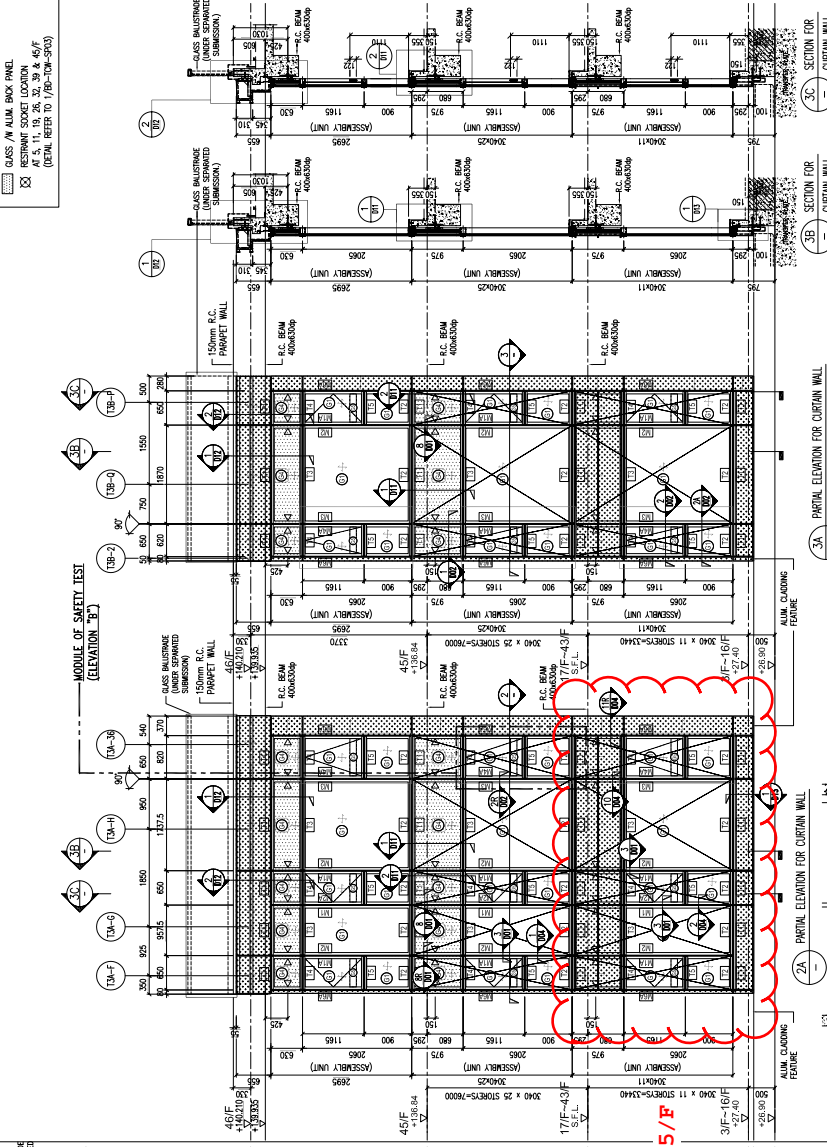
REVISION
 D
 DRAWING NO.: BD-TCW-E03

LEGEND:

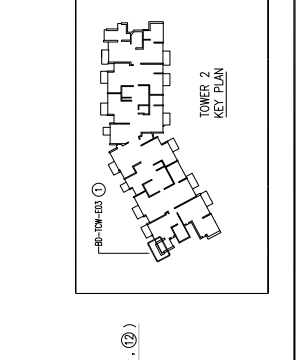
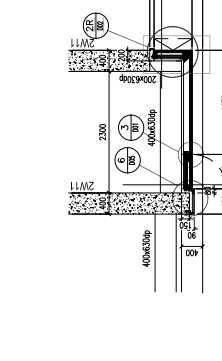
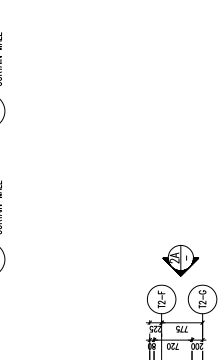
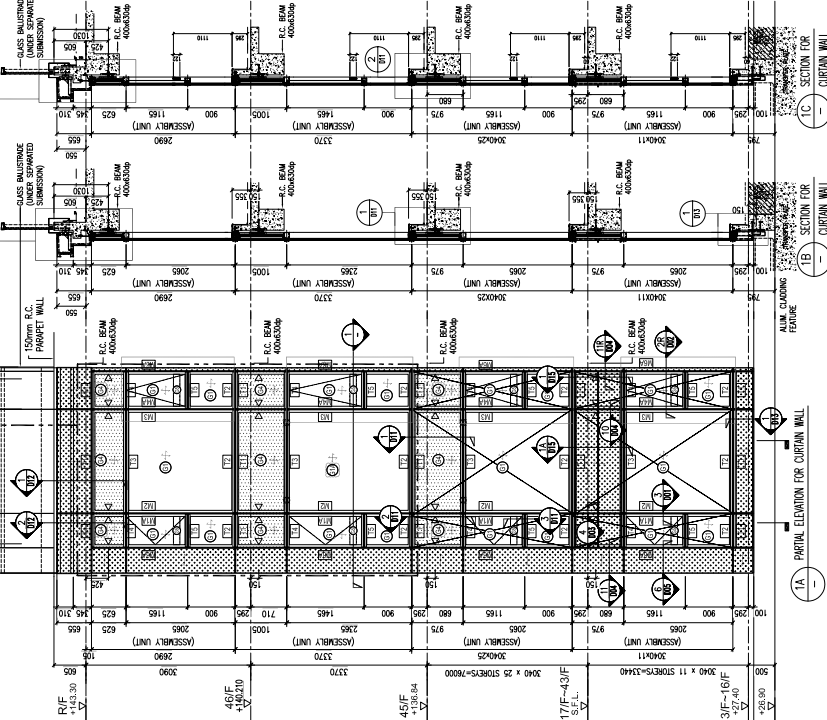
UNFIXED MODULE
 WIND LOAD & BEAD LOAD

LEGEND:

8mm H.S. GLASS + 12mm AR
 10mm H.S. GLASS + 12mm AR
 8mm H.S. GLASS + 12mm H.F. GLASS
 10mm H.S. GLASS
 12mm TEMPERED GLASS (PROTECTIVE BARRIER)
 12mm H.S. GLASS
 SPIN DIRECTION
 ALUM. CLADDING
 GLASS / ALUM. SPIN PANEL
 RESTRAINT SOCKET LOCATION
 AT 5, 11, 19, 26, 32, 39 & 45/F
 (DETAIL REFER TO 1/BD-TCW-EP03)



MODULE OF SAFETY TEST (ELEVATION B)



1 - PARTIAL PLAN FOR CURTAIN WALL FOR TOWER 2
 (EMBED LAYOUT PLAN REFER TO BD-TCW-EP03: ⑩, ⑪, ⑫)

B.D. AMENDMENT

The works shown on these plans are Type II works: Superstructure (Curtain Wall)
 In respect of which consent is applied for the purpose of the Real-Trunk consent application under regulation 35 of the Building (Administration) Regulations.

NO.	DATE	DESCRIPTION	BY
B	2022-10-31	4TH B.D. AMENDMENT	CF
A	2022-08-24	3RD B.D. AMENDMENT	JH
-	2022-06-13	2ND B.D. AMENDMENT	JH



lw&partners
 architects

1/F North Tower, World Finance Centre, 100000, 1/F, 100, Queen's Road, Hong Kong.
 T: 602-2574, 6033 F: 602-2572, 6088 E: lwk@lwpartners.com
 香港皇后大道中100號環球金融中心北座11樓

ARUP

STRUCTURAL ENGINEER



FAÇADE CONSULTANT

ALPHA CONSULTING LIMITED
 Steel Structure & Façade Specialist

MAIN CONTRACTOR

YEE FAI CONSTRUCTION CO., LTD.

MANUFACTURER

美特鋁質有限公司
MIDI ALUMINIUM FABRICATOR LTD.
 Units 6-8, Sunny Industrial Centre, 1/F, 10, Cheung Kwo Ling Road, Kowloon
 香港葵涌葵興道10號美特鋁質有限公司工廠

DEVELOPED COMPREHENSIVE
 DEVELOPMENT AT LRT TWINING STOP
 AT TIN SHUI WAI ON LOT NO. TSWTL23

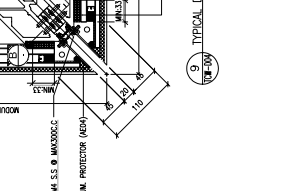
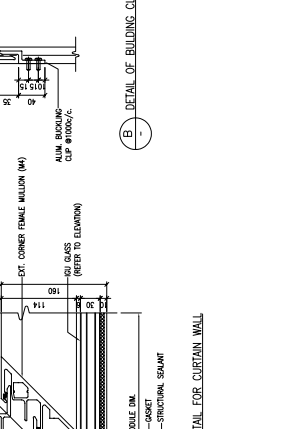
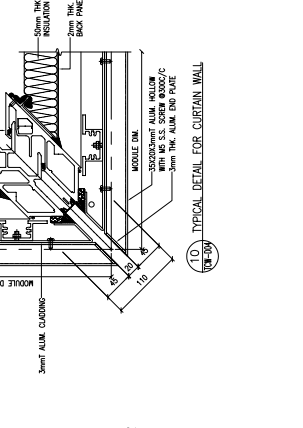
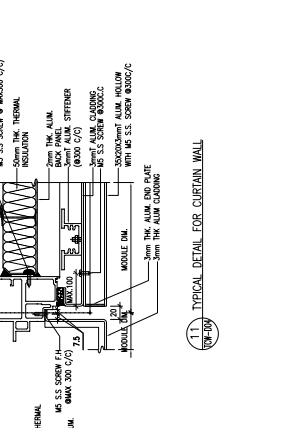
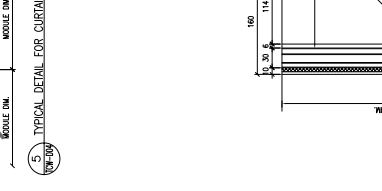
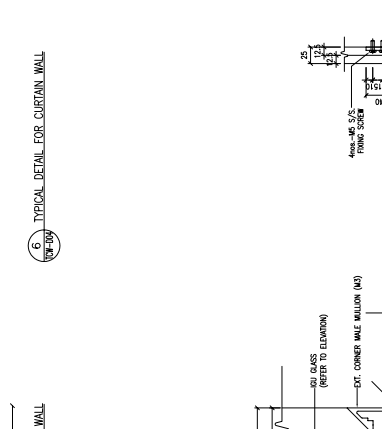
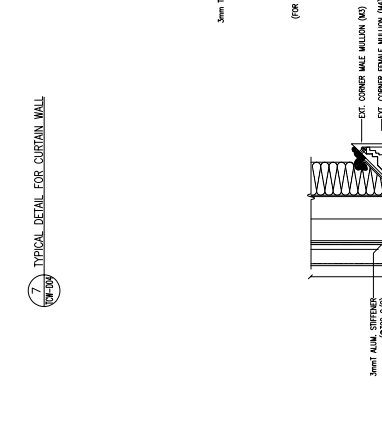
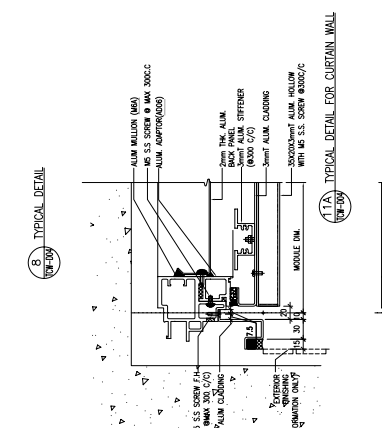
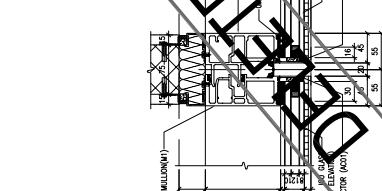
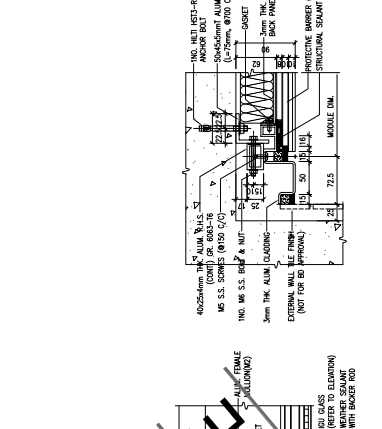
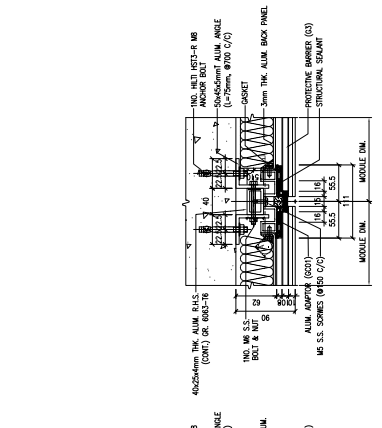
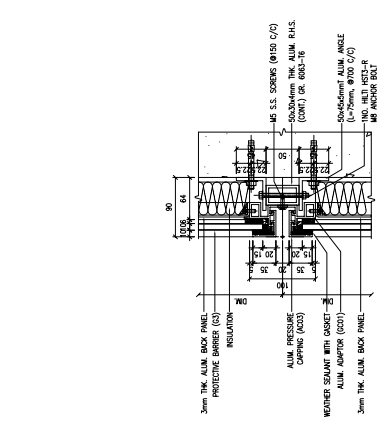
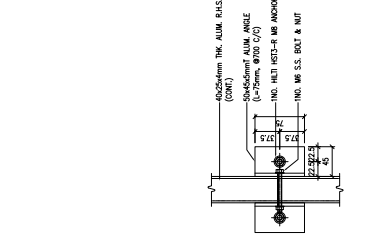
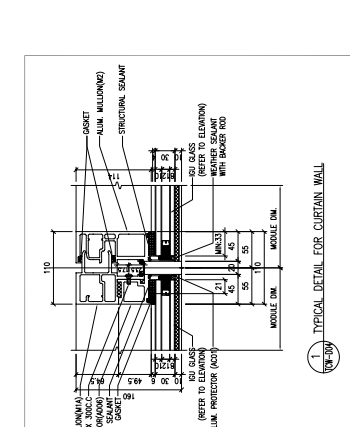
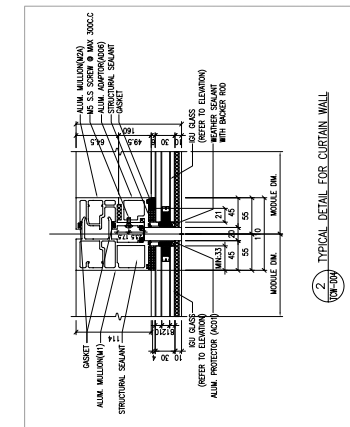
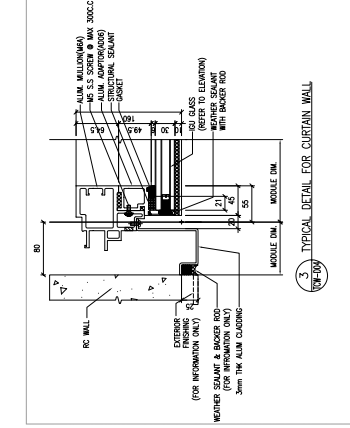
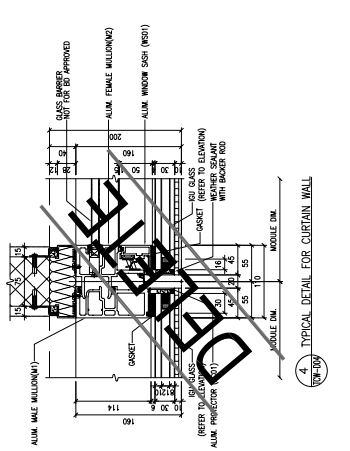
DRAWING TITLE

TYPICAL DETAILS FOR TOWER CURTAIN WALL

SCALE	DATE	CHECKED BY
1:4 (A1)	2018-11-28	CF

DRAWN BY: KF
 JOB NO.: J6371
 ESE (FOR SIGNATURE)

REVISION	NO.
B	BD-TOW-D04



REVISION

NO.

BD-TOW-D04

B

BO REF: BO 3/760/09 (Pt. VI)

B.D. AMENDMENT

The works shown on these plans are Type II works:
 Superstructure (Curtain Wall)
 In respect of which consent is applied for the purpose of the First-Tier consent application under regulation 35 of the Building (Administration) Regulations.

REV	DESCRIPTION	DATE	BY
C	4TH B.D. AMENDMENT	2022-10-31	JH
B	3RD B.D. AMENDMENT	2022-08-24	JH
A	2ND B.D. AMENDMENT	2022-06-13	JH
-	1ST B.D. SUBMISSION	2018-11-28	-

CLIENT

SUN HUNG KAI REAL ESTATE AGENCY LTD.

Architect
lwk&partners
 architects

1/F, North Tower, World Finance Centre, 100, Queen's Road, Hong Kong.
 T: 852-2572-6833 F: 852-2572-4989 E: lwk@lwk.com
 香港中環皇后大道中100號世界金融中心北座1樓

RES: **ARUP**

STRUCTURAL ENGINEER

SUN HUNG KAI ARCHITECTS AND ENGINEERS LTD.

FAÇADE CONSULTANT

ALPHA CONSULTING LIMITED
 Steel Structure & Façade Specialist

MAIN CONTRACTOR
YEE FAI CONSTRUCTION CO., LTD.

MIDI ALUMINIUM FABRICATOR LTD.
 美特鋁質有限公司

Units 6-8, Sunny Wing Road, Kwunshan
 10, Cheong Ave Lung Road, Kwunshan
 PROJECT: 11-4 TEL: 6527272666

PROPOSED COMPREHENSIVE DEVELOPMENT AT LRT TIN WING STOP AT TIN SHUI WAI ON LOT NO. TSWTL23

DRAWING TITLE
TYPICAL DETAILS FOR TOWER CURTAIN WALL

SCALE: 1:4 (A1)

DATE: 2018-11-28

DRAWN BY: KF

CHECKED BY: CF

JOB NO.: J6371

ESSE (FOR SIGNATURE)

DRAWING NO.: **BD-TOW-D11**

REVISION: **C**

