



工程指示 / 要求簡箋 ENGINEER INSTRUCTIONS(E.I.)

工程指示編號:	EI- 5203F	修改版本:	F
	HK- 1728.		
工程編號:	J 856	工程名稱:	TSWTL23 天榮
收件人:	生統/謝永林	發件人:	Thomas Wong
工程項目:	Podium louver 拆圖及BM (修訂F 更新11th Shop Drawing)	日期:	04/08/2023

<input checked="" type="checkbox"/> 原合約工程包	<input type="checkbox"/> 原合約工程加 / 減賬 QT-	<input type="checkbox"/> 新工程報價 QT-
--	--	------------------------------------

信件批核號碼/圖紙參考編號:	批核模具圖紙編號:
客戶指示附件:	管理內部批簽署:

<input type="checkbox"/> 初步鋁料 B.M.	<input type="checkbox"/> 加工拆圖, 然後生產	<input type="checkbox"/> 尺寸表
<input type="checkbox"/> 正式鋁料 B.M.	<input type="checkbox"/> 技術上資料/指示	<input type="checkbox"/> 報價
<input type="checkbox"/> 配件 B.M.	<input type="checkbox"/> 樣辦或貨品說明書	<input type="checkbox"/> 分判合約
<input type="checkbox"/> 其他:		

內容:  
Podium louver 拆圖及BM (修訂F 更新11th Shop Drawing)  
請按附件拆圖

完成上列要求日期: 11/08/2023

國內

<input type="checkbox"/> 生產技術總監	<input type="checkbox"/> 連附件	<input checked="" type="checkbox"/> 技術部	<input checked="" type="checkbox"/> 連附件	<input type="checkbox"/> 生產部	<input type="checkbox"/> 連附件
<input type="checkbox"/> 採購部	<input type="checkbox"/> 連附件	<input checked="" type="checkbox"/> 生產統籌部	<input checked="" type="checkbox"/> 連附件	<input type="checkbox"/> 報關組	<input type="checkbox"/> 連附件
<input type="checkbox"/> 質檢部	<input type="checkbox"/> 連附件	<input type="checkbox"/> 會計部	<input type="checkbox"/> 連附件	<input type="checkbox"/> 機械設計部	<input type="checkbox"/> 連附件
<input type="checkbox"/> 香港辦	<input type="checkbox"/> 連附件	<input checked="" type="checkbox"/> 其他: 謝永林			

香港

<input type="checkbox"/> 行政部	<input type="checkbox"/> 連附件	<input type="checkbox"/> 會計部	<input type="checkbox"/> 連附件	<input type="checkbox"/> 統籌部	<input type="checkbox"/> 連附件	<input type="checkbox"/> 工程部	<input type="checkbox"/> 連附件
<input type="checkbox"/> 採購部	<input type="checkbox"/> 連附件	<input type="checkbox"/> QS部	<input type="checkbox"/> 連附件	<input type="checkbox"/> 地盤管理	<input type="checkbox"/> 連附件	<input type="checkbox"/> 維修部	<input type="checkbox"/> 連附件

*發件人簽署:		*組別成員批核簽署:	
傳遞編號:		項目經理簽署:	

PROJECT :

PROPOSED DEVELOPMENT ABOVE  
LIGHT RAIL TIN WING STOP, TSWTL  
NO.23, AREA 33, TIN SHUI WAI, N.T.

11

SHOP DRAWING FOR IN-SITU LOUVER OF PODIUM

DATE: 12-JUN-23



# DRAWING SUBMISSION REGISTER

<b>PROJECT:</b> PROPOSED DEVELOPMENT ABOVE LIGHT RAIL TIN WING STOP, TSWTL NO.23, AREA 33, TIN SHUI WAI, N.T.  <b>TITLE:</b> IN-SITU LOUVER OF TOWER SHOPDRAWING SUBMISSION	DATE OF ISSUE											SUBMISSION STATE (FOR B.D / A.S.D)			SUBMISSION STATE (FOR CLIENT / CONSULTANT)			SUBMISSION STATE (FOR ARCHITECT)			FABRICATION / CONSTRUCTION STATE						
	ISSUE	3	4	5	6	7	8	9	10	11	12	AP - APPROVED			AP - APPROVED			AP - APPROVED			ISSUE TO CHINA OFFICE		ISSUE TO SITE		ISSUE TO SUB-CONTRACTOR		
	DAY	7	21	15	05	21	15	15	14	20	09	AC - APPROVED SUB. TO CONDITION			AC - APPROVED SUB. TO CONDITION			AC - APPROVED SUB. TO CONDITION									
	MONTH	1	4	9	10	10	11	12	04	04	06	NA - NOT APPROVED			NA - NOT APPROVED			NA - NOT APPROVED									
	YEAR	22	22	22	22	22	22	22	23	23	23																
DRAWING TITLE	DWG. NO.	REVISIONS											COMMENT DATE	REV.	STATE	COMMENT DATE	REV.	STATE	COMMENT DATE	REV.	STATE	REV.	DATE	REV.	DATE	REV.	DATE
COVER PAGE	J856-SD-LV-0000	B	C	D	E	F	G	H	I	J	K																
DRAWING REGISTER	J856-SD-LV-0001	B	C	D	E	F	G	H	I	J	K																
DRAWING REGISTER	J856-SD-LV-0002	B	C	D	E	F	G	H	I	J	K																
GENERAL NOTES FOR IN-SITU LOUVER	J856-SD-LV-GN01			-	-	-	-	-	-	-	-																
EXTRUSION LIST FOR IN-SITU LOUVER	J856-SD-LV-1001		B	C	D	D	D	D	D	D	D																
LAYOUT PLAN FOR PODIUM IN-SITU LOUVER AT T1 (R/F)	J856-SD-LV-3001																										
LAYOUT PLAN FOR PODIUM IN-SITU LOUVER AT T2 (R/F)	J856-SD-LV-3002																										
LAYOUT PLAN FOR PODIUM IN-SITU LOUVER AT T1 (LMR/F)	J856-SD-LV-3003																										
LAYOUT PLAN FOR PODIUM IN-SITU LOUVER AT T2 (LMR/F)	J856-SD-LV-3004																										
LAYOUT PLAN FOR PODIUM IN-SITU LOUVER AT T3 (R/F)	J856-SD-LV-3005																										
LAYOUT PLAN FOR PODIUM IN-SITU LOUVER AT T3 (LMR/F)	J856-SD-LV-3006																										
LAYOUT ELEVATION FOR PODIUM IN-SITU LOUVER (G/F-1/F)	J856-SD-LV-3006A			-	A	A	A	B	B	B	B																
LAYOUT ELEVATION FOR PODIUM IN-SITU LOUVER (G/F-1/F)	J856-SD-LV-3007		B	B	C	C	D	D	D	D	E																
LAYOUT ELEVATION FOR PODIUM IN-SITU LOUVER (G/F-1/F)	J856-SD-LV-3008		A	A	B	B	B	B	B	B	B																
LAYOUT ELEVATION FOR PODIUM IN-SITU LOUVER (G/F-1/F)	J856-SD-LV-3009		A	A	B	B	B	B	B	B	B																
LAYOUT ELEVATION FOR PODIUM IN-SITU LOUVER (G/F-1/F)	J856-SD-LV-3010		A	B	C	C	C	C	C	C	C																
LAYOUT ELEVATION FOR PODIUM IN-SITU LOUVER (G/F-1/F)	J856-SD-LV-3011		A	B	C	C	C	C	C	C	C																
LAYOUT ELEVATION FOR PODIUM IN-SITU LOUVER (G/F-1/F)	J856-SD-LV-3012		B	C	D	D	D	E	E	E	E																
LAYOUT ELEVATION FOR PODIUM IN-SITU LOUVER (G/F-1/F)	J856-SD-LV-3013		B	C	D	D	E	E	E	E	E																
PLAN FOR IN-SITU LOUVER (G/F)	J856-SD-LV-3015		-	-	-	A	A	B	B	B	C																
PLAN FOR IN-SITU LOUVER (1/F)	J856-SD-LV-3016		-	-	-	A	A	A	A	A	A																
PLAN FOR IN-SITU LOUVER (2/F)	J856-SD-LV-3017		-	-	-																						
WINDOW SCHEDULE FOR IN-SITU LOUVER	J856-SD-LV-5001		-	-	-	-	-	-	-	-	-																
WINDOW SCHEDULE FOR IN-SITU LOUVER	J856-SD-LV-5002		-	-	-	-	-	-	-	-	-																
WINDOW SCHEDULE FOR IN-SITU LOUVER	J856-SD-LV-5003		A	A	B	B	B	C	D	D	E																
WINDOW SCHEDULE FOR IN-SITU LOUVER	J856-SD-LV-5004		A	A	B	B	B	C	D	D	E																
WINDOW SCHEDULE FOR IN-SITU LOUVER	J856-SD-LV-5005		A	A	B	B	B	C	D	D	D																
WINDOW SCHEDULE FOR IN-SITU LOUVER	J856-SD-LV-5006		A	A	B	B	B	C	D	D	E																
WINDOW SCHEDULE FOR IN-SITU LOUVER	J856-SD-LV-5007		A	A	B	B	B	C	D	D	E																
WINDOW SCHEDULE FOR IN-SITU LOUVER	J856-SD-LV-5008		A	A	B	B	C	D	F	F	G																
WINDOW SCHEDULE FOR IN-SITU LOUVER	J856-SD-LV-5009		A	A	B	B	B	C	D	D	E																
WINDOW SCHEDULE FOR IN-SITU LOUVER	J856-SD-LV-5010		A	A	B	B	C	D	F	F	G																
WINDOW SCHEDULE FOR IN-SITU LOUVER	J856-SD-LV-5011		B	B	C	C	C	D	D	D	D																
WINDOW SCHEDULE FOR IN-SITU LOUVER	J856-SD-LV-5012		B	B	C	C	C	D	D	D	E																
WINDOW SCHEDULE FOR IN-SITU LOUVER	J856-SD-LV-5012A			-	A	A	A	A	A	A	A																
WINDOW SCHEDULE FOR IN-SITU LOUVER	J856-SD-LV-5012B			-	A	A	A	B	B	B	B																
WINDOW SCHEDULE FOR IN-SITU LOUVER	J856-SD-LV-5012C			-	A	A	B	C	D	D	E																
WINDOW SCHEDULE FOR IN-SITU LOUVER	J856-SD-LV-5012D			-	A	A	A	A	A	A	A																
WINDOW SCHEDULE FOR IN-SITU LOUVER	J856-SD-LV-5012E			-	A	A	A	B	C	C	D																
WINDOW SCHEDULE FOR IN-SITU LOUVER	J856-SD-LV-5012F			-	A	A	B	C	D	D	D																
WINDOW SCHEDULE FOR IN-SITU LOUVER	J856-SD-LV-5012G			-	A	A	A	B	C	C	C																
WINDOW SCHEDULE FOR IN-SITU LOUVER	J856-SD-LV-5012H			-	A	A	A	B	C	C	D																
WINDOW SCHEDULE FOR IN-SITU LOUVER	J856-SD-LV-5012I																										
WINDOW SCHEDULE FOR IN-SITU LOUVER	J856-SD-LV-5013		B	B	C	C	D	E	F	G	G																

**IN-HOUSE DESIGN CHECKER**

**MIDI ALUMINIUM FABRICATOR LTD.**  
 Units 6-8, Sunray Industrial Centre, 1/F  
 610 Cha Kwo Ling Road, Kowloon  
 Tel: 23489211-4 Fax: (852) 27727666

# DRAWING SUBMISSION REGISTER

<b>PROJECT:</b> PROPOSED DEVELOPMENT ABOVE LIGHT RAIL TIN WING STOP, TSWTL NO.23, AREA 33, TIN SHUI WAI, N.T.  <b>TITLE:</b> IN-SITU LOUVER OF TOWER SHOPDRAWING SUBMISSION	<b>DATE OF ISSUE</b>											<b>SUBMISSION STATE (FOR B.D / A.S.D)</b>			<b>SUBMISSION STATE (FOR CLIENT / CONSULTANT)</b>			<b>SUBMISSION STATE (FOR ARCHITECT)</b>			<b>FABRICATION / CONSTRUCTION STATE</b>					
	ISSUE	3	4	5	6	7	8	9	10	11	12	AP - APPROVED AC - APPROVED SUB. TO CONDITION NA - NOT APPROVED			AP - APPROVED AC - APPROVED SUB. TO CONDITION NA - NOT APPROVED			AP - APPROVED AC - APPROVED SUB. TO CONDITION NA - NOT APPROVED			<b>ISSUE TO CHINA OFFICE</b>		<b>ISSUE TO SITE</b>		<b>ISSUE TO SUB-CONTRACTOR</b>	
	DAY	7	21	15	05	21	15	15	12	20	09															
	MONTH	1	4	9	10	10	11	12	04	04	06															
	YEAR	22	22	22	22	22	22	22	23	23	23															

DRAWING TITLE	DWG. NO.	REVISIONS										COMMENT DATE	REV.	STATE	COMMENT DATE	REV.	STATE	COMMENT DATE	REV.	STATE	REV.	DATE	REV.	DATE	REV.	DATE
WINDOW SCHEDULE FOR IN-SITU LOUVER	J856-SD-LV-5014	B	B	C	C	D	E	F	G	H																
WINDOW SCHEDULE FOR IN-SITU LOUVER	J856-SD-LV-5015	A	A	B	B	C	D	E	E	F																
WINDOW SCHEDULE FOR IN-SITU LOUVER	J856-SD-LV-5016	A	A	B	B	C	D	E	E	F																
WINDOW SCHEDULE FOR IN-SITU LOUVER	J856-SD-LV-5017	A	A	B	B	C	D	E	E	F																
WINDOW SCHEDULE FOR IN-SITU LOUVER	J856-SD-LV-5018	B	B	C	C	C	D	E	E	F																
WINDOW SCHEDULE FOR IN-SITU LOUVER	J856-SD-LV-5019	B	B	C	C	C	D	E	E	F																
WINDOW SCHEDULE FOR IN-SITU LOUVER	J856-SD-LV-5020	A	A	B	B	B	C	D	D	E																
WINDOW SCHEDULE FOR IN-SITU LOUVER	J856-SD-LV-5021	A	A	B	B	B	C	D	D	E																
WINDOW SCHEDULE FOR IN-SITU LOUVER	J856-SD-LV-5022	A	A	B	B	B	C	D	D	E																
WINDOW SCHEDULE FOR IN-SITU LOUVER	J856-SD-LV-5023	A	A	B	C	C	D	F	F	G																
WINDOW SCHEDULE FOR IN-SITU LOUVER	J856-SD-LV-5024	A	A	B	B	B	C	D	D	E																
WINDOW SCHEDULE FOR IN-SITU LOUVER	J856-SD-LV-5025	B	B	C	C	C	D	E	E	E																
WINDOW SCHEDULE FOR IN-SITU LOUVER	J856-SD-LV-5026	A	B	B	B	B	B	B	B	B																
WINDOW SCHEDULE FOR IN-SITU LOUVER	J856-SD-LV-5027	A	B	B	C	C	D	E	E	E																
WINDOW SCHEDULE FOR IN-SITU LOUVER	J856-SD-LV-5028									-																
TYPICAL DETAILS FOR IN-SITU LOUVER	J856-SD-LV-6001	B	C	D	E	F	F	G	H	H	I															
TYPICAL DETAILS FOR IN-SITU LOUVER	J856-SD-LV-6002	A	B	B	B	B	C	C	C	C																
TYPICAL DETAILS FOR IN-SITU LOUVER	J856-SD-LV-7001	B	C	C	D	D	E	E	E	E																
TYPICAL DETAILS FOR IN-SITU LOUVER	J856-SD-LV-7002	B	C	D	D	E	E	F	F	F	F															
TYPICAL DETAILS FOR IN-SITU LOUVER	J856-SD-LV-7003	A	B	B	B	B	B	B	B	B																
TYPICAL DETAILS FOR IN-SITU LOUVER	J856-SD-LV-7004	-	A	A	A	A	B	B	B	B																
TYPICAL DETAILS FOR IN-SITU LOUVER	J856-SD-LV-7005							-	-	-	-															

**IN-HOUSE DESIGN CHECKER**

**美特鋁質有限公司**  
**MIDI ALUMINIUM FABRICATOR LTD.**  
 Units 6-8, Sunray Industrial Centre, 1/F  
 610 Cha Kwo Ling Road, Kowloon  
 Tel: 23489211-4 Fax: (852) 27727666

# GENERAL NOTES FOR IN-SITU LOUVER OF PODIUM

## CODES AND STANDARDS

1. CODE OF PRACTICE ON WIND EFFECTS IN HONG KONG 2004.
2. CODE OF PRACTICE FOR DEAD AND IMPOSED LOADS 2011.
3. CODE OF PRACTICE FOR STRUCTURAL USE OF CONCRETE 2013.
4. CODE OF PRACTICE FOR THE STRUCTURAL USE OF STEEL 2011.
6. STRUCTURAL USE OF ALUMINIUM, BS 8118-1:1991. (WIND LOAD FACTOR OF 1.4 FOR ALUMINIUM DESIGN TO PNAP APP53)
7. BUILDING (CONSTRUCTION) REGULATIONS CAP 123.

## DESIGN WIND LOAD

CODE OF PRACTICE ON WIND EFFECTS IN HONG KONG 2004.

	PODIUM
HEIGHT ABOVE GROUND LEVEL	<21.1m
BASIC WIND PRESSURE	2.245kPa
TOPOGRAPHY FACTOR (S <sub>o</sub> )	1.00
PRESSURE COEFFICIENT (C <sub>p</sub> )	+1.0/-1.4/±2.0
DESIGN WIND PRESSURE	+2.245/-3.143/±4.49kPa

## STEEL

ALL STRUCTURAL STEEL SECTIONS SHALL BE GRADE S275 JO CLASS 1 WELDABLE STRUCTURAL STEEL AND COMPLYING WITH BS EN 10210 2006 FOR HOLLOW SECTION AND BS EN 10025 FOR OTHER SECTIONS.

ALL STRUCTURAL STEEL SHALL BE HOT-DIP GALVANIZED AND COMPLY WITH BS EN ISO 1461 WITH MIN 85 µm COATING THICKNESS.

ALL CUT/WELDED AREAS IN GALVANIZED STEEL SHALL BE MADE GOOD BY AT LEAST TWO COATS OF ZINC RICH PRIMER TO BS 4652.

DENSITY	77kN/m <sup>3</sup>
YOUNG'S MODULUS	205,000MPa
YIELD STRENGTH	275MPa
MINIMUM TENSILE STRENGTH	430MPa
DESIGN STRENGTH (t≤16mm)	275MPa
DESIGN STRENGTH (t≤40mm)	265MPa

## ALUMINIUM EXTRUSION

UNLESS OTHERWISE STATED, ALL ALUMINIUM EXTRUSIONS SHALL BE GRADE 6063-T6 AND COMPLY WITH BS EN 755-2 AND BS EN 573-3.

DENSITY	27.2kN/m <sup>3</sup>
YOUNG'S MODULUS	70,000MPa
	6063-T6
0.2% PROOF STRESS	160MPa
MINIMUM TENSILE STRENGTH	215MPa
LIMITING BENDING STRENGTH	160MPa
LIMITING TENSILE STRENGTH	175MPa
LIMITING SHEAR STRENGTH	95MPa

## ALUMINIUM PANEL

ALL ALUMINIUM PANEL TO BE GRADE 3004-H14 TO BS EN 485-2 : 2008 AND BS EN 573-3:2009

DENSITY	27.2kN/m <sup>3</sup>
YOUNG'S MODULUS	70,000 N/mm <sup>2</sup>
0.2% PROOF STRESS	125 N/mm <sup>2</sup>
MINIMUM TENSILE STRENGTH	145 N/mm <sup>2</sup>
LIMITING BENDING STRENGTH	125 N/mm <sup>2</sup>
LIMITING TENSILE STRENGTH	135 N/mm <sup>2</sup>
LIMITING SHEAR STRENGTH	75 N/mm <sup>2</sup>

## FASTENERS/SCREWS

ALL STAINLESS STEEL SCREW AND BOLT SHALL BE A4-70 AND COMPLY WITH BS EN ISO 3506.

0.2% PROOF STRESS	450MPa
MINIMUM TENSILE STRENGTH	700MPa
DESIGN TENSILE STRENGTH	450MPa
DESIGN SHEAR STRENGTH	311MPa
DESIGN BEARING STRENGTH	828MPa

PROTECTION OF BI-METALLIC CORROSION (BITAMEN PAINT ECT.)

ALL EXPOSED SURFACE OF ALUM. EXTRUSION SHALL BE FINISHED WITH PVF2 COATING ≥ 40 MICRONS

ALL SCREWS SHALL BE M5 S.S SCREW SPACING @300c/c MAX. UNLESS OTHERWISE STATED.

## CONCRETE

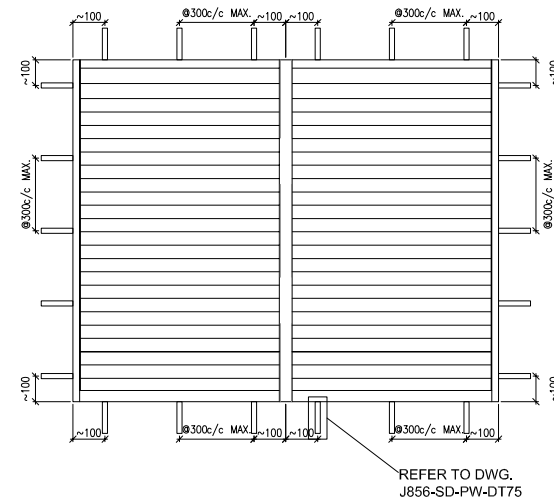
ALL CONCRETE STRUCTURES SHOWN IN THIS SUBMISSION ARE FOR INFORMATION ONLY.

CONCRETE STRNFGTH SHALL BE 45MPa. (MIN.)

B.D. REF.	TYPE	MINIMUM CONCRETE THICKNESS (mm)	EFFECTIVE ANCHORAGE DEPTH (mm)	MINIMUM EDGE DISTANCE (mm)	MINIMUM SPACING (mm)	RECOMMENDED TENSILE FORCE (KN)	RECOMMENDED SHEAR FORCE (KN)	PULL-OUT TEST LOAD (KN)	CONCRETE FACTOR (KN)
BD-AF 149 (FOR CRACKED CONCRETE)	"HILTI" HST3-R M12 SAFETY ANCHOR BOLTS	120	70	60	50	6.7	12.2	1.50 x 6.7 = 10.05	1.342 x 10.05 = 13.487

## FIXING LUG

THE SIZE OF STAINLESS STEEL (GRADE 304) FIXING LUG TO BE 1.5mm THK. AND SPACING @300mm C/C MAX. UNLESS OTHERS STATED.



TYP. DETAIL FOR FIXING LUG

B.D. REF :

CLIENT :

**SUN HUNG KAI**  
REAL ESTATE AGENCY LTD.  
42/F SUN HUNG KAI CENTRE, WANCHAI, HONGKONG

ARCHITECT :

**lwk&partners**  
architects

MAIN CONTRACTOR :

**Yee Fai** Building Contractors Ltd.

STRUCTURAL ENGINEER :

**ARUP**

FACADE CONSULTANT:

**ALPHA CONSULTING LIMITED**  
Steel Structure & Facade Specialist

NOTE :

1. ALL DIMENSIONS ARE IN mm.
2. ALL ELEVATIONS ARE VIEWED FROM OUTSIDE.
3. ALL DIMENSIONS TO BE VERIFIED ON SITE BEFORE FABRICATION.

LEGEND :

NO.	DATE	REVISED	BY

JOB NO. : J-856

PROJECT :  
PROPOSED DEVELOPMENT ABOVE  
LIGHT RAIL TIN WING STOP, TSWTL  
NO.23, AREA 33, TIN SHUI WAI, N.T.

TITLE :  
GENERAL NOTES FOR  
IN-SITU LOUVER  
OF PODIUM

DATE : 12-Sep-22 SCALE : 1:3

DRAWN BY : Ivan CHECKED BY :

**美特鋁質有限公司**  
**MIDI ALUMINIUM FABRICATOR LTD.**  
Units 6-8, Sunray Industrial Centre, 1/F  
610 Cha Kwo Ling Road, Kowloon  
Tel: 23489211-4 Fax: (852) 27727666

DWG NO. : J856-SD-LV-GN01 REV. : -

MEMBER: IW-01  
GRADE: 6063-T6  
FINISH: PVF2 3-COATING

**PROPERTIES**

MASS PROPERTIES (UNIT)	VALUES
Area (mm <sup>2</sup> )	295.31
Perimeter (mm)	267.77
Bounding Box - X (mm)	-19.72 to 25.28
Bounding Box - Y (mm)	-28.89 to 21.11
Centroid - X (mm)	0.00
Centroid - Y (mm)	0.00
Moments of inertia - X (mm <sup>4</sup> )	114378.61
Moments of inertia - Y (mm <sup>4</sup> )	28525.33
Product of inertia - XY (mm <sup>4</sup> )	17739.71
Radius of gyration - X (mm)	20.02
Radius of gyration - Y (mm)	10.00
Principal moments along X-Y (mm <sup>4</sup> )	22524.21 along [0.19 0.98]
Principal moments along Y-X (mm <sup>4</sup> )	117899.72 along [-0.98 0.19]
Elastic Modulus - Zx (mm <sup>2</sup> )	1 / y-max= 3998.37
Elastic Modulus - Zy (mm <sup>2</sup> )	1 / x-max= 1758.18

MEMBER: IW-02  
GRADE: 6063-T6  
FINISH: PVF2 3-COATING

**PROPERTIES**

MASS PROPERTIES (UNIT)	VALUES
Area (mm <sup>2</sup> )	330.84
Perimeter (mm)	238.46
Bounding Box - X (mm)	-16.21 to 23.79
Bounding Box - Y (mm)	-24.93 to 25.07
Centroid - X (mm)	0.00
Centroid - Y (mm)	0.00
Moments of inertia - X (mm <sup>4</sup> )	80259.64
Moments of inertia - Y (mm <sup>4</sup> )	131492.97
Product of inertia - XY (mm <sup>4</sup> )	10272.83
Radius of gyration - X (mm)	16.52
Radius of gyration - Y (mm)	19.94
Principal moments along X-Y (mm <sup>4</sup> )	3145.12 along [0.77 -0.64]
Principal moments along Y-X (mm <sup>4</sup> )	218587.49 along [0.64 0.77]
Elastic Modulus - Zx (mm <sup>2</sup> )	1 / y-max= 3098.91
Elastic Modulus - Zy (mm <sup>2</sup> )	1 / x-max= 3841.11

MEMBER: IW-03  
GRADE: 6063-T6  
FINISH: PVF2 3-COATING

**PROPERTIES**

MASS PROPERTIES (UNIT)	VALUES
Area (mm <sup>2</sup> )	330.84
Perimeter (mm)	238.46
Bounding Box - X (mm)	-16.21 to 23.79
Bounding Box - Y (mm)	-24.93 to 25.07
Centroid - X (mm)	0.00
Centroid - Y (mm)	0.00
Moments of inertia - X (mm <sup>4</sup> )	80259.64
Moments of inertia - Y (mm <sup>4</sup> )	131492.97
Product of inertia - XY (mm <sup>4</sup> )	10272.83
Radius of gyration - X (mm)	16.52
Radius of gyration - Y (mm)	19.94
Principal moments along X-Y (mm <sup>4</sup> )	3145.12 along [0.77 -0.64]
Principal moments along Y-X (mm <sup>4</sup> )	218587.49 along [0.64 0.77]
Elastic Modulus - Zx (mm <sup>2</sup> )	1 / y-max= 3098.91
Elastic Modulus - Zy (mm <sup>2</sup> )	1 / x-max= 3841.11

MEMBER: IW-04  
GRADE: 6063-T6  
FINISH: PVF2 3-COATING

**PROPERTIES**

MASS PROPERTIES (UNIT)	VALUES
Area (mm <sup>2</sup> )	1233.38
Perimeter (mm)	689.22
Bounding Box - X (mm)	-31.00 to 31.00
Bounding Box - Y (mm)	-58.00 to 61.94
Centroid - X (mm)	0.00
Centroid - Y (mm)	0.00
Moments of inertia - X (mm <sup>4</sup> )	2414424.13
Moments of inertia - Y (mm <sup>4</sup> )	5259633.50
Product of inertia - XY (mm <sup>4</sup> )	-83.02
Radius of gyration - X (mm)	44.24
Radius of gyration - Y (mm)	29.85
Principal moments along X-Y (mm <sup>4</sup> )	2414424.13 along [1.00 0.00]
Principal moments along Y-X (mm <sup>4</sup> )	5259633.50 along [0.00 1.00]
Elastic Modulus - Zx (mm <sup>2</sup> )	1 / y-max= 38979.85
Elastic Modulus - Zy (mm <sup>2</sup> )	1 / x-max= 1594.34

MEMBER: IW-05  
GRADE: 6063-T6  
FINISH: PVF2 3-COATING

**PROPERTIES**

MASS PROPERTIES (UNIT)	VALUES
Area (mm <sup>2</sup> )	494.00
Perimeter (mm)	317.58
Bounding Box - X (mm)	-25.00 to 25.00
Bounding Box - Y (mm)	-25.00 to 25.00
Centroid - X (mm)	0.00
Centroid - Y (mm)	0.00
Moments of inertia - X (mm <sup>4</sup> )	20848.88
Moments of inertia - Y (mm <sup>4</sup> )	20848.88
Product of inertia - XY (mm <sup>4</sup> )	0.00
Radius of gyration - X (mm)	13.23
Radius of gyration - Y (mm)	13.23
Principal moments along X-Y (mm <sup>4</sup> )	20848.88 along [1.00 0.00]
Principal moments along Y-X (mm <sup>4</sup> )	20848.88 along [0.00 1.00]
Elastic Modulus - Zx (mm <sup>2</sup> )	1 / y-max= 8338.48
Elastic Modulus - Zy (mm <sup>2</sup> )	1 / x-max= 8338.48

MEMBER: IW-06  
GRADE: 6063-T6  
FINISH: PVF2 3-COATING

**PROPERTIES**

MASS PROPERTIES (UNIT)	VALUES
Area (mm <sup>2</sup> )	358.85
Perimeter (mm)	313.69
Bounding Box - X (mm)	-36.06 to 23.94
Bounding Box - Y (mm)	-23.97 to 19.33
Centroid - X (mm)	0.00
Centroid - Y (mm)	0.00
Moments of inertia - X (mm <sup>4</sup> )	29049.61
Moments of inertia - Y (mm <sup>4</sup> )	145281.67
Product of inertia - XY (mm <sup>4</sup> )	-25746.13
Radius of gyration - X (mm)	9.00
Radius of gyration - Y (mm)	20.17
Principal moments along X-Y (mm <sup>4</sup> )	146873.62 along [0.99 -0.11]
Principal moments along Y-X (mm <sup>4</sup> )	148873.62 along [0.17 0.99]
Elastic Modulus - Zx (mm <sup>2</sup> )	1 / y-max= 1133.51
Elastic Modulus - Zy (mm <sup>2</sup> )	1 / x-max= 4038.91

MEMBER: IW-07  
GRADE: 6063-T6  
FINISH: PVF2 3-COATING

**PROPERTIES**

MASS PROPERTIES (UNIT)	VALUES
Area (mm <sup>2</sup> )	337.28
Perimeter (mm)	275.00
Bounding Box - X (mm)	-27.86 to 22.14
Bounding Box - Y (mm)	-19.58 to 25.42
Centroid - X (mm)	0.00
Centroid - Y (mm)	0.00
Moments of inertia - X (mm <sup>4</sup> )	28637.78
Moments of inertia - Y (mm <sup>4</sup> )	125176.09
Product of inertia - XY (mm <sup>4</sup> )	-17025.58
Radius of gyration - X (mm)	9.21
Radius of gyration - Y (mm)	19.27
Principal moments along X-Y (mm <sup>4</sup> )	2416.47 along [0.88 0.18]
Principal moments along Y-X (mm <sup>4</sup> )	128384.40 along [-0.18 0.98]
Elastic Modulus - Zx (mm <sup>2</sup> )	1 / y-max= 1162.76
Elastic Modulus - Zy (mm <sup>2</sup> )	1 / x-max= 4482.66

MEMBER: IW-08  
GRADE: 6063-T6  
FINISH: PVF2 3-COATING

**PROPERTIES**

MASS PROPERTIES (UNIT)	VALUES
Area (mm <sup>2</sup> )	414.00
Perimeter (mm)	276.00
Bounding Box - X (mm)	-12.50 to 12.50
Bounding Box - Y (mm)	-25.00 to 25.00
Centroid - X (mm)	0.00
Centroid - Y (mm)	0.00
Moments of inertia - X (mm <sup>4</sup> )	12542.00
Moments of inertia - Y (mm <sup>4</sup> )	39954.50
Product of inertia - XY (mm <sup>4</sup> )	0.00
Radius of gyration - X (mm)	17.41
Radius of gyration - Y (mm)	9.82
Principal moments along X-Y (mm <sup>4</sup> )	12542.00 along [1.00 0.00]
Principal moments along Y-X (mm <sup>4</sup> )	39954.50 along [0.00 1.00]
Elastic Modulus - Zx (mm <sup>2</sup> )	1 / y-max= 5671.68
Elastic Modulus - Zy (mm <sup>2</sup> )	1 / x-max= 3198.36

MEMBER: IW-09  
GRADE: 6063-T6  
FINISH: PVF2 3-COATING

**PROPERTIES**

MASS PROPERTIES (UNIT)	VALUES
Area (mm <sup>2</sup> )	185.00
Perimeter (mm)	114.00
Bounding Box - X (mm)	-14.68 to 4.32
Bounding Box - Y (mm)	-13.81 to 24.19
Centroid - X (mm)	0.00
Centroid - Y (mm)	0.00
Moments of inertia - X (mm <sup>4</sup> )	2408.44
Moments of inertia - Y (mm <sup>4</sup> )	4315.64
Product of inertia - XY (mm <sup>4</sup> )	5615.98
Radius of gyration - X (mm)	11.26
Radius of gyration - Y (mm)	5.07
Principal moments along X-Y (mm <sup>4</sup> )	2862.88 along [0.26 0.97]
Principal moments along Y-X (mm <sup>4</sup> )	23871.11 along [-0.87 0.35]
Elastic Modulus - Zx (mm <sup>2</sup> )	1 / y-max= 384.11
Elastic Modulus - Zy (mm <sup>2</sup> )	1 / x-max= 283.14

MEMBER: IW-10  
GRADE: 6063-T6  
FINISH: PVF2 3-COATING

**PROPERTIES**

MASS PROPERTIES (UNIT)	VALUES
Area (mm <sup>2</sup> )	198.00
Perimeter (mm)	158.00
Bounding Box - X (mm)	-11.81 to 3.18
Bounding Box - Y (mm)	-23.58 to 31.42
Centroid - X (mm)	0.00
Centroid - Y (mm)	0.00
Moments of inertia - X (mm <sup>4</sup> )	5862.36
Moments of inertia - Y (mm <sup>4</sup> )	6261.64
Product of inertia - XY (mm <sup>4</sup> )	6261.64
Radius of gyration - X (mm)	14.84
Radius of gyration - Y (mm)	14.84
Principal moments along X-Y (mm <sup>4</sup> )	5862.36 along [0.71 0.71]
Principal moments along Y-X (mm <sup>4</sup> )	6261.64 along [-0.71 0.71]
Elastic Modulus - Zx (mm <sup>2</sup> )	1 / y-max= 368.25
Elastic Modulus - Zy (mm <sup>2</sup> )	1 / x-max= 208.25

MEMBER: AW-11  
GRADE: 6063-T6  
FINISH: PVF2 3-COATING

**PROPERTIES**

MASS PROPERTIES (UNIT)	VALUES
Area (mm <sup>2</sup> )	198.00
Perimeter (mm)	158.00
Bounding Box - X (mm)	-11.81 to 3.18
Bounding Box - Y (mm)	-23.58 to 31.42
Centroid - X (mm)	0.00
Centroid - Y (mm)	0.00
Moments of inertia - X (mm <sup>4</sup> )	5862.36
Moments of inertia - Y (mm <sup>4</sup> )	6261.64
Product of inertia - XY (mm <sup>4</sup> )	6261.64
Radius of gyration - X (mm)	14.84
Radius of gyration - Y (mm)	14.84
Principal moments along X-Y (mm <sup>4</sup> )	5862.36 along [0.71 0.71]
Principal moments along Y-X (mm <sup>4</sup> )	6261.64 along [-0.71 0.71]
Elastic Modulus - Zx (mm <sup>2</sup> )	1 / y-max= 368.25
Elastic Modulus - Zy (mm <sup>2</sup> )	1 / x-max= 208.25

MEMBER: IW-12  
GRADE: 6063-T6  
FINISH: PVF2 3-COATING

**PROPERTIES**

MASS PROPERTIES (UNIT)	VALUES
Area (mm <sup>2</sup> )	198.00
Perimeter (mm)	158.00
Bounding Box - X (mm)	-11.81 to 3.18
Bounding Box - Y (mm)	-23.58 to 31.42
Centroid - X (mm)	0.00
Centroid - Y (mm)	0.00
Moments of inertia - X (mm <sup>4</sup> )	5862.36
Moments of inertia - Y (mm <sup>4</sup> )	6261.64
Product of inertia - XY (mm <sup>4</sup> )	6261.64
Radius of gyration - X (mm)	14.84
Radius of gyration - Y (mm)	14.84
Principal moments along X-Y (mm <sup>4</sup> )	5862.36 along [0.71 0.71]
Principal moments along Y-X (mm <sup>4</sup> )	6261.64 along [-0.71 0.71]
Elastic Modulus - Zx (mm <sup>2</sup> )	1 / y-max= 368.25
Elastic Modulus - Zy (mm <sup>2</sup> )	1 / x-max= 208.25

MEMBER: IW-13  
GRADE: 6063-T6  
FINISH: PVF2 3-COATING

**PROPERTIES**

MASS PROPERTIES (UNIT)	VALUES
Area (mm <sup>2</sup> )	198.00
Perimeter (mm)	158.00
Bounding Box - X (mm)	-11.81 to 3.18
Bounding Box - Y (mm)	-23.58 to 31.42
Centroid - X (mm)	0.00
Centroid - Y (mm)	0.00
Moments of inertia - X (mm <sup>4</sup> )	5862.36
Moments of inertia - Y (mm <sup>4</sup> )	6261.64
Product of inertia - XY (mm <sup>4</sup> )	6261.64
Radius of gyration - X (mm)	14.84
Radius of gyration - Y (mm)	14.84
Principal moments along X-Y (mm <sup>4</sup> )	5862.36 along [0.71 0.71]
Principal moments along Y-X (mm <sup>4</sup> )	6261.64 along [-0.71 0.71]
Elastic Modulus - Zx (mm <sup>2</sup> )	1 / y-max= 368.25
Elastic Modulus - Zy (mm <sup>2</sup> )	1 / x-max= 208.25

MEMBER: IW-14  
GRADE: 6063-T6  
FINISH: PVF2 3-COATING

**PROPERTIES**

MASS PROPERTIES (UNIT)	VALUES
Area (mm <sup>2</sup> )	198.00
Perimeter (mm)	158.00
Bounding Box - X (mm)	-11.81 to 3.18
Bounding Box - Y (mm)	-23.58 to 31.42
Centroid - X (mm)	0.00
Centroid - Y (mm)	0.00
Moments of inertia - X (mm <sup>4</sup> )	5862.36
Moments of inertia - Y (mm <sup>4</sup> )	6261.64
Product of inertia - XY (mm <sup>4</sup> )	6261.64
Radius of gyration - X (mm)	14.84
Radius of gyration - Y (mm)	14.84
Principal moments along X-Y (mm <sup>4</sup> )	5862.36 along [0.71 0.71]
Principal moments along Y-X (mm <sup>4</sup> )	6261.64 along [-0.71 0.71]
Elastic Modulus - Zx (mm <sup>2</sup> )	1 / y-max= 368.25
Elastic Modulus - Zy (mm <sup>2</sup> )	1 / x-max= 208.25

MEMBER: IW-15  
GRADE: 6063-T6  
FINISH: PVF2 3-COATING

**PROPERTIES**

MASS PROPERTIES (UNIT)	VALUES
Area (mm <sup>2</sup> )	198.00
Perimeter (mm)	158.00
Bounding Box - X (mm)	-11.81 to 3.18
Bounding Box - Y (mm)	-23.58 to 31.42
Centroid - X (mm)	0.00
Centroid - Y (mm)	0.00
Moments of inertia - X (mm <sup>4</sup> )	5862.36
Moments of inertia - Y (mm <sup>4</sup> )	6261.64
Product of inertia - XY (mm <sup>4</sup> )	6261.64
Radius of gyration - X (mm)	14.84
Radius of gyration - Y (mm)	14.84
Principal moments along X-Y (mm <sup>4</sup> )	5862.36 along [0.71 0.71]
Principal moments along Y-X (mm <sup>4</sup> )	6261.64 along [-0.71 0.71]
Elastic Modulus - Zx (mm <sup>2</sup> )	1 / y-max= 368.25
Elastic Modulus - Zy (mm <sup>2</sup> )	1 / x-max= 208.25

MEMBER: IW-16  
GRADE: 6063-T6  
FINISH:

**PROPERTIES**

MASS PROPERTIES (UNIT)	VALUES
Area (mm <sup>2</sup> )	198.00
Perimeter (mm)	158.00
Bounding Box - X (mm)	-11.81 to 3.18
Bounding Box - Y (mm)	-23.58 to 31.42
Centroid - X (mm)	0.00
Centroid - Y (mm)	0.00
Moments of inertia - X (mm <sup>4</sup> )	5862.36
Moments of inertia - Y (mm <sup>4</sup> )	6261.64
Product of inertia - XY (mm <sup>4</sup> )	6261.64
Radius of gyration - X (mm)	14.84
Radius of gyration - Y (mm)	14.84
Principal moments along X-Y (mm <sup>4</sup> )	5862.36 along [0.71 0.71]
Principal moments along Y-X (mm <sup>4</sup> )	6261.64 along [-0.71 0.71]
Elastic Modulus - Zx (mm <sup>2</sup> )	1 / y-max= 368.25
Elastic Modulus - Zy (mm <sup>2</sup> )	1 / x-max= 208.25

B.D. REF :  
.....

CLIENT :  
**SUN HUNG KAI**  
REAL ESTATE AGENCY LTD.  
42/F SUN HUNG KAI CENTRE, WANCHAI, HONGKONG

ARCHITECT :  
**lwk&partners**  
architects

MAIN CONTRACTOR :  
**Yee Fai** Building Contractors Ltd.

STRUCTURAL ENGINEER :  
**ARUP**

FAÇADE CONSULTANT:  
**ALPHA CONSULTING LIMITED**  
Steel Structure & Façade Specialist

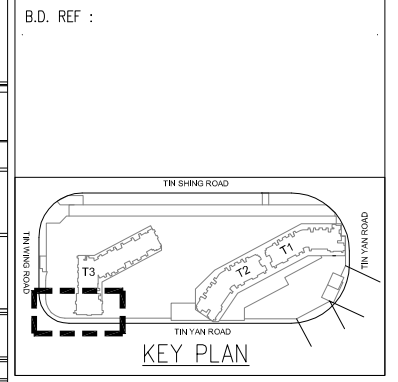
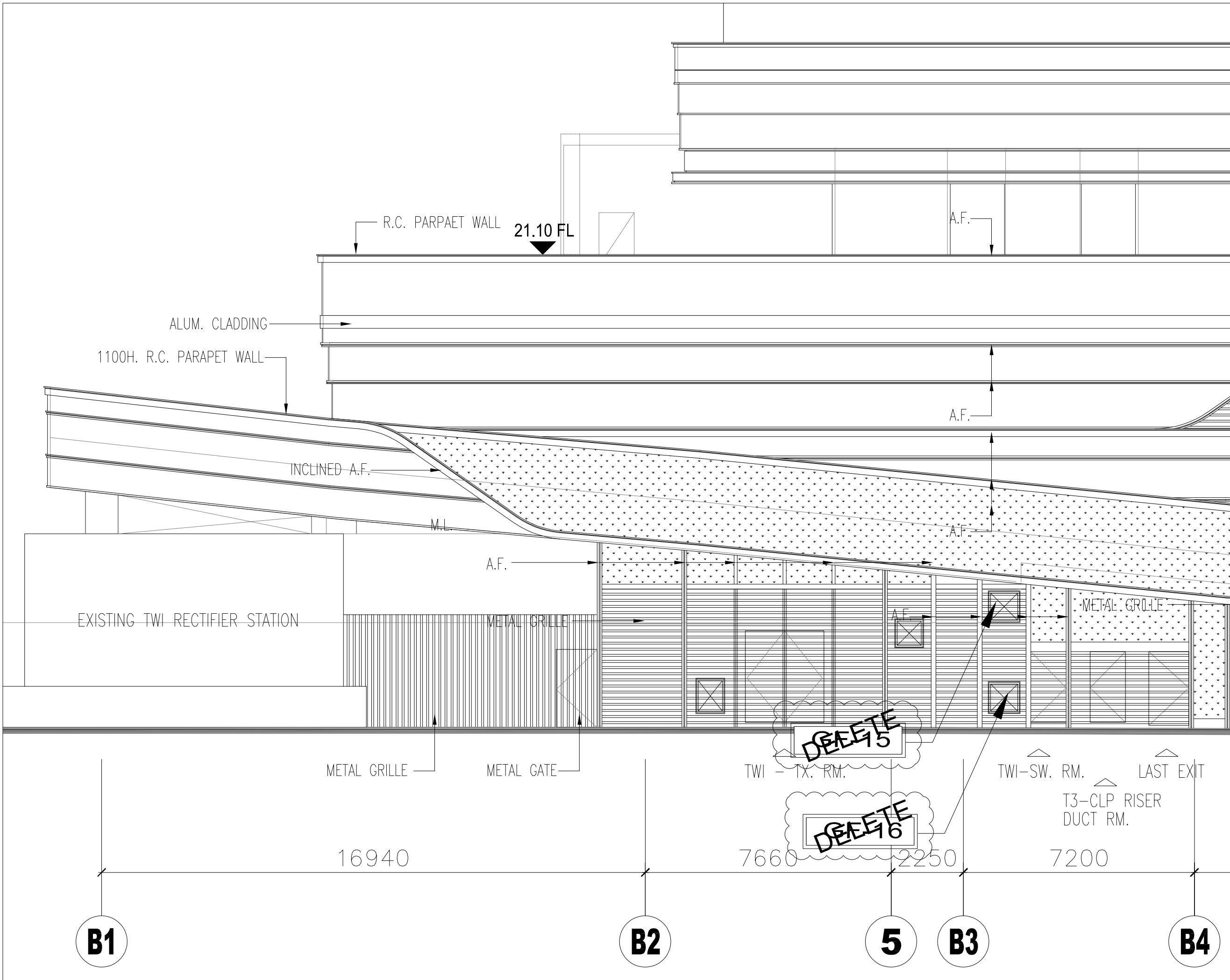
NOTE :  
1. ALL DIMENSIONS ARE IN mm.  
2. ALL ELEVATIONS ARE VIEWED FROM OUTSIDE.  
3. ALL DIMENSIONS TO BE VERIFIED ON SITE BEFORE FABRICATION.

LEGEND :  
X1 --- DETAIL MARK NO.  
X001 --- REFER SHEET NO.  
1. F.F.L. --- FINISHED FLOOR LEVEL  
2. S.F.L. --- STRUCTURAL FLOOR LEVEL  
3. (R) --- REVERSED DETAIL  
4. GLASS LEGEND  
EGL-1 --- 8mm+12mm AIR GAP+8mm THK. I.G.U.  
EGL-2 --- 10mm THK. CLEAR TEMPERED GLASS

NO.	DATE	REVISED	BY
C	26/09/2022	REVISION SUBJECT TO ARCH.COMMENT	ivan
D	15/09/2022	REVISION SUBJECT TO ARCH.COMMENT	ivan
B	21/04/2022	REVISION SUBJECT TO ARCH.COMMENT	ivan
A	21/12/2021	REVISION SUBJECT TO ARCH.COMMENT	ivan

JOB NO. : J-856  
PROJECT : PROPOSED DEVELOPMENT ABOVE LIGHT RAIL TIN WING STOP, TSWTL NO.2,3, AREA 33, TIN SHUI WAI, N.T.

TITLE : DIE LIST FOR IN-SITU LOUVER</



CLIENT :

**SUN HUNG KAI**  
REAL ESTATE AGENCY LTD.  
42/F SUN HUNG KAI CENTRE, WANCHAI, HONGKONG

ARCHITECT :

**lwk&partners**  
architects

MAIN CONTRACTOR :

**Yee Fai** Building Contractors Ltd.

STRUCTURAL ENGINEER :

**ARUP**

FACADE CONSULTANT:

**ALPHA CONSULTING LIMITED**  
Steel Structure & Facade Specialist

NOTE :

1. ALL DIMENSIONS ARE IN mm.
2. ALL ELEVATIONS ARE VIEWED FROM OUTSIDE.
3. ALL DIMENSIONS TO BE VERIFIED ON SITE BEFORE FABRICATION.

LEGEND :

X1 --- DETAIL MARK NO.  
X001 --- REFER SHEET NO.

1. F.F.L. --- FINISHED FLOOR LEVEL
2. S.F.L. --- STRUCTURAL FLOOR LEVEL
3. (R) --- REVERSED DETAIL
4. GLASS LEGEND  
EGL-1 --- 8mm+12mm AIR GAP+8mm THK. I.G.U.  
EGL-2 --- 10mm THK. CLEAR TEMPERED GLASS

B	15/12/2022	REVISION SUBJECT TO ARCH.COMMENT	Ivan
A	28/09/2022	REVISION SUBJECT TO ARCH.COMMENT	Ivan
NO.	DATE		BY

JOB NO. : J-856

PROJECT : PROPOSED DEVELOPMENT ABOVE LIGHT RAIL TIN WING STOP, TSWTL NO.23, AREA 33, TIN SHUI WAI, N.T.

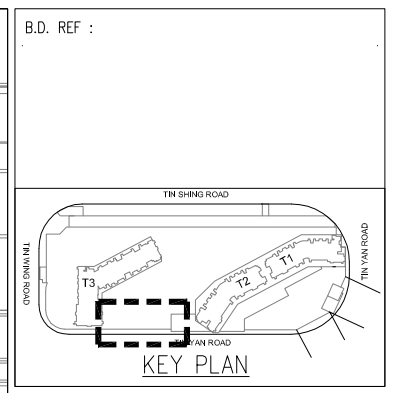
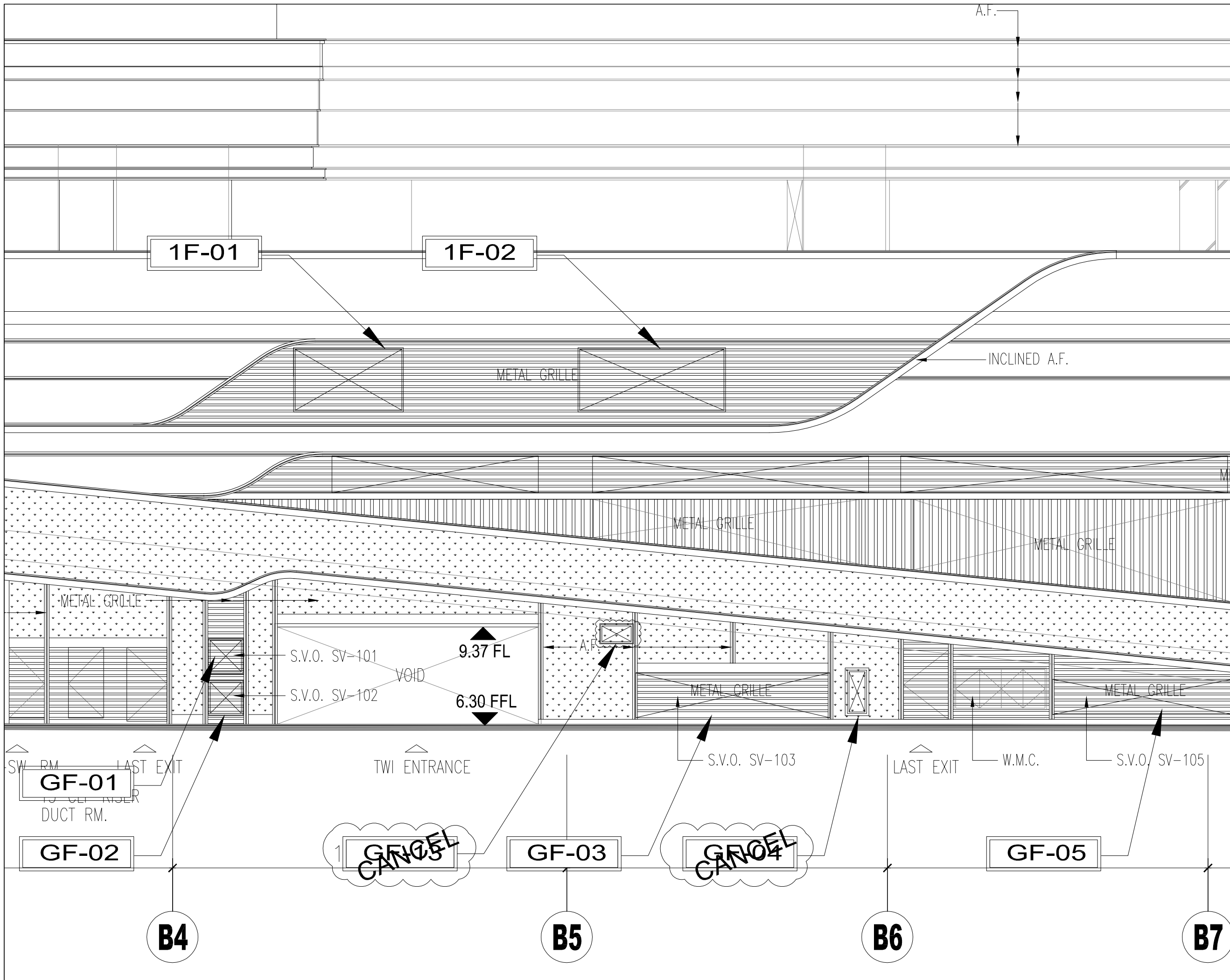
TITLE : LAYOUT ELEVATION FOR PODIUM IN-SITU LOUVER G/F-1/F

DATE : 27- Oct-21 SCALE : 1:\*\*\*

DRAWN BY : Ivan CHECKED BY :

**美特鋁質有限公司**  
MIDI ALUMINIUM FABRICATOR LTD.  
Units 6-8, Sunray Industrial Centre, 1/F  
610 Cha Kwo Ling Road, Kowloon  
Tel: 23489211-4 Fax: (852) 27727666

DWG NO. : J856-SD-LV-3006A REV. : B



CLIENT :

**SUN HUNG KAI**  
REAL ESTATE AGENCY LTD.  
42/F SUN HUNG KAI CENTRE, WANCHAI, HONGKONG

ARCHITECT :

**lwk&partners**  
architects

MAIN CONTRACTOR :

**Yee Fai** Building Contractors Ltd.

STRUCTURAL ENGINEER :

**ARUP**

FACADE CONSULTANT:

**ALPHA CONSULTING LIMITED**  
Steel Structure & Facade Specialist

NOTE :

1. ALL DIMENSIONS ARE IN mm.
2. ALL ELEVATIONS ARE VIEWED FROM OUTSIDE.
3. ALL DIMENSIONS TO BE VERIFIED ON SITE BEFORE FABRICATION.

LEGEND :

X1 — DETAIL MARK NO.  
X001 — REFER SHEET NO.

1. F.F.L. — FINISHED FLOOR LEVEL
2. S.F.L. — STRUCTURAL FLOOR LEVEL
3. (R) — REVERSED DETAIL
4. GLASS LEGEND  
EGL-1 — 8mm+12mm AIR GAP+8mm THK. I.G.U.  
EGL-2 — 10mm THK. CLEAR TEMPERED GLASS

NO.	DATE	REVISION SUBJECT TO ARCH.COMMENT	BY
E	30/05/2023	REVISION SUBJECT TO ARCH.COMMENT	Ivan
D	15/11/2022	REVISION SUBJECT TO ARCH.COMMENT	Ivan
C	28/09/2022	REVISION SUBJECT TO ARCH.COMMENT	Ivan
B	21/04/2022	UPDATE LAYOUT ELEVATION	Ivan
A	22/12/2021	REVISION SUBJECT TO ARCH.COMMENT	Ivan

JOB NO. : J-856

PROJECT : PROPOSED DEVELOPMENT ABOVE LIGHT RAIL TIN WING STOP, TSWTL NO.23, AREA 33, TIN SHUI WAI, N.T.

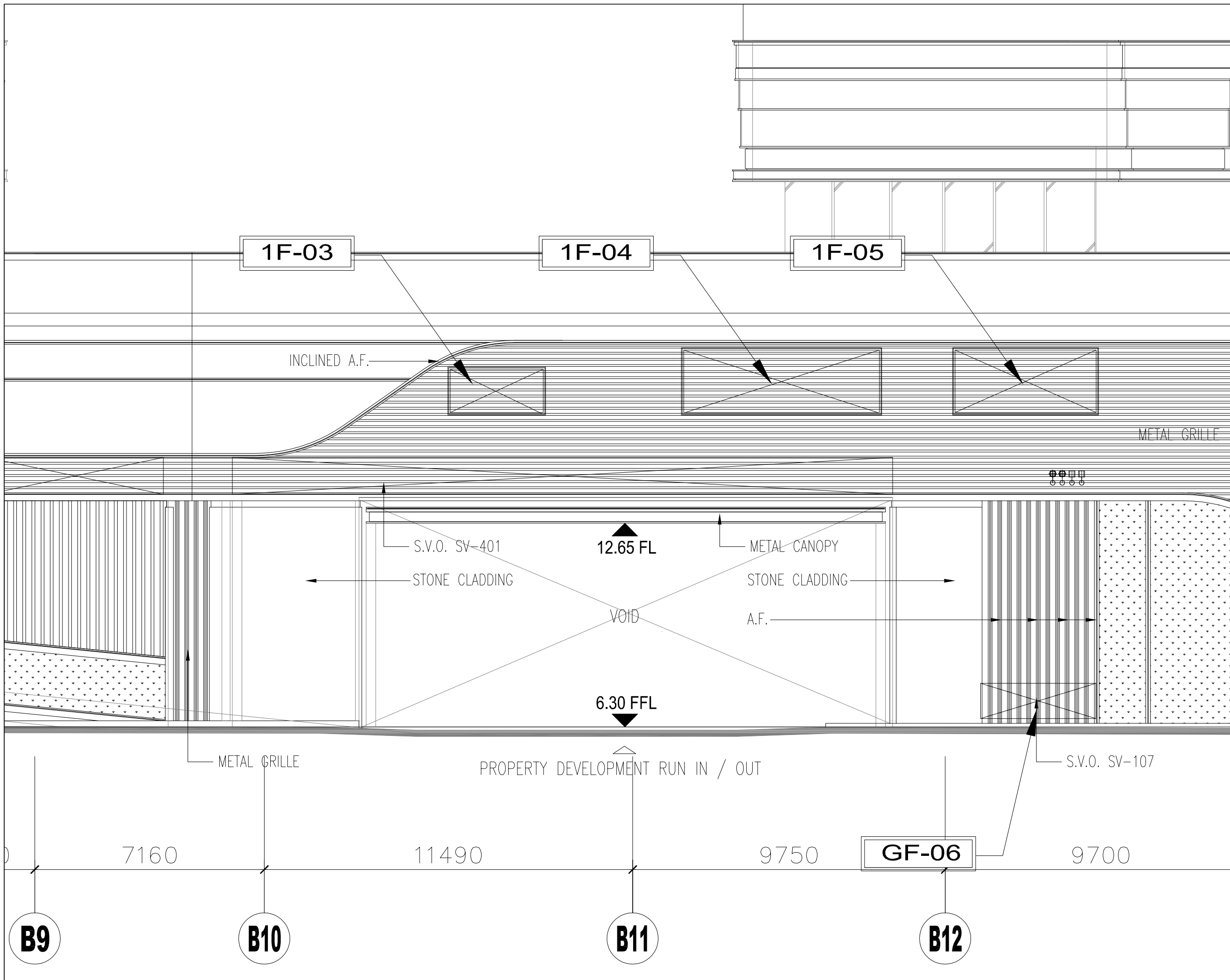
TITLE : LAYOUT ELEVATION FOR PODIUM IN-SITU LOUVER G/F-1/F

DATE : 27- Oct-21 SCALE : 1:\*\*\*

DRAWN BY : Ivan CHECKED BY :

**美特鋁質有限公司**  
MIDI ALUMINIUM FABRICATOR LTD.  
Units 6-8, Sunray Industrial Centre, 1/F  
610 Cha Kwo Ling Road, Kowloon  
Tel: 23489211-4 Fax: (852) 27727666

DWG NO. : J856-SD-LV-3007 REV. : E



B.D. REF :

KEY PLAN

CLIENT :

**SUN HUNG KAI**  
REAL ESTATE AGENCY LTD.  
42/F SUN HUNG KAI CENTRE, WANCHAI, HONGKONG

ARCHITECT :

**lwk&partners**  
architects

MAIN CONTRACTOR :

**Yee Fai** Building Contractors Ltd.

STRUCTURAL ENGINEER :

**ARUP**

FACADE CONSULTANT:

**ALPHA CONSULTING LIMITED**  
Steel Structure & Facade Specialist

NOTE :

1. ALL DIMENSIONS ARE IN mm.
2. ALL ELEVATIONS ARE VIEWED FROM OUTSIDE.
3. ALL DIMENSIONS TO BE VERIFIED ON SITE BEFORE FABRICATION.

LEGEND :

(X1) --- DETAIL MARK NO.  
(X001) --- REFER SHEET NO.

1. F.F.L. --- FINISHED FLOOR LEVEL
2. S.F.L. --- STRUCTURAL FLOOR LEVEL
3. (R) --- REVERSED DETAIL
4. GLASS LEGEND  
EGL-1 --- 8mm+12mm AIR GAP+8mm THK. I.G.U.  
EGL-2 --- 10mm THK. CLEAR TEMPERED GLASS

B	28/09/2022	REVISION SUBJECT TO ARCH.COMMENT	Ivan
A	21/04/2022	UPDATE LAYOUT ELEVATION	Ivan
NO.	DATE		BY

JOB NO. : J-856

PROJECT : PROPOSED DEVELOPMENT ABOVE LIGHT RAIL TIN WING STOP, TSWTL NO.23, AREA 33, TIN SHUI WAI, N.T.

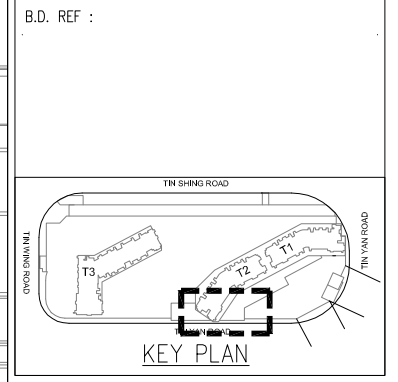
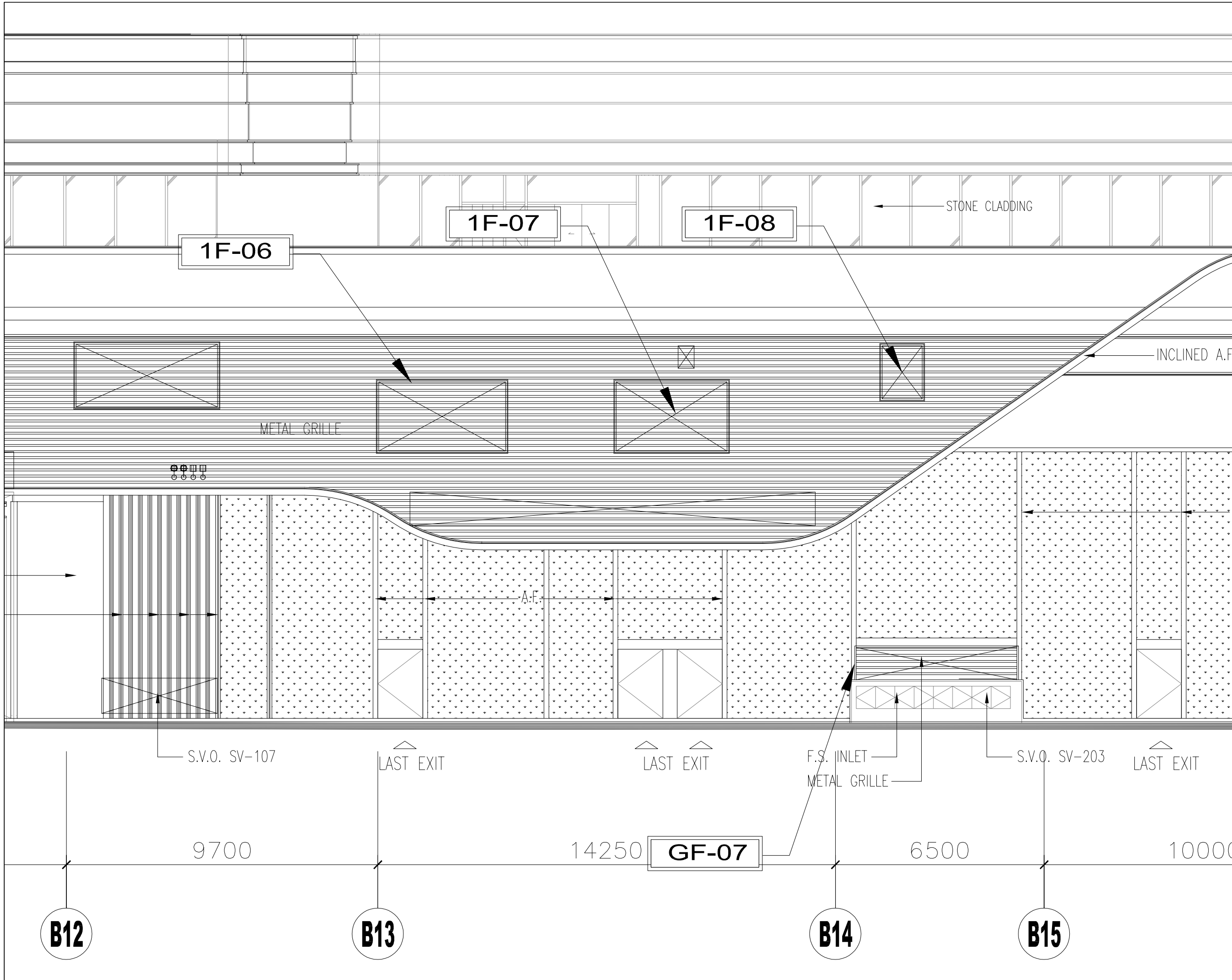
TITLE : LAYOUT ELEVATION FOR PODIUM IN-SITU LOUVER G/F-1/F

DATE : 27- Oct-21 SCALE : 1:\*\*\*

DRAWN BY : Ivan CHECKED BY :

**MIDI ALUMINIUM FABRICATOR LTD.**  
Units 6-8, Sunray Industrial Centre, 1/F  
610 Cha Kwo Ling Road, Kowloon  
Tel: 23489211-4 Fax: (852) 2727666

DWG NO. : J856-SD-LV-3008 REV. : B



CLIENT :

**SUN HUNG KAI**  
REAL ESTATE AGENCY LTD.  
42/F SUN HUNG KAI CENTRE, WANCHAI, HONGKONG

ARCHITECT :

**lwk&partners**  
architects

MAIN CONTRACTOR :

**Yee Fai** Building Contractors Ltd.

STRUCTURAL ENGINEER :

**ARUP**

FACADE CONSULTANT:

**ALPHA CONSULTING LIMITED**  
Steel Structure & Facade Specialist

NOTE :

1. ALL DIMENSIONS ARE IN mm.
2. ALL ELEVATIONS ARE VIEWED FROM OUTSIDE.
3. ALL DIMENSIONS TO BE VERIFIED ON SITE BEFORE FABRICATION.

LEGEND :

X1 --- DETAIL MARK NO.  
X001 --- REFER SHEET NO.

1. F.F.L. --- FINISHED FLOOR LEVEL
2. S.F.L. --- STRUCTURAL FLOOR LEVEL
3. (R) --- REVERSED DETAIL
4. GLASS LEGEND  
EGL-1 --- 8mm+12mm AIR GAP+8mm THK. I.G.U.  
EGL-2 --- 10mm THK. CLEAR TEMPERED GLASS

B	28/09/2022	REVISION SUBJECT TO ARCH.COMMENT	Ivan
A	21/04/2022	UPDATE LAYOUT ELEVATION	Ivan
NO.	DATE		BY

JOB NO. : J-856

PROJECT : PROPOSED DEVELOPMENT ABOVE LIGHT RAIL TIN WING STOP, TSWTL NO.23, AREA 33, TIN SHUI WAI, N.T.

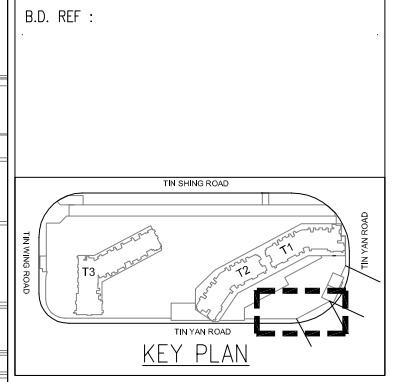
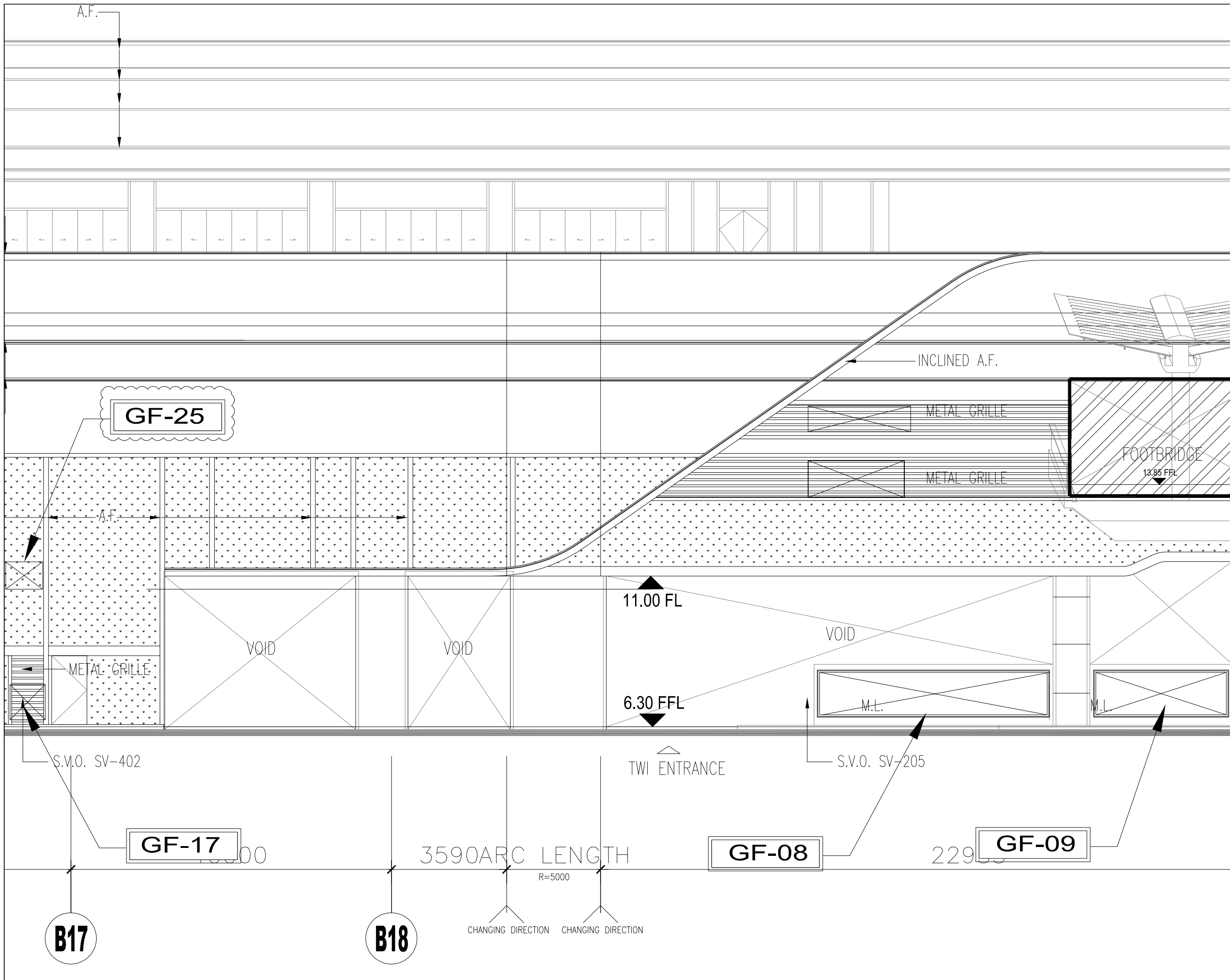
TITLE : LAYOUT ELEVATION FOR PODIUM IN-SITU LOUVER G/F-1/F

DATE : 27- Oct-21 SCALE : 1:\*\*\*

DRAWN BY : Ivan CHECKED BY :

**美特鋁質有限公司**  
MIDI ALUMINIUM FABRICATOR LTD.  
Units 6-8, Sunray Industrial Centre, 1/F  
610 Cha Kwo Ling Road, Kowloon  
Tel: 23489211-4 Fax: (852) 27727666

DWG NO. : J856-SD-LV-3009 REV. : B



CLIENT :

**SUN HUNG KAI**  
REAL ESTATE AGENCY LTD.  
42/F SUN HUNG KAI CENTRE, WANCHAI, HONGKONG

ARCHITECT :

**lwk&partners**  
architects

MAIN CONTRACTOR :

**Yee Fai** Building Contractors Ltd.

STRUCTURAL ENGINEER :

**ARUP**

FACADE CONSULTANT :

**ALPHA CONSULTING LIMITED**  
Steel Structure & Facade Specialist

NOTE :

1. ALL DIMENSIONS ARE IN mm.
2. ALL ELEVATIONS ARE VIEWED FROM OUTSIDE.
3. ALL DIMENSIONS TO BE VERIFIED ON SITE BEFORE FABRICATION.

LEGEND :

(X1) --- DETAIL MARK NO.  
(X001) --- REFER SHEET NO.

1. F.F.L. --- FINISHED FLOOR LEVEL
2. S.F.L. --- STRUCTURAL FLOOR LEVEL
3. (R) --- REVERSED DETAIL
4. GLASS LEGEND  
EGL-1 --- 8mm+12mm AIR GAP+8mm THK. I.G.U.  
EGL-2 --- 10mm THK. CLEAR TEMPERED GLASS

NO.	DATE	BY
D	09/06/2022	REVISION SUBJECT TO ARCH.COMMENT
C	28/09/2022	REVISION SUBJECT TO ARCH.COMMENT
B	14/09/2022	REVISION SUBJECT TO ARCH.COMMENT
A	21/04/2022	UPDATE LAYOUT ELEVATION

JOB NO. : J-856

PROJECT : PROPOSED DEVELOPMENT ABOVE LIGHT RAIL TIN WING STOP, TSWTL NO.23, AREA 33, TIN SHUI WAI, N.T.

TITLE : LAYOUT ELEVATION FOR PODIUM IN-SITU LOUVER G/F-1/F

DATE : 27- Oct-21 SCALE : 1:\*\*\*

DRAWN BY : Ivan CHECKED BY :

**美特鋁質有限公司**  
MIDI ALUMINIUM FABRICATOR LTD.  
Units 6-8, Sunray Industrial Centre, 1/F  
610 Cha Kwo Ling Road, Kowloon  
Tel: 23489211-4 Fax: (852) 27727666

DWG NO. : J856-SD-LV-3010 REV. : D

3/F  
27.40

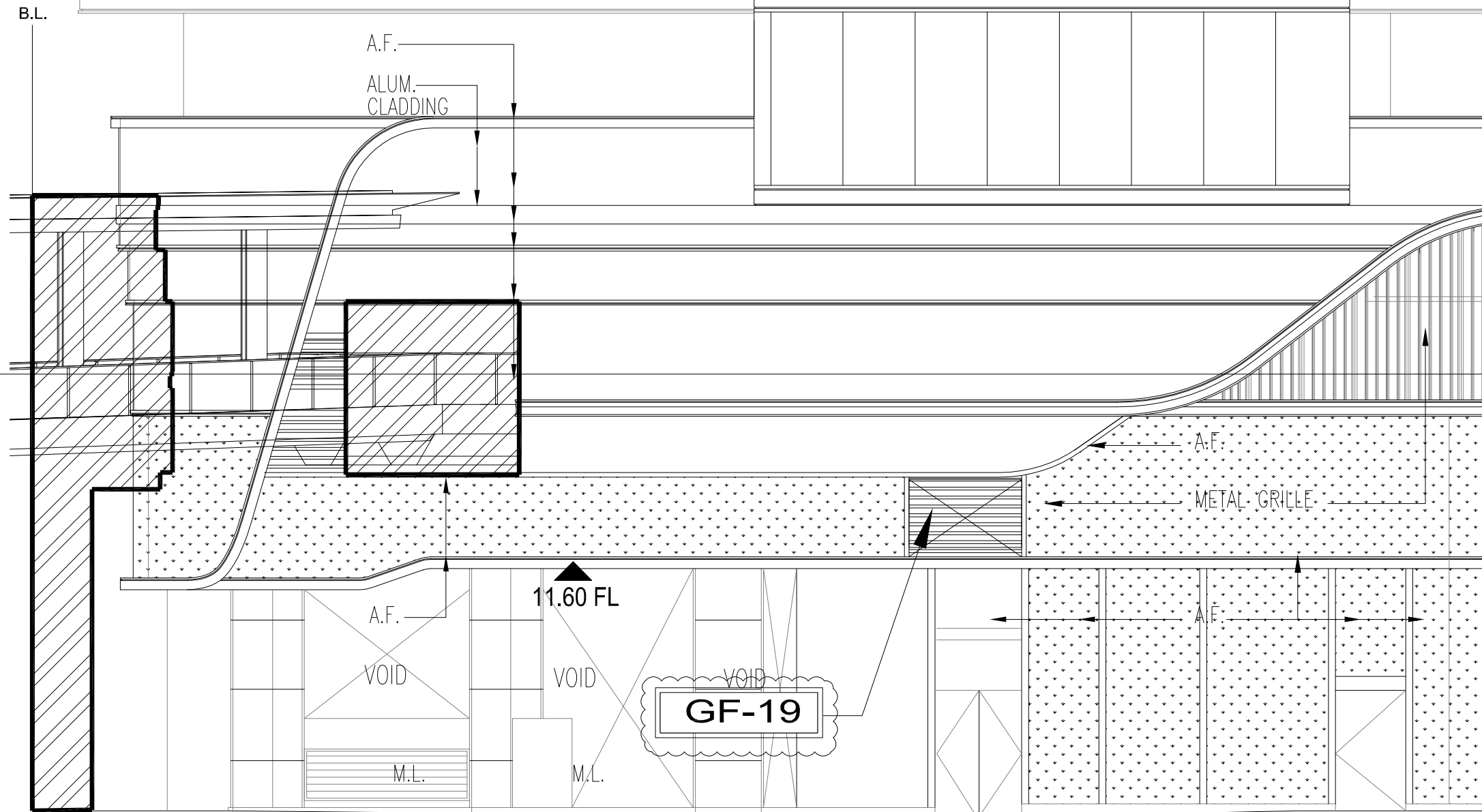
TRANSFER PLATE

E&M ZONE

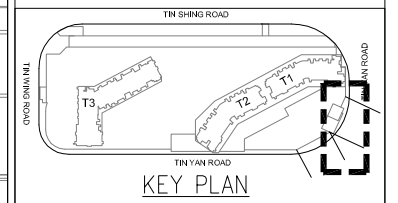
2/F  
19.25

1/F  
15.60

G/F  
6.30



B.D. REF :



CLIENT :  
**SUN HUNG KAI**  
 REAL ESTATE AGENCY LTD.  
 42/F SUN HUNG KAI CENTRE, WANCHAI, HONGKONG

ARCHITECT :  
**lwk&partners**  
 architects

MAIN CONTRACTOR :  
**Yee Fai** Building Contractors Ltd.

STRUCTURAL ENGINEER :  
**ARUP**

FACADE CONSULTANT:  
**ALPHA CONSULTING LIMITED**  
 Steel Structure & Facade Specialist

NOTE :  
 1. ALL DIMENSIONS ARE IN mm.  
 2. ALL ELEVATIONS ARE VIEWED FROM OUTSIDE.  
 3. ALL DIMENSIONS TO BE VERIFIED ON SITE BEFORE FABRICATION.

LEGEND :  
 X1 --- DETAIL MARK NO.  
 X001 --- REFER SHEET NO.  
 1. F.F.L. --- FINISHED FLOOR LEVEL  
 2. S.F.L. --- STRUCTURAL FLOOR LEVEL  
 3. (R) --- REVERSED DETAIL  
 4. GLASS LEGEND  
 EGL-1 --- 8mm+12mm AIR GAP+8mm THK. I.G.U.  
 EGL-2 --- 10mm THK. CLEAR TEMPERED GLASS

NO.	DATE	REVISION	BY
C	28/09/2022	REVISION SUBJECT TO ARCH.COMMENT	Ivan
B	14/09/2022	REVISION SUBJECT TO ARCH.COMMENT	Ivan
A	21/04/2022	UPDATE LAYOUT ELEVATION	Ivan

JOB NO. : J-856  
 PROJECT : PROPOSED DEVELOPMENT ABOVE LIGHT RAIL TIN WING STOP, TSWTL NO.23, AREA 33, TIN SHUI WAI, N.T.

TITLE : LAYOUT ELEVATION FOR PODIUM IN-SITU LOUVER G/F-1/F

DATE : 27- Oct-21 SCALE : 1:\*\*\*

DRAWN BY : Ivan CHECKED BY :

**美特鋁質有限公司**  
**MIDI ALUMINIUM FABRICATOR LTD.**  
 Units 6-8, Sunray Industrial Centre, 1/F  
 610 Cha Kwo Ling Road, Kowloon  
 Tel:23489211-4 Fax:(852)2727666

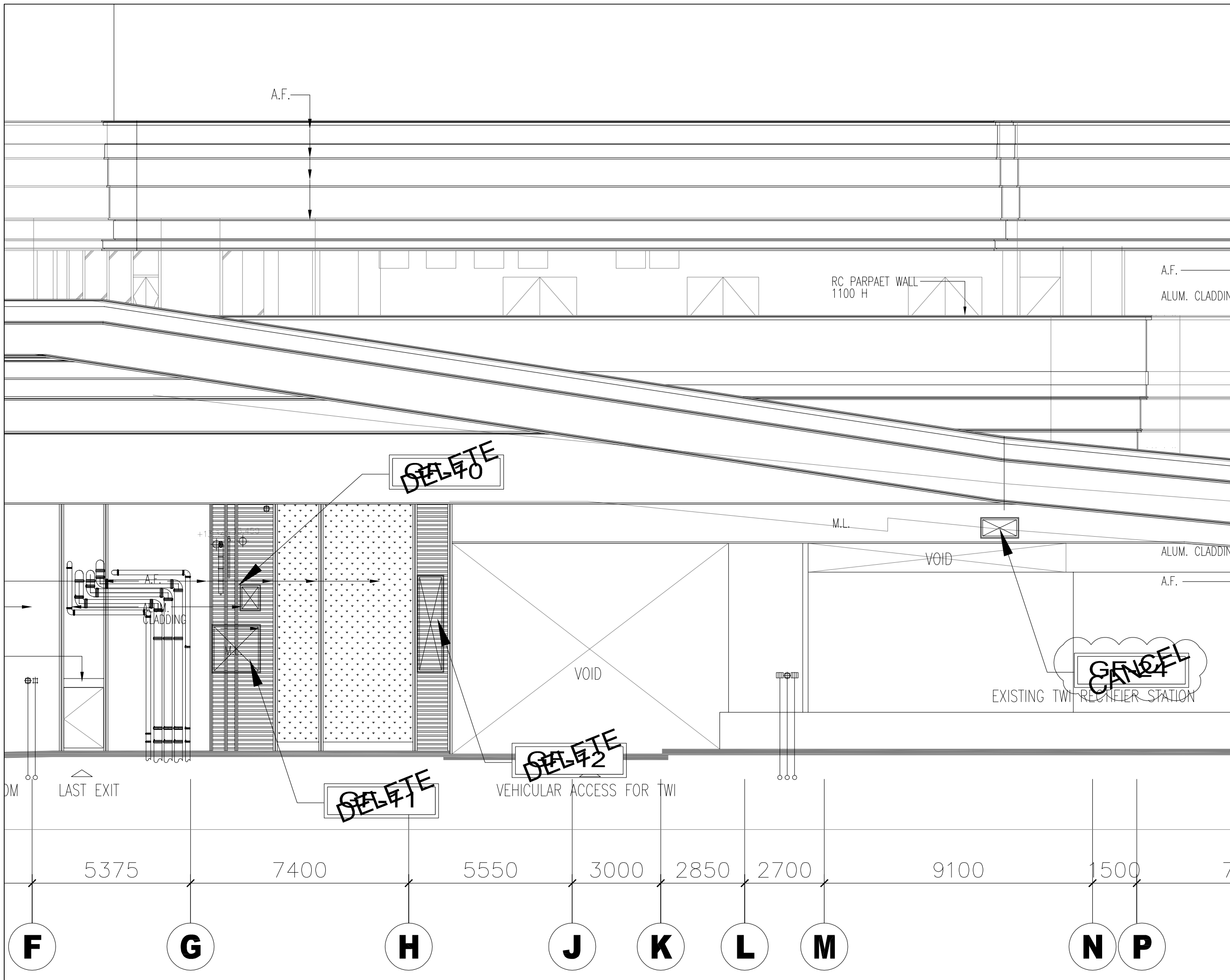
DWG NO. : J856-SD-LV-3011 REV. : C

SHUTTLE LIFT LOBBY A

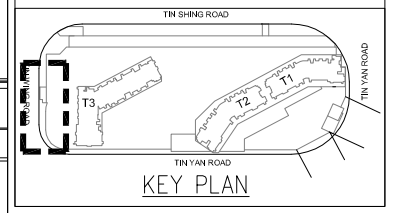
LAST EXIT

16976

CHANGING DIRECTION



B.D. REF :



CLIENT :  
**SUN HUNG KAI**  
 REAL ESTATE AGENCY LTD.  
 42/F SUN HUNG KAI CENTRE, WANCHAI, HONGKONG

ARCHITECT :  
**lwk&partners**  
 architects

MAIN CONTRACTOR :  
**Yee Fai** Building Contractors Ltd.

STRUCTURAL ENGINEER :  
**ARUP**

FACADE CONSULTANT:  
**ALPHA CONSULTING LIMITED**  
 Steel Structure & Facade Specialist

NOTE :  
 1. ALL DIMENSIONS ARE IN mm.  
 2. ALL ELEVATIONS ARE VIEWED FROM OUTSIDE.  
 3. ALL DIMENSIONS TO BE VERIFIED ON SITE BEFORE FABRICATION.

LEGEND :  
 X1 --- DETAIL MARK NO.  
 X001 --- REFER SHEET NO.  
 1. F.F.L. --- FINISHED FLOOR LEVEL  
 2. S.F.L. --- STRUCTURAL FLOOR LEVEL  
 3. (R) --- REVERSED DETAIL  
 4. GLASS LEGEND  
 EGL-1 --- 8mm+12mm AIR GAP+8mm THK. I.G.U.  
 EGL-2 --- 10mm THK. CLEAR TEMPERED GLASS

NO.	DATE	REVISION	BY
F	28/4/2022	REVISION SUBJECT TO ARCH.COMMENT	ivan
E	15/12/2022	REVISION SUBJECT TO ARCH.COMMENT	ivan
D	28/09/2022	REVISION SUBJECT TO ARCH.COMMENT	ivan
C	14/09/2022	REVISION SUBJECT TO ARCH.COMMENT	ivan
B	21/04/2022	UPDATE LAYOUT ELEVATION	ivan
A	22/12/2021	REVISION SUBJECT TO ARCH.COMMENT	ivan

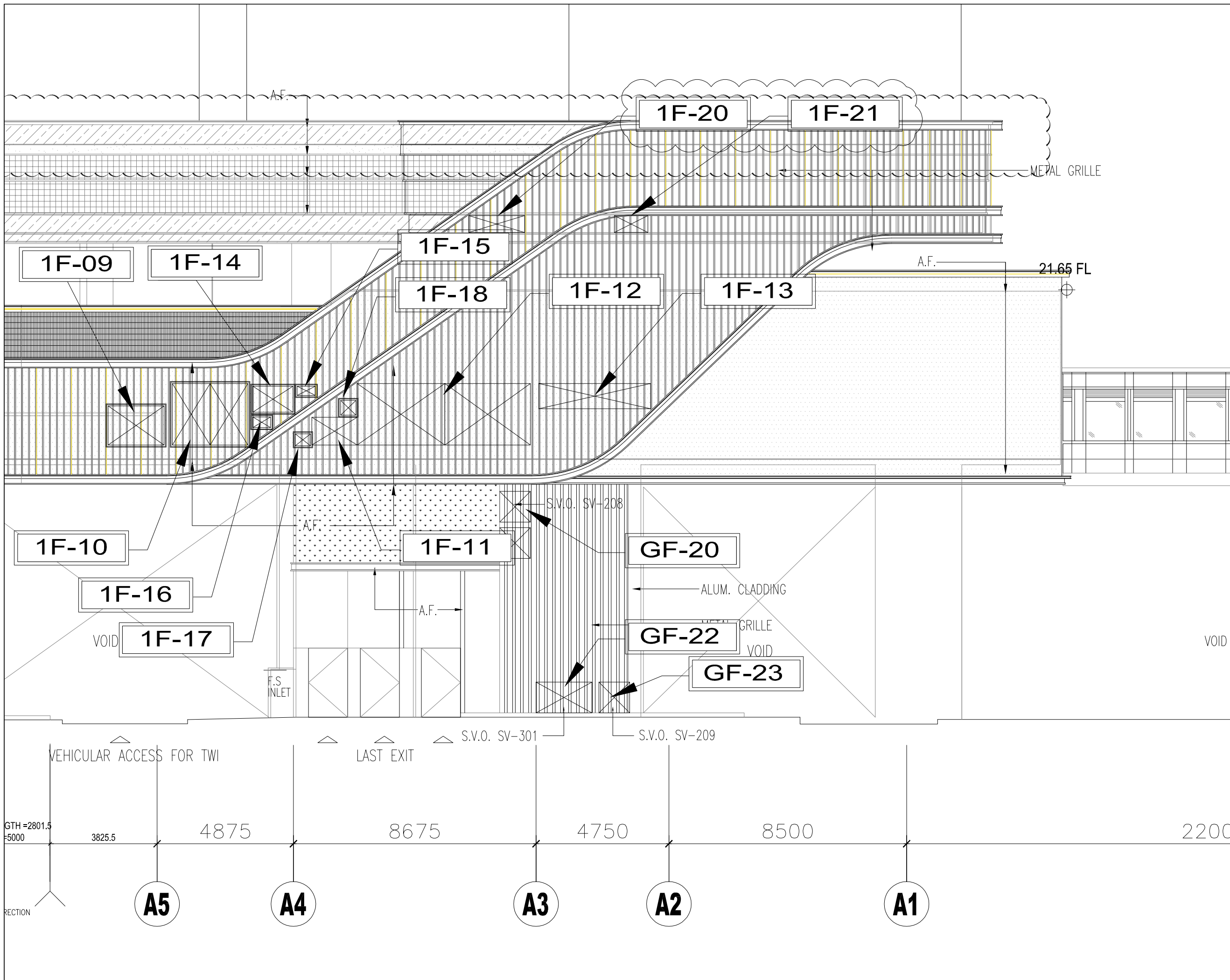
JOB NO. : J-856  
 PROJECT : PROPOSED DEVELOPMENT ABOVE LIGHT RAIL TIN WING STOP, TSWTL NO.23, AREA 33, TIN SHUI WAI, N.T.

TITLE : LAYOUT ELEVATION FOR PODIUM IN-SITU LOUVER G/F-1/F

DATE : 27-Oct-21 SCALE : 1:\*\*\*  
 DRAWN BY : Ivan CHECKED BY :

**美特鋁質有限公司**  
**MIDI ALUMINIUM FABRICATOR LTD.**  
 Units 6-8, Sunray Industrial Centre, 1/F  
 610 Cha Kwo Ling Road, Kowloon  
 Tel: 23489211-4 Fax: (852) 27727666

DWG NO. : J856-SD-LV-3012 REV. : F



B.D. REF :

KEY PLAN

CLIENT :

**SUN HUNG KAI**  
REAL ESTATE AGENCY LTD.  
42/F SUN HUNG KAI CENTRE, WANCHAI, HONGKONG

ARCHITECT :

**lwk&partners**  
architects

MAIN CONTRACTOR :

**Yee Fai** Building Contractors Ltd.

STRUCTURAL ENGINEER :

**ARUP**

FACADE CONSULTANT:

**ALPHA CONSULTING LIMITED**  
Steel Structure & Facade Specialist

NOTE :

1. ALL DIMENSIONS ARE IN mm.
2. ALL ELEVATIONS ARE VIEWED FROM OUTSIDE.
3. ALL DIMENSIONS TO BE VERIFIED ON SITE BEFORE FABRICATION.

LEGEND :

X1 --- DETAIL MARK NO.  
X001 --- REFER SHEET NO.

1. F.F.L. --- FINISHED FLOOR LEVEL
2. S.F.L. --- STRUCTURAL FLOOR LEVEL
3. (R) --- REVERSED DETAIL
4. GLASS LEGEND  
EGL-1 --- 8mm+12mm AIR GAP+8mm THK. I.G.U.  
EGL-2 --- 10mm THK. CLEAR TEMPERED GLASS

NO.	DATE	REVISION	BY
E	15/11/2022	REVISION SUBJECT TO ARCH.COMMENT	ivan
D	28/09/2022	REVISION SUBJECT TO ARCH.COMMENT	ivan
C	14/09/2022	REVISION SUBJECT TO ARCH.COMMENT	ivan
B	21/04/2022	UPDATE LAYOUT ELEVATION	ivan
A	22/12/2021	REVISION SUBJECT TO ARCH.COMMENT	ivan

JOB NO. : J-856

PROJECT : PROPOSED DEVELOPMENT ABOVE LIGHT RAIL TIN WING STOP, TSWTL NO.23, AREA 33, TIN SHUI WAI, N.T.

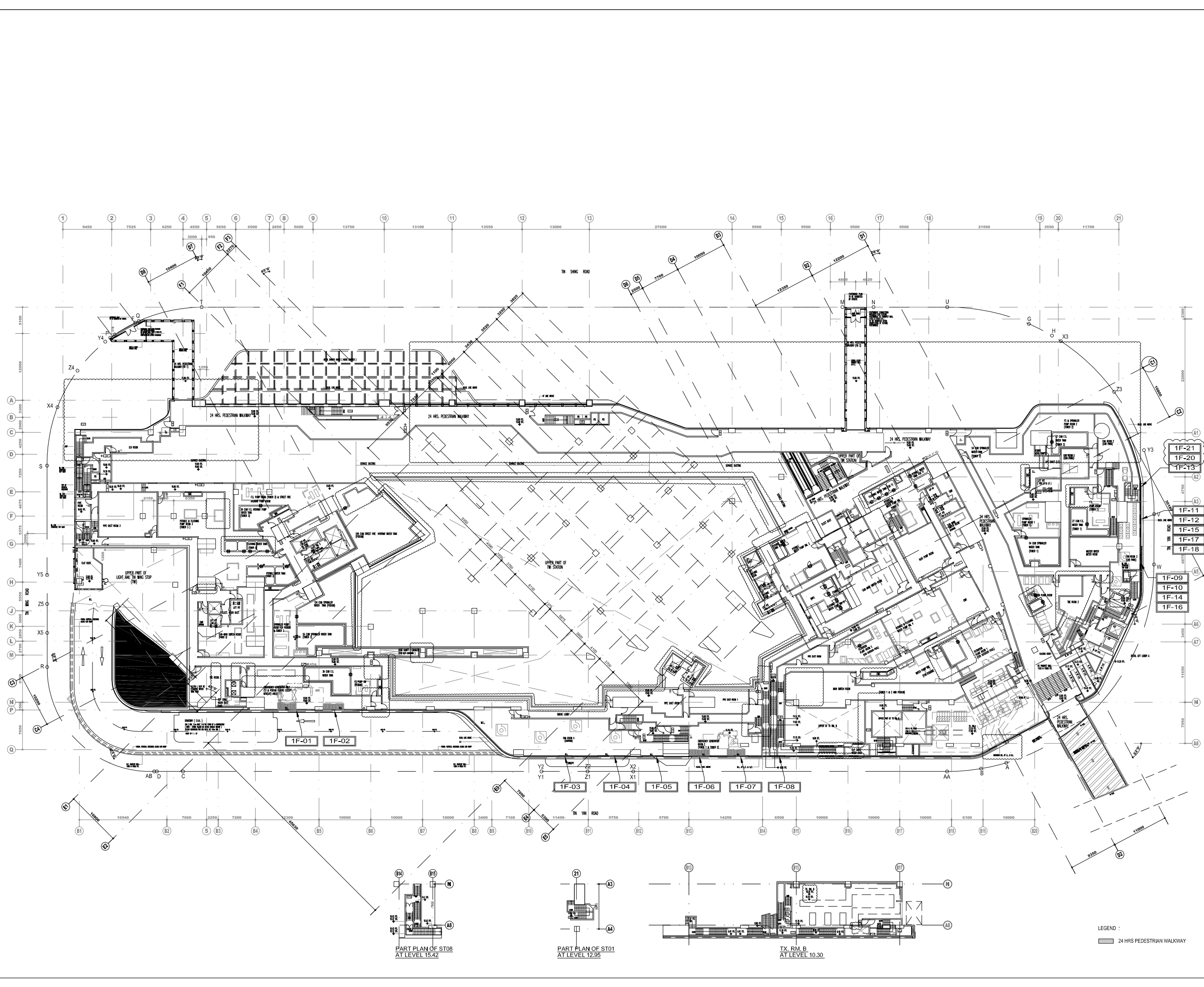
TITLE : LAYOUT ELEVATION FOR PODIUM IN-SITU LOUVER G/F-1/F

DATE : 27-Oct-21 SCALE : 1:\*\*\*

DRAWN BY : Ivan CHECKED BY :

**美特鋁質有限公司**  
MIDI ALUMINIUM FABRICATOR LTD.  
Units 6-8, Sunray Industrial Centre, 1/F  
610 Cha Kwo Ling Road, Kowloon  
Tel: 23489211-4 Fax: (852) 27727666

DWG NO. : J856-SD-LV-3013 REV. : E



B.D. REF :

CLIENT :  
**SUN HUNG KAI**  
 REAL ESTATE AGENCY LTD.  
 42/F SUN HUNG KAI CENTRE, WANCHAI, HONGKONG

ARCHITECT :  
**lwk&partners**  
 architects

MAIN CONTRACTOR :  
**Yee Fai** Building Contractors Ltd.

STRUCTURAL ENGINEER :  
**ARUP**

FACADE CONSULTANT:  
**ALPHA CONSULTING LIMITED**  
 Steel Structure & Facade Specialist

NOTE :  
 1. ALL DIMENSIONS ARE IN mm.  
 2. ALL ELEVATIONS ARE VIEWED FROM OUTSIDE.  
 3. ALL DIMENSIONS TO BE VERIFIED ON SITE BEFORE FABRICATION.

LEGEND :  
 X1 --- DETAIL MARK NO.  
 X001 --- REFER SHEET NO.  
 1. F.F.L. --- FINISHED FLOOR LEVEL  
 2. S.F.L. --- STRUCTURAL FLOOR LEVEL  
 3. (R) --- REVERSED DETAIL  
 4. GLASS LEGEND  
 EGL-1 --- 8mm+12mm AIR GAP+8mm THK. I.G.U.  
 EGL-2 --- 10mm THK. CLEAR TEMPERED GLASS

B	09/06/2023	REVISION SUBJECT TO ARCH.COMMENT	ivan
A	20/10/2022	REVISION SUBJECT TO ARCH.COMMENT	ivan
NO.	DATE	REVISED	BY

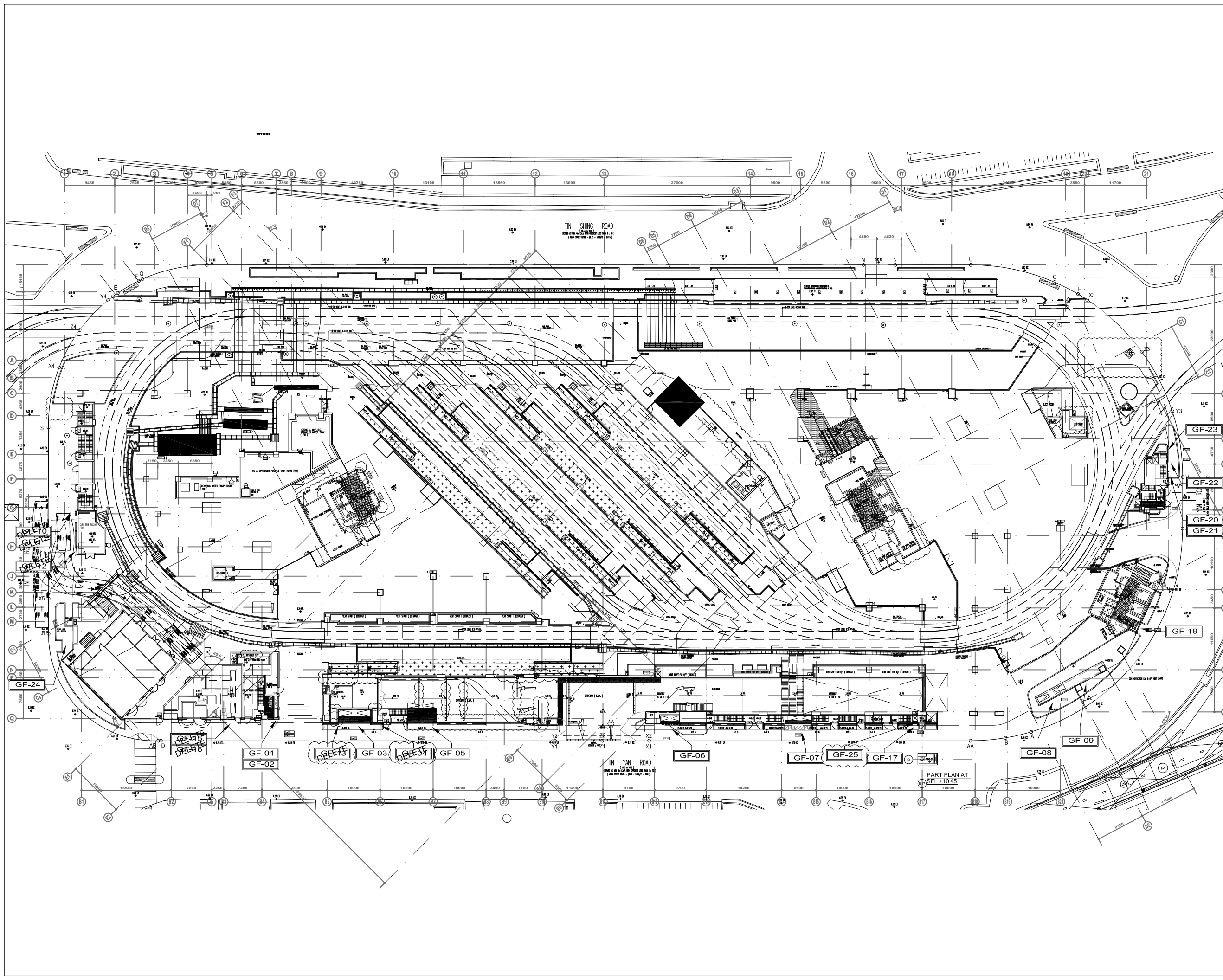
JOB NO. : J-856  
 PROJECT : PROPOSED DEVELOPMENT ABOVE LIGHT RAIL TIN WING STOP, TSWTL NO.23, AREA 33, TIN SHUI WAI, N.T.

TITLE : PLAN FOR IN-SITU LOUVER 1/F


DATE : 02-Aug-21 SCALE : 1:40  
 DRAWN BY : ivan CHECKED BY :


**MIDI** ALUMINIUM FABRICATOR LTD.  
 Units 6-8, Sunray Industrial Centre, 1/F  
 610 Cha Kwo Ling Road, Kowloon  
 Tel:23489211-4 Fax:(852)27727666


DWG NO. : J856-SD-LV-3016 REV. : B





B.D. REF :

CLIENT :  
 **SUN HUNG KAI**  
 REAL ESTATE AGENCY LTD.  
 42/F SUN HUNG KAI CENTRE, WANCHAI, HONGKONG

ARCHITECT :  
 **Iwk&partners**  
 architects

MAIN CONTRACTOR :  
 **Yee Fai** Building Contractors Ltd.

STRUCTURAL ENGINEER :  
 **ARUP**

FAÇADE CONSULTANT:  
 **ALPHA CONSULTING LIMITED**  
 Steel Structure & Façade Specialist

NOTE :  
 1. ALL DIMENSIONS ARE IN mm.  
 2. ALL ELEVATIONS ARE VIEWED FROM OUTSIDE.  
 3. ALL DIMENSIONS TO BE VERIFIED ON SITE BEFORE FABRICATION.

LEGEND :  
 (X1) --- DETAIL MARK NO.  
 (X001) --- REFER SHEET NO.

1. F.F.L. --- FINISHED FLOOR LEVEL  
 2. S.F.L. --- STRUCTURAL FLOOR LEVEL  
 3. (R) --- REVERSED DETAIL  
 4. GLASS LEGEND  
 EGL-1 --- 8mm+12mm AIR GAP+8mm THK. I.G.U.  
 EGL-2 --- 10mm THK. CLEAR TEMPERED GLASS

NO.	DATE	REVISION	BY
C	30/05/2023	REVISION SUBJECT TO ARCH.COMMENT	Ivan
B	15/12/2022	REVISION SUBJECT TO ARCH.COMMENT	Ivan
A	20/10/2022	REVISION SUBJECT TO ARCH.COMMENT	Ivan


JOB NO. : J-856

PROJECT : PROPOSED DEVELOPMENT ABOVE LIGHT RAIL TIN WING STOP, TSWTL NO.23, AREA 33, TIN SHUI WAI, N.T.

TITLE : PLAN FOR IN-SITU LOUVER G/F

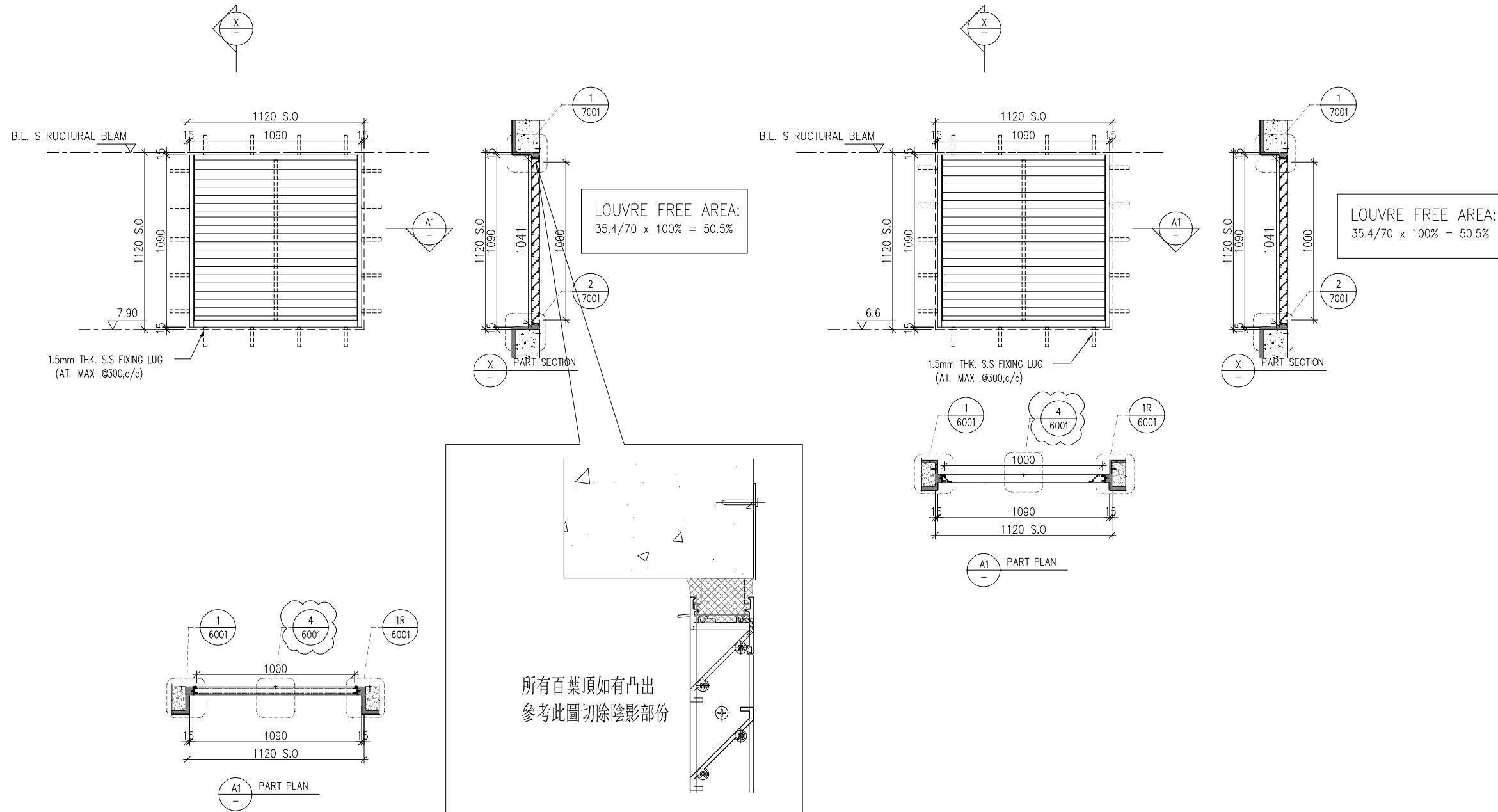
DATE : 02-Aug-21      SCALE : 1:40

DRAWN BY : Ivan      CHECKED BY :

 **美特鋁質有限公司**  
 MIDI ALUMINIUM FABRICATOR LTD.  
 Units 6-8, Sunray Industrial Centre, 1/F  
 610 Cha Kwo Ling Road, Kowloon  
 Tel: 23489211-4 Fax: (852) 27727666

DWG NO. : J856-SD-LV-3015      REV. : C

ELEVATION



B.D. REF :

CLIENT :

**SUN HUNG KAI**  
REAL ESTATE AGENCY LTD.  
42/F SUN HUNG KAI CENTRE, WANCHAI, HONGKONG

ARCHITECT :

**lwk&partners**  
architects

MAIN CONTRACTOR :

**Yee Fai** Building Contractors Ltd.

STRUCTURAL ENGINEER :

**ARUP**

FAÇADE CONSULTANT:

**ALPHA CONSULTING LIMITED**  
Steel Structure & Façade Specialist

NOTE :

1. ALL DIMENSIONS ARE IN mm.
2. ALL ELEVATIONS ARE VIEWED FROM OUTSIDE.
3. ALL DIMENSIONS TO BE VERIFIED ON SITE BEFORE FABRICATION.

LEGEND :

- (X1) — DETAIL MARK NO.
- (X001) — REFER SHEET NO.

1. F.F.L. -- FINISHED FLOOR LEVEL
2. S.F.L. -- STRUCTURAL FLOOR LEVEL
3. (R) -- REVERSED DETAIL
4. GLASS LEGEND

EGL-1 -- 8mm+12mm AIR GAP+8mm THK. I.G.U.  
EGL-2 -- 10mm THK. CLEAR TEMPERED GLASS

NO.	DATE	REVISED	BY
E	30/05/2023	ADD. BIRD NET PRESS BAR	lvn
D	14/04/2023	REVISION SUBJECT TO ARCH.COMMENT	lvn
C	15/12/2022	REVISION SUBJECT TO ARCH.COMMENT	lvn
B	22/09/2022	REVISION SUBJECT TO ARCH.COMMENT	lvn
A	21/04/2022	REVISION SUBJECT TO ARCH.COMMENT	lvn

JOB NO. : J-856

PROJECT :  
PROPOSED DEVELOPMENT ABOVE  
LIGHT RAIL TIN WING STOP, TSWTL  
NO.23, AREA 33, TIN SHUI WAI, N.T.

TITLE :  
LOUVER SCHEDULE FOR  
G/F IN-SITU LOUVER

DATE : 06-Aug-21 SCALE : 1:40

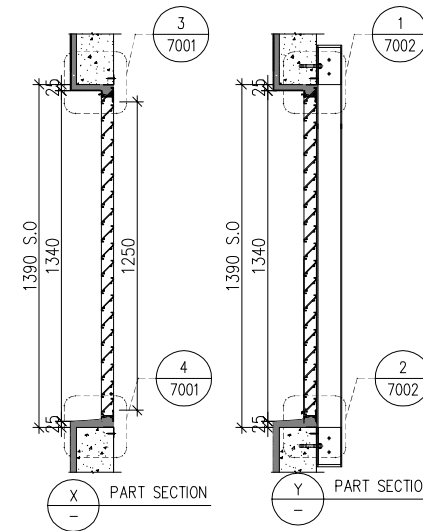
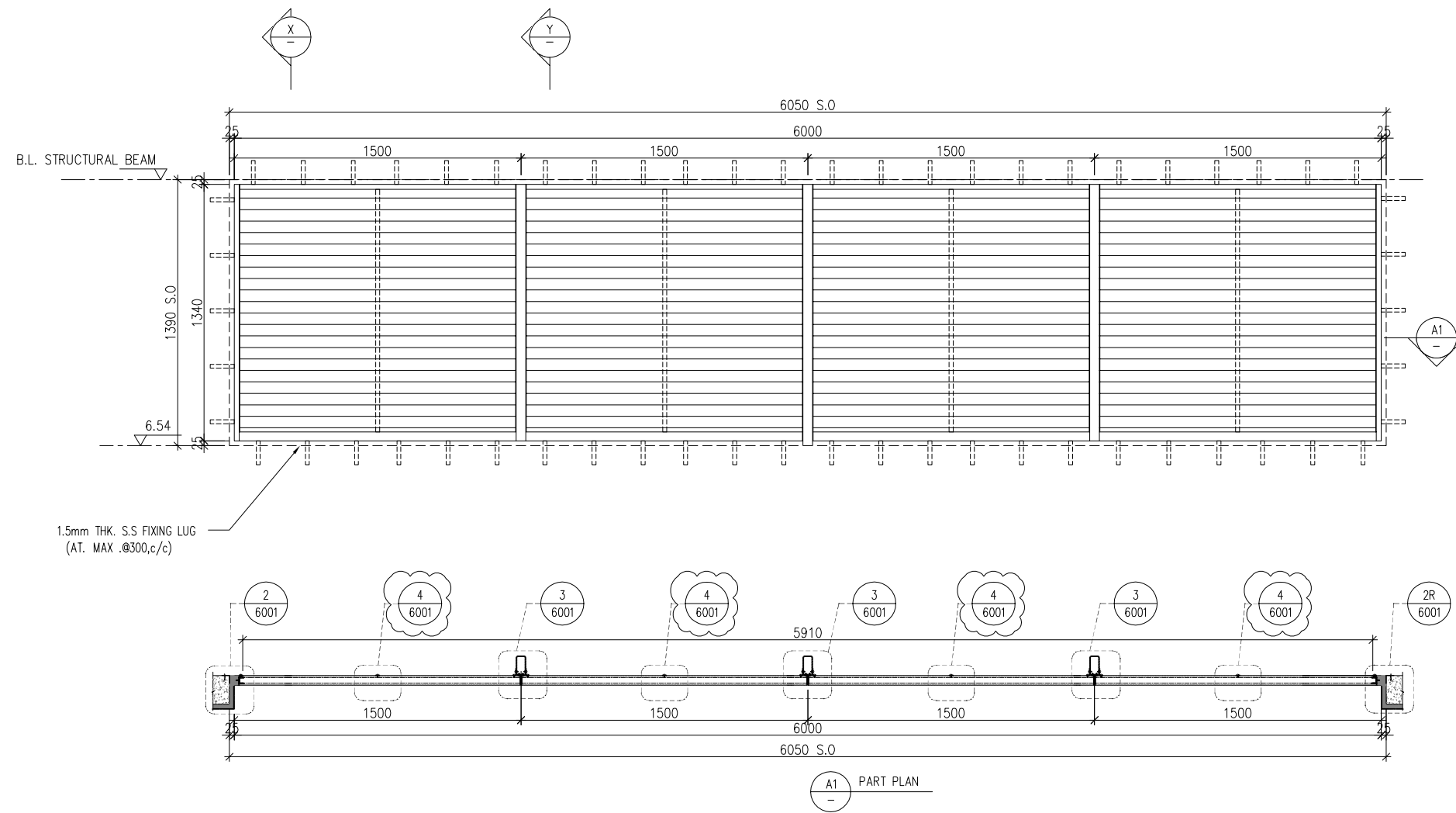
DRAWN BY : lvn CHECKED BY :

**美特鋁質有限公司**  
**MIDI ALUMINIUM FABRICATOR LTD.**  
Units 6-8, Sunray Industrial Centre, 1/F  
610 Cha Kwo Ling Road, Kowloon  
Tel: 23489211-4 Fax: (852) 2727666

DWG NO. : J856-SD-LV-5003 REV. : E

WINDOW MARK	GF 001 S.V.101	GF 002 S.V.102
LOCATION	G/F: G.L.(B4/Q)	G/F: G.L.(B4/Q)
SECTION	50mm ALUM. SECTION	50mm ALUM. SECTION
GLAZING	ALUM. LOUVER BLADE COLOUR CODE: MATT BLACK (TUC40577SC-3)	ALUM. LOUVER BLADE COLOUR CODE: MATT BLACK (TUC40577SC-3)
QUANTITY	1 NOS.	1 NOS.
REMARKS	SS WIRE MESH	SS WIRE MESH

ELEVATION



LOUVRE FREE AREA:  
35.4/70 x 100% = 50.5%

B.D. REF :

CLIENT :

**SUN HUNG KAI**  
REAL ESTATE AGENCY LTD.  
42/F SUN HUNG KAI CENTRE, WANCHAI, HONGKONG

ARCHITECT :

**lwk&partners**  
architects

MAIN CONTRACTOR :

**Yee Fai** Building Contractors Ltd.

STRUCTURAL ENGINEER :

**ARUP**

FACADE CONSULTANT:

**ALPHA CONSULTING LIMITED**  
Steel Structure & Facade Specialist

NOTE :

1. ALL DIMENSIONS ARE IN mm.
2. ALL ELEVATIONS ARE VIEWED FROM OUTSIDE.
3. ALL DIMENSIONS TO BE VERIFIED ON SITE BEFORE FABRICATION.

LEGEND :

- X1 --- DETAIL MARK NO.
- X001 --- REFER SHEET NO.

1. F.F.L. --- FINISHED FLOOR LEVEL
2. S.F.L. --- STRUCTURAL FLOOR LEVEL
3. (R) --- REVERSED DETAIL

4. GLASS LEGEND  
EGL-1 --- 8mm+12mm AIR GAP+8mm THK. I.G.U.  
EGL-2 --- 10mm THK. CLEAR TEMPERED GLASS

NO.	DATE	REVISED	BY
E	30/05/2023	ADD. BIRD NET PRESS BAR	lvon
D	14/04/2023	REVISION SUBJECT TO ARCH.COMMENT	lvon
C	15/12/2022	REVISION SUBJECT TO ARCH.COMMENT	lvon
B	22/09/2022	REVISION SUBJECT TO ARCH.COMMENT	lvon
A	21/04/2022	REVISION SUBJECT TO ARCH.COMMENT	lvon

JOB NO. : J-856

PROJECT :  
PROPOSED DEVELOPMENT ABOVE  
LIGHT RAIL TIN WING STOP, TSWTL  
NO.23, AREA 33, TIN SHUI WAI, N.T.

TITLE :  
LOUVER SCHEDULE FOR  
G/F IN-SITU LOUVER

DATE : 06-Aug-21 SCALE : 1:40

DRAWN BY : lvon CHECKED BY :

**美特鋁質有限公司**  
**MIDI ALUMINIUM FABRICATOR LTD.**  
Units 6-8, Sunray Industrial Centre, 1/F  
610 Cha Kwo Ling Road, Kowloon  
Tel: 23489211-4 Fax: (852) 27727666

DWG NO. : J856-SD-LV-5004 REV. : E

WINDOW MARK **GF 003** S.V.103

LOCATION G/F: G.L.(B4/Q)

SECTION 50mm ALUM. SECTION

GLAZING ALUM. LOUVER BLADE COLOUR CODE: MATT BLACK (TUC40577SC-3)

QUANTITY 1 NOS.

REMARKS SS WIRE MESH

ELEVATION



B.D. REF :

CLIENT :

**SUN HUNG KAI**  
REAL ESTATE AGENCY LTD.  
42/F SUN HUNG KAI CENTRE, WANCHAI, HONGKONG

ARCHITECT :

**lwk&partners**  
architects

MAIN CONTRACTOR :

**Yee Fai** Building Contractors Ltd.

STRUCTURAL ENGINEER :

**ARUP**

FACADE CONSULTANT:

**ALPHA CONSULTING LIMITED**  
Steel Structure & Facade Specialist

NOTE :

1. ALL DIMENSIONS ARE IN mm.
2. ALL ELEVATIONS ARE VIEWED FROM OUTSIDE.
3. ALL DIMENSIONS TO BE VERIFIED ON SITE BEFORE FABRICATION.

LEGEND :

- (X1) --- DETAIL MARK NO.
- (X001) --- REFER SHEET NO.

1. F.F.L. --- FINISHED FLOOR LEVEL
2. S.F.L. --- STRUCTURAL FLOOR LEVEL
3. (R) --- REVERSED DETAIL

4. GLASS LEGEND
- EGL-1 --- 8mm+12mm AIR GAP+8mm THK. I.G.U.
  - EGL-2 --- 10mm THK. CLEAR TEMPERED GLASS

NO.	DATE	REVISED	BY
E	30/05/2023	REVISION SUBJECT TO ARCH.COMMENT	ivan
D	14/04/2023	REVISION SUBJECT TO ARCH.COMMENT	ivan
C	15/12/2022	REVISION SUBJECT TO ARCH.COMMENT	ivan
B	22/09/2022	REVISION SUBJECT TO ARCH.COMMENT	ivan
A	21/04/2022	REVISION SUBJECT TO ARCH.COMMENT	ivan

JOB NO. : J-856

PROJECT :  
PROPOSED DEVELOPMENT ABOVE  
LIGHT RAIL TIN WING STOP, TSWTL  
NO.23, AREA 33, TIN SHUI WAI, N.T.

TITLE :  
LOUVER SCHEDULE FOR  
G/F IN-SITU LOUVER

DATE : 06-Aug-21 SCALE : 1:40

DRAWN BY : ivan CHECKED BY :

**美特鋁質有限公司**  
**MIDI ALUMINIUM FABRICATOR LTD.**  
Units 6-8, Sunray Industrial Centre, 1/F  
610 Cha Kwo Ling Road, Kowloon  
Tel: 23489211-4 Fax: (852) 27727666

DWG NO. : J856-SD-LV-5005 REV. : D

WINDOW MARK **GF 004** E&M PURPOSE (NEWLAND)

LOCATION G/F: G.L.(B5-B6/P-Q)

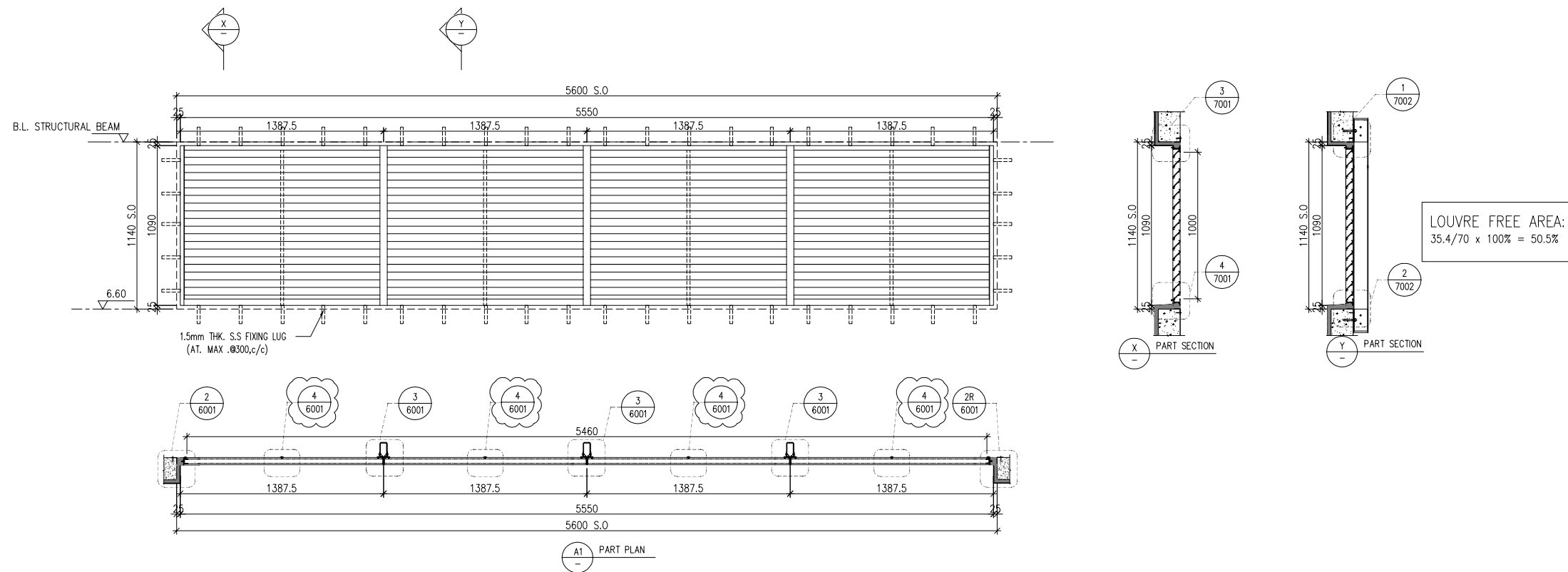
SECTION 50mm ALUM. SECTION

GLAZING ALUM. LOUVER BLADE COLOUR CODE: MATT BLACK (TUC40577SC-3)

QUANTITY 1 NOS.

REMARKS SS WIRE MESH

ELEVATION



B.D. REF :

CLIENT :

**SUN HUNG KAI**  
REAL ESTATE AGENCY LTD.  
42/F SUN HUNG KAI CENTRE, WANCHAI, HONGKONG

ARCHITECT :

**lwk&partners**  
architects

MAIN CONTRACTOR :

**Yee Fai** Building Contractors Ltd.

STRUCTURAL ENGINEER :

**ARUP**

FAÇADE CONSULTANT:

**ALPHA CONSULTING LIMITED**  
Steel Structure & Façade Specialist

NOTE :

1. ALL DIMENSIONS ARE IN mm.
2. ALL ELEVATIONS ARE VIEWED FROM OUTSIDE.
3. ALL DIMENSIONS TO BE VERIFIED ON SITE BEFORE FABRICATION.

LEGEND :

- X1 — DETAIL MARK NO.
- X001 — REFER SHEET NO.

1. F.F.L. -- FINISHED FLOOR LEVEL
2. S.F.L. -- STRUCTURAL FLOOR LEVEL
3. (R) -- REVERSED DETAIL

4. GLASS LEGEND  
EGL-1 -- 8mm+12mm AIR GAP+8mm THK. I.G.U.  
EGL-2 -- 10mm THK. CLEAR TEMPERED GLASS

NO.	DATE	REVISED	BY
E	30/05/2023	ADD. BIRD NET PRESS BAR	lvn
D	14/04/2023	REVISION SUBJECT TO ARCH.COMMENT	lvn
C	15/12/2022	REVISION SUBJECT TO ARCH.COMMENT	lvn
B	22/09/2022	REVISION SUBJECT TO ARCH.COMMENT	lvn
A	21/04/2022	REVISION SUBJECT TO ARCH.COMMENT	lvn

JOB NO. : J-856

PROJECT :  
PROPOSED DEVELOPMENT ABOVE  
LIGHT RAIL TIN WING STOP, TSWTL  
NO.23, AREA 33, TIN SHUI WAI, N.T.

TITLE :  
LOUVER SCHEDULE FOR  
G/F IN-SITU LOUVER

DATE : 06-Aug-21 SCALE : 1:40

DRAWN BY : lvn CHECKED BY :

**美特鋁質有限公司**  
**MIDI ALUMINIUM FABRICATOR LTD.**  
Units 6-8, Sunray Industrial Centre, 1/F  
610 Cha Kwo Ling Road, Kowloon  
Tel: 23489211-4 Fax: (852) 27727666

DWG NO. : J856-SD-LV-5006 REV. : E

WINDOW MARK S.V.105

LOCATION G/F: G.L.(B6-B7/P)

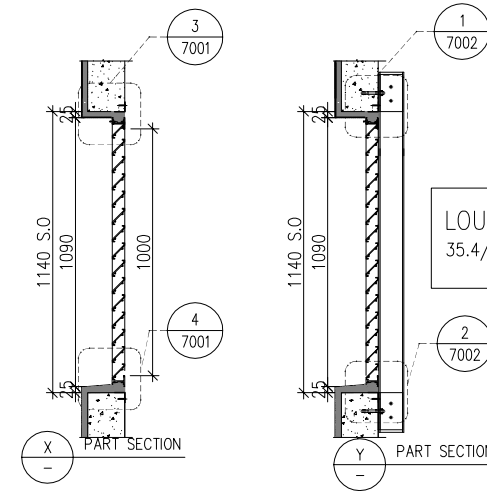
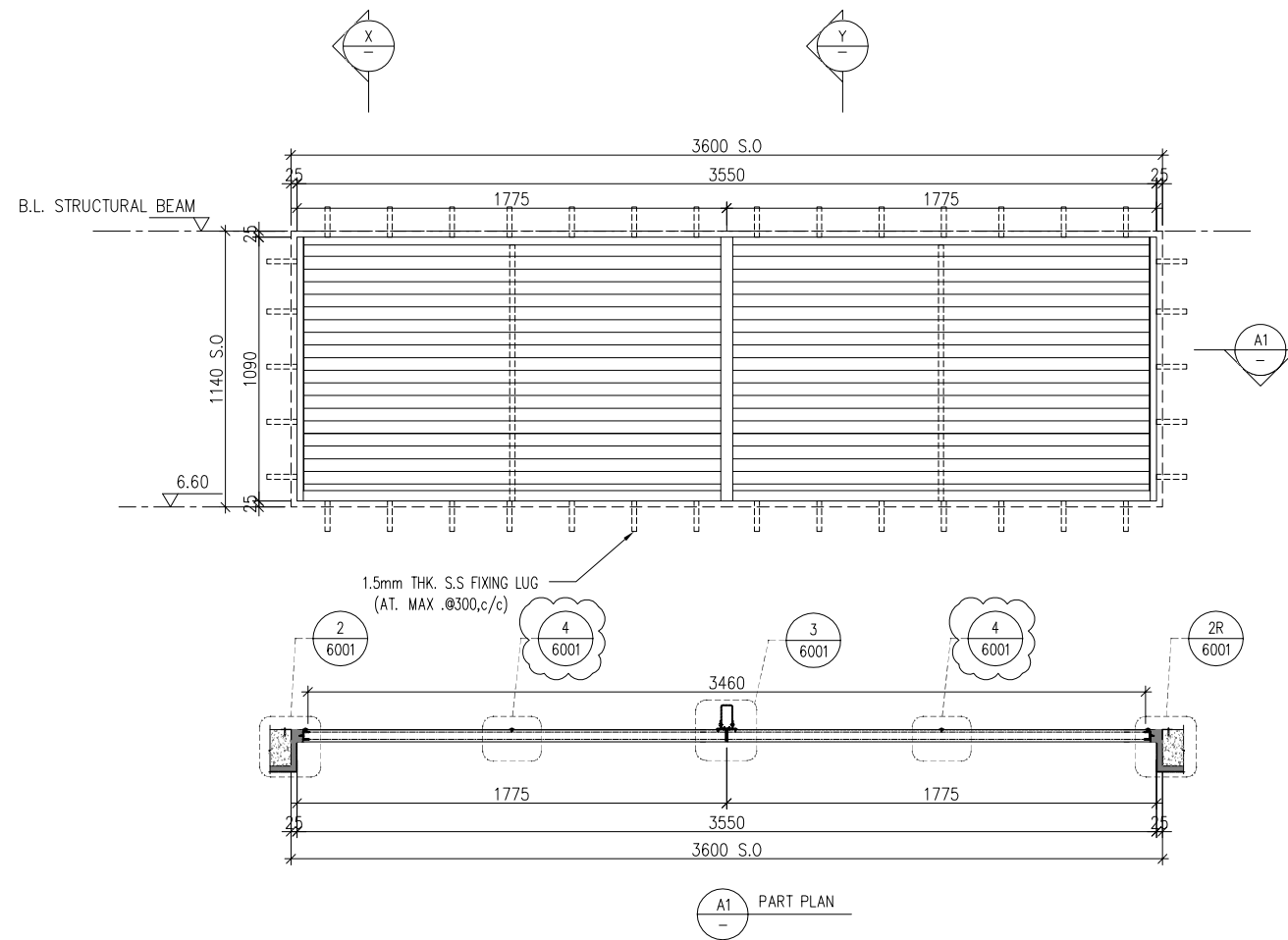
SECTION 50mm ALUM. SECTION

GLAZING ALUM. LOUVER BLADE COLOUR CODE: MATT BLACK (TUC40577SC-3)

QUANTITY 1 NOS.

REMARKS SS WIRE MESH

ELEVATION



B.D. REF :

CLIENT :

**SUN HUNG KAI**  
REAL ESTATE AGENCY LTD.  
42/F SUN HUNG KAI CENTRE, WANCHAI, HONGKONG

ARCHITECT :

**lwk&partners**  
architects

MAIN CONTRACTOR :

**Yee Fai** Building Contractors Ltd.

STRUCTURAL ENGINEER :

**ARUP**

FACADE CONSULTANT:

**ALPHA CONSULTING LIMITED**  
Steel Structure & Facade Specialist

NOTE :

1. ALL DIMENSIONS ARE IN mm.
2. ALL ELEVATIONS ARE VIEWED FROM OUTSIDE.
3. ALL DIMENSIONS TO BE VERIFIED ON SITE BEFORE FABRICATION.

LEGEND :

- X1 — DETAIL MARK NO.
- X001 — REFER SHEET NO.

1. F.F.L. -- FINISHED FLOOR LEVEL
2. S.F.L. -- STRUCTURAL FLOOR LEVEL
3. (R) -- REVERSED DETAIL

4. GLASS LEGEND
- EGL-1 -- 8mm+12mm AIR GAP+8mm THK. I.G.U.
  - EGL-2 -- 10mm THK. CLEAR TEMPERED GLASS

NO.	DATE	REVISED	BY
E	30/05/2023	ADD. BIRD NET PRESS BAR	lvn
D	14/04/2023	REVISION SUBJECT TO ARCH.COMMENT	lvn
C	15/12/2022	REVISION SUBJECT TO ARCH.COMMENT	lvn
B	22/09/2022	REVISION SUBJECT TO ARCH.COMMENT	lvn
A	21/04/2022	REVISION SUBJECT TO ARCH.COMMENT	lvn

JOB NO. : J-856

PROJECT :  
PROPOSED DEVELOPMENT ABOVE  
LIGHT RAIL TIN WING STOP, TSWTL  
NO.23, AREA 33, TIN SHUI WAI, N.T.

TITLE :  
LOUVER SCHEDULE FOR  
G/F IN-SITU LOUVER

DATE : 06-Aug-21 SCALE : 1:40

DRAWN BY : lvn CHECKED BY :

**美特鋁質有限公司**  
**MIDI ALUMINIUM FABRICATOR LTD.**  
Units 6-8, Sunray Industrial Centre, 1/F  
610 Cha Kwo Ling Road, Kowloon  
Tel: 23489211-4 Fax: (852) 27727666

DWG NO. : J856-SD-LV-5007 REV. : E

WINDOW MARK S.V.107

LOCATION G/F: G.L.(B12 B13/P)

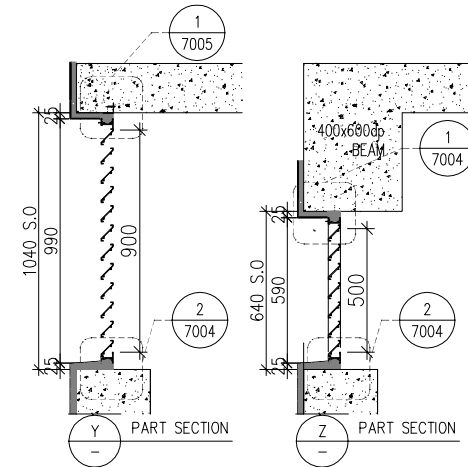
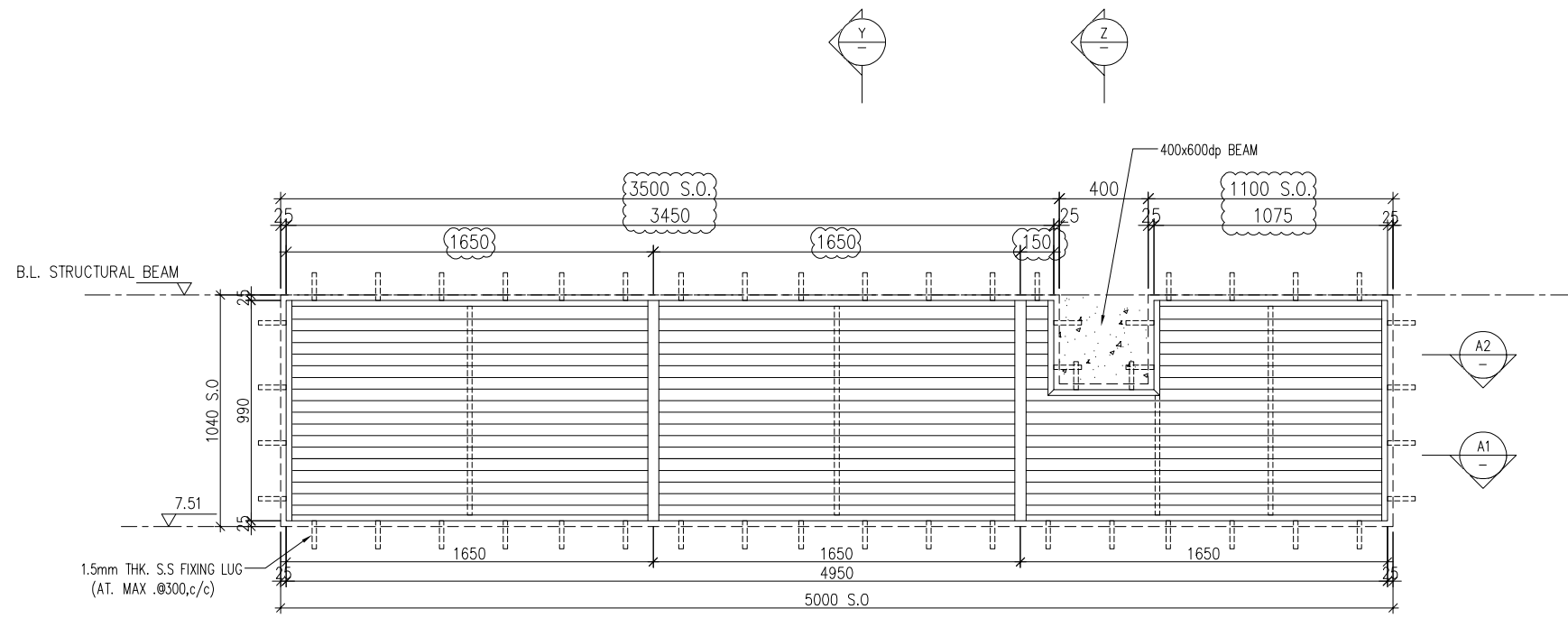
SECTION 50mm ALUM. SECTION

GLAZING ALUM. LOUVER BLADE COLOUR CODE: MATT BLACK (TUC40577SC-3)

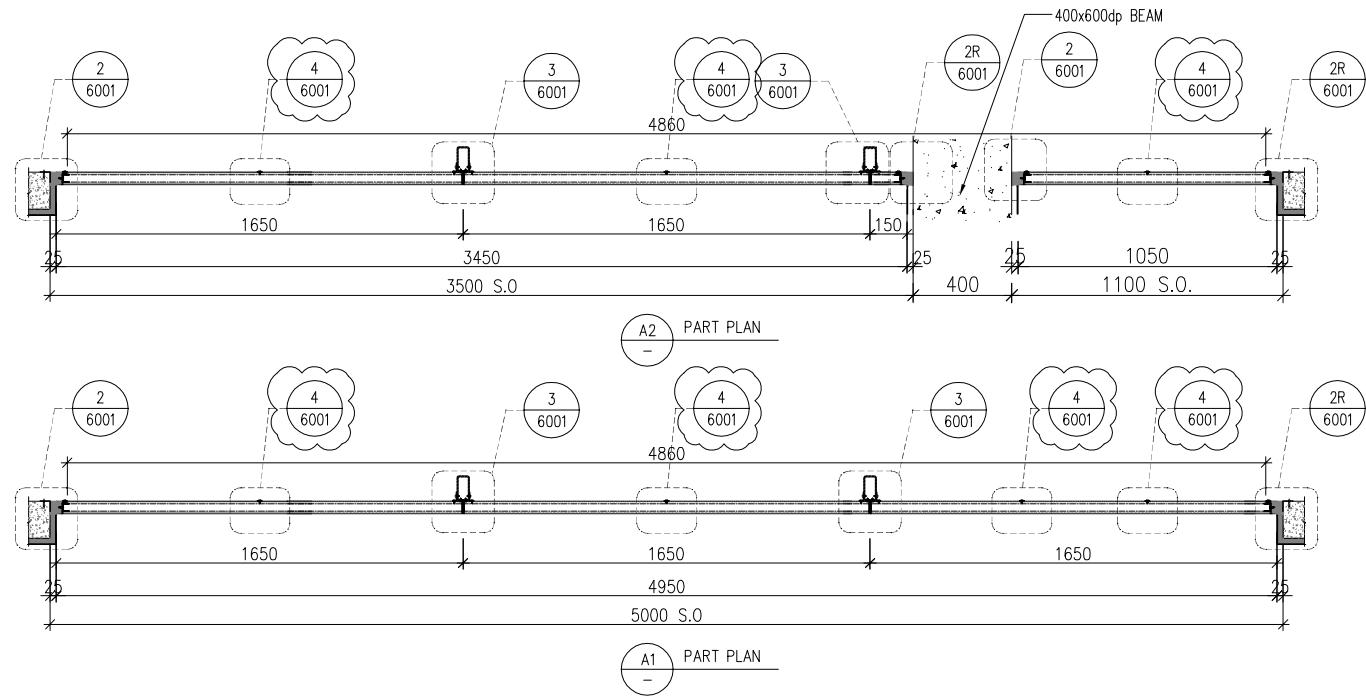
QUANTITY 1 NOS.

REMARKS SS WIRE MESH

ELEVATION



LOUVRE FREE AREA:  
41/78 x 100% = 52.5%



B.D. REF :

CLIENT :

**SUN HUNG KAI**  
REAL ESTATE AGENCY LTD.  
42/F SUN HUNG KAI CENTRE, WANCHAI, HONGKONG

ARCHITECT :

**lwk&partners**  
architects

MAIN CONTRACTOR :

**Yee Fai** Building Contractors Ltd.

STRUCTURAL ENGINEER :

**ARUP**

FACADE CONSULTANT:

**ALPHA CONSULTING LIMITED**  
Steel Structure & Facade Specialist

NOTE :

1. ALL DIMENSIONS ARE IN mm.
2. ALL ELEVATIONS ARE VIEWED FROM OUTSIDE.
3. ALL DIMENSIONS TO BE VERIFIED ON SITE BEFORE FABRICATION.

LEGEND :

- X1 --- DETAIL MARK NO.
- X001 --- REFER SHEET NO.

1. F.F.L. --- FINISHED FLOOR LEVEL
2. S.F.L. --- STRUCTURAL FLOOR LEVEL
3. (R) --- REVERSED DETAIL
4. GLASS LEGEND  
EGL-1 --- 8mm+12mm AIR GAP+8mm THK. I.G.U.  
EGL-2 --- 10mm THK. CLEAR TEMPERED GLASS

NO.	DATE	REVISED	BY
G	30/05/2023	ADD. BIRD NET PRESS BAR	ivan
F	14/04/2023	REVISION SUBJECT TO ARCH.COMMENT	ivan
E	03/01/2023	REVISION SUBJECT TO ARCH.COMMENT	ivan
D	15/12/2022	REVISION SUBJECT TO ARCH.COMMENT	ivan
C	15/11/2022	REVISION SUBJECT TO ARCH.COMMENT	ivan
B	22/09/2022	REVISION SUBJECT TO ARCH.COMMENT	ivan
A	21/04/2022	REVISION SUBJECT TO ARCH.COMMENT	ivan

JOB NO. : J-856

PROJECT :  
PROPOSED DEVELOPMENT ABOVE  
LIGHT RAIL TIN WING STOP, TSWTL  
NO.23, AREA 33, TIN SHUI WAI, N.T.

TITLE :  
LOUVER SCHEDULE FOR  
G/F IN-SITU LOUVER

DATE : 06-Aug-21 SCALE : 1:40

DRAWN BY : ivan CHECKED BY :

**美特鋁質有限公司**  
**MIDI ALUMINIUM FABRICATOR LTD.**  
Units 6-8, Sunray Industrial Centre, 1/F  
610 Cha Kwo Ling Road, Kowloon  
Tel: 23489211-4 Fax: (852) 27727666

DWG NO. : J856-SD-LV-5008 REV. : G

WINDOW MARK **GF 007** S.V.203

LOCATION G/F: G.L.(B14-B15/P)

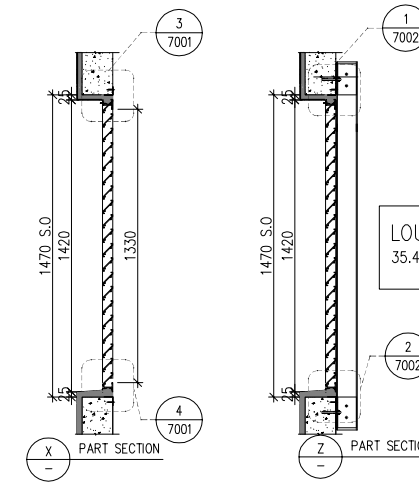
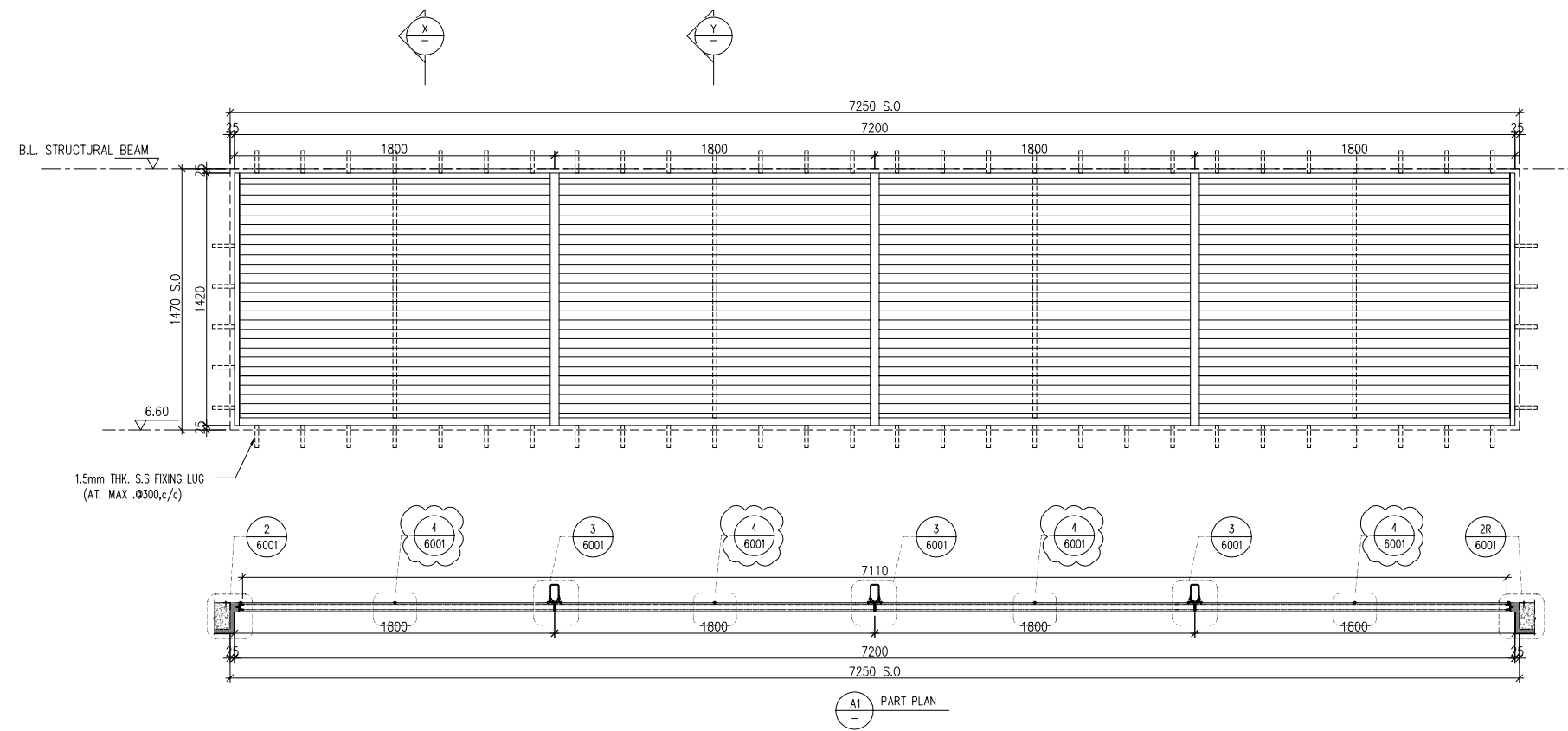
SECTION 50mm ALUM. SECTION

GLAZING ALUM. LOUVER BLADE COLOUR CODE: MATT BLACK (TUC40577SC-3)

QUANTITY 1 NOS.

REMARKS SS WIRE MESH

ELEVATION



LOUVRE FREE AREA:  
35.4/70 x 100% = 50.5%

B.D. REF :

CLIENT :  
**SUN HUNG KAI**  
REAL ESTATE AGENCY LTD.  
42/F SUN HUNG KAI CENTRE, WANCHAI, HONGKONG

ARCHITECT :  
**lwk&partners**  
architects

MAIN CONTRACTOR :  
**Yee Fai** Building Contractors Ltd.

STRUCTURAL ENGINEER :  
**ARUP**

FACADE CONSULTANT:  
**ALPHA CONSULTING LIMITED**  
Steel Structure & Facade Specialist

NOTE :  
1. ALL DIMENSIONS ARE IN mm.  
2. ALL ELEVATIONS ARE VIEWED FROM OUTSIDE.  
3. ALL DIMENSIONS TO BE VERIFIED ON SITE BEFORE FABRICATION.

LEGEND :  
X1 --- DETAIL MARK NO.  
X001 --- REFER SHEET NO.  
1. F.F.L. --- FINISHED FLOOR LEVEL  
2. S.F.L. --- STRUCTURAL FLOOR LEVEL  
3. (R) --- REVERSED DETAIL  
4. GLASS LEGEND  
EGL-1 --- 8mm+12mm AIR GAP+8mm THK. I.G.U.  
EGL-2 --- 10mm THK. CLEAR TEMPERED GLASS

NO.	DATE	REVISED	BY
E	30/05/2023	ADD. BIRD NET PRESS BAR	lvon
D	14/04/2023	REVISION SUBJECT TO ARCH.COMMENT	lvon
C	15/12/2022	REVISION SUBJECT TO ARCH.COMMENT	lvon
B	22/09/2022	REVISION SUBJECT TO ARCH.COMMENT	lvon
A	21/04/2022	REVISION SUBJECT TO ARCH.COMMENT	lvon

JOB NO. : J-856  
PROJECT : PROPOSED DEVELOPMENT ABOVE LIGHT RAIL TIN WING STOP, TSWTL NO.23, AREA 33, TIN SHUI WAI, N.T.

TITLE : LOUVER SCHEDULE FOR G/F IN-SITU LOUVER

DATE : 06-Aug-21 SCALE : 1:40  
DRAWN BY : lvon CHECKED BY :

**美特鋁質有限公司**  
**MIDI ALUMINIUM FABRICATOR LTD.**  
Units 6-8, Sunray Industrial Centre, 1/F  
610 Cha Kwo Ling Road, Kowloon  
Tel: 23489211-4 Fax: (852) 27727666

DWG NO. : J856-SD-LV-5009 REV. : E

WINDOW MARK S.V.205

LOCATION G/F: G.L.(B18-B19/P)

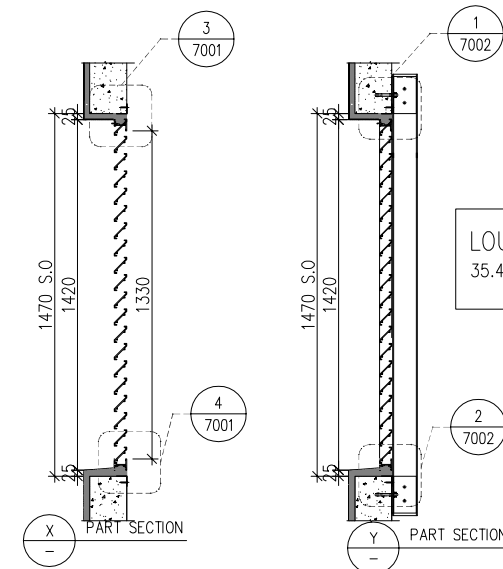
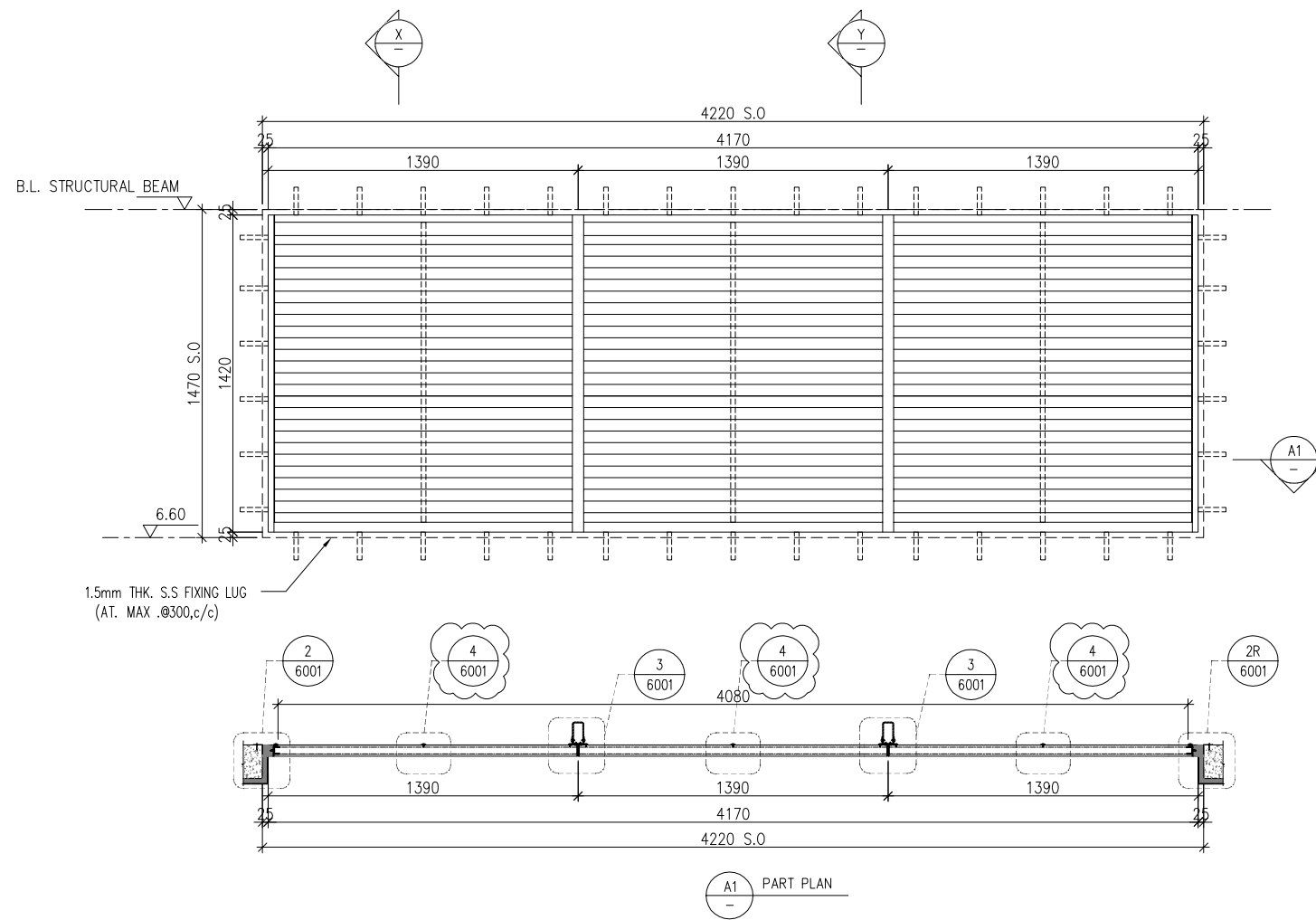
SECTION 50mm ALUM. SECTION

GLAZING ALUM. LOUVER BLADE COLOUR CODE: MATT BLACK (TUC40577SC-3)

QUANTITY 1 NOS.

REMARKS SS WIRE MESH

ELEVATION



LOUVRE FREE AREA:  
35.4/70 x 100% = 50.5%

B.D. REF :

CLIENT :  
**SUN HUNG KAI**  
REAL ESTATE AGENCY LTD.  
42/F SUN HUNG KAI CENTRE, WANCHAI, HONGKONG

ARCHITECT :  
**lwk&partners**  
architects

MAIN CONTRACTOR :  
**Yee Fai** Building Contractors Ltd.

STRUCTURAL ENGINEER :  
**ARUP**

FAÇADE CONSULTANT:  
**ALPHA CONSULTING LIMITED**  
Steel Structure & Façade Specialist

NOTE :  
1. ALL DIMENSIONS ARE IN mm.  
2. ALL ELEVATIONS ARE VIEWED FROM OUTSIDE.  
3. ALL DIMENSIONS TO BE VERIFIED ON SITE BEFORE FABRICATION.

LEGEND :  
X1 --- DETAIL MARK NO.  
X001 --- REFER SHEET NO.  
1. F.F.L. --- FINISHED FLOOR LEVEL  
2. S.F.L. --- STRUCTURAL FLOOR LEVEL  
3. (R) --- REVERSED DETAIL  
4. GLASS LEGEND  
EGL-1 --- 8mm+12mm AIR GAP+8mm THK. I.G.U.  
EGL-2 --- 10mm THK. CLEAR TEMPERED GLASS

NO.	DATE	REVISED	BY
G	30/05/2023	ADD. BIRD NET PRESS BAR	lvon
F	14/04/2023	REVISION SUBJECT TO ARCH.COMMENT	lvon
E	15/12/2022	REVISION SUBJECT TO ARCH.COMMENT	lvon
D	25/11/2022	REVISION SUBJECT TO ARCH.COMMENT	lvon
C	15/11/2022	REVISION SUBJECT TO ARCH.COMMENT	lvon
B	22/09/2022	REVISION SUBJECT TO ARCH.COMMENT	lvon
A	21/04/2022	REVISION SUBJECT TO ARCH.COMMENT	lvon

JOB NO. : J-856  
PROJECT : PROPOSED DEVELOPMENT ABOVE LIGHT RAIL TIN WING STOP, TSWTL NO.23, AREA 33, TIN SHUI WAI, N.T.

TITLE : LOUVER SCHEDULE FOR G/F IN-SITU LOUVER

DATE : 06-Aug-21 SCALE : 1:40

DRAWN BY : lvon CHECKED BY :

**美特鋁質有限公司**  
**MIDI ALUMINIUM FABRICATOR LTD.**  
Units 6-8, Sunray Industrial Centre, 1/F  
610 Cha Kwo Ling Road, Kowloon  
Tel: 23489211-4 Fax: (852) 27727666

DWG NO. : J856-SD-LV-5010 REV. : G

WINDOW MARK **GF 009** E&M PURPOSE (AC)

LOCATION G/F: G.L.(B19-B20/P)

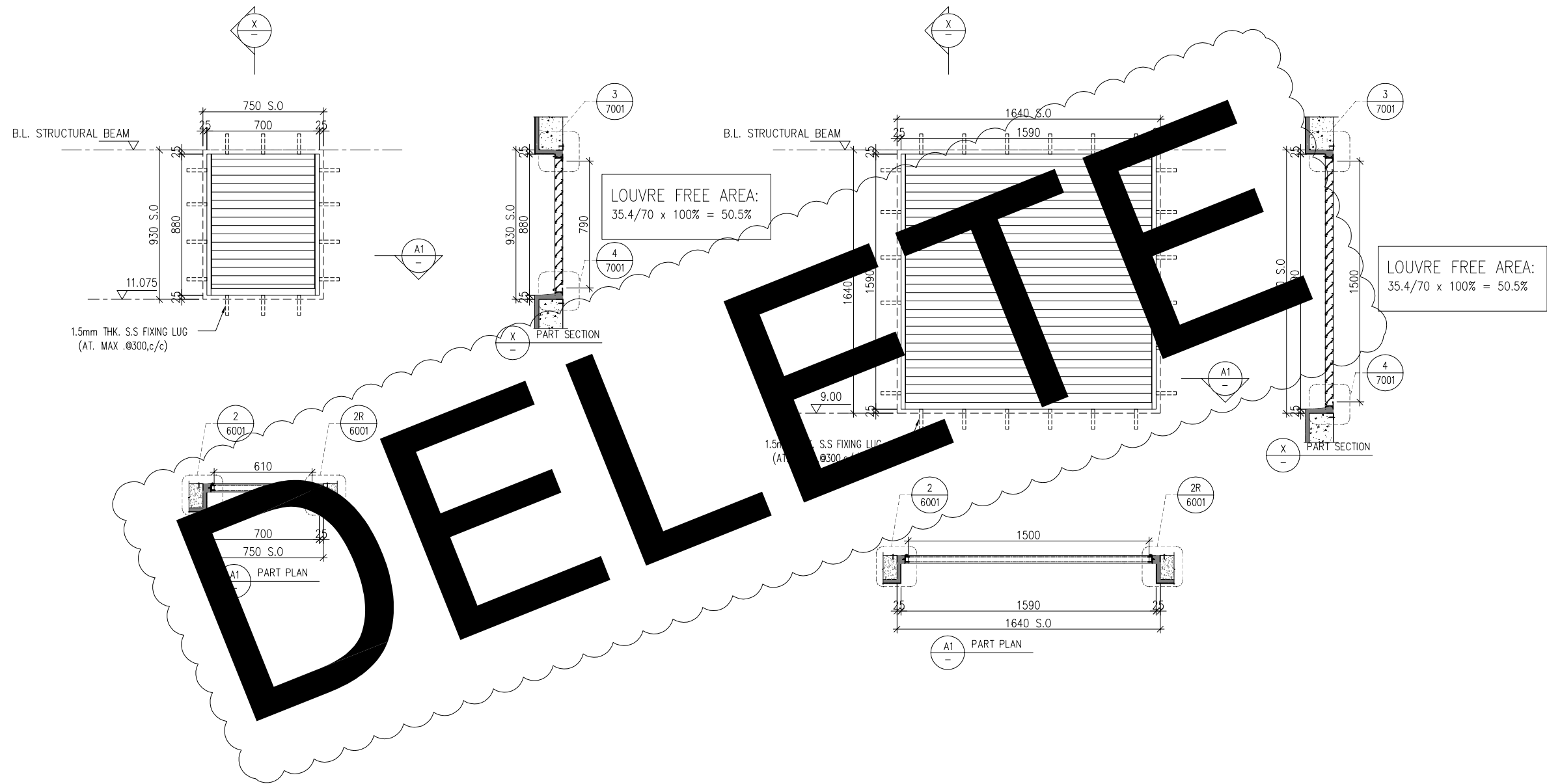
SECTION 50mm ALUM. SECTION

GLAZING ALUM. LOUVER BLADE COLOUR CODE: MATT BLACK (TUC40577SC-3)

QUANTITY 1 NOS.

REMARKS SS WIRE MESH

ELEVATION



B.D. REF :

CLIENT :  
**SUN HUNG KAI**  
 REAL ESTATE AGENCY LTD.  
 42/F SUN HUNG KAI CENTRE, WANCHAI, HONGKONG

ARCHITECT :  
**lwk&partners**  
 architects

MAIN CONTRACTOR :  
**Yee Fai** Building Contractors Ltd.

STRUCTURAL ENGINEER :  
**ARUP**

FAÇADE CONSULTANT:  
**ALPHA CONSULTING LIMITED**  
 Steel Structure & Façade Specialist

- NOTE :
1. ALL DIMENSIONS ARE IN mm.
  2. ALL ELEVATIONS ARE VIEWED FROM OUTSIDE.
  3. ALL DIMENSIONS TO BE VERIFIED ON SITE BEFORE FABRICATION.
- LEGEND :
- (X1) — DETAIL MARK NO.
  - (X001) — REFER SHEET NO.
1. F.F.L. -- FINISHED FLOOR LEVEL
  2. S.F.L. -- STRUCTURAL FLOOR LEVEL
  3. (R) -- REVERSED DETAIL
  4. GLASS LEGEND  
 EGL-1 -- 8mm+12mm AIR GAP+8mm THK. I.G.U.  
 EGL-2 -- 10mm THK. CLEAR TEMPERED GLASS

NO.	DATE	REVISED	BY
D	15/12/2022	REVISION SUBJECT TO ARCH.COMMENT	lvn
C	22/09/2022	REVISION SUBJECT TO ARCH.COMMENT	lvn
B	21/04/2022	REVISION SUBJECT TO ARCH.COMMENT	lvn
A	22/12/2021	REVISION SUBJECT TO ARCH.COMMENT	lvn

JOB NO. : J-856  
 PROJECT : PROPOSED DEVELOPMENT ABOVE LIGHT RAIL TIN WING STOP, TSWTL NO.23, AREA 33, TIN SHUI WAI, N.T.

TITLE : LOUVER SCHEDULE FOR G/F IN-SITU LOUVER

DATE : 06-Aug-21 SCALE : 1:40

DRAWN BY : lvn CHECKED BY :

**MIDI ALUMINIUM FABRICATOR LTD.**  
 610 Cha Kwo Ling Road, Kowloon  
 Tel: 23489211-4 Fax: (852) 27727666

DWG NO. : J856-SD-LV-5011 REV. : D

WINDOW MARK GF 010 E&M PURPOSE (NEW AND)

LOCATION G/F: G.L.(G/P)

SECTION 50mm ALUM. SECTION

GLAZING ALUM. LOUVER BLADE COLOUR CODE: MATT BLACK (TUC40577SC-3)

QUANTITY 1 NOS.

REMARKS SS WIRE MESH

WINDOW MARK GF 011 E&M PURPOSE (NEW AND)

LOCATION G/F: G.L.(G/P)

SECTION 50mm ALUM. SECTION

GLAZING ALUM. LOUVER BLADE COLOUR CODE: MATT BLACK (TUC40577SC-3)

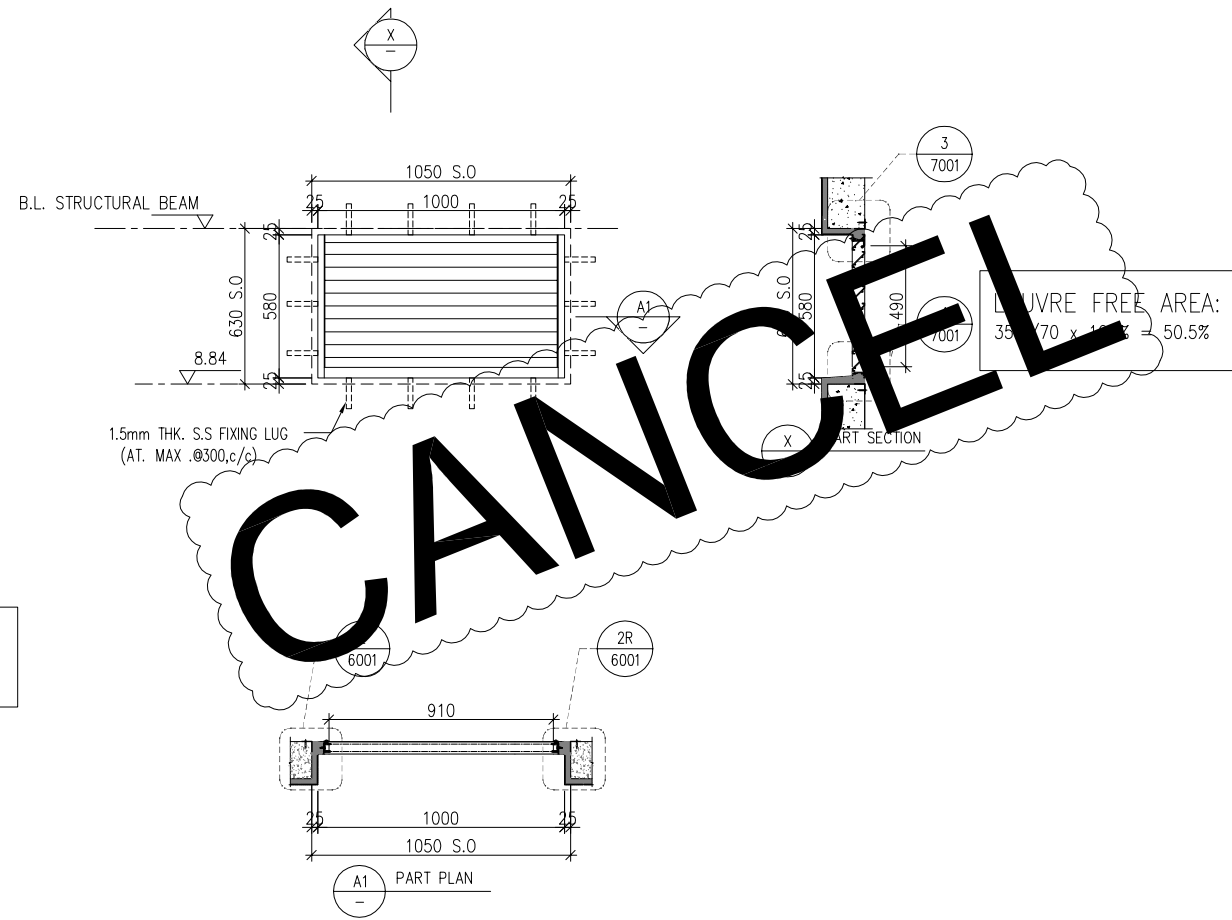
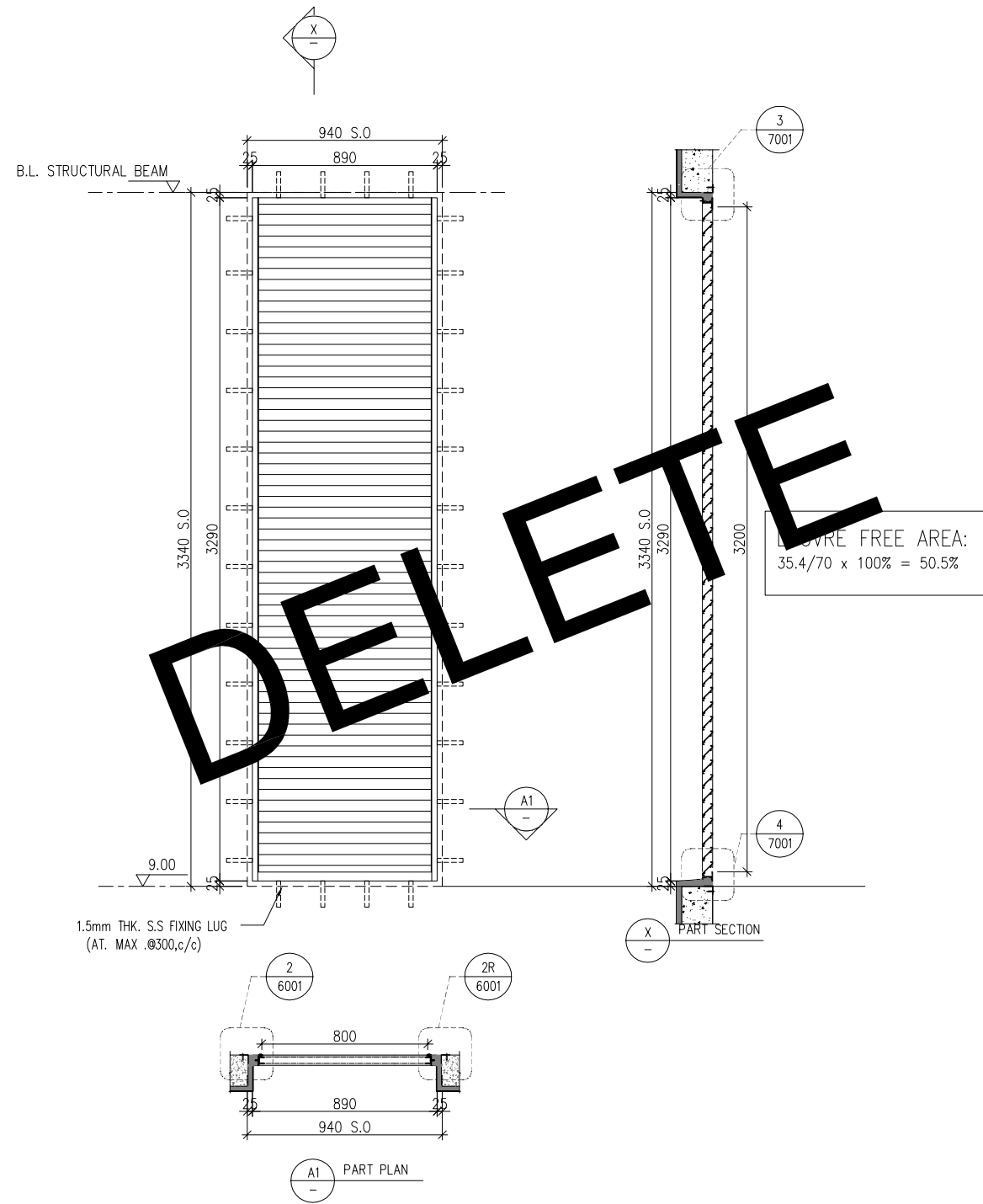
QUANTITY 1 NOS.

REMARKS SS WIRE MESH

**DELETE**

**DELETE**

ELEVATION



B.D. REF :

CLIENT :  
**SUN HUNG KAI**  
 REAL ESTATE AGENCY LTD.  
 42/F SUN HUNG KAI CENTRE, WANCHAI, HONGKONG

ARCHITECT :  
**lwk&partners**  
 architects

MAIN CONTRACTOR :  
**Yee Fai** Building Contractors Ltd.

STRUCTURAL ENGINEER :  
**ARUP**

FACADE CONSULTANT:  
**ALPHA CONSULTING LIMITED**  
 Steel Structure & Facade Specialist

NOTE :  
 1. ALL DIMENSIONS ARE IN mm.  
 2. ALL ELEVATIONS ARE VIEWED FROM OUTSIDE.  
 3. ALL DIMENSIONS TO BE VERIFIED ON SITE BEFORE FABRICATION.

LEGEND :  
 X1 --- DETAIL MARK NO.  
 X001 --- REFER SHEET NO.  
 1. F.F.L. --- FINISHED FLOOR LEVEL  
 2. S.F.L. --- STRUCTURAL FLOOR LEVEL  
 3. R --- REVERSED DETAIL  
 4. GLASS LEGEND  
 EGL-1 --- 8mm+12mm AIR GAP+8mm THK. I.G.U.  
 EGL-2 --- 10mm THK. CLEAR TEMPERED GLASS

NO.	DATE	REVISED	BY
E	30/05/2022	REVISION SUBJECT TO ARCH.COMMENT	lvon
D	15/12/2022	REVISION SUBJECT TO ARCH.COMMENT	lvon
C	22/09/2022	REVISION SUBJECT TO ARCH.COMMENT	lvon
B	21/04/2022	REVISION SUBJECT TO ARCH.COMMENT	lvon
A	22/12/2021	REVISION SUBJECT TO ARCH.COMMENT	lvon

JOB NO. : J-856  
 PROJECT : PROPOSED DEVELOPMENT ABOVE LIGHT RAIL TIN WING STOP, TSWTL NO.23, AREA 33, TIN SHUI WAI, N.T.

TITLE : LOUVRE SCHEDULE FOR G/F IN-SITU LOUVRE

DATE : 06-Aug-21 SCALE : 1:40

DRAWN BY : lvon CHECKED BY :

**MIDI ALUMINIUM FABRICATOR LTD.**  
 Units 6-8, Sunray Industrial Centre, 1/F  
 610 Cha Kwo Ling Road, Kowloon  
 Tel: 23489211-4 Fax: (852) 27727666

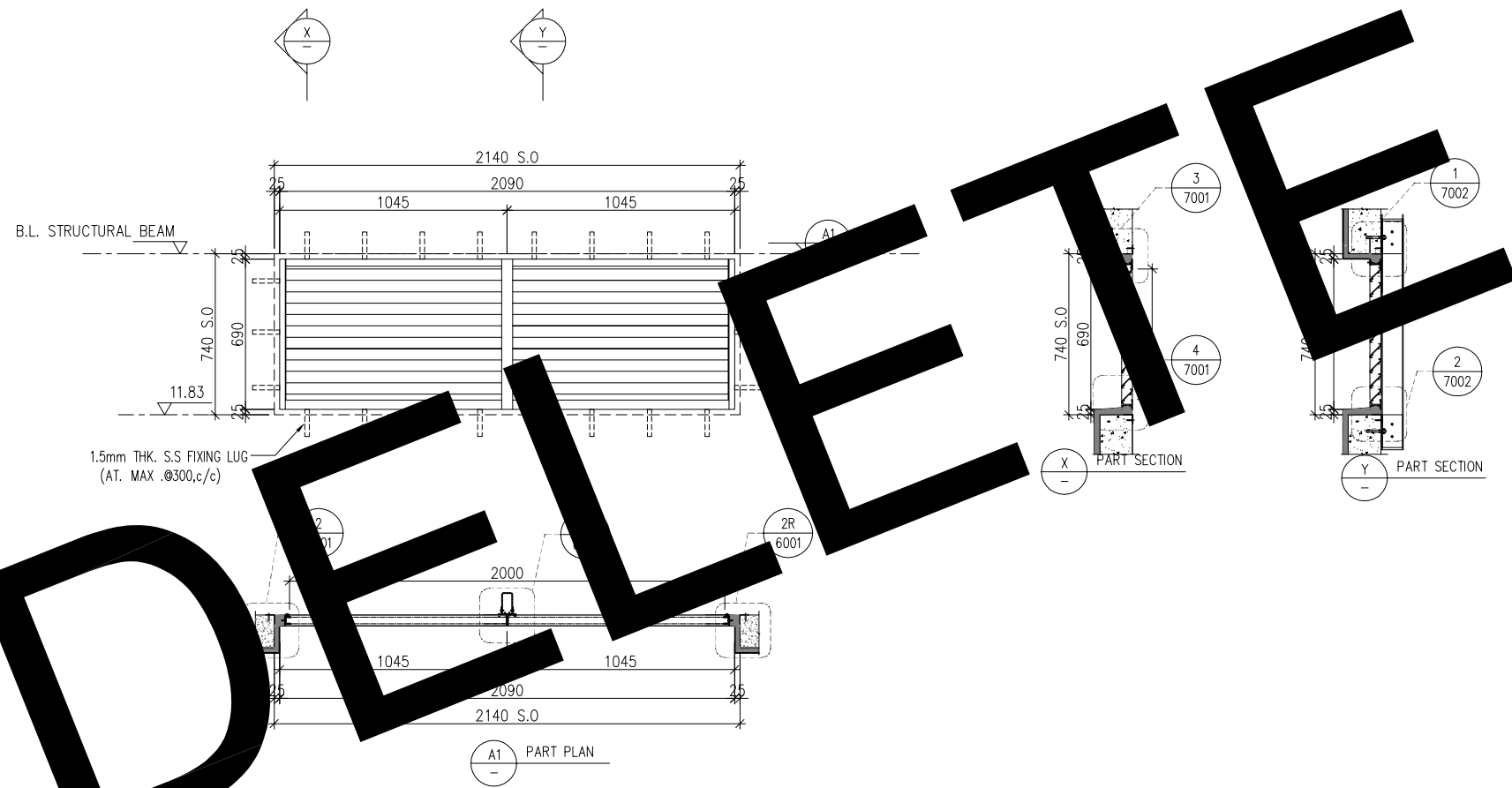
DWG NO. : J856-SD-LV-5012 REV. : E

WINDOW MARK	GF 012 E&M PURPOSE (NEW AND)	GF 013 E&M PURPOSE (NEW AND)
LOCATION	G/F: G.L.(H/P)	G/F: G.L.(H/Q)
SECTION	50mm ALUM. SECTION	50mm ALUM. SECTION
GLAZING	ALUM. LOUVRE BLADE COLOUR CODE: MATT BLACK (TUC40577SC-3)	ALUM. LOUVRE BLADE COLOUR CODE: MATT BLACK (TUC40577SC-3)
QUANTITY	1 NOS.	1 NOS.
REMARKS	SS WIRE MESH	SS WIRE MESH

**CANCEL**

**DELETE**

ELEVATION



B.D. REF :

CLIENT :

**SUN HUNG KAI**  
REAL ESTATE AGENCY LTD.  
42/F SUN HUNG KAI CENTRE, WANCHAI, HONGKONG

ARCHITECT :

**lwk&partners**  
architects

MAIN CONTRACTOR :

**Yee Fai** Building Contractors Ltd.

STRUCTURAL ENGINEER :

**ARUP**

FAÇADE CONSULTANT:

**ALPHA CONSULTING LIMITED**  
Steel Structure & Façade Specialist

NOTE :

1. ALL DIMENSIONS ARE IN mm.
2. ALL ELEVATIONS ARE VIEWED FROM OUTSIDE.
3. ALL DIMENSIONS TO BE VERIFIED ON SITE BEFORE FABRICATION.

LEGEND :

- (X1) --- DETAIL MARK NO.
- (X001) --- REFER SHEET NO.

1. F.F.L. --- FINISHED FLOOR LEVEL
2. S.F.L. --- STRUCTURAL FLOOR LEVEL
3. (R) --- REVERSED DETAIL
4. GLASS LEGEND  
EGL-1---8mm+12mm AIR GAP+8mm THK. I.G.U.  
EGL-2---10mm THK. CLEAR TEMPERED GLASS

NO.	DATE	REVISED	BY
A	22/09/2022	REVISION SUBJECT TO ARCH.COMMENT	ivan

JOB NO. : J-856

PROJECT :  
PROPOSED DEVELOPMENT ABOVE  
LIGHT RAIL TIN WING STOP, TSWTL  
NO.23, AREA 33, TIN SHUI WAI, N.T.

TITLE :  
LOUVER SCHEDULE FOR  
G/F IN-SITU LOUVER

DATE : 06-Aug-21 SCALE : 1:40

DRAWN BY : ivan CHECKED BY :

**美特鋁質有限公司**  
**MIDI ALUMINIUM FABRICATOR LTD.**  
Units 6-8, Sunray Industrial Centre, 1/F  
610 Cha Kwo Ling Road, Kowloon  
Tel:23489211-4 Fax:(852)27727666

DWG NO. : J856-SD-LV-5012A REV. : A

WINDOW MARK **GF 014** E&M PURPOSE (NEWLAND)

LOCATION G/F: G.L.(B1-B2/P)

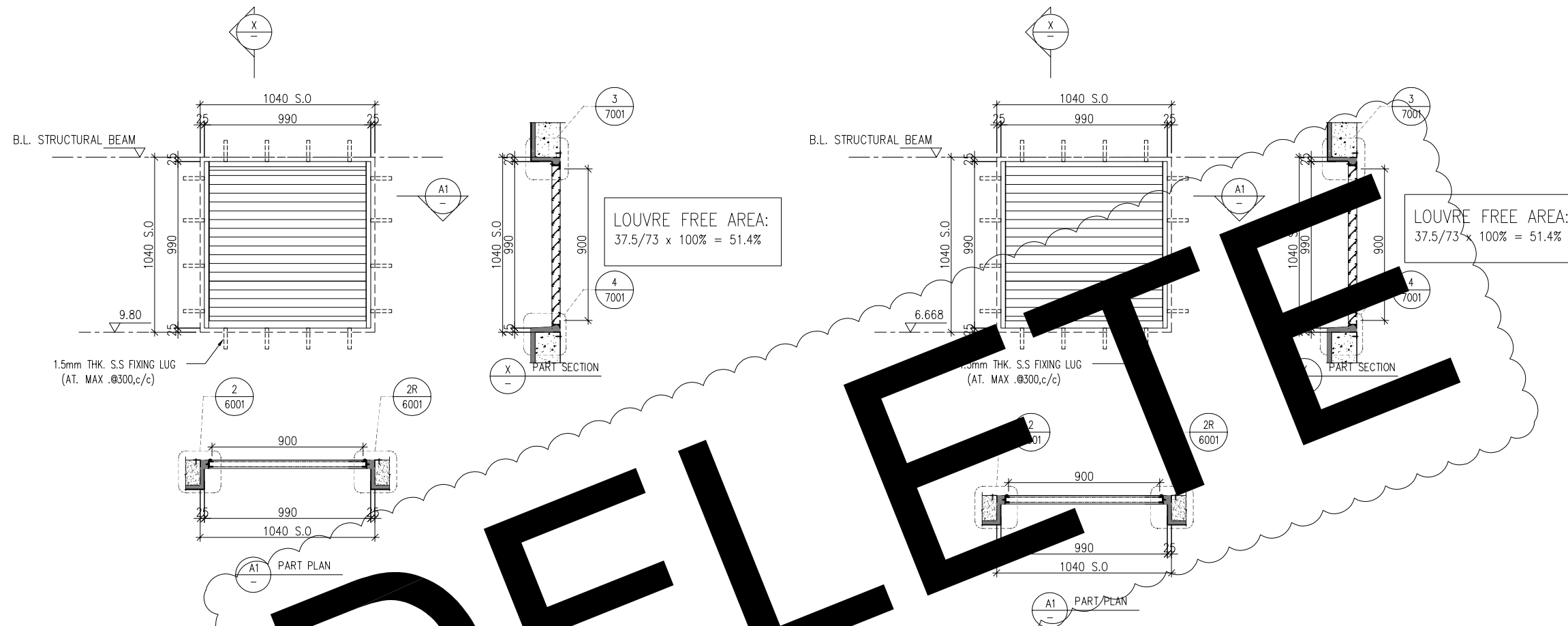
SECTION 50mm ALUM. SECTION

GLAZING ALUM. LOUVER BLADE COLOUR CODE: MATT BLACK (TUC40577SC-3)

QUANTITY 1 NOS.

REMARKS SS WIRE MESH

ELEVATION



DELETE

B.D. REF :

CLIENT :  
**SUN HUNG KAI**  
 REAL ESTATE AGENCY LTD.  
 42/F SUN HUNG KAI CENTRE, WANCHAI, HONGKONG

ARCHITECT :  
**lwk&partners**  
 architects

MAIN CONTRACTOR :  
**Yee Fai** Building Contractors Ltd.

STRUCTURAL ENGINEER :  
**ARUP**

FACADE CONSULTANT:  
**ALPHA CONSULTING LIMITED**  
 Steel Structure & Facade Specialist

NOTE :  
 1. ALL DIMENSIONS ARE IN mm.  
 2. ALL ELEVATIONS ARE VIEWED FROM OUTSIDE.  
 3. ALL DIMENSIONS TO BE VERIFIED ON SITE BEFORE FABRICATION.

LEGEND :  
 X1 — DETAIL MARK NO.  
 X001 — REFER SHEET NO.  
 1. F.F.L. -- FINISHED FLOOR LEVEL  
 2. S.F.L. -- STRUCTURAL FLOOR LEVEL  
 3. (R) -- REVERSED DETAIL  
 4. GLASS LEGEND  
 EGL-1 -- 8mm+12mm AIR GAP+8mm THK. I.G.U.  
 EGL-2 -- 10mm THK. CLEAR TEMPERED GLASS

NO.	DATE	REVISED	BY
B	15/12/2022	REVISION SUBJECT TO ARCH.COMMENT	lvn
A	22/09/2022	REVISION SUBJECT TO ARCH.COMMENT	lvn

JOB NO. : J-856  
 PROJECT : PROPOSED DEVELOPMENT ABOVE LIGHT RAIL TIN WING STOP, TSWTL NO.23, AREA 33, TIN SHUI WAI, N.T.

TITLE : LOUVER SCHEDULE FOR G/F IN-SITU LOUVER

DATE : 06-Aug-21 SCALE : 1:40  
 DRAWN BY : lvn CHECKED BY :

**MIDI ALUMINIUM FABRICATOR LTD.**  
 Units 6-8, Sunray Industrial Centre, 1/F  
 610 Cha Kwo Ling Road, Kowloon  
 Tel: 23489211-4 Fax: (852) 27727666

DWG NO. : J856-SD-LV-5012B REV. : B

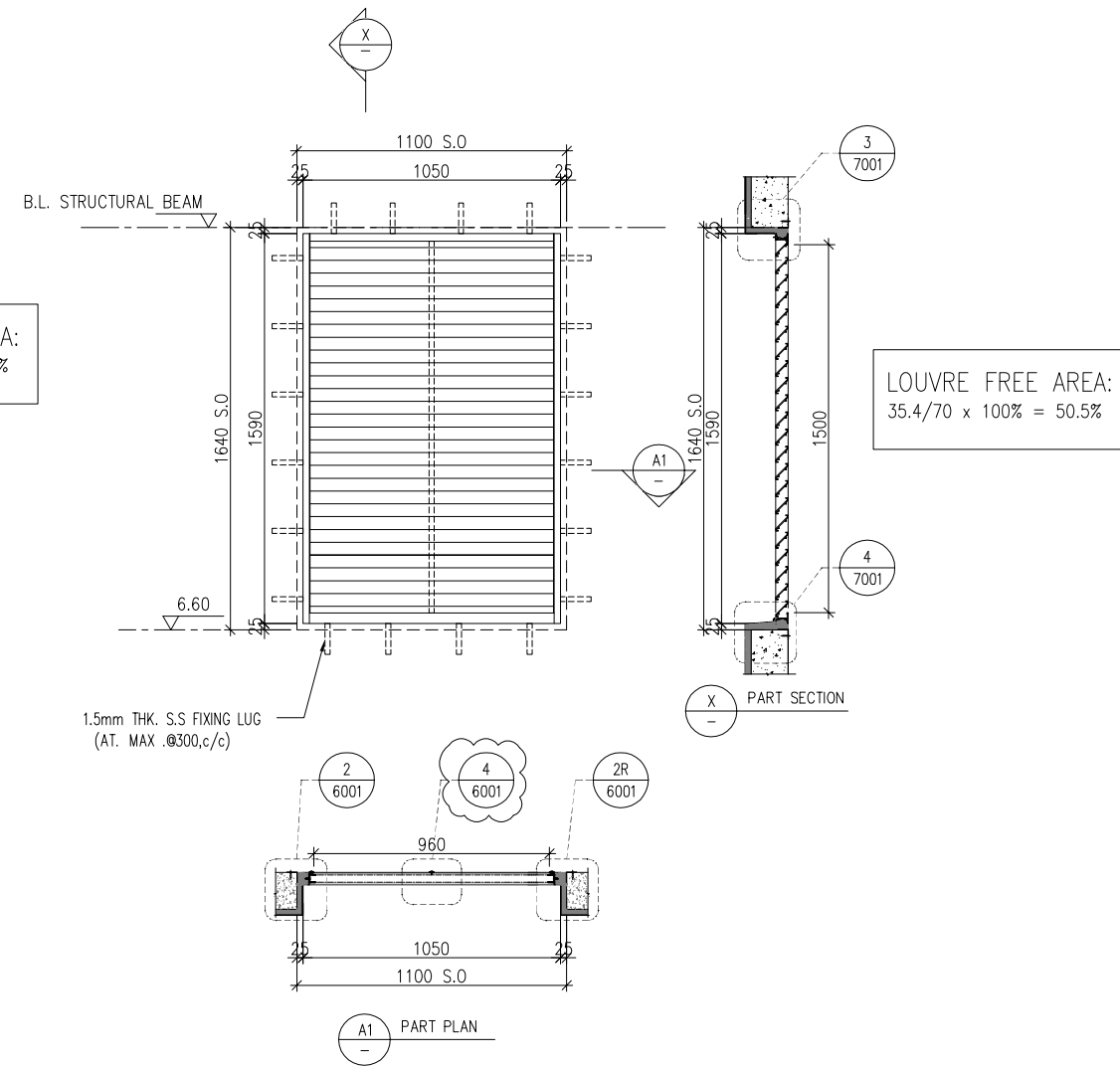
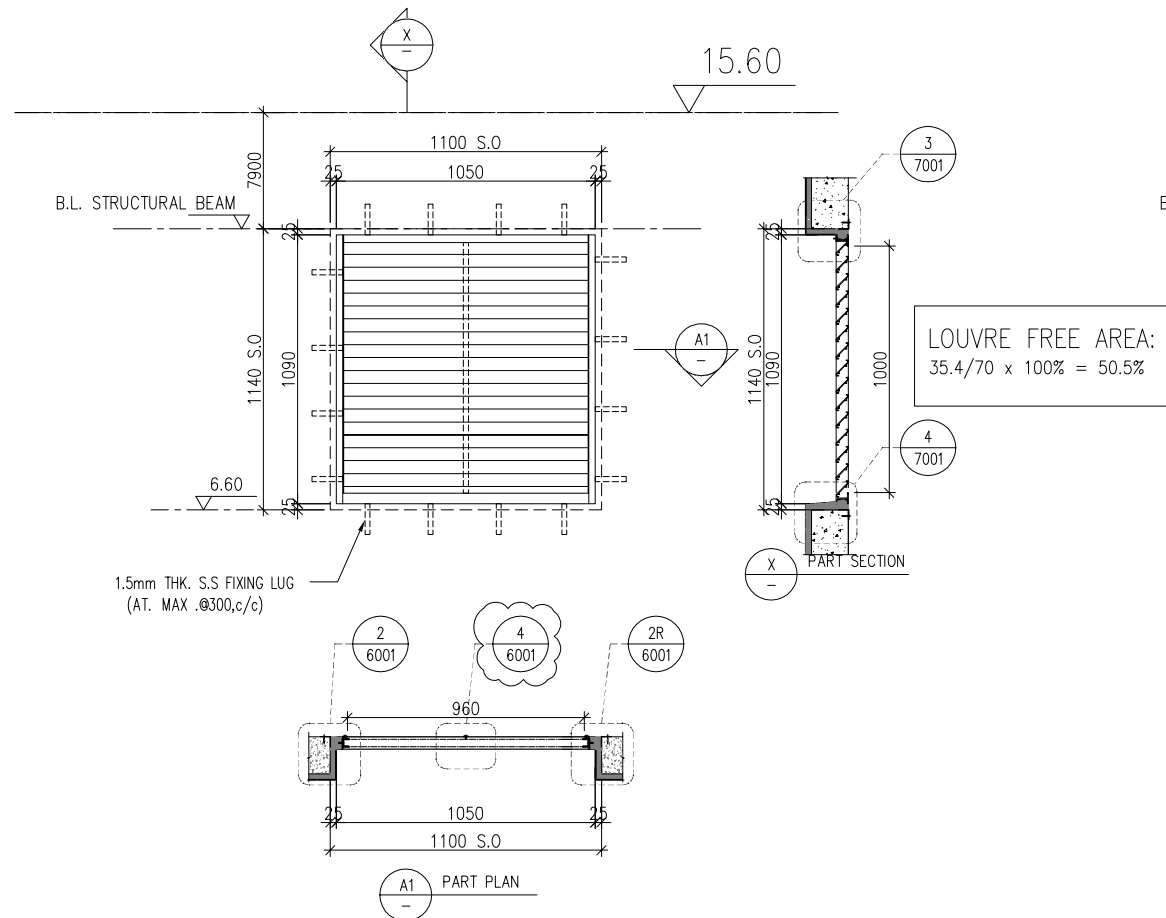
WINDOW MARK	GF 015 E&M PURPOSE (WLAND)
LOCATION	G/F: G.L.(B3/P)
SECTION	50mm ALUM. SECTION
GLAZING	ALUM. LOUVER BLADE COLOUR CODE: MATT BLACK (TUC40577SC-3)
QUANTITY	1 NOS.
REMARKS	SS WIRE MESH

WINDOW MARK	GF 016 E&M PURPOSE (NEWLAND)
LOCATION	G/F: G.L.(B3/P)
SECTION	50mm ALUM. SECTION
GLAZING	ALUM. LOUVER BLADE COLOUR CODE: MATT BLACK (TUC40577SC-3)
QUANTITY	1 NOS.
REMARKS	SS WIRE MESH

DELETE

DELETE

ELEVATION



B.D. REF :

CLIENT :

**SUN HUNG KAI**  
REAL ESTATE AGENCY LTD.  
42/F SUN HUNG KAI CENTRE, WANCHAI, HONGKONG

ARCHITECT :

**lwk&partners**  
architects

MAIN CONTRACTOR :

**Yee Fai** Building Contractors Ltd.

STRUCTURAL ENGINEER :

**ARUP**

FACADE CONSULTANT:

**ALPHA CONSULTING LIMITED**  
Steel Structure & Facade Specialist

NOTE :

1. ALL DIMENSIONS ARE IN mm.
2. ALL ELEVATIONS ARE VIEWED FROM OUTSIDE.
3. ALL DIMENSIONS TO BE VERIFIED ON SITE BEFORE FABRICATION.

LEGEND :

- X1 — DETAIL MARK NO.
- X001 — REFER SHEET NO.

1. F.F.L. -- FINISHED FLOOR LEVEL
2. S.F.L. -- STRUCTURAL FLOOR LEVEL
3. (R) -- REVERSED DETAIL

4. GLASS LEGEND  
EGL-1 -- 8mm+12mm AIR GAP+8mm THK. I.G.U.  
EGL-2 -- 10mm THK. CLEAR TEMPERED GLASS

NO.	DATE	REVISED	BY
E	30/05/2023	ADD. BIRD NET PRESS BAR	lvn
D	14/04/2023	REVISION SUBJECT TO ARCH.COMMENT	lvn
C	15/12/2022	REVISION SUBJECT TO ARCH.COMMENT	lvn
B	15/11/2022	REVISION SUBJECT TO ARCH.COMMENT	lvn
A	22/09/2022	REVISION SUBJECT TO ARCH.COMMENT	lvn

JOB NO. : J-856

PROJECT :  
PROPOSED DEVELOPMENT ABOVE  
LIGHT RAIL TIN WING STOP, TSWTL  
NO.23, AREA 33, TIN SHUI WAI, N.T.

TITLE :  
LOUVER SCHEDULE FOR  
G/F IN-SITU LOUVER

DATE : 06-Aug-21 SCALE : 1:40

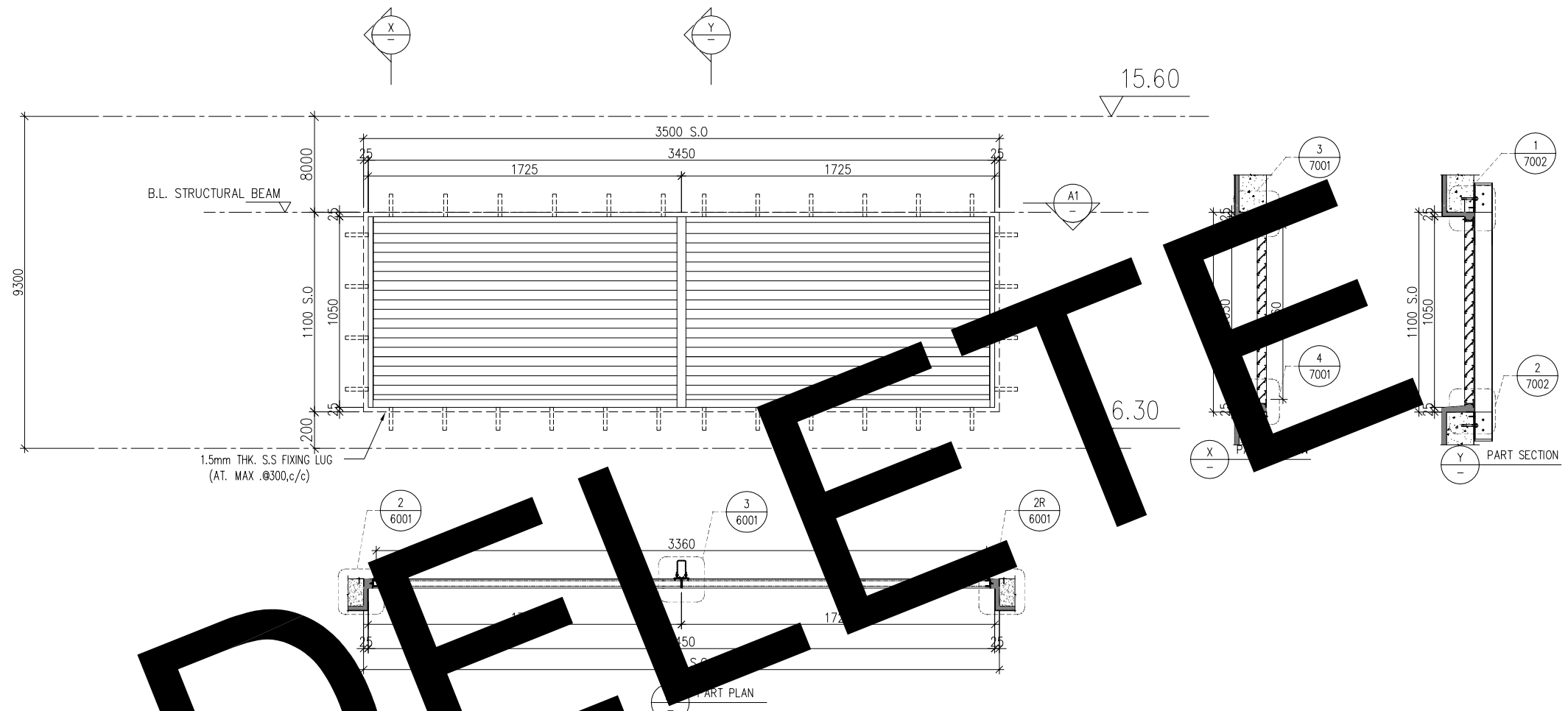
DRAWN BY : lvn CHECKED BY :

**美特鋁質有限公司**  
**MIDI ALUMINIUM FABRICATOR LTD.**  
Units 6-8, Sunray Industrial Centre, 1/F  
610 Cha Kwo Ling Road, Kowloon  
Tel: 23489211-4 Fax: (852) 2727666

DWG NO. : J856-SD-LV-5012C REV. : E

WINDOW MARK	GF 017 S.V.402	GF 023 S.V.209
LOCATION	G/F: G.L.(B17/P)	G/F: G.L.(A2,A3/P)
SECTION	50mm ALUM. SECTION	50mm ALUM. SECTION
GLAZING	ALUM. LOUVER BLADE COLOUR CODE: MATT BLACK (TUC40577SC-3)	ALUM. LOUVER BLADE COLOUR CODE: MATT BLACK (TUC40577SC-3)
QUANTITY	1 NOS.	1 NOS.
REMARKS	SS WIRE MESH	SS WIRE MESH

ELEVATION



B.D. REF :

CLIENT :  
**SUN HUNG KAI**  
 REAL ESTATE AGENCY LTD.  
 42/F SUN HUNG KAI CENTRE, WANCHAI, HONGKONG

ARCHITECT :  
**lwk&partners**  
 architects

MAIN CONTRACTOR :  
**Yee Fai** Building Contractors Ltd.

STRUCTURAL ENGINEER :  
**ARUP**

FACADE CONSULTANT:  
**ALPHA CONSULTING LIMITED**  
 Steel Structure & Facade Specialist

NOTE :  
 1. ALL DIMENSIONS ARE IN mm.  
 2. ALL ELEVATIONS ARE VIEWED FROM OUTSIDE.  
 3. ALL DIMENSIONS TO BE VERIFIED ON SITE BEFORE FABRICATION.

LEGEND :  
 X1 --- DETAIL MARK NO.  
 X001 --- REFER SHEET NO.  
 1. F.F.L. --- FINISHED FLOOR LEVEL  
 2. S.F.L. --- STRUCTURAL FLOOR LEVEL  
 3. (R) --- REVERSED DETAIL  
 4. GLASS LEGEND  
 EGL-1 --- 8mm+12mm AIR GAP+8mm THK. I.G.U.  
 EGL-2 --- 10mm THK. CLEAR TEMPERED GLASS

NO.	DATE	REVISION	BY
A	22/09/2022	REVISION SUBJECT TO ARCH.COMMENT	ivan

JOB NO. : J-856  
 PROJECT : PROPOSED DEVELOPMENT ABOVE LIGHT RAIL TIN WING STOP, TSWTL NO.23, AREA 33, TIN SHUI WAI, N.T.

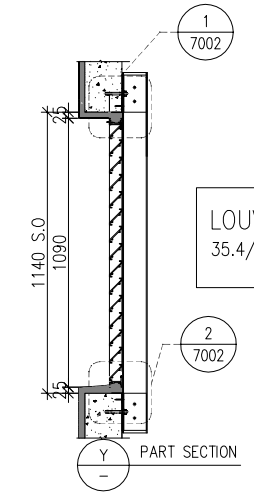
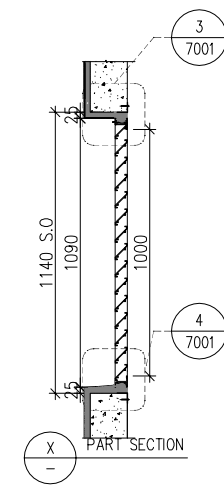
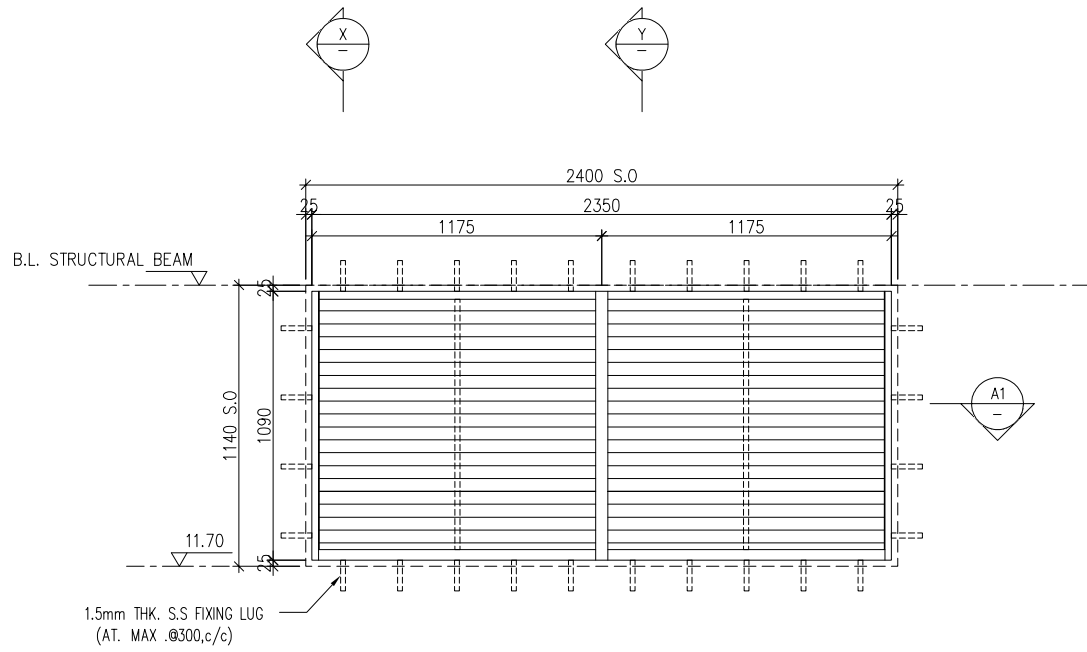
TITLE : LOUVER SCHEDULE FOR G/F IN-SITU LOUVER

DATE : 06-Aug-21 SCALE : 1:40  
 DRAWN BY : ivan CHECKED BY :

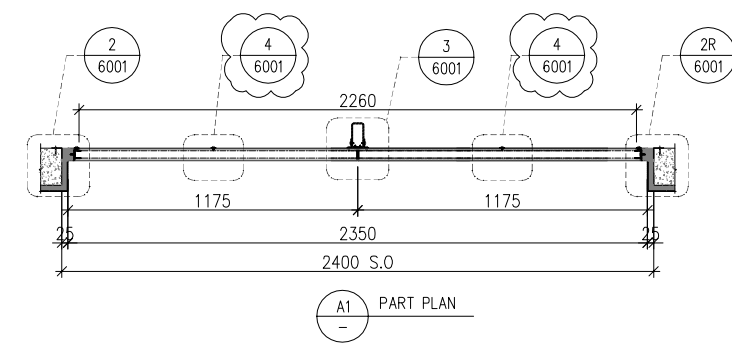
**MIDI ALUMINIUM FABRICATOR LTD.**  
 Units 6-8, Sunray Industrial Centre, 1/F  
 610 Cha Kwo Ling Road, Kowloon  
 Tel: 23489211-4 Fax: (852) 27727666

DWG NO. : J856-SD-LV-5012D REV. : A

WINDOW MARK	GF 01B
LOCATION	G/F: G.L.
SECTION	50mm ALUM. SECTION
GLAZING	ALUM. LOUVER BLADE COLOUR CODE: MATT BLACK (TUC40577SC-3)
QUANTITY	1 NOS.
REMARKS	SS WIRE MESH



LOUVRE FREE AREA:  
35.4/70 x 100% = 50.5%



ELEVATION

B.D. REF :

CLIENT :  
**SUN HUNG KAI**  
REAL ESTATE AGENCY LTD.  
42/F SUN HUNG KAI CENTRE, WANCHAI, HONGKONG

ARCHITECT :  
**lwk&partners**  
architects

MAIN CONTRACTOR :  
**Yee Fai** Building Contractors Ltd.

STRUCTURAL ENGINEER :  
**ARUP**

FACADE CONSULTANT:  
**ALPHA CONSULTING LIMITED**  
Steel Structure & Facade Specialist

NOTE :  
1. ALL DIMENSIONS ARE IN mm.  
2. ALL ELEVATIONS ARE VIEWED FROM OUTSIDE.  
3. ALL DIMENSIONS TO BE VERIFIED ON SITE BEFORE FABRICATION.

LEGEND :  
X1 --- DETAIL MARK NO.  
X001 --- REFER SHEET NO.  
1. F.F.L. --- FINISHED FLOOR LEVEL  
2. S.F.L. --- STRUCTURAL FLOOR LEVEL  
3. (R) --- REVERSED DETAIL  
4. GLASS LEGEND  
EGL-1 --- 8mm+12mm AIR GAP+8mm THK. I.G.U.  
EGL-2 --- 10mm THK. CLEAR TEMPERED GLASS

NO.	DATE	REVISED	BY
D	30/05/2023	ADD. BIRD NET PRESS BAR	ivan
C	14/04/2023	REVISION SUBJECT TO ARCH.COMMENT	ivan
B	15/12/2022	REVISION SUBJECT TO ARCH.COMMENT	ivan
A	22/09/2022	REVISION SUBJECT TO ARCH.COMMENT	ivan

JOB NO. : J-856  
PROJECT : PROPOSED DEVELOPMENT ABOVE LIGHT RAIL TIN WING STOP, TSWTL NO.23, AREA 33, TIN SHUI WAI, N.T.

TITLE : LOUVER SCHEDULE FOR G/F IN-SITU LOUVER

DATE : 06-Aug-21 SCALE : 1:40  
DRAWN BY : ivan CHECKED BY :

**美特鋁質有限公司**  
**MIDI ALUMINIUM FABRICATOR LTD.**  
Units 6-8, Sunray Industrial Centre, 1/F  
610 Cha Kwo Ling Road, Kowloon  
Tel:23489211-4 Fax:(852)2727666

DWG NO. : J856-SD-LV-5012E REV. : D

WINDOW MARK **GF 019** S.V.403 & 302

LOCATION G/F: G.L.

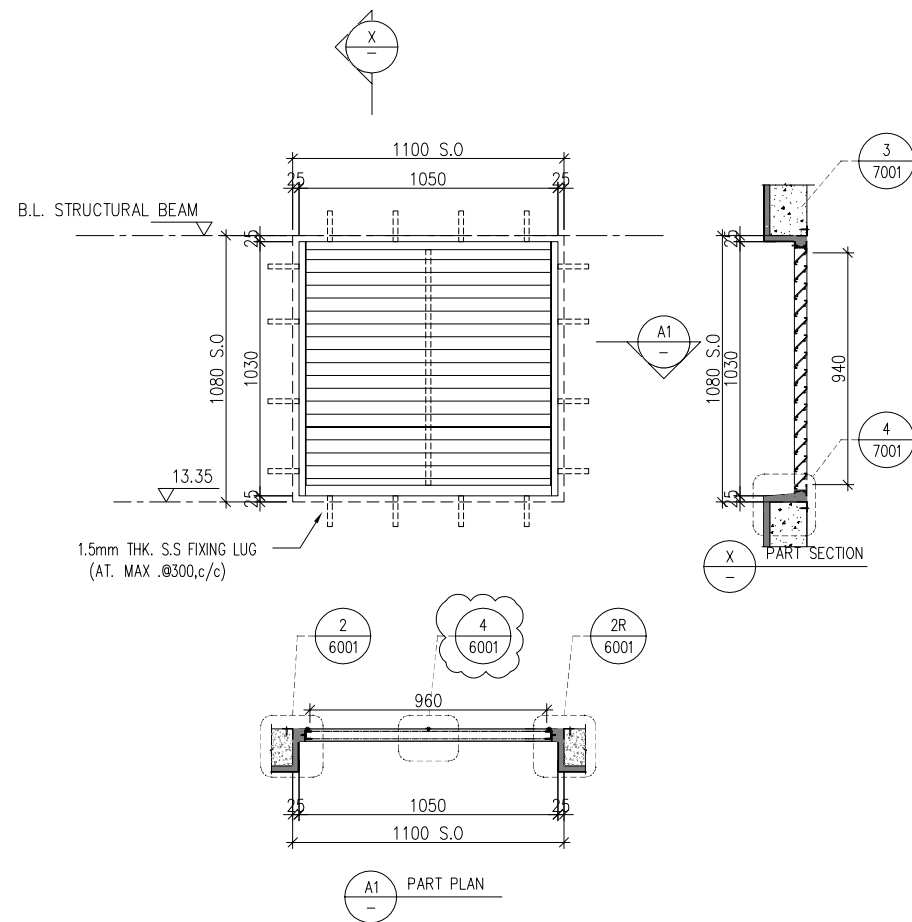
SECTION 50mm ALUM. SECTION

GLAZING ALUM. LOUVER BLADE COLOUR CODE: MATT BLACK (TUC40577SC-3)

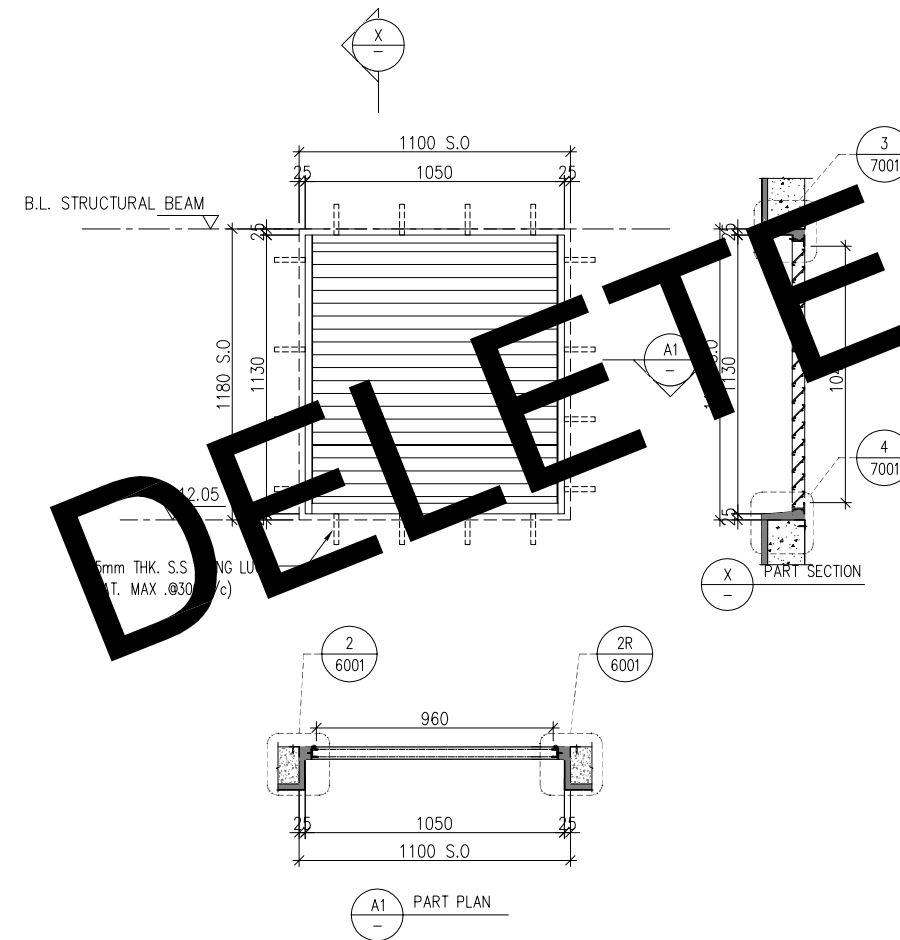
QUANTITY 1 NOS.

REMARKS SS WIRE MESH

ELEVATION



LOUVRE FREE AREA:  
35.4/70 x 100% = 50.5%



DELETE

B.D. REF :

CLIENT :  
**SUN HUNG KAI**  
REAL ESTATE AGENCY LTD.  
42/F SUN HUNG KAI CENTRE, WANCHAI, HONGKONG

ARCHITECT :  
**lwk&partners**  
architects

MAIN CONTRACTOR :  
**Yee Fai** Building Contractors Ltd.

STRUCTURAL ENGINEER :  
**ARUP**

FACADE CONSULTANT:  
**ALPHA CONSULTING LIMITED**  
Steel Structure & Facade Specialist

- NOTE :
- ALL DIMENSIONS ARE IN mm.
  - ALL ELEVATIONS ARE VIEWED FROM OUTSIDE.
  - ALL DIMENSIONS TO BE VERIFIED ON SITE BEFORE FABRICATION.
- LEGEND :
- X1 --- DETAIL MARK NO.
  - X001 --- REFER SHEET NO.
  - F.F.L. --- FINISHED FLOOR LEVEL
  - S.F.L. --- STRUCTURAL FLOOR LEVEL
  - R --- REVERSED DETAIL
  - GLASS LEGEND
  - EGL-1 --- 8mm+12mm AIR GAP+8mm THK. I.G.U.
  - EGL-2 --- 10mm THK. CLEAR TEMPERED GLASS

NO.	DATE	REVISED	BY
E	30/05/2023	ADD. BIRD NET PRESS BAR	lvon
D	14/04/2023	REVISION SUBJECT TO ARCH.COMMENT	lvon
C	15/12/2022	REVISION SUBJECT TO ARCH.COMMENT	lvon
B	15/11/2022	REVISION SUBJECT TO ARCH.COMMENT	lvon
A	22/09/2022	REVISION SUBJECT TO ARCH.COMMENT	lvon

JOB NO. : J-856  
PROJECT : PROPOSED DEVELOPMENT ABOVE LIGHT RAIL TIN WING STOP, TSWTL NO.23, AREA 33, TIN SHUI WAI, N.T.

TITLE : LOUVER SCHEDULE FOR G/F IN-SITU LOUVER

DATE : 06-Aug-21 SCALE : 1:40

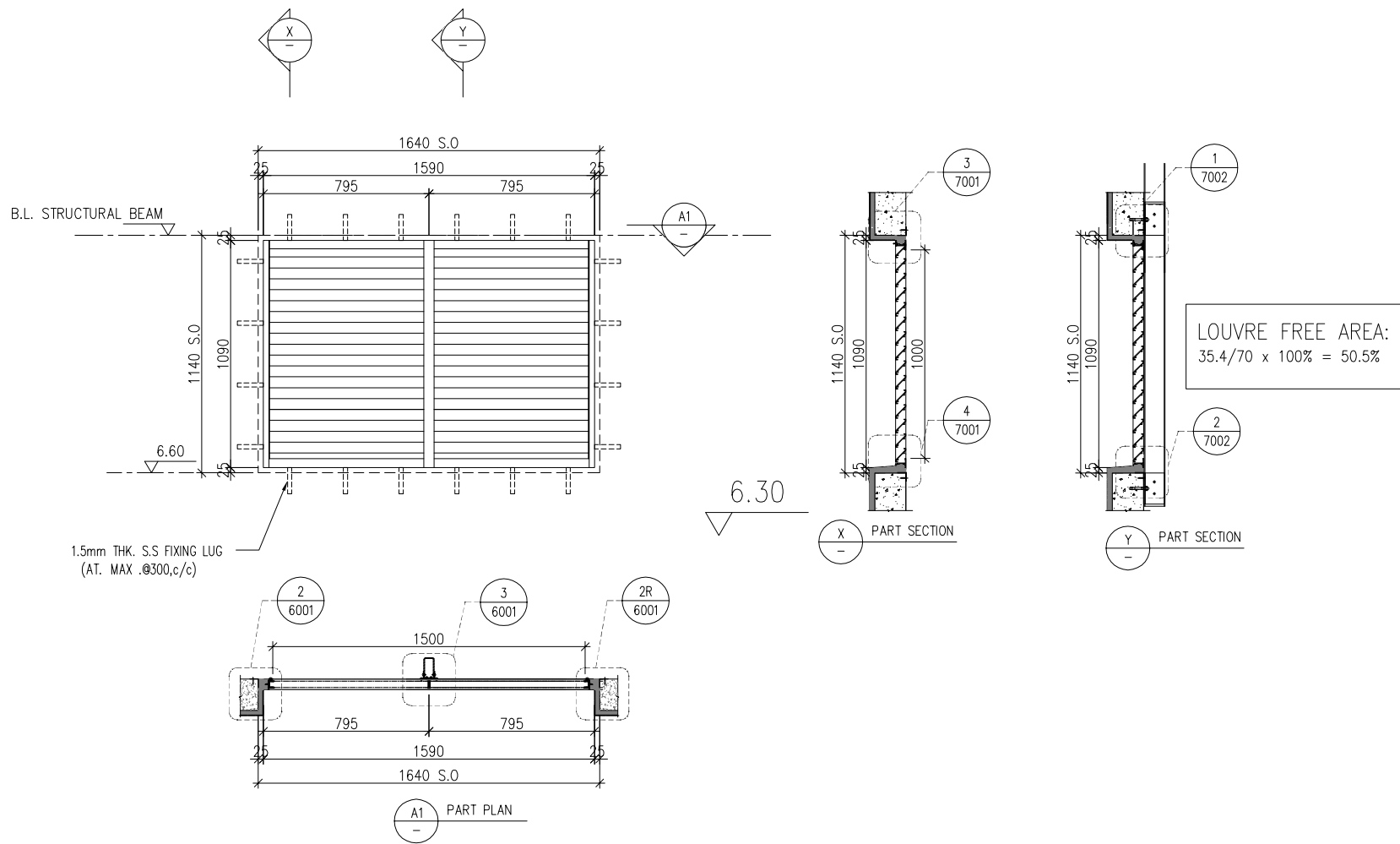
DRAWN BY : lvon CHECKED BY :

**MIDI ALUMINIUM FABRICATOR LTD.**  
Units 6-8, Sunray Industrial Centre, 1/F  
610 Cha Kwo Ling Road, Kowloon  
Tel: 23489211-4 Fax: (852) 27727666

DWG NO. : J856-SD-LV-5012F REV. : E

WINDOW MARK	GF 020	GF 021
LOCATION	G/F: G.L.(A3/P)	G/F: G.L.(A3/P)
SECTION	50mm ALUM. SECTION	50mm ALUM. SECTION
GLAZING	ALUM. LOUVER BLADE COLOUR CODE: MATT BLACK (TUC40577SC-3)	ALUM. LOUVER BLADE COLOUR CODE: MATT BLACK FREE AREA: 50%
QUANTITY	1 NOS.	1 NOS. (TUC40577SC-3)
REMARKS	SS WIRE MESH	SS WIRE MESH

DELETE



ELEVATION

B.D. REF :

CLIENT :  
**SUN HUNG KAI**  
 REAL ESTATE AGENCY LTD.  
 42/F SUN HUNG KAI CENTRE, WANCHAI, HONGKONG

ARCHITECT :  
**lwk&partners**  
 architects

MAIN CONTRACTOR :  
**Yee Fai** Building Contractors Ltd.

STRUCTURAL ENGINEER :  
**ARUP**

FACADE CONSULTANT:  
**ALPHA CONSULTING LIMITED**  
 Steel Structure & Facade Specialist

NOTE :  
 1. ALL DIMENSIONS ARE IN mm.  
 2. ALL ELEVATIONS ARE VIEWED FROM OUTSIDE.  
 3. ALL DIMENSIONS TO BE VERIFIED ON SITE BEFORE FABRICATION.

LEGEND :  
 X1 — DETAIL MARK NO.  
 X001 — REFER SHEET NO.

1. F.F.L. -- FINISHED FLOOR LEVEL  
 2. S.F.L. -- STRUCTURAL FLOOR LEVEL  
 3. (R) -- REVERSED DETAIL  
 4. GLASS LEGEND  
 EGL-1 -- 8mm+12mm AIR GAP+8mm THK. I.G.U.  
 EGL-2 -- 10mm THK. CLEAR TEMPERED GLASS

NO.	DATE	REVISED	BY
C	14/04/2023	REVISION SUBJECT TO ARCH.COMMENT	ivan
B	15/12/2022	REVISION SUBJECT TO ARCH.COMMENT	ivan
A	22/09/2022	REVISION SUBJECT TO ARCH.COMMENT	ivan

JOB NO. : J-856  
 PROJECT : PROPOSED DEVELOPMENT ABOVE LIGHT RAIL TIN WING STOP, TSWTL NO.23, AREA 33, TIN SHUI WAI, N.T.

TITLE : LOUVER SCHEDULE FOR G/F IN-SITU LOUVER

DATE : 06-Aug-21 SCALE : 1:40  
 DRAWN BY : ivan CHECKED BY :

**美特鋁質有限公司**  
**MIDI ALUMINIUM FABRICATOR LTD.**  
 Units 6-8, Sunray Industrial Centre, 1/F  
 610 Cha Kwo Ling Road, Kowloon  
 Tel:23489211-4 Fax:(852)27727666

DWG NO. : J856-SD-LV-5012G REV. : C

WINDOW MARK S.V.301

LOCATION G/F: G.L.(A3/P)

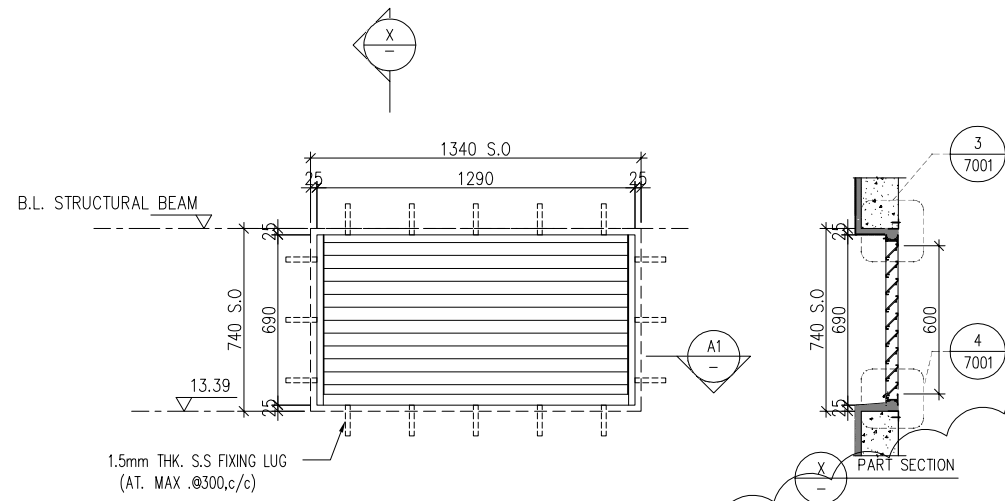
SECTION 50mm ALUM. SECTION

GLAZING ALUM. LOUVER BLADE COLOUR CODE: MATT BLACK (TUC40577SC-3)

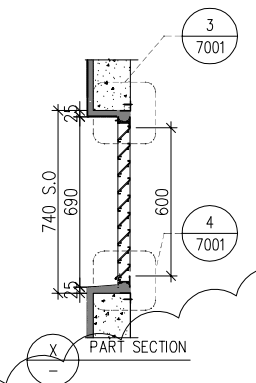
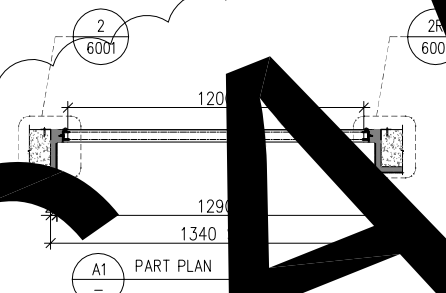
QUANTITY 1 NOS.

REMARKS SS WIRE MESH

ELEVATION



**CANCELLED**



LOUVRE FREE AREA:  
35.4/70 x 100% = 50.5%

B.D. REF :

CLIENT :  
**SUN HUNG KAI**  
REAL ESTATE AGENCY LTD.  
42/F SUN HUNG KAI CENTRE, WANCHAI, HONGKONG

ARCHITECT :  
**lwk&partners**  
architects

MAIN CONTRACTOR :  
**Yee Fai** Building Contractors Ltd.

STRUCTURAL ENGINEER :  
**ARUP**

FACADE CONSULTANT:  
**ALPHA CONSULTING LIMITED**  
Steel Structure & Facade Specialist

NOTE :  
1. ALL DIMENSIONS ARE IN mm.  
2. ALL ELEVATIONS ARE VIEWED FROM OUTSIDE.  
3. ALL DIMENSIONS TO BE VERIFIED ON SITE BEFORE FABRICATION.

LEGEND :  
X1 --- DETAIL MARK NO.  
X001 --- REFER SHEET NO.  
1. F.F.L. --- FINISHED FLOOR LEVEL  
2. S.F.L. --- STRUCTURAL FLOOR LEVEL  
3. (R) --- REVERSED DETAIL  
4. GLASS LEGEND  
EGL-1 --- 8mm+12mm AIR GAP+8mm THK. I.G.U.  
EGL-2 --- 10mm THK. CLEAR TEMPERED GLASS

NO.	DATE	REVISED	BY
D	28/04/2023	REVISION SUBJECT TO ARCH.COMMENT	ivan
C	14/04/2023	REVISION SUBJECT TO ARCH.COMMENT	ivan
B	15/12/2022	REVISION SUBJECT TO ARCH.COMMENT	ivan
A	22/09/2022	REVISION SUBJECT TO ARCH.COMMENT	ivan

JOB NO. : J-856  
PROJECT : PROPOSED DEVELOPMENT ABOVE LIGHT RAIL TIN WING STOP, TSWTL NO.23, AREA 33, TIN SHUI WAI, N.T.

TITLE : LOUVER SCHEDULE FOR G/F IN-SITU LOUVER

DATE : 06-Aug-21 SCALE : 1:40  
DRAWN BY : ivan CHECKED BY :

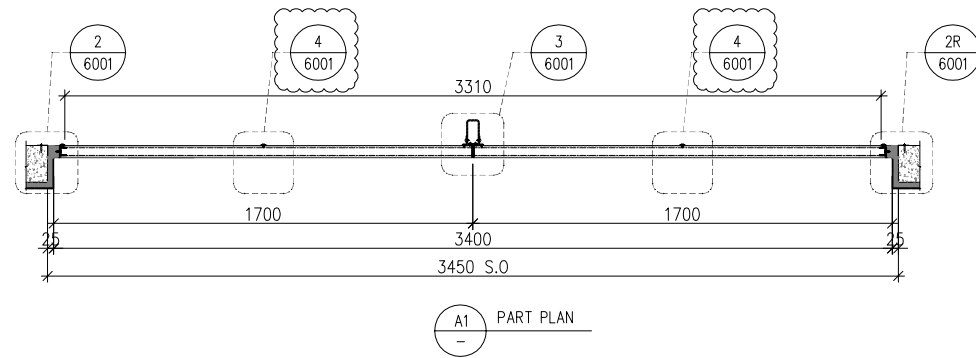
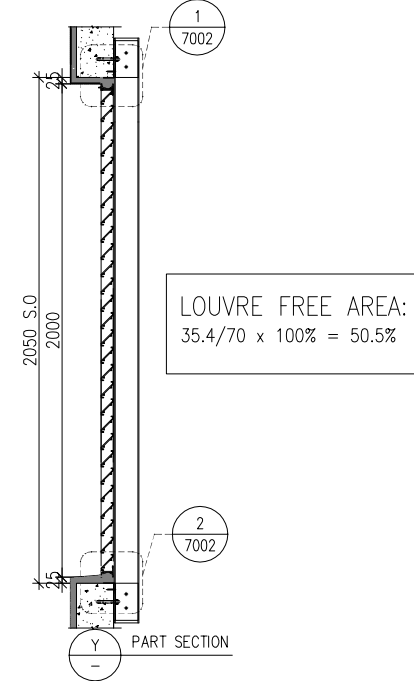
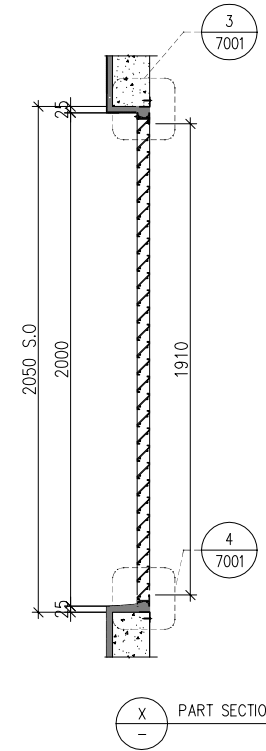
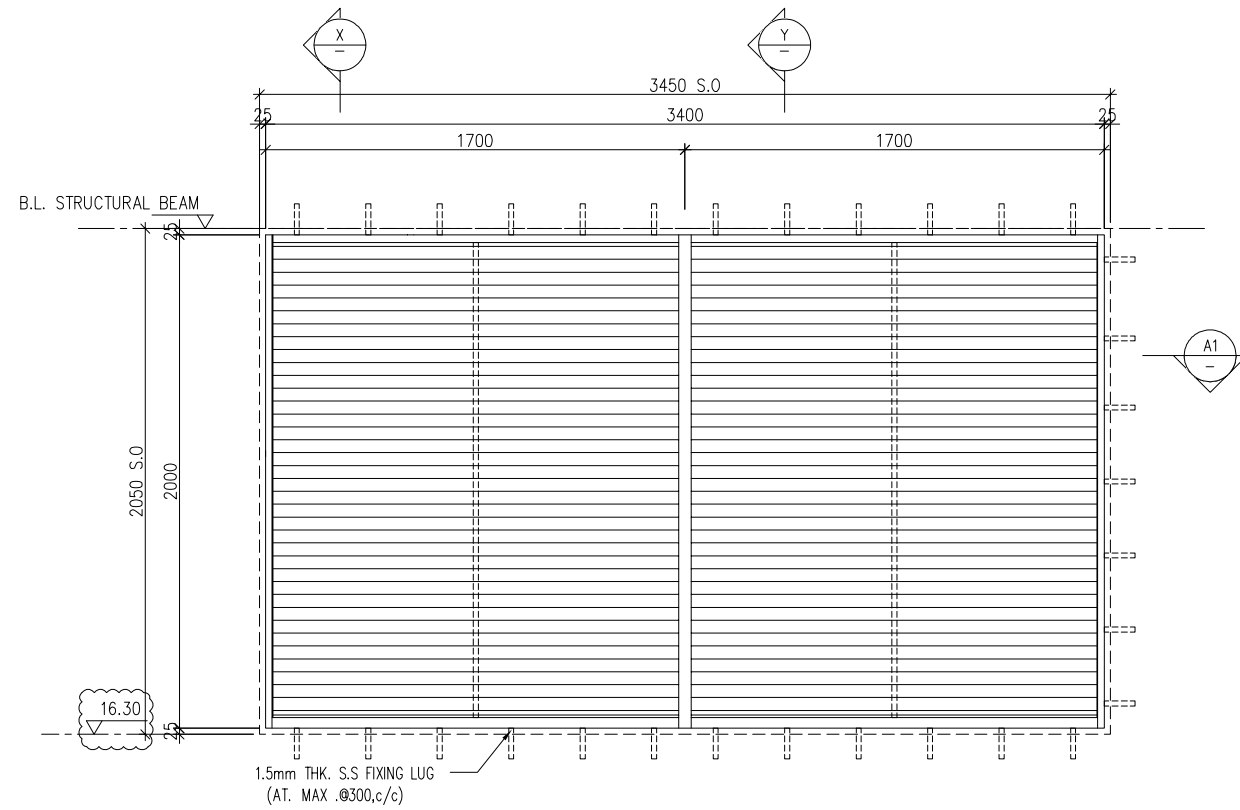
**美特鋁質有限公司**  
**MIDI ALUMINIUM FABRICATOR LTD.**  
Units 6-8, Sunray Industrial Centre, 1/F  
610 Cha Kwo Ling Road, Kowloon  
Tel:23489211-4 Fax:(852)27727666

DWG NO. : J856-SD-LV-5012H REV. : D

WINDOW MARK	GF 024 E&M PURPOSE (NEWLAND)
LOCATION	G/F: G.L.(M-N/P)
SECTION	50mm ALUM. SECTION
GLAZING	ALUM. LOUVER BLADE COLOUR CODE: MATT BLACK (TUC40577SC-3)
QUANTITY	1 NOS.
REMARKS	SS WIRE MESH



ELEVATION



B.D. REF :

CLIENT :

**SUN HUNG KAI**  
REAL ESTATE AGENCY LTD.  
42/F SUN HUNG KAI CENTRE, WANCHAI, HONGKONG

ARCHITECT :

**lwk&partners**  
architects

MAIN CONTRACTOR :

**Yee Fai** Building Contractors Ltd.

STRUCTURAL ENGINEER :

**ARUP**

FACADE CONSULTANT:

**ALPHA CONSULTING LIMITED**  
Steel Structure & Facade Specialist

NOTE :

1. ALL DIMENSIONS ARE IN mm.
2. ALL ELEVATIONS ARE VIEWED FROM OUTSIDE.
3. ALL DIMENSIONS TO BE VERIFIED ON SITE BEFORE FABRICATION.

LEGEND :

- X1 --- DETAIL MARK NO.
- X001 --- REFER SHEET NO.

1. F.F.L. --- FINISHED FLOOR LEVEL
2. S.F.L. --- STRUCTURAL FLOOR LEVEL
3. (R) --- REVERSED DETAIL

4. GLASS LEGEND
- EGL-1 --- 8mm+12mm AIR GAP+8mm THK. I.G.U.
  - EGL-2 --- 10mm THK. CLEAR TEMPERED GLASS

NO.	DATE	REVISED	BY
H	12/06/2023	ADD. BIRD NET PRESS BAR	ivan
G	20/04/2023	REVISION SUBJECT TO ARCH.COMMENT	ivan
F	14/04/2023	REVISION SUBJECT TO ARCH.COMMENT	ivan
E	15/12/2022	REVISION SUBJECT TO ARCH.COMMENT	ivan
D	15/11/2022	REVISION SUBJECT TO ARCH.COMMENT	ivan
C	22/09/2022	REVISION SUBJECT TO ARCH.COMMENT	ivan
B	21/04/2022	REVISION SUBJECT TO ARCH.COMMENT	ivan
A	22/12/2021	REVISION SUBJECT TO ARCH.COMMENT	ivan

JOB NO. : J-856

PROJECT :  
PROPOSED DEVELOPMENT ABOVE  
LIGHT RAIL TIN WING STOP, TSWTL  
NO.23, AREA 33, TIN SHUI WAI, N.T.

TITLE :  
LOUVRE SCHEDULE FOR  
1/F IN-SITU LOUVRE

DATE : 06-Aug-21 SCALE : 1:40

DRAWN BY : ivan CHECKED BY :

**美特鋁質有限公司**  
**MIDI ALUMINIUM FABRICATOR LTD.**  
Units 6-8, Sunray Industrial Centre, 1/F  
610 Cha Kwo Ling Road, Kowloon  
Tel: 23489211-4 Fax: (852) 27727666

DWG NO. : J856-SD-LV-5013 REV. : H

WINDOW MARK **1F/001** E&M PURPOSE (EVERLIGHT)

LOCATION 1/F: G.L.(B4-B5/P)

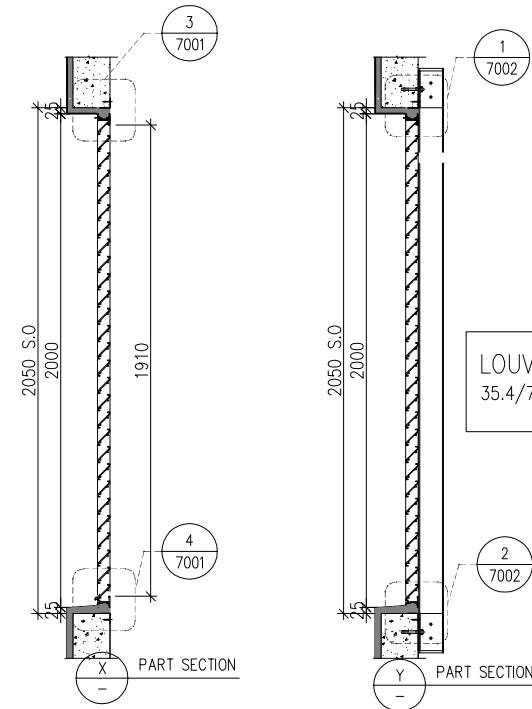
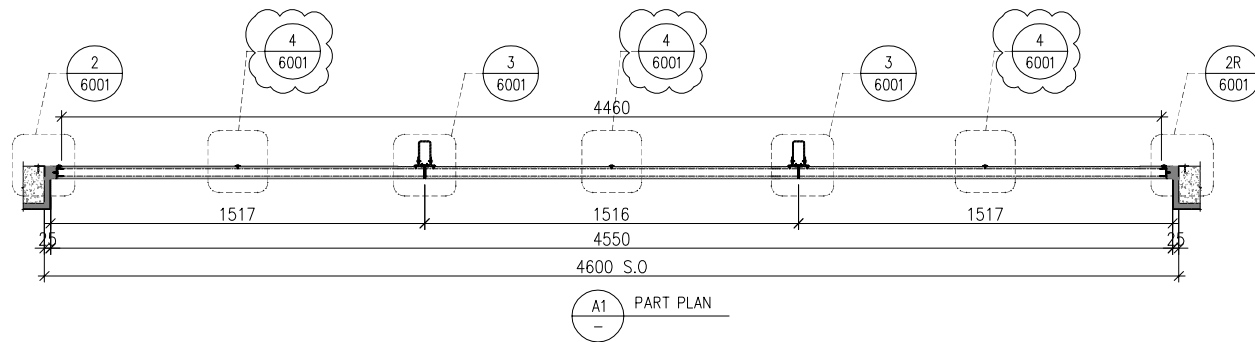
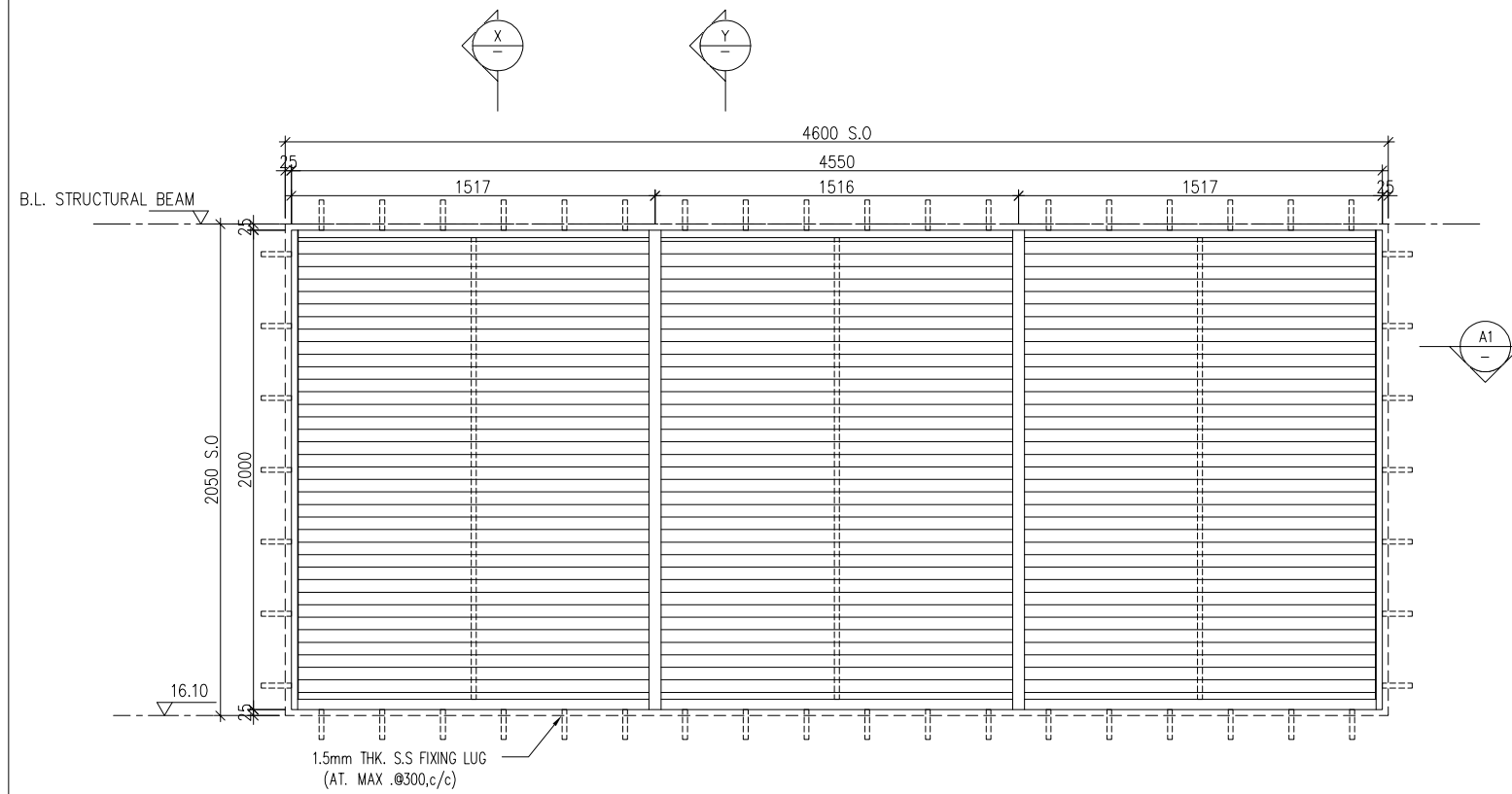
SECTION 50mm ALUM. SECTION

GLAZING ALUM. LOUVRE BLADE COLOUR CODE: MATT BLACK (TUC40577SC-3)

QUANTITY 1 NOS.

REMARKS SS WIRE MESH

ELEVATION



LOUVRE FREE AREA:  
35.4/70 x 100% = 50.5%

B.D. REF :

CLIENT :

**SUN HUNG KAI**  
REAL ESTATE AGENCY LTD.  
42/F SUN HUNG KAI CENTRE, WANCHAI, HONGKONG

ARCHITECT :

**lwk&partners**  
architects

MAIN CONTRACTOR :

**Yee Fai** Building Contractors Ltd.

STRUCTURAL ENGINEER :

**ARUP**

FAÇADE CONSULTANT:

**ALPHA CONSULTING LIMITED**  
Steel Structure & Façade Specialist

NOTE :

1. ALL DIMENSIONS ARE IN mm.
2. ALL ELEVATIONS ARE VIEWED FROM OUTSIDE.
3. ALL DIMENSIONS TO BE VERIFIED ON SITE BEFORE FABRICATION.

LEGEND :

- X1 — DETAIL MARK NO.
- X001 — REFER SHEET NO.

1. F.F.L. -- FINISHED FLOOR LEVEL
2. S.F.L. -- STRUCTURAL FLOOR LEVEL
3. (R) -- REVERSED DETAIL
4. GLASS LEGEND

EGL-1 -- 8mm+12mm AIR GAP+8mm THK. I.G.U.  
EGL-2 -- 10mm THK. CLEAR TEMPERED GLASS

NO.	DATE	REVISED	BY
H	30/05/2023	ADD. BIRD NET PRESS BAR	lvn
G	20/04/2023	REVISION SUBJECT TO ARCH.COMMENT	lvn
F	14/04/2023	REVISION SUBJECT TO ARCH.COMMENT	lvn
E	15/12/2022	REVISION SUBJECT TO ARCH.COMMENT	lvn
D	15/11/2022	REVISION SUBJECT TO ARCH.COMMENT	lvn
C	22/09/2022	REVISION SUBJECT TO ARCH.COMMENT	lvn
B	21/04/2022	REVISION SUBJECT TO ARCH.COMMENT	lvn
A	22/12/2021	REVISION SUBJECT TO ARCH.COMMENT	lvn

JOB NO. : J-856

PROJECT :  
PROPOSED DEVELOPMENT ABOVE  
LIGHT RAIL TIN WING STOP, TSWTL  
NO.23, AREA 33, TIN SHUI WAI, N.T.

TITLE :  
LOUVER SCHEDULE FOR  
1/F IN-SITU LOUVER

DATE : 06-Aug-21 SCALE : 1:40

DRAWN BY : lvn CHECKED BY :

**美特鋁質有限公司**  
**MIDI ALUMINIUM FABRICATOR LTD.**  
Units 6-8, Sunray Industrial Centre, 1/F  
610 Cha Kwo Ling Road, Kowloon  
Tel: 23489211-4 Fax: (852) 2727666

DWG NO. : J856-SD-LV-5014 REV. : H

WINDOW MARK **1F/002** E&M PURPOSE (EVERLIGHT)

LOCATION 1/F: G.L.(B5-B6/P)

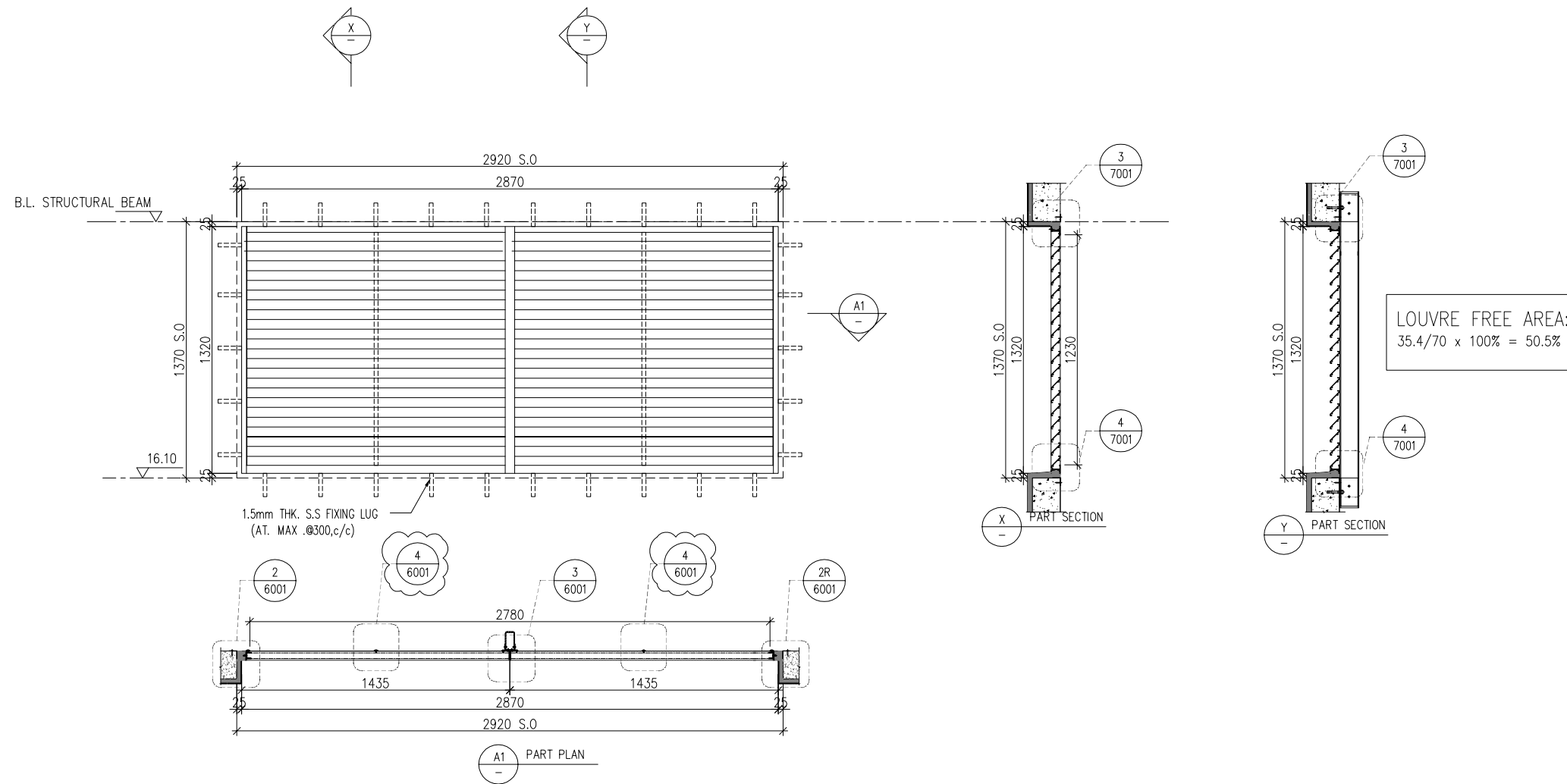
SECTION 50mm ALUM. SECTION

GLAZING ALUM. LOUVER BLADE COLOUR CODE: MATT BLACK (TUC40577SC-3)

QUANTITY 1 NOS.

REMARKS SS WIRE MESH

ELEVATION



B.D. REF :

CLIENT :  
**SUN HUNG KAI**  
 REAL ESTATE AGENCY LTD.  
 42/F SUN HUNG KAI CENTRE, WANCHAI, HONGKONG

ARCHITECT :  
**lwk&partners**  
 architects

MAIN CONTRACTOR :  
**Yee Fai** Building Contractors Ltd.

STRUCTURAL ENGINEER :  
**ARUP**

FACADE CONSULTANT:  
**ALPHA CONSULTING LIMITED**  
 Steel Structure & Facade Specialist

NOTE :  
 1. ALL DIMENSIONS ARE IN mm.  
 2. ALL ELEVATIONS ARE VIEWED FROM OUTSIDE.  
 3. ALL DIMENSIONS TO BE VERIFIED ON SITE BEFORE FABRICATION.

LEGEND :  
 X1 --- DETAIL MARK NO.  
 X001 --- REFER SHEET NO.  
 1. F.F.L. --- FINISHED FLOOR LEVEL  
 2. S.F.L. --- STRUCTURAL FLOOR LEVEL  
 3. (R) --- REVERSED DETAIL  
 4. GLASS LEGEND  
 EGL-1 --- 8mm+12mm AIR GAP+8mm THK. I.G.U.  
 EGL-2 --- 10mm THK. CLEAR TEMPERED GLASS

NO.	DATE	REVISED	BY
F	30/05/2023	ADD. BIRD NET PRESS BAR	ivan
E	14/04/2023	REVISION SUBJECT TO ARCH.COMMENT	ivan
D	15/12/2022	REVISION SUBJECT TO ARCH.COMMENT	ivan
C	15/11/2022	REVISION SUBJECT TO ARCH.COMMENT	ivan
B	22/09/2022	REVISION SUBJECT TO ARCH.COMMENT	ivan
A	21/04/2022	REVISION SUBJECT TO ARCH.COMMENT	ivan

JOB NO. : J-856  
 PROJECT : PROPOSED DEVELOPMENT ABOVE LIGHT RAIL TIN WING STOP, TSWTL NO.23, AREA 33, TIN SHUI WAI, N.T.

TITLE : LOUVER SCHEDULE FOR 1/F IN-SITU LOUVER

DATE : 06-Aug-21 SCALE : 1:40

DRAWN BY : ivan CHECKED BY :

**美特鋁質有限公司**  
**MIDI ALUMINIUM FABRICATOR LTD.**  
 Units 6-8, Sunray Industrial Centre, 1/F  
 610 Cha Kwo Ling Road, Kowloon  
 Tel: 23489211-4 Fax: (852) 27727666

DWG NO. : J856-SD-LV-5015 REV. : F

WINDOW MARK **1F/003** E&M PURPOSE (AC)

LOCATION 1/F: G.L.(B10-B11/P)

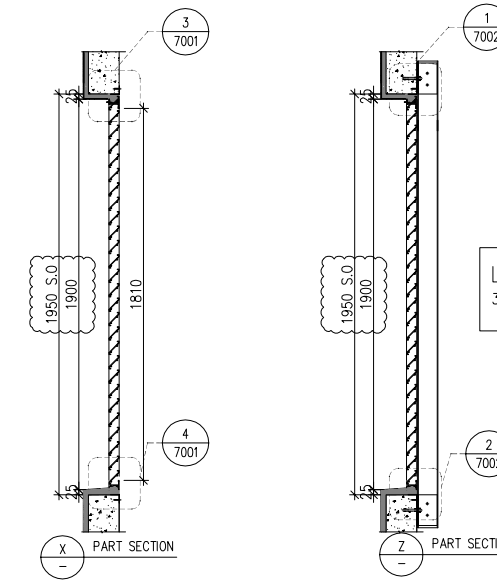
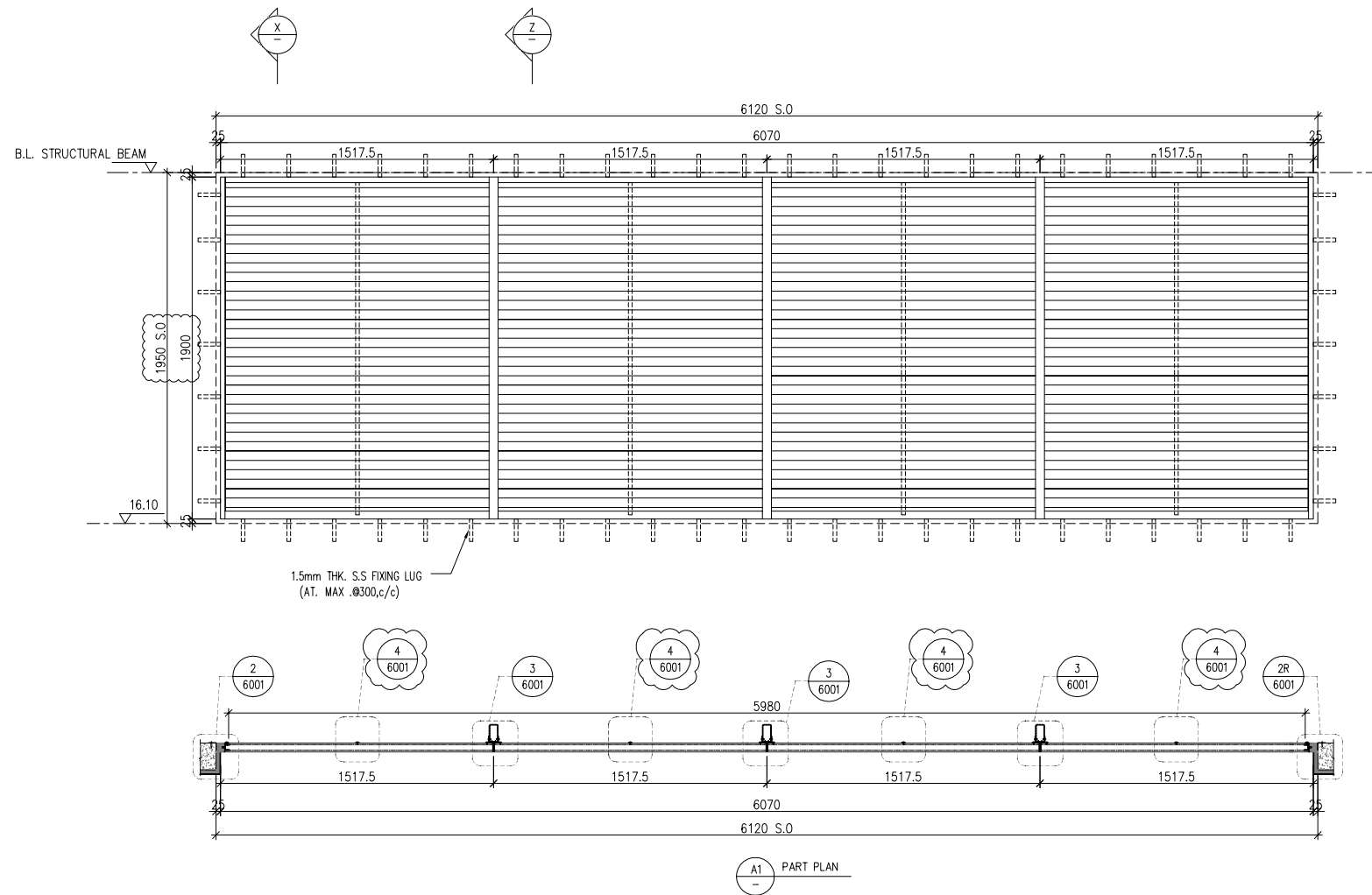
SECTION 50mm ALUM. SECTION

GLAZING ALUM. LOUVER BLADE COLOUR CODE: MATT BLACK (TUC40577SC-3)

QUANTITY 1 NOS.

REMARKS SS WIRE MESH

ELEVATION



B.D. REF :

CLIENT :  
**SUN HUNG KAI**  
 REAL ESTATE AGENCY LTD.  
 42/F SUN HUNG KAI CENTRE, WANCHAI, HONGKONG

ARCHITECT :  
**lwk&partners**  
 architects

MAIN CONTRACTOR :  
**Yee Fai** Building Contractors Ltd.

STRUCTURAL ENGINEER :  
**ARUP**

FAÇADE CONSULTANT:  
**ALPHA CONSULTING LIMITED**  
 Steel Structure & Façade Specialist

NOTE :  
 1. ALL DIMENSIONS ARE IN mm.  
 2. ALL ELEVATIONS ARE VIEWED FROM OUTSIDE.  
 3. ALL DIMENSIONS TO BE VERIFIED ON SITE BEFORE FABRICATION.

LEGEND :  
 X1 -- DETAIL MARK NO.  
 X001 -- REFER SHEET NO.

1. F.F.L. -- FINISHED FLOOR LEVEL  
 2. S.F.L. -- STRUCTURAL FLOOR LEVEL  
 3. (R) -- REVERSED DETAIL  
 4. GLASS LEGEND  
 EGL-1 -- 8mm+12mm AIR GAP+8mm THK. I.G.U.  
 EGL-2 -- 10mm THK. CLEAR TEMPERED GLASS

NO.	DATE	REVISED	BY
F	12/06/2023	ADD. BIRD NET PRESS BAR	ivan
E	14/04/2023	REVISION SUBJECT TO ARCH.COMMENT	ivan
D	15/12/2022	REVISION SUBJECT TO ARCH.COMMENT	ivan
C	15/11/2022	REVISION SUBJECT TO ARCH.COMMENT	ivan
B	22/09/2022	REVISION SUBJECT TO ARCH.COMMENT	ivan
A	21/04/2022	REVISION SUBJECT TO ARCH.COMMENT	ivan

JOB NO. : J-856  
 PROJECT : PROPOSED DEVELOPMENT ABOVE LIGHT RAIL TIN WING STOP, TSWTL NO.23, AREA 33, TIN SHUI WAI, N.T.

TITLE : LOUVER SCHEDULE FOR 1/F IN-SITU LOUVER

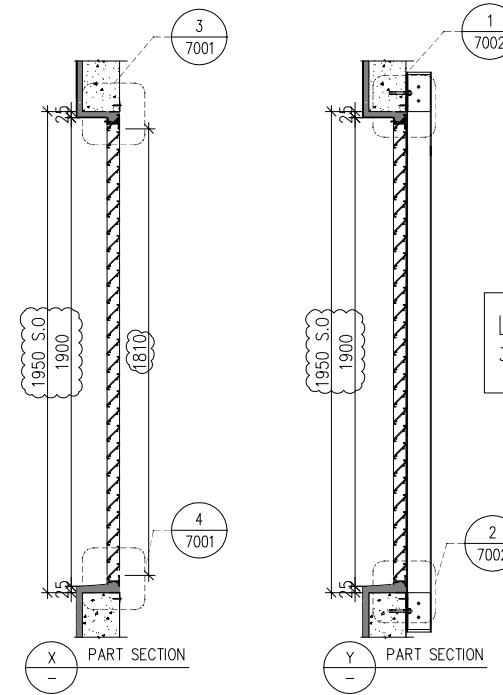
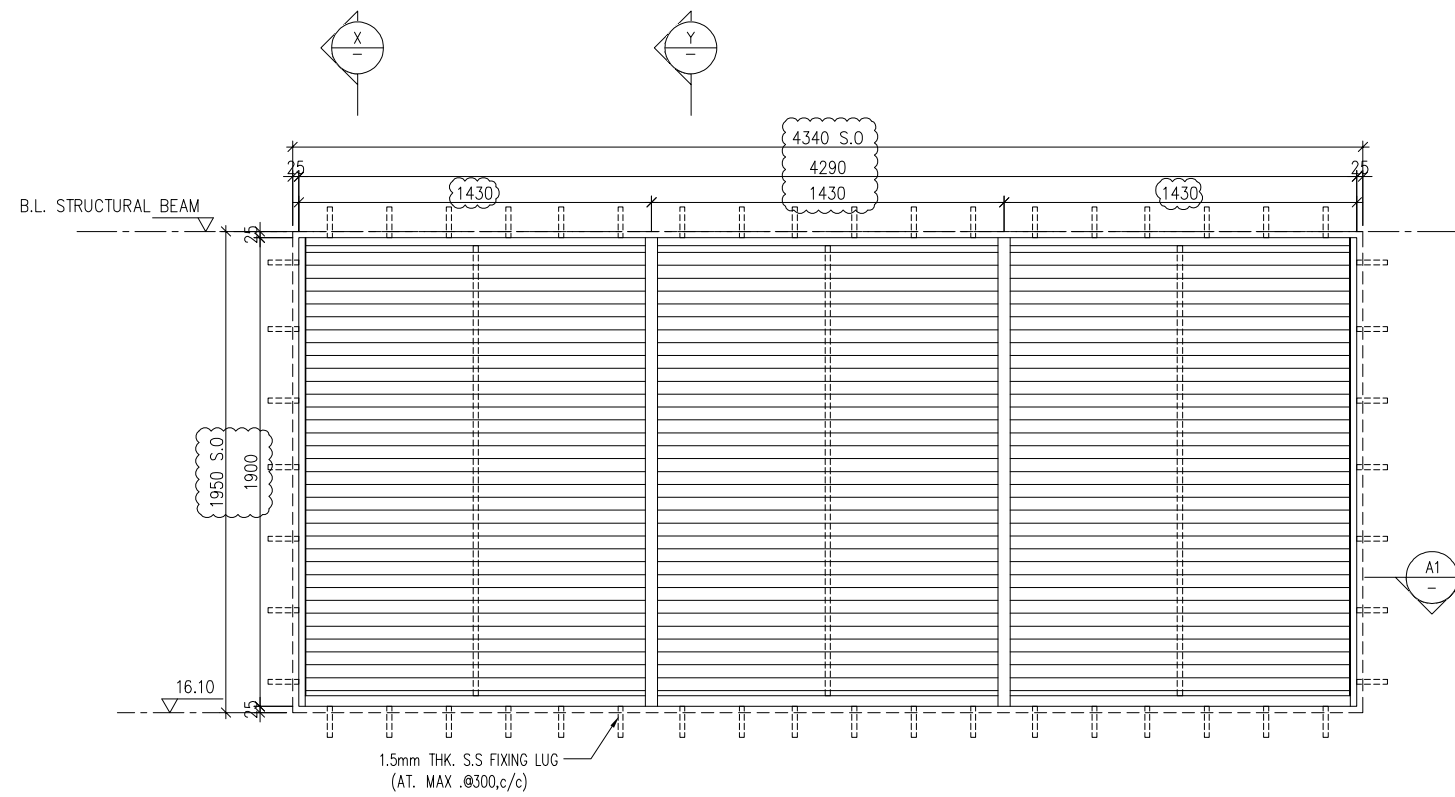
DATE : 06-Aug-21 SCALE : 1:40  
 DRAWN BY : ivan CHECKED BY :

**美特鋁質有限公司**  
**MIDI ALUMINIUM FABRICATOR LTD.**  
 Units 6-8, Sunray Industrial Centre, 1/F  
 610 Cha Kwo Ling Road, Kowloon  
 Tel:23489211-4 Fax:(852)27727666

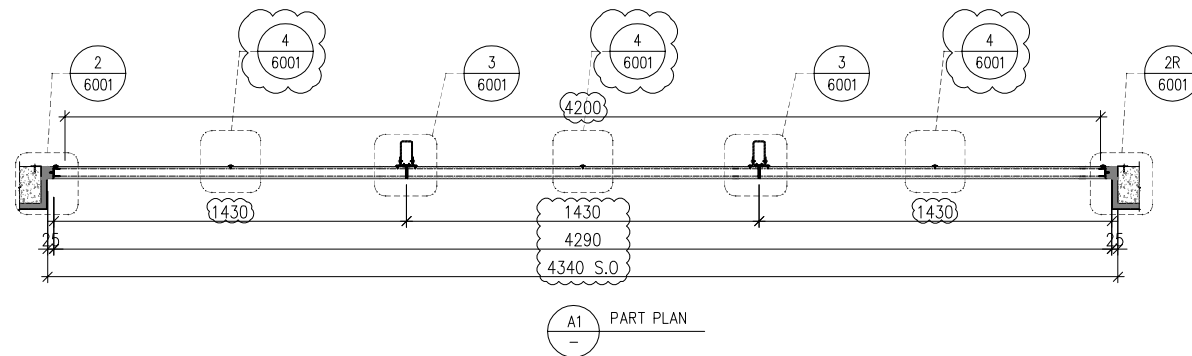
DWG NO. : J856-SD-LV-5016 REV. : F

WINDOW MARK	1F/004 E&M PURPOSE (AC)
LOCATION	1/F: G.L.(B11-B12/P)
SECTION	50mm ALUM. SECTION
GLAZING	ALUM. LOUVER BLADE COLOUR CODE: MATT BLACK (TUC40577SC-3)
QUANTITY	1 NOS.
REMARKS	SS WIRE MESH

ELEVATION



LOUVRE FREE AREA:  
35.4/70 x 100% = 50.5%



B.D. REF :

CLIENT :

**SUN HUNG KAI**  
REAL ESTATE AGENCY LTD.  
42/F SUN HUNG KAI CENTRE, WANCHAI, HONGKONG

ARCHITECT :

**lwk&partners**  
architects

MAIN CONTRACTOR :

**Yee Fai** Building Contractors Ltd.

STRUCTURAL ENGINEER :

**ARUP**

FACADE CONSULTANT:

**ALPHA CONSULTING LIMITED**  
Steel Structure & Facade Specialist

NOTE :

1. ALL DIMENSIONS ARE IN mm.
2. ALL ELEVATIONS ARE VIEWED FROM OUTSIDE.
3. ALL DIMENSIONS TO BE VERIFIED ON SITE BEFORE FABRICATION.

LEGEND :

- (X1) --- DETAIL MARK NO.
- (X001) --- REFER SHEET NO.

1. F.F.L. --- FINISHED FLOOR LEVEL
2. S.F.L. --- STRUCTURAL FLOOR LEVEL
3. (R) --- REVERSED DETAIL
4. GLASS LEGEND

EGL-1 --- 8mm+12mm AIR GAP+8mm THK. I.G.U.  
EGL-2 --- 10mm THK. CLEAR TEMPERED GLASS

NO.	DATE	REVISED	BY
F	12/06/2023	ADD. BIRD NET PRESS BAR	lvon
E	14/04/2023	REVISION SUBJECT TO ARCH.COMMENT	lvon
D	15/12/2022	REVISION SUBJECT TO ARCH.COMMENT	lvon
C	15/11/2022	REVISION SUBJECT TO ARCH.COMMENT	lvon
B	22/09/2022	REVISION SUBJECT TO ARCH.COMMENT	lvon
A	21/04/2022	REVISION SUBJECT TO ARCH.COMMENT	lvon

JOB NO. : J-856

PROJECT :  
PROPOSED DEVELOPMENT ABOVE  
LIGHT RAIL TIN WING STOP, TSWTL  
NO.23, AREA 33, TIN SHUI WAI, N.T.

TITLE :  
LOUVRE SCHEDULE FOR  
1/F IN-SITU LOUVRE

DATE : 06-Aug-21 SCALE : 1:40

DRAWN BY : lvon CHECKED BY :

**美特鋁質有限公司**  
**MIDI ALUMINIUM FABRICATOR LTD.**  
Units 6-8, Sunray Industrial Centre, 1/F  
610 Cha Kwo Ling Road, Kowloon  
Tel: 23489211-4 Fax: (852) 27727666

DWG NO. : J856-SD-LV-5017 REV. : F

WINDOW MARK **1F/005** E&M PURPOSE (AC)

LOCATION 1/F: G.L.(B12-B13/P)

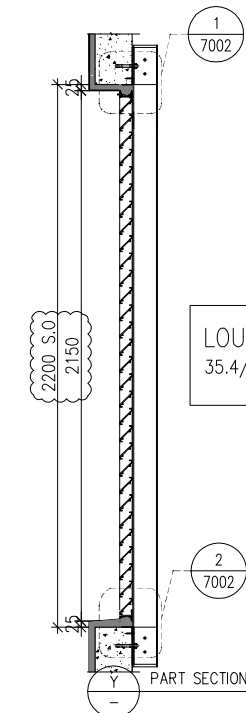
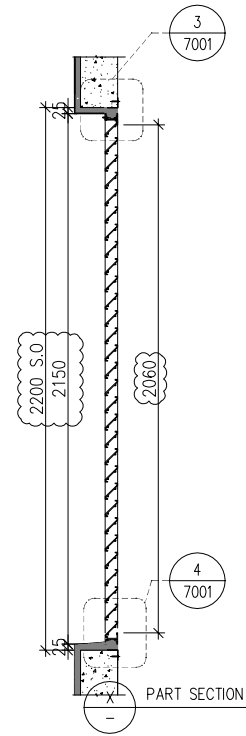
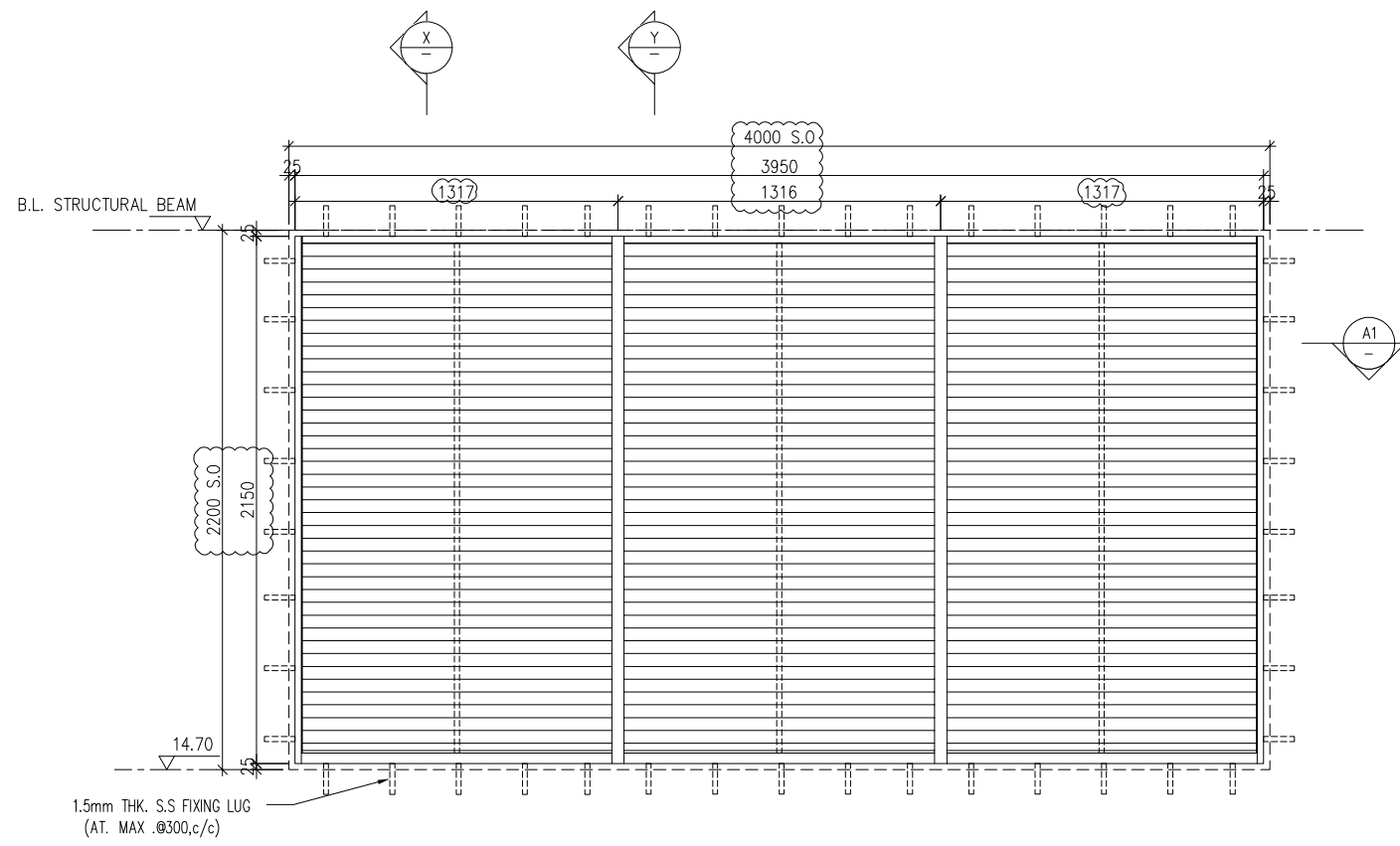
SECTION 50mm ALUM. SECTION

GLAZING ALUM. LOUVRE BLADE COLOUR CODE: MATT BLACK (TUC40577SC-3)

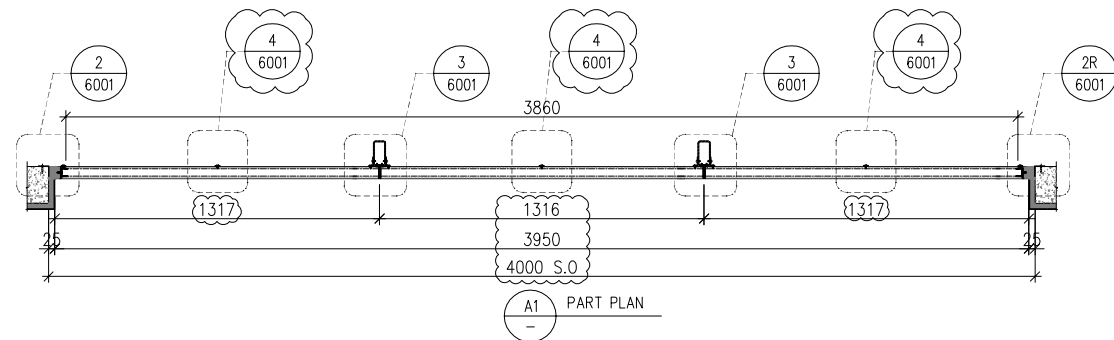
QUANTITY 1 NOS.

REMARKS SS WIRE MESH

ELEVATION



LOUVRE FREE AREA:  
35.4/70 x 100% = 50.5%



B.D. REF :

CLIENT :

**SUN HUNG KAI**  
REAL ESTATE AGENCY LTD.  
42/F SUN HUNG KAI CENTRE, WANCHAI, HONGKONG

ARCHITECT :

**lwk&partners**  
architects

MAIN CONTRACTOR :

**Yee Fai** Building Contractors Ltd.

STRUCTURAL ENGINEER :

**ARUP**

FACADE CONSULTANT:

**ALPHA CONSULTING LIMITED**  
Steel Structure & Facade Specialist

NOTE :

1. ALL DIMENSIONS ARE IN mm.
2. ALL ELEVATIONS ARE VIEWED FROM OUTSIDE.
3. ALL DIMENSIONS TO BE VERIFIED ON SITE BEFORE FABRICATION.

LEGEND :

- (X1) --- DETAIL MARK NO.
- (X001) --- REFER SHEET NO.

1. F.F.L. --- FINISHED FLOOR LEVEL
2. S.F.L. --- STRUCTURAL FLOOR LEVEL
3. (R) --- REVERSED DETAIL
4. GLASS LEGEND

- EGL-1 --- 8mm+12mm AIR GAP+8mm THK. I.G.U.
- EGL-2 --- 10mm THK. CLEAR TEMPERED GLASS

NO.	DATE	REVISED	BY
F	12/06/2023	ADD. BIRD NET PRESS BAR	lvon
E	14/04/2023	REVISION SUBJECT TO ARCH.COMMENT	lvon
D	15/12/2022	REVISION SUBJECT TO ARCH.COMMENT	lvon
C	22/09/2022	REVISION SUBJECT TO ARCH.COMMENT	lvon
B	21/04/2022	REVISION SUBJECT TO ARCH.COMMENT	lvon
A	22/12/2021	REVISION SUBJECT TO ARCH.COMMENT	lvon

JOB NO. : J-856

PROJECT :  
PROPOSED DEVELOPMENT ABOVE  
LIGHT RAIL TIN WING STOP, TSWTL  
NO.23, AREA 33, TIN SHUI WAI, N.T.

TITLE :  
LOUVRE SCHEDULE FOR  
1/F IN-SITU LOUVRE

DATE : 06-Aug-21 SCALE : 1:40

DRAWN BY : lvon CHECKED BY :

**美特鋁質有限公司**  
**MIDI ALUMINIUM FABRICATOR LTD.**  
Units 6-8, Sunray Industrial Centre, 1/F  
610 Cha Kwo Ling Road, Kowloon  
Tel: 23489211-4 Fax: (852) 2727666

DWG NO. : J856-SD-LV-5018 REV. : F

WINDOW MARK **1F/006** E&M PURPOSE (EVERLIGHT)

LOCATION 1/F: G.L.(B13-B14/P)

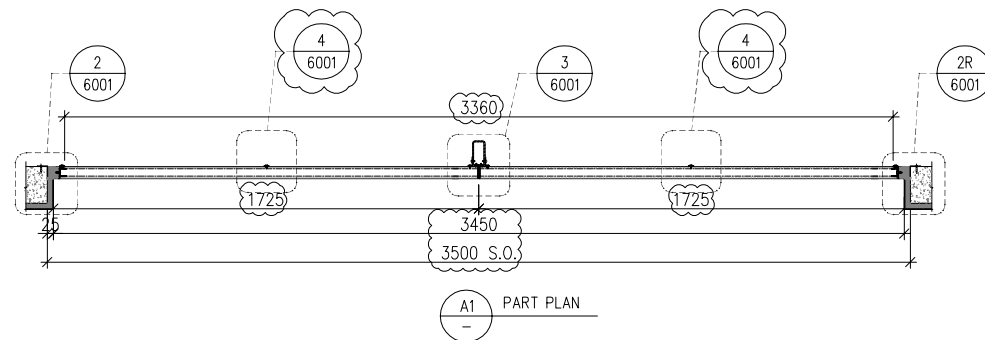
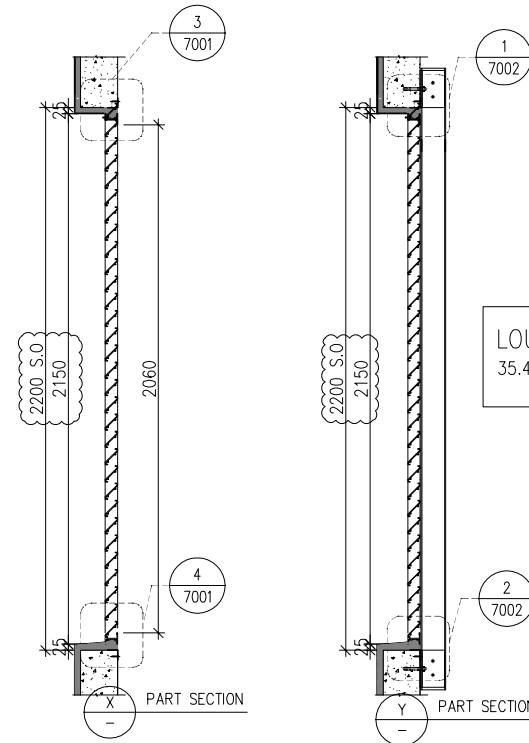
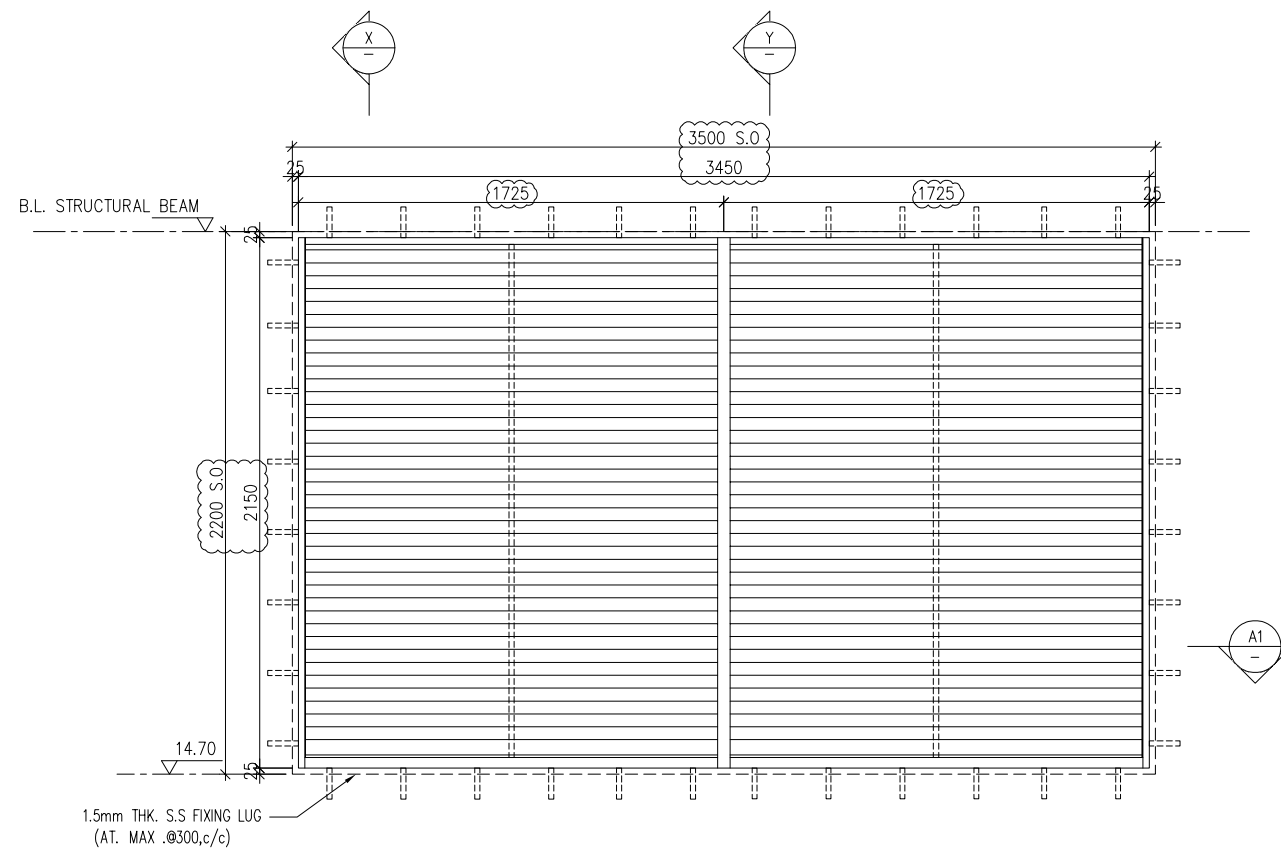
SECTION 50mm ALUM. SECTION

GLAZING ALUM. LOUVRE BLADE COLOUR CODE: MATT BLACK (TUC40577SC-3)

QUANTITY 1 NOS.

REMARKS SS WIRE MESH

ELEVATION



B.D. REF :

CLIENT :  
**SUN HUNG KAI**  
 REAL ESTATE AGENCY LTD.  
 42/F SUN HUNG KAI CENTRE, WANCHAI, HONGKONG

ARCHITECT :  
**lwk&partners**  
 architects

MAIN CONTRACTOR :  
**Yee Fai** Building Contractors Ltd.

STRUCTURAL ENGINEER :  
**ARUP**

FACADE CONSULTANT:  
**ALPHA CONSULTING LIMITED**  
 Steel Structure & Facade Specialist

NOTE :  
 1. ALL DIMENSIONS ARE IN mm.  
 2. ALL ELEVATIONS ARE VIEWED FROM OUTSIDE.  
 3. ALL DIMENSIONS TO BE VERIFIED ON SITE BEFORE FABRICATION.

LEGEND :  
 X1 — DETAIL MARK NO.  
 X001 — REFER SHEET NO.  
 1. F.F.L. -- FINISHED FLOOR LEVEL  
 2. S.F.L. -- STRUCTURAL FLOOR LEVEL  
 3. (R) -- REVERSED DETAIL  
 4. GLASS LEGEND  
 EGL-1 -- 8mm+12mm AIR GAP+8mm THK. I.G.U.  
 EGL-2 -- 10mm THK. CLEAR TEMPERED GLASS

NO.	DATE	REVISED	BY
F	12/06/2023	ADD. BIRD NET PRESS BAR	ivan
E	14/04/2023	REVISION SUBJECT TO ARCH.COMMENT	ivan
D	15/12/2022	REVISION SUBJECT TO ARCH.COMMENT	ivan
C	21/04/2022	REVISION SUBJECT TO ARCH.COMMENT	ivan
B	21/04/2022	REVISION SUBJECT TO ARCH.COMMENT	ivan
A	22/12/2021	REVISION SUBJECT TO ARCH.COMMENT	ivan

JOB NO. : J-856  
 PROJECT : PROPOSED DEVELOPMENT ABOVE LIGHT RAIL TIN WING STOP, TSWTL NO.23, AREA 33, TIN SHUI WAI, N.T.

TITLE : LOUVER SCHEDULE FOR 1/F IN-SITU LOUVER

DATE : 06-Aug-21 SCALE : 1:40

DRAWN BY : ivan CHECKED BY :

**美特鋁質有限公司**  
**MIDI ALUMINIUM FABRICATOR LTD.**  
 Units 6-8, Sunray Industrial Centre, 1/F  
 610 Cha Kwo Ling Road, Kowloon  
 Tel: 23489211-4 Fax: (852) 27727666

DWG NO. : J856-SD-LV-5019 REV. : F

WINDOW MARK **1F/007** E&M PURPOSE (EVERLIGHT)

LOCATION 1/F: G.L.(B13-B14/P)

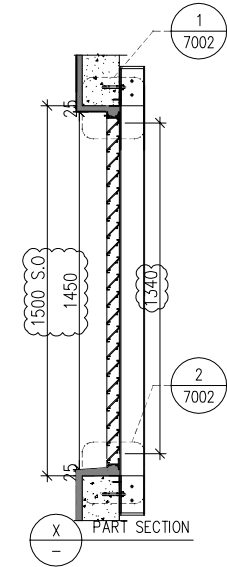
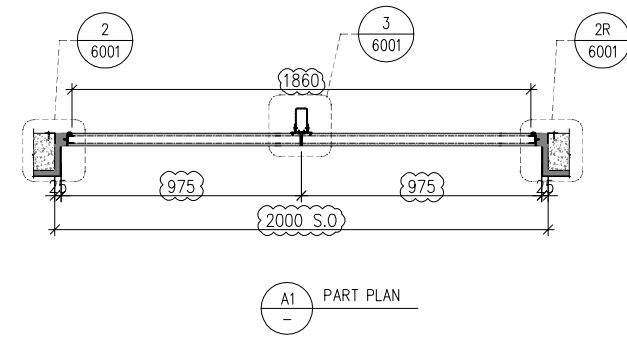
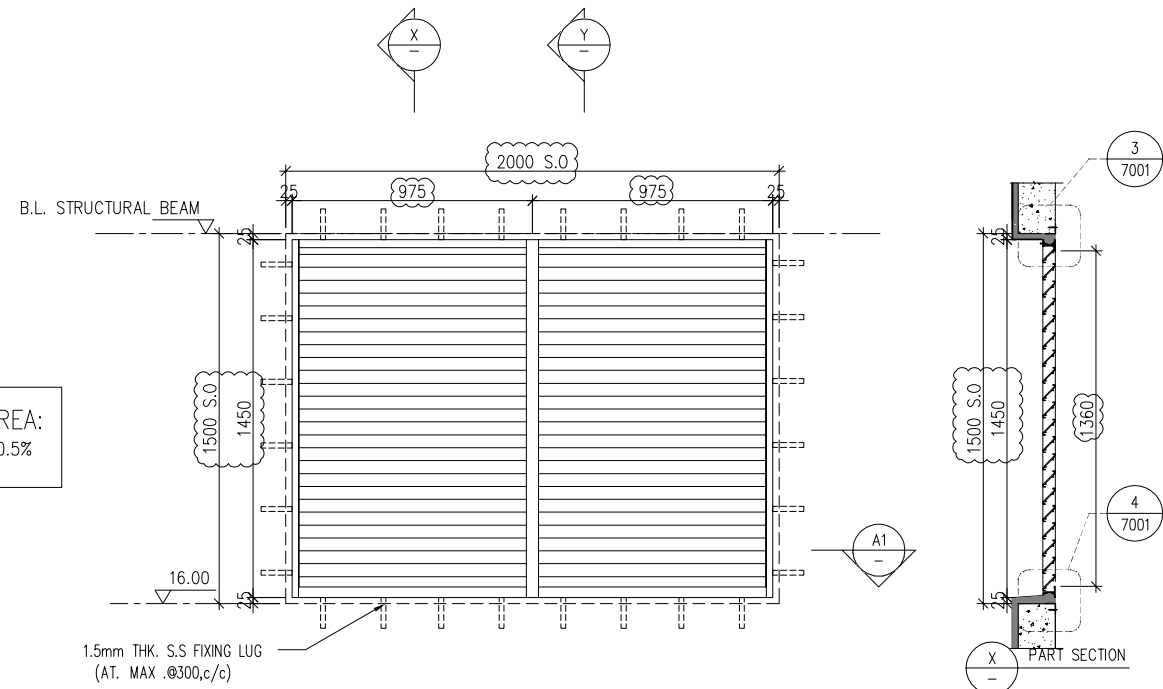
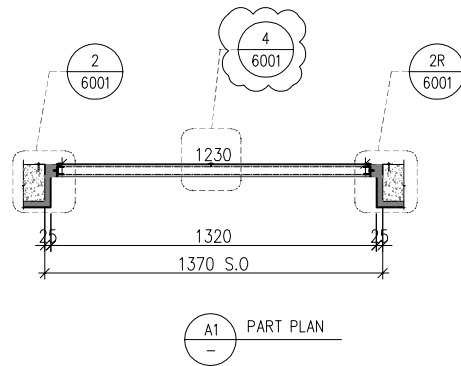
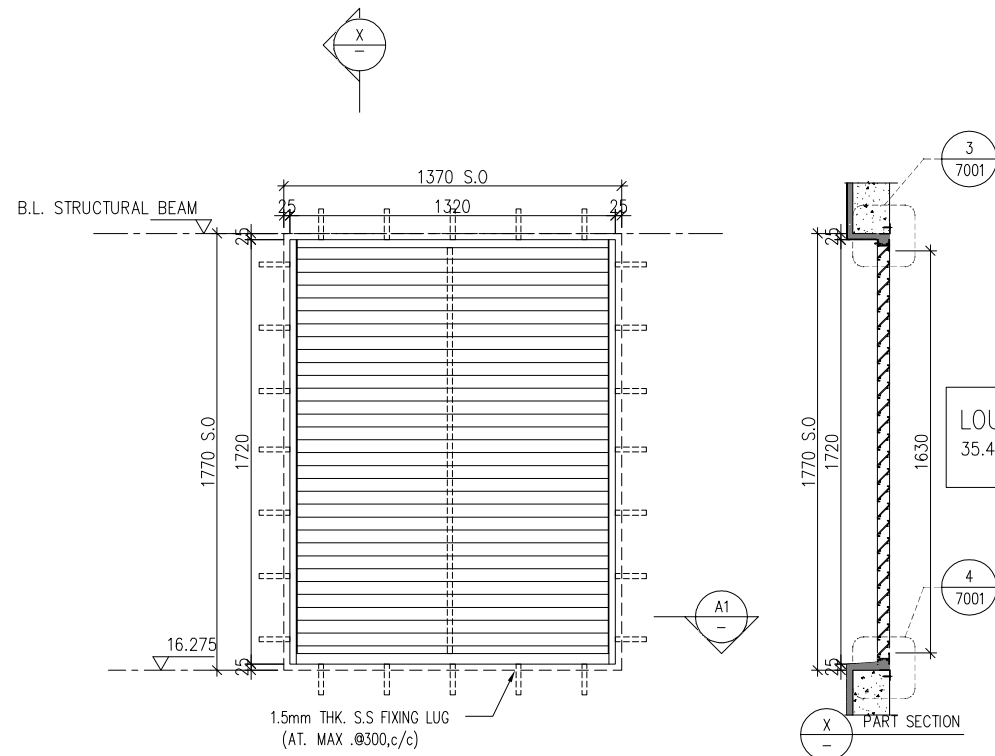
SECTION 50mm ALUM. SECTION

GLAZING ALUM. LOUVER BLADE COLOUR CODE: MATT BLACK (TUC40577SC-3)

QUANTITY 1 NOS.

REMARKS SS WIRE MESH

ELEVATION



LOUVRE FREE AREA:  
35.4/70 x 100% = 50.5%

B.D. REF :

CLIENT :

**SUN HUNG KAI**  
REAL ESTATE AGENCY LTD.  
42/F SUN HUNG KAI CENTRE, WANCHAI, HONGKONG

ARCHITECT :

**lwk&partners**  
architects

MAIN CONTRACTOR :

**Yee Fai** Building Contractors Ltd.

STRUCTURAL ENGINEER :

**ARUP**

FAÇADE CONSULTANT:

**ALPHA CONSULTING LIMITED**  
Steel Structure & Façade Specialist

NOTE :

1. ALL DIMENSIONS ARE IN mm.
2. ALL ELEVATIONS ARE VIEWED FROM OUTSIDE.
3. ALL DIMENSIONS TO BE VERIFIED ON SITE BEFORE FABRICATION.

LEGEND :

- X1 - DETAIL MARK NO.
- X001 - REFER SHEET NO.

1. F.F.L. -- FINISHED FLOOR LEVEL
2. S.F.L. -- STRUCTURAL FLOOR LEVEL
3. (R) -- REVERSED DETAIL
4. GLASS LEGEND

- EGL-1 -- 8mm+12mm AIR GAP+8mm THK. I.G.U.
- EGL-2 -- 10mm THK. CLEAR TEMPERED GLASS

NO.	DATE	REVISED	BY
E	12/06/2023	ADD. BIRD NET PRESS BAR	lvn
D	14/04/2023	REVISION SUBJECT TO ARCH.COMMENT	lvn
C	15/12/2022	REVISION SUBJECT TO ARCH.COMMENT	lvn
B	22/09/2022	REVISION SUBJECT TO ARCH.COMMENT	lvn
A	21/04/2022	REVISION SUBJECT TO ARCH.COMMENT	lvn

JOB NO. : J-856

PROJECT :  
PROPOSED DEVELOPMENT ABOVE  
LIGHT RAIL TIN WING STOP, TSWTL  
NO.23, AREA 33, TIN SHUI WAI, N.T.

TITLE :  
LOUVER SCHEDULE FOR  
1/F IN-SITU LOUVER

DATE : 06-Aug-21 SCALE : 1:40

DRAWN BY : lvn CHECKED BY :

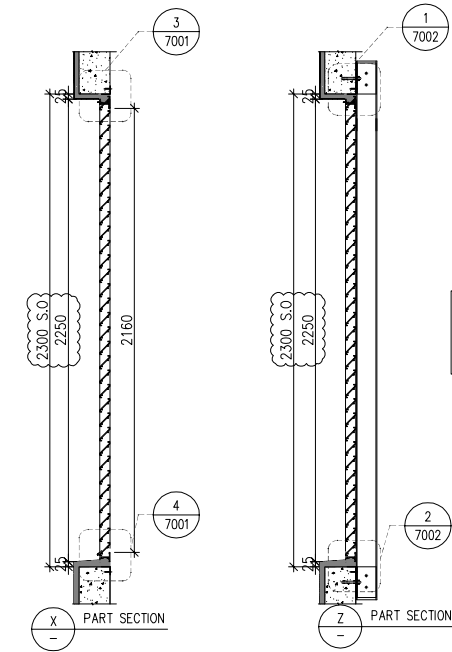
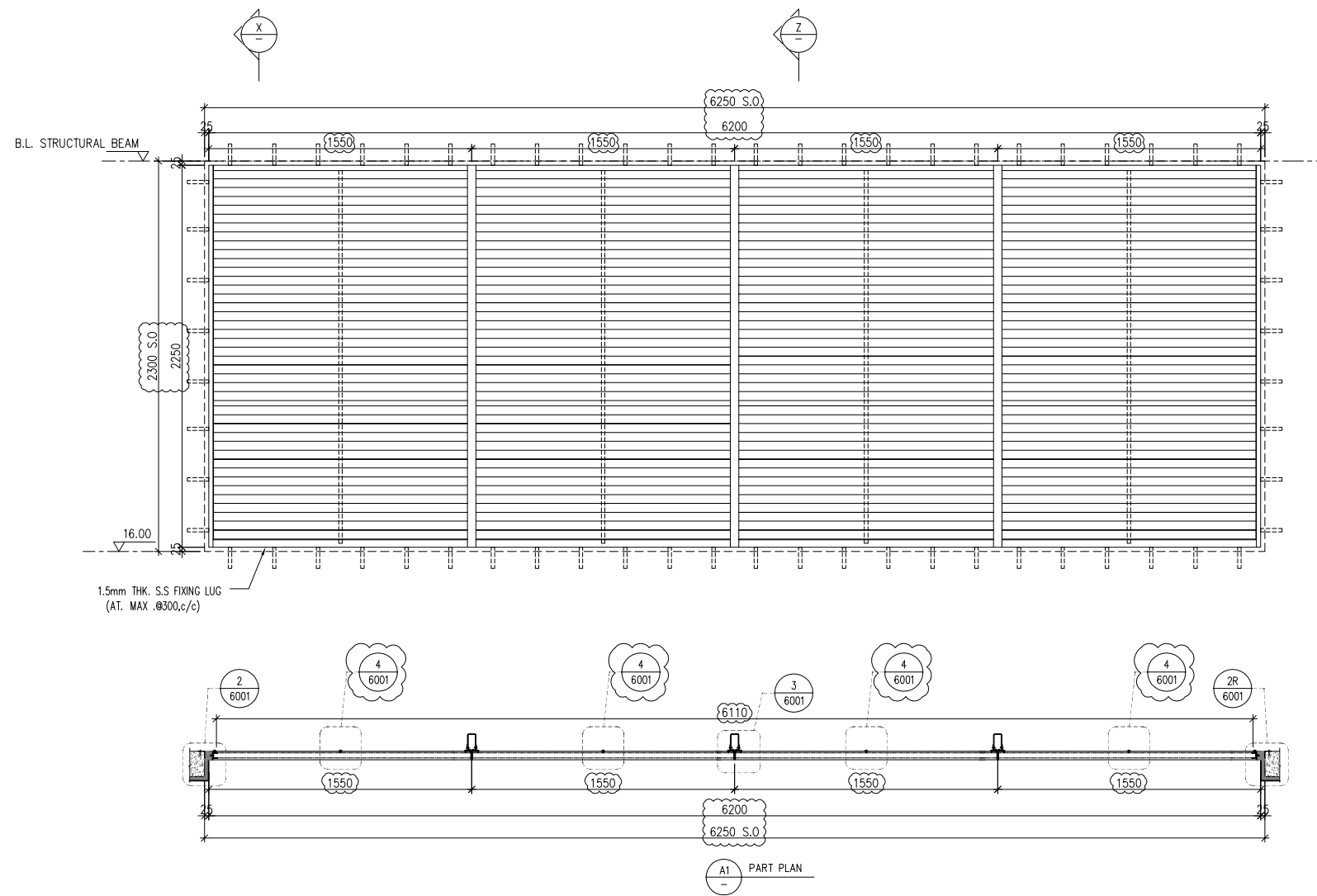
**美特鋁質有限公司**  
**MIDI ALUMINIUM FABRICATOR LTD.**  
Units 6-8, Sunray Industrial Centre, 1/F  
610 Cha Kwo Ling Road, Kowloon  
Tel: 23489211-4 Fax: (852) 27727666

DWG NO. : J856-SD-LV-5020 REV. : E

WINDOW MARK	1F/008 E&M PURPOSE (AC)	1F/009 E&M PURPOSE (AC)
LOCATION	1/F: G.L.(B14-B15/P)	1/F: G.L.(A5/P)
SECTION	50mm ALUM. SECTION	50mm ALUM. SECTION
GLAZING	ALUM. LOUVER BLADE COLOUR CODE: MATT BLACK (TUC40577SC-3)	ALUM. LOUVER BLADE COLOUR CODE: DARK GREY (UCT542919XL-3)
QUANTITY	1 NOS.	1 NOS.
REMARKS	SS WIRE MESH	SS WIRE MESH



ELEVATION



LOUVRE FREE AREA:  
35.4/70 x 100% = 50.5%

B.D. REF :

CLIENT :  
**SUN HUNG KAI**  
REAL ESTATE AGENCY LTD.  
42/F SUN HUNG KAI CENTRE, WANCHAI, HONGKONG

ARCHITECT :  
**lwk&partners**  
architects

MAIN CONTRACTOR :  
**Yee Fai** Building Contractors Ltd.

STRUCTURAL ENGINEER :  
**ARUP**

FAÇADE CONSULTANT:  
**ALPHA CONSULTING LIMITED**  
Steel Structure & Façade Specialist

NOTE :  
1. ALL DIMENSIONS ARE IN mm.  
2. ALL ELEVATIONS ARE VIEWED FROM OUTSIDE.  
3. ALL DIMENSIONS TO BE VERIFIED ON SITE BEFORE FABRICATION.

LEGEND :  
X1 -- DETAIL MARK NO.  
X001 -- REFER SHEET NO.  
1. F.F.L. -- FINISHED FLOOR LEVEL  
2. S.F.L. -- STRUCTURAL FLOOR LEVEL  
3. (R) -- REVERSED DETAIL  
4. GLASS LEGEND  
EGL-1 -- 8mm+12mm AIR GAP+8mm THK. I.G.U.  
EGL-2 -- 10mm THK. CLEAR TEMPERED GLASS

NO.	DATE	REVISED	BY
E	12/06/2023	ADD. BIRD NET PRESS BAR	lvn
D	14/04/2023	REVISION SUBJECT TO ARCH.COMMENT	lvn
C	15/12/2022	REVISION SUBJECT TO ARCH.COMMENT	lvn
B	22/09/2022	REVISION SUBJECT TO ARCH.COMMENT	lvn
A	21/04/2022	REVISION SUBJECT TO ARCH.COMMENT	lvn

JOB NO. : J-856  
PROJECT : PROPOSED DEVELOPMENT ABOVE LIGHT RAIL TIN WING STOP, TSWTL NO.23, AREA 33, TIN SHUI WAI, N.T.

TITLE : LOUVER SCHEDULE FOR 1/F IN-SITU LOUVER

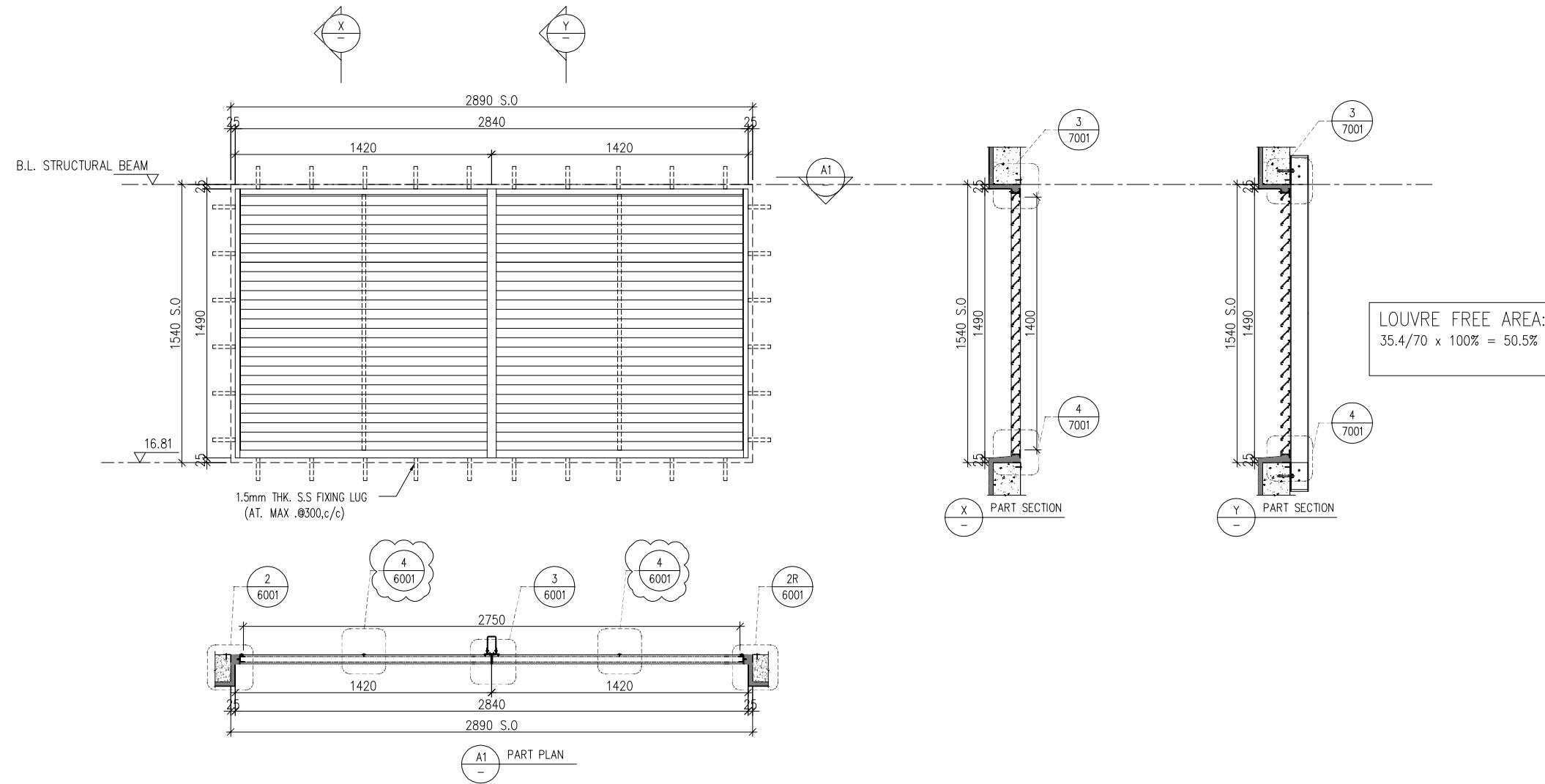
DATE : 06-Aug-21 SCALE : 1:40  
DRAWN BY : lvn CHECKED BY :

**美特鋁質有限公司**  
**MIDI ALUMINIUM FABRICATOR LTD.**  
Units 6-8, Sunray Industrial Centre, 1/F  
610 Cha Kwo Ling Road, Kowloon  
Tel: 23489211-4 Fax: (852) 27727666

DWG NO. : J856-SD-LV-5022 REV. : E

WINDOW MARK	1F/012 E&M PURPOSE (AC)
LOCATION	1/F: G.L.(A4-A3/P)
SECTION	50mm ALUM. SECTION
GLAZING	ALUM. LOUVER BLADE COLOUR CODE: DARK GREY (UCT542919XL-3)
QUANTITY	1 NOS.
REMARKS	SS WIRE MESH

ELEVATION



B.D. REF :

CLIENT :

**SUN HUNG KAI**  
REAL ESTATE AGENCY LTD.  
42/F SUN HUNG KAI CENTRE, WANCHAI, HONGKONG

ARCHITECT :

**lwk&partners**  
architects

MAIN CONTRACTOR :

**Yee Fai** Building Contractors Ltd.

STRUCTURAL ENGINEER :

**ARUP**

FACADE CONSULTANT:

**ALPHA CONSULTING LIMITED**  
Steel Structure & Facade Specialist

NOTE :

1. ALL DIMENSIONS ARE IN mm.
2. ALL ELEVATIONS ARE VIEWED FROM OUTSIDE.
3. ALL DIMENSIONS TO BE VERIFIED ON SITE BEFORE FABRICATION.

LEGEND :

- X1 — DETAIL MARK NO.
- X001 — REFER SHEET NO.

1. F.F.L. --- FINISHED FLOOR LEVEL
2. S.F.L. --- STRUCTURAL FLOOR LEVEL
3. (R) --- REVERSED DETAIL

4. GLASS LEGEND
- EGL-1 --- 8mm+12mm AIR GAP+8mm THK. I.G.U.
  - EGL-2 --- 10mm THK. CLEAR TEMPERED GLASS

NO.	DATE	REVISED	BY
G	30/05/2023	REVISION SUBJECT TO ARCH.COMMENT	ivan
F	14/04/2023	REVISION SUBJECT TO ARCH.COMMENT	ivan
E	15/12/2022	REVISION SUBJECT TO ARCH.COMMENT	ivan
D	25/11/2022	REVISION SUBJECT TO ARCH.COMMENT	ivan
C	20/10/2022	REVISION SUBJECT TO ARCH.COMMENT	ivan
B	30/09/2022	REVISION SUBJECT TO ARCH.COMMENT	ivan
A	21/04/2022	REVISION SUBJECT TO ARCH.COMMENT	ivan

JOB NO. : J-856

PROJECT :  
PROPOSED DEVELOPMENT ABOVE  
LIGHT RAIL TIN WING STOP, TSWTL  
NO.23, AREA 33, TIN SHUI WAI, N.T.

TITLE :  
LOUVRE SCHEDULE FOR  
1/F IN-SITU LOUVRE

DATE : 06-Aug-21 SCALE : 1:40

DRAWN BY : ivan CHECKED BY :

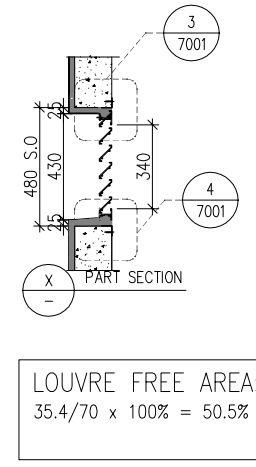
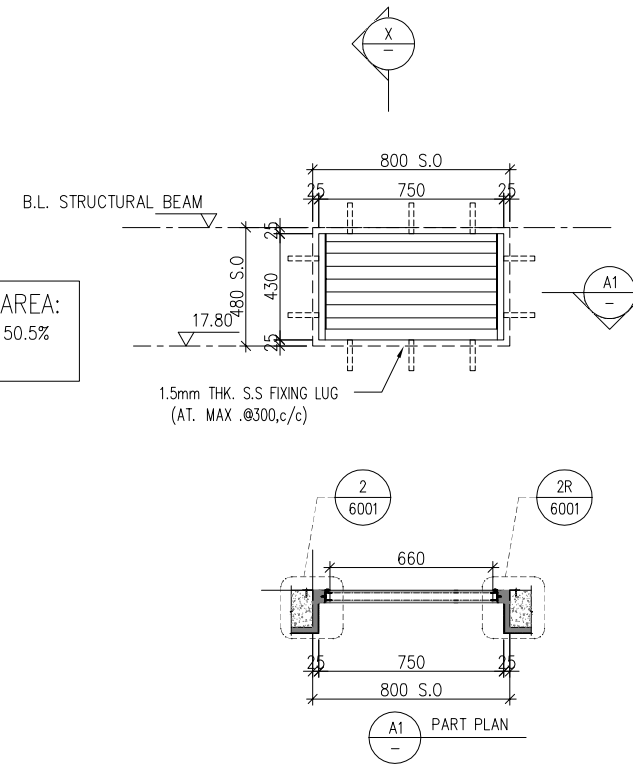
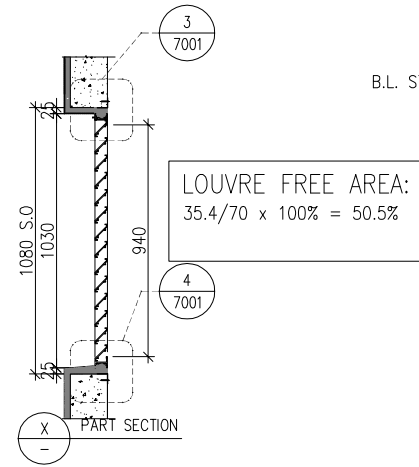
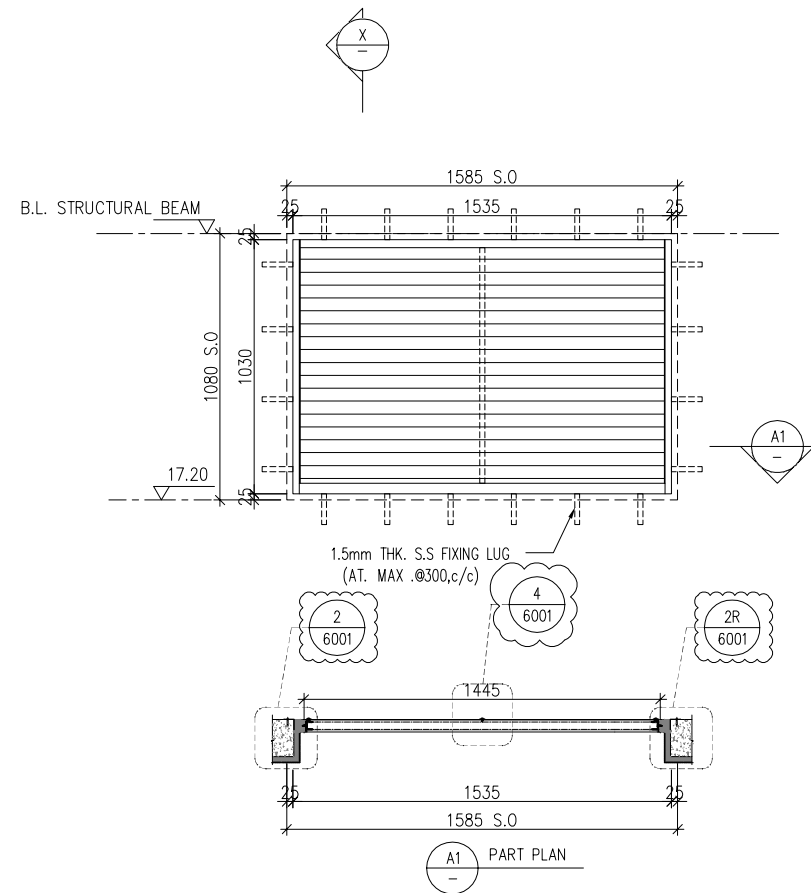
**美特鋁質有限公司**  
**MIDI ALUMINIUM FABRICATOR LTD.**  
Units 6-8, Sunray Industrial Centre, 1/F  
610 Cha Kwo Ling Road, Kowloon  
Tel: 23489211-4 Fax: (852) 27727666

DWG NO. : J856-SD-LV-5023 REV. : G

WINDOW MARK **1F**  
013 E&M PURPOSE (AC)

LOCATION 1/F: G.L.(A3-A2/P)  
SECTION 50mm ALUM. SECTION  
GLAZING ALUM. LOUVRE BLADE COLOUR CODE: DARK GREY (UCT542919XL-3)  
QUANTITY 1 NOS.  
REMARKS SS WIRE MESH

ELEVATION



B.D. REF :

CLIENT :

**SUN HUNG KAI**  
REAL ESTATE AGENCY LTD.  
42/F SUN HUNG KAI CENTRE, WANCHAI, HONGKONG

ARCHITECT :

**lwk&partners**  
architects

MAIN CONTRACTOR :

**Yee Fai** Building Contractors Ltd.

STRUCTURAL ENGINEER :

**ARUP**

FACADE CONSULTANT:

**ALPHA CONSULTING LIMITED**  
Steel Structure & Facade Specialist

NOTE :

1. ALL DIMENSIONS ARE IN mm.
2. ALL ELEVATIONS ARE VIEWED FROM OUTSIDE.
3. ALL DIMENSIONS TO BE VERIFIED ON SITE BEFORE FABRICATION.

LEGEND :

- X1 — DETAIL MARK NO.
- X001 — REFER SHEET NO.
- 1. F.F.L. -- FINISHED FLOOR LEVEL
- 2. S.F.L. -- STRUCTURAL FLOOR LEVEL
- 3. (R) -- REVERSED DETAIL
- 4. GLASS LEGEND  
EGL-1 -- 8mm+12mm AIR GAP+8mm THK. I.G.U.  
EGL-2 -- 10mm THK. CLEAR TEMPERED GLASS

NO.	DATE	REVISED	BY
E	30/05/2023	ADD. BIRD NET PRESS BAR	lvon
D	14/04/2023	REVISION SUBJECT TO ARCH.COMMENT	lvon
C	15/12/2022	REVISION SUBJECT TO ARCH.COMMENT	lvon
B	22/09/2022	REVISION SUBJECT TO ARCH.COMMENT	lvon
A	21/04/2022	REVISION SUBJECT TO ARCH.COMMENT	lvon

JOB NO. : J-856

PROJECT :  
PROPOSED DEVELOPMENT ABOVE  
LIGHT RAIL TIN WING STOP, TSWTL  
NO.23, AREA 33, TIN SHUI WAI, N.T.

TITLE :  
LOUVER SCHEDULE FOR  
1/F IN-SITU LOUVER

DATE : 06-Aug-21 SCALE : 1:40

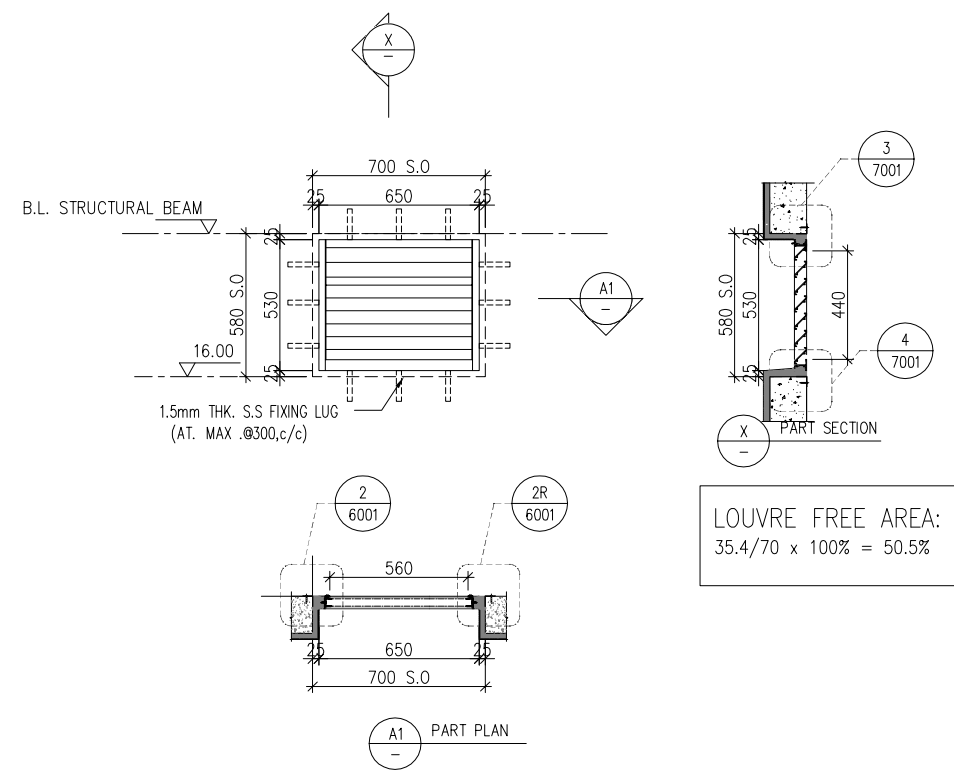
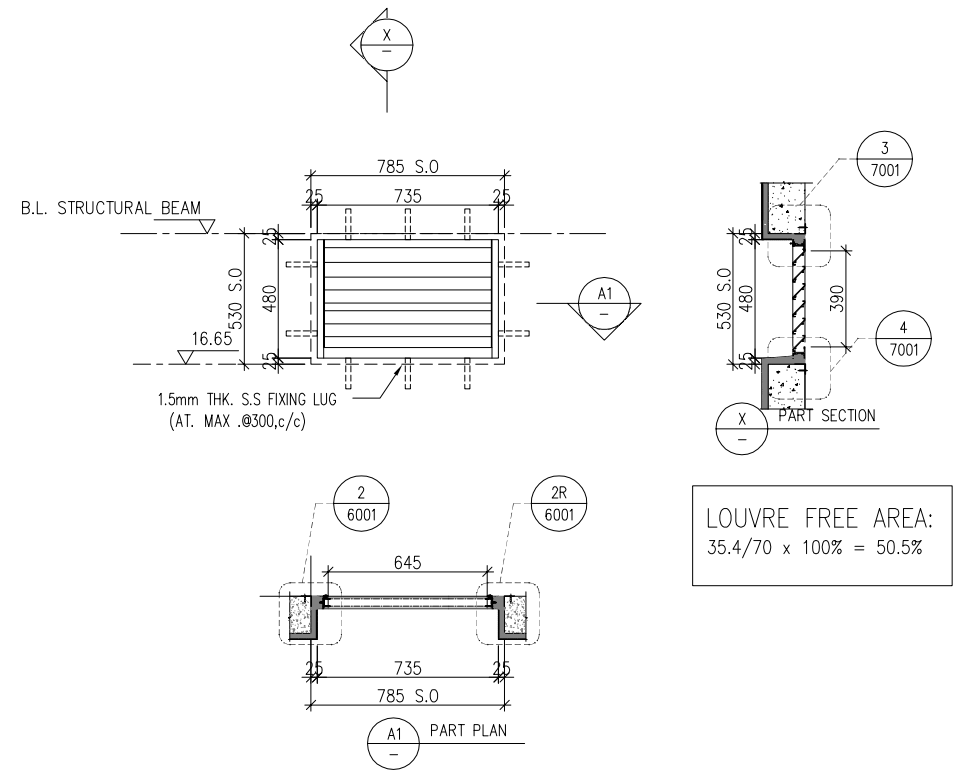
DRAWN BY : lvon CHECKED BY :

**美特鋁質有限公司**  
**MIDI ALUMINIUM FABRICATOR LTD.**  
Units 6-8, Sunray Industrial Centre, 1/F  
610 Cha Kwo Ling Road, Kowloon  
Tel: 23489211-4 Fax: (852) 27727666

DWG NO. : J856-SD-LV-5024 REV. : E

WINDOW MARK	1F 014 E&M PURPOSE (AC)	1F 015 E&M PURPOSE (AC)
LOCATION	1/F: G.L.(A5-A4/P)	1/F: G.L.(A5-A4/P)
SECTION	50mm ALUM. SECTION	50mm ALUM. SECTION
GLAZING	ALUM. LOUVER BLADE (COLOUR CODE: DARK GREY (UCT542919XL-3))	ALUM. LOUVER BLADE (COLOUR CODE: DARK GREY (UCT542919XL-3))
QUANTITY	1 NOS.	1 NOS.
REMARKS	SS WIRE MESH	SS WIRE MESH

ELEVATION



B.D. REF :

CLIENT :  
**SUN HUNG KAI**  
 REAL ESTATE AGENCY LTD.  
 42/F SUN HUNG KAI CENTRE, WANCHAI, HONGKONG

ARCHITECT :  
**lwk&partners**  
 architects

MAIN CONTRACTOR :  
**Yee Fai** Building Contractors Ltd.

STRUCTURAL ENGINEER :  
**ARUP**

FACADE CONSULTANT:  
**ALPHA CONSULTING LIMITED**  
 Steel Structure & Facade Specialist

NOTE :  
 1. ALL DIMENSIONS ARE IN mm.  
 2. ALL ELEVATIONS ARE VIEWED FROM OUTSIDE.  
 3. ALL DIMENSIONS TO BE VERIFIED ON SITE BEFORE FABRICATION.

LEGEND :  
 X1 — DETAIL MARK NO.  
 X001 — REFER SHEET NO.

1. F.F.L. --- FINISHED FLOOR LEVEL  
 2. S.F.L. --- STRUCTURAL FLOOR LEVEL  
 3. (R) --- REVERSED DETAIL  
 4. GLASS LEGEND  
 EGL-1 --- 8mm+12mm AIR GAP+8mm THK. I.G.U.  
 EGL-2 --- 10mm THK. CLEAR TEMPERED GLASS

NO.	DATE	REVISED	BY
E	14/04/2023	REVISION SUBJECT TO ARCH.COMMENT	lvn
D	15/12/2022	REVISION SUBJECT TO ARCH.COMMENT	lvn
C	22/09/2022	REVISION SUBJECT TO ARCH.COMMENT	lvn
B	21/04/2022	REVISION SUBJECT TO ARCH.COMMENT	lvn
A	22/12/2021	REVISION SUBJECT TO ARCH.COMMENT	lvn

JOB NO. : J-856  
 PROJECT : PROPOSED DEVELOPMENT ABOVE LIGHT RAIL TIN WING STOP, TSWTL NO.23, AREA 33, TIN SHUI WAI, N.T.

TITLE : LOUVER SCHEDULE FOR 1/F IN-SITU LOUVER

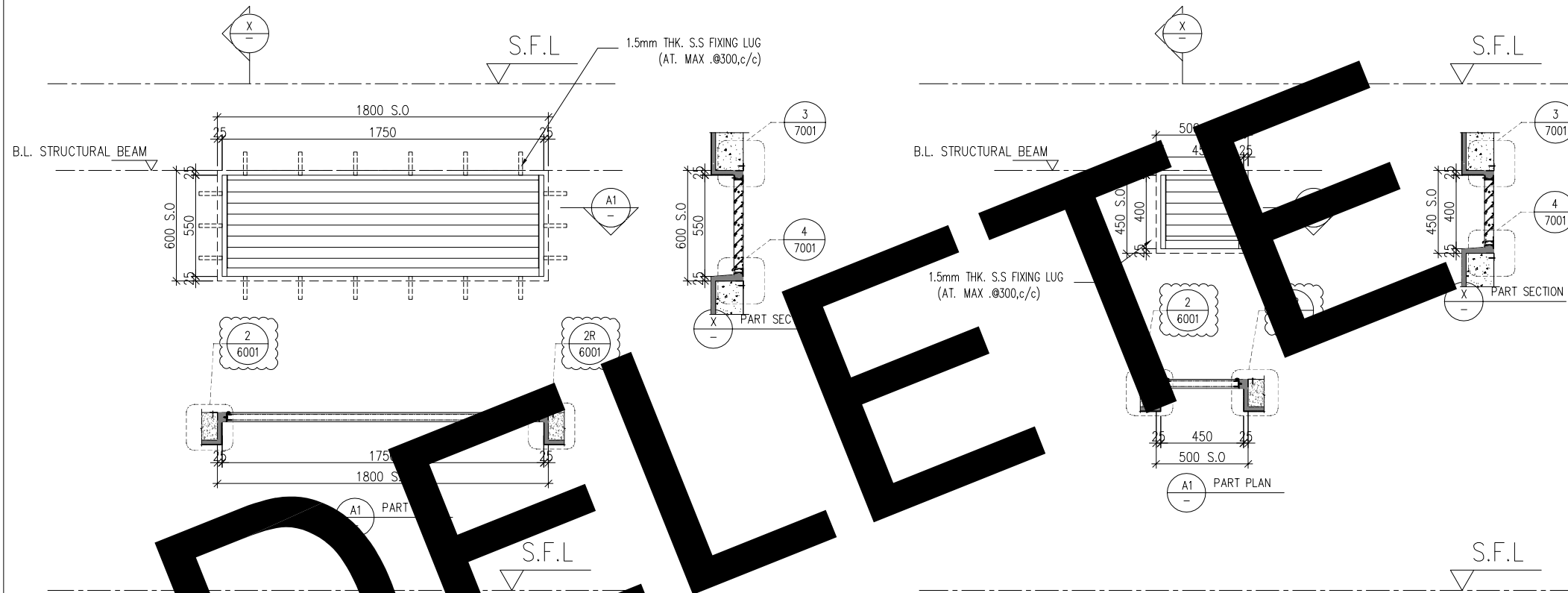
DATE : 06-Aug-21 SCALE : 1:40  
 DRAWN BY : lvn CHECKED BY :

**美特鋁質有限公司**  
**MIDI ALUMINIUM FABRICATOR LTD.**  
 Units 6-8, Sunray Industrial Centre, 1/F  
 610 Cha Kwo Ling Road, Kowloon  
 Tel: 23489211-4 Fax: (852) 27727666

DWG NO. : J856-SD-LV-5025 REV. : E

WINDOW MARK	1F 016 E&M PURPOSE (AC)	1F 017 E&M PURPOSE (AC)
LOCATION	1/F: G.L.(A5-A4/P)	1/F: G.L.(A5-A4/P)
SECTION	50mm ALUM. SECTION	50mm ALUM. SECTION
GLAZING	ALUM. LOUVER BLADE (COLOUR CODE: DARK GREY (UCT542919XL-3))	ALUM. LOUVER BLADE (COLOUR CODE: DARK GREY (UCT542919XL-3))
QUANTITY	1 NOS.	1 NOS.
REMARKS	SS WIRE MESH	SS WIRE MESH

ELEVATION



B.D. REF :

CLIENT :

**SUN HUNG KAI**  
REAL ESTATE AGENCY LTD.  
42/F SUN HUNG KAI CENTRE, WANCHAI, HONGKONG

ARCHITECT :

**lwk&partners**  
architects

MAIN CONTRACTOR :

**Yee Fai** Building Contractors Ltd.

STRUCTURAL ENGINEER :

**ARUP**

FACADE CONSULTANT:

**ALPHA CONSULTING LIMITED**  
Steel Structure & Facade Specialist

NOTE :

1. ALL DIMENSIONS ARE IN mm.
2. ALL ELEVATIONS ARE VIEWED FROM OUTSIDE.
3. ALL DIMENSIONS TO BE VERIFIED ON SITE BEFORE FABRICATION.

LEGEND :

- (X1) --- DETAIL MARK NO.
- (X001) --- REFER SHEET NO.

1. F.F.L. --- FINISHED FLOOR LEVEL
2. S.F.L. --- STRUCTURAL FLOOR LEVEL
3. (R) --- REVERSED DETAIL

4. GLASS LEGEND  
EGL-1--8mm+12mm AIR GAP+8mm THK. I.G.U.  
EGL-2--10mm THK. CLEAR TEMPERED GLASS

NO.	DATE	REVISED	BY
B	15/09/2022	REVISION SUBJECT TO ARCH.COMMENT	ivan
A	21/04/2022	REVISION SUBJECT TO ARCH.COMMENT	ivan

JOB NO. : J-856

PROJECT :  
PROPOSED DEVELOPMENT ABOVE  
LIGHT RAIL TIN WING STOP, TSWTL  
NO.23, AREA 33, TIN SHUI WAI, N.T.

TITLE :  
LOUVER SCHEDULE FOR  
2/F IN-SITU LOUVER

DATE : 06-Aug-21 SCALE : 1:40

DRAWN BY : ivan CHECKED BY :

**美特鋁質有限公司**  
**MIDI ALUMINIUM FABRICATOR LTD.**  
Units 6-8, Sunray Industrial Centre, 1/F  
610 Cha Kwo Ling Road, Kowloon  
Tel: 23489211-4 Fax: (852) 27727666

DWG NO. : J856-SD-LV-5026 REV. : B

WINDOW MARK

AL  
031

LOCATION 2/F: ELECT RM.

SECTION 50mm ALUM. SECTION

GLAZING ALUM. LOUVER BLADE (COLOUR CODE: MATT BLACK (TUC40577SC-3))

QUANTITY 1 NOS.

REMARKS SS WIRE MESH

AL  
032

LOCATION 2F: SHUTTLE LIFT LOB.A

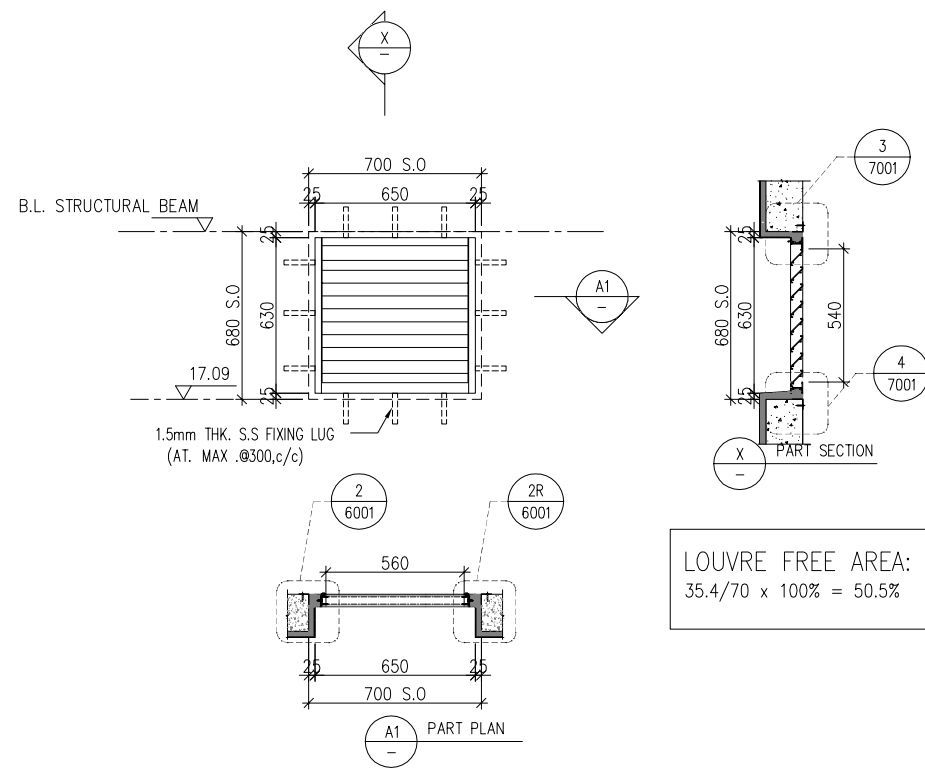
SECTION 50mm ALUM. SECTION

GLAZING ALUM. LOUVER BLADE (COLOUR CODE: MATT BLACK (TUC40577SC-3))

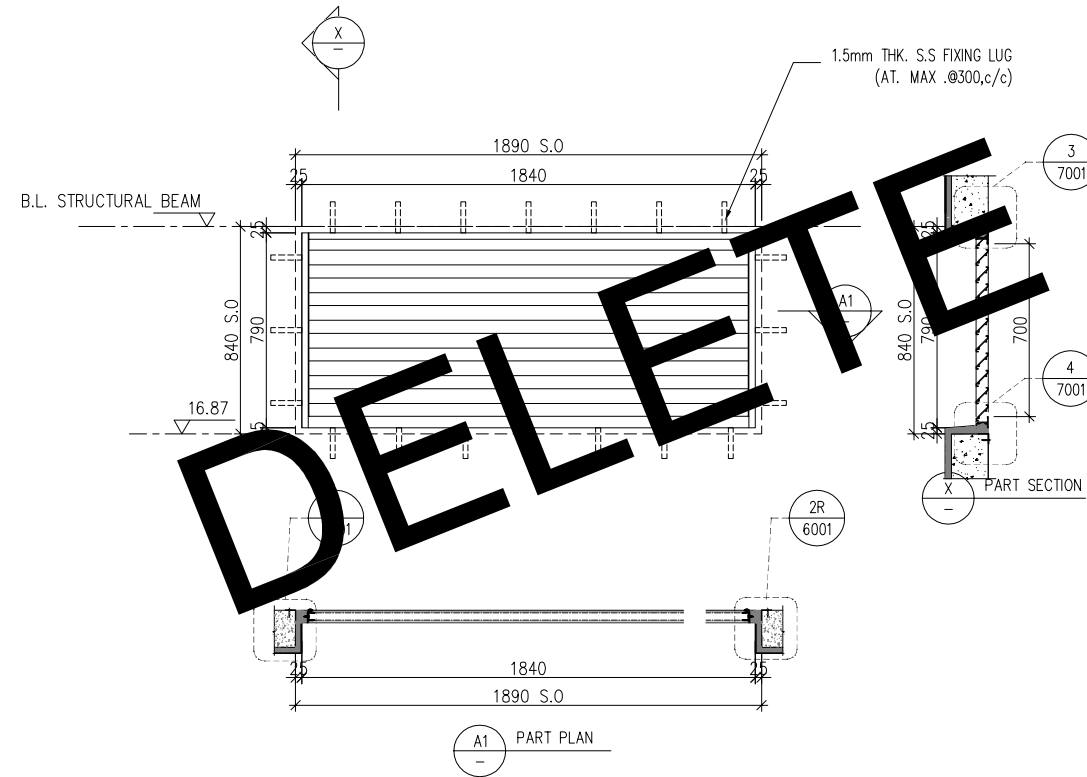
QUANTITY 2 NOS.

REMARKS SS WIRE MESH

ELEVATION



LOUVRE FREE AREA:  
35.4/70 x 100% = 50.5%



B.D. REF :

CLIENT :  
**SUN HUNG KAI**  
REAL ESTATE AGENCY LTD.  
42/F SUN HUNG KAI CENTRE, WANCHAI, HONGKONG

ARCHITECT :  
**lwk&partners**  
architects

MAIN CONTRACTOR :  
**Yee Fai** Building Contractors Ltd.

STRUCTURAL ENGINEER :  
**ARUP**

FACADE CONSULTANT:  
**ALPHA CONSULTING LIMITED**  
Steel Structure & Facade Specialist

- NOTE :
1. ALL DIMENSIONS ARE IN mm.
  2. ALL ELEVATIONS ARE VIEWED FROM OUTSIDE.
  3. ALL DIMENSIONS TO BE VERIFIED ON SITE BEFORE FABRICATION.
- LEGEND :
- (X1) --- DETAIL MARK NO.
  - (X001) --- REFER SHEET NO.
  - 1. F.F.L. --- FINISHED FLOOR LEVEL
  - 2. S.F.L. --- STRUCTURAL FLOOR LEVEL
  - 3. (R) --- REVERSED DETAIL
  - 4. GLASS LEGEND  
EGL-1--8mm+12mm AIR GAP+8mm THK. I.G.U.  
EGL-2--10mm THK. CLEAR TEMPERED GLASS

NO.	DATE	REVISED	BY
E	15/12/2022	REVISION SUBJECT TO ARCH.COMMENT	lvn
D	15/12/2022	REVISION SUBJECT TO ARCH.COMMENT	lvn
C	20/10/2022	REVISION SUBJECT TO ARCH.COMMENT	lvn
B	22/09/2022	REVISION SUBJECT TO ARCH.COMMENT	lvn
A	21/04/2022	REVISION SUBJECT TO ARCH.COMMENT	lvn

JOB NO. : J-856  
PROJECT : PROPOSED DEVELOPMENT ABOVE LIGHT RAIL TIN WING STOP, TSWTL NO.23, AREA 33, TIN SHUI WAI, N.T.

TITLE : LOUVER SCHEDULE FOR 1/F IN-SITU LOUVER

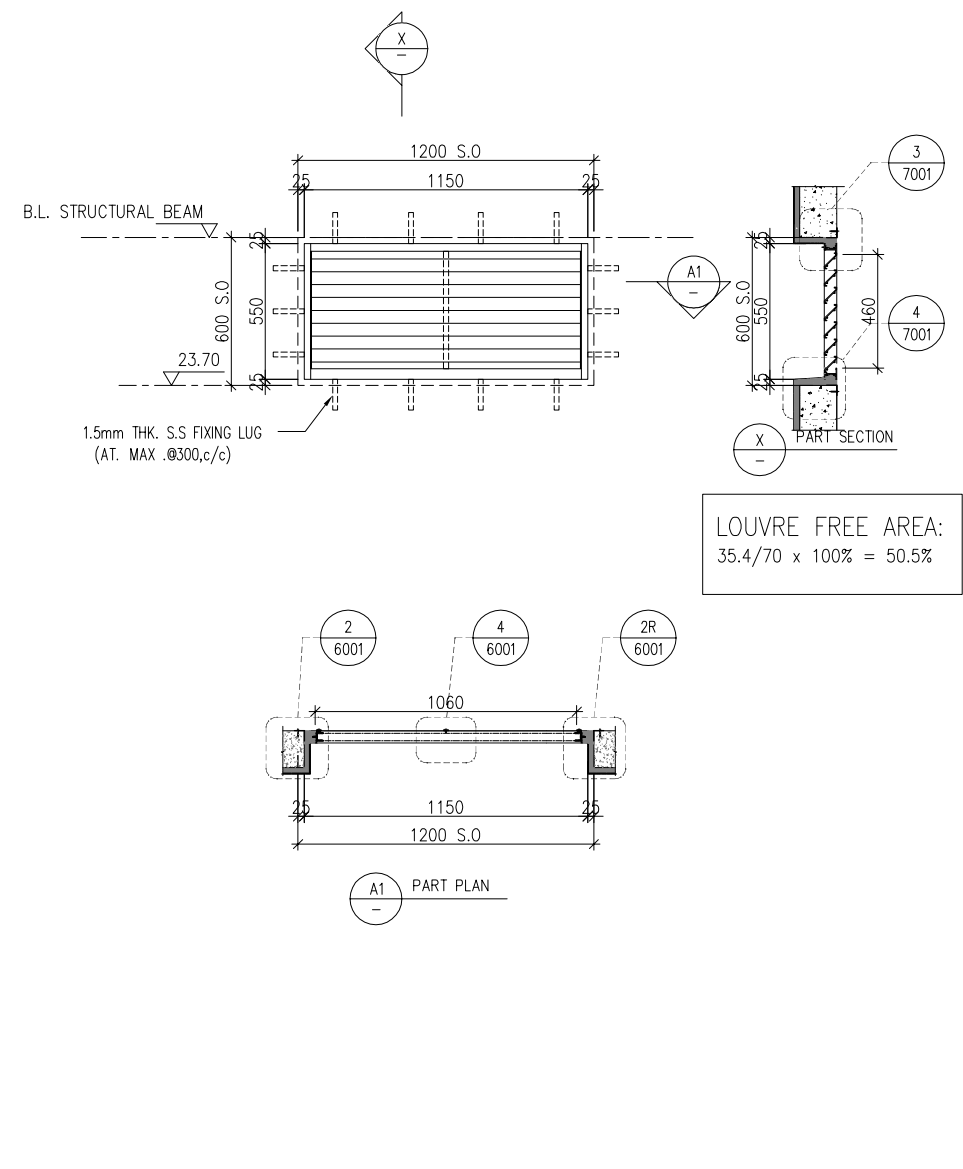
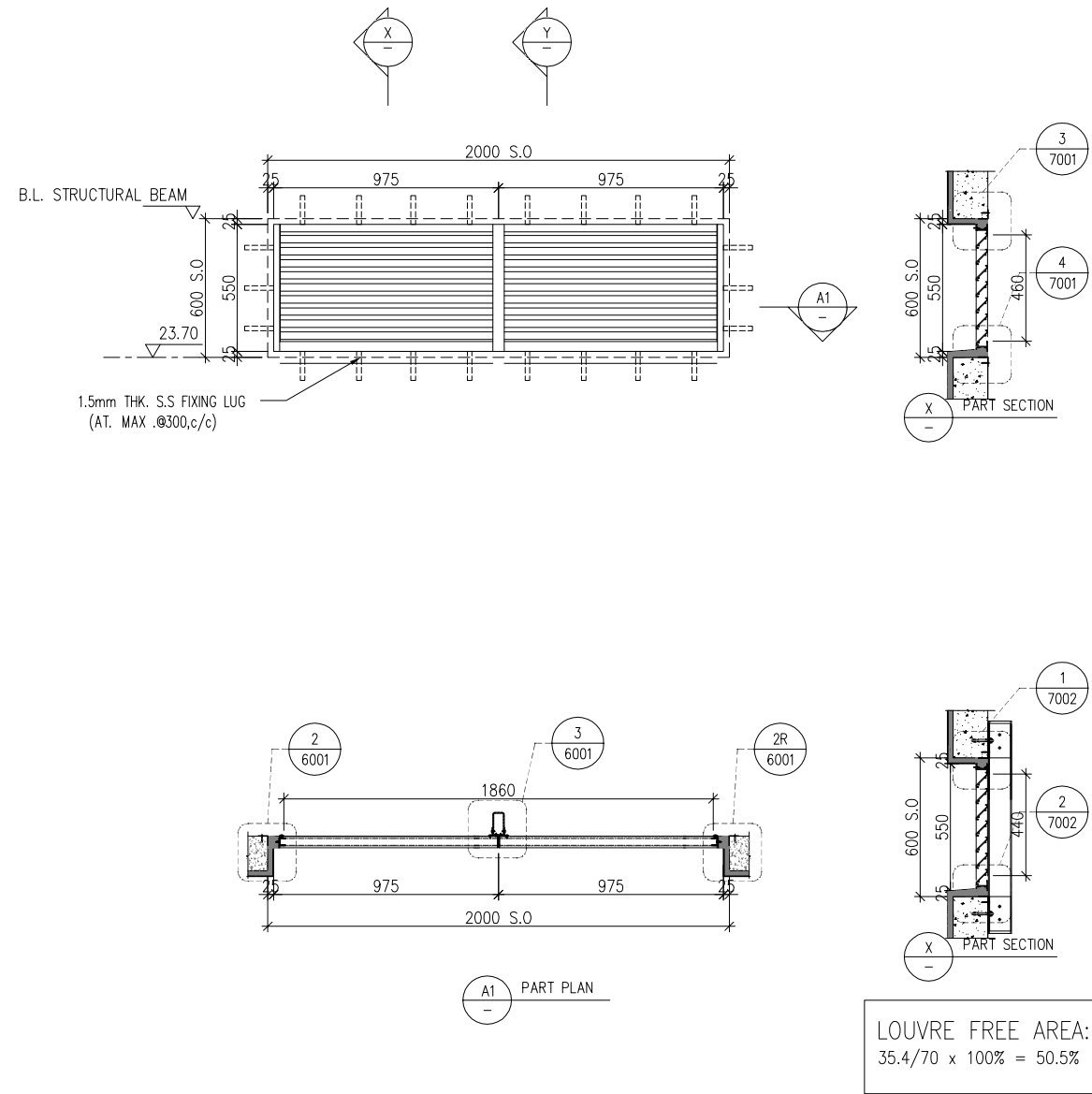
DATE : 06-Aug-21 SCALE : 1:40  
DRAWN BY : lvn CHECKED BY :

**美特鋁質有限公司**  
MIDI ALUMINIUM FABRICATOR LTD.  
Units 6-8, Sunray Industrial Centre, 1/F  
610 Cha Kwo Ling Road, Kowloon  
Tel:23489211-4 Fax:(852)27727666

DWG NO. : J856-SD-LV-5027 REV. : E

WINDOW MARK	E&M PURPOSE (AC)	E&M PURPOSE (AC)
LOCATION	1/F: G.L.(A5-A4/P)	1/F: G.L.(A3/P)
SECTION	50mm ALUM. SECTION	50mm ALUM. SECTION
GLAZING	ALUM. LOUVER BLADE (COLOUR CODE: DARK GREY (UCT542919XL-3))	ALUM. LOUVER BLADE (COLOUR CODE: MATT BLACK (TUC40577SC-3))
QUANTITY	1 NOS.	1 NOS.
REMARKS	SS WIRE MESH	SS WIRE MESH

ELEVATION



B.D. REF :

CLIENT :

**SUN HUNG KAI**  
REAL ESTATE AGENCY LTD.  
42/F SUN HUNG KAI CENTRE, WANCHAI, HONGKONG

ARCHITECT :

**lwk&partners**  
architects

MAIN CONTRACTOR :

**Yee Fai** Building Contractors Ltd.

STRUCTURAL ENGINEER :

**ARUP**

FACADE CONSULTANT:

**ALPHA CONSULTING LIMITED**  
Steel Structure & Facade Specialist

NOTE :

1. ALL DIMENSIONS ARE IN mm.
2. ALL ELEVATIONS ARE VIEWED FROM OUTSIDE.
3. ALL DIMENSIONS TO BE VERIFIED ON SITE BEFORE FABRICATION.

LEGEND :

- (X1) --- DETAIL MARK NO.
- (X001) --- REFER SHEET NO.
- 1. F.F.L. --- FINISHED FLOOR LEVEL
- 2. S.F.L. --- STRUCTURAL FLOOR LEVEL
- 3. (R) --- REVERSED DETAIL
- 4. GLASS LEGEND  
EGL-1---8mm+12mm AIR GAP+8mm THK. I.G.U.  
EGL-2---10mm THK. CLEAR TEMPERED GLASS

NO.	DATE	REVISED	BY

JOB NO. : J-856

PROJECT : PROPOSED DEVELOPMENT ABOVE LIGHT RAIL TIN WING STOP, TSWTL NO.23, AREA 33, TIN SHUI WAI, N.T.

TITLE : LOUVER SCHEDULE FOR 1/F IN-SITU LOUVER

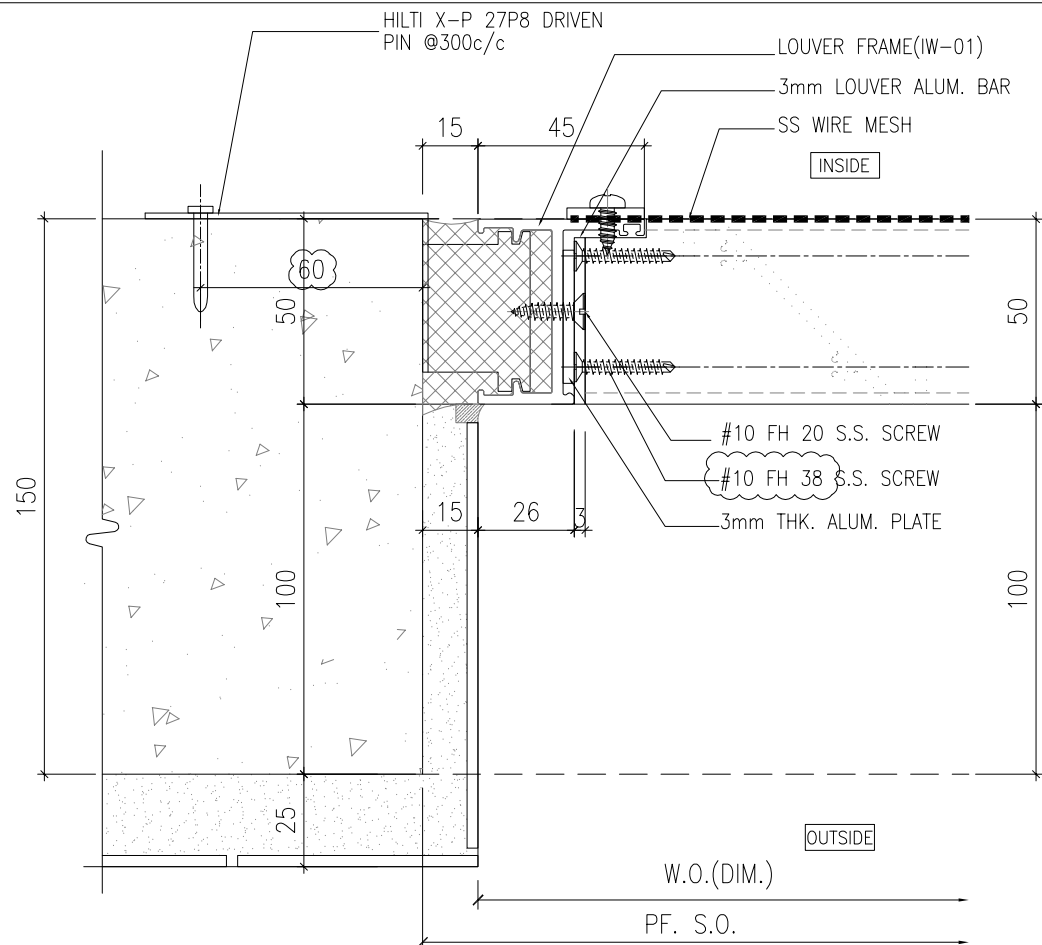
DATE : 06-Aug-21 SCALE : 1:40

DRAWN BY : Ivan CHECKED BY :

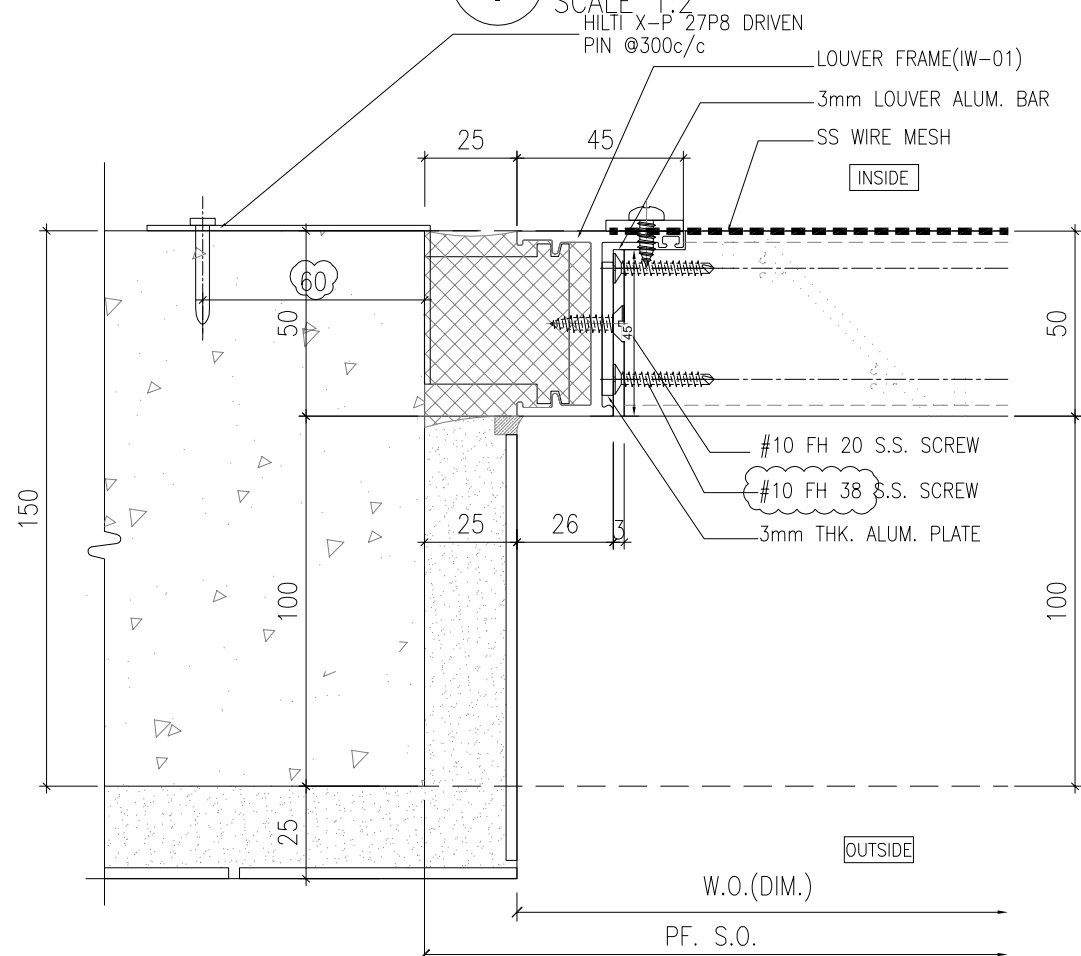
**美特鋁質有限公司**  
**MIDI ALUMINIUM FABRICATOR LTD.**  
Units 6-8, Sunray Industrial Centre, 1/F  
610 Cha Kwo Ling Road, Kowloon  
Tel: 23489211-4 Fax: (852) 2727666

DWG NO. : J856-SD-LV-5028 REV. : -

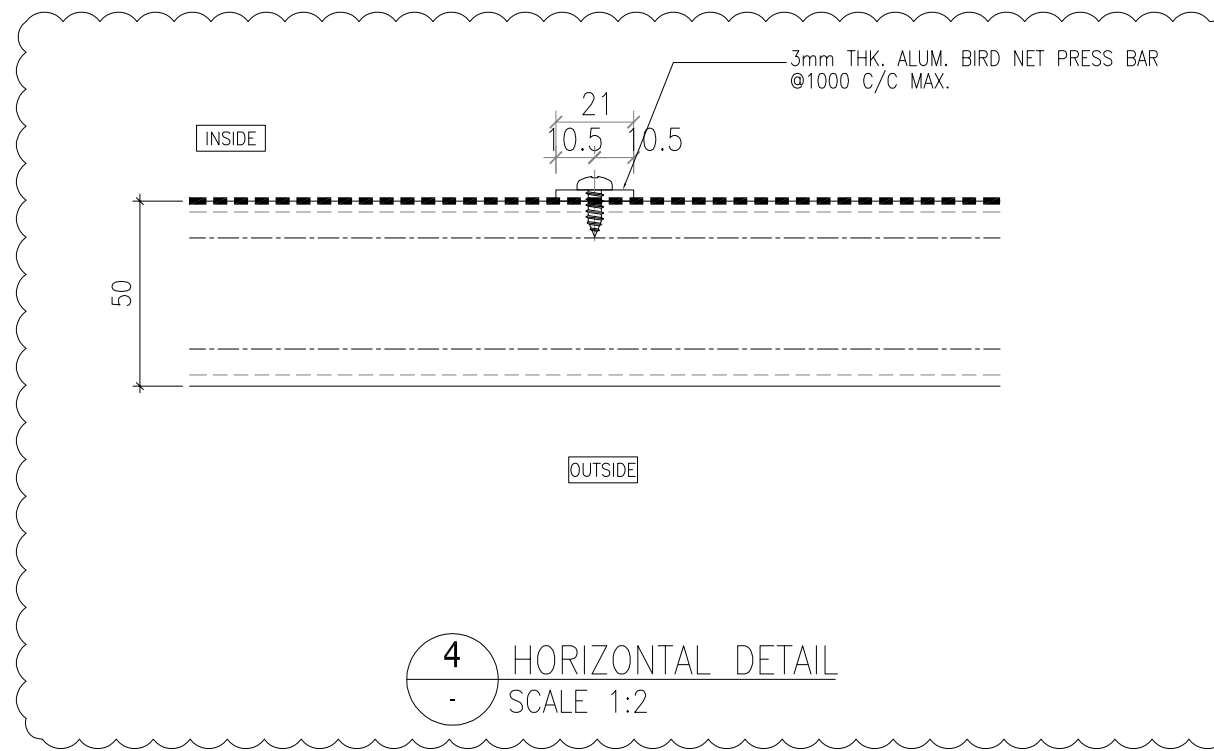
WINDOW MARK	1F/020 E&M PURPOSE (AC)	1F/021 E&M PURPOSE (AC)
LOCATION	1/F: G.L.(A3/P)	1/F: G.L.(A3-A2/P)
SECTION	50mm ALUM. SECTION	50mm ALUM. SECTION
GLAZING	ALUM. LOUVER BLADE COLOUR CODE: DARK GREY (UCT542919XL-3)	ALUM. LOUVER BLADE COLOUR CODE: MATT BLACK (TUC40577SC-3)
QUANTITY	1 NOS.	1 NOS.
REMARKS	SS WIRE MESH	SS WIRE MESH



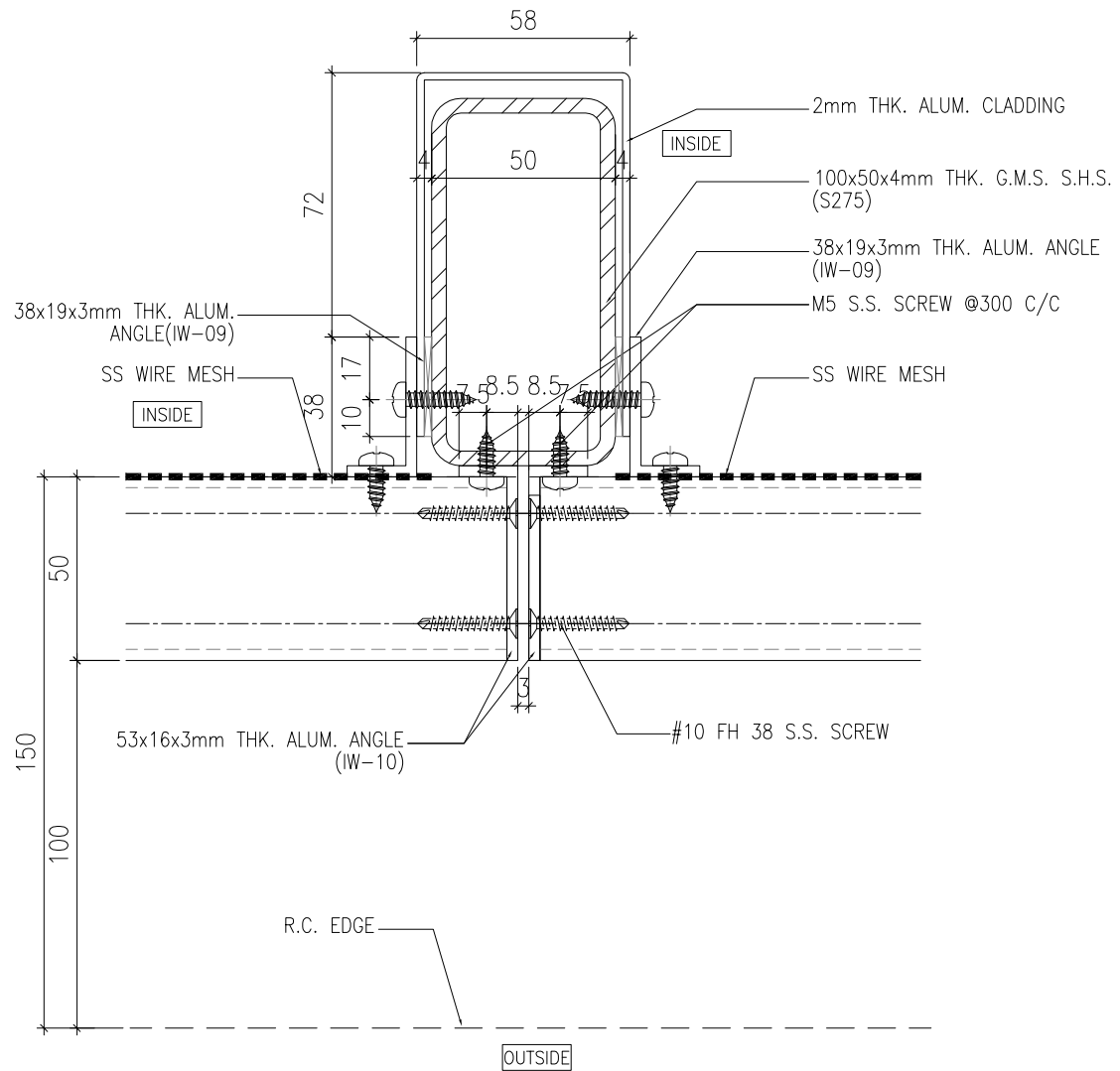
**1** HORIZONTAL DETAIL  
SCALE 1:2



**2** HORIZONTAL DETAIL  
SCALE 1:2



**4** HORIZONTAL DETAIL  
SCALE 1:2



**3** HORIZONTAL DETAIL  
SCALE 1:2

B.D. REF :

CLIENT :  
**SUN HUNG KAI**  
 REAL ESTATE AGENCY LTD.  
 42/F SUN HUNG KAI CENTRE, WANCHAI, HONGKONG

ARCHITECT :  
**Iwk&partners**  
 architects

MAIN CONTRACTOR :  
**Yee Fai** Building Contractors Ltd.

STRUCTURAL ENGINEER :  
**ARUP**

FACADE CONSULTANT:  
**ALPHA CONSULTING LIMITED**  
 Steel Structure & Facade Specialist

NOTE :  
 1. ALL DIMENSIONS ARE IN mm.  
 2. ALL ELEVATIONS ARE VIEWED FROM OUTSIDE.  
 3. ALL DIMENSIONS TO BE VERIFIED ON SITE BEFORE FABRICATION.

LEGEND :  
 (X1) -- DETAIL MARK NO.  
 (X001) -- REFER SHEET NO.

1. F.F.L. -- FINISHED FLOOR LEVEL  
 2. S.F.L. -- STRUCTURAL FLOOR LEVEL  
 3. (R) -- REVERSED DETAIL  
 4. GLASS LEGEND  
 EGL-1 -- 8mm+12mm AIR GAP+8mm THK. I.G.U.  
 EGL-2 -- 10mm THK. CLEAR TEMPERED GLASS

NO.	DATE	REVISED	BY
I	30/05/2023	REVISION SUBJECT TO ALPHA COMMENT	Ivan
H	11/04/2023	REVISION SUBJECT TO ALPHA COMMENT	Ivan
G	15/12/2022	REVISION SUBJECT TO ALPHA COMMENT	Ivan
F	20/10/2022	REVISION SUBJECT TO ALPHA COMMENT	Ivan
E	24/09/2022	REVISION SUBJECT TO ARCH COMMENT	Ivan
D	21/04/2022	REVISION SUBJECT TO ARCH COMMENT	Ivan
C	21/04/2022	REVISION SUBJECT TO ARCH COMMENT	Ivan
B	07/01/2022	REVISION SUBJECT TO ARCH COMMENT	Ivan
A	10/12/2021	REVISION SUBJECT TO ARCH COMMENT	Ivan

JOB NO. : J-856

PROJECT :  
 PROPOSED DEVELOPMENT ABOVE  
 LIGHT RAIL TIN WING STOP, TSWTL  
 NO.23, AREA 33, TIN SHUI WAI, N.T.

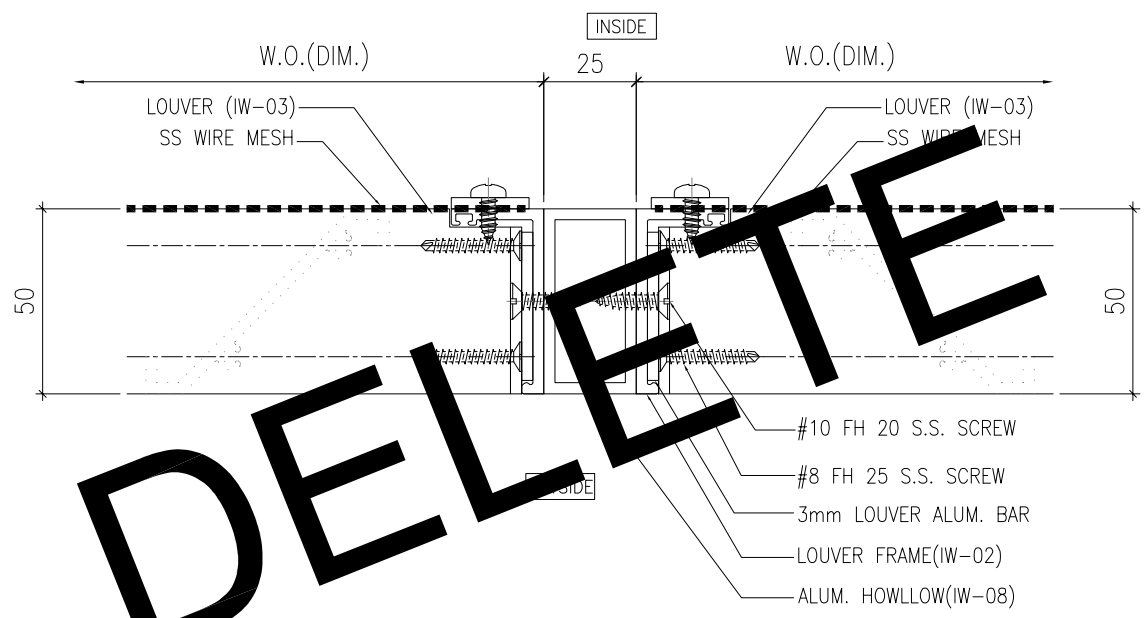
TITLE :  
 TYPICAL DETAILS FOR  
 IN-SITU LOUVER

DATE : 02-Aug-21 SCALE : 1:40

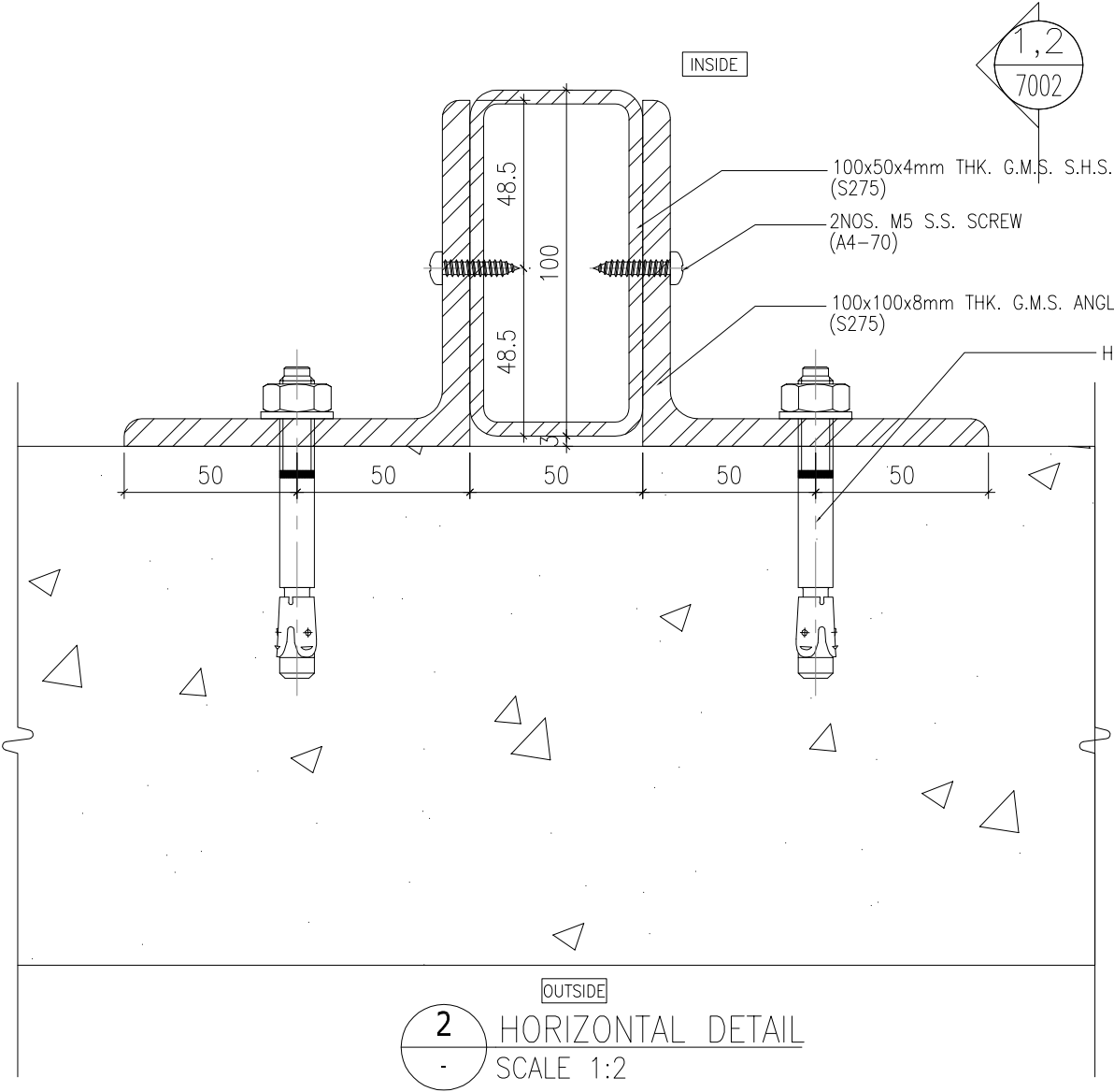
DRAWN BY : Ivan CHECKED BY :

**美特鋁質有限公司**  
**MIDI ALUMINIUM FABRICATOR LTD.**  
 Units 6-8, Sunray Industrial Centre, 1/F  
 610 Cha Kwo Ling Road, Kowloon  
 Tel: 23489211-4 Fax: (852) 27727666

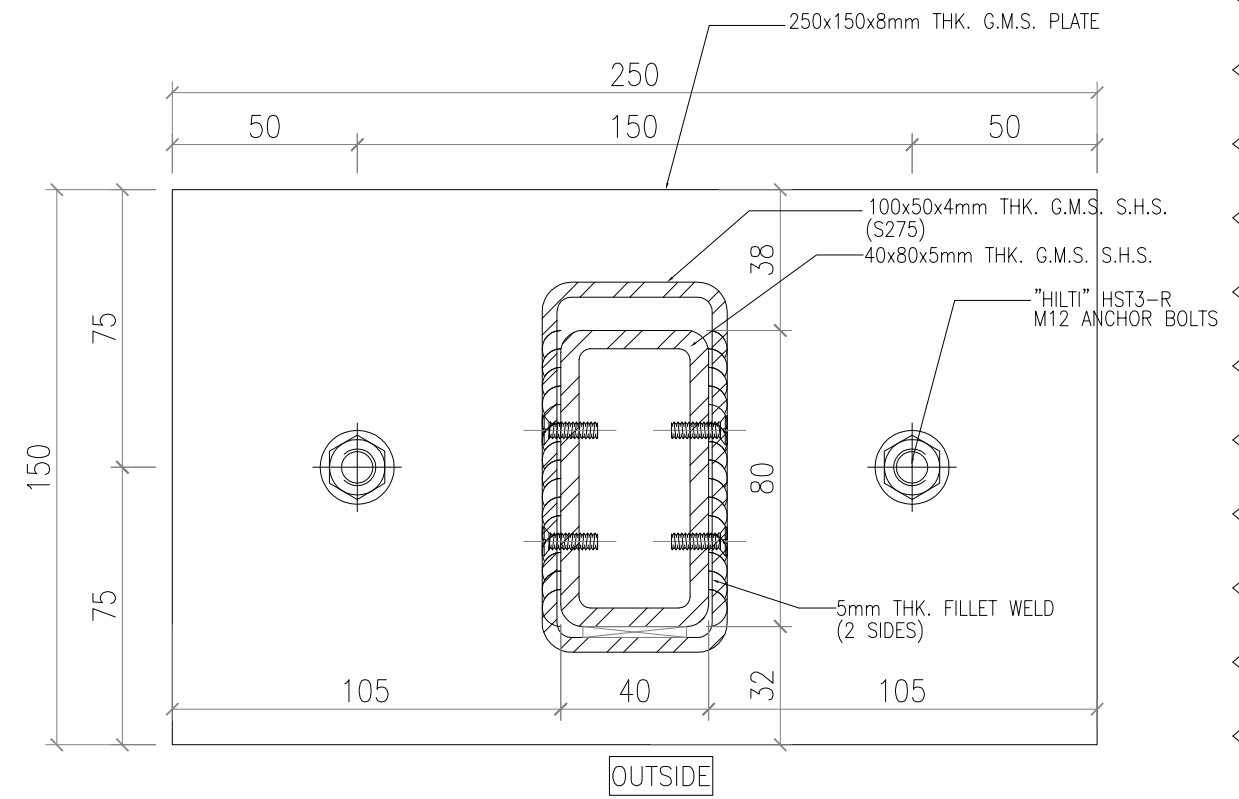
DWG NO. : J856-SD-LV-6001 REV. : I



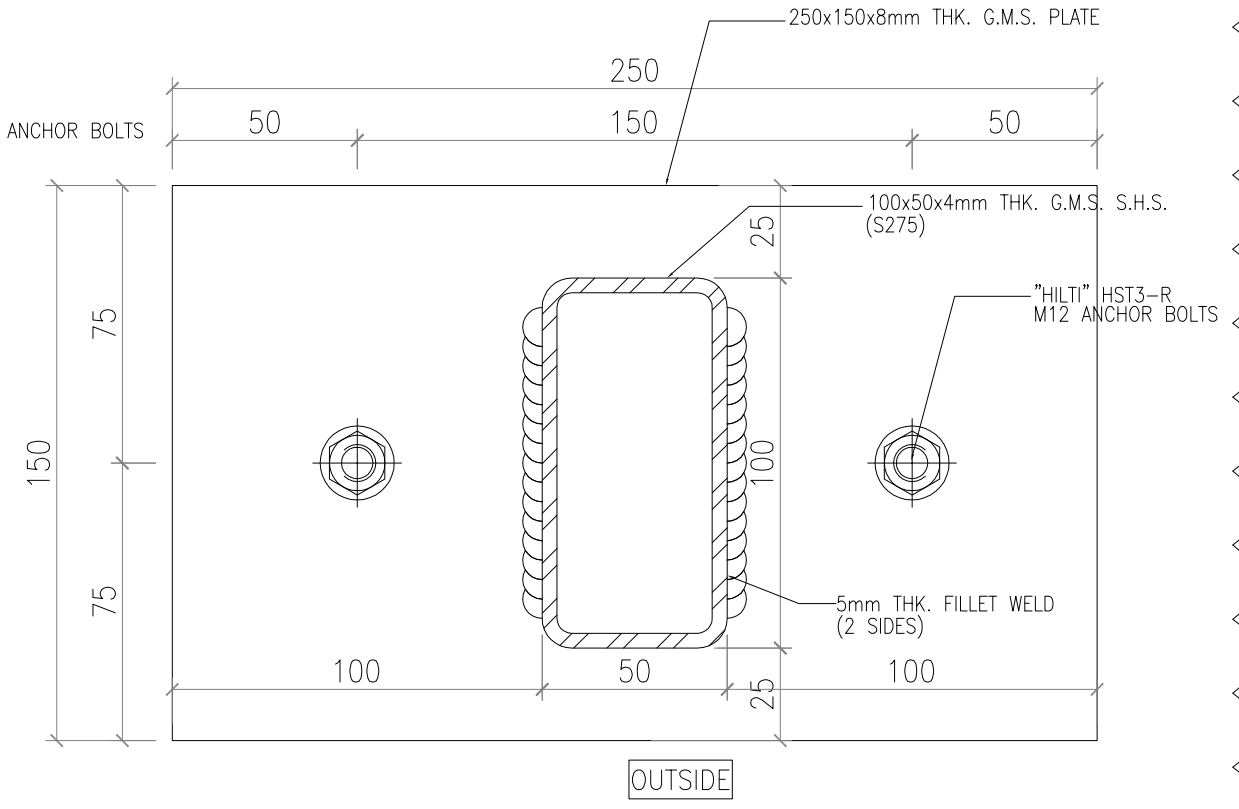
1 HORIZONTAL DETAIL  
SCALE 1:2



2 HORIZONTAL DETAIL  
SCALE 1:2



3 HORIZONTAL DETAIL  
SCALE 1:2



4 HORIZONTAL DETAIL  
SCALE 1:2

B.D. REF :

CLIENT :  
**SUN HUNG KAI**  
 REAL ESTATE AGENCY LTD.  
 42/F SUN HUNG KAI CENTRE, WANCHAI, HONGKONG

ARCHITECT :  
**IWK&partners**  
 architects

MAIN CONTRACTOR :  
**怡輝建築有限公司**  
**Yee Fai** Building Contractors Ltd.

STRUCTURAL ENGINEER :  
**ARUP**

FACADE CONSULTANT:  
**ALPHA CONSULTING LIMITED**  
 Steel Structure & Facade Specialist

NOTE :  
 1. ALL DIMENSIONS ARE IN mm.  
 2. ALL ELEVATIONS ARE VIEWED FROM OUTSIDE.  
 3. ALL DIMENSIONS TO BE VERIFIED ON SITE BEFORE FABRICATION.

LEGEND :  
 X1 - DETAIL MARK NO.  
 X001 - REFER SHEET NO.

1. F.F.L. -- FINISHED FLOOR LEVEL  
 2. S.F.L. -- STRUCTURAL FLOOR LEVEL  
 3. (R) -- REVERSED DETAIL  
 4. GLASS LEGEND  
 EGL-1 -- 8mm+12mm AIR GAP+8mm THK. I.G.U.  
 EGL-2 -- 10mm THK. CLEAR TEMPERED GLASS

NO.	DATE	REVISED	BY
C	14/12/2022	REVISION SUBJECT TO ARCH.COMMENT	Ivan
B	14/09/2022	REVISION SUBJECT TO ARCH.COMMENT	Ivan
A	21/04/2022	REVISION SUBJECT TO ARCH.COMMENT	Ivan

JOB NO. : J-856

PROJECT :  
 PROPOSED DEVELOPMENT ABOVE  
 LIGHT RAIL TIN WING STOP, TSWTL  
 NO.23, AREA 33, TIN SHUI WAI, N.T.

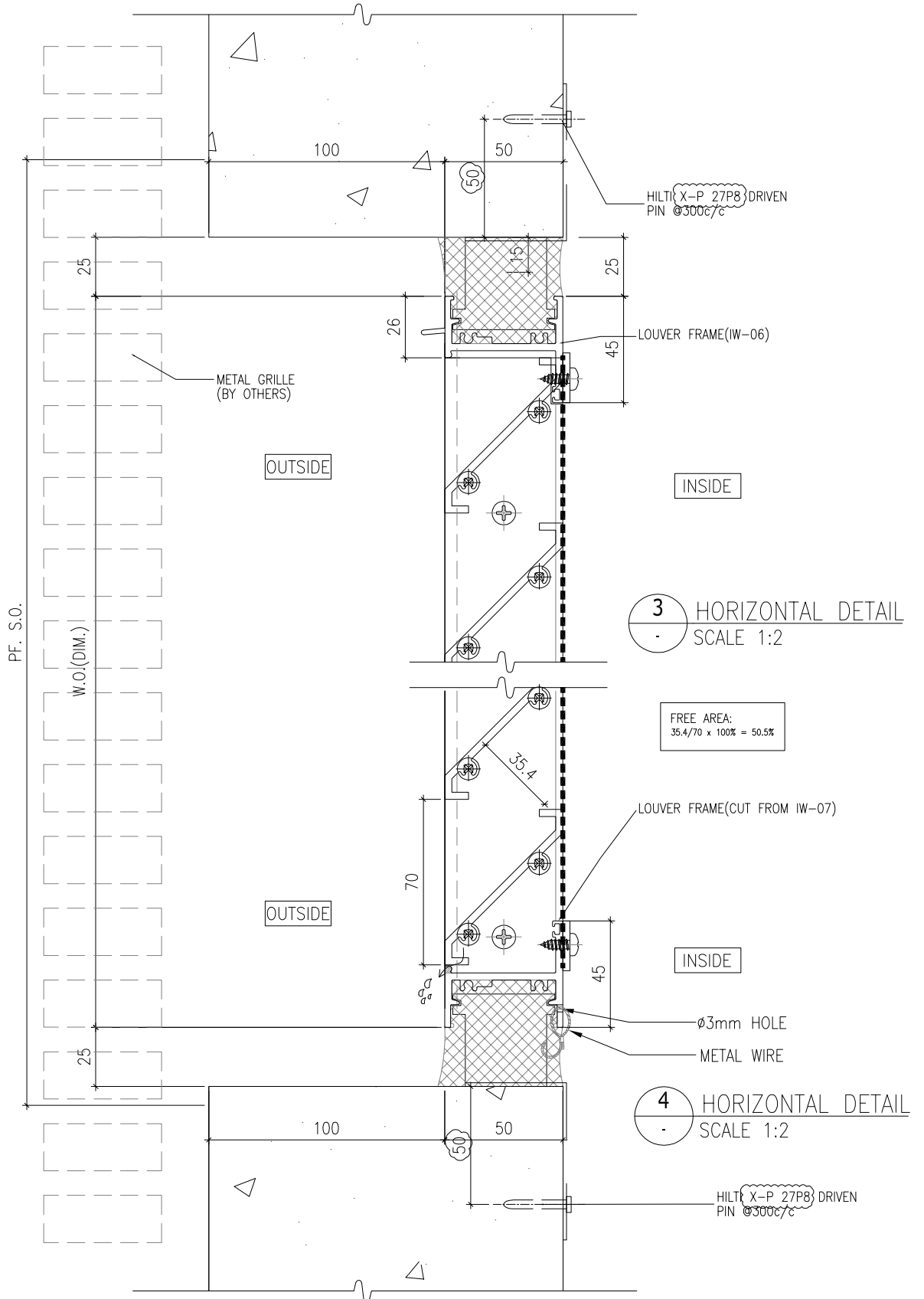
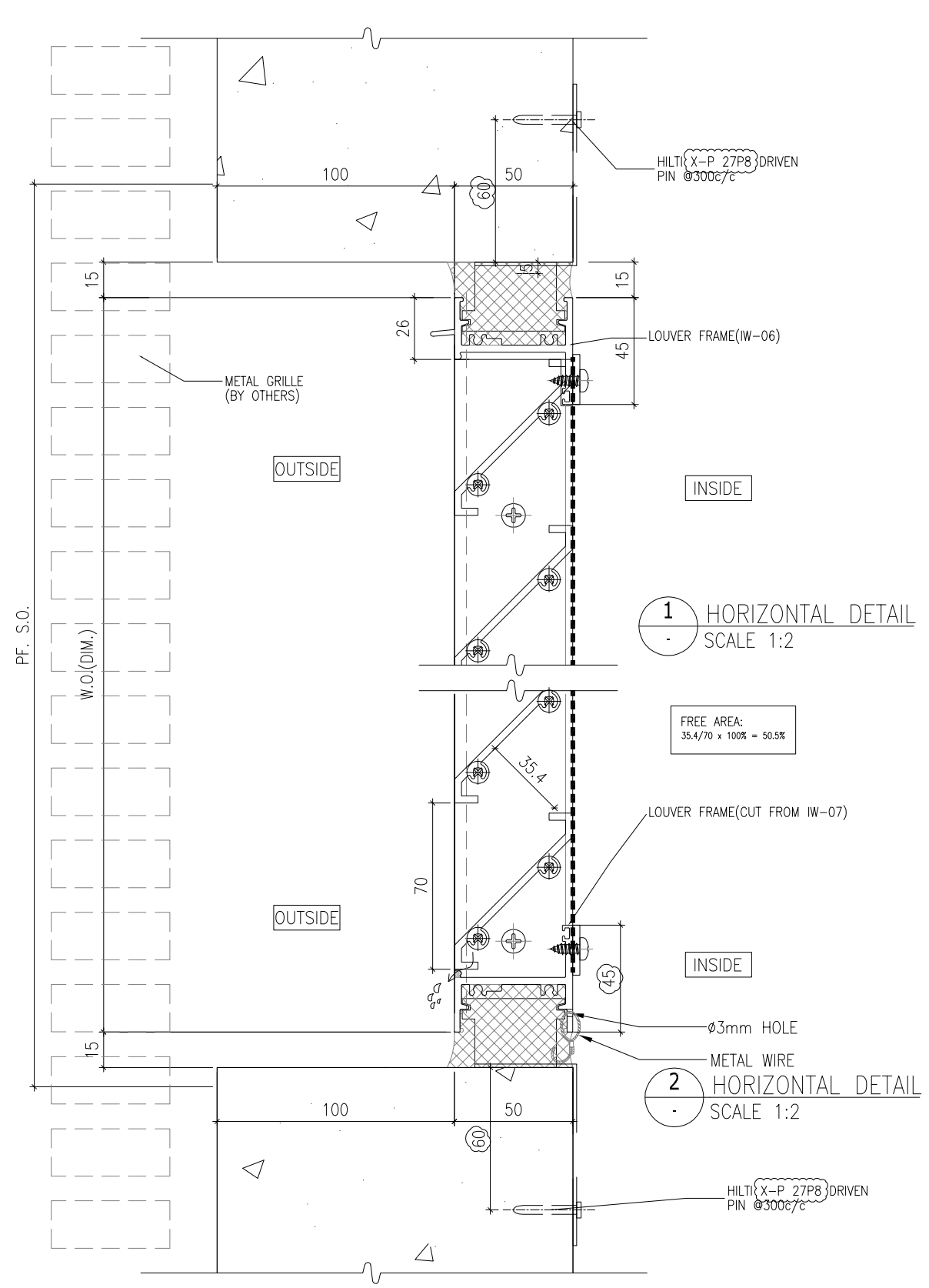
TITLE :  
 TYPICAL DETAILS FOR  
 IN-SITU LOUVER

DATE : 02-Aug-21 SCALE : 1:40

DRAWN BY : Ivan CHECKED BY :

**美特鋁質有限公司**  
**MIDI ALUMINIUM FABRICATOR LTD.**  
 Units 6-8, Sunray Industrial Centre, 1/F  
 610 Cha Kwo Ling Road, Kowloon  
 Tel: 23489211-4 Fax: (852) 27727666

DWG NO. : J856-SD-LV-6002 REV. : C



B.D. REF : \_\_\_\_\_

CLIENT : **SUN HUNG KAI REAL ESTATE AGENCY LTD.**  
42/F SUN HUNG KAI CENTRE, WANCHAI, HONGKONG

ARCHITECT : **lwk&partners architects**

MAIN CONTRACTOR : **Yee Fai Building Contractors Ltd.**

STRUCTURAL ENGINEER : **ARUP**

FACADE CONSULTANT : **ALPHA CONSULTING LIMITED**  
Steel Structure & Facade Specialist

NOTE :  
1. ALL DIMENSIONS ARE IN mm.  
2. ALL ELEVATIONS ARE VIEWED FROM OUTSIDE.  
3. ALL DIMENSIONS TO BE VERIFIED ON SITE BEFORE FABRICATION.

LEGEND :  
X1 - DETAIL MARK NO.  
X001 - REFER SHEET NO.

1. F.F.L. -- FINISHED FLOOR LEVEL  
2. S.F.L. -- STRUCTURAL FLOOR LEVEL  
3. (R) -- REVERSED DETAIL  
4. GLASS LEGEND  
EGL-1 -- 8mm+12mm AIR GAP+8mm THK. I.G.U.  
EGL-2 -- 10mm THK. CLEAR TEMPERED GLASS

NO.	DATE	REVISION	BY
E	20/10/2022	REVISION SUBJECT TO ALPHA COMMENT	ivan
D	20/10/2022	REVISION SUBJECT TO ALPHA COMMENT	ivan
C	14/09/2022	REVISION SUBJECT TO ARCH COMMENT	ivan
B	21/04/2022	REVISION SUBJECT TO ARCH COMMENT	ivan
A	10/12/2021	REVISION SUBJECT TO ARCH COMMENT	ivan

JOB NO. : J-856

PROJECT : PROPOSED DEVELOPMENT ABOVE LIGHT RAIL TIN WING STOP, TSWTL NO.23, AREA 33, TIN SHUI WAI, N.T.

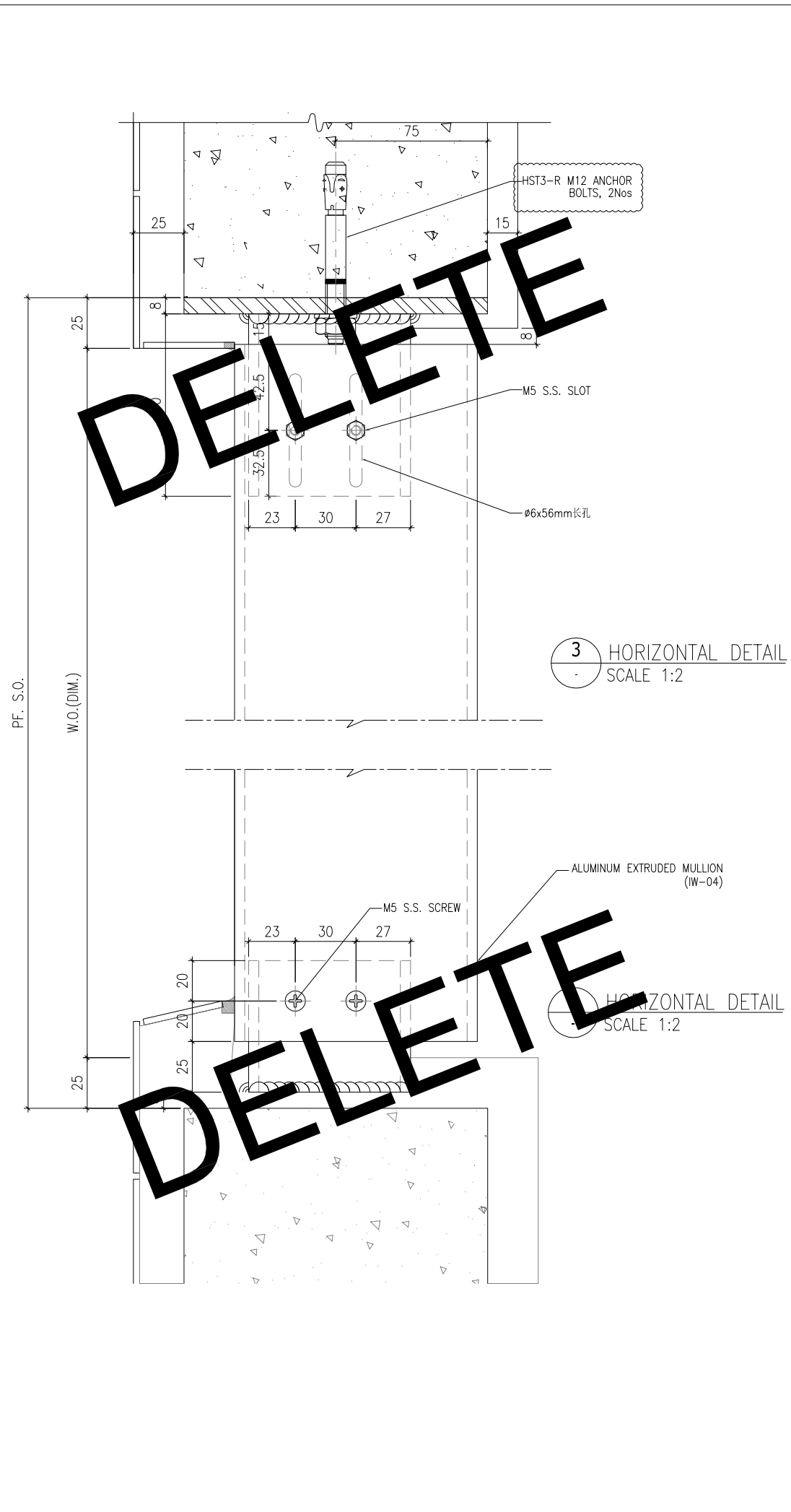
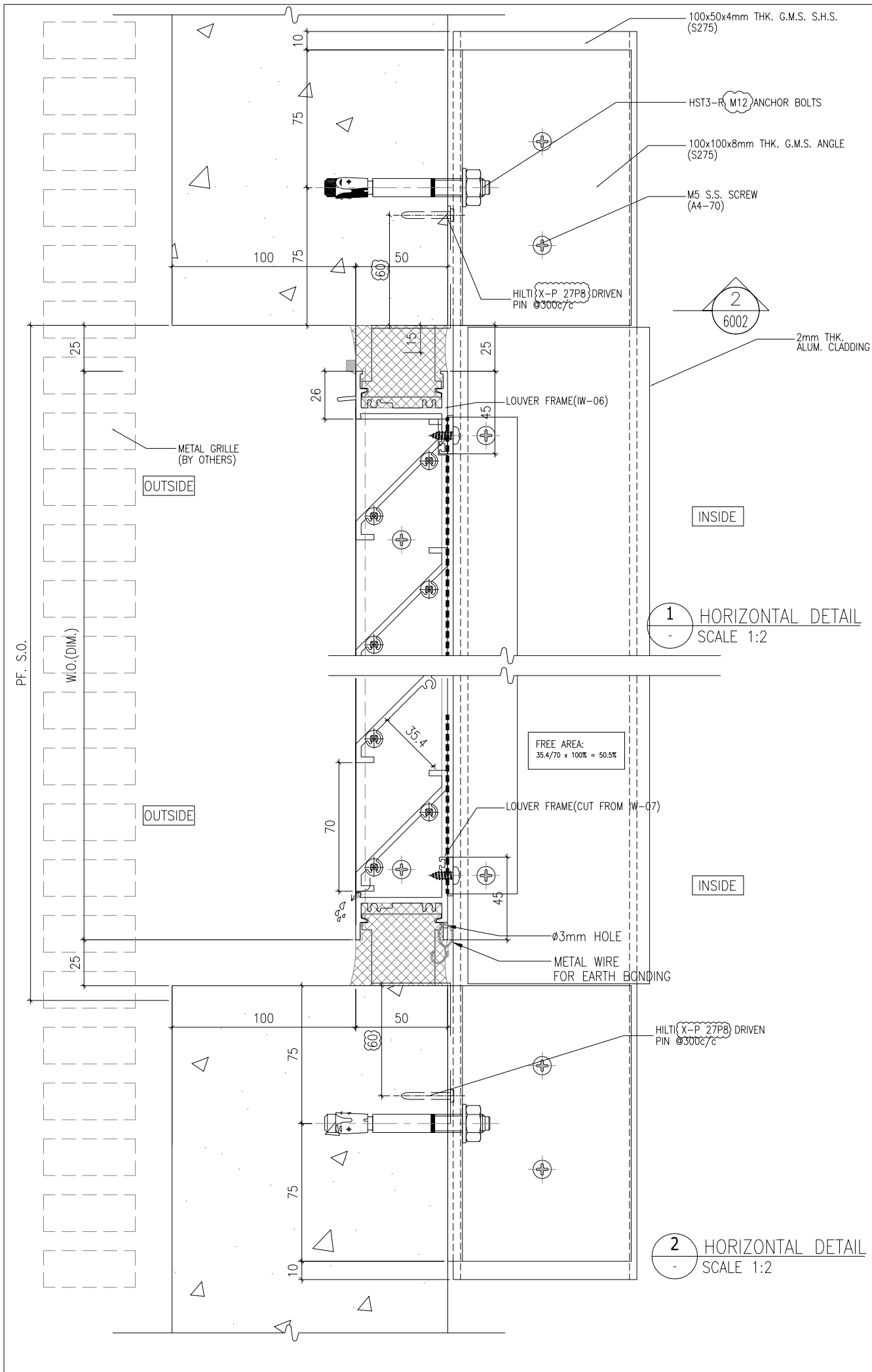
TITLE : TYPICAL DETAILS FOR IN-SITU LOUVER

DATE : 02-Aug-21 SCALE : 1:60

DRAWN BY : ivan CHECKED BY : \_\_\_\_\_

**美特鋁質有限公司**  
MIDI ALUMINIUM FABRICATOR LTD.  
Units 6-8, Sunray Industrial Centre, 1/F  
610 Cha Kwo Ling Road, Kowloon  
Tel: 23489211-4 Fax: (852) 2727666

DWG NO. : J856-SD-LV-7001 REV. : E



B.D. REF :

CLIENT :  
 SUN HUNG KAI REAL ESTATE AGENCY LTD.  
 42/F SUN HUNG KAI CENTRE, WANCHAI, HONGKONG

ARCHITECT :  
 IWK&partners architects

MAIN CONTRACTOR :  
 怡輝建築有限公司 Yee Fai Building Contractors Ltd.

STRUCTURAL ENGINEER :  
 ARUP

FACADE CONSULTANT:  
 ALPHA CONSULTING LIMITED  
 Steel Structure & Facade Specialist

NOTE :  
 1. ALL DIMENSIONS ARE IN mm.  
 2. ALL ELEVATIONS ARE VIEWED FROM OUTSIDE.  
 3. ALL DIMENSIONS TO BE VERIFIED ON SITE BEFORE FABRICATION.

LEGEND :  
 X1 - DETAIL MARK NO.  
 X001 - REFER SHEET NO.

1. F.F.L. --- FINISHED FLOOR LEVEL  
 2. S.F.L. --- STRUCTURAL FLOOR LEVEL  
 3. (R) --- REVERSED DETAIL  
 4. GLASS LEGEND  
 EGL-1 --- 8mm+12mm AIR GAP+8mm THK. I.G.U.  
 EGL-2 --- 10mm THK. CLEAR TEMPERED GLASS

NO.	DATE	REVISION	BY
F	14/12/2022	REVISION SUBJECT TO ALPHA.COMMENT	ivan
E	20/10/2022	REVISION SUBJECT TO ALPHA.COMMENT	ivan
D	24/09/2022	REVISION SUBJECT TO ARCH.COMMENT	ivan
C	21/04/2022	REVISION SUBJECT TO ARCH.COMMENT	ivan
B	07/01/2022	REVISION SUBJECT TO ARCH.COMMENT	ivan
A	10/12/2021	REVISION SUBJECT TO ARCH.COMMENT	ivan

JOB NO. : J-856

PROJECT : PROPOSED DEVELOPMENT ABOVE LIGHT RAIL TIN WING STOP, TSWTL NO.23, AREA 33, TIN SHUI WAI, N.T.

TITLE : TYPICAL DETAILS FOR IN-SITU LOUVER

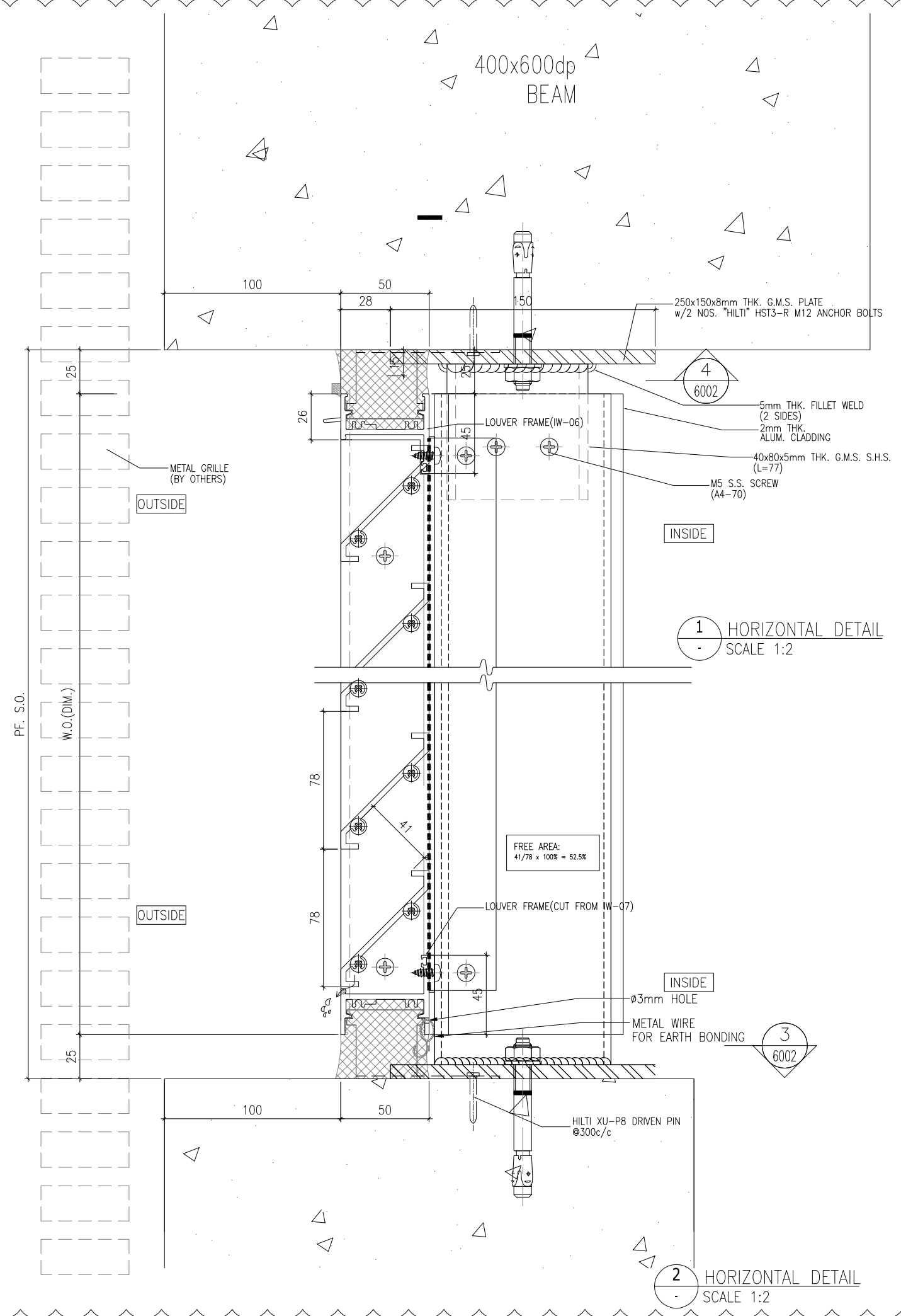
DATE : 02-Aug-21 SCALE : 1:60

DRAWN BY : ivan CHECKED BY :

美特鋁質有限公司 MIDI ALUMINIUM FABRICATOR LTD.  
 Units 6-8, Sunray Industrial Centre, 1/F  
 610 Cha Kwo Ling Road, Kowloon  
 Tel:23489211-4 Fax:(852)27727666

DWG NO. : J856-SD-LV-7002 REV. : F





1 HORIZONTAL DETAIL  
SCALE 1:2

2 HORIZONTAL DETAIL  
SCALE 1:2

B.D. REF :

CLIENT :  
**SUN HUNG KAI**  
 REAL ESTATE AGENCY LTD.  
 42/F SUN HUNG KAI CENTRE, WANCHAI, HONGKONG

ARCHITECT :  
**Iwk&partners**  
 architects

MAIN CONTRACTOR :  
**怡輝建築有限公司**  
**Yee Fai** Building Contractors Ltd.

STRUCTURAL ENGINEER :  
**ARUP**

FACADE CONSULTANT:  
**ALPHA CONSULTING LIMITED**  
 Steel Structure & Facade Specialist

NOTE :  
 1. ALL DIMENSIONS ARE IN mm.  
 2. ALL ELEVATIONS ARE VIEWED FROM OUTSIDE.  
 3. ALL DIMENSIONS TO BE VERIFIED ON SITE BEFORE FABRICATION.

LEGEND :  

 X1 -- DETAIL MARK NO.  
 X001 -- REFER SHEET NO.  
 1. F.F.L. -- FINISHED FLOOR LEVEL  
 2. S.F.L. -- STRUCTURAL FLOOR LEVEL  
 3. (R) -- REVERSED DETAIL  
 4. GLASS LEGEND  
 EGL-1 -- 8mm+12mm AIR GAP+8mm THK. I.G.U.  
 EGL-2 -- 10mm THK. CLEAR TEMPERED GLASS

B	14/12/2022	REVISION SUBJECT TO ARCH.COMMENT	Ivan
A	14/09/2022	REVISION SUBJECT TO ARCH.COMMENT	Ivan
NO.	DATE	REVISED	BY

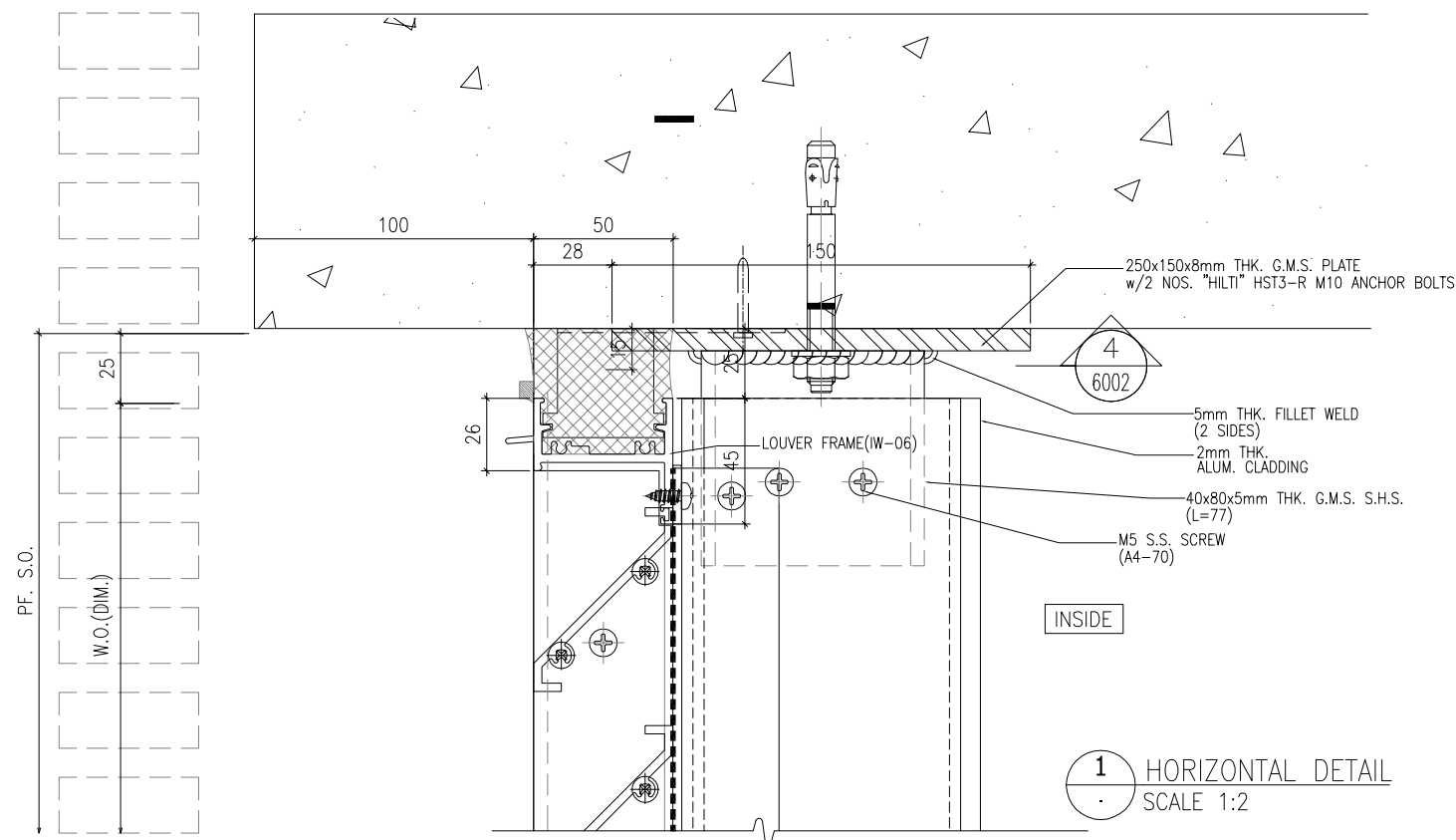
JOB NO. : J-856  
 PROJECT : PROPOSED DEVELOPMENT ABOVE LIGHT RAIL TIN WING STOP, TSWTL NO.23, AREA 33, TIN SHUI WAI, N.T.

TITLE : TYPICAL DETAILS FOR IN-SITU LOUVER

DATE : 02-Aug-21 SCALE : 1:60  
 DRAWN BY : Ivan CHECKED BY :

**美特鋁質有限公司**  
**MIDI ALUMINIUM FABRICATOR LTD.**  
 Units 6-8, Sunray Industrial Centre, 1/F  
 610 Cha Kwo Ling Road, Kowloon  
 Tel: 23489211-4 Fax: (852) 27727666

DWG NO. : J856-SD-LV-7004 REV. : B



B.D. REF :  
 .....

CLIENT :  
**SUN HUNG KAI**  
 REAL ESTATE AGENCY LTD.  
 42/F SUN HUNG KAI CENTRE, WANCHAI, HONGKONG

ARCHITECT :  
**lwk&partners**  
 architects

MAIN CONTRACTOR :  
**Yee Fai** Building Contractors Ltd.

STRUCTURAL ENGINEER :  
**ARUP**

FACADE CONSULTANT:  
**ALPHA CONSULTING LIMITED**  
 Steel Structure & Facade Specialist

NOTE :  
 1. ALL DIMENSIONS ARE IN mm.  
 2. ALL ELEVATIONS ARE VIEWED FROM OUTSIDE.  
 3. ALL DIMENSIONS TO BE VERIFIED ON SITE BEFORE FABRICATION.

LEGEND :  
 X1 — DETAIL MARK NO.  
 X001 — REFER SHEET NO.  
 1. F.F.L. -- FINISHED FLOOR LEVEL  
 2. S.F.L. -- STRUCTURAL FLOOR LEVEL  
 3. (R) -- REVERSED DETAIL  
 4. GLASS LEGEND  
 EGL-1 -- 8mm+12mm AIR GAP+8mm THK. I.G.U.  
 EGL-2 -- 10mm THK. CLEAR TEMPERED GLASS

NO.	DATE	REVISED	BY

JOB NO. : J-856  
 PROJECT : PROPOSED DEVELOPMENT ABOVE LIGHT RAIL TIN WING STOP, TSWTL NO.23, AREA 33, TIN SHUI WAI, N.T.

TITLE : TYPICAL DETAILS FOR IN-SITU LOUVER

DATE : 02-Aug-21 SCALE : 1:60

DRAWN BY : Ivan CHECKED BY :

**美特鋁質有限公司**  
**MIDI ALUMINIUM FABRICATOR LTD.**  
 Units 6-8, Sunray Industrial Centre, 1/F  
 610 Cha Kwo Ling Road, Kowloon  
 Tel: 23489211-4 Fax: (852) 27727666

DWG NO. : J856-SD-LV-7005 REV. : -