

工程指示 / 要求簡箋 ENGINEER INSTRUCTIONS(E.I.)

| | | | |
|---------|---------------------------------|-------|------------|
| 工程指示編號: | EI- 5203 | 修改版本: | D |
| | HK- 2356 | | |
| 工程編號: | J 856 | 工程名稱: | TSWTL23 |
| 收件人: | 生統 / 謝永林 | 發件人: | BearLam |
| 工程項目: | Podium louver 拆圖及BM(D版:更正百頁片派位) | 日期: | 22/12/2022 |

| | | |
|---------------------------------|------------------------------------------|------------------------------------|
| <input type="checkbox"/> 原合約工程包 | <input type="checkbox"/> 原合約工程加 / 減賬 QT- | <input type="checkbox"/> 新工程報價 QT- |
|---------------------------------|------------------------------------------|------------------------------------|

| | |
|----------------|-----------|
| 信件批核號碼/圖紙參考編號: | 批核模具圖紙編號: |
| 客戶指示附件: | 管理內部批簽署: |

| | | |
|------------------------------------|-------------------------------------|-------------------------------|
| <input type="checkbox"/> 初步鋁料 B.M. | <input type="checkbox"/> 加工拆圖, 然後生產 | <input type="checkbox"/> 尺寸表 |
| <input type="checkbox"/> 正式鋁料 B.M. | <input type="checkbox"/> 技術上資料 / 指示 | <input type="checkbox"/> 報價 |
| <input type="checkbox"/> 配件 B.M. | <input type="checkbox"/> 樣辦或貨品說明書 | <input type="checkbox"/> 分判合約 |
| <input type="checkbox"/> 其他: | | |

內容: 現附上有關資料, 請根據附件資料進行拆圖.

完成上列要求日期: 23/12/2022

國內

| | | | | | |
|-----------------------------------------|-----------------------------------------|---------------------------------------------|-----------------------------------------|--------------------------------|------------------------------|
| <input type="checkbox"/> 生產技術總監 | <input type="checkbox"/> 連附件 | <input type="checkbox"/> 技術部 | <input type="checkbox"/> 連附件 | <input type="checkbox"/> 生產部 | <input type="checkbox"/> 連附件 |
| <input type="checkbox"/> 採購部 | <input type="checkbox"/> 連附件 | <input checked="" type="checkbox"/> 生產統籌部 | <input checked="" type="checkbox"/> 連附件 | <input type="checkbox"/> 報關組 | <input type="checkbox"/> 連附件 |
| <input type="checkbox"/> 質檢部 | <input type="checkbox"/> 連附件 | <input type="checkbox"/> 會計部 | <input type="checkbox"/> 連附件 | <input type="checkbox"/> 機械設計部 | <input type="checkbox"/> 連附件 |
| <input checked="" type="checkbox"/> 香港辦 | <input checked="" type="checkbox"/> 連附件 | <input checked="" type="checkbox"/> 其他: 謝永林 | | | |

香港

| | | | | | | | |
|------------------------------|------------------------------|------------------------------|------------------------------|-------------------------------|------------------------------|------------------------------|------------------------------|
| <input type="checkbox"/> 行政部 | <input type="checkbox"/> 連附件 | <input type="checkbox"/> 會計部 | <input type="checkbox"/> 連附件 | <input type="checkbox"/> 統籌部 | <input type="checkbox"/> 連附件 | <input type="checkbox"/> 工程部 | <input type="checkbox"/> 連附件 |
| <input type="checkbox"/> 採購部 | <input type="checkbox"/> 連附件 | <input type="checkbox"/> QS部 | <input type="checkbox"/> 連附件 | <input type="checkbox"/> 地盤管理 | <input type="checkbox"/> 連附件 | <input type="checkbox"/> 維修部 | <input type="checkbox"/> 連附件 |

| | | | |
|---------|-----------------|------------|---------------------|
| *發件人簽署: | <i>Bear Lam</i> | *組別成員批核簽署: | <i>Wan 23/12/22</i> |
| 傳遞編號: | | 項目經理簽署: | <i>Wan</i> |

B.D. REF. :

CLIENT : **SUN HUNG KAI**
REAL ESTATE AGENCY LTD.
427, SUN HING HO CENTRE, WONGHAI, HONGKONG

ARCHITECT : **lwk&partners**
ARCHITECTS

MAIN CONTRACTOR : **Yee Fai**
柏輝建築有限公司 Building Contractors Ltd.

STRUCTURAL ENGINEER :

ARUP

FAÇADE CONSULTANT : **ALPHA CONSULTING LIMITED**
Steel Structures & Façade Specialist Ltd.

NOTE :
1. ALL DIMENSIONS ARE IN mm.
2. ALL ELEVATIONS ARE VIEWED FROM OUTSIDE.
3. ALL DIMENSIONS TO BE VERIFIED ON SITE BEFORE FABRICATION.

LEGEND :

- (A1) - DETAIL MARK NO.
 - (A2) - REFER SHEET NO.
 - 1. F.F.L. - FINISHED FLOOR LEVEL
 - 2. S.F.L. - STRUCTURAL FLOOR LEVEL
 - 3. (R) - REVERSED DETAIL
 - 4. GLASS LEGEND
- EQ-1 - 8mm+12mm AIR GAP+18mm THK. I.G.L.
EQ-2 - 10mm THK. CLEAR TEMPERED GLASS

| NO. | DATE | REVISION |
|-----|------------|-------------------------------|
| C | 15/12/2022 | REVISION SUBJECT TO AMENDMENT |
| B | 22/09/2022 | REVISION SUBJECT TO AMENDMENT |
| A | 21/04/2022 | REVISION SUBJECT TO AMENDMENT |

JOB NO. : J-856

PROJECT :
PROPOSED DEVELOPMENT ABOVE
LIGHT RAIL TIN WING STOP, ISWIL
NO.23, AREA 33, TIN SHUI WAI, N.T.

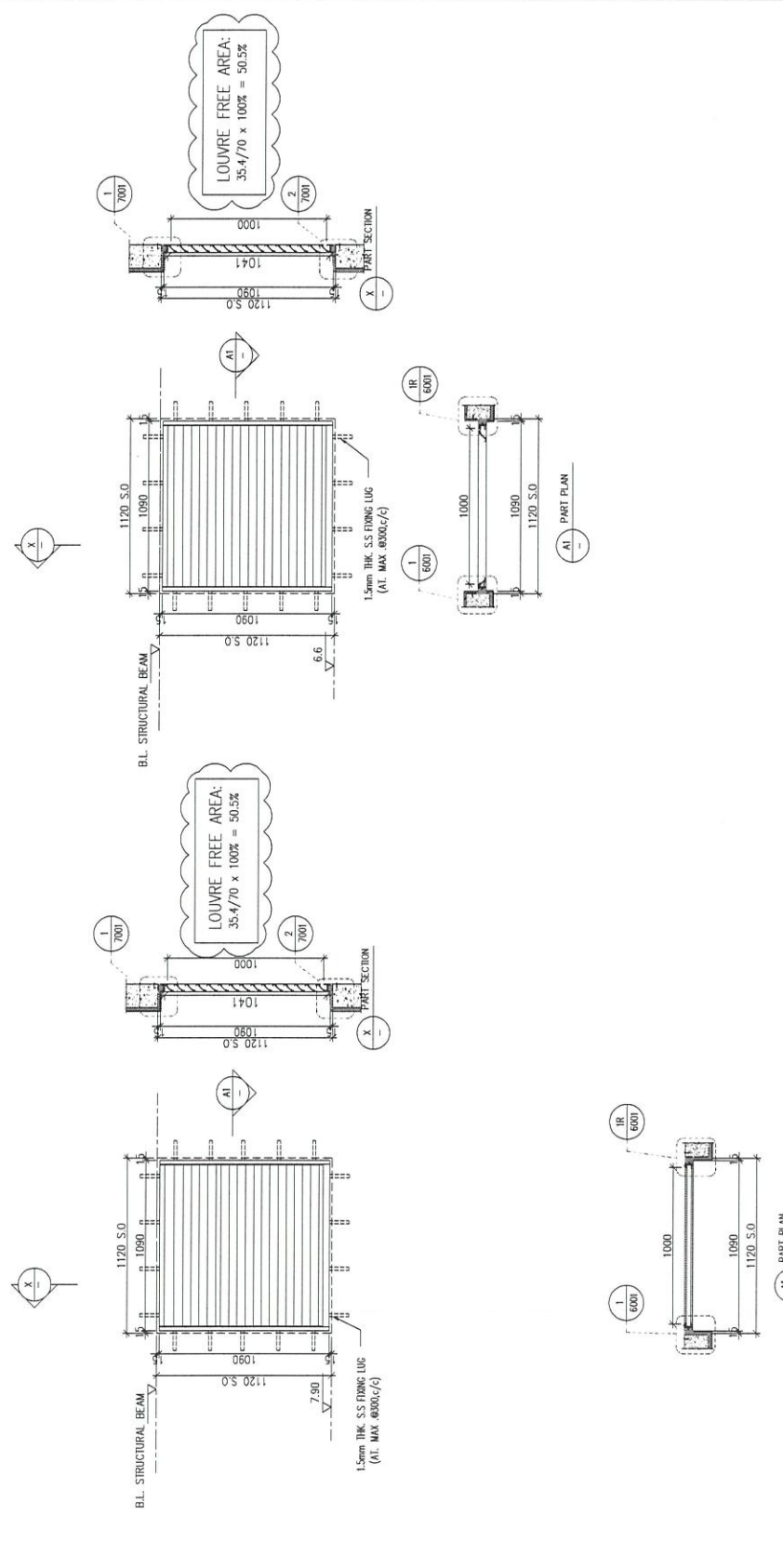
TITLE :
LOUVER SCHEDULE FOR
G/F IN-SITU LOUVER

DATE : 06-Aug-21 SCALE : 1:40

DRAWN BY : Ivan CHECKED BY :

UNIT : 1:40
黃特銀
MIDI Architects & Interiors Ltd.
Units 6-8, Sunny Industrial Centre, 1/F
810 Cho Yee Ling Road, Kowloon
Tel: 2489111-4 Fax: (852) 2727866

DWG NO. : J856-SD-LV-5003 REV. : C



ELEVATION

| | |
|------------------|------------------------------------------------------|
| WINDOW MARK | GF 002 S.V.102 |
| LOCATION SECTION | G/F: G.L.(B4/Q) 50mm ALUM. SECTION |
| GLAZING | ALUM. LOUVER BLADE COLOUR CODE: BLACK FREE AREA: 50% |
| QUANTITY | 1 NOS. |
| REMARKS | SS WIRE MESH |

B.D. REF :

CLIENT :

SUN HUNG KAI
REAL ESTATE AGENCY LTD.
427 SUN HUNG KAI CENTRE, WING LOK, HONGKONG

ARCHITECT :

lwk&partners
ARCHITECTS

MAIN CONTRACTOR :

Yee Fai
Building Contractors Ltd.

STRUCTURAL ENGINEER :

ARUP

FAÇADE CONSULTANT :

α ALPHA CONSULTING LIMITED
Steel Structures & Façade Specialist

NOTE :

1. ALL DIMENSIONS ARE IN mm.
2. ALL ELEVATIONS ARE VIEWED FROM OUTSIDE.
3. ALL DIMENSIONS TO BE VERIFIED ON SITE BEFORE FABRICATION.

LEGEND :

- ① RETAIL MARK NO.
- ② REFER SHEET NO.

1. F.F.L. -- FINISHED FLOOR LEVEL
2. S.F.L. -- STRUCTURAL FLOOR LEVEL
3. Ⓞ -- REVERSED DETAIL
4. GLASS LEGEND

EQ-1 -- 8mm+12mm AIR GAP+16mm THK. L.G.U.

EQ-2 -- 10mm THK. CLEAR TEMPERED GLASS

| NO. | DATE | REVISION |
|-----|------------|--------------------------------|
| C | 19/12/2022 | REVISION SUBJECT TO ADJUSTMENT |
| B | 22/09/2022 | REVISION SUBJECT TO ADJUSTMENT |
| A | 21/04/2022 | REVISION SUBJECT TO ADJUSTMENT |

JOB NO. : J-856

PROJECT :

PROPOSED DEVELOPMENT ABOVE
LIGHT RAIL TIN WING STOP, TSWL
NO.23, AREA 33, TIN SHUI WAI, N.T.

TITLE :

LOUVER SCHEDULE FOR
G/F IN-SITU LOUVER

DWG NO. : JB56-SD-LV-5004

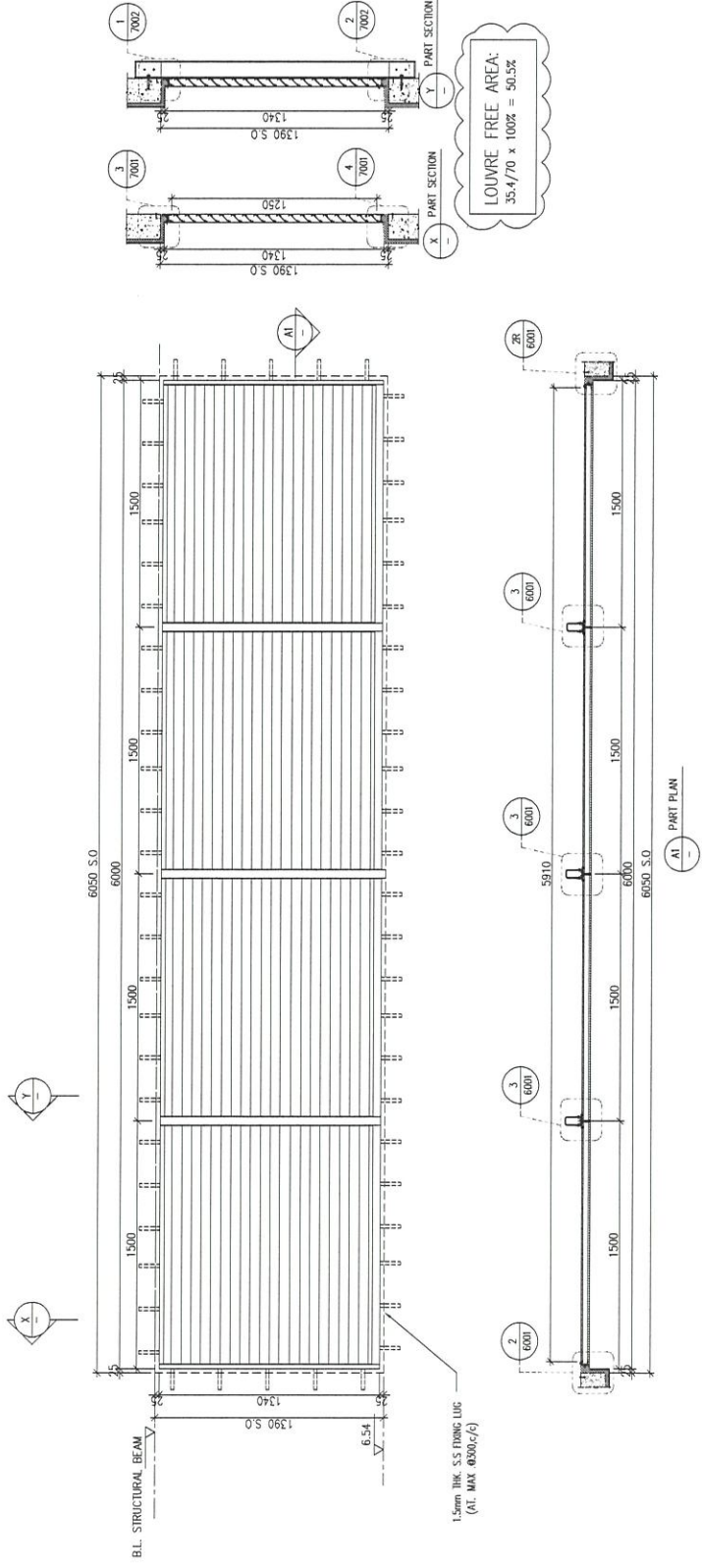
SCALE : 1:40

CHECKED BY :

DOWN BY : Ivan

Yee Fai
Building Contractors Ltd.
Units 6-8, Suiyee Industrial Centre, 1/F
610 Cha Kwo Ling Road, Kowloon
Tel: 2389511-4 Fax: (852) 2727666

REV. : C



ELEVATION

| | | |
|-------------|--------------------|--------------------|
| WINDOW MARK | GF 003 | S.V.103 |
| LOCATION | G/F: G.L.(B4/Q) | |
| SECTION | 50mm ALUM. SECTION | |
| GLAZING | ALUM. LOUVER BLADE | COLOUR CODE: BLACK |
| QUANTITY | 1 NOS. | FREE AREA: 50% |
| REMARKS | SS WIRE MESH | |

B.D. REF :

CLIENT :
SUN HUNG KAI
REAL ESTATE AGENCY LTD.
427 SAK HANG WA CENTRE, WONGAH, HONGKONG

ARCHITECT :
lwk&partners
a r c h i t e c t s

MAIN CONTRACTOR :
怡耀建築有限公司
Yee Fai
Building Contractors Ltd.

STRUCTURAL ENGINEER :
ARUP

FAÇADE CONSULTANT:
ALPHA CONSULTING LIMITED
Steel Structure & Façade Specialist

NOTE:
1. ALL DIMENSIONS ARE IN mm.
2. ALL ELEVATIONS ARE VIEWED FROM OUTSIDE.
3. ALL DIMENSIONS TO BE VERIFIED ON SITE BEFORE FABRICATION.

LEGEND:
① --- DETAIL MARK NO.
② --- REFER SHEET NO.

1. F.F.L. --- FINISHED FLOOR LEVEL.
2. S.F.L. --- STRUCTURAL FLOOR LEVEL.
3. --- REVERSED DETAIL.
4. GLASS LEGEND
EGL-1 --- 8mm+12mm AIR GAP+8mm THK. IGUL
EGL-2 --- 10mm THK. CLEAR TEMPERED GLASS

| NO. | DATE | ISSUE | REVISION |
|-----|------------|----------------------------------|----------|
| C | 15/11/2022 | REVISION SUBJECT TO APPROVALMENT | 100 |
| B | 22/09/2022 | REVISION SUBJECT TO APPROVALMENT | 100 |
| A | 21/04/2022 | REVISION SUBJECT TO APPROVALMENT | 100 |

JOB NO. : J-856

PROJECT :
PROPOSED DEVELOPMENT ABOVE
LIGHT RAIL TIN WING STOP, ISWIL
NO.23, AREA 33, TIN SHUI WAI, N.T.

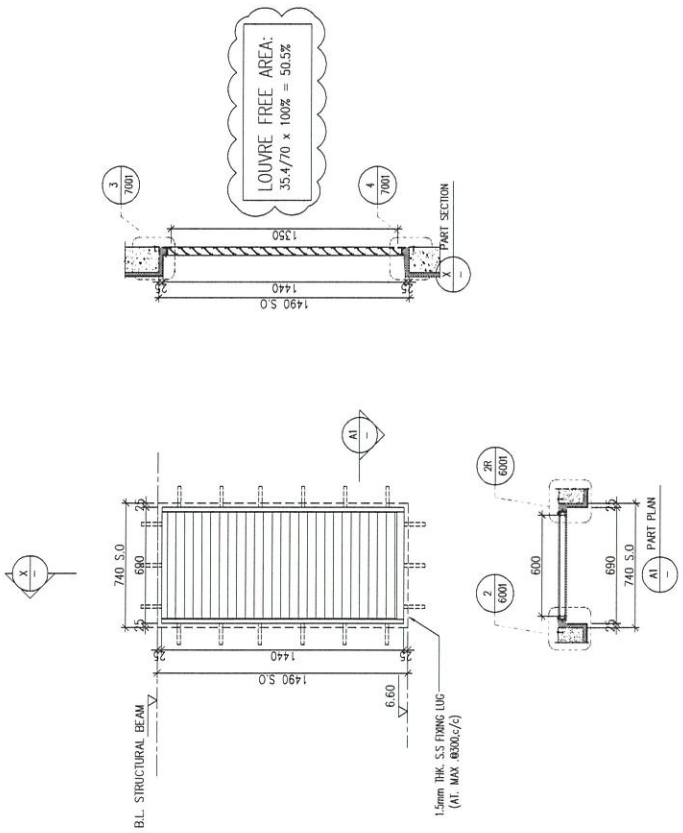
TITLE :
LOUVER SCHEDULE FOR
G/F IN-SITU LOUVER

DATE : 06-Aug-21

SCALE : 1:40

DRAWN BY : ion
CHECKED BY :
黃偉銘
MIDI ASSOCIATES
Unit 6-8, Sunny Industrial Centre, 1/F
610 Chee Kwo Ling Road, Kowloon
Tel: 2469211-4 Fax: (852) 2727666

DWG NO. : JB56-S0-LV-5005
REV. : C



ELEVATION

| WINDOW MARK | GF | 004 | E&M PURPOSE (NEWLAND) |
|------------------|--------------|--------------------|--------------------------------------|
| LOCATION SECTION | G/F | G.L. (B5-B6/P-0) | |
| GLAZING | 50mm | ALUM. SECTION | |
| QUANTITY | 1 NOS. | ALUM. LOUVER BLADE | COLOUR CODE: BLACK FREE AREA: 50% |
| REMARKS | SS WIRE MESH | | |

B.D. REF :

CLIENT : **SUN HUNG KAI**
 REAL ESTATE AGENCY LTD.
 427, SUN HING MA CENTRE, WONGA, HONGKONG

ARCHITECT : **lwk&partners**
 A R C H I T E C T S

MAIN CONTRACTOR : **怡輝建築有限公司**
Yee Fai
 Building Contractors Ltd.

STRUCTURAL ENGINEER : **ARUP**

FAÇADE CONSULTANT : **α ALPHA CONSULTING LIMITED**
 Steel Structure & Façade Specialist

NOTE :

1. ALL DIMENSIONS ARE IN mm.
2. ALL ELEVATIONS ARE VIEWED FROM OUTSIDE.
3. ALL DIMENSIONS TO BE VERIFIED ON SITE BEFORE FABRICATION.

LEGEND :

(21) DETAIL MARK NO.
 (20) REFER SHEET NO.

1. F.F.L. --- FINISHED FLOOR LEVEL
2. S.F.L. --- STRUCTURAL FLOOR LEVEL
3. (R) --- REVERSED DETAIL
4. GLASS LEGEND

EG-1 --- 8mm+12mm AIR GAP+8mm THK. LGLU
 EGL-2 --- 10mm THK. CLEAR TEMPERED GLASS

| NO. | DATE | REVISION |
|-----|------------|----------------------------------|
| C | 15/02/2022 | REVISION SUBJECT TO APPROVALMENT |
| B | 22/09/2022 | REVISION SUBJECT TO APPROVALMENT |
| A | 27/04/2022 | REVISION SUBJECT TO APPROVALMENT |

JOB NO. : J-856

PROJECT : PROPOSED DEVELOPMENT ABOVE LIGHT RAIL TIN WING STOP, ISWTL NO.23, AREA 33, TIN SHUI WAI, N.T.

TITLE : LOUVER SCHEDULE FOR G/F IN-SITU LOUVER

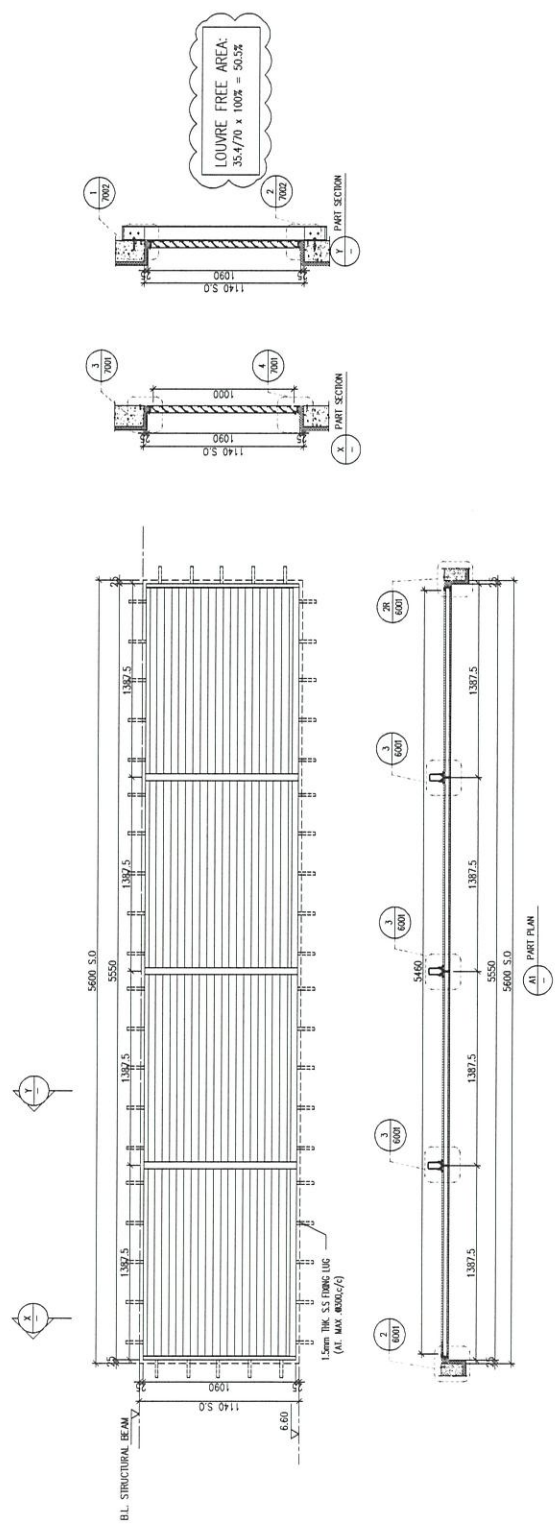
DATE : 06-Aug-21

SCALE : 1:40

CHECKED BY : **黃特**
黃特
 MIDU
 MIDDY ENGINEERING CONSULTANTS LTD.
 Unit 6-8, Sunny Industrial Centre, 1/F
 610 Che Kwo Ling Road, Kowloon
 Tel: 2489211-4 Fax: (852) 2727666

DWG NO. : JB56-SD-LV-5006

REV. : C



ELEVATION

| | |
|-------------|---------------------------------------|
| WINDOW MARK | GF 005 S.V.105 |
| LOCATION | G/F: G.L.(B6-B7/P) |
| SECTION | 50mm ALUM. SECTION |
| GLAZING | ALUM. LOUVER BLADE COLOUR CODE: BLACK |
| QUANTITY | 1 NOS. |
| REMARKS | SS WIRE MESH |

FREE AREA: 50%

B.D. REF :

CLIENT : **SUN HUNG KAI**
 REAL ESTATE AGENCY LTD.
 4/F SUN HUNG KAI CENTRE, WINGLAI, HONGKONG

ARCHITECT : **lwk&partners**
 a r c h i t e c t s

MAIN CONTRACTOR : **怡輝建築有限公司**
 Yee Fai Building Contractors Ltd.

STRUCTURAL ENGINEER : **ARUP**

FAÇADE CONSULTANT : **α ALPHA CONSULTING LIMITED**
 Steel Structure & Façade Specialist

NOTE :
 1. ALL DIMENSIONS ARE IN mm.
 2. ALL ELEVATIONS ARE VIEWED FROM OUTSIDE.
 3. ALL DIMENSIONS TO BE VERIFIED ON SITE BEFORE FABRICATION.

LEGEND :
 (A1) DETAIL MARK NO.
 (200) REFER SHEET NO.

1. F.F.L. -- FINISHED FLOOR LEVEL
 2. S.F.L. -- STRUCTURAL FLOOR LEVEL
 3. (R) -- REVERSED DETAIL
 4. GLASS LEGEND

EGL-1 -- 8mm+12mm AIR GAP+8mm THK. I.G.U.
 EGL-2 -- 10mm THK. CLEAR TEMPERED GLASS

| NO. | DATE | REVISION |
|-----|------------|---------------------------------|
| C | 16/12/2022 | REVISION SUBJECT TO APPROVEMENT |
| B | 22/05/2022 | REVISION SUBJECT TO APPROVEMENT |
| A | 27/01/2022 | REVISION SUBJECT TO APPROVEMENT |

JOB NO. : J-856

PROJECT : PROPOSED DEVELOPMENT ABOVE LIGHT RAIL TIN WING STOP, ISWIL NO.23, AREA 33, TIN SHUI WAI, N.T.

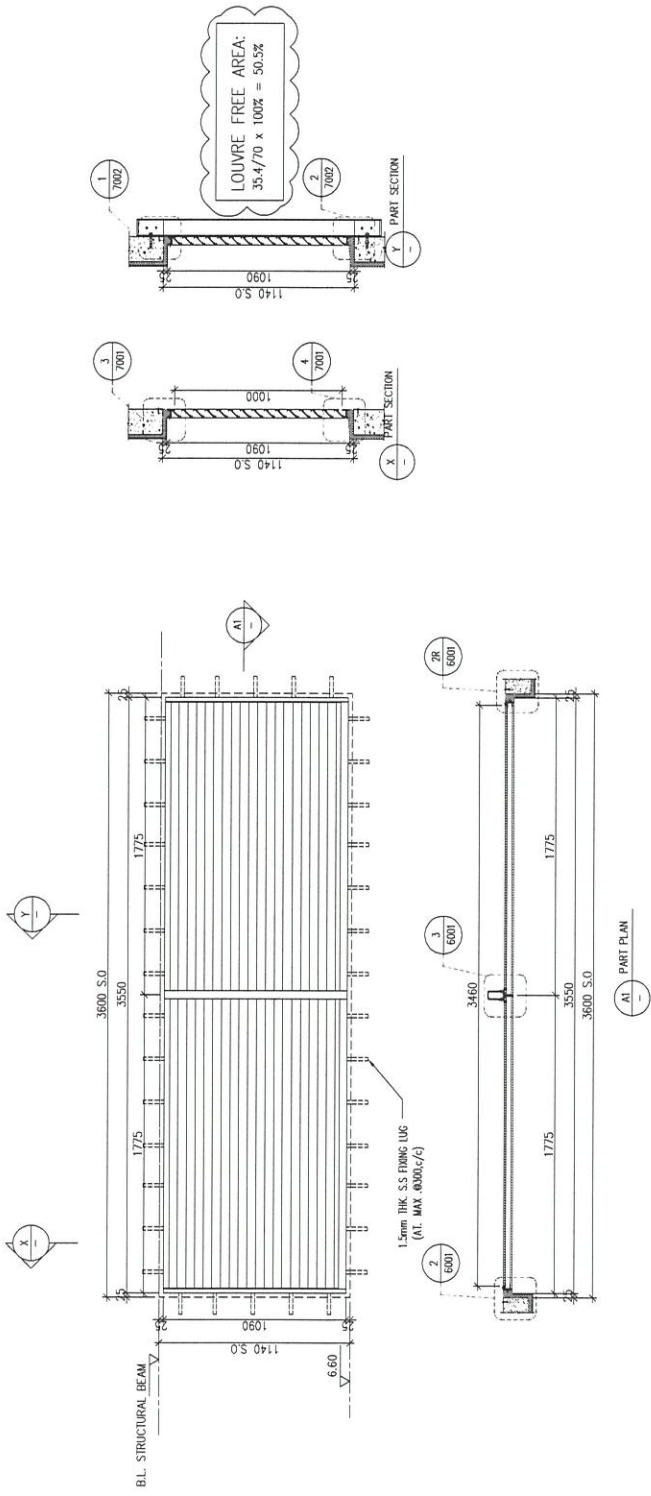
TITLE : LOUVER SCHEDULE FOR G/F IN-SITU LOUVER

DATE : 06-Aug-21 SCALE : 1:40

DRAWN BY : Ivan CHECKED BY :

UNIT : **美特堅有限公司**
MIDI
 610 Cha Kwo Ling Road, Kowloon
 Tel: 2489211-4 Fax: (852) 2727666

DWG NO. : 0556-SD-LV-5007 REV. : C



ELEVATION

| | |
|-------------|------------------------------------------------------|
| WINDOW MARK | GF 006 S.V.107 |
| LOCATION | G/F: G.L.(B12 B13/P) |
| SECTION | 50mm ALUM. SECTION |
| GLAZING | ALUM. LOUVER BLADE COLOUR CODE: BLACK FREE AREA: 50% |
| QUANTITY | 1 NOS. |
| REMARKS | SS WIRE MESH |

B.D. REF :

CLIENT : **SUN HUNG KAI**
REAL ESTATE AGENCY LTD.
42/F, SUN HING ON CENTRE, WONGA, HONGKONG

ARCHITECT : **lwk&partners**
ARCHITECTS

MAIN CONTRACTOR : **怡輝建築有限公司**
Yee Fai Building Contractors Ltd.

STRUCTURAL ENGINEER : **ARUP**

FAÇADE CONSULTANT : **Α ALPHA CONSULTING LIMITED**
Steel Structure & Façade Specialist

NOTE:
1. ALL DIMENSIONS ARE IN mm.
2. ALL ELEVATIONS ARE VIEWED FROM OUTSIDE.
3. ALL DIMENSIONS TO BE VERIFIED ON SITE BEFORE FABRICATION.

LEGEND:
① RETAIL MARK NO.
② REFER SHEET NO.
1. FF.L. --- FINISHED FLOOR LEVEL
2. SFL. --- STRUCTURAL FLOOR LEVEL
3. (R) --- REVERSED DETAIL
4. GLASS LEGEND

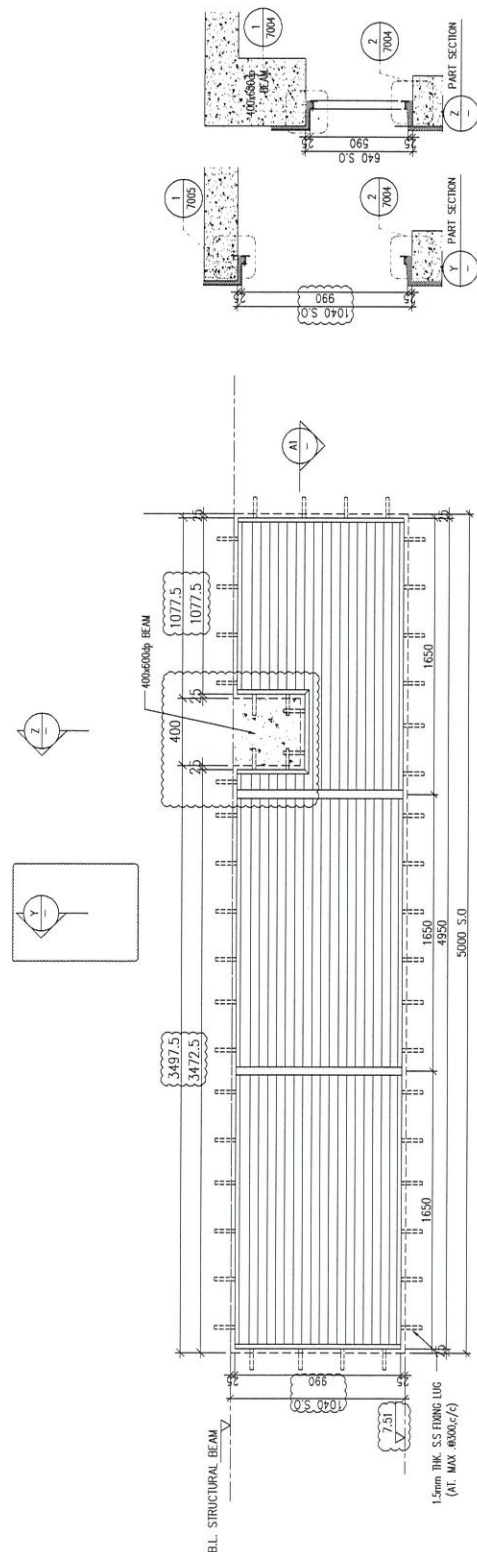
EG-1 --- 8mm+12mm AIR GAP+8mm THK. LGLU.
EG-2 --- 10mm THK. CLEAR TEMPERED GLASS

| NO. | DATE | REVISION |
|-----|------------|---------------------------------|
| D | 15/11/2022 | REVISION SUBJECT TO APPROVEMENT |
| C | 15/11/2022 | REVISION SUBJECT TO APPROVEMENT |
| B | 22/09/2022 | REVISION SUBJECT TO APPROVEMENT |
| A | 21/04/2022 | REVISION SUBJECT TO APPROVEMENT |

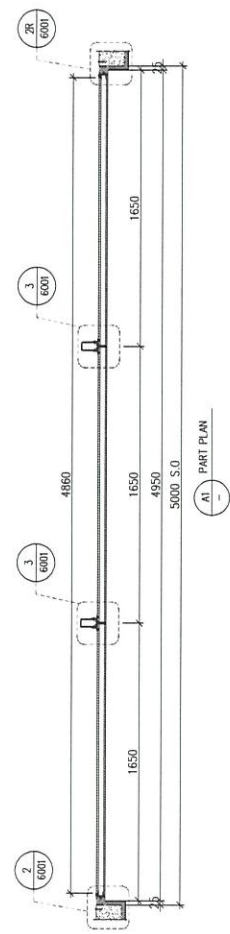
JOB NO. : J-856
PROJECT : PROPOSED DEVELOPMENT ABOVE LIGHT RAIL TIN WING STOP/ISWTL NO.23, AREA 33, TIN SHUI WAI, N.T.

TITLE : LOUVER SCHEDULE FOR G/F IN-SITU LOUVER

DATE : 06-Aug-21 SCALE : 1:40
DRAWN BY : Ivan CHECKED BY :
黃特 裕有限公司
MIDI Architecture & Interiors Ltd.
Units 6-8, Sunny Industrial Centre, 1/F
610 Che Kwo Ling Road, Kwunam
Tel: (852) 27277666
JOB NO. : J856-LV-5008 REV. : D



LOUVER FREE AREA:
41/78 x 100% = 52.5%



ELEVATION

| | |
|-------------|------------------------------------------------------|
| WINDOW MARK | GF 007 S.V.203 |
| LOCATION | G/F: G.L.(B14-B15/P) |
| SECTION | 50mm ALUM. SECTION |
| GLAZING | ALUM. LOUVER BLADE COLOUR CODE: BLACK FREE AREA: 50% |
| QUANTITY | 1 NOS. |
| REMARKS | SS WIRE MESH |

B.D. REF :

CLIENT :

SUN HUNG KAI
REAL ESTATE AGENCY LTD.
427, SUN HING WA CENTRE, WONGA, HONGKONG

ARCHITECT :

hwk&partners
ARCHITECTS

MAIN CONTRACTOR :

Yee Fai
Building Contractors Ltd.

STRUCTURAL ENGINEER :

ARUP

FAÇADE CONSULTANT :

ALPHA CONSULTING LIMITED
Steel Structure & Façade Specialist

NOTE :

1. ALL DIMENSIONS ARE IN mm.
2. ALL ELEVATIONS ARE VIEWED FROM OUTSIDE.
3. ALL DIMENSIONS TO BE VERIFIED ON SITE BEFORE FABRICATION.

LEGEND :

- (21) DETAIL MARK NO.
- (22) REFER SHEET NO.
- 1. F.F.L. --- FINISHED FLOOR LEVEL
- 2. S.F.L. --- STRUCTURAL FLOOR LEVEL
- 3. (R) --- REVERSED DETAIL
- 4. GLASS LEGEND

EG-1 --- 8mm+12mm AIR GAP+8mm THK. L.G.U.
EG-2 --- 10mm THK. CLEAR TEMPERED GLASS

| NO. | DATE | REVISION | BY |
|-----|------------|----------------------------------|----|
| C | 15/07/2022 | REVISION SUBJECT TO APPROVALMENT | HW |
| B | 22/09/2022 | REVISION SUBJECT TO APPROVALMENT | HW |
| A | 21/04/2022 | REVISION SUBJECT TO APPROVALMENT | HW |
| NA | | ISSUED | HW |

JOB NO. : J-856

PROJECT :

PROPOSED DEVELOPMENT ABOVE
LIGHT RAIL TIN WING STOP, ISWTL
NO.23, AREA 33, TIN SHUI WAI, N.T.

TITLE :

LOUVER SCHEDULE FOR
G/F IN-SITU LOUVER

DATE : 06-Aug-21

SCALE : 1:40

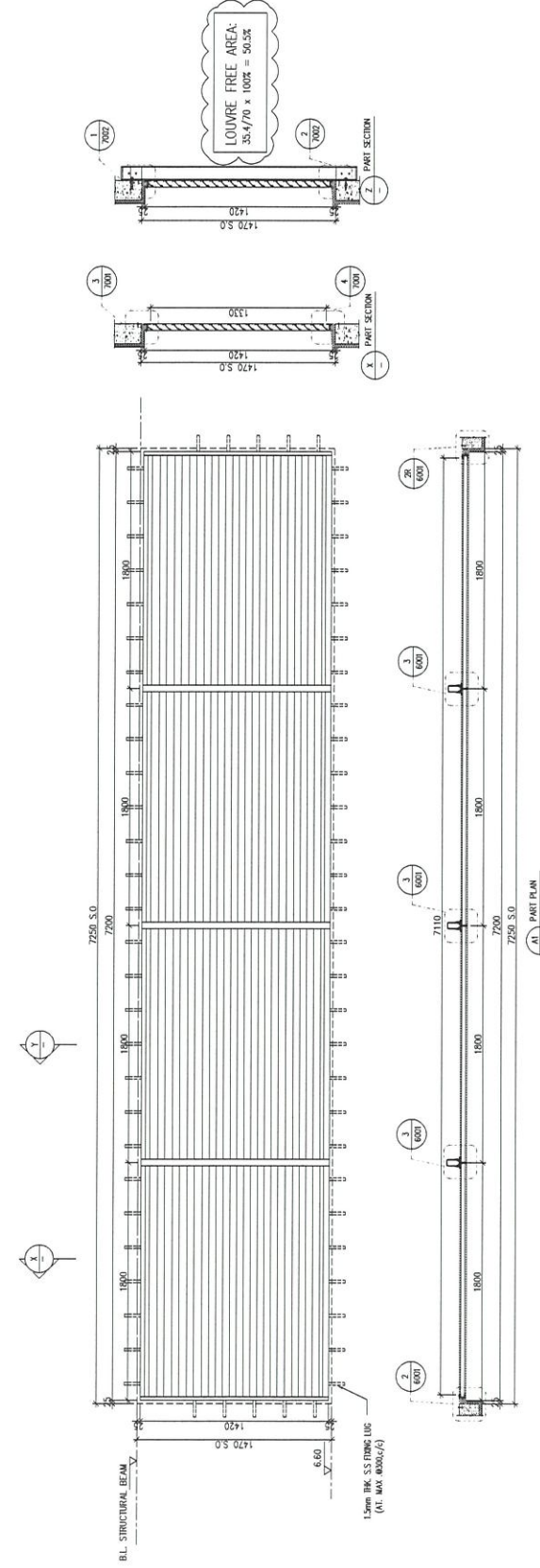
DRAWN BY : Ivoon

CHECKED BY :

特 特 有限公司
MIDI
Architectural & Engineering Firm.
Units 6-8, Sunny Industrial Centre, 1/F
610 Che Kwo Ling Road, Kowloon
Tel: (852)27271666 Fax: (852)27271666

DWG NO. : JB56-SD-LV-5009

REV. : C



ELEVATION

| | |
|-------------|---------------------------------------|
| WINDOW MARK | GF 009 S.V.205 |
| LOCATION | G/F: G.L.(B18-B19/P) |
| SECTION | 50mm ALUM. SECTION |
| GLAZING | ALUM. LOUVER BLADE COLOUR CODE: BLACK |
| QUANTITY | 1 NOS. FREE AREA: 30% |
| REMARKS | SS WIRE MESH |

B.D. REF :

CLIENT : **SUN HUNG KAI**
 REAL ESTATE AGENCY LTD.
 42/F SUN HUNG KAI CENTRE, WING LOK, HONGKONG

ARCHITECT : **lwk&partners**
 a r c h i t e c t s

MAIN CONTRACTOR : **怡輝建築有限公司**
 Yee Fai Building Contractors Ltd.

STRUCTURAL ENGINEER : **ARUP**

FAÇADE CONSULTANT : **α ALPHA CONSULTING LIMITED**
 Steel Structure & Façade Specialist

NOTE :
 1. ALL DIMENSIONS ARE IN mm.
 2. ALL ELEVATIONS ARE VIEWED FROM OUTSIDE.
 3. ALL DIMENSIONS TO BE VERIFIED ON SITE BEFORE FABRICATION.

LEGEND :
 (1) DETAIL MARK NO.
 (2) REFER SHEET NO.

1. F.F.L. -- FINISHED FLOOR LEVEL
 2. S.F.L. -- STRUCTURAL FLOOR LEVEL
 3. (R) -- REVERSED DETAIL
 4. GLASS LEGEND

EGL-1 -- 8mm+12mm AIR GAP+8mm THK. I.G.U.
 EGL-2 -- 10mm THK. CLEAR TEMPERED GLASS

| NO. | DATE | REVISION | REVISION SUBJECT TO APPROVEMENT | BY |
|-----|------------|---------------------------------|---------------------------------|-----|
| E | 15/12/2022 | REVISION SUBJECT TO APPROVEMENT | | lwk |
| D | 25/11/2022 | REVISION SUBJECT TO APPROVEMENT | | lwk |
| C | 15/11/2022 | REVISION SUBJECT TO APPROVEMENT | | lwk |
| B | 22/08/2022 | REVISION SUBJECT TO APPROVEMENT | | lwk |
| A | 21/04/2022 | REVISION SUBJECT TO APPROVEMENT | | lwk |

JOB NO. : J-856

PROJECT : PROPOSED DEVELOPMENT ABOVE LIGHT RAIL TIN WING STOP-TSWIL NO.23, AREA 33, TIN SHUI WAI, N.T.

TITLE : LOUVER SCHEDULE FOR G/F IN-SITU LOUVER

DWG NO. : 06-Aug-21 SCALE : 1:40

CHECKED BY : **黃特銘有限公司**
MIDI Architectural & Interiors Ltd.
 Units 6-8, Sundry Industrial Centre, 1/F
 610 Chee Kwoong Road, Kowloon
 Tel: 2388211-4 Fax: (852) 2727266

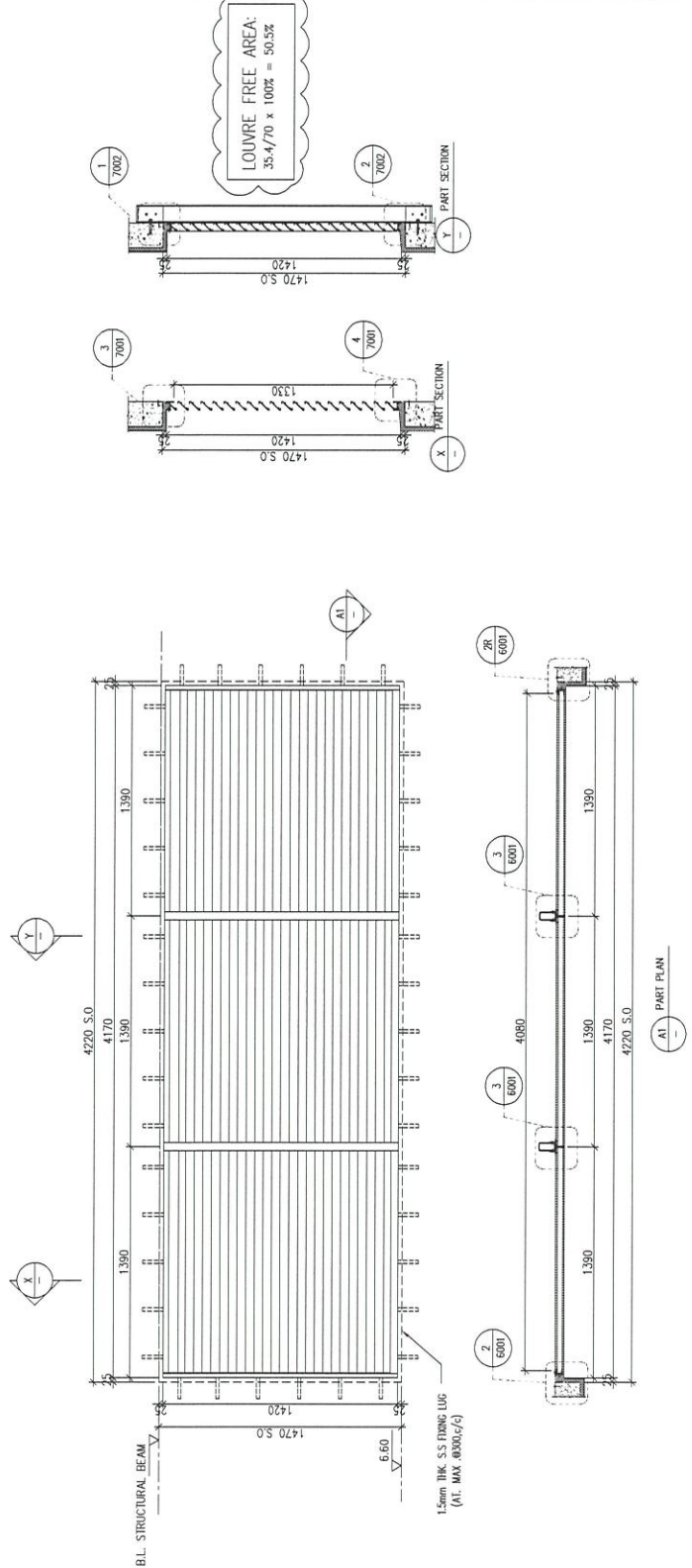
REVISION SUBJECT TO APPROVEMENT

REVISION SUBJECT TO APPROVEMENT

REVISION SUBJECT TO APPROVEMENT

REVISION SUBJECT TO APPROVEMENT

REVISION SUBJECT TO APPROVEMENT



ELEVATION

| | | |
|-------------|----------------------|--------------------|
| WINDOW MARK | CF 009 | E&M PURPOSE (AC) |
| LOCATION | G/F: G.L.(B19-B20/P) | |
| SECTION | 50mm ALUM. SECTION | |
| GLAZING | ALUM. LOUVER BLADE | COLOUR CODE: BLACK |
| QUANTITY | 1 NOS. | FREE AREA: 50% |
| REMARKS | SS WIRE MESH | |

REV. : E

B.D. REF :

CLIENT : **SUN HUNG KAI**
REAL ESTATE AGENCY LTD.
42/F SUN HUNG KAI CENTRE, WINGLO, HONGKONG

ARCHITECT : **hwk&partners**
a r c h i t e c t s

MAIN CONTRACTOR : **怡和建築有限公司**
Yeep Fai Building Contractors Ltd.

STRUCTURAL ENGINEER : **ARUP**

FAÇADE CONSULTANT : **α ALPHA CONSULTING LIMITED**
Steel Structure & Façade Specialist

NOTE :
1. ALL DIMENSIONS ARE IN mm.
2. ALL ELEVATIONS ARE VIEWED FROM OUTSIDE.
3. ALL DIMENSIONS TO BE VERIFIED ON SITE BEFORE FABRICATION.

LEGEND :
① RETAIL MARK NO.
② REFER SHEET NO.
1. F.F.L. --- FINISHED FLOOR LEVEL
2. S.F.L. --- STRUCTURAL FLOOR LEVEL
3. (R) --- REVERSED DETAIL
4. GLASS LEGEND
EGL-1 --- 8mm+12mm AIR GAP+8mm THK. LGLU.
EGL-2 --- 10mm THK. CLEAR TEMPERED GLASS

| NO. | DATE | REVISION |
|-----|------------|--------------------------------|
| D | 15/12/2022 | REVISION SUBJECT TO ADJUSTMENT |
| C | 22/09/2022 | REVISION SUBJECT TO ADJUSTMENT |
| B | 21/04/2022 | REVISION SUBJECT TO ADJUSTMENT |
| A | 22/12/2020 | REVISION SUBJECT TO ADJUSTMENT |
| NA | | ISSUED |

JOB NO. : J-856

PROJECT : PROPOSED DEVELOPMENT ABOVE
LIGHT RAIL TIN WING STOP/ISWTL
NO.2,3,AREA 3,3,TIN SHUI WAI, N.T.

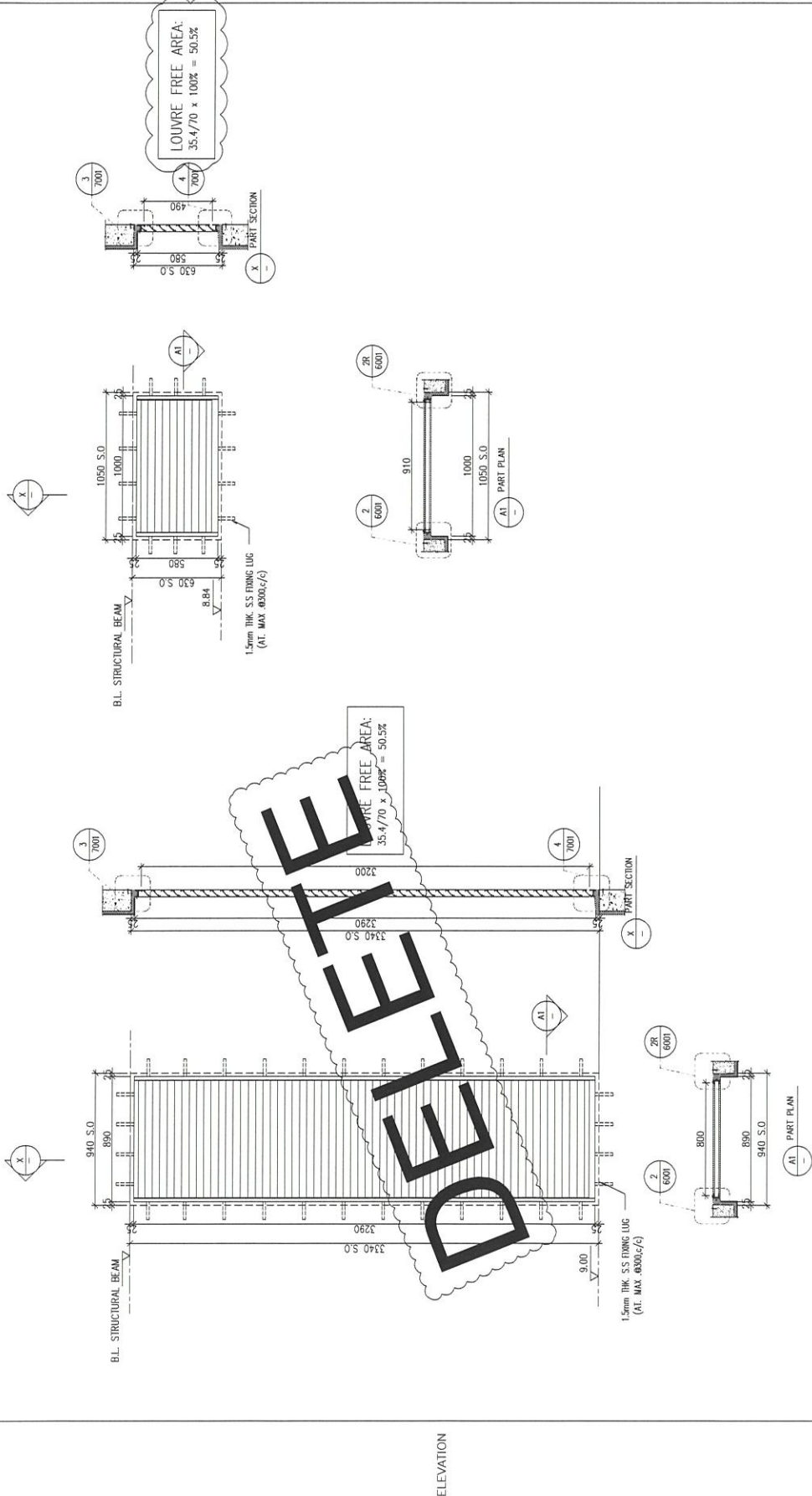
TITLE : LOUVER SCHEDULE FOR
G/F IN-SITU LOUVER

DATE : 06-Aug-21 SCALE : 1:40

DRAWN BY : I.yvon CHECKED BY :

UNIT : 美特 堅利有限公司
MIDI ARCHITECTURE
610 Che Kwo Ling Road, Kowloon
Tel: (852) 2727666

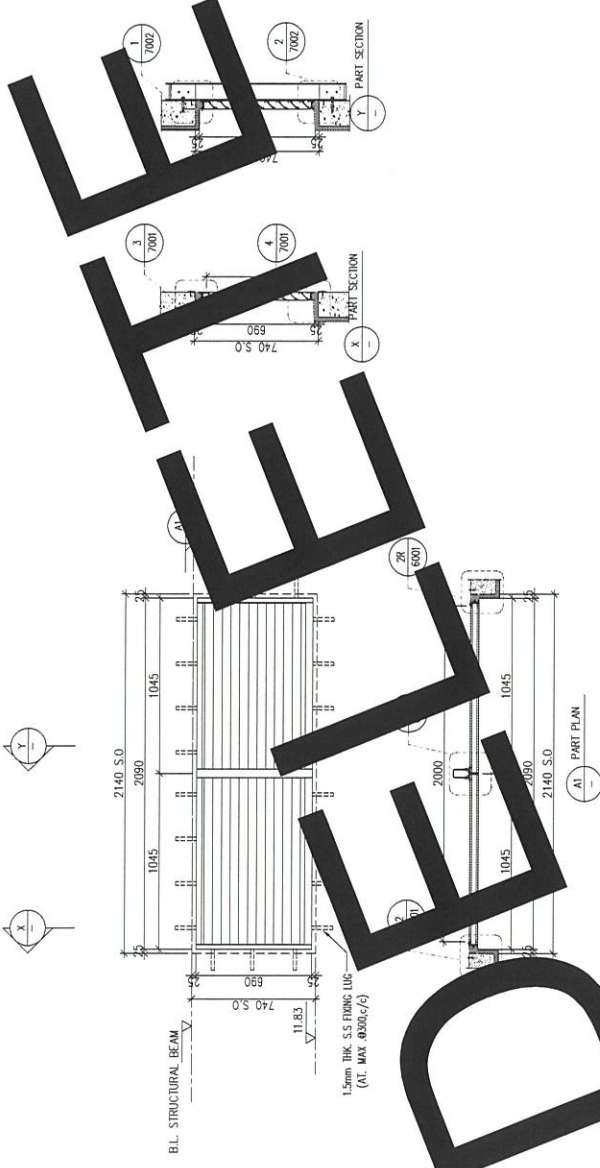
REV. : D



ELEVATION

| WINDOW MARK | E&M PURPOSE (NEW/EXIST) |
|-------------|---------------------------------------|
| G/F-013 | E&M PURPOSE (NEW/LAND) |
| G/F-012 | G/F- G.L.(B4/Q) |
| SECTION | 50mm ALUM. SECTION |
| GLAZING | ALUM. LOUVER BLADE COLOUR CODE: BLACK |
| QUANTITY | 1 NOS. FREE AREA: 50% |
| REMARKS | SS WIRE MESH |

DELETE



ELEVATION

| B.D. REF : | | | | | | | | | | | |
|-------------------------------------------------------------------------------------------------------------------------------------------------------------------------------------------------------------------------------------------------------------------------------------------------------------------------------------------------------------------------------------------------------------------------------------------------|-----------------|-----------------------------------|-----------------|-----------------------------------|-----------------|------|---|------------|-----------------------------------|--|--|
| CLIENT : SUN HUNG KAI REAL ESTATE AGENCY LTD. 42/F, SUN HUNG KAI CENTRE, WONGKON, HONGKONG | | | | | | | | | | | |
| ARCHITECT : lwk&partners a r c h i t e c t s | | | | | | | | | | | |
| MAIN CONTRACTOR : 怡輝建築有限公司 Yee Fai Building Contractors Ltd. | | | | | | | | | | | |
| STRUCTURAL ENGINEER : | | | | | | | | | | | |
| FACADE CONSULTANT: ARUP | | | | | | | | | | | |
| FACADE CONSULTANT: ALPHA CONSULTING LIMITED Steel Structure & Trade Specialist | | | | | | | | | | | |
| NOTE : 1. ALL DIMENSIONS ARE IN MM. 2. ALL ELEVATIONS ARE VIEWED FROM OUTSIDE. 3. ALL DIMENSIONS TO BE VERIFIED ON SITE BEFORE FABRICATION. | | | | | | | | | | | |
| LEGEND : <table border="0"> <tr> <td>(A)</td> <td>DETAIL MARK NO.</td> </tr> <tr> <td>(B)</td> <td>REFER SHEET NO.</td> </tr> </table> <ol style="list-style-type: none"> FF.L. --- FINISHED FLOOR LEVEL. S.F.L. --- STRUCTURAL FLOOR LEVEL. (R) --- REVERSED DETAIL. GLASS LEGEND EGL-1 --- 8mm+12mm AIR GAP+8mm THK. LGUL EGL-2 --- 10mm THK. CLEAR TEMPERED GLASS | | (A) | DETAIL MARK NO. | (B) | REFER SHEET NO. | | | | | | |
| (A) | DETAIL MARK NO. | | | | | | | | | | |
| (B) | REFER SHEET NO. | | | | | | | | | | |
| <table border="1"> <tr> <th>NO.</th> <th>DATE</th> <th>REVISION SUBJECT TO AMPLIFICATION</th> <th>BY</th> <th>CHKD</th> </tr> <tr> <td>1</td> <td>22/09/2022</td> <td>REVISION SUBJECT TO AMPLIFICATION</td> <td></td> <td></td> </tr> </table> | | NO. | DATE | REVISION SUBJECT TO AMPLIFICATION | BY | CHKD | 1 | 22/09/2022 | REVISION SUBJECT TO AMPLIFICATION | | |
| NO. | DATE | REVISION SUBJECT TO AMPLIFICATION | BY | CHKD | | | | | | | |
| 1 | 22/09/2022 | REVISION SUBJECT TO AMPLIFICATION | | | | | | | | | |
| JOB NO. : J-856 | | | | | | | | | | | |
| PROJECT : PROPOSED DEVELOPMENT ABOVE LIGHT RAIL TIN WING STOP, TSWIL NO.23, AREA 33, TIN SHUI WAI, N.T. | | | | | | | | | | | |
| TITLE : LOUVER SCHEDULE FOR G/F IN-SITU LOUVER | | | | | | | | | | | |
| DATE : 06-Aug-21 | SCALE : 1:40 | | | | | | | | | | |
| DOWN BY : Ikon | CHECKED BY : | | | | | | | | | | |
| 慕特銀質有限公司 MIDI 610 Chee Kwo Ling Road, Kowloon Tel: 2469211-4 Fax: (852) 2777666 DWG NO. : JB55-S0-LV-5012A REV. : A | | | | | | | | | | | |

| | | |
|-------------|--------------------|-----------------------|
| WINDOW MARK | GF 014 | E&M PURPOSE (NEWLAND) |
| LOCATION | G/F: G.L.(B1-B2/F) | |
| SECTION | 50mm ALUM. SECTION | |
| GLAZING | ALUM. LOUVER BLADE | COLOUR CODE: BLACK |
| QUANTITY | 1 NOS. | FREE AREA: 50% |
| REMARKS | SS WIRE MESH | |

B.D. REF :

CLIENT : **SUN HUNG KAI**
REAL ESTATE AGENCY LTD.
42/F SUN HUNG KAI CENTRE, WONG KONG, HONGKONG

ARCHITECT : **lwk&partners**
a r c h i t e c t s

MAIN CONTRACTOR : **怡輝建築有限公司**
Yee Fai Building Contractors Ltd.

STRUCTURAL ENGINEER : **ARUP**

FAÇADE CONSULTANT : **α ALPHA CONSULTING LIMITED**
Steel Structure & Façade Specialist

NOTE :
1. ALL DIMENSIONS ARE IN mm.
2. ALL ELEVATIONS ARE VIEWED FROM OUTSIDE.
3. ALL DIMENSIONS TO BE VERIFIED ON SITE BEFORE FABRICATION.

LEGEND :
① RETAIL MARK NO.
② REFER SHEET NO.
1. F.F.L. -- FINISHED FLOOR LEVEL
2. S.F.L. -- STRUCTURAL FLOOR LEVEL
3. Ⓞ -- REVERSED DETAIL
4. GLASS LEGEND
EGL-1 -- 8mm+12mm AIR GAP+8mm THK. L.G.U.
EGL-2 -- 10mm THK. CLEAR TEMPERED GLASS

| NO. | DATE | REVISION | BY |
|-----|------------|---------------------------------|-----|
| B | 16/12/2022 | REVISION SUBJECT TO APPROVEMENT | lwk |
| A | 22/08/2022 | REVISION SUBJECT TO APPROVEMENT | lwk |

JOB NO. : J-856

PROJECT : PROPOSED DEVELOPMENT ABOVE
LIGHT RAIL TIN WING STOP-ISWIL
NO.23, AREA 33, TIN SHUI WAI, N.T.

TITLE : LOUVER SCHEDULE FOR
G/F IN-SITU LOUVER

DATE : 06-Aug-21

SCALE : 1:40

DRAWN BY : horn

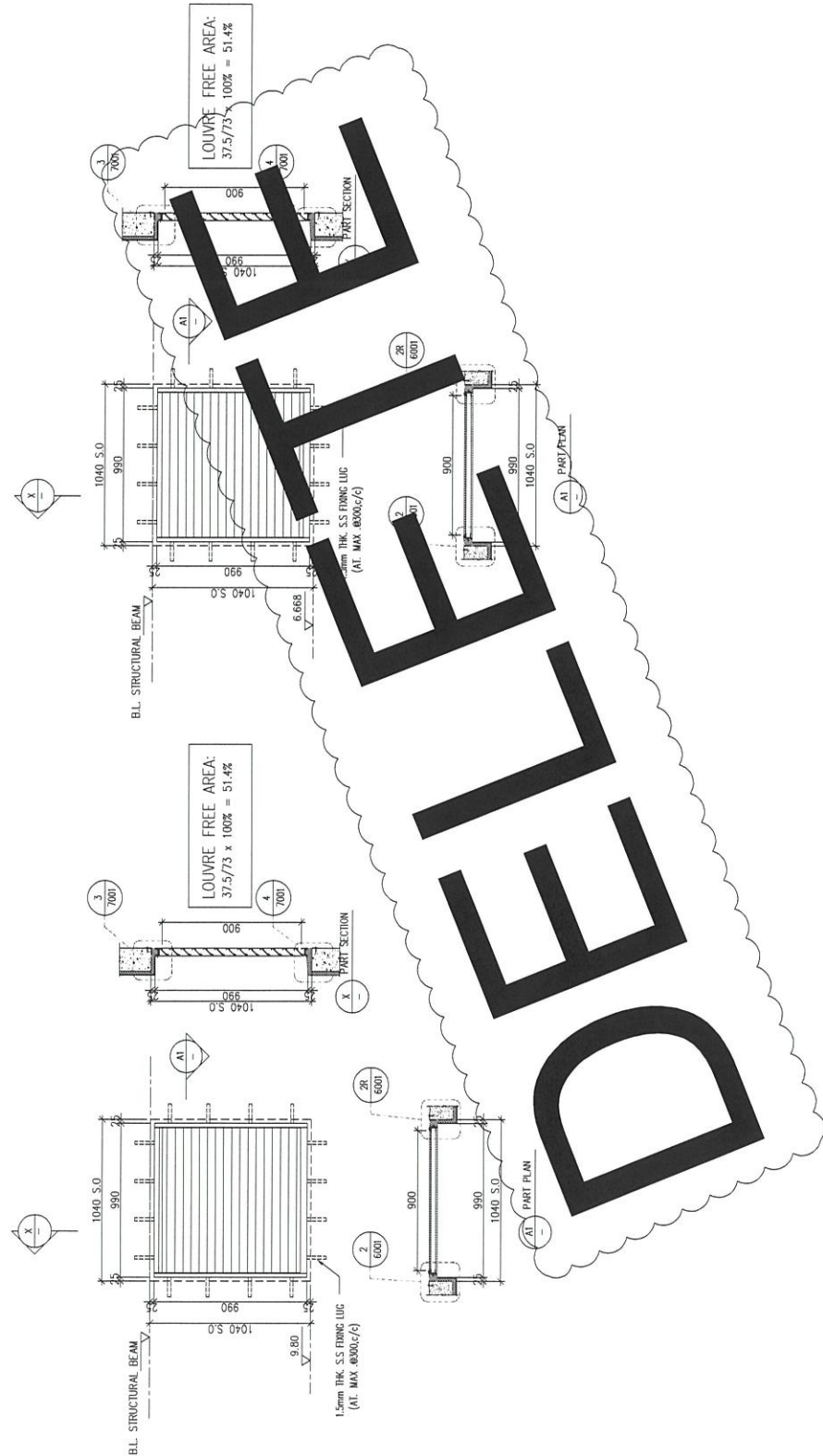
CHECKED BY :

DATE : 06-Aug-21

SCALE : 1:40

DRAWN BY : horn

CHECKED BY :



ELEVATION

~~DELETE~~

~~DELETE~~

REMARKS : SS WIRE MESH

| WINDOW MARK | E&M PURPOSE (MAND) | GLAZING | QUANTITY | REMARKS |
|-------------|--------------------|-------------------|----------|----------------|
| G/F-015 | G/F-015 (B3/F) | 50mm ALUM. LOUVER | 1 NOS | FREE AREA: 50% |
| G/F-016 | G/F-016 (NEW WIND) | 50mm ALUM. LOUVER | 1 NOS | FREE AREA: 50% |

DATE : 06-Aug-21

SCALE : 1:40

DRAWN BY : horn

CHECKED BY :

DATE : 06-Aug-21

SCALE : 1:40

DRAWN BY : horn

CHECKED BY :

DATE : 06-Aug-21

SCALE : 1:40

DRAWN BY : horn

CHECKED BY :

DATE : 06-Aug-21

SCALE : 1:40

DRAWN BY : horn

CHECKED BY :

DATE : 06-Aug-21

SCALE : 1:40

DRAWN BY : horn

CHECKED BY :

DATE : 06-Aug-21

SCALE : 1:40

DRAWN BY : horn

CHECKED BY :

DATE : 06-Aug-21

SCALE : 1:40

DRAWN BY : horn

CHECKED BY :

DATE : 06-Aug-21

SCALE : 1:40

DRAWN BY : horn

CHECKED BY :

DATE : 06-Aug-21

SCALE : 1:40

DRAWN BY : horn

CHECKED BY :

DATE : 06-Aug-21

SCALE : 1:40

DRAWN BY : horn

CHECKED BY :

DATE : 06-Aug-21

SCALE : 1:40

DRAWN BY : horn

CHECKED BY :

DATE : 06-Aug-21

SCALE : 1:40

DRAWN BY : horn

CHECKED BY :

DATE : 06-Aug-21

SCALE : 1:40

DRAWN BY : horn

CHECKED BY :

DATE : 06-Aug-21

SCALE : 1:40

DRAWN BY : horn

CHECKED BY :

DATE : 06-Aug-21

SCALE : 1:40

DRAWN BY : horn

CHECKED BY :

DATE : 06-Aug-21

SCALE : 1:40

DRAWN BY : horn

CHECKED BY :

DATE : 06-Aug-21

SCALE : 1:40

DRAWN BY : horn

CHECKED BY :

DATE : 06-Aug-21

SCALE : 1:40

DRAWN BY : horn

CHECKED BY :

DATE : 06-Aug-21

SCALE : 1:40

DRAWN BY : horn

CHECKED BY :

DATE : 06-Aug-21

SCALE : 1:40

DRAWN BY : horn

CHECKED BY :

DATE : 06-Aug-21

SCALE : 1:40

DRAWN BY : horn

CHECKED BY :

DATE : 06-Aug-21

SCALE : 1:40

DRAWN BY : horn

CHECKED BY :

DATE : 06-Aug-21

SCALE : 1:40

DRAWN BY : horn

CHECKED BY :

DATE : 06-Aug-21

SCALE : 1:40

DRAWN BY : horn

CHECKED BY :

DATE : 06-Aug-21

SCALE : 1:40

DRAWN BY : horn

CHECKED BY :

DATE : 06-Aug-21

SCALE : 1:40

DRAWN BY : horn

CHECKED BY :

DATE : 06-Aug-21

SCALE : 1:40

DRAWN BY : horn

CHECKED BY :

DATE : 06-Aug-21

SCALE : 1:40

DRAWN BY : horn

CHECKED BY :

DATE : 06-Aug-21

SCALE : 1:40

DRAWN BY : horn

CHECKED BY :

DATE : 06-Aug-21

SCALE : 1:40

DRAWN BY : horn

CHECKED BY :

DATE : 06-Aug-21

SCALE : 1:40

DRAWN BY : horn

CHECKED BY :

DATE : 06-Aug-21

SCALE : 1:40

DRAWN BY : horn

CHECKED BY :

DATE : 06-Aug-21

SCALE : 1:40

DRAWN BY : horn

CHECKED BY :

DATE : 06-Aug-21

SCALE : 1:40

DRAWN BY : horn

CHECKED BY :

DATE : 06-Aug-21

SCALE : 1:40

DRAWN BY : horn

CHECKED BY :

DATE : 06-Aug-21

SCALE : 1:40

DRAWN BY : horn

CHECKED BY :

DATE : 06-Aug-21

SCALE : 1:40

DRAWN BY : horn

CHECKED BY :

DATE : 06-Aug-21

SCALE : 1:40

DRAWN BY : horn

CHECKED BY :

DATE : 06-Aug-21

SCALE : 1:40

DRAWN BY : horn

CHECKED BY :

DATE : 06-Aug-21

SCALE : 1:40

DRAWN BY : horn

CHECKED BY :

DATE : 06-Aug-21

SCALE : 1:40

DRAWN BY : horn

CHECKED BY :

DATE : 06-Aug-21

SCALE : 1:40

DRAWN BY : horn

CHECKED BY :

DATE : 06-Aug-21

SCALE : 1:40

DRAWN BY : horn

CHECKED BY :

DATE : 06-Aug-21

SCALE : 1:40

DRAWN BY : horn

CHECKED BY :

DATE : 06-Aug-21

SCALE : 1:40

DRAWN BY : horn

CHECKED BY :

DATE : 06-Aug-21

SCALE : 1:40

DRAWN BY : horn

CHECKED BY :

DATE : 06-Aug-21

SCALE : 1:40

DRAWN BY : horn

CHECKED BY :

DATE : 06-Aug-21

SCALE : 1:40

DRAWN BY : horn

CHECKED BY :

DATE : 06-Aug-21

SCALE : 1:40

DRAWN BY : horn

CHECKED BY :

DATE : 06-Aug-21

SCALE : 1:40

DRAWN BY : horn

CHECKED BY :

DATE : 06-Aug-21

SCALE : 1:40

DRAWN BY : horn

CHECKED BY :

DATE : 06-Aug-21

SCALE : 1:40

DRAWN BY : horn

CHECKED BY :

DATE : 06-Aug-21

SCALE : 1:40

DRAWN BY : horn

CHECKED BY :

DATE : 06-Aug-21

SCALE : 1:40

DRAWN BY : horn

CHECKED BY :

DATE : 06-Aug-21

SCALE : 1:40

DRAWN BY : horn

CHECKED BY :

DATE : 06-Aug-21

SCALE : 1:40

DRAWN BY : horn

CHECKED BY :

DATE : 06-Aug-21

SCALE : 1:40

DRAWN BY : horn

CHECKED BY :

DATE : 06-Aug-21

SCALE : 1:40

DRAWN BY : horn

CHECKED BY :

DATE : 06-Aug-21

SCALE : 1:40

DRAWN BY : horn

CHECKED BY :

DATE : 06-Aug-21

SCALE : 1:40

DRAWN BY : horn

CHECKED BY :

DATE : 06-Aug-21

SCALE : 1:40

DRAWN BY : horn

CHECKED BY :

DATE : 06-Aug-21

SCALE : 1:40

DRAWN BY : horn

CHECKED BY :

DATE : 06-Aug-21

SCALE : 1:40

DRAWN BY : horn

CHECKED BY :

DATE : 06-Aug-21

SCALE : 1:40

DRAWN BY : horn

CHECKED BY :

DATE : 06-Aug-21

SCALE : 1:40

DRAWN BY :

B.D. REF :

CLIENT : **SUN HUNG KAI**
REAL ESTATE AGENCY LTD.
42/F SUN HUNG KAI CENTRE, WONGKONG, HONGKONG

ARCHITECT : **lwk&partners**
a r c h i t e c t s

MAIN CONTRACTOR : **怡輝建築有限公司**
Yee Fai Building Contractors Ltd.

STRUCTURAL ENGINEER : **ARUP**

FAÇADE CONSULTANT : **α ALPHA CONSULTING LIMITED**
Steel Structure & Façade Specialist

NOTE :
1. ALL DIMENSIONS ARE IN mm.
2. ALL ELEVATIONS ARE VIEWED FROM OUTSIDE.
3. ALL DIMENSIONS TO BE VERIFIED ON SITE BEFORE FABRICATION.

LEGEND :

- (1) DETAIL MARK NO.
- (2) REFER SHEET NO.
- 1. F.F.L. -- FINISHED FLOOR LEVEL
- 2. S.F.L. -- STRUCTURAL FLOOR LEVEL
- 3. (R) -- REVERSED DETAIL
- 4. GLASS LEGEND

EGL-1 -- 8mm+12mm AIR GAP+8mm THK. I.G.U.
EGL-2 -- 10mm THK. CLEAR TEMPERED GLASS

| NO. | DATE | DESCRIPTION |
|-----|------------|--------------------------------|
| C | 15/12/2022 | REVISION SUBJECT TO ADJUSTMENT |
| B | 15/11/2022 | REVISION SUBJECT TO ADJUSTMENT |
| A | 22/05/2022 | REVISION SUBJECT TO ADJUSTMENT |

JOB NO. : J-856

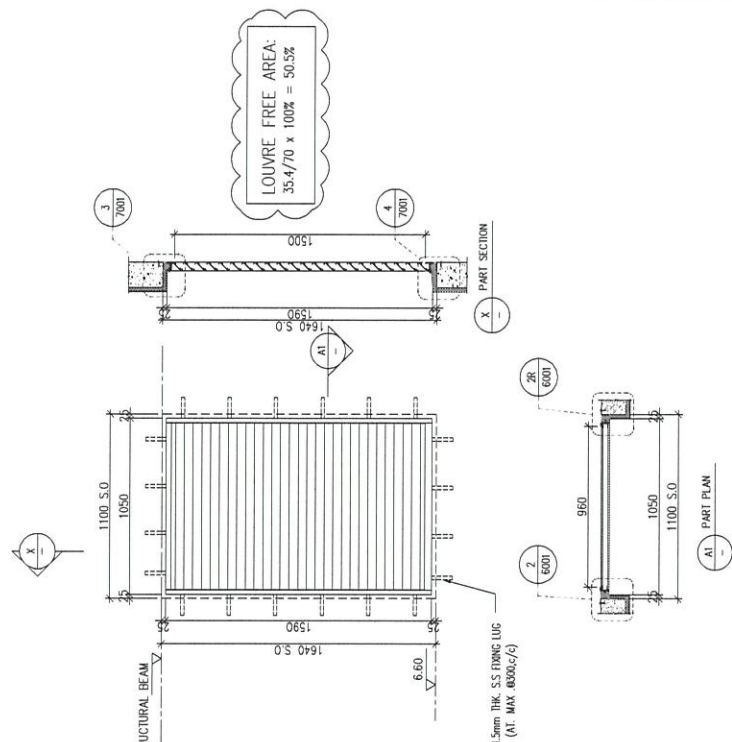
PROJECT : PROPOSED DEVELOPMENT ABOVE LIGHT RAIL TIN WING STOP/ISWIL NO.23, AREA 33, TIN SHUI WAI, N.T.

TITLE : LOUVER SCHEDULE FOR G/F IN-SITU LOUVER

DATE : 06-Aug-21 SCALE : 1:40

DRAWN BY : hvon CHECKED BY :
黃特銘有限公司
MIDI INTERIOR MANUFACTURE LTD.
Units 6-8, Sunny Industrial Centre, 1/F
610 Che Kwo Ling Road, Kwun Tong
Tel: (852) 27272666

REV. : C



ELEVATION

| | | |
|------------------|--------------------------|----------------------------|
| WINDOW MARK | GF 017 S.V.402 | GF 023 S.V.209 |
| LOCATION SECTION | G/F: G.L.(B17/P) SECTION | G/F: G.L.(A2,A3/P) SECTION |
| GLAZING | 50mm ALUM. SECTION | 50mm ALUM. SECTION |
| QUANTITY | 1 NOS. | 1 NOS. |
| REMARKS | SS WIRE MESH | SS WIRE MESH |
| | ALUM. LOUVER BLADE | ALUM. LOUVER BLADE |
| | COLOUR CODE: BLACK | COLOUR CODE: BLACK |
| | FREE AREA: 50% | FREE AREA: 50% |

B.D. REF :

CLIENT :
SUN HUNG KAI
REAL ESTATE AGENCY LTD.
42/F SUN HUNG KAI CENTRE, WONGA, HONGKONG

ARCHITECT :
lwk&partners
ARCHITECTS

MAIN CONTRACTOR :
Yee Fai
Building Contractors Ltd.

STRUCTURAL ENGINEER :
ARUP

FAÇADE CONSULTANT:
α ALPHA CONSULTING LIMITED
Steel Structure & Façade Specialist

NOTE:
1. ALL DIMENSIONS ARE IN mm.
2. ALL ELEVATIONS ARE VIEWED FROM OUTSIDE.
3. ALL DIMENSIONS TO BE VERIFIED ON SITE BEFORE FABRICATION.

LEGEND:
(A1) DETAIL MARK NO.
(A2) REFER SHEET NO.

1. F.F.L. -- FINISHED FLOOR LEVEL
2. S.F.L. -- STRUCTURAL FLOOR LEVEL
3. (Z) -- REVERSED DETAIL
4. GLASS LEGEND
EGL-1 -- 8mm+12mm AIR GAP+8mm THK. LGU
EGL-2 -- 10mm THK. CLEAR TEMPERED GLASS

| NO. | DATE | REVISION SUBJECT BY | REVISION BY |
|-----|------------|---------------------|-------------|
| A | 27/05/2022 | REVISION SUBJECT BY | REVISION BY |

JOB NO. : J-856

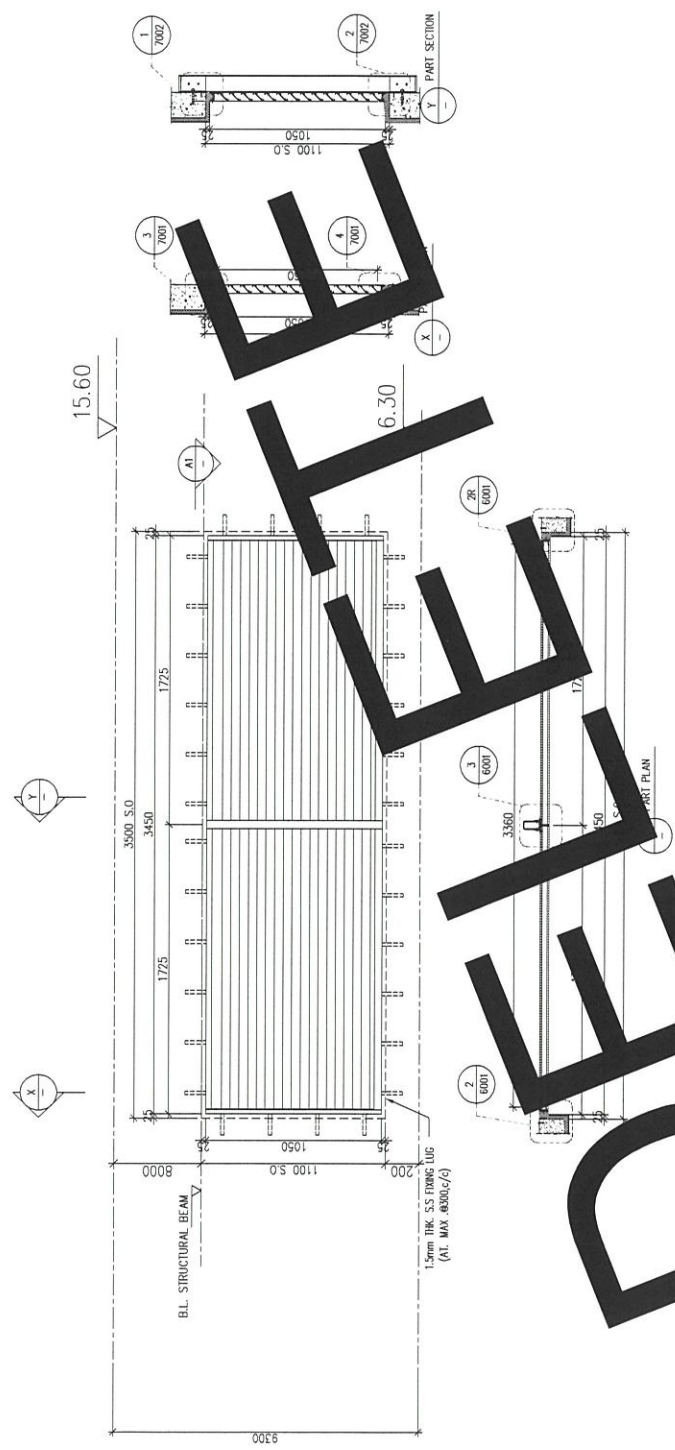
PROJECT :
PROPOSED DEVELOPMENT ABOVE
LIGHT RAIL TIN WING STOP/ISWIL
NO.2,3,AREA 33,TIN SHUI WAI, N.T.

TITLE :
LOUVER SCHEDULE FOR
G/F IN-SITU LOUVER

DATE : 06-Aug-21 SCALE : 1:40

DRAWN BY : hoon CHECKED BY :
黃特發有限公司
MIDI
Architects
Units 6-8, Sunray Industrial Centre, 1/F
610 Che Kwo Ling Road, Kowloon
Tel: (852) 2727666

DWG NO. : JB56-SD-LV-50120 REV. : A



ELEVATION

WINDOW MARK
GF
G18

LOCATION
G/F: G.L.
SECTION
50mm ALUM. SECTION
GLAZING
ALUM. LOUVER BLADE COLOUR CODE: BLACK FREE AREA: 50%
QUANTITY
1 NOS.
REMARKS
SS WIRE MESH

B.D. REF :

CLIENT : **SUN HUNG KAI**
 REAL ESTATE AGENCY LTD.
 427, SUN HING ON CENTRE, WONGA, HONGKONG

ARCHITECT : **lwk&partners**
 a r c h i t e c t s

MAIN CONTRACTOR : **柏輝建築有限公司**
Yee Fai
 Building Contractors Ltd.

STRUCTURAL ENGINEER : **ARUP**

FAÇADE CONSULTANT : **ALPHA CONSULTING LIMITED**
 Steel Structure & Façade Specialist

NOTE :

1. ALL DIMENSIONS ARE IN mm.
2. ALL ELEVATIONS ARE VIEWED FROM OUTSIDE.
3. ALL DIMENSIONS TO BE VERIFIED ON SITE BEFORE FABRICATION.

LEGEND :

(1) DETAIL MARK NO.
 (20) REFER SHEET NO.

1. F.F.L. --- FINISHED FLOOR LEVEL
2. S.F.L. --- STRUCTURAL FLOOR LEVEL
3. (R) --- REVERSED DETAIL
4. GLASS LEGEND

EG-1 --- 8mm+12mm AIR GAP+8mm THK. L.G.U.
 EG-2 --- 10mm THK. CLEAR TEMPERED GLASS

| NO. | DATE | REVISION |
|-----|------------|--------------------------------|
| B | 15/02/2022 | REVISION SUBJECT TO ASSIGNMENT |
| A | 27/02/2022 | REVISION SUBJECT TO ASSIGNMENT |

JOB NO. : J-856

PROJECT : PROPOSED DEVELOPMENT ABOVE LIGHT RAIL TIN WING STOP/ISWTL NO.23, AREA 33, TIN SHUI WAI, N.T.

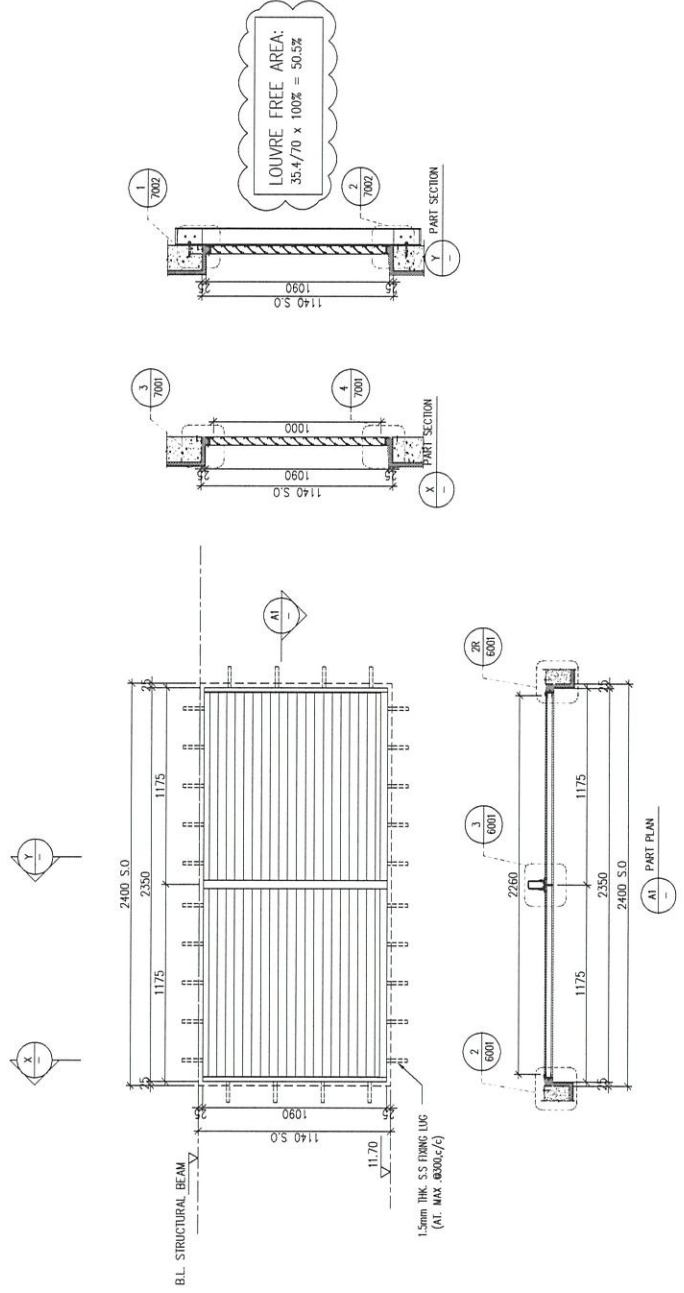
TITLE : LOUVER SCHEDULE FOR G/F IN-SITU LOUVER

DATE : 06-Aug-21 SCALE : 1:40

DRAWN BY : Ivan CHECKED BY :

UNIT : 6-8, Sunny Industrial Centre, 1/F
 610 Che Kwo Ling Road, Kwunam
 (62)2489211-4 Fax: (62)2727666

DWG NO. : 0556-SD-LV-5012E REV. : B



ELEVATION

| | | |
|-------------|--------------------|--------------------|
| WINDOW MARK | GF 019 | S.V.403 & 302 |
| LOCATION | G/F: G.L. | |
| SECTION | 50mm ALUM. SECTION | |
| GLAZING | ALUM. LOUVER BLADE | COLOUR CODE: BLACK |
| QUANTITY | 1 NOS. | FREE AREA: 50% |
| REMARKS | SS WIRE MESH | |

B.D. REF :

CLIENT : **SUN HUNG KAI**
 REAL ESTATE AGENCY LTD.
 42/F, SUN HUNG KAI CENTRE, WONGA, HONGKONG

ARCHITECT : **lwk&partners**
 a r c h i t e c t s

MAIN CONTRACTOR : **怡輝建築有限公司**
 Yee Fai Building Contractors Ltd.

STRUCTURAL ENGINEER : **ARUP**

FAÇADE CONSULTANT: **α ALPHA CONSULTING LIMITED**
 Steel Structure & Façade Specialist

NOTE:
 1. ALL DIMENSIONS ARE IN mm.
 2. ALL ELEVATIONS ARE VIEWED FROM OUTSIDE.
 3. ALL DIMENSIONS TO BE VERIFIED ON SITE BEFORE FABRICATION.

LEGEND:
 (1) RETAIL MARK NO.
 (2) REFER SHEET NO.

1. F.F.L. -- FINISHED FLOOR LEVEL
 2. S.F.L. -- STRUCTURAL FLOOR LEVEL
 3. (R) -- REVERSED DETAIL

4. GLASS LEGEND
 EGL-1 -- 8mm+12mm AIR GAP+10mm THK. I.G.U.
 EGL-2 -- 10mm THK. CLEAR TEMPERED GLASS

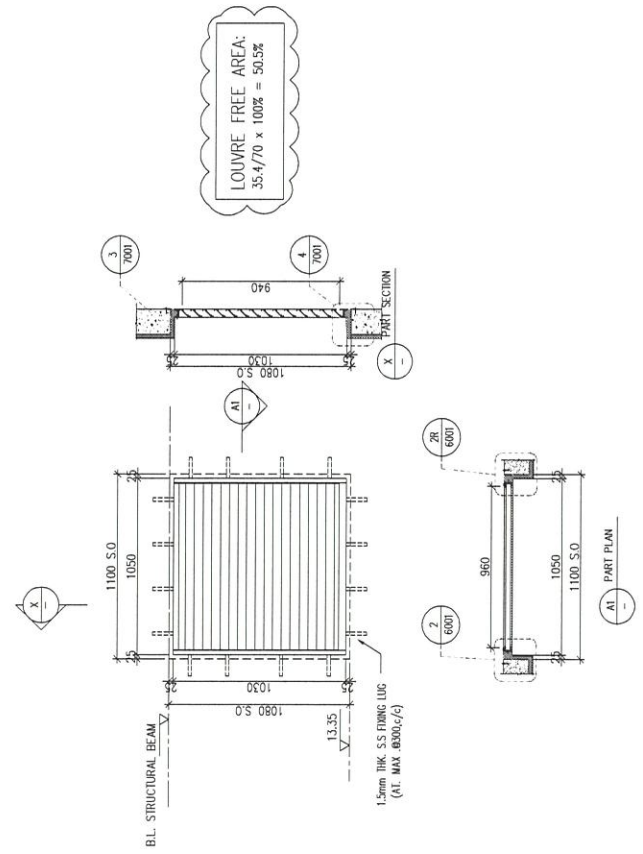
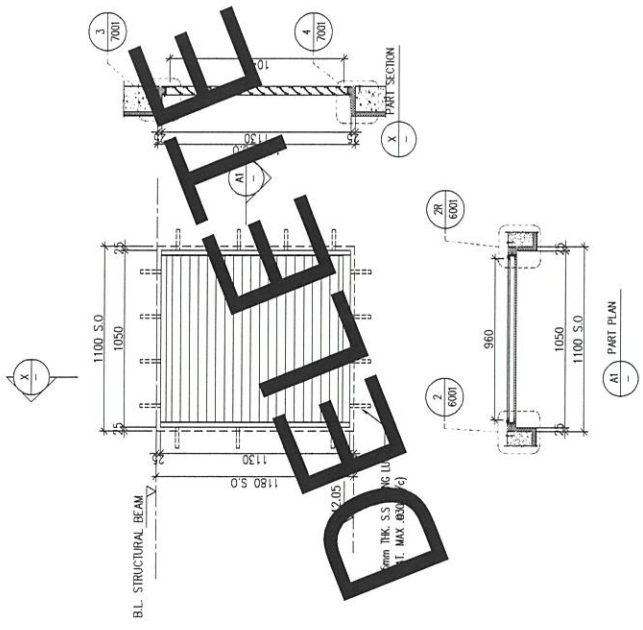
| NO. | DATE | REVISION |
|-----|------------|--------------------------------|
| C | 15/12/2022 | REVISION SUBJECT TO ADJUSTMENT |
| B | 15/11/2022 | REVISION SUBJECT TO ADJUSTMENT |
| A | 22/05/2022 | REVISION SUBJECT TO ADJUSTMENT |

JOB NO. : J-856

PROJECT : PROPOSED DEVELOPMENT ABOVE LIGHT RAIL TIN WING STOP-ISWIL NO.23, AREA 3.3, TIN SHUI WAI, N.T.

TITLE : LOUVER SCHEDULE FOR G/F IN-SITU LOUVER

DATE : 06-Aug-21 SCALE : 1:40
 DRAWN BY : hon CHECKED BY :
 MIDLAND DEVELOPMENT SERVICES LTD.
 Units 6-8, Sunny Industrial Centre, 1/F, 610 Che Kwo Ling Road, Kwunoon
 TEL: 2485211-4 Fax: (852) 2727866
 REV. : C



ELEVATION

| WINDOW MARK | LOCATION | SECTION | GLAZING | QUANTITY | REMARKS |
|-------------|-----------------|--------------------|--------------------|----------|--------------------|
| GF 020 | G/F: G.L.(A3/P) | 50mm ALUM. SECTION | ALUM. LOUVER BLADE | 1 NOS. | COLOUR CODE: BLACK |
| GF 021 | G/F: G.L.(A3/P) | 50mm ALUM. SECTION | ALUM. LOUVER BLADE | 1 NOS. | COLOUR CODE: BLACK |
| | | | SS WIRE MESH | | |

FREE AREA: 50%

FREE AREA: 50%

FREE AREA: 50%

FREE AREA: 50%

FREE AREA: 50%

FREE AREA: 50%

FREE AREA: 50%

FREE AREA: 50%

B.D. REF :

CLIENT :

SUN HUNG KAI
REAL ESTATE AGENCY LTD.
427 SUN HUNG KAI CENTRE, WINGLAI, HONGKONG

ARCHITECT :

lwk&partners
ARCHITECTS

MAIN CONTRACTOR :

裕輝建築有限公司
Yee Fui Building Contractors Ltd.

STRUCTURAL ENGINEER :

ARUP

FAÇADE CONSULTANT :

α ALPHA CONSULTING LIMITED
Steel Structure & Façade Specialist

NOTE :
1. ALL DIMENSIONS ARE IN mm.
2. ALL ELEVATIONS ARE VIEWED FROM OUTSIDE.
3. ALL DIMENSIONS TO BE VERIFIED ON SITE BEFORE FABRICATION.

LEGEND :

- (X) DETAIL MARK NO.
- (Y) REFER SHEET NO.
- 1. F.F.L. --- FINISHED FLOOR LEVEL
- 2. S.F.L. --- STRUCTURAL FLOOR LEVEL
- 3. (Z) --- REVERSED DETAIL
- 4. GLASS LEGEND
- EQ-1 --- 6mm+12mm AIR GAP+6mm THK. I.G.U.
- EQ-2 --- 10mm THK. CLEAR TEMPERED GLASS

| NO. | DATE | REVISION |
|-----|------------|------------------------------|
| B | 16/12/2022 | REVISION SUBJECT TO APPROVAL |
| A | 27/09/2022 | REVISION SUBJECT TO APPROVAL |

JOB NO. : J-856

PROJECT :

PROPOSED DEVELOPMENT ABOVE
LIGHT RAIL TIN WING STOP, ISWILL
NO.23, AREA 33, TIN SHUI WAI, N.T.

TITLE :

LOUVER SCHEDULE FOR
G/F IN-SITU LOUVER

DATE : 06-Aug-21

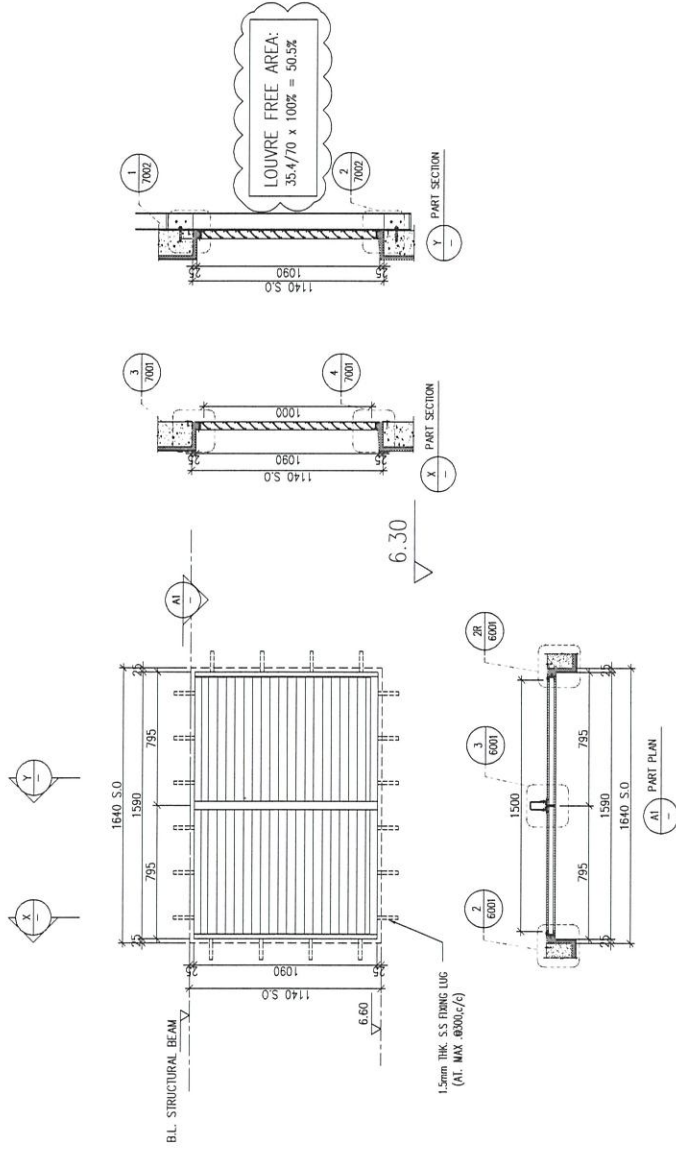
SCALE : 1:40

DRAWN BY : Ivan

CHECKED BY :

美特鋁質有限公司
MIDI ALUMINUM FABRICATORS LTD.
Units 6-8, Suiyoy Industrial Centre, 1/F
610 Chee Kwo Ling Road, Kowloon
Tel: 23889511-4 Fax: (852) 2727866

DWG NO. : JB56-S0-LV-5012G REV. : B



ELEVATION

WINDOW MARK: GF 022 S.V.301

LOCATION SECTION: G/F: G.L(A3/P) 50mm ALUM. SECTION

GLAZING: ALUM. LOUVER BLADE COLOUR CODE: BLACK FREE AREA: 50%

QUANTITY: 1 NOS.

REMARKS: SS WIRE MESH

B.D. REF :

CLIENT : **SUN HUNG KAI**
 REAL ESTATE AGENCY LTD.
 42/F SUN HUNG KAI CENTRE, WINGLO, HONGKONG

ARCHITECT : **lwk&partners**
 a r c h i t e c t s

MAIN CONTRACTOR : **怡輝建築有限公司**
Yee Fai Building Contractors Ltd.

STRUCTURAL ENGINEER : **ARUP**

FAÇADE CONSULTANT: **α ALPHA CONSULTING LIMITED**
 Steel Structure & Façade Specialist

NOTE:
 1. ALL DIMENSIONS ARE IN mm.
 2. ALL ELEVATIONS ARE VIEWED FROM OUTSIDE.
 3. ALL DIMENSIONS TO BE VERIFIED ON SITE BEFORE FABRICATION.

LEGEND:
 (2) DETAIL MARK NO.
 (REF) REFER SHEET NO.

1. F.F.L. -- FINISHED FLOOR LEVEL
 2. S.F.L. -- STRUCTURAL FLOOR LEVEL
 3. (R) -- REVERSED DETAIL
 4. GLASS LEGEND
 EGL-1 -- 8mm+12mm AIR GAP+8mm THK. I.G.U.
 EGL-2 -- 10mm THK. CLEAR TEMPERED GLASS

| NO. | DATE | REVISION | BY |
|-----|------------|--------------------------------|-----|
| B | 16/02/2022 | REVISION SUBJECT TO ADJUSTMENT | lwk |
| A | 22/05/2022 | REVISION SUBJECT TO ADJUSTMENT | lwk |

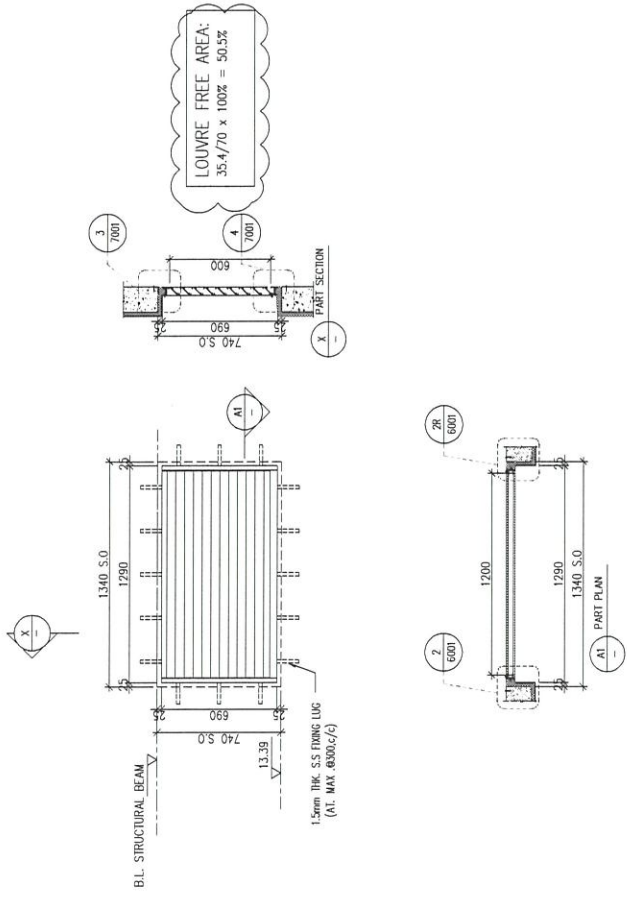
JOB NO. : J-856

PROJECT : PROPOSED DEVELOPMENT ABOVE LIGHT RAIL TIN WING STOP/JSWIL NO.2, AREA 3, TIN SHUI WAI, N.T.

TITLE : LOUVER SCHEDULE FOR G/F IN-SITU LOUVER

DATE : 06-Aug-21 SCALE : 1:40

DRAWN BY : lwk
 CHECKED BY :
黃特銘有限公司
MIDI INTERIOR ARCHITECTURE LTD.
 Units 6-8, Sunray Industrial Centre, 1/F
 610 Che Kwo Ling Road, Kowloon
 Tel: (852) 2727666
 DWG NO. : JB56-SD-LV-5012H REV. : B



ELEVATION

| | | |
|-------------|--------------------|-----------------------|
| WINDOW MARK | GF 024 | E&M PURPOSE (NEW/AND) |
| LOCATION | G/F: G.L.(M-N/P) | |
| SECTION | 50mm ALUM. SECTION | |
| GLAZING | ALUM. LOUVER BLADE | COLOUR CODE: BLACK |
| QUANTITY | 1 NOS. | FREE AREA: 50% |
| REMARKS | SS WIRE MESH | |

B.D. REF :

CLIENT : **SUN HUNG KAI** REAL ESTATE AGENCY LTD.
427 SUN HUNG KAI CENTRE, WINGLAI, HONGKONG

ARCHITECT : **lwk&partners** ARCHITECTS

MAIN CONTRACTOR : 怡輝建築有限公司
Yee Fai Building Contractors Ltd.

STRUCTURAL ENGINEER : **ARUP**

FAÇADE CONSULTANT : **α ALPHA CONSULTING LIMITED**
Steel Structure & Façade Specialist

NOTE:
1. ALL DIMENSIONS ARE IN mm.
2. ALL ELEVATIONS ARE VIEWED FROM OUTSIDE.
3. ALL DIMENSIONS TO BE VERIFIED ON SITE BEFORE FABRICATION.

LEGEND:
① DETAIL MARK NO.
② REFER SHEET NO.

1. F.F.L. -- FINISHED FLOOR LEVEL
2. S.F.L. -- STRUCTURAL FLOOR LEVEL
3. (R) -- REVERSED DETAIL
4. GLASS LEGEND
EGL-1 -- 8mm+12mm AIR GAP+8mm THK. I.G.U.
EGL-2 -- 10mm THK. CLEAR TEMPERED GLASS

| NO. | DATE | REVISION |
|-----|------------|---------------------------------|
| E | 15/12/2022 | REVISION SUBJECT TO APPROVEMENT |
| D | 15/12/2022 | REVISION SUBJECT TO APPROVEMENT |
| C | 27/06/2022 | REVISION SUBJECT TO APPROVEMENT |
| B | 21/04/2022 | REVISION SUBJECT TO APPROVEMENT |
| A | 27/02/2021 | REVISION SUBJECT TO APPROVEMENT |

JOB NO. : J-856

PROJECT : PROPOSED DEVELOPMENT ABOVE LIGHT RAIL TIN WING STOP-ISWIL NO.23, AREA 3.3, TIN SHUI WAI, N.T.

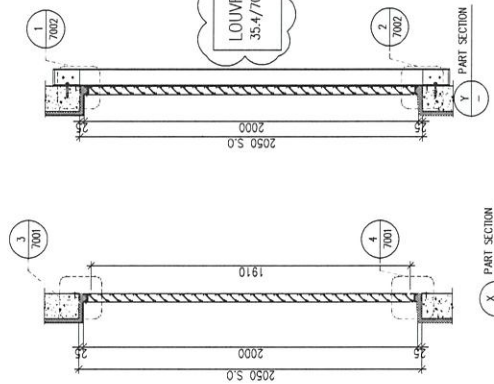
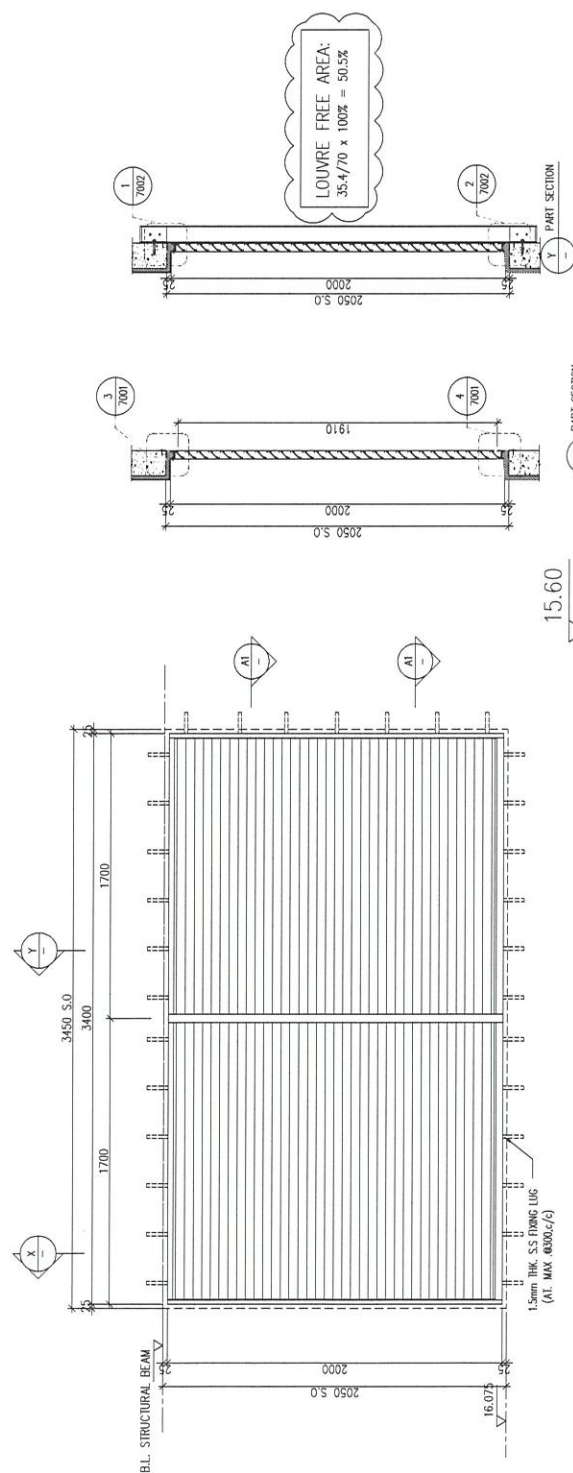
TITLE : LOWER SCHEDULE FOR 1/F IN-SITU LOUVER

DATE : 06-Aug-21 SCALE : 1:40

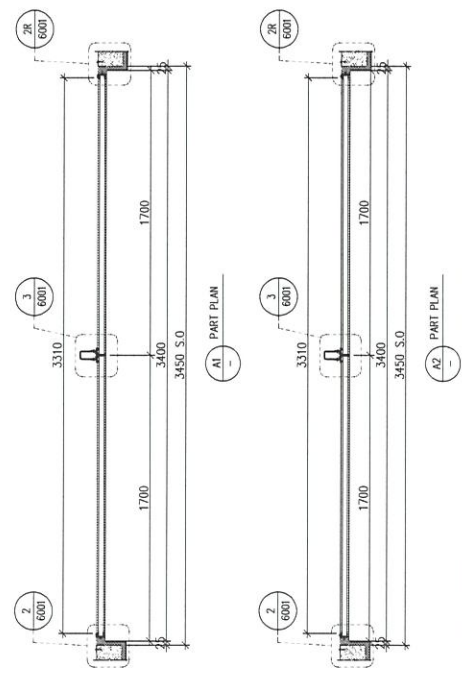
DRAWN BY : horn CHECKED BY :

UNITED STATES OF AMERICA
MIDI INTERNATIONAL MANUFACTURING LTD.
Units 6-8, Sunny Industrial Centre, 1/F
610 Cha Kwo Ling Road, Kowloon
Tel: 2388211-4 Fax: (852) 2727866

DWG NO. : JB56-SD-LV-5013 REV. : E



15.60



ELEVATION

| WINDOW MARK | E&M PURPOSE (E=VERTICAL) |
|--------------------|------------------------------------------------------|
| 1/F: G.L.(B4-B5/P) | |
| SECTION | 50mm ALUM. SECTION |
| GLAZING | ALUM. LOUVER BLADE COLOUR CODE: BLACK FREE AREA: 50% |
| QUANTITY | 1 NOS. |
| REMARKS | SS WIRE MESH |

B.D. REF :

CLIENT :
SUN HUNG KAI
REAL ESTATE AGENCY LTD.
427 SUN HUNG KAI CENTRE, MANDALY HONGKONG

ARCHITECT :
lwk&partners
ARCHITECTS

MAIN CONTRACTOR :
柏輝建築有限公司
Yee Fai Building Contractors Ltd.

STRUCTURAL ENGINEER :

ARUP

FAÇADE CONSULTANT:
ALPHA CONSULTING LIMITED
Steel Structures & Façade Specialist

NOTE :
1. ALL DIMENSIONS ARE IN mm.
2. ALL ELEVATIONS ARE VIEWED FROM OUTSIDE.
3. ALL DIMENSIONS TO BE VERIFIED ON SITE BEFORE FABRICATION.

LEGEND :

- ① --- DETAIL MARK NO.
- ② --- REFER SHEET NO.
- 1. F.F.L. --- FINISHED FLOOR LEVEL
- 2. S.T.L. --- STRUCTURAL FLOOR LEVEL
- 3. Ⓞ --- REVERSED DETAIL
- 4. GLASS LEGEND
- EG-1 --- 6mm+12mm AIR GAP+16mm THK. I.G.U.
- EG-2 --- 10mm THK. CLEAR TEMPERED GLASS

| NO. | DATE | REVISION | REVISION SUBJECT TO AMENDMENT |
|-----|------------|-------------------------------|-------------------------------|
| E | 15/12/2022 | REVISION SUBJECT TO AMENDMENT | REVISED |
| D | 15/11/2022 | REVISION SUBJECT TO AMENDMENT | REVISED |
| C | 22/09/2022 | REVISION SUBJECT TO AMENDMENT | REVISED |
| B | 21/04/2022 | REVISION SUBJECT TO AMENDMENT | REVISED |
| A | 22/12/2021 | REVISION SUBJECT TO AMENDMENT | REVISED |

JOB NO. : J-856

PROJECT :
PROPOSED DEVELOPMENT ABOVE
LIGHT RAIL TIN WING STOP, ISWTL
NO.23, TIN SHUI WA, N.T.

TITLE :
LOUVER SCHEDULE FOR
1/F IN-SITU LOUVER

DATE : 06-Aug-21

SCALE : 1:40

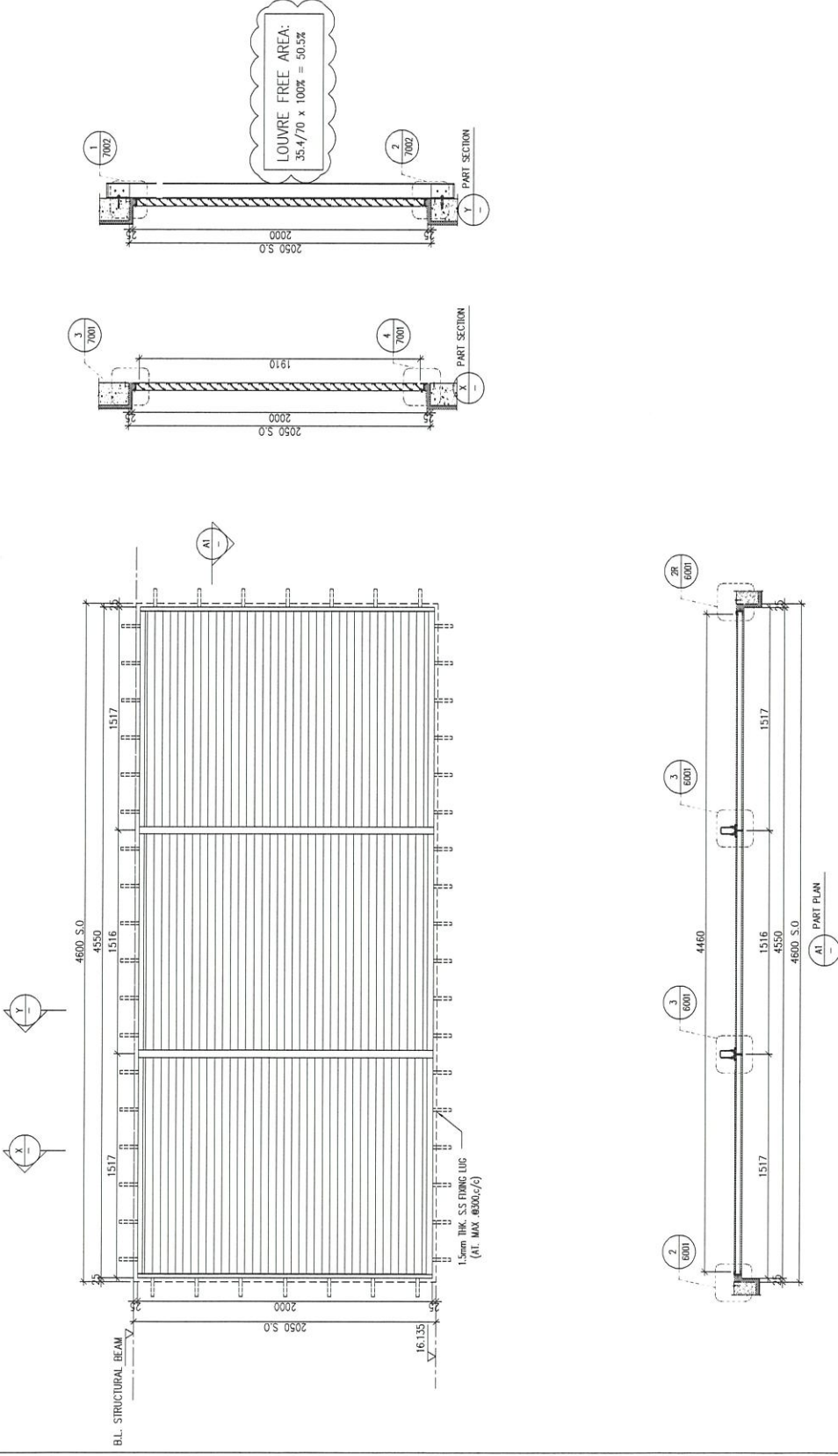
DRAWN BY : Ivoon

CHECKED BY :

UNITED STATES OF AMERICA
美特铝业有限公司
MIDI ALUMINUM FABRICATOR LTD.
Units 6-8, Sunny Industrial Centre, 1/F
810 Chee Yee Ling Road, Kowloon
TEL: 2469211-4 Fax: (852) 2777866

DWG NO. : J856-S0-LV-5014

REV. : E



ELEVATION

| | | |
|-------------|--------------------|-------------------------|
| WINDOW MARK | (TF 002) | E&M PURPOSE (EVERLIGHT) |
| LOCATION | 1/F: C.L.(B5-B6/P) | |
| SECTION | 50mm ALUM. SECTION | |
| GLAZING | ALUM. LOUVER BLADE | COLOUR CODE: BLACK |
| QUANTITY | 1 NOS. | FREE AREA: 50% |
| REMARKS | SS WIRE MESH | |

B.D. REF :

CLIENT : **SUN HUNG KAI**
REAL ESTATE AGENCY LTD.
427 SUN HING ON CENTRE, WONGAI, HONGKONG

ARCHITECT : **lwk&partners**
ARCHITECTS

MAIN CONTRACTOR : **Yee Fai**
Building Contractors Ltd.

STRUCTURAL ENGINEER : **ARUP**

FAÇADE CONSULTANT : **ALPHA CONSULTING LIMITED**
Steel Structure & Façade Specialist

NOTE :

1. ALL DIMENSIONS ARE IN mm.
2. ALL ELEVATIONS ARE VIEWED FROM OUTSIDE.
3. ALL DIMENSIONS TO BE VERIFIED ON SITE BEFORE FABRICATION.

LEGEND :

- (A1) DETAIL MARK NO.
- (20) REFER SHEET NO.
- 1. FF.L. -- FINISHED FLOOR LEVEL
- 2. S.F.L. -- STRUCTURAL FLOOR LEVEL
- 3. (O) -- REVERSED DETAIL
- 4. GLASS LEGEND
- EQ-1 -- 8mm + 12mm AIR GAP + 8mm THK. I.G.U.
- EQ-2 -- 10mm THK. CLEAR TEMPERED GLASS

| NO. | DATE | REVISION |
|-----|------------|-------------------------------|
| D | 15/12/2022 | REVISION SUBJECT TO AMENDMENT |
| C | 15/11/2022 | REVISION SUBJECT TO AMENDMENT |
| B | 22/09/2022 | REVISION SUBJECT TO AMENDMENT |
| A | 21/04/2022 | REVISION SUBJECT TO AMENDMENT |

JOB NO. : J-856

PROJECT : PROPOSED DEVELOPMENT ABOVE LIGHT RAIL TIN WING STOP, ISWTL NO.23, AREA 33, TIN SHUI WAI, N.T.

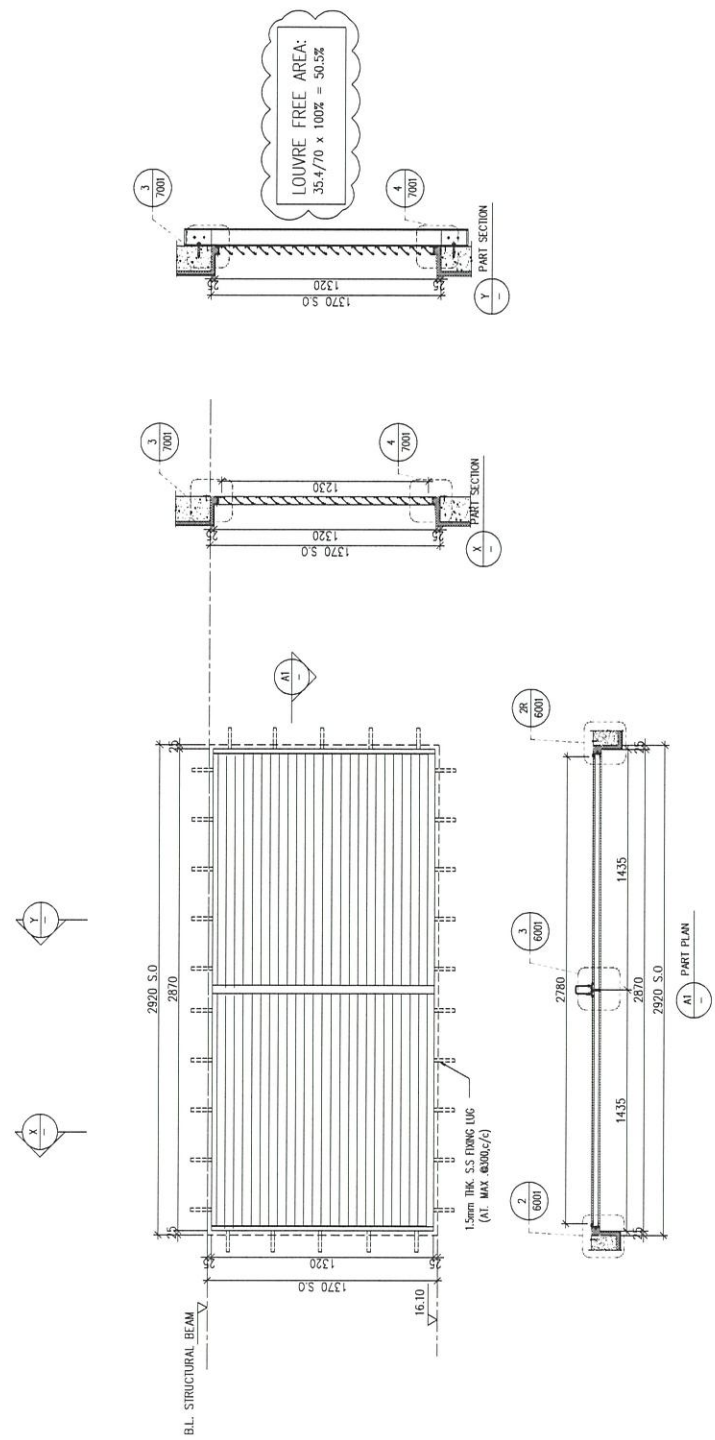
TITLE : LOUVER SCHEDULE FOR 1/F IN-SITU LOUVER

DATE : 06-Aug-21 SCALE : 1:40

DRAWN BY : Ivan CHECKED BY : **黃特銘**

MIDI ARCHITECTS
Units 4-8, Sunny Industrial Centre, 1/F
810, Cho Kwo Ling Road, Kowloon
Tel: 2489511-4 Fax: (852) 2727666

DWG NO. : JB56-S0-1V-5015 REV. : D



ELEVATION

| | | |
|-------------|----------------------|--------------------|
| WINDOW MARK | (TF 003) | E&M PURPOSE (AC) |
| LOCATION | 1/F: C.L.(B10-B11/P) | |
| SECTION | 50mm ALUM. SECTION | |
| GLAZING | ALUM. LOUVER BLADE | COLOUR CODE: BLACK |
| QUANTITY | 1 NOS. | FREE AREA: 50% |
| REMARKS | SS WIRE MESH | |

B.D. REF :

CLIENT : **SUN HUNG KAI**
REAL ESTATE AGENCY LTD.
4277 SUN HING WALK, WINDYBAY, HONGKONG

ARCHITECT : **lwk&partners**
ARCHITECTS

MAIN CONTRACTOR : **怡和建築有限公司**
Yee Fai Building Contractors Ltd.

STRUCTURAL ENGINEER : **ARUP**

FAÇADE CONSULTANT : **ALPHA CONSULTING LIMITED**
Steel Structure & Façade Specialist

NOTE :
1. ALL DIMENSIONS ARE IN mm.
2. ALL ELEVATIONS ARE VIEWED FROM OUTSIDE.
3. ALL DIMENSIONS TO BE VERIFIED ON SITE BEFORE FABRICATION.

LEGEND :
① --- DETAIL MARK NO.
② --- REFER SHEET NO.

1. F.F.L. --- FINISHED FLOOR LEVEL
2. S.F.L. --- STRUCTURAL FLOOR LEVEL
3. Ⓞ --- REVERSED DETAIL
4. GLASS LEGEND
EQ-1 --- 8mm+12mm AIR GAP+15mm THK. I.G.U.
EQ-2 --- 10mm THK. CLEAR TEMPERED GLASS

| REV | DATE | DESCRIPTION |
|-----|------------|-------------------------------|
| D | 15/12/2022 | REVISION SUBJECT TO AMENDMENT |
| C | 15/11/2022 | REVISION SUBJECT TO AMENDMENT |
| B | 22/09/2022 | REVISION SUBJECT TO AMENDMENT |
| A | 21/04/2022 | REVISION SUBJECT TO AMENDMENT |

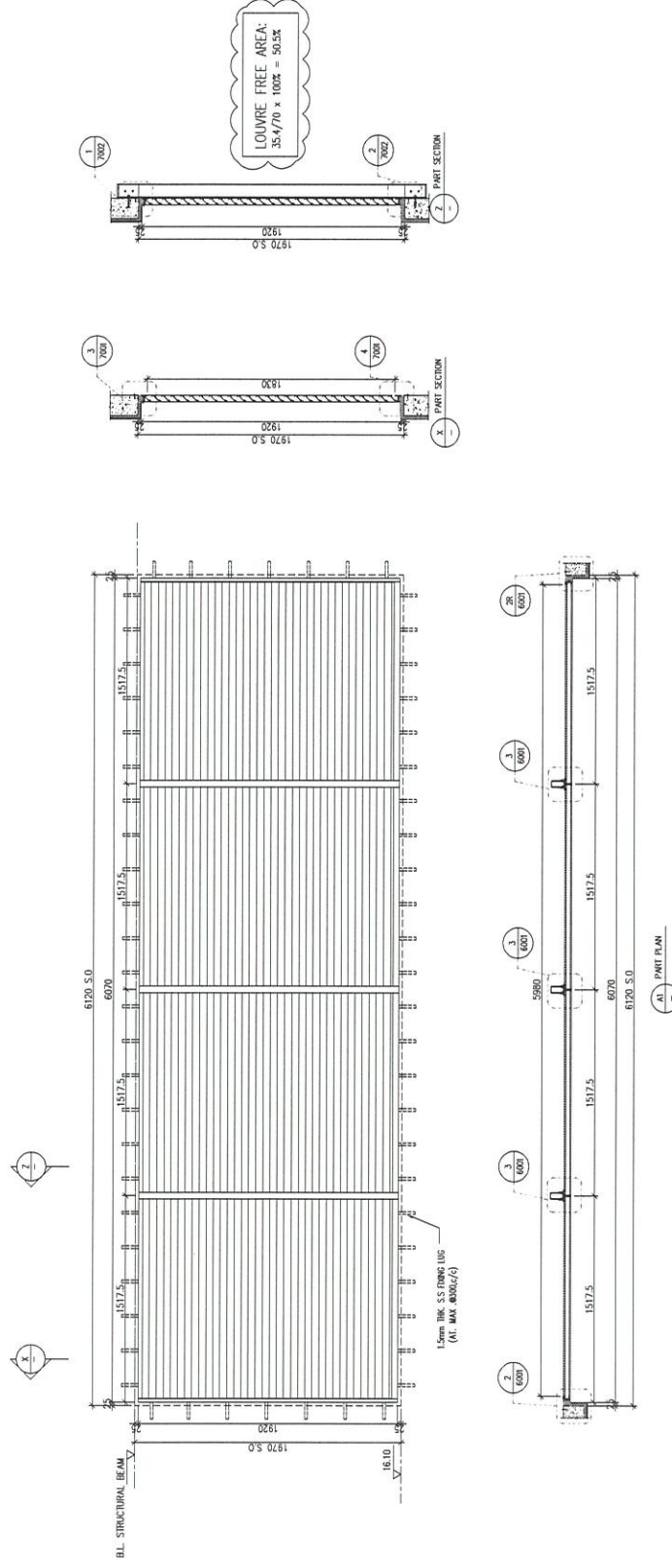
JOB NO. : J-856

PROJECT :
PROPOSED DEVELOPMENT ABOVE
LIGHT RAIL TIN WING STOP, ISWIL
NO.23, AREA 33, TIN SHUI WAI, N.T.

TITLE :
LOUVER SCHEDULE FOR
1/F IN-SITU LOUVER

DATE : 06-Aug-21 SCALE : 1:40
DRAWN BY : Ivan CHECKED BY :

UNITED STATES OF AMERICA
慕特銘有限公司
MIDI ARCHITECTURE PRACTICE LTD.
Units 6-8, Sunny Industrial Centre, 1/F
810 Chee Moo Ling Road, Kowloon
Tel: 2489211-4 Fax: (852) 7727866
DWG NO. : JB56-SD-LV-5016 REV. : D



ELEVATION

WINDOW MARK (TE) E&M PURPOSE (AC)

LOCATION 1/F: G.L.(B11-B12/P)

SECTION 50mm ALUM. SECTION

GLAZING ALUM. LOUVER BLADE COLOUR CODE: BLACK FREE AREA: 50%

QUANTITY 1 NOS.

REMARKS SS WIRE MESH

B.D. REF :

CLIENT : **SUN HUNG KAI**
REAL ESTATE AGENCY LTD.
427, SUN HING PA CENTRE, WONGKIN, HONGKONG

ARCHITECT : **lwk&partners**
ARCHITECTS

MAIN CONTRACTOR : **Yee Fai**
Building Contractors Ltd.

STRUCTURAL ENGINEER : **ARUP**

FAÇADE CONSULTANT : **ALPHA CONSULTING LIMITED**
Steel Structures & Façade Specialist

NOTE :
1. ALL DIMENSIONS ARE IN mm.
2. ALL ELEVATIONS ARE VIEWED FROM OUTSIDE.
3. ALL DIMENSIONS TO BE VERIFIED ON SITE BEFORE FABRICATION.

LEGEND :
① --- DETAIL MARK NO.
② --- REFER SHEET NO.

1. FFL --- FINISHED FLOOR LEVEL
2. SEL --- STRUCTURAL FLOOR LEVEL
3. --- REVERSED DETAIL
4. --- GLASS LEGEND
EQ-1 --- 8mm & 12mm AIR CAP-18mm THK. I.G.U.
EQ-2 --- 10mm THK. CLEAR TEMPERED GLASS

| NO. | DATE | REVISION |
|-----|------------|----------------------------------|
| D | 15/12/2022 | REVISION SUBJECT TO APPROVALMENT |
| C | 15/11/2022 | REVISION SUBJECT TO APPROVALMENT |
| B | 22/09/2022 | REVISION SUBJECT TO APPROVALMENT |
| A | 21/04/2022 | REVISION SUBJECT TO APPROVALMENT |

JOB NO. : J-856

PROJECT :
PROPOSED DEVELOPMENT ABOVE
LIGHT RAIL TIN WING STOP, ISWIL
NO.23 AREA 33, TIN SHUI WAI, N.T.

TITLE :
LOUVER SCHEDULE FOR
1/F IN-SITU LOUVER

DWG NO. : 06-Aug-21

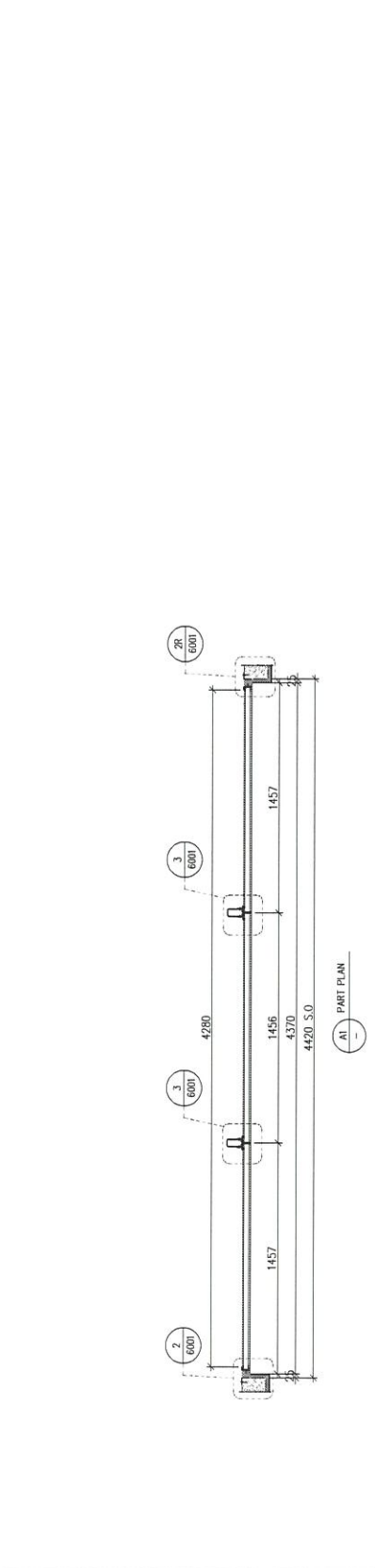
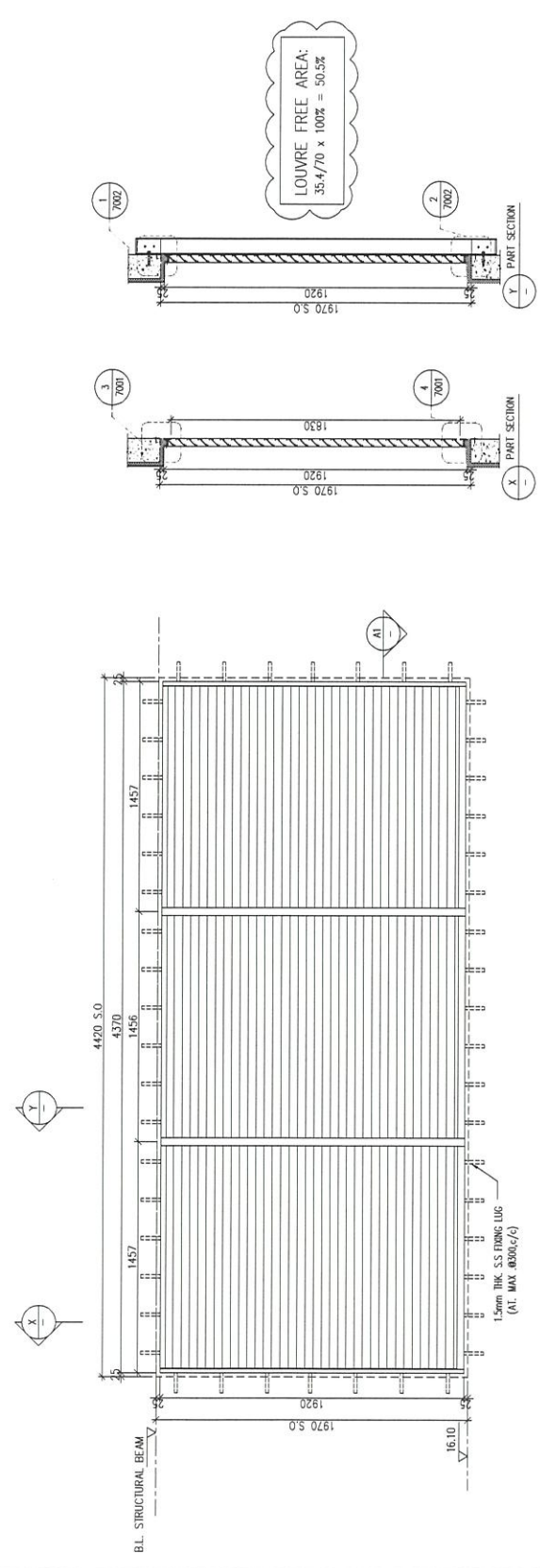
SCALE : 1:40

CHECKED BY :

DRWN BY : Ivan

UNITED STATES OF AMERICA
MIDI ENGINEERING ARCHITECTURE LTD.
610 Cha Kwo Ling Road, Kowloon
Tel: 2389511-4 Fax: (852) 7727686

REV. : D



ELEVATION

| WINDOW MARK | TF (005) | E&M PURPOSE (AC) |
|------------------|----------------------|--------------------|
| LOCATION SECTION | 1/F: G.L.(B12-B13/P) | |
| GLAZING | 50mm ALUM. SECTION | |
| QUANTITY | ALUM. LOUVER BLADE | COLOUR CODE: BLACK |
| REMARKS | 1. NOS. | FREE AREA: 50% |
| | SS WIRE MESH | |

B.D. REF :

CLIENT : **SUN HUNG KAI**
REAL ESTATE AGENCY LTD.
427 SUN HING AVE CENTRE, WONGAH, HONGKONG

ARCHITECT : **lwk&partners**
A R C H I T E C T S

MAIN CONTRACTOR : **伯樺建築有限公司**
Ye Fai Building Contractors Ltd.

STRUCTURAL ENGINEER : **ARUP**

FAÇADE CONSULTANT : **ALPHA CONSULTING LIMITED**
Steel Structure & Façade Specialist

NOTE :
1. ALL DIMENSIONS ARE IN mm.
2. ALL ELEVATIONS ARE VIEWED FROM OUTSIDE.
3. ALL DIMENSIONS TO BE VERIFIED ON SITE BEFORE FABRICATION.

LEGEND :
DETAIL MARK NO. REFER SHEET NO.
1. FF.L. -- FINISHED FLOOR LEVEL
2. SF.L. -- STRUCTURAL FLOOR LEVEL
3. R -- REVERSED DETAIL
4. GLASS LEGEND
EG-1 -- 8mm + 12mm AIR GAP + 8mm THK. I.G.L.U.
EG-2 -- 10mm THK. CLEAR TEMPERED GLASS

| NO. | DATE | DESCRIPTION |
|-----|------------|----------------------------------|
| D | 15/12/2022 | REVISION SUBJECT TO APPROVALMENT |
| C | 22/09/2022 | REVISION SUBJECT TO APPROVALMENT |
| B | 21/04/2022 | REVISION SUBJECT TO APPROVALMENT |
| A | 22/02/2021 | REVISION SUBJECT TO APPROVALMENT |

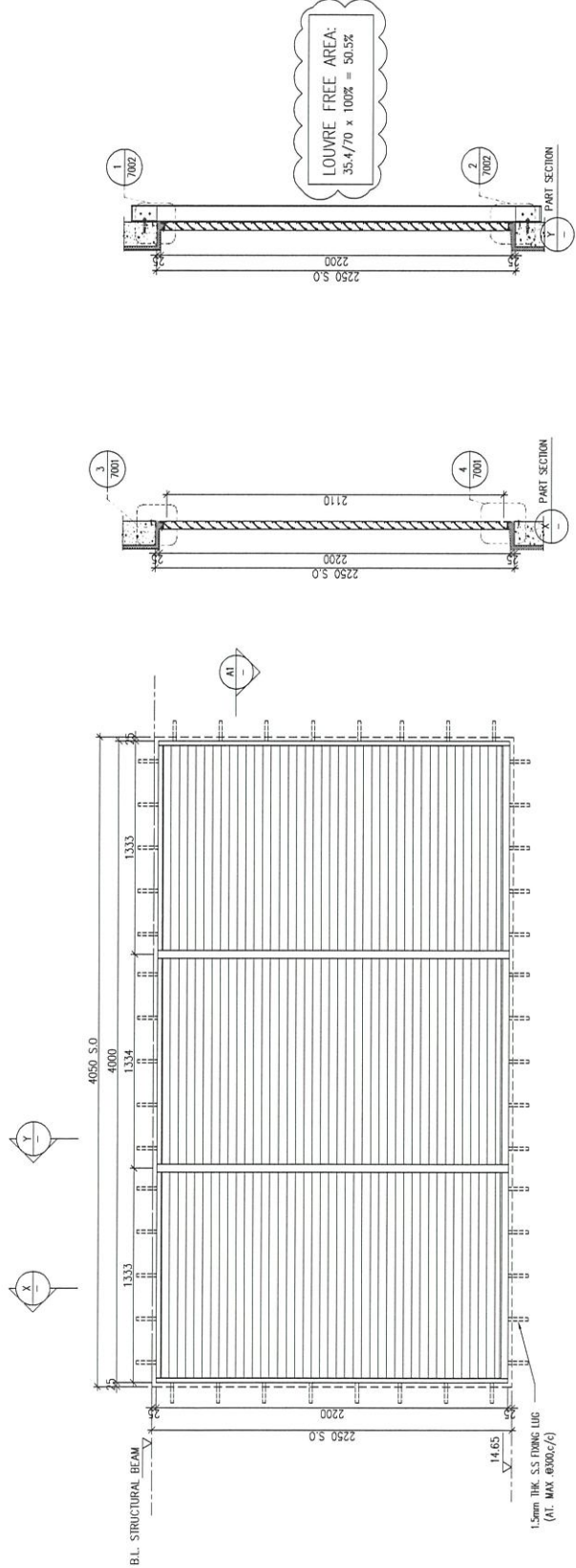
JOB NO. : J-856

PROJECT :
PROPOSED DEVELOPMENT ABOVE
LIGHT RAIL TIN WING STOP-TS/WIL
NO.23,AREA 33,TIN SHUI WAI, N.T.

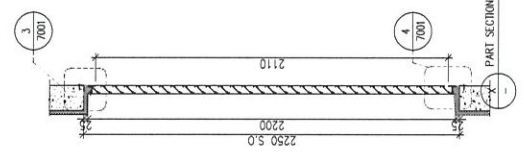
TITLE :
LOUVER SCHEDULE FOR
1/F IN-SITU LOUVER

DATE : 06-Aug-21 SCALE : 1:40
DRAWN BY : Ivan CHECKED BY :

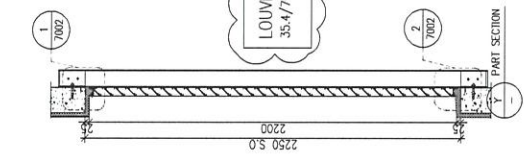
AWK 鋁質有限公司
MIDI
Units 6-8, Sunny Industrial Centre, 1/F
810 Cha Kwo Ling Road, Kowloon
Tel: 2469211-4 Fax: (852) 777666
DWG NO. : J856-S0-LV-5018 REV. : D



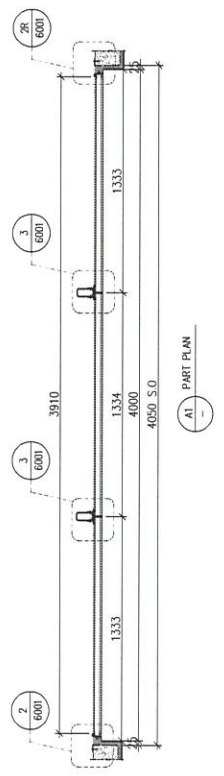
ELEVATION



PART SECTION



PART SECTION



PART PLAN

| WINDOW MARK | E&M PURPOSE (EVERLIGHT) |
|------------------|------------------------------------------------------|
| 1/F-0067 | |
| LOCATION SECTION | 1/F: G.L.(B13-B14/P) 50mm ALUM. SECTION |
| GLAZING | ALUM. LOUVER BLADE COLOUR CODE: BLACK FREE AREA: 50% |
| QUANTITY | 1 NOS. |
| REMARKS | SS WIRE MESH |

B.D. REF :

CLIENT : **SUN HUNG KAI**
REAL ESTATE AGENCY LTD.
427 SHIP HANG HW CENTRE, WINDYKING, HONGKONG

ARCHITECT : **lwk&partners**
ARCHITECTS

MAIN CONTRACTOR : **柏權建築有限公司**
Yee Fui Building Contractors Ltd.

STRUCTURAL ENGINEER : **ARUP**

FAÇADE CONSULTANT : **ALPHA CONSULTING LIMITED**
Steel Structures & Façade Specialist

NOTE :

- ALL DIMENSIONS ARE IN mm.
- ALL ELEVATIONS ARE VIEWED FROM OUTSIDE.
- ALL DIMENSIONS TO BE VERIFIED ON SITE BEFORE FABRICATION.

LEGEND :

(31) — DETAIL MARK NO.
(300) — REFER SHEET NO.

- F.F.L. — FINISHED FLOOR LEVEL.
- S.F.L. — STRUCTURAL FLOOR LEVEL.
- (R) — REVERSED DETAIL.
- GLASS LEGEND

EQ-1 — 12mm+12mm AIR GAP+8mm THK. I.G.U.L.
EQ-2 — 10mm THK. CLEAR TEMPERED GLASS

| NO. | DATE | ISSUED | BY |
|-----|------------|----------------------------------|----|
| D | 15/12/2022 | REVISION SUBJECT TO APPROVALMENT | HP |
| C | 21/04/2022 | REVISION SUBJECT TO APPROVALMENT | HP |
| B | 21/04/2022 | REVISION SUBJECT TO APPROVALMENT | HP |
| A | 22/12/2021 | REVISION SUBJECT TO APPROVALMENT | HP |

JOB NO. : J-856

PROJECT : PROPOSED DEVELOPMENT ABOVE LIGHT RAIL TIN WING STOP, TSWIL NO.23, AREA 33, TIN SHUI WAI, N.T.

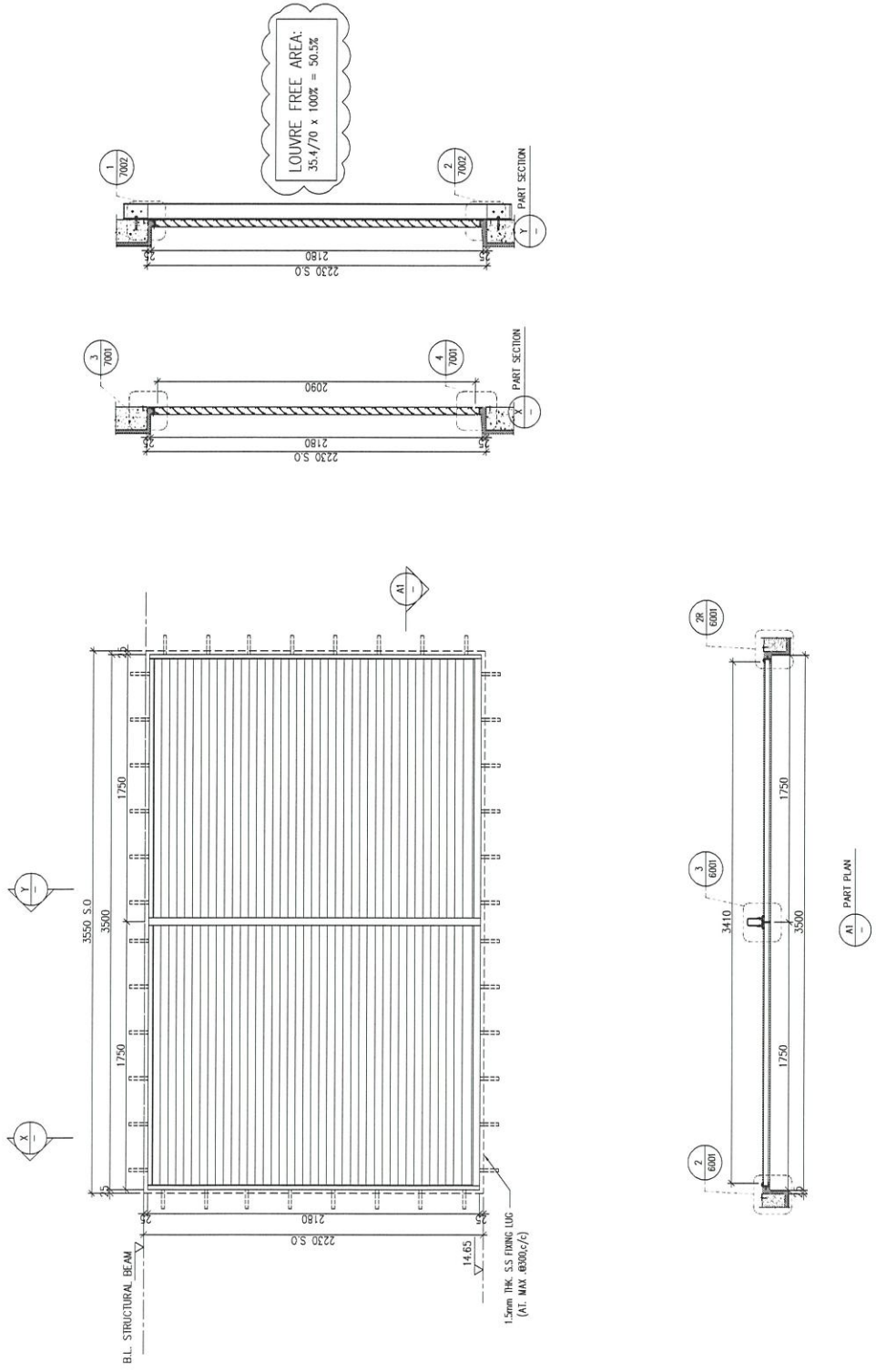
TITLE : LOUVER SCHEDULE FOR 1/F IN-SITU LOUVER

DATE : 06-Aug-21 SCALE : 1:40

DRAWN BY : Ivan CHECKED BY :

UNIT : **美特铝业有限公司**
MIDI ALUMINUM MANUFACTURING LTD.
Units 6-8, Sunny Industrial Centre, 1/F
810 Chee Koo Ling Road, Kowloon
Tel: 246211-4 Fax: (852) 2727866

DWG NO. : JB56-S0-LV-5019 REV. : D



ELEVATION

| WINDOW MARK | IF | E&M PURPOSE (EVERLIGHT) |
|-------------|----------------------|-------------------------|
| 007 | | |
| LOCATION | 1/F: G.L (B13-B14/P) | |
| SECTION | 50mm ALUM. SECTION | |
| GLAZING | ALUM. LOUVER BLADE | COLOUR CODE: BLACK |
| QUANTITY | 1 NOS. | FREE AREA: 50% |
| REMARKS | SS WIRE MESH | |

B.D. REF :

CLIENT : **SUN HUNG KAI**
REAL ESTATE AGENCY LTD.
427 SUN HUNG KAI CENTRE, WONGAI, HONGKONG

ARCHITECT : **lwk&partners**
ARCHITECTS

MAIN CONTRACTOR : **柏輝建築有限公司**
Yee Fai Building Contractors Ltd.

STRUCTURAL ENGINEER : **ARUP**

FAÇADE CONSULTANT : **ALPHA CONSULTING LIMITED**
Steel Structure & Façade Specialist

NOTE :
1. ALL DIMENSIONS ARE IN mm.
2. ALL ELEVATIONS ARE VIEWED FROM OUTSIDE.
3. ALL DIMENSIONS TO BE VERIFIED ON SITE BEFORE FABRICATION.

LEGEND :
① --- DETAIL MARK NO.
② --- REFER SHEET NO.

1. F.F.L. --- FINISHED FLOOR LEVEL
2. S.F.L. --- STRUCTURAL FLOOR LEVEL
3. Ⓞ --- REVERSED DETAIL
4. GLASS LEGEND

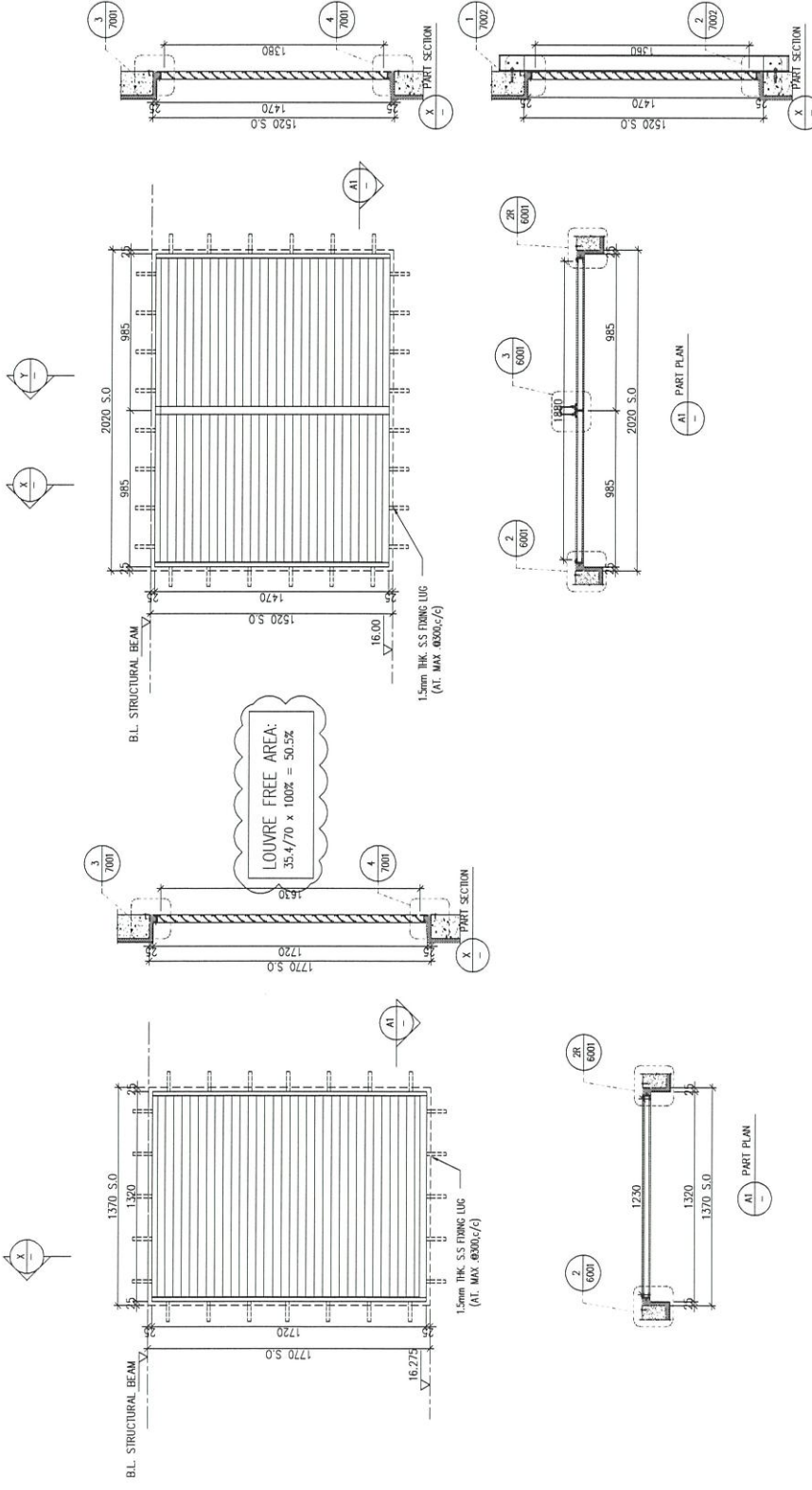
EQ-1 --- 8mm+12mm AIR GAP+18mm THK. I.G.U.
EQ-2 --- 10mm THK. CLEAR TEMPERED GLASS

| NO. | DATE | REVISION |
|-----|------------|----------------------------------|
| C | 15/12/2022 | REVISION SUBJECT TO APPROVALMENT |
| B | 22/09/2022 | REVISION SUBJECT TO APPROVALMENT |
| A | 21/04/2022 | REVISION SUBJECT TO APPROVALMENT |

JOB NO. : J-856
PROJECT : PROPOSED DEVELOPMENT ABOVE LIGHT RAIL TIN WING STOP, ISWTL NO.23, AREA 33, TIN SHUI WAI, N.T.

TITLE : LOWER SCHEDULE FOR 1/F IN-SITU LOUVER

DATE : 06-Aug-21 SCALE : 1:40
DRAWN BY : Ivoon CHECKED BY :
MIDI 美特鋁質有限公司
MIDI Aluminium Fabrication Ltd.
Units 5-8, Sunny Industrial Centre, 1/F
810 Chee Nee Ling Road, Kowloon
Tel: 2489211-4 Fax: (852) 2727866
DWG NO. : J856-S0-LV-5020 REV. : C



LOUVER FREE AREA:
35.4/70 x 100% = 50.5%

LOUVER FREE AREA:
35.4/70 x 100% = 50.5%

ELEVATION

| WINDOW MARK | IF 009 | E&M PURPOSE (AC) |
|-------------|--------------------|---------------------------------------|
| LOCATION | 1/F: G.L.(A5/P) | 50mm ALUM. SECTION |
| GLAZING | ALUM. LOUVER BLADE | COLOUR CODE: DARK GREY FREE AREA: 50% |
| QUANTITY | 1 NOS. | SS WIRE MESH |
| REMARKS | SS WIRE MESH | |

B.D. REF :

CLIENT : **SUN HUNG KAI**
REAL ESTATE AGENCY LTD.
427, SUN HING ROAD, CENTRE, WONG, HONGKONG

ARCHITECT : **lwk&partners**
ARCHITECTS

MAIN CONTRACTOR : **Yee Fai**
Building Contractors Ltd.

STRUCTURAL ENGINEER : **ARUP**

FAÇADE CONSULTANT : **ALPHA CONSULTING LIMITED**
Steel Structures & Façade Specialist

NOTE :
1. ALL DIMENSIONS ARE IN mm.
2. ALL ELEVATIONS ARE VIEWED FROM OUTSIDE.
3. ALL DIMENSIONS TO BE VERIFIED ON SITE BEFORE FABRICATION.

LEGEND :
① --- DETAIL MARK NO.
② --- REFER SHEET NO.

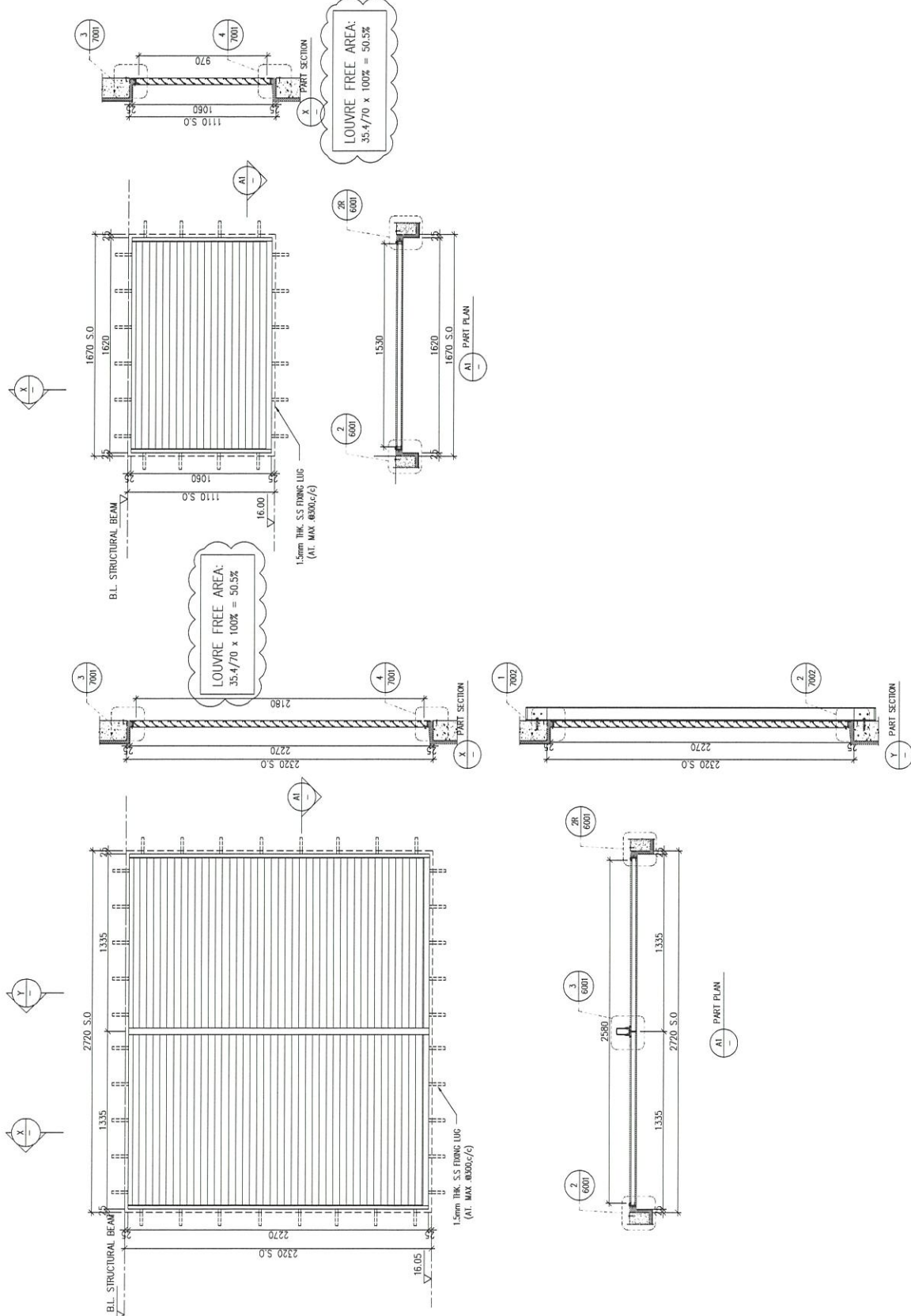
1. F.F.L. --- FINISHED FLOOR LEVEL
2. S.F.L. --- STRUCTURAL FLOOR LEVEL
3. Ⓞ --- REVERSED DETAIL
4. GLASS LEGEND
EG-1 --- 6mm+12mm AIR GAP+6mm THK. I.G.L.U.
EG-2 --- 10mm THK. CLEAR TEMPERED GLASS

| NO. | DATE | REVISION |
|-----|------------|-------------------------------|
| C | 15/12/2022 | REVISION SUBJECT TO AMENDMENT |
| B | 22/09/2022 | REVISION SUBJECT TO AMENDMENT |
| A | 21/04/2022 | REVISION SUBJECT TO AMENDMENT |

JOB NO. : J-856
PROJECT : PROPOSED DEVELOPMENT ABOVE LIGHT RAIL TIN WING STOP, ISWTL NO.23, AREA 33, TIN SHUI WA, N.T.

TITLE : LOUVER SCHEDULE FOR 1/F IN-SITU LOUVER

DATE : 06-Aug-21 SCALE : 1:40
DRAWN BY : Ivan CHECKED BY :
MIDI ARCHITECTURE & INTERIORS
Units 4-8, Sunny Industrial Centre, 1/F
810, Cho Yee Ling Road, Kowloon
Tel: 2489311-4 Fax: (852) 2727866
DWG NO. : J856-S0-LV-5021 REV. : C



ELEVATION

| WINDOW MARK | IF 010 | E&M PURPOSE (AC) |
|------------------|--------------------|---------------------------------------|
| LOCATION SECTION | 1/F: G.L.(A4-A3/P) | 50mm ALUM. SECTION |
| GLAZING | ALUM. LOUVER BLADE | COLOUR CODE: DARK GREY FREE AREA: 50% |
| QUANTITY | 1 NOS. | SS WIRE MESH |
| REMARKS | | |

B.D. REF :

CLIENT : **SUN HUNG KAI**
REAL ESTATE AGENCY LTD.
42/F SUN HUNG KAI CENTRE, WING LOK, HONGKONG

ARCHITECT : **lwk&partners**
a r c h i t e c t s

MAIN CONTRACTOR : **怡輝建築有限公司**
Yee Fai Building Contractors Ltd.

STRUCTURAL ENGINEER : **ARUP**

FACADE CONSULTANT : **ALPHA CONSULTING LIMITED**
Steel Structures & Facade Specialist

NOTE :
1. ALL DIMENSIONS ARE IN MM.
2. ALL ELEVATIONS ARE VIEWED FROM OUTSIDE.
3. ALL DIMENSIONS TO BE CHECKED ON SITE BEFORE FABRICATION.

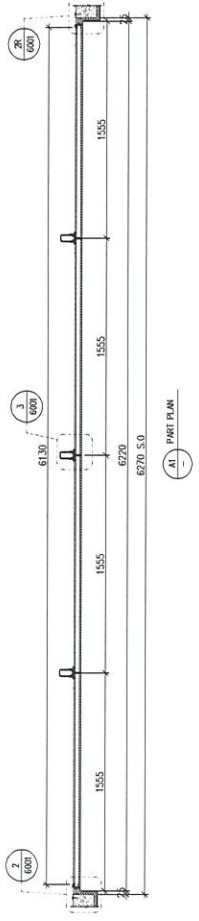
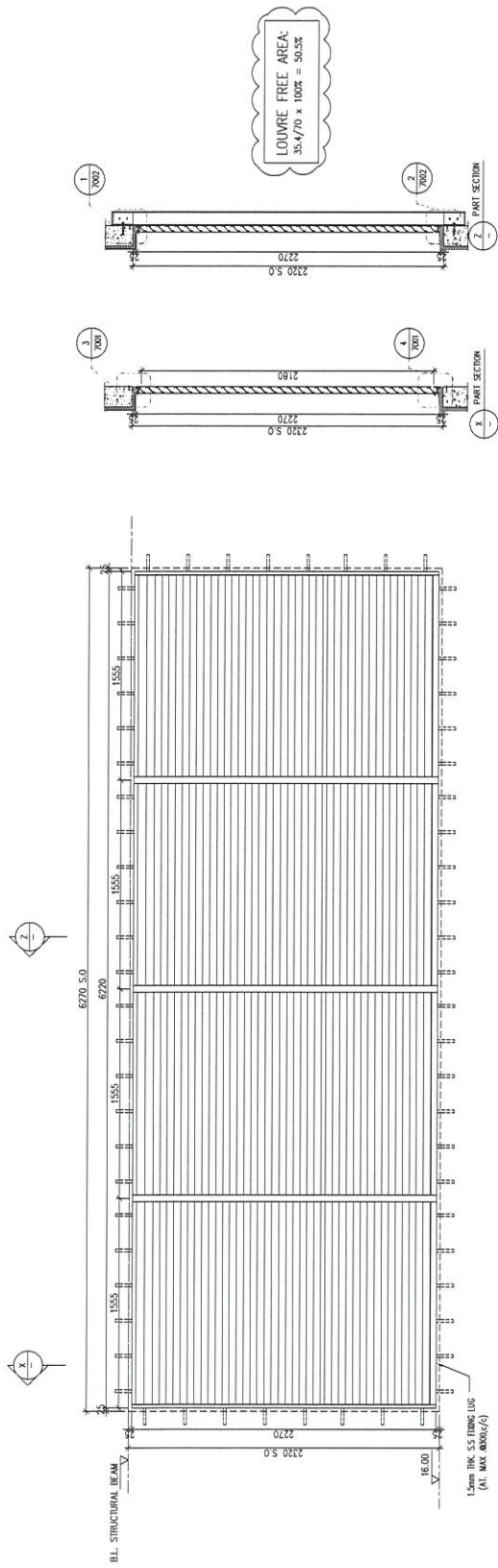
LEGEND :
① - DETAIL MARK NO.
② - REFER SHEET NO.
1. F.F.L. --- FINISHED FLOOR LEVEL.
2. S.F.L. --- STRUCTURAL FLOOR LEVEL.
3. --- REVERSED DETAIL.
4. GLASS LEGEND
EGL-1 --- 8mm+12mm AIR GAP+8mm THK. LGUL.
EGL-2 --- 10mm THK. CLEAR TEMPERED GLASS

| NO. | DATE | REVISION |
|-----|------------|-----------------------------------|
| C | 15/12/2022 | REVISION SUBJECT TO ARCHITECTMENT |
| B | 22/09/2022 | REVISION SUBJECT TO ARCHITECTMENT |
| A | 21/04/2022 | REVISION SUBJECT TO ARCHITECTMENT |

JOB NO. : J-856
PROJECT : PROPOSED DEVELOPMENT ABOVE LIGHT RAIL TIN WING STOP, ISWIL NO.23, AREA 33, TIN SHUI WAI, N.T.

TITLE : LOUVER SCHEDULE FOR 1/F IN-SITU LOUVER

DATE : 06-Aug-21
SCALE : 1:40
DRAWN BY : ivom
CHECKED BY : **黃特銘**
MIDI ARCHITECTURE LTD.
Units 6-8, Sunny Industrial Centre, 1/F
610 Chee Kwo Ling Road, Kowloon
Tel: 2489211-4 Fax: (852) 2727666
DWG NO. : JB85-S0-LV-5022
REV. : B



ELEVATION

| | | |
|-------------|----------------------------------------------------------|------------------|
| WINDOW MARK | IF 012 | E&M PURPOSE (AC) |
| LOCATION | 1/F: G.L. (A4-A3/P) | |
| SECTION | 50mm ALUM. SECTION | |
| GLAZING | ALUM. LOUVER BLADE COLOUR CODE: DARK GREY FREE AREA: 50% | |
| QUANTITY | 1 NOS. | |
| REMARKS | SS WIRE MESH | |

B.D. REF :

CLIENT :
SUN HUNG KAI
REAL ESTATE AGENCY LTD.
407 SHAN HING HUI CENTER, WONGAH, HONGKONG

ARCHITECT :
lwk&partners
A R C H I T E C T S

MAIN CONTRACTOR :
柏輝建築有限公司
Yeek Fai Building Contractors Ltd.

STRUCTURAL ENGINEER :
ARUP

FRAME CONSULTANT:
ALPHA CONSULTING LIMITED
Steel Structure & Trade Specialist

NOTE :
1. ALL DIMENSIONS ARE IN mm.
2. ALL ELEVATIONS ARE VIEWED FROM OUTSIDE.
3. ALL DIMENSIONS TO BE VERIFIED ON SITE BEFORE FABRICATION.

LEGEND :
① --- DIM. MARK NO.
② --- REFER SHEET NO.
1. F.F.L. --- FINISHED FLOOR LEVEL
2. S.F.L. --- STRUCTURAL FLOOR LEVEL
3. (R) --- REVERSED DETAIL
4. GLASS LEGEND

EQ.-1 --- 8mm+12mm AIR GAP+8mm THK. I.G.U.L.
EQ.-2 --- 10mm THK. CLEAR TEMPERED GLASS

| NO. | DATE | DESCRIPTION |
|-----|------------|----------------------------------|
| E | 15/12/2022 | REVISION SUBJECT TO APPROVALMENT |
| D | 25/11/2022 | REVISION SUBJECT TO APPROVALMENT |
| C | 20/10/2022 | REVISION SUBJECT TO APPROVALMENT |
| B | 30/09/2022 | REVISION SUBJECT TO APPROVALMENT |
| A | 21/04/2022 | REVISION SUBJECT TO APPROVALMENT |

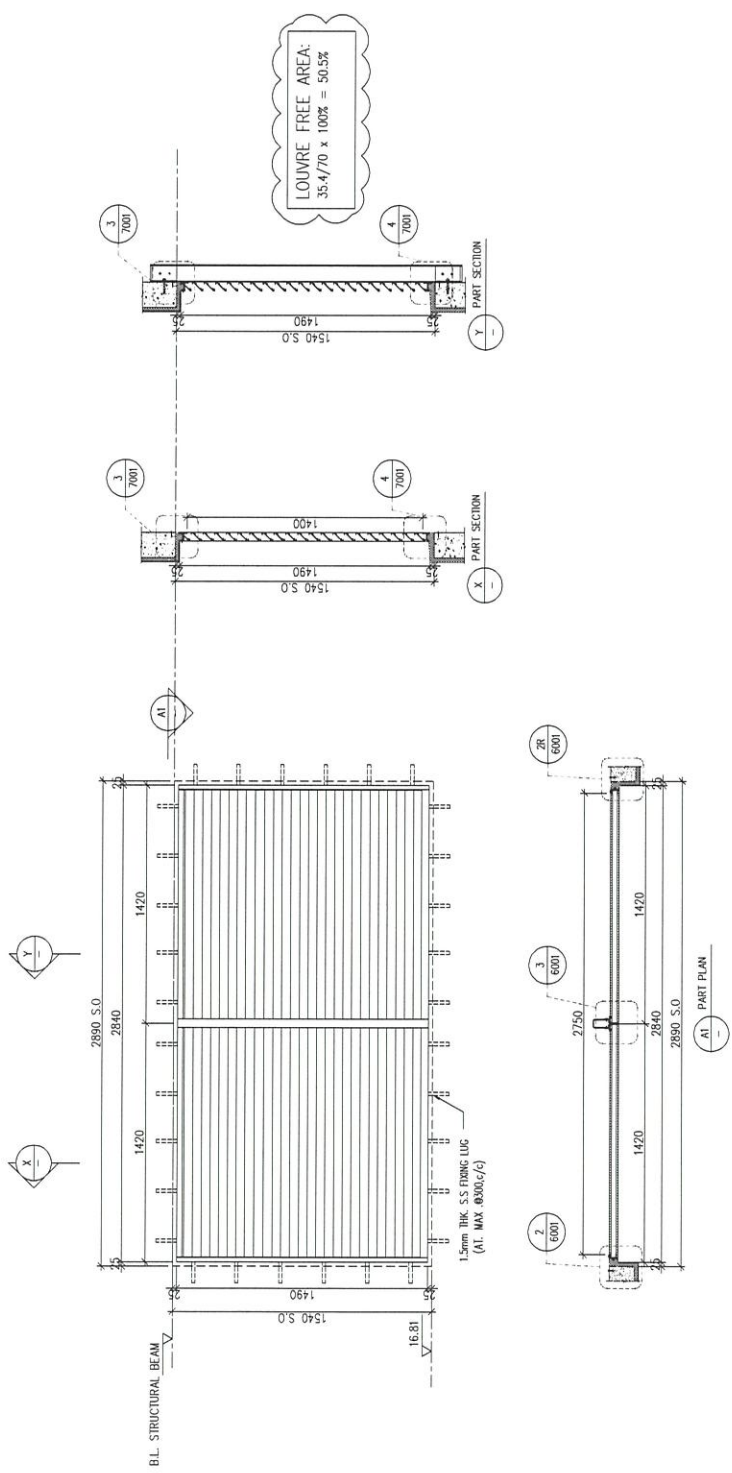
JOB NO. : J-856

PROJECT :
PROPOSED DEVELOPMENT ABOVE
LIGHT RAIL TIN WING STOP, TSWIL
NO.23, AREA 33, TIN SHUI WAI, N.T.

TITLE :
LOUVER SCHEDULE FOR
1/F IN-SITU LOUVER

DATE : 06-Aug-21 SCALE : 1:40
DRAWN BY : Ivan CHECKED BY :

WING KONG BUILDING SERVICES LTD.
810 Cheong Cheong Road, Kowloon
Tel: 2469211-4 Fax: (852) 7727666
REV. : E



ELEVATION

| | | |
|------------------|--------------------|----------------------------------------------------------|
| WINDOW MARK | 1/F 013 | E&M PURPOSE (AC) |
| LOCATION SECTION | 1/F: G.L (A3-A2/P) | |
| GLAZING | 50mm ALUM. SECTION | |
| QUANTITY | 1 NOS. | ALUM. LOUVER BLADE COLOUR CODE: DARK GREY FREE AREA: 50% |
| REMARKS | SS WIRE MESH | |

B.D. REF :

CLIENT : **SUN HUNG KAI**
REAL ESTATE AGENCY LTD.
427 SUN HING ON CENTRE, WINDY, HONGKONG

ARCHITECT : **lwk&partners**
ARCHITECTS

MAIN CONTRACTOR : **柏耀建築有限公司**
Yee Fai Building Contractors Ltd.

STRUCTURAL ENGINEER : **ARUP**

FRAME CONSULTANT : **ALPHA CONSULTING LIMITED**
Steel Structure & Works Specialist Ltd.

NOTE :
1. ALL DIMENSIONS ARE IN mm.
2. ALL ELEVATIONS ARE VIEWED FROM OUTSIDE.
3. ALL DIMENSIONS TO BE VERIFIED ON SITE BEFORE FABRICATION.

LEGEND :
① --- DETAIL MARK NO.
② --- REFER SHEET NO.

1. F.F.L. --- FINISHED FLOOR LEVEL
2. S.F.L. --- STRUCTURAL FLOOR LEVEL
3. --- REVERSED DETAIL
4. GLASS LEGEND
EQ-1 --- 6mm + 12mm AIR GAP + 16mm THK. I.G.U.
EQ-2 --- 10mm THK. CLEAR TEMPERED GLASS

| NO. | DATE | REVISION |
|-----|------------|----------------------------------|
| C | 15/12/2022 | REVISION SUBJECT TO APPROVALMENT |
| B | 22/09/2022 | REVISION SUBJECT TO APPROVALMENT |
| A | 21/04/2022 | REVISION SUBJECT TO APPROVALMENT |

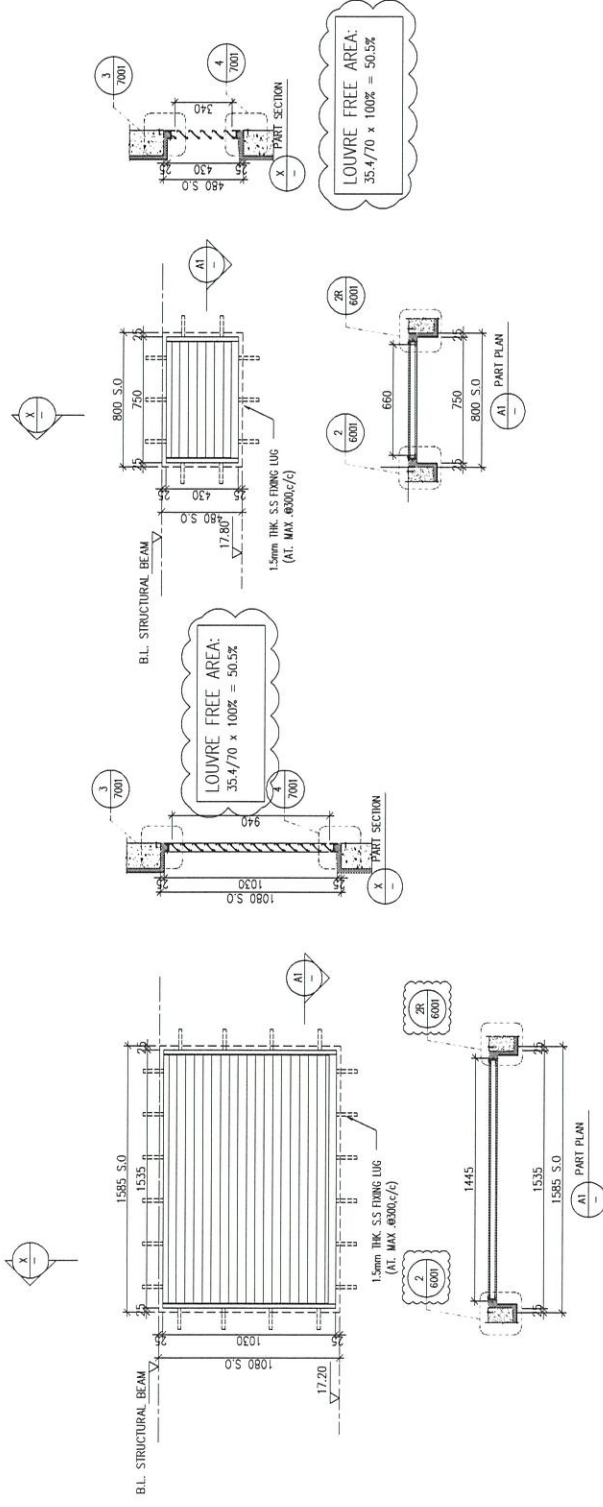
JOB NO. : J-856

PROJECT :
PROPOSED DEVELOPMENT ABOVE
LIGHT RAIL TIN WING STOP, ISWTL
NO.23, AREA 33, TIN SHUI WAI, N.T.

TITLE :
LOUVER SCHEDULE FOR
1/F IN-SITU LOUVER

DATE : 06-Aug-21
SCALE : 1:40
DRAWN BY : Ivan
CHECKED BY :

UNIT : 米特
MIDI ARCHITECTURE & INTERIOR LTD.
Units 6-8, Sunny Industrial Centre, 1/F
610 Chee Kwo Ling Road, Kowloon
Tel: 2489511-4 Fax: (852) 2777666
DWG NO. : JB56-SD-LV-5024
REV. : C



ELEVATION

| WINDOW MARK | ①④ | E&M PURPOSE (AC) |
|------------------|--------------------|------------------------|
| LOCATION SECTION | 1/F: G.L.(A5-A4/P) | 50mm ALUM. SECTION |
| GLAZING | ALUM. LOUVER BLADE | COLOUR CODE: DARK GREY |
| QUANTITY | 1 NOS. | FREE AREA: 50% |
| REMARKS | SS WIRE MESH | |

B.D. REF :

CLIENT : **SUN HUNG KAI**
REAL ESTATE AGENCY LTD.
427 SUN HUNG KAI CENTRE, WINGLAI, HONGKONG

ARCHITECT : **lwk&partners**
ARCHITECTS

MAIN CONTRACTOR : **Yee Fai**
Building Contractors Ltd.

STRUCTURAL ENGINEER : **ARUP**

FAÇADE CONSULTANT : **ALPHA CONSULTING LIMITED**
Steel Structure & Façade Specialist

NOTE :
1. ALL DIMENSIONS ARE IN mm.
2. ALL ELEVATIONS ARE VIEWED FROM OUTSIDE.
3. ALL DIMENSIONS TO BE VERIFIED ON SITE BEFORE FABRICATION.

LEGEND :
① RETAIN MARK NO.
② REFER SHEET NO.

1. F.F.L. --- FINISHED FLOOR LEVEL
2. S.F.L. --- STRUCTURAL FLOOR LEVEL
3. --- REVERSED DETAIL
4. GLASS LEGEND
EQ-1 --- 6mm+12mm AIR GAP+16mm THK. L.G.L.
EQ-2 --- 10mm THK. CLEAR TEMPERED GLASS

| NO. | DATE | REVISION |
|-----|------------|--------------------------------|
| D | 15/12/2022 | REVISION SUBJECT TO ADJUSTMENT |
| C | 22/09/2022 | REVISION SUBJECT TO ADJUSTMENT |
| B | 21/04/2022 | REVISION SUBJECT TO ADJUSTMENT |
| A | 22/12/2021 | REVISION SUBJECT TO ADJUSTMENT |

JOB NO. : J-856

PROJECT :
PROPOSED DEVELOPMENT ABOVE
LIGHT RAIL TIN WING STOP-TSWIL
NO.23 AREA 33,TIN SHUI WAI, N.T.

TITLE :
LOUVER SCHEDULE FOR
1/F IN-SITU LOUVER

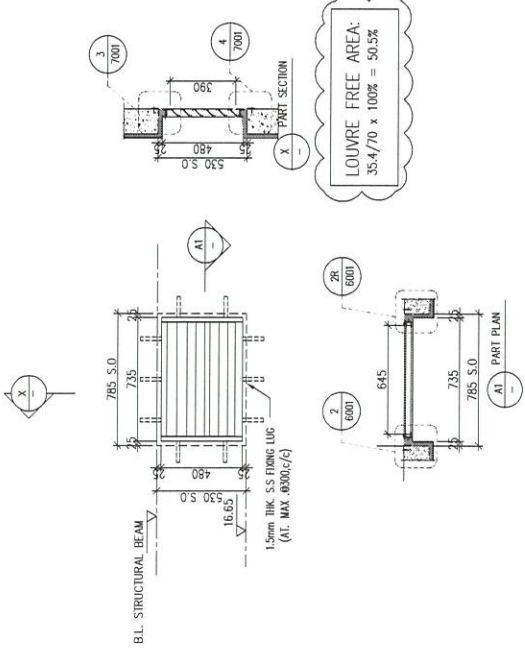
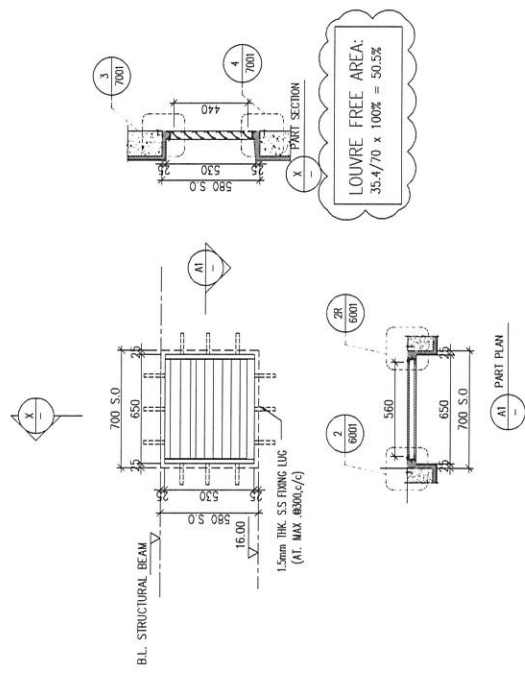
DATE : 06-Aug-21

SCALE : 1:40

CHECKED BY :
DRAWN BY : Ivan

REV. : D

WINDING UP COMPANY
MIDI
ALUMINUM FABRICATOR LTD.
Units 6-8, Sunny Industrial Centre, 1/F
610 Cha Kwo Ling Road, Kwun Tong
Tel: 2389311-4 Fax: (852) 2727666



ELEVATION

15.60

| WINDOW MARK | TF 016 | E&M PURPOSE (AC) |
|------------------|--------------------|---------------------------------------|
| LOCATION SECTION | 1/F: G.L.(A5-A4/P) | 50mm ALUM. SECTION |
| GLAZING | ALUM. LOUVER BLADE | COLOUR CODE: DARK GREY FREE AREA: 50% |
| QUANTITY | 1 NOS. | |
| REMARKS | SS WIRE MESH | |

| TF 017 | E&M PURPOSE (AC) |
|--------------------|---------------------------------------|
| 1/F: G.L.(A5-A4/P) | 50mm ALUM. SECTION |
| ALUM. LOUVER BLADE | COLOUR CODE: DARK GREY FREE AREA: 50% |
| 1 NOS. | |
| SS WIRE MESH | |

B.D. REF :

CLIENT : **SUN HUNG KAI**
REAL ESTATE AGENCY LTD.
47/F SUN HUNG KAI CENTRE, WINDSON, HONGKONG

ARCHITECT : **lwk&partners**
ARCHITECTS

MAIN CONTRACTOR : **柏輝建築有限公司**
Yee Fai Building Contractors Ltd.

STRUCTURAL ENGINEER : **ARUP**

FAÇADE CONSULTANT : **ALPHA CONSULTING LIMITED**
Steel Structure & Façade Specialist

NOTE :
1. ALL DIMENSIONS ARE IN mm.
2. ALL ELEVATIONS ARE VIEWED FROM OUTSIDE.
3. ALL DIMENSIONS TO BE VERIFIED ON SITE BEFORE FABRICATION.

LEGEND :
① --- RETAIL MARK NO.
② --- REFER SHEET NO.

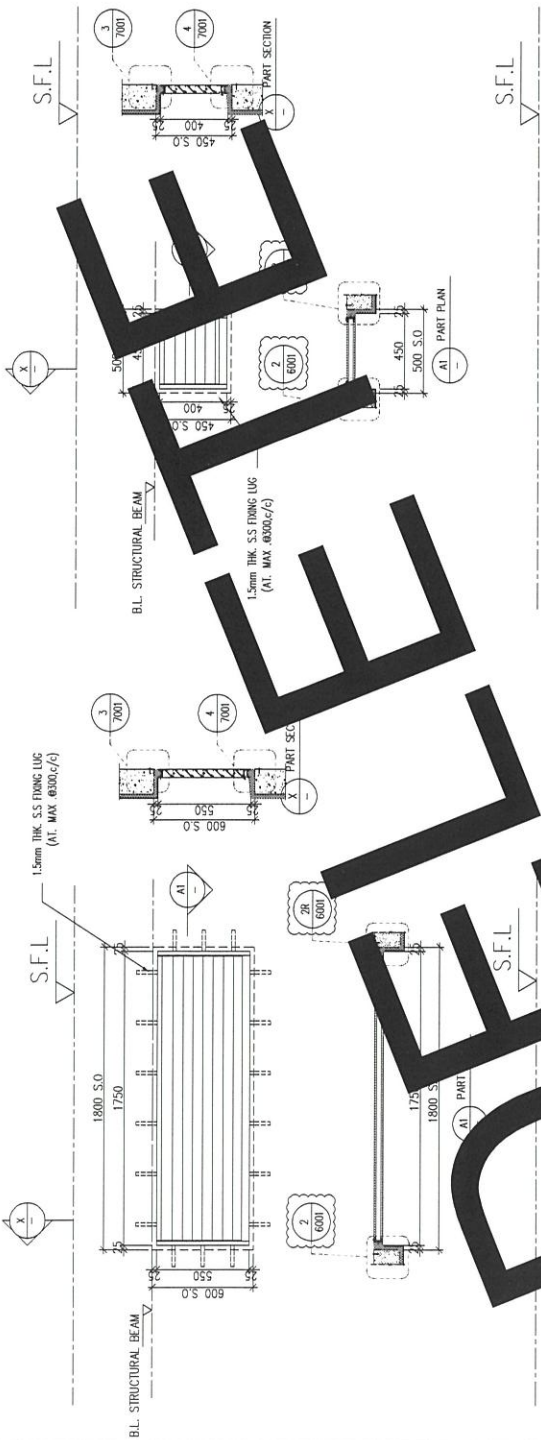
1. F.F.L. --- FINISHED FLOOR LEVEL
2. S.F.L. --- STRUCTURAL FLOOR LEVEL
3. Ⓞ --- REVERSED DETAIL
4. GLASS LEGEND
EQ-1 --- 8mm+12mm AIR GAP+8mm THK. I.G.U.
EQ-2 --- 10mm THK. CLEAR TEMPERED GLASS

| NO. | DATE | REVISION |
|-----|------------|----------------------------------|
| B | 15/05/2022 | REVISION SUBJECT TO APPROVALMENT |
| A | 21/04/2022 | REVISION SUBJECT TO APPROVALMENT |

JOB NO. : J-856
PROJECT : PROPOSED DEVELOPMENT ABOVE LIGHT RAIL TIN WING STOP, ISWIL NO.23, AREA 33, TIN SHUI WAI, N.T.

TITLE : LOWER SCHEDULE FOR 2/F IN-SITU LOUVER

DATE : 06-Aug-21 SCALE : 1:40
DRAWN BY : hvon CHECKED BY :
美特铝业有限公司
MIDI ALUMINIUM FABRICATOR LTD.
Units 6-8, Sunny Industrial Centre, 1/F
80 Chee Nee Ling Road, Kwun Tong
Tel: 2486111-4, Fax: (852) 2727866
DWG NO. : J856-SD-LV-5026 REV. : B



ELEVATION

DEFER

| WINDOW MARK | LOCATION | SECTION | GLAZING | QUANTITY | REMARKS |
|-------------|------------------------|--------------------|--------------------|----------|--------------|
| AL 032 | 2/F: ELECT RM. | 50mm ALUM. SECTION | ALUM. LOUVER BLADE | 1 NOS. | SS WIRE MESH |
| AL 032 | 2/F: SHUTTLE LIFT LOBA | 50mm ALUM. SECTION | ALUM. LOUVER BLADE | 2 NOS. | SS WIRE MESH |

FREE AREA: 50%

COLOUR CODE: BLACK

FREE AREA: 50%

COLOUR CODE: BLACK

B.D. REF :

CLIENT : **SUN HUNG KAI**
REAL ESTATE AGENCY LTD.
42/F, SUN HING WAH CENTRE, WINGLON, HONGKONG

ARCHITECT : **lwk&partners**
ARCHITECTS

MAIN CONTRACTOR : **Yee Fai**
Building Contractors Ltd.

STRUCTURAL ENGINEER : **ARUP**

FAÇADE CONSULTANT : **ALPHA CONSULTING LIMITED**
Steel Structures & Façade Specialist

NOTE:
1. ALL DIMENSIONS ARE IN mm.
2. ALL ELEVATIONS ARE VIEWED FROM OUTSIDE.
3. ALL DIMENSIONS TO BE VERIFIED ON SITE BEFORE FABRICATION.

LEGEND:
① --- RETAIL MARK NO.
② --- REFER SHEET NO.

1. FFL --- FINISHED FLOOR LEVEL
2. SCL --- STRUCTURAL FLOOR LEVEL
3. Ⓞ --- REVERSED DETAIL
4. GLASS LEGEND
EQ-1 --- 8mm+12mm AIR GAP+8mm THK. I.G.U.
EQ-2 --- 10mm THK. CLEAR TEMPERED GLASS

| NO. | DATE | REVISION |
|-----|------------|----------------------------------|
| D | 15/12/2022 | REVISION SUBJECT TO APPROVALMENT |
| C | 20/04/2022 | REVISION SUBJECT TO APPROVALMENT |
| B | 22/09/2022 | REVISION SUBJECT TO APPROVALMENT |
| A | 21/04/2022 | REVISION SUBJECT TO APPROVALMENT |

JOB NO. : J-856

PROJECT : PROPOSED DEVELOPMENT ABOVE LIGHT RAIL TIN WING STOP, ISWIL NO.23, AREA 33, TIN SHUI WAI, N.T.

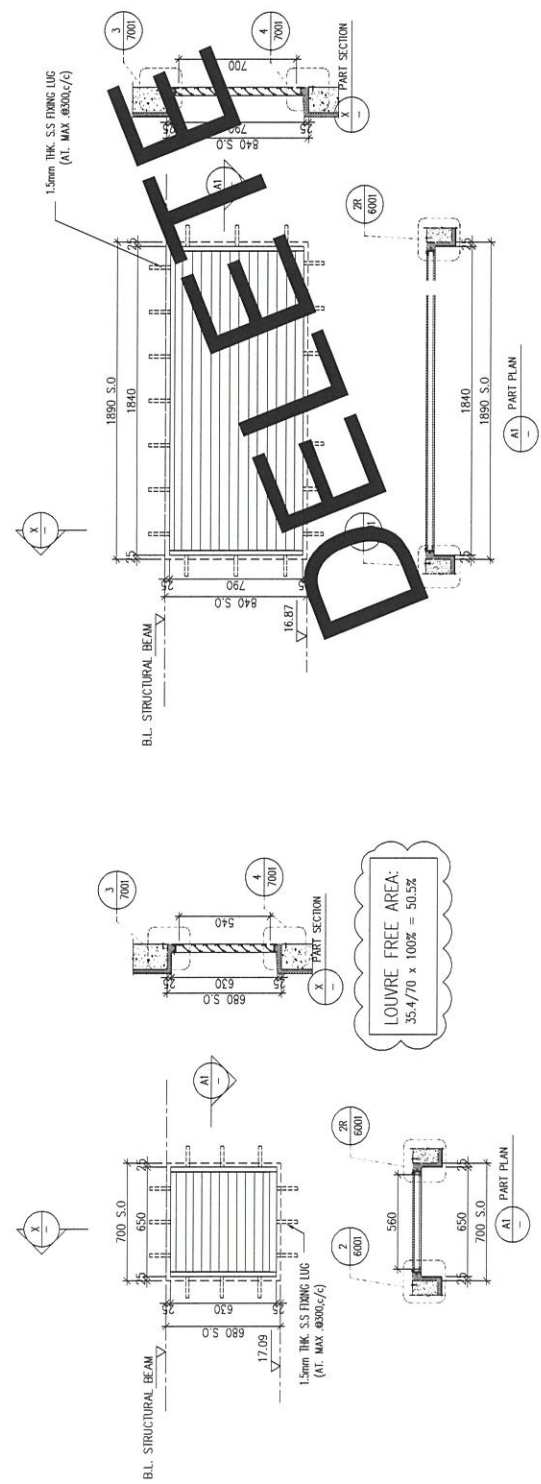
TITLE : LOUVER SCHEDULE FOR 1/F IN-SITU LOUVER

DATE : 06-Aug-21 SCALE : 1:40

DRAWN BY : Ivan CHECKED BY :

UNIT : 06-Aug-21
SCALE : 1:40
DRAWN BY : Ivan
CHECKED BY :
Yee Fai
Building Contractors Ltd.
Units 6-8, Sunny Industrial Centre, 1/F
610 Cha Kwo Ling Road, Kowloon
Tel: 2389211-4 Fax: (852) 2727666

DWG NO. : JB56-SD-LV-5027 REV. : D



ELEVATION

| WINDOW MARK | TF (019) | E&M PURPOSE (AC) |
|------------------|--------------------|--------------------|
| LOCATION SECTION | 1/F: G.L.(A3/P) | 50mm ALUM. SECTION |
| GLAZING | ALUM. LOUVER BLADE | COLOUR CODE: BLACK |
| QUANTITY | 1 NOS. | FREE AREA: 50% |
| REMARKS | SS WIRE MESH | |