



工程指示 / 要求簡箋 ENGINEER INSTRUCTIONS(E.I.)

工程指示編號:	EI- 5203	修改版本:	C
	HK- 2301		
工程編號:	J 856	工程名稱:	TSWTL23
收件人:	生統	發件人:	BearLam
工程項目:	Podium louvre 拆圖及BM(C版:刪除部分百頁 & 更正百頁片派位)	日期:	17/12/2022

<input type="checkbox"/> 原合約工程包	<input type="checkbox"/> 原合約工程加 / 減賬 QT-	<input type="checkbox"/> 新工程報價 QT-
---------------------------------	--	------------------------------------

信件批核號碼/圖紙參考編號:	批核模具圖紙編號:
客戶指示附件:	管理內部批簽署:

<input type="checkbox"/> 初步鋁料 B.M.	<input type="checkbox"/> 加工拆圖, 然後生產	<input type="checkbox"/> 尺寸表
<input type="checkbox"/> 正式鋁料 B.M.	<input type="checkbox"/> 技術上資料/指示	<input type="checkbox"/> 報價
<input type="checkbox"/> 配件 B.M.	<input type="checkbox"/> 樣辦或貨品說明書	<input type="checkbox"/> 分判合約
<input type="checkbox"/> 其他:		

內容: C:刪除部分百頁 & 百頁片派位, 百頁片需保留頂及底的完整百頁片, 請參考8th Shop Drawing, 請盡完成拆圖。鐵通跟百頁框請分開到地盤, 現場安裝
完成上列要求日期: 23/12/2022

國內

<input type="checkbox"/> 生產技術總監	<input type="checkbox"/> 連附件	<input type="checkbox"/> 技術部	<input type="checkbox"/> 連附件	<input type="checkbox"/> 生產部	<input type="checkbox"/> 連附件
<input type="checkbox"/> 採購部	<input type="checkbox"/> 連附件	<input checked="" type="checkbox"/> 生產統籌部	<input checked="" type="checkbox"/> 連附件	<input type="checkbox"/> 報關組	<input type="checkbox"/> 連附件
<input type="checkbox"/> 質檢部	<input type="checkbox"/> 連附件	<input type="checkbox"/> 會計部	<input type="checkbox"/> 連附件	<input type="checkbox"/> 機械設計部	<input type="checkbox"/> 連附件
<input checked="" type="checkbox"/> 香港辦	<input checked="" type="checkbox"/> 連附件	<input type="checkbox"/> 其他:			

香港

<input type="checkbox"/> 行政部	<input type="checkbox"/> 連附件	<input type="checkbox"/> 會計部	<input type="checkbox"/> 連附件	<input type="checkbox"/> 統籌部	<input type="checkbox"/> 連附件	<input type="checkbox"/> 工程部	<input type="checkbox"/> 連附件
<input type="checkbox"/> 採購部	<input type="checkbox"/> 連附件	<input type="checkbox"/> QS部	<input type="checkbox"/> 連附件	<input type="checkbox"/> 地盤管理	<input type="checkbox"/> 連附件	<input type="checkbox"/> 維修部	<input type="checkbox"/> 連附件

*發件人簽署:	<i>Bear Lam</i>	*組別成員批核簽署:	<i>[Signature] 19/12/2022</i>
傳遞編號:		項目經理簽署:	<i>[Signature]</i>

PROJECT :

PROPOSED DEVELOPMENT ABOVE  
LIGHT RAIL TIN WING STOP, TSWTL  
NO.23, AREA 33, TIN SHUI WAI, N.T.

8

SHOP DRAWING FOR IN-SITU LOUVER OF PODIUM

DATE: 15-Dec-22



**美特鋁質有限公司**  
MTDI ALUMINIUM FABRICATOR LTD.

Units 6-8, Sunray Industrial Centre, 1/F  
610 Cha Kwo Ling Road, Kowloon  
Tel:23489211-4 Fax:(852)27727666





# GENERAL NOTES FOR IN-SITU LOUVER OF PODIUM

## CODES AND STANDARDS

1. CODE OF PRACTICE ON WIND EFFECTS IN HONG KONG 2004.
2. CODE OF PRACTICE FOR STRUCTURAL USE OF CONCRETE 2013.
3. CODE OF PRACTICE FOR STRUCTURAL USE OF STEEL 2011.
4. CODE OF PRACTICE FOR THE STRUCTURAL USE OF STEEL 2011.
5. STRUCTURAL USE OF ALUMINIUM BS 8133-1:1991. (WIND LOAD FACTOR OF 1.4 FOR ALUMINIUM DESIGN TO EN1995)
6. ALUMINIUM DESIGN TO EN1995
7. BUILDING (CONSTRUCTION) REGULATIONS OF 1973.

## DESIGN WIND LOAD

CODE OF PRACTICE ON WIND EFFECTS IN HONG KONG 2004.

REGION  
 HEIGHT ABOVE GROUND LEVEL - 21.1m  
 BASIC WIND PRESSURE - 2.24kPa  
 PROPOSED FACTOR (S<sub>d</sub>) 1.00  
 PROPOSED FACTOR (S<sub>e</sub>) 1.00  
 DESIGN WIND PRESSURE - 4.22kPa / 2.41kPa / 4.68kPa

## STEEL

ALL STRUCTURAL STEEL SECTIONS SHALL BE GRADE S275 JO CLASS 1 WELDABLE STRUCTURAL STEEL AND COMPLYING WITH BS EN 10210 2006 FOR HEAVY SECTION AND BS EN 10025 FOR OTHER SECTIONS.

ALL CUT/WELDED AREAS IN EXAMINED STEEL SHALL BE MADE GOOD BY AT LEAST TWO COATS OF ZINC RICH PAINT TO BS 4802.

DENSITY 77kN/m<sup>3</sup>  
 YIELD STRENGTH 275N/mm<sup>2</sup>  
 TENSILE STRENGTH 430N/mm<sup>2</sup>  
 DESIGN STRENGTH (S<sub>d</sub>)(tensile) 275kPa  
 DESIGN STRENGTH (S<sub>d</sub>)(compression) 265kPa

## ALUMINIUM EXTRUSION

DESIGN STRENGTH OF ALUMINIUM EXTRUSION SHALL BE GRADE 6063-T6 AND COMPLY WITH BS EN 573-3.

DENSITY 27.2kN/m<sup>3</sup>  
 YOUNG'S MODULUS 70.0kN/mm<sup>2</sup>  
 6063-T6  
 180N/mm<sup>2</sup>  
 215kPa  
 175N/mm<sup>2</sup>  
 59kPa

## ALUMINIUM PANEL

ALL ALUMINIUM PANEL TO BE GRADE 6063-T6 TO BS EN 460-2: 2008 AND BS EN 503-2:2009

DENSITY 27.2kN/m<sup>3</sup>  
 YOUNG'S MODULUS 70.0kN/mm<sup>2</sup>  
 6063-T6  
 125 N/mm<sup>2</sup>  
 143 N/mm<sup>2</sup>  
 135 N/mm<sup>2</sup>  
 75 N/mm<sup>2</sup>

## FASTENERS/SCREWS

ALL STAINLESS STEEL SCREW AND BOLT SHALL BE A4-70 AND COMPLY WITH BS EN 503: 2006.

0.2% PROOF STRESS 450N/mm<sup>2</sup>  
 TENSILE STRENGTH 700N/mm<sup>2</sup>  
 DESIGN SHEAR STRENGTH 311N/mm<sup>2</sup>  
 DESIGN BENDING STRENGTH 250N/mm<sup>2</sup>

## PROTECTION OF B-MANUAL CORROSION (BIMANUAL PAINT ECI)

ALL EXPOSED SURFACE OF ALUM. EXTRUSION SHALL BE FINISHED WITH PWT COATING - 40 MICRONS

ALL SCREWS SHALL BE M5 S3 SCREW SPACING @200/C MAX. UNLESS OTHERWISE STATED.

## CONCRETE

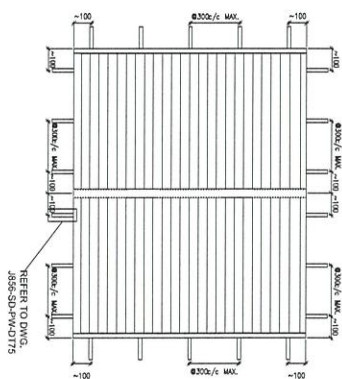
ALL CONCRETE STRUCTURES SHOWN IN THIS SUBMISSION ARE FOR INFORMATION ONLY.

CONCRETE STRENGTH SHALL BE C40/50 (N/mm<sup>2</sup>)

BD. REF.	TYPE	MINIMUM CONCRETE THICKNESS (mm)	EFFECTIVE DEPTH (mm)	MINIMUM EDGE DISTANCE (mm)	MINIMUM SPACING (mm)	RECOMMENDED TENSILE FORCE (kN)	RECOMMENDED SHEAR FORCE (kN)	PULL-OUT TEST LOAD (kN)	CONCRETE FACTOR
BD-14	"T" HSB-4 MIX	150	70	50	50	67	122	150	1.347
BD-149	"T" HSB-4 MIX SAFETY ANCHOR BOLTS	150	70	50	50	67	122	150	1.347

## FIXING LUG

THE SIZE OF STAINLESS STEEL (GRADE 304) FIXING LUG TO BE 1.5mm THK. AND SPACING @300mm C/C MAX. UNLESS OTHERS STATED.



TYP. DETAIL FOR FIXING LUG

BD. REF. :

CLIENT :

**SUN HUNG KAI**  
 REAL ESTATE AGENT LTD.  
 42/F Sun Hung Kai Centre, Wanchai, Hong Kong

ARCHITECT :  
**Iwk&partners**  
 ARCHITECTS

MAIN CONTRACTOR :  
**Ye Fei** Building Contractors Ltd.

STRUCTURAL ENGINEER :

**ARUP**  
 ALPHA CONSULTING LIMITED  
 Steel Structures & Trade Specialist

NOTE :  
 1. ALL DIMENSIONS ARE IN mm.  
 2. ALL ELEVATIONS ARE VIEWED FROM OUTSIDE.  
 3. ALL DIMENSIONS TO BE VERIFIED ON SITE BEFORE FABRICATION.

LEGEND :

NO.	DATE	REASON	BY
1	J-856		

PROJECT :  
 PROPOSED DEVELOPMENT ABOVE  
 LIGHT RAIL TIN WING STOP-TSMTL  
 NO.25 AREA 331TH SHUI WAH N.T.

TITLE :  
 GENERAL NOTES FOR  
 IN-SITU LOUVER  
 OF PODIUM

DATE : 12-Sep-22 SCALE : 1:3

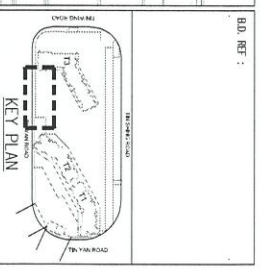
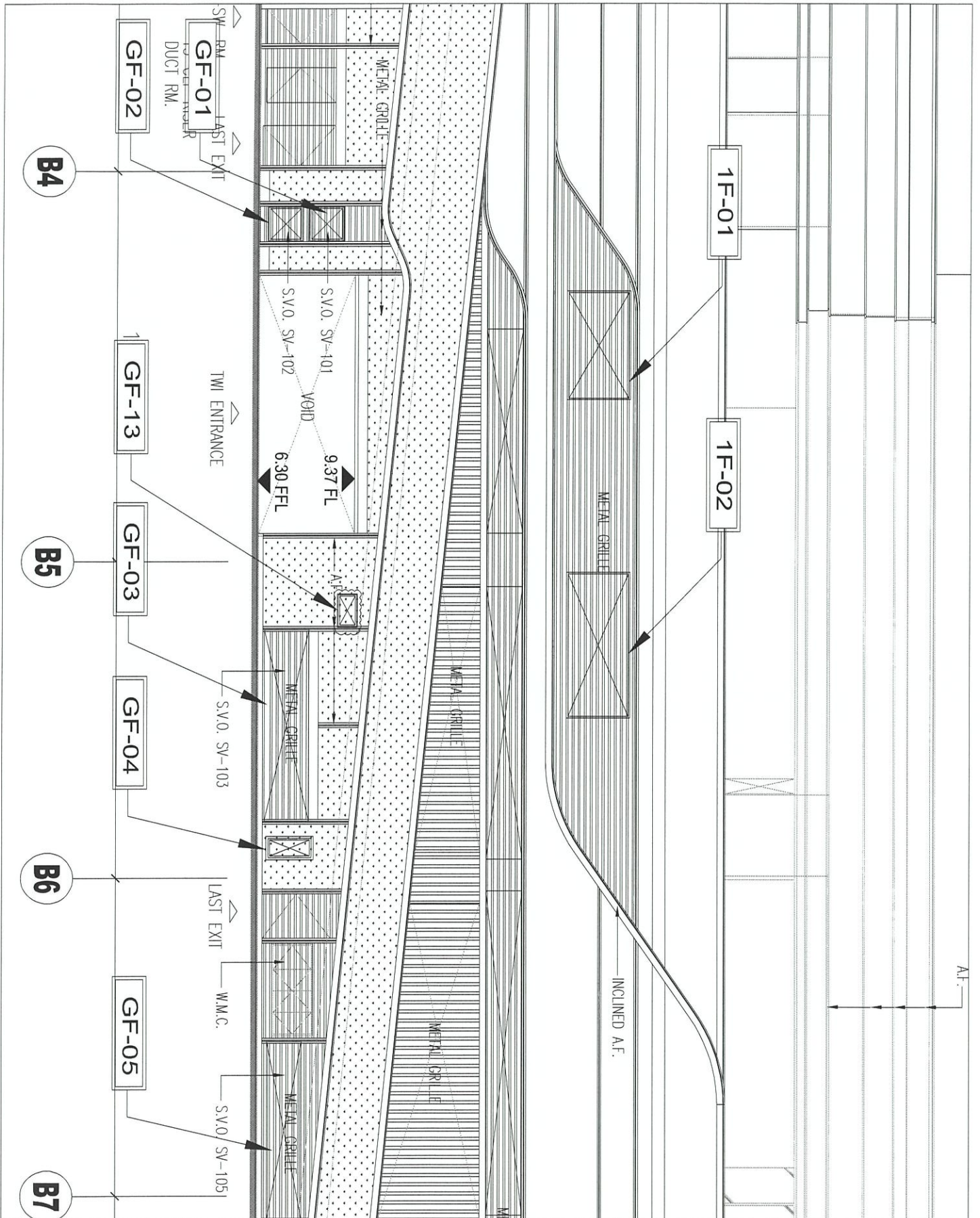
DRAWN BY : Ivan CHECKED BY :

**美特銘實有限公司**  
 MTD ARCHITECTURAL ENGINEERING LTD.  
 610 Chee Kwoi Road, Kowloon  
 Tel: (852) 2777666 Fax: (852) 2777665

DWG. NO. : 8555-SD-LV-CN01 REV. : -







CLIENT :  
**SUN HUNG KAI**  
 REAL ESTATE AGENCY LTD.  
 42/F, SUN HUNG KAI CENTRE, WONG CHAI, HONGKONG

ARCHITECT :  
**lwk&partners**  
 ARCHITECTS

MAIN CONTRACTOR :  
**Yee Fei**  
 Building Contractors Ltd.

STRUCTURAL ENGINEER :  
**ARUP**  
 ALPHA CONSULTING LIMITED  
 Steel Structure & Trade Specialist

NOTE :  
 1. ALL DIMENSIONS ARE IN mm.  
 2. ALL ELEVATIONS ARE VIEWED FROM OUTSIDE.  
 3. ALL DIMENSIONS TO BE CHECKED ON SITE BEFORE FABRICATION.

LEGEND :

(Symbol)	DETAIL WORK NO.
(Symbol)	FLOOR SHEET NO.
(Symbol)	1. F.F.L. — FINISHED FLOOR LEVEL
(Symbol)	2. S.F.L. — STRUCTURAL FLOOR LEVEL
(Symbol)	3. (Symbol) — REVERSED DETAIL
(Symbol)	4. GLASS LEGEND

EQ.-1—10mm+12mm AIR GAP+10mm THK. LGCL  
 EQ.-2—10mm THK. CLEAR THERMO GLASS

NO.	DATE	REVISION	REVISION SUBJECT TO APPROVEMENT
0	15/01/2022	REVISION SUBJECT TO APPROVEMENT	ISSUE FOR PERMIT
1	28/09/2022	REVISION SUBJECT TO APPROVEMENT	ISSUE FOR PERMIT
2	21/04/2022	ISSUE LAYOUT ELEVATION	ISSUE FOR PERMIT
3	22/02/2021	REVISION SUBJECT TO APPROVEMENT	ISSUE FOR PERMIT

JOB NO. : J-856

PROJECT : PROPOSED DEVELOPMENT ABOVE LIGHT RAIL IN WING SHIP-TSUNAL NO.23, ABEA 33, NW SHUN WA, N.T.

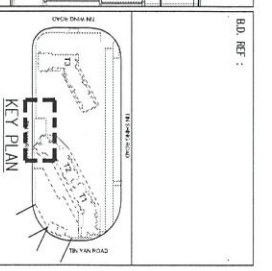
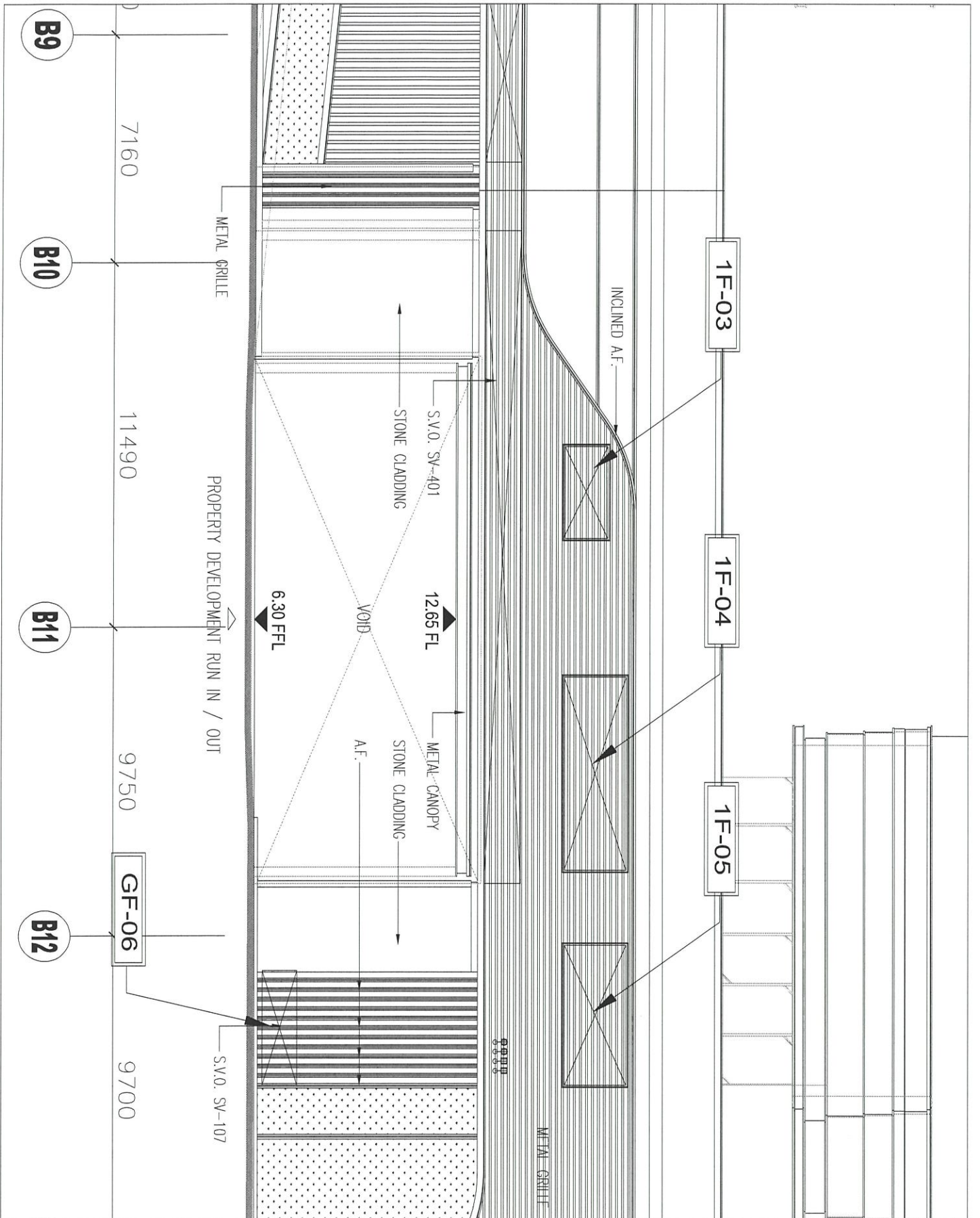
TITLE : LAYOUT ELEVATION FOR PODIUM IN-SITU LOADER G/F-V/F

DATE : 27-04-21 SCALE : 1:\*\*\*

DRAWN BY : Ivan CHECKED BY :

怡和建築有限公司  
 Yee Fei Building Contractors Ltd.  
 怡和地產代理有限公司  
 Sun Hung Kai Real Estate Agency Ltd.  
 香港中環皇后大道中42號  
 42/F Sun Hung Kai Centre, Wong Chai, Hong Kong

日期 : 2021年4月27日  
 圖號 : J-856  
 圖名 : podium in-situ loader g/f-v/f 平面圖  
 比例 : 1:\*\*\*  
 繪圖 : Ivan  
 校核 :  
 設計 :  
 審核 :  
 批准 :



CLIENT :  
**SUN HUNG KAI**  
 REAL ESTATE AGENCY LTD.  
 407 Sun Hong Kai Centre, Mow Sun, Hongkong

ARCHITECT :  
**lwk&partners**  
 ARCHITECTS

MAIN CONTRACTOR :  
**柏輝建築有限公司**  
**Yes Fei** Building Contractors Ltd.

STRUCTURAL ENGINEER :  
**ARUP**

FAÇADE CONSULTANT:  
**ALPHA CONSULTING LIMITED**  
 Steel Structure & Façade Specialist

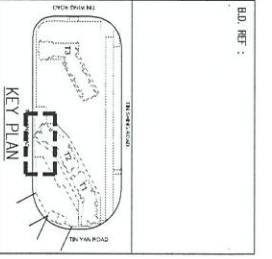
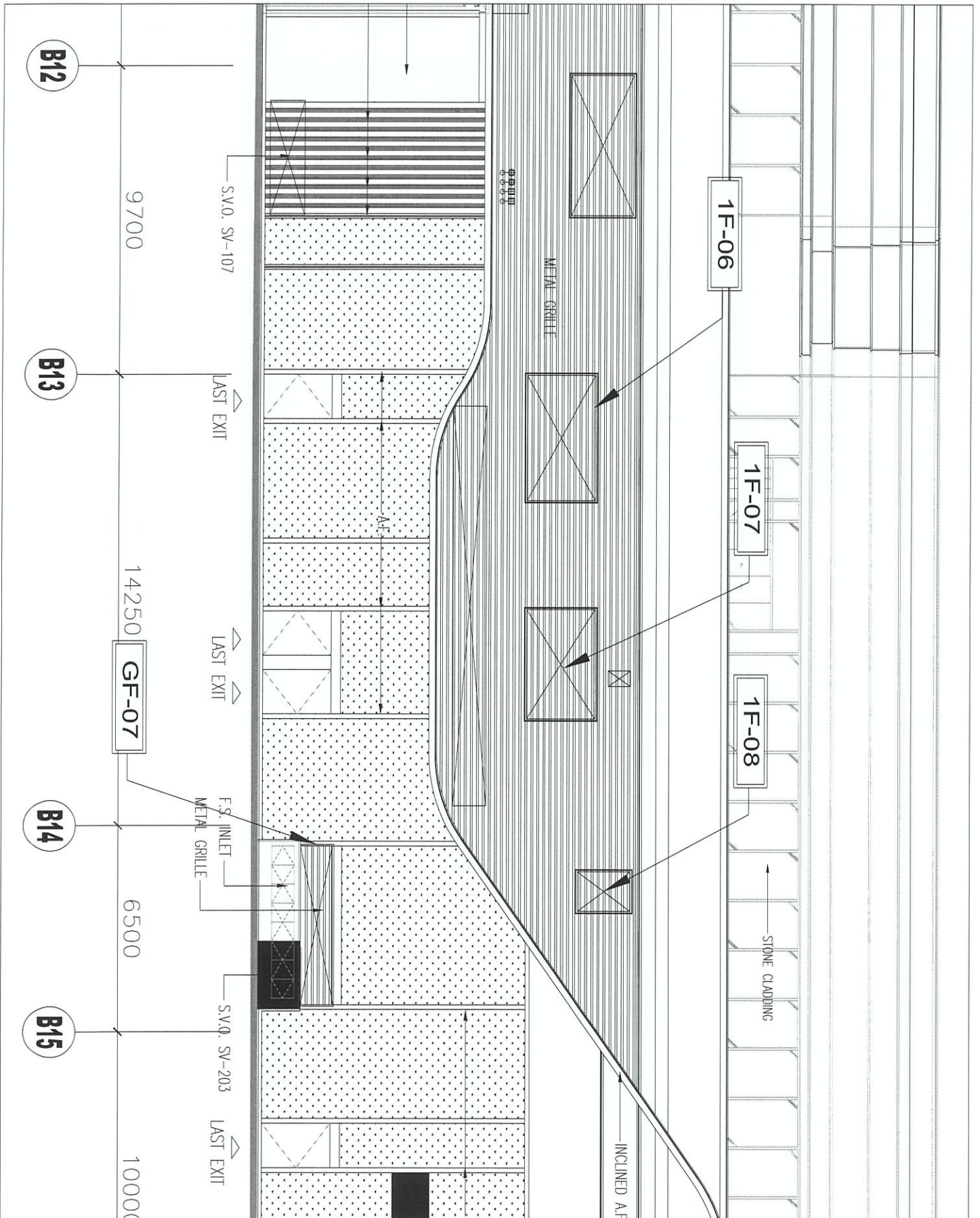
NOTE :  
 1. ALL DIMENSIONS ARE IN mm.  
 2. ALL ELEVATIONS ARE VIEWED FROM OUTSIDE.  
 3. ALL DIMENSIONS TO BE VERIFIED ON SITE BEFORE FABRICATION.

LEGEND :  
 21 DETAIL WORK NO.  
 2100 REFLECT SHEET NO.  
 1. F.F.L. — FINISHED FLOOR LEVEL  
 2. S.F.L. — STRUCTURAL FLOOR LEVEL  
 3. Ⓞ — REVERSED DETAIL  
 4. GLASS LEGEND  
 EG-1 — 6mm 12mm AIR GAP 16mm THK. LGCL  
 EG-2 — 16mm THK. CLEAR EMERGED GLASS

NO.	DATE	DESCRIPTION	BY	CHECKED
1	28/09/2022	ISSUE SUBJECT TO APPROVAL		
2	21/04/2023	ISSUE LAYOUT ELEVATION		

JOB NO. : J-956  
 PROJECT : PROPOSED DEVELOPMENT ABOVE LIGHT RAIL IN WING S10P-TS/ML NO.23,485A 33/39 SHUN WAH, N.T.  
 TITLE : LAYOUT ELEVATION FOR PORCH IN-SITU LOOPER G/F-V/F

DATE : 27-04-21 SCALE : 1:\*\*\*  
 DRAWN BY : 姜特銘  
 CHECKED BY :  
**姜特銘有限公司**  
 MTD 姜特銘建築工程顧問有限公司  
 610 Chee Kwoi Road, Kowloon  
 Tel: 23489211-4 Fax: (852) 7777866  
 DMC NO. : J856-SI-V-2008 REV. : 8



**CLIENT :**  
**SUN HUNG KAI**  
 REAL ESTATE AGENCY LTD.  
 477, Shek Hong, Ho Centre, Kwun Tong, Kowloon

**ARCHITECT :**  
**Iw&partners**  
 ARCHITECTS

**MAIN CONTRACTOR :**  
**Yee Fei Building Contractors Ltd.**

**STRUCTURAL ENGINEER :**  
**ARUP**  
 ALPHA CONSULTING LIMITED  
 Steel Structure & Façade Specialist

**NOTE :**  
 1. ALL DIMENSIONS ARE IN mm.  
 2. ALL EXPANSIONS ARE VIEWED FROM OUTSIDE BEFORE FABRICATION.  
 3. ALL DIMENSIONS TO BE VIEWED ON SITE.

**LEGEND :**

21 DETAIL WORK NO.  
 2101 REBAR SHEET NO.

1. F.F.L. — FINISHED FLOOR LEVEL  
 2. S.F.L. — STRUCTURAL FLOOR LEVEL  
 3. — — REVERSED DETAIL  
 4. GLASS LEGEND  
 EG-1—8mm+12mm AIR GAP+18mm THK. LGCL  
 EG-2—10mm THK. CLEAR THERMO GLASS

NO.	DATE	DESCRIPTION	BY	CHKD.
B	28/09/2022	REVISION SUBJECT TO APPROVALMENT		
A	21/06/2022	SPECIFIC LAYOUT REVISION		

**PROJECT :**  
 PROPOSED DEVELOPMENT ABOVE  
 LIGHT RAIL IN WING SHIP-TSUN  
 NO.23/08EA 33/10W SHOU WAI, N.T.

**JOB NO. :** J-856

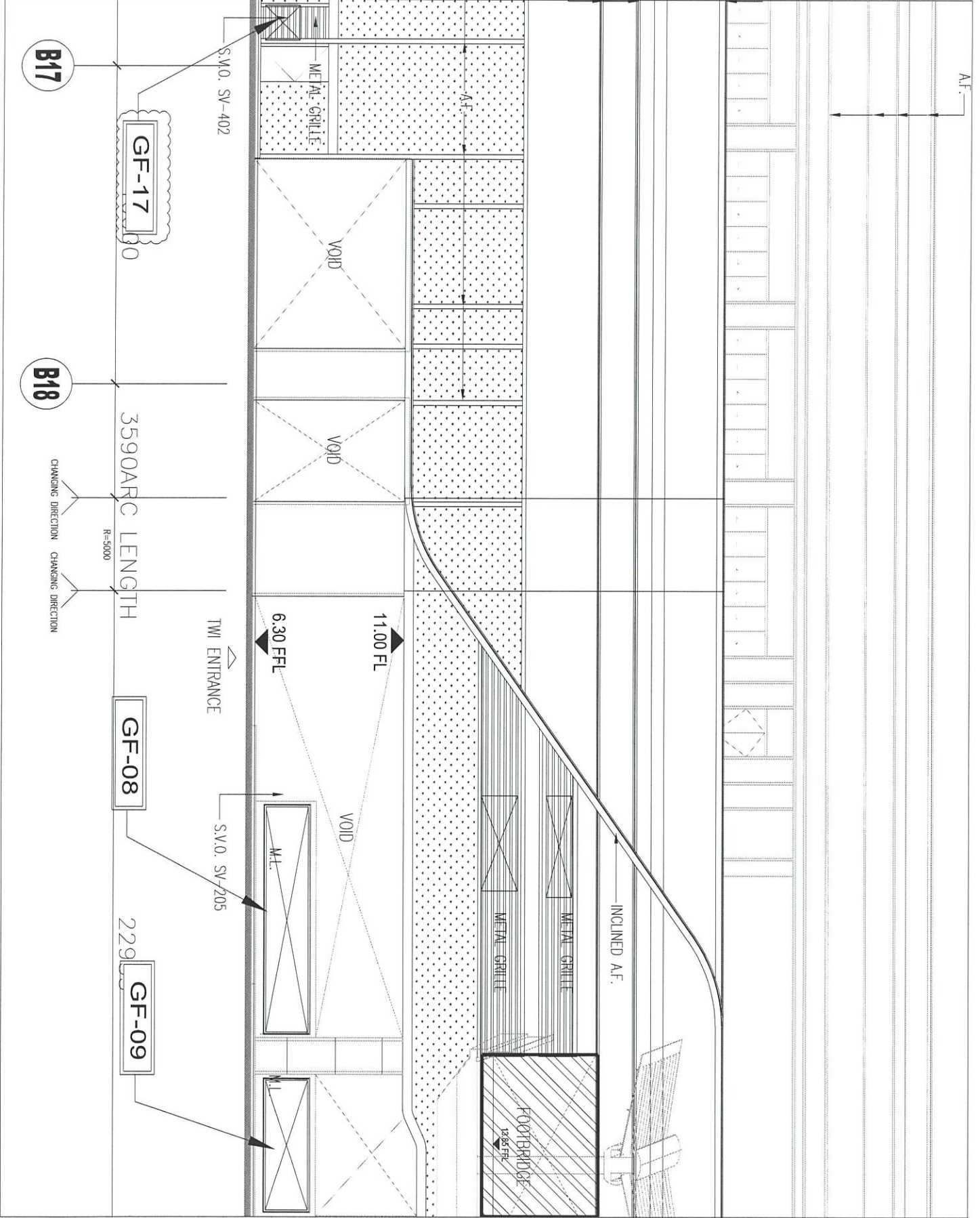
**TITLE :**  
 LAYOUT ELEVATION FOR PODIUM  
 N-SITU LOOKER G/F-V/F

**DATE :** 27-04-21 **SCALE :** 1:\*\*\*

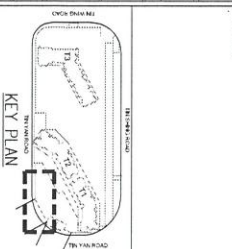
**DRAWN BY :** Ivan **CHECKED BY :**

**MANAGING DIRECTOR :**  
**莫特銘 莫實有限公司**  
 MTD  
 MTD (Hong Kong) Limited  
 Units 6-8, Sunny Industrial Centre, 7/  
 610 Chee Kwo Ling Road, Kowloon  
 Tel: 23489211-4 Fax: (852) 27777666

**DMC NO. :** 2856-SU-TV-3039 **REV. :** B



BD REF :



CLIENT :

**SUN HUNG KAI**  
 REAL ESTATE AGENCY LTD.  
 42/F, 506 HONG KONG CENTRE, WING LOK, HONGKONG

ARCHITECT :

**lwk&partners**  
 ARCHITECTS

MAIN CONTRACTOR :

**Yee Fai** 怡輝建築有限公司  
 Yee Fai Building Contractors Ltd.

STRUCTURAL ENGINEER :

**ARUP**  
 ALPHA CONSULTING LIMITED  
 Steel Structures & Bridge Specialist

FAÇADE CONSULTANT :

**ARUP**  
 ALPHA CONSULTING LIMITED  
 Steel Structures & Bridge Specialist

NOTE :  
 1. ALL DIMENSIONS ARE IN MM.  
 2. ALL ELEVATIONS ARE VIEWED FROM OUTSIDE.  
 3. ALL DIMENSIONS TO BE VERIFIED ON SITE BEFORE PERFORMING.  
 LEGEND :

- (M) DETAIL MARK NO.
- (NS) REFER SHEET NO.
- 1. F.F.L. --- FINISHED FLOOR LEVEL
- 2. S.F.L. --- STRUCTURAL FLOOR LEVEL
- 3. (R) --- REVERSED DETAIL
- 4. GLASS LEGEND
- EG-1 --- Eminent 17mm AIR OPERATED TMK (LG.U)
- EG-2 --- Eminent 16mm BK CLEAR TEMPERED GLASS

NO.	DATE	DESCRIPTION
B	20/03/2022	ISSUED SUBJECT TO APPROVAL
C	14/02/2022	ISSUED SUBJECT TO APPROVAL
A	21/01/2022	ISSUED LAYOUT ELEVATION

JOB NO. : J-856  
 PROJECT : PROPOSED DEVELOPMENT ABOVE LIGHT RAIL IN WING SLOP (S.M.L. NO.23) AREA 331N SHUI WAU N.T.  
 TITLE : LAYOUT ELEVATION FOR ROOM IN S10 LOBBY G/F--1/F

DATE : 27-04-21 SCALE : 1:\*\*\*  
 DRAWN BY : Ivan CHECKED BY :  
**美特銘實有限公司**  
 MIDY Architecture & Interiors Ltd.  
 610 Che Koo Ping Road, Kowloon  
 Tel: (852) 27727666 Fax: (852) 27727668  
 DMC NO. : 4856-SQ-14-3010 REV. : C

3/F  
27.40

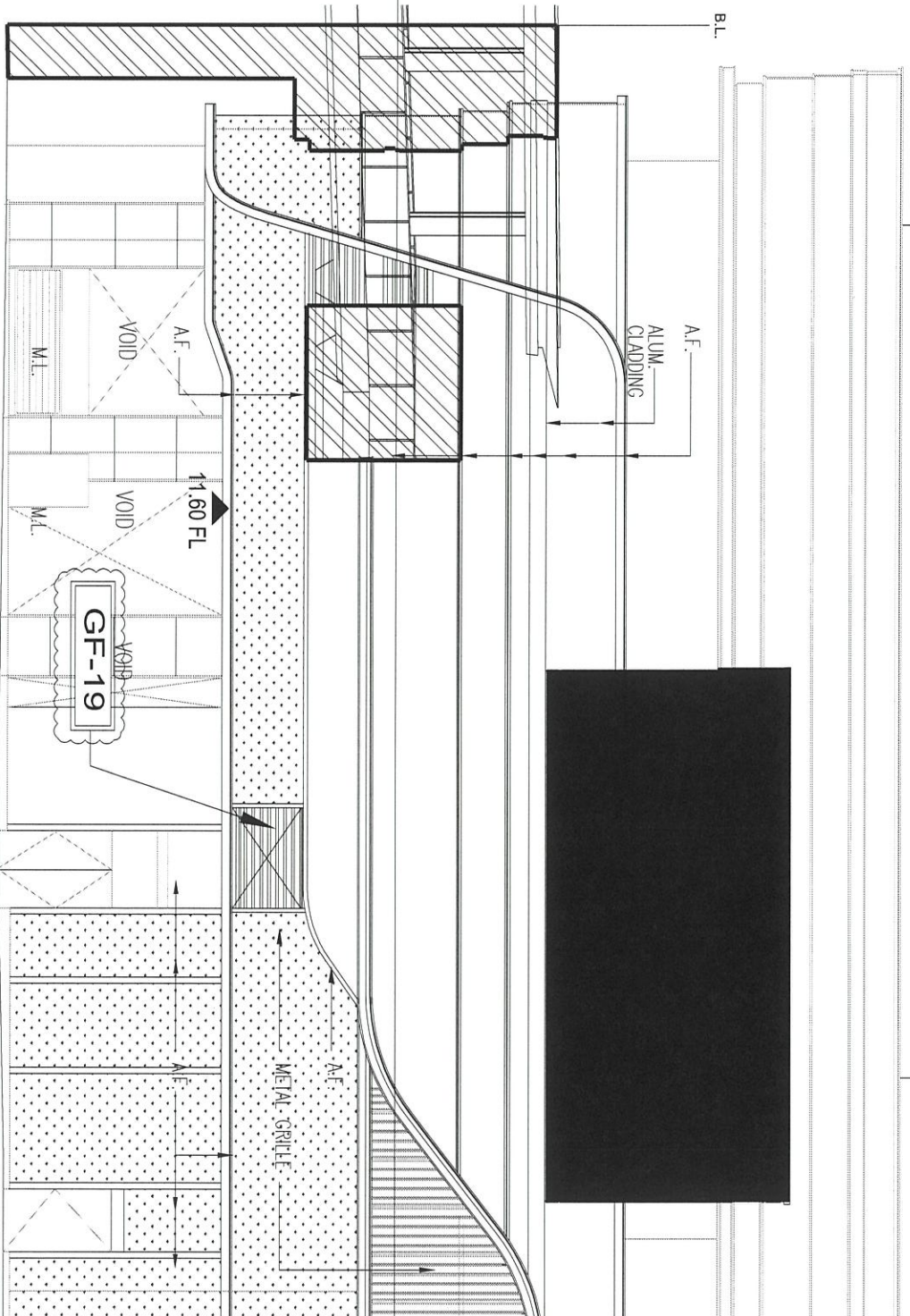
TRANSFER PLATE

E&M ZONE

2/F  
19.25

1/F  
15.60

G/F  
6.30



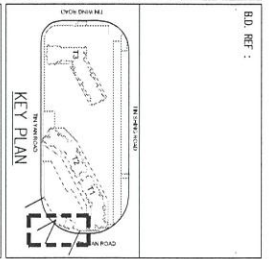
B.L.

SHUTTLE LIFT LOBBY A

LAST EXIT

16976

CHANGING DIRECTION



B.D. REF :

CLIENT :  
**SUN HUNG KAI**  
 REAL ESTATE AGENCY LTD.  
 477 SUN HING WAI CENTRE, WINGLOI, HONGKONG

ARCHITECT :  
**Iw&partners**  
 ARCHITECTS

MAIN CONTRACTOR :  
**怡輝建築有限公司**  
**Yee Fai Building Contractors Ltd.**

STRUCTURAL ENGINEER :  
**ARUP**

FAÇADE CONSULTANT:  
**ALPHA CONSULTING LIMITED**  
 Steel Structure & Façade Specialist

NOTE:  
 1. ALL DIMENSIONS ARE IN mm.  
 2. ALL DIMENSIONS ARE VERIFIED FROM OUTSIDE.  
 3. ALL DIMENSIONS TO BE VERIFIED ON SITE BEFORE FABRICATION.

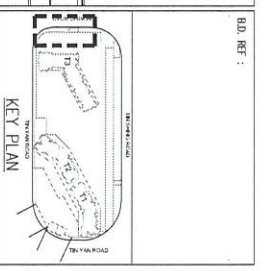
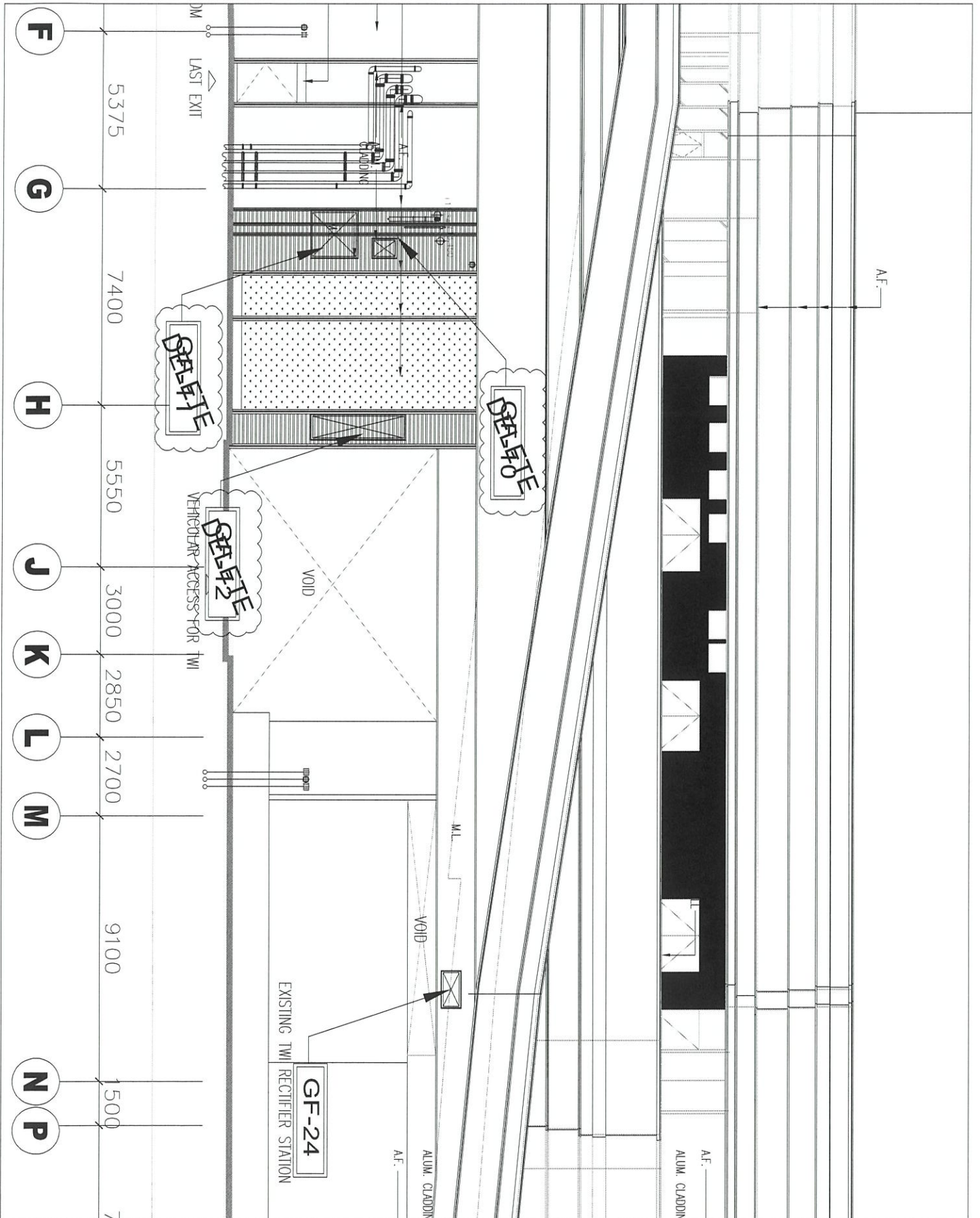
LEGEND:  
 (X) - METAL MARK NO.  
 (S) - REFER SHEET NO.  
 1. F.F.L. - FINISHED FLOOR LEVEL  
 2. S.F.L. - STRUCTURAL FLOOR LEVEL  
 3. (R) - REVERSED DETAIL  
 4. G.L.S.S. (GLASS)

EQ-1 - 8mm+12mm AIR GAP+18mm THK. LGLU  
 EQ-2 - 10mm THK. CLEAR REVERSED GLASS

NO.	REV.	DATE	DESCRIPTION
C	26/09/2022	REVISION SUBJECT TO APPROVEMENT	
B	16/09/2022	REVISION SUBJECT TO APPROVEMENT	
A	27/04/2022	ISSUE LAYOUT ELEVATION	

JOB NO. : J-856  
 PROJECT : PROPOSED DEVELOPMENT ABOVE LIGHT RAIL IN WING SHIP SWIM NO.23 AREA, 333IN SUN HING WAI, N.T.  
 TITLE : LAYOUT ELEVATION FOR ROOM IN-SITU LOWER G/F-1/F

DRAWN BY : kean  
 CHECKED BY :  
 DATE : 27-Oct-21  
 SCALE : 1:100  
**美特堅質有限公司**  
 MIDT, ARCHITECTURAL PRACTICE LTD.  
 610 Chee Kwee Ling Road, Kowloon  
 Tel: 23489211-4 Fax: (852) 27272666  
 DWG NO. : 856-S0-1V-3011  
 REV. : C



CLIENT :  
**SUN HUNG KAI**  
 REAL ESTATE AGENT LTD.  
 4/F, Sun Hung Kai Centre, Wanchai, Hong Kong

ARCHITECT :  
**Iw&partners**  
 ARCHITECTS

MAIN CONTRACTOR :  
**Yee Fei** Building Contractors Ltd.

STRUCTURAL ENGINEER :  
**ARUP**  
 ALPHA CONSULTING LIMITED  
 Steel Structure & Trade Specialist

NOTE:  
 1. ALL DIMENSIONS ARE IN mm.  
 2. ALL ELEVATIONS ARE VIEWED FROM OUTSIDE.  
 3. ALL DIMENSIONS TO BE VERIFIED ON SITE BEFORE FABRICATION.

LEGEND:  
 (S1) - DETAIL WORK NO.  
 (S2) - REFER SHEET NO.  
 1. F.F.L. - FINISHED FLOOR LEVEL  
 2. S.F.L. - STRUCTURAL FLOOR LEVEL  
 3. (R) - REVERSED DIM. (R)  
 4. GLASS LEGEND  
 EG-1 - 8mm 12mm AIR GAP 18mm THK LGUL  
 EG-2 - 10mm THK CLEAR TEMPERED GLASS

NO.	DATE	DESCRIPTION
E	15/07/2022	REVISION SUBJECT TO APPROVAL/COMMENT FROM CLIENT
D	28/09/2022	REVISION SUBJECT TO APPROVAL/COMMENT FROM CLIENT
C	14/09/2022	REVISION SUBJECT TO APPROVAL/COMMENT FROM CLIENT
B	21/04/2022	ISSUE LAYOUT ELEVATION
A	22/02/2021	REVISION SUBJECT TO APPROVAL/COMMENT FROM CLIENT

JOB NO. : J-856

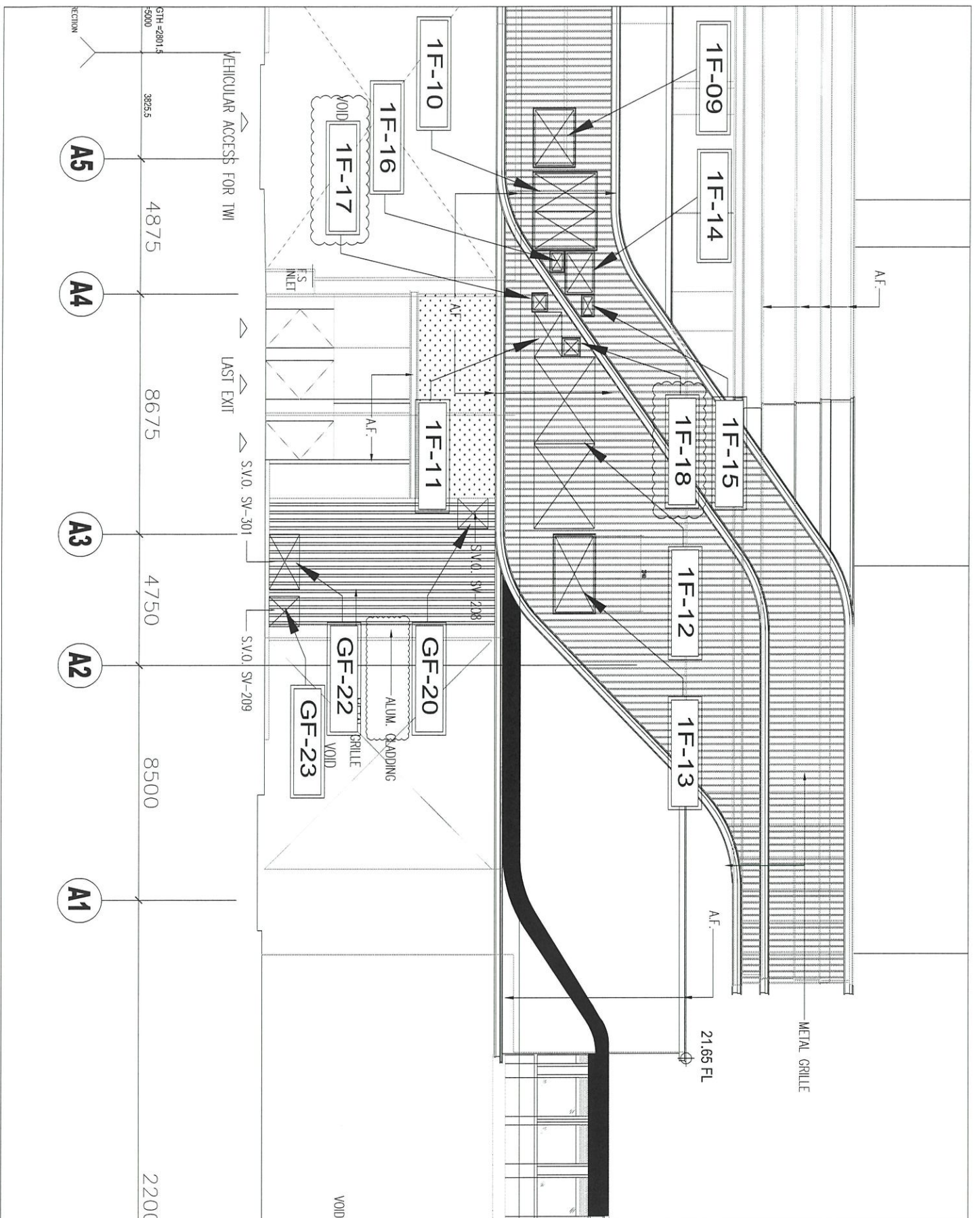
PROJECT : PROPOSED DEVELOPMENT ABOVE LIGHT RAIL IN WING S10P-TSM/L NO.23/AREA 33/1/W SHH WA, N.T.

TITLE : LAYOUT ELEVATION FOR PODIUM N-SITU LOOKER G/F-1/F

DATE : 22-04-21 SCALE : 1/100

DRAWN BY : Ivan  
 CHECKED BY :  
 10/10/2021

MEITAI ARCHITECTURE TRANSLATION LTD.  
 610 Che Kwo Ling Road, Kowloon  
 Tel: 23489211-4 Fax: (852) 27777666  
 DMC NO. : J856-SI-1V-3012 REV. : E



B.D. REF :

CLIENT :

**SUN HUNG KAI**  
 REAL ESTATE AGENCY LTD.  
 42/F, SUN HUNG KAI CENTRE, WING LOK MONG

ARCHITECT :

**Iw&partners**  
 ARCHITECTS

MAIN CONTRACTOR :

**Yee Fai** Building Contractors Ltd.

STRUCTURAL ENGINEER :

**ARUP**  
 ALPHA CONSULTING LIMITED  
 Steel Structure & Bridge Specialist

NOTE :

1. ALL DIMENSIONS ARE IN mm.
2. ALL DIMENSIONS ARE VERTIC FROM OUTSIDE.
3. ALL DIMENSIONS TO BE VERTICED ON SITE BEFORE FABRICATION.
4. ALL DIMENSIONS TO BE VERTICED ON SITE BEFORE FABRICATION.

LEGEND :

① - DENAL MARK NO.  
 REFER SHEET NO.

② - FINISHED FLOOR LEVEL

③ - STRUCTURAL FLOOR LEVEL

④ - REVERSED DETAIL

⑤ - GLASS LEGEND

ED-1 - 12mm+12mm AIR GAP+12mm THK LGU ED-2 - 12mm THK CLEAR REVERSED GLASS

KEY PLAN

NO.	DATE	REVISION	BY	CHKD.
E	15/11/2022	REVISION SUBJECT TO APPROVEMENT	MAN	MAN
D	24/09/2022	REVISION SUBJECT TO APPROVEMENT	MAN	MAN
C	14/09/2022	REVISION SUBJECT TO APPROVEMENT	MAN	MAN
B	21/04/2022	ISSUE LAYOUT ELEVATION	MAN	MAN
A	22/02/2021	REVISION SUBJECT TO APPROVEMENT	MAN	MAN

JOB NO. : J-856

PROJECT : PROPOSED DEVELOPMENT ABOVE LIGHT RAIL IN WING STOP 15W/L NO.23, AREA 33, SUN HUNG WA, N.T.

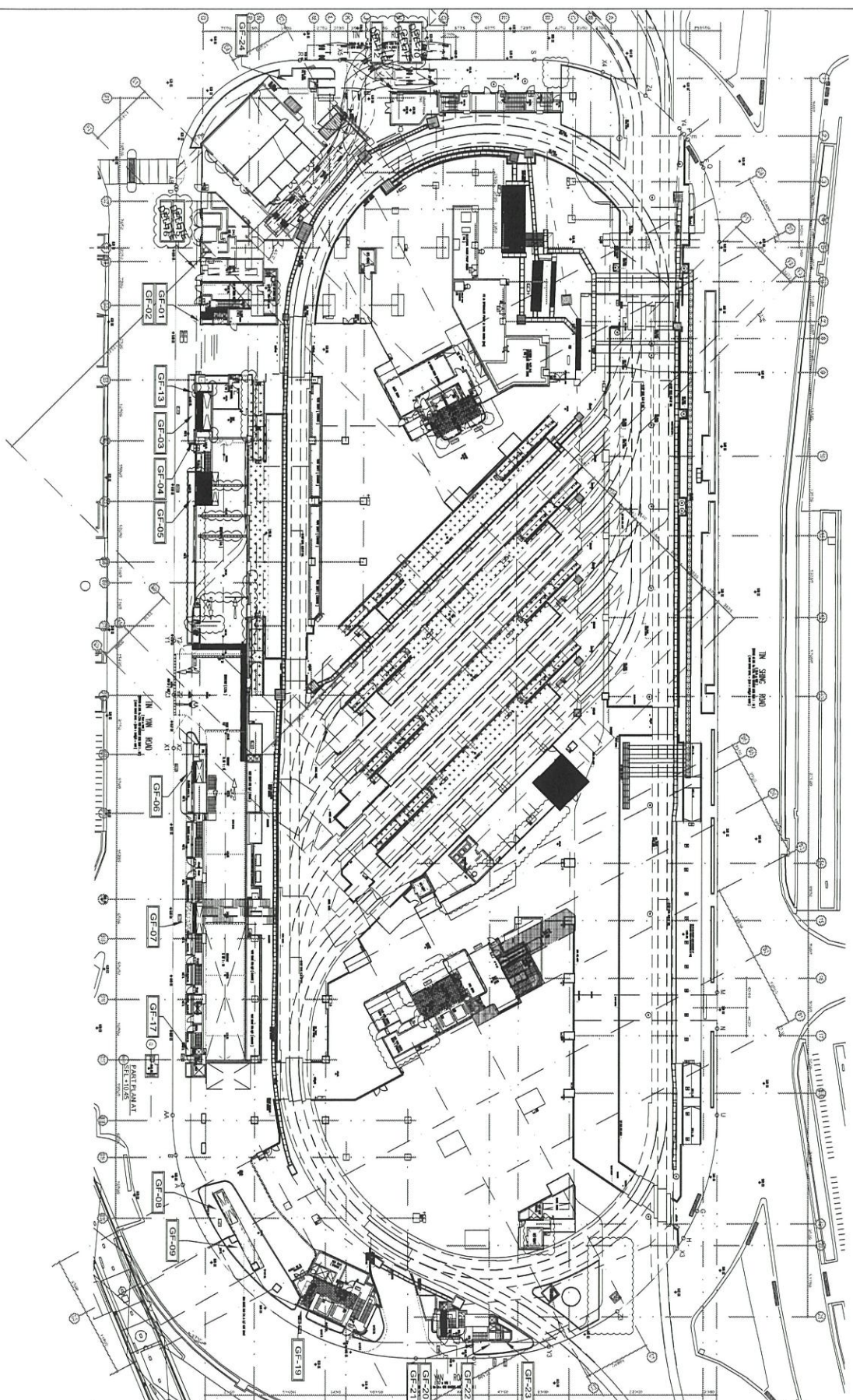
TITLE : LAYOUT ELEVATION FOR ROOM IN-SITU TOWER GF-1/F

DATE : 21-Oct-21 SCALE : 1:100

DRAWN BY : MAN CHECKED BY :

**Yee Fai** Building Contractors Ltd.  
 610 She Kwai Road, Kowloon  
 Tel: 23489211-4 Fax: (852) 27277866

DWG NO. : 856-SD-1V-3013 REV. : E



B.D. REF. :

CLIENT :  
**SUN HUNG KAI**  
 REAL ESTATE AGENT LTD.  
 477, 501, 505, 506, 507, 508, 509, 510, 511, 512, 513, 514, 515, 516, 517, 518, 519, 520, 521, 522, 523, 524, 525, 526, 527, 528, 529, 530, 531, 532, 533, 534, 535, 536, 537, 538, 539, 540, 541, 542, 543, 544, 545, 546, 547, 548, 549, 550, 551, 552, 553, 554, 555, 556, 557, 558, 559, 560, 561, 562, 563, 564, 565, 566, 567, 568, 569, 570, 571, 572, 573, 574, 575, 576, 577, 578, 579, 580, 581, 582, 583, 584, 585, 586, 587, 588, 589, 590, 591, 592, 593, 594, 595, 596, 597, 598, 599, 600, 601, 602, 603, 604, 605, 606, 607, 608, 609, 610, 611, 612, 613, 614, 615, 616, 617, 618, 619, 620, 621, 622, 623, 624, 625, 626, 627, 628, 629, 630, 631, 632, 633, 634, 635, 636, 637, 638, 639, 640, 641, 642, 643, 644, 645, 646, 647, 648, 649, 650, 651, 652, 653, 654, 655, 656, 657, 658, 659, 660, 661, 662, 663, 664, 665, 666, 667, 668, 669, 670, 671, 672, 673, 674, 675, 676, 677, 678, 679, 680, 681, 682, 683, 684, 685, 686, 687, 688, 689, 690, 691, 692, 693, 694, 695, 696, 697, 698, 699, 700, 701, 702, 703, 704, 705, 706, 707, 708, 709, 710, 711, 712, 713, 714, 715, 716, 717, 718, 719, 720, 721, 722, 723, 724, 725, 726, 727, 728, 729, 730, 731, 732, 733, 734, 735, 736, 737, 738, 739, 740, 741, 742, 743, 744, 745, 746, 747, 748, 749, 750, 751, 752, 753, 754, 755, 756, 757, 758, 759, 760, 761, 762, 763, 764, 765, 766, 767, 768, 769, 770, 771, 772, 773, 774, 775, 776, 777, 778, 779, 780, 781, 782, 783, 784, 785, 786, 787, 788, 789, 790, 791, 792, 793, 794, 795, 796, 797, 798, 799, 800, 801, 802, 803, 804, 805, 806, 807, 808, 809, 810, 811, 812, 813, 814, 815, 816, 817, 818, 819, 820, 821, 822, 823, 824, 825, 826, 827, 828, 829, 830, 831, 832, 833, 834, 835, 836, 837, 838, 839, 840, 841, 842, 843, 844, 845, 846, 847, 848, 849, 850, 851, 852, 853, 854, 855, 856, 857, 858, 859, 860, 861, 862, 863, 864, 865, 866, 867, 868, 869, 870, 871, 872, 873, 874, 875, 876, 877, 878, 879, 880, 881, 882, 883, 884, 885, 886, 887, 888, 889, 890, 891, 892, 893, 894, 895, 896, 897, 898, 899, 900, 901, 902, 903, 904, 905, 906, 907, 908, 909, 910, 911, 912, 913, 914, 915, 916, 917, 918, 919, 920, 921, 922, 923, 924, 925, 926, 927, 928, 929, 930, 931, 932, 933, 934, 935, 936, 937, 938, 939, 940, 941, 942, 943, 944, 945, 946, 947, 948, 949, 950, 951, 952, 953, 954, 955, 956, 957, 958, 959, 960, 961, 962, 963, 964, 965, 966, 967, 968, 969, 970, 971, 972, 973, 974, 975, 976, 977, 978, 979, 980, 981, 982, 983, 984, 985, 986, 987, 988, 989, 990, 991, 992, 993, 994, 995, 996, 997, 998, 999, 1000

ARCHITECT :  
**hw&partners**  
 a r c h i t e c t s

MAIN CONTRACTOR :  
**怡輝建築有限公司**  
 Yee Fai Building Construction Ltd.

STRUCTURAL ENGINEER :  
**ARUP**

FAHOLE CONSULTANT:  
**ALPHA CONSULTING LIMITED**  
 Steel Structures & Bridge Specialist

NOTE:  
 1. ALL DIMENSIONS ARE IN mm.  
 2. ALL ELEVATIONS ARE VARIOUS FROM OUTSIDE.  
 3. ALL DIMENSIONS TO BE VARIOUS ON SITE BEFORE FABRICATION.  
 LEGEND:  
 ① DETAIL MARK NO.  
 REFER SHEET NO.

1. F.F.L. --- FINISHED FLOOR LEVEL  
 2. S.F.L. --- STRUCTURAL FLOOR LEVEL  
 3. --- REVERSED DETAIL  
 4. G.A.S.S. LEGEND  
 EG-1 --- 6mm+12mm AIR GAP+16mm I.H.K. I.G.U.  
 EG-2 --- 16mm I.H.K. CLEAR EDGED GLASS

NO.	DATE	REVISION SUBJECT TO MODIFICATION
1	20/07/2022	REVISION SUBJECT TO MODIFICATION
2		
3		
4		

JOB NO. : J-8516

PROJECT :  
 PROPOSED DEVELOPMENT ABOVE  
 LIGHT RAIL TIN WING STOP-TSMTL  
 NO.23, AREA 33, TIN SHUI WAI, N.T.

TITLE :  
 PLAN FOR IN-SITU LOUVER  
 G/F

DATE : 02-Aug-21  
 SCALE : 1:40

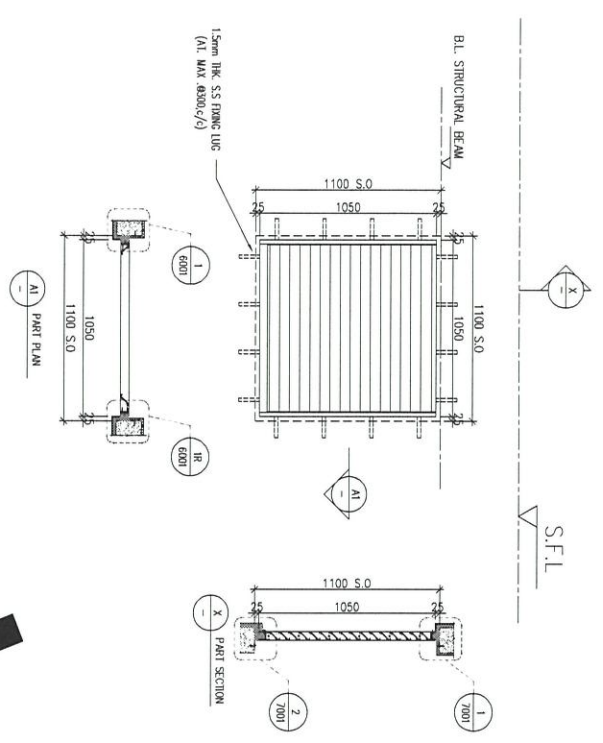
DRAWN BY : Jivan  
 CHECKED BY :

UNITED STATES OF AMERICA  
**美特堅實有限公司**  
 MTD International Professional Firm  
 610 Che Kwan Ling Road, Kowloon  
 Tel: 23489211-4 Fax: (852) 27277866  
 DMC NO. : 3895-SD-LV-2015

REV. : B







ELEVATION

DELETE

Change to Tower insitu window

T1			
T2	LMR/FINISH	2 NOS.	
T3		2 NOS.	

WINDOW MARK	AL 5.5
LOCATION	50mm ALUM. SECTION
SECTION	ALUM. LOUVER BLADE
GLAZING	COLOUR CODE: BLACK
QUANTITY	FILE AREA: 50%
REMARKS	6 NOS. SS WIRE MESH

BD. REF : \_\_\_\_\_

CLIENT : **SUN HUNG KAI**  
 REAL ESTATE AGENCY LTD.  
 42/F, SUN HUNG KAI CENTRAL, WINGLON, HONGKONG

ARCHITECT : **IWK&partners**  
 ARCHITECTS

MAIN CONTRACTOR : **柏輝建築有限公司**  
**Yee Fai Building Contractors Ltd.**

STRUCTURAL ENGINEER : **ARUP**

FAÇADE CONSULTANT : **ALPHA CONSULTING LIMITED**  
 Steel Structures & Façade Specialist

NOTE :  
 1. ALL DIMENSIONS ARE IN mm.  
 2. ALL ELEVATIONS ARE VIEWED FROM OUTSIDE BEFORE FABRICATION.  
 3. ALL DIMENSIONS TO BE VERIFIED ON SITE.

LEGEND :  
 (A1) DETAIL MARK NO.  
 (A2) DETAIL SHEET NO.

1. F.F.L. --- FINISHED FLOOR LEVEL  
 2. S.F.L. --- STRUCTURAL FLOOR LEVEL  
 3. (R) --- REVERSED DETAIL  
 4. GLASS LEGEND  
 EG-1 --- 8mm+12mm AIR GAP+8mm THK. LG.LU  
 EG-2 --- 10mm THK. CLEAR TEMPERED GLASS

NO.	DATE	REASON	BY

JOB NO. : J-856

PROJECT : PROPOSED DEVELOPMENT ABOVE LIGHT RAIL TIN WING STOP 15W/L NO.23, AREA 33, TIN SHUI WAI, N.T.

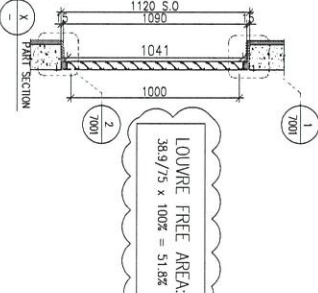
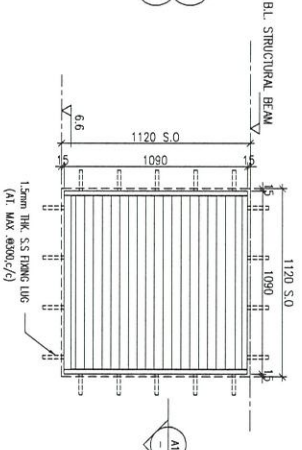
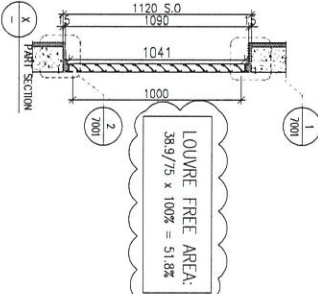
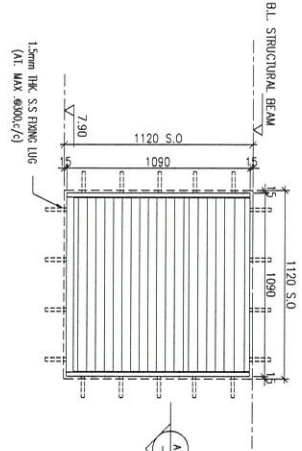
TITLE : LOUVER SCHEDULE FOR TOWER IN-SITU LOUVER

DATE : 06-Aug-21 SCALE : 1:40

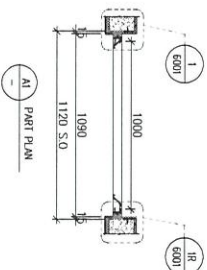
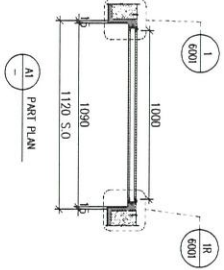
DRAWN BY : iwm CHECKED BY : \_\_\_\_\_

Unit 6-8, Sunco Building, 4/F, 610 Chee Koo Ping Road, Kowloon  
 162348211-4 Fax: (852) 27277665  
 DWG NO. : 4856-SD-TV-5002 REV : -

美特鋁質有限公司  
 M.T. Aluminium Fabrication Ltd.  
 Unit 6-8, Sunco Building, 4/F, 610 Chee Koo Ping Road, Kowloon  
 162348211-4 Fax: (852) 27277665



ELEVATION



WINDOW MARK	GF/007	S.V.101
LOCATION	G/F: G.L.(B4/D)	
SECTION	50mm ALUM. SECTION	
GLAZING	ALUM. LOUVER BLADE	CLOUR CODE: BLACK
QUANTITY	1 NOS.	FREE AREA: 50%
REMARKS	SS WIRE MESH	

DATE	06-Aug-21	SCALE	1:140
DRAWN BY	ivon	CHECKED BY	
Mei Te Construction 5/F, Ono King Road, Kowloon Tel: 23489211-4 Fax: (852) 7777866			

TITLE: LOUVER SCHEDULE FOR G/F IN-SITU LOUVER

PROJECT: PROPOSED DEVELOPMENT ABOVE LIGHT RAIL TIN WING STOP/TSWLT NO.23AREA 33, JIN SHUI WA, N.T.

JOB NO.: J-856

NO.	REVISION	DATE	BY
C	15/07/2022	REVISION SUBJECT TO APPROVEMENT	ivon
B	22/09/2022	REVISION SUBJECT TO APPROVEMENT	ivon
A	27/09/2022	REVISION SUBJECT TO APPROVEMENT	ivon

- NOTE:
- ALL DIMENSIONS ARE IN mm.
  - ALL ELEVATIONS ARE VIEWED FROM OUTSIDE.
  - ALL DIMENSIONS TO BE VIEWED ON SITE BEFORE FABRICATION.
- LEGEND:
- Ø150 BENTL MARK NO.
  - Ø150 REFER SHEET NO.
  - 1. F.F.L. -- FINISHED FLOOR LEVEL
  - 2. S.F.L. -- STRUCTURAL FLOOR LEVEL
  - 3. Ⓞ -- REVERSED DETAIL
  - 4. GLASS LENSID
- EG-1--1--8mm+12mm AIR GAP+8mm THK LGU  
EG-2--10mm THK CLEAR TEMPERED GLASS

CLIENT: SUN HUNG KAI REAL ESTATE AGENCY LTD.  
 4/F, Sun Hung Kai Centre, 100 HONG KONG STREET

ARCHITECT: Iw&partners ARCHITECTS

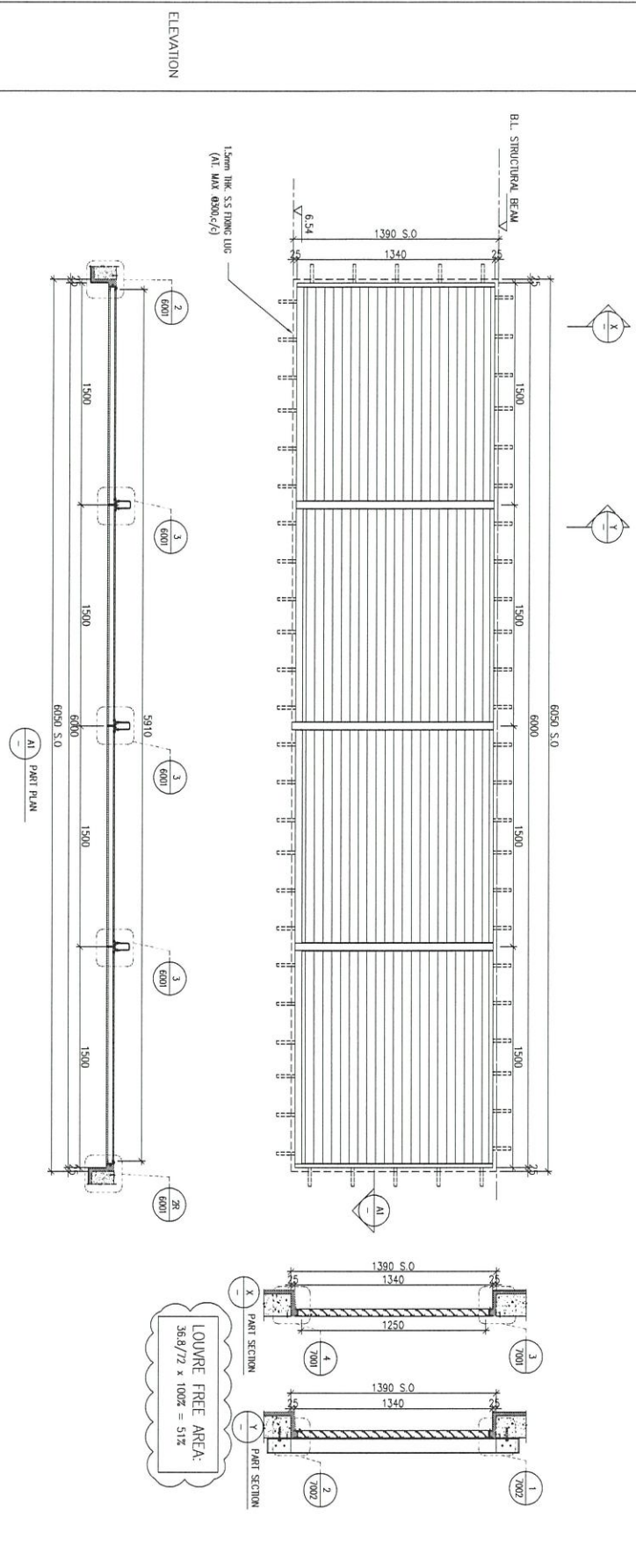
MAIN CONTRACTOR: Yee Fai Building Contractors Ltd.

STRUCTURAL ENGINEER: ARUP

FAÇADE CONSULTANT: ALPHA CONSULTING LIMITED  
 Steel Structure & Façade Specialist

B.O. REF: \_\_\_\_\_

WINDOW MARK	GR/003 S.V.103
LOCATION SECTION	G/F: G.L.(B4/O)
GLAZING	50mm ALUM. SECTION
QUANTITY	ALUM. LOUVER BLADE COLOUR CODE: BLACK FREE AREA: 50%
REMARKS	1 NOS. SS WIRE MESH



DATE : 06-Aug-21	SCALE : 1:40
DRAWN BY : Iven	CHECKED BY :
PROJECT :	PROPOSED DEVELOPMENT ABOVE LIGHT RAIL TIN WING STOP, 15WTL NO.23, AREA 33, TIN SHUI WAU, N.T.
TITLE :	LOUVER SCHEDULE FOR G/F IN-SITU LOUVER

JOB NO. :	J-856	
NO.	DATE	REVISION
1	15/11/2022	REVISION SUBJECT TO APPROVAL
2	27/01/2022	REVISION SUBJECT TO APPROVAL
3	27/01/2022	REVISION SUBJECT TO APPROVAL

LEGEND :	1. F.F.L. --- FINISHED FLOOR LEVEL 2. S.F.L. --- STRUCTURAL FLOOR LEVEL 3. (Symbol) --- REVERSED DETAIL 4. GLASS LEGEND EG-1 --- 8mm AG 04+8mm THK LGU EG-2 --- 10mm THK CLEAR TEMPERED GLASS (Symbol) --- RETAIL MARK NO. (Symbol) --- RETAIL SHEET NO.
----------	---

NOTE:  
 1. ALL DIMENSIONS ARE IN mm.  
 2. ALL ELEVATIONS ARE VIEWED FROM OUTSIDE BEFORE FABRICATION.  
 3. ALL DIMENSIONS TO BE VERIFIED ON SITE.

FACE CONSULTANT:  
**ARUP**  
 ALPHA CONSULTING LIMITED  
 8011, 8012, 8013, 8014, 8015, 8016, 8017, 8018, 8019, 8020, 8021, 8022, 8023, 8024, 8025, 8026, 8027, 8028, 8029, 8030, 8031, 8032, 8033, 8034, 8035, 8036, 8037, 8038, 8039, 8040, 8041, 8042, 8043, 8044, 8045, 8046, 8047, 8048, 8049, 8050, 8051, 8052, 8053, 8054, 8055, 8056, 8057, 8058, 8059, 8060, 8061, 8062, 8063, 8064, 8065, 8066, 8067, 8068, 8069, 8070, 8071, 8072, 8073, 8074, 8075, 8076, 8077, 8078, 8079, 8080, 8081, 8082, 8083, 8084, 8085, 8086, 8087, 8088, 8089, 8090, 8091, 8092, 8093, 8094, 8095, 8096, 8097, 8098, 8099, 8100

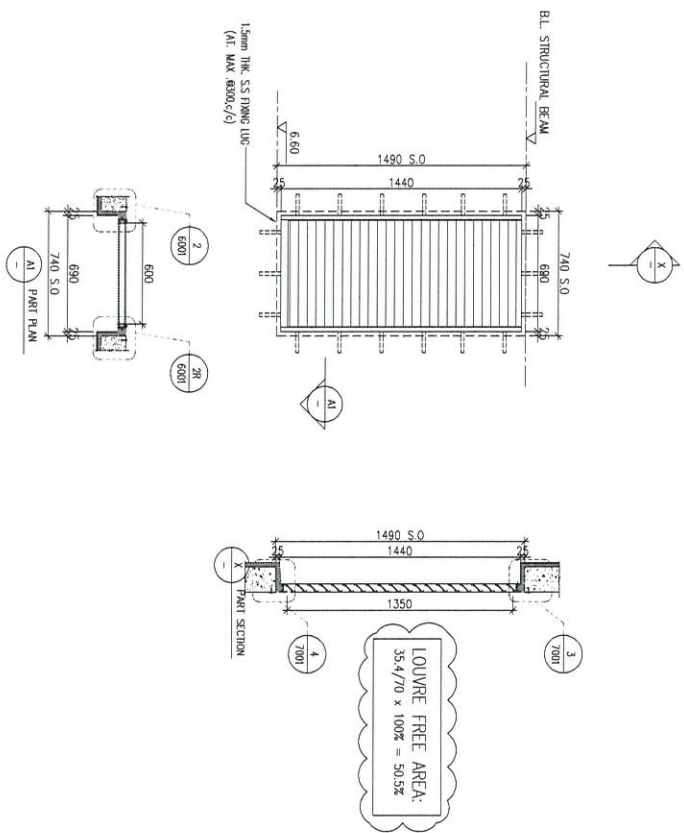
STRUCTURAL ENGINEER :  
**Yee Fai**  
 Yee Fai Building Contractors Ltd.

ARCHITECT :  
**iwk&partners**  
 IWK & PARTNERS ARCHITECTS

CLIENT :  
**SUN HUNG KAI**  
 REAL ESTATE DEVELOPMENT  
 507, 508, 509, 510, 511, 512, 513, 514, 515, 516, 517, 518, 519, 520, 521, 522, 523, 524, 525, 526, 527, 528, 529, 530, 531, 532, 533, 534, 535, 536, 537, 538, 539, 540, 541, 542, 543, 544, 545, 546, 547, 548, 549, 550, 551, 552, 553, 554, 555, 556, 557, 558, 559, 560, 561, 562, 563, 564, 565, 566, 567, 568, 569, 570, 571, 572, 573, 574, 575, 576, 577, 578, 579, 580, 581, 582, 583, 584, 585, 586, 587, 588, 589, 590, 591, 592, 593, 594, 595, 596, 597, 598, 599, 600, 601, 602, 603, 604, 605, 606, 607, 608, 609, 610, 611, 612, 613, 614, 615, 616, 617, 618, 619, 620, 621, 622, 623, 624, 625, 626, 627, 628, 629, 630, 631, 632, 633, 634, 635, 636, 637, 638, 639, 640, 641, 642, 643, 644, 645, 646, 647, 648, 649, 650, 651, 652, 653, 654, 655, 656, 657, 658, 659, 660, 661, 662, 663, 664, 665, 666, 667, 668, 669, 670, 671, 672, 673, 674, 675, 676, 677, 678, 679, 680, 681, 682, 683, 684, 685, 686, 687, 688, 689, 690, 691, 692, 693, 694, 695, 696, 697, 698, 699, 700, 701, 702, 703, 704, 705, 706, 707, 708, 709, 710, 711, 712, 713, 714, 715, 716, 717, 718, 719, 720, 721, 722, 723, 724, 725, 726, 727, 728, 729, 730, 731, 732, 733, 734, 735, 736, 737, 738, 739, 740, 741, 742, 743, 744, 745, 746, 747, 748, 749, 750, 751, 752, 753, 754, 755, 756, 757, 758, 759, 760, 761, 762, 763, 764, 765, 766, 767, 768, 769, 770, 771, 772, 773, 774, 775, 776, 777, 778, 779, 780, 781, 782, 783, 784, 785, 786, 787, 788, 789, 790, 791, 792, 793, 794, 795, 796, 797, 798, 799, 800, 801, 802, 803, 804, 805, 806, 807, 808, 809, 810, 811, 812, 813, 814, 815, 816, 817, 818, 819, 820, 821, 822, 823, 824, 825, 826, 827, 828, 829, 830, 831, 832, 833, 834, 835, 836, 837, 838, 839, 840, 841, 842, 843, 844, 845, 846, 847, 848, 849, 850, 851, 852, 853, 854, 855, 856, 857, 858, 859, 860, 861, 862, 863, 864, 865, 866, 867, 868, 869, 870, 871, 872, 873, 874, 875, 876, 877, 878, 879, 880, 881, 882, 883, 884, 885, 886, 887, 888, 889, 890, 891, 892, 893, 894, 895, 896, 897, 898, 899, 900, 901, 902, 903, 904, 905, 906, 907, 908, 909, 910, 911, 912, 913, 914, 915, 916, 917, 918, 919, 920, 921, 922, 923, 924, 925, 926, 927, 928, 929, 930, 931, 932, 933, 934, 935, 936, 937, 938, 939, 940, 941, 942, 943, 944, 945, 946, 947, 948, 949, 950, 951, 952, 953, 954, 955, 956, 957, 958, 959, 960, 961, 962, 963, 964, 965, 966, 967, 968, 969, 970, 971, 972, 973, 974, 975, 976, 977, 978, 979, 980, 981, 982, 983, 984, 985, 986, 987, 988, 989, 990, 991, 992, 993, 994, 995, 996, 997, 998, 999, 1000

B.O. REF :  
 DRAWING NO. : 4956-SD-LV-5004  
 REV. : C

WINDOW MARK	GF	E&M PURPOSE (NEWLAND)
LOCATION SECTION	G/F: G.L.(B5-B6/P-Q)	
GLAZING	50mm ALUM. SECTION	
QUANTITY	1 NOS.	
REMARKS	SS WIRE MESH	



ELEVATION

DATE : 06-Aug-21	SCALE : 1:40
DRAWN BY : Ivan	CHECKED BY :
Unit 6-8, Suning Industrial Building, 7/F 610 Cha Kwo Ling Road, Kowloon Tel: 23489211-4 Fax: (852) 27272866	
DWG NO. : 8596-SD-LV-5005	REV. : C

TITLE :  
LOUVER SCHEDULE FOR  
G/F N-SITU LOUVER

J&B NO. : J-856

PROJECT :  
PROPOSED DEVELOPMENT ABOVE  
LIGHT RAIL TIN MING STOP-TSMWL  
NO.23, AREA 33, TIN SHUI WAI, N.T.

NO.	DATE	REVISION
A	21/04/2022	REVISION SUBJECT TO APPROVAL
B	22/08/2022	REVISION SUBJECT TO APPROVAL
C	16/12/2022	REVISION SUBJECT TO APPROVAL

- NOTE:
1. ALL DIMENSIONS ARE IN mm.
  2. ALL ELEVATIONS ARE VIEWED FROM OUTSIDE BEFORE FABRICATION.
  3. ALL DIMENSIONS TO BE VIEWED ON SITE BEFORE FABRICATION.
- LEGEND:
- XX - DETAIL MARK NO.
  - XXXX - REFER SHEET NO.
1. F.F.L. -- FINISHED FLOOR LEVEL
  2. S.F.L. -- STRUCTURAL FLOOR LEVEL
  3. (R) -- REVERSED DETAIL
  4. GLASS LEGEND
- EQ-1 -- 8mm+12mm AIR GAP+18mm THK. LGU  
EQ-2 -- 10mm THK. CLEAR THERBERED GLASS

FAÇADE CONSULTANT:  
**ARUP**  
ALPHA CONSULTING LIMITED  
Steel Structure & Façade Specialist

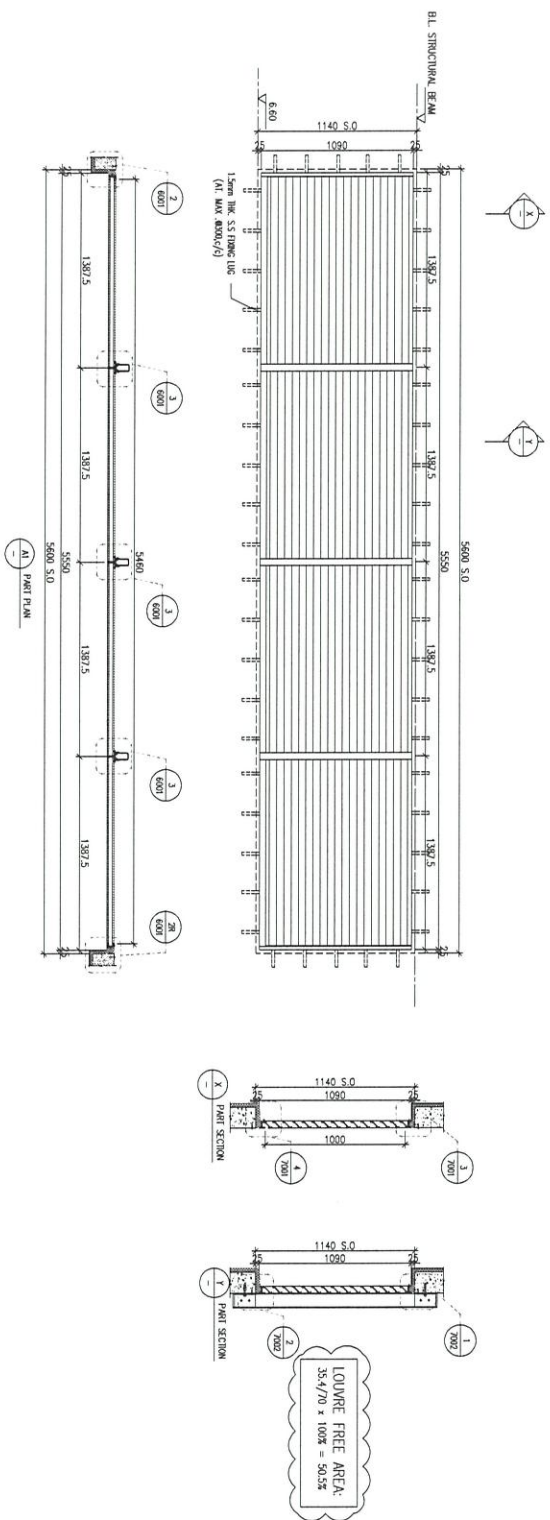
STRUCTURAL ENGINEER:  
**Yao Fai**  
Yao Fai Building Contractor Ltd.

ARCHITECT:  
**lwk&partners**  
ARCHITECTS

CLIENT:  
**SUN HUNG KAI**  
REAL ESTATE AGENCY LTD.  
477 SUN HING WAI CENTRAL, NEW QUANTON, HONGKONG

B.O. REF.:

ELEVATION



WINDOW MARK	(059) S.V.105
LOCATION SECTION	G/F: G.L.(B6-B7/P) 50mm ALUM. SECTION
GLAZING QUANTITY	ALUM. LOWER BLADE COLOUR CODE: BLACK FREE AREA: 50%
REMARKS	1 NOS. SS WIRE MESH

B.D. REF :

CLIENT : **SUN HUNG KAI** REAL ESTATE AGENCY LTD. 4277 SUN HUNG KAI CENTRE, WINGLOONG TOWER/20/F

ARCHITECT : **lwk&partners** A T T O R N E Y S

MAIN CONTRACTOR : **怡康建築有限公司** Yee Fai Building Contractors Ltd.

STRUCTURAL ENGINEER : **ARUP** ALPHA CONSULTING LIMITED Steel Structures & Bridge Specialist

FOUNDER CONSULTANT : **ARUP** ALPHA CONSULTING LIMITED Steel Structures & Bridge Specialist

NOTE :  
 1. ALL DIMENSIONS ARE IN mm.  
 2. ALL ELEVATIONS ARE VIEWED FROM OUTSIDE.  
 3. ALL DIMENSIONS TO BE VERIFIED ON SITE BEFORE FABRICATION.  
 LEGEND :  
 (X) DETAIL MARK NO.  
 (Y) REFER SHEET NO.  
 1. F.F.L.---FINISHED FLOOR LEVEL  
 2. S.F.L.---STRUCTURAL FLOOR LEVEL  
 3. (R)---REVERSED DETAIL  
 4. GLASS LEGEND  
 EG-1---8mm+12mm AIR GAP+8mm THK LGU  
 EG-2---10mm THK CLEAR TEMPERED GLASS

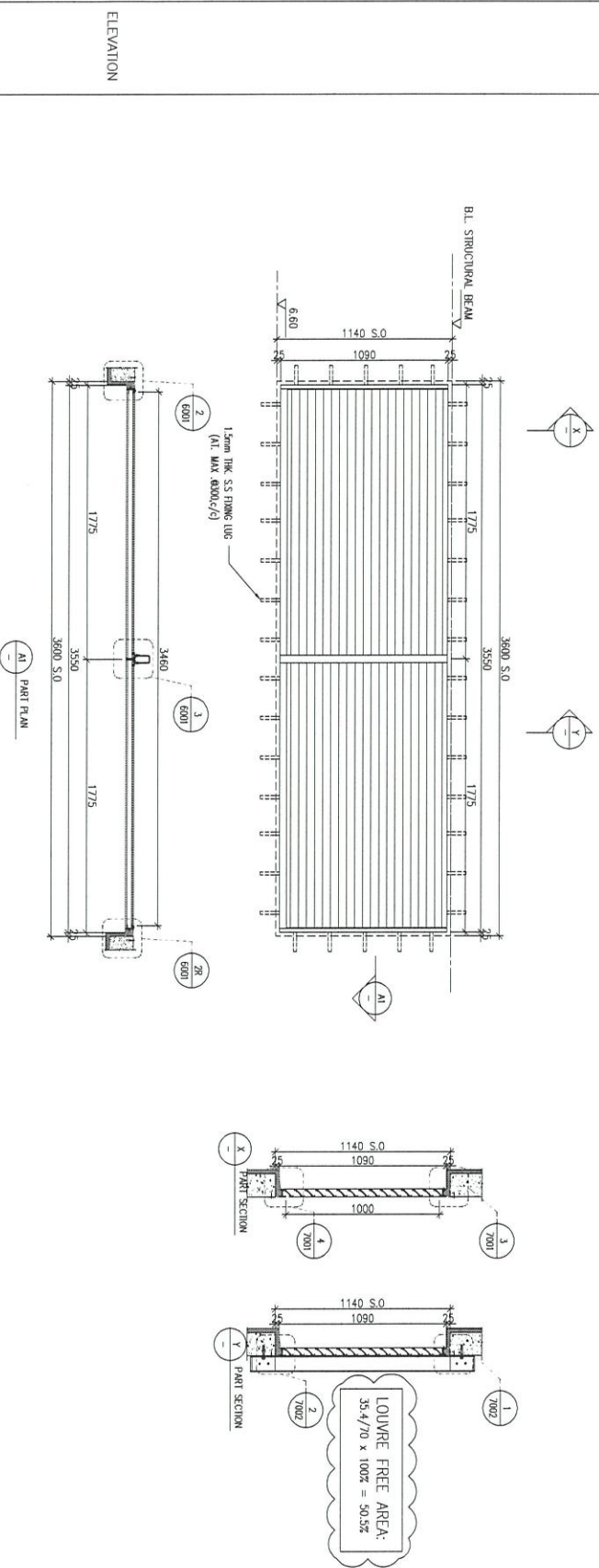
DATE : 06-Aug-21	SCALE : 1:40
DRAWN BY : Ivan	CHECKED BY :
C 15/12/2022	REVISION SUBJECT TO APPROVEMENT
B 17/08/2022	REVISION SUBJECT TO APPROVEMENT
A 29/04/2022	REVISION SUBJECT TO APPROVEMENT
NO. DATE	REVISION

JOB NO. : J-856

PROJECT : PROPOSED DEVELOPMENT ABOVE LIGHT RAIL TIN WING STOP, TSWML NO.23, AREA 33, TIN SHUI WAI, N.T.

TITLE : LOWER SCHEDULE FOR G/F IN-SITU LOUVER

Unit 5-8, 5/F, Sun Hung Kai Centre, Wingloong Tower, 4277 Sun Hung Kai Road, Kowloon  
 Tel: 23489211-4 Fax: (852) 27272666  
 DWG NO. : 856-SD-LV-5006



ELEVATION

WINDOW MARK	GR/069	S.V.107
LOCATION	G/F, G.L.(B12 B13/P)	
SECTION	50mm ALUM. SECTION	
GLAZING	ALUM. LOUVER BLADE	COLOUR CODE: BLACK
QUANTITY	1 NOS.	FREE AREA: 50%
REMARKS	SS WIRE MESH	

B.O. REF. :

CLIENT : **SUN HUNG KAI** REAL ESTATE AGENCY LTD.  
427, SUN HUNG KAI CENTRAL, WINGLOA, HONGKONG

ARCHITECT : **lwk&partners** ARCHITECTS

MAIN CONTRACTOR : **Yee Fai** Building Contractors Ltd.

STRUCTURAL ENGINEER : **ARUP**

LOUVRE CONSULTANT : **ALPHA CONSULTING LIMITED**  
Steel Structure & Braced Specialist

NOTE:  
1. ALL DIMENSIONS ARE IN mm.  
2. ALL ELEVATIONS ARE VIEWED FROM OUTSIDE.  
3. ALL DIMENSIONS TO BE VERIFIED ON SITE BEFORE FABRICATION.

LEGEND:  
 (Z) GENERAL MARK NO.  
 (ARUP) REFER SHEET NO.

1. F.F.L. -- FINISHED FLOOR LEVEL  
 2. S.F.L. -- STRUCTURAL FLOOR LEVEL  
 3. (R) -- REVERSED DETAIL  
 4. GLASS LEGEND  
 EG-1 -- 8mm+12mm AIR GAP+8mm THK. LGU  
 EG-2 -- 10mm THK. CLEAR TEMPERED GLASS

DATE	15/12/2022	REVISION SUBJECT TO APPROVEMENT
DATE	27/09/2022	REVISION SUBJECT TO APPROVEMENT
DATE	27/09/2022	REVISION SUBJECT TO APPROVEMENT

JOB NO. : J-856

PROJECT : PROPOSED DEVELOPMENT ABOVE LIGHT RAIL TIN WING STOP, 15WTL NO.23, AREA 33, TIN SHUI WA, N.T.

TITLE : LOUVER SCHEDULE FOR G/F IN-SITU LOUVER

DATE : 06-Aug-21 SCALE : 1:40

DRAWN BY : Iven CHECKED BY :

**美特堅 實業有限公司**  
M.T.K. REAL ESTATE AGENCY LTD.  
Units 6-8, Sun Hung Kai Building, 427, Sun Hung Kai Central, Wingloa, Hong Kong.  
Tel: (852) 2489211-4 Fax: (852) 27272666

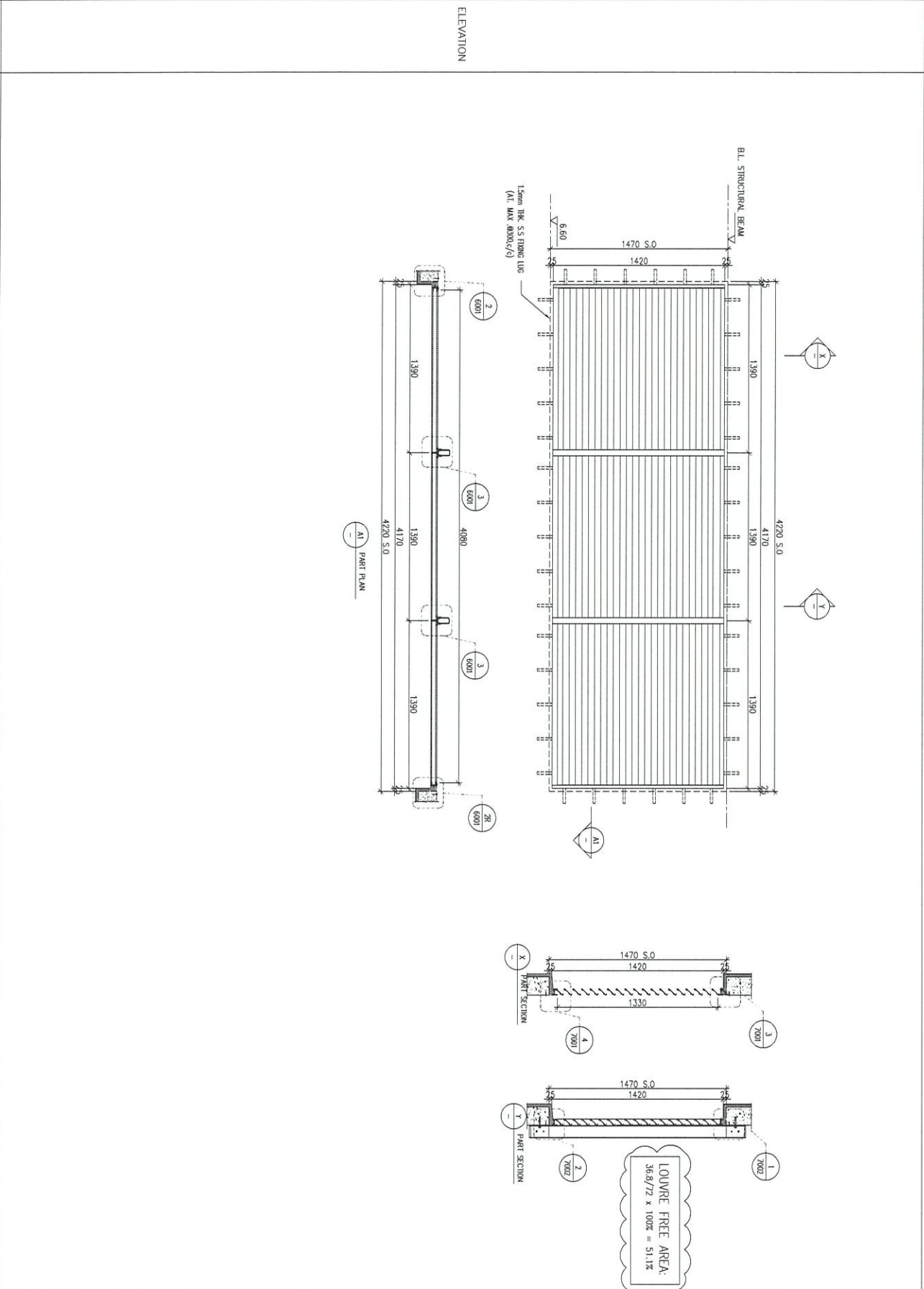
DMC NO. : 8556-SD-TV-5007 REV. : C



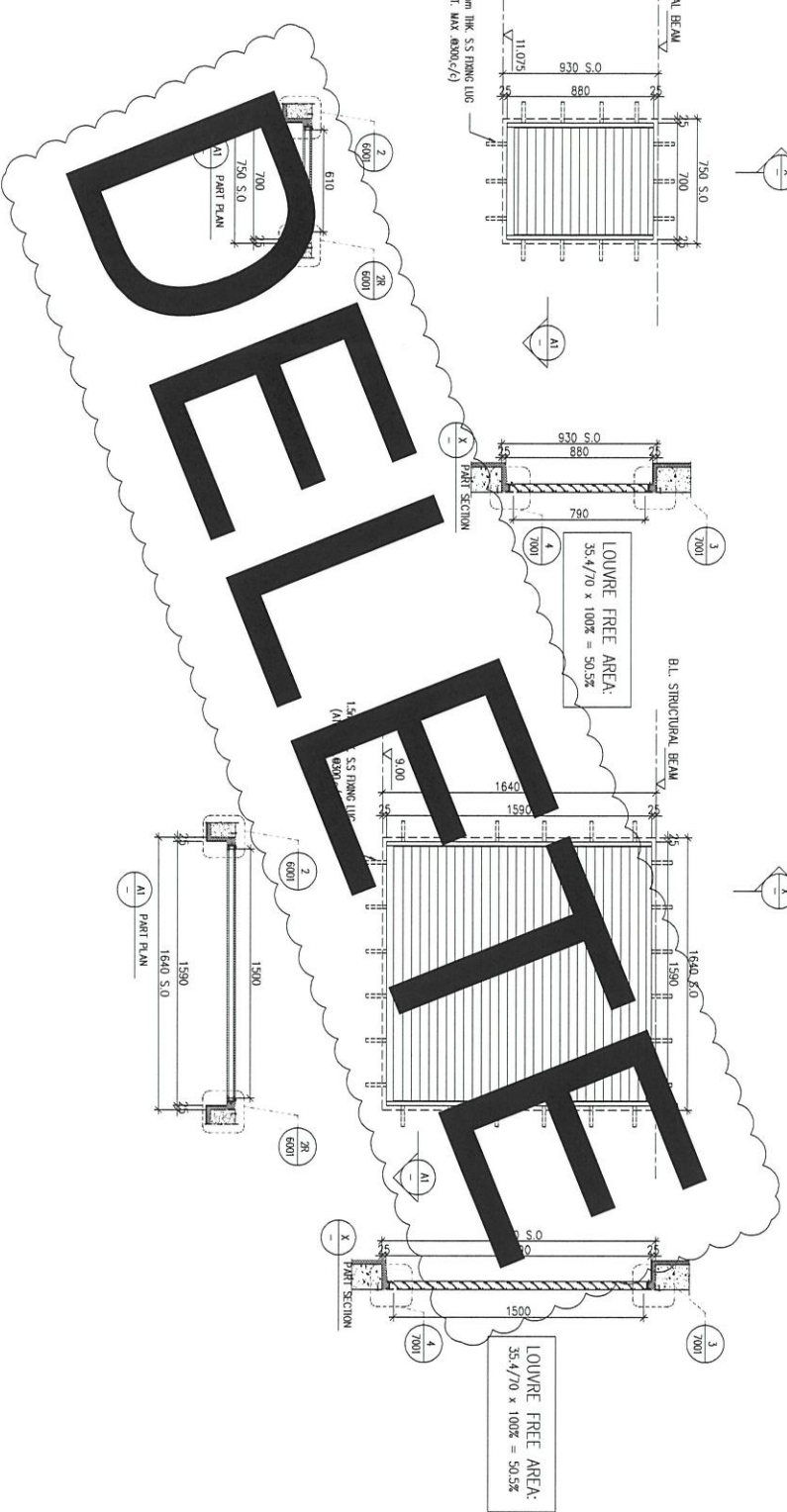
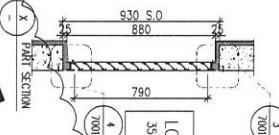
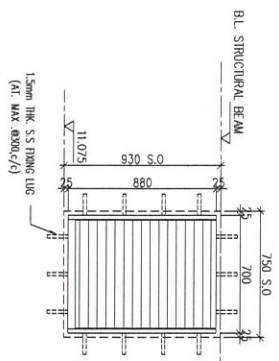


WINDOW MARK	GF 0057	EXAM PURPOSE (AC)
LOCATION	G/F: G.L.(B19-B20/P)	
SECTION	50mm ALUM. SECTION	
GLAZING	ALUM. LOUVER BLADE	CLOUR CODE: BLACK
QUANTITY	1 NOS.	FREE AREA: 50%
REMARKS	SS WIRE MESH	

DATE : 06-Aug-21	SCALE : 1:40
DRAWN BY : ivon	CHECKED BY :
Main Contractor : 柏輝建築有限公司 Yee Fai Building Contractor Ltd.	
Structural Engineer : ARUP	
Project : PROPOSED DEVELOPMENT ABOVE LIGHT RAIL TIN WING STOP 15WTL NO.23, AREA 33.11M SHUI WAU, N.T.	
Title : LOUVER SCHEDULE FOR G/F IN-SITU LOUVER	
JOB NO. : J-856	REV. : E



CLIENT : SUN HUNG KAI REAL ESTATE AGENCY LTD. 427, 250 HARRIS ROAD, CENTRAL, HONG KONG	ARCHITECT : Iw&partners ARCHITECTS	MAIN CONTRACTOR : 柏輝建築有限公司 Yee Fai Building Contractor Ltd.	STRUCTURAL ENGINEER : ARUP
FRACSE CONSULTANT : ALPHA CONSULTING LIMITED Steel Structure & Façade Specialist	NOTE : 1. ALL DIMENSIONS ARE IN MM. 2. ALL DIMENSIONS ARE VERIFIED FROM OUTSIDE. 3. ALL DIMENSIONS TO BE VERIFIED ON SITE BEFORE FABRICATION.	LEGEND : (21) DETAIL MARK NO. (250) DETAIL SHEET NO.	REVISIONS : E 15/11/2022 REVISION SELECT TO AMENDMENT FROM D 25/11/2022 REVISION SELECT TO AMENDMENT FROM C 15/11/2022 REVISION SELECT TO AMENDMENT FROM B 22/09/2022 REVISION SELECT TO AMENDMENT FROM A 27/04/2022 REVISION SELECT TO AMENDMENT FROM



ELEVATION

WINDOW MARK	GR	EXM PURPOSE (NEW/ADD)
LOCATION	G/F, 2/F, 6/F	
SECTION	50mm ALUM. SECTION	
GLAZING	ALUM. LOUVER	COLOUR CODE: BLACK
QUANTITY	1 NOS.	FREE AREA: 50%
REMARKS	SS WIRE MESH	

**DELETE**

WINDOW MARK	GR	EXM PURPOSE (NEW/ADD)
LOCATION	G/F, 6/F	
SECTION	50mm ALUM. SECTION	
GLAZING	ALUM. LOUVER	COLOUR CODE: BLACK
QUANTITY	1 NOS.	FREE AREA: 50%
REMARKS	SS WIRE MESH	

**DELETE**

B.O. REF :

CLIENT :  
**SUN HUNG KAI**  
 REAL ESTATE AGENT LTD.  
 4377 Sun Hung Kai Centre, Kwun Tong, Kowloon

ARCHITECT :  
**Iw&partners**  
 ARCHITECTS  
 4/F, 360 Queen's Road Central, Hong Kong

MAIN CONTRACTOR :  
**Yee Fai**  
 柏輝建築有限公司  
 Building Contractors Ltd.

STRUCTURAL ENGINEER :  
**ARUP**  
 ALPHA CONSULTING LIMITED  
 Steel Structures & Facade Specialist

NOTE:  
 1. ALL DIMENSIONS ARE IN mm.  
 2. ALL ELEVATIONS ARE VIEWED FROM OUTSIDE.  
 3. ALL DIMENSIONS TO BE CHECKED ON SITE BEFORE FABRICATION.  
 LEGEND:  
 (21) DETAIL MARK NO.  
 (28R) REF. SHEET NO.

D	15/11/2022	REVISION SUBJECT TO APPROVEMENT
C	22/09/2022	REVISION SUBJECT TO APPROVEMENT
B	31/04/2022	REVISION SUBJECT TO APPROVEMENT
A	23/10/2021	REVISION SUBJECT TO APPROVEMENT

DATE : 06-Aug-21 SCALE : 1:40  
 DRAWN BY : Ivan  
 CHECKED BY :  
 PROJECT :  
 PROPOSED DEVELOPMENT ABOVE LIGHT RAIL TIN WING STOP 15MWL NO.23 AREA 3331N SHUI WAU, N.T.  
 TITLE :  
 LOUVER SCHEDULE FOR G/F IN-SITU LOUVER  
 PROJECT NO. : J-856  
 DRAWING NO. : JBS5-SD-LV-5011  
 REV. : D

B.L. REF :

CLIENT :

**SUN HUNG KAI**  
REAL ESTATE AGENCY LTD.  
437 Shek Kwan Street, Shek Wan, Hong Kong

ARCHITECT :  
**lwk&partners**  
A B C N I R C I S

MAIN CONTRACTOR :  
**Yeek Fai** Building Contractors Ltd.

STRUCTURAL ENGINEER :  
**ARUP**  
ALPHA CONSULTING LIMITED  
Steel Structure & Trade Specialist

NOTE:  
1. ALL DIMENSIONS ARE IN mm.  
2. ALL ELEVATIONS ARE VIEWED FROM OUTSIDE.  
3. ALL DIMENSIONS TO BE REFERRED ON SITE BEFORE FABRICATION.  
LEGEND:  
①1 DETAIL MARK NO.  
②001 BENCH SHEET NO.  
1. F.F.L. -- FINISHED FLOOR LEVEL  
2. S.F.L. -- STRUCTURAL FLOOR LEVEL  
3. Ⓞ -- REVERSED DETAIL  
4. GLASS LEGEND  
EQ-1 -- 8mm+12mm AIR GAP+8mm THK. LGU  
EQ-2 -- 10mm THK. CLEAR TINTED GLASS

NO.	DATE	REVISION
D	15/12/2022	REVISION SUBJECT TO APPROVEMENT FROM
C	22/09/2022	REVISION SUBJECT TO APPROVEMENT FROM
B	27/04/2022	REVISION SUBJECT TO APPROVEMENT FROM
A	22/02/2021	REVISION SUBJECT TO APPROVEMENT FROM

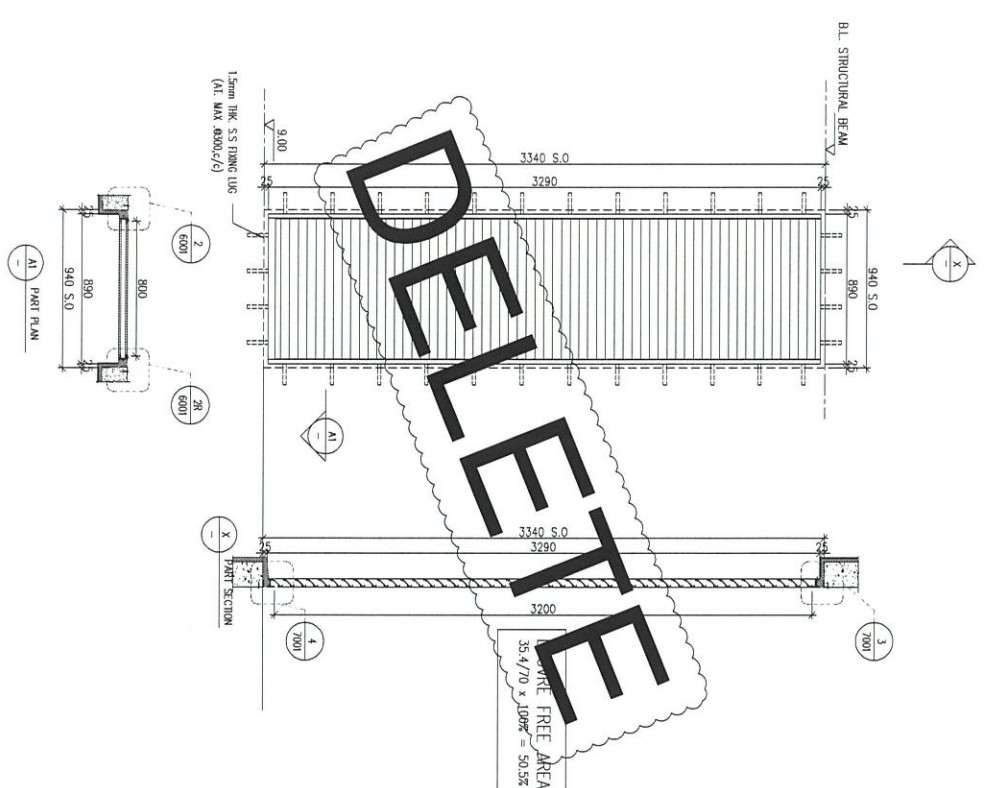
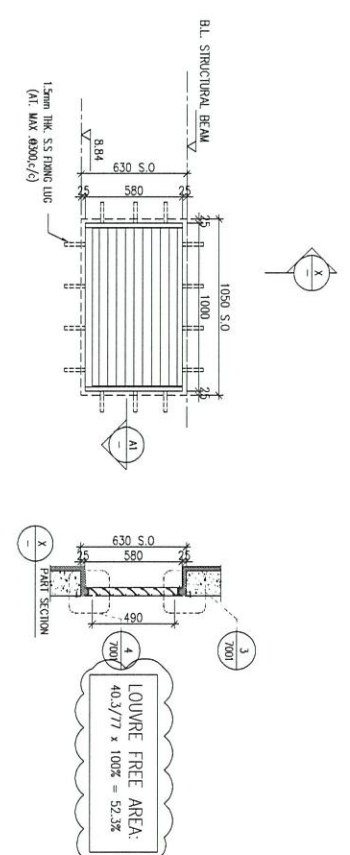
JOB NO. : J-856

PROJECT :  
PROPOSED DEVELOPMENT ABOVE LIGHT RAIL TIN WING STOP 15W/L NO.23, AREA 33.31M SHUI WAH, N.T.

TITLE :  
LOUVER SCHEDULE FOR C/F IN-STIU LOUVER

DATE : 06-Aug-21  
SCALE : 1:40  
DRAWN BY : Jvon  
CHECKED BY :

Unit 5-8, Summit Industrial Building, Yuen Long Road, Yuen Long, New Territories  
610 Cheung Kwo Ling Road, Kowloon  
Tel: 23489271-4 Fax: 8527277665  
DWG NO. : 856-S0-UV-5012 REV. : 0



ELEVATION

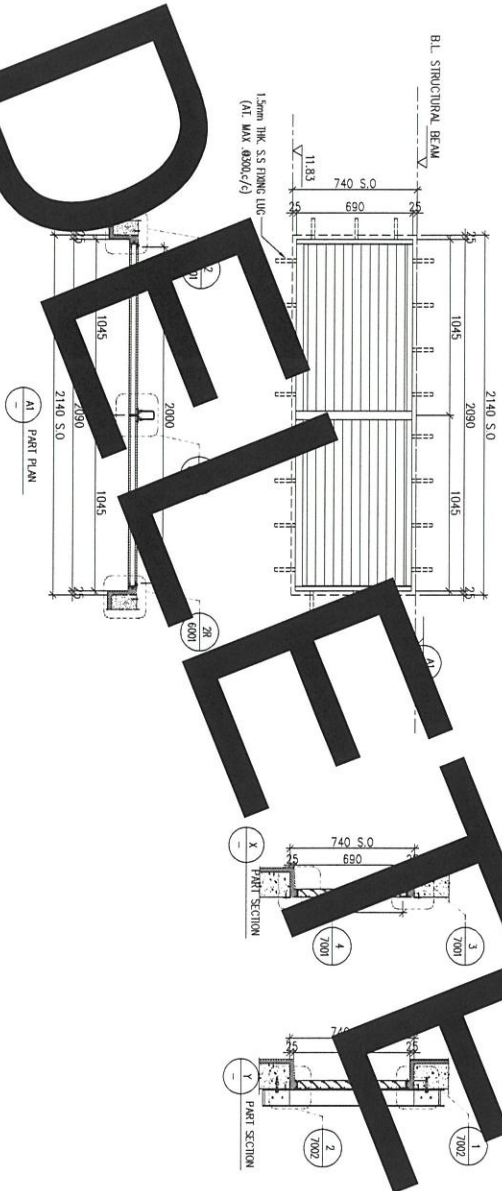
WINDOW MARK	①12	EXM PURPOSE (NEW/ADD)
LOCATION	G/F: G/L(H/P)	
SECTION	50mm ALUM. SECTION	
GLAZING	ALUM. LOUVER BLADE	COLOUR CODE: BLACK
QUANTITY	1 NOS.	FREE AREA: 50%
REMARKS	SS WIRE MESH	

WINDOW MARK	①13	EXM PURPOSE (NEW/ADD)
LOCATION	G/F: G/L(H/P)	
SECTION	50mm ALUM. SECTION	
GLAZING	ALUM. LOUVER BLADE	COLOUR CODE: BLACK
QUANTITY	1 NOS.	FREE AREA: 50%
REMARKS	SS WIRE MESH	

**DELETE**

**DELETE**

**DELETE**



ELEVATION

DRAFT

WINDOW MARK	CE/ G14	E&M PURPOSE (NEW/AND)
LOCATION	G/F: G.L.(B1-B2/P)	
SECTION	50mm ALUM. SECTION	
GLAZING	ALUM. LOUVER BLADE	CLOUR CODE: BLACK
QUANTITY	1 NOS.	FREE AREA: 50%
REMARKS	SS WIRE MESH	

BLD. REF :

CLIENT :

**SUN HUNG KAI**  
REAL ESTATE AGENCY LTD.  
4/F, SUN HUNG KAI CENTRE, WING LOK, HONGKONG

**lwk&partners**  
ARCHITECTS

MAIN CONTRACTOR :  
**Yee Fai** 怡輝建築有限公司  
Building Contractor Ltd.

STRUCTURAL ENGINEER :  
**ARUP**

FAÇADE CONSULTANT:  
**ALPHA CONSULTING LIMITED**  
Steel Structure & Façade Specialist

NOTE:  
1. ALL DIMENSIONS ARE IN mm.  
2. ALL ELEVATIONS ARE VIEWED FROM OUTSIDE.  
3. ALL DIMENSIONS TO BE VERIFIED ON SITE BEFORE FABRICATION.

LEGEND:  
21 REF. MARK NO.  
2100 REF. SHEET NO.

1. F.F.L.--FINISHED FLOOR LEVEL  
2. S.F.L.--STRUCTURAL FLOOR LEVEL  
3. 20 --REVERSED DETAIL  
4. CLASS LEGEND  
EQ-1--8mm+12mm AIR GAP+6mm THK. LGLU  
EQ-2--10mm THK. CLEAR TEMPERED GLASS

NO.	DATE	REVISION SUBJECT TO APPROVAL	BY
1	22/09/2022	REVISION SUBJECT TO APPROVAL	BR

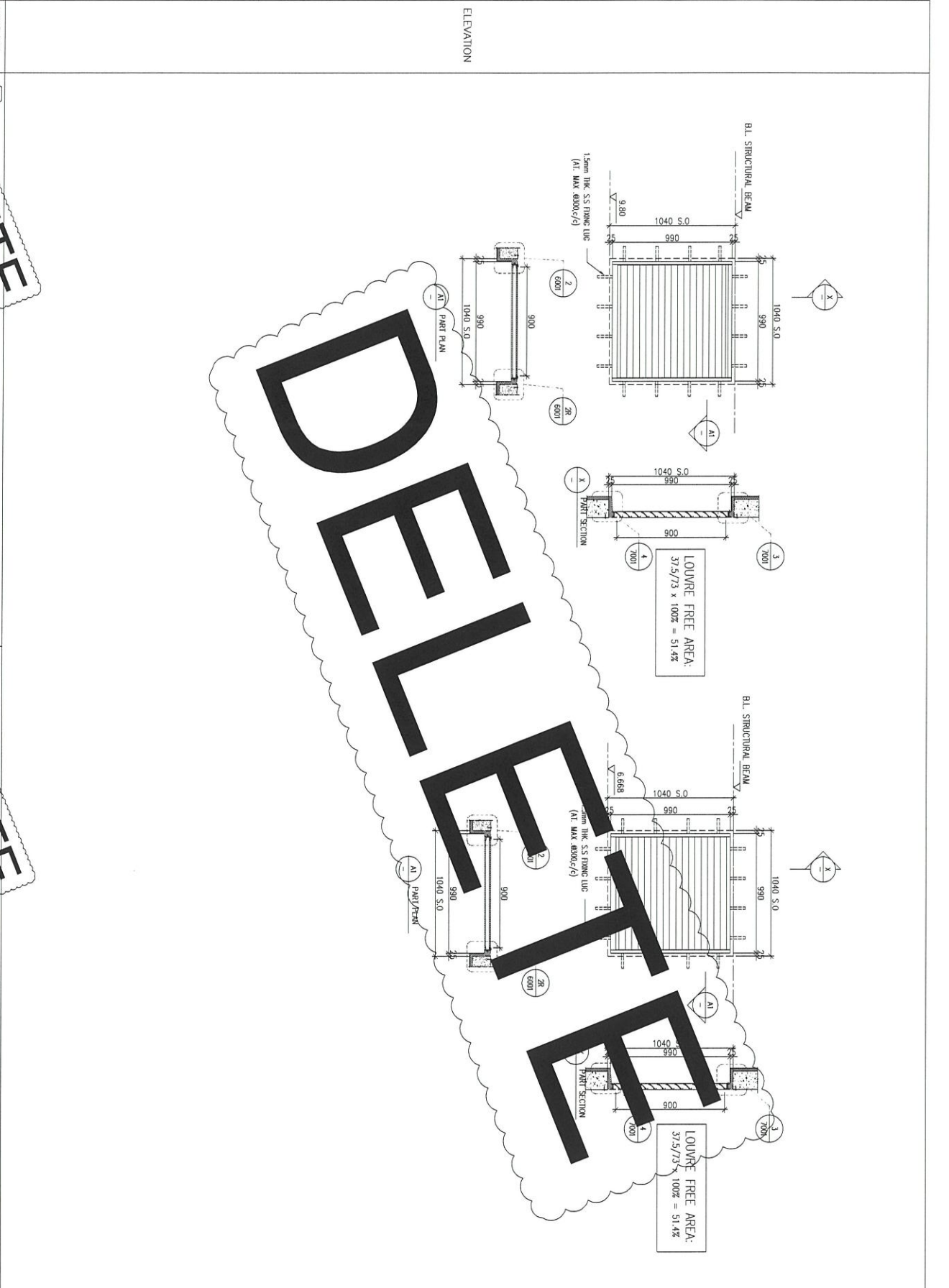
JOB NO. : J-856  
PROJECT : PROPOSED DEVELOPMENT ABOVE LIGHT RAIL, TIN WING STOP, TSUN LUI NO.23, AREA 33, TIN SHUI WA, N.T.  
TITLE : LOUVER SCHEDULE FOR G/F N-SITU LOUVER

DWG. NO. : J856-SD-LV-5012A | REV. : A  
DATE : 06-Aug-21 | SCALE : 1:40  
DRAWN BY : HOAN | CHECKED BY :  
**美特鋁質有限公司**  
MIDI ALUMINIUM FABRICATOR LTD.  
Units 4-8, S-77, Tin Wing Road, Kowloon, H.K.  
601, Tin Wing Road, Kowloon, H.K.  
Tel: 2489311-4 Fax: (852) 2727866

WINDOW MARK	GF	EXM PURPOSE (NEW/OLD)
LOCATION	G/F, 4/F (NEW)	
SECTION	50part ALUM. WINDOW	
GLAZING	ALUM. LOUVER GLAZING	COLOUR CODE: BLACK
QUANTITY	1 NO.	FREE AREA: 50%
REMARKS	SS WHITE MESH	

WINDOW MARK	GF	EXM PURPOSE (NEW/OLD)
LOCATION	G/F, 4/F (NEW)	
SECTION	50part ALUM. WINDOW	
GLAZING	ALUM. LOUVER GLAZING	COLOUR CODE: BLACK
QUANTITY	1 NO.	FREE AREA: 50%
REMARKS	SS WHITE MESH	

DATE	06-Aug-21	SCALE	1:40
DRAWN BY	Yvon	CHECKED BY	
PROJECT	PROPOSED DEVELOPMENT ABOVE LIGHT RAIL TIN WING STOP 15W/L NO.23, AREA 33.11M SHUI WAH, N.T.		
PROJECT NO.	J-856	DATE	22/09/2023
REVISION	REVISION SUBJECT TO APPROVAL		
NO.	DATE	REVISION	



**CLIENT :** SUN HUNG KAI REAL ESTATE AGENCY LTD.  
427 Shek Kwan Street, Kwun Tong, Kowloon

**ARCHITECT :** Iw&partners ARCHITECTS

**MAIN CONTRACTOR :** 柏輝建築有限公司  
Yeek Fai Building Contractors Ltd.

**STRUCTURAL ENGINEER :** ARUP  
ALPHA CONSULTING LIMITED  
Steel Structure & Façade Specialist

**NOTE :**  
1. ALL DIMENSIONS ARE IN mm.  
2. ALL ELEVATIONS ARE VIEWED FROM OUTSIDE BEFORE FABRICATION.  
3. ALL DIMENSIONS TO BE CHECKED ON SITE.  
4. GLASS LEGEND  
EA-1--8mm+12mm AIR GAP+8mm THK. LGU  
EA-2--10mm THK. CLEAR TEMPERED GLASS

**LEGEND :**  
①--DETAIL MARK NO.  
②--BEET SHEET NO.

**DATE :** 06-Aug-21 **SCALE :** 1:40

**DRAWN BY :** Yvon **CHECKED BY :**

**PROJECT :** PROPOSED DEVELOPMENT ABOVE LIGHT RAIL TIN WING STOP 15W/L NO.23, AREA 33.11M SHUI WAH, N.T.

**TITLE :** LOUVER SCHEDULE FOR G/F IN-SITU LOUVER

**DATE :** 22/09/2023 **REVISION SUBJECT TO APPROVAL**

**NO. :** **DATE :** **REVISION :**

**DELETE**

**DELETE**

**DELETE**

B/L REF :

CLIENT :  
**SUN HUNG KAI**  
 REAL ESTATE AGENT LTD.  
 4377 Shek Tong Tai Centre, Shek Tong Tai, Hong Kong

ARCHITECT :  
**Iw&partners**  
 ARCHITECTS

MAIN CONTRACTOR :  
**Ye Fei**  
 柏輝建築有限公司  
 Building Contractors Ltd.

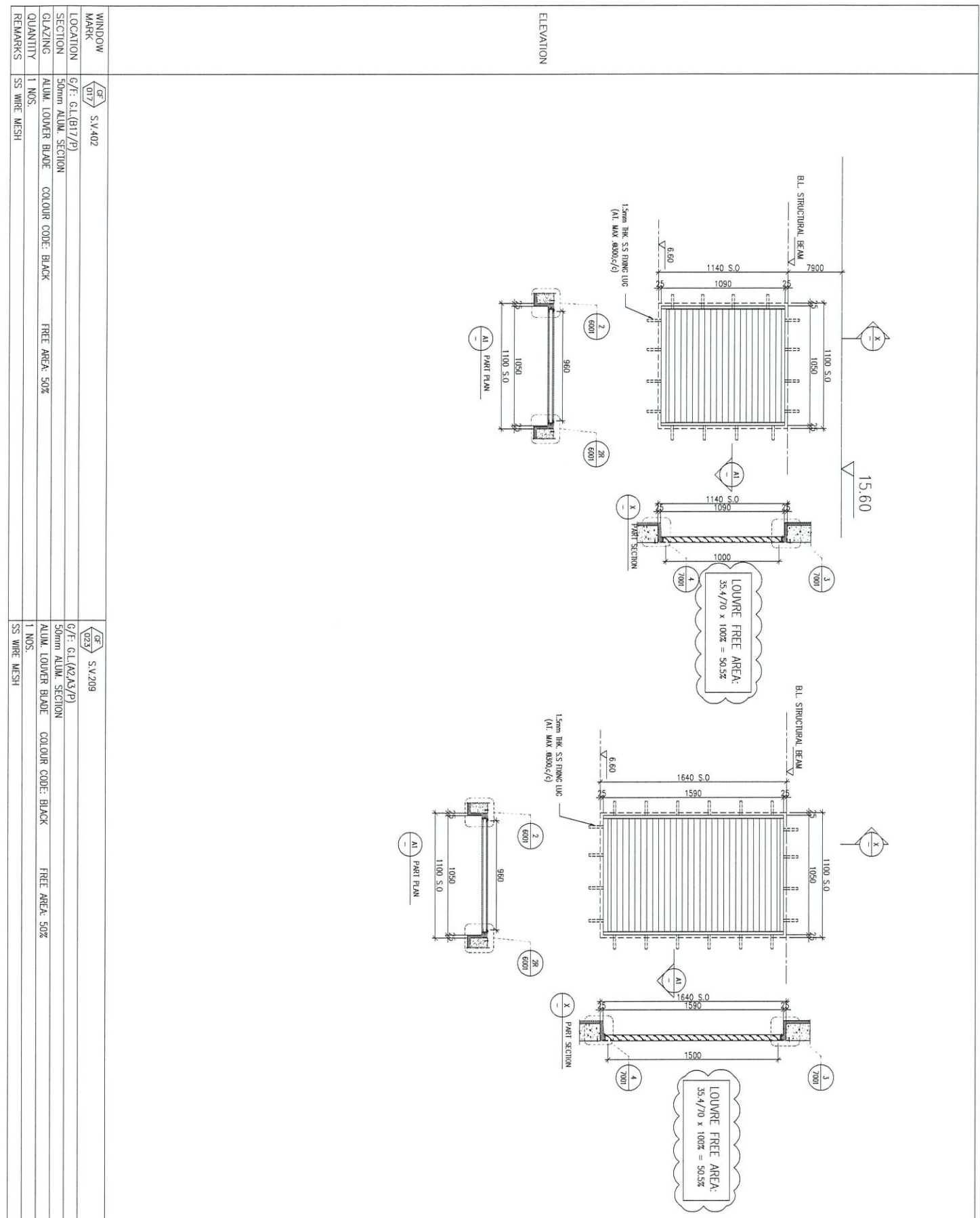
STRUCTURAL ENGINEER :  
**ARUP**

PROJECT CONSULTANT:  
**ALPHA CONSULTING LIMITED**  
 Steel Structures & Bridge Specialist

NOTE:  
 1. ALL DIMENSIONS ARE IN mm.  
 2. ALL ELEVATIONS ARE VIEWED FROM OUTSIDE BEFORE FABRICATION.  
 3. ALL DIMENSIONS TO BE VERIFIED ON SITE.  
 LEGEND:  
 (X) --- DETAIL WORK NO.  
 (---) --- REFER SHEET NO.

1. FF.F. --- FINISHED FLOOR LEVEL.  
 2. SF.L. --- STRUCTURAL FLOOR LEVEL.  
 3. (R) --- REVERSED DETAIL.  
 4. GLASS LEGEND  
 EA-1-1---8mm+12mm AIR GAP+18mm THK. LGUL.  
 EA-2-2---10mm THK. CLEAR TEMPERED GLASS

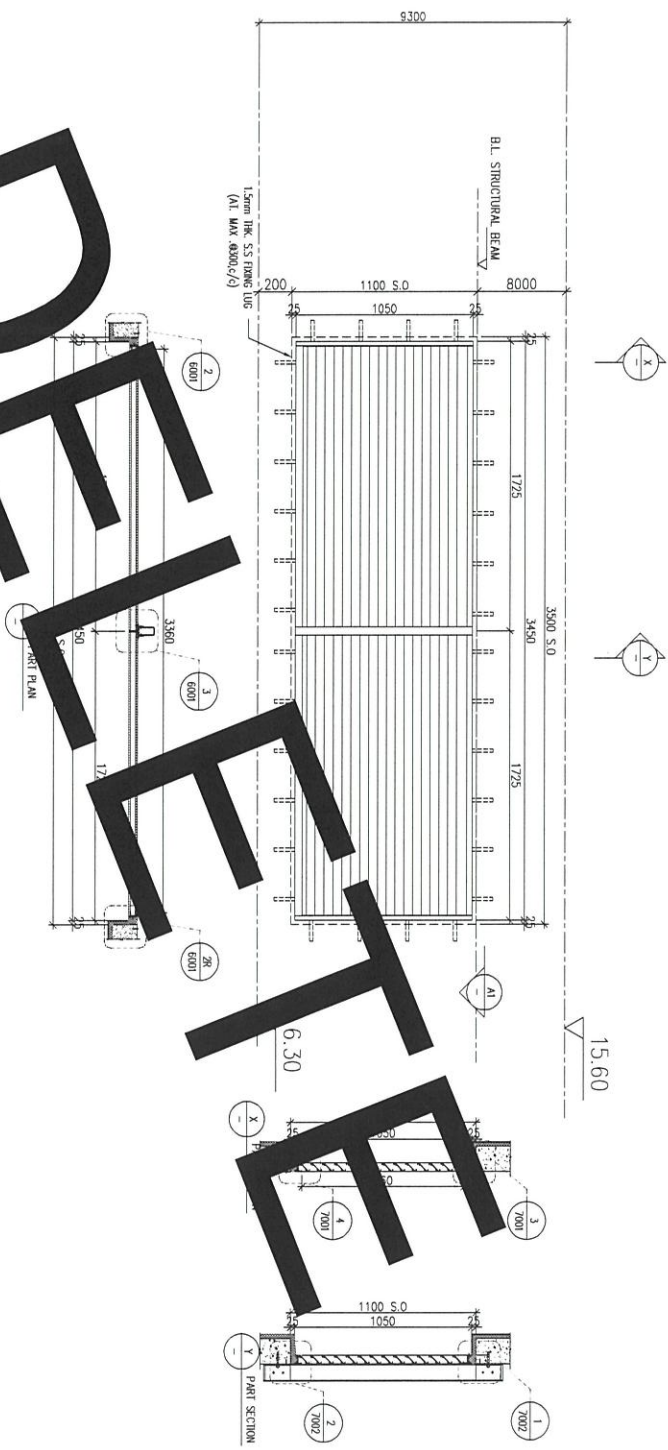
DATE : 06-Aug-21	SCALE : 1:40
DRAWN BY : Ivan	CHECKED BY :
C 15/07/2022	REVISION SUBJECT TO APPROVEMENT
B 15/07/2022	REVISION SUBJECT TO APPROVEMENT
A 22/08/2022	REVISION SUBJECT TO APPROVEMENT
NO. DATE	REVISION
PROJECT NO. : J-856	
PROJECT : PROPOSED DEVELOPMENT ABOVE LIGHT RAIL TIN WING STOP-TSWTL NO.23AREA 33,31M SHUI WA, N.T.	
TITLE : LOUVER SCHEDULE FOR G/F IN-SITU LOUVER	



WINDOW MARK	GF 017	S.V.402
LOCATION	G/F: GL (B17/P)	
SECTION	50mm ALUM. SECTION	
GLAZING	ALUM. LOUVER BLADE	COLOR CODE: BLACK
QUANTITY	1 NOS.	FREE AREA: 50%
REMARKS	SS WIRE MESH	

WINDOW MARK	GF 023	S.V.209
LOCATION	G/F: GL(A2A3/P)	
SECTION	50mm ALUM. SECTION	
GLAZING	ALUM. LOUVER BLADE	COLOR CODE: BLACK
QUANTITY	1 NOS.	FREE AREA: 50%
REMARKS	SS WIRE MESH	

ELEVATION



DRAFT

WINDOW MARK	G/F: G.L. G18
LOCATION	50mm ALUM. SECTION
SECTION	ALUM. LOUVER BLADE
GLAZING	COLOUR CODE: BLACK
QUANTITY	FREE AREA: 50%
REMARKS	1 NOS. SS WIRE MESH

B.D. REF :

CLIENT :  
**SUN HUNG KAI**  
REAL ESTATE DEVELOPMENT  
5775 SHE HING WA STREET, SHUN WA, HONGKONG

ARCHITECT :  
**Iw&partners**  
ARCHITECTS

MAIN CONTRACTOR :  
**Yee Fai** Building Construction Ltd.

STRUCTURAL ENGINEER :  
**ARUP**

FAÇADE CONSULTANT:  
**ALPHA CONSULTING LIMITED**  
Steel Structure & Façade Specialist

NOTE:  
1. ALL DIMENSIONS ARE IN mm.  
2. ALL ELEVATIONS ARE VIEWED FROM OUTSIDE.  
3. ALL DIMENSIONS TO BE VERIFIED ON SITE BEFORE FABRICATION.

LEGEND:  
①1---DETAIL MARK NO.  
--- REFER SHEET NO.

1. F.F.L---FINISHED FLOOR LEVEL  
2. S.F.L---STRUCTURAL FLOOR LEVEL  
3. Ⓣ---INVERTED DETAIL  
4. GLASS LEGEND  
EQ-1---8mm+12mm AIR GAP+8mm THK. LGU  
EQ-2---10mm THK. CLEAR TEMPERED GLASS

NO.	DATE	REVISION SUBJECT TO ASSIGNMENT	BY
A	22/09/2022	REVISION SUBJECT TO ASSIGNMENT	

JOB NO. : J-856  
PROJECT : PROPOSED DEVELOPMENT ABOVE LIGHT RAIL TIN WING STOP-TSMTL NO.23,AREA 33,1TH SHUI WA, N.T.  
TITLE : LOUVER SCHEDULE FOR G/F IN-SITU LOUVER

DATE : 06-Aug-21 SCALE : 1:40  
DRAWN BY : Ivan  
CHECKED BY :  
UNIT 6-8, Sunny Industrial Centre, 1/F,  
610 Cha Kwo Ling Road, Kowloon  
Tel: 23489211-4 Fax: (852) 27272666  
REV. : A

B.D. REF :

CLIENT :

**SUN HUNG KAI**  
REAL ESTATE AGENCY LTD.  
4277 SUI HOI ROAD, 40/F CENTRE, HONGKONG, HONGKONG

ARCHITECT :  
**Iw&partners**  
ARCHITECTS

MAIN CONTRACTOR :  
**Yee Fai** Building Contractors Ltd.

STRUCTURAL ENGINEER :  
**ARUP**

FAVOUR CONSULTING :  
**ALPHA CONSULTING LIMITED**  
Steel Structure & Trade Specialist

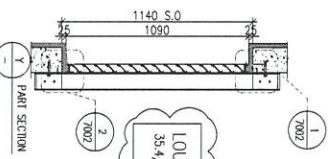
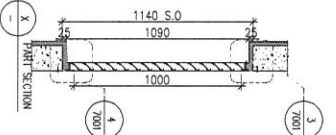
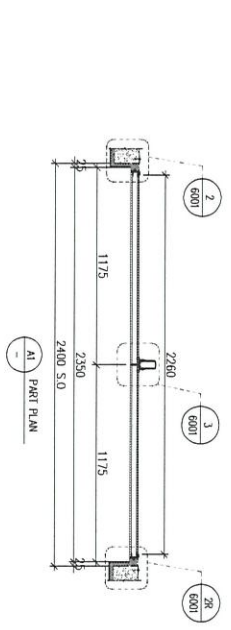
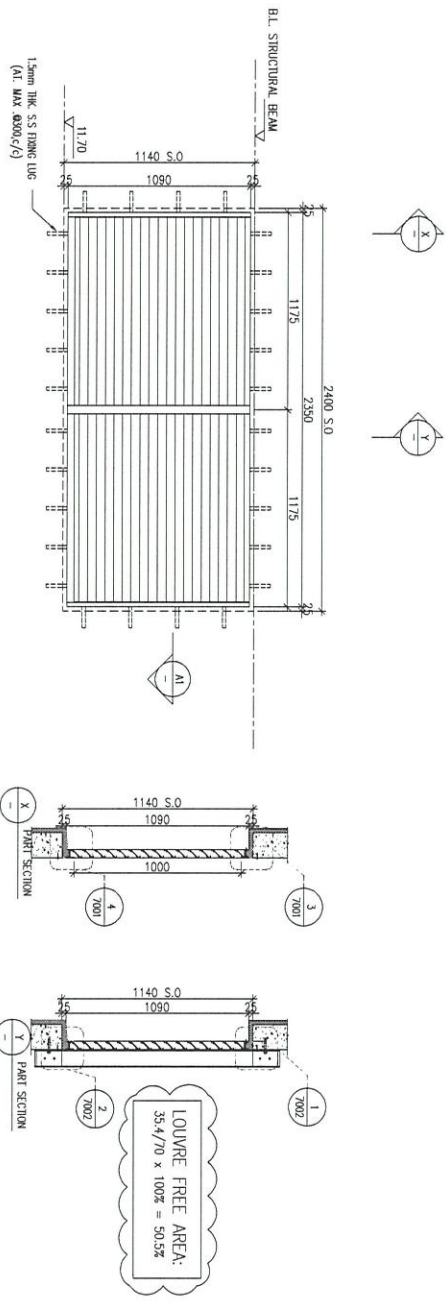
NOTE :  
1. ALL DIMENSIONS ARE IN mm.  
2. ALL ELEVATIONS ARE VIEWED FROM OUTSIDE BEFORE FABRICATION.  
3. ALL DIMENSIONS TO BE VERIFIED ON SITE.  
LEGEND :

- ①1--- DETAIL MARK NO.
- ②--- REFER SHEET NO.
- 1. F.F.L.--- FINISHED FLOOR LEVEL
- 2. S.F.L.--- STRUCTURAL FLOOR LEVEL
- 3. ②--- REVERSED DETAIL
- 4. CLASS LEGEND
- EQ-1---8mm 12mm 48# C&F-beam THK. LGU
- EQ-2---10mm THK. CLEAR THERBERD GLASS

NO.	DATE	REVISION	REVISION SUBJECT TO MODIFICATION
A	10/01/2022	REVISION SUBJECT TO ASSIGNMENT	
B	22/09/2022	REVISION SUBJECT TO MODIFICATION	

JOB NO. : J-856  
PROJECT : PROPOSED DEVELOPMENT ABOVE LIGHT RAIL TIN WING STOP/TSWTL NO.23AREA 33,31N SHUI WAH, N.T.  
TITLE : LOUVER SCHEDULE FOR G/F IN-SITU LOUVER

DATE : 06-Aug-21  
SCALE : 1:40  
DRAWN BY : ivon  
CHECKED BY :  
**美特 鋸質 有限公司**  
Units 6-8, San Tin Industrial Estate, Yuen Long, New Territories, Hong Kong  
Tel: 23489211-4 Fax: (852) 27272656  
DWG NO. : J856-SD-LV-5012E | REV. : B



LOUVER FREE AREA:  
35.4/70 x 100% = 50.5%

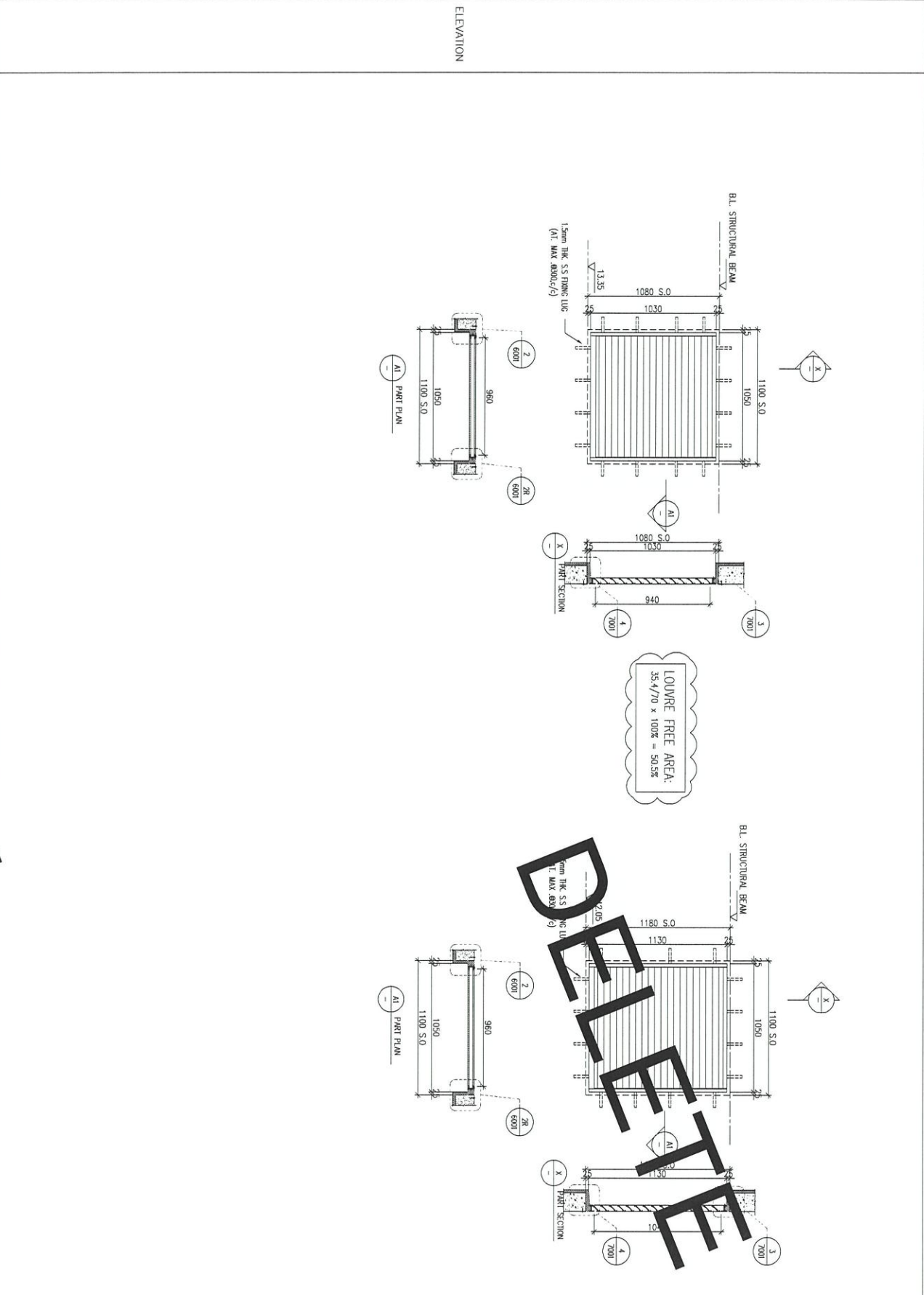
ELEVATION

WINDOW MARK	CE/SV/403 & 302
LOCATION	G/F: G.L.
SECTION	50mm ALUM. SECTION
GLAZING	ALUM. LOUVER BLADE COLOUR CODE: BLACK FREE AREA: 50%
QUANTITY	1 NOS.
REMARKS	SS WIRE MESH

WINDOW MARK	G/F
LOCATION	G/F: G.L.(A3/P)
SECTION	50mm ALUM. SECTION
GLAZING	ALUM. LOUVER BLADE
QUANTITY	1 NOS.
REMARKS	SS WIRE MESH

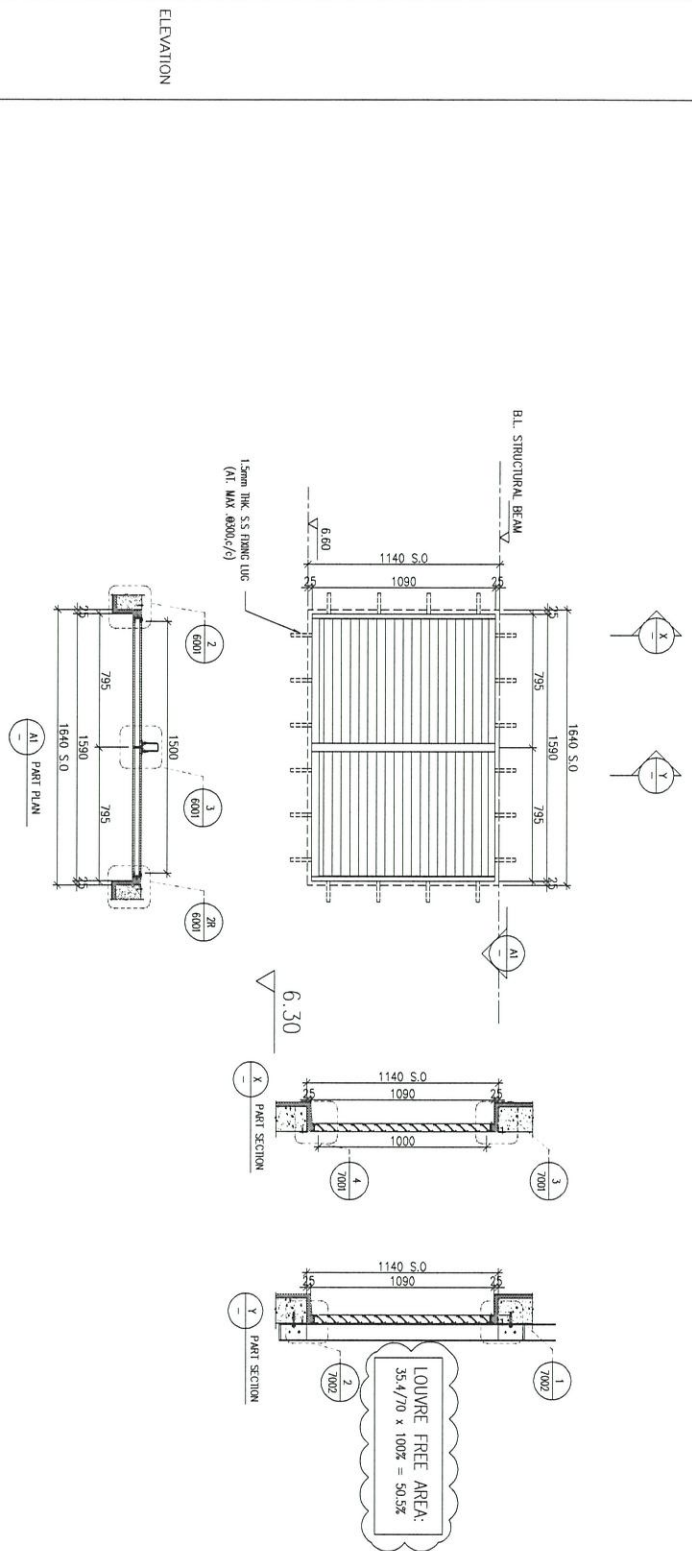
WINDOW MARK	G/F
LOCATION	G/F: G.L.(A3/P)
SECTION	50mm ALUM. SECTION
GLAZING	ALUM. LOUVER BLADE
QUANTITY	1 NOS.
REMARKS	SS WIRE MESH

DATE :	06-Aug-21	SCALE :	1:40
DRAWN BY :	ivan	CHECKED BY :	
M&T Architecture & Interiors Ltd. 610 Cheong Cheong Road, Kowloon Tel: 23489211-4 Fax: (852) 27272866			
DWG NO. :	4856-5D-LV-5012F	REV. :	C



B.D. REF. :	
CLIENT :	SUN HUNG KAI REAL ESTATE AGENCY LTD. 42/F, SUN HUNG KAI CENTRE, WING LOK, HONGKONG
ARCHITECT :	lwk&partners ARCHITECTS
MAIN CONTRACTOR :	Yee Fai Building Contractors Ltd.
STRUCTURAL ENGINEER :	ARUP ALPHA CONSULTING LIMITED Steel Structure & Bridge Specialist
NOTE :	1. ALL DIMENSIONS ARE IN mm. 2. ALL DIMENSIONS ARE VIEWED FROM OUTSIDE. 3. ALL DIMENSIONS TO BE VIEWED ON SITE BEFORE FABRICATION. LEGEND : (X1) --- DETAIL MARK NO. (X2) --- REFER SHEET NO. 1. F.F.L. --- FINISHED FLOOR LEVEL 2. S.F.L. --- STRUCTURAL FLOOR LEVEL 3. (R) --- REVERSED DETAIL 4. GLASS LENSID ED-1 --- 8mm+12mm AIR GAP+8mm THK. LGLU ED-2 --- 10mm THK. CLEAR TEMPERED GLASS
JOB NO. :	J-956
PROJECT :	PROPOSED DEVELOPMENT ABOVE LIGHT RAIL TIN WING STOP-TSMTL NO.23AREA 33, TIN SHUI WAI, N.T.
TITLE :	LOUVER SCHEDULE FOR G/F N-SITU LOUVER

WINDOW MARK	GF	S.V.301
LOCATION	G/F: GL(A3/P)	
SECTION	50mm ALUM. SECTION	
GLAZING	ALUM. LOUVER BLADE	COLOR CODE: BLACK
QUANTITY	1 NOS.	FREE AREA: 50%
REMARKS	SS WIRE MESH	



ELEVATION

<p>BD. REF. :</p>	<p>CLIENT : <b>SUN HUNG KAI</b> SUN REAL ESTATE AGENT LTD. 42/F, Sun Hung Kai Centre, 100, Queen's Road, Hong Kong</p>									
<p>ARCHITECT : <b>IWK&amp;partners</b> ARCHITECTS</p>	<p>MAIN CONTRACTOR : <b>Yeek Fei</b> Yeek Fei Building Contractor Ltd.</p>									
<p>STRUCTURAL ENGINEER : <b>ARUP</b> ALPHA CONSULTING LIMITED Steel Structure &amp; Bridge Specialist</p>	<p>DATE : 06-Aug-21</p> <p>SCALE : 1:40</p> <p>DRAWN BY : Ivan</p> <p>CHECKED BY :</p>									
<p>NOTE :</p> <ol style="list-style-type: none"> <li>ALL DIMENSIONS ARE IN mm.</li> <li>ALL ELEVATIONS ARE VIEWED FROM OUTSIDE BEFORE FABRICATION.</li> <li>ALL DIMENSIONS TO BE VERIFIED ON SITE.</li> </ol> <p>LEGEND :</p> <p>(X) DETAIL WORK NO. (1) REFER SHEET NO.</p> <ol style="list-style-type: none"> <li>FFFL --- FINISHED FLOOR LEVEL</li> <li>SFL --- STRUCTURAL FLOOR LEVEL</li> <li>(R) --- REVERSED DETAIL</li> <li>GLASS LEGEND</li> <li>EQ-1 --- 6mm+12mm AIR GAP+18mm THK. LGUL</li> <li>EQ-2 --- 10mm THK. CLEAR TEMPERED GLASS</li> </ol>	<p>PROJECT :</p> <p>PROPOSED DEVELOPMENT ABOVE LIGHT RAIL TIN WING STOP+ISWTL NO.23, AREA 33, TIN SHUI WAL, N.T.</p> <p>TITLE : LOUVER SCHEDULE FOR G/F IN-SITU LOUVER</p>									
<p>JOB NO. : J-856</p>	<p>REVISIONS :</p> <table border="1"> <thead> <tr> <th>NO.</th> <th>DATE</th> <th>REASON</th> </tr> </thead> <tbody> <tr> <td>B</td> <td>15/12/2022</td> <td>SECTION SELECTED TO MATCH DOCUMENT LINE NO.</td> </tr> <tr> <td>A</td> <td>22/06/2022</td> <td>SECTION SELECTED TO MATCH DOCUMENT LINE NO.</td> </tr> </tbody> </table>	NO.	DATE	REASON	B	15/12/2022	SECTION SELECTED TO MATCH DOCUMENT LINE NO.	A	22/06/2022	SECTION SELECTED TO MATCH DOCUMENT LINE NO.
NO.	DATE	REASON								
B	15/12/2022	SECTION SELECTED TO MATCH DOCUMENT LINE NO.								
A	22/06/2022	SECTION SELECTED TO MATCH DOCUMENT LINE NO.								

<p>DATE : 06-Aug-21</p> <p>SCALE : 1:40</p> <p>DRAWN BY : Ivan</p> <p>CHECKED BY :</p>	<p>MEI TING METAL FABRICATION LTD. 610 Che Kwo Ling Road, Kowloon Tel: (852) 27777866</p>
--	---

E.D. REF :

CLIENT :

**SUN HUNG KAI**  
REALESTATE AGENCY LTD.  
277 Shek Tong Tai Centre, 27/F, Shek Tong Tai, Kowloon

ARCHITECT :  
**lwk&partners**  
A R C H I T E C T S

MAIN CONTRACTOR :  
**Yee Fai** 怡輝建築有限公司  
Building Contractors Ltd.

STRUCTURAL ENGINEER :

**ARUP**  
ALPHA CONSULTING LIMITED  
Steel Structure & Trade Specialist

NOTE:  
1. ALL DIMENSIONS ARE IN mm.  
2. ALL ELEVATIONS ARE VIEWED FROM OUTSIDE.  
3. ALL DIMENSIONS TO BE VERIFIED ON SITE BEFORE FABRICATION.

LEGEND:  
① DETAIL MARK NO.  
② REFER SHEET NO.

1. F.F.L.---FINISHED FLOOR LEVEL
  2. S.F.L.---STRUCTURAL FLOOR LEVEL
  3. Ⓜ ---REVERSED DETAIL
  4. GLASS LEGEND
- EG-1---8mm+12mm AIR GAP+16mm THK. LGU  
EG-2---16mm THK. CLEAR REVERSED GLASS

NO.	DATE	REVISION SUBJECT TO AMENDMENT	BY
B	15/07/2022	REVISION SUBJECT TO AMENDMENT	
A	22/09/2022	REVISION SUBJECT TO AMENDMENT	

JOB NO. : J-8596

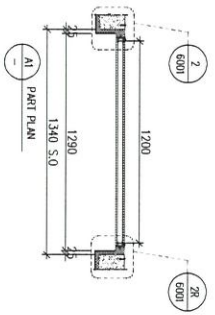
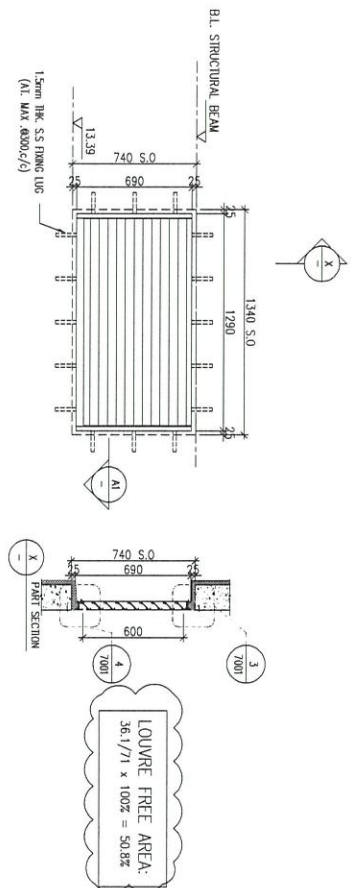
PROJECT :  
PROPOSED DEVELOPMENT ABOVE  
LIGHT RAIL TIN WING STOP-TSMTL  
NO.23,AREA 33,TIN SHUI WAL, N.T.

TITLE :  
LOUVER SCHEDULE FOR  
G/F IN-SITU LOUVER

DATE : 06-Aug-21 SCALE : 1:40

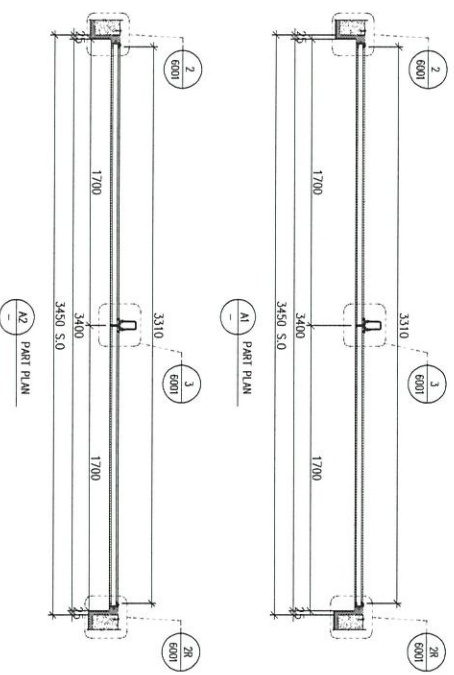
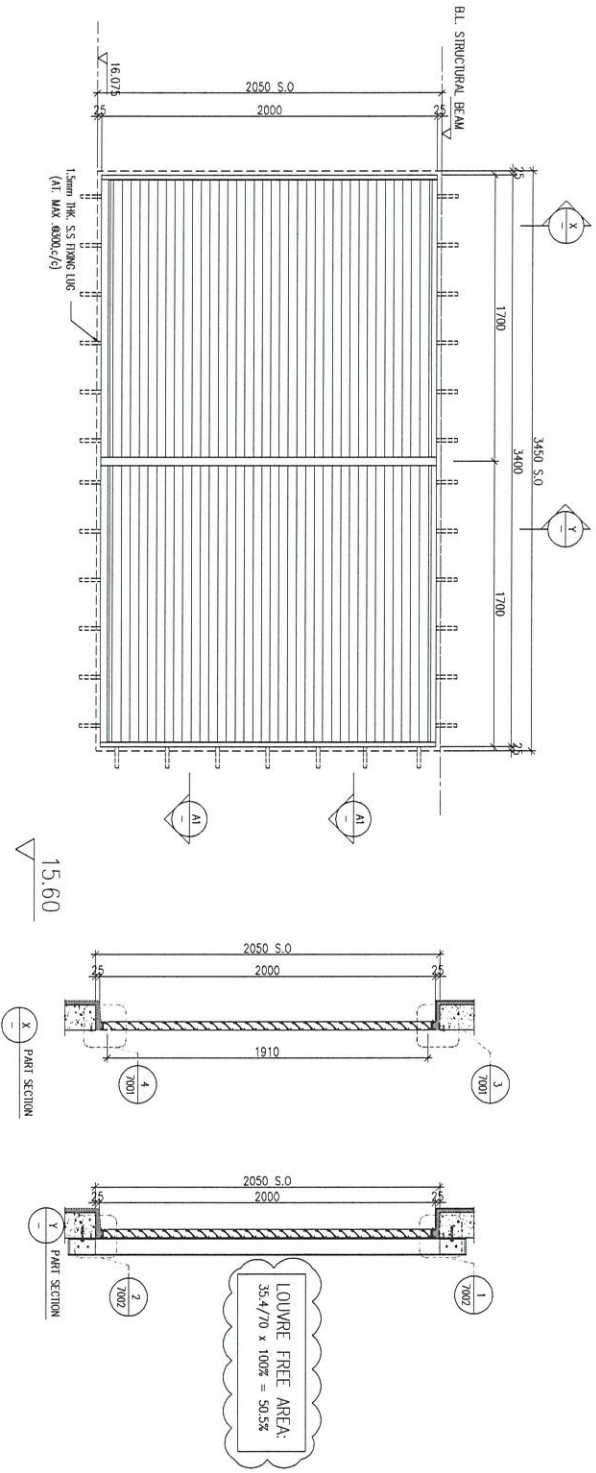
DRAWN BY : Ivan CHECKED BY :

**怡輝建築有限公司**  
MTR 怡輝建築有限公司  
Unit 6-8, Sunny Industrial Centre,  
610 Che Kwo Ling Road, Kowloon  
Tel: 23489211-4 Fax: (852) 27272666  
DNG NO. : 4856-SD-LV-5012H1 REV. : B



ELEVATION

WINDOW MARK	G/F	EAM PURPOSE (NEWLAND)
LOCATION	G/F: G.L.(M-N/P)	
SECTION	50mm ALUM. SECTION	
GLAZING	ALUM. LOUVER BLADE	CLOUR CODE: BLACK
QUANTITY	1 NOS.	FREE AREA: 50%
REMARKS	SS WIRE MESH	



WINDOW MARK	1/E	E&M PURPOSE (EVERLIGHT)
LOCATION	1/E: GL (B4-B5/P)	
SECTION	50mm ALUM. SECTION	
GLAZING	ALUM. LOUVER BLADE	CLOUR CODE: BLACK
QUANTITY	1 NOS.	FREE AREA: 50%
REMARKS	SS WIRE MESH	

B.D. REF. :

CLIENT : **SUN HUNG KAI**  
**REAL ESTATE SERVICES LTD.**  
 27/F, Sun Hung Kai Centre, Victoria Harbour, Hong Kong

ARCHITECT : **Iw&partners**  
 ARCHITECTS

MAIN CONTRACTOR : **Yee Fai Building Construction Ltd.**  
 怡輝建築有限公司

STRUCTURAL ENGINEER : **ARUP**  
 ALPHA CONSULTING LIMITED  
 Steel Structure & Bridge Specialist

DATE : 06-Aug-21 SCALE : 1:40  
 DRAWN BY : Ivan CHECKED BY :  
 黃偉傑 黃偉傑

UNITA 6-8, Shuang Hui Building, 1/F, 610 Che Kwo Ling Road, Kowloon  
 Tel: 23488211-4 Fax: (852) 27727866

DWG NO. : 456-SD-LV-5013 REV. : E

JOB NO. : J-856

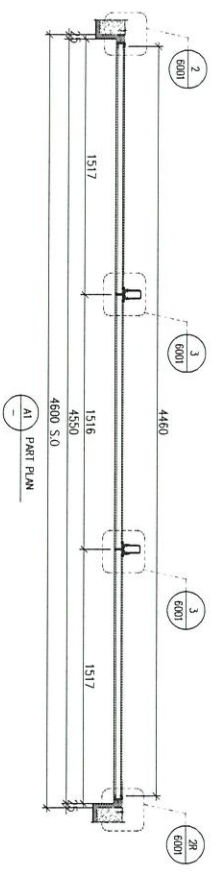
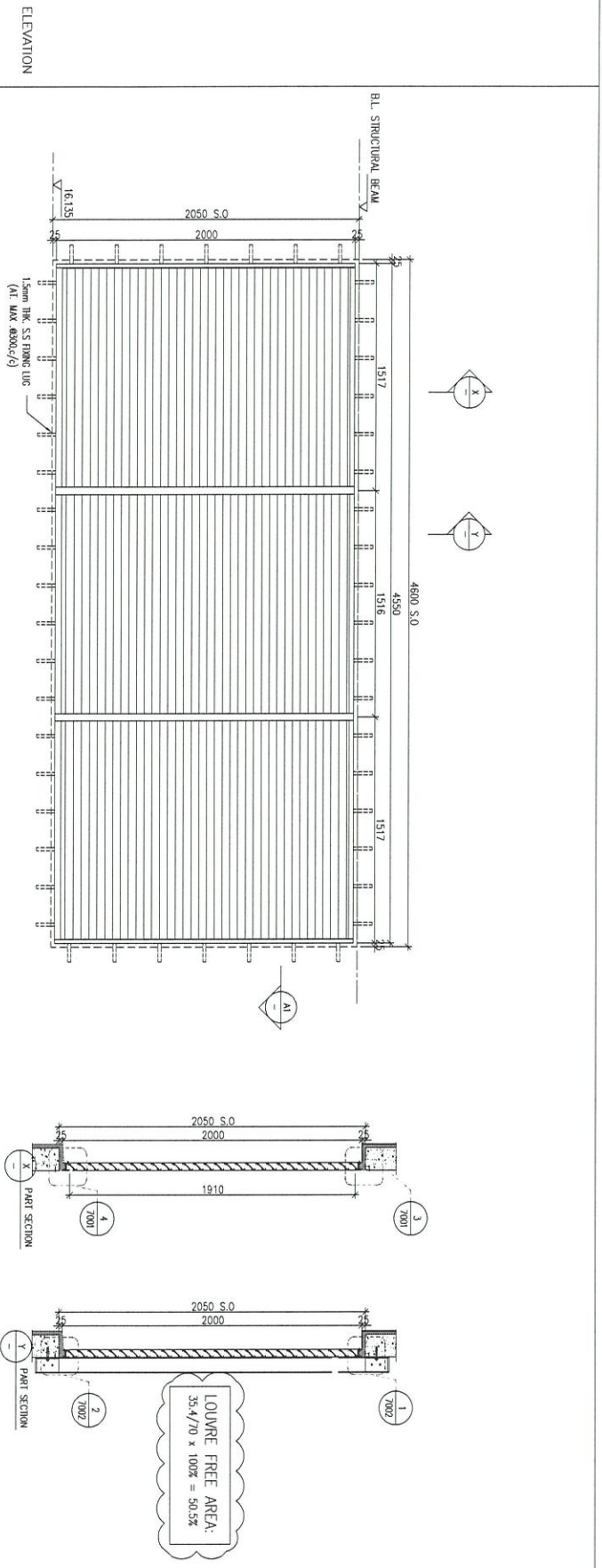
PRODUCT : PROPOSED DEVELOPMENT ABOVE LIGHT RAIL TIN WING STOP-TSWL NO.23 AREA 33.1IN SHUI WAH, N.T.

TITLE : LOUVER SCHEDULE FOR 1/F N-SITU LOUVER

NO.	DATE	REVISION
E	15/7/2022	REVISION SUBJECT TO ASSIGNMENT
D	15/7/2022	REVISION SUBJECT TO ASSIGNMENT
C	22/6/2022	REVISION SUBJECT TO ASSIGNMENT
B	21/6/2022	REVISION SUBJECT TO ASSIGNMENT
A	22/2/2021	REVISION SUBJECT TO ASSIGNMENT

NOTE :  
 1. ALL DIMENSIONS ARE IN mm.  
 2. ALL ELEVATIONS ARE VIEWED FROM OUTSIDE.  
 3. ALL DIMENSIONS TO BE VERIFIED ON SITE BEFORE FABRICATION.

LEGEND :  
 (X) - BEAM MARK NO.  
 (Y) - REFER SHEET NO.  
 1. F.F.L. - FINISHED FLOOR LEVEL  
 2. S.F.L. - STRUCTURAL FLOOR LEVEL  
 3. (⊖) - REVERSED DETAIL  
 4. GLASS LEGEND  
 ED-1 - 8mm+12mm AIR GAP+8mm THK. LGU  
 ED-2 - 10mm THK. CLEAR TINTED GLASS



WINDOW MARK	1/F	EXAM PURPOSE (EVERLIGHT)
LOCATION	1/F: G/L(B5-B6/P)	
SECTION	50mm ALUM. SECTION	
GLAZING	ALUM. LOUVER BLADE	COLOR CODE: BLACK
QUANTITY	1 NOS.	FREE AREA: 50%
REMARKS	SS WIRE MESH	

B/L REF :

CLIENT : **SUN HUNG KAI**  
REAL ESTATE AGENT LTD.  
437 Shek Tong Street, 26/F, Kowloon

ARCHITECT : **lwk&partners**  
ARCHITECTS

MAIN CONTRACTOR : **柏輝建築有限公司**  
Yeek Fai Building Contractors Ltd.

STRUCTURAL ENGINEER : **ARUP**  
ALPHA CONSULTING LIMITED  
Steel Structure & Bridge Specialist

NOTE:  
1. ALL DIMENSIONS ARE IN MM.  
2. ALL ELEVATIONS ARE VIEWED FROM OUTSIDE.  
3. ALL DIMENSIONS TO BE KEPT ON SITE BEFORE FABRICATION.  
LEGEND:  
① - DETAIL MARK NO.  
② - REFER SHEET NO.

A	15/01/2022	REVISION SUBJECT TO APPROVEMENT
B	15/01/2022	REVISION SUBJECT TO APPROVEMENT
C	22/06/2022	REVISION SUBJECT TO APPROVEMENT
D	22/06/2022	REVISION SUBJECT TO APPROVEMENT
E	22/06/2022	REVISION SUBJECT TO APPROVEMENT
F	22/06/2022	REVISION SUBJECT TO APPROVEMENT
G	22/06/2022	REVISION SUBJECT TO APPROVEMENT
H	22/06/2022	REVISION SUBJECT TO APPROVEMENT
I	22/06/2022	REVISION SUBJECT TO APPROVEMENT
J	22/06/2022	REVISION SUBJECT TO APPROVEMENT

PROJECT : PROPOSED DEVELOPMENT ABOVE LIGHT RAIL TIN WING STOP 1'SW/L NO.23 AREA 33.51M SHUI WA, N.T.

TITLE : LOUVER SCHEDULE FOR 1/F IN-SITU LOUVER

DATE : 06-Aug-21 SCALE : 1:40

DRAWN BY : Ivan CHECKED BY :

MEK Engineering & Architecture Ltd.  
510 Chee Koo Ling Road, Kowloon  
Tel: 23489211-4 Fax: 8527277665

PROJECT NO. : J-856

DATE : 06-Aug-21 SCALE : 1:40

DRAWN BY : Ivan CHECKED BY :

MEK Engineering & Architecture Ltd.  
510 Chee Koo Ling Road, Kowloon  
Tel: 23489211-4 Fax: 8527277665

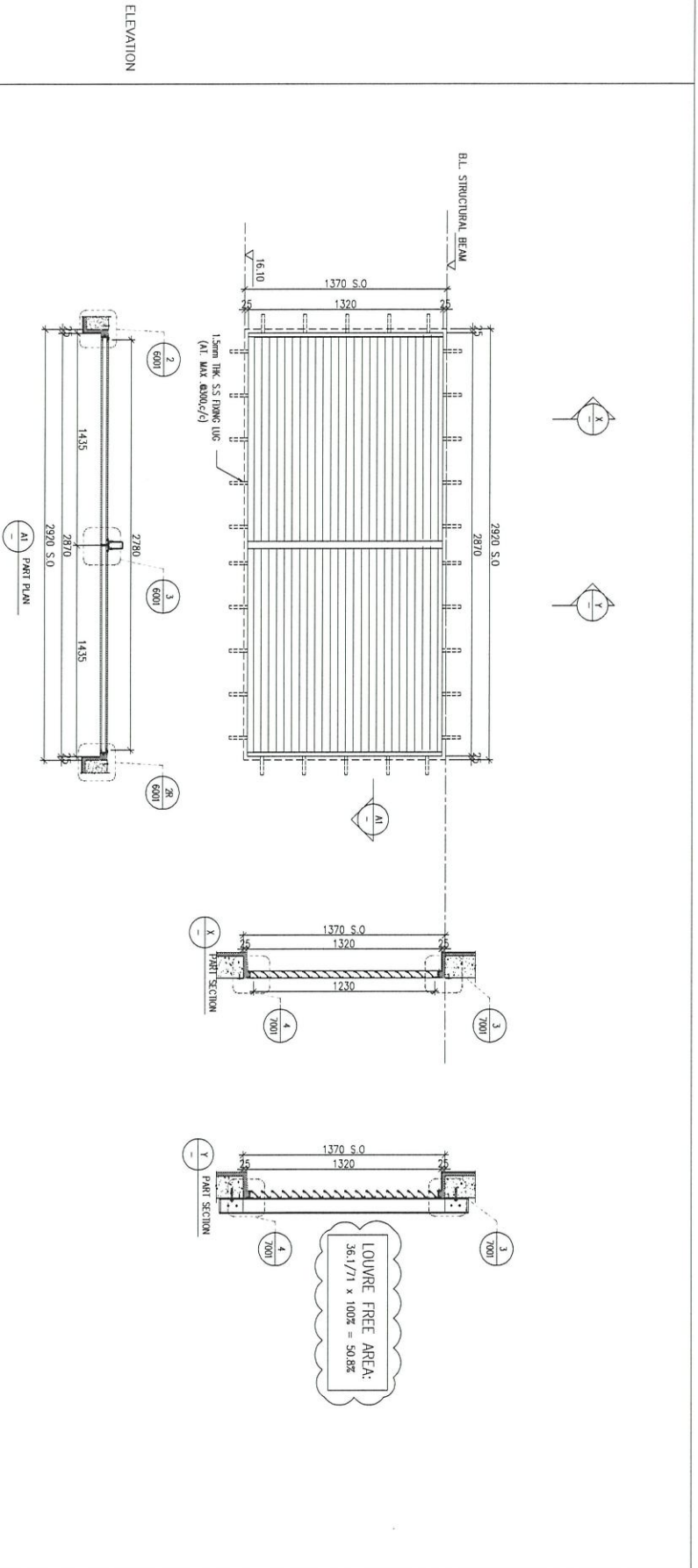
PROJECT NO. : J-856

DATE : 06-Aug-21 SCALE : 1:40

DRAWN BY : Ivan CHECKED BY :

MEK Engineering & Architecture Ltd.  
510 Chee Koo Ling Road, Kowloon  
Tel: 23489211-4 Fax: 8527277665

WINDOW MARK	IF 003	EAM PURPOSE (AC)
LOCATION	1/F, G/L (B10-B11/P)	
SECTION	50mm ALUM. SECTION	
GLAZING	ALUM. LOUVER BLADE	CLOUR CODE: BLACK
QUANTITY	1 NOS.	FREE AREA: 50%
REMARKS	SS WIRE MESH	



DATE : 06-Aug-21	SCALE : 1:40
DRAWN BY : ivm	CHECKED BY :

PROJECT :  
 PROPOSED DEVELOPMENT ABOVE  
 LIGHT RAIL TIN WING STOP, ISWL,  
 NO.23, AREA 33, TIN SHUI WAH, N.T.

TITLE :  
 LOUVER SCHEDULE FOR  
 1/F IN-SITU LOUVER

JOB NO. :	J-856	
NO.	DATE	REVISION
D	15/11/2022	REVISION SELECT TO ARCHITECTMENT
C	15/11/2022	REVISION SELECT TO ARCHITECTMENT
B	22/09/2022	REVISION SELECT TO ARCHITECTMENT
A	27/04/2022	REVISION SELECT TO ARCHITECTMENT

NOTE:  
 1. ALL DIMENSIONS ARE IN mm.  
 2. ALL ELEVATIONS ARE VIEWED FROM OUTSIDE BEFORE FABRICATION.  
 3. ALL DIMENSIONS TO BE VIEWED ON SITE.  
 LEGEND:  
 (A1) DETAIL MARK NO.  
 (X00) REFER SHEET NO.  
 1. F.F.L. --- FINISHED FLOOR LEVEL  
 2. S.F.L. --- STRUCTURAL FLOOR LEVEL  
 3. (R) --- REVERSED DETAIL  
 4. G.A.S.S. LEGEND  
 EG-1 --- 8mm+12mm AIR GAP+8mm THK. LGU  
 EG-2 --- 10mm THK. CLEAR TEMPERED GLASS

FACE CONSULTANT:  
**ARUP**  
 ALPHA CONSULTING LIMITED  
 Steel Structure & Bridge Specialist

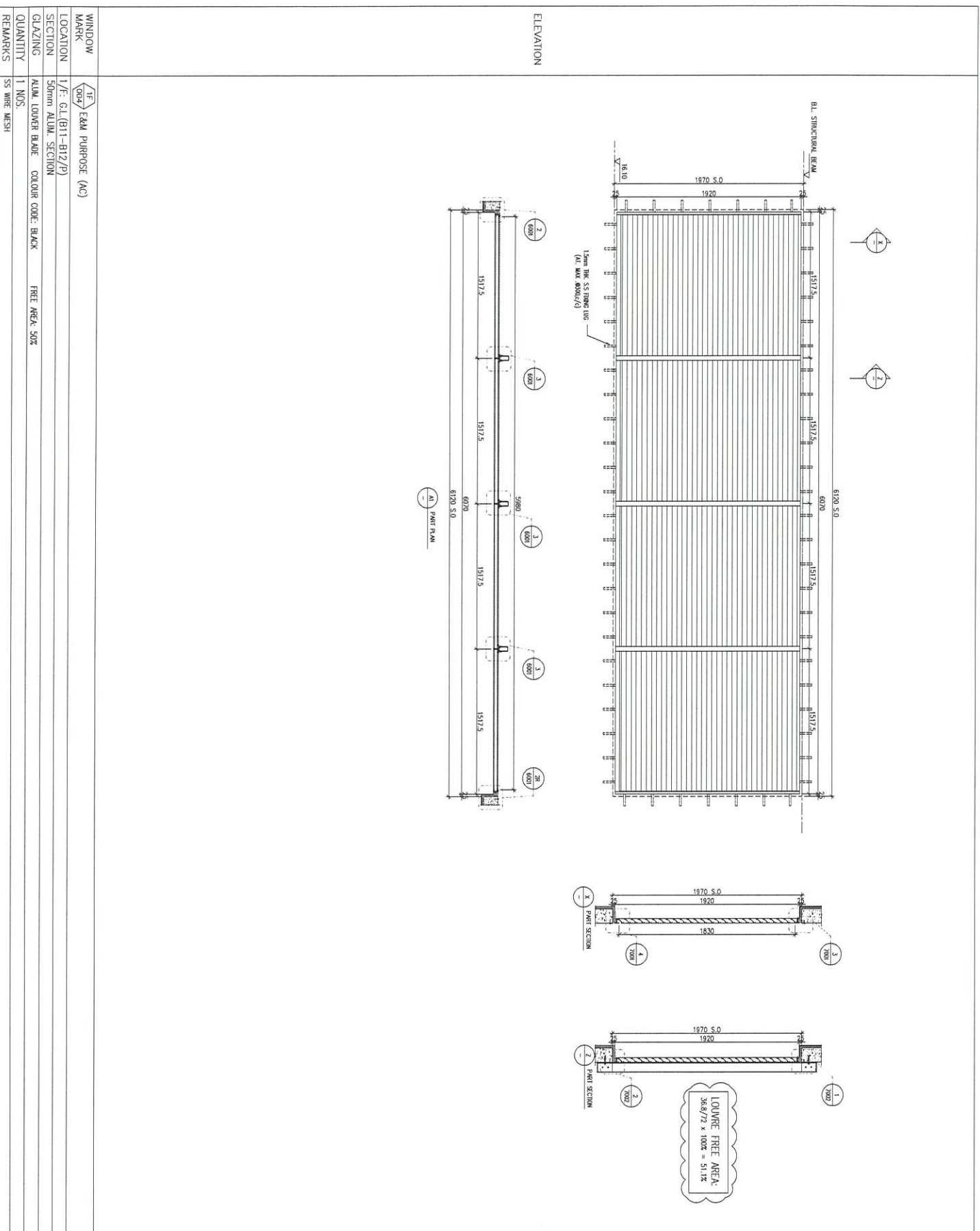
STRUCTURAL ENGINEER :  
**Yee Fai**  
 Yee Fai Building Contractors Ltd.

MAIN CONTRACTOR :  
**Yee Fai**  
 Yee Fai Building Contractors Ltd.

CLIENT :  
**SUN HUNG KAI**  
 REAL ESTATE AGENT LTD.  
 427 Des Voeux Road Central, HONG KONG

ARCHITECT :  
**hwk&partners**  
 ARCHITECTS

B/D REF :  
 REV : D



B.O. REF. :	
CLIENT : <b>SUN HUNG KAI</b> REAL ESTATE DEVELOPMENT LTD. 4377 Shek Tong St. Tsim Sha Tsui, Kowloon, Hong Kong	
ARCHITECT : <b>IWK&amp;partners</b> ARCHITECTS	
MAIN CONTRACTOR : <b>Ye Fei Tai</b> Building Contractor Ltd.	
STRUCTURAL ENGINEER : <b>ARUP</b> ALPHA CONSULTING LIMITED Steel Structure & Trade Specialist	
<p>NOTE :</p> <ol style="list-style-type: none"> <li>1. ALL DIMENSIONS ARE IN mm.</li> <li>2. ALL ELEVATIONS ARE VIEWED FROM OUTSIDE.</li> <li>3. ALL DIMENSIONS TO BE VERIFIED ON SITE BEFORE FABRICATION.</li> </ol> <p>LEGEND :</p> <p>① DETAIL WORK NO. REFERS SHEET NO.</p> <p>② FINISHED FLOOR LEVEL ③ STRUCTURAL FLOOR LEVEL ④ REVERSED LEVEL</p> <p>⑤ GLASS LEGEND EGL-1---6mm+12mm AIR GAP+18mm THK. LGUL EGL-2---10mm THK. CLEAR TEMPERED GLASS</p>	
JOB NO. : J-856	
PROJECT : PROPOSED DEVELOPMENT ABOVE LIGHT RAIL TIN WING STOP-15WTL NO.23,AREA 33,TIN SHUI WAL, N.T.	
TITLE : LOUVER SCHEDULE FOR 1/F IN-SITU LOUVER	
DATE : 06-Aug-21	SCALE : 1:40
DRAWN BY : hwm	CHECKED BY :
D 15/7/2022	REVISION SUBJECT TO APPROVALMENT
C 15/7/2022	REVISION SUBJECT TO APPROVALMENT
B 22/9/2022	REVISION SUBJECT TO APPROVALMENT
A 21/9/2022	REVISION SUBJECT TO APPROVALMENT
NO. DATE	REVISION
PROJECT :	
PROPOSED DEVELOPMENT ABOVE LIGHT RAIL TIN WING STOP-15WTL NO.23,AREA 33,TIN SHUI WAL, N.T.	
TITLE :	
LOUVER SCHEDULE FOR 1/F IN-SITU LOUVER	
DATE : 06-Aug-21	SCALE : 1:40
DRAWN BY : hwm	CHECKED BY :
D 15/7/2022	REVISION SUBJECT TO APPROVALMENT
C 15/7/2022	REVISION SUBJECT TO APPROVALMENT
B 22/9/2022	REVISION SUBJECT TO APPROVALMENT
A 21/9/2022	REVISION SUBJECT TO APPROVALMENT
NO. DATE	REVISION
PROJECT :	
PROPOSED DEVELOPMENT ABOVE LIGHT RAIL TIN WING STOP-15WTL NO.23,AREA 33,TIN SHUI WAL, N.T.	
TITLE :	
LOUVER SCHEDULE FOR 1/F IN-SITU LOUVER	
DATE : 06-Aug-21	SCALE : 1:40
DRAWN BY : hwm	CHECKED BY :
D 15/7/2022	REVISION SUBJECT TO APPROVALMENT
C 15/7/2022	REVISION SUBJECT TO APPROVALMENT
B 22/9/2022	REVISION SUBJECT TO APPROVALMENT
A 21/9/2022	REVISION SUBJECT TO APPROVALMENT
NO. DATE	REVISION
PROJECT :	
PROPOSED DEVELOPMENT ABOVE LIGHT RAIL TIN WING STOP-15WTL NO.23,AREA 33,TIN SHUI WAL, N.T.	
TITLE :	
LOUVER SCHEDULE FOR 1/F IN-SITU LOUVER	
DATE : 06-Aug-21	SCALE : 1:40
DRAWN BY : hwm	CHECKED BY :
D 15/7/2022	REVISION SUBJECT TO APPROVALMENT
C 15/7/2022	REVISION SUBJECT TO APPROVALMENT
B 22/9/2022	REVISION SUBJECT TO APPROVALMENT
A 21/9/2022	REVISION SUBJECT TO APPROVALMENT
NO. DATE	REVISION
PROJECT :	
PROPOSED DEVELOPMENT ABOVE LIGHT RAIL TIN WING STOP-15WTL NO.23,AREA 33,TIN SHUI WAL, N.T.	
TITLE :	
LOUVER SCHEDULE FOR 1/F IN-SITU LOUVER	
DATE : 06-Aug-21	SCALE : 1:40
DRAWN BY : hwm	CHECKED BY :
D 15/7/2022	REVISION SUBJECT TO APPROVALMENT
C 15/7/2022	REVISION SUBJECT TO APPROVALMENT
B 22/9/2022	REVISION SUBJECT TO APPROVALMENT
A 21/9/2022	REVISION SUBJECT TO APPROVALMENT
NO. DATE	REVISION
PROJECT :	
PROPOSED DEVELOPMENT ABOVE LIGHT RAIL TIN WING STOP-15WTL NO.23,AREA 33,TIN SHUI WAL, N.T.	
TITLE :	
LOUVER SCHEDULE FOR 1/F IN-SITU LOUVER	
DATE : 06-Aug-21	SCALE : 1:40
DRAWN BY : hwm	CHECKED BY :
D 15/7/2022	REVISION SUBJECT TO APPROVALMENT
C 15/7/2022	REVISION SUBJECT TO APPROVALMENT
B 22/9/2022	REVISION SUBJECT TO APPROVALMENT
A 21/9/2022	REVISION SUBJECT TO APPROVALMENT
NO. DATE	REVISION
PROJECT :	
PROPOSED DEVELOPMENT ABOVE LIGHT RAIL TIN WING STOP-15WTL NO.23,AREA 33,TIN SHUI WAL, N.T.	
TITLE :	
LOUVER SCHEDULE FOR 1/F IN-SITU LOUVER	

DATE : 06-Aug-21

SCALE : 1:40

DOWN BY : hwm

CHECKED BY :

D 15/7/2022

C 15/7/2022

B 22/9/2022

A 21/9/2022

NO. DATE

REVISION

PROJECT :

PROPOSED DEVELOPMENT ABOVE LIGHT RAIL TIN WING STOP-15WTL NO.23,AREA 33,TIN SHUI WAL, N.T.

TITLE :

LOUVER SCHEDULE FOR 1/F IN-SITU LOUVER

WINDOW MARK: 1/F E&M PURPOSE (AC)

LOCATION: 1/F: G/L (B11-B12/P)

SECTION: 50mm ALUM. SECTION

GLAZING: ALUM. LOUVER BLADE COLOUR CODE: BLACK FREE AREA: 50%

QUANTITY: 1 NOS.

REMARKS: SS WIRE MESH

1. ALL DIMENSIONS ARE IN mm.

2. ALL ELEVATIONS ARE VIEWED FROM OUTSIDE.

3. ALL DIMENSIONS TO BE VERIFIED ON SITE BEFORE FABRICATION.

LEGEND :

① DETAIL WORK NO.  
REFERS SHEET NO.

② FINISHED FLOOR LEVEL  
③ STRUCTURAL FLOOR LEVEL  
④ REVERSED LEVEL

⑤ GLASS LEGEND  
EGL-1---6mm+12mm AIR GAP+18mm THK. LGUL  
EGL-2---10mm THK. CLEAR TEMPERED GLASS

JOB NO. : J-856

PROJECT :  
PROPOSED DEVELOPMENT ABOVE LIGHT RAIL TIN WING STOP-15WTL NO.23,AREA 33,TIN SHUI WAL, N.T.

TITLE :  
LOUVER SCHEDULE FOR 1/F IN-SITU LOUVER

DATE : 06-Aug-21

SCALE : 1:40

DOWN BY : hwm

CHECKED BY :

D 15/7/2022

C 15/7/2022

B 22/9/2022

A 21/9/2022

NO. DATE

REVISION

PROJECT :

PROPOSED DEVELOPMENT ABOVE LIGHT RAIL TIN WING STOP-15WTL NO.23,AREA 33,TIN SHUI WAL, N.T.

TITLE :

LOUVER SCHEDULE FOR 1/F IN-SITU LOUVER

WINDOW MARK: 1/F E&M PURPOSE (AC)

LOCATION: 1/F: G/L (B11-B12/P)

SECTION: 50mm ALUM. SECTION

GLAZING: ALUM. LOUVER BLADE COLOUR CODE: BLACK FREE AREA: 50%

QUANTITY: 1 NOS.

REMARKS: SS WIRE MESH

1. ALL DIMENSIONS ARE IN mm.

2. ALL ELEVATIONS ARE VIEWED FROM OUTSIDE.

3. ALL DIMENSIONS TO BE VERIFIED ON SITE BEFORE FABRICATION.

LEGEND :

① DETAIL WORK NO.  
REFERS SHEET NO.

② FINISHED FLOOR LEVEL  
③ STRUCTURAL FLOOR LEVEL  
④ REVERSED LEVEL

⑤ GLASS LEGEND  
EGL-1---6mm+12mm AIR GAP+18mm THK. LGUL  
EGL-2---10mm THK. CLEAR TEMPERED GLASS

JOB NO. : J-856

PROJECT :  
PROPOSED DEVELOPMENT ABOVE LIGHT RAIL TIN WING STOP-15WTL NO.23,AREA 33,TIN SHUI WAL, N.T.

TITLE :  
LOUVER SCHEDULE FOR 1/F IN-SITU LOUVER

DATE : 06-Aug-21

SCALE : 1:40

DOWN BY : hwm

CHECKED BY :

D 15/7/2022

C 15/7/2022

B 22/9/2022

A 21/9/2022

NO. DATE

REVISION

PROJECT :

PROPOSED DEVELOPMENT ABOVE LIGHT RAIL TIN WING STOP-15WTL NO.23,AREA 33,TIN SHUI WAL, N.T.

TITLE :

LOUVER SCHEDULE FOR 1/F IN-SITU LOUVER

WINDOW MARK: 1/F E&M PURPOSE (AC)

LOCATION: 1/F: G/L (B11-B12/P)

SECTION: 50mm ALUM. SECTION

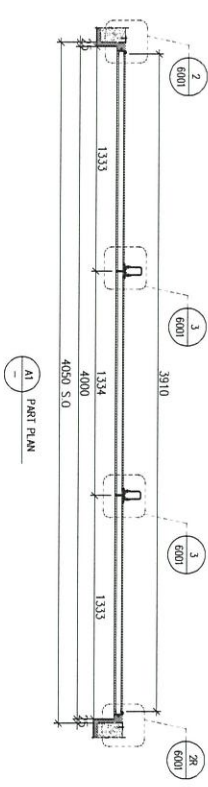
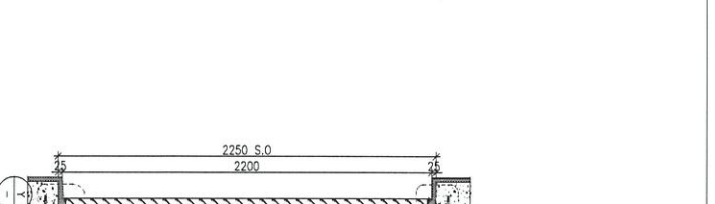
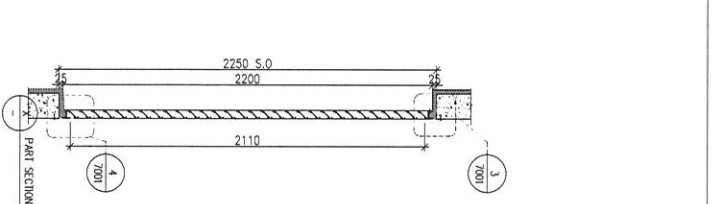
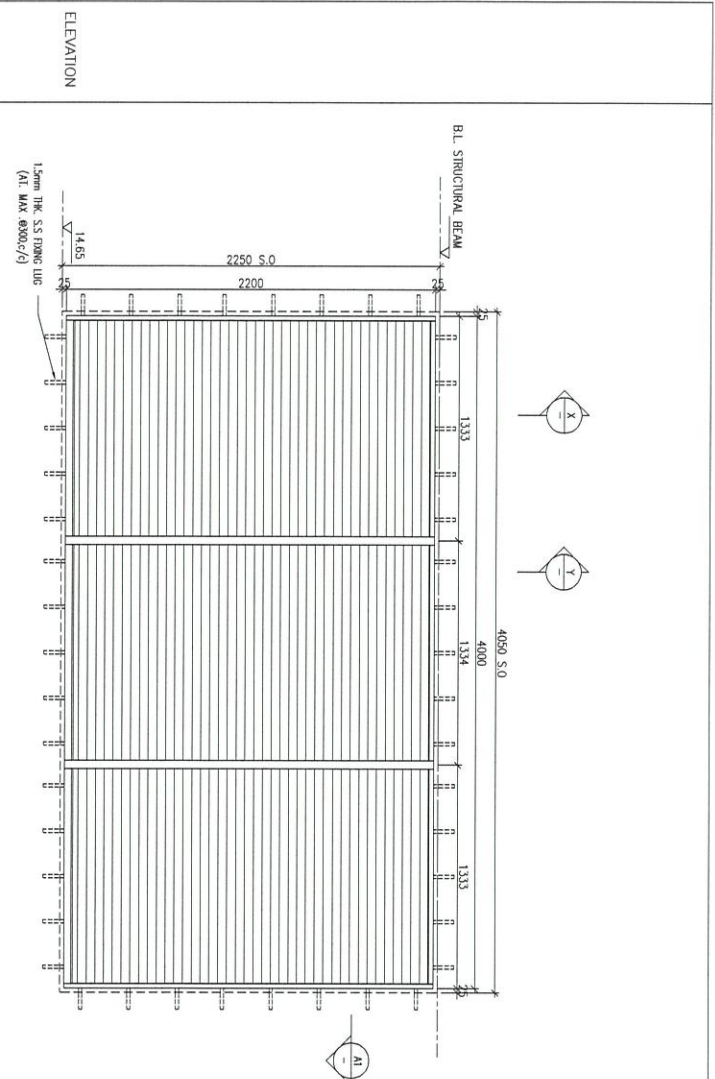
GLAZING: ALUM. LOUVER BLADE COLOUR CODE: BLACK FREE AREA: 50%

QUANTITY: 1 NOS.

REMARKS: SS WIRE MESH



WINDOW MARK	1/F	E&M PURPOSE (EVERLIGHT)
LOCATION	1/F: G/L(B13-B14/P)	
SECTION	50mm ALUM. SECTION	
GLAZING	ALUM. LOUVER BLADE	COLOR CODE: BLACK
QUANTITY	1 NOS.	FREE AREA: 50%
REMARKS	SS WIRE MESH	



LOUVER FREE AREA  
36.8/72 x 100% = 51.1%

B.O. REF :

CLIENT :  
**SUN HUNG KAI**  
REAL ESTATE AGENCY LTD.  
42/F, SUN HUNG KAI CENTRAL, WINGLOK, HONGKONG

ARCHITECT :  
**lwk&partners**  
ARCHITECTS

MAIN CONTRACTOR :  
**Yee Fai**  
Building Contractors Ltd.

STRUCTURAL ENGINEER :  
**ARUP**

FRAME CONSULTANT :  
**ALPHA CONSULTING LIMITED**  
Steel Structure & Frame Specialist

NOTE:  
1. ALL DIMENSIONS ARE IN mm.  
2. ALL ELEVATIONS ARE VIEWED FROM OUTSIDE.  
3. ALL DIMENSIONS TO BE VERIFIED ON SITE BEFORE FABRICATION.  
LEGEND:  
① DETAIL MARK NO.  
② REFER SHEET NO.  
③ F.F.L. --- FINISHED FLOOR LEVEL  
④ S.E.L. --- STRUCTURAL FLOOR LEVEL  
⑤ --- REVERSED DETAIL  
⑥ GLASS LEGEND  
EG-1 --- 8mm+12mm AIR GAP+8mm THK. LG.L  
EG-2 --- 10mm THK. CLEAR TEMPERED GLASS

NO.	DATE	REVISION
D	15/11/2022	REVISION SUBJECT TO APPROVEMENT
C	27/09/2022	REVISION SUBJECT TO APPROVEMENT
B	31/04/2022	REVISION SUBJECT TO APPROVEMENT
A	27/12/2021	REVISION SUBJECT TO APPROVEMENT

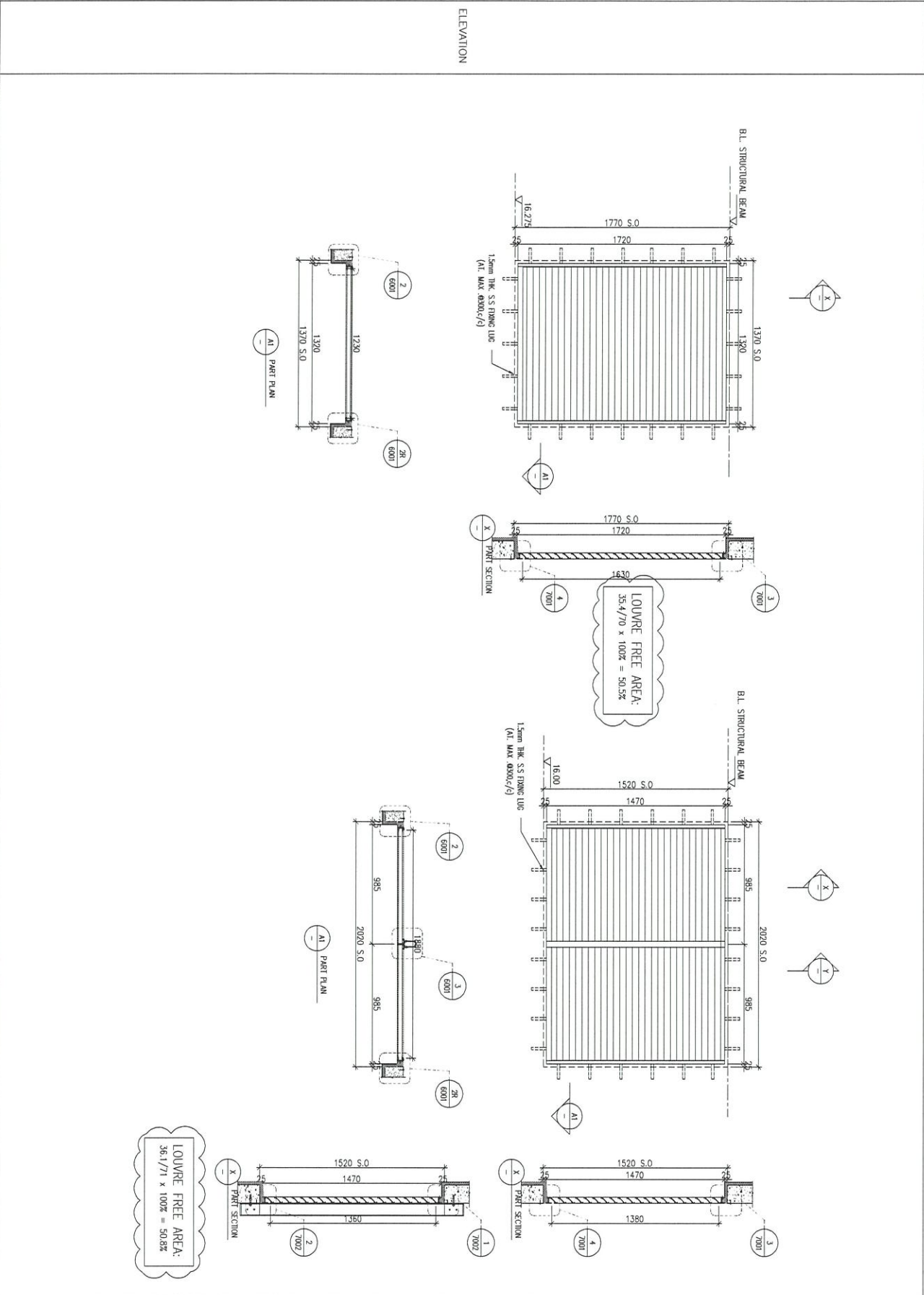
JOB NO. : J-856  
PROJECT : PROPOSED DEVELOPMENT ABOVE LIGHT TWIN WING STOP-15WTL NO.25, AREA 33, TIN SHUI WAI, N.T.  
TITLE : LOUVER SCHEDULE FOR 1/F IN-SITU LOUVER

DWG NO. : 06-Aug-21 SCALE : 1:40  
DRAWN BY : Iwan  
CHECKED BY :  
**美特銘有限公司**  
MEI TING ENGINEERING CONSULTANTS LTD.  
Units 6-8, Suning Industrial Building, 610 Che Kwo Ling Road, Kowloon, HONG KONG  
Tel: 23489211-4 Fax: (852) 2727866  
DWG NO. : 0656-SD-LV-3018 REV. : 0



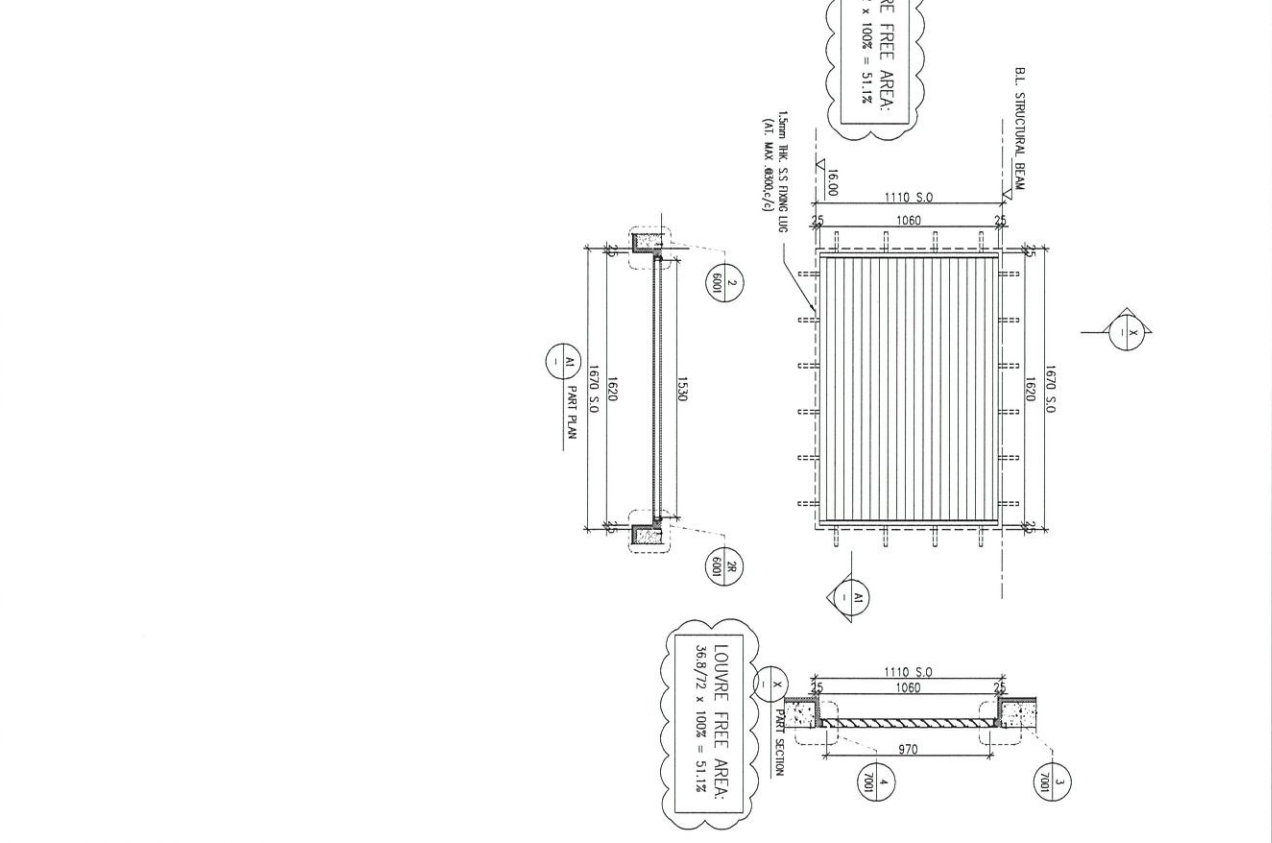
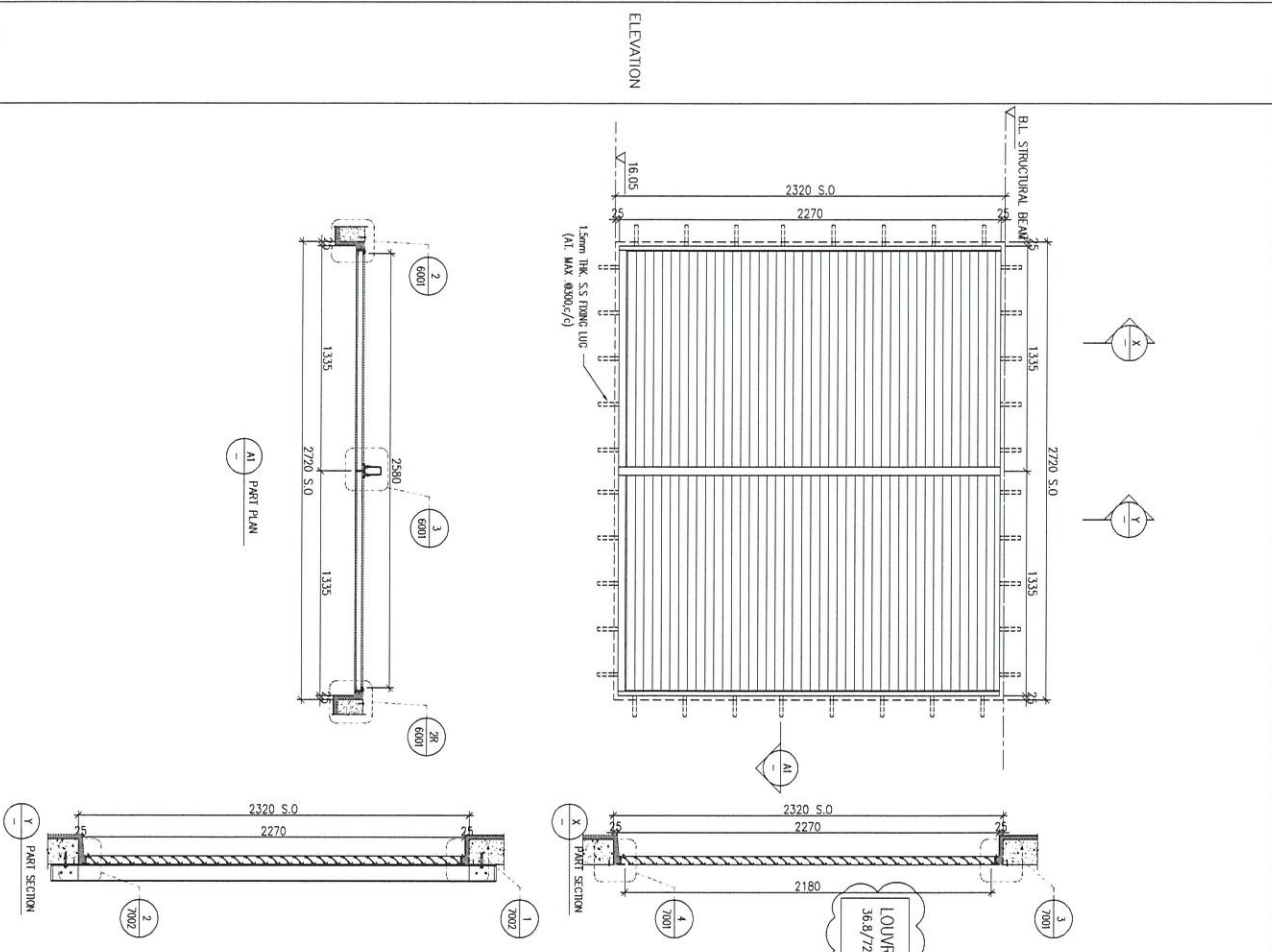
WINDOW MARK	EF 0087	E&M PURPOSE (AC)
LOCATION	1/F: GL(B14-B15/P)	
SECTION	50mm ALUM. SECTION	
GLAZING	ALUM. LOUVER BLADE	CLOUR CODE: BLACK
QUANTITY	1 NOS.	FREE AREA: 50%
REMARKS	SS WIRE MESH	

DATE	06-Aug-21	SCALE	1:40
DRAWN BY	ivan	CHECKED BY	
Unit 6-8, Suning Tower, Suning Plaza, Suning Finance Centre, 1/F, 610 Che Kwo Ling Road, Kowloon Tel: 23489311-4 Fax: (852) 27277855			
DWG NO.	J-856	REV.	C



B.D. REF.													
CLIENT	SUN HUNG KAI REAL ESTATE AGENCY LTD.												
ARCHITECT	Iw&partners												
MAIN CONTRACTOR	Yee Fai Building Contractor Ltd.												
STRUCTURAL ENGINEER	ARUP												
FAÇADE CONSULTANT	ALPHA CONSULTING LIMITED												
NOTE:	<ol style="list-style-type: none"> <li>ALL DIMENSIONS ARE IN mm.</li> <li>ALL ELEVATIONS ARE VIEWED FROM OUTSIDE BEFORE FABRICATION.</li> <li>ALL DIMENSIONS TO BE VIEWED ON SITE.</li> </ol>												
LEGEND:	<ol style="list-style-type: none"> <li>REF. MARK NO.</li> <li>REF. SHEET NO.</li> <li>F.F.L. -- FINISHED FLOOR LEVEL</li> <li>S.F.L. -- STRUCTURAL FLOOR LEVEL</li> <li>REVERSED REF. MARK</li> <li>GLASS LEASED</li> <li>ED-1 -- 8mm 12mm AG CL-1 6mm THK. LCU</li> <li>ED-2 -- 10mm THK. CLEAR THERMED GLASS</li> </ol>												
PROJECT:	PROPOSED DEVELOPMENT ABOVE LIGHT RAIL TIN WING STOP-TSUNL NO.23AREA 33, TIN SHUI WA, N.T.												
TITLE:	LOUVER SCHEDULE FOR 1/F IN-SITU LOUVER												
JOB NO.:	J-856												
REVISION HISTORY:	<table border="1"> <thead> <tr> <th>NO.</th> <th>DATE</th> <th>REVISION</th> </tr> </thead> <tbody> <tr> <td>C</td> <td>15/07/2022</td> <td>REVISION SUBJECT TO APPROVEMENT</td> </tr> <tr> <td>B</td> <td>22/09/2022</td> <td>REVISION SUBJECT TO APPROVEMENT</td> </tr> <tr> <td>A</td> <td>21/04/2022</td> <td>REVISION SUBJECT TO APPROVEMENT</td> </tr> </tbody> </table>	NO.	DATE	REVISION	C	15/07/2022	REVISION SUBJECT TO APPROVEMENT	B	22/09/2022	REVISION SUBJECT TO APPROVEMENT	A	21/04/2022	REVISION SUBJECT TO APPROVEMENT
NO.	DATE	REVISION											
C	15/07/2022	REVISION SUBJECT TO APPROVEMENT											
B	22/09/2022	REVISION SUBJECT TO APPROVEMENT											
A	21/04/2022	REVISION SUBJECT TO APPROVEMENT											

WINDOW MARK	1/F	EXM PURPOSE (AC)
LOCATION SECTION	1/F: G/L(A5-A4/P)	50mm ALUM. SECTION
GLAZING	ALUM. LOUVER BLADE	CLOUR CODE: DARK GREY
QUANTITY	1 NOS.	FREE AREA: 50%
REMARKS	SS WIRE MESH	



DATE	06-Aug-21	SCALE	1:40
DRAWN BY	ivon	CHECKED BY	

PROJECT: PROPOSED DEVELOPMENT ABOVE LIGHT RAIL TIN WING STOP 1'SW/L NO.23, AREA 33.17M SHUI WA, N.T.

TITLE: LOUVER SCHEDULE FOR 1/F IN-SITU LOUVER

NO.	DATE	REVISION
A	21/06/2021	REVISION SUBJECT TO APPROVAL
B	22/09/2022	REVISION SUBJECT TO APPROVAL
C	15/11/2022	REVISION SUBJECT TO APPROVAL

LEGEND:

- 1. ALL DIMENSIONS ARE IN MM.
- 2. ALL ELEVATIONS ARE VIEWED FROM OUTSIDE BEFORE FABRICATION.
- 3. ALL DIMENSIONS TO BE VERIFIED ON SITE.

LEGEND:

- ① DETAIL MARK NO.
- ② REVISION SHEET NO.

NOTE:

1. ALL DIMENSIONS ARE IN MM.
2. ALL ELEVATIONS ARE VIEWED FROM OUTSIDE BEFORE FABRICATION.
3. ALL DIMENSIONS TO BE VERIFIED ON SITE.

ARCHITECT: **ARUP**

ALPHA CONSULTING LIMITED  
Steel Structure & Trade Specialist

STRUCTURAL ENGINEER: **Y&P**

Y&P Engineering Consultants Ltd.

CLIENT: **SUN HUNG KAI REAL ESTATE (HONG KONG) LTD.**

ARCHITECT: **hw&partners**

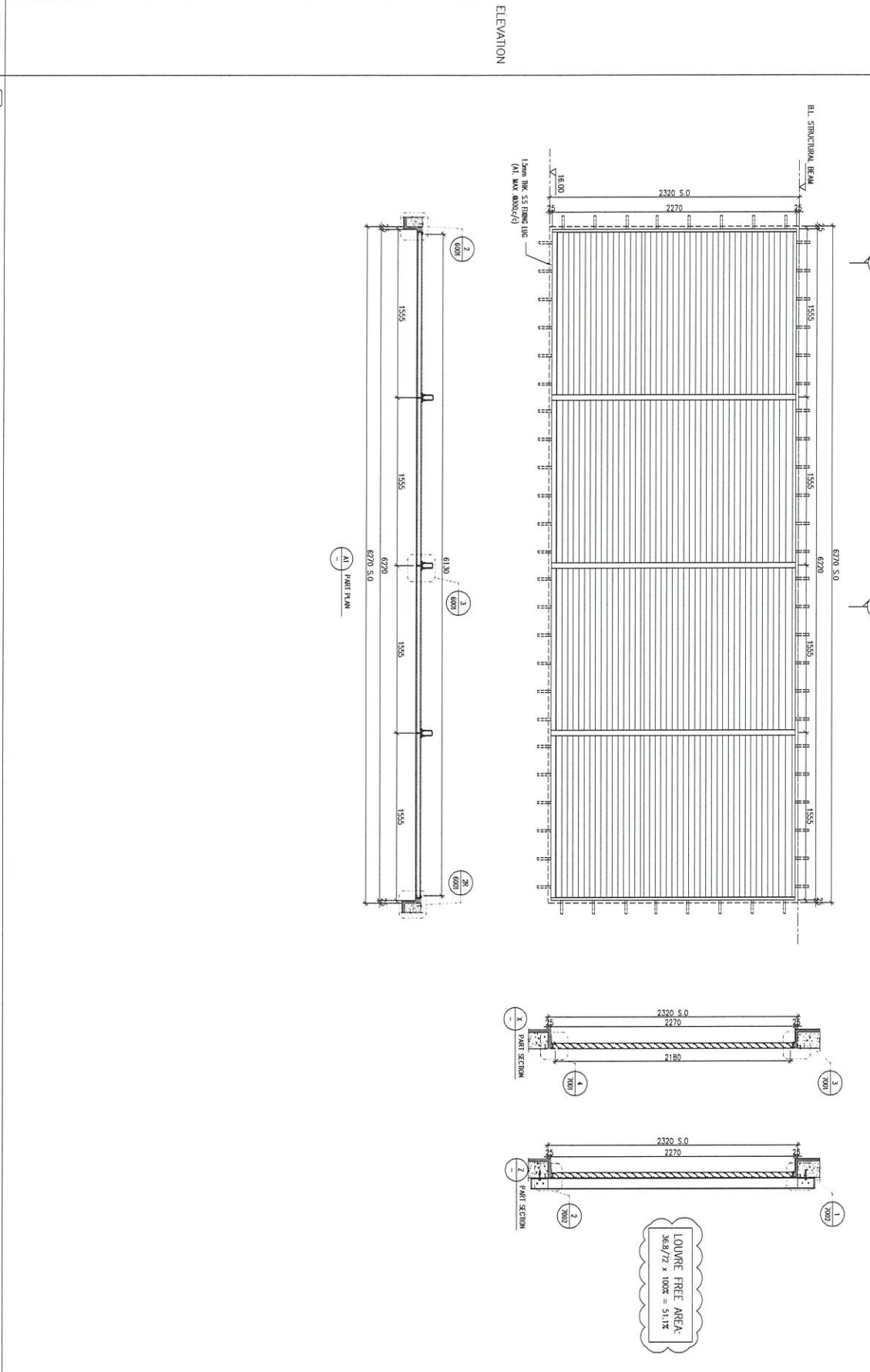
MAIN CONTRACTOR: **Y&P Engineering Consultants Ltd.**

PROJECT NO.: J-856

DATE: 06-Aug-21

WINDOW MARK	(1/F) E&M PURPOSE (AC)
LOCATION SECTION	1/F: G.L. (A4-A3/P) 50mm ALUM. SECTION
GLAZING	ALUM. LOUVER BLADE COLOUR CODE: DARK GRNY FREE AREA: 50%
QUANTITY	1 NOS.
REMARKS	SS WIRE MESH

DATE : 06-Aug-21	SCALE : 1:40
DRAWN BY : Ivan	CHECKED BY :



CLIENT :	SUN HUNG KAI REAL ESTATE AGENCY LTD. 42/F, 428, Nathan Road, Kowloon, Hong Kong
ARCHITECT :	IWK&Partners ARCHITECTS
MAIN CONTRACTOR :	怡輝建築有限公司 Yee Fai Building Contractors Ltd.
STRUCTURAL ENGINEER :	ARUP
FAÇADE CONSULTANT :	ALPHA CONSULTING LIMITED Facade Specialist

NOTE:  
1. ALL DIMENSIONS ARE IN mm.  
2. ALL ELEVATIONS ARE VIEWED FROM OUTSIDE.  
3. ALL DIMENSIONS TO BE VERIFIED ON SITE BEFORE FABRICATION.

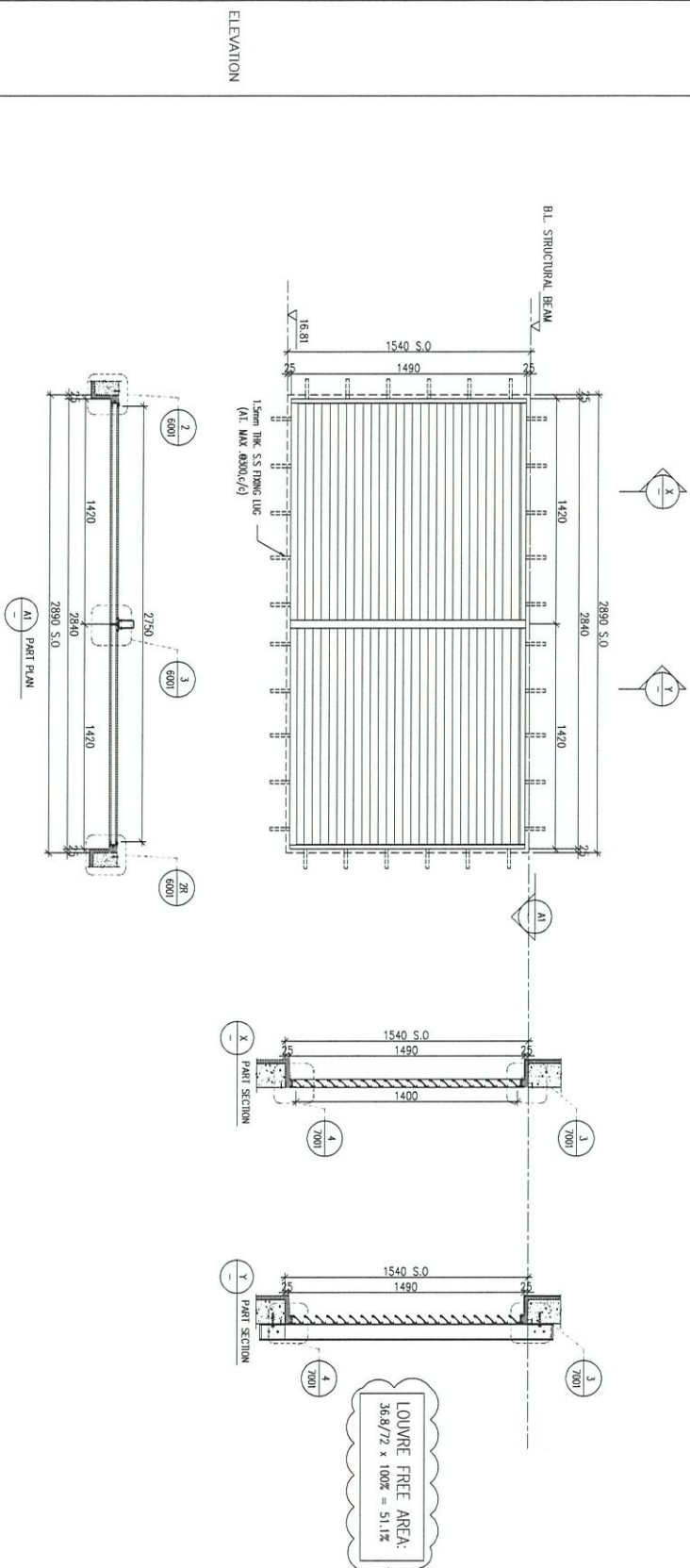
LEGEND:  
(1) - DETAIL MARK NO.  
(2) - REFER SHEET NO.  
1. F.F.L. - FINISHED FLOOR LEVEL  
2. S.F.L. - STRUCTURAL FLOOR LEVEL  
3. (R) - REVERSED DETAIL  
4. GLASS LEGEND  
EG-1 - 8mm+12mm AG CL-4 from HK T.G.U.  
EG-2 - 10mm HK CLEAR TEMPERED GLASS

JOB NO. :	J-856
PROJECT :	PROPOSED DEVELOPMENT ABOVE LIGHT RAIL TIN WING STOP, 15WTL NO.23, AREA 33, TIN SHUI WAI, N.T.
TITLE :	LOUVER SCHEDULE FOR 1/F IN-SITU LOUVER

NO.	DATE	REVISION	BY
C	16/11/2022	REVISION SUBJECT TO APPROVAL	hcn
B	22/09/2022	REVISION SUBJECT TO APPROVAL	hcn
A	21/04/2022	REVISION SUBJECT TO APPROVAL	hcn

DATE :	06-Aug-21	SCALE :	1:40
DRAWN BY :	Ivan	CHECKED BY :	

WINDOW MARK	1/F	E&M PURPOSE (AC)
LOCATION	1/F: GL(A3-A2/P)	
SECTION	50mm ALUM. SECTION	
GLAZING	ALUM. LOUVER BLADE	CLOUR CODE: DARK GREY FREE AREA: 50%
QUANTITY	1 NOS.	
REMARKS	SS WIRE MESH	



DATE : 06-Aug-21	SCALE : 1:40
DRAWN BY : JHM	CHECKED BY :
Units G-8, Sanyu Industrial Building, 1/F 610 Cho Kwai Tong Road, Kowloon Tel: 23489211-4 Fax: (852) 2777866	
DMC NO. : J856-5D-LV-5023	REV. : E

PROJECT :  
 PROPOSED DEVELOPMENT ABOVE  
 LIGHT RAIL TIN WING STOP/TSWTL  
 NO.23AREA 33,1IN SHUI WA, N.T.

TITLE :  
 LOUVER SCHEDULE FOR  
 1/F IN-SITU LOUVER

JOB NO. : J-856		
REVISION HISTORY		
NO.	DATE	DESCRIPTION
E	15/12/2022	REVISION SUBJECT TO APPROVEMENT
D	25/11/2022	REVISION SUBJECT TO APPROVEMENT
C	20/09/2022	REVISION SUBJECT TO APPROVEMENT
B	30/08/2022	REVISION SUBJECT TO APPROVEMENT
A	21/06/2022	REVISION SUBJECT TO APPROVEMENT

NOTE :  
 1. ALL DIMENSIONS ARE IN mm.  
 2. ALL ELEVATIONS ARE VIEWED FROM OUTSIDE BEFORE FABRICATION.  
 3. ALL DIMENSIONS TO BE VIEWED ON SITE.

LEGEND :

(S1) BEAM MARK NO.  
 (R1) REFER SHEET NO.  
 (GL) GLASS LEAD

1. F.F.L.---FINISHED FLOOR LEVEL  
 2. S.F.L.---STRUCTURAL FLOOR LEVEL  
 3. (R)---REVERSED DENIM.  
 4. GLASS LEAD

EQ-1---Beam 12mm AR CP+8mm THK LCU  
 EQ-2---10mm THK CLEAR TEMPERED GLASS

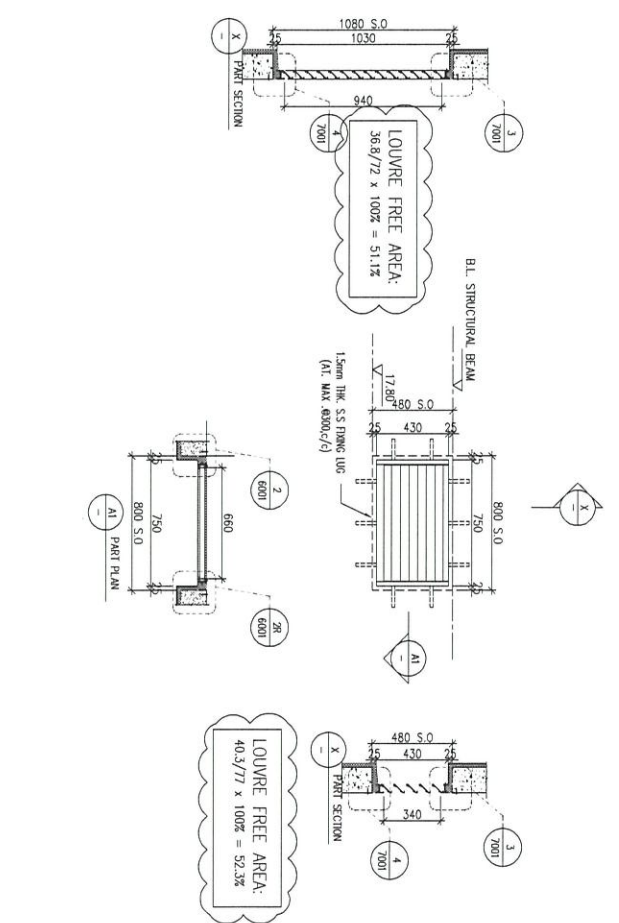
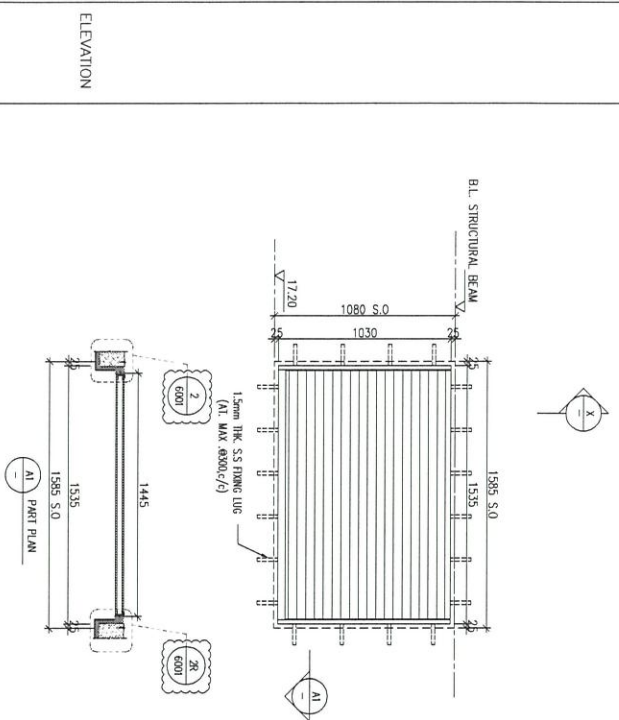
FAÇADE CONSULTANT:  
  
 ALPHA CONSULTING LIMITED  
 Steel Structure & Façade Specialist

MAIN CONTRACTOR :  
  
 Yeek Fai Building Contractors Ltd.

ARCHITECT :  
  
 Iw&partners  
 ARCHITECTS

CLIENT :  
  
 SUN HUNG KAI  
 REAL ESTATE AGENCY LTD.  
 427F Sun Hung Kai Centre, Wanchai, Hong Kong

B.D. REF. :



ELEVATION

WINDOW MARK	1/F	E&M PURPOSE (AC)
LOCATION	1/F: G.L.(A5-A4/P)	
SECTION	50mm ALUM. SECTION	
GLAZING	ALUM. LOUVER BLADE	COLOR CODE: DARK GREY
QUANTITY	1 NOS.	
REMARKS	SS WIRE MESH	

DATE :	06-Aug-21	SCALE :	1:40
DRAWN BY :	ivon	CHECKED BY :	
C :	15/7/2022	REVISION SUBJECT TO ASSIGNMENT	100
B :	22/08/2022	REVISION SUBJECT TO ASSIGNMENT	100
A :	20/04/2022	REVISION SUBJECT TO ASSIGNMENT	100

JOB NO. : J-956

PROJECT : PROPOSED DEVELOPMENT ABOVE LIGHT RAIL TIN WING STOP-TSWTL NO.23/AREA 33, TIN SHUI WA, N.T.

TITLE : LOUVER SCHEDULE FOR 1/F N-SITU LOUVER

DATE	BY	REVISION

NOTE :

- ALL DIMENSIONS ARE IN mm.
- ALL DIMENSIONS ARE VIEWED FROM OUTSIDE, BEFORE FABRICATION.
- ALL DIMENSIONS TO BE VIEWED ON SITE.

LEGEND :

① --- BEER SHEET NO.

② --- BEER SHEET NO.

- F.F.L. --- FINISHED FLOOR LEVEL
- S.F.L. --- STRUCTURAL FLOOR LEVEL
- ③ --- REVERSED DETAIL
- GLASS LEGEND

EG-1 --- 8mm+12mm AIR GAP 16mm THK. LGU

EG-2 --- 10mm THK. CLEAR THERMED GLASS

FACE CONSULTANT:

**ARUP**

ALPHA CONSULTING LIMITED  
Steel Structure & Trade Specialist

STRUCTURAL ENGINEER :

**Yee Fai** 楊煒發有限公司  
Yee Fai Trading Corporation Ltd.

ARCHITECT :

**Iw&partners**  
ARCHITECTS

CLIENT :

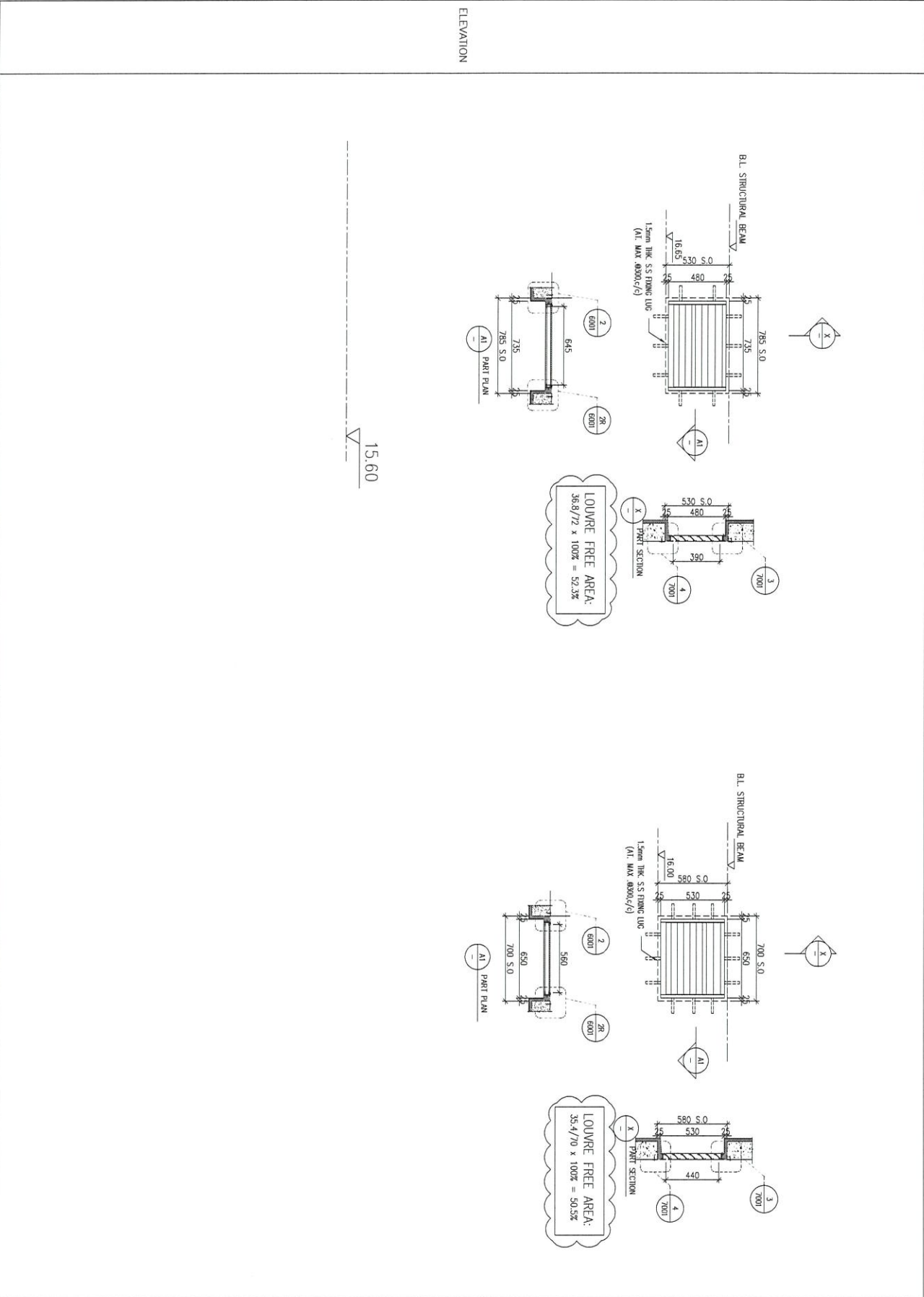
**SUN HUNG KAI**  
REAL ESTATE DEVELOPMENT  
427, 5th Floor, The Centre, 200 Queen's Road, Hong Kong

B.O. REF. :

WINDOW MARK	1/F	E&M PURPOSE (AC)
LOCATION	1/F: G.L.(A5-A4/P)	
SECTION	50mm ALUM. SECTION	
GLAZING	ALUM. LOUVER BLADE	COLOR CODE: DARK GREY FREE AREA: 50%
QUANTITY	1 NOS.	
REMARKS	SS WIRE MESH	

WINDOW MARK	1/F	E&M PURPOSE (AC)
LOCATION	1/F: G.L.(A5-A4/P)	
SECTION	50mm ALUM. SECTION	
GLAZING	ALUM. LOUVER BLADE	COLOR CODE: DARK GREY FREE AREA: 50%
QUANTITY	1 NOS.	
REMARKS	SS WIRE MESH	

DATE :	06-Aug-21	SCALE :	1:40
DRAWN BY :	Woon	CHECKED BY :	
Mei Tai Engineering & Construction Ltd. 610 Che Kwo Ling Road, Kowloon Tel: (852)98211-4 Fax: (852)2777066			
DCM NO. :	J856-S0-LV-5025	REV. :	D



B.D. REF. :		
CLIENT :	SUN HUNG KAI REAL ESTATE AGENT LTD.	
ARCHITECT :	hwk&partners	
MAIN CONTRACTOR :	ARUP	
STRUCTURAL ENGINEER :	ALPHA CONSULTING LIMITED	
PROJECT :	PROPOSED DEVELOPMENT ABOVE LIGHT RAIL TIN WING STOP-TSWLT NO.23, AREA 33, TIN SHUI WAL, N.T.	
TITLE :	LOUVER SCHEDULE FOR 1/F IN-SITU LOUVER	
PROJECT :	PROPOSED DEVELOPMENT ABOVE LIGHT RAIL TIN WING STOP-TSWLT NO.23, AREA 33, TIN SHUI WAL, N.T.	
JOB NO. :	J-856	
REVISION HISTORY :		
NO.	DATE	REVISION
D	15/07/2022	REVISION SELECT TO ARCHITECTMENT
C	22/09/2022	REVISION SELECT TO ARCHITECTMENT
B	21/09/2022	REVISION SELECT TO ARCHITECTMENT
A	22/02/2021	REVISION SELECT TO ARCHITECTMENT

NOTE :  
 1. ALL DIMENSIONS ARE IN mm.  
 2. ALL ELEVATIONS ARE VIEWED FROM OUTSIDE.  
 3. ALL DIMENSIONS TO BE VERIFIED ON SITE BEFORE FABRICATION.

LEGEND :  
 (1) - DETAIL MARK NO.  
 (200) - REFER SHEET NO.

1. F.F.L. --- FINISHED FLOOR LEVEL  
 2. S.F.L. --- STRUCTURAL FLOOR LEVEL  
 3. (R) --- REVERSED DETAIL  
 4. GLASS LEGEND  
 ER-1 --- 9mm+12mm AIR GAP+18mm THK. IGUL  
 ER-2 --- 10mm THK. CLEAR TEMPERED GLASS



B.D. REF :

CLIENT :  
**SUN HUNG KAI**  
REAL ESTATE DEVELOPMENT LTD.  
4277 Shek Kwan Rd. Central, Kowloon, Hong Kong

ARCHITECT :  
**IWK&partners**  
ARCHITECTS

MAIN CONTRACTOR :  
**Yee Fai**  
Building Contractor Ltd.

STRUCTURAL ENGINEER :  
**ARUP**  
ALPHA CONSULTING LIMITED  
Steel Structure & Bridge Specialist

NOTE :  
1. ALL DIMENSIONS ARE IN mm.  
2. ALL ELEVATIONS ARE VIEWED FROM OUTSIDE BEFORE FABRICATION.  
3. ALL DIMENSIONS TO BE VIEWED ON SHEET BEFORE FABRICATION.  
LEGEND :  
① - REF. MARK NO.  
② - REFER SHEET NO.

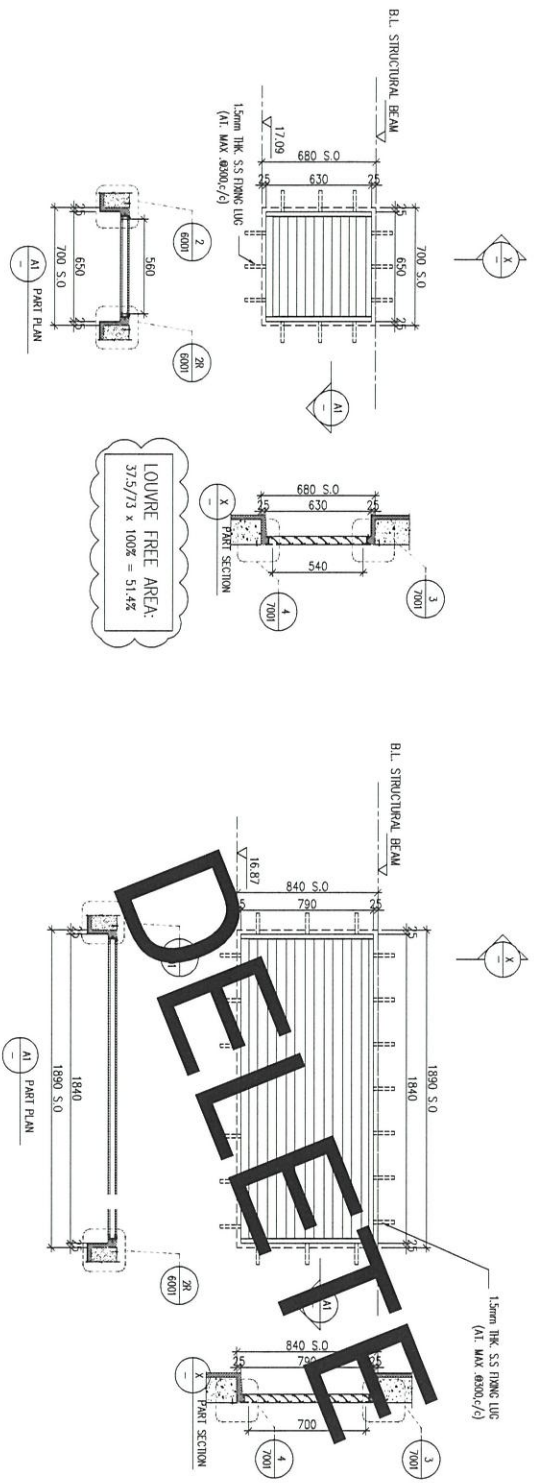
1. F.F.L. --- FINISHED FLOOR LEVEL  
2. S.F.L. --- STRUCTURAL FLOOR LEVEL  
3. Ⓞ --- RENEWED ITEM.  
4. GLASS LEGEND  
EQ-1 --- 8mm/12mm ARG GPP+8mm THK. LGUL  
EQ-2 --- 10mm THK. CLEAR THERMO GLASS

NO.	DATE	REVISION	BY	CHECKED
D	15/12/2022	REVISION SUBJECT TO APPROVAL	WHS	
C	30/10/2022	REVISION SUBJECT TO APPROVAL	WHS	
B	22/09/2022	REVISION SUBJECT TO APPROVAL	WHS	
A	21/05/2022	REVISION SUBJECT TO APPROVAL	WHS	

JOB NO. : J-856  
PROJECT :  
PROPOSED DEVELOPMENT ABOVE LIGHT RAIL TIN WING STOP-TSMTL NO.23, AREA 33, TIN SHUI WAI, N.T.  
TITLE :  
LOUVER SCHEDULE FOR 1/F IN-SITU LOUVER

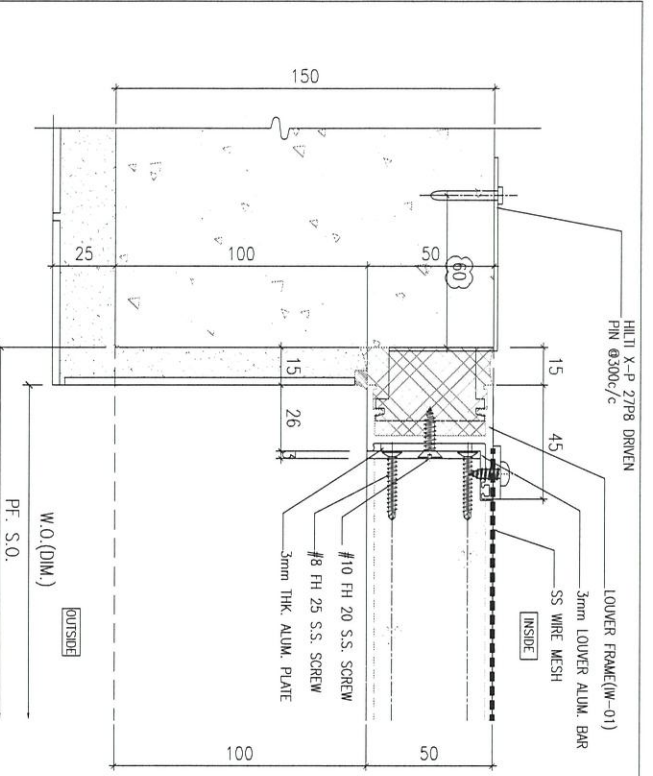
DWG NO. : J856-SD-LV-5027  
SCALE : 1:40  
DRAWN BY : hvon  
CHECKED BY :  
DATE : 06-Aug-21

**建持 鋁質有限公司**  
MINDY  
Units 6-8, Suning Industrial Centre, 1/F  
610 Che Kwo Ling Road, Kowloon  
Tel: 23489211-4 Fax: (852) 27778656  
DWG NO. : J856-SD-LV-5027 REV. : D

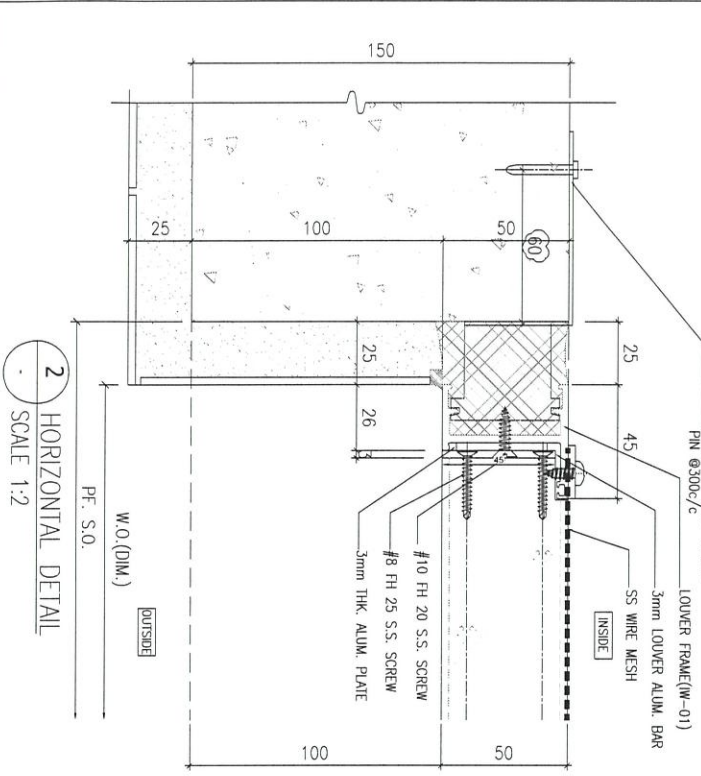


ELEVATION

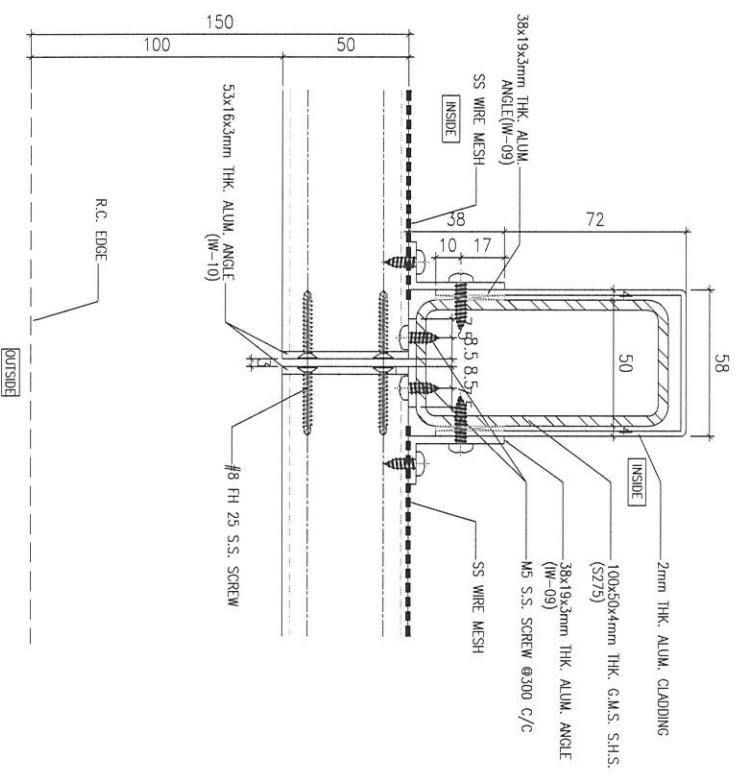
WINDOW MARK	1/F	E&M PURPOSE (AC)
018/	018/	018/
LOCATION SECTION	1/F: G.L.(A5-A4/P)	1/F: G.L.(A3/P)
GLAZING QUANTITY	50mm ALUM. SECTION ALUM. LOUVER BLADE COLOUR CODE: DARK GREY FREE AREA: 50%	50mm ALUM. SECTION ALUM. LOUVER BLADE COLOUR CODE: BLACK FREE AREA: 50%
REMARKS	1 NOS. SS WIRE MESH	1 NOS. SS WIRE MESH



1 HORIZONTAL DETAIL  
SCALE 1:2  
HILLI X-P 27/8 DRIVEN  
PIN @300/c



2 HORIZONTAL DETAIL  
SCALE 1:2



3 HORIZONTAL DETAIL  
SCALE 1:2

B.O. REF.:

CLIENT :

**SUN HUNG KAI**  
REAL ESTATE DEVELOPMENT LTD.  
4275 Shek Kwan Rd, Central, Hong Kong

**Iw&partners**  
ARCHITECTS

MAIN CONTRACTOR :  
**Yeepal** 柏輝建築有限公司  
Building Contractor Ltd.

STRUCTURAL ENGINEER :  
**ARUP**

FAÇADE CONSULTANT:  
**ALPHA CONSULTING LIMITED**  
Steel Structure & Façade Specialist

NOTE:  
1. ALL DIMENSIONS ARE IN mm.  
2. ALL ELEVATIONS ARE VIEWED FROM OUTSIDE.  
3. ALL DIMENSIONS TO BE VERIFIED ON SITE BEFORE FABRICATION.  
LEGEND:  
ST - BEAM MARK NO.  
3000 - REFER SHEET NO.

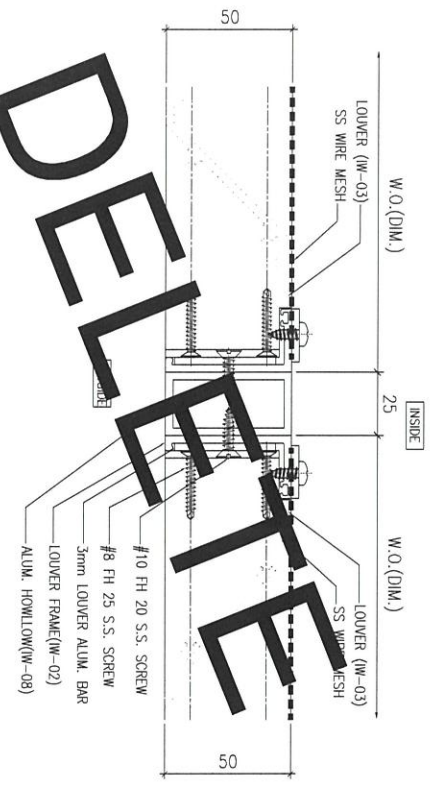
1. F.F.L. - FINISHED FLOOR LEVEL
  2. S.F.L. - STRUCTURAL FLOOR LEVEL
  3. Ⓞ - REVERSED DETAIL
  4. GLASS LENSING
- EQ-1 - 8mm/12mm AIR GAP FROM THE LGU  
EQ-2 - 10mm THK. CLEAR TEMPERED GLASS

NO.	DATE	REVISION	REVISION SELECT TO REVISION
A	10/02/2021	REVISION SELECT TO REVISION	
B	07/01/2022	REVISION SELECT TO REVISION	
C	21/04/2022	REVISION SELECT TO REVISION	
D	21/09/2022	REVISION SELECT TO REVISION	
E	24/09/2022	REVISION SELECT TO REVISION	
F	20/10/2022	REVISION SELECT TO REVISION	
G	15/07/2022	REVISION SELECT TO REVISION	

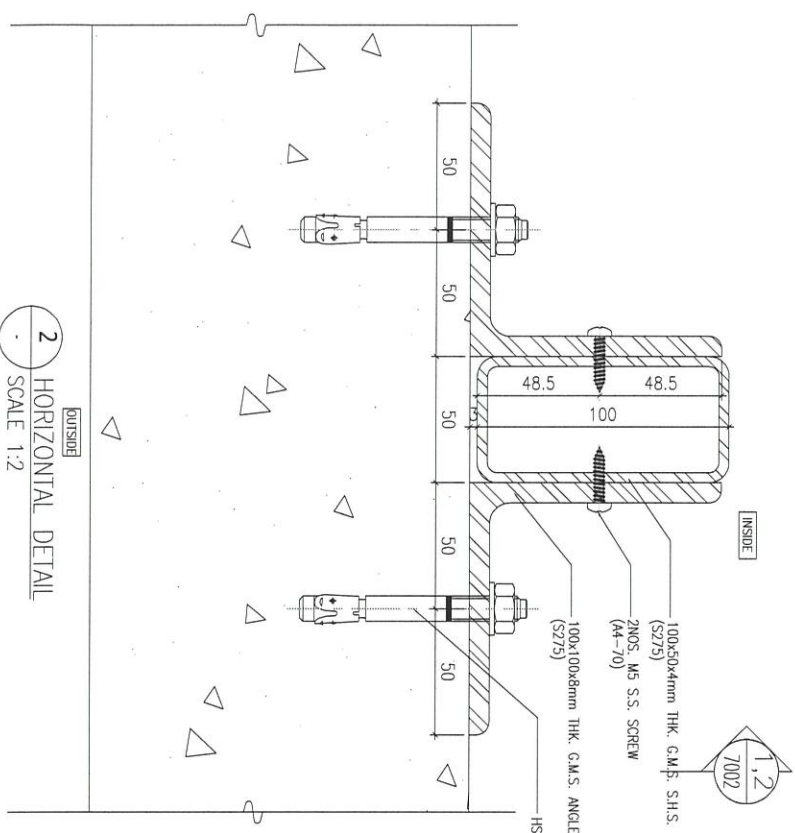
JOB NO. : J-856  
PRODUCT : PROPOSED DEVELOPMENT ABOVE LIGHT RAIL TIN WING STATION  
NO.23ARCA 33, TIN SHUI WA, N.T.  
TITLE : TYPICAL DETAILS FOR IN-SITU LOUVER

DATE : 02-Aug-21 SCALE : 1:40  
DRAWN BY : Ivan  
CHECKED BY :  
MIDI Architectural Firm  
Units 6-8, Sunny Industrial Centre, 1/F  
610 Che Kwo Ling Road, Kowloon  
Tel: 23489211-4 Fax: (852) 27277866  
DWG NO. : 856-50-LV-6001 REV. : 0

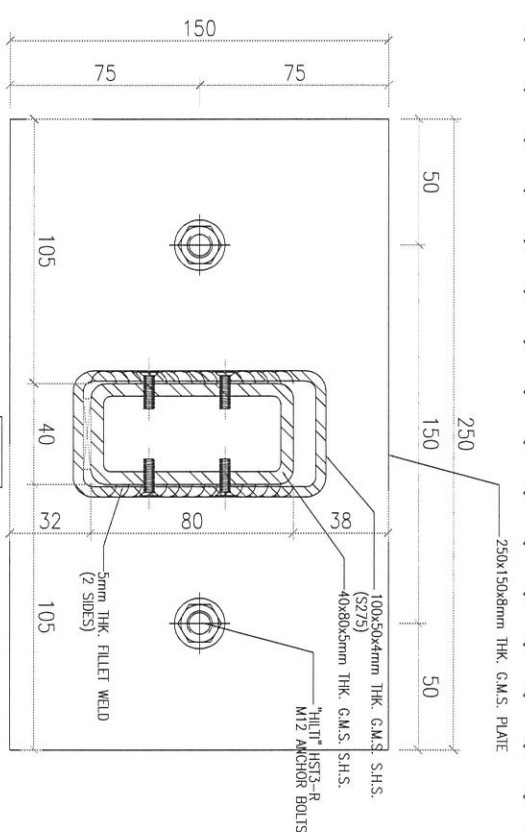
# DELETE



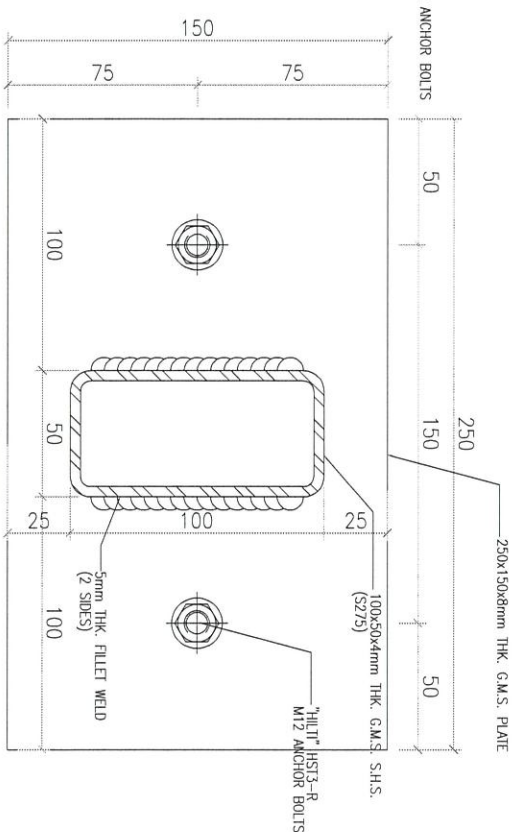
1 HORIZONTAL DETAIL  
SCALE 1:2



2 HORIZONTAL DETAIL  
SCALE 1:2



3 HORIZONTAL DETAIL  
SCALE 1:2

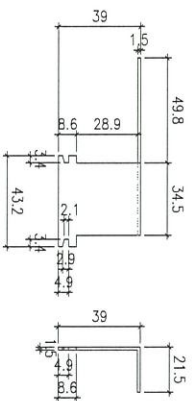
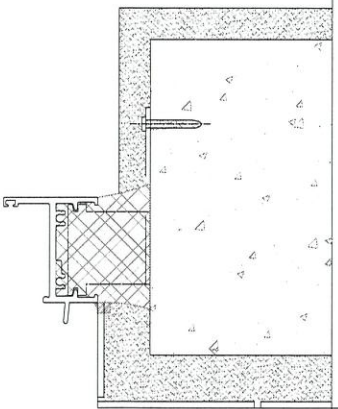
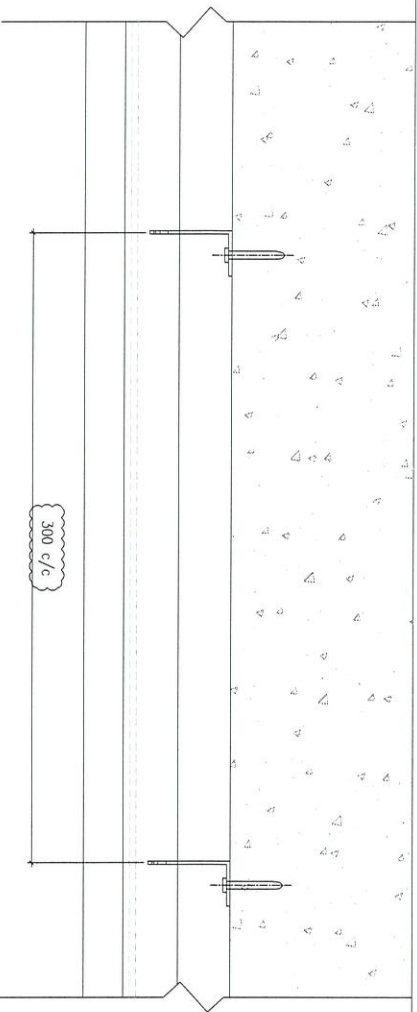


4 HORIZONTAL DETAIL  
SCALE 1:2

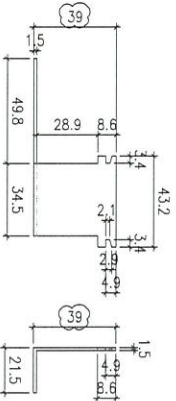
<b>CLIENT :</b> <b>SUN HUNG KAI</b> REAL ESTATE AGENT LTD. 4377 Shek Tong Tai Street, Kwun Tong, Kowloon		<b>ARCHITECT :</b> <b>IWK&amp;partners</b> ARCHITECTS		<b>MAIN CONTRACTOR :</b> <b>Yeek Fai</b> Building Contractors Ltd.		<b>STRUCTURAL ENGINEER :</b> <b>ARUP</b>		<b>PROJECT CONSULTANT :</b> <b>ALPHA CONSULTING LIMITED</b> Steel Structure & Trade Specialist	
<b>NOTE :</b> 1. ALL DIMENSIONS ARE IN mm. 2. ALL ELEVATIONS ARE VIEWED FROM OUTSIDE. 3. ALL DIMENSIONS TO BE VERIFIED ON SITE BEFORE FABRICATION. <b>LEGEND :</b> (1) - DETAIL MARK NO. (2) - REVIS SHEET NO. (3) - FINISHED FLOOR LEVEL. (4) - STRUCTURAL FLOOR LEVEL. (5) - REVERSED DETAIL. (6) - GLASS LEGEND EQ-1 - 9mm+12mm AIR GAP+18mm THK LGUL EQ-2 - 10mm THK CLEAR TEMPERED GLASS									
<b>PROJECT :</b> PROPOSED DEVELOPMENT ABOVE LIGHT RAIL TIN WING STOP+SWHL NO.23, AREA 33.31M SHUI WAU, N.T.									
<b>TITLE :</b> TYPICAL DETAILS FOR IN-SITU LOUVER									
<b>DATE :</b> 02-Aug-21		<b>SCALE :</b> 1:40		<b>DRAWN BY :</b> Iwon		<b>CHECKED BY :</b>		<b>DATE :</b>	
<b>REVISION SUBJECT TO APPROVEMENT</b>									
<b>NO.</b> <b>DATE</b> <b>BY</b> <b>REASON</b>									
<b>JOB NO. :</b> J-856									
<b>PROJECT :</b>									
<b>PROPOSED DEVELOPMENT ABOVE LIGHT RAIL TIN WING STOP+SWHL NO.23, AREA 33.31M SHUI WAU, N.T.</b>									
<b>COMPANY :</b> 美特銘有限公司 MEI TING KEONG CO., LTD. 610 Che Kwo Ling Road, Kowloon Tel: (852) 27777666 Fax: (852) 27777666									
<b>REV. :</b> C									



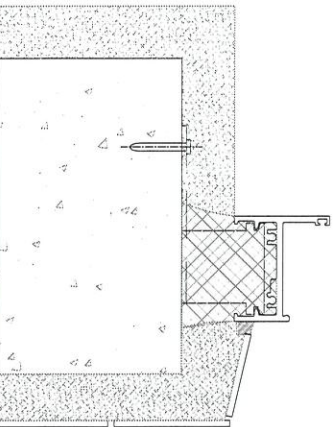
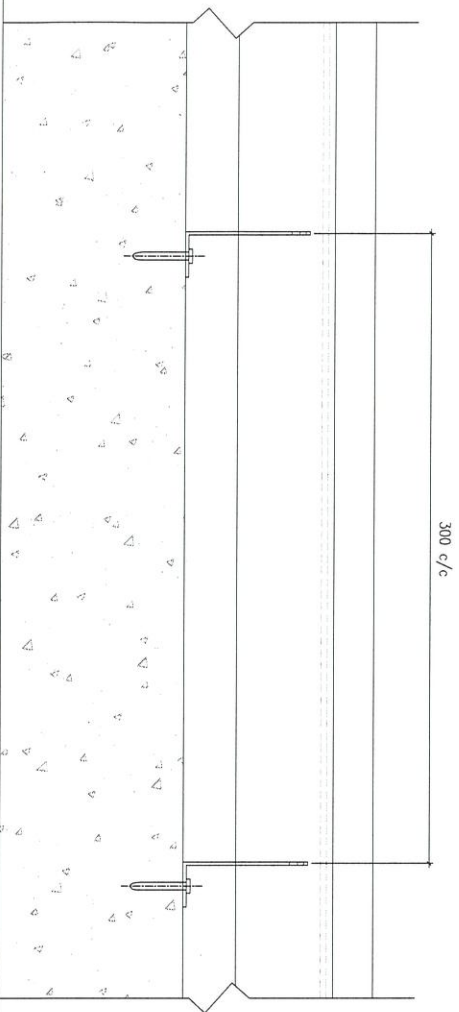




1 HORIZONTAL DETAIL  
SCALE 1:2



1 HORIZONTAL DETAIL  
SCALE 1:2



B.D. REF :

CLIENT :  
**SUN HUNG KAI**  
REAL ESTATE DEVELOPMENT LTD.  
4277, Sun Hung Kai Centre, Midland, Hong Kong

ARCHITECT :  
**Iw&partners**  
ARCHITECTS

MAIN CONTRACTOR :  
**Yee Fai**  
Building Contractor Ltd.

STRUCTURAL ENGINEER :  
**ARUP**

FAÇADE CONSULTANT:  
**ALPHA CONSULTING LIMITED**  
Steel Structure & Façade Specialist

NOTE :  
1. ALL DIMENSIONS ARE IN mm.  
2. ALL ELEVATIONS ARE VIEWED FROM OUTSIDE BEFORE FABRICATION.  
3. ALL DIMENSIONS TO BE VERIFIED ON SITE.

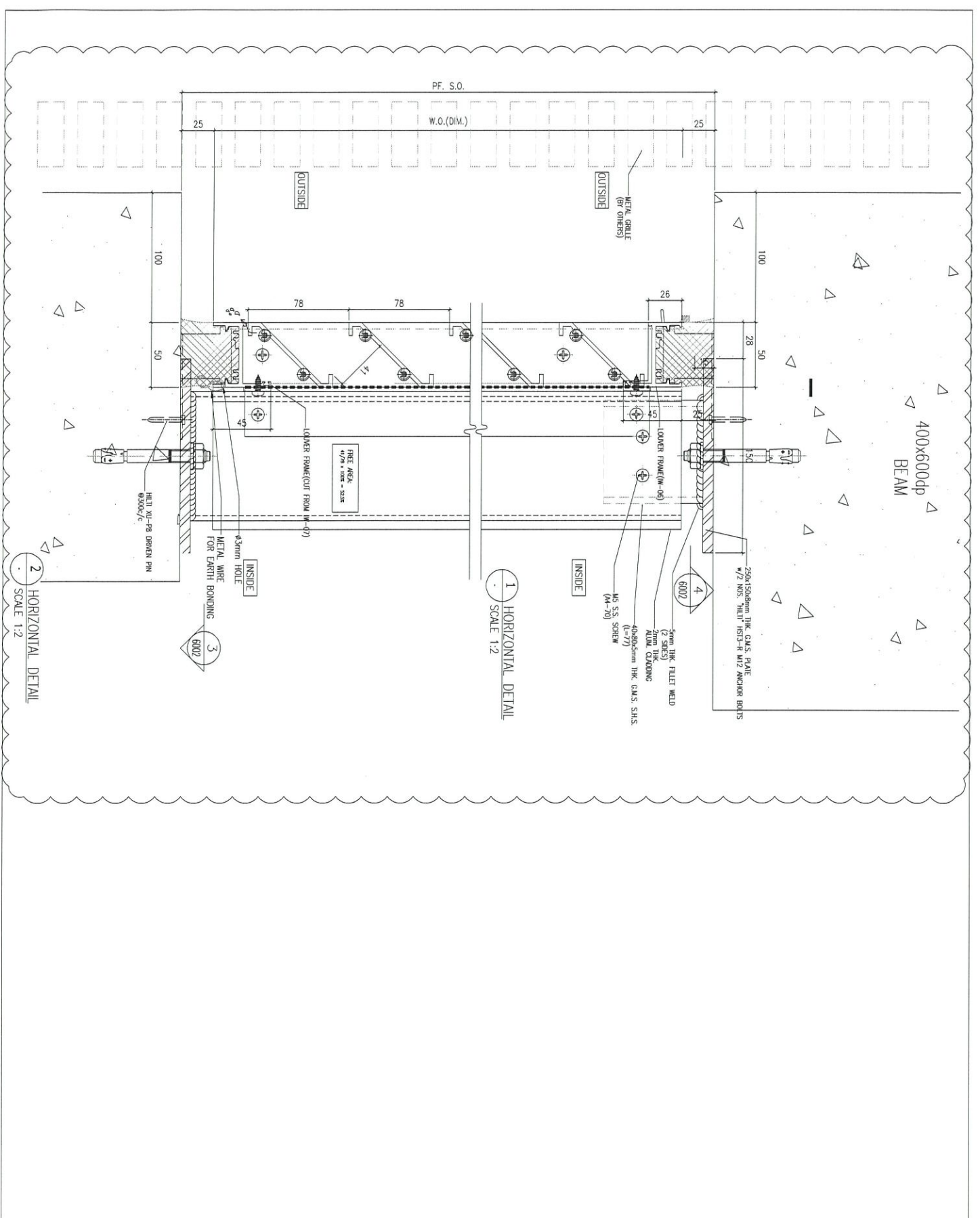
LEGEND :  
①1 DETAIL WORK NO.  
①000 REFER SHEET NO.

- 1. F.F.L. --- FINISHED FLOOR LEVEL
- 2. S.F.L. --- STRUCTURAL FLOOR LEVEL
- 3. ② --- REINFORCED CONCRETE
- 4. GLASS LEAD
- EA-1 --- 6mm+12mm AIR GAP+6mm THK. LGUL
- EA-2 --- 10mm THK. CLEAR THERMO GLASS

NO.	DATE	REVISION	BY
B	15/09/2022	REVISION SUBJECT TO APPROVEMENT	HW
A	21/05/2022	REVISION SUBJECT TO APPROVEMENT	HW

JOB NO. : J-856  
PROJECT : PROPOSED DEVELOPMENT ABOVE LIGHT RAIL TIN WING STOP-TSMTL NO.234AREA 33,7TH SHUI WAH, N.T.  
TITLE : G.M.S FIXING LUG TYPICAL DETAIL FOR IN-SITU LOADER

DATE : 02-Aug-21 SCALE : 1:60  
DRAWN BY : ivon CHECKED BY :  
MIDY 美特鋁質有限公司  
Units 6-8, Sunny Industrial Centre, 1/F, 610 Che Kwo Ling Road, Kowloon  
Tel:23489211-4 Fax:(852)27777665  
DWC NO. : J856-SD-LV-7003 REV. : B



B.O. REF :

CLIENT :

**SUN HUNG KAI**  
**REAL ESTATE DEVELOP.**  
 42/F, SUN HUNG KAI CENTRAL MALL, WONG COOKING, HONGKONG

ARCHITECT :

**Iw&partners**  
 ARCHITECTS

MAIN CONTRACTOR :

**Yee Fai** 怡輝建築有限公司  
 Building Contractors Ltd.

STRUCTURAL ENGINEER :

**ARUP**  
 ALPHA CONSULTING LIMITED  
 Steel Structures & Bridge Specialists

FOUNDER CONSULTANT :

**ARUP**  
 ALPHA CONSULTING LIMITED  
 Steel Structures & Bridge Specialists

NOTE :

1. ALL DIMENSIONS ARE IN mm.
2. ALL ELEVATIONS ARE VIEWED FROM OUTSIDE.
3. ALL DIMENSIONS TO BE VERIFIED ON SITE BEFORE FABRICATION.

LEGEND :

- (A) --- DETAIL MARK NO.
- (B) --- REFER SHEET NO.
- 1. F.F.L. --- FINISHED FLOOR LEVEL
- 2. S.F.L. --- STRUCTURAL FLOOR LEVEL
- 3. --- REVERSED DETAIL
- 4. GLASS LEGEND
- EG-1 --- 8mm+12mm AIR GAP+8mm THK. LGU
- EG-2 --- 10mm THK. CLEAR TEMPERED GLASS

NO.	DATE	REVISION SUBJECT TO ARCHITECT'S REVIEW
B	14/02/2022	REVISION SUBJECT TO ARCHITECT'S REVIEW
A	14/09/2022	REVISION SUBJECT TO ARCHITECT'S REVIEW

JOB NO. : J-856

PROJECT :

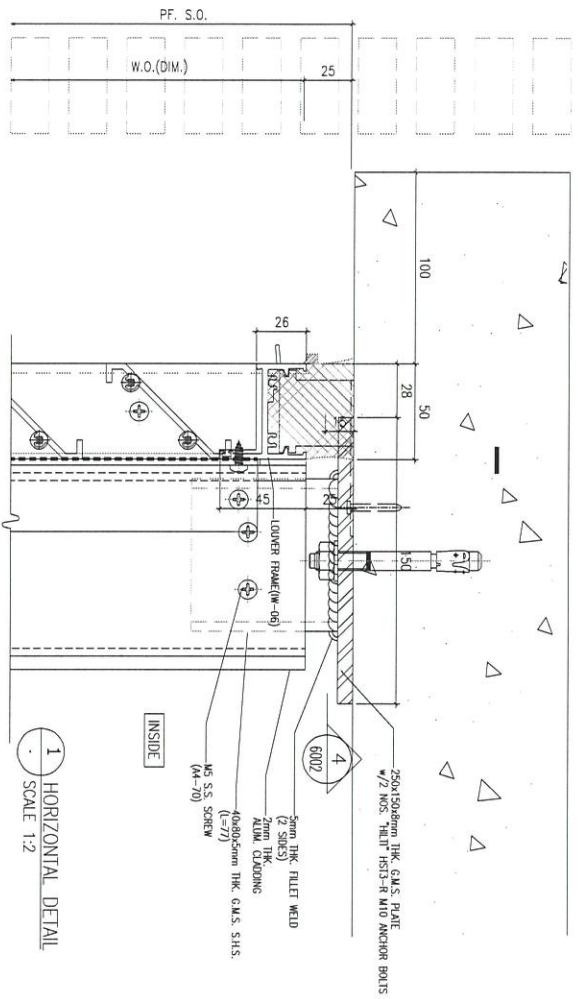
PROPOSED DEVELOPMENT ABOVE LIGHT RAIL TIN WING STOP, 15W/L NO.23, AREA 33, TIN SHUI WAI, N.T.

TITLE :  
 TYPICAL DETAILS FOR IN-SITU LOUVER

DATE : 02-Aug-21 SCALE : 1:60

DRAWN BY : Ivan  
 CHECKED BY :

**美特銘有限公司**  
 M.T.M. ARCHITECTURE & INTERIORS LTD.  
 Units 6-8, Sun Hung Kai Building, 610 Cheong Kwo Ling Road, Kowloon, Hong Kong  
 Tel: 23489211-4 Fax: (852) 2727866  
 DMC NO. : 4856-SI-LV-7004 REV. : B



1 HORIZONTAL DETAIL  
SCALE 1:2

B.O. REF : . . . . .

CLIENT :

**SUN HUNG KAI**  
REAL ESTATE DEVELOPMENT  
42/F, SUN HUNG KAI CENTRAL, WONG CHAI, HONGKONG

ARCHITECT :  
**lwk&partners**  
ARCHITECTS

MAIN CONTRACTOR :  
**Yee Fai** 怡輝建築有限公司  
Building Construction Ltd.

STRUCTURAL ENGINEER :

FAÇADE CONSULTANT:  
**ARUP**  
ALPHA CONSULTING LIMITED  
Steel Structure & Façade Specialist

NOTE:  
1. ALL DIMENSIONS ARE IN mm.  
2. ALL ELEVATIONS ARE VIEWED FROM OUTSIDE.  
3. ALL DIMENSIONS TO BE VERIFIED ON SITE BEFORE FABRICATION.

LEGEND:  
 (A) --- DETAIL MARK NO.  
 (B) --- REFER SHEET NO.

1. F.F.L. --- FINISHED FLOOR LEVEL  
 2. S.F.L. --- STRUCTURAL FLOOR LEVEL  
 3. (R) --- REVERSED DETAIL  
 4. GLASS LEGEND  
 EG-1 --- 6mm+20mm AIR GAP+6mm THK. LGU  
 EG-2 --- 10mm THK. CLEAR TEMPERED GLASS

DATE : . . . . .

JOB NO. : J-856

PROJECT :  
PROPOSED DEVELOPMENT ABOVE  
LIGHT RAIL TIN WING STOP, TSWHL  
NO.23, AREA 33, TIN SHUI WAI, N.T.

TITLE :  
TYPICAL DETAILS FOR  
IN-SITU LOUVER

DATE : 02-Aug-21 SCALE : 1:60

DRAWN BY : Ivan CHECKED BY :  
**美特銘實有限公司**  
M.T.D. ENGINEERING CORPORATION LTD.  
610 Che Koo Jing Road, Kowloon  
Tel: (852) 27727666 Fax: (852) 27727666

DWG NO. : 856-SU-LV-7005 REV. : -