

工程指示 / 要求簡箋 ENGINEER INSTRUCTIONS(E.I.)

工程指示編號:	EI- 5122	修改版本:	-
	HK-1605		
工程編號:	J 856	工程名稱:	天榮站
收件人:	生統/技術部/香港辦	發件人:	Lai Sik Hung
工程項目:	13th Submission 佛沙窗Shop Drawing	日期:	19/09/2022

<input type="checkbox"/> 原合約工程包	<input type="checkbox"/> 原合約工程加 / 減脹 QT-	<input type="checkbox"/> 新工程報價 QT-
---------------------------------	--	------------------------------------

信件批核號碼/圖紙參考編號:	批核模具圖紙編號:
客戶指示附件:	管理內部批簽署:

<input type="checkbox"/> 初步鋁料 B.M.	<input type="checkbox"/> 加工拆圖, 然後生產	<input type="checkbox"/> 尺寸表
<input type="checkbox"/> 正式鋁料 B.M.	<input type="checkbox"/> 技術上資料/指示	<input type="checkbox"/> 報價
<input type="checkbox"/> 配件 B.M.	<input type="checkbox"/> 樣辦或貨品說明書	<input type="checkbox"/> 分判合約
<input type="checkbox"/> 其他:		

內容: 現提供13th Submission 佛沙窗Shop Drawing,
給各位參閱 謝謝

完成上列要求日期: ASAP

國內

<input type="checkbox"/> 生產技術總監	<input type="checkbox"/> 連附件	<input checked="" type="checkbox"/> 技術部	<input checked="" type="checkbox"/> 連附件	<input type="checkbox"/> 生產部	<input type="checkbox"/> 連附件
<input type="checkbox"/> 採購部	<input type="checkbox"/> 連附件	<input checked="" type="checkbox"/> 生產統籌部	<input checked="" type="checkbox"/> 連附件	<input type="checkbox"/> 報關組	<input type="checkbox"/> 連附件
<input type="checkbox"/> 質檢部	<input type="checkbox"/> 連附件	<input type="checkbox"/> 會計部	<input type="checkbox"/> 連附件	<input type="checkbox"/> 機械設計部	<input type="checkbox"/> 連附件
<input checked="" type="checkbox"/> 香港辦	<input checked="" type="checkbox"/> 連附件	<input type="checkbox"/> 其他:			

<input type="checkbox"/> 行政部	<input type="checkbox"/> 連附件	<input type="checkbox"/> 會計部	<input type="checkbox"/> 連附件	<input type="checkbox"/> 統籌部	<input type="checkbox"/> 連附件	<input type="checkbox"/> 工程部	<input type="checkbox"/> 連附件
<input type="checkbox"/> 採購部	<input type="checkbox"/> 連附件	<input type="checkbox"/> QS部	<input type="checkbox"/> 連附件	<input type="checkbox"/> 地盤管理	<input type="checkbox"/> 連附件	<input type="checkbox"/> 維修部	<input type="checkbox"/> 連附件

*發件人簽署:		*組別成員批核簽署:	
傳遞編號:		項目經理簽署:	

PROJECT :

13

PROPOSED DEVELOPMENT ABOVE
LIGHT RAIL TIN WING STOP, TSWTL
NO.23, AREA 33, TIN SHUI WAI, N.T.

SHOP DRAWING FOR ALUM. PRECAST WINDOW OF TOWER

DATE: 6-Sep-22



DRAWING SUBMISSION REGISTER

PROJECT: PROPOSED DEVELOPMENT ABOVE LIGHT RAIL TIN WING STOP, TSWTL NO.23, AREA 33, TIN SHUI WAI, N.T. TITLE: ALUM. WINDOW OF TOWER SHOPDRAWING SUBMISSION	DATE OF ISSUE										SUBMISSION STATE (FOR B.D / A.S.D)	SUBMISSION STATE (FOR CLIENT / CONSULTANT)	SUBMISSION STATE (FOR ARCHITECT)	FABRICATION / CONSTRUCTION STATE													
	ISSUE	1	5	6	7	8	9	10	11			AP - APPROVED AC - APPROVED SUB. TO CONDITION NA - NOT APPROVED	AP - APPROVED AC - APPROVED SUB. TO CONDITION NA - NOT APPROVED	AP - APPROVED AC - APPROVED SUB. TO CONDITION NA - NOT APPROVED	ISSUE TO CHINA OFFICE	ISSUE TO SITE	ISSUE TO SUB-CONTRACTOR										
	DAY	22	5	29	12	28	18	07	06																		
	MONTH	9	11	11	1	04	05	07	09																		
	YEAR	21	21	21	22	22	22	22	22																		
DRAWING TITLE	DWG. NO.	REVISIONS										COMMENT DATE	REV.	STATE	COMMENT DATE	REV.	STATE	COMMENT DATE	REV.	STATE	REV.	DATE	REV.	DATE	REV.	DATE	
COVER PAGE	J856-SD-PW-0000	-	D	E	F	G	H	I	J																		
DRAWING REGISTER	J856-SD-PW-0001	-	B	C	D	E	F	G	H																		
DRAWING REGISTER	J856-SD-PW-0002	-	B	C	D	E	F	G	H																		
GENERAL NOTES FOR ALIM. WINDOW	J856-SD-PW-GN01	-																									
GENERAL NOTES FOR ALIM. WINDOW	J856-SD-PW-GN02	-																									
EXTRUSION LIST FOR ALIM. WINDOW	J856-SD-PW-1101	-	B	B	B	B	B	B	B																		
EXTRUSION LIST FOR ALIM. WINDOW	J856-SD-PW-1102	-	A	A	A	A	A	A	A																		
PLAN FOR ALIM. WINDOW AT TOWER 1(3/F)	J856-SD-PW-3101	-	-	A	B	B	B	C	D																		
PLAN FOR ALIM. WINDOW AT TOWER 1(5/F-42/F)	J856-SD-PW-3102	-	B	C	D	D	D	D	E																		
PLAN FOR ALIM. WINDOW AT TOWER 1(43/F)	J856-SD-PW-3103	-																									
PLAN FOR ALIM. WINDOW AT TOWER 1(45/F)	J856-SD-PW-3104	-																									
PLAN FOR ALIM. WINDOW AT TOWER 1(46/F)	J856-SD-PW-3105	-																									
PLAN FOR ALIM. WINDOW AT TOWER 2(3/F)	J856-SD-PW-3201	-	-	A	B	B	C	D	E																		
PLAN FOR ALIM. WINDOW AT TOWER 2(5/F-42/F)	J856-SD-PW-3202	-	B	C	D	D	E	F	G																		
PLAN FOR ALIM. WINDOW AT TOWER 2(43/F)	J856-SD-PW-3203	-																									
PLAN FOR ALIM. WINDOW AT TOWER 2(45/F)	J856-SD-PW-3204	-																									
PLAN FOR ALIM. WINDOW AT TOWER 2(46/F)	J856-SD-PW-3205	-																									
PLAN FOR ALIM. WINDOW AT TOWER 3(3/F)	J856-SD-PW-3301	-		A	B	C	D	E	F																		
PLAN FOR ALIM. WINDOW AT TOWER 3(5/F-42/F)	J856-SD-PW-3302	-	D	E	F	H	I	J	K																		
PLAN FOR ALIM. WINDOW AT TOWER 3(43/F)	J856-SD-PW-3303	-																									
PLAN FOR ALIM. WINDOW AT TOWER 3(45/F)	J856-SD-PW-3304	-																									
PLAN FOR ALIM. WINDOW AT TOWER 3(46/F)	J856-SD-PW-3305	-																									
WINDOW SCHEDULE FOR TOWER 1 ALUM. WINDOW	J856-SD-PW-5101	-	B	C	D	D	D	E	F																		
WINDOW SCHEDULE FOR TOWER 1 ALUM. WINDOW	J856-SD-PW-5102	-	A	B	C	C	C	D	E																		
WINDOW SCHEDULE FOR TOWER 1 ALUM. WINDOW	J856-SD-PW-5103	-	A	B	C	C	C	D	E																		
WINDOW SCHEDULE FOR TOWER 1 ALUM. WINDOW	J856-SD-PW-5104	-	B	C	D	D	D	E	F																		
WINDOW SCHEDULE FOR TOWER 1 ALUM. WINDOW	J856-SD-PW-5105	-	A	B	C	C	C	D	E																		
WINDOW SCHEDULE FOR TOWER 1 ALUM. WINDOW	J856-SD-PW-5106	-	B	C	D	D	E	F	G																		
WINDOW SCHEDULE FOR TOWER 1 ALUM. WINDOW	J856-SD-PW-5107	-	A	B	C	C	C	D	E																		
WINDOW SCHEDULE FOR TOWER 1 ALUM. WINDOW	J856-SD-PW-5108	-	A	B	C	C	C	D	E																		
WINDOW SCHEDULE FOR TOWER 1 ALUM. WINDOW	J856-SD-PW-5109	-	B	C	D	D	D	E	F																		
WINDOW SCHEDULE FOR TOWER 1 ALUM. WINDOW	J856-SD-PW-5110	-	B	C	D	D	D	E	F																		
WINDOW SCHEDULE FOR TOWER 1 ALUM. WINDOW	J856-SD-PW-5111	-	B	C	D	D	D	E	F																		
WINDOW SCHEDULE FOR TOWER 1 ALUM. WINDOW	J856-SD-PW-5112	-	A	A	B	B	B	C	D																		
WINDOW SCHEDULE FOR TOWER 1 ALUM. WINDOW	J856-SD-PW-5113	-							A																		
WINDOW SCHEDULE FOR TOWER 2 ALUM. WINDOW	J856-SD-PW-5201	-	B	C	D	E	F	F	G																		
WINDOW SCHEDULE FOR TOWER 2 ALUM. WINDOW	J856-SD-PW-5202	-	A	B	C	D	E	E	F																		
WINDOW SCHEDULE FOR TOWER 2 ALUM. WINDOW	J856-SD-PW-5203	-	A	B	C	D	E	E	F																		
WINDOW SCHEDULE FOR TOWER 2 ALUM. WINDOW	J856-SD-PW-5204	-	B	C	D	E	F	F	G																		
WINDOW SCHEDULE FOR TOWER 2 ALUM. WINDOW	J856-SD-PW-5205	-	A	B	C	D	E	F	G																		
WINDOW SCHEDULE FOR TOWER 2 ALUM. WINDOW	J856-SD-PW-5206	-	B	C	D	E	F	G	H																		
WINDOW SCHEDULE FOR TOWER 2 ALUM. WINDOW	J856-SD-PW-5207	-	A	B	C	D	E	E	F																		
WINDOW SCHEDULE FOR TOWER 2 ALUM. WINDOW	J856-SD-PW-5208	-	A	B	C	D	E	E	F																		
WINDOW SCHEDULE FOR TOWER 2 ALUM. WINDOW	J856-SD-PW-5209	-	B	C	D	E	F	F	G																		

IN-HOUSE DESIGN CHECKER

美特鋁質有限公司
MIDI ALUMINIUM FABRICATOR LTD.
 Units 6-8, Sunray Industrial Centre, 1/F
 610 Cha Kwo Ling Road, Kowloon
 Tel:23489211-4 Fax:(852)27727666

DWG NO. : J856-SD-PW-0001 REV. : H

GENERAL NOTES FOR PRECAST ALUM. WINDOW PAGE 1

CODES AND STANDARDS

1. CODE OF PRACTICE ON WIND EFFECTS IN HONG KONG 2004.
2. CODE OF PRACTICE FOR DEAD AND IMPOSED LOADS 2011.
3. CODE OF PRACTICE FOR STRUCTURAL USE OF CONCRETE 2013.
4. CODE OF PRACTICE FOR THE STRUCTURAL USE OF STEEL 2011.
5. CODE OF PRACTICE FOR STRUCTURAL USE OF GLASS 2018.
6. STRUCTURAL USE OF ALUMINIUM, BS 8118-1:1991. (WIND LOAD FACTOR OF 1.4 FOR ALUMINIUM DESIGN TO PNP APP53)
7. BUILDING (CONSTRUCTION) REGULATIONS CAP 123.
8. APP37 CURTAIN WALL, WINDOW AND WINDOW WALL SYSTEM.
9. APP110 PROTECTIVE BARRIERS.
10. APP116 ALUMINIUM WINDOWS.

DESIGN WIND LOAD

CODE OF PRACTICE ON WIND EFFECTS IN HONG KONG 2004.

	VERTICAL SURFACE
HEIGHT ABOVE GROUND LEVEL	<148.3m
BASIC WIND PRESSURE	3.044kPa
TOPOGRAPHY FACTOR (S _a)	1.00
PRESSURE COEFFICIENT (C _p)	+1.0/-1.4
DESIGN WIND PRESSURE	+3.044/-4.261kPa

IMPOSED LOAD ON PROTECTIVE BARRIERS (FOR DOMESTIC USE)

CATEGORY	LINE LOAD TO BE APPLIED AT A HEIGHT OF 1.1m ABOVE THE FLOOR LEVEL (kN/m)	UNIFORMLY DISTRIBUTED LOAD TO BE APPLIED ON THE INFILL BETWEEN FLOOR AND TOP RAIL (kPa)	CONCENTRATED LOAD TO BE APPLIED ON ANY PART OF THE INFILL BETWEEN FLOOR AND TOP RAIL (kN)
AREAS WHERE CONGREGATION OF PEOPLE IS NOT EXPECTED	0.75	1.0	0.5

STEEL

ALL STRUCTURAL STEEL SECTIONS SHALL BE GRADE S275 J0 CLASS 1 WELDABLE STRUCTURAL STEEL AND COMPLYING WITH BS EN 10210 2006 FOR HOLLOW SECTION AND BS EN 10025 FOR OTHER SECTIONS.

ALL STRUCTURAL STEEL SHALL BE HOT-DIP GALVANIZED AND COMPLY WITH BS EN ISO 1461 WITH MIN 85 µm COATING THICKNESS.

ALL CUT/WELDED AREAS IN GALVANIZED STEEL SHALL BE MADE GOOD BY AT LEAST TWO COATS OF ZINC RICH PRIMER TO BS 4652.

DENSITY	77kN/m ³
YOUNG'S MODULUS	205,000MPa
YIELD STRENGTH	275MPa
MINIMUM TENSILE STRENGTH	430MPa
DESIGN STRENGTH (t≤16mm)	275MPa
DESIGN STRENGTH (t<40mm)	265MPa

ALUMINIUM EXTRUSION

UNLESS OTHERWISE STATED, ALL ALUMINIUM EXTRUSIONS SHALL BE GRADE 6063-T6/6061-T6 AND COMPLY WITH BS EN 755-2 AND BS EN 573-3.

DENSITY	27.2kN/m ³
YOUNG'S MODULUS	70,000MPa

	6063-T6	6061-T6	6063-T5
0.2% PROOF STRESS	160MPa	240MPa	110MPa
MINIMUM TENSILE STRENGTH	215MPa	260MPa	150MPa
LIMITING BENDING STRENGTH	160MPa	240MPa	110MPa
LIMITING TENSILE STRENGTH	175MPa	260MPa	130MPa
LIMITING SHEAR STRENGTH	95MPa	145MPa	65MPa

FASTENERS/SCREWS

ALL STAINLESS STEEL SCREW AND BOLT SHALL BE GRADE 316 AND COMPLY WITH BS EN ISO 3506.

0.2% PROOF STRESS	450MPa
MINIMUM TENSILE STRENGTH	700MPa
DESIGN TENSILE STRENGTH	450MPa
DESIGN SHEAR STRENGTH	311MPa
DESIGN BEARING STRENGTH	828MPa

PROTECTION OF BI-METALLIC CORROSION (BITAMEN PAINT ECT.)

ALL EXPOSED SURFACE OF ALUM. EXTRUSION SHALL BE FINISHED WITH PVF2 COATING 40 MICRONS

ALL SCREWS SHALL BE M5 S.S SCREW SPACING @300c/c MAX. UNLESS OTHERWISE STATED.

GLASS

ALL GLASS PANELS SHALL BE COMPLIED WITH BS 952 AND DESIGN TO CODE OF PRACTICE FOR STRUCTURAL USE OF GLASS 2018.

IMPACT TEST TO BE COMPLIED WITH BS EN 12600(CLASS 1)

DENSITY	26kN/m ³
YOUNG'S MODULUS	70,000MPa

ULTIMATE DESIGN STRENGTH OF GLASS

	BENDING STRENGTH (SHORT TERM DURATION)
HEAT STRENGTHENED GLASS(HS)	40MPa
TEMPERED GLASS(TP)	80MPa

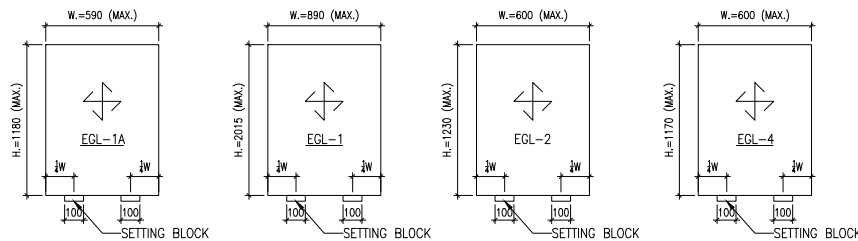
ALL TEMPERED GLASS SHALL COMPLY WITH HEAT SOAK TEST REQUIREMENT IN ACCORDANCE WITH PNP APP 37-2022. HEAT SOAK PROCESS CONFORMING TO BS EN 14179-1: 2016 AND COMPLYING WITH CODE OF PRACTICE FOR STRUCTURAL USE OF GLASS 2018 SHOULD BE CARRIED OUT.

EGL-1--8mmHS+12mm AIR GAP+10mmTP THK. I.G.U.

EGL-1A--8mmHS+12mm AIR GAP+8mmTP THK. I.G.U.

EGL-2--10mm THK. CLEAR TEMPERED GLASS

EGL-4--10mm THK. TEMPERED ACID ETCHED GLASS

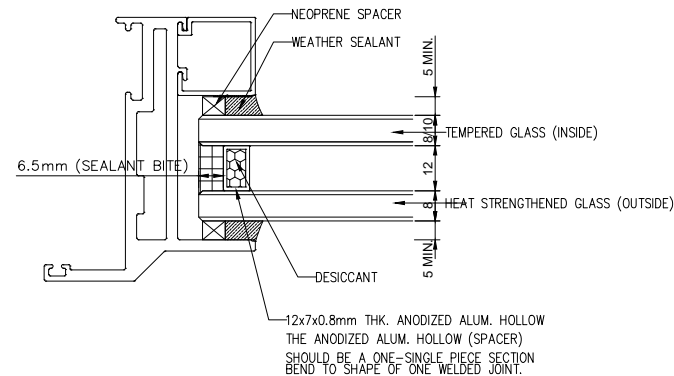


TYPICAL GLASS DETAIL

FOR DOUBLE GLAZING GLASS UNIT (I.G.U)

QUALITY ASSURANCE DOCUMENT SUCH AS TEST REPORT / CERTIFICATES INDICATING COMPLES WITH ASTM E2190 OR EQUIVALENT WITH RESPECT TO THE SEAL PERFORMANCE.

FOR INSTALLING GLASS UNIT SHALL BE SUBMITTED BEFORE COMMENCEMENT OF WORK.



IGU

SEALANT, GASKET AND SETTING BLOCK

ALL STRUCTURAL SEALANT SHALL BE 'DOWSIL 983' (BD-SS001), ALLOWABLE STRESS = 138kPa.

ALL WEATHER SEALANT SHALL BE 'DOWSIL 791'.

ALL SETTING BLOCK SHALL BE SILICONE RUBBER WITH HARDNESS OF 85±5 SHORE A, MINIMUM 100mm IN LENGTH AT 1/4 SPAN UNLESS OTHERWISE STATED

ALL GASKET SHALL BE NEOPRENE OR SILICONE RUBBER WHEN IN CONTACT WITH SEALANT, WITH HARDNESS OF 65±5 SHORE A.

ISOLATOR

PVC TAPE TO BE APPLIED BETWEEN DISSIMILAR METAL TO PREVENT BIMETALLIC CORROSION TO PD6484.

CONCRETE

ALL CONCRETE STRUCTURES SHOWN IN THIS SUBMISSION ARE FOR INFORMATION ONLY.

CONCRETE STRNFGTH SHALL BE 45MPa. (MIN.)

WELDING

ALL WELDING TO BE COMPLIED WITH BS EN 1011-1. DESIGN WELD STRENGTH = 220 MPa

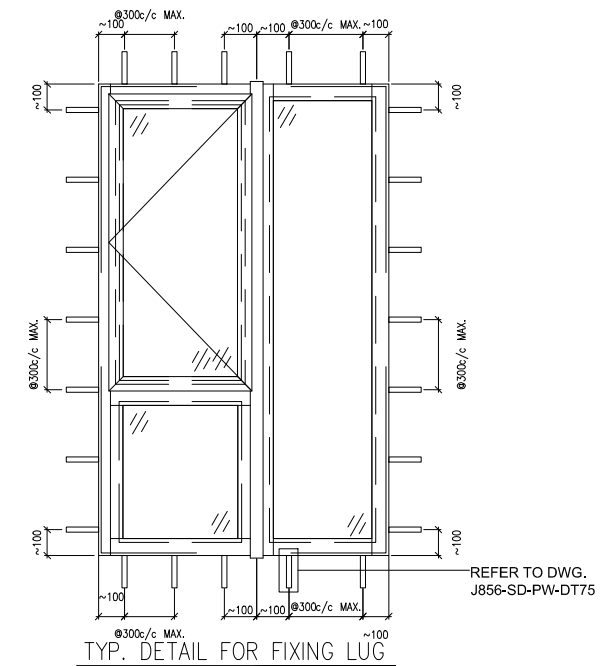
ALL WELDING PROCEDURES TO COMPLY WITH BS EN ISO 15614.

ALL WELD TO BE 5mm THICK FILLET WELD ALL AROUND UNLESS OTHERWISE STATED.

ALL WELD SHALL BE DONE BY QUALIFIED WELDER TESTED TO BS EN 287-1.

FIXING LUG

THE SIZE OF G.M.S. FIXING LUG TO BE 2mm THK. AND SPACING @300mm C/C MAX. UNLESS OTHERS STATED.



B.D. REF :

CLIENT :

SUN HUNG KAI
REAL ESTATE AGENCY LTD.
42/F SUN HUNG KAI CENTRE, WANCHAI, HONGKONG

ARCHITECT :

Iwk&partners
a r c h i t e c t s

MAIN CONTRACTOR :

Yee Fai Building Contractors Ltd.

STRUCTURAL ENGINEER :

ARUP

FAÇADE CONSULTANT:

ALPHA CONSULTING LIMITED
Steel Structure & Façade Specialist

NOTE :

1. ALL DIMENSIONS ARE IN mm.
2. ALL ELEVATIONS ARE VIEWED FROM OUTSIDE.
3. ALL DIMENSIONS TO BE VERIFIED ON SITE BEFORE FABRICATION.

LEGEND :

NO.	DATE	REVISED	BY

JOB NO. : J-856

PROJECT :
PROPOSED DEVELOPMENT ABOVE
LIGHT RAIL TIN WING STOP, TSWTL
NO.23, AREA 33, TIN SHUI WAI, N.T.

TITLE :
GENERAL NOTES FOR
ALUM. WINDOW

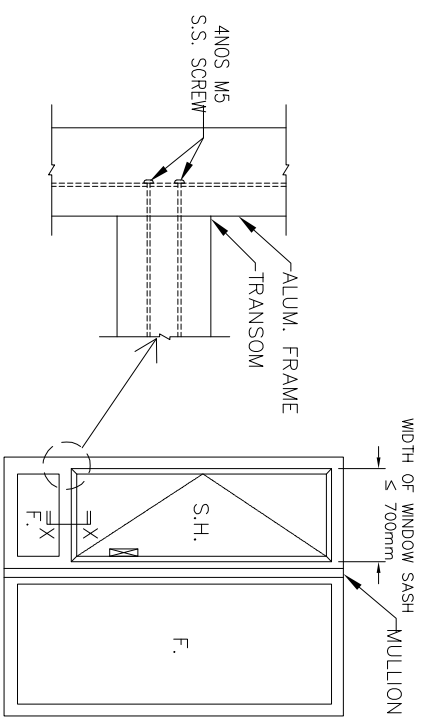
DATE : 18-Aug-22 SCALE : 1:3

DRAWN BY : Ivan CHECKED BY :

美特鋁質有限公司
MIDI ALUMINIUM FABRICATOR LTD.
Units 6-8, Sunray Industrial Centre, 1/F
610 Cha Kwo Ling Road, Kowloon
Tel: 23489211-4 Fax: (852) 2727666

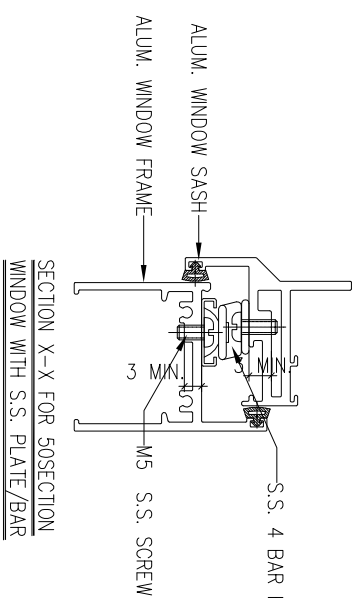
DWG NO. : J856-SD-PW-GN01 REV. : -

GENERAL NOTES FOR PRECAST ALUM. WINDOW PAGE 2

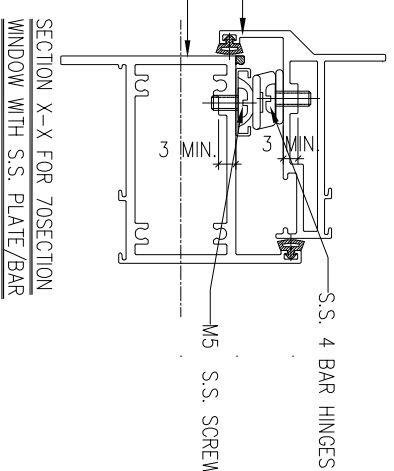


TRANSOM AND FRAME CONNECTION FIXING

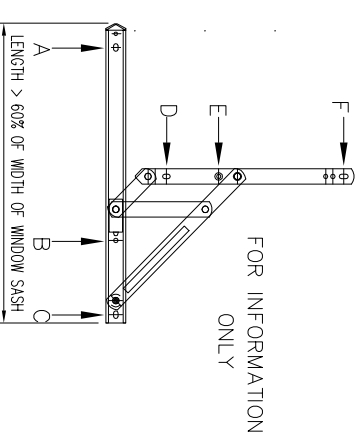
ELEVATION



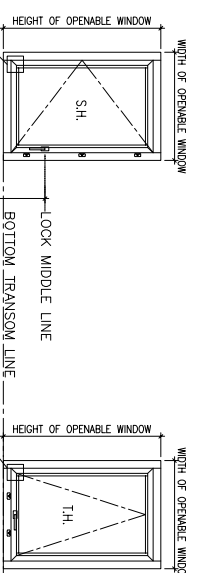
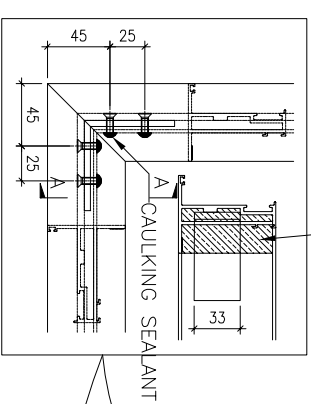
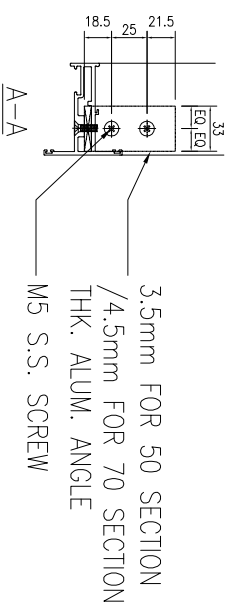
SECTION X-X FOR 50SECTION WINDOW WITH S.S. PLATE/BAR



SECTION X-X FOR 70SECTION WINDOW WITH S.S. PLATE/BAR

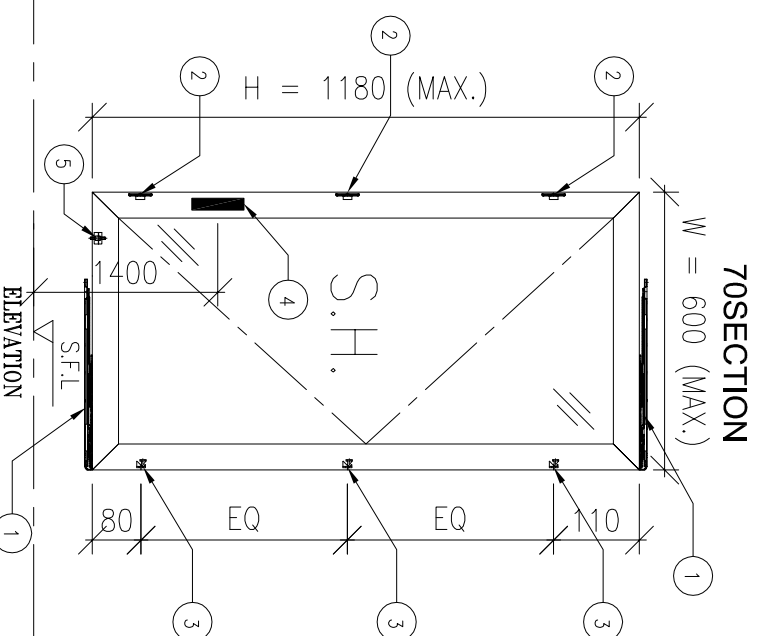
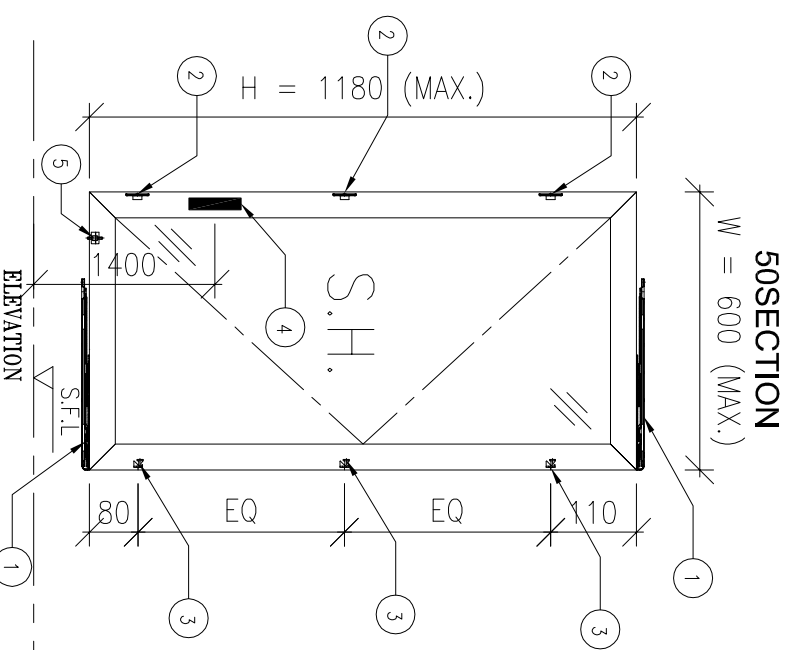
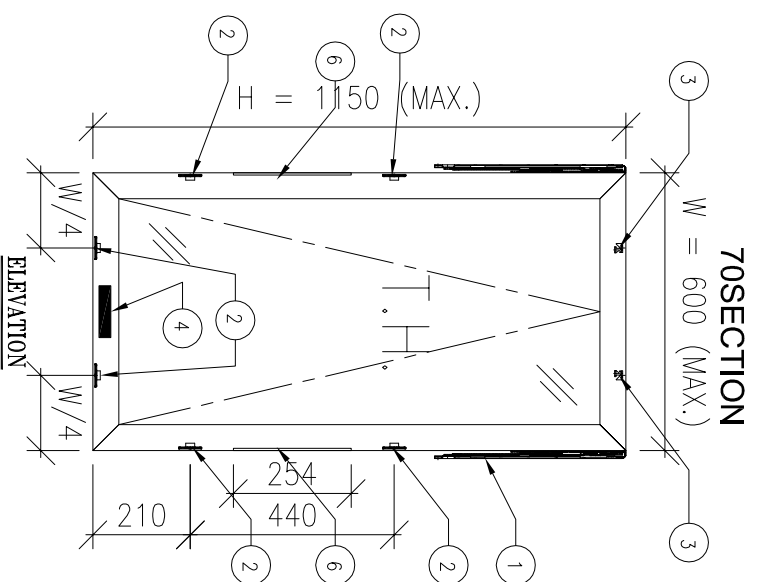


S.S. 4 BAR HINGE (LIP HINGE)
 A,B,C,E,F—LOCATION FOR SCREW TO WINDOW FRAME/SASH
 (LOCAL THICKENING BY S.S. PLATE/BAR(MIN.3mm))
 D=LOCATION FOR SCREW TO WINDOW SASH
 (LOCAL THICKENING BY ANGLE)



CONFIGURATION FOR WINDOW DEVICES

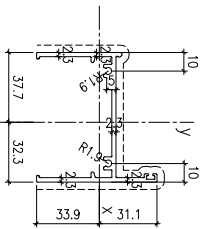
- 1 STAINLESS STEEL 4 BAR HINGE
-LIP HINGE(MODEL: HHHS-N FOR SIDE HUNG)
-LIP HINGE(MODEL: HHHT FOR TOP HUNG)
- 2 LOCKING POINT
-LIP HINGE(MODEL: KMP/BCP)
- 3 PULLING BLOCK
-LIP HINGE(MODEL: NS97&NS5)
- 4 ALUMINIUM HANDLE
-LIP HINGE(MODEL: MLDFOB-1B)
- 5 GUIDER
- 6 LIP HINGE
-LIP HINGE(MODEL: TRST 10)



B.D. REF :			
CLIENT :			
 42/F SUN HUNG KAI CENTRE, WANCHAI, HONGKONG			
ARCHITECT :			
 ARCHITECTS			
MAIN CONTRACTOR :			
 怡輝建築有限公司 Yee Fai Building Contractors Ltd.			
STRUCTURAL ENGINEER :			
 FACADE CONSULTANT: ALPHA CONSULTING LIMITED Steel Structure & Facade Specialist			
NOTE :			
1. ALL DIMENSIONS ARE IN mm. 2. ALL ELEVATIONS ARE VIEWED FROM OUTSIDE. 3. ALL DIMENSIONS TO BE VERIFIED ON SITE BEFORE FABRICATION.			
LEGEND :			
NO.	DATE	REVISION	BY
JOB NO. :	J-856		
PROJECT :	PROPOSED DEVELOPMENT ABOVE LIGHT RAIL TIN WING STOP,TSWTL NO.23,AREA 33,TIN SHUI WAL, N.T.		
TITLE :	GENERAL NOTES FOR ALUM. WINDOW		
DATE :	18-Aug-22	SCALE :	1:3
DRAWN BY :	Ivon	CHECKED BY :	
 美特鋁質有限公司 MIDI ALUMINIUM FABRICATOR LTD. Units 6-8, Sunray Industrial Centre, Kowloon 610 Cho Kwong Road, Kowloon Tel:23489211-4 Fax:(852)27727666			
DWG NO. :	J856-SD-PW-GN01	REV. :	-

PROPERTIES

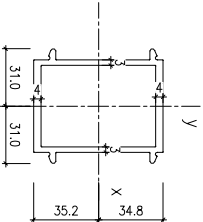
MEMBER: MW-17
GRADE: 6063-T6
FINISH: PVF2 3-COATING



MASS PROPERTIES (MM)		VALUES
Area (mm ²)	MASS	358.8
Perimeter (mm)	MASS	143.2 to 153.8
Second Moment of Area - I _{xx} (mm ⁴)	MASS	26.0 to 31.1
Second Moment of Area - I _{yy} (mm ⁴)	MASS	26.0 to 31.1
Centroid - X (mm)	MASS	0.0
Centroid - Y (mm)	MASS	0.0
Moment of Inertia - I _{xx} (mm ⁴)	MASS	21200.0
Moment of Inertia - I _{yy} (mm ⁴)	MASS	21200.0
Moment of Inertia - I _{xy} (mm ⁴)	MASS	-3524.0
Radius of Gyration - X (mm)	MASS	14.6
Radius of Gyration - Y (mm)	MASS	14.6
Principal moment along X-X (mm ⁴)	MASS	39737.0 along (0.0, 0.0)
Principal moment along Y-Y (mm ⁴)	MASS	39737.0 along (0.0, 0.0)
Angle between X-X (mm)	MASS	1 / 7.0mm 100%
Angle between Y-Y (mm)	MASS	1 / 7.0mm 100%

PROPERTIES

MEMBER: AW-21
GRADE: 6063-T6
FINISH: PVF2 3-COATING

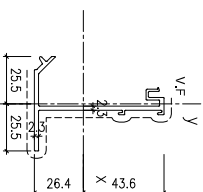


MASS PROPERTIES (MM)		VALUES
Area (mm ²)	MASS	342.5
Perimeter (mm)	MASS	143.2 to 153.8
Second Moment of Area - I _{xx} (mm ⁴)	MASS	26.0 to 31.1
Second Moment of Area - I _{yy} (mm ⁴)	MASS	26.0 to 31.1
Centroid - X (mm)	MASS	0.0
Centroid - Y (mm)	MASS	0.0
Moment of Inertia - I _{xx} (mm ⁴)	MASS	20981.5
Moment of Inertia - I _{yy} (mm ⁴)	MASS	20981.5
Moment of Inertia - I _{xy} (mm ⁴)	MASS	-3524.0
Radius of Gyration - X (mm)	MASS	14.6
Radius of Gyration - Y (mm)	MASS	14.6
Principal moment along X-X (mm ⁴)	MASS	32682.0 along (0.0, 0.0)
Principal moment along Y-Y (mm ⁴)	MASS	32682.0 along (0.0, 0.0)
Angle between X-X (mm)	MASS	1 / 7.0mm 100%
Angle between Y-Y (mm)	MASS	1 / 7.0mm 100%

PROPERTIES

PROPERTIES

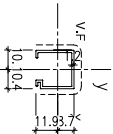
MEMBER: AW-18
GRADE: 6063-T6
FINISH: PVF2 3-COATING



MASS PROPERTIES (MM)		VALUES
Area (mm ²)	MASS	358.8
Perimeter (mm)	MASS	143.2 to 153.8
Second Moment of Area - I _{xx} (mm ⁴)	MASS	26.0 to 31.1
Second Moment of Area - I _{yy} (mm ⁴)	MASS	26.0 to 31.1
Centroid - X (mm)	MASS	0.0
Centroid - Y (mm)	MASS	0.0
Moment of Inertia - I _{xx} (mm ⁴)	MASS	21200.0
Moment of Inertia - I _{yy} (mm ⁴)	MASS	21200.0
Moment of Inertia - I _{xy} (mm ⁴)	MASS	-3524.0
Radius of Gyration - X (mm)	MASS	14.6
Radius of Gyration - Y (mm)	MASS	14.6
Principal moment along X-X (mm ⁴)	MASS	35242.0 along (0.0, 0.0)
Principal moment along Y-Y (mm ⁴)	MASS	35242.0 along (0.0, 0.0)
Angle between X-X (mm)	MASS	1 / 7.0mm 100%
Angle between Y-Y (mm)	MASS	1 / 7.0mm 100%

PROPERTIES

MEMBER: AW-22
GRADE: 6063-T6
FINISH: PVF2 3-COATING

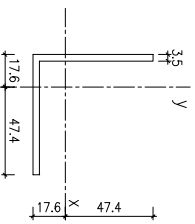


MASS PROPERTIES (MM)		VALUES
Area (mm ²)	MASS	342.5
Perimeter (mm)	MASS	143.2 to 153.8
Second Moment of Area - I _{xx} (mm ⁴)	MASS	26.0 to 31.1
Second Moment of Area - I _{yy} (mm ⁴)	MASS	26.0 to 31.1
Centroid - X (mm)	MASS	0.0
Centroid - Y (mm)	MASS	0.0
Moment of Inertia - I _{xx} (mm ⁴)	MASS	20981.5
Moment of Inertia - I _{yy} (mm ⁴)	MASS	20981.5
Moment of Inertia - I _{xy} (mm ⁴)	MASS	-3524.0
Radius of Gyration - X (mm)	MASS	14.6
Radius of Gyration - Y (mm)	MASS	14.6
Principal moment along X-X (mm ⁴)	MASS	32682.0 along (0.0, 0.0)
Principal moment along Y-Y (mm ⁴)	MASS	32682.0 along (0.0, 0.0)
Angle between X-X (mm)	MASS	1 / 7.0mm 100%
Angle between Y-Y (mm)	MASS	1 / 7.0mm 100%

PROPERTIES

PROPERTIES

MEMBER: AW-19
GRADE: 6061-T6
FINISH: Chromate or Anodize



MASS PROPERTIES (MM)		VALUES
Area (mm ²)	MASS	260.0
Perimeter (mm)	MASS	117.6 to 127.2
Second Moment of Area - I _{xx} (mm ⁴)	MASS	11.7 to 17.6
Second Moment of Area - I _{yy} (mm ⁴)	MASS	11.7 to 17.6
Centroid - X (mm)	MASS	0.0
Centroid - Y (mm)	MASS	0.0
Moment of Inertia - I _{xx} (mm ⁴)	MASS	18600.0
Moment of Inertia - I _{yy} (mm ⁴)	MASS	18600.0
Moment of Inertia - I _{xy} (mm ⁴)	MASS	-2600.0
Radius of Gyration - X (mm)	MASS	13.6
Radius of Gyration - Y (mm)	MASS	13.6
Principal moment along X-X (mm ⁴)	MASS	23442.0 along (0.0, 0.0)
Principal moment along Y-Y (mm ⁴)	MASS	23442.0 along (0.0, 0.0)
Angle between X-X (mm)	MASS	1 / 7.0mm 100%
Angle between Y-Y (mm)	MASS	1 / 7.0mm 100%

PROPERTIES

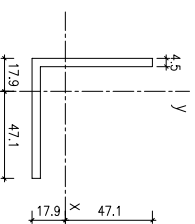
MEMBER: AW-23
GRADE: 6063-T6
FINISH: PVF2 3-COATING

REGIONS

PROPERTIES

PROPERTIES

MEMBER: AW-20
GRADE: 6061-T6
FINISH: Chromate or Anodize



MASS PROPERTIES (MM)		VALUES
Area (mm ²)	MASS	260.0
Perimeter (mm)	MASS	117.6 to 127.2
Second Moment of Area - I _{xx} (mm ⁴)	MASS	11.7 to 17.6
Second Moment of Area - I _{yy} (mm ⁴)	MASS	11.7 to 17.6
Centroid - X (mm)	MASS	0.0
Centroid - Y (mm)	MASS	0.0
Moment of Inertia - I _{xx} (mm ⁴)	MASS	23273.1
Moment of Inertia - I _{yy} (mm ⁴)	MASS	23273.1
Moment of Inertia - I _{xy} (mm ⁴)	MASS	-2600.0
Radius of Gyration - X (mm)	MASS	13.6
Radius of Gyration - Y (mm)	MASS	13.6
Principal moment along X-X (mm ⁴)	MASS	32682.0 along (0.0, 0.0)
Principal moment along Y-Y (mm ⁴)	MASS	32682.0 along (0.0, 0.0)
Angle between X-X (mm)	MASS	1 / 7.0mm 100%
Angle between Y-Y (mm)	MASS	1 / 7.0mm 100%

PROPERTIES

MEMBER: AW-24
GRADE: 6063-T6
FINISH: PVF2 3-COATING

REGIONS

PROPERTIES

B.D. REF :

CLIENT : **SUN HUNG KAI**
REAL ESTATE AGENCY LTD.
42/F SUN HUNG KAI CENTRE, WANCHAI, HONGKONG

ARCHITECT : **IWK&partners**
a r c h i t e c t s

MANU CONTRACTOR : **怡輝建築有限公司**
Yee Fai Building Contractors Ltd.

STRUCTURAL ENGINEER :

FAÇADE CONSULTANT : **ALPHA CONSULTING LIMITED**
Steel Structure & Façade Specialist

ARUP

NOTE :
1. ALL DIMENSIONS ARE IN MM.
2. ALL ELEVATIONS ARE VIEWED FROM OUTSIDE.
3. ALL DIMENSIONS TO BE VERIFIED ON SITE BEFORE FABRICATION.

LEGEND :
X1 --- DETAIL MARK NO.
X1001 --- REFER SHEET NO.

1. F.F.L. --- FINISHED FLOOR LEVEL
2. S.F.L. --- STRUCTURAL FLOOR LEVEL
3. (R) --- REVERSED DETAIL
4. GLASS LEGEND

EQ-1 --- 8mmH+12mm AIR GAP+10mmTP THK. I.G.U.
EQ-2 --- 10mm THK. CLEAR TEMPERED GLASS
EQ-4 --- 10mm THK. TEMPERED ACID ETCHED GLASS
EQ-11 --- 8mmH+12mm AIR GAP+8mmTP THK. I.G.U.

NO.	DATE	REVISION SUBJECT TO ARCH-COMMENT	BY
A	02/11/2020		ipm

JOB NO. : J-856

PROJECT : PROPOSED DEVELOPMENT ABOVE LIGHT RAIL TIN WING STOP-TSWTL NO.23, AREA 33, TIN SHUI WAI, N.T.

TITLE : DIE LIST FOR ALUM. WINDOW

DATE : 02-Aug-21 SCALE : 1:40

DRAWN BY : IYVON CHECKED BY :

MEMBER: AW-29
GRADE: 6063-T6
FINISH: PVF2 3-COATING

MEMBER: AW-30
GRADE: 6063-T6
FINISH: PVF2 3-COATING

MEMBER: AW-31
GRADE: 6063-T6
FINISH: PVF2 3-COATING

MEMBER: AW-32
GRADE: 6063-T6
FINISH: PVF2 3-COATING

MEMBER: AW-25
GRADE: 6063-T6
FINISH: PVF2 3-COATING

MEMBER: AW-26
GRADE: 6063-T6
FINISH: PVF2 3-COATING

MEMBER: AW-27
GRADE: 6063-T6
FINISH: PVF2 3-COATING

MEMBER: AW-28
GRADE: 6063-T6
FINISH: PVF2 3-COATING

MEMBER: AW-23
GRADE: 6063-T6
FINISH: PVF2 3-COATING

MEMBER: AW-24
GRADE: 6063-T6
FINISH: PVF2 3-COATING

MEMBER: AW-17
GRADE: 6063-T6
FINISH: 3-COATING

MEMBER: AW-18
GRADE: 6063-T6
FINISH: PVF2 3-COATING

MEMBER: AW-19
GRADE: 6061-T6
FINISH: Chromate or Anodize

MEMBER: AW-20
GRADE: 6061-T6
FINISH: Chromate or Anodize

MEMBER: AW-21
GRADE: 6063-T6
FINISH: PVF2 3-COATING

MEMBER: AW-22
GRADE: 6063-T6
FINISH: PVF2 3-COATING

MEMBER: AW-23
GRADE: 6063-T6
FINISH: PVF2 3-COATING

MEMBER: AW-24
GRADE: 6063-T6
FINISH: PVF2 3-COATING

MEMBER: AW-25
GRADE: 6063-T6
FINISH: PVF2 3-COATING

MEMBER: AW-26
GRADE: 6063-T6
FINISH: PVF2 3-COATING

MEMBER: AW-27
GRADE: 6063-T6
FINISH: PVF2 3-COATING

MEMBER: AW-28
GRADE: 6063-T6
FINISH: PVF2 3-COATING

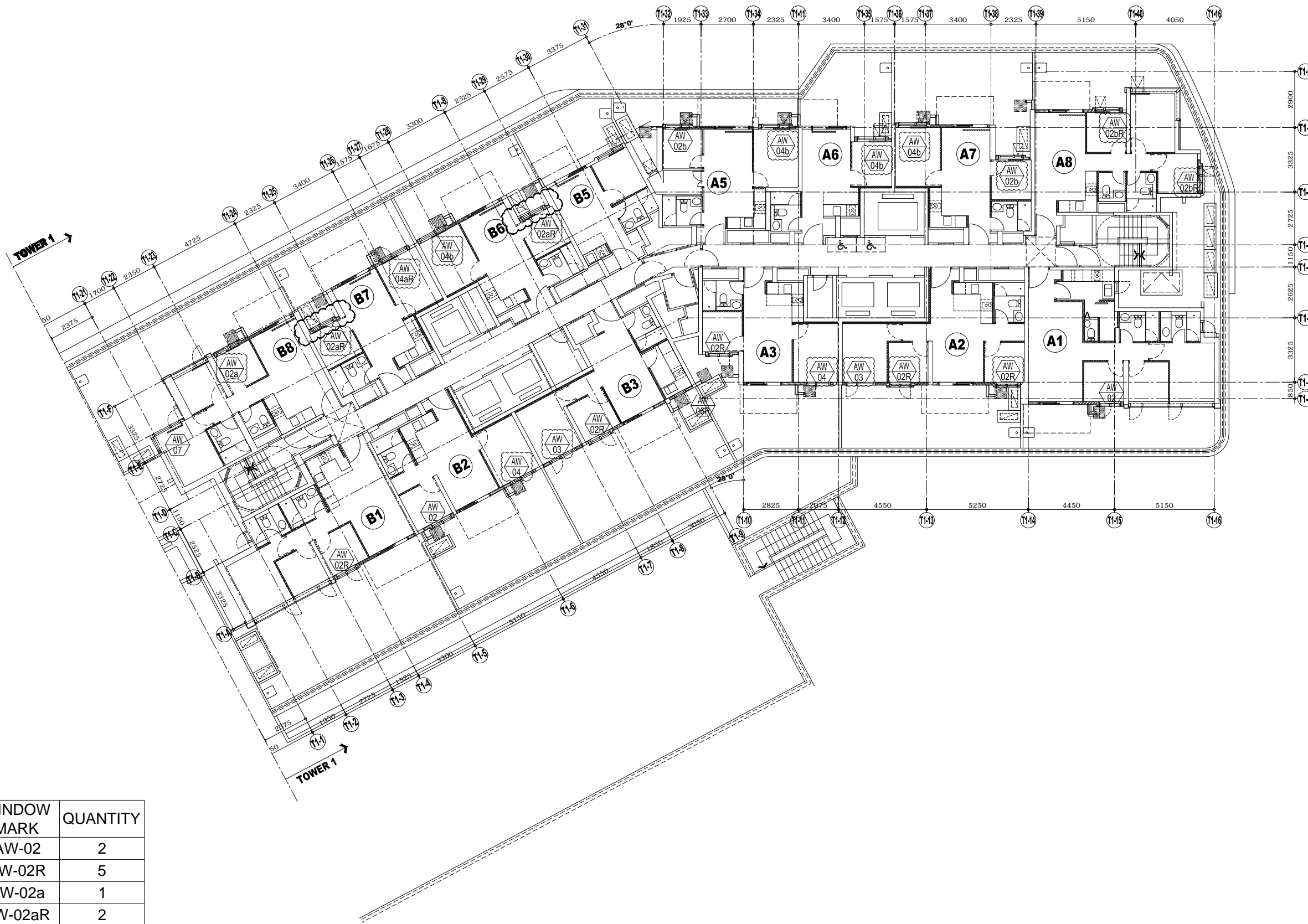
MEMBER: AW-29
GRADE: 6063-T6
FINISH: PVF2 3-COATING

MEMBER: AW-30
GRADE: 6063-T6
FINISH: PVF2 3-COATING

MEMBER: AW-31
GRADE: 6063-T6
FINISH: PVF2 3-COATING

MEMBER: AW-32
GRADE: 6063-T6
FINISH: PVF2 3-COATING

Units 6-8, Sunray Industrial Centre, 1/F
610 Cho Kwong Road, Kowloon
Tel: 23489211-4 Fax: (852) 27727666
DWG NO. : J856-SD-PW-1102 REV : A



WINDOW MARK	QUANTITY
AW-02	2
AW-02R	5
AW-02a	1
AW-02aR	2
AW-02b	2
AW-02bR	2
AW-03	2
AW-04	2
AW-04aR	1
AW-04b	4
AW-06R	1
AW-07	1

TOWER 1 3/F

B.D. REF :

CLIENT :
SUN HUNG KAI
 REAL ESTATE AGENCY LTD.
 42/F SUN HUNG KAI CENTRE, WANCHAI, HONGKONG

ARCHITECT :
lwk&partners
 architects

MAIN CONTRACTOR :
Yee Fai Building Contractors Ltd.

STRUCTURAL ENGINEER :
ARUP

FAÇADE CONSULTANT:
ALPHA CONSULTING LIMITED
 Steel Structure & Façade Specialist

NOTE :
 1. ALL DIMENSIONS ARE IN mm.
 2. ALL ELEVATIONS ARE VIEWED FROM OUTSIDE.
 3. ALL DIMENSIONS TO BE VERIFIED ON SITE BEFORE FABRICATION.

LEGEND :
 (X1) — DETAIL MARK NO.
 (X001) — REFER SHEET NO.
 1. F.F.L. — FINISHED FLOOR LEVEL
 2. S.F.L. — STRUCTURAL FLOOR LEVEL
 3. (B) — REVERSED DETAIL
 4. GLASS LEGEND
 EGL-1 — 8mmHS+12mm AIR GAP+8mmTP THK. I.G.U.
 EGL-2 — 10mm THK. CLEAR TEMPERED GLASS
 EGL-4 — 10mm THK. TEMPERED ACID ETCHED GLASS

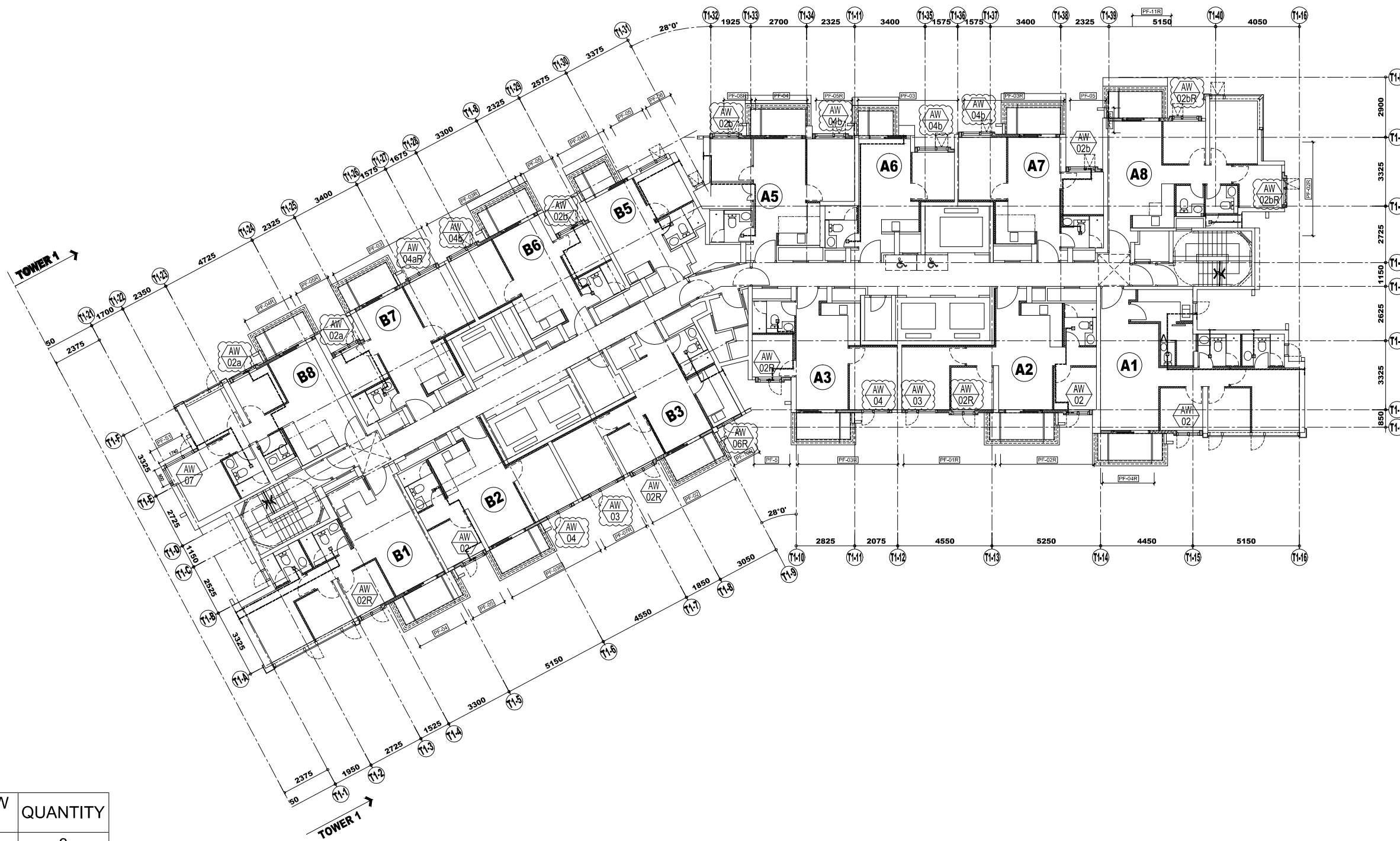
NO.	DATE	REVISION	BY
D	16/08/2022	REVISION SUBJECT TO ARCH.COMMENT	Ivan
C	27/06/2022	REVISION SUBJECT TO ARCH.COMMENT	Ivan
B	21/12/2021	REVISION SUBJECT TO ARCH.COMMENT	Ivan
A	29/10/2021	REVISION SUBJECT TO ARCH.COMMENT	Ivan

JOB NO. : J-856
 PROJECT : PROPOSED DEVELOPMENT ABOVE LIGHT RAIL TIN WING STOP, TSWTL NO.23, AREA 33, TIN SHUI WAI, N.T.

TITLE : PLAN FOR ALUM. WINDOW AT TOWER 1

DATE : 02-Aug-21 SCALE : 1:40
 DRAWN BY : Ivan CHECKED BY :

美特鋁質有限公司
MIDI ALUMINIUM FABRICATOR LTD.
 Units 6-8, Sunray Industrial Centre, 1/F
 610 Cha Kwo Ling Road, Kowloon
 Tel:23489211-4 Fax:(852)2727666
 DWG NO. : J856-SD-PW-3101 REV. : D



WINDOW MARK	QUANTITY
AW-02	3
AW-02R	4
AW-02a	2
AW-02b	3
AW-02bR	2
AW-03	2
AW-04	2
AW-04aR	1
AW-04b	4
AW-06R	1
AW-07	1

TOWER 1 5/F-42/F

B.D. REF :

CLIENT :

SUN HUNG KAI
REAL ESTATE AGENCY LTD.
42/F SUN HUNG KAI CENTRE, WANCHAI, HONGKONG

ARCHITECT :

lwk&partners
architects

MAIN CONTRACTOR :

Yee Fai Building Contractors Ltd.

STRUCTURAL ENGINEER :

ARUP

FAÇADE CONSULTANT:

ALPHA CONSULTING LIMITED
Steel Structure & Façade Specialist

NOTE :

1. ALL DIMENSIONS ARE IN mm.
2. ALL ELEVATIONS ARE VIEWED FROM OUTSIDE.
3. ALL DIMENSIONS TO BE VERIFIED ON SITE BEFORE FABRICATION.

LEGEND :

- x1 — DETAIL MARK NO.
- x001 — REFER SHEET NO.

1. F.F.L. — FINISHED FLOOR LEVEL
2. S.F.L. — STRUCTURAL FLOOR LEVEL
3. (R) — REVERSED DETAIL
4. GLASS LEGEND

EGL-1 — 8mmHS+12mm AIR GAP+8mmTP THK. I.G.U.
EGL-2 — 10mm THK. CLEAR TEMPERED GLASS
EGL-4 — 10mm THK. TEMPERED ACID ETCHED GLASS

NO.	DATE	REVISION	BY
E	16/08/2022	REVISION SUBJECT TO ARCH.COMMENT	Ivan
D	27/06/2022	REVISION SUBJECT TO ARCH.COMMENT	Ivan
C	29/11/2021	REVISION SUBJECT TO ARCH.COMMENT	Ivan
B	03/11/2021	REVISION SUBJECT TO ARCH.COMMENT	Ivan
A	18/10/2021	REVISION SUBJECT TO ARCH.COMMENT	Ivan

JOB NO. : J-856

PROJECT :
PROPOSED DEVELOPMENT ABOVE
LIGHT RAIL TIN WING STOP, TSWTL
NO.23, AREA 33, TIN SHUI WAI, N.T.

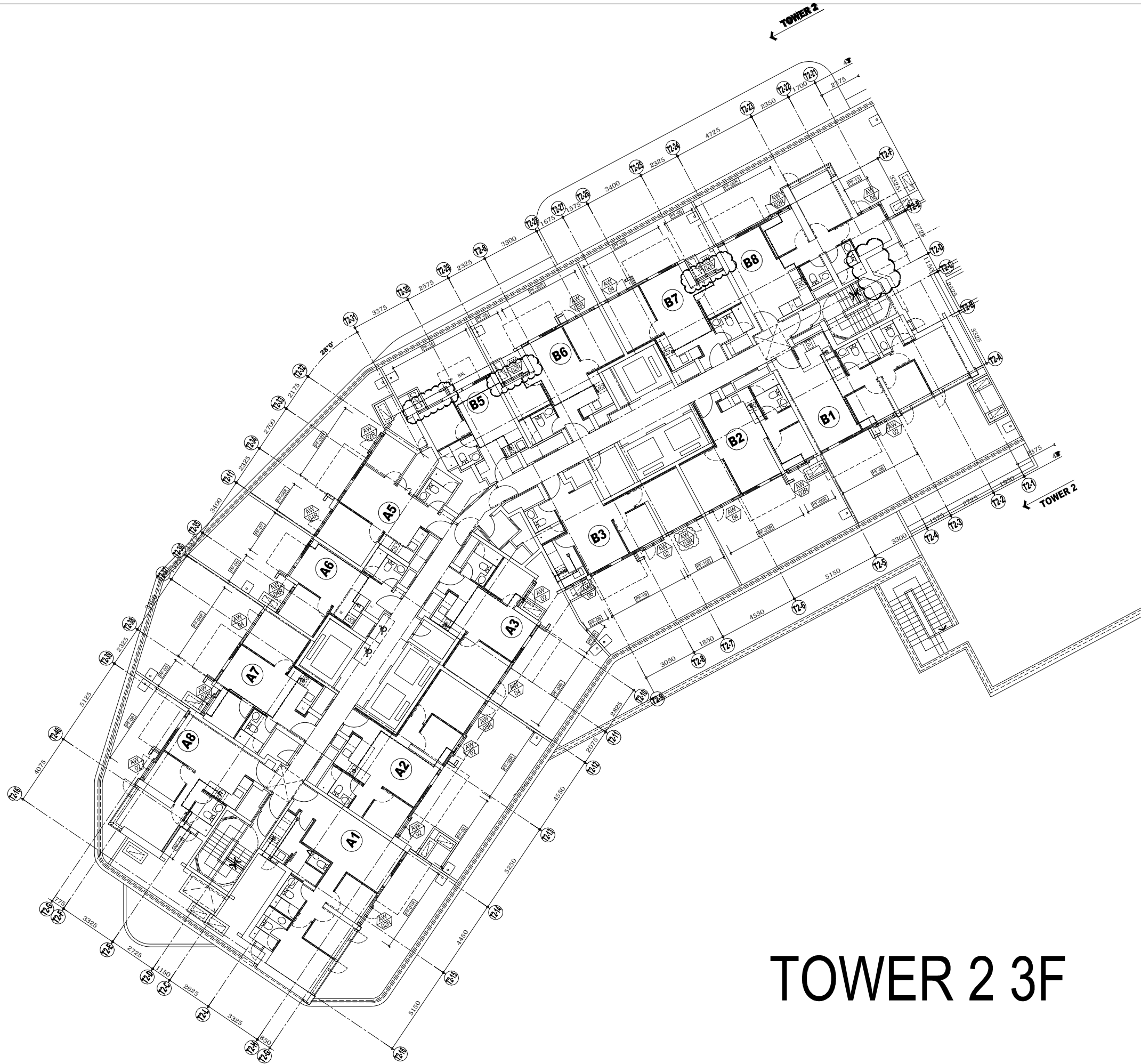
TITLE :
PLAN FOR IN-SITU WINDOW
AT TOWER 1

DATE : 02-Aug-21 SCALE : 1:40

DRAWN BY : Ivan CHECKED BY :

美特鋁質有限公司
MIDI ALUMINIUM FABRICATOR LTD.
Units 6-8, Sunray Industrial Centre, 1/F
610 Cha Kwo Ling Road, Kowloon
Tel: 23489211-4 Fax: (852) 2727666

DWG NO. : J856-SD-IW-3102 REV. : E



WINDOW MARK	QUANTITY
AW-02	6
AW-02R	7
AW-03R	3
AW-04	4
AW-04R	2
AW-06	1
AW-08	1

TOWER 2 3F

B.D. REF :

CLIENT :
SUN HUNG KAI
 REAL ESTATE AGENCY LTD.
 42/F SUN HUNG KAI CENTRE, WANCHAI, HONGKONG

ARCHITECT :
IWK&partners
 architects

MAIN CONTRACTOR :
Yee Fai Building Contractors Ltd.

STRUCTURAL ENGINEER :
ARUP

FACADE CONSULTANT:
ALPHA CONSULTING LIMITED
 Steel Structure & Facade Specialist

NOTE :
 1. ALL DIMENSIONS ARE IN mm.
 2. ALL ELEVATIONS ARE VIEWED FROM OUTSIDE.
 3. ALL DIMENSIONS TO BE VERIFIED ON SITE BEFORE FABRICATION.

LEGEND :
 X1 — DETAIL MARK NO.
 X001 — REFER SHEET NO.
 1. F.F.L. — FINISHED FLOOR LEVEL
 2. S.F.L. — STRUCTURAL FLOOR LEVEL
 3. (R) — REVERSED DETAIL
 4. GLASS LEGEND
 EGL-1 — 8mmHS+12mm AIR GAP+8mmTP THK. I.G.U.
 EGL-2 — 10mm THK. CLEAR TEMPERED GLASS
 EGL-4 — 10mm THK. TEMPERED ACID ETCHED GLASS

NO.	DATE	REVISED	BY
E	16/8/2022	REVISION SUBJECT TO ARCH.COMMENT	ivan
D	27/6/2022	REVISION SUBJECT TO ARCH.COMMENT	ivan
C	18/5/2022	REVISION SUBJECT TO ARCH.COMMENT	ivan
B	12/1/2022	REVISION SUBJECT TO ARCH.COMMENT	ivan
A	26/11/2021	REVISION SUBJECT TO ARCH.COMMENT	ivan

JOB NO. : J-856
 PROJECT : PROPOSED DEVELOPMENT ABOVE LIGHT RAIL TIN WING STOP, TSWTL NO.23, AREA 33, TIN SHUI WAI, N.T.

TITLE : PLAN FOR PRECAST WINDOW AT TOWER 2

DATE : 02-Aug-21 SCALE : 1:40
 DRAWN BY : ivan CHECKED BY :

美特鋁質有限公司
MIDI ALUMINIUM FABRICATOR LTD.
 Units 6-8, Sunray Industrial Centre, 1/F
 610 Cha Kwo Ling Road, Kowloon
 Tel: 23489211-4 Fax: (852) 27727666
 DWG NO. : J856-SD-IW-3201 REV. : E

B.D. REF :

CLIENT :

SUN HUNG KAI
REAL ESTATE AGENCY LTD.
42/F SUN HUNG KAI CENTRE, WANCHAI, HONGKONG

ARCHITECT :

Iwk&partners
architects

MAIN CONTRACTOR :

Yee Fai Building Contractors Ltd.

STRUCTURAL ENGINEER :

ARUP

FAÇADE CONSULTANT:

ALPHA CONSULTING LIMITED
Steel Structure & Façade Specialist

NOTE :
1. ALL DIMENSIONS ARE IN mm.
2. ALL ELEVATIONS ARE VIEWED FROM OUTSIDE.
3. ALL DIMENSIONS TO BE VERIFIED ON SITE BEFORE FABRICATION.

LEGEND :

x1 — DETAIL MARK NO.
X001 — REFER SHEET NO.

1. F.F.L. — FINISHED FLOOR LEVEL
2. S.F.L. — STRUCTURAL FLOOR LEVEL
3. (R) — REVERSED DETAIL
4. GLASS LEGEND
EGL-1 — 8mmHS+12mm AIR GAP+8mmTP THK. I.G.U.
EGL-2 — 10mm THK. CLEAR TEMPERED GLASS
EGL-4 — 10mm THK. TEMPERED ACID ETCHED GLASS

G	16/8/2022	REVISION SUBJECT TO ARCH.COMMENT	Ivan
F	27/6/2022	REVISION SUBJECT TO ARCH.COMMENT	Ivan
E	18/5/2022	REVISION SUBJECT TO ARCH.COMMENT	Ivan
D	12/1/2022	REVISION SUBJECT TO ARCH.COMMENT	Ivan
C	26/11/2021	REVISION SUBJECT TO ARCH.COMMENT	Ivan
B	03/11/2021	REVISION SUBJECT TO ARCH.COMMENT	Ivan
A	18/10/2021	REVISION SUBJECT TO ARCH.COMMENT	Ivan
NO.	DATE	REVISED	BY

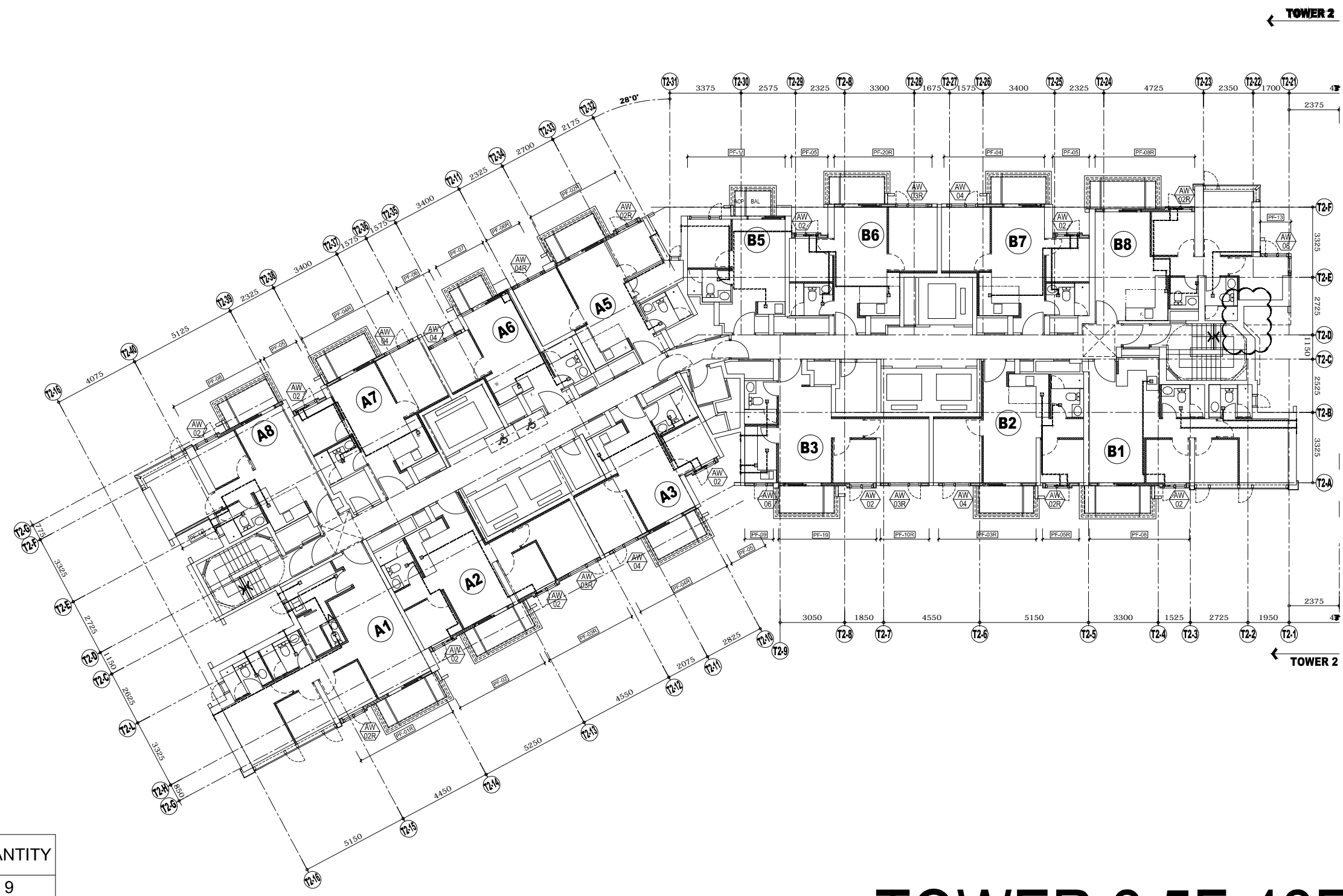
JOB NO. : J-856
PROJECT : PROPOSED DEVELOPMENT ABOVE LIGHT RAIL TIN WING STOP, TSWTL NO.23, AREA 33, TIN SHUI WAI, N.T.

TITLE : PLAN FOR PRECAST WINDOW AT TOWER 2

DATE : 02-Aug-21 SCALE : 1:40
DRAWN BY : Ivan CHECKED BY :

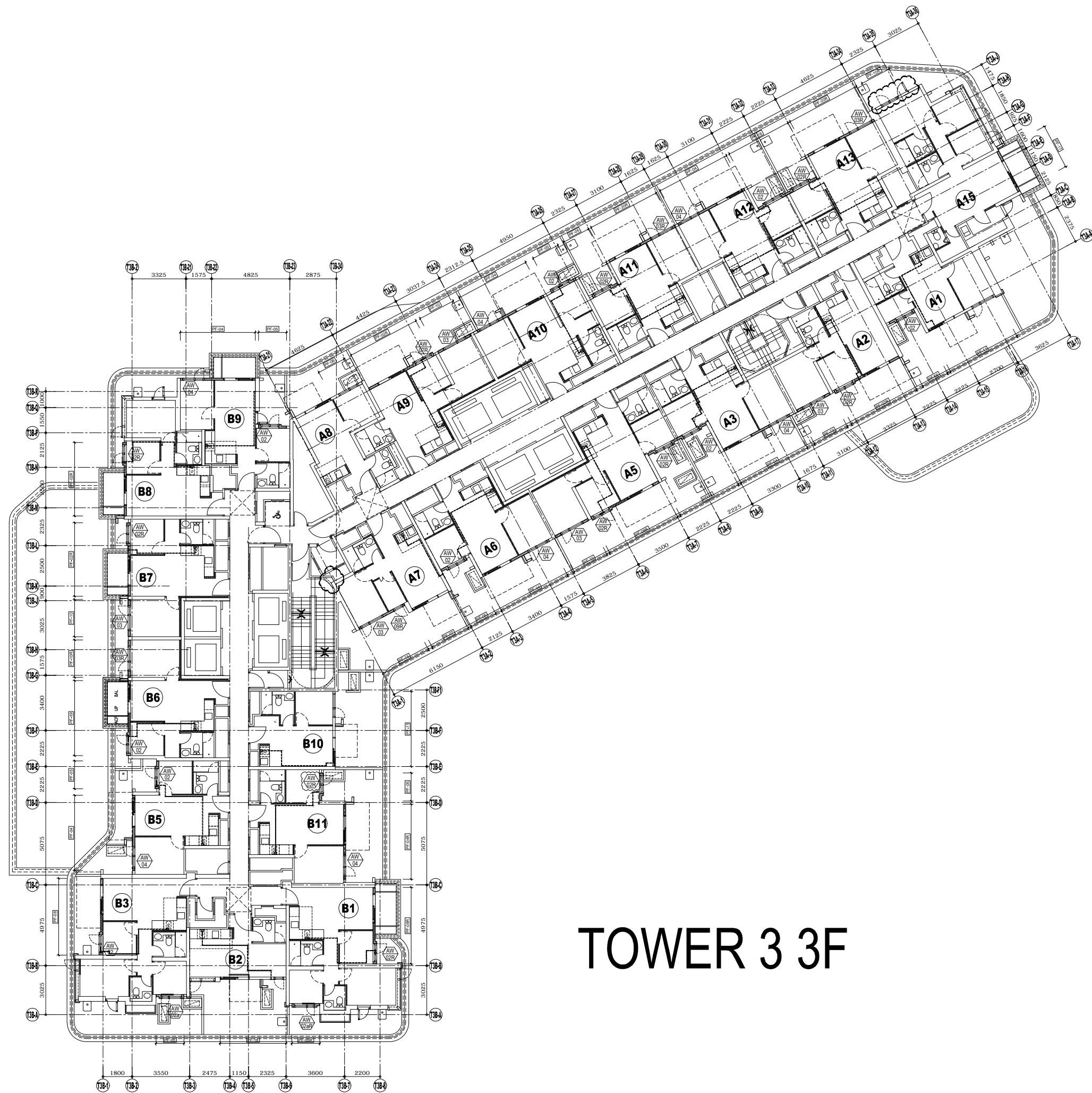
美特鋁質有限公司
MIDI ALUMINIUM FABRICATOR LTD.
Units 6-8, Sunray Industrial Centre, 1/F
610 Cha Kwo Ling Road, Kowloon
Tel:23489211-4 Fax:(852)2727666

DWG NO. : J856-SD-IW-3202 REV. : G



WINDOW MARK	QUANTITY
AW-02	9
AW-02R	4
AW-03R	3
AW-04	5
AW-04R	1
AW-06	1
AW-08	1

TOWER 2 5F-42F



TOWER 3 3F

WINDOW MARK	QUANTITY
AW-02	9
AW-02R	10
AW-02a	1
AW-02aR	1
AW-03	5
AW-03R	3
AW-04	7
AW-09R	1

B.D. REF :

CLIENT :
SUN HUNG KAI
 REAL ESTATE AGENCY LTD.
 42/F SUN HUNG KAI CENTRE, WANCHAI, HONGKONG

ARCHITECT :
lwk&partners
 architects

MAIN CONTRACTOR :
Yee Fai Building Contractors Ltd.

STRUCTURAL ENGINEER :
ARUP

FACADE CONSULTANT:
ALPHA CONSULTING LIMITED
 Steel Structure & Facade Specialist

NOTE :
 1. ALL DIMENSIONS ARE IN mm.
 2. ALL ELEVATIONS ARE VIEWED FROM OUTSIDE.
 3. ALL DIMENSIONS TO BE VERIFIED ON SITE BEFORE FABRICATION.

LEGEND :
 X1 — DETAIL MARK NO.
 X001 — REFER SHEET NO.
 1. F.F.L. — FINISHED FLOOR LEVEL
 2. S.F.L. — STRUCTURAL FLOOR LEVEL
 3. (B) — REVERSED DETAIL
 4. GLASS LEGEND
 EGL-1 — 8mmHS+12mm AIR GAP+8mmTP THK. I.G.U.
 EGL-2 — 10mm THK. CLEAR TEMPERED GLASS
 EGL-4 — 10mm THK. TEMPERED ACID ETCHED GLASS

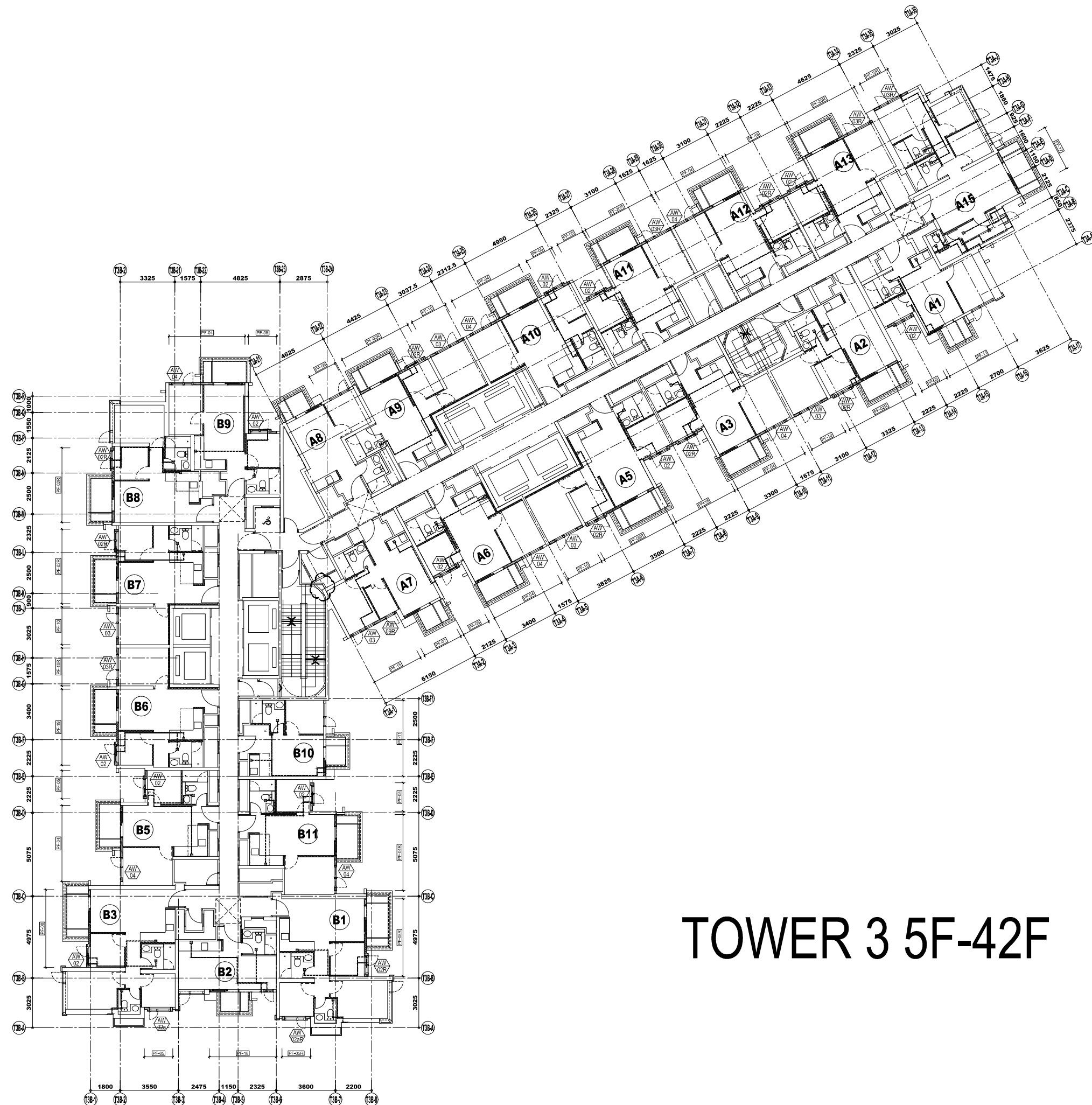
NO.	DATE	REVISED	BY
F	16/08/2022	REVISION SUBJECT TO ARCH.COMMENT	Ivan
E	27/06/2022	REVISION SUBJECT TO ARCH.COMMENT	Ivan
D	18/05/2022	REVISION SUBJECT TO ARCH.COMMENT	Ivan
C	22/04/2022	REVISION SUBJECT TO ARCH.COMMENT	Ivan
B	21/12/2021	REVISION SUBJECT TO ARCH.COMMENT	Ivan
A	29/11/2021	REVISION SUBJECT TO ARCH.COMMENT	Ivan

JOB NO. : J-856
 PROJECT : PROPOSED DEVELOPMENT ABOVE LIGHT RAIL TIN WING STOP, TSWTL NO.23, AREA 33, TIN SHUI WAI, N.T.

TITLE : PLAN FOR PRECAST WINDOW AT TOWER 3

DATE : 02-Aug-21 SCALE : 1:40
 DRAWN BY : Ivan CHECKED BY :

美特鋁質有限公司
MIDI ALUMINIUM FABRICATOR LTD.
 Units 6-8, Sunray Industrial Centre, 1/F
 610 Cha Kwo Ling Road, Kowloon
 Tel:23489211-4 Fax:(852)2727666
 DWG NO. : J856-SD-IW-3301 REV. : F



WINDOW MARK	QUANTITY
AW-02	11
AW-02R	8
AW-02a	1
AW-02aR	1
AW-03	5
AW-03R	4
AW-04	7
AW-09R	1

TOWER 3 5F-42F

B.D. REF :

CLIENT :
SUN HUNG KAI
 REAL ESTATE AGENCY LTD.
 42/F SUN HUNG KAI CENTRE, WANCHAI, HONGKONG

ARCHITECT :
Iwk&partners
 architects

MAIN CONTRACTOR :
怡輝建築有限公司
Yee Fai Building Contractors Ltd.

STRUCTURAL ENGINEER :
ARUP

FAÇADE CONSULTANT:
ALPHA CONSULTING LIMITED
 Steel Structure & Façade Specialist

NOTE :
 1. ALL DIMENSIONS ARE IN mm.
 2. ALL ELEVATIONS ARE VIEWED FROM OUTSIDE.
 3. ALL DIMENSIONS TO BE VERIFIED ON SITE BEFORE FABRICATION.

LEGEND :
 (X1) — DETAIL MARK NO.
 (X001) — REFER SHEET NO.
 1. F.F.L. — FINISHED FLOOR LEVEL
 2. S.F.L. — STRUCTURAL FLOOR LEVEL
 3. (R) — REVERSED DETAIL
 4. GLASS LEGEND
 EGL-1 — 8mmHS+12mm AIR GAP+8mmTP THK. I.G.U.
 EGL-2 — 10mm THK. CLEAR TEMPERED GLASS
 EGL-4 — 10mm THK. TEMPERED ACID ETCHED GLASS

NO.	DATE	REVISION	BY
K	16/08/2022	REVISION SUBJECT TO ARCH.COMMENT	Ivan
J	27/06/2022	REVISION SUBJECT TO ARCH.COMMENT	Ivan
I	18/05/2022	REVISION SUBJECT TO ARCH.COMMENT	Ivan
H	22/04/2022	REVISION SUBJECT TO ARCH.COMMENT	Ivan
G	08/04/2022	REVISION SUBJECT TO ARCH.COMMENT	Ivan
F	12/01/2022	REVISION SUBJECT TO ARCH.COMMENT	Ivan

JOB NO. : J-856
 PROJECT : PROPOSED DEVELOPMENT ABOVE LIGHT RAIL TIN WING STOP, TSWTL NO.23, AREA 33, TIN SHUI WAI, N.T.

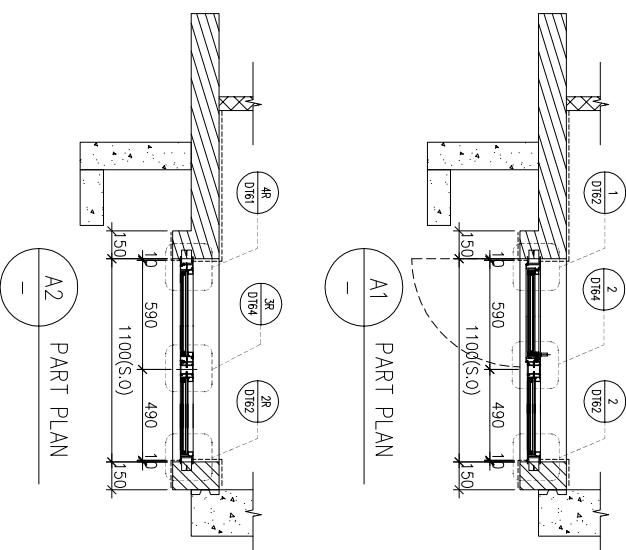
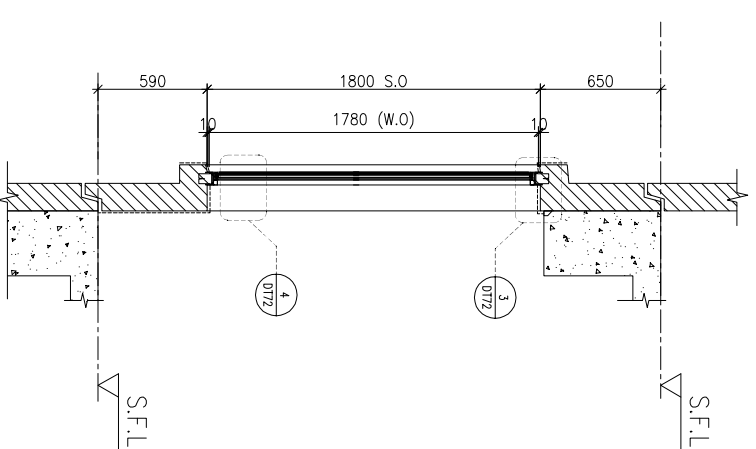
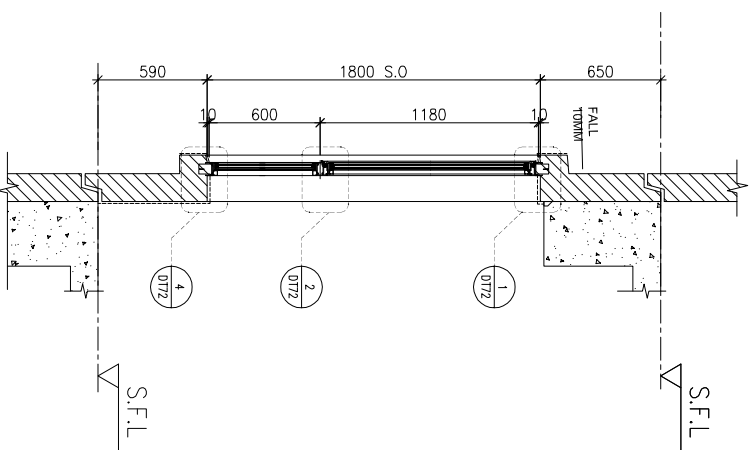
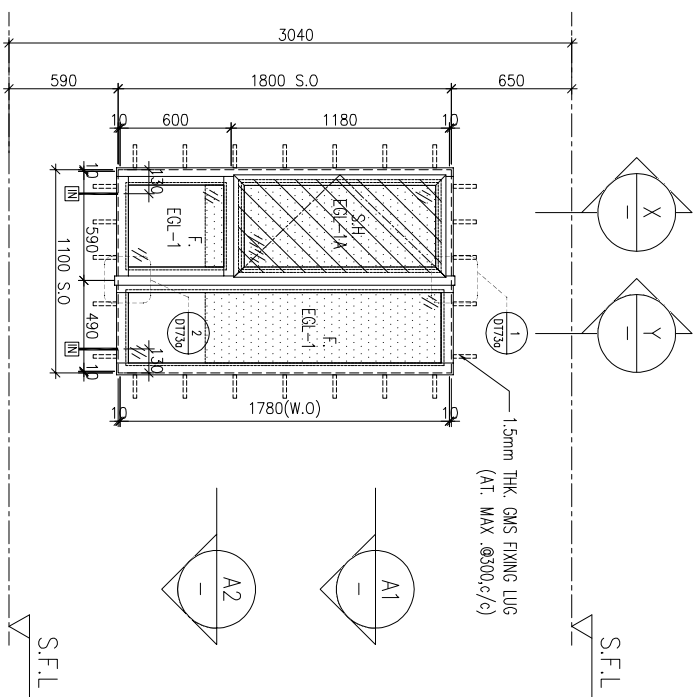
TITLE : PLAN FOR PRECAST WINDOW AT TOWER 3

DATE : 02-Aug-21 SCALE : 1:40
 DRAWN BY : Ivan CHECKED BY :

美特鋁質有限公司
MIDI ALUMINIUM FABRICATOR LTD.
 Units 6-8, Sunray Industrial Centre, 1/F
 610 Cha Kwo Ling Road, Kowloon
 Tel: 23489211-4 Fax: (852) 2727666

DWG NO. : J856-SD-IW-3302 REV. : K

REQUIRE		PROVIDED	
LOCATION	OPENABLE AREA	GLAZING AREA	OPENABLE AREA
A1-BR1	0.263	0.420	0.548
B1-BR1	0.263	0.420	0.985



A1 PART PLAN

A2 PART PLAN

ELEVATION

WINDOW MARK	SECTION	LOCATION	QUANTITY	REMARKS
AW 02R	70mm ALUM. SECTION	3/F~42/F(4/F,13/F,14/F,24/F,34/F OMITTED) UNIT B1	35 Nos	AW 02R
AW 02	70mm ALUM. SECTION	3/F~42/F(4/F,13/F,14/F,24/F,34/F OMITTED) UNIT A1	35 Nos.	AW 02

BD. REF :

CLIENT :

SUN HUNG KAI
REAL ESTATE AGENCY LTD.

42/F SUN HUNG KAI CENTRE, WANCHAI, HONGKONG

ARCHITECT :

lwk&partners
a r c h i t e c t s

MAIN CONTRACTOR :

怡輝建築有限公司
Yee Fai Building Contractors Ltd.

STRUCTURAL ENGINEER :

ARUP

FAÇADE CONSULTANT :

ALPHA CONSULTING LIMITED
Steel Structure & Façade Specialist

- NOTE :
1. ALL DIMENSIONS ARE IN mm.
 2. ALL ELEVATIONS ARE VIEWED FROM OUTSIDE.
 3. ALL DIMENSIONS TO BE VERIFIED ON SITE BEFORE FABRICATION.

LEGEND :

- (X1) --- DETAIL MARK NO.
(X001) --- REFER SHEET NO.
1. F.F.L. --- FINISHED FLOOR LEVEL
 2. S.F.L. --- STRUCTURAL FLOOR LEVEL
 3. (R) --- REVERSED DETAIL

4. GLASS LEGEND

- EGL-1 --- 8mmHS+12mm AIR GAP+10mmTP THK. I.G.U.
EGL-2 --- 10mm THK. CLEAR TEMPERED GLASS
EGL-4 --- 10mm THK. TEMPERED ACID ETCHED GLASS
EGL-1A --- 8mmHS+12mm AIR GAP+8mmTP THK. I.G.U.
EGL-1B --- 8mmHS+12mm AIR GAP+10mmTP ADD-ETCHED THK. I.G.U.

NO.	DATE	REVISION	REVISION SUBJECT TO ARCH-COMMENT	BY
F	17/08/2022	REVISION SUBJECT TO ARCH-COMMENT	None	None
E	06/07/2022	REVISION SUBJECT TO ARCH-COMMENT	None	None
D	17/12/2021	REVISION SUBJECT TO ARCH-COMMENT	None	None
C	29/11/2021	REVISION SUBJECT TO ARCH-COMMENT	None	None
B	03/11/2021	REVISION SUBJECT TO ARCH-COMMENT	None	None
A	12/10/2021	REVISION SUBJECT TO ARCH-COMMENT	None	None

JOB NO. : J-856

PROJECT : PROPOSED DEVELOPMENT ABOVE LIGHT RAIL TIN WING STOP-TSMTL NO.23,AREA 33,TIN SHUI WAI, N.T.

TITLE : WINDOW SCHEDULE FOR TOWER 1 ALUM. WINDOW

DATE : 02-Aug-21

SCALE : 1:40

DRAWN BY : Ivan

CHECKED BY :

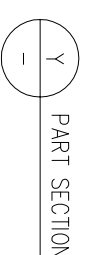
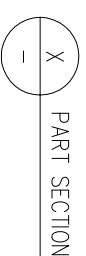
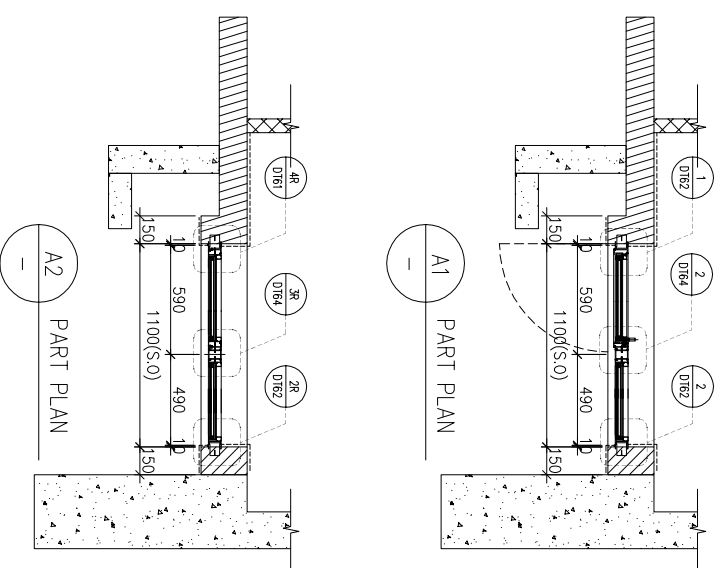
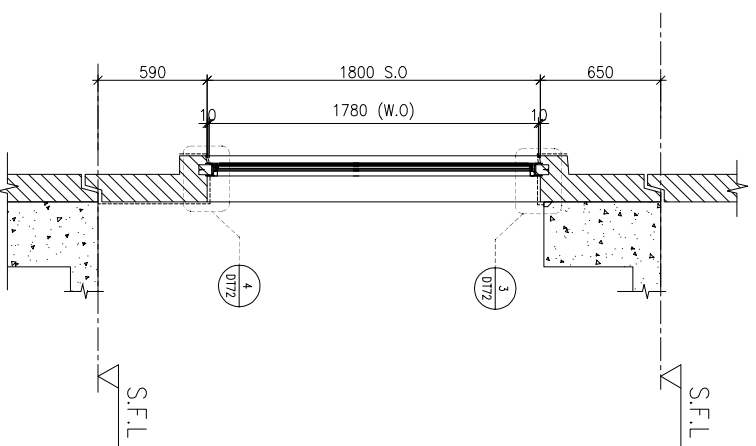
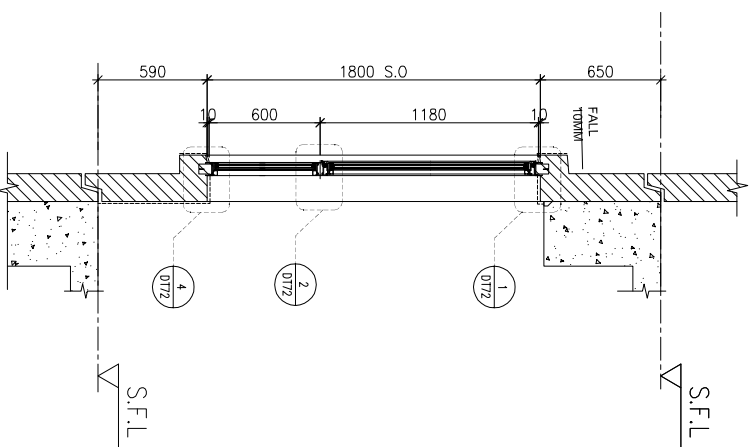
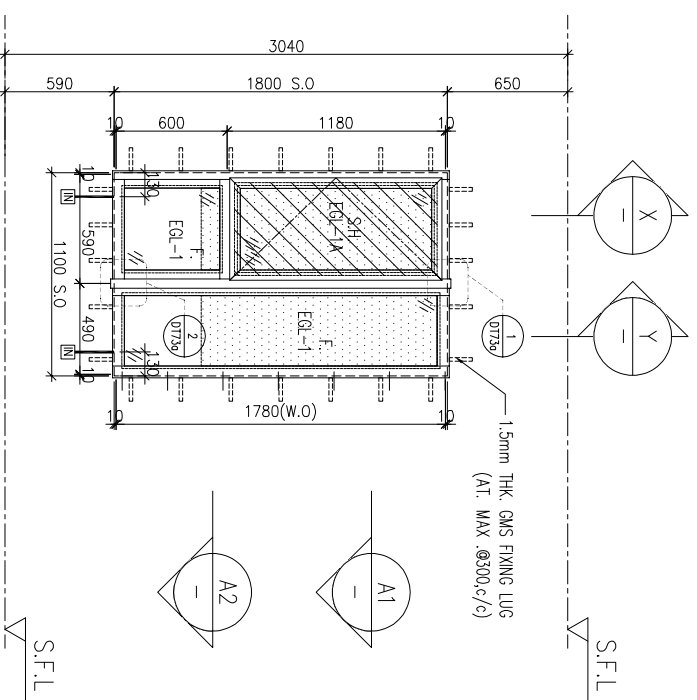
美特鋁質有限公司
MIDI ALUMINIUM FABRICATOR LTD.

Units 6-8, Sunray Industrial Centre, 1/F
610 Cho Kwai Ling Road, Kwailoon
Tel:23489211-4 Fax:8522727666

DWG NO. : J856-SD-FW-5101

REV. : F

REQUIRED		PROVIDED	
LOCATION	OPENABLE AREA	GLAZING AREA	GLAZING AREA
A2-BR1	0.263	0.420	0.548
B3-BR1	0.263	0.420	0.985



BD. REF : _____

CLIENT : **SUN HUNG KAI**
REAL ESTATE AGENCY LTD.
42/F SUN HUNG KAI CENTRE, WANCHAI, HONGKONG

ARCHITECT : **lwk&partners**
a r c h i t e c t s

MANU CONTRACTOR : **怡輝建築有限公司**
Yee Fai Building Contractors Ltd.

STRUCTURAL ENGINEER : **ARUP**
ALPHA CONSULTING LIMITED
Steel Structure & Façade Specialist

FAÇADE CONSULTANT :

NOTE :

1. ALL DIMENSIONS ARE IN mm.
2. ALL ELEVATIONS ARE VIEWED FROM OUTSIDE.
3. ALL DIMENSIONS TO BE VERIFIED ON SITE BEFORE FABRICATION.

LEGEND :

(X1) --- DETAIL MARK NO.
(X001) --- REFER SHEET NO.

1. F.F.L. --- FINISHED FLOOR LEVEL
2. S.F.L. --- STRUCTURAL FLOOR LEVEL
3. (R) --- REVERSED DETAIL

4. GLASS LEGEND

EGL-1--8mmHS+12mm AIR GAP+10mmTP THK. I.G.U.
EGL-2--10mm THK. CLEAR TEMPERED GLASS
EGL-4--10mm THK. TEMPERED ACID ETCHED GLASS
EGL-1A-8mmHS+12mm AIR GAP+8mmTP THK. I.G.U.
EGL-1B-8mmHS+12mm AIR GAP+10mmTP ACID-ETCHED THK. I.G.U.

NO.	DATE	REVISION	REVISION SUBJECT TO ARCH-COMMENT	BY
E	17/08/2022	REVISION SUBJECT TO ARCH-COMMENT	None	None
D	06/07/2022	REVISION SUBJECT TO ARCH-COMMENT	None	None
C	17/12/2021	REVISION SUBJECT TO ARCH-COMMENT	None	None
B	29/11/2021	REVISION SUBJECT TO ARCH-COMMENT	None	None
A	03/11/2021	REVISION SUBJECT TO ARCH-COMMENT	None	None

JOB NO. : J-856

PROJECT : PROPOSED DEVELOPMENT ABOVE LIGHT RAIL TIN WING STOP-TSWTL NO.23,AREA 33,TIN SHUI WAI, N.T.

TITLE : WINDOW SCHEDULE FOR TOWER 1 ALUM. WINDOW

DATE : 02-Aug-21 SCALE : 1:40
DRAWN BY : Ivan CHECKED BY :

WINDOW MARK	REQUIRE	PROVIDED
AW 02	3/F-42/F(4/F,13/F,14/F,24/F,34/F OMITTED) UNIT A2(5/F-42/F)	AW 02R
LOCATION	70mm ALUM. SECTION	70mm ALUM. SECTION
SECTION	EGL-1,EGL-1A	EGL-1,EGL-1A
GLAZING	34 Nos.	35 Nos
QUANTITY	34 Nos.	35 Nos
REMARKS	FAÇADE(TYPE T1PF02R FOR 3/F~42/F), 4 BAR HINGE-LIP HING (HHMS-N14)	FAÇADE(TYPE T1PF02R/ T1PF02 FOR 3/F~42/F), 4 BAR HINGE-LIP HING (HHMS-N14)

UNITA 6-8 Sunray Industrial Centre, 1/F
610 Cho Kwai Ling Road, Kowloon
Tel:23489211-4 Fax:(852)2727666

DMG NO. : J856-SD-FW-5102 REV. : E

美特鋁質有限公司
MIDI ALUMINIUM FABRICATOR LTD.

LOCATION	OPENABLE AREA	GLAZING AREA	OPENABLE AREA	GLAZING AREA
A2-MBR	0.477	0.763	0.548	1.495

LOCATION	OPENABLE AREA	GLAZING AREA	OPENABLE AREA	GLAZING AREA
A2-BR2	0.263	0.420	0.548	0.985

BD. REF :

CLIENT :

SUN HUNG KAI
REAL ESTATE AGENCY LTD.
42/F SUN HUNG KAI CENTRE, WANCHAI, HONGKONG

ARCHITECT :
lwk&partners
a r c h i t e c t s

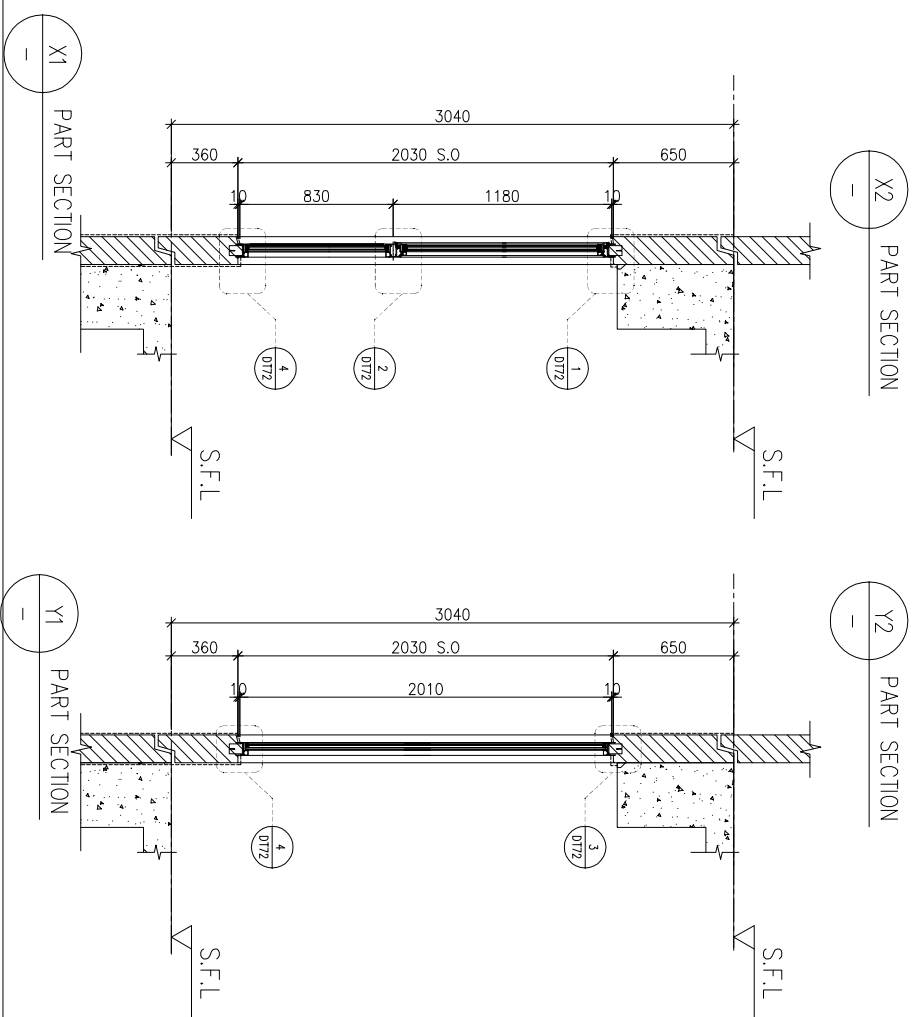
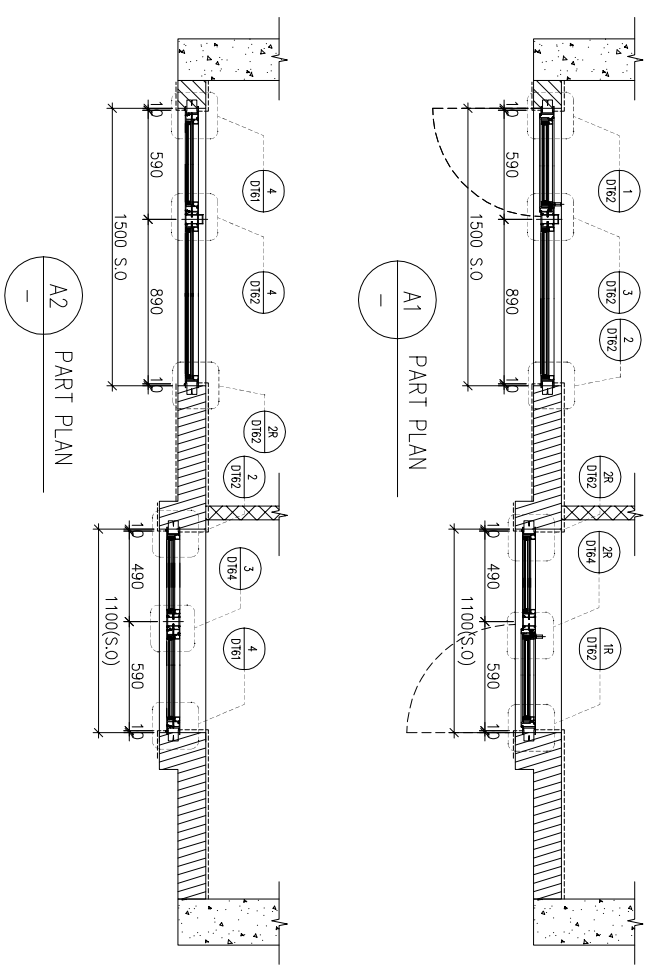
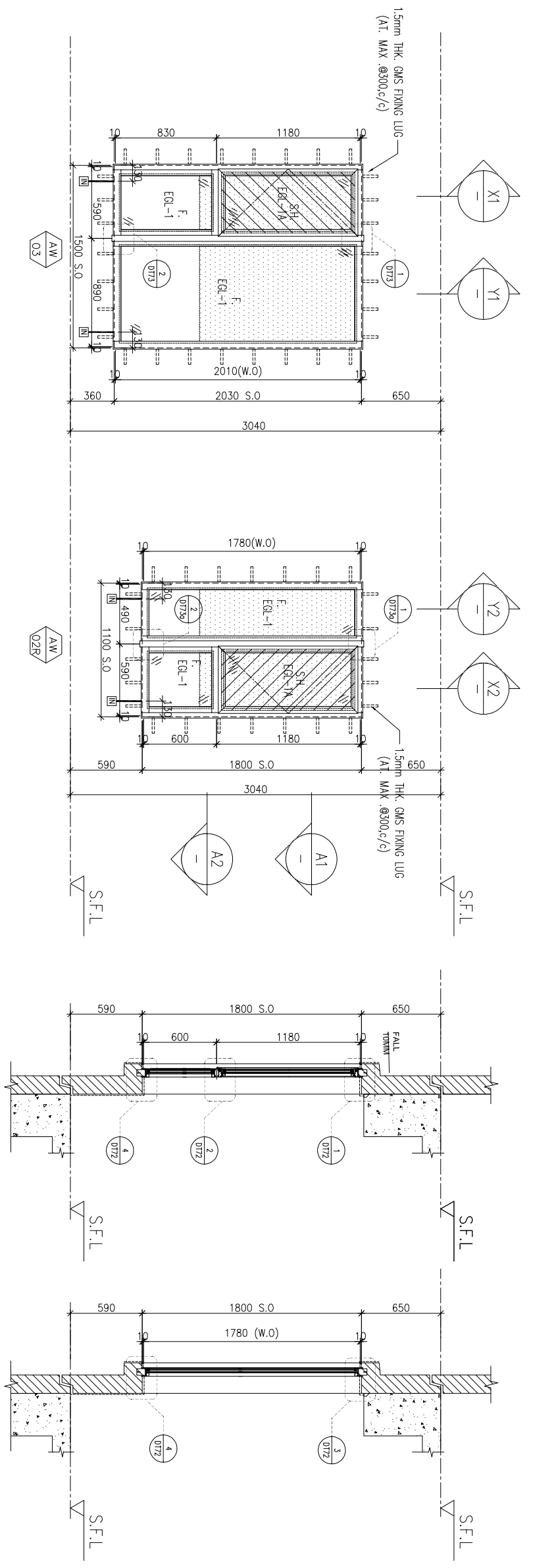
MAIN CONTRACTOR :
怡輝建築有限公司
Yee Fai Building Contractors Ltd.

STRUCTURAL ENGINEER :

ARUP

FAÇADE CONSULTANT:
ALPHA CONSULTING LIMITED
Steel Structure & Façade Specialist

ELEVATION



- NOTE:
1. ALL DIMENSIONS ARE IN mm.
 2. ALL ELEVATIONS ARE VIEWED FROM OUTSIDE.
 3. ALL DIMENSIONS TO BE VERIFIED ON SITE BEFORE FABRICATION.

LEGEND:

X1 --- DETAIL MARK NO.
X001 --- REFER SHEET NO.

1. F.F.L. --- FINISHED FLOOR LEVEL
 2. S.F.L. --- STRUCTURAL FLOOR LEVEL
 3. (R) --- REVERSED DETAIL
 4. GLASS LEGEND
- EGL-1 --- 8mmHS+12mm AIR GAP+10mmTP THK. I.G.U.
EGL-2 --- 10mm THK. CLEAR TEMPERED GLASS
EGL-4 --- 10mm THK. TEMPERED ACID ETCHED GLASS
EGL-1A --- 8mmHS+12mm AIR GAP+8mmTP THK. I.G.U.
EGL-1B --- 8mmHS+12mm AIR GAP+10mmTP ADD-ETCHED THK. I.G.U.

NO.	DATE	REVISION	REVISION SUBJECT TO ARCH-COMMENT	BY
E	17/08/2022	REVISION SUBJECT TO ARCH-COMMENT	lwn	
D	06/07/2022	REVISION SUBJECT TO ARCH-COMMENT	lwn	
C	17/12/2021	REVISION SUBJECT TO ARCH-COMMENT	lwn	
B	29/11/2021	REVISION SUBJECT TO ARCH-COMMENT	lwn	
A	03/11/2021	REVISION SUBJECT TO ARCH-COMMENT	lwn	

JOB NO. : J-856
PROJECT : PROPOSED DEVELOPMENT ABOVE LIGHT RAIL TIN WING STOP-TS/WTL NO.23,AREA 33,TIN SHUI WAI, N.T.
TITLE : WINDOW SCHEDULE FOR TOWER 1 ALUM. WINDOW

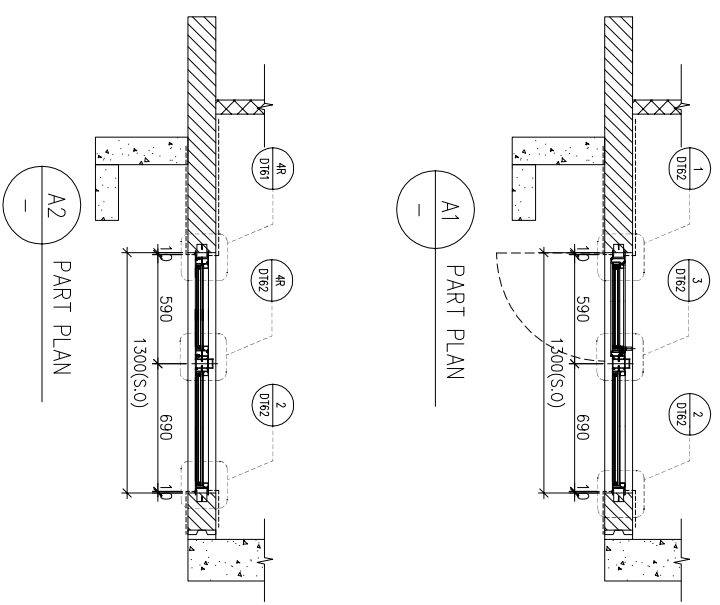
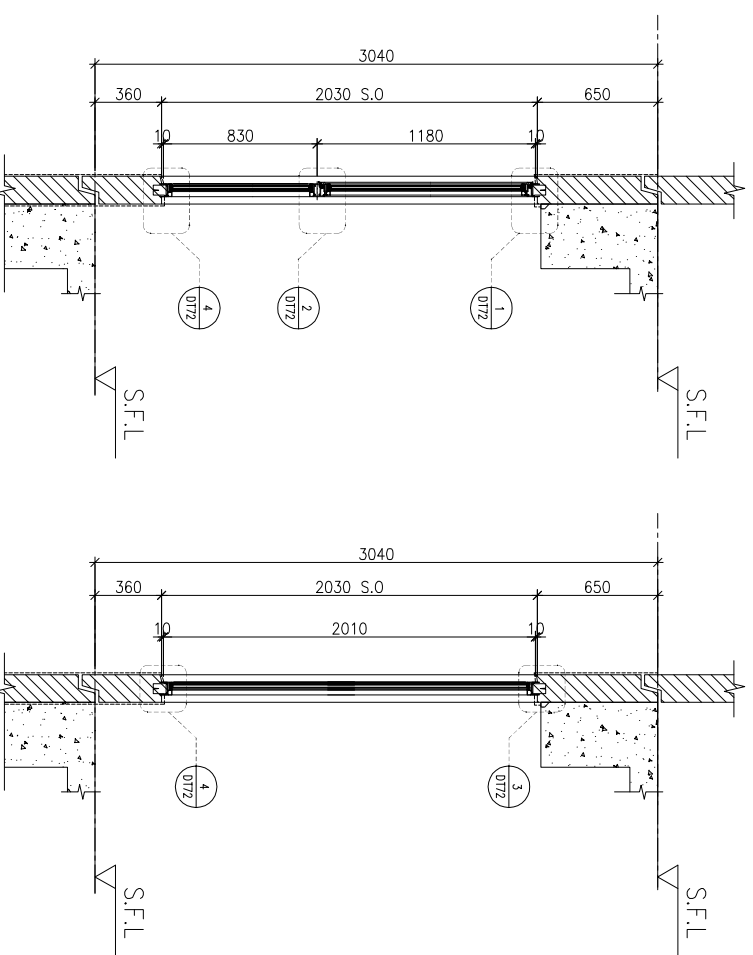
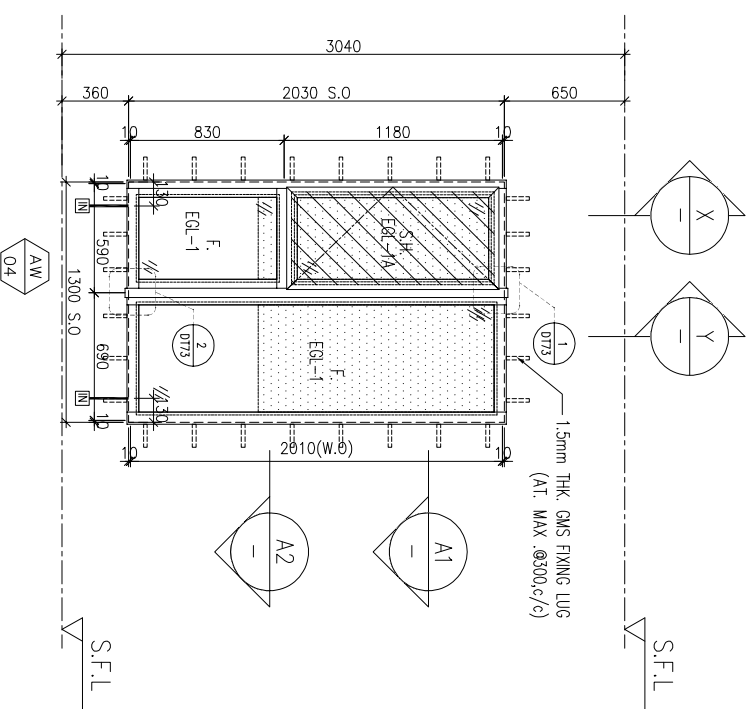
DATE : 02-Aug-21 SCALE : 1:40
DRAWN BY : lwn CHECKED BY :

美特鋁質有限公司
MIDI ALUMINIUM FABRICATOR LTD.
Units 6-8, Sunray Industrial Centre, 1/F
610 Cho Kwai Ling Road, Kwailoon
Tel:23489211-4 Fax:(852)27272666

DWG NO. : J856-SD-PW-5103 REV. : E

WINDOW MARK	AW 03	AW 02B
LOCATION	3/F-42/F,4/F,13/F,14/F,24/F,34/F OMITTED UNIT A2	
SECTION	70mm ALUM. SECTION	
GLAZING	EGL-1,EGL-1A	
QUANTITY	35 Nos./35 Nos.	
REMARKS	FAÇADE(TYPE T1PFO1R) FOR 3/F~42/F, 4 BAR HINGE-LIP HING (HHMS-N14)	

REQUIRED		PROVIDED	
LOCATION	OPENABLE AREA	GLAZING AREA	GLAZING AREA
A3-MBR	0.435	0.696	0.548
B2-MBR	0.435	0.696	1.24



ELEVATION

WINDOW MARK	LOCATION	SECTION	GLAZING	QUANTITY	REMARKS
AW 04R	3/F~42/F(4/F,13/F,14/F,24/F,34/F OMITTED) UNIT B2,A3	70mm ALUM. SECTION	EGL-1,EGL-1A	35 Nos / 35 Nos	FACADE(TYPE T1PF03R FOR 3/F~42/F) (4 BAR HINGE-LIP HING (HHMS-N14)
AW 04R	3/F~42/F(4/F,13/F,14/F,24/F,34/F OMITTED) UNIT B7	70mm ALUM. SECTION	EGL-1,EGL-1A	35 Nos	FACADE(TYPE T1PF04 FOR 3/F~42/F)

DELETE

BD. REF :

CLIENT :



ARCHITECT :



MAIN CONTRACTOR :



STRUCTURAL ENGINEER :



FACADE CONSULTANT :



NOTE :

1. ALL DIMENSIONS ARE IN mm.
2. ALL ELEVATIONS ARE VIEWED FROM OUTSIDE.
3. ALL DIMENSIONS TO BE VERIFIED ON SITE BEFORE FABRICATION.

LEGEND :

- (X1) --- DETAIL MARK NO.
- (X001) --- REFER SHEET NO.
- 1. F.F.L. --- FINISHED FLOOR LEVEL
- 2. S.F.L. --- STRUCTURAL FLOOR LEVEL
- 3. (R) --- REVERSED DETAIL

4. GLASS LEGEND
- EGL-1--8mmHS+12mm AIR GAP+10mmTP THK. I.G.U.
- EGL-2--10mm THK. CLEAR TEMPERED GLASS
- EGL-4--10mm THK. TEMPERED ACID ETCHED GLASS
- EGL-1A-8mmHS+12mm AIR GAP+8mmTP THK. I.G.U.
- EGL-1B-8mmHS+12mm AIR GAP+10mmTP ACID-ETCHED THK. I.G.U.

NO.	DATE	REVISION	REVISION SUBJECT TO ARCH-COMMENT	BY
F	17/08/2022	REVISION SUBJECT TO ARCH-COMMENT	None	
E	06/07/2022	REVISION SUBJECT TO ARCH-COMMENT	None	
D	17/12/2021	REVISION SUBJECT TO ARCH-COMMENT	None	
C	29/11/2021	REVISION SUBJECT TO ARCH-COMMENT	None	
B	03/11/2021	REVISION SUBJECT TO ARCH-COMMENT	None	
A	12/10/2021	REVISION SUBJECT TO ARCH-COMMENT	None	

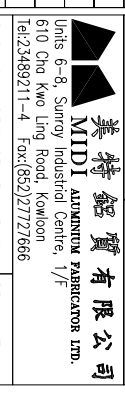
JOB NO. : J-856

PROJECT : PROPOSED DEVELOPMENT ABOVE LIGHT RAIL TIN WING STOP-TSWTL NO.23,AREA 33,TIN SHUI WAI, N.T.

TITLE : WINDOW SCHEDULE FOR TOWER 1 ALUM. WINDOW

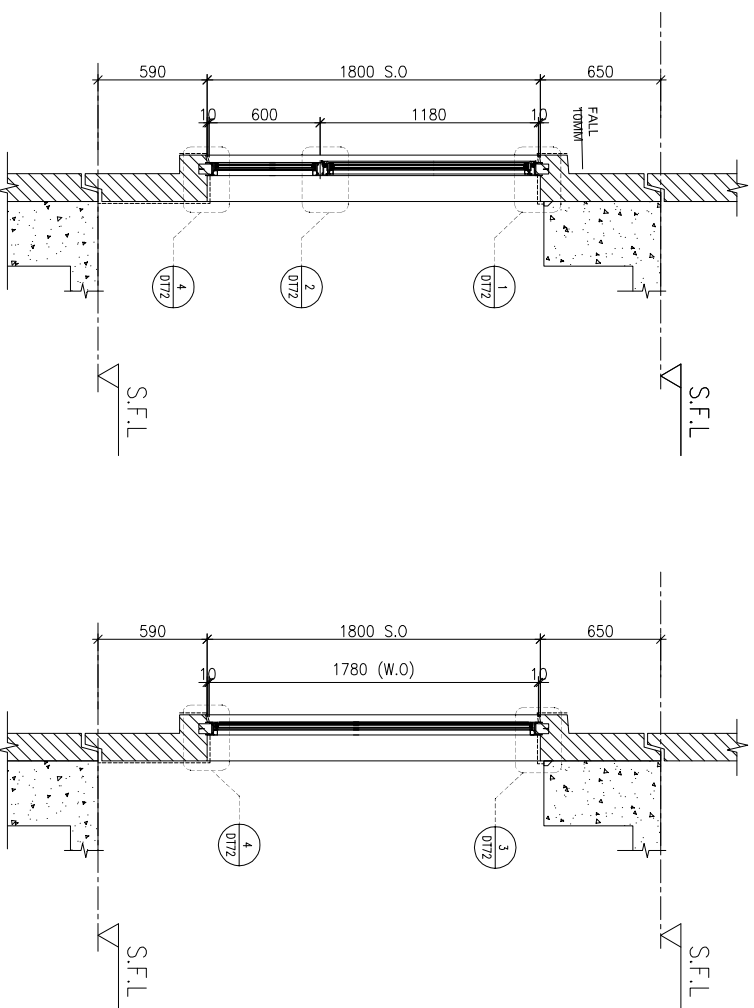
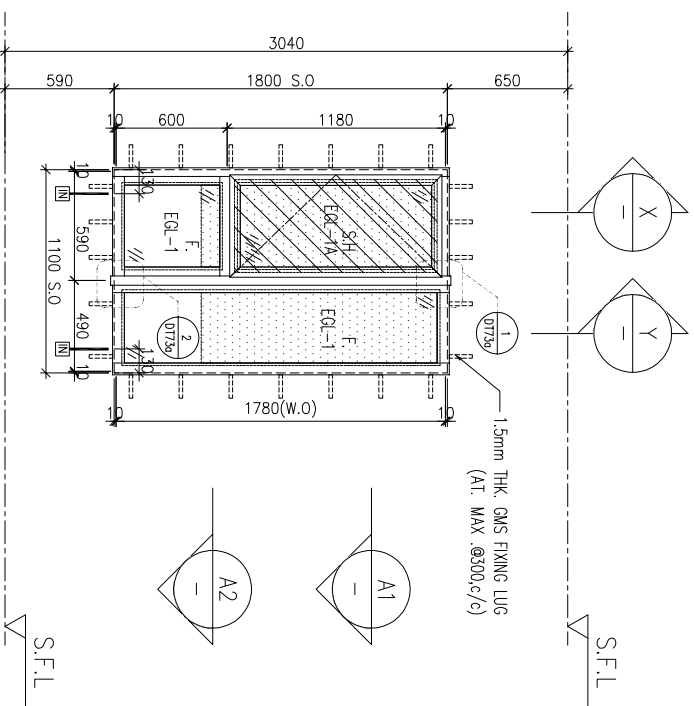
DATE : 02-Aug-21 SCALE : 1:40

DRAWN BY : Ivan CHECKED BY :

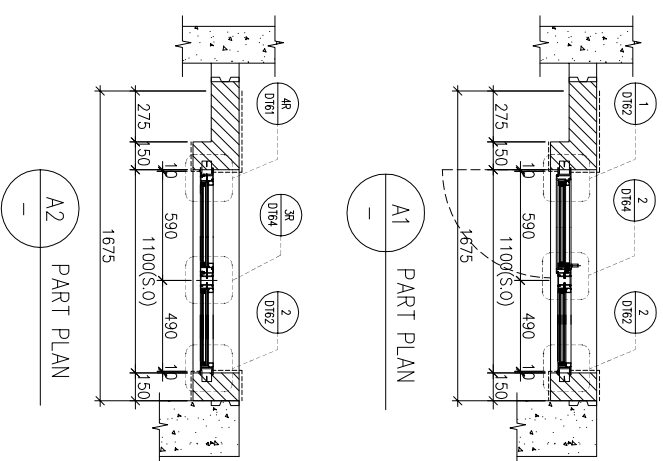


DWG NO. : J856-SD-PW-5104 REV. : F

REQUIRED		PROVIDED	
LOCATION	OPENABLE AREA	GLAZING AREA	GLAZING AREA
A3-BR1	0.263	0.420	0.548
B2-BR1	0.263	0.420	0.985



ELEVATION



X PART SECTION

Y PART SECTION

WINDOW MARK	LOCATION	SECTION	GLAZING	QUANTITY	REMARKS
AW 02	3/F~42/F(4/F,13/F,14/F,24/F,34/F OMITTED)	70mm ALUM. SECTION	EGL-1,EGL-1A	35 Nos	FACADE(TYPE T1PF05 FOR 3/F~42/F) 4 BAR HINGE-LIP HING (HHMS-N14)
AW 02BR	3/F~42/F(4/F,13/F,14/F,24/F,34/F OMITTED)	70mm ALUM. SECTION	EGL-1,EGL-1A	35 Nos	FACADE(TYPE T1PF05 FOR 3/F~42/F) 4 BAR HINGE-LIP HING (HHMS-N14)

BD. REF :

CLIENT :

SUN HUNG KAI
REAL ESTATE AGENCY LTD.
42/F SUN HUNG KAI CENTRE, WANCHAI, HONGKONG

ARCHITECT :

lwk&partners
a r c h i t e c t s

MAIN CONTRACTOR :

怡輝建築有限公司
Yee Fai Building Contractors Ltd.

STRUCTURAL ENGINEER :

ARUP

FAÇADE CONSULTANT :

ALPHA CONSULTING LIMITED
Steel Structure & Façade Specialist

NOTE :

1. ALL DIMENSIONS ARE IN mm.
2. ALL ELEVATIONS ARE VIEWED FROM OUTSIDE.
3. ALL DIMENSIONS TO BE VERIFIED ON SITE BEFORE FABRICATION.

LEGEND :

- X1 --- DETAIL MARK NO.
- X001 --- REFER SHEET NO.

1. F.F.L. --- FINISHED FLOOR LEVEL
2. S.F.L. --- STRUCTURAL FLOOR LEVEL
3. (R) --- REVERSED DETAIL

4. GLASS LEGEND

- EGL-1 --- 8mmHS+12mm AIR GAP+10mmTP THK. I.G.U.
- EGL-2 --- 10mm THK. CLEAR TEMPERED GLASS
- EGL-4 --- 10mm THK. TEMPERED ACID ETCHED GLASS
- EGL-1A --- 8mmHS+12mm AIR GAP+8mmTP THK. I.G.U.
- EGL-1B --- 8mmHS+12mm AIR GAP+10mmTP THK. I.G.U.

NO.	DATE	REVISION	REVISION SUBJECT TO ARCH-COMMENT	BY
E	17/08/2022	REVISION SUBJECT TO ARCH-COMMENT	None	None
D	06/07/2022	REVISION SUBJECT TO ARCH-COMMENT	None	None
C	17/12/2021	REVISION SUBJECT TO ARCH-COMMENT	None	None
B	29/11/2021	REVISION SUBJECT TO ARCH-COMMENT	None	None
A	03/11/2021	REVISION SUBJECT TO ARCH-COMMENT	None	None

JOB NO. : J-856

PROJECT :

PROPOSED DEVELOPMENT ABOVE
LIGHT RAIL TIN WING STOP-TSMTL
NO.23,AREA 33,TIN SHUI WAI, N.T.

TITLE :

WINDOW SCHEDULE FOR
TOWER 1 ALUM. WINDOW

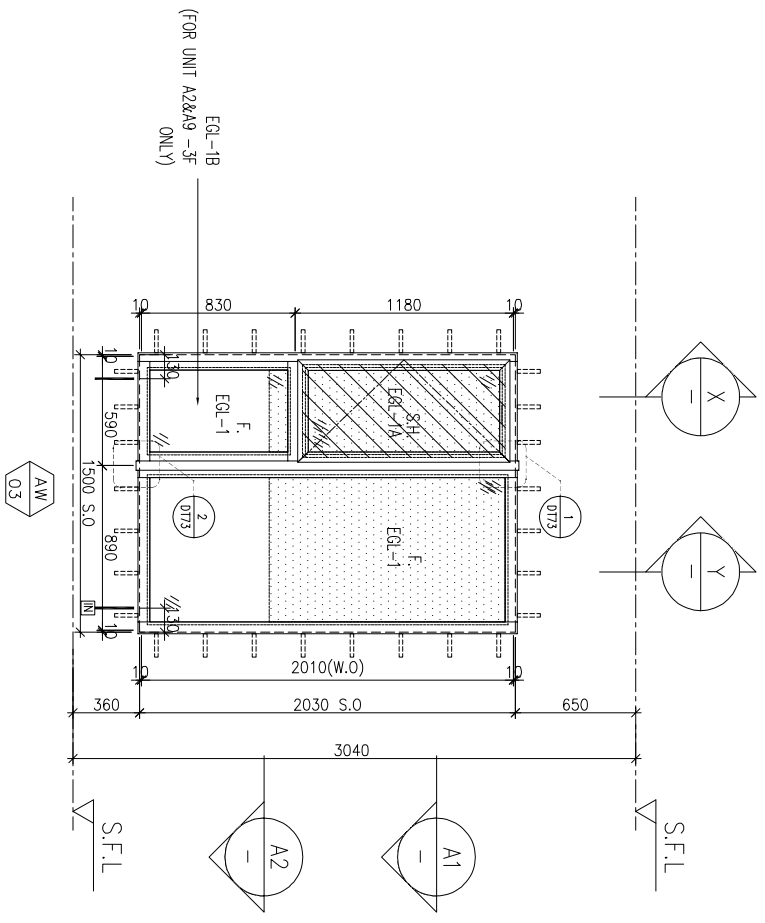
DATE : 02-Aug-21 SCALE : 1:40

DRAWN BY : Ivan CHECKED BY :

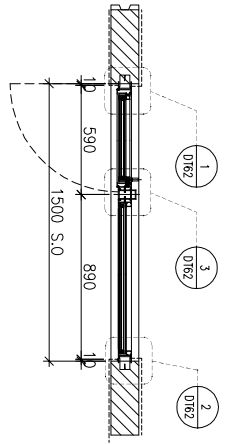
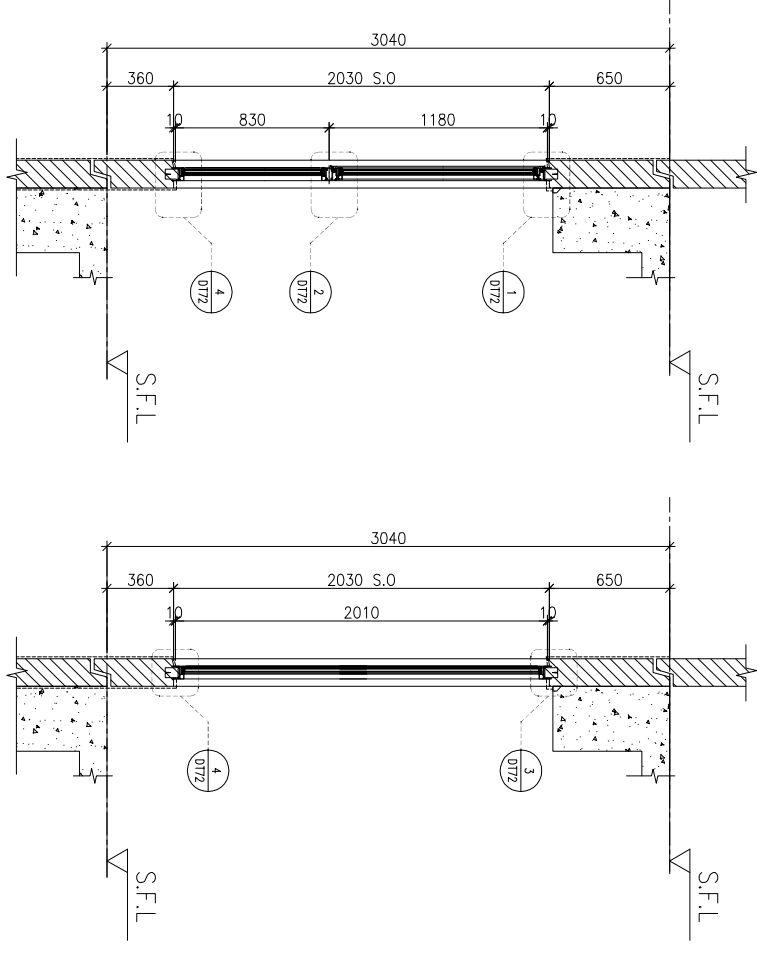
美特鋁質有限公司
MIDI ALUMINIUM FABRICATOR LTD.
Units 6-8, Sunray Industrial Centre, 1/F
610 Cho Kwai Ling Road, Kwailoon
Tel:23489211-4 Fax:(852)2727666

DWG NO. : J856-SD-PW-5105 REV. : E

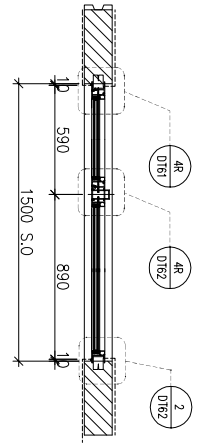
REQUIRED	PROVIDED			
LOCATION	OPENABLE AREA	GLAZING AREA	OPENABLE AREA	GLAZING AREA
B3-MBR	0.427	0.763	0.548	1.495



ELEVATION



A1 PART PLAN



A2 PART PLAN

WINDOW MARK	AW 03
LOCATION	3/F-42/F(4/F,13/F,14/F,24/F,34/F OMITTED) UNIT B3
SECTION	70mm ALUM. SECTION
GLAZING	EGL-1, EGL-1A
QUANTITY	35 Nos
REMARKS	FAÇADE(TYPE T1PF07R FOR 3/F~42/F) 4 BAR HINGE-LIP HING (HHMS-N14)

BD. REF :

CLIENT :



MANU CONTRACTOR :



STRUCTURAL ENGINEER :



FAÇADE CONSULTANT : ALPHA CONSULTING LIMITED
Steel Structure & Façade Specialist

- NOTE :
1. ALL DIMENSIONS ARE IN mm.
 2. ALL ELEVATIONS ARE VIEWED FROM OUTSIDE.
 3. ALL DIMENSIONS TO BE VERIFIED ON SITE BEFORE FABRICATION.

- LEGEND :
- (X1) --- DETAIL MARK NO.
 - (X001) --- REFER SHEET NO.
 - 1. F.F.L. --- FINISHED FLOOR LEVEL
 - 2. S.F.L. --- STRUCTURAL FLOOR LEVEL
 - 3. (R) --- REVERSED DETAIL

4. GLASS LEGEND
- EGL-1 --- 8mmHS+12mm AIR GAP+10mmTP THK. I.G.U.
 - EGL-2 --- 10mm THK. CLEAR TEMPERED GLASS
 - EGL-4 --- 10mm THK. TEMPERED ACID ETCHED GLASS
 - EGL-1A --- 8mmHS+12mm AIR GAP+8mmTP THK. I.G.U.
 - EGL-1B --- 8mmHS+12mm AIR GAP+10mmTP ACID-ETCHED THK. I.G.U.

NO.	DATE	REVISION	SUBJECT TO ARCH-COMMENT	BY
C	17/08/2022	REVISION	SUBJECT TO ARCH-COMMENT	hen
F	06/07/2022	REVISION	SUBJECT TO ARCH-COMMENT	hen
E	17/12/2021	REVISION	SUBJECT TO ARCH-COMMENT	hen
D	17/12/2021	REVISION	SUBJECT TO ARCH-COMMENT	hen
C	29/11/2021	REVISION	SUBJECT TO ARCH-COMMENT	hen
B	03/11/2021	REVISION	SUBJECT TO ARCH-COMMENT	hen
A	12/10/2021	REVISION	SUBJECT TO ARCH-COMMENT	hen

JOB NO. : J-856
 PROJECT : PROPOSED DEVELOPMENT ABOVE LIGHT RAIL TIN WING STOP-TSWTL NO.23,AREA 33,TIN SHUI WAI, N.T.
 TITLE : WINDOW SCHEDULE FOR TOWER 1 ALUM. WINDOW

DATE : 02-Aug-21 SCALE : 1:40
 DRAWN BY : IYON CHECKED BY :

美特铝质有限公司
 MIDT ALUMINUM FABRICATOR LTD.
 Units 6-8, Sunray Industrial Centre, 1/F
 610 Cho Kwai Ling Road, Kwai Tsoum
 Tel:23489211-4 Fax:(852)27272666
 DWG NO. : J856-SD-PW-5106 REV : G

LOCATION	OPENABLE AREA	GLAZING AREA	OPENABLE AREA	GLAZING AREA
B8-BR1	0.263	0.420	0.439	1.19

BD. REF :

CLIENT :

SUN HUNG KAI
REAL ESTATE AGENCY LTD.
 42/F SUN HUNG KAI CENTRE, WANCHAI, HONGKONG

ARCHITECT :

lwk&partners
 a r c h i t e c t s

MANU CONTRACTOR :

Yee Fai 怡輝建築有限公司
 Building Contractors Ltd.

STRUCTURAL ENGINEER :

ARUP
 ALPHA CONSULTING LIMITED
 Steel Structure & Façade Specialist

FAÇADE CONSULTANT :

ARUP
 ALPHA CONSULTING LIMITED
 Steel Structure & Façade Specialist

NOTE :

1. ALL DIMENSIONS ARE IN mm.
2. ALL ELEVATIONS ARE VIEWED FROM OUTSIDE.
3. ALL DIMENSIONS TO BE VERIFIED ON SITE BEFORE FABRICATION.

LEGEND :

- (X1) --- DETAIL MARK NO.
- (X001) --- REFER SHEET NO.
- 1. F.F.L. --- FINISHED FLOOR LEVEL
- 2. S.F.L. --- STRUCTURAL FLOOR LEVEL
- 3. (R) --- REVERSED DETAIL
- 4. GLASS LEGEND

EGL-1--8mmHS+12mm AIR GAP+10mmTP THK. I.G.U.

EGL-2--10mm THK. CLEAR TEMPERED GLASS

EGL-4--10mm THK. TEMPERED ACID ETCHED GLASS

EGL-1A--8mmHS+12mm AIR GAP+8mmTP THK. I.G.U.

NO.	DATE	REVISION	SUBJECT TO ARCH-COMMENT	BY
E	17/08/2022	REVISION SUBJECT TO ARCH-COMMENT		hwn
D	06/07/2022	REVISION SUBJECT TO ARCH-COMMENT		hwn
C	17/12/2021	REVISION SUBJECT TO ARCH-COMMENT		hwn
B	29/11/2021	REVISION SUBJECT TO ARCH-COMMENT		hwn
A	03/11/2021	REVISION SUBJECT TO ARCH-COMMENT		hwn

JOB NO. : J-856

PROJECT :

PROPOSED DEVELOPMENT ABOVE LIGHT RAIL TIN WING STOP-TSWTL NO.23,AREA 33,TIN SHUI WAI, N.T.

TITLE :

WINDOW SCHEDULE FOR TOWER 1 ALUM. WINDOW

DATE : 02-Aug-21

SCALE : 1:40

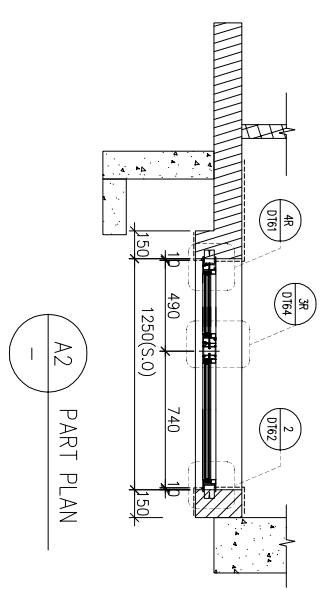
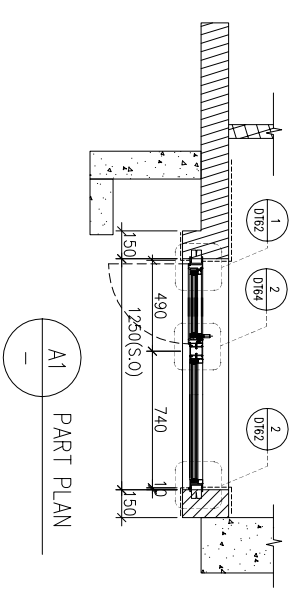
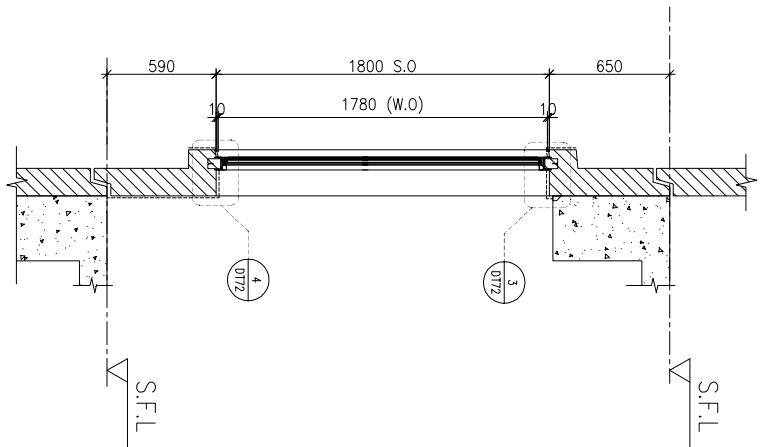
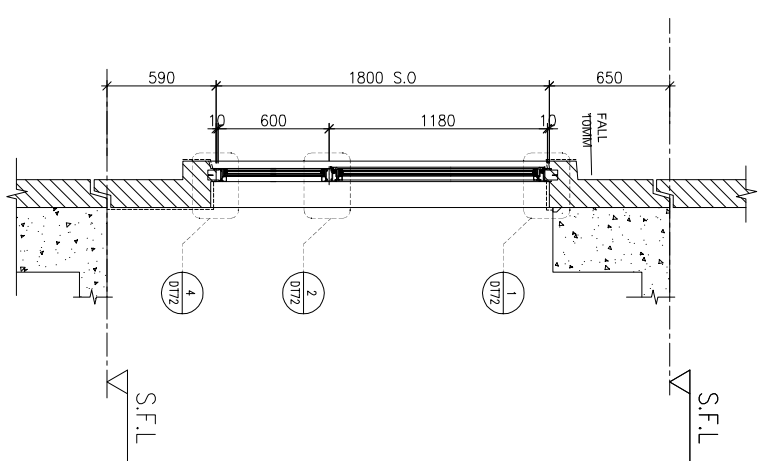
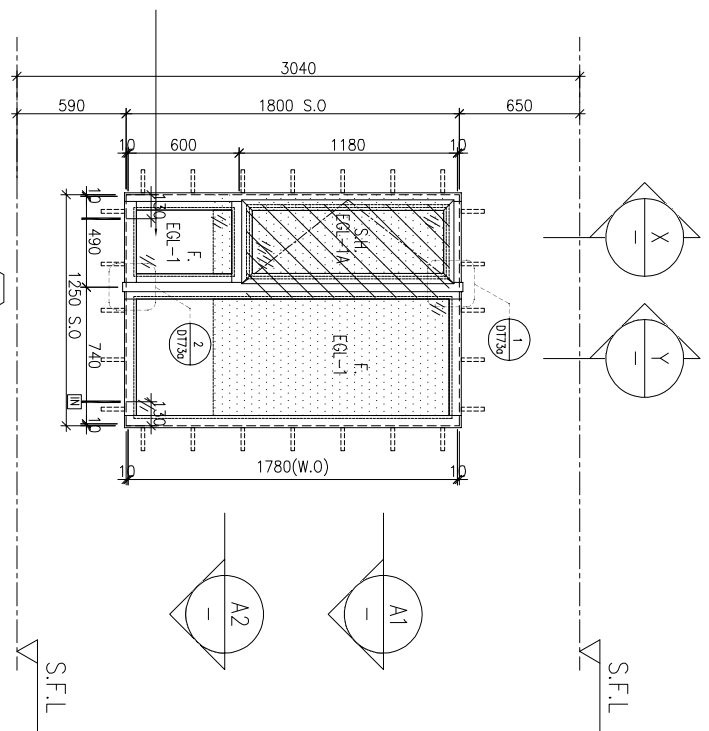
DRAWN BY : Ivan

CHECKED BY :

美特鋁質有限公司
 MIDT ALUMINIUM FABRICATOR LTD.
 Units 6-8, Sunray Industrial Centre, 1/F
 610 Cho Kwai Ling Road, Kowloon
 Tel:23489211-4 Fax:(852)2727666

DWG NO. : J856-SD-PW-5107

REV. : E

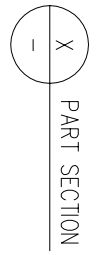
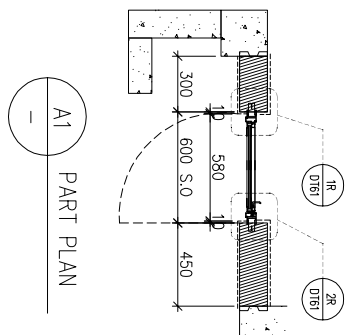
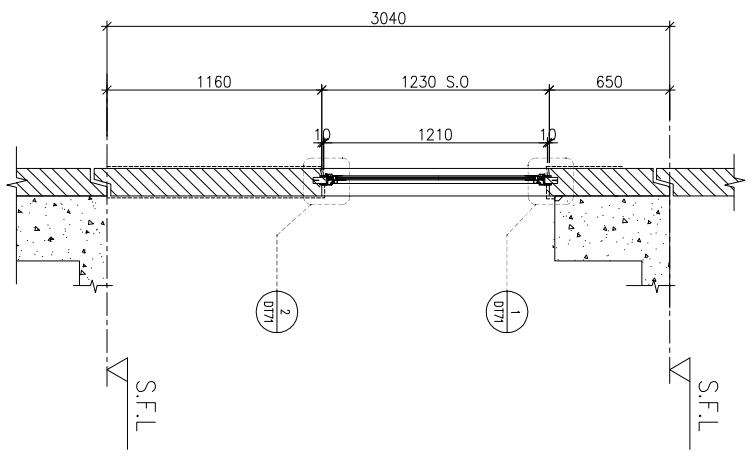
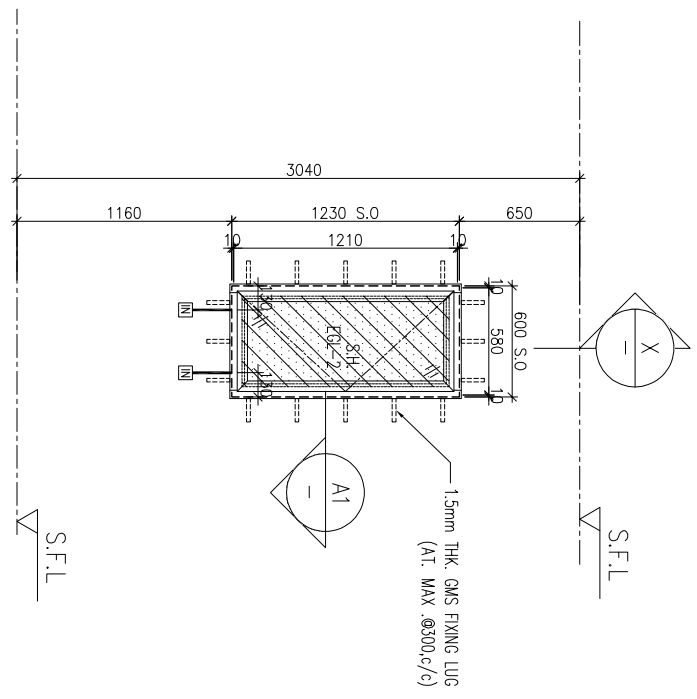


ELEVATION

WINDOW MARK	AW 02d	AW 02R
LOCATION	3/F-42/F(4/F,13/F,14/F,24/F,34/F OMITTED) UNIT B8	3/F-42/F(4/F,13/F,14/F,24/F,34/F OMITTED) UNIT A8,B1
SECTION	70mm ALUM. SECTION	70mm ALUM. SECTION
GLAZING	EGL-1,EGL-1A	EGL-1,EGL-1A
QUANTITY	35 Nos	35 Nos
REMARKS	FAÇADE(TYPE T1PF04R FOR 3/F~42/F)	FAÇADE(TYPE T1PF08 FOR 3/F~42/F)

DEFECTIVE

REQUIRED		PROVIDED	
LOCATION	OPENABLE AREA	GLAZING AREA	OPENABLE AREA
B3-KIT	0.251	0.401	0.549
			GLAZING AREA
			0.456



NOTE:

1. ALL DIMENSIONS ARE IN mm.
2. ALL ELEVATIONS ARE VIEWED FROM OUTSIDE.
3. ALL DIMENSIONS TO BE VERIFIED ON SITE BEFORE FABRICATION.

LEGEND:

- (X1) --- DETAIL MARK NO.
- (X001) --- REFER SHEET NO.
- 1. F.F.L. --- FINISHED FLOOR LEVEL
- 2. S.F.L. --- STRUCTURAL FLOOR LEVEL
- 3. (R) --- REVERSED DETAIL

4. GLASS LEGEND
- EGL-1--8mmHS+12mm AIR GAP+10mmTP THK. I.G.U.
- EGL-2--10mm THK. CLEAR TEMPERED GLASS
- EGL-4--10mm THK. TEMPERED ACID ETCHED GLASS
- EGL-1A-8mmHS+12mm AIR GAP+8mmTP THK. I.G.U.
- EGL-1B-8mmHS+12mm AIR GAP+10mmTP ACID-ETCHED THK. I.G.U.

NO.	DATE	REVISION	SUBJECT TO ARCH-COMMENT	BY
E	17/08/2022	REVISION	SUBJECT TO ARCH-COMMENT	ivan
D	06/07/2022	REVISION	SUBJECT TO ARCH-COMMENT	ivan
C	17/12/2021	REVISION	SUBJECT TO ARCH-COMMENT	ivan
B	29/11/2021	REVISION	SUBJECT TO ARCH-COMMENT	ivan
A	03/11/2021	REVISION	SUBJECT TO ARCH-COMMENT	ivan

JOB NO. : J-856

PROJECT : PROPOSED DEVELOPMENT ABOVE LIGHT RAIL TIN WING STOP-TSWTL NO.23,AREA 33,TIN SHUI WAI, N.T.

TITLE : WINDOW SCHEDULE FOR TOWER 1 ALUM. WINDOW

DATE : 02-Aug-21 SCALE : 1:40

DRAWN BY : ivan CHECKED BY :

UNITA 6-8 Sunray Industrial Centre, 1/F
610 Cho Kwai Ling Road, Kwai Tsoum
Tel:23489211-4 Fax:(852)27272666

MDI 美特鋁質有限公司
ALUMINIUM FABRICATOR LTD.

DWG NO. : J856-SD-PW-5108 REV. : E

B.D. REF. :

CLIENT :

SUN HUNG KAI
REAL ESTATE AGENCY LTD.
42/F SUN HUNG KAI CENTRE, WANCHAI, HONGKONG

ARCHITECT :
lwk&partners
a f c h i l e o i s

MAIN CONTRACTOR :
Yee Fai 怡輝建築有限公司
Building Contractors Ltd.

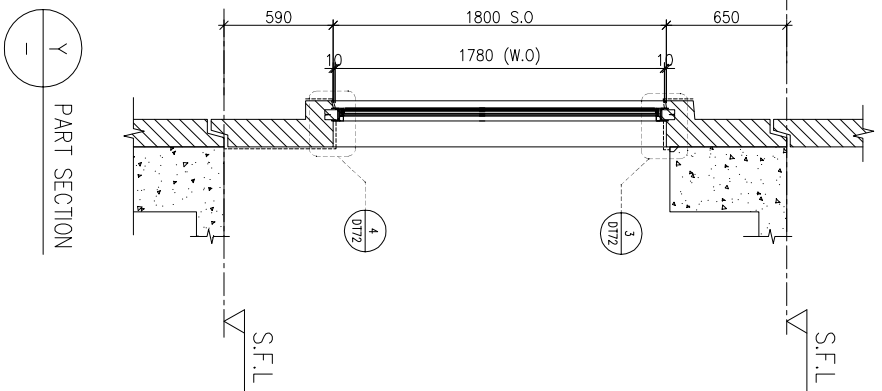
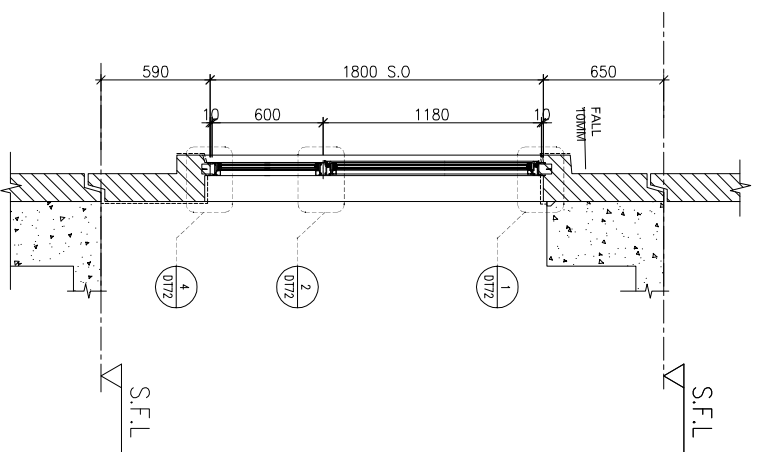
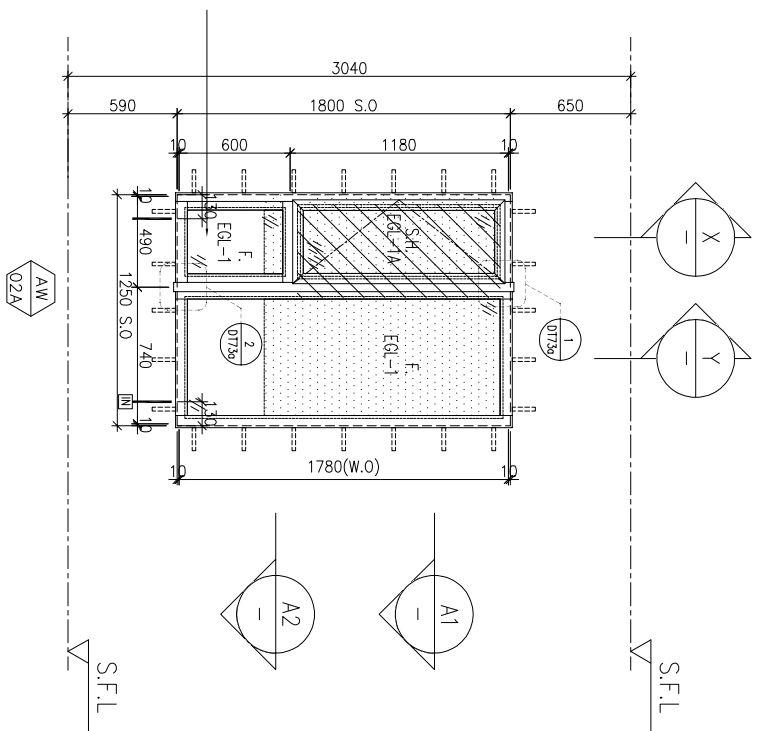
STRUCTURAL ENGINEER :
ARUP

FAÇADE CONSULTANT:
ALPHA CONSULTING LIMITED
Steel Structure & Façade Specialist

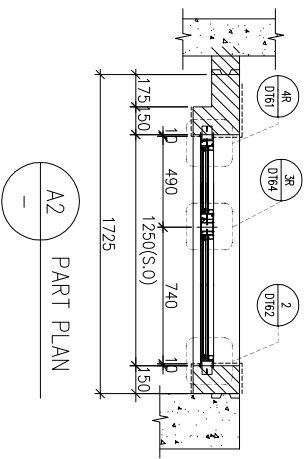
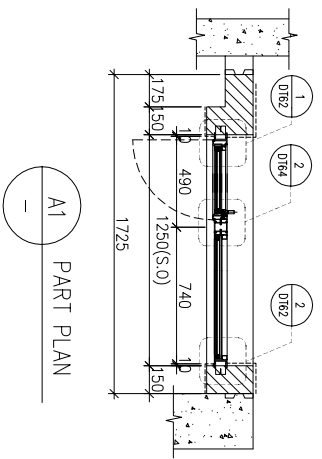
ELEVATION

WINDOW MARK	AM 06R
LOCATION	3/F-42/F(4/F,13/F,14/F,24/F,34/F OMITTED) UNIT B3
SECTION	50mm ALUM. SECTION
GLAZING	EGL-2
QUANTITY	35 Nos
REMARKS	FAÇADE(TYPE T1PFIOR FOR 3/F~42/F) (4 BAR HINGE-LIP HING (HHMS-N14))

REQUIRED		PROVIDED	
LOCATION	OPENABLE AREA	GLAZING AREA	GLAZING AREA
B6-BR1	0.263	0.420	0.439
B7-BR1	0.263	0.420	1.19



ELEVATION



WINDOW MARK	LOCATION	SECTION	GLAZING	QUANTITY	REMARKS
AW 02a	5/F-42/F(4/F,13/F,14/F,24/F,34/F OMITTED) UNIT B7	70mm ALUM. SECTION	EGL-1,EGL-1A	34 Nos	FACADE(TYPE T1PF05R FOR 5/F~42/F) (4 BAR HINGE-LIP HING (HHMS-N14))
AW 02a	3/F UNIT B7, 3/F UNIT B6	70mm ALUM. SECTION	EGL-1,EGL-1A	1 No / 1 No	FACADE(TYPE T1PF05R/T1PF05 FOR 3/F)

BD. REF :

CLIENT :

SUN HUNG KAI
REAL ESTATE AGENCY LTD.
42/F SUN HUNG KAI CENTRE, WANCHAI, HONGKONG

ARCHITECT :

lwk&partners
a r c h i t e c t s

MAIN CONTRACTOR :

怡輝建築有限公司
Yee Fai Building Contractors Ltd.

STRUCTURAL ENGINEER :

ARUP

FAÇADE CONSULTANT:

ALPHA CONSULTING LIMITED
Steel Structure & Façade Specialist

NOTE :

1. ALL DIMENSIONS ARE IN mm.
2. ALL ELEVATIONS ARE VIEWED FROM OUTSIDE.
3. ALL DIMENSIONS TO BE VERIFIED ON SITE BEFORE FABRICATION.

LEGEND :

- (X1) --- DETAIL MARK NO.
- (X001) --- REFER SHEET NO.

1. F.F.L. --- FINISHED FLOOR LEVEL
2. S.F.L. --- STRUCTURAL FLOOR LEVEL
3. (R) --- REVERSED DETAIL

4. GLASS LEGEND

- EGL-1 --- 8mmHS+12mm AIR GAP+10mmTP THK. I.G.U.
- EGL-2 --- 10mm THK. CLEAR TEMPERED GLASS
- EGL-4 --- 10mm THK. TEMPERED ACID ETCHED GLASS
- EGL-1A --- 8mmHS+12mm AIR GAP+8mmTP THK. I.G.U.
- EGL-1B --- 8mmHS+12mm AIR GAP+10mmTP ACID-ETCHED THK. I.G.U.

NO.	DATE	REVISION	BY
F	17/08/2022	REVISION SUBJECT TO ARCH-COMMENT	lwn
E	06/07/2022	REVISION SUBJECT TO ARCH-COMMENT	lwn
D	17/12/2021	REVISION SUBJECT TO ARCH-COMMENT	lwn
C	29/11/2021	REVISION SUBJECT TO ARCH-COMMENT	lwn
B	03/11/2021	REVISION SUBJECT TO ARCH-COMMENT	lwn
A	12/10/2021	REVISION SUBJECT TO ARCH-COMMENT	lwn

JOB NO. : J-856

PROJECT : PROPOSED DEVELOPMENT ABOVE LIGHT RAIL TIN WING STOP-TSMTL NO.23,AREA 33,TIN SHUI WAI, N.T.

TITLE : WINDOW SCHEDULE FOR TOWER 1 ALUM. WINDOW

DATE : 02-Aug-21

SCALE : 1:40

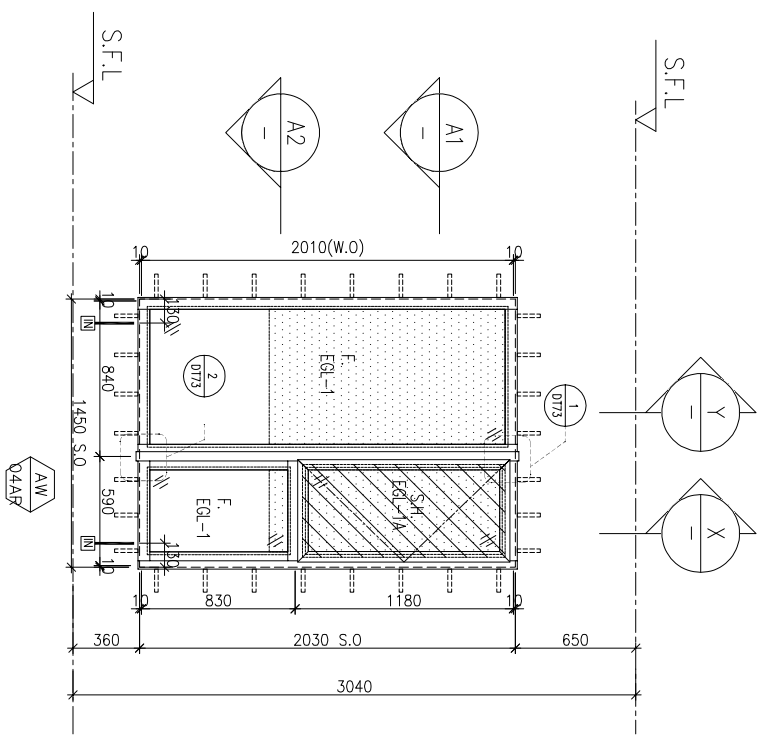
DRAWN BY : lwn

CHECKED BY :

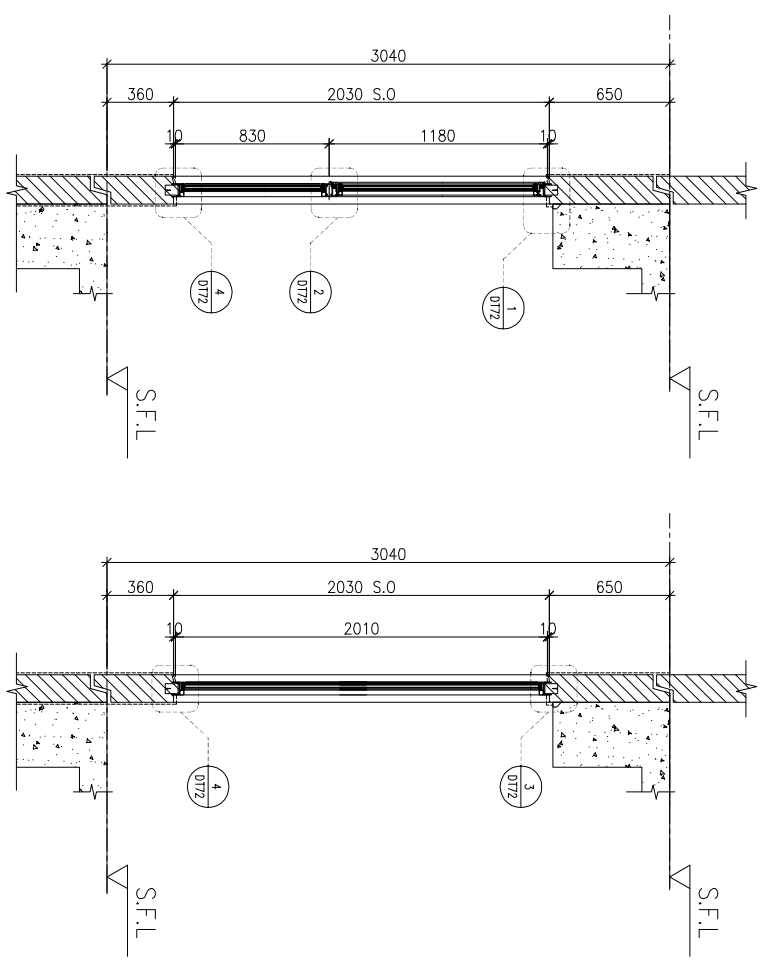
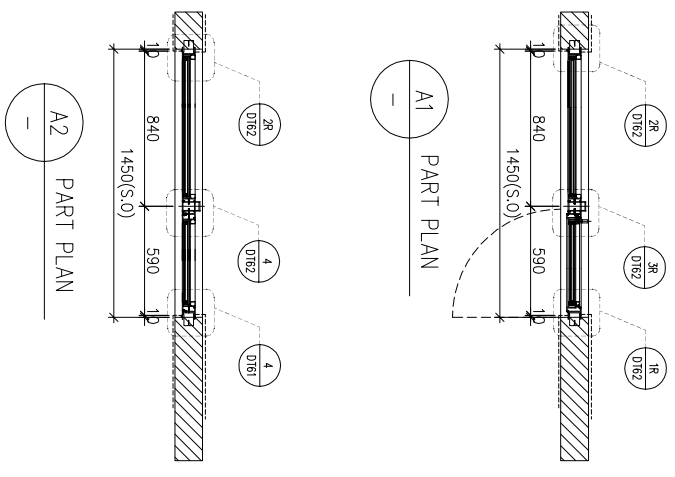
美特鋁質有限公司
MIDI ALUMINIUM FABRICATOR LTD.
Units 6-8, Sunray Industrial Centre, 1/F
610 Cho Kwai Ling Road, Kwai Tsou
Tel:23489211-4 Fax:(852)2727666

DWG NO. : J856-SD-PW-5109 REV. : F

REQUIRED		PROVIDED	
LOCATION	OPENABLE AREA	GLAZING AREA	OPENABLE AREA
B7-MBR	0.435	0.696	0.548
			GLAZING AREA
			1.431



ELEVATION



WINDOW MARK	AW 0449
LOCATION	3/F-42/F(4/F,13/F,14/F,24/F,34/F OMITTED) UNIT B7
SECTION	70mm ALUM. SECTION
GLAZING	EGL-1, EGL-1A
QUANTITY	35 Nos
REMARKS	FAÇADE(TYPE T1PF03R FOR 3/F~42/F) (4 BAR HINGE-LIP HING (HHMS-N14))

BD. REF :

CLIENT :



ARCHITECT :



MAIN CONTRACTOR :



STRUCTURAL ENGINEER :



FAÇADE CONSULTANT :



- NOTE :
1. ALL DIMENSIONS ARE IN mm.
 2. ALL ELEVATIONS ARE VIEWED FROM OUTSIDE.
 3. ALL DIMENSIONS TO BE VERIFIED ON SITE BEFORE FABRICATION.

LEGEND :

- (X1) --- DETAIL MARK NO.
- (X001) --- REFER SHEET NO.
- 1. F.F.L. --- FINISHED FLOOR LEVEL
- 2. S.F.L. --- STRUCTURAL FLOOR LEVEL
- 3. (R) --- REVERSED DETAIL
- 4. GLASS LEGEND

- EGL-1 --- 8mmHS+12mm AIR GAP+10mmTP THK. I.G.U.
- EGL-2 --- 10mm THK. CLEAR TEMPERED GLASS
- EGL-4 --- 10mm THK. TEMPERED ACID ETCHED GLASS
- EGL-1A --- 8mmHS+12mm AIR GAP+8mmTP THK. I.G.U.
- EGL-1B --- 8mmHS+12mm AIR GAP+10mmTP ACID-ETCHED THK. I.G.U.

NO.	DATE	REVISION	SUBJECT TO ARCH-COMMENT	BY
F	17/08/2022	REVISION	SUBJECT TO ARCH-COMMENT	hcn
E	06/07/2022	REVISION	SUBJECT TO ARCH-COMMENT	hcn
D	17/12/2021	REVISION	SUBJECT TO ARCH-COMMENT	hcn
C	29/11/2021	REVISION	SUBJECT TO ARCH-COMMENT	hcn
B	03/11/2021	REVISION	SUBJECT TO ARCH-COMMENT	hcn
A	12/10/2021	REVISION	SUBJECT TO ARCH-COMMENT	hcn

JOB NO. : J-856

PROJECT : PROPOSED DEVELOPMENT ABOVE LIGHT RAIL TIN WING STOP-TSMTL NO.23,AREA 33,TIN SHUI WAI, N.T.

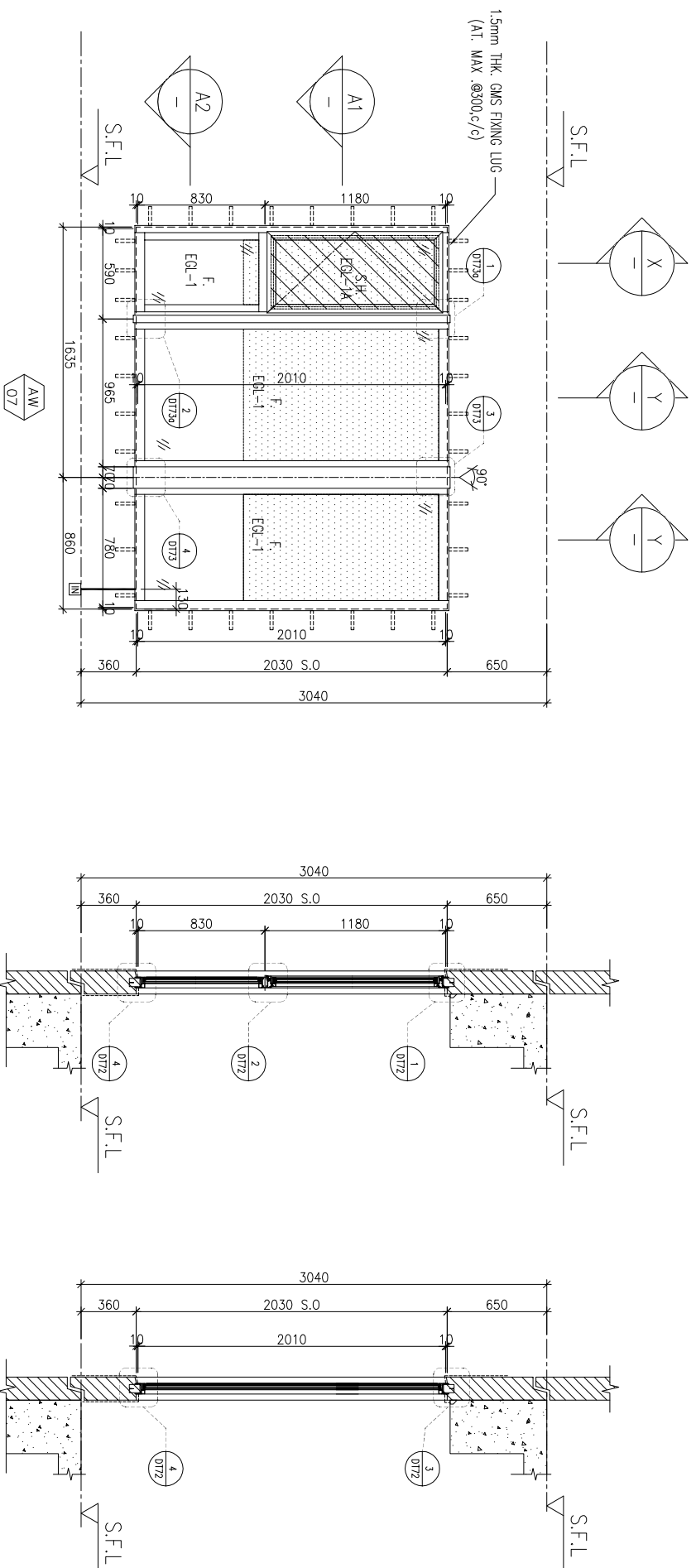
TITLE : WINDOW SCHEDULE FOR TOWER 1 ALUM. WINDOW

DATE : 02-Aug-21 SCALE : 1:40

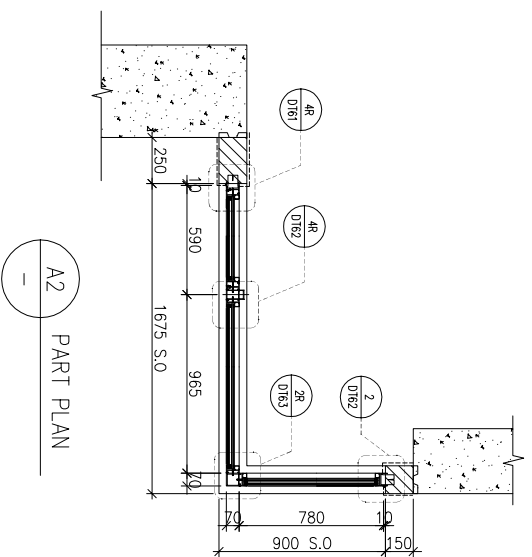
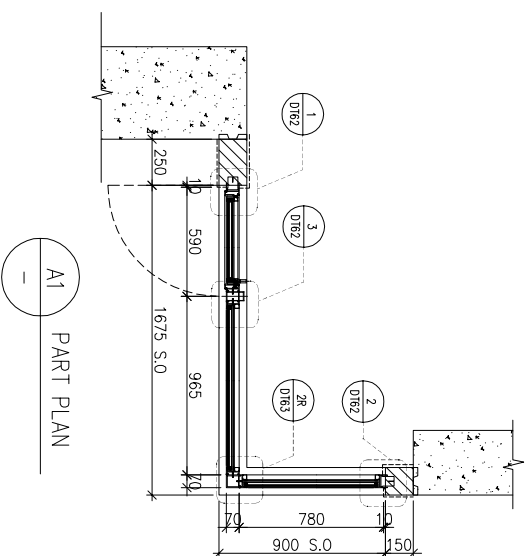
DRAWN BY : Ivnv CHECKED BY :

美特鋁質有限公司
 MIDU ALUMINIUM FABRICATOR LTD.
 Units 6-8, Sunray Industrial Centre, 1/F
 610 Cho Kwai Ling Road, Kwai Tsoum
 Tel:23489211-4 Fax:(852)2727666
 DWG NO. : J856-SD-PW-5110 REV. : F

REQUIRED		PROVIDED	
LOCATION	OPENABLE AREA	GLAZING AREA	OPENABLE AREA
B8-MBR	0.474	0.759	0.525
			GLAZING AREA
			2.459



ELEVATION



WINDOW MARK	AW 07
LOCATION	3/F-42/F(4/F,13/F,14/F,24/F,34/F OMITTED) UNIT B8
SECTION	70mm ALUM. SECTION
GLAZING	EGL-1, EGL-1A
QUANTITY	35 Nos
REMARKS	FAÇADE(TYPE T1PFS1 FOR 3/F-42/F) (4 BAR HINGE-LIP HING (HHMS-N14)

BD. REF :

CLIENT :

SUN HUNG KAI
REAL ESTATE AGENCY LTD.
42/F SUN HUNG KAI CENTRE, WANCHAI, HONGKONG

ARCHITECT :

lwk&partners
a r c h i t e c t s

MAIN CONTRACTOR :

怡輝建築有限公司
Yee Fai Building Contractors Ltd.

STRUCTURAL ENGINEER :

ARUP

FAÇADE CONSULTANT :

ALPHA CONSULTING LIMITED
Steel Structure & Façade Specialist

NOTE :

1. ALL DIMENSIONS ARE IN mm.
2. ALL ELEVATIONS ARE VIEWED FROM OUTSIDE.
3. ALL DIMENSIONS TO BE VERIFIED ON SITE BEFORE FABRICATION.

LEGEND :

- (X1) --- DETAIL MARK NO.
- (X001) --- REFER SHEET NO.

1. F.F.L. --- FINISHED FLOOR LEVEL
2. S.F.L. --- STRUCTURAL FLOOR LEVEL
3. (R) --- REVERSED DETAIL

4. GLASS LEGEND

- EGL-1 --- 8mmHS+12mm AIR GAP+10mmTP THK. I.G.U.
- EGL-2 --- 10mm THK. CLEAR TEMPERED GLASS
- EGL-4 --- 10mm THK. TEMPERED ACID ETCHED GLASS
- EGL-1A --- 8mmHS+12mm AIR GAP+8mmTP THK. I.G.U.
- EGL-1B --- 8mmHS+12mm AIR GAP+10mmTP ACID-ETCHED THK. I.G.U.

NO.	DATE	REVISION	SUBJECT TO ARCH-COMMENT	BY
F	17/08/2022	REVISION SUBJECT TO ARCH-COMMENT		lwk
E	06/07/2022	REVISION SUBJECT TO ARCH-COMMENT		lwk
D	17/12/2021	REVISION SUBJECT TO ARCH-COMMENT		lwk
C	29/11/2021	REVISION SUBJECT TO ARCH-COMMENT		lwk
B	03/11/2021	REVISION SUBJECT TO ARCH-COMMENT		lwk
A	12/10/2021	REVISION SUBJECT TO ARCH-COMMENT		lwk

JOB NO. : J-856

PROJECT : PROPOSED DEVELOPMENT ABOVE LIGHT RAIL TIN WING STOP-TSWTL NO.23,AREA 33,TIN SHUI WAI, N.T.

TITLE : WINDOW SCHEDULE FOR TOWER 1 ALUM. WINDOW

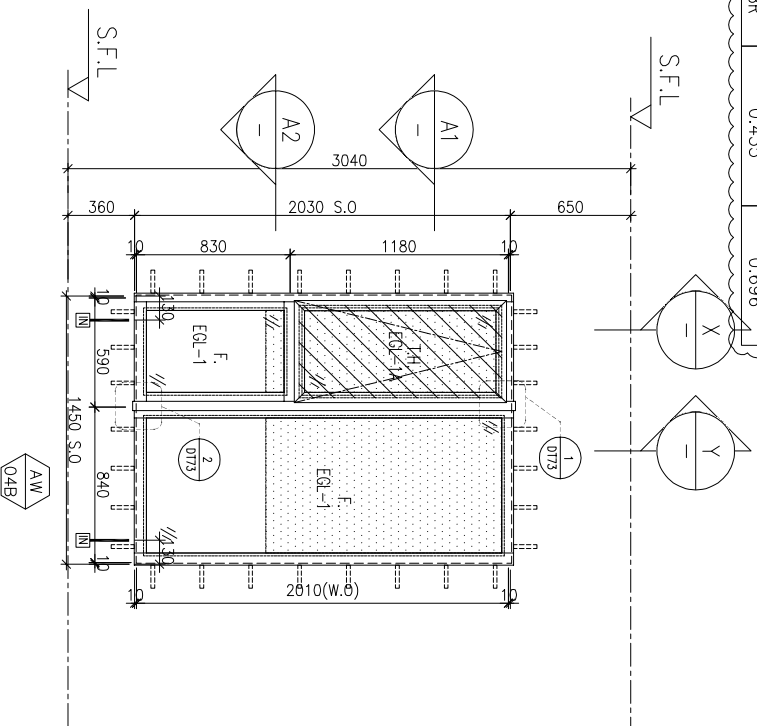
DATE : 02-Aug-21 SCALE : 1:40

DRAWN BY : IYVN CHECKED BY :

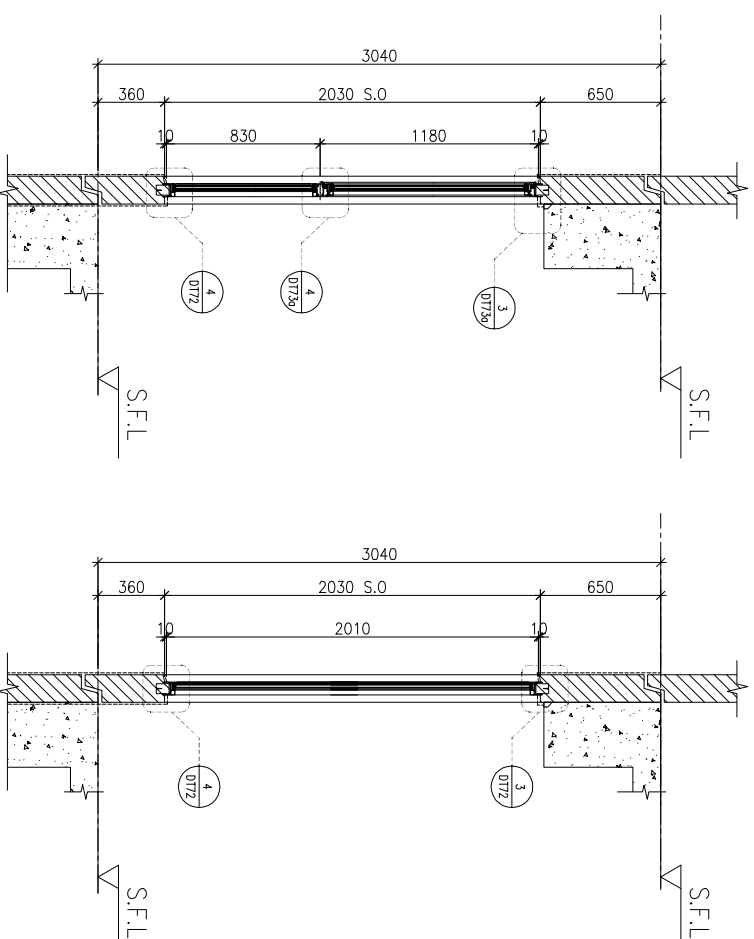
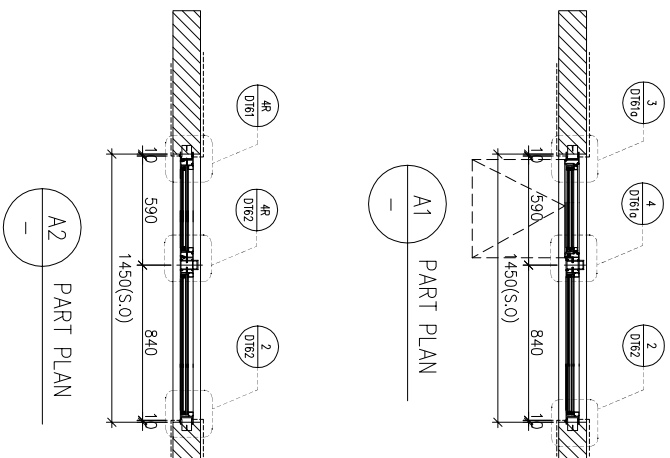
美特鋁質有限公司
MDI ALUMINIUM FABRICATOR LTD.
Units 6-8, Sunray Industrial Centre, 1/F
610 Cho Kwai Ling Road, Kwai Tsoum
Tel:23489211-4 Fax:(852)2727666

DWG NO. : J856-SD-PW-5111 REV. : F

REQUIRED		PROVIDED	
LOCATION	OPENABLE AREA	GLAZING AREA	GLAZING AREA
A5-MBR	0.435	0.696	0.548
A6-MBR	0.295	0.472	1.431
A7-MBR	0.435	0.696	
B6-MBR	0.435	0.696	



ELEVATION



WINDOW MARK	LOCATION	SECTION	QUANTITY	REMARKS
AW 04B	3/F-42/F(4/F,13/F,14/F,24/F,34/F OMITTED)	70mm ALUM. SECTION	35 Nos / 35 Nos / 35 Nos / 35 Nos	4 BAR HINGE-LIP HING (HHMT-14)

NOTE:

1. ALL DIMENSIONS ARE IN mm.
2. ALL ELEVATIONS ARE VIEWED FROM OUTSIDE.
3. ALL DIMENSIONS TO BE VERIFIED ON SITE BEFORE FABRICATION.

LEGEND:

(X1) --- DETAIL MARK NO.
(X001) --- REFER SHEET NO.

1. F.F.L. --- FINISHED FLOOR LEVEL
2. S.F.L. --- STRUCTURAL FLOOR LEVEL
3. (R) --- REVERSED DETAIL

4. GLASS LEGEND

EGL-1 --- 8mmHS+12mm AIR GAP+10mmTP THK. I.G.U.
EGL-2 --- 10mm THK. CLEAR TEMPERED GLASS
EGL-4 --- 10mm THK. TEMPERED ACID ETCHED GLASS
EGL-1A --- 8mmHS+12mm AIR GAP+8mmTP THK. I.G.U.
EGL-1B --- 8mmHS+12mm AIR GAP+10mmTP THK. I.G.U.

NO.	DATE	REVISION	REVISION SUBJECT TO ARCH-COMMENT	BY
D	17/08/2022	REVISION SUBJECT TO ARCH-COMMENT	None	None
C	06/07/2022	REVISION SUBJECT TO ARCH-COMMENT	None	None
B	21/12/2021	REVISION SUBJECT TO ARCH-COMMENT	None	None
A	12/10/2021	REVISION SUBJECT TO ARCH-COMMENT	None	None

JOB NO. : J-856

PROJECT : PROPOSED DEVELOPMENT ABOVE LIGHT RAIL TIN WING STOP-TSWTL NO.23,AREA 33,TIN SHUI WAI, N.T.

TITLE : WINDOW SCHEDULE FOR TOWER 1 ALUM. WINDOW

DATE : 02-Aug-21 SCALE : 1:40

DRAWN BY : Ivan CHECKED BY :

BD. REF. :

CLIENT : **SUN HUNG KAI**
REAL ESTATE AGENCY LTD.
42/F SUN HUNG KAI CENTRE, WANCHAI, HONGKONG

ARCHITECT : **lwk&partners**
a r c h i t e c t s

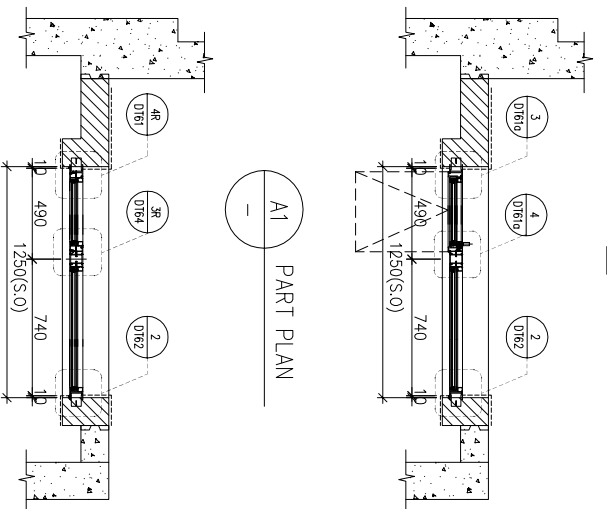
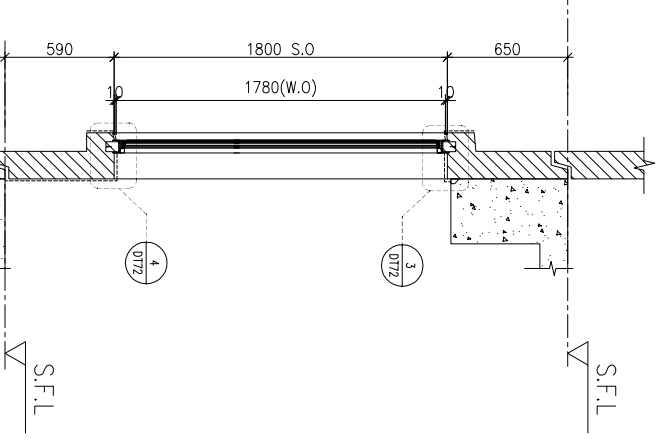
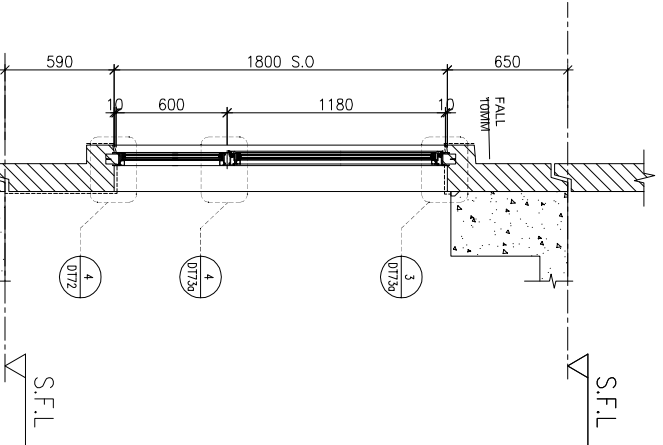
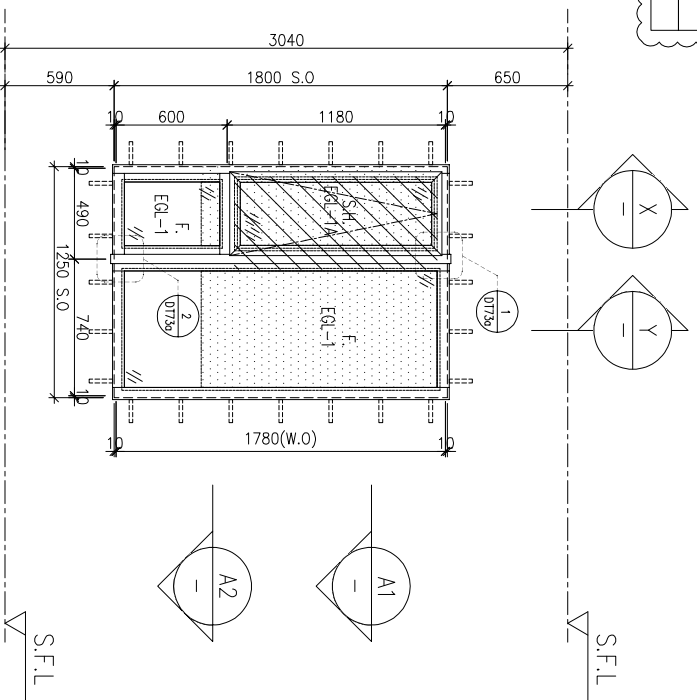
MANU CONTRACTOR : **怡輝建築有限公司**
Yee Fai Building Contractors Ltd.

STRUCTURAL ENGINEER : **ARUP**
ALPHA CONSULTING LIMITED
Steel Structure & Façade Specialist

FRACADE CONSULTANT:

Units 6-8, Sunray Industrial Centre, 1/F
610 Cho Kwai Ling Road, Kwai Tsou
Tel:23489211-4 Fax:(852)2727666
DWG NO. : J856-SD-PW-5112 REV. : D

REQUIRED		PROVIDED	
LOCATION	OPENABLE AREA	GLAZING AREA	GLAZING AREA
A5-BR1	0.263	0.420	0.439
A7-BR1	0.263	0.420	1.19
A8-BR1	0.269	0.431	
A8-BR2	0.286	0.457	
B6-BR1	0.263	0.420	



A2 PART PLAN

WINDOW MARK	REMARKS	QUANTITY	SECTION	LOCATION
AW 02B	4 BAR HINGE-LIP HING (HHMT-14)	35 Nos / 35 Nos / 35 Nos / 35 Nos	EGL-1, EGL-1A	3/F-42/F(4/F, 13/F, 14/F, 24/F, 34/F OMITTED) UNIT A5, A7, B6
AW 02B	4 BAR HINGE-LIP HING (HHMT-14)	35 Nos / 35 Nos / 35 Nos / 35 Nos	EGL-1, EGL-1A	3/F-42/F(4/F, 13/F, 14/F, 24/F, 34/F OMITTED) UNIT A8

BD. REF :

CLIENT :



ARCHITECT :



MAIN CONTRACTOR :



STRUCTURAL ENGINEER :



FAÇADE CONSULTANT :



- NOTE :
1. ALL DIMENSIONS ARE IN mm.
 2. ALL ELEVATIONS ARE VIEWED FROM OUTSIDE.
 3. ALL DIMENSIONS TO BE VERIFIED ON SITE BEFORE FABRICATION.
- LEGEND :
- (X1) --- DETAIL MARK NO.
 - (X001) --- REFER SHEET NO.

1. F.F.L. --- FINISHED FLOOR LEVEL
 2. S.F.L. --- STRUCTURAL FLOOR LEVEL
 3. (R) --- REVERSED DETAIL
 4. GLASS LEGEND
- EGL-1 --- 8mmHS+12mm AIR GAP+10mmTP THK. I.G.U.
EGL-2 --- 10mm THK. CLEAR TEMPERED GLASS
EGL-4 --- 10mm THK. TEMPERED ACID ETCHED GLASS
EGL-1A --- 8mmHS+12mm AIR GAP+8mmTP THK. I.G.U.
EGL-1B --- 8mmHS+12mm AIR GAP+10mmTP ACID-ETCHED THK. I.G.U.

NO.	DATE	REVISION SUBJECT TO ARCH-COMMENT	BY
A	17/08/2022		ipwn

JOB NO. : J-856

PROJECT : PROPOSED DEVELOPMENT ABOVE LIGHT RAIL TIN WING STOP-TS/WL NO.23, AREA 33, TIN SHUI WAI, N.T.

TITLE : WINDOW SCHEDULE FOR TOWER 1 ALUM. WINDOW

DATE : 06-Jul-22 SCALE : 1:40

DRAWN BY : ivon CHECKED BY :

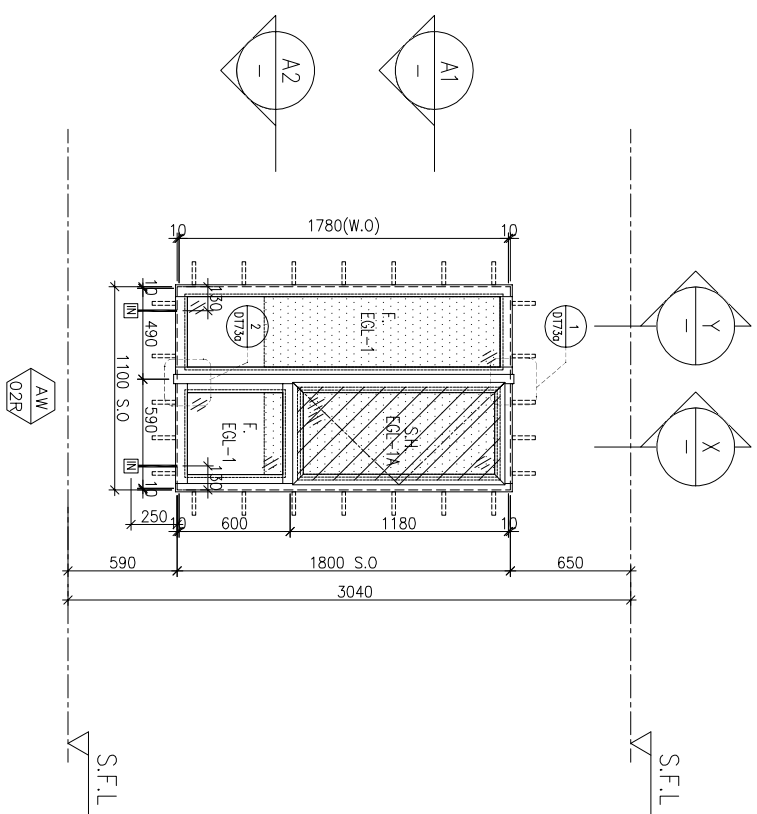
Units 6-8, Sunray Industrial Centre, 1/F
610 Cho Kwai Ling Road, Kowloon
Tel: 23489211-4 Fax: (852) 2727666

DMG NO. : J856-SD-PW-5113 REV : A

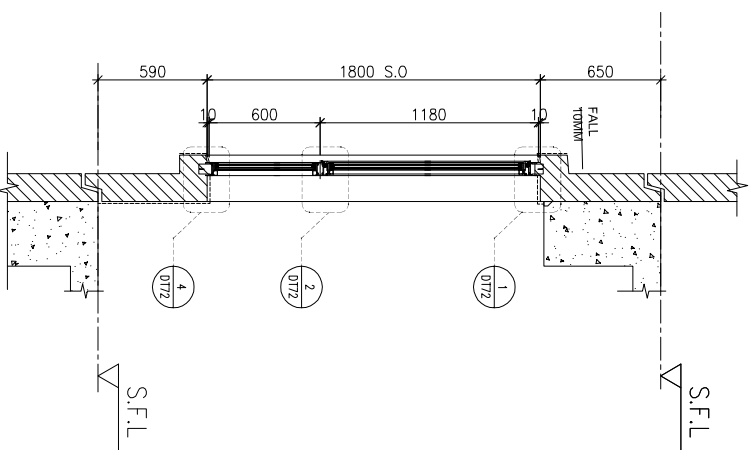


UNITED ALUMINIUM FABRICATOR LTD.

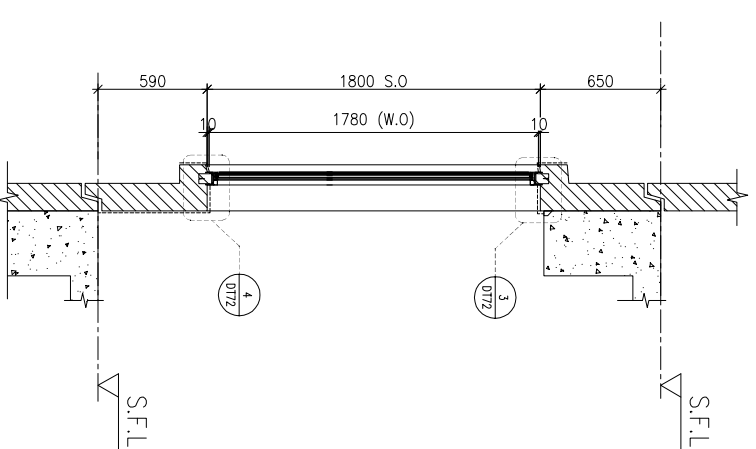
REQUIRED		PROVIDED	
LOCATION	OPENABLE AREA	GLAZING AREA	GLAZING AREA
A1-BR1	0.263	0.420	0.548
			0.985



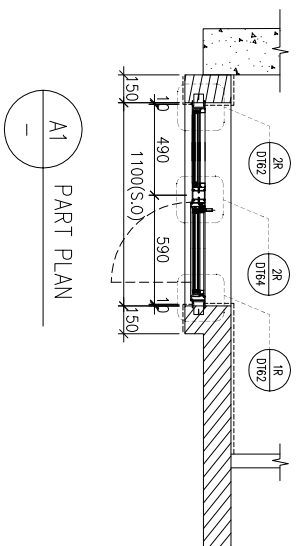
ELEVATION



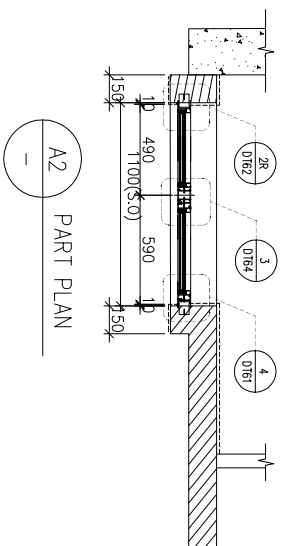
X-X PART SECTION



Y-Y PART SECTION



A1-A1 PART PLAN



A2-A2 PART PLAN

FACADE CODE		
LWK	鴻輝	UNIT
PF-01R	T2PF-10	A1

WINDOW MARK	AW 02R
LOCATION	3/F-42/F(4/F,13/F,14/F,24/F,34/F OMITTED) UNIT A1
SECTION	70mm ALUM. SECTION
GLAZING	EGL-1, EGL-1A
QUANTITY	35 Nos.
REMARKS	FACADE(TYPE T2PF01R FOR 3/F~42/F) (4 BAR HINGE-LIP HING (HHMS-N14)

BD. REF. :

CLIENT :

SUN HUNG KAI
REAL ESTATE AGENCY LTD.

42/F, SUN HUNG KAI CENTRE, WANCHAI, HONGKONG

ARCHITECT :

lwk&partners
a r c h i t e c t s

MAIN CONTRACTOR :

怡輝建築有限公司
Yee Fai Building Contractors Ltd.

STRUCTURAL ENGINEER :

ARUP

FACADE CONSULTANT :

ALPHA CONSULTING LIMITED
Steel Structure & Façade Specialist

- NOTE :
1. ALL DIMENSIONS ARE IN mm.
 2. ALL ELEVATIONS ARE VIEWED FROM OUTSIDE.
 3. ALL DIMENSIONS TO BE VERIFIED ON SITE BEFORE FABRICATION.

LEGEND :

(X1) --- DETAIL MARK NO.
(X001) --- REFER SHEET NO.

1. F.F.L. --- FINISHED FLOOR LEVEL
2. S.F.L. --- STRUCTURAL FLOOR LEVEL
3. (R) --- REVERSED DETAIL

4. GLASS LEGEND

- EGL-1 --- 8mmHS+12mm AIR GAP+10mmTP THK. I.G.U.
EGL-2 --- 10mm THK. CLEAR TEMPERED GLASS
EGL-4 --- 10mm THK. TEMPERED ACID ETCHED GLASS
EGL-1A --- 8mmHS+12mm AIR GAP+8mmTP THK. I.G.U.
EGL-1B --- 8mmHS+12mm AIR GAP+10mmTP ACID-ETCHED THK. I.G.U.

NO.	DATE	REVISION	SUBJECT TO ARCH-COMMENT	BY
G	17/08/2022	REVISION	SUBJECT TO ARCH-COMMENT	hcn
F	18/05/2022	REVISION	SUBJECT TO ARCH-COMMENT	hcn
E	09/04/2022	REVISION	SUBJECT TO ARCH-COMMENT	hcn
D	17/12/2021	REVISION	SUBJECT TO ARCH-COMMENT	hcn
C	29/11/2021	REVISION	SUBJECT TO ARCH-COMMENT	hcn
B	03/11/2021	REVISION	SUBJECT TO ARCH-COMMENT	hcn
A	12/10/2021	REVISION	SUBJECT TO ARCH-COMMENT	hcn

JOB NO. : J-856

PROJECT : PROPOSED DEVELOPMENT ABOVE LIGHT RAIL TIN WING STOP-TSWTL NO.23,AREA 33,TIN SHUI WAI, N.T.

TITLE : WINDOW SCHEDULE FOR TOWER 2 ALUM. WINDOW

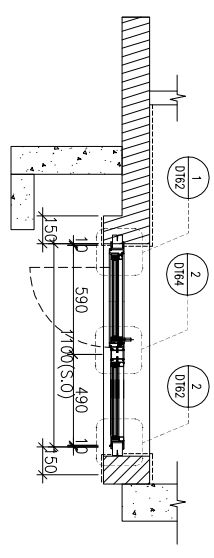
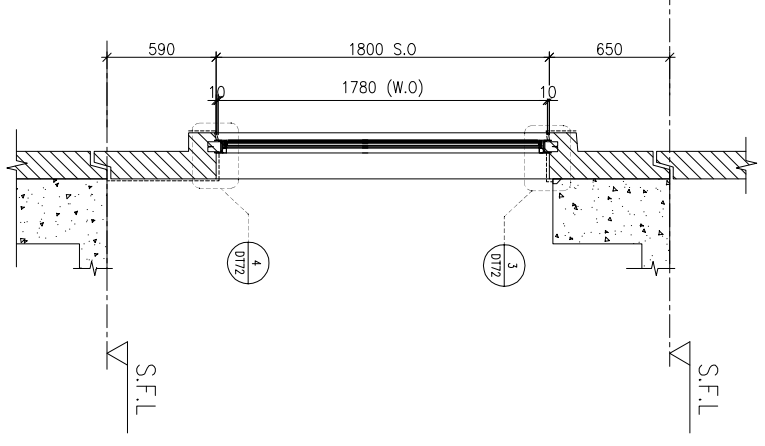
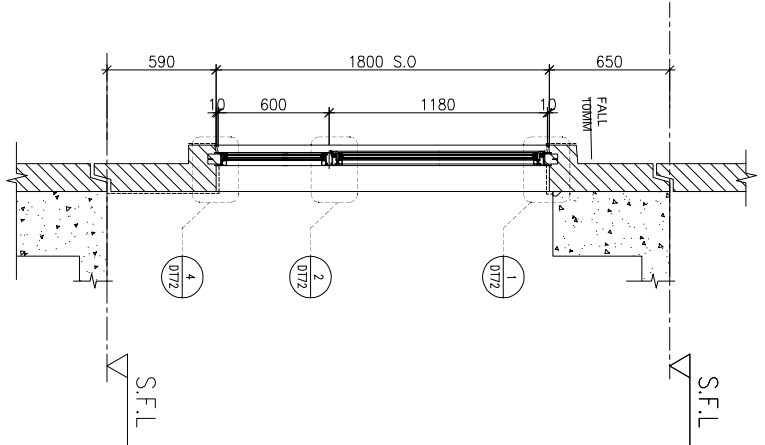
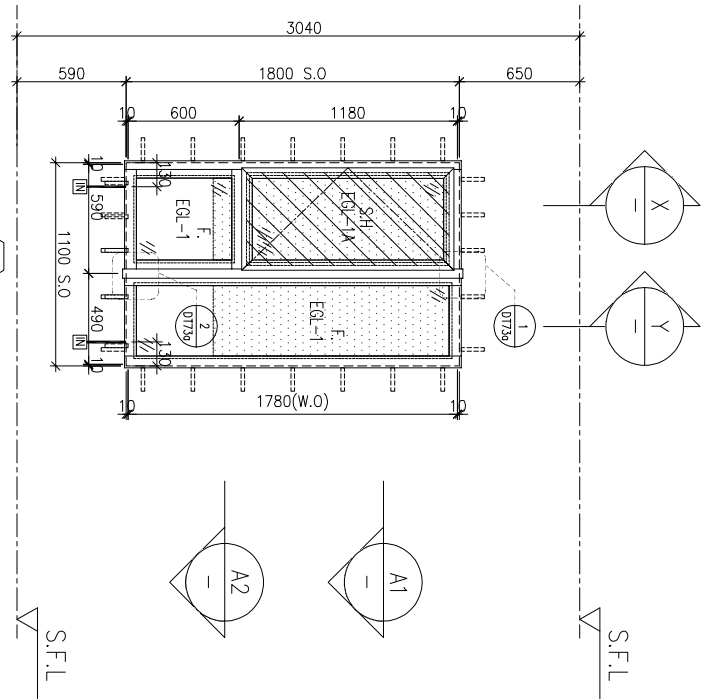
DATE : 02-Aug-21 SCALE : 1:40

DRAWN BY : ivon CHECKED BY :

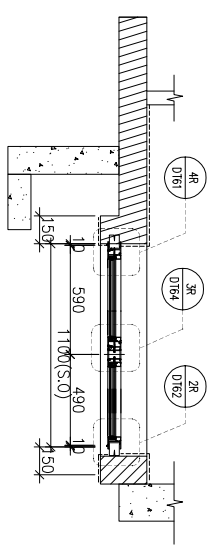
美特鋁質有限公司
MIDI ALUMINIUM FABRICATOR LTD.
Units 6-8, Sunray Industrial Centre, 1/F
610 Cho Kwai Ling Road, Kwai Tsoum
Tel:23489211-4 Fax:(852)2727666

DWG NO. : J856-SD-PW-5201 REV. : G

REQUIRED		PROVIDED	
LOCATION	OPENABLE AREA	GLAZING AREA	GLAZING AREA
A2-BR1	0.263	0.420	0.548
A5-BR1	0.263	0.420	0.985



A1 PART PLAN



A2 PART PLAN

FACADE CODE		
LWK	鴻輝	UNIT
PF-02	T2PF-09	A2
PF-02R	T2PF-18	A5

WINDOW MARK	AW 02R	AW 02R
LOCATION	3/F-42/F(4/F.13/F.14/F.24/F.34/F OMITTED) UNIT A2	3/F-42/F(4/F.13/F.14/F.24/F.34/F OMITTED) UNIT A5
SECTION	70mm ALUM. SECTION	70mm ALUM. SECTION
GLAZING	EGL-1,EGL-1A	EGL-1,EGL-1A
QUANTITY	35 Nos.	35 Nos
REMARKS	FACADE(TYPE T2PF02 FOR 3/F-42/F) 4 BAR HINGE-LIP HING (HHMS-N14)	FACADE(TYPE T2PF02R FOR 3/F-42/F) 4 BAR HINGE-LIP HING (HHMS-N14)

BD. REF :

CLIENT :



42/F SUN HUNG KAI CENTRE, WANCHAI, HONGKONG



MANU CONTRACTOR :



STRUCTURAL ENGINEER :



FACADE CONSULTANT :



Steel Structure & Façade Specialist

- NOTE :
1. ALL DIMENSIONS ARE IN mm.
 2. ALL ELEVATIONS ARE VIEWED FROM OUTSIDE.
 3. ALL DIMENSIONS TO BE VERIFIED ON SITE BEFORE FABRICATION.
- LEGEND :
- (X1) --- DETAIL MARK NO.
 - (X001) --- REFER SHEET NO.
1. F.F.L. --- FINISHED FLOOR LEVEL
 2. S.F.L. --- STRUCTURAL FLOOR LEVEL
 3. (R) --- REVERSED DETAIL

4. GLASS LEGEND
- EGL-1 --- 8mmHS+12mm AIR GAP+10mmTP THK. I.G.U.
 - EGL-2 --- 10mm THK. CLEAR TEMPERED GLASS
 - EGL-4 --- 10mm THK. TEMPERED ACID ETCHED GLASS
 - EGL-1A --- 8mmHS+12mm AIR GAP+8mmTP THK. I.G.U.
 - EGL-1B --- 8mmHS+12mm AIR GAP+10mmTP THK. I.G.U.

NO.	DATE	REVISION	REVISION SUBJECT TO ARCH-COMMENT	BY
F	17/08/2022	REVISION SUBJECT TO ARCH-COMMENT	None	None
E	18/05/2022	REVISION SUBJECT TO ARCH-COMMENT	None	None
D	08/04/2022	REVISION SUBJECT TO ARCH-COMMENT	None	None
C	17/12/2021	REVISION SUBJECT TO ARCH-COMMENT	None	None
B	29/11/2021	REVISION SUBJECT TO ARCH-COMMENT	None	None
A	03/11/2021	REVISION SUBJECT TO ARCH-COMMENT	None	None

JOB NO. : J-856

PROJECT : PROPOSED DEVELOPMENT ABOVE LIGHT RAIL TIN WING STOP-TSWTL NO.23,AREA 33,TIN SHUI WAI, N.T.

TITLE : WINDOW SCHEDULE FOR TOWER 2 ALUM. WINDOW

DATE : 02-Aug-21 SCALE : 1:40

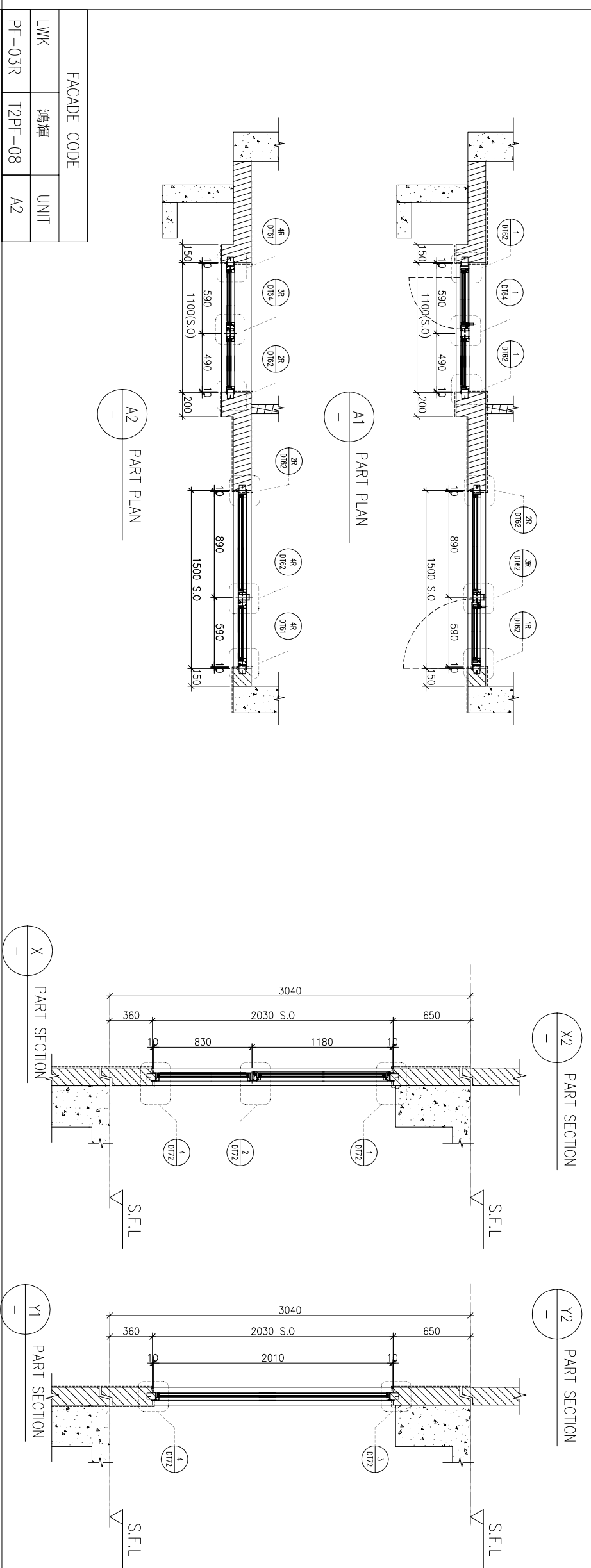
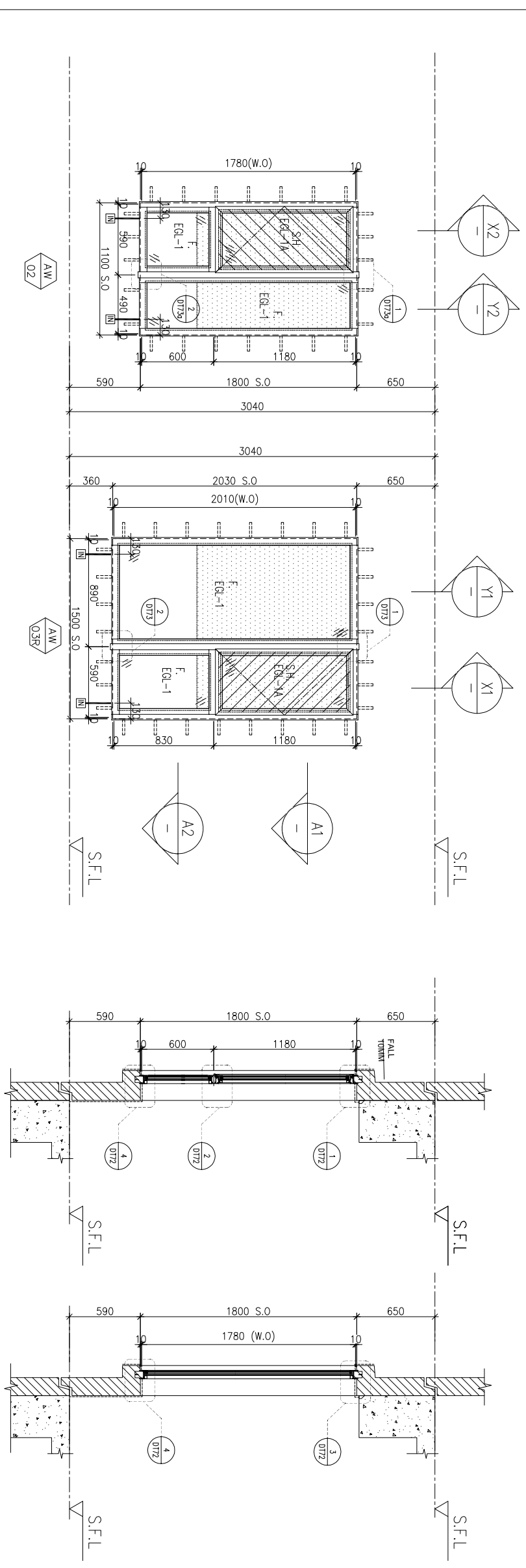
DRAWN BY : IYVN CHECKED BY :

UNITA 鋁質有限公司
MIDI ALUMINIUM FABRICATOR LTD.
Units 6-8, Sunray Industrial Centre, 1/F
610 Cho Kwai Ling Road, Kwai Tsing
Tel:23489211-4 Fax:(852)2727666

DWG NO. : J856-SD-PW-5202 REV. : F

REQUIRE		PROVIDED	
LOCATION	OPENABLE AREA	GLAZING AREA	OPENABLE AREA
A2-BR2	0.263	0.420	0.548
			GLAZING AREA
			0.985

REQUIRE		PROVIDED	
LOCATION	OPENABLE AREA	GLAZING AREA	OPENABLE AREA
A2-MBR	0.477	0.763	0.548
			GLAZING AREA
			1.495



FACADE CODE		
LWK	鴻輝	UNIT
PF-03R	T2PF-08	A2

WINDOW MARK	AW 02	AW 03R
LOCATION	3/F-42/F(4/F,13/F,14/F,24/F,34/F OMITTED) UNIT A2	
SECTION	70mm ALUM. SECTION	
GLAZING	EGL-1, EGL-1A	
QUANTITY	35 Nos.	
REMARKS	FACADE(TYPE T2PF03R FOR 3/F~42/F) 4 BAR HINGE-LIP HING (HHMS-N14)	

BD. REF :

CLIENT :



MANU CONTRACTOR :
怡輝建築有限公司
Yee Fai Building Contractors Ltd.

STRUCTURAL ENGINEER :



FACADE CONSULTANT:
ALPHA CONSULTING LIMITED
Steel Structure & Façade Specialist

- NOTE:
1. ALL DIMENSIONS ARE IN mm.
 2. ALL ELEVATIONS ARE VIEWED FROM OUTSIDE.
 3. ALL DIMENSIONS TO BE VERIFIED ON SITE BEFORE FABRICATION.

- LEGEND:
- X1 --- DETAIL MARK NO.
 - X001 --- REFER SHEET NO.

1. F.F.L. --- FINISHED FLOOR LEVEL
 2. S.F.L. --- STRUCTURAL FLOOR LEVEL
 3. (R) --- REVERSED DETAIL
 4. GLASS LEGEND
- EGL-1 --- 8mmHS+12mm AIR GAP+10mmTP THK. I.G.U.
EGL-2 --- 10mm THK. CLEAR TEMPERED GLASS
EGL-4 --- 10mm THK. TEMPERED ACID ETCHED GLASS
EGL-1A --- 8mmHS+12mm AIR GAP+8mmTP THK. I.G.U.
EGL-1B --- 8mmHS+12mm AIR GAP+10mmTP ACID-ETCHED THK. I.G.U.

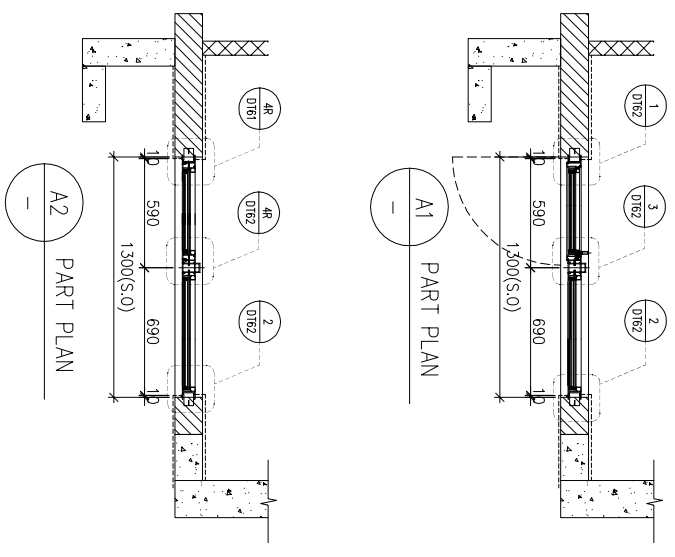
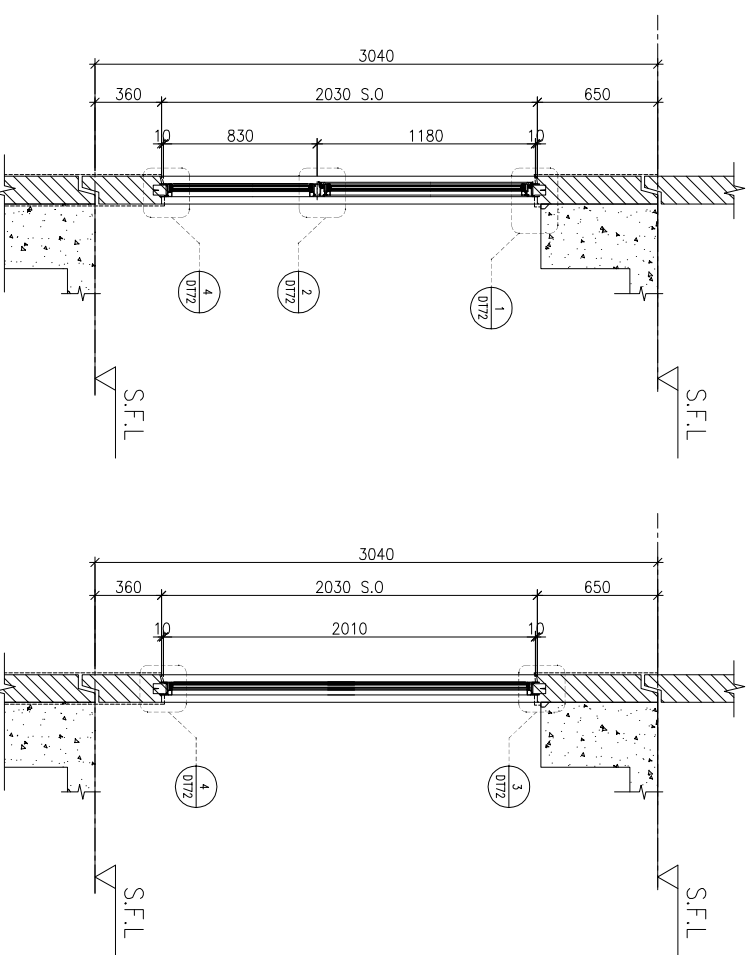
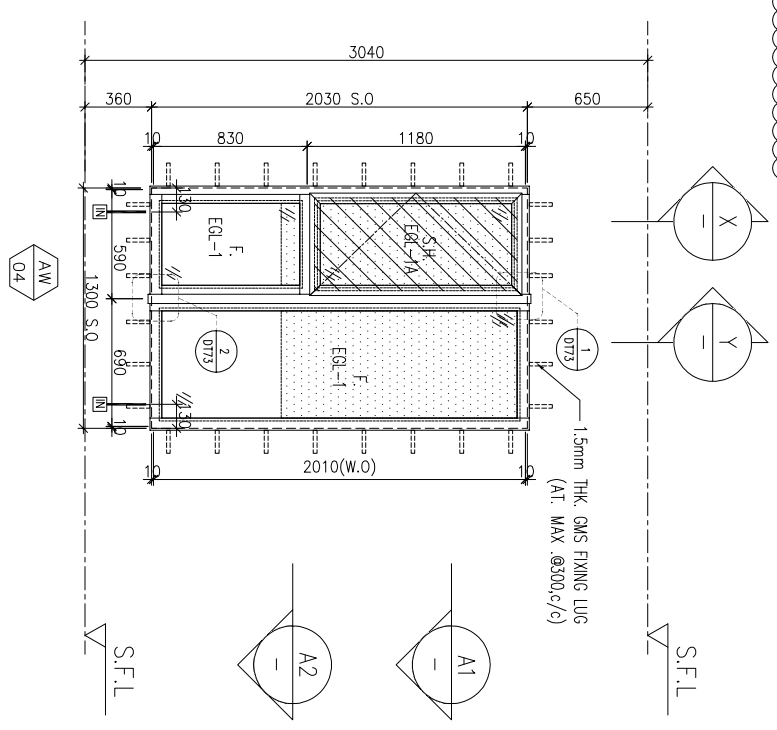
NO.	DATE	REVISION	REVISION SUBJECT TO ARCH-COMMENT	BY
F	17/08/2022	REVISION SUBJECT TO ARCH-COMMENT	hw	
E	17/05/2022	REVISION SUBJECT TO ARCH-COMMENT	hw	
D	08/04/2022	REVISION SUBJECT TO ARCH-COMMENT	hw	
C	17/12/2021	REVISION SUBJECT TO ARCH-COMMENT	hw	
B	29/11/2021	REVISION SUBJECT TO ARCH-COMMENT	hw	
A	03/11/2021	REVISION SUBJECT TO ARCH-COMMENT	hw	

JOB NO. : J-856
PROJECT : PROPOSED DEVELOPMENT ABOVE LIGHT RAIL TIN WING STOP-TS/WTL NO.23,AREA 33,TIN SHUI WAI, N.T.
TITLE : WINDOW SCHEDULE FOR TOWER 2 ALUM. WINDOW

DATE : 02-Aug-21
SCALE : 1:40
DRAWN BY : IYON
CHECKED BY :

美特鋁質有限公司
MIDI ALUMINIUM FABRICATOR LTD.
Units 6-8, Sunray Industrial Centre, 1/F
610 Cho Kwai Ling Road, Kwai Tsoum
Tel:23489211-4 Fax:(852)27727666
DWG NO. : J856-SD-PW-5203
REV. : F

REQUIRED		PROVIDED	
LOCATION	OPENABLE AREA	GLAZING AREA	GLAZING AREA
A3-MBR	0.435	0.696	0.548
A7-MBR	0.435	0.696	1.24
B7-MBR	0.435	0.696	



FACADE CODE		
LWK	鴻輝	UNIT
PF-04	T2PF-24	B7
PF-04R	T2PF-07	A3
PF-04R	T2PF-15	A7

WINDOW MARK	AW 04
LOCATION	3/F-42/F(4/F,13/F,14/F,24/F,34/F OMITTED) UNIT A3, A7, B7
SECTION	70mm ALUM. SECTION
GLAZING	EGL-1, EGL-1A
QUANTITY	35 Nos / 35 Nos / 35 Nos
REMARKS	FACADE(TYPE T2PF04/04R FOR 3/F~42/F) 4 BAR HINGE-LIP HING (HHMS-N14)

BD. REF. :

CLIENT :



MANU CONTRACTOR :



STRUCTURAL ENGINEER :



FACADE CONSULTANT:
ALPHA CONSULTING LIMITED
 Steel Structure & Façade Specialist

NOTE:
 1. ALL DIMENSIONS ARE IN mm.
 2. ALL ELEVATIONS ARE VIEWED FROM OUTSIDE.
 3. ALL DIMENSIONS TO BE VERIFIED ON SITE BEFORE FABRICATION.
 LEGEND:
 (X1) --- DETAIL MARK NO.
 (X001) --- REFER SHEET NO.

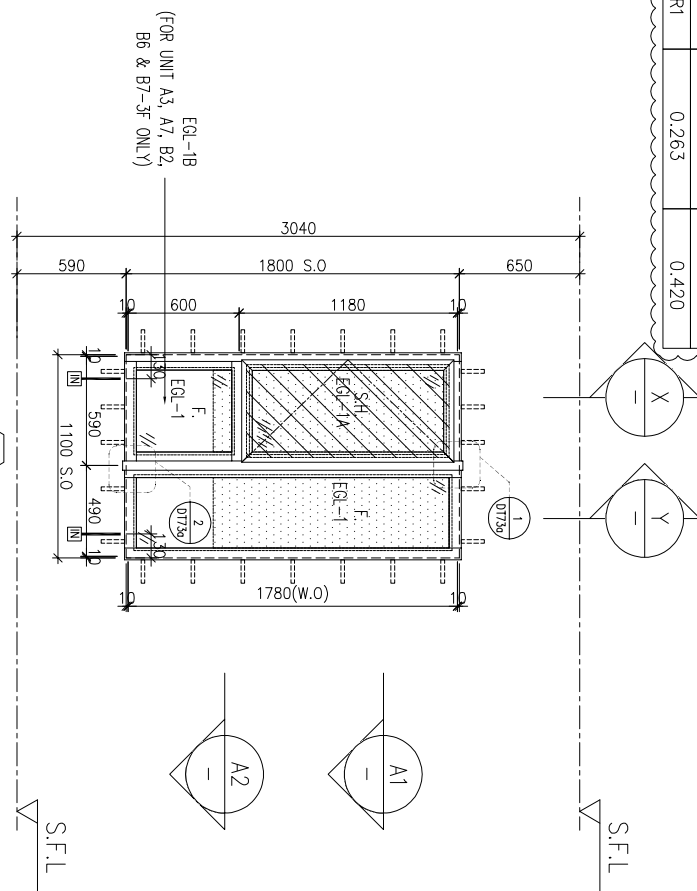
NO.	DATE	REVISION	REVISION SUBJECT TO ARCH-COMMENT	BY
G	17/08/2022	REVISION SUBJECT TO ARCH-COMMENT	hen	
F	17/05/2022	REVISION SUBJECT TO ARCH-COMMENT	hen	
E	09/04/2022	REVISION SUBJECT TO ARCH-COMMENT	hen	
D	17/12/2021	REVISION SUBJECT TO ARCH-COMMENT	hen	
C	29/11/2021	REVISION SUBJECT TO ARCH-COMMENT	hen	
B	03/11/2021	REVISION SUBJECT TO ARCH-COMMENT	hen	
A	12/10/2021	REVISION SUBJECT TO ARCH-COMMENT	hen	

JOB NO. : J-856
 PROJECT : PROPOSED DEVELOPMENT ABOVE LIGHT RAIL TIN WING STOP-TSWTL NO.23,AREA 33,TIN SHUI WAI, N.T.
 TITLE : WINDOW SCHEDULE FOR TOWER 2 ALUM. WINDOW

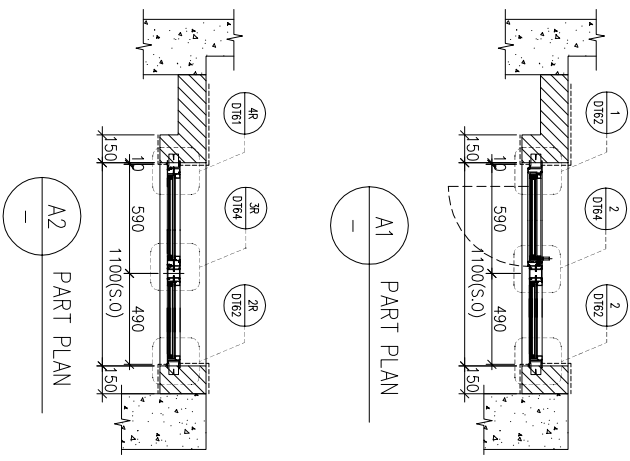
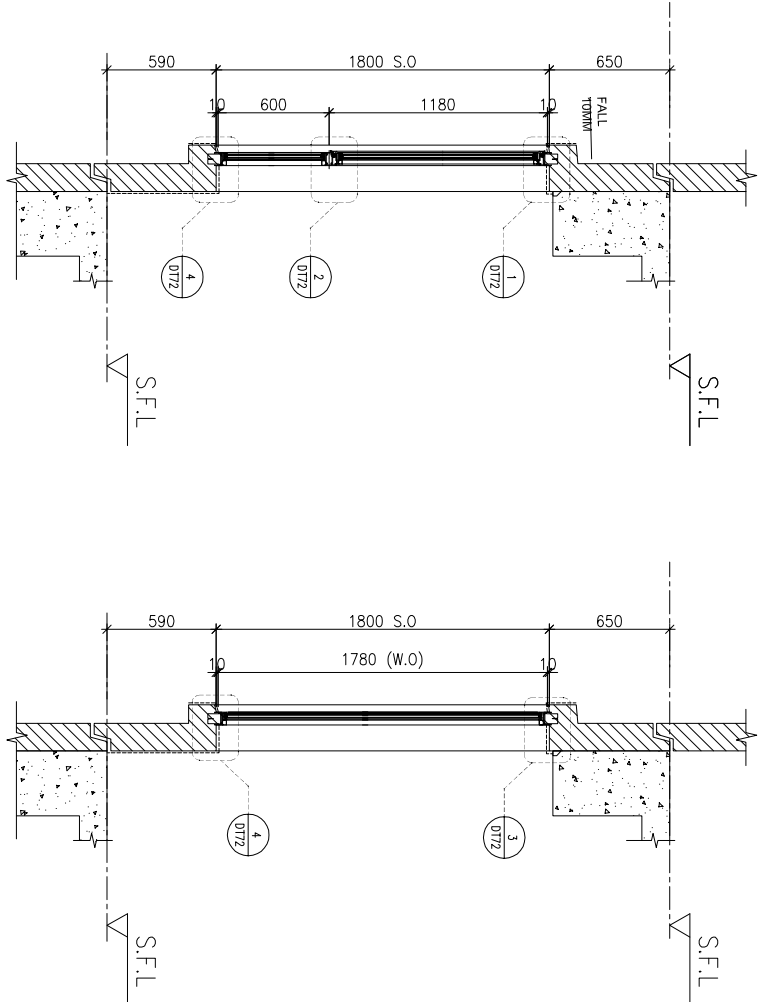
DATE : 02-Aug-21
 SCALE : 1:40
 DRAWN BY : IYON
 CHECKED BY :

UNITED ALUMINIUM FABRICATOR LTD.
 Units 6-8, Sunray Industrial Centre, 1/F
 610 Cho Kwai Ling Road, Kwai Tsou
 Tel:23489211-4 Fax:(852)27272666
 DWG NO. : J856-SD-PW-5204 REV. : G

REQUIRED		PROVIDED	
LOCATION	OPENABLE AREA	GLAZING AREA	GLAZING AREA
A3-BR1	0.263	0.420	0.548
A7-BR1	0.263	0.420	0.985
B2-BR1	0.263	0.420	
B6-BR1	0.263	0.420	
B7-BR1	0.263	0.420	



ELEVATION



FACADE CODE		FACADE CODE	
LWK	UNIT	LWK	UNIT
PF-05	T2PF-06	A3	
PF-05	T2PF-14	A7	
PF-05	T2PF-22	B6	
PF-05	T2PF-25	B7	

WINDOW MARK	LOCATION	SECTION	QUANTITY	REMARKS
AW 02	3/F~42/F(4/F,13/F,14/F,24/F,34/F OMITTED) UNIT A3, A7(5~42/F), B6(5~42/F), B7(5~42/F)	70mm ALUM. SECTION	35 Nos / 34 Nos / 34 Nos / 34 Nos	FACADE(TYPE T2PF05 FOR 3/F~42/F) (4 BAR HINGE-LIP HING (HHMS-N14)
AW 02R	3/F~42/F(4/F,13/F,14/F,24/F,34/F OMITTED) UNIT B2, A7(3/F), B6(3/F), B7(3/F)	70mm ALUM. SECTION	35 Nos / 1 No / 1 No / 1 No	FACADE(TYPE T2PF05 FOR 3/F~42/F) (4 BAR HINGE-LIP HING (HHMS-N14)

BD. REF :

CLIENT :



ARCHITECT :
lwk&partners
a f c h i l e o c i s

MANU CONTRACTOR :
怡輝建築有限公司
Yee Fai Building Contractors Ltd.

STRUCTURAL ENGINEER :
ARUP

FACADE CONSULTANT:
ALPHA CONSULTING LIMITED
Steel Structure & Façade Specialist

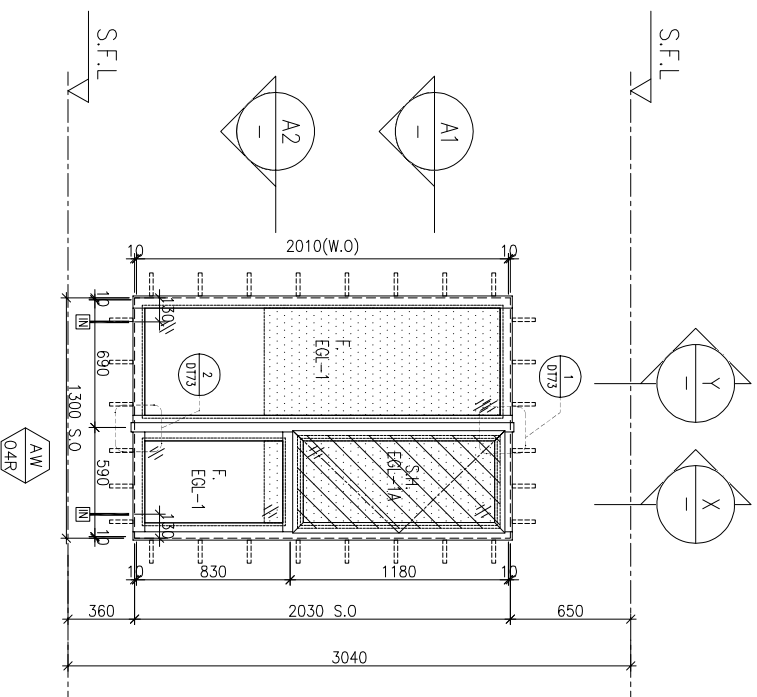
NOTE:
1. ALL DIMENSIONS ARE IN mm.
2. ALL ELEVATIONS ARE VIEWED FROM OUTSIDE.
3. ALL DIMENSIONS TO BE VERIFIED ON SITE BEFORE FABRICATION.
LEGEND:
X1 --- DETAIL MARK NO.
X001 --- REFER SHEET NO.

1. F.F.L. --- FINISHED FLOOR LEVEL
2. S.F.L. --- STRUCTURAL FLOOR LEVEL
3. (R) --- REVERSED DETAIL
4. GLASS LEGEND

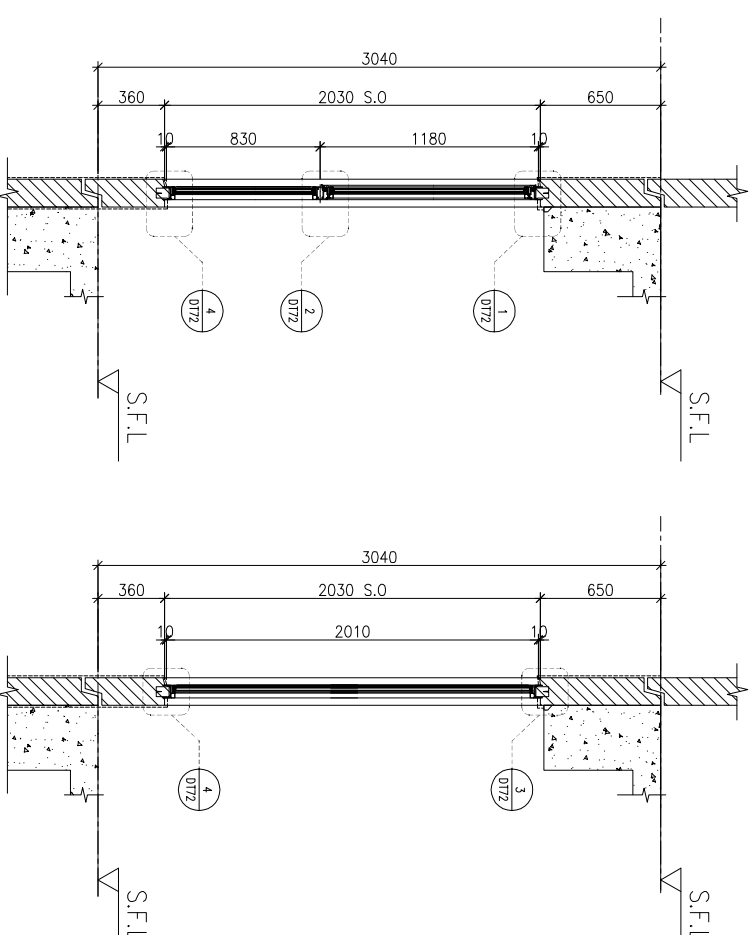
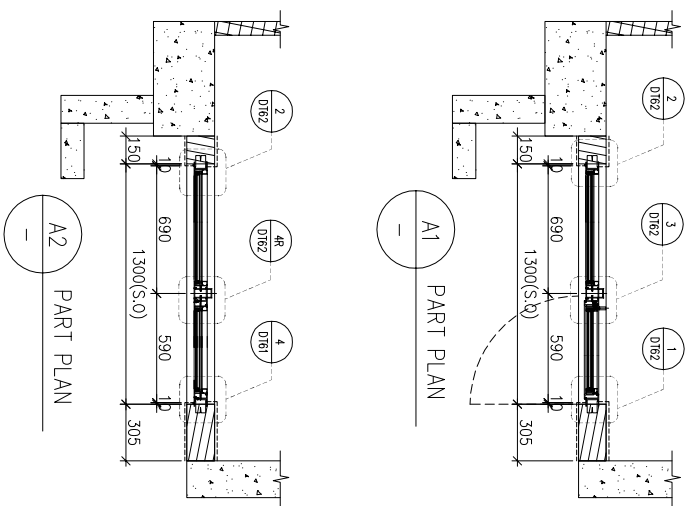
NO.	DATE	REVISION	REVISION SUBJECT TO ARCH-COMMENT	BY
G	17/08/2022	REVISION SUBJECT TO ARCH-COMMENT	lwk	
F	27/06/2022	REVISION SUBJECT TO ARCH-COMMENT	lwk	
E	17/05/2022	REVISION SUBJECT TO ARCH-COMMENT	lwk	
D	08/04/2022	REVISION SUBJECT TO ARCH-COMMENT	lwk	
C	17/12/2021	REVISION SUBJECT TO ARCH-COMMENT	lwk	
B	29/11/2021	REVISION SUBJECT TO ARCH-COMMENT	lwk	
A	03/11/2021	REVISION SUBJECT TO ARCH-COMMENT	lwk	

JOB NO. : J-856
PROJECT : PROPOSED DEVELOPMENT ABOVE LIGHT RAIL TIN WING STOP-TSWTL NO.23,AREA 33,TIN SHUI WAI, N.T.
TITLE : WINDOW SCHEDULE FOR TOWER 2 ALUM. WINDOW
DATE : 02-Aug-21
SCALE : 1:40
DRAWN BY : IYVN
CHECKED BY :
Units 6-8, Sunray Industrial Centre, 1/F
MIDI 鋁質有限公司
Tel:23489211-4 Fax:(852)2727666
DWG NO. : J856-SD-PW-5205 REV : G

REQUIRED		PROVIDED	
LOCATION	OPENABLE AREA	GLAZING AREA	GLAZING AREA
A5-MBR	0.435	0.696	0.548
A6-MBR	0.295	0.472	1.24



ELEVATION



FACADE CODE		
LWK	鴻輝	UNIT
PF-06R	T2PF-17	A5

WINDOW MARK	AM 04R
LOCATION	3/F-42/F(4/F,13/F,14/F,24/F,34/F OMITTED) UNIT A5, A6(3/F)
SECTION	70mm ALUM. SECTION
GLAZING	EGL-1, EGL-1A
QUANTITY	35 Nos / 1 No
REMARKS	FACADE(TYPE T2PF06R FOR 3/F~42/F) (4 BAR HINGE-LIP HING (HHMS-N14))

AM 04

LOCATION	3/F-42/F(4/F,13/F,14/F,24/F,34/F OMITTED) UNIT A6(5/F-42/F)
SECTION	70mm ALUM. SECTION
GLAZING	EGL-1, EGL-1A
QUANTITY	34 Nos
REMARKS	FACADE(TYPE T2PF06 FOR 3/F~42/F) (4 BAR HINGE-LIP HING (HHMS-N14))

BD. REF :

CLIENT :

SUN HUNG KAI
REAL ESTATE AGENCY LTD.

42/F, SUN HUNG KAI CENTRE, WANCHAI, HONGKONG

ARCHITECT :

lwk&partners
a r c h i t e c t s

MAIN CONTRACTOR :

怡輝建築有限公司
Yee Fai Building Contractors Ltd.

STRUCTURAL ENGINEER :

ARUP

FACADE CONSULTANT :

ALPHA CONSULTING LIMITED
Steel Structure & Façade Specialist

- NOTE :
1. ALL DIMENSIONS ARE IN mm.
 2. ALL ELEVATIONS ARE VIEWED FROM OUTSIDE.
 3. ALL DIMENSIONS TO BE VERIFIED ON SITE BEFORE FABRICATION.

LEGEND :

- (X1) --- DETAIL MARK NO.
(X001) --- REFER SHEET NO.
1. F.F.L. --- FINISHED FLOOR LEVEL
 2. S.F.L. --- STRUCTURAL FLOOR LEVEL
 3. (R) --- REVERSED DETAIL

4. GLASS LEGEND

- EGL-1 --- 8mmHS+12mm AIR GAP+10mmTP THK. I.G.U.
EGL-2 --- 10mm THK. CLEAR TEMPERED GLASS
EGL-4 --- 10mm THK. TEMPERED ACID ETCHED GLASS
EGL-1A --- 8mmHS+12mm AIR GAP+8mmTP THK. I.G.U.
EGL-1B --- 8mmHS+12mm AIR GAP+10mmTP ACID-ETCHED THK. I.G.U.

NO.	DATE	REVISION	REASON	BY
H	17/08/2022	REVISION SUBJECT TO ARCH-COMMENT		lwk
G	27/06/2022	REVISION SUBJECT TO ARCH-COMMENT		lwk
F	17/05/2022	REVISION SUBJECT TO ARCH-COMMENT		lwk
E	09/04/2022	REVISION SUBJECT TO ARCH-COMMENT		lwk
D	17/12/2021	REVISION SUBJECT TO ARCH-COMMENT		lwk
C	29/11/2021	REVISION SUBJECT TO ARCH-COMMENT		lwk

JOB NO. : J-856

PROJECT : PROPOSED DEVELOPMENT ABOVE LIGHT RAIL TIN WING STOP-TSMTL NO.23, AREA 33, TIN SHUI WAI, N.T.

TITLE : WINDOW SCHEDULE FOR TOWER 2 ALUM. WINDOW

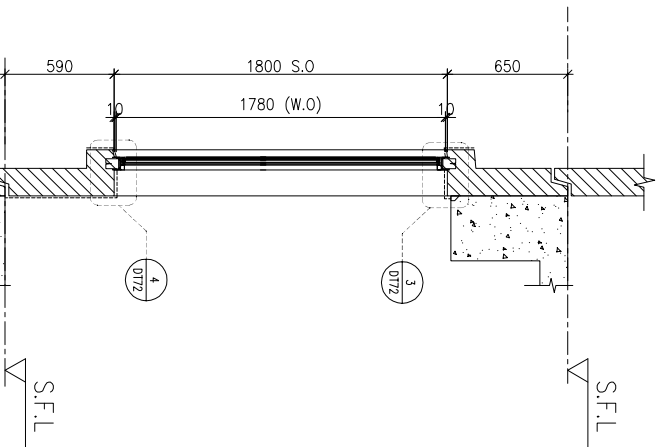
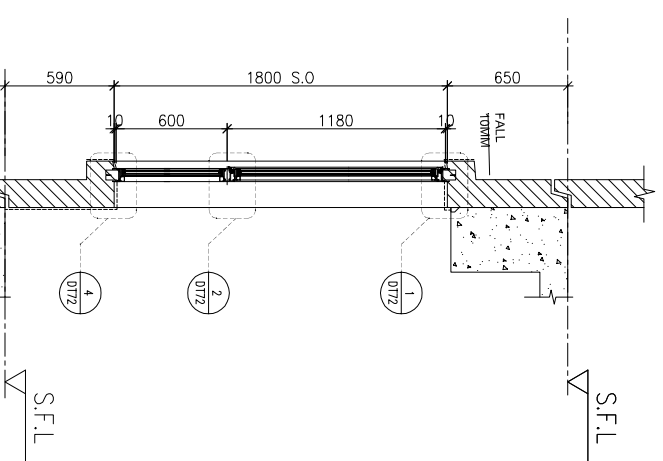
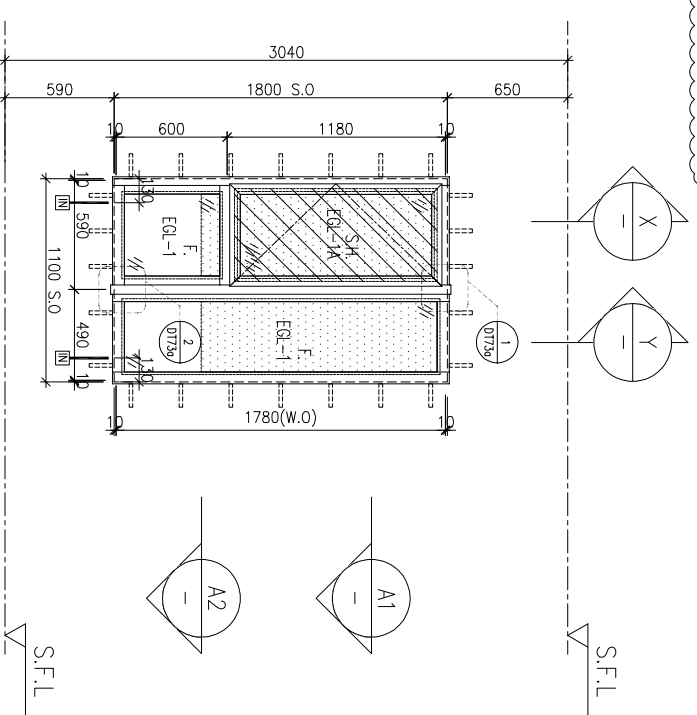
DATE : 02-Aug-21 SCALE : 1:40

DRAWN BY : lwnn CHECKED BY :

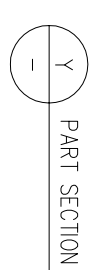
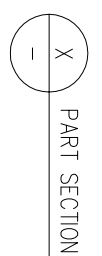
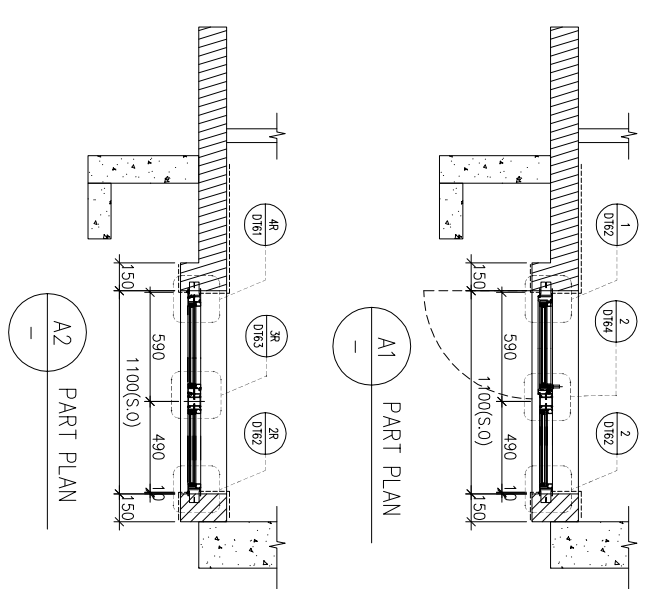
美特鋁質有限公司
MIDI ALUMINIUM FABRICATOR LTD.
Units 6-8, Sunray Industrial Centre, 1/F
610 Cho Kwai Ling Road, Kwai Tsing
Tel: 23489211-4 Fax: (852) 27272666

DWG NO. : J856-SD-PW-5206 REV. : H

REQUIRED		PROVIDED	
LOCATION	OPENABLE AREA	GLAZING AREA	GLAZING AREA
A8-BR1	0.263	0.420	0.548
B1-BR1	0.263	0.420	0.985
B8-BR1	0.263	0.420	



ELEVATION



FACADE CODE		
LWK	鴻輝	UNIT
PF-08	T2PF-01	B1
PF-08	T2PF-13	A8
PF-08R	T2PF-26	B8

WINDOW MARK	LOCATION	SECTION	QUANTITY	REMARKS
AW 02	3/F-42/F(4/F,13/F,14/F,24/F,34/F OMITTED)	70mm ALUM. SECTION	35 Nos/35 Nos	FACADE(TYPE T2PF08 FOR 3/F-42/F)
AW 02R	3/F-42/F(4/F,13/F,14/F,24/F,34/F OMITTED)	70mm ALUM. SECTION	35 Nos	FACADE(TYPE T2PF08R FOR 3/F-42/F)

BD. REF :

CLIENT :



42/F SUN HUNG KAI CENTRE, WANCHAI, HONGKONG

ARCHITECT :



MANU CONTRACTOR :



STRUCTURAL ENGINEER :



FACADE CONSULTANT :



Steel Structure & Façade Specialist

- NOTE :
1. ALL DIMENSIONS ARE IN mm.
 2. ALL ELEVATIONS ARE VIEWED FROM OUTSIDE.
 3. ALL DIMENSIONS TO BE VERIFIED ON SITE BEFORE FABRICATION.

LEGEND :

- (X1) --- DETAIL MARK NO.
- (X001) --- REFER SHEET NO.
- 1. F.F.L. --- FINISHED FLOOR LEVEL
- 2. S.F.L. --- STRUCTURAL FLOOR LEVEL
- 3. (R) --- REVERSED DETAIL

4. GLASS LEGEND
- EGL-1 --- 8mmHS+12mm AIR GAP+10mmTP THK. I.G.U.
 - EGL-2 --- 10mm THK. CLEAR TEMPERED GLASS
 - EGL-4 --- 10mm THK. TEMPERED ACID ETCHED GLASS
 - EGL-1A --- 8mmHS+12mm AIR GAP+8mmTP THK. I.G.U.
 - EGL-1B --- 8mmHS+12mm AIR GAP+10mmTP ADD-ETCHED THK. I.G.U.

NO.	DATE	REVISION	REVISION SUBJECT TO ARCH-COMMENT	BY
F	17/08/2022	REVISION SUBJECT TO ARCH-COMMENT	None	None
E	18/05/2022	REVISION SUBJECT TO ARCH-COMMENT	None	None
D	08/04/2022	REVISION SUBJECT TO ARCH-COMMENT	None	None
C	17/12/2021	REVISION SUBJECT TO ARCH-COMMENT	None	None
B	29/11/2021	REVISION SUBJECT TO ARCH-COMMENT	None	None
A	03/11/2021	REVISION SUBJECT TO ARCH-COMMENT	None	None

JOB NO. : J-856

PROJECT :

PROPOSED DEVELOPMENT ABOVE LIGHT RAIL TIN WING STOP-TSWTL NO.23,AREA 33,TIN SHUI WAI, N.T.

TITLE : WINDOW SCHEDULE FOR TOWER 2 ALUM. WINDOW

DATE : 02-Aug-21 SCALE : 1:40

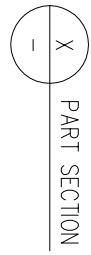
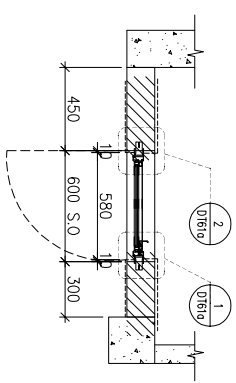
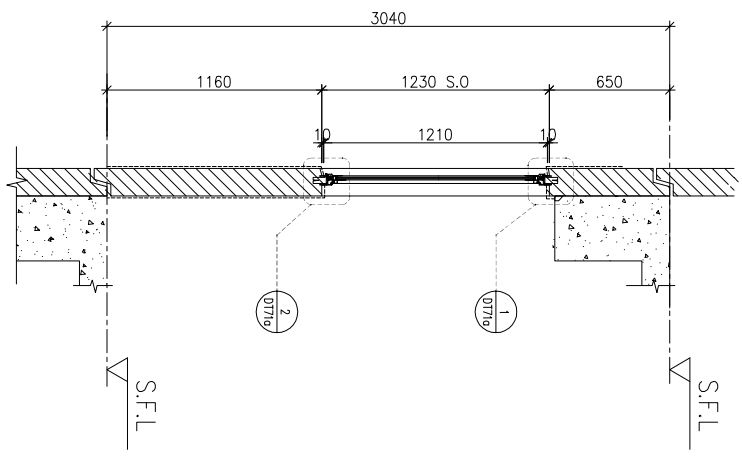
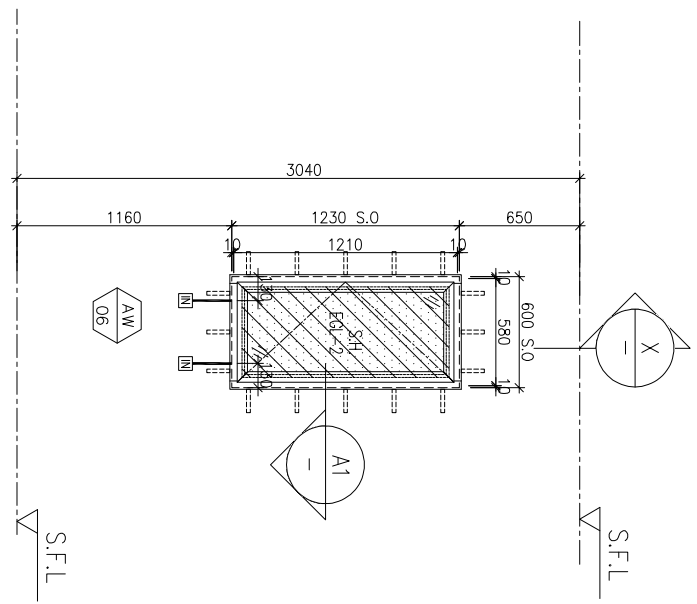
DRAWN BY : IYON CHECKED BY :



Units 6-8, Sunray Industrial Centre, 1/F, 610 Cho Kwai Ling Road, Kwai Tsou, Tai, 23489211-4 Fax: (852) 27272666

DWG NO. : J856-SD-PW-5207 REV. : F

REQUIRED		PROVIDED	
LOCATION	OPENABLE AREA	GLAZING AREA	OPENABLE AREA
B3-KIT	0.251	0.401	0.549
			GLAZING AREA
			0.456



A1 PART PLAN

X PART SECTION

ELEVATION

FACADE CODE		
LWK	鴻輝	UNIT
PF-09	T2PF-05	B3

WINDOW MARK



LOCATION 3/F-42/F(4/F,13/F,14/F,24/F,34/F OMITTED) UNIT B3

SECTION 50mm ALUM. SECTION

GLAZING EGL-2

QUANTITY 35 Nos

REMARKS FACADE(TYPE T2PF09 FOR 3/F-42/F) 4 BAR HINGE-LIP HING (HHMS-N14)

BD. REF :

CLIENT :



42/F SUN HUNG KAI CENTRE, WANCHAI, HONGKONG

ARCHITECT :



MANU CONTRACTOR :



STRUCTURAL ENGINEER :



FACADE CONSULTANT:



NOTE:
 1. ALL DIMENSIONS ARE IN mm.
 2. ALL ELEVATIONS ARE VIEWED FROM OUTSIDE.
 3. ALL DIMENSIONS TO BE VERIFIED ON SITE BEFORE FABRICATION.
 LEGEND:
 (X1) --- DETAIL MARK NO.
 (X001) --- REFER SHEET NO.

1. F.F.L. --- FINISHED FLOOR LEVEL
 2. S.F.L. --- STRUCTURAL FLOOR LEVEL
 3. (R) --- REVERSED DETAIL
 4. GLASS LEGEND
- EGL-1 --- 8mmHS+12mm AIR GAP+10mmTP THK. I.G.U.
 EGL-2 --- 10mm THK. CLEAR TEMPERED GLASS
 EGL-4 --- 10mm THK. TEMPERED ACID ETCHED GLASS
 EGL-1A --- 8mmHS+12mm AIR GAP+8mmTP THK. I.G.U.
 EGL-1B --- 8mmHS+12mm AIR GAP+10mmTP ADD-ETCHED THK. I.G.U.

NO.	DATE	REVISION	SUBJECT TO ARCH.COMMENT	BY
F	17/07/2022	REVISION	SUBJECT TO ARCH.COMMENT	ivan
E	18/05/2022	REVISION	SUBJECT TO ARCH.COMMENT	ivan
D	08/04/2022	REVISION	SUBJECT TO ARCH.COMMENT	ivan
C	17/12/2021	REVISION	SUBJECT TO ARCH.COMMENT	ivan
B	29/11/2021	REVISION	SUBJECT TO ARCH.COMMENT	ivan
A	03/11/2021	REVISION	SUBJECT TO ARCH.COMMENT	ivan

JOB NO. : J-856

PROJECT :

PROPOSED DEVELOPMENT ABOVE LIGHT RAIL TIN WING STOP-TSWTL NO.23,AREA 33,TIN SHUI WAI, N.T.

TITLE : WINDOW SCHEDULE FOR TOWER 2 ALUM. WINDOW

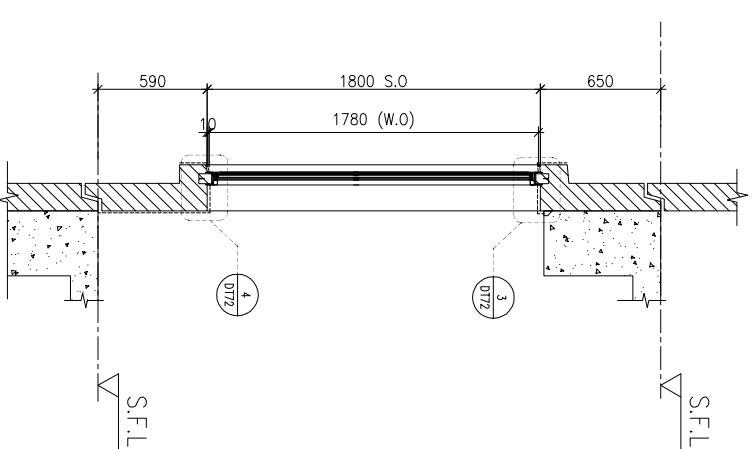
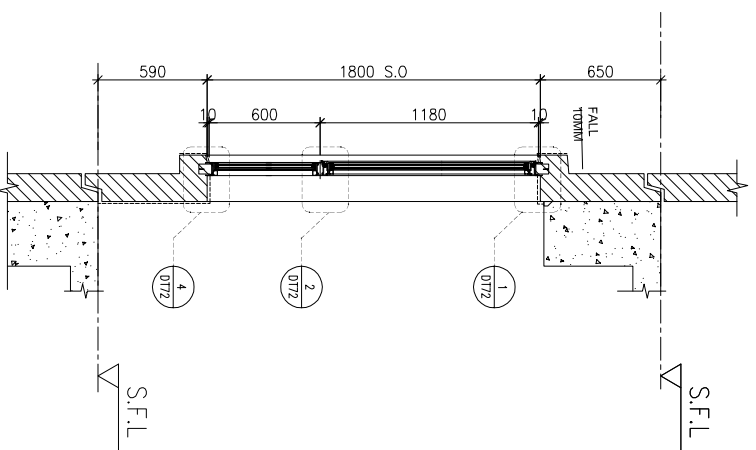
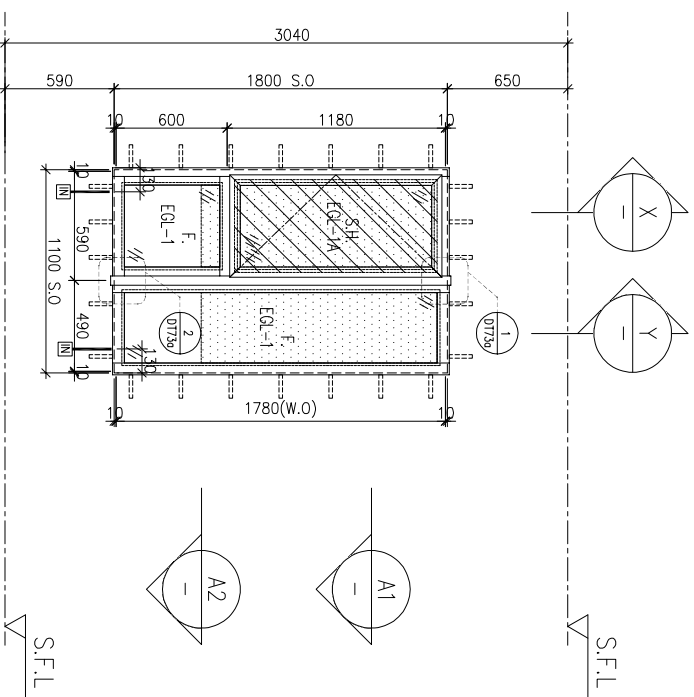
DATE : 02-Aug-21 SCALE : 1:40

DRAWN BY : ivan CHECKED BY :

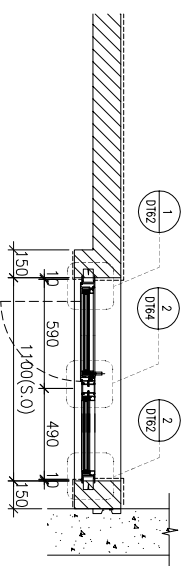


Units 6-8, Sunray Industrial Centre, 1/F
 610 Cho Kwai Ling Road, Kwai Tsoum
 Tel:23489211-4 Fax:(852)2727666
 DWG NO. : J856-SD-PW-5208 REV. : F

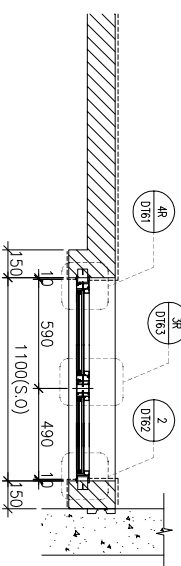
LOCATION	OPENABLE AREA	GLAZING AREA	OPENABLE AREA	GLAZING AREA
B3-BR1	0.263	0.420	0.548	0.985



ELEVATION



A1 PART PLAN



A2 PART PLAN

FACADE CODE		
LWK	鴻輝	UNIT
PF-19	T2PF-04	B3

WINDOW MARK	AW 02
LOCATION	3/F-42/F(4/F,13/F,14/F,24/F,34/F OMITTED) UNIT B3
SECTION	70mm ALUM. SECTION
GLAZING	EGL-1, EGL-1A
QUANTITY	35 Nos
REMARKS	FACADE(TYPE T1PF19 FOR 3/F-42/F) 4 BAR HINGE-LIP HING (HHMS-N14)

BD. REF :

CLIENT :

SUN HUNG KAI
REAL ESTATE AGENCY LTD.
42/F SUN HUNG KAI CENTRE, WANCHAI, HONGKONG

ARCHITECT :

lwk&partners
a r c h i t e c t s

MAIN CONTRACTOR :

怡輝建築有限公司
Yee Fai Building Contractors Ltd.

STRUCTURAL ENGINEER :

ARUP

FACADE CONSULTANT :

ALPHA CONSULTING LIMITED
Steel Structure & Façade Specialist

- NOTE :
1. ALL DIMENSIONS ARE IN mm.
 2. ALL ELEVATIONS ARE VIEWED FROM OUTSIDE.
 3. ALL DIMENSIONS TO BE VERIFIED ON SITE BEFORE FABRICATION.

LEGEND :

- (X1) --- DETAIL MARK NO.
(X001) --- REFER SHEET NO.
1. F.F.L. --- FINISHED FLOOR LEVEL
 2. S.F.L. --- STRUCTURAL FLOOR LEVEL
 3. (R) --- REVERSED DETAIL

4. GLASS LEGEND

- EGL-1 --- 6mmHS+12mm AIR GAP+10mmTP THK. I.G.U.
EGL-2 --- 10mm THK. CLEAR TEMPERED GLASS
EGL-4 --- 10mm THK. TEMPERED ACID ETCHED GLASS
EGL-1A --- 6mmHS+12mm AIR GAP+8mmTP THK. I.G.U.
EGL-1B --- 8mmHS+12mm AIR GAP+10mmTP ACID-ETCHED THK. I.G.U.

NO.	DATE	REVISION	BY
G	17/08/2022	REVISION SUBJECT TO ARCH-COMMENT	hcn
F	18/05/2022	REVISION SUBJECT TO ARCH-COMMENT	hcn
E	09/04/2022	REVISION SUBJECT TO ARCH-COMMENT	hcn
D	17/12/2021	REVISION SUBJECT TO ARCH-COMMENT	hcn
C	29/11/2021	REVISION SUBJECT TO ARCH-COMMENT	hcn
B	03/11/2021	REVISION SUBJECT TO ARCH-COMMENT	hcn
A	12/10/2021	REVISION SUBJECT TO ARCH-COMMENT	hcn

JOB NO. : J-856

PROJECT : PROPOSED DEVELOPMENT ABOVE LIGHT RAIL TIN WING STOP-TSWTL NO.23,AREA 33,TIN SHUI WAI, N.T.

TITLE : WINDOW SCHEDULE FOR TOWER 2 ALUM. WINDOW

DATE : 02-Aug-21 SCALE : 1:40

DRAWN BY : Ivan CHECKED BY :

美特鋁質有限公司
MDI ALUMINIUM FABRICATOR LTD.
Units 6-8, Sunray Industrial Centre, 1/F
610 Cho Kwai Ling Road, Kwai Tsou
Tel:23489211-4 Fax:(852)2727666

DWG NO. : J856-SD-PW-5209 REV. : G

B.D. REF :

CLIENT :

SUN HUNG KAI
REAL ESTATE AGENCY LTD.
42/F SUN HUNG KAI CENTRE, WANCHAI, HONGKONG

ARCHITECT :

lwk&partners
a r c h i t e c t s

MAIN CONTRACTOR :

怡輝建築有限公司
Yee Fai Building Contractors Ltd.

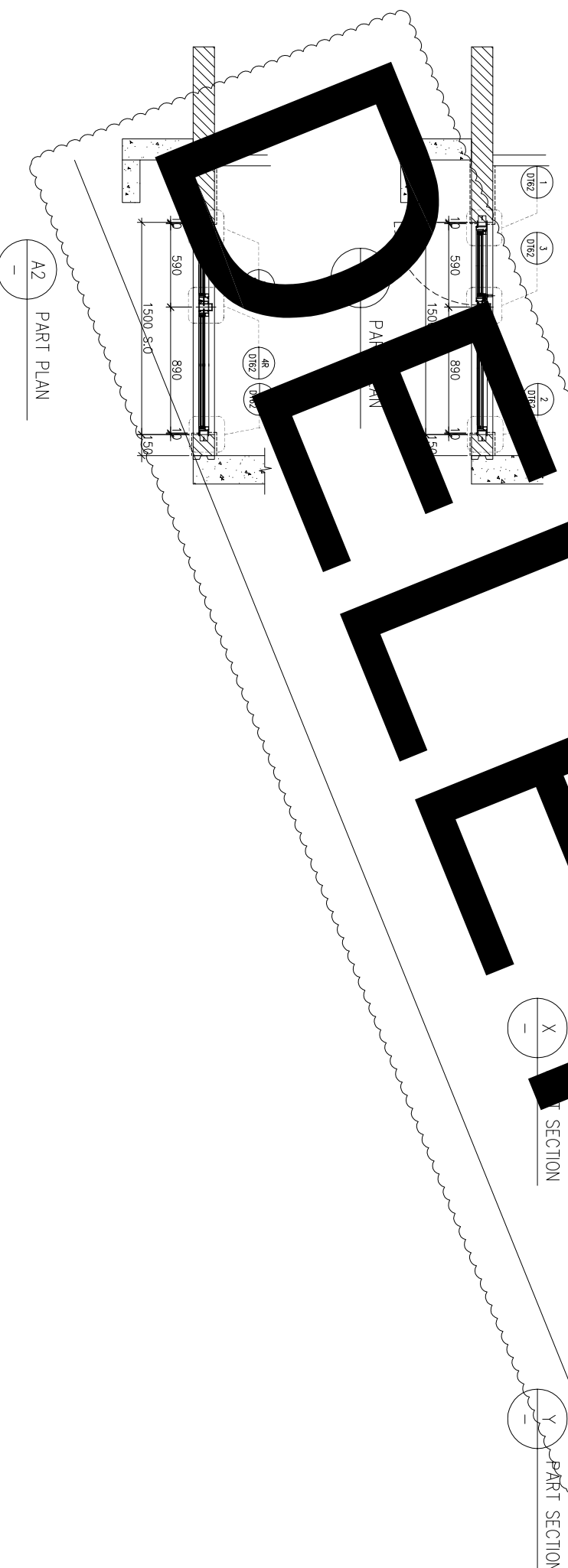
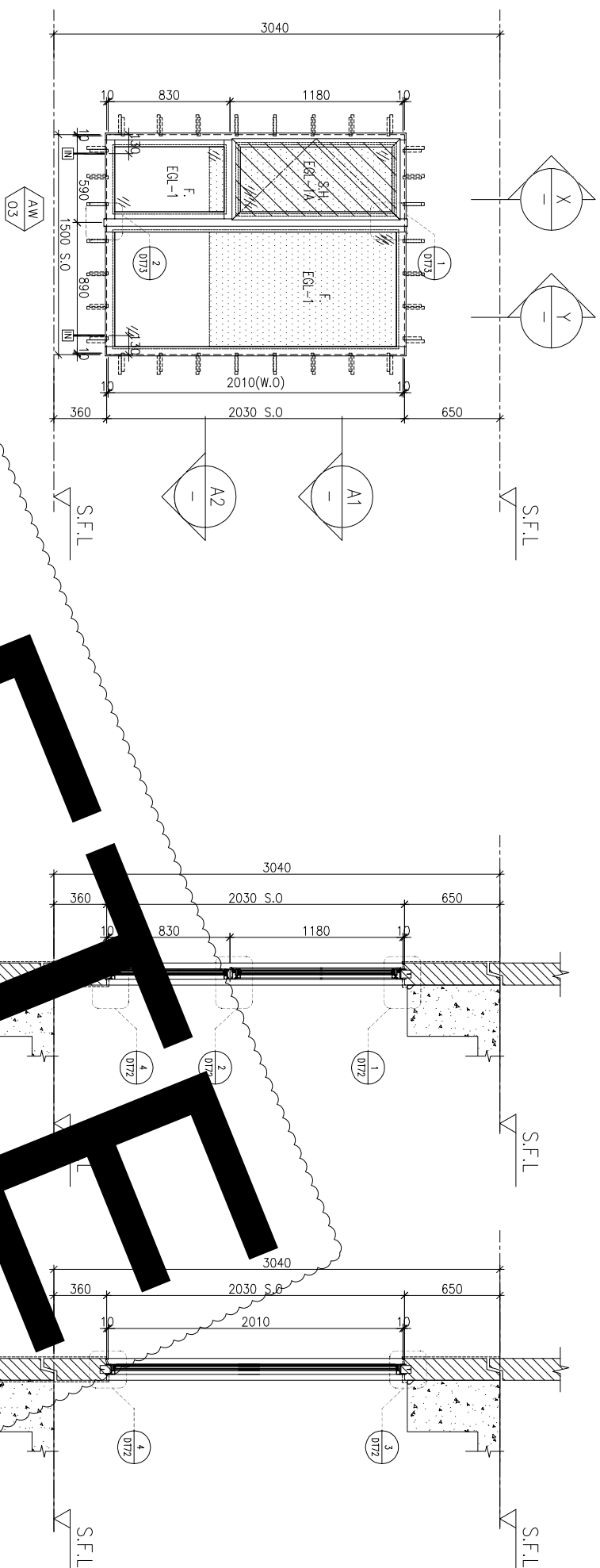
STRUCTURAL ENGINEER :

ARUP

FAÇADE CONSULTANT :

ALPHA CONSULTING LIMITED
Steel Structure & Façade Specialist

ELEVATION



FAÇADE CODE		
LWK	鴻輝	UNIT
PF-11	T2PF-??	B5

CHANGE TO IN-SITU WINDOWS

WINDOW MARK
AW 03

LOCATION 3/F~42/F(4/F,13/F,14/F,24/F,34/F OMITTED) UNIT B5

SECTION 70mm ALUM. SECTION

GLAZING EGL-1,EGL-1A

QUANTITY 35 Nos

REMARKS FAÇADE(TYPE T2PF1) FOR 3/F~42/F)

NOTE:

1. ALL DIMENSIONS ARE IN mm.
2. ALL ELEVATIONS ARE VIEWED FROM OUTSIDE.
3. ALL DIMENSIONS TO BE VERIFIED ON SITE BEFORE FABRICATION.

LEGEND :

(X1) --- DETAIL MARK NO.
(X001) --- REFER SHEET NO.

1. F.F.L. --- FINISHED FLOOR LEVEL
2. S.F.L. --- STRUCTURAL FLOOR LEVEL
3. (R) --- REVERSED DETAIL

4. GLASS LEGEND

EGL-1 --- 8mmHS+12mm AIR GAP+10mmTP THK. I.G.U.
EGL-2 --- 10mm THK. CLEAR TEMPERED GLASS
EGL-4 --- 10mm THK. TEMPERED ACID ETCHED GLASS
EGL-1A --- 8mmHS+12mm AIR GAP+8mmTP THK. I.G.U.
EGL-1B --- 8mmHS+12mm AIR GAP+10mmTP ACID-ETCHED THK. I.G.U.

NO.	DATE	REVISION	BY
F	18/05/2022	REVISION SUBJECT TO ARCH-COMMENT	lwk
E	09/04/2022	REVISION SUBJECT TO ARCH-COMMENT	lwk
D	17/12/2021	REVISION SUBJECT TO ARCH-COMMENT	lwk
C	29/11/2021	REVISION SUBJECT TO ARCH-COMMENT	lwk
B	03/11/2021	REVISION SUBJECT TO ARCH-COMMENT	lwk
A	12/07/2021	REVISION SUBJECT TO ARCH-COMMENT	lwk

JOB NO. : J-856

PROJECT : PROPOSED DEVELOPMENT ABOVE LIGHT RAIL TIN WING STOP-TSWTL NO.23,AREA 33,TIN SHUI WAI, N.T.

TITLE : WINDOW SCHEDULE FOR TOWER 2 ALUM. WINDOW

DATE : 02-Aug-21 SCALE : 1:40

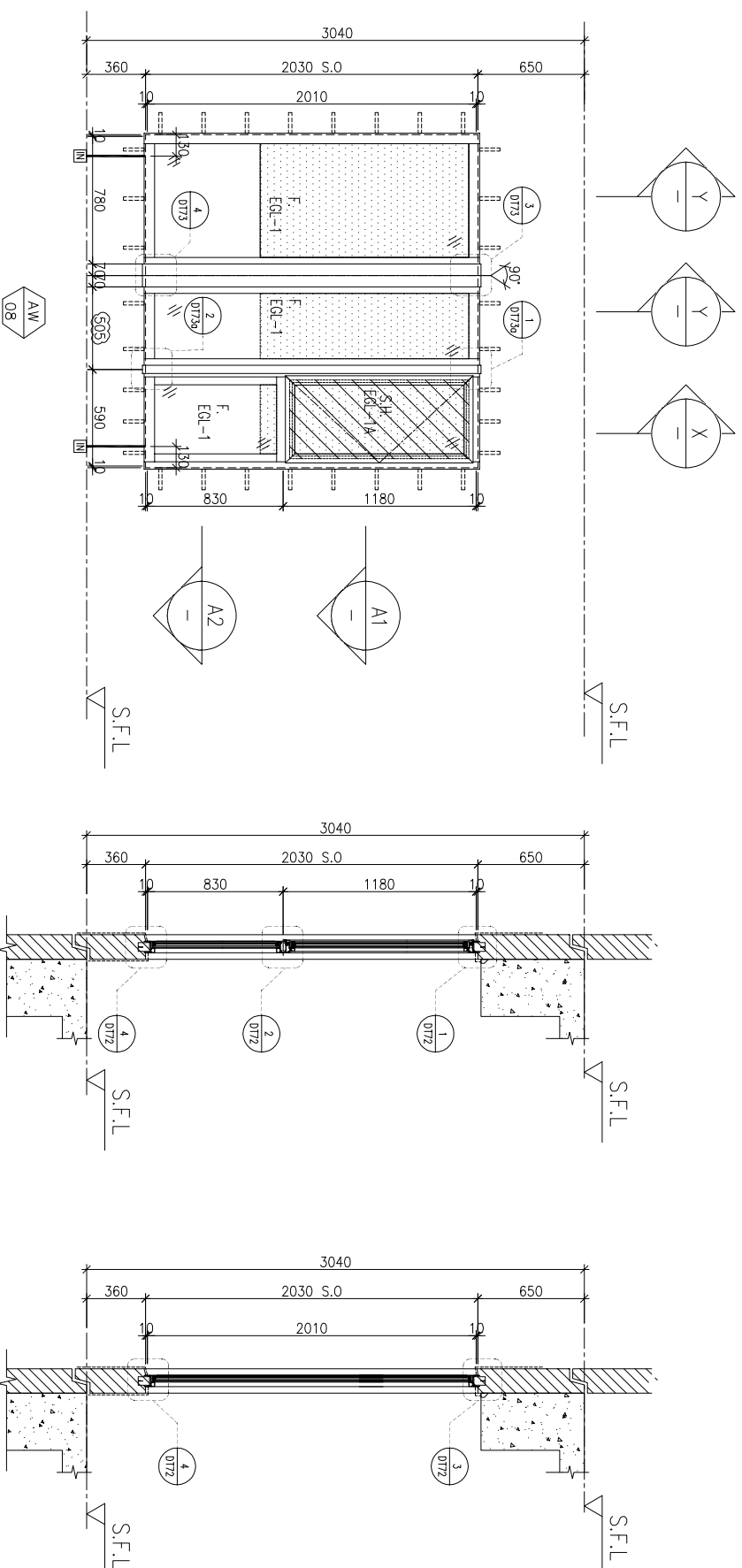
DRAWN BY : Ivn

CHECKED BY :

美特鋁質有限公司
MIDI ALUMINIUM FABRICATOR LTD.
Units 6-8, Sunray Industrial Centre, 1/F
610 Cho Kwai Ling Road, Kwai Tsou
Tel:23489211-4 Fax:(852)27272666

DWG NO. : J856-SD-PW-5210 REV. : F

REQUIRED		PROVIDED	
LOCATION	OPENABLE AREA	GLAZING AREA	GLAZING AREA
B8-BR2	0.277	0.443	0.525
			1.873



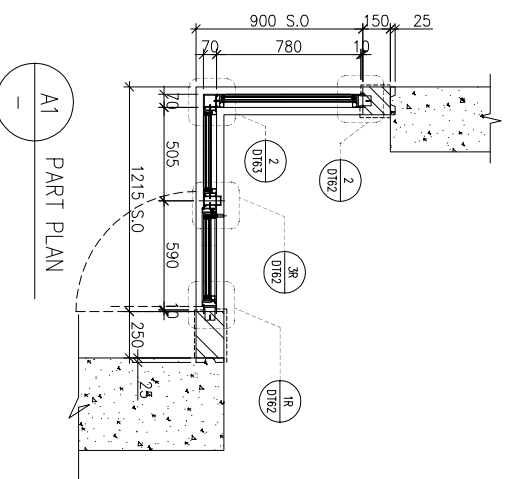
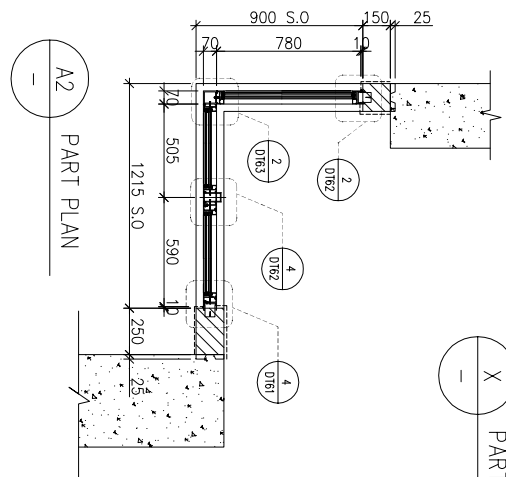
ELEVATION

FACADE CODE		
LWK	鴻輝	UNIT
PF-13	T2PF-27	B8

WINDOW MARK	AW 08
LOCATION	3/F-42/F(4/F,13/F,14/F,24/F,34/F OMITTED) UNIT B8
SECTION	70mm ALUM. SECTION
GLAZING	EGL-1,EGL-1A
QUANTITY	35 Nos
REMARKS	FACADE(TYPE T2PF13 FOR 3/F-42/F) 4 BAR HINGE-LIP HING (HHMS-N14)

X PART SECTION

Y PART SECTION



NOTE:

1. ALL DIMENSIONS ARE IN mm.
2. ALL ELEVATIONS ARE VIEWED FROM OUTSIDE.
3. ALL DIMENSIONS TO BE VERIFIED ON SITE BEFORE FABRICATION.

LEGEND:

X1 --- DETAIL MARK NO.
 X001 --- REFER SHEET NO.

1. F.F.L. --- FINISHED FLOOR LEVEL
2. S.F.L. --- STRUCTURAL FLOOR LEVEL
3. (R) --- REVERSED DETAIL

4. GLASS LEGEND

EGL-1 --- 8mmHS+12mm AIR GAP+10mmTP THK. I.G.U.
 EGL-2 --- 10mm THK. CLEAR TEMPERED GLASS
 EGL-4 --- 10mm THK. TEMPERED ACID ETCHED GLASS
 EGL-1A --- 8mmHS+12mm AIR GAP+8mmTP THK. I.G.U.
 EGL-1B --- 8mmHS+12mm AIR GAP+10mmTP ACID-ETCHED THK. I.G.U.

NO.	DATE	REVISION	BY
G	17/08/2022	REVISION SUBJECT TO ARCH-COMMENT	hcn
F	18/05/2022	REVISION SUBJECT TO ARCH-COMMENT	hcn
E	09/04/2022	REVISION SUBJECT TO ARCH-COMMENT	hcn
D	17/12/2021	REVISION SUBJECT TO ARCH-COMMENT	hcn
C	29/11/2021	REVISION SUBJECT TO ARCH-COMMENT	hcn
B	03/11/2021	REVISION SUBJECT TO ARCH-COMMENT	hcn
A	12/10/2021	REVISION SUBJECT TO ARCH-COMMENT	hcn

JOB NO. : J-856

PROJECT : PROPOSED DEVELOPMENT ABOVE LIGHT RAIL TIN WING STOP-TSWTL NO.23,AREA 33,TIN SHUI WAI, N.T.

TITLE : WINDOW SCHEDULE FOR TOWER 2 ALUM. WINDOW

DATE : 02-Aug-21 SCALE : 1:40

DRAWN BY : Ivan CHECKED BY :

UNITED ALUMINIUM FABRICATOR LTD.
 美特鋁質有限公司
 Units 6-8, Sunray Industrial Centre, 1/F
 610 Cho Kwai Ling Road, Kwai Tsoum
 Tel:23489211-4 Fax:(852)2727666
 DWG NO. : J856-SD-PW-5211 REV : G

BD. REF. :

CLIENT : SUN HUNG KAI REAL ESTATE AGENCY LTD.
 42/F, SUN HUNG KAI CENTRE, WANCHAI, HONGKONG

ARCHITECT : lwk&partners
 a f c h i l e c i s

MAIN CONTRACTOR : 怡輝建築有限公司
 Yee Fai Building Contractors Ltd.

STRUCTURAL ENGINEER : ARUP

FACADE CONSULTANT : ALPHA CONSULTING LIMITED
 Steel Structure & Façade Specialist

LOCATION	OPENABLE AREA	GLAZING AREA	OPENABLE AREA	GLAZING AREA
B6-MBR	0.435	0.696	0.548	1.495

BD. REF : _____

CLIENT : **SUN HUNG KAI**
REAL ESTATE AGENCY LTD.
42/F SUN HUNG KAI CENTRE, WANCHAI, HONGKONG

ARCHITECT : **lwk&partners**
a r c h i t e c t s

MAIN CONTRACTOR : **怡輝建築有限公司**
Yee Fai Building Contractors Ltd.

STRUCTURAL ENGINEER : **ARUP**
ALPHA CONSULTING LIMITED
Steel Structure & Façade Specialist

FAÇADE CONSULTANT :

NOTE :
1. ALL DIMENSIONS ARE IN mm.
2. ALL ELEVATIONS ARE VIEWED FROM OUTSIDE.
3. ALL DIMENSIONS TO BE VERIFIED ON SITE BEFORE FABRICATION.

LEGEND :
X1 ——— DETAIL MARK NO.
X001 ——— REFER SHEET NO.

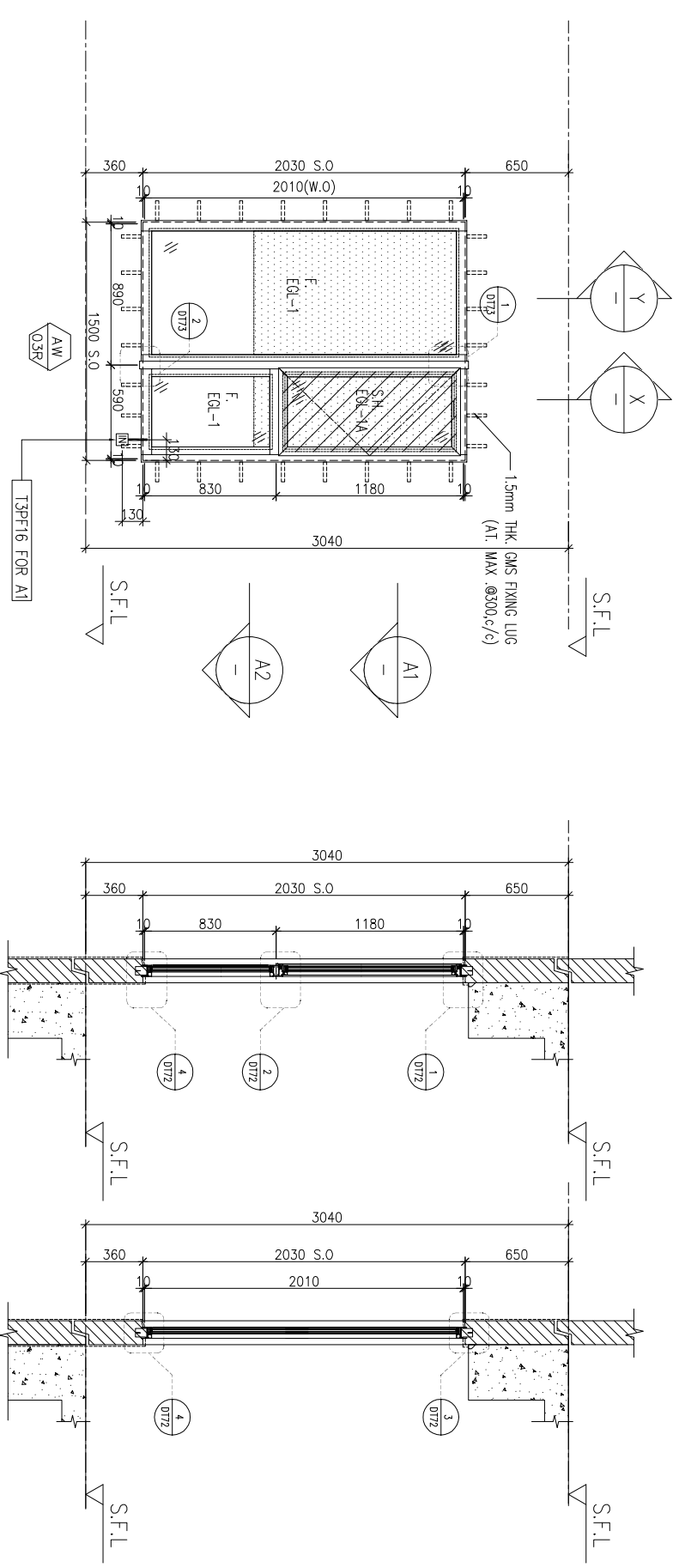
1. F.F.L. --- FINISHED FLOOR LEVEL
2. S.F.L. --- STRUCTURAL FLOOR LEVEL
3. (R) --- REVERSED DETAIL
4. GLASS LEGEND
EGL-1 --- 8mmHS+12mm AIR GAP+10mmTP THK. I.G.U.
EGL-2 --- 10mm THK. CLEAR TEMPERED GLASS
EGL-4 --- 10mm THK. TEMPERED ACID ETCHED GLASS
EGL-1A --- 8mmHS+12mm AIR GAP+8mmTP THK. I.G.U.
EGL-1B --- 8mmHS+12mm AIR GAP+10mmTP ACID-ETCHED THK. I.G.U.

NO.	DATE	REVISION	REVISION SUBJECT TO ARCH-COMMENT	BY
C	17/08/2022	REVISION SUBJECT TO ARCH-COMMENT		ivan
B	18/05/2022	REVISION SUBJECT TO ARCH-COMMENT		ivan
A	17/12/2021	REVISION SUBJECT TO ARCH-COMMENT		ivan

JOB NO. : J-856
PROJECT : PROPOSED DEVELOPMENT ABOVE LIGHT RAIL TIN WING STOP-TSWTL NO.23, AREA 33, TIN SHUI WAI, N.T.
TITLE : WINDOW SCHEDULE FOR TOWER 2 ALUM. WINDOW

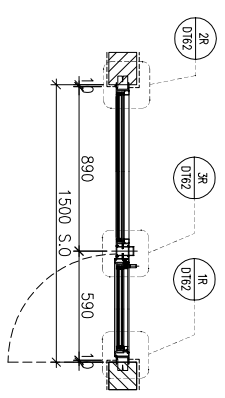
DATE : 02-Aug-21
SCALE : 1:40
DRAWN BY : ivan
CHECKED BY :

美特鋁質有限公司
MIDI ALUMINIUM FABRICATOR LTD.
Units 6-8, Sunray Industrial Centre, 1/F
610 Cho Kwai Ling Road, Kowloon
Tel: 23489211-4 Fax: (852) 2727666
DWG NO. : J856-SD-PW-5212 REV : C

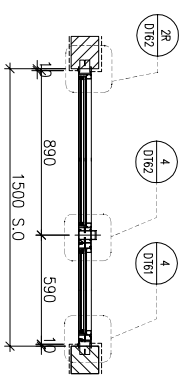


X ——— PART SECTION

Y ——— PART SECTION



A1 ——— PART PLAN



A2 ——— PART PLAN

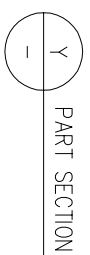
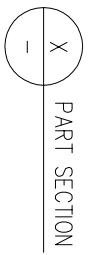
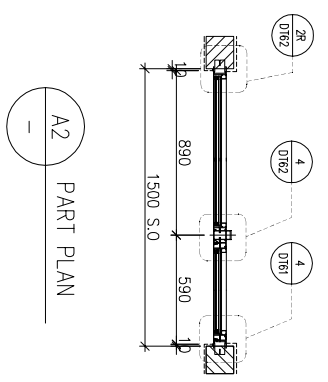
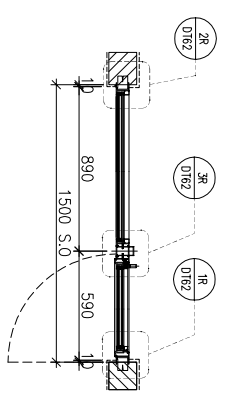
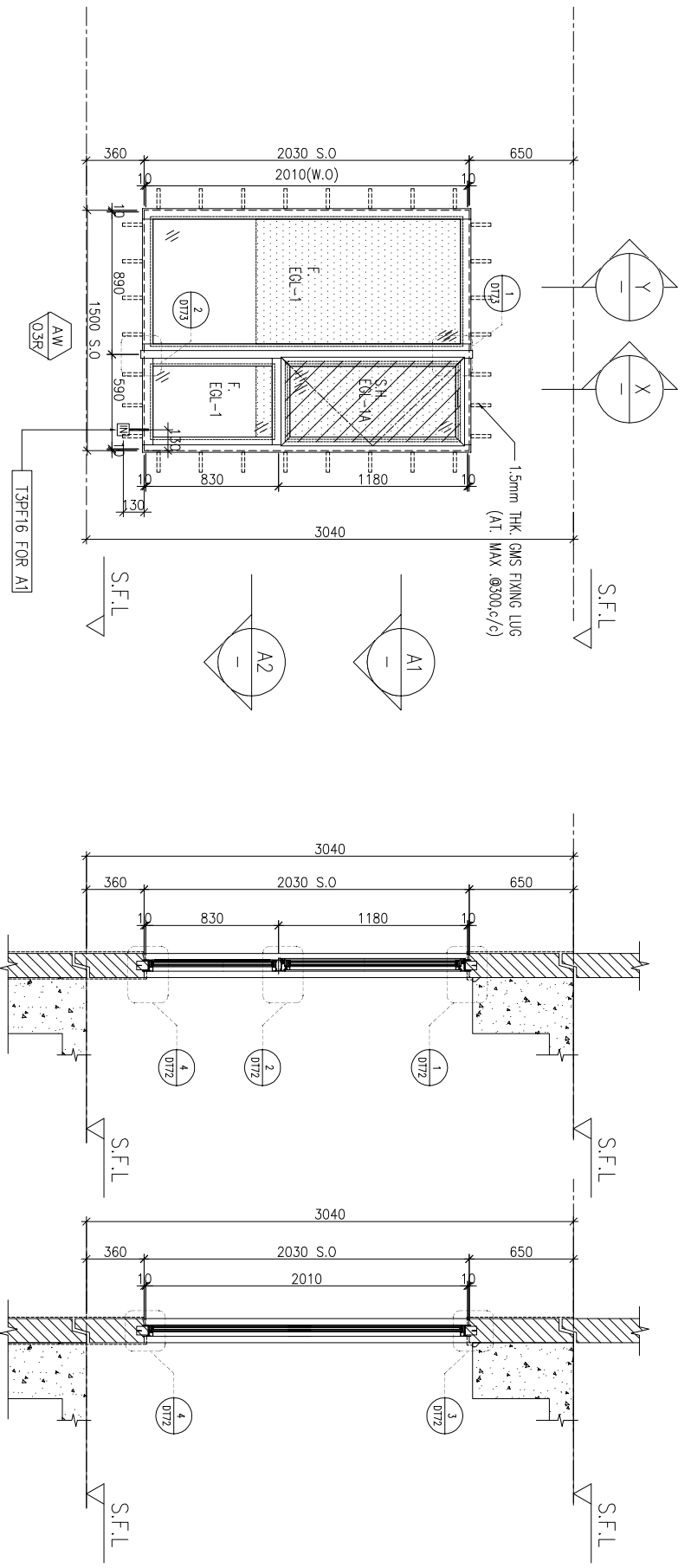
FAÇADE CODE		
LWK	鴻輝	UNIT
PF-20R	T2PF-23	B6

WINDOW MARK	FAÇADE CODE
AW O3R	

LOCATION	SECTION
3/F-42/F(4/F, 13/F, 14/F, 24/F, 34/F OMITTED) UNIT B6	70mm ALUM. SECTION

GLAZING	QUANTITY	REMARKS
EGL-1, EGL-1A	35 Nos	FAÇADE(TYPE T2PF20R FOR 3/F~42/F) 4 BAR HINGE-LIP HING (HHMS-N14)

LOCATION	OPENABLE AREA	GLAZING AREA	OPENABLE AREA	GLAZING AREA
B3-BR1	0.263	0.420	0.548	1.495



FACADE CODE		
LWK	鴻輝	UNIT
PF-10	T2PF-03	B3

WINDOW MARK	AW 03R
LOCATION	3/F-42/F(4/F,13/F,14/F,24/F,34/F OMITTED) UNIT B3
SECTION	70mm ALUM. SECTION
GLAZING	EGL-1, EGL-1A
QUANTITY	35 Nos
REMARKS	FACADE(TYPE T2PF10R FOR 3/F~42/F) 4 BAR HINGE-LIP HING (HHMS-N14)

BD. REF :

CLIENT :



42/F SUN HUNG KAI CENTRE, WANCHAI, HONGKONG

ARCHITECT :



MANU CONTRACTOR :



STRUCTURAL ENGINEER :



FACADE CONSULTANT :



- NOTE:
1. ALL DIMENSIONS ARE IN mm.
 2. ALL ELEVATIONS ARE VIEWED FROM OUTSIDE.
 3. ALL DIMENSIONS TO BE VERIFIED ON SITE BEFORE FABRICATION.

LEGEND :

- (X1) --- DETAIL MARK NO.
- (X001) --- REFER SHEET NO.
- 1. F.F.L. --- FINISHED FLOOR LEVEL
- 2. S.F.L. --- STRUCTURAL FLOOR LEVEL
- 3. (R) --- REVERSED DETAIL
- 4. GLASS LEGEND

- EGL-1 --- 8mmHS+12mm AIR GAP+10mmTP THK. I.G.U.
- EGL-2 --- 10mm THK. CLEAR TEMPERED GLASS
- EGL-4 --- 10mm THK. TEMPERED ACID ETCHED GLASS
- EGL-1A --- 8mmHS+12mm AIR GAP+8mmTP THK. I.G.U.
- EGL-1B --- 8mmHS+12mm AIR GAP+10mmTP ACID-ETCHED THK. I.G.U.

NO.	DATE	REVISION	REVISION SUBJECT TO ARCH-COMMENT	BY
B	17/08/2022	REVISION SUBJECT TO ARCH-COMMENT		ivan
A	18/05/2022	REVISION SUBJECT TO ARCH-COMMENT		ivan

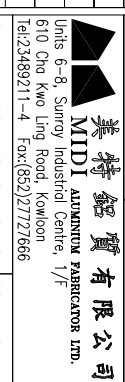
JOB NO. : J-856

PROJECT : PROPOSED DEVELOPMENT ABOVE LIGHT RAIL TIN WING STOP-TSWTL NO.23,AREA 33,TIN SHUI WAI, N.T.

TITLE : WINDOW SCHEDULE FOR TOWER 2 ALUM. WINDOW

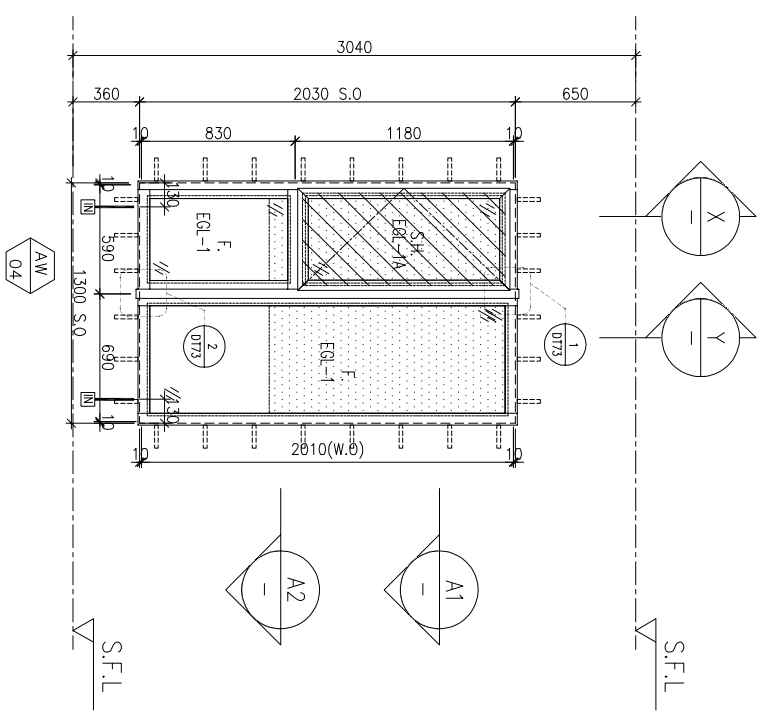
DATE : 08-Apr-21 SCALE : 1:40

DRAWN BY : Ivan CHECKED BY :

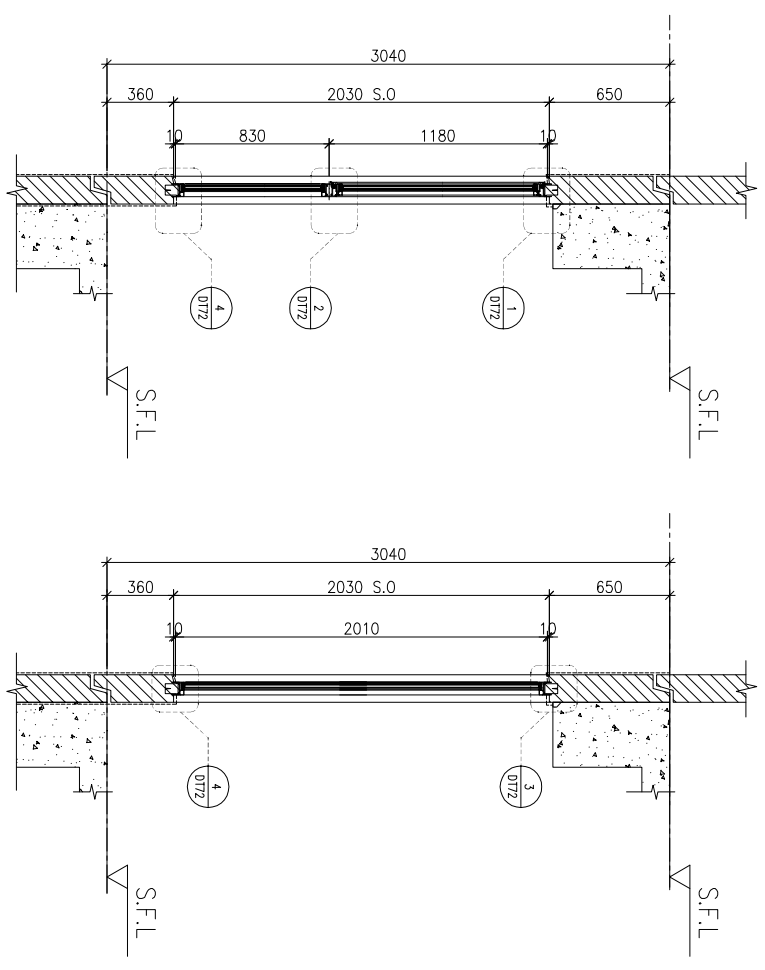
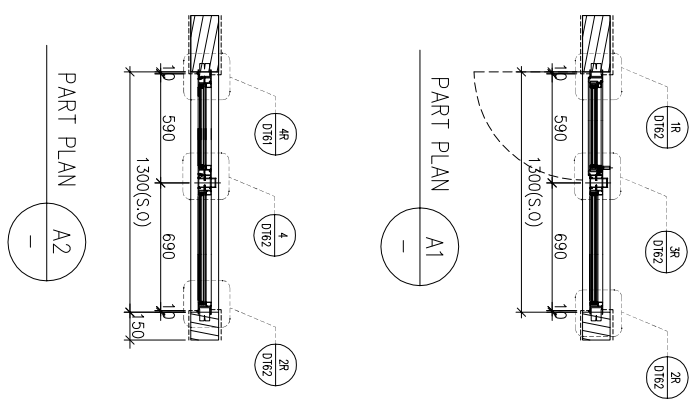


Units 6-8, Sunray Industrial Centre, 1/F
610 Cho Kwai Ling Road, Kowloon
Tel:23489211-4 Fax:(852)2727666
DWG NO. : J856-SD-PW-5213 REV. : B

REQUIRED		PROVIDED	
LOCATION	OPENABLE AREA	GLAZING AREA	OPENABLE AREA
B2-MBR	0.435	0.696	0.548
			GLAZING AREA
			1.24



ELEVATION



FACADE CODE		
LWK	鴻輝	UNIT
PF-??R	T2PF-02A	B2

WINDOW MARK	AW 04
LOCATION	3/F-42/F(4/F,13/F,14/F,24/F,34/F OMITTED) UNIT B2
SECTION	70mm ALUM. SECTION
GLAZING	EGL-1, EGL-1A
QUANTITY	35 Nos
REMARKS	FACADE(TYPE T2PF??R FOR 3/F~42/F) 4 BAR HINGE-LIP HING (HHMS-N14)

BD. REF :

CLIENT :



42/F SUN HUNG KAI CENTRE, WANCHAI, HONGKONG

ARCHITECT :
lwk&partners
a f c h i l e o i s

MAIN CONTRACTOR :



Yee Fai Building Contractors Ltd.

STRUCTURAL ENGINEER :



FACADE CONSULTANT:
ALPHA CONSULTING LIMITED
Steel Structure & Facade Specialist

NOTE:
1. ALL DIMENSIONS ARE IN mm.
2. ALL ELEVATIONS ARE VIEWED FROM OUTSIDE.
3. ALL DIMENSIONS TO BE VERIFIED ON SITE BEFORE FABRICATION.
LEGEND:
X1 — DETAIL MARK NO.
X001 — REFER SHEET NO.

1. F.F.L. --- FINISHED FLOOR LEVEL
2. S.F.L. --- STRUCTURAL FLOOR LEVEL
3. (R) --- REVERSED DETAIL
4. GLASS LEGEND
EGL-1 --- 8mmHS+12mm AIR GAP+10mmTP THK. I.G.U.
EGL-2 --- 10mm THK. CLEAR TEMPERED GLASS
EGL-4 --- 10mm THK. TEMPERED ACID ETCHED GLASS
EGL-1A --- 8mmHS+12mm AIR GAP+8mmTP THK. I.G.U.
EGL-1B --- 8mmHS+12mm AIR GAP+10mmTP ACID-ETCHED THK. I.G.U.

NO.	DATE	REVISION	SUBJECT TO ARCH-COMMENT	BY
C	17/09/2022	REVISION SUBJECT TO ARCH-COMMENT	None	None
B	18/05/2022	REVISION SUBJECT TO ARCH-COMMENT	None	None
A	17/12/2021	REVISION SUBJECT TO ARCH-COMMENT	None	None

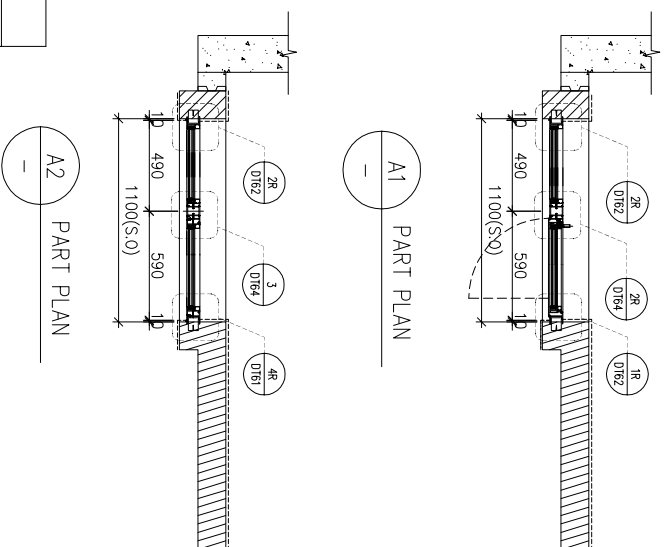
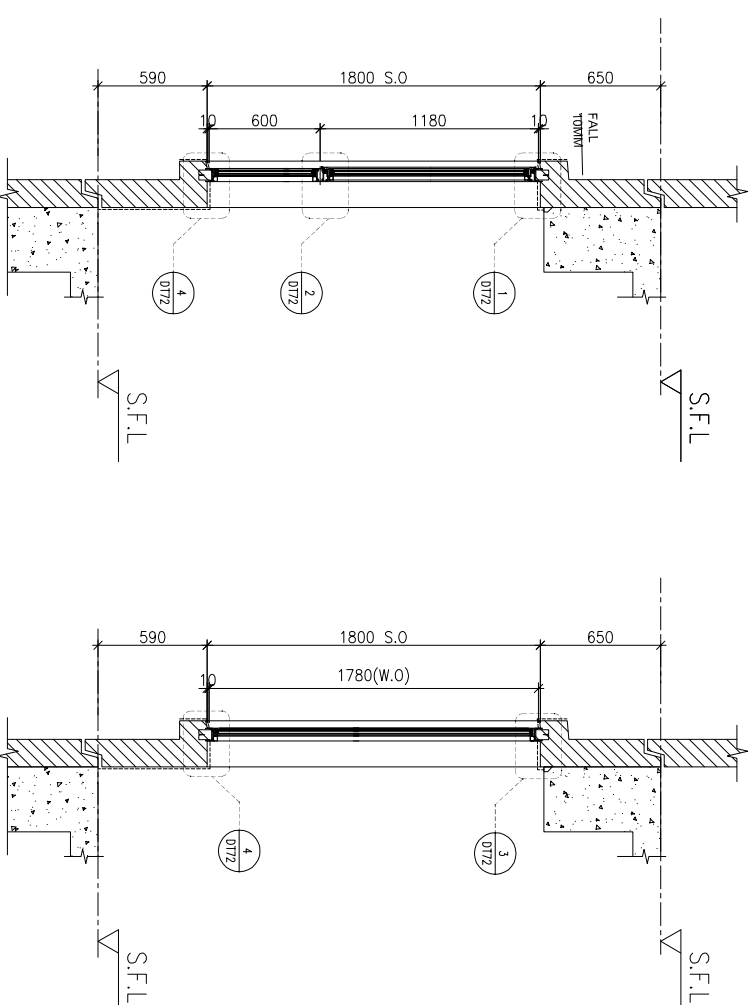
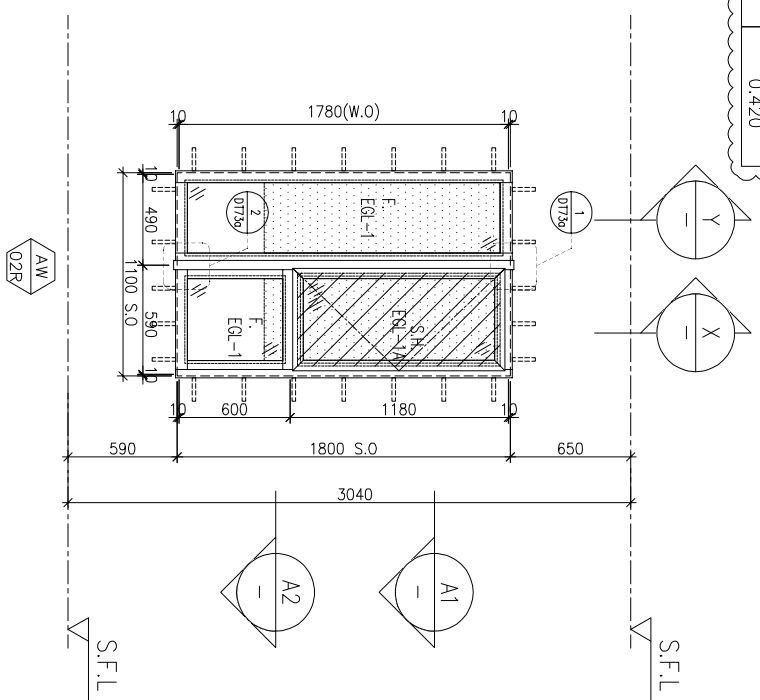
JOB NO. : J-856
PROJECT : PROPOSED DEVELOPMENT ABOVE LIGHT RAIL TIN WING STOP-TSWTL NO.23,AREA 33,TIN SHUI WAI, N.T.

TITLE : WINDOW SCHEDULE FOR TOWER 2 ALUM. WINDOW

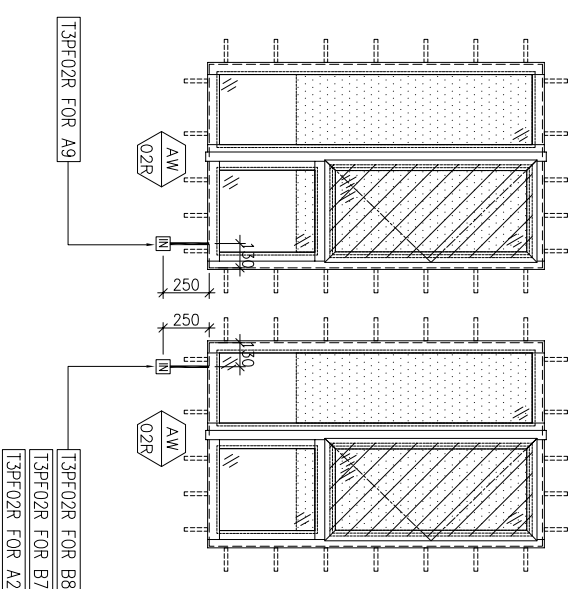
DATE : 08-Apr-21 SCALE : 1:40
DRAWN BY : Ivan CHECKED BY :

UNITED ALUMINUM FABRICATOR LTD.
Units 6-8, Sunray Industrial Centre, 1/F
610 Cho Kwai Ling Road, Kowloon
Tel:23489211-4 Fax:(852)2727666
DWG NO. : J856-SD-PW-5214 REV. : C

REQUIRED		PROVIDED	
LOCATION	OPENABLE AREA	GLAZING AREA	GLAZING AREA
A2-BR1	0.263	0.420	0.548
A9-BR1	0.263	0.420	0.985
B7-BR1	0.263	0.420	
B8-BR1	0.263	0.420	



FAÇADE CODE	UNIT
LWK	鴻輝
PF-02R	T3PF-05
PF-02R	T3PF-37
PF-02R	T3PF-31
PF-02R	T3PF-32



WINDOW MARK 02R

LOCATION 3/F-42/F(4/F,13/F,14/F,24/F,34/F OMITTED) UNIT A2,A9,B7,B8

SECTION 70mm ALUM. SECTION

GLAZING EGL-1,EGL-1A

QUANTITY 35 Nos / 35 Nos / 35 Nos / 35 Nos

REMARKS FAÇADE(TYPE T3PF02R FOR 3/F~42/F) (4 BAR HINGE-LIP HING (HHMS-N14))

BD. REF. :

CLIENT :

SUN HUNG KAI
REAL ESTATE AGENCY LTD.

42/F, SUN HUNG KAI CENTRE, WANCHAI, HONGKONG

ARCHITECT :

lwk&partners
a r c h i t e c t s

MAIN CONTRACTOR :

怡輝建築有限公司
Yee Fai Building Contractors Ltd.

STRUCTURAL ENGINEER :

ARUP

FAÇADE CONSULTANT:

ALPHA CONSULTING LIMITED
Steel Structure & Façade Specialist

NOTE:
1. ALL DIMENSIONS ARE IN mm.
2. ALL ELEVATIONS ARE VIEWED FROM OUTSIDE.
3. ALL DIMENSIONS TO BE VERIFIED ON SITE BEFORE FABRICATION.

LEGEND :

--DETAIL MARK NO.
 --REFER SHEET NO.

1. F.F.L.---FINISHED FLOOR LEVEL
2. S.F.L.---STRUCTURAL FLOOR LEVEL
3. ---REVERSED DETAIL

4. GLASS LEGEND

EGL-1--8mmHS+12mm AIR GAP+10mmTP THK. I.G.U.
EGL-2--10mm THK. CLEAR TEMPERED GLASS
EGL-4--10mm THK. TEMPERED ACID ETCHED GLASS
EGL-1A-8mmHS+12mm AIR GAP+8mmTP THK. I.G.U.
EGL-1B-8mmHS+12mm AIR GAP+10mmTP ACID-ETCHED THK. I.G.U.

NO.	DATE	REVISION	SUBJECT TO ARCH-COMMENT	BY
H	17/08/2022	REVISION	SUBJECT TO ARCH-COMMENT	ivan
G	22/04/2022	REVISION	SUBJECT TO ARCH-COMMENT	ivan
F	08/04/2022	REVISION	SUBJECT TO ARCH-COMMENT	ivan
E	14/12/2021	REVISION	SUBJECT TO ARCH-COMMENT	ivan
D	29/11/2021	REVISION	SUBJECT TO ARCH-COMMENT	ivan
C	02/11/2021	REVISION	SUBJECT TO ARCH-COMMENT	ivan

JOB NO. : J-856

PROJECT :

PROPOSED DEVELOPMENT ABOVE
LIGHT RAIL TIN WING STOP,T5WTL
NO.23,AREA 33,TIN SHUI WAI, N.T.

TITLE : WINDOW SCHEDULE FOR TOWER 3 ALUM. WINDOW

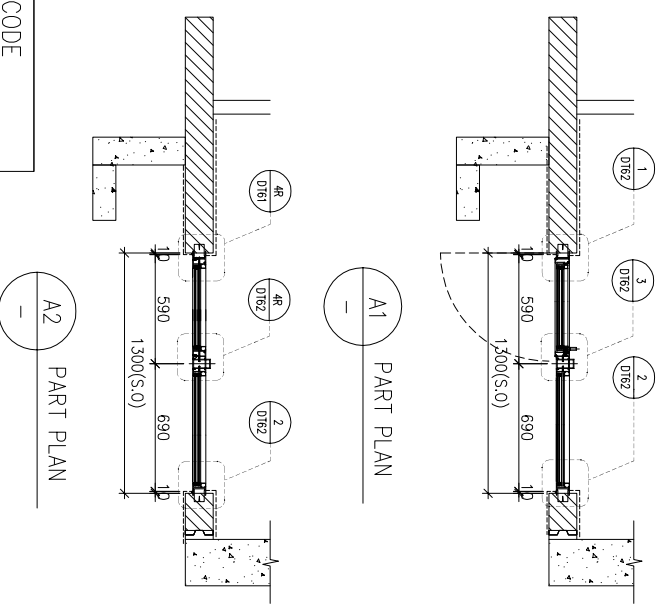
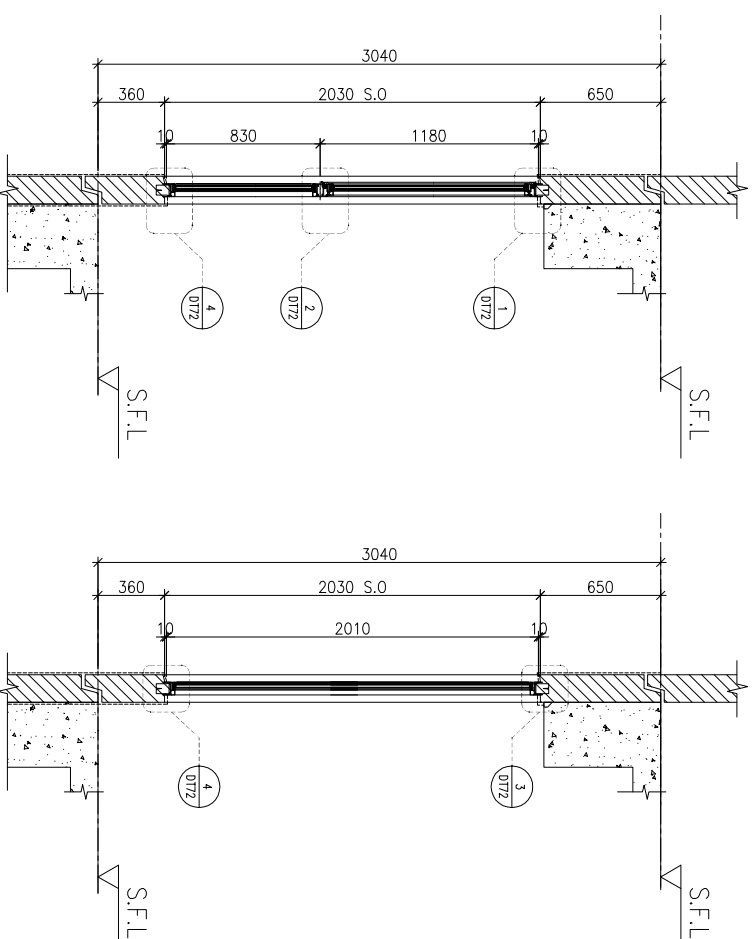
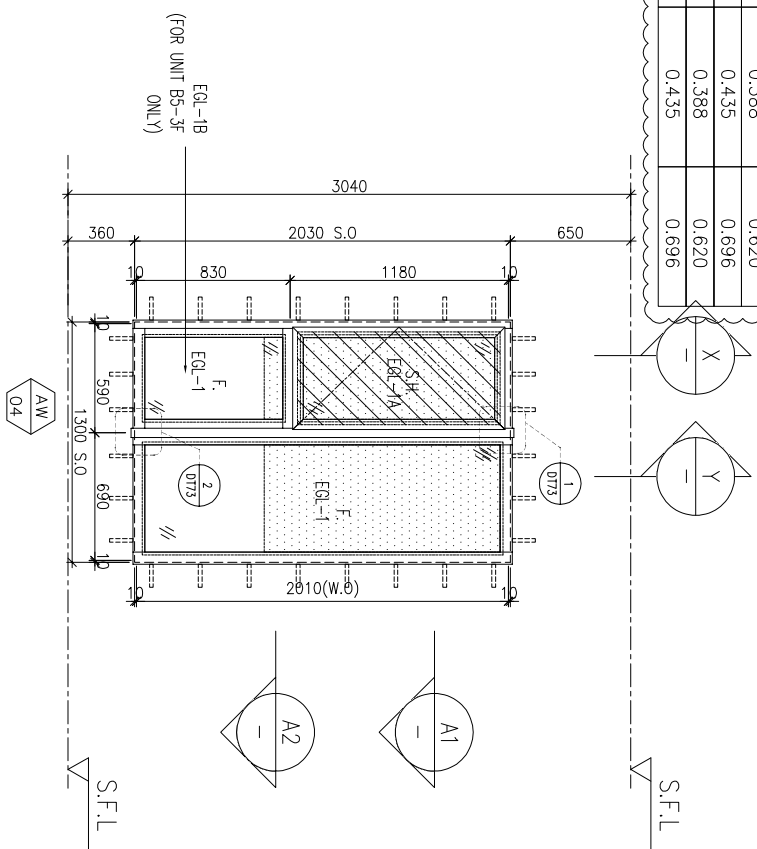
DATE : 02-Aug-21 SCALE : 1:40

DRAWN BY : ivan CHECKED BY :

美特鋁質有限公司
MIDI ALUMINIUM FABRICATOR LTD.
Units 6-8, Sunray Industrial Centre, 1/F
610 Cho Kwai Ling Road, Kwai Tsou
Tel:23489211-4 Fax:(852)2727666

DWG NO. : J856-SD-PW-5301 REV. : H

REQUIRED		PROVIDED	
LOCATION	OPENABLE AREA	GLAZING AREA	GLAZING AREA
A3-MBR	0.435	0.696	0.548
A6-MBR	0.435	0.696	1.24
A10-MBR	0.435	0.696	
A12-MBR	0.388	0.620	
B5-MBR	0.435	0.696	
B9-MBR	0.388	0.620	
B11-MBR	0.435	0.696	



FACADE CODE		FACADE CODE	
LWK	UNIT	LWK	UNIT
PF-04	T3PF-08	A3	
PF-04	T3PF-12	A6	
PF-04	T3PF-39A	A10	
PF-04	T3PF-42	A12	
		PF-04R	T3PF-19
			B11

WINDOW MARK: AW 04

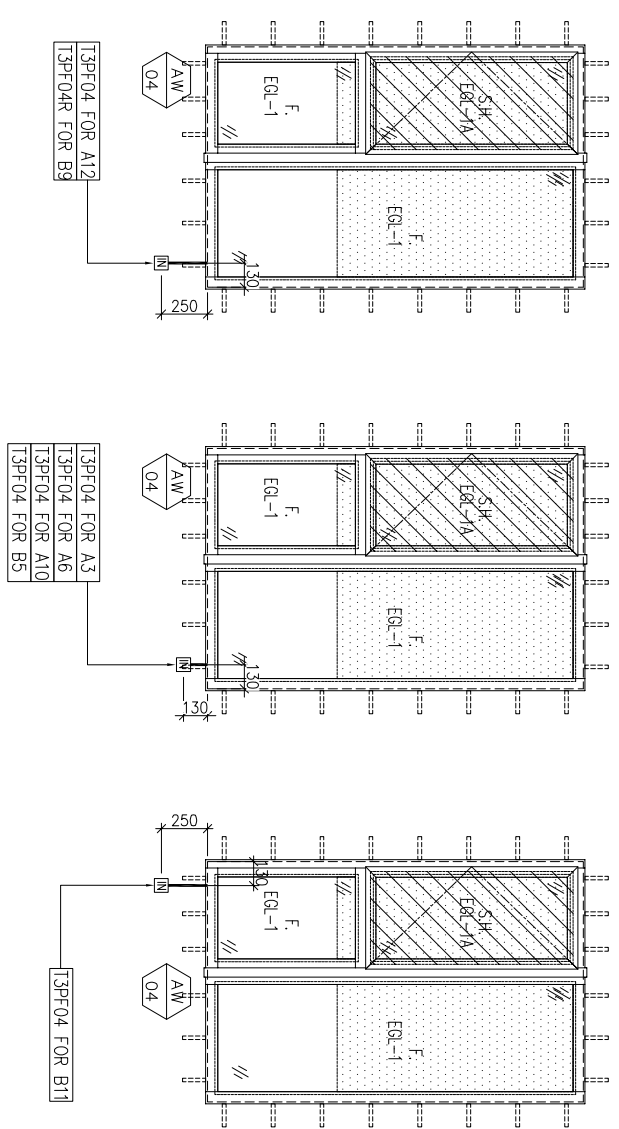
LOCATION: 3/F-42/F, 4/F, 13/F, 14/F, 24/F, 34/F (OMITTED) UNIT A3, A6, A10, A12, B5, B9, B11

SECTION: 70mm ALUM. SECTION

GLAZING: EGL-1, EGL-1A

QUANTITY: 35 Nos / 35 Nos / 35 Nos / 35 Nos / 35 Nos / 35 Nos / 35 Nos

REMARKS: FACADE (TYPE T3PF04/04R FOR 3/F-42/F) 4 BAR HINGE-LIP HING (HHMS-N14)



BD. REF. :

CLIENT : **SUN HUNG KAI** REAL ESTATE AGENCY LTD.
42/F, SUN HUNG KAI CENTRE, WANCHAI, HONGKONG

ARCHITECT : **lwk&partners**
a f c h i l e o i s

MANU CONTRACTOR : **怡輝建築有限公司**
Yee Fai Building Contractors Ltd.

STRUCTURAL ENGINEER : **ARUP**
ALPHA CONSULTING LIMITED
Steel Structure & Façade Specialist

FACADE CONSULTANT :

NOTE :

- ALL DIMENSIONS ARE IN mm.
- ALL ELEVATIONS ARE VIEWED FROM OUTSIDE.
- ALL DIMENSIONS TO BE VERIFIED ON SITE BEFORE FABRICATION.

LEGEND :

(X1) --- DETAIL MARK NO.
(X001) --- REFER SHEET NO.

- F.F.L. --- FINISHED FLOOR LEVEL
- S.F.L. --- STRUCTURAL FLOOR LEVEL
- (R) --- REVERSED DETAIL

4. GLASS LEGEND

EQI-1 --- 8mmHS+12mm AIR GAP+10mmTP THK. I.G.U.
EQI-2 --- 10mm THK. CLEAR TEMPERED GLASS
EQI-4 --- 10mm THK. TEMPERED ACID ETCHED GLASS
EQI-1A --- 8mmHS+12mm AIR GAP+8mmTP THK. I.G.U.
EQI-1B --- 8mmHS+12mm AIR GAP+10mmTP ACID-ETCHED THK. I.G.U.

NO.	DATE	REVISION	SUBJECT TO ARCH-COMMENT	BY
J	17/08/2022	REVISION SUBJECT TO ARCH-COMMENT	lwk	
I	27/06/2022	REVISION SUBJECT TO ARCH-COMMENT	lwk	
H	22/04/2022	REVISION SUBJECT TO ARCH-COMMENT	lwk	
G	09/04/2022	REVISION SUBJECT TO ARCH-COMMENT	lwk	
F	14/12/2021	REVISION SUBJECT TO ARCH-COMMENT	lwk	
E	29/11/2021	REVISION SUBJECT TO ARCH-COMMENT	lwk	

JOB NO. : J-856

PROJECT : PROPOSED DEVELOPMENT ABOVE LIGHT RAIL TIN WING STOP-TSWTL NO.23, AREA 33, TIN SHUI WAI, N.T.

TITLE : WINDOW SCHEDULE FOR TOWER 3 ALUM. WINDOW

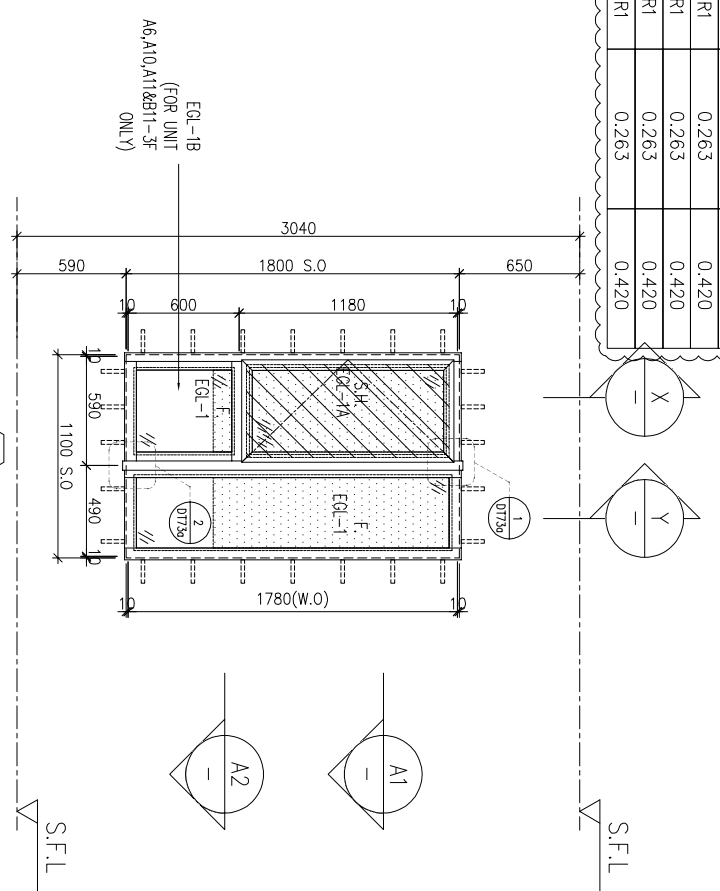
DATE : 02-Aug-21 SCALE : 1:40

DRAWN BY : IYVN CHECKED BY :

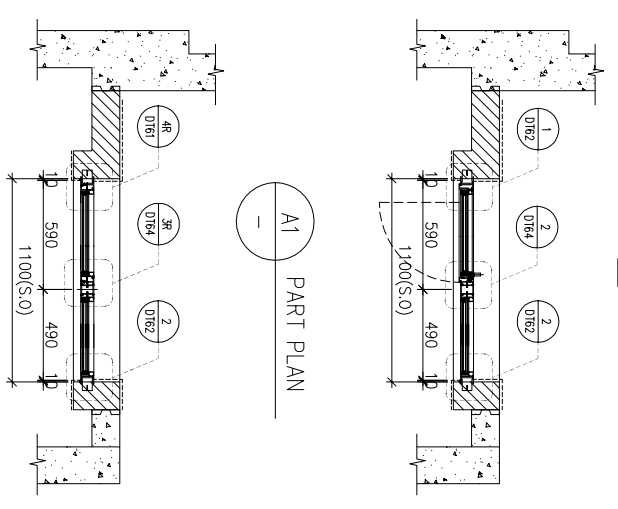
美特鋁質有限公司
MIDI ALUMINIUM FABRICATOR LTD.
Units 6-8, Sunray Industrial Centre,
610 Cho Kwai Ling Road, Kowloon
Tel: 23489211-4 Fax: (852) 27272666

DWG NO. : J856-SD-PW-5302 REV. : J

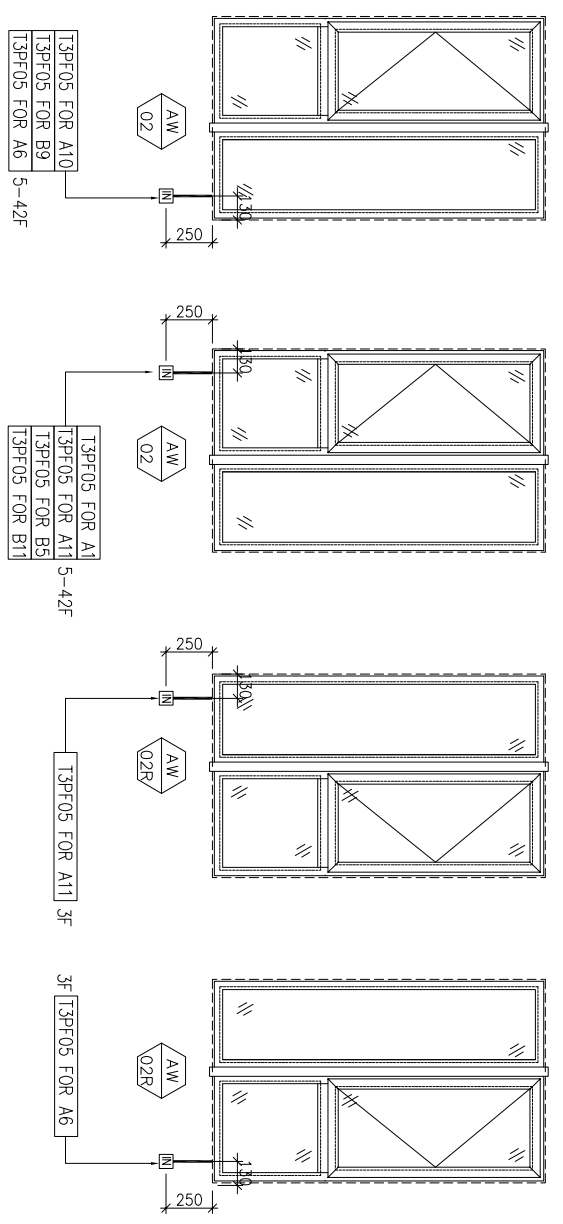
LOCATION	OPENABLE AREA	GLAZING AREA	OPENABLE AREA	GLAZING AREA
A1-S10	N/A	N/A	0.548	0.985
A6-BR1	0.263	0.420		
A10-BR1	0.263	0.420		
A11-BR1	0.263	0.420		
B5-BR1	0.263	0.420		
B9-BR1	0.263	0.420		
B11-BR1	0.263	0.420		



ELEVATION



FAÇADE CODE	UNIT	FAÇADE CODE	UNIT
LWK 鴻輝	A1	LWK 鴻輝	A1
PF-05	A6	PF-05	B5
PF-05	A10	PF-05	B9
PF-05	A11	PF-05	B11



WINDOW MARK	LOCATION	SECTION	QUANTITY	REMARKS
AW 02	3/F~42/F(4/F,13/F,14/F,24/F,34/F OMITTED) UNIT A1, A6, A10, A11(5~42F), B5, B9, B11(5~42F)	70mm ALUM. SECTION	35 Nos / 35 Nos / 35 Nos / 34 Nos / 35 Nos / 34 Nos	FAÇADE(TYPE T3PF05 FOR 3/F~42/F) (4 BAR HINGE-LIP HING (HHMS-N14)
AW 02R	3/F UNIT A11(3F), B11(3F)	70mm ALUM. SECTION	1 No / 1 No	FAÇADE(TYPE T3PF05R FOR 3/F~42/F) (4 BAR HINGE-LIP HING (HHMS-N14)

BD. REF :

CLIENT :

SUN HUNG KAI
REAL ESTATE AGENCY LTD.
42/F SUN HUNG KAI CENTRE, WANCHAI, HONGKONG

ARCHITECT :

lwk&partners
a r c h i t e c t s

MANU CONTRACTOR :

怡輝建築有限公司
Yee Fai Building Contractors Ltd.

STRUCTURAL ENGINEER :

ARUP
ALPHA CONSULTING LIMITED
Steel Structure & Façade Specialist

NOTE :

1. ALL DIMENSIONS ARE IN mm.
2. ALL ELEVATIONS ARE VIEWED FROM OUTSIDE.
3. ALL DIMENSIONS TO BE VERIFIED ON SITE BEFORE FABRICATION.

LEGEND :

- (X1) --- DETAIL MARK NO.
- (X001) --- REFER SHEET NO.

1. F.F.L. --- FINISHED FLOOR LEVEL
2. S.F.L. --- STRUCTURAL FLOOR LEVEL
3. (R) --- REVERSED DETAIL

4. GLASS LEGEND

EQI-1 --- 8mmHS+12mm AIR GAP+10mmTP THK. I.G.U.

EQI-2 --- 10mm THK. CLEAR TEMPERED GLASS

EQI-4 --- 10mm THK. TEMPERED ACID ETCHED GLASS

EQI-1A --- 8mmHS+12mm AIR GAP+8mmTP THK. I.G.U.

EQI-1B --- 8mmHS+12mm AIR GAP+10mmTP ADD-ETCHED THK. I.G.U.

JOB NO. : J-856

PROJECT : PROPOSED DEVELOPMENT ABOVE LIGHT RAIL TIN WING STOP-TSWTL NO.23,AREA 33,TIN SHUI WAI, N.T.

TITLE : WINDOW SCHEDULE FOR TOWER 3 ALUM. WINDOW

DATE : 02-Aug-21 SCALE : 1:40

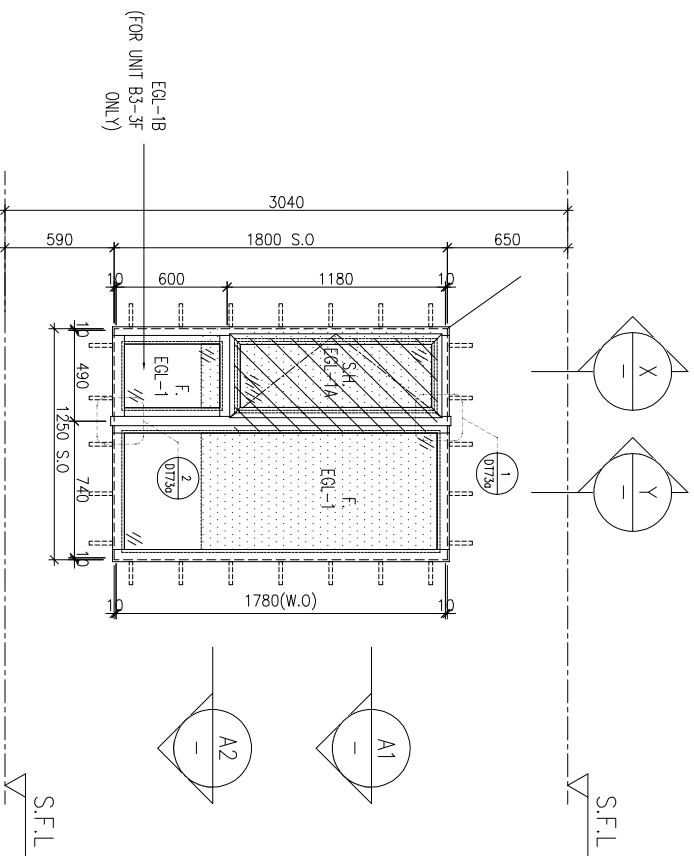
DRAWN BY : IYON CHECKED BY :

美特鋁質有限公司
MIDI ALUMINIUM FABRICATOR LTD.
Units 6-8, Sunray Industrial Centre, 1/F
610 Cho Kwai Ling Road, Kwai Tsou
Tel:23489211-4 Fax:(852)2727666

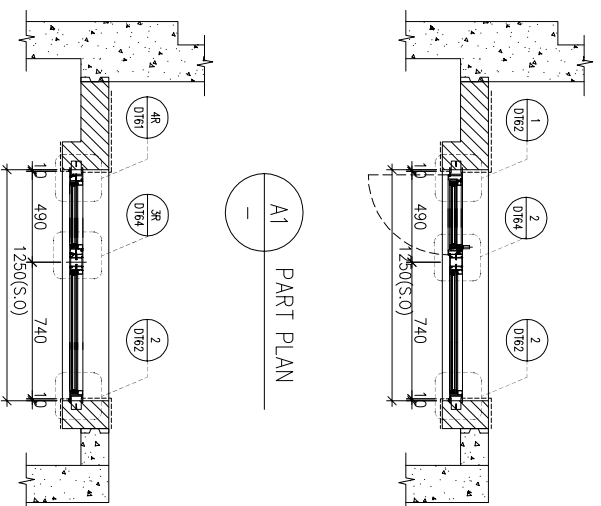
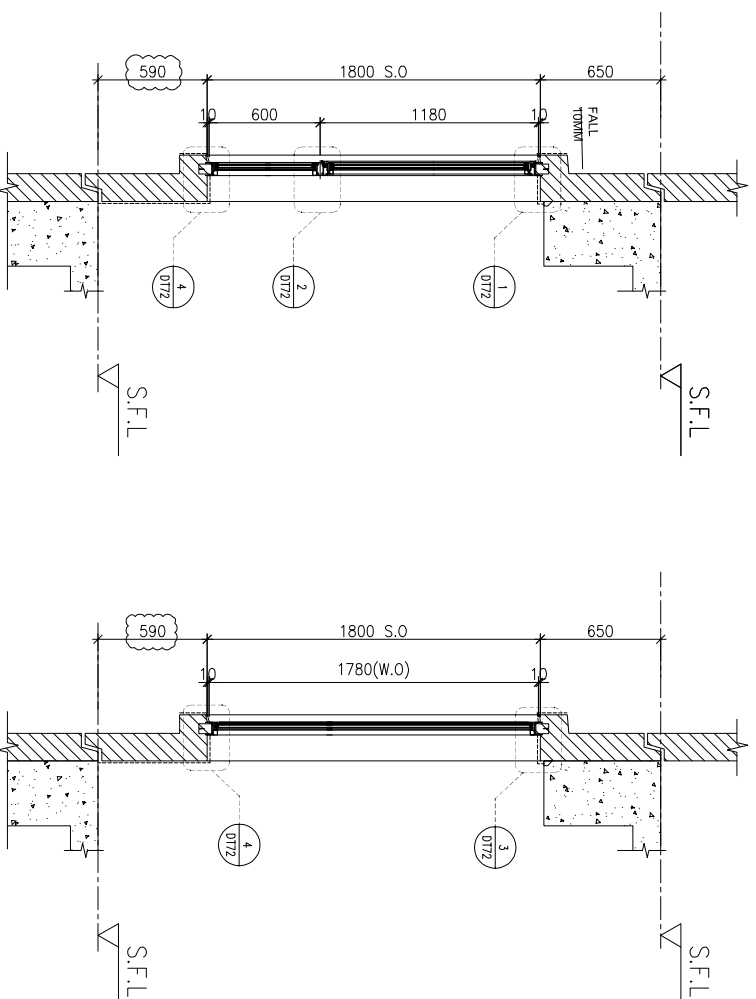
DWG NO. : J856-SD-PW-5303 REV. : J

NO.	DATE	REVISION SUBJECT TO ARCH-COMMENT	BY
J	17/08/2022	REVISION SUBJECT TO ARCH-COMMENT	iyon
I	27/06/2022	REVISION SUBJECT TO ARCH-COMMENT	iyon
H	22/04/2022	REVISION SUBJECT TO ARCH-COMMENT	iyon
G	09/04/2022	REVISION SUBJECT TO ARCH-COMMENT	iyon
F	14/12/2021	REVISION SUBJECT TO ARCH-COMMENT	iyon
E	29/11/2021	REVISION SUBJECT TO ARCH-COMMENT	iyon

REQUIRED		PROVIDED	
LOCATION	OPENABLE AREA	GLAZING AREA	GLAZING AREA
B3-BR2	0.283	0.452	0.439
B1-BR2	0.283	0.452	1.19



ELEVATION



FACADE CODE	
LWK	鴻輝 UNIT
PF-05	T3PF-24 B3
PF-05R	T3PF-21 B1

WINDOW MARK	LOCATION	SECTION	GLAZING	QUANTITY	REMARKS
AW 02A	3/F-42/F(4/F,13/F,14/F,24/F,34/F OMITTED) UNIT B3	70mm ALUM. SECTION	EGL-1,EGL-1A	35 Nos	FACADE(TYPE T3PF05 FOR 3/F~42/F) (4 BAR HINGE-LIP HING (HHMS-N14)
AW 02A	3/F-42/F(4/F,13/F,14/F,24/F,34/F OMITTED) UNIT B1	70mm ALUM. SECTION	EGL-1,EGL-1A	35 Nos	FACADE(TYPE T3PF05R FOR 3/F~42/F) (4 BAR HINGE-LIP HING (HHMS-N14)

BD. REF :

CLIENT :

SUN HUNG KAI
REAL ESTATE AGENCY LTD.
42/F SUN HUNG KAI CENTRE, WANCHAI, HONGKONG

ARCHITECT :

lwk&partners
a r c h i t e c t s

MAIN CONTRACTOR :

怡輝建築有限公司
Yee Fai Building Contractors Ltd.

STRUCTURAL ENGINEER :

ARUP

FACADE CONSULTANT :

ALPHA CONSULTING LIMITED
Steel Structure & Façade Specialist

NOTE :

1. ALL DIMENSIONS ARE IN mm.
2. ALL ELEVATIONS ARE VIEWED FROM OUTSIDE.
3. ALL DIMENSIONS TO BE VERIFIED ON SITE BEFORE FABRICATION.

LEGEND :

(X1) --- DETAIL MARK NO.
(X001) --- REFER SHEET NO.

1. F.F.L. --- FINISHED FLOOR LEVEL
2. S.F.L. --- STRUCTURAL FLOOR LEVEL
3. (R) --- REVERSED DETAIL

4. GLASS LEGEND

- EQI-1 --- 8mmHS+12mm AIR GAP+10mmTP THK. I.G.U.
- EQI-2 --- 10mm THK. CLEAR TEMPERED GLASS
- EQI-4 --- 10mm THK. TEMPERED ACID ETCHED GLASS
- EQI-1A --- 8mmHS+12mm AIR GAP+8mmTP THK. I.G.U.
- EQI-1B --- 8mmHS+12mm AIR GAP+10mmTP ACID-ETCHED THK. I.G.U.

NO.	DATE	REVISION	SUBJECT TO ARCH-COMMENT	BY
B	17/08/2022	REVISION SUBJECT TO ARCH-COMMENT		ivan
A	27/06/2022	REVISION SUBJECT TO ARCH-COMMENT		ivan

JOB NO. : J-856

PROJECT : PROPOSED DEVELOPMENT ABOVE LIGHT RAIL TIN WING STOP-TSWTL NO.23,AREA 33,TIN SHUI WAI, N.T.

TITLE : WINDOW SCHEDULE FOR TOWER 3 ALUM. WINDOW

DATE : 22-Apr-22 SCALE : 1:40

DRAWN BY : ivan CHECKED BY :

美特鋁質有限公司
MIDI ALUMINIUM FABRICATOR LTD.
Units 6-8, Sunray Industrial Centre, 1/F
610 Cho Kwai Ling Road, Kowloon
Tel:23489211-4 Fax:(852)2727666

DWG NO. : J856-SD-PW-5303d REV. : B

B.D. REF :

CLIENT :

SUN HUNG KAI
REAL ESTATE AGENCY LTD.
42/F SUN HUNG KAI CENTRE, WANCHAI, HONGKONG

ARCHITECT :

lwk&partners
a r c h i t e c t s

MAIN CONTRACTOR :

怡輝建築有限公司
Yee Fai Building Contractors Ltd.

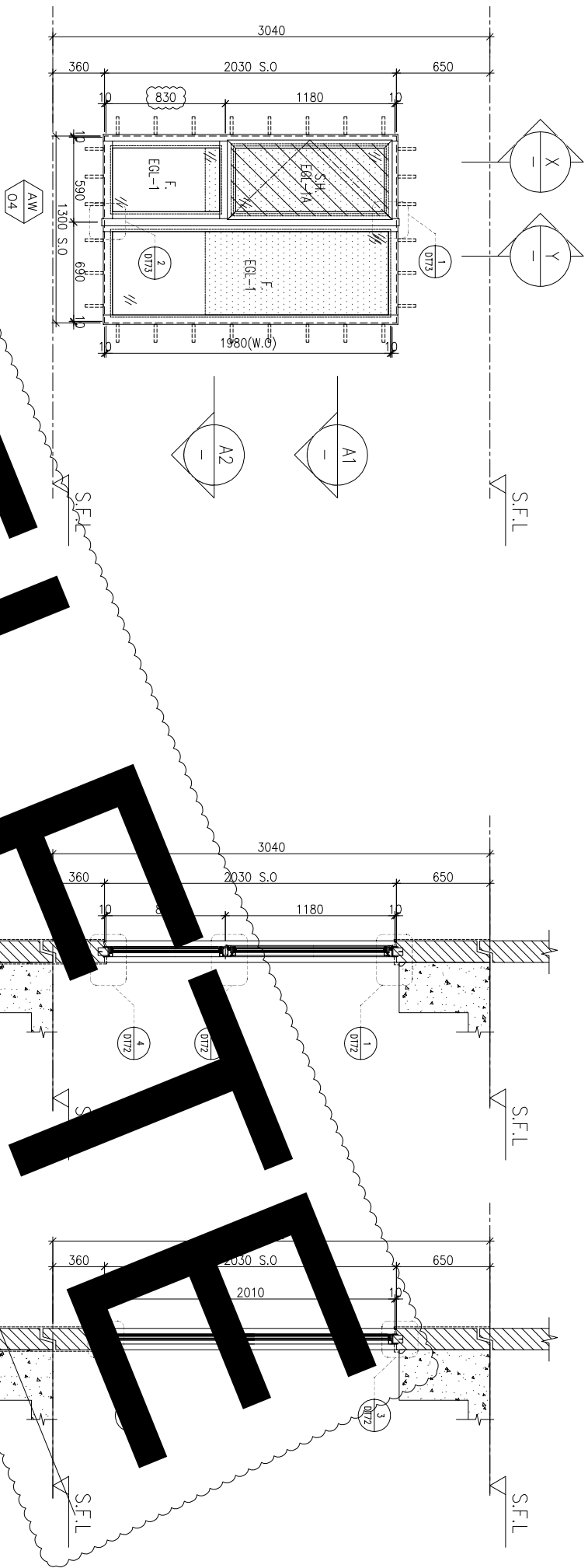
STRUCTURAL ENGINEER :

ARUP

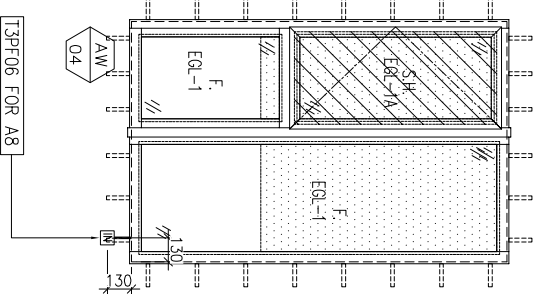
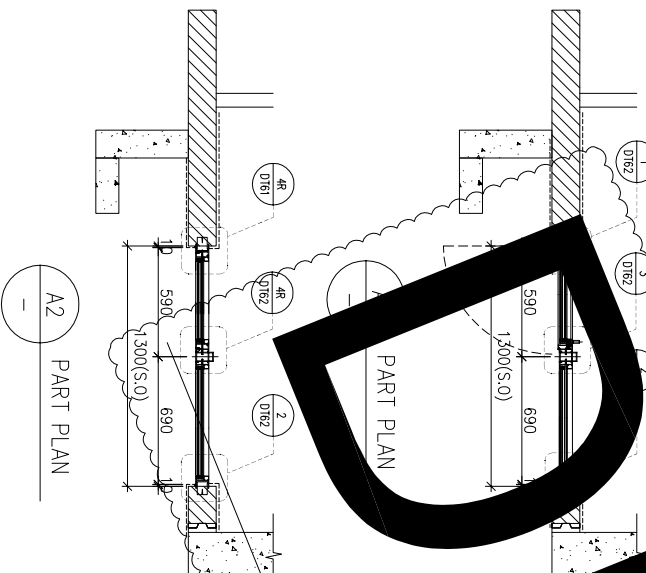
FAÇADE CONSULTANT :

ALPHA CONSULTING LIMITED
Steel Structure & Façade Specialist

ELEVATION



DEFERRED



FAÇADE CODE		
LWK	鴻輝	UNIT
PF-06	T3PF-36	A8

WINDOW MARK **AW 04**

LOCATION 3/F-42/F(4/F,13/F,14/F,24/F,34/F OMITTED) UNIT A8

SECTION 70mm ALUM. SECTION

GLAZING EGL-1,EGL-1A

QUANTITY 35 Nos

REMARKS FAÇADE(TYPE T3PF06 FOR 3/F-42/F)

NOTE :

1. ALL DIMENSIONS ARE IN mm.
2. ALL ELEVATIONS ARE VIEWED FROM OUTSIDE.
3. ALL DIMENSIONS TO BE VERIFIED ON SITE BEFORE FABRICATION.

LEGEND :

(X1) --- DETAIL MARK NO.
(X001) --- REFER SHEET NO.

1. F.F.L. --- FINISHED FLOOR LEVEL
2. S.F.L. --- STRUCTURAL FLOOR LEVEL
3. (R) --- REVERSED DETAIL

4. GLASS LEGEND

EGL-1--8mmHS+12mm AIR GAP+10mmTP THK. I.G.U.
EGL-2--10mm THK. CLEAR TEMPERED GLASS
EGL-4--10mm THK. TEMPERED ACID ETCHED GLASS
EGL-1A-8mmHS+12mm AIR GAP+8mmTP THK. I.G.U.
EGL-1B-8mmHS+12mm AIR GAP+10mmTP ADD-ETCHED THK. I.G.U.

NO.	DATE	REVISION	SUBJECT TO ARCH-COMMENT	BY
1	27/06/2022	REVISION SUBJECT TO ARCH-COMMENT	ivan	
H	22/04/2022	REVISION SUBJECT TO ARCH-COMMENT	ivan	
G	09/04/2022	REVISION SUBJECT TO ARCH-COMMENT	ivan	
F	14/12/2021	REVISION SUBJECT TO ARCH-COMMENT	ivan	
E	29/11/2021	REVISION SUBJECT TO ARCH-COMMENT	ivan	

JOB NO. : J-856

PROJECT : PROPOSED DEVELOPMENT ABOVE LIGHT RAIL TIN WING STOP-TSWTL NO.23,AREA 33,TIN SHUI WAI, N.T.

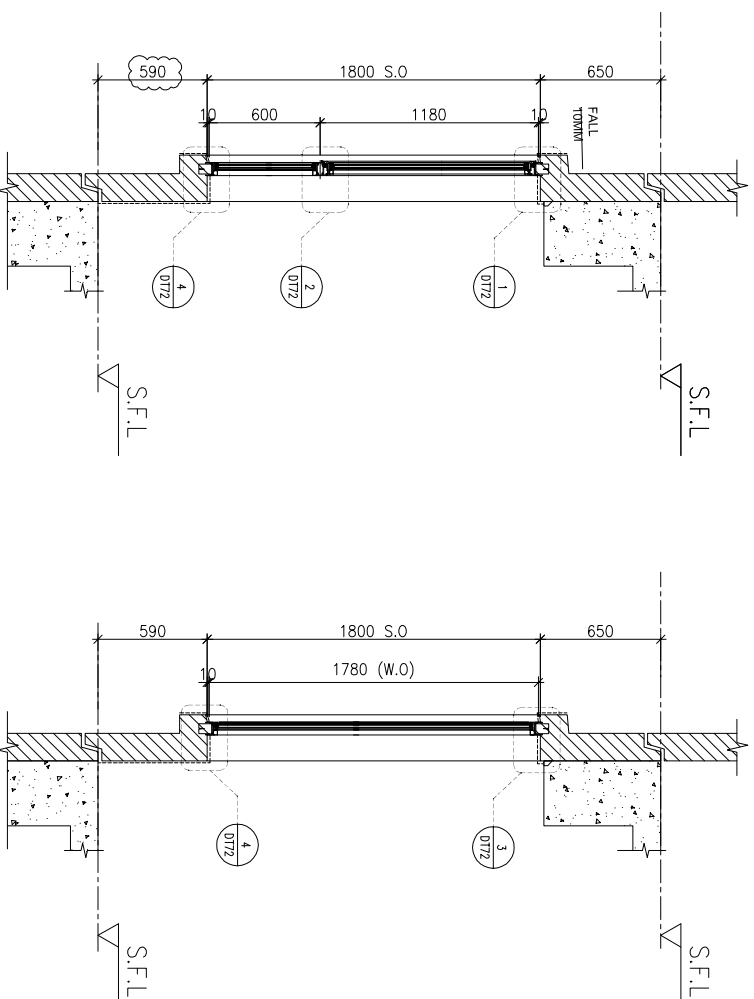
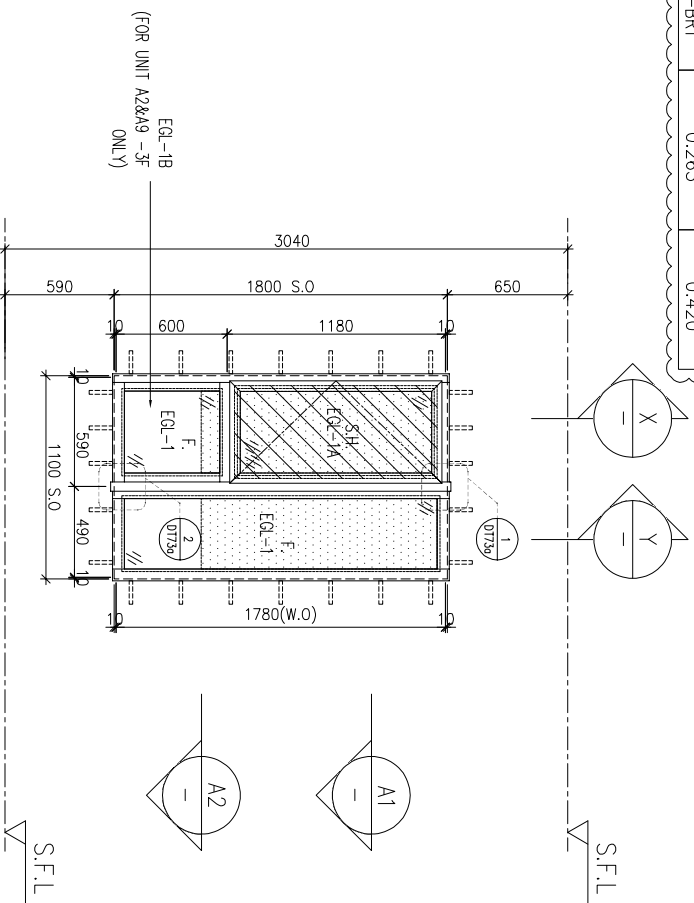
TITLE : WINDOW SCHEDULE FOR TOWER 3 ALUM. WINDOW

DATE : 02-Aug-21 SCALE : 1:40

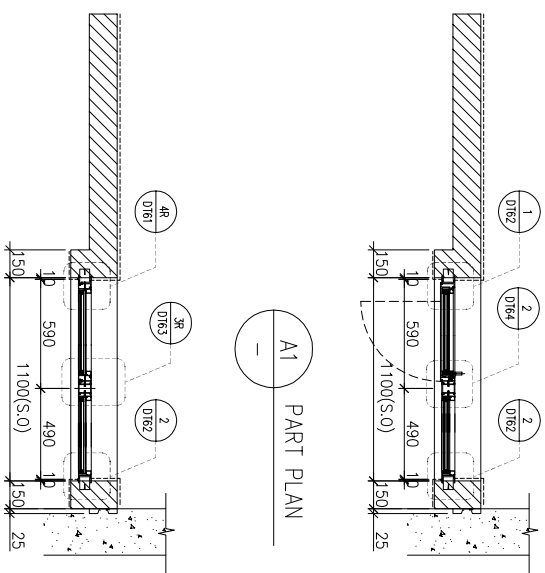
DRAWN BY : ivan CHECKED BY :

美特鋁質有限公司
MIDI ALUMINIUM FABRICATOR LTD.
Units 6-8, Sunray Industrial Centre, 1/F
610 Cho Kwai Ling Road, Kwai Tsoum
Tel:23489211-4 Fax:(852)27272666
DWG NO. : J856-SD-PW-5304 REV. : I

REQUIRED		PROVIDED	
LOCATION	OPENABLE AREA	GLAZING AREA	GLAZING AREA
A5-BR2	0.263	0.420	0.548
B1-BR1	0.263	0.420	0.985
B3-BR1	0.263	0.420	
B6-BR1	0.263	0.420	

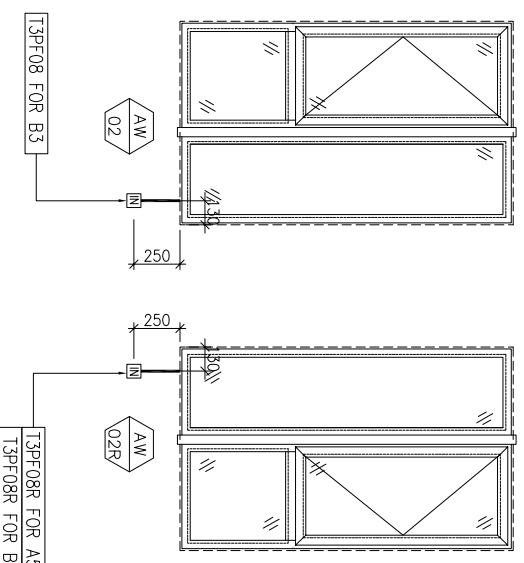


ELEVATION



FACADE CODE		UNIT
LWK	鴻輝	B3
PF-08	T3PF-25	A5
PF-08R	T3PF-10	B1

WINDOW MARK	LOCATION	SECTION	GLAZING	QUANTITY	REMARKS
AW 02	3/F~42/F(4/F,13/F,14/F,24/F,34/F OMITTED) UNIT B6 & 5/F~42/F FOR B3	70mm ALUM. SECTION	EGL-1,EGL-1A	35 Nos	FACADE(TYPE T3PF08 FOR 3/F~42/F) (4 BAR HINGE-LIP HING (HHMS-N14)
AW 02R	3/F~42/F(4/F,13/F,14/F,24/F,34/F OMITTED) UNIT A5, B1	70mm ALUM. SECTION	EGL-1,EGL-1A	35 Nos / 35 Nos	FACADE(TYPE T3PF08R FOR 3/F~42/F) (4 BAR HINGE-LIP HING (HHMS-N14)



BD. REF. : _____

CLIENT : **SUN HUNG KAI**
REAL ESTATE AGENCY LTD.
42/F SUN HUNG KAI CENTRE, WANCHAI, HONGKONG

ARCHITECT : **lwk&partners**
a r c h i t e c t s

MANU CONTRACTOR : **怡輝建築有限公司**
Yee Fai Building Contractors Ltd.

STRUCTURAL ENGINEER : **ARUP**
ALPHA CONSULTING LIMITED
Steel Structure & Façade Specialist

FACADE CONSULTANT : **ARUP**
ALPHA CONSULTING LIMITED
Steel Structure & Façade Specialist

NOTE :

- ALL DIMENSIONS ARE IN mm.
- ALL ELEVATIONS ARE VIEWED FROM OUTSIDE.
- ALL DIMENSIONS TO BE VERIFIED ON SITE BEFORE FABRICATION.

LEGEND :

(X1) --- DETAIL MARK NO.
(X001) --- REFER SHEET NO.

- F.F.L. --- FINISHED FLOOR LEVEL
- S.F.L. --- STRUCTURAL FLOOR LEVEL
- (R) --- REVERSED DETAIL

4. GLASS LEGEND

EGL-1 --- 8mmHS+12mm AIR GAP+10mmTP THK. I.G.U.
EGL-2 --- 10mm THK. CLEAR TEMPERED GLASS
EGL-4 --- 10mm THK. TEMPERED ACID ETCHED GLASS
EGL-1A --- 8mmHS+12mm AIR GAP+8mmTP THK. I.G.U.
EGL-1B --- 8mmHS+12mm AIR GAP+10mmTP ACID-ETCHED THK. I.G.U.

NO.	DATE	REVISION	REVISION SUBJECT TO ARCH-COMMENT	BY
1	17/08/2022	REVISION SUBJECT TO ARCH-COMMENT		hvn
H	22/04/2022	REVISION SUBJECT TO ARCH-COMMENT		hvn
G	09/04/2022	REVISION SUBJECT TO ARCH-COMMENT		hvn
F	14/12/2021	REVISION SUBJECT TO ARCH-COMMENT		hvn
E	29/11/2021	REVISION SUBJECT TO ARCH-COMMENT		hvn
D	02/11/2021	REVISION SUBJECT TO ARCH-COMMENT		hvn
C	28/10/2021	REVISION SUBJECT TO ARCH-COMMENT		hvn

JOB NO. : J-856

PROJECT : PROPOSED DEVELOPMENT ABOVE LIGHT RAIL TIN WING STOP-TSWTL NO.23,AREA 33,TIN SHUI WAI, N.T.

TITLE : WINDOW SCHEDULE FOR TOWER 3 ALUM. WINDOW

DATE : 02-Aug-21 SCALE : 1:40

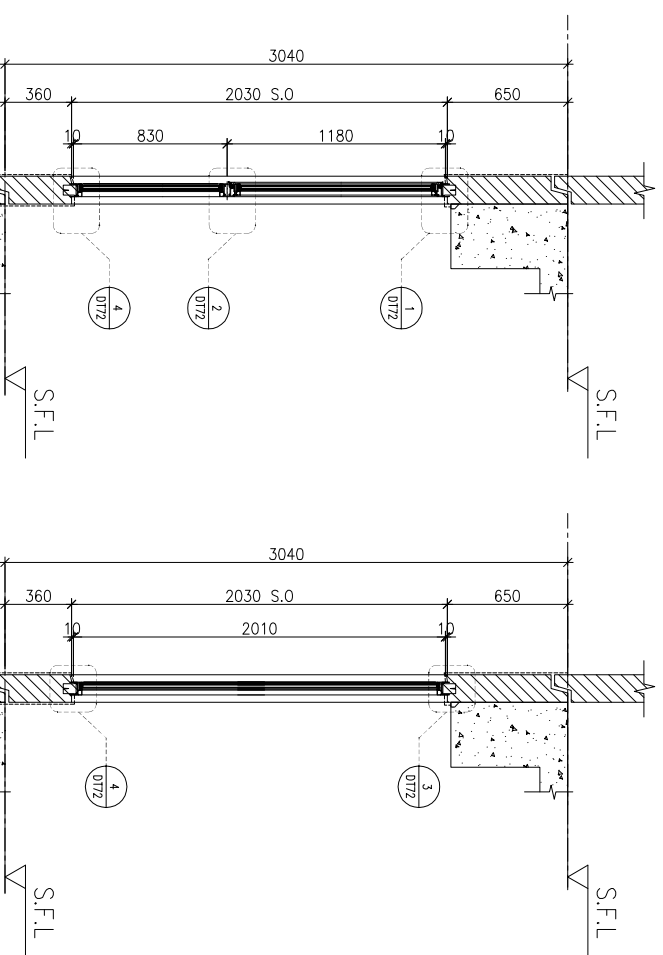
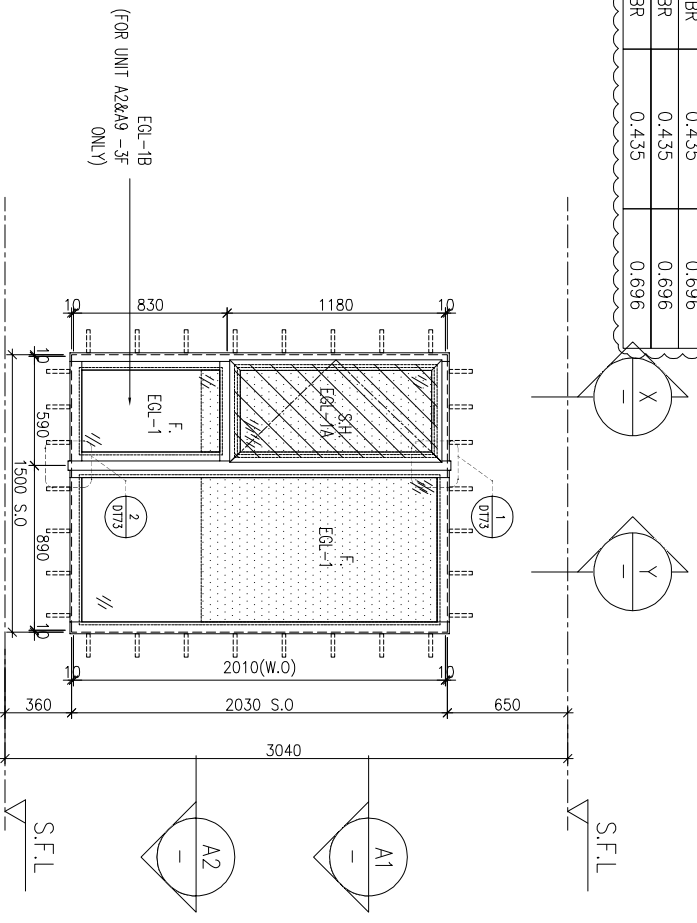
DRAWN BY : ivon CHECKED BY :

UNIT 6-8 Sunway Industrial Centre, 1/F
610 Che Kwo Ling Road, Kowloon
Tel:23489211-4 Fax:(852)27272666

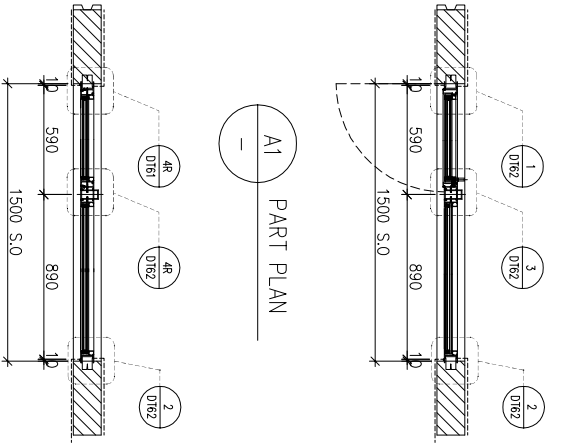
DWG NO. : J856-SD-PW-5305 REV. : I

美特鋁質有限公司
MIDI ALUMINIUM FABRICATOR LTD.

REQUIRED		PROVIDED	
LOCATION	OPENABLE AREA	GLAZING AREA	GLAZING AREA
A2-MBR	0.460	0.736	0.548
A5-MBR	0.473	0.757	1.495
A9-MBR	0.471	0.754	
A15-MBR	0.435	0.696	
B6-MBR	0.435	0.696	
B7-MBR	0.435	0.696	



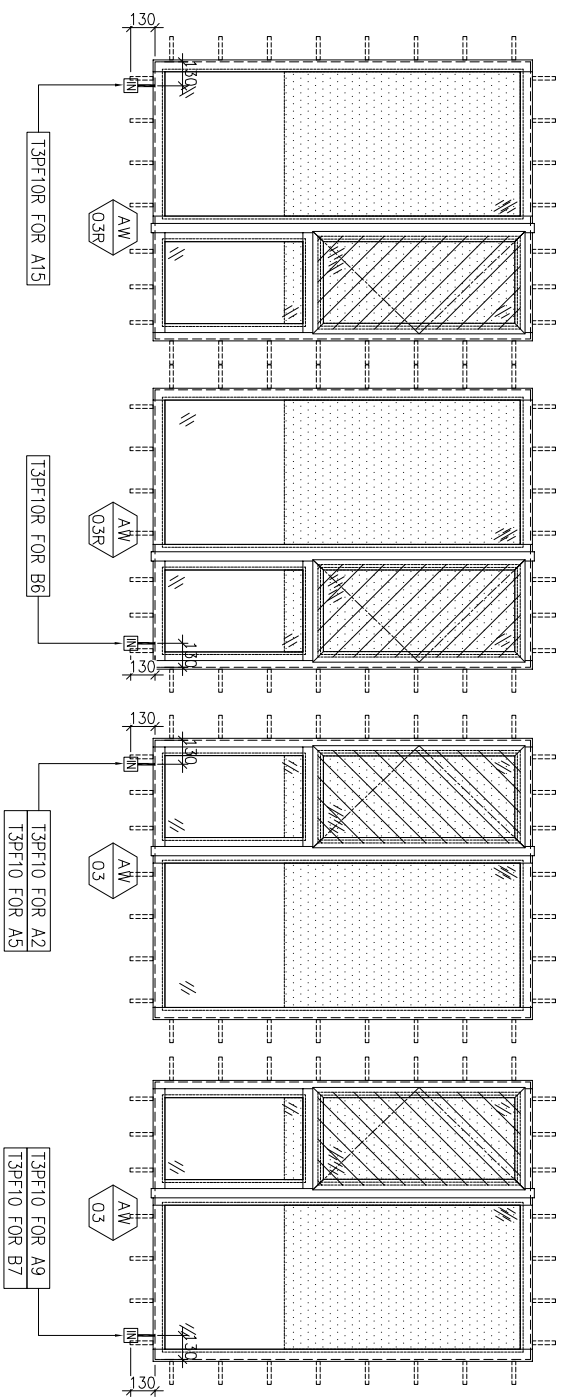
ELEVATION



FACADE CODE		FACADE CODE	
LWK	UNIT	LWK	UNIT
PF-10	T3PF-06	A2	
PF-10	T3PF-11	A5	
PF-10	T3PF-38	A9	
PF-10	T3PF-31	B7	

WINDOW MARK

LOCATION 3/F-42/F(4/F,13/F,14/F,24/F,34/F OMITTED) UNIT A2, A5, A9, B7
SECTION 70mm ALUM. SECTION
GLAZING EGL-1,EGL-1A
QUANTITY 35 Nos / 35 Nos / 35 Nos / 35 Nos
REMARKS FACADE(TYPE T3PF10 FOR 3/F~42/F) (4 BAR HINGE-LIP HING (HHMS-N14))



WINDOW MARK

LOCATION 3/F-42/F(4/F,13/F,14/F,24/F,34/F OMITTED) UNIT A15(5/F-42/F), B6
SECTION 70mm ALUM. SECTION
GLAZING EGL-1,EGL-1A
QUANTITY 34 Nos / 35 Nos
REMARKS FACADE(TYPE T3PF10 FOR 3/F~42/F) (4 BAR HINGE-LIP HING (HHMS-N14))

BD. REF :

CLIENT :

SUN HUNG KAI
REAL ESTATE AGENCY LTD.
42/F SUN HUNG KAI CENTRE, WANCHAI, HONGKONG

lwk&partners
ARCHITECT

MANU CONTRACTOR :
怡輝建築有限公司
Yee Fai Building Contractors Ltd.

STRUCTURAL ENGINEER :
ARUP
ALPHA CONSULTING LIMITED
Steel Structure & Façade Specialist

- NOTE:
1. ALL DIMENSIONS ARE IN mm.
 2. ALL ELEVATIONS ARE VIEWED FROM OUTSIDE.
 3. ALL DIMENSIONS TO BE VERIFIED ON SITE BEFORE FABRICATION.

- LEGEND:
- X1 --- DETAIL MARK NO.
 - X001 --- REFER SHEET NO.
 - 1. F.F.L. --- FINISHED FLOOR LEVEL
 - 2. S.F.L. --- STRUCTURAL FLOOR LEVEL
 - 3. (R) --- REVERSED DETAIL
 - 4. GLASS LEGEND
- EQI-1--8mmHS+12mm AIR GAP+10mmTP THK. I.G.U.
EQI-2--10mm THK. CLEAR TEMPERED GLASS
EQI-4--10mm THK. TEMPERED ACID ETCHED GLASS
EQI-1A-8mmHS+12mm AIR GAP+8mmTP THK. I.G.U.
EQI-1B-8mmHS+12mm AIR GAP+10mmTP ADD-ETCHED THK. I.G.U.

NO.	DATE	REVISION SUBJECT TO ARCH-COMMENT	REVISION	BY
1	17/08/2022	REVISION SUBJECT TO ARCH-COMMENT		lwn
2	27/06/2022	REVISION SUBJECT TO ARCH-COMMENT		lwn
3	22/04/2022	REVISION SUBJECT TO ARCH-COMMENT		lwn
4	09/04/2022	REVISION SUBJECT TO ARCH-COMMENT		lwn
5	14/12/2021	REVISION SUBJECT TO ARCH-COMMENT		lwn
6	29/11/2021	REVISION SUBJECT TO ARCH-COMMENT		lwn

JOB NO. : J-856
PROJECT : PROPOSED DEVELOPMENT ABOVE LIGHT RAIL TIN WING STOP,T5WTL NO.23,AREA 33,TIN SHUI WAI, N.T.
TITLE : WINDOW SCHEDULE FOR TOWER 3 ALUM. WINDOW

DATE : 02-Aug-21 SCALE : 1:40
DRAWN BY : lwn CHECKED BY :
美特鋁質有限公司
MIDI ALUMINIUM FABRICATOR LTD.
Units 6-8, Sunray Industrial Centre, 1/F
610 Cho Kwai Ling Road, Kwailoon
Tel:23489211-4 Fax:(852)27272666
DWG NO. : J856-SD-PW-5306 REV. : 1

B.D. REF :

CLIENT :

SUN HUNG KAI
REAL ESTATE AGENCY LTD.
42/F SUN HUNG KAI CENTRE, WANCHAI, HONGKONG

ARCHITECT :

lwk&partners
a r c h i t e c t s

MAIN CONTRACTOR :

怡輝建築有限公司
Yee Fai Building Contractors Ltd.

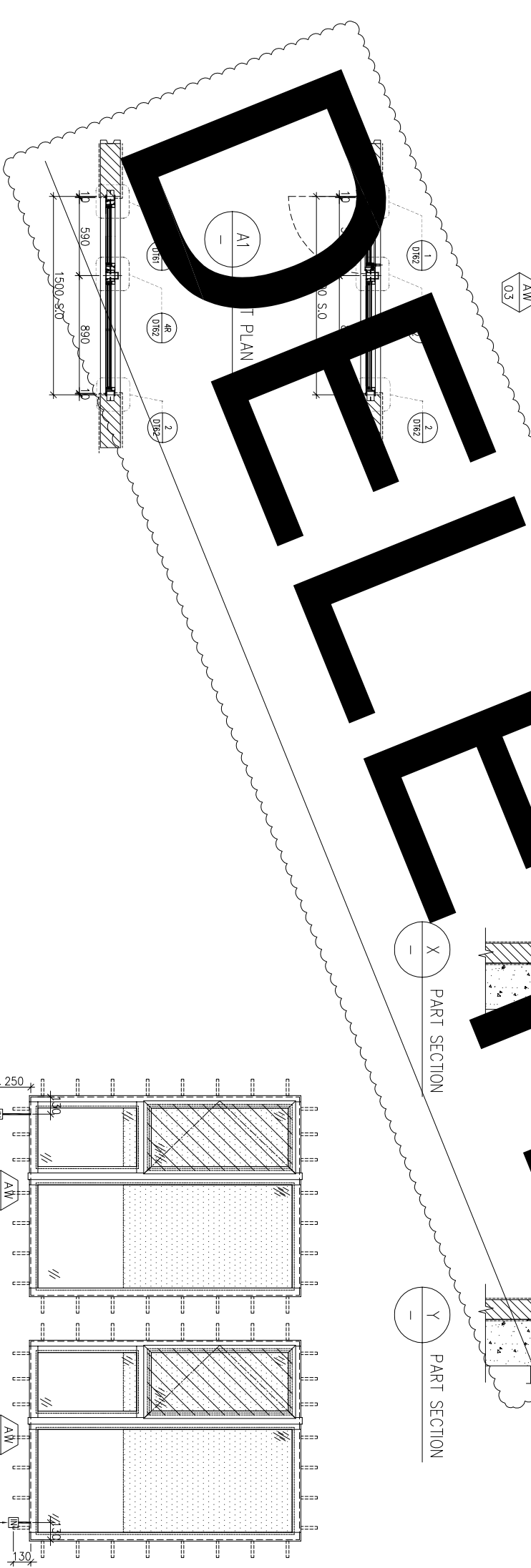
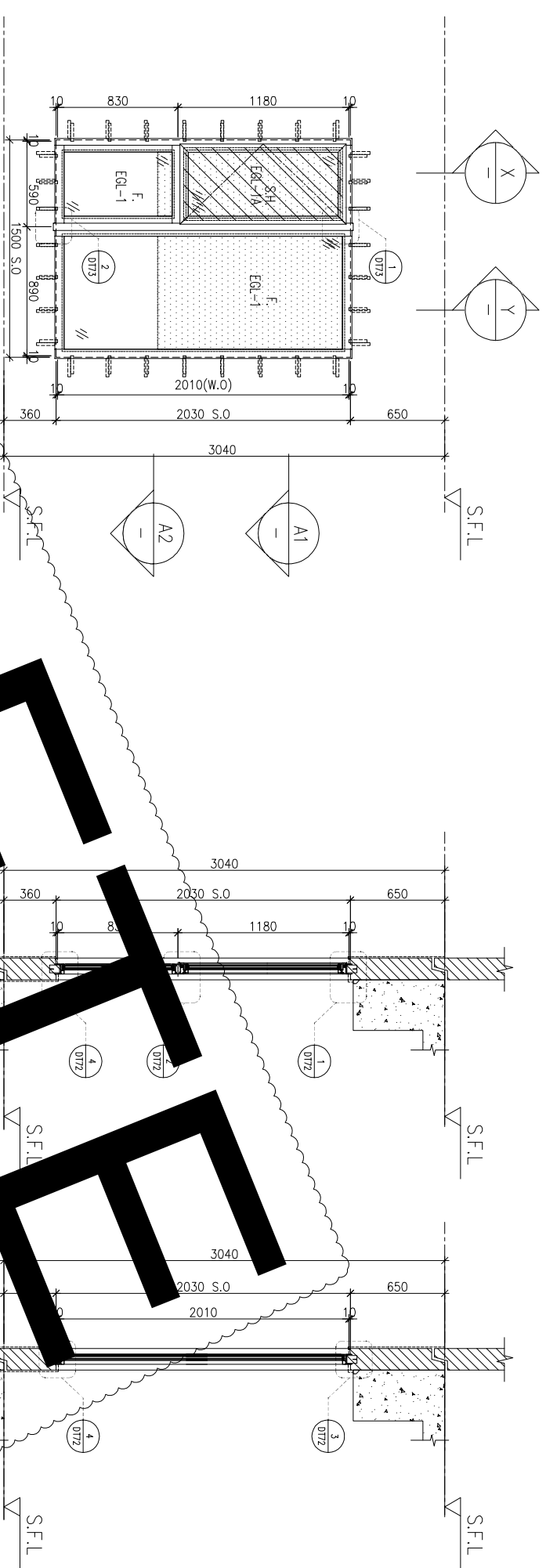
STRUCTURAL ENGINEER :

ARUP

FAÇADE CONSULTANT :

ALPHA CONSULTING LIMITED
Steel Structure & Façade Specialist

ELEVATION



FAÇADE CODE		UNIT
LWK	鴻輝	A1
PF-11	±3PF-03	A1
PF-11	±3PF-17	B10

CHANGE TO IN-SITU WINDOWS?
CHANGE TO IN-SITU WINDOWS?

WINDOW MARK	AW 03
LOCATION	3/F-42/F(4/F,13/F,14/F,24/F,34/F OMITTED) UNIT (A1, B10)
SECTION	70mm ALUM. SECTION
GLAZING	EGL-1, EGL-1A
QUANTITY	35 Nos. / 35 Nos
REMARKS	FAÇADE(TYPE {3PF1}) FOR 3/F-42/F)

- NOTE :
1. ALL DIMENSIONS ARE IN mm.
 2. ALL ELEVATIONS ARE VIEWED FROM OUTSIDE.
 3. ALL DIMENSIONS TO BE VERIFIED ON SITE BEFORE FABRICATION.

LEGEND :

- (X1) --- DETAIL MARK NO.
- (X001) --- REFER SHEET NO.
- 1. F.F.L. --- FINISHED FLOOR LEVEL
- 2. S.F.L. --- STRUCTURAL FLOOR LEVEL
- 3. (R) --- REVERSED DETAIL

4. GLASS LEGEND

EGL-1	--8mmHS+12mm AIR GAP+10mmTP THK. I.G.U.
EGL-2	--10mm THK. CLEAR TEMPERED GLASS
EGL-4	--10mm THK. TEMPERED ACID ETCHED GLASS
EGL-1A	--8mmHS+12mm AIR GAP+8mmTP THK. I.G.U.
EGL-1B	--8mmHS+12mm AIR GAP+10mmTP THK. I.G.U.
H	18/05/2022 REVISION SUBJECT TO ARCH-COMMENT
G	22/04/2022 REVISION SUBJECT TO ARCH-COMMENT
F	08/04/2022 REVISION SUBJECT TO ARCH-COMMENT
E	14/12/2021 REVISION SUBJECT TO ARCH-COMMENT
D	29/11/2021 REVISION SUBJECT TO ARCH-COMMENT
C	02/11/2021 REVISION SUBJECT TO ARCH-COMMENT
B	28/10/2021 REVISION SUBJECT TO ARCH-COMMENT
A	27/09/2021 REVISION SUBJECT TO ARCH-COMMENT

JOB NO. : J-856

PROJECT : PROPOSED DEVELOPMENT ABOVE LIGHT RAIL TIN WING STOP-TS/WTL NO.23,AREA 33,TIN SHUI WAI, N.T.

TITLE : WINDOW SCHEDULE FOR TOWER 3 ALUM. WINDOW

DATE : 02-Aug-21 SCALE : 1:40

DRAWN BY : IYON CHECKED BY :

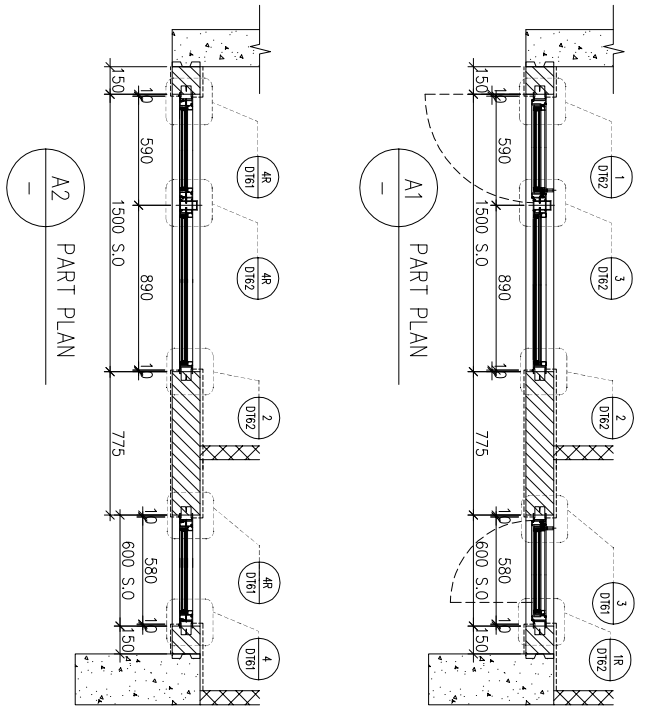
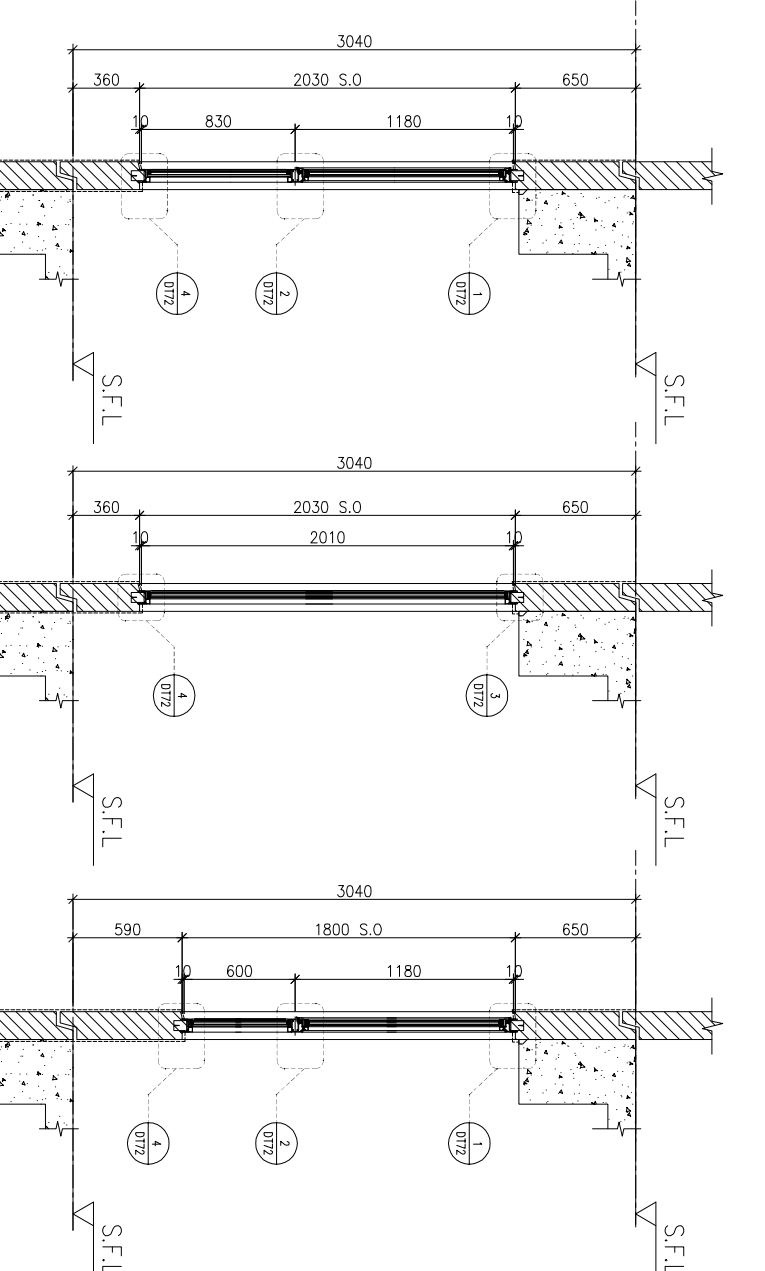
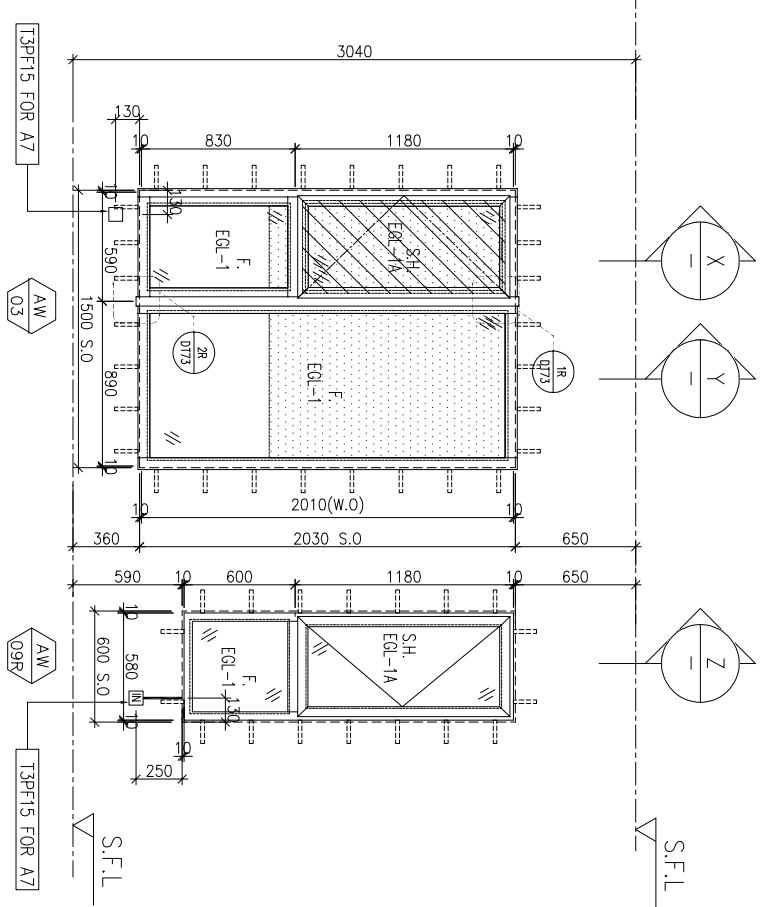
UNITED ALUMINIUM FABRICATOR LTD.
Units 6-8, Sunray Industrial Centre, 1/F
610 Cho Kwai Ling Road, Kowloon
Tel:23489211-4 Fax:(852)2727666
DWG NO. : J856-SD-PW-5307 REV. : H

LOCATION	OPENABLE AREA	GLAZING AREA	OPENABLE AREA	GLAZING AREA
A7-MBR	0.388	0.620	0.548	1.495

LOCATION	OPENABLE AREA	GLAZING AREA	OPENABLE AREA	GLAZING AREA
A7-S10	N/A	N/A	N/A	N/A

LOCATION	OPENABLE AREA	GLAZING AREA	OPENABLE AREA	GLAZING AREA
A7-S10	N/A	N/A	N/A	N/A

LOCATION	OPENABLE AREA	GLAZING AREA	OPENABLE AREA	GLAZING AREA
A7-S10	N/A	N/A	N/A	N/A



FAÇADE CODE	UNIT
LWK	鴻輝
PF-15	T3PF-14
	A7

WINDOW MARK	AW 03	AW 09R
LOCATION	3/F-42/F(4/F,13/F,14/F,24/F,34/F OMITTED) UNIT A7	
SECTION	70mm ALUM. SECTION	
GLAZING	EGL-1, EGL-1A	
QUANTITY	35 Nos	
REMARKS	FAÇADE(TYPE T3PF15 FOR 3/F-42/F) 4 BAR HINGE-LIP HING (HHMS-N14)	

BD. REF. :

CLIENT : **SUN HUNG KAI REAL ESTATE AGENCY LTD.**
42/F SUN HUNG KAI CENTRE, WANCHAI, HONGKONG

ARCHITECT : **lwk&partners**
a r c h i t e c t s

MAIN CONTRACTOR : **怡輝建築有限公司**
Yee Fai Building Contractors Ltd.

STRUCTURAL ENGINEER : **ARUP**

FAÇADE CONSULTANT : **ALPHA CONSULTING LIMITED**
Steel Structure & Façade Specialist

NOTE :

1. ALL DIMENSIONS ARE IN mm.
2. ALL ELEVATIONS ARE VIEWED FROM OUTSIDE.
3. ALL DIMENSIONS TO BE VERIFIED ON SITE BEFORE FABRICATION.

LEGEND :

(X1) --- DETAIL MARK NO.
(X001) --- REFER SHEET NO.

1. F.F.L. --- FINISHED FLOOR LEVEL
2. S.F.L. --- STRUCTURAL FLOOR LEVEL
3. (R) --- REVERSED DETAIL

4. GLASS LEGEND

EGL-1 --- 8mmHS+12mm AIR GAP+10mmTP THK. I.G.U.
EGL-2 --- 10mm THK. CLEAR TEMPERED GLASS
EGL-4 --- 10mm THK. TEMPERED ACID ETCHED GLASS
EGL-1A --- 8mmHS+12mm AIR GAP+8mmTP THK. I.G.U.
EGL-1B --- 8mmHS+12mm AIR GAP+10mmTP ACID-ETCHED THK. I.G.U.

NO.	DATE	REVISION	SUBJECT TO ARCH-COMMENT	BY
J	17/08/2022	REVISION	SUBJECT TO ARCH-COMMENT	hw
I	17/05/2022	REVISION	SUBJECT TO ARCH-COMMENT	hw
H	22/04/2022	REVISION	SUBJECT TO ARCH-COMMENT	hw
G	09/04/2022	REVISION	SUBJECT TO ARCH-COMMENT	hw
F	14/12/2021	REVISION	SUBJECT TO ARCH-COMMENT	hw
E	29/11/2021	REVISION	SUBJECT TO ARCH-COMMENT	hw

JOB NO. : J-856

PROJECT : PROPOSED DEVELOPMENT ABOVE LIGHT RAIL TIN WING STOP-TSWTL NO.23,AREA 33,TIN SHUI WAI, N.T.

TITLE : WINDOW SCHEDULE FOR TOWER 3 ALUM. WINDOW

DATE : 02-Aug-21 SCALE : 1:40

DRAWN BY : IYVN CHECKED BY :

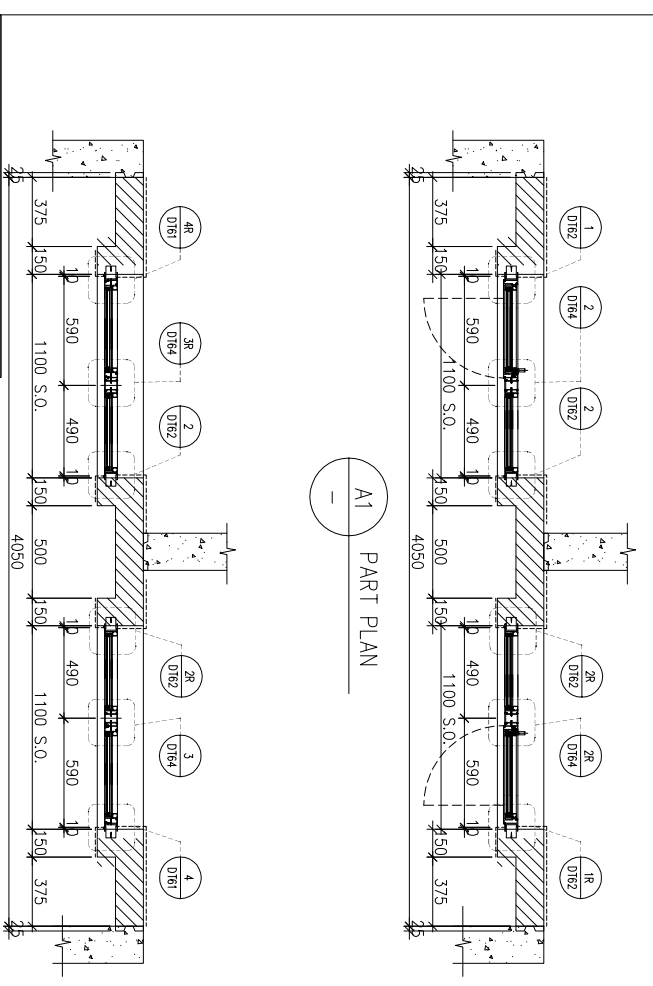
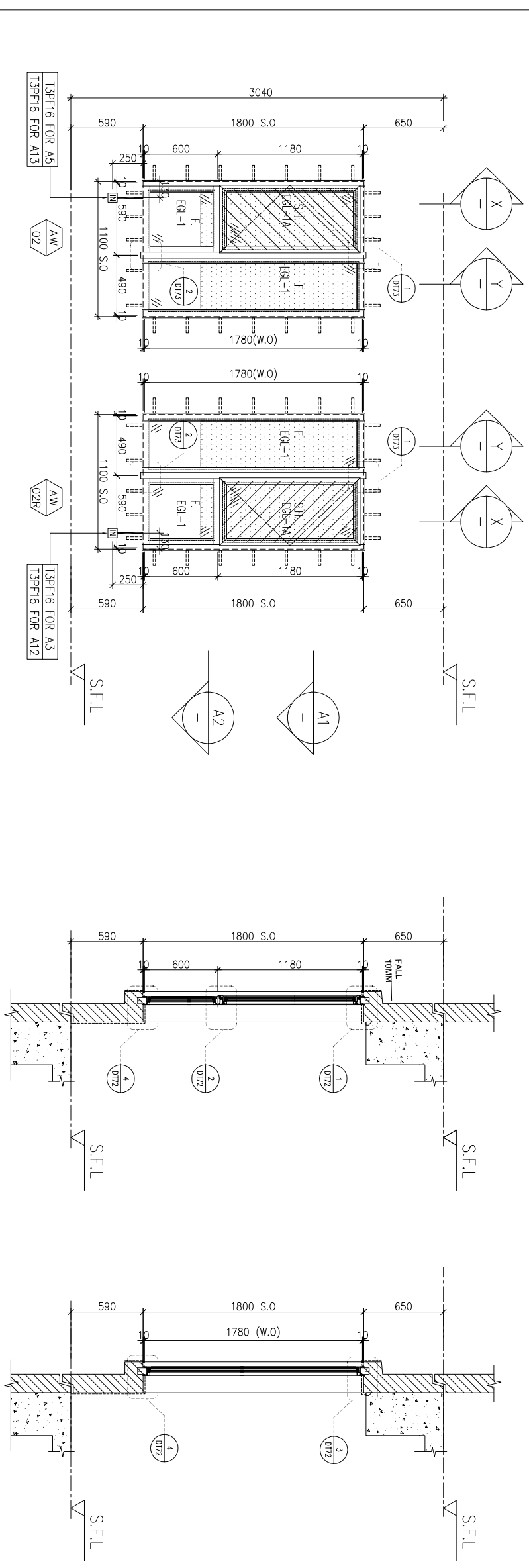
UNITA 6-8 Sunray Industrial Centre, 1/F
610 Cho Kwai Ling Road, Kowloon
Tel:23489211-4 Fax:(852)27272666

美特鋁質有限公司
MIDI ALUMINIUM FABRICATOR LTD.

DWG NO. : J856-SD-PW-5308 REV. : J

REQUIRE		PROVIDED	
LOCATION	OPENABLE AREA	GLAZING AREA	GLAZING AREA
A5-BR1	0.263	0.420	0.548
A13-BR1	0.263	0.420	0.985

REQUIRE		PROVIDED	
LOCATION	OPENABLE AREA	GLAZING AREA	GLAZING AREA
A3-BR1	0.263	0.420	0.548
A12-BR1	0.263	0.420	0.985



W/LWK	UNIT
PF-16	T3PF-09
PF-16	T3PF-09
PF-16	T3PF-43
PF-16	T3PF-43

WINDOW MARK	FAÇADE CODE
AW 02	A2
AW 02R	-

LOCATION	SECTION
5/F-42/F.13/F.14/F.24/F.34/F OMITTED	UNIT A5&A3, A13&A12
70mm ALUM. SECTION	

GLAZING	QUANTITY
EGL-1, EGL-1A	34 Nos / 34 Nos

REMARKS: FACADE (TYPE T3PF16 FOR 5/F-42/F) 4 BAR HINGE-LIP HING (HHMS-N14)

BD. REF. :

CLIENT : **SUN HUNG KAI REAL ESTATE AGENCY LTD.**
42/F, SUN HUNG KAI CENTRE, WANCHAI, HONGKONG

ARCHITECT : **lwk&partners**
a r c h i t e c t s

MANU CONTRACTOR : **怡輝建築有限公司**
Yee Fai Building Contractors Ltd.

STRUCTURAL ENGINEER : **ARUP**
ALPHA CONSULTING LIMITED
Steel Structure & Façade Specialist

FAÇADE CONSULTANT :

NOTE :

- ALL DIMENSIONS ARE IN mm.
- ALL ELEVATIONS ARE VIEWED FROM OUTSIDE.
- ALL DIMENSIONS TO BE VERIFIED ON SITE BEFORE FABRICATION.

LEGEND :

X1 - DETAIL MARK NO.
X001 - REFER SHEET NO.

- F.F.L. --- FINISHED FLOOR LEVEL
- S.F.L. --- STRUCTURAL FLOOR LEVEL
- (R) --- REVERSED DETAIL

4. GLASS LEGEND

EGL-1 --- 8mmHS+12mm AIR GAP+10mmTP THK. I.G.U.
EGL-2 --- 10mm THK. CLEAR TEMPERED GLASS
EGL-4 --- 10mm THK. TEMPERED ACID ETCHED GLASS
EGL-1A --- 8mmHS+12mm AIR GAP+8mmTP THK. I.G.U.
EGL-1B --- 8mmHS+12mm AIR GAP+10mmTP ACID-ETCHED THK. I.G.U.

NO.	DATE	REVISION	REVISION SUBJECT TO ARCH-COMMENT	BY
1	17/08/2022	REVISION SUBJECT TO ARCH-COMMENT	ivan	
H	22/04/2022	REVISION SUBJECT TO ARCH-COMMENT	ivan	
G	09/04/2022	REVISION SUBJECT TO ARCH-COMMENT	ivan	
F	14/12/2021	REVISION SUBJECT TO ARCH-COMMENT	ivan	
E	29/11/2021	REVISION SUBJECT TO ARCH-COMMENT	ivan	

JOB NO. : J-856

PROJECT : PROPOSED DEVELOPMENT ABOVE LIGHT RAIL TIN WING STOP-TSWTL NO.23, AREA 33, TIN SHUI WAI, N.T.

TITLE : WINDOW SCHEDULE FOR TOWER 3 ALUM. WINDOW

DATE : 02-Aug-21 SCALE : 1:40

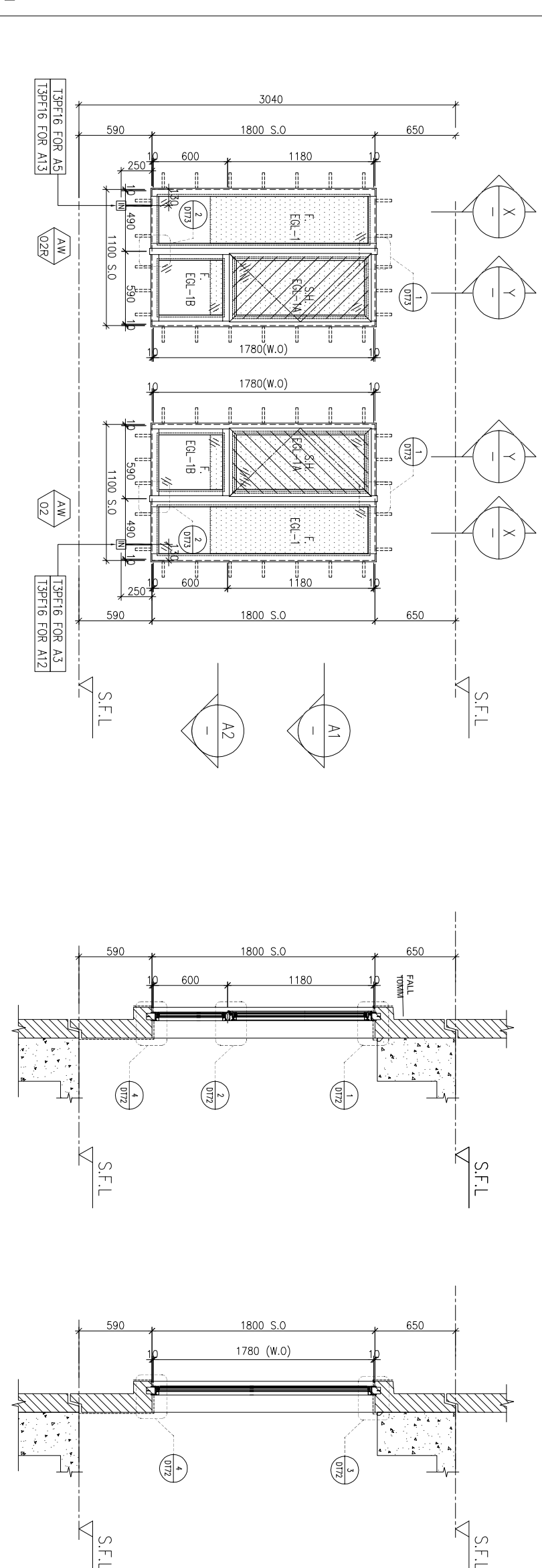
DRAWN BY : ivan CHECKED BY :

UNITED ALUMINIUM FABRICATOR LTD.
Units 6-8, Sunray Industrial Centre, 1/F
610 Cho Kwai Ling Road, Kwai Tsoum
Tel: 23489211-4 Fax: (852) 2727666

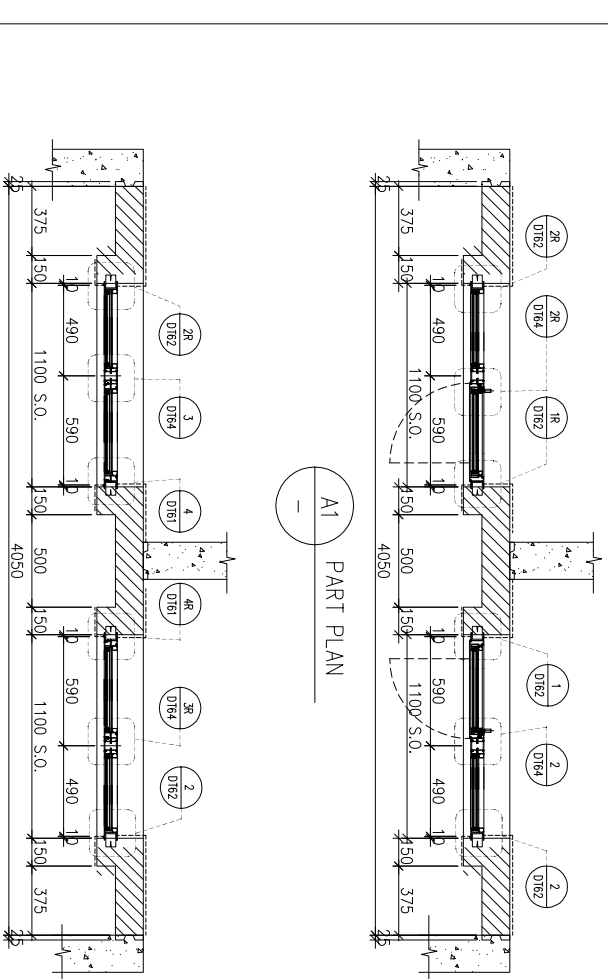
DWG NO. : J856-SD-PW-5309 REV. : 1

REQUIRE		PROVIDED	
LOCATION	OPENABLE AREA	GLAZING AREA	GLAZING AREA
A5-BR1	0.263	0.420	0.548
A13-BR1	0.263	0.420	0.985

REQUIRE		PROVIDED	
LOCATION	OPENABLE AREA	GLAZING AREA	GLAZING AREA
A3-BR1	0.263	0.420	0.548
A12-BR1	0.263	0.420	0.985



ELEVATION



WINDOW MARK	FAÇADE CODE	UNIT
AW 02	鴻輝	A3
AW 02B	T3PF-09	A5
	T3PF-09	A5
	T3PF-43	A13
	T3PF-43	A12

LOCATION	3/F UNIT A5&A3, A13&A12
SECTION	70mm ALUM. SECTION
GLAZING	EGL-1, EGL-1A
QUANTITY	1 No / 1 No
REMARKS	FAÇADE(TYPE T3PF16 FOR 3/F) 4 BAR HINGE-LIP HING (HHMS-N14)

BD. REF. :

CLIENT : **SUN HUNG KAI REAL ESTATE AGENCY LTD.**
42/F, SUN HUNG KAI CENTRE, WANCHAI, HONGKONG

ARCHITECT : **lwk&partners**
a r c h i t e c t s

MANU CONTRACTOR : **怡輝建築有限公司**
Yee Fai Building Contractors Ltd.

STRUCTURAL ENGINEER : **ARUP**
ALPHA CONSULTING LIMITED
Steel Structure & Façade Specialist

FAÇADE CONSULTANT :

NOTE :
1. ALL DIMENSIONS ARE IN mm.
2. ALL ELEVATIONS ARE VIEWED FROM OUTSIDE.
3. ALL DIMENSIONS TO BE VERIFIED ON SITE BEFORE FABRICATION.
LEGEND :
X1 - DETAIL MARK NO.
X001 - REFER SHEET NO.
1. F.F.L. --- FINISHED FLOOR LEVEL
2. S.F.L. --- STRUCTURAL FLOOR LEVEL
3. (R) --- REVERSED DETAIL
4. GLASS LEGEND
EGL-1 --- 8mmHS+12mm AIR GAP+10mmTP THK. I.G.U.
EGL-2 --- 10mm THK. CLEAR TEMPERED GLASS
EGL-4 --- 10mm THK. TEMPERED ACID ETCHED GLASS
EGL-1A --- 8mmHS+12mm AIR GAP+8mmTP THK. I.G.U.
EGL-1B --- 8mmHS+12mm AIR GAP+10mmTP ACID-ETCHED THK. I.G.U.

NO.	DATE	REVISION	SUBJECT TO ARCH-COMMENT	BY
B	17/08/2022	REVISION SUBJECT TO ARCH-COMMENT		ivan
A	27/06/2022	REVISION SUBJECT TO ARCH-COMMENT		ivan

JOB NO. : J-856

PROJECT : PROPOSED DEVELOPMENT ABOVE LIGHT RAIL TIN WING STOP-TSWTL NO.23,AREA 33,TIN SHUI WAI, N.T.

TITLE : WINDOW SCHEDULE FOR TOWER 3 ALUM. WINDOW

DATE : 23-Apr-21 SCALE : 1:40

DRAWN BY : ivan CHECKED BY :

UNITED ALUMINUM FABRICATOR LTD.
Units 6-8, Sunray Industrial Centre, 1/F
610 Cho Kwai Ling Road, Kowloon
Tel:23489211-4 Fax:(852)27272666

DWG NO. : J856-SD-PW-5309d REV. : B

B.D. REF :

CLIENT :

SUN HUNG KAI
REAL ESTATE AGENCY LTD.

42/F, SUN HUNG KAI CENTRE, WANCHAI, HONGKONG

ARCHITECT :

lwk&partners
a r c h i t e c t s

MAIN CONTRACTOR :

怡輝建築有限公司
Yee Fai Building Contractors Ltd.

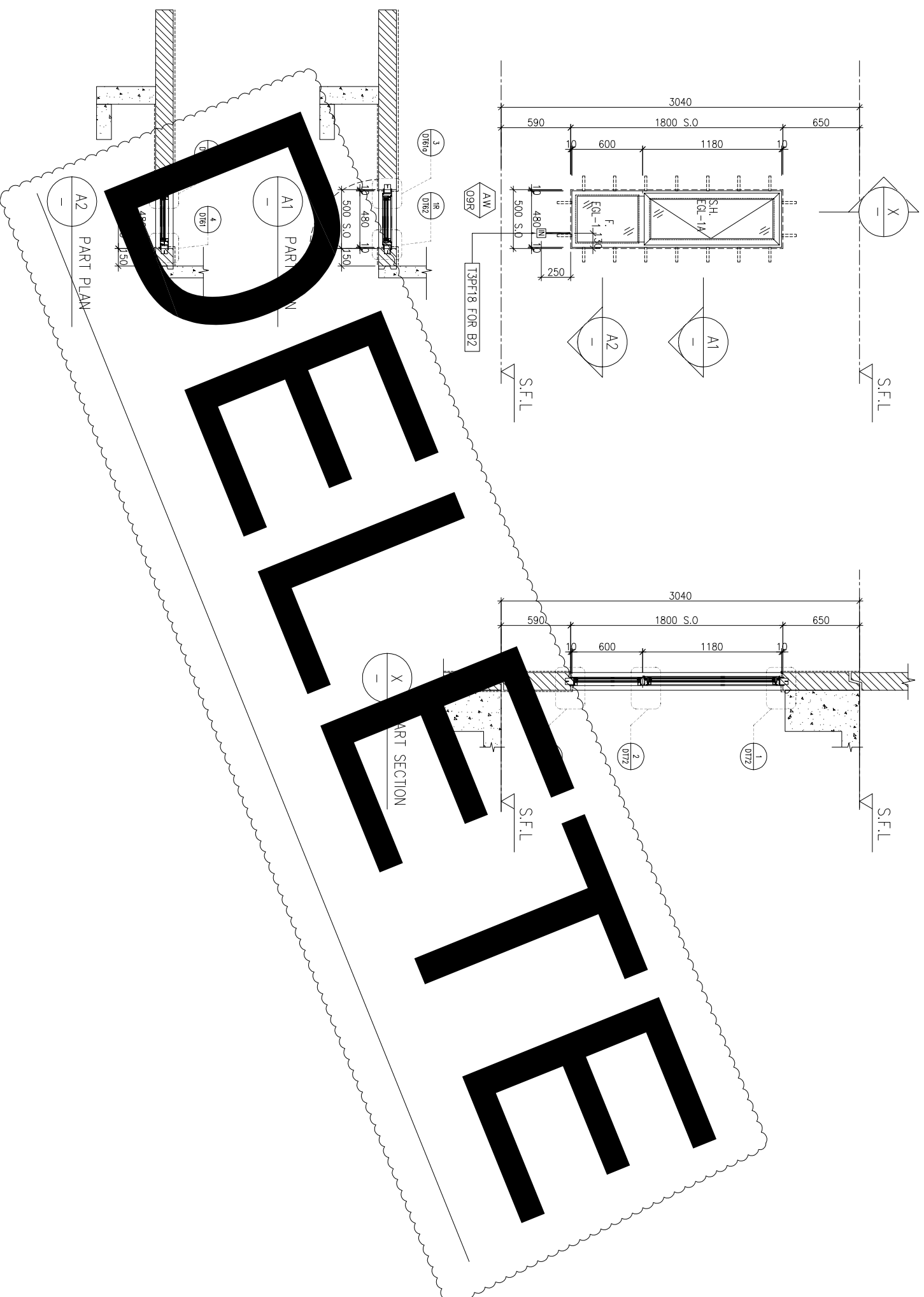
STRUCTURAL ENGINEER :

ARUP

FAÇADE CONSULTANT:

ALPHA CONSULTING LIMITED
Steel Structure & Façade Specialist

ELEVATION



FAÇADE CODE		
LWK	鴻輝	UNIT
PF-18	±3PF-46	B2

CHANGE TO IN-SITU WINDOWS?

WINDOW MARK	AW 09R
LOCATION	3/F-42/F(4/F,13/F,14/F,24/F,34/F OMITTED) UNIT B2
SECTION	70mm ALUM. SECTION
GLAZING	EGL-1, EGL-1A
QUANTITY	35 Nos
REMARKS	FAÇADE(TYPE 13PF18) FOR 3/F-42/F

NOTE:

1. ALL DIMENSIONS ARE IN mm.
2. ALL ELEVATIONS ARE VIEWED FROM OUTSIDE.
3. ALL DIMENSIONS TO BE VERIFIED ON SITE BEFORE FABRICATION.

LEGEND:

(X1) --- DETAIL MARK NO.
(X001) --- REFER SHEET NO.

1. F.F.L. --- FINISHED FLOOR LEVEL
2. S.F.L. --- STRUCTURAL FLOOR LEVEL
3. (R) --- REVERSED DETAIL

4. GLASS LEGEND

EGL-1 -- 8mmHS+12mm AIR GAP+10mmTP THK. LGU.
EGL-2 -- 10mm THK. CLEAR TEMPERED GLASS
EGL-4 -- 10mm THK. TEMPERED ACID ETCHED GLASS
EGL-1A -- 8mmHS+12mm AIR GAP+8mmTP THK. LGU.

NO.	DATE	REVISION	BY
A	27/09/2021	REVISION SUBJECT TO ARCH-COMMENT	lwk
B	18/10/2021	REVISION SUBJECT TO ARCH-COMMENT	lwk
C	28/10/2021	REVISION SUBJECT TO ARCH-COMMENT	lwk
D	02/11/2021	REVISION SUBJECT TO ARCH-COMMENT	lwk
E	29/11/2021	REVISION SUBJECT TO ARCH-COMMENT	lwk
F	14/12/2021	REVISION SUBJECT TO ARCH-COMMENT	lwk
G	08/04/2022	REVISION SUBJECT TO ARCH-COMMENT	lwk
H	22/04/2022	REVISION SUBJECT TO ARCH-COMMENT	lwk
I	09/09/2022	REVISION SUBJECT TO ARCH-COMMENT	lwk

JOB NO. : J-856

PROJECT : PROPOSED DEVELOPMENT ABOVE LIGHT RAIL TIN WING STOP-TSMTL NO.23,AREA 33,TIN SHUI WAI, N.T.

TITLE : WINDOW SCHEDULE FOR TOWER 3 ALUM. WINDOW

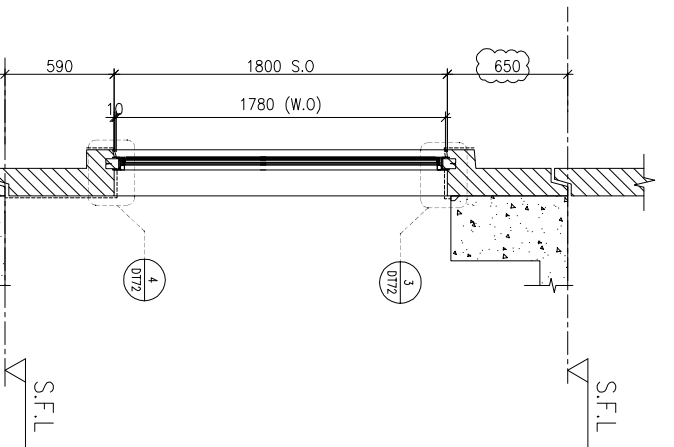
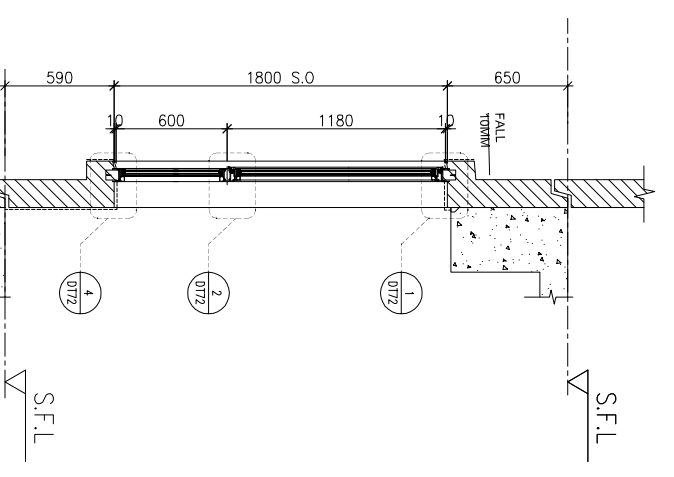
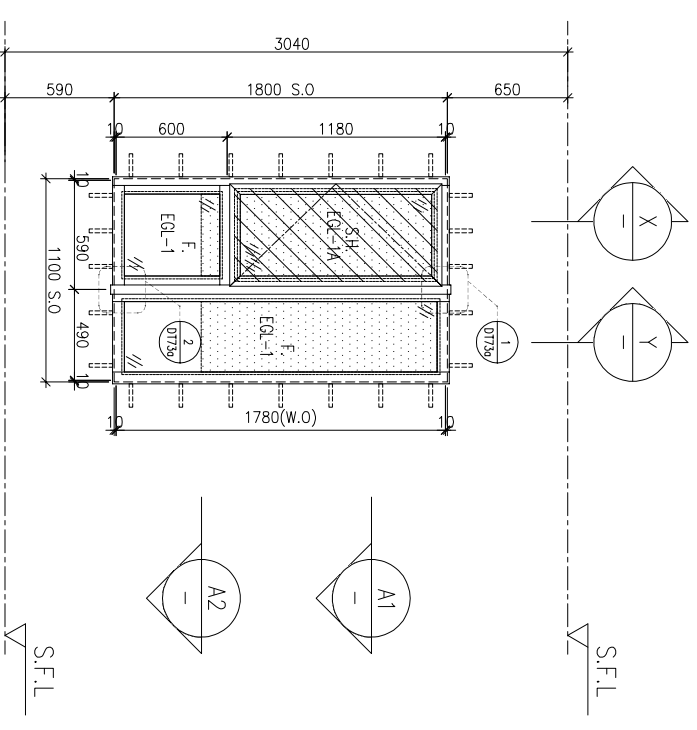
DATE : 02-Aug-21 SCALE : 1:40

DRAWN BY : Ivn

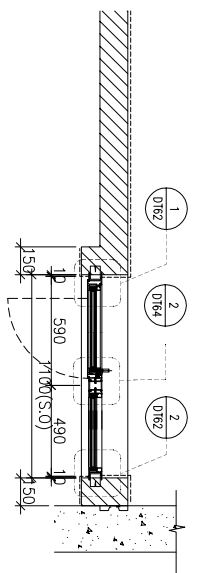
CHECKED BY :

美特鋁質有限公司
MIDI ALUMINIUM FABRICATOR LTD.
Units 6-8, Sunray Industrial Centre, 1/F
610 Cho Kwai Ling Road, Kwai Tsoum
Tel:23489211-4 Fax:(852)2727666
DWG NO. : J856-SD-PW-5310 REV. : I

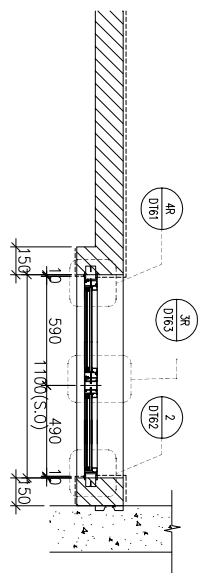
REQUIRE	PROVIDED
LOCATION	B6-BR1
OPENABLE AREA	0.263
GLAZING AREA	0.420
OPENABLE AREA	0.548
GLAZING AREA	0.985



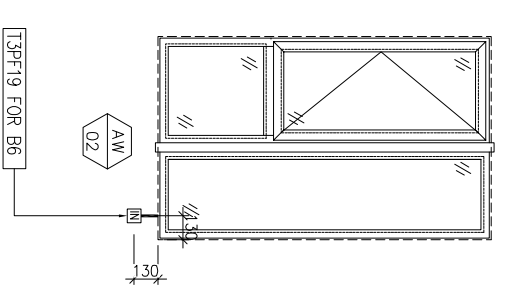
ELEVATION



A1 PART PLAN



A2 PART PLAN



FACADE CODE		
LWK	鴻輝	UNIT
PF-19	T3PF-28	B6

WINDOW MARK	AW 02
LOCATION	3/F-42/F(4/F,13/F,14/F,24/F,34/F OMITTED) UNIT B6
SECTION	70mm ALUM. SECTION
GLAZING	EGL-1, EGL-1A
QUANTITY	35 Nos.
REMARKS	FACADE (TYPE T3PF19 FOR 3/F-42/F) 4 BAR HINGE-LIP HING (HHMS-N14)

BD. REF. :

CLIENT :
SUN HUNG KAI
 REAL ESTATE AGENCY LTD.
 42/F SUN HUNG KAI CENTRE, WANCHAI, HONGKONG

ARCHITECT :
lwk&partners
 a r c h i t e c t s

MANU CONTRACTOR :
 怡輝建築有限公司
Yee Fai Building Contractors Ltd.

STRUCTURAL ENGINEER :
ARUP
 ALPHA CONSULTING LIMITED
 Steel Structure & Façade Specialist

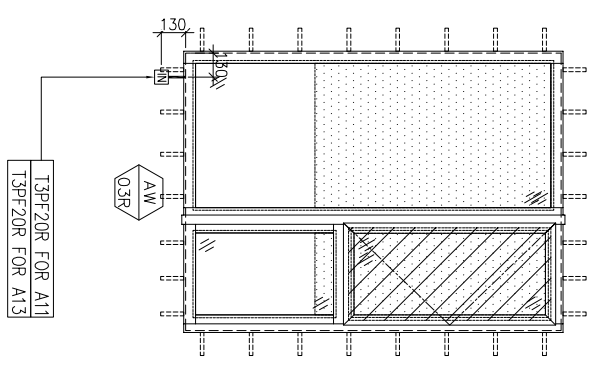
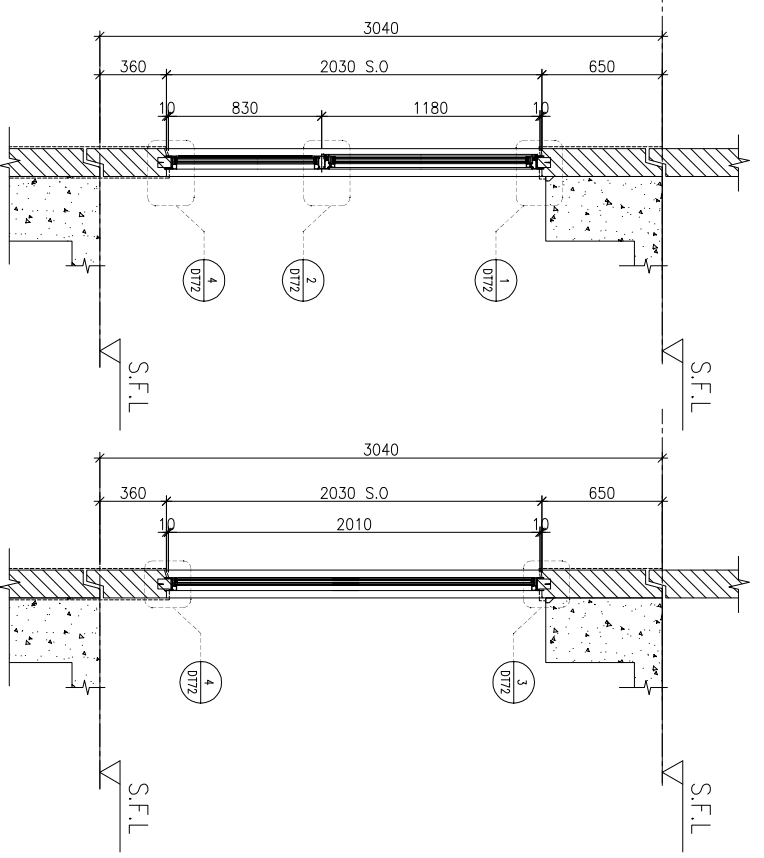
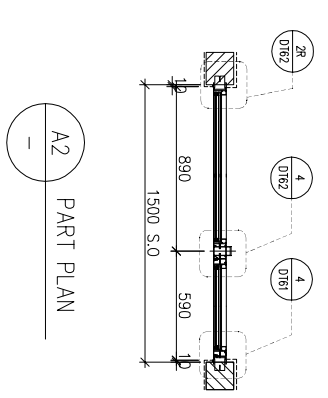
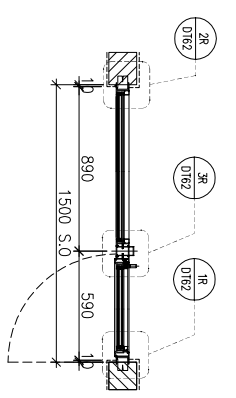
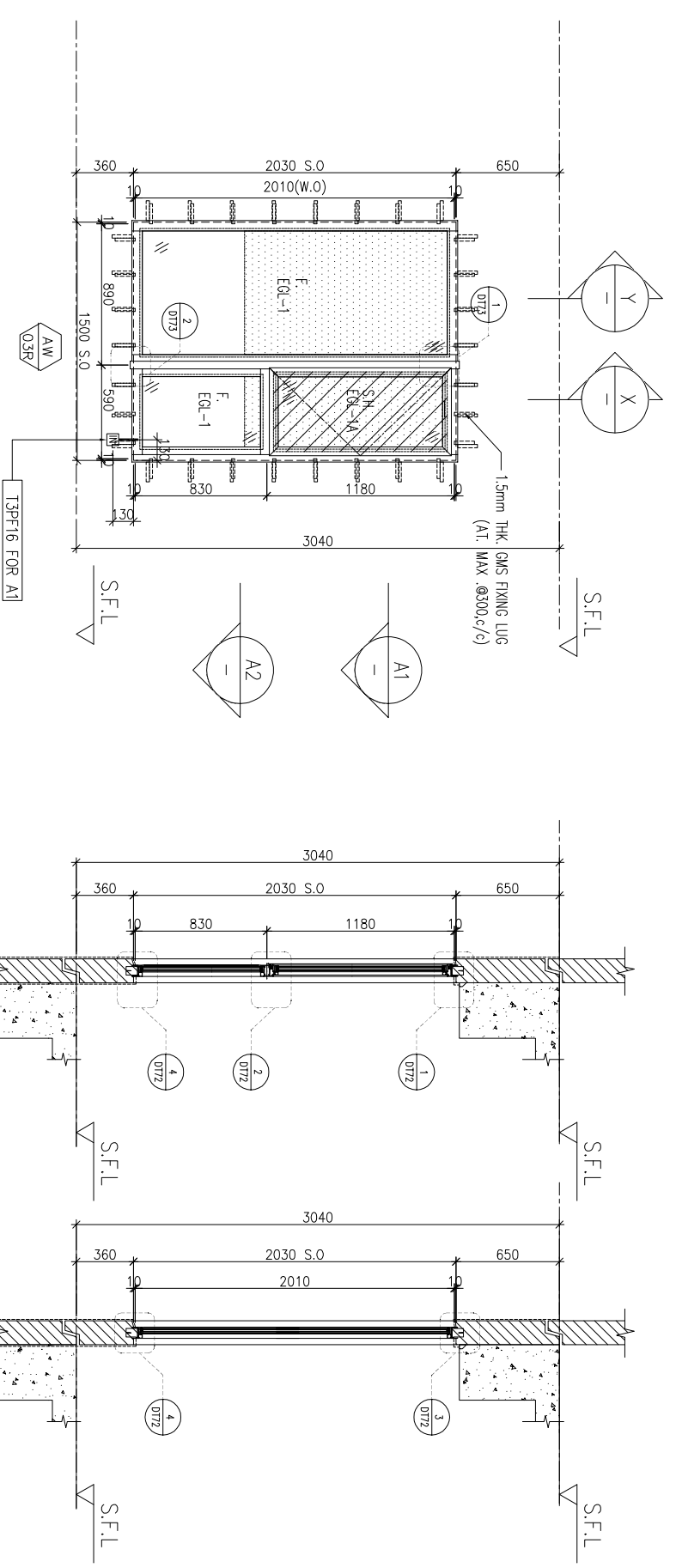
NOTE :
 1. ALL DIMENSIONS ARE IN mm.
 2. ALL ELEVATIONS ARE VIEWED FROM OUTSIDE.
 3. ALL DIMENSIONS TO BE VERIFIED ON SITE BEFORE FABRICATION.
 LEGEND :
 (X1) --- DETAIL MARK NO.
 (X001) --- REFER SHEET NO.
 1. F.L. --- FINISHED FLOOR LEVEL
 2. S.F.L. --- STRUCTURAL FLOOR LEVEL
 3. (R) --- REVERSED DETAIL
 4. GLASS LEGEND
 EGL-1 --- 8mmHS+12mm AIR GAP+10mmTP THK. I.G.U.
 EGL-2 --- 10mm THK. CLEAR TEMPERED GLASS
 EGL-4 --- 10mm THK. TEMPERED ACID ETCHED GLASS
 EGL-1A --- 8mmHS+12mm AIR GAP+8mmTP THK. I.G.U.
 EGL-1B --- 8mmHS+12mm AIR GAP+10mmTP ADD-ETCHED THK. I.G.U.

NO.	DATE	REVISION	REVISION SUBJECT TO ARCH-COMMENT	BY
F	17/08/2022	REVISION SUBJECT TO ARCH-COMMENT	lwk	
E	22/04/2022	REVISION SUBJECT TO ARCH-COMMENT	lwk	
D	08/04/2022	REVISION SUBJECT TO ARCH-COMMENT	lwk	
C	14/12/2021	REVISION SUBJECT TO ARCH-COMMENT	lwk	
B	29/11/2021	REVISION SUBJECT TO ARCH-COMMENT	lwk	
A	18/10/2021	REVISION SUBJECT TO ARCH-COMMENT	lwk	

JOB NO. : J-856
 PROJECT : PROPOSED DEVELOPMENT ABOVE LIGHT RAIL TIN WING STOP-TSWTL NO.23,AREA 33,TIN SHUI WAI, N.T.
 TITLE : WINDOW SCHEDULE FOR TOWER 3 ALUM. WINDOW

DATE : 02-Aug-21 SCALE : 1:40
 DRAWN BY : IYON CHECKED BY :
美特鋁質有限公司
 MIDT ALUMINIUM FABRICATOR LTD.
 Units 6-8, Sunray Industrial Centre, 1/F
 610 Cho Kwai Ling Road, Kwai Tsou
 Tel:23489211-4 Fax:(852)2727666
 DWG NO. : J856-SD-PW-5311 REV. : F

REQUIRED		PROVIDED	
LOCATION	OPENABLE AREA	GLAZING AREA	GLAZING AREA
A11-MBR	0.388	0.620	0.548
A13-MBR	0.388	0.620	1.495



FACADE CODE		
LWK	鴻輝	UNIT
PF-20R	T3PF-41	A11
PF-20R	T3PF-44	A13

WINDOW MARK: **AW**
O3R

LOCATION: 3/F-42/F(4/F,13/F,14/F,24/F,34/F OMITTED) UNIT A11, A13

SECTION: 70mm ALUM. SECTION

GLAZING: EGL-1, EGL-1A

QUANTITY: 35 Nos / 35 Nos

REMARKS: FACADE(TYPE T3PF20R FOR 3/F~42/F) (4 BAR HINGE-LIP HING (HHMS-N14))

BD. REF. :

CLIENT :



42/F SUN HUNG KAI CENTRE, WANCHAI, HONGKONG

ARCHITECT :



MANU CONTRACTOR :



STRUCTURAL ENGINEER :



FACADE CONSULTANT:
ALPHA CONSULTING LIMITED
Steel Structure & Façade Specialist

- NOTE:
1. ALL DIMENSIONS ARE IN mm.
 2. ALL ELEVATIONS ARE VIEWED FROM OUTSIDE.
 3. ALL DIMENSIONS TO BE VERIFIED ON SITE BEFORE FABRICATION.

LEGEND:

(X1) --- DETAIL MARK NO.
(X001) --- REFER SHEET NO.

1. F.F.L. --- FINISHED FLOOR LEVEL
2. S.F.L. --- STRUCTURAL FLOOR LEVEL
3. (R) --- REVERSED DETAIL

4. GLASS LEGEND
- EGL-1 --- 8mmHS+12mm AIR GAP+10mmTP THK. I.G.U.
EGL-2 --- 10mm THK. CLEAR TEMPERED GLASS
EGL-4 --- 10mm THK. TEMPERED ACID ETCHED GLASS
EGL-1A --- 8mmHS+12mm AIR GAP+8mmTP THK. I.G.U.
EGL-1B --- 8mmHS+12mm AIR GAP+10mmTP ACID-ETCHED THK. I.G.U.

NO.	DATE	REVISION	REVISION SUBJECT TO ARCH-COMMENT	BY
E	17/08/2022	REVISION SUBJECT TO ARCH-COMMENT	None	None
D	22/04/2022	REVISION SUBJECT TO ARCH-COMMENT	None	None
C	09/04/2022	REVISION SUBJECT TO ARCH-COMMENT	None	None
B	14/12/2021	REVISION SUBJECT TO ARCH-COMMENT	None	None
A	18/07/2021	REVISION SUBJECT TO ARCH-COMMENT	None	None

JOB NO. : J-856

PROJECT : PROPOSED DEVELOPMENT ABOVE LIGHT RAIL TIN WING STOP-TS/WTL NO.23,AREA 33,TIN SHUI WA, N.T.

TITLE : WINDOW SCHEDULE FOR TOWER 3 ALUM. WINDOW

DATE : 02-Aug-21 SCALE : 1:40

DRAWN BY : Ivan CHECKED BY :

UNITA 6-8 Sunray Industrial Centre, 1/F
610 Cho Kwai Ling Road, Kowloon
Tel:23489211-4 Fax:(852)2727666

DATE : 02-Aug-21 REV. : E

DWG NO. : J856-SD-PW-5312

REV. : E

REV. : E

B.D. REF :

CLIENT :

SUN HUNG KAI
REAL ESTATE AGENCY LTD.
42/F, SUN HUNG KAI CENTRE, WANCHAI, HONGKONG

ARCHITECT :

lwk&partners
a r c h i t e c t s

MAIN CONTRACTOR :

怡輝建築有限公司
Yee Fai Building Contractors Ltd.

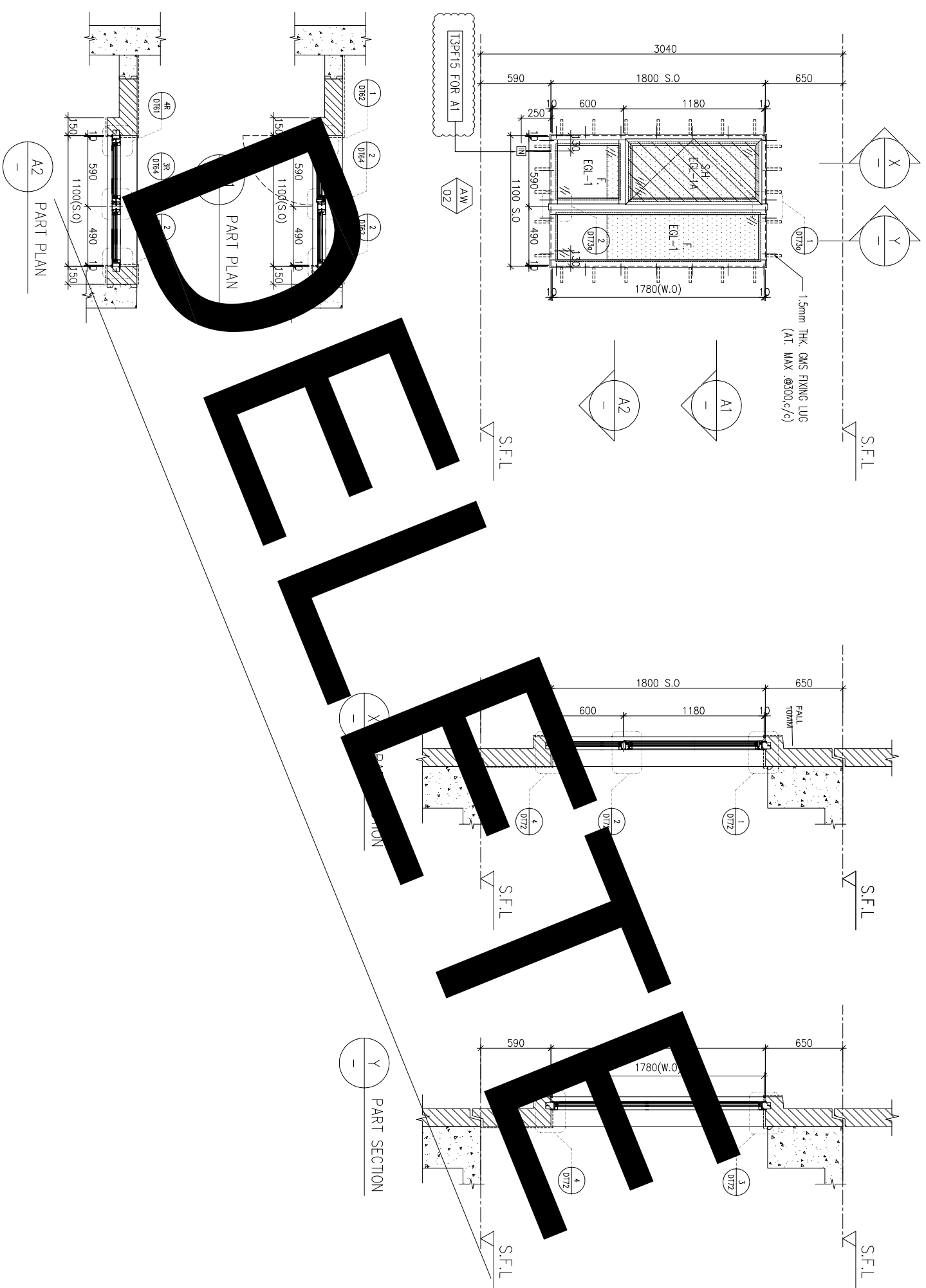
STRUCTURAL ENGINEER :

ARUP

FAÇADE CONSULTANT :

ALPHA CONSULTING LIMITED
Steel Structure & Façade Specialist

ELEVATION



WINDOW MARK	AW 02
LOCATION	3/F~42/F(4/F,13/F,14/F,24/F,34/F OMITTED) UNIT A1
SECTION	70mm ALUM. SECTION
GLAZING	EGL-1, EGL-1A
QUANTITY	35 Nos.
REMARKS	FAÇADE(TYPE T3PF02 FOR 3/F~42/F)

NOTE :

1. ALL DIMENSIONS ARE IN mm.
2. ALL ELEVATIONS ARE VIEWED FROM OUTSIDE.
3. ALL DIMENSIONS TO BE VERIFIED ON SITE BEFORE FABRICATION.

LEGEND :

- (X1) --- DETAIL MARK NO.
- (X001) --- REFER SHEET NO.
- 1. F.F.L. --- FINISHED FLOOR LEVEL
- 2. S.F.L. --- STRUCTURAL FLOOR LEVEL
- 3. (R) --- REVERSED DETAIL
- 4. GLASS LEGEND

EGL-1--8mmHS+12mm AIR GAP+10mmTP THK. I.G.U.
EGL-2--10mm THK. CLEAR TEMPERED GLASS
EGL-4--10mm THK. TEMPERED ACID ETCHED GLASS
EGL-1A-8mmHS+12mm AIR GAP+8mmTP THK. I.G.U.
EGL-1B-8mmHS+12mm AIR GAP+10mmTP ACID-ETCHED THK. I.G.U.

NO.	DTE	REVISION	BY
D	08/04/2022	REVISION SUBJECT TO ARCH-COMMENT	hwk
C	21/12/2021	REVISION SUBJECT TO ARCH-COMMENT	hwk
B	18/10/2021	REVISION SUBJECT TO ARCH-COMMENT	hwk
A	12/10/2021	REVISION SUBJECT TO ARCH-COMMENT	hwk

JOB NO. : J-856

PROJECT : PROPOSED DEVELOPMENT ABOVE LIGHT RAIL TIN WING STOP-TSWTL NO.23,AREA 33,TIN SHUI WAI, N.T.

TITLE : WINDOW SCHEDULE FOR TOWER 3 ALUM. WINDOW

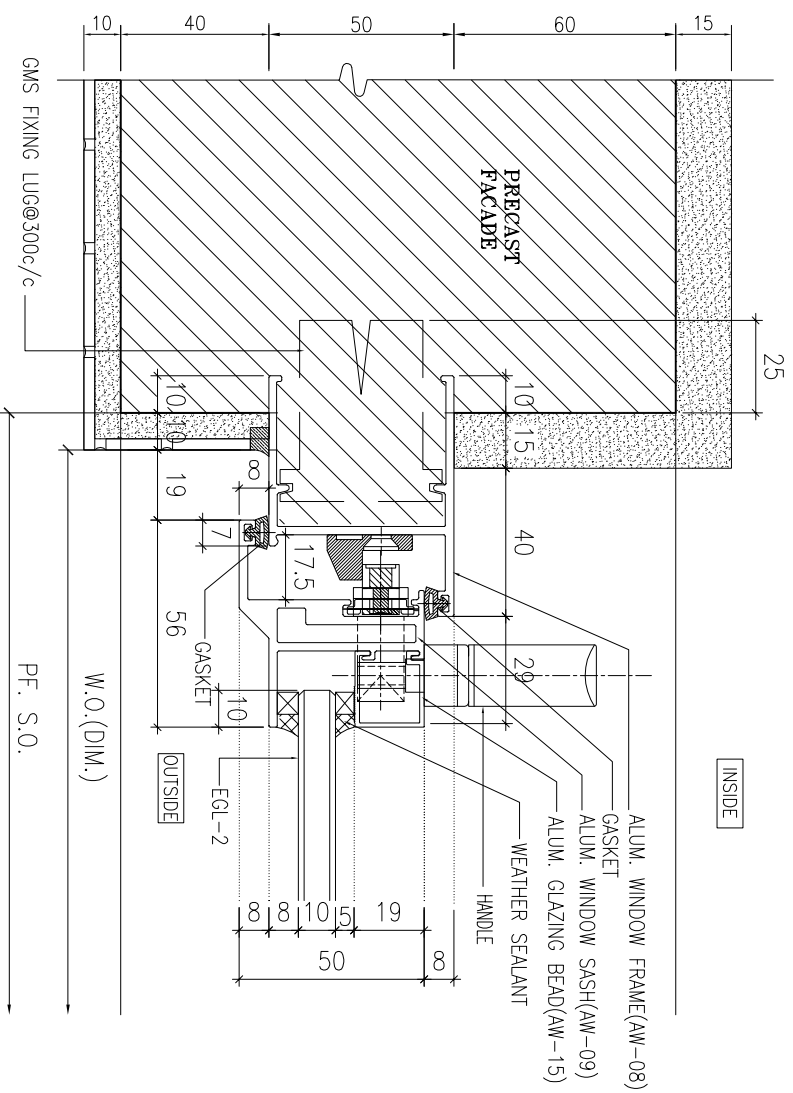
DATE : 02-Aug-21 SCALE : 1:40

DRAWN BY : Ivn

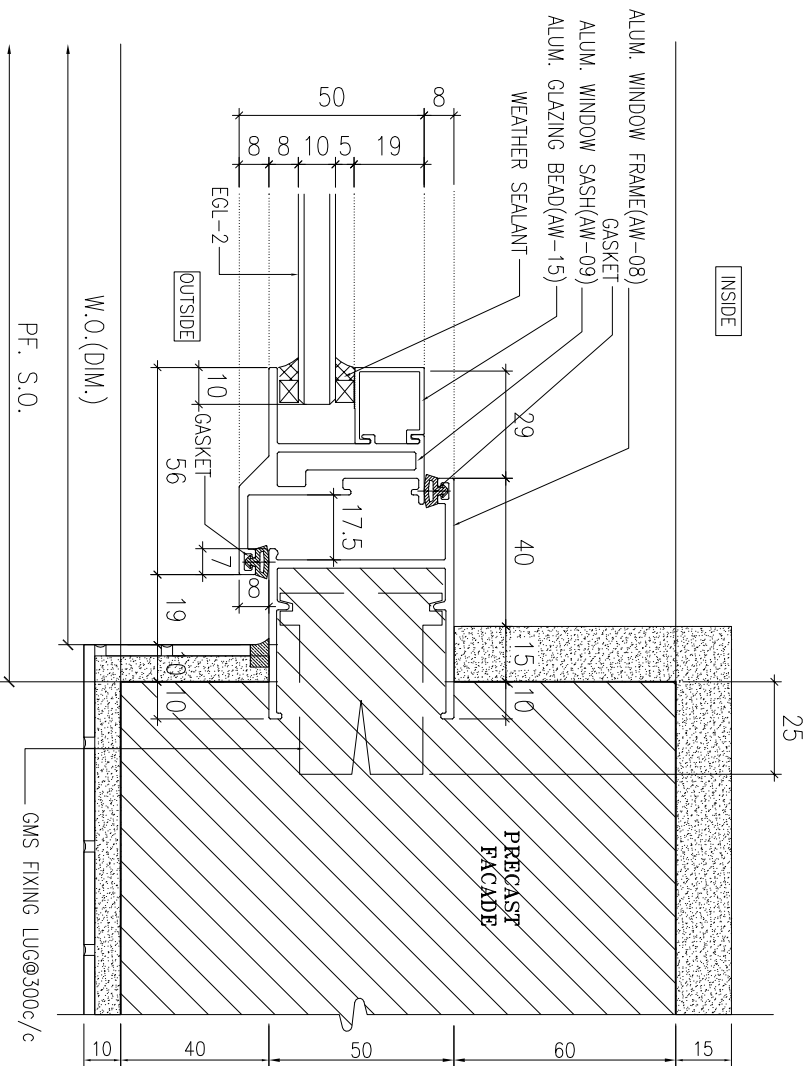
CHECKED BY :

美特鋁質有限公司
MIDI ALUMINIUM FABRICATOR LTD.
Units 6-8, Sunray Industrial Centre, 1/F
610 Cho Kwai Ling Road, Kwai Tsoum
Tel:23489211-4 Fax:(852)2727666

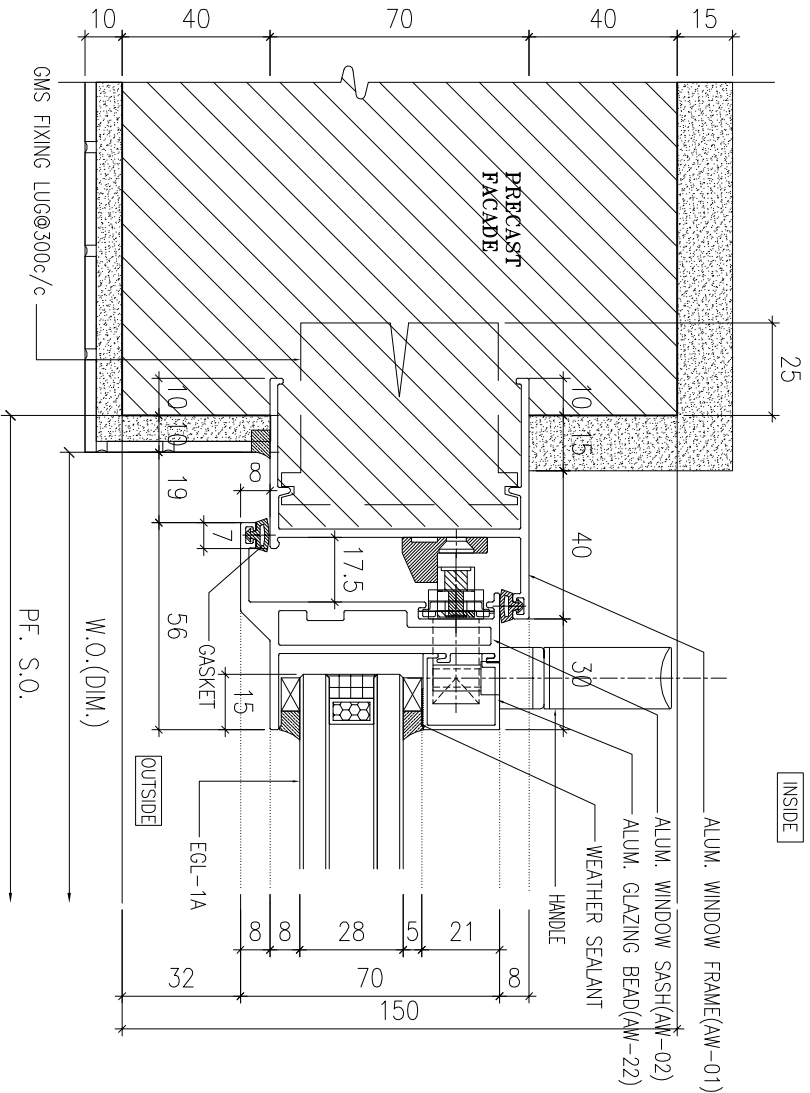
DWG NO. : J856-SD-PW-5313 REV. : D



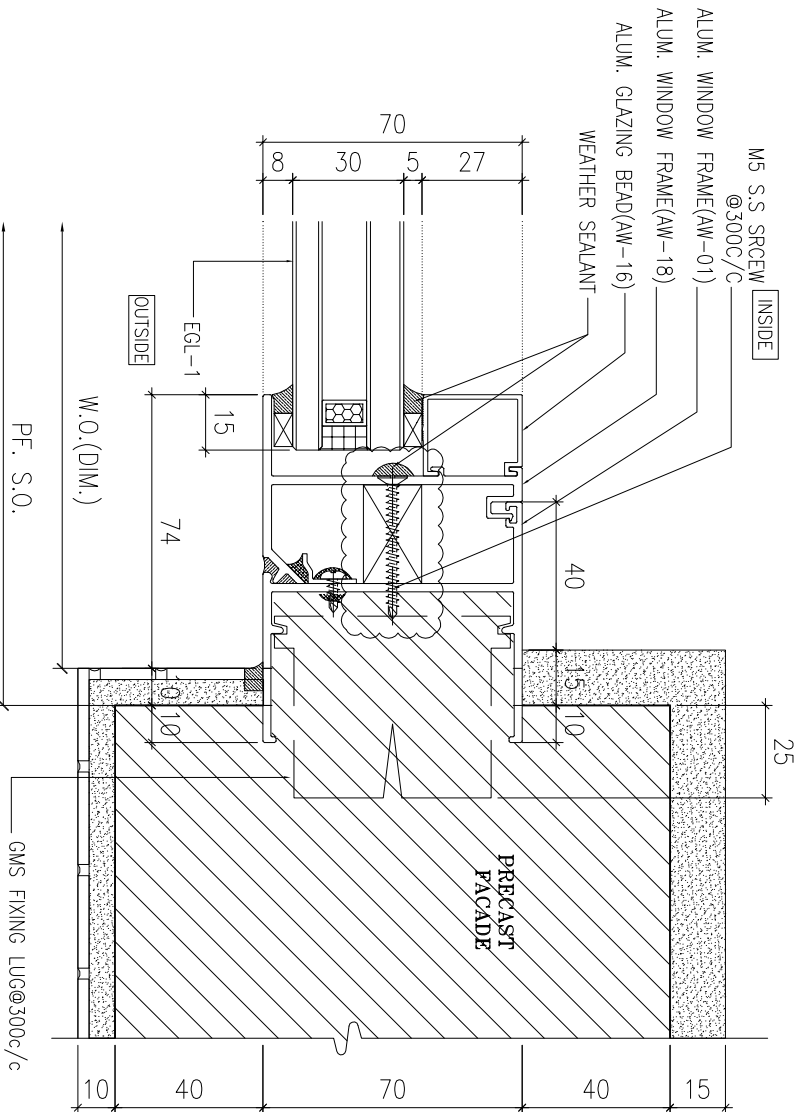
1 HORIZONTAL DETAIL
SCALE 1:2



2 HORIZONTAL DETAIL
SCALE 1:2



3 HORIZONTAL DETAIL
SCALE 1:2



4 HORIZONTAL DETAIL
SCALE 1:2

B.D. REF :

CLIENT :



42/F, SUN HUNG KAI CENTRE, WANCHAI, HONGKONG

ARCHITECT :



MAIN CONTRACTOR :



STRUCTURAL ENGINEER :



FAÇADE CONSULTANT :



NOTE :

1. ALL DIMENSIONS ARE IN mm.
2. ALL ELEVATIONS ARE VIEWED FROM OUTSIDE.
3. ALL DIMENSIONS TO BE VERIFIED ON SITE BEFORE FABRICATION.

LEGEND :

- (X1) --- DETAIL MARK NO.
- (X001) --- REFER SHEET NO.

1. F.F.L. --- FINISHED FLOOR LEVEL
2. S.F.L. --- STRUCTURAL FLOOR LEVEL
3. (R) --- REVERSED DETAIL

4. GLASS LEGEND

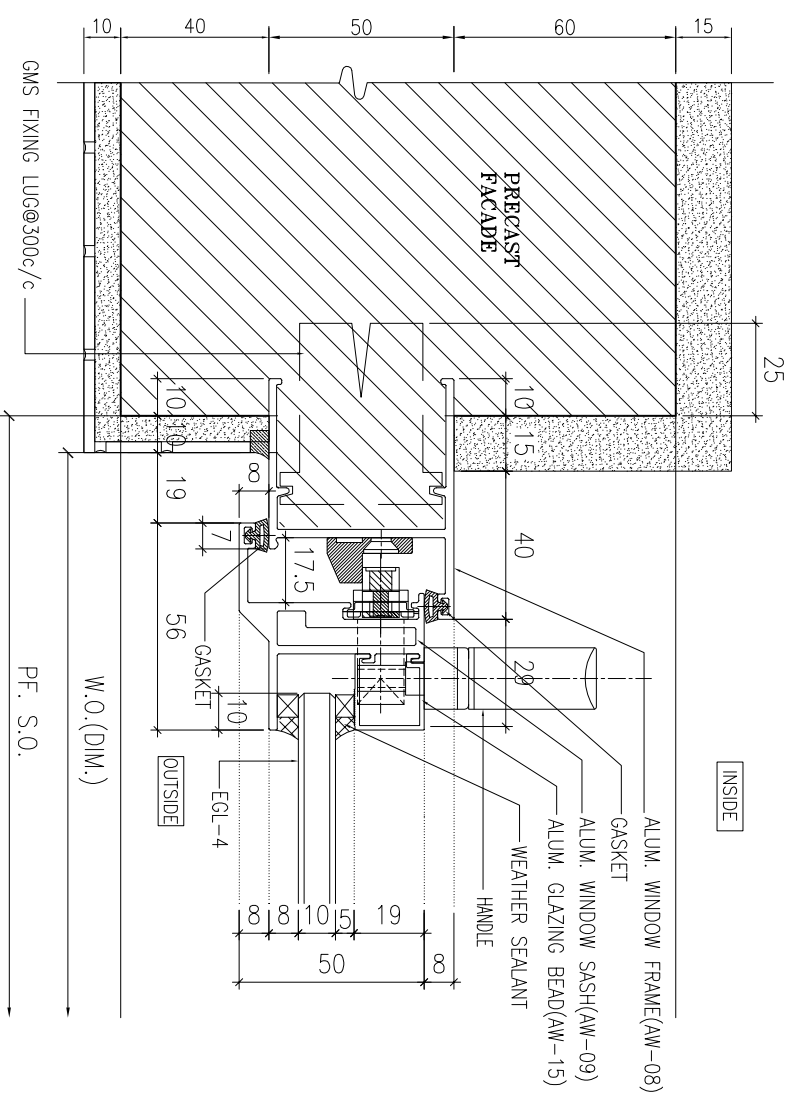
- EQ-1 --- 8mmH+12mm AIR GAP+10mmTP THK. I.G.U.
- EQ-2 --- 10mm THK. CLEAR TEMPERED GLASS
- EQ-4 --- 10mm THK. TEMPERED ACID ETCHED GLASS
- EQ-1A --- 8mmH+12mm AIR GAP+8mmTP THK. I.G.U.

NO.	DATE	REVISION	BY
C	25/08/2022	REVISION SUBJECT TO ARCH-COMMENT	hwn
B	02/11/2021	REVISION SUBJECT TO ARCH-COMMENT	hwn
A	30/10/2021	REVISION SUBJECT TO ARCH-COMMENT	hwn

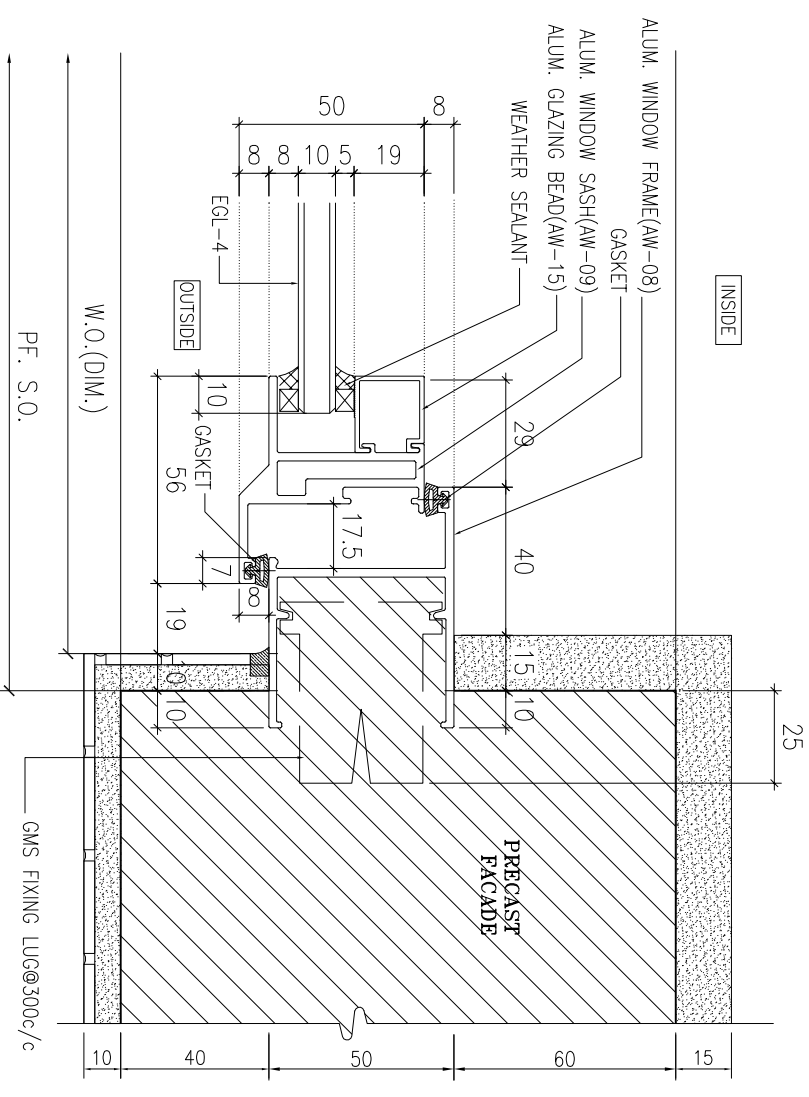
JOB NO. : J-856
PROJECT : PROPOSED DEVELOPMENT ABOVE LIGHT RAIL TIN WING STOP-TS/WL NO.23, AREA 33, TIN SHUI WAI, N.T.
TITLE : TYPICAL DETAILS FOR ALUM. WINDOW

DATE : 02-Aug-21 SCALE : 1:40
DRAWN BY : IYVN CHECKED BY :

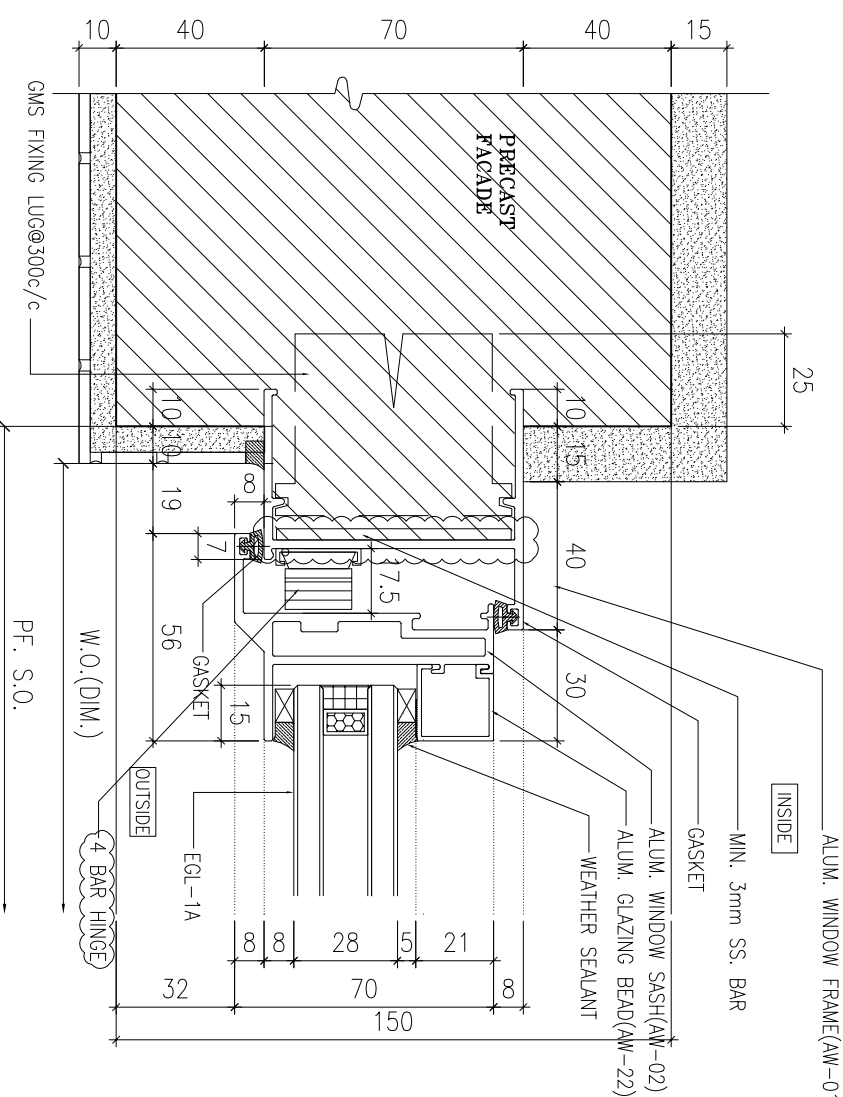
美特鋁質有限公司
MIDI ALUMINIUM FABRICATOR LTD.
Units 6-8, Sunny Industrial Centre, 1/F
610 Cho Kwong Road, Kwailoon
Tel:23489211-4 Fax:(852)2727666
DWG NO. : J856-SD-PW-DT61 REV. : C



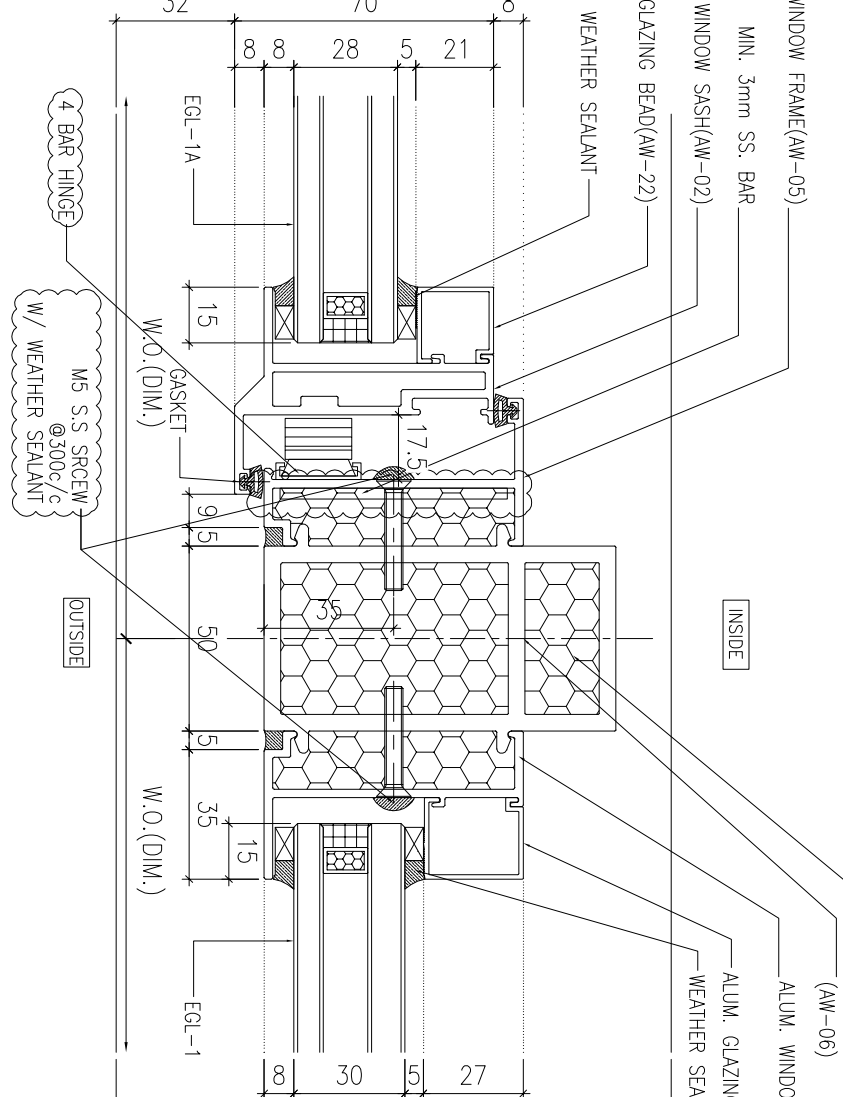
1 HORIZONTAL DETAIL
SCALE 1:2



2 HORIZONTAL DETAIL
SCALE 1:2



3 HORIZONTAL DETAIL
SCALE 1:2



4 HORIZONTAL DETAIL
SCALE 1:2

TOP/BOTTOM SEAL UP WITH THE CAP ALUMINUM EXTRUDED MOTION (AW-06)

- NOTE:
1. ALL DIMENSIONS ARE IN mm.
 2. ALL ELEVATIONS ARE VIEWED FROM OUTSIDE.
 3. ALL DIMENSIONS TO BE VERIFIED ON SITE BEFORE FABRICATION.

LEGEND:

X1 --- DETAIL MARK NO.
X001 --- REFER SHEET NO.

1. F.F.L. --- FINISHED FLOOR LEVEL
 2. S.F.L. --- STRUCTURAL FLOOR LEVEL
 3. (R) --- REVERSED DETAIL
4. GLASS LEGEND
- EGL-1 --- 8mmH5+12mm AIR GAP+10mmTP THK. I.G.U.
- EGL-2 --- 10mm THK. CLEAR TEMPERED GLASS
- EGL-4 --- 10mm THK. TEMPERED ACID ETCHED GLASS
- EGL-1A --- 8mmH5+12mm AIR GAP+8mmTP THK. I.G.U.

NO.	DATE	REVISION	REVISION SUBJECT TO ARCH-COMMENT	BY
C	25/08/2022	REVISION SUBJECT TO ARCH-COMMENT	None	None
B	02/11/2021	REVISION SUBJECT TO ARCH-COMMENT	None	None
A	30/10/2021	REVISION SUBJECT TO ARCH-COMMENT	None	None

JOB NO. : J-856

PROJECT : PROPOSED DEVELOPMENT ABOVE LIGHT RAIL TIN WING STOP-TSWTL NO.23,AREA 33,TIN SHUI WAI, N.T.

TITLE : TYPICAL DETAILS FOR ALUM. WINDOW

DATE : 02-Aug-21 SCALE : 1:40

DRAWN BY : IYVN CHECKED BY :

UNIT 6-8, SUNRISE INDUSTRIAL CENTRE, KOWLOON
610 CHO KWO LING ROAD, KOWLOON
Tel:23489211-4 Fax:(852)27727666

REV : C

B.D. REF :

CLIENT : SUN HUNG KAI REAL ESTATE AGENCY LTD.
42/F, SUN HUNG KAI CENTRE, WANCHAI, HONGKONG

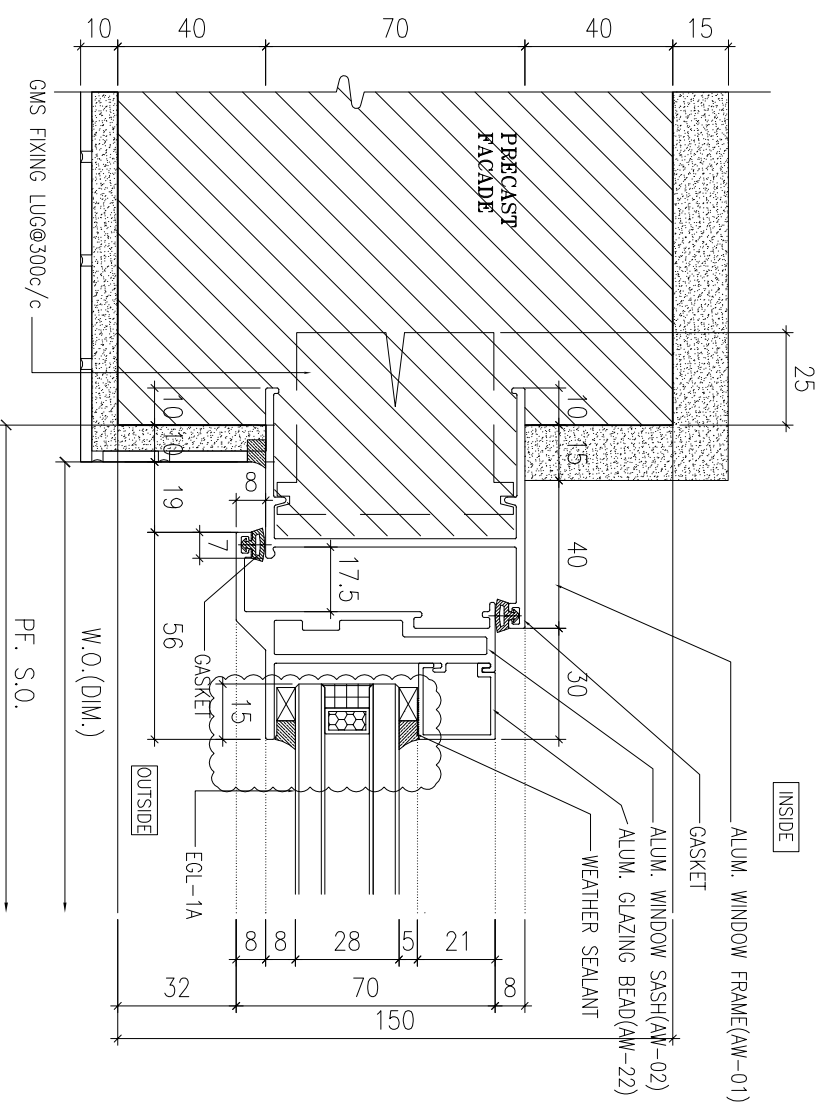
ARCHITECT : Iw&partners
ARCHITECTS

MAIN CONTRACTOR : Yee Fai Building Contractors Ltd.

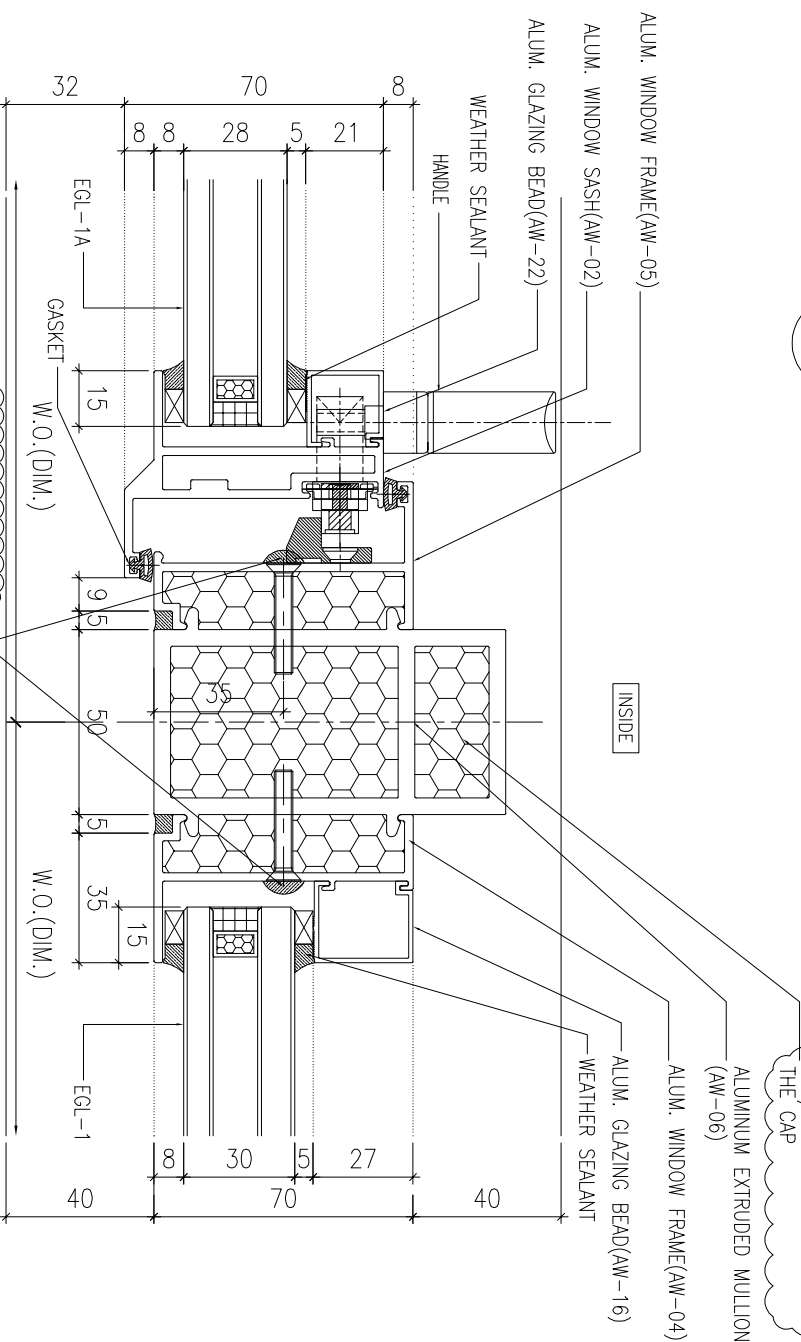
STRUCTURAL ENGINEER : ARUP

FAÇADE CONSULTANT : ALPHA CONSULTING LIMITED
Steel Structure & Façade Specialist

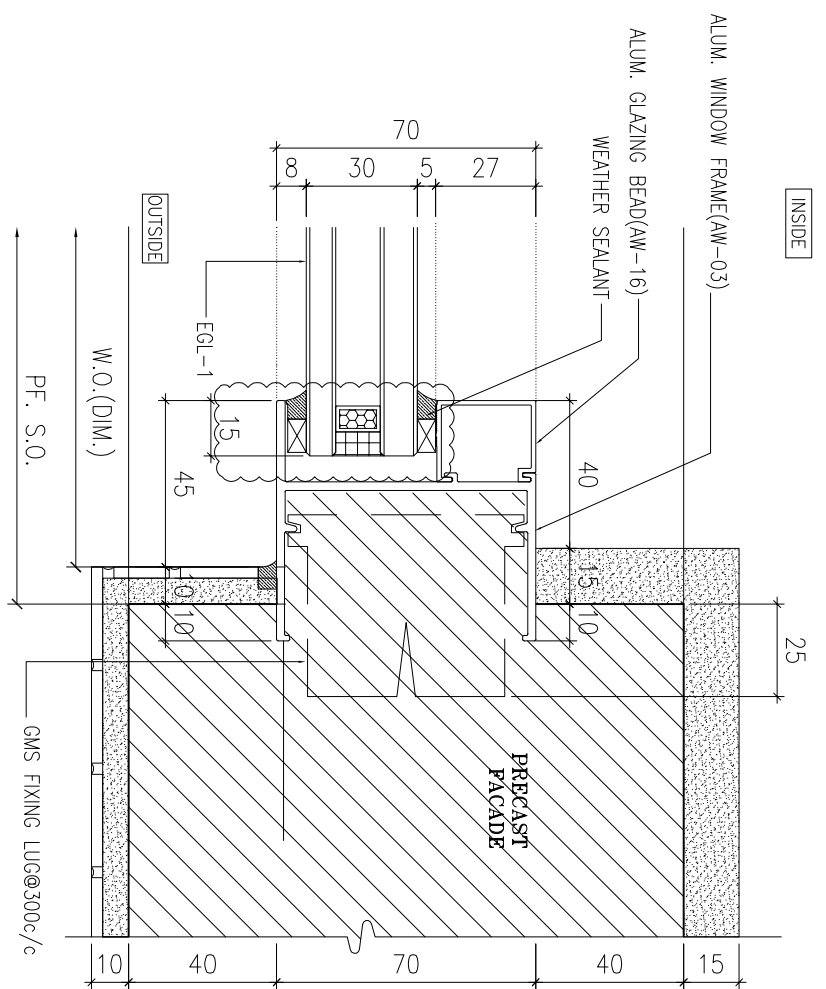
UNITED ALUMINUM FABRICATOR LTD.
MIDI ALUMINUM FABRICATOR LTD.



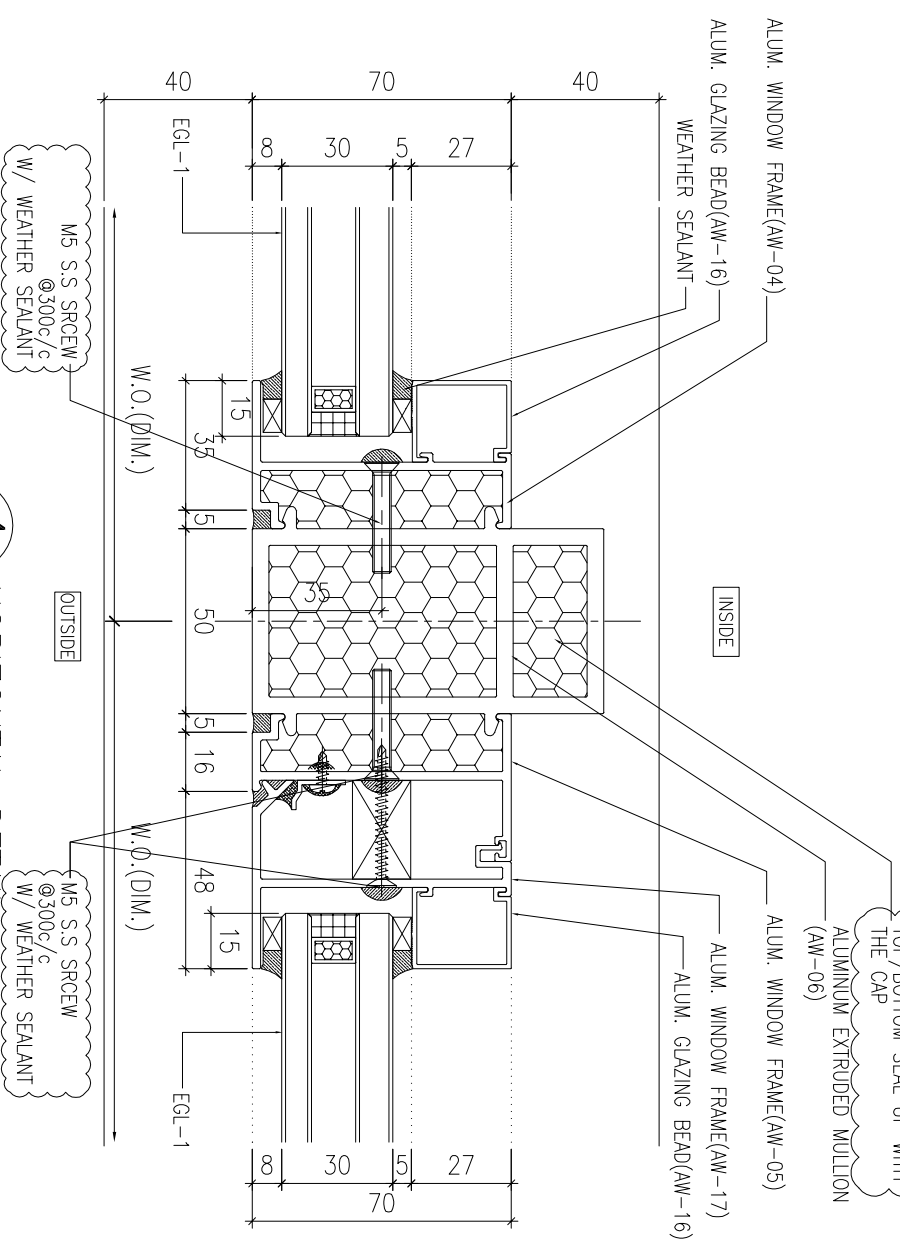
1 HORIZONTAL DETAIL
SCALE 1:2



3 HORIZONTAL DETAIL
SCALE 1:2



2 HORIZONTAL DETAIL
SCALE 1:2



4 HORIZONTAL DETAIL
SCALE 1:2

B.D. REF :

CLIENT :

SUN HUNG KAI
REAL ESTATE AGENCY LTD.
42/F, SUN HUNG KAI CENTRE, WANCHAI, HONGKONG

ARCHITECT :

lwk&partners
ARCHITECTS

MAIN CONTRACTOR :

Yee Fai 怡輝建築有限公司
Building Contractors Ltd.

STRUCTURAL ENGINEER :

ARUP

FAÇADE CONSULTANT :

ALPHA CONSULTING LIMITED
Steel Structure & Façade Specialist

- NOTE:
1. ALL DIMENSIONS ARE IN mm.
 2. ALL ELEVATIONS ARE VIEWED FROM OUTSIDE.
 3. ALL DIMENSIONS TO BE VERIFIED ON SITE BEFORE FABRICATION.

LEGEND :

- (X1) --- DETAIL MARK NO.
(X001) --- REFER SHEET NO.

1. F.F.L. --- FINISHED FLOOR LEVEL
2. S.F.L. --- STRUCTURAL FLOOR LEVEL
3. (R) --- REVERSED DETAIL
4. GLASS LEGEND

- EGL-1 --- 8mmH+12mm AIR GAP+10mmTP THK. I.G.U.
EGL-2 --- 10mm THK. CLEAR TEMPERED GLASS
EGL-4 --- 10mm THK. TEMPERED ACID ETCHED GLASS
EGL-1A --- 8mmH+12mm AIR GAP+8mmTP THK. I.G.U.

NO.	DATE	REVISION	BY
D	25/08/2022	REVISION SUBJECT TO ARCH-COMMENT	lwk
C	02/11/2021	REVISION SUBJECT TO ARCH-COMMENT	lwk
B	30/10/2021	REVISION SUBJECT TO ARCH-COMMENT	lwk
A	30/09/2021	REVISION SUBJECT TO ARCH-COMMENT	lwk

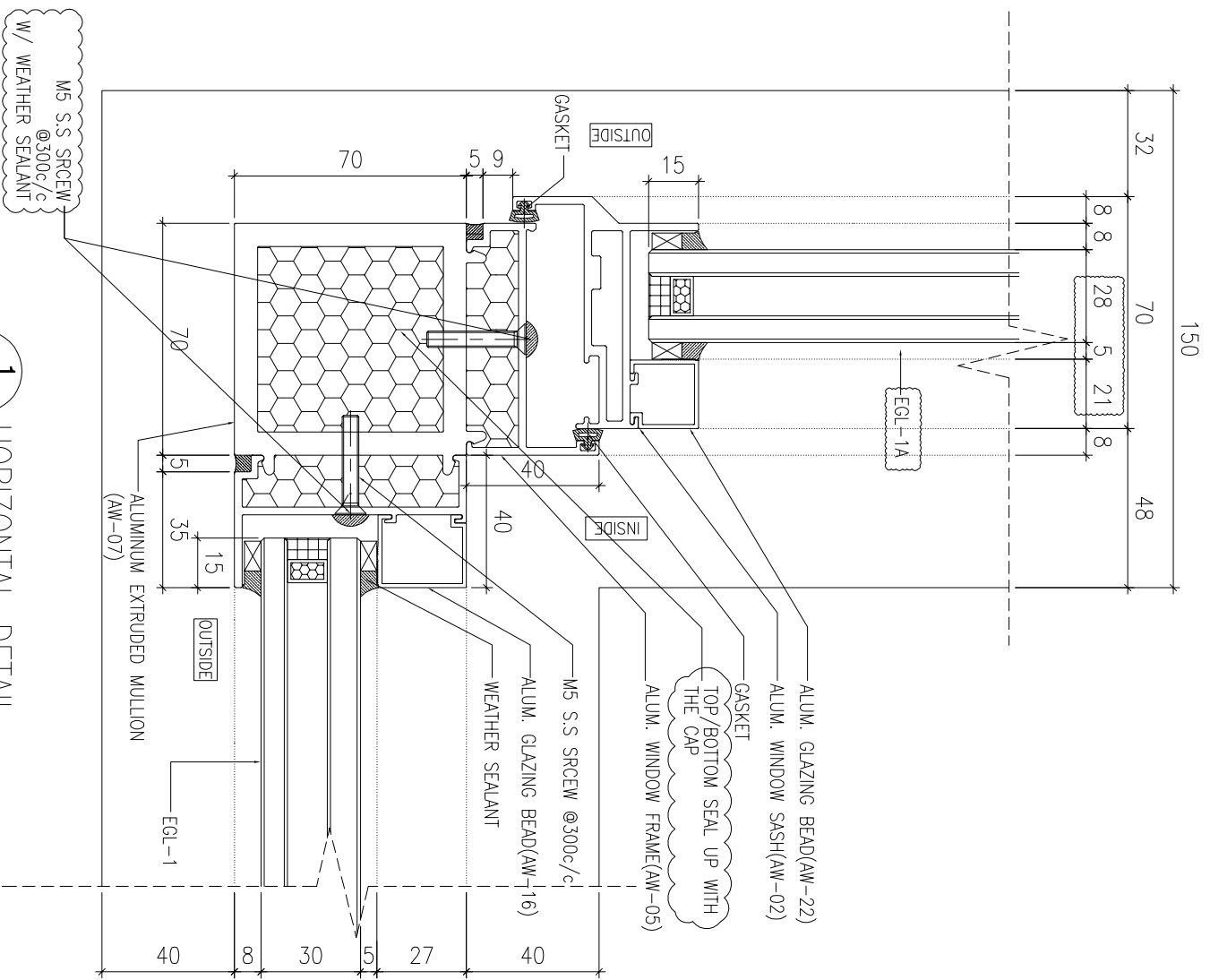
JOB NO. : J-856

PROJECT : PROPOSED DEVELOPMENT ABOVE LIGHT RAIL TIN WING STOP-TS/WTL NO.23, AREA 33, TIN SHUI WAI, N.T.

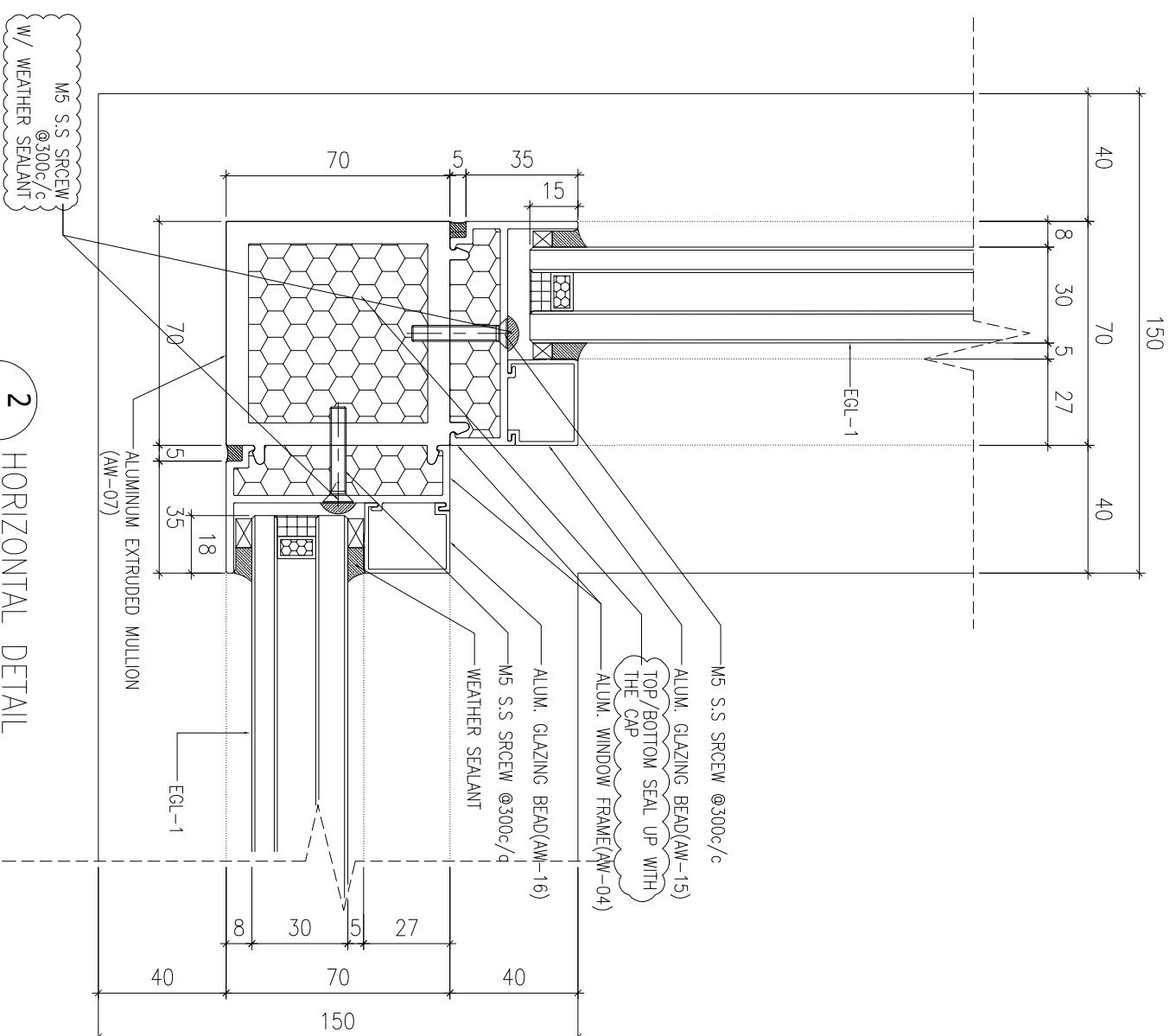
TITLE : TYPICAL DETAILS FOR ALUM. WINDOW

DATE : 02-Aug-21 SCALE : 1:40
DRAWN BY : IYVN CHECKED BY :

美特鋁質有限公司
MIDI ALUMINIUM FABRICATOR LTD.
Units 6-8, Sunny Industrial Centre, 1/F
610 Cho Kwong Road, Kowloon
Tel:23489211-4 Fax:(852)2727666
DWG NO. : J856-SD-PW-DT62 REV : D



1 HORIZONTAL DETAIL
SCALE 1:2



2 HORIZONTAL DETAIL
SCALE 1:2

B.D. REF :

CLIENT :

SUN HUNG KAI
REAL ESTATE AGENCY LTD.
42/F, SUN HUNG KAI CENTRE, WANCHAI, HONGKONG

ARCHITECT :

lwk&partners
a r c h i t e c t s

MAIN CONTRACTOR :

怡輝建築有限公司
Yee Fai Building Contractors Ltd.

STRUCTURAL ENGINEER :

ARUP

FAÇADE CONSULTANT :

ALPHA CONSULTING LIMITED
Steel Structure & Façade Specialist

NOTE :

1. ALL DIMENSIONS ARE IN mm.
2. ALL ELEVATIONS ARE VIEWED FROM OUTSIDE.
3. ALL DIMENSIONS TO BE VERIFIED ON SITE BEFORE FABRICATION.

LEGEND :

X1 --- DETAIL MARK NO.
X1001 --- REFER SHEET NO.

1. F.F.L. --- FINISHED FLOOR LEVEL
2. S.F.L. --- STRUCTURAL FLOOR LEVEL
3. (R) --- REVERSED DETAIL

4. GLASS LEGEND

- EGL-1 --- 8mmH⁵+12mm AIR GAP+10mmTP THK. I.G.U.
EGL-2 --- 10mm THK. CLEAR TEMPERED GLASS
EGL-4 --- 10mm THK. TEMPERED ACID ETCHED GLASS
EGL-1A --- 8mmH⁵+12mm AIR GAP+8mmTP THK. I.G.U.

NO.	DATE	REVISION	BY
D	25/08/2022	REVISION SUBJECT TO ARCH-COMMENT	lwn
C	02/11/2021	REVISION SUBJECT TO ARCH-COMMENT	lwn
B	30/10/2021	REVISION SUBJECT TO ARCH-COMMENT	lwn
A	30/09/2021	REVISION SUBJECT TO ARCH-COMMENT	lwn

JOB NO. : J-856

PROJECT : PROPOSED DEVELOPMENT ABOVE LIGHT RAIL TIN WING STOP,TISWTL NO.23,AREA 33,TIN SHUI WAL, N.T.

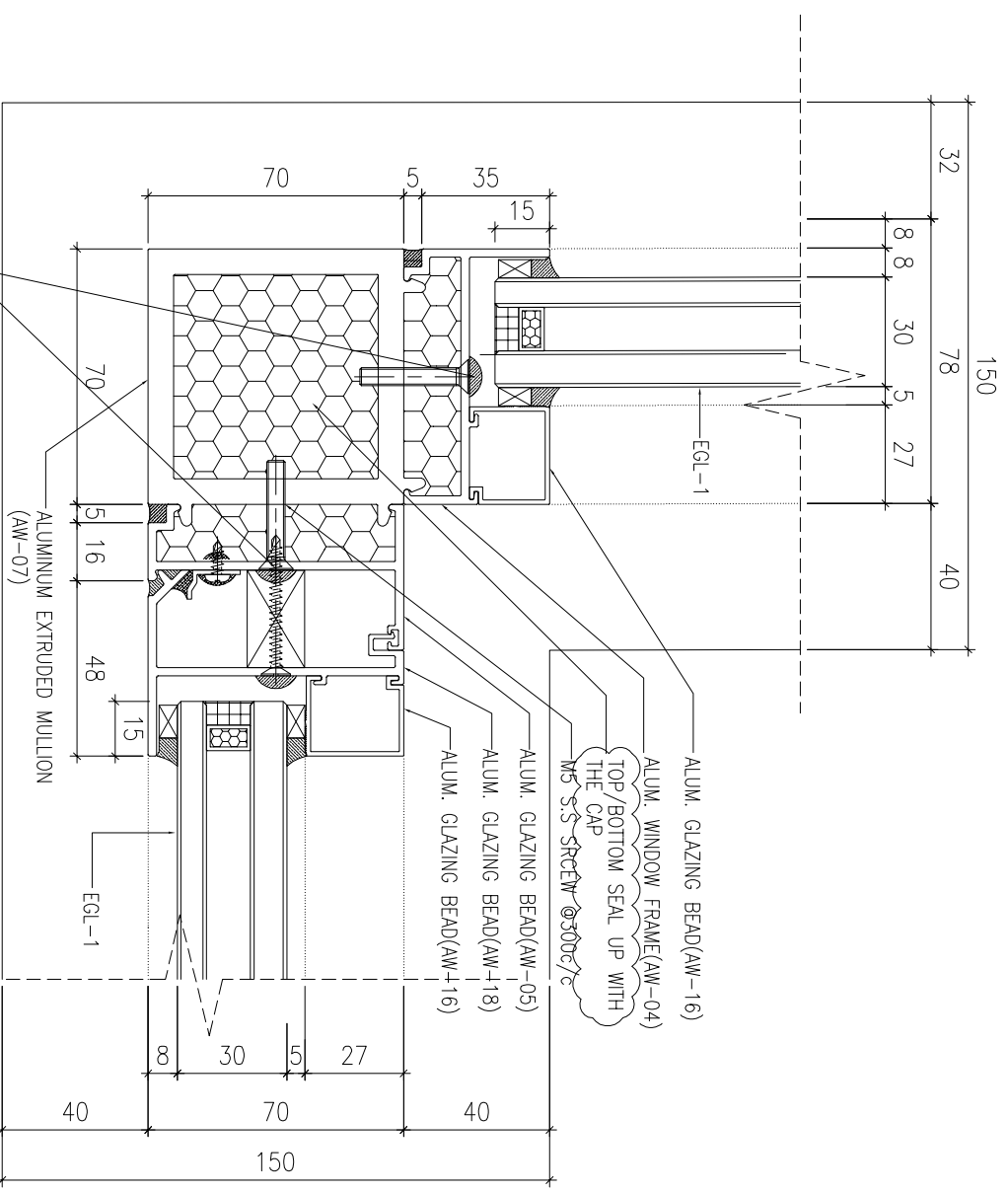
TITLE : TYPICAL DETAILS FOR ALUM. WINDOW

DATE : 02-Aug-21 SCALE : 1:40

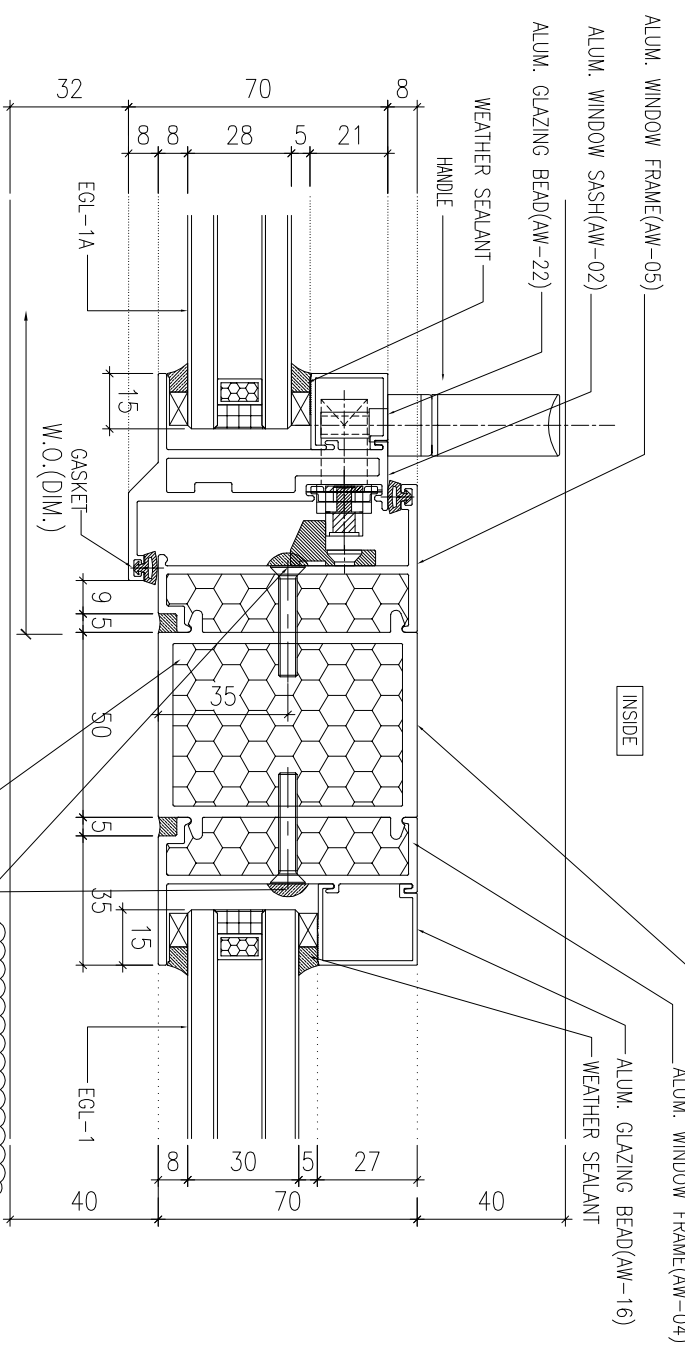
DRAWN BY : lwnn CHECKED BY :

美特鋁質有限公司
MDI ALUMINIUM FABRICATOR LTD.
Units 6-8, Sunray Industrial Centre, 1/F
610 Cho Kwai Ling Road, Kowloon
Tel:23489211-4 Fax:(852)2727666

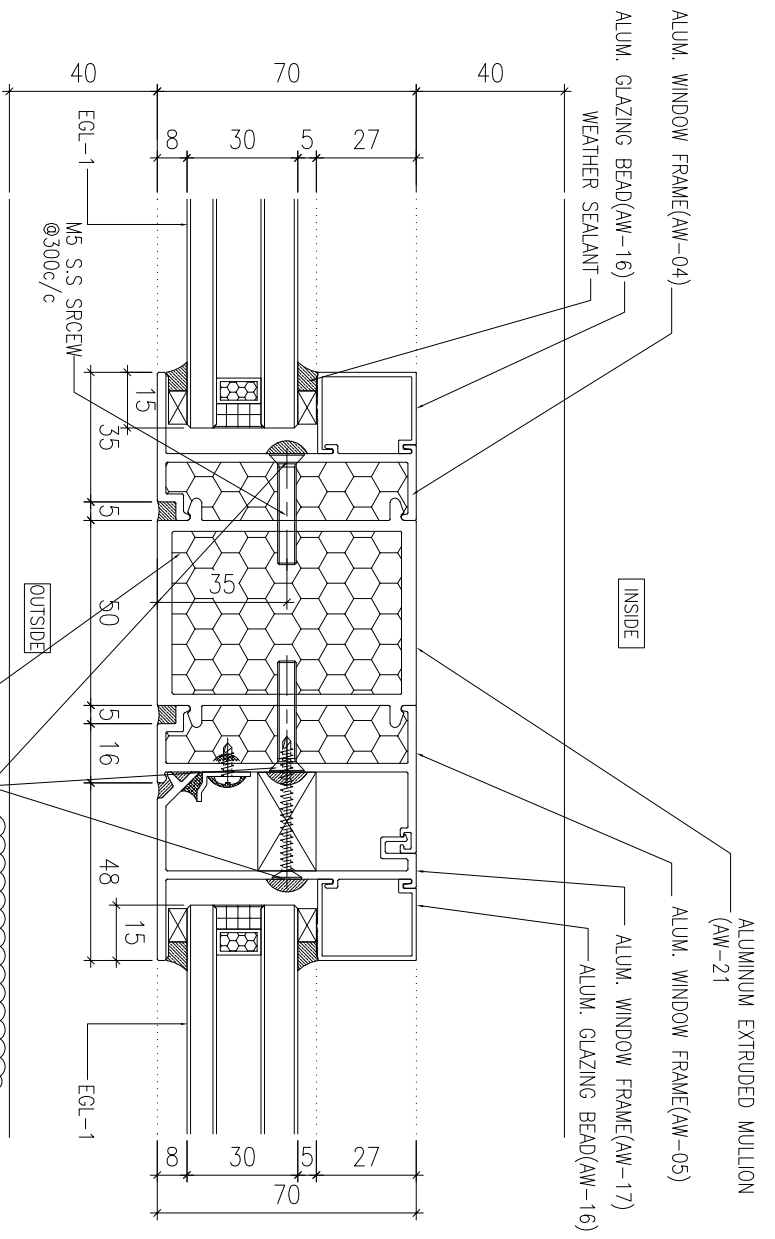
DWG NO. : J856-SD-PW-DT63 REV. : D



1 HORIZONTAL DETAIL
SCALE 1:2



2 HORIZONTAL DETAIL
SCALE 1:2



3 HORIZONTAL DETAIL
SCALE 1:2

B.D. REF :

CLIENT :



42/F, SUN HUNG KAI CENTRE, WANCHAI, HONGKONG

ARCHITECT :



MAIN CONTRACTOR :



STRUCTURAL ENGINEER :



FAÇADE CONSULTANT :



Steel Structure & Façade Specialist

- NOTE :
1. ALL DIMENSIONS ARE IN MM.
 2. ALL ELEVATIONS ARE VIEWED FROM OUTSIDE.
 3. ALL DIMENSIONS TO BE VERIFIED ON SITE BEFORE FABRICATION.

- LEGEND :
- (X1) --- DETAIL MARK NO.
 - (X001) --- REFER SHEET NO.

1. F.F.L. --- FINISHED FLOOR LEVEL
 2. S.F.L. --- STRUCTURAL FLOOR LEVEL
 3. (R) --- REVERSED DETAIL
 4. GLASS LEGEND
- EGL-1 --- 8mmH5+12mm AIR GAP+10mmTP THK. I.G.U.
EGL-2 --- 10mm THK. CLEAR TEMPERED GLASS
EGL-4 --- 10mm THK. TEMPERED ACID FLOED GLASS
EGL-1A --- 8mmH5+12mm AIR GAP+8mmTP THK. I.G.U.

NO.	DATE	REVISION	BY
E	25/08/2022	REVISION SUBJECT TO ARCH-COMMENT	hwk
D	02/11/2021	REVISION SUBJECT TO ARCH-COMMENT	hwk
C	30/10/2021	REVISION SUBJECT TO ARCH-COMMENT	hwk
B	18/10/2021	REVISION SUBJECT TO ARCH-COMMENT	hwk
A	30/09/2021	REVISION SUBJECT TO ARCH-COMMENT	hwk

JOB NO. : J-856

PROJECT : PROPOSED DEVELOPMENT ABOVE LIGHT RAIL TIN WING STOP, TSWL NO.23, AREA 33, TIN SHUI WAI, N.T.

TITLE : TYPICAL DETAILS FOR ALUM. WINDOW

DATE : 02-Aug-21 SCALE : 1:40

DRAWN BY : IYVN CHECKED BY :

美特鋁質有限公司
MIDI ALUMINIUM FABRICATOR LTD.
Units 6-8, Sunny Industrial Centre, 1/F
610 Cho Kwong Road, Kowloon
Tel: 23489211-4 Fax: (852) 27272666
DWG NO. : J856-SD-PW-DT64 REV. : E

B.D. REF :

CLIENT :

SUN HUNG KAI
REAL ESTATE AGENCY LTD.
42/F, SUN HUNG KAI CENTRE, WANCHAI, HONGKONG

ARCHITECT :

lwk&partners
a r c h i t e c t s

MAIN CONTRACTOR :

怡輝建築有限公司
Yee Fai Building Contractors Ltd.

STRUCTURAL ENGINEER :

ARUP
ALPHA CONSULTING LIMITED
Steel Structure & Façade Specialist

FAÇADE CONSULTANT:

ARUP
ALPHA CONSULTING LIMITED
Steel Structure & Façade Specialist

NOTE :

1. ALL DIMENSIONS ARE IN mm.
2. ALL ELEVATIONS ARE VIEWED FROM OUTSIDE.
3. ALL DIMENSIONS TO BE VERIFIED ON SITE BEFORE FABRICATION.

LEGEND :

(X1) --- DETAIL MARK NO.
(X001) --- REFER SHEET NO.

1. F.F.L. --- FINISHED FLOOR LEVEL
2. S.F.L. --- STRUCTURAL FLOOR LEVEL
3. (R) --- REVERSED DETAIL

4. GLASS LEGEND

EQ-1--8mmH+12mm AIR GAP+10mmTP THK. I.G.U.
 EQ-2--10mm THK. CLEAR TEMPERED GLASS
 EQ-4--10mm THK. TEMPERED ACID ETCHED GLASS
 EQ-1A--8mmH+12mm AIR GAP+8mmTP THK. I.G.U.

NO.	DATE	REVISION	REVISION SUBJECT TO ARCH-COMMENT	BY
C	25/08/2022	REVISION SUBJECT TO ARCH-COMMENT		lwk
B	02/11/2021	REVISION SUBJECT TO ARCH-COMMENT		lwk
A	30/09/2021	REVISION SUBJECT TO ARCH-COMMENT		lwk

JOB NO. : J-856

PROJECT : PROPOSED DEVELOPMENT ABOVE LIGHT RAIL TIN WING STOP-TS/WTL NO.23,AREA 33,TIN SHUI WAI, N.T.

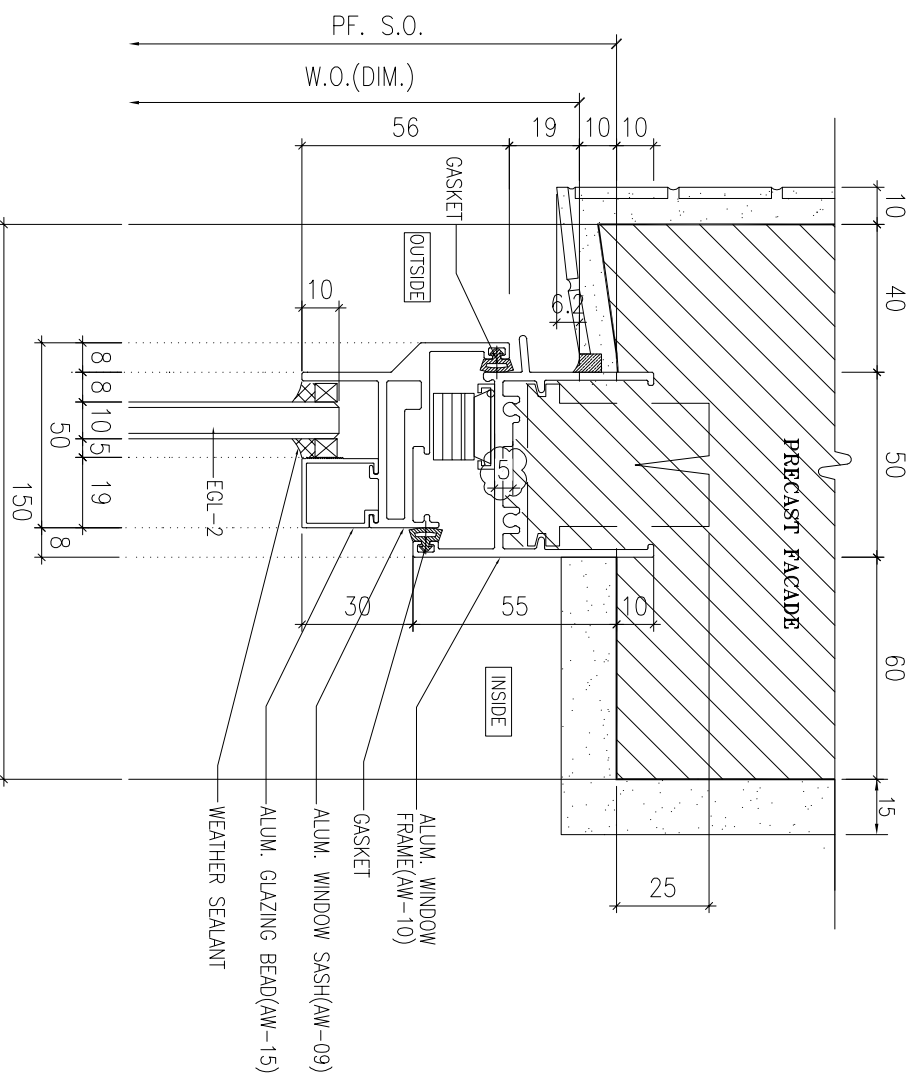
TITLE : TYPICAL DETAILS FOR ALUM. WINDOW

DATE : 02-Aug-21 SCALE : 1:40

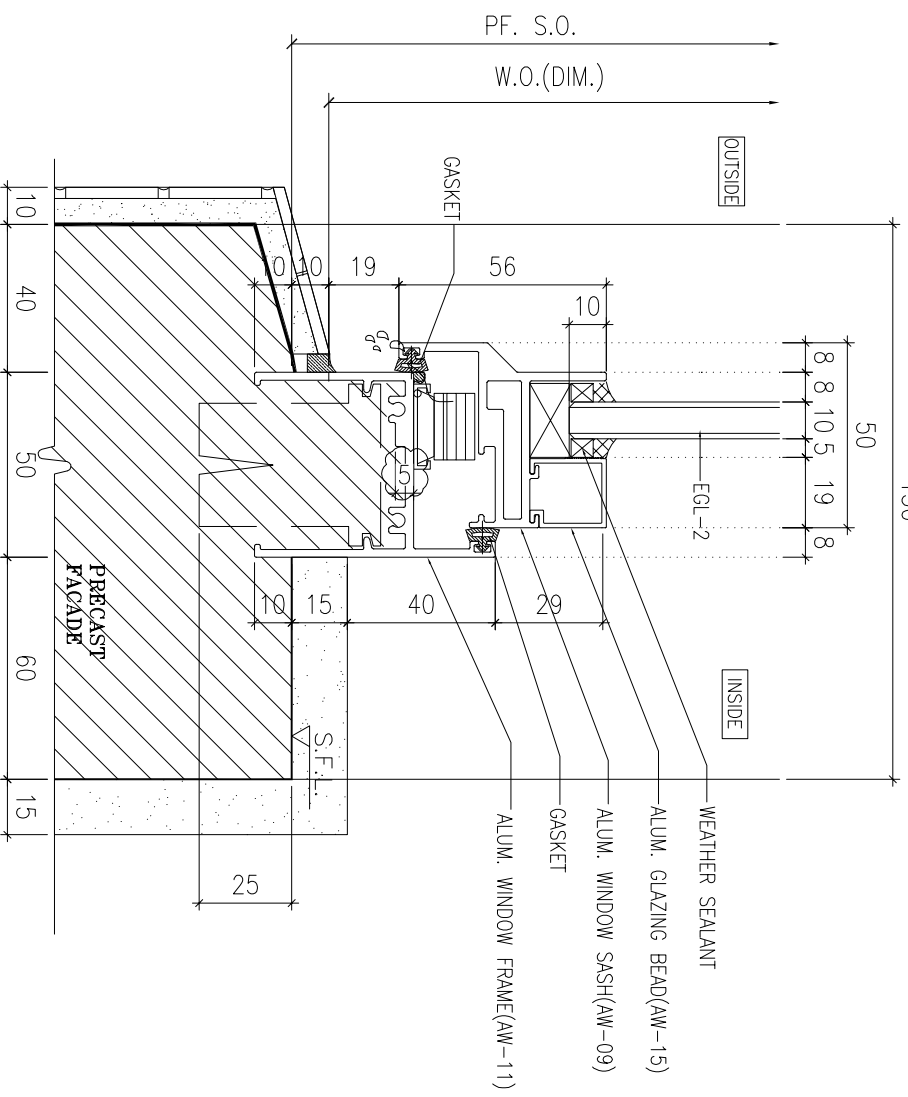
DRAWN BY : lwnn CHECKED BY :

美特鋁質有限公司
MDI ALUMINIUM FABRICATOR LTD.
Units 6-8, Sunray Industrial Centre, 1/F
610 Cho Kwai Ling Road, Kowloon
Tel:23489211-4 Fax:(852)2727666

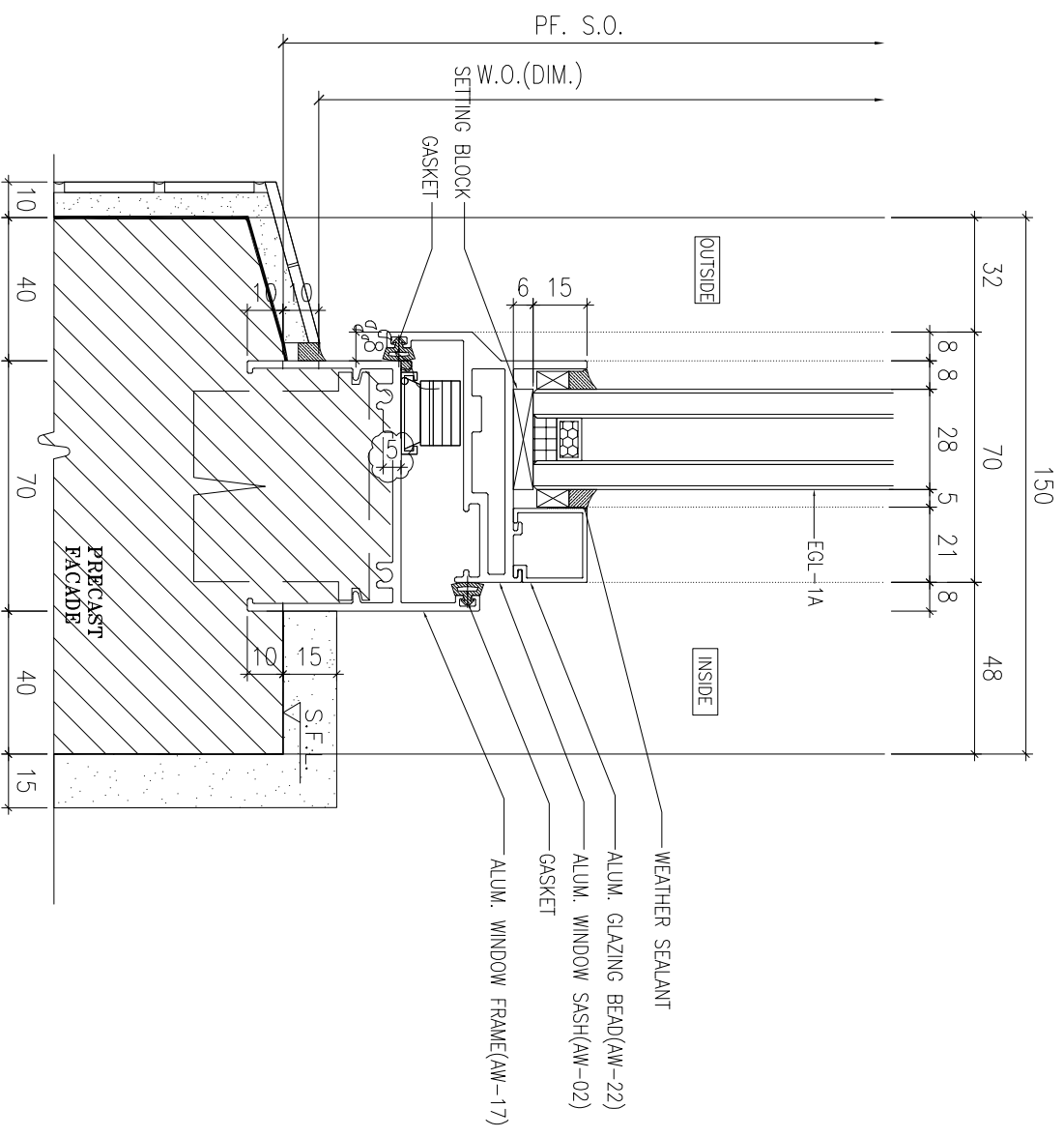
DWG NO. : J856-SD-PW-DT71 REV. : C



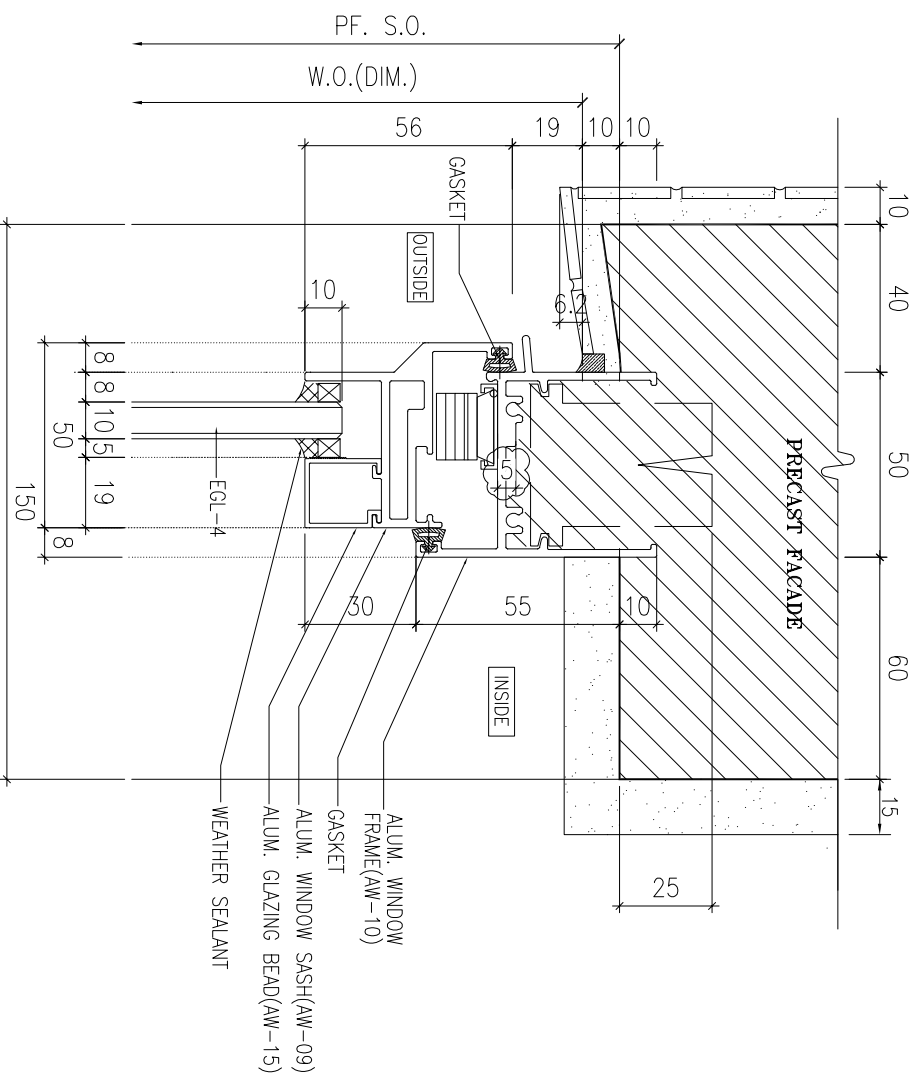
1 VERTICAL DETAIL
SCALE 1:2



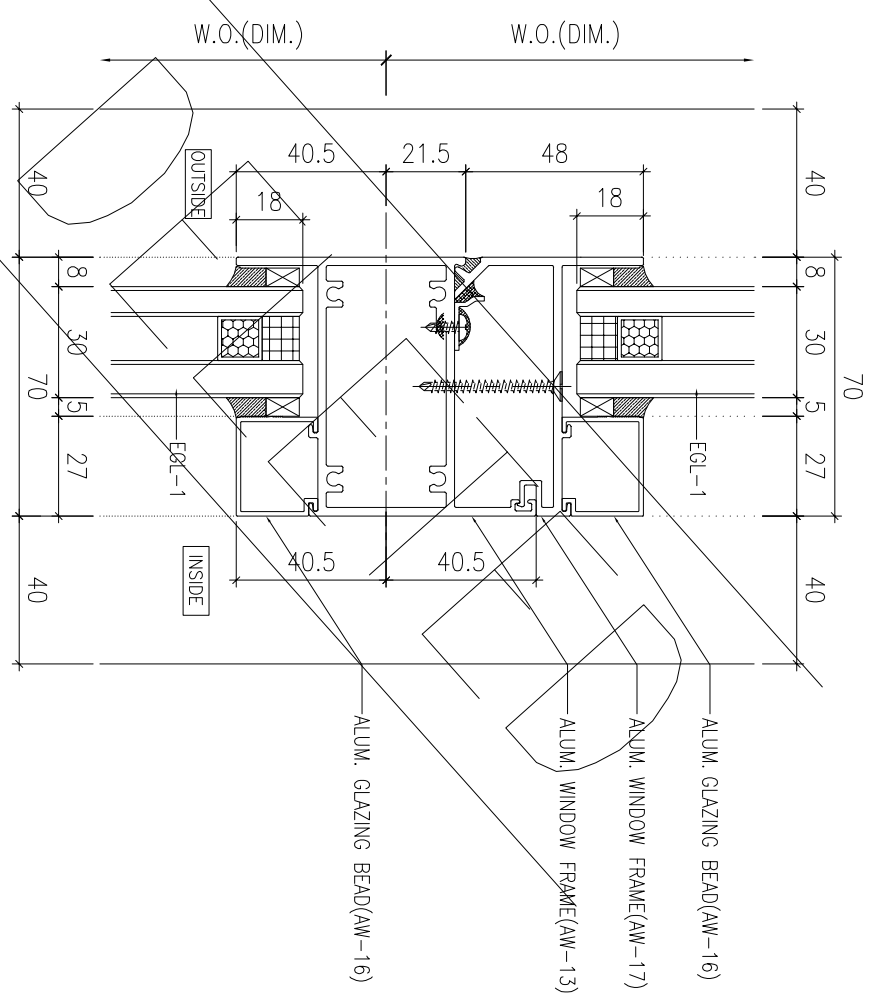
2 VERTICAL DETAIL
SCALE 1:2



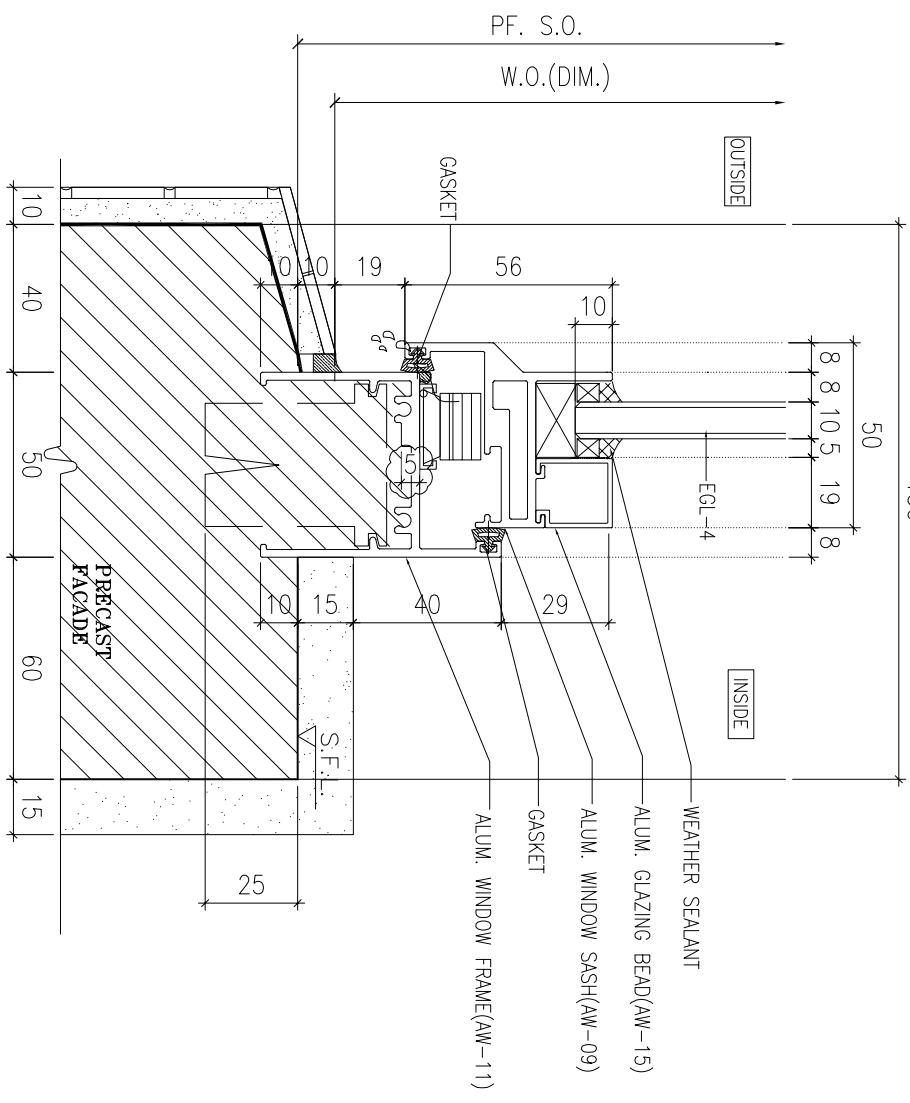
3 VERTICAL DETAIL
SCALE 1:2



1 VERTICAL DETAIL
SCALE 1:2



3 VERTICAL DETAIL
SCALE 1:2



2 VERTICAL DETAIL
SCALE 1:2

BD. REF :

CLIENT :

SUN HUNG KAI
REAL ESTATE AGENCY LTD.
42/F SUN HUNG KAI CENTRE, WANCHAI, HONGKONG

ARCHITECT :

lwk&partners
ARCHITECTS

MAIN CONTRACTOR :

怡輝建築有限公司
Yee Fai Building Contractors Ltd.

STRUCTURAL ENGINEER :

ARUP

FAÇADE CONSULTANT :

ALPHA CONSULTING LIMITED
Steel Structure & Façade Specialist

NOTE :

1. ALL DIMENSIONS ARE IN mm.
2. ALL ELEVATIONS ARE VIEWED FROM OUTSIDE.
3. ALL DIMENSIONS TO BE VERIFIED ON SITE BEFORE FABRICATION.

LEGEND :

- (X1) DETAIL MARK NO.
- (X001) REFER SHEET NO.

1. F.F.L. --- FINISHED FLOOR LEVEL
 2. S.F.L. --- STRUCTURAL FLOOR LEVEL
 3. (R) --- REVERSED DETAIL
 4. GLASS LEGEND
- EQ-1--8mmH+12mm AIR GAP+10mmTP THK. I.G.U.
EQ-2--10mm THK. CLEAR TEMPERED GLASS
EQ-4--10mm THK. TEMPERED ACID ETCHED GLASS
EQ-1A-8mmH+12mm AIR GAP+8mmTP THK. I.G.U.

NO.	DATE	REVISION	SUBJECT TO ARCH-COMMENT	BY
C	25/08/2022	REVISION SUBJECT TO ARCH-COMMENT	None	None
B	02/11/2021	REVISION SUBJECT TO ARCH-COMMENT	None	None
A	30/09/2021	REVISION SUBJECT TO ARCH-COMMENT	None	None

JOB NO. : J-856

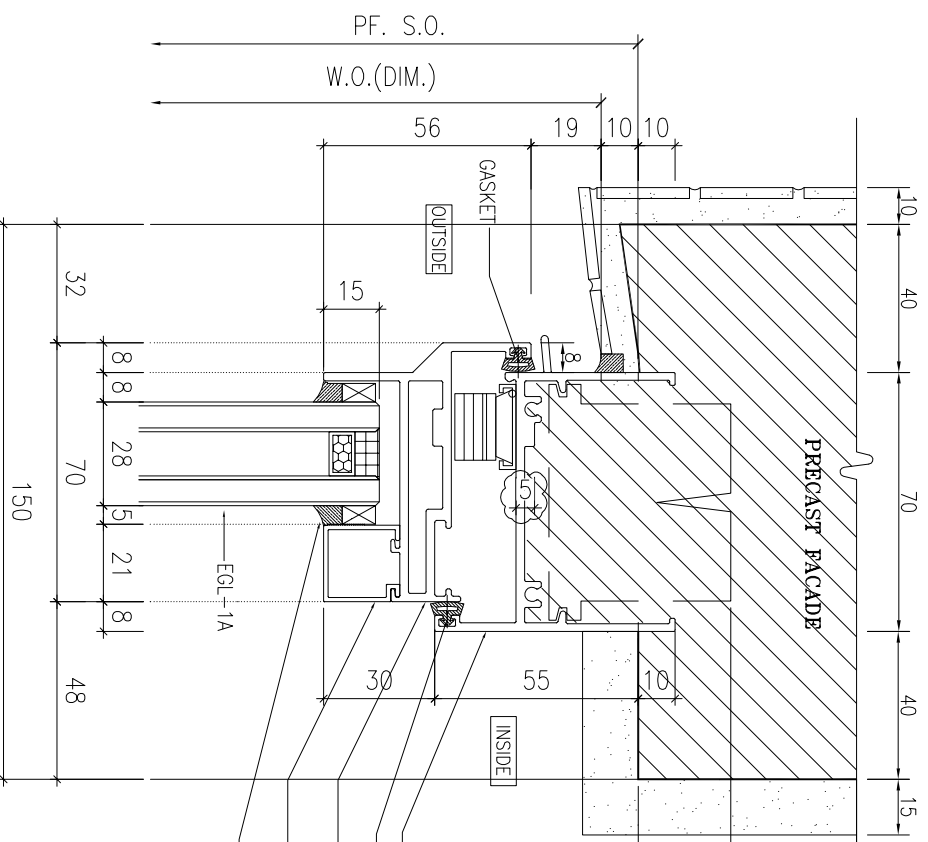
PROJECT :
PROPOSED DEVELOPMENT ABOVE
LIGHT RAIL TIN WING STOP-TSWTL
NO.23,AREA 33,TIN SHUI WAI, N.T.

TITLE :
TYPICAL DETAILS FOR
ALUM. WINDOW

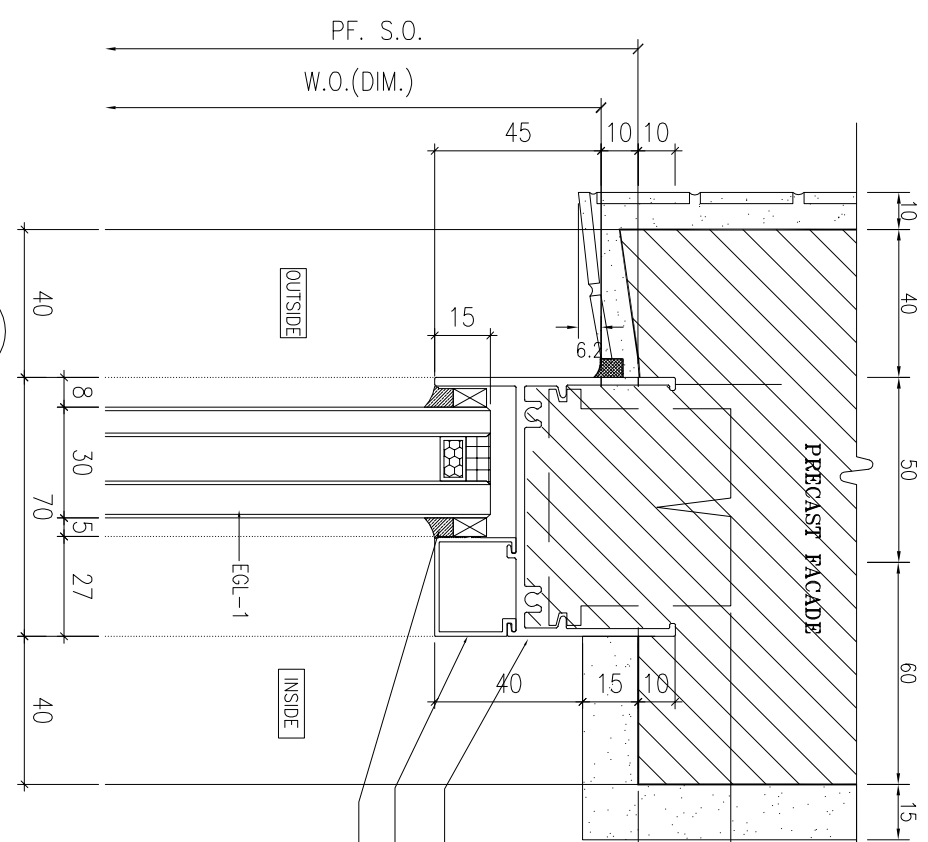
DATE : 02-Aug-21 SCALE : 1:40

DRAWN BY : IYON CHECKED BY :

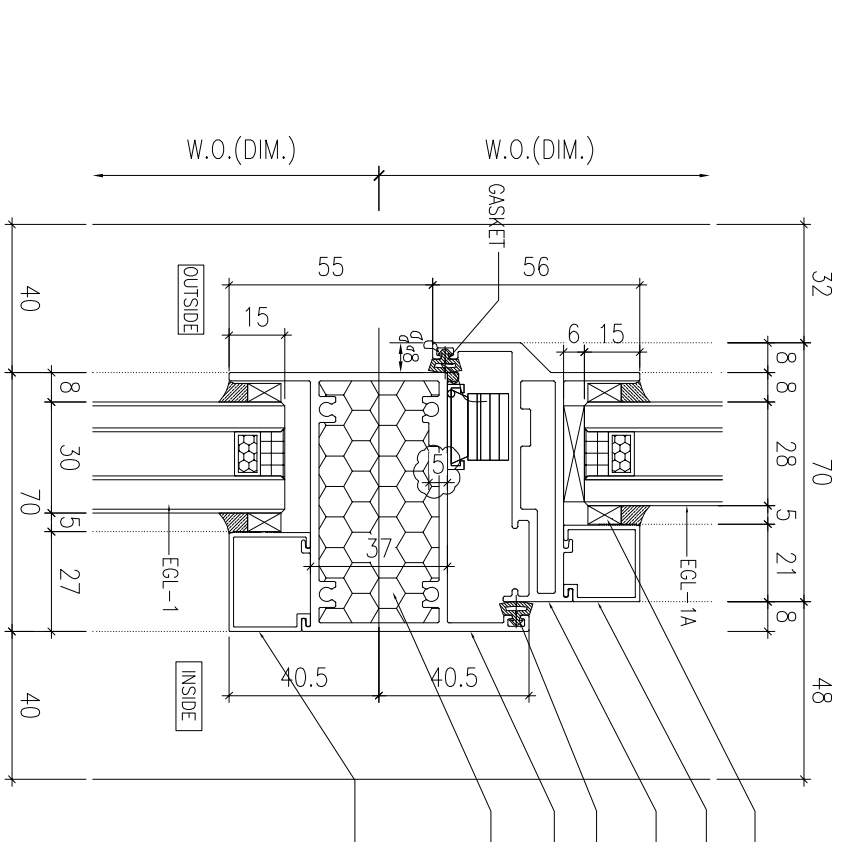
美特鋁質有限公司
MIDI ALUMINIUM FABRICATOR LTD.
Units 6-8, Sunray Industrial Centre, 1/F
610 Cho Kwai Ling Road, Kwailoon
Tel:23489211-4 Fax:(852)2727666
DWG NO. : J856-SD-PW-DT71a REV. : C



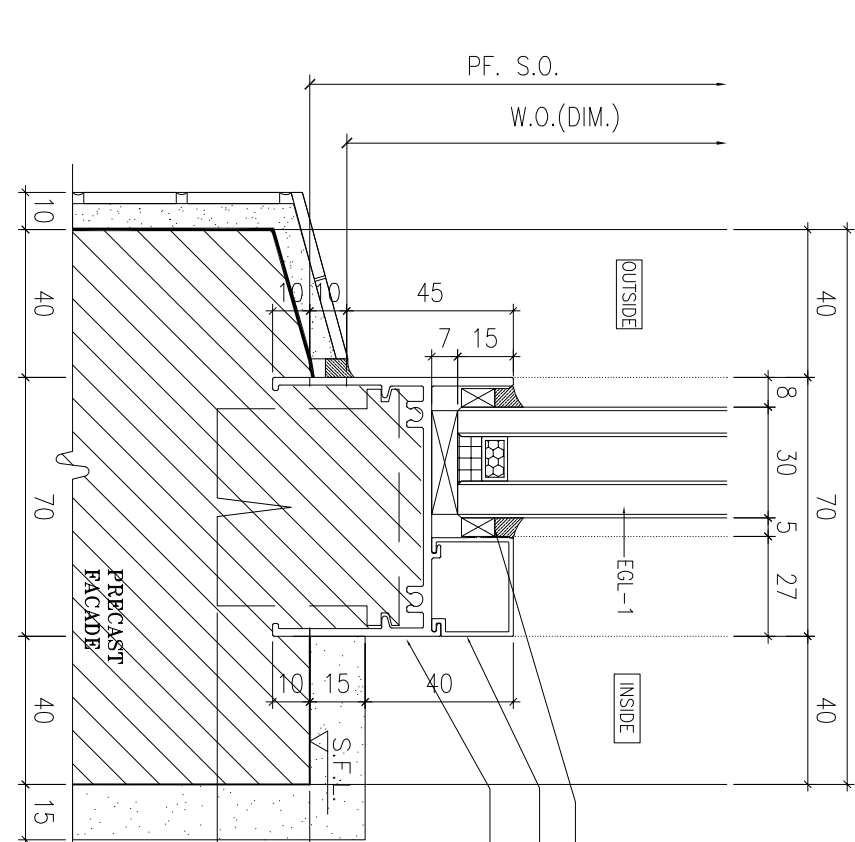
1 VERTICAL DETAIL
SCALE 1:2



3 VERTICAL DETAIL
SCALE 1:2



2 VERTICAL DETAIL
SCALE 1:2



4 VERTICAL DETAIL
SCALE 1:2

BD. REF :

CLIENT :

SUN HUNG KAI
REAL ESTATE AGENCY LTD.
42/F, SUN HUNG KAI CENTRE, WANCHAI, HONGKONG

ARCHITECT :

lwk&partners
ARCHITECTS

MAIN CONTRACTOR :

Yee Fai Building Contractors Ltd.

STRUCTURAL ENGINEER :

ARUP
ALPHA CONSULTING LIMITED
Steel Structure & Façade Specialist

NOTE :

1. ALL DIMENSIONS ARE IN mm.
2. ALL ELEVATIONS ARE VIEWED FROM OUTSIDE.
3. ALL DIMENSIONS TO BE VERIFIED ON SITE BEFORE FABRICATION.

LEGEND :

- (X1) --- DETAIL MARK NO.
- (X001) --- REFER SHEET NO.

1. F.F.L. --- FINISHED FLOOR LEVEL

2. S.F.L. --- STRUCTURAL FLOOR LEVEL

3. (R) --- REVERSED DETAIL

4. GLASS LEGEND

- EGL-1 --- 8mmH5+12mm AIR GAP+10mmTP THK. I.G.U.
- EGL-2 --- 10mm THK. CLEAR TEMPERED GLASS
- EGL-4 --- 10mm THK. TEMPERED ACID ETCHED GLASS
- EGL-1A --- 8mmH5+12mm AIR GAP+8mmTP THK. I.G.U.

JOB NO. : J-856

NO.	DATE	REVISION	REVISION SUBJECT TO ARCH-COMMENT	BY
C	25/08/2022	REVISION SUBJECT TO ARCH-COMMENT	None	None
B	02/11/2021	REVISION SUBJECT TO ARCH-COMMENT	None	None
A	30/07/2021	REVISION SUBJECT TO ARCH-COMMENT	None	None

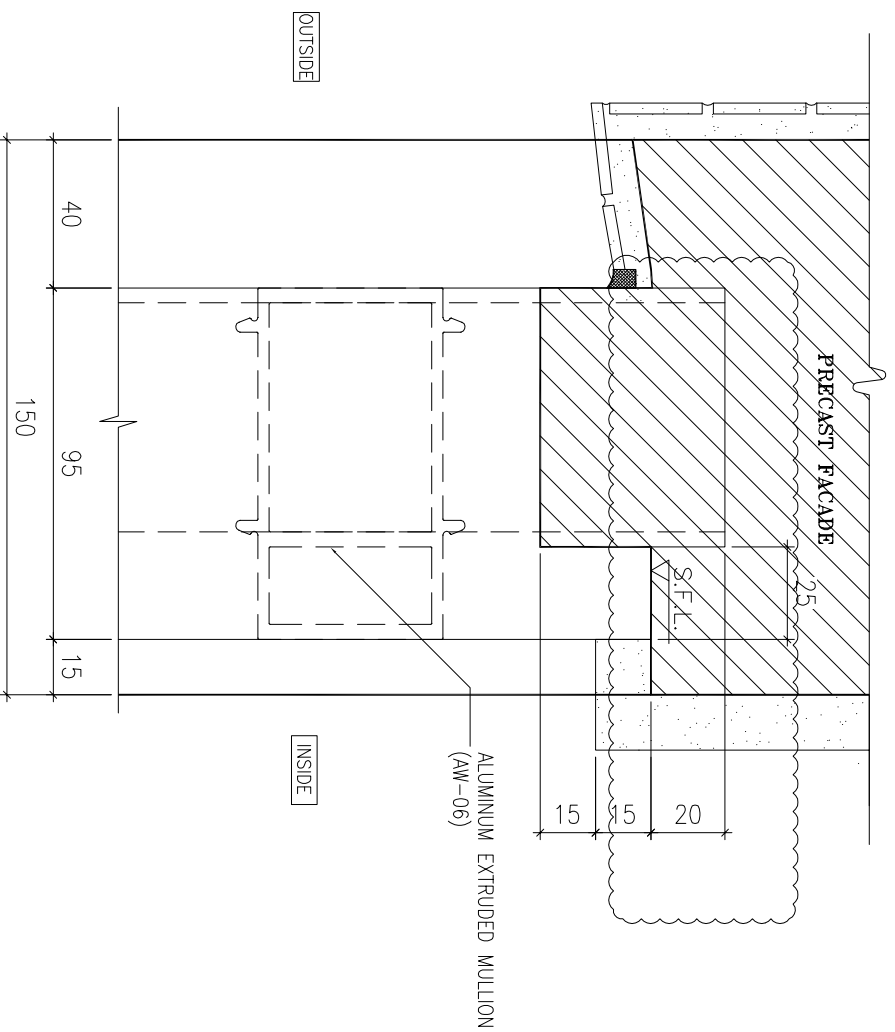
PROJECT : PROPOSED DEVELOPMENT ABOVE LIGHT RAIL TIN WING STOP-TS/WTL NO.23,AREA 33,TIN SHUI WAI, N.T.

TITLE : TYPICAL DETAILS FOR ALUM. WINDOW

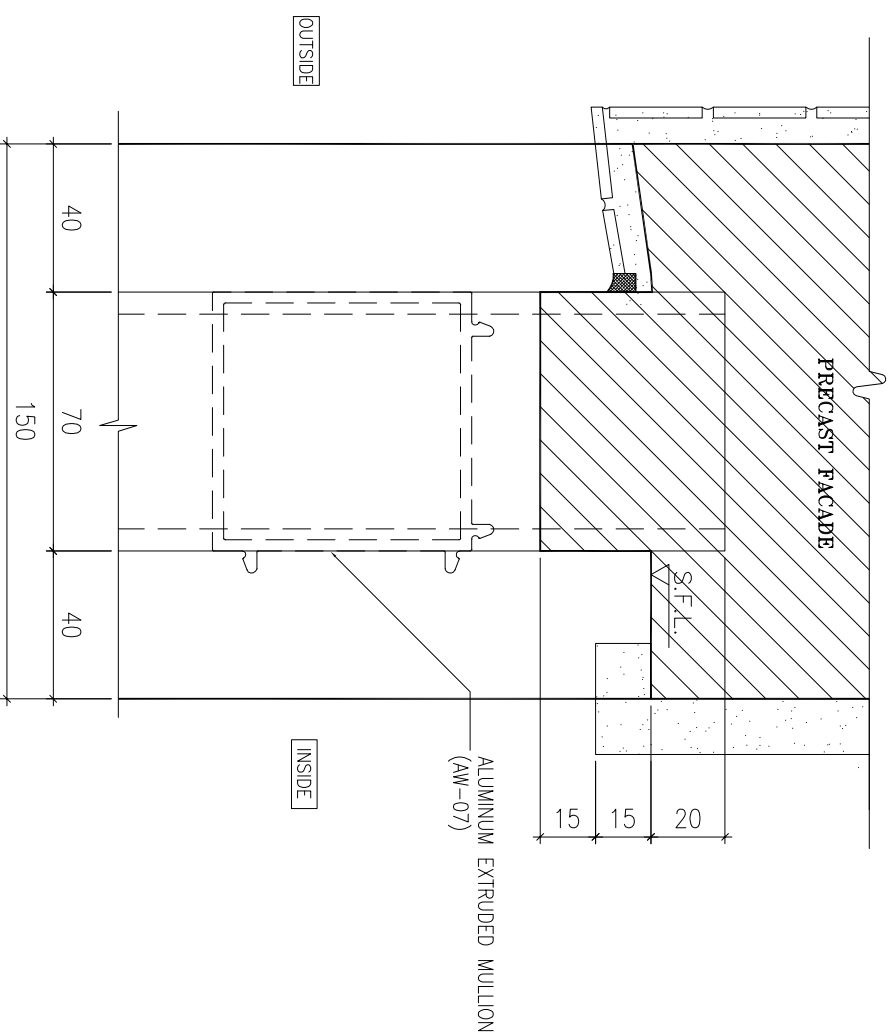
DATE : 02-Aug-21 SCALE : 1:40

DRAWN BY : IYVN CHECKED BY :

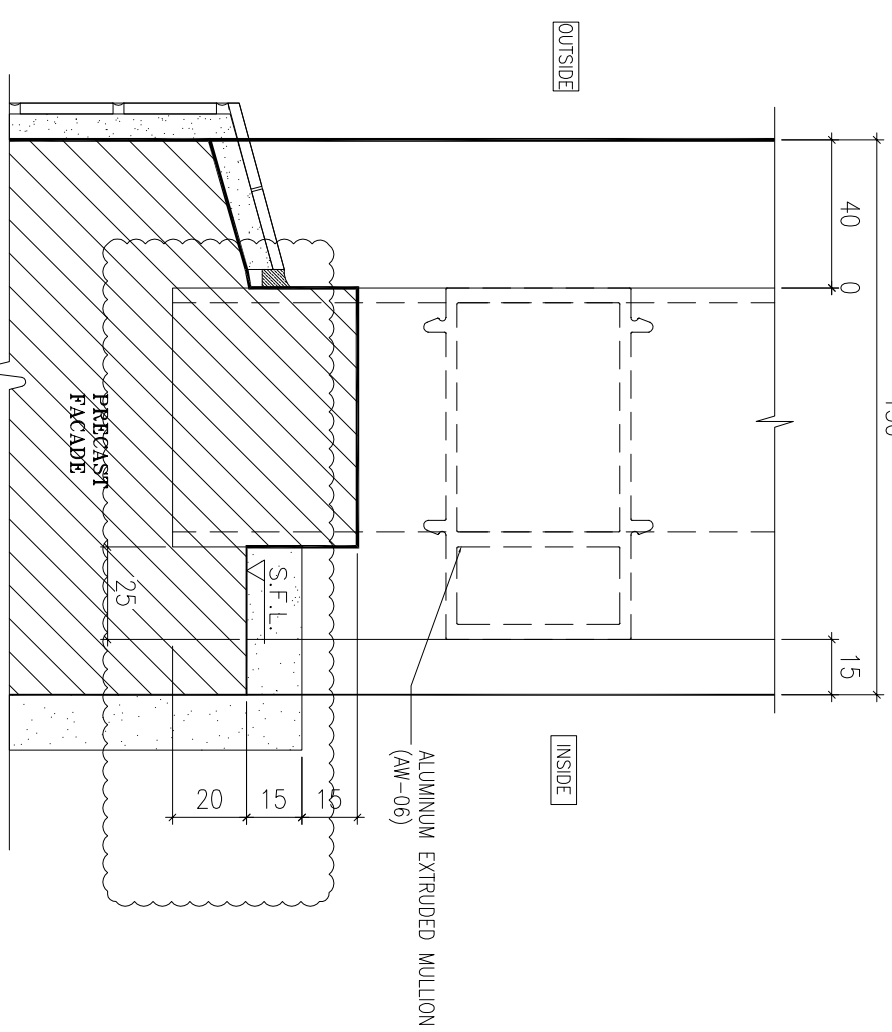
UNITED ALUMINIUM FABRICATOR LTD.
Units 6-8, Sunray Industrial Centre, 1/F
610 Cho Kwai Ling Road, Kowloon
Tel:23489211-4 Fax:(852)27272666
DWG NO. : J856-SD-PW-D172 REV : C



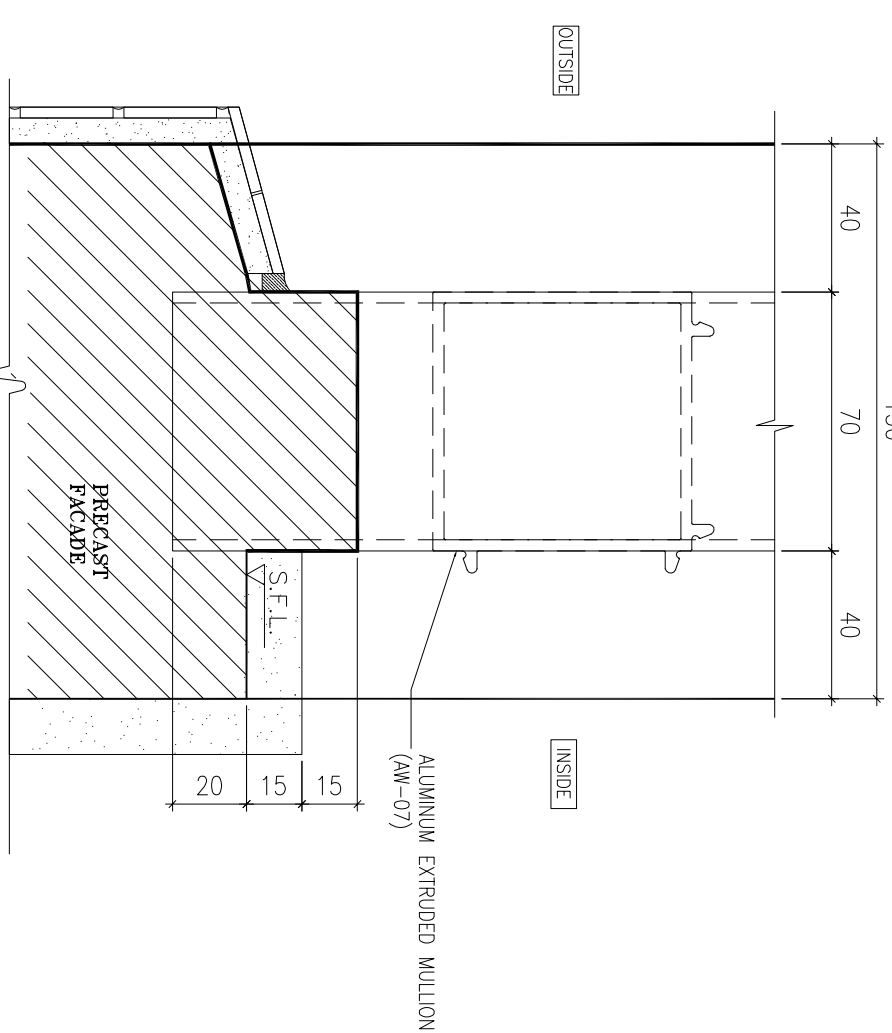
1 VERTICAL DETAIL
SCALE 1:2



3 VERTICAL DETAIL
SCALE 1:2



2 VERTICAL DETAIL
SCALE 1:2



4 VERTICAL DETAIL
SCALE 1:2

B.D. REF :

CLIENT :

SUN HUNG KAI
REAL ESTATE AGENCY LTD.

42/F, SUN HUNG KAI CENTRE, WANCHAI, HONGKONG

ARCHITECT :

lwk&partners
a r c h i t e c t s

MAIN CONTRACTOR :

怡輝建築有限公司
Yee Fai Building Contractors Ltd.

STRUCTURAL ENGINEER :

ARUP

FAÇADE CONSULTANT:

ALPHA CONSULTING LIMITED
Steel Structure & Façade Specialist

NOTE :

1. ALL DIMENSIONS ARE IN mm.
2. ALL ELEVATIONS ARE VIEWED FROM OUTSIDE.
3. ALL DIMENSIONS TO BE VERIFIED ON SITE BEFORE FABRICATION.

LEGEND :

(X1) --- DETAIL MARK NO.
(X001) --- REFER SHEET NO.

1. F.F.L. --- FINISHED FLOOR LEVEL
2. S.F.L. --- STRUCTURAL FLOOR LEVEL
3. (R) --- REVERSED DETAIL

4. GLASS LEGEND

- EQ.-1 --- 8mmH+12mm AIR GAP+10mmTP THK. I.G.U.
EQ.-2 --- 10mm THK. CLEAR TEMPERED GLASS
EQ.-4 --- 10mm THK. TEMPERED ACID ETCHED GLASS
EQ.-1A --- 8mmH+12mm AIR GAP+8mmTP THK. I.G.U.

NO.	DATE	REVISION	REVISION SUBJECT TO ARCH-COMMENT	BY
C	02/11/2021	REVISION SUBJECT TO ARCH-COMMENT	None	None
B	30/10/2021	REVISION SUBJECT TO ARCH-COMMENT	None	None
A	30/09/2021	REVISION SUBJECT TO ARCH-COMMENT	None	None

JOB NO. : J-856

PROJECT :
PROPOSED DEVELOPMENT ABOVE
LIGHT RAIL TIN WING STOP-TSWTL
NO.23,AREA 33,TIN SHUI WAL, N.T.

TITLE :
TYPICAL DETAILS FOR
ALUM. WINDOW

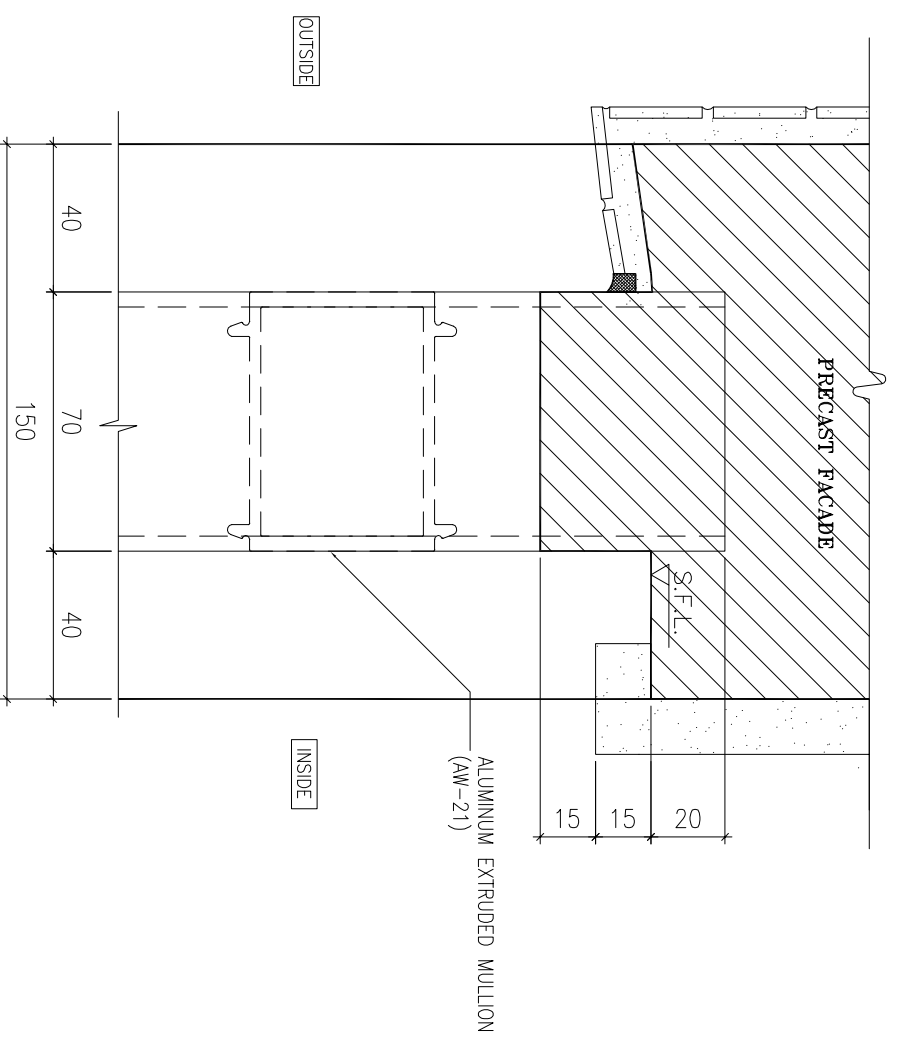
DATE : 02-Aug-21 SCALE : 1:40

DRAWN BY : IYVN CHECKED BY :

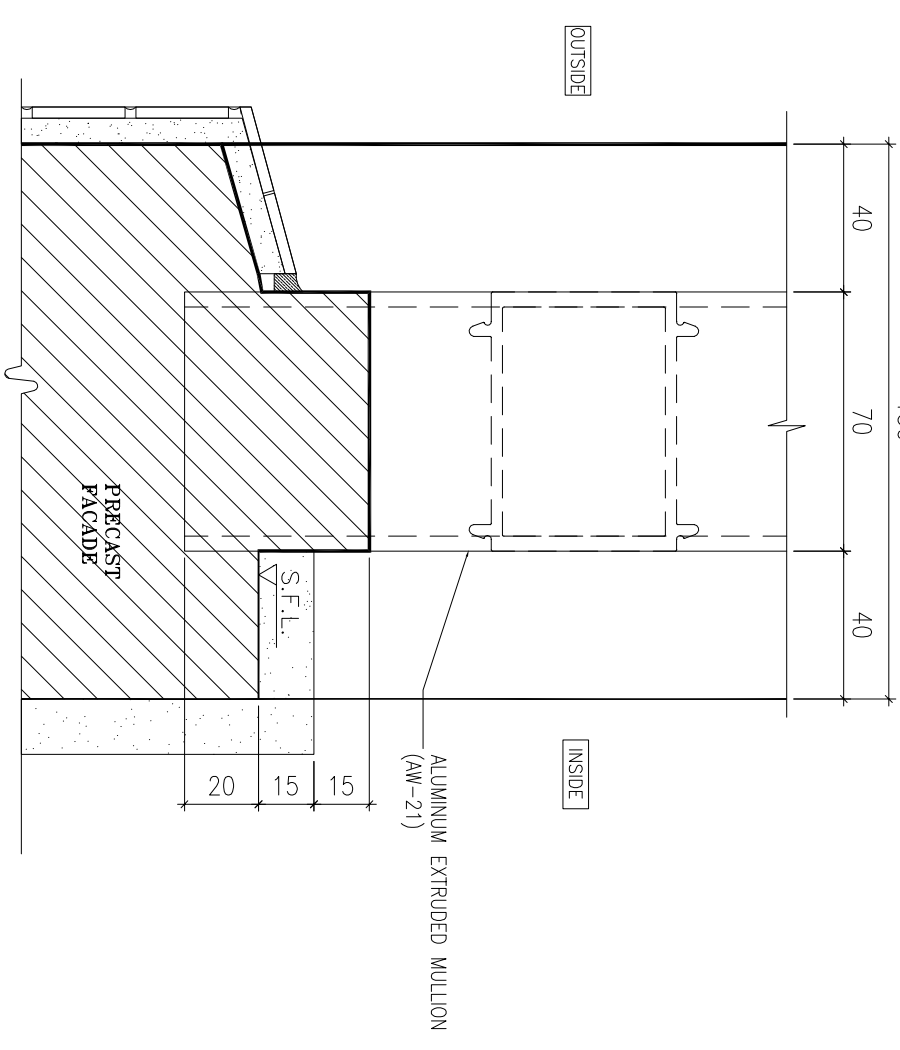
美特鋁質有限公司
MIDI ALUMINIUM FABRICATOR LTD.

Units 6-8, Sunray Industrial Centre, 1/F
610 Cho Kwong Road, Kwai Moon
Tel:23489211-4 Fax:(852)2727666

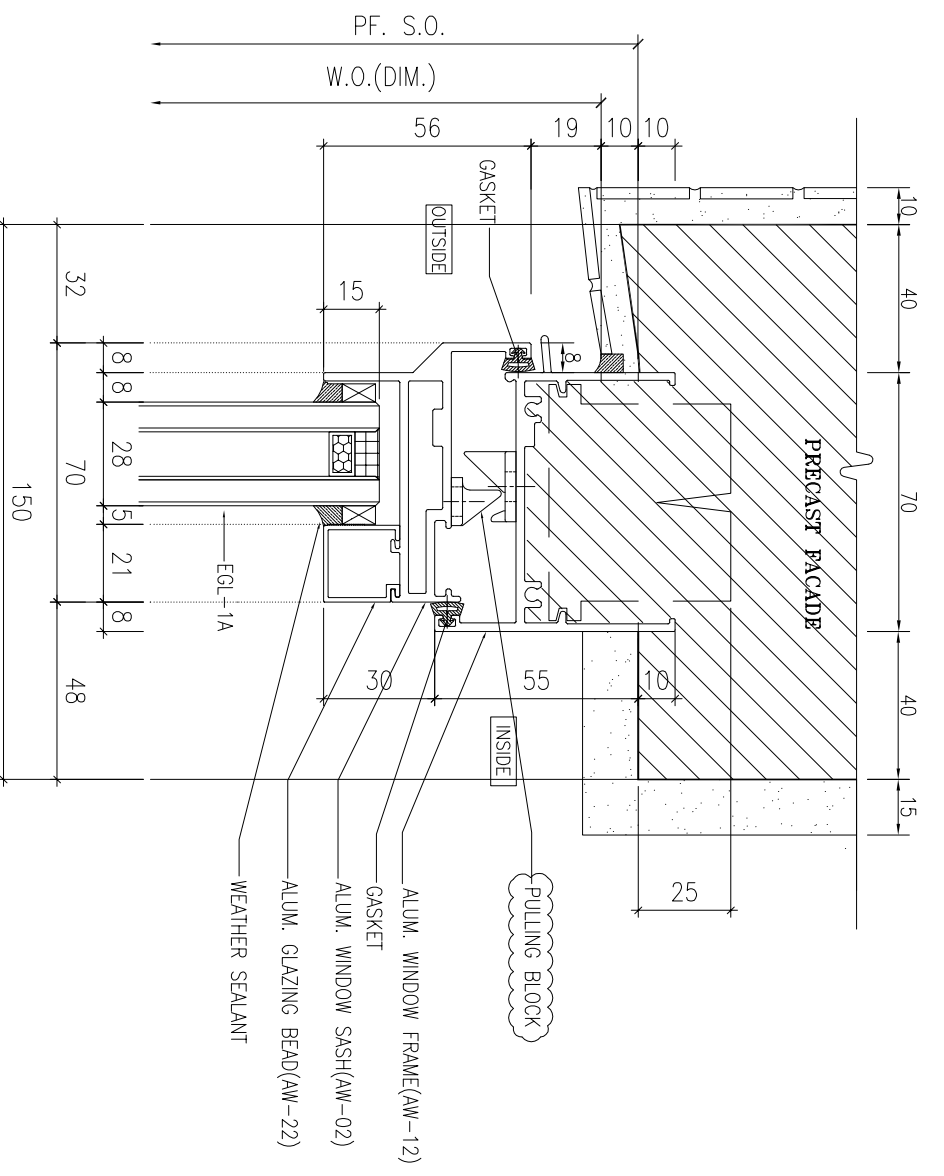
DWG NO. : J856-SD-PW-DT73 REV. : C



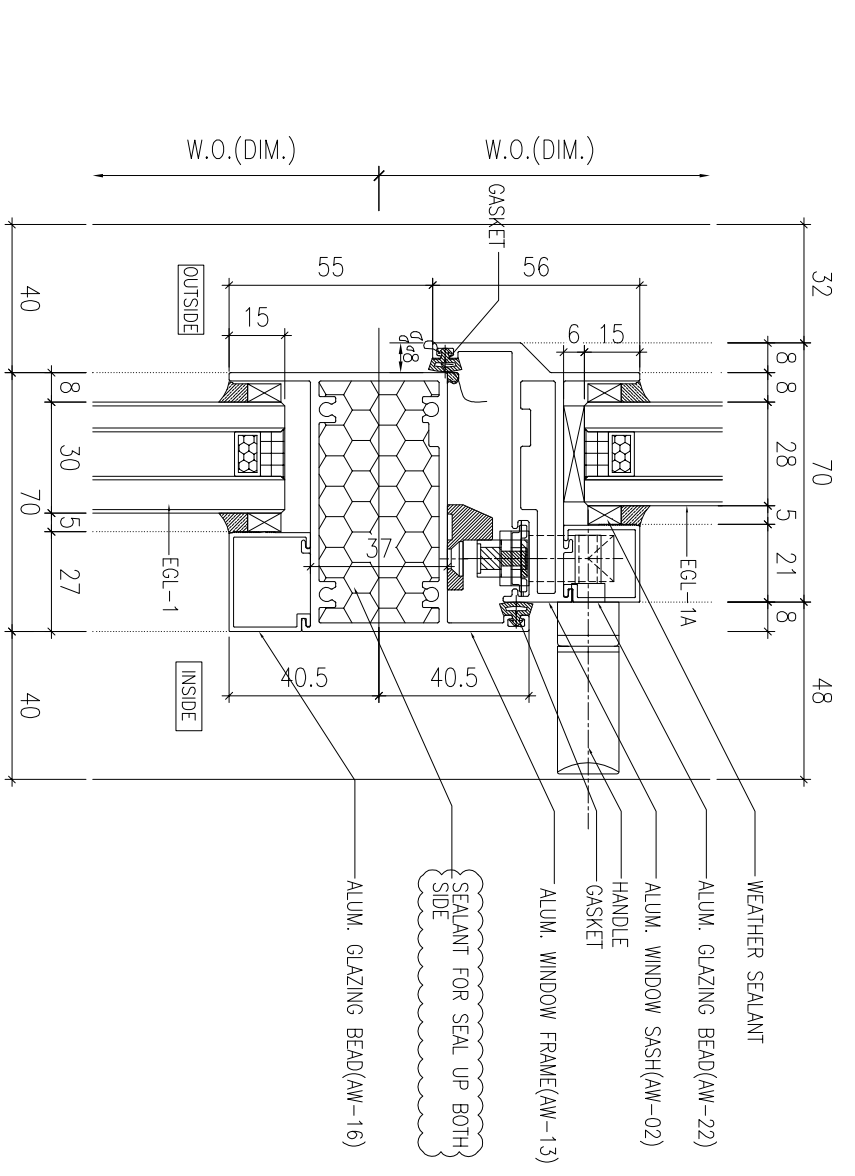
1 VERTICAL DETAIL
SCALE 1:2



2 VERTICAL DETAIL
SCALE 1:2



3 VERTICAL DETAIL
SCALE 1:2



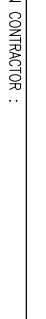
4 VERTICAL DETAIL
SCALE 1:2

B.D. REF :

CLIENT :



ARCHITECT :



MAIN CONTRACTOR :



STRUCTURAL ENGINEER :



FAÇADE CONSULTANT :



NOTE :
1. ALL DIMENSIONS ARE IN mm.
2. ALL ELEVATIONS ARE VIEWED FROM OUTSIDE.
3. ALL DIMENSIONS TO BE VERIFIED ON SITE BEFORE FABRICATION.

LEGEND :
X1 --- DETAIL MARK NO.
X001 --- REFER SHEET NO.

1. F.F.L. --- FINISHED FLOOR LEVEL
2. S.F.L. --- STRUCTURAL FLOOR LEVEL
3. (R) --- REVERSED DETAIL
4. GLASS LEGEND
EQ-1 --- 8mmH5+12mm AIR GAP+10mmTP THK. I.G.U.
EQ-2 --- 10mm THK. CLEAR TEMPERED GLASS
EQ-4 --- 10mm THK. TEMPERED ACID ETCHED GLASS
EQ-1A --- 8mmH5+12mm AIR GAP+8mmTP THK. I.G.U.

NO.	DATE	REVISION	REVISION SUBJECT TO ARCH-COMMENT	BY
B	31/08/2022	REVISION SUBJECT TO ARCH-COMMENT		hwk
A	06/07/2022	REVISION SUBJECT TO ARCH-COMMENT		hwk

JOB NO. : J-856
PROJECT : PROPOSED DEVELOPMENT ABOVE LIGHT RAIL TIN WING STOP-TS/WTL NO.23, AREA 33, TIN SHUI WAI, N.T.
TITLE : TYPICAL DETAILS FOR ALUM. WINDOW

DATE : 02-Aug-21 SCALE : 1:40
DRAWN BY : ivon CHECKED BY :

美特铝质有限公司
MDI ALUMINIUM FABRICATOR LTD.
Units 6-8, Sunray Industrial Centre, 1/F
610 Cho Kwong Road, Kowloon
Tel: 23489211-4 Fax: (852) 27272666
DWG NO. : J856-SD-PW-DT73a REV. : B

B.D. REF :

CLIENT :

SUN HUNG KAI
REAL ESTATE AGENCY LTD.

42/F, SUN HUNG KAI CENTRE, WANCHAI, HONGKONG

ARCHITECT :

lwk&partners
a r c h i t e c t s

MAIN CONTRACTOR :

Yee Fai 怡輝建築有限公司
Building Contractors Ltd.

STRUCTURAL ENGINEER :

ARUP

FAÇADE CONSULTANT :

ALPHA CONSULTING LIMITED
Steel Structure & Façade Specialist

NOTE :

1. ALL DIMENSIONS ARE IN mm.
2. ALL ELEVATIONS ARE VIEWED FROM OUTSIDE.
3. ALL DIMENSIONS TO BE VERIFIED ON SITE BEFORE FABRICATION.

LEGEND :

X1 --- DETAIL MARK NO.
X001 --- REFER SHEET NO.

1. F.F.L. --- FINISHED FLOOR LEVEL
2. S.F.L. --- STRUCTURAL FLOOR LEVEL
3. (R) --- REVERSED DETAIL
4. GLASS LEGEND

EQ-1 --- 8mmH^S+12mm AIR GAP+10mmTP THK. I.G.U.
 EQ-2 --- 10mm THK. CLEAR TEMPERED GLASS
 EQ-4 --- 10mm THK. TEMPERED ACID ETCHED GLASS
 EQ-1A --- 8mmH^S+12mm AIR GAP+8mmTP THK. I.G.U.

NO.	DATE	REASON	BY

JOB NO. : J-856

PROJECT :
 PROPOSED DEVELOPMENT ABOVE
 LIGHT RAIL TIN WING STOP/TSWTL
 NO.23,AREA 33,TIN SHUI WAI, N.T.

TITLE :
 ALUM. WINDOW SECTION
 TYPICAL LOOK & HINGES DETAIL

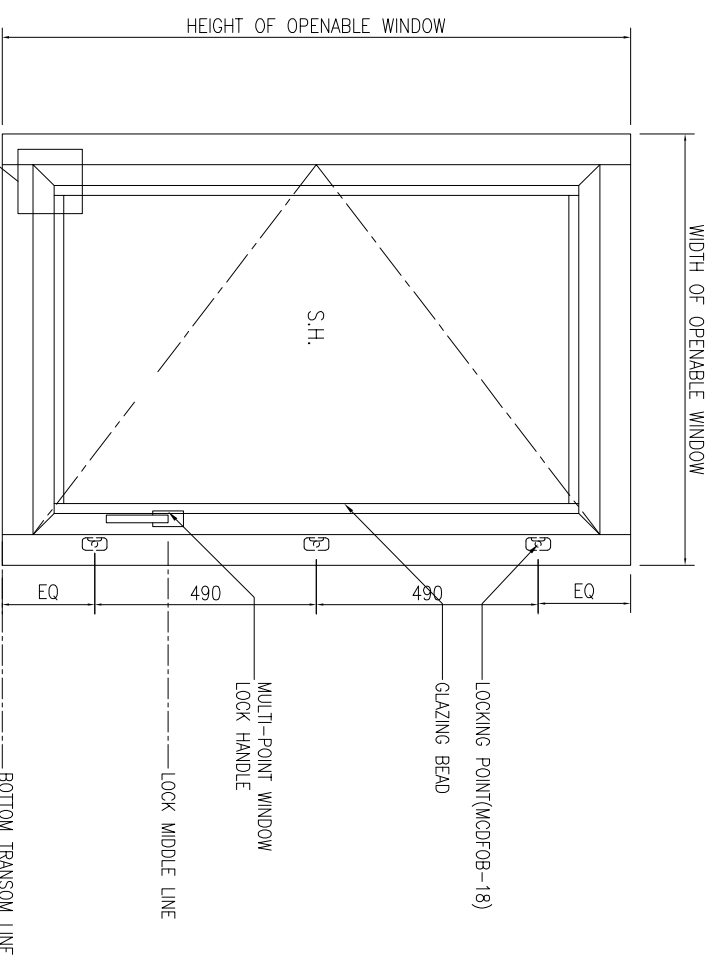
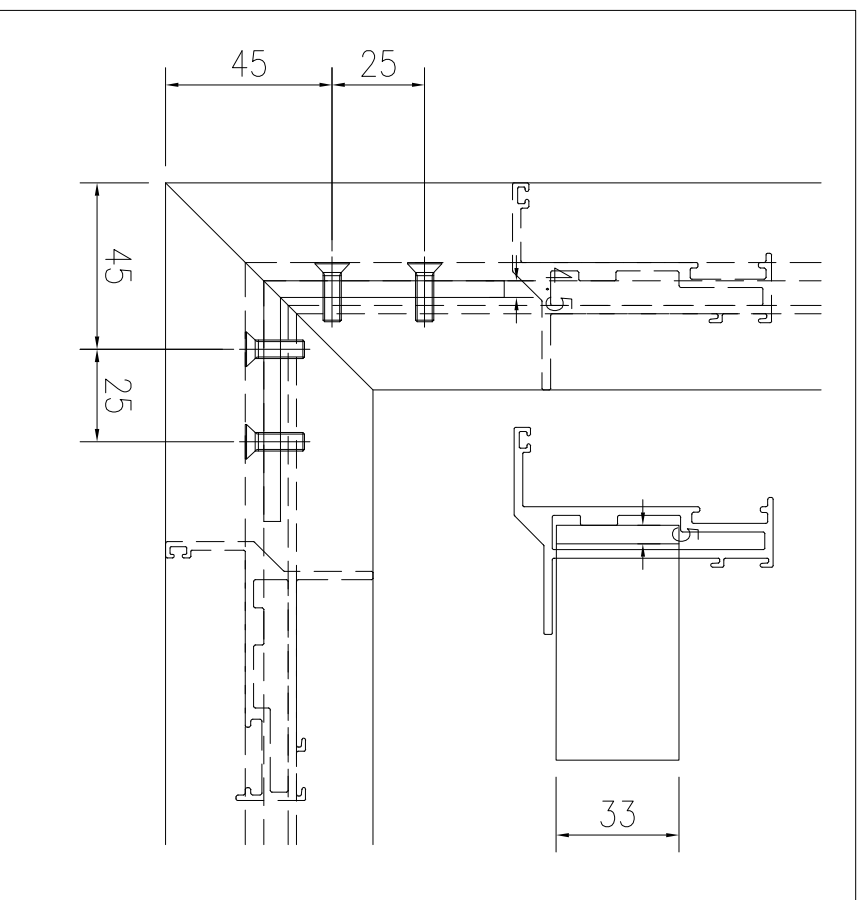
DATE : 02-Aug-21 SCALE : 1:40

DRAWN BY : IYON CHECKED BY :

美特鋁質有限公司
MDI ALUMINIUM FABRICATOR LTD.
 Units 6-8, Sunray Industrial Centre, 1/F
 610 Cho Kwo Ling Road, Kowloon
 Tel:23489211-4 Fax:(852)2727666

DWG NO. : J856-SD-PW-DT74 REV. : -

70窗



01 TYPICAL SECTION

S.F.L.

B.D. REF :

CLIENT :

SUN HUNG KAI
REAL ESTATE AGENCY LTD.

42/F, SUN HUNG KAI CENTRE, WANCHAI, HONGKONG

ARCHITECT :

lwk&partners
a r c h i t e c t s

MAIN CONTRACTOR :

Yee Fai 怡輝建築有限公司
Building Contractors Ltd.

STRUCTURAL ENGINEER :

ARUP

FAÇADE CONSULTANT:

ALPHA CONSULTING LIMITED
Steel Structure & Façade Specialist

NOTE :

1. ALL DIMENSIONS ARE IN mm.
2. ALL ELEVATIONS ARE VIEWED FROM OUTSIDE.
3. ALL DIMENSIONS TO BE VERIFIED ON SITE BEFORE FABRICATION.

LEGEND :

X1 --- DETAIL MARK NO.
X001 --- REFER SHEET NO.

1. F.F.L. --- FINISHED FLOOR LEVEL
2. S.F.L. --- STRUCTURAL FLOOR LEVEL
3. (R) --- REVERSED DETAIL

4. GLASS LEGEND

EQ-1 --- 8mmH⁵+12mm AIR GAP+10mmTP THK. I.G.U.
 EQ-2 --- 10mm THK. CLEAR TEMPERED GLASS
 EQ-4 --- 10mm THK. TEMPERED ACID ETCHED GLASS
 EQ-1A --- 8mmH⁵+12mm AIR GAP+8mmTP THK. I.G.U.

NO.	DATE	REASON	BY

JOB NO. : J-856

PROJECT :
 PROPOSED DEVELOPMENT ABOVE
 LIGHT RAIL TIN WING STOP/TSWTL
 NO.23,AREA 33,TIN SHUI WAI, N.T.

TITLE :

ALUM. WINDOW SECTION
TYPICAL LOOK & HINGES DETAIL

DATE : 02-Aug-21 SCALE : 1:40

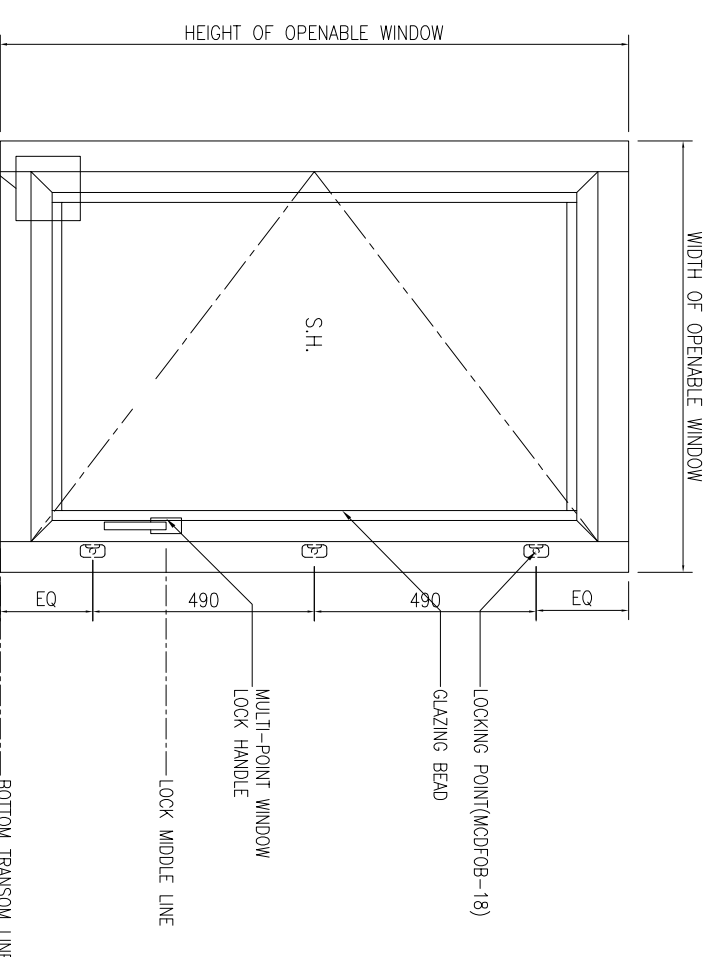
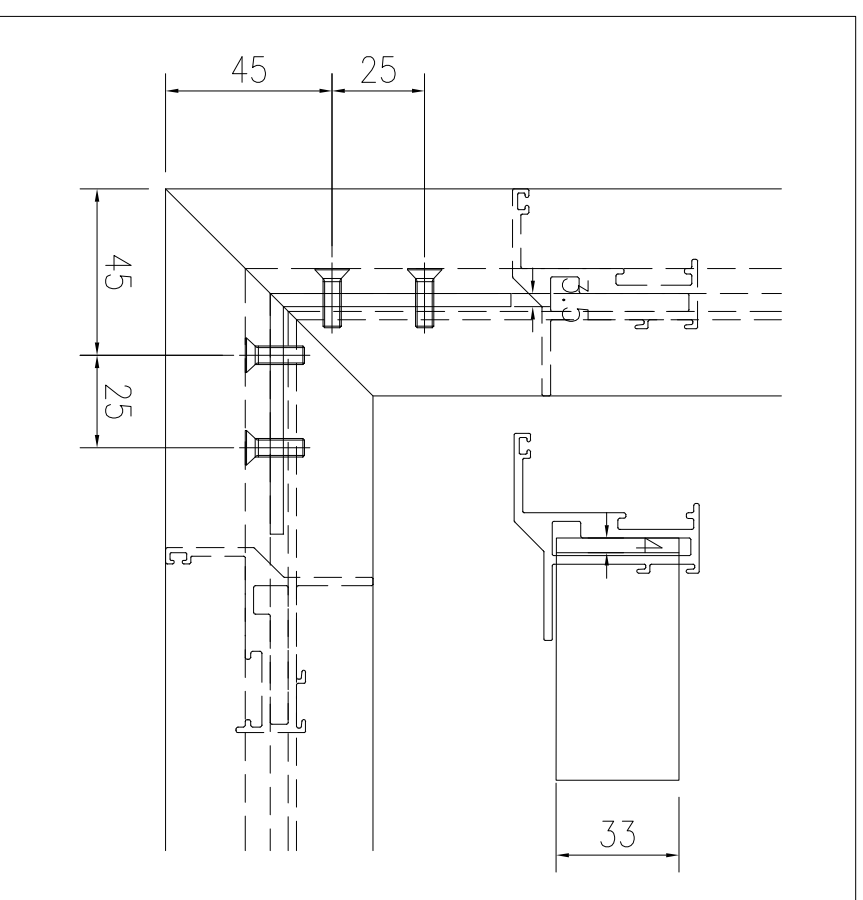
DRAWN BY : IYVN CHECKED BY :

美特鋁質有限公司
MDI ALUMINIUM FABRICATOR LTD.

Units 6-8, Sunray Industrial Centre, 1/F
 610 Cho Kwo Ling Road, Kowloon
 Tel:23489211-4 Fax:(852)2727666

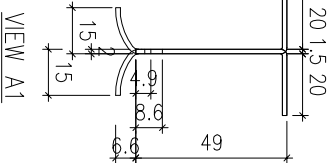
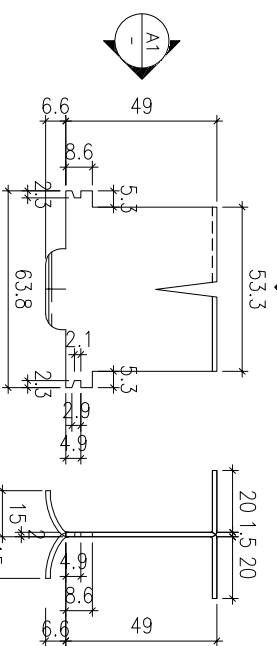
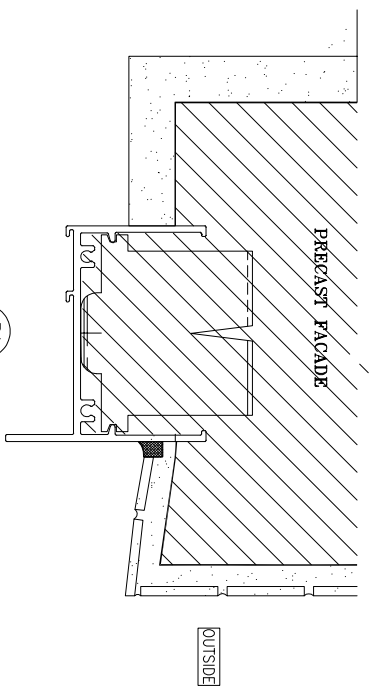
DWG NO. : J856-SD-PW-D174c REV. : -

50窗

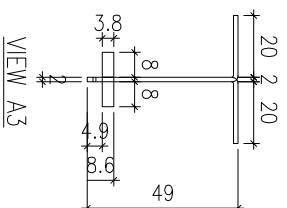
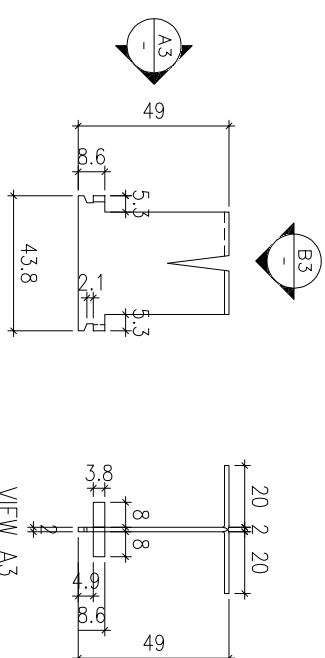
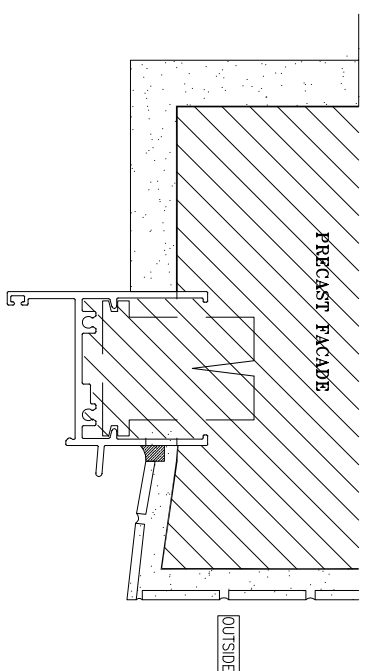
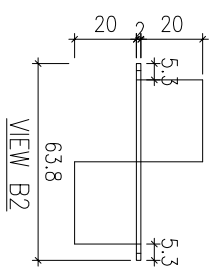
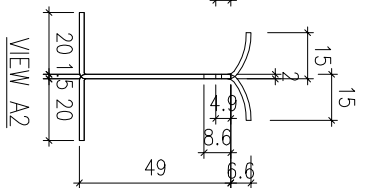
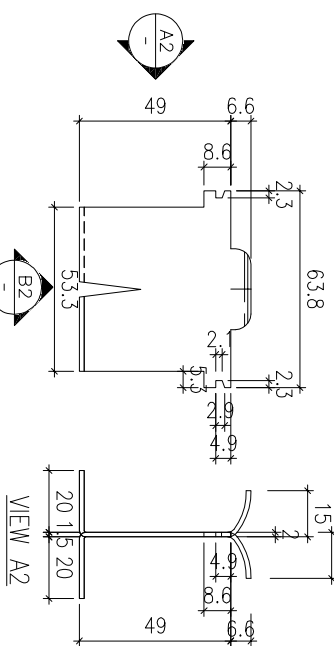
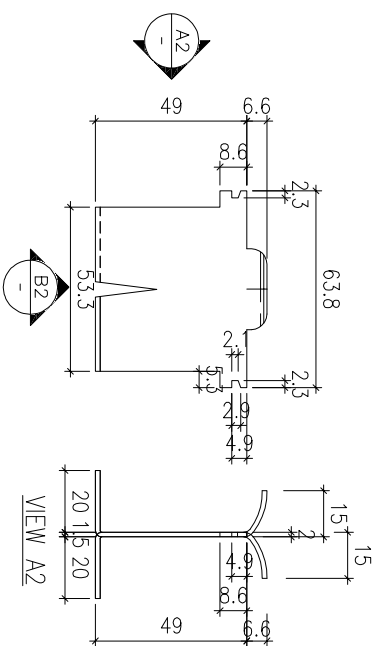


01 TYPICAL SECTION

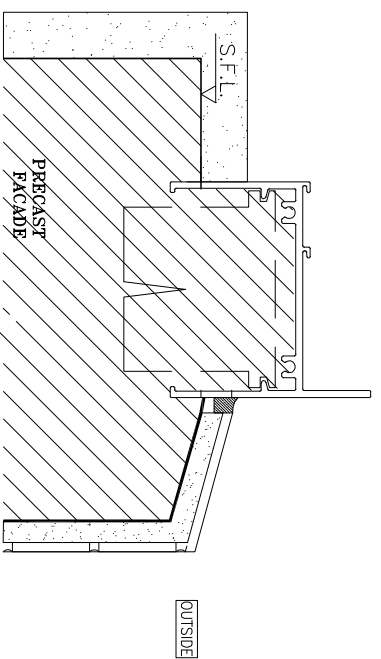
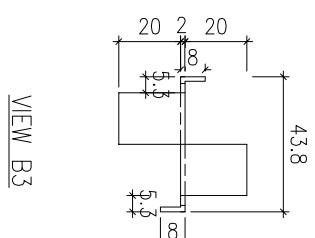
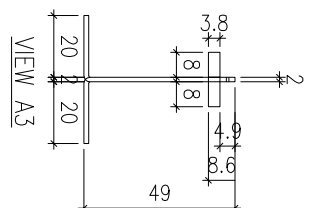
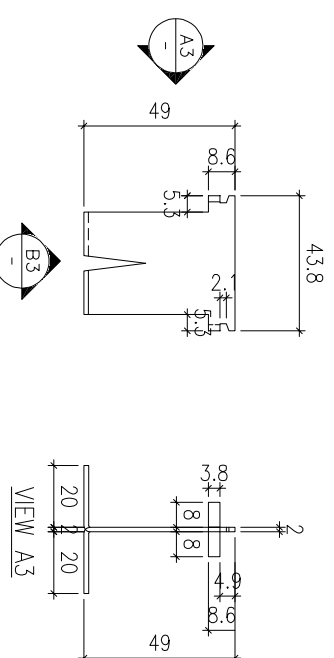
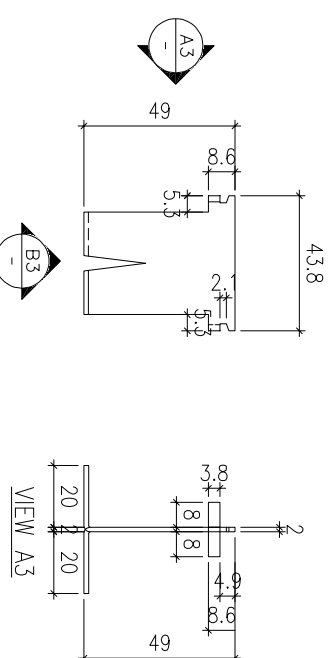
S.F.L.



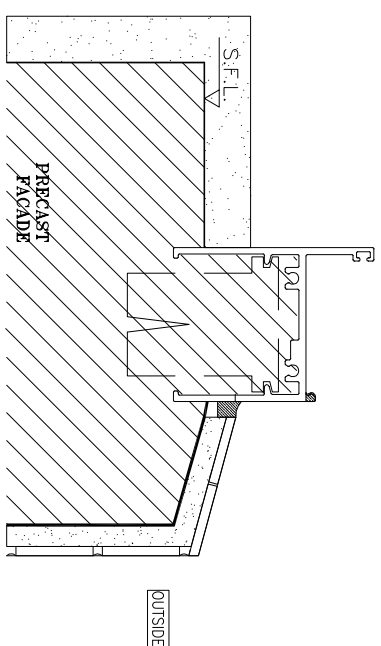
1 70 SECTION FIXING LUG
SCALE 1:2



3 50 SECTION FIXING LUG
SCALE 1:2



2 70 SECTION FIXING LUG
SCALE 1:2



4 50 SECTION FIXING LUG
SCALE 1:2

B.D. REF :

CLIENT :

SUN HUNG KAI
REAL ESTATE AGENCY LTD.

42/F, SUN HUNG KAI CENTRE, WANCHAI, HONGKONG

ARCHITECT :

lwk&partners
ARCHITECTS

MAIN CONTRACTOR :

Yee Fai 怡輝建築有限公司
Building Contractors Ltd.

STRUCTURAL ENGINEER :

ARUP

FAÇADE CONSULTANT :

Alpha Consulting Limited
Steel Structure & Façade Specialist

NOTE :

1. ALL DIMENSIONS ARE IN mm.
2. ALL ELEVATIONS ARE VIEWED FROM OUTSIDE.
3. ALL DIMENSIONS TO BE VERIFIED ON SITE BEFORE FABRICATION.

LEGEND :

(X1) --- DETAIL MARK NO.
(X001) --- REFER SHEET NO.

1. F.F.L. --- FINISHED FLOOR LEVEL
2. S.F.L. --- STRUCTURAL FLOOR LEVEL
3. (R) --- REVERSED DETAIL

4. GLASS LEGEND

- EQ-1 --- 8mmH+12mm AIR GAP+10mmTP THK. I.G.U.
- EQ-2 --- 10mm THK. CLEAR TEMPERED GLASS
- EQ-4 --- 10mm THK. TEMPERED ACID ETCHED GLASS
- EQ-1A --- 8mmH+12mm AIR GAP+8mmTP THK. I.G.U.

NO.	DATE	REVISION SUBJECT TO ARCH-COMMENT	ISSUED BY
A	05/09/2022		

JOB NO. :

J-856

PROJECT :
PROPOSED DEVELOPMENT ABOVE
LIGHT RAIL TIN WING STOP-TS/WL
NO.23, AREA 33, TIN SHUI WAI, N.T.

TITLE :
G.M.S. FIXING LUG TYPICAL DETAIL
FOR ALUM. WINDOW

DATE : 02-Aug-21 SCALE : 1:60

DRAWN BY : IYON

CHECKED BY :

美特鋁質有限公司
MIDI ALUMINIUM FABRICATOR LTD.
Units 6-8, Sunray Industrial Centre, Kowloon
610 Cho Kwo Ling Road, Kowloon
Tel: 23489211-4 Fax: (852) 2727666
DWG NO. : J856-SD-PW-DT75 REV. : A

B.D. REF :

CLIENT :

SUN HUNG KAI
REAL ESTATE AGENCY LTD.
42/F, SUN HUNG KAI CENTRE, WANCHAI, HONGKONG

ARCHITECT :
lwk&partners
a r c h i t e c t s

MAIN CONTRACTOR :
怡輝建築有限公司
Yeek Fai Building Contractors Ltd.

STRUCTURAL ENGINEER :
ARUP

FAÇADE CONSULTANT:
ALPHA CONSULTING LIMITED
Steel Structure & Façade Specialist

NOTE:
1. ALL DIMENSIONS ARE IN mm.
2. ALL ELEVATIONS ARE VIEWED FROM OUTSIDE.
3. ALL DIMENSIONS TO BE VERIFIED ON SITE BEFORE FABRICATION.

LEGEND:
X1 --- DETAIL MARK NO.
X1001 --- REFER SHEET NO.

1. F.F.L. --- FINISHED FLOOR LEVEL
2. S.F.L. --- STRUCTURAL FLOOR LEVEL
3. (R) --- REVERSED DETAIL
4. GLASS LEGEND
EQ.-1 --- 8mmH+12mm AIR GAP+10mmTP THK. I.G.U.
EQ.-2 --- 10mm THK. CLEAR TEMPERED GLASS
EQ.-4 --- 10mm THK. TEMPERED ACID ETCHED GLASS
EQ.-1A --- 8mmH+12mm AIR GAP+8mmTP THK. I.G.U.

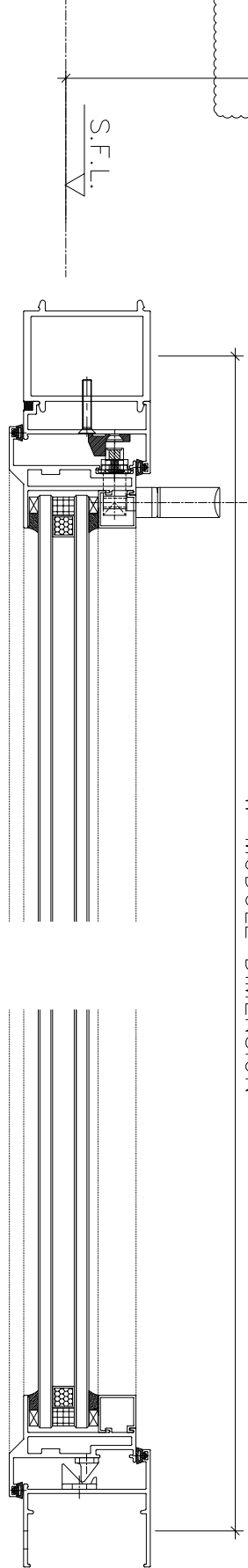
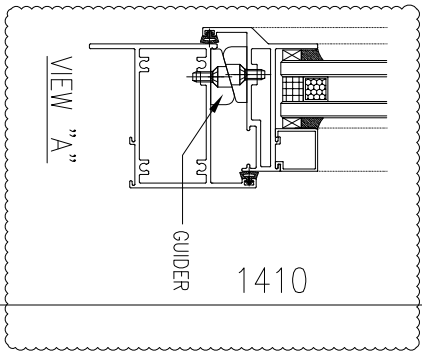
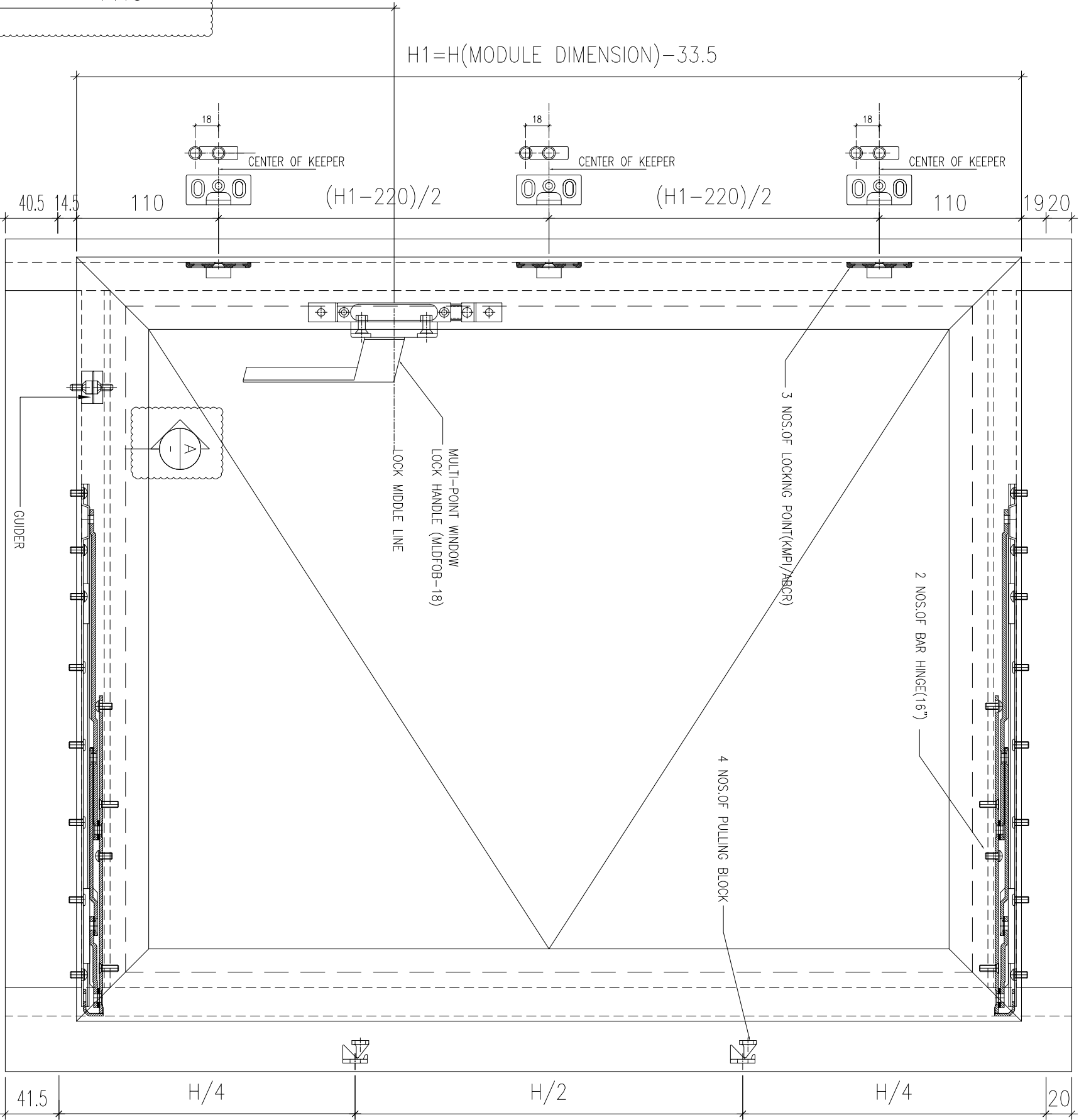
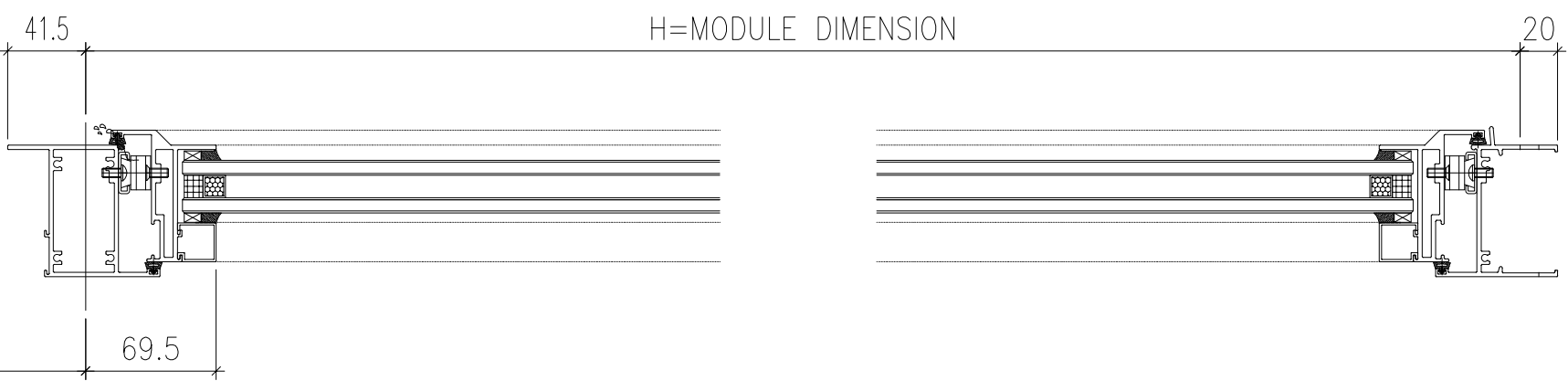
NO.	DATE	REVISION	REVISION SUBJECT TO ARCH-COMMENT	BY
C	05/09/2022	REVISION SUBJECT TO ALPHA COMMENT		
B	06/07/2022	REVISION SUBJECT TO ALPHA COMMENT		
A	03/01/2022	REVISION SUBJECT TO ARCH-COMMENT		

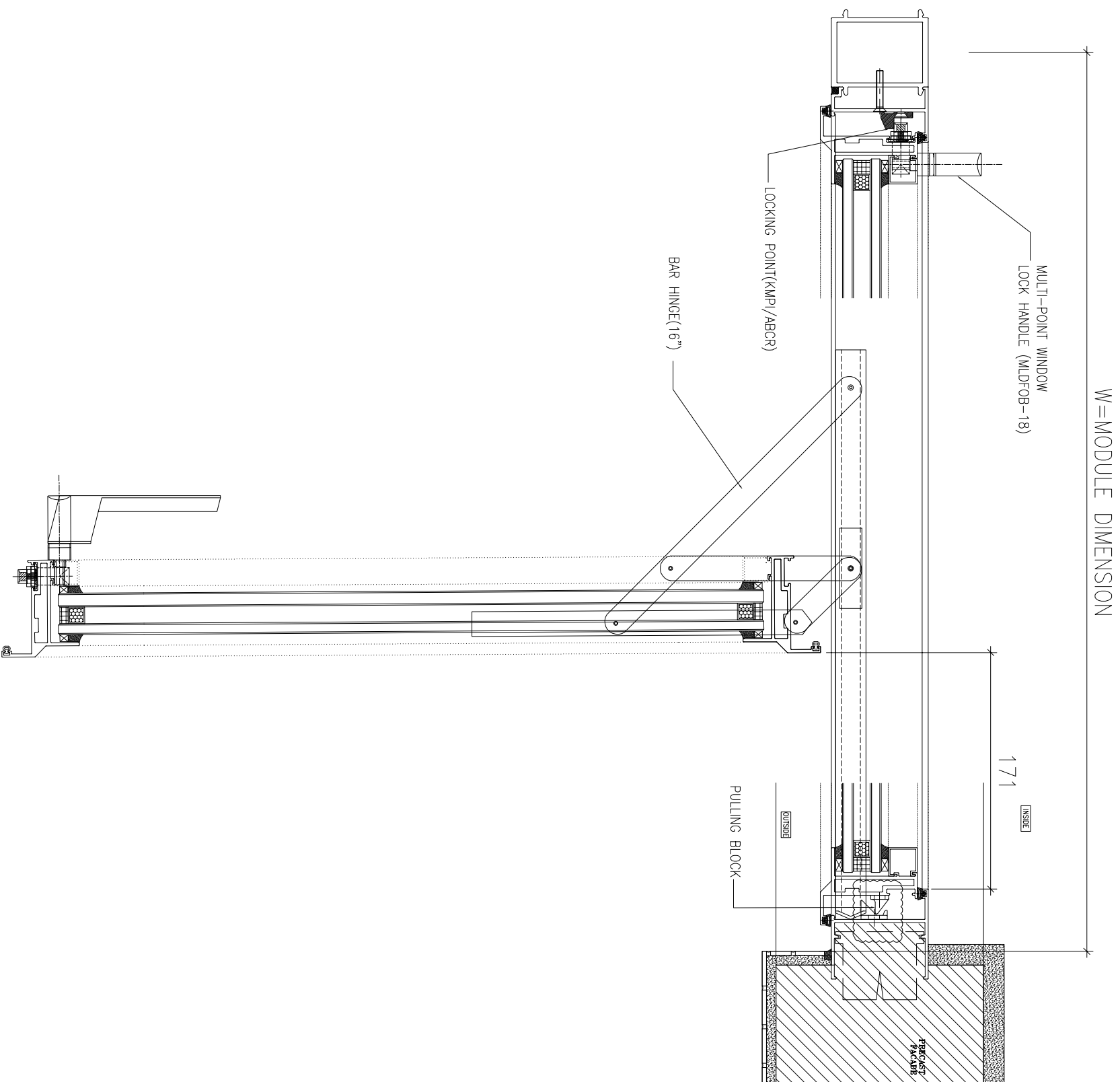
JOB NO. : J-856
PROJECT : PROPOSED DEVELOPMENT ABOVE LIGHT RAIL TIN WING STOP-TSWTL NO.23,AREA 33,TIN SHUI WAI, N.T.
TITLE : TYPICAL EARTHING BONDING DETAILS OF PRECAST

DATE : 02-Aug-21 SCALE : 1:60

DRAWN BY : IYVON CHECKED BY :

美特鋁質有限公司
MIDI ALUMINIUM FABRICATOR LTD.
Units 6-8, Sunray Industrial Centre, 1/F
610 Cho Kwo Ling Road, Kowloon
Tel:23489211-4 Fax:(852)27727666
DWG NO. : J856-SD-PW-D177 REV. : C





W=MODULE DIMENSION

1771

INSIDE

OUTSIDE

PULLING BLOCK

PRECAST
F.Y.C.P.B.

B.D. REF :

CLIENT :

SUN HUNG KAI
REAL ESTATE AGENCY LTD.

42/F, SUN HUNG KAI CENTRE, WANCHAI, HONGKONG

ARCHITECT :

lwk&partners
a r c h i t e c t s

MAIN CONTRACTOR :

怡輝建築有限公司
Yee Fai Building Contractors Ltd.

STRUCTURAL ENGINEER :

ARUP

FAÇADE CONSULTANT:

ALPHA CONSULTING LIMITED
Steel Structure & Façade Specialist

NOTE :

1. ALL DIMENSIONS ARE IN mm.
2. ALL ELEVATIONS ARE VIEWED FROM OUTSIDE.
3. ALL DIMENSIONS TO BE VERIFIED ON SITE BEFORE FABRICATION.

LEGEND :

(X1) — DETAIL MARK NO.
(X001) — REFER SHEET NO.

1. F.F.L. --- FINISHED FLOOR LEVEL
2. S.F.L. --- STRUCTURAL FLOOR LEVEL
3. (R) --- REVERSED DETAIL

4. GLASS LEGEND

- EQ-1 --- 8mmH+12mm AIR GAP+10mmTP THK. I.G.U.
EQ-2 --- 10mm THK. CLEAR TEMPERED GLASS
EQ-4 --- 10mm THK. TEMPERED ACID ETCHED GLASS
EQ-1A --- 8mmH+12mm AIR GAP+8mmTP THK. I.G.U.

NO.	DATE	REVISION SUBJECT TO ARCH/COMMENT	ISSUED BY
A	03/01/2022		

JOB NO. : J-856

PROJECT :
PROPOSED DEVELOPMENT ABOVE
LIGHT RAIL TIN WING STOP/TSWTL
NO.23,AREA 33,TIN SHUI WAL, N.T.

TITLE :
TYPICAL EARTHING
BONDING DETAILS OF PRECAST

DATE : 02-Aug-21 SCALE : 1:60

DRAWN BY : IYON CHECKED BY :

美特鋁質有限公司
MDI ALUMINIUM FABRICATOR LTD.
Units 6-8, Sunray Industrial Centre, 1/F
610 Cho Kwo Ling Road, Kowloon
Tel:23489211-4 Fax:(852)2727666

DWG NO. : J856-SD-PW-DT78 REV. : A