

美特鋁質有限公司

MIDI ALUMINIUM FABRICATOR LTD.



工程指示 / 要求簡箋 ENGINEER INSTRUCTIONS(E.I.)

工程指示編號:	EI- 5122F	修改版本:	F
HK-0324			
工程編號:	J 856	工程名稱:	天榮站
收件人:	技術部 / 謝永林	發件人:	Lai Sik Hung
工程項目:	佛沙窗 Shop Drawing (19th Submission)	日期:	27/02/2023

<input type="checkbox"/> 原合約工程包	<input type="checkbox"/> 原合約工程加 / 減賬 QT-	<input type="checkbox"/> 新工程報價 QT-
---------------------------------	--	------------------------------------

信件批核號碼/圖紙參考編號:	批核模具圖紙編號:
客戶指示附件:	管理內部批簽署:

<input type="checkbox"/> 初步鋁料 B.M.	<input type="checkbox"/> 加工拆圖, 然後生產	<input type="checkbox"/> 尺寸表
<input type="checkbox"/> 正式鋁料 B.M.	<input type="checkbox"/> 技術上資料/指示	<input type="checkbox"/> 報價
<input type="checkbox"/> 配件 B.M.	<input type="checkbox"/> 樣辦或貨品說明書	<input type="checkbox"/> 分判合約
<input type="checkbox"/> 其他:		

內容: 佛沙窗 Shop Drawing (19th Submission)
完成上列要求日期: ASAP

國內

<input type="checkbox"/> 生產技術總監	<input type="checkbox"/> 連附件	<input checked="" type="checkbox"/> 技術部	<input checked="" type="checkbox"/> 連附件	<input type="checkbox"/> 生產部	<input type="checkbox"/> 連附件
<input type="checkbox"/> 採購部	<input type="checkbox"/> 連附件	<input type="checkbox"/> 生產統籌部	<input type="checkbox"/> 連附件	<input type="checkbox"/> 報關組	<input type="checkbox"/> 連附件
<input type="checkbox"/> 質檢部	<input type="checkbox"/> 連附件	<input type="checkbox"/> 會計部	<input type="checkbox"/> 連附件	<input type="checkbox"/> 機械設計部	<input type="checkbox"/> 連附件
<input checked="" type="checkbox"/> 香港辦	<input checked="" type="checkbox"/> 連附件	<input type="checkbox"/> 其他:			

<input type="checkbox"/> 行政部	<input type="checkbox"/> 連附件	<input type="checkbox"/> 會計部	<input type="checkbox"/> 連附件	<input type="checkbox"/> 統籌部	<input type="checkbox"/> 連附件	<input type="checkbox"/> 工程部	<input type="checkbox"/> 連附件
<input type="checkbox"/> 採購部	<input type="checkbox"/> 連附件	<input type="checkbox"/> QS部	<input type="checkbox"/> 連附件	<input type="checkbox"/> 地盤管理	<input type="checkbox"/> 連附件	<input type="checkbox"/> 維修部	<input type="checkbox"/> 連附件

*發件人簽署:		*組別成員批核簽署:	
傳遞編號:		項目經理簽署:	

PROJECT :

PROPOSED DEVELOPMENT ABOVE  
LIGHT RAIL TIN WING STOP, TSWTL  
NO.23, AREA 33, TIN SHUI WAI, N.T.

19

SHOP DRAWING FOR ALUM. PRECAST WINDOW OF TOWER

DATE: 27-FEB-23







# GENERAL NOTES FOR PRECAST ALUM. WINDOW PAGE 1

## CODES AND STANDARDS

1. CODE OF PRACTICE ON WIND EFFECTS IN HONG KONG 2004.
2. CODE OF PRACTICE FOR DEAD AND IMPOSED LOADS 2011.
3. CODE OF PRACTICE FOR STRUCTURAL USE OF CONCRETE 2013.
4. CODE OF PRACTICE FOR THE STRUCTURAL USE OF STEEL 2011.
5. CODE OF PRACTICE FOR STRUCTURAL USE OF GLASS 2018.
6. STRUCTURAL USE OF ALUMINIUM, BS 8118-1:1991. (WIND LOAD FACTOR OF 1.4 FOR ALUMINIUM DESIGN TO PNP APP53)
7. BUILDING (CONSTRUCTION) REGULATIONS CAP 123.
8. APP37 CURTAIN WALL, WINDOW AND WINDOW WALL SYSTEM.
9. APP110 PROTECTIVE BARRIERS.
10. APP116 ALUMINIUM WINDOWS.

## DESIGN WIND LOAD

CODE OF PRACTICE ON WIND EFFECTS IN HONG KONG 2004.

	VERTICAL SURFACE
HEIGHT ABOVE GROUND LEVEL	<148.3m
BASIC WIND PRESSURE	3.044kPa
TOPOGRAPHY FACTOR (S <sub>a</sub> )	1.00
PRESSURE COEFFICIENT (C <sub>p</sub> )	+1.0/-1.4
DESIGN WIND PRESSURE	+3.044/-4.261kPa

## IMPOSED LOAD ON PROTECTIVE BARRIERS (FOR DOMESTIC USE)

CATEGORY	LINE LOAD TO BE APPLIED AT A HEIGHT OF 1.1m ABOVE THE FLOOR LEVEL (kN/m)	UNIFORMLY DISTRIBUTED LOAD TO BE APPLIED ON THE INFILL BETWEEN FLOOR AND TOP RAIL (kPa)	CONCENTRATED LOAD TO BE APPLIED ON ANY PART OF THE INFILL BETWEEN FLOOR AND TOP RAIL (kN)
AREAS WHERE CONGREGATION OF PEOPLE IS NOT EXPECTED	0.75	1.0	0.5

## STEEL

ALL STRUCTURAL STEEL SECTIONS SHALL BE GRADE S275 J0 CLASS 1 WELDABLE STRUCTURAL STEEL AND COMPLYING WITH BS EN 10210 2006 FOR HOLLOW SECTION AND BS EN 10025 FOR OTHER SECTIONS.

ALL STRUCTURAL STEEL SHALL BE HOT-DIP GALVANIZED AND COMPLY WITH BS EN ISO 1461 WITH MIN 85 µm COATING THICKNESS.

ALL CUT/WELDED AREAS IN GALVANIZED STEEL SHALL BE MADE GOOD BY AT LEAST TWO COATS OF ZINC RICH PRIMER TO BS 4652.

DENSITY	77kN/m <sup>3</sup>
YOUNG'S MODULUS	205,000MPa
YIELD STRENGTH	275MPa
MINIMUM TENSILE STRENGTH	430MPa
DESIGN STRENGTH (≤16mm)	275MPa
DESIGN STRENGTH (≤40mm)	265MPa

## ALUMINIUM EXTRUSION

UNLESS OTHERWISE STATED, ALL ALUMINIUM EXTRUSIONS SHALL BE GRADE 6063-T6/6061-T6 AND COMPLY WITH BS EN 755-2 AND BS EN 573-3.

DENSITY	27.2kN/m <sup>3</sup>
YOUNG'S MODULUS	70,000MPa

	6063-T6	6061-T6	6063-T5
0.2% PROOF STRESS	160MPa	240MPa	110MPa
MINIMUM TENSILE STRENGTH	215MPa	260MPa	150MPa
LIMITING BENDING STRENGTH	160MPa	240MPa	110MPa
LIMITING TENSILE STRENGTH	175MPa	260MPa	130MPa
LIMITING SHEAR STRENGTH	95MPa	145MPa	65MPa

## FASTENERS/SCREWS

ALL STAINLESS STEEL SCREW AND BOLT SHALL BE GRADE 316 AND COMPLY WITH BS EN ISO 3506.

0.2% PROOF STRESS	450MPa
MINIMUM TENSILE STRENGTH	700MPa
DESIGN TENSILE STRENGTH	450MPa
DESIGN SHEAR STRENGTH	311MPa
DESIGN BEARING STRENGTH	828MPa

PROTECTION OF BI-METALLIC CORROSION (BITAMEN PAINT ECT.)

ALL EXPOSED SURFACE OF ALUM. EXTRUSION SHALL BE FINISHED WITH PVF2 COATING 40 MICRONS

ALL SCREWS SHALL BE M5 S.S SCREW SPACING @300c/c MAX. UNLESS OTHERWISE STATED.

## GLASS

ALL GLASS PANELS SHALL BE COMPLIED WITH BS 952 AND DESIGN TO CODE OF PRACTICE FOR STRUCTURAL USE OF GLASS 2018.

IMPACT TEST TO BE COMPLIED WITH BS EN 12600( CLASS 1)

DENSITY	26kN/m <sup>3</sup>
YOUNG'S MODULUS	70,000MPa

ULTIMATE DESIGN STRENGTH OF GLASS

	BENDING STRENGTH (SHORT TERM DURATION)
HEAT STRENGTHENED GLASS(HS)	40MPa
TEMPERED GLASS(TP)	80MPa

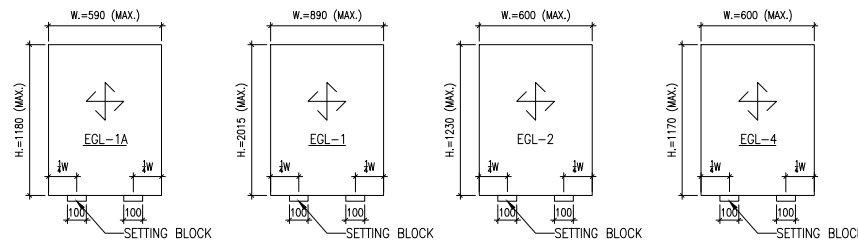
ALL TEMPERED GLASS SHALL COMPLY WITH HEAT SOAK TEST REQUIREMENT IN ACCORDANCE WITH PNP APP 37-2022. HEAT SOAK PROCESS CONFORMING TO BS EN 14179-1: 2016 AND COMPLYING WITH CODE OF PRACTICE FOR STRUCTURAL USE OF GLASS 2018 SHOULD BE CARRIED OUT.

EGL-1--8mmHS+12mm AIR GAP+10mmTP THK. I.G.U.

EGL-1A--8mmHS+12mm AIR GAP+8mmTP THK. I.G.U.

EGL-2--10mm THK. CLEAR TEMPERED GLASS

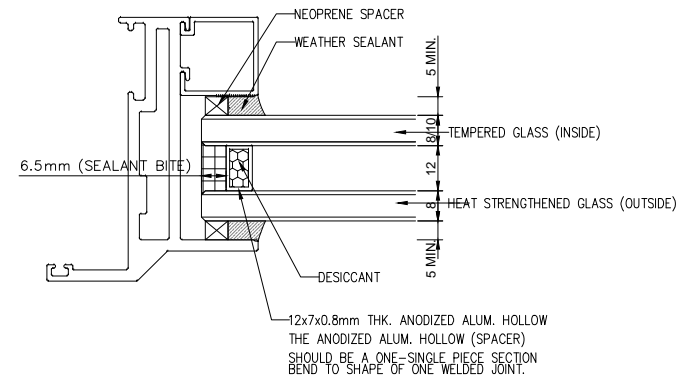
EGL-4--10mm THK. TEMPERED ACID ETCHED GLASS



## TYPICAL GLASS DETAIL

FOR DOUBLE GLAZING GLASS UNIT (I.G.U)

QUALITY ASSURANCE DOCUMENT SUCH AS TEST REPORT / CERTIFICATES INDICATING COMPLES WITH ASTM E2190 OR EQUIVALENT WITH RESPECT TO THE SEAL PERFORMANCE. FOR INSTALLING GLASS UNIT SHALL BE SUBMITTED BEFORE COMMENCEMENT OF WORK.



## IGU

## SEALANT, GASKET AND SETTING BLOCK

ALL STRUCTURAL SEALANT SHALL BE 'DOWSIL 983' (BD-SS001), ALLOWABLE STRESS = 138kPa.

ALL WEATHER SEALANT SHALL BE 'DOWSIL 791'.

ALL SETTING BLOCK SHALL BE SILICONE RUBBER WITH HARDNESS OF 85±5 SHORE A, MINIMUM 100mm IN LENGTH AT 1/4 SPAN UNLESS OTHERWISE STATED

ALL GASKET SHALL BE NEOPRENE OR SILICONE RUBBER WHEN IN CONTACT WITH SEALANT, WITH HARDNESS OF 65±5 SHORE A.

## ISOLATOR

PVC TAPE TO BE APPLIED BETWEEN DISSIMILAR METAL TO PREVENT BIMETALLIC CORROSION TO PD6484.

## CONCRETE

ALL CONCRETE STRUCTURES SHOWN IN THIS SUBMISSION ARE FOR INFORMATION ONLY.

CONCRETE STRNFGTH SHALL BE 45MPa. (MIN.)

## WELDING

ALL WELDING TO BE COMPLIED WITH BS EN 1011-1. DESIGN WELD STRENGTH = 220 MPa

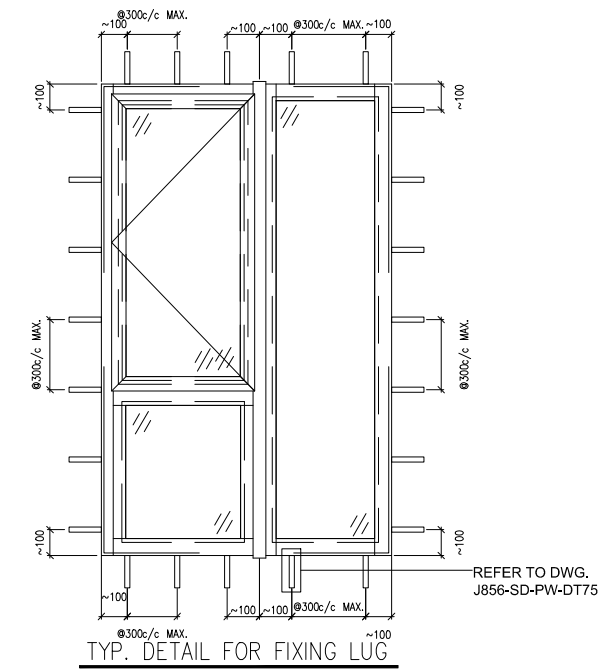
ALL WELDING PROCEDURES TO COMPLY WITH BS EN ISO 15614.

ALL WELD TO BE 5mm THICK FILLET WELD ALL AROUND UNLESS OTHERWISE STATED.

ALL WELD SHALL BE DONE BY QUALIFIED WELDER TESTED TO BS EN 287-1.

## FIXING LUG

THE SIZE OF G.M.S. FIXING LUG TO BE 2mm THK. AND SPACING @300mm C/C MAX. UNLESS OTHERS STATED.



B.D. REF :

CLIENT :



ARCHITECT :



MAIN CONTRACTOR :



STRUCTURAL ENGINEER :



FAÇADE CONSULTANT:



NOTE :

1. ALL DIMENSIONS ARE IN mm.
2. ALL ELEVATIONS ARE VIEWED FROM OUTSIDE.
3. ALL DIMENSIONS TO BE VERIFIED ON SITE BEFORE FABRICATION.

LEGEND :

NO.	DATE	REVISED	BY
-----	------	---------	----

JOB NO. : J-856

PROJECT : PROPOSED DEVELOPMENT ABOVE LIGHT RAIL TIN WING STOP, TSWTL NO.23, AREA 33, TIN SHUI WAI, N.T.

TITLE : GENERAL NOTES FOR ALUM. WINDOW

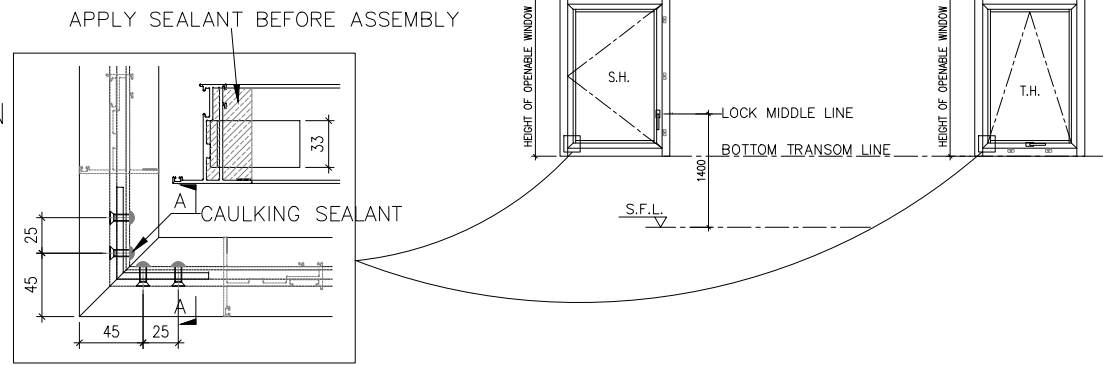
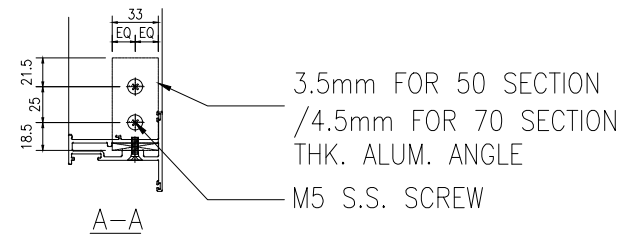
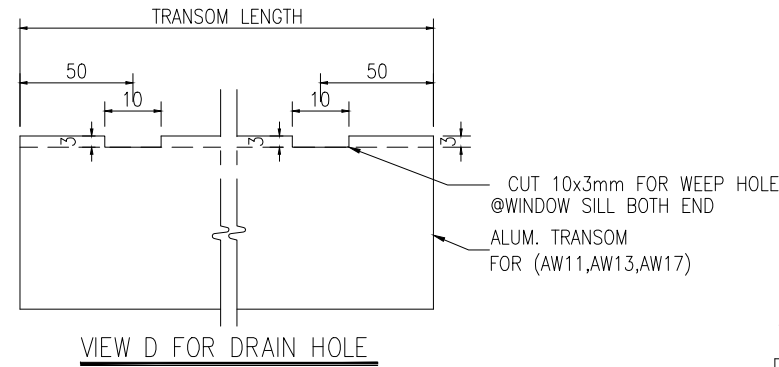
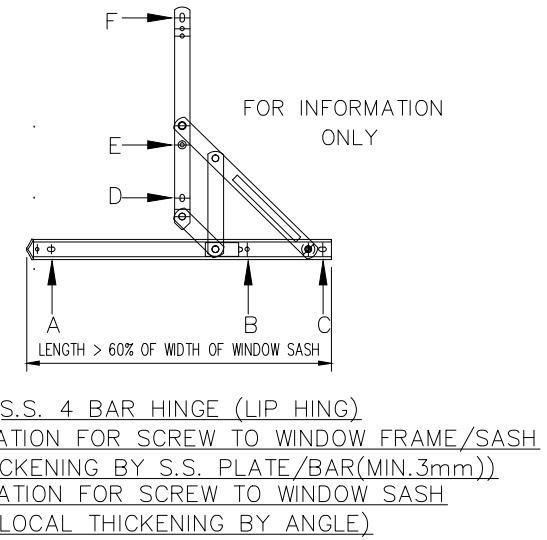
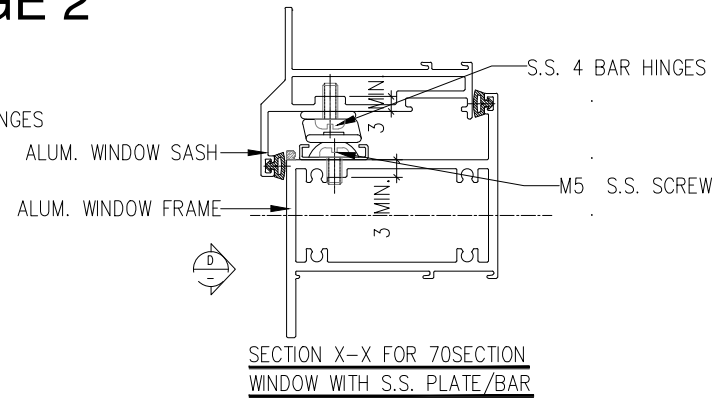
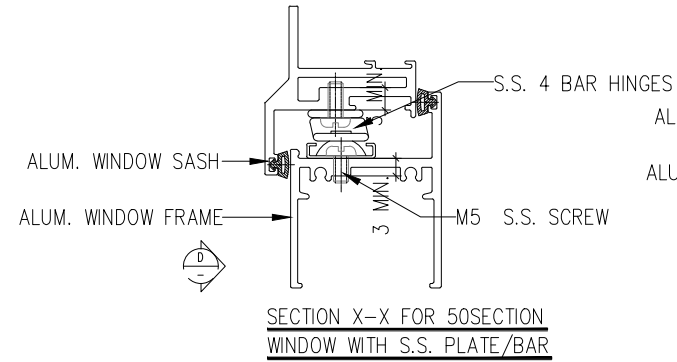
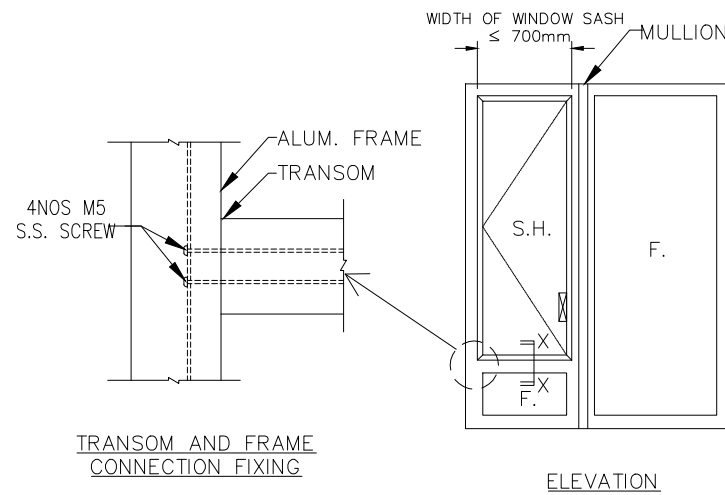
DATE : 18-Aug-22 SCALE : 1:3

DRAWN BY : Ivan CHECKED BY :



DWG NO. : J856-SD-PW-GN01 REV. : -

# GENERAL NOTES FOR PRECAST ALUM. WINDOW PAGE 2

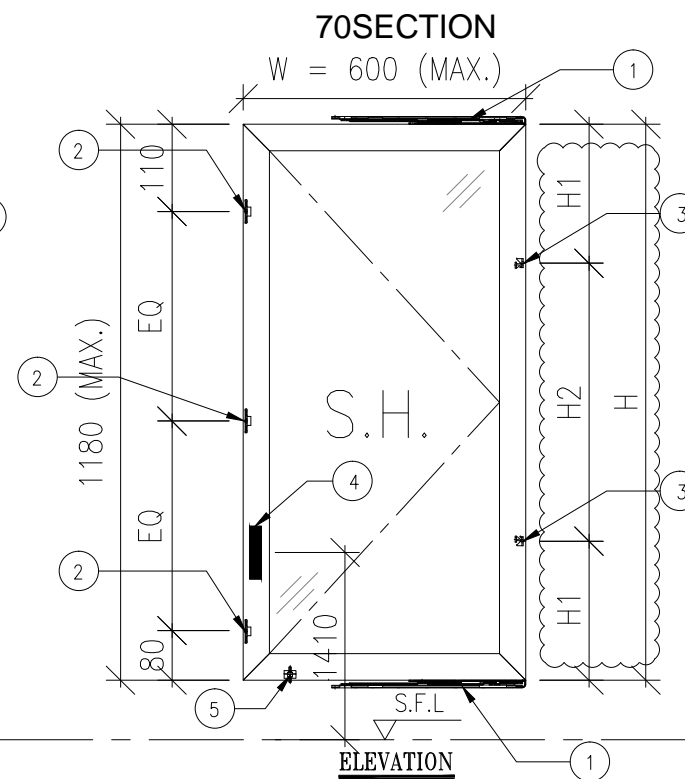
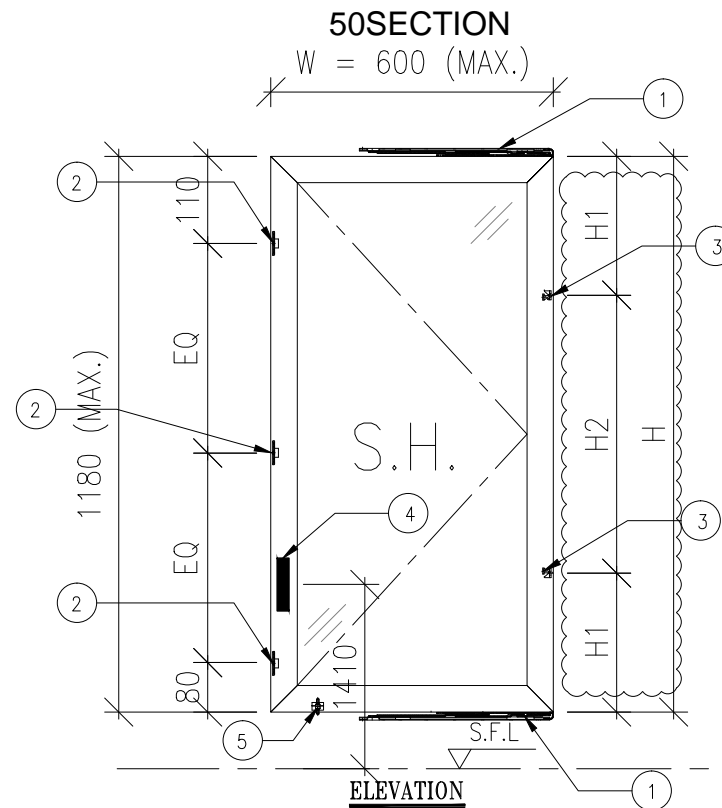
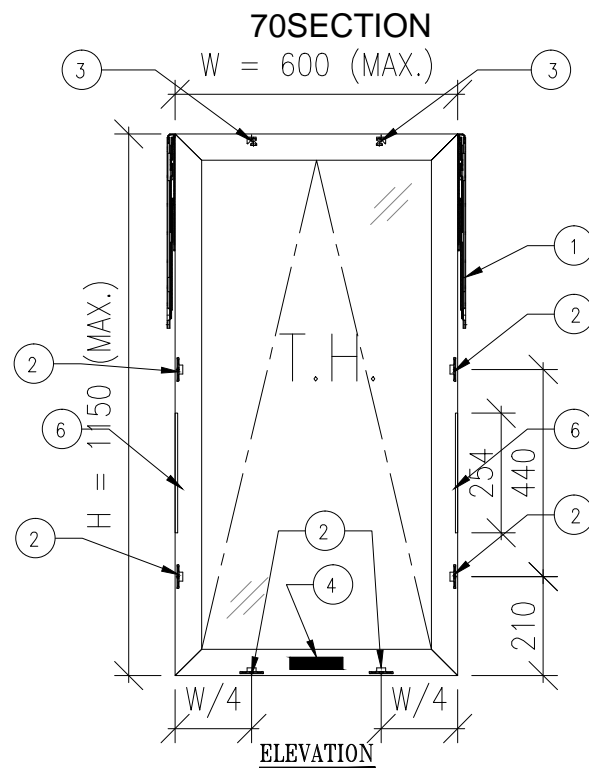


WINDOW SASH S. H. & T. H. LOADING TABLE

Window No.	W(mm)	H(mm)	H1(mm)	H2(mm)	GLAZING	WEIGHT(kg)	BAR HINGE	SH/TH	MAX. LOADING (kg)	BOX LOADING (kg)
AW02/02R	553	1146.5	285	576.5	EGL-1A	32.41	HHMS-N16	SIDE HUNG	53	42.4
AW02a/02aR	453	1146.5	285	576.5	EGL-1A	27.22	HHMS-N12	SIDE HUNG	41	32.8
AW02b/02bR	453	1146.5	285	576.5	EGL-1A	27.22	HHMT-14	TOP HUNG	69.5	55.6
AW03/03R	553	1146.5	285	576.5	EGL-1A	32.41	HHMS-N16	SIDE HUNG	53	42.4
AW04/04R	553	1146.5	285	576.5	EGL-1A	32.41	HHMS-N16	SIDE HUNG	53	42.4
AW04a/04aR	553	1146.5	285	576.5	EGL-1A	32.41	HHMS-N16	SIDE HUNG	53	42.4
AW04b	553	1146.5	285	576.5	EGL-1A	31.32	HHMT-14	TOP HUNG	69.5	55.6
AW06/06R	542	1172	293	586	EGL-2	21.41	HHMS-N16	SIDE HUNG	53	42.4
AW07	532	1146.5	285	576.5	EGL-1A	31.32	HHMS-N16	SIDE HUNG	53	42.4
AW08	532	1146.5	285	576.5	EGL-1A	31.32	HHMS-N16	SIDE HUNG	53	42.4
AW09/09R	542	1146.5	285	576.5	EGL-1A	31.84	HHMS-N16	SIDE HUNG	53	42.4

CONFIGURATION FOR WINDOW DEVICES

- ① STAINLESS STEEL 4 BAR HINGE  
-LIP HING(MODEL: HHMS-N FOR SIDE HUNG)  
-LIP HING(MODEL: HHMT FOR TOP HUNG)
- ② LOCKING POINT  
-LIP HING(MODEL: KMPI/ABCR)
- ③ PULLING BLOCK  
-LIP HING(MODEL: NBSF&NBSS)
- ④ ALUMINIUM HANDLE  
-LIP HING(MODEL: MLDFOB-18)
- ⑤ GUIDER
- ⑥ LIMIT HINGE  
-LIP HING(MODEL: TRST 10)



B.D. REF :

CLIENT :  
**SUN HUNG KAI**  
REAL ESTATE AGENCY LTD.  
42/F SUN HUNG KAI CENTRE, WANCHAI, HONGKONG

ARCHITECT :  
**IWK&partners**  
architects

MAIN CONTRACTOR :  
**Yee Fai** Building Contractors Ltd.

STRUCTURAL ENGINEER :  
**ARUP**

FAÇADE CONSULTANT:  
**ALPHA CONSULTING LIMITED**  
Steel Structure & Façade Specialist

- NOTE :
- ALL DIMENSIONS ARE IN mm.
  - ALL ELEVATIONS ARE VIEWED FROM OUTSIDE.
  - ALL DIMENSIONS TO BE VERIFIED ON SITE BEFORE FABRICATION.

LEGEND :

NO.	DATE	REVISION	BY
D	17/11/2022	GENERAL REVISED	Ivan
C	26/10/2022	GENERAL REVISED	YI
B	05/09/2022	REVISION SUBJECT TO ALPHA COMMENT	Ivan
A	26/09/2022	REVISION SUBJECT TO ALPHA COMMENT	Ivan

JOB NO. : J-856

PROJECT : PROPOSED DEVELOPMENT ABOVE LIGHT RAIL TIN WING STOP, TSWTL NO.23, AREA 33, TIN SHUI WAI, N.T.

TITLE : GENERAL NOTES FOR ALUM. WINDOW

DATE : 18-Aug-22 SCALE : 1:3

DRAWN BY : Ivan CHECKED BY :

**美特鋁質有限公司**  
**MIDI ALUMINIUM FABRICATOR LTD.**  
Units 6-8, Sunray Industrial Centre, 1/F  
610 Cha Kwo Ling Road, Kowloon  
Tel: 23489211-4 Fax: (852) 2727666

DWG NO. : J856-SD-PW-GN02 REV. : D





CLIENT :

**SUN HUNG KAI**  
REAL ESTATE AGENCY LTD.

42/F SUN HUNG KAI CENTRE, WAN CHAI, HONGKONG

ARCHITECT :

**Iw&partners**  
A R C H I T E C T S

MAIN CONTRACTOR :

**Yee Fai** 怡輝建築有限公司  
Building Contractors Ltd.

STRUCTURAL ENGINEER :

**ARUP**

FAÇADE CONSULTANT :

**ALPHA CONSULTING LIMITED**  
Steel Structure & Façade Specialist

NOTE :

1. ALL DIMENSIONS ARE IN mm.
2. ALL ELEVATIONS ARE VIEWED FROM OUTSIDE.
3. ALL DIMENSIONS TO BE VERIFIED ON SITE BEFORE FABRICATION.

LEGEND :

(X1) --- DETAIL MARK NO.  
(X001) --- REFER SHEET NO.

1. F.F.L. --- FINISHED FLOOR LEVEL
2. S.F.L. --- STRUCTURAL FLOOR LEVEL
3. (R) --- REVERSED DETAIL

4. GLASS LEGEND

EQ1-1 --- 6mmHS+12mm AIR GAP+8mmTP THK. I.G.U.  
 EQ1-2 --- 10mm THK. CLEAR TEMPERED GLASS  
 EQ1-4 --- 10mm THK. TEMPERED ACID ETCHED GLASS

NO.	DATE	REVISION	BY
29/10/2021		REVISION SUBJECT TO ARCH/COMMENT	Wen
27/08/2022		REVISION SUBJECT TO ARCH/COMMENT	Wen
16/08/2022		REVISION SUBJECT TO ARCH/COMMENT	Wen
14/11/2022		UPDATE 14TH 20221109 GBP	Wen
21/02/2023		UPDATE 14TH 20230119 GBP	Wen

JOB NO. : J-856

PROJECT :  
 PROPOSED DEVELOPMENT ABOVE  
 LIGHT RAIL TIN WING STOP-TSWTL  
 NO.23.AREA 33, TIN SHUI WAI, N.T.

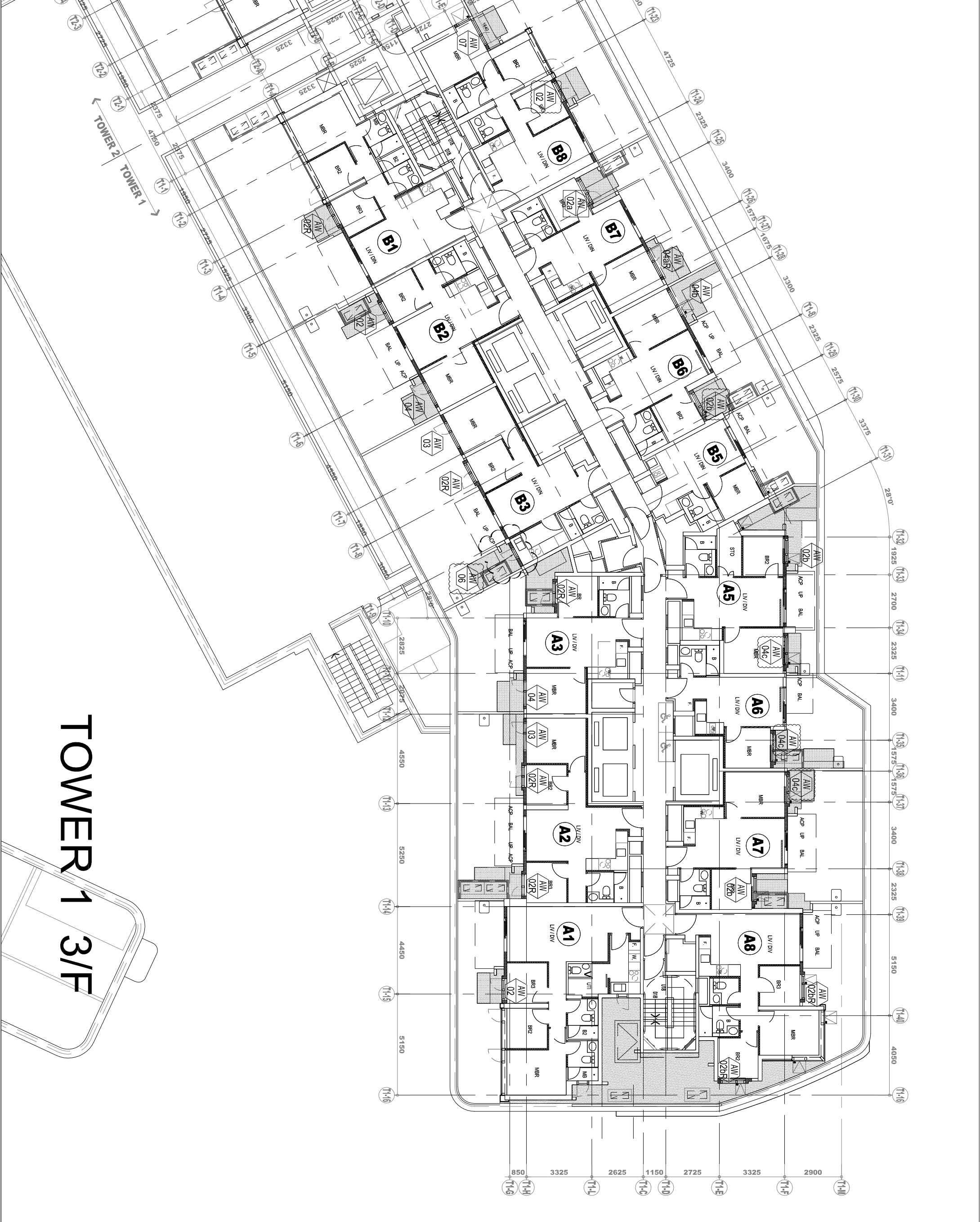
TITLE :  
 PLAN FOR PRECAST WINDOW  
 AT TOWER 1

DATE : 02-Aug-21 SCALE : 1:200

DRAWN BY : Iwon CHECKED BY :

**MIDI** ALUMINIUM FABRICATOR LTD.  
 美特鋁質有限公司  
 Units 6-8, Sunray Industrial Centre, 1/F  
 610 Cho Kwo Ling Road, Kowloon  
 Tel:23489211-4 Fax:(852)27272666

DWG NO. : J856-SD-IW-3101 REV. : F



# TOWER 1

## 3/F



# TOWER 2 3/F

B.D. REF. :

CLIENT :  
**SUN HUNG KAI**  
 REAL ESTATE AGENCY LTD.  
 42/F SUN HUNG KAI CENTRE, WANCHAI, HONGKONG

ARCHITECT :  
**IWK&partners**  
 A R C H I T E C T S

MAIN CONTRACTOR :  
**怡輝建築有限公司**  
**Yee Fai Building Contractors Ltd.**

STRUCTURAL ENGINEER :  
**ARUP**

FAÇADE CONSULTANT:  
**ALPHA CONSULTING LIMITED**  
 Steel Structure & Façade Specialist

NOTE :  
 1. ALL DIMENSIONS ARE IN MM.  
 2. ALL ELEVATIONS ARE VIEWED FROM OUTSIDE.  
 3. ALL DIMENSIONS TO BE VERIFIED ON SITE BEFORE FABRICATION.

LEGEND :  
 (X1) --- DETAIL MARK NO.  
 (X001) --- REFER SHEET NO.  
 1. F.F.L. --- FINISHED FLOOR LEVEL  
 2. S.F.L. --- STRUCTURAL FLOOR LEVEL  
 3. (R) --- REVERSED DETAIL  
 4. GLASS LEGEND  
 EQL-1 --- 6mmHS+12mm AIR GAP+6mmTP THK. I.G.U.  
 EQL-2 --- 10mm THK. CLEAR TEMPERED GLASS  
 EQL-4 --- 10mm THK. TEMPERED ACID ETCHED GLASS

NO.	DATE	REVISION	BY
A	26/11/2021	REVISION SUBJECT TO ARCH/COMMENT	ivan
B	12/1/2022	REVISION SUBJECT TO ARCH/COMMENT	ivan
C	18/5/2022	REVISION SUBJECT TO ARCH/COMMENT	ivan
D	27/6/2022	REVISION SUBJECT TO ARCH/COMMENT	ivan
E	16/8/2022	REVISION SUBJECT TO ARCH/COMMENT	ivan
F	14/11/2022	UPDATE 14TH 2022/10/9 GBR	ivan
G	21/02/2023	UPDATE 14TH 2023/01/9 GBR	ivan

JOB NO. : J-8566  
 PROJECT : PROPOSED DEVELOPMENT ABOVE LIGHT RAIL TIN WING STOP-TSWTL NO.23, AREA 33, TIN SHUI WAI, N.T.

TITLE : PLAN FOR PRECAST WINDOW AT TOWER 2

DATE : 02-Aug-21 SCALE : 1:200  
 DRAWN BY : ivan CHECKED BY :

**美特鋁質有限公司**  
**MIDI ALUMINIUM FABRICATOR LTD.**  
 Units 6-8, Suncoy Industrial Centre, 1/F  
 610 Cho Kwo Ling Road, Kowloon  
 Tel:23489211-4 Fax:(852)27272666  
 DWG NO. : J856-SD-IW-3201 REV. : C

CLIENT :

**SUN HUNG KAI**  
REAL ESTATE AGENCY LTD.  
42/F SUN HUNG KAI CENTRE, WAN CHAI, HONGKONG

ARCHITECT :

**IWK&partners**  
a r c h i t e c t s

MAIN CONTRACTOR :

**怡輝建築有限公司**  
**Yee Fai Building Contractors Ltd.**

STRUCTURAL ENGINEER :

**ARUP**

FAÇADE CONSULTANT:

**ALPHA CONSULTING LIMITED**  
Steel Structure & Façade Specialist

NOTE :

1. ALL DIMENSIONS ARE IN mm.
2. ALL ELEVATIONS ARE VIEWED FROM OUTSIDE.
3. ALL DIMENSIONS TO BE VERIFIED ON SITE BEFORE FABRICATION.

LEGEND :

(X1) --- DETAIL MARK NO.  
(X001) --- REFER SHEET NO.

1. F.F.L. --- FINISHED FLOOR LEVEL
2. S.F.L. --- STRUCTURAL FLOOR LEVEL
3. (R) --- REVERSED DETAIL

4. GLASS LEGEND

EQ1-1---8mmHS+12mm AIR GAP+8mmTP THK. I.G.U.  
EQ1-2---10mm THK. CLEAR TEMPERED GLASS  
EQ1-4---10mm THK. TEMPERED ACID ETCHED GLASS

NO.	DATE	REVISION	BY
1	21/02/2023	UPDATE 14TH 20230119 GSP	Wen
H	14/11/2022	UPDATE 14TH 20221109 GSP	Wen
G	26/10/2022	UPDATE GSP PLAN	YI
F	16/08/2022	REVISION SUBJECT TO ARCH.COMMENT	Wen
E	27/06/2022	REVISION SUBJECT TO ARCH.COMMENT	Wen
D	18/05/2022	REVISION SUBJECT TO ARCH.COMMENT	Wen
C	22/04/2022	REVISION SUBJECT TO ARCH.COMMENT	Wen
B	21/12/2021	REVISION SUBJECT TO ARCH.COMMENT	Wen
A	29/11/2021	REVISION SUBJECT TO ARCH.COMMENT	Wen

JOB NO. :

J-856

PROJECT :

PROPOSED DEVELOPMENT ABOVE  
LIGHT RAIL TIN WING STOP-TSWTL  
NO.23,AREA 33,TIN SHUI WAI, N.T.

TITLE :

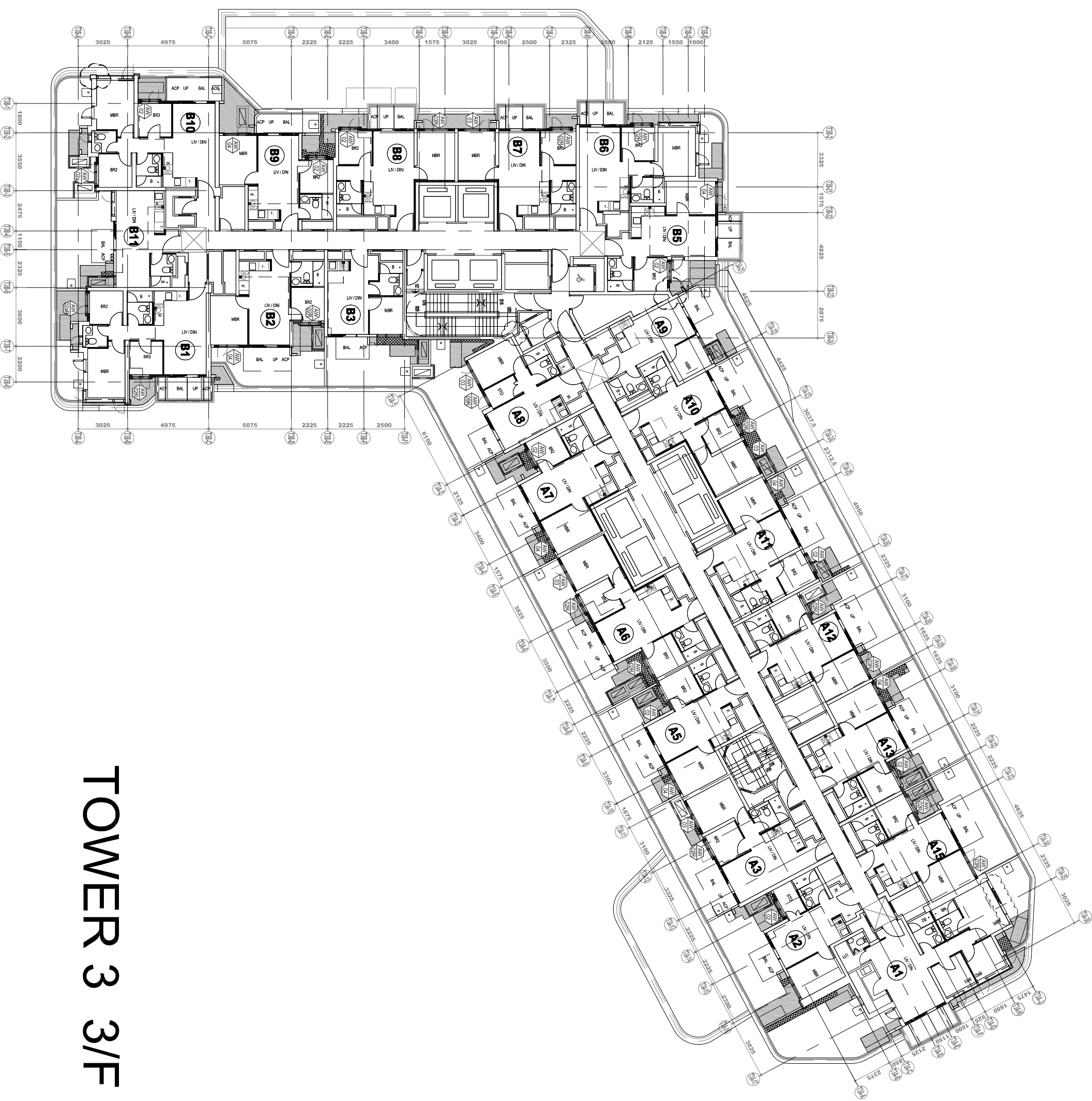
PLAN FOR PRECAST WINDOW  
AT TOWER 3

DATE : 02-Aug-21 SCALE : 1:200

DRAWN BY : Iwon CHECKED BY :

**美特鋁質有限公司**  
**MIDI ALUMINIUM FABRICATOR LTD.**  
Units 6-8, Sunray Industrial Centre, 1/F  
610 Cho Kwo Ling Road, Kowloon  
Tel:23489211-4 Fax:(852)2727666

DWG NO. : J856-SD-IW-3301 REV. : 1



# TOWER 3 3/F

B.O. REF. :

CLIENT :

**SUN HUNG KAI**  
REAL ESTATE AGENCY LTD.  
42/F SUN HUNG KAI CENTRE, WAN CHAI, HONGKONG

ARCHITECT :

**IWK&partners**  
A R C H I T E C T S

MAIN CONTRACTOR :

**Yee Fai Building Contractors Ltd.**

STRUCTURAL ENGINEER :

**ARUP**

FAÇADE CONSULTANT :

**ALPHA CONSULTING LIMITED**  
Steel Structure & Façade Specialist

NOTE :

1. ALL DIMENSIONS ARE IN MM.
2. ALL ELEVATIONS ARE VIEWED FROM OUTSIDE.
3. ALL DIMENSIONS TO BE VERIFIED ON SITE BEFORE FABRICATION.

LEGEND :

- (X1) --- DETAIL MARK NO.
- (X001) --- REFER SHEET NO.

1. F.F.L. --- FINISHED FLOOR LEVEL
2. S.F.L. --- STRUCTURAL FLOOR LEVEL
3. (R) --- REVERSED DETAIL

4. GLASS LEGEND

- EQ1-1---8mmHS+12mm AIR GAP+8mmTP THK. I.G.U.
- EQ1-2---10mm THK. CLEAR TEMPERED GLASS
- EQ1-4---10mm THK. TEMPERED ACID ETCHED GLASS

NO.	DATE	REVISION	BY
A	18/10/2021	REVISION SUBJECT TO ARCH.COMMENT	Wen
B	03/11/2021	REVISION SUBJECT TO ARCH.COMMENT	Wen
C	29/11/2021	REVISION SUBJECT TO ARCH.COMMENT	Wen
D	27/06/2022	REVISION SUBJECT TO ARCH.COMMENT	Wen
E	16/08/2022	REVISION SUBJECT TO ARCH.COMMENT	Wen
F	26/10/2022	UPDATE GSP PLAN	Wen
G	14/11/2022	UPDATE 14TH 20221109 GSP	Wen
H	21/02/2023	UPDATE 14TH 20230119 GSP	Wen

JOB NO. : J-856

PROJECT :

PROPOSED DEVELOPMENT ABOVE LIGHT RAIL TIN WING STOP-TSWTL NO.23.AREA 33,TIN SHUI WAI, N.T.

TITLE : PLAN FOR PRECAST WINDOW AT TOWER 1

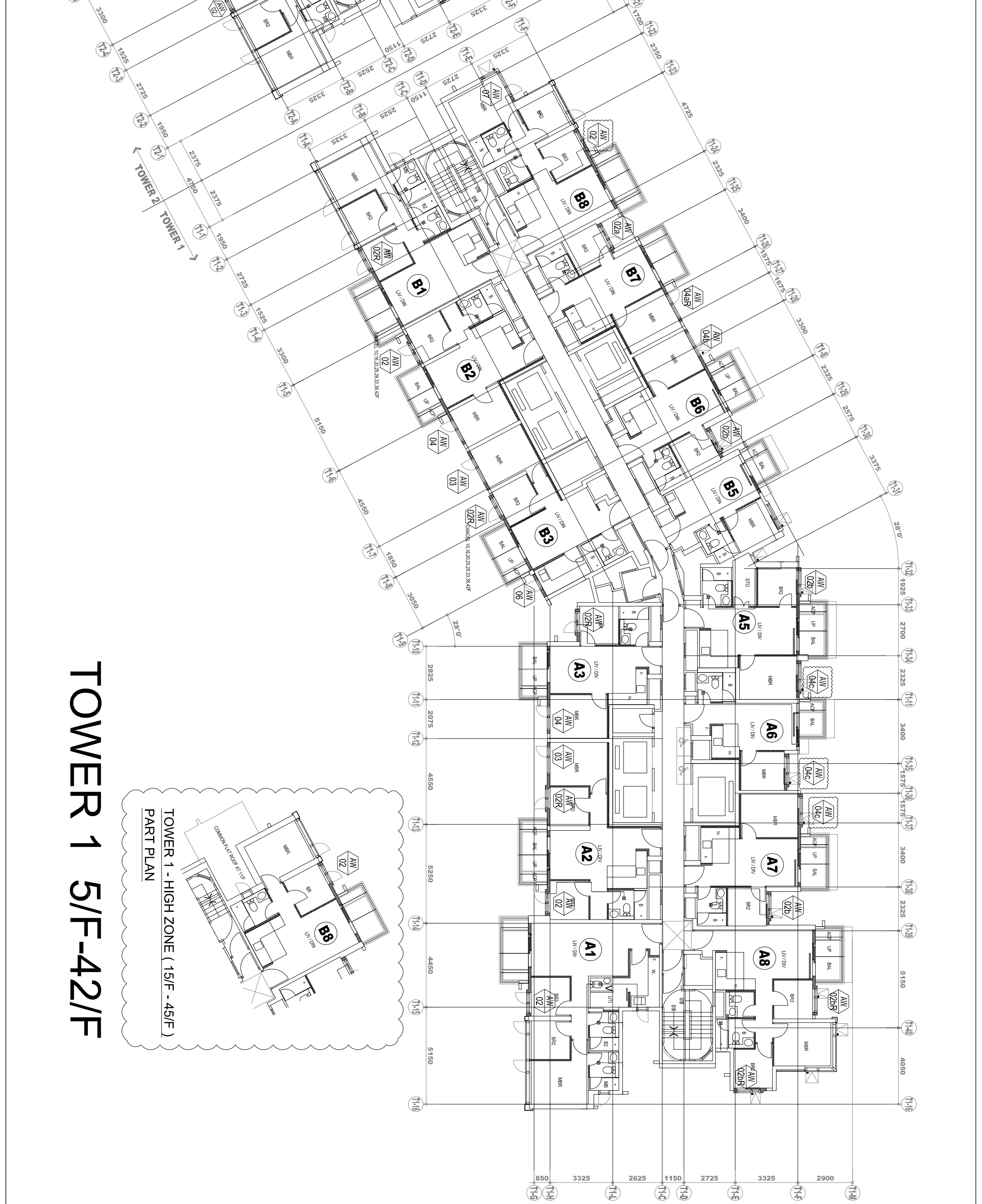
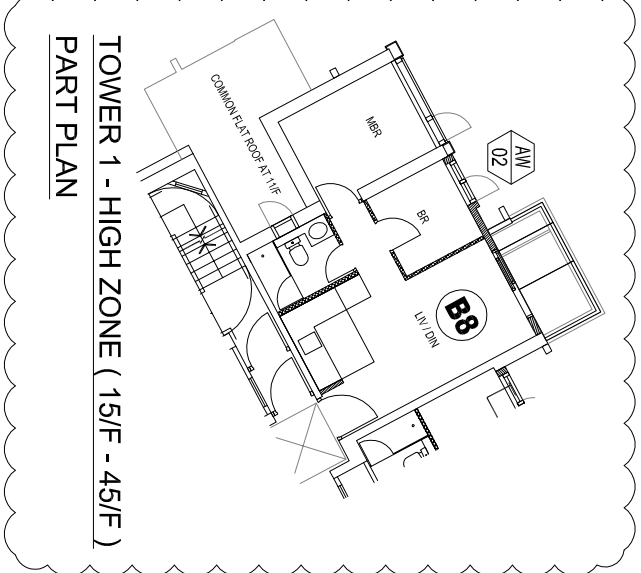
DATE : 02-Aug-21 SCALE : 1:200

DRAWN BY : Iwon CHECKED BY :

**MIDI ALUMINIUM FABRICATOR LTD.**  
Units 6-8, Sunray Industrial Centre, 1/F  
610 Cho Kwo Ling Road, Kowloon  
Tel:23489211-4 Fax:(852)27272666  
DWG NO. : J856-SD-IW-3102 REV. : H

# TOWER 1 5/F-42/F

## TOWER 1 - HIGH ZONE (15/F - 45/F) PART PLAN



# TOWER 2 5/F-42/F



B.D. REF. :

CLIENT :

**SUN HUNG KAI**  
REAL ESTATE AGENCY LTD.  
42/F SUN HUNG KAI CENTRE, WAN CHAI, HONGKONG

ARCHITECT :

**Iw&partners**  
a r c h i t e c t s

MAIN CONTRACTOR :

**怡輝建築有限公司**  
**Yee Fai Building Contractors Ltd.**

STRUCTURAL ENGINEER :

**ARUP**

FAÇADE CONSULTANT :

**ALPHA CONSULTING LIMITED**  
Steel Structure & Façade Specialist

NOTE :

1. ALL DIMENSIONS ARE IN MM.
2. ALL ELEVATIONS ARE VIEWED FROM OUTSIDE.
3. ALL DIMENSIONS TO BE VERIFIED ON SITE BEFORE FABRICATION.

LEGEND :

- (X1) --- DETAIL MARK NO.
- (X001) --- REFER SHEET NO.

1. F.F.L. --- FINISHED FLOOR LEVEL
2. S.F.L. --- STRUCTURAL FLOOR LEVEL
3. (R) --- REVERSED DETAIL

4. GLASS LEGEND

- EQ1-1 --- 6mmHS+12mm AIR GAP+6mmTP THK. I.G.U.
- EQ1-2 --- 10mm THK. CLEAR TEMPERED GLASS
- EQ1-4 --- 10mm THK. TEMPERED ACID ETCHED GLASS

NO.	DATE	REVISION	BY
J	21/02/2023	UPDATE 14TH 20230119 GBP	hw
I	11/01/2022	UPDATE 14TH 20221109 GBP	hw
H	26/10/2022	UPDATE GBP PLAN	hw
G	16/8/2022	REVISION SUBJECT TO ARCH.COMMENT	hw
F	27/6/2022	REVISION SUBJECT TO ARCH.COMMENT	hw
E	18/5/2022	REVISION SUBJECT TO ARCH.COMMENT	hw
D	12/1/2022	REVISION SUBJECT TO ARCH.COMMENT	hw
C	26/11/2021	REVISION SUBJECT TO ARCH.COMMENT	hw

JOB NO. :

J-856

PROJECT :

PROPOSED DEVELOPMENT ABOVE  
LIGHT RAIL TIN WING STOP-TSWTL  
NO.23, AREA 33, TIN SHUI WAI, N.T.

TITLE :

PLAN FOR PRECAST WINDOW  
AT TOWER 2

DATE : 02-Aug-21 SCALE : 1:200

DRAWN BY : iwon CHECKED BY :

**美特鋁寶有限公司**  
**MIDI ALUMINIUM FABRICATOR LTD.**  
Units 6-8, Suncoy Industrial Centre, 1/F  
610 Cho Kwo Ling Road, Kowloon  
Tel:23489211-4 Fax:(852)27272666

DWG NO. : J856-SD-IW-3202 REV. : J

B.O. REF :

CLIENT :

**SUN HUNG KAI**  
REAL ESTATE AGENCY LTD.  
42/F SUN HUNG KAI CENTRE, WANCHAI, HONGKONG

ARCHITECT :

**IWK&partners**  
a r c h i t e c t s

MAIN CONTRACTOR :

**Yee Fai** 怡輝建築有限公司  
Building Contractors Ltd.

STRUCTURAL ENGINEER :

**ARUP**

FAÇADE CONSULTANT:

**ALPHA CONSULTING LIMITED**  
Steel Structure & Façade Specialist

NOTE :

1. ALL DIMENSIONS ARE IN mm.
2. ALL ELEVATIONS ARE VIEWED FROM OUTSIDE.
3. ALL DIMENSIONS TO BE VERIFIED ON SITE BEFORE FABRICATION.

LEGEND :

- (X1) --- DETAIL MARK NO.
- (X001) --- REFER SHEET NO.

1. F.F.L. --- FINISHED FLOOR LEVEL
2. S.F.L. --- STRUCTURAL FLOOR LEVEL
3. (R) --- REVERSED DETAIL

4. GLASS LEGEND
- EQ1-1 --- 6mmHS+12mm AIR GAP+6mmTP THK. I.G.U.
- EQ1-2 --- 10mm THK. CLEAR TEMPERED GLASS
- EQ1-4 --- 10mm THK. TEMPERED ACID ETCHED GLASS

NO.	DATE	REVISION	BY
N	21/02/2023	UPDATE 14TH 20230119 GBP	WON
M	26/10/2022	UPDATE 14TH 20221009 GBP	WON
L	26/10/2022	UPDATE GBP PLAN	YI
K	16/06/2022	REVISION SUBJECT TO ARCH-COMMENT	WON
J	27/06/2022	REVISION SUBJECT TO ARCH-COMMENT	WON
I	18/05/2022	REVISION SUBJECT TO ARCH-COMMENT	WON
H	22/04/2022	REVISION SUBJECT TO ARCH-COMMENT	WON
G	08/04/2022	REVISION SUBJECT TO ARCH-COMMENT	WON
F	12/01/2022	REVISION SUBJECT TO ARCH-COMMENT	WON

JOB NO. : J-856

PROJECT :

PROPOSED DEVELOPMENT ABOVE  
LIGHT RAIL TIN WING STOP-TSWTL  
NO.23,AREA 35,TIN SHUI WAI, N.T.

TITLE :

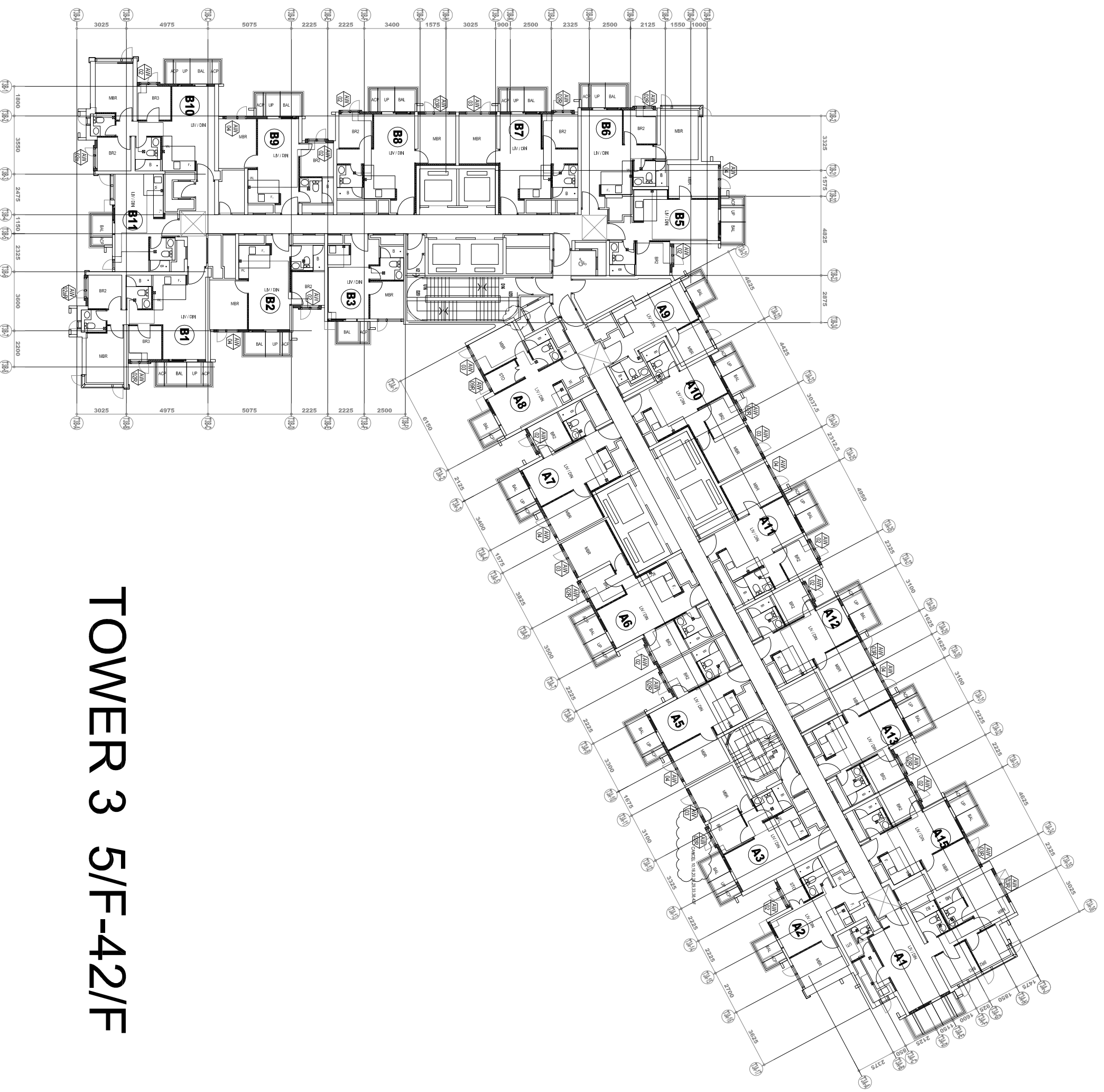
PLAN FOR PRECAST WINDOW  
AT TOWER 3

DATE : 02-Aug-21 SCALE : 1:200

DRAWN BY : Iwon CHECKED BY :

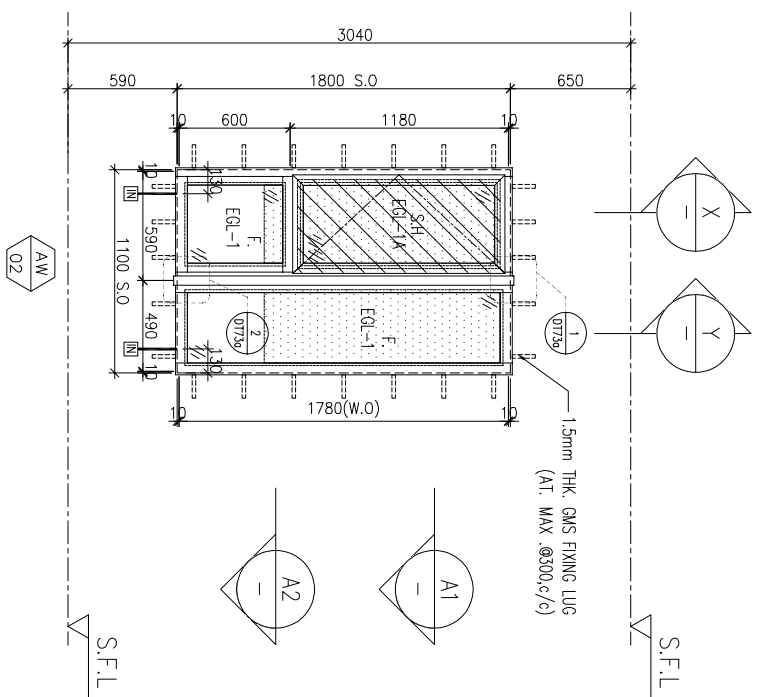
**MIDI** 美特鋁寶有限公司  
ALUMINIUM FABRICATOR LTD.  
Units 6-8, Suncoy Industrial Centre, 1/F  
610 Cho Kwo Ling Road, Kowloon  
Tel:23489211-4 Fax:(852)2727666

DWG NO. : J856-SD-IW-3302 REV. : N

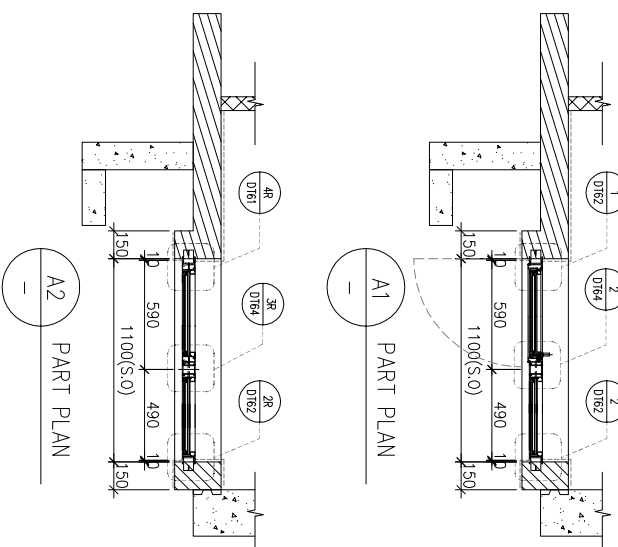
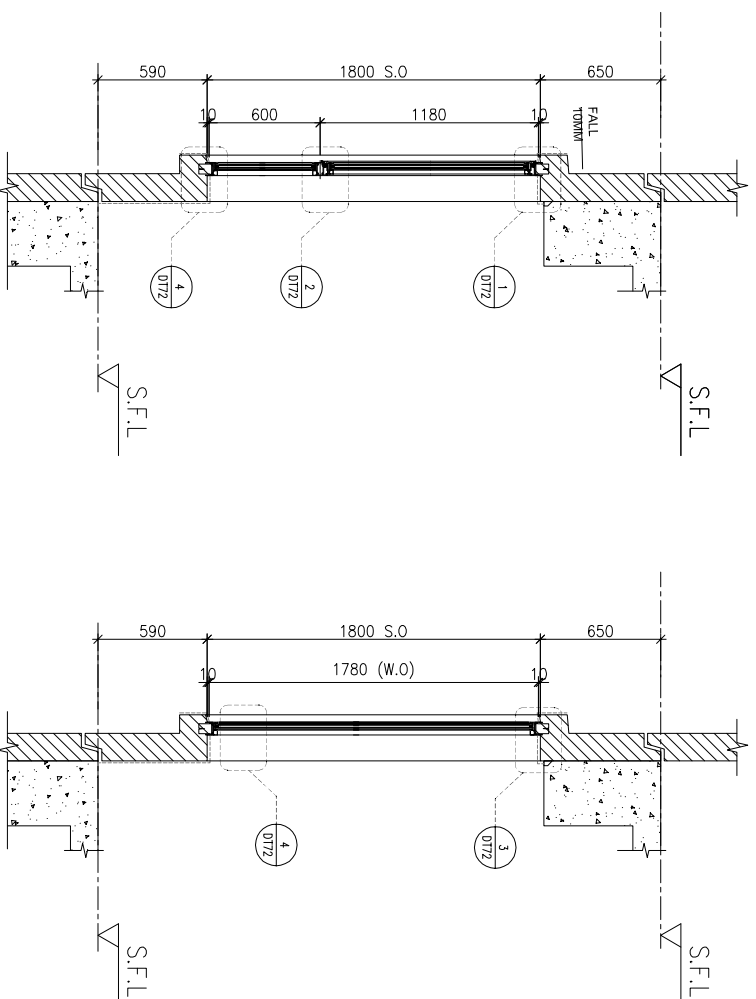


# TOWER 3 5/F-42/F

REQUIRED		PROVIDED		
LOCATION	OPENABLE AREA	GLAZING AREA	OPENABLE AREA	GLAZING AREA
A1-BR3	0.263	0.420	0.548	0.985
B1-BR3	0.263	0.420		



ELEVATION



WINDOW MARK	SECTION	LOCATION	REMARKS
AW 02	70mm ALUM. SECTION	3/F-42/F(4/F,13/F,14/F,24/F,34/F OMITTED) UNIT A1	FACADE(TYPE T1PF04R FOR 3/F~42/F) , 4 BAR HINGE-LIP HING (HHMS-N16)
AW 02R	70mm ALUM. SECTION	3/F-42/F(4/F,13/F,14/F,24/F,34/F OMITTED) UNIT B1	FACADE(TYPE T1PF02R/ T1PF02 FOR 3/F~42/F) , 4 BAR HINGE-LIP HING (HHMS-N16)
GLAZING	EGL-1,EGL-1A		
QUANTITY	35 Nos.		

BD. REF :

CLIENT :

**SUN HUNG KAI**  
REAL ESTATE AGENCY LTD.

42/F, SUN HUNG KAI CENTRE, WANCHAI, HONGKONG

ARCHITECT :

**lwk&partners**  
a r c h i t e c t s

MAIN CONTRACTOR :

**怡輝建築有限公司**  
**Yee Fai Building Contractors Ltd.**

STRUCTURAL ENGINEER :

**ARUP**

FACADE CONSULTANT :

**ALPHA CONSULTING LIMITED**  
Steel Structure & Façade Specialist

NOTE :

1. ALL DIMENSIONS ARE IN mm.
2. ALL ELEVATIONS ARE VIEWED FROM OUTSIDE.
3. ALL DIMENSIONS TO BE VERIFIED ON SITE BEFORE FABRICATION.

LEGEND :

- (X1) --- DETAIL MARK NO.
- (X001) --- REFER SHEET NO.
- 1. F.F.L. --- FINISHED FLOOR LEVEL
- 2. S.F.L. --- STRUCTURAL FLOOR LEVEL
- 3. (R) --- REVERSED DETAIL

4. GLASS LEGEND

- EGL-1 --- 8mmHS+12mm AIR GAP+10mmTP THK, I.G.U.
- EGL-2 --- 10mm THK, CLEAR TEMPERED GLASS
- EGL-4 --- 10mm THK, TEMPERED ACID ETCHED GLASS
- EGL-1A --- 8mmHS+12mm AIR GAP+8mmTP THK, I.G.U.
- EGL-1B --- 8mmHS+12mm AIR GAP+10mmTP ADD-ETCHED THK, I.G.U.

NO.	DATE	REVISION	REVISION SUBJECT TO ARCH-COMMENT	BY
H	21/02/2023	REVISION SUBJECT TO ARCH-COMMENT	None	None
G	21/09/2022	REVISION SUBJECT TO ARCH-COMMENT	None	None
F	17/08/2022	REVISION SUBJECT TO ARCH-COMMENT	None	None
E	06/07/2022	REVISION SUBJECT TO ARCH-COMMENT	None	None
D	17/12/2021	REVISION SUBJECT TO ARCH-COMMENT	None	None
C	29/11/2021	REVISION SUBJECT TO ARCH-COMMENT	None	None

JOB NO. : J-856

PROJECT : PROPOSED DEVELOPMENT ABOVE LIGHT RAIL TIN WING STOP-TSWTL NO.23,AREA 33,TIN SHUI WAI, N.T.

TITLE : WINDOW SCHEDULE FOR TOWER 1 ALUM. WINDOW

DATE : 02-Aug-21 SCALE : 1:40

DRAWN BY : Ivan CHECKED BY :

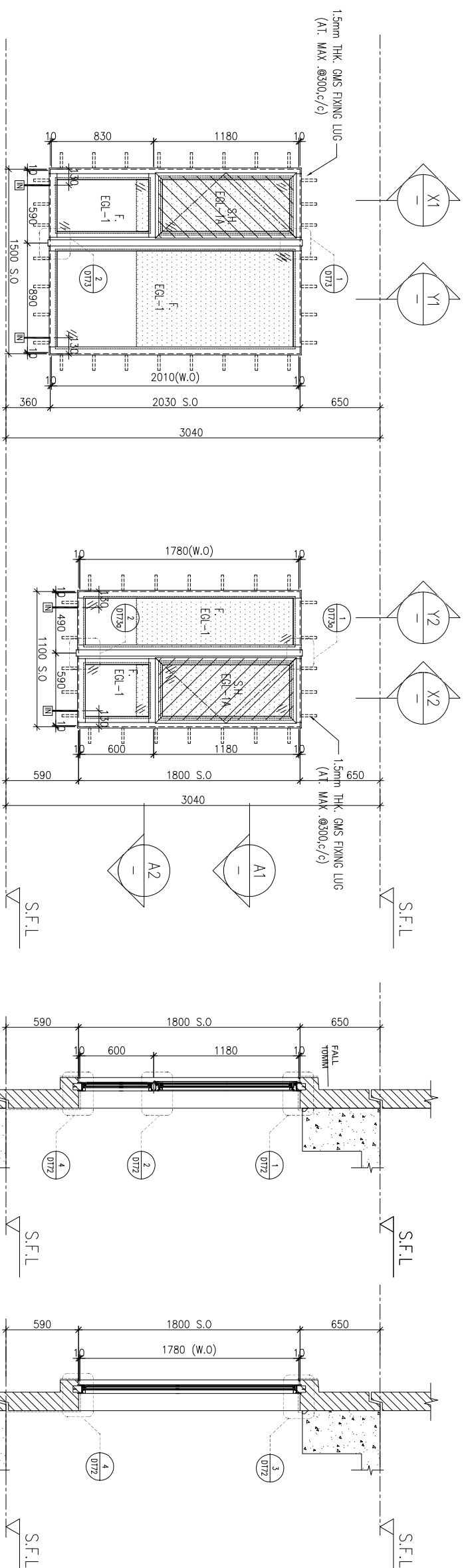
**美特鋁質有限公司**  
MIDI ALUMINIUM FABRICATOR LTD.  
Units 6-8, Sunray Industrial Centre, 1/F  
610 Cho Kwai Ling Road, Kwailoon  
Tel:23489211-4 Fax:(852)2727666

DWG NO. : J856-SD-FW-5101 REV. : H

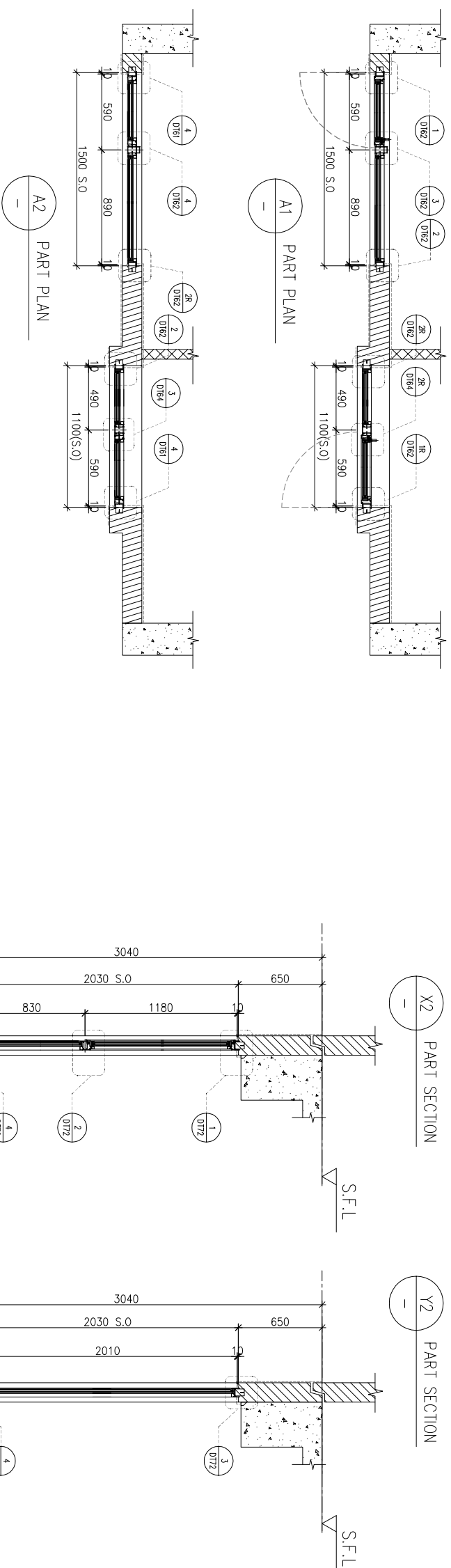


LOCATION	OPENABLE AREA	GLAZING AREA	OPENABLE AREA	GLAZING AREA
A2-MBR	0.477	0.763	0.548	1.495

LOCATION	OPENABLE AREA	GLAZING AREA	OPENABLE AREA	GLAZING AREA
A2-BR2	0.263	0.420	0.548	0.985



ELEVATION



WINDOW MARK	AW 03	AW 02B
LOCATION	3/F-42/F.4/F.13/F.14/F.24/F.34/F OMITTED) UNIT A2	
SECTION	70mm ALUM. SECTION	
GLAZING	EGL-1, EGL-1A	
QUANTITY	35 Nos./35 Nos.	
REMARKS	FAÇADE(TYPE T1PFO1R) FOR 3/F~42/F) .4 BAR HINGE-LIP HING (HHMS-N16)	

BD. REF :

CLIENT :

**SUN HUNG KAI**  
REAL ESTATE AGENCY LTD.  
42/F SUN HUNG KAI CENTRE, WANCHAI, HONGKONG

ARCHITECT :

**lwk&partners**  
a r c h i t e c t s

MAIN CONTRACTOR :

**怡輝建築有限公司**  
**Yee Fai Building Contractors Ltd.**

STRUCTURAL ENGINEER :

**ARUP**

FAÇADE CONSULTANT:

**ALPHA CONSULTING LIMITED**  
Steel Structure & Façade Specialist

NOTE :

1. ALL DIMENSIONS ARE IN mm.
2. ALL ELEVATIONS ARE VIEWED FROM OUTSIDE.
3. ALL DIMENSIONS TO BE VERIFIED ON SITE BEFORE FABRICATION.

LEGEND :

X1 --- DETAIL MARK NO.  
X001 --- REFER SHEET NO.

1. F.F.L. --- FINISHED FLOOR LEVEL
2. S.F.L. --- STRUCTURAL FLOOR LEVEL
3. (R) --- REVERSED DETAIL

4. GLASS LEGEND

- EQ1-1 --- 8mmHS+12mm AIR GAP+10mmTP THK. I.G.U.
- EQ1-2 --- 10mm THK. CLEAR TEMPERED GLASS
- EQ1-4 --- 10mm THK. TEMPERED ACID ETCHED GLASS
- EQ1-1A --- 8mmHS+12mm AIR GAP+8mmTP THK. I.G.U.
- EQ1-1B --- 8mmHS+12mm AIR GAP+10mmTP ACID-ETCHED THK. I.G.U.

NO.	DATE	REVISION	REVISION SUBJECT TO ARCH-COMMENT	BY
F	21/09/2022	REVISION SUBJECT TO ARCH-COMMENT	hw	
E	17/08/2022	REVISION SUBJECT TO ARCH-COMMENT	hw	
D	06/07/2022	REVISION SUBJECT TO ARCH-COMMENT	hw	
C	17/12/2021	REVISION SUBJECT TO ARCH-COMMENT	hw	
B	29/11/2021	REVISION SUBJECT TO ARCH-COMMENT	hw	
A	03/11/2021	REVISION SUBJECT TO ARCH-COMMENT	hw	

JOB NO. : J-856

PROJECT : PROPOSED DEVELOPMENT ABOVE LIGHT RAIL TIN WING STOP-TSWTL NO.23,AREA 33,TIN SHUI WA, N.T.

TITLE : WINDOW SCHEDULE FOR TOWER 1 ALUM. WINDOW

DATE : 02-Aug-21 SCALE : 1:40

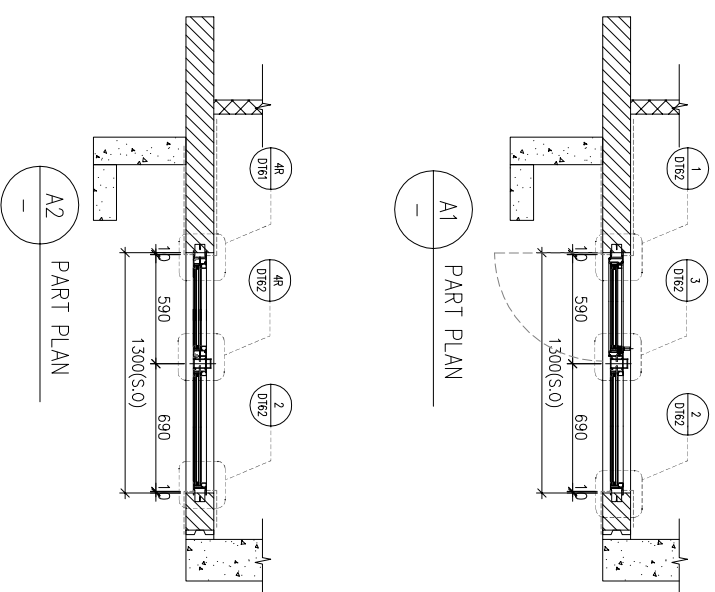
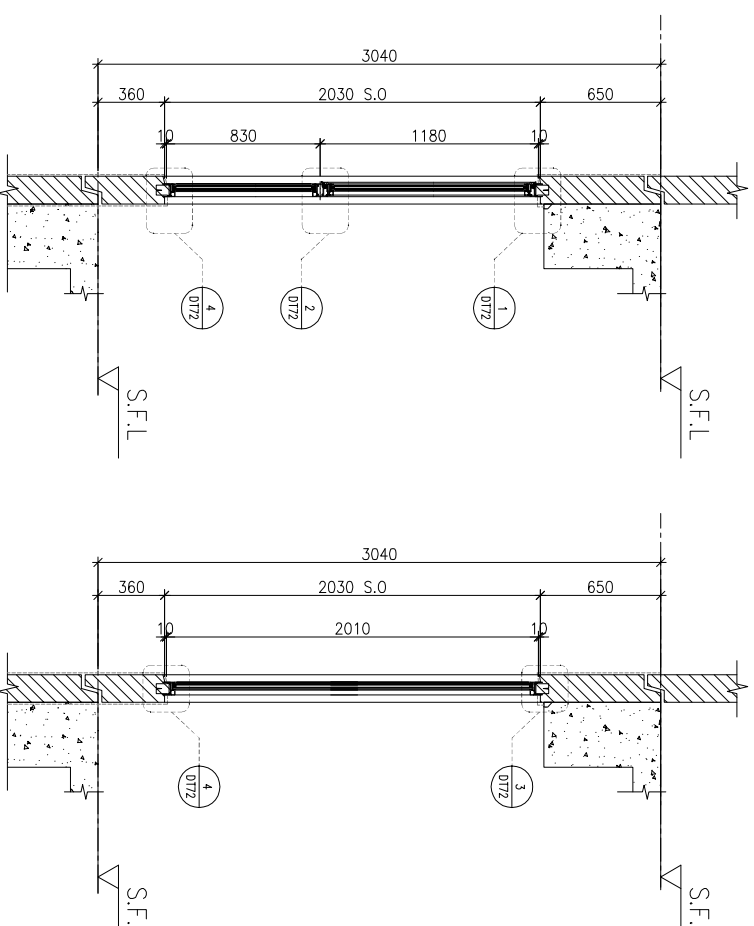
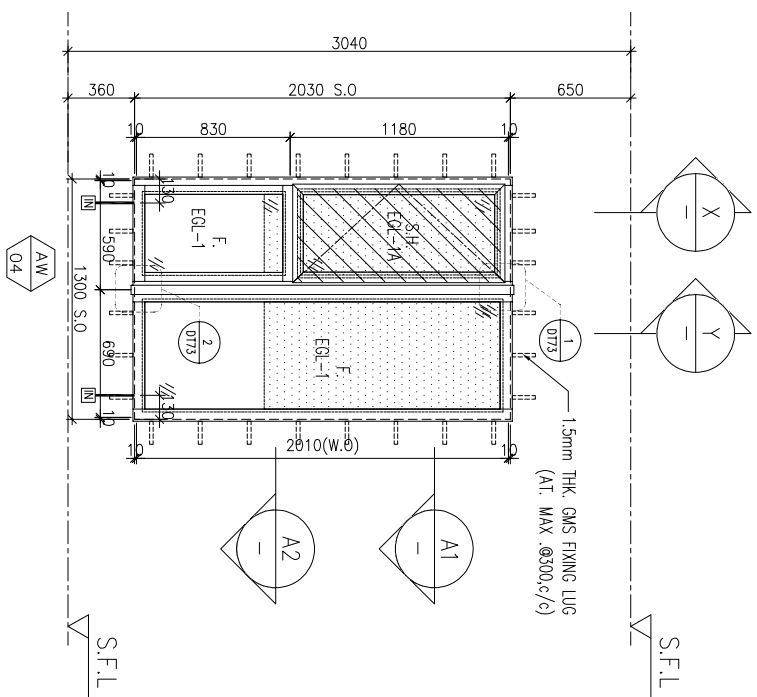
DRAWN BY : Ivn

CHECKED BY :

**美特鋁質有限公司**  
MIDI ALUMINUM FABRICATOR LTD.  
Units 6-8, Sunray Industrial Centre, 1/F  
610 Cho Kwai Ling Road, Kwailoon  
Tel:23489211-4 Fax:(852)27272666

DWG NO. : J856-SD-PW-5103 REV. : F

REQUIRED		PROVIDED		
LOCATION	OPENABLE AREA	GLAZING AREA	OPENABLE AREA	GLAZING AREA
A3-MBR	0.435	0.696	0.548	1.24
B2-MBR	0.435	0.696		



ELEVATION

WINDOW MARK	LOCATION	SECTION	GLAZING	QUANTITY	REMARKS
AW 04	3/F~42/F(4/F,13/F,14/F,24/F,34/F OMITTED)	70mm ALUM. SECTION	EGL-1,EGL-1A	35 Nos / 35 Nos	FACADE(TYPE T1PF03R FOR 3/F~42/F) ,4 BAR HINGE-LIP HING (HHMS-N16)
AW 04R	3/F~42/F(4/F,13/F,14/F,24/F,34/F OMITTED)	70mm ALUM. SECTION	EGL-1,EGL-1A	35 Nos	FACADE(TYPE T1PF04 FOR 3/F~42/F)

BD. REF :

CLIENT :

**SUN HUNG KAI**  
REAL ESTATE AGENCY LTD.  
42/F SUN HUNG KAI CENTRE, WANCHAI, HONGKONG

ARCHITECT :

**lwk&partners**  
a r c h i t e c t s

MAIN CONTRACTOR :

**怡輝建築有限公司**  
**Yee Fai Building Contractors Ltd.**

STRUCTURAL ENGINEER :

**ARUP**

FAÇADE CONSULTANT:

**ALPHA CONSULTING LIMITED**  
Steel Structure & Façade Specialist

NOTE :

1. ALL DIMENSIONS ARE IN mm.
2. ALL ELEVATIONS ARE VIEWED FROM OUTSIDE.
3. ALL DIMENSIONS TO BE VERIFIED ON SITE BEFORE FABRICATION.

LEGEND :

- (X1) --- DETAIL MARK NO.
- (X001) --- REFER SHEET NO.
- 1. F.F.L. --- FINISHED FLOOR LEVEL
- 2. S.F.L. --- STRUCTURAL FLOOR LEVEL
- 3. (R) --- REVERSED DETAIL

4. GLASS LEGEND

- EGL-1 --- 8mmHS+12mm AIR GAP+10mmTP THK. I.G.U.
- EGL-2 --- 10mm THK. CLEAR TEMPERED GLASS
- EGL-4 --- 10mm THK. TEMPERED ACID ETCHED GLASS
- EGL-1A --- 8mmHS+12mm AIR GAP+8mmTP THK. I.G.U.
- EGL-1B --- 8mmHS+12mm AIR GAP+10mmTP ACID-ETCHED THK. I.G.U.

NO.	DATE	REVISION	REVISION SUBJECT TO ARCH-COMMENT	BY
G	21/09/2022	REVISION	SUBJECT TO ARCH-COMMENT	hwk
F	17/08/2022	REVISION	SUBJECT TO ARCH-COMMENT	hwk
E	06/07/2022	REVISION	SUBJECT TO ARCH-COMMENT	hwk
D	17/12/2021	REVISION	SUBJECT TO ARCH-COMMENT	hwk
C	29/11/2021	REVISION	SUBJECT TO ARCH-COMMENT	hwk
B	03/11/2021	REVISION	SUBJECT TO ARCH-COMMENT	hwk
A	12/10/2021	REVISION	SUBJECT TO ARCH-COMMENT	hwk

JOB NO. : J-856

PROJECT : PROPOSED DEVELOPMENT ABOVE LIGHT RAIL TIN WING STOP-TS/WTL NO.23,AREA 33,TIN SHUI WAI, N.T.

TITLE : WINDOW SCHEDULE FOR TOWER 1 ALUM. WINDOW

DATE : 02-Aug-21 SCALE : 1:40

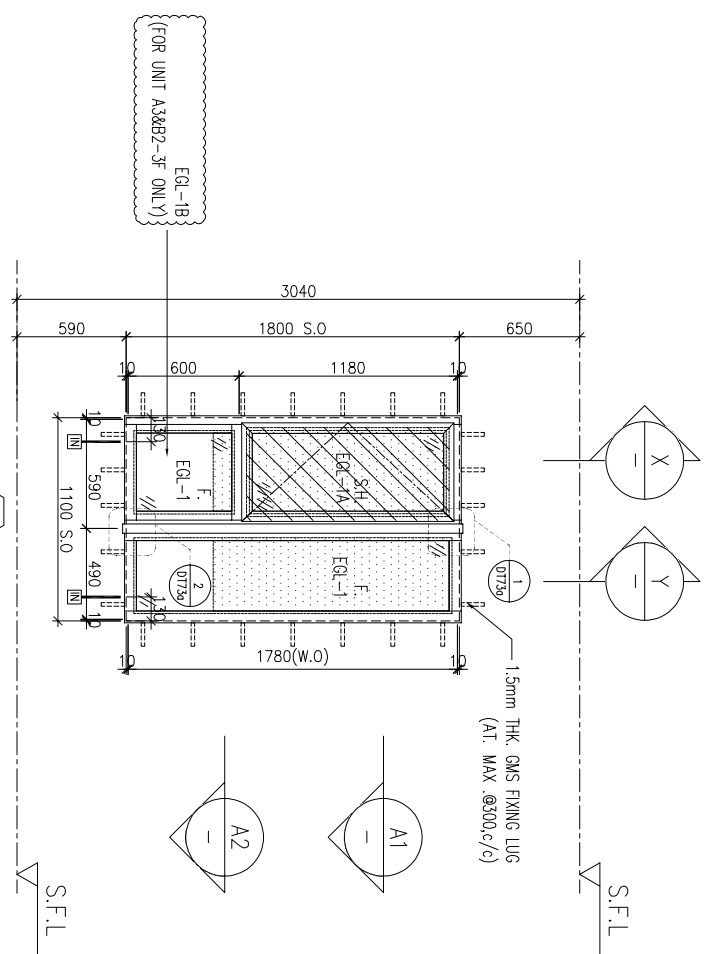
DRAWN BY : IYVN CHECKED BY :

**美特鋁質有限公司**  
MIDI ALUMINIUM FABRICATOR LTD.  
Units 6-8, Sunray Industrial Centre, 1/F  
610 Cho Kwai Ling Road, Kwai Tsou  
Tel:23489211-4 Fax:(852)2727666

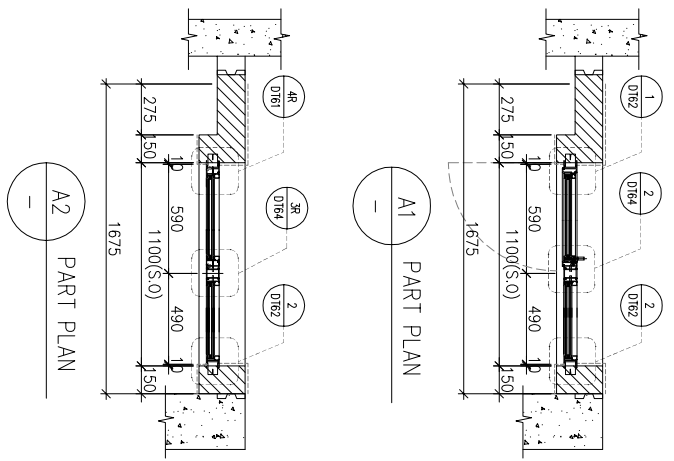
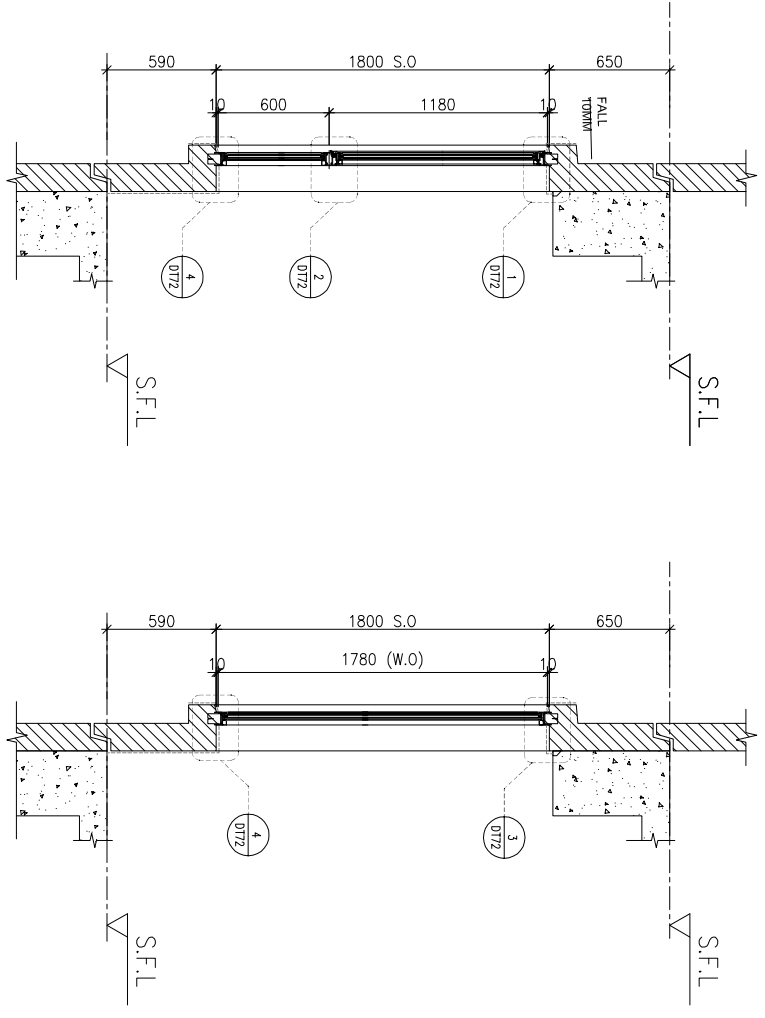
DWG NO. : J856-SD-PW-5104 REV. : G

**DELETE**

LOCATION	OPENABLE AREA	GLAZING AREA	OPENABLE AREA	GLAZING AREA
A3-BR1	0.263	0.420	0.548	0.985
<del>B2-BR2</del>	0.263	0.420		



ELEVATION



WINDOW MARK	LOCATION	SECTION	QUANTITY	REMARKS
AW 02	3/F~42/F(4/F,13/F,14/F,24/F,34/F OMITTED) UNIT B2 (10/F,16/F,20/F,25/F,33/F,38/F,42/F CHANGE TO IN-SITU WINDOW)	70mm ALUM. SECTION		
		EGL-1,EGL-1A		
			27 Nos	
	FACADE(TYPE T1PF05 FOR 3/F~42/F) ,4 BAR HINGE-LIP HING (HHMS-N16)			

WINDOW MARK	LOCATION	SECTION	QUANTITY	REMARKS
AW 02R	3/F~42/F(4/F,13/F,14/F,24/F,34/F OMITTED) UNIT A3	70mm ALUM. SECTION		
		EGL-1,EGL-1A		
			35 Nos	
	FACADE(TYPE T1PF05 FOR 3/F~42/F) ,4 BAR HINGE-LIP HING (HHMS-N16)			

BD. REF :

CLIENT :



42/F SUN HUNG KAI CENTRE, WANCHAI, HONGKONG



MANU CONTRACTOR :



STRUCTURAL ENGINEER :



FACADE CONSULTANT:  
ALPHA CONSULTING LIMITED  
Steel Structure & Façade Specialist

NOTE:  
1. ALL DIMENSIONS ARE IN mm.  
2. ALL ELEVATIONS ARE VIEWED FROM OUTSIDE.  
3. ALL DIMENSIONS TO BE VERIFIED ON SITE BEFORE FABRICATION.  
LEGEND:  
X1 --- DETAIL MARK NO.  
X001 --- REFER SHEET NO.

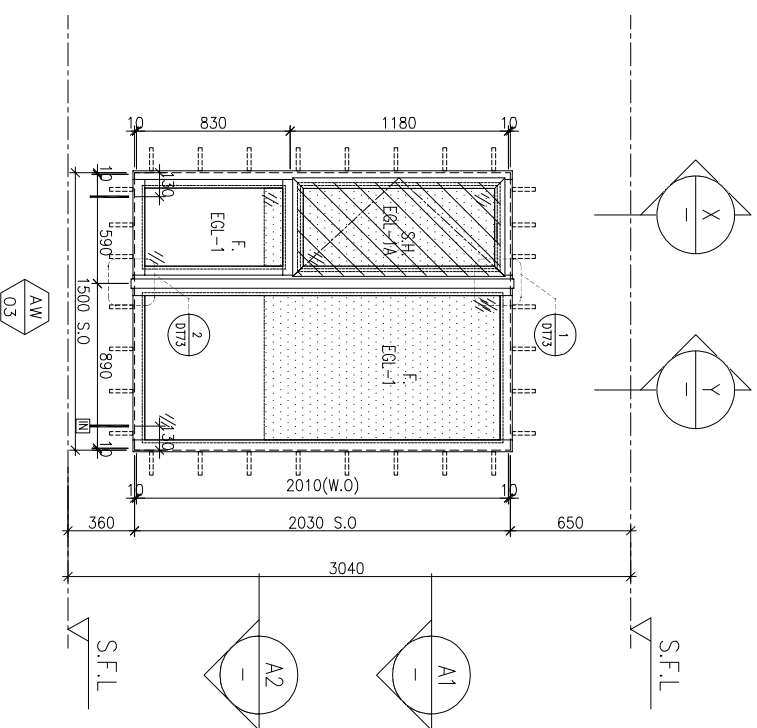
1. F.F.L. --- FINISHED FLOOR LEVEL  
2. S.F.L. --- STRUCTURAL FLOOR LEVEL  
3. (R) --- REVERSED DETAIL  
4. GLASS LEGEND  
EGL-1 --- 8mmHS+12mm AIR GAP+10mmTP THK. I.G.U.  
EGL-2 --- 10mm THK. CLEAR TEMPERED GLASS  
EGL-4 --- 10mm THK. TEMPERED ACID ETCHED GLASS  
EGL-1A --- 8mmHS+12mm AIR GAP+8mmTP THK. I.G.U.  
EGL-1B --- 8mmHS+12mm AIR GAP+10mmTP ADD-ETCHED THK. I.G.U.

NO.	DATE	REVISION	SUBJECT TO ARCH-COMMENT	BY
H	21/02/2023	REVISION SUBJECT TO ARCH-COMMENT		hwk
G	26/10/2022	REVISION SUBJECT REFER TO SH-1324 1/		hwk
F	17/08/2022	REVISION SUBJECT TO ARCH-COMMENT		hwk
E	17/08/2022	REVISION SUBJECT TO ARCH-COMMENT		hwk
D	06/07/2022	REVISION SUBJECT TO ARCH-COMMENT		hwk
C	17/12/2021	REVISION SUBJECT TO ARCH-COMMENT		hwk

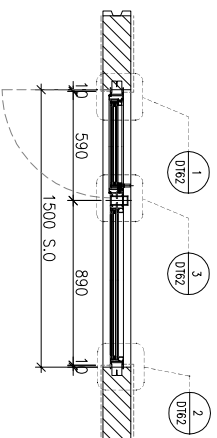
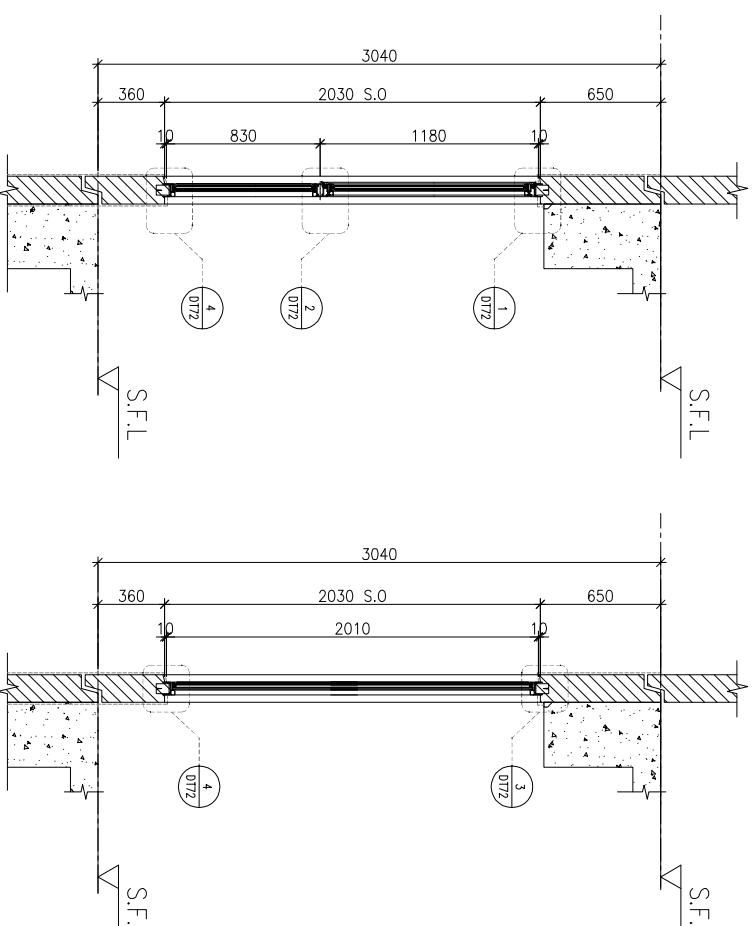
JOB NO. : J-856  
PROJECT : PROPOSED DEVELOPMENT ABOVE LIGHT RAIL TIN WING STOP-TS/WL NO.23,AREA 33,TIN SHUI WAI, N.T.  
TITLE : WINDOW SCHEDULE FOR TOWER 1 ALUM. WINDOW

DATE : 02-Aug-21 SCALE : 1:40  
DRAWN BY : IYVN CHECKED BY :  
MIDI ALUMINIUM FABRICATOR LTD.  
Units 6-8, Sunray Industrial Centre, 1/F  
610 Cho Kwai Ling Road, Kwai Tsou  
Tel:23489211-4 Fax:(852)2727666  
DWG NO. : J856-SD-PW-5105 REV. : H

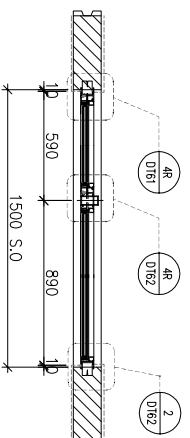
REQUIRED		PROVIDED	
LOCATION	OPENABLE AREA	GLAZING AREA	OPENABLE AREA
B3-MBR	0.427	0.763	0.548
			GLAZING AREA
			1.495



ELEVATION



A1 PART PLAN



A2 PART PLAN

WINDOW MARK	AW 03
LOCATION	3/F-42/F(4/F,13/F,14/F,24/F,34/F OMITTED) UNIT B3
SECTION	70mm ALUM. SECTION
GLAZING	EGL-1, EGL-1A
QUANTITY	35 Nos
REMARKS	FAÇADE(TYPE TYPFOR FOR 3/F~42/F) .4 BAR HINGE-LIP HING (HHMS-N16)

BD. REF :

CLIENT :

**SUN HUNG KAI**  
REAL ESTATE AGENCY LTD.  
42/F SUN HUNG KAI CENTRE, WANCHAI, HONGKONG

ARCHITECT :

**lwk&partners**  
a r c h i t e c t s

MAIN CONTRACTOR :

**怡輝建築有限公司**  
**Yee Fai Building Contractors Ltd.**

STRUCTURAL ENGINEER :

**ARUP**

FAÇADE CONSULTANT :

**ALPHA CONSULTING LIMITED**  
Steel Structure & Façade Specialist

NOTE :

1. ALL DIMENSIONS ARE IN mm.
2. ALL ELEVATIONS ARE VIEWED FROM OUTSIDE.
3. ALL DIMENSIONS TO BE VERIFIED ON SITE BEFORE FABRICATION.

LEGEND :

(X1) --- DETAIL MARK NO.  
(X001) --- REFER SHEET NO.

1. F.F.L. --- FINISHED FLOOR LEVEL
2. S.F.L. --- STRUCTURAL FLOOR LEVEL
3. (R) --- REVERSED DETAIL

4. GLASS LEGEND

EGL-1 --- 8mmHS+12mm AIR GAP+10mmTP THK. I.G.U.  
EGL-2 --- 10mm THK. CLEAR TEMPERED GLASS  
EGL-4 --- 10mm THK. TEMPERED ACID ETCHED GLASS  
EGL-1A --- 8mmHS+12mm AIR GAP+8mmTP THK. I.G.U.  
EGL-1B --- 8mmHS+12mm AIR GAP+10mmTP ACID-ETCHED THK. I.G.U.

NO.	DATE	REVISION	SUBJECT TO ARCH-COMMENT	BY
H	21/09/2022	REVISION	SUBJECT TO ARCH-COMMENT	ivan
G	17/08/2022	REVISION	SUBJECT TO ARCH-COMMENT	ivan
F	06/07/2022	REVISION	SUBJECT TO ARCH-COMMENT	ivan
E	17/12/2021	REVISION	SUBJECT TO ARCH-COMMENT	ivan
D	17/12/2021	REVISION	SUBJECT TO ARCH-COMMENT	ivan
C	29/11/2021	REVISION	SUBJECT TO ARCH-COMMENT	ivan

JOB NO. : J-856

PROJECT : PROPOSED DEVELOPMENT ABOVE LIGHT RAIL TIN WING STOP-TSMTL NO.23,AREA 33,TIN SHUI WAI, N.T.

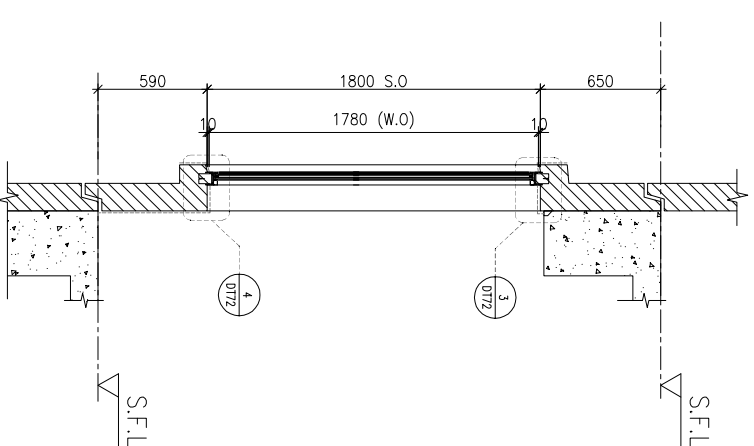
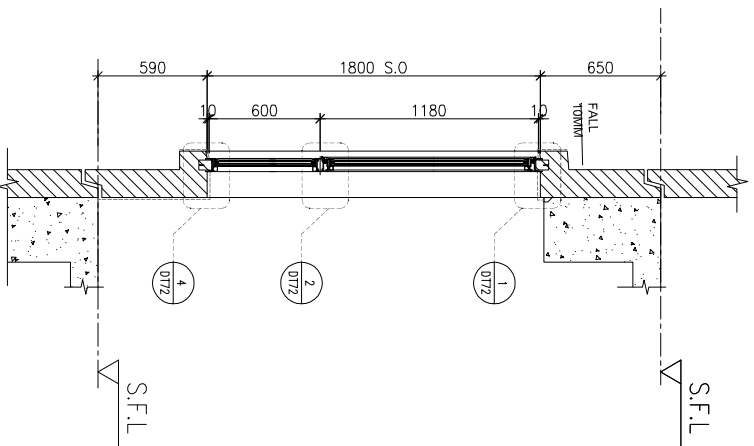
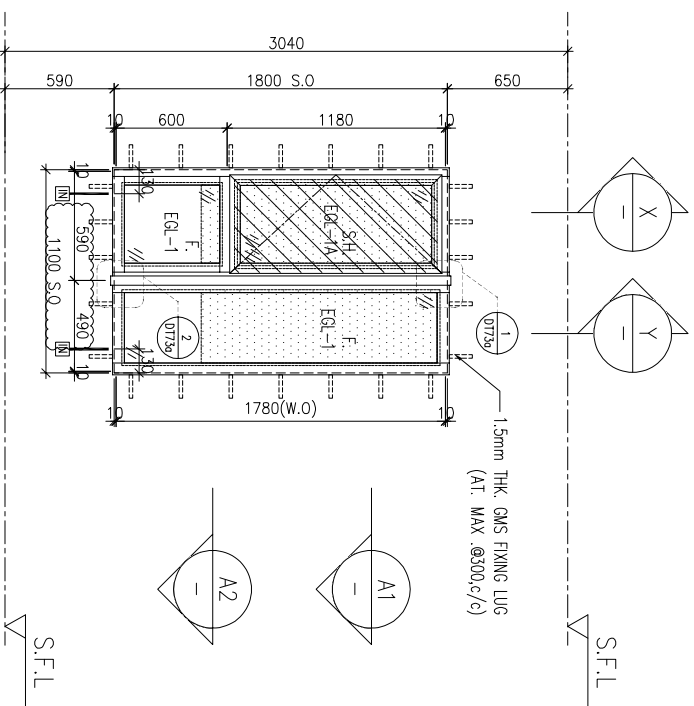
TITLE : WINDOW SCHEDULE FOR TOWER 1 ALUM. WINDOW

DATE : 02-Aug-21 SCALE : 1:40

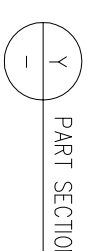
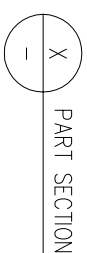
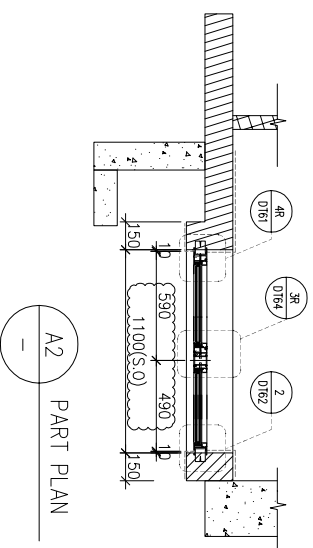
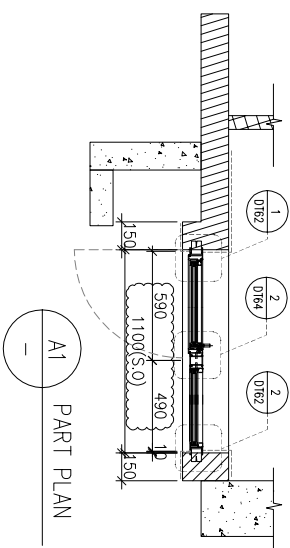
DRAWN BY : ivan CHECKED BY :

**美特鋁質有限公司**  
MIDI ALUMINIUM FABRICATOR LTD.  
Units 6-8, Sunray Industrial Centre, 1/F  
610 Cho Kwai Ling Road, Kwai Tsoum  
Tel:23489211-4 Fax:(852)2727666  
DWG NO. : J856-SD-PW-5106 REV. : H

REQUIRE	PROVIDED
LOCATION	
OPENABLE AREA	0.263
GLAZING AREA	0.420
OPENABLE AREA	{0.525}
GLAZING AREA	{0.961}



ELEVATION



NOTE:  
1. ALL DIMENSIONS ARE IN mm.  
2. ALL ELEVATIONS ARE VIEWED FROM OUTSIDE.  
3. ALL DIMENSIONS TO BE VERIFIED ON SITE BEFORE FABRICATION.

LEGEND:  
(X1) --- DETAIL MARK NO.  
(X001) --- REFER SHEET NO.

1. F.F.L. --- FINISHED FLOOR LEVEL  
2. S.F.L. --- STRUCTURAL FLOOR LEVEL  
3. (R) --- REVERSED DETAIL

4. GLASS LEGEND

EGL-1--8mmHS+12mm AIR GAP+10mmTP THK. I.G.U.  
EGL-2--10mm THK. CLEAR TEMPERED GLASS  
EGL-4--10mm THK. TEMPERED ACID ETCHED GLASS  
EGL-1A-8mmHS+12mm AIR GAP+8mmTP THK. I.G.U.  
EGL-1B-8mmHS+12mm AIR GAP+10mmTP ACID-ETCHED THK. I.G.U.

NO.	DATE	REVISION	SUBJECT TO ARCH-COMMENT	BY
F	21/02/2023	REVISION SUBJECT TO ARCH-COMMENT		ivan
E	17/08/2022	REVISION SUBJECT TO ARCH-COMMENT		ivan
D	06/07/2022	REVISION SUBJECT TO ARCH-COMMENT		ivan
C	17/12/2021	REVISION SUBJECT TO ARCH-COMMENT		ivan
B	29/11/2021	REVISION SUBJECT TO ARCH-COMMENT		ivan
A	03/11/2021	REVISION SUBJECT TO ARCH-COMMENT		ivan

JOB NO. : J-856

PROJECT : PROPOSED DEVELOPMENT ABOVE LIGHT RAIL TIN WING STOP-TSWTL NO.23,AREA 33,TIN SHUI WAI, N.T.

TITLE : WINDOW SCHEDULE FOR TOWER 1 ALUM. WINDOW

DATE : 02-Aug-21 SCALE : 1:40

DRAWN BY : ivan CHECKED BY :

UNITA 6-8 Sunray Industrial Centre, 1/F  
610 Cho Kwai Ling Road, Kwai Tsoum  
Tel:23489211-4 Fax:(852)2727666  
DWC NO. : J856-SD-PW-5107 REV : F

BD. REF :

CLIENT :

**SUN HUNG KAI**  
**REAL ESTATE AGENCY LTD.**

42/F SUN HUNG KAI CENTRE, WANCHAI, HONGKONG

ARCHITECT :

**lwk&partners**  
a r c h i t e c t s

MAIN CONTRACTOR :

**怡輝建築有限公司**  
**Yee Fai Building Contractors Ltd.**

STRUCTURAL ENGINEER :

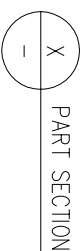
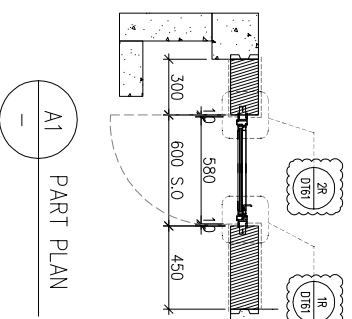
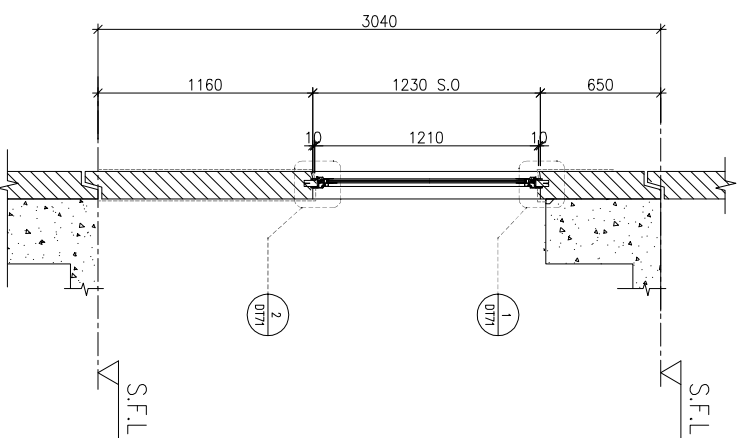
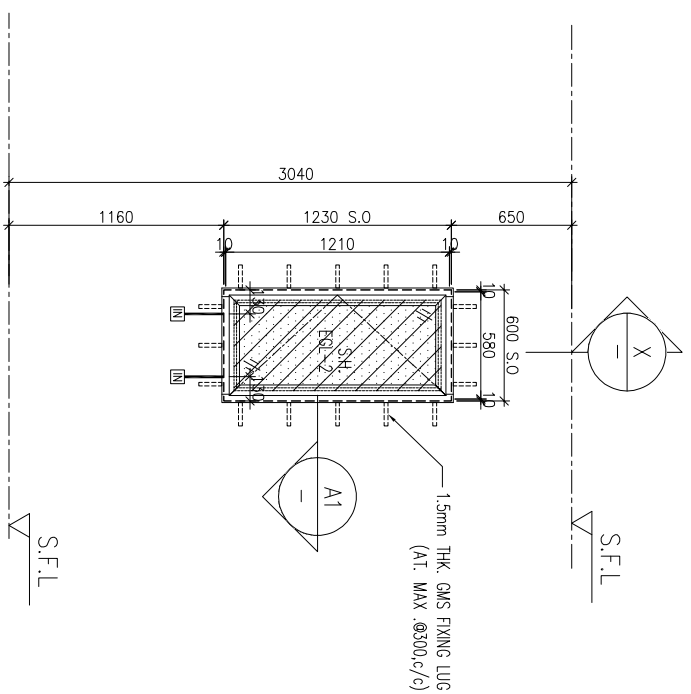
**ARUP**

FAÇADE CONSULTANT:

**ALPHA CONSULTING LIMITED**  
Steel Structure & Façade Specialist

WINDOW MARK	AW 02
LOCATION	3/F-42/F(4/F,13/F,14/F,24/F,34/F OMITTED) UNIT B8
SECTION	70mm ALUM. SECTION
GLAZING	EGL-1,EGL-1A
QUANTITY	35 Nos
REMARKS	FAÇADE(TYPE TIPFOR FOR 3/F~42/F) ,4 BAR HINGE-LIP HING (HHMS-N16)

REQUIRED		PROVIDED	
LOCATION	OPENABLE AREA	GLAZING AREA	OPENABLE AREA
B3-KIT	0.251	0.401	0.549
			GLAZING AREA
			0.456



B.D. REF : \_\_\_\_\_

CLIENT : **SUN HUNG KAI**  
**REAL ESTATE AGENCY LTD.**  
 42/F, SUN HUNG KAI CENTRE, WANCHAI, HONGKONG

ARCHITECT : **lwk&partners**  
 a r c h i t e c t s

MAIN CONTRACTOR : **怡輝建築有限公司**  
**Yee Fai Building Contractors Ltd.**

STRUCTURAL ENGINEER : **ARUP**

FAÇADE CONSULTANT: **ALPHA CONSULTING LIMITED**  
 Steel Structure & Façade Specialist

NOTE :

1. ALL DIMENSIONS ARE IN mm.
2. ALL ELEVATIONS ARE VIEWED FROM OUTSIDE.
3. ALL DIMENSIONS TO BE VERIFIED ON SITE BEFORE FABRICATION.

LEGEND :

(X1) --- DETAIL MARK NO.  
 (X001) --- REFER SHEET NO.

1. F.F.L. --- FINISHED FLOOR LEVEL
2. S.F.L. --- STRUCTURAL FLOOR LEVEL
3. (R) --- REVERSED DETAIL

4. GLASS LEGEND

EGL-1--8mmHS+12mm AIR GAP+10mmTP THK. I.G.U.  
 EGL-2--10mm THK. CLEAR TEMPERED GLASS  
 EGL-4--10mm THK. TEMPERED ACID ETCHED GLASS  
 EGL-1A-8mmHS+12mm AIR GAP+8mmTP THK. I.G.U.  
 EGL-1B-8mmHS+12mm AIR GAP+10mmTP ACID-ETCHED THK. I.G.U.

NO.	DATE	REVISION	REASON	BY
G	14/11/2022	REVISION SUBJECT TO ARCH-COMMENT		hcn
F	21/09/2022	REVISION SUBJECT TO ARCH-COMMENT		hcn
E	17/08/2022	REVISION SUBJECT TO ARCH-COMMENT		hcn
D	06/07/2022	REVISION SUBJECT TO ARCH-COMMENT		hcn
C	17/12/2021	REVISION SUBJECT TO ARCH-COMMENT		hcn
B	29/11/2021	REVISION SUBJECT TO ARCH-COMMENT		hcn
A	03/11/2021	REVISION SUBJECT TO ARCH-COMMENT		hcn

JOB NO. : J-856

PROJECT : PROPOSED DEVELOPMENT ABOVE LIGHT RAIL TIN WING STOP-TSWTL NO.23,AREA 33,TIN SHUI WAI, N.T.

TITLE : WINDOW SCHEDULE FOR TOWER 1 ALUM. WINDOW

DATE : 02-Aug-21 SCALE : 1:40

DRAWN BY : Ivan CHECKED BY :

WINDOW MARK	LOCATION	SECTION	GLAZING	QUANTITY	REMARKS
AW 06	3/F-42/F(4/F,13/F,14/F,24/F,34/F OMITTED)	50mm ALUM. SECTION	EGL-2	35 Nos	FAÇADE(TYPE T1PFIOR FOR 3/F~42/F) ,4 BAR HINGE-LIP HING (HHMS-N16)

UNITED METAL FABRICATOR LTD.  
 610 Cho Kwai Ling Road, Kowloon  
 Tel:23489211-4 Fax:(852)27272666

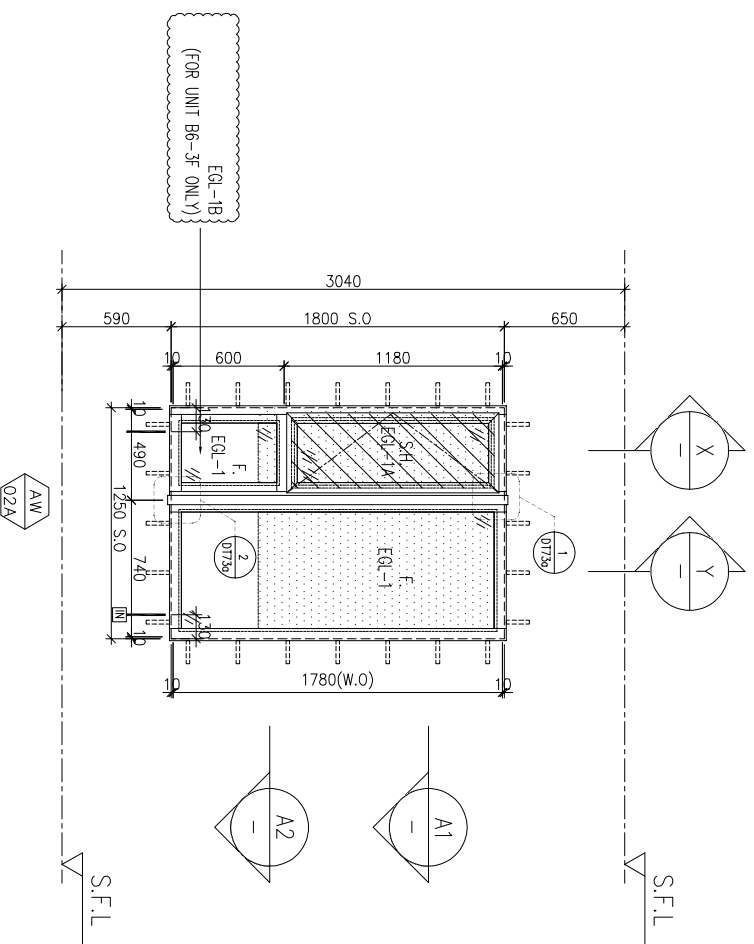
DATE : 02-Aug-21 SCALE : 1:40

DRAWN BY : Ivan CHECKED BY :

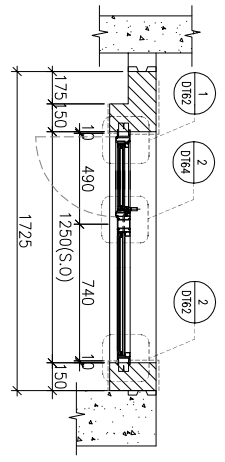
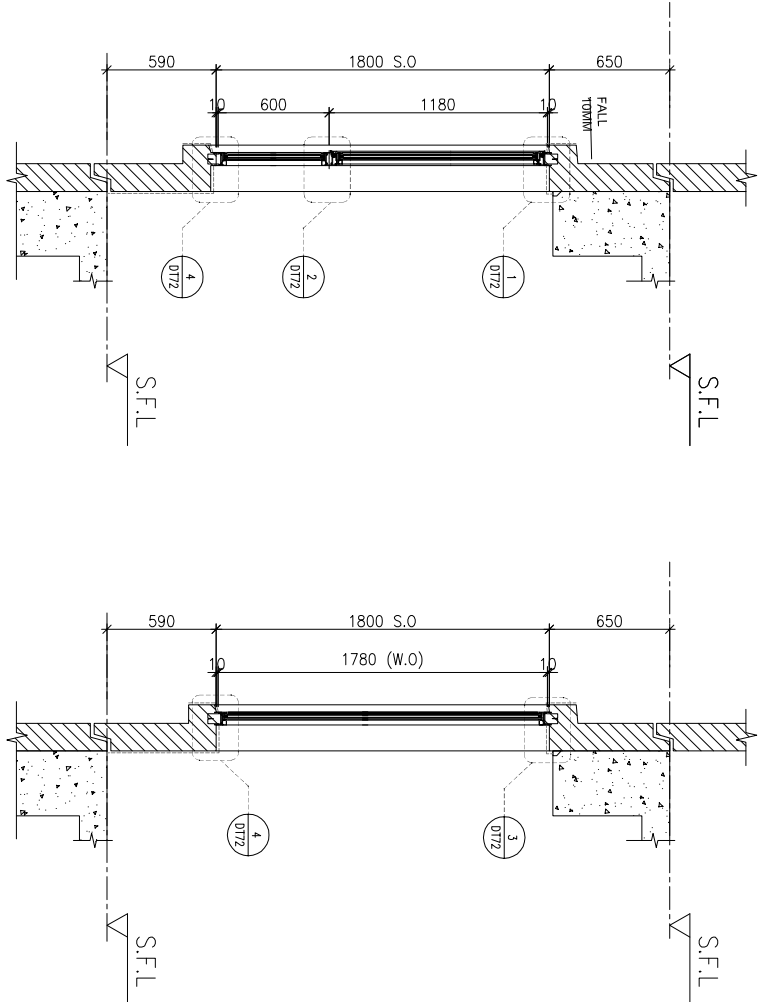
UNITED METAL FABRICATOR LTD.  
 610 Cho Kwai Ling Road, Kowloon  
 Tel:23489211-4 Fax:(852)27272666

DWG NO. : J856-SD-PW-5108 REV : G

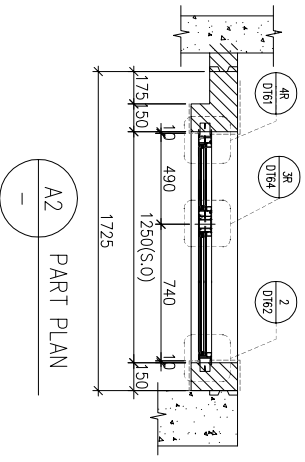
REQUIRED		PROVIDED		
LOCATION	OPENABLE AREA	GLAZING AREA	OPENABLE AREA	GLAZING AREA
(B6-BR2)	0.263	0.420	0.439	1.19
(B7-BR2)	0.263	0.420		



ELEVATION



A1 PART PLAN



A2 PART PLAN

WINDOW MARK	AW 02d
LOCATION	3/F, 42/F, 4/F, 13/F, 14/F, 24/F, 34/F OMITTED UNIT B7
SECTION	70mm ALUM. SECTION
GLAZING	EGL-1, EGL-1A
QUANTITY	35 Nos
REMARKS	FAÇADE(TYPE T1P05R FOR 5/F~42/F) .4 BAR HINGE-LIP HING (HHMS-N12

BD. REF :

CLIENT :



42/F SUN HUNG KAI CENTRE, WANCHAI, HONGKONG



ARCHITECT :

MAIN CONTRACTOR :



STRUCTURAL ENGINEER :



FAÇADE CONSULTANT:



Steel Structure & Façade Specialist

- NOTE:
1. ALL DIMENSIONS ARE IN mm.
  2. ALL ELEVATIONS ARE VIEWED FROM OUTSIDE.
  3. ALL DIMENSIONS TO BE VERIFIED ON SITE BEFORE FABRICATION.

LEGEND :

- (X1) --- DETAIL MARK NO.
- (X001) --- REFER SHEET NO.
- 1. F.F.L. --- FINISHED FLOOR LEVEL
- 2. S.F.L. --- STRUCTURAL FLOOR LEVEL
- 3. (R) --- REVERSED DETAIL

4. GLASS LEGEND
- EGL-1 --- 8mmHS+12mm AIR GAP+10mmTP THK. I.G.U.
  - EGL-2 --- 10mm THK. CLEAR TEMPERED GLASS
  - EGL-4 --- 10mm THK. TEMPERED ACID ETCHED GLASS
  - EGL-1A --- 8mmHS+12mm AIR GAP+8mmTP THK. I.G.U.
  - EGL-1B --- 8mmHS+12mm AIR GAP+10mmTP ACID-ETCHED THK. I.G.U.

NO.	DATE	REVISION	REVISION SUBJECT TO ARCH-COMMENT	BY
H	21/02/2023	REVISION SUBJECT TO ARCH-COMMENT		ivan
G	21/09/2022	REVISION SUBJECT TO ARCH-COMMENT		ivan
F	17/08/2022	REVISION SUBJECT TO ARCH-COMMENT		ivan
E	06/07/2022	REVISION SUBJECT TO ARCH-COMMENT		ivan
D	17/12/2021	REVISION SUBJECT TO ARCH-COMMENT		ivan
C	29/11/2021	REVISION SUBJECT TO ARCH-COMMENT		ivan

JOB NO. : J-856

PROJECT :

PROPOSED DEVELOPMENT ABOVE LIGHT RAIL TIN WING STOP-TSWTL NO.23,AREA 33,TIN SHUI WAI, N.T.

TITLE : WINDOW SCHEDULE FOR TOWER 1 ALUM. WINDOW

DATE : 02-Aug-21 SCALE : 1:40

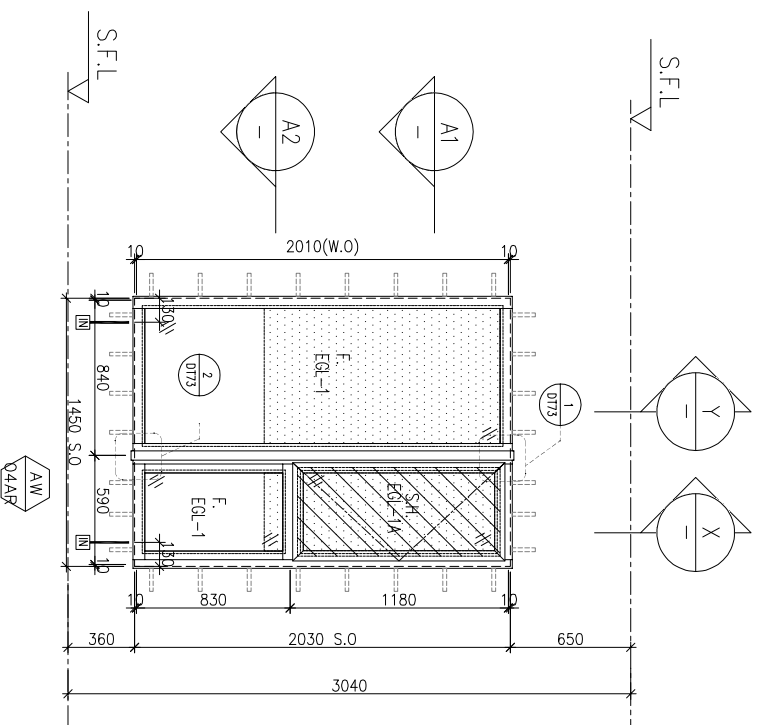
DRAWN BY : ivan CHECKED BY :



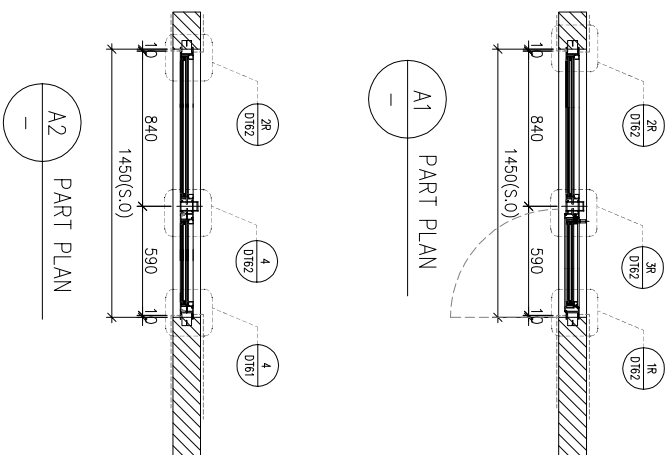
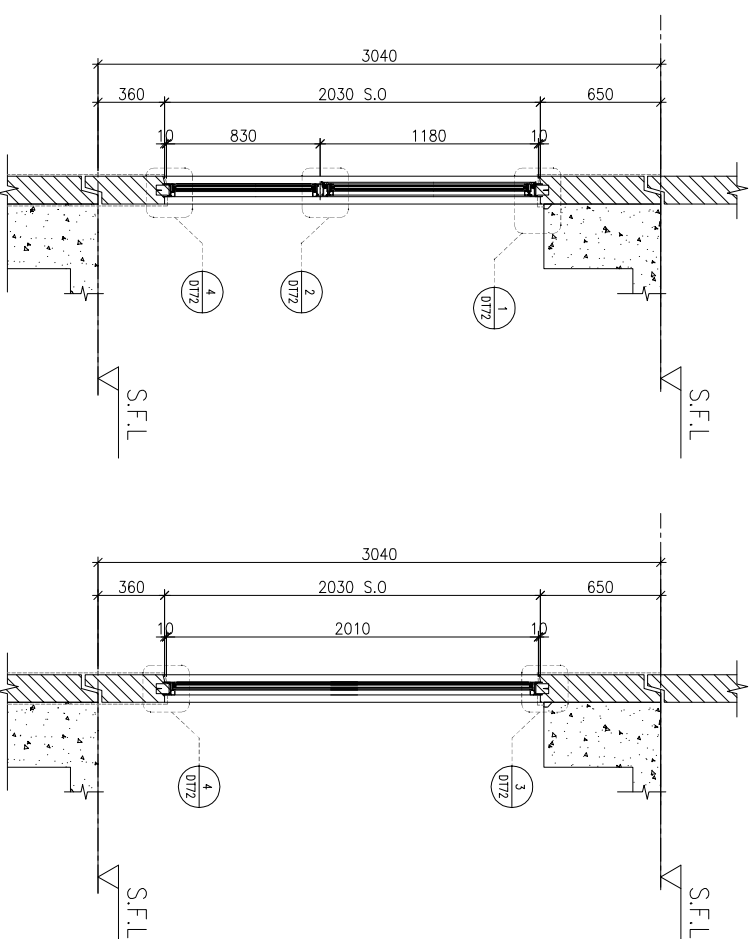
Units 6-8, Sunray Industrial Centre, 1/F, 610 Cho Kwai Ling Road, Kwai Tsoum, Tai Po, N.T. Tel: 23489211-4 Fax: (852) 2727666

DWG NO. : J856-SD-PW-5109 REV. : H

REQUIRED		PROVIDED	
LOCATION	OPENABLE AREA	GLAZING AREA	OPENABLE AREA
B7-MBR	0.435	0.696	0.548
			GLAZING AREA
			1.431



ELEVATION



WINDOW MARK	AW Q44AF
LOCATION	3/F-42/F(4/F,13/F,14/F,24/F,34/F OMITTED) UNIT B7
SECTION	70mm ALUM. SECTION
GLAZING	EGL-1, EGL-1A
QUANTITY	35 Nos
REMARKS	FAÇADE(TYPE T1PF03R FOR 3/F~42/F) , 4 BAR HINGE-LIP HING (HHMS-N16)

BD. REF :

CLIENT :

**SUN HUNG KAI**  
REAL ESTATE AGENCY LTD.  
42/F SUN HUNG KAI CENTRE, WANCHAI, HONGKONG

ARCHITECT :

**lwk&partners**  
a r c h i t e c t s

MAIN CONTRACTOR :

**怡輝建築有限公司**  
**Yee Fai Building Contractors Ltd.**

STRUCTURAL ENGINEER :

**ARUP**  
ALPHA CONSULTING LIMITED  
Steel Structure & Façade Specialist

FAÇADE CONSULTANT:

**ALPHA CONSULTING LIMITED**  
Steel Structure & Façade Specialist

- NOTE:
1. ALL DIMENSIONS ARE IN mm.
  2. ALL ELEVATIONS ARE VIEWED FROM OUTSIDE.
  3. ALL DIMENSIONS TO BE VERIFIED ON SITE BEFORE FABRICATION.

LEGEND :

- (X1) --- DETAIL MARK NO.  
(X001) --- REFER SHEET NO.
1. F.F.L. --- FINISHED FLOOR LEVEL
  2. S.F.L. --- STRUCTURAL FLOOR LEVEL
  3. (R) --- REVERSED DETAIL

4. GLASS LEGEND

- EGL-1 --- 8mmHS+12mm AIR GAP+10mmTP THK. I.G.U.  
EGL-2 --- 10mm THK. CLEAR TEMPERED GLASS  
EGL-4 --- 10mm THK. TEMPERED ACID ETCHED GLASS  
EGL-1A --- 8mmHS+12mm AIR GAP+8mmTP THK. I.G.U.  
EGL-1B --- 8mmHS+12mm AIR GAP+10mmTP ACID-ETCHED THK. I.G.U.

NO.	DATE	REVISION	REVISION SUBJECT TO ARCH-COMMENT	BY
G	21/09/2022	REVISION	SUBJECT TO ARCH-COMMENT	hcn
F	17/08/2022	REVISION	SUBJECT TO ARCH-COMMENT	hcn
E	06/07/2022	REVISION	SUBJECT TO ARCH-COMMENT	hcn
D	17/12/2021	REVISION	SUBJECT TO ARCH-COMMENT	hcn
C	29/11/2021	REVISION	SUBJECT TO ARCH-COMMENT	hcn
B	03/11/2021	REVISION	SUBJECT TO ARCH-COMMENT	hcn
A	12/10/2021	REVISION	SUBJECT TO ARCH-COMMENT	hcn

JOB NO. : J-856

PROJECT : PROPOSED DEVELOPMENT ABOVE LIGHT RAIL TIN WING STOP-TSWTL NO.23,AREA 33,TIN SHUI WAI, N.T.

TITLE : WINDOW SCHEDULE FOR TOWER 1 ALUM. WINDOW

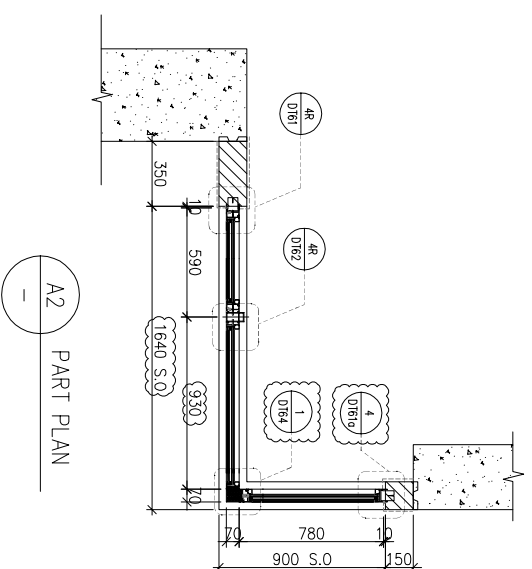
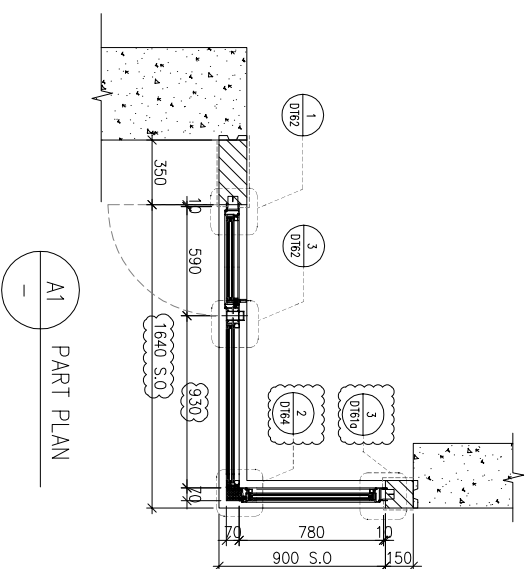
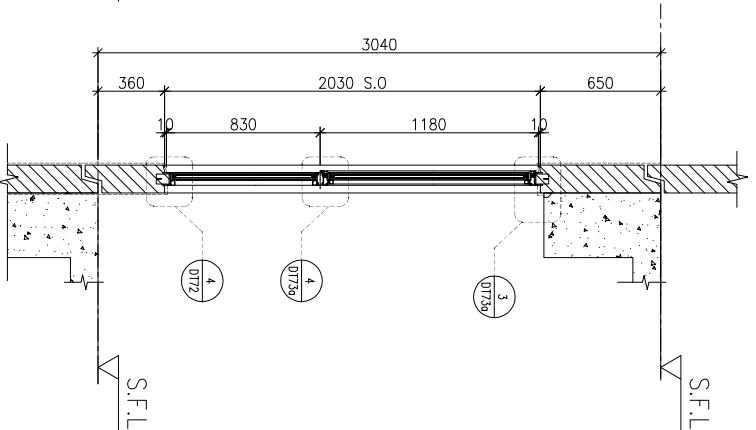
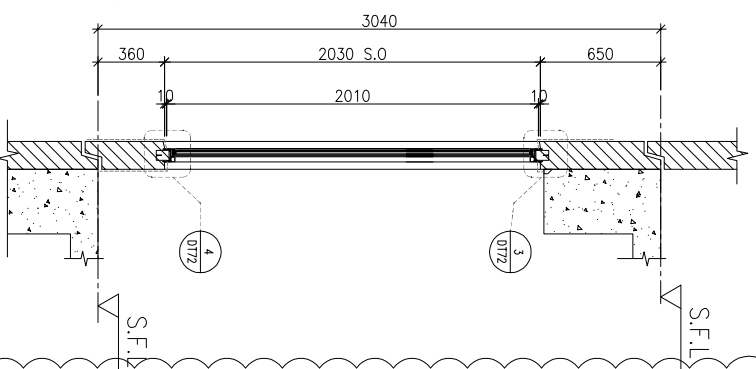
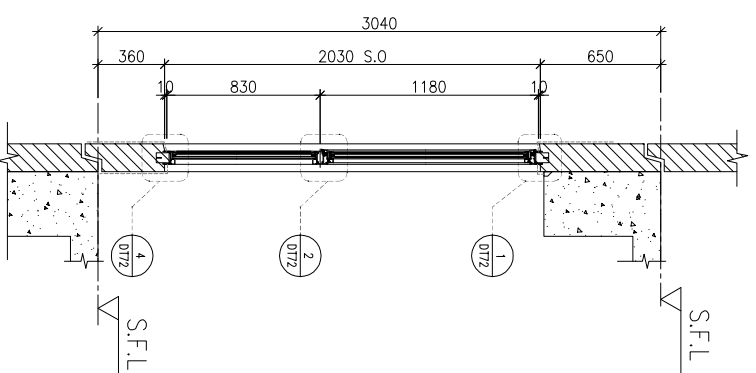
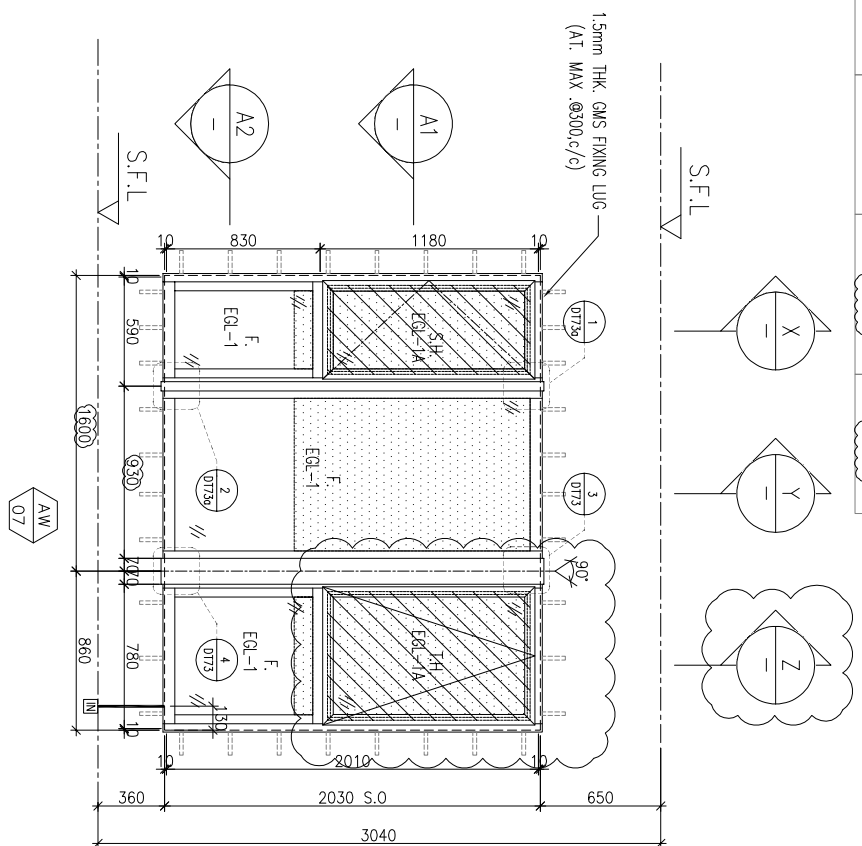
DATE : 02-Aug-21 SCALE : 1:40

DRAWN BY : ivon CHECKED BY :

**美特鋁質有限公司**  
MIDI ALUMINIUM FABRICATOR LTD.  
Units 6-8, Sunray Industrial Centre, 1/F  
610 Cho Kwai Ling Road, Kowloon  
Tel:23489211-4 Fax:(852)2727666

DWG NO. : J856-SD-PW-5110 REV. : G

REQUIRED		PROVIDED	
LOCATION	OPENABLE AREA	GLAZING AREA	OPENABLE AREA
B8-MBR	0.474	0.759	1.286
			2.249



X-X PART SECTION

Y-Y PART SECTION

Z-Z PART SECTION

ELEVATION

NOTE:

1. ALL DIMENSIONS ARE IN mm.
2. ALL ELEVATIONS ARE VIEWED FROM OUTSIDE.
3. ALL DIMENSIONS TO BE VERIFIED ON SITE BEFORE FABRICATION.

LEGEND:

- X1 --- DETAIL MARK NO.
- X001 --- REFER SHEET NO.

1. F.F.L. --- FINISHED FLOOR LEVEL
2. S.F.L. --- STRUCTURAL FLOOR LEVEL
3. (R) --- REVERSED DETAIL

4. GLASS LEGEND

- EQ1-1 --- 8mmHS+12mm AIR GAP+10mmTP THK. I.G.U.
- EQ1-2 --- 10mm THK. CLEAR TEMPERED GLASS
- EQ1-4 --- 10mm THK. TEMPERED ACID ETCHED GLASS
- EQ1-1A --- 8mmHS+12mm AIR GAP+8mmTP THK. I.G.U.
- EQ1-1B --- 8mmHS+12mm AIR GAP+10mmTP ADD-ETCHED THK. I.G.U.

NO.	DATE	REVISION	REVISION SUBJECT TO ARCH-COMMENT	BY
H	21/02/2023	REVISION SUBJECT TO ARCH-COMMENT		hwn
G	21/09/2022	REVISION SUBJECT TO ARCH-COMMENT		hwn
F	17/08/2022	REVISION SUBJECT TO ARCH-COMMENT		hwn
E	06/07/2022	REVISION SUBJECT TO ARCH-COMMENT		hwn
D	17/12/2021	REVISION SUBJECT TO ARCH-COMMENT		hwn
C	29/11/2021	REVISION SUBJECT TO ARCH-COMMENT		hwn
B	03/11/2021	REVISION SUBJECT TO ARCH-COMMENT		hwn
A		REVISION SUBJECT TO ARCH-COMMENT		hwn

JOB NO. : J-856

PROJECT :

PROPOSED DEVELOPMENT ABOVE LIGHT RAIL TIN WING STOP-TSWTL NO.23,AREA 33,TIN SHUI WAI, N.T.

TITLE : WINDOW SCHEDULE FOR TOWER 1 ALUM. WINDOW

DATE : 02-Aug-21 SCALE : 1:40

DRAWN BY : ivon CHECKED BY :

**美特铝质有限公司**  
MIDI ALUMINIUM FABRICATOR LTD.  
Units 6-8, Sunray Industrial Centre, 1/F  
610 Cho Kwai Ling Road, Kwai Tsoum  
Tel:23489211-4 Fax:(852)2727666

DWG NO. : J856-SD-PW-5111 REV. : H

BD. REF. :

CLIENT :

**SUN HUNG KAI**  
REAL ESTATE AGENCY LTD.  
42/F SUN HUNG KAI CENTRE, WANCHAI, HONGKONG

ARCHITECT :

**lwk&partners**  
ARCHITECTS

MAIN CONTRACTOR :

**怡輝建築有限公司**  
Yee Fai Building Contractors Ltd.

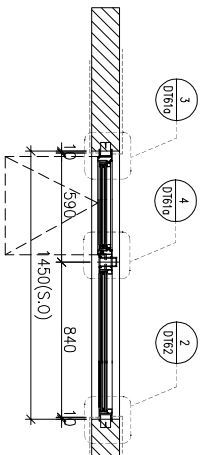
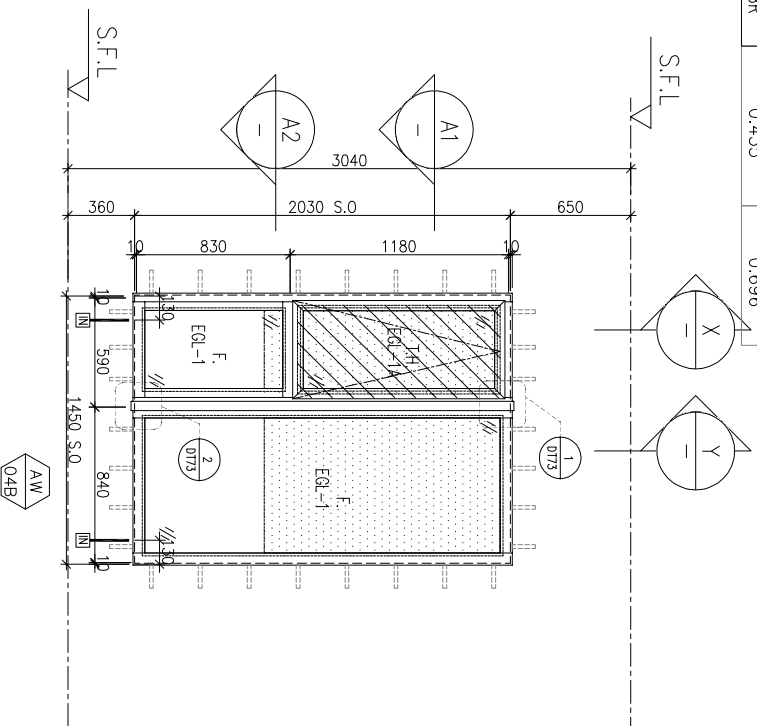
STRUCTURAL ENGINEER :

**ARUP**

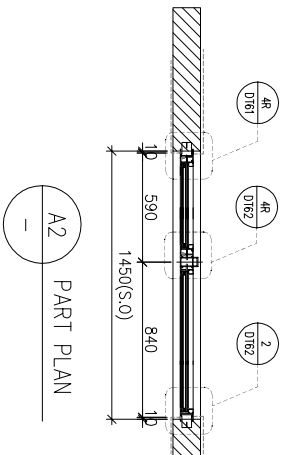
FAÇADE CONSULTANT:

**ALPHA CONSULTING LIMITED**  
Steel Structure & Façade Specialist

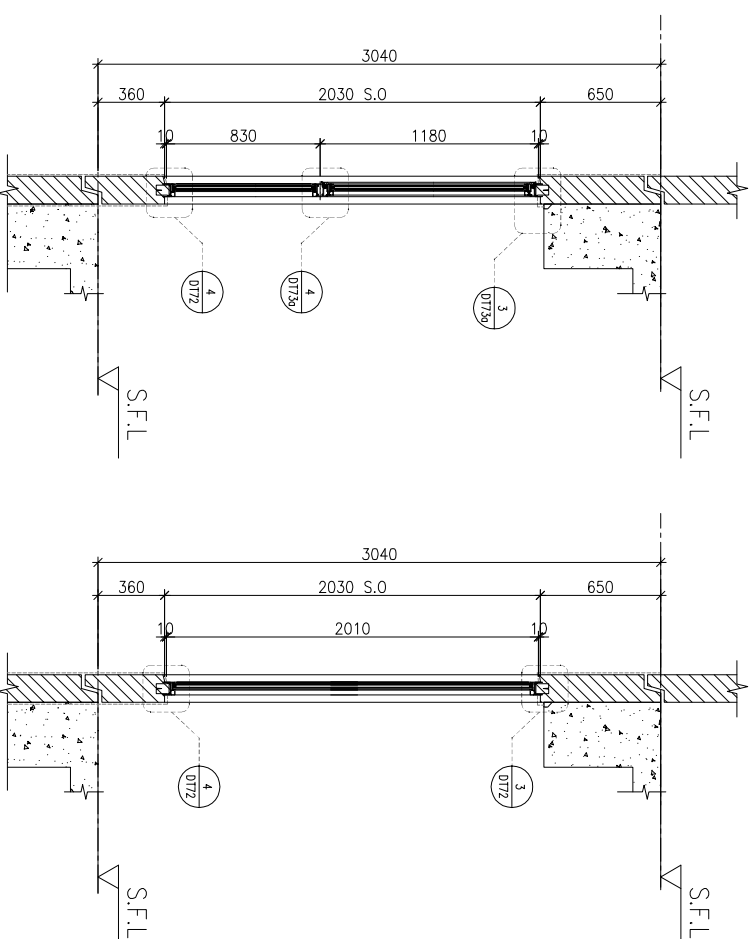
REQUIRE		PROVIDED	
LOCATION	OPENABLE AREA	GLAZING AREA	OPENABLE AREA
<del>A5-MBR</del>	<del>0.435</del>	<del>0.696</del>	0.548
<del>A6-MBR</del>	<del>0.295</del>	<del>0.472</del>	1.431
<del>A7-MBR</del>	<del>0.435</del>	<del>0.696</del>	
B6-MBR	0.435	0.696	



A1 PART PLAN



A2 PART PLAN



X PART SECTION

Y PART SECTION

BD. REF : \_\_\_\_\_

CLIENT : **SUN HUNG KAI**  
REAL ESTATE AGENCY LTD.  
42/F, SUN HUNG KAI CENTRE, WANCHAI, HONGKONG

ARCHITECT : **lwk&partners**  
a r c h i t e c t s

MAIN CONTRACTOR : **怡輝建築有限公司**  
**Yee Fai Building Contractors Ltd.**

STRUCTURAL ENGINEER : **ARUP**  
ALPHA CONSULTING LIMITED  
Steel Structure & Facade Specialist

FAÇADE CONSULTANT :

- NOTE :
1. ALL DIMENSIONS ARE IN mm.
  2. ALL ELEVATIONS ARE VIEWED FROM OUTSIDE.
  3. ALL DIMENSIONS TO BE VERIFIED ON SITE BEFORE FABRICATION.
- LEGEND :
- (X1) --- DETAIL MARK NO.  
(X001) --- REFER SHEET NO.
1. F.F.L. --- FINISHED FLOOR LEVEL
  2. S.F.L. --- STRUCTURAL FLOOR LEVEL
  3. (R) --- REVERSED DETAIL
4. GLASS LEGEND
- EGL-1 --- 8mmHS+12mm AIR GAP+10mmTP THK. I.G.U.  
EGL-2 --- 10mm THK. CLEAR TEMPERED GLASS  
EGL-4 --- 10mm THK. TEMPERED ACID ETCHED GLASS  
EGL-1A --- 8mmHS+12mm AIR GAP+8mmTP THK. I.G.U.  
EGL-1B --- 8mmHS+12mm AIR GAP+10mmTP ACID-ETCHED THK. I.G.U.

NO.	DATE	REVISION	SUBJECT TO ARCH-COMMENT	BY
D	17/08/2022	REVISION SUBJECT TO ARCH-COMMENT	None	None
C	06/07/2022	REVISION SUBJECT TO ARCH-COMMENT	None	None
B	21/12/2021	REVISION SUBJECT TO ARCH-COMMENT	None	None
A	12/10/2021	REVISION SUBJECT TO ARCH-COMMENT	None	None

JOB NO. : J-856

PROJECT : PROPOSED DEVELOPMENT ABOVE LIGHT RAIL TIN WING STOP-TSWTL NO.23,AREA 33,TIN SHUI WAI, N.T.

TITLE : WINDOW SCHEDULE FOR TOWER 1 ALUM. WINDOW

DATE : 02-Aug-21 SCALE : 1:40

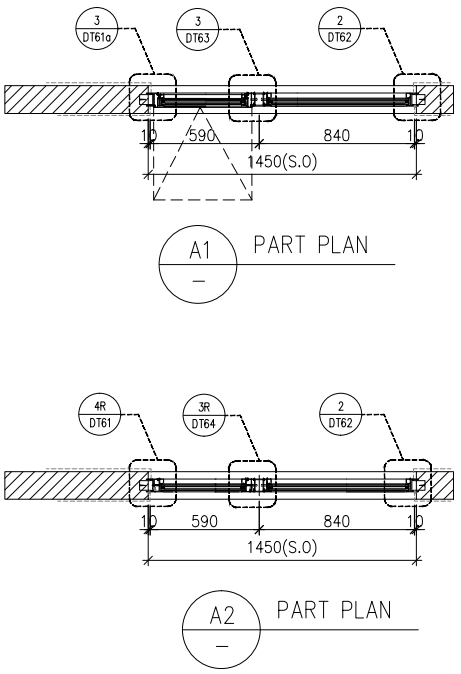
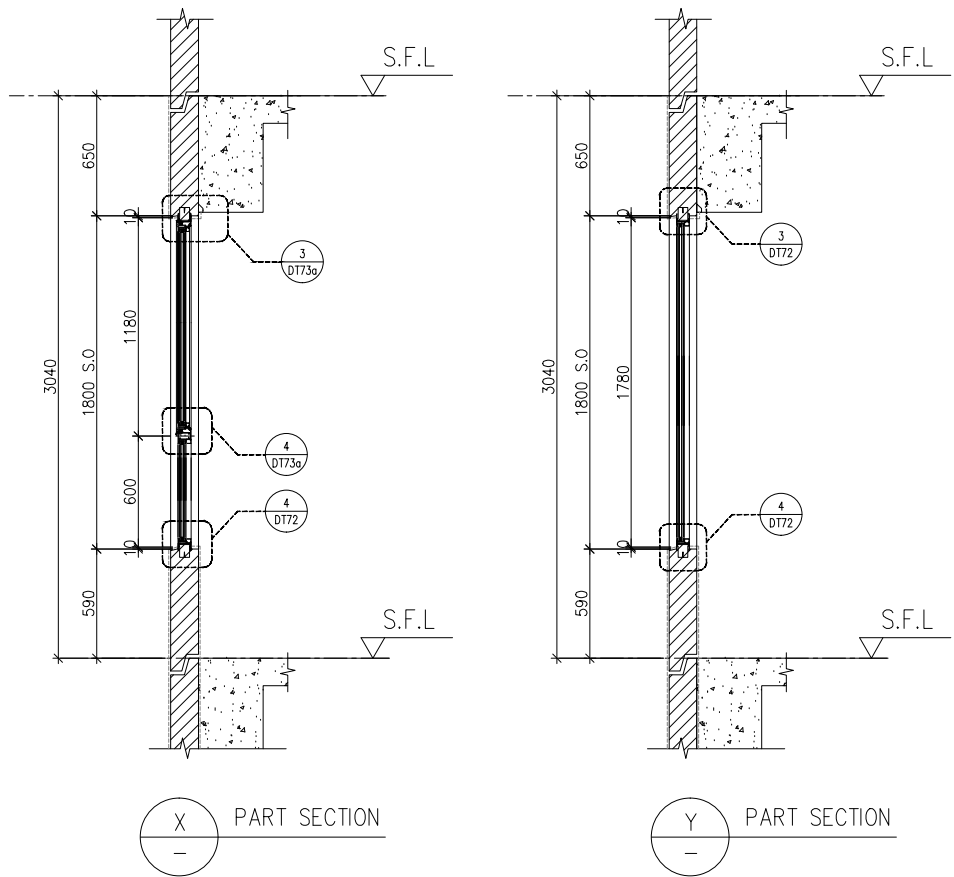
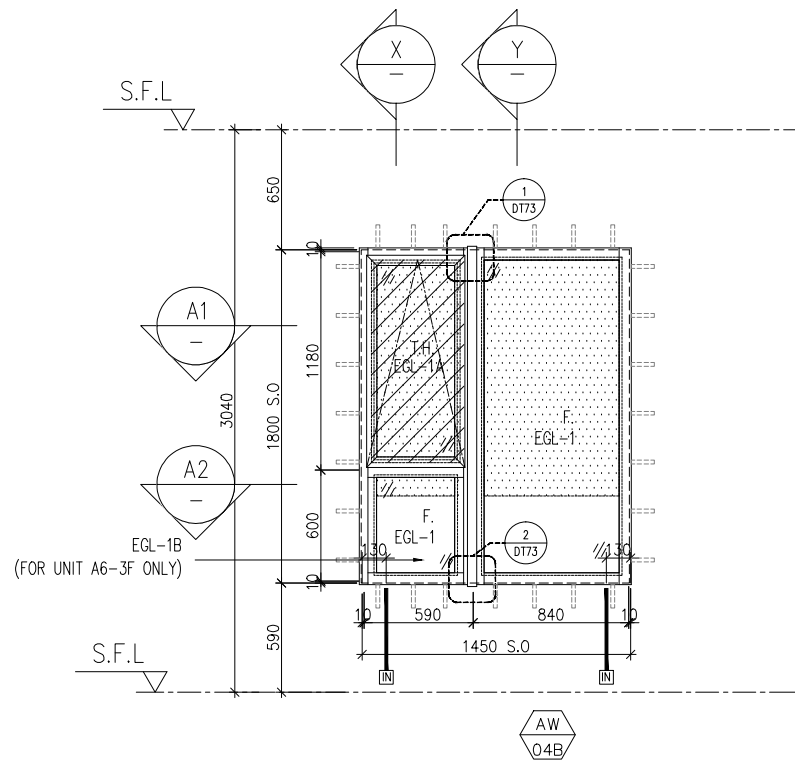
DRAWN BY : Ivan CHECKED BY :

WINDOW MARK	LOCATION	REQUIRE	PROVIDED
AW 04B	3/F-42/F(4/F,13/F,14/F,24/F,34/F OMITTED) UNIT #5, #6, #7, #6	OPENABLE AREA	GLAZING AREA
SECTION	70mm ALUM. SECTION	0.548	1.431
GLAZING	EGL-1, EGL-1A		
QUANTITY	<del>35 Nos</del> / <del>35 Nos</del> / <del>35 Nos</del> / 35 Nos		
REMARKS	4 BAR HINGE-LIP HING (HHMT-14)		

UNITED FRONTIER DEVELOPMENT LIMITED  
MIDI ALUMINIUM FABRICATOR LTD.  
Units 6-8, Sunray Industrial Centre, 1/F  
610 Cho Kwai Ling Road, Kwailoon  
Tel:23489211-4 Fax:(852)2727666

DWG NO. : J856-SD-PW-5112 REV : D

LOCATION	REQUIRE		PROVIDED	
	OPENABLE AREA	GLAZING AREA	OPENABLE AREA	GLAZING AREA
A5-MBR	0.435	0.696	0.525	1.407
A6-MBR	0.295	0.472		
A7-MBR	0.435	0.696		



ELEVATION

B.D. REF :

CLIENT :  
**SUN HUNG KAI**  
 REAL ESTATE AGENCY LTD.  
 42/F SUN HUNG KAI CENTRE, WANCHAI, HONGKONG

ARCHITECT :  
**IWK&partners**  
 architects

MAIN CONTRACTOR :  
**Yee Fai** Building Contractors Ltd.

STRUCTURAL ENGINEER :  
**ARUP**

FAÇADE CONSULTANT:  
**ALPHA CONSULTING LIMITED**  
 Steel Structure & Façade Specialist

NOTE :  
 1. ALL DIMENSIONS ARE IN mm.  
 2. ALL ELEVATIONS ARE VIEWED FROM OUTSIDE.  
 3. ALL DIMENSIONS TO BE VERIFIED ON SITE BEFORE FABRICATION.

LEGEND :  
 X1 - DETAIL MARK NO.  
 X001 - REFER SHEET NO.  
 1. F.F.L. -- FINISHED FLOOR LEVEL  
 2. S.F.L. -- STRUCTURAL FLOOR LEVEL  
 3. (R) -- REVERSED DETAIL  
 4. GLASS LEGEND  
 EGL-1--8mmHS+12mm AIR GAP+10mmTP THK. I.G.U.  
 EGL-2--10mm THK. CLEAR TEMPERED GLASS  
 EGL-4--10mm THK. TEMPERED ACID ETCHED GLASS  
 EGL-1A--8mmHS+12mm AIR GAP+8mmTP THK. I.G.U.  
 EGL-1B--8mmHS+12mm AIR GAP+10mmTP ACID-ETCHED THK. I.G.U.

NO.	DATE	REVISED	BY

JOB NO. : J-856  
 PROJECT : PROPOSED DEVELOPMENT ABOVE LIGHT RAIL TIN WING STOP, TSWTL NO.23, AREA 33, TIN SHUI WAI, N.T.

TITLE : WINDOW SCHEDULE FOR TOWER 1 ALUM. WINDOW

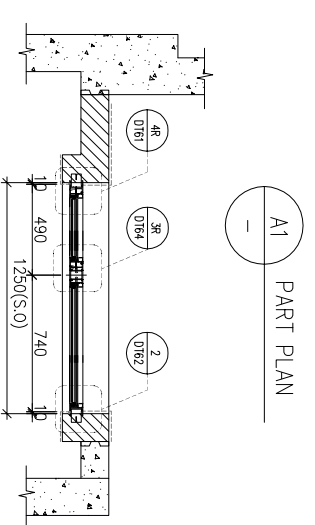
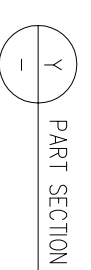
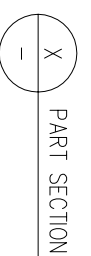
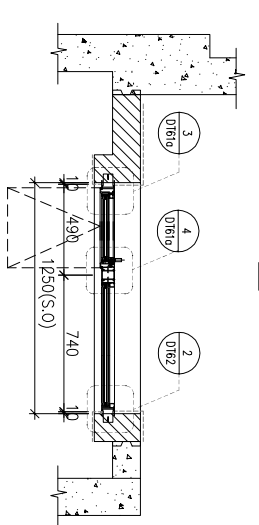
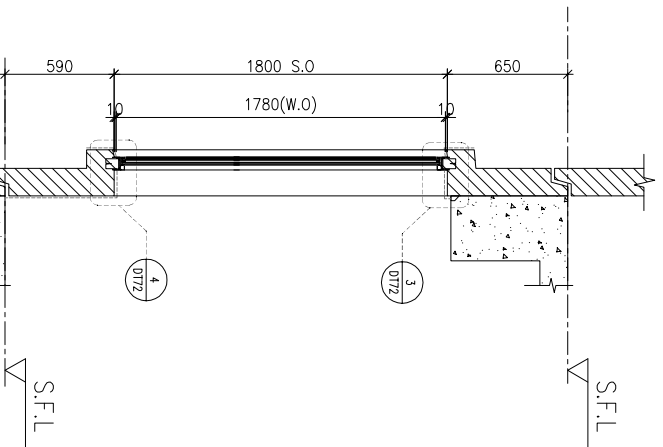
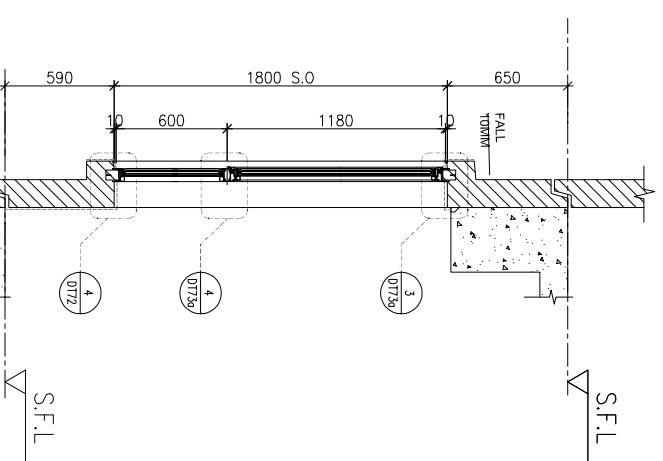
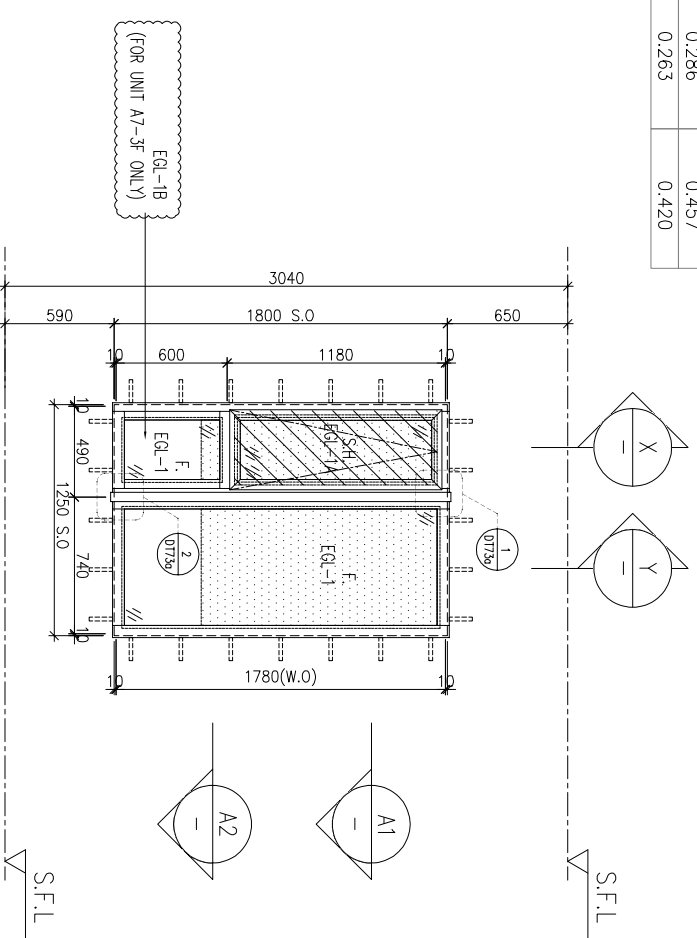
DATE : 02-Aug-21 SCALE : 1:40  
 DRAWN BY : Ivan CHECKED BY :

**美特鋁質有限公司**  
**MIDI ALUMINIUM FABRICATOR LTD.**  
 Units 6-8, Sunray Industrial Centre, 1/F  
 610 Cha Kwo Ling Road, Kowloon  
 Tel:23489211-4 Fax:(852)2727666

DWG NO. : J856-SD-PW-5112A REV. : -

WINDOW MARK	AW 04c
LOCATION	3/F-42/F(4/F,13/F,14/F,24/F,34/F OMITTED) UNIT A5 , A6 , A7
SECTION	70mm ALUM. SECTION
GLAZING	EGL-1,EGL-1A
QUANTITY	35 Nos / 35 Nos / 35 Nos
REMARKS	4 BAR HINGE-LIP HING (HHMT-14)

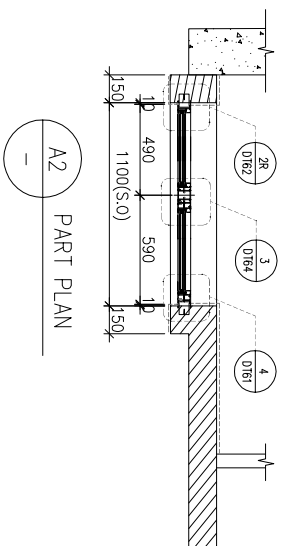
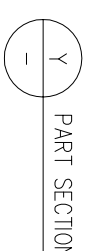
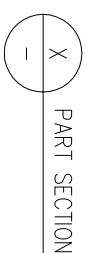
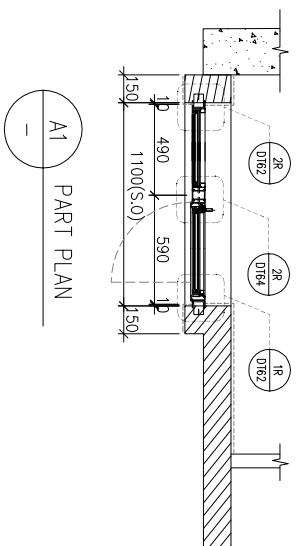
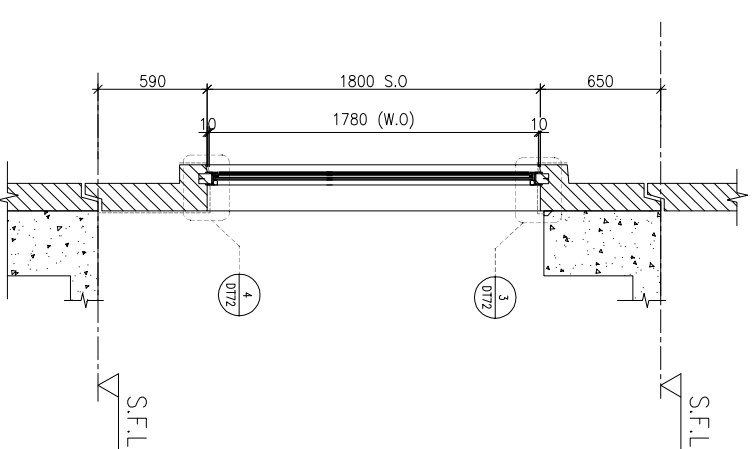
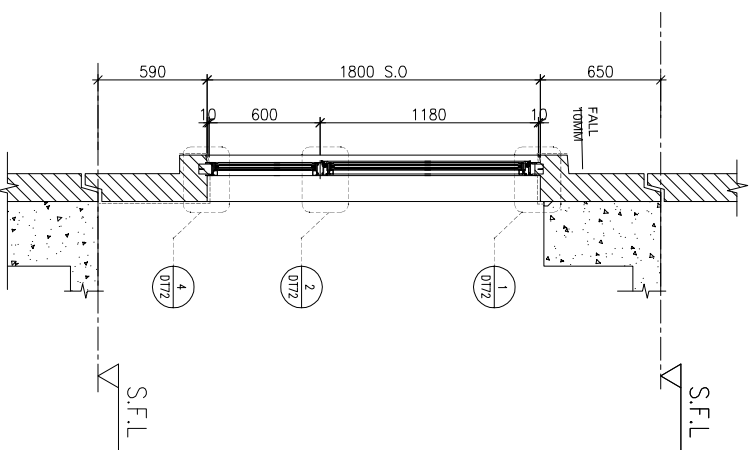
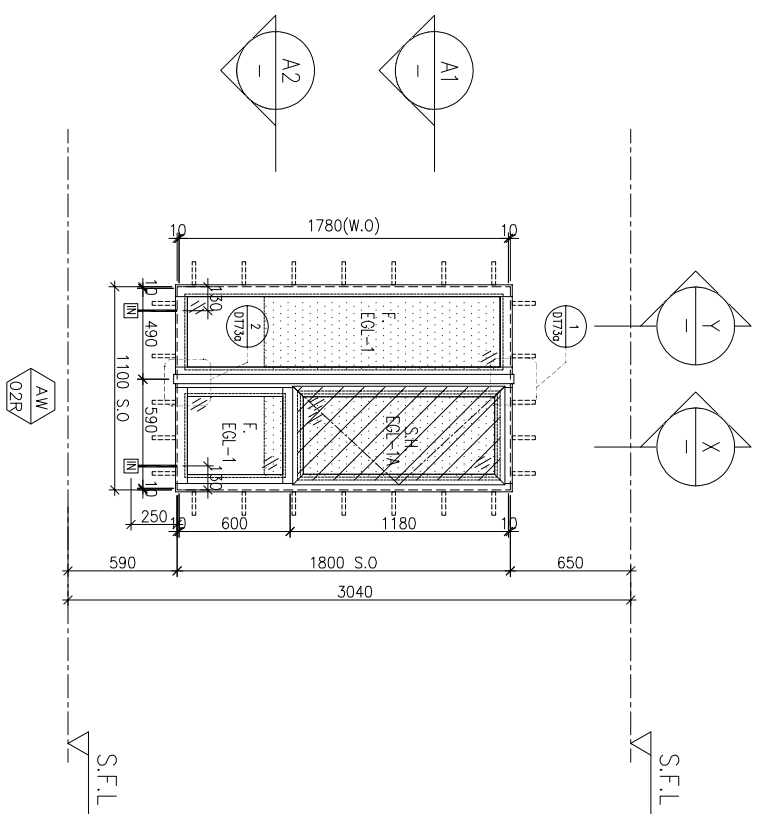
LOCATION	OPENABLE AREA	GLAZING AREA	OPENABLE AREA	GLAZING AREA
A5-BR2	0.263	0.420	0.439	1.19
A7-BR2	0.263	0.420		
A8-BR2	0.269	0.431		
A8-BR3	0.286	0.457		
B6-BR1	0.263	0.420		



WINDOW MARK	REQUIRE	PROVIDED
AW 02B		
LOCATION	3/F-42/F(4/F,13/F,14/F,24/F,34/F OMITTED)	UNIT A5, A7, B6
SECTION	70mm ALUM. SECTION	
GLAZING	EGL-1, EGL-1A	
QUANTITY	35 Nos / 35 Nos / 35 Nos	
REMARKS	4 BAR HINGE-LIP HING (HHMT-14)	

BD. REF :																	
CLIENT :	<b>SUN HUNG KAI</b> <b>REAL ESTATE AGENCY LTD.</b> <small>42/F SUN HUNG KAI CENTRE, WANCHAI, HONGKONG</small>																
ARCHITECT :	<b>lwk&amp;partners</b> <small>a r c h i t e c t s</small>																
MAIN CONTRACTOR :	<b>怡輝建築有限公司</b> <b>Yee Fai Building Contractors Ltd.</b>																
STRUCTURAL ENGINEER :	<b>ARUP</b> <small>ALPHA CONSULTING LIMITED Steel Structure &amp; Facade Specialist</small>																
FAÇADE CONSULTANT :																	
NOTE :	1. ALL DIMENSIONS ARE IN mm. 2. ALL ELEVATIONS ARE VIEWED FROM OUTSIDE. 3. ALL DIMENSIONS TO BE VERIFIED ON SITE BEFORE FABRICATION. LEGEND : (X1) --- DETAIL MARK NO. (X001) --- REFER SHEET NO. 1. F.F.L. --- FINISHED FLOOR LEVEL 2. S.F.L. --- STRUCTURAL FLOOR LEVEL 3. (R) --- REVERSED DETAIL 4. GLASS LEGEND EQI-1 --- 8mmHS+12mm AIR GAP+10mmTP THK. I.G.U. EQI-2 --- 10mm THK. CLEAR TEMPERED GLASS EQI-4 --- 10mm THK. TEMPERED ACID ETCHED GLASS EQI-1A --- 8mmHS+12mm AIR GAP+8mmTP THK. I.G.U. EQI-1B --- 8mmHS+12mm AIR GAP+10mmTP ACID-ETCHED THK. I.G.U.																
REVISION	<table border="1"> <thead> <tr> <th>NO.</th> <th>DATE</th> <th>REASON</th> <th>BY</th> </tr> </thead> <tbody> <tr> <td>C</td> <td>21/02/2023</td> <td>REVISION SUBJECT TO ARCH-COMMENT</td> <td>lwn</td> </tr> <tr> <td>B</td> <td>14/11/2022</td> <td>REVISION SUBJECT TO ARCH-COMMENT</td> <td>lwn</td> </tr> <tr> <td>A</td> <td>17/08/2022</td> <td>REVISION SUBJECT TO ARCH-COMMENT</td> <td>lwn</td> </tr> </tbody> </table>	NO.	DATE	REASON	BY	C	21/02/2023	REVISION SUBJECT TO ARCH-COMMENT	lwn	B	14/11/2022	REVISION SUBJECT TO ARCH-COMMENT	lwn	A	17/08/2022	REVISION SUBJECT TO ARCH-COMMENT	lwn
NO.	DATE	REASON	BY														
C	21/02/2023	REVISION SUBJECT TO ARCH-COMMENT	lwn														
B	14/11/2022	REVISION SUBJECT TO ARCH-COMMENT	lwn														
A	17/08/2022	REVISION SUBJECT TO ARCH-COMMENT	lwn														
JOB NO. :	J-856																
PROJECT :	PROPOSED DEVELOPMENT ABOVE LIGHT RAIL TIN WING STOP-TSWTL NO.23,AREA 33,TIN SHUI WAI, N.T.																
TITLE :	WINDOW SCHEDULE FOR TOWER 1 ALUM. WINDOW																
DATE :	06-Jul-22																
SCALE :	1:40																
DRAWN BY :	lwn																
CHECKED BY :																	
UNITS :	Units 6-8, Sunway Industrial Centre, 1/F, 610 Cho Kwai Ling Road, Kowloon																
CONTACT :	MIDI ALUMINUM FABRICATOR LTD. Tel:23489211-4 Fax:(852)2727666																
DWG NO. :	J856-SD-PW-5113																
REV. :	C																

REQUIRE		PROVIDED	
LOCATION	OPENABLE AREA	GLAZING AREA	OPENABLE AREA
A1 (BR3)	0.263	0.420	0.548
			GLAZING AREA
			0.985



FACADE CODE		
LWK	鴻輝	UNIT
PF-01R	T2PF-10	A1

WINDOW MARK	AW 02R
LOCATION	3/F-42/F(4/F,13/F,14/F,24/F,34/F OMITTED) UNIT A1
SECTION	70mm ALUM. SECTION
GLAZING	EGL-1, EGL-1A
QUANTITY	35 Nos.
REMARKS	FACADE(TYPE T2PF01R FOR 3/F~42/F) , 4 BAR HINGE-LIP HING (HHMS-N16)

BD. REF :

CLIENT :

**SUN HUNG KAI**  
REAL ESTATE AGENCY LTD.

42/F, SUN HUNG KAI CENTRE, WANCHAI, HONGKONG

ARCHITECT :

**lwk&partners**  
a r c h i t e c t s

MAIN CONTRACTOR :

**怡輝建築有限公司**  
Yee Fai Building Contractors Ltd.

STRUCTURAL ENGINEER :

**ARUP**

FACADE CONSULTANT:

**ALPHA CONSULTING LIMITED**  
Steel Structure & Façade Specialist

- NOTE:
1. ALL DIMENSIONS ARE IN mm.
  2. ALL ELEVATIONS ARE VIEWED FROM OUTSIDE.
  3. ALL DIMENSIONS TO BE VERIFIED ON SITE BEFORE FABRICATION.

LEGEND :

(X1) --- DETAIL MARK NO.  
(X001) --- REFER SHEET NO.

1. F.F.L. --- FINISHED FLOOR LEVEL
2. S.F.L. --- STRUCTURAL FLOOR LEVEL
3. (R) --- REVERSED DETAIL

4. GLASS LEGEND

- EGL-1 --- 8mmHS+12mm AIR GAP+10mmTP THK. I.G.U.  
EGL-2 --- 10mm THK. CLEAR TEMPERED GLASS  
EGL-4 --- 10mm THK. TEMPERED ACID ETCHED GLASS  
EGL-1A --- 8mmHS+12mm AIR GAP+8mmTP THK. I.G.U.  
EGL-1B --- 8mmHS+12mm AIR GAP+10mmTP ACID-ETCHED THK. I.G.U.

NO.	DATE	REVISION	SUBJECT TO ARCH-COMMENT	BY
1	21/02/2023	REVISION	SUBJECT TO ARCH-COMMENT	lwk
H	21/09/2022	REVISION	SUBJECT TO ARCH-COMMENT	lwk
G	17/08/2022	REVISION	SUBJECT TO ARCH-COMMENT	lwk
F	18/05/2022	REVISION	SUBJECT TO ARCH-COMMENT	lwk
E	09/04/2022	REVISION	SUBJECT TO ARCH-COMMENT	lwk
D	17/12/2021	REVISION	SUBJECT TO ARCH-COMMENT	lwk
C	29/11/2021	REVISION	SUBJECT TO ARCH-COMMENT	lwk

JOB NO. : J-856

PROJECT : PROPOSED DEVELOPMENT ABOVE LIGHT RAIL TIN WING STOP-TSWTL NO.23,AREA 33,TIN SHUI WAI, N.T.

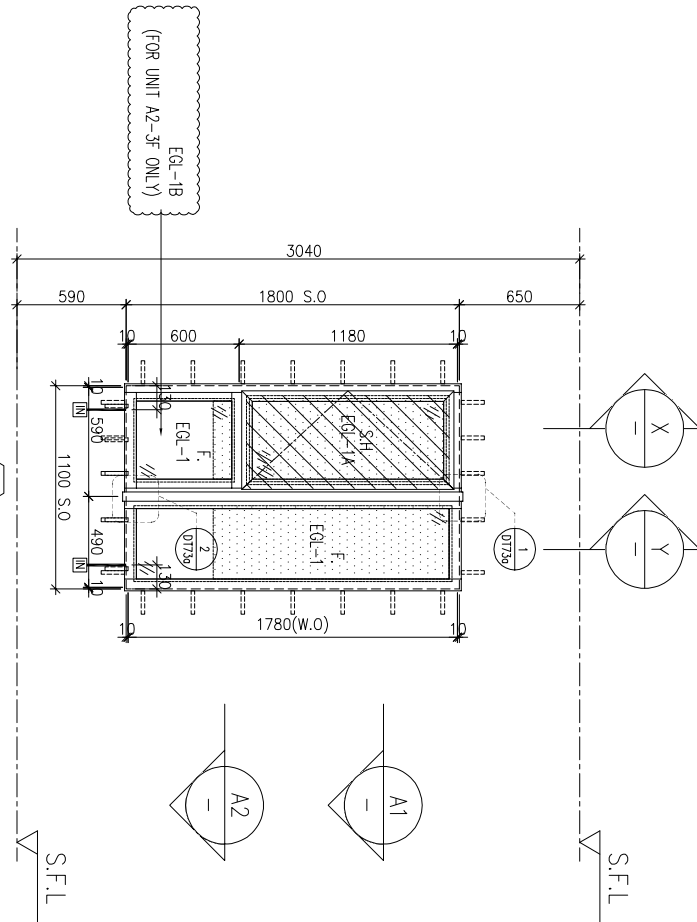
TITLE : WINDOW SCHEDULE FOR TOWER 2 ALUM. WINDOW

DATE : 02-Aug-21 SCALE : 1:40

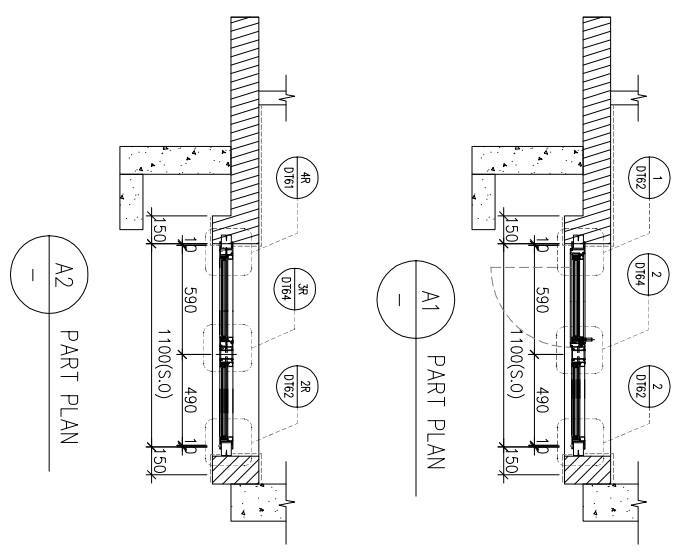
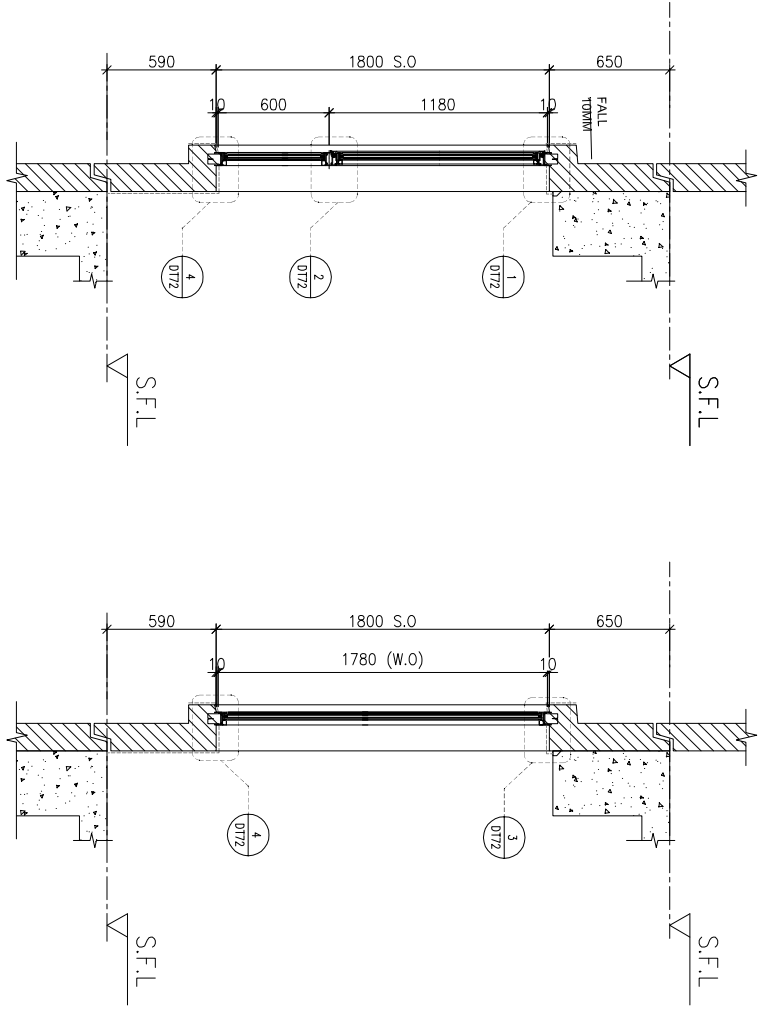
DRAWN BY : lwnn CHECKED BY :

**美特鋁質有限公司**  
MIDI ALUMINIUM FABRICATOR LTD.  
Units 6-8, Sunray Industrial Centre, 1/F  
610 Cho Kwai Ling Road, Kwai Tsoum  
Tel:23489211-4 Fax:(852)2727666  
DWG NO. : J856-SD-PW-5201 REV. : I

REQUIRE		PROVIDED	
LOCATION	OPENABLE AREA	GLAZING AREA	OPENABLE AREA
A2-BR3	0.263	0.420	0.548
A3-BR2	0.263	0.420	0.985



ELEVATION



FACADE CODE		UNIT
LWK	鴻輝	A2
PF-02	T2PF-09	A2
PF-02R	T2PF-18	A5

WINDOW MARK	LOCATION	SECTION	GLAZING	QUANTITY	REMARKS
AW 02R	3/F-42/F(4/F,13/F,14/F,24/F,34/F OMITTED)	70mm ALUM. SECTION	EGL-1,EGL-1A	35 Nos.	FACADE(TYPE T2PF02 FOR 3/F-42/F) , 4 BAR HINGE-LIP HING (HHMS-N16)
AW 02R	3/F-42/F(4/F,13/F,14/F,24/F,34/F OMITTED)	70mm ALUM. SECTION	EGL-1,EGL-1A	35 Nos.	FACADE(TYPE T2PF02R FOR 3/F-42/F) , 4 BAR HINGE-LIP HING (HHMS-N16)

BD. REF :

CLIENT :



MANU CONTRACTOR :



STRUCTURAL ENGINEER :



FACADE CONSULTANT:  
**ALPHA CONSULTING LIMITED**  
 Steel Structure & Façade Specialist

NOTE:  
 1. ALL DIMENSIONS ARE IN mm.  
 2. ALL ELEVATIONS ARE VIEWED FROM OUTSIDE.  
 3. ALL DIMENSIONS TO BE VERIFIED ON SITE BEFORE FABRICATION.  
 LEGEND:  
 (X1) --- DETAIL MARK NO.  
 (X001) --- REFER SHEET NO.

1. F.F.L. --- FINISHED FLOOR LEVEL
  2. S.F.L. --- STRUCTURAL FLOOR LEVEL
  3. (R) --- REVERSED DETAIL
  4. GLASS LEGEND
- EQI-1--8mmHS+12mm AIR GAP+10mmTP THK. I.G.U.  
 EQI-2--10mm THK. CLEAR TEMPERED GLASS  
 EQI-4--10mm THK. TEMPERED ACID ETCHED GLASS  
 EQI-1A-8mmHS+12mm AIR GAP+8mmTP THK. I.G.U.  
 EQI-1B-8mmHS+12mm AIR GAP+10mmTP ACID-ETCHED THK. I.G.U.

NO.	DATE	REVISION	REVISION SUBJECT TO ARCH-COMMENT	BY
H	21/02/2023	REVISION SUBJECT TO ARCH-COMMENT	None	
G	21/09/2022	REVISION SUBJECT TO ARCH-COMMENT	None	
F	17/08/2022	REVISION SUBJECT TO ARCH-COMMENT	None	
E	18/09/2022	REVISION SUBJECT TO ARCH-COMMENT	None	
D	08/04/2022	REVISION SUBJECT TO ARCH-COMMENT	None	
C	17/12/2021	REVISION SUBJECT TO ARCH-COMMENT	None	

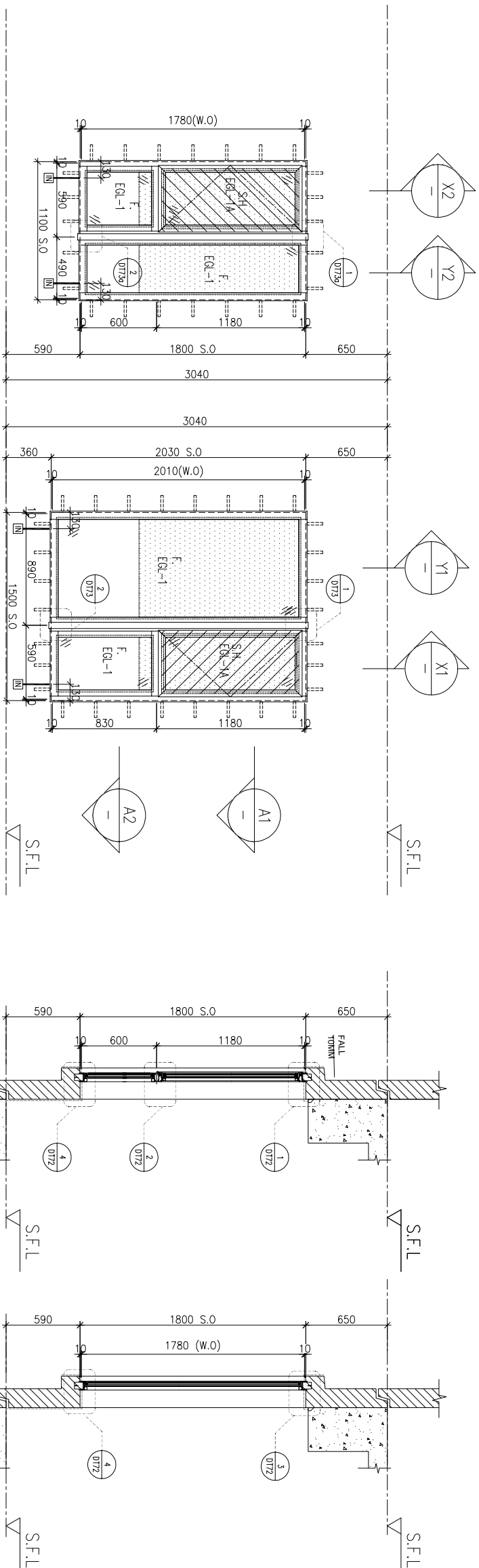
JOB NO. : J-856  
 PROJECT : PROPOSED DEVELOPMENT ABOVE LIGHT RAIL TIN WING STOP-TSWTL NO.23,AREA 33,TIN SHUI WAI, N.T.  
 TITLE : WINDOW SCHEDULE FOR TOWER 2 ALUM. WINDOW

DATE : 02-Aug-21  
 SCALE : 1:40  
 DRAWN BY : Ivon  
 CHECKED BY :

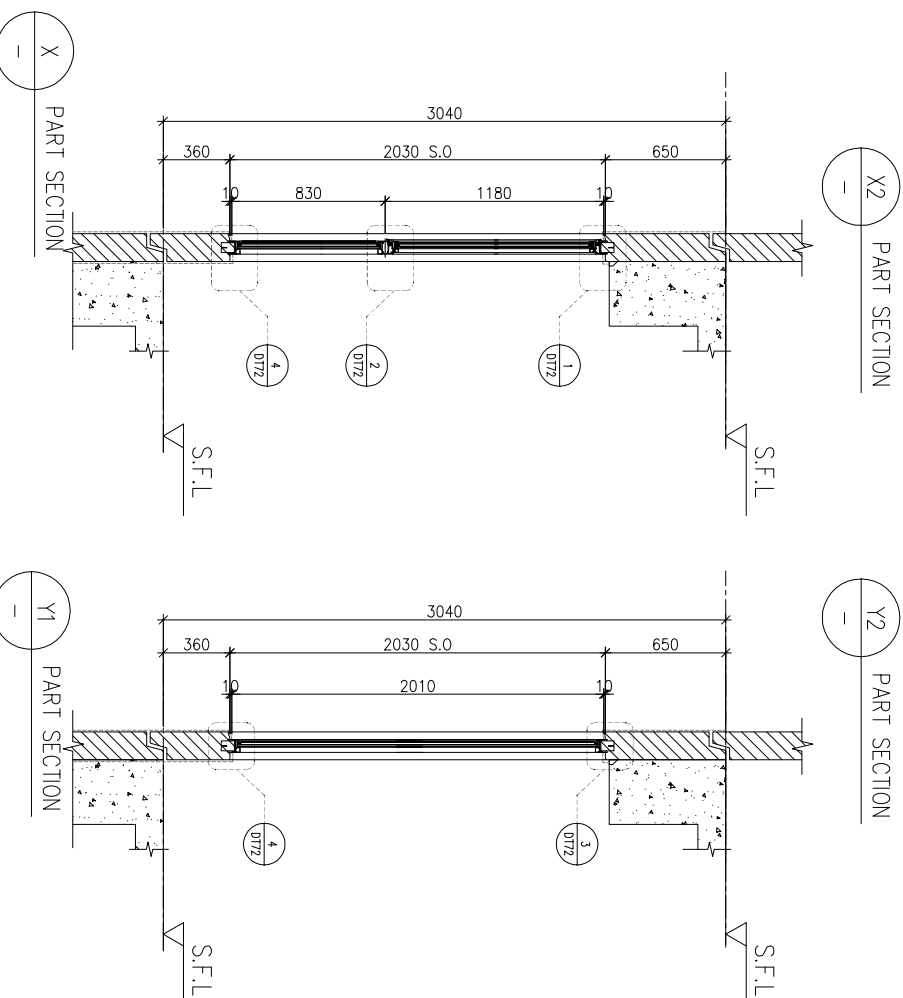
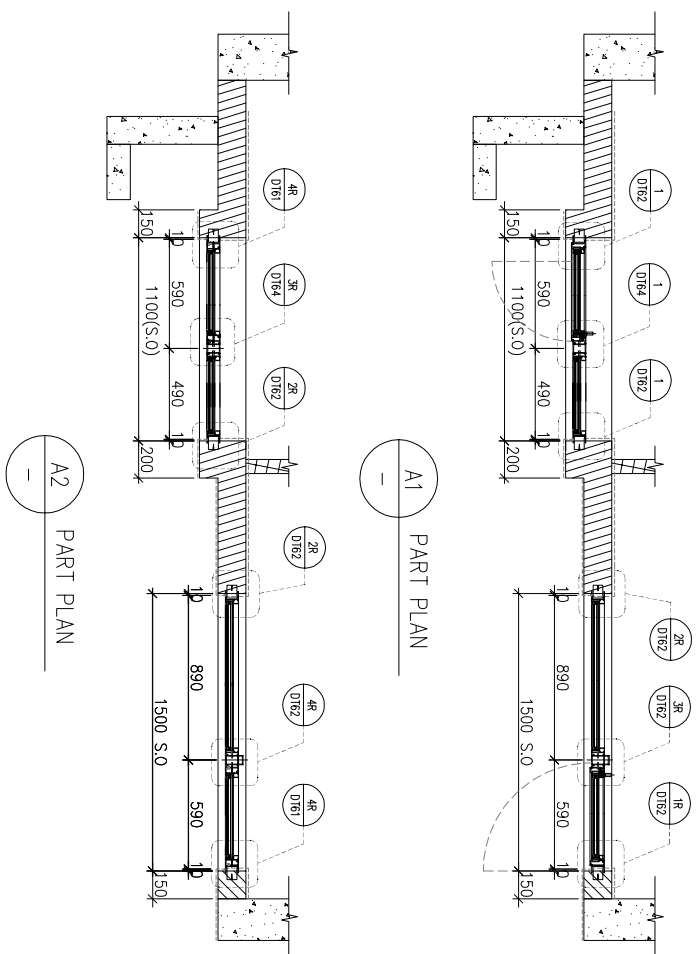
業特鋁質有限公司  
 MIDT ALUMINIUM FABRICATOR LTD.  
 Units 6-8, Sunray Industrial Centre, 1/F  
 610 Cho Kwai Ling Road, Kwai Tsoum  
 Tel:23489211-4 Fax:(852)2727666  
 DWG NO. : J856-SD-PW-5202 REV. : H

LOCATION	OPENABLE AREA	GLAZING AREA	OPENABLE AREA	GLAZING AREA
A2-BR2	0.263	0.420	0.548	0.985

LOCATION	OPENABLE AREA	GLAZING AREA	OPENABLE AREA	GLAZING AREA
A2-MBR	0.477	0.763	0.548	1.495



ELEVATION



FACADE CODE		
LWK	鴻輝	UNIT
PF-03R	T2PF-08	A2

WINDOW MARK	AW 02	AW 03R
LOCATION	3/F-42/F(4/F,13/F,14/F,24/F,34/F OMITTED) UNIT A2	
SECTION	70mm ALUM. SECTION	
GLAZING	EGL-1, EGL-1A	
QUANTITY	35 Nos.	
REMARKS	FACADE(TYPE T2PF03R FOR 3/F~42/F) , 4 BAR HINGE-LIP HING (HHMS-N16)	

BD. REF :

CLIENT :

**SUN HUNG KAI**  
REAL ESTATE AGENCY LTD.  
42/F SUN HUNG KAI CENTRE, WANCHAI, HONGKONG

ARCHITECT :

**lwk&partners**  
a r c h i t e c t s

MAIN CONTRACTOR :

**怡輝建築有限公司**  
**Yee Fai Building Contractors Ltd.**

STRUCTURAL ENGINEER :

**ARUP**

FACADE CONSULTANT :

**ALPHA CONSULTING LIMITED**  
Steel Structure & Facade Specialist

- NOTE :
1. ALL DIMENSIONS ARE IN mm.
  2. ALL ELEVATIONS ARE VIEWED FROM OUTSIDE.
  3. ALL DIMENSIONS TO BE VERIFIED ON SITE BEFORE FABRICATION.

LEGEND :

X1 --- DETAIL MARK NO.  
X001 --- REFER SHEET NO.

1. F.F.L. --- FINISHED FLOOR LEVEL
2. S.F.L. --- STRUCTURAL FLOOR LEVEL
3. (R) --- REVERSED DETAIL

4. GLASS LEGEND

- EGL-1 --- 8mmHS+12mm AIR GAP+10mmTP THK. I.G.U.  
EGL-2 --- 10mm THK. CLEAR TEMPERED GLASS  
EGL-4 --- 10mm THK. TEMPERED ACID ETCHED GLASS  
EGL-1A --- 8mmHS+12mm AIR GAP+8mmTP THK. I.G.U.  
EGL-1B --- 8mmHS+12mm AIR GAP+10mmTP ACID-ETCHED THK. I.G.U.

NO.	DATE	REVISION	REVISION SUBJECT TO ARCH-COMMENT	BY
G	21/09/2022	REVISION SUBJECT TO ARCH-COMMENT	hw	
F	17/08/2022	REVISION SUBJECT TO ARCH-COMMENT	hw	
E	17/05/2022	REVISION SUBJECT TO ARCH-COMMENT	hw	
D	08/04/2022	REVISION SUBJECT TO ARCH-COMMENT	hw	
C	17/12/2021	REVISION SUBJECT TO ARCH-COMMENT	hw	
B	29/11/2021	REVISION SUBJECT TO ARCH-COMMENT	hw	
A	03/11/2021	REVISION SUBJECT TO ARCH-COMMENT	hw	

JOB NO. : J-856

PROJECT : PROPOSED DEVELOPMENT ABOVE LIGHT RAIL TIN WING STOP-TS/WTL NO.23,AREA 33,TIN SHUI WA, N.T.

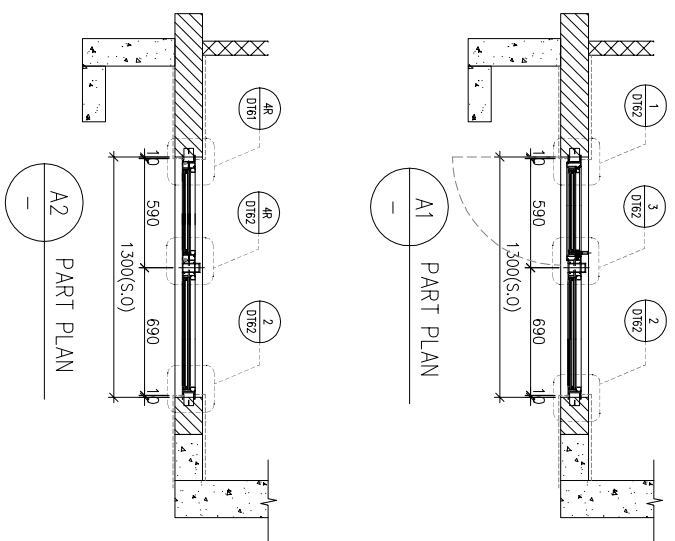
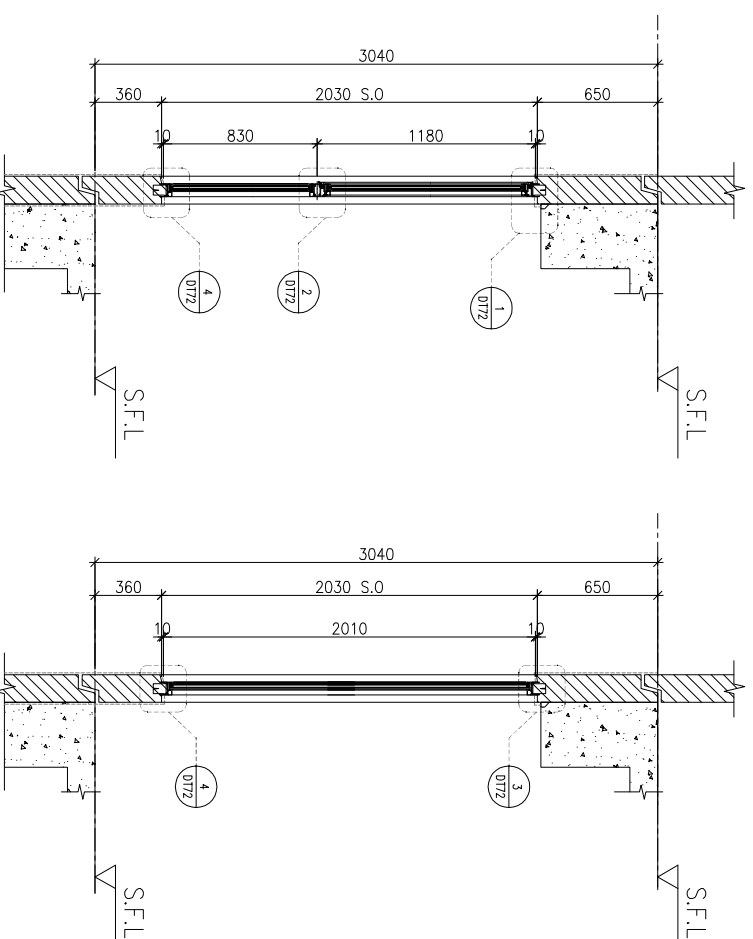
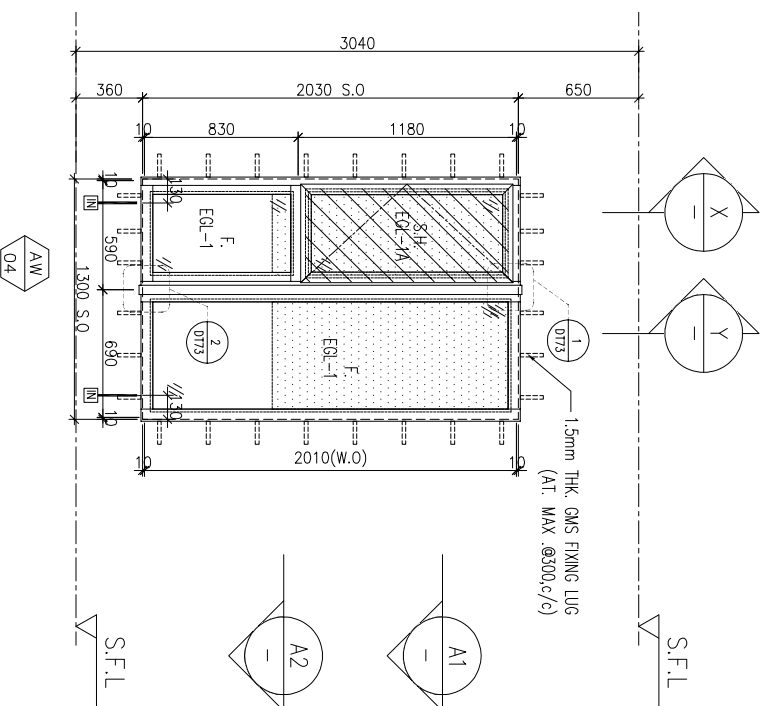
TITLE : WINDOW SCHEDULE FOR TOWER 2 ALUM. WINDOW

DATE : 02-Aug-21 SCALE : 1:40

DRAWN BY : IYON CHECKED BY :

**美特鋁質有限公司**  
MIDI ALUMINUM FABRICATOR LTD.  
Units 6-8, Sunray Industrial Centre, 1/F  
610 Cho Kwai Ling Road, Kwai Tsou  
Tel:23489211-4 Fax:(852)27272666  
DWG NO. : J856-SD-PW-5203 REV. : G

REQUIRED		PROVIDED		
LOCATION	OPENABLE AREA	GLAZING AREA	OPENABLE AREA	GLAZING AREA
A3-MBR	0.435	0.696	0.548	1.24
A7-MBR	0.435	0.696		
B7-MBR	0.435	0.696		



FACADE CODE		
LWK	鴻輝	UNIT
PF-04	T2PF-24	B7
PF-04R	T2PF-07	A3
PF-04R	T2PF-15	A7

WINDOW MARK	AW 04
LOCATION	3/F-42/F, 4/F, 13/F, 14/F, 24/F, 34/F (OMITTED) UNIT A3, A7, B7
SECTION	70mm ALUM. SECTION
GLAZING	EGL-1, EGL-1A
QUANTITY	35 Nos / 35 Nos / 35 Nos
REMARKS	FACADE (TYPE T2PF04/04R FOR 3/F~42/F), 4 BAR HINGE-LIP HING (HHMS-N16)

BD. REF :

CLIENT :

**SUN HUNG KAI**  
REAL ESTATE AGENCY LTD.  
42/F SUN HUNG KAI CENTRE, WANCHAI, HONGKONG

ARCHITECT :

**lwk&partners**  
a r c h i t e c t s

MAIN CONTRACTOR :

**怡輝建築有限公司**  
**Yee Fai Building Contractors Ltd.**

STRUCTURAL ENGINEER :

**ARUP**

FACADE CONSULTANT :

**ALPHA CONSULTING LIMITED**  
Steel Structure & Façade Specialist

NOTE :

1. ALL DIMENSIONS ARE IN mm.
2. ALL ELEVATIONS ARE VIEWED FROM OUTSIDE.
3. ALL DIMENSIONS TO BE VERIFIED ON SITE BEFORE FABRICATION.

LEGEND :

- (X1) --- DETAIL MARK NO.
- (X001) --- REFER SHEET NO.
- 1. F.F.L. --- FINISHED FLOOR LEVEL
- 2. S.F.L. --- STRUCTURAL FLOOR LEVEL
- 3. (R) --- REVERSED DETAIL
- 4. GLASS LEGEND

- EGL-1 --- 8mmHS+12mm AIR GAP+10mmTP THK. I.G.U.
- EGL-2 --- 10mm THK. CLEAR TEMPERED GLASS
- EGL-4 --- 10mm THK. TEMPERED ACID ETCHED GLASS
- EGL-1A --- 8mmHS+12mm AIR GAP+8mmTP THK. I.G.U.
- EGL-1B --- 8mmHS+12mm AIR GAP+10mmTP ACID-ETCHED THK. I.G.U.

NO.	DATE	REVISION	SUBJECT TO ARCH-COMMENT	BY
H	21/09/2022	REVISION	SUBJECT TO ARCH-COMMENT	lwk
G	17/08/2022	REVISION	SUBJECT TO ARCH-COMMENT	lwk
F	17/05/2022	REVISION	SUBJECT TO ARCH-COMMENT	lwk
E	09/04/2022	REVISION	SUBJECT TO ARCH-COMMENT	lwk
D	17/12/2021	REVISION	SUBJECT TO ARCH-COMMENT	lwk
C	29/11/2021	REVISION	SUBJECT TO ARCH-COMMENT	lwk

JOB NO. : J-856

PROJECT : PROPOSED DEVELOPMENT ABOVE LIGHT RAIL TIN WING STOP-TSWTL NO.23, AREA 33, TIN SHUI WAI, N.T.

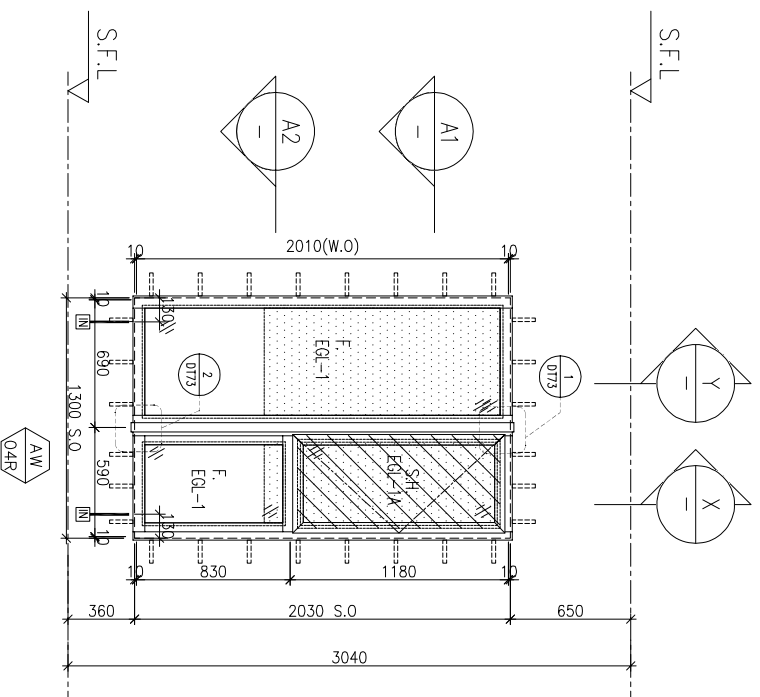
TITLE : WINDOW SCHEDULE FOR TOWER 2 ALUM. WINDOW

DATE : 02-Aug-21 SCALE : 1:40

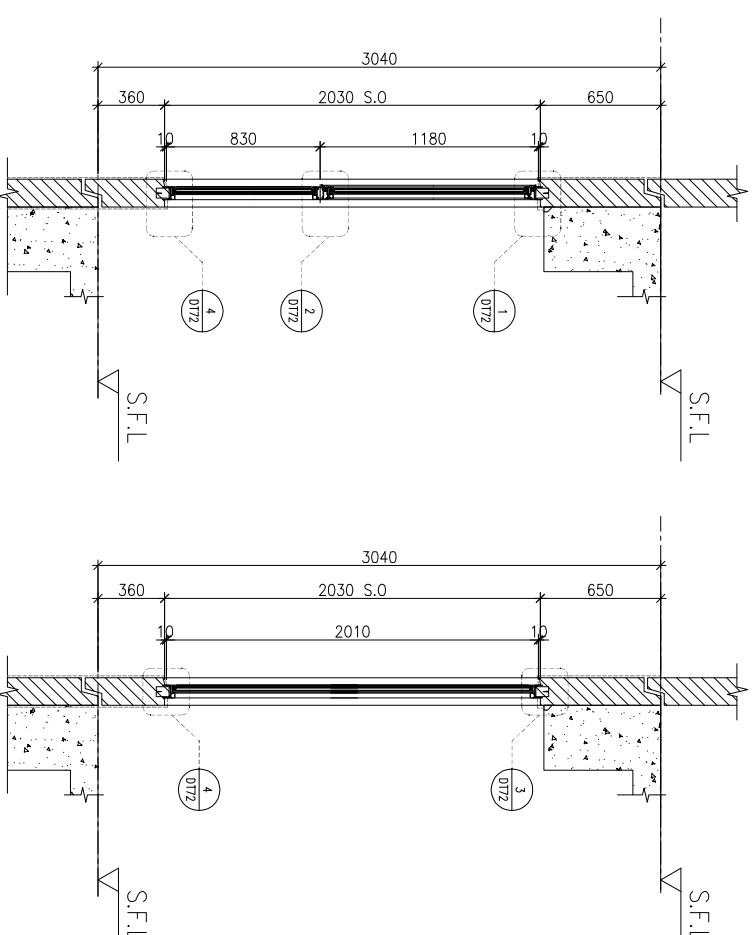
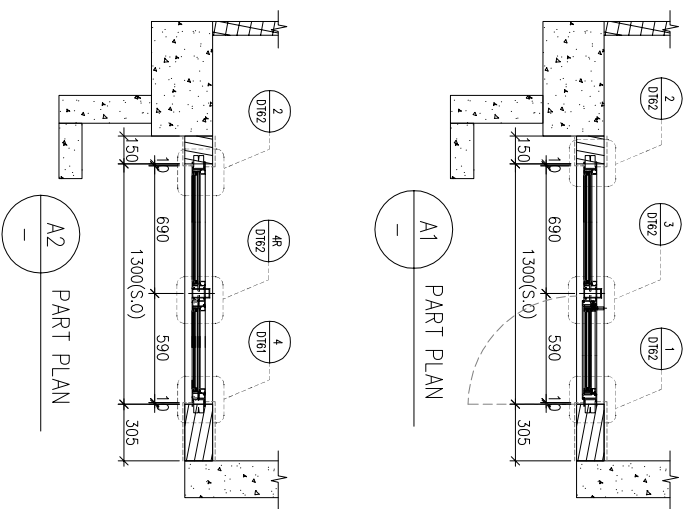
DRAWN BY : IYON CHECKED BY :

**美特鋁質有限公司**  
MIDI ALUMINIUM FABRICATOR LTD.  
Units 6-8, Sunray Industrial Centre, 1/F  
610 Cho Kwai Ling Road, Kwai Tsou  
Tel: 23489211-4 Fax: (852) 27272666  
DWG NO. : J856-SD-PW-5204 REV. : H

REQUIRE		PROVIDED	
LOCATION	OPENABLE AREA	GLAZING AREA	OPENABLE AREA
A5-MBR	0.435	0.696	0.548
A6-MBR	0.295	0.472	1.24



ELEVATION



FACADE CODE		
LWK	鴻輝	UNIT
PF-06R	T2PF-17	A5

WINDOW MARK	AW 04R
LOCATION	3/F-42/F(4/F,13/F,14/F,24/F,34/F OMITTED) UNIT A5, A6(3/F)
SECTION	70mm ALUM. SECTION
GLAZING	EGL-1, EGL-1A
QUANTITY	35 Nos / 1 No
REMARKS	FACADE(TYPE T2PF06R FOR 3/F~42/F) , 4 BAR HINGE-LIP HING (HHMS-N16)

AW 04

LOCATION	3/F-42/F(4/F,13/F,14/F,24/F,34/F OMITTED) UNIT A6(5/F-42/F)
SECTION	70mm ALUM. SECTION
GLAZING	EGL-1, EGL-1A
QUANTITY	34 Nos
REMARKS	FACADE(TYPE T2PF06 FOR 3/F~42/F) , 4 BAR HINGE-LIP HING (HHMS-N16)

BD. REF :

CLIENT :

**SUN HUNG KAI**  
REAL ESTATE AGENCY LTD.

42/F, SUN HUNG KAI CENTRE, WANCHAI, HONGKONG

ARCHITECT :

**lwk&partners**  
a r c h i t e c t s

MAIN CONTRACTOR :

**怡輝建築有限公司**  
**Yee Fai Building Contractors Ltd.**

STRUCTURAL ENGINEER :

**ARUP**

FACADE CONSULTANT :

**ALPHA CONSULTING LIMITED**  
Steel Structure & Façade Specialist

- NOTE :
1. ALL DIMENSIONS ARE IN mm.
  2. ALL ELEVATIONS ARE VIEWED FROM OUTSIDE.
  3. ALL DIMENSIONS TO BE VERIFIED ON SITE BEFORE FABRICATION.

LEGEND :

(X1) --- DETAIL MARK NO.  
(X001) --- REFER SHEET NO.

1. F.F.L. --- FINISHED FLOOR LEVEL  
2. S.F.L. --- STRUCTURAL FLOOR LEVEL  
3. (R) --- REVERSED DETAIL

4. GLASS LEGEND

EGL-1 --- 8mmHS+12mm AIR GAP+10mmTP THK. I.G.U.  
EGL-2 --- 10mm THK. CLEAR TEMPERED GLASS  
EGL-4 --- 10mm THK. TEMPERED ACID ETCHED GLASS  
EGL-1A --- 8mmHS+12mm AIR GAP+8mmTP THK. I.G.U.  
EGL-1B --- 8mmHS+12mm AIR GAP+10mmTP ACID-ETCHED THK. I.G.U.

NO.	DATE	REVISION	REASON	BY
1	21/09/2022	REVISION SUBJECT TO ARCH-COMMENT		hwn
2	17/08/2022	REVISION SUBJECT TO ARCH-COMMENT		hwn
3	27/06/2022	REVISION SUBJECT TO ARCH-COMMENT		hwn
4	17/05/2022	REVISION SUBJECT TO ARCH-COMMENT		hwn
5	09/04/2022	REVISION SUBJECT TO ARCH-COMMENT		hwn
6	17/12/2021	REVISION SUBJECT TO ARCH-COMMENT		hwn
7	29/11/2021	REVISION SUBJECT TO ARCH-COMMENT		hwn

JOB NO. : J-856

PROJECT : PROPOSED DEVELOPMENT ABOVE LIGHT RAIL TIN WING STOP-TSWTL NO.23,AREA 33,TIN SHUI WAI, N.T.

TITLE : WINDOW SCHEDULE FOR TOWER 2 ALUM. WINDOW

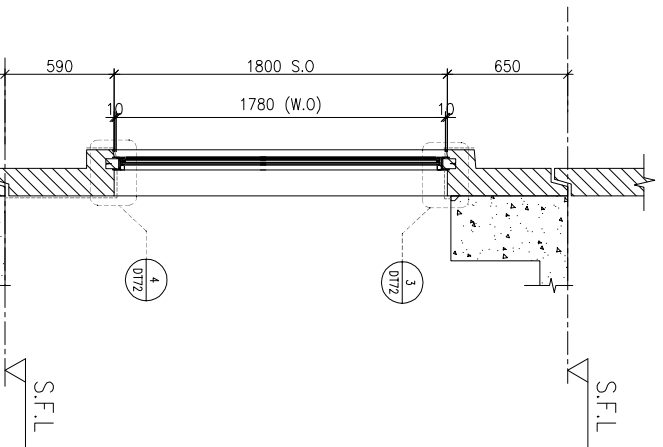
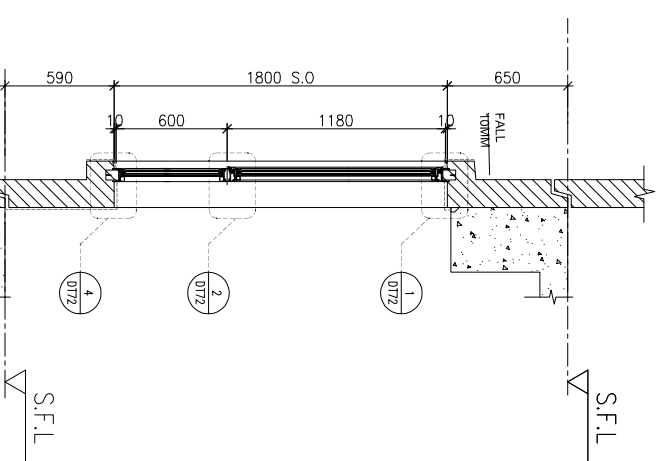
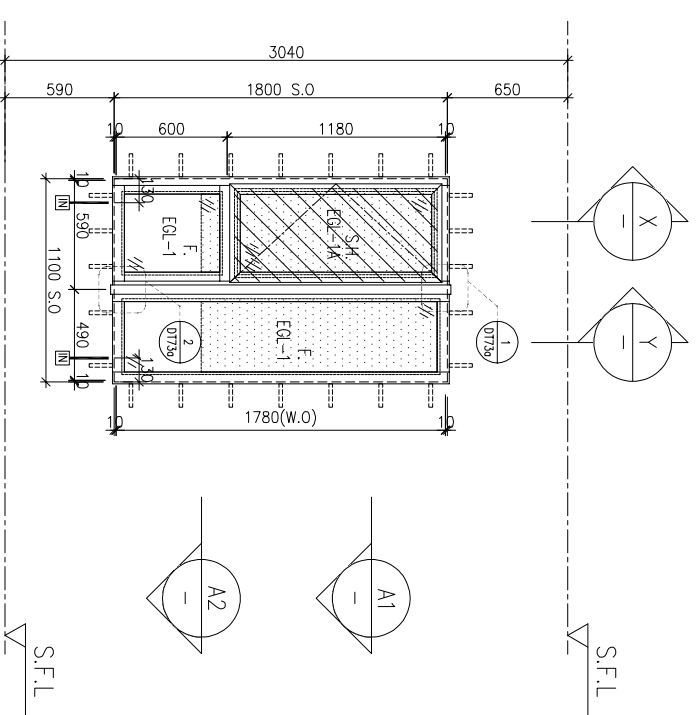
DATE : 02-Aug-21 SCALE : 1:40

DRAWN BY : IYVN CHECKED BY :

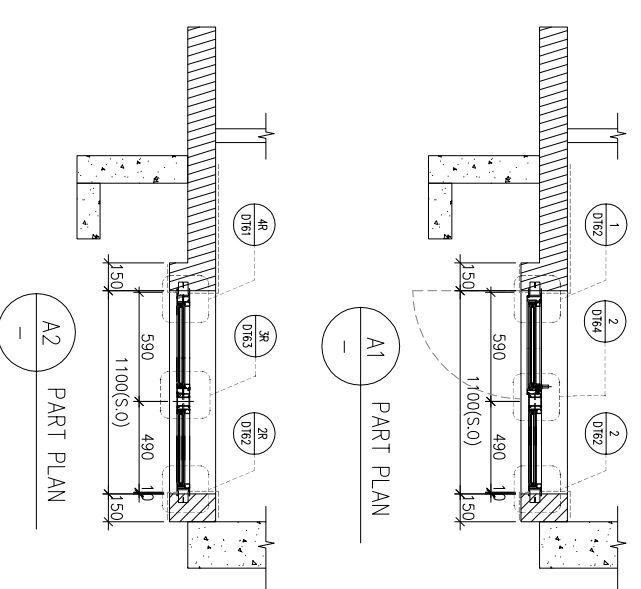
**美特鋁質有限公司**  
MIDI ALUMINIUM FABRICATOR LTD.  
Units 6-8, Sunray Industrial Centre, 1/F  
610 Cho Kwai Ling Road, Kwai Tsou  
Tel:23489211-4 Fax:(852)27272666

DWG NO. : J856-SD-PW-5206 REV. : 1

REQUIRED		PROVIDED		
LOCATION	OPENABLE AREA	GLAZING AREA	OPENABLE AREA	GLAZING AREA
A8-8R2	0.263	0.420	0.548	0.985
B1-8R3	0.263	0.420		
B8-8R3	0.263	0.420		



ELEVATION



FACADE CODE		
LWK	鴻輝	UNIT
PF-08	T2PF-01	B1
PF-08	T2PF-13	A8
PF-08R	T2PF-26	B8

WINDOW MARK	LOCATION	SECTION	QUANTITY	REMARKS
AW 02	3/F-42/F(4/F,13/F,14/F,24/F,34/F OMITTED)	70mm ALUM. SECTION	35 Nos/35 Nos	FACADE(TYPE T2PF08 FOR 3/F-42/F), 4 BAR HINGE-LIP HING (HHMS-N16)
AW 02R	3/F-42/F(4/F,13/F,14/F,24/F,34/F OMITTED)	70mm ALUM. SECTION	35 Nos	FACADE(TYPE T2PF08R FOR 3/F-42/F), 4 BAR HINGE-LIP HING (HHMS-N16)

BD. REF :

CLIENT :

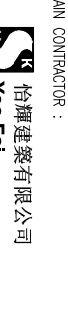


42/F SUN HUNG KAI CENTRE, WANCHAI, HONGKONG

ARCHITECT :



MANU CONTRACTOR :



STRUCTURAL ENGINEER :



FACADE CONSULTANT :



Steel Structure & Façade Specialist

- NOTE :
1. ALL DIMENSIONS ARE IN mm.
  2. ALL ELEVATIONS ARE VIEWED FROM OUTSIDE.
  3. ALL DIMENSIONS TO BE VERIFIED ON SITE BEFORE FABRICATION.

LEGEND :

- (X1) --- DETAIL MARK NO.
- (X001) --- REFER SHEET NO.

1. F.F.L. --- FINISHED FLOOR LEVEL
2. S.F.L. --- STRUCTURAL FLOOR LEVEL
3. (R) --- REVERSED DETAIL

4. GLASS LEGEND

- EGL-1 --- 8mmHS+12mm AIR GAP+10mmTP THK. I.G.U.
- EGL-2 --- 10mm THK. CLEAR TEMPERED GLASS
- EGL-4 --- 10mm THK. TEMPERED ACID ETCHED GLASS
- EGL-1A --- 8mmHS+12mm AIR GAP+8mmTP THK. I.G.U.
- EGL-1B --- 8mmHS+12mm AIR GAP+10mmTP ADD-ETCHED THK. I.G.U.

NO.	DATE	REVISION SUBJECT TO ARCH-COMMENT	BY
H	21/02/2023	REVISION SUBJECT TO ARCH-COMMENT	hwk
G	21/09/2022	REVISION SUBJECT TO ARCH-COMMENT	hwk
F	17/08/2022	REVISION SUBJECT TO ARCH-COMMENT	hwk
E	18/05/2022	REVISION SUBJECT TO ARCH-COMMENT	hwk
D	08/04/2022	REVISION SUBJECT TO ARCH-COMMENT	hwk
C	17/12/2021	REVISION SUBJECT TO ARCH-COMMENT	hwk

JOB NO. : J-856

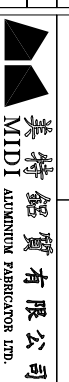
PROJECT :

PROPOSED DEVELOPMENT ABOVE LIGHT RAIL TIN WING STOP-TSWTL NO.23,AREA 33,TIN SHUI WAI, N.T.

TITLE : WINDOW SCHEDULE FOR TOWER 2 ALUM. WINDOW

DATE : 02-Aug-21 SCALE : 1:40

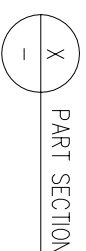
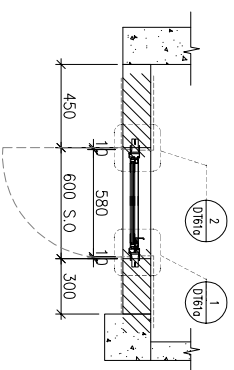
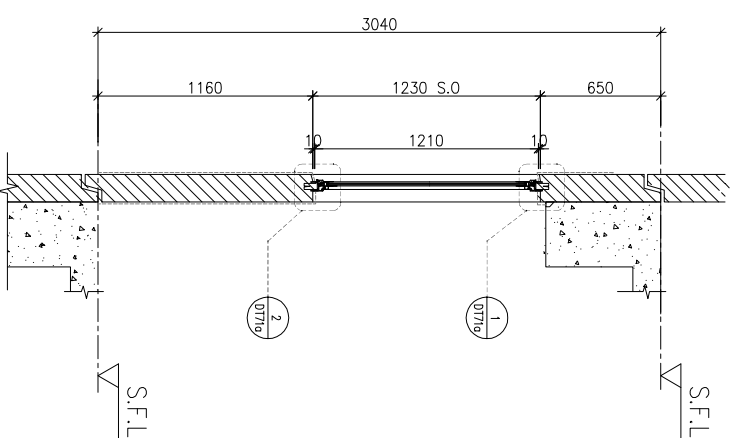
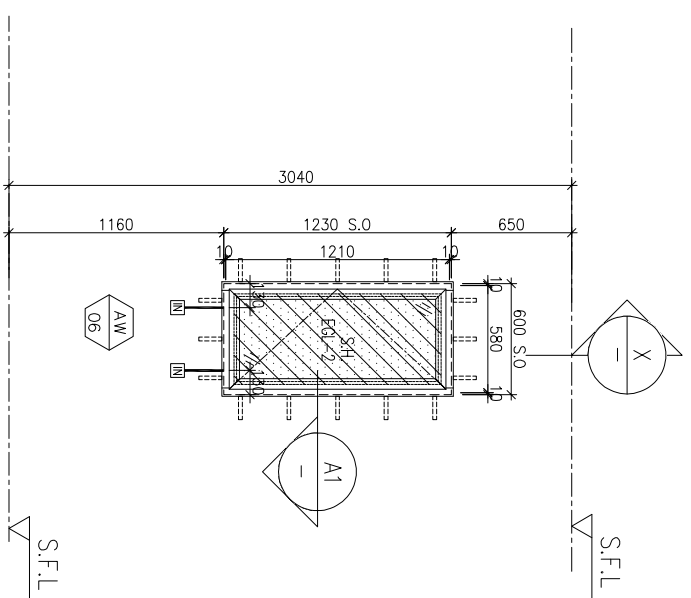
DRAWN BY : IYON CHECKED BY :



Units 6-8, Sunray Industrial Centre, 1/F  
610 Cho Kwai Ling Road, Kwai Tsou  
Tel:23489211-4 Fax:(852)2727666

DWG NO. : J856-SD-PW-5207 REV. : H

REQUIRED		PROVIDED	
LOCATION	OPENABLE AREA	GLAZING AREA	OPENABLE AREA
B3-KIT	0.251	0.401	0.549
			GLAZING AREA
			0.456



ELEVATION

FACADE CODE		
LWK	鴻輝	UNIT
PF-09	T2PF-05	B3

WINDOW MARK	AW 06
LOCATION	3/F-42/F(4/F,13/F,14/F,24/F,34/F OMITTED) UNIT B3
SECTION	50mm ALUM. SECTION
GLAZING	EGL-2
QUANTITY	35 Nos
REMARKS	FACADE(TYPE T2PF09 FOR 3/F-42/F) ,4 BAR HINGE-LIP HING (HHMS-N16)

BD. REF :

CLIENT :

**SUN HUNG KAI**  
REAL ESTATE AGENCY LTD.  
42/F, SUN HUNG KAI CENTRE, WANCHAI, HONGKONG

ARCHITECT :

**lwk&partners**  
a r c h i t e c t s

MAIN CONTRACTOR :

**怡輝建築有限公司**  
**Yee Fai Building Contractors Ltd.**

STRUCTURAL ENGINEER :

**ARUP**

FACADE CONSULTANT:

**ALPHA CONSULTING LIMITED**  
Steel Structure & Facade Specialist

NOTE :

1. ALL DIMENSIONS ARE IN mm.
2. ALL ELEVATIONS ARE VIEWED FROM OUTSIDE.
3. ALL DIMENSIONS TO BE VERIFIED ON SITE BEFORE FABRICATION.

LEGEND :

(X1) --- DETAIL MARK NO.  
(X001) --- REFER SHEET NO.

1. F.F.L. --- FINISHED FLOOR LEVEL
2. S.F.L. --- STRUCTURAL FLOOR LEVEL
3. (R) --- REVERSED DETAIL

4. GLASS LEGEND

EGL-1 --- 8mmHS+12mm AIR GAP+10mmTP THK. I.G.U.  
EGL-2 --- 10mm THK. CLEAR TEMPERED GLASS  
EGL-4 --- 10mm THK. TEMPERED ACID ETCHED GLASS  
EGL-1A --- 8mmHS+12mm AIR GAP+8mmTP THK. I.G.U.  
EGL-1B --- 8mmHS+12mm AIR GAP+10mmTP ADD-ETCHED THK. I.G.U.

NO.	DATE	REVISION	SUBJECT TO ARCH-COMMENT	BY
G	21/09/2022	REVISION	SUBJECT TO ARCH-COMMENT	hcn
F	17/07/2022	REVISION	SUBJECT TO ARCH-COMMENT	hcn
E	18/05/2022	REVISION	SUBJECT TO ARCH-COMMENT	hcn
D	08/04/2022	REVISION	SUBJECT TO ARCH-COMMENT	hcn
C	17/12/2021	REVISION	SUBJECT TO ARCH-COMMENT	hcn
B	29/11/2021	REVISION	SUBJECT TO ARCH-COMMENT	hcn
A	03/11/2021	REVISION	SUBJECT TO ARCH-COMMENT	hcn

JOB NO. : J-856

PROJECT : PROPOSED DEVELOPMENT ABOVE LIGHT RAIL TIN WING STOP-TSWTL NO.23,AREA 33,TIN SHUI WAI, N.T.

TITLE : WINDOW SCHEDULE FOR TOWER 2 ALUM. WINDOW

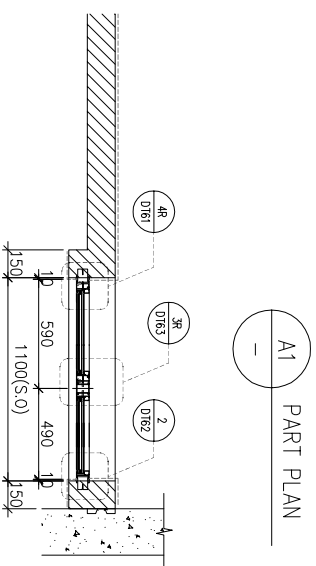
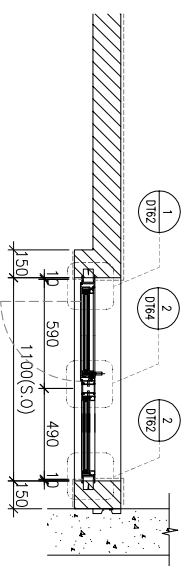
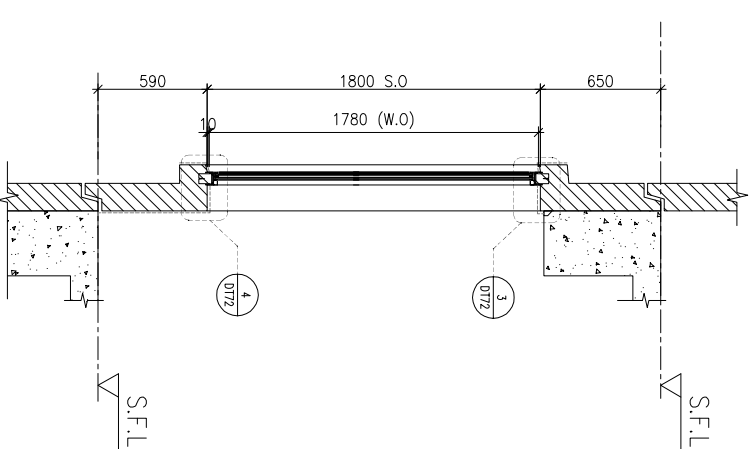
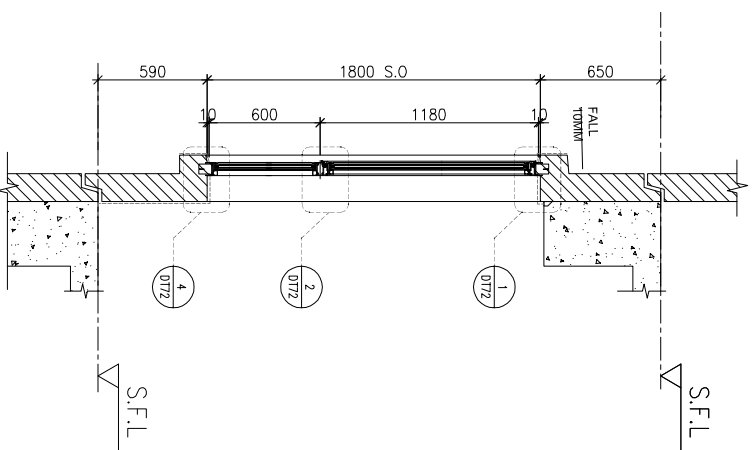
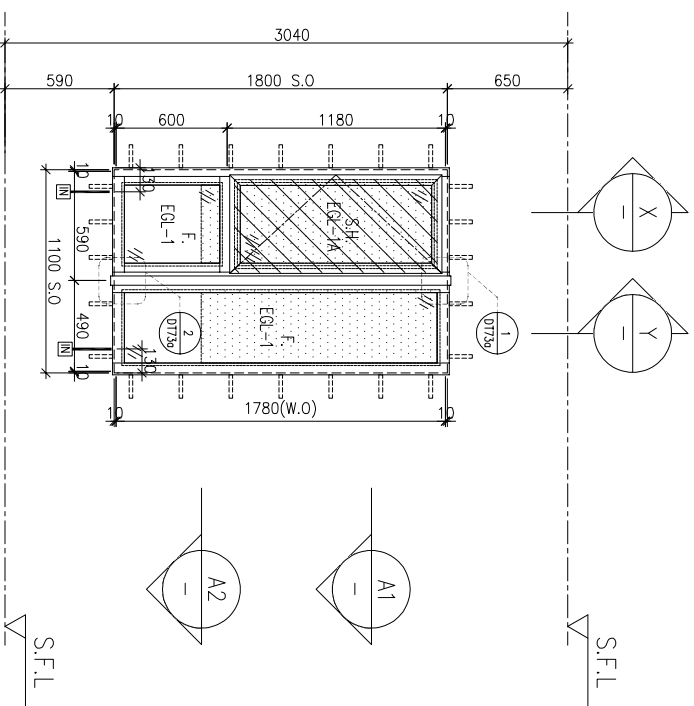
DATE : 02-Aug-21 SCALE : 1:40

DRAWN BY : Ivan CHECKED BY :

**美特鋁質有限公司**  
**MIDI ALUMINIUM FABRICATOR LTD.**  
Units 6-8, Sunray Industrial Centre, 1/F  
610 Cho Kwai Ling Road, Kwai Tsoum  
Tel:23489211-4 Fax:(852)2727666

DWG NO. : J856-SD-PW-5208 REV. : G

LOCATION	OPENABLE AREA	GLAZING AREA	OPENABLE AREA	GLAZING AREA
(B3-9R2)	0.263	0.420	0.548	0.985



FACADE CODE		
LWK	鴻輝	UNIT
PF-19	T2PF-04	B3

WINDOW MARK	AW 02
LOCATION	3/F-42/F(4/F,13/F,14/F,24/F,34/F OMITTED) UNIT B3
SECTION	70mm ALUM. SECTION
GLAZING	EGL-1,EGL-1A
QUANTITY	35 Nos
REMARKS	FACADE(TYPE T1PF19 FOR 3/F-42/F) ,4 BAR HINGE-LIP HING (HHMS-N16)

BD. REF :

CLIENT :

**SUN HUNG KAI**  
REAL ESTATE AGENCY LTD.  
42/F SUN HUNG KAI CENTRE, WANCHAI, HONGKONG

ARCHITECT :

**lwk&partners**  
a r c h i t e c t s

MAIN CONTRACTOR :

**怡輝建築有限公司**  
**Yee Fai Building Contractors Ltd.**

STRUCTURAL ENGINEER :

**ARUP**

FACADE CONSULTANT:

**ALPHA CONSULTING LIMITED**  
Steel Structure & Façade Specialist

- NOTE:
1. ALL DIMENSIONS ARE IN mm.
  2. ALL ELEVATIONS ARE VIEWED FROM OUTSIDE.
  3. ALL DIMENSIONS TO BE VERIFIED ON SITE BEFORE FABRICATION.

LEGEND :

- (X1) --- DETAIL MARK NO.  
(X001) --- REFER SHEET NO.
1. F.F.L. --- FINISHED FLOOR LEVEL
  2. S.F.L. --- STRUCTURAL FLOOR LEVEL
  3. (R) --- REVERSED DETAIL

4. GLASS LEGEND

- EGL-1 --- 8mmHS+12mm AIR GAP+10mmTP THK. I.G.U.  
EGL-2 --- 10mm THK. CLEAR TEMPERED GLASS  
EGL-4 --- 10mm THK. TEMPERED ACID ETCHED GLASS  
EGL-1A --- 8mmHS+12mm AIR GAP+8mmTP THK. I.G.U.  
EGL-1B --- 8mmHS+12mm AIR GAP+10mmTP ACID-ETCHED THK. I.G.U.

NO.	DATE	REVISION	REVISION SUBJECT TO ARCH-COMMENT	BY
1	21/02/2023	REVISION SUBJECT TO ARCH-COMMENT	None	
H	21/09/2022	REVISION SUBJECT TO ARCH-COMMENT	None	
G	17/08/2022	REVISION SUBJECT TO ARCH-COMMENT	None	
F	18/05/2022	REVISION SUBJECT TO ARCH-COMMENT	None	
E	09/04/2022	REVISION SUBJECT TO ARCH-COMMENT	None	
D	17/12/2021	REVISION SUBJECT TO ARCH-COMMENT	None	
C	29/11/2021	REVISION SUBJECT TO ARCH-COMMENT	None	

JOB NO. : J-856

PROJECT : PROPOSED DEVELOPMENT ABOVE LIGHT RAIL TIN WING STOP-TSWTL NO.23,AREA 33,TIN SHUI WAI, N.T.

TITLE : WINDOW SCHEDULE FOR TOWER 2 ALUM. WINDOW

DATE : 02-Aug-21 SCALE : 1:40

DRAWN BY : Ivan CHECKED BY :

**美特鋁質有限公司**  
MIDI ALUMINIUM FABRICATOR LTD.  
Units 6-8, Sunray Industrial Centre, 1/F  
610 Cho Kwai Ling Road, Kwai Tsoum  
Tel:23489211-4 Fax:(852)2727666

DWG NO. : J856-SD-PW-5209 REV. : I

B.D. REF :

CLIENT :

**SUN HUNG KAI**  
REAL ESTATE AGENCY LTD.  
42/F SUN HUNG KAI CENTRE, WANCHAI, HONGKONG

ARCHITECT :

**lwk&partners**  
a r c h i t e c t s

MAIN CONTRACTOR :

**怡輝建築有限公司**  
**Yee Fai Building Contractors Ltd.**

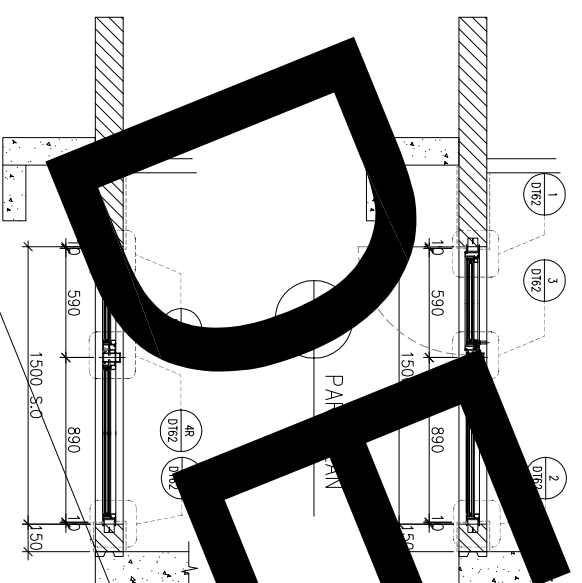
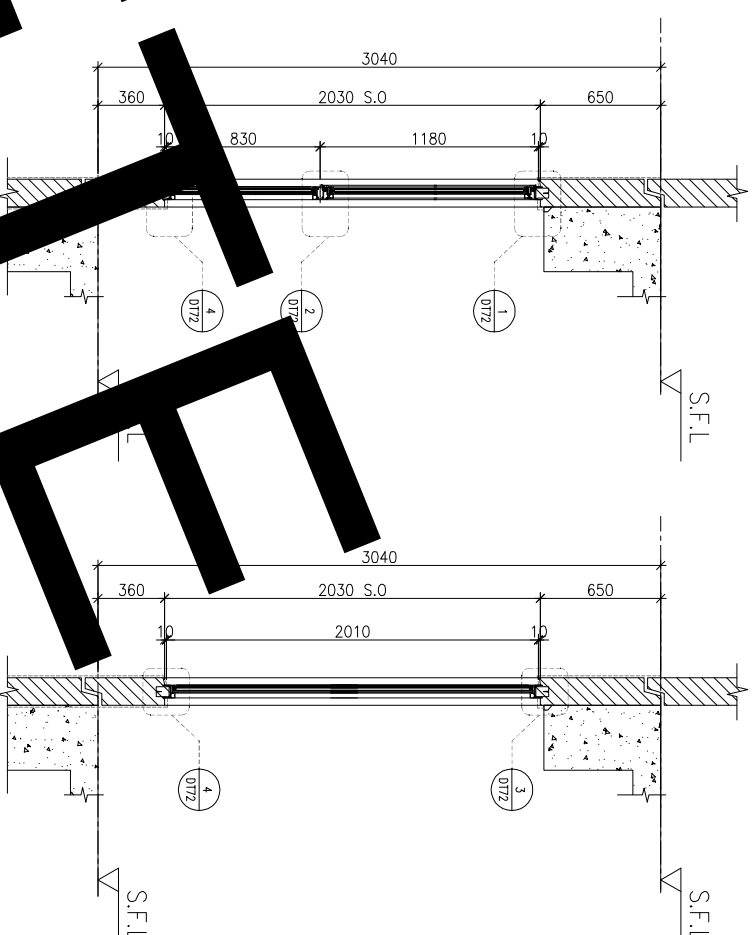
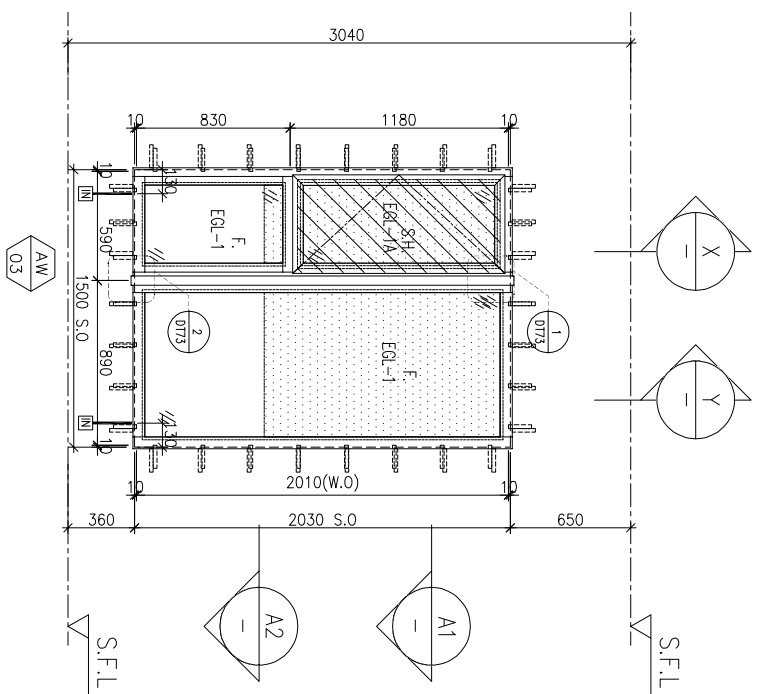
STRUCTURAL ENGINEER :

**ARUP**

FAÇADE CONSULTANT :

**ALPHA CONSULTING LIMITED**  
Steel Structure & Façade Specialist

ELEVATION



A2 PART PLAN

A2 PART SECTION

FAÇADE CODE		
LWK	怡輝	UNIT
PF-11	T2PF-??	B5

CHANGE TO IN-SITU WINDOWS

WINDOW MARK	AW 03
LOCATION	3/F~42/F(4/F,13/F,14/F,24/F,34/F OMITTED) UNIT B5
SECTION	70mm ALUM. SECTION
GLAZING	EGL-1,EGL-1A
QUANTITY	35 Nos
REMARKS	FAÇADE(TYPE T2PF1) FOR 3/F~42/F)

NOTE:  
 1. ALL DIMENSIONS ARE IN mm.  
 2. ALL ELEVATIONS ARE VIEWED FROM OUTSIDE.  
 3. ALL DIMENSIONS TO BE VERIFIED ON SITE BEFORE FABRICATION.

LEGEND :

(X1) --- DETAIL MARK NO.  
(X001) --- REFER SHEET NO.

1. F.F.L. --- FINISHED FLOOR LEVEL  
 2. S.F.L. --- STRUCTURAL FLOOR LEVEL  
 3. (R) --- REVERSED DETAIL

4. GLASS LEGEND

EGL-1 --- 8mmHS+12mm AIR GAP+10mmTP THK. I.G.U.  
 EGL-2 --- 10mm THK. CLEAR TEMPERED GLASS  
 EGL-4 --- 10mm THK. TEMPERED ACID ETCHED GLASS  
 EGL-1A --- 8mmHS+12mm AIR GAP+8mmTP THK. I.G.U.  
 EGL-1B --- 8mmHS+12mm AIR GAP+10mmTP ADD-ETCHED THK. I.G.U.

NO.	DATE	REVISION	REVISION SUBJECT TO ARCH-COMMENT	BY
F	18/05/2022	REVISION SUBJECT TO ARCH-COMMENT	None	
E	09/04/2022	REVISION SUBJECT TO ARCH-COMMENT	None	
D	17/12/2021	REVISION SUBJECT TO ARCH-COMMENT	None	
C	29/11/2021	REVISION SUBJECT TO ARCH-COMMENT	None	
B	03/11/2021	REVISION SUBJECT TO ARCH-COMMENT	None	
A	12/07/2021	REVISION SUBJECT TO ARCH-COMMENT	None	

JOB NO. : J-856

PROJECT : PROPOSED DEVELOPMENT ABOVE LIGHT RAIL TIN WING STOP-TSWTL NO.23,AREA 33,TIN SHUI WAI, N.T.

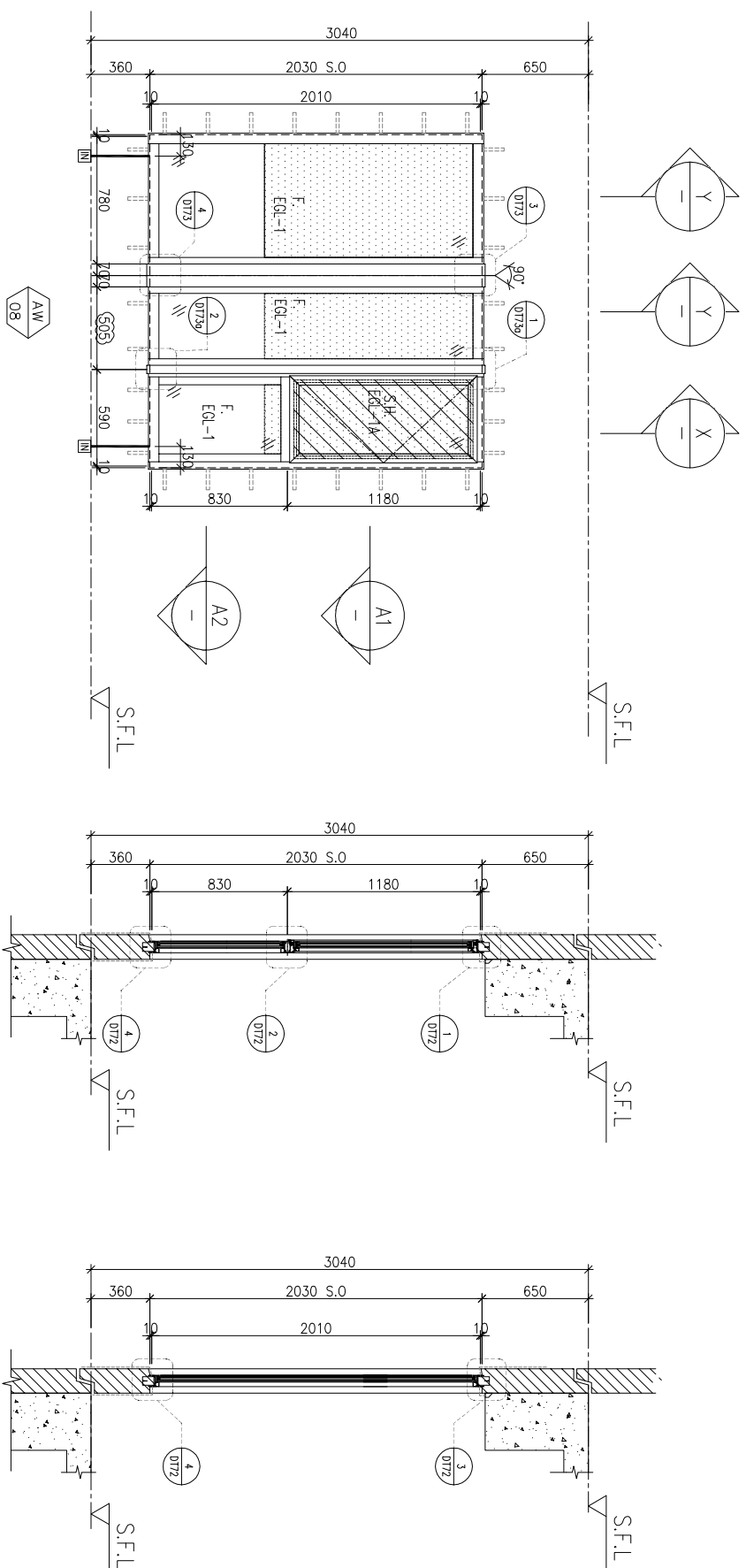
TITLE : WINDOW SCHEDULE FOR TOWER 2 ALUM. WINDOW

DATE : 02-Aug-21 SCALE : 1:40

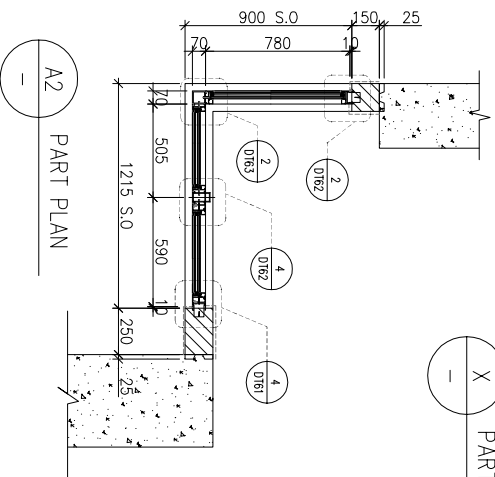
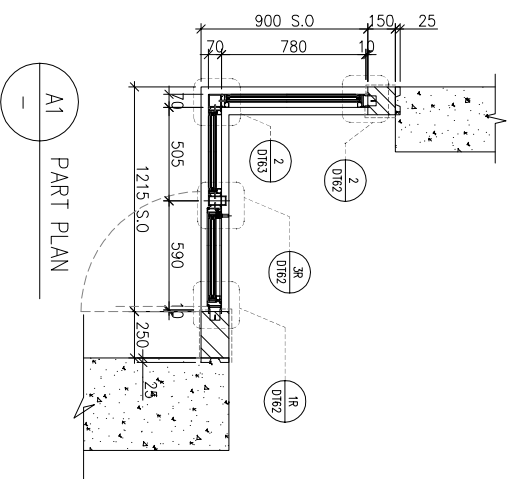
DRAWN BY : Ivan CHECKED BY :

**美特鋁質有限公司**  
**MIDI ALUMINIUM FABRICATOR LTD.**  
 Units 6-8, Sunray Industrial Centre, 1/F  
 610 Cho Kwai Ling Road, Kwai Tsou  
 Tel:23489211-4 Fax:(852)27272666  
 DWG NO. : J856-SD-PW-5210 REV. : F

REQUIRE		PROVIDED	
LOCATION	OPENABLE AREA	GLAZING AREA	OPENABLE AREA
B8-BR2	0.277	0.443	0.525
			GLAZING AREA
			1.873



ELEVATION



PART SECTION X

PART SECTION Y

FACADE CODE		
LWK	鴻輝	UNIT
PF-13	T2PF-27	B8

WINDOW MARK

LOCATION 3/F-42/F(4/F,13/F,14/F,24/F,34/F OMITTED) UNIT B8

SECTION 70mm ALUM. SECTION

GLAZING EGL-1,EGL-1A

QUANTITY 35 Nos

REMARKS FACADE(TYPE T2PF13 FOR 3/F-42/F) ,4 BAR HINGE-LIP HING (HHMS-N16)

BD. REF :

CLIENT :

**SUN HUNG KAI**  
REAL ESTATE AGENCY LTD.  
42/F SUN HUNG KAI CENTRE, WANCHAI, HONGKONG

ARCHITECT :

**lwk&partners**  
a f c h i l e o c i s

MAIN CONTRACTOR :

**怡輝建築有限公司**  
**Yee Fai** Building Contractors Ltd.

STRUCTURAL ENGINEER :

**ARUP**

FACADE CONSULTANT :

**ALPHA CONSULTING LIMITED**  
Steel Structure & Façade Specialist

NOTE:  
1. ALL DIMENSIONS ARE IN mm.  
2. ALL ELEVATIONS ARE VIEWED FROM OUTSIDE.  
3. ALL DIMENSIONS TO BE VERIFIED ON SITE BEFORE FABRICATION.

LEGEND :

X1 --- DETAIL MARK NO.  
X001 --- REFER SHEET NO.

1. F.F.L. --- FINISHED FLOOR LEVEL  
2. S.F.L. --- STRUCTURAL FLOOR LEVEL  
3. (R) --- REVERSED DETAIL

4. GLASS LEGEND

EGL-1 --- 8mmHS+12mm AIR GAP+10mmTP THK. I.G.U.  
EGL-2 --- 10mm THK. CLEAR TEMPERED GLASS  
EGL-4 --- 10mm THK. TEMPERED ACID ETCHED GLASS  
EGL-1A --- 8mmHS+12mm AIR GAP+8mmTP THK. I.G.U.  
EGL-1B --- 8mmHS+12mm AIR GAP+10mmTP ADD-ETCHED THK. I.G.U.

NO.	DATE	REVISION	BY
H	17/08/2022	REVISION SUBJECT TO ARCH-COMMENT	lwk
G	17/08/2022	REVISION SUBJECT TO ARCH-COMMENT	lwk
F	18/05/2022	REVISION SUBJECT TO ARCH-COMMENT	lwk
E	09/04/2022	REVISION SUBJECT TO ARCH-COMMENT	lwk
D	17/12/2021	REVISION SUBJECT TO ARCH-COMMENT	lwk
C	29/11/2021	REVISION SUBJECT TO ARCH-COMMENT	lwk

JOB NO. : J-856

PROJECT : PROPOSED DEVELOPMENT ABOVE LIGHT RAIL TIN WING STOP-TSWTL NO.23,AREA 33,TIN SHUI WAI, N.T.

TITLE : WINDOW SCHEDULE FOR TOWER 2 ALUM. WINDOW

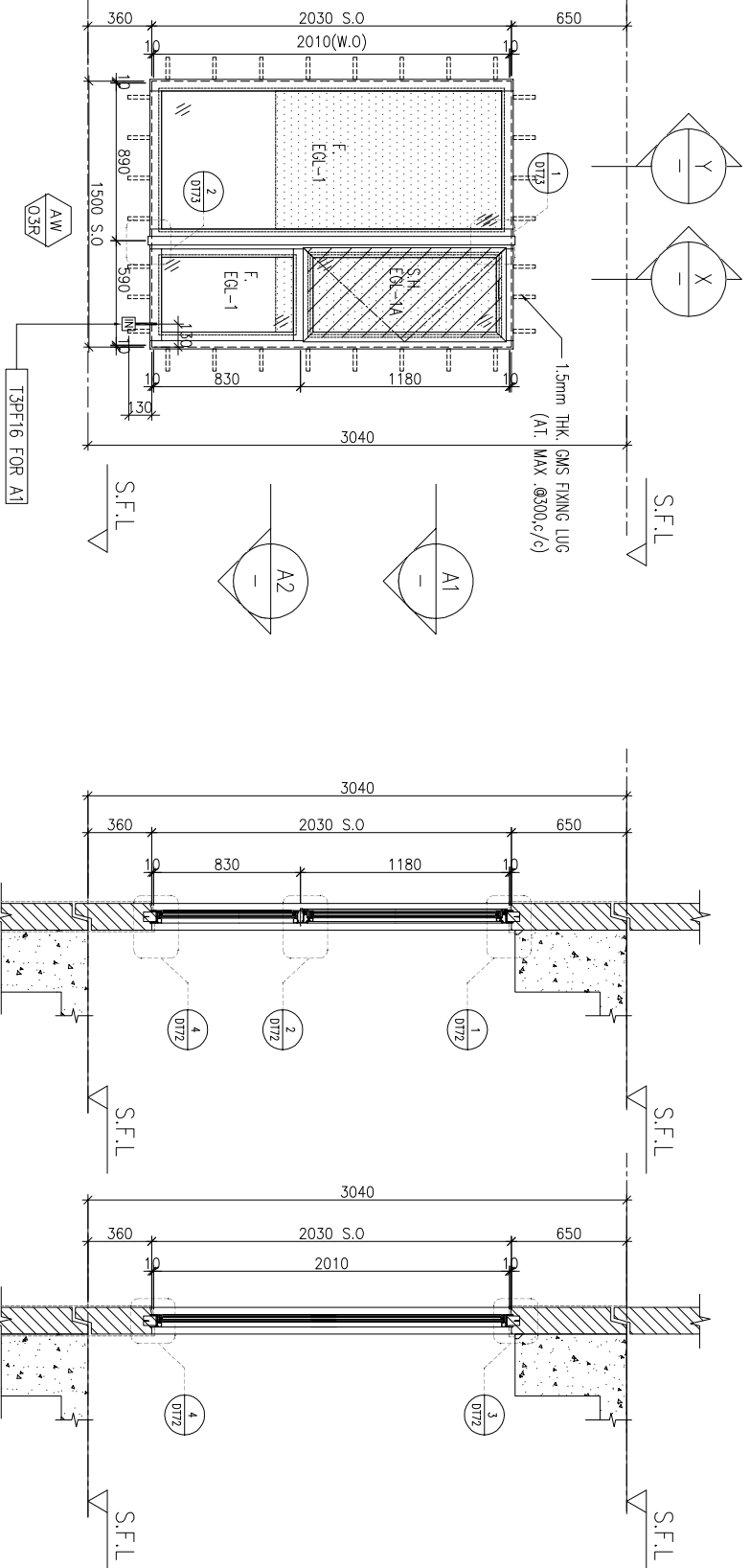
DATE : 02-Aug-21 SCALE : 1:40

DRAWN BY : Ivn

CHECKED BY :

**美特鋁質有限公司**  
MIDI ALUMINIUM FABRICATOR LTD.  
Units 6-8, Sunray Industrial Centre, 1/F  
610 Cho Kwai Ling Road, Kwai Tsoum  
Tel:23489211-4 Fax:(852)2727666  
DWG NO. : J856-SD-PW-5211 REV. : H

LOCATION	OPENABLE AREA	GLAZING AREA	OPENABLE AREA	GLAZING AREA
B6-MBR	0.435	0.696	0.548	1.495



ELEVATION

FACADE CODE		
LWK	鴻輝	UNIT
PF-20R	T2PF-23	B6

WINDOW MARK	AW 03R
LOCATION	3/F-42/F(4/F,13/F,14/F,24/F,34/F OMITTED) UNIT B6
SECTION	70mm ALUM. SECTION
GLAZING	EGL-1, EGL-1A
QUANTITY	35 Nos
REMARKS	FACADE(TYPE T2PF20R FOR 3/F~42/F) , 4 BAR HINGE-LIP HING (HHMS-N16)

B.D. REF :

CLIENT :

**SUN HUNG KAI**  
REAL ESTATE AGENCY LTD.  
42/F SUN HUNG KAI CENTRE, WANCHAI, HONGKONG

ARCHITECT :

**lwk&partners**  
a r c h i t e c t s

MAIN CONTRACTOR :

**怡輝建築有限公司**  
**Yee Fai** Building Contractors Ltd.

STRUCTURAL ENGINEER :

**ARUP**

FACADE CONSULTANT:

**ALPHA CONSULTING LIMITED**  
Steel Structure & Façade Specialist

NOTE :

1. ALL DIMENSIONS ARE IN mm.
2. ALL ELEVATIONS ARE VIEWED FROM OUTSIDE.
3. ALL DIMENSIONS TO BE VERIFIED ON SITE BEFORE FABRICATION.

LEGEND :

(X1) — DETAIL MARK NO.  
(X001) — REFER SHEET NO.

1. F.F.L. --- FINISHED FLOOR LEVEL
2. S.F.L. --- STRUCTURAL FLOOR LEVEL
3. (R) --- REVERSED DETAIL

4. GLASS LEGEND

EGL-1 -- 8mmHS+12mm AIR GAP+10mmTP THK. I.G.U.  
EGL-2 -- 10mm THK. CLEAR TEMPERED GLASS  
EGL-4 -- 10mm THK. TEMPERED ACID ETCHED GLASS  
EGL-1A -- 8mmHS+12mm AIR GAP+8mmTP THK. I.G.U.  
EGL-1B -- 8mmHS+12mm AIR GAP+10mmTP ACID-ETCHED THK. I.G.U.

NO.	DATE	REVISION	SUBJECT TO ARCH-COMMENT	BY
0	17/08/2022	REVISION SUBJECT TO ARCH-COMMENT		ivan
C	17/08/2022	REVISION SUBJECT TO ARCH-COMMENT		ivan
B	18/05/2022	REVISION SUBJECT TO ARCH-COMMENT		ivan
A	17/12/2021	REVISION SUBJECT TO ARCH-COMMENT		ivan

JOB NO. : J-856

PROJECT : PROPOSED DEVELOPMENT ABOVE LIGHT RAIL TIN WING STOP-TSWTL NO.23,AREA 33,TIN SHUI WAI, N.T.

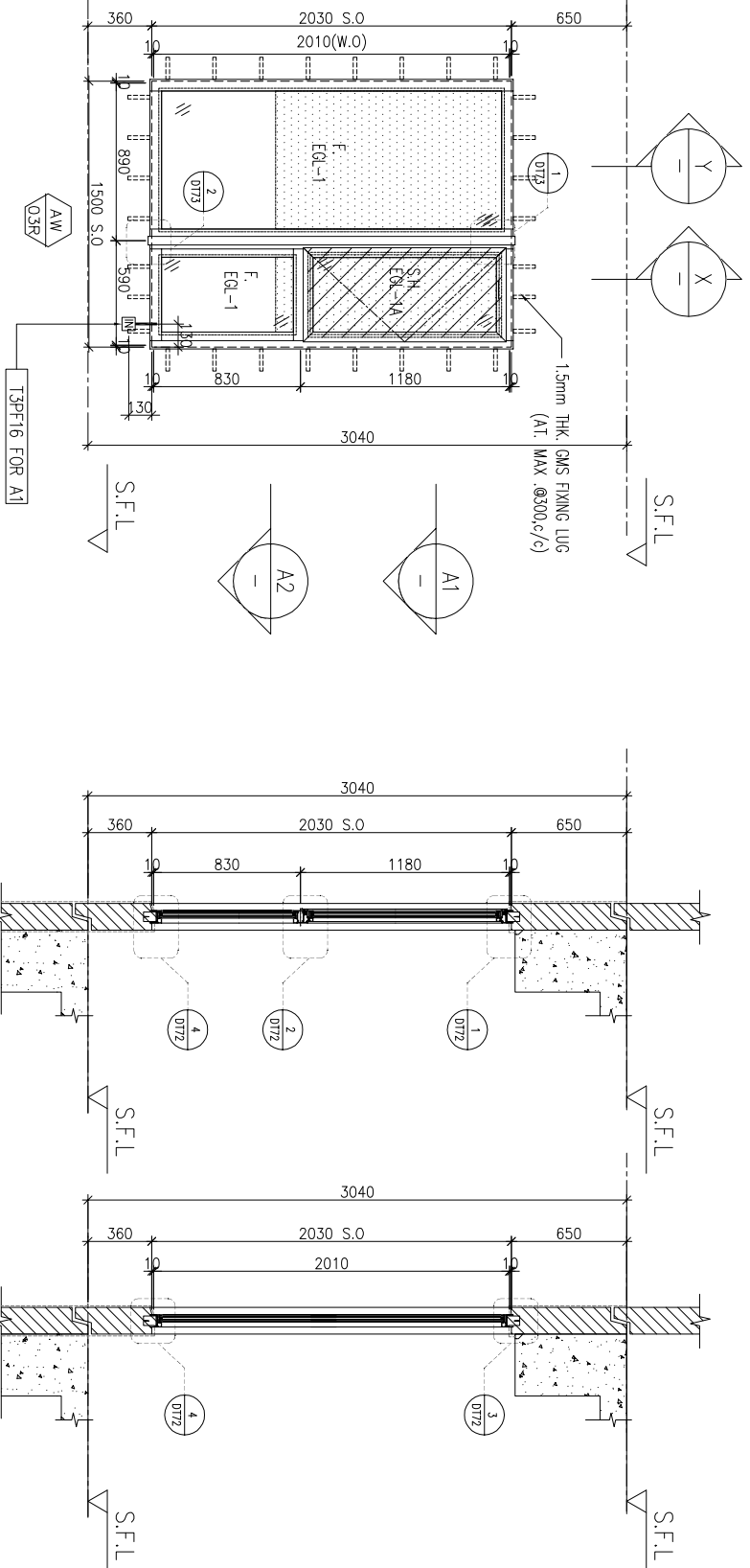
TITLE : WINDOW SCHEDULE FOR TOWER 2 ALUM. WINDOW

DATE : 02-Aug-21 SCALE : 1:40

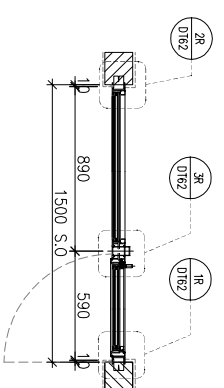
DRAWN BY : ivan CHECKED BY :

**美特鋁質有限公司**  
MIDI ALUMINUM FABRICATOR LTD.  
Units 6-8, Sunray Industrial Centre, 1/F  
610 Cho Kwai Ling Road, Kwai Tsoum  
Tel:23489211-4 Fax:(852)2727666  
DWG NO. : J856-SD-PW-5212 REV. : 0

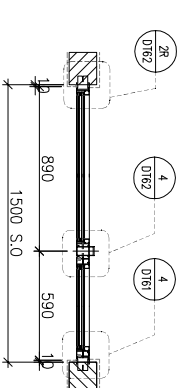
LOCATION	OPENABLE AREA	GLAZING AREA	OPENABLE AREA	GLAZING AREA
(B3-MBR)	0.263	0.420	0.548	1.495



ELEVATION



A1 PART PLAN



A2 PART PLAN

X PART SECTION

Y PART SECTION

FACADE CODE		
LWK	鴻輝	UNIT
PF-10	T2PF-03	B3

WINDOW MARK	AW 03R
LOCATION	3/F-42/F(4/F,13/F,14/F,24/F,34/F OMITTED) UNIT B3
SECTION	70mm ALUM. SECTION
GLAZING	EGL-1, EGL-1A
QUANTITY	35 Nos
REMARKS	FACADE(TYPE T2PF10R FOR 3/F~42/F) , 4 BAR HINGE-LIP HING (HHMS-N16)

B.D. REF :

CLIENT :

**SUN HUNG KAI**  
REAL ESTATE AGENCY LTD.  
42/F, SUN HUNG KAI CENTRE, WANCHAI, HONGKONG

ARCHITECT :

**lwk&partners**  
a r c h i t e c t s

MAIN CONTRACTOR :

**怡輝建築有限公司**  
**Yee Fai** Building Contractors Ltd.

STRUCTURAL ENGINEER :

**ARUP**  
ALPHA CONSULTING LIMITED  
Steel Structure & Façade Specialist

FACADE CONSULTANT:

**ARUP**  
ALPHA CONSULTING LIMITED  
Steel Structure & Façade Specialist

- NOTE:
1. ALL DIMENSIONS ARE IN mm.
  2. ALL ELEVATIONS ARE VIEWED FROM OUTSIDE.
  3. ALL DIMENSIONS TO BE VERIFIED ON SITE BEFORE FABRICATION.

LEGEND :

(X1) --- DETAIL MARK NO.  
(X001) --- REFER SHEET NO.

1. F.F.L. --- FINISHED FLOOR LEVEL
2. S.F.L. --- STRUCTURAL FLOOR LEVEL
3. (R) --- REVERSED DETAIL

4. GLASS LEGEND

- EGL-1 --- 8mmHS+12mm AIR GAP+10mmTP THK. I.G.U.  
EGL-2 --- 10mm THK. CLEAR TEMPERED GLASS  
EGL-4 --- 10mm THK. TEMPERED ACID ETCHED GLASS  
EGL-1A --- 8mmHS+12mm AIR GAP+8mmTP THK. I.G.U.  
EGL-1B --- 8mmHS+12mm AIR GAP+10mmTP ACID-ETCHED THK. I.G.U.

NO.	DATE	REVISION	SUBJECT TO ARCH-COMMENT	BY
D	21/02/2023	REVISION SUBJECT TO ARCH-COMMENT		ivan
C	21/09/2022	REVISION SUBJECT TO ARCH-COMMENT		ivan
B	17/09/2022	REVISION SUBJECT TO ARCH-COMMENT		ivan
A	18/09/2022	REVISION SUBJECT TO ARCH-COMMENT		ivan

JOB NO. : J-856

PROJECT :

PROPOSED DEVELOPMENT ABOVE  
LIGHT RAIL TIN WING STOP-TSWTL  
NO.23,AREA 33,TIN SHUI WAI, N.T.

TITLE :

WINDOW SCHEDULE FOR  
TOWER 2 ALUM. WINDOW

DATE : 08-Apr-21 SCALE : 1:40

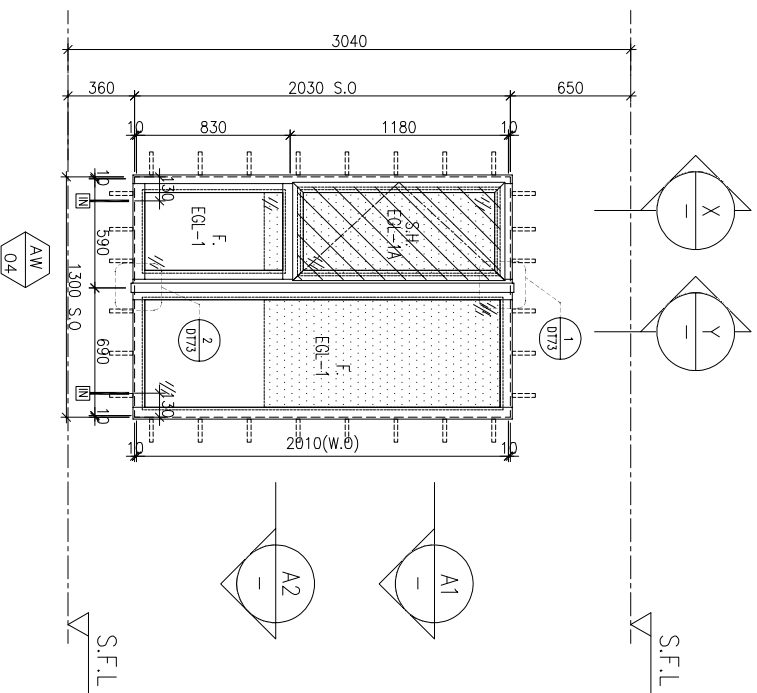
DRAWN BY : Ivan

CHECKED BY :

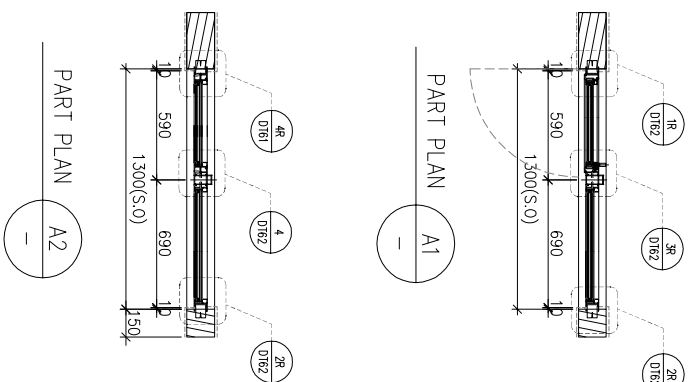
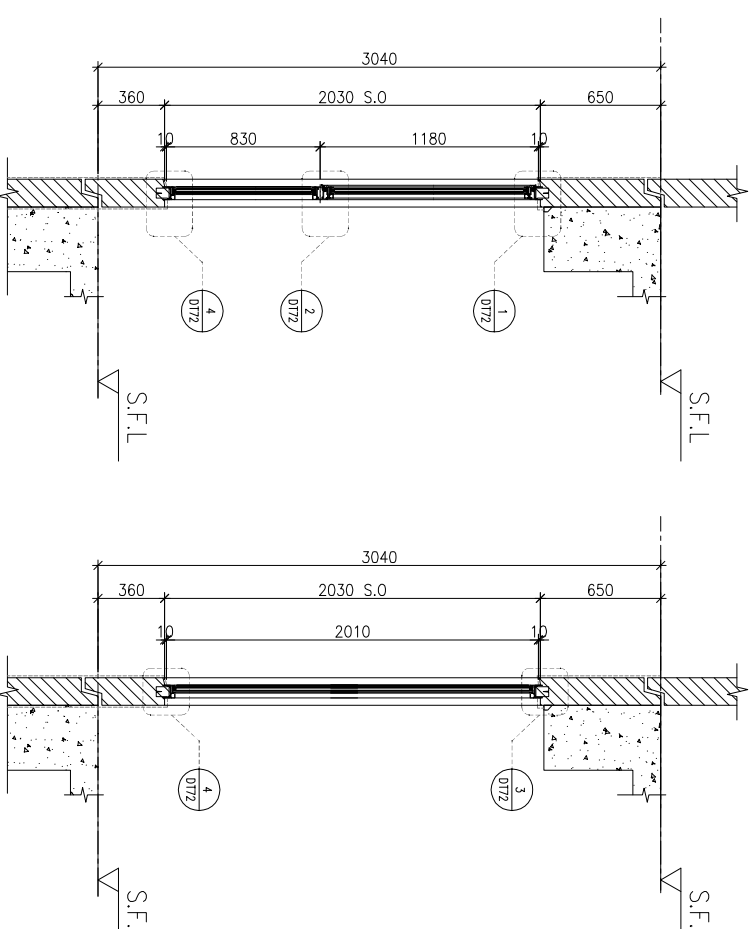
**美特鋁質有限公司**  
MIDI ALUMINUM FABRICATOR LTD.  
Units 6-8, Sunray Industrial Centre, 1/F  
610 Cho Kwai Ling Road, Kowloon  
Tel:23489211-4 Fax:(852)2727666

DWG NO. : J856-SD-PW-5213 REV. : D

REQUIRED		PROVIDED	
LOCATION	OPENABLE AREA	GLAZING AREA	OPENABLE AREA
B2-MBR	0.435	0.696	0.548
			GLAZING AREA
			1.24



ELEVATION



FACADE CODE		
LWK	鴻輝	UNIT
PF-??R	T2PF-02A	B2

WINDOW MARK	AW 04
LOCATION	3/F-42/F(4/F,13/F,14/F,24/F,34/F OMITTED) UNIT B2
SECTION	70mm ALUM. SECTION
GLAZING	EGL-1, EGL-1A
QUANTITY	35 Nos
REMARKS	FACADE(TYPE T2PF??R FOR 3/F~42/F) , 4 BAR HINGE-LIP HING (HHMS-N16)

BD. REF :

CLIENT :

**SUN HUNG KAI**  
REAL ESTATE AGENCY LTD.

42/F, SUN HUNG KAI CENTRE, WANCHAI, HONGKONG

ARCHITECT :

**lwk&partners**  
a r c h i t e c t s

MAIN CONTRACTOR :

**怡輝建築有限公司**  
**Yee Fai Building Contractors Ltd.**

STRUCTURAL ENGINEER :

**ARUP**

FACADE CONSULTANT:

**ALPHA CONSULTING LIMITED**  
Steel Structure & Facade Specialist

- NOTE :
1. ALL DIMENSIONS ARE IN mm.
  2. ALL ELEVATIONS ARE VIEWED FROM OUTSIDE.
  3. ALL DIMENSIONS TO BE VERIFIED ON SITE BEFORE FABRICATION.

LEGEND :

(X1) --- DETAIL MARK NO.  
(X001) --- REFER SHEET NO.

1. F.F.L. --- FINISHED FLOOR LEVEL
2. S.F.L. --- STRUCTURAL FLOOR LEVEL
3. (R) --- REVERSED DETAIL

4. GLASS LEGEND

- EGL-1 --- 8mmHS+12mm AIR GAP+10mmTP THK. I.G.U.  
EGL-2 --- 10mm THK. CLEAR TEMPERED GLASS  
EGL-4 --- 10mm THK. TEMPERED ACID ETCHED GLASS  
EGL-1A --- 8mmHS+12mm AIR GAP+8mmTP THK. I.G.U.  
EGL-1B --- 8mmHS+12mm AIR GAP+10mmTP ACID-ETCHED THK. I.G.U.

NO.	DATE	REVISION	SUBJECT TO ARCH-COMMENT	BY
0	21/09/2022	REVISION SUBJECT TO ARCH-COMMENT		lwk
C	17/09/2022	REVISION SUBJECT TO ARCH-COMMENT		lwk
B	18/05/2022	REVISION SUBJECT TO ARCH-COMMENT		lwk
A	17/12/2021	REVISION SUBJECT TO ARCH-COMMENT		lwk

JOB NO. : J-856

PROJECT : PROPOSED DEVELOPMENT ABOVE LIGHT RAIL TIN WING STOP-TSWTL NO.23,AREA 33,TIN SHUI WAI, N.T.

TITLE : WINDOW SCHEDULE FOR TOWER 2 ALUM. WINDOW

DATE : 08-Apr-21 SCALE : 1:40

DRAWN BY : IYON CHECKED BY :

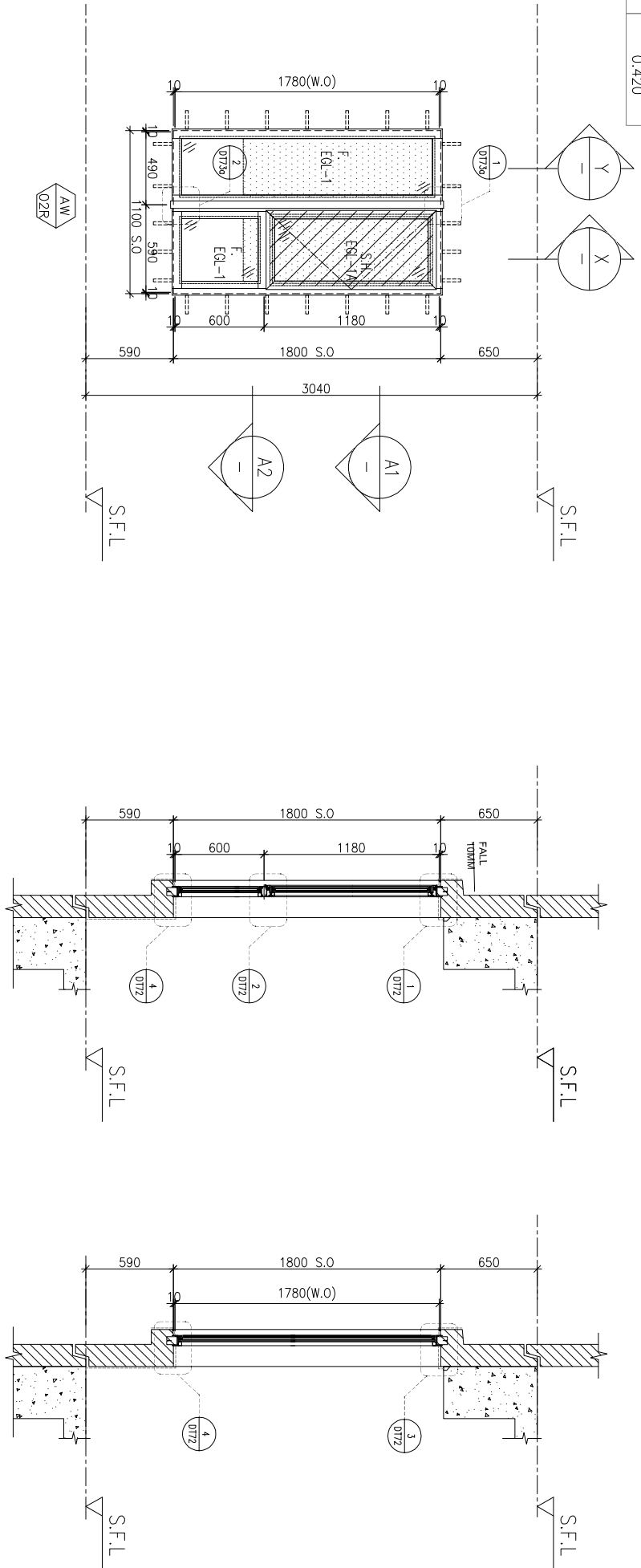
**美特鋁質有限公司**  
MIDI ALUMINUM FABRICATOR LTD.

Units 6-8, Sunray Industrial Centre, 1/F  
610 Cho Kwai Ling Road, Kowloon  
Tel:23489211-4 Fax:(852)2727666

DWG NO. : J856-SD-PW-5214 REV. : D

REQUIRED		PROVIDED	
LOCATION	OPENABLE AREA	GLAZING AREA	GLAZING AREA
A3-BR2	0.263	0.420	0.548
A10-BR2	0.263	0.420	0.985
B7-BR2	0.263	0.420	
B8-BR2	0.263	0.420	

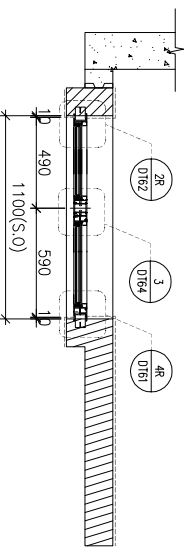
ELEVATION



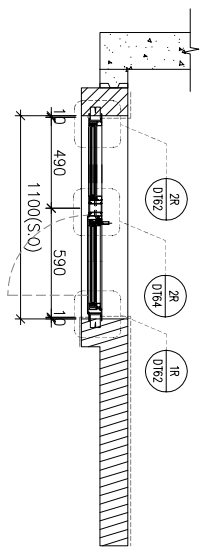
LWK	窗樺	UNIT
PF-02R	T3PF-05	A3
PF-02R	T3PF-37	A10
PF-02R	T3PF-31	B7
PF-02R	T3PF-32	B6

10/F, 16/F, 20/F, 25/F, 29/F, 33/F, 38/F, 42/F OMITTED, CHANGE TO IN-SITU WINDOW

A2 PART PLAN

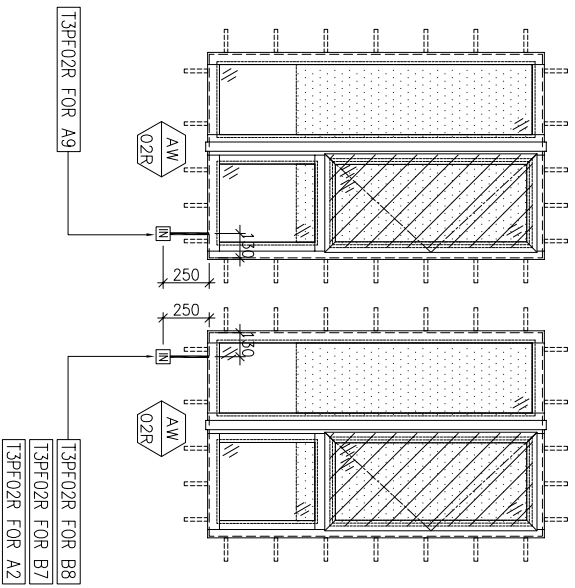


A1 PART PLAN



X PART SECTION

Y PART SECTION



LOCATION 3/F-42/F(4/F, 13/F, 14/F, 24/F, 34/F OMITTED) UNIT {A3, A10, B7, B6}

SECTION 70mm ALUM. SECTION

GLAZING EQL-1, EQL-1A

QUANTITY 27 Nos / 35 Nos / 35 Nos / 35 Nos

REMARKS FACADE(TYPE T3PF02R FOR 3/F~42/F), 4 BAR HINGE-LIP HING (HHMS-N16)

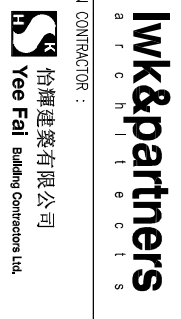
BD. REF :

CLIENT :



42/F, SUN HUNG KAI CENTRE, WANCHAI, HONGKONG

ARCHITECT :



MAIN CONTRACTOR :



STRUCTURAL ENGINEER :



FACADE CONSULTANT :



- NOTE :
1. ALL DIMENSIONS ARE IN mm.
  2. ALL ELEVATIONS ARE VIEWED FROM OUTSIDE.
  3. ALL DIMENSIONS TO BE VERIFIED ON SITE BEFORE FABRICATION.

LEGEND :

- (X1) --- DETAIL MARK NO.
- (X001) --- REFER SHEET NO.

1. F.F.L. --- FINISHED FLOOR LEVEL
2. S.F.L. --- STRUCTURAL FLOOR LEVEL
3. (R) --- REVERSED DETAIL

4. GLASS LEGEND

- EQL-1 --- 8mmHS+12mm AIR GAP+10mmTP THK. I.G.U.
- EQL-2 --- 10mm THK. CLEAR TEMPERED GLASS
- EQL-4 --- 10mm THK. TEMPERED ACID ETCHED GLASS
- EQL-1A --- 8mmHS+12mm AIR GAP+8mmTP THK. I.G.U.
- EQL-1B --- 8mmHS+12mm AIR GAP+10mmTP ACID-ETCHED THK. I.G.U.

NO.	DATE	REVISION SUBJECT TO ARCH-COMMENT	BY
K	21/02/2023	REVISION SUBJECT TO ARCH-COMMENT	hvn
J	26/10/2022	REVISION SUBJECT REFER TO SA-124 YH	hvn
I	21/09/2022	REVISION SUBJECT TO ARCH-COMMENT	hvn
H	17/08/2022	REVISION SUBJECT TO ARCH-COMMENT	hvn
G	22/04/2022	REVISION SUBJECT TO ARCH-COMMENT	hvn

JOB NO. : J-856

PROJECT :

PROPOSED DEVELOPMENT ABOVE LIGHT RAIL TIN WING STOP-TS/WL NO.2,3,AREA 33, TIN SHUI WA, N.T.

TITLE : WINDOW SCHEDULE FOR TOWER 3 ALUM. WINDOW

DATE : 02-Aug-21 SCALE : 1:40

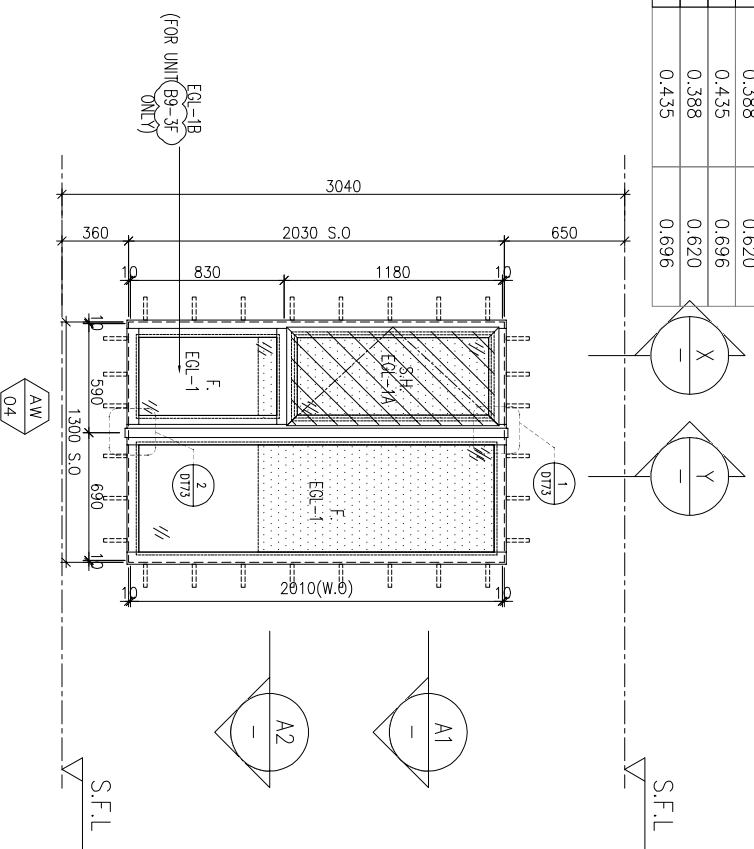
DRAWN BY : ivon CHECKED BY :



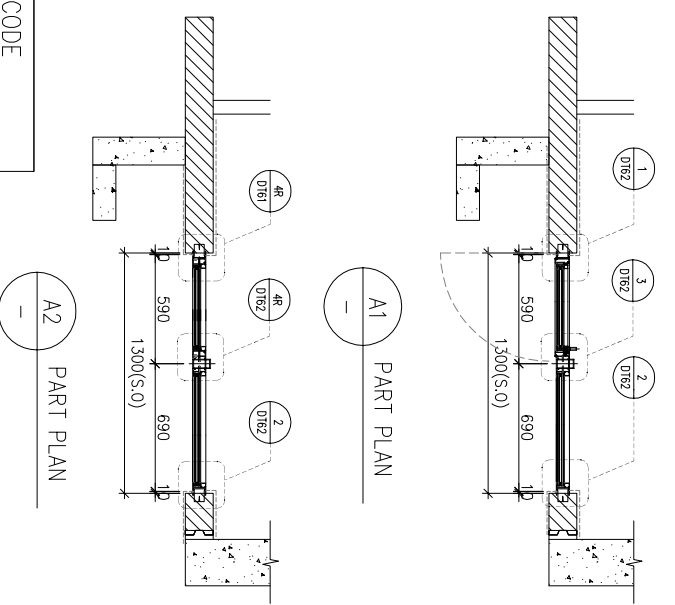
Units 6-8, Sunray Industrial Centre, 1/F, 610 Cho Kwai Ling Road, Kwai Tsoung, Tai Po, N.T. Tel: 23489211-4 Fax: (852) 2727666

DWG NO. : J856-SD-PW-5301 REV. : K

REQUIRED		PROVIDED	
LOCATION	OPENABLE AREA	GLAZING AREA	GLAZING AREA
(A5-MBR)	0.435	0.696	0.548
(A7-MBR)	0.435	0.696	1.24
(A11-MBR)	0.435	0.696	
(A13-MBR)	0.388	0.620	
(B2-MBR)	0.435	0.696	
(B5-MBR)	0.388	0.620	
(B9-MBR)	0.435	0.696	

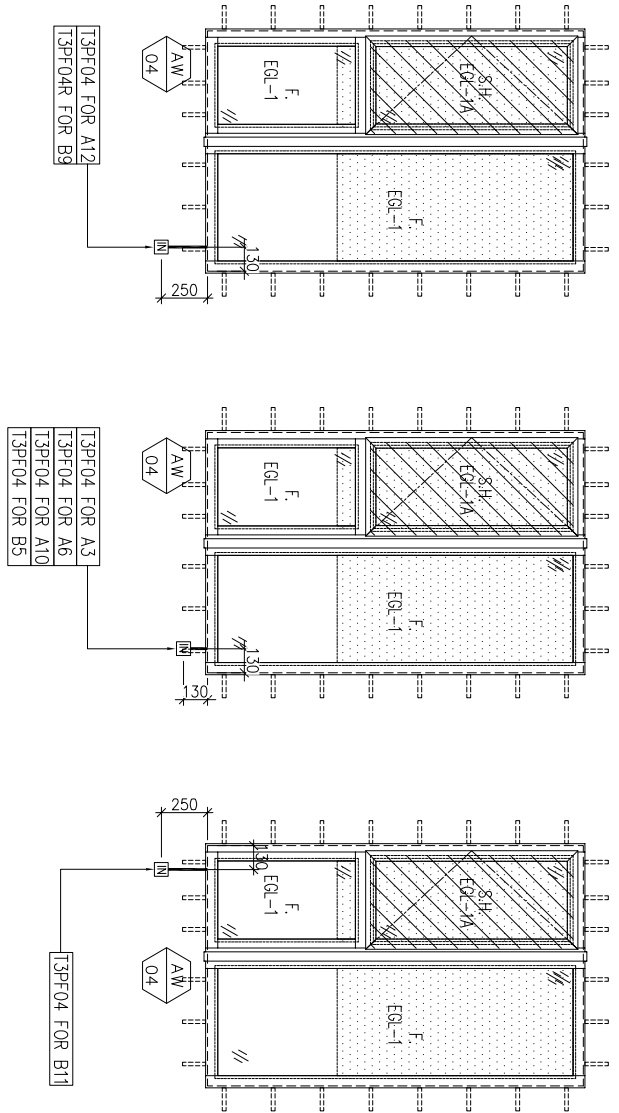
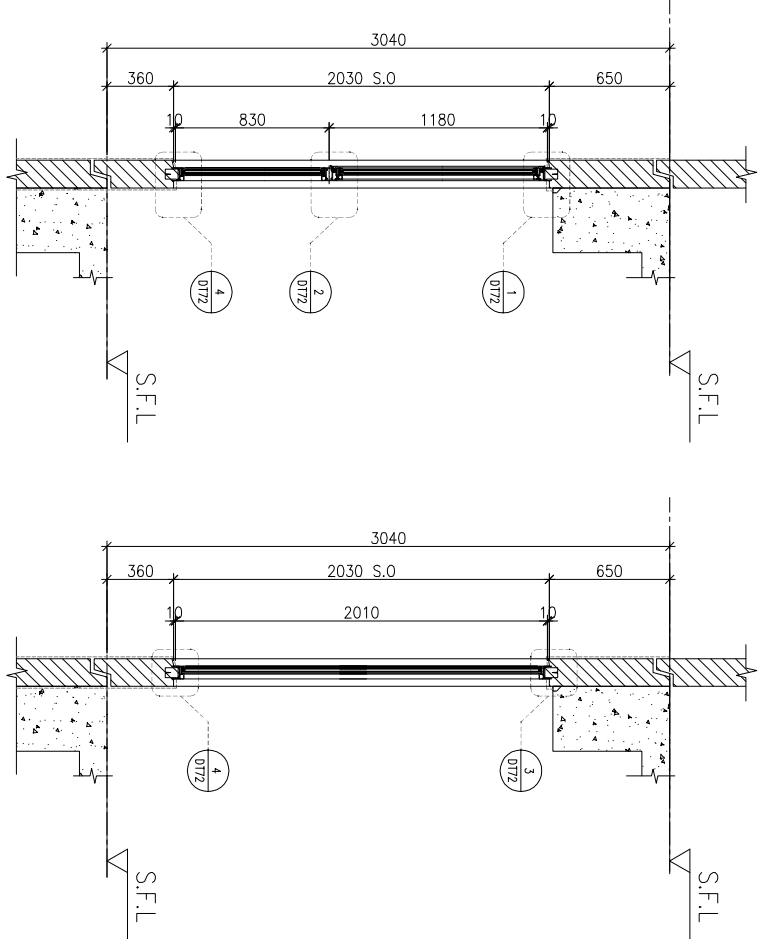


ELEVATION



FACADE CODE		FACADE CODE	
LWK	UNIT	LWK	UNIT
PF-04	T3PF-08	A5	
PF-04	T3PF-12	A7	
PF-04	T3PF-39A	A11	
PF-04	T3PF-42	A13	
		PF-04R	T3PF-19
			B2

WINDOW MARK	AW 04
LOCATION	3/F~42/F(4/F,13/F,14/F,24/F,34/F OMITTED) UNIT A5, A7, A11, A13, B9, B5, B2
SECTION	70mm ALUM. SECTION
GLAZING	EGL-1, EGL-1A
QUANTITY	35 Nos / 35 Nos / 35 Nos / 35 Nos / 35 Nos / 35 Nos / 35 Nos / 35 Nos
REMARKS	FACADE(TYPE T3PF04/04R FOR 3/F~42/F), 4 BAR HINGE-LIP HING (HHMS-N16)



X PART SECTION

Y PART SECTION

BD. REF : \_\_\_\_\_

CLIENT : **SUN HUNG KAI** REAL ESTATE AGENCY LTD.  
42/F SUN HUNG KAI CENTRE, WANCHAI, HONGKONG

ARCHITECT : **lwk&partners**  
a f c h i l e o i s

MAIN CONTRACTOR : **怡輝建築有限公司**  
Yee Fai Building Contractors Ltd.

STRUCTURAL ENGINEER : **ARUP**  
ALPHA CONSULTING LIMITED  
Steel Structure & Façade Specialist

FACADE CONSULTANT : **ARUP**

NOTE :  
1. ALL DIMENSIONS ARE IN mm.  
2. ALL ELEVATIONS ARE VIEWED FROM OUTSIDE.  
3. ALL DIMENSIONS TO BE VERIFIED ON SITE BEFORE FABRICATION.

LEGEND :  
X1 --- DETAIL MARK NO.  
X001 --- REFER SHEET NO.

1. F.F.L. --- FINISHED FLOOR LEVEL  
2. S.F.L. --- STRUCTURAL FLOOR LEVEL  
3. (R) --- REVERSED DETAIL

4. GLASS LEGEND  
EQI-1 --- 8mmHS+12mm AIR GAP+10mmTP THK. I.G.U.  
EQI-2 --- 10mm THK. CLEAR TEMPERED GLASS  
EQI-4 --- 10mm THK. TEMPERED ACID ETCHED GLASS  
EQI-1A --- 8mmHS+12mm AIR GAP+8mmTP THK. I.G.U.  
EQI-1B --- 8mmHS+12mm AIR GAP+10mmTP ADD-ETCHED THK. I.G.U.

NO.	DATE	REVISION	REVISION SUBJECT TO ARCH-COMMENT	BY
M	21/02/2023	REVISION SUBJECT TO ARCH-COMMENT	hwk	
L	26/10/2022	REVISION SUBJECT TO GEP PLAN	hwk	
K	21/09/2022	REVISION SUBJECT TO ARCH-COMMENT	hwk	
J	17/08/2022	REVISION SUBJECT TO ARCH-COMMENT	hwk	
I	27/06/2022	REVISION SUBJECT TO ARCH-COMMENT	hwk	
H	22/04/2022	REVISION SUBJECT TO ARCH-COMMENT	hwk	

JOB NO. : J-856

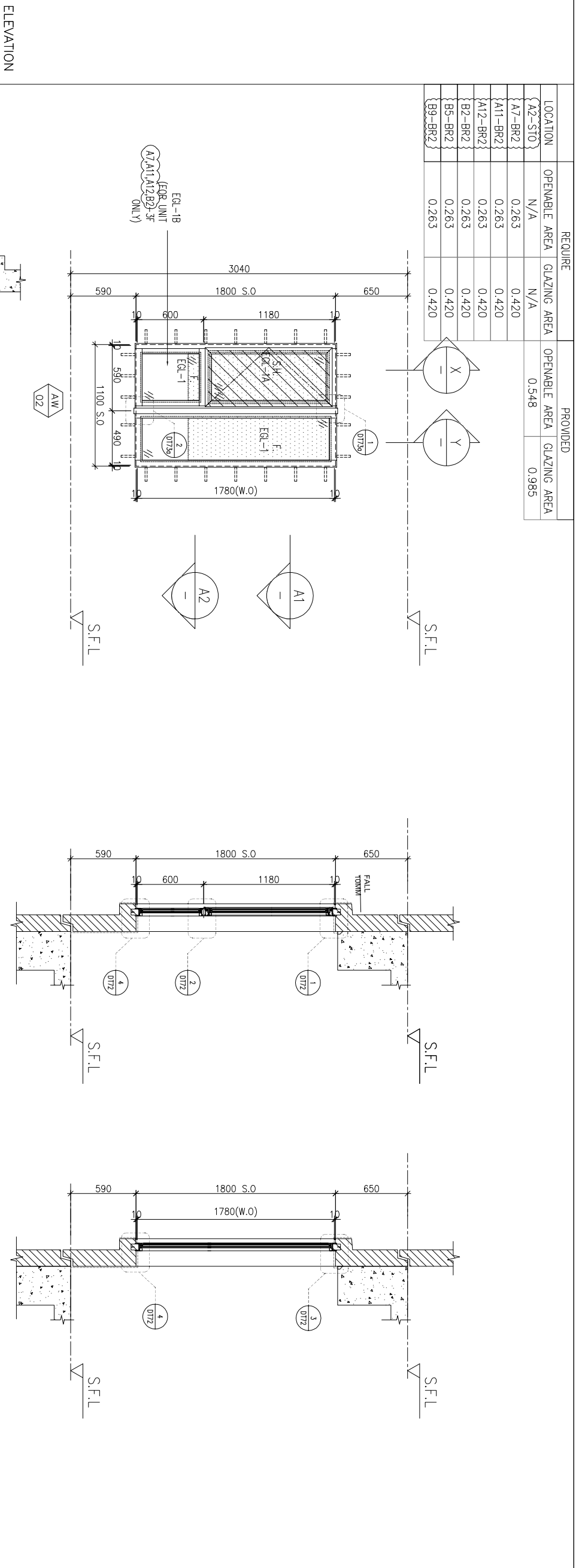
PROJECT : PROPOSED DEVELOPMENT ABOVE LIGHT RAIL TIN WING STOP-TSWTL NO.23,AREA 33,TIN SHUI WAI, N.T.

TITLE : WINDOW SCHEDULE FOR TOWER 3 ALUM. WINDOW

DATE : 02-Aug-21 SCALE : 1:40  
DRAWN BY : IYON CHECKED BY : \_\_\_\_\_

**美特鋁質有限公司**  
MIDI ALUMINIUM FABRICATOR LTD.  
Units 6-8, Sunray Industrial Centre, 1/F  
610 Cho Kwai Ling Road, Kwai Tsou  
Tel:23469211-4 Fax:(852)2727666  
DWG NO. : J856-SD-PW-5302 REV : M

REQUIRED		PROVIDED	
LOCATION	OPENABLE AREA	GLAZING AREA	GLAZING AREA
{A2-S10}	N/A	N/A	0.548
{A7-BR2}	0.263	0.420	0.985
{A11-BR2}	0.263	0.420	
{A12-BR2}	0.263	0.420	
{B5-BR2}	0.263	0.420	
{B9-BR2}	0.263	0.420	



FACADE CODE			
LWK	鴻輝	UNIT	UNIT
PF-05	T3PF-04	A2	
PF-05	T3PF-13	A7	
PF-05	T3PF-39	A11	
PF-05	T3PF-40	A12	

FACADE CODE			
LWK	鴻輝	UNIT	UNIT
PF-05	T3PF-27	B9	
PF-05	T3PF-34	B5	
PF-05	T3PF-18	B2	

FACADE CODE			
LWK	鴻輝	UNIT	UNIT
PF-05	T3PF-10	A10	
PF-05	T3PF-09	B9	
PF-05	T3PF-05	A6	

WINDOW MARK	LOCATION	SECTION	QUANTITY	REMARKS
AW 02	3/F-42/F, 4/F, 13/F, 14/F, 24/F, 34/F (OMITTED)	70mm ALUM. SECTION	35 Nos / 35 Nos / 35 Nos / 34 Nos / 35 Nos / 34 Nos	FACADE TYPE T3PF05 FOR 3/F-42/F, 4 BAR HINGE-LIP HING (HHMS-N16)
AW 02R	3/F UNIT A12(3F), B2(3F)	70mm ALUM. SECTION	1 No / 1 No	FACADE TYPE T3PF05R FOR 3/F-42/F, 4 BAR HINGE-LIP HING (HHMS-N16)

BD. REF :

CLIENT :

**SUN HUNG KAI**  
REAL ESTATE AGENCY LTD.  
42/F SUN HUNG KAI CENTRE, WANCHAI, HONGKONG

ARCHITECT :

**lwk&partners**  
a r c h i t e c t s

MANU CONTRACTOR :

**怡輝建築有限公司**  
Yee Fai Building Contractors Ltd.

STRUCTURAL ENGINEER :

**ARUP**  
ALPHA CONSULTING LIMITED  
Steel Structure & Façade Specialist

FACADE CONSULTANT :

NOTE :

- ALL DIMENSIONS ARE IN mm.
- ALL ELEVATIONS ARE VIEWED FROM OUTSIDE.
- ALL DIMENSIONS TO BE VERIFIED ON SITE BEFORE FABRICATION.

LEGEND :

- X1 --- DETAIL MARK NO.
- X001 --- REFER SHEET NO.

- F.F.L. --- FINISHED FLOOR LEVEL
- S.F.L. --- STRUCTURAL FLOOR LEVEL
- R --- REVERSED DETAIL

4. GLASS LEGEND

EQI-1 --- 8mmHS+12mm AIR GAP+10mmTP THK. I.G.U.

EQI-2 --- 10mm THK. CLEAR TEMPERED GLASS

EQI-4 --- 10mm THK. TEMPERED ACID ETCHED GLASS

EQI-1A --- 8mmHS+12mm AIR GAP+8mmTP THK. I.G.U.

EQI-1B --- 8mmHS+12mm AIR GAP+10mmTP ADD-ETCHED THK. I.G.U.

NO.	DATE	REVISION SUBJECT TO ARCH-COMMENT	BY
M	21/02/2023	REVISION SUBJECT TO ARCH-COMMENT	lwk
L	26/10/2022	REVISION SUBJECT TO GEP PLAN	lwk
K	21/09/2022	REVISION SUBJECT TO ARCH-COMMENT	lwk
J	17/08/2022	REVISION SUBJECT TO ARCH-COMMENT	lwk
I	21/06/2022	REVISION SUBJECT TO ARCH-COMMENT	lwk
H	22/04/2022	REVISION SUBJECT TO ARCH-COMMENT	lwk

JOB NO. : J-856

PROJECT : PROPOSED DEVELOPMENT ABOVE LIGHT RAIL TIN WING STOP-TSWTL NO.23, AREA 33, TIN SHUI WAI, N.T.

TITLE : WINDOW SCHEDULE FOR TOWER 3 ALUM. WINDOW

DATE : 02-Aug-21

SCALE : 1:40

DRAWN BY : IYON

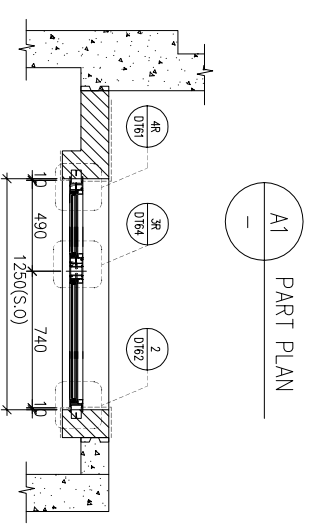
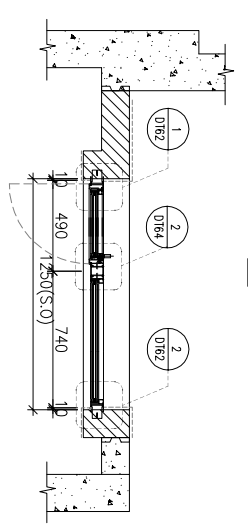
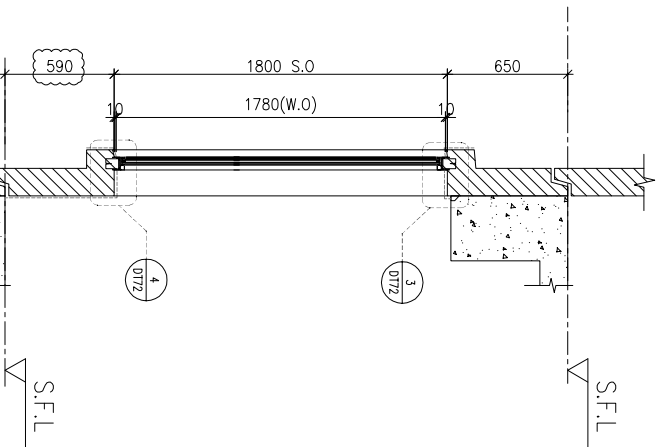
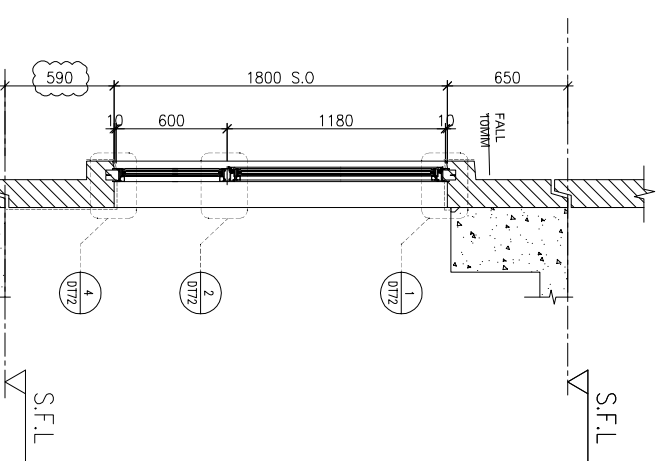
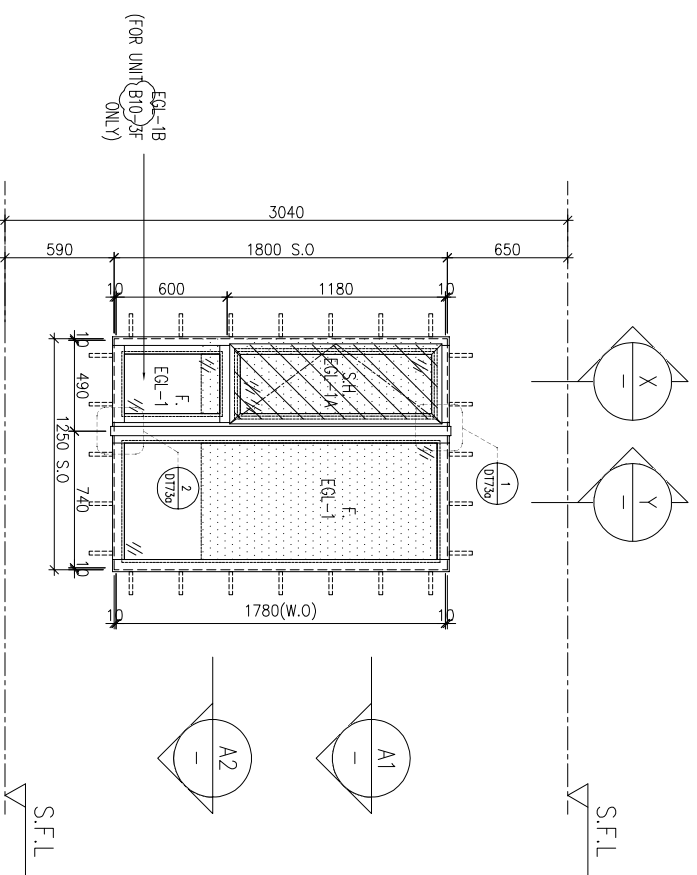
CHECKED BY :

**美特鋁質有限公司**  
MIDI ALUMINIUM FABRICATOR LTD.  
Units 6-8, Sunray Industrial Centre, 1/F  
610 Cho Kwai Ling Road, Kwai Tsou  
Tel: 23489211-4 Fax: (852) 27272666

DWG NO. : 0856-SD-PW-5303

REV. : L

REQUIRED		PROVIDED	
LOCATION	OPENABLE AREA	GLAZING AREA	OPENABLE AREA
{B10-BR2}	0.283	0.452	0.439
B1-BR2	0.283	0.452	1.19



FACADE CODE		
LWK	鴻輝	UNIT
PF-05	T3PF-24	{B10}
PF-05R	T3PF-21	B1

WINDOW MARK	AM 02d
LOCATION	3/F~42/F(4/F,13/F,14/F,24/F,34/F OMITTED) UNIT {B10}
SECTION	70mm ALUM. SECTION
GLAZING	EGL-1,EGL-1A
QUANTITY	35 Nos
REMARKS	FACADE(TYPE T3PF05 FOR 3/F~42/F) ,4 BAR HINGE-LIP HING (HHMS-N12

WINDOW MARK	AM 02dR
LOCATION	3/F~42/F(4/F,13/F,14/F,24/F,34/F OMITTED) UNIT B1
SECTION	70mm ALUM. SECTION
GLAZING	EGL-1,EGL-1A
QUANTITY	35 Nos
REMARKS	FACADE(TYPE T3PF05R FOR 3/F~42/F) ,4 BAR HINGE-LIP HING (HHMS-N12)

BD. REF :

CLIENT :

**SUN HUNG KAI**  
REAL ESTATE AGENCY LTD.  
42/F SUN HUNG KAI CENTRE, WANCHAI, HONGKONG

ARCHITECT :  
**lwk&partners**  
a r c h i t e c t s

MANU CONTRACTOR :  
**怡輝建築有限公司**  
Yee Fai Building Contractors Ltd.

STRUCTURAL ENGINEER :

**ARUP**

FACADE CONSULTANT:  
**ALPHA CONSULTING LIMITED**  
Steel Structure & Façade Specialist

- NOTE:
1. ALL DIMENSIONS ARE IN mm.
  2. ALL ELEVATIONS ARE VIEWED FROM OUTSIDE.
  3. ALL DIMENSIONS TO BE VERIFIED ON SITE BEFORE FABRICATION.

LEGEND:

(X1) --- DETAIL MARK NO.  
(X001) --- REFER SHEET NO.

1. F.F.L. --- FINISHED FLOOR LEVEL
  2. S.F.L. --- STRUCTURAL FLOOR LEVEL
  3. (R) --- REVERSED DETAIL
  4. GLASS LEGEND
- EGL-1 --- 8mmHS+12mm AIR GAP+10mmTP THK. I.G.U.  
EGL-2 --- 10mm THK. CLEAR TEMPERED GLASS  
EGL-4 --- 10mm THK. TEMPERED ACID ETCHED GLASS  
EGL-1A --- 8mmHS+12mm AIR GAP+8mmTP THK. I.G.U.  
EGL-1B --- 8mmHS+12mm AIR GAP+10mmTP ACID-ETCHED THK. I.G.U.

NO.	DATE	REVISION	SUBJECT TO ARCH-COMMENT	BY
E	21/02/2023	REVISION SUBJECT TO ARCH-COMMENT	hwn	
D	26/10/2022	REVISION SUBJECT TO GAP PLAN	hwn	
C	21/09/2022	REVISION SUBJECT TO ARCH-COMMENT	hwn	
B	17/09/2022	REVISION SUBJECT TO ARCH-COMMENT	hwn	
A	27/06/2022	REVISION SUBJECT TO ARCH-COMMENT	hwn	

JOB NO. : J-856

PROJECT : PROPOSED DEVELOPMENT ABOVE LIGHT RAIL TIN WING STOP-TSMTL NO.23,AREA 33,TIN SHUI WAI, N.T.

TITLE : WINDOW SCHEDULE FOR TOWER 3 ALUM. WINDOW

DATE : 22-Apr-22 SCALE : 1:40

DRAWN BY : Ivan CHECKED BY :

**美特鋁質有限公司**  
MIDI ALUMINIUM FABRICATOR LTD.  
Units 6-8, Sunray Industrial Centre, 1/F  
610 Cho Kwai Ling Road, Kwai Tsou  
Tel:23489211-4 Fax:(852)2727666  
DWG NO. : J856-SD-PW-5303d REV. : E

B.D. REF :

CLIENT :

**SUN HUNG KAI**  
REAL ESTATE AGENCY LTD.  
42/F, SUN HUNG KAI CENTRE, WANCHAI, HONGKONG

ARCHITECT :

**lwk&partners**  
a r c h i t e c t s

MAIN CONTRACTOR :

**怡輝建築有限公司**  
**Yee Fai Building Contractors Ltd.**

STRUCTURAL ENGINEER :

**ARUP**

FAÇADE CONSULTANT :

**ALPHA CONSULTING LIMITED**  
Steel Structure & Façade Specialist

NOTE :

1. ALL DIMENSIONS ARE IN mm.
2. ALL ELEVATIONS ARE VIEWED FROM OUTSIDE.
3. ALL DIMENSIONS TO BE VERIFIED ON SITE BEFORE FABRICATION.

LEGEND :

- (X1) --- DETAIL MARK NO.
- (X001) --- REFER SHEET NO.

1. F.F.L. --- FINISHED FLOOR LEVEL
2. S.F.L. --- STRUCTURAL FLOOR LEVEL
3. (R) --- REVERSED DETAIL

4. GLASS LEGEND

- EGL-1 --- 8mmHS+12mm AIR GAP+10mmTP THK. I.G.U.
- EGL-2 --- 10mm THK. CLEAR TEMPERED GLASS
- EGL-4 --- 10mm THK. TEMPERED ACID ETCHED GLASS
- EGL-1A --- 8mmHS+12mm AIR GAP+8mmTP THK. I.G.U.
- EGL-1B --- 8mmHS+12mm AIR GAP+10mmTP ADD-ETCHED THK. I.G.U.

NO.	DATE	REVISION SUBJECT TO ARCH-COMMENT	BY
1	27/06/2022	REVISION SUBJECT TO ARCH-COMMENT	hvn
H	22/04/2022	REVISION SUBJECT TO ARCH-COMMENT	hvn
G	09/04/2022	REVISION SUBJECT TO ARCH-COMMENT	hvn
F	14/12/2021	REVISION SUBJECT TO ARCH-COMMENT	hvn
E	29/11/2021	REVISION SUBJECT TO ARCH-COMMENT	hvn

JOB NO. :

J-856

PROJECT :

PROPOSED DEVELOPMENT ABOVE LIGHT RAIL TIN WING STOP-TSWTL NO.23,AREA 33,TIN SHUI WAI, N.T.

TITLE :

WINDOW SCHEDULE FOR TOWER 3 ALUM. WINDOW

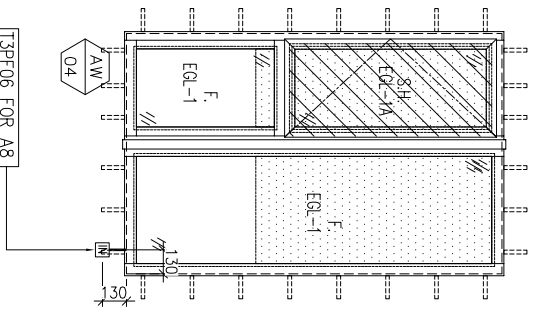
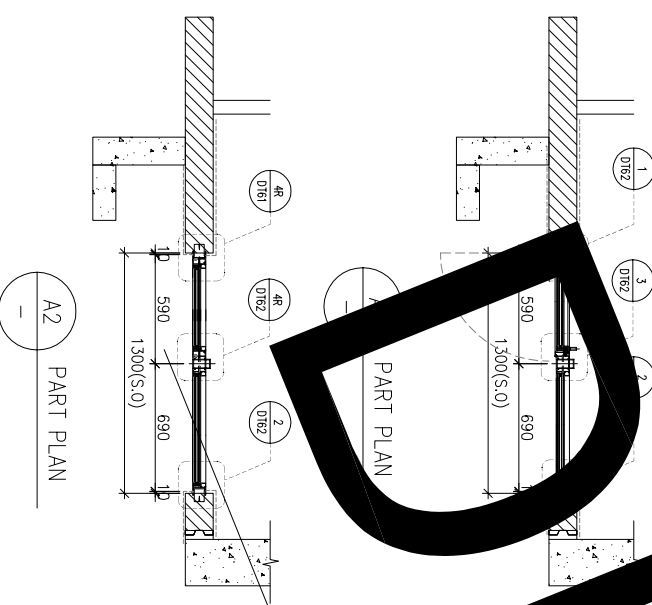
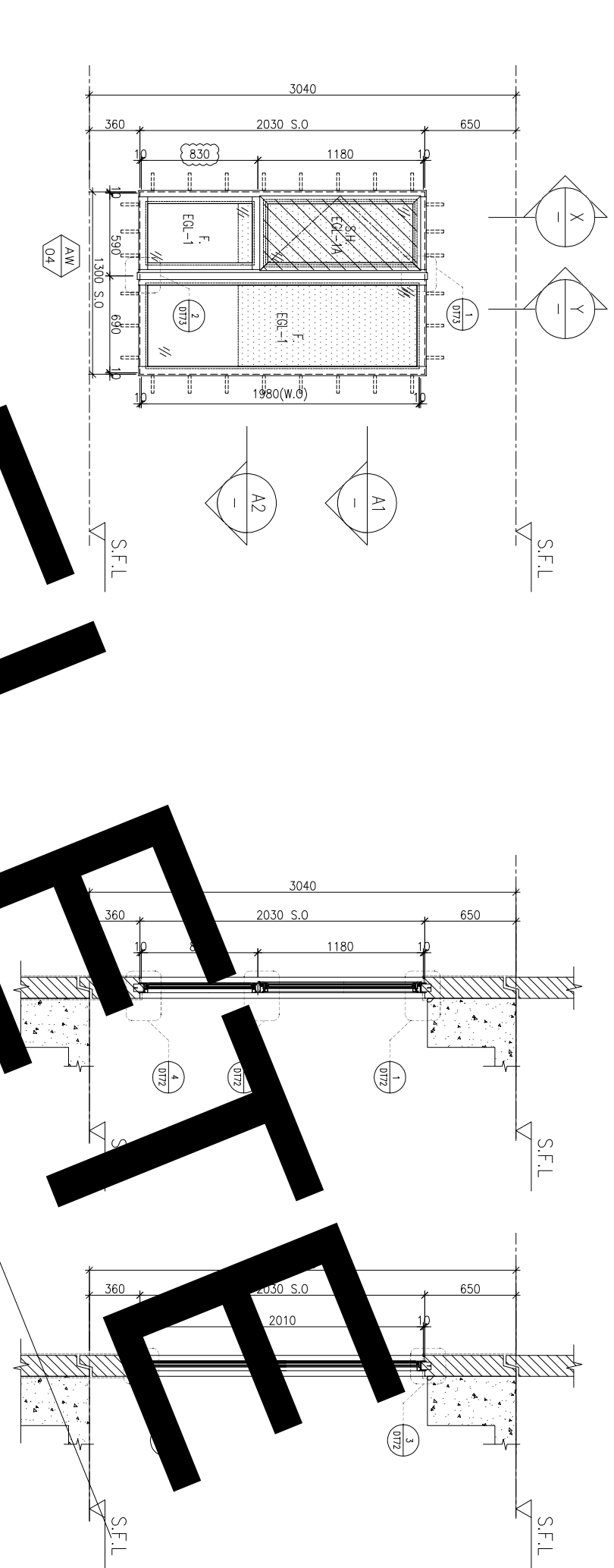
DATE : 02-Aug-21 SCALE : 1:40

DRAWN BY : ivon

CHECKED BY :

**美特鋁質有限公司**  
MIDI ALUMINIUM FABRICATOR LTD.  
Units 6-8, Sunray Industrial Centre, 1/F  
610 Cho Kwai Ling Road, Kwai Tsoum  
Tel:23489211-4 Fax:(852)2727666

DWG NO. : J856-SD-PW-5304 REV. : I



FAÇADE CODE		
LWK	鴻輝	UNIT
PF-06	T3PF-36	A8

WINDOW MARK



LOCATION 3/F~42/F(4/F,13/F,14/F,24/F,34/F OMITTED) UNIT A8

SECTION 70mm ALUM. SECTION

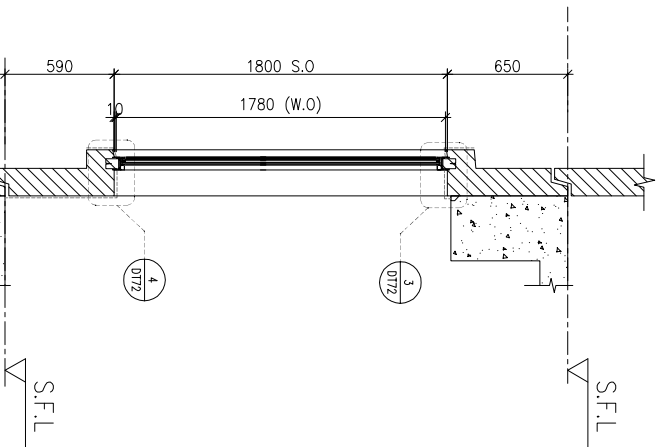
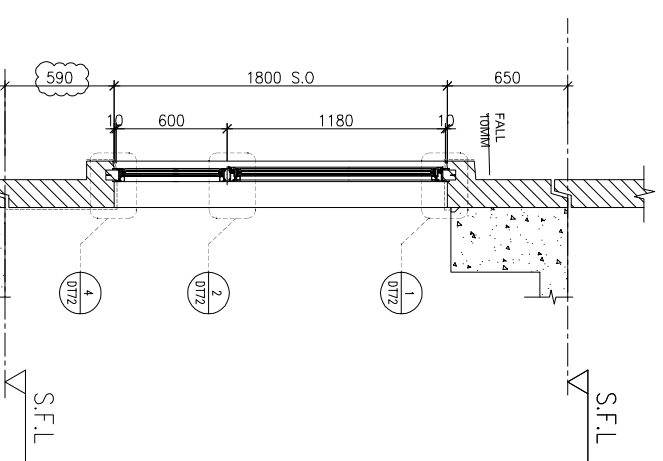
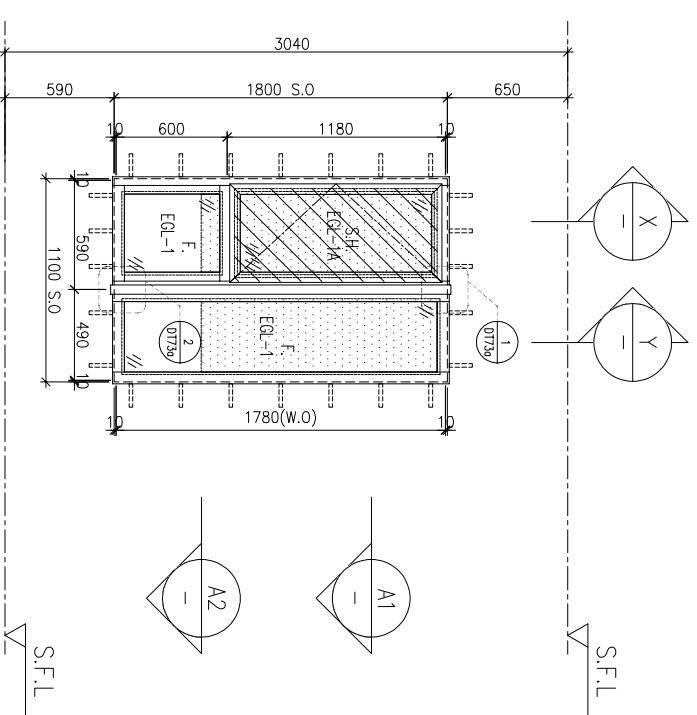
GLAZING EGL-1,EGL-1A

QUANTITY 35 Nos

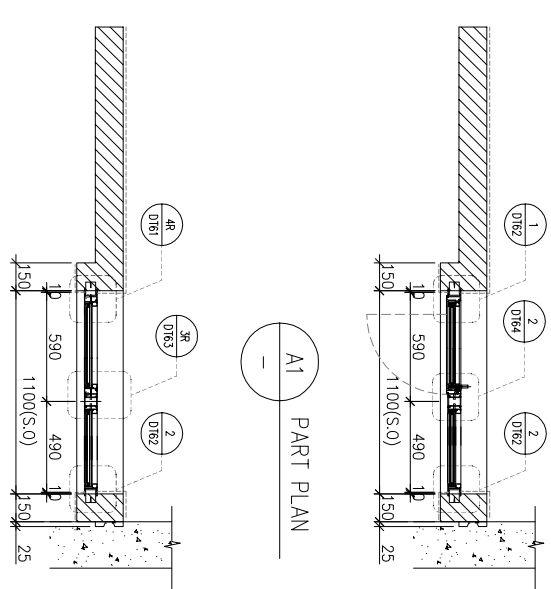
REMARKS FAÇADE(TYPE T3PF06 FOR 3/F~42/F)

ELEVATION

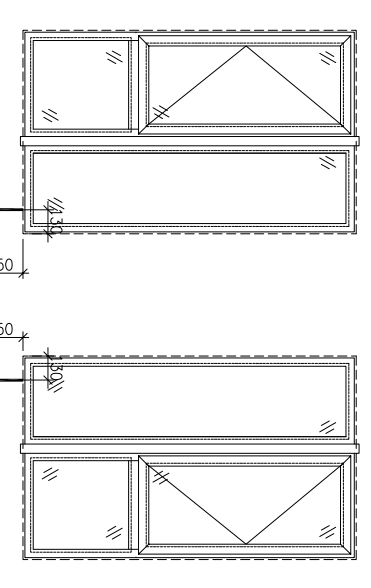
REQUIRED		PROVIDED		
LOCATION	OPENABLE AREA	GLAZING AREA	OPENABLE AREA	GLAZING AREA
{A6-BR2}	0.263	0.420	0.548	0.985
{B1-BR3}	0.263	0.420		
{B10-BR3}	0.263	0.420		



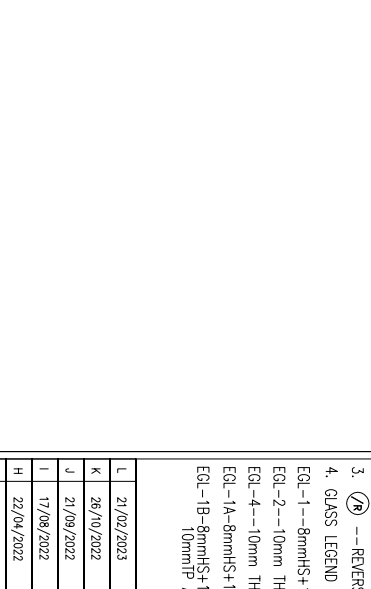
ELEVATION



A1 PART PLAN



X PART SECTION



Y PART SECTION

FACADE CODE		
LWK	鴻輝	UNIT
PF-08	T3PF-25	B10
PF-08R	T3PF-10	A6
PF-08R	T3PF-20	B1

WINDOW MARK

AW 02

LOCATION 3/F-42/F(4/F,13/F,14/F,24/F,34/F OMITTED) UNIT B10

SECTION 70mm ALUM. SECTION

GLAZING EGL-1,EGL-1A

QUANTITY 35 Nos

REMARKS FACADE(TYPE T3PF08 FOR 3/F~42/F) , 4 BAR HINGE-LIP HING (HHMS-N16)

AW 02R

LOCATION 3/F-42/F(4/F,13/F,14/F,24/F,34/F OMITTED) UNIT A6 , B1

SECTION 70mm ALUM. SECTION

GLAZING EGL-1,EGL-1A

QUANTITY 35 Nos / 35 Nos

REMARKS FACADE(TYPE T3PF08R FOR 3/F~42/F) , 4 BAR HINGE-LIP HING (HHMS-N16)

BD. REF :

CLIENT :



42/F SUN HUNG KAI CENTRE, WANCHAI, HONGKONG

ARCHITECT :



MANU CONTRACTOR :

怡輝建築有限公司



STRUCTURAL ENGINEER :



FACADE CONSULTANT :



Steel Structure & Façade Specialist

NOTE :  
1. ALL DIMENSIONS ARE IN mm.  
2. ALL ELEVATIONS ARE VIEWED FROM OUTSIDE.  
3. ALL DIMENSIONS TO BE VERIFIED ON SITE BEFORE FABRICATION.

LEGEND :  
X1 --- DETAIL MARK NO.  
X001 --- REFER SHEET NO.  
1. F.F.L. --- FINISHED FLOOR LEVEL  
2. S.F.L. --- STRUCTURAL FLOOR LEVEL  
3. (R) --- REVERSED DETAIL  
4. GLASS LEGEND  
EGL-1 --- 8mmHS+12mm AIR GAP+10mmTP THK. I.G.U.  
EGL-2 --- 10mm THK. CLEAR TEMPERED GLASS  
EGL-4 --- 10mm THK. TEMPERED ACID ETCHED GLASS  
EGL-1A --- 8mmHS+12mm AIR GAP+8mmTP THK. I.G.U.  
EGL-1B --- 8mmHS+12mm AIR GAP+10mmTP ADD-ETCHED THK. I.G.U.

NO.	DATE	REVISION	REVISION SUBJECT TO ARCH-COMMENT	BY
L	21/02/2023	REVISION SUBJECT TO ARCH-COMMENT		hvn
K	26/10/2022	REVISION SUBJECT TO GEP PLAN		h
J	21/09/2022	REVISION SUBJECT TO ARCH-COMMENT		hvn
I	17/08/2022	REVISION SUBJECT TO ARCH-COMMENT		hvn
H	22/04/2022	REVISION SUBJECT TO ARCH-COMMENT		hvn
G	08/04/2022	REVISION SUBJECT TO ARCH-COMMENT		hvn

JOB NO. : J-856

PROJECT : PROPOSED DEVELOPMENT ABOVE LIGHT RAIL TIN WING STOP-TSWTL NO.23,AREA 33,TIN SHUI WA, N.T.

TITLE : WINDOW SCHEDULE FOR TOWER 3 ALUM. WINDOW

DATE : 02-Aug-21 SCALE : 1:40

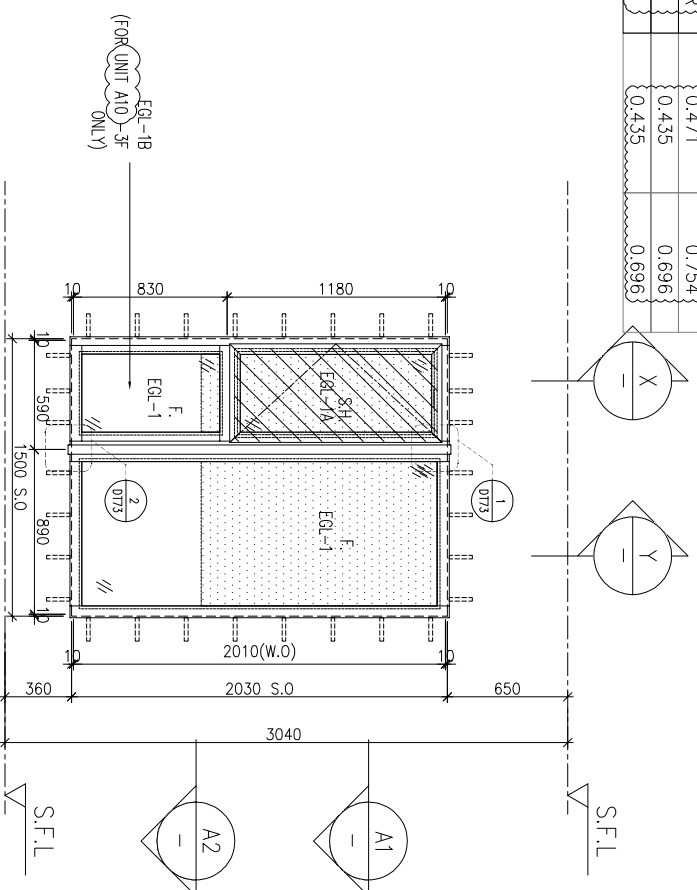
DRAWN BY : ivon CHECKED BY :



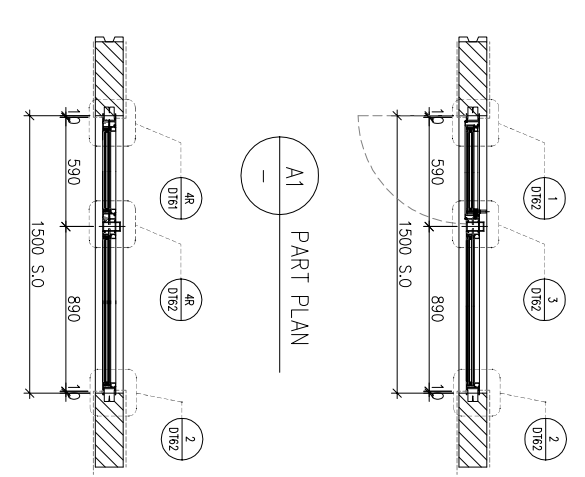
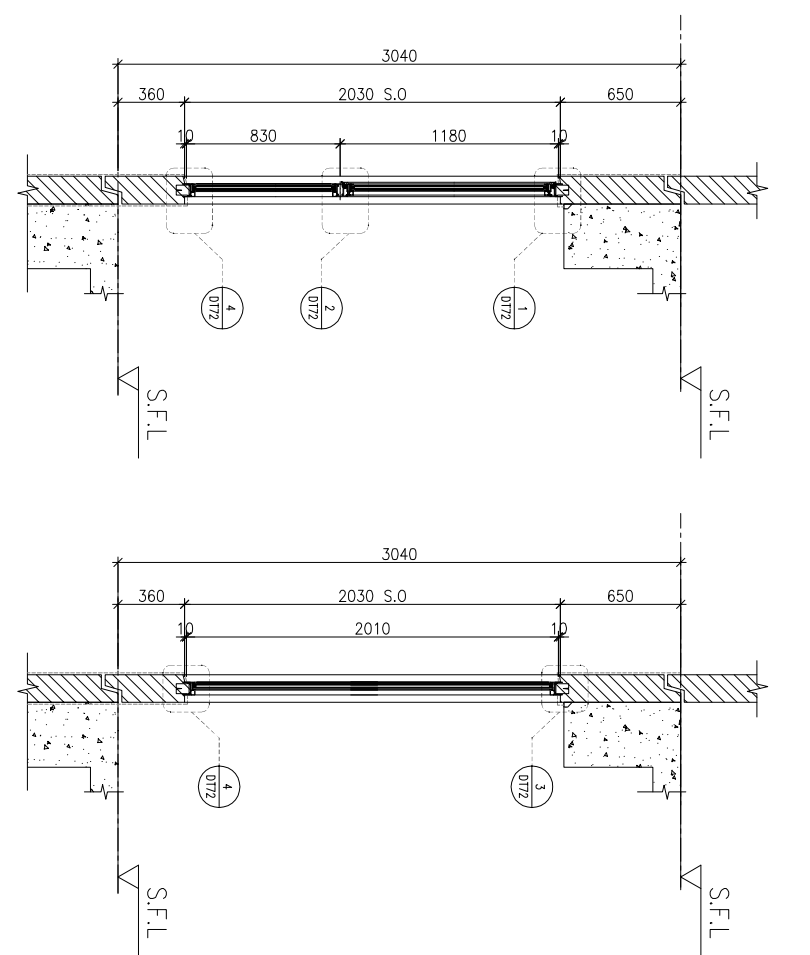
Units 6-8, Sunray Industrial Centre, 1/F  
610 Cho Kwai Ling Road, Kwai Tsou  
Tel:23489211-4 Fax:(852)2727666

DWG NO. : J856-SD-PW-5305 REV. : L

REQUIRED		PROVIDED		
LOCATION	OPENABLE AREA	GLAZING AREA	OPENABLE AREA	GLAZING AREA
A1-MBR	0.435	0.696	0.548	1.495
A3-MBR	0.460	0.736		
A6-MBR	0.473	0.757		
A10-MBR	0.471	0.754		
B7-MBR	0.435	0.696		
B8-MBR	0.435	0.696		

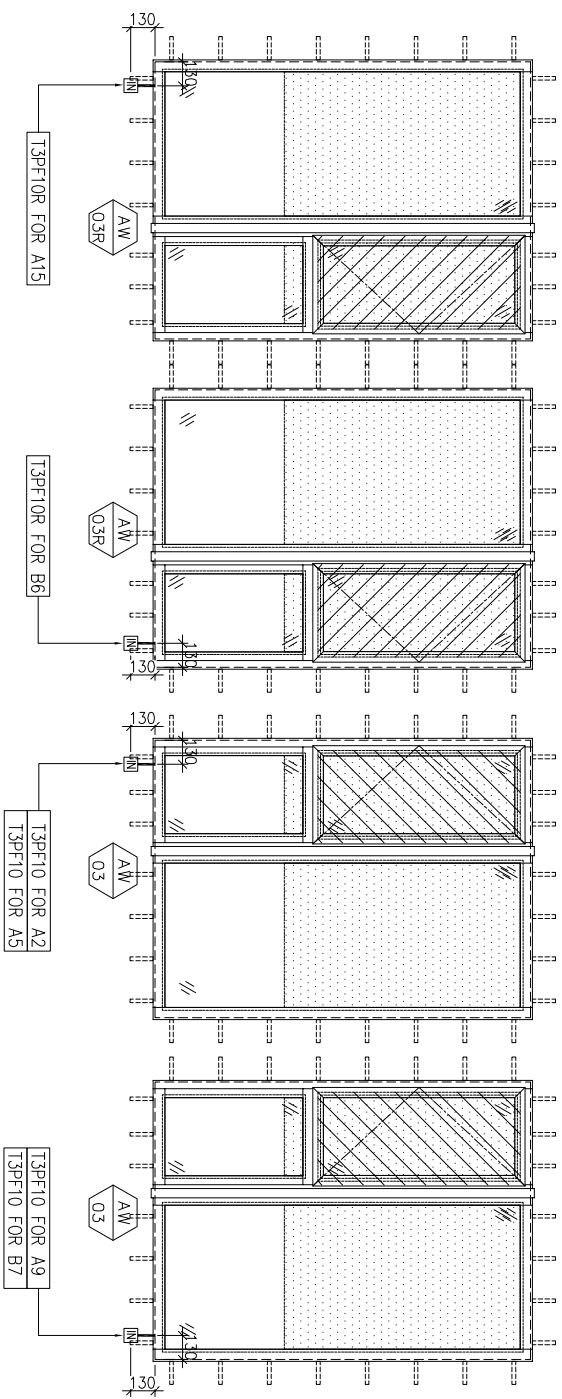


ELEVATION



FACADE CODE		FACADE CODE	
LWK	UNIT	LWK	UNIT
PF-10	T3PF-06	A3	
PF-10	T3PF-11	A6	
PF-10	T3PF-38	A10	
PF-10	T3PF-31	B7	

LOCATION	SECTION	REMARKS
3/F~42/F(4/F,13/F,14/F,24/F,34/F OMITTED)	UNIT A3, A6, A10, B7	
70mm ALUM. SECTION		
EGL-1, EGL-1A		
35 Nos / 35 Nos / 35 Nos / 35 Nos		
FACADE(TYPE T3PF10 FOR 3/F~42/F), 4 BAR HINGE-LIP HING (HHMS-N16)		



LOCATION	SECTION	REMARKS
3/F~42/F(4/F,13/F,14/F,24/F,34/F OMITTED)	UNIT A1(5/F~42/F), B8	
70mm ALUM. SECTION		
EGL-1, EGL-1A		
34 Nos / 35 Nos		
FACADE(TYPE T3PF10 FOR 3/F~42/F), 4 BAR HINGE-LIP HING (HHMS-N16)		

BD. REF :

CLIENT :



MANU CONTRACTOR :  
**怡輝建築有限公司**  
**Yee Fai Building Contractors Ltd.**

STRUCTURAL ENGINEER :



FACADE CONSULTANT:  
**ALPHA CONSULTING LIMITED**  
 Steel Structure & Façade Specialist

NOTE:  
 1. ALL DIMENSIONS ARE IN mm.  
 2. ALL ELEVATIONS ARE VIEWED FROM OUTSIDE.  
 3. ALL DIMENSIONS TO BE VERIFIED ON SITE BEFORE FABRICATION.

LEGEND:  
 X1 --- DETAIL MARK NO.  
 X001 --- REFER SHEET NO.

1. F.F.L. --- FINISHED FLOOR LEVEL
  2. S.F.L. --- STRUCTURAL FLOOR LEVEL
  3. (R) --- REVERSED DETAIL
  4. GLASS LEGEND
- EQI-1 --- 8mmHS+12mm AIR GAP+10mmTP THK. I.G.U.  
 EQI-2 --- 10mm THK. CLEAR TEMPERED GLASS  
 EQI-4 --- 10mm THK. TEMPERED ACID ETCHED GLASS  
 EQI-1A --- 8mmHS+12mm AIR GAP+8mmTP THK. I.G.U.  
 EQI-1B --- 8mmHS+12mm AIR GAP+10mmTP ADD-ETCHED THK. I.G.U.

NO.	DATE	REVISION	REVISION SUBJECT TO ARCH-COMMENT	BY
L	21/02/2023		REVISION SUBJECT TO ARCH-COMMENT	lwn
K	26/10/2022		REVISION SUBJECT TO GEP PLAN	h
J	21/09/2022		REVISION SUBJECT TO ARCH-COMMENT	lwn
I	17/08/2022		REVISION SUBJECT TO ARCH-COMMENT	lwn
H	27/06/2022		REVISION SUBJECT TO ARCH-COMMENT	lwn
G	22/04/2022		REVISION SUBJECT TO ARCH-COMMENT	lwn

JOB NO. : J-856  
 PROJECT : PROPOSED DEVELOPMENT ABOVE LIGHT RAIL TIN WING STOP, TSWL NO.23, AREA 33, TIN SHUI WAI, N.T.

TITLE : WINDOW SCHEDULE FOR TOWER 3 ALUM. WINDOW

DATE : 02-Aug-21  
 SCALE : 1:40  
 DRAWN BY : lwn  
 CHECKED BY :

**美特鋁質有限公司**  
**MIDI ALUMINIUM FABRICATOR LTD.**  
 Units 6-8, Sunray Industrial Centre, 1/F  
 610 Cho Kwai Ling Road, Kwailoon  
 Tel:23489211-4 Fax:(852)27272666  
 DWG NO. : J856-SD-PW-5306 REV. : L

B.D. REF :

CLIENT :

**SUN HUNG KAI**  
REAL ESTATE AGENCY LTD.  
42/F SUN HUNG KAI CENTRE, WANCHAI, HONGKONG

ARCHITECT :

**lwk&partners**  
a r c h i t e c t s

MAIN CONTRACTOR :

**怡輝建築有限公司**  
**Yee Fai Building Contractors Ltd.**

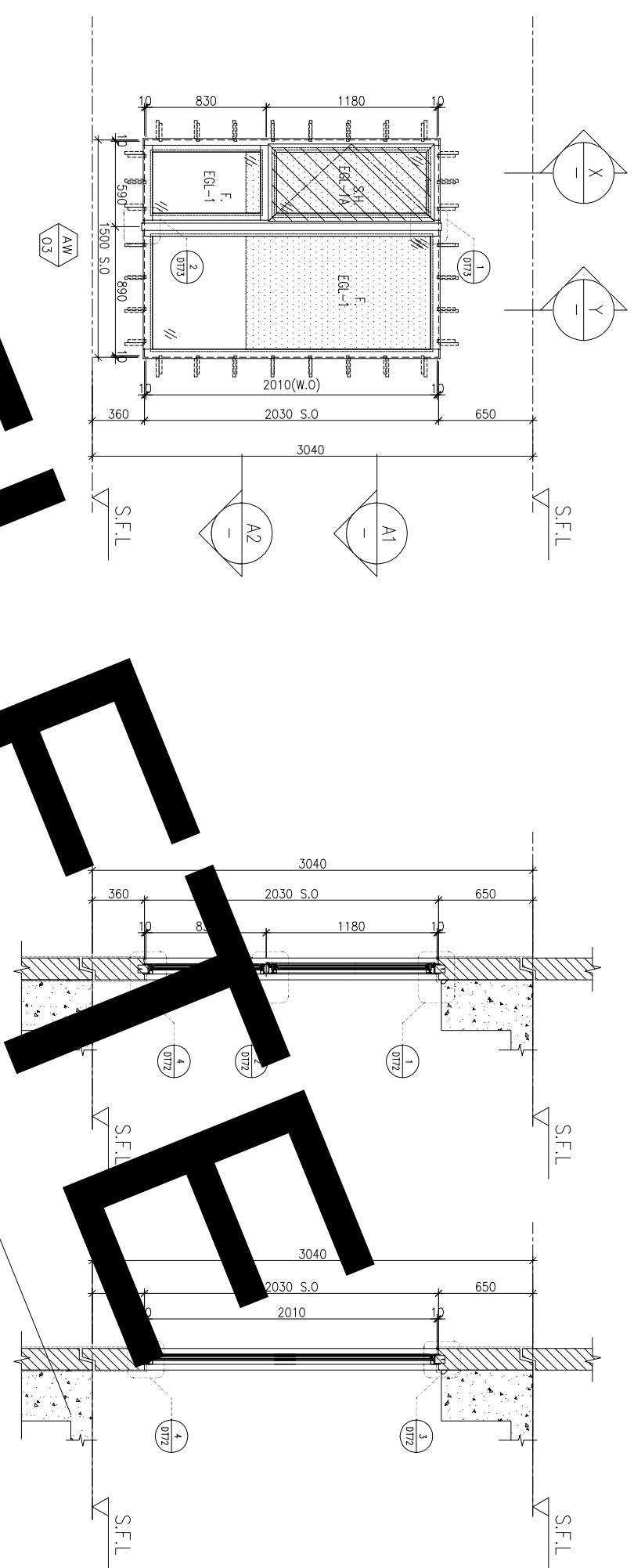
STRUCTURAL ENGINEER :

**ARUP**

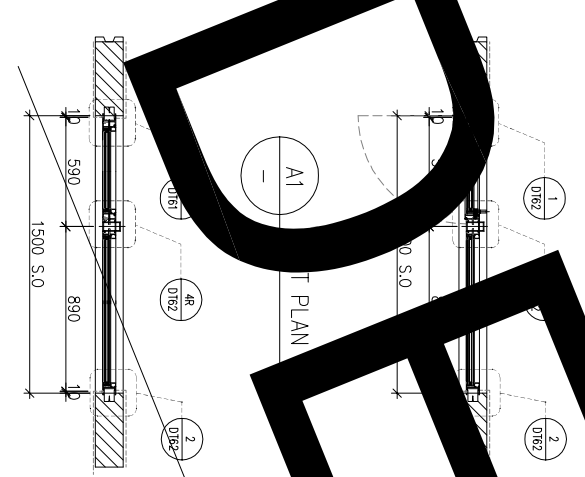
FAÇADE CONSULTANT:

**ALPHA CONSULTING LIMITED**  
Steel Structure & Façade Specialist

ELEVATION



DEFERRED



A2 PART PLAN

FAÇADE CODE		
LWK	鴻輝	UNIT
PF-11	±3PF-03	A1
PF-11	±3PF-17	B10

CHANGE TO IN-SITU WINDOWS?  
CHANGE TO IN-SITU WINDOWS?

WINDOW MARK



LOCATION 3/F-42/F, 4/F, 13/F, 14/F, 24/F, 34/F OMITTED UNIT A1, B10

SECTION 70mm ALUM. SECTION

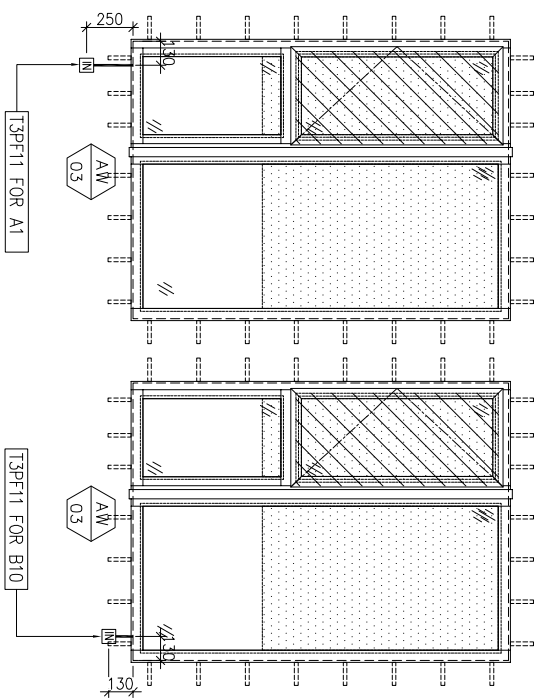
GLAZING EGL-1, EGL-1A

QUANTITY 35 Nos / 35 Nos

REMARKS FAÇADE (TYPE T3PF11 FOR 3/F-42/F)

X-X PART SECTION

Y-Y PART SECTION



- NOTE:
1. ALL DIMENSIONS ARE IN mm.
  2. ALL ELEVATIONS ARE VIEWED FROM OUTSIDE.
  3. ALL DIMENSIONS TO BE VERIFIED ON SITE BEFORE FABRICATION.

LEGEND :

- (X1) --- DETAIL MARK NO.
- (X001) --- REFER SHEET NO.
- 1. F.F.L. --- FINISHED FLOOR LEVEL
- 2. S.F.L. --- STRUCTURAL FLOOR LEVEL
- 3. (R) --- REVERSED DETAIL

4. GLASS LEGEND

EGL-1	--8mmHS+12mm AIR GAP+10mmTP THK. I.G.U.	18/05/2022	REVISION SUBJECT TO ARCH-COMMENT	18/05/2022	REVISION SUBJECT TO ARCH-COMMENT
EGL-2	--10mm THK. CLEAR TEMPERED GLASS	09/04/2022	REVISION SUBJECT TO ARCH-COMMENT	09/04/2022	REVISION SUBJECT TO ARCH-COMMENT
EGL-3	--10mm THK. CLEAR TEMPERED GLASS	14/12/2021	REVISION SUBJECT TO ARCH-COMMENT	14/12/2021	REVISION SUBJECT TO ARCH-COMMENT
EGL-4	--10mm THK. TEMPERED ACID ETCHED GLASS	29/11/2021	REVISION SUBJECT TO ARCH-COMMENT	29/11/2021	REVISION SUBJECT TO ARCH-COMMENT
EGL-1A	--8mmHS+12mm AIR GAP+8mmTP THK. I.G.U.	29/10/2021	REVISION SUBJECT TO ARCH-COMMENT	29/10/2021	REVISION SUBJECT TO ARCH-COMMENT
EGL-1B	--8mmHS+12mm AIR GAP+10mmTP THK. I.G.U.	27/09/2021	REVISION SUBJECT TO ARCH-COMMENT	27/09/2021	REVISION SUBJECT TO ARCH-COMMENT

JOB NO. :

J-856

PROJECT : PROPOSED DEVELOPMENT ABOVE LIGHT RAIL TIN WING STOP-TS/WTL NO.23, AREA 33, TIN SHUI WAI, N.T.

TITLE : WINDOW SCHEDULE FOR TOWER 3 ALUM. WINDOW

DATE : 02-Aug-21 SCALE : 1:40

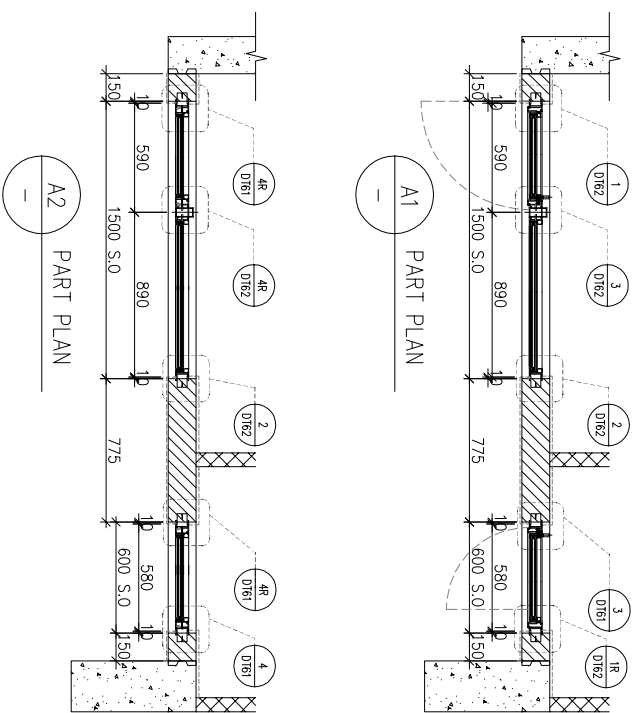
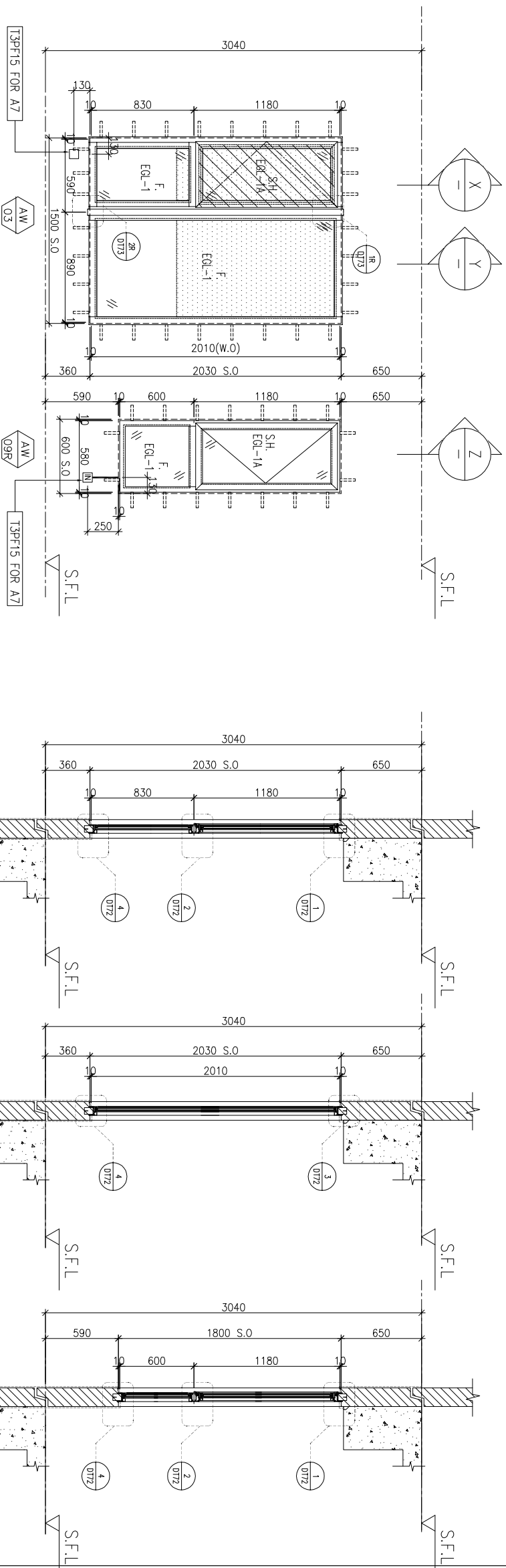
DRAWN BY : IYON CHECKED BY :

**美特鋁質有限公司**  
MIDI ALUMINIUM FABRICATOR LTD.  
Units 6-8, Sunray Industrial Centre, 1/F  
610 Cho Kwai Ling Road, Kwai Tsou  
Tel: 23489211-4 Fax: (852) 27272666

DWG NO. : J856-SD-PW-5307 REV. : H

REQUIRE	PROVIDED
LOCATION {A8-MBR}	LOCATION {A8-STO}
OPENABLE AREA 0.388	OPENABLE AREA 0.548
GLAZING AREA 0.620	GLAZING AREA 1.495

REQUIRE	PROVIDED
LOCATION N/A	LOCATION N/A
OPENABLE AREA N/A	OPENABLE AREA N/A
GLAZING AREA N/A	GLAZING AREA N/A



FACADE CODE		
LWK	鴻輝	UNIT
PF-15	T3PF-14	A8

WINDOW MARK	AW 03	AW 09R
LOCATION	3/F-42/F(4/F,13/F,14/F,24/F,34/F OMITTED) UNIT A8	
SECTION	70mm ALUM. SECTION	
GLAZING	EGL-1, EGL-1A	
QUANTITY	35 Nos	
REMARKS	FACADE(TYPE T3PF15 FOR 3/F-42/F) ,4 BAR HINGE-LIP HING (HHMS-N16)	

BD. REF :

CLIENT :

**SUN HUNG KAI**  
REAL ESTATE AGENCY LTD.  
42/F SUN HUNG KAI CENTRE, WANCHAI, HONGKONG

ARCHITECT :

**lwk&partners**  
a r c h i t e c t s

MAIN CONTRACTOR :

**怡輝建築有限公司**  
**Yee Fai Building Contractors Ltd.**

STRUCTURAL ENGINEER :

**ARUP**

FACADE CONSULTANT :

**ALPHA CONSULTING LIMITED**  
Steel Structure & Façade Specialist

- NOTE :
1. ALL DIMENSIONS ARE IN mm.
  2. ALL ELEVATIONS ARE VIEWED FROM OUTSIDE.
  3. ALL DIMENSIONS TO BE VERIFIED ON SITE BEFORE FABRICATION.

LEGEND :

- (X1) --- DETAIL MARK NO.
- (X001) --- REFER SHEET NO.
- 1. F.F.L. --- FINISHED FLOOR LEVEL
- 2. S.F.L. --- STRUCTURAL FLOOR LEVEL
- 3. (R) --- REVERSED DETAIL

4. GLASS LEGEND
- EGL-1 --- 8mmHS+12mm AIR GAP+10mmTP THK. I.G.U.
  - EGL-2 --- 10mm THK. CLEAR TEMPERED GLASS
  - EGL-4 --- 10mm THK. TEMPERED ACID ETCHED GLASS
  - EGL-1A --- 8mmHS+12mm AIR GAP+8mmTP THK. I.G.U.
  - EGL-1B --- 8mmHS+12mm AIR GAP+10mmTP ACID-ETCHED THK. I.G.U.

NO.	DATE	REVISION	REVISION SUBJECT TO ARCH-COMMENT	BY
M	21/02/2023	REVISION SUBJECT TO ARCH-COMMENT		lwn
L	26/10/2022	REVISION SUBJECT TO GEP PLAN		lwn
K	21/09/2022	REVISION SUBJECT TO ARCH-COMMENT		lwn
J	17/08/2022	REVISION SUBJECT TO ARCH-COMMENT		lwn
I	17/05/2022	REVISION SUBJECT TO ARCH-COMMENT		lwn
H	22/04/2022	REVISION SUBJECT TO ARCH-COMMENT		lwn

JOB NO. : J-856

PROJECT : PROPOSED DEVELOPMENT ABOVE LIGHT RAIL TIN WING STOP-TSWTL NO.23,AREA 33,TIN SHUI WAI, N.T.

TITLE : WINDOW SCHEDULE FOR TOWER 3 ALUM. WINDOW

DATE : 02-Aug-21 SCALE : 1:40

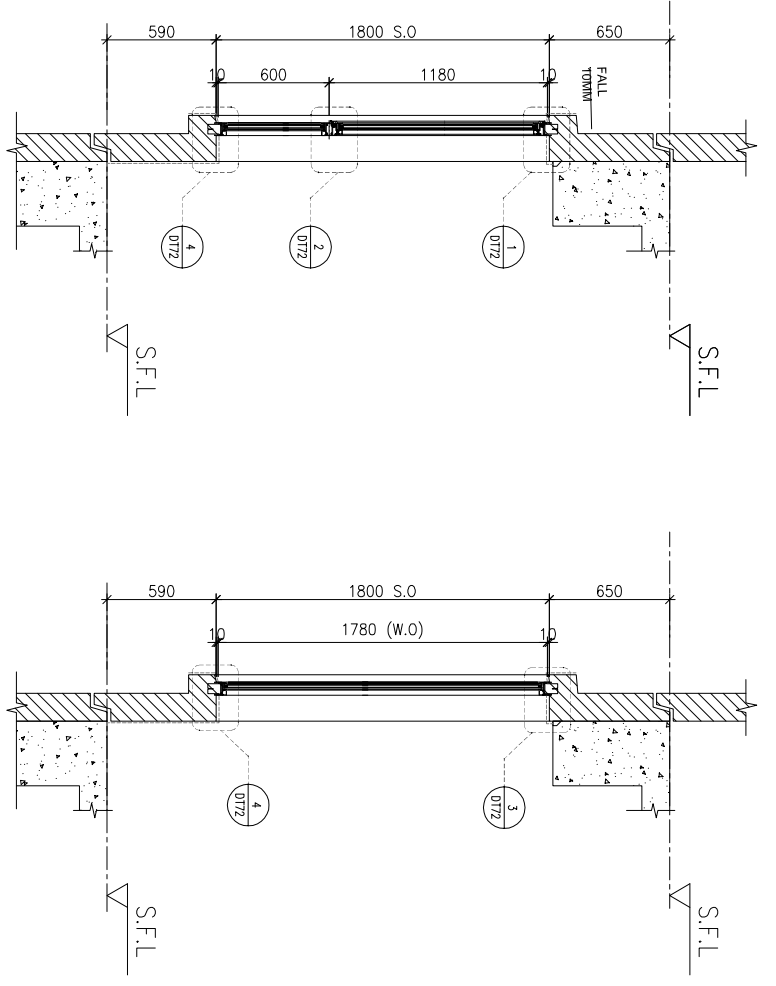
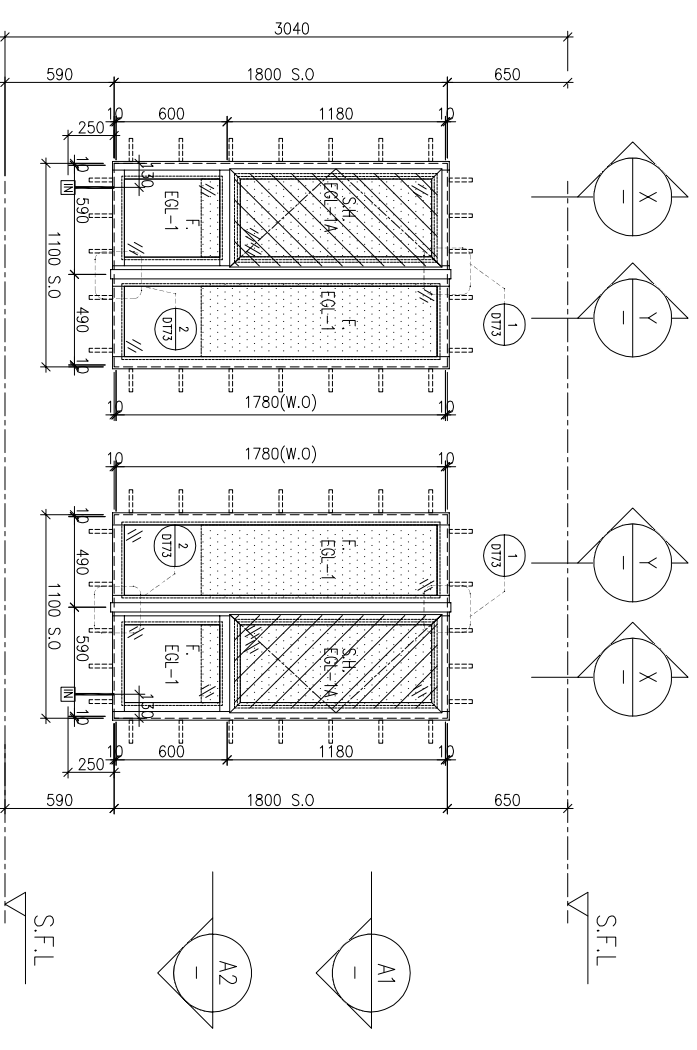
DRAWN BY : lwnn CHECKED BY :

**美特鋁質有限公司**  
**MIDI ALUMINIUM FABRICATOR LTD.**  
Units 6-8, Sunray Industrial Centre, 1/F  
610 Cho Kwai Ling Road, Kowloon  
Tel:23489211-4 Fax:(852)2727666

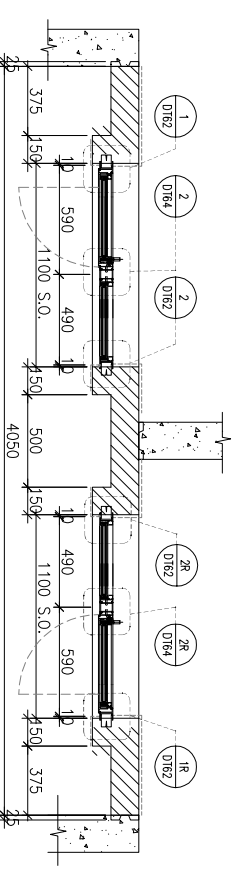
DWG NO. : J856-SD-PW-5308 REV. : M

REQUIRE		PROVIDED	
LOCATION {A6-BR3}	OPENABLE AREA 0.263	GLAZING AREA 0.420	OPENABLE AREA 0.548
{A15-BR2}	0.263	0.420	0.985

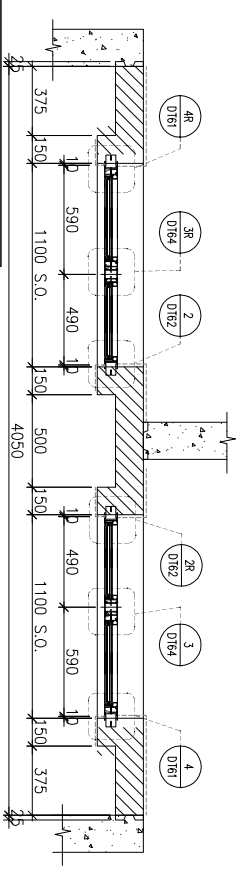
REQUIRE		PROVIDED	
LOCATION {A5-BR2}	OPENABLE AREA 0.263	GLAZING AREA 0.420	OPENABLE AREA 0.548
{A13-BR2}	0.263	0.420	0.985



ELEVATION



A1 PART PLAN



A2 PART PLAN

FACADE CODE	
LWK 鴻輝	UNIT A5
PF-16 T3PF-09	A6
PF-16 T3PF-09	A15
PF-16 T3PF-43	A13

WINDOW MARK AW 02 AW 02R

LOCATION	5/F-42/F, 13/F, 14/F, 24/F, 34/F OMITTED UNIT {A6&A5, A15&A13}
SECTION	70mm ALUM. SECTION
GLAZING	EGL-1, EGL-1A
QUANTITY	34 Nos / 34 Nos
REMARKS	FACADE TYPE T3PF16 FOR 5/F-42(F), 4 BAR HINGE-LIP HING (HHMS-N16)

BD. REF :

CLIENT :



ARCHITECT : **lwk&partners**

MANU CONTRACTOR : 怡輝建築有限公司 Yee Fai Building Contractors Ltd.

STRUCTURAL ENGINEER : **ARUP**

FACADE CONSULTANT : **ALPHA CONSULTING LIMITED**

NOTE :  
 1. ALL DIMENSIONS ARE IN mm.  
 2. ALL ELEVATIONS ARE VIEWED FROM OUTSIDE.  
 3. ALL DIMENSIONS TO BE VERIFIED ON SITE BEFORE FABRICATION.

LEGEND :  
 X1 - DETAIL MARK NO.  
 X001 - REFER SHEET NO.  
 1. F.F.L. --- FINISHED FLOOR LEVEL  
 2. S.F.L. --- STRUCTURAL FLOOR LEVEL  
 3. (R) --- REVERSED DETAIL  
 4. GLASS LEGEND

EGL-1 --- 8mmHS+12mm AIR GAP+10mmTP THK. I.G.U.  
 EGL-2 --- 10mm THK. CLEAR TEMPERED GLASS  
 EGL-4 --- 10mm THK. TEMPERED ACID ETCHED GLASS  
 EGL-1A --- 8mmHS+12mm AIR GAP+8mmTP THK. I.G.U.  
 EGL-1B --- 8mmHS+12mm AIR GAP+10mmTP ACID-ETCHED THK. I.G.U.

NO.	DATE	REVISION	REVISION SUBJECT TO ARCH-COMMENT	BY
K	26/10/2022	REVISION SUBJECT TO GRP PLAN		W
J	17/08/2022	REVISION SUBJECT TO ARCH-COMMENT		W
I	17/08/2022	REVISION SUBJECT TO ARCH-COMMENT		W
H	22/04/2022	REVISION SUBJECT TO ARCH-COMMENT		W
G	09/04/2022	REVISION SUBJECT TO ARCH-COMMENT		W
F	14/12/2021	REVISION SUBJECT TO ARCH-COMMENT		W
E	29/11/2021	REVISION SUBJECT TO ARCH-COMMENT		W

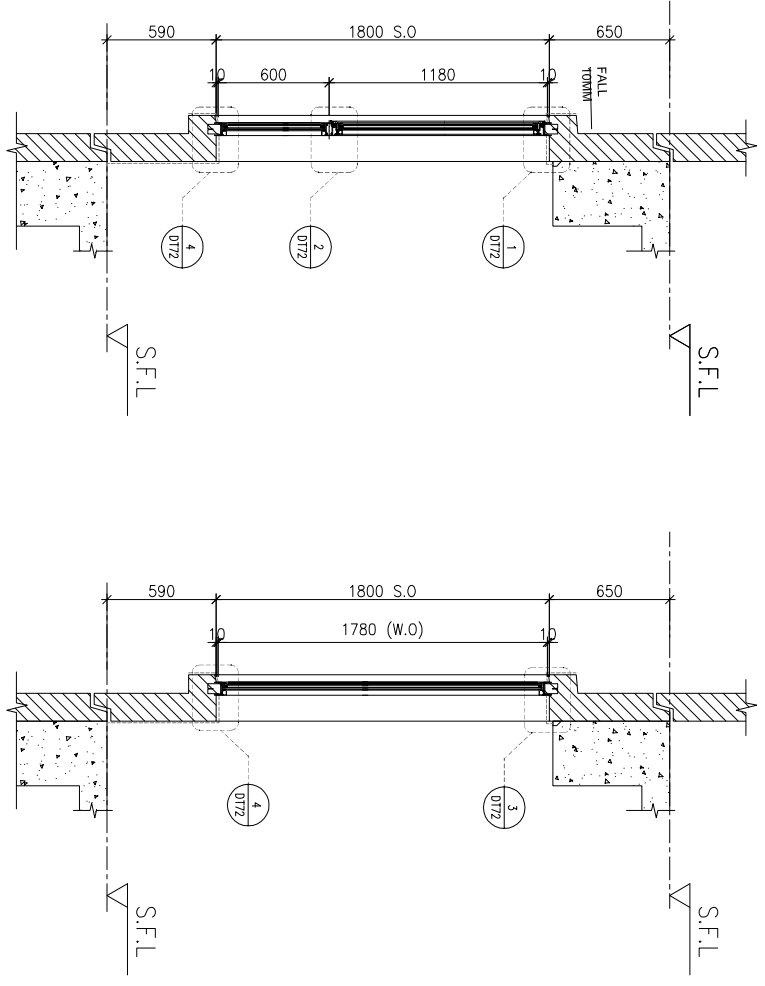
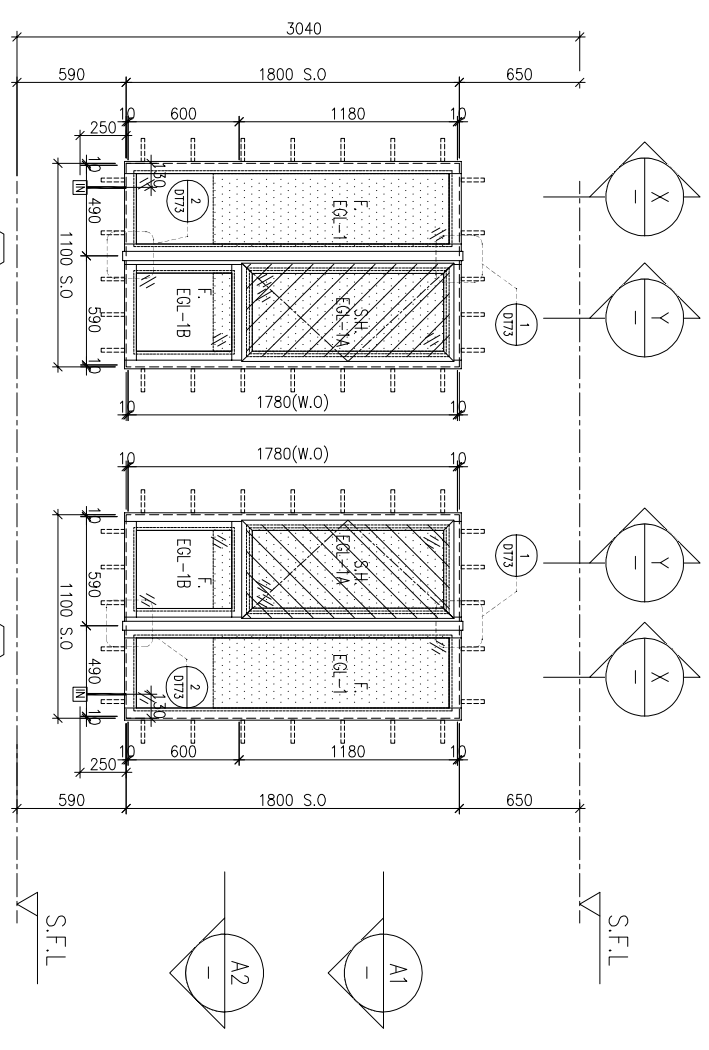
JOB NO. : J-856  
 PROJECT : PROPOSED DEVELOPMENT ABOVE LIGHT RAIL TIN WING STOP-TSWTL NO.23, AREA 33, TIN SHUI WAI, N.T.  
 TITLE : WINDOW SCHEDULE FOR TOWER 3 ALUM. WINDOW

DATE : 02-Aug-21  
 SCALE : 1:40  
 DRAWN BY : Ivan  
 CHECKED BY :

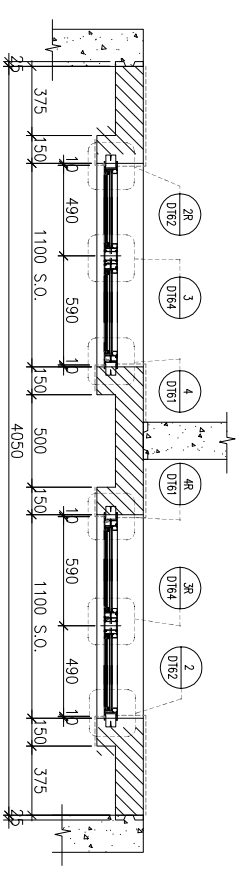
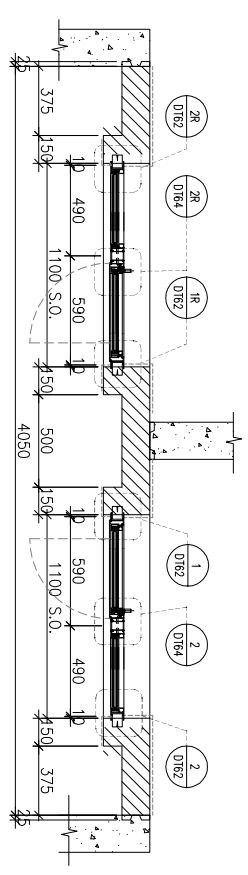
業特鋁質有限公司  
 MIDT ALUMINIUM FABRICATOR LTD.  
 Units 6-8, Sunray Industrial Centre, 1/F  
 610 Cho Kwai Ling Road, Kwai Tsoum  
 Tel: 23489211-4 Fax: (852) 2727666  
 DWG NO. : J856-SD-PW-5309 REV. : K

REQUIRE		PROVIDED	
LOCATION	OPENABLE AREA	GLAZING AREA	OPENABLE AREA
{A6-BR3}	0.263	0.420	0.548
{A15-BR2}	0.263	0.420	0.985

REQUIRE		PROVIDED	
LOCATION	OPENABLE AREA	GLAZING AREA	OPENABLE AREA
{A5-BR2}	0.263	0.420	0.548
{A13-BR2}	0.263	0.420	0.985



ELEVATION



FACADE CODE		UNIT
LWK	鴻輝	A5
PF-16	T3PF-09	A6
PF-16	T3PF-09	A6
PF-16	T3PF-43	A15
PF-16	T3PF-43	A13

WINDOW MARK	AW 02	AW 02R
LOCATION	3/F UNIT A6&A5, A15&A13	
SECTION	70mm ALUM. SECTION	
GLAZING	EGL-1, EGL-1A	
QUANTITY	1 No	1 No
REMARKS	FACADE TYPE T3PF16 FOR 3/F, 4 BAR HINGE-LIP HING (HHMS-N16)	

BD. REF :

CLIENT :



42/F SUN HUNG KAI CENTRE, WANCHAI, HONGKONG

ARCHITECT : **lwk&partners** a r c h i t e c t s

MANU CONTRACTOR :



Yee Fai Building Contractors Ltd.

STRUCTURAL ENGINEER :



FACADE CONSULTANT : **ALPHA CONSULTING LIMITED** Steel Structure & Façade Specialist

- NOTE :
1. ALL DIMENSIONS ARE IN mm.
  2. ALL ELEVATIONS ARE VIEWED FROM OUTSIDE.
  3. ALL DIMENSIONS TO BE VERIFIED ON SITE BEFORE FABRICATION.

- LEGEND :
- (X1) --- DETAIL MARK NO.
  - (X001) --- REFER SHEET NO.
  - 1. F.F.L. --- FINISHED FLOOR LEVEL
  - 2. S.F.L. --- STRUCTURAL FLOOR LEVEL
  - 3. (R) --- REVERSED DETAIL

4. GLASS LEGEND
- EGL-1 --- 8mmHS+12mm AIR GAP+10mmTP THK. I.G.U.
  - EGL-2 --- 10mm THK. CLEAR TEMPERED GLASS
  - EGL-4 --- 10mm THK. TEMPERED ACID ETCHED GLASS
  - EGL-1A --- 8mmHS+12mm AIR GAP+8mmTP THK. I.G.U.
  - EGL-1B --- 8mmHS+12mm AIR GAP+10mmTP ACID-ETCHED THK. I.G.U.

NO.	DATE	REVISION	SUBJECT TO ARCH-COMMENT	BY
D	26/10/2022	REVISION SUBJECT TO GEP PLAN		YH
C	21/09/2022	REVISION SUBJECT TO ARCH-COMMENT		YH
B	17/09/2022	REVISION SUBJECT TO ARCH-COMMENT		YH
A	27/06/2022	REVISION SUBJECT TO ARCH-COMMENT		YH

JOB NO. : J-856

PROJECT : PROPOSED DEVELOPMENT ABOVE LIGHT RAIL TIN WING STOP-TSWTL NO.23,AREA 33,TIN SHUI WAI, N.T.

TITLE : WINDOW SCHEDULE FOR TOWER 3 ALUM. WINDOW

DATE : 23-Apr-21 SCALE : 1:40

DRAWN BY : IYVN CHECKED BY :

UNITED ALUMINIUM FABRICATOR LTD. 美特鋁質有限公司

Units 6-8, Sunray Industrial Centre, 1/F, 610 Cho Kwai Ling Road, Kowloon

Tel:23489211-4 Fax:(852)27272666

DWG NO. : J856-SD-PW-5309d REV. : D

B.D. REF :

CLIENT :

**SUN HUNG KAI**  
REAL ESTATE AGENCY LTD.

42/F, SUN HUNG KAI CENTRE, WANCHAI, HONGKONG

ARCHITECT :

**lwk&partners**  
a r c h i t e c t s

MAIN CONTRACTOR :

**怡輝建築有限公司**  
**Yee Fai Building Contractors Ltd.**

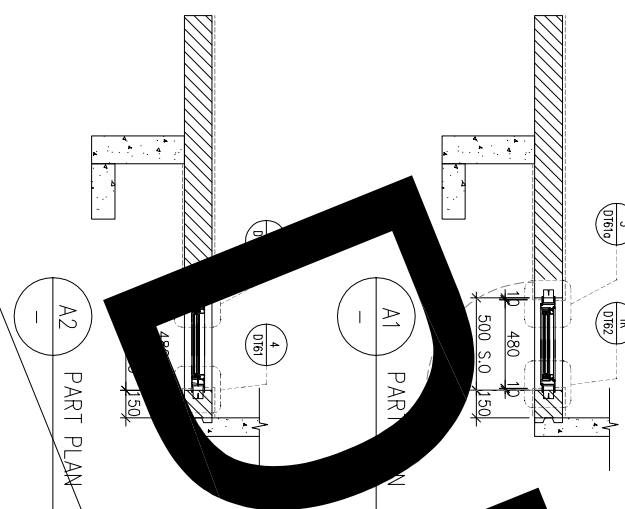
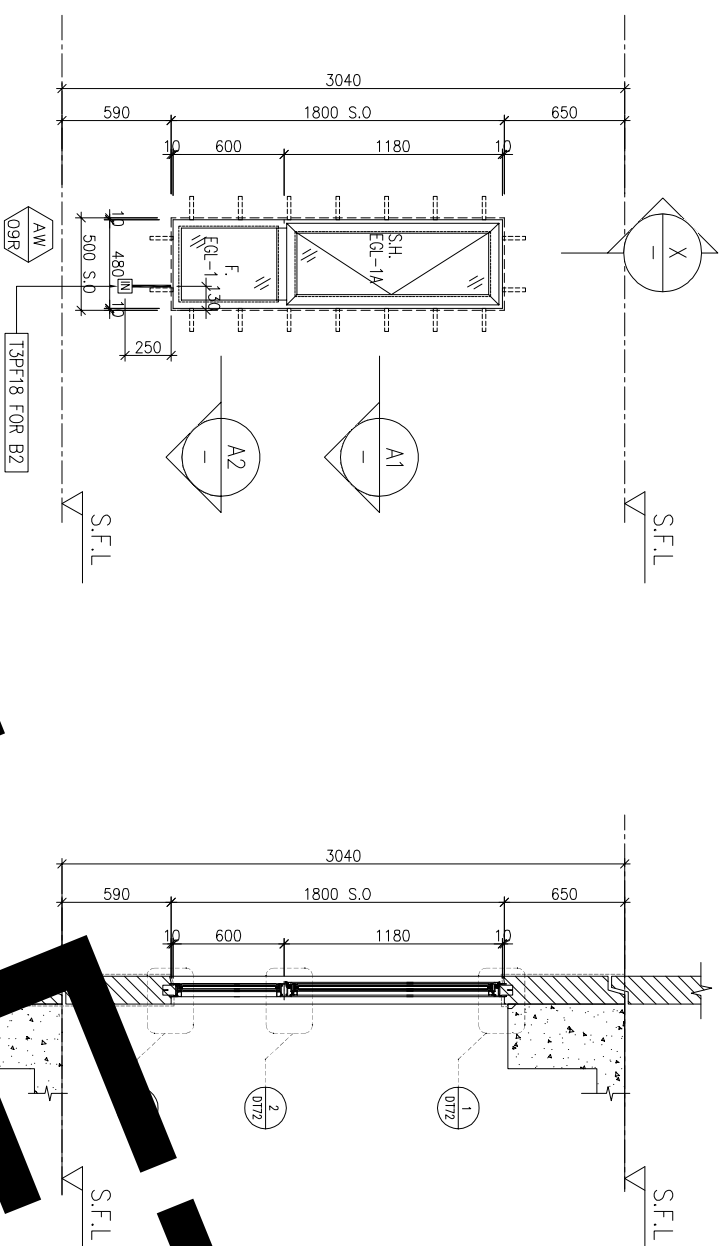
STRUCTURAL ENGINEER :

**ARUP**

FAÇADE CONSULTANT:

**ALPHA CONSULTING LIMITED**  
Steel Structure & Façade Specialist

ELEVATION



FAÇADE CODE		
LWK	鴻輝	UNIT
PF-18	T3PF-46	B2

CHANGE TO IN-SITU WINDOWS?

WINDOW MARK	AW 09R
LOCATION	3/F-42/F(4/F,13/F,14/F,24/F,34/F OMITTED) UNIT B2
SECTION	70mm ALUM. SECTION
GLAZING	EGL-1,EGL-1A
QUANTITY	35 Nos
REMARKS	FAÇADE(TYPE T3PF18 FOR 3/F-42/F)

- NOTE:
1. ALL DIMENSIONS ARE IN mm.
  2. ALL ELEVATIONS ARE VIEWED FROM OUTSIDE.
  3. ALL DIMENSIONS TO BE VERIFIED ON SITE BEFORE FABRICATION.

LEGEND :

(X1) --- DETAIL MARK NO.  
(X001) --- REFER SHEET NO.

1. F.F.L. --- FINISHED FLOOR LEVEL
2. S.F.L. --- STRUCTURAL FLOOR LEVEL
3. (R) --- REVERSED DETAIL

4. GLASS LEGEND

EGL-1--8mmHS+12mm AIR GAP+10mmTP THK. IGLU  
 EGL-2--10mm THK. CLEAR TEMPERED GLASS  
 EGL-4--10mm THK. TEMPERED ACID ETCHED GLASS  
 EGL-1A-8mmHS+12mm AIR GAP+8mmTP THK. IGLU

NO.	DATE	REVISION	BY
EGL-1	18/07/2021	REVISION SUBJECT TO ARCH-COMMENT	lwk
EGL-2	18/07/2021	REVISION SUBJECT TO ARCH-COMMENT	lwk
EGL-4	27/09/2021	REVISION SUBJECT TO ARCH-COMMENT	lwk
A	27/09/2021	REVISION SUBJECT TO ARCH-COMMENT	lwk

JOB NO. : J-856

PROJECT :

PROPOSED DEVELOPMENT ABOVE  
LIGHT RAIL TIN WING STOP-TSWTL  
NO.23,AREA 33,TIN SHUI WAI, N.T.

TITLE : WINDOW SCHEDULE FOR  
TOWER 3 ALUM. WINDOW

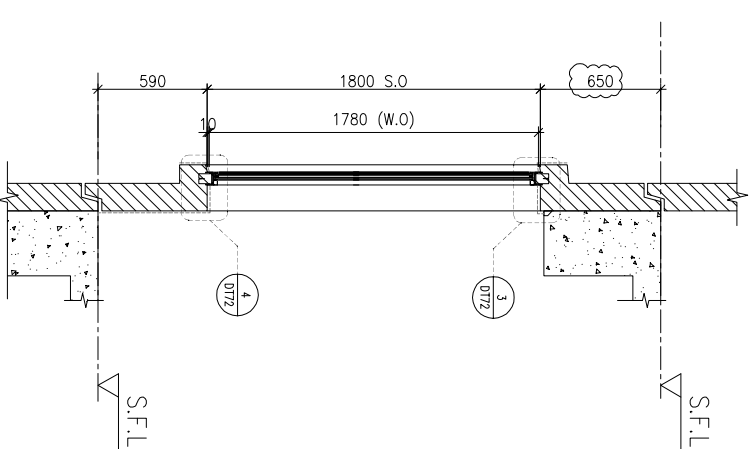
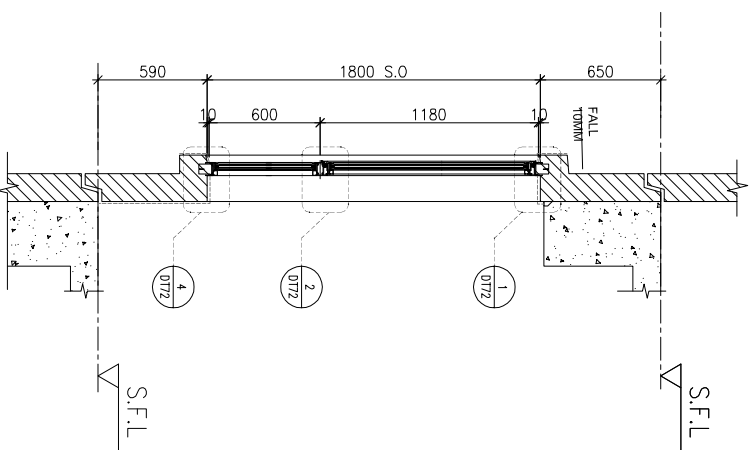
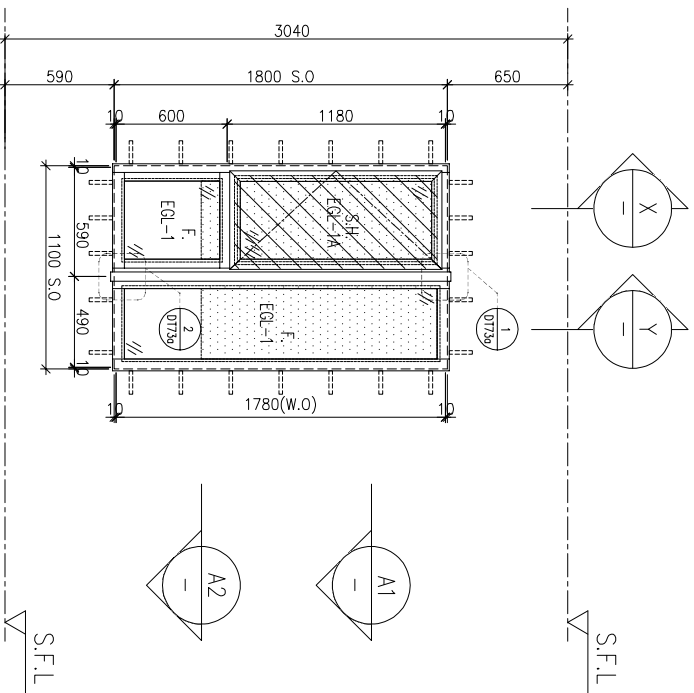
DATE : 02-Aug-21 SCALE : 1:40  
DRAWN BY : lwnn CHECKED BY :

**美特鋁質有限公司**  
MIDI ALUMINIUM FABRICATOR LTD.

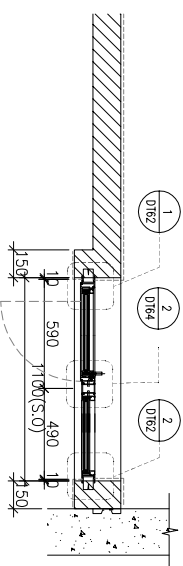
Units 6-8, Sunray Industrial Centre, 1/F  
610 Cho Kwai Ling Road, Kwai Tsoum  
Tel:23489211-4 Fax:(852)2727666

DWG NO. : J856-SD-PW-5310 REV. : I

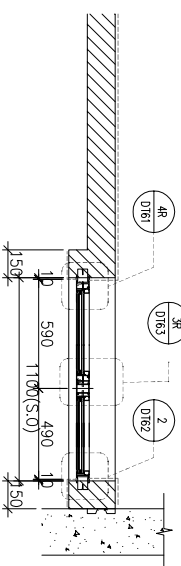
LOCATION	OPENABLE AREA	GLAZING AREA	OPENABLE AREA	GLAZING AREA
{B8-BR2}	0.263	0.420	0.548	0.985



ELEVATION



A1 PART PLAN



A2 PART PLAN

FACADE CODE		
LWK	鴻輝	UNIT
PF-19	T3PF-28	B8

WINDOW MARK  
AW 02

LOCATION 3/F-42/F(4/F,13/F,14/F,24/F,34/F OMITTED) UNIT B8

SECTION 70mm ALUM. SECTION

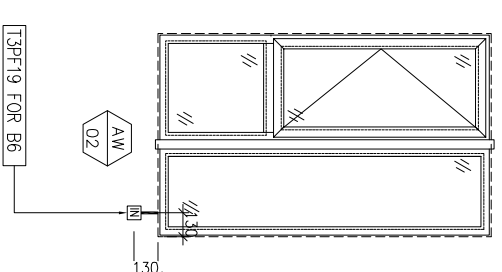
GLAZING EGL-1,EGL-1A

QUANTITY 35 Nos.

REMARKS FACADE(TYPE T3PF19 FOR 3/F-42/F) ,4 BAR HINGE-LIP HING (HHMS-N16)

X PART SECTION

Y PART SECTION



BD. REF. :

CLIENT :

**SUN HUNG KAI**  
REAL ESTATE AGENCY LTD.  
42/F SUN HUNG KAI CENTRE, WANCHAI, HONGKONG

ARCHITECT :

**lwk&partners**  
a r c h i t e c t s

MAIN CONTRACTOR :

**怡輝建築有限公司**  
**Yee Fai Building Contractors Ltd.**

STRUCTURAL ENGINEER :

**ARUP**

FACADE CONSULTANT :

**ALPHA CONSULTING LIMITED**  
Steel Structure & Façade Specialist

NOTE :

1. ALL DIMENSIONS ARE IN mm.
2. ALL ELEVATIONS ARE VIEWED FROM OUTSIDE.
3. ALL DIMENSIONS TO BE VERIFIED ON SITE BEFORE FABRICATION.

LEGEND :

- (X1) --- DETAIL MARK NO.
- (X001) --- REFER SHEET NO.

1. F.F.L. --- FINISHED FLOOR LEVEL
2. S.F.L. --- STRUCTURAL FLOOR LEVEL
3. (R) --- REVERSED DETAIL

4. GLASS LEGEND

- EGL-1 --- 8mmHS+12mm AIR GAP+10mmTP THK. I.G.U.
- EGL-2 --- 10mm THK. CLEAR TEMPERED GLASS
- EGL-4 --- 10mm THK. TEMPERED ACID ETCHED GLASS
- EGL-1A --- 8mmHS+12mm AIR GAP+8mmTP THK. I.G.U.
- EGL-1B --- 8mmHS+12mm AIR GAP+10mmTP ADD-ETCHED THK. I.G.U.

NO.	DATE	REVISION	SUBJECT TO ARCH.COMMENT	BY
1	21/02/2023	REVISION	SUBJECT TO ARCH.COMMENT	ivan
2	28/10/2022	REVISION	SUBJECT TO GEP PLAN	ivan
3	21/09/2022	REVISION	SUBJECT TO ARCH.COMMENT	ivan
4	17/08/2022	REVISION	SUBJECT TO ARCH.COMMENT	ivan
5	22/04/2022	REVISION	SUBJECT TO ARCH.COMMENT	ivan
6	08/04/2022	REVISION	SUBJECT TO ARCH.COMMENT	ivan

JOB NO. : J-856

PROJECT : PROPOSED DEVELOPMENT ABOVE LIGHT RAIL TIN WING STOP-TSWTL NO.23,AREA 33,TIN SHUI WAI, N.T.

TITLE : WINDOW SCHEDULE FOR TOWER 3 ALUM. WINDOW

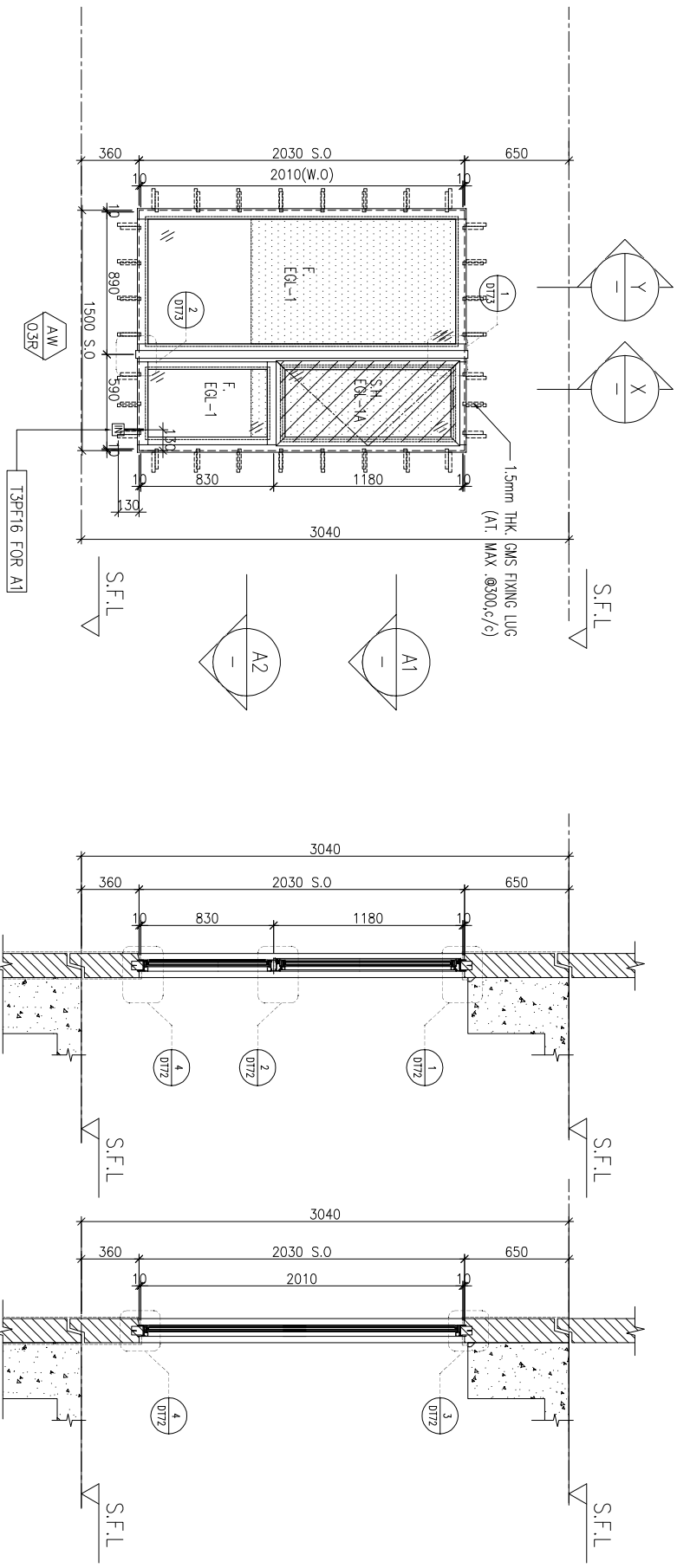
DATE : 02-Aug-21 SCALE : 1:40

DRAWN BY : ivan CHECKED BY :

**美特鋁質有限公司**  
MDI ALUMINIUM FABRICATOR LTD.  
Units 6-8, Sunray Industrial Centre, 1/F  
610 Cho Kwai Ling Road, Kwai Tsoum  
Tel:23489211-4 Fax:(852)2727666

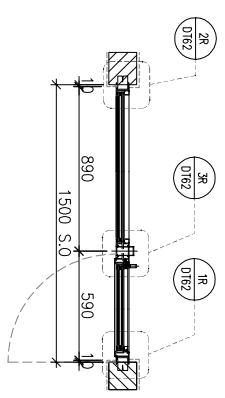
DWG NO. : J856-SD-PW-5311 REV. : 1

REQUIRED		PROVIDED	
LOCATION	OPENABLE AREA	GLAZING AREA	OPENABLE AREA
{A12-MBR}	0.388	0.620	0.548
{A15-MBR}	0.388	0.620	1.495

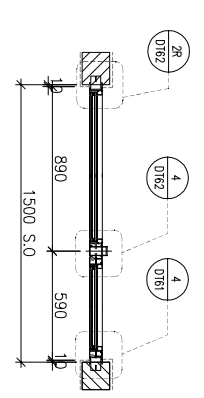


ELEVATION

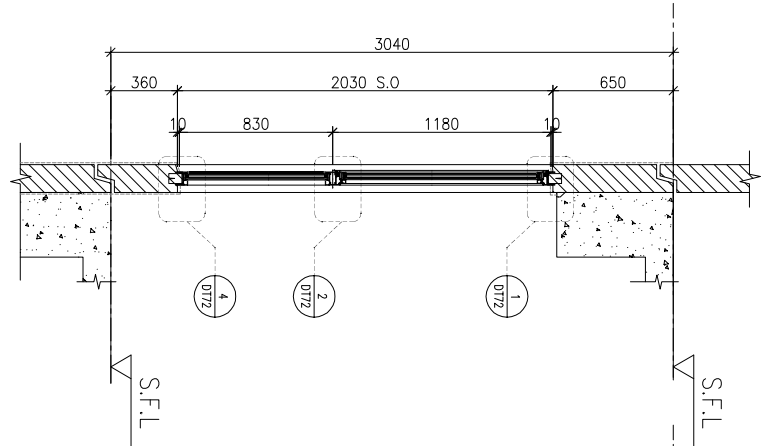
A1 PART PLAN



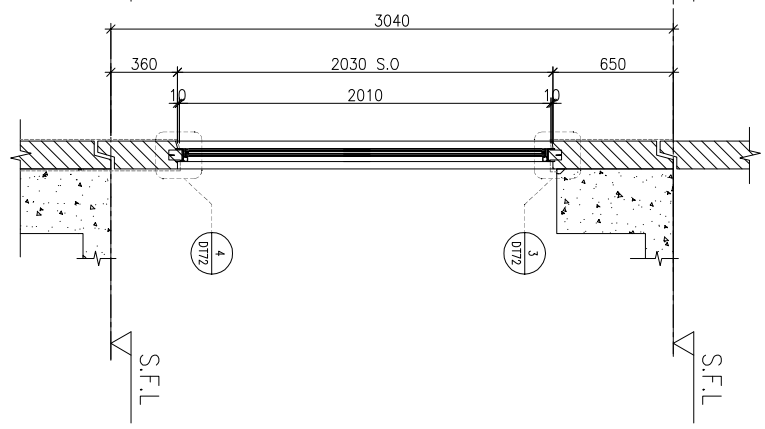
A2 PART PLAN



X PART SECTION



Y PART SECTION



FACADE CODE		
LWK	鴻輝	UNIT
PF-20R	T3PF-41	A12
PF-20R	T3PF-44	A15

WINDOW MARK

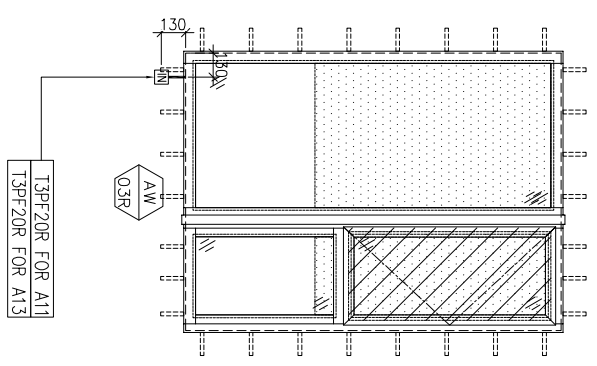
LOCATION 3/F-42/F(4/F,13/F,14/F,24/F,34/F OMITTED) UNIT {A12, A15}

SECTION 70mm ALUM. SECTION

GLAZING EQL-1, EQL-1A

QUANTITY 35 Nos / 35 Nos

REMARKS FACADE(TYPE T3PF20R FOR 3/F~42/F), 4 BAR HINGE-LIP HING (HHMS-N16)



BD. REF. :

CLIENT :



42/F, SUN HUNG KAI CENTRE, WANCHAI, HONGKONG

ARCHITECT :



MANU CONTRACTOR :



STRUCTURAL ENGINEER :



FACADE CONSULTANT :



NOTE :

1. ALL DIMENSIONS ARE IN mm.
2. ALL ELEVATIONS ARE VIEWED FROM OUTSIDE.
3. ALL DIMENSIONS TO BE VERIFIED ON SITE BEFORE FABRICATION.

LEGEND :

- DETAIL MARK NO.
- REFER SHEET NO.

1. F.F.L. --- FINISHED FLOOR LEVEL
2. S.F.L. --- STRUCTURAL FLOOR LEVEL
3. --- REVERSED DETAIL

4. GLASS LEGEND

- EQL-1 --- 8mmHS+12mm AIR GAP+10mmTP THK, I.G.U.
- EQL-2 --- 10mm THK, CLEAR TEMPERED GLASS
- EQL-4 --- 10mm THK, TEMPERED ACID ETCHED GLASS
- EQL-1A --- 8mmHS+12mm AIR GAP+8mmTP THK, I.G.U.
- EQL-1B --- 8mmHS+12mm AIR GAP+10mmTP ACID-ETCHED THK, I.G.U.

NO.	DATE	REVISION	SUBJECT TO ARCH-COMMENT	BY
H	21/02/2023	REVISION	SUBJECT TO GAP PLAN	ivan
G	26/10/2022	REVISION	SUBJECT TO GAP PLAN	ivan
F	21/09/2022	REVISION	SUBJECT TO ARCH-COMMENT	ivan
E	17/08/2022	REVISION	SUBJECT TO ARCH-COMMENT	ivan
D	22/04/2022	REVISION	SUBJECT TO ARCH-COMMENT	ivan
C	08/04/2022	REVISION	SUBJECT TO ARCH-COMMENT	ivan

JOB NO. : J-856

PROJECT :

PROPOSED DEVELOPMENT ABOVE LIGHT RAIL TIN WING STOP-TSWTL NO.23,AREA 33,TIN SHUI WAI, N.T.

TITLE : WINDOW SCHEDULE FOR TOWER 3 ALUM. WINDOW

DATE : 02-Aug-21 SCALE : 1:40

DRAWN BY : ivan CHECKED BY :



Units 6-8, Sunray Industrial Centre, 1/F, 610 Cho Kwai Ling Road, Kwailoon Tel:23489211-4 Fax:(852)2727666

DWG NO. : J856-SD-PW-5312 REV. : G

B.D. REF :

CLIENT :

**SUN HUNG KAI**  
REAL ESTATE AGENCY LTD.  
42/F, SUN HUNG KAI CENTRE, WANCHAI, HONGKONG

ARCHITECT :

**lwk&partners**  
a r c h i t e c t s

MAIN CONTRACTOR :

**怡輝建築有限公司**  
**Yee Fai Building Contractors Ltd.**

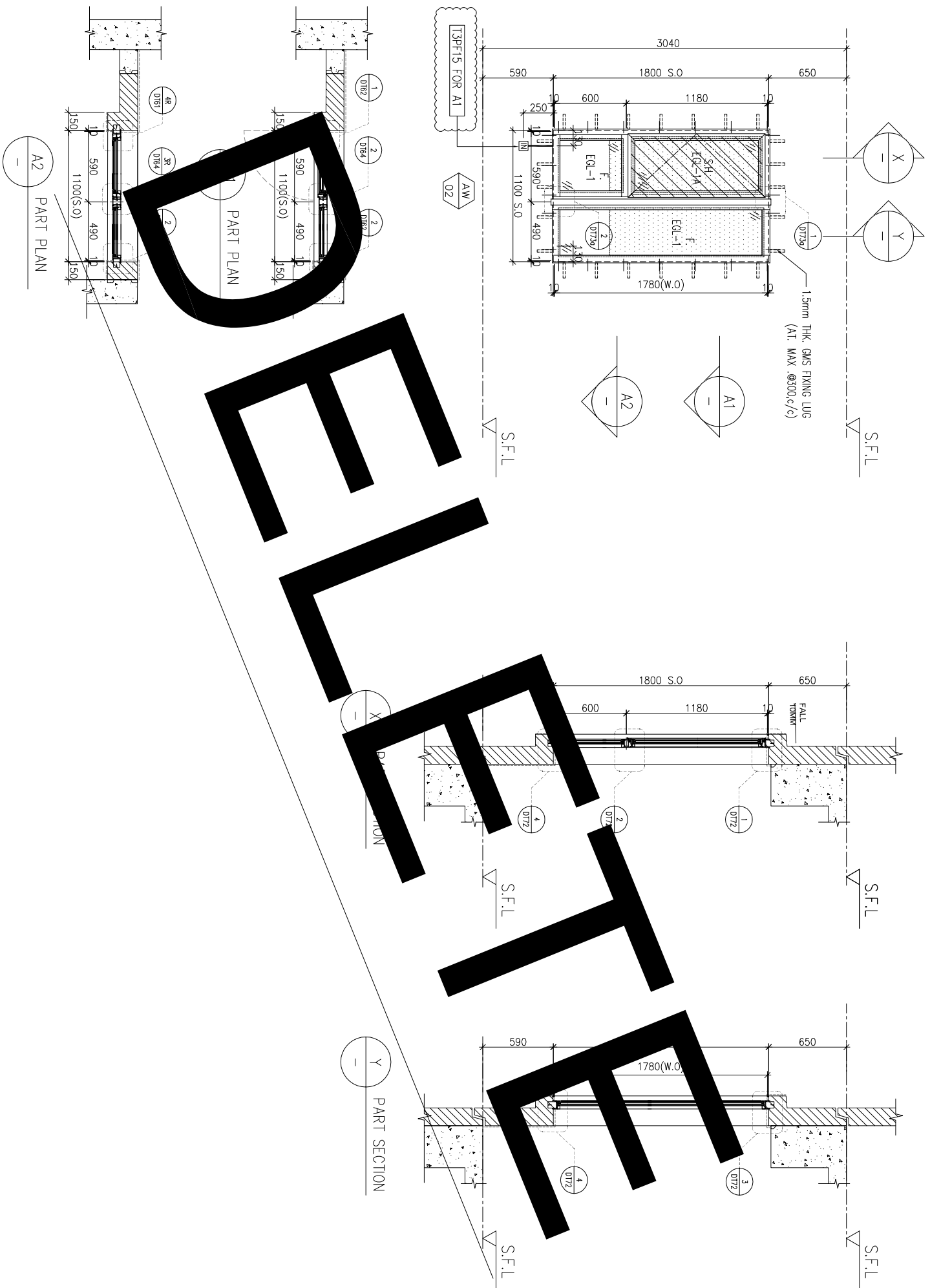
STRUCTURAL ENGINEER :

**ARUP**

FAÇADE CONSULTANT :

**ALPHA CONSULTING LIMITED**  
Steel Structure & Façade Specialist

ELEVATION



WINDOW MARK	AW 02
LOCATION	3/F~42/F(4/F,13/F,14/F,24/F,34/F OMITTED) UNIT A1
SECTION	70mm ALUM. SECTION
GLAZING	EGL-1,EGL-1A
QUANTITY	35 Nos.
REMARKS	FAÇADE(TYPE T3PF02 FOR 3/F~42/F)

NOTE :

1. ALL DIMENSIONS ARE IN mm.
2. ALL ELEVATIONS ARE VIEWED FROM OUTSIDE.
3. ALL DIMENSIONS TO BE VERIFIED ON SITE BEFORE FABRICATION.

LEGEND :

- (X1) --- DETAIL MARK NO.
- (X001) --- REFER SHEET NO.

1. F.F.L. --- FINISHED FLOOR LEVEL
2. S.F.L. --- STRUCTURAL FLOOR LEVEL
3. (R) --- REVERSED DETAIL

4. GLASS LEGEND

EGL-1--8mmHS+12mm AIR GAP+10mmTP THK. I.G.U.  
EGL-2--10mm THK. CLEAR TEMPERED GLASS  
EGL-4--10mm THK. TEMPERED ACID ETCHED GLASS  
EGL-1A-8mmHS+12mm AIR GAP+8mmTP THK. I.G.U.  
EGL-1B-8mmHS+12mm AIR GAP+10mmTP ACID-ETCHED THK. I.G.U.

NO.	DTE	REVISION	BY
D	08/04/2022	REVISION SUBJECT TO ARCH-COMMENT	hwk
C	21/12/2021	REVISION SUBJECT TO ARCH-COMMENT	hwk
B	18/10/2021	REVISION SUBJECT TO ARCH-COMMENT	hwk
A	12/10/2021	REVISION SUBJECT TO ARCH-COMMENT	hwk

JOB NO. : J-856

PROJECT : PROPOSED DEVELOPMENT ABOVE LIGHT RAIL TIN WING STOP-TSWTL NO.23,AREA 33,TIN SHUI WAI, N.T.

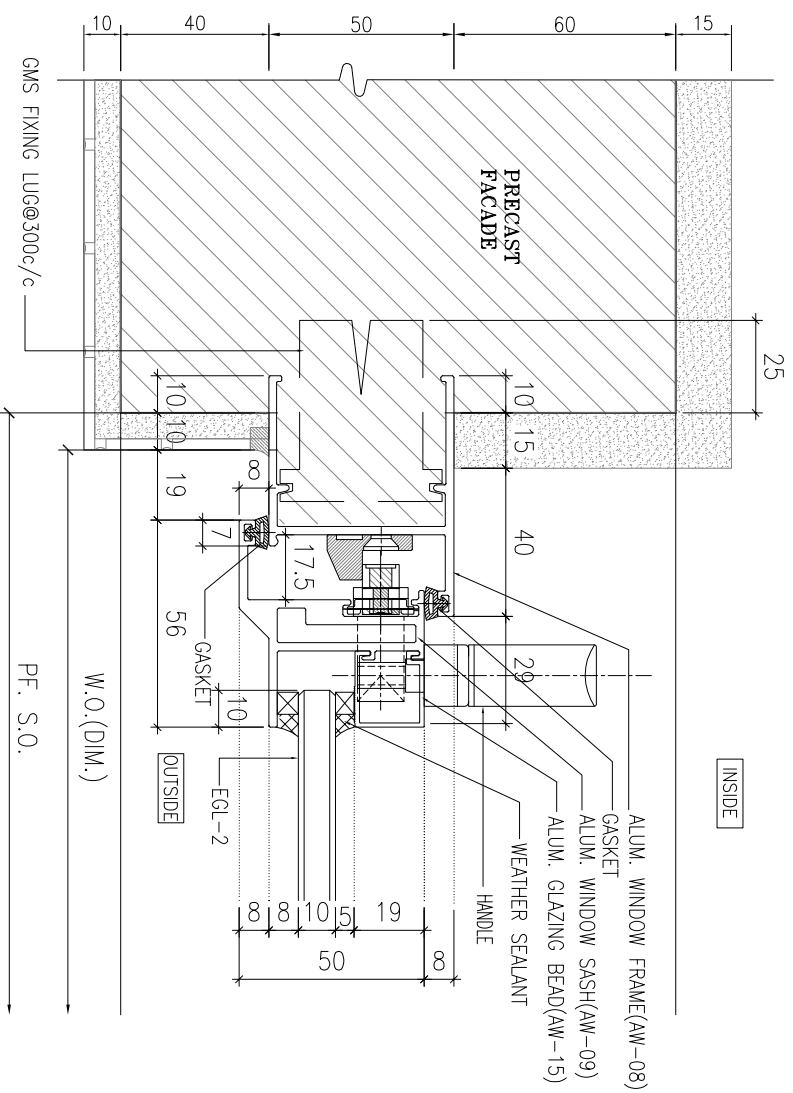
TITLE : WINDOW SCHEDULE FOR TOWER 3 ALUM. WINDOW

DATE : 02-Aug-21 SCALE : 1:40

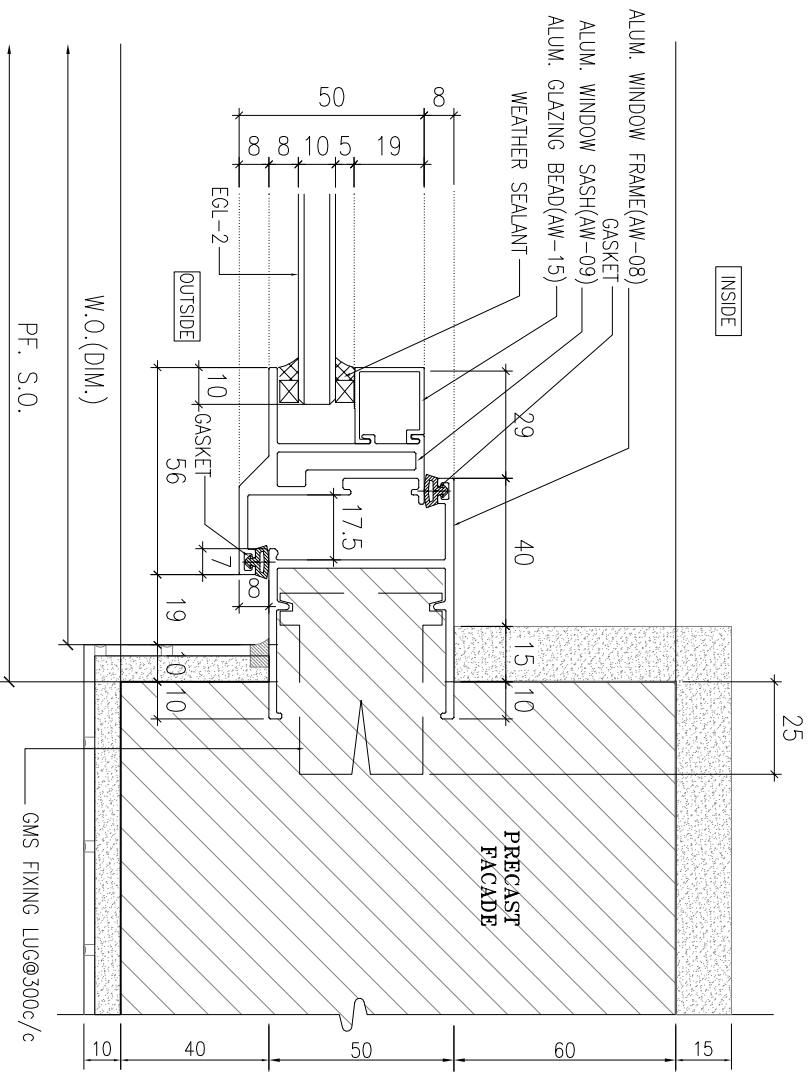
DRAWN BY : IYVN CHECKED BY :

UNITA 33 建築有限公司  
MIDI ALUMINUM FABRICATOR LTD.  
Units 6-8, Sunray Industrial Centre, 1/F  
610 Cho Kwai Ling Road, Kwai Tsoum  
Tel:23489211-4 Fax:(852)2727666

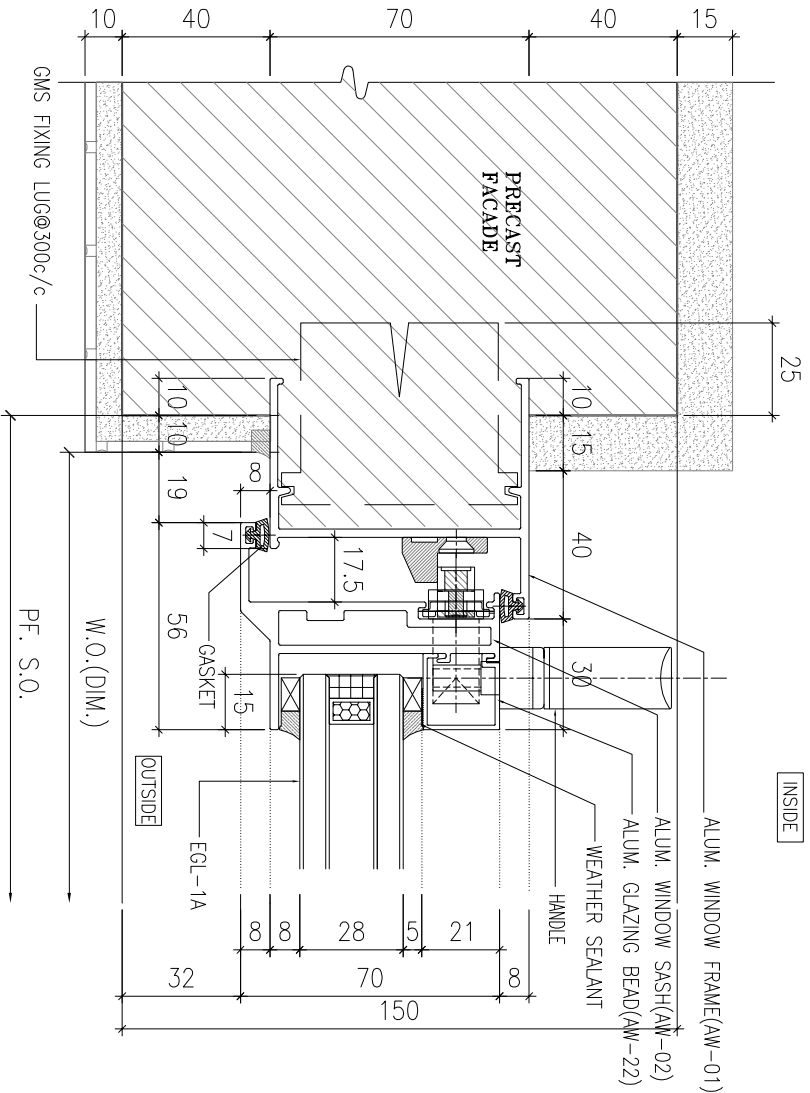
DWG NO. : J856-SD-PW-5313 REV. : D



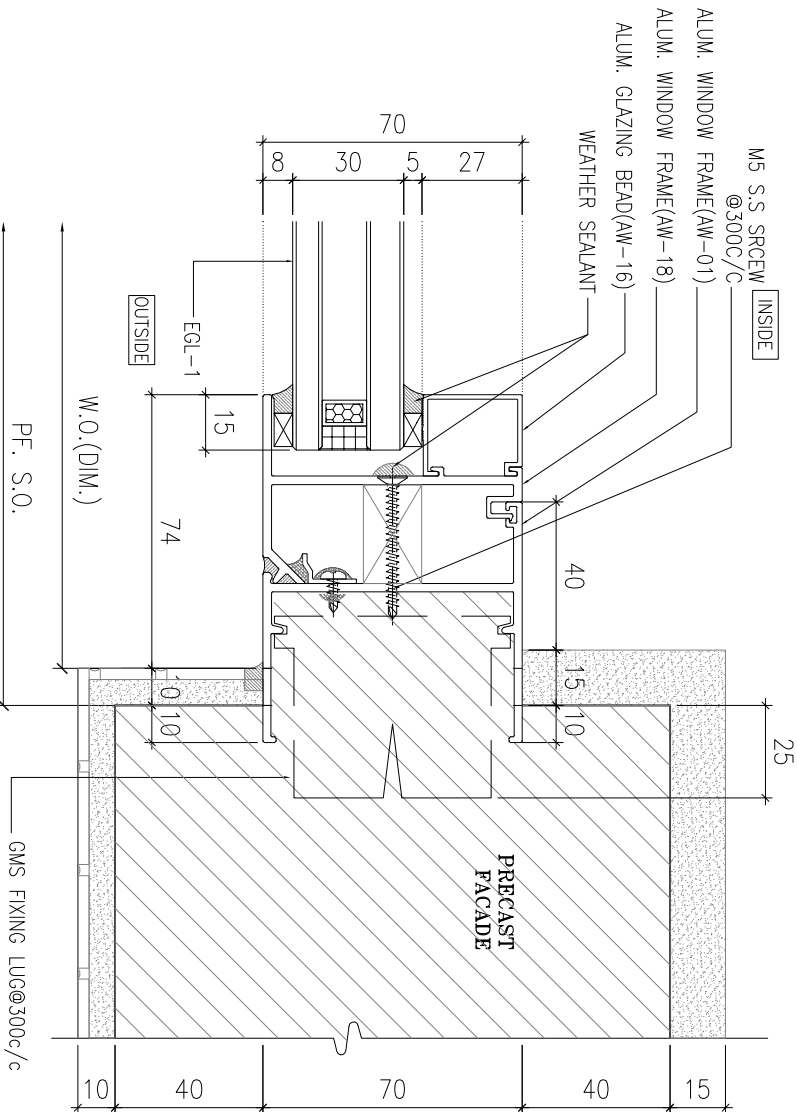
1 HORIZONTAL DETAIL  
SCALE 1:2



2 HORIZONTAL DETAIL  
SCALE 1:2



3 HORIZONTAL DETAIL  
SCALE 1:2



4 HORIZONTAL DETAIL  
SCALE 1:2

B.D. REF :

CLIENT :



42/F, SUN HUNG KAI CENTRE, WANCHAI, HONGKONG

ARCHITECT :



MAIN CONTRACTOR :



STRUCTURAL ENGINEER :



FAÇADE CONSULTANT :



NOTE :

1. ALL DIMENSIONS ARE IN mm.
2. ALL ELEVATIONS ARE VIEWED FROM OUTSIDE.
3. ALL DIMENSIONS TO BE VERIFIED ON SITE BEFORE FABRICATION.

LEGEND :

- (X1) --- DETAIL MARK NO.
- (X001) --- REFER SHEET NO.

1. F.F.L. --- FINISHED FLOOR LEVEL
  2. S.F.L. --- STRUCTURAL FLOOR LEVEL
  3. (R) --- REVERSED DETAIL
  4. GLASS LEGEND
- EQ-1 --- 8mmH+12mm AIR GAP+10mmTP THK. I.G.U.  
 EQ-2 --- 10mm THK. CLEAR TEMPERED GLASS  
 EQ-4 --- 10mm THK. TEMPERED ACID ETCHED GLASS  
 EQ-1A --- 8mmH+12mm AIR GAP+8mmTP THK. I.G.U.

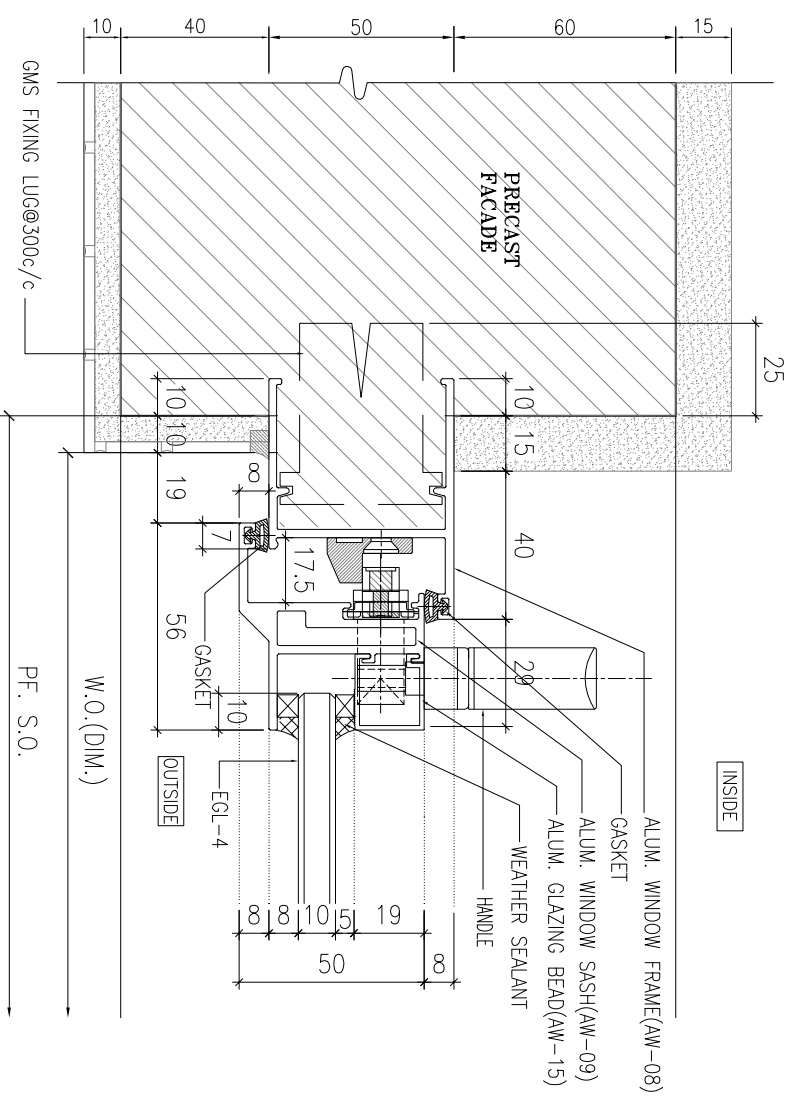
NO.	DATE	REVISION	BY
C	25/08/2022	REVISION SUBJECT TO ARCH-COMMENT	hwn
B	02/11/2021	REVISION SUBJECT TO ARCH-COMMENT	hwn
A	30/10/2021	REVISION SUBJECT TO ARCH-COMMENT	hwn

JOB NO. : J-856  
 PROJECT : PROPOSED DEVELOPMENT ABOVE LIGHT RAIL TIN WING STOP-TS/WTL NO.23,AREA 33,TIN SHUI WAL, N.T.

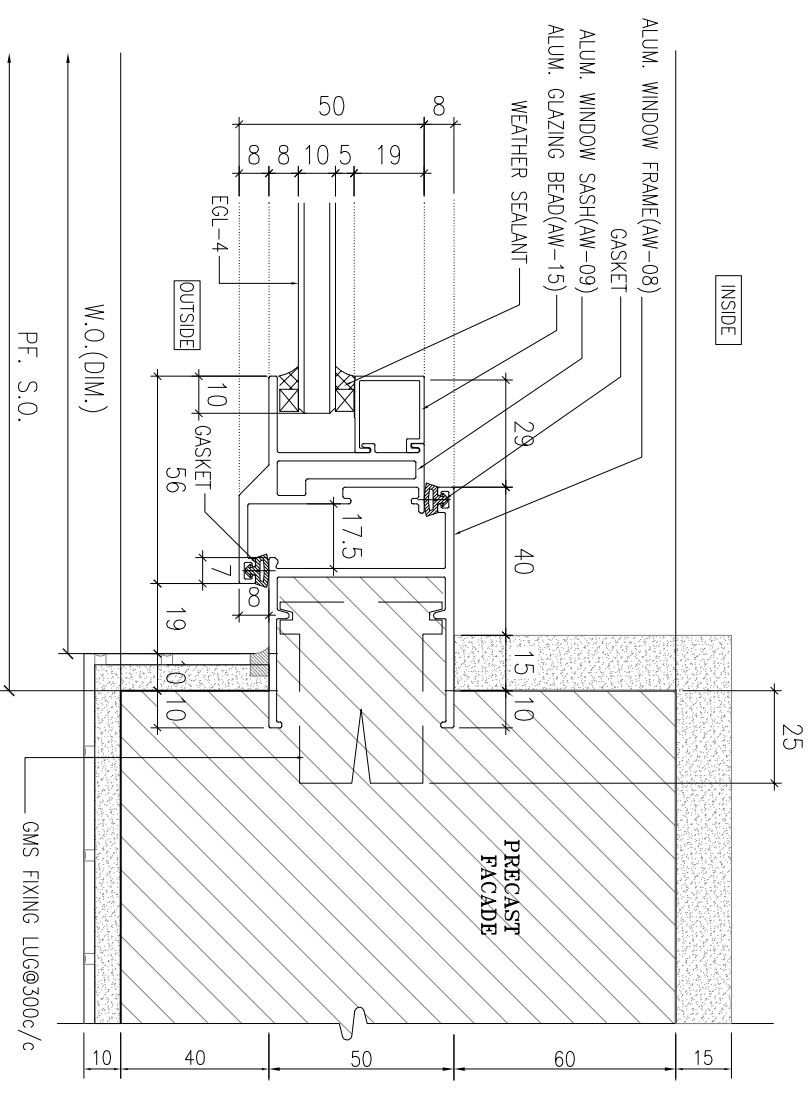
TITLE : TYPICAL DETAILS FOR ALUM. WINDOW

DATE : 02-Aug-21 SCALE : 1:40  
 DRAWN BY : IYVON CHECKED BY :

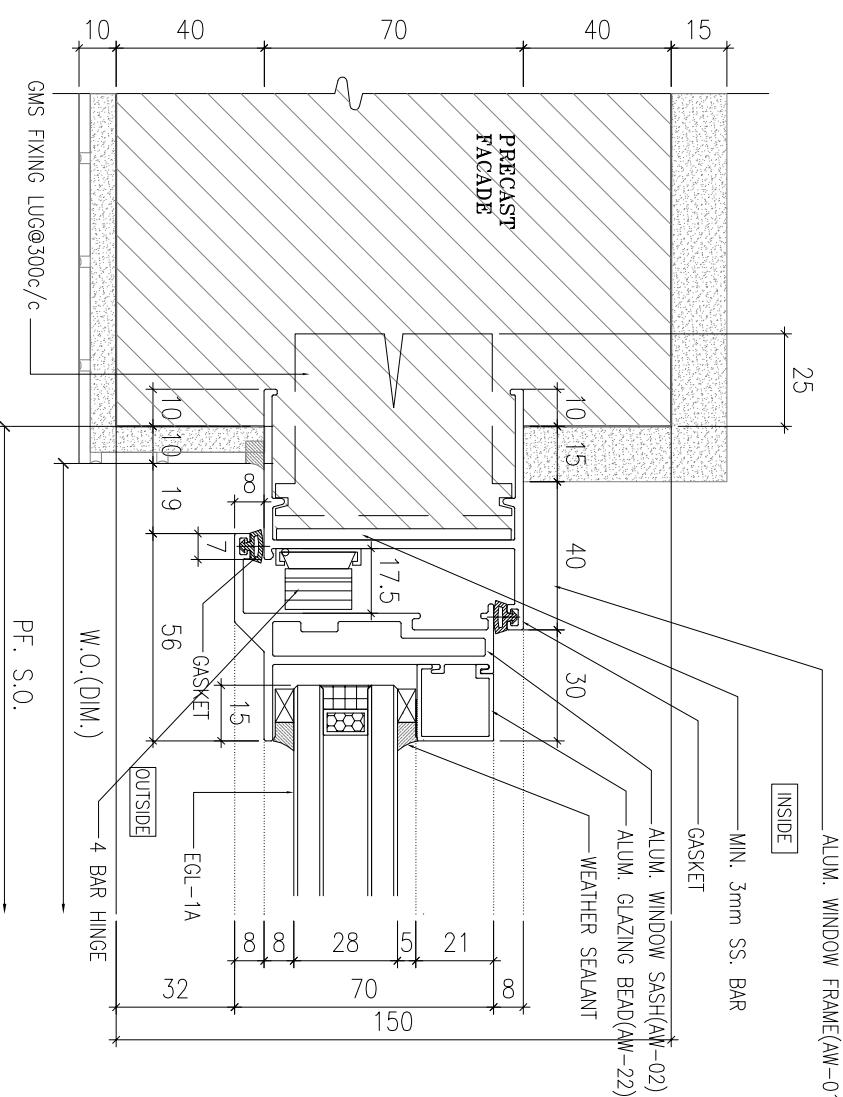
美特鋁質有限公司  
 MIDT ALUMINIUM FABRICATOR LTD.  
 Units 6-8, Sunny Industrial Centre, 1/F  
 610 Cho Kwong Road, Kwai Tsuen  
 Tel:23489211-4 Fax:(852)2727666  
 DWG NO. : J856-SD-PW-DT61 REV. : C



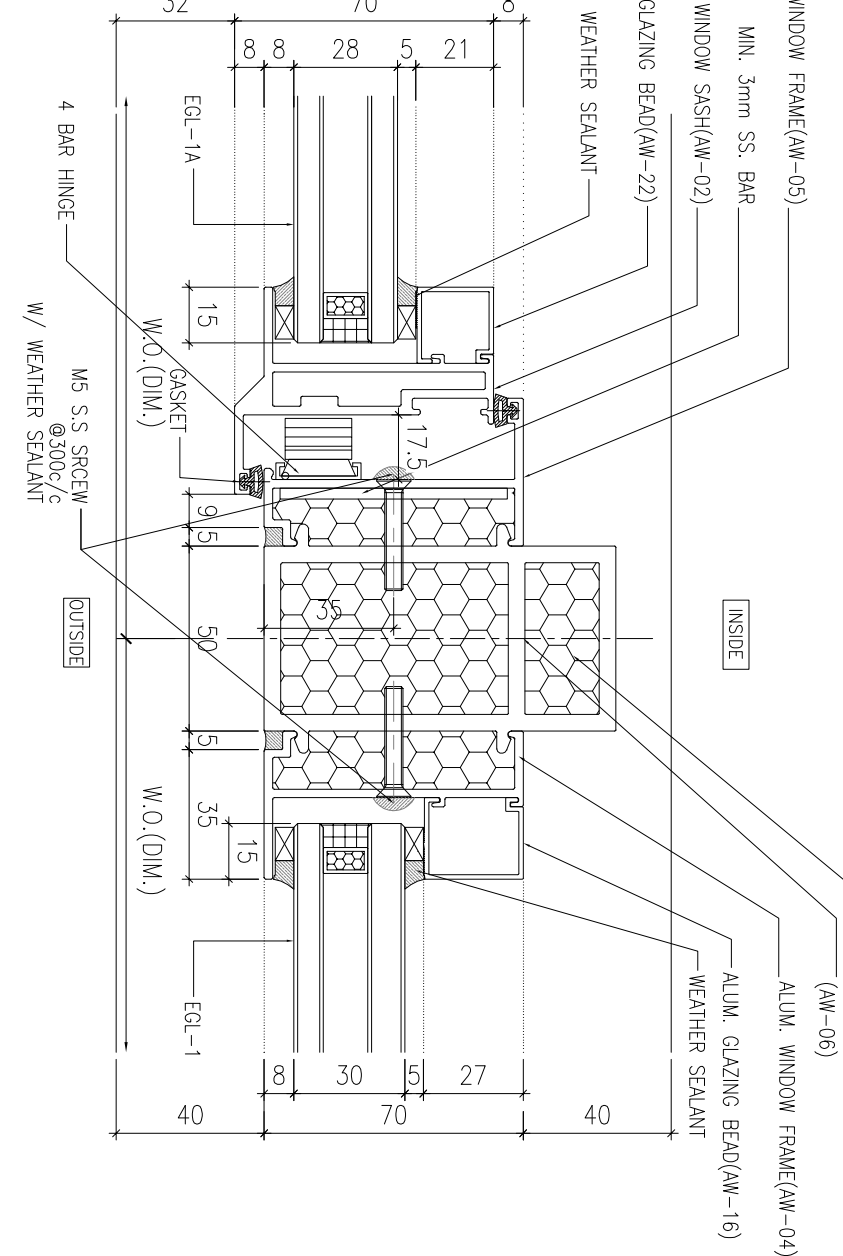
1 HORIZONTAL DETAIL  
SCALE 1:2



2 HORIZONTAL DETAIL  
SCALE 1:2



3 HORIZONTAL DETAIL  
SCALE 1:2



4 HORIZONTAL DETAIL  
SCALE 1:2

B.D. REF :

CLIENT :

**SUN HUNG KAI**  
REAL ESTATE AGENCY LTD.  
42/F SUN HUNG KAI CENTRE, WANCHAI, HONGKONG

ARCHITECT :

**lwk&partners**  
ARCHITECTS

MAIN CONTRACTOR :

**Yee Fai** 怡輝建築有限公司  
Building Contractors Ltd.

STRUCTURAL ENGINEER :

**ARUP**

FAÇADE CONSULTANT :

**ALPHA CONSULTING LIMITED**  
Steel Structure & Façade Specialist

NOTE :

1. ALL DIMENSIONS ARE IN mm.
2. ALL ELEVATIONS ARE VIEWED FROM OUTSIDE.
3. ALL DIMENSIONS TO BE VERIFIED ON SITE BEFORE FABRICATION.

LEGEND :

- X1 --- DETAIL MARK NO.
- X1001 --- REFER SHEET NO.

1. F.F.L. --- FINISHED FLOOR LEVEL
2. S.F.L. --- STRUCTURAL FLOOR LEVEL
3. (R) --- REVERSED DETAIL

4. GLASS LEGEND

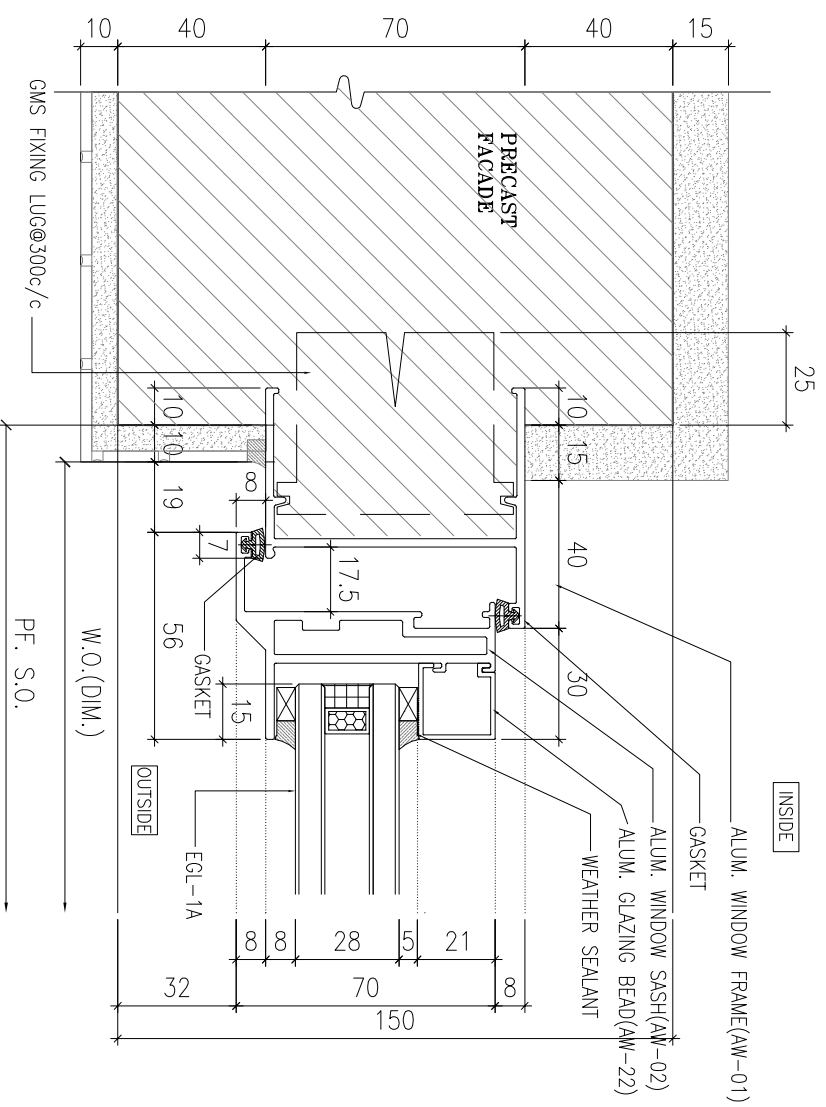
- EQ-1 --- 8mmH+12mm AIR GAP+10mmTP THK. I.G.U.
- EQ-2 --- 10mm THK. CLEAR TEMPERED GLASS
- EQ-4 --- 10mm THK. TEMPERED ACID ETCHED GLASS
- EQ-1A --- 8mmH+12mm AIR GAP+8mmTP THK. I.G.U.

NO.	DATE	REVISION	BY
C	25/08/2022	REVISION SUBJECT TO ARCH-COMMENT	lwn
B	02/11/2021	REVISION SUBJECT TO ARCH-COMMENT	lwn
A	30/10/2021	REVISION SUBJECT TO ARCH-COMMENT	lwn

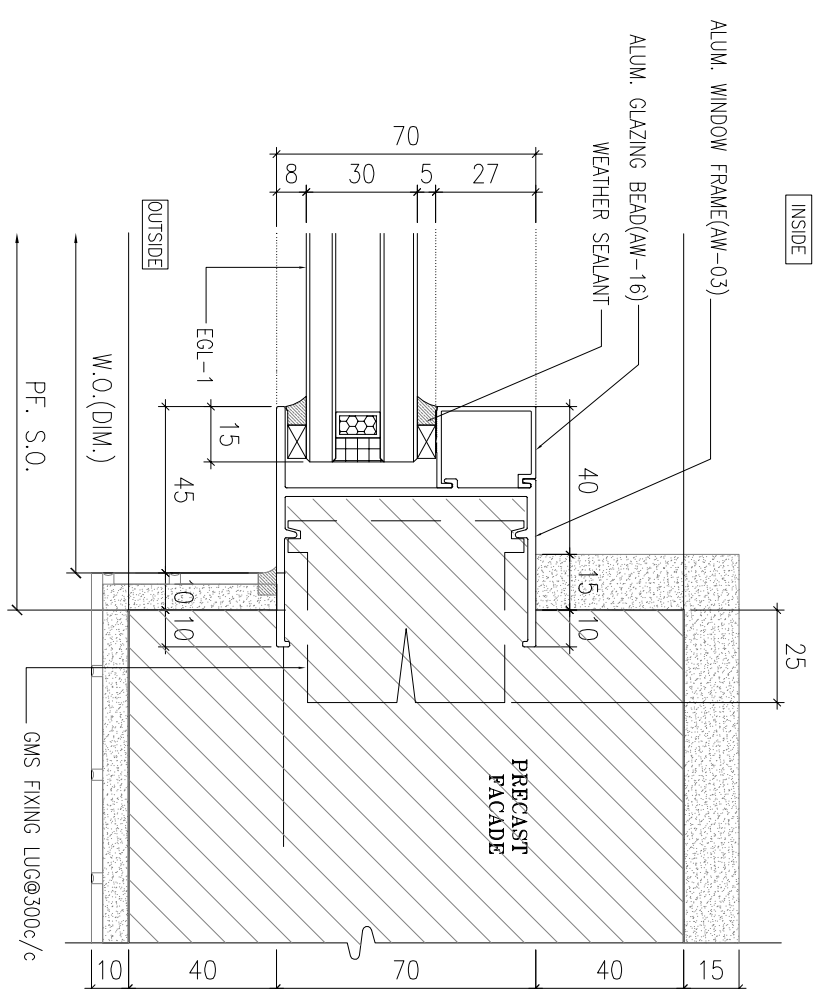
JOB NO. : J-856  
PROJECT : PROPOSED DEVELOPMENT ABOVE LIGHT RAIL TIN WING STOP-TSWTL NO.23,AREA 33,TIN SHUI WAI, N.T.  
TITLE : TYPICAL DETAILS FOR ALUM. WINDOW

DATE : 02-Aug-21 SCALE : 1:40  
DRAWN BY : lwnn CHECKED BY :

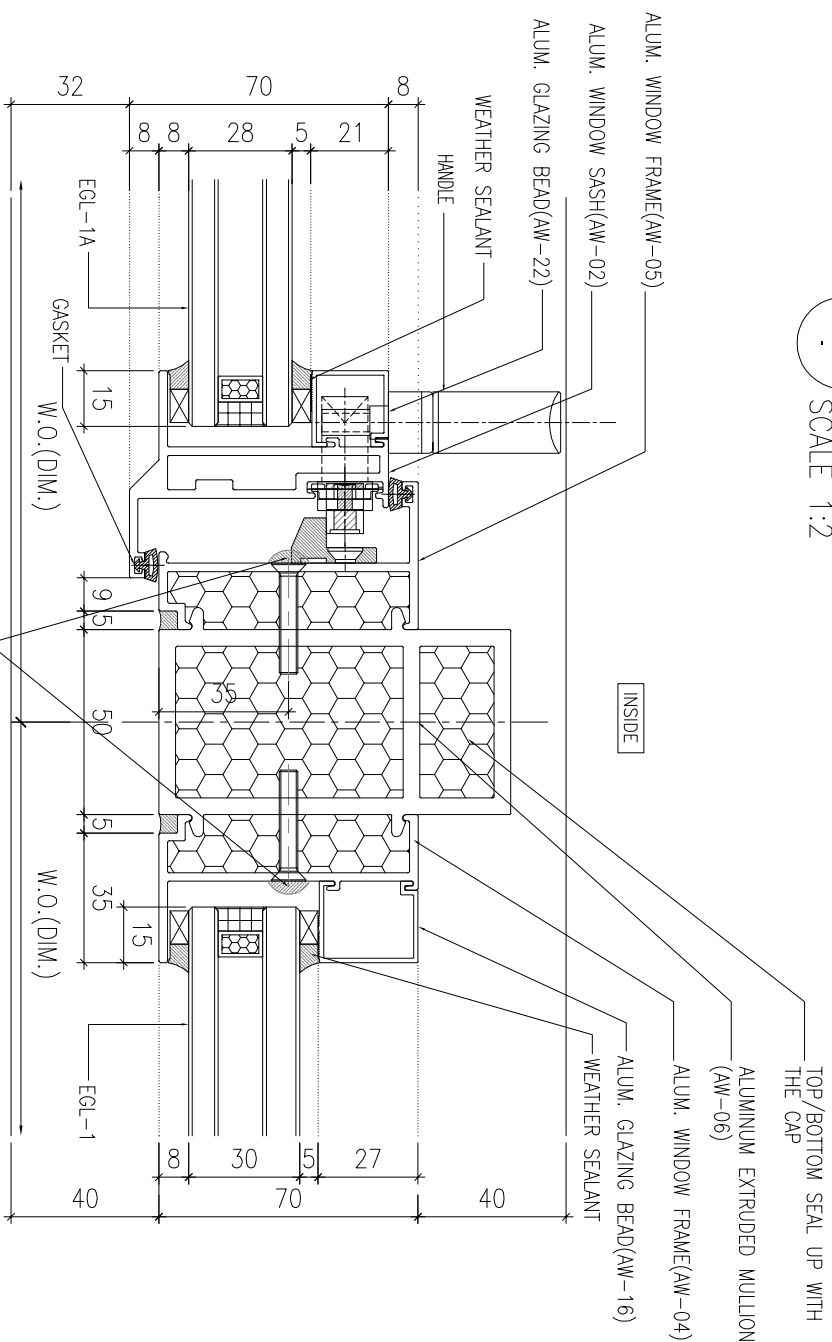
**MDI** 美特鋁質有限公司  
ALUMINIUM FABRICATOR LTD.  
Units 6-8, Sunray Industrial Centre, 1/F  
610 Cho Kwai Ling Road, Kowloon  
Tel:23489211-4 Fax:(852)27727666  
DWG NO. : J856-SD-PW-DT610 REV : C



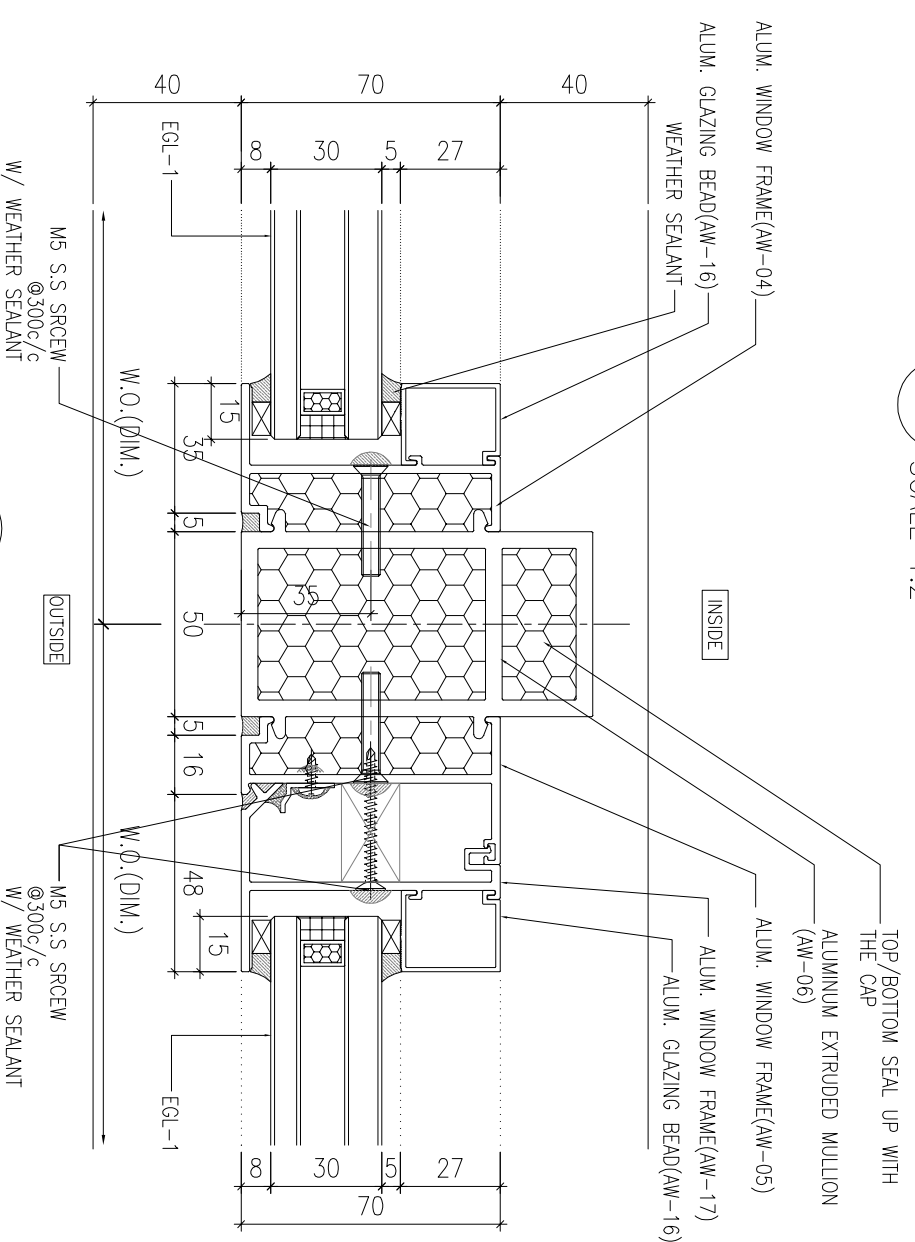
1 HORIZONTAL DETAIL  
SCALE 1:2



2 HORIZONTAL DETAIL  
SCALE 1:2



3 HORIZONTAL DETAIL  
SCALE 1:2



4 HORIZONTAL DETAIL  
SCALE 1:2

B.D. REF :

CLIENT :

**SUN HUNG KAI**  
REAL ESTATE AGENCY LTD.  
42/F, SUN HUNG KAI CENTRE, WANCHAI, HONGKONG

ARCHITECT :

**lwk&partners**  
a r c h i t e c t s

MAIN CONTRACTOR :

**Yee Fai** 怡輝建築有限公司  
Building Contractors Ltd.

STRUCTURAL ENGINEER :

**ARUP**

FAÇADE CONSULTANT :

**ALPHA CONSULTING LIMITED**  
Steel Structure & Façade Specialist

NOTE :

1. ALL DIMENSIONS ARE IN mm.
2. ALL ELEVATIONS ARE VIEWED FROM OUTSIDE.
3. ALL DIMENSIONS TO BE VERIFIED ON SITE BEFORE FABRICATION.

LEGEND :

(X1) --- DETAIL MARK NO.  
(X001) --- REFER SHEET NO.

1. F.F.L. --- FINISHED FLOOR LEVEL
2. S.F.L. --- STRUCTURAL FLOOR LEVEL
3. (R) --- REVERSED DETAIL
4. GLASS LEGEND

EGL-1 --- 8mmH+12mm AIR GAP+10mmTP THK. I.G.U.  
EGL-2 --- 10mm THK. CLEAR TEMPERED GLASS  
EGL-4 --- 10mm THK. TEMPERED ACID ETCHED GLASS  
EGL-1A --- 8mmH+12mm AIR GAP+8mmTP THK. I.G.U.

NO.	DATE	BY	REVISION
0	25/08/2022	lwn	REVISION SUBJECT TO ARCH-COMMENT
C	02/11/2021	lwn	REVISION SUBJECT TO ARCH-COMMENT
B	30/10/2021	lwn	REVISION SUBJECT TO ARCH-COMMENT
A	30/09/2021	lwn	REVISION SUBJECT TO ARCH-COMMENT

JOB NO. :

J-856

PROJECT :

PROPOSED DEVELOPMENT ABOVE  
LIGHT RAIL TIN WING STOP-TS/WTL  
NO.23,AREA 33,TIN SHUI WAI, N.T.

TITLE :

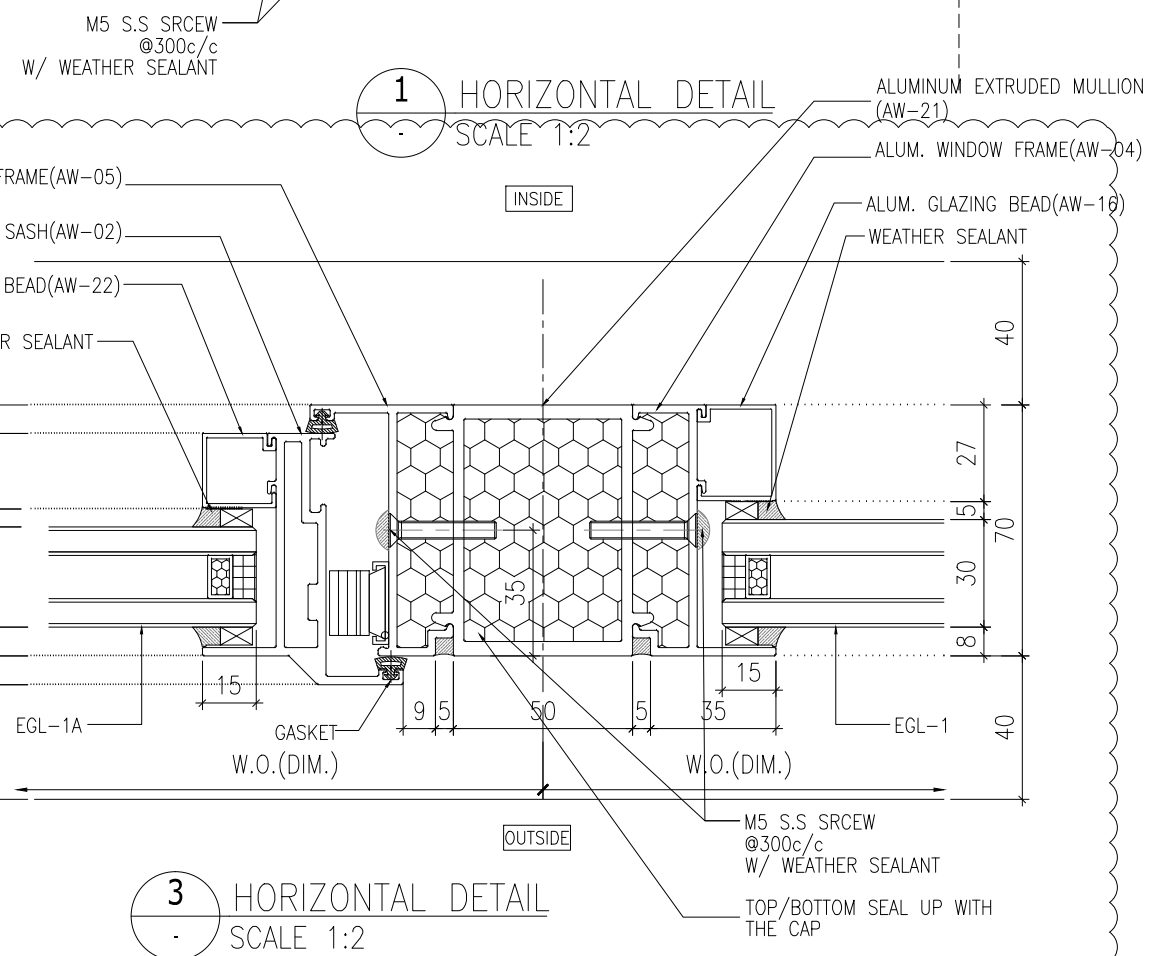
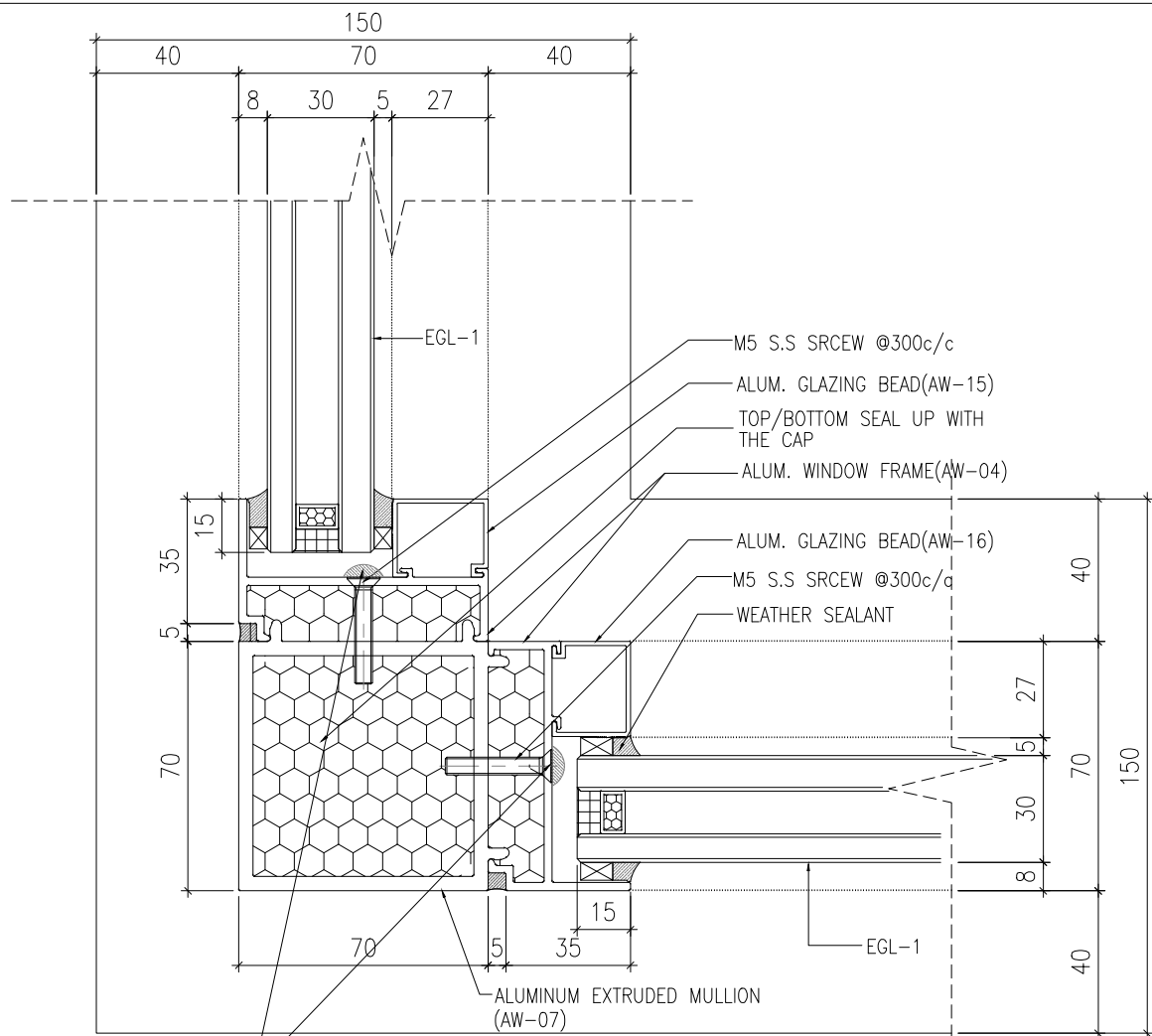
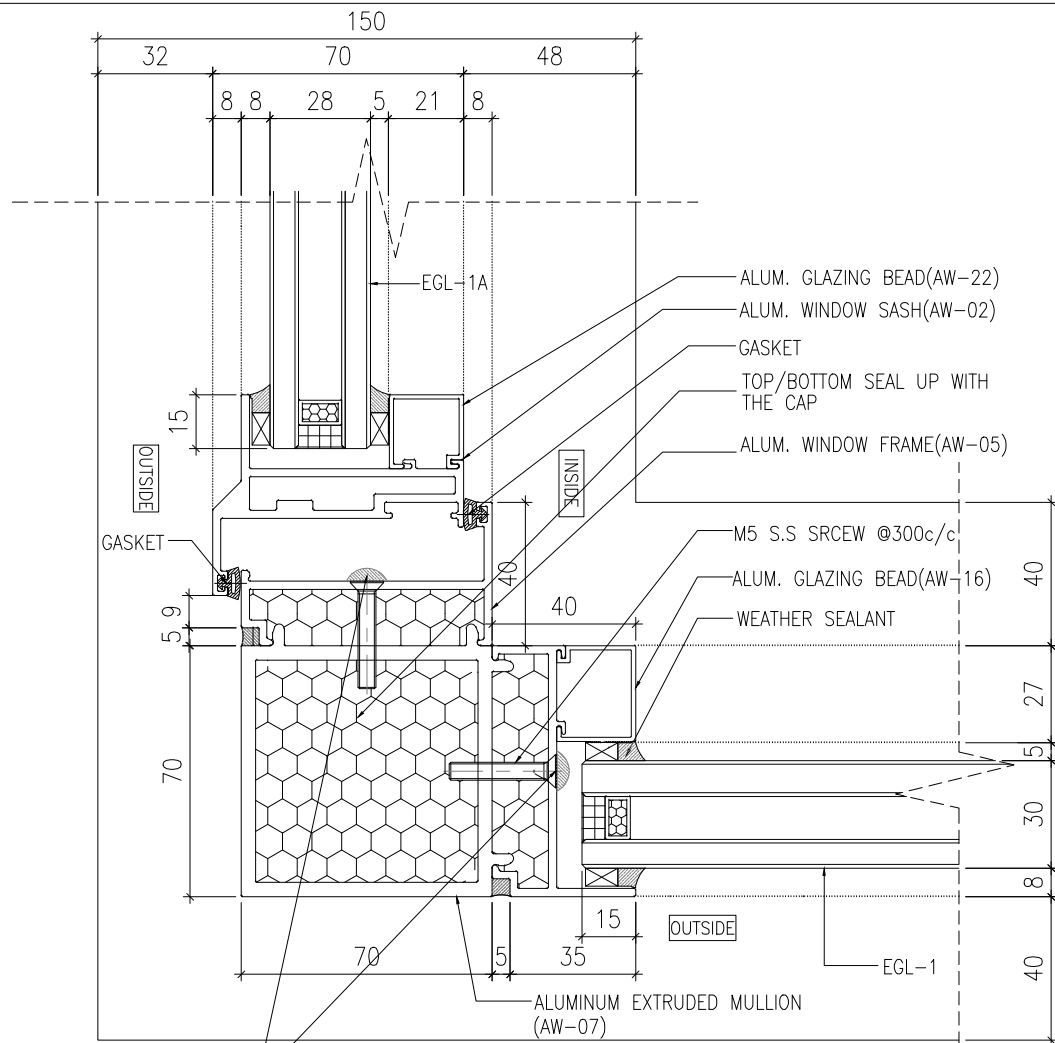
TYPICAL DETAILS FOR  
ALUM. WINDOW

DATE : 02-Aug-21 SCALE : 1:40

DRAWN BY : lwnn CHECKED BY :

**美特鋁質有限公司**  
MIDI ALUMINIUM FABRICATOR LTD.  
Units 6-8, Sunray Industrial Centre, 1/F  
610 Cho Kwong Road, Kwailoon  
Tel:23489211-4 Fax:(852)2727666

DWG NO. : J856-SD-PW-DT6Z REV. : D



2 HORIZONTAL DETAIL SCALE 1:2

3 HORIZONTAL DETAIL SCALE 1:2

B.D. REF :

CLIENT :  
**SUN HUNG KAI**  
REAL ESTATE AGENCY LTD.  
42/F SUN HUNG KAI CENTRE, WANCHAI, HONGKONG

ARCHITECT :  
**IWK&partners**  
architects

MAIN CONTRACTOR :  
**Yee Fai** Building Contractors Ltd.

STRUCTURAL ENGINEER :  
**ARUP**

FACADE CONSULTANT:  
**ALPHA CONSULTING LIMITED**  
Steel Structure & Facade Specialist

NOTE :  
1. ALL DIMENSIONS ARE IN mm.  
2. ALL ELEVATIONS ARE VIEWED FROM OUTSIDE.  
3. ALL DIMENSIONS TO BE VERIFIED ON SITE BEFORE FABRICATION.

LEGEND :  
X1 -- DETAIL MARK NO.  
X001 -- REFER SHEET NO.  
1. F.F.L. -- FINISHED FLOOR LEVEL  
2. S.F.L. -- STRUCTURAL FLOOR LEVEL  
3. (R) -- REVERSED DETAIL  
4. GLASS LEGEND  
EGL-1 -- 8mmHS+12mm AIR GAP+10mmTP THK. I.G.U.  
EGL-2 -- 10mm THK. CLEAR TEMPERED GLASS  
EGL-4 -- 10mm THK. TEMPERED ACID ETCHED GLASS  
EGL-1A -- 8mmHS+12mm AIR GAP+8mmTP THK. I.G.U.

NO.	DATE	REVISED	BY
E	27/02/2023	REVISION SUBJECT TO ARCH.COMMENT	Ivan
D	25/08/2022	REVISION SUBJECT TO ARCH.COMMENT	Ivan
C	02/11/2021	REVISION SUBJECT TO ARCH.COMMENT	Ivan
B	30/10/2021	REVISION SUBJECT TO ARCH.COMMENT	Ivan
A	30/09/2021	REVISION SUBJECT TO ARCH.COMMENT	Ivan

JOB NO. : J-856  
PROJECT : PROPOSED DEVELOPMENT ABOVE LIGHT RAIL TIN WING STOP,TSWTL NO.23,AREA 33,TIN SHUI WAI, N.T.

TITLE : TYPICAL DETAILS FOR ALUM. WINDOW

DATE : 02-Aug-21 SCALE : 1:40  
DRAWN BY : Ivan CHECKED BY :

**美特铝质有限公司**  
MIDI ALUMINIUM FABRICATOR LTD.  
Units 6-8, Sunray Industrial Centre, 1/F  
610 Cha Kwo Ling Road, Kowloon  
Tel:23489211-4 Fax:(852)27727666

DWG NO. : J856-SD-PW-DT63 REV. : E



CLIENT :



ARCHITECT :



MAIN CONTRACTOR :



STRUCTURAL ENGINEER :



FAÇADE CONSULTANT :



- NOTE :
1. ALL DIMENSIONS ARE IN mm.
  2. ALL ELEVATIONS ARE VIEWED FROM OUTSIDE.
  3. ALL DIMENSIONS TO BE VERIFIED ON SITE BEFORE FABRICATION.

LEGEND :

(X1) --- DETAIL MARK NO.  
(X001) --- REFER SHEET NO.

1. F.F.L. --- FINISHED FLOOR LEVEL
2. S.F.L. --- STRUCTURAL FLOOR LEVEL
3. (R) --- REVERSED DETAIL

4. GLASS LEGEND

- EQ-1--8mmH+12mm AIR GAP+10mmTP THK. I.G.U.
- EQ-2--10mm THK. CLEAR TEMPERED GLASS
- EQ-4--10mm THK. TEMPERED ACID ETCHED GLASS
- EQ-1A-8mmH+12mm AIR GAP+8mmTP THK. I.G.U.

NO.	DATE	REVISION	REVISION SUBJECT TO ARCH-COMMENT	BY
C	25/08/2022	REVISION SUBJECT TO ARCH-COMMENT		hwk
B	02/11/2021	REVISION SUBJECT TO ARCH-COMMENT		hwk
A	30/10/2021	REVISION SUBJECT TO ARCH-COMMENT		hwk

JOB NO. : J-856

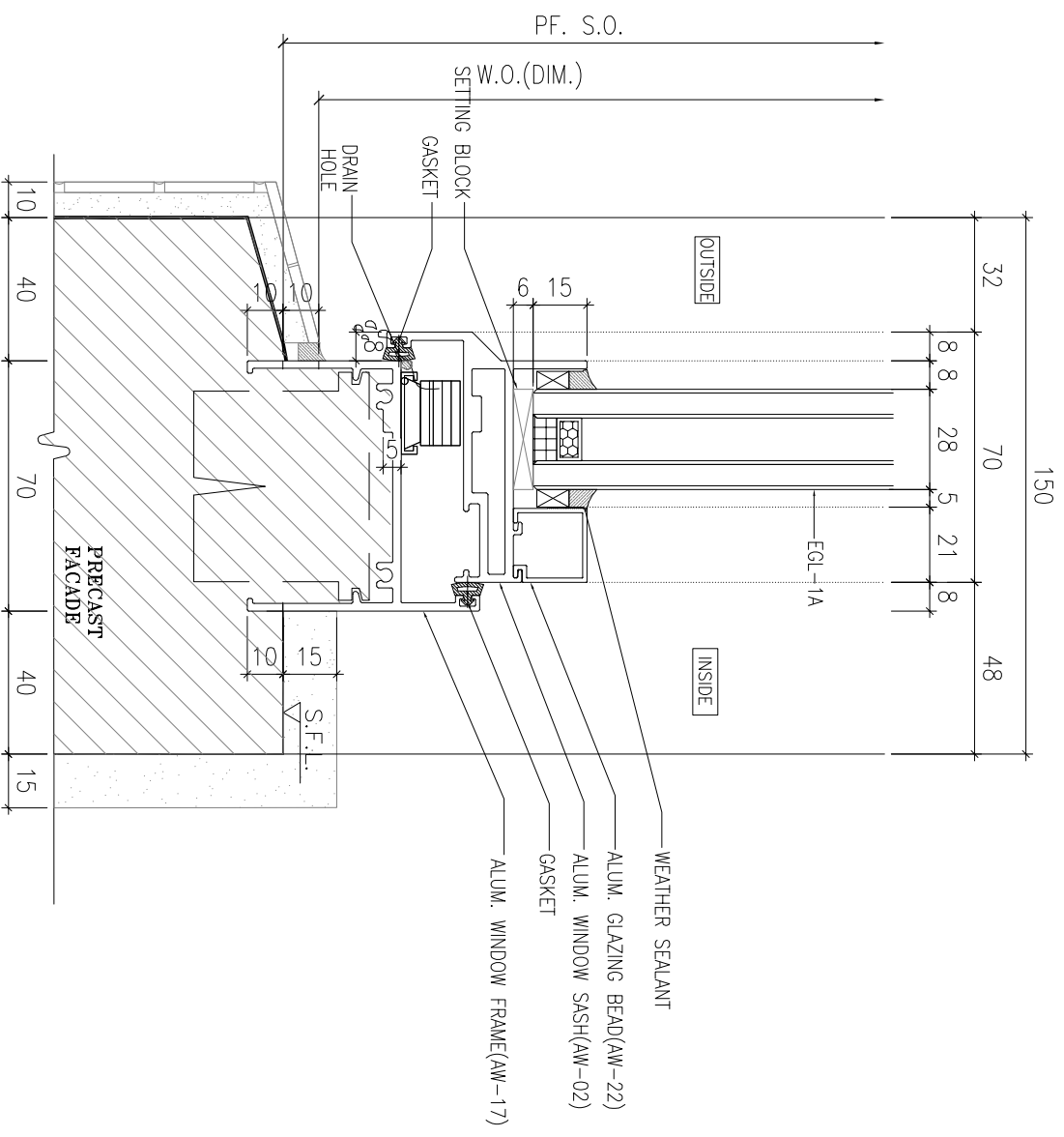
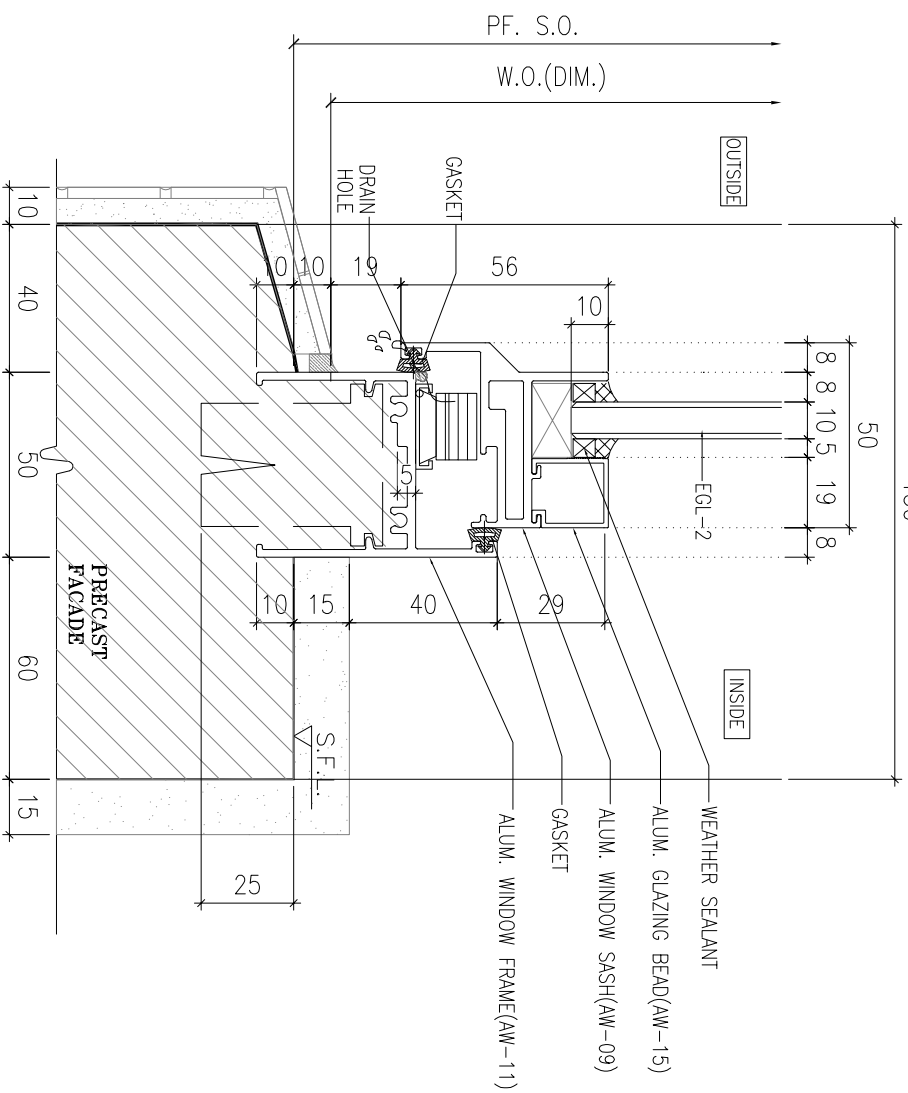
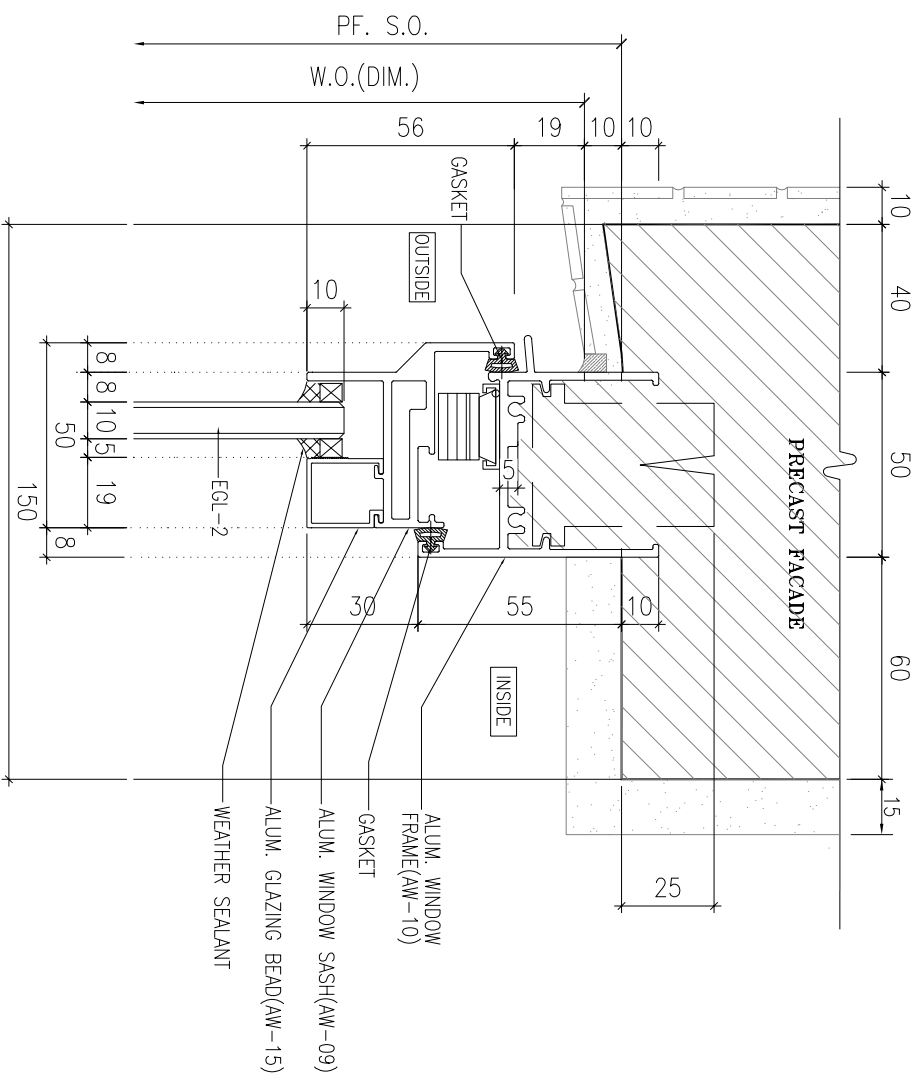
PROJECT :  
PROPOSED DEVELOPMENT ABOVE  
LIGHT RAIL TIN WING STOP-TSWTL  
NO.23,AREA 33,TIN SHUI WAI, N.T.

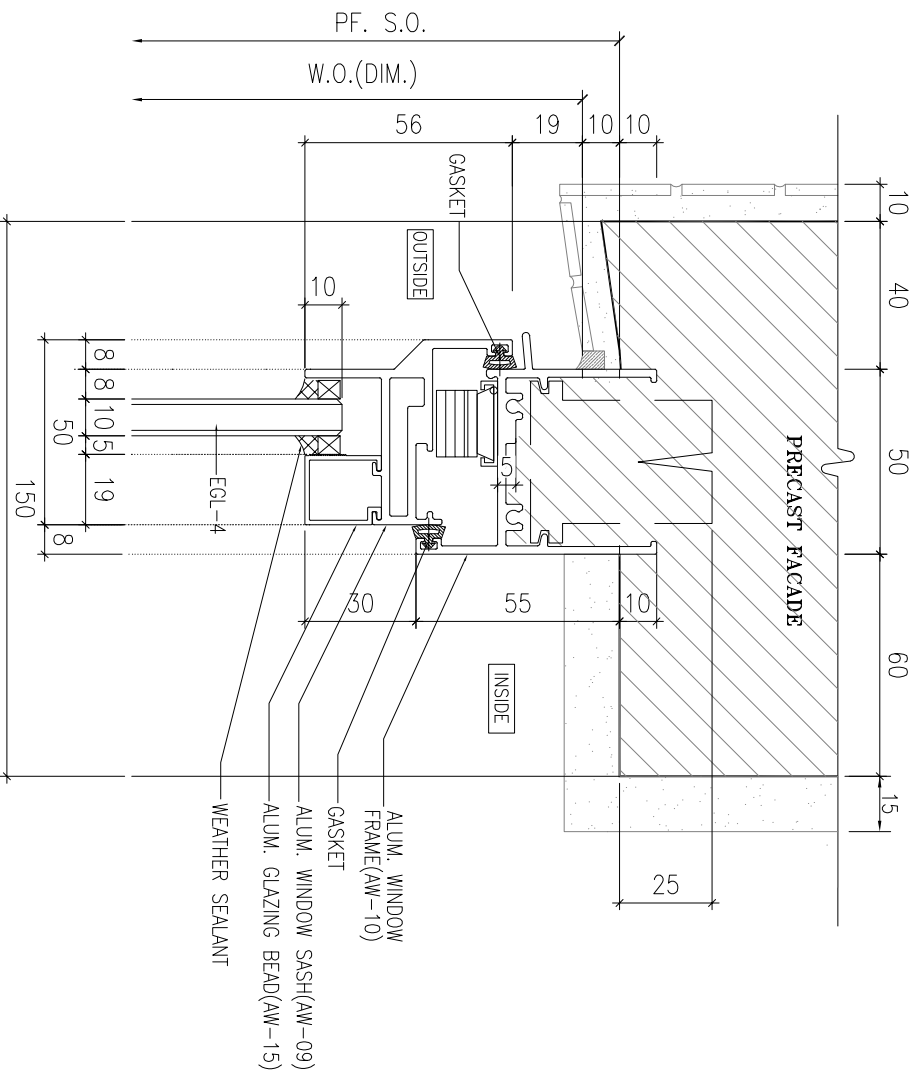
TITLE :  
TYPICAL DETAILS FOR  
ALUM. WINDOW

DATE : 02-Aug-21 SCALE : 1:40

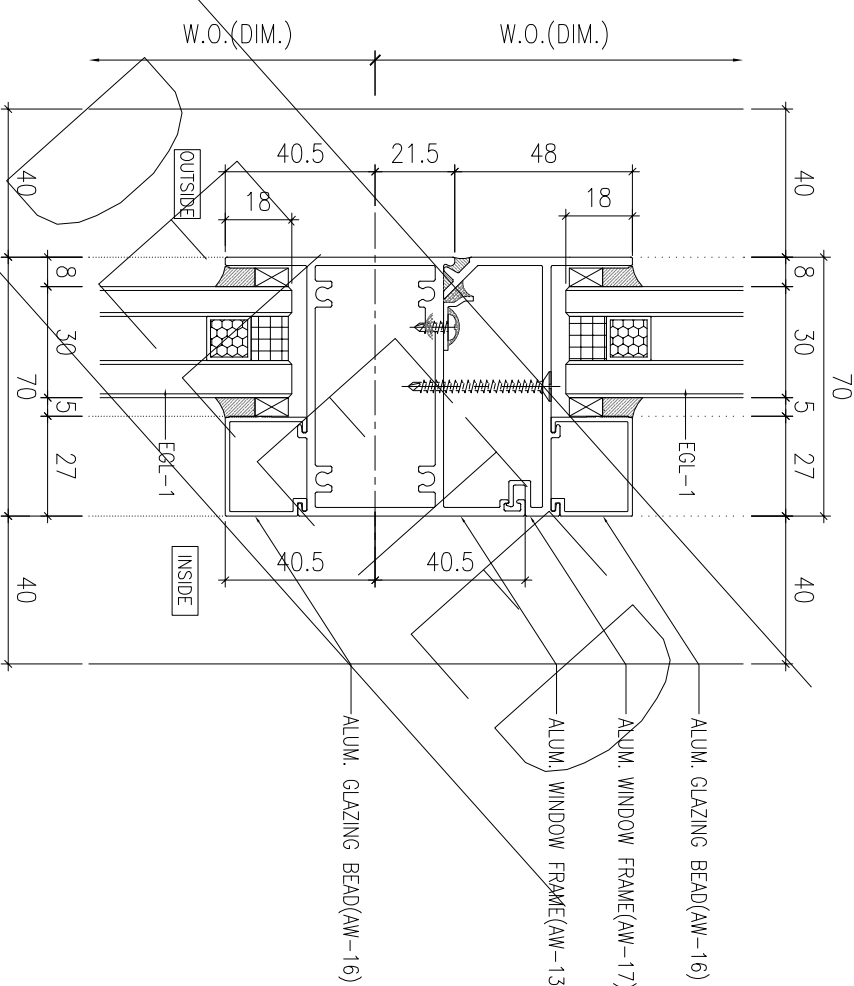
DRAWN BY : IYVN CHECKED BY :

美特鋁質有限公司  
MIDI ALUMINIUM FABRICATOR LTD.  
Units 6-8, Sunray Industrial Centre, 1/F  
610 Cho Kwai Ling Road, Kowloon  
Tel:23489211-4 Fax:(852)27727666  
DWG NO. : J856-SD-PW-DT71 REV. : C

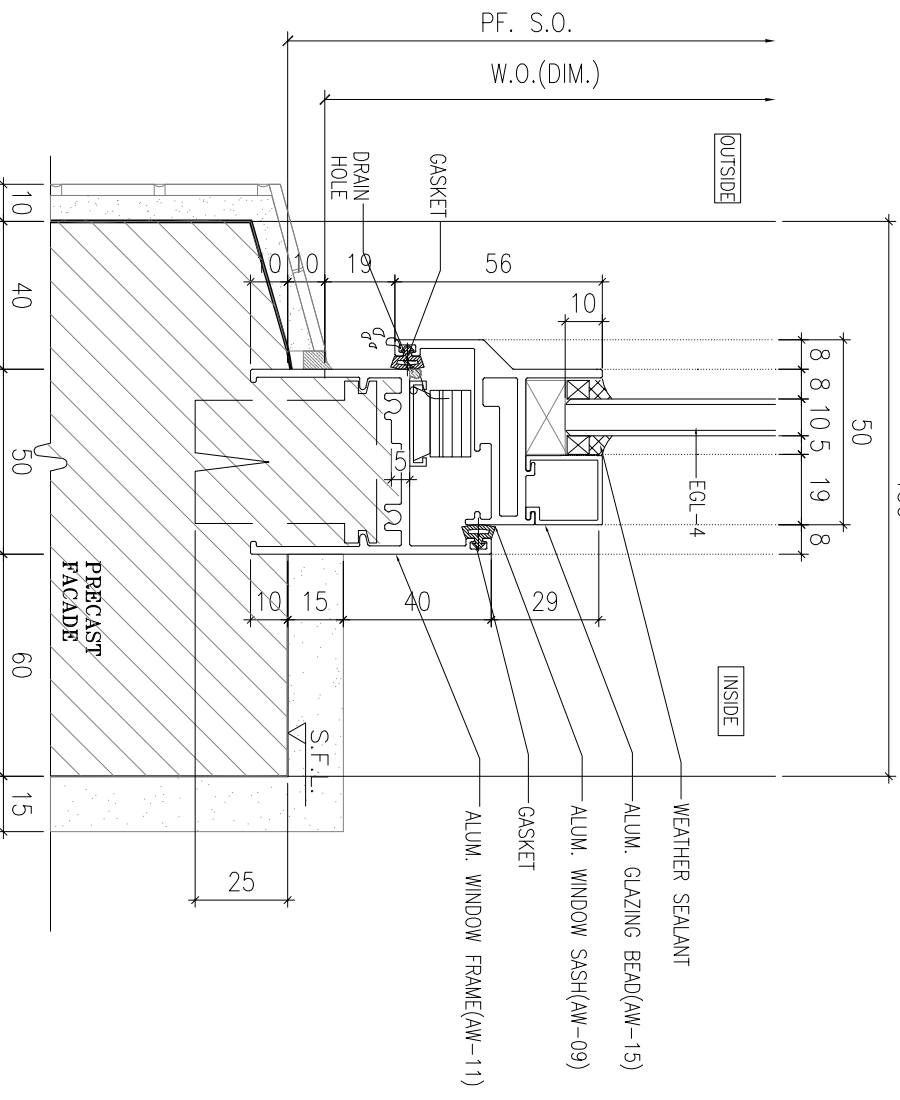




1 VERTICAL DETAIL  
SCALE 1:2



3 VERTICAL DETAIL  
SCALE 1:2



2 VERTICAL DETAIL  
SCALE 1:2

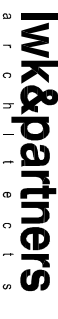
B.D. REF :

CLIENT :

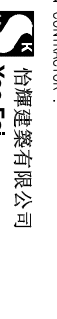


42/F, SUN HUNG KAI CENTRE, WANCHAI, HONGKONG

ARCHITECT :



MANU CONTRACTOR :



STRUCTURAL ENGINEER :



FAÇADE CONSULTANT:  
ALPHA CONSULTING LIMITED  
Steel Structure & Façade Specialist

NOTE:  
1. ALL DIMENSIONS ARE IN mm.  
2. ALL ELEVATIONS ARE VIEWED FROM OUTSIDE.  
3. ALL DIMENSIONS TO BE VERIFIED ON SITE BEFORE FABRICATION.  
LEGEND:  
X1 — DETAIL MARK NO.  
X001 — REFER SHEET NO.

1. F.F.L. --- FINISHED FLOOR LEVEL
2. S.F.L. --- STRUCTURAL FLOOR LEVEL
3. (R) --- REVERSED DETAIL
4. GLASS LEGEND  
EQL-1 -- 8mmH+12mm AIR GAP+10mmTP THK. I.G.U.  
EQL-2 -- 10mm THK. CLEAR TEMPERED GLASS  
EQL-4 -- 10mm THK. TEMPERED ACID ETCHED GLASS  
EQL-1A -- 8mmH+12mm AIR GAP+8mmTP THK. I.G.U.

NO.	DATE	REVISION	SUBJECT TO ARCH-COMMENT	BY
C	25/08/2022	REVISION SUBJECT TO ARCH-COMMENT		hwn
B	02/11/2021	REVISION SUBJECT TO ARCH-COMMENT		hwn
A	30/09/2021	REVISION SUBJECT TO ARCH-COMMENT		hwn

JOB NO. : J-856  
PROJECT : PROPOSED DEVELOPMENT ABOVE LIGHT RAIL TIN WING STOP-TSWTL NO.23,AREA 33,TIN SHUI WAI, N.T.  
TITLE : TYPICAL DETAILS FOR ALUM. WINDOW

DATE : 02-Aug-21 SCALE : 1:40  
DRAWN BY : IYVN CHECKED BY :

美特鋁質有限公司  
MIDI ALUMINIUM FABRICATOR LTD.  
Units 6-8, Sunny Industrial Centre, 1/F  
610 Cho Kwong Road, Kwai Tsoung  
Tel:23489211-4 Fax:(852)2727666  
DWG NO. : J856-SD-PW-DT71a REV. : C



B.D. REF :

CLIENT :

**SUN HUNG KAI**  
REAL ESTATE AGENCY LTD.  
42/F, SUN HUNG KAI CENTRE, WANCHAI, HONGKONG

ARCHITECT :

**lwk&partners**  
a r c h i t e c t s

MAIN CONTRACTOR :

**怡輝建築有限公司**  
**Yee Fai Building Contractors Ltd.**

STRUCTURAL ENGINEER :

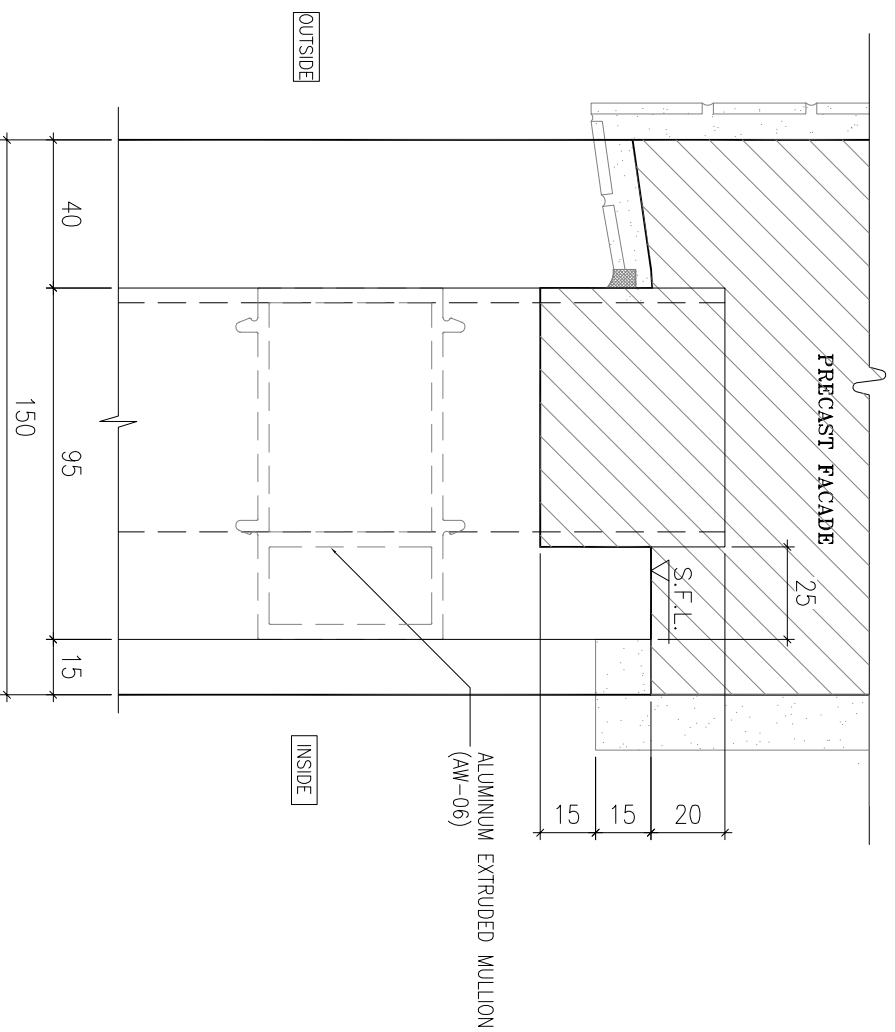
**ARUP**

FAÇADE CONSULTANT:

**ALPHA CONSULTING LIMITED**  
Steel Structure & Façade Specialist

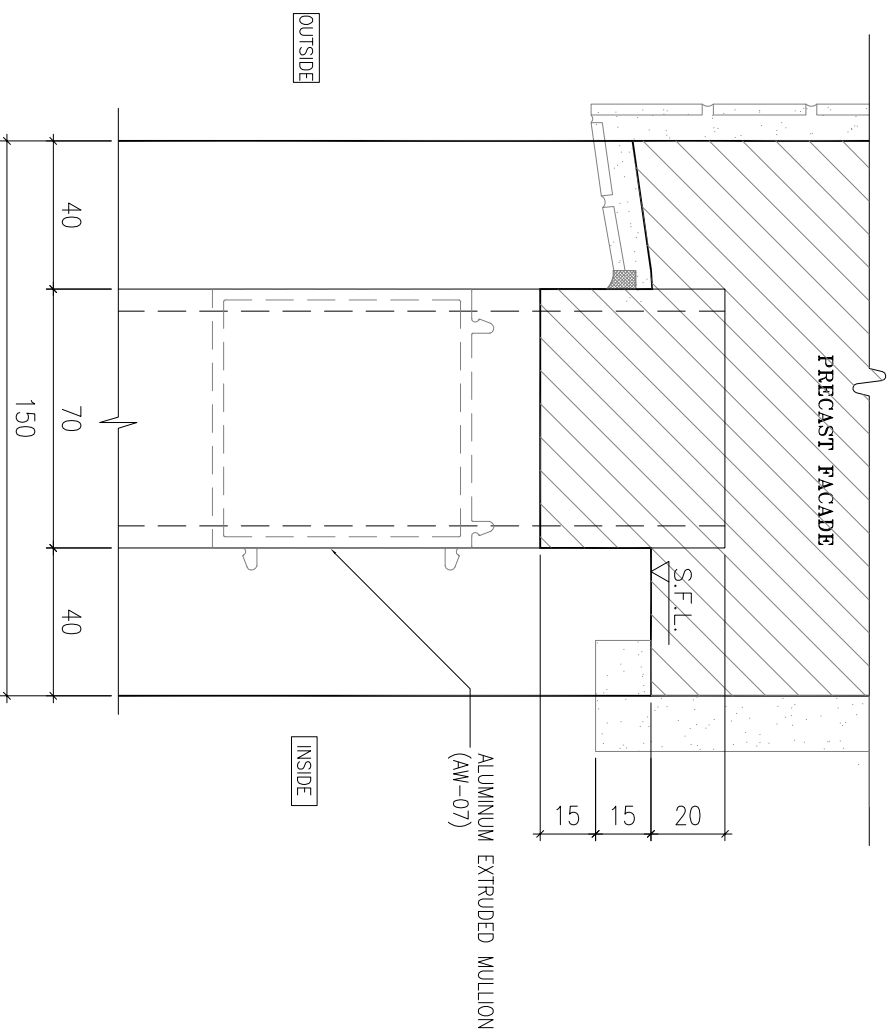
**1** VERTICAL DETAIL

SCALE 1:2



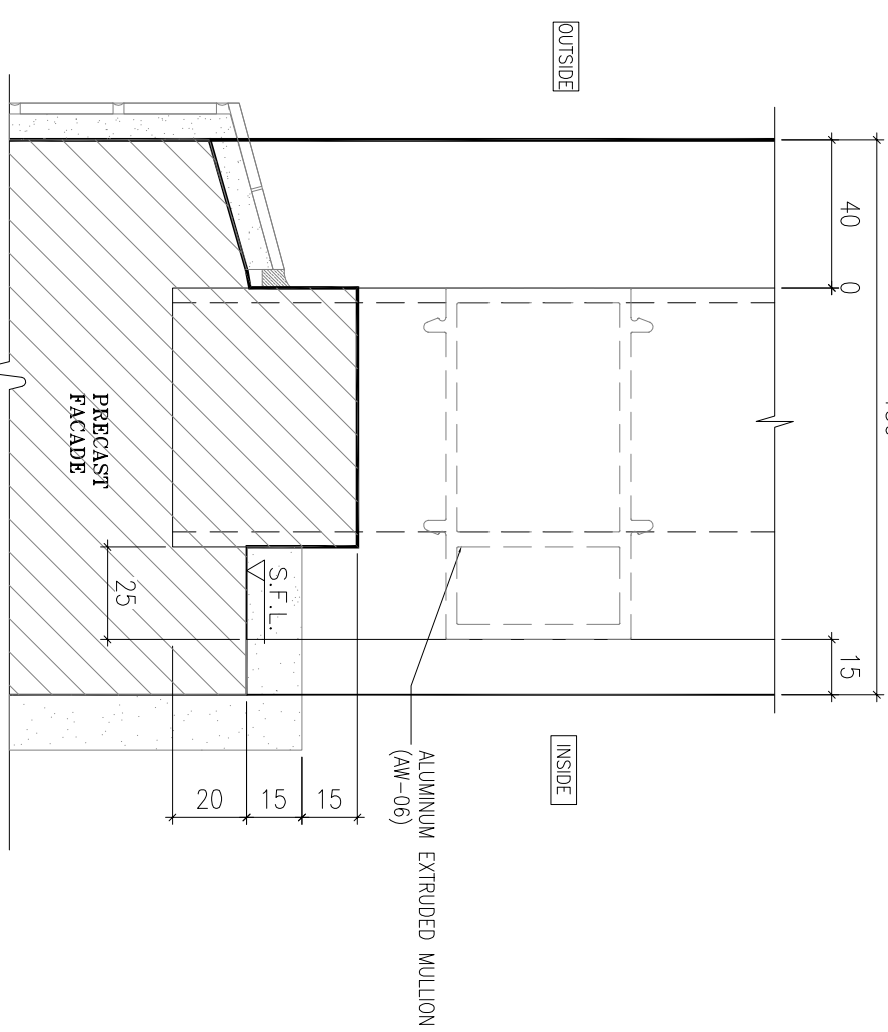
**3** VERTICAL DETAIL

SCALE 1:2



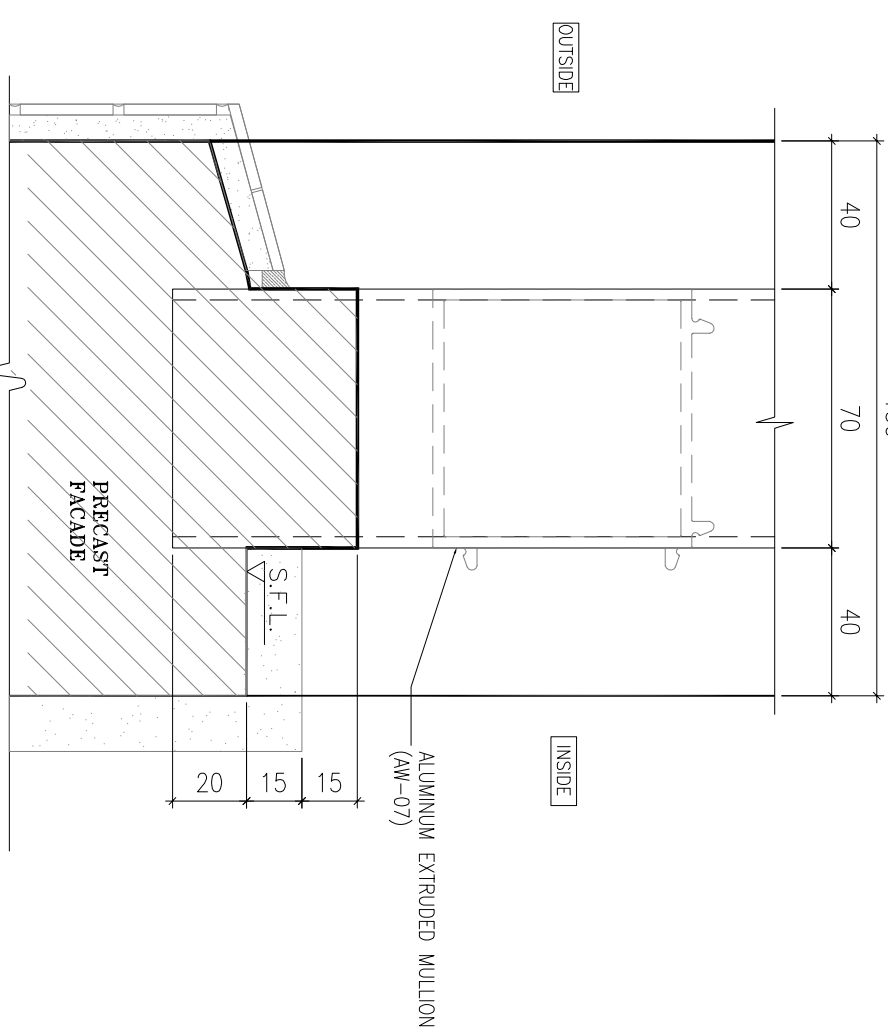
**2** VERTICAL DETAIL

SCALE 1:2



**4** VERTICAL DETAIL

SCALE 1:2



NOTE :

1. ALL DIMENSIONS ARE IN mm.
2. ALL ELEVATIONS ARE VIEWED FROM OUTSIDE.
3. ALL DIMENSIONS TO BE VERIFIED ON SITE BEFORE FABRICATION.

LEGEND :

- (X1) --- DETAIL MARK NO.
- (X001) --- REFER SHEET NO.

1. F.F.L. --- FINISHED FLOOR LEVEL
2. S.F.L. --- STRUCTURAL FLOOR LEVEL
3. (R) --- REVERSED DETAIL

4. GLASS LEGEND
- EQ.-1 --- 8mmH+12mm AIR GAP+10mmTP THK. I.G.U.
- EQ.-2 --- 10mm THK. CLEAR TEMPERED GLASS
- EQ.-4 --- 10mm THK. TEMPERED ACID ETCHED GLASS
- EQ.-1A --- 8mmH+12mm AIR GAP+8mmTP THK. I.G.U.

NO.	DATE	REVISION	REVISION SUBJECT TO ARCH-COMMENT	BY
C	02/11/2021	REVISION SUBJECT TO ARCH-COMMENT	None	None
B	30/10/2021	REVISION SUBJECT TO ARCH-COMMENT	None	None
A	30/09/2021	REVISION SUBJECT TO ARCH-COMMENT	None	None

JOB NO. : J-856

PROJECT : PROPOSED DEVELOPMENT ABOVE LIGHT RAIL TIN WING STOP-TSWTL NO.23,AREA 33,TIN SHUI WAL, N.T.

TITLE : TYPICAL DETAILS FOR ALUM. WINDOW

DATE : 02-Aug-21 SCALE : 1:40

DRAWN BY : IYVN CHECKED BY :

**美特鋁質有限公司**  
**MIDI ALUMINIUM FABRICATOR LTD.**  
Units 6-8, Sunray Industrial Centre, 1/F  
610 Cho Kwong Road, Kowloon  
Tel:23489211-4 Fax:(852)27272666  
DWG NO. : J856-SD-PW-DT73 REV. : C



CLIENT :

**SUN HUNG KAI**  
**REAL ESTATE AGENCY LTD.**  
 42/F, SUN HUNG KAI CENTRE, WANCHAI, HONGKONG

ARCHITECT :

**lwk&partners**  
 a r c h i t e c t s

MAIN CONTRACTOR :

**怡輝建築有限公司**  
**Yee Fai Building Contractors Ltd.**

STRUCTURAL ENGINEER :

**ARUP**

FAÇADE CONSULTANT :

**ALPHA CONSULTING LIMITED**  
 Steel Structure & Façade Specialist

NOTE :

1. ALL DIMENSIONS ARE IN mm.
2. ALL ELEVATIONS ARE VIEWED FROM OUTSIDE.
3. ALL DIMENSIONS TO BE VERIFIED ON SITE BEFORE FABRICATION.

LEGEND :

- (X1) --- DETAIL MARK NO.
- (X001) --- REFER SHEET NO.

1. F.F.L. --- FINISHED FLOOR LEVEL
2. S.F.L. --- STRUCTURAL FLOOR LEVEL
3. (R) --- REVERSED DETAIL
4. GLASS LEGEND

EQ-1 --- 8mmH+12mm AIR GAP+10mmTP THK. I.G.U.  
 EQ-2 --- 10mm THK. CLEAR TEMPERED GLASS  
 EQ-4 --- 10mm THK. TEMPERED ACID ETCHED GLASS  
 EQ-1A --- 8mmH+12mm AIR GAP+8mmTP THK. I.G.U.

NO.	DATE	REVISION	BY

JOB NO. : J-856

PROJECT :

PROPOSED DEVELOPMENT ABOVE  
 LIGHT RAIL TIN WING STOP+TSTWL  
 NO.23,AREA 33,TIN SHUI WAI, N.T.

TITLE :

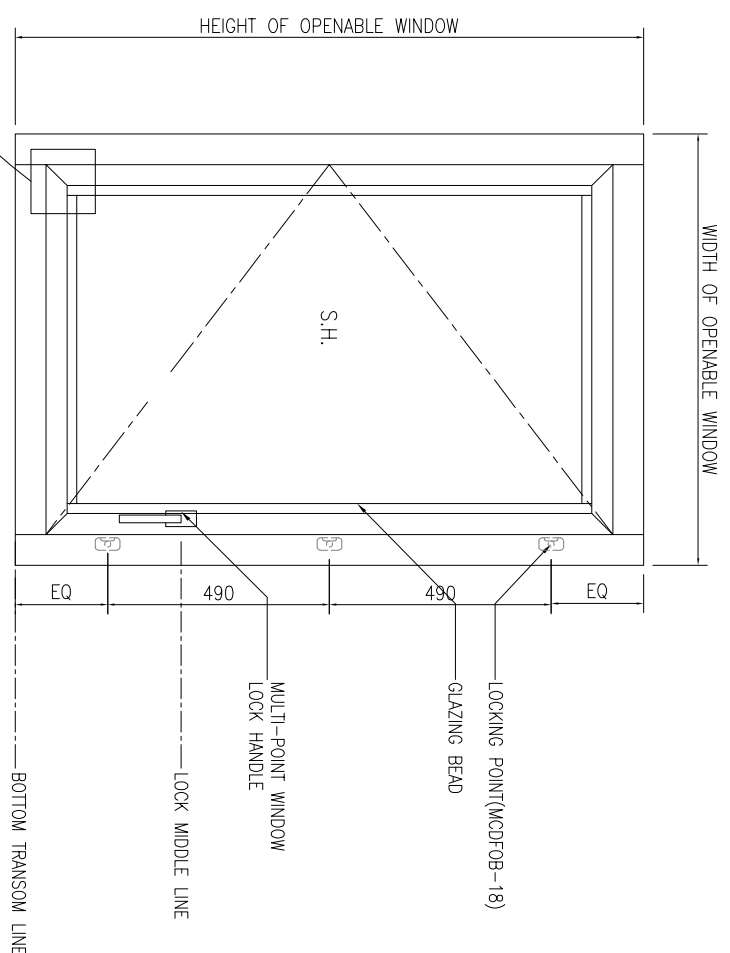
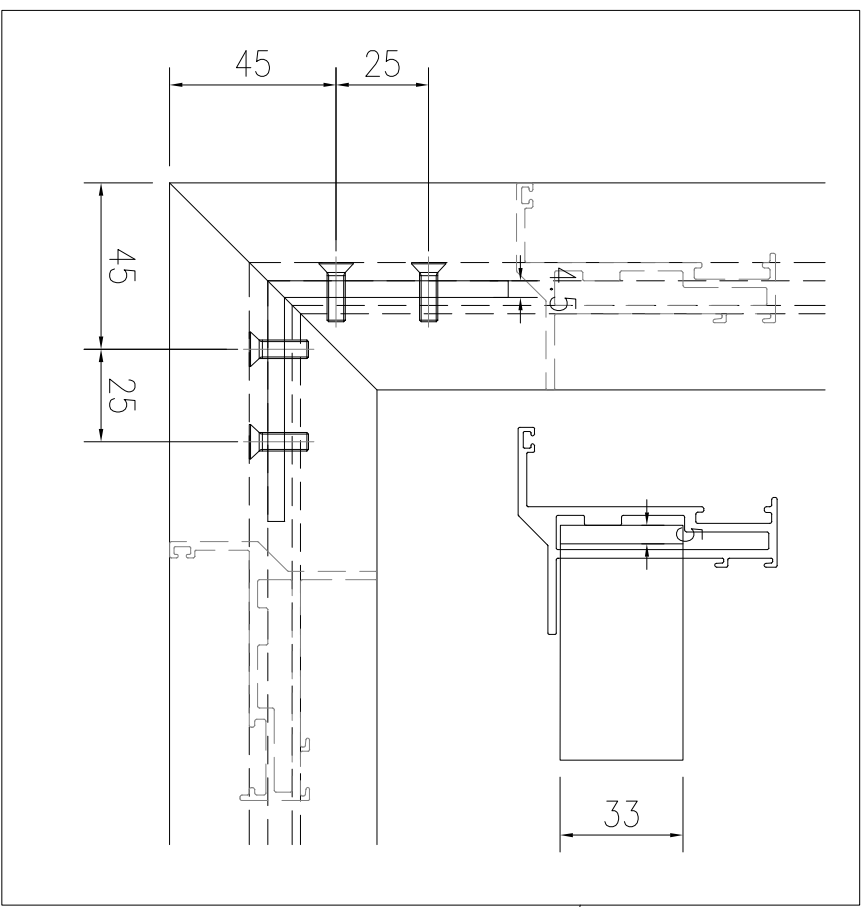
ALUM. WINDOW SECTION  
 TYPICAL LOOK & HINGES DETAIL

DATE : 02-Aug-21 SCALE : 1:40

DRAWN BY : IYVN CHECKED BY :

**美特鋁質有限公司**  
**MDI ALUMINIUM FABRICATOR LTD.**  
 Units 6-8, Sunray Industrial Centre, 1/F  
 610 Cho Kwo Ling Road, Kowloon  
 Tel:23489211-4 Fax:(852)2727666  
 DWG NO. : J856-SD-PW-DT74 REV. : -

# 70窗



01 TYPICAL SECTION

S.F.L.

B.D. REF :

CLIENT :

**SUN HUNG KAI**  
REAL ESTATE AGENCY LTD.

42/F, SUN HUNG KAI CENTRE, WANCHAI, HONGKONG

ARCHITECT :

**lwk&partners**  
a r c h i t e c t s

MAIN CONTRACTOR :

**Yee Fai** 怡輝建築有限公司  
Building Contractors Ltd.

STRUCTURAL ENGINEER :

**ARUP**

FAÇADE CONSULTANT :

**ALPHA CONSULTING LIMITED**  
Steel Structure & Façade Specialist

NOTE :

1. ALL DIMENSIONS ARE IN mm.
2. ALL ELEVATIONS ARE VIEWED FROM OUTSIDE.
3. ALL DIMENSIONS TO BE VERIFIED ON SITE BEFORE FABRICATION.

LEGEND :

X1 --- DETAIL MARK NO.  
X001 --- REFER SHEET NO.

1. F.F.L. --- FINISHED FLOOR LEVEL
2. S.F.L. --- STRUCTURAL FLOOR LEVEL
3. (R) --- REVERSED DETAIL
4. GLASS LEGEND

EQ-1 --- 8mmH<sup>5</sup>+12mm AIR GAP+10mmTP THK. I.G.U.  
 EQ-2 --- 10mm THK. CLEAR TEMPERED GLASS  
 EQ-4 --- 10mm THK. TEMPERED ACID ETCHED GLASS  
 EQ-1A --- 8mmH<sup>5</sup>+12mm AIR GAP+8mmTP THK. I.G.U.

NO.	DATE	REASON	BY

JOB NO. : J-856

PROJECT :  
 PROPOSED DEVELOPMENT ABOVE  
 LIGHT RAIL TIN WING STOP/TSWTL  
 NO.23,AREA 33,TIN SHUI WAI, N.T.

TITLE :  
 ALUM. WINDOW SECTION  
 TYPICAL LOOK & HINGES DETAIL

DATE : 02-Aug-21 SCALE : 1:40

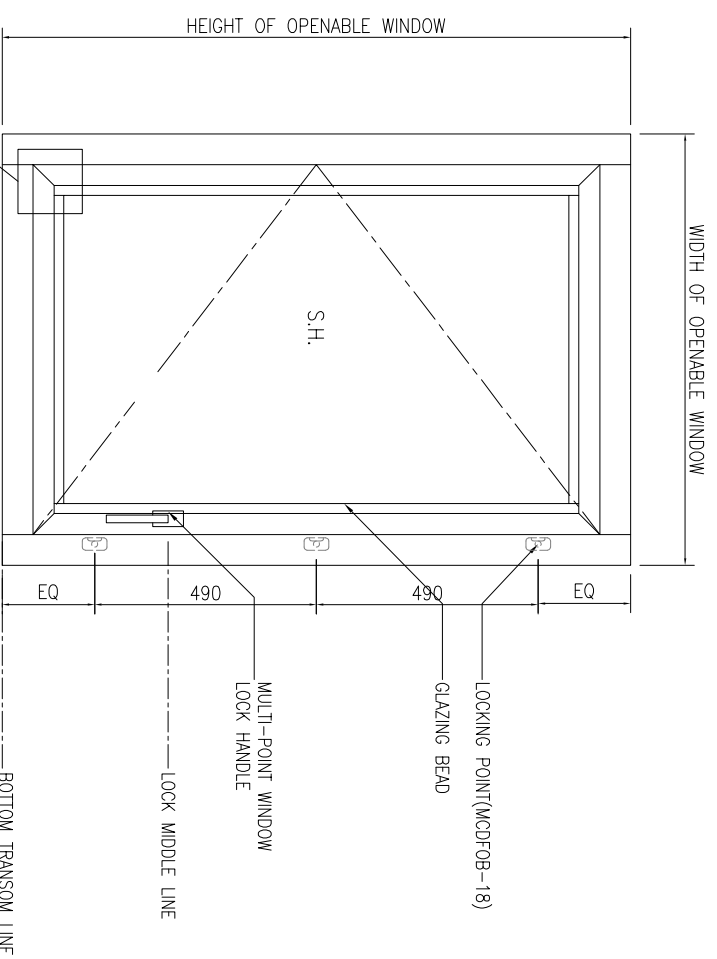
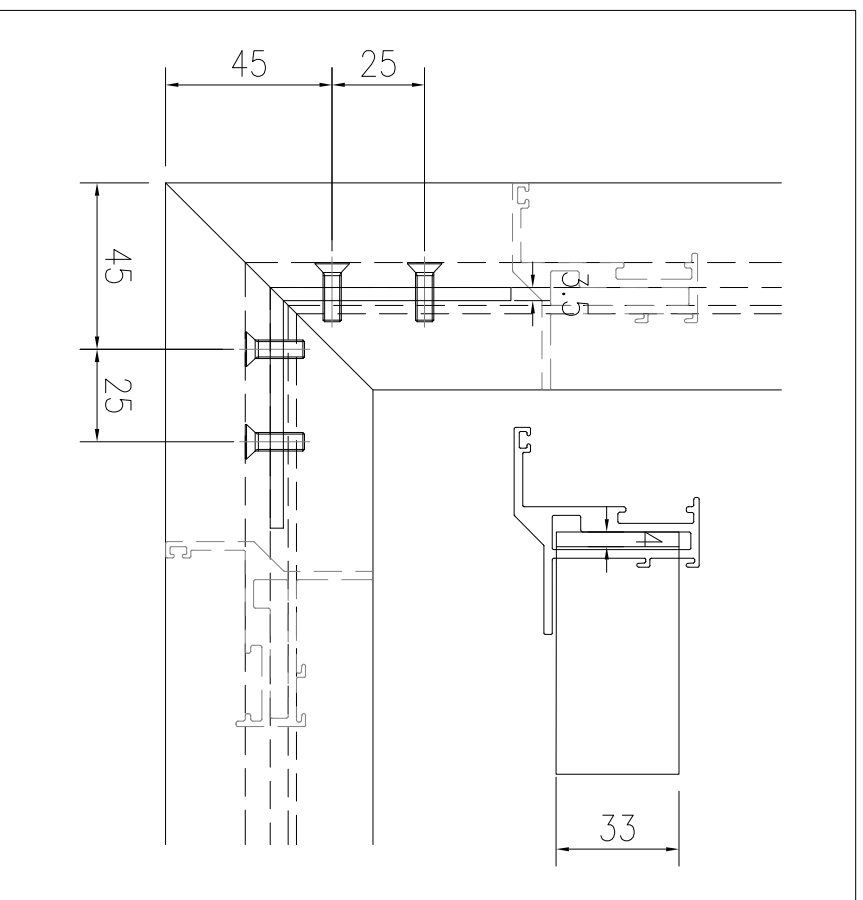
DRAWN BY : IYON CHECKED BY :

**美特鋁質有限公司**  
**MDI ALUMINIUM FABRICATOR LTD.**

Units 6-8, Sunray Industrial Centre, 1/F  
 610 Cho Kwo Ling Road, Kowloon  
 Tel:23489211-4 Fax:(852)2727666

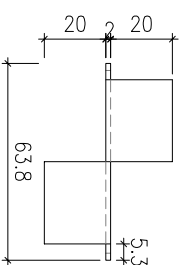
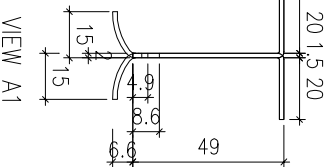
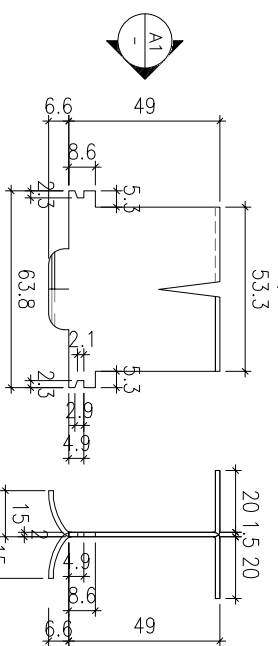
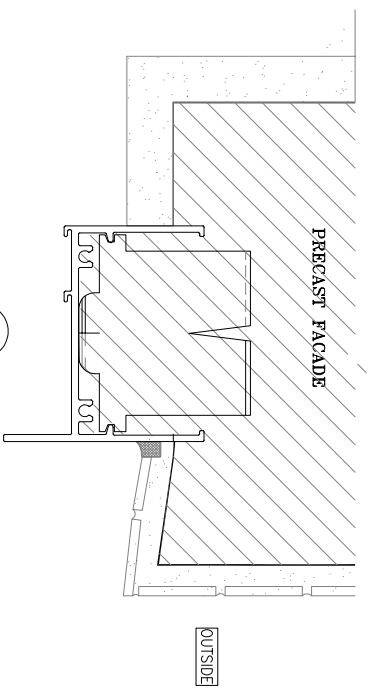
DWG NO. : J856-SD-PW-D174c REV. : -

# 50窗

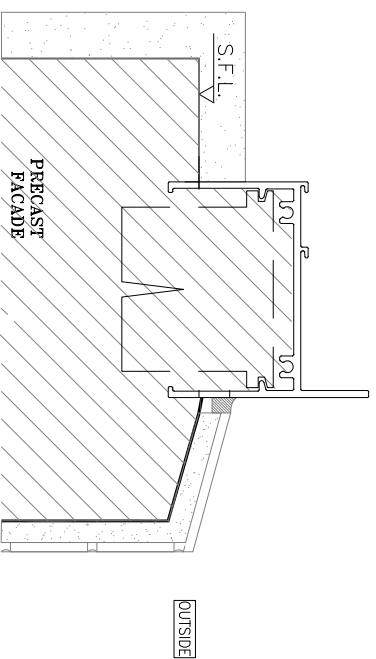
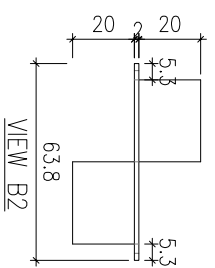
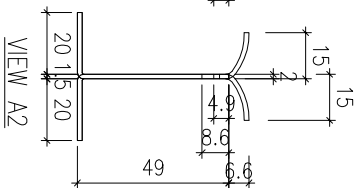
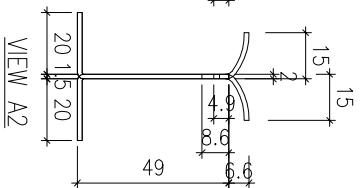
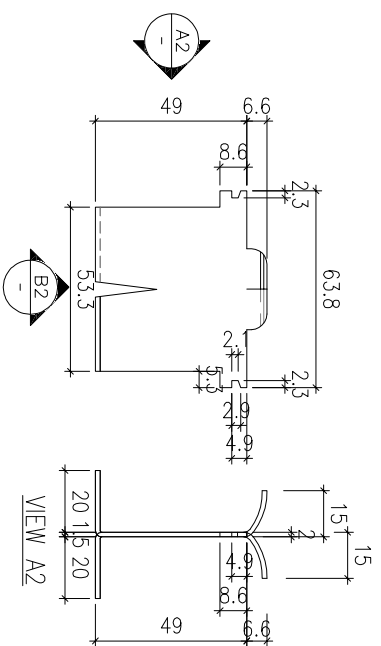


01 TYPICAL SECTION

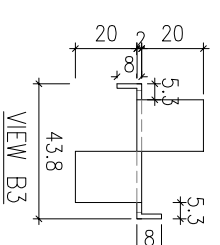
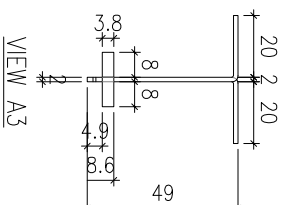
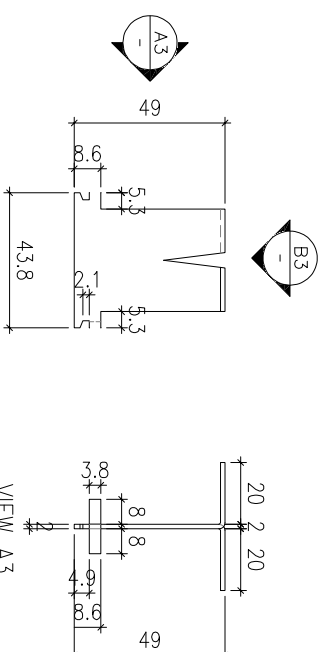
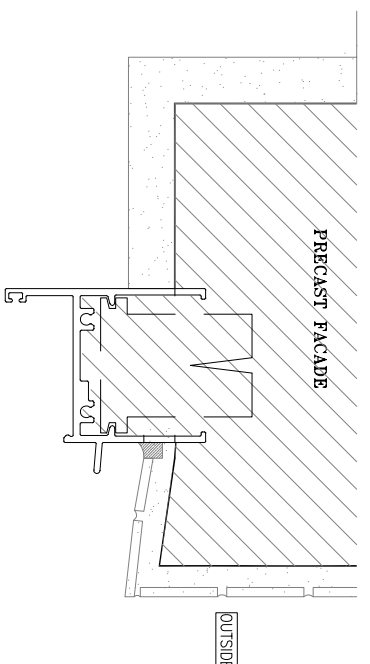
S.F.L.



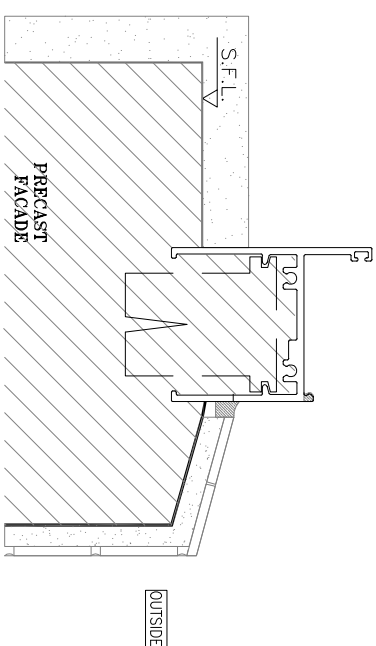
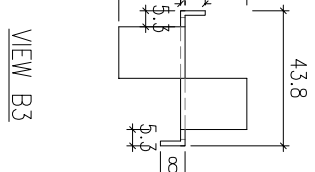
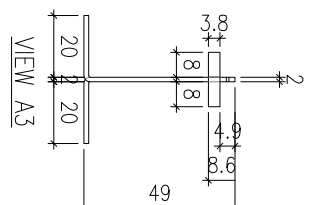
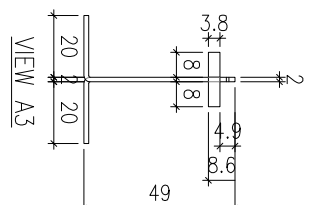
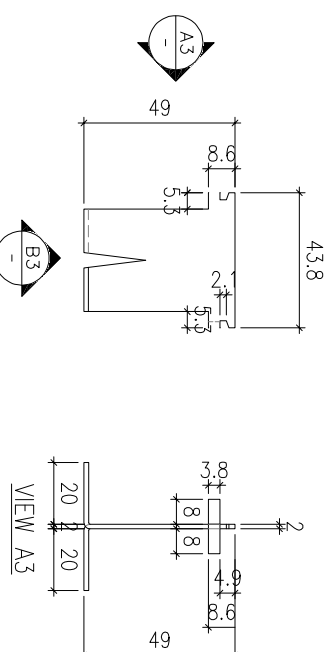
1 70 SECTION FIXING LUG  
SCALE 1:2



2 70 SECTION FIXING LUG  
SCALE 1:2



3 50 SECTION FIXING LUG  
SCALE 1:2



4 50 SECTION FIXING LUG  
SCALE 1:2

B.D. REF :

CLIENT :

**SUN HUNG KAI**  
REAL ESTATE AGENCY LTD.  
42/F, SUN HUNG KAI CENTRE, WANCHAI, HONGKONG

ARCHITECT :

**lwk&partners**  
ARCHITECTS

MAIN CONTRACTOR :

**Yee Fai** 怡輝建築有限公司  
Building Contractors Ltd.

STRUCTURAL ENGINEER :

**ARUP**

FAÇADE CONSULTANT :

**ALPHA CONSULTING LIMITED**  
Steel Structure & Façade Specialist

NOTE:  
1. ALL DIMENSIONS ARE IN mm.  
2. ALL ELEVATIONS ARE VIEWED FROM OUTSIDE.  
3. ALL DIMENSIONS TO BE VERIFIED ON SITE BEFORE FABRICATION.

LEGEND :

X1 --- DETAIL MARK NO.  
X001 --- REFER SHEET NO.

1. F.F.L. --- FINISHED FLOOR LEVEL  
2. S.F.L. --- STRUCTURAL FLOOR LEVEL  
3. (R) --- REVERSED DETAIL  
4. GLASS LEGEND  
EQ-1 --- 8mmH+12mm AIR GAP+10mm TP THK. I.G.U.  
EQ-2 --- 10mm THK. CLEAR TEMPERED GLASS  
EQ-4 --- 10mm THK. TEMPERED ACID ETCHED GLASS  
EQ-1A --- 8mmH+12mm AIR GAP+8mm TP THK. I.G.U.

NO.	DATE	REVISION SUBJECT TO ARCH-COMMENT	BY
A	05/09/2022		

JOB NO. : J-856

PROJECT :  
PROPOSED DEVELOPMENT ABOVE  
LIGHT RAIL TIN WING STOP-TS/WTL  
NO.23, AREA 33, TIN SHUI WAI, N.T.

TITLE :  
G.M.S. FIXING LUG TYPICAL DETAIL  
FOR ALUM. WINDOW

DATE : 02-Aug-21 SCALE : 1:60  
DRAWN BY : IYON CHECKED BY :

**美特鋁質有限公司**  
MIDI ALUMINIUM FABRICATOR LTD.  
Units 6-8, Sunray Industrial Centre, 1/F  
610 Cho Kwai Ling Road, Kowloon  
Tel: 23489211-4 Fax: (852) 2727666  
DWG NO. : J856-SD-PW-DT75 REV. : A

B.D. REF :

CLIENT :

**SUN HUNG KAI**  
REAL ESTATE AGENCY LTD.  
42/F, SUN HUNG KAI CENTRE, WANCHAI, HONGKONG

ARCHITECT :

**lwk&partners**  
a r c h i t e c t s

MAIN CONTRACTOR :

**怡輝建築有限公司**  
**Yee Fai** Building Contractors Ltd.

STRUCTURAL ENGINEER :

**ARUP**

FAÇADE CONSULTANT:

**ALPHA CONSULTING LIMITED**  
Steel Structure & Façade Specialist

NOTE :

1. ALL DIMENSIONS ARE IN mm.
2. ALL ELEVATIONS ARE VIEWED FROM OUTSIDE.
3. ALL DIMENSIONS TO BE VERIFIED ON SITE BEFORE FABRICATION.

LEGEND :

(X1) --- DETAIL MARK NO.  
(X001) --- REFER SHEET NO.

1. F.F.L. --- FINISHED FLOOR LEVEL
2. S.F.L. --- STRUCTURAL FLOOR LEVEL
3. (R) --- REVERSED DETAIL
4. GLASS LEGEND

EQ-1 --- 8mmH5+12mm AIR GAP+10mmTP THK. I.G.U.  
 EQ-2 --- 10mm THK. CLEAR TEMPERED GLASS  
 EQ-4 --- 10mm THK. TEMPERED ACID FLOHED GLASS  
 EQ-1A --- 8mmH5+12mm AIR GAP+8mmTP THK. I.G.U.

NO.	DATE	REVISION	SUBJECT TO ARCH-COMMENT	BY
B	05/09/2022	REVISION SUBJECT TO ARCH-COMMENT		lwk
A	03/01/2022	REVISION SUBJECT TO ARCH-COMMENT		lwk

JOB NO. : J-856

PROJECT : PROPOSED DEVELOPMENT ABOVE LIGHT RAIL TIN WING STOP-TS/WTL NO.23,AREA 33,TIN SHUI WAL, N.T.

TITLE : TYPICAL EARTHING BONDING DETAILS OF PRECAST

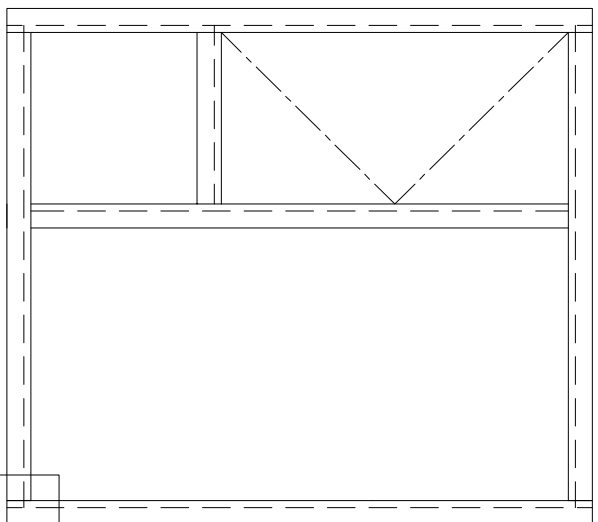
DATE : 02-Aug-21 SCALE : 1:40

DRAWN BY : lwnn CHECKED BY :

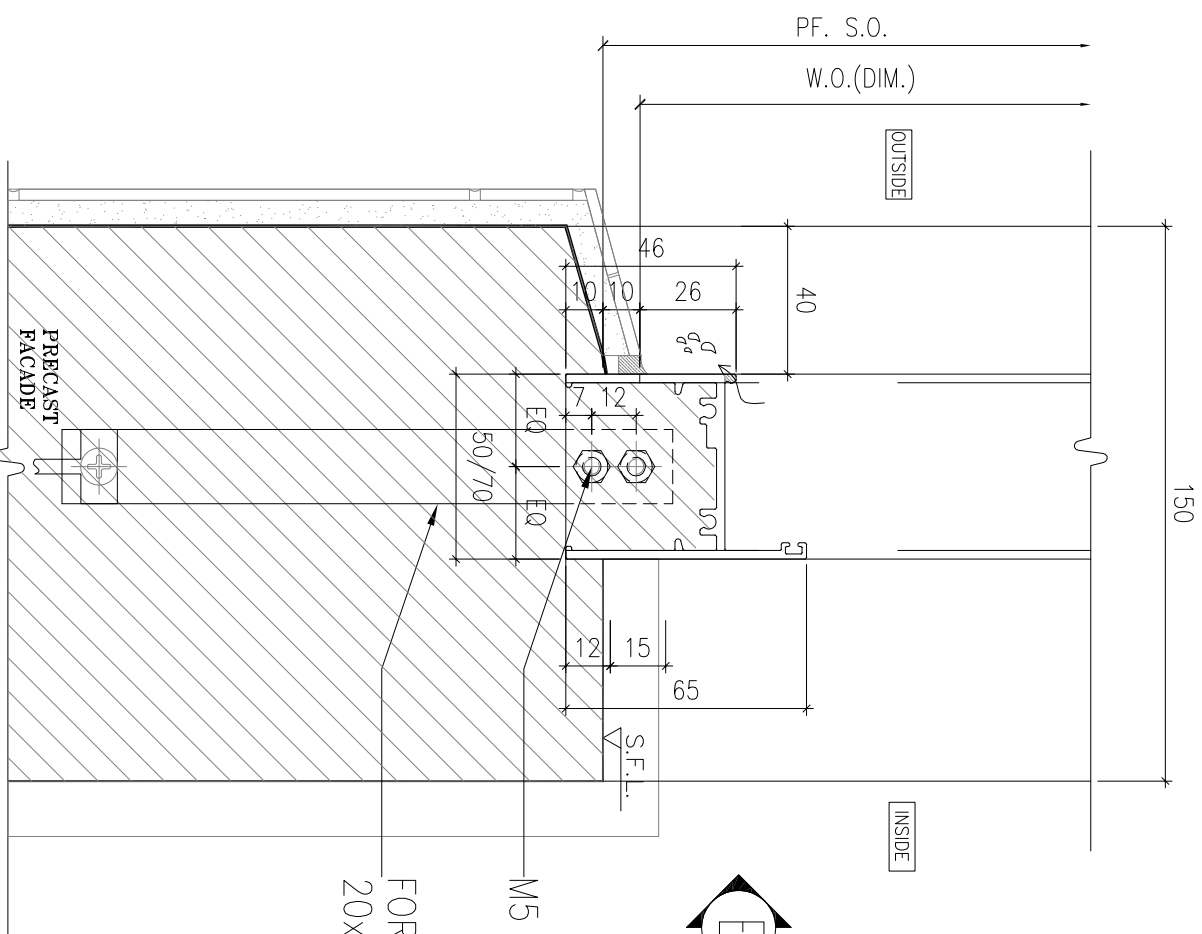
UNITED ALUMINUM FABRICATOR LTD.

Units 6-8, Sunray Industrial Centre, 1/F  
610 Cho Kwong Road, Kowloon  
Tel:23489211-4 Fax:(852)2727666

DWG NO. : J856-SD-PW-DT76 REV. : B

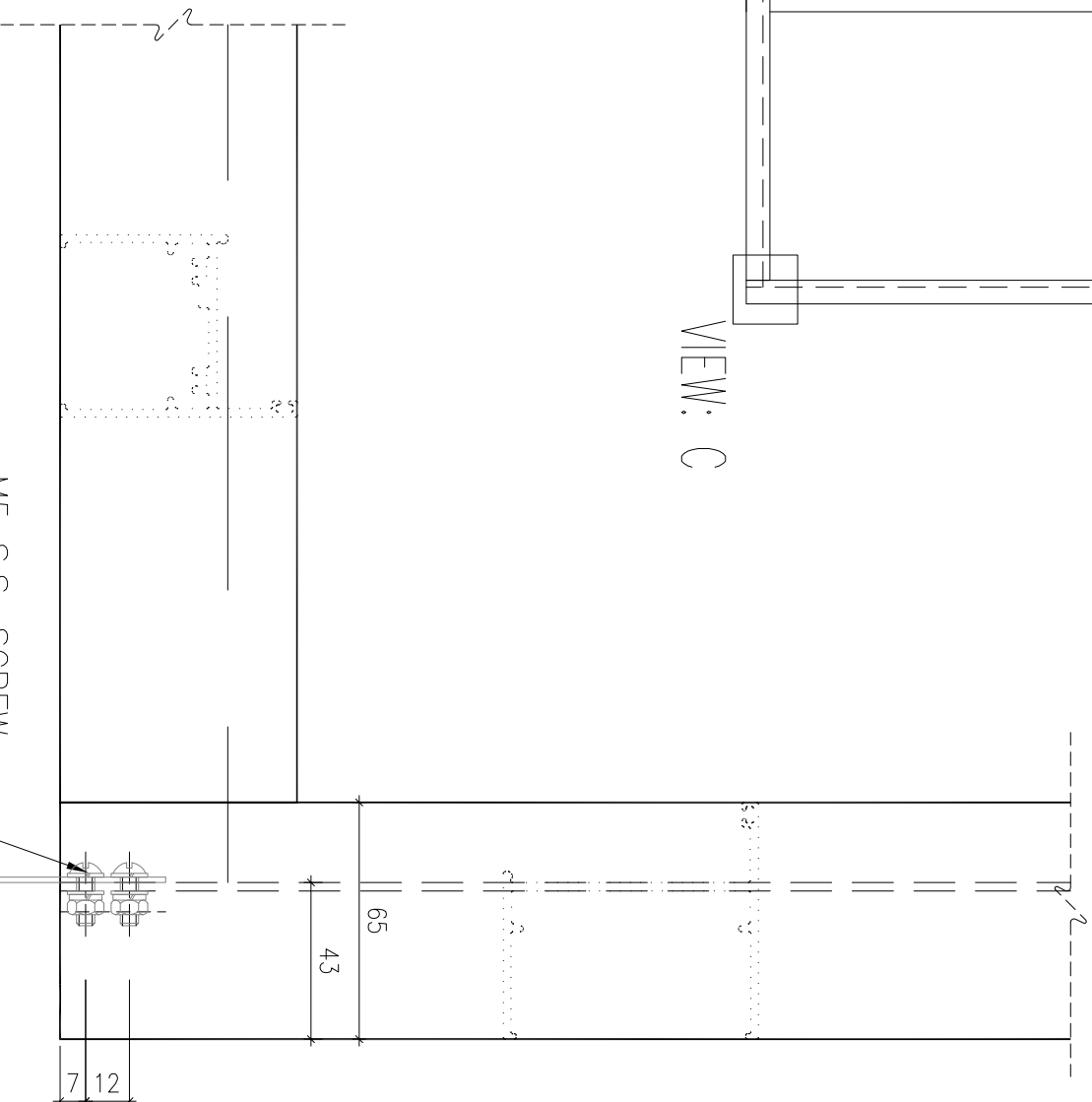


VIEW: C



1 VERTICAL DETAIL

M5 S.S. SCREW  
 FOR EARTH BONDING  
 20x1.5mm THK. ALUM. BRACKET



M5 S.S. SCREW  
 FOR EARTH BONDING  
 20x1.5mm THK. ALUM. BRACKET

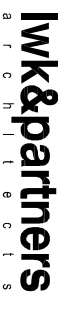
VIEW: C

CLIENT :



42/F, SUN HUNG KAI CENTRE, WANCHAI, HONGKONG

ARCHITECT :



MAIN CONTRACTOR :



STRUCTURAL ENGINEER :



FAÇADE CONSULTANT :



Steel Structure & Façade Specialist

- NOTE :
1. ALL DIMENSIONS ARE IN mm.
  2. ALL ELEVATIONS ARE VIEWED FROM OUTSIDE.
  3. ALL DIMENSIONS TO BE VERIFIED ON SITE BEFORE FABRICATION.

LEGEND :

- (X1) --- DETAIL MARK NO.
- (X001) --- REFER SHEET NO.

1. F.F.L. --- FINISHED FLOOR LEVEL
  2. S.F.L. --- STRUCTURAL FLOOR LEVEL
  3. (R) --- REVERSED DETAIL
  4. GLASS LEGEND
- EQ-1 --- 8mmH+12mm AIR GAP+10mmTP THK. I.G.U.  
 EQ-2 --- 10mm THK. CLEAR TEMPERED GLASS  
 EQ-4 --- 10mm THK. TEMPERED ACID ETCHED GLASS  
 EQ-1A --- 8mmH+12mm AIR GAP+8mmTP THK. I.G.U.

NO.	DATE	REVISION	BY
E	17/11/2022	GENERAL REVISION	ivan
D	26/09/2022	REVISION SUBJECT TO ALPHA COMMENT	ivan
C	05/09/2022	REVISION SUBJECT TO ALPHA COMMENT	ivan
B	06/07/2022	REVISION SUBJECT TO ALPHA COMMENT	ivan
A	03/01/2022	REVISION SUBJECT TO ARCH COMMENT	ivan

JOB NO. : J-856

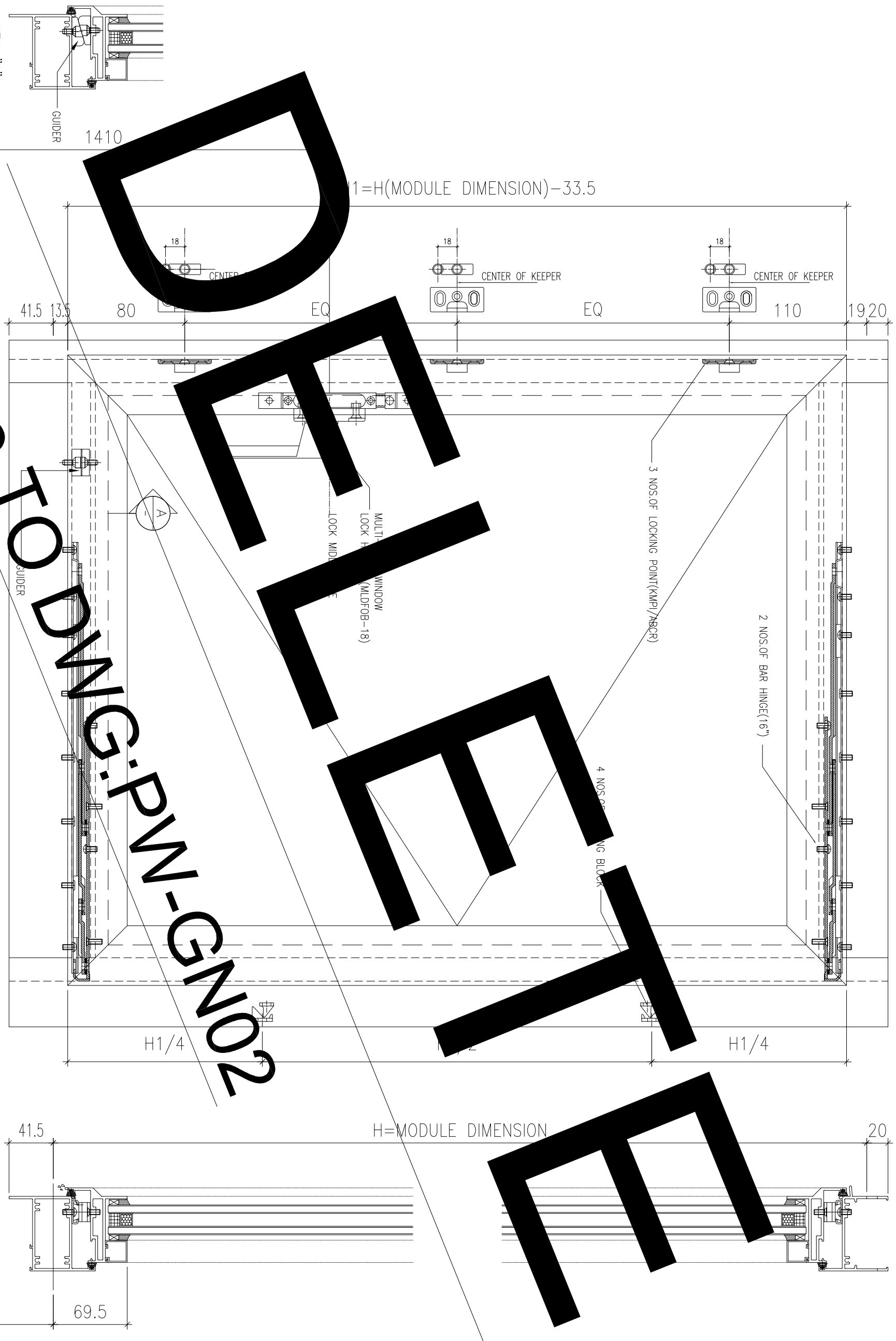
PROJECT : PROPOSED DEVELOPMENT ABOVE LIGHT RAIL TIN WING STOP-TSWTL NO.23,AREA 33,TIN SHUI WAI, N.T.

TITLE : TYPICAL EARTHING BONDING DETAILS OF PRECAST

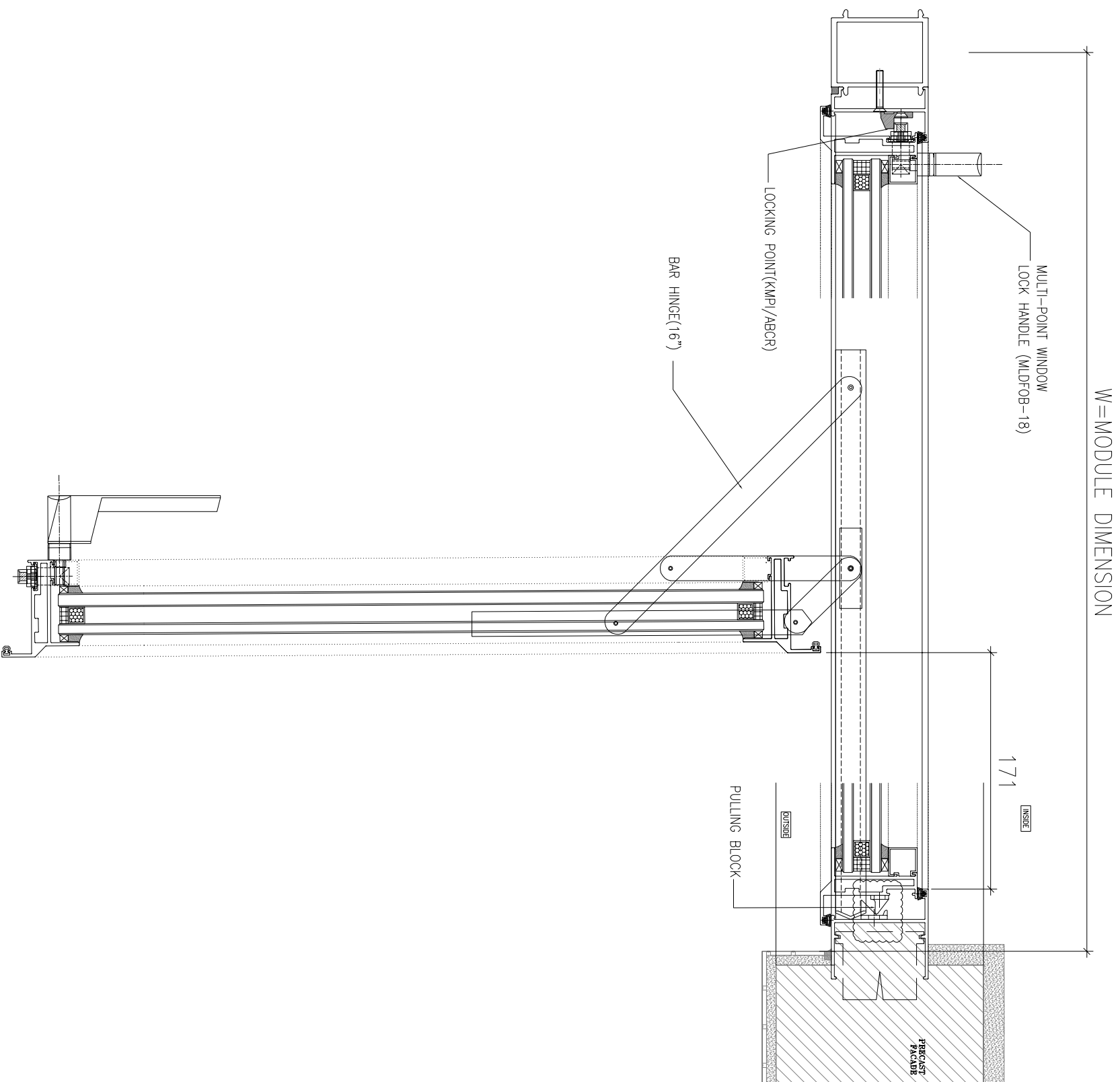
DATE : 02-Aug-21 SCALE : 1:60

DRAWN BY : ivan CHECKED BY :

Units 6-8, Sunny Industrial Centre, 610 Cho Kwong Road, Kowloon  
 Tel:23489211-4 Fax:(852)27727666  
 DWG NO. : J856-SD-PW-D177 REV : E



DEFERRED  
 change TO DWG: PM-GN02



B.D. REF : . . . . .

CLIENT :

**SUN HUNG KAI**  
**REAL ESTATE AGENCY LTD.**  
 42/F, SUN HUNG KAI CENTRE, WANCHAI, HONGKONG

ARCHITECT :

**lwk&partners**  
 a r c h i t e c t s

MAIN CONTRACTOR :

**怡輝建築有限公司**  
**Yee Fai Building Contractors Ltd.**

STRUCTURAL ENGINEER :

**ARUP**

FAÇADE CONSULTANT:

**ALPHA CONSULTING LIMITED**  
 Steel Structure & Façade Specialist

NOTE :

1. ALL DIMENSIONS ARE IN mm.
2. ALL ELEVATIONS ARE VIEWED FROM OUTSIDE.
3. ALL DIMENSIONS TO BE VERIFIED ON SITE BEFORE FABRICATION.

LEGEND :

- (X1) — DETAIL MARK NO.
- (X001) — REFER SHEET NO.

1. F.F.L. --- FINISHED FLOOR LEVEL
2. S.F.L. --- STRUCTURAL FLOOR LEVEL
3. (R) --- REVERSED DETAIL

4. GLASS LEGEND
- EQ1-1 --- 8mmH5+12mm AIR GAP+10mmTP THK. I.G.U.
- EQ1-2 --- 10mm THK. CLEAR TEMPERED GLASS
- EQ1-4 --- 10mm THK. TEMPERED ACID ETCHED GLASS
- EQ1-1A --- 8mmH5+12mm AIR GAP+8mmTP THK. I.G.U.

NO.	DATE	REVISION SUBJECT TO ARCH/COMMENT	ISSUED BY
A	03/01/2022		

JOB NO. : J-856

PROJECT :  
 PROPOSED DEVELOPMENT ABOVE  
 LIGHT RAIL TIN WING STOP/TSWTL  
 NO.23,AREA 33,TIN SHUI WAL, N.T.

TITLE :  
 TYPICAL EARTHING  
 BONDING DETAILS OF PRECAST

DATE : 02-Aug-21 SCALE : 1:60

DRAWN BY : IYON CHECKED BY :

**美特鋁質有限公司**  
**MDI ALUMINIUM FABRICATOR LTD.**  
 Units 6-8, Sunray Industrial Centre, 1/F  
 610 Cho Kwo Ling Road, Kowloon  
 Tel:23489211-4 Fax:(852)2727666  
 DWG NO. : J856-SD-PW-D178 REV. : A