

工程指示 / 要求簡箋 ENGINEER INSTRUCTIONS(E.I.)

工程指示編號:	EI- 5122B	修改版本:	B
	HK- 1719		
工程編號:	J 856	工程名稱:	天榮站
收件人:	生統/技術部	發件人:	Lai Sik Hung
工程項目:	佛沙窗 Shop Drawing (修訂B:15th Submission)	日期:	06/10/2022

<input type="checkbox"/> 原合約工程包	<input type="checkbox"/> 原合約工程加 / 減賬 QT-	<input type="checkbox"/> 新工程報價 QT-
---------------------------------	--	------------------------------------

信件批核號碼/圖紙參考編號:	批核模具圖紙編號:
客戶指示附件:	管理內部批簽署:

<input type="checkbox"/> 初步鋁料 B.M.	<input type="checkbox"/> 加工拆圖, 然後生產	<input type="checkbox"/> 尺寸表
<input type="checkbox"/> 正式鋁料 B.M.	<input type="checkbox"/> 技術上資料/指示	<input type="checkbox"/> 報價
<input type="checkbox"/> 配件 B.M.	<input type="checkbox"/> 樣辦或貨品說明書	<input type="checkbox"/> 分判合約
<input type="checkbox"/> 其他:		

內容: 佛沙窗 Shop Drawing (修訂B:15th Submission)
完成上列要求日期: ASAP

國內

<input type="checkbox"/> 生產技術總監	<input type="checkbox"/> 連附件	<input checked="" type="checkbox"/> 技術部	<input checked="" type="checkbox"/> 連附件	<input type="checkbox"/> 生產部	<input type="checkbox"/> 連附件
<input type="checkbox"/> 採購部	<input type="checkbox"/> 連附件	<input checked="" type="checkbox"/> 生產統籌部	<input checked="" type="checkbox"/> 連附件	<input type="checkbox"/> 報關組	<input type="checkbox"/> 連附件
<input type="checkbox"/> 質檢部	<input type="checkbox"/> 連附件	<input type="checkbox"/> 會計部	<input type="checkbox"/> 連附件	<input type="checkbox"/> 機械設計部	<input type="checkbox"/> 連附件
<input checked="" type="checkbox"/> 香港辦	<input checked="" type="checkbox"/> 連附件	<input type="checkbox"/> 其他:			

<input type="checkbox"/> 行政部	<input type="checkbox"/> 連附件	<input type="checkbox"/> 會計部	<input type="checkbox"/> 連附件	<input type="checkbox"/> 統籌部	<input type="checkbox"/> 連附件	<input type="checkbox"/> 工程部	<input type="checkbox"/> 連附件
<input type="checkbox"/> 採購部	<input type="checkbox"/> 連附件	<input type="checkbox"/> QS部	<input type="checkbox"/> 連附件	<input type="checkbox"/> 地盤管理	<input type="checkbox"/> 連附件	<input type="checkbox"/> 維修部	<input type="checkbox"/> 連附件

*發件人簽署:		*組別成員批核簽署:	
傳遞編號:		項目經理簽署:	

PROJECT :

PROPOSED DEVELOPMENT ABOVE
LIGHT RAIL TIN WING STOP, TSWTL
NO.23, AREA 33, TIN SHUI WAI, N.T.

15

SHOP DRAWING FOR ALUM. PRECAST WINDOW OF TOWER

DATE: 05-Oct-22



DRAWING SUBMISSION REGISTER

PROJECT: PROPOSED DEVELOPMENT ABOVE LIGHT RAIL TIN WING STOP, TSWTL NO.23, AREA 33, TIN SHUI WAI, N.T.		DATE OF ISSUE													SUBMISSION STATE (FOR B/D / A.S.D)		SUBMISSION STATE (FOR CLIENT / CONSULTANT)		SUBMISSION STATE (FOR ARCHITECT)		FABRICATION / CONSTRUCTION STATE				
		ISSUE	1	5	6	7	8	9	10	11	12	13	AP - APPROVED	AC - APPROVED SUB. TO CONDITION	AP - APPROVED	AC - APPROVED SUB. TO CONDITION	AP - APPROVED	AC - APPROVED SUB. TO CONDITION	ISSUE TO CHINA OFFICE	ISSUE TO SITE	ISSUE TO SUB-CONTRACTOR				
TITLE: ALUM. WINDOW OF TOWER SHOPDRAWING SUBMISSION		DAY	22	5	29	12	28	18	07	06	21	05	NA - NOT APPROVED		NA - NOT APPROVED		NA - NOT APPROVED								
YEAR		MONTH	9	11	11	1	04	05	07	09	09	10	NA - NOT APPROVED		NA - NOT APPROVED		NA - NOT APPROVED								
DRAWING TITLE		DWG. NO.	REVISIONS										COMMENT DATE	REV.	STATE	COMMENT DATE	REV.	STATE	COMMENT DATE	REV.	STATE	REV.	DATE	REV.	DATE
COVER PAGE	J856-SD-PW-0000	-	D	E	F	G	H	I	J	K	L														
DRAWING REGISTER	J856-SD-PW-0001	-	B	C	D	E	F	G	H	I	J														
DRAWING REGISTER	J856-SD-PW-0002	-	B	C	D	E	F	G	H	I	J														
GENERAL NOTES FOR ALUM. WINDOW	J856-SD-PW-GND1	-																							
GENERAL NOTES FOR ALUM. WINDOW	J856-SD-PW-GND2	-																							
EXTRUSION LIST FOR ALUM. WINDOW	J856-SD-PW-1101	-	B	B	B	B	B	B	B	B	B														
EXTRUSION LIST FOR ALUM. WINDOW	J856-SD-PW-1102	-	A	A	A	A	A	A	A	A	A														
PLAN FOR ALUM. WINDOW AT TOWER 1(3F)	J856-SD-PW-3101	-	A	B	B	B	C	D	D	D	D														
PLAN FOR ALUM. WINDOW AT TOWER 1(3F)	J856-SD-PW-3102	-	B	C	D	D	D	D	D	D	D														
PLAN FOR ALUM. WINDOW AT TOWER 1(43F)	J856-SD-PW-3103	-																							
PLAN FOR ALUM. WINDOW AT TOWER 1(45F)	J856-SD-PW-3104	-																							
PLAN FOR ALUM. WINDOW AT TOWER 1(46F)	J856-SD-PW-3105	-																							
PLAN FOR ALUM. WINDOW AT TOWER 2(3F)	J856-SD-PW-3201	-	A	B	B	C	D	E	E	E	E														
PLAN FOR ALUM. WINDOW AT TOWER 2(5F-42F)	J856-SD-PW-3202	-	B	C	D	D	E	F	G	G	G														
PLAN FOR ALUM. WINDOW AT TOWER 2(43F)	J856-SD-PW-3203	-																							
PLAN FOR ALUM. WINDOW AT TOWER 2(45F)	J856-SD-PW-3204	-																							
PLAN FOR ALUM. WINDOW AT TOWER 2(46F)	J856-SD-PW-3205	-																							
PLAN FOR ALUM. WINDOW AT TOWER 3(3F)	J856-SD-PW-3301	-	A	B	C	D	E	F	F	F	F														
PLAN FOR ALUM. WINDOW AT TOWER 3(5F-42F)	J856-SD-PW-3302	-	D	E	F	H	I	J	K	K	K														
PLAN FOR ALUM. WINDOW AT TOWER 3(43F)	J856-SD-PW-3303	-																							
PLAN FOR ALUM. WINDOW AT TOWER 3(45F)	J856-SD-PW-3304	-																							
PLAN FOR ALUM. WINDOW AT TOWER 3(46F)	J856-SD-PW-3305	-																							
WINDOW SCHEDULE FOR TOWER 1 ALUM. WINDOW	J856-SD-PW-5101	-	B	C	D	D	D	E	F	G	G														
WINDOW SCHEDULE FOR TOWER 1 ALUM. WINDOW	J856-SD-PW-5102	-	A	B	C	C	C	D	E	F	F														
WINDOW SCHEDULE FOR TOWER 1 ALUM. WINDOW	J856-SD-PW-5103	-	A	B	C	C	C	D	E	F	F														
WINDOW SCHEDULE FOR TOWER 1 ALUM. WINDOW	J856-SD-PW-5104	-	B	C	D	D	D	E	F	G	G														
WINDOW SCHEDULE FOR TOWER 1 ALUM. WINDOW	J856-SD-PW-5105	-	A	B	C	C	C	D	E	F	F														
WINDOW SCHEDULE FOR TOWER 1 ALUM. WINDOW	J856-SD-PW-5106	-	B	C	D	D	E	F	G	H	H														
WINDOW SCHEDULE FOR TOWER 1 ALUM. WINDOW	J856-SD-PW-5107	-	A	B	C	C	C	D	E	F	F														
WINDOW SCHEDULE FOR TOWER 1 ALUM. WINDOW	J856-SD-PW-5108	-	A	B	C	C	D	E	F	F	F														
WINDOW SCHEDULE FOR TOWER 1 ALUM. WINDOW	J856-SD-PW-5109	-	B	C	D	D	D	E	F	G	G														
WINDOW SCHEDULE FOR TOWER 1 ALUM. WINDOW	J856-SD-PW-5110	-	B	C	D	D	D	E	F	G	G														
WINDOW SCHEDULE FOR TOWER 1 ALUM. WINDOW	J856-SD-PW-5111	-	B	C	D	D	D	E	F	G	G														
WINDOW SCHEDULE FOR TOWER 1 ALUM. WINDOW	J856-SD-PW-5112	-	A	A	B	B	B	C	D	D	D														
WINDOW SCHEDULE FOR TOWER 1 ALUM. WINDOW	J856-SD-PW-5113	-																							
WINDOW SCHEDULE FOR TOWER 2 ALUM. WINDOW	J856-SD-PW-5201	-	B	C	D	E	F	F	G	H	H														
WINDOW SCHEDULE FOR TOWER 2 ALUM. WINDOW	J856-SD-PW-5202	-	A	B	C	D	E	E	F	G	G														
WINDOW SCHEDULE FOR TOWER 2 ALUM. WINDOW	J856-SD-PW-5203	-	A	B	C	D	E	E	F	G	G														
WINDOW SCHEDULE FOR TOWER 2 ALUM. WINDOW	J856-SD-PW-5204	-	B	C	D	E	F	F	G	H	H														
WINDOW SCHEDULE FOR TOWER 2 ALUM. WINDOW	J856-SD-PW-5205	-	A	B	C	D	E	F	G	H	H														
WINDOW SCHEDULE FOR TOWER 2 ALUM. WINDOW	J856-SD-PW-5206	-	B	C	D	E	F	G	H	I	I														
WINDOW SCHEDULE FOR TOWER 2 ALUM. WINDOW	J856-SD-PW-5207	-	A	B	C	D	E	E	F	G	G														
WINDOW SCHEDULE FOR TOWER 2 ALUM. WINDOW	J856-SD-PW-5208	-	A	B	C	D	E	E	F	G	G														
WINDOW SCHEDULE FOR TOWER 2 ALUM. WINDOW	J856-SD-PW-5209	-	B	C	D	E	F	F	G	H	H														

IN-HOUSE DESIGN CHECKER

GENERAL NOTES FOR PRECAST ALUM. WINDOW PAGE 1

CODES AND STANDARDS

1. CODE OF PRACTICE ON WIND EFFECTS IN HONG KONG 2004.
2. CODE OF PRACTICE FOR DEAD AND IMPOSED LOADS 2011.
3. CODE OF PRACTICE FOR STRUCTURAL USE OF CONCRETE 2011.
4. CODE OF PRACTICE FOR THE STRUCTURAL USE OF STEEL 2011.
5. CODE OF PRACTICE FOR STRUCTURAL USE OF GLASS 2018.
6. STRUCTURAL USE OF ALUMINIUM, BS 8118-1:1991. (WIND LOAD FACTOR OF 1.4 FOR ALUMINIUM DESIGN TO PNAP APP53)
7. BUILDING (CONSTRUCTION) REGULATIONS CAP 123.
8. APP37 CURTAIN WALL, WINDOW AND WINDOW WALL SYSTEM.
9. APP110 PROTECTIVE BARRIERS.
10. APP116 ALUMINIUM WINDOWS.

DESIGN WIND LOAD

CODE OF PRACTICE ON WIND EFFECTS IN HONG KONG 2004.

HEIGHT ABOVE GROUND LEVEL
VERTICAL SURFACE
BASIC WIND PRESSURE
TOPOGRAPHY FACTOR (S_z)
PRESSURE COEFFICIENT (C_{pe})
DESIGN WIND PRESSURE

<148.3m
3.044kPa
1.00
+1.0/-1.4
+3.044/-4.261kPa

IMPOSED LOAD ON PROTECTIVE BARRIERS (FOR DOMESTIC USE)

CATEGORY	LINE LOAD TO BE APPLIED AT A HEIGHT OF 1.1m ABOVE THE FLOOR LEVEL (kN/m)	UNIFORMLV DISTRIBUTED LOAD TO BE APPLIED ON THE FLOOR AND TOP RAIL (kPa)	CONCENTRATED LOAD TO BE APPLIED ON ANY PART OF THE INFILL BETWEEN FLOOR AND TOP RAIL (kN)
AREAS WHERE CONCENTRATION OF FLOE IS NOT EXPECTED	0.75	1.0	0.5

STEEL

ALL STRUCTURAL STEEL SECTIONS SHALL BE GRADE S275 JO CLASS 1 WELDABLE STRUCTURAL STEEL AND COMPLYING WITH BS EN 10210 2006 FOR HOLLOW SECTION AND BS EN 10025 FOR OTHER SECTIONS.

ALL STRUCTURAL STEEL SHALL BE HOT-DIP GALVANIZED AND COMPLY WITH BS EN ISO 1461 WITH MIN 85 µm COATING THICKNESS.

ALL CUT/WELDED AREAS IN GALVANIZED STEEL SHALL BE MADE GOOD BY AT LEAST TWO COATS OF ZINC RICH PRIMER TO BS 4652.

DENSITY 77kN/m³
YOUNG'S MODULUS 205,000MPa
YIELD STRENGTH 275MPa
MINIMUM TENSILE STRENGTH 430MPa
DESIGN STRENGTH (S_d16mm) 275MPa
DESIGN STRENGTH (S_d40mm) 265MPa

ALUMINIUM EXTRUSION

UNLESS OTHERWISE STATED, ALL ALUMINIUM EXTRUSIONS SHALL BE GRADE 6063-T6 AND COMPLY WITH BS EN 755-2 AND BS EN 573-3.

DENSITY 27.2kN/m³
YOUNG'S MODULUS 70,000MPa
0.2% PROOF STRESS 6063-T6 6063-T5
MINIMUM TENSILE STRENGTH 160MPa 240MPa
DESIGN TENSILE STRENGTH 215MPa 260MPa
DESIGN SHEAR STRENGTH 311MPa
DESIGN BEARING STRENGTH 828MPa
LIMITING BENDING STRENGTH 160MPa 110MPa
LIMITING TENSILE STRENGTH 175MPa 130MPa
LIMITING SHEAR STRENGTH 95MPa 65MPa

FASTENERS/SCREWS

ALL STAINLESS STEEL SCREW AND BOLT SHALL BE GRADE 316 AND COMPLY WITH BS EN ISO 3506.

0.2% PROOF STRESS 450MPa
MINIMUM TENSILE STRENGTH 700MPa
DESIGN TENSILE STRENGTH 450MPa
DESIGN SHEAR STRENGTH 311MPa
DESIGN BEARING STRENGTH 828MPa

PROTECTION OF BI-METALLIC CORROSION (BITUMEN PAINT ECT.)

ALL EXPOSED SURFACE OF ALUM. EXTRUSION SHALL BE FINISHED WITH PR72 COATING 40 MICRONS
ALL SCREWS SHALL BE M5 S3 SCREW SPACING @300/c MAX. UNLESS OTHERWISE STATED.

GLASS

ALL GLASS PANELS SHALL BE COMPLIED WITH BS 952 AND DESIGN TO CODE OF PRACTICE FOR STRUCTURAL USE OF GLASS 2018.

IMPACT TEST TO BE COMPLIED WITH BS EN 12600(CLASS 1)

DENSITY 28kN/m³
YOUNG'S MODULUS 70,000MPa

ULTIMATE DESIGN STRENGTH OF GLASS

HEAT STRENGTHENED GLASS(SH) 80MPa
TEMPERED GLASS(TP) 40MPa

BENDING STRENGTH (SHORT TERM DURATION)

ALL TEMPERED GLASS SHALL COMPLY WITH HEAT SOAK TEST REQUIREMENT IN ACCORDANCE WITH PNAP APP 37-2022.

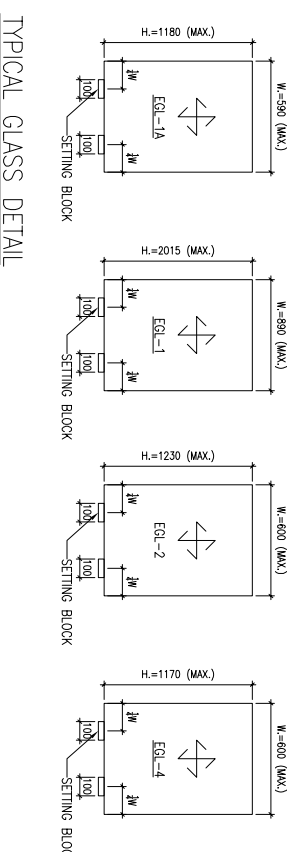
HEAT SOAK PROCESS CONFORMING TO BS EN 14179-1: 2016 AND COMPLYING WITH CODE OF PRACTICE FOR STRUCTURAL USE OF GLASS 2018 SHOULD BE CARRIED OUT.

EQ-1--8mmHS+12mm AR GP+10mmTP THK. I.G.U.

EQ-1A--8mmHS+12mm AR GP+8mmTP THK. I.G.U.

EQ-2--10mm THK. CLEAR TEMPERED GLASS

EQ-4--10mm THK. TEMPERED ACID ETCHED GLASS

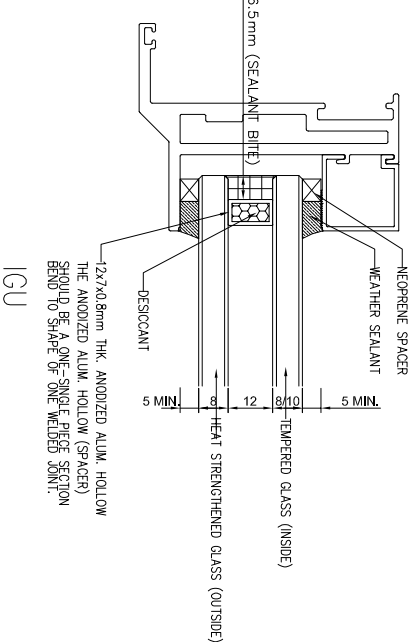


TYPICAL GLASS DETAIL

FOR DOUBLE GLAZING GLASS UNIT (IGU)

QUALITY ASSURANCE DOCUMENT SUCH AS TEST REPORT / CERTIFICATES INDICATING COMPLIES WITH ASTM E2190 OR EQUIVALENT WITH RESPECT TO THE SEAL PERFORMANCE.

FOR INSTALLING GLASS UNIT SHALL BE SUBMITTED BEFORE COMMENCEMENT OF WORK.



SEALANT, GASKET AND SETTING BLOCK

ALL STRUCTURAL SEALANT SHALL BE DOWSIL 983 (9D-SS901), ALLOWABLE STRESS = 138kPa.

ALL WEATHER SEALANT SHALL BE DOWSIL 791.

ALL SETTING BLOCK SHALL BE SILICONE RUBBER WITH HARDNESS OF 85±5 SHORE A.

MINIMUM 100mm IN LENGTH AT 1/4 SPAN UNLESS OTHERWISE STATED

ALL GASKET SHALL BE NEOPRENE OR SILICONE RUBBER WHEN IN CONTACT WITH SEALANT, WITH HARDNESS OF 65±5 SHORE A.

ISOLATOR

PVC TAPE TO BE APPLIED BETWEEN DISSIMILAR METAL TO PREVENT BI-METALLIC CORROSION TO PD4484.

CONCRETE

ALL CONCRETE STRUCTURES SHOWN IN THIS SUBMISSION ARE FOR INFORMATION ONLY.

CONCRETE STRENGTH SHALL BE 45MPa (MIN).

WELDING

ALL WELDING TO BE COMPLIED WITH BS EN 1011-1.
DESIGN WELD STRENGTH = 220 MPa

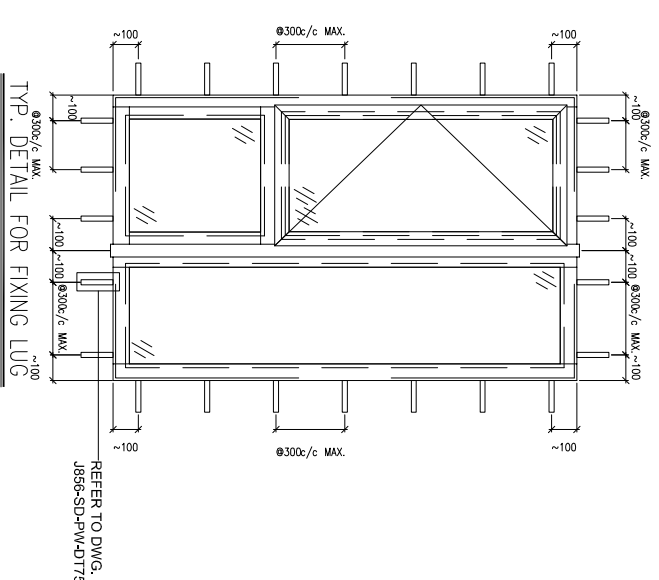
ALL WELDING PROCEDURES TO COMPLY WITH BS EN ISO 15614.

ALL WELD TO BE 5mm THICK FILLET WELD ALL AROUND UNLESS OTHERWISE STATED.

ALL WELD SHALL BE DONE BY QUALIFIED WELDER TESTED TO BS EN 287-1.

FIXING LUG

THE SIZE OF G.M.S. FIXING LUG TO BE 2mm THK. AND SPACING @300mm C/C MAX. UNLESS OTHERS STATED.



B.D. REF.:

CLIENT :

SUN HUNG KAI
REAL ESTATE AGENCY LTD.
42/F SUN HUNG KAI CENTRE, WANCHAI, HONGKONG

ARCHITECT :

Iw&partners
A F C H I L E O I S

MAIN CONTRACTOR :

怡輝建築有限公司
Yee Fai Building Contractors Ltd.

STRUCTURAL ENGINEER :

ARUP

FAÇADE CONSULTANT:

ALPHA CONSULTING LIMITED
Steel Structure & Façade Specialist

NOTE :

1. ALL DIMENSIONS ARE IN mm.
2. ALL ELEVATIONS ARE VIEWED FROM OUTSIDE.
3. ALL DIMENSIONS TO BE VERIFIED ON SITE BEFORE FABRICATION.

LEGEND :

NO.	DATE	REASON	BY
J-856			

JOB NO. : J-856

PROJECT : PROPOSED DEVELOPMENT ABOVE LIGHT RAIL TIN WING STOP-TS/WTL NO.23,AREA 33,TIN SHUI WAL, N.T.

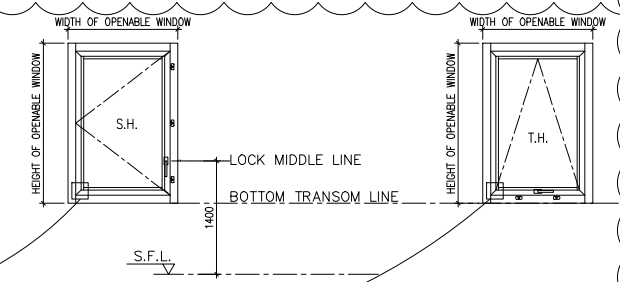
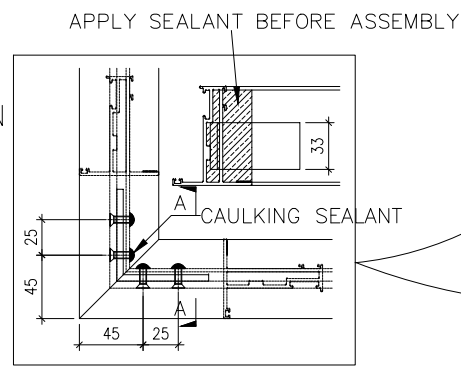
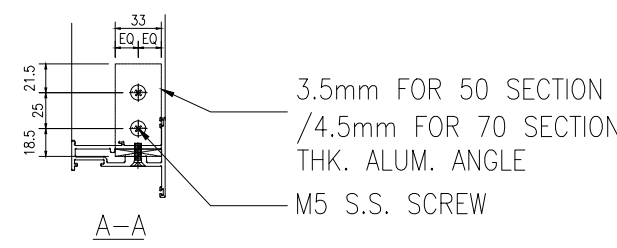
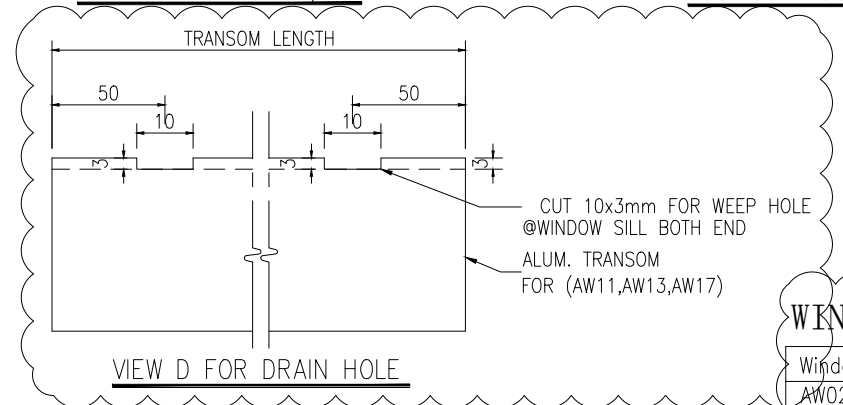
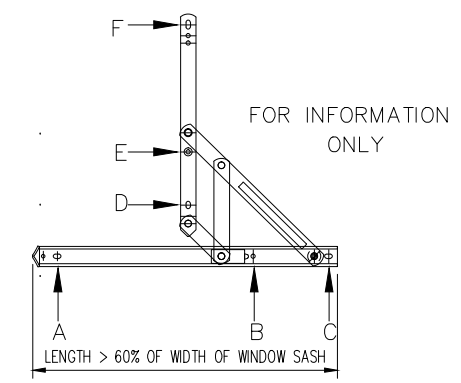
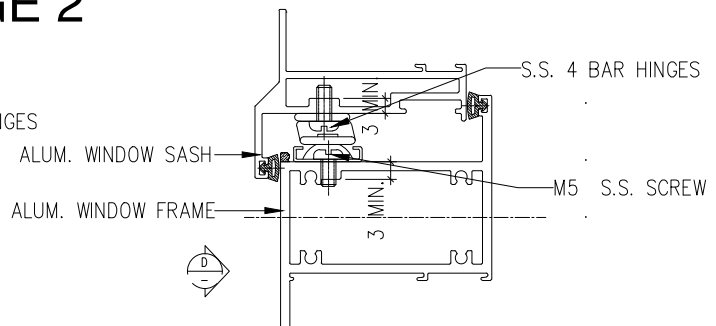
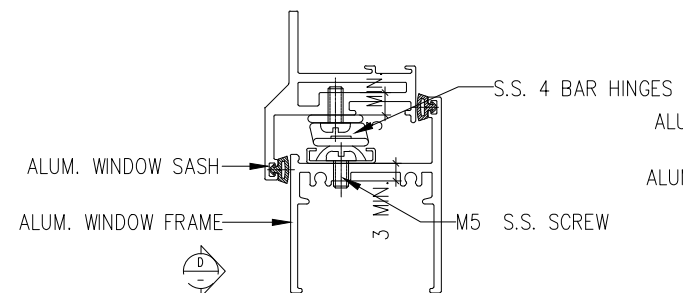
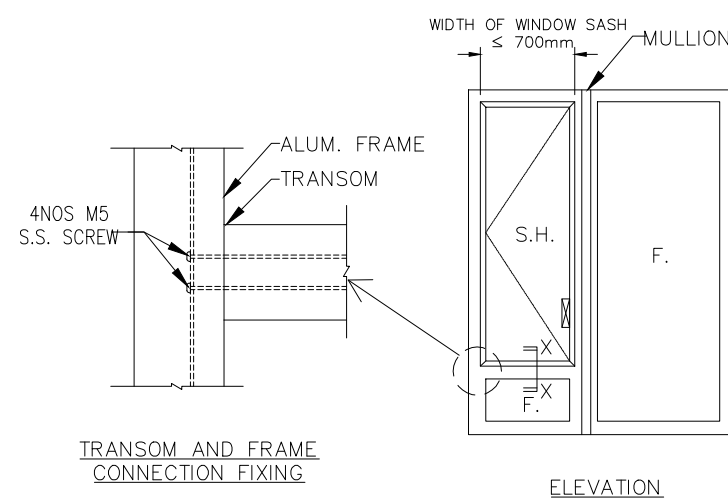
TITLE : GENERAL NOTES FOR ALUM. WINDOW

DATE : 18-Aug-22 SCALE : 1:3

DRAWN BY : IYON CHECKED BY :

美特鋁質有限公司
MIDI ALUMINIUM FABRICATOR LTD.
Units 6-8, Sunny Industrial Centre, 1/F
610 Cho Kwong Ling Road, Kowloon
Tel:23489211-4 Fax:(852)27727666
DWG NO. : J856-SD-PW-GN01 REV. : -

GENERAL NOTES FOR PRECAST ALUM. WINDOW PAGE 2

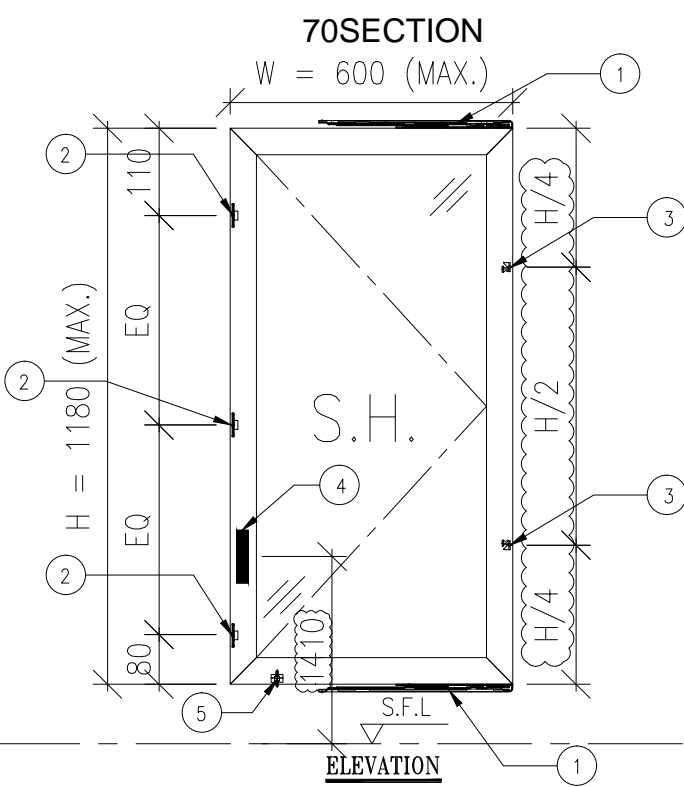
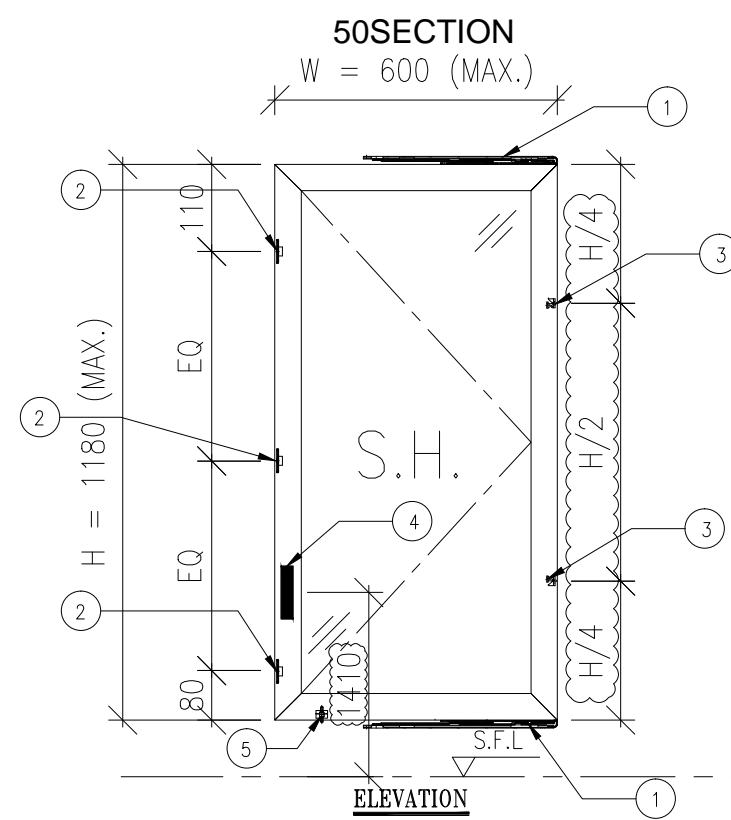
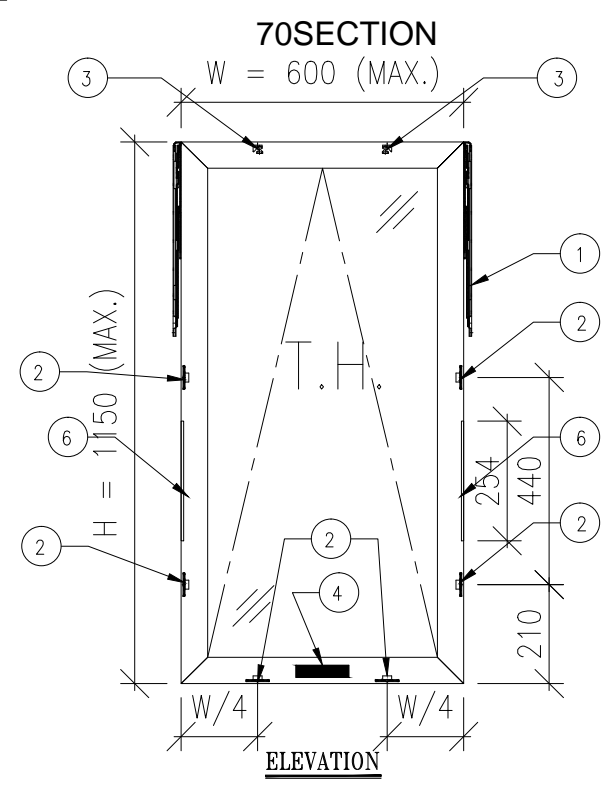


WINDOW SASH S. H. & T. H. LOADING TABLE

Window No.	W(mm)	H(mm)	GLAZING	WEIGHT(kg)	BAR HINGE	SH/TH	MAX LOADING(kg)	80% LOADING(kg)
AW02/02R	553	1146.5	EGL-1A	32.41	HHMS-N16	SIDE HUNG	53	42.4
AW02a/02aR	453	1146.5	EGL-1A	27.22	HHMS-N12	SIDE HUNG	41	32.8
AW02b/02bR	453	1146.5	EGL-1A	27.22	HHMT-14	TOP HUNG	69.5	55.6
AW03/03R	553	1146.5	EGL-1A	32.41	HHMS-N16	SIDE HUNG	53	42.4
AW04/04R	553	1146.5	EGL-1A	32.41	HHMS-N16	SIDE HUNG	53	42.4
AW04a/04aR	553	1146.5	EGL-1A	32.41	HHMS-N16	SIDE HUNG	53	42.4
AW04b	553	1146.5	EGL-1A	31.32	HHMT-14	TOP HUNG	69.5	55.6
AW06/06R	542	1172	EGL-2	21.41	HHMS-N16	SIDE HUNG	53	42.4
AW07	532	1146.5	EGL-1A	31.32	HHMS-N16	SIDE HUNG	53	42.4
AW08	532	1146.5	EGL-1A	31.32	HHMS-N16	SIDE HUNG	53	42.4
AW09/09R	542	1146.5	EGL-1A	31.84	HHMS-N16	SIDE HUNG	53	42.4

CONFIGURATION FOR WINDOW DEVICES

- ① STAINLESS STEEL 4 BAR HINGE
-LIP HING(MODEL: HHMS-N FOR SIDE HUNG)
-LIP HING(MODEL: HHMT FOR TOP HUNG)
- ② LOCKING POINT
-LIP HING(MODEL: KMPI/ABCR)
- ③ PULLING BLOCK
-LIP HING(MODEL: NBSF&NBSS)
- ④ ALUMINIUM HANDLE
-LIP HING(MODEL: MLDFOB-18)
- ⑤ GUIDER
- ⑥ LIMIT HINGE
-LIP HING(MODEL: TRST 10)



B.D. REF :

CLIENT :
SUN HUNG KAI
REAL ESTATE AGENCY LTD.
42/F SUN HUNG KAI CENTRE, WANCHAI, HONGKONG

ARCHITECT :
IWK&partners
architects

MAIN CONTRACTOR :
Yee Fai Building Contractors Ltd.

STRUCTURAL ENGINEER :
ARUP

FAÇADE CONSULTANT:
ALPHA CONSULTING LIMITED
Steel Structure & Façade Specialist

NOTE :
1. ALL DIMENSIONS ARE IN mm.
2. ALL ELEVATIONS ARE VIEWED FROM OUTSIDE.
3. ALL DIMENSIONS TO BE VERIFIED ON SITE BEFORE FABRICATION.

LEGEND :

NO.	DATE	REVISION	REVISOR	BY
B	05/09/2022	REVISION SUBJECT TO ALPHA COMMENT	Ivan	
A	26/09/2022	REVISION SUBJECT TO ALPHA COMMENT	Ivan	

JOB NO. : J-856
PROJECT : PROPOSED DEVELOPMENT ABOVE LIGHT RAIL TIN WING STOP, TSWTL NO.23, AREA 33, TIN SHUI WAI, N.T.

TITLE : GENERAL NOTES FOR ALUM. WINDOW

DATE : 18-Aug-22 SCALE : 1:3
DRAWN BY : Ivan CHECKED BY :

美特鋁質有限公司
MIDI ALUMINIUM FABRICATOR LTD.
Units 6-8, Sunray Industrial Centre, 1/F
610 Cha Kwo Ling Road, Kowloon
Tel: 23489211-4 Fax: (852) 2727666

DWG NO. : J856-SD-PW-GN02 REV. : B

MEMBER: AW-01
GRADE: 6063-T6
FINISH: PVF2 3-COATING

PROPERTIES

MASS PROPERTIES (UNIT)	VALUES
Area (mm ²)	423.3
Perimeter (mm)	362.8
Bounding Box - X (mm)	-33.3 to 31.7
Bounding Box - Y (mm)	-36.7 to 31.3
Centroid - X (mm)	0.0
Centroid - Y (mm)	0.0
Moments of inertia - X (mm ⁴)	357316.8
Moments of inertia - Y (mm ⁴)	99176.2
Product of inertia - XY (mm ⁴)	-35402.6
Radius of gyration - X (mm)	29.1
Radius of gyration - Y (mm)	15.4
Principal moments along X-Y (mm ⁴)	362094.6 along [1.0 -0.1]
Principal moments along Y-X (mm ⁴)	95061.6 along [0.1 1.0]
Elastic Modulus - Zx (mm ²)	1 / y-max= 525.1
Elastic Modulus - Zy (mm ²)	1 / x-max= 2994.2

MEMBER: AW-02
GRADE: 6063-T6
FINISH: PVF2 3-COATING

PROPERTIES

MASS PROPERTIES (UNIT)	VALUES
Area (mm ²)	536.89
Perimeter (mm)	433.29
Bounding Box - X (mm)	-28.1 to 27.9
Bounding Box - Y (mm)	-29.5 to 40.5
Centroid - X (mm)	0.00
Centroid - Y (mm)	0.00
Moments of inertia - X (mm ⁴)	274762.71
Moments of inertia - Y (mm ⁴)	45971.70
Product of inertia - XY (mm ⁴)	-21427.90
Radius of gyration - X (mm)	22.65
Radius of gyration - Y (mm)	9.38
Principal moments along X-Y (mm ⁴)	276752.29 along [1.00 -0.09]
Principal moments along Y-X (mm ⁴)	43982.13 along [0.09 1.00]
Elastic Modulus - Zx (mm ²)	1 / y-max= 6184.15
Elastic Modulus - Zy (mm ²)	1 / x-max= 1635.55

MEMBER: AW-03
GRADE: 6063-T6
FINISH: PVF2 3-COATING

PROPERTIES

MASS PROPERTIES (UNIT)	VALUES
Area (mm ²)	424.6
Perimeter (mm)	362.3
Bounding Box - X (mm)	-31.8 to 33.2
Bounding Box - Y (mm)	-31.6 to 38.4
Centroid - X (mm)	0.0
Centroid - Y (mm)	0.0
Moments of inertia - X (mm ⁴)	350773.2
Moments of inertia - Y (mm ⁴)	97852.3
Product of inertia - XY (mm ⁴)	-32708.7
Radius of gyration - X (mm)	28.9
Radius of gyration - Y (mm)	15.2
Principal moments along X-Y (mm ⁴)	359187.4 along [1.0 -0.1]
Principal moments along Y-X (mm ⁴)	93761.2 along [0.1 1.0]
Elastic Modulus - Zx (mm ²)	1 / y-max= 525.1
Elastic Modulus - Zy (mm ²)	1 / x-max= 2944.1

MEMBER: AW-04
GRADE: 6063-T6
FINISH: PVF2 3-COATING

PROPERTIES

MASS PROPERTIES (UNIT)	VALUES
Area (mm ²)	309.3
Perimeter (mm)	280.8
Bounding Box - X (mm)	-16.2 to 23.8
Bounding Box - Y (mm)	-29.6 to 40.4
Centroid - X (mm)	0.0
Centroid - Y (mm)	0.0
Moments of inertia - X (mm ⁴)	214126.7
Moments of inertia - Y (mm ⁴)	13232.2
Product of inertia - XY (mm ⁴)	19168.9
Radius of gyration - X (mm)	28.3
Radius of gyration - Y (mm)	7.9
Principal moments along X-Y (mm ⁴)	215994.2 along [1.0 0.1]
Principal moments along Y-X (mm ⁴)	17362.8 along [-0.1 1.0]
Elastic Modulus - Zx (mm ²)	1 / y-max= 527.4
Elastic Modulus - Zy (mm ²)	1 / x-max= 809.0

MEMBER: AW-05
GRADE: 6063-T6
FINISH: PVF2 3-COATING

PROPERTIES

MASS PROPERTIES (UNIT)	VALUES
Area (mm ²)	308.0
Perimeter (mm)	281.3
Bounding Box - X (mm)	-23.6 to 16.4
Bounding Box - Y (mm)	-39.4 to 39.6
Centroid - X (mm)	0.0
Centroid - Y (mm)	0.0
Moments of inertia - X (mm ⁴)	222251.8
Moments of inertia - Y (mm ⁴)	24976.3
Product of inertia - XY (mm ⁴)	24548.9
Radius of gyration - X (mm)	26.7
Radius of gyration - Y (mm)	8.2
Principal moments along X-Y (mm ⁴)	223224.2 along [1.0 0.1]
Principal moments along Y-X (mm ⁴)	17521.9 along [-0.1 1.0]
Elastic Modulus - Zx (mm ²)	1 / y-max= 526.5
Elastic Modulus - Zy (mm ²)	1 / x-max= 2994.2

MEMBER: AW-06
GRADE: 6063-T6
FINISH: PVF2 3-COATING

PROPERTIES

MASS PROPERTIES (UNIT)	VALUES
Area (mm ²)	1482.0
Perimeter (mm)	657.7
Bounding Box - X (mm)	-31.0 to 31.0
Bounding Box - Y (mm)	-49.6 to 45.4
Centroid - X (mm)	0.0
Centroid - Y (mm)	0.0
Moments of inertia - X (mm ⁴)	153370.3
Moments of inertia - Y (mm ⁴)	578337.4
Product of inertia - XY (mm ⁴)	0.0
Radius of gyration - X (mm)	33.2
Radius of gyration - Y (mm)	18.8
Principal moments along X-Y (mm ⁴)	153370.3 along [1.0 0.0]
Principal moments along Y-X (mm ⁴)	578337.4 along [0.0 1.0]
Elastic Modulus - Zx (mm ²)	1 / y-max= 3083.3
Elastic Modulus - Zy (mm ²)	1 / x-max= 1863.6

MEMBER: AW-07
GRADE: 6063-T6
FINISH: PVF2 3-COATING

PROPERTIES

MASS PROPERTIES (UNIT)	VALUES
Area (mm ²)	1837.7
Perimeter (mm)	545.3
Bounding Box - X (mm)	-35.8 to 40.2
Bounding Box - Y (mm)	-35.8 to 40.2
Centroid - X (mm)	0.0
Centroid - Y (mm)	0.0
Moments of inertia - X (mm ⁴)	1259751.1
Moments of inertia - Y (mm ⁴)	1259751.1
Product of inertia - XY (mm ⁴)	-2454.2
Radius of gyration - X (mm)	26.2
Radius of gyration - Y (mm)	26.2
Principal moments along X-Y (mm ⁴)	1264318.8 along [0.7 0.3]
Principal moments along Y-X (mm ⁴)	1265272.2 along [-0.3 0.7]
Elastic Modulus - Zx (mm ²)	1 / y-max= 3134.1
Elastic Modulus - Zy (mm ²)	1 / x-max= 3134.3

MEMBER: AW-08
GRADE: 6063-T6
FINISH: PVF2 3-COATING

PROPERTIES

MASS PROPERTIES (UNIT)	VALUES
Area (mm ²)	377.3
Perimeter (mm)	342.9
Bounding Box - X (mm)	-27.9 to 32.7
Bounding Box - Y (mm)	-27.9 to 28.1
Centroid - X (mm)	0.0
Centroid - Y (mm)	0.0
Moments of inertia - X (mm ⁴)	167602.5
Moments of inertia - Y (mm ⁴)	160141.0
Product of inertia - XY (mm ⁴)	-2581.0
Radius of gyration - X (mm)	21.1
Radius of gyration - Y (mm)	18.8
Principal moments along X-Y (mm ⁴)	176218.7 along [1.0 -0.3]
Principal moments along Y-X (mm ⁴)	87997.9 along [0.3 1.0]
Elastic Modulus - Zx (mm ²)	1 / y-max= 6005.8
Elastic Modulus - Zy (mm ²)	1 / x-max= 2930.0

MEMBER: AW-09
GRADE: 6063-T6
FINISH: PVF2 3-COATING

PROPERTIES

MASS PROPERTIES (UNIT)	VALUES
Area (mm ²)	448.8
Perimeter (mm)	348.6
Bounding Box - X (mm)	-28.1 to 27.9
Bounding Box - Y (mm)	-20.8 to 29.2
Centroid - X (mm)	0.0
Centroid - Y (mm)	0.0
Moments of inertia - X (mm ⁴)	109165.9
Moments of inertia - Y (mm ⁴)	42726.5
Product of inertia - XY (mm ⁴)	-10764.1
Radius of gyration - X (mm)	15.6
Radius of gyration - Y (mm)	9.8
Principal moments along X-Y (mm ⁴)	112713.8 along [1.0 -0.3]
Principal moments along Y-X (mm ⁴)	32208.7 along [0.2 1.0]
Elastic Modulus - Zx (mm ²)	1 / y-max= 3734.2
Elastic Modulus - Zy (mm ²)	1 / x-max= 1933.1

MEMBER: AW-10
GRADE: 6063-T6
FINISH: PVF2 3-COATING

PROPERTIES

MASS PROPERTIES (UNIT)	VALUES
Area (mm ²)	448.9
Perimeter (mm)	362.7
Bounding Box - X (mm)	-35.8 to 24.2
Bounding Box - Y (mm)	-31.8 to 33.2
Centroid - X (mm)	0.0
Centroid - Y (mm)	0.0
Moments of inertia - X (mm ⁴)	98137.8
Moments of inertia - Y (mm ⁴)	197726.5
Product of inertia - XY (mm ⁴)	23069.8
Radius of gyration - X (mm)	14.8
Radius of gyration - Y (mm)	21.0
Principal moments along X-Y (mm ⁴)	83833.8 along [1.0 -0.2]
Principal moments along Y-X (mm ⁴)	202818.5 along [0.2 1.0]
Elastic Modulus - Zx (mm ²)	1 / y-max= 2959.3
Elastic Modulus - Zy (mm ²)	1 / x-max= 5816.6

MEMBER: AW-11
GRADE: 6063-T6
FINISH: PVF2 3-COATING

PROPERTIES

MASS PROPERTIES (UNIT)	VALUES
Area (mm ²)	429.3
Perimeter (mm)	373.7
Bounding Box - X (mm)	-27.2 to 22.8
Bounding Box - Y (mm)	-33.1 to 31.9
Centroid - X (mm)	0.0
Centroid - Y (mm)	0.0
Moments of inertia - X (mm ⁴)	98068.4
Moments of inertia - Y (mm ⁴)	178130.4
Product of inertia - XY (mm ⁴)	-24198.1
Radius of gyration - X (mm)	15.1
Radius of gyration - Y (mm)	20.4
Principal moments along X-Y (mm ⁴)	11212.5 along [1.0 0.3]
Principal moments along Y-X (mm ⁴)	184883.3 along [-0.3 1.0]
Elastic Modulus - Zx (mm ²)	1 / y-max= 2964.3
Elastic Modulus - Zy (mm ²)	1 / x-max= 4537.5

MEMBER: AW-12
GRADE: 6063-T6
FINISH: PVF2 3-COATING

PROPERTIES

MASS PROPERTIES (UNIT)	VALUES
Area (mm ²)	494.9
Perimeter (mm)	432.7
Bounding Box - X (mm)	-46.0 to 34.0
Bounding Box - Y (mm)	-31.0 to 34.0
Centroid - X (mm)	0.0
Centroid - Y (mm)	0.0
Moments of inertia - X (mm ⁴)	101307.0
Moments of inertia - Y (mm ⁴)	421904.4
Product of inertia - XY (mm ⁴)	-19981.1
Radius of gyration - X (mm)	14.3
Radius of gyration - Y (mm)	29.2
Principal moments along X-Y (mm ⁴)	88161.1 along [1.0 -0.1]
Principal moments along Y-X (mm ⁴)	420493.9 along [0.1 1.0]
Elastic Modulus - Zx (mm ²)	1 / y-max= 2982.2
Elastic Modulus - Zy (mm ²)	1 / x-max= 8178.8

MEMBER: AW-13
GRADE: 6063-T6
FINISH: PVF2 3-COATING

PROPERTIES

MASS PROPERTIES (UNIT)	VALUES
Area (mm ²)	678.4
Perimeter (mm)	594.3
Bounding Box - X (mm)	-34.7 to 35.3
Bounding Box - Y (mm)	-40.9 to 40.1
Centroid - X (mm)	0.0
Centroid - Y (mm)	0.0
Moments of inertia - X (mm ⁴)	23867.7
Moments of inertia - Y (mm ⁴)	484257.4
Product of inertia - XY (mm ⁴)	-80159.1
Radius of gyration - X (mm)	18.3
Radius of gyration - Y (mm)	26.7
Principal moments along X-Y (mm ⁴)	201888.4 along [1.0 0.1]
Principal moments along Y-X (mm ⁴)	513044.8 along [-0.3 1.0]
Elastic Modulus - Zx (mm ²)	1 / y-max= 5437.1
Elastic Modulus - Zy (mm ²)	1 / x-max= 13718.9

MEMBER: AW-14
GRADE: 6063-T6
FINISH: PVF2 3-COATING

PROPERTIES

MASS PROPERTIES (UNIT)	VALUES
Area (mm ²)	438.1
Perimeter (mm)	411.6
Bounding Box - X (mm)	-31.8 to 38.2
Bounding Box - Y (mm)	-31.4 to 33.6
Centroid - X (mm)	0.0
Centroid - Y (mm)	0.0
Moments of inertia - X (mm ⁴)	98837.7
Moments of inertia - Y (mm ⁴)	377226.7
Product of inertia - XY (mm ⁴)	-32123.1
Radius of gyration - X (mm)	14.3
Radius of gyration - Y (mm)	28.7
Principal moments along X-Y (mm ⁴)	95179.1 along [1.0 0.1]
Principal moments along Y-X (mm ⁴)	362863.3 along [-0.1 1.0]
Elastic Modulus - Zx (mm ²)	1 / y-max= 2938.0
Elastic Modulus - Zy (mm ²)	1 / x-max= 9878.0

MEMBER: AW-15
GRADE: 6063-T5
FINISH: PVF2 3-COATING

PROPERTIES

MASS PROPERTIES (UNIT)	VALUES
Area (mm ²)	80.74
Perimeter (mm)	164.6
Bounding Box - X (mm)	-9.61 to 9.39
Bounding Box - Y (mm)	-11.63 to 8.97
Centroid - X (mm)	0.0
Centroid - Y (mm)	0.0
Moments of inertia - X (mm ⁴)	4271.37
Moments of inertia - Y (mm ⁴)	4465.83
Product of inertia - XY (mm ⁴)	103.97
Radius of gyration - X (mm)	14.3
Radius of gyration - Y (mm)	14.9
Principal moments along X-Y (mm ⁴)	4245.84 along [0.97 -0.24]
Principal moments along Y-X (mm ⁴)	4691.55 along [0.24 0.97]
Elastic Modulus - Zx (mm ²)	1 / y-max= 567.27
Elastic Modulus - Zy (mm ²)	1 / x-max= 485.33

MEMBER: AW-16
GRADE: 6063-T5
FINISH: PVF2 3-COATING

PROPERTIES

MASS PROPERTIES (UNIT)	VALUES
Area (mm ²)	83.91
Perimeter (mm)	162.8
Bounding Box - X (mm)	-13.67 to 13.33
Bounding Box - Y (mm)	-13.28 to 8.72
Centroid - X (mm)	0.0
Centroid - Y (mm)	0.0
Moments of inertia - X (mm ⁴)	3758.44
Moments of inertia - Y (mm ⁴)	11263.16
Product of inertia - XY (mm ⁴)	255.94
Radius of gyration - X (mm)	21.3
Radius of gyration - Y (mm)	16.95
Principal moments along X-Y (mm ⁴)	3746.57 along [1.00 -0.05]
Principal moments along Y-X (mm ⁴)	11274.03 along [0.05 1.00]
Elastic Modulus - Zx (mm ²)	1 / y-max= 433.49
Elastic Modulus - Zy (mm ²)	1 / x-max= 823.84

B.D. REF :
.....

CLIENT :
SUN HUNG KAI
REAL ESTATE AGENCY LTD.
42/F SUN HUNG KAI CENTRE, WANCHAI, HONGKONG

ARCHITECT :
IWK&partners
architects

MAIN CONTRACTOR :
Yee Fai Building Contractors Ltd.

STRUCTURAL ENGINEER :
ARUP

FAÇADE CONSULTANT:
ALPHA CONSULTING LIMITED
Steel Structure & Façade Specialist

NOTE :
1. ALL DIMENSIONS ARE IN mm.
2. ALL ELEVATIONS ARE VIEWED FROM OUTSIDE.
3. ALL DIMENSIONS TO BE VERIFIED ON SITE BEFORE FABRICATION.

LEGEND :
X1 --- DETAIL MARK NO.
X001 --- REFER SHEET NO.

1. F.F.L. --- FINISHED FLOOR LEVEL
2. S.F.L. --- STRUCTURAL FLOOR LEVEL
3. (R) --- REVERSED DETAIL
4. GLASS LEGEND
EGL-1 --- 8mmHS+12mm AIR GAP+10mmTP THK. I.G.U.
EGL-2 --- 10mm THK. CLEAR TEMPERED GLASS
EGL-4 --- 10mm THK. TEMPERED ACID ETCHED GLASS
EGL-1A --- 8mmHS+12mm AIR GAP+8mmTP THK. I.G.U.

NO.	DATE	REVISION SUBJECT TO ARCH.COMMENT	BY
B	02/11/2020	REVISION SUBJECT TO ARCH.COMMENT	Ivan
A	30/09/2020	REVISION SUBJECT TO ARCH.COMMENT	Ivan

JOB NO. : J-856
PROJECT : PROPOSED DEVELOPMENT ABOVE LIGHT RAIL TIN WING STOP, TSWTL NO.23, AREA 33, TIN SHUI WAI, N.T.

TITLE :
DIE LIST FOR ALUM. WINDOW

DATE : 02-Aug-21 SCALE : 1:40

DRAWN BY : Ivan CHECKED BY :

美特鋁質有限公司
MIDI ALUMINIUM FABRICATOR LTD.
Units 6-8, Sunray Industrial Centre, 1/F
610 Cha Kwo Ling Road, Kowloon
Tel: 23489211-4 Fax: (852) 2772666

DWG NO. : J856-SD-PW-1101 REV. : B

PROPERTIES	
MEMBER : IW-17	GRADE : 6063-T6
FINISH : PVF2	3-COATING

REGIONS	
MASS PROPERTIES (UNIT)	VALUES
Area (mm ²) :	475.3
Perimeter (mm) :	413.7
Bounding Box - X (mm) :	-37.7 to 32.3
Bounding Box - Y (mm) :	-33.9 to 31.1
Centroid - X (mm) :	0.0
Centroid - Y (mm) :	0.0
Moments of inertia - X (mm ⁴) :	101282.9
Moments of inertia - Y (mm ⁴) :	38746.1
Product of inertia - XY (mm ⁴) :	-32718.3
Radius of gyration - X (mm) :	14.6
Radius of gyration - Y (mm) :	20.6
Principal moments along X-Y (mm ⁴) :	97588.0 along [1.0 0.1]
Principal moments along X-X (mm ⁴) :	391237.0 along [-5.1 1.0]
Elastic Modulus - Zx (mm ²) :	1 / y-max= 2984.9
Elastic Modulus - Zy (mm ²) :	1 / x-max= 10292.4

PROPERTIES	
MEMBER : AW-18	GRADE : 6063-T6
FINISH : PVF2	3-COATING

REGIONS	
MASS PROPERTIES (UNIT)	VALUES
Area (mm ²) :	328.8
Perimeter (mm) :	316.3
Bounding Box - X (mm) :	-25.5 to 25.5
Bounding Box - Y (mm) :	-26.4 to 43.6
Centroid - X (mm) :	0.0
Centroid - Y (mm) :	0.0
Moments of inertia - X (mm ⁴) :	213208.1
Moments of inertia - Y (mm ⁴) :	33679.8
Product of inertia - XY (mm ⁴) :	-4935.9
Radius of gyration - X (mm) :	28.5
Radius of gyration - Y (mm) :	10.1
Principal moments along X-Y (mm ⁴) :	215442.2 along [1.0 0.0]
Principal moments along X-X (mm ⁴) :	33542.1 along [0.0 1.0]
Elastic Modulus - Zx (mm ²) :	1 / y-max= 4941.8
Elastic Modulus - Zy (mm ²) :	1 / x-max= 1320.3

PROPERTIES	
MEMBER : AW-19	GRADE : 6061-T6
FINISH : Chromate or Anodize	

REGIONS	
MASS PROPERTIES (UNIT)	VALUES
Area (mm ²) :	442.8
Perimeter (mm) :	262.3
Bounding Box - X (mm) :	-17.6 to 47.4
Bounding Box - Y (mm) :	-17.6 to 47.4
Centroid - X (mm) :	0.0
Centroid - Y (mm) :	0.0
Moments of inertia - X (mm ⁴) :	184900.5
Moments of inertia - Y (mm ⁴) :	184900.5
Product of inertia - XY (mm ⁴) :	110533.6
Radius of gyration - X (mm) :	20.4
Radius of gyration - Y (mm) :	20.4
Principal moments along X-Y (mm ⁴) :	295434.2 along [0.7 0.7]
Principal moments along X-X (mm ⁴) :	74368.9 along [-0.7 0.7]
Elastic Modulus - Zx (mm ²) :	1 / y-max= 3896.8
Elastic Modulus - Zy (mm ²) :	1 / x-max= 3896.8

PROPERTIES	
MEMBER : AW-20	GRADE : 6061-T6
FINISH : Chromate or Anodize	

REGIONS	
MASS PROPERTIES (UNIT)	VALUES
Area (mm ²) :	564.8
Perimeter (mm) :	303.0
Bounding Box - X (mm) :	-17.9 to 47.1
Bounding Box - Y (mm) :	-17.9 to 47.1
Centroid - X (mm) :	0.0
Centroid - Y (mm) :	0.0
Moments of inertia - X (mm ⁴) :	232473.1
Moments of inertia - Y (mm ⁴) :	232473.1
Product of inertia - XY (mm ⁴) :	138626.5
Radius of gyration - X (mm) :	20.3
Radius of gyration - Y (mm) :	20.3
Principal moments along X-Y (mm ⁴) :	371099.6 along [0.7 0.7]
Principal moments along X-X (mm ⁴) :	93846.8 along [-0.7 0.7]
Elastic Modulus - Zx (mm ²) :	1 / y-max= 4937.6
Elastic Modulus - Zy (mm ²) :	1 / x-max= 4937.6

PROPERTIES	
MEMBER : AW-21	GRADE : 6063-T6
FINISH : PVF2	3-COATING

REGIONS	
MASS PROPERTIES (UNIT)	VALUES
Area (mm ²) :	845.4
Perimeter (mm) :	493.2
Bounding Box - X (mm) :	-31.0 to 31.0
Bounding Box - Y (mm) :	-35.2 to 34.8
Centroid - X (mm) :	0.0
Centroid - Y (mm) :	0.0
Moments of inertia - X (mm ⁴) :	609413.3
Moments of inertia - Y (mm ⁴) :	345866.4
Product of inertia - XY (mm ⁴) :	0.0
Radius of gyration - X (mm) :	26.8
Radius of gyration - Y (mm) :	20.2
Principal moments along X-Y (mm ⁴) :	609413.3 along [1.0 0.0]
Principal moments along X-X (mm ⁴) :	345866.4 along [0.0 1.0]
Elastic Modulus - Zx (mm ²) :	1 / y-max= 17308.4
Elastic Modulus - Zy (mm ²) :	1 / x-max= 11155.5

PROPERTIES	
MEMBER : AW-22	GRADE : 6063-T6
FINISH : PVF2	3-COATING

REGIONS	
MASS PROPERTIES (UNIT)	VALUES
Area (mm ²) :	83.1
Perimeter (mm) :	144.6
Bounding Box - X (mm) :	-10.6 to 10.4
Bounding Box - Y (mm) :	-11.9 to 8.7
Centroid - X (mm) :	0.0
Centroid - Y (mm) :	0.0
Moments of inertia - X (mm ⁴) :	4434.9
Moments of inertia - Y (mm ⁴) :	5914.4
Product of inertia - XY (mm ⁴) :	136.1
Radius of gyration - X (mm) :	7.3
Radius of gyration - Y (mm) :	8.4
Principal moments along X-Y (mm ⁴) :	4422.7 along [1.0 -0.1]
Principal moments along X-X (mm ⁴) :	5926.9 along [0.1 1.0]
Elastic Modulus - Zx (mm ²) :	1 / y-max= 373.6
Elastic Modulus - Zy (mm ²) :	1 / x-max= 556.0

PROPERTIES	
MEMBER : AW-23	GRADE : 6063-T6
FINISH : PVF2	3-COATING

PROPERTIES	
MEMBER : AW-24	GRADE : 6063-T6
FINISH : PVF2	3-COATING

PROPERTIES	
MEMBER : AW-25	GRADE : 6063-T6
FINISH : PVF2	3-COATING

PROPERTIES	
MEMBER : AW-26	GRADE : 6063-T6
FINISH : PVF2	3-COATING

PROPERTIES	
MEMBER : AW-27	GRADE : 6063-T6
FINISH : PVF2	3-COATING

PROPERTIES	
MEMBER : AW-28	GRADE : 6063-T6
FINISH : PVF2	3-COATING

PROPERTIES	
MEMBER : AW-29	GRADE : 6063-T6
FINISH : PVF2	3-COATING

PROPERTIES	
MEMBER : AW-30	GRADE : 6063-T6
FINISH : PVF2	3-COATING

PROPERTIES	
MEMBER : AW-31	GRADE : 6063-T6
FINISH : PVF2	3-COATING

PROPERTIES	
MEMBER : AW-32	GRADE : 6063-T6
FINISH :	

B.D. REF :

CLIENT : **SUN HUNG KAI** REAL ESTATE AGENCY LTD.
42/F SUN HUNG KAI CENTRE, WANCHAI, HONGKONG

ARCHITECT : **lwk&partners** architects

MAIN CONTRACTOR : **Yee Fai** Building Contractors Ltd.

STRUCTURAL ENGINEER : **ARUP**

FAÇADE CONSULTANT : **ALPHA CONSULTING LIMITED** Steel Structure & Façade Specialist

NOTE :
1. ALL DIMENSIONS ARE IN mm.
2. ALL ELEVATIONS ARE VIEWED FROM OUTSIDE.
3. ALL DIMENSIONS TO BE VERIFIED ON SITE BEFORE FABRICATION.

LEGEND :
X1 --- DETAIL MARK NO.
X001 --- REFER SHEET NO.

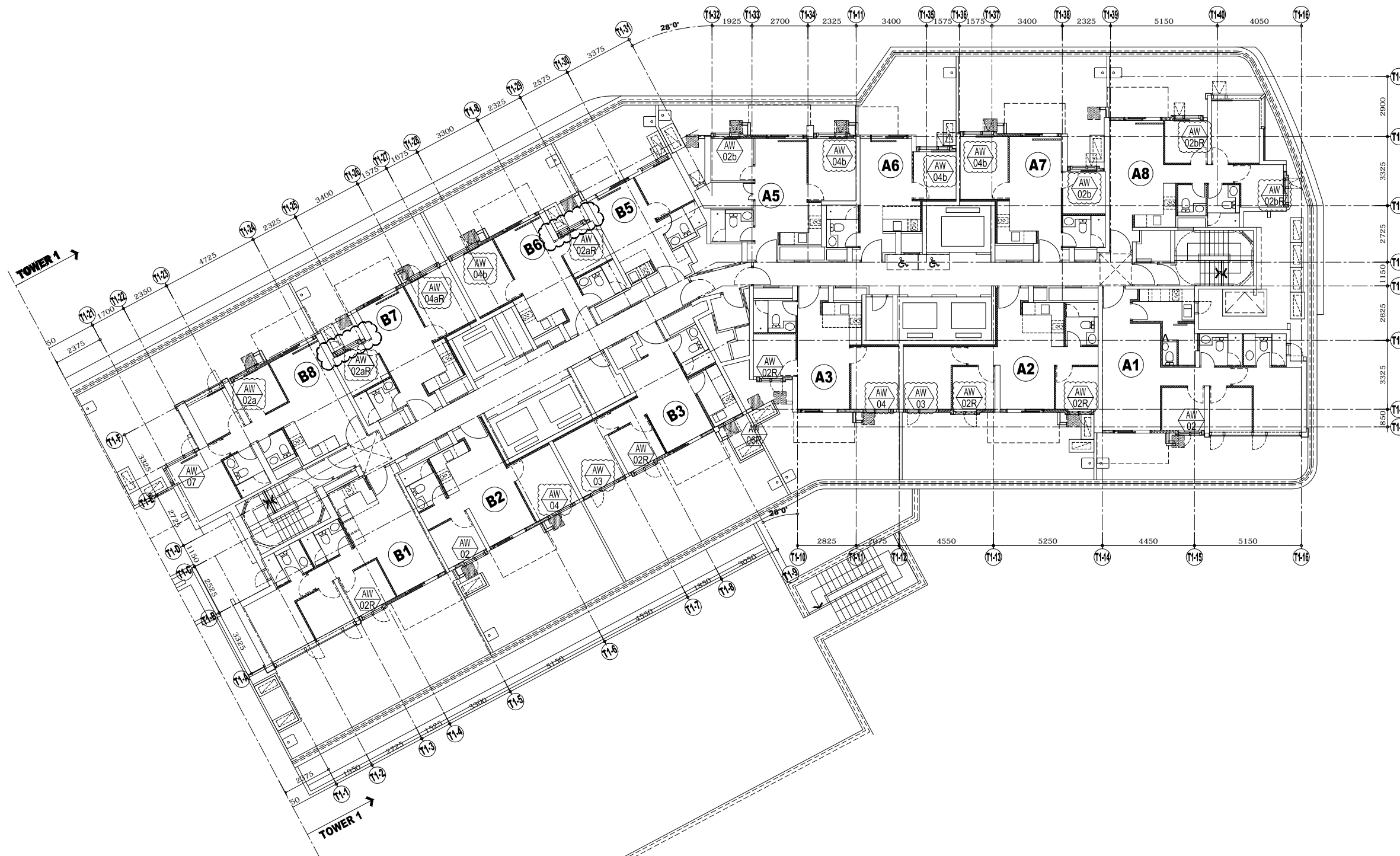
1. F.F.L. --- FINISHED FLOOR LEVEL
2. S.F.L. --- STRUCTURAL FLOOR LEVEL
3. (R) --- REVERSED DETAIL
4. GLASS LEGEND
EGL-1 --- 8mmHS+12mm AIR GAP+10mmTP THK. I.G.U.
EGL-2 --- 10mm THK. CLEAR TEMPERED GLASS
EGL-4 --- 10mm THK. TEMPERED ACID ETCHED GLASS
EGL-1A --- 8mmHS+12mm AIR GAP+8mmTP THK. I.G.U.

A	02/11/2020	REVISION SUBJECT TO ARCH.COMMENT	Ivan
NO.	DATE	REVISED	BY

JOB NO. : J-856
PROJECT : PROPOSED DEVELOPMENT ABOVE LIGHT RAIL TIN WING STOP, TSWTL NO.23, AREA 33, TIN SHUI WAI, N.T.

TITLE : DIE LIST FOR ALUM. WINDOW

DATE : 02-Aug-21 SCALE : 1:40
DRAWN BY : Ivan CHECKED BY :
美特鋁質有限公司 ALUMINIUM FABRICATOR LTD.
Units 6-8, Sunray Industrial Centre, 1/F
610 Cha Kwo Ling Road, Kowloon
Tel: 23489211-4 Fax: (852) 27272666
DWG NO. : J856-SD-PW-1102 REV. : A



WINDOW MARK	QUANTITY
AW-02	2
AW-02R	5
AW-02a	1
AW-02aR	2
AW-02b	2
AW-02bR	2
AW-03	2
AW-04	2
AW-04aR	1
AW-04b	4
AW-06R	1
AW-07	1

TOWER 1 3/F

B.D. REF :

CLIENT :
SUN HUNG KAI
 REAL ESTATE AGENCY LTD.
 42/F SUN HUNG KAI CENTRE, WANCHAI, HONGKONG

ARCHITECT :
lwk&partners
 architects

MAIN CONTRACTOR :
Yee Fai Building Contractors Ltd.

STRUCTURAL ENGINEER :
ARUP

FAÇADE CONSULTANT:
ALPHA CONSULTING LIMITED
 Steel Structure & Façade Specialist

- NOTE :
1. ALL DIMENSIONS ARE IN mm.
 2. ALL ELEVATIONS ARE VIEWED FROM OUTSIDE.
 3. ALL DIMENSIONS TO BE VERIFIED ON SITE BEFORE FABRICATION.

- LEGEND :
- (X1) — DETAIL MARK NO.
 - (X001) — REFER SHEET NO.
 - 1. F.F.L. — FINISHED FLOOR LEVEL
 - 2. S.F.L. — STRUCTURAL FLOOR LEVEL
 - 3. (R) — REVERSED DETAIL
 - 4. GLASS LEGEND
 - EGL-1 — 8mmHS+12mm AIR GAP+8mmTP THK. I.G.U.
 - EGL-2 — 10mm THK. CLEAR TEMPERED GLASS
 - EGL-4 — 10mm THK. TEMPERED ACID ETCHED GLASS

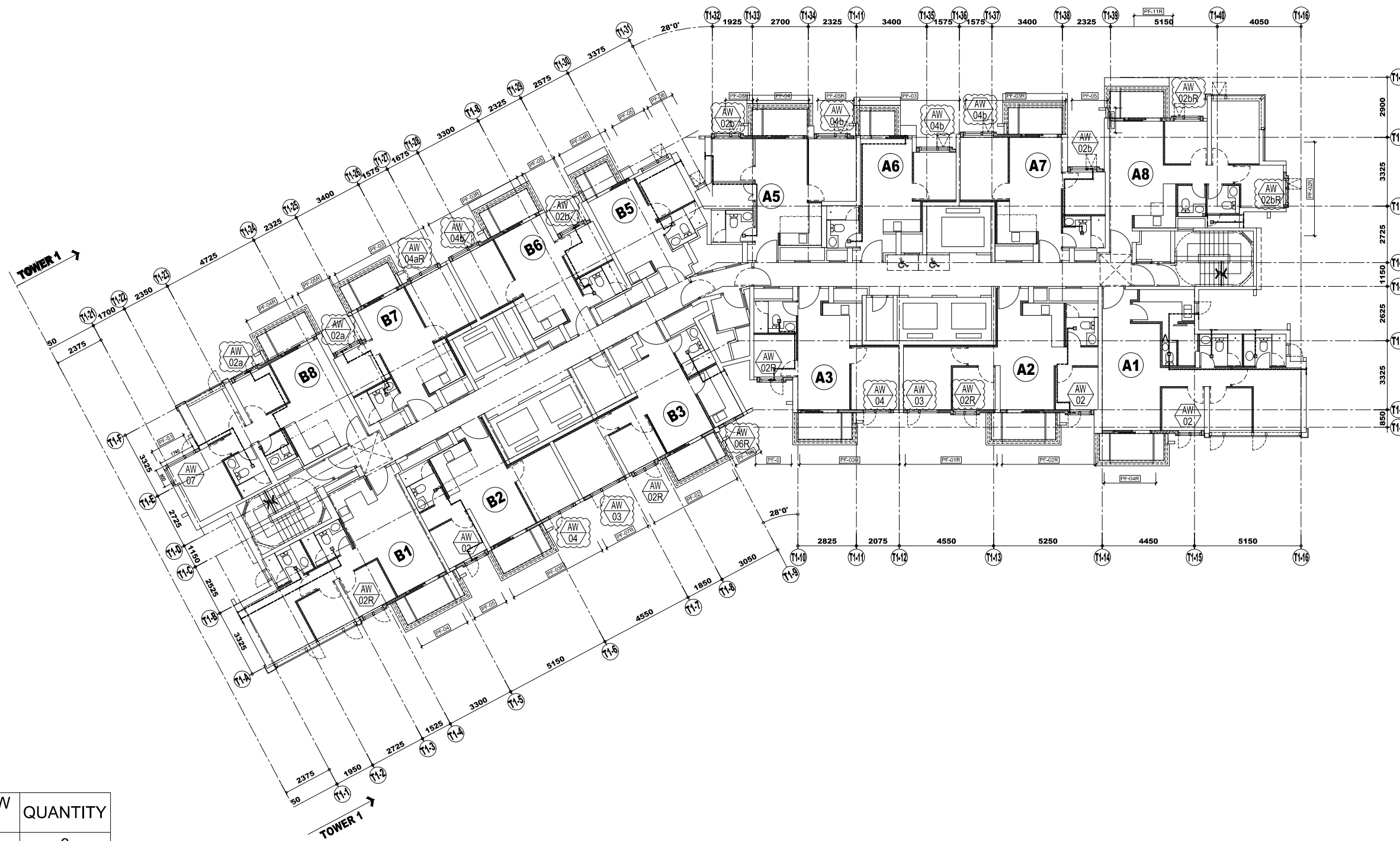
NO.	DATE	REVISED	BY
D	16/08/2022	REVISION SUBJECT TO ARCH.COMMENT	ivan
C	27/06/2022	REVISION SUBJECT TO ARCH.COMMENT	ivan
B	21/12/2021	REVISION SUBJECT TO ARCH.COMMENT	ivan
A	29/10/2021	REVISION SUBJECT TO ARCH.COMMENT	ivan

JOB NO. : J-856
 PROJECT : PROPOSED DEVELOPMENT ABOVE LIGHT RAIL TIN WING STOP, TSWTL NO.23, AREA 33, TIN SHUI WAI, N.T.

TITLE :
 PLAN FOR ALUM. WINDOW AT TOWER 1

DATE : 02-Aug-21 SCALE : 1:40
 DRAWN BY : Ivan CHECKED BY :

美特鋁質有限公司
 ALUMINIUM FABRICATOR LTD.
 Units 6-8, Sunray Industrial Centre, 1/F
 610 Cha Kwo Ling Road, Kowloon
 Tel:23489211-4 Fax:(852)2727666
 DWG NO. : J856-SD-PW-3101 REV. : D



WINDOW MARK	QUANTITY
AW-02	3
AW-02R	4
AW-02a	2
AW-02b	3
AW-02bR	2
AW-03	2
AW-04	2
AW-04aR	1
AW-04b	4
AW-06R	1
AW-07	1

TOWER 1 5/F-42/F

B.D. REF :

CLIENT :

SUN HUNG KAI
REAL ESTATE AGENCY LTD.
42/F SUN HUNG KAI CENTRE, WANCHAI, HONGKONG

ARCHITECT :

Iwk&partners
architects

MAIN CONTRACTOR :

Yee Fai Building Contractors Ltd.

STRUCTURAL ENGINEER :

ARUP

FAÇADE CONSULTANT:

ALPHA CONSULTING LIMITED
Steel Structure & Façade Specialist

NOTE :

1. ALL DIMENSIONS ARE IN mm.
2. ALL ELEVATIONS ARE VIEWED FROM OUTSIDE.
3. ALL DIMENSIONS TO BE VERIFIED ON SITE BEFORE FABRICATION.

LEGEND :

- x1 — DETAIL MARK NO.
- X001 — REFER SHEET NO.

1. F.F.L. — FINISHED FLOOR LEVEL
2. S.F.L. — STRUCTURAL FLOOR LEVEL
3. (R) — REVERSED DETAIL
4. GLASS LEGEND

EGL-1—8mmHS+12mm AIR GAP+8mmTP THK. I.G.U.
EGL-2—10mm THK. CLEAR TEMPERED GLASS
EGL-4—10mm THK. TEMPERED ACID ETCHED GLASS

NO.	DATE	REVISION	BY
E	16/08/2022	REVISION SUBJECT TO ARCH.COMMENT	ivan
D	27/06/2022	REVISION SUBJECT TO ARCH.COMMENT	ivan
C	29/11/2021	REVISION SUBJECT TO ARCH.COMMENT	ivan
B	03/11/2021	REVISION SUBJECT TO ARCH.COMMENT	ivan
A	18/10/2021	REVISION SUBJECT TO ARCH.COMMENT	ivan

JOB NO. : J-856

PROJECT :
PROPOSED DEVELOPMENT ABOVE
LIGHT RAIL TIN WING STOP, TSWTL
NO.23, AREA 33, TIN SHUI WAI, N.T.

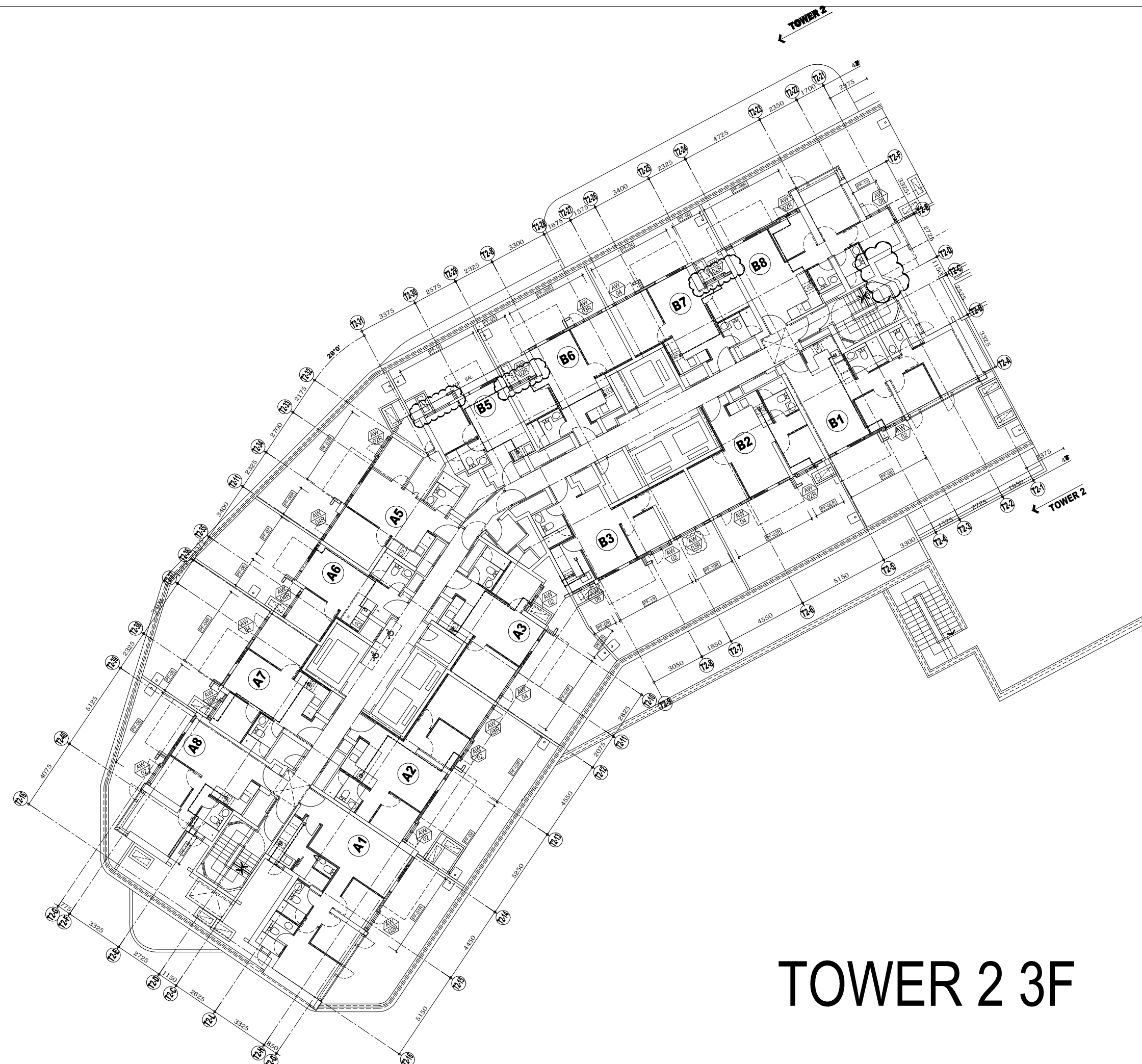
TITLE :
PLAN FOR IN-SITU WINDOW
AT TOWER 1

DATE : 02-Aug-21 SCALE : 1:40

DRAWN BY : ivan CHECKED BY :

MIDI ALUMINIUM FABRICATOR LTD.
Units 6-8, Sunray Industrial Centre, 1/F
610 Cha Kwo Ling Road, Kowloon
Tel: 23489211-4 Fax: (852) 2727666

DWG NO. : J856-SD-IW-3102 REV. : E



WINDOW MARK	QUANTITY
AW-02	6
AW-02R	7
AW-03R	3
AW-04	4
AW-04R	2
AW-06	1
AW-08	1


TOWER 2 3F

B.D. REF :

CLIENT :

 42/F SUN HUNG KAI CENTRE, WANCHAI, HONGKONG

ARCHITECT :

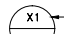
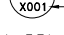

MAIN CONTRACTOR :


STRUCTURAL ENGINEER :


FACADE CONSULTANT:

 Steel Structure & Facade Specialist

NOTE :
 1. ALL DIMENSIONS ARE IN mm.
 2. ALL ELEVATIONS ARE VIEWED FROM OUTSIDE.
 3. ALL DIMENSIONS TO BE VERIFIED ON SITE BEFORE FABRICATION.

LEGEND :
 — DETAIL MARK NO.
 — REFER SHEET NO.
 1. F.F.L. — FINISHED FLOOR LEVEL
 2. S.F.L. — STRUCTURAL FLOOR LEVEL
 3. (R) — REVERSED DETAIL
 4. GLASS LEGEND
 EGL-1 — 8mmHS+12mm AIR GAP+8mmTP THK. I.G.U.
 EGL-2 — 10mm THK. CLEAR TEMPERED GLASS
 EGL-4 — 10mm THK. TEMPERED ACID ETCHED GLASS

NO.	DATE	REVISION	BY
E	16/8/2022	REVISION SUBJECT TO ARCH.COMMENT	lvon
D	27/6/2022	REVISION SUBJECT TO ARCH.COMMENT	lvon
C	18/5/2022	REVISION SUBJECT TO ARCH.COMMENT	lvon
B	12/1/2022	REVISION SUBJECT TO ARCH.COMMENT	lvon
A	26/11/2021	REVISION SUBJECT TO ARCH.COMMENT	lvon

JOB NO. : J-856
 PROJECT : PROPOSED DEVELOPMENT ABOVE LIGHT RAIL TIN WING STOP, TSWTL NO.23, AREA 33, TIN SHUI WAI, N.T.

TITLE : PLAN FOR PRECAST WINDOW AT TOWER 2

DATE : 02-Aug-21 SCALE : 1:40
 DRAWN BY : lvon CHECKED BY :


 Units 6-8, Sunray Industrial Centre, 1/F
 610 Cha Kwo Ling Road, Kowloon
 Tel: 23489211-4 Fax: (852) 2727666
 DWG NO. : J856-SD-IW-3201 REV. : E

B.D. REF :
 CLIENT :
 ARCHITECT :
 MAIN CONTRACTOR :
 STRUCTURAL ENGINEER :
 FACADE CONSULTANT :

SUN HUNG KAI
 REAL ESTATE AGENCY LTD.
 42/F SUN HUNG KAI CENTRE, WANCHAI, HONGKONG

lwk&partners
 architects

怡輝建築有限公司
Yee Fai Building Contractors Ltd.

ARUP

ALPHA CONSULTING LIMITED
 Steel Structure & Facade Specialist

NOTE :
 1. ALL DIMENSIONS ARE IN mm.
 2. ALL ELEVATIONS ARE VIEWED FROM OUTSIDE.
 3. ALL DIMENSIONS TO BE VERIFIED ON SITE BEFORE FABRICATION.

LEGEND :
 X1 — DETAIL MARK NO.
 X001 — REFER SHEET NO.
 1. F.F.L. — FINISHED FLOOR LEVEL
 2. S.F.L. — STRUCTURAL FLOOR LEVEL
 3. (R) — REVERSED DETAIL
 4. GLASS LEGEND
 EGL-1 — 8mmHS+12mm AIR GAP+8mmTP THK. I.G.U.
 EGL-2 — 10mm THK. CLEAR TEMPERED GLASS
 EGL-4 — 10mm THK. TEMPERED ACID ETCHED GLASS

NO.	DATE	REVISION	BY
G	16/8/2022	REVISION SUBJECT TO ARCH.COMMENT	lvon
F	27/6/2022	REVISION SUBJECT TO ARCH.COMMENT	lvon
E	18/5/2022	REVISION SUBJECT TO ARCH.COMMENT	lvon
D	12/1/2022	REVISION SUBJECT TO ARCH.COMMENT	lvon
C	26/11/2021	REVISION SUBJECT TO ARCH.COMMENT	lvon
B	03/11/2021	REVISION SUBJECT TO ARCH.COMMENT	lvon
A	18/10/2021	REVISION SUBJECT TO ARCH.COMMENT	lvon

JOB NO. : J-856
 PROJECT : PROPOSED DEVELOPMENT ABOVE LIGHT RAIL TIN WING STOP, TSWTL NO.23, AREA 33, TIN SHUI WAI, N.T.

TITLE : PLAN FOR PRECAST WINDOW AT TOWER 2

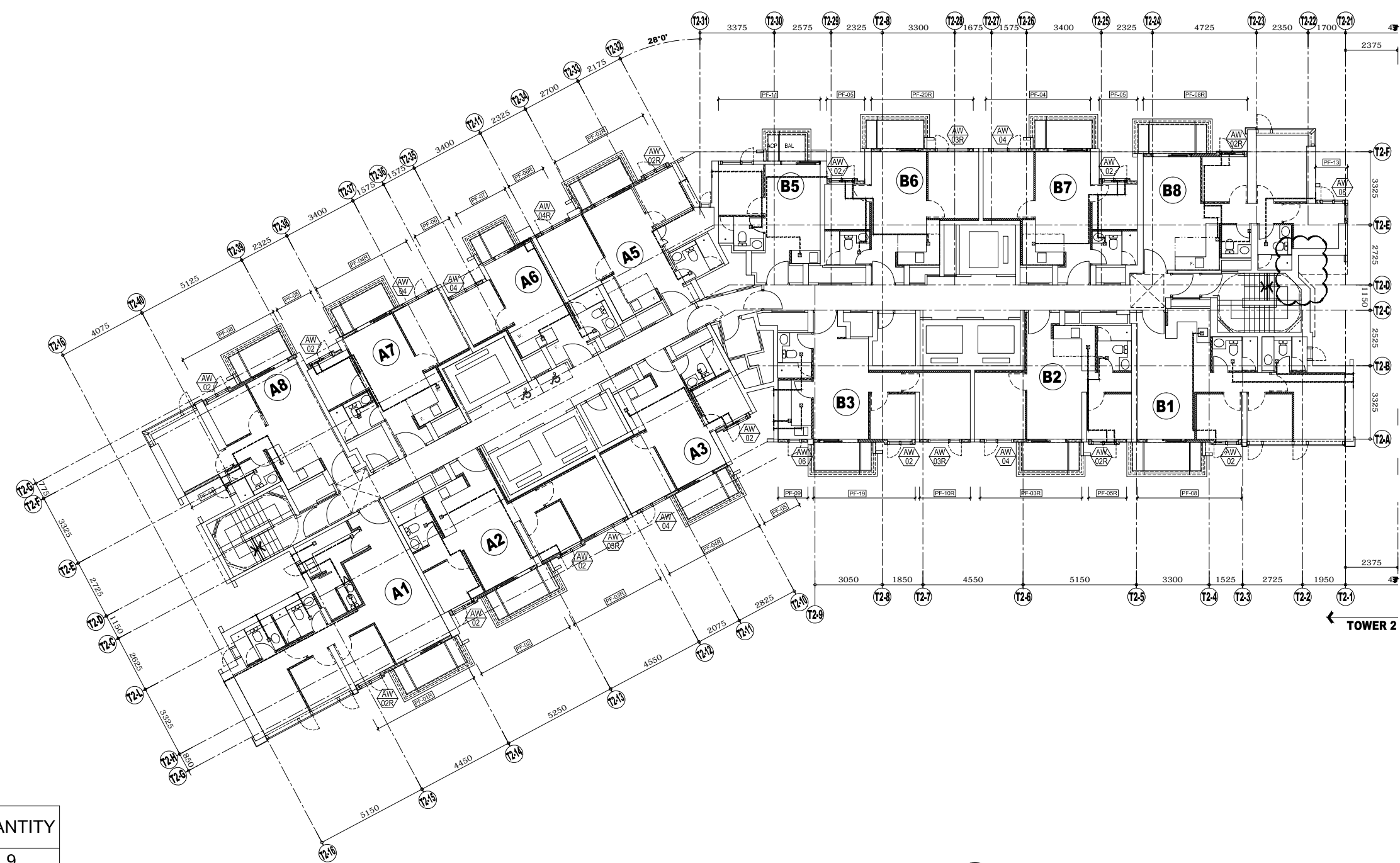
DATE : 02-Aug-21 SCALE : 1:40
 DRAWN BY : lvon CHECKED BY :

美特鋁質有限公司
MIDI ALUMINIUM FABRICATOR LTD.
 Units 6-8, Sunray Industrial Centre, 1/F
 610 Cha Kwo Ling Road, Kowloon
 Tel:23489211-4 Fax:(852)2727666

DWG NO. : J856-SD-IW-3202 REV. : G

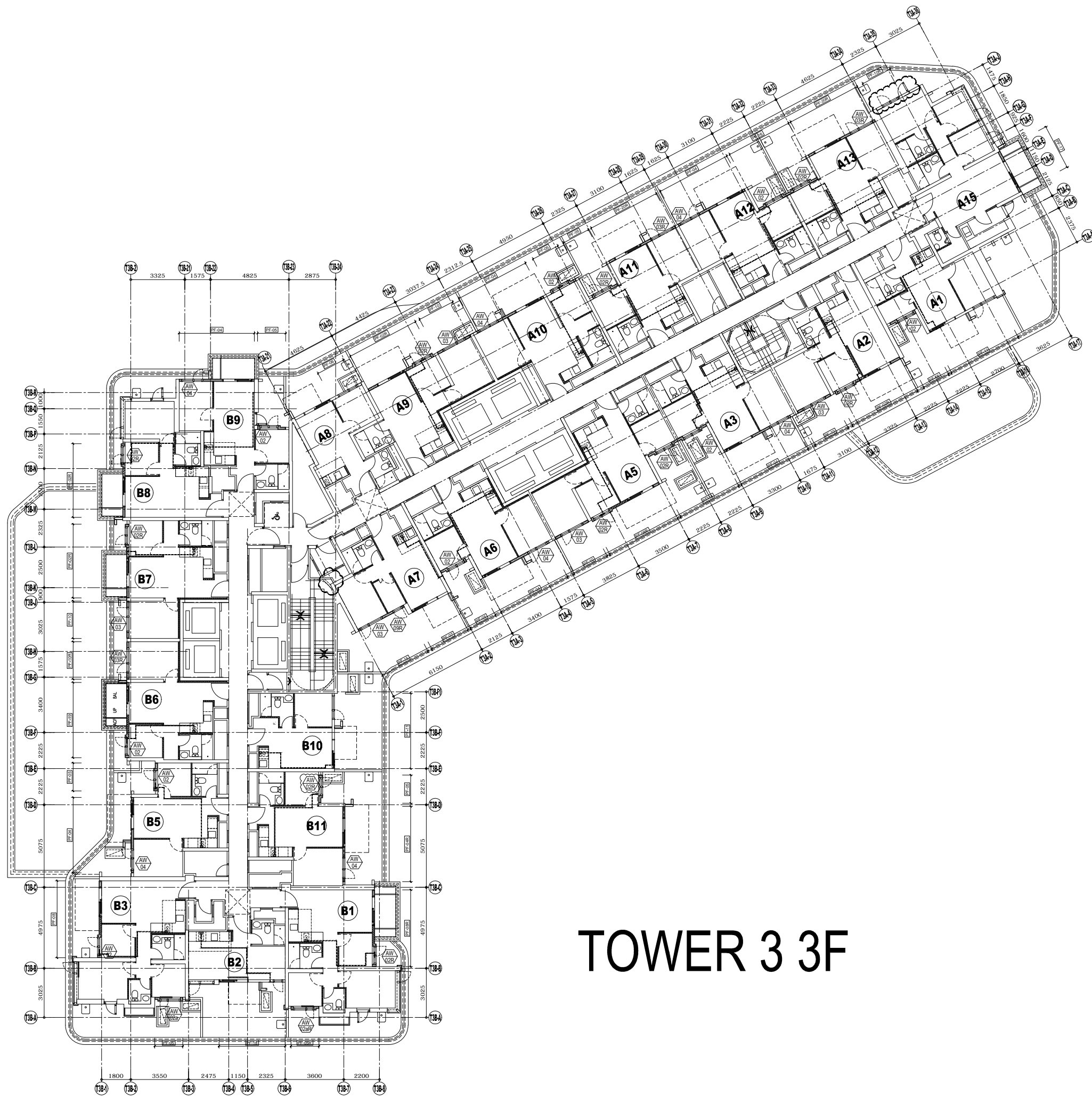
← TOWER 2

← TOWER 2



WINDOW MARK	QUANTITY
AW-02	9
AW-02R	4
AW-03R	3
AW-04	5
AW-04R	1
AW-06	1
AW-08	1

TOWER 2 5F-42F



TOWER 3 3F

WINDOW MARK	QUANTITY
AW-02	9
AW-02R	10
AW-02a	1
AW-02aR	1
AW-03	5
AW-03R	3
AW-04	7
AW-09R	1

B.D. REF :

CLIENT :
SUN HUNG KAI
 REAL ESTATE AGENCY LTD.
 42/F SUN HUNG KAI CENTRE, WANCHAI, HONGKONG

ARCHITECT :
IWK&partners
 architects

MAIN CONTRACTOR :
Yee Fai Building Contractors Ltd.

STRUCTURAL ENGINEER :
ARUP

FAÇADE CONSULTANT:
ALPHA CONSULTING LIMITED
 Steel Structure & Façade Specialist

NOTE :
 1. ALL DIMENSIONS ARE IN mm.
 2. ALL ELEVATIONS ARE VIEWED FROM OUTSIDE.
 3. ALL DIMENSIONS TO BE VERIFIED ON SITE BEFORE FABRICATION.

LEGEND :
 — DETAIL MARK NO.
 — REFER SHEET NO.
 1. F.F.L. — FINISHED FLOOR LEVEL
 2. S.F.L. — STRUCTURAL FLOOR LEVEL
 3. (R) — REVERSED DETAIL
 4. GLASS LEGEND
 EGL-1—8mmHS+12mm AIR GAP+8mmTP THK. I.G.U.
 EGL-2—10mm THK. CLEAR TEMPERED GLASS
 EGL-4—10mm THK. TEMPERED ACID ETCHED GLASS

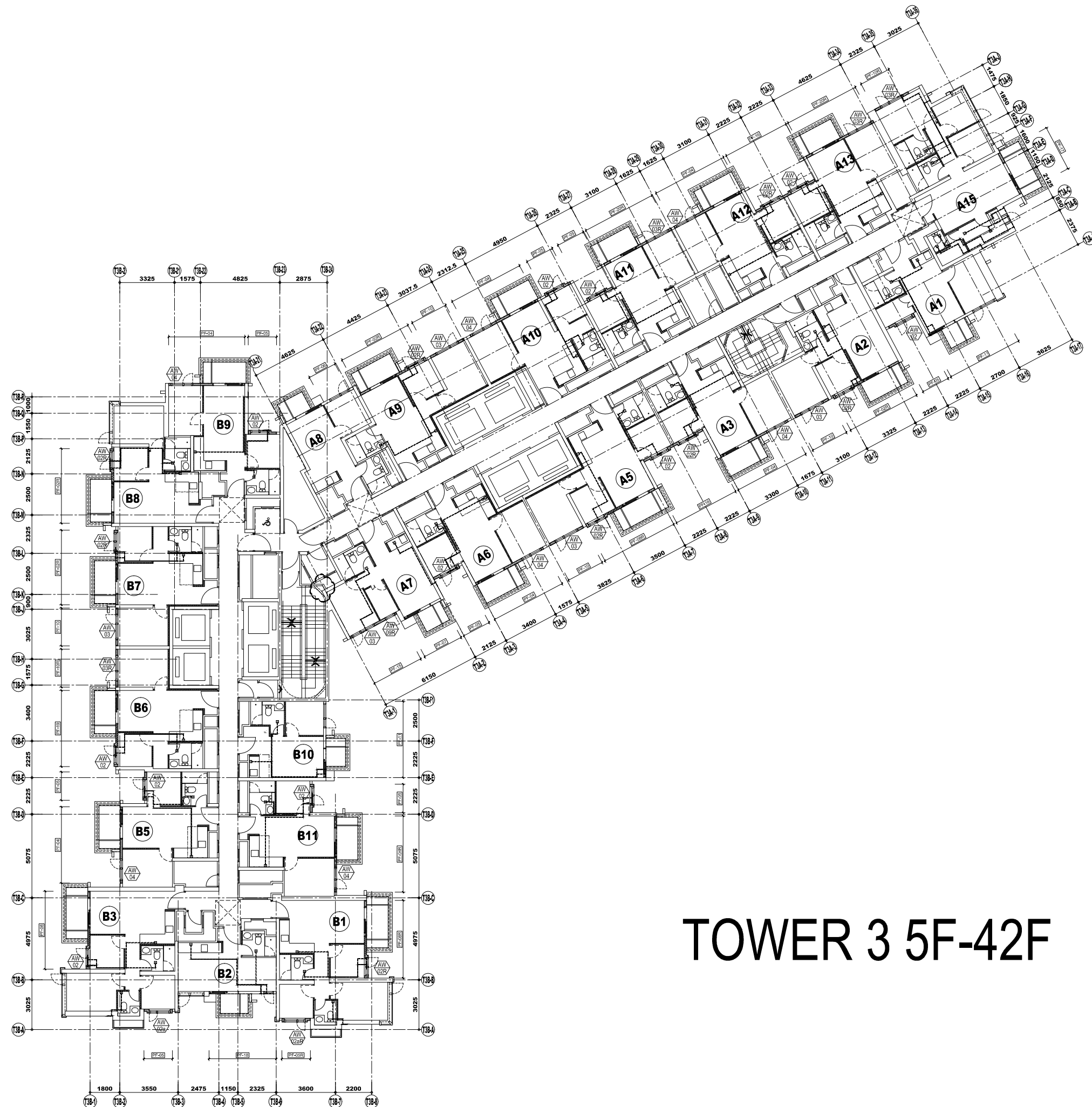
NO.	DATE	REVISION	BY
F	16/08/2022	REVISION SUBJECT TO ARCH.COMMENT	lvn
E	27/06/2022	REVISION SUBJECT TO ARCH.COMMENT	lvn
D	18/05/2022	REVISION SUBJECT TO ARCH.COMMENT	lvn
C	22/04/2022	REVISION SUBJECT TO ARCH.COMMENT	lvn
B	21/12/2021	REVISION SUBJECT TO ARCH.COMMENT	lvn
A	29/11/2021	REVISION SUBJECT TO ARCH.COMMENT	lvn

JOB NO. : J-856
 PROJECT : PROPOSED DEVELOPMENT ABOVE LIGHT RAIL TIN WING STOP, TSWTL NO.23, AREA 33, TIN SHUI WAI, N.T.

TITLE : PLAN FOR PRECAST WINDOW AT TOWER 3

DATE : 02-Aug-21 SCALE : 1:40
 DRAWN BY : lvn CHECKED BY :

美特鋁質有限公司
 ALUMINIUM FABRICATOR LTD.
 Units 6-8, Sunray Industrial Centre, 1/F
 610 Cha Kwo Ling Road, Kowloon
 Tel:23489211-4 Fax:(852)27727666
 DWG NO. : J856-SD-IW-3301 REV. : F



WINDOW MARK	QUANTITY
AW-02	11
AW-02R	8
AW-02a	1
AW-02aR	1
AW-03	5
AW-03R	4
AW-04	7
AW-09R	1

TOWER 3 5F-42F

B.D. REF :

CLIENT :
SUN HUNG KAI
 REAL ESTATE AGENCY LTD.
 42/F SUN HUNG KAI CENTRE, WANCHAI, HONGKONG

ARCHITECT :
Iwk&partners
 architects

MAIN CONTRACTOR :
Yee Fai Building Contractors Ltd.

STRUCTURAL ENGINEER :
ARUP

FAÇADE CONSULTANT:
ALPHA CONSULTING LIMITED
 Steel Structure & Façade Specialist

NOTE :
 1. ALL DIMENSIONS ARE IN mm.
 2. ALL ELEVATIONS ARE VIEWED FROM OUTSIDE.
 3. ALL DIMENSIONS TO BE VERIFIED ON SITE BEFORE FABRICATION.

LEGEND :

 1. F.F.L. -- FINISHED FLOOR LEVEL
 2. S.F.L. -- STRUCTURAL FLOOR LEVEL
 3. (R) -- REVERSED DETAIL
 4. GLASS LEGEND
 EGL-1--8mmHS+12mm AIR GAP+8mmTP THK. I.G.U.
 EGL-2--10mm THK. CLEAR TEMPERED GLASS
 EGL-4--10mm THK. TEMPERED ACID ETCHED GLASS

NO.	DATE	REVISION	BY
K	16/08/2022	REVISION SUBJECT TO ARCH.COMMENT	ivan
J	27/06/2022	REVISION SUBJECT TO ARCH.COMMENT	ivan
I	18/05/2022	REVISION SUBJECT TO ARCH.COMMENT	ivan
H	22/04/2022	REVISION SUBJECT TO ARCH.COMMENT	ivan
G	08/04/2022	REVISION SUBJECT TO ARCH.COMMENT	ivan
F	12/01/2022	REVISION SUBJECT TO ARCH.COMMENT	ivan

JOB NO. : J-856
 PROJECT : PROPOSED DEVELOPMENT ABOVE LIGHT RAIL TIN WING STOP, TSWTL NO.23, AREA 33, TIN SHUI WAI, N.T.

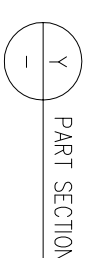
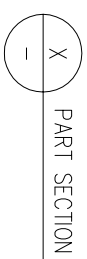
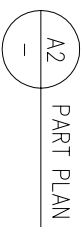
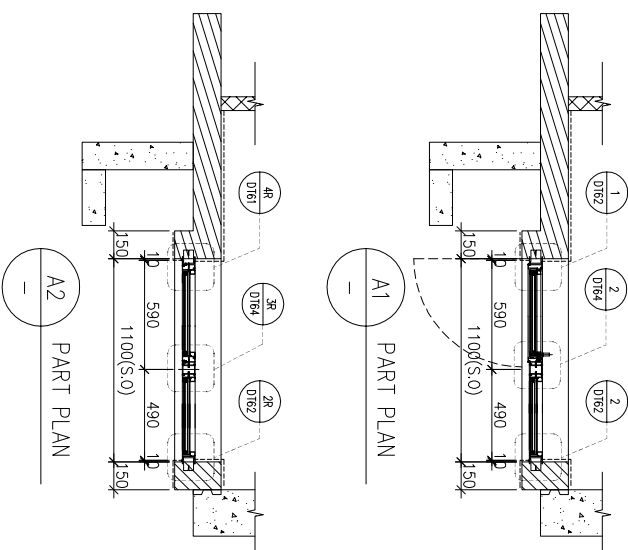
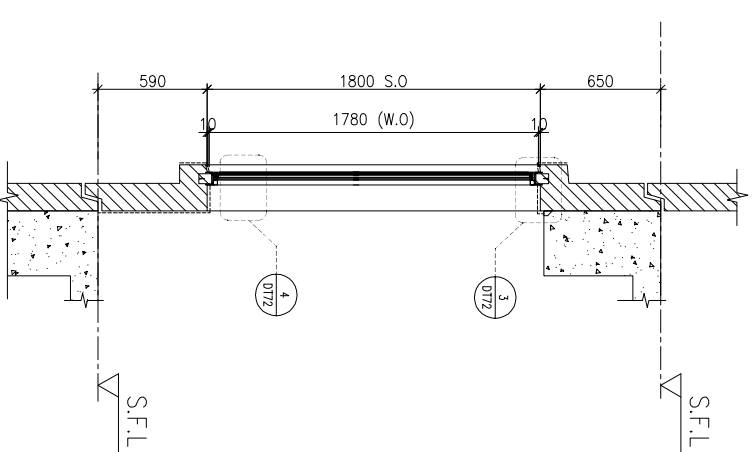
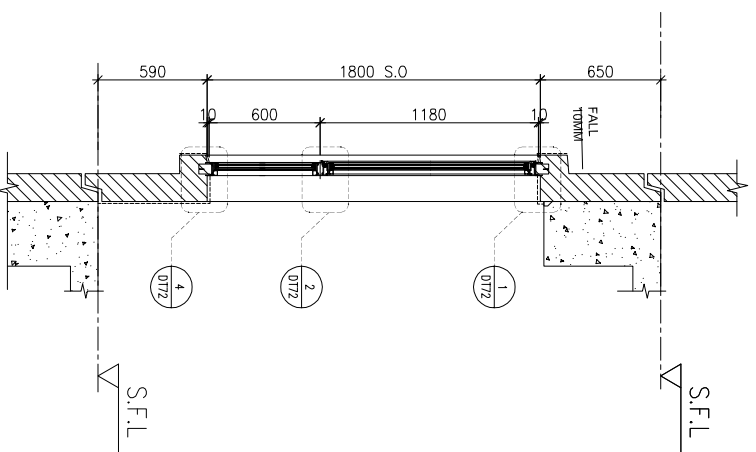
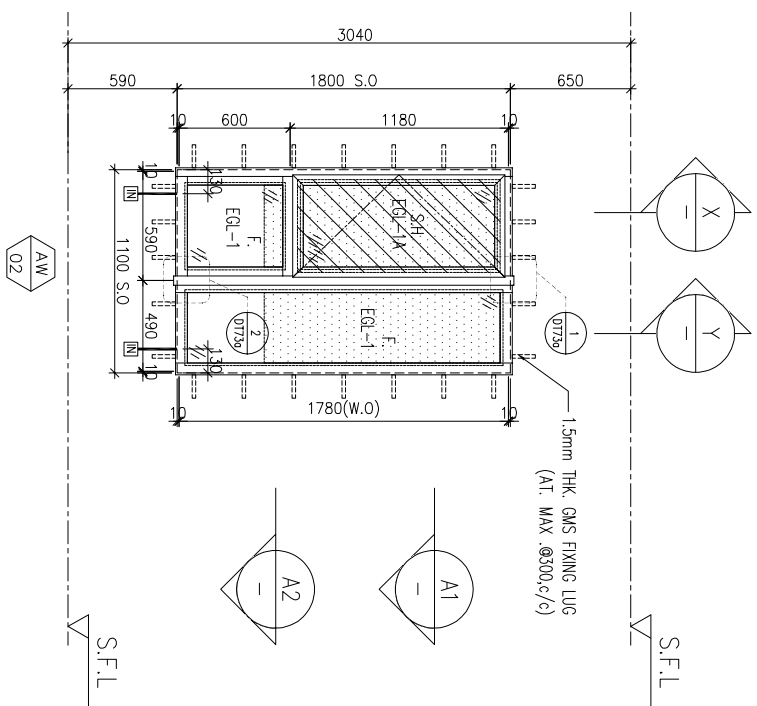
TITLE : PLAN FOR PRECAST WINDOW AT TOWER 3

DATE : 02-Aug-21 SCALE : 1:40
 DRAWN BY : Ivan CHECKED BY :

MIDI ALUMINIUM FABRICATOR LTD.
 Units 6-8, Sunray Industrial Centre, 1/F
 610 Cha Kwo Ling Road, Kowloon
 Tel: 23489211-4 Fax: (852) 2727666

DWG NO. : J856-SD-IW-3302 REV. : K

REQUIRED		PROVIDED	
LOCATION	OPENABLE AREA	GLAZING AREA	GLAZING AREA
A1-BR1	0.263	0.420	0.548
B1-BR1	0.263	0.420	0.985



BD. REF : _____

CLIENT : **SUN HUNG KAI**
REAL ESTATE AGENCY LTD.
42/F, SUN HUNG KAI CENTRE, WANCHAI, HONGKONG

ARCHITECT : **lwk&partners**
a r c h i t e c t s

MANU CONTRACTOR : **怡輝建築有限公司**
Yee Fai Building Contractors Ltd.

STRUCTURAL ENGINEER : **ARUP**
ALPHA CONSULTING LIMITED
Steel Structure & Façade Specialist

FAÇADE CONSULTANT : **ARUP**
ALPHA CONSULTING LIMITED
Steel Structure & Façade Specialist

NOTE :
1. ALL DIMENSIONS ARE IN mm.
2. ALL ELEVATIONS ARE VIEWED FROM OUTSIDE.
3. ALL DIMENSIONS TO BE VERIFIED ON SITE BEFORE FABRICATION.

LEGEND :
X1 --- DETAIL MARK NO.
X001 --- REFER SHEET NO.

1. F.F.L. --- FINISHED FLOOR LEVEL
2. S.F.L. --- STRUCTURAL FLOOR LEVEL
3. (R) --- REVERSED DETAIL

4. GLASS LEGEND
EGL-1 --- 8mmHS+12mm AIR GAP+10mmTP THK. I.G.U.
EGL-2 --- 10mm THK. CLEAR TEMPERED GLASS
EGL-4 --- 10mm THK. TEMPERED ACID ETCHED GLASS
EGL-1A --- 8mmHS+12mm AIR GAP+8mmTP THK. I.G.U.
EGL-1B --- 8mmHS+12mm AIR GAP+10mmTP ACID-ETCHED THK. I.G.U.

NO.	DATE	REVISION	REVISION SUBJECT TO ARCH.COMMENT	BY
G	21/09/2022	REVISION SUBJECT TO ARCH.COMMENT	None	
F	17/08/2022	REVISION SUBJECT TO ARCH.COMMENT	None	
E	06/07/2022	REVISION SUBJECT TO ARCH.COMMENT	None	
D	17/12/2021	REVISION SUBJECT TO ARCH.COMMENT	None	
C	29/11/2021	REVISION SUBJECT TO ARCH.COMMENT	None	
B	03/11/2021	REVISION SUBJECT TO ARCH.COMMENT	None	
A	12/10/2021	REVISION SUBJECT TO ARCH.COMMENT	None	

JOB NO. : J-856

PROJECT : PROPOSED DEVELOPMENT ABOVE LIGHT RAIL TIN WING STOP-TSMTL NO.23,AREA 33,TIN SHUI WAI, N.T.

TITLE : WINDOW SCHEDULE FOR TOWER 1 ALUM. WINDOW

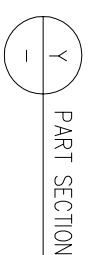
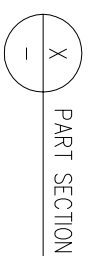
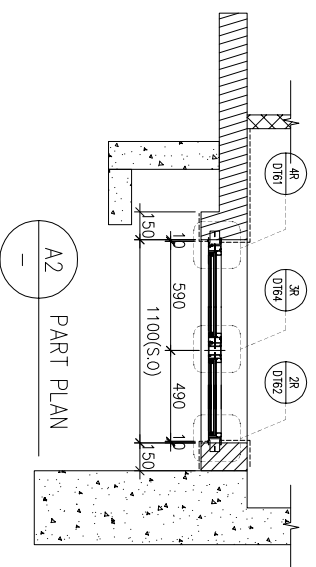
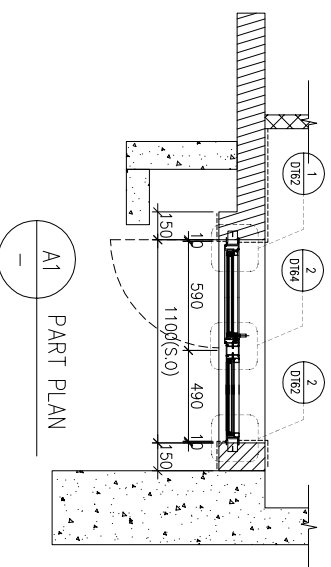
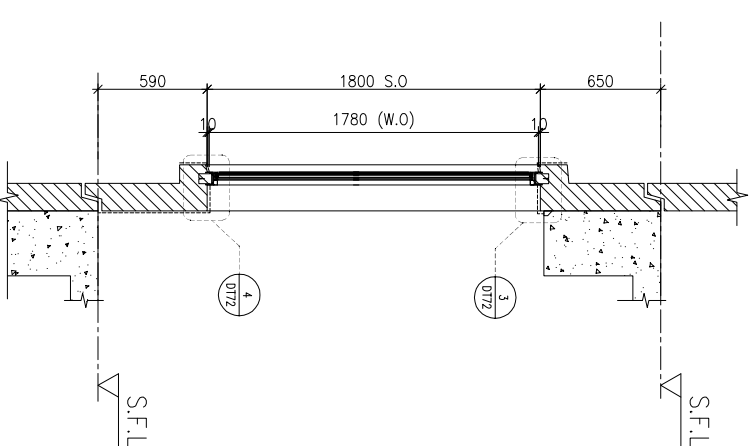
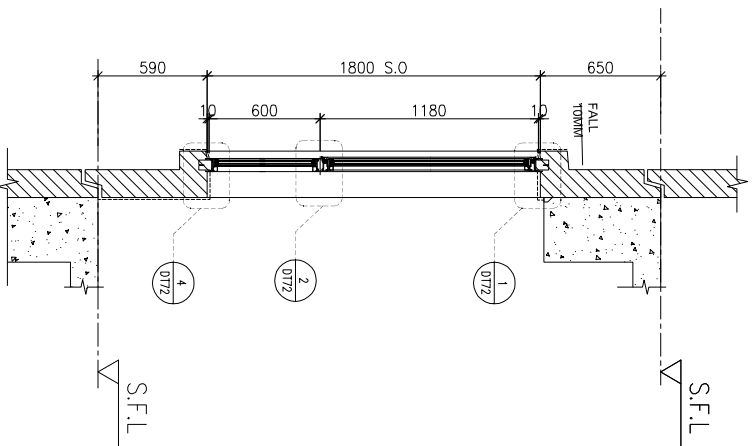
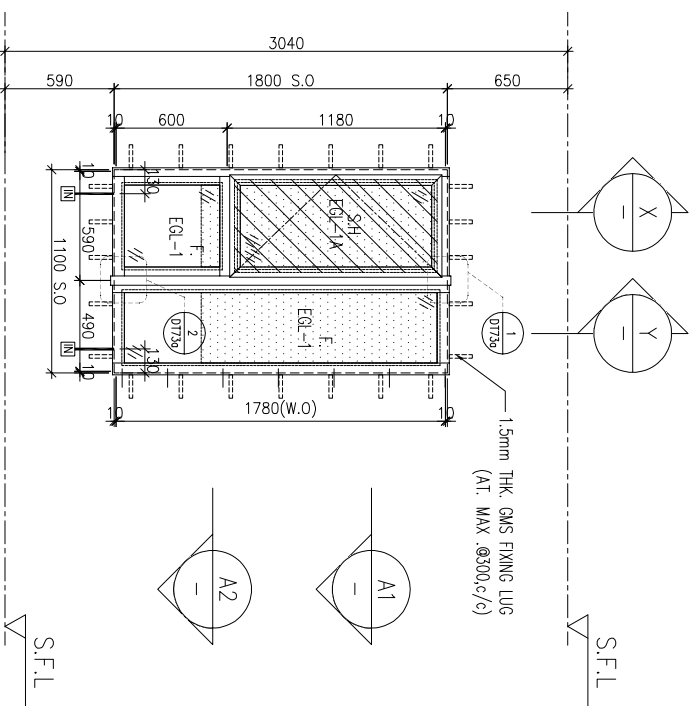
DATE : 02-Aug-21 SCALE : 1:40
DRAWN BY : Ivan CHECKED BY : _____

美特鋁質有限公司
MIDI ALUMINIUM FABRICATOR LTD.
Units 6-8, Sunray Industrial Centre, 1/F
610 Cho Kwai Ling Road, Kwailoon
Tel:23489211-4 Fax:8522727666

DWG NO. : J856-SD-FW-5101 REV : G

WINDOW MARK	LOCATION	SECTION	GLAZING	QUANTITY	REMARKS
AW 02	3/F~42/F(4/F,13/F,14/F,24/F,34/F OMITTED)	70mm ALUM. SECTION	EGL-1,EGL-1A	35 Nos.	FAÇADE(TYPE T1PF04R FOR 3/F~42/F), 4 BAR HINGE-LIP HING (HHMS-N16)
AW 02R	3/F~42/F(4/F,13/F,14/F,24/F,34/F OMITTED)	70mm ALUM. SECTION	EGL-1,EGL-1A	35 Nos.	FAÇADE(TYPE T1PF02R/ T1PF02 FOR 3/F~42/F), 4 BAR HINGE-LIP HING (HHMS-N16)

REQUIRED		PROVIDED	
LOCATION	OPENABLE AREA	GLAZING AREA	GLAZING AREA
A2-BR1	0.263	0.420	0.548
B3-BR1	0.263	0.420	0.985



BD. REF : _____

CLIENT : **SUN HUNG KAI REAL ESTATE AGENCY LTD.**
42/F, SUN HUNG KAI CENTRE, WANCHAI, HONGKONG

ARCHITECT : **lwk&partners**
a r c h i t e c t s

MAIN CONTRACTOR : **怡輝建築有限公司**
Yee Fai Building Contractors Ltd.

STRUCTURAL ENGINEER : **ARUP**

FAÇADE CONSULTANT : **ALPHA CONSULTING LIMITED**
Steel Structure & Façade Specialist

NOTE :
1. ALL DIMENSIONS ARE IN mm.
2. ALL ELEVATIONS ARE VIEWED FROM OUTSIDE.
3. ALL DIMENSIONS TO BE VERIFIED ON SITE BEFORE FABRICATION.

LEGEND :
 (X1) --- DETAIL MARK NO.
 (X001) --- REFER SHEET NO.
 1. F.F.L. --- FINISHED FLOOR LEVEL
 2. S.F.L. --- STRUCTURAL FLOOR LEVEL
 3. (R) --- REVERSED DETAIL
 4. GLASS LEGEND
 EQL-1 --- 8mmHS+12mm AIR GAP+10mmTP THK. I.G.U.
 EQL-2 --- 10mm THK. CLEAR TEMPERED GLASS
 EQL-4 --- 10mm THK. TEMPERED ACID ETCHED GLASS
 EQL-1A --- 8mmHS+12mm AIR GAP+8mmTP THK. I.G.U.
 EQL-1B --- 8mmHS+12mm AIR GAP+10mmTP ACID-ETCHED THK. I.G.U.

NO.	DATE	REVISION	SUBJECT TO ARCH-COMMENT	BY
F	21/09/2022	REVISION	SUBJECT TO ARCH-COMMENT	lwk
E	17/08/2022	REVISION	SUBJECT TO ARCH-COMMENT	lwk
D	06/07/2022	REVISION	SUBJECT TO ARCH-COMMENT	lwk
C	17/12/2021	REVISION	SUBJECT TO ARCH-COMMENT	lwk
B	29/11/2021	REVISION	SUBJECT TO ARCH-COMMENT	lwk
A	03/11/2021	REVISION	SUBJECT TO ARCH-COMMENT	lwk

JOB NO. : J-856

PROJECT : PROPOSED DEVELOPMENT ABOVE LIGHT RAIL TIN WING STOP-TSMTL NO.23, AREA 33, TIN SHUI WAI, N.T.

TITLE : WINDOW SCHEDULE FOR TOWER 1 ALUM. WINDOW

DATE : 02-Aug-21 SCALE : 1:40
DRAWN BY : lwnn CHECKED BY :

美特鋁質有限公司
MIDI ALUMINIUM FABRICATOR LTD.
Units 6-8, Sunray Industrial Centre, 1/F
610 Cho Kwai Ling Road, Kwai Tsing
Tel: 23489211-4 Fax: (852) 2727666
DWG NO. : J856-SD-PW-5102 REV. : F

WINDOW MARK	LOCATION	SECTION	GLAZING	QUANTITY	REMARKS
AW 02	3/F-42/F(4/F,13/F,14/F,24/F,34/F OMITTED) UNIT A2(5/F-42/F)	70mm ALUM. SECTION	EGL-1, EGL-1A	34 Nos.	FAÇADE(TYPE T1PF02R FOR 3/F~42/F), 4 BAR HINGE-LIP HING (HHMS-N16)
AW 02R	3/F-42/F(4/F,13/F,14/F,24/F,34/F OMITTED) UNIT A2(3/F), B3	70mm ALUM. SECTION	EGL-1, EGL-1A	1 (No.) / 35 Nos	FAÇADE(TYPE T1PF02R/ T1PF02 FOR 3/F~42/F), 4 BAR HINGE-LIP HING (HHMS-N16)

ELEVATION

LOCATION	OPENABLE AREA	GLAZING AREA	OPENABLE AREA	GLAZING AREA
A2-MBR	0.477	0.763	0.548	1.495

LOCATION	OPENABLE AREA	GLAZING AREA	OPENABLE AREA	GLAZING AREA
A2-BR2	0.263	0.420	0.548	0.985

BD. REF :

CLIENT :



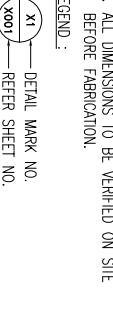
ARCHITECT :



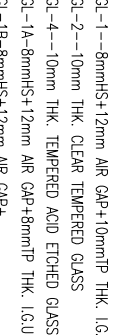
MANU CONTRACTOR :



STRUCTURAL ENGINEER :



FAÇADE CONSULTANT :



NOTE :

1. ALL DIMENSIONS ARE IN mm.
2. ALL ELEVATIONS ARE VIEWED FROM OUTSIDE.
3. ALL DIMENSIONS TO BE VERIFIED ON SITE BEFORE FABRICATION.

LEGEND :

- (X1) --- DETAIL MARK NO.
- (X001) --- REFER SHEET NO.
- 1. F.F.L. --- FINISHED FLOOR LEVEL
- 2. S.F.L. --- STRUCTURAL FLOOR LEVEL
- 3. (R) --- REVERSED DETAIL
- 4. GLASS LEGEND

EQI-1 --- 8mmHS+12mm AIR GAP+10mmTP THK. I.G.U.

EQI-2 --- 10mm THK. CLEAR TEMPERED GLASS

EQI-4 --- 10mm THK. TEMPERED ACID ETCHED GLASS

EQI-1A --- 8mmHS+12mm AIR GAP+8mmTP THK. I.G.U.

EQI-1B --- 8mmHS+12mm AIR GAP+10mmTP ACID-ETCHED THK. I.G.U.

NO.	DATE	REVISION	REVISION SUBJECT TO ARCH-COMMENT	BY
F	21/09/2022	REVISION SUBJECT TO ARCH-COMMENT	hw	
E	17/08/2022	REVISION SUBJECT TO ARCH-COMMENT	hw	
D	06/07/2022	REVISION SUBJECT TO ARCH-COMMENT	hw	
C	17/12/2021	REVISION SUBJECT TO ARCH-COMMENT	hw	
B	29/11/2021	REVISION SUBJECT TO ARCH-COMMENT	hw	
A	03/11/2021	REVISION SUBJECT TO ARCH-COMMENT	hw	

JOB NO. : J-856

PROJECT : PROPOSED DEVELOPMENT ABOVE LIGHT RAIL TIN WING STOP-TS/WTL NO.23,AREA 33,TIN SHUI WA, N.T.

TITLE : WINDOW SCHEDULE FOR TOWER 1 ALUM. WINDOW

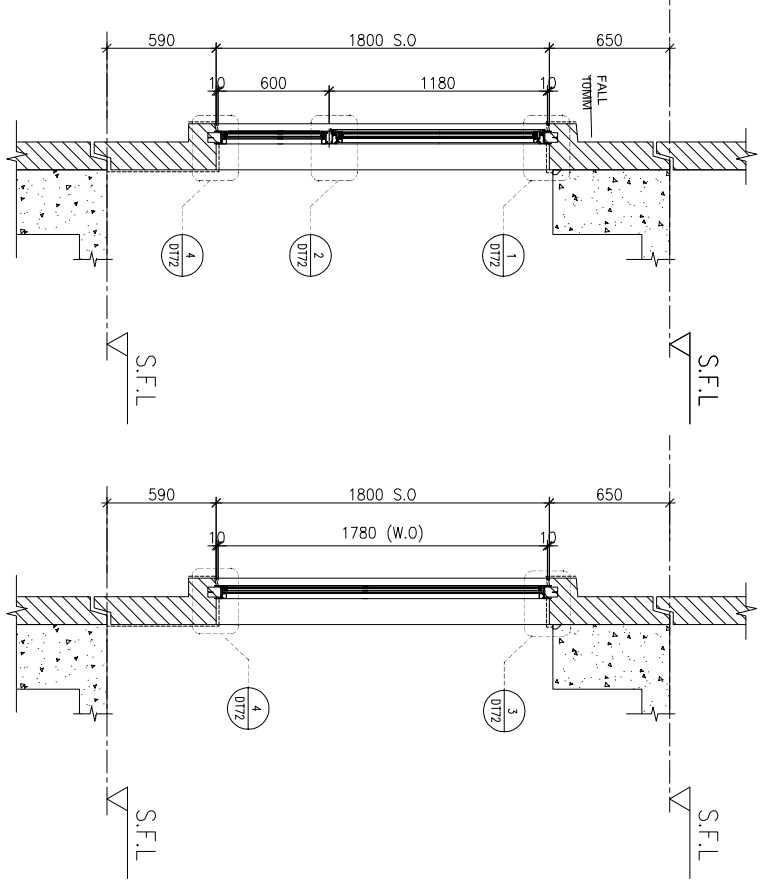
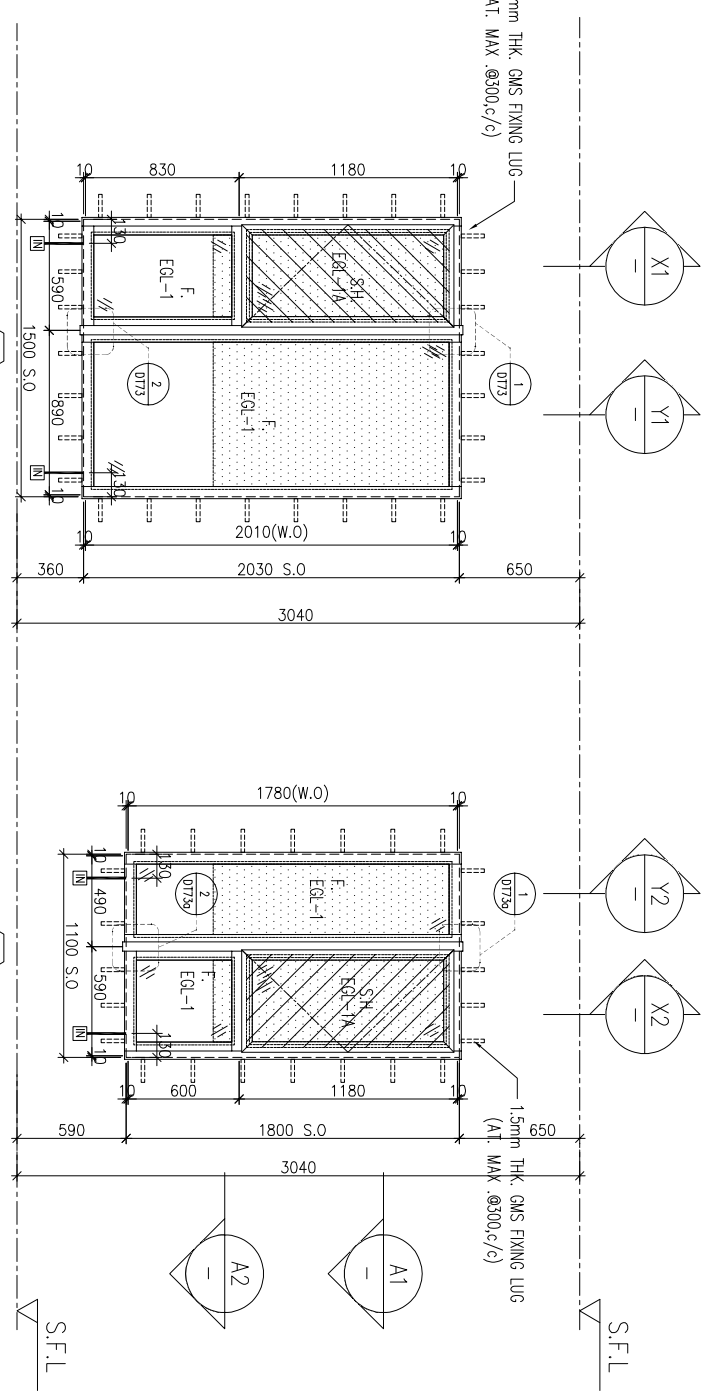
DATE : 02-Aug-21 SCALE : 1:40

DRAWN BY : ivon CHECKED BY :

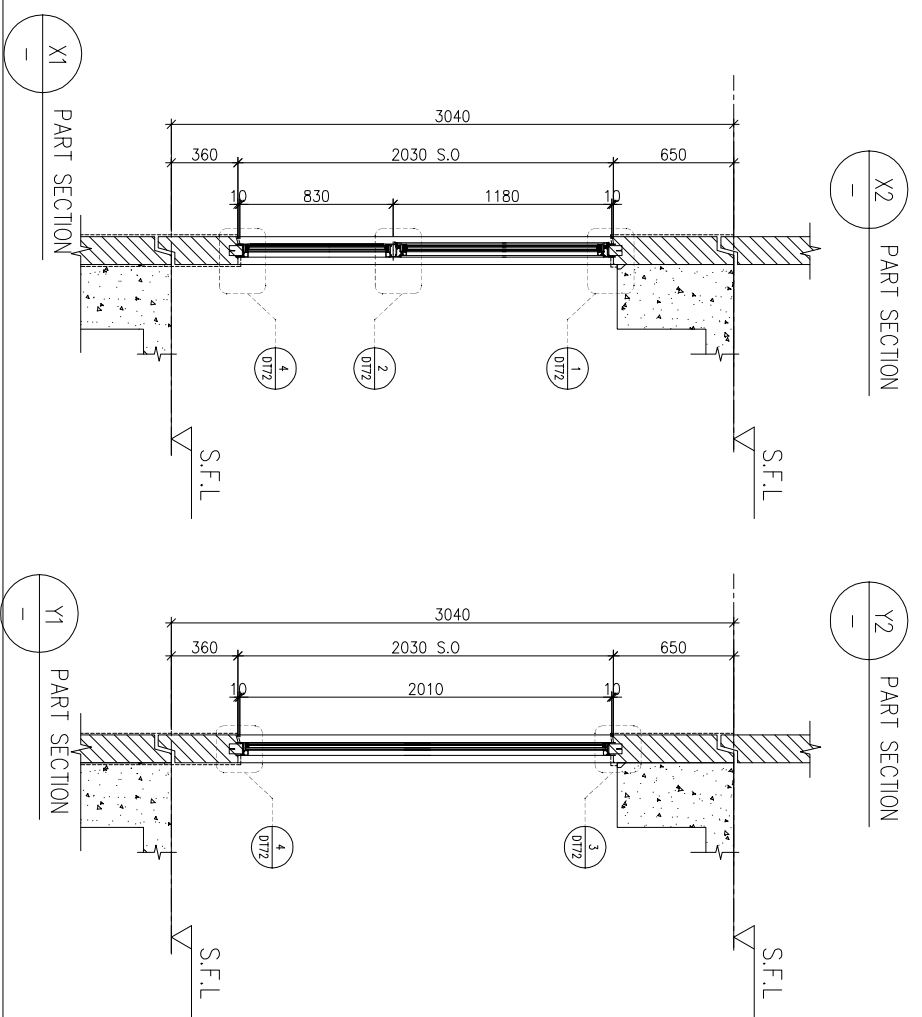
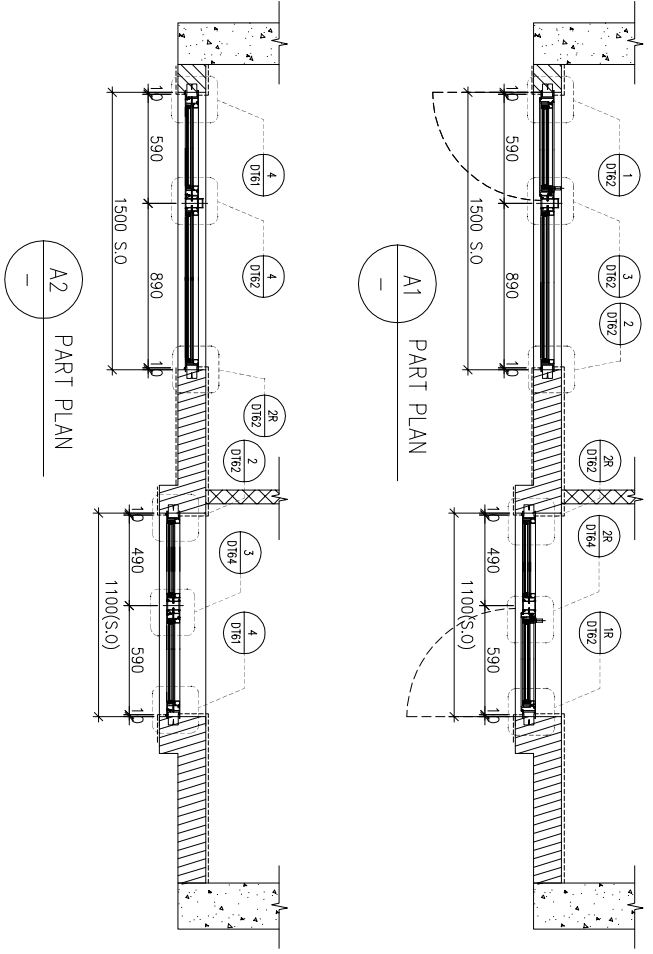
Units 6-8, Sunray Industrial Centre, 1/F
610 Cho Kwai Ling Road, Kwailoon
Tel:23489211-4 Fax:(852)27727666

美特铝质有限公司
MIDI ALUMINIUM FABRICATOR LTD.

DWG NO. : J856-SD-PW-5103 REV. : F

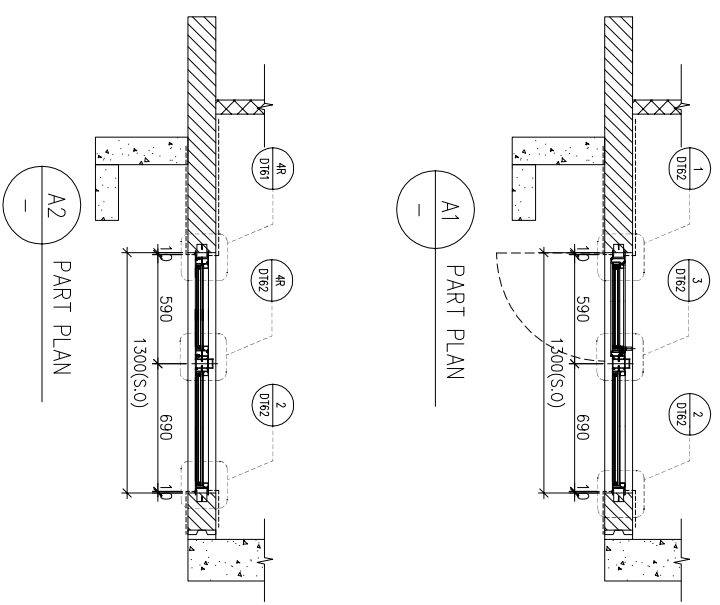
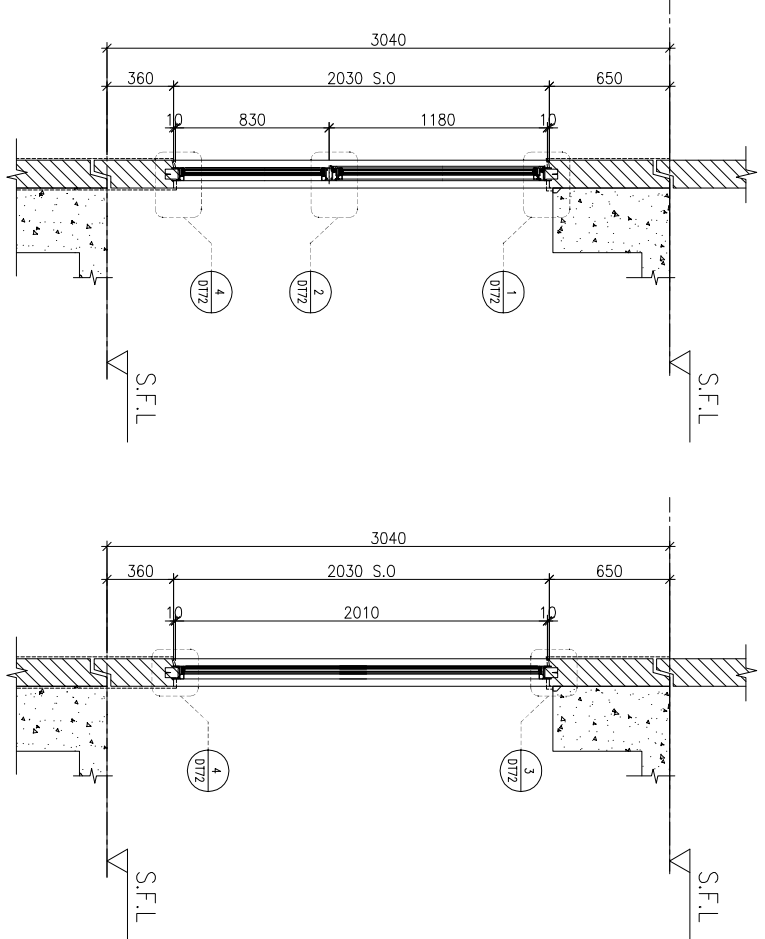
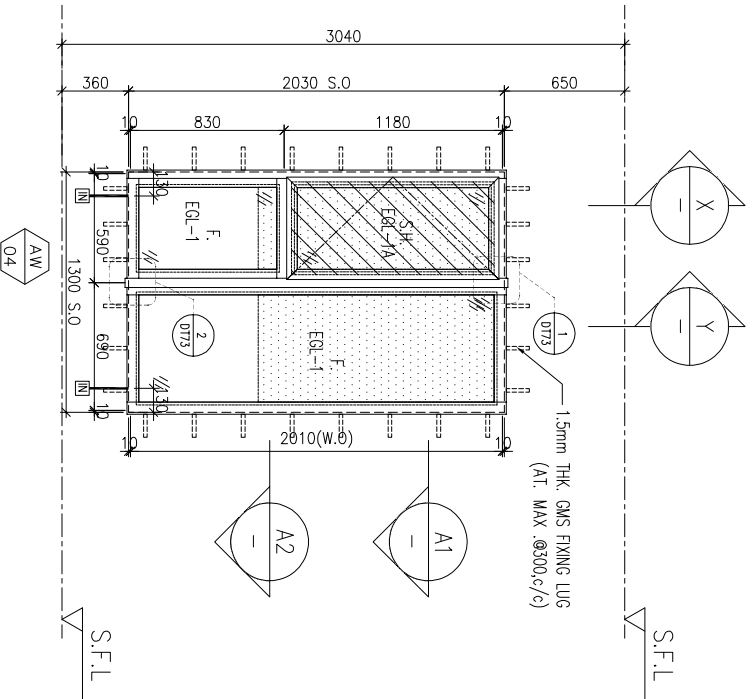


ELEVATION



WINDOW MARK	AW 03	AW 02B
LOCATION	3/F-42/F, 4/F, 13/F, 14/F, 24/F, 34/F OMITTED UNIT A2	
SECTION	70mm ALUM. SECTION	
GLAZING	EGL-1, EGL-1A	
QUANTITY	35 Nos./35 Nos.	
REMARKS	FAÇADE TYPE (T1PFO1R) FOR 3/F~42/F, 4 BAR HINGE-LIP HING (HHMS-N16)	

REQUIRED		PROVIDED	
LOCATION	OPENABLE AREA	GLAZING AREA	GLAZING AREA
A3-MBR	0.435	0.696	0.548
B2-MBR	0.435	0.696	1.24



BD. REF : _____

CLIENT : **SUN HUNG KAI**
REAL ESTATE AGENCY LTD.
42/F SUN HUNG KAI CENTRE, WANCHAI, HONGKONG

ARCHITECT : **lwk&partners**
a r c h i t e c t s

MAIN CONTRACTOR : **怡輝建築有限公司**
Yee Fai Building Contractors Ltd.

STRUCTURAL ENGINEER : **ARUP**
ALPHA CONSULTING LIMITED
Steel Structure & Facade Specialist

FAÇADE CONSULTANT :

NOTE :

1. ALL DIMENSIONS ARE IN mm.
2. ALL ELEVATIONS ARE VIEWED FROM OUTSIDE.
3. ALL DIMENSIONS TO BE VERIFIED ON SITE BEFORE FABRICATION.

LEGEND :

(X1) --- DETAIL MARK NO.
(X001) --- REFER SHEET NO.

1. F.F.L. --- FINISHED FLOOR LEVEL
2. S.F.L. --- STRUCTURAL FLOOR LEVEL
3. (R) --- REVERSED DETAIL

4. GLASS LEGEND

EGL-1 --- 8mmHS+12mm AIR GAP+10mmTP THK. I.G.U.
EGL-2 --- 10mm THK. CLEAR TEMPERED GLASS
EGL-4 --- 10mm THK. TEMPERED ACID ETCHED GLASS
EGL-1A --- 8mmHS+12mm AIR GAP+8mmTP THK. I.G.U.
EGL-1B --- 8mmHS+12mm AIR GAP+10mmTP ACID-ETCHED THK. I.G.U.

NO.	DATE	REVISION	REVISION SUBJECT TO ARCH-COMMENT	BY
G	21/09/2022	REVISION SUBJECT TO ARCH-COMMENT	None	
F	17/08/2022	REVISION SUBJECT TO ARCH-COMMENT	None	
E	06/07/2022	REVISION SUBJECT TO ARCH-COMMENT	None	
D	17/12/2021	REVISION SUBJECT TO ARCH-COMMENT	None	
C	29/11/2021	REVISION SUBJECT TO ARCH-COMMENT	None	
B	03/11/2021	REVISION SUBJECT TO ARCH-COMMENT	None	
A	12/10/2021	REVISION SUBJECT TO ARCH-COMMENT	None	

JOB NO. : J-856

PROJECT : PROPOSED DEVELOPMENT ABOVE LIGHT RAIL TIN WING STOP-TSWTL NO.23,AREA 33,TIN SHUI WAI, N.T.

TITLE : WINDOW SCHEDULE FOR TOWER 1 ALUM. WINDOW

DATE : 02-Aug-21 SCALE : 1:40
DRAWN BY : IYON CHECKED BY :

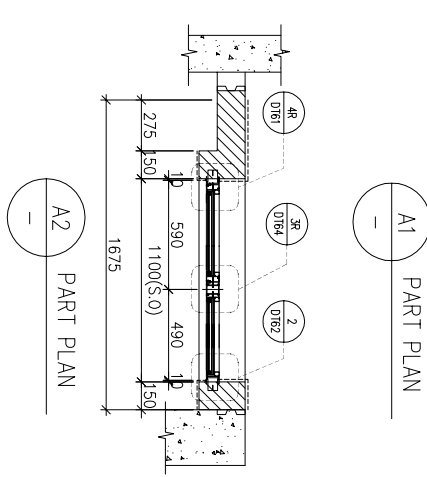
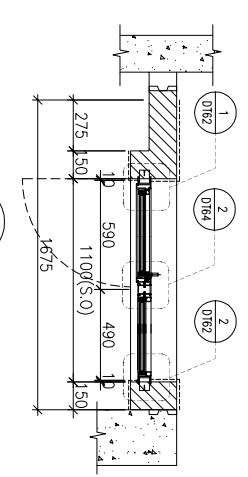
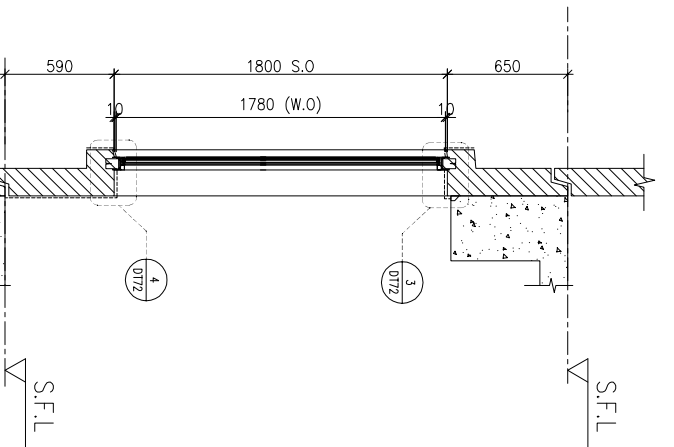
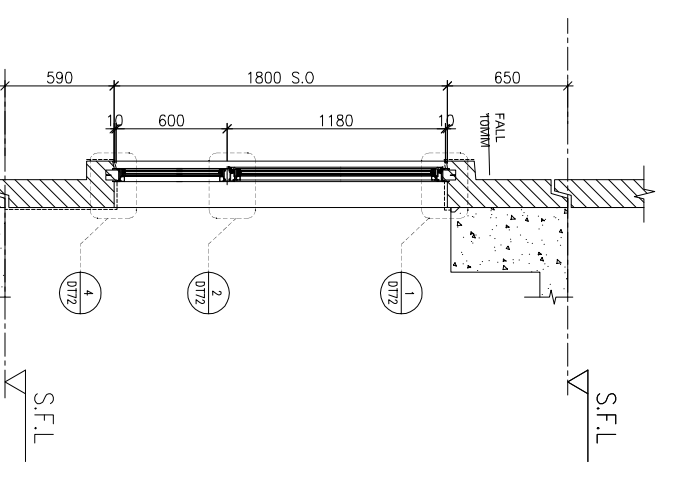
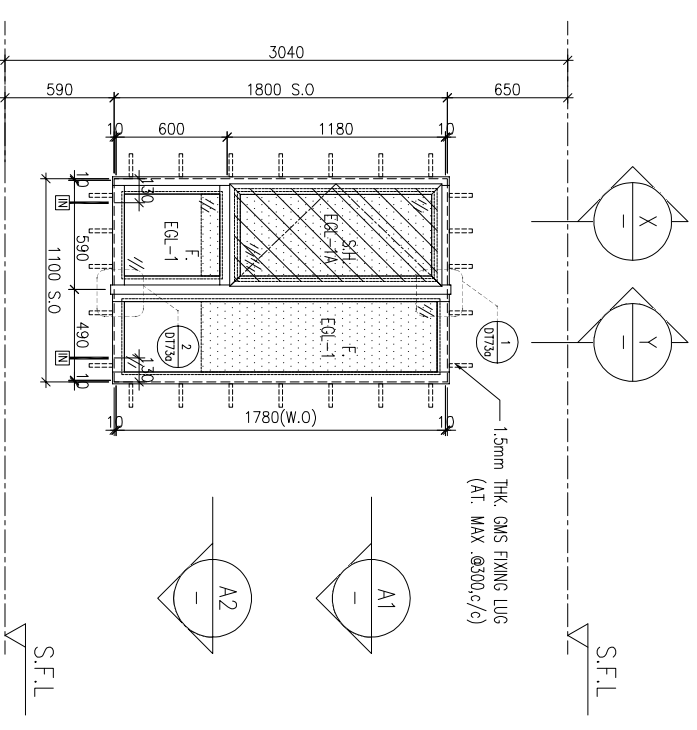
WINDOW MARK	LOCATION	SECTION	GLAZING	QUANTITY	REMARKS
AW 04	3/F~42/F(4/F,13/F,14/F,24/F,34/F OMITTED) UNIT B2,A3	70mm ALUM. SECTION	EGL-1,EGL-1A	35 Nos / 35 Nos	FAÇADE(TYPE T1PF03R FOR 3/F~42/F) (4 BAR HINGE-LIP HING (HHMS-N16)
AW 04R	3/F~42/F(4/F,13/F,14/F,24/F,34/F OMITTED) UNIT B7	70mm ALUM. SECTION	EGL-1,EGL-1A	35 Nos	FAÇADE(TYPE T1PF04 FOR 3/F~42/F)

UNITED STATES OF AMERICA

美特鋁質有限公司
MIDI ALUMINIUM FABRICATOR LTD.
Units 6-8, Sunray Industrial Centre, 1/F
610 Cho Kwai Ling Road, Kowloon
Tel:23489211-4 Fax:(852)27272666

DWG NO. : J856-SD-PW-5104 REV : G

REQUIRED		PROVIDED	
LOCATION	OPENABLE AREA	GLAZING AREA	GLAZING AREA
A3-BR1	0.263	0.420	0.548
B2-BR1	0.263	0.420	0.985



X-X PART SECTION

Y-Y PART SECTION

BD. REF : _____

CLIENT : **SUN HUNG KAI REAL ESTATE AGENCY LTD.**
42/F SUN HUNG KAI CENTRE, WANCHAI, HONGKONG

ARCHITECT : **lwk&partners**
a r c h i t e c t s

MANU CONTRACTOR : **怡輝建築有限公司**
Yee Fai Building Contractors Ltd.

STRUCTURAL ENGINEER : **ARUP**

FAÇADE CONSULTANT : **ALPHA CONSULTING LIMITED**
Steel Structure & Façade Specialist

NOTE :

1. ALL DIMENSIONS ARE IN mm.
2. ALL ELEVATIONS ARE VIEWED FROM OUTSIDE.
3. ALL DIMENSIONS TO BE VERIFIED ON SITE BEFORE FABRICATION.

LEGEND :

(X1) --- DETAIL MARK NO.
(X001) --- REFER SHEET NO.

1. F.F.L. --- FINISHED FLOOR LEVEL
2. S.F.L. --- STRUCTURAL FLOOR LEVEL
3. (R) --- REVERSED DETAIL
4. GLASS LEGEND

EGL-1 --- 8mmHS+12mm AIR GAP+10mmTP THK. I.G.U.
EGL-2 --- 10mm THK. CLEAR TEMPERED GLASS
EGL-4 --- 10mm THK. TEMPERED ACID ETCHED GLASS
EGL-1A --- 8mmHS+12mm AIR GAP+8mmTP THK. I.G.U.
EGL-1B --- 8mmHS+12mm AIR GAP+10mmTP THK. I.G.U.
10mmTP ADD-ETCHED THK. I.G.U.

NO.	DATE	REVISION	SUBJECT TO ARCH-COMMENT	BY
F	17/08/2022	REVISION SUBJECT TO ARCH-COMMENT		hvn
E	17/08/2022	REVISION SUBJECT TO ARCH-COMMENT		hvn
D	06/07/2022	REVISION SUBJECT TO ARCH-COMMENT		hvn
C	17/12/2021	REVISION SUBJECT TO ARCH-COMMENT		hvn
B	29/11/2021	REVISION SUBJECT TO ARCH-COMMENT		hvn
A	03/11/2021	REVISION SUBJECT TO ARCH-COMMENT		hvn

JOB NO. : J-856

PROJECT : PROPOSED DEVELOPMENT ABOVE LIGHT RAIL TIN WING STOP-TSWTL NO.23,AREA 33,TIN SHUI WAI, N.T.

TITLE : WINDOW SCHEDULE FOR TOWER 1 ALUM. WINDOW

DATE : 02-Aug-21 SCALE : 1:40

DRAWN BY : hvn CHECKED BY : _____

WINDOW MARK	LOCATION	SECTION	GLAZING	QUANTITY	REMARKS
AW 02	3/F~42/F(4/F,13/F,14/F,24/F,34/F OMITTED)	70mm ALUM. SECTION	EGL-1,EGL-1A	35 Nos	FAÇADE(TYPE T1PF05 FOR 3/F~42/F) (4 BAR HINGE-LIP HING (HHMS-N16)
AW 02BR	3/F~42/F(4/F,13/F,14/F,24/F,34/F OMITTED)	70mm ALUM. SECTION	EGL-1,EGL-1A	35 Nos	FAÇADE(TYPE T1PF05 FOR 3/F~42/F) (4 BAR HINGE-LIP HING (HHMS-N16)

UNIT 6-8 Sunray Industrial Centre, 1/F
610 Cho Kwai Ling Road, Kowloon
Tel:23489211-4 Fax:(852)2727666

美特鋁質有限公司
MIDI ALUMINIUM FABRICATOR LTD.

DWG NO. : J856-SD-PW-5105 REV. : F

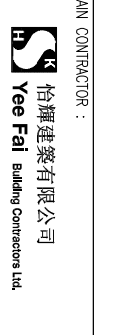
LOCATION	OPENABLE AREA	GLAZING AREA	OPENABLE AREA	GLAZING AREA
B3-MBR	0.427	0.763	0.548	1.495

BD. REF. :

CLIENT :



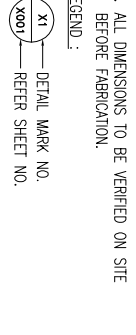
ARCHITECT :



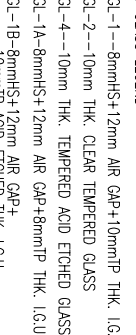
MANU CONTRACTOR :



STRUCTURAL ENGINEER :



FAÇADE CONSULTANT :



NOTE :

1. ALL DIMENSIONS ARE IN mm.
2. ALL ELEVATIONS ARE VIEWED FROM OUTSIDE.
3. ALL DIMENSIONS TO BE VERIFIED ON SITE BEFORE FABRICATION.

LEGEND :

(X1) --- DETAIL MARK NO.
(X001) --- REFER SHEET NO.

1. F.F.L. --- FINISHED FLOOR LEVEL
2. S.F.L. --- STRUCTURAL FLOOR LEVEL
3. (R) --- REVERSED DETAIL

4. GLASS LEGEND

EGL-1 --- 8mmHS+12mm AIR GAP+10mmTP THK. I.G.U.
EGL-2 --- 10mm THK. CLEAR TEMPERED GLASS
EGL-4 --- 10mm THK. TEMPERED ACID ETCHED GLASS
EGL-1A --- 8mmHS+12mm AIR GAP+8mmTP THK. I.G.U.
EGL-1B --- 8mmHS+12mm AIR GAP+10mmTP ACID-ETCHED THK. I.G.U.

NO.	DATE	REVISION	SUBJECT TO ARCH-COMMENT	BY
H	21/09/2022	REVISION	SUBJECT TO ARCH-COMMENT	ivan
G	17/08/2022	REVISION	SUBJECT TO ARCH-COMMENT	ivan
F	06/07/2022	REVISION	SUBJECT TO ARCH-COMMENT	ivan
E	17/12/2021	REVISION	SUBJECT TO ARCH-COMMENT	ivan
D	17/12/2021	REVISION	SUBJECT TO ARCH-COMMENT	ivan
C	29/11/2021	REVISION	SUBJECT TO ARCH-COMMENT	ivan

JOB NO. : J-856

PROJECT : PROPOSED DEVELOPMENT ABOVE LIGHT RAIL TIN WING STOP-TSMTL NO.23,AREA 33,TIN SHUI WAI, N.T.

TITLE : WINDOW SCHEDULE FOR TOWER 1 ALUM. WINDOW

DATE : 02-Aug-21 SCALE : 1:40

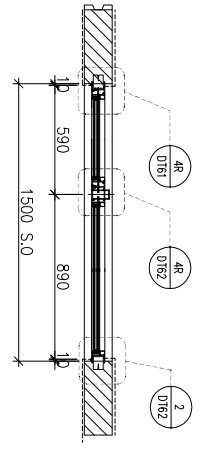
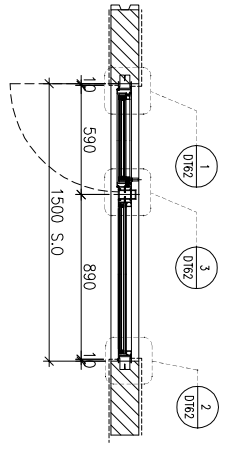
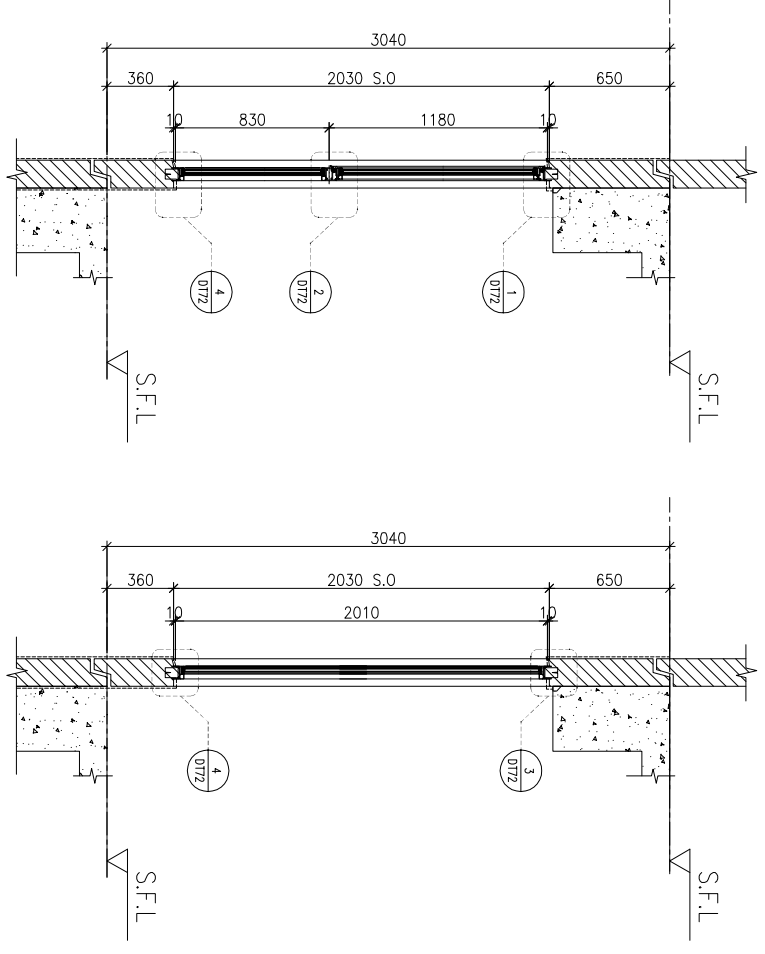
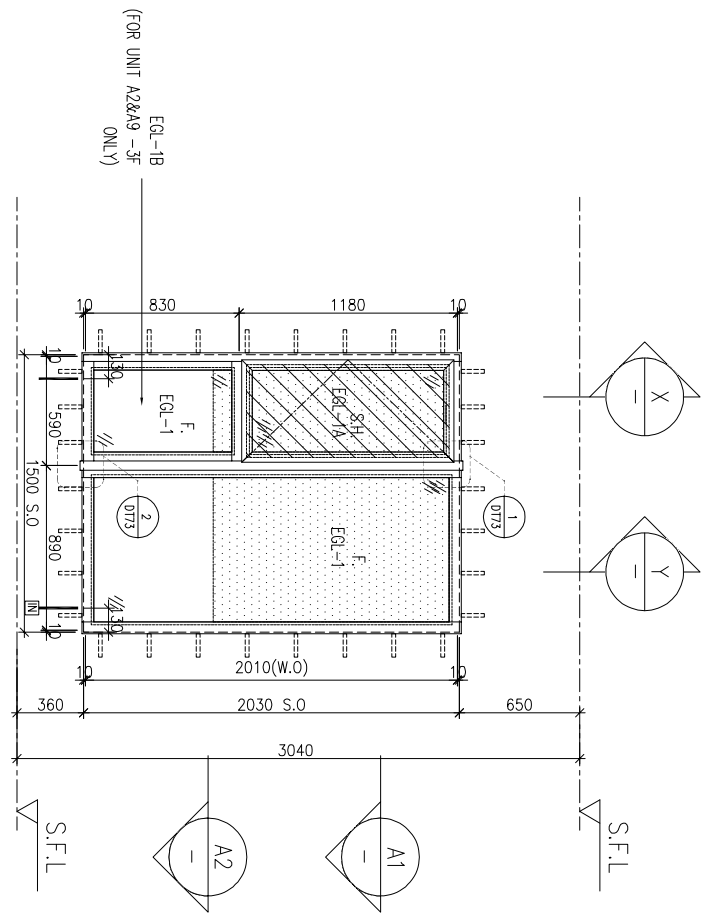
DRAWN BY : ivan CHECKED BY :

UNITA 6-8 Sunray Industrial Centre, 1/F
610 Cho Kwai Ling Road, Kowloon
Tel:23489211-4 Fax:(852)2727666

DMG NO. : J856-SD-PW-5106 REV. : H

REQUIRED

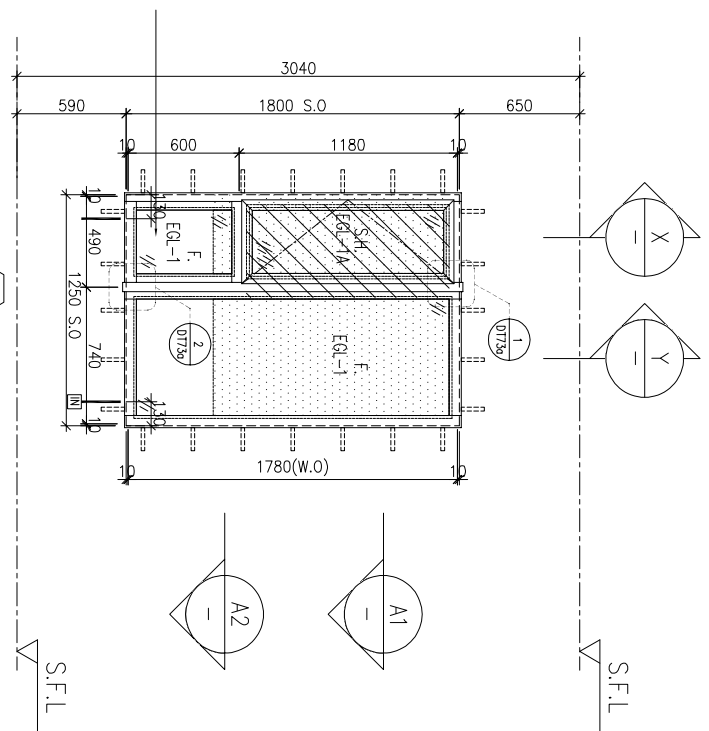
PROVIDED



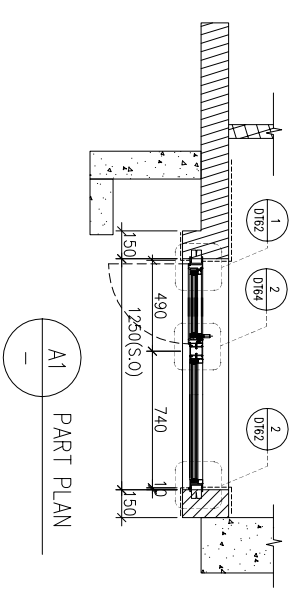
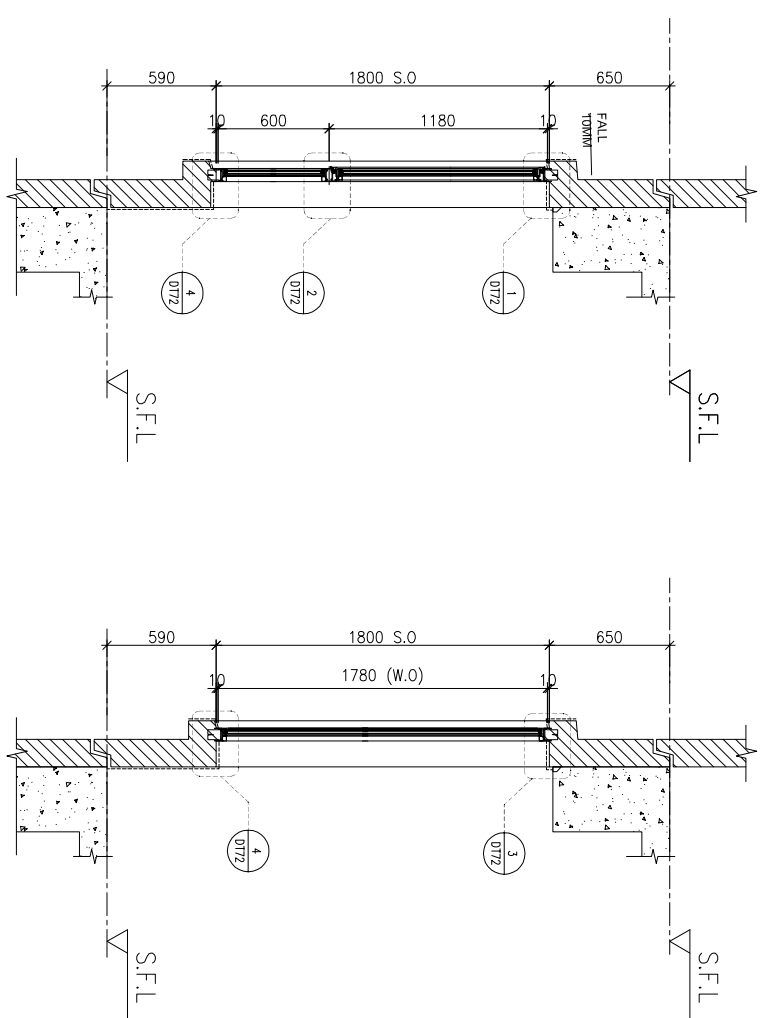
ELEVATION

WINDOW MARK	AW 03
LOCATION	3/F-42/F(4/F,13/F,14/F,24/F,34/F OMITTED) UNIT B3
SECTION	70mm ALUM. SECTION
GLAZING	EGL-1, EGL-1A
QUANTITY	35 Nos
REMARKS	FAÇADE(TYPE T1PF07R FOR 3/F~42/F) (4 BAR HINGE-LIP HING (HHMS-N16)

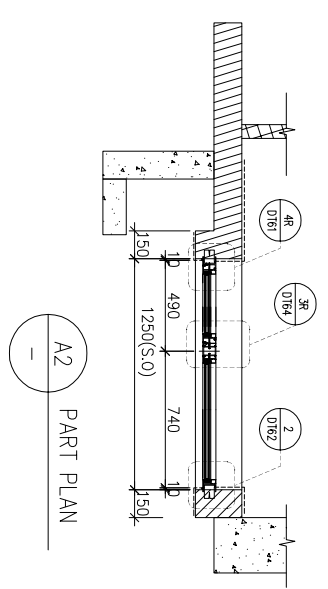
REQUIRE	PROVIDED
LOCATION	OPENABLE AREA
B8-BR1	GLAZING AREA
0.263	0.420
	OPENABLE AREA
	GLAZING AREA
	0.439
	1.19



ELEVATION



A1 PART PLAN



A2 PART PLAN

WINDOW MARK	AW 02d	AW 02R
LOCATION	3/F~42/F(4/F,13/F,14/F,24/F,34/F OMITTED) UNIT B8	3/F~42/F(4/F,13/F,14/F,24/F,34/F OMITTED) UNIT A8,B1
SECTION	70mm ALUM. SECTION	70mm ALUM. SECTION
GLAZING	EGL-1,EGL-1A	EGL-1,EGL-1A
QUANTITY	35 Nos	35 Nos
REMARKS	FACADE(TYPE T1PF04R FOR 3/F~42/F) 4 BAR HINGE-LIP HING (HHMS-N16)	FACADE(TYPE T1PF08 FOR 3/F~42/F)

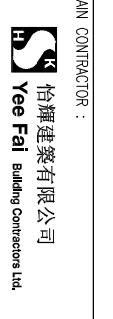
DEFECTIVE

BD. REF :

CLIENT :



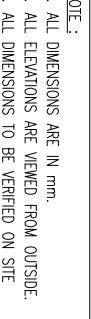
ARCHITECT :



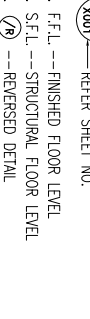
MANU CONTRACTOR :



STRUCTURAL ENGINEER :



FAÇADE CONSULTANT :



- NOTE :
1. ALL DIMENSIONS ARE IN mm.
 2. ALL ELEVATIONS ARE VIEWED FROM OUTSIDE.
 3. ALL DIMENSIONS TO BE VERIFIED ON SITE BEFORE FABRICATION.
- LEGEND :
- (X1) --- DETAIL MARK NO.
 - (X001) --- REFER SHEET NO.
1. F.F.L. --- FINISHED FLOOR LEVEL
 2. S.F.L. --- STRUCTURAL FLOOR LEVEL
 3. (R) --- REVERSED DETAIL
4. GLASS LEGEND
- EGL-1 --- 8mmHS+12mm AIR GAP+10mmTP THK. I.G.U.
 - EGL-2 --- 10mm THK. CLEAR TEMPERED GLASS
 - EGL-4 --- 10mm THK. TEMPERED ACID ETCHED GLASS
 - EGL-1A --- 8mmHS+12mm AIR GAP+8mmTP THK. I.G.U.
 - EGL-1B --- 8mmHS+12mm AIR GAP+10mmTP ACID-ETCHED THK. I.G.U.

NO.	DATE	REVISION	REVISION SUBJECT TO ARCH-COMMENT	BY
F	17/08/2022	REVISION SUBJECT TO ARCH-COMMENT	None	
E	17/08/2022	REVISION SUBJECT TO ARCH-COMMENT	None	
D	06/07/2022	REVISION SUBJECT TO ARCH-COMMENT	None	
C	17/12/2021	REVISION SUBJECT TO ARCH-COMMENT	None	
B	29/11/2021	REVISION SUBJECT TO ARCH-COMMENT	None	
A	03/11/2021	REVISION SUBJECT TO ARCH-COMMENT	None	

JOB NO. : J-856

PROJECT : PROPOSED DEVELOPMENT ABOVE LIGHT RAIL TIN WING STOP-TSWTL NO.23,AREA 33,TIN SHUI WAI, N.T.

TITLE : WINDOW SCHEDULE FOR TOWER 1 ALUM. WINDOW

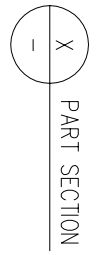
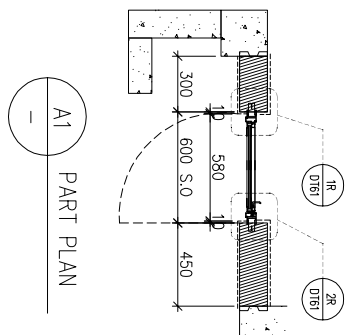
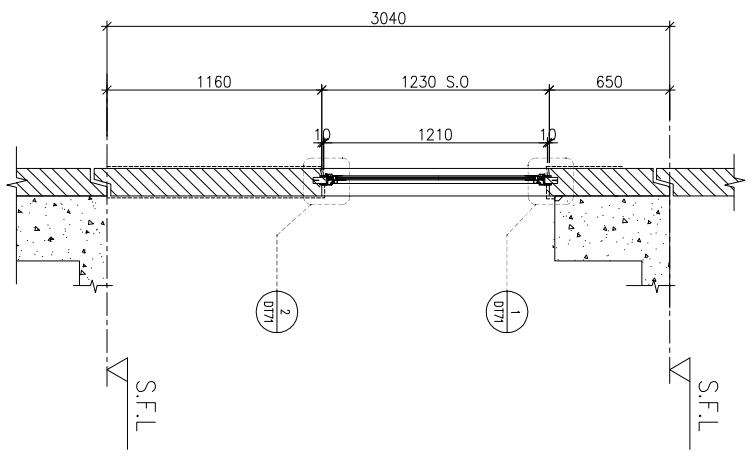
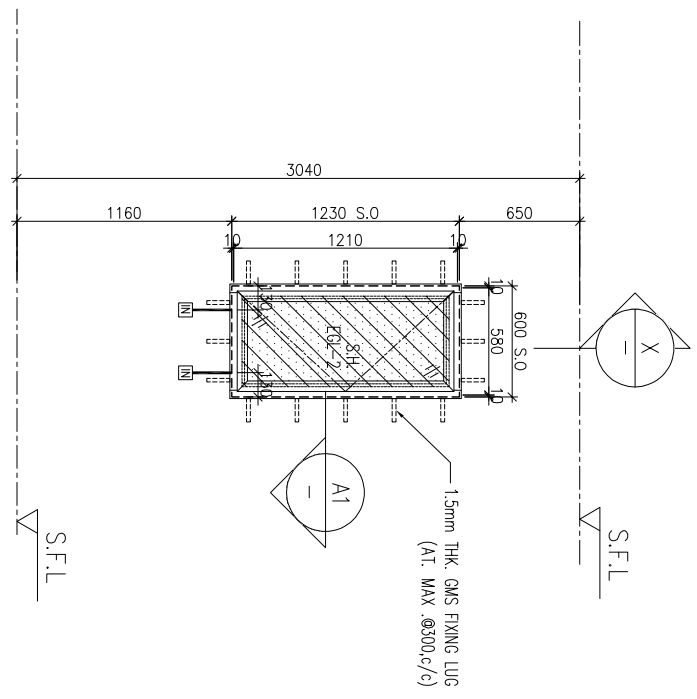
DATE : 02-Aug-21 SCALE : 1:40

DRAWN BY : Ivan CHECKED BY :

UNIT 6-8, Sunray Industrial Centre, 1/F
610 Cho Kwai Ling Road, Kowloon
Tel:23489211-4 Fax:(852)2727666

DMC NO. : J856-SD-PW-5107 REV. : F

REQUIRED		PROVIDED	
LOCATION	OPENABLE AREA	GLAZING AREA	OPENABLE AREA
B3-KIT	0.251	0.401	0.549
			GLAZING AREA
			0.456



NOTE:

1. ALL DIMENSIONS ARE IN mm.
2. ALL ELEVATIONS ARE VIEWED FROM OUTSIDE.
3. ALL DIMENSIONS TO BE VERIFIED ON SITE BEFORE FABRICATION.

LEGEND:

- (X1) --- DETAIL MARK NO.
- (X001) --- REFER SHEET NO.
- 1. F.F.L. --- FINISHED FLOOR LEVEL
- 2. S.F.L. --- STRUCTURAL FLOOR LEVEL
- 3. (R) --- REVERSED DETAIL
- 4. GLASS LEGEND

EGL-1--8mmHS+12mm AIR GAP+10mmTP THK. I.G.U.
 EGL-2--10mm THK. CLEAR TEMPERED GLASS
 EGL-4--10mm THK. TEMPERED ACID ETCHED GLASS
 EGL-1A-8mmHS+12mm AIR GAP+8mmTP THK. I.G.U.
 EGL-1B-8mmHS+12mm AIR GAP+10mmTP ACID-ETCHED THK. I.G.U.

NO.	DATE	REVISION	SUBJECT TO ARCH.COMMENT	BY
F	21/09/2022	REVISION	SUBJECT TO ARCH.COMMENT	ivan
E	17/08/2022	REVISION	SUBJECT TO ARCH.COMMENT	ivan
D	06/07/2022	REVISION	SUBJECT TO ARCH.COMMENT	ivan
C	17/12/2021	REVISION	SUBJECT TO ARCH.COMMENT	ivan
B	29/11/2021	REVISION	SUBJECT TO ARCH.COMMENT	ivan
A	03/11/2021	REVISION	SUBJECT TO ARCH.COMMENT	ivan

JOB NO. : J-856
 PROJECT : PROPOSED DEVELOPMENT ABOVE LIGHT RAIL TIN WING STOP-TSWTL NO.23,AREA 33,TIN SHUI WAI, N.T.
 TITLE : WINDOW SCHEDULE FOR TOWER 1 ALUM. WINDOW

DATE : 02-Aug-21 SCALE : 1:40
 DRAWN BY : ivan CHECKED BY :

UNITA 6-8 Sunray Industrial Centre, 1/F
 610 Cho Kwai Ling Road, Kowloon
 Tel:23489211-4 Fax:(852)2727666
 DWG NO. : J856-SD-PW-5108 REV. : F

B.D. REF. :

CLIENT :
SUN HUNG KAI
 REAL ESTATE AGENCY LTD.
 42/F SUN HUNG KAI CENTRE, WANCHAI, HONGKONG

ARCHITECT :
lwk&partners
 a r c h i t e c t s

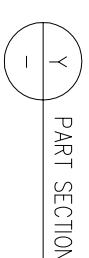
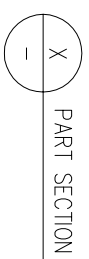
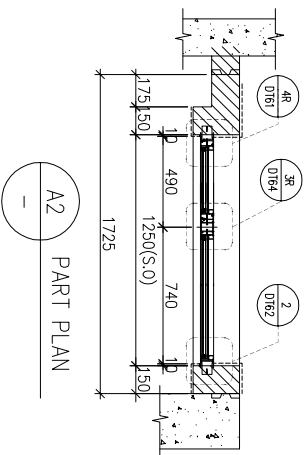
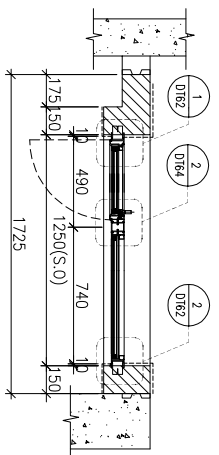
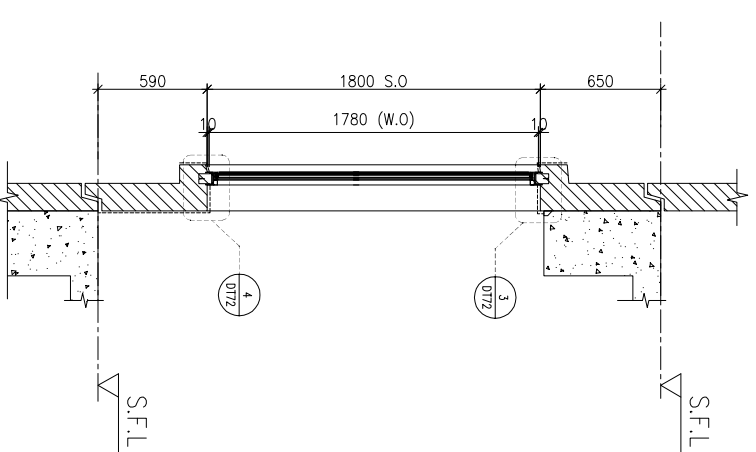
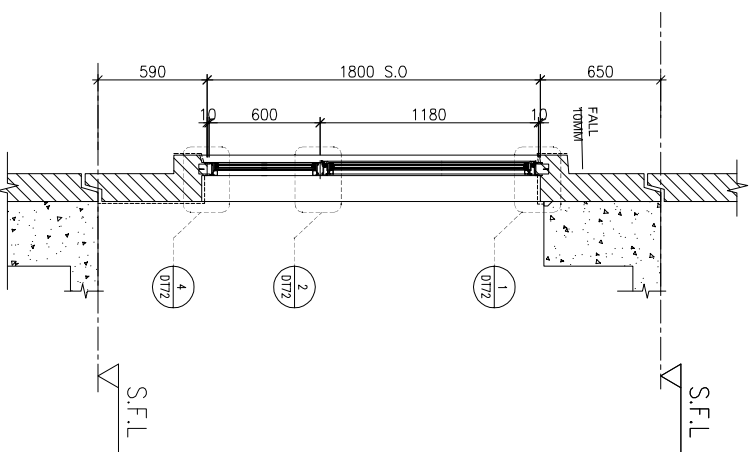
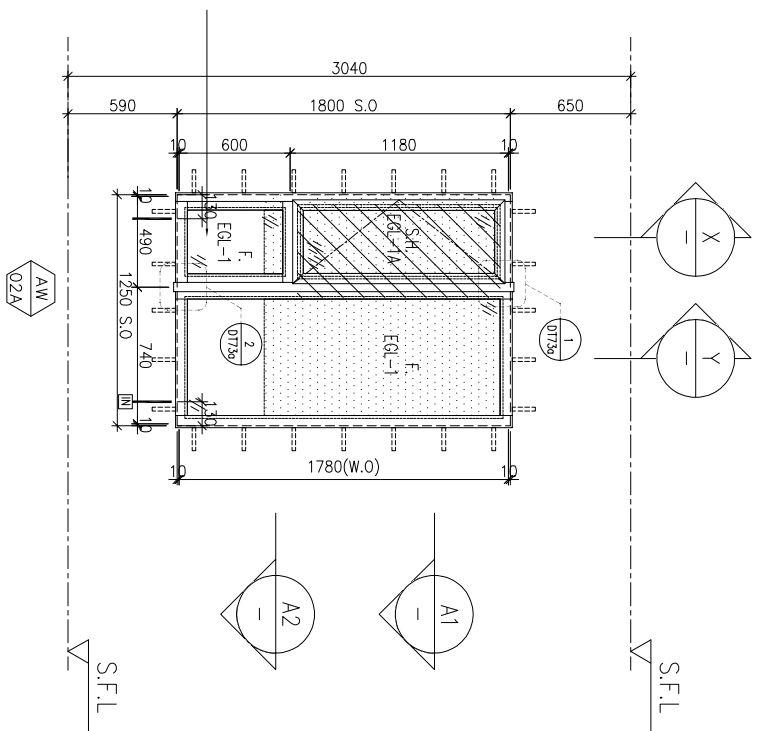
MAIN CONTRACTOR :
怡輝建築有限公司
Yee Fai Building Contractors Ltd.

STRUCTURAL ENGINEER :
ARUP

FAÇADE CONSULTANT:
ALPHA CONSULTING LIMITED
 Steel Structure & Façade Specialist

WINDOW MARK	AM 06R
LOCATION	3/F-42/F(4/F,13/F,14/F,24/F,34/F OMITTED) UNIT B3
SECTION	50mm ALUM. SECTION
GLAZING	EGL-2
QUANTITY	35 Nos
REMARKS	FAÇADE(TYPE T1PFIOR FOR 3/F~42/F) (4 BAR HINGE-LIP HING (HHMS-N16))

REQUIRED		PROVIDED	
LOCATION	OPENABLE AREA	GLAZING AREA	GLAZING AREA
B6-BR1	0.263	0.420	0.439
B7-BR1	0.263	0.420	1.19



BD. REF : _____

CLIENT : **SUN HUNG KAI**
REAL ESTATE AGENCY LTD.
42/F, SUN HUNG KAI CENTRE, WANCHAI, HONGKONG

ARCHITECT : **lwk&partners**
a r c h i t e c t s

MANU CONTRACTOR : **怡輝建築有限公司**
Yee Fai Building Contractors Ltd.

STRUCTURAL ENGINEER : **ARUP**

FAÇADE CONSULTANT : **ALPHA CONSULTING LIMITED**
Steel Structure & Façade Specialist

NOTE :

1. ALL DIMENSIONS ARE IN mm.
2. ALL ELEVATIONS ARE VIEWED FROM OUTSIDE.
3. ALL DIMENSIONS TO BE VERIFIED ON SITE BEFORE FABRICATION.

LEGEND :

(X1) ———— DETAIL MARK NO.
(X001) ——— REEFER SHEET NO.

1. F.F.L. --- FINISHED FLOOR LEVEL
2. S.F.L. --- STRUCTURAL FLOOR LEVEL
3. (R) --- REVERSED DETAIL

4. GLASS LEGEND

EGL-1 --- 8mmHS+12mm AIR GAP+10mmTP THK. I.G.U.
EGL-2 --- 10mm THK. CLEAR TEMPERED GLASS
EGL-4 --- 10mm THK. TEMPERED ACID ETCHED GLASS
EGL-1A --- 8mmHS+12mm AIR GAP+8mmTP THK. I.G.U.
EGL-1B --- 8mmHS+12mm AIR GAP+10mmTP ACID-ETCHED THK. I.G.U.

NO.	DATE	REVISION	REVISION SUBJECT TO ARCH-COMMENT	BY
G	21/09/2022	REVISION	SUBJECT TO ARCH-COMMENT	lwn
F	17/08/2022	REVISION	SUBJECT TO ARCH-COMMENT	lwn
E	06/07/2022	REVISION	SUBJECT TO ARCH-COMMENT	lwn
D	17/12/2021	REVISION	SUBJECT TO ARCH-COMMENT	lwn
C	29/11/2021	REVISION	SUBJECT TO ARCH-COMMENT	lwn
B	03/11/2021	REVISION	SUBJECT TO ARCH-COMMENT	lwn
A	12/10/2021	REVISION	SUBJECT TO ARCH-COMMENT	lwn

JOB NO. : J-856

PROJECT : PROPOSED DEVELOPMENT ABOVE LIGHT RAIL TIN WING STOP-TSMTL NO.23,AREA 33,TIN SHUI WAI, N.T.

TITLE : WINDOW SCHEDULE FOR TOWER 1 ALUM. WINDOW

WINDOW MARK	LOCATION	SECTION	GLAZING	QUANTITY	REMARKS
AW 02d	5/F-42/F(4/F,13/F,14/F,24/F,34/F OMITTED) UNIT B7	70mm ALUM. SECTION	EGL-1,EGL-1A	34 Nos	FAÇADE(TYPE T1PF05R FOR 5/F~42/F) (4 BAR HINGE-LIP HING (HHMS-N12)
AW 02dR	3/F UNIT B7, 3/F UNIT B6	70mm ALUM. SECTION	EGL-1,EGL-1A	1 No / 1 No	FAÇADE(TYPE T1PF05R/T1PF05 FOR 3/F), (4 BAR HINGE-LIP HING (HHMS-N12))

DATE : 02-Aug-21 SCALE : 1:40

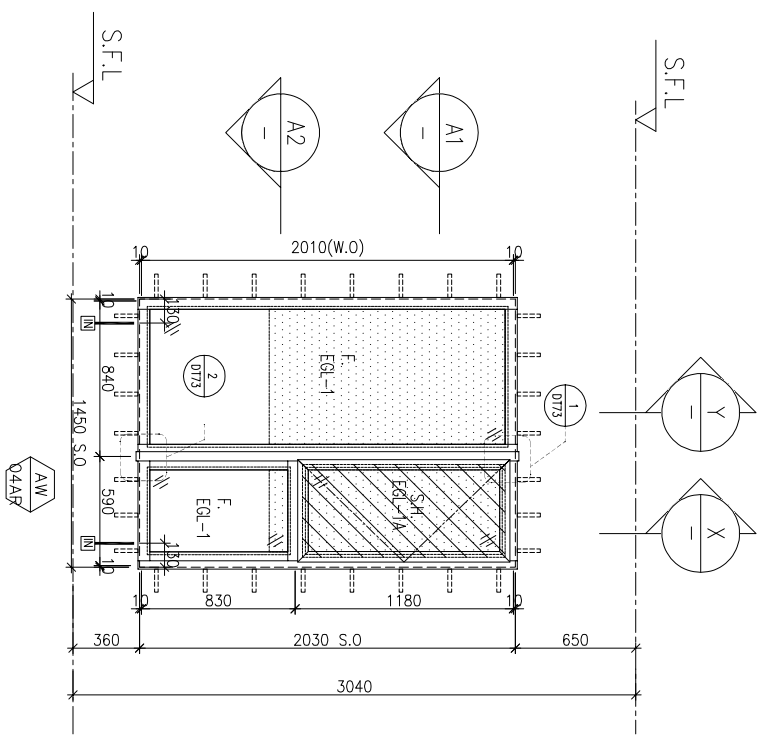
DRAWN BY : lwn CHECKED BY :

UNIT 6-8, Sunray Industrial Centre, 1/F
610 Cho Kwai Ling Road, Kowloon
Tel:23489211-4 Fax:(852)27272666

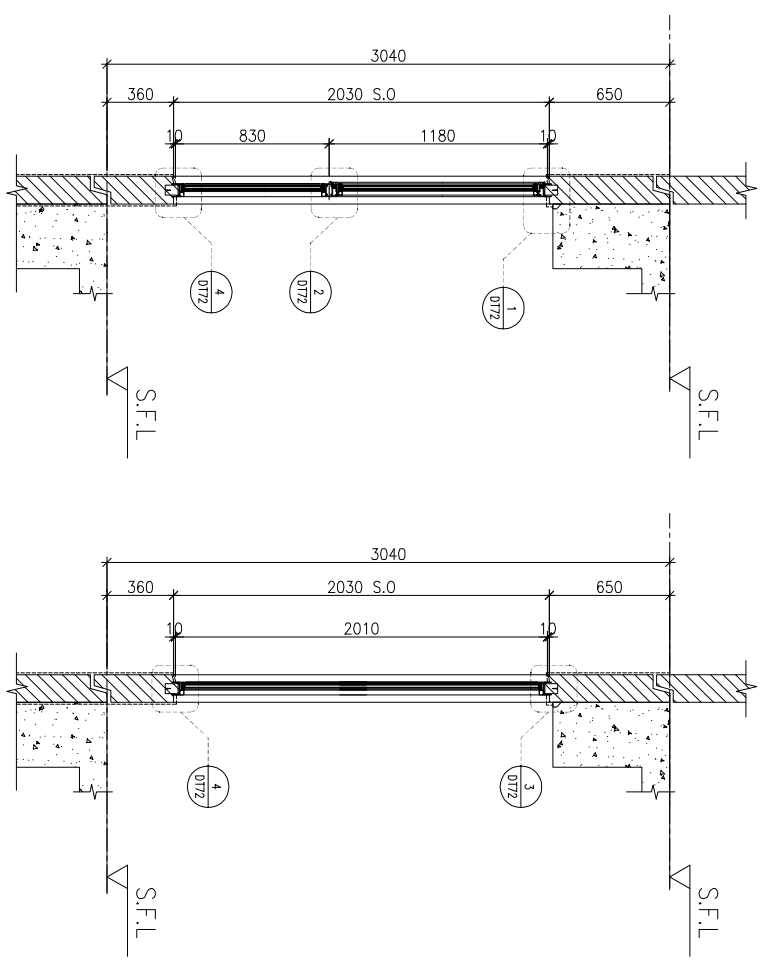
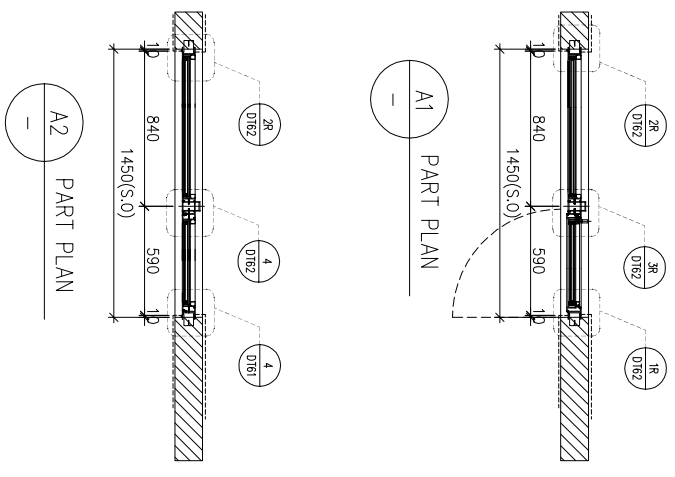
DWG NO. : J856-SD-PW-5109 REV. : G

美特鋁質有限公司
MIDI ALUMINIUM FABRICATOR LTD.

REQUIRED		PROVIDED	
LOCATION	OPENABLE AREA	GLAZING AREA	OPENABLE AREA
B7-MBR	0.435	0.696	0.548
			GLAZING AREA
			1.431



ELEVATION



WINDOW MARK	AW 0449F
LOCATION	3/F-42/F(4/F,13/F,14/F,24/F,34/F OMITTED) UNIT B7
SECTION	70mm ALUM. SECTION
GLAZING	EGL-1, EGL-1A
QUANTITY	35 Nos
REMARKS	FAÇADE(TYPE T1PF03R FOR 3/F~42/F) (4 BAR HINGE-LIP HING (HHMS-N16))

BD. REF :

CLIENT :



ARCHITECT :
lwk&partners
a r c h i t e c t s

MAIN CONTRACTOR :
怡輝建築有限公司
Yee Fai Building Contractors Ltd.

STRUCTURAL ENGINEER :
ARUP

FAÇADE CONSULTANT :
ALPHA CONSULTING LIMITED
Steel Structure & Façade Specialist

NOTE :
1. ALL DIMENSIONS ARE IN mm.
2. ALL ELEVATIONS ARE VIEWED FROM OUTSIDE.
3. ALL DIMENSIONS TO BE VERIFIED ON SITE BEFORE FABRICATION.
LEGEND :
X1 --- DETAIL MARK NO.
X001 --- REFER SHEET NO.

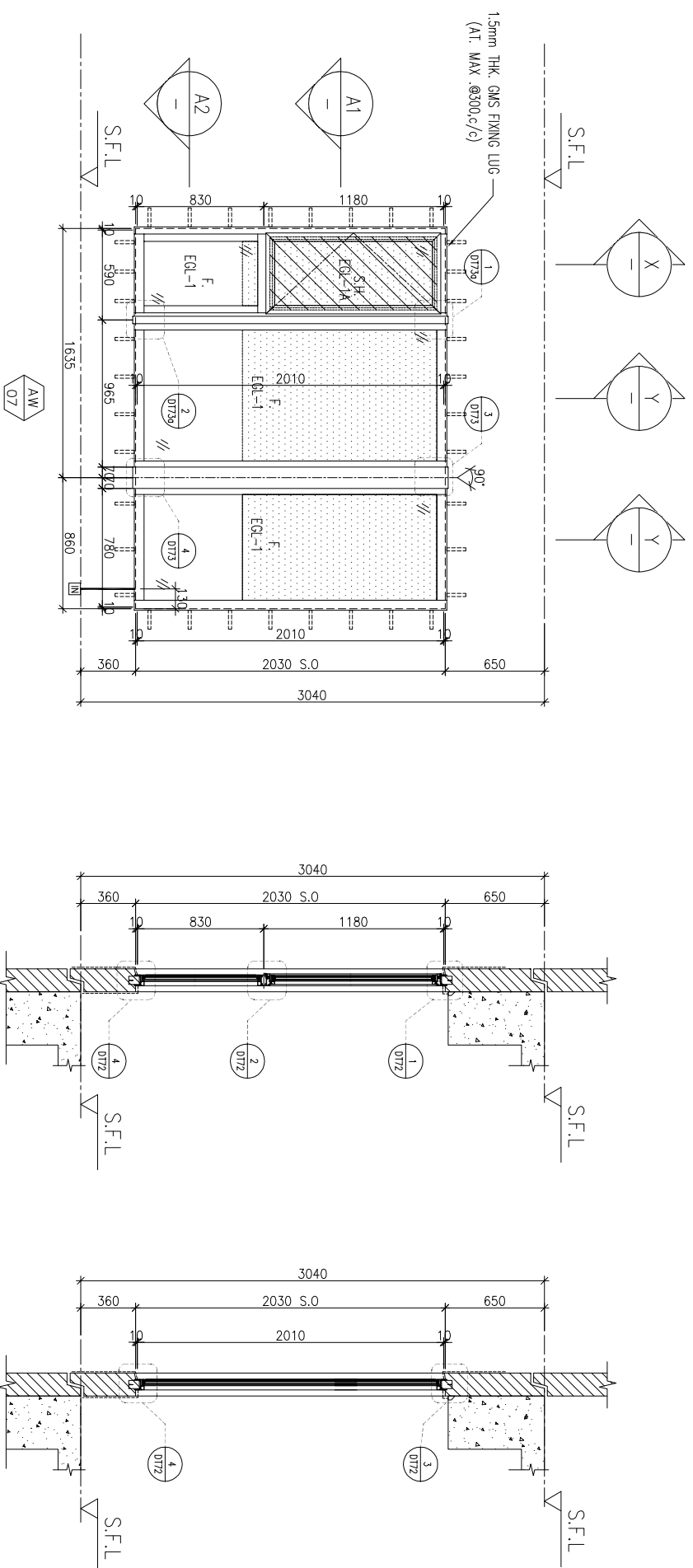
1. F.F.L. --- FINISHED FLOOR LEVEL
2. S.F.L. --- STRUCTURAL FLOOR LEVEL
3. (R) --- REVERSED DETAIL
4. GLASS LEGEND
EGL-1 --- 8mmHS+12mm AIR GAP+10mmTP THK. I.G.U.
EGL-2 --- 10mm THK. CLEAR TEMPERED GLASS
EGL-4 --- 10mm THK. TEMPERED ACID ETCHED GLASS
EGL-1A --- 8mmHS+12mm AIR GAP+8mmTP THK. I.G.U.
EGL-1B --- 8mmHS+12mm AIR GAP+10mmTP ACID-ETCHED THK. I.G.U.

NO.	DATE	REVISION	REVISION SUBJECT TO ARCH-COMMENT	BY
G	21/09/2022	REVISION	SUBJECT TO ARCH-COMMENT	lwk
F	17/08/2022	REVISION	SUBJECT TO ARCH-COMMENT	lwk
E	06/07/2022	REVISION	SUBJECT TO ARCH-COMMENT	lwk
D	17/12/2021	REVISION	SUBJECT TO ARCH-COMMENT	lwk
C	29/11/2021	REVISION	SUBJECT TO ARCH-COMMENT	lwk
B	03/11/2021	REVISION	SUBJECT TO ARCH-COMMENT	lwk
A	12/10/2021	REVISION	SUBJECT TO ARCH-COMMENT	lwk

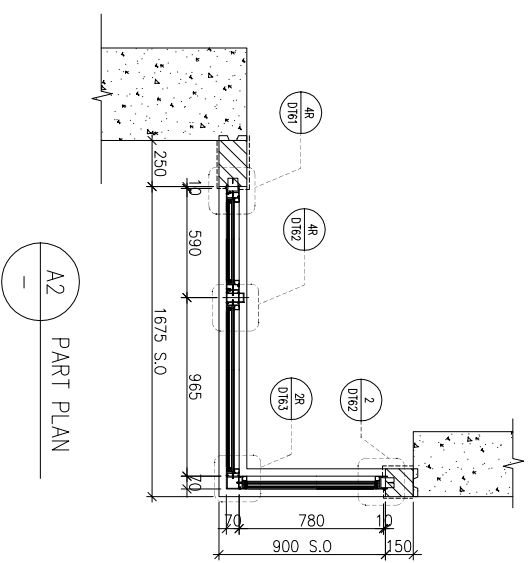
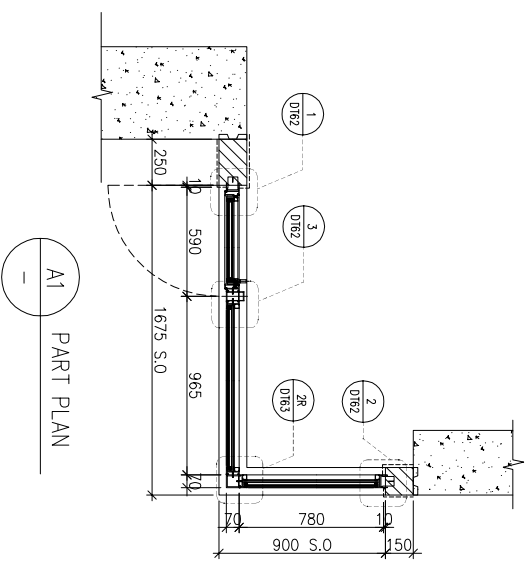
JOB NO. : J-856
PROJECT : PROPOSED DEVELOPMENT ABOVE LIGHT RAIL TIN WING STOP-TSMTL NO.23,AREA 33,TIN SHUI WAI, N.T.
TITLE : WINDOW SCHEDULE FOR TOWER 1 ALUM. WINDOW

DATE : 02-Aug-21
SCALE : 1:40
DRAWN BY : IYON
CHECKED BY :
MIDI ALUMINIUM FABRICATOR LTD.
Units 6-8, Sunray Industrial Centre, 1/F
610 Cho Kwai Ling Road, Kwai Tsou
Tel:23489211-4 Fax:(852)27272666
DWG NO. : J856-SD-PW-5110 REV : G

REQUIRED		PROVIDED	
LOCATION	OPENABLE AREA	GLAZING AREA	OPENABLE AREA
B8-MBR	0.474	0.759	0.525
			GLAZING AREA
			2.459



ELEVATION



X PART SECTION

Y PART SECTION

WINDOW MARK	AW 07
LOCATION	3/F-42/F(4/F,13/F,14/F,24/F,34/F OMITTED) UNIT B8
SECTION	70mm ALUM. SECTION
GLAZING	EGL-1, EGL-1A
QUANTITY	35 Nos
REMARKS	FAÇADE(TYPE T1PFS1 FOR 3/F-42/F) 4 BAR HINGE-LIP HING (HHMS-N16)

BD. REF :

CLIENT :

SUN HUNG KAI
REAL ESTATE AGENCY LTD.
42/F SUN HUNG KAI CENTRE, WANCHAI, HONGKONG

ARCHITECT :

lwk&partners
a r c h i t e c t s

MAIN CONTRACTOR :

怡輝建築有限公司
Yee Fai Building Contractors Ltd.

STRUCTURAL ENGINEER :

ARUP

FAÇADE CONSULTANT :

ALPHA CONSULTING LIMITED
Steel Structure & Façade Specialist

- NOTE :
1. ALL DIMENSIONS ARE IN mm.
 2. ALL ELEVATIONS ARE VIEWED FROM OUTSIDE.
 3. ALL DIMENSIONS TO BE VERIFIED ON SITE BEFORE FABRICATION.

LEGEND :

X1 ——— DETAIL MARK NO.
X001 ——— REFER SHEET NO.

1. F.F.L. --- FINISHED FLOOR LEVEL
2. S.F.L. --- STRUCTURAL FLOOR LEVEL
3. (R) --- REVERSED DETAIL

4. GLASS LEGEND

EGL-1 --- 8mmHS+12mm AIR GAP+10mmTP THK. I.G.U.
EGL-2 --- 10mm THK. CLEAR TEMPERED GLASS
EGL-4 --- 10mm THK. TEMPERED ACID ETCHED GLASS
EGL-1A --- 8mmHS+12mm AIR GAP+8mmTP THK. I.G.U.
EGL-1B --- 8mmHS+12mm AIR GAP+10mmTP ACID-ETCHED THK. I.G.U.

NO.	DATE	REVISION	REVISION SUBJECT TO ARCH-COMMENT	BY
G	21/09/2022	REVISION SUBJECT TO ARCH-COMMENT	None	
F	17/08/2022	REVISION SUBJECT TO ARCH-COMMENT	None	
E	06/07/2022	REVISION SUBJECT TO ARCH-COMMENT	None	
D	17/12/2021	REVISION SUBJECT TO ARCH-COMMENT	None	
C	29/11/2021	REVISION SUBJECT TO ARCH-COMMENT	None	
B	03/11/2021	REVISION SUBJECT TO ARCH-COMMENT	None	
A	12/10/2021	REVISION SUBJECT TO ARCH-COMMENT	None	

JOB NO. : J-856

PROJECT : PROPOSED DEVELOPMENT ABOVE LIGHT RAIL TIN WING STOP-TSWTL NO.23,AREA 33,TIN SHUI WAI, N.T.

TITLE : WINDOW SCHEDULE FOR TOWER 1 ALUM. WINDOW

DATE : 02-Aug-21

SCALE : 1:40

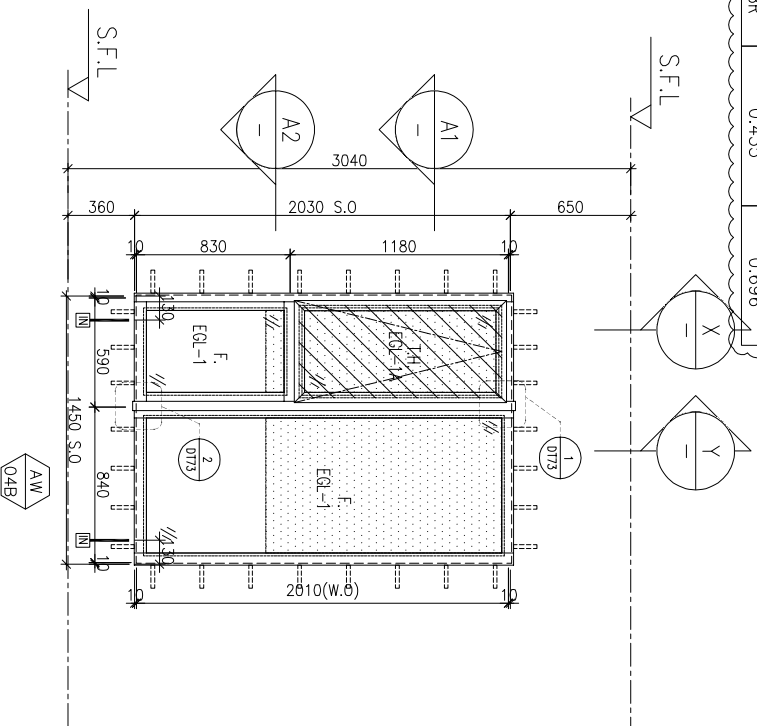
DRAWN BY : IYVN

CHECKED BY :

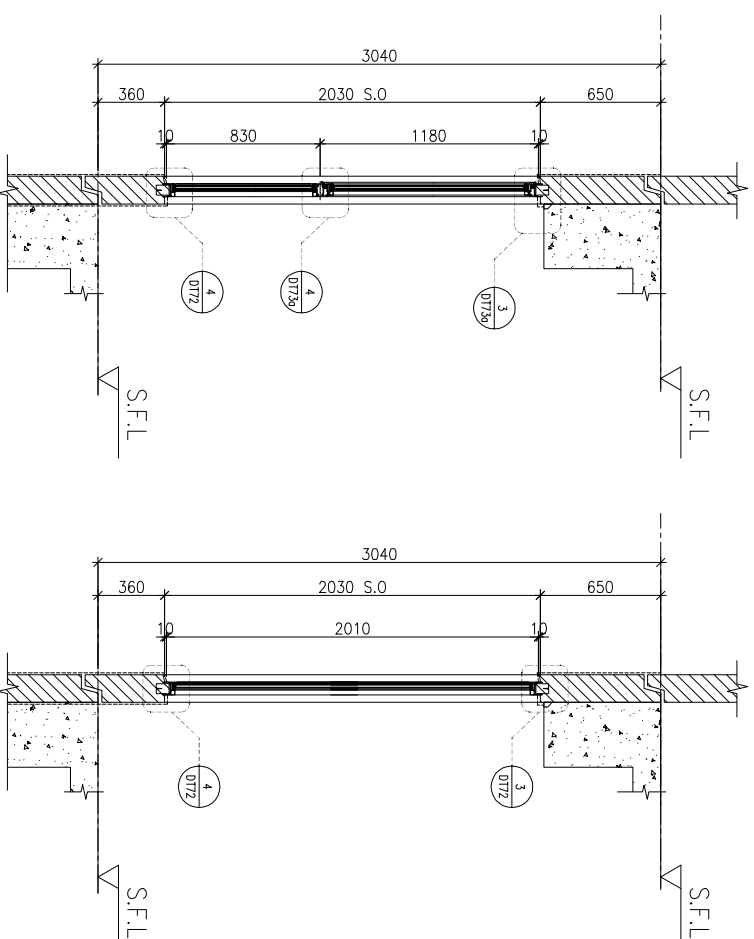
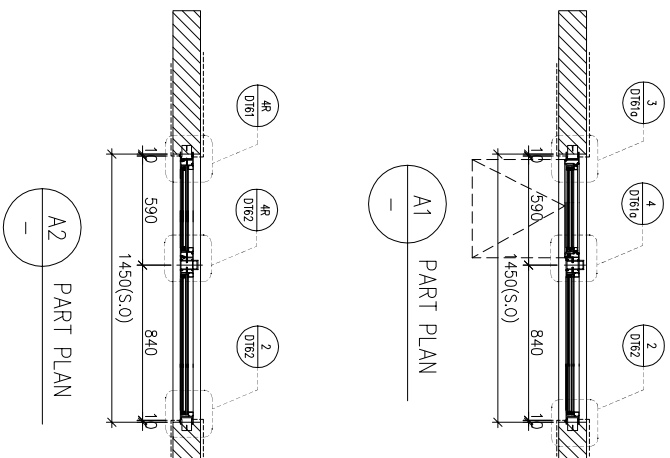
美特鋁質有限公司
MIDI ALUMINIUM FABRICATOR LTD.
Units 6-8, Sunray Industrial Centre, 1/F
610 Cho Kwai Ling Road, Kwai Tsoum
Tel:23489211-4 Fax:(852)2727666

DWG NO. : J856-SD-PW-5111 REV. : G

REQUIRED		PROVIDED	
LOCATION	OPENABLE AREA	GLAZING AREA	GLAZING AREA
A5-MBR	0.435	0.696	0.548
A6-MBR	0.295	0.472	1.431
A7-MBR	0.435	0.696	
B6-MBR	0.435	0.696	



ELEVATION



WINDOW MARK	LOCATION	SECTION	QUANTITY	REMARKS
AW 04B	3/F-42/F(4/F,13/F,14/F,24/F,34/F OMITTED)	70mm ALUM. SECTION	35 Nos / 35 Nos / 35 Nos / 35 Nos	4 BAR HINGE-LIP HING (HHMT-14)

BD. REF :

CLIENT :

SUN HUNG KAI
REAL ESTATE AGENCY LTD.
42/F, SUN HUNG KAI CENTRE, WANCHAI, HONGKONG

ARCHITECT :

lwk&partners
a r c h i t e c t s

MAIN CONTRACTOR :

怡輝建築有限公司
Yee Fai Building Contractors Ltd.

STRUCTURAL ENGINEER :

ARUP

FAÇADE CONSULTANT :

ALPHA CONSULTING LIMITED
Steel Structure & Façade Specialist

- NOTE :
1. ALL DIMENSIONS ARE IN mm.
 2. ALL ELEVATIONS ARE VIEWED FROM OUTSIDE.
 3. ALL DIMENSIONS TO BE VERIFIED ON SITE BEFORE FABRICATION.

LEGEND :

(X1) --- DETAIL MARK NO.
(X001) --- REFER SHEET NO.

1. F.F.L. --- FINISHED FLOOR LEVEL
2. S.F.L. --- STRUCTURAL FLOOR LEVEL
3. (R) --- REVERSED DETAIL

4. GLASS LEGEND

- EGL-1 --- 8mmHS+12mm AIR GAP+10mmTP THK. I.G.U.
EGL-2 --- 10mm THK. CLEAR TEMPERED GLASS
EGL-4 --- 10mm THK. TEMPERED ACID ETCHED GLASS
EGL-1A --- 8mmHS+12mm AIR GAP+8mmTP THK. I.G.U.
EGL-1B --- 8mmHS+12mm AIR GAP+10mmTP THK. I.G.U.

NO.	DATE	REVISION	REVISION SUBJECT TO ARCH-COMMENT	BY
D	17/08/2022	REVISION SUBJECT TO ARCH-COMMENT	None	None
C	06/07/2022	REVISION SUBJECT TO ARCH-COMMENT	None	None
B	21/12/2021	REVISION SUBJECT TO ARCH-COMMENT	None	None
A	12/10/2021	REVISION SUBJECT TO ARCH-COMMENT	None	None

JOB NO. : J-856

PROJECT : PROPOSED DEVELOPMENT ABOVE LIGHT RAIL TIN WING STOP-TSWTL NO.23,AREA 33,TIN SHUI WAI, N.T.

TITLE : WINDOW SCHEDULE FOR TOWER 1 ALUM. WINDOW

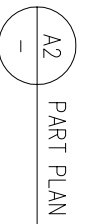
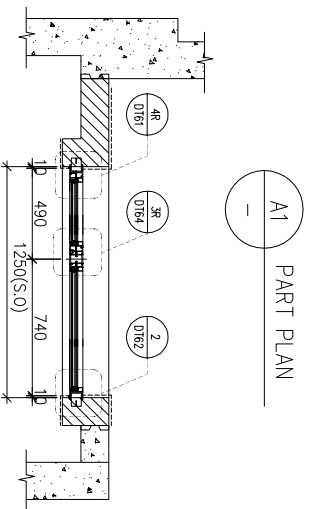
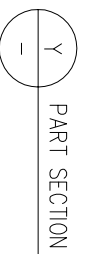
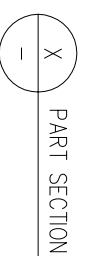
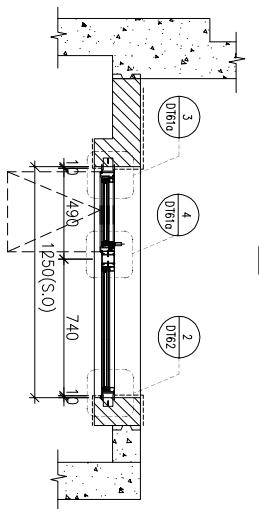
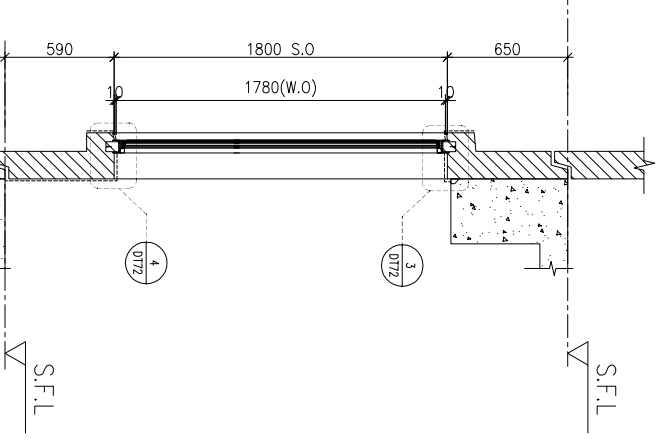
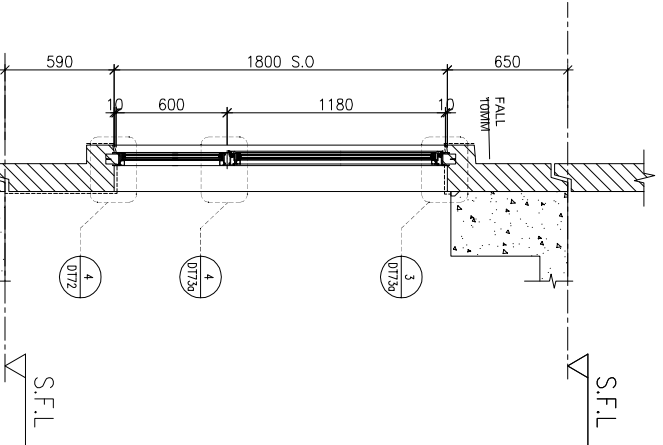
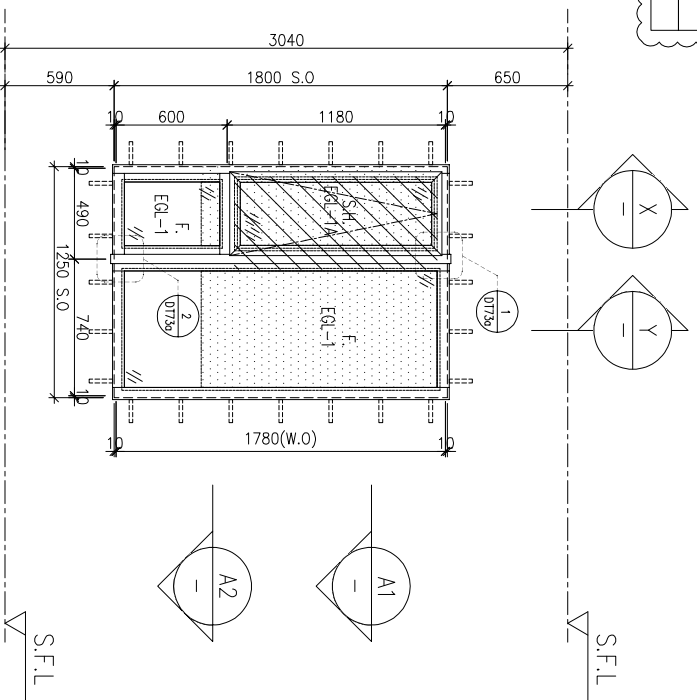
DATE : 02-Aug-21 SCALE : 1:40

DRAWN BY : Ivan CHECKED BY :

美特鋁質有限公司
MIDI ALUMINIUM FABRICATOR LTD.
Units 6-8, Sunray Industrial Centre, 1/F
610 Cho Kwai Ling Road, Kwai Tsou
Tel:23489211-4 Fax:(852)2727666

DWG NO. : J856-SD-PW-5112 REV : D

REQUIRED		PROVIDED	
LOCATION	OPENABLE AREA	GLAZING AREA	GLAZING AREA
A5-BR1	0.263	0.420	0.439
A7-BR1	0.263	0.420	1.19
A8-BR1	0.269	0.431	
A8-BR2	0.286	0.457	
B6-BR1	0.263	0.420	



ELEVATION

WINDOW MARK	LOCATION	SECTION	QUANTITY	REMARKS
AW 02B	3/F-42/F(4/F,13/F,14/F,24/F,34/F OMITTED) UNIT A5, A7, B6	70mm ALUM. SECTION	35 Nos / 35 Nos / 35 Nos / 35 Nos	4 BAR HINGE-LIP HING (HHMT-14)
AW 02B	3/F-42/F(4/F,13/F,14/F,24/F,34/F OMITTED) UNIT A8	70mm ALUM. SECTION	35 Nos / 35 Nos / 35 Nos / 35 Nos	4 BAR HINGE-LIP HING (HHMT-14)

BD. REF :

CLIENT :



ARCHITECT :
lwk&partners
a r c h i t e c t s

MAIN CONTRACTOR :



STRUCTURAL ENGINEER :



FAÇADE CONSULTANT:
ALPHA CONSULTING LIMITED
Steel Structure & Façade Specialist

NOTE:
1. ALL DIMENSIONS ARE IN mm.
2. ALL ELEVATIONS ARE VIEWED FROM OUTSIDE.
3. ALL DIMENSIONS TO BE VERIFIED ON SITE BEFORE FABRICATION.
LEGEND:
X1 --- DETAIL MARK NO.
X001 --- REFER SHEET NO.

1. F.F.L. --- FINISHED FLOOR LEVEL
2. S.F.L. --- STRUCTURAL FLOOR LEVEL
3. (R) --- REVERSED DETAIL
4. GLASS LEGEND
EQ-1 --- 8mmHS+12mm AIR GAP+10mmTP THK. I.G.U.
EQ-2 --- 10mm THK. CLEAR TEMPERED GLASS
EQ-4 --- 10mm THK. TEMPERED ACID ETCHED GLASS
EQ-1A --- 8mmHS+12mm AIR GAP+8mmTP THK. I.G.U.
EQ-1B --- 8mmHS+12mm AIR GAP+10mmTP ACID-ETCHED THK. I.G.U.

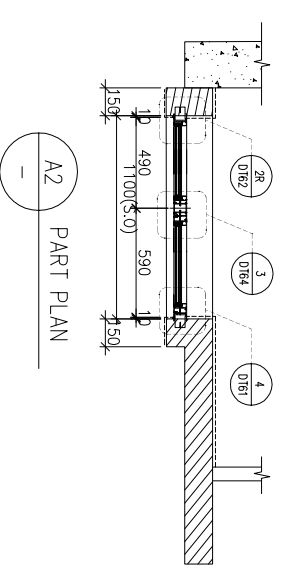
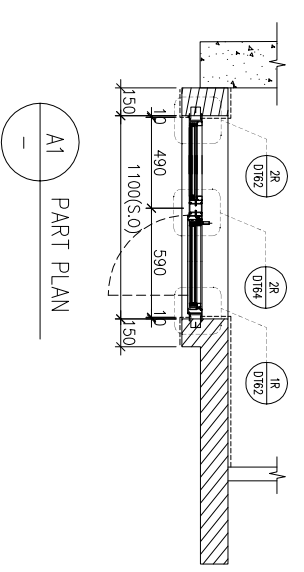
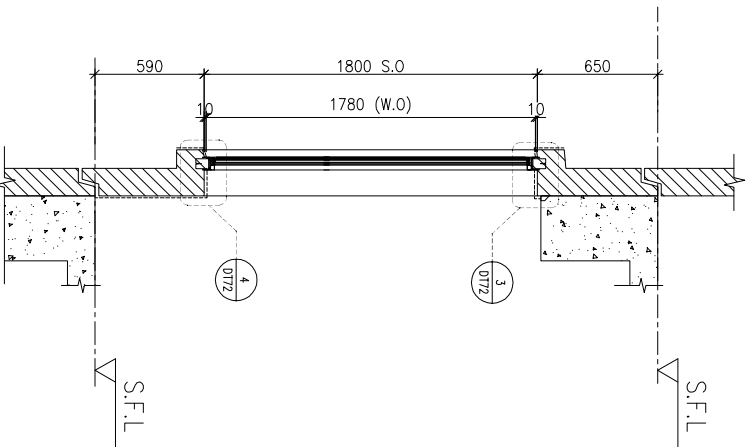
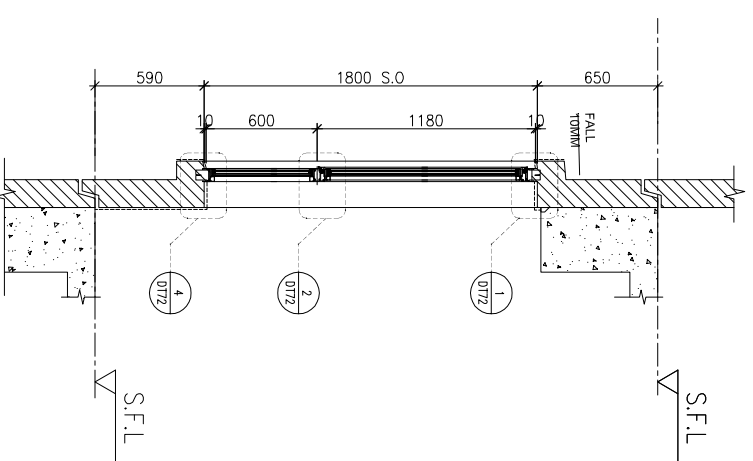
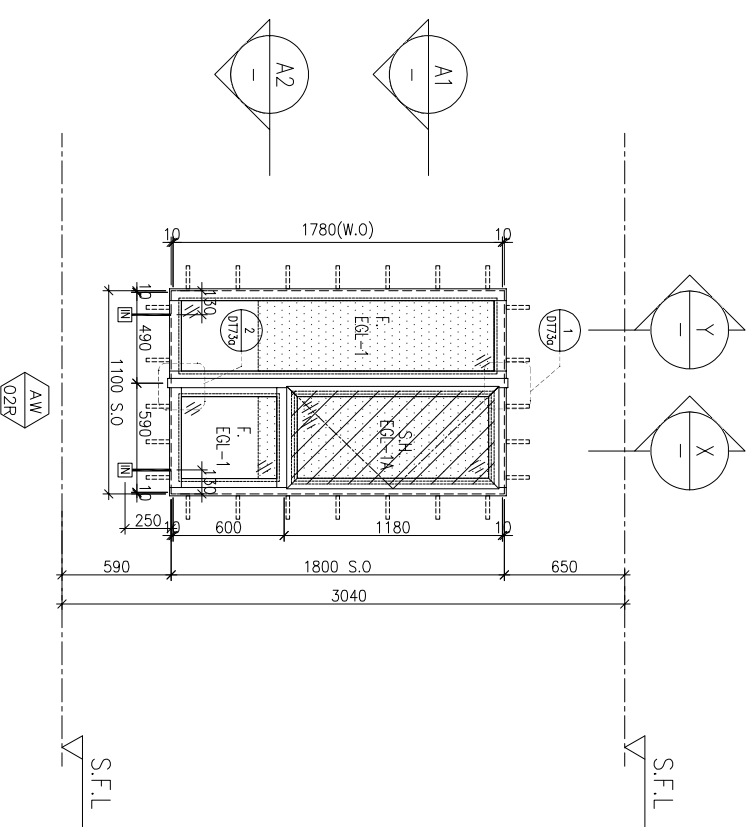
NO.	DATE	REVISION SUBJECT TO ARCH-COMMENT	BY
A	17/08/2022		lwk

JOB NO. : J-856
PROJECT : PROPOSED DEVELOPMENT ABOVE LIGHT RAIL TIN WING STOP-TS/WTL NO.23,AREA 33,TIN SHUI WAI, N.T.
TITLE : WINDOW SCHEDULE FOR TOWER 1 ALUM. WINDOW

DATE : 06-Jul-22 SCALE : 1:40
DRAWN BY : IYVN CHECKED BY :

UNITA 鋁質有限公司
MIDI ALUMINIUM FABRICATOR LTD.
Units 6-8, Sunray Industrial Centre, 1/F
610 Cho Kwai Ling Road, Kwai Moon
Tel:23489211-4 Fax:(852)2727666
DWG NO. : J856-SD-PW-5113 REV : A

REQUIRE		PROVIDED	
LOCATION	OPENABLE AREA	GLAZING AREA	OPENABLE AREA
A1-BR1	0.263	0.420	0.548
			GLAZING AREA
			0.985



FACADE CODE		
LWK	鴻輝	UNIT
PF-01R	T2PF-10	A1

WINDOW MARK	AW 02R
LOCATION	3/F-42/F(4/F,13/F,14/F,24/F,34/F OMITTED) UNIT A1
SECTION	70mm ALUM. SECTION
GLAZING	EGL-1, EGL-1A
QUANTITY	35 Nos.
REMARKS	FACADE(TYPE T2PF01R FOR 3/F~42/F) (4 BAR HINGE-LIP HING (HHMS-N16))

BD. REF. :

CLIENT :

SUN HUNG KAI
REAL ESTATE AGENCY LTD.
42/F, SUN HUNG KAI CENTRE, WANCHAI, HONGKONG

ARCHITECT :

lwk&partners
a r c h i t e c t s

MAIN CONTRACTOR :

怡輝建築有限公司
Yee Fai Building Contractors Ltd.

STRUCTURAL ENGINEER :

ARUP

FACADE CONSULTANT :

ALPHA CONSULTING LIMITED
Steel Structure & Façade Specialist

- NOTE :
1. ALL DIMENSIONS ARE IN mm.
 2. ALL ELEVATIONS ARE VIEWED FROM OUTSIDE.
 3. ALL DIMENSIONS TO BE VERIFIED ON SITE BEFORE FABRICATION.
- LEGEND :
- (X1) --- DETAIL MARK NO.
 - (X001) --- REFER SHEET NO.
 - 1. F.F.L. --- FINISHED FLOOR LEVEL
 - 2. S.F.L. --- STRUCTURAL FLOOR LEVEL
 - 3. (R) --- REVERSED DETAIL
 - 4. GLASS LEGEND

- EGL-1--8mmHS+12mm AIR GAP+10mmTP THK. I.G.U.
- EGL-2--10mm THK. CLEAR TEMPERED GLASS
- EGL-4--10mm THK. TEMPERED ACID ETCHED GLASS
- EGL-1A-8mmHS+12mm AIR GAP+8mmTP THK. I.G.U.
- EGL-1B-8mmHS+12mm AIR GAP+10mmTP ACID-ETCHED THK. I.G.U.

NO.	DATE	REVISION	SUBJECT TO ARCH-COMMENT	BY
H	21/09/2022	REVISION	SUBJECT TO ARCH-COMMENT	ivan
G	17/08/2022	REVISION	SUBJECT TO ARCH-COMMENT	ivan
F	18/05/2022	REVISION	SUBJECT TO ARCH-COMMENT	ivan
E	09/04/2022	REVISION	SUBJECT TO ARCH-COMMENT	ivan
D	17/12/2021	REVISION	SUBJECT TO ARCH-COMMENT	ivan
C	29/11/2021	REVISION	SUBJECT TO ARCH-COMMENT	ivan

JOB NO. : J-856

PROJECT : PROPOSED DEVELOPMENT ABOVE LIGHT RAIL TIN WING STOP-TSWTL NO.23,AREA 33,TIN SHUI WAI, N.T.

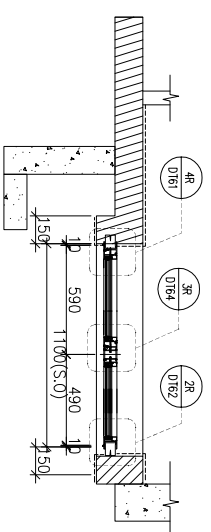
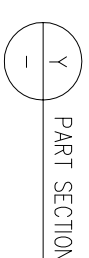
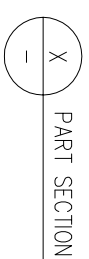
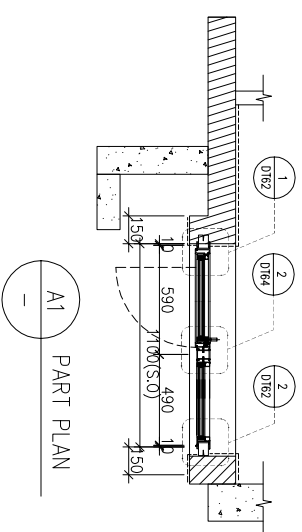
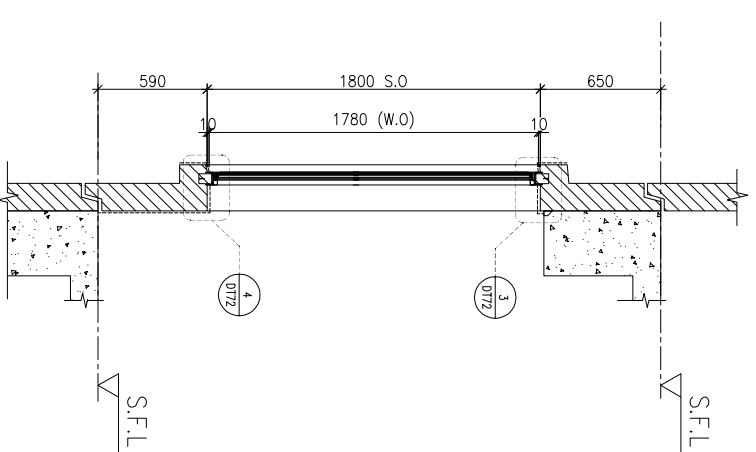
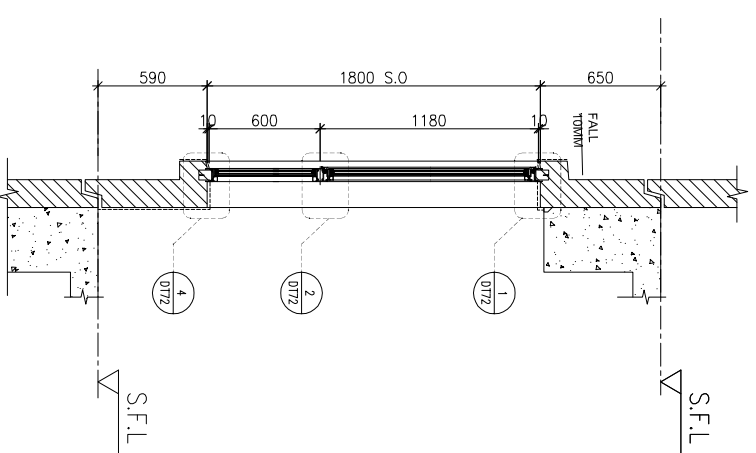
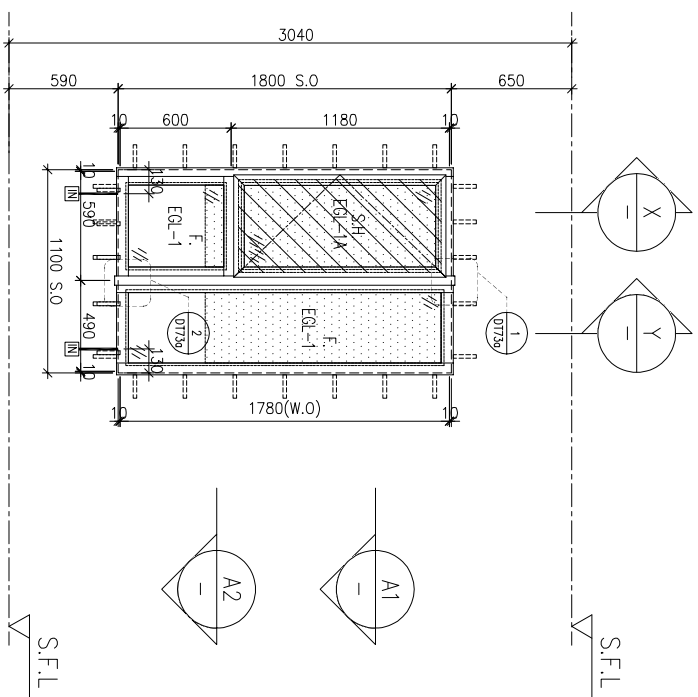
TITLE : WINDOW SCHEDULE FOR TOWER 2 ALUM. WINDOW

DATE : 02-Aug-21 SCALE : 1:40

DRAWN BY : ivan CHECKED BY :

美特鋁質有限公司
MIDI ALUMINIUM FABRICATOR LTD.
Units 6-8, Sunray Industrial Centre, 1/F
610 Cho Kwai Ling Road, Kwai Tsoum
Tel:23489211-4 Fax:(852)2727666
DWG NO. : J856-SD-PW-5201 REV. : H

REQUIRED		PROVIDED	
LOCATION	OPENABLE AREA	GLAZING AREA	GLAZING AREA
A2-BR1	0.263	0.420	0.548
A5-BR1	0.263	0.420	0.985



A2 PART PLAN

FAÇADE CODE

LWK	鴻輝	UNIT
PF-02	T2PF-09	A2
PF-02R	T2PF-18	A5

AW
02R

LOCATION 3/F~42/F(4/F,13/F,14/F,24/F,34/F OMITTED) UNIT A2

SECTION 70mm ALUM. SECTION

GLAZING EGL-1,EGL-1A

QUANTITY 35 Nos.

REMARKS FAÇADE(TYPE T2PF02 FOR 3/F~42/F) 4 BAR HINGE-LIP HING (HHMS-N16)

AW
02R

LOCATION 3/F~42/F(4/F,13/F,14/F,24/F,34/F OMITTED) UNIT A5

SECTION 70mm ALUM. SECTION

GLAZING EGL-1,EGL-1A

QUANTITY 35 Nos

REMARKS FAÇADE(TYPE T2PF02R FOR 3/F~42/F) 4 BAR HINGE-LIP HING (HHMS-N16)

BD. REF :

CLIENT :

SUN HUNG KAI
REAL ESTATE AGENCY LTD.
42/F SUN HUNG KAI CENTRE, WANCHAI, HONGKONG

ARCHITECT :

lwk&partners
a r c h i t e c t s

MAIN CONTRACTOR :

怡輝建築有限公司
Yee Fai Building Contractors Ltd.

STRUCTURAL ENGINEER :

ARUP

FAÇADE CONSULTANT:

ALPHA CONSULTING LIMITED
Steel Structure & Façade Specialist

- NOTE:
1. ALL DIMENSIONS ARE IN mm.
 2. ALL ELEVATIONS ARE VIEWED FROM OUTSIDE.
 3. ALL DIMENSIONS TO BE VERIFIED ON SITE BEFORE FABRICATION.

LEGEND :

- (X1) --- DETAIL MARK NO.
(X001) --- REFER SHEET NO.
1. F.F.L. --- FINISHED FLOOR LEVEL
 2. S.F.L. --- STRUCTURAL FLOOR LEVEL
 3. (R) --- REVERSED DETAIL

4. GLASS LEGEND

- EGL-1 --- 8mmHS+12mm AIR GAP+10mmTP THK. I.G.U.
EGL-2 --- 10mm THK. CLEAR TEMPERED GLASS
EGL-4 --- 10mm THK. TEMPERED ACID ETCHED GLASS
EGL-1A --- 8mmHS+12mm AIR GAP+8mmTP THK. I.G.U.
EGL-1B --- 8mmHS+12mm AIR GAP+10mmTP ACID-ETCHED THK. I.G.U.

NO.	DATE	REVISION	REVISION SUBJECT TO ARCH-COMMENT	BY
G	21/09/2022	REVISION SUBJECT TO ARCH-COMMENT	None	
F	17/08/2022	REVISION SUBJECT TO ARCH-COMMENT	None	
E	18/05/2022	REVISION SUBJECT TO ARCH-COMMENT	None	
D	08/04/2022	REVISION SUBJECT TO ARCH-COMMENT	None	
C	17/12/2021	REVISION SUBJECT TO ARCH-COMMENT	None	
B	29/11/2021	REVISION SUBJECT TO ARCH-COMMENT	None	
A	03/11/2021	REVISION SUBJECT TO ARCH-COMMENT	None	

JOB NO. : J-856

PROJECT :

PROPOSED DEVELOPMENT ABOVE
LIGHT RAIL TIN WING STOP-TSWTL
NO.23,AREA 33,TIN SHUI WAI, N.T.

TITLE :

WINDOW SCHEDULE FOR
TOWER 2 ALUM. WINDOW

DATE : 02-Aug-21 SCALE : 1:40

DRAWN BY : IYON

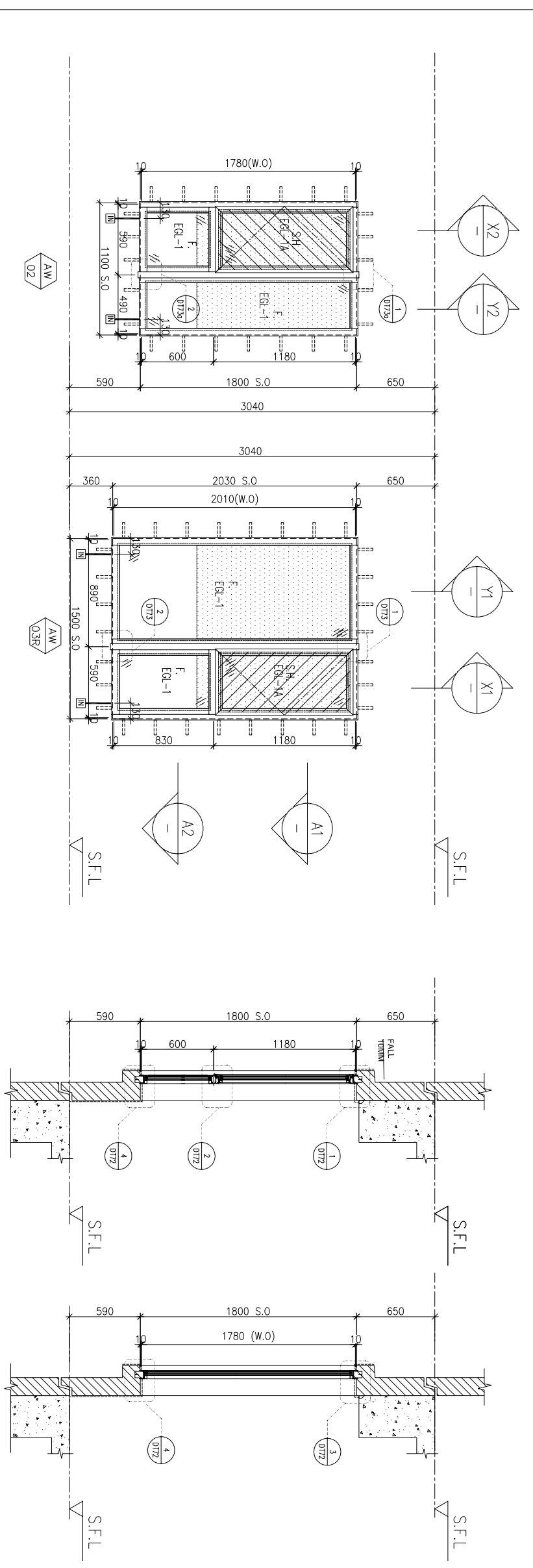
CHECKED BY :

美特鋁質有限公司
MIDI ALUMINIUM FABRICATOR LTD.
Units 6-8, Sunray Industrial Centre, 1/F
610 Cho Kwai Ling Road, Kwai Tsing
Tel:23489211-4 Fax:(852)2727666

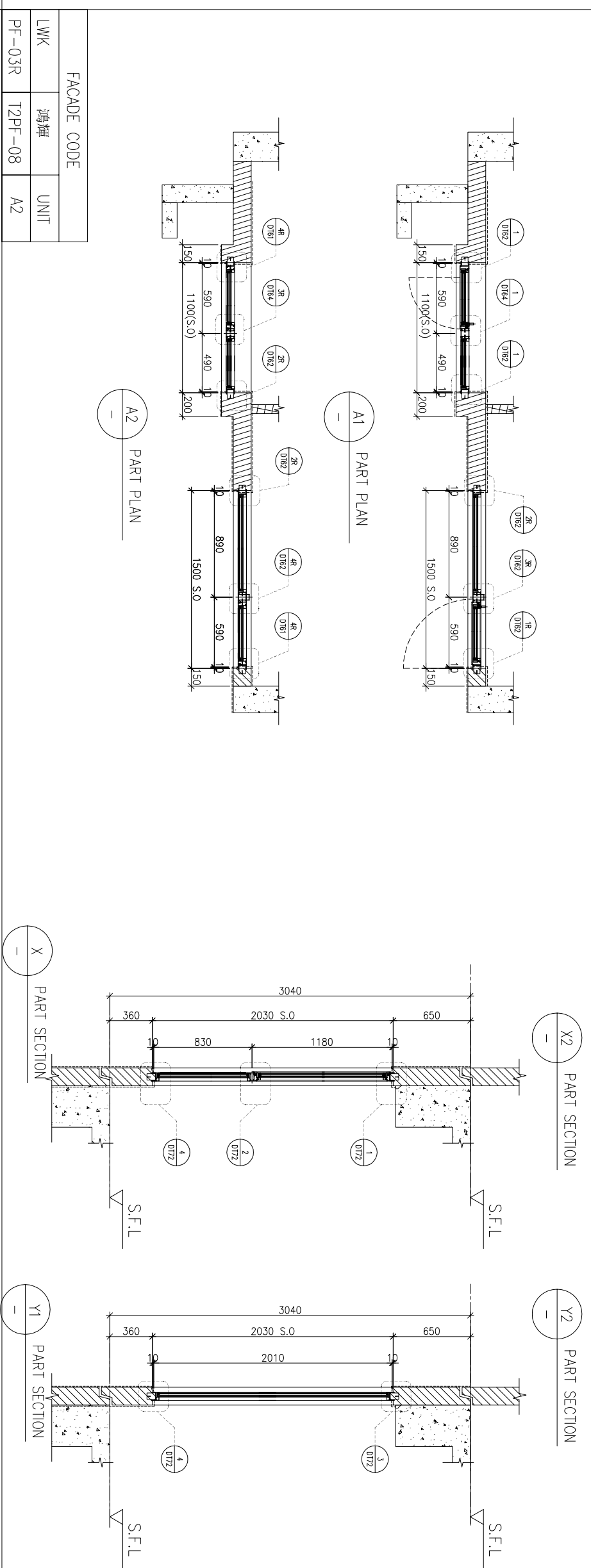
DWG NO. : J856-SD-PW-5202 REV. : G

REQUIRE		PROVIDED	
LOCATION	OPENABLE AREA	GLAZING AREA	OPENABLE AREA
A2-BR2	0.263	0.420	0.548
			GLAZING AREA
			0.985

REQUIRE		PROVIDED	
LOCATION	OPENABLE AREA	GLAZING AREA	OPENABLE AREA
A2-MBR	0.477	0.763	0.548
			GLAZING AREA
			1.495



ELEVATION



WINDOW MARK

WINDOW MARK	FAÇADE CODE	LWK	UNIT
AW 02		鴻輝	A2
AW 03R			

LOCATION	3/F-42/F(4/F,13/F,14/F,24/F,34/F OMITTED) UNIT A2		
SECTION	70mm ALUM. SECTION		
GLAZING	EGL-1, EGL-1A		
QUANTITY	35 Nos.		
REMARKS	FAÇADE(TYPE T2PF03R FOR 3/F~42/F) 4 BAR HINGE-LIP HING (HHMS-N16)		

BD. REF :

CLIENT :



MANU CONTRACTOR :
怡輝建築有限公司
Yee Fai Building Contractors Ltd.

STRUCTURAL ENGINEER :



FAÇADE CONSULTANT:
ALPHA CONSULTING LIMITED
 Steel Structure & Façade Specialist

- NOTE:
1. ALL DIMENSIONS ARE IN mm.
 2. ALL ELEVATIONS ARE VIEWED FROM OUTSIDE.
 3. ALL DIMENSIONS TO BE VERIFIED ON SITE BEFORE FABRICATION.

- LEGEND:
- X1 --- DETAIL MARK NO.
 - X001 --- REFER SHEET NO.

1. F.F.L. --- FINISHED FLOOR LEVEL
 2. S.F.L. --- STRUCTURAL FLOOR LEVEL
 3. (R) --- REVERSED DETAIL
4. GLASS LEGEND
- EGL-1 --- 8mmHS+12mm AIR GAP+10mmTP THK. I.G.U.
 - EGL-2 --- 10mm THK. CLEAR TEMPERED GLASS
 - EGL-4 --- 10mm THK. TEMPERED ACID ETCHED GLASS
 - EGL-1A --- 8mmHS+12mm AIR GAP+8mmTP THK. I.G.U.
 - EGL-1B --- 8mmHS+12mm AIR GAP+10mmTP ACID-ETCHED THK. I.G.U.

NO.	DATE	REVISION	REVISION SUBJECT TO ARCH-COMMENT	BY
G	21/09/2022	REVISION SUBJECT TO ARCH-COMMENT		hwn
F	17/08/2022	REVISION SUBJECT TO ARCH-COMMENT		hwn
E	17/05/2022	REVISION SUBJECT TO ARCH-COMMENT		hwn
D	08/04/2022	REVISION SUBJECT TO ARCH-COMMENT		hwn
C	17/12/2021	REVISION SUBJECT TO ARCH-COMMENT		hwn
B	29/11/2021	REVISION SUBJECT TO ARCH-COMMENT		hwn
A	03/11/2021	REVISION SUBJECT TO ARCH-COMMENT		hwn

JOB NO. : J-856

PROJECT : PROPOSED DEVELOPMENT ABOVE LIGHT RAIL TIN WING STOP-TS/WTL NO.23,AREA 33,TIN SHUI WAI, N.T.

TITLE : WINDOW SCHEDULE FOR TOWER 2 ALUM. WINDOW

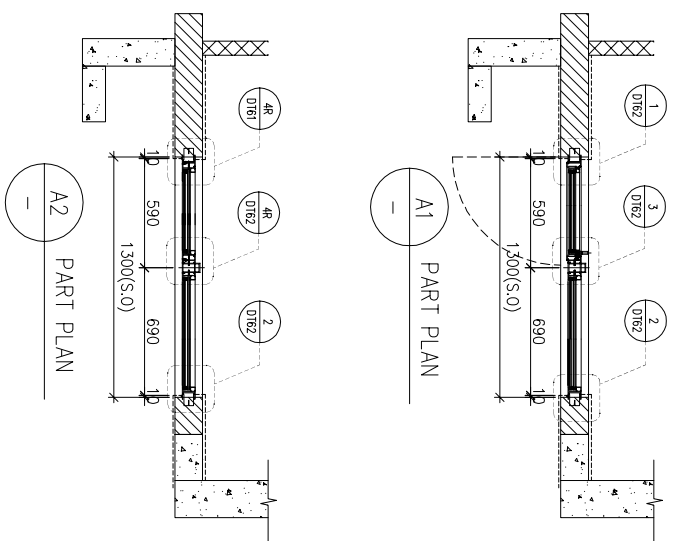
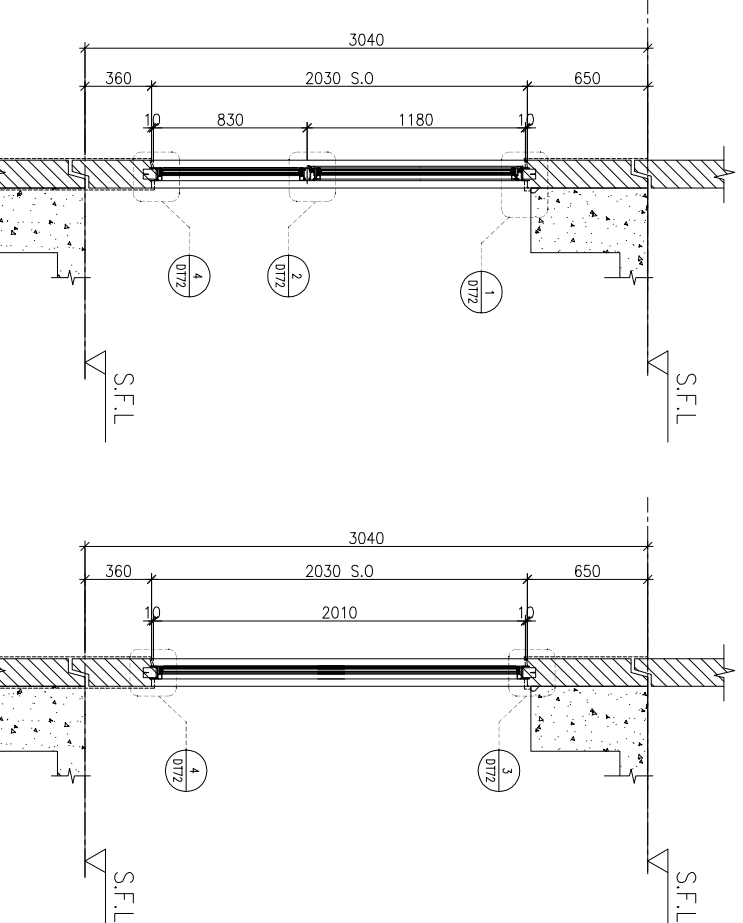
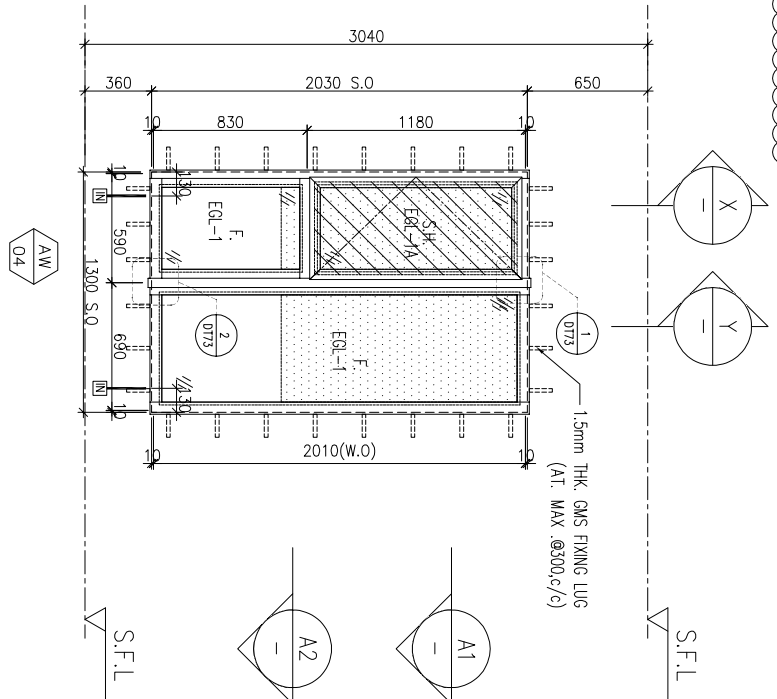
DATE : 02-Aug-21 SCALE : 1:40

DRAWN BY : ivon CHECKED BY :



DWG NO. : J856-SD-PW-5203 REV. : G

REQUIRED		PROVIDED	
LOCATION	OPENABLE AREA	GLAZING AREA	GLAZING AREA
A3-MBR	0.435	0.696	0.548
A7-MBR	0.435	0.696	1.24
B7-MBR	0.435	0.696	



FACADE CODE		
LWK	鴻輝	UNIT
PF-04	T2PF-24	B7
PF-04R	T2PF-07	A3
PF-04R	T2PF-15	A7

WINDOW MARK	AW 04
LOCATION	3/F-42/F(4/F,13/F,14/F,24/F,34/F OMITTED) UNIT A3, A7, B7
SECTION	70mm ALUM. SECTION
GLAZING	EGL-1, EGL-1A
QUANTITY	35 Nos / 35 Nos / 35 Nos
REMARKS	FACADE(TYPE T2PF04/04R FOR 3/F~42/F) 4 BAR HINGE-LIP HING (HHMS-N16)

BD. REF. :

CLIENT :



42/F, SUN HUNG KAI CENTRE, WANCHAI, HONGKONG

ARCHITECT :
lwk&partners
a r c h i t e c t s

MAIN CONTRACTOR :



STRUCTURAL ENGINEER :



FACADE CONSULTANT:



Steel Structure & Façade Specialist

- NOTE:
1. ALL DIMENSIONS ARE IN mm.
 2. ALL ELEVATIONS ARE VIEWED FROM OUTSIDE.
 3. ALL DIMENSIONS TO BE VERIFIED ON SITE BEFORE FABRICATION.

LEGEND :

- (X1) --- DETAIL MARK NO.
- (X001) --- REFER SHEET NO.

1. F.F.L. --- FINISHED FLOOR LEVEL
2. S.F.L. --- STRUCTURAL FLOOR LEVEL
3. (R) --- REVERSED DETAIL

4. GLASS LEGEND

- EGL-1 --- 8mmHS+12mm AIR GAP+10mmTP THK. I.G.U.
- EGL-2 --- 10mm THK. CLEAR TEMPERED GLASS
- EGL-4 --- 10mm THK. TEMPERED ACID ETCHED GLASS
- EGL-1A --- 8mmHS+12mm AIR GAP+8mmTP THK. I.G.U.
- EGL-1B --- 8mmHS+12mm AIR GAP+10mmTP THK. I.G.U.

NO.	DATE	REVISION	SUBJECT TO ARCH-COMMENT	BY
H	21/09/2022	REVISION	SUBJECT TO ARCH-COMMENT	ivan
G	17/08/2022	REVISION	SUBJECT TO ARCH-COMMENT	ivan
F	17/05/2022	REVISION	SUBJECT TO ARCH-COMMENT	ivan
E	09/04/2022	REVISION	SUBJECT TO ARCH-COMMENT	ivan
D	17/12/2021	REVISION	SUBJECT TO ARCH-COMMENT	ivan
C	29/11/2021	REVISION	SUBJECT TO ARCH-COMMENT	ivan

JOB NO. : J-856

PROJECT : PROPOSED DEVELOPMENT ABOVE LIGHT RAIL TIN WING STOP-TSWTL NO.23,AREA 33,TIN SHUI WAI, N.T.

TITLE : WINDOW SCHEDULE FOR TOWER 2 ALUM. WINDOW

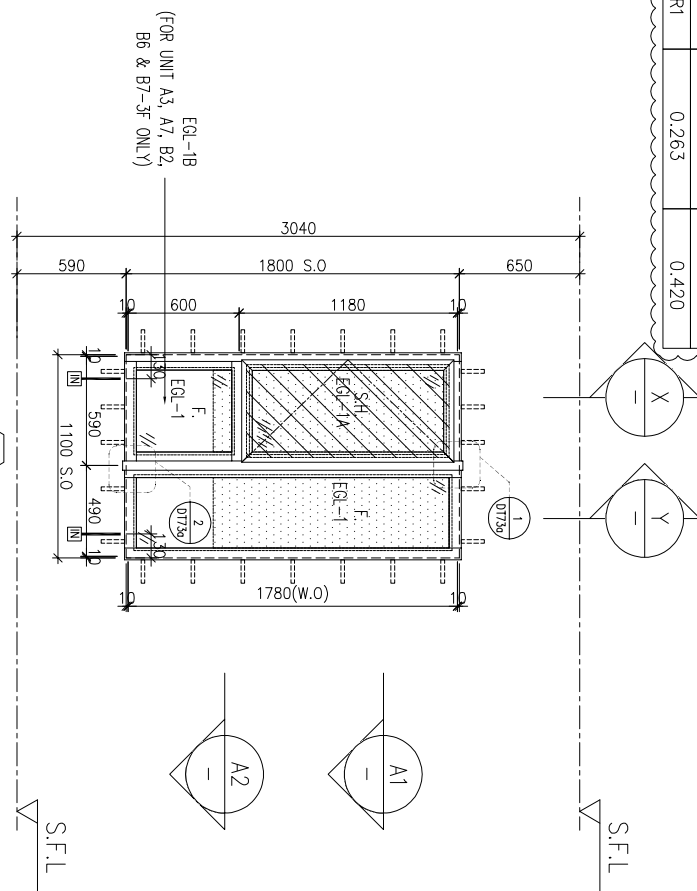
DATE : 02-Aug-21 SCALE : 1:40

DRAWN BY : ivan CHECKED BY :

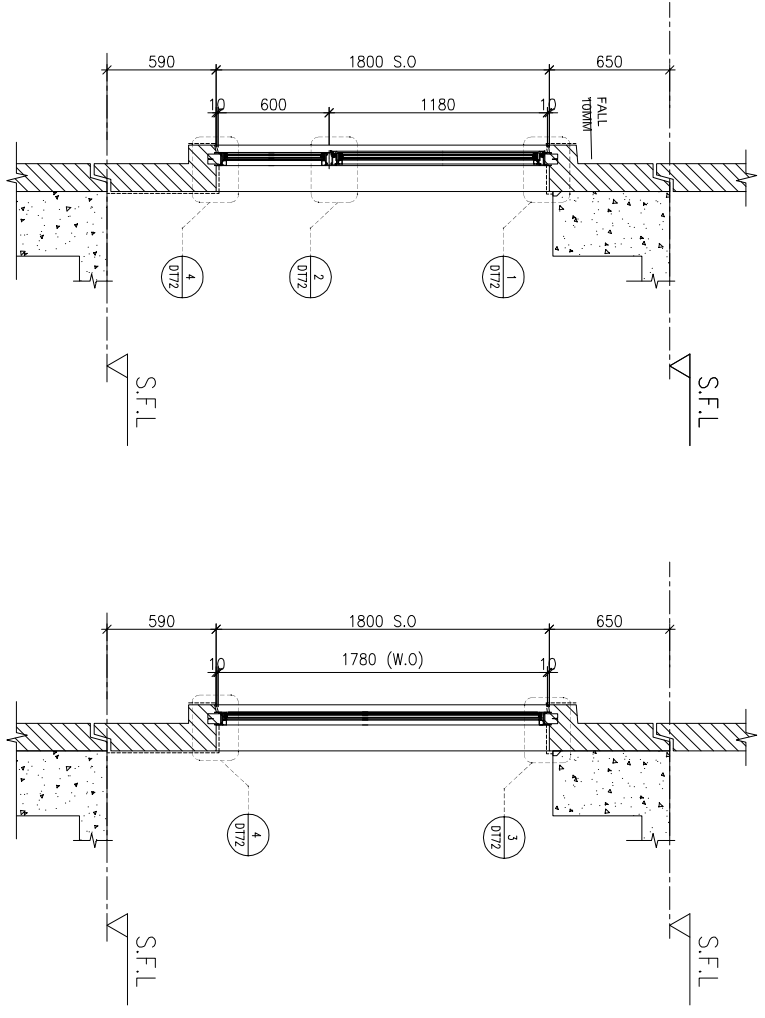


Units 6-8, Sunray Industrial Centre, 1/F
610 Cho Kwai Ling Road, Kwailoon
Tel:23489211-4 Fax:(852)27272666
DWG NO. : J856-SD-PW-5204 REV. : H

REQUIRED		PROVIDED	
LOCATION	OPENABLE AREA	GLAZING AREA	GLAZING AREA
A3-BR1	0.263	0.420	0.548
A7-BR1	0.263	0.420	0.985
B2-BR1	0.263	0.420	
B6-BR1	0.263	0.420	
B7-BR1	0.263	0.420	



ELEVATION



A1 PART PLAN

A2 PART PLAN

FACADE CODE		FACADE CODE	
LWK	UNIT	LWK	UNIT
PF-05	T2PF-06	A3	
PF-05	T2PF-14	A7	
PF-05	T2PF-22	B6	
PF-05	T2PF-25	B7	
		PF-05R	T2PF-02
			B2

LOCATION	SECTION	QUANTITY	REMARKS
3/F~42/F(4/F,13/F,14/F,24/F,34/F OMITTED) UNIT A3, A7(5~42/F), B6(5~42/F), B7(5~42/F)	70mm ALUM. SECTION	35 Nos / 34 Nos / 34 Nos / 34 Nos	FACADE(TYPE T2PF05 FOR 3/F~42/F) (4 BAR HINGE-LIP HING (HHMS-N16)
3/F~42/F(4/F,13/F,14/F,24/F,34/F OMITTED) UNIT B2, A7(3/F), B6(3/F), B7(3/F)	70mm ALUM. SECTION	35 Nos / 1 No / 1 No / 1 No	FACADE(TYPE T2PF05 FOR 3/F~42/F) (4 BAR HINGE-LIP HING (HHMS-N16)

BD. REF :

CLIENT :



MANU CONTRACTOR :
怡輝建築有限公司
Yee Fai Building Contractors Ltd.

STRUCTURAL ENGINEER :
ARUP

FACADE CONSULTANT:
ALPHA CONSULTING LIMITED
 Steel Structure & Façade Specialist

NOTE:
 1. ALL DIMENSIONS ARE IN mm.
 2. ALL ELEVATIONS ARE VIEWED FROM OUTSIDE.
 3. ALL DIMENSIONS TO BE VERIFIED ON SITE BEFORE FABRICATION.
 LEGEND:
 (X1) --- DETAIL MARK NO.
 (X001) --- REFER SHEET NO.

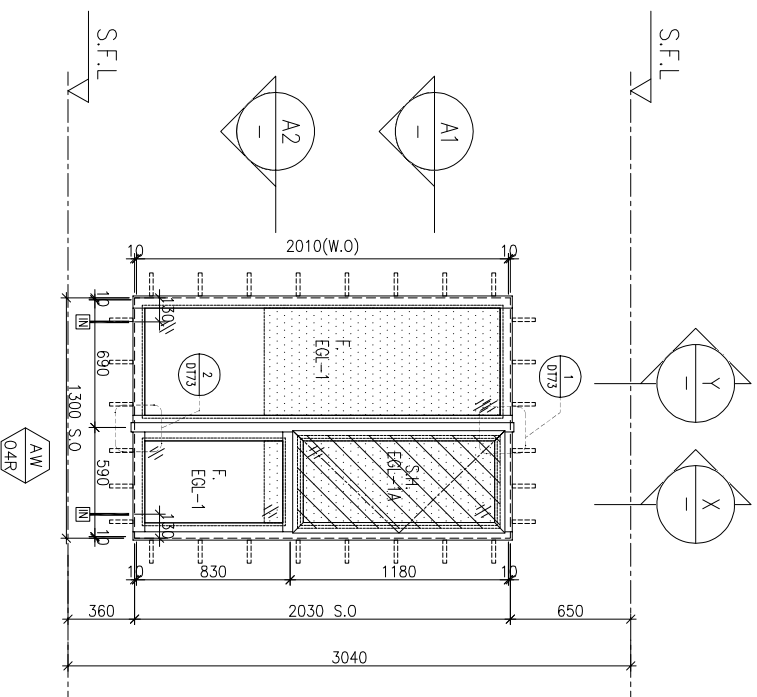
1. F.F.L. --- FINISHED FLOOR LEVEL
 2. S.F.L. --- STRUCTURAL FLOOR LEVEL
 3. (R) --- REVERSED DETAIL
 4. GLASS LEGEND
- EQI-1 --- 8mmHS+12mm AIR GAP+10mmTP THK. I.G.U.
 EQI-2 --- 10mm THK. CLEAR TEMPERED GLASS
 EQI-4 --- 10mm THK. TEMPERED ACID ETCHED GLASS
 EQI-1A --- 8mmHS+12mm AIR GAP+8mmTP THK. I.G.U.
 EQI-1B --- 8mmHS+12mm AIR GAP+10mmTP THK. I.G.U.

NO.	DATE	REVISION	REVISION SUBJECT TO ARCH-COMMENT	BY
H	17/08/2022	REVISION SUBJECT TO ARCH-COMMENT		hwn
G	17/08/2022	REVISION SUBJECT TO ARCH-COMMENT		hwn
F	27/06/2022	REVISION SUBJECT TO ARCH-COMMENT		hwn
E	17/09/2022	REVISION SUBJECT TO ARCH-COMMENT		hwn
D	08/04/2022	REVISION SUBJECT TO ARCH-COMMENT		hwn
C	17/12/2021	REVISION SUBJECT TO ARCH-COMMENT		hwn

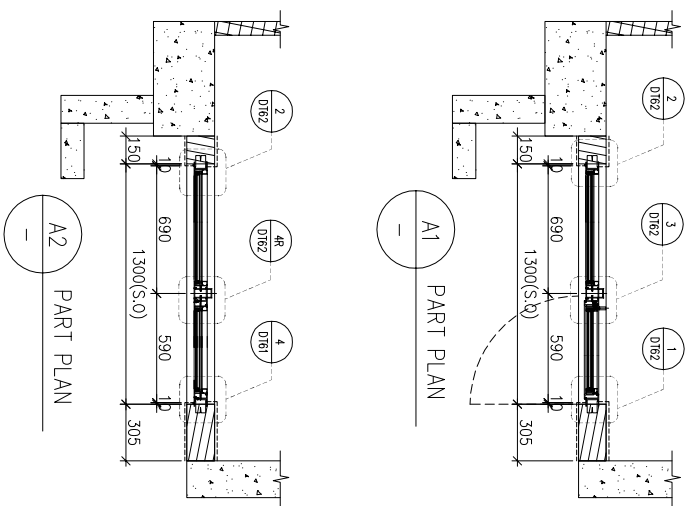
JOB NO. : J-856
 PROJECT : PROPOSED DEVELOPMENT ABOVE LIGHT RAIL TIN WING STOP-TSWTL NO.23,AREA 33,TIN SHUI WAI, N.T.
 TITLE : WINDOW SCHEDULE FOR TOWER 2 ALUM. WINDOW

DATE : 02-Aug-21 SCALE : 1:40
 DRAWN BY : hwn CHECKED BY :
美特鋁質有限公司
MIDI ALUMINIUM FABRICATOR LTD.
 Units 6-8, Sunray Industrial Centre, 1/F
 610 Cho Kwai Ling Road, Kwai Tsou
 Tel:23489211-4 Fax:(852)2727666
 DWG NO. : J856-SD-PW-5205 REV. : H

REQUIRED		PROVIDED	
LOCATION	OPENABLE AREA	GLAZING AREA	GLAZING AREA
A5-MBR	0.435	0.696	0.548
A6-MBR	0.295	0.472	1.24

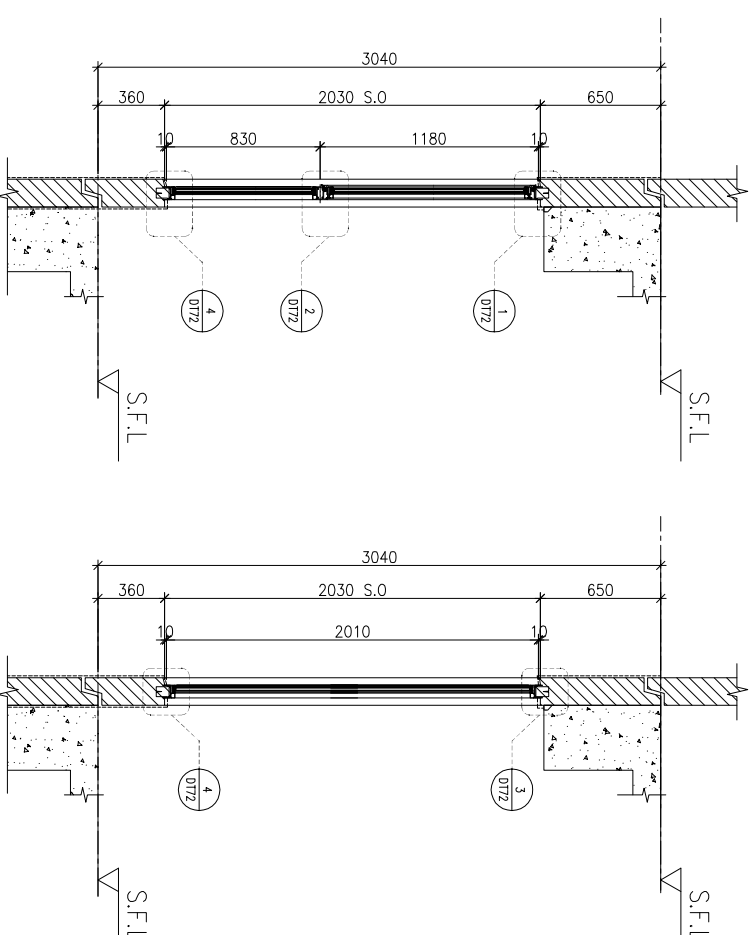


ELEVATION



FACADE CODE		
LWK	鴻輝	UNIT
PF-06R	T2PF-17	A5

WINDOW MARK	AW 04R	
LOCATION	3/F~42/F(4/F,13/F,14/F,24/F,34/F OMITTED) UNIT A5, A6(3/F)	
SECTION	70mm ALUM. SECTION	
GLAZING	EGL-1, EGL-1A	
QUANTITY	35 Nos / 1 No	
REMARKS	FACADE(TYPE T2PF06R FOR 3/F~42/F) (4 BAR HINGE-LIP HING (HHMS-N16))	



X PART SECTION

Y PART SECTION

WINDOW MARK	AW 04	
LOCATION	3/F~42/F(4/F,13/F,14/F,24/F,34/F OMITTED) UNIT A6(5/F~42/F)	
SECTION	70mm ALUM. SECTION	
GLAZING	EGL-1, EGL-1A	
QUANTITY	34 Nos	
REMARKS	FACADE(TYPE T2PF06 FOR 3/F~42/F) (4 BAR HINGE-LIP HING (HHMS-N16))	

BD. REF :

CLIENT :

SUN HUNG KAI
REAL ESTATE AGENCY LTD.

42/F, SUN HUNG KAI CENTRE, WANCHAI, HONGKONG

ARCHITECT :

lwk&partners
a r c h i t e c t s

MAIN CONTRACTOR :

怡輝建築有限公司
Yee Fai Building Contractors Ltd.

STRUCTURAL ENGINEER :

ARUP

FACADE CONSULTANT :

ALPHA CONSULTING LIMITED
Steel Structure & Façade Specialist

- NOTE :
1. ALL DIMENSIONS ARE IN mm.
 2. ALL ELEVATIONS ARE VIEWED FROM OUTSIDE.
 3. ALL DIMENSIONS TO BE VERIFIED ON SITE BEFORE FABRICATION.

LEGEND :

(X1) --- DETAIL MARK NO.
(X001) --- REFER SHEET NO.

1. F.F.L. --- FINISHED FLOOR LEVEL
2. S.F.L. --- STRUCTURAL FLOOR LEVEL
3. (R) --- REVERSED DETAIL

4. GLASS LEGEND

- EGL-1 --- 8mmHS+12mm AIR GAP+10mmTP THK. I.G.U.
EGL-2 --- 10mm THK. CLEAR TEMPERED GLASS
EGL-4 --- 10mm THK. TEMPERED ACID ETCHED GLASS
EGL-1A --- 8mmHS+12mm AIR GAP+8mmTP THK. I.G.U.
EGL-1B --- 8mmHS+12mm AIR GAP+10mmTP ACID-ETCHED THK. I.G.U.

NO.	DATE	REVISION	REVISION SUBJECT TO ARCH-COMMENT	BY
1	21/09/2022	REVISION SUBJECT TO ARCH-COMMENT		hcn
2	17/08/2022	REVISION SUBJECT TO ARCH-COMMENT		hcn
3	27/06/2022	REVISION SUBJECT TO ARCH-COMMENT		hcn
4	17/05/2022	REVISION SUBJECT TO ARCH-COMMENT		hcn
5	09/04/2022	REVISION SUBJECT TO ARCH-COMMENT		hcn
6	17/12/2021	REVISION SUBJECT TO ARCH-COMMENT		hcn
7	29/11/2021	REVISION SUBJECT TO ARCH-COMMENT		hcn

JOB NO. : J-856

PROJECT : PROPOSED DEVELOPMENT ABOVE LIGHT RAIL TIN WING STOP-TSWTL NO.23,AREA 33,TIN SHUI WAI, N.T.

TITLE : WINDOW SCHEDULE FOR TOWER 2 ALUM. WINDOW

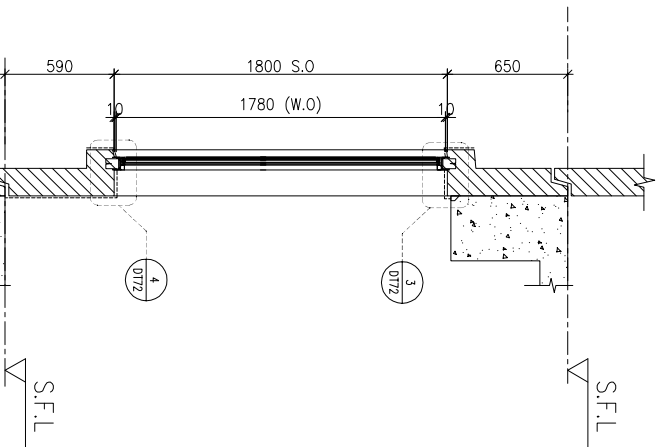
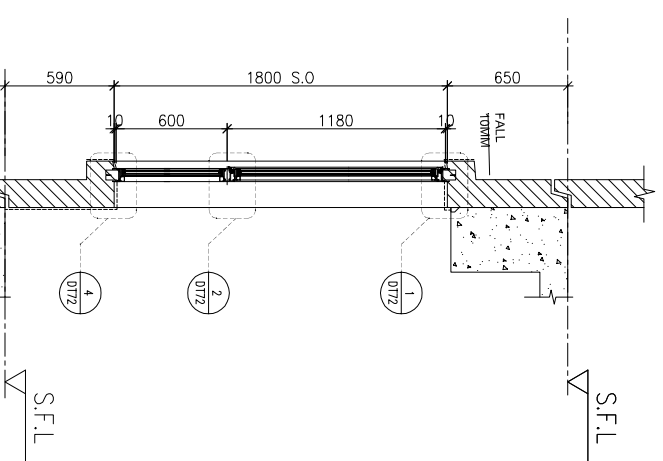
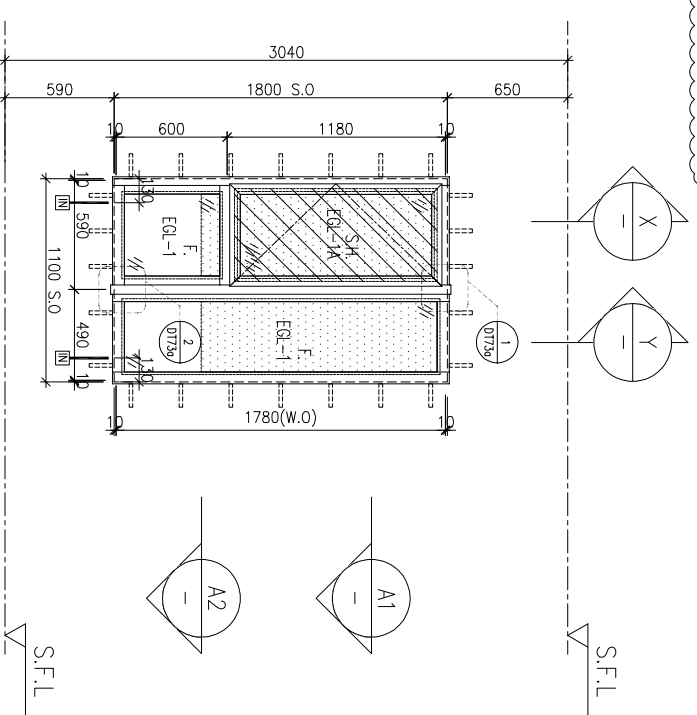
DATE : 02-Aug-21 SCALE : 1:40

DRAWN BY : ivon CHECKED BY :

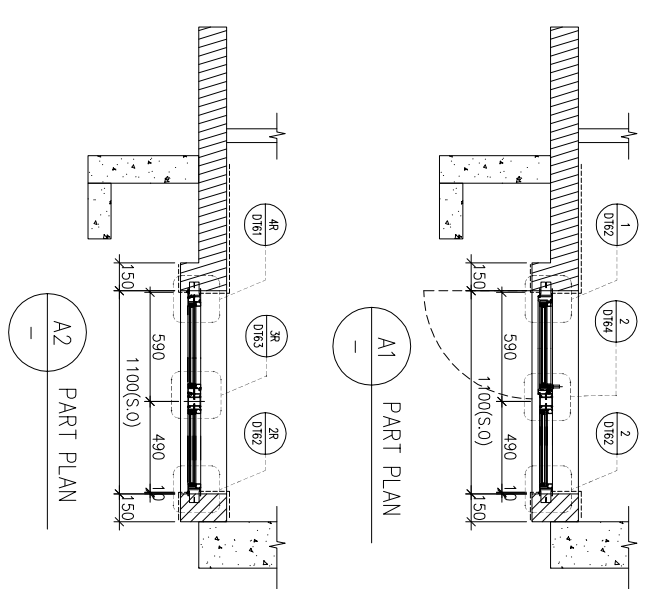
美特鋁質有限公司
MIDI ALUMINIUM FABRICATOR LTD.
Units 6-8, Sunray Industrial Centre, 1/F
610 Cho Kwai Ling Road, Kwai Tsing
Tel:23489211-4 Fax:(852)27272666

DWG NO. : J856-SD-PW-5206 REV. : 1

REQUIRED		PROVIDED	
LOCATION	OPENABLE AREA	GLAZING AREA	GLAZING AREA
A8-BR1	0.263	0.420	0.548
B1-BR1	0.263	0.420	0.985
B8-BR1	0.263	0.420	



ELEVATION



FACADE CODE		
LWK	鴻輝	UNIT
PF-08	T2PF-01	B1
PF-08	T2PF-13	A8
PF-08R	T2PF-26	B8

WINDOW MARK	AW 02	AW 02R
LOCATION	3/F~42/F(4/F,13/F,14/F,24/F,34/F OMITTED) UNIT B1, A8	3/F~42/F(4/F,13/F,14/F,24/F,34/F OMITTED) UNIT B8
SECTION	70mm ALUM. SECTION	70mm ALUM. SECTION
GLAZING	EGL-1,EGL-1A	EGL-1,EGL-1A
QUANTITY	35 Nos/35 Nos	35 Nos
REMARKS	FACADE(TYPE T2PF08 FOR 3/F~42/F) (4 BAR HINGE-LIP HING (HHMS-N16))	FACADE(TYPE T2PF08R FOR 3/F~42/F) (4 BAR HINGE-LIP HING (HHMS-N16))

BD. REF :

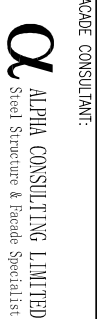
CLIENT :



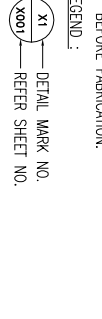
ARCHITECT :



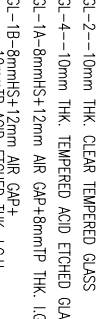
MANU CONTRACTOR :



STRUCTURAL ENGINEER :



FACADE CONSULTANT :

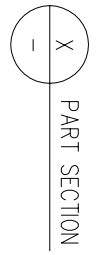
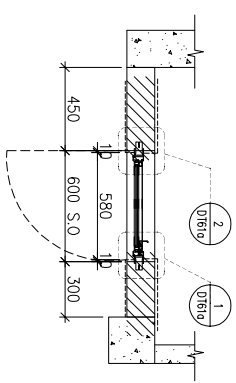
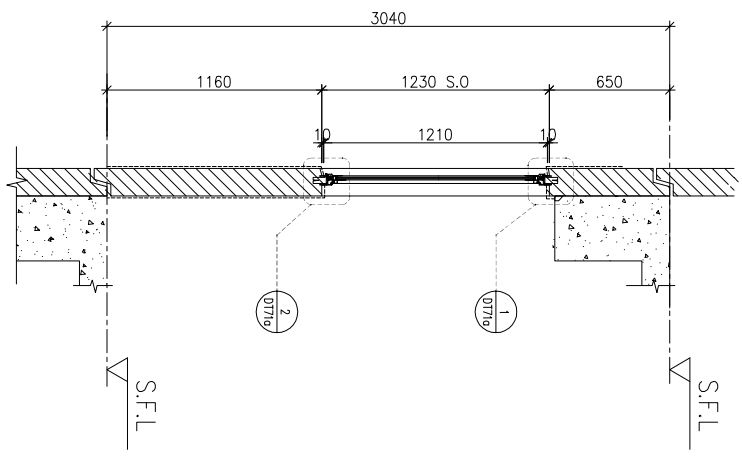
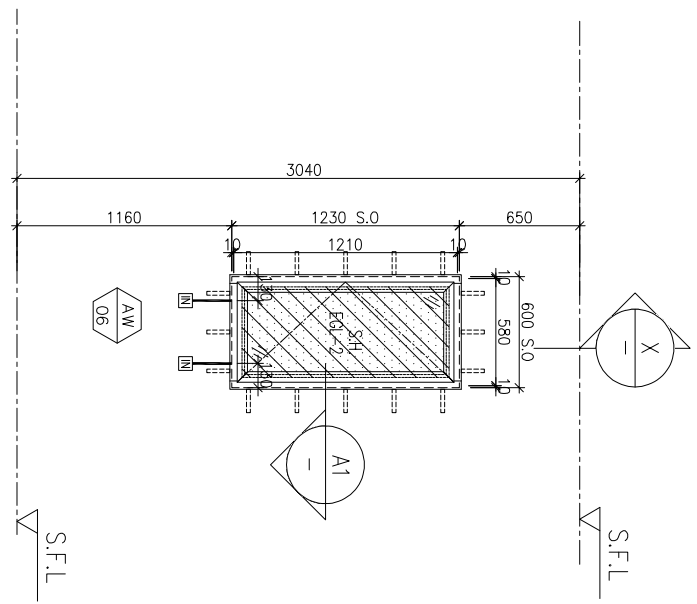


NOTE:
 1. ALL DIMENSIONS ARE IN mm.
 2. ALL ELEVATIONS ARE VIEWED FROM OUTSIDE.
 3. ALL DIMENSIONS TO BE VERIFIED ON SITE BEFORE FABRICATION.
 LEGEND:
 (X1) --- DETAIL MARK NO.
 (X001) --- REFER SHEET NO.
 1. F.F.L. --- FINISHED FLOOR LEVEL
 2. S.F.L. --- STRUCTURAL FLOOR LEVEL
 3. (R) --- REVERSED DETAIL
 4. GLASS LEGEND
 EGL-1 --- 8mmHS+12mm AIR GAP+10mmTP THK. I.G.U.
 EGL-2 --- 10mm THK. CLEAR TEMPERED GLASS
 EGL-4 --- 10mm THK. TEMPERED ACID ETCHED GLASS
 EGL-1A --- 8mmHS+12mm AIR GAP+8mmTP THK. I.G.U.
 EGL-1B --- 8mmHS+12mm AIR GAP+10mmTP ACID-ETCHED THK. I.G.U.

JOB NO. : J-856
 PROJECT : PROPOSED DEVELOPMENT ABOVE LIGHT RAIL TIN WING STOP-TSWTL NO.23,AREA 33,TIN SHUI WAI, N.T.
 TITLE : WINDOW SCHEDULE FOR TOWER 2 ALUM. WINDOW

DATE : 02-Aug-21 SCALE : 1:40
 DRAWN BY : IYON CHECKED BY :
 業特鋁質有限公司
 MIDT ALUMINIUM FABRICATOR LTD.
 Units 6-8, Sunray Industrial Centre, 1/F
 610 Cho Kwai Ling Road, Kwai Tsou
 Tel:23489211-4 Fax:(852)2727666
 DWG NO. : J856-SD-PW-5207 REV : G

REQUIRED		PROVIDED	
LOCATION	OPENABLE AREA	GLAZING AREA	OPENABLE AREA
B3-KIT	0.251	0.401	0.549
			GLAZING AREA
			0.456



ELEVATION

FACADE CODE		
LWK	鴻輝	UNIT
PF-09	T2PF-05	B3

WINDOW MARK	AW 06
LOCATION	3/F-42/F(4/F,13/F,14/F,24/F,34/F OMITTED) UNIT B3
SECTION	50mm ALUM. SECTION
GLAZING	EGL-2
QUANTITY	35 Nos
REMARKS	FACADE(TYPE T2PF09 FOR 3/F-42/F) 4 BAR HINGE-LIP HING (HHMS-N16)

BD. REF :

CLIENT :



ARCHITECT :



MAIN CONTRACTOR :



STRUCTURAL ENGINEER :



FACADE CONSULTANT:



NOTE:
 1. ALL DIMENSIONS ARE IN mm.
 2. ALL ELEVATIONS ARE VIEWED FROM OUTSIDE.
 3. ALL DIMENSIONS TO BE VERIFIED ON SITE BEFORE FABRICATION.
 LEGEND:
 (X1) --- DETAIL MARK NO.
 (X001) --- REFER SHEET NO.

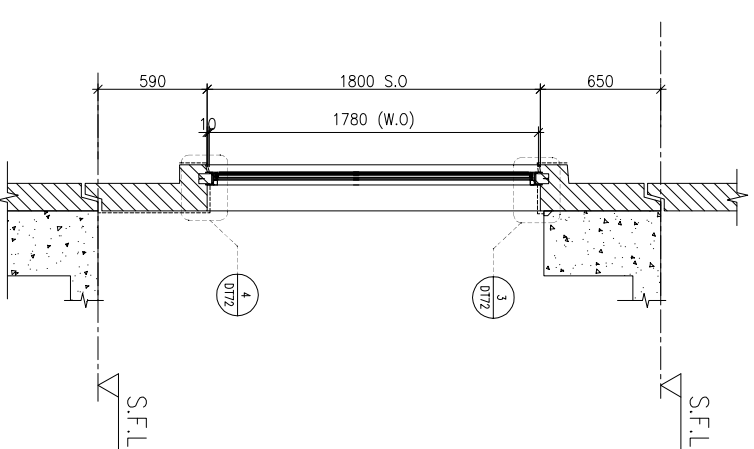
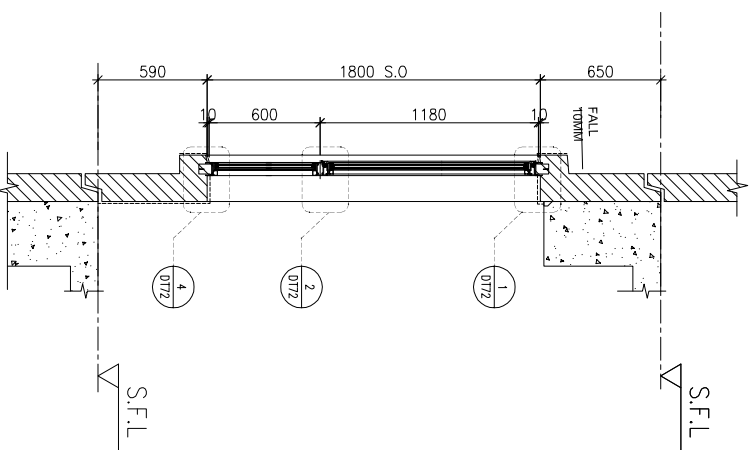
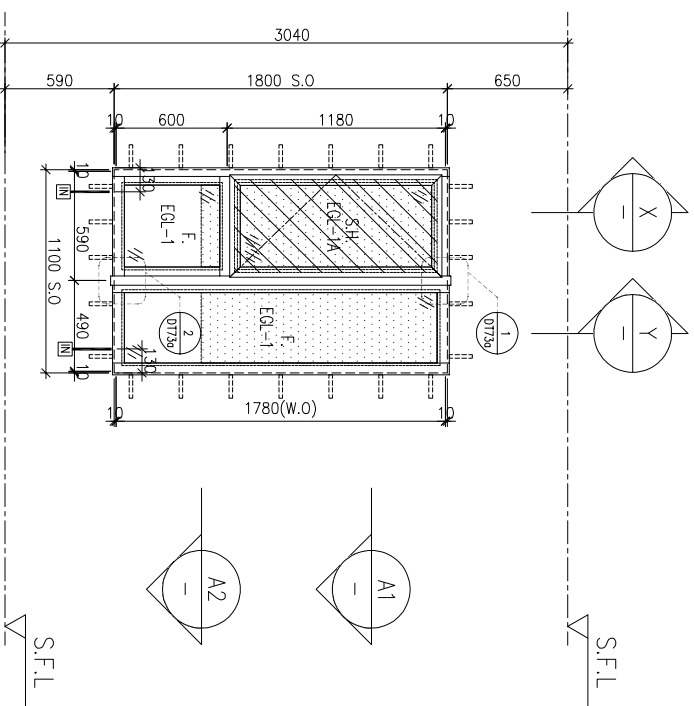
1. F.F.L. --- FINISHED FLOOR LEVEL
 2. S.F.L. --- STRUCTURAL FLOOR LEVEL
 3. (R) --- REVERSED DETAIL
 4. GLASS LEGEND
- EGL-1 --- 8mmHS+12mm AIR GAP+10mmTP THK. I.G.U.
 EGL-2 --- 10mm THK. CLEAR TEMPERED GLASS
 EGL-4 --- 10mm THK. TEMPERED ACID ETCHED GLASS
 EGL-1A --- 8mmHS+12mm AIR GAP+8mmTP THK. I.G.U.
 EGL-1B --- 8mmHS+12mm AIR GAP+10mmTP ACID-ETCHED THK. I.G.U.

NO.	DATE	REVISION	SUBJECT TO ARCH.COMMENT	BY
G	21/09/2022	REVISION	SUBJECT TO ARCH.COMMENT	hcn
F	17/07/2022	REVISION	SUBJECT TO ARCH.COMMENT	hcn
E	18/05/2022	REVISION	SUBJECT TO ARCH.COMMENT	hcn
D	08/04/2022	REVISION	SUBJECT TO ARCH.COMMENT	hcn
C	17/12/2021	REVISION	SUBJECT TO ARCH.COMMENT	hcn
B	29/11/2021	REVISION	SUBJECT TO ARCH.COMMENT	hcn
A	03/11/2021	REVISION	SUBJECT TO ARCH.COMMENT	hcn

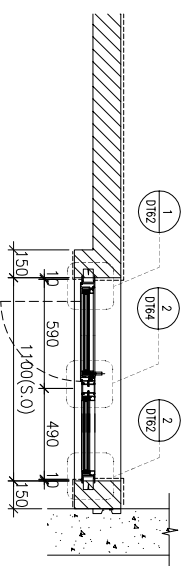
JOB NO. : J-856
 PROJECT : PROPOSED DEVELOPMENT ABOVE LIGHT RAIL TIN WING STOP-TSWTL NO.23,AREA 33,TIN SHUI WAI, N.T.
 TITLE : WINDOW SCHEDULE FOR TOWER 2 ALUM. WINDOW
 DATE : 02-Aug-21
 SCALE : 1:40
 DRAWN BY : Ivan
 CHECKED BY :

業特鋁質有限公司
 MIDJ ALUMINIUM FABRICATOR LTD.
 Units 6-8, Sunray Industrial Centre, 1/F
 610 Cho Kwai Ling Road, Kwai Tsoum
 Tel:23489211-4 Fax:(852)2727666
 DWG NO. : J856-SD-PW-5208 REV. : G

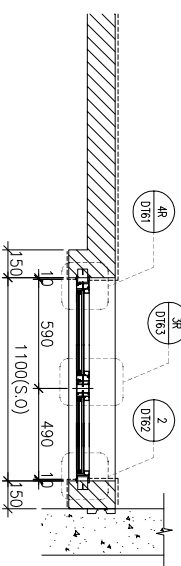
LOCATION	OPENABLE AREA	GLAZING AREA	OPENABLE AREA	GLAZING AREA
B3-BR1	0.263	0.420	0.548	0.985



ELEVATION



A1 PART PLAN



A2 PART PLAN

FACADE CODE		
LWK	鴻輝	UNIT
PF-19	T2PF-04	B3

WINDOW MARK	AW 02
LOCATION	3/F-42/F(4/F,13/F,14/F,24/F,34/F OMITTED) UNIT B3
SECTION	70mm ALUM. SECTION
GLAZING	EGL-1, EGL-1A
QUANTITY	35 Nos
REMARKS	FACADE(TYPE T1PF19 FOR 3/F-42/F) 4 BAR HINGE-LIP HING (HHMS-N16)

BD. REF :

CLIENT :

SUN HUNG KAI
REAL ESTATE AGENCY LTD.
42/F, SUN HUNG KAI CENTRE, WANCHAI, HONGKONG

ARCHITECT :

lwk&partners
a r c h i t e c t s

MAIN CONTRACTOR :

怡輝建築有限公司
Yee Fai Building Contractors Ltd.

STRUCTURAL ENGINEER :

ARUP

FACADE CONSULTANT :

ALPHA CONSULTING LIMITED
Steel Structure & Façade Specialist

NOTE :

1. ALL DIMENSIONS ARE IN mm.
2. ALL ELEVATIONS ARE VIEWED FROM OUTSIDE.
3. ALL DIMENSIONS TO BE VERIFIED ON SITE BEFORE FABRICATION.

LEGEND :

- (X1) --- DETAIL MARK NO.
- (X001) --- REFER SHEET NO.
- 1. F.F.L. --- FINISHED FLOOR LEVEL
- 2. S.F.L. --- STRUCTURAL FLOOR LEVEL
- 3. (R) --- REVERSED DETAIL

4. GLASS LEGEND

- EGL-1 --- 8mmHS+12mm AIR GAP+10mmTP THK. I.G.U.
- EGL-2 --- 10mm THK. CLEAR TEMPERED GLASS
- EGL-4 --- 10mm THK. TEMPERED ACID ETCHED GLASS
- EGL-1A --- 8mmHS+12mm AIR GAP+8mmTP THK. I.G.U.
- EGL-1B --- 8mmHS+12mm AIR GAP+10mmTP ACID-ETCHED THK. I.G.U.

NO.	DATE	REVISION	SUBJECT TO ARCH-COMMENT	BY
H	21/09/2022	REVISION	SUBJECT TO ARCH-COMMENT	hwk
G	17/08/2022	REVISION	SUBJECT TO ARCH-COMMENT	hwk
F	18/05/2022	REVISION	SUBJECT TO ARCH-COMMENT	hwk
E	09/04/2022	REVISION	SUBJECT TO ARCH-COMMENT	hwk
D	17/12/2021	REVISION	SUBJECT TO ARCH-COMMENT	hwk
C	29/11/2021	REVISION	SUBJECT TO ARCH-COMMENT	hwk

JOB NO. : J-856

PROJECT :

PROPOSED DEVELOPMENT ABOVE
LIGHT RAIL TIN WING STOP-TSWTL
NO.23,AREA 33,TIN SHUI WAI, N.T.

TITLE :

WINDOW SCHEDULE FOR
TOWER 2 ALUM. WINDOW

DATE : 02-Aug-21 SCALE : 1:40

DRAWN BY : Ivnv CHECKED BY :

美特鋁質有限公司
MDI ALUMINIUM FABRICATOR LTD.
Units 6-8, Sunray Industrial Centre, 1/F
610 Cho Kwai Ling Road, Kwai Tsoum
Tel:23489211-4 Fax:(852)2727666

DWG NO. : J856-SD-PW-5209 REV. : H

B.D. REF :

CLIENT :

SUN HUNG KAI
REAL ESTATE AGENCY LTD.
42/F SUN HUNG KAI CENTRE, WANCHAI, HONGKONG

ARCHITECT :

lwk&partners
a r c h i t e c t s

MAIN CONTRACTOR :

怡輝建築有限公司
Yee Fai Building Contractors Ltd.

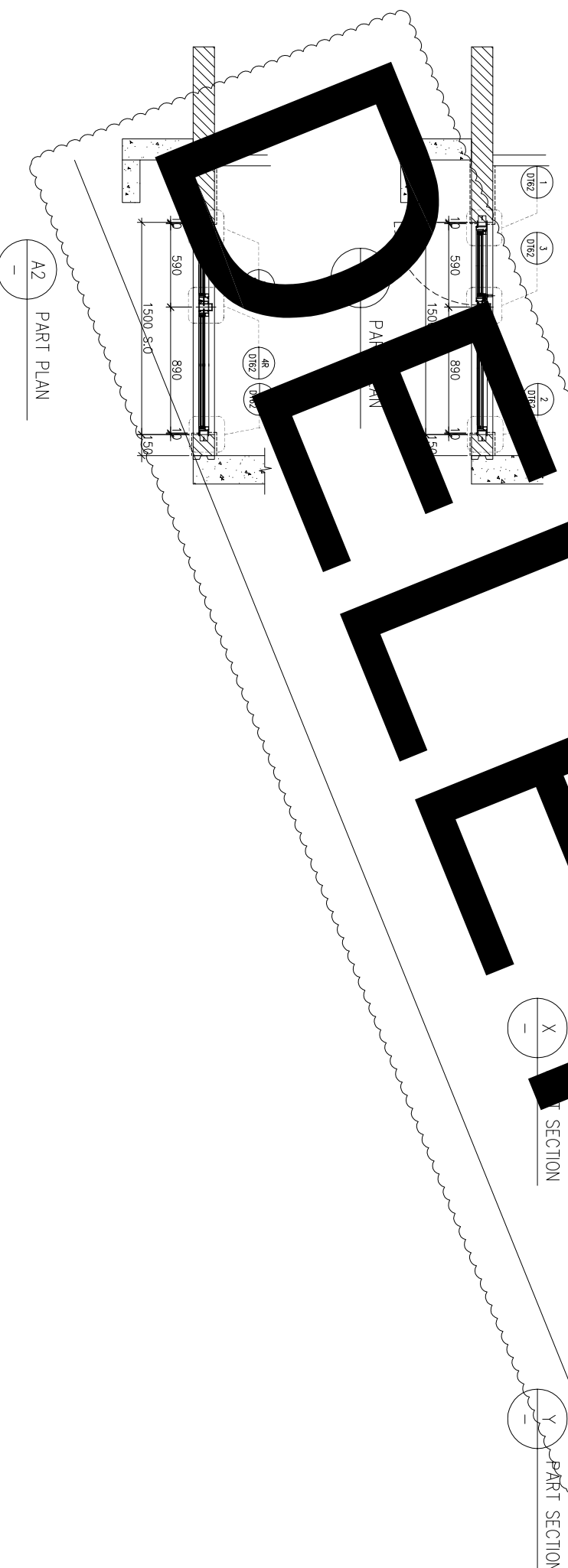
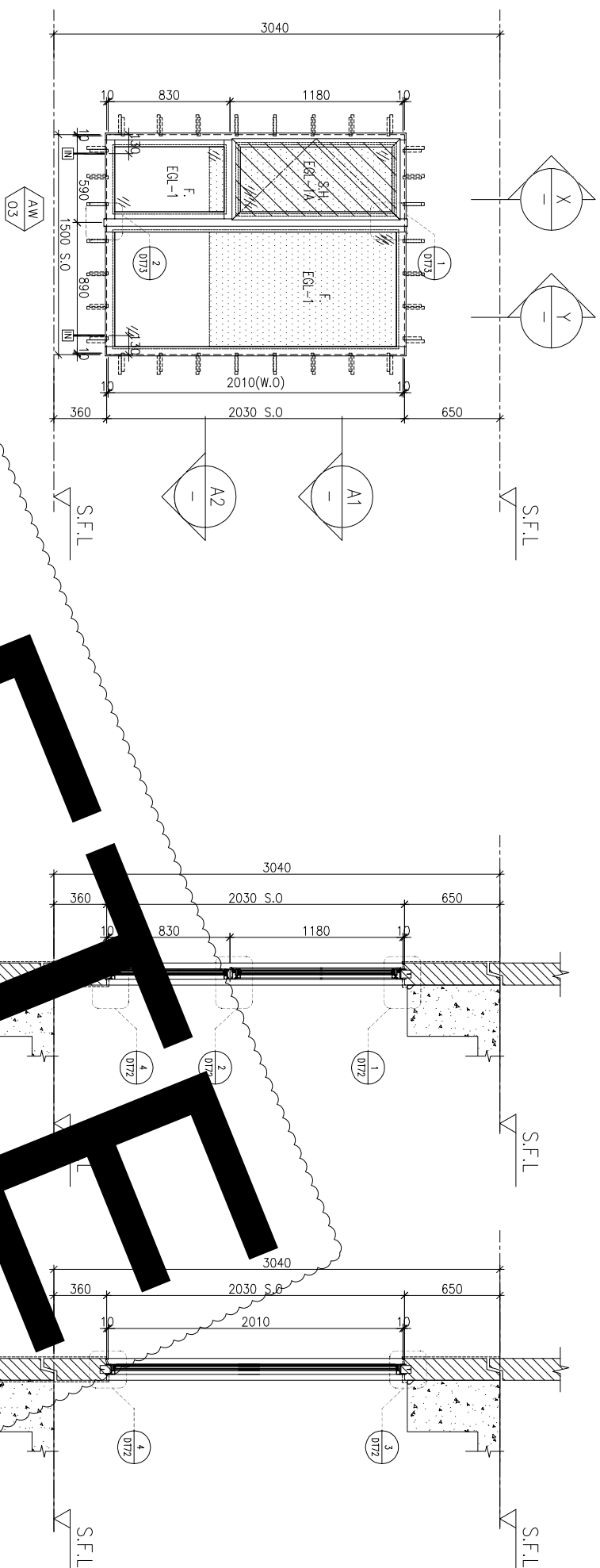
STRUCTURAL ENGINEER :

ARUP

FAÇADE CONSULTANT:

ALPHA CONSULTING LIMITED
Steel Structure & Façade Specialist

ELEVATION



FAÇADE CODE		
LWK	鴻輝	UNIT
PF-11	T2PF-??	B5

CHANGE TO IN-SITU WINDOWS

WINDOW MARK
AW 03

LOCATION 3/F~42/F(4/F,13/F,14/F,24/F,34/F OMITTED) UNIT B5

SECTION 70mm ALUM. SECTION

GLAZING EGL-1,EGL-1A

QUANTITY 35 Nos

REMARKS FAÇADE(TYPE T2PF1) FOR 3/F~42/F)

NOTE:

1. ALL DIMENSIONS ARE IN mm.
2. ALL ELEVATIONS ARE VIEWED FROM OUTSIDE.
3. ALL DIMENSIONS TO BE VERIFIED ON SITE BEFORE FABRICATION.

LEGEND :

(X1) --- DETAIL MARK NO.
(X001) --- REFER SHEET NO.

1. F.F.L. --- FINISHED FLOOR LEVEL
2. S.F.L. --- STRUCTURAL FLOOR LEVEL
3. (R) --- REVERSED DETAIL

4. GLASS LEGEND

EGL-1 --- 8mmHS+12mm AIR GAP+10mmTP THK. I.G.U.
EGL-2 --- 10mm THK. CLEAR TEMPERED GLASS
EGL-4 --- 10mm THK. TEMPERED ACID ETCHED GLASS
EGL-1A --- 8mmHS+12mm AIR GAP+8mmTP THK. I.G.U.
EGL-1B --- 8mmHS+12mm AIR GAP+10mmTP ACID-ETCHED THK. I.G.U.

NO.	DATE	REVISION	REVISION SUBJECT TO ARCH-COMMENT	BY
F	18/05/2022	REVISION SUBJECT TO ARCH-COMMENT	None	
E	09/04/2022	REVISION SUBJECT TO ARCH-COMMENT	None	
D	17/12/2021	REVISION SUBJECT TO ARCH-COMMENT	None	
C	29/11/2021	REVISION SUBJECT TO ARCH-COMMENT	None	
B	03/11/2021	REVISION SUBJECT TO ARCH-COMMENT	None	
A	12/10/2021	REVISION SUBJECT TO ARCH-COMMENT	None	

JOB NO. : J-856

PROJECT : PROPOSED DEVELOPMENT ABOVE LIGHT RAIL TIN WING STOP-TSWTL NO.23,AREA 33,TIN SHUI WAI, N.T.

TITLE : WINDOW SCHEDULE FOR TOWER 2 ALUM. WINDOW

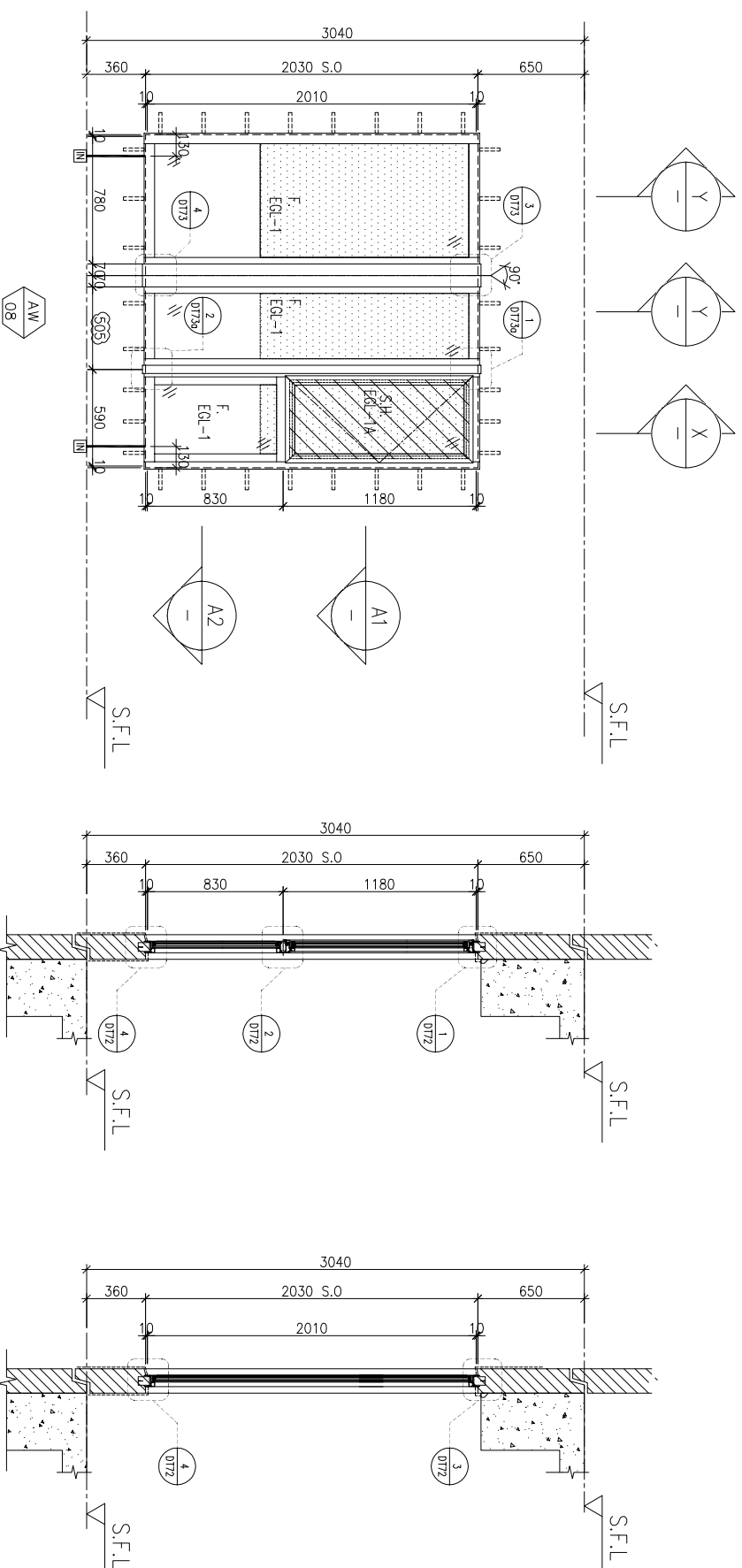
DATE : 02-Aug-21 SCALE : 1:40

DRAWN BY : Ivnv CHECKED BY :

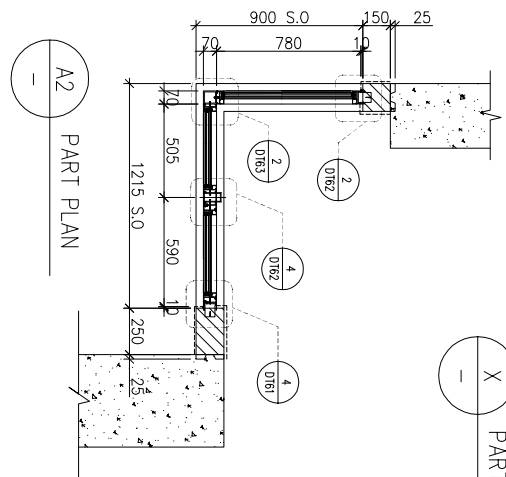
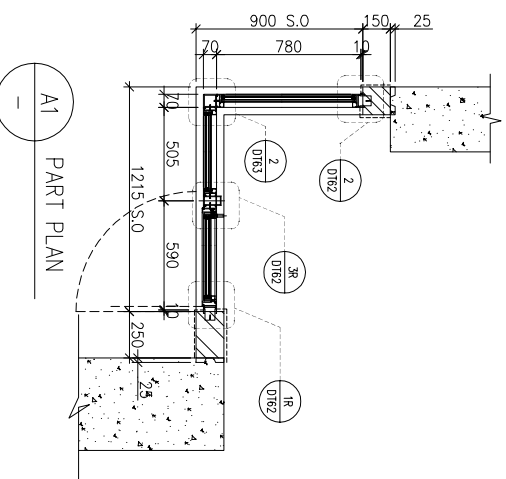
美特鋁質有限公司
MIDI ALUMINIUM FABRICATOR LTD.
Units 6-8, Sunray Industrial Centre, 1/F
610 Cho Kwai Ling Road, Kwai Tsou
Tel:23489211-4 Fax:(852)27272666

DWG NO. : J856-SD-PW-5210 REV. : F

REQUIRED		PROVIDED	
LOCATION	OPENABLE AREA	GLAZING AREA	GLAZING AREA
B8-BR2	0.277	0.443	0.525
			1.873



ELEVATION



X PART SECTION

Y PART SECTION

FACADE CODE		
LWK	鴻輝	UNIT
PF-13	T2PF-27	B8

WINDOW MARK

LOCATION 3/F-42/F, 4/F, 13/F, 14/F, 24/F, 34/F OMITTED UNIT B8

SECTION 70mm ALUM. SECTION

GLAZING EGL-1, EGL-1A

QUANTITY 35 Nos

REMARKS FACADE (TYPE T2PF13 FOR 3/F-42/F) 4 BAR HINGE-LIP HING (HHMS-N16)

NO.	DATE	REVISION	BY
H	17/08/2022	REVISION SUBJECT TO ARCH-COMMENT	ivan
G	17/08/2022	REVISION SUBJECT TO ARCH-COMMENT	ivan
F	18/05/2022	REVISION SUBJECT TO ARCH-COMMENT	ivan
E	09/04/2022	REVISION SUBJECT TO ARCH-COMMENT	ivan
D	17/12/2021	REVISION SUBJECT TO ARCH-COMMENT	ivan
C	29/11/2021	REVISION SUBJECT TO ARCH-COMMENT	ivan

JOB NO. : J-856
 PROJECT : PROPOSED DEVELOPMENT ABOVE LIGHT RAIL TIN WING STOP-TSWTL NO.23, AREA 33, TIN SHUI WAI, N.T.
 TITLE : WINDOW SCHEDULE FOR TOWER 2 ALUM. WINDOW

DATE : 02-Aug-21
 SCALE : 1:40
 DRAWN BY : Ivan
 CHECKED BY :

UNITED ALUMINIUM FABRICATOR LTD.
 美特鋁質有限公司
 Units 6-8, Sunray Industrial Centre, 1/F
 610 Cho Kwai Ling Road, Kwai Tsoum
 Tel: 23489211-4 Fax: (852) 2727666
 DWG NO. : J856-SD-PW-5211 REV. : H

BD. REF. :

CLIENT : **SUN HUNG KAI**
 REAL ESTATE AGENCY LTD.
 42/F, SUN HUNG KAI CENTRE, WANCHAI, HONGKONG

ARCHITECT : **lwk&partners**
 a r c h i t e c t s

MAIN CONTRACTOR : **怡輝建築有限公司**
Yee Fai Building Contractors Ltd.

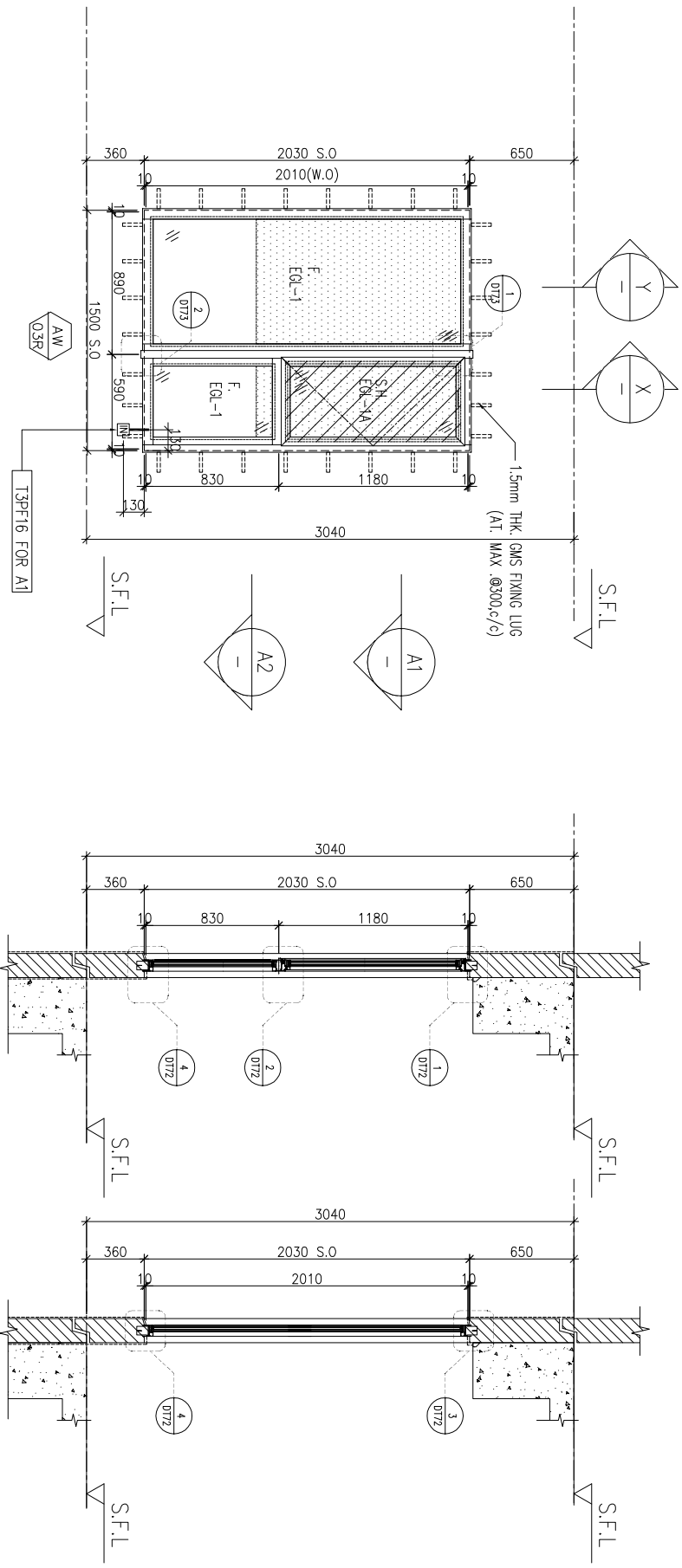
STRUCTURAL ENGINEER : **ARUP**
 ALPHA CONSULTING LIMITED
 Steel Structure & Façade Specialist

FACADE CONSULTANT:

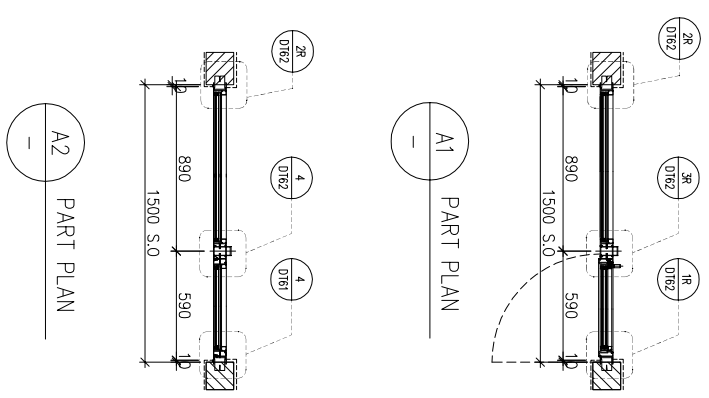
NOTE:
 1. ALL DIMENSIONS ARE IN mm.
 2. ALL ELEVATIONS ARE VIEWED FROM OUTSIDE.
 3. ALL DIMENSIONS TO BE VERIFIED ON SITE BEFORE FABRICATION.

LEGEND:
 X1 --- DETAIL MARK NO.
 X001 --- REFER SHEET NO.
 1. F.F.L. --- FINISHED FLOOR LEVEL
 2. S.F.L. --- STRUCTURAL FLOOR LEVEL
 3. (R) --- REVERSED DETAIL
 4. GLASS LEGEND
 EGL-1 --- 8mmHS+12mm AIR GAP+10mmTP THK. I.G.U.
 EGL-2 --- 10mm THK. CLEAR TEMPERED GLASS
 EGL-4 --- 10mm THK. TEMPERED ACID ETCHED GLASS
 EGL-1A --- 8mmHS+12mm AIR GAP+8mmTP THK. I.G.U.
 EGL-1B --- 8mmHS+12mm AIR GAP+10mmTP ADD-ETCHED THK. I.G.U.

REQUIRED		PROVIDED	
LOCATION	OPENABLE AREA	GLAZING AREA	OPENABLE AREA
B6-MBR	0.435	0.696	0.548
			GLAZING AREA
			1.495



ELEVATION



FACADE CODE		
LWK	鴻輝	UNIT
PF-20R	T2PF-23	B6

WINDOW MARK	AW 03R
LOCATION	3/F-42/F(4/F,13/F,14/F,24/F,34/F OMITTED) UNIT B6
SECTION	70mm ALUM. SECTION
GLAZING	EGL-1, EGL-1A
QUANTITY	35 Nos
REMARKS	FACADE(TYPE T2PF20R FOR 3/F~42/F) 4 BAR HINGE-LIP HING (HHMS-N16)

BD. REF. :

CLIENT : **SUN HUNG KAI**
REAL ESTATE AGENCY LTD.
42/F SUN HUNG KAI CENTRE, WANCHAI, HONGKONG

ARCHITECT : **lwk&partners**
a r c h i t e c t s

MAIN CONTRACTOR : **怡輝建築有限公司**
Yee Fai Building Contractors Ltd.

STRUCTURAL ENGINEER : **ARUP**

FACADE CONSULTANT : **ALPHA CONSULTING LIMITED**
Steel Structure & Façade Specialist

NOTE :

- ALL DIMENSIONS ARE IN mm.
- ALL ELEVATIONS ARE VIEWED FROM OUTSIDE.
- ALL DIMENSIONS TO BE VERIFIED ON SITE BEFORE FABRICATION.

LEGEND :

(X1) --- DETAIL MARK NO.
(X001) --- REFER SHEET NO.

- F.F.L. --- FINISHED FLOOR LEVEL
- S.F.L. --- STRUCTURAL FLOOR LEVEL
- (R) --- REVERSED DETAIL

4. GLASS LEGEND

EGL-1 --- 8mmHS+12mm AIR GAP+10mmTP THK. I.G.U.
EGL-2 --- 10mm THK. CLEAR TEMPERED GLASS
EGL-4 --- 10mm THK. TEMPERED ACID ETCHED GLASS
EGL-1A --- 8mmHS+12mm AIR GAP+8mmTP THK. I.G.U.
EGL-1B --- 8mmHS+12mm AIR GAP+10mmTP ACID-ETCHED THK. I.G.U.

NO.	DATE	REVISION	REVISION SUBJECT TO ARCH-COMMENT	BY
D	17/08/2022	REVISION SUBJECT TO ARCH-COMMENT	None	None
C	17/08/2022	REVISION SUBJECT TO ARCH-COMMENT	None	None
B	18/05/2022	REVISION SUBJECT TO ARCH-COMMENT	None	None
A	17/12/2021	REVISION SUBJECT TO ARCH-COMMENT	None	None

JOB NO. : J-856

PROJECT : PROPOSED DEVELOPMENT ABOVE LIGHT RAIL TIN WING STOP-TSWTL NO.23,AREA 33,TIN SHUI WAI, N.T.

TITLE : WINDOW SCHEDULE FOR TOWER 2 ALUM. WINDOW

DATE : 02-Aug-21 SCALE : 1:40

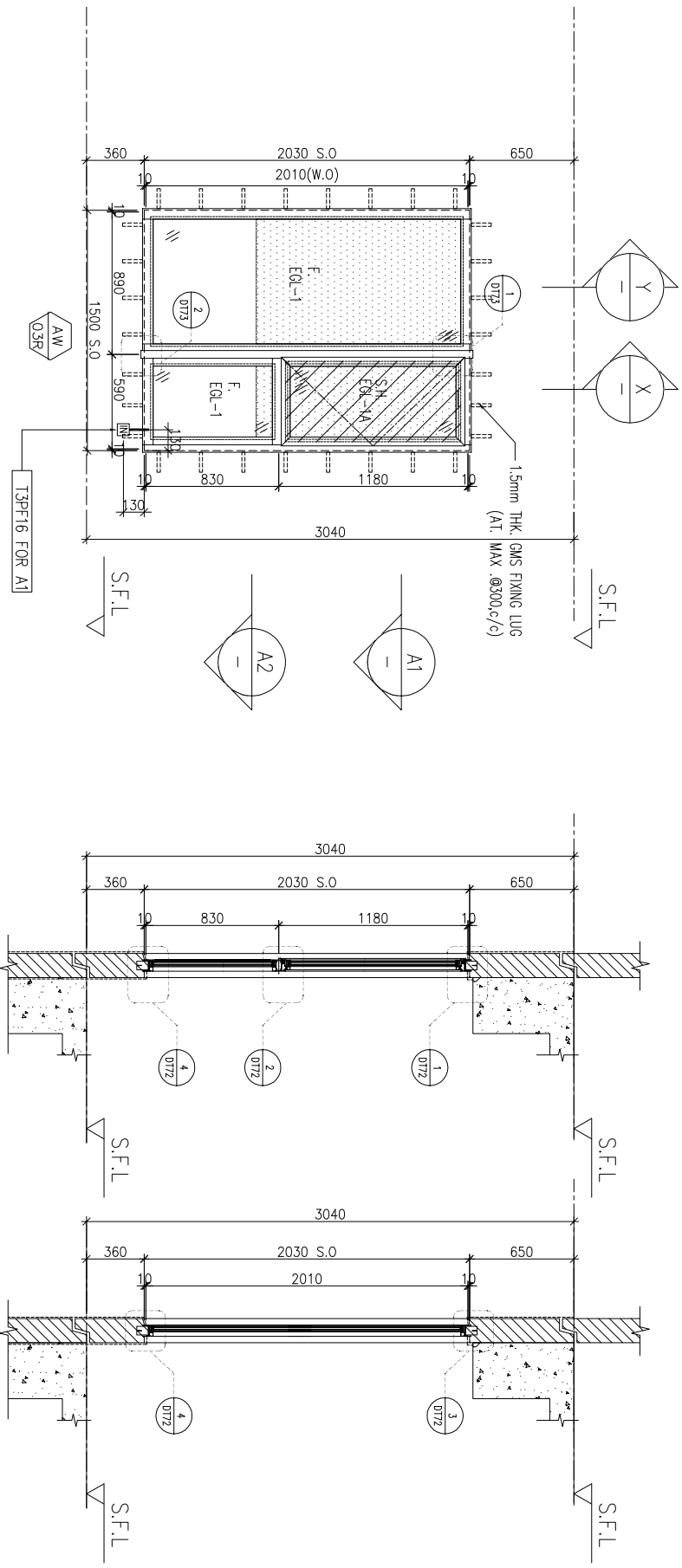
DRAWN BY : Ivan CHECKED BY :

UNITED STATES OF AMERICA

美特鋁質有限公司
MIDI ALUMINUM FABRICATOR LTD.
Units 6-8, Sunray Industrial Centre, 1/F
610 Cho Kwai Ling Road, Kowloon
Tel:23489211-4 Fax:(852)2727666

DWG NO. : J856-SD-PW-5212 REV. : D

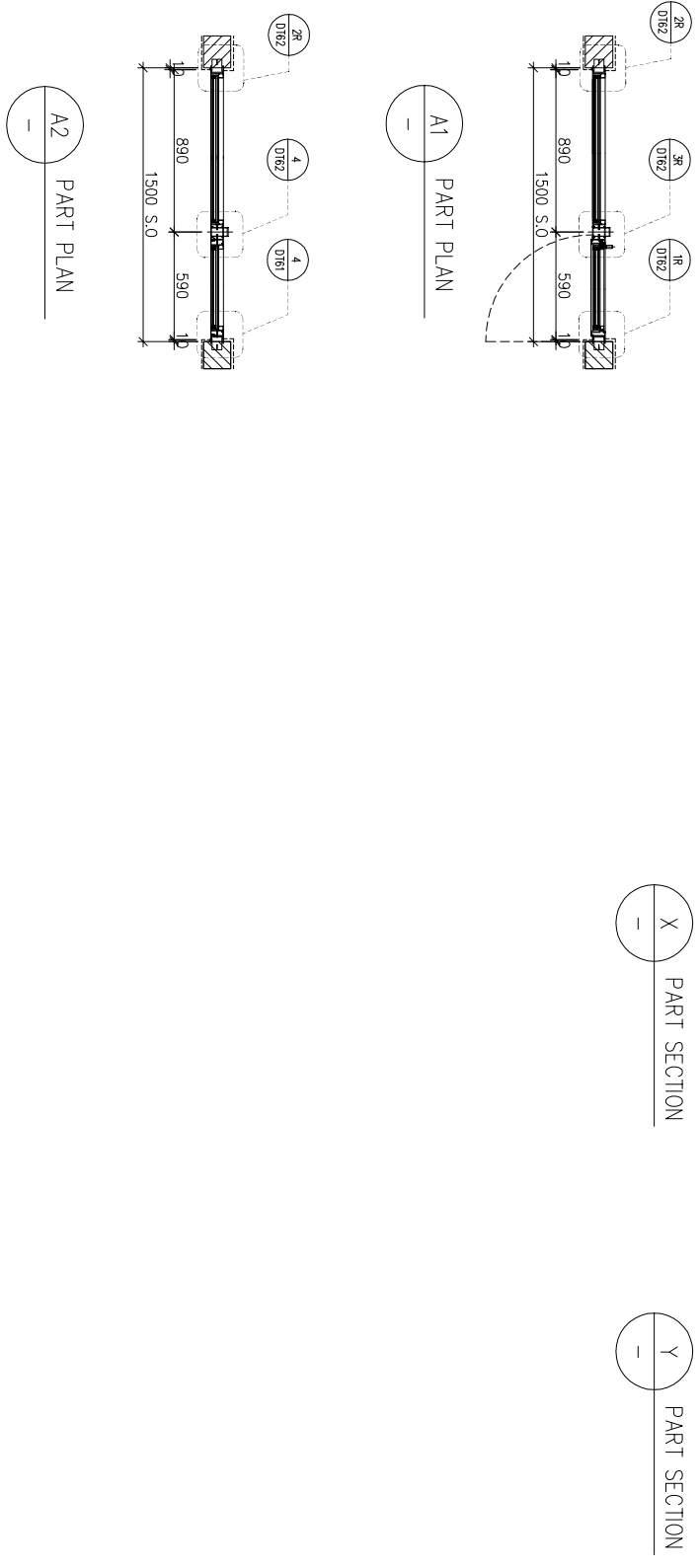
REQUIRE		PROVIDED	
LOCATION	OPENABLE AREA	GLAZING AREA	OPENABLE AREA
B3-BR1	0.263	0.420	0.548
			GLAZING AREA
			1.495



ELEVATION

FACADE CODE		
LWK	鴻輝	UNIT
PF-10	T2PF-03	B3

WINDOW MARK	AW 03R
LOCATION	3/F-42/F(4/F,13/F,14/F,24/F,34/F OMITTED) UNIT B3
SECTION	70mm ALUM. SECTION
GLAZING	EGL-1, EGL-1A
QUANTITY	35 Nos
REMARKS	FACADE(TYPE T2PF10R FOR 3/F~42/F) 4 BAR HINGE-LIP HING (HHMS-N16)



B.D. REF :

CLIENT :



ARCHITECT :



MAIN CONTRACTOR :



STRUCTURAL ENGINEER :



FACADE CONSULTANT :



- NOTE :
1. ALL DIMENSIONS ARE IN mm.
 2. ALL ELEVATIONS ARE VIEWED FROM OUTSIDE.
 3. ALL DIMENSIONS TO BE VERIFIED ON SITE BEFORE FABRICATION.

LEGEND :

- (X1) --- DETAIL MARK NO.
- (X001) --- REFER SHEET NO.

1. F.F.L. --- FINISHED FLOOR LEVEL
2. S.F.L. --- STRUCTURAL FLOOR LEVEL
3. (R) --- REVERSED DETAIL

4. GLASS LEGEND

- EGL-1 --- 8mmHS+12mm AIR GAP+10mmTP THK. I.G.U.
- EGL-2 --- 10mm THK. CLEAR TEMPERED GLASS
- EGL-4 --- 10mm THK. TEMPERED ACID ETCHED GLASS
- EGL-1A --- 8mmHS+12mm AIR GAP+8mmTP THK. I.G.U.
- EGL-1B --- 8mmHS+12mm AIR GAP+10mmTP ACID-ETCHED THK. I.G.U.

JOB NO. : J-856

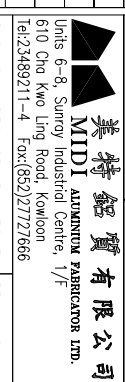
PROJECT :

PROPOSED DEVELOPMENT ABOVE LIGHT RAIL TIN WING STOP-TSWTL NO.23,AREA 33,TIN SHUI WAI, N.T.

TITLE : WINDOW SCHEDULE FOR TOWER 2 ALUM. WINDOW

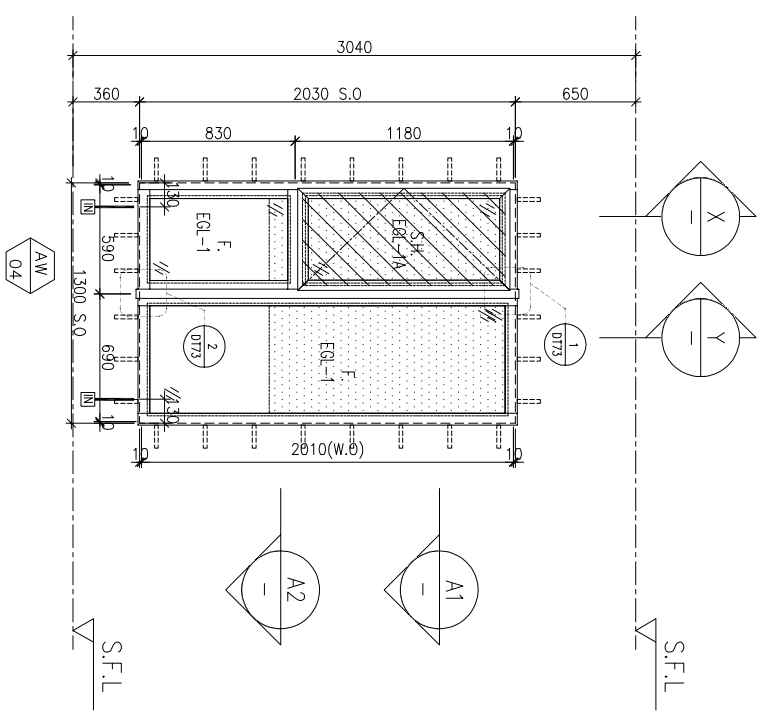
DATE : 08-Apr-21 SCALE : 1:40

DRAWN BY : Ivan CHECKED BY :

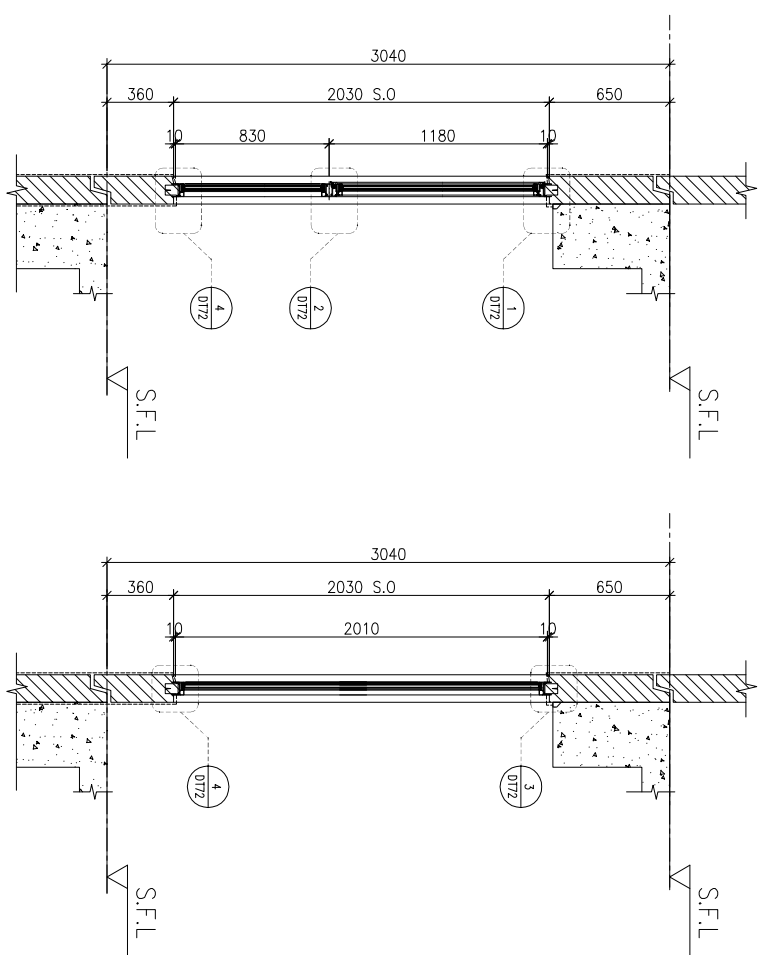
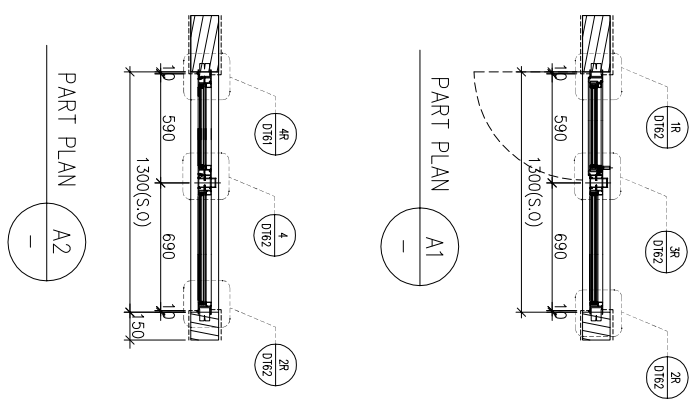


DWG NO. : J856-SD-PW-5213 REV. : C

REQUIRED		PROVIDED	
LOCATION	OPENABLE AREA	GLAZING AREA	OPENABLE AREA
B2-MBR	0.435	0.696	0.548
			GLAZING AREA
			1.24



ELEVATION



FACADE CODE		
LWK	鴻輝	UNIT
PF-??R	T2PF-02A	B2

WINDOW MARK	AW 04
LOCATION	3/F-42/F(4/F,13/F,14/F,24/F,34/F OMITTED) UNIT B2
SECTION	70mm ALUM. SECTION
GLAZING	EGL-1, EGL-1A
QUANTITY	35 Nos
REMARKS	FACADE(TYPE T2PF??R FOR 3/F~42/F) 4 BAR HINGE-LIP HING (HHMS-N16)

BD. REF :

CLIENT :

SUN HUNG KAI
REAL ESTATE AGENCY LTD.
42/F SUN HUNG KAI CENTRE, WANCHAI, HONGKONG

ARCHITECT :

lwk&partners
a f c h i l e o i s

MAIN CONTRACTOR :

怡輝建築有限公司
Yee Fai Building Contractors Ltd.

STRUCTURAL ENGINEER :

ARUP

FACADE CONSULTANT :

ALPHA CONSULTING LIMITED
Steel Structure & Façade Specialist

- NOTE :
1. ALL DIMENSIONS ARE IN mm.
 2. ALL ELEVATIONS ARE VIEWED FROM OUTSIDE.
 3. ALL DIMENSIONS TO BE VERIFIED ON SITE BEFORE FABRICATION.

LEGEND :

(X1) — DETAIL MARK NO.
(X001) — REFER SHEET NO.

1. F.F.L. --- FINISHED FLOOR LEVEL
 2. S.F.L. --- STRUCTURAL FLOOR LEVEL
 3. (R) --- REVERSED DETAIL
 4. GLASS LEGEND
- EGL-1 --- 6mmHS+12mm AIR GAP+10mmTP THK. IG.U.
EGL-2 --- 10mm THK. CLEAR TEMPERED GLASS
EGL-4 --- 10mm THK. TEMPERED ACID ETCHED GLASS
EGL-1A --- 6mmHS+12mm AIR GAP+8mmTP THK. IG.U.
EGL-1B --- 8mmHS+12mm AIR GAP+10mmTP ADD-ETCHED THK. IG.U.

NO.	DATE	REVISION	SUBJECT TO ARCH-COMMENT	BY
0	21/09/2022	REVISION SUBJECT TO ARCH-COMMENT		lwk
C	17/09/2022	REVISION SUBJECT TO ARCH-COMMENT		lwk
B	18/05/2022	REVISION SUBJECT TO ARCH-COMMENT		lwk
A	17/12/2021	REVISION SUBJECT TO ARCH-COMMENT		lwk

JOB NO. : J-856

PROJECT : PROPOSED DEVELOPMENT ABOVE LIGHT RAIL TIN WING STOP-TSWTL NO.23,AREA 33,TIN SHUI WAI, N.T.

TITLE : WINDOW SCHEDULE FOR TOWER 2 ALUM. WINDOW

DATE : 08-Apr-21

SCALE : 1:40

DRAWN BY : lwn

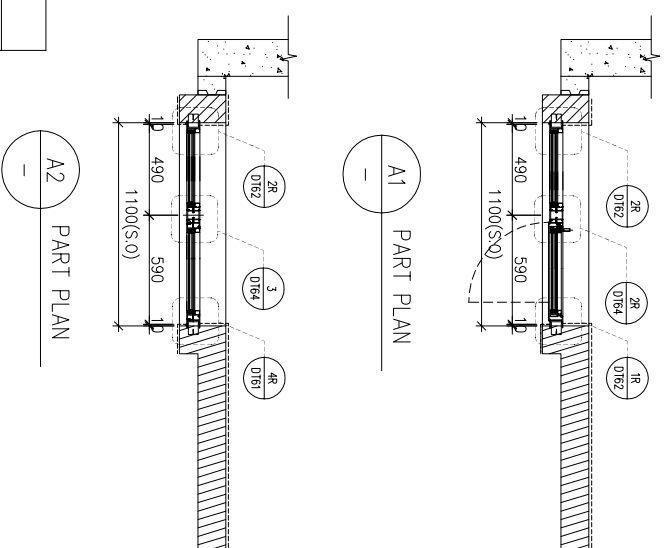
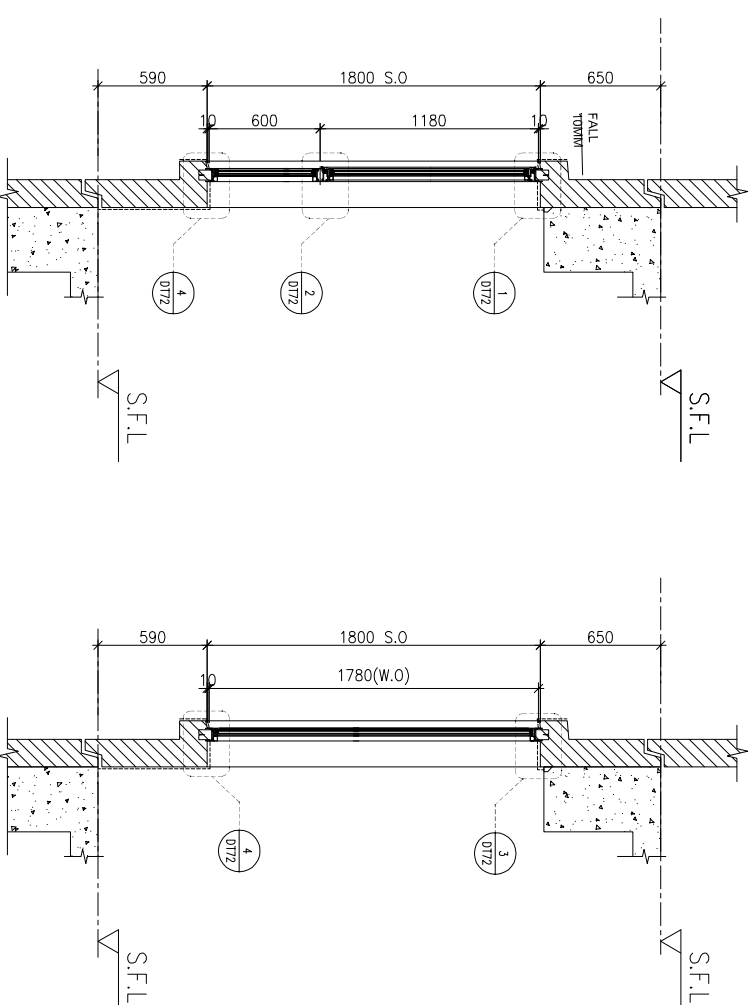
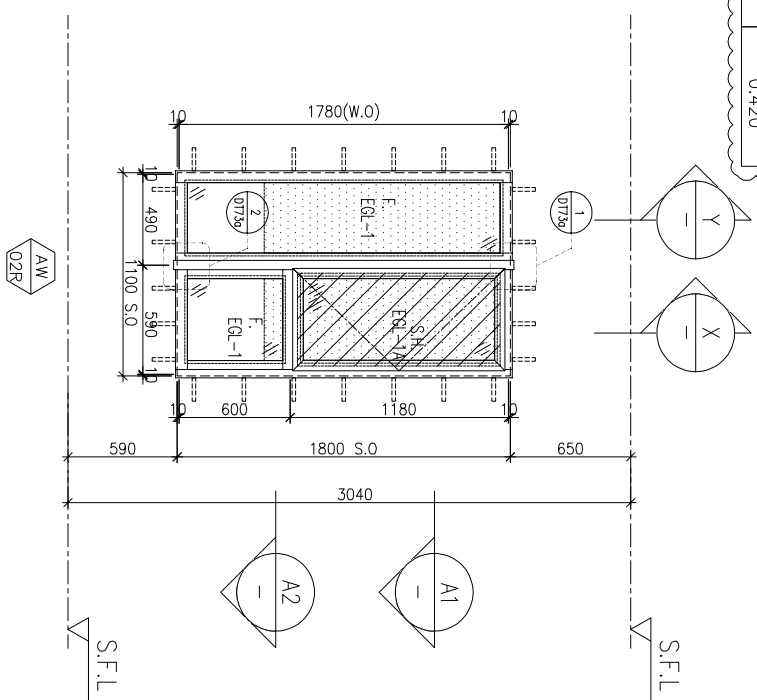
CHECKED BY :

美特鋁質有限公司
MIDI ALUMINIUM FABRICATOR LTD.
Units 6-8, Sunray Industrial Centre, 1/F
610 Cho Kwai Ling Road, Kwai Tsoum
Tel:23489211-4 Fax:(852)2727666

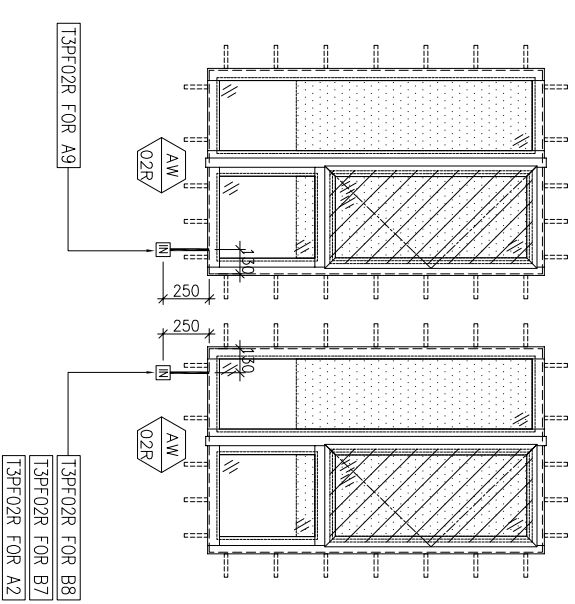
DWG NO. : J856-SD-PW-5214

REV. : D

REQUIRED		PROVIDED	
LOCATION	OPENABLE AREA	GLAZING AREA	GLAZING AREA
A2-BR1	0.263	0.420	0.548
A9-BR1	0.263	0.420	0.985
B7-BR1	0.263	0.420	
B8-BR1	0.263	0.420	



FAÇADE CODE	UNIT
LWK	鴻輝
PF-02R	T3PF-05
PF-02R	T3PF-37
PF-02R	T3PF-31
PF-02R	T3PF-32



WINDOW MARK **AW 02R**

LOCATION 3/F-42/F(4/F,13/F,14/F,24/F,34/F OMITTED) UNIT A2,A9,B7,B8

SECTION 70mm ALUM. SECTION

GLAZING EGL-1,EGL-1A

QUANTITY 35 Nos / 35 Nos / 35 Nos / 35 Nos

REMARKS FAÇADE(TYPE T3PF02R FOR 3/F~42/F) (4 BAR HINGE-LIP HING (HHMS-N16))

BD. REF :

CLIENT :

SUN HUNG KAI
REAL ESTATE AGENCY LTD.
42/F SUN HUNG KAI CENTRE, WANCHAI, HONGKONG

ARCHITECT :

lwk&partners
a r c h i t e c t s

MAIN CONTRACTOR :

怡輝建築有限公司
Yee Fai Building Contractors Ltd.

STRUCTURAL ENGINEER :

ARUP

FAÇADE CONSULTANT :

ALPHA CONSULTING LIMITED
Steel Structure & Façade Specialist

NOTE :
1. ALL DIMENSIONS ARE IN mm.
2. ALL ELEVATIONS ARE VIEWED FROM OUTSIDE.
3. ALL DIMENSIONS TO BE VERIFIED ON SITE BEFORE FABRICATION.

LEGEND :

- (X1) --- DETAIL MARK NO.
- (X001) --- REFER SHEET NO.
- 1. F.F.L. --- FINISHED FLOOR LEVEL
- 2. S.F.L. --- STRUCTURAL FLOOR LEVEL
- 3. (R) --- REVERSED DETAIL

- 4. GLASS LEGEND
- EGL-1 --- 8mmHS+12mm AIR GAP+10mmTP THK. I.G.U.
- EGL-2 --- 10mm THK. CLEAR TEMPERED GLASS
- EGL-4 --- 10mm THK. TEMPERED ACID ETCHED GLASS
- EGL-1A --- 8mmHS+12mm AIR GAP+8mmTP THK. I.G.U.
- EGL-1B --- 8mmHS+12mm AIR GAP+10mmTP ACID-ETCHED THK. I.G.U.

NO.	DATE	REVISION	REVISION SUBJECT TO ARCH-COMMENT	BY
1	21/09/2022	REVISION SUBJECT TO ARCH-COMMENT	hwk	
H	17/08/2022	REVISION SUBJECT TO ARCH-COMMENT	hwk	
G	22/04/2022	REVISION SUBJECT TO ARCH-COMMENT	hwk	
F	08/04/2022	REVISION SUBJECT TO ARCH-COMMENT	hwk	
E	14/12/2021	REVISION SUBJECT TO ARCH-COMMENT	hwk	
D	29/11/2021	REVISION SUBJECT TO ARCH-COMMENT	hwk	
C	02/11/2021	REVISION SUBJECT TO ARCH-COMMENT	hwk	

JOB NO. : J-856

PROJECT : PROPOSED DEVELOPMENT ABOVE LIGHT RAIL TIN WING STOP,T5WTL NO.23,AREA 33,TIN SHUI WAI, N.T.

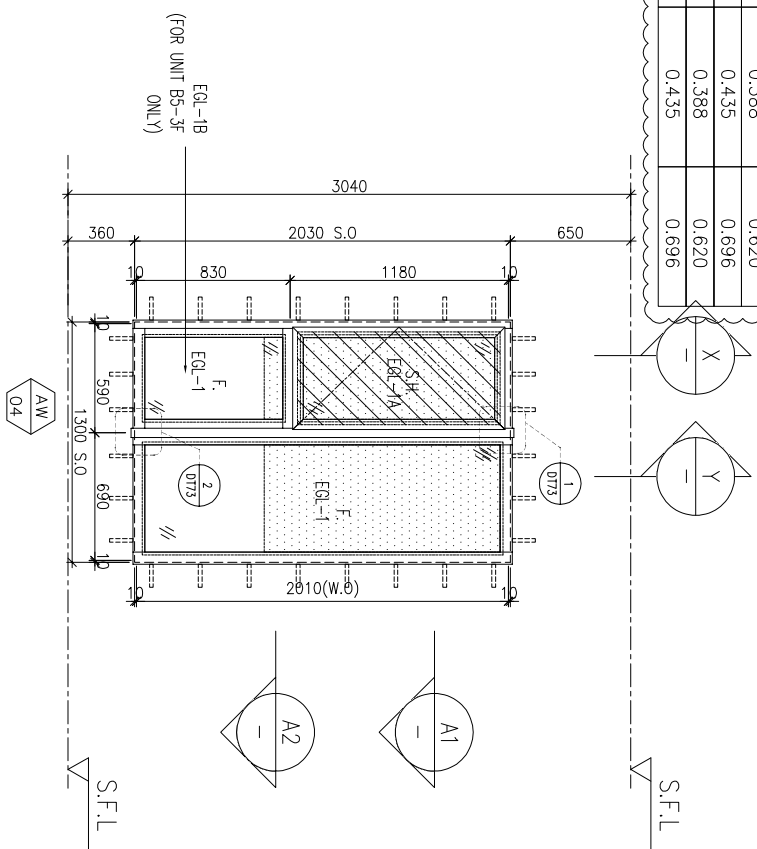
TITLE : WINDOW SCHEDULE FOR TOWER 3 ALUM. WINDOW

DATE : 02-Aug-21 SCALE : 1:40

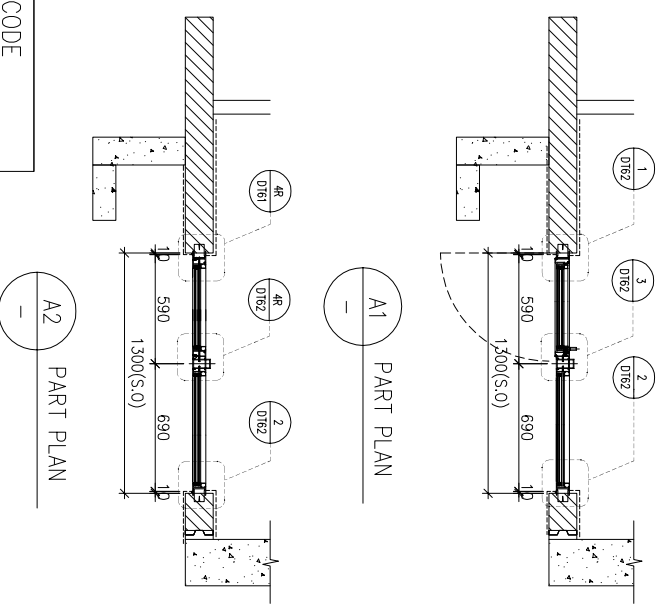
DRAWN BY : IYON CHECKED BY :

美特鋁質有限公司
MIDI ALUMINIUM FABRICATOR LTD.
Units 6-8, Sunray Industrial Centre, 1/F
610 Cho Kwai Ling Road, Kwai Tsou
Tel:23489211-4 Fax:(852)2727666
DWG NO. : J856-SD-PW-5301 REV. : I

REQUIRED		PROVIDED	
LOCATION	OPENABLE AREA	GLAZING AREA	GLAZING AREA
A3-MBR	0.435	0.696	0.548
A6-MBR	0.435	0.696	1.24
A10-MBR	0.435	0.696	
A12-MBR	0.388	0.620	
B5-MBR	0.435	0.696	
B9-MBR	0.388	0.620	
B11-MBR	0.435	0.696	



ELEVATION



FACADE CODE		FACADE CODE	
LWK	UNIT	LWK	UNIT
PF-04	T3PF-08	A3	
PF-04	T3PF-12	A6	
PF-04	T3PF-39A	A10	
PF-04	T3PF-42	A12	
		PF-04R	T3PF-19
			B11

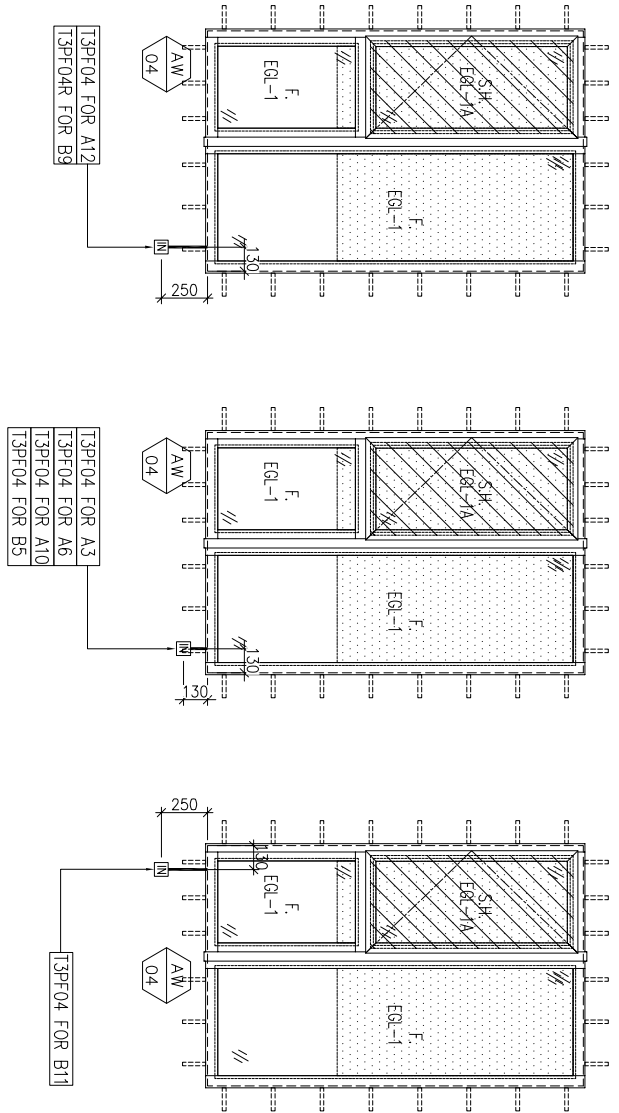
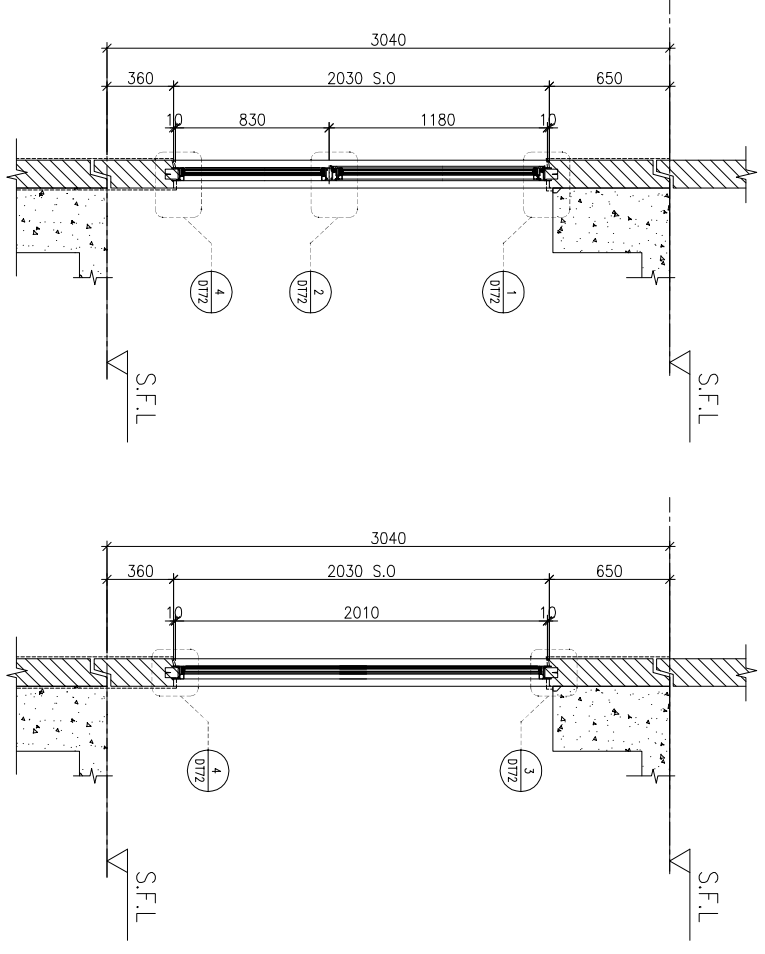
LOCATION 3/F-42/F, 4/F, 13/F, 14/F, 24/F, 34/F (OMITTED) UNIT A3, A6, A10, A12, B5, B9, B11

SECTION 70mm ALUM. SECTION

GLAZING EQL-1, EQL-1A

QUANTITY 35 Nos / 35 Nos / 35 Nos / 35 Nos / 35 Nos / 35 Nos / 35 Nos

REMARKS FACADE (TYPE T3PF04/04R FOR 3/F-42/F) 4 BAR HINGE-LIP HING (HHMS-N16)



BD. REF :

CLIENT : **SUN HUNG KAI** REAL ESTATE AGENCY LTD.
42/F, SUN HUNG KAI CENTRE, WANCHAI, HONGKONG

ARCHITECT : **lwk&partners**
a f c h i l e o i s

MAIN CONTRACTOR : **怡輝建築有限公司**
Yee Fai Building Contractors Ltd.

STRUCTURAL ENGINEER : **ARUP**
ALPHA CONSULTING LIMITED
Steel Structure & Facade Specialist

FACADE CONSULTANT :

NOTE :

- ALL DIMENSIONS ARE IN mm.
- ALL ELEVATIONS ARE VIEWED FROM OUTSIDE.
- ALL DIMENSIONS TO BE VERIFIED ON SITE BEFORE FABRICATION.

LEGEND :

(X1) --- DETAIL MARK NO.
(X001) --- REFER SHEET NO.

- F.F.L. --- FINISHED FLOOR LEVEL
- S.F.L. --- STRUCTURAL FLOOR LEVEL
- (R) --- REVERSED DETAIL

4. GLASS LEGEND

EQL-1 --- 8mmHS+12mm AIR GAP+10mmTP THK. I.G.U.
EQL-2 --- 10mm THK. CLEAR TEMPERED GLASS
EQL-4 --- 10mm THK. TEMPERED ACID ETCHED GLASS
EQL-1A --- 8mmHS+12mm AIR GAP+8mmTP THK. I.G.U.
EQL-1B --- 8mmHS+12mm AIR GAP+10mmTP ACID-ETCHED THK. I.G.U.

NO.	DATE	REVISION	REVISION SUBJECT TO ARCH-COMMENT	BY
K	21/09/2022	REVISION SUBJECT TO ARCH-COMMENT		lwk
J	17/08/2022	REVISION SUBJECT TO ARCH-COMMENT		lwk
I	27/06/2022	REVISION SUBJECT TO ARCH-COMMENT		lwk
H	22/04/2022	REVISION SUBJECT TO ARCH-COMMENT		lwk
G	09/04/2022	REVISION SUBJECT TO ARCH-COMMENT		lwk
F	14/12/2021	REVISION SUBJECT TO ARCH-COMMENT		lwk
E	29/11/2021	REVISION SUBJECT TO ARCH-COMMENT		lwk

JOB NO. : J-856

PROJECT : PROPOSED DEVELOPMENT ABOVE LIGHT RAIL TIN WING STOP-TSWTL NO.23, AREA 33, TIN SHUI WAI, N.T.

TITLE : WINDOW SCHEDULE FOR TOWER 3 ALUM. WINDOW

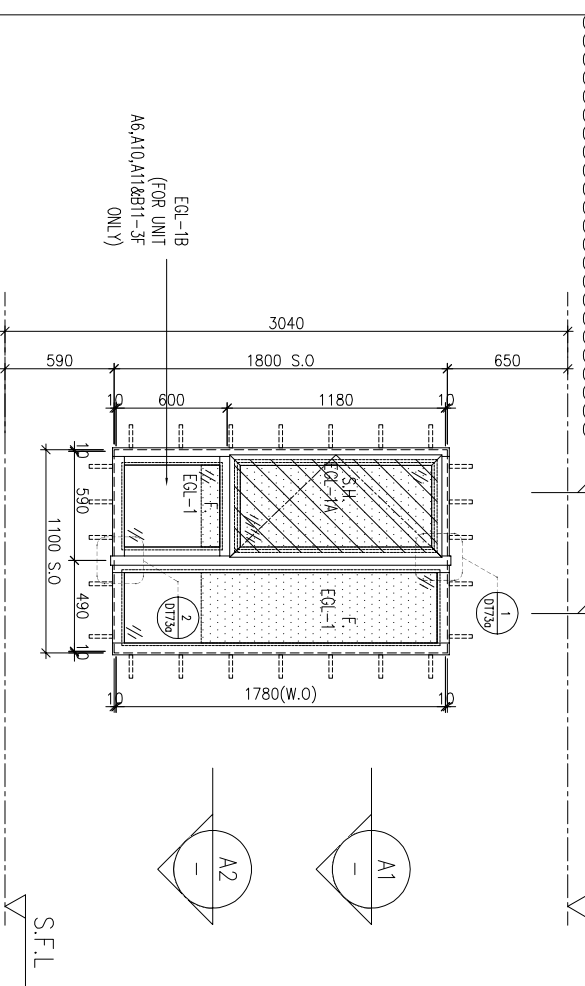
DATE : 02-Aug-21 SCALE : 1:40

DRAWN BY : IYON CHECKED BY :

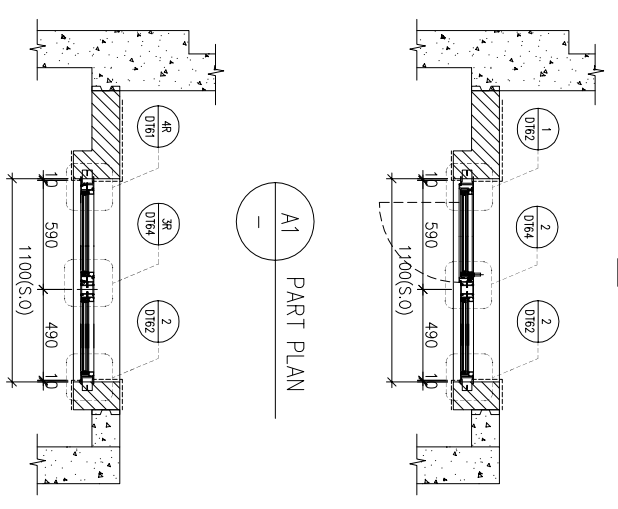
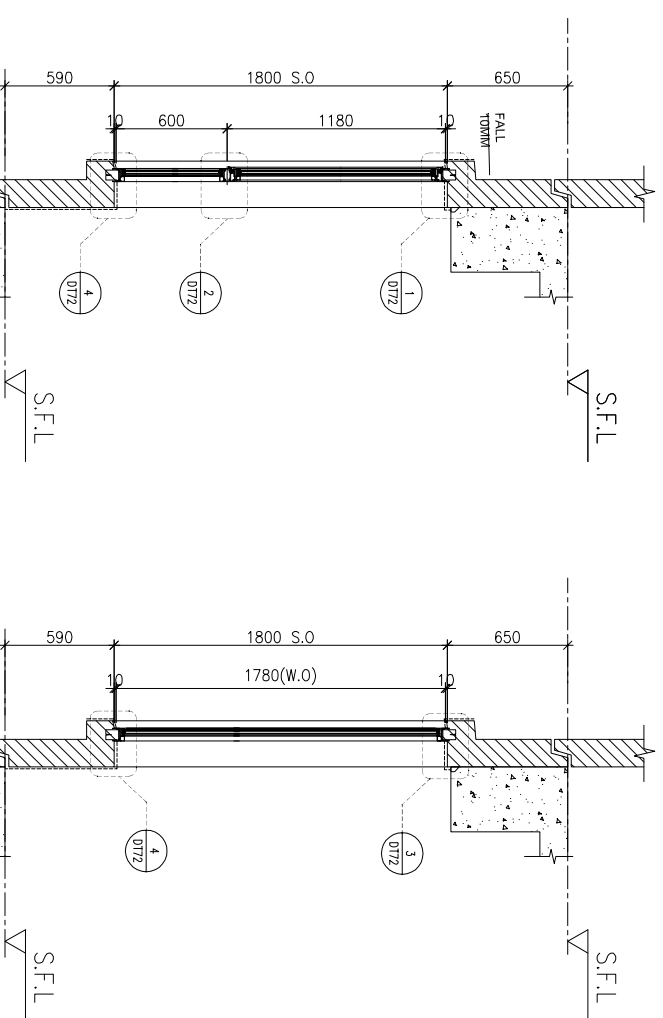
UNITED ALUMINIUM FABRICATOR LTD.
MIDI 美特鋁質有限公司
Units 6-8, Sunray Industrial Centre, 1/F
610 Cho Kwai Ling Road, Kwailoon
Tel: 23489211-4 Fax: (852) 27272666

DWG NO. : J856-SD-PW-5302 REV. : K

REQUIRED		PROVIDED	
LOCATION	OPENABLE AREA	GLAZING AREA	GLAZING AREA
A1-S10	N/A	N/A	0.548
A6-BR1	0.263	0.420	0.985
A10-BR1	0.263	0.420	
A11-BR1	0.263	0.420	
B5-BR1	0.263	0.420	
B9-BR1	0.263	0.420	
B11-BR1	0.263	0.420	



ELEVATION



FACADE CODE		FACADE CODE	
LWK	UNIT	LWK	UNIT
PF-05	T3PF-04	A1	
PF-05	T3PF-13	A6	
PF-05	T3PF-39	A10	
PF-05	T3PF-40	A11	
		PF-05	T3PF-18
			B11

WINDOW MARK

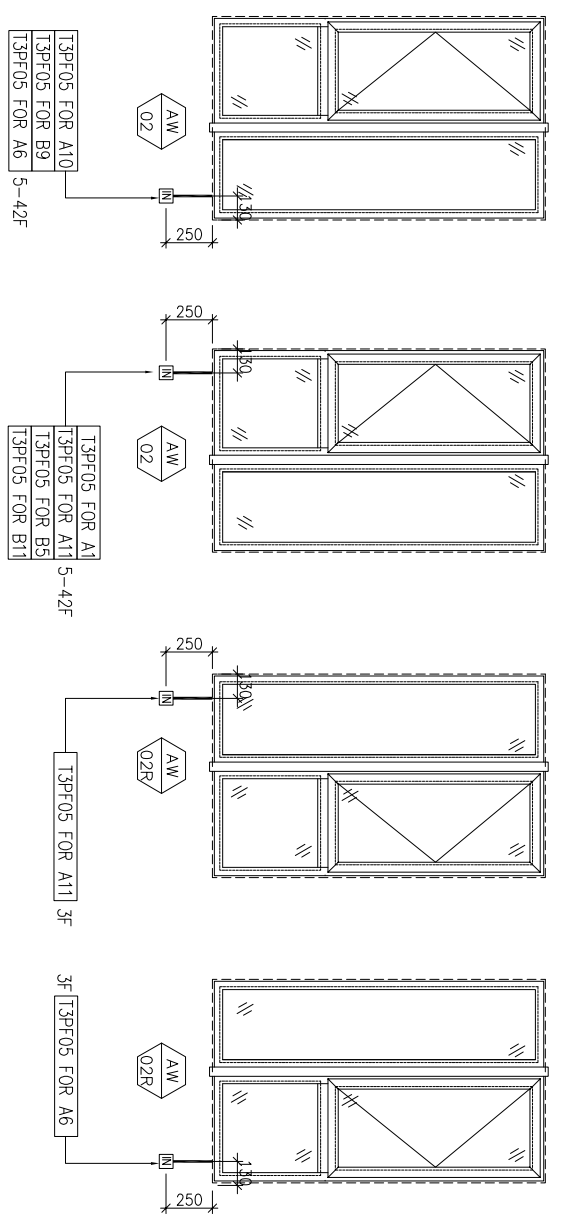
LOCATION 3/F~42/F(4/F,13/F,14/F,24/F,34/F OMITTED) UNIT A1, A6, A10, A11(5-42F), B5, B9, B11(5-42F)

SECTION 70mm ALUM. SECTION

GLAZING EGL-1,EGL-1A

QUANTITY 35 Nos / 35 Nos / 35 Nos / 34 Nos / 35 Nos / 35 Nos / 34 Nos

REMARKS FACADE(TYPE T3PF05 FOR 3/F~42/F) (4 BAR HINGE-LIP HING (HHMS-N16)



WINDOW MARK AW 02R

LOCATION 3/F UNIT A11(3F), B11(3F)

SECTION 70mm ALUM. SECTION

GLAZING EGL-1,EGL-1A

QUANTITY 1 No / 1 No

REMARKS FACADE(TYPE T3PF05R FOR 3/F~42/F) (4 BAR HINGE-LIP HING (HHMS-N16)

BD. REF :

CLIENT :

SUN HUNG KAI
REAL ESTATE AGENCY LTD.
42/F SUN HUNG KAI CENTRE, WANCHAI, HONGKONG

ARCHITECT :

lwk&partners
a r c h i t e c t s

MANU CONTRACTOR :

怡輝建築有限公司
Yee Fai Building Contractors Ltd.

STRUCTURAL ENGINEER :

ARUP
ALPHA CONSULTING LIMITED
Steel Structure & Façade Specialist

NOTE :

1. ALL DIMENSIONS ARE IN mm.
2. ALL ELEVATIONS ARE VIEWED FROM OUTSIDE.
3. ALL DIMENSIONS TO BE VERIFIED ON SITE BEFORE FABRICATION.

LEGEND :

- (X1) --- DETAIL MARK NO.
- (X001) --- REFER SHEET NO.

1. F.F.L. --- FINISHED FLOOR LEVEL
2. S.F.L. --- STRUCTURAL FLOOR LEVEL
3. (R) --- REVERSED DETAIL

4. GLASS LEGEND

EQI-1--8mmHS+12mm AIR GAP+10mmTP THK. I.G.U.

EQI-2--10mm THK. CLEAR TEMPERED GLASS

EQI-4--10mm THK. TEMPERED ACID ETCHED GLASS

EQI-1A-8mmHS+12mm AIR GAP+8mmTP THK. I.G.U.

EQI-1B-8mmHS+12mm AIR GAP+10mmTP ACID-ETCHED THK. I.G.U.

JOB NO. : J-856

PROJECT : PROPOSED DEVELOPMENT ABOVE LIGHT RAIL TIN WING STOP,T3WTL NO.23,AREA 33,TIN SHUI WAI, N.T.

TITLE : WINDOW SCHEDULE FOR TOWER 3 ALUM. WINDOW

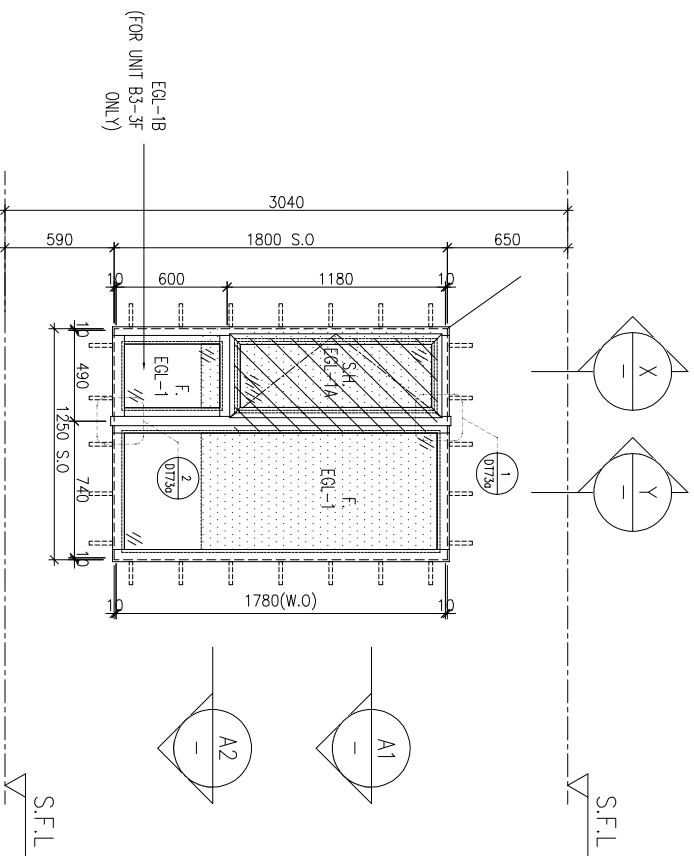
DATE : 02-Aug-21 SCALE : 1:40

DRAWN BY : IYON CHECKED BY :

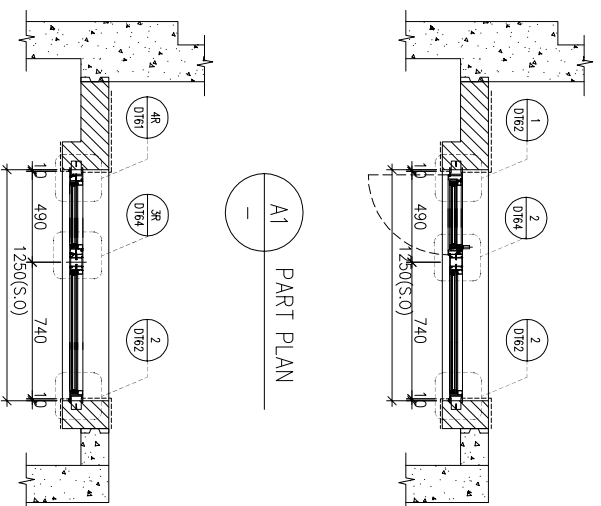
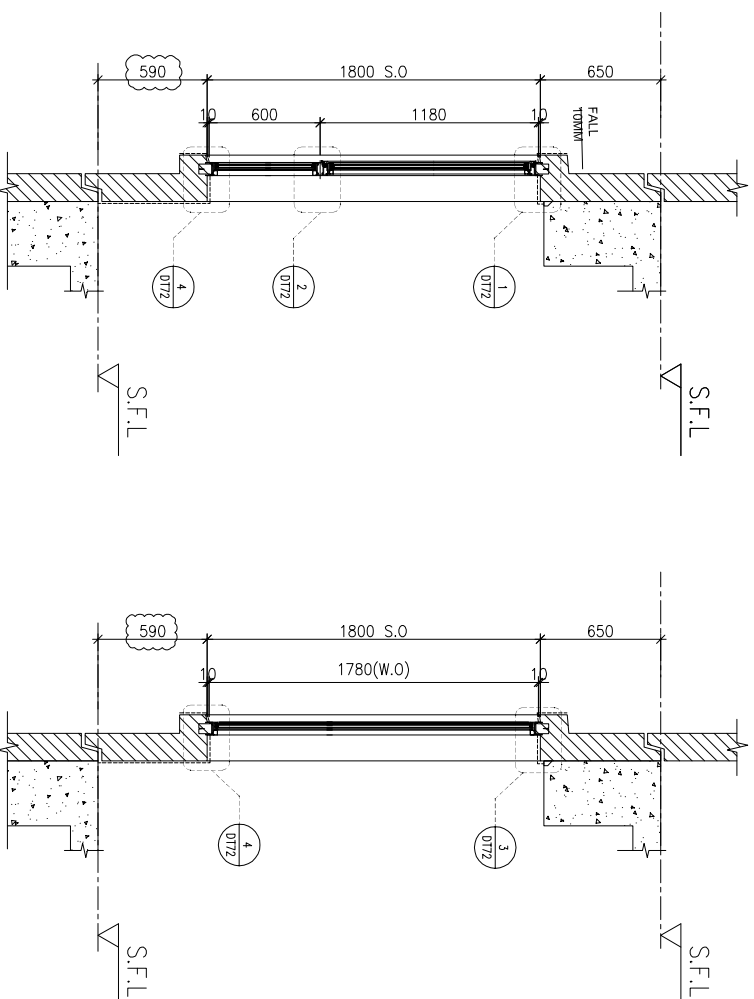
UNIT 6-8, Sunray Industrial Centre, 1/F, 610 Cho Kwai Ling Road, Kowloon
Tel:23489211-4 Fax:(852)2727666

DWG NO. : J856-SD-PW-5303 REV. : K

REQUIRED		PROVIDED	
LOCATION	OPENABLE AREA	GLAZING AREA	GLAZING AREA
B3-BR2	0.283	0.452	0.439
B1-BR2	0.283	0.452	1.19



ELEVATION



FACADE CODE	
LWK	鴻輝 UNIT
PF-05	T3PF-24 B3
PF-05R	T3PF-21 B1

WINDOW MARK	LOCATION	SECTION	GLAZING	QUANTITY	REMARKS
AW 02A	3/F-42/F(4/F,13/F,14/F,24/F,34/F OMITTED) UNIT B3	70mm ALUM. SECTION	EGL-1,EGL-1A	35 Nos	FACADE(TYPE T3PF05 FOR 3/F~42/F) 4 BAR HINGE-LIP HING (HHMS-N12)
AW 02A	3/F-42/F(4/F,13/F,14/F,24/F,34/F OMITTED) UNIT B1	70mm ALUM. SECTION	EGL-1,EGL-1A	35 Nos	FACADE(TYPE T3PF05R FOR 3/F~42/F) 4 BAR HINGE-LIP HING (HHMS-N12)

BD. REF :

CLIENT :

SUN HUNG KAI
REAL ESTATE AGENCY LTD.
42/F SUN HUNG KAI CENTRE, WANCHAI, HONGKONG

ARCHITECT :

lwk&partners
a r c h i t e c t s

MAIN CONTRACTOR :

怡輝建築有限公司
Yee Fai Building Contractors Ltd.

STRUCTURAL ENGINEER :

ARUP

FACADE CONSULTANT :

ALPHA CONSULTING LIMITED
Steel Structure & Façade Specialist

NOTE :

1. ALL DIMENSIONS ARE IN mm.
2. ALL ELEVATIONS ARE VIEWED FROM OUTSIDE.
3. ALL DIMENSIONS TO BE VERIFIED ON SITE BEFORE FABRICATION.

LEGEND :

- (X1) --- DETAIL MARK NO.
- (X001) --- REFER SHEET NO.

1. F.F.L. --- FINISHED FLOOR LEVEL
2. S.F.L. --- STRUCTURAL FLOOR LEVEL
3. (R) --- REVERSED DETAIL

4. GLASS LEGEND

- EGL-1 --- 8mmHS+12mm AIR GAP+10mmTP THK. I.G.U.
- EGL-2 --- 10mm THK. CLEAR TEMPERED GLASS
- EGL-4 --- 10mm THK. TEMPERED ACID ETCHED GLASS
- EGL-1A --- 8mmHS+12mm AIR GAP+8mmTP THK. I.G.U.
- EGL-1B --- 8mmHS+12mm AIR GAP+10mmTP ACID-ETCHED THK. I.G.U.

NO.	DATE	REVISION	SUBJECT TO ARCH-COMMENT	BY
C	21/09/2022	REVISION SUBJECT TO ARCH-COMMENT		lwk
B	17/09/2022	REVISION SUBJECT TO ARCH-COMMENT		lwk
A	27/06/2022	REVISION SUBJECT TO ARCH-COMMENT		lwk

JOB NO. : J-856

PROJECT :

PROPOSED DEVELOPMENT ABOVE
LIGHT RAIL TIN WING STOP-TSWTL
NO.23,AREA 33,TIN SHUI WAI, N.T.

TITLE :

WINDOW SCHEDULE FOR
TOWER 3 ALUM. WINDOW

DATE : 22-Apr-22 SCALE : 1:40

DRAWN BY : Ivan

CHECKED BY :

美特鋁質有限公司
MIDI ALUMINIUM FABRICATOR LTD.
Units 6-8, Sunray Industrial Centre, 1/F
610 Cho Kwai Ling Road, Kowloon
Tel:23489211-4 Fax:(852)2727666

DWG NO. : J856-SD-PW-5303d REV. : C

B.D. REF :

CLIENT :

SUN HUNG KAI
REAL ESTATE AGENCY LTD.
42/F, SUN HUNG KAI CENTRE, WANCHAI, HONGKONG

ARCHITECT :

lwk&partners
a r c h i t e c t s

MAIN CONTRACTOR :

怡輝建築有限公司
Yee Fai Building Contractors Ltd.

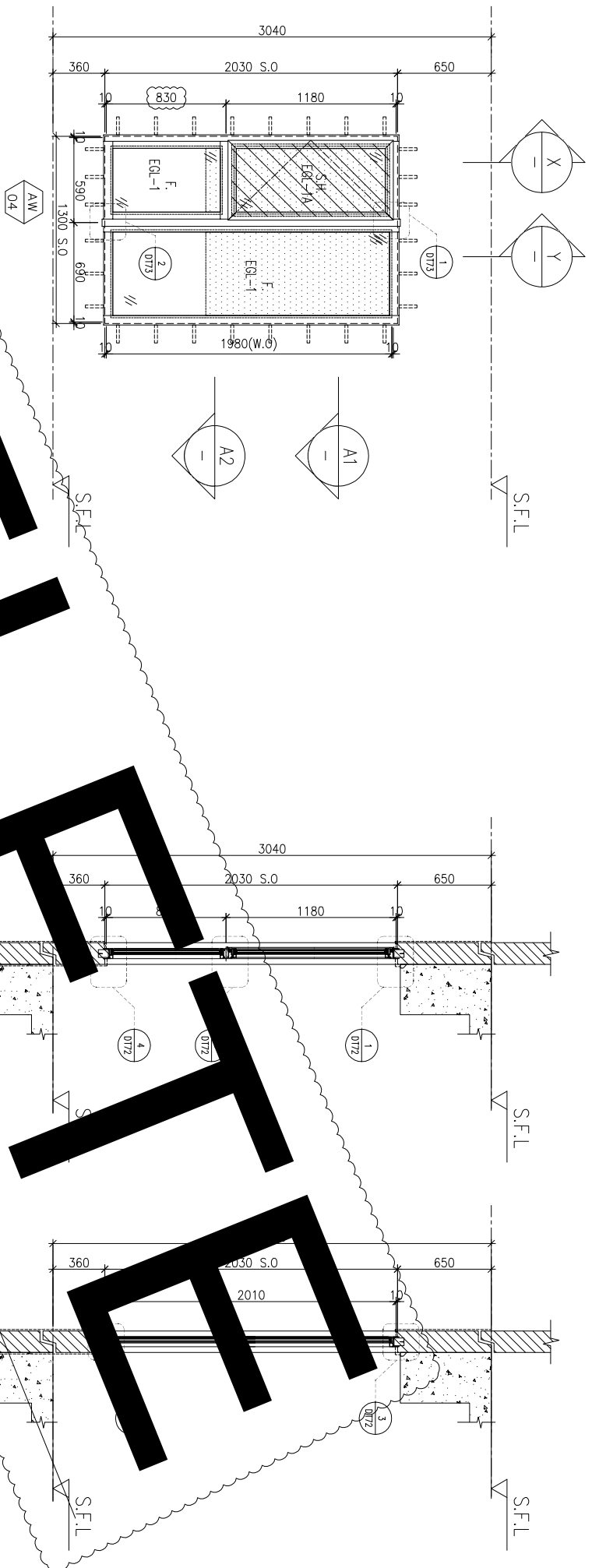
STRUCTURAL ENGINEER :

ARUP

FAÇADE CONSULTANT :

ALPHA CONSULTING LIMITED
Steel Structure & Façade Specialist

ELEVATION



DEFECTIVE

NOTE:

1. ALL DIMENSIONS ARE IN mm.
2. ALL ELEVATIONS ARE VIEWED FROM OUTSIDE.
3. ALL DIMENSIONS TO BE VERIFIED ON SITE BEFORE FABRICATION.

LEGEND :

(X1) — DETAIL MARK NO.
(X001) — REFER SHEET NO.

1. F.F.L. --- FINISHED FLOOR LEVEL
2. S.F.L. --- STRUCTURAL FLOOR LEVEL
3. (R) --- REVERSED DETAIL

4. GLASS LEGEND

EGL-1 -- 8mmHS+12mm AIR GAP+10mmTP THK. I.G.U.
EGL-2 -- 10mm THK. CLEAR TEMPERED GLASS
EGL-4 -- 10mm THK. TEMPERED ACID ETCHED GLASS
EGL-1A -- 8mmHS+12mm AIR GAP+8mmTP THK. I.G.U.
EGL-1B -- 8mmHS+12mm AIR GAP+10mmTP ADD-ETCHED THK. I.G.U.

NO.	DATE	REVISION SUBJECT TO ARCH-COMMENT	BY
1	27/06/2022	REVISION SUBJECT TO ARCH-COMMENT	lwn
H	22/04/2022	REVISION SUBJECT TO ARCH-COMMENT	lwn
G	09/04/2022	REVISION SUBJECT TO ARCH-COMMENT	lwn
F	14/12/2021	REVISION SUBJECT TO ARCH-COMMENT	lwn
E	29/11/2021	REVISION SUBJECT TO ARCH-COMMENT	lwn

JOB NO. : J-856

PROJECT : PROPOSED DEVELOPMENT ABOVE LIGHT RAIL TIN WING STOP-TSWTL NO.23,AREA 33,TIN SHUI WAI, N.T.

TITLE : WINDOW SCHEDULE FOR TOWER 3 ALUM. WINDOW

DATE : 02-Aug-21 SCALE : 1:40

DRAWN BY : lwnn CHECKED BY :

美特鋁質有限公司
MIDI ALUMINIUM FABRICATOR LTD.
Units 6-8, Sunray Industrial Centre, 1/F
610 Cho Kwai Ling Road, Kwai Tsoum
Tel:23489211-4 Fax:(852)2727666
DWG NO. : J856-SD-PW-5304 REV. : 1

FAÇADE CODE		
LWK	鴻輝	UNIT
PF-06	T3PF-36	A8

WINDOW MARK **AW 04**

LOCATION 3/F-42/F(4/F,13/F,14/F,24/F,34/F OMITTED) UNIT A8

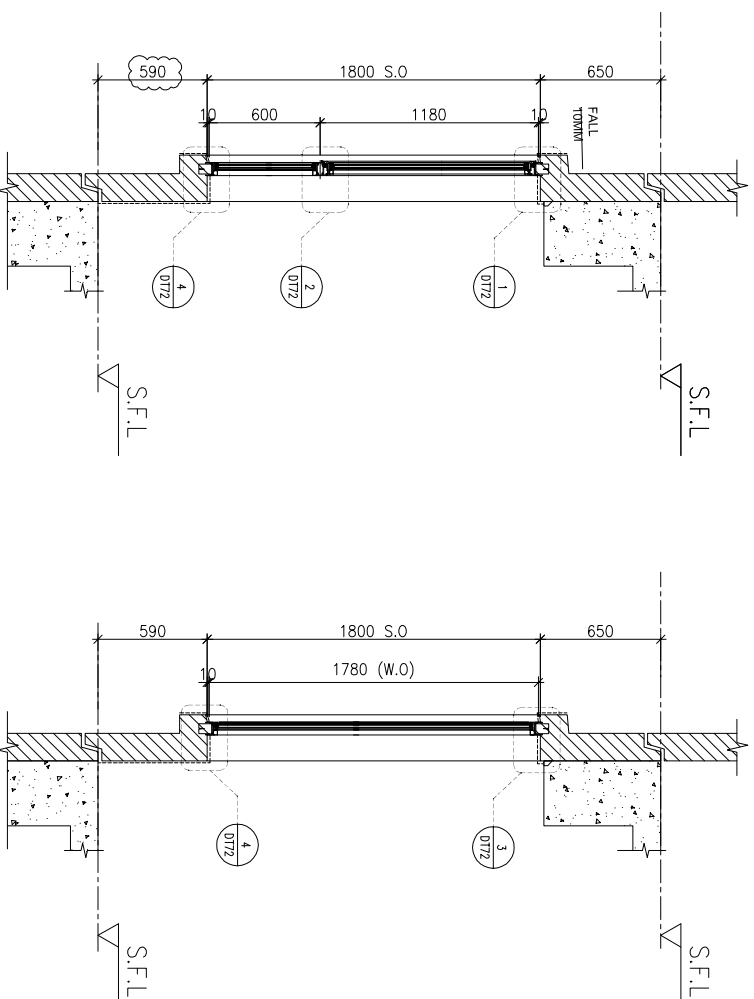
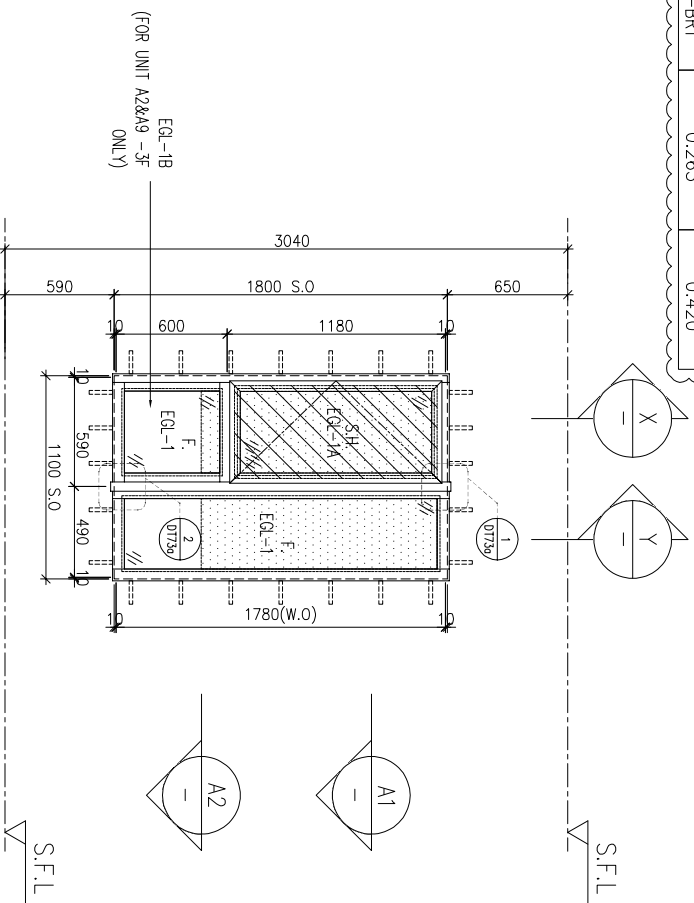
SECTION 70mm ALUM. SECTION

GLAZING EGL-1,EGL-1A

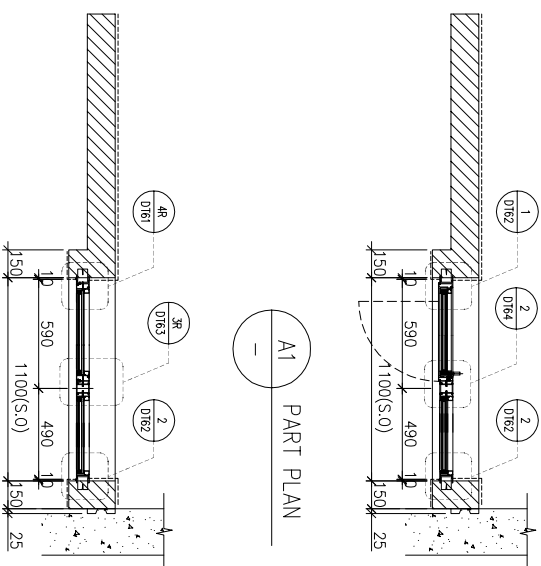
QUANTITY 35 Nos

REMARKS FAÇADE(TYPE T3PF06 FOR 3/F-42/F)

REQUIRED		PROVIDED	
LOCATION	OPENABLE AREA	GLAZING AREA	GLAZING AREA
A5-BR2	0.263	0.420	0.548
B1-BR1	0.263	0.420	0.985
B3-BR1	0.263	0.420	
B6-BR1	0.263	0.420	



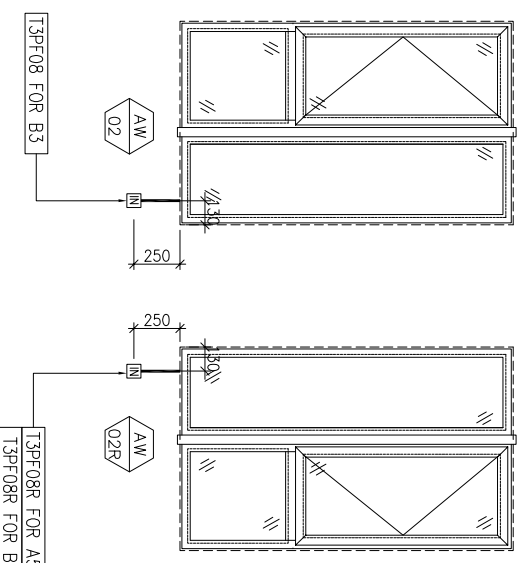
ELEVATION



A2 PART PLAN

FACADE CODE		
LWK	鴻輝	UNIT
PF-08	T3PF-25	B3
PF-08R	T3PF-10	A5
PF-08R	T3PF-20	B1

WINDOW MARK	AW 02	AW 02R
LOCATION	3/F-42/F(4/F,13/F,14/F,24/F,34/F OMITTED) UNIT B6 & 5/F-42/F FOR B3	3/F-42/F(4/F,13/F,14/F,24/F,34/F OMITTED) UNIT A5, B1
SECTION	70mm ALUM. SECTION	70mm ALUM. SECTION
GLAZING	EGL-1,EGL-1A	EGL-1,EGL-1A
QUANTITY	35 Nos	35 Nos / 35 Nos
REMARKS	FACADE(TYPE T3PF08 FOR 3/F~42/F) (4 BAR HINGE-LIP HING (HHMS-N16))	FACADE(TYPE T3PF08R FOR 3/F~42/F) (4 BAR HINGE-LIP HING (HHMS-N16))



X PART SECTION

Y PART SECTION

B.D. REF :

CLIENT :

SUN HUNG KAI
REAL ESTATE AGENCY LTD.
42/F SUN HUNG KAI CENTRE, WANCHAI, HONGKONG

ARCHITECT :

lwk&partners
a r c h i t e c t s

MAIN CONTRACTOR :

怡輝建築有限公司
Yee Fai Building Contractors Ltd.

STRUCTURAL ENGINEER :

ARUP

FACADE CONSULTANT :

ALPHA CONSULTING LIMITED
Steel Structure & Façade Specialist

NOTE :

1. ALL DIMENSIONS ARE IN mm.
2. ALL ELEVATIONS ARE VIEWED FROM OUTSIDE.
3. ALL DIMENSIONS TO BE VERIFIED ON SITE BEFORE FABRICATION.

LEGEND :

- (X1) --- DETAIL MARK NO.
- (X001) --- REFER SHEET NO.
- 1. F.F.L. --- FINISHED FLOOR LEVEL
- 2. S.F.L. --- STRUCTURAL FLOOR LEVEL
- 3. (R) --- REVERSED DETAIL

4. GLASS LEGEND

- EGL-1 --- 8mmHS+12mm AIR GAP+10mmTP THK. I.G.U.
- EGL-2 --- 10mm THK. CLEAR TEMPERED GLASS
- EGL-4 --- 10mm THK. TEMPERED ACID ETCHED GLASS
- EGL-1A --- 8mmHS+12mm AIR GAP+8mmTP THK. I.G.U.
- EGL-1B --- 8mmHS+12mm AIR GAP+10mmTP ADD-ETCHED THK. I.G.U.

NO.	DATE	REVISION	REVISION SUBJECT TO ARCH-COMMENT	BY
J	21/09/2022	REVISION SUBJECT TO ARCH-COMMENT		hvn
I	17/08/2022	REVISION SUBJECT TO ARCH-COMMENT		hvn
H	22/04/2022	REVISION SUBJECT TO ARCH-COMMENT		hvn
G	09/04/2022	REVISION SUBJECT TO ARCH-COMMENT		hvn
F	14/12/2021	REVISION SUBJECT TO ARCH-COMMENT		hvn
E	29/11/2021	REVISION SUBJECT TO ARCH-COMMENT		hvn

JOB NO. : J-856

PROJECT : PROPOSED DEVELOPMENT ABOVE LIGHT RAIL TIN WING STOP-TSWTL NO.23,AREA 33,TIN SHUI WA, N.T.

TITLE : WINDOW SCHEDULE FOR TOWER 3 ALUM. WINDOW

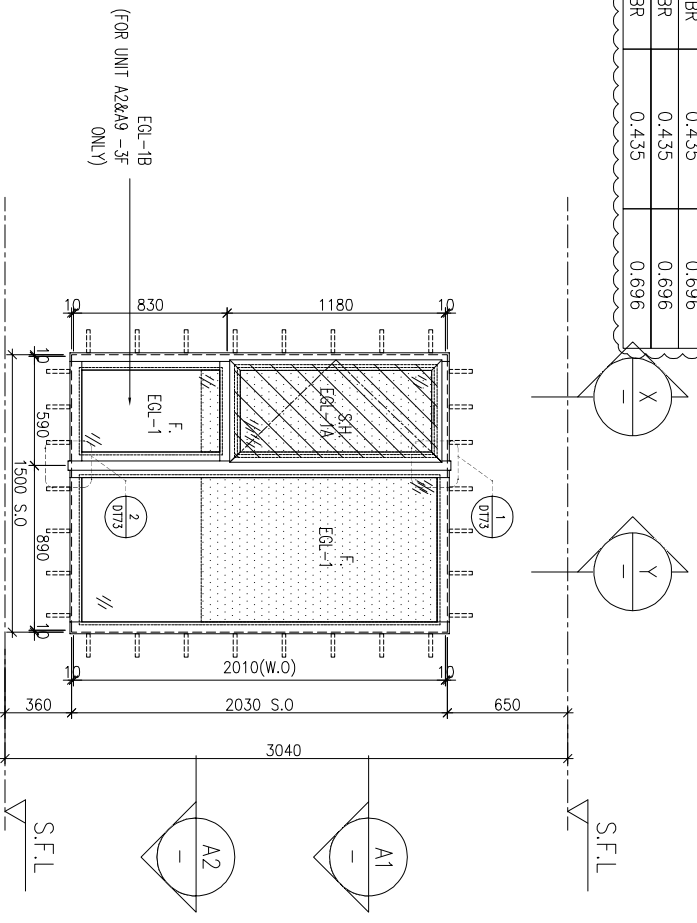
DATE : 02-Aug-21 SCALE : 1:40

DRAWN BY : hvn CHECKED BY :

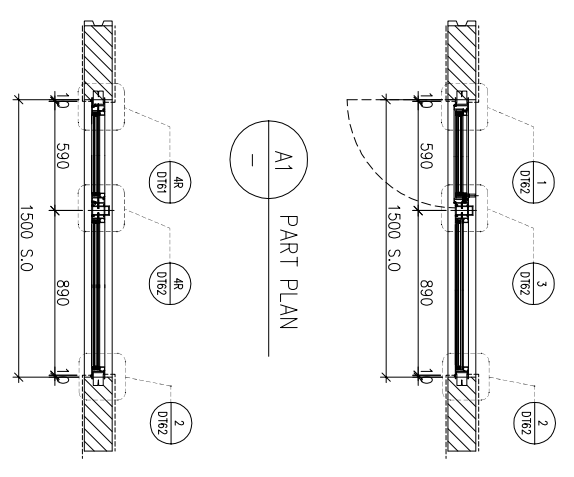
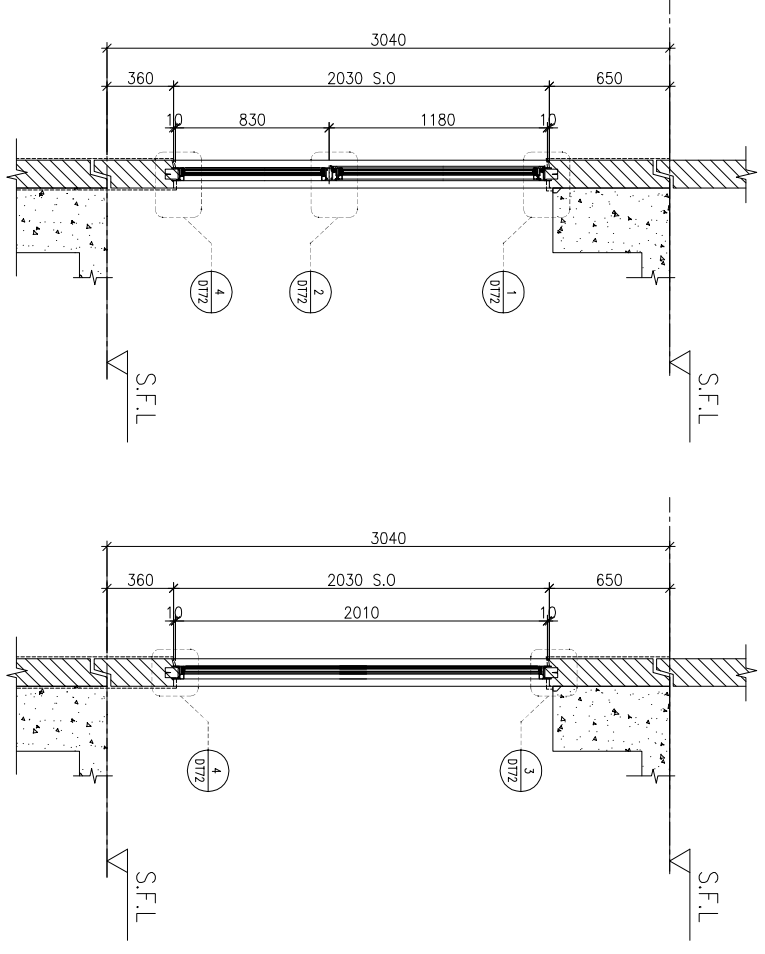
美特鋁質有限公司
MIDI ALUMINIUM FABRICATOR LTD.
Units 6-8, Sunray Industrial Centre, 1/F
610 Cho Kwai Ling Road, Kwai Tsou
Tel:23489211-4 Fax:(852)2727666

DWG NO. : J856-SD-PW-5305 REV. : J

REQUIRED		PROVIDED	
LOCATION	OPENABLE AREA	GLAZING AREA	GLAZING AREA
A2-MBR	0.460	0.736	0.548
A5-MBR	0.473	0.757	1.495
A9-MBR	0.471	0.754	
A15-MBR	0.435	0.696	
B6-MBR	0.435	0.696	
B7-MBR	0.435	0.696	

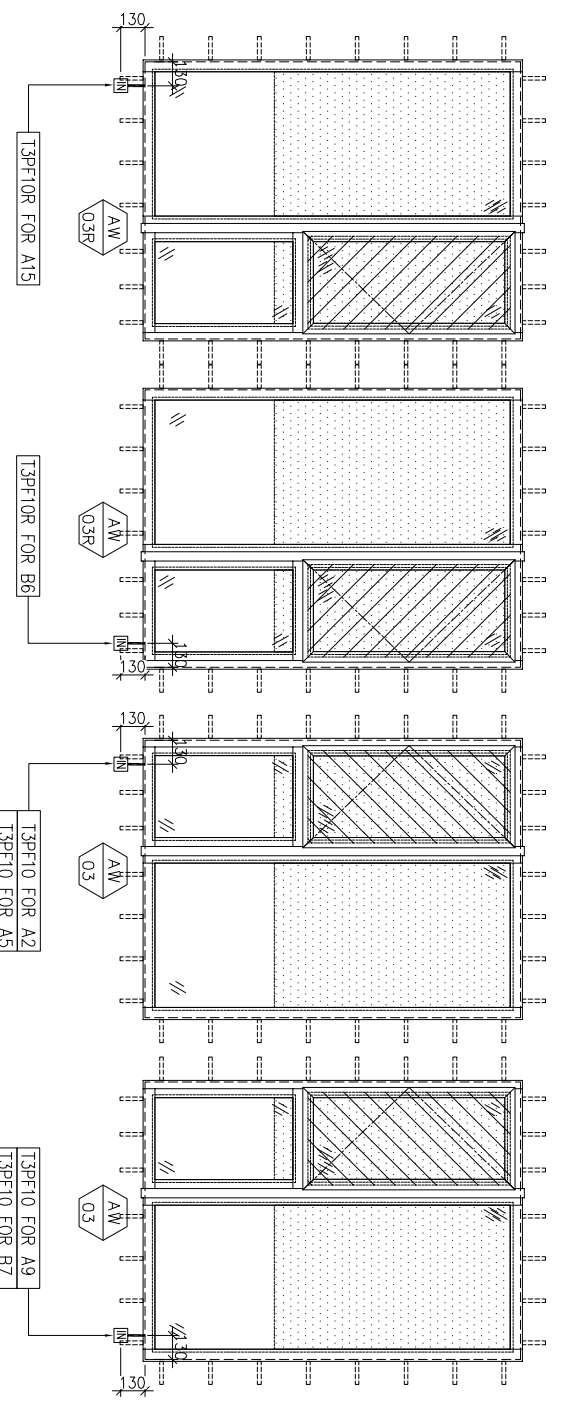


ELEVATION



FACADE CODE		FACADE CODE	
LWK	UNIT	LWK	UNIT
PF-10	T3PF-06	A2	
PF-10	T3PF-11	A5	
PF-10	T3PF-38	A9	
PF-10	T3PF-31	B7	

LOCATION	SECTION	QUANTITY	REMARKS
3/F-42/F(4/F,13/F,14/F,24/F,34/F OMITTED)	70mm ALUM. SECTION	35 Nos / 35 Nos / 35 Nos	FACADE(TYPE T3PF10 FOR 3/F~42/F)
			(4 BAR HINGE-LIP HING (HHMS-N16))



LOCATION	SECTION	QUANTITY	REMARKS
3/F-42/F(4/F,13/F,14/F,24/F,34/F OMITTED)	70mm ALUM. SECTION	34 Nos / 35 Nos	FACADE(TYPE T3PF10 FOR 3/F~42/F)
			(4 BAR HINGE-LIP HING (HHMS-N16))

BD. REF :

CLIENT :

SUN HUNG KAI
REAL ESTATE AGENCY LTD.
42/F SUN HUNG KAI CENTRE, WANCHAI, HONGKONG

lwk&partners
ARCHITECT

MANU CONTRACTOR :
怡輝建築有限公司
Yee Fai Building Contractors Ltd.

STRUCTURAL ENGINEER :
ARUP
ALPHA CONSULTING LIMITED
Steel Structure & Façade Specialist

NOTE:
1. ALL DIMENSIONS ARE IN mm.
2. ALL ELEVATIONS ARE VIEWED FROM OUTSIDE.
3. ALL DIMENSIONS TO BE VERIFIED ON SITE BEFORE FABRICATION.

LEGEND :

X1	DETAIL MARK NO.
X001	REFER SHEET NO.
(F)	FINISHED FLOOR LEVEL
(S.F.L)	STRUCTURAL FLOOR LEVEL
(R)	REVERSED DETAIL

4. GLASS LEGEND

EQ1-1--8mmHS+12mm AIR GAP+10mmTP THK. I.G.U.
EQ1-2--10mm THK. CLEAR TEMPERED GLASS
EQ1-4--10mm THK. TEMPERED ACID ETCHED GLASS
EQ1-1A-8mmHS+12mm AIR GAP+8mmTP THK. I.G.U.
EQ1-1B-8mmHS+12mm AIR GAP+10mmTP ADD-ETCHED THK. I.G.U.

NO.	DATE	REVISION	SUBJECT TO ARCH-COMMENT	BY
J	21/09/2022	REVISION	SUBJECT TO ARCH-COMMENT	ivan
I	17/08/2022	REVISION	SUBJECT TO ARCH-COMMENT	ivan
H	27/06/2022	REVISION	SUBJECT TO ARCH-COMMENT	ivan
G	22/04/2022	REVISION	SUBJECT TO ARCH-COMMENT	ivan
F	09/04/2022	REVISION	SUBJECT TO ARCH-COMMENT	ivan
E	14/12/2021	REVISION	SUBJECT TO ARCH-COMMENT	ivan
D	29/11/2021	REVISION	SUBJECT TO ARCH-COMMENT	ivan

JOB NO. : J-856

PROJECT : PROPOSED DEVELOPMENT ABOVE LIGHT RAIL TIN WING STOP,T3WTL NO.23,AREA 33,TIN SHUI WAI, N.T.

TITLE : WINDOW SCHEDULE FOR TOWER 3 ALUM. WINDOW

DATE : 02-Aug-21 SCALE : 1:40

DRAWN BY : ivan CHECKED BY :

美特鋁質有限公司
MIDI ALUMINIUM FABRICATOR LTD.
Units 6-8, Sunray Industrial Centre, 1/F
610 Cho Kwai Ling Road, Kwailoon
Tel:23489211-4 Fax:(852)2727666

DWG NO. : J856-SD-PW-5306 REV. : J

B.D. REF :

CLIENT :

SUN HUNG KAI
REAL ESTATE AGENCY LTD.
42/F SUN HUNG KAI CENTRE, WANCHAI, HONGKONG

ARCHITECT :

lwk&partners
a r c h i t e c t s

MAIN CONTRACTOR :

怡輝建築有限公司
Yee Fai Building Contractors Ltd.

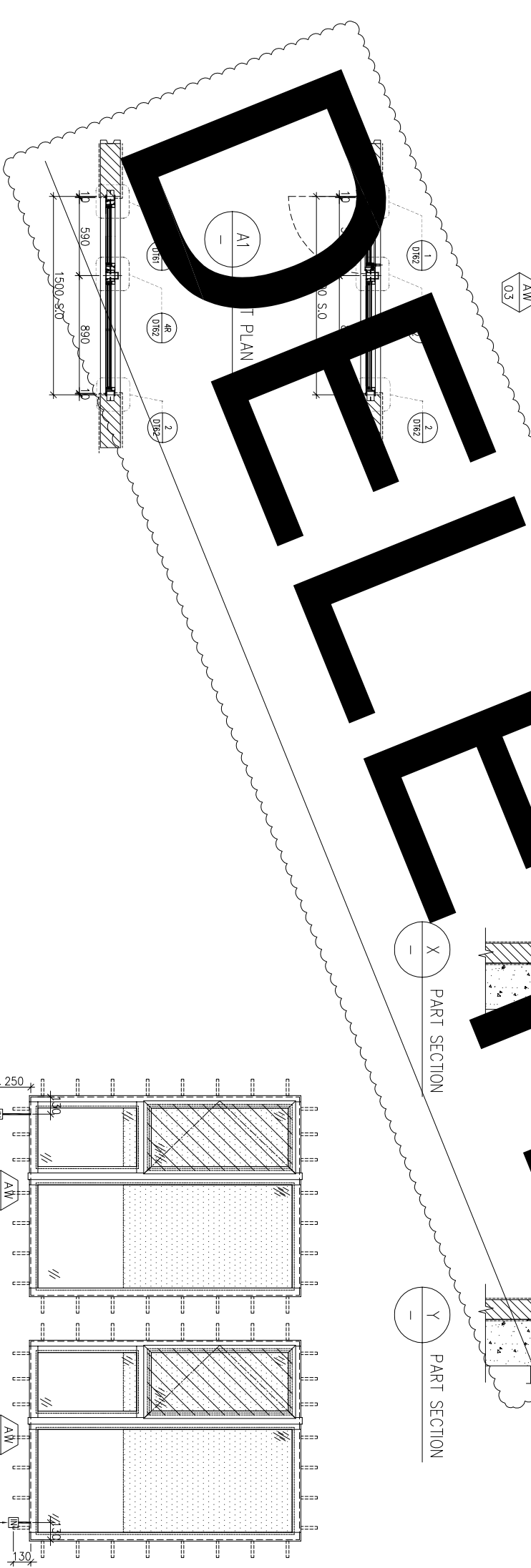
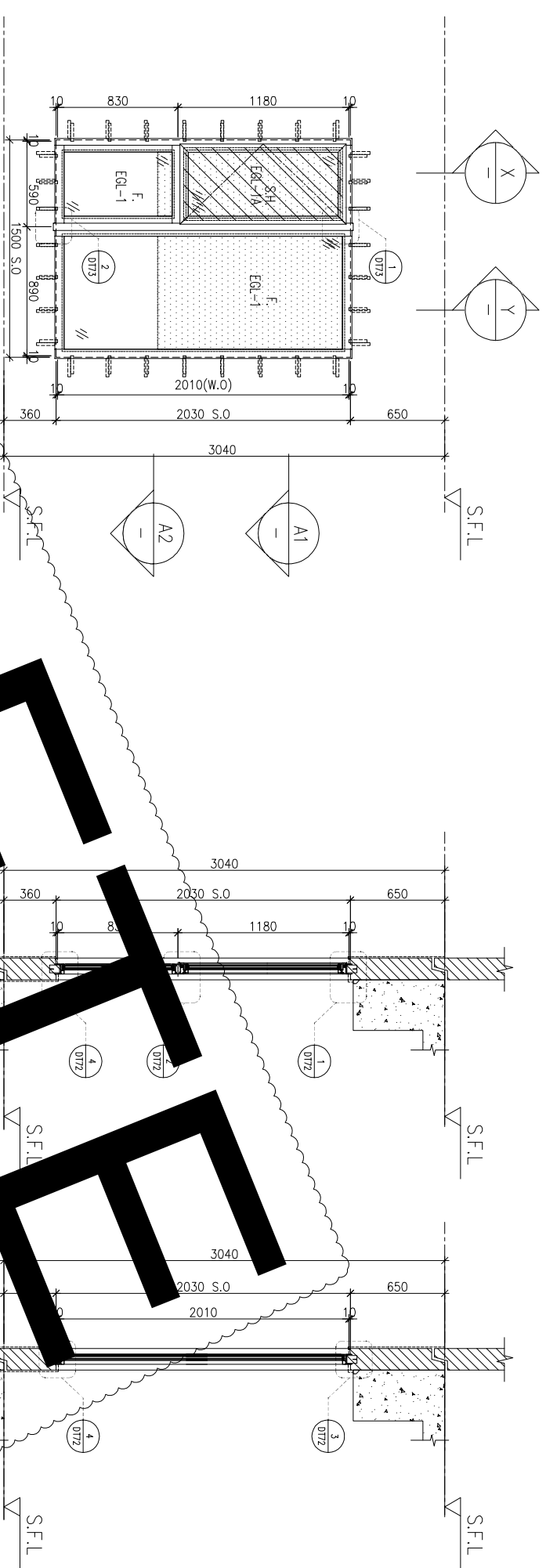
STRUCTURAL ENGINEER :

ARUP

FAÇADE CONSULTANT:

ALPHA CONSULTING LIMITED
Steel Structure & Façade Specialist

ELEVATION



FAÇADE CODE		UNIT
LWK	鴻輝	
PF-11	±3PF-03	A1
PF-11	±3PF-17	B10

CHANGE TO IN-SITU WINDOWS?
CHANGE TO IN-SITU WINDOWS?

WINDOW MARK	AW 03
LOCATION	3/F-42/F(4/F,13/F,14/F,24/F,34/F OMITTED) UNIT (A1, B10)
SECTION	70mm ALUM. SECTION
GLAZING	EGL-1, EGL-1A
QUANTITY	35 Nos. / 35 Nos
REMARKS	FAÇADE(TYPE {3PF1}) FOR 3/F-42/F)

- NOTE:
1. ALL DIMENSIONS ARE IN mm.
 2. ALL ELEVATIONS ARE VIEWED FROM OUTSIDE.
 3. ALL DIMENSIONS TO BE VERIFIED ON SITE BEFORE FABRICATION.

LEGEND :

- (X1) --- DETAIL MARK NO.
- (X001) --- REFER SHEET NO.
- 1. F.F.L. --- FINISHED FLOOR LEVEL
- 2. S.F.L. --- STRUCTURAL FLOOR LEVEL
- 3. (R) --- REVERSED DETAIL

4. GLASS LEGEND

EGL-1	--8mmHS+12mm AIR GAP+10mmTP THK. I.G.U.
EGL-2	--10mm THK. CLEAR TEMPERED GLASS
EGL-4	--10mm THK. TEMPERED ACID ETCHED GLASS
EGL-1A	--8mmHS+12mm AIR GAP+8mmTP THK. I.G.U.
EGL-1B	--8mmHS+12mm AIR GAP+10mmTP THK. I.G.U.
H	18/05/2022 REVISION SUBJECT TO ARCH-COMMENT
G	22/04/2022 REVISION SUBJECT TO ARCH-COMMENT
F	08/04/2022 REVISION SUBJECT TO ARCH-COMMENT
E	14/12/2021 REVISION SUBJECT TO ARCH-COMMENT
D	29/11/2021 REVISION SUBJECT TO ARCH-COMMENT
C	02/11/2021 REVISION SUBJECT TO ARCH-COMMENT
B	28/10/2021 REVISION SUBJECT TO ARCH-COMMENT
A	27/09/2021 REVISION SUBJECT TO ARCH-COMMENT

JOB NO. : J-856

PROJECT : PROPOSED DEVELOPMENT ABOVE LIGHT RAIL TIN WING STOP-TS/WTL NO.23,AREA 33,TIN SHUI WAI, N.T.

TITLE : WINDOW SCHEDULE FOR TOWER 3 ALUM. WINDOW

DATE : 02-Aug-21 SCALE : 1:40

DRAWN BY : IYON CHECKED BY :

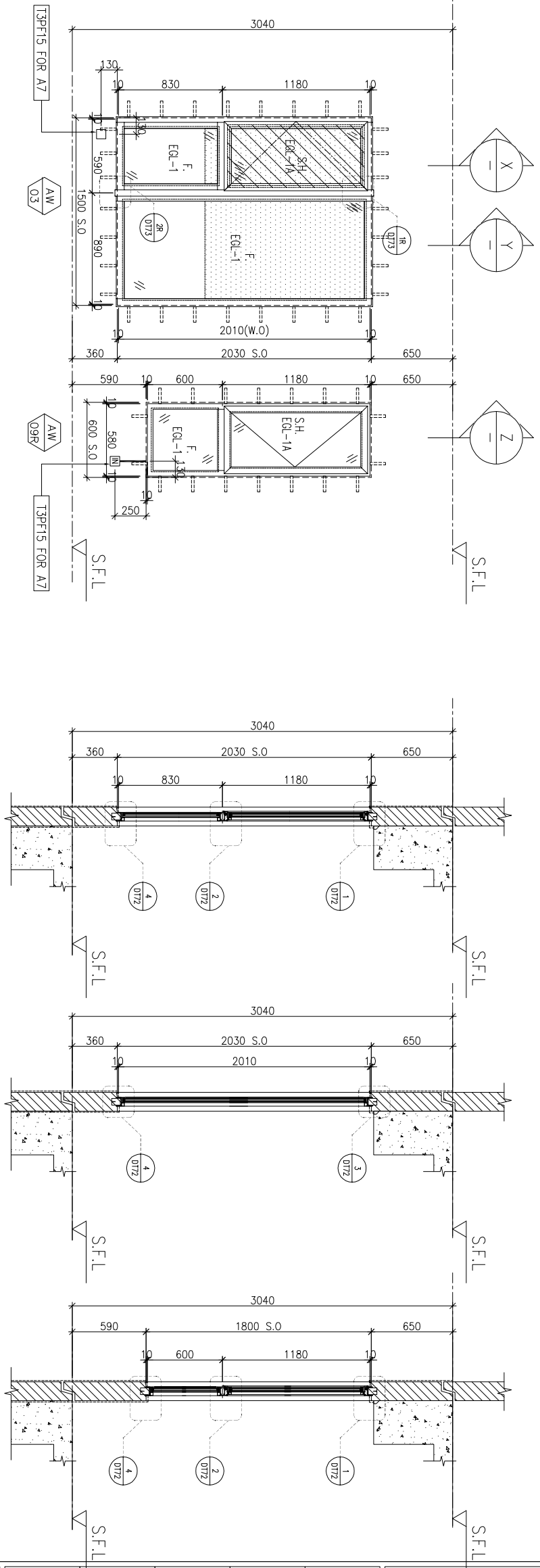
美特鋁質有限公司
MIDI ALUMINIUM FABRICATOR LTD.
Units 6-8, Sunray Industrial Centre, 1/F
610 Cho Kwai Ling Road, Kwai Tsou
Tel:23489211-4 Fax:(852)2727666
DWG NO. : J856-SD-PW-5307 REV. : H

LOCATION	OPENABLE AREA	GLAZING AREA	OPENABLE AREA	GLAZING AREA
A7-MBR	0.388	0.620	0.548	1.495

LOCATION	OPENABLE AREA	GLAZING AREA	OPENABLE AREA	GLAZING AREA
A7-S10	N/A	N/A	N/A	N/A

LOCATION	OPENABLE AREA	GLAZING AREA	OPENABLE AREA	GLAZING AREA
A7-S10	N/A	N/A	N/A	N/A

BD. REF. :	
------------	--



ELEVATION

FAÇADE CODE	UNIT
LWK	鴻輝
PF-15	T3PF-14
	A7

WINDOW MARK	AW 03	AW 09R
LOCATION	3/F-42/F(4/F,13/F,14/F,24/F,34/F OMITTED) UNIT A7	
SECTION	70mm ALUM. SECTION	
GLAZING	EGL-1, EGL-1A	
QUANTITY	35 Nos	
REMARKS	FAÇADE(TYPE T3PF15 FOR 3/F-42/F) 4 BAR HINGE-LIP HING (HHMS-N16)	

CLIENT : **SUN HUNG KAI REAL ESTATE AGENCY LTD.**
42/F SUN HUNG KAI CENTRE, WANCHAI, HONGKONG

ARCHITECT : **lwk&partners**
a r c h i t e c t s

MAIN CONTRACTOR : **怡輝建築有限公司 Yee Fai Building Contractors Ltd.**

STRUCTURAL ENGINEER : **ARUP**

FAÇADE CONSULTANT : **ALPHA CONSULTING LIMITED**
Steel Structure & Façade Specialist

NOTE :

1. ALL DIMENSIONS ARE IN mm.
2. ALL ELEVATIONS ARE VIEWED FROM OUTSIDE.
3. ALL DIMENSIONS TO BE VERIFIED ON SITE BEFORE FABRICATION.

LEGEND :

- (X1) --- DETAIL MARK NO.
- (X001) --- REFER SHEET NO.
- 1. F.F.L. --- FINISHED FLOOR LEVEL
- 2. S.F.L. --- STRUCTURAL FLOOR LEVEL
- 3. (R) --- REVERSED DETAIL

4. GLASS LEGEND

- EGL-1 --- 8mmHS+12mm AIR GAP+10mmTP THK. I.G.U.
- EGL-2 --- 10mm THK. CLEAR TEMPERED GLASS
- EGL-4 --- 10mm THK. TEMPERED ACID ETCHED GLASS
- EGL-1A --- 8mmHS+12mm AIR GAP+8mmTP THK. I.G.U.
- EGL-1B --- 8mmHS+12mm AIR GAP+10mmTP ACID-ETCHED THK. I.G.U.

NO.	DATE	REVISION	REVISION SUBJECT TO ARCH.COMMENT	BY
K	21/09/2022	REVISION SUBJECT TO ARCH.COMMENT		hcn
J	17/08/2022	REVISION SUBJECT TO ARCH.COMMENT		hcn
I	17/05/2022	REVISION SUBJECT TO ARCH.COMMENT		hcn
H	22/04/2022	REVISION SUBJECT TO ARCH.COMMENT		hcn
G	09/04/2022	REVISION SUBJECT TO ARCH.COMMENT		hcn
F	14/12/2021	REVISION SUBJECT TO ARCH.COMMENT		hcn
E	29/11/2021	REVISION SUBJECT TO ARCH.COMMENT		hcn

JOB NO. : J-856

PROJECT : PROPOSED DEVELOPMENT ABOVE LIGHT RAIL TIN WING STOP-TSWTL NO.23,AREA 33,TIN SHUI WAI, N.T.

TITLE : WINDOW SCHEDULE FOR TOWER 3 ALUM. WINDOW

DATE : 02-Aug-21 SCALE : 1:40

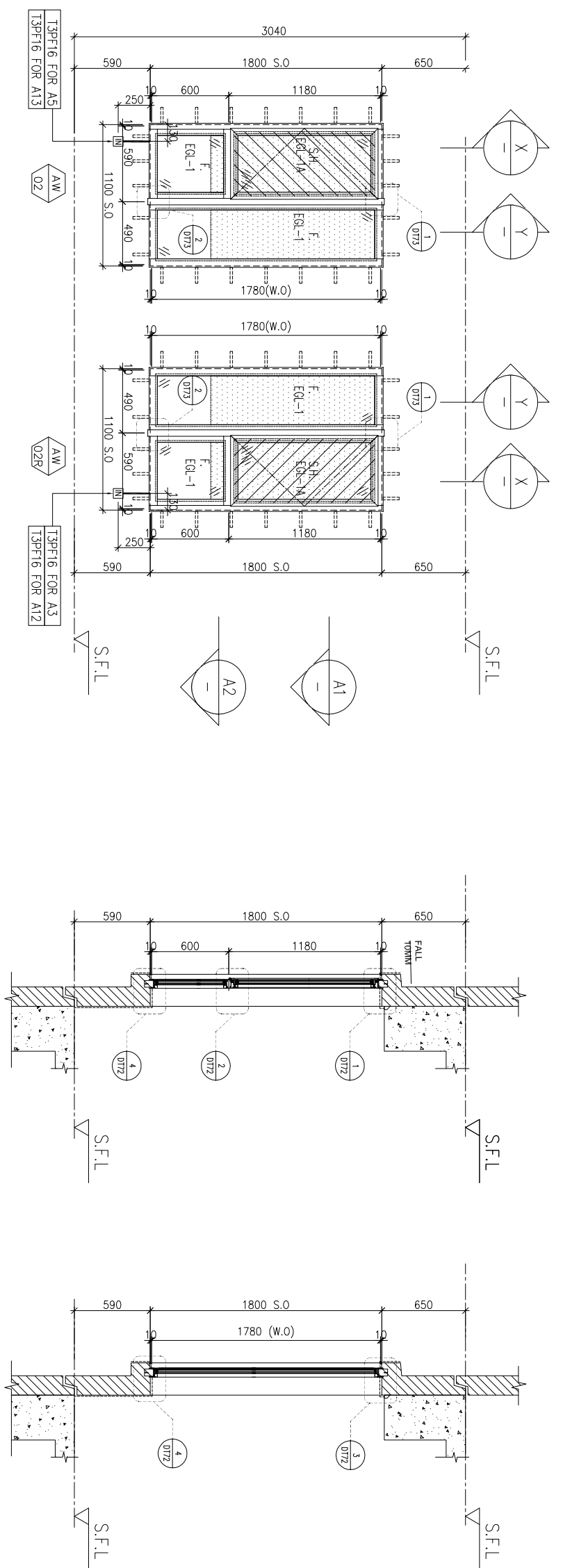
DRAWN BY : ivon CHECKED BY :

美特鋁質有限公司
MDI ALUMINIUM FABRICATOR LTD.
Units 6-8, Sunray Industrial Centre, 1/F
610 Cho Kwai Ling Road, Kwai Tsoum
Tel:23489211-4 Fax:(852)27272666

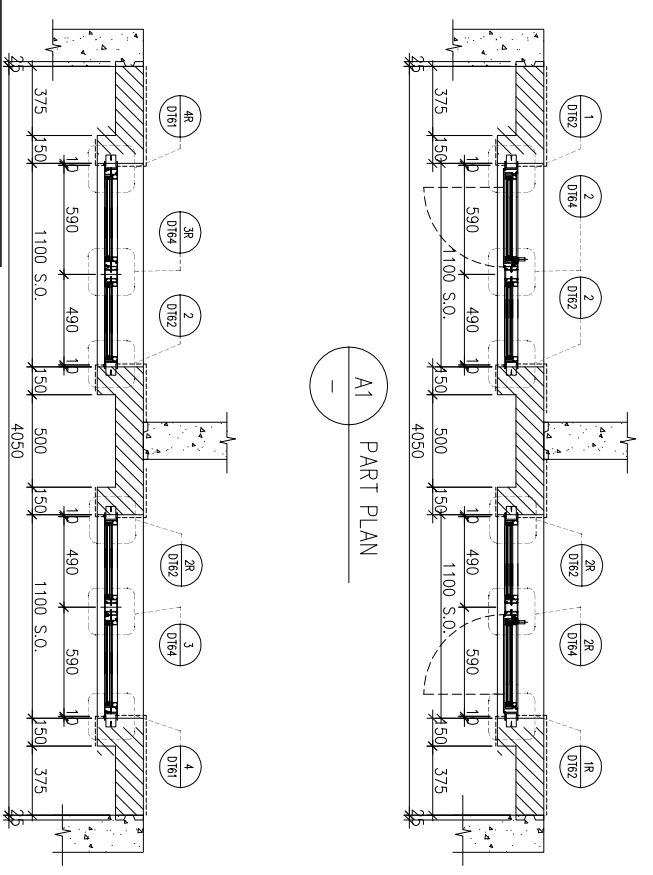
DWG NO. : J856-SD-PW-5308 REV. : K

REQUIRE		PROVIDED	
LOCATION	OPENABLE AREA	GLAZING AREA	GLAZING AREA
A5-BR1	0.263	0.420	0.548
A13-BR1	0.263	0.420	0.985

REQUIRE		PROVIDED	
LOCATION	OPENABLE AREA	GLAZING AREA	GLAZING AREA
A3-BR1	0.263	0.420	0.548
A12-BR1	0.263	0.420	0.985



ELEVATION



FAÇADE CODE

LWK	UNIT
PF-16	T3PF-09
PF-16	T3PF-09
PF-16	T3PF-43
PF-16	T3PF-43

A2 PART PLAN

A1 PART PLAN

X PART SECTION

Y PART SECTION

WINDOW MARK	FAÇADE TYPE
AW 02	T3PF16 FOR A5
AW 02R	T3PF16 FOR A13

LOCATION	SECTION	QUANTITY	REMARKS
5/F-42/F, 13/F, 14/F, 24/F, 34/F OMITTED <td>70mm ALUM. SECTION <td>34 Nos</td> <td>4 BAR HINGE-LIP HING (HHMS-N16)</td> </td>	70mm ALUM. SECTION <td>34 Nos</td> <td>4 BAR HINGE-LIP HING (HHMS-N16)</td>	34 Nos	4 BAR HINGE-LIP HING (HHMS-N16)
	<td>34 Nos</td> <td></td>	34 Nos	

BD. REF :

CLIENT :



42/F SUN HUNG KAI CENTRE, WANCHAI, HONGKONG

ARCHITECT :



MANU CONTRACTOR :



STRUCTURAL ENGINEER :



FAÇADE CONSULTANT :



NOTE :

1. ALL DIMENSIONS ARE IN mm.
2. ALL ELEVATIONS ARE VIEWED FROM OUTSIDE.
3. ALL DIMENSIONS TO BE VERIFIED ON SITE BEFORE FABRICATION.

LEGEND :

- (X1) --- DETAIL MARK NO.
- (X001) --- REFER SHEET NO.
- 1. F.F.L. --- FINISHED FLOOR LEVEL
- 2. S.F.L. --- STRUCTURAL FLOOR LEVEL
- 3. (R) --- REVERSED DETAIL

4. GLASS LEGEND

- EGL-1 --- 8mmHS+12mm AIR GAP+10mmTP THK. I.G.U.
- EGL-2 --- 10mm THK. CLEAR TEMPERED GLASS
- EGL-4 --- 10mm THK. TEMPERED ACID ETCHED GLASS
- EGL-1A --- 8mmHS+12mm AIR GAP+8mmTP THK. I.G.U.
- EGL-1B --- 8mmHS+12mm AIR GAP+10mmTP ACID-ETCHED THK. I.G.U.

NO.	DATE	REVISION	REVISION SUBJECT TO ARCH-COMMENT	BY
J	17/08/2022	REVISION SUBJECT TO ARCH-COMMENT	None	None
I	17/08/2022	REVISION SUBJECT TO ARCH-COMMENT	None	None
H	22/04/2022	REVISION SUBJECT TO ARCH-COMMENT	None	None
G	09/04/2022	REVISION SUBJECT TO ARCH-COMMENT	None	None
F	14/12/2021	REVISION SUBJECT TO ARCH-COMMENT	None	None
E	29/11/2021	REVISION SUBJECT TO ARCH-COMMENT	None	None

JOB NO. : J-856

PROJECT :

PROPOSED DEVELOPMENT ABOVE LIGHT RAIL TIN WING STOP-TSWTL NO.23, AREA 33, TIN SHUI WAI, N.T.

TITLE :

WINDOW SCHEDULE FOR TOWER 3 ALUM. WINDOW

DATE : 02-Aug-21 SCALE : 1:40

DRAWN BY : Ivan CHECKED BY :

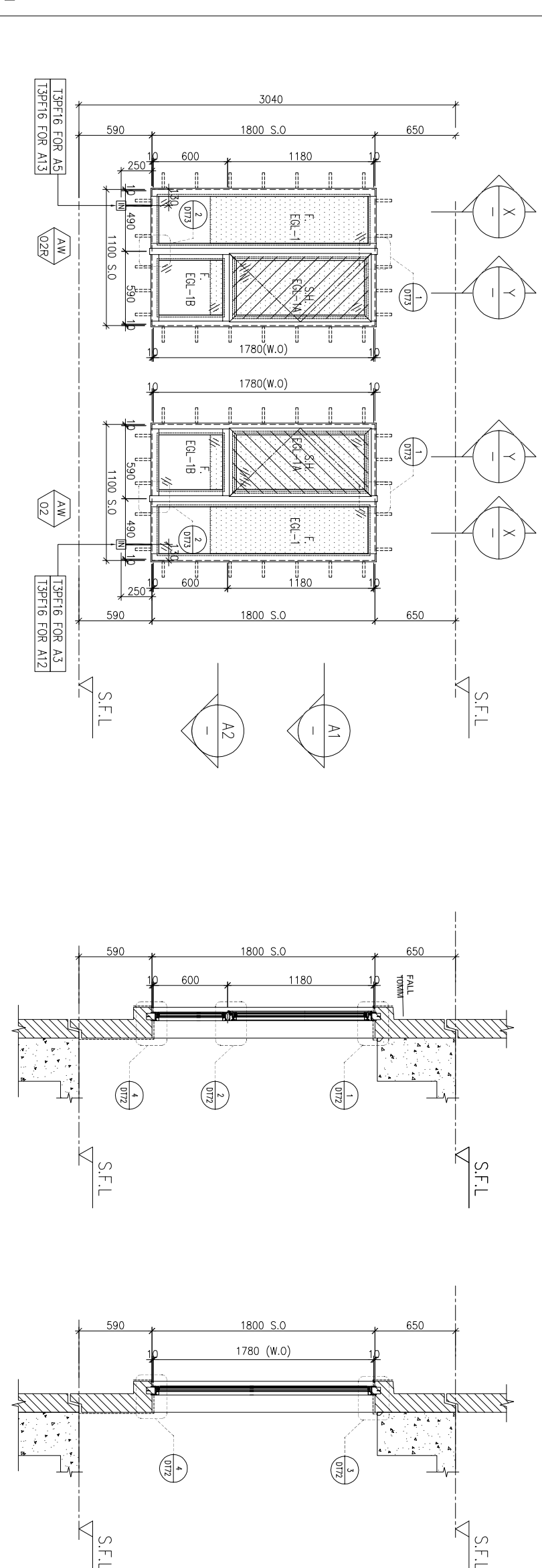


Units 6-8, Sunray Industrial Centre, 1/F, 610 Cho Kwai Ling Road, Kwai Tsoum, Tel: 23489211-4, Fax: (852) 27272666

DWG NO. : J856-SD-PW-5309 REV. : J

REQUIRE		PROVIDED	
LOCATION	OPENABLE AREA	GLAZING AREA	GLAZING AREA
A5-BR1	0.263	0.420	0.548
A13-BR1	0.263	0.420	0.985

REQUIRE		PROVIDED	
LOCATION	OPENABLE AREA	GLAZING AREA	GLAZING AREA
A3-BR1	0.263	0.420	0.548
A12-BR1	0.263	0.420	0.985



BD. REF :

CLIENT :

SUN HUNG KAI
REAL ESTATE AGENCY LTD.
42/F, SUN HUNG KAI CENTRE, WANCHAI, HONGKONG

ARCHITECT :

lwk&partners
a r c h i t e c t s

MANU CONTRACTOR :

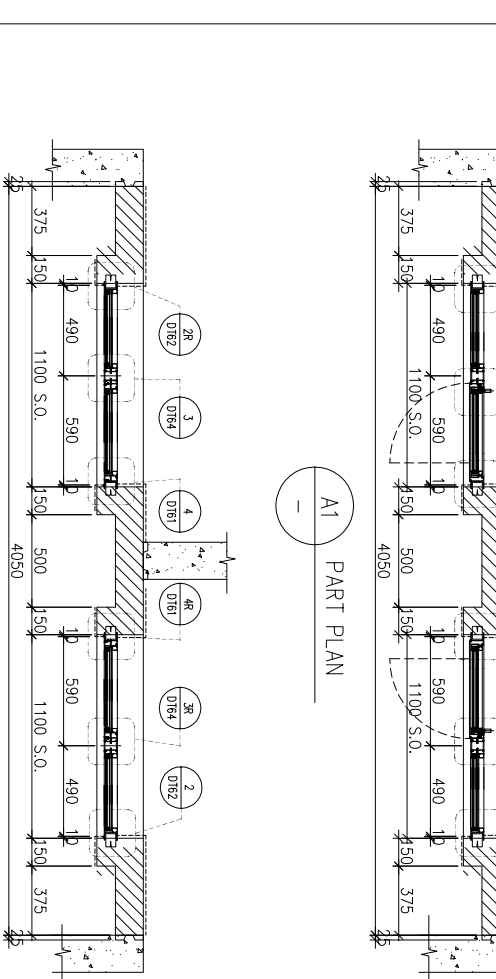
怡輝建築有限公司
Yee Fai Building Contractors Ltd.

STRUCTURAL ENGINEER :

ARUP
ALPHA CONSULTING LIMITED
Steel Structure & Facade Specialist

FAÇADE CONSULTANT :

- NOTE :
1. ALL DIMENSIONS ARE IN mm.
 2. ALL ELEVATIONS ARE VIEWED FROM OUTSIDE.
 3. ALL DIMENSIONS TO BE VERIFIED ON SITE BEFORE FABRICATION.
- LEGEND :
- (X1) --- DETAIL MARK NO.
 - (X001) --- REFER SHEET NO.
 - 1. F.F.L. --- FINISHED FLOOR LEVEL
 - 2. S.F.L. --- STRUCTURAL FLOOR LEVEL
 - 3. (R) --- REVERSED DETAIL
4. GLASS LEGEND
- EGL-1 --- 8mmHS+12mm AIR GAP+10mmTP THK. I.G.U.
 - EGL-2 --- 10mm THK. CLEAR TEMPERED GLASS
 - EGL-4 --- 10mm THK. TEMPERED ACID ETCHED GLASS
 - EGL-1A --- 8mmHS+12mm AIR GAP+8mmTP THK. I.G.U.
 - EGL-1B --- 8mmHS+12mm AIR GAP+10mmTP ACID-ETCHED THK. I.G.U.



FAÇADE CODE	
LWK	UNIT
PF-16	T3PF-09
PF-16	T3PF-09
PF-16	T3PF-43
PF-16	T3PF-43

WINDOW MARK	UNIT
AW 02	A12
AW 02B	A12

LOCATION	3/F UNIT A5&A3, A13&A12
SECTION	70mm ALUM. SECTION
GLAZING	EGL-1, EGL-1A
QUANTITY	1 No / 1 No
REMARKS	FAÇADE TYPE T3PF16 FOR 3/F 4 BAR HINGE-LIP HING (HHMS-N16)

JOB NO. : J-856

PROJECT :

PROPOSED DEVELOPMENT ABOVE LIGHT RAIL TIN WING STOP-TSWTL NO.23, AREA 33, TIN SHUI WAI, N.T.

TITLE :

WINDOW SCHEDULE FOR TOWER 3 ALUM. WINDOW

DATE : 23-Apr-21

SCALE : 1:40

DRAWN BY : Ivan

CHECKED BY :

美特鋁質有限公司
MIDI ALUMINIUM FABRICATOR LTD.
Units 6-8, Sunray Industrial Centre, 1/F
610 Cho Kwai Ling Road, Kowloon
Tel: 23489211-4 Fax: (852) 27272666

DWG NO. : J856-SD-PW-5309d

REV. : C

B.D. REF :

CLIENT :

SUN HUNG KAI
REAL ESTATE AGENCY LTD.

42/F, SUN HUNG KAI CENTRE, WANCHAI, HONGKONG

ARCHITECT :

lwk&partners
a r c h i t e c t s

MAIN CONTRACTOR :

怡輝建築有限公司
Yee Fai Building Contractors Ltd.

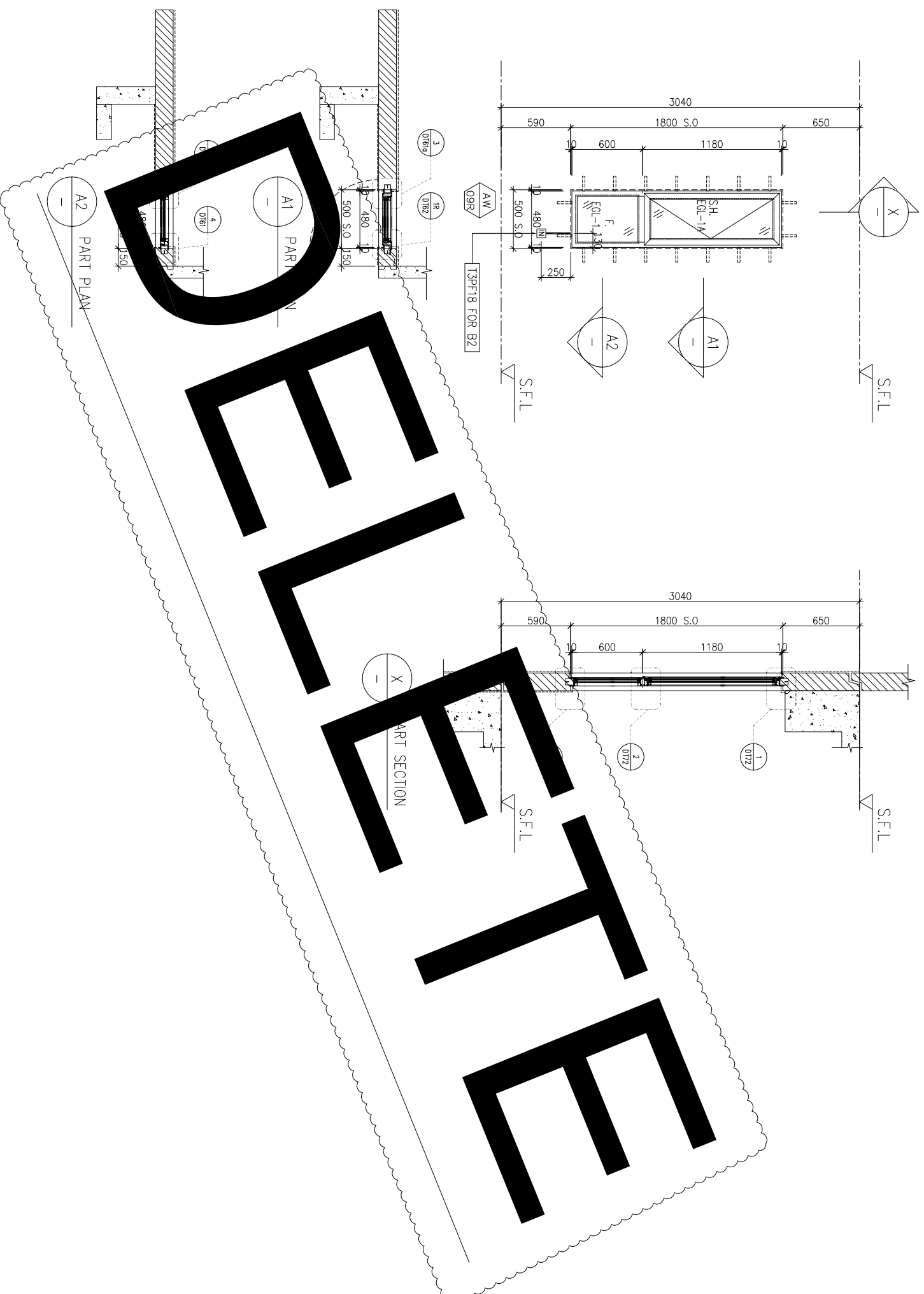
STRUCTURAL ENGINEER :

ARUP

FAÇADE CONSULTANT :

ALPHA CONSULTING LIMITED
Steel Structure & Façade Specialist

ELEVATION



FAÇADE CODE		
LWK	鴻輝	UNIT
PF-18	±3PF-46	B2

CHANGE TO IN-SITU WINDOWS?

WINDOW MARK	AW 09R
LOCATION	3/F-42/F(4/F,13/F,14/F,24/F,34/F OMITTED) UNIT B2
SECTION	70mm ALUM. SECTION
GLAZING	EGL-1, EGL-1A
QUANTITY	35 Nos
REMARKS	FAÇADE(TYPE 13PF18) FOR 3/F-42/F

NOTE:
 1. ALL DIMENSIONS ARE IN mm.
 2. ALL ELEVATIONS ARE VIEWED FROM OUTSIDE.
 3. ALL DIMENSIONS TO BE VERIFIED ON SITE BEFORE FABRICATION.

LEGEND :

- (X1) --- DETAIL MARK NO.
- (X001) --- REFER SHEET NO.
- 1. F.F.L. --- FINISHED FLOOR LEVEL
- 2. S.F.L. --- STRUCTURAL FLOOR LEVEL
- 3. (R) --- REVERSED DETAIL

4. GLASS LEGEND

EGL-1	12mmHS+12mmTP THK. IG.U.	12/04/2022	REVISION SUBJECT TO ARCH.COMMENT
EGL-2	10mm THK. CLEAR TEMPERED GLASS	14/12/2021	REVISION SUBJECT TO ARCH.COMMENT
EGL-3	10mm THK. CLEAR TEMPERED GLASS	29/11/2021	REVISION SUBJECT TO ARCH.COMMENT
EGL-4	10mm THK. TEMPERED ACID ETCHED GLASS	02/11/2021	REVISION SUBJECT TO ARCH.COMMENT
EGL-1A	8mmHS+12mm AIR GAP+8mmTP THK. IG.U.	28/10/2021	REVISION SUBJECT TO ARCH.COMMENT
EGL-1B	12mmHS+12mmTP THK. IG.U.	18/10/2021	REVISION SUBJECT TO ARCH.COMMENT
EGL-1C	12mmHS+12mmTP THK. IG.U.	27/09/2021	REVISION SUBJECT TO ARCH.COMMENT

JOB NO. : J-856

PROJECT : PROPOSED DEVELOPMENT ABOVE LIGHT RAIL TIN WING STOP-TSWTL NO.23,AREA 33,TIN SHUI WAI, N.T.

TITLE : WINDOW SCHEDULE FOR TOWER 3 ALUM. WINDOW

DATE : 02-Aug-21 SCALE : 1:40

DRAWN BY : Ivn

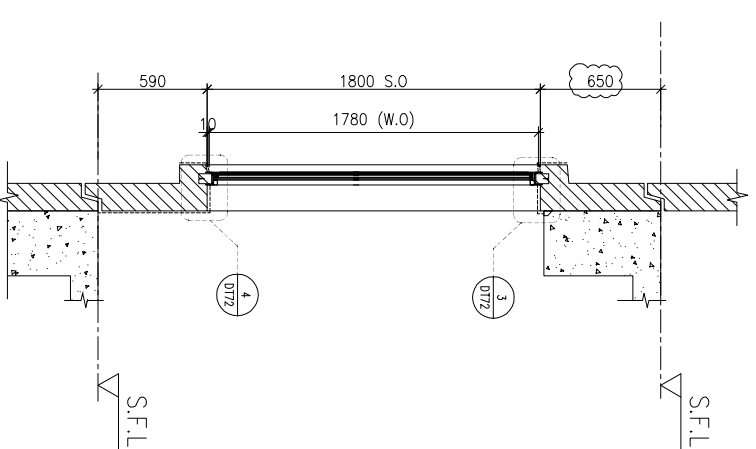
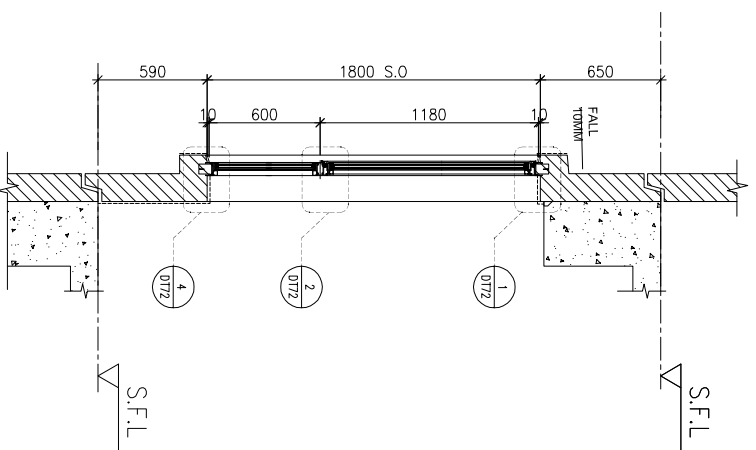
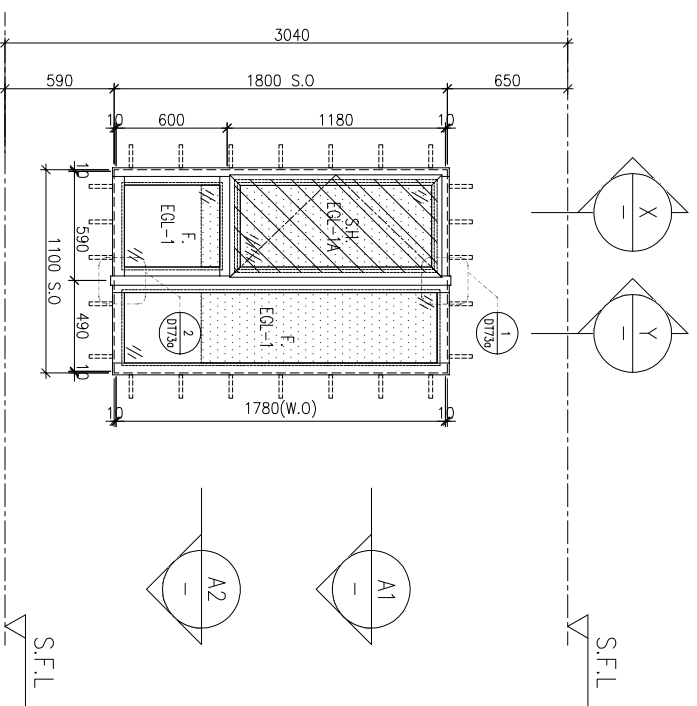
CHECKED BY :

美特鋁質有限公司
MIDI ALUMINIUM FABRICATOR LTD.

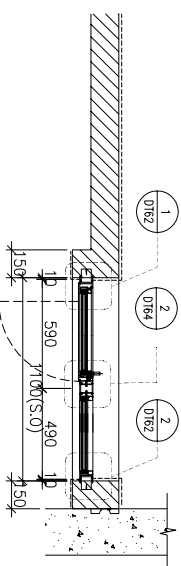
Units 6-8, Sunray Industrial Centre, 1/F
610 Cho Kwai Ling Road, Kwai Tsoum
Tel:23489211-4 Fax:(852)2727666

DWG NO. : J856-SD-PW-5310 REV. : I

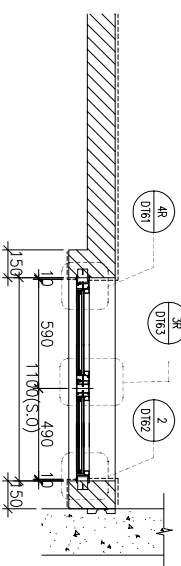
LOCATION	OPENABLE AREA	GLAZING AREA	OPENABLE AREA	GLAZING AREA
B6-BR1	0.263	0.420	0.548	0.985



ELEVATION



A1 PART PLAN



A2 PART PLAN

FACADE CODE		
LWK	鴻輝	UNIT
PF-19	T3PF-28	B6

WINDOW MARK

LOCATION 3/F-42/F(4/F,13/F,14/F,24/F,34/F OMITTED) UNIT B6

SECTION 70mm ALUM. SECTION

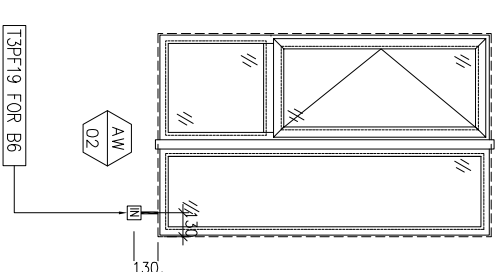
GLAZING EGL-1, EGL-1A

QUANTITY 35 Nos.

REMARKS FACADE(TYPE T3PF19 FOR 3/F-42/F) 4 BAR HINGE-LIP HING (HHMS-N16)

X PART SECTION

Y PART SECTION



BD. REF. : _____

CLIENT : **SUN HUNG KAI**
REAL ESTATE AGENCY LTD.
42/F SUN HUNG KAI CENTRE, WANCHAI, HONGKONG

ARCHITECT : **lwk&partners**
a f c h i l e o f s

MANU CONTRACTOR : **怡輝建築有限公司**
Yee Fai Building Contractors Ltd.

STRUCTURAL ENGINEER : **ARUP**
ALPHA CONSULTING LIMITED
Steel Structure & Façade Specialist

FACADE CONSULTANT :

NOTE :

1. ALL DIMENSIONS ARE IN mm.
2. ALL ELEVATIONS ARE VIEWED FROM OUTSIDE.
3. ALL DIMENSIONS TO BE VERIFIED ON SITE BEFORE FABRICATION.

LEGEND :

--DETAIL MARK NO.

--REFER SHEET NO.

1. F.L. ---FINISHED FLOOR LEVEL
2. S.F.L. ---STRUCTURAL FLOOR LEVEL
3. ---REVERSED DETAIL

4. GLASS LEGEND

EGL-1--8mmHS+12mm AIR GAP+10mmTP THK. I.G.U.

EGL-2--10mm THK. CLEAR TEMPERED GLASS

EGL-4--10mm THK. TEMPERED ACID ETCHED GLASS

EGL-1A-8mmHS+12mm AIR GAP+8mmTP THK. I.G.U.

EGL-1B-8mmHS+12mm AIR GAP+10mmTP ACID-ETCHED THK. I.G.U.

NO.	DATE	REVISION	REVISION SUBJECT TO ARCH.COMMENT	BY
G	21/09/2022	REVISION SUBJECT TO ARCH.COMMENT	ivan	
F	17/08/2022	REVISION SUBJECT TO ARCH.COMMENT	ivan	
E	22/04/2022	REVISION SUBJECT TO ARCH.COMMENT	ivan	
D	08/04/2022	REVISION SUBJECT TO ARCH.COMMENT	ivan	
C	14/12/2021	REVISION SUBJECT TO ARCH.COMMENT	ivan	
B	29/11/2021	REVISION SUBJECT TO ARCH.COMMENT	ivan	
A	18/10/2021	REVISION SUBJECT TO ARCH.COMMENT	ivan	

JOB NO. : J-856

PROJECT : PROPOSED DEVELOPMENT ABOVE LIGHT RAIL TIN WING STOP-TSWTL NO.23,AREA 33,TIN SHUI WAI, N.T.

TITLE : WINDOW SCHEDULE FOR TOWER 3 ALUM. WINDOW

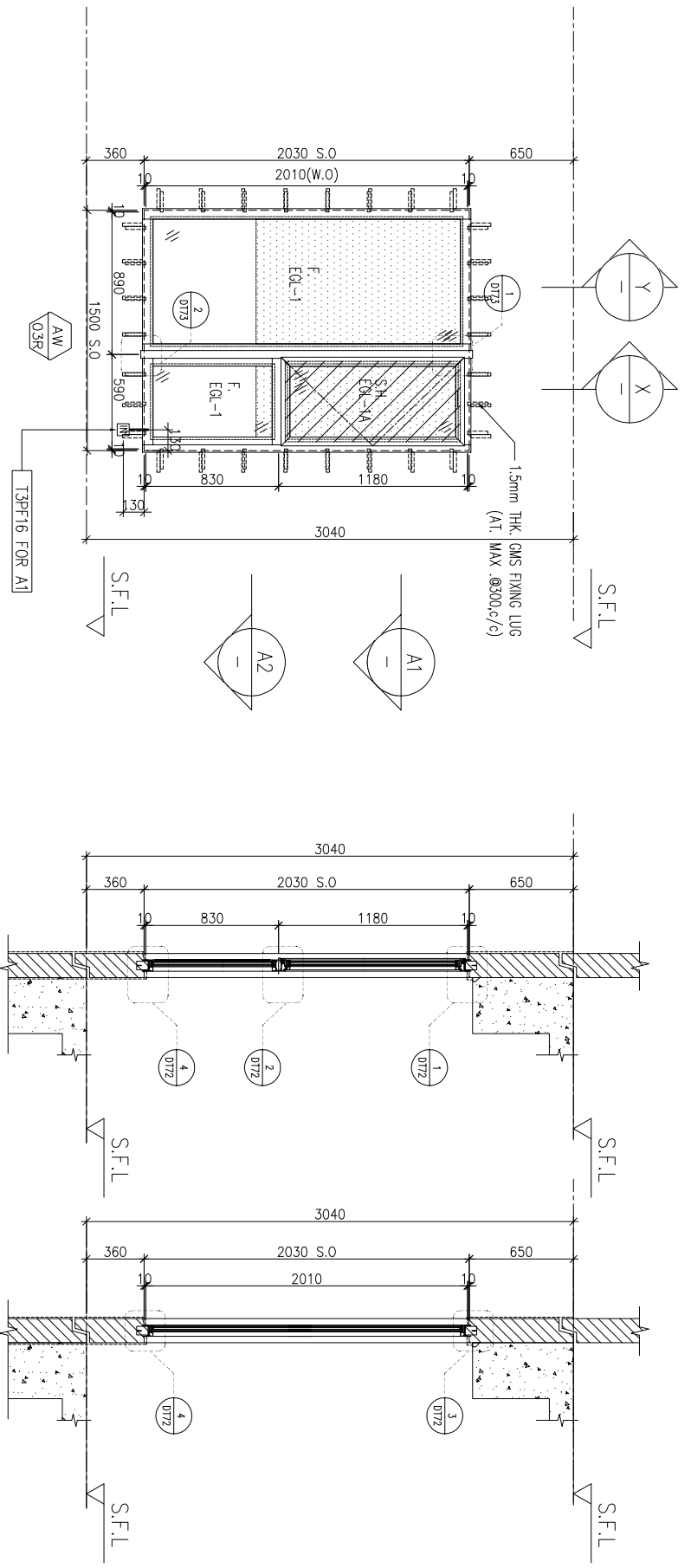
DATE : 02-Aug-21 SCALE : 1:40

DRAWN BY : ivan CHECKED BY :

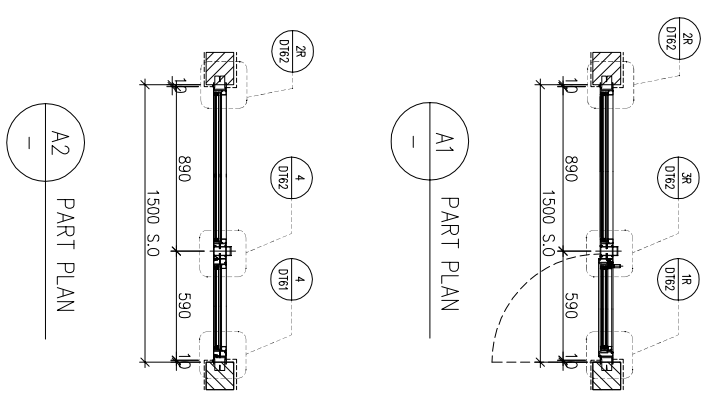
美特鋁質有限公司
MDI ALUMINIUM FABRICATOR LTD.
Units 6-8, Sunray Industrial Centre, 1/F
610 Cho Kwai Ling Road, Kwai Tsoum
Tel:23489211-4 Fax:(852)2727666

DWG NO. : J856-SD-PW-5311 REV. : G

REQUIRED		PROVIDED	
LOCATION	OPENABLE AREA	GLAZING AREA	GLAZING AREA
A11-MBR	0.388	0.620	0.548
A13-MBR	0.388	0.620	1.495



ELEVATION

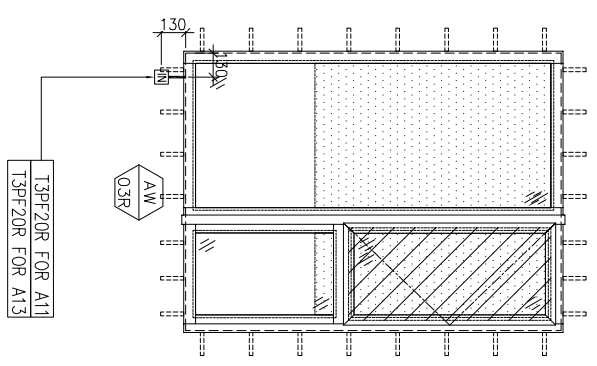


A1 PART PLAN

A2 PART PLAN

FACADE CODE		
LWK	鴻輝	UNIT
PF-20R	T3PF-41	A11
PF-20R	T3PF-44	A13

WINDOW MARK	AW O3R
LOCATION	3/F-42/F(4/F,13/F,14/F,24/F,34/F OMITTED) UNIT A11, A13
SECTION	70mm ALUM. SECTION
GLAZING	EGL-1, EGL-1A
QUANTITY	35 Nos \ 35 Nos
REMARKS	FACADE(TYPE T3PF20R FOR 3/F~42/F) (4 BAR HINGE-LIP HING (HHMS-N16)



T3PF20R FOR A11
T3PF20R FOR A13

BD. REF. :

CLIENT :



42/F SUN HUNG KAI CENTRE, WANCHAI, HONGKONG

ARCHITECT :



MANU CONTRACTOR :



STRUCTURAL ENGINEER :



FACADE CONSULTANT:
ALPHA CONSULTING LIMITED
Steel Structure & Façade Specialist

- NOTE :
1. ALL DIMENSIONS ARE IN mm.
 2. ALL ELEVATIONS ARE VIEWED FROM OUTSIDE.
 3. ALL DIMENSIONS TO BE VERIFIED ON SITE BEFORE FABRICATION.
- LEGEND :
- (X1) --- DETAIL MARK NO.
 - (X001) --- REFER SHEET NO.
1. F.F.L. --- FINISHED FLOOR LEVEL
 2. S.F.L. --- STRUCTURAL FLOOR LEVEL
 3. (R) --- REVERSED DETAIL

4. GLASS LEGEND
- EGL-1 --- 8mmHS+12mm AIR GAP+10mmTP THK. I.G.U.
- EGL-2 --- 10mm THK. CLEAR TEMPERED GLASS
- EGL-4 --- 10mm THK. TEMPERED ACID ETCHED GLASS
- EGL-1A --- 8mmHS+12mm AIR GAP+8mmTP THK. I.G.U.
- EGL-1B --- 8mmHS+12mm AIR GAP+10mmTP ACID-ETCHED THK. I.G.U.

NO.	DATE	REVISION	REVISION SUBJECT TO ARCH-COMMENT	BY
F	21/09/2022	REVISION SUBJECT TO ARCH-COMMENT	None	None
E	17/08/2022	REVISION SUBJECT TO ARCH-COMMENT	None	None
D	22/04/2022	REVISION SUBJECT TO ARCH-COMMENT	None	None
C	09/04/2022	REVISION SUBJECT TO ARCH-COMMENT	None	None
B	14/12/2021	REVISION SUBJECT TO ARCH-COMMENT	None	None
A	18/10/2021	REVISION SUBJECT TO ARCH-COMMENT	None	None

JOB NO. : J-856
 PROJECT : PROPOSED DEVELOPMENT ABOVE LIGHT RAIL TIN WING STOP-TS/WTL NO.23,AREA 33,TIN SHUI WAI, N.T.
 TITLE : WINDOW SCHEDULE FOR TOWER 3 ALUM. WINDOW

DATE : 02-Aug-21
 SCALE : 1:40
 DRAWN BY : Ivan
 CHECKED BY :

UNITED ALUMINIUM FABRICATOR LTD.
 美特鋁質有限公司
 Units 6-8, Sunray Industrial Centre, 1/F
 610 Cho Kwai Ling Road, Kwailoon
 Tel:23489211-4 Fax:(852)2727666
 DWG NO. : J856-SD-PW-5312 REV. : F

B.D. REF :

CLIENT :

SUN HUNG KAI
REAL ESTATE AGENCY LTD.
42/F SUN HUNG KAI CENTRE, WANCHAI, HONGKONG

ARCHITECT :

lwk&partners
a r c h i t e c t s

MAIN CONTRACTOR :

怡輝建築有限公司
Yee Fai Building Contractors Ltd.

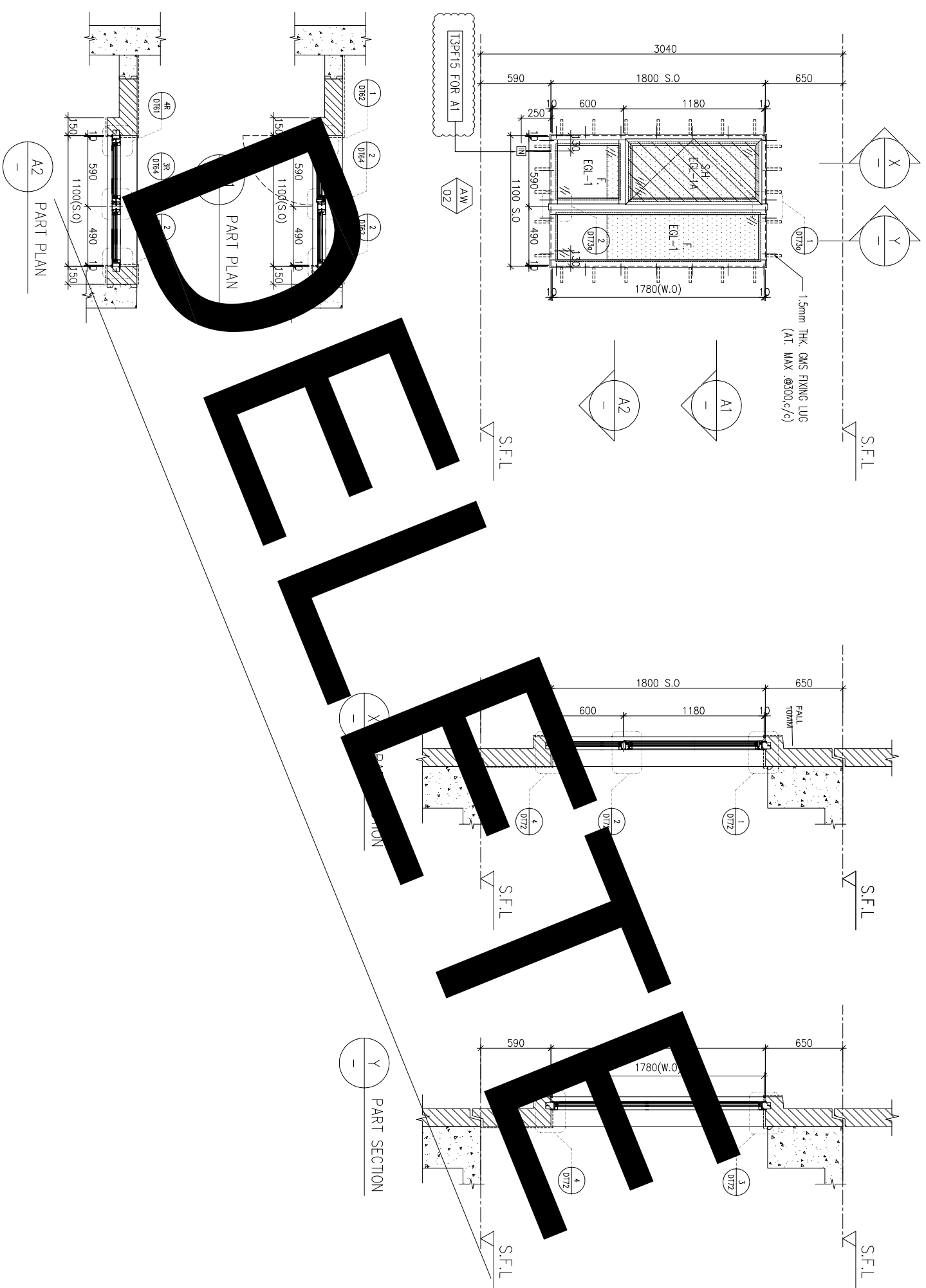
STRUCTURAL ENGINEER :

ARUP

FAÇADE CONSULTANT:

ALPHA CONSULTING LIMITED
Steel Structure & Façade Specialist

ELEVATION



WINDOW MARK	AW 02
LOCATION	3/F~42/F(4/F,13/F,14/F,24/F,34/F OMITTED) UNIT A1
SECTION	70mm ALUM. SECTION
GLAZING	EGL-1, EGL-1A
QUANTITY	35 Nos.
REMARKS	FAÇADE(TYPE T3PF02 FOR 3/F~42/F)

DRAFT

NOTE:

1. ALL DIMENSIONS ARE IN mm.
2. ALL ELEVATIONS ARE VIEWED FROM OUTSIDE.
3. ALL DIMENSIONS TO BE VERIFIED ON SITE BEFORE FABRICATION.

LEGEND:

(X1) --- DETAIL MARK NO.
(X001) --- REFER SHEET NO.

1. F.F.L. --- FINISHED FLOOR LEVEL
2. S.F.L. --- STRUCTURAL FLOOR LEVEL
3. (R) --- REVERSED DETAIL

4. GLASS LEGEND

EGL-1 --- 8mmHS+12mm AIR GAP+10mmTP THK. I.G.U.
EGL-2 --- 10mm THK. CLEAR TEMPERED GLASS
EGL-4 --- 10mm THK. TEMPERED ACID ETCHED GLASS
EGL-1A --- 8mmHS+12mm AIR GAP+8mmTP THK. I.G.U.
EGL-1B --- 8mmHS+12mm AIR GAP+10mmTP ACID-ETCHED THK. I.G.U.

NO.	DATE	REVISION	BY
D	08/04/2022	REVISION SUBJECT TO ARCH-COMMENT	hwk
C	21/12/2021	REVISION SUBJECT TO ARCH-COMMENT	hwk
B	18/10/2021	REVISION SUBJECT TO ARCH-COMMENT	hwk
A	12/10/2021	REVISION SUBJECT TO ARCH-COMMENT	hwk

JOB NO. : J-856

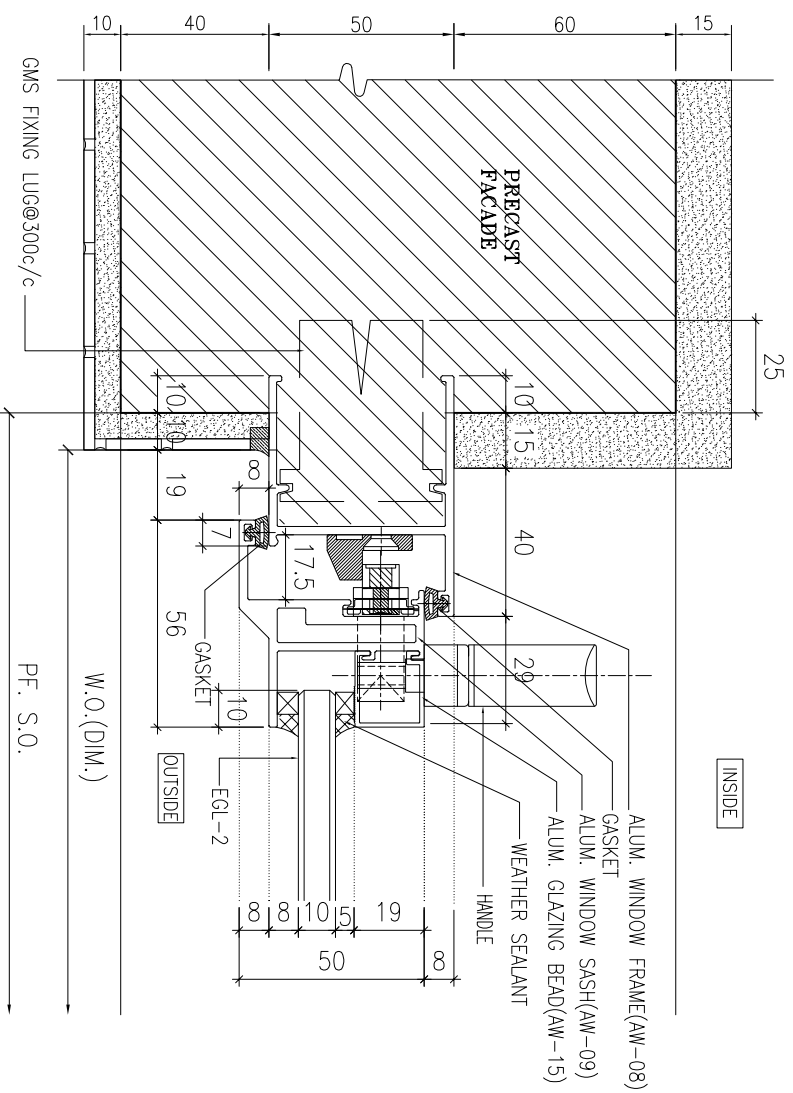
PROJECT : PROPOSED DEVELOPMENT ABOVE LIGHT RAIL TIN WING STOP-TSWTL NO.23,AREA 33,TIN SHUI WAI, N.T.

TITLE : WINDOW SCHEDULE FOR TOWER 3 ALUM. WINDOW

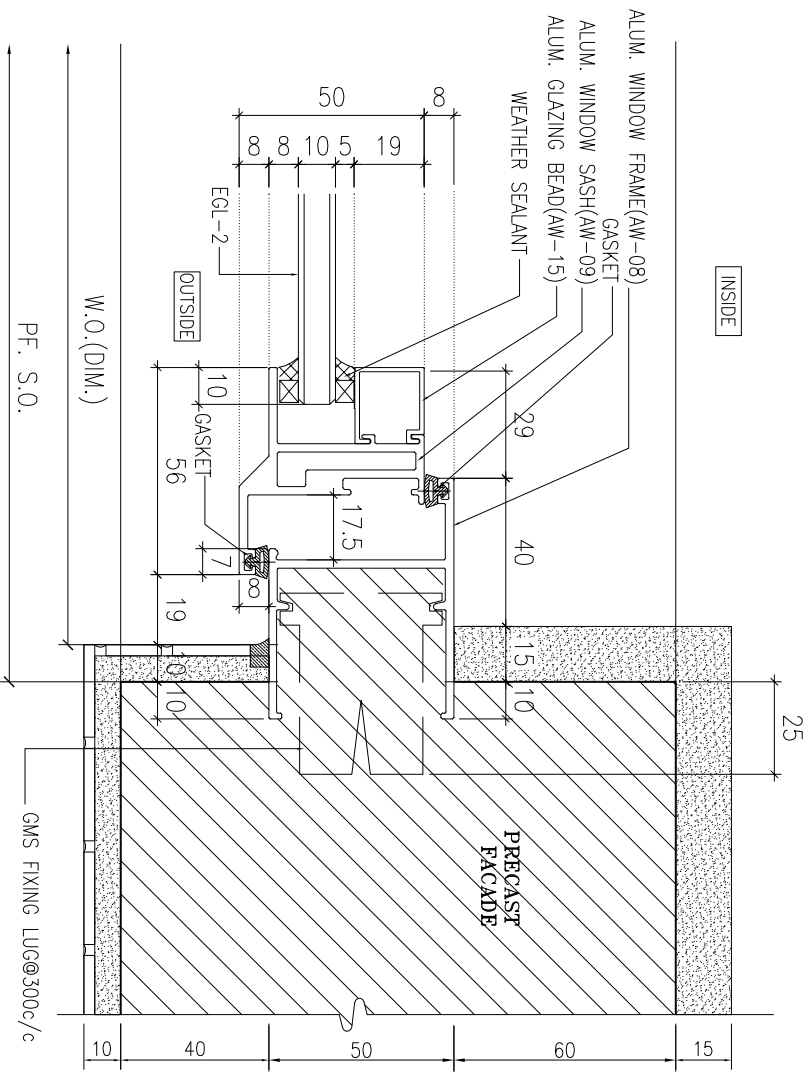
DATE : 02-Aug-21 SCALE : 1:40

DRAWN BY : IYVN CHECKED BY :

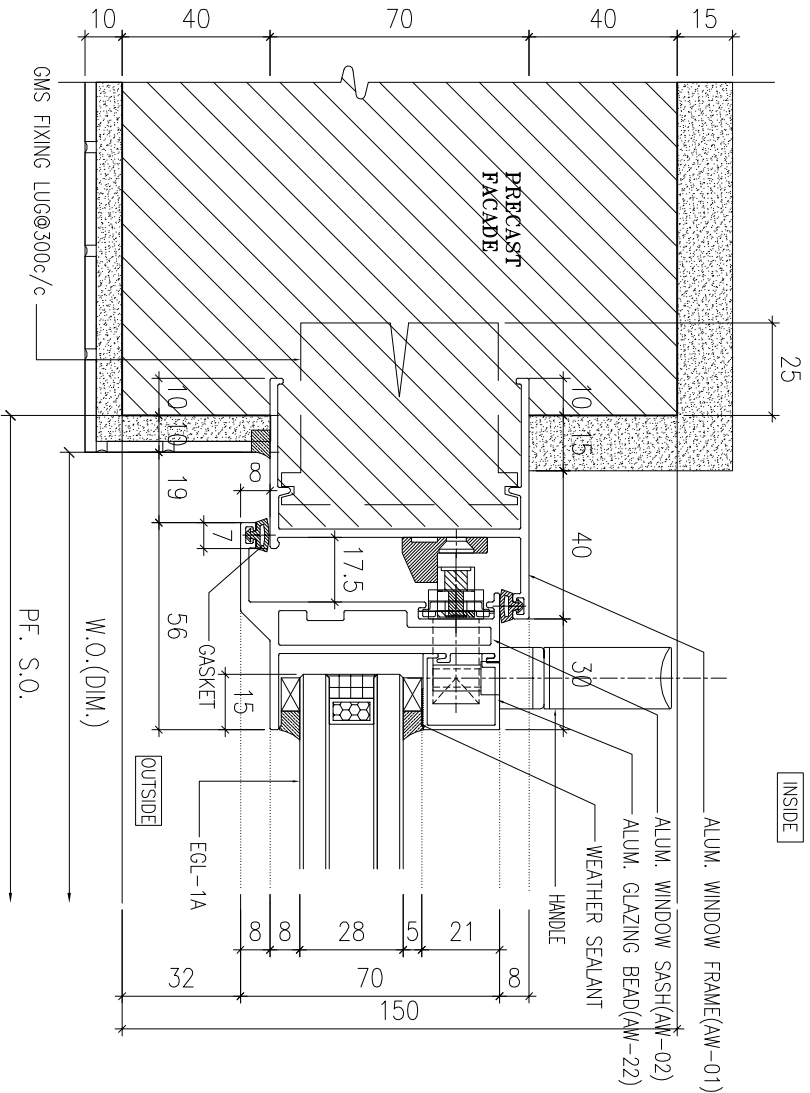
美特鋁質有限公司
MIDI ALUMINUM FABRICATOR LTD.
Units 6-8, Sunray Industrial Centre, 1/F
610 Cho Kwai Ling Road, Kwai Tsoum
Tel:23489211-4 Fax:(852)2727666
DWG NO. : J856-SD-PW-5313 REV. : D



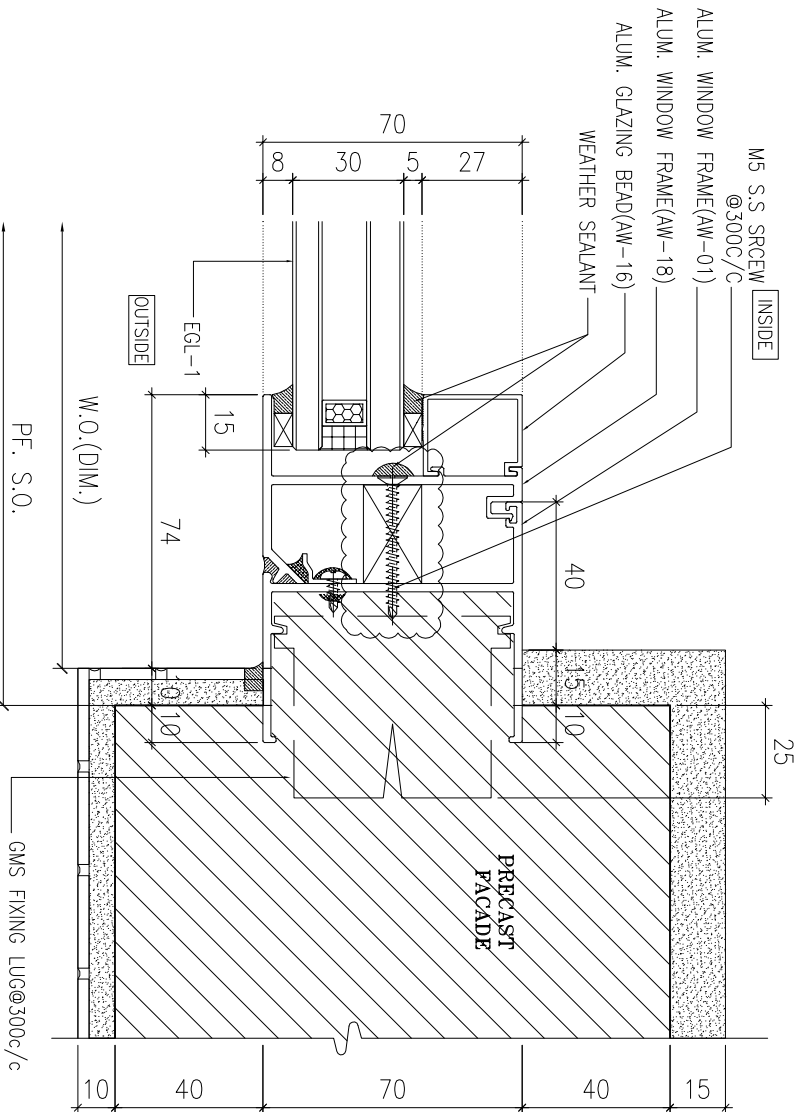
1 HORIZONTAL DETAIL
SCALE 1:2



2 HORIZONTAL DETAIL
SCALE 1:2



3 HORIZONTAL DETAIL
SCALE 1:2



4 HORIZONTAL DETAIL
SCALE 1:2

B.D. REF :

CLIENT :



42/F, SUN HUNG KAI CENTRE, WANCHAI, HONGKONG

ARCHITECT :



MAIN CONTRACTOR :



STRUCTURAL ENGINEER :



FAÇADE CONSULTANT :



NOTE :

1. ALL DIMENSIONS ARE IN mm.
2. ALL ELEVATIONS ARE VIEWED FROM OUTSIDE.
3. ALL DIMENSIONS TO BE VERIFIED ON SITE BEFORE FABRICATION.

LEGEND :

- (X1) --- DETAIL MARK NO.
- (X001) --- REFER SHEET NO.

1. F.F.L. --- FINISHED FLOOR LEVEL
 2. S.F.L. --- STRUCTURAL FLOOR LEVEL
 3. (R) --- REVERSED DETAIL
 4. GLASS LEGEND
- EGL-1 --- 8mmH+12mm AIR GAP+10mmTP THK. I.G.U.
 EGL-2 --- 10mm THK. CLEAR TEMPERED GLASS
 EGL-4 --- 10mm THK. TEMPERED ACID ETCHED GLASS
 EGL-1A --- 8mmH+12mm AIR GAP+8mmTP THK. I.G.U.

NO.	DATE	REVISION	BY
C	25/08/2022	REVISION SUBJECT TO ARCH-COMMENT	hwk
B	02/11/2021	REVISION SUBJECT TO ARCH-COMMENT	hwk
A	30/10/2021	REVISION SUBJECT TO ARCH-COMMENT	hwk

JOB NO. : J-856

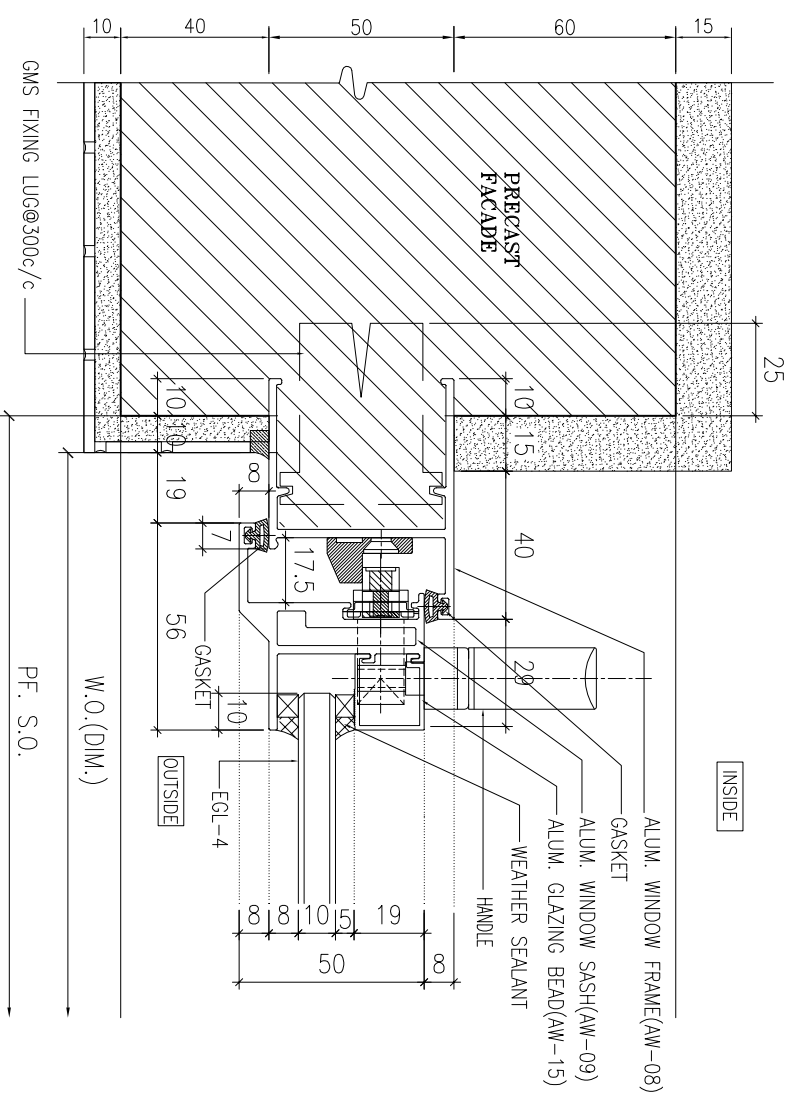
PROJECT : PROPOSED DEVELOPMENT ABOVE LIGHT RAIL TIN WING STOP,TSWTL NO.23,AREA 33,TIN SHUI WAI, N.T.

TITLE : TYPICAL DETAILS FOR ALUM. WINDOW

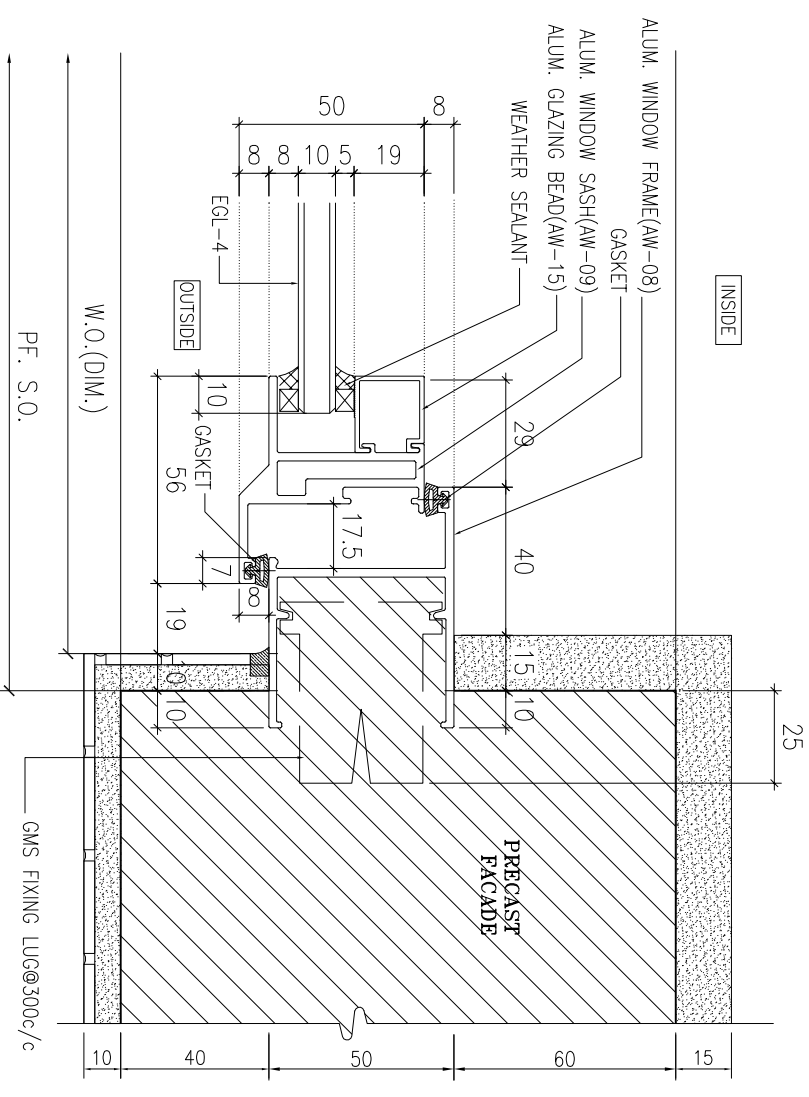
DATE : 02-Aug-21 SCALE : 1:40

DRAWN BY : IYVN CHECKED BY :

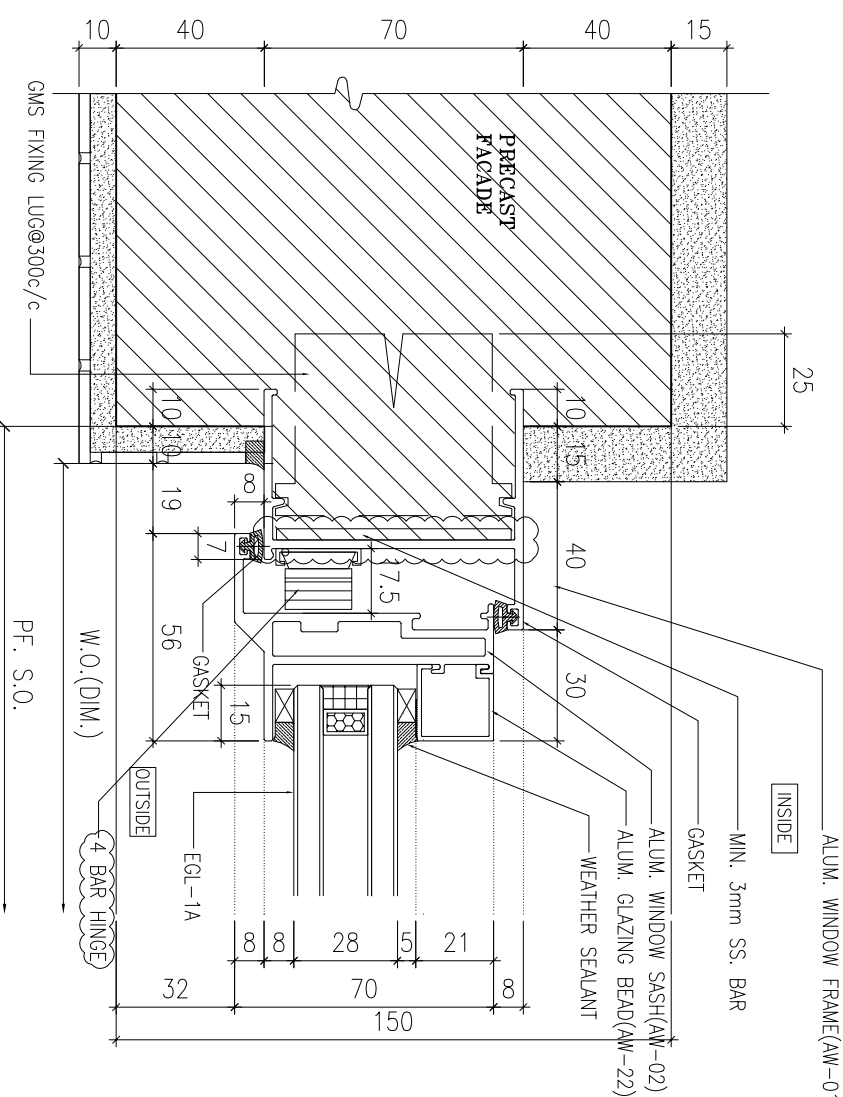
美特鋁質有限公司
 MIDT ALUMINIUM FABRICATOR LTD.
 Units 6-8, Sunny Industrial Centre, 1/F
 610 Cho Kwong Road, Kwai Moon
 Tel:23489211-4 Fax:(852)2727666
 DWG NO. : J856-SD-PW-DT61 REV : C



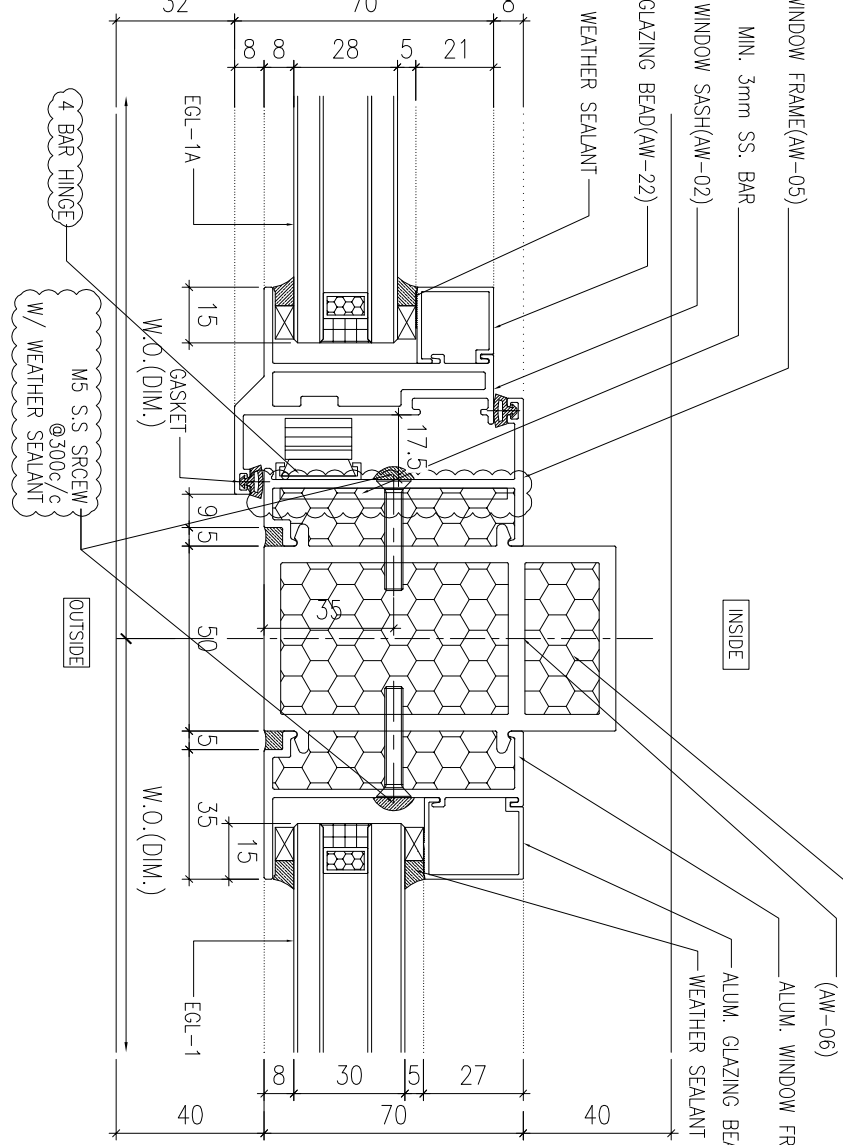
1 HORIZONTAL DETAIL
SCALE 1:2



2 HORIZONTAL DETAIL
SCALE 1:2



3 HORIZONTAL DETAIL
SCALE 1:2



4 HORIZONTAL DETAIL
SCALE 1:2

B.D. REF :

CLIENT : **SUN HUNG KAI**
REAL ESTATE AGENCY LTD.
42/F, SUN HUNG KAI CENTRE, WANCHAI, HONGKONG

ARCHITECT : **lwk&partners**
a r c h i t e c t s

MAIN CONTRACTOR : **Yee Fai Building Contractors Ltd.**

STRUCTURAL ENGINEER : **ARUP**

FAÇADE CONSULTANT : **ALPHA CONSULTING LIMITED**
Steel Structure & Façade Specialist

NOTE :

1. ALL DIMENSIONS ARE IN mm.
2. ALL ELEVATIONS ARE VIEWED FROM OUTSIDE.
3. ALL DIMENSIONS TO BE VERIFIED ON SITE BEFORE FABRICATION.

LEGEND :

X1 --- DETAIL MARK NO.
X001 --- REFER SHEET NO.

1. F.F.L. --- FINISHED FLOOR LEVEL
2. S.F.L. --- STRUCTURAL FLOOR LEVEL
3. (R) --- REVERSED DETAIL

4. GLASS LEGEND

EQ-1 --- 8mmH5+12mm AIR GAP+10mmTP THK. I.G.U.

EQ-2 --- 10mm THK. CLEAR TEMPERED GLASS

EQ-4 --- 10mm THK. TEMPERED ACID ETCHED GLASS

EQ-1A --- 8mmH5+12mm AIR GAP+8mmTP THK. I.G.U.

JOB NO. : J-856

PROJECT : PROPOSED DEVELOPMENT ABOVE LIGHT RAIL TIN WING STOP-TSWTL NO.23, AREA 33, TIN SHUI WAI, N.T.

TITLE : TYPICAL DETAILS FOR ALUM. WINDOW

DATE : 02-Aug-21 SCALE : 1:40

DRAWN BY : IYVN CHECKED BY :

UNIT 6-8, SUNNY INDUSTRIAL CENTRE, KOWLOON
610 CHO KWO LING ROAD, KOWLOON
Tel: 23489211-4 Fax: (852) 27727666
DWC NO. : J856-SD-PW-DT610 REV : C

1 HORIZONTAL DETAIL
SCALE 1:2

2 HORIZONTAL DETAIL
SCALE 1:2

3 HORIZONTAL DETAIL
SCALE 1:2

4 HORIZONTAL DETAIL
SCALE 1:2

ALUM. WINDOW FRAME(AW-01)

MIN. 3mm SS. BAR

ALUM. WINDOW SASH(AW-02)

ALUM. GLAZING BEAD(AW-22)

WEATHER SEALANT

GASKET

EQ-1A

4 BAR HINGE

W.O. (DIM.)

PF. S.O.

GMS FIXING LUG@300c/c

PRECASST FAÇADE

INSIDE

OUTSIDE

ALUM. WINDOW FRAME(AW-05)

MIN. 3mm SS. BAR

ALUM. WINDOW SASH(AW-02)

ALUM. GLAZING BEAD(AW-16)

WEATHER SEALANT

GASKET

EQ-1

4 BAR HINGE

W/O. (DIM.)

PF. S.O.

GMS FIXING LUG@300c/c

PRECASST FAÇADE

INSIDE

OUTSIDE

TOP/BOTTOM SEAL UP WITH THE CAP ALUMINUM EXTRUDED MOTION (AW-06)

ALUM. WINDOW FRAME(AW-04)

ALUM. GLAZING BEAD(AW-16)

WEATHER SEALANT

GASKET

EQ-1

4 BAR HINGE

W/O. (DIM.)

PF. S.O.

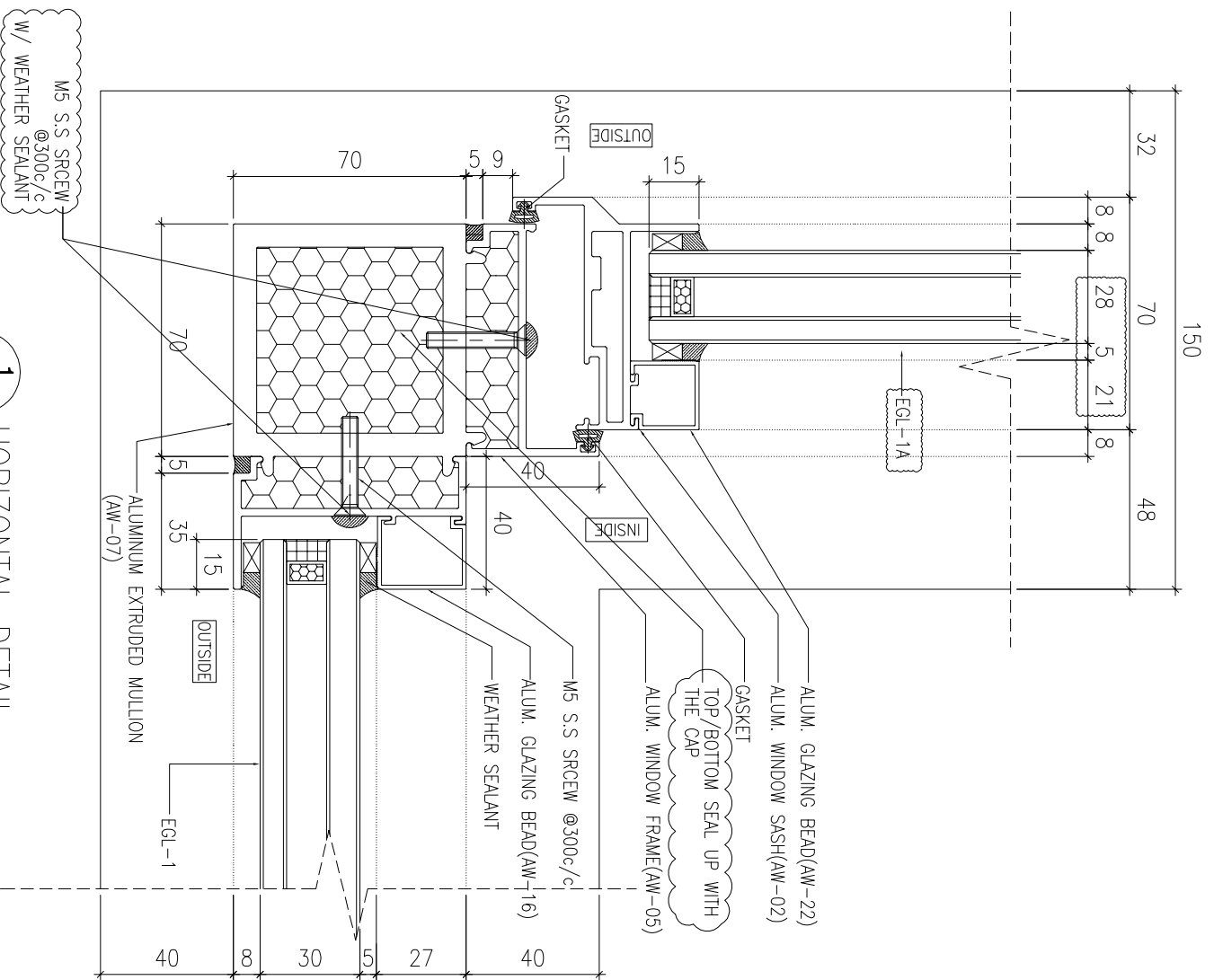
GMS FIXING LUG@300c/c

PRECASST FAÇADE

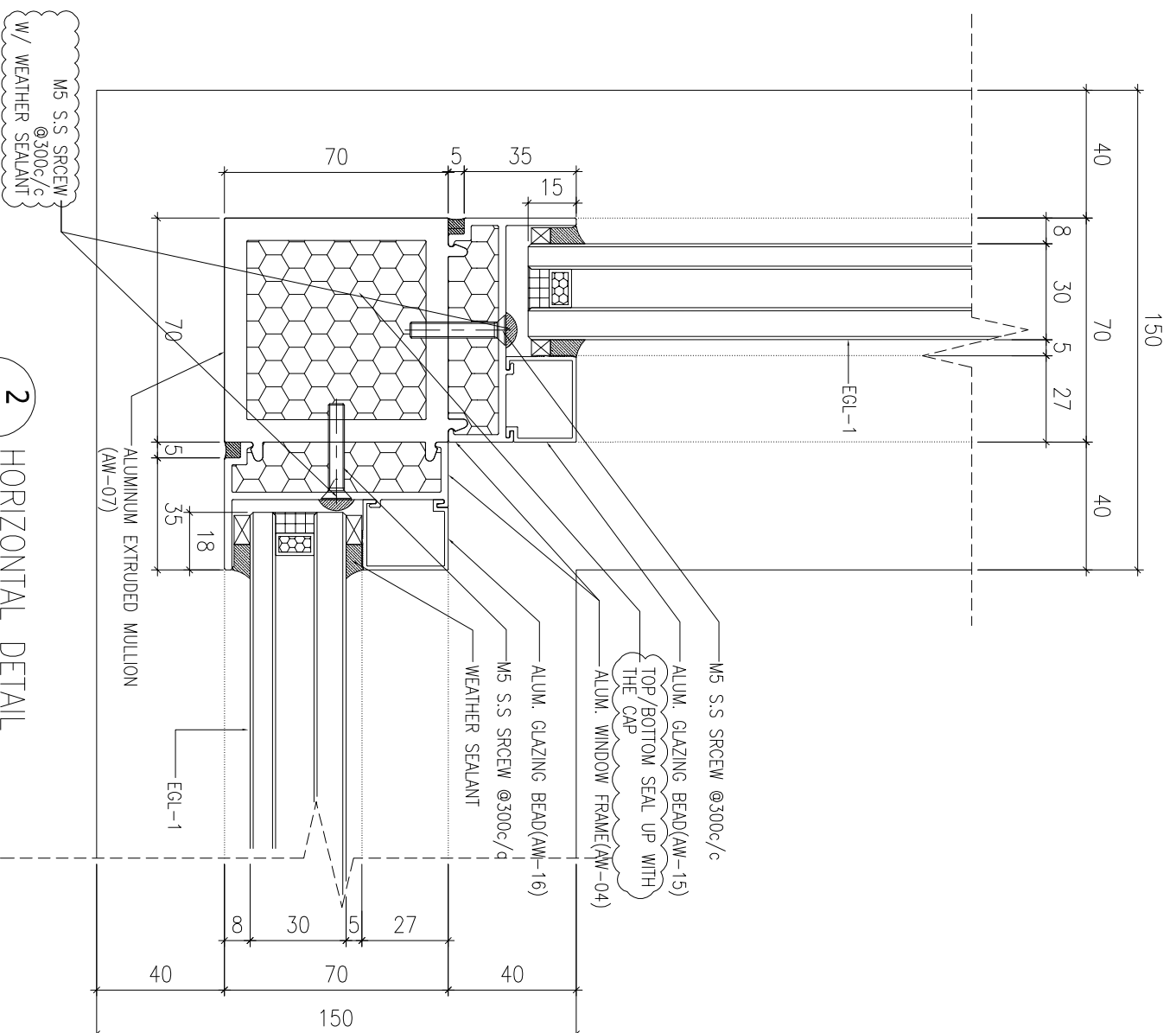
INSIDE

OUTSIDE

M5 S.S. SCREW @300c/c w/ WEATHER SEALANT



1 HORIZONTAL DETAIL
SCALE 1:2



2 HORIZONTAL DETAIL
SCALE 1:2

B.D. REF :

CLIENT :

SUN HUNG KAI
REAL ESTATE AGENCY LTD.

42/F, SUN HUNG KAI CENTRE, WANCHAI, HONGKONG

ARCHITECT :

lwk&partners
a r c h i t e c t s

MAIN CONTRACTOR :

怡輝建築有限公司
Yee Fai Building Contractors Ltd.

STRUCTURAL ENGINEER :

ARUP

FAÇADE CONSULTANT :

ALPHA CONSULTING LIMITED
Steel Structure & Façade Specialist

NOTE :

1. ALL DIMENSIONS ARE IN mm.
2. ALL ELEVATIONS ARE VIEWED FROM OUTSIDE.
3. ALL DIMENSIONS TO BE VERIFIED ON SITE BEFORE FABRICATION.

LEGEND :

X1 --- DETAIL MARK NO.
X1001 --- REFER SHEET NO.

1. F.F.L. --- FINISHED FLOOR LEVEL
2. S.F.L. --- STRUCTURAL FLOOR LEVEL
3. (R) --- REVERSED DETAIL

4. GLASS LEGEND

- EGL-1 --- 8mmH+12mm AIR GAP+10mmTP THK. I.G.U.
EGL-2 --- 10mm THK. CLEAR TEMPERED GLASS
EGL-4 --- 10mm THK. TEMPERED ACID ETCHED GLASS
EGL-14 --- 8mmH+12mm AIR GAP+8mmTP THK. I.G.U.

NO.	DATE	REVISION	BY
D	25/08/2022	REVISION SUBJECT TO ARCH-COMMENT	lwn
C	02/11/2021	REVISION SUBJECT TO ARCH-COMMENT	lwn
B	30/10/2021	REVISION SUBJECT TO ARCH-COMMENT	lwn
A	30/09/2021	REVISION SUBJECT TO ARCH-COMMENT	lwn

JOB NO. : J-856

PROJECT :

PROPOSED DEVELOPMENT ABOVE
LIGHT RAIL TIN WING STOP/TSWTL
NO.23,AREA 33,TIN SHUI WAL, N.T.

TITLE :

TYPICAL DETAILS FOR
ALUM. WINDOW

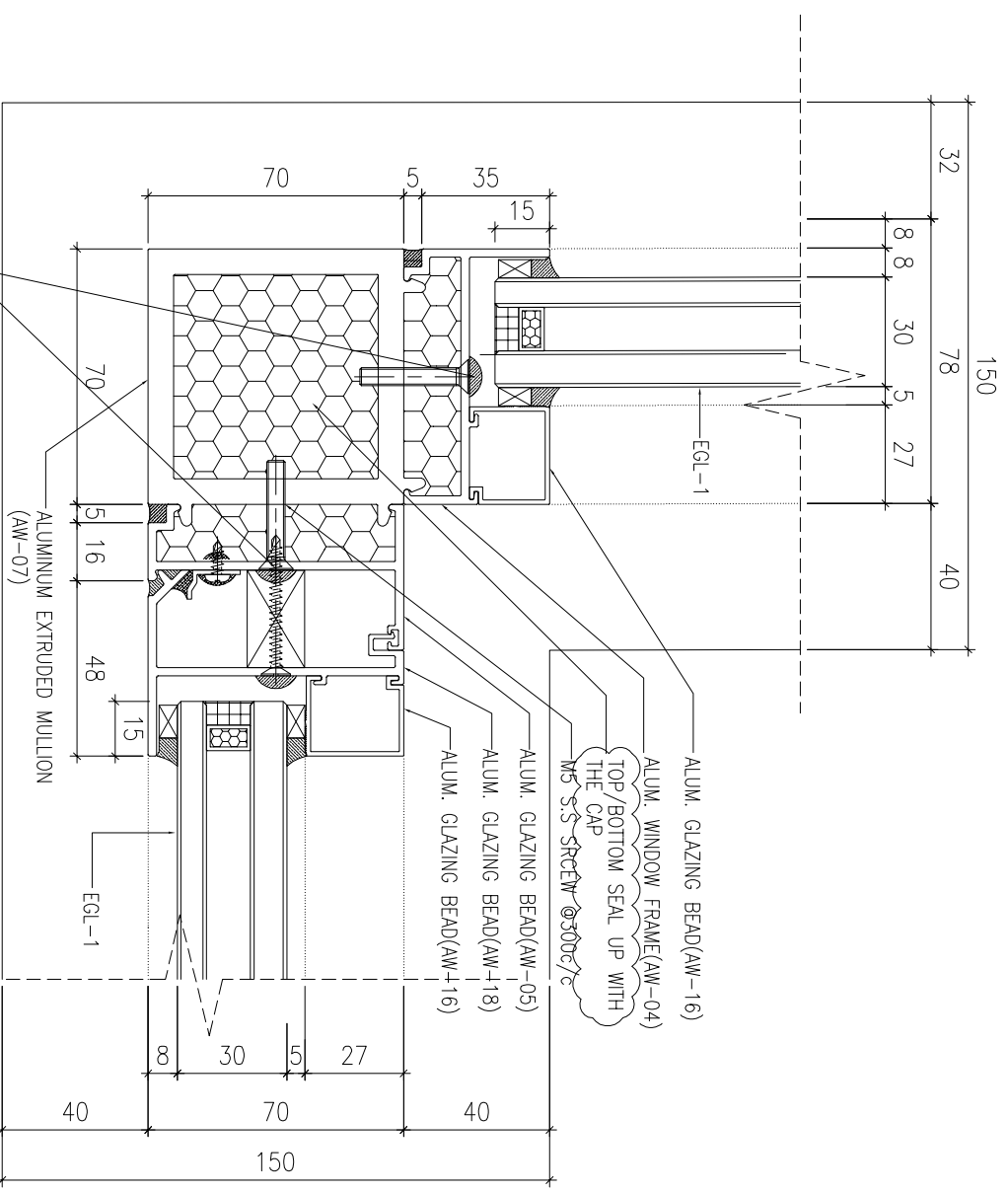
DATE : 02-Aug-21 SCALE : 1:40

DRAWN BY : lwnn CHECKED BY :

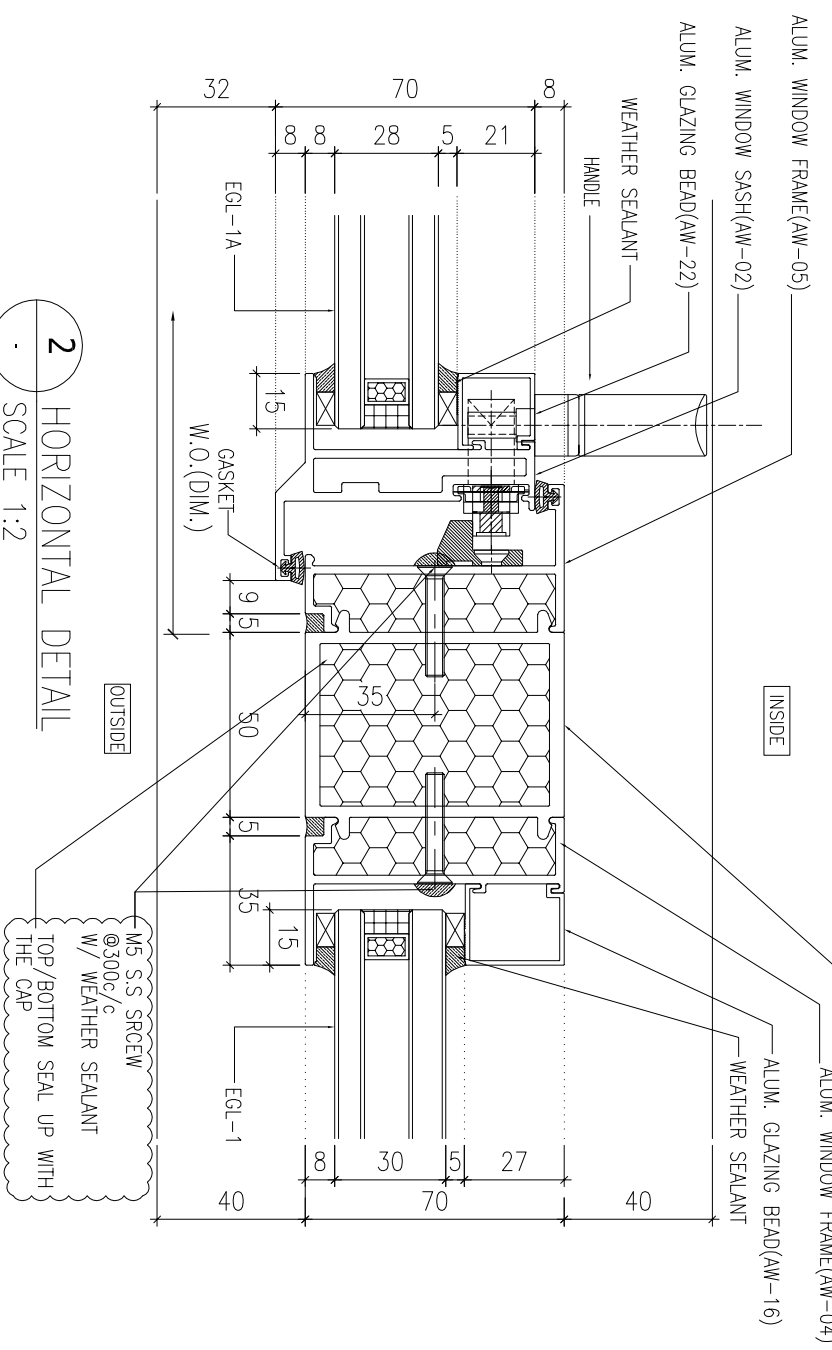
美特鋁質有限公司
MDI ALUMINIUM FABRICATOR LTD.

Units 6-8, Sunray Industrial Centre, 1/F
610 Cho Kwai Ling Road, Kowloon
Tel:23489211-4 Fax:(852)2727666

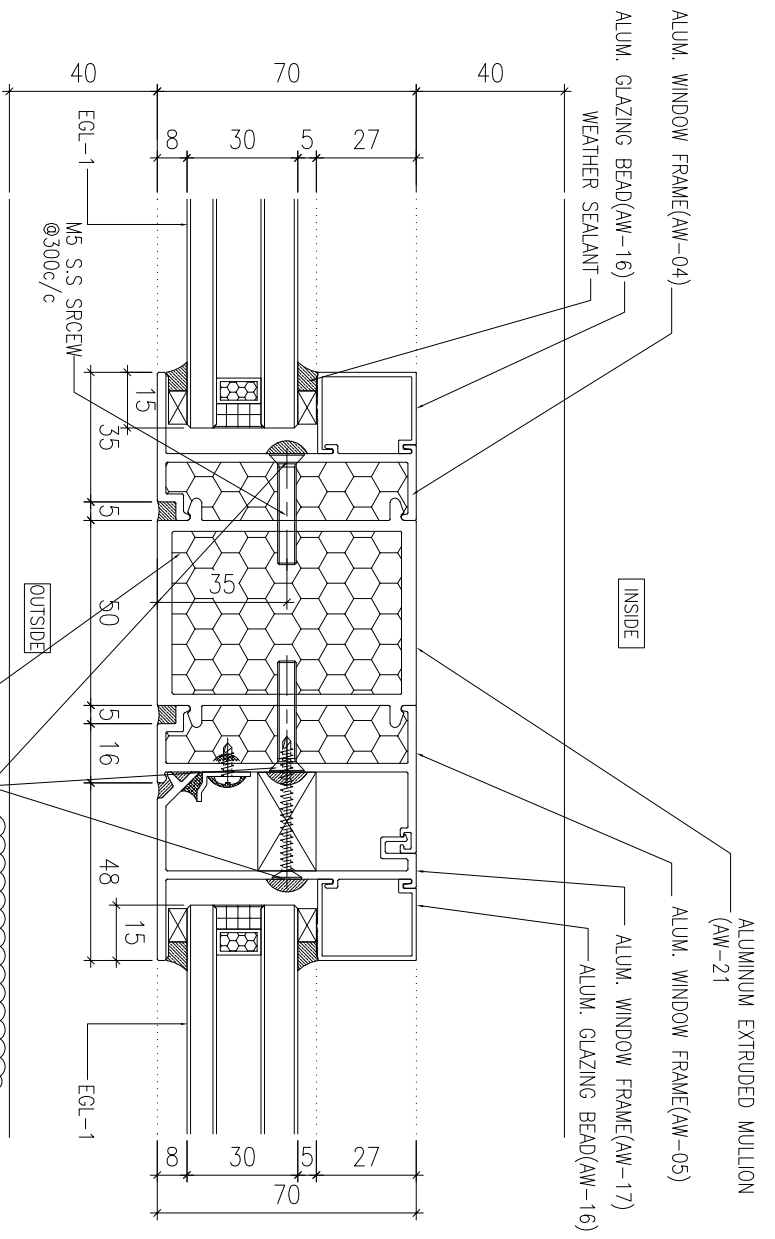
DWG NO. : J856-SD-PW-DT63 REV. : D



1 HORIZONTAL DETAIL
SCALE 1:2



2 HORIZONTAL DETAIL
SCALE 1:2



3 HORIZONTAL DETAIL
SCALE 1:2

B.D. REF :

CLIENT :



ARCHITECT :



MAIN CONTRACTOR :



STRUCTURAL ENGINEER :



FAÇADE CONSULTANT :



NOTE :

1. ALL DIMENSIONS ARE IN MM.
2. ALL ELEVATIONS ARE VIEWED FROM OUTSIDE.
3. ALL DIMENSIONS TO BE VERIFIED ON SITE BEFORE FABRICATION.

LEGEND :

- (X1) --- DETAIL MARK NO.
- (X001) --- REFER SHEET NO.

1. F.F.L. --- FINISHED FLOOR LEVEL
2. S.F.L. --- STRUCTURAL FLOOR LEVEL
3. (R) --- REVERSED DETAIL

4. GLASS LEGEND

- EQ-1--8mmH+12mm AIR GAP+10mmTP THK. I.G.U.
- EQ-2--10mm THK. CLEAR TEMPERED GLASS
- EQ-4--10mm THK. TEMPERED ACID FLOED GLASS
- EQ-1A-8mmH+12mm AIR GAP+8mmTP THK. I.G.U.

NO.	DATE	REVISION	SUBJECT TO ARCH-COMMENT	BY
E	25/08/2022	REVISION SUBJECT TO ARCH-COMMENT		HW
D	02/11/2021	REVISION SUBJECT TO ARCH-COMMENT		HW
C	30/10/2021	REVISION SUBJECT TO ARCH-COMMENT		HW
B	18/10/2021	REVISION SUBJECT TO ARCH-COMMENT		HW
A	30/09/2021	REVISION SUBJECT TO ARCH-COMMENT		HW

JOB NO. : J-856

PROJECT : PROPOSED DEVELOPMENT ABOVE LIGHT RAIL TIN WING STOP,TSWTL NO.23,AREA 33,TIN SHUI WAI, N.T.

TITLE : TYPICAL DETAILS FOR ALUM. WINDOW

DATE : 02-Aug-21 SCALE : 1:40

DRAWN BY : IYVN CHECKED BY :

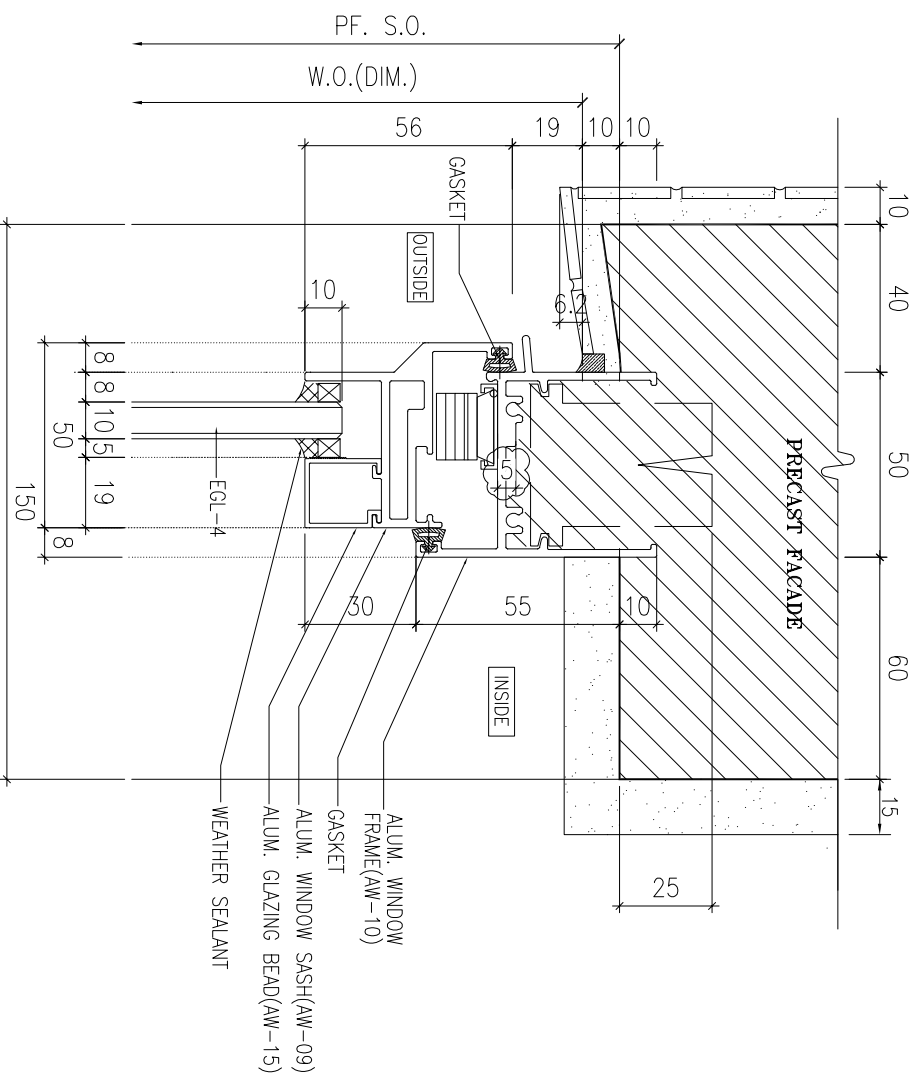
UNIT 6-8, SUNNY INDUSTRIAL CENTRE, 1/F, 610 CHO KWO LING ROAD, KOWLOON

TEL:23489211-4 Fax:(852)27272666

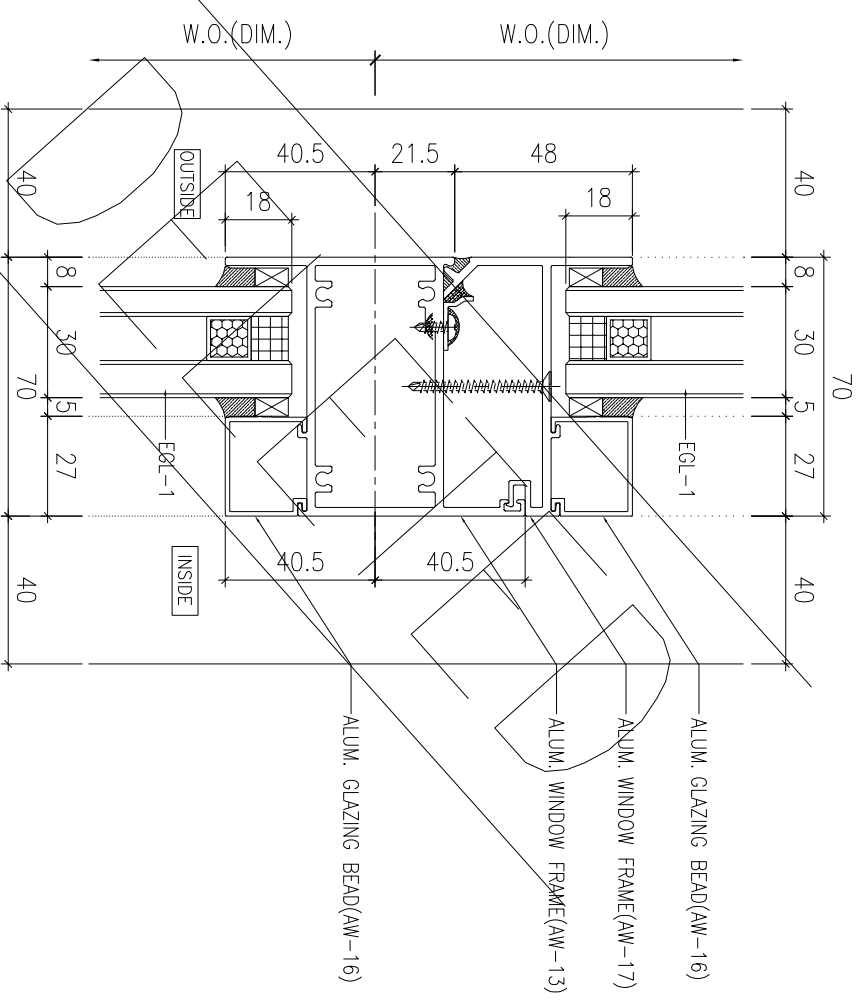
REV : E

DWG NO. : J856-SD-PW-DT64

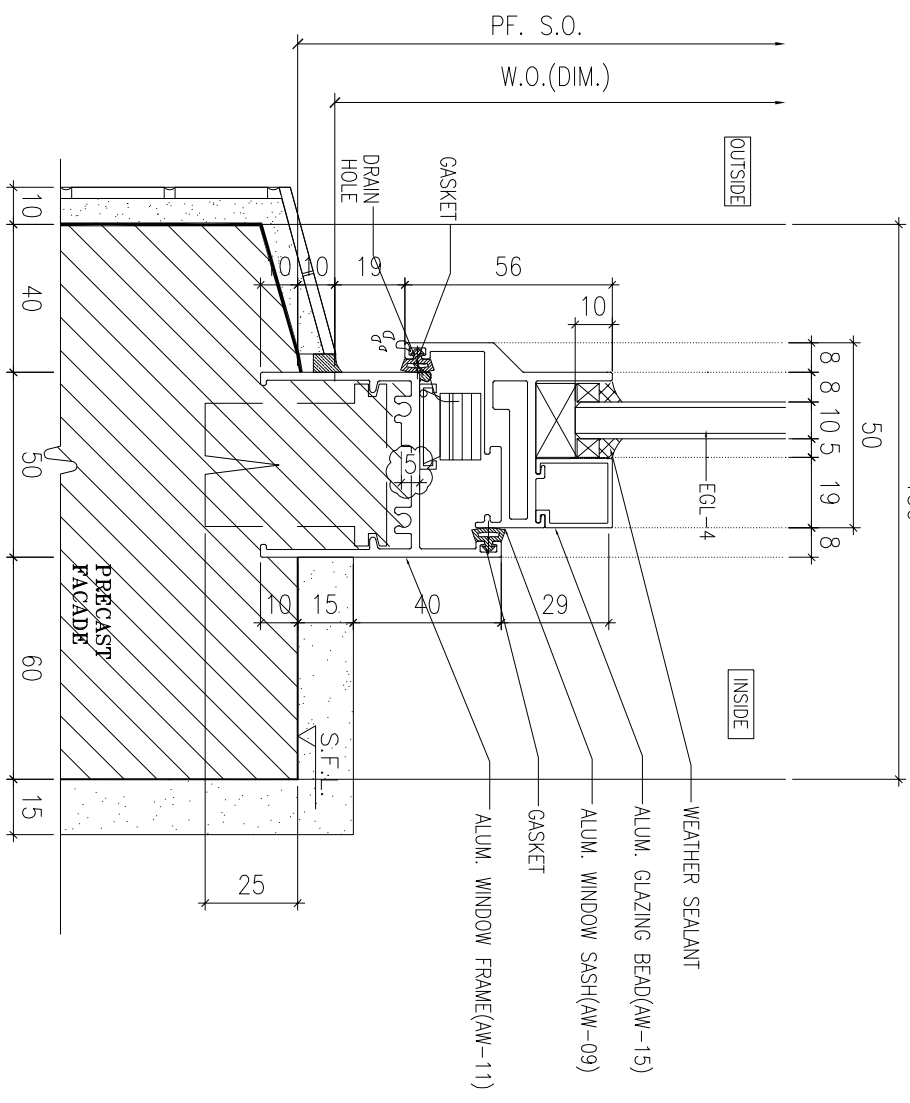
美特铝质有限公司
MIDI ALUMINIUM FABRICATOR LTD.



1 VERTICAL DETAIL
SCALE 1:2



3 VERTICAL DETAIL
SCALE 1:2



2 VERTICAL DETAIL
SCALE 1:2

BD. REF :

CLIENT :



42/F, SUN HUNG KAI CENTRE, WANCHAI, HONGKONG

ARCHITECT :



MANU CONTRACTOR :



STRUCTURAL ENGINEER :



FAÇADE CONSULTANT :



Steel Structure & Façade Specialist

- NOTE :
1. ALL DIMENSIONS ARE IN mm.
 2. ALL ELEVATIONS ARE VIEWED FROM OUTSIDE.
 3. ALL DIMENSIONS TO BE VERIFIED ON SITE BEFORE FABRICATION.

LEGEND :

- (X1) — DETAIL MARK NO.
- (X001) — REFER SHEET NO.

1. F.F.L. --- FINISHED FLOOR LEVEL
 2. S.F.L. --- STRUCTURAL FLOOR LEVEL
 3. (R) --- REVERSED DETAIL
 4. GLASS LEGEND
- EQ.-1 -- 8mmH+12mm AIR GAP+10mmTP THK. I.G.U.
 EQ.-2 -- 10mm THK. CLEAR TEMPERED GLASS
 EQ.-4 -- 10mm THK. TEMPERED ACID ETCHED GLASS
 EQ.-1A -- 8mmH+12mm AIR GAP+8mmTP THK. I.G.U.

NO.	DATE	REVISION	SUBJECT TO ARCH-COMMENT	BY
C	25/08/2022	REVISION SUBJECT TO ARCH-COMMENT		hwn
B	02/11/2021	REVISION SUBJECT TO ARCH-COMMENT		hwn
A	30/09/2021	REVISION SUBJECT TO ARCH-COMMENT		hwn

JOB NO. : J-856

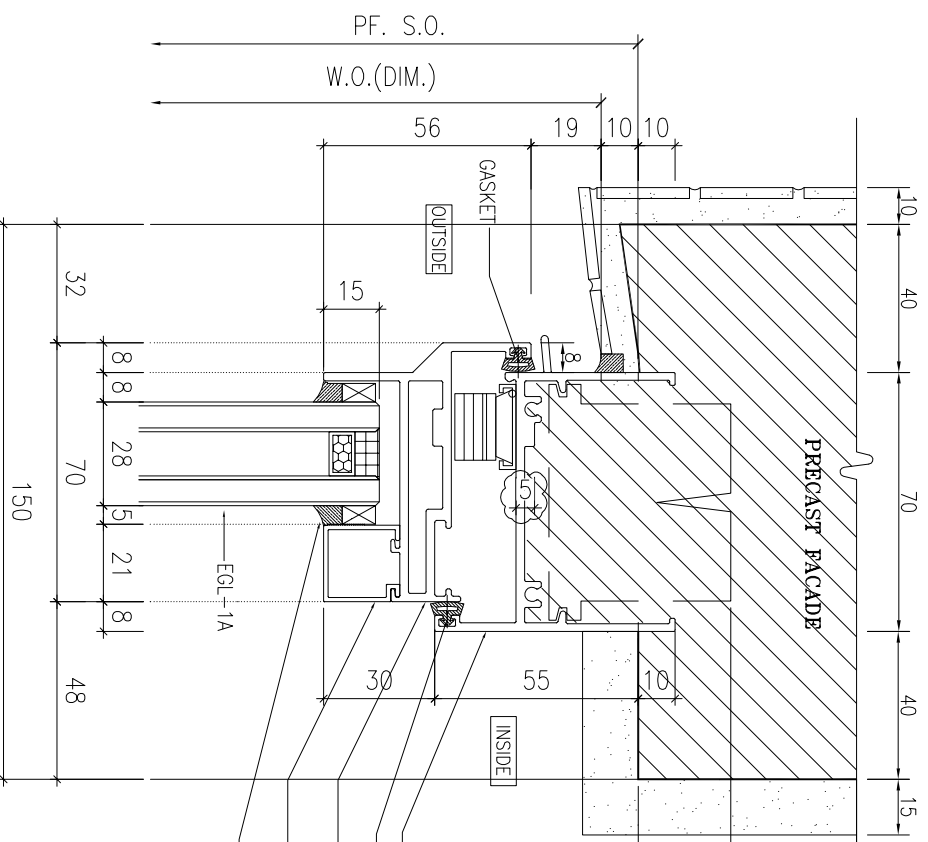
PROJECT :
 PROPOSED DEVELOPMENT ABOVE
 LIGHT RAIL TIN WING STOP-TSWTL
 NO.23,AREA 33,TIN SHUI WAI, N.T.

TITLE :
 TYPICAL DETAILS FOR
 ALUM. WINDOW

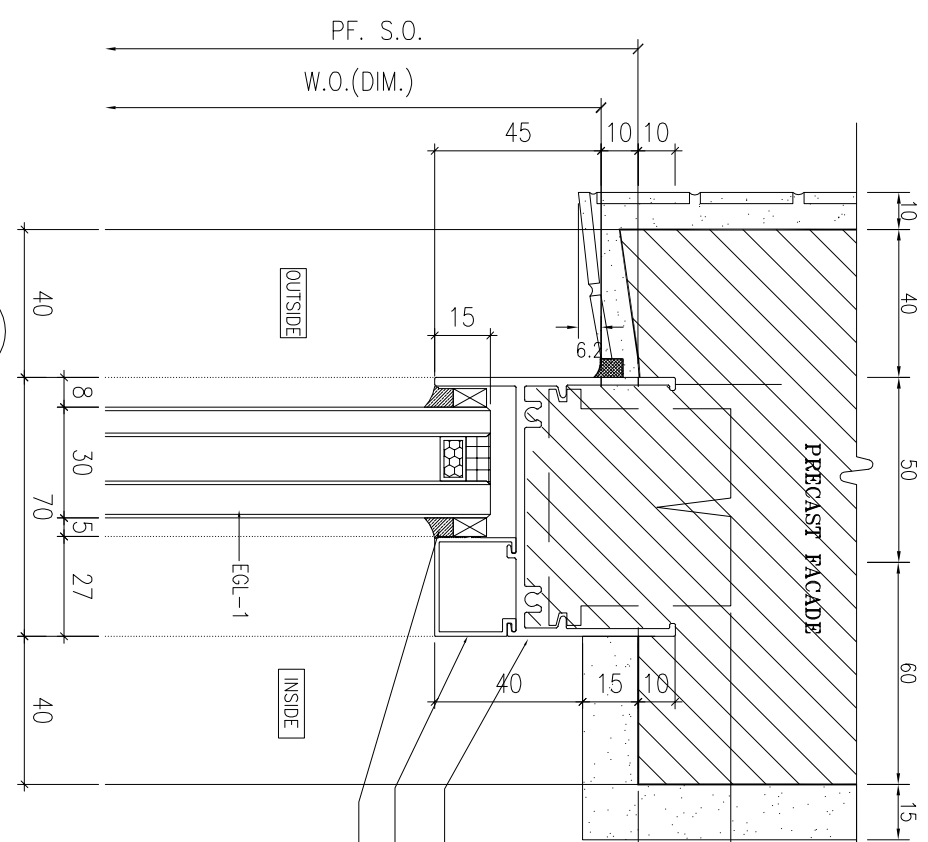
DATE : 02-Aug-21 SCALE : 1:40

DRAWN BY : IYVN CHECKED BY :

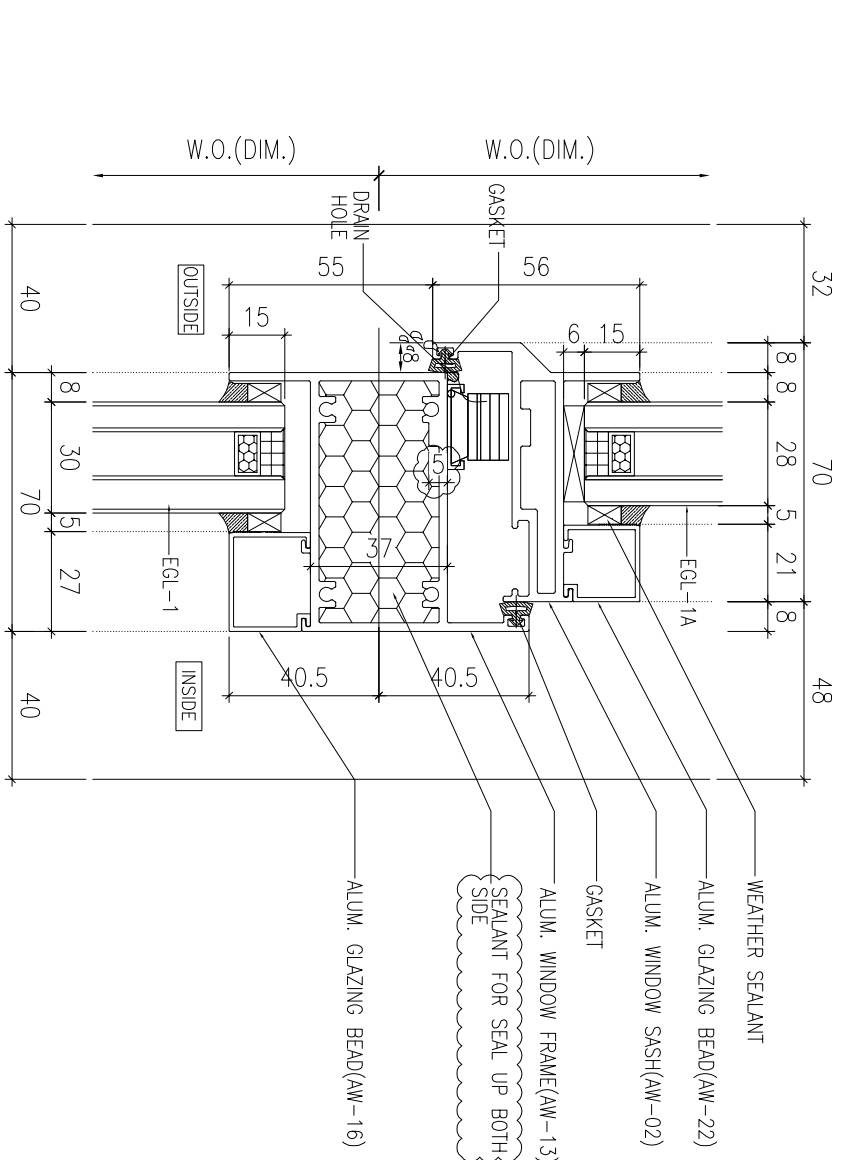
美特鋁質有限公司
 MDI ALUMINIUM FABRICATOR LTD.
 Units 6-8, Sunray Industrial Centre, 1/F
 610 Cho Kwong Road, Kwai Tsoung
 Tai, 23489211-4 Fax:(852)27727666
 DWG NO. : J856-SD-PW-DT71a REV. : C



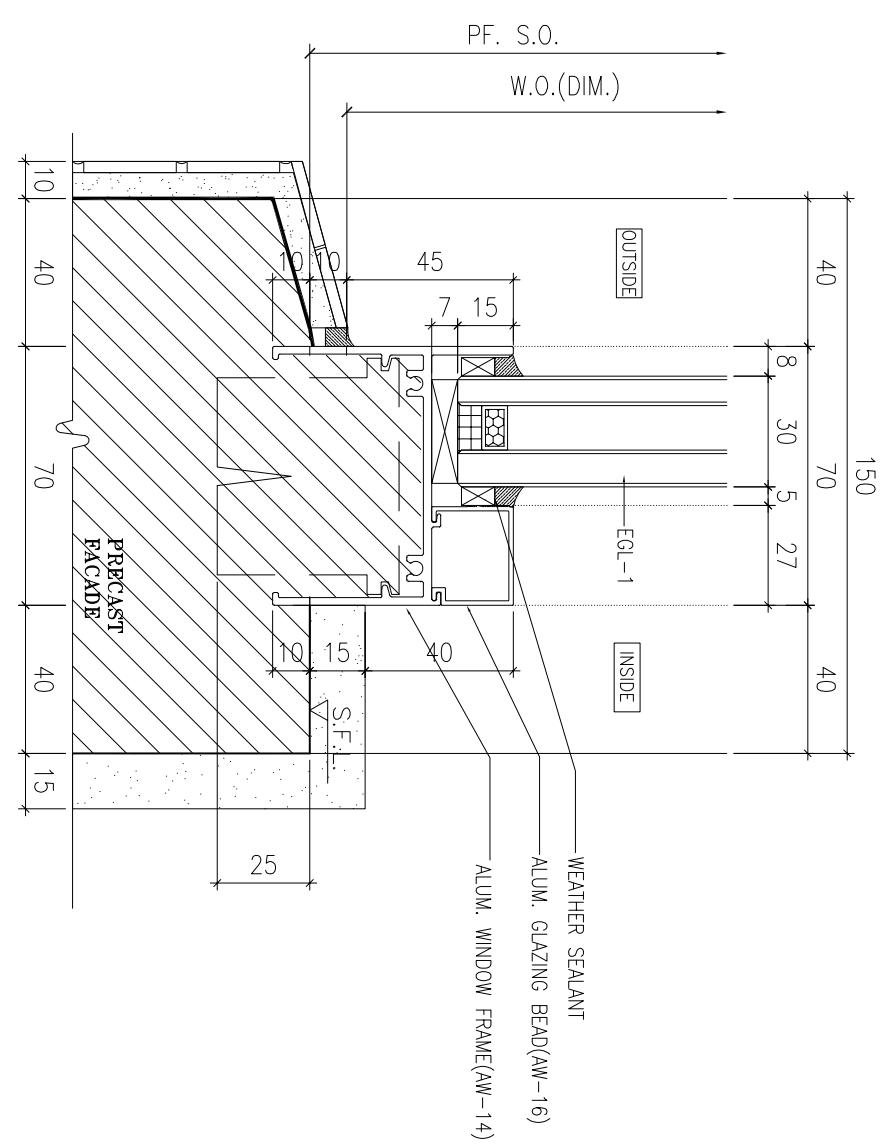
1 VERTICAL DETAIL
SCALE 1:2



3 VERTICAL DETAIL
SCALE 1:2



2 VERTICAL DETAIL
SCALE 1:2



4 VERTICAL DETAIL
SCALE 1:2

B.D. REF :

CLIENT :

SUN HUNG KAI
REAL ESTATE AGENCY LTD.
42/F, SUN HUNG KAI CENTRE, WANCHAI, HONGKONG

ARCHITECT :

lwk&partners
ARCHITECTS

MAIN CONTRACTOR :

Yee Fai 怡輝建築有限公司
Building Contractors Ltd.

STRUCTURAL ENGINEER :

ARUP

FAÇADE CONSULTANT :

ALPHA CONSULTING LIMITED
Steel Structure & Façade Specialist

NOTE :

1. ALL DIMENSIONS ARE IN mm.
2. ALL ELEVATIONS ARE VIEWED FROM OUTSIDE.
3. ALL DIMENSIONS TO BE VERIFIED ON SITE BEFORE FABRICATION.

LEGEND :

- (X1) --- DETAIL MARK NO.
- (X001) --- REFER SHEET NO.

1. F.F.L. --- FINISHED FLOOR LEVEL
2. S.F.L. --- STRUCTURAL FLOOR LEVEL
3. (R) --- REVERSED DETAIL

4. GLASS LEGEND
- EQ.-1---8mmH5+12mm AIR GAP+10mmTP THK. I.G.U.
- EQ.-2---10mm THK. CLEAR TEMPERED GLASS
- EQ.-4---10mm THK. TEMPERED ACID ETCHED GLASS
- EQ.-1A---8mmH5+12mm AIR GAP+8mmTP THK. I.G.U.

NO.	DATE	REVISION	REVISION SUBJECT TO ARCH-COMMENT	BY
C	25/08/2022	REVISION SUBJECT TO ARCH-COMMENT		lwn
B	02/11/2021	REVISION SUBJECT TO ARCH-COMMENT		lwn
A	30/07/2021	REVISION SUBJECT TO ARCH-COMMENT		lwn

JOB NO. : J-856

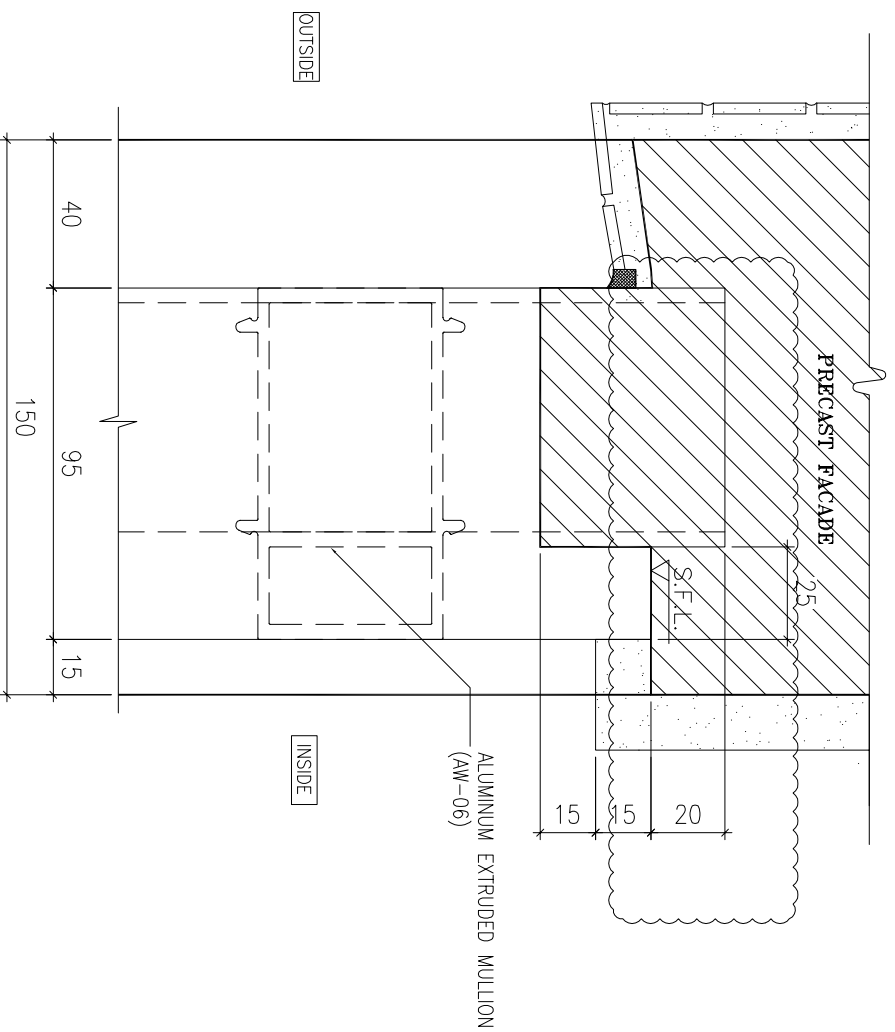
PROJECT : PROPOSED DEVELOPMENT ABOVE LIGHT RAIL TIN WING STOP-TS/WTL NO.23,AREA 33,TIN SHUI WAI, N.T.

TITLE : TYPICAL DETAILS FOR ALUM. WINDOW

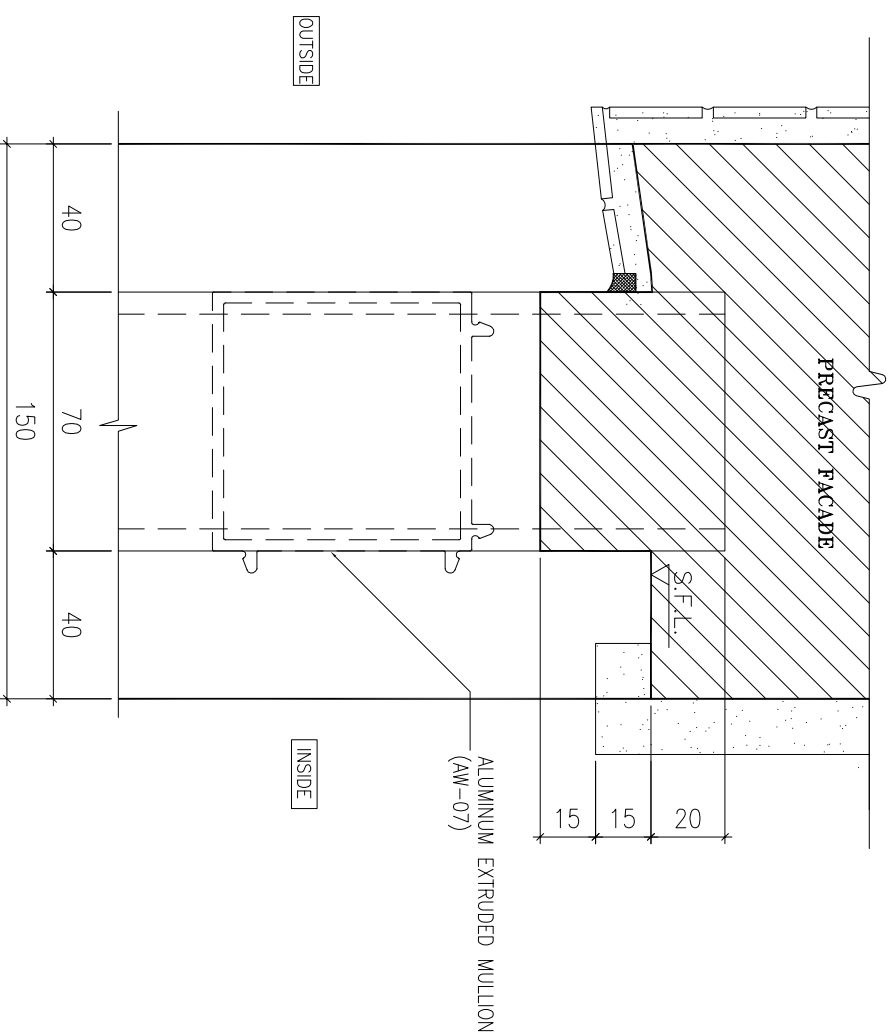
DATE : 02-Aug-21 SCALE : 1:40

DRAWN BY : lwnn CHECKED BY :

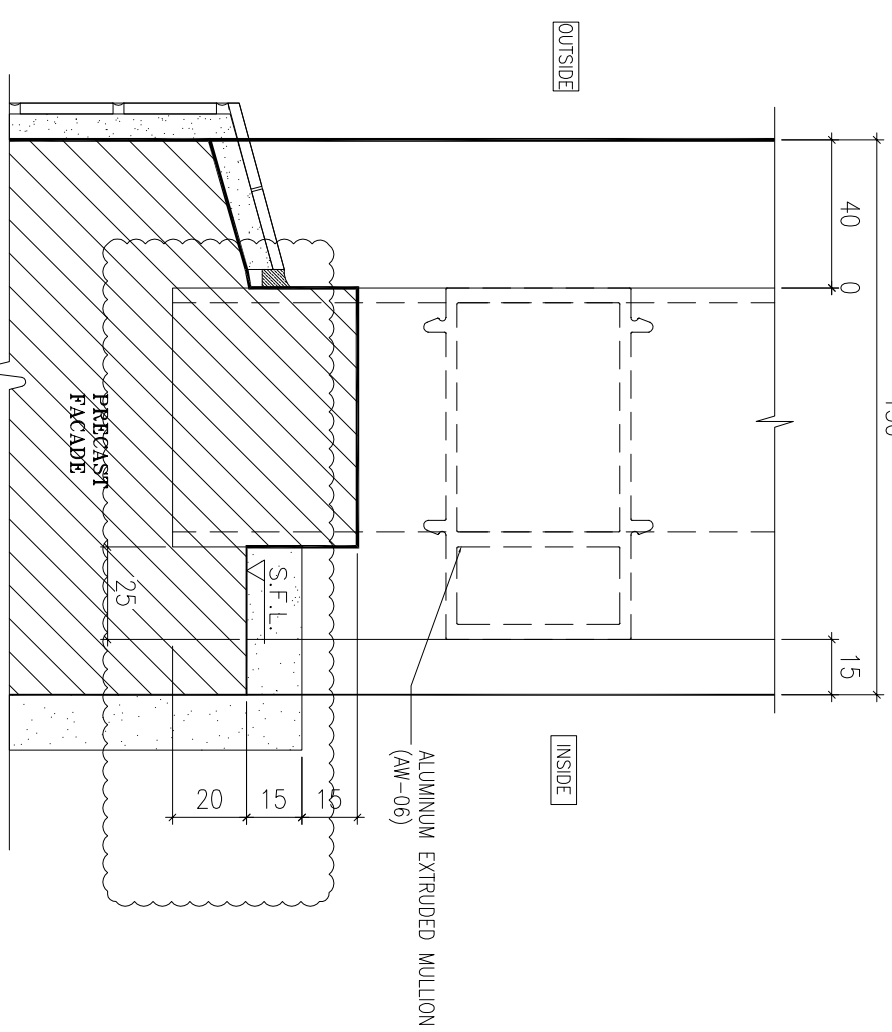
美特鋁質有限公司
MIDI ALUMINIUM FABRICATOR LTD.
Units 6-8, Sunray Industrial Centre, 1/F
610 Cho Kwong Road, Kowloon
Tel:23489211-4 Fax:(852)27727666
DWG NO. : J856-SD-PW-D172 REV : C



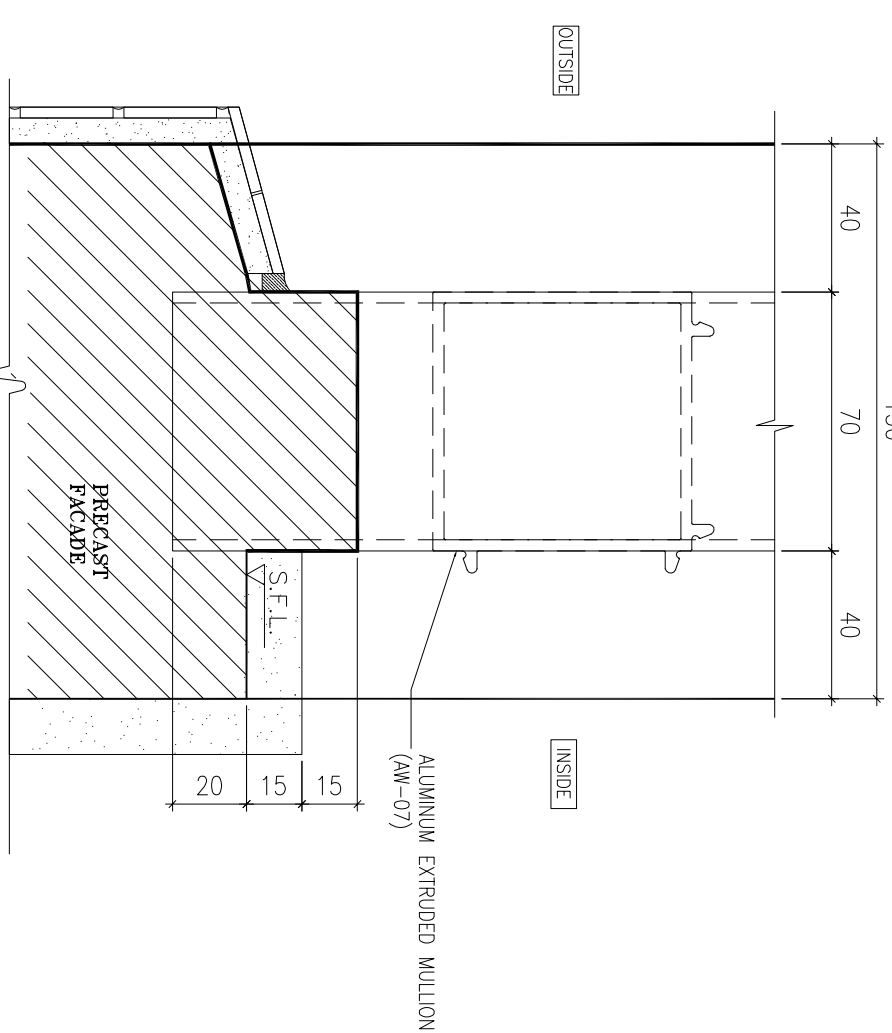
1 VERTICAL DETAIL
SCALE 1:2



3 VERTICAL DETAIL
SCALE 1:2



2 VERTICAL DETAIL
SCALE 1:2



4 VERTICAL DETAIL
SCALE 1:2

B.D. REF :

CLIENT :

SUN HUNG KAI
REAL ESTATE AGENCY LTD.

42/F, SUN HUNG KAI CENTRE, WANCHAI, HONGKONG

ARCHITECT :

lwk&partners
a r c h i t e c t s

MAIN CONTRACTOR :

怡輝建築有限公司
Yee Fai Building Contractors Ltd.

STRUCTURAL ENGINEER :

ARUP

FAÇADE CONSULTANT:

ALPHA CONSULTING LIMITED
Steel Structure & Façade Specialist

NOTE :

1. ALL DIMENSIONS ARE IN mm.
2. ALL ELEVATIONS ARE VIEWED FROM OUTSIDE.
3. ALL DIMENSIONS TO BE VERIFIED ON SITE BEFORE FABRICATION.

LEGEND :

X1 — DETAIL MARK NO.
X001 — REFER SHEET NO.

1. F.F.L. --- FINISHED FLOOR LEVEL
2. S.F.L. --- STRUCTURAL FLOOR LEVEL
3. (R) --- REVERSED DETAIL

4. GLASS LEGEND

- EQ.-1 --- 8mmH+12mm AIR GAP+10mmTP THK. I.G.U.
EQ.-2 --- 10mm THK. CLEAR TEMPERED GLASS
EQ.-4 --- 10mm THK. TEMPERED ACID ETCHED GLASS
EQ.-1A --- 8mmH+12mm AIR GAP+8mmTP THK. I.G.U.

NO.	DATE	REVISION	BY
C	02/11/2021	REVISION SUBJECT TO ARCH-COMMENT	hwn
B	30/10/2021	REVISION SUBJECT TO ARCH-COMMENT	hwn
A	30/09/2021	REVISION SUBJECT TO ARCH-COMMENT	hwn

JOB NO. : J-856

PROJECT : PROPOSED DEVELOPMENT ABOVE LIGHT RAIL TIN WING STOP-TSWTL NO.23,AREA 33,TIN SHUI WAL, N.T.

TITLE : TYPICAL DETAILS FOR ALUM. WINDOW

DATE : 02-Aug-21 SCALE : 1:40

DRAWN BY : IYVN CHECKED BY :

美特鋁質有限公司
MDI ALUMINIUM FABRICATOR LTD.

Units 6-8, Sunray Industrial Centre, 1/F
610 Cho Kwong Road, Kowloon
Tel:23489211-4 Fax:(852)2727666

DWG NO. : J856-SD-PW-DT73 REV. : C

B.D. REF :

CLIENT :

SUN HUNG KAI
REAL ESTATE AGENCY LTD.

42/F, SUN HUNG KAI CENTRE, WANCHAI, HONGKONG

ARCHITECT :

lwk&partners
a r c h i t e c t s

MAIN CONTRACTOR :

Yee Fai 怡輝建築有限公司
Building Contractors Ltd.

STRUCTURAL ENGINEER :

ARUP

FAÇADE CONSULTANT :

ALPHA CONSULTING LIMITED
Steel Structure & Façade Specialist

NOTE :

1. ALL DIMENSIONS ARE IN mm.
2. ALL ELEVATIONS ARE VIEWED FROM OUTSIDE.
3. ALL DIMENSIONS TO BE VERIFIED ON SITE BEFORE FABRICATION.

LEGEND :

X1 --- DETAIL MARK NO.
X001 --- REFER SHEET NO.

1. F.F.L. --- FINISHED FLOOR LEVEL
2. S.F.L. --- STRUCTURAL FLOOR LEVEL
3. (R) --- REVERSED DETAIL
4. GLASS LEGEND

EQ-1 --- 8mmH⁵+12mm AIR GAP+10mmTP THK. I.G.U.
 EQ-2 --- 10mm THK. CLEAR TEMPERED GLASS
 EQ-4 --- 10mm THK. TEMPERED ACID ETCHED GLASS
 EQ-1A --- 8mmH⁵+12mm AIR GAP+8mmTP THK. I.G.U.

NO.	DATE	REASON	BY

JOB NO. : J-856

PROJECT : PROPOSED DEVELOPMENT ABOVE
 LIGHT RAIL TIN WING STOP/TSWTL
 NO.23,AREA 33,TIN SHUI WAI, N.T.

TITLE :

ALUM. WINDOW SECTION
TYPICAL LOOK & HINGES DETAIL

DATE : 02-Aug-21 SCALE : 1:40

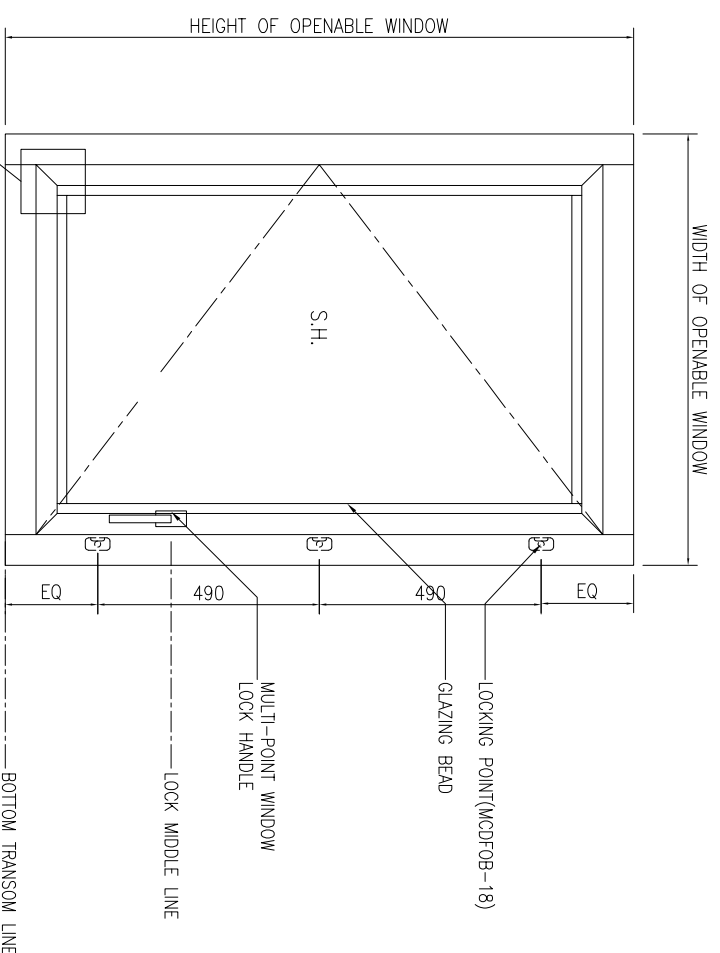
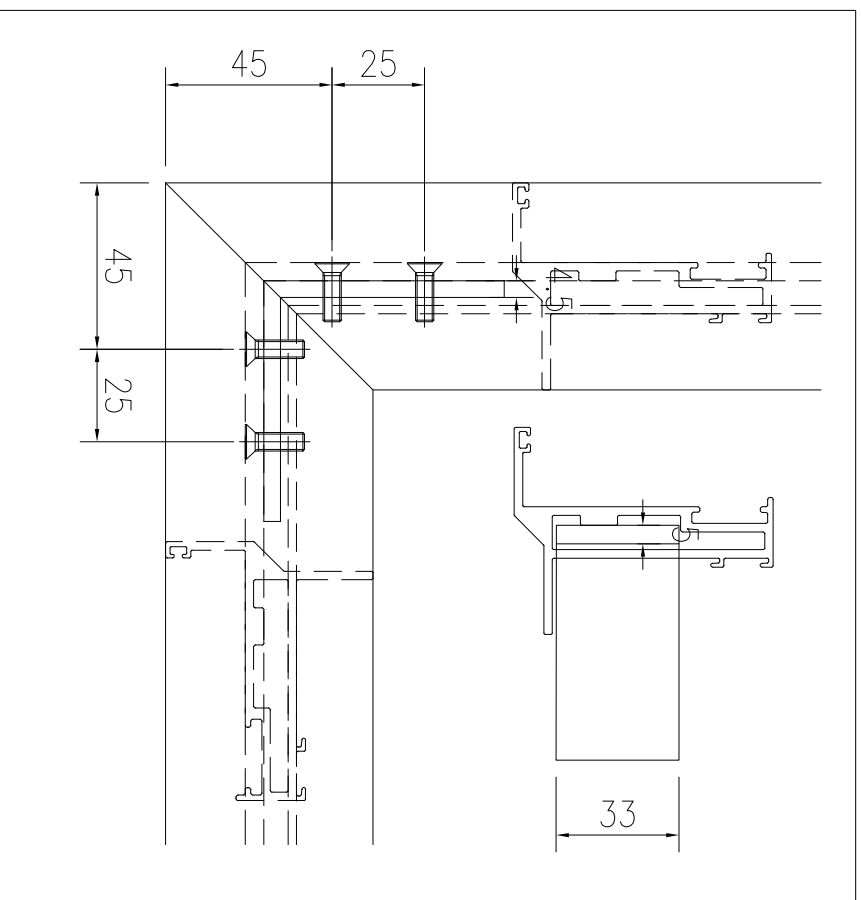
DRAWN BY : IYON CHECKED BY :

美特鋁質有限公司
MDI ALUMINIUM FABRICATOR LTD.

Units 6-8, Sunray Industrial Centre, 1/F
 610 Cho Kwo Ling Road, Kowloon
 Tel:23489211-4 Fax:(852)2727666

DWG NO. : J856-SD-PW-DT74 REV. : -

70窗



01 TYPICAL SECTION

S.F.L.

B.D. REF :

CLIENT :

SUN HUNG KAI
REAL ESTATE AGENCY LTD.

42/F, SUN HUNG KAI CENTRE, WANCHAI, HONGKONG

ARCHITECT :

lwk&partners
a r c h i t e c t s

MAIN CONTRACTOR :

Yee Fai 怡輝建築有限公司
Building Contractors Ltd.

STRUCTURAL ENGINEER :

ARUP

FAÇADE CONSULTANT :

ALPHA CONSULTING LIMITED
Steel Structure & Façade Specialist

NOTE :

1. ALL DIMENSIONS ARE IN mm.
2. ALL ELEVATIONS ARE VIEWED FROM OUTSIDE.
3. ALL DIMENSIONS TO BE VERIFIED ON SITE BEFORE FABRICATION.

LEGEND :

X1 --- DETAIL MARK NO.
X001 --- REFER SHEET NO.

1. F.F.L. --- FINISHED FLOOR LEVEL
2. S.F.L. --- STRUCTURAL FLOOR LEVEL
3. (R) --- REVERSED DETAIL

4. GLASS LEGEND

- EQ-1 --- 8mmH⁵+12mm AIR GAP+10mmTP THK. I.G.U.
EQ-2 --- 10mm THK. CLEAR TEMPERED GLASS
EQ-4 --- 10mm THK. TEMPERED ACID ETCHED GLASS
EQ-1A --- 8mmH⁵+12mm AIR GAP+8mmTP THK. I.G.U.

NO.	DATE	REASON	BY

JOB NO. : J-856

PROJECT :
PROPOSED DEVELOPMENT ABOVE
LIGHT RAIL TIN WING STOP/TSWTL
NO.23,AREA 33,TIN SHUI WAI, N.T.

TITLE :

ALUM. WINDOW SECTION
TYPICAL LOOK & HINGES DETAIL

DATE : 02-Aug-21 SCALE : 1:40

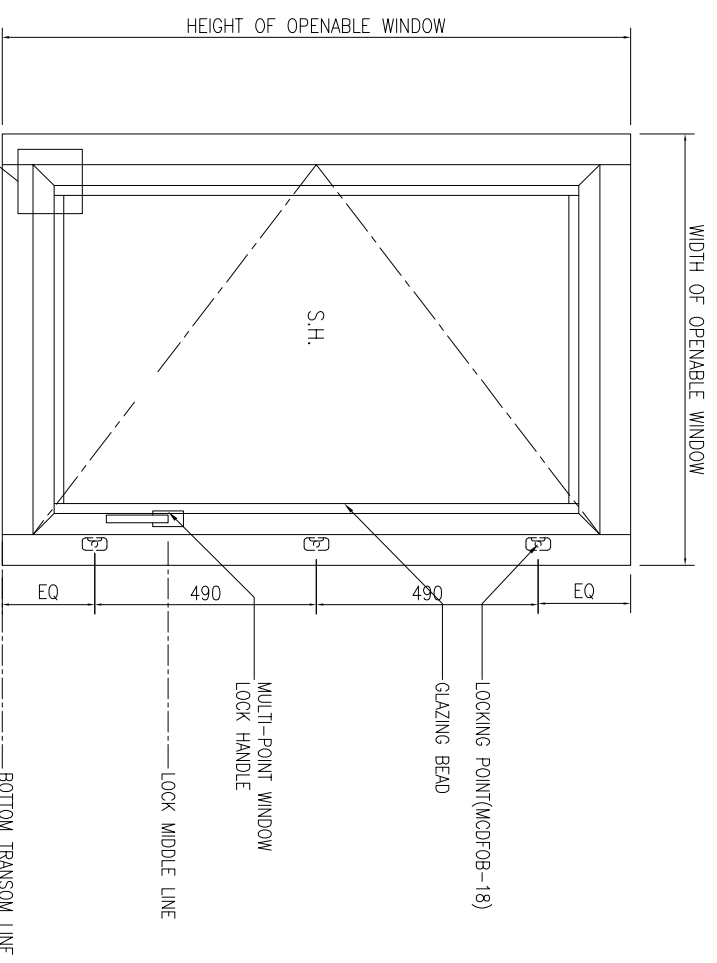
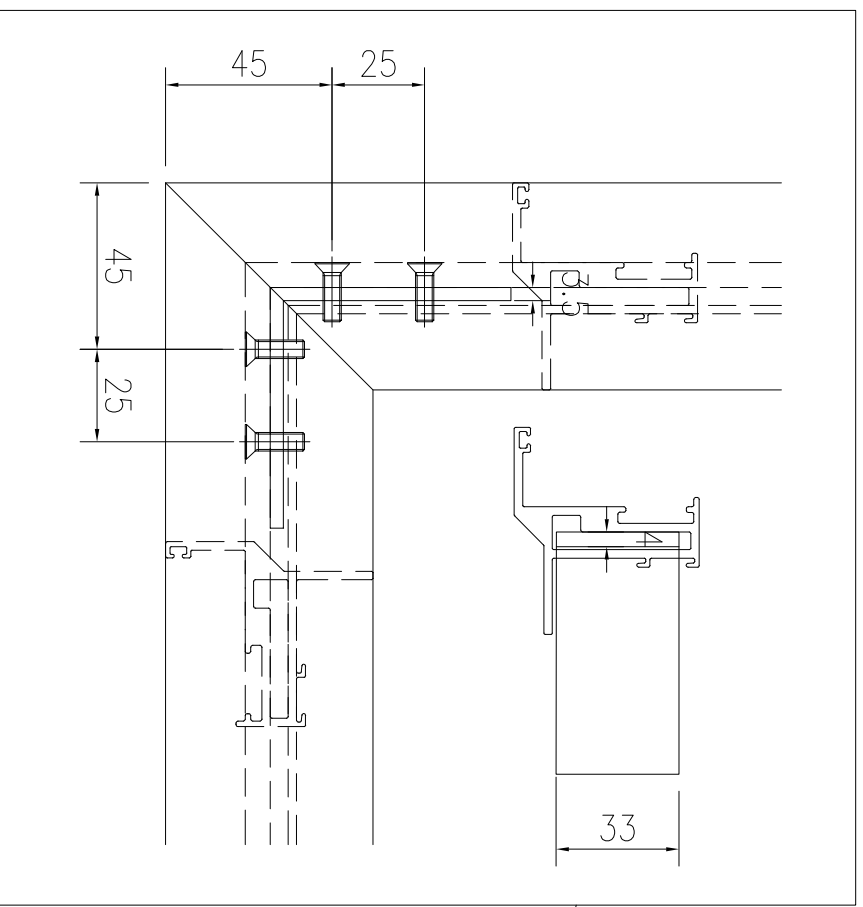
DRAWN BY : IYON CHECKED BY :

美特鋁質有限公司
MDI ALUMINIUM FABRICATOR LTD.

Units 6-8, Sunray Industrial Centre, 1/F
610 Cho Kwo Ling Road, Kowloon
Tel:23489211-4 Fax:(852)2727666

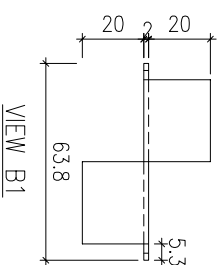
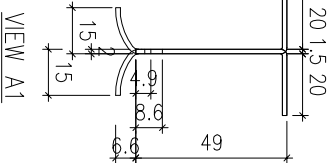
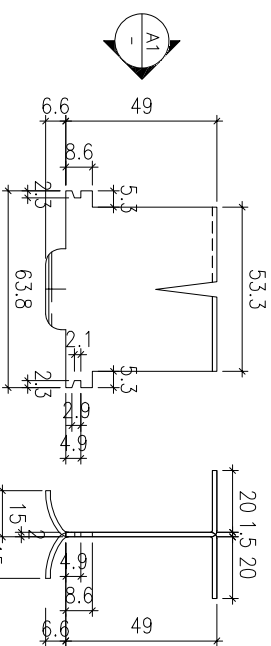
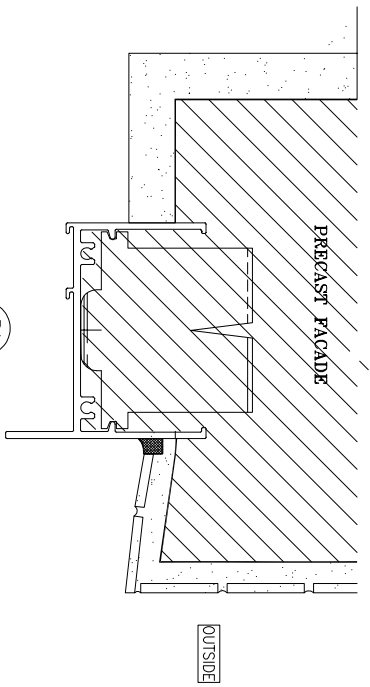
DWG NO. : J856-SD-PW-D174c REV. : -

50窗

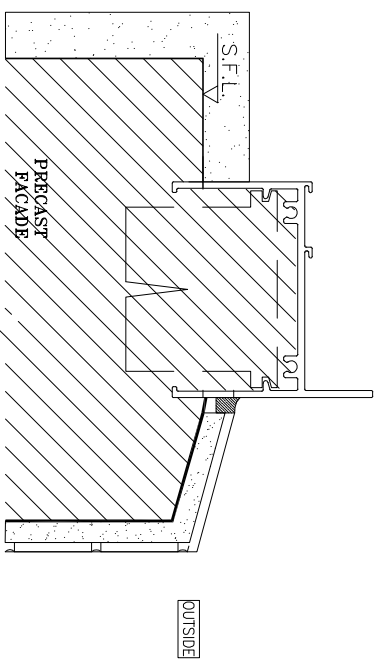
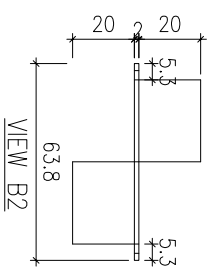
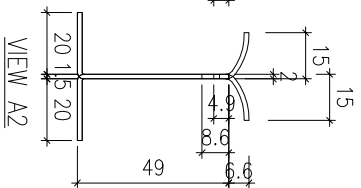
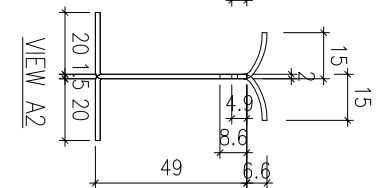
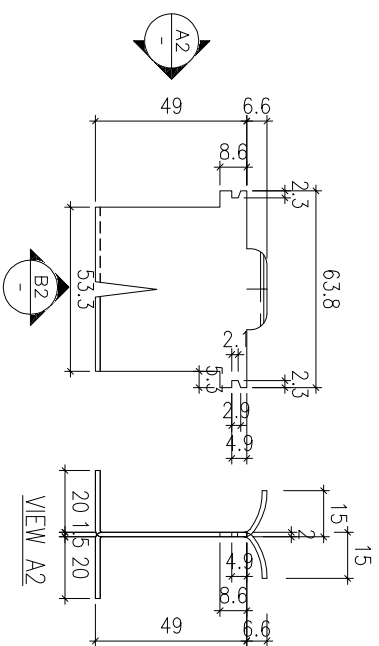


01 TYPICAL SECTION

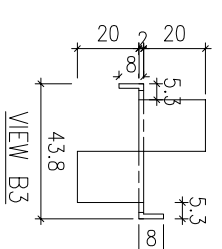
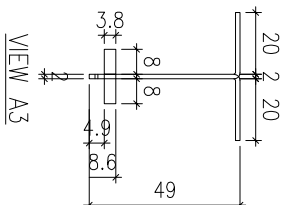
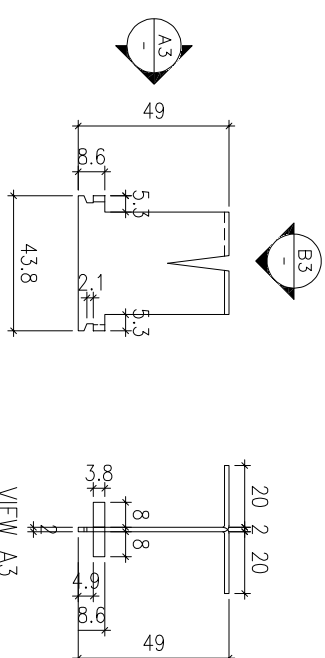
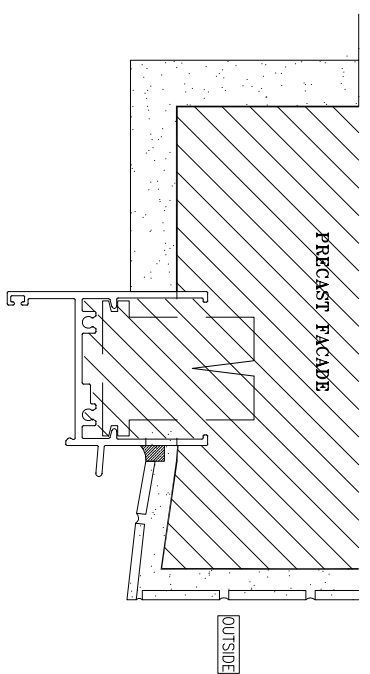
S.F.L.



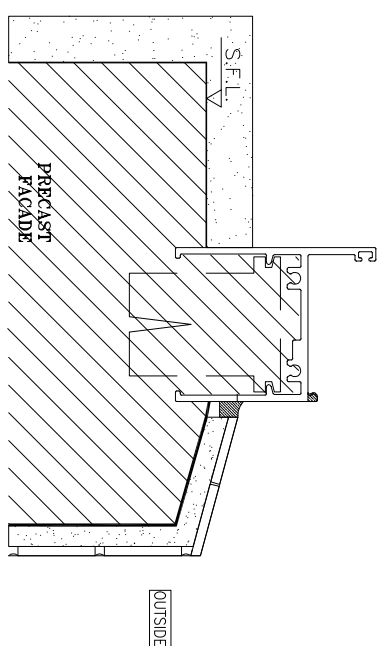
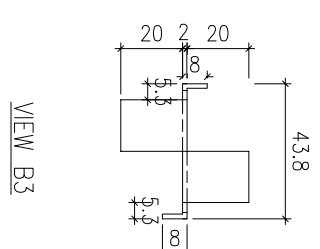
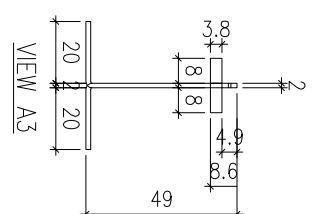
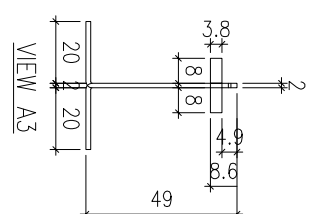
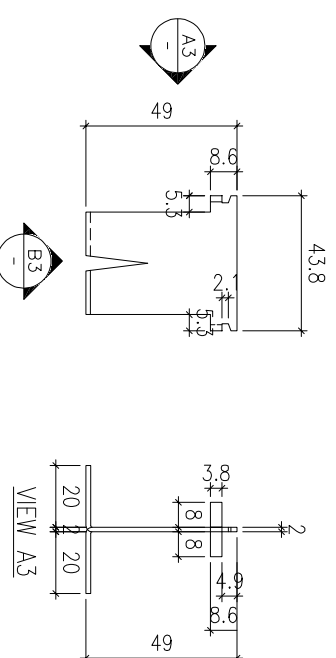
1 70 SECTION FIXING LUG
SCALE 1:2



2 70 SECTION FIXING LUG
SCALE 1:2



3 50 SECTION FIXING LUG
SCALE 1:2



4 50 SECTION FIXING LUG
SCALE 1:2

B.D. REF :

CLIENT :

SUN HUNG KAI
REAL ESTATE AGENCY LTD.

42/F, SUN HUNG KAI CENTRE, WANCHAI, HONGKONG

ARCHITECT :

lwk&partners
ARCHITECTS

MAIN CONTRACTOR :

Yee Fai 怡輝建築有限公司
Building Contractors Ltd.

STRUCTURAL ENGINEER :

ARUP

FAÇADE CONSULTANT :

Alpha Consulting Limited
Steel Structure & Façade Specialist

NOTE :

1. ALL DIMENSIONS ARE IN mm.
2. ALL ELEVATIONS ARE VIEWED FROM OUTSIDE.
3. ALL DIMENSIONS TO BE VERIFIED ON SITE BEFORE FABRICATION.

LEGEND :

X1 --- DETAIL MARK NO.
X001 --- REFER SHEET NO.

1. F.F.L. --- FINISHED FLOOR LEVEL
2. S.F.L. --- STRUCTURAL FLOOR LEVEL
3. (R) --- REVERSED DETAIL

4. GLASS LEGEND

- EQ-1 --- 8mmH+12mm AIR GAP+10mmTP THK. I.G.U.
EQ-2 --- 10mm THK. CLEAR TEMPERED GLASS
EQ-4 --- 10mm THK. TEMPERED ACID ETCHED GLASS
EQ-1A --- 8mmH+12mm AIR GAP+8mmTP THK. I.G.U.

NO.	DATE	REVISION SUBJECT TO ARCH-COMMENT	BY
A	05/09/2022		

JOB NO. :

J-856

PROJECT :

PROPOSED DEVELOPMENT ABOVE
LIGHT RAIL TIN WING STOP-TSWL
NO.23, AREA 33, TIN SHUI WAI, N.T.

TITLE :

G.M.S. FIXING LUG TYPICAL DETAIL
FOR ALUM. WINDOW

DATE : 02-Aug-21 SCALE : 1:60

DRAWN BY : IYON CHECKED BY :

美特鋁質有限公司
MIDI ALUMINIUM FABRICATOR LTD.
Units 6-8, Sunray Industrial Centre, 1/F
610 Cho Kwong Road, Kowloon
Tel: 23489211-4 Fax: (852) 2727666

DWG NO. : J856-SD-PW-D175 REV. : A

CLIENT :

SUN HUNG KAI
REAL ESTATE AGENCY LTD.
42/F, SUN HUNG KAI CENTRE, WANCHAI, HONGKONG

ARCHITECT :

lwk&partners
a r c h i t e c t s

MAIN CONTRACTOR :

怡輝建築有限公司
Yee Fai Building Contractors Ltd.

STRUCTURAL ENGINEER :

ARUP

FAÇADE CONSULTANT:

ALPHA CONSULTING LIMITED
Steel Structure & Façade Specialist

NOTE :

1. ALL DIMENSIONS ARE IN mm.
2. ALL ELEVATIONS ARE VIEWED FROM OUTSIDE.
3. ALL DIMENSIONS TO BE VERIFIED ON SITE BEFORE FABRICATION.

LEGEND :

(X1) --- DETAIL MARK NO.
(X001) --- REFER SHEET NO.

1. F.F.L. --- FINISHED FLOOR LEVEL
2. S.F.L. --- STRUCTURAL FLOOR LEVEL
3. (R) --- REVERSED DETAIL
4. GLASS LEGEND

EQ-1 --- 8mmH5+12mm AIR GAP+10mmTP THK. I.G.U.
EQ-2 --- 10mm THK. CLEAR TEMPERED GLASS
EQ-4 --- 10mm THK. TEMPERED ACID ETCHED GLASS
EQ-1A --- 8mmH5+12mm AIR GAP+8mmTP THK. I.G.U.

NO.	DATE	REVISION	SUBJECT TO ARCH-COMMENT	BY
B	05/09/2022	REVISION SUBJECT TO ARCH-COMMENT		lwk
A	03/01/2022	REVISION SUBJECT TO ARCH-COMMENT		lwk

JOB NO. : J-856

PROJECT :

PROPOSED DEVELOPMENT ABOVE
LIGHT RAIL TIN WING STOP-TSWTL
NO.23,AREA 33,TIN SHUI WAI, N.T.

TITLE :

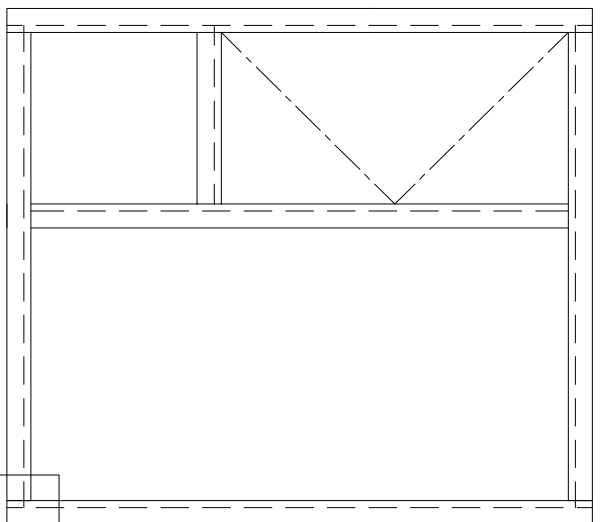
TYPICAL EARTHING
BONDING DETAILS OF PRECAST

DATE : 02-Aug-21 SCALE : 1:40

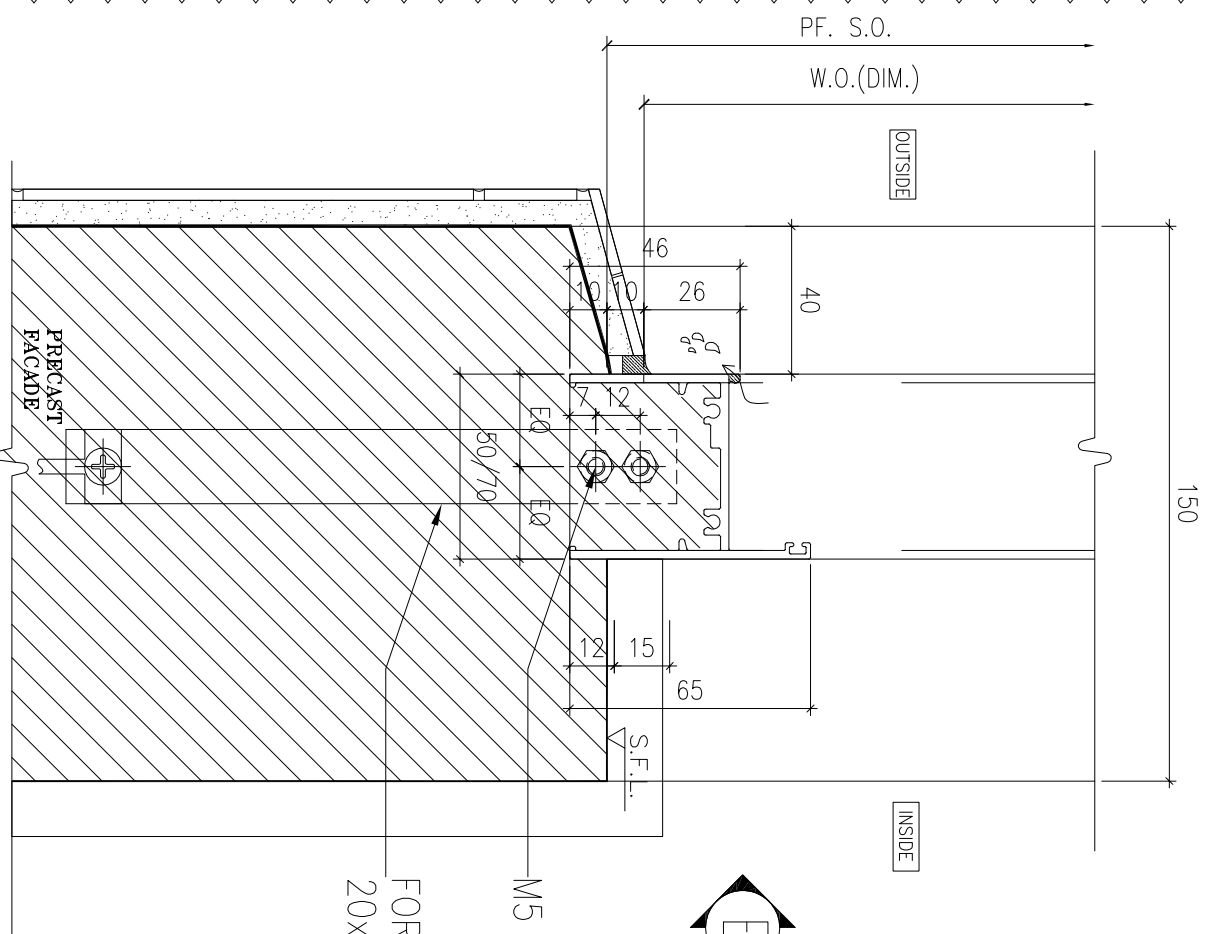
DRAWN BY : lwnn CHECKED BY :

美特鋁質有限公司
MDI ALUMINIUM FABRICATOR LTD.
Units 6-8, Sunray Industrial Centre, 1/F
610 Che Kwo Ling Road, Kowloon
Tel:23489211-4 Fax:(852)2727666

DWG NO. : J856-SD-PW-DT76 REV. : B



VIEW: C



1 VERTICAL DETAIL

M5 S.S. SCREW
FOR EARTH BONDING
20x1.5mm THK. ALUM. BRACKET

M5 S.S. SCREW
FOR EARTH BONDING
20x1.5mm THK. ALUM. BRACKET

VIEW: C



B.D. REF :

CLIENT :

SUN HUNG KAI
REAL ESTATE AGENCY LTD.
42/F, SUN HUNG KAI CENTRE, WANCHAI, HONGKONG

ARCHITECT :

lwk&partners
a r c h i t e c t s

MAIN CONTRACTOR :

怡輝建築有限公司
Yee Fai Building Contractors Ltd.

STRUCTURAL ENGINEER :

ARUP

FAÇADE CONSULTANT :

ALPHA CONSULTING LIMITED
Steel Structure & Façade Specialist

NOTE :
1. ALL DIMENSIONS ARE IN mm.
2. ALL ELEVATIONS ARE VIEWED FROM OUTSIDE.
3. ALL DIMENSIONS TO BE VERIFIED ON SITE BEFORE FABRICATION.

LEGEND :

(X1) --- DETAIL MARK NO.
(X001) --- REFER SHEET NO.

1. F.F.L. --- FINISHED FLOOR LEVEL
2. S.F.L. --- STRUCTURAL FLOOR LEVEL
3. (R) --- REVERSED DETAIL

4. GLASS LEGEND
EQ-1 --- 8mmH+12mm AIR GAP+10mmTP THK. I.G.U.
EQ-2 --- 10mm THK. CLEAR TEMPERED GLASS
EQ-4 --- 10mm THK. TEMPERED ACID ETCHED GLASS
EQ-1A --- 8mmH+12mm AIR GAP+8mmTP THK. I.G.U.

NO.	DATE	REVISION	REVISION SUBJECT TO ARCH.COMMENT	BY
0	26/09/2022	REVISION SUBJECT TO ALPHA COMMENT		lwn
C	05/09/2022	REVISION SUBJECT TO ALPHA COMMENT		lwn
B	06/07/2022	REVISION SUBJECT TO ALPHA COMMENT		lwn
A	03/07/2022	REVISION SUBJECT TO ARCH.COMMENT		lwn

JOB NO. : J-856

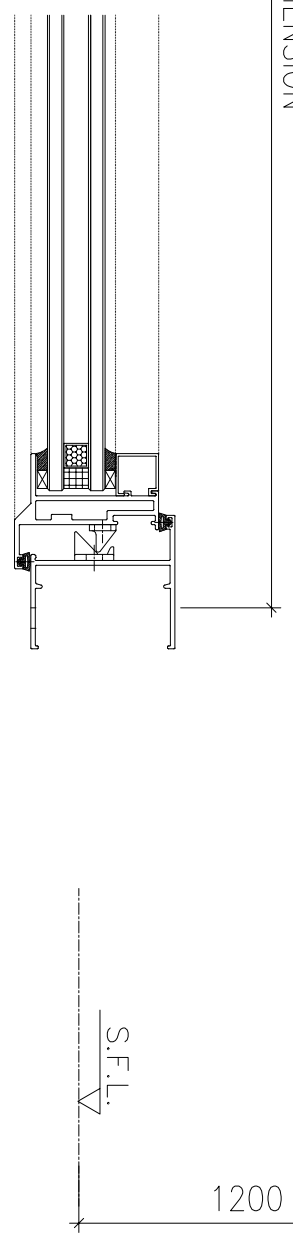
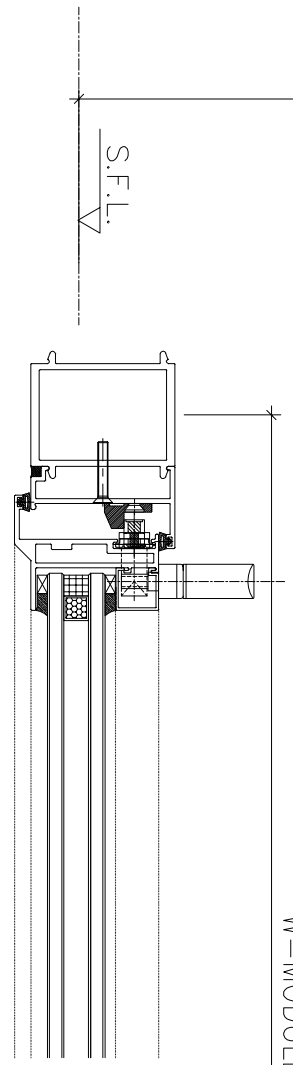
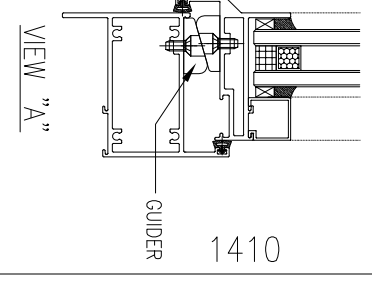
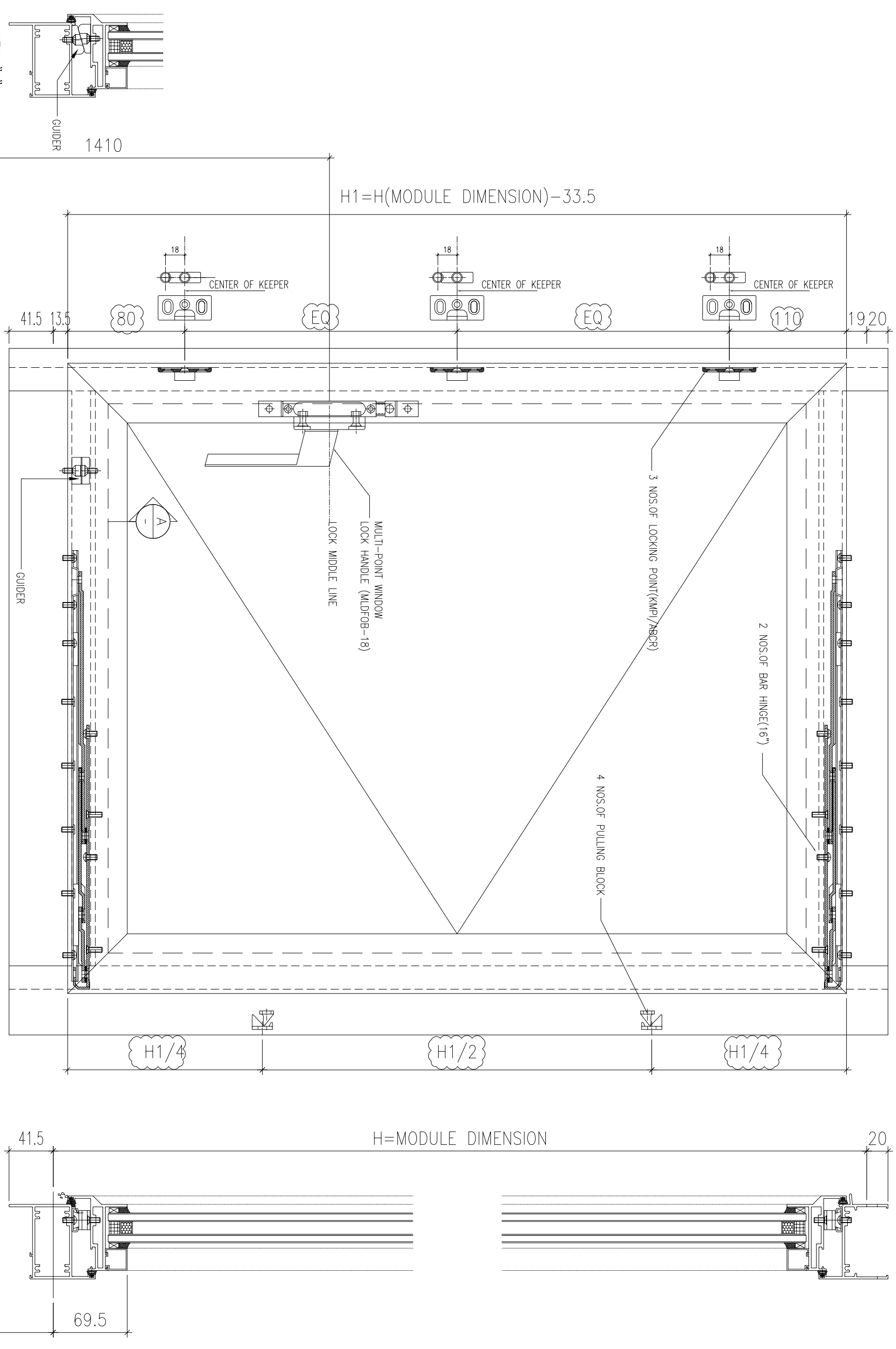
PROJECT :
PROPOSED DEVELOPMENT ABOVE
LIGHT RAIL TIN WING STOP-TSWTL
NO.23,AREA 33,TIN SHUI WAI, N.T.

TITLE :
TYPICAL EARTHING
BONDING DETAILS OF PRECAST

DATE : 02-Aug-21 SCALE : 1:60

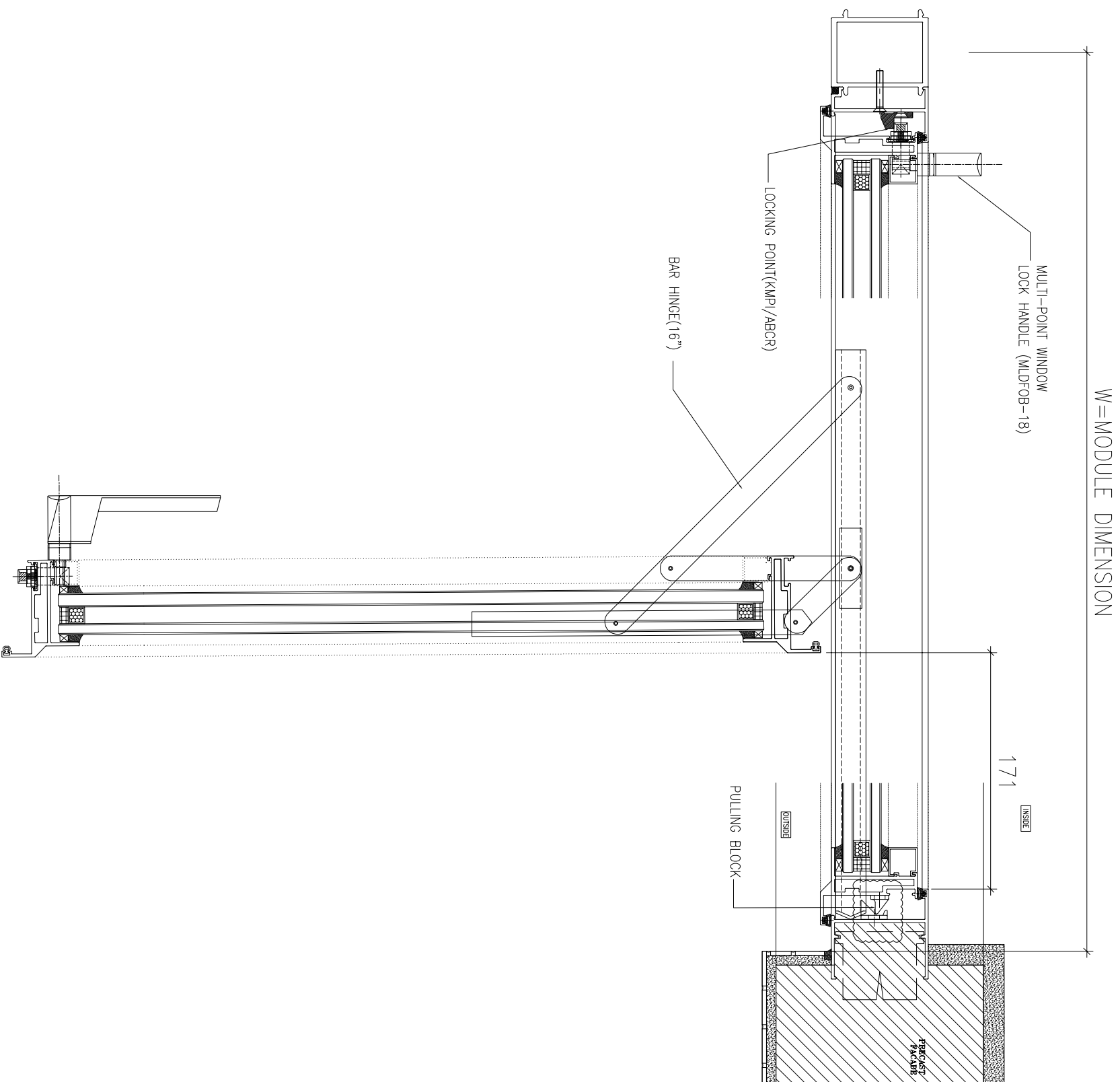
DRAWN BY : lwnn CHECKED BY :
美特鋁質有限公司
MIDI ALUMINIUM FABRICATOR LTD.
Units 6-8, Sunray Industrial Centre, 1/F
610 Cho Kwo Ling Road, Kowloon
Tel:23489211-4 Fax:(852)2727666

DWG NO. : J856-SD-PW-D177 REV. : D



W=MODULE DIMENSION

H=MODULE DIMENSION



B.D. REF :

CLIENT :

SUN HUNG KAI
REAL ESTATE AGENCY LTD.

42/F, SUN HUNG KAI CENTRE, WANCHAI, HONGKONG

ARCHITECT :

lwk&partners
a r c h i t e c t s

MAIN CONTRACTOR :

怡輝建築有限公司
Yee Fai Building Contractors Ltd.

STRUCTURAL ENGINEER :

ARUP

FAÇADE CONSULTANT :

ALPHA CONSULTING LIMITED
Steel Structure & Façade Specialist

NOTE :

1. ALL DIMENSIONS ARE IN mm.
2. ALL ELEVATIONS ARE VIEWED FROM OUTSIDE.
3. ALL DIMENSIONS TO BE VERIFIED ON SITE BEFORE FABRICATION.

LEGEND :

(X1) — DETAIL MARK NO.
(X001) — REFER SHEET NO.

1. F.F.L. --- FINISHED FLOOR LEVEL
2. S.F.L. --- STRUCTURAL FLOOR LEVEL
3. (R) --- REVERSED DETAIL

4. GLASS LEGEND

- EQ-1 --- 8mmH+12mm AIR GAP+10mmTP THK. I.G.U.
- EQ-2 --- 10mm THK. CLEAR TEMPERED GLASS
- EQ-4 --- 10mm THK. TEMPERED ACID ETCHED GLASS
- EQ-1A --- 8mmH+12mm AIR GAP+8mmTP THK. I.G.U.

NO.	DATE	REVISION SUBJECT TO ARCH/COMMENT	ISSUED BY
A	03/01/2022		

JOB NO. : J-856

PROJECT :
PROPOSED DEVELOPMENT ABOVE
LIGHT RAIL TIN WING STOP/TSWTL
NO.23,AREA 33,TIN SHUI WAL, N.T.

TITLE :
TYPICAL EARTHING
BONDING DETAILS OF PRECAST

DATE : 02-Aug-21 SCALE : 1:60

DRAWN BY : IYON CHECKED BY :

美特鋁質有限公司
MDI ALUMINIUM FABRICATOR LTD.
Units 6-8, Sunray Industrial Centre, 1/F
610 Cho Kwo Ling Road, Kowloon
Tel:23489211-4 Fax:(852)2727666

DWG NO. : J856-SD-PW-D178 REV. : A