



工程指示 / 要求簡箋 ENGINEER INSTRUCTIONS(E.I.)

工程指示編號:	EI- 4702	修改版本:	E
	HK- 2081		
工程編號:	J 856	工程名稱:	tswtl23
收件人:	生統	發件人:	BearLam
工程項目:	T2 佛沙窗大貨(修改E:因地盤要求更正有關於臨時保護圍欄)	日期:	23/11/2022

<input type="checkbox"/> 原合約工程包	<input type="checkbox"/> 原合約工程加 / 減賬 QT-	<input type="checkbox"/> 新工程報價 QT-
---------------------------------	--	------------------------------------

信件批核號碼/圖紙參考編號:	批核模具圖紙編號:
客戶指示附件:	管理內部批簽署:

<input type="checkbox"/> 初步鋁料 B.M.	<input type="checkbox"/> 加工拆圖, 然後生產	<input type="checkbox"/> 尺寸表
<input type="checkbox"/> 正式鋁料 B.M.	<input type="checkbox"/> 技術上資料/指示	<input type="checkbox"/> 報價
<input type="checkbox"/> 配件 B.M.	<input type="checkbox"/> 樣辦或貨品說明書	<input type="checkbox"/> 分判合約
<input type="checkbox"/> 其他:		

內容: 請根據附件資料加工, 附件中黃色標示的位置是需保持臨時保護圍欄。

完成上列要求日期: 25/11/2022

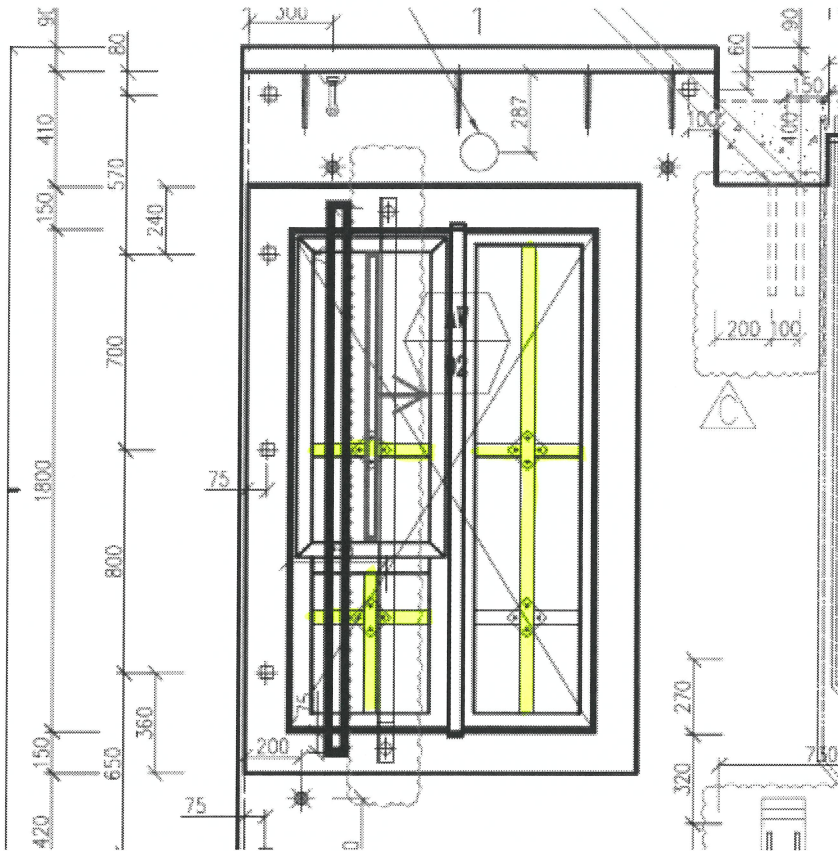
國內

<input type="checkbox"/> 生產技術總監	<input type="checkbox"/> 連附件	<input type="checkbox"/> 技術部	<input type="checkbox"/> 連附件	<input type="checkbox"/> 生產部	<input type="checkbox"/> 連附件
<input type="checkbox"/> 採購部	<input type="checkbox"/> 連附件	<input checked="" type="checkbox"/> 生產統籌部	<input checked="" type="checkbox"/> 連附件	<input type="checkbox"/> 報關組	<input type="checkbox"/> 連附件
<input type="checkbox"/> 質檢部	<input type="checkbox"/> 連附件	<input type="checkbox"/> 會計部	<input type="checkbox"/> 連附件	<input type="checkbox"/> 機械設計部	<input type="checkbox"/> 連附件
<input checked="" type="checkbox"/> 香港辦	<input checked="" type="checkbox"/> 連附件	<input type="checkbox"/> 其他:			

香港

<input type="checkbox"/> 行政部	<input type="checkbox"/> 連附件	<input type="checkbox"/> 會計部	<input type="checkbox"/> 連附件	<input type="checkbox"/> 統籌部	<input type="checkbox"/> 連附件	<input type="checkbox"/> 工程部	<input type="checkbox"/> 連附件
<input type="checkbox"/> 採購部	<input type="checkbox"/> 連附件	<input type="checkbox"/> QS部	<input type="checkbox"/> 連附件	<input type="checkbox"/> 地盤管理	<input type="checkbox"/> 連附件	<input type="checkbox"/> 維修部	<input type="checkbox"/> 連附件

*發件人簽署:	<i>Bear Lam</i>	*組別成員批核簽署:	<i>[Signature]</i> 23/11/2022
傳遞編號:		項目經理簽署:	<i>[Signature]</i>



CAD link: <https://we.tl/t-ePsBDyn6ZC>

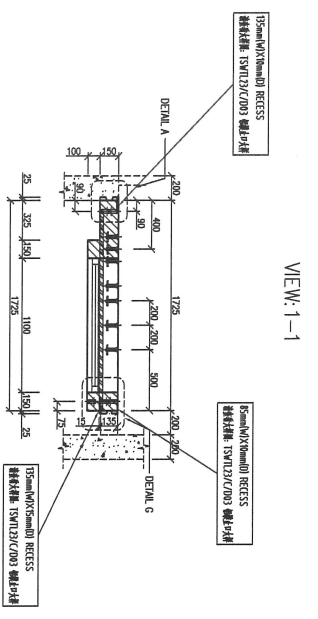
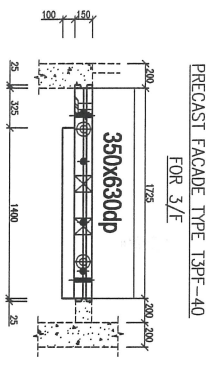
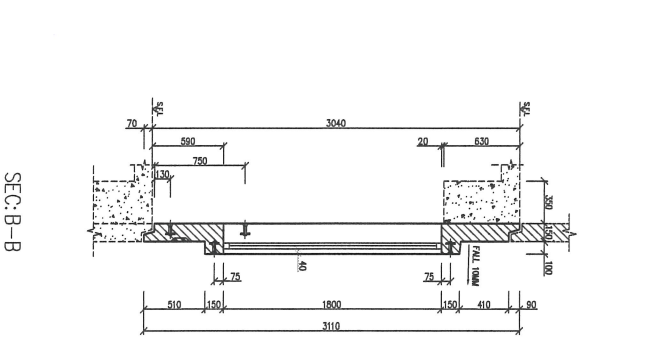
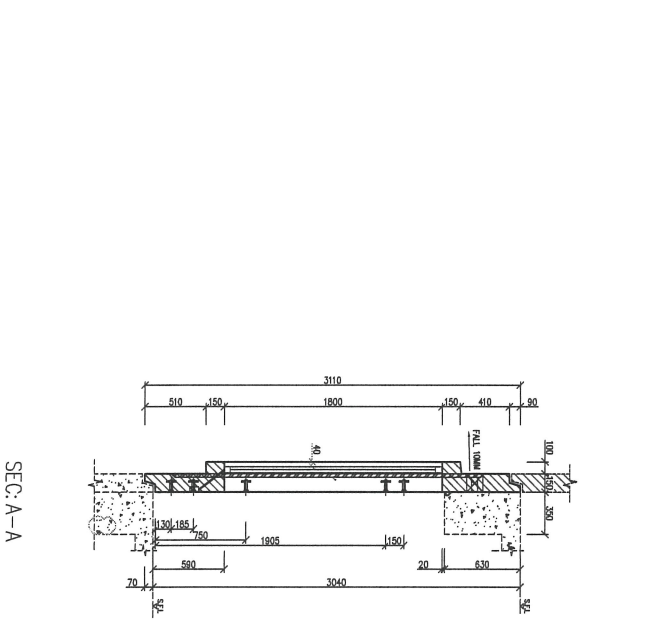
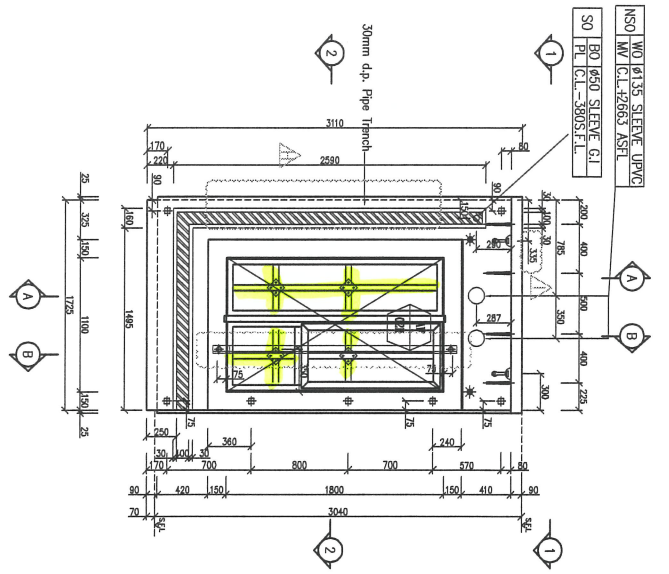
Best regards
 Cup Ng
 Orientfunds Precast Ltd.
 Tel. : 65013068

From: j856@midiltd.com.hk <j856@midiltd.com.hk>
Sent: Thursday, November 10, 2022 5:13 PM
To: Hung Ho Wing <hwhung@shkp.com>
Cc: TSWTL23 - PC <tswtl23pc@shkp.com>; waiho.hcw.midi@gmail.com;
bear.lch.midi@gmail.com; Ng Ho Fung <cupng@orientfunds.com.hk>
Subject: Re: TSWTL23: Precast Facade Window Safety Barrier (提供CAD file 以加快 mark up 移位)

【External Email】 Be cautious of any links and attachments included.

Dear Wingo
 For your information
 BearLam

From: " hwhung@shkp.com " <hwhung@shkp.com>
To: " j856@midiltd.com.hk " <j856@midiltd.com.hk>
Copies to: " tswtl23pc@shkp.com " <tswtl23pc@shkp.com>,
 " waiho.hcw.midi@gmail.com "
 <waiho.hcw.midi@gmail.com> ,



SEC: 2-2

LEGEND:

- IN-SITU CONCRETE
- FACADE

- UTING EYE ANCHOR (5T) | 5T 吊鉤
- M16x100 CAST-IN SOCKET | HKX100鋼線螺絲
- M12x60 CAST-IN SOCKET | HK2x60鋼線螺絲
- 435 THROUGH HOLE | 435 通孔
- 430 SAFETY FENCE HOLE | 430x2000安全圍欄孔
- 15MM CONCRETE SLAB | 15mm 樓板
- REVISION MARK

REV.	DESCRIPTION	DATE	BY
0	PREP ISSUE	2022-01-05	SMH
A		2022-01-15	SMH
B		2022-02-25	SMH
C		2022-03-10	ZY
D		2022-04-20	ZY
E		2022-05-08	ZY
F		2022-07-21	ZY
G		2022-07-21	ZY
H		2022-08-10	ZY
I		2022-10-27	ZY

PROJECT: PROPOSED DEVELOPMENT AT LAT TIN WING STOP AT TIN SHUI WAI ON LOT10A, ISW123

CLIENT: BEST VISION DEVELOPMENT LIMITED.

ARCHITECT: **IWK&partners**
A T C N I E C I S

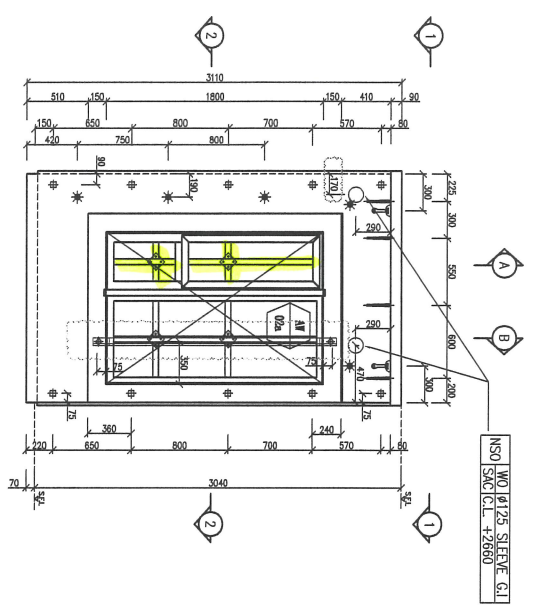
STRUCTURAL ENGINEER: **ARUP**

MAIN CONTRACTOR: ARUP

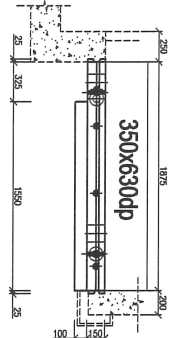
TITLE: CAST-IN LAYOUT FOR TYPE 13PF-40

PROJECT NO.	ISSUING NO.	REVISION
ISW123/073PF-40-0	1	1

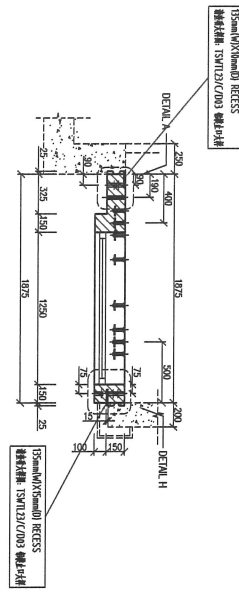
PRECAST SUPPLIER: **ORIENTAL PRECAST LTD.**
118 CONNAUGHT ROAD WEST
HONG KONG
Tel: (852) 2559 5765
Fax: (852) 2517 0973



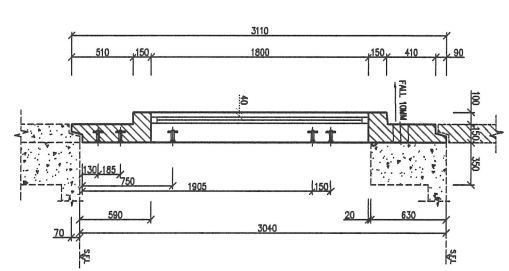
PRECAST FACADE TYPE T3PF-24
FOR 3/E



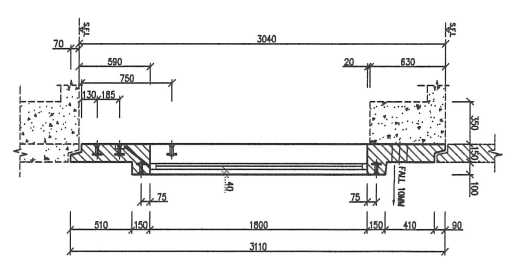
VIEW: 1-1



SEC: 2-2



SEC: A-A



SEC: B-B

LEGEND:

	IN-SITU CONCRETE
	FACADE

	15mm concrete slab	Formwork
	UTM DIE ANCHOR (U)	5T 出模
	M16x100 CAST-IN SOCKET	HKX100鋼線螺絲
	M12x60 CAST-IN SOCKET	M12x60鋼線螺絲
	435 THROUGH HOLE	435 鋼孔
	430 SAFETY FENCE HOLE	430鋼孔安全圍欄孔

1. 所有鋼線螺絲之20倍長，需其鋼線螺絲。
 X: REVISION MARK

REV.	DESCRIPTION	DATE	BY
G	2x6 ERM 1 鋼線螺絲	2022-07-21	ZY
F	鋼線螺絲	2022-05-18	ZY
E	鋼線螺絲門下	2022-05-08	ZY
D	鋼線螺絲鋼線螺絲	2022-04-20	ZY
C	鋼線螺絲 M12	2022-03-10	ZY
B	2022-02-25	2022-03-01	SH
A	2022-01-10	2022-01-15	SH
Q	FIRST ISSUE	2022-01-05	SH

PROPOSED DEVELOPMENT AT LRT TIN WING STOP AT TIN SHUI WAI ON LOT10:TSW123

CLIENT: BEST VISION DEVELOPMENT LIMITED.

ARCHITECT: **lwk&partners**
A T T O R N E Y S

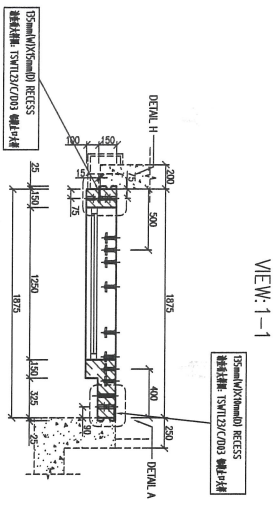
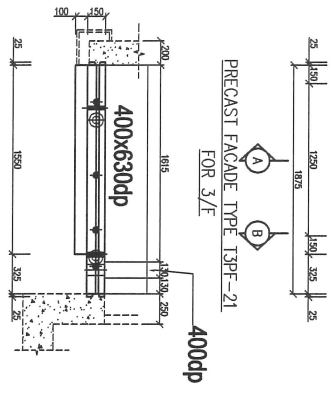
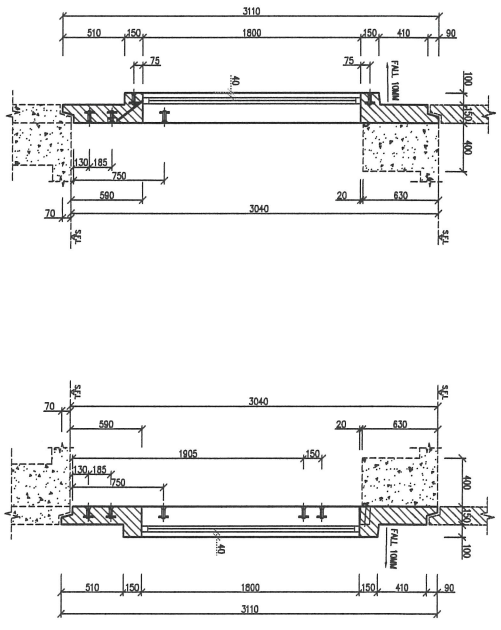
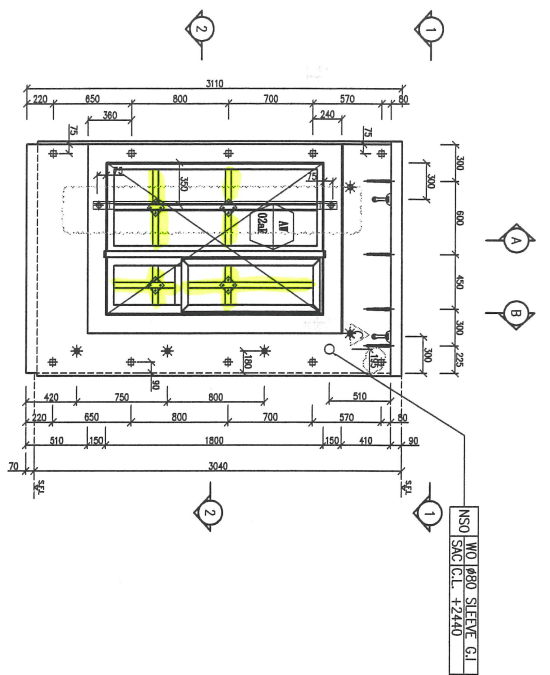
STRUCTURAL ENGINEER: ARUP

DATE: 2022-07-21

SCALE	DESIGNED	DRAWN	CHECKED	APPROVED
1:40 (A)				

PROJECT NO. PRECISE NO. TSW123/C/T3PF-24-0

PRECAST SUPPLIER: ORIENTAL PRECAST LTD.
198 CONNAUGHT ROAD WEST
HONG KONG
Tel: (852) 2559 5795
Fax: (852) 2517 0673



LEGEND:

- IN-SITU CONCRETE
- FACADE

- LIFTING EYE ANCHOR (5T) | 5T吊眼
- M16x100 CAST-IN SOCKET | H16x100预埋短管
- M12x60 CAST-IN SOCKET | H12x60预埋短管
- 435 THROUGH HOLE | 435 通孔
- 430 SHEET FENCE HOLE | 430x2000网片穿孔孔

1.所有预埋短管长度≥20倍管径，需加设防腐措施。
 X: REVISION MARK

REV.	DESCRIPTION	DATE	BY
0	FIRST ISSUE	2022-01-05	SMH
A		2022-01-15	SMH
B		2022-01-21	SMH
C	补充预埋短管规格	2022-03-01	SMH
D	补埋短管 H12	2022-04-20	ZY
E	补充预埋短管规格	2022-05-08	ZY
F	新增预埋短管 TYP-A	2022-05-18	ZY
G	补埋短管	2022-05-18	ZY
H	补埋短管规格	2022-07-21	ZY

PROJECT: PROPOSED DEVELOPMENT AT LRT TN WING STOP AT TIN SHU WAI ON LOT10, TSW123

CLIENT: BEST VISION DEVELOPMENT LIMITED.

ARCHITECT: **IWK&partners**
 A R C H I T E C T S
 1/F, 160-177Y, Yee Hong Building, 160-177 Yee Hong Street, Tsim Sha Tsui, Kowloon, Hong Kong
 香港德輔道中(德輔) 160-177 號 1 樓 IWK&partners 有限公司
 九龍德輔道中德輔道中 160-177 號 1 樓

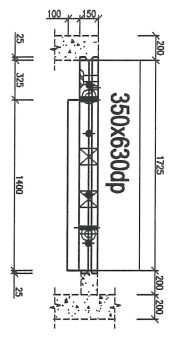
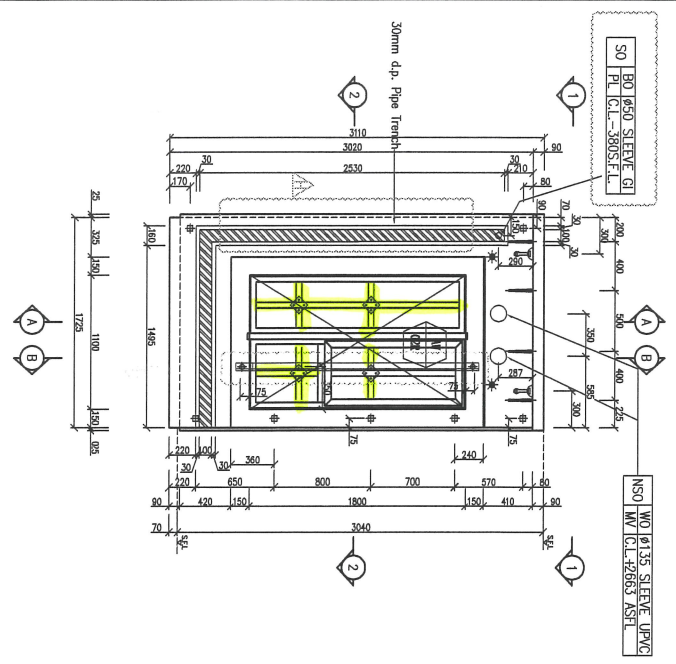
STRUCTURAL ENGINEER: **ARUP**

MAIN CONTRACTOR:

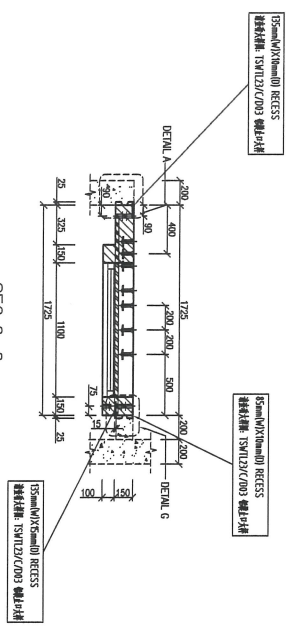
TITLE:	PROJECT NO./ISSUING NO.	REVISION
CAST-IN LAYOUT FOR TYPE T3PF-21	TSW123/C/T3PF-21-0	H

SCALE:	DESIGNED:	DRAWN:	CHECKED:	APPROVED:
1:40 (A3)				

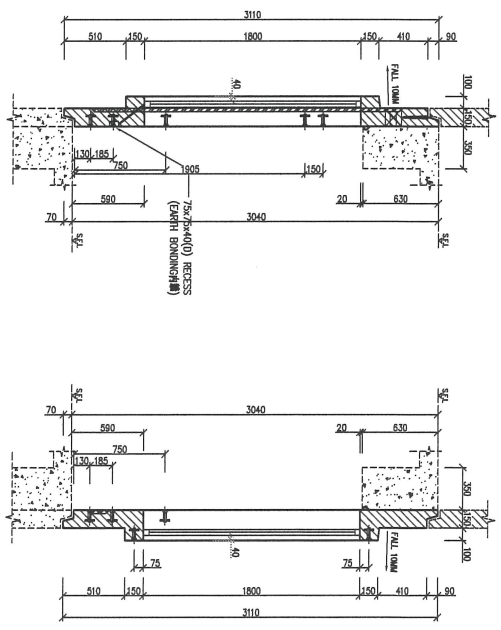
PRECAST SUPPLIER: **ORIENTALING PRECAST LTD.**
 RM 2013, HONG KONG PLAZA
 1/F, 201-2013, HONG KONG PLAZA
 HONG KONG
 Tel: (852) 2559 5765
 Fax: (852) 2517 0873



VIEW: 1-1



SEC: 2-2



SEC: A-A

SEC: B-B

LEGEND:

	IN-SITU CONCRETE
	FAÇADE
	5T 吊眼
	M16x100 預埋鋼筋套筒
	M12x60 預埋鋼筋套筒
	435 通山孔
	430 2000mm 安全網孔
	鋼筋

1. 所有材料規格及尺寸均符合 香港建築材料標準
 X: REVISION MARK

REV.	DESCRIPTION	DATE	BY
H	增加門框及窗框之預埋鋼筋	2022-08-10	ZY
G	2.5.1.1.1 修改圖則	2022-07-21	ZY
F	本地化	2022-05-18	ZY
E	修改窗框之預埋鋼筋	2022-05-08	ZY
D	修改窗框之預埋鋼筋	2022-04-20	ZY
C	新增預埋鋼筋	2022-03-10	ZY
B	修改窗框之預埋鋼筋	2022-03-01	SH
A	2022-01-10	2022-01-15	SH
0	FIRST ISSUE	2022-01-05	SH

PROJEC: PROPOSED DEVELOPMENT AT LRT TIN WING STOP AT TIN SHUI WAI ON LOTNO:TSW123

CLIENT: BEST VISION DEVELOPMENT LIMITED.

ARCHITECT: **lwk&partners**
 a r c h i t e c t s

STRUCTURAL ENGINEER: **ARUP**

MAIN CONTRACTOR: **ORIENTATIONS PRECAST LTD.**
 THE 2011, HONG KONG PLAZA
 11, HONG KONG ROAD, HONG KONG
 Tel: (852) 2559 5765
 Fax: (852) 2517 0973

TITLE: CAST-IN LAYOUT FOR TYPE 13PF-18

PROJECT NO./ DRAWING NO.	REVISION
TSW123/C/13PF-18-0	H

SCALE: 1:40 (A3)

SCALE	DESIGNED	DRAWN	CHECKED	APPROVED
1:40 (A3)				

