



工程指示 / 要求簡箋 ENGINEER INSTRUCTIONS(E.I.)

工程指示編號:	EI- 4702C	修改版本:	C
	HK- 1334		
工程編號:	J 856	工程名稱:	天榮站
收件人:	技術部/謝永林	發件人:	Lai Sik Hung
工程項目:	T2佛沙窗 大圖 (修訂C:12th Shop Drawing)	日期:	12/08/2022

<input type="checkbox"/> 原合約工程包	<input type="checkbox"/> 原合約工程加 / 減賬 QT-	<input type="checkbox"/> 新工程報價 QT-
---------------------------------	--	------------------------------------

信件批核號碼/圖紙參考編號:	批核模具圖紙編號:
客戶指示附件:	管理內部批簽署:

<input type="checkbox"/> 初步鋁料 B.M.	<input type="checkbox"/> 加工拆圖, 然後生產	<input type="checkbox"/> 尺寸表
<input type="checkbox"/> 正式鋁料 B.M.	<input type="checkbox"/> 技術上資料/指示	<input type="checkbox"/> 報價
<input type="checkbox"/> 配件 B.M.	<input type="checkbox"/> 樣辦或貨品說明書	<input type="checkbox"/> 分判合約
<input type="checkbox"/> 其他:		

內容: 修訂C: T2佛沙窗 大圖 (12th Shop Drawing)
完成上列要求日期: ASAP

國內

<input type="checkbox"/> 生產技術總監	<input type="checkbox"/> 連附件	<input checked="" type="checkbox"/> 技術部	<input checked="" type="checkbox"/> 連附件	<input type="checkbox"/> 生產部	<input type="checkbox"/> 連附件
<input type="checkbox"/> 採購部	<input type="checkbox"/> 連附件	<input checked="" type="checkbox"/> 生產統籌部	<input checked="" type="checkbox"/> 連附件	<input type="checkbox"/> 報關組	<input type="checkbox"/> 連附件
<input type="checkbox"/> 質檢部	<input type="checkbox"/> 連附件	<input type="checkbox"/> 會計部	<input type="checkbox"/> 連附件	<input type="checkbox"/> 機械設計部	<input type="checkbox"/> 連附件
<input checked="" type="checkbox"/> 香港辦	<input checked="" type="checkbox"/> 連附件	<input type="checkbox"/> 其他:			

<input type="checkbox"/> 行政部	<input type="checkbox"/> 連附件	<input type="checkbox"/> 會計部	<input type="checkbox"/> 連附件	<input type="checkbox"/> 統籌部	<input type="checkbox"/> 連附件	<input type="checkbox"/> 工程部	<input type="checkbox"/> 連附件
<input type="checkbox"/> 採購部	<input type="checkbox"/> 連附件	<input type="checkbox"/> QS部	<input type="checkbox"/> 連附件	<input type="checkbox"/> 地盤管理	<input type="checkbox"/> 連附件	<input type="checkbox"/> 維修部	<input type="checkbox"/> 連附件

*發件人簽署:		*組別成員批核簽署:	
傳遞編號:		項目經理簽署:	

PROJECT :

PROPOSED DEVELOPMENT ABOVE
LIGHT RAIL TIN WING STOP, TSWTL
NO.23, AREA 33, TIN SHUI WAI, N.T.

12

SHOP DRAWING FOR ALUM. PRECAST WINDOW OF TOWER

DATE: 7-JUL-22



Units 6-8, Sunray Industrial Centre, 1/F
610 Cha Kwo Ling Road, Kowloon
Tel:23489211-4 Fax:(852)2727666

DRAWING SUBMISSION REGISTER

PROJECT: PROPOSED DEVELOPMENT ABOVE LIGHT RAIL TIN WING STOP, TSWTL NO.23, AREA 33, TIN SHUI WAI, N.T.		DATE OF ISSUE										SUBMISSION STATE (FOR B.D / A.S.D)			SUBMISSION STATE (FOR CLIENT / CONSULTANT)			SUBMISSION STATE (FOR ARCHITECT)			FABRICATION / CONSTRUCTION STATE				
		ISSUE		DAY		MONTH		YEAR		REVISIONS		COMMENT DATE	REV.	STATE	COMMENT DATE	REV.	STATE	COMMENT DATE	REV.	STATE	ISSUE TO CHINA OFFICE	ISSUE TO SITE	ISSUE TO SUB-CONTRACTOR		
		1	2	3	4	5	6	7	8	9	10	AC - APPROVED	AC - APPROVED SUB. TO CONDITION	NA - NOT APPROVED	AP - APPROVED	AC - APPROVED SUB. TO CONDITION	NA - NOT APPROVED	AP - APPROVED	AC - APPROVED SUB. TO CONDITION	NA - NOT APPROVED	REV.	DATE	REV.	DATE	REV.
COVER PAGE	J856-SD-PW-0000	-	A	B	C	D	E	F	G	H	I														
DRAWING REGISTER	J856-SD-PW-0001	-	A	A	A	B	C	D	E	F	G														
DRAWING REGISTER	J856-SD-PW-0002	-	A	A	A	B	C	D	E	F	G														
GENERAL NOTES FOR ALUM. WINDOW	J856-SD-PW-GN01	-	-	-	-	-	-	-	-	-	-														
EXTRUSION LIST FOR ALUM. WINDOW	J856-SD-PW-1101	-	A	A	A	B	B	B	B	B	B														
EXTRUSION LIST FOR ALUM. WINDOW	J856-SD-PW-1102	-	-	A	A	A	A	A	A	A	A														
PLAN FOR ALUM. WINDOW AT TOWER 1(3/F)	J856-SD-PW-3101	-	-	-	-	-	-	A	B	B	C														
PLAN FOR ALUM. WINDOW AT TOWER 1(5/F-42/F)	J856-SD-PW-3102	-	A	A	A	B	C	D	D	D	D														
PLAN FOR ALUM. WINDOW AT TOWER 1(43/F)	J856-SD-PW-3103	-	-	-	-	-	-	-	-	-	-														
PLAN FOR ALUM. WINDOW AT TOWER 1(45/F)	J856-SD-PW-3104	-	-	-	-	-	-	-	-	-	-														
PLAN FOR ALUM. WINDOW AT TOWER 1(46/F)	J856-SD-PW-3105	-	-	-	-	-	-	-	-	-	-														
PLAN FOR ALUM. WINDOW AT TOWER 2(3/F)	J856-SD-PW-3201	-	-	-	-	-	-	A	B	B	C	D													
PLAN FOR ALUM. WINDOW AT TOWER 2(5/F-42/F)	J856-SD-PW-3202	-	A	A	A	B	C	D	D	E	F														
PLAN FOR ALUM. WINDOW AT TOWER 2(43/F)	J856-SD-PW-3203	-	-	-	-	-	-	-	-	-	-														
PLAN FOR ALUM. WINDOW AT TOWER 2(45/F)	J856-SD-PW-3204	-	-	-	-	-	-	-	-	-	-														
PLAN FOR ALUM. WINDOW AT TOWER 2(46/F)	J856-SD-PW-3205	-	-	-	-	-	-	-	-	-	-														
PLAN FOR ALUM. WINDOW AT TOWER 3(3/F)	J856-SD-PW-3301	-	-	-	-	-	-	A	B	C	D	E													
PLAN FOR ALUM. WINDOW AT TOWER 3(5/F-42/F)	J856-SD-PW-3302	-	A	B	C	D	E	F	H	I	J														
PLAN FOR ALUM. WINDOW AT TOWER 3(43/F)	J856-SD-PW-3303	-	-	-	-	-	-	-	-	-	-														
PLAN FOR ALUM. WINDOW AT TOWER 3(45/F)	J856-SD-PW-3304	-	-	-	-	-	-	-	-	-	-														
PLAN FOR ALUM. WINDOW AT TOWER 3(46/F)	J856-SD-PW-3305	-	-	-	-	-	-	-	-	-	-														
WINDOW SCHEDULE FOR TOWER 1 ALUM. WINDOW	J856-SD-PW-5101	-	A	A	A	B	C	D	D	D	E														
WINDOW SCHEDULE FOR TOWER 1 ALUM. WINDOW	J856-SD-PW-5102	-	-	-	-	-	A	B	C	C	D														
WINDOW SCHEDULE FOR TOWER 1 ALUM. WINDOW	J856-SD-PW-5103	-	-	-	-	-	-	A	B	C	C	D													
WINDOW SCHEDULE FOR TOWER 1 ALUM. WINDOW	J856-SD-PW-5104	-	A	A	A	B	C	D	D	D	E														
WINDOW SCHEDULE FOR TOWER 1 ALUM. WINDOW	J856-SD-PW-5105	-	-	-	-	-	A	B	C	C	D														
WINDOW SCHEDULE FOR TOWER 1 ALUM. WINDOW	J856-SD-PW-5106	-	A	A	A	B	C	D	D	E	F														
WINDOW SCHEDULE FOR TOWER 1 ALUM. WINDOW	J856-SD-PW-5107	-	-	-	-	-	A	B	C	C	D														
WINDOW SCHEDULE FOR TOWER 1 ALUM. WINDOW	J856-SD-PW-5108	-	-	-	-	-	-	A	B	C	C	D													
WINDOW SCHEDULE FOR TOWER 1 ALUM. WINDOW	J856-SD-PW-5109	-	A	A	A	B	C	D	D	D	E														
WINDOW SCHEDULE FOR TOWER 1 ALUM. WINDOW	J856-SD-PW-5110	-	A	A	A	B	C	D	D	D	E														
WINDOW SCHEDULE FOR TOWER 1 ALUM. WINDOW	J856-SD-PW-5111	-	A	A	A	B	C	D	D	D	E														
WINDOW SCHEDULE FOR TOWER 1 ALUM. WINDOW	J856-SD-PW-5112	-	A	A	A	B	B	B	B	B	C														
WINDOW SCHEDULE FOR TOWER 1 ALUM. WINDOW	J856-SD-PW-5113	-	-	-	-	-	-	-	-	-	-														
WINDOW SCHEDULE FOR TOWER 2 ALUM. WINDOW	J856-SD-PW-5201	-	A	A	A	B	C	D	E	F	F														
WINDOW SCHEDULE FOR TOWER 2 ALUM. WINDOW	J856-SD-PW-5202	-	-	-	-	-	A	B	C	D	E														
WINDOW SCHEDULE FOR TOWER 2 ALUM. WINDOW	J856-SD-PW-5203	-	-	-	-	-	-	A	B	C	D	E													
WINDOW SCHEDULE FOR TOWER 2 ALUM. WINDOW	J856-SD-PW-5204	-	A	A	A	B	C	D	E	F	F														
WINDOW SCHEDULE FOR TOWER 2 ALUM. WINDOW	J856-SD-PW-5205	-	-	-	-	-	A	B	C	D	E	F													
WINDOW SCHEDULE FOR TOWER 2 ALUM. WINDOW	J856-SD-PW-5206	-	A	A	A	B	C	D	E	F	G														
WINDOW SCHEDULE FOR TOWER 2 ALUM. WINDOW	J856-SD-PW-5207	-	-	-	-	-	A	B	C	D	E														
WINDOW SCHEDULE FOR TOWER 2 ALUM. WINDOW	J856-SD-PW-5208	-	-	-	-	-	-	A	B	C	D	E													
WINDOW SCHEDULE FOR TOWER 2 ALUM. WINDOW	J856-SD-PW-5209	-	A	A	A	B	C	D	E	F	F														
WINDOW SCHEDULE FOR TOWER 2 ALUM. WINDOW	J856-SD-PW-5210	-	A	A	A	B	C	D	E	F	F														

IN-HOUSE DESIGN CHECKER

DRAWING SUBMISSION REGISTER

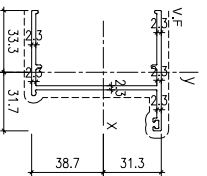
PROJECT: PROPOSED DEVELOPMENT ABOVE LIGHT RAIL TIN WING STOP, TSWTL NO.23, AREA 33, TIN SHUI WAL, N.T. TITLE: ALUM. WINDOW OF TOWER SHOPDRAWING SUBMISSION	DATE OF ISSUE										SUBMISSION STATE (FOR B.D / A.S.D)			SUBMISSION STATE (FOR CLIENT / CONSULTANT)			SUBMISSION STATE (FOR ARCHITECT)			FABRICATION / CONSTRUCTION STATE						
	ISSUE	1	2	3	4	5	6	7	8	9	10	AP - APPROVED			AP - APPROVED			AP - APPROVED			ISSUE TO	ISSUE TO	ISSUE TO			
	DAY	22	12	18	30	2	29	12	28	18	07	AC - APPROVED SUB. TO CONDITION			AC - APPROVED SUB. TO CONDITION			AC - APPROVED SUB. TO CONDITION			CHINA OFFICE	SITE	SUB-CONTRACTOR			
	MONTH	9	10	10	10	11	11	1	04	05	07	NA - NOT APPROVED			NA - NOT APPROVED			NA - NOT APPROVED								
YEAR	21	21	21	21	21	21	22	22	22	22																
DWG. NO.	REVISIONS										COMMENT DATE	REV.	STATE	COMMENT DATE	REV.	STATE	COMMENT DATE	REV.	STATE	REV.	DATE	REV.	DATE	REV.	DATE	
WINDOW SCHEDULE FOR TOWER 2 ALUM. WINDOW	J856-SD-PW-5211	-	A	A	A	B	C	D	E	F	F															
WINDOW SCHEDULE FOR TOWER 2 ALUM. WINDOW	J856-SD-PW-5212	-	-	-	-	-	-	-	-	-	-															
WINDOW SCHEDULE FOR TOWER 2 ALUM. WINDOW	J856-SD-PW-5213	-	-	-	-	-	-	-	-	-	-															
WINDOW SCHEDULE FOR TOWER 2 ALUM. WINDOW	J856-SD-PW-5214	-	A	-	-	-	-	-	-	-	-															
WINDOW SCHEDULE FOR TOWER 3 ALUM. WINDOW	J856-SD-PW-5301	-	-	A	B	C	D	E	G	G	G															
WINDOW SCHEDULE FOR TOWER 3 ALUM. WINDOW	J856-SD-PW-5302	-	A	B	C	D	E	F	H	H	I															
WINDOW SCHEDULE FOR TOWER 3 ALUM. WINDOW	J856-SD-PW-5303	-	A	B	C	D	E	F	H	H	I															
WINDOW SCHEDULE FOR TOWER 3 ALUM. WINDOW	J856-SD-PW-5303a	-	-	-	-	-	-	-	-	-	-															
WINDOW SCHEDULE FOR TOWER 3 ALUM. WINDOW	J856-SD-PW-5304	-	A	B	C	D	E	F	H	H	I															
WINDOW SCHEDULE FOR TOWER 3 ALUM. WINDOW	J856-SD-PW-5305	-	A	B	C	D	E	F	H	H	H															
WINDOW SCHEDULE FOR TOWER 3 ALUM. WINDOW	J856-SD-PW-5306	-	-	A	B	C	D	E	G	G	H															
WINDOW SCHEDULE FOR TOWER 3 ALUM. WINDOW	J856-SD-PW-5307	-	-	A	B	C	D	E	G	H	H															
WINDOW SCHEDULE FOR TOWER 3 ALUM. WINDOW	J856-SD-PW-5308	-	A	B	C	D	E	F	H	I	I															
WINDOW SCHEDULE FOR TOWER 3 ALUM. WINDOW	J856-SD-PW-5309	-	A	B	C	D	E	F	H	H	H															
WINDOW SCHEDULE FOR TOWER 3 ALUM. WINDOW	J856-SD-PW-5309a	-	-	-	-	-	-	-	-	-	-															
WINDOW SCHEDULE FOR TOWER 3 ALUM. WINDOW	J856-SD-PW-5310	-	A	B	B	B	C	D	H	I	I															
WINDOW SCHEDULE FOR TOWER 3 ALUM. WINDOW	J856-SD-PW-5311	-	-	A	B	B	B	C	E	E	E															
WINDOW SCHEDULE FOR TOWER 3 ALUM. WINDOW	J856-SD-PW-5312	-	-	A	A	A	A	B	D	D	D															
WINDOW SCHEDULE FOR TOWER 3 ALUM. WINDOW	J856-SD-PW-5313	-	A	B	B	B	B	C	D	D	D															
TYPICAL DETAILS FOR ALUM. WINDOW	J856-SD-PW-DT61	-	-	-	A	B	B	B	B	B	B															
TYPICAL DETAILS FOR ALUM. WINDOW	J856-SD-PW-DT61a	-	-	-	A	B	B	B	B	B	B															
TYPICAL DETAILS FOR ALUM. WINDOW	J856-SD-PW-DT62	-	A	A	B	C	C	C	C	C	C															
TYPICAL DETAILS FOR ALUM. WINDOW	J856-SD-PW-DT63	-	A	A	B	C	C	C	C	C	C															
TYPICAL DETAILS FOR ALUM. WINDOW	J856-SD-PW-DT64	-	A	B	C	D	D	D	D	D	D															
TYPICAL DETAILS FOR ALUM. WINDOW	J856-SD-PW-DT71	-	-	-	A	B	B	B	B	B	B															
TYPICAL DETAILS FOR ALUM. WINDOW	J856-SD-PW-DT71a	-	-	-	A	B	B	B	B	B	B															
TYPICAL DETAILS FOR ALUM. WINDOW	J856-SD-PW-DT72	-	-	-	A	B	B	B	B	B	B															
TYPICAL DETAILS FOR ALUM. WINDOW	J856-SD-PW-DT73	-	A	A	B	C	C	C	C	C	C															
TYPICAL DETAILS FOR ALUM. WINDOW	J856-SD-PW-DT73a	-	-	-	-	-	-	-	-	-	-															
ALUM. WINDOW SECTION TYPICAL LOCK & HINGES DETAIL	J856-SD-PW-DT74	-	-	-	-	-	-	-	-	-	-															
G.M.S FIXING LUG TYPICAL DETAIL FOR ALUM. WINDOW	J856-SD-PW-DT74A	-	-	-	-	-	-	-	-	-	-															
G.M.S FIXING LUG TYPICAL DETAIL FOR ALUM. WINDOW	J856-SD-PW-DT75	-	-	-	-	-	-	-	-	-	-															
TYPICAL EARTHING BONDING DETAILS OF PRECAST	J856-SD-PW-DT76	-	-	-	-	-	-	-	-	-	-															
TYPICAL EARTHING BONDING DETAILS OF PRECAST	J856-SD-PW-DT77	-	-	-	-	-	-	-	-	-	-															
TYPICAL EARTHING BONDING DETAILS OF PRECAST	J856-SD-PW-DT78	-	-	-	-	-	-	-	-	-	-															

IN-HOUSE DESIGN CHECKER

美特鋁質有限公司
MIDI ALUMINUM FABRICATOR LTD.
 Units 6-8, Sunny Industrial Centre, 1/F
 610 Cho Kwo Ling Road, Kowloon
 Tel: 2348921-4 Fax: (852) 2727666
 DWG NO.: J856-SD-PW-0002 REV.: G

PROPERTIES

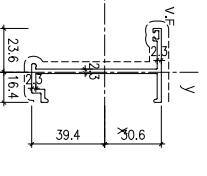
MEMBER: AW-01
GRADE: 6063-T6
FINISH: PVF2 3-COATING



MASS PROPERTIES (UNIT) TABLE with columns: MASS PROPERTIES (UNIT), VALUES. Rows include Area, Centroid, Moment of inertia, etc.

PROPERTIES

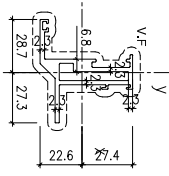
MEMBER: AW-05
GRADE: 6063-T6
FINISH: PVF2 3-COATING



MASS PROPERTIES (UNIT) TABLE with columns: MASS PROPERTIES (UNIT), VALUES. Rows include Area, Centroid, Moment of inertia, etc.

PROPERTIES

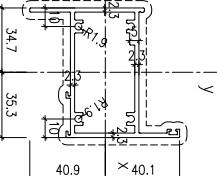
MEMBER: AW-09
GRADE: 6063-T6
FINISH: PVF2 3-COATING



MASS PROPERTIES (UNIT) TABLE with columns: MASS PROPERTIES (UNIT), VALUES. Rows include Area, Centroid, Moment of inertia, etc.

PROPERTIES

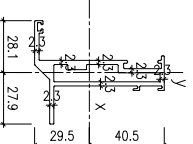
MEMBER: AW-13
GRADE: 6063-T6
FINISH: PVF2 3-COATING



MASS PROPERTIES (UNIT) TABLE with columns: MASS PROPERTIES (UNIT), VALUES. Rows include Area, Centroid, Moment of inertia, etc.

PROPERTIES

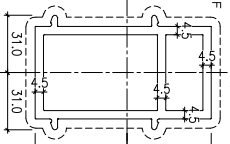
MEMBER: AW-02
GRADE: 6063-T6
FINISH: PVF2 3-COATING



MASS PROPERTIES (UNIT) TABLE with columns: MASS PROPERTIES (UNIT), VALUES. Rows include Area, Centroid, Moment of inertia, etc.

PROPERTIES

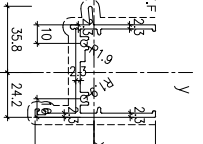
MEMBER: AW-06
GRADE: 6063-T6
FINISH: PVF2 3-COATING



MASS PROPERTIES (UNIT) TABLE with columns: MASS PROPERTIES (UNIT), VALUES. Rows include Area, Centroid, Moment of inertia, etc.

PROPERTIES

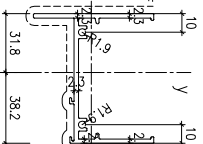
MEMBER: AW-10
GRADE: 6063-T6
FINISH: PVF2 3-COATING



MASS PROPERTIES (UNIT) TABLE with columns: MASS PROPERTIES (UNIT), VALUES. Rows include Area, Centroid, Moment of inertia, etc.

PROPERTIES

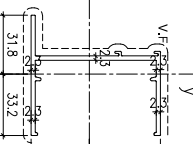
MEMBER: AW-14
GRADE: 6063-T6
FINISH: PVF2 3-COATING



MASS PROPERTIES (UNIT) TABLE with columns: MASS PROPERTIES (UNIT), VALUES. Rows include Area, Centroid, Moment of inertia, etc.

PROPERTIES

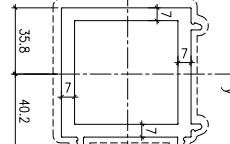
MEMBER: AW-03
GRADE: 6063-T6
FINISH: PVF2 3-COATING



MASS PROPERTIES (UNIT) TABLE with columns: MASS PROPERTIES (UNIT), VALUES. Rows include Area, Centroid, Moment of inertia, etc.

PROPERTIES

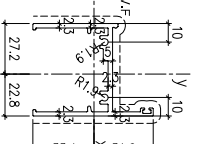
MEMBER: AW-07
GRADE: 6063-T6
FINISH: PVF2 3-COATING



MASS PROPERTIES (UNIT) TABLE with columns: MASS PROPERTIES (UNIT), VALUES. Rows include Area, Centroid, Moment of inertia, etc.

PROPERTIES

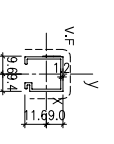
MEMBER: AW-11
GRADE: 6063-T6
FINISH: PVF2 3-COATING



MASS PROPERTIES (UNIT) TABLE with columns: MASS PROPERTIES (UNIT), VALUES. Rows include Area, Centroid, Moment of inertia, etc.

PROPERTIES

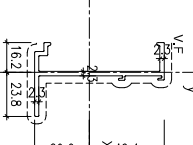
MEMBER: AW-15
GRADE: 6063-T6
FINISH: PVF2 3-COATING



MASS PROPERTIES (UNIT) TABLE with columns: MASS PROPERTIES (UNIT), VALUES. Rows include Area, Centroid, Moment of inertia, etc.

PROPERTIES

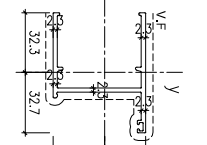
MEMBER: AW-04
GRADE: 6063-T6
FINISH: PVF2 3-COATING



MASS PROPERTIES (UNIT) TABLE with columns: MASS PROPERTIES (UNIT), VALUES. Rows include Area, Centroid, Moment of inertia, etc.

PROPERTIES

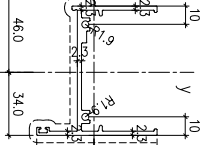
MEMBER: AW-08
GRADE: 6063-T6
FINISH: PVF2 3-COATING



MASS PROPERTIES (UNIT) TABLE with columns: MASS PROPERTIES (UNIT), VALUES. Rows include Area, Centroid, Moment of inertia, etc.

PROPERTIES

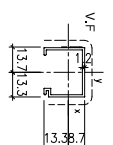
MEMBER: AW-12
GRADE: 6063-T6
FINISH: PVF2 3-COATING



MASS PROPERTIES (UNIT) TABLE with columns: MASS PROPERTIES (UNIT), VALUES. Rows include Area, Centroid, Moment of inertia, etc.

PROPERTIES

MEMBER: AW-16
GRADE: 6063-T6
FINISH: PVF2 3-COATING



MASS PROPERTIES (UNIT) TABLE with columns: MASS PROPERTIES (UNIT), VALUES. Rows include Area, Centroid, Moment of inertia, etc.

B.D. REF:

CLIENT: SUN HUNG KAI REAL ESTATE AGENCY LTD. 42/F SUN HUNG KAI CENTRE, WANCHAI, HONGKONG

ARCHITECT: IwK&partners a f c h i l e o i s

MANU CONTRACTOR: Yee Fai Building Contractors Ltd.

STRUCTURAL ENGINEER: ALPHA CONSULTING LIMITED Steel Structure & Facade Specialist

NOTE: 1. ALL DIMENSIONS ARE IN mm. 2. ALL ELEVATIONS ARE VIEWED FROM OUTSIDE. 3. ALL DIMENSIONS TO BE VERIFIED ON SITE BEFORE FABRICATION.

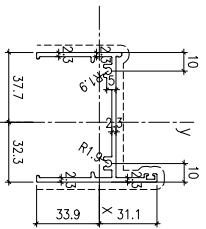
LEGEND: X1 - DETAIL MARK NO. X1001 - REFER SHEET NO. 1. F.F.L. --- FINISHED FLOOR LEVEL 2. S.F.L. --- STRUCTURAL FLOOR LEVEL 3. --- REVERSED DETAIL 4. GLASS LEGEND

JOB NO.: J-856 PROJECT: PROPOSED DEVELOPMENT ABOVE LIGHT RAIL TIN WING STOP-TS/WTL NO.23,AREA 33,TIN SHUI WAI, N.T.

TITLE: DIE LIST FOR ALUM. WINDOW DATE: 02-Aug-21 SCALE: 1:40 DRAWN BY: IYVN CHECKED BY: MDI ALUMINIUM FABRICATOR LTD.

PROPERTIES

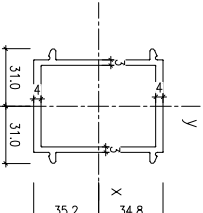
MEMBER: MW-17
GRADE: 6063-T6
FINISH: PVF2 3-COATING



MASS PROPERTIES (MM)		VALUES
Area (mm ²)	MASS	646.5
Perimeter (mm)	MASS	260.0
Second Moment of Area (mm ⁴)	MASS	260.0
Radius of Gyration (mm)	MASS	1.17
Centroid - X (mm)	MASS	0.0
Centroid - Y (mm)	MASS	0.0
Moment of Inertia - X (mm ⁴)	MASS	212000.1
Moment of Inertia - Y (mm ⁴)	MASS	48325.9
Radius of Gyration - X (mm)	MASS	25.5
Radius of Gyration - Y (mm)	MASS	25.5
Principal moment along X-X (mm ⁴)	MASS	35245.2 along (13.3, 13.3)
Principal moment along Y-Y (mm ⁴)	MASS	35245.2 along (13.3, 13.3)
Time Modulus - X (mm ²)	MASS	1.17 / 2600 = 0.0045
Time Modulus - Y (mm ²)	MASS	1.17 / 2600 = 0.0045

PROPERTIES

MEMBER: AW-21
GRADE: 6063-T6
FINISH: PVF2 3-COATING

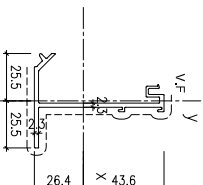


MASS PROPERTIES (MM)		VALUES
Area (mm ²)	MASS	646.5
Perimeter (mm)	MASS	260.0
Second Moment of Area (mm ⁴)	MASS	260.0
Radius of Gyration (mm)	MASS	1.17
Centroid - X (mm)	MASS	0.0
Centroid - Y (mm)	MASS	0.0
Moment of Inertia - X (mm ⁴)	MASS	212000.1
Moment of Inertia - Y (mm ⁴)	MASS	48325.9
Radius of Gyration - X (mm)	MASS	25.5
Radius of Gyration - Y (mm)	MASS	25.5
Principal moment along X-X (mm ⁴)	MASS	35245.2 along (13.3, 13.3)
Principal moment along Y-Y (mm ⁴)	MASS	35245.2 along (13.3, 13.3)
Time Modulus - X (mm ²)	MASS	1.17 / 2600 = 0.0045
Time Modulus - Y (mm ²)	MASS	1.17 / 2600 = 0.0045

PROPERTIES

PROPERTIES

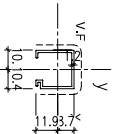
MEMBER: AW-18
GRADE: 6063-T6
FINISH: PVF2 3-COATING



MASS PROPERTIES (MM)		VALUES
Area (mm ²)	MASS	359.8
Perimeter (mm)	MASS	260.0
Second Moment of Area (mm ⁴)	MASS	260.0
Radius of Gyration (mm)	MASS	1.17
Centroid - X (mm)	MASS	0.0
Centroid - Y (mm)	MASS	0.0
Moment of Inertia - X (mm ⁴)	MASS	212000.1
Moment of Inertia - Y (mm ⁴)	MASS	48325.9
Radius of Gyration - X (mm)	MASS	25.5
Radius of Gyration - Y (mm)	MASS	25.5
Principal moment along X-X (mm ⁴)	MASS	35245.2 along (13.3, 13.3)
Principal moment along Y-Y (mm ⁴)	MASS	35245.2 along (13.3, 13.3)
Time Modulus - X (mm ²)	MASS	1.17 / 2600 = 0.0045
Time Modulus - Y (mm ²)	MASS	1.17 / 2600 = 0.0045

PROPERTIES

MEMBER: AW-22
GRADE: 6063-T6
FINISH: PVF2 3-COATING

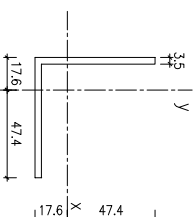


MASS PROPERTIES (MM)		VALUES
Area (mm ²)	MASS	144.8
Perimeter (mm)	MASS	260.0
Second Moment of Area (mm ⁴)	MASS	260.0
Radius of Gyration (mm)	MASS	1.17
Centroid - X (mm)	MASS	-11.9
Centroid - Y (mm)	MASS	8.7
Moment of Inertia - X (mm ⁴)	MASS	46324.9
Moment of Inertia - Y (mm ⁴)	MASS	46324.9
Radius of Gyration - X (mm)	MASS	7.5
Radius of Gyration - Y (mm)	MASS	7.5
Principal moment along X-X (mm ⁴)	MASS	46324.9 along (13.3, -13.3)
Principal moment along Y-Y (mm ⁴)	MASS	46324.9 along (13.3, 13.3)
Time Modulus - X (mm ²)	MASS	1.17 / 2600 = 0.0045
Time Modulus - Y (mm ²)	MASS	1.17 / 2600 = 0.0045

PROPERTIES

PROPERTIES

MEMBER: AW-19
GRADE: 6061-T6
FINISH: Chromate or Anodize



MASS PROPERTIES (MM)		VALUES
Area (mm ²)	MASS	260.0
Perimeter (mm)	MASS	260.0
Second Moment of Area (mm ⁴)	MASS	260.0
Radius of Gyration (mm)	MASS	1.17
Centroid - X (mm)	MASS	0.0
Centroid - Y (mm)	MASS	0.0
Moment of Inertia - X (mm ⁴)	MASS	16605.5
Moment of Inertia - Y (mm ⁴)	MASS	16605.5
Radius of Gyration - X (mm)	MASS	25.5
Radius of Gyration - Y (mm)	MASS	25.5
Principal moment along X-X (mm ⁴)	MASS	16605.5 along (13.3, 13.3)
Principal moment along Y-Y (mm ⁴)	MASS	16605.5 along (13.3, 13.3)
Time Modulus - X (mm ²)	MASS	1.17 / 2600 = 0.0045
Time Modulus - Y (mm ²)	MASS	1.17 / 2600 = 0.0045

PROPERTIES

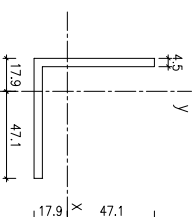
MEMBER: AW-23
GRADE: 6063-T6
FINISH: PVF2 3-COATING

REGIONS

PROPERTIES

PROPERTIES

MEMBER: AW-20
GRADE: 6061-T6
FINISH: Chromate or Anodize



MASS PROPERTIES (MM)		VALUES
Area (mm ²)	MASS	260.0
Perimeter (mm)	MASS	260.0
Second Moment of Area (mm ⁴)	MASS	260.0
Radius of Gyration (mm)	MASS	1.17
Centroid - X (mm)	MASS	-11.9
Centroid - Y (mm)	MASS	8.7
Moment of Inertia - X (mm ⁴)	MASS	23273.1
Moment of Inertia - Y (mm ⁴)	MASS	23273.1
Radius of Gyration - X (mm)	MASS	25.5
Radius of Gyration - Y (mm)	MASS	25.5
Principal moment along X-X (mm ⁴)	MASS	23273.1 along (13.3, 13.3)
Principal moment along Y-Y (mm ⁴)	MASS	23273.1 along (13.3, 13.3)
Time Modulus - X (mm ²)	MASS	1.17 / 2600 = 0.0045
Time Modulus - Y (mm ²)	MASS	1.17 / 2600 = 0.0045

PROPERTIES

MEMBER: AW-24
GRADE: 6063-T6
FINISH: PVF2 3-COATING

REGIONS

PROPERTIES

B.D. REF :

CLIENT : **SUN HUNG KAI**
REAL ESTATE AGENCY LTD.
42/F SUN HUNG KAI CENTRE, WANCHAI, HONGKONG

ARCHITECT : **IWK&partners**
a r c h i t e c t s

MANU CONTRACTOR : **怡輝建築有限公司**
Yee Fai Building Contractors Ltd.

STRUCTURAL ENGINEER :

FAÇADE CONSULTANT : **ALPHA CONSULTING LIMITED**
Steel Structure & Façade Specialist

ARUP

NOTE :
1. ALL DIMENSIONS ARE IN MM.
2. ALL ELEVATIONS ARE VIEWED FROM OUTSIDE.
3. ALL DIMENSIONS TO BE VERIFIED ON SITE BEFORE FABRICATION.

LEGEND :
X1 --- DETAIL MARK NO.
X1001 --- REFER SHEET NO.

1. F.F.L. --- FINISHED FLOOR LEVEL
2. S.F.L. --- STRUCTURAL FLOOR LEVEL
3. (R) --- REVERSED DETAIL
4. GLASS LEGEND

EQ-1 --- 8mmH+12mm AIR GAP+10mmTP THK. I.G.U.
EQ-2 --- 10mm THK. CLEAR TEMPERED GLASS
EQ-4 --- 10mm THK. CLEAR TEMPERED ACID ETCHED GLASS
EQ-11 --- 8mmH+12mm AIR GAP+8mmTP THK. I.G.U.

NO.	DATE	REVISION SUBJECT TO ARCH-COMMENT	BY
A	02/11/2020		ipm

JOB NO. : J-856

PROJECT : PROPOSED DEVELOPMENT ABOVE LIGHT RAIL TIN WING STOP-TSWTL NO.23, AREA 33, TIN SHUI WAI, N.T.

TITLE : DIE LIST FOR ALUM. WINDOW

DATE : 02-Aug-21 SCALE : 1:40

DRAWN BY : ivon CHECKED BY :

MEMBER: AW-29
GRADE: 6063-T6
FINISH: PVF2 3-COATING

MEMBER: AW-30
GRADE: 6063-T6
FINISH: PVF2 3-COATING

MEMBER: AW-31
GRADE: 6063-T6
FINISH: PVF2 3-COATING

MEMBER: AW-32
GRADE: 6063-T6
FINISH: PVF2 3-COATING

MEMBER: AW-25
GRADE: 6063-T6
FINISH: PVF2 3-COATING

MEMBER: AW-26
GRADE: 6063-T6
FINISH: PVF2 3-COATING

MEMBER: AW-27
GRADE: 6063-T6
FINISH: PVF2 3-COATING

MEMBER: AW-28
GRADE: 6063-T6
FINISH: PVF2 3-COATING

MEMBER: AW-23
GRADE: 6063-T6
FINISH: PVF2 3-COATING

MEMBER: AW-24
GRADE: 6063-T6
FINISH: PVF2 3-COATING

MEMBER: AW-17
GRADE: 6063-T6
FINISH: PVF2 3-COATING

MEMBER: AW-18
GRADE: 6063-T6
FINISH: PVF2 3-COATING

MEMBER: AW-19
GRADE: 6061-T6
FINISH: Chromate or Anodize

MEMBER: AW-20
GRADE: 6061-T6
FINISH: Chromate or Anodize

MEMBER: AW-21
GRADE: 6063-T6
FINISH: PVF2 3-COATING

MEMBER: AW-22
GRADE: 6063-T6
FINISH: PVF2 3-COATING

MEMBER: AW-23
GRADE: 6063-T6
FINISH: PVF2 3-COATING

MEMBER: AW-24
GRADE: 6063-T6
FINISH: PVF2 3-COATING

MEMBER: AW-25
GRADE: 6063-T6
FINISH: PVF2 3-COATING

MEMBER: AW-26
GRADE: 6063-T6
FINISH: PVF2 3-COATING

MEMBER: AW-27
GRADE: 6063-T6
FINISH: PVF2 3-COATING

MEMBER: AW-28
GRADE: 6063-T6
FINISH: PVF2 3-COATING

MEMBER: AW-29
GRADE: 6063-T6
FINISH: PVF2 3-COATING

MEMBER: AW-30
GRADE: 6063-T6
FINISH: PVF2 3-COATING

MEMBER: AW-31
GRADE: 6063-T6
FINISH: PVF2 3-COATING

MEMBER: AW-32
GRADE: 6063-T6
FINISH: PVF2 3-COATING

Units 6-8, Sunray Industrial Centre, 1/F
610 Cho Kwong Road, Kowloon
Tel: 23489211-4 Fax: (852) 27727666
DWG NO. : J856-SD-PW-1102 REV : A

B.D. REF :

CLIENT :

SUN HUNG KAI
REAL ESTATE AGENCY LTD.
42/F, SUN HUNG KAI CENTRE, WANCHAI, HONGKONG

ARCHITECT :

lwk&partners
A R C H I T E C T S

MAIN CONTRACTOR :

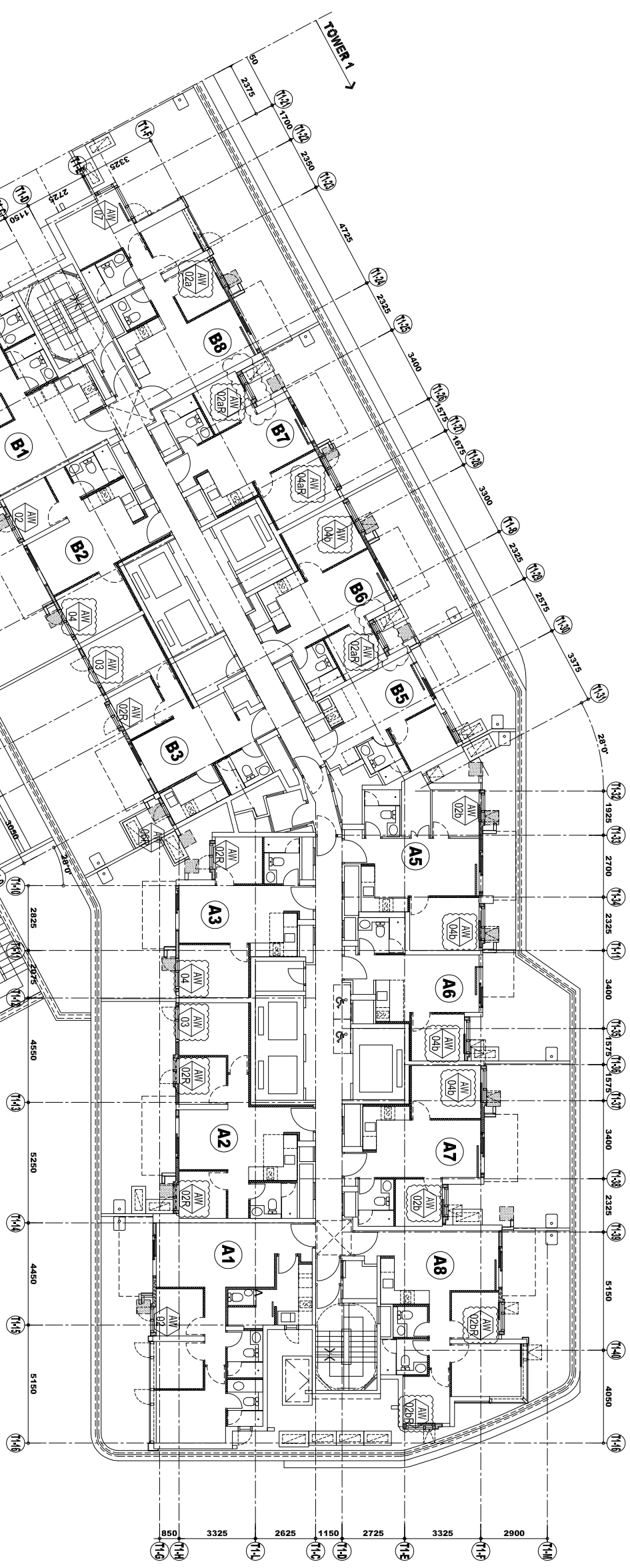
怡輝建築有限公司
Yee Fai Building Contractors Ltd.

STRUCTURAL ENGINEER :

ARUP

FAÇADE CONSULTANT :

ALPHA CONSULTING LIMITED
Steel Structure & Façade Specialist



NOTE :

1. ALL DIMENSIONS ARE IN MM.
2. ALL ELEVATIONS ARE VIEWED FROM OUTSIDE.
3. ALL DIMENSIONS TO BE VERIFIED ON SITE BEFORE FABRICATION.

LEGEND :

X1 --- DETAIL MARK NO.
X001 --- REFER SHEET NO.

1. F.F.L. --- FINISHED FLOOR LEVEL
2. S.F.L. --- STRUCTURAL FLOOR LEVEL
3. (R) --- REVERSED DETAIL

4. GLASS LEGEND

EQ.-1---8mmH+12mm AIR GAP+8mmTP THK. I.G.U.
EQ.-2---10mm THK. CLEAR TEMPERED GLASS
EQ.-4---10mm THK. TEMPERED ACID ETCHED GLASS

JOB NO. : J-856

PROJECT :
PROPOSED DEVELOPMENT ABOVE
LIGHT RAIL TIN WING STOP-TSWTL
NO.23,AREA 33,TIN SHUI WAI, N.T.

TITLE :
PLAN FOR ALUM. WINDOW
AT TOWER 1

DATE : 02-Aug-21 SCALE : 1:40
DRAWN BY : IYON CHECKED BY :

美特鋁質有限公司
MDI ALUMINIUM FABRICATOR LTD.
Units 6-8, Sunny Industrial Centre, 1/F
610 Cho Kwo Ling Road, Kowloon
Tel:23489211-4 Fax:(852)27727666
DWG NO. : J856-SD-PW-3101 REV. : C

TOWER 1 3/F

B.D. REF :

CLIENT :

SUN HUNG KAI
REAL ESTATE AGENCY LTD.
42/F, SUN HUNG KAI CENTRE, WANCHAI, HONGKONG

ARCHITECT :
lwk&partners
a r c h i t e c t s

MAIN CONTRACTOR :
怡輝建築有限公司
Yee Fai Building Contractors Ltd.

STRUCTURAL ENGINEER :

ARUP

FAÇADE CONSULTANT:
ALPHA CONSULTING LIMITED
Steel Structure & Façade Specialist

NOTE:
1. ALL DIMENSIONS ARE IN mm.
2. ALL ELEVATIONS ARE VIEWED FROM OUTSIDE.
3. ALL DIMENSIONS TO BE VERIFIED ON SITE BEFORE FABRICATION.

LEGEND:
X1 --- DETAIL MARK NO.
X001 --- REFER SHEET NO.

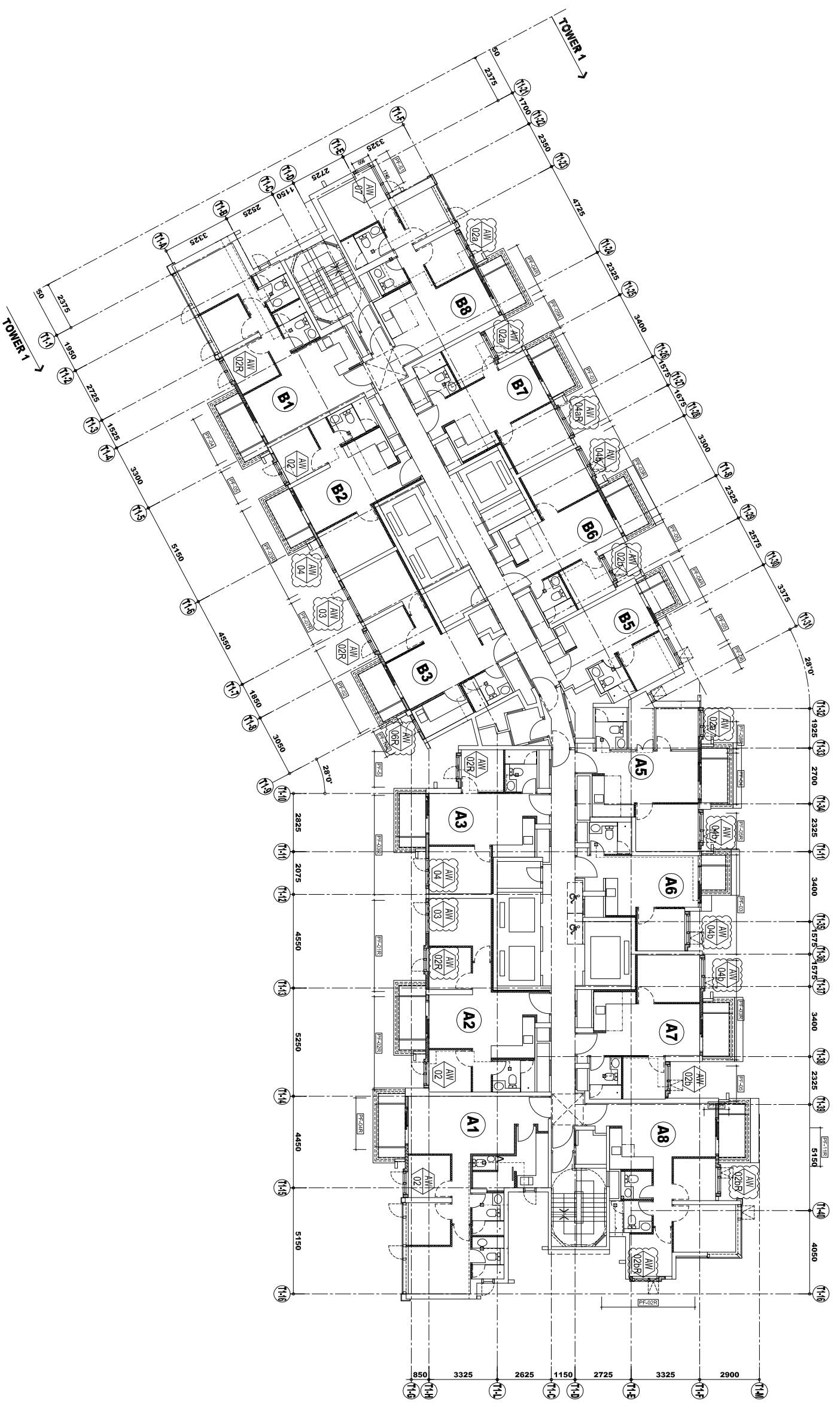
1. F.F.L. --- FINISHED FLOOR LEVEL
2. S.F.L. --- STRUCTURAL FLOOR LEVEL
3. (R) --- REVERSED DETAIL
4. GLASS LEGEND
EQ.-1 --- 8mmH+12mm AIR GAP+8mmTP THK. I.G.U.
EQ.-2 --- 10mm THK. CLEAR TEMPERED GLASS
EQ.-4 --- 10mm THK. TEMPERED ACID ETCHED GLASS

NO.	DATE	REVISION	SUBJECT TO ARCH-COMMENT	BY
0	27/06/2022	REVISION SUBJECT TO ARCH-COMMENT		hwk
C	29/11/2021	REVISION SUBJECT TO ARCH-COMMENT		hwk
B	03/11/2021	REVISION SUBJECT TO ARCH-COMMENT		hwk
A	18/10/2021	REVISION SUBJECT TO ARCH-COMMENT		hwk

JOB NO. : J-856
PROJECT : PROPOSED DEVELOPMENT ABOVE LIGHT RAIL TIN WING STOP-TSWTL NO.23, AREA 33, TIN SHUI WAI, N.T.
TITLE : PLAN FOR IN-SITU WINDOW AT TOWER 1

DATE : 02-Aug-21 SCALE : 1:40
DRAWN BY : IYON CHECKED BY :

美特鋁質有限公司
MIDI ALUMINIUM FABRICATOR LTD.
Units 6-8, Sunny Industrial Centre, 1/F
610 Cho Kwong Road, Kowloon
Tel:23489211-4 Fax:(852)27272666
DWG NO. : J856-SD-W-3102 REV : D



TOWER 1 5/F-42/F



TOWER 2 3F

B.D. REF :

CLIENT :



SUN HUNG KAI
REAL ESTATE AGENCY LTD.
42/F, SUN HUNG KAI CENTRE, MANDALAY, HONGKONG

ARCHITECT :



IWK&partners
ARCHITECTS

MAIN CONTRACTOR :



Yee Fai Building Contractors Ltd.

STRUCTURAL ENGINEER :



FAÇADE CONSULTANT :



ALPHA CONSULTING LIMITED
Steel Structure & Façade Specialist

NOTE :

1. ALL DIMENSIONS ARE IN mm.
2. ALL ELEVATIONS ARE VIEWED FROM OUTSIDE.
3. ALL DIMENSIONS TO BE VERIFIED ON SITE BEFORE FABRICATION.

LEGEND :

- (X1) --- DETAIL MARK NO.
- (X001) --- REFER SHEET NO.

1. F.F.L. --- FINISHED FLOOR LEVEL
2. S.F.L. --- STRUCTURAL FLOOR LEVEL
3. (R) --- REVERSED DETAIL

4. GLASS LEGEND
- EQ.-1 --- 8mmH+12mm AIR GAP+8mmTP THK. I.G.U.
- EQ.-2 --- 10mm THK. CLEAR TEMPERED GLASS
- EQ.-4 --- 10mm THK. TEMPERED ACID ETCHED GLASS

NO.	DATE	REVISION	REVISION SUBJECT TO ARCH-COMMENT	BY
D	27/6/2022	REVISION SUBJECT TO ARCH-COMMENT	None	
C	18/5/2022	REVISION SUBJECT TO ARCH-COMMENT	None	
B	12/1/2022	REVISION SUBJECT TO ARCH-COMMENT	None	
A	26/11/2021	REVISION SUBJECT TO ARCH-COMMENT	None	

JOB NO. : J-856

PROJECT :

PROPOSED DEVELOPMENT ABOVE
LIGHT RAIL TIN WING STOP-TS/WTL
NO.23, AREA 33, TIN SHUI WAI, N.T.

TITLE : PLAN FOR PRECAST WINDOW
AT TOWER 2

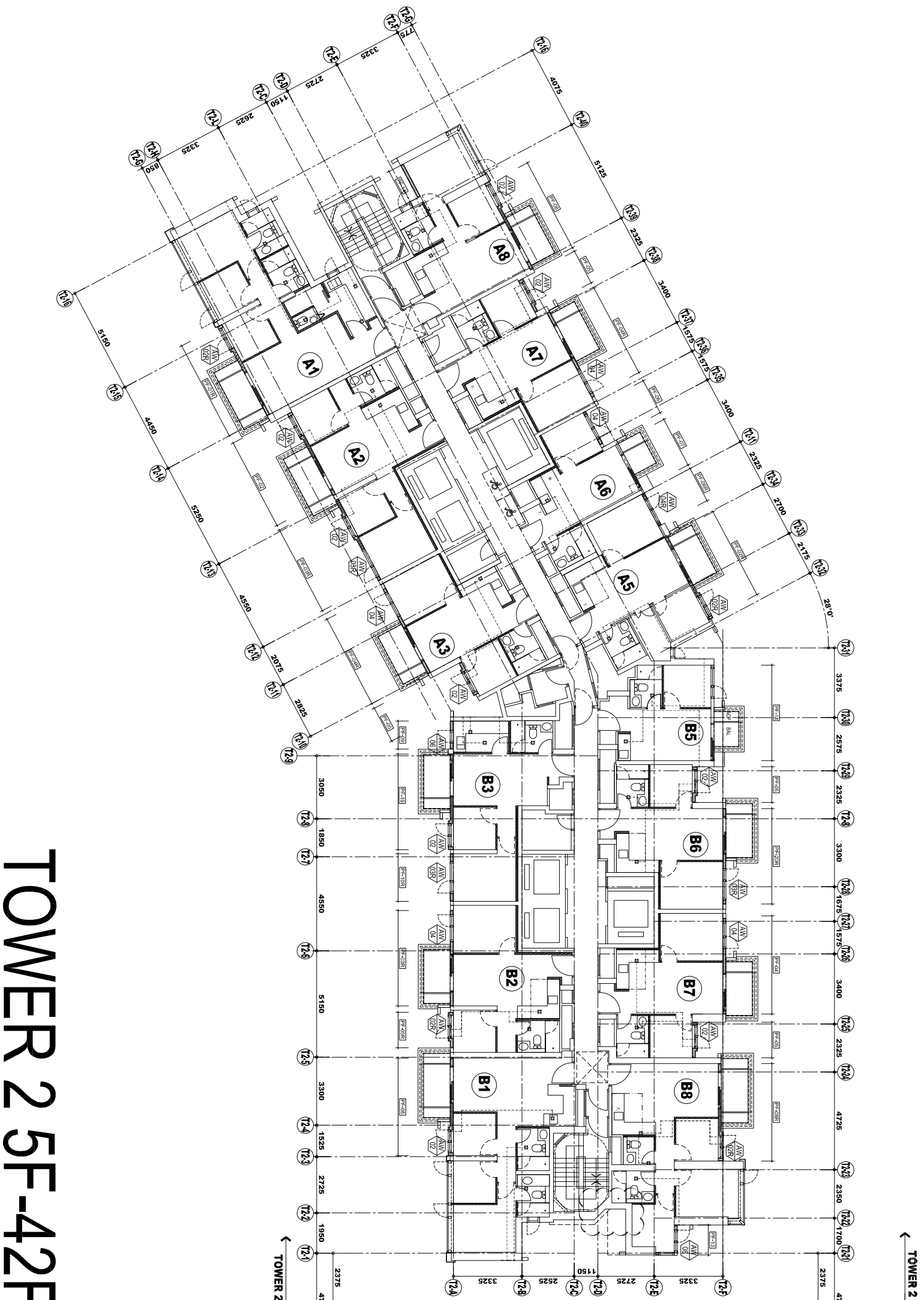
DATE : 02-Aug-21 SCALE : 1:40

DRAWN BY : IYON CHECKED BY :



美特鋁質有限公司
MTDI ALUMINIUM FABRICATOR LTD.
Units 6-8, Sunny Industrial Centre, 1/F
610 Cho Kwai Ling Road, Kowloon
Tel:23489211-4 Fax:(852)27727666

DWG NO. : J856-SD-W-3202 REV. : D



TOWER 2 5F-42F

B.D. REF :

CLIENT : **SUN HUNG KAI**
REAL ESTATE AGENCY LTD.
42/F, SUN HUNG KAI CENTRE, WANCHAI, HONGKONG

ARCHITECT : **lwk&partners**
a f c h i l e o i s

MAIN CONTRACTOR : **怡輝建築有限公司**
Yee Fai Building Contractors Ltd.

STRUCTURAL ENGINEER : **ARUP**
ALPHA CONSULTING LIMITED
Steel Structure & Facade Specialist

- NOTE :
1. ALL DIMENSIONS ARE IN mm.
 2. ALL ELEVATIONS ARE VIEWED FROM OUTSIDE.
 3. ALL DIMENSIONS TO BE VERIFIED ON SITE BEFORE FABRICATION.

- LEGEND :
- X1 --- DETAIL MARK NO.
 - X001 --- REFER SHEET NO.
1. F.F.L. --- FINISHED FLOOR LEVEL
 2. S.F.L. --- STRUCTURAL FLOOR LEVEL
 3. R --- REVERSED DETAIL
4. GLASS LEGEND
- EQ.-1 --- 8mmH+12mm AIR GAP+8mmTP THK. I.G.U.
- EQ.-2 --- 10mm THK. CLEAR TEMPERED GLASS
- EQ.-4 --- 10mm THK. TEMPERED ACID ETCHED GLASS

NO.	DATE	REVISION	SUBJECT TO ARCH-COMMENT	BY
F	27/6/2022	REVISION SUBJECT TO ARCH-COMMENT	lwn	
E	18/5/2022	REVISION SUBJECT TO ARCH-COMMENT	lwn	
D	12/1/2022	REVISION SUBJECT TO ARCH-COMMENT	lwn	
C	26/11/2021	REVISION SUBJECT TO ARCH-COMMENT	lwn	
B	03/11/2021	REVISION SUBJECT TO ARCH-COMMENT	lwn	
A	18/10/2021	REVISION SUBJECT TO ARCH-COMMENT	lwn	

JOB NO. : J-856

PROJECT : PROPOSED DEVELOPMENT ABOVE LIGHT RAIL TIN WING STOP+TSWTL NO.23, AREA 33, TIN SHUI WAI, N.T.

TITLE : PLAN FOR PRECAST WINDOW AT TOWER 2

DATE : 02-Aug-21 SCALE : 1:40

DRAWN BY : lwnn CHECKED BY :

美特鋁質有限公司
MDI ALUMINIUM FABRICATOR LTD.
Units 6-8, Sunny Industrial Centre, 1/F
610 Cho Kwong Road, Kowloon
Tel: 23489211-4 Fax: (852) 27727666

DWG NO. : J856-SD-W-3202 REV. : F

B.D. REF :

CLIENT :

SUN HUNG KAI
REAL ESTATE AGENCY LTD.
42/F, SUN HUNG KAI CENTRE, WANCHAI, HONGKONG

ARCHITECT :

lwk&partners
A R C H I T E C T S

MAIN CONTRACTOR :

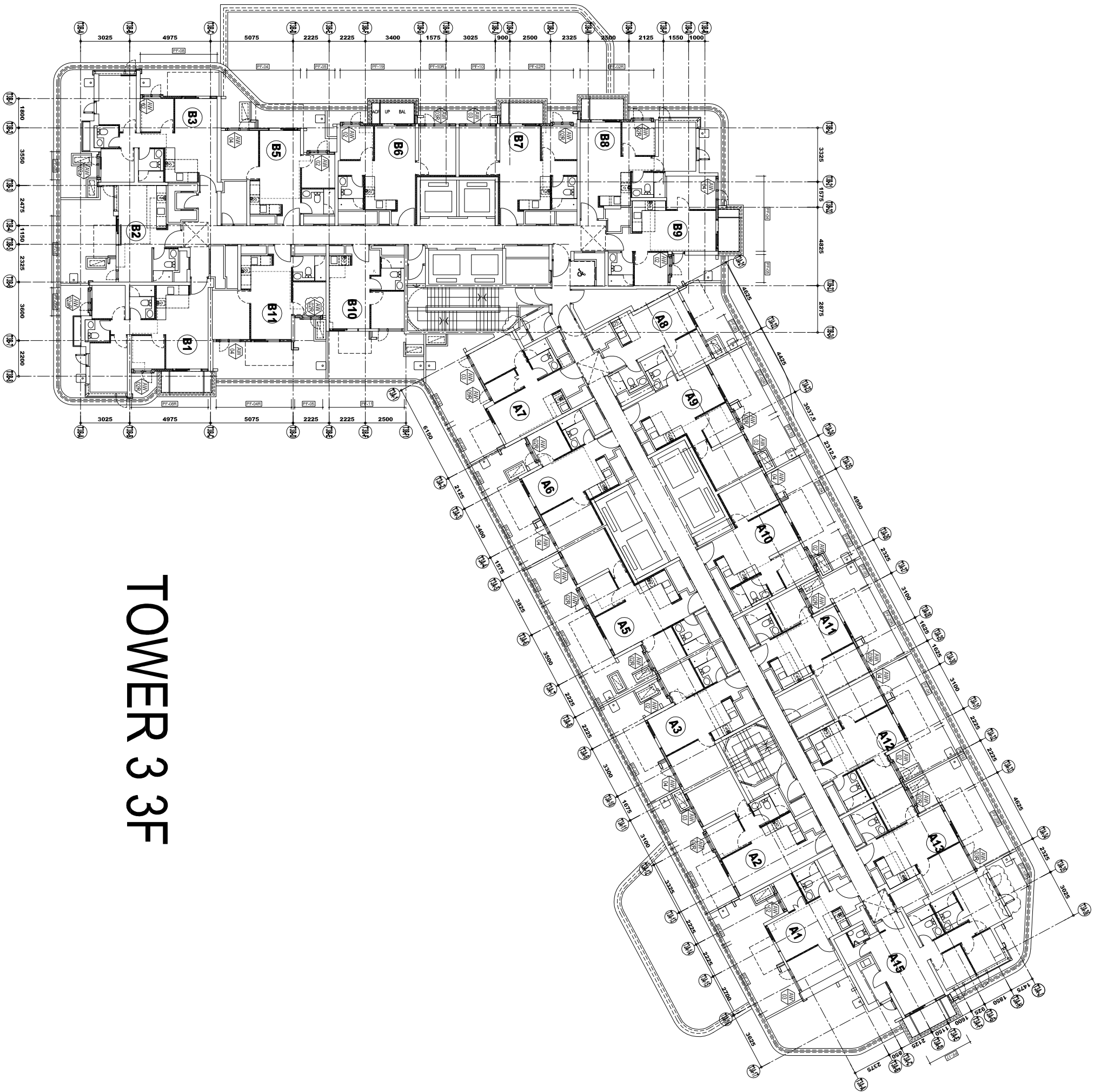
怡輝建築有限公司
Yee Fai Building Contractors Ltd.

STRUCTURAL ENGINEER :

ARUP

FAÇADE CONSULTANT :

ALPHA CONSULTING LIMITED
Steel Structure & Façade Specialist



TOWER 3 3F

NOTE :

1. ALL DIMENSIONS ARE IN mm.
2. ALL ELEVATIONS ARE VIEWED FROM OUTSIDE.
3. ALL DIMENSIONS TO BE VERIFIED ON SITE BEFORE FABRICATION.

LEGEND :

X1 --- DETAIL MARK NO.
X001 --- REFER SHEET NO.

1. F.F.L. --- FINISHED FLOOR LEVEL
2. S.F.L. --- STRUCTURAL FLOOR LEVEL
3. (R) --- REVERSED DETAIL

4. GLASS LEGEND

EQ-1 --- 8mmH+12mm AIR GAP+8mmTP THK. I.G.U.
 EQ-2 --- 10mm THK. CLEAR TEMPERED GLASS
 EQ-4 --- 10mm THK. TEMPERED ACID ETCHED GLASS

NO.	DATE	REVISION	SUBJECT TO ARCH-COMMENT	BY
E	27/06/2022	REVISION SUBJECT TO ARCH-COMMENT		HW
D	18/05/2022	REVISION SUBJECT TO ARCH-COMMENT		HW
C	22/04/2022	REVISION SUBJECT TO ARCH-COMMENT		HW
B	21/12/2021	REVISION SUBJECT TO ARCH-COMMENT		HW
A	29/11/2021	REVISION SUBJECT TO ARCH-COMMENT		HW

JOB NO. : J-856

PROJECT : PROPOSED DEVELOPMENT ABOVE LIGHT RAIL TIN WING STOP-TS/WL NO.23, AREA 33, TIN SHUI WAI, N.T.

TITLE : PLAN FOR PRECAST WINDOW AT TOWER 3

DATE : 02-Aug-21 SCALE : 1:40

DRAWN BY : IYVN CHECKED BY :

美特鋁質有限公司
MDI ALUMINIUM FABRICATOR LTD.
Units 6-8, Sunny Industrial Centre, 1/F
610 Cho Kwo Ling Road, Kowloon
Tel: 23489211-4 Fax: (852) 2727666
DWG NO. : J856-SD-W-3301 REV. : E

B.D. REF :

CLIENT :



42/F SUN HUNG KAI CENTRE, WANCHAI, HONGKONG

ARCHITECT :



MAIN CONTRACTOR :



STRUCTURAL ENGINEER :



FAÇADE CONSULTANT :



Steel Structure & Façade Specialist

- NOTE :
1. ALL DIMENSIONS ARE IN mm.
 2. ALL ELEVATIONS ARE VIEWED FROM OUTSIDE.
 3. ALL DIMENSIONS TO BE VERIFIED ON SITE BEFORE FABRICATION.

LEGEND :

- (X1) --- DETAIL MARK NO.
- (X001) --- REFER SHEET NO.

1. F.F.L. --- FINISHED FLOOR LEVEL
2. S.F.L. --- STRUCTURAL FLOOR LEVEL
3. (R) --- REVERSED DETAIL

4. GLASS LEGEND

EQ.-1---8mmH+12mm AIR GAP+8mmTP THK. LG.U.

EQ.-2---10mm THK. CLEAR TEMPERED GLASS

EQ.-4---10mm THK. TEMPERED ACID ETCHED GLASS

NO.	DATE	REVISION	BY
J	27/06/2022	REVISION SUBJECT TO ARCH-COMMENT	hwk
I	18/05/2022	REVISION SUBJECT TO ARCH-COMMENT	hwk
H	22/04/2022	REVISION SUBJECT TO ARCH-COMMENT	hwk
G	09/04/2022	REVISION SUBJECT TO ARCH-COMMENT	hwk
F	12/01/2022	REVISION SUBJECT TO ARCH-COMMENT	hwk
E	29/11/2021	REVISION SUBJECT TO ARCH-COMMENT	hwk
D	02/11/2021	REVISION SUBJECT TO ARCH-COMMENT	hwk
C	28/10/2021	REVISION SUBJECT TO ARCH-COMMENT	hwk
B	18/10/2021	REVISION SUBJECT TO ARCH-COMMENT	hwk
A	30/09/2021	REVISION SUBJECT TO ARCH-COMMENT	hwk

JOB NO. : J-856

PROJECT :

PROPOSED DEVELOPMENT ABOVE LIGHT RAIL TIN WING STOP-TS/WTL NO.23,AREA 33,TIN SHUI WAI, N.T.

TITLE : PLAN FOR PRECAST WINDOW AT TOWER 3

DATE : 02-Aug-21 SCALE : 1:40

DRAWN BY : IYON CHECKED BY :



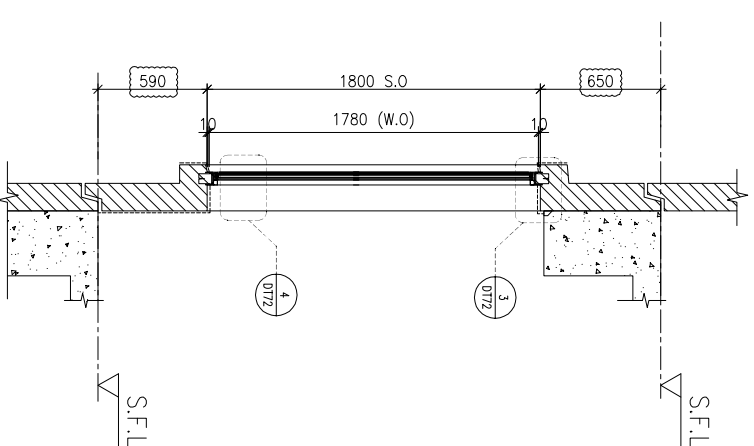
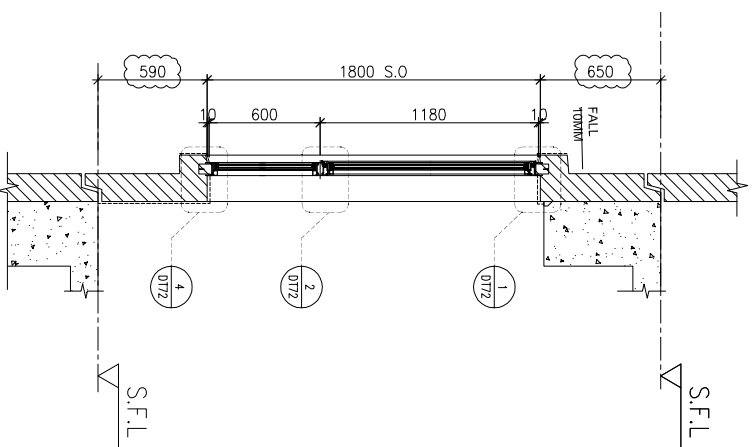
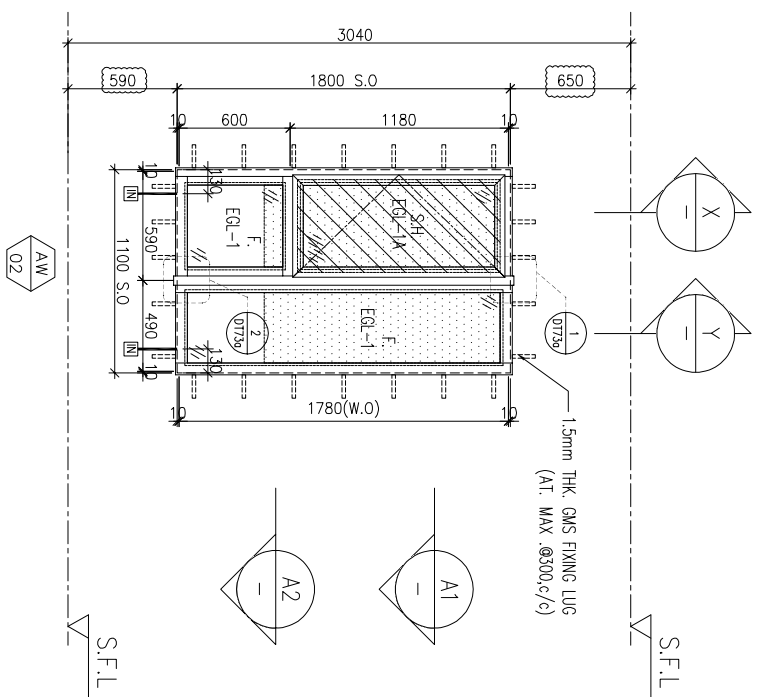
Units 6-8, Sunray Industrial Centre, 610 Cho Kwai Ling Road, Kowloon Tel:23489211-4 Fax:(852)27727666

DWG NO. : J856-SD-W-3302 REV. : J

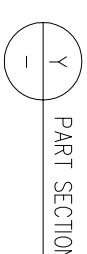
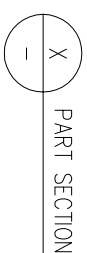
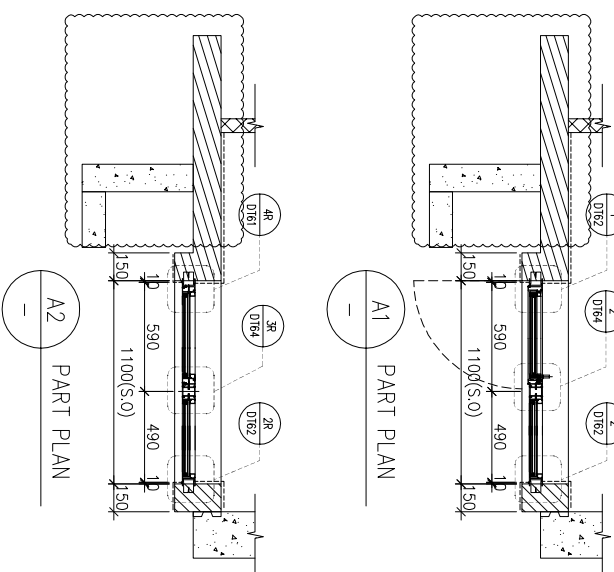


TOWER 3 5F-42F

PROVIDED	REQUIRE
OPENABLE AREA 0.548	OPENABLE AREA
GLAZING AREA 0.985	GLAZING AREA



ELEVATION



WINDOW MARK	AW 02	AW 02R
LOCATION	3/F~42/F.13/F.14/F.24/F.34/F OMITTED) UNIT A1	3/F~42/F.13/F.14/F.24/F.34/F OMITTED) UNIT B1
SECTION	70mm ALUM. SECTION	70mm ALUM. SECTION
GLAZING	EGL-1,EGL-1A	EGL-1,EGL-1A
QUANTITY	35 Nos.	35 Nos
REMARKS	FACADE(TYPE T1PFO4R FOR 3/F~42/F)	FACADE(TYPE T1PFO2R/ T1PFO2 FOR 3/F~42/F)

B.D. REF :

CLIENT :

SUN HUNG KAI
REAL ESTATE AGENCY LTD.

42/F SUN HUNG KAI CENTRE, WANCHAI, HONGKONG

ARCHITECT :

lwk&partners
a r c h i t e c t s

MAIN CONTRACTOR :

怡輝建築有限公司
Yee Fai Building Contractors Ltd.

STRUCTURAL ENGINEER :

ARUP

FACADE CONSULTANT:

ALPHA CONSULTING LIMITED
Steel Structure & Façade Specialist

NOTE :

1. ALL DIMENSIONS ARE IN mm.
2. ALL ELEVATIONS ARE VIEWED FROM OUTSIDE.
3. ALL DIMENSIONS TO BE VERIFIED ON SITE BEFORE FABRICATION.

LEGEND :

- (X1) --- DETAIL MARK NO.
- (X001) --- REFER SHEET NO.
- 1. F.F.L. --- FINISHED FLOOR LEVEL
- 2. S.F.L. --- STRUCTURAL FLOOR LEVEL
- 3. (R) --- REVERSED DETAIL

4. GLASS LEGEND

- EGL-1---8mmHS+12mm AIR GAP+10mmTP THK. I.G.U.
- EGL-2---10mm THK. CLEAR TEMPERED GLASS
- EGL-4---10mm THK. TEMPERED ACID ETCHED GLASS
- EGL-1A-8mmHS+12mm AIR GAP+8mmTP THK. I.G.U.
- EGL-1B-8mmHS+12mm AIR GAP+10mmTP ADD-ETCHED THK. I.G.U.

NO.	DATE	REVISION	REVISION SUBJECT TO ARCH.COMMENT	BY
E	06/07/2022	REVISION SUBJECT TO ARCH.COMMENT	None	None
D	17/12/2021	REVISION SUBJECT TO ARCH.COMMENT	None	None
C	29/11/2021	REVISION SUBJECT TO ARCH.COMMENT	None	None
B	03/11/2021	REVISION SUBJECT TO ARCH.COMMENT	None	None
A	12/10/2021	REVISION SUBJECT TO ARCH.COMMENT	None	None

JOB NO. : J-856

PROJECT : PROPOSED DEVELOPMENT ABOVE LIGHT RAIL TIN WING STOP-TSWTL NO.23,AREA 33,TIN SHUI WAI, N.T.

TITLE : WINDOW SCHEDULE FOR TOWER 1 ALUM. WINDOW

DATE : 02-Aug-21

SCALE : 1:40

DRAWN BY : Ivan

CHECKED BY :

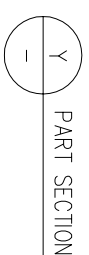
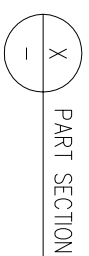
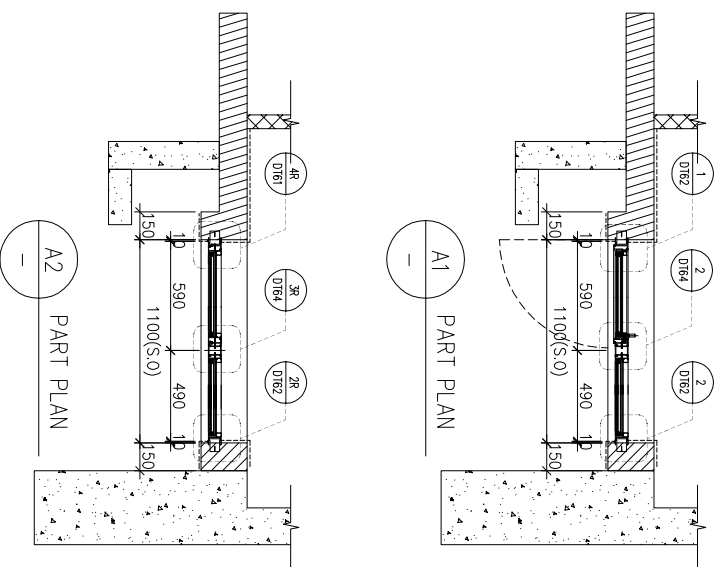
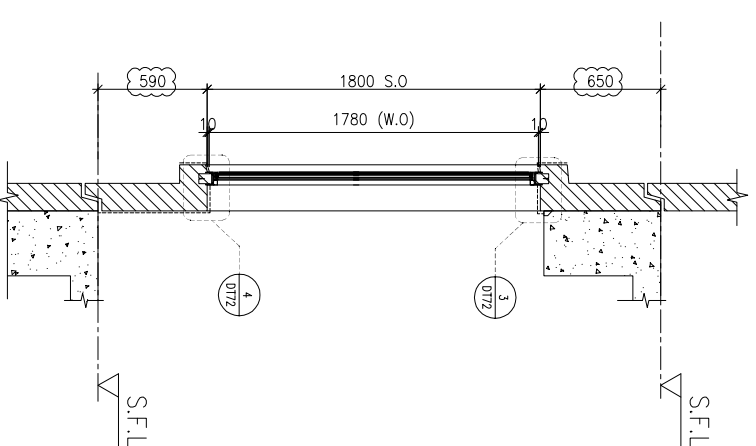
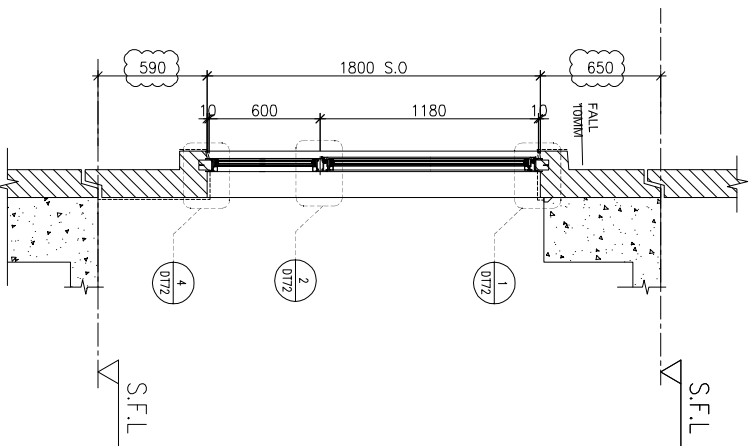
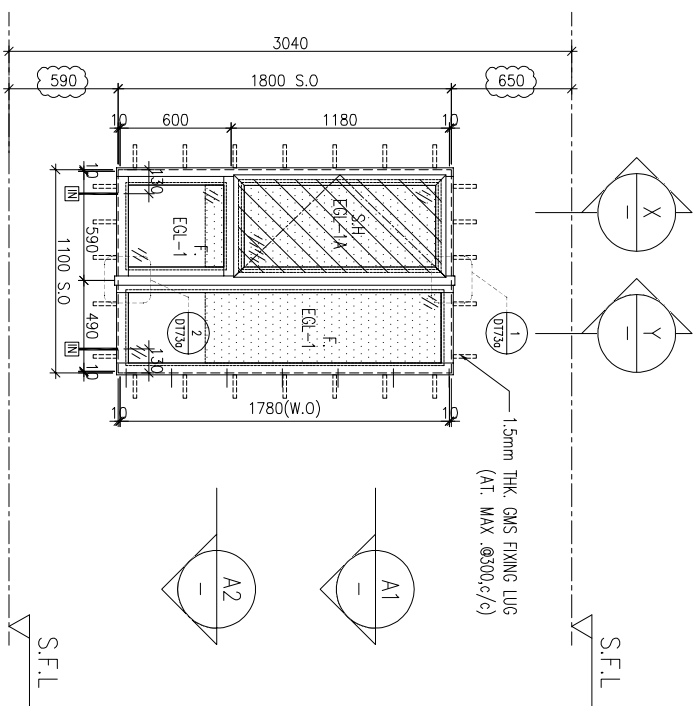
美特鋁質有限公司
MIDI ALUMINIUM FABRICATOR LTD.

Units 6-8, Sunray Industrial Centre, 1/F
610 Cho Kwai Ling Road, Kwai Tsoum

Tel:23489211-4 Fax:(852)2727666

DWG NO. : J856-SD-PW-5101 REV. : E

PROVIDED	REQUIRE
OPENABLE AREA 0.548	OPENABLE AREA
GLAZING AREA 0.985	GLAZING AREA



B.D. REF : _____

CLIENT : **SUN HUNG KAI**
REAL ESTATE AGENCY LTD.
42/F, SUN HUNG KAI CENTRE, WANCHAI, HONGKONG

ARCHITECT : **lwk&partners**
a r c h i t e c t s

MANU CONTRACTOR : **怡輝建築有限公司**
Yee Fai Building Contractors Ltd.

STRUCTURAL ENGINEER : **ARUP**
ALPHA CONSULTING LIMITED
Steel Structure & Façade Specialist

FAÇADE CONSULTANT:

NOTE :

1. ALL DIMENSIONS ARE IN mm.
2. ALL ELEVATIONS ARE VIEWED FROM OUTSIDE.
3. ALL DIMENSIONS TO BE VERIFIED ON SITE BEFORE FABRICATION.

LEGEND :

(X1) --- DETAIL MARK NO.
(X001) --- REFER SHEET NO.

1. F.F.L. --- FINISHED FLOOR LEVEL
2. S.F.L. --- STRUCTURAL FLOOR LEVEL
3. (R) --- REVERSED DETAIL

4. GLASS LEGEND

EGL-1--8mmHS+12mm AIR GAP+10mmTP THK. I.G.U.
EGL-2--10mm THK. CLEAR TEMPERED GLASS
EGL-4--10mm THK. TEMPERED ACID ETCHED GLASS
EGL-1A-8mmHS+12mm AIR GAP+8mmTP THK. I.G.U.
EGL-1B-8mmHS+12mm AIR GAP+10mmTP ACID-ETCHED THK. I.G.U.

NO.	DATE	REVISION	REVISION SUBJECT TO ARCH-COMMENT	BY
D	06/07/2022	REVISION SUBJECT TO ARCH-COMMENT	None	None
C	17/12/2021	REVISION SUBJECT TO ARCH-COMMENT	None	None
B	29/11/2021	REVISION SUBJECT TO ARCH-COMMENT	None	None
A	03/11/2021	REVISION SUBJECT TO ARCH-COMMENT	None	None

JOB NO. : J-856

PROJECT : PROPOSED DEVELOPMENT ABOVE LIGHT RAIL TIN WING STOP-TSWTL NO.23,AREA 33,TIN SHUI WAI, N.T.

TITLE : WINDOW SCHEDULE FOR TOWER 1 ALUM. WINDOW

DATE : 02-Aug-21 SCALE : 1:40
DRAWN BY : IYVN CHECKED BY :

WINDOW MARK	AW 02	AW 02R
LOCATION	3/F-42/F(4/F,13/F,14/F,24/F,34/F OMITTED) UNIT (A2(5/F-42/F))	3/F-42/F(4/F,13/F,14/F,24/F,34/F OMITTED) UNIT (A2(3/F)), B3
SECTION	70mm ALUM. SECTION	70mm ALUM. SECTION
GLAZING	EGL-1,EGL-1A	EGL-1,EGL-1A
QUANTITY	(34 Nos)	(1 No) / 35 Nos
REMARKS	FAÇADE(TYPE (T1PF02R) FOR 3/F~42/F)	FAÇADE(TYPE (T1PF02R) / T1PF02) FOR 3/F~42/F)

UNIT 6-8, SUNREY INDUSTRIAL CENTRE, 1/F
610 CHO KWA LING ROAD, KOWLOON
Tel:23489211-4 Fax:(852)2727666

DATE : 02-Aug-21 SCALE : 1:40
DRAWN BY : IYVN CHECKED BY :

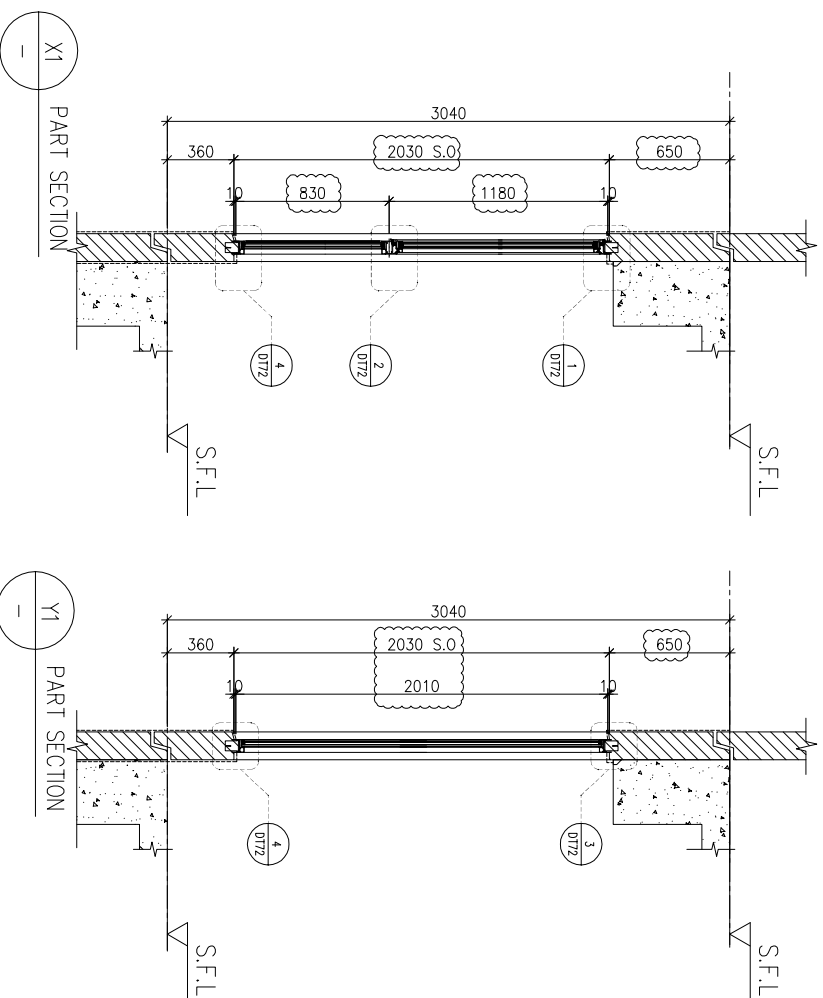
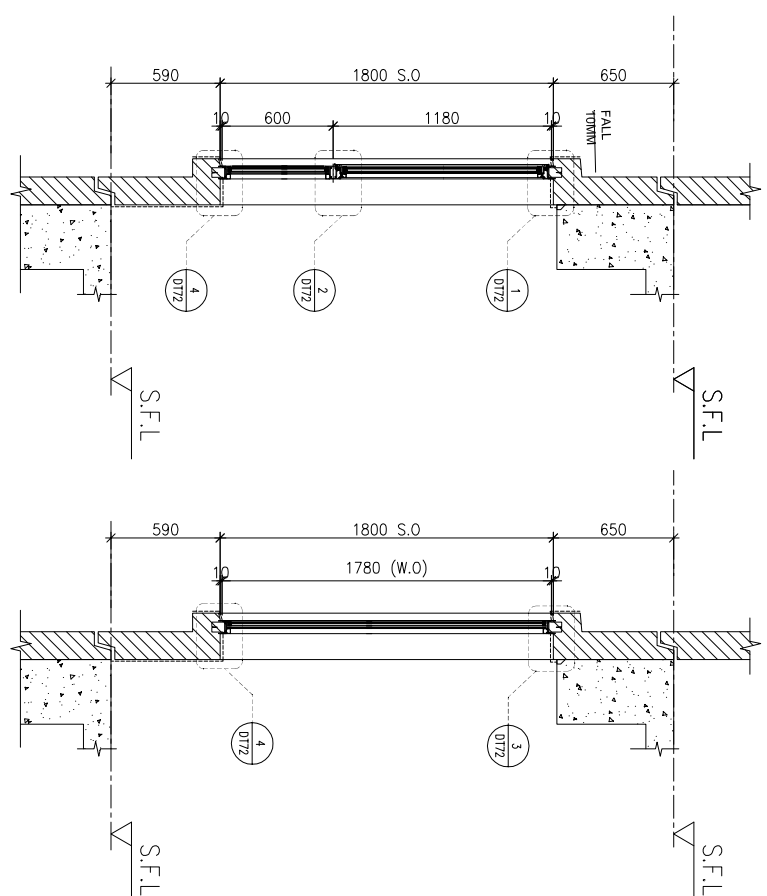
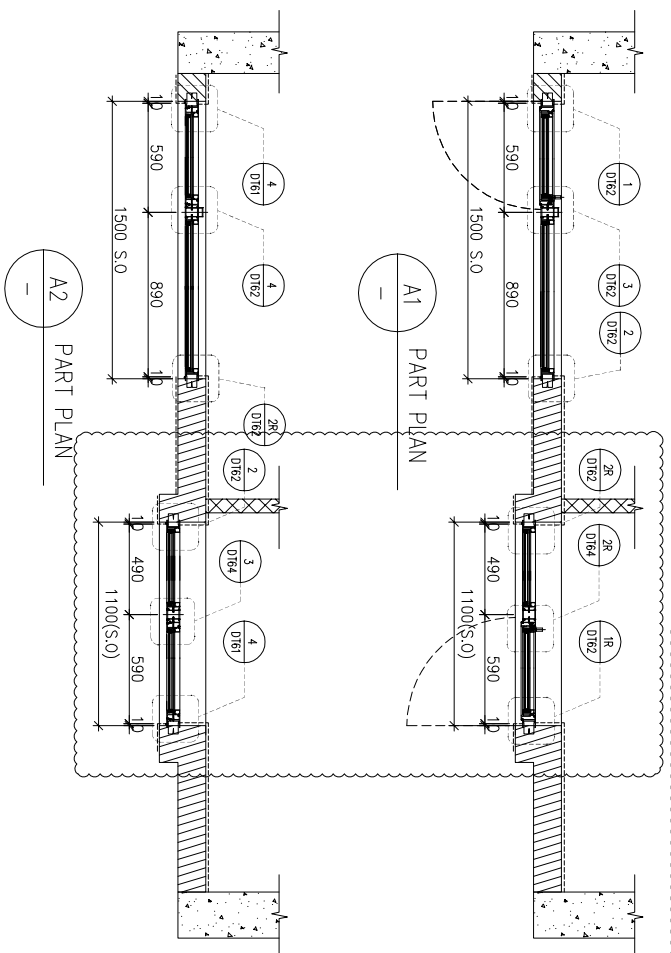
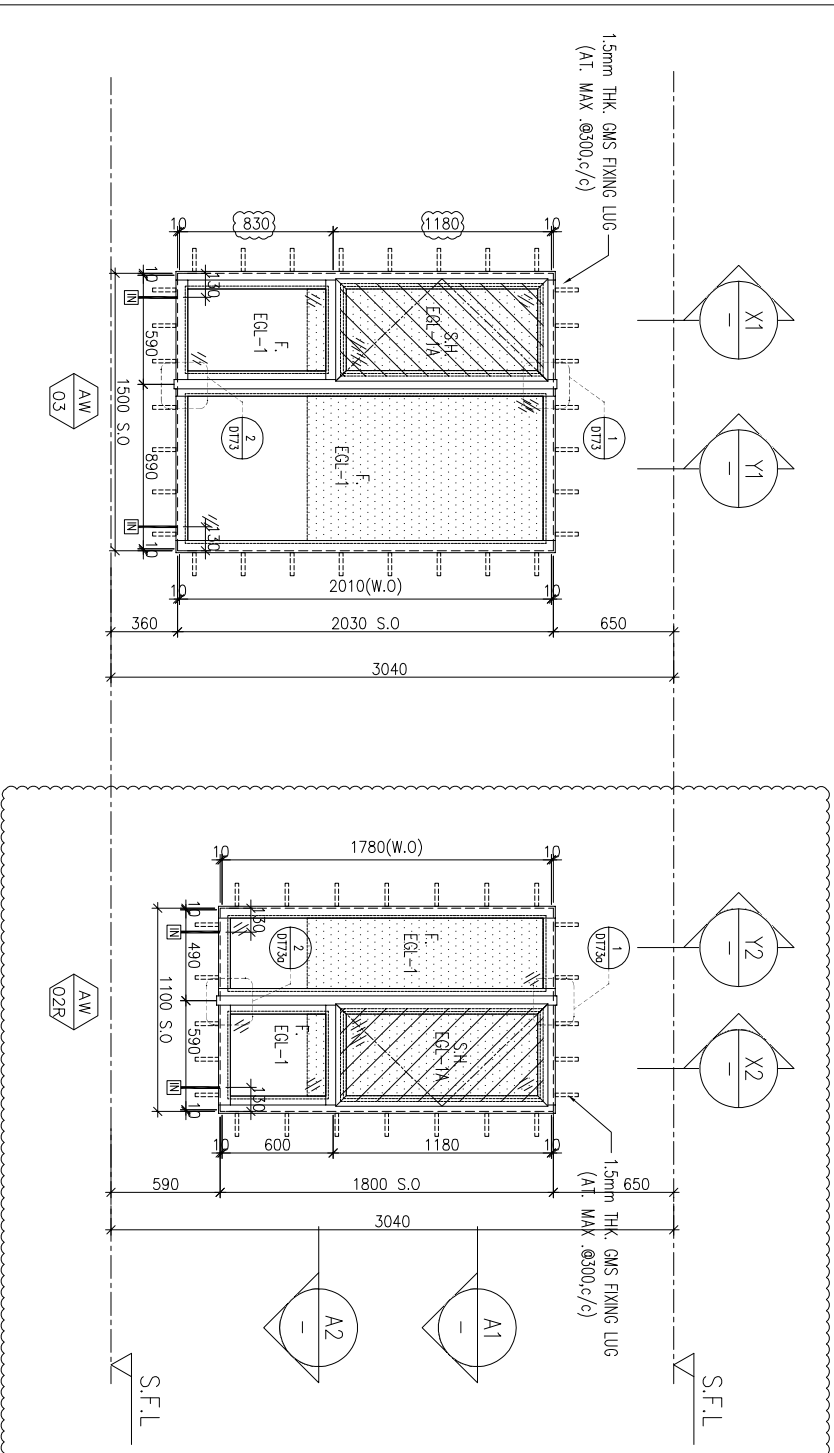
PROJECT : PROPOSED DEVELOPMENT ABOVE LIGHT RAIL TIN WING STOP-TSWTL NO.23,AREA 33,TIN SHUI WAI, N.T.

TITLE : WINDOW SCHEDULE FOR TOWER 1 ALUM. WINDOW

DWG NO. : J856-SD-PW-5102 REV : D

PROVIDED	REQUIRE
OPENABLE AREA 0.548	GLAZING AREA 1.495

PROVIDED	REQUIRE
OPENABLE AREA 0.548	GLAZING AREA 0.985



WINDOW MARK	AW 03	AW 02B
LOCATION	3/F-42/F(4/F,13/F,14/F,24/F,34/F OMITTED) UNIT A2	
SECTION	70mm ALUM. SECTION	
GLAZING	EGL-1, EGL-1A	
QUANTITY	35 Nos./35 Nos.	
REMARKS	FACADE(TYPE T1PFO1R) FOR 3/F~42/F)	

B.D. REF :

CLIENT :

SUN HUNG KAI
REAL ESTATE AGENCY LTD.
42/F SUN HUNG KAI CENTRE, WANCHAI, HONGKONG

ARCHITECT :

lwk&partners
a r c h i t e c t s

MAIN CONTRACTOR :

Yee Fai 怡輝建築有限公司
Building Contractors Ltd.

STRUCTURAL ENGINEER :

ARUP
ALPHA CONSULTING LIMITED
Steel Structure & Facade Specialist

FACADE CONSULTANT :

ARUP
ALPHA CONSULTING LIMITED
Steel Structure & Facade Specialist

- NOTE :
1. ALL DIMENSIONS ARE IN mm.
 2. ALL ELEVATIONS ARE VIEWED FROM OUTSIDE.
 3. ALL DIMENSIONS TO BE VERIFIED ON SITE BEFORE FABRICATION.

LEGEND :

(X1) --- DETAIL MARK NO.
(X001) --- REFER SHEET NO.

1. F.F.L. --- FINISHED FLOOR LEVEL
2. S.F.L. --- STRUCTURAL FLOOR LEVEL
3. (R) --- REVERSED DETAIL

4. GLASS LEGEND

- EGL-1 --- 8mmHS+12mm AIR GAP+10mmTP THK. I.G.U.
- EGL-2 --- 10mm THK. CLEAR TEMPERED GLASS
- EGL-4 --- 10mm THK. TEMPERED ACID ETCHED GLASS
- EGL-1A --- 8mmHS+12mm AIR GAP+8mmTP THK. I.G.U.
- EGL-1B --- 8mmHS+12mm AIR GAP+10mmTP ADD-ETCHED THK. I.G.U.

NO.	DATE	REVISION	REVISION SUBJECT TO ARCH-COMMENT	BY
D	06/07/2022	REVISION SUBJECT TO ARCH-COMMENT	None	None
C	17/12/2021	REVISION SUBJECT TO ARCH-COMMENT	None	None
B	29/11/2021	REVISION SUBJECT TO ARCH-COMMENT	None	None
A	03/11/2021	REVISION SUBJECT TO ARCH-COMMENT	None	None

JOB NO. :

J-856

PROJECT :

PROPOSED DEVELOPMENT ABOVE
LIGHT RAIL TIN WING STOP-TSWTL
NO.23,AREA 33,TIN SHUI WAI, N.T.

TITLE :

WINDOW SCHEDULE FOR
TOWER 1 ALUM. WINDOW

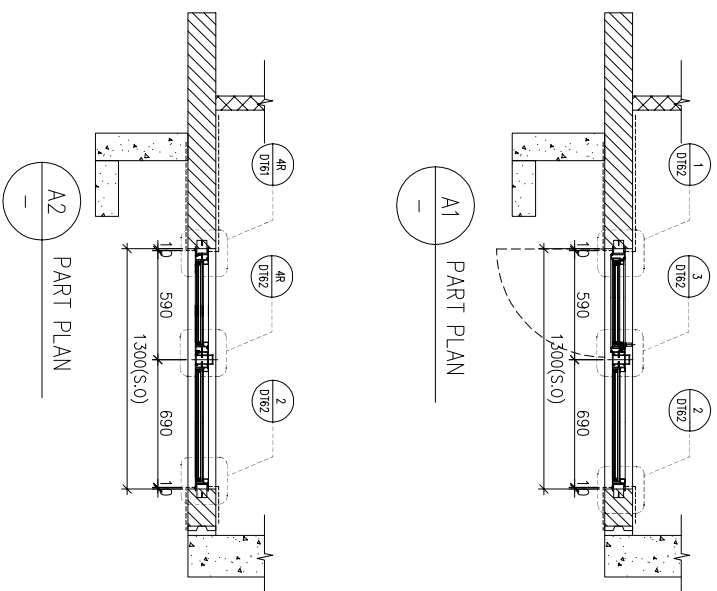
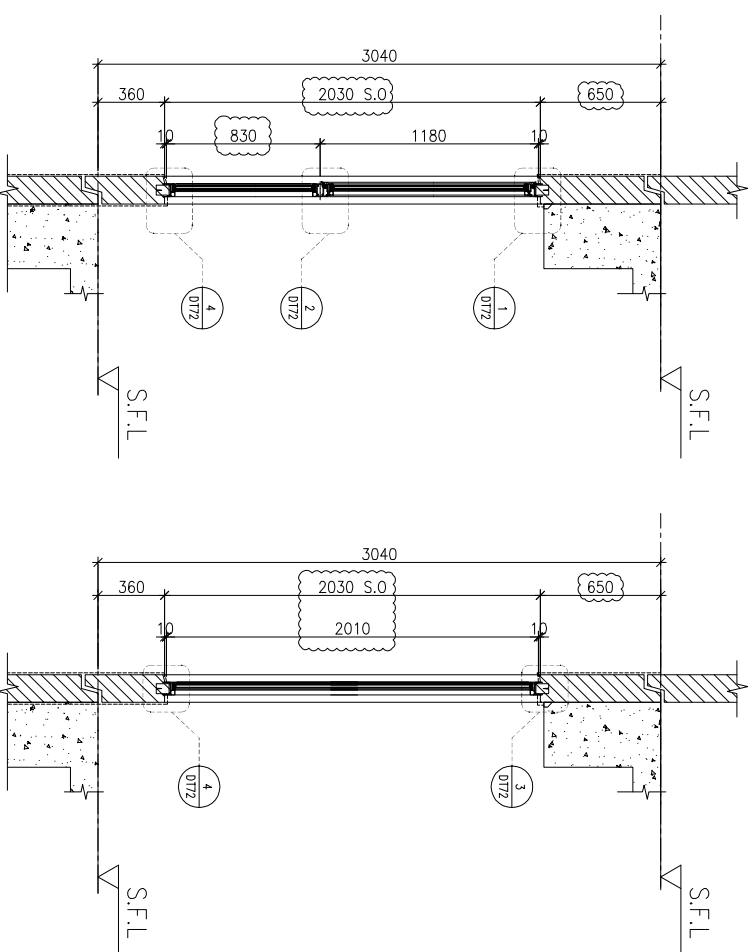
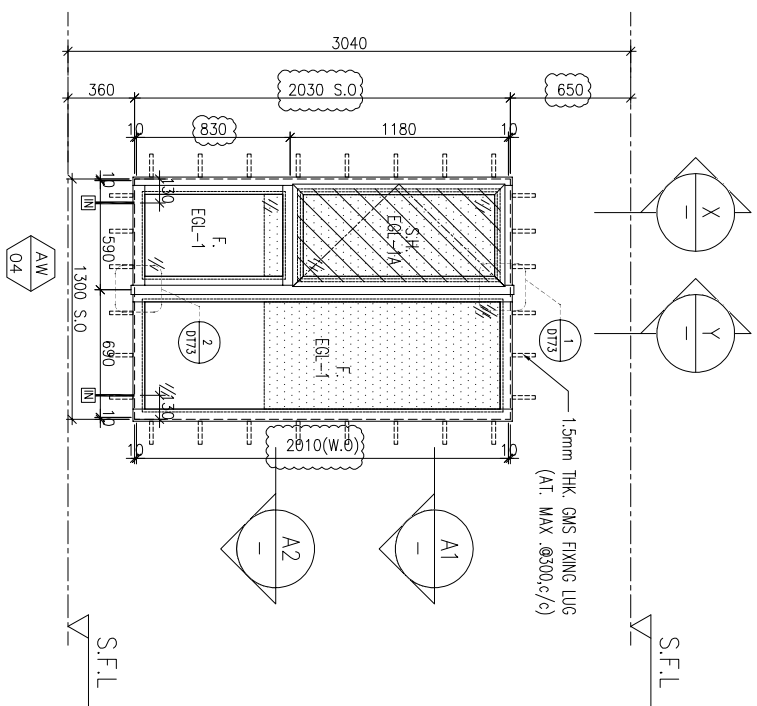
DATE : 02-Aug-21 SCALE : 1:40

DRAWN BY : Ivan CHECKED BY :

美特铝质有限公司
MIDI ALUMINUM FABRICATOR LTD.
Units 6-8, Sunray Industrial Centre, 1/F
610 Cho Kwai Ling Road, Kwai Tsou
Tel:23489211-4 Fax:(852)27272666

DWG NO. : J856-SD-PW-5103 REV. : D

PROVIDED	REQUIRED
OPENABLE AREA 0.548	OPENABLE AREA 1.24
GLAZING AREA	GLAZING AREA



WINDOW MARK	AW 04
LOCATION	3/F~42/F(4/F,13/F,14/F,24/F,34/F OMITTED) UNIT B2,A3
SECTION	70mm ALUM. SECTION
GLAZING	EGL-1, EGL-1A
QUANTITY	35 Nos / 35 Nos
REMARKS	FACADE(TYPE T1PFO3R) FOR 3/F~42/F)

WINDOW MARK	AW 04R
LOCATION	3/F~42/F(4/F,13/F,14/F,24/F,34/F OMITTED) UNIT B7
SECTION	70mm ALUM. SECTION
GLAZING	EGL-1, EGL-1A
QUANTITY	35 Nos / 35 Nos
REMARKS	FACADE(TYPE T1PFO4) FOR 3/F~42/F)

DELETE

B.D. REF :

CLIENT :

SUN HUNG KAI
REAL ESTATE AGENCY LTD.
42/F, SUN HUNG KAI CENTRE, WANCHAI, HONGKONG

ARCHITECT :

lwk&partners
a r c h i t e c t s

MAIN CONTRACTOR :

怡輝建築有限公司
Yee Fai Building Contractors Ltd.

STRUCTURAL ENGINEER :

ARUP

FACADE CONSULTANT :

ALPHA CONSULTING LIMITED
Steel Structure & Façade Specialist

- NOTE :
1. ALL DIMENSIONS ARE IN mm.
 2. ALL ELEVATIONS ARE VIEWED FROM OUTSIDE.
 3. ALL DIMENSIONS TO BE VERIFIED ON SITE BEFORE FABRICATION.

LEGEND :

(X1) --- DETAIL MARK NO.
(X001) --- REFER SHEET NO.

1. F.F.L. --- FINISHED FLOOR LEVEL
2. S.F.L. --- STRUCTURAL FLOOR LEVEL
3. (R) --- REVERSED DETAIL

4. GLASS LEGEND

- EGL-1 --- 8mmHS+12mm AIR GAP+10mmTP THK. I.G.U.
EGL-2 --- 10mm THK. CLEAR TEMPERED GLASS
EGL-4 --- 10mm THK. TEMPERED ACID ETCHED GLASS
EGL-1A --- 8mmHS+12mm AIR GAP+8mmTP THK. I.G.U.
EGL-1B --- 8mmHS+12mm AIR GAP+10mmTP ADD-ETCHED THK. I.G.U.

NO.	DATE	REVISION	SUBJECT TO ARCH-COMMENT	BY
E	06/07/2022	REVISION SUBJECT TO ARCH-COMMENT	None	
D	17/12/2021	REVISION SUBJECT TO ARCH-COMMENT	None	
C	29/11/2021	REVISION SUBJECT TO ARCH-COMMENT	None	
B	03/11/2021	REVISION SUBJECT TO ARCH-COMMENT	None	
A	12/10/2021	REVISION SUBJECT TO ARCH-COMMENT	None	

JOB NO. : J-856

PROJECT :

PROPOSED DEVELOPMENT ABOVE
LIGHT RAIL TIN WING STOP-TSWTL
NO.23,AREA 33,TIN SHUI WAI, N.T.

TITLE :

WINDOW SCHEDULE FOR
TOWER 1 ALUM. WINDOW

DATE : 02-Aug-21 SCALE : 1:40

DRAWN BY : Ivan

CHECKED BY :

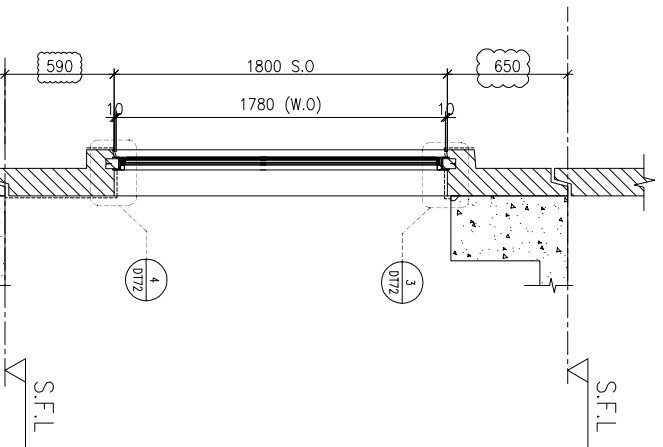
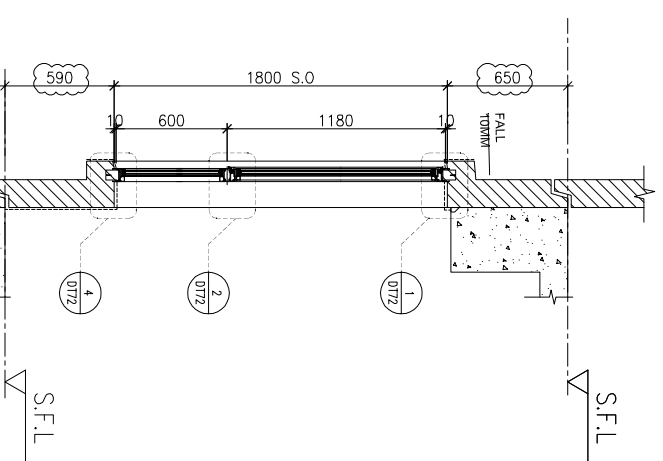
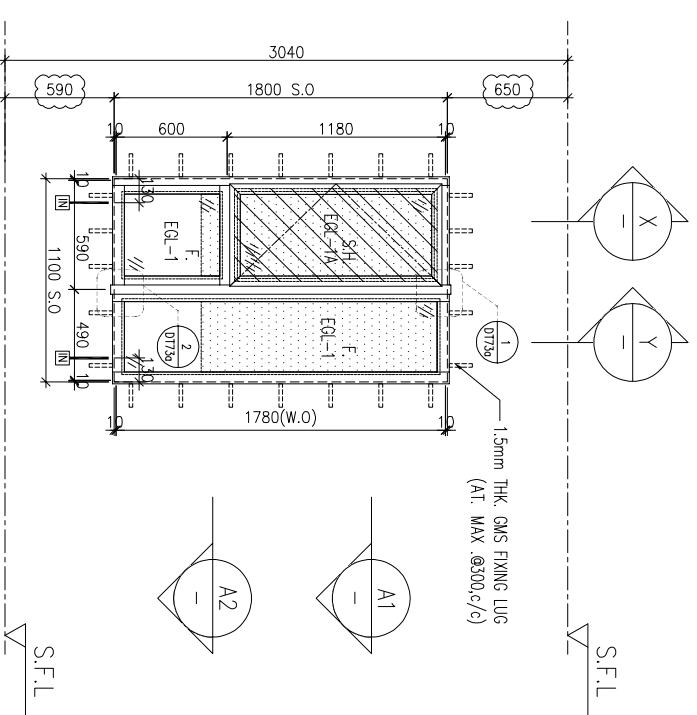
美特鋁質有限公司
MIDI ALUMINIUM FABRICATOR LTD.
Units 6-8, Sunray Industrial Centre, 1/F
610 Cho Kwai Ling Road, Kwai Tsou
Tel:23489211-4 Fax:(852)2727666

DWG NO. : J856-SD-PW-5104 REV. : E

PROVIDED	OPENABLE AREA	GLAZING AREA	OPENABLE AREA	GLAZING AREA
	0.548	0.985		

B.D. REF :

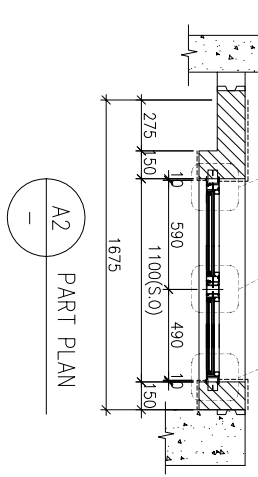
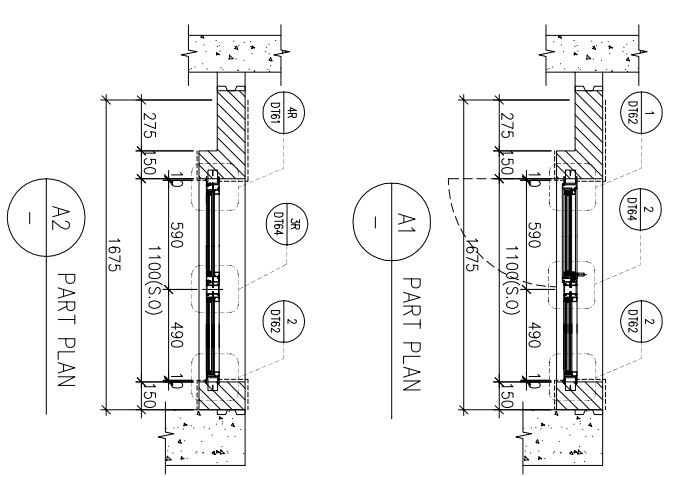
REQUIRED	OPENABLE AREA	GLAZING AREA
----------	---------------	--------------



ELEVATION

X-X PART SECTION

Y-Y PART SECTION



A1-A1 PART PLAN

A2-A2 PART PLAN

WINDOW MARK	AW 02	AW 02R
LOCATION	3/F~42/F(4/F,13/F,14/F,24/F,34/F OMITTED) UNIT B2	3/F~42/F(4/F,13/F,14/F,24/F,34/F OMITTED) UNIT A3
SECTION	70mm ALUM. SECTION	70mm ALUM. SECTION
GLAZING	EGL-1,EGL-1A	EGL-1,EGL-1A
QUANTITY	{35 NOS}	{35 NOS}
REMARKS	FACADE(TYPE T1PF05) FOR 3/F~42/F)	FACADE(TYPE T1PF05 FOR 3/F~42/F)

CLIENT : **SUN HUNG KAI REAL ESTATE AGENCY LTD.**
42/F SUN HUNG KAI CENTRE, WANCHAI, HONGKONG

ARCHITECT : **lwk&partners**
a r c h i t e c t s

MANU CONTRACTOR : **怡輝建築有限公司 Yee Fai Building Contractors Ltd.**

STRUCTURAL ENGINEER : **ARUP**

FACADE CONSULTANT : **ALPHA CONSULTING LIMITED**
Steel Structure & Façade Specialist

NOTE :
1. ALL DIMENSIONS ARE IN mm.
2. ALL ELEVATIONS ARE VIEWED FROM OUTSIDE.
3. ALL DIMENSIONS TO BE VERIFIED ON SITE BEFORE FABRICATION.

LEGEND :
X1 --- DETAIL MARK NO.
X001 --- REFER SHEET NO.

1. F.F.L. --- FINISHED FLOOR LEVEL
2. S.F.L. --- STRUCTURAL FLOOR LEVEL
3. (R) --- REVERSED DETAIL
4. GLASS LEGEND
EGL-1 --- 8mmHS+12mm AIR GAP+10mmTP THK. I.G.U.
EGL-2 --- 10mm THK. CLEAR TEMPERED GLASS
EGL-4 --- 10mm THK. TEMPERED ACID ETCHED GLASS
EGL-1A --- 8mmHS+12mm AIR GAP+8mmTP THK. I.G.U.
EGL-1B --- 8mmHS+12mm AIR GAP+10mmTP ADD-ETCHED THK. I.G.U.

NO.	DATE	REVISION	SUBJECT TO ARCH-COMMENT	BY
D	06/07/2022	REVISION SUBJECT TO ARCH-COMMENT		hwk
C	17/12/2021	REVISION SUBJECT TO ARCH-COMMENT		hwk
B	29/11/2021	REVISION SUBJECT TO ARCH-COMMENT		hwk
A	03/11/2021	REVISION SUBJECT TO ARCH-COMMENT		hwk

JOB NO. : J-856

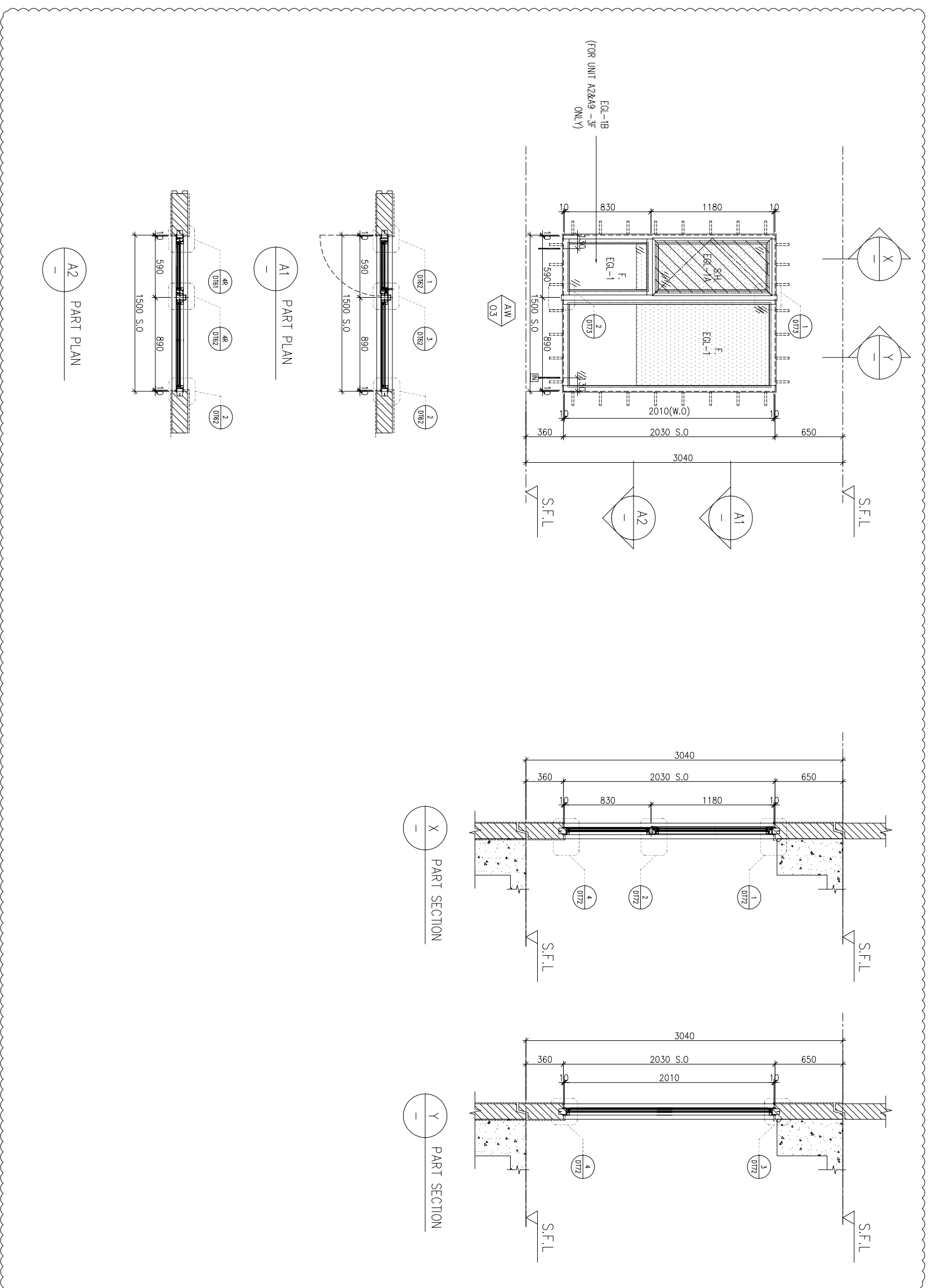
PROJECT : PROPOSED DEVELOPMENT ABOVE LIGHT RAIL TIN WING STOP-TSWTL NO.23,AREA 33,TIN SHUI WAI, N.T.

TITLE : WINDOW SCHEDULE FOR TOWER 1 ALUM. WINDOW

DATE : 02-Aug-21 SCALE : 1:40
DRAWN BY : IYVN CHECKED BY :

美特鋁質有限公司
MIDI ALUMINUM FABRICATOR LTD.
Units 6-8, Sunray Industrial Centre, 1/F
610 Cho Kwai Ling Road, Kowloon
Tel:23489211-4 Fax:(852)2727666
DWG NO. : J856-SD-PW-5105 REV. : D

PROVIDED	REQUIRE
OPENABLE AREA 0.548	GLAZING AREA 1.495
	OPENABLE AREA
	GLAZING AREA



WINDOW MARK	AW 03
LOCATION	3/F-42/F(4/F,13/F,14/F,24/F,34/F OMITTED) UNIT B3
SECTION	70mm ALUM. SECTION
GLAZING	EGL-1, EGL-1A
QUANTITY	35 Nos
REMARKS	FAÇADE (TYPE T1P507R FOR 3/F~42/F)

B.D. REF :

CLIENT :

SUN HUNG KAI
REAL ESTATE AGENCY LTD.
42/F SUN HUNG KAI CENTRE, WANCHAI, HONGKONG

ARCHITECT :

lwk&partners
a r c h i t e c t s

MAIN CONTRACTOR :

怡輝建築有限公司
Yee Fai Building Contractors Ltd.

STRUCTURAL ENGINEER :

ARUP

FAÇADE CONSULTANT :

ALPHA CONSULTING LIMITED
Steel Structure & Façade Specialist

ELEVATION

NOTE :
1. ALL DIMENSIONS ARE IN mm.
2. ALL ELEVATIONS ARE VIEWED FROM OUTSIDE.
3. ALL DIMENSIONS TO BE VERIFIED ON SITE BEFORE FABRICATION.

LEGEND :

(X1) --- DETAIL MARK NO.
(X001) --- REFER SHEET NO.
1. F.F.L. --- FINISHED FLOOR LEVEL
2. S.F.L. --- STRUCTURAL FLOOR LEVEL
3. (R) --- REVERSED DETAIL
4. GLASS LEGEND

EGL-1 --- 8mmHS+12mm AIR GAP+10mmTP THK. I.G.U.
EGL-2 --- 10mm THK. CLEAR TEMPERED GLASS
EGL-4 --- 10mm THK. TEMPERED ACID ETCHED GLASS
EGL-1A --- 8mmHS+12mm AIR GAP+8mmTP THK. I.G.U.
EGL-1B --- 8mmHS+12mm AIR GAP+10mmTP ADD-ETCHED THK. I.G.U.

NO.	DATE	REVISION	SUBJECT TO ARCH-COMMENT	BY
F	06/07/2022	REVISION	SUBJECT TO ARCH-COMMENT	hwk
E	17/12/2021	REVISION	SUBJECT TO ARCH-COMMENT	hwk
D	17/12/2021	REVISION	SUBJECT TO ARCH-COMMENT	hwk
C	29/11/2021	REVISION	SUBJECT TO ARCH-COMMENT	hwk
B	03/11/2021	REVISION	SUBJECT TO ARCH-COMMENT	hwk
A	12/10/2021	REVISION	SUBJECT TO ARCH-COMMENT	hwk

JOB NO. : J-856

PROJECT : PROPOSED DEVELOPMENT ABOVE LIGHT RAIL TIN WING STOP-TSWTL NO.23,AREA 33,TIN SHUI WAI, N.T.

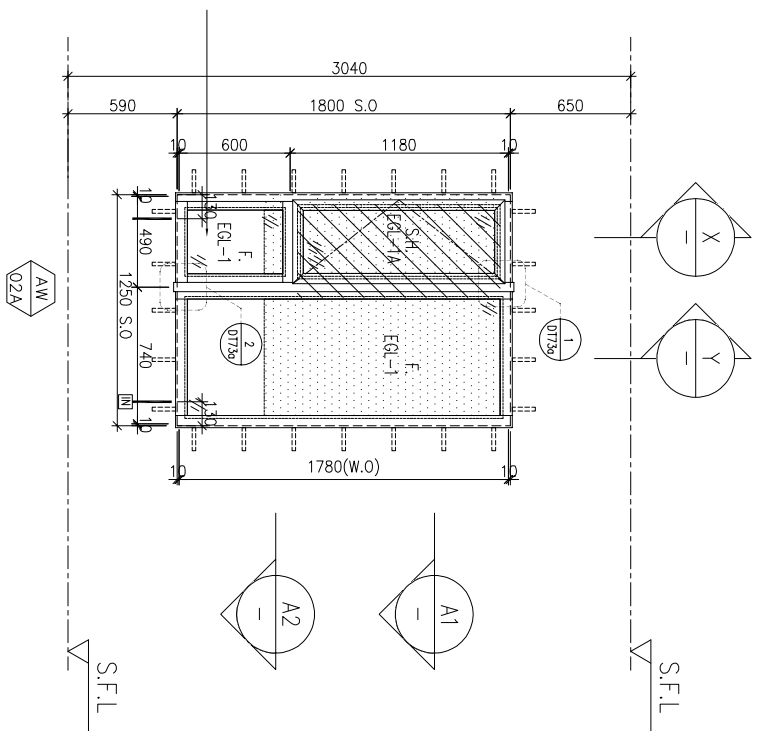
TITLE : WINDOW SCHEDULE FOR TOWER 1 ALUM. WINDOW

DATE : 02-Aug-21 SCALE : 1:40

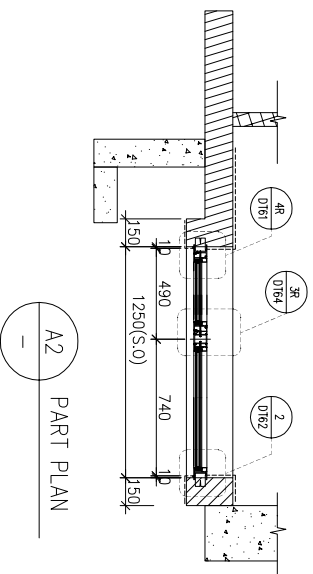
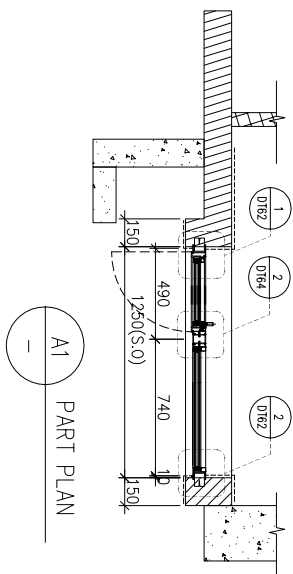
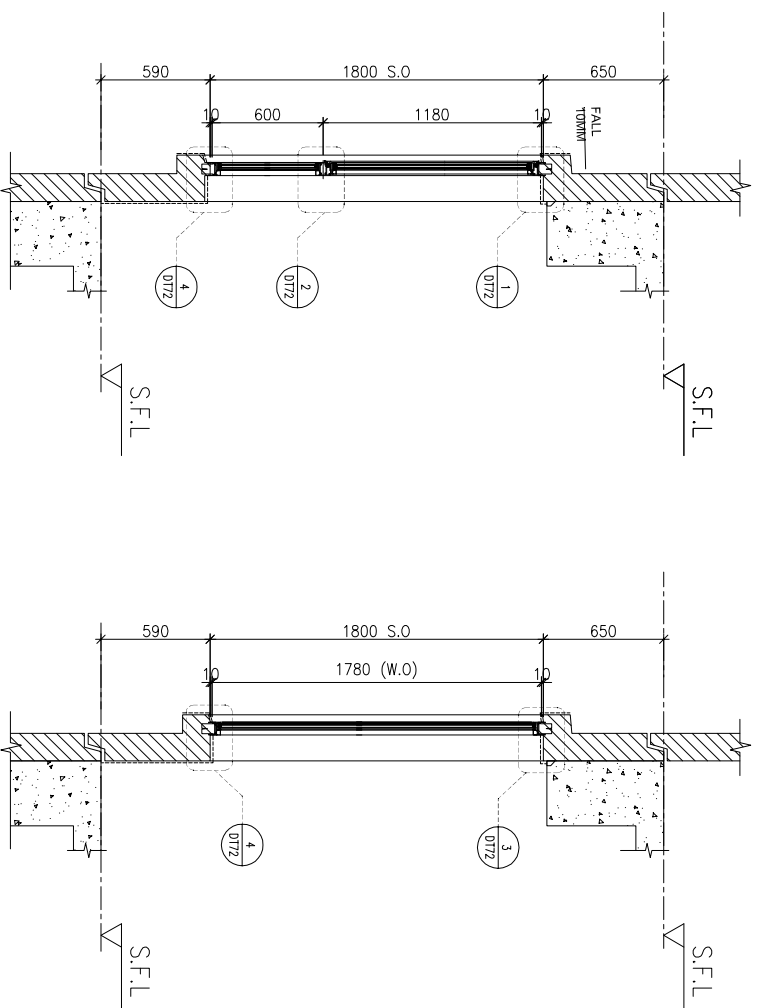
DRAWN BY : IYON CHECKED BY :

美特鋁質有限公司
MIDI ALUMINIUM FABRICATOR LTD.
Units 6-8, Sunray Industrial Centre, 1/F
610 Cho Kwai Ling Road, Kwai Tsing
Tel:23489211-4 Fax:(852)2727666
DWG NO. : J856-SD-PW-5106 REV. : F

PROVIDED	REQUIRED
OPENABLE AREA 0.439	OPENABLE AREA 1.19
GLAZING AREA	GLAZING AREA



ELEVATION



WINDOW MARK	AW 02d
LOCATION	3/F~42/F(4/F,13/F,14/F,24/F,34/F OMITTED) UNIT B8
SECTION	70mm ALUM. SECTION
GLAZING	EGL-1, EGL-1A
QUANTITY	35 Nos
REMARKS	FAÇADE(TYPE T1PFO4R) FOR 3/F~42/F)

WINDOW MARK	AW 02R
LOCATION	3/F~42/F(4/F,13/F,14/F,24/F,34/F OMITTED) UNIT A8,B1
SECTION	70mm ALUM. SECTION
GLAZING	EGL-1, EGL-1A
QUANTITY	351 Nos
REMARKS	FAÇADE(TYPE T1BFO8) FOR 3/F~42/F)

DELETE

B.D. REF :

CLIENT :

SUN HUNG KAI
REAL ESTATE AGENCY LTD.
42/F, SUN HUNG KAI CENTRE, WANCHAI, HONGKONG

ARCHITECT :

lwk&partners
a r c h i t e c t s

MAIN CONTRACTOR :

怡輝建築有限公司
Yee Fai Building Contractors Ltd.

STRUCTURAL ENGINEER :

ARUP

FAÇADE CONSULTANT :

ALPHA CONSULTING LIMITED
Steel Structure & Façade Specialist

- NOTE :
1. ALL DIMENSIONS ARE IN mm.
 2. ALL ELEVATIONS ARE VIEWED FROM OUTSIDE.
 3. ALL DIMENSIONS TO BE VERIFIED ON SITE BEFORE FABRICATION.

LEGEND :

- (X1) --- DETAIL MARK NO.
- (X001) --- REFER SHEET NO.
- 1. F.F.L. --- FINISHED FLOOR LEVEL
- 2. S.F.L. --- STRUCTURAL FLOOR LEVEL
- 3. (R) --- REVERSED DETAIL

4. GLASS LEGEND

- EGL-1 --- 8mmHS+12mm AIR GAP+10mmTP THK. I.G.U.
- EGL-2 --- 10mm THK. CLEAR TEMPERED GLASS
- EGL-4 --- 10mm THK. TEMPERED ACID ETCHED GLASS
- EGL-1A --- 8mmHS+12mm AIR GAP+8mmTP THK. I.G.U.
- EGL-1B --- 8mmHS+12mm AIR GAP+10mmTP ACID-ETCHED THK. I.G.U.

NO.	DATE	REVISION	REVISION SUBJECT TO ARCH-COMMENT	BY
D	06/07/2022	REVISION SUBJECT TO ARCH-COMMENT		lwn
C	17/12/2021	REVISION SUBJECT TO ARCH-COMMENT		lwn
B	29/11/2021	REVISION SUBJECT TO ARCH-COMMENT		lwn
A	03/11/2021	REVISION SUBJECT TO ARCH-COMMENT		lwn

JOB NO. : J-856

PROJECT : PROPOSED DEVELOPMENT ABOVE LIGHT RAIL TIN WING STOP-TSWTL NO.23,AREA 33,TIN SHUI WAI, N.T.

TITLE : WINDOW SCHEDULE FOR TOWER 1 ALUM. WINDOW

DATE : 02-Aug-21

SCALE : 1:40

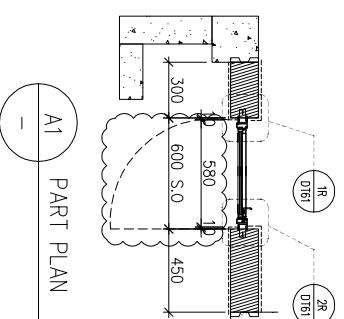
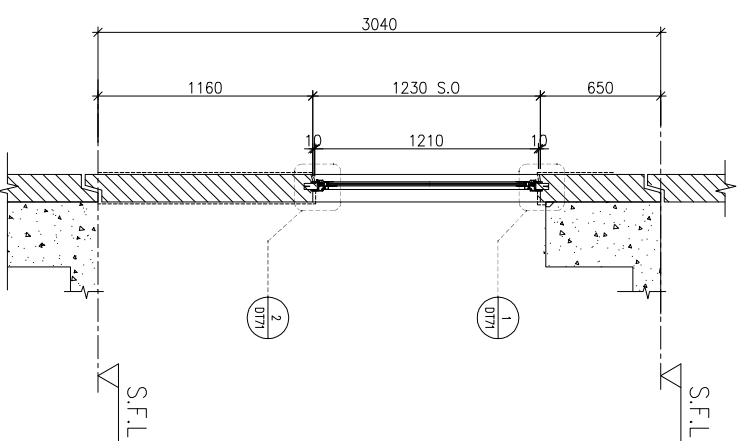
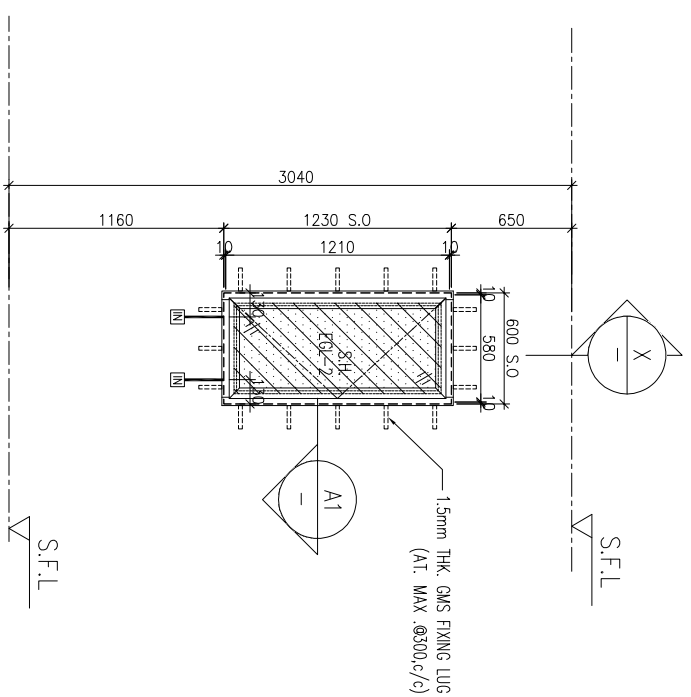
DRAWN BY : lwn

CHECKED BY :

美特鋁質有限公司
MIDI ALUMINUM FABRICATOR LTD.
Units 6-8, Sunray Industrial Centre, 1/F
610 Cho Kwai Ling Road, Kwai Tsou
Tel:23489211-4 Fax:(852)2727666

DWG NO. : J856-SD-PW-5107 REV. : D

PROVIDED	REQUIRE
OPENABLE AREA 0.549	OPENABLE AREA 0.456
GLAZING AREA	GLAZING AREA



ELEVATION

WINDOW MARK	AW 0687
LOCATION	3/F-42/F(4/F,13/F,14/F,24/F,34/F OMITTED) UNIT B3
SECTION	50mm ALUM. SECTION
GLAZING	EGL-2
QUANTITY	35 Nos
REMARKS	FAÇADE(TYPE 1)FOR 3/F~42/F)

B.D. REF :

CLIENT :

SUN HUNG KAI
REAL ESTATE AGENCY LTD.

42/F SUN HUNG KAI CENTRE, WANCHAI, HONGKONG

ARCHITECT :

lwk&partners
a f c h i l e o i s

MAIN CONTRACTOR :

怡輝建築有限公司
Yee Fai Building Contractors Ltd.

STRUCTURAL ENGINEER :

ARUP

FAÇADE CONSULTANT:

ALPHA CONSULTING LIMITED
Steel Structure & Façade Specialist

- NOTE :
1. ALL DIMENSIONS ARE IN mm.
 2. ALL ELEVATIONS ARE VIEWED FROM OUTSIDE.
 3. ALL DIMENSIONS TO BE VERIFIED ON SITE BEFORE FABRICATION.

LEGEND :

(X1) --- DETAIL MARK NO.
(X001) --- REFER SHEET NO.

1. F.F.L. --- FINISHED FLOOR LEVEL
2. S.F.L. --- STRUCTURAL FLOOR LEVEL
3. (R) --- REVERSED DETAIL

4. GLASS LEGEND

- EGL-1--8mmHS+12mm AIR GAP+10mmTP THK. I.G.U.
EGL-2--10mm THK. CLEAR TEMPERED GLASS
EGL-4--10mm THK. TEMPERED ACID ETCHED GLASS
EGL-1A-8mmHS+12mm AIR GAP+8mmTP THK. I.G.U.
EGL-1B-8mmHS+12mm AIR GAP+10mmTP ACID-ETCHED THK. I.G.U.

NO.	DATE	REVISION	BY
D	06/07/2022	REVISION SUBJECT TO ARCH-COMMENT	hwn
C	17/12/2021	REVISION SUBJECT TO ARCH-COMMENT	hwn
B	29/11/2021	REVISION SUBJECT TO ARCH-COMMENT	hwn
A	03/11/2021	REVISION SUBJECT TO ARCH-COMMENT	hwn

JOB NO. : J-856

PROJECT :

PROPOSED DEVELOPMENT ABOVE
LIGHT RAIL TIN WING STOP-TSWTL
NO.23,AREA 33,TIN SHUI WAI, N.T.

TITLE :

WINDOW SCHEDULE FOR
TOWER 1 ALUM. WINDOW

DATE : 02-Aug-21 SCALE : 1:40

DRAWN BY : Ivn

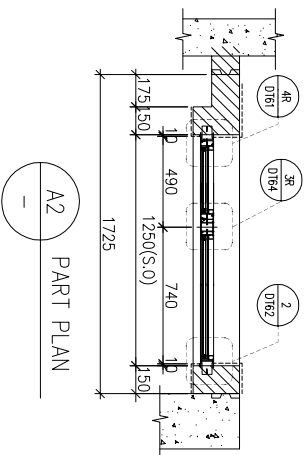
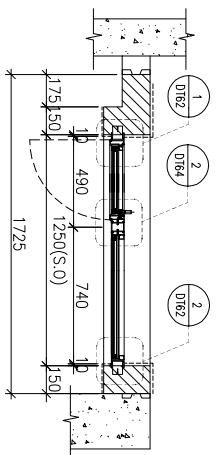
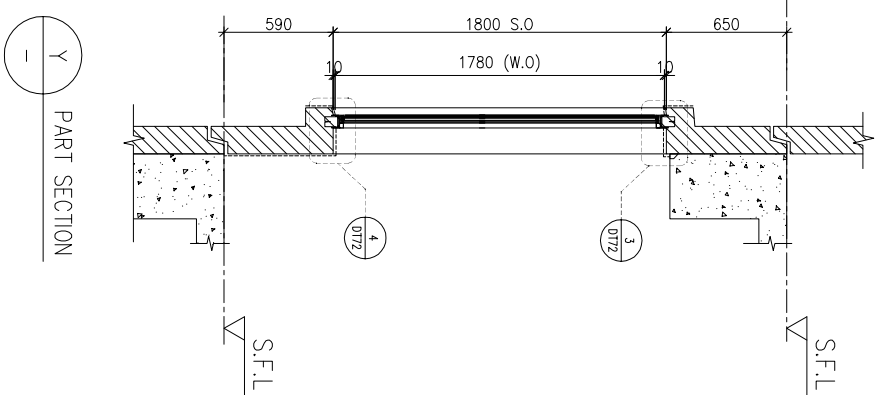
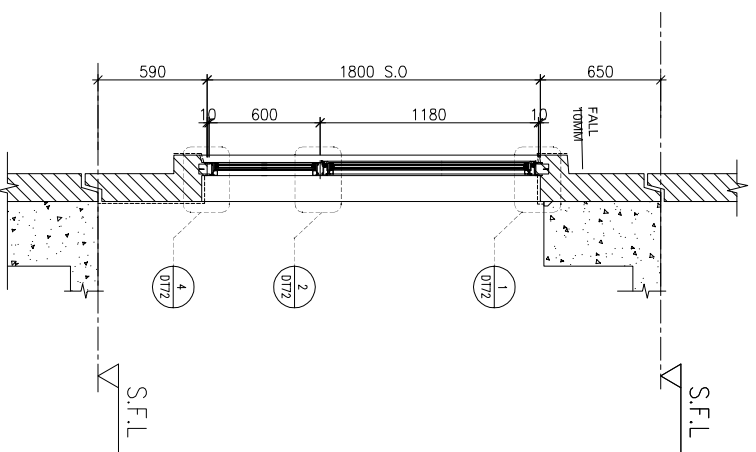
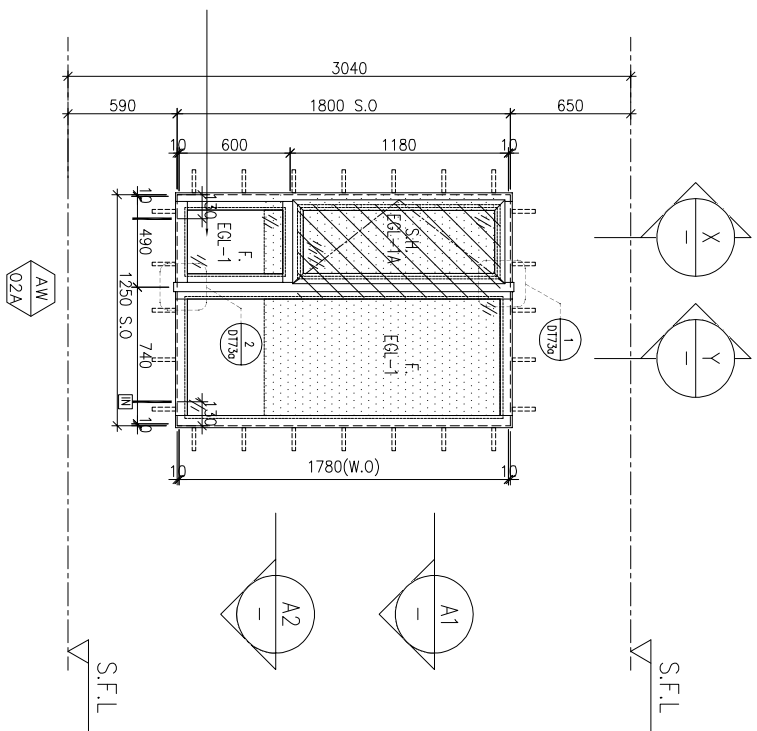
CHECKED BY :

美特鋁質有限公司
MIDI ALUMINIUM FABRICATOR LTD.

Units 6-8, Sunray Industrial Centre, 1/F
610 Cho Kwai Ling Road, Kwai Moon
Tel:23489211-4 Fax:(852)2727666

DWG NO. : J856-SD-PW-5108 REV. : D

PROVIDED	REQUIRED
OPENABLE AREA 0.439	GLAZING AREA 1.19
	OPENABLE AREA
	GLAZING AREA



WINDOW MARK	AW 02a	AW 02a
LOCATION	5/F-42/F(4/F,13/F,14/F,24/F,34/F OMITTED) UNIT B7	3/F UNIT B7, 3/F UNIT B6
SECTION	70mm ALUM. SECTION	70mm ALUM. SECTION
GLAZING	EGL-1,EGL-1A	EGL-1,EGL-1A
QUANTITY	34 Nos	1 No / 1 No
REMARKS	FAÇADE(TYPE T1PF05R FOR 5/F~42/F)	FAÇADE(TYPE T1PF05R/T1PF05 FOR 3/F)

B.D. REF :

CLIENT :

SUN HUNG KAI
REAL ESTATE AGENCY LTD.
42/F SUN HUNG KAI CENTRE, WANCHAI, HONGKONG

ARCHITECT :

lwk&partners
a r c h i t e c t s

MAIN CONTRACTOR :

怡輝建築有限公司
Yee Fai Building Contractors Ltd.

STRUCTURAL ENGINEER :

ARUP

FAÇADE CONSULTANT:

ALPHA CONSULTING LIMITED
Steel Structure & Façade Specialist

NOTE :

1. ALL DIMENSIONS ARE IN mm.
2. ALL ELEVATIONS ARE VIEWED FROM OUTSIDE.
3. ALL DIMENSIONS TO BE VERIFIED ON SITE BEFORE FABRICATION.

LEGEND :

- (X1) --- DETAIL MARK NO.
- (X001) --- REFER SHEET NO.

1. F.F.L. --- FINISHED FLOOR LEVEL
2. S.F.L. --- STRUCTURAL FLOOR LEVEL
3. (R) --- REVERSED DETAIL

4. GLASS LEGEND

- EGL-1 --- 8mmHS+12mm AIR GAP+10mmTP THK. I.G.U.
- EGL-2 --- 10mm THK. CLEAR TEMPERED GLASS
- EGL-4 --- 10mm THK. TEMPERED ACID ETCHED GLASS
- EGL-1A --- 8mmHS+12mm AIR GAP+8mmTP THK. I.G.U.
- EGL-1B --- 8mmHS+12mm AIR GAP+10mmTP ACID-ETCHED THK. I.G.U.

NO.	DATE	REVISION	REVISION SUBJECT TO ARCH-COMMENT	BY
E	06/07/2022	REVISION SUBJECT TO ARCH-COMMENT	None	None
D	17/12/2021	REVISION SUBJECT TO ARCH-COMMENT	None	None
C	29/11/2021	REVISION SUBJECT TO ARCH-COMMENT	None	None
B	03/11/2021	REVISION SUBJECT TO ARCH-COMMENT	None	None
A	12/10/2021	REVISION SUBJECT TO ARCH-COMMENT	None	None

JOB NO. : J-856

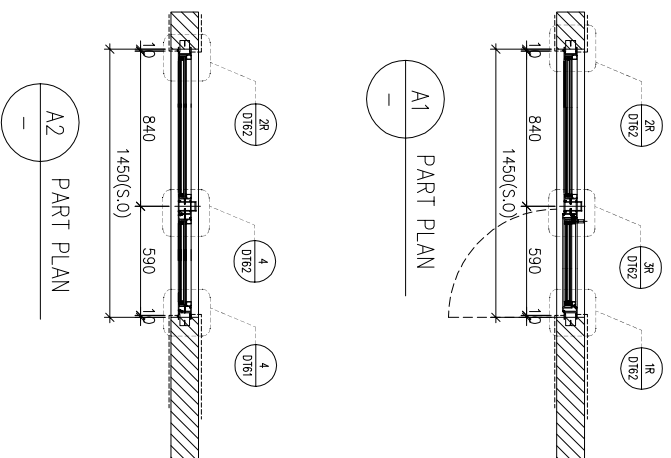
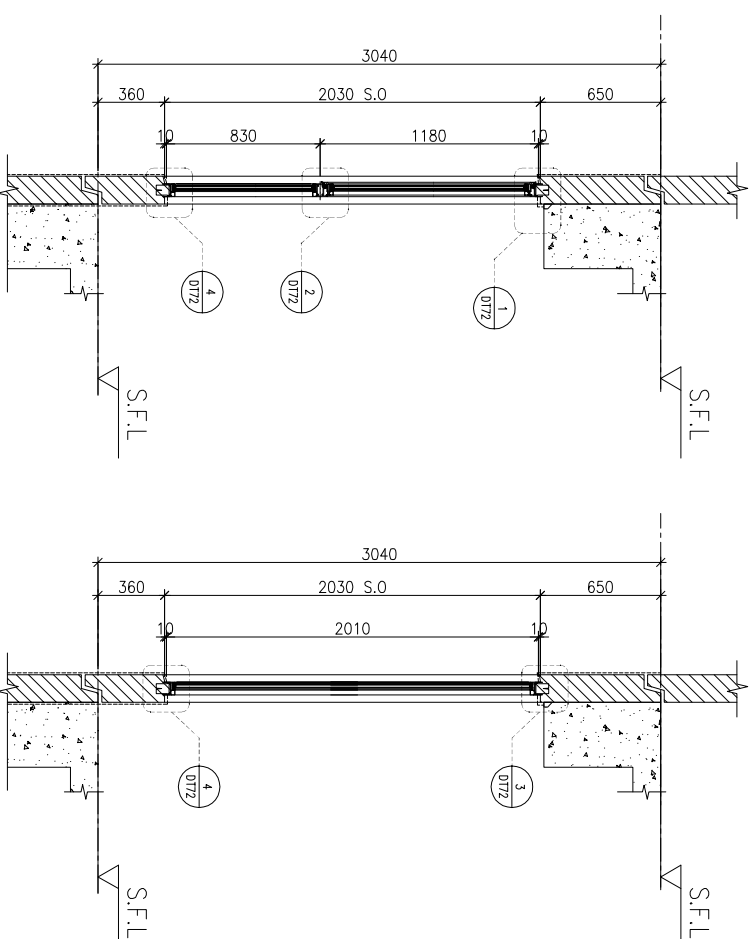
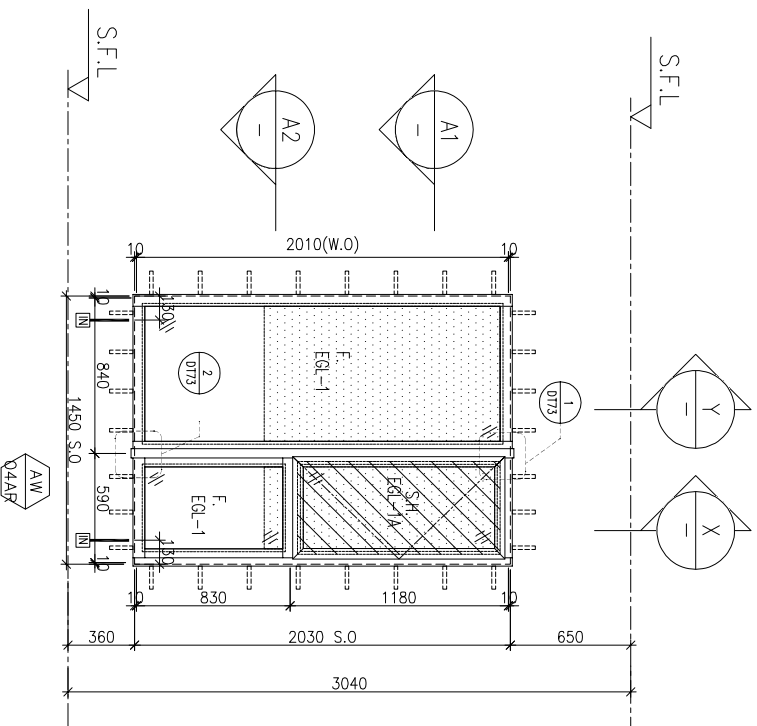
PROJECT : PROPOSED DEVELOPMENT ABOVE LIGHT RAIL TIN WING STOP-TSWTL NO.23,AREA 33,TIN SHUI WAI, N.T.

TITLE : WINDOW SCHEDULE FOR TOWER 1 ALUM. WINDOW

DATE : 02-Aug-21 SCALE : 1:40
DRAWN BY : Ivan CHECKED BY :

美特鋁質有限公司
MIDI ALUMINUM FABRICATOR LTD.
Units 6-8, Sunray Industrial Centre, 1/F
610 Cho Kwai Ling Road, Kwai Tsou
Tel:23489211-4 Fax:(852)2727666
DWG NO. : J856-SD-PW-5109 REV. : E

PROVIDED	REQUIRE
OPENABLE AREA 0.548	GLAZING AREA 1.431
	OPENABLE AREA GLAZING AREA



ELEVATION

WINDOW MARK	AW 044A
LOCATION	3/F-42/F(4/F,13/F,14/F,24/F,34/F OMITTED) UNIT B7
SECTION	70mm ALUM. SECTION
GLAZING	EGL-1, EGL-1A
QUANTITY	35 Nos
REMARKS	FAÇADE TYPE T1P03R FOR 3/F-42/F

B.D. REF :

CLIENT :

SUN HUNG KAI
REAL ESTATE AGENCY LTD.

42/F, SUN HUNG KAI CENTRE, WANCHAI, HONGKONG

ARCHITECT :

lwk&partners
a r c h i t e c t s

MAIN CONTRACTOR :

怡輝建築有限公司
Yee Fai Building Contractors Ltd.

STRUCTURAL ENGINEER :

ARUP

FAÇADE CONSULTANT :

ALPHA CONSULTING LIMITED
Steel Structure & Façade Specialist

NOTE :

1. ALL DIMENSIONS ARE IN mm.
2. ALL ELEVATIONS ARE VIEWED FROM OUTSIDE.
3. ALL DIMENSIONS TO BE VERIFIED ON SITE BEFORE FABRICATION.

LEGEND :

(X1) --- DETAIL MARK NO.
(X001) --- REFER SHEET NO.

1. F.F.L. --- FINISHED FLOOR LEVEL
2. S.F.L. --- STRUCTURAL FLOOR LEVEL
3. (R) --- REVERSED DETAIL

4. GLASS LEGEND

EGL-1 --- 8mmHS+12mm AIR GAP+10mmTP THK. I.G.U.
EGL-2 --- 10mm THK. CLEAR TEMPERED GLASS
EGL-4 --- 10mm THK. TEMPERED ACID ETCHED GLASS
EGL-1A --- 8mmHS+12mm AIR GAP+8mmTP THK. I.G.U.
EGL-1B --- 8mmHS+12mm AIR GAP+10mmTP ACID-ETCHED THK. I.G.U.

NO.	DATE	REVISION	REVISION SUBJECT TO ARCH-COMMENT	BY
E	06/07/2022	REVISION SUBJECT TO ARCH-COMMENT	None	None
D	17/12/2021	REVISION SUBJECT TO ARCH-COMMENT	None	None
C	29/11/2021	REVISION SUBJECT TO ARCH-COMMENT	None	None
B	03/11/2021	REVISION SUBJECT TO ARCH-COMMENT	None	None
A	12/10/2021	REVISION SUBJECT TO ARCH-COMMENT	None	None

JOB NO. : J-856

PROJECT :

PROPOSED DEVELOPMENT ABOVE
LIGHT RAIL TIN WING STOP-TSWTL
NO.23, AREA 33, TIN SHUI WAI, N.T.

TITLE :

WINDOW SCHEDULE FOR
TOWER 1 ALUM. WINDOW

DATE : 02-Aug-21 SCALE : 1:40

DRAWN BY : Ivan

CHECKED BY :

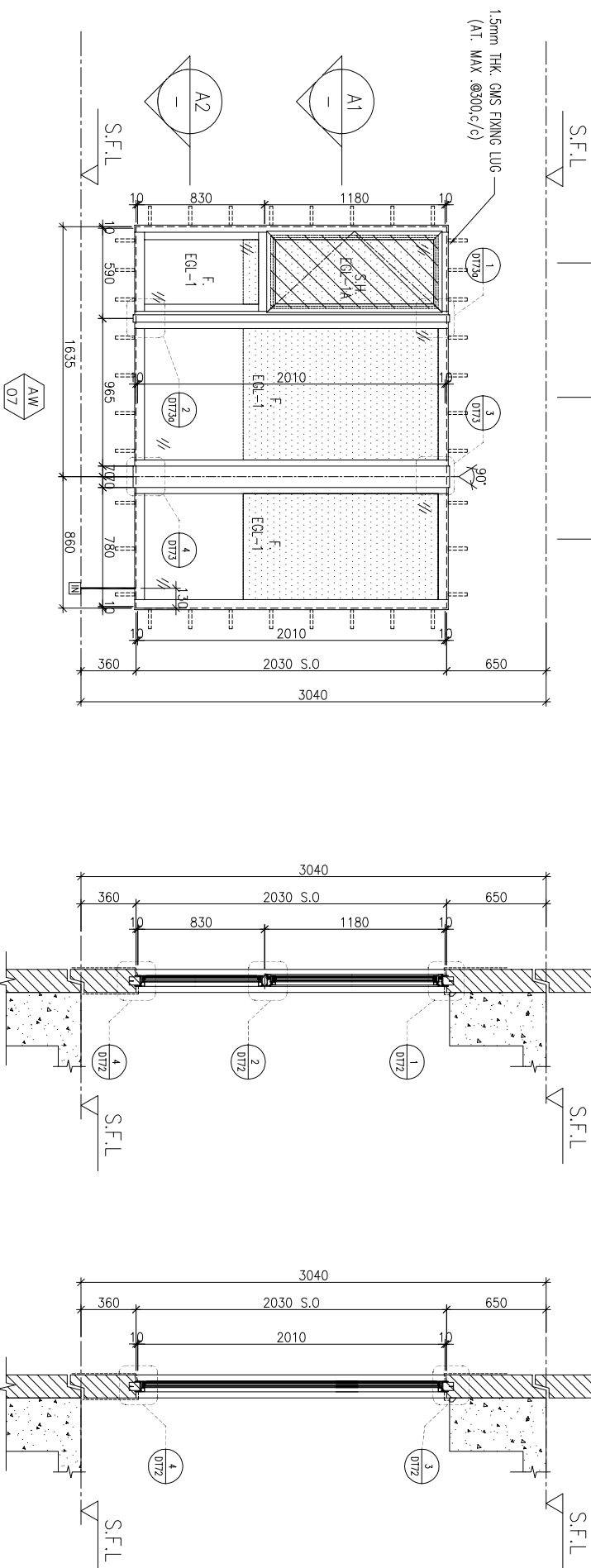
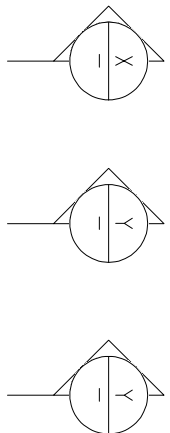
美特鋁質有限公司
MIDI ALUMINUM FABRICATOR LTD.

Units 6-8, Sunray Industrial Centre, 1/F
610 Cho Kwai Ling Road, Kwai Tsing
Tel: 23489211-4 Fax: (852) 2727666

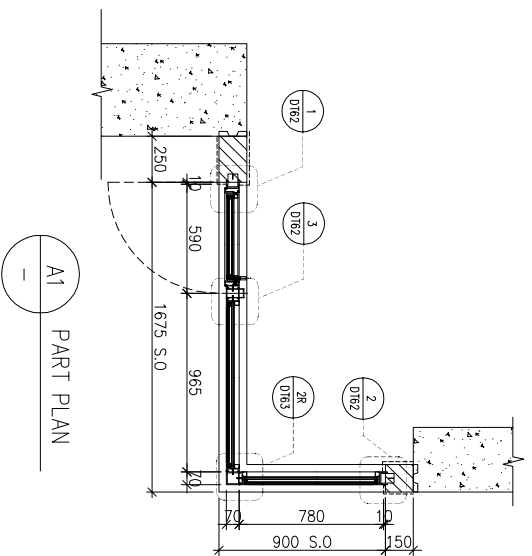
DWG NO. : J856-SD-PW-5110 REV. : E

PROVIDED	GLAZING AREA	OPENABLE AREA	GLAZING AREA
0.525	2.459		

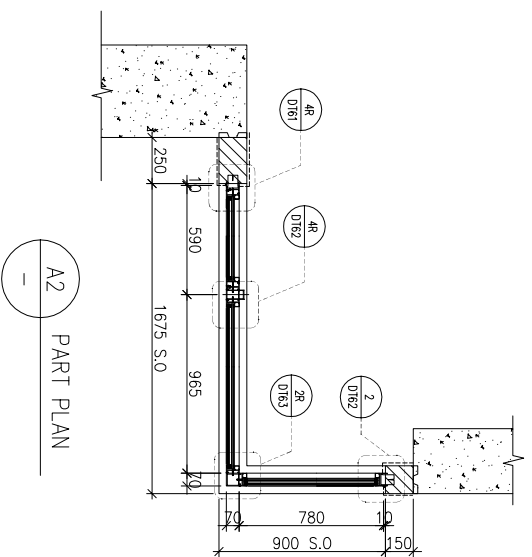
REQUIRED



ELEVATION



A1 PART PLAN



A2 PART PLAN

X PART SECTION

Y PART SECTION

WINDOW MARK	AW 07
LOCATION	3/F-42/F(4/F,13/F,14/F,24/F,34/F OMITTED) UNIT B8
SECTION	70mm ALUM. SECTION
GLAZING	EGL-1, EGL-1A
QUANTITY	35 Nos
REMARKS	FAÇADE(TYPE T1PFS1) FOR 3/F-42/F)

B.D. REF :

CLIENT :

SUN HUNG KAI
REAL ESTATE AGENCY LTD.
42/F SUN HUNG KAI CENTRE, WANCHAI, HONGKONG

ARCHITECT :

lwk&partners
a r c h i t e c t s

MAIN CONTRACTOR :

怡輝建築有限公司
Yee Fai Building Contractors Ltd.

STRUCTURAL ENGINEER :

ARUP
ALPHA CONSULTING LIMITED
Steel Structure & Façade Specialist

FAÇADE CONSULTANT :

ARUP
ALPHA CONSULTING LIMITED
Steel Structure & Façade Specialist

- NOTE :
1. ALL DIMENSIONS ARE IN mm.
 2. ALL ELEVATIONS ARE VIEWED FROM OUTSIDE.
 3. ALL DIMENSIONS TO BE VERIFIED ON SITE BEFORE FABRICATION.

LEGEND :

(X1) — DETAIL MARK NO.
(X001) — REFER SHEET NO.

1. F.F.L. --- FINISHED FLOOR LEVEL
2. S.F.L. --- STRUCTURAL FLOOR LEVEL
3. (R) --- REVERSED DETAIL

4. GLASS LEGEND

EGL-1 --- 8mmHS+12mm AIR GAP+10mmTP THK. I.G.U.
EGL-2 --- 10mm THK. CLEAR TEMPERED GLASS
EGL-4 --- 10mm THK. TEMPERED ACID ETCHED GLASS
EGL-1A --- 8mmHS+12mm AIR GAP+8mmTP THK. I.G.U.
EGL-1B --- 8mmHS+12mm AIR GAP+10mmTP ACID-ETCHED THK. I.G.U.

NO.	DATE	REVISION	SUBJECT TO ARCH-COMMENT	BY
E	06/07/2022	REVISION SUBJECT TO ARCH-COMMENT	None	None
D	17/12/2021	REVISION SUBJECT TO ARCH-COMMENT	None	None
C	29/11/2021	REVISION SUBJECT TO ARCH-COMMENT	None	None
B	03/11/2021	REVISION SUBJECT TO ARCH-COMMENT	None	None
A	12/10/2021	REVISION SUBJECT TO ARCH-COMMENT	None	None

JOB NO. : J-856

PROJECT : PROPOSED DEVELOPMENT ABOVE LIGHT RAIL TIN WING STOP-TSWTL NO.23,AREA 33,TIN SHUI WAI, N.T.

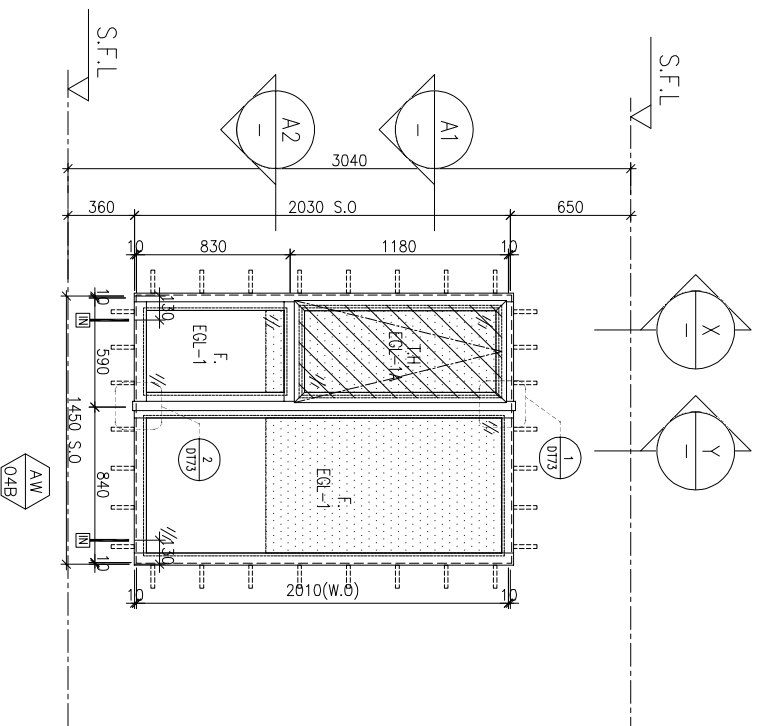
TITLE : WINDOW SCHEDULE FOR TOWER 1 ALUM. WINDOW

DATE : 02-Aug-21 SCALE : 1:40

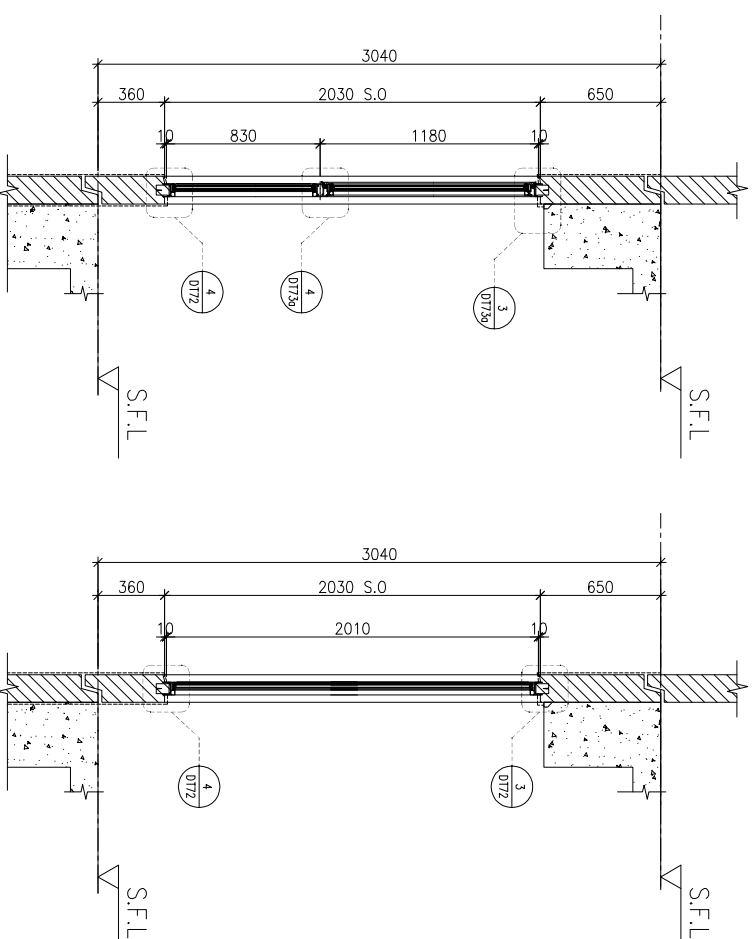
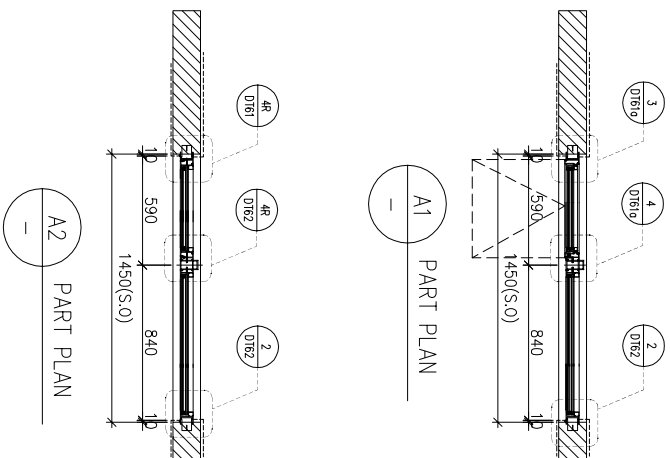
DRAWN BY : IYVN CHECKED BY :

美特鋁質有限公司
MIDI ALUMINIUM FABRICATOR LTD.
Units 6-8, Sunray Industrial Centre, 1/F
610 Cho Kwai Ling Road, Kwai Tsoum
Tel:23489211-4 Fax:(852)2727666
DWG NO. : J856-SD-PW-5111 REV. : E

PROVIDED	REQUIRED
OPENABLE AREA 0.548	GLAZING AREA 1.431
	OPENABLE AREA
	GLAZING AREA



ELEVATION



WINDOW MARK	AW 04B
LOCATION	3/F-42/F(4/F,13/F,14/F,24/F,34/F OMITTED) UNIT A5, A6, A7, B6
SECTION	70mm ALUM. SECTION
GLAZING	EGL-1, EGL-1A
QUANTITY	35 Nos / 35 Nos / 35 Nos / 35 Nos
REMARKS	

B.D. REF :

CLIENT :

SUN HUNG KAI
REAL ESTATE AGENCY LTD.
42/F, SUN HUNG KAI CENTRE, WANCHAI, HONGKONG

ARCHITECT :

lwk&partners
a r c h i t e c t s

MAIN CONTRACTOR :

怡輝建築有限公司
Yee Fai Building Contractors Ltd.

STRUCTURAL ENGINEER :

ARUP

FAÇADE CONSULTANT :

ALPHA CONSULTING LIMITED
Steel Structure & Façade Specialist

NOTE :

1. ALL DIMENSIONS ARE IN mm.
2. ALL ELEVATIONS ARE VIEWED FROM OUTSIDE.
3. ALL DIMENSIONS TO BE VERIFIED ON SITE BEFORE FABRICATION.

LEGEND :

- (X1) --- DETAIL MARK NO.
- (X001) --- REFER SHEET NO.
- 1. F.F.L. --- FINISHED FLOOR LEVEL
- 2. S.F.L. --- STRUCTURAL FLOOR LEVEL
- 3. (R) --- REVERSED DETAIL
- 4. GLASS LEGEND

- EGL-1 --- 8mmHS+12mm AIR GAP+10mmTP THK. I.G.U.
- EGL-2 --- 10mm THK. CLEAR TEMPERED GLASS
- EGL-4 --- 10mm THK. TEMPERED ACID ETCHED GLASS
- EGL-1A --- 8mmHS+12mm AIR GAP+8mmTP THK. I.G.U.
- EGL-1B --- 8mmHS+12mm AIR GAP+10mmTP THK. I.G.U.

NO.	DATE	REVISION	SUBJECT TO ARCH-COMMENT	BY
C	06/07/2022	REVISION SUBJECT TO ARCH-COMMENT		hwn
B	21/12/2021	REVISION SUBJECT TO ARCH-COMMENT		hwn
A	12/10/2021	REVISION SUBJECT TO ARCH-COMMENT		hwn

JOB NO. : J-856

PROJECT : PROPOSED DEVELOPMENT ABOVE LIGHT RAIL TIN WING STOP-TSWTL NO.23,AREA 33,TIN SHUI WAI, N.T.

TITLE : WINDOW SCHEDULE FOR TOWER 1 ALUM. WINDOW

DATE : 02-Aug-21 SCALE : 1:40

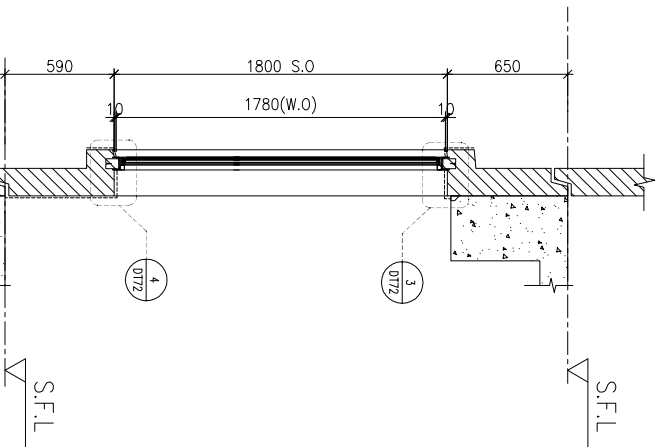
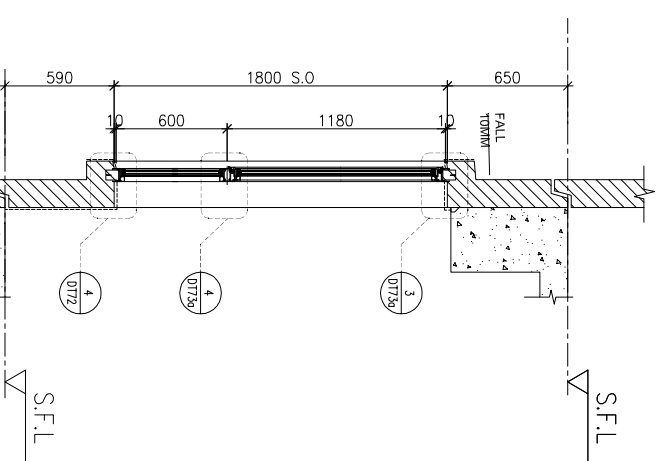
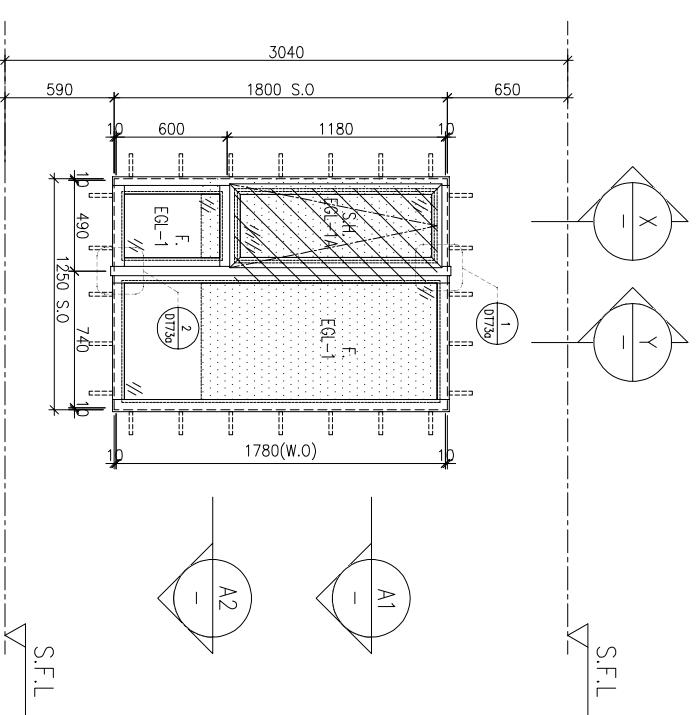
DRAWN BY : Ivan CHECKED BY :

美特鋁質有限公司
MIDI ALUMINIUM FABRICATOR LTD.
Units 6-8, Sunray Industrial Centre, 1/F
610 Cho Kwai Ling Road, Kowloon
Tel:23489211-4 Fax:(852)2727666
DWG NO. : J856-SD-PW-5112 REV. : C

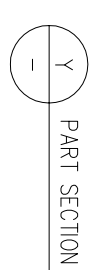
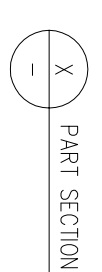
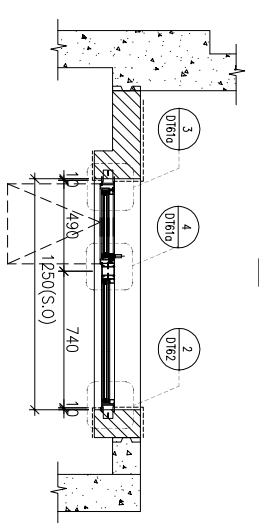
PROVIDED	OPENABLE AREA	GLAZING AREA	OPENABLE AREA	GLAZING AREA
	0.439	1.19		

B.D. REF : _____

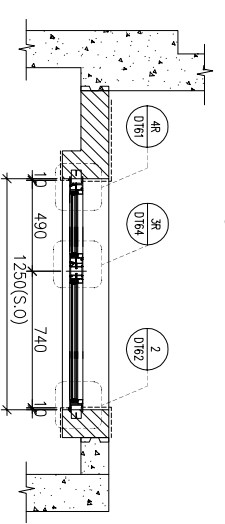
REQUIRED	OPENABLE AREA	GLAZING AREA
----------	---------------	--------------



ELEVATION



A1
PART PLAN



A2
PART PLAN

WINDOW MARK	AM 02B	AM 02GP
LOCATION	3/F-42/F(4/F,13/F,14/F,24/F,34/F OMITTED) UNIT A5, A7, B6	3/F-42/F(4/F,13/F,14/F,24/F,34/F OMITTED) UNIT A8
SECTION	70mm ALUM. SECTION	70mm ALUM. SECTION
GLAZING	EGL-1, EGL-1A	EGL-1, EGL-1A
QUANTITY	35 Nos / 35 Nos / 35 Nos / 35 Nos	35 Nos / 35 Nos
REMARKS		

CLIENT :



ARCHITECT :



MAIN CONTRACTOR :



STRUCTURAL ENGINEER :



FAÇADE CONSULTANT :



- NOTE :
1. ALL DIMENSIONS ARE IN mm.
 2. ALL ELEVATIONS ARE VIEWED FROM OUTSIDE.
 3. ALL DIMENSIONS TO BE VERIFIED ON SITE BEFORE FABRICATION.

- LEGEND :
- (X1) --- DETAIL MARK NO.
 - (X001) --- REFER SHEET NO.

1. F.F.L. --- FINISHED FLOOR LEVEL
 2. S.F.L. --- STRUCTURAL FLOOR LEVEL
 3. (R) --- REVERSED DETAIL
 4. GLASS LEGEND
- EGL-1--8mmHS+12mm AR GAP+10mmTP THK. I.G.U.
EGL-2--10mm THK. CLEAR TEMPERED GLASS
EGL-4--10mm THK. TEMPERED ACID ETCHED GLASS
EGL-1A-8mmHS+12mm AR GAP+8mmTP THK. I.G.U.
EGL-1B-8mmHS+12mm AR GAP+10mmTP ACID-ETCHED THK. I.G.U.

TITLE : WINDOW SCHEDULE FOR TOWER 1 ALUM. WINDOW

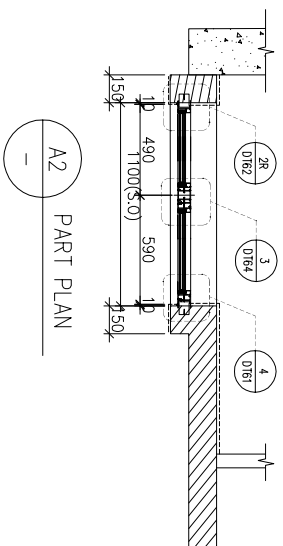
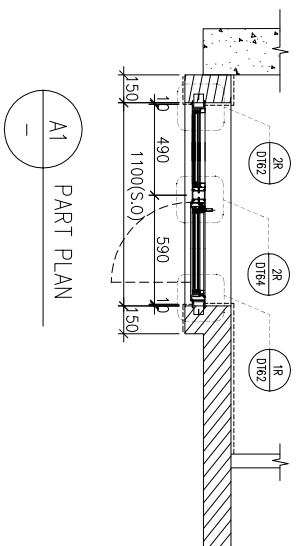
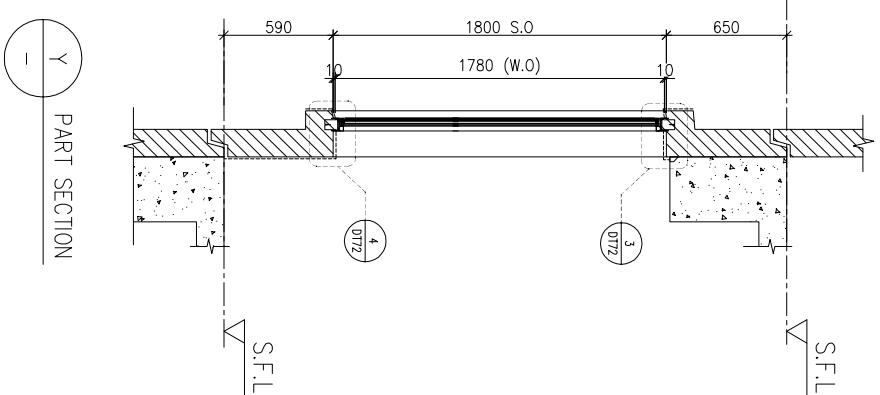
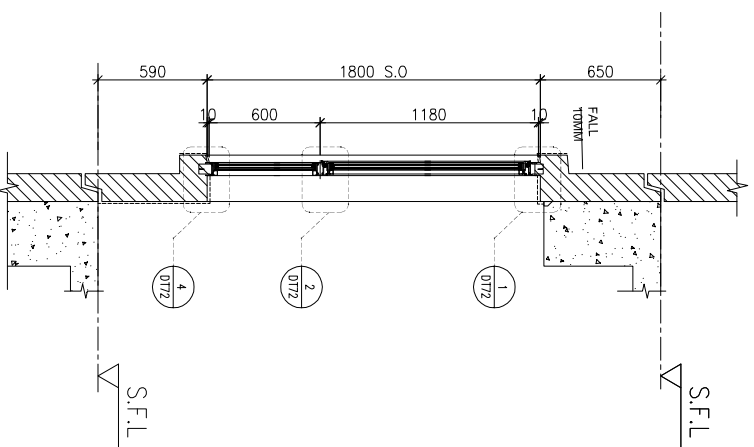
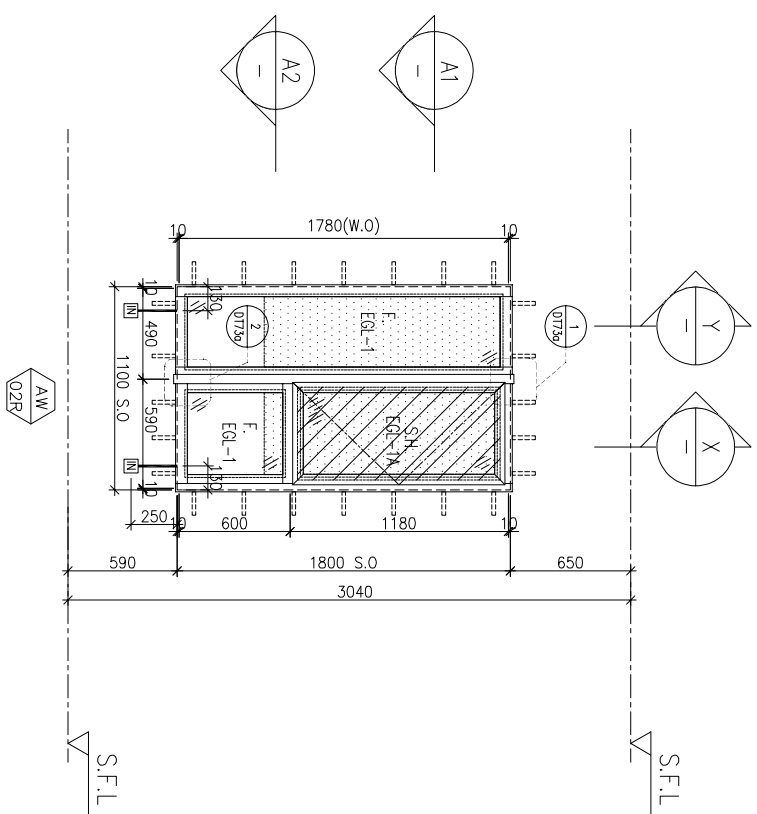
DATE : 06-Jul-22 SCALE : 1:40

DRAWN BY : Ivan CHECKED BY :

PROJECT : PROPOSED DEVELOPMENT ABOVE LIGHT RAIL TIN WING STOP/TSWTL NO.23,AREA 33,TIN SHUI WAI, N.T.

UNITA 8
美特铝质有限公司
MIDI ALUMINIUM FABRICATOR LTD.
Units 6-8, Sunray Industrial Centre, 1/F
610 Cho Kwo Ling Road, Kowloon
Tel:23489211-4 Fax:(852)2727666
DWG NO. : J856-SD-PW-5113 REV : -

PROVIDED	REQUIRE
OPENABLE AREA 0.548	OPENABLE AREA
GLAZING AREA 0.985	GLAZING AREA



FACADE CODE		
LWK	鴻輝	UNIT
PF-01R	T2PF-10	A1

WINDOW MARK	AW 02R
LOCATION	3/F-42/F(4/F,13/F,14/F,24/F,34/F OMITTED) UNIT A1
SECTION	70mm ALUM. SECTION
GLAZING	EGL-1,EGL-1A
QUANTITY	35 Nos.
REMARKS	FACADE(TYPE T2PF01R FOR 3/F~42/F)

B.D. REF :

CLIENT :

SUN HUNG KAI
REAL ESTATE AGENCY LTD.
42/F SUN HUNG KAI CENTRE, WANCHAI, HONGKONG

ARCHITECT :
lwk&partners
a r c h i t e c t s

MAIN CONTRACTOR :
怡輝建築有限公司
Yee Fai Building Contractors Ltd.

STRUCTURAL ENGINEER :
ARUP

FACADE CONSULTANT:
ALPHA CONSULTING LIMITED
Steel Structure & Façade Specialist

NOTE:
1. ALL DIMENSIONS ARE IN mm.
2. ALL ELEVATIONS ARE VIEWED FROM OUTSIDE.
3. ALL DIMENSIONS TO BE VERIFIED ON SITE BEFORE FABRICATION.
LEGEND:
X1 --- DETAIL MARK NO.
X001 --- REFER SHEET NO.

1. F.F.L. --- FINISHED FLOOR LEVEL
2. S.F.L. --- STRUCTURAL FLOOR LEVEL
3. (R) --- REVERSED DETAIL
4. GLASS LEGEND
EGL-1 --- 8mmHS+12mm AIR GAP+10mmTP THK. I.G.U.
EGL-2 --- 10mm THK. CLEAR TEMPERED GLASS
EGL-4 --- 10mm THK. TEMPERED ACID ETCHED GLASS
EGL-1A --- 8mmHS+12mm AIR GAP+8mmTP THK. I.G.U.
EGL-1B --- 8mmHS+12mm AIR GAP+10mmTP ACID-ETCHED THK. I.G.U.

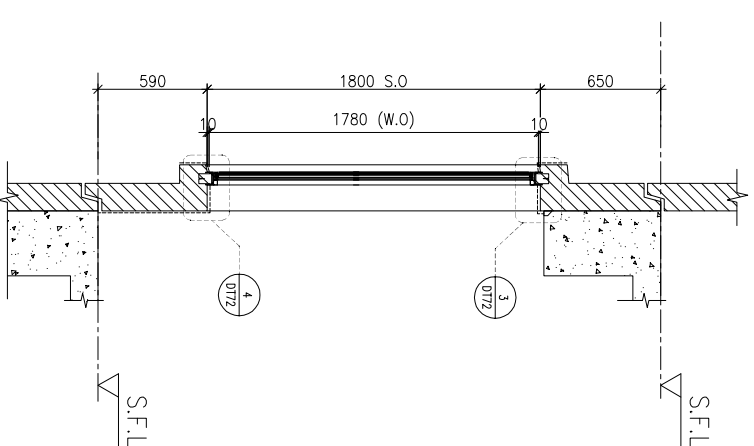
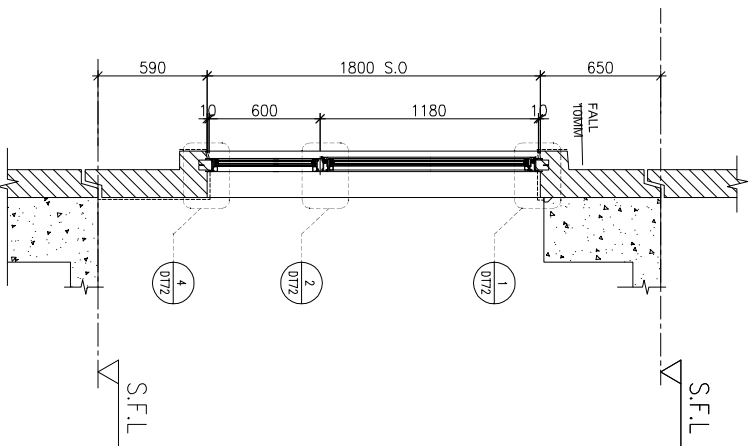
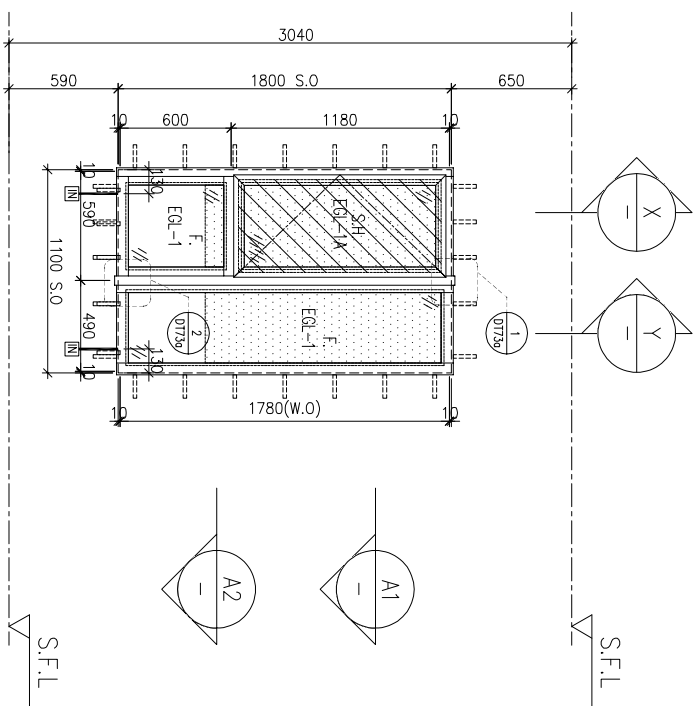
NO.	DATE	REVISION	SUBJECT TO ARCH-COMMENT	BY
F	18/05/2022	REVISION	SUBJECT TO ARCH-COMMENT	lwk
E	09/04/2022	REVISION	SUBJECT TO ARCH-COMMENT	lwk
D	17/12/2021	REVISION	SUBJECT TO ARCH-COMMENT	lwk
C	29/11/2021	REVISION	SUBJECT TO ARCH-COMMENT	lwk
B	03/11/2021	REVISION	SUBJECT TO ARCH-COMMENT	lwk
A	12/10/2021	REVISION	SUBJECT TO ARCH-COMMENT	lwk

JOB NO. : J-856
PROJECT : PROPOSED DEVELOPMENT ABOVE LIGHT RAIL TIN WING STOP-TSMTL NO.23,AREA 33,TIN SHUI WAI, N.T.

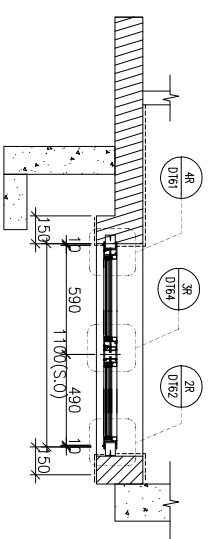
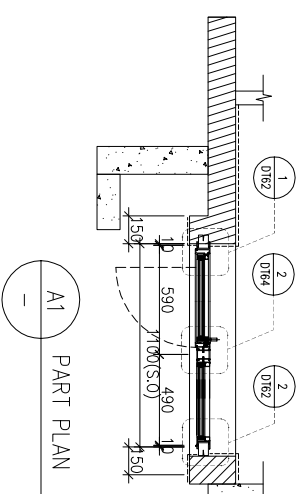
TITLE : WINDOW SCHEDULE FOR TOWER 2 ALUM. WINDOW
DATE : 02-Aug-21
SCALE : 1:40
DRAWN BY : IYON
CHECKED BY :

美特鋁質有限公司
MIDI ALUMINIUM FABRICATOR LTD.
Units 6-8, Sunray Industrial Centre, 1/F
610 Cho Kwai Ling Road, Kowloon
Tel:23489211-4 Fax:(852)2727666
DWG NO. : J856-SD-PW-5201 REV : F

PROVIDED	REQUIRE
OPENABLE AREA 0.548	OPENABLE AREA
GLAZING AREA 0.985	GLAZING AREA



ELEVATION



FACADE CODE	
LWK	鴻輝 UNIT
PF-02	T2PF-09 A2
PF-02R	T2PF-18 A5

WINDOW MARK	LOCATION	SECTION	GLAZING	QUANTITY	REMARKS
AW 02R	3/F~42/F(4/F,13/F,14/F,24/F,34/F OMITTED)	70mm ALUM. SECTION	EGL-1,EGL-1A	35 Nos.	FACADE(TYPE T2PF02 FOR 3/F~42/F)
AW 02R	3/F~42/F(4/F,13/F,14/F,24/F,34/F OMITTED)	70mm ALUM. SECTION	EGL-1,EGL-1A	35 Nos.	FACADE(TYPE T2PF02R FOR 3/F~42/F)

B.D. REF :

CLIENT :

SUN HUNG KAI
REAL ESTATE AGENCY LTD.
42/F, SUN HUNG KAI CENTRE, WANCHAI, HONGKONG

ARCHITECT :

lwk&partners
a r c h i t e c t s

MAIN CONTRACTOR :

怡輝建築有限公司
Yee Fai Building Contractors Ltd.

STRUCTURAL ENGINEER :

ARUP

FACADE CONSULTANT :

ALPHA CONSULTING LIMITED
Steel Structure & Façade Specialist

- NOTE :
1. ALL DIMENSIONS ARE IN mm.
 2. ALL ELEVATIONS ARE VIEWED FROM OUTSIDE.
 3. ALL DIMENSIONS TO BE VERIFIED ON SITE BEFORE FABRICATION.

LEGEND :

(X1) --- DETAIL MARK NO.
(X001) --- REFER SHEET NO.

1. F.F.L. --- FINISHED FLOOR LEVEL
2. S.F.L. --- STRUCTURAL FLOOR LEVEL
3. (R) --- REVERSED DETAIL

4. GLASS LEGEND

- EGL-1 --- 8mmHS+12mm AIR GAP+10mmTP THK. I.G.U.
EGL-2 --- 10mm THK. CLEAR TEMPERED GLASS
EGL-4 --- 10mm THK. TEMPERED ACID ETCHED GLASS
EGL-1A --- 8mmHS+12mm AIR GAP+8mmTP THK. I.G.U.
EGL-1B --- 8mmHS+12mm AIR GAP+10mmTP ADID-ETCHED THK. I.G.U.

NO.	DATE	REVISION	REVISION SUBJECT TO ARCH-COMMENT	BY
E	18/05/2022	REVISION SUBJECT TO ARCH-COMMENT	None	None
D	08/04/2022	REVISION SUBJECT TO ARCH-COMMENT	None	None
C	17/12/2021	REVISION SUBJECT TO ARCH-COMMENT	None	None
B	29/11/2021	REVISION SUBJECT TO ARCH-COMMENT	None	None
A	03/11/2021	REVISION SUBJECT TO ARCH-COMMENT	None	None

JOB NO. : J-856

PROJECT : PROPOSED DEVELOPMENT ABOVE LIGHT RAIL TIN WING STOP-TSWTL NO.23,AREA 33,TIN SHUI WAI, N.T.

TITLE : WINDOW SCHEDULE FOR TOWER 2 ALUM. WINDOW

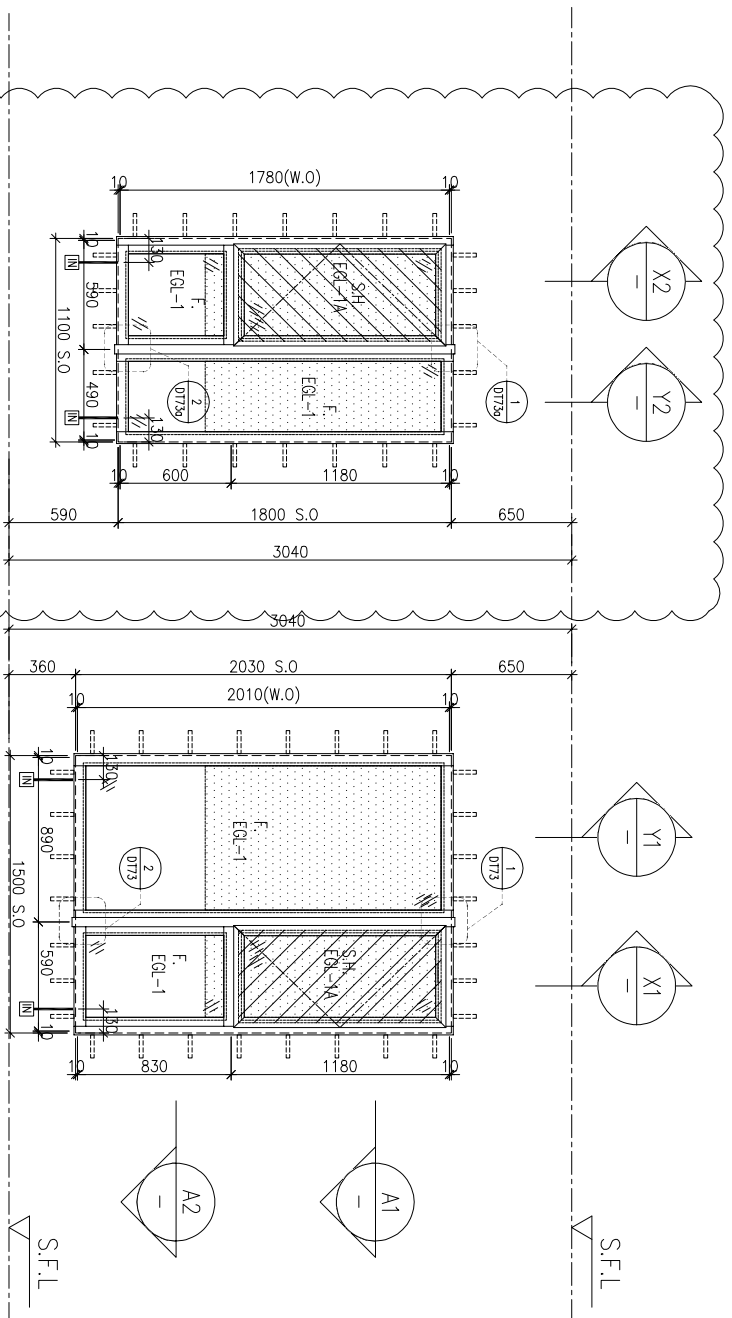
DATE : 02-Aug-21 SCALE : 1:40

DRAWN BY : Ivan CHECKED BY :

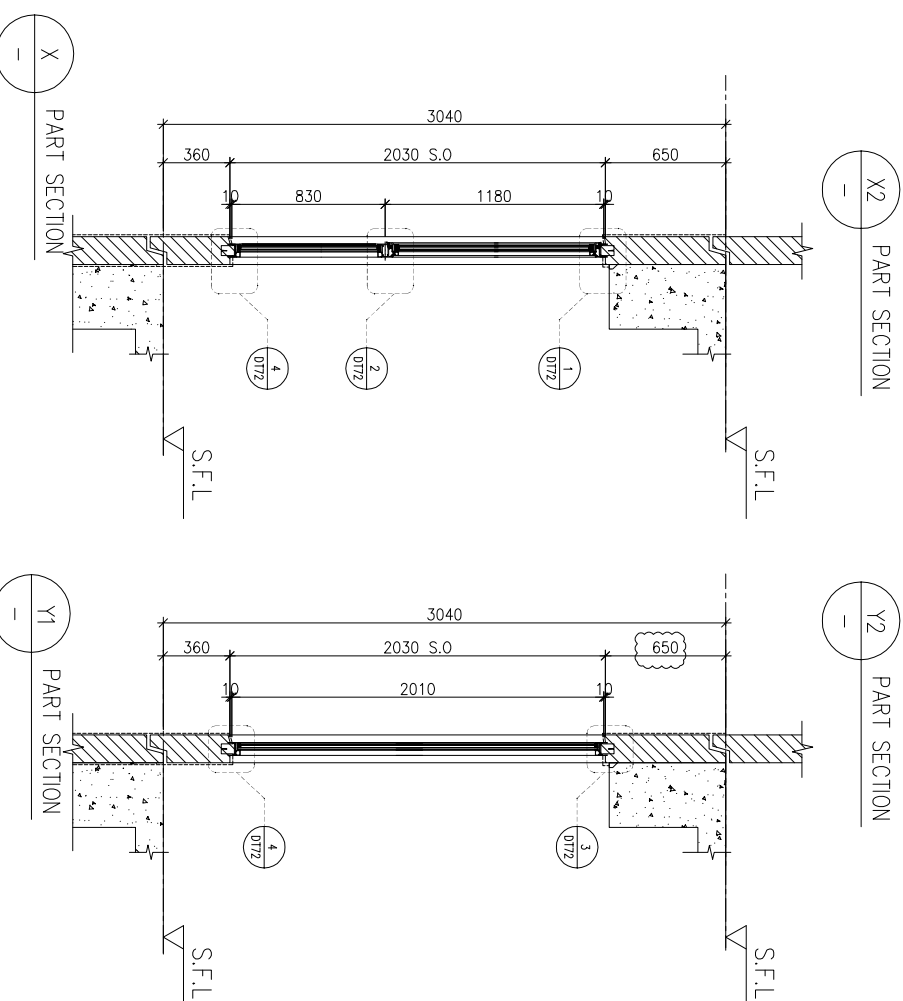
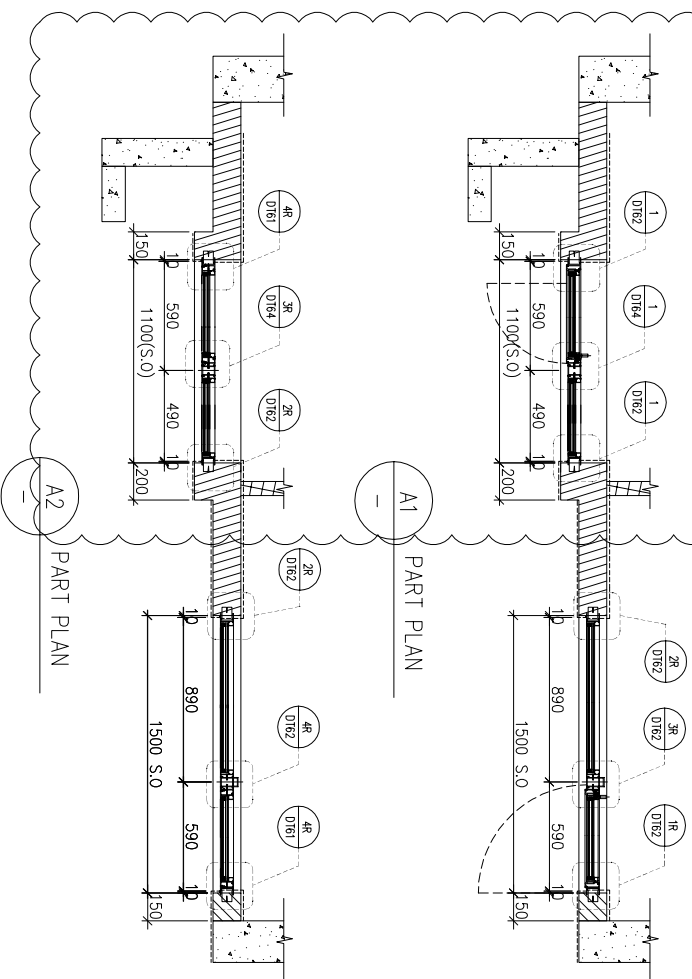
美特鋁質有限公司
MIDI ALUMINIUM FABRICATOR LTD.
Units 6-8, Sunray Industrial Centre, 1/F
610 Cho Kwai Ling Road, Kwai Tsou
Tel:23489211-4 Fax:(852)2727666
DWG NO. : J856-SD-PW-5202 REV. : E

PROVIDED	GLAZING AREA	0.548
REQUIRED	GLAZING AREA	0.985

PROVIDED	GLAZING AREA	0.548
REQUIRED	GLAZING AREA	1.495



ELEVATION



FACADE CODE		
LWK	鴻輝	UNIT
PF-03R	T2PF-08	A2

WINDOW MARK	AW 02	AW 03R
LOCATION	3/F-42/F.4/F.13/F.14/F.24/F.34/F. OMITTED) UNIT A2	
SECTION	70mm ALUM. SECTION	
GLAZING	EGL-1, EGL-1A	
QUANTITY	35 Nos.	
REMARKS	FACADE(TYPE T2PF03R FOR 3/F~42/F)	

B.D. REF :

CLIENT :



42/F, SUN HUNG KAI CENTRE, WANCHAI, HONGKONG



MANU CONTRACTOR :



STRUCTURAL ENGINEER :



FACADE CONSULTANT :



Steel Structure & Façade Specialist

- NOTE :
1. ALL DIMENSIONS ARE IN mm.
 2. ALL ELEVATIONS ARE VIEWED FROM OUTSIDE.
 3. ALL DIMENSIONS TO BE VERIFIED ON SITE BEFORE FABRICATION.

LEGEND :

- X1 --- DETAIL MARK NO.
- X001 --- REFER SHEET NO.

1. F.F.L. --- FINISHED FLOOR LEVEL
2. S.F.L. --- STRUCTURAL FLOOR LEVEL
3. (R) --- REVERSED DETAIL

4. GLASS LEGEND
- EGL-1 --- 8mmHS+12mm AIR GAP+10mmTP THK. I.G.U.
 - EGL-2 --- 10mm THK. CLEAR TEMPERED GLASS
 - EGL-4 --- 10mm THK. TEMPERED ACID ETCHED GLASS
 - EGL-1A --- 8mmHS+12mm AIR GAP+8mmTP THK. I.G.U.
 - EGL-1B --- 8mmHS+12mm AIR GAP+10mmTP ACID-ETCHED THK. I.G.U.

NO.	DATE	REVISION	REVISION SUBJECT TO ARCH-COMMENT	BY
E	17/09/2022	REVISION SUBJECT TO ARCH-COMMENT	hw	
D	08/04/2022	REVISION SUBJECT TO ARCH-COMMENT	hw	
C	17/12/2021	REVISION SUBJECT TO ARCH-COMMENT	hw	
B	29/11/2021	REVISION SUBJECT TO ARCH-COMMENT	hw	
A	03/11/2021	REVISION SUBJECT TO ARCH-COMMENT	hw	

JOB NO. : J-856

PROJECT : PROPOSED DEVELOPMENT ABOVE LIGHT RAIL TIN WING STOP-TSWTL NO.23,AREA 33,TIN SHUI WAI, N.T.

TITLE : WINDOW SCHEDULE FOR TOWER 2 ALUM. WINDOW

DATE : 02-Aug-21 SCALE : 1:40

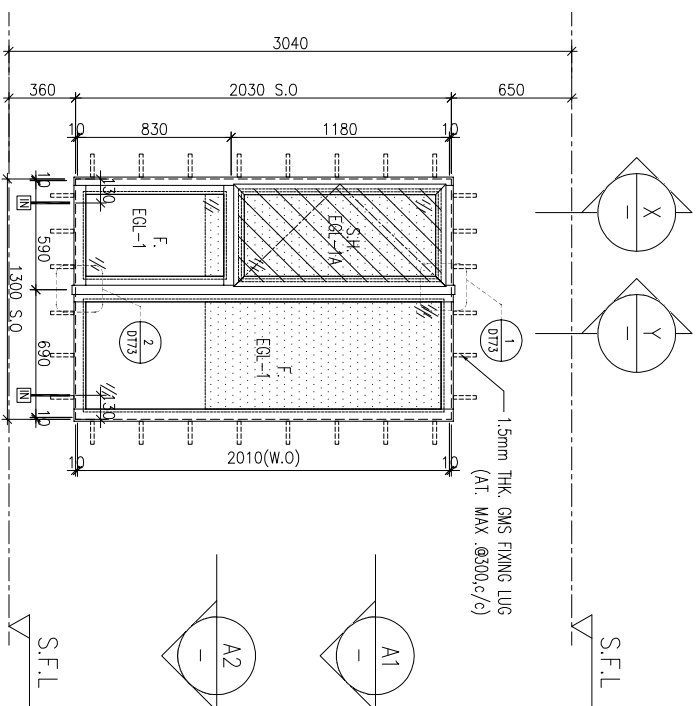
DRAWN BY : IYON CHECKED BY :



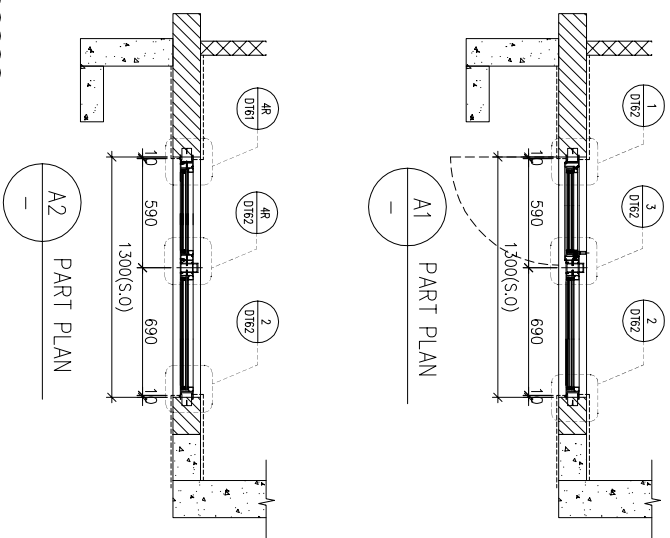
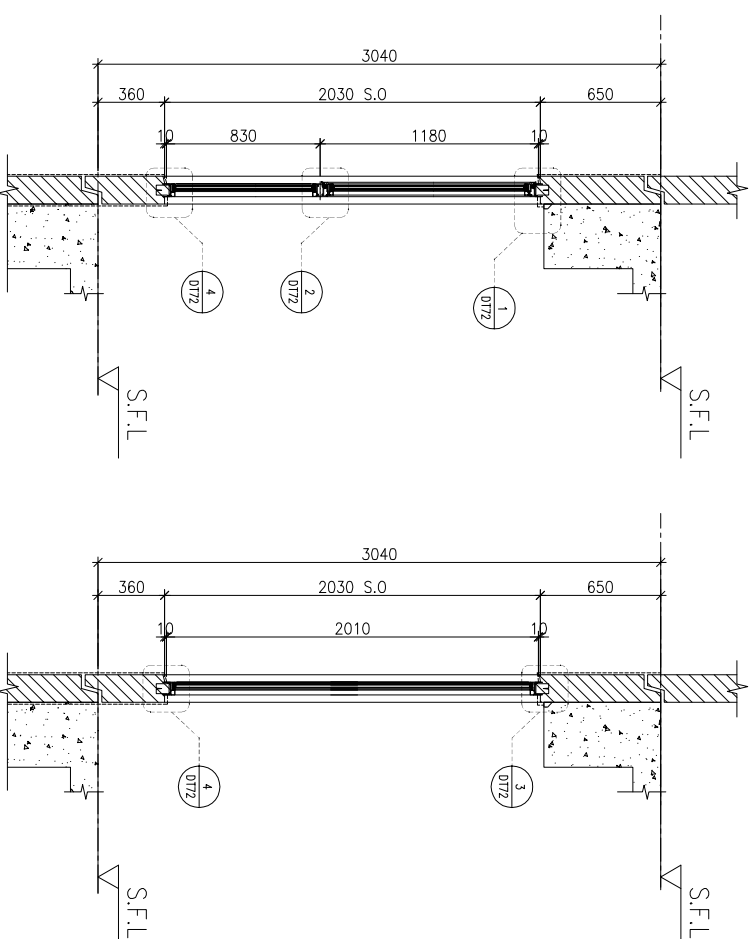
Units 6-8, Sunray Industrial Centre, 1/F
610 Cho Kwai Ling Road, Kwai Tsou
Tel:23489211-4 Fax:(852)27272666

DWG NO. : J856-SD-PW-5203 REV. : E

PROVIDED	REQUIRED
OPENABLE AREA 0.548	OPENABLE AREA 1.24
GLAZING AREA	GLAZING AREA



ELEVATION



FACADE CODE		
LWK	鴻輝	UNIT
PF-04	T2PF-24	B7
PF-04R	T2PF-07	A3
PF-04R	T2PF-15	A7

WINDOW MARK	AW 04
LOCATION	3/F~42/F(4/F,13/F,14/F,24/F,34/F OMITTED) UNIT (A3, A7, B7)
SECTION	70mm ALUM. SECTION
GLAZING	EGL-1, EGL-1A
QUANTITY	35 Nos. / 35 Nos. / 35 Nos.
REMARKS	FACADE(TYPE T2PF04/04R) FOR 3/F~42/F)

B.D. REF :

CLIENT :

SUN HUNG KAI
REAL ESTATE AGENCY LTD.
42/F SUN HUNG KAI CENTRE, WANCHAI, HONGKONG

ARCHITECT :

lwk&partners
a r c h i t e c t s

MAIN CONTRACTOR :

怡輝建築有限公司
Yee Fai Building Contractors Ltd.

STRUCTURAL ENGINEER :

ARUP

FACADE CONSULTANT :

ALPHA CONSULTING LIMITED
Steel Structure & Façade Specialist

- NOTE :
1. ALL DIMENSIONS ARE IN mm.
 2. ALL ELEVATIONS ARE VIEWED FROM OUTSIDE.
 3. ALL DIMENSIONS TO BE VERIFIED ON SITE BEFORE FABRICATION.

LEGEND :

(X1) --- DETAIL MARK NO.
(X001) --- REFER SHEET NO.

1. F.F.L. --- FINISHED FLOOR LEVEL
2. S.F.L. --- STRUCTURAL FLOOR LEVEL
3. (R) --- REVERSED DETAIL

4. GLASS LEGEND

- EGL-1 --- 8mmHS+12mm AIR GAP+10mmTP THK. I.G.U.
EGL-2 --- 10mm THK. CLEAR TEMPERED GLASS
EGL-4 --- 10mm THK. TEMPERED ACID ETCHED GLASS
EGL-1A --- 8mmHS+12mm AIR GAP+8mmTP THK. I.G.U.
EGL-1B --- 8mmHS+12mm AIR GAP+10mmTP ACID-ETCHED THK. I.G.U.

NO.	DATE	REVISION	SUBJECT TO ARCH-COMMENT	BY
F	17/05/2022	REVISION SUBJECT TO ARCH-COMMENT	None	
E	09/04/2022	REVISION SUBJECT TO ARCH-COMMENT	None	
D	17/12/2021	REVISION SUBJECT TO ARCH-COMMENT	None	
C	29/11/2021	REVISION SUBJECT TO ARCH-COMMENT	None	
B	03/11/2021	REVISION SUBJECT TO ARCH-COMMENT	None	
A	12/10/2021	REVISION SUBJECT TO ARCH-COMMENT	None	

JOB NO. : J-856

PROJECT : PROPOSED DEVELOPMENT ABOVE LIGHT RAIL TIN WING STOP-TSWTL NO.23,AREA 33,TIN SHUI WAI, N.T.

TITLE : WINDOW SCHEDULE FOR TOWER 2 ALUM. WINDOW

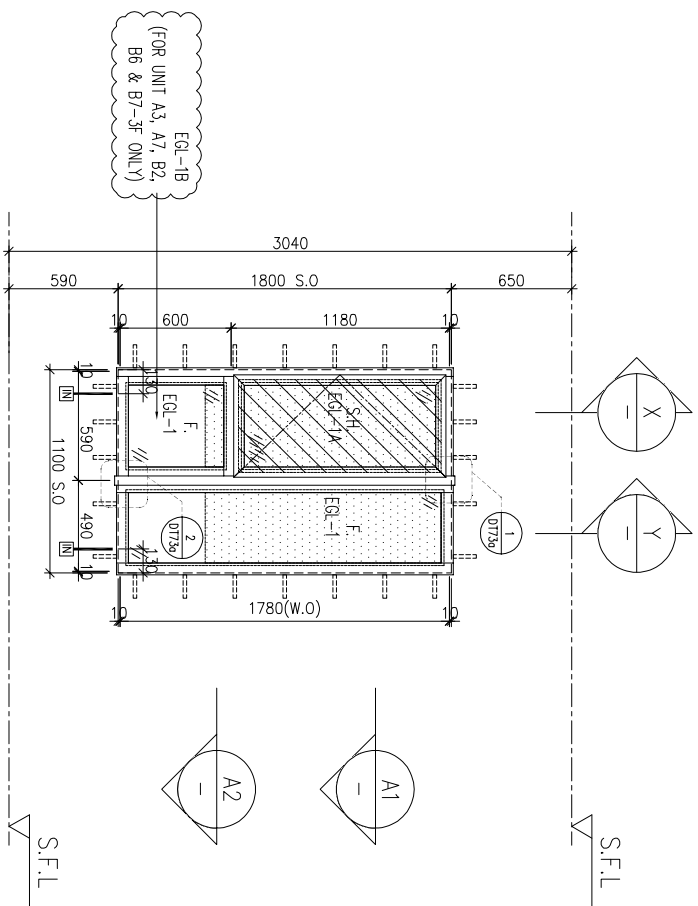
DATE : 02-Aug-21 SCALE : 1:40

DRAWN BY : Ivan CHECKED BY :

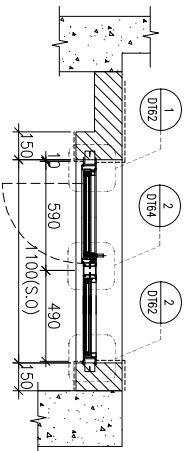
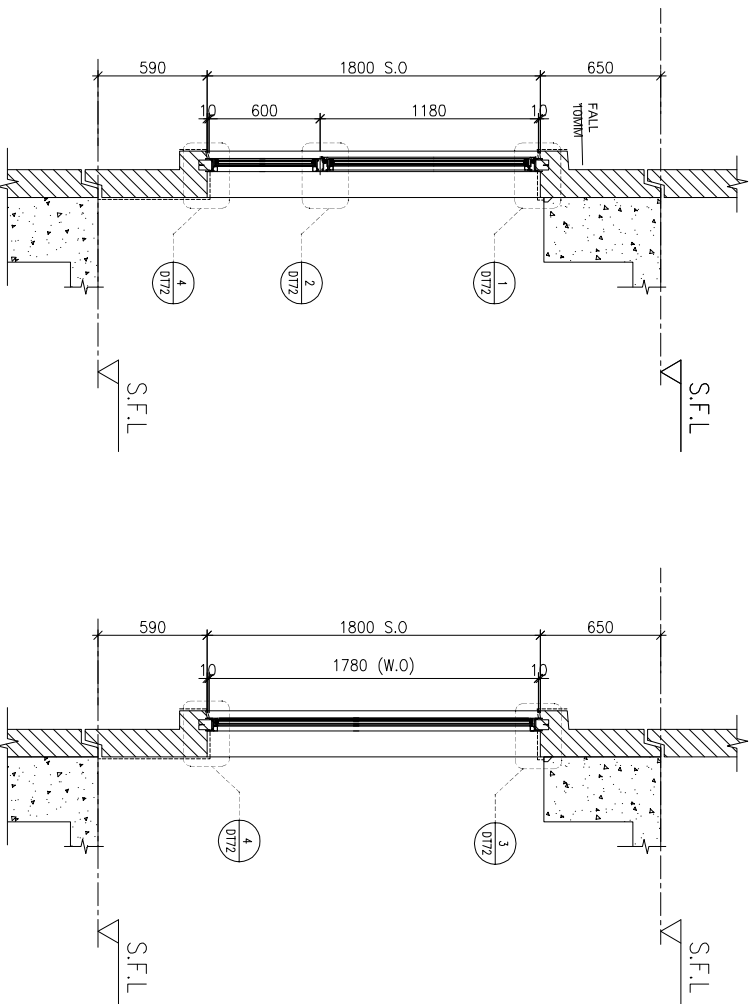
美特鋁質有限公司
MIDI ALUMINIUM FABRICATOR LTD.
Units 6-8, Sunray Industrial Centre, 1/F
610 Cho Kwai Ling Road, Kwai Tsou
Tel:23489211-4 Fax:(852)2727666
DWG NO. : J856-SD-PW-5204 REV. : F

PROVIDED	OPENABLE AREA	GLAZING AREA	OPENABLE AREA	GLAZING AREA
	0.548	0.985		

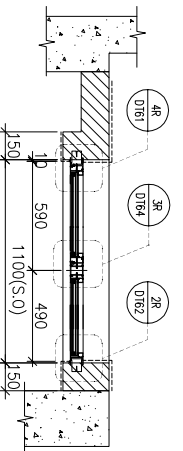
REQUIRE	OPENABLE AREA	GLAZING AREA



ELEVATION



A1 PART PLAN



A2 PART PLAN

FACADE CODE		UNIT
LWK	鴻輝	A3
PF-05	T2PF-06	A7
PF-05	T2PF-14	B6
PF-05	T2PF-22	B7

FACADE CODE		UNIT
LWK	鴻輝	B2
PF-05R	T2PF-02	

WINDOW MARK	AM 02	AM 02R
LOCATION	3/F~42/F(4/F,13/F,14/F,24/F,34/F OMITTED) UNIT A3, A7(5~42/F), B6(5~42/F), B7(5~42/F)	
SECTION	70mm ALUM. SECTION	
GLAZING	EGL-1,EGL-1A	
QUANTITY	35 Nos / 34 Nos / 34 Nos / 34 Nos	1 No / 1 No / 1 No / 1 No
REMARKS	FACADE(TYPE T2PF05 FOR 3/F~42/F)	

B.D. REF :

CLIENT :

SUN HUNG KAI
REAL ESTATE AGENCY LTD.
42/F SUN HUNG KAI CENTRE, WANCHAI, HONGKONG

ARCHITECT :

lwk&partners
a f c h i l e o i s

MAIN CONTRACTOR :

怡輝建築有限公司
Yee Fai Building Contractors Ltd.

STRUCTURAL ENGINEER :

ARUP

FACADE CONSULTANT :

ALPHA CONSULTING LIMITED
Steel Structure & Façade Specialist

- NOTE :
1. ALL DIMENSIONS ARE IN mm.
 2. ALL ELEVATIONS ARE VIEWED FROM OUTSIDE.
 3. ALL DIMENSIONS TO BE VERIFIED ON SITE BEFORE FABRICATION.
- LEGEND :
- (X1) --- DETAIL MARK NO.
 - (X001) --- REFER SHEET NO.

1. F.F.L. --- FINISHED FLOOR LEVEL
 2. S.F.L. --- STRUCTURAL FLOOR LEVEL
 3. (R) --- REVERSED DETAIL
 4. GLASS LEGEND
- EQI-1 --- 8mmHS+12mm AIR GAP+10mmTP THK. I.G.U.
EQI-2 --- 10mm THK. CLEAR TEMPERED GLASS
EQI-4 --- 10mm THK. TEMPERED ACID ETCHED GLASS
EQI-1A --- 8mmHS+12mm AIR GAP+8mmTP THK. I.G.U.
EQI-1B --- 8mmHS+12mm AIR GAP+10mmTP THK. I.G.U.

NO.	DATE	REVISION	REVISION SUBJECT TO ARCH-COMMENT	BY
F	27/06/2022	REVISION SUBJECT TO ARCH-COMMENT		hwn
E	17/05/2022	REVISION SUBJECT TO ARCH-COMMENT		hwn
D	08/04/2022	REVISION SUBJECT TO ARCH-COMMENT		hwn
C	17/12/2021	REVISION SUBJECT TO ARCH-COMMENT		hwn
B	29/11/2021	REVISION SUBJECT TO ARCH-COMMENT		hwn
A	03/11/2021	REVISION SUBJECT TO ARCH-COMMENT		hwn

JOB NO. : J-856

PROJECT : PROPOSED DEVELOPMENT ABOVE LIGHT RAIL TIN WING STOP-TSWTL NO.23,AREA 33,TIN SHUI WAI, N.T.

TITLE : WINDOW SCHEDULE FOR TOWER 2 ALUM. WINDOW

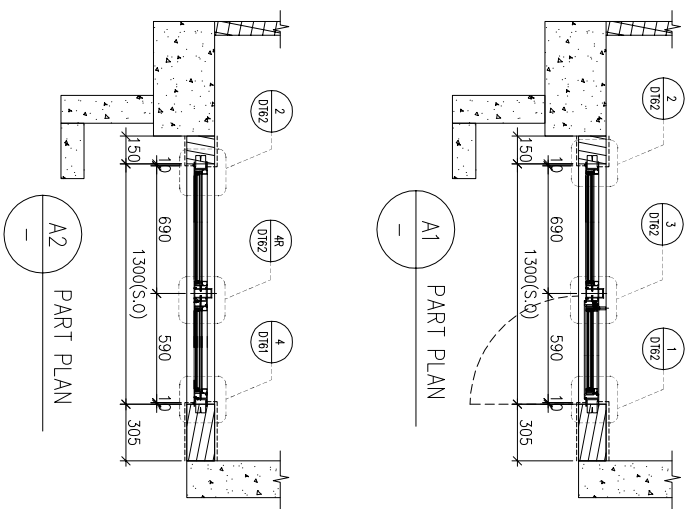
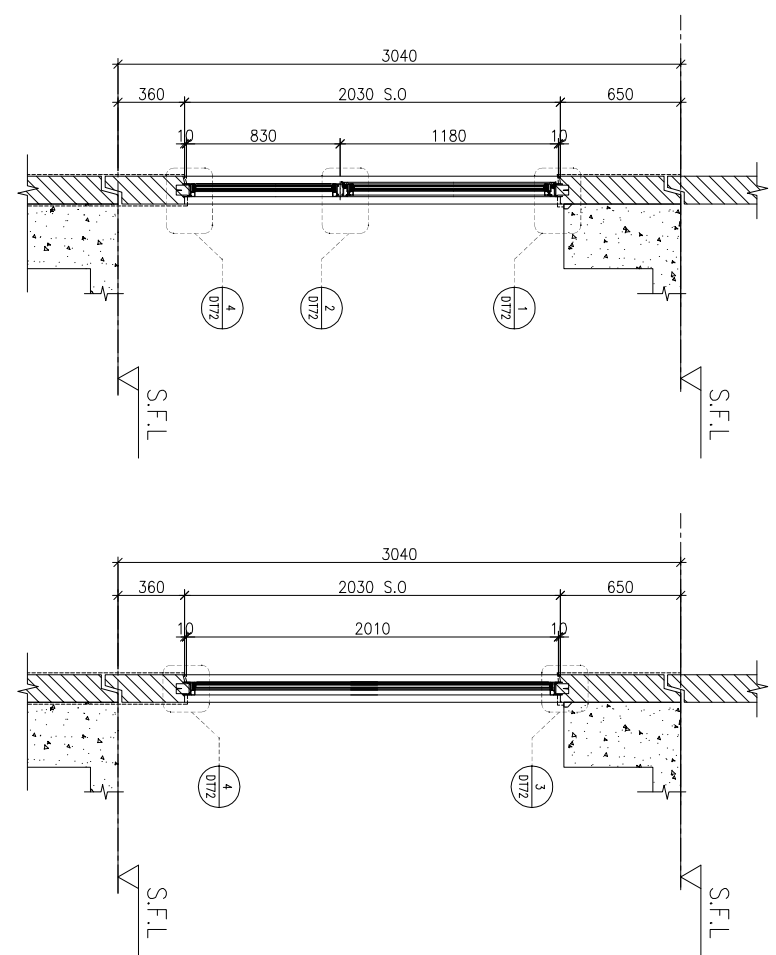
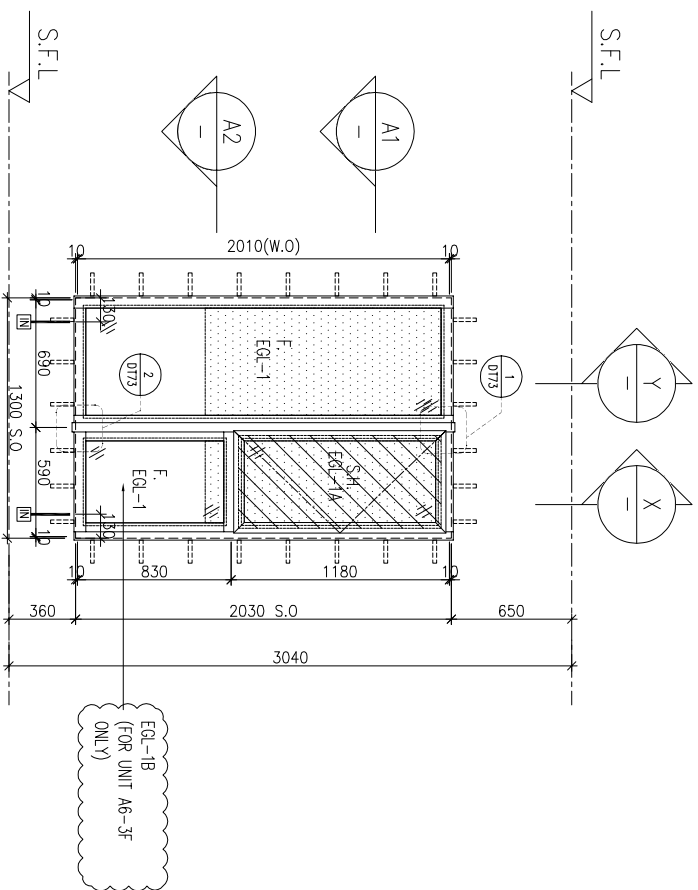
DATE : 02-Aug-21 SCALE : 1:40

DRAWN BY : hwn CHECKED BY :

美特鋁質有限公司
MIDI ALUMINIUM FABRICATOR LTD.
Units 6-8, Sunray Industrial Centre, 1/F
610 Cho Kwai Ling Road, Kowloon
Tel:23489211-4 Fax:(852)2727666

DWG NO. : J856-SD-PW-5205 REV. : F

PROVIDED	GLAZING AREA	OPENABLE AREA	GLAZING AREA
0.548	1.24		



FACADE CODE	
LWK	鴻輝 UNIT
PF-06	T2PF-15A A6
PF-06R	T2PF-17 A5

WINDOW MARK	AM 04R
LOCATION	3/F~42/F(4/F,13/F,14/F,24/F,34/F OMITTED) UNIT A5 & A6(3/F)
SECTION	70mm ALUM. SECTION
GLAZING	EGL-1,EGL-1A
QUANTITY	35 Nos / 1 No
REMARKS	FACADE(TYPE T2PF06R FOR 3/F~42/F)

WINDOW MARK	AM 04
LOCATION	3/F~42/F(4/F,13/F,14/F,24/F,34/F OMITTED) UNIT A6(5/F~42/F)
SECTION	70mm ALUM. SECTION
GLAZING	EGL-1,EGL-1A
QUANTITY	34 Nos
REMARKS	FACADE(TYPE T2PF06 FOR 3/F~42/F)

B.D. REF :

CLIENT :

SUN HUNG KAI
REAL ESTATE AGENCY LTD.
42/F SUN HUNG KAI CENTRE, WANCHAI, HONGKONG

ARCHITECT :

lwk&partners
a r c h i t e c t s

MAIN CONTRACTOR :

怡輝建築有限公司
Yee Fai Building Contractors Ltd.

STRUCTURAL ENGINEER :

ARUP

FACADE CONSULTANT :

ALPHA CONSULTING LIMITED
Steel Structure & Façade Specialist

- NOTE :
1. ALL DIMENSIONS ARE IN mm.
 2. ALL ELEVATIONS ARE VIEWED FROM OUTSIDE.
 3. ALL DIMENSIONS TO BE VERIFIED ON SITE BEFORE FABRICATION.

LEGEND :

- (X1) --- DETAIL MARK NO.
- (X001) --- REFER SHEET NO.
- 1. F.F.L. --- FINISHED FLOOR LEVEL
- 2. S.F.L. --- STRUCTURAL FLOOR LEVEL
- 3. (R) --- REVERSED DETAIL

4. GLASS LEGEND

- EGL-1 --- 8mmHS+12mm AIR GAP+10mmTP THK. I.G.U.
- EGL-2 --- 10mm THK. CLEAR TEMPERED GLASS
- EGL-4 --- 10mm THK. TEMPERED ACID ETCHED GLASS
- EGL-1A --- 8mmHS+12mm AIR GAP+8mmTP THK. I.G.U.
- EGL-1B --- 8mmHS+12mm AIR GAP+10mmTP ACID-ETCHED THK. I.G.U.

NO.	DATE	REVISION	REASON	BY
A	12/07/2021	REVISION SUBJECT TO ARCH-COMMENT	REVISED	hwn
B	03/11/2021	REVISION SUBJECT TO ARCH-COMMENT	hwn	
C	29/11/2021	REVISION SUBJECT TO ARCH-COMMENT	hwn	
D	17/12/2021	REVISION SUBJECT TO ARCH-COMMENT	hwn	
E	09/04/2022	REVISION SUBJECT TO ARCH-COMMENT	hwn	
F	17/05/2022	REVISION SUBJECT TO ARCH-COMMENT	hwn	
G	27/06/2022	REVISION SUBJECT TO ARCH-COMMENT	hwn	

JOB NO. : J-856

PROJECT : PROPOSED DEVELOPMENT ABOVE LIGHT RAIL TIN WING STOP-TSMTL NO.23,AREA 33,TIN SHUI WAI, N.T.

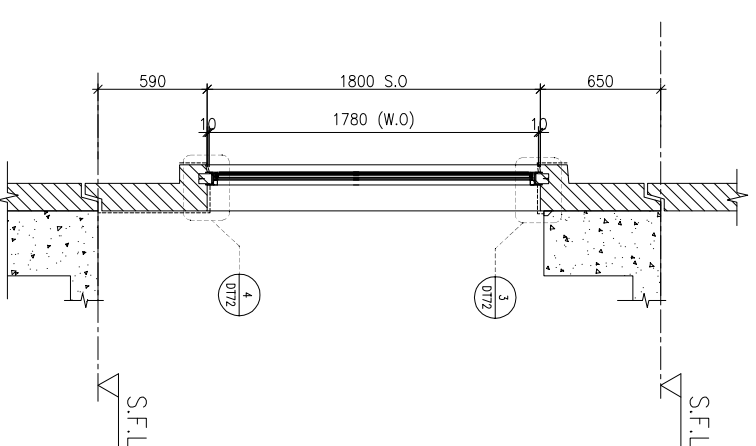
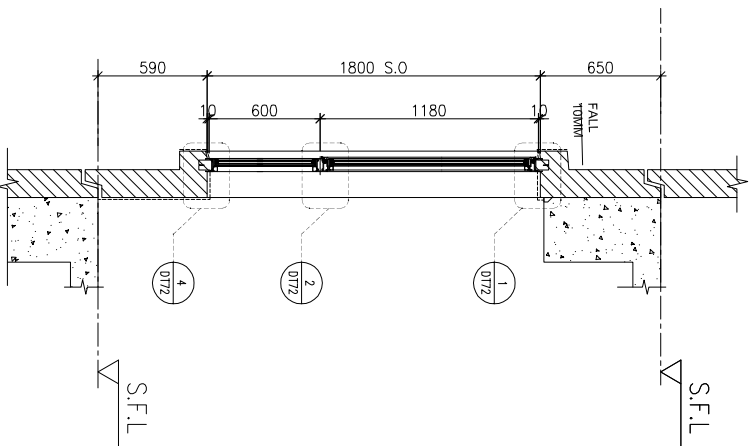
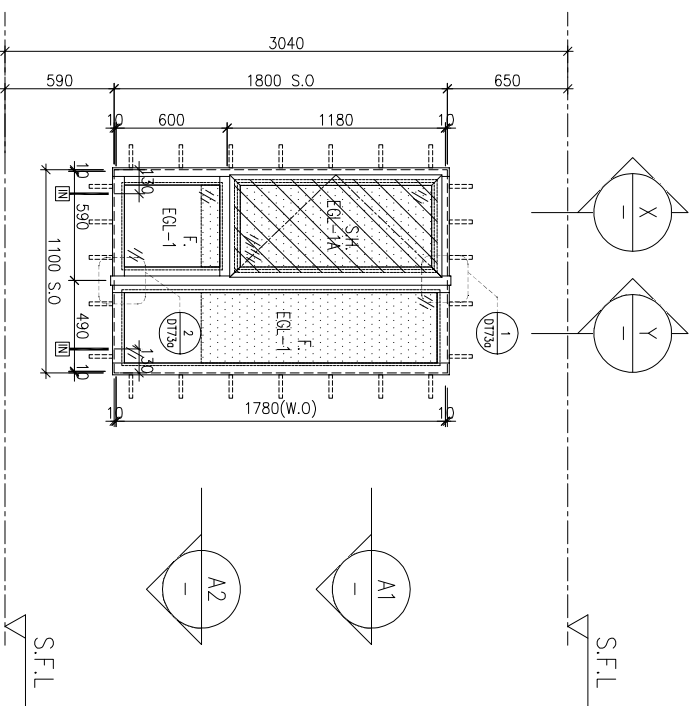
TITLE : WINDOW SCHEDULE FOR TOWER 2 ALUM. WINDOW

DATE : 02-Aug-21 SCALE : 1:40

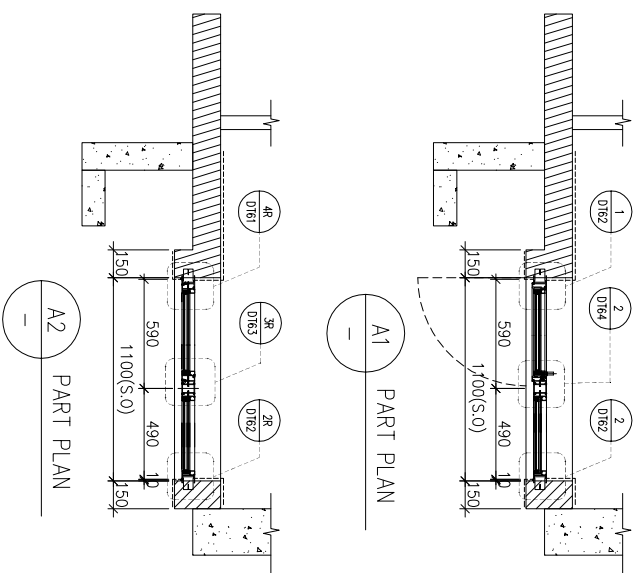
DRAWN BY : hwn CHECKED BY :

美特鋁質有限公司
MIDI ALUMINIUM FABRICATOR LTD.
Units 6-8, Sunray Industrial Centre, 1/F
610 Cho Kwai Ling Road, Kowloon
Tel:23489211-4 Fax:(852)2727666
DWG NO. : J856-SD-PW-5206 REV : G

PROVIDED	REQUIRE
OPENABLE AREA 0.548	OPENABLE AREA
GLAZING AREA 0.985	GLAZING AREA



ELEVATION



FACADE CODE	
LWK	鴻輝 UNIT
PF-08	T2PF-01 B1
PF-08	T2PF-13 A8
PF-08R	T2PF-26 B8

WINDOW MARK	AW 02	AW 02R
LOCATION	3/F-42/F(4/F,13/F,14/F,24/F,34/F OMITTED) UNIT B1, A8	3/F-42/F(4/F,13/F,14/F,24/F,34/F OMITTED) UNIT B8
SECTION	70mm ALUM. SECTION	70mm ALUM. SECTION
GLAZING	EGL-1,EGL-1A	EGL-1,EGL-1A
QUANTITY	35 Nos/35 Nos	35 Nos
REMARKS	FACADE(TYPE T2PF08) FOR 3/F-42/F)	FACADE(TYPE T2PF08R) FOR 3/F-42/F)

B.D. REF :

CLIENT :

SUN HUNG KAI
REAL ESTATE AGENCY LTD.

42/F, SUN HUNG KAI CENTRE, WANCHAI, HONGKONG

ARCHITECT :

lwk&partners
a r c h i t e c t s

MAIN CONTRACTOR :

怡輝建築有限公司
Yee Fai Building Contractors Ltd.

STRUCTURAL ENGINEER :

ARUP

FACADE CONSULTANT:

ALPHA CONSULTING LIMITED
Steel Structure & Façade Specialist

NOTE:
1. ALL DIMENSIONS ARE IN mm.
2. ALL ELEVATIONS ARE VIEWED FROM OUTSIDE.
3. ALL DIMENSIONS TO BE VERIFIED ON SITE BEFORE FABRICATION.

LEGEND :

(X1) --- DETAIL MARK NO.
(X001) --- REFER SHEET NO.

1. F.F.L. --- FINISHED FLOOR LEVEL
2. S.F.L. --- STRUCTURAL FLOOR LEVEL
3. (R) --- REVERSED DETAIL

4. GLASS LEGEND

EGL-1 --- 8mmHS+12mm AIR GAP+10mmTP THK. I.G.U.
EGL-2 --- 10mm THK. CLEAR TEMPERED GLASS
EGL-4 --- 10mm THK. TEMPERED ACID ETCHED GLASS
EGL-1A --- 8mmHS+12mm AIR GAP+8mmTP THK. I.G.U.
EGL-1B --- 8mmHS+12mm AIR GAP+10mmTP THK. I.G.U.

NO.	DATE	REVISION	REVISION SUBJECT TO ARCH-COMMENT	BY
E	18/05/2022	REVISION SUBJECT TO ARCH-COMMENT	ivan	
D	08/04/2022	REVISION SUBJECT TO ARCH-COMMENT	ivan	
C	17/12/2021	REVISION SUBJECT TO ARCH-COMMENT	ivan	
B	29/11/2021	REVISION SUBJECT TO ARCH-COMMENT	ivan	
A	03/11/2021	REVISION SUBJECT TO ARCH-COMMENT	ivan	

JOB NO. : J-856

PROJECT : PROPOSED DEVELOPMENT ABOVE LIGHT RAIL TIN WING STOP-TS/WL NO.23,AREA 33,TIN SHUI WAI, N.T.

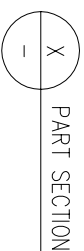
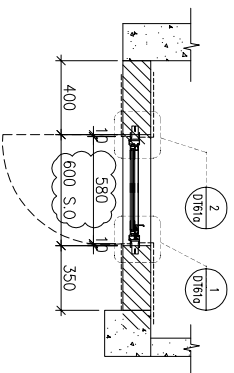
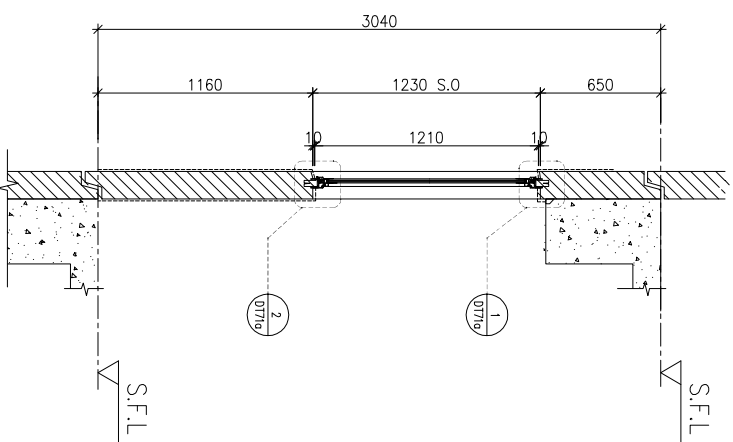
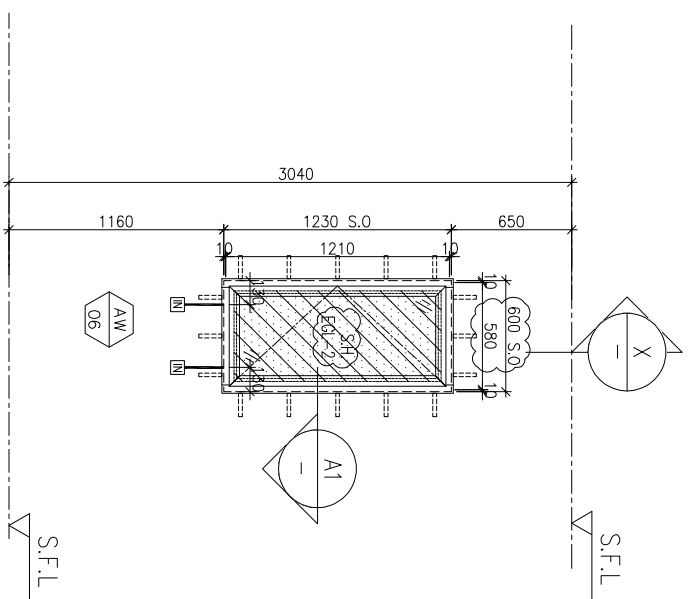
TITLE : WINDOW SCHEDULE FOR TOWER 2 ALUM. WINDOW

DATE : 02-Aug-21 SCALE : 1:40

DRAWN BY : ivan CHECKED BY :

美特鋁質有限公司
MIDI ALUMINIUM FABRICATOR LTD.
Units 6-8, Sunray Industrial Centre, 1/F
610 Cho Kwai Ling Road, Kwai Tsou
Tel:23489211-4 Fax:(852)2727666
DWG NO. : J856-SD-PW-5207 REV. : E

PROVIDED	REQUIRE
OPENABLE AREA 0.439	OPENABLE AREA 1.19
GLAZING AREA	GLAZING AREA



ELEVATION

FACADE CODE		
LWK	鴻輝	UNIT
PF-09	T2PF-05	B3

WINDOW MARK

AW 06

LOCATION 3/F~42/F(4/F,13/F,14/F,24/F,34/F OMITTED) UNIT B3

SECTION 50mm ALUM. SECTION

GLAZING (EGL-2)

QUANTITY 35 Nos

REMARKS FACADE(TYPE T2PF09 FOR 3/F~42/F)

B.D. REF :

CLIENT :

SUN HUNG KAI
REAL ESTATE AGENCY LTD.
42/F, SUN HUNG KAI CENTRE, WANCHAI, HONGKONG

ARCHITECT :

lwk&partners
a r c h i t e c t s

MAIN CONTRACTOR :

怡輝建築有限公司
Yee Fai Building Contractors Ltd.

STRUCTURAL ENGINEER :

ARUP

FACADE CONSULTANT:

ALPHA CONSULTING LIMITED
Steel Structure & Façade Specialist

NOTE :

1. ALL DIMENSIONS ARE IN mm.
2. ALL ELEVATIONS ARE VIEWED FROM OUTSIDE.
3. ALL DIMENSIONS TO BE VERIFIED ON SITE BEFORE FABRICATION.

LEGEND :

(X1) --- DETAIL MARK NO.
(X001) --- REFER SHEET NO.

1. F.F.L. --- FINISHED FLOOR LEVEL
2. S.F.L. --- STRUCTURAL FLOOR LEVEL
3. (R) --- REVERSED DETAIL

4. GLASS LEGEND

EGL-1 --- 8mmHS+12mm AIR GAP+10mmTP THK. I.G.U.
EGL-2 --- 10mm THK. CLEAR TEMPERED GLASS
EGL-4 --- 10mm THK. TEMPERED ACID ETCHED GLASS
EGL-1A --- 8mmHS+12mm AIR GAP+8mmTP THK. I.G.U.
EGL-1B --- 8mmHS+12mm AIR GAP+10mmTP ACID-ETCHED THK. I.G.U.

NO.	DATE	REVISION	SUBJECT TO ARCH-COMMENT	HOW
E	18/09/2022	REVISION SUBJECT TO ARCH-COMMENT	HOW	
D	08/04/2022	REVISION SUBJECT TO ARCH-COMMENT	HOW	
C	17/12/2021	REVISION SUBJECT TO ARCH-COMMENT	HOW	
B	29/11/2021	REVISION SUBJECT TO ARCH-COMMENT	HOW	
A	03/11/2021	REVISION SUBJECT TO ARCH-COMMENT	HOW	

JOB NO. : J-856

PROJECT :

PROPOSED DEVELOPMENT ABOVE LIGHT RAIL TIN WING STOP-TSWTL NO.23,AREA 33,TIN SHUI WAI, N.T.

TITLE :

WINDOW SCHEDULE FOR TOWER 2 ALUM. WINDOW

DATE : 02-Aug-21 SCALE : 1:40

DRAWN BY : IYON

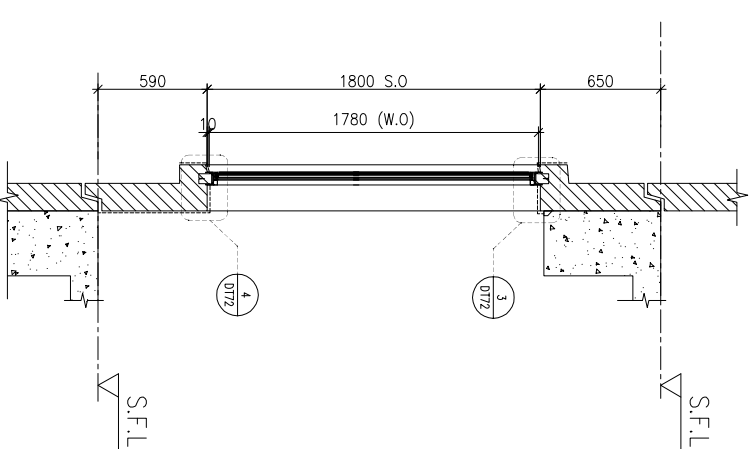
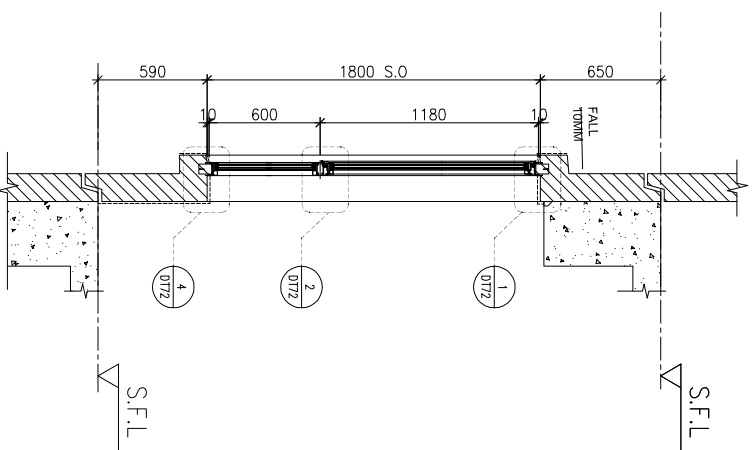
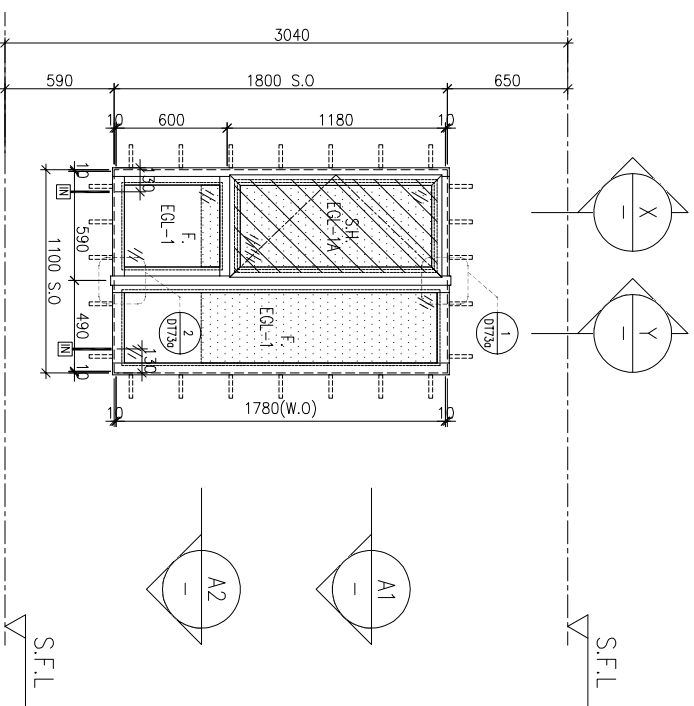
CHECKED BY :

美特鋁質有限公司
MIDI ALUMINIUM FABRICATOR LTD.
Units 6-8, Sunray Industrial Centre, 1/F
610 Cho Kwai Ling Road, Kowloon
Tel:23489211-4 Fax:(852)2727666

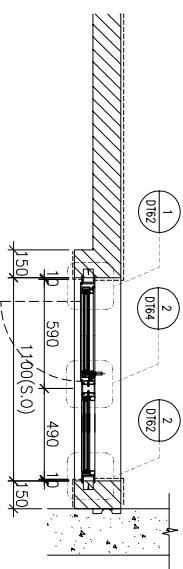
DWG NO. : J856-SD-PW-5208 REV. : E

PROVIDED	GLAZING AREA	OPENABLE AREA	GLAZING AREA
0.548	0.985		

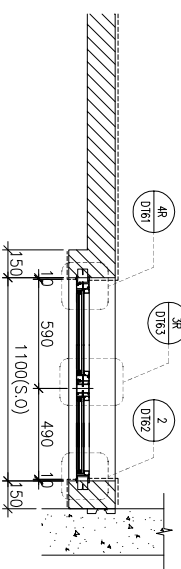
REQUIRE	GLAZING AREA



ELEVATION



A1 PART PLAN



A2 PART PLAN

FACADE CODE		
LWK	鴻輝	UNIT
PC-19	T2PF-04	B3

WINDOW MARK

AW 02

LOCATION 3/F~42/F(4/F,13/F,14/F,24/F,34/F OMITTED) UNIT B3

SECTION 70mm ALUM. SECTION

GLAZING EGL-1,EGL-1A

QUANTITY 35 Nos

REMARKS FACADE(TYPE T1PF19 FOR 3/F~42/F)

B.D. REF :

CLIENT :

SUN HUNG KAI
REAL ESTATE AGENCY LTD.
42/F SUN HUNG KAI CENTRE, WANCHAI, HONGKONG

ARCHITECT :

lwk&partners
a r c h i t e c t s

MAIN CONTRACTOR :

怡輝建築有限公司
Yee Fai Building Contractors Ltd.

STRUCTURAL ENGINEER :

ARUP

FACADE CONSULTANT :

ALPHA CONSULTING LIMITED
Steel Structure & Façade Specialist

NOTE :

1. ALL DIMENSIONS ARE IN mm.
2. ALL ELEVATIONS ARE VIEWED FROM OUTSIDE.
3. ALL DIMENSIONS TO BE VERIFIED ON SITE BEFORE FABRICATION.

LEGEND :

- (X1) --- DETAIL MARK NO.
- (X001) --- REFER SHEET NO.
- 1. F.L. --- FINISHED FLOOR LEVEL
- 2. S.F.L. --- STRUCTURAL FLOOR LEVEL
- 3. (R) --- REVERSED DETAIL

4. GLASS LEGEND

- EGL-1 --- 8mmHS+12mm AIR GAP+10mmTP THK. I.G.U.
- EGL-2 --- 10mm THK. CLEAR TEMPERED GLASS
- EGL-4 --- 10mm THK. TEMPERED ACID ETCHED GLASS
- EGL-1A --- 8mmHS+12mm AIR GAP+8mmTP THK. I.G.U.
- EGL-1B --- 8mmHS+12mm AIR GAP+10mmTP ACID-ETCHED THK. I.G.U.

NO.	DATE	REVISION	BY
F	18/05/2022	REVISION SUBJECT TO ARCH-COMMENT	lwk
E	09/04/2022	REVISION SUBJECT TO ARCH-COMMENT	lwk
D	17/12/2021	REVISION SUBJECT TO ARCH-COMMENT	lwk
C	29/11/2021	REVISION SUBJECT TO ARCH-COMMENT	lwk
B	03/11/2021	REVISION SUBJECT TO ARCH-COMMENT	lwk
A	12/07/2021	REVISION SUBJECT TO ARCH-COMMENT	lwk

JOB NO. : J-856

PROJECT : PROPOSED DEVELOPMENT ABOVE LIGHT RAIL TIN WING STOP-TS/WL NO.23,AREA 33,TIN SHUI WAI, N.T.

TITLE : WINDOW SCHEDULE FOR TOWER 2 ALUM. WINDOW

DATE : 02-Aug-21 SCALE : 1:40

DRAWN BY : Ivn

CHECKED BY :

美特鋁質有限公司
MIDI ALUMINIUM FABRICATOR LTD.
Units 6-8, Sunray Industrial Centre, 1/F
610 Cho Kwai Ling Road, Kwai Tsoum
Tel:23489211-4 Fax:(852)2727666

DWG NO. : J856-SD-PW-5209 REV. : F

B.D. REF :

CLIENT :

SUN HUNG KAI
REAL ESTATE AGENCY LTD.
42/F SUN HUNG KAI CENTRE, WANCHAI, HONGKONG

ARCHITECT :

lwk&partners
a r c h i t e c t s

MAIN CONTRACTOR :

怡輝建築有限公司
Yee Fai Building Contractors Ltd.

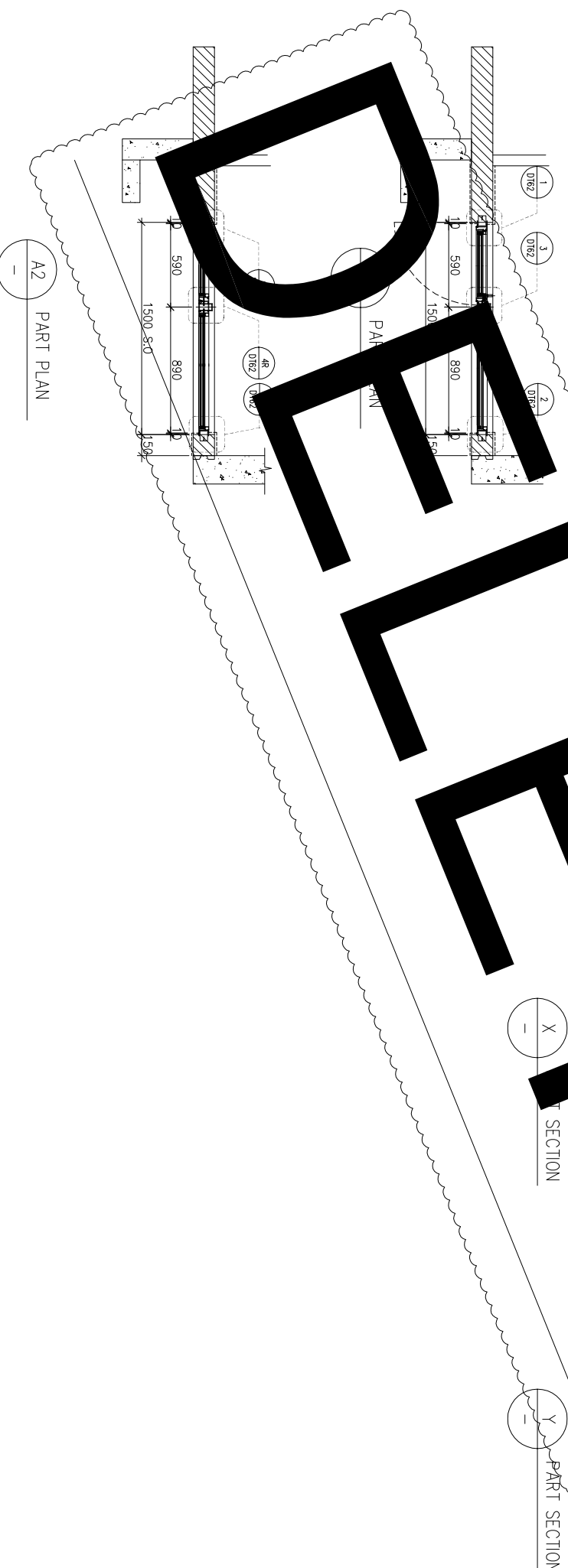
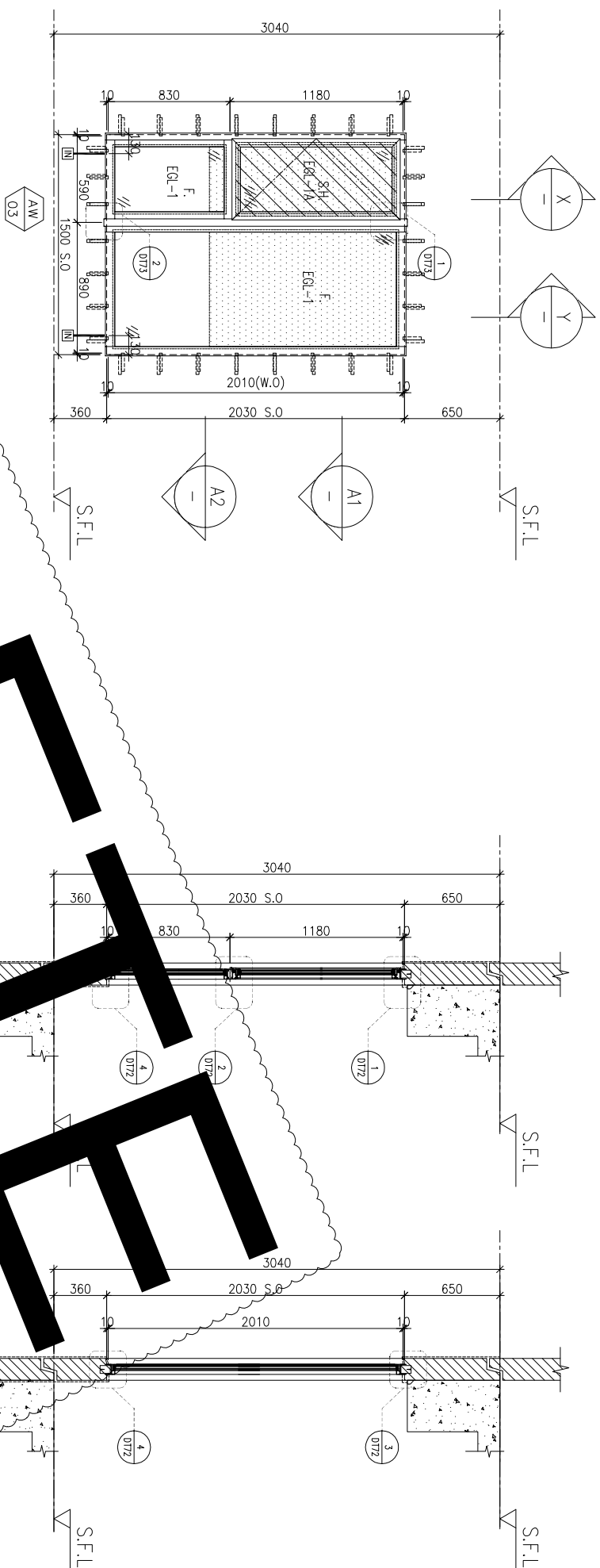
STRUCTURAL ENGINEER :

ARUP

FAÇADE CONSULTANT :

ALPHA CONSULTING LIMITED
Steel Structure & Façade Specialist

ELEVATION



FAÇADE CODE		
LWK	鴻輝	UNIT
PF-11	T2PF-??	B5

CHANGE TO IN-SITU WINDOWS

WINDOW MARK	AW 03
LOCATION	3/F~42/F(4/F,13/F,14/F,24/F,34/F OMITTED) UNIT B5
SECTION	70mm ALUM. SECTION
GLAZING	EGL-1,EGL-1A
QUANTITY	35 Nos
REMARKS	FAÇADE(TYPE T2PF1) FOR 3/F~42/F)

NOTE:
 1. ALL DIMENSIONS ARE IN mm.
 2. ALL ELEVATIONS ARE VIEWED FROM OUTSIDE.
 3. ALL DIMENSIONS TO BE VERIFIED ON SITE BEFORE FABRICATION.

LEGEND :

- (X1) --- DETAIL MARK NO.
- (X001) --- REFER SHEET NO.
- 1. F.F.L. --- FINISHED FLOOR LEVEL
- 2. S.F.L. --- STRUCTURAL FLOOR LEVEL
- 3. (R) --- REVERSED DETAIL

4. GLASS LEGEND
- EGL-1 --- 8mmHS+12mm AIR GAP+10mmTP THK. I.G.U.
 - EGL-2 --- 10mm THK. CLEAR TEMPERED GLASS
 - EGL-4 --- 10mm THK. TEMPERED ACID ETCHED GLASS
 - EGL-1A --- 8mmHS+12mm AIR GAP+8mmTP THK. I.G.U.
 - EGL-1B --- 8mmHS+12mm AIR GAP+10mmTP ACID-ETCHED THK. I.G.U.

NO.	DATE	REVISION	BY
F	18/05/2022	REVISION SUBJECT TO ARCH-COMMENT	lwk
E	09/04/2022	REVISION SUBJECT TO ARCH-COMMENT	lwk
D	17/12/2021	REVISION SUBJECT TO ARCH-COMMENT	lwk
C	29/11/2021	REVISION SUBJECT TO ARCH-COMMENT	lwk
B	03/11/2021	REVISION SUBJECT TO ARCH-COMMENT	lwk
A	12/10/2021	REVISION SUBJECT TO ARCH-COMMENT	lwk

JOB NO. : J-856

PROJECT :
 PROPOSED DEVELOPMENT ABOVE
 LIGHT RAIL TIN WING STOP-TSWTL
 NO.23,AREA 33,TIN SHUI WAI, N.T.

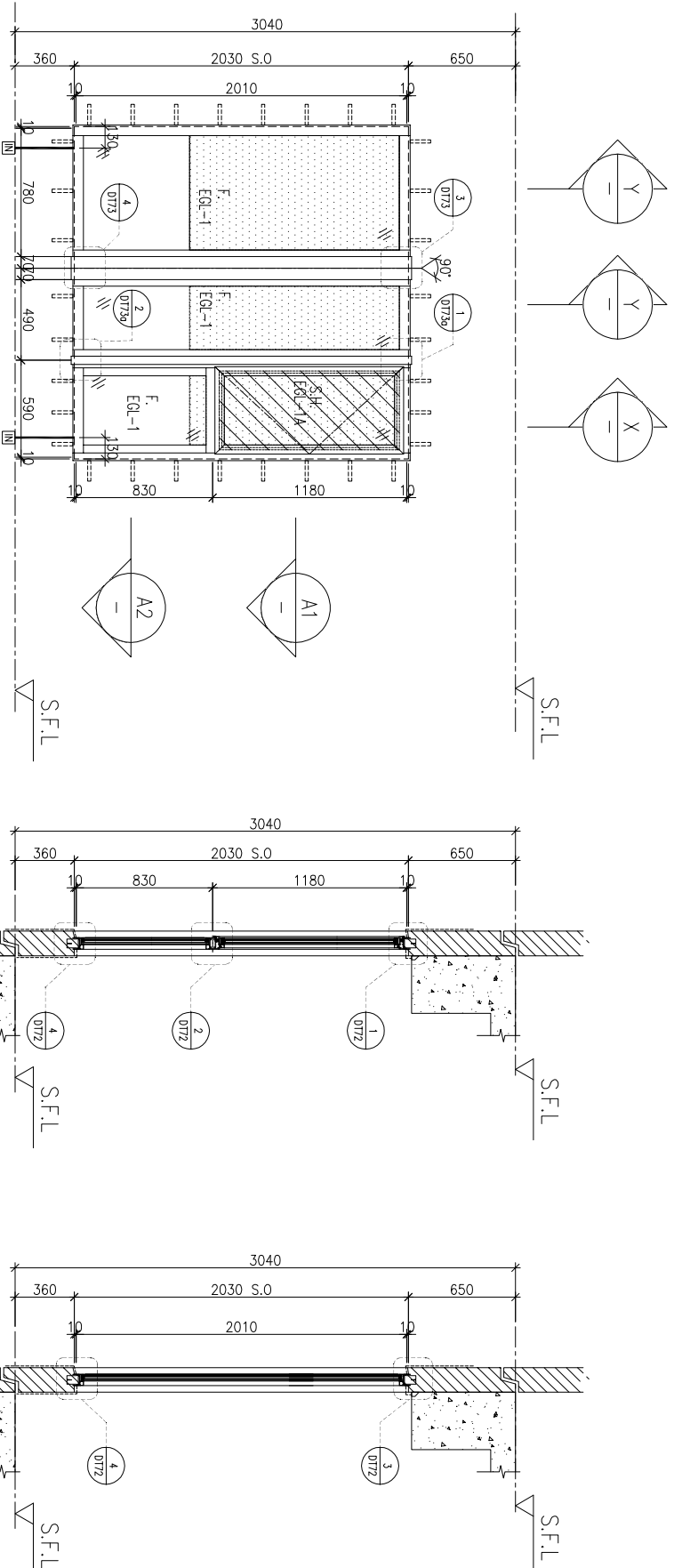
TITLE :
 WINDOW SCHEDULE FOR
 TOWER 2 ALUM. WINDOW

DATE : 02-Aug-21
 SCALE : 1:40

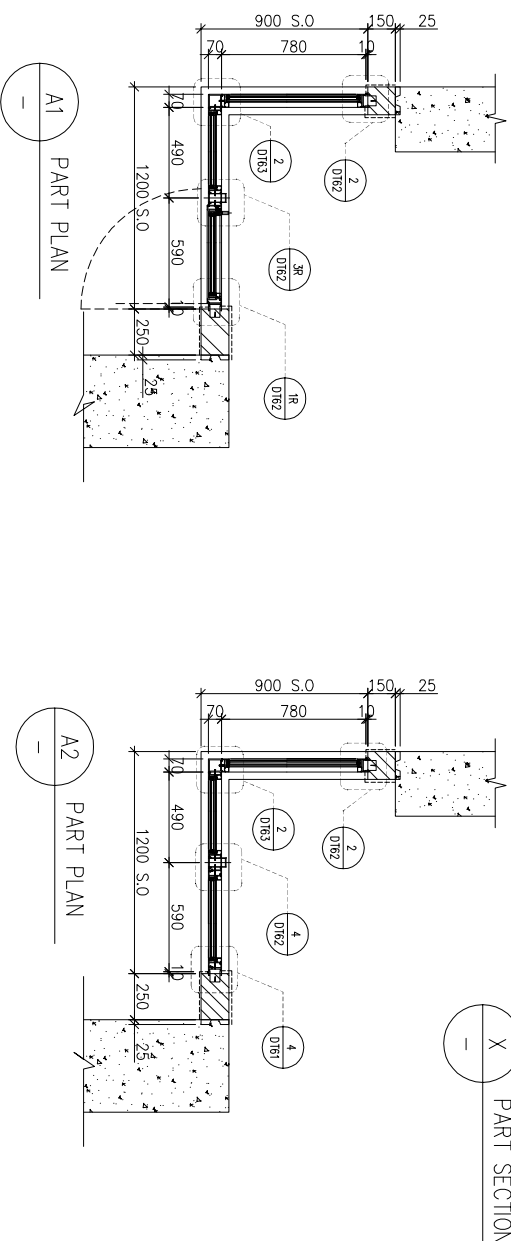
DRAWN BY : Ivn
 CHECKED BY :

美特鋁質有限公司
MIDI ALUMINIUM FABRICATOR LTD.
 Units 6-8, Sunray Industrial Centre, 1/F
 610 Cho Kwai Ling Road, Kwai Tsou
 Tel:23489211-4 Fax:(852)27272666
 DWG NO. : J856-SD-PW-5210 REV. : F

PROVIDED	REQUIRE
OPENABLE AREA 0.525	OPENABLE AREA
GLAZING AREA 1.853	GLAZING AREA



ELEVATION



FACADE CODE		
LWK	鴻輝	UNIT
PF-13	T2PF-27	B8

WINDOW MARK	AW 08
LOCATION	3/F-42/F(4/F, 13/F, 14/F, 24/F, 34/F OMITTED) UNIT B8
SECTION	70mm ALUM. SECTION
GLAZING	EGL-1, EGL-1A
QUANTITY	35 Nos
REMARKS	FACADE(TYPE T2PF13 FOR 3/F-42/F)

B.D. REF :

CLIENT :

SUN HUNG KAI
REAL ESTATE AGENCY LTD.
42/F SUN HUNG KAI CENTRE, WANCHAI, HONGKONG

ARCHITECT :

lwk&partners
a f c h i l e c i s

MAIN CONTRACTOR :

怡輝建築有限公司
Yee Fai Building Contractors Ltd.

STRUCTURAL ENGINEER :

ARUP

FACADE CONSULTANT :

ALPHA CONSULTING LIMITED
Steel Structure & Façade Specialist

NOTE:
1. ALL DIMENSIONS ARE IN mm.
2. ALL ELEVATIONS ARE VIEWED FROM OUTSIDE.
3. ALL DIMENSIONS TO BE VERIFIED ON SITE BEFORE FABRICATION.
LEGEND:
X1 --- DETAIL MARK NO.
X001 --- REFER SHEET NO.

1. F.F.L. --- FINISHED FLOOR LEVEL
2. S.F.L. --- STRUCTURAL FLOOR LEVEL
3. (R) --- REVERSED DETAIL
4. GLASS LEGEND
EGL-1 --- 8mmHS+12mm AIR GAP+10mmTP THK. I.G.U.
EGL-2 --- 10mm THK. CLEAR TEMPERED GLASS
EGL-4 --- 10mm THK. TEMPERED ACID ETCHED GLASS
EGL-1A --- 8mmHS+12mm AIR GAP+8mmTP THK. I.G.U.
EGL-1B --- 8mmHS+12mm AIR GAP+10mmTP ACID-ETCHED THK. I.G.U.

NO.	DATE	REVISION	SUBJECT TO ARCH-COMMENT	BY
F	18/05/2022	REVISION SUBJECT TO ARCH-COMMENT	None	
E	09/04/2022	REVISION SUBJECT TO ARCH-COMMENT	None	
D	17/12/2021	REVISION SUBJECT TO ARCH-COMMENT	None	
C	29/11/2021	REVISION SUBJECT TO ARCH-COMMENT	None	
B	03/11/2021	REVISION SUBJECT TO ARCH-COMMENT	None	
A	12/07/2021	REVISION SUBJECT TO ARCH-COMMENT	None	

JOB NO. : J-856

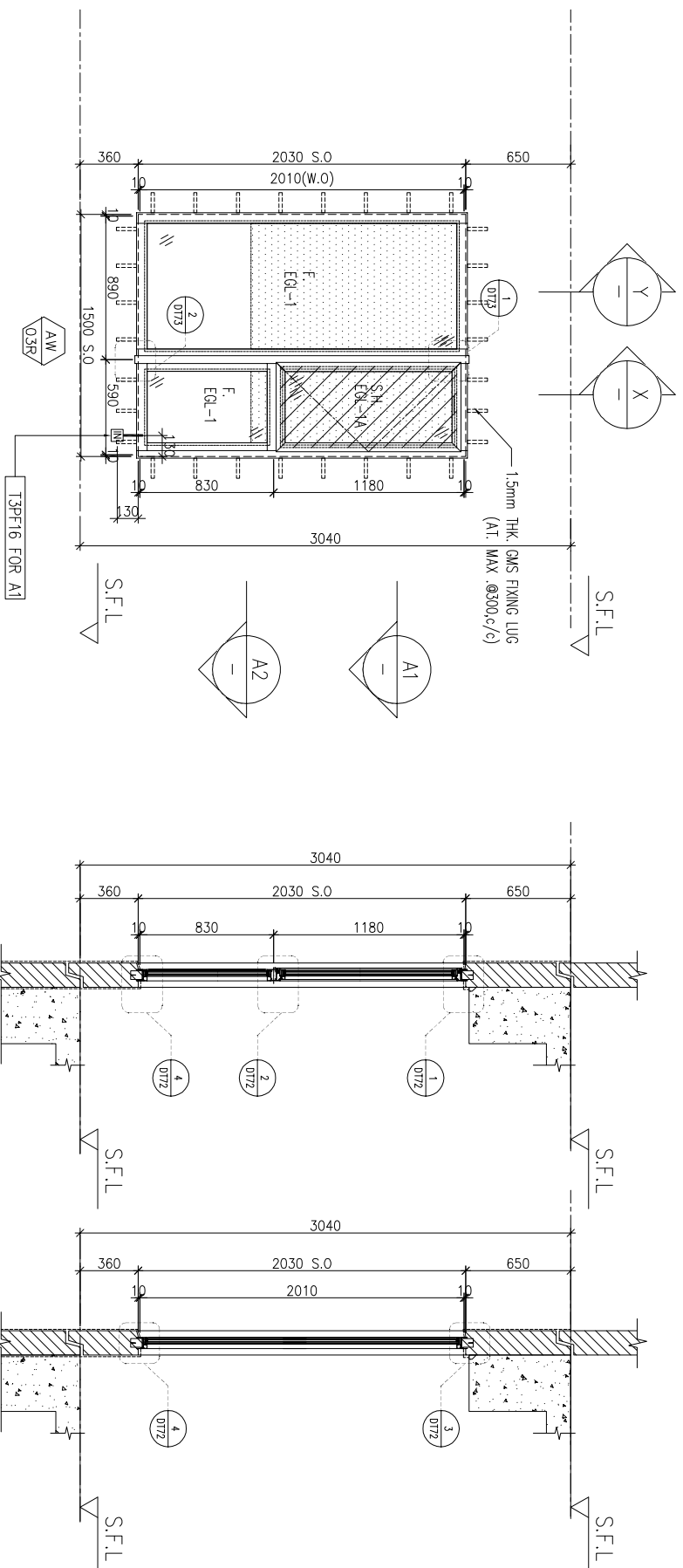
PROJECT : PROPOSED DEVELOPMENT ABOVE LIGHT RAIL TIN WING STOP-TSWTL NO.23, AREA 33, TIN SHUI WAI, N.T.

TITLE : WINDOW SCHEDULE FOR TOWER 2 ALUM. WINDOW

DATE : 02-Aug-21 SCALE : 1:40
DRAWN BY : IYON CHECKED BY :

美特鋁質有限公司
MIDI ALUMINIUM FABRICATOR LTD.
Units 6-8, Sunray Industrial Centre, 1/F
610 Cho Kwai Ling Road, Kwai Tsoum
Tel:23489211-4 Fax:(852)2727666
DWG NO. : J856-SD-PW-5211 REV. : F

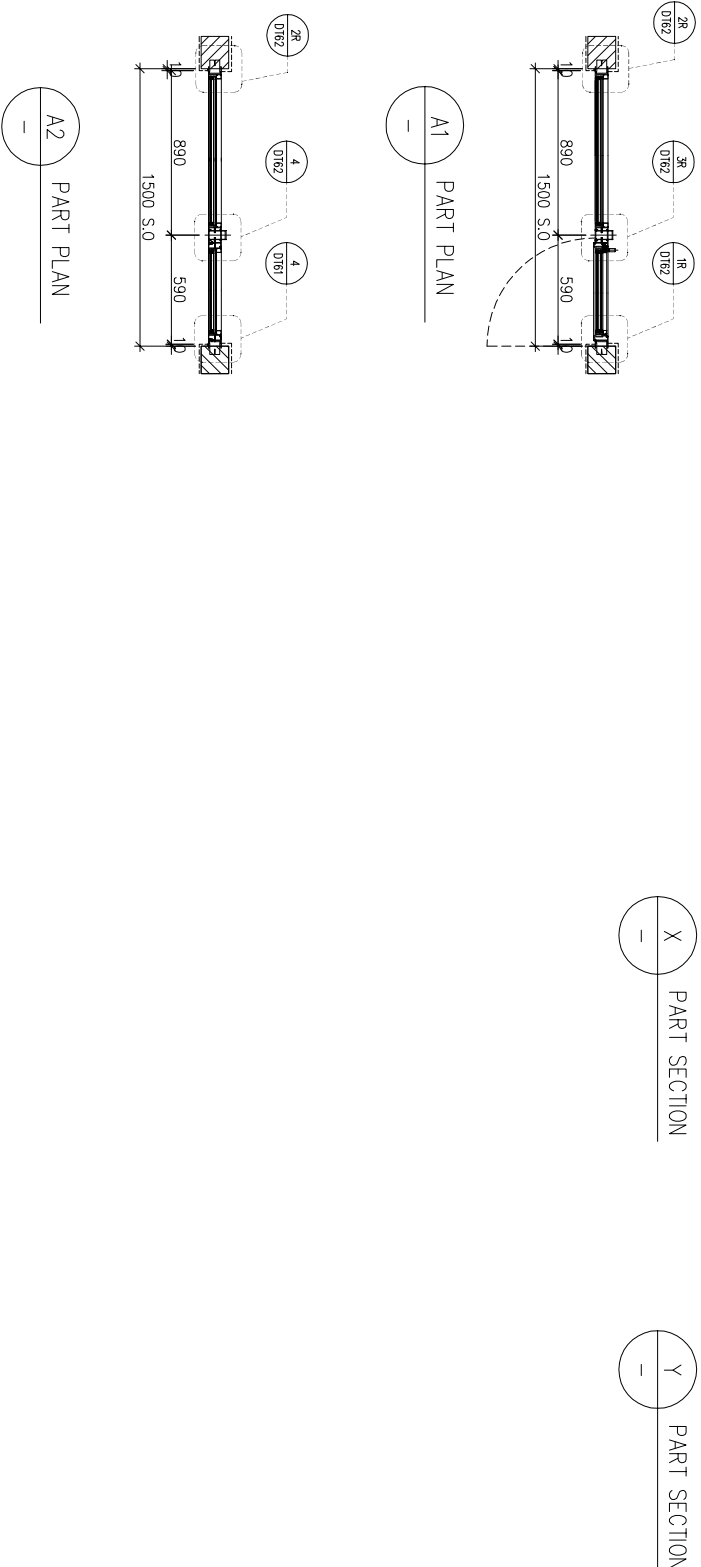
PROVIDED	REQUIRE
OPENABLE AREA 0.548	OPENABLE AREA
GLAZING AREA 1.495	GLAZING AREA



ELEVATION

FACADE CODE		
LWK	鴻輝	UNIT
PF-20R	T2PF-23	B6

WINDOW MARK	AW 03R
LOCATION	3/F-42/F(4/F,13/F,14/F,24/F,34/F OMITTED) UNIT B6
SECTION	70mm ALUM. SECTION
GLAZING	EGL-1, EGL-1A
QUANTITY	35 Nos
REMARKS	FACADE(TYPE T2PF20R FOR 3/F~42/F)



B.D. REF :

CLIENT :

SUN HUNG KAI
REAL ESTATE AGENCY LTD.
42/F, SUN HUNG KAI CENTRE, WANCHAI, HONGKONG

ARCHITECT :

lwk&partners
a r c h i t e c t s

MAIN CONTRACTOR :

怡輝建築有限公司
Yee Fai Building Contractors Ltd.

STRUCTURAL ENGINEER :

ARUP

FACADE CONSULTANT :

ALPHA CONSULTING LIMITED
Steel Structure & Façade Specialist

NOTE :

1. ALL DIMENSIONS ARE IN mm.
2. ALL ELEVATIONS ARE VIEWED FROM OUTSIDE.
3. ALL DIMENSIONS TO BE VERIFIED ON SITE BEFORE FABRICATION.

LEGEND :

(X1) ———— DETAIL MARK NO.
(X001) ———— REFER SHEET NO.

1. F.F.L. --- FINISHED FLOOR LEVEL
2. S.F.L. --- STRUCTURAL FLOOR LEVEL
3. (R) --- REVERSED DETAIL

4. GLASS LEGEND

- EGL-1 --- 8mmHS+12mm AIR GAP+10mmTP THK. I.G.U.
EGL-2 --- 10mm THK. CLEAR TEMPERED GLASS
EGL-4 --- 10mm THK. TEMPERED ACID ETCHED GLASS
EGL-1A --- 8mmHS+12mm AIR GAP+8mmTP THK. I.G.U.
EGL-1B --- 8mmHS+12mm AIR GAP+10mmTP ACID-ETCHED THK. I.G.U.

NO.	DATE	REVISION	REVISION SUBJECT TO ARCH-COMMENT	BY
B	18/05/2022	REVISION SUBJECT TO ARCH-COMMENT		ivan
A	17/12/2021	REVISION SUBJECT TO ARCH-COMMENT		ivan

JOB NO. : J-856

PROJECT : PROPOSED DEVELOPMENT ABOVE LIGHT RAIL TIN WING STOP-TSWTL NO.23,AREA 33,TIN SHUI WAI, N.T.

TITLE : WINDOW SCHEDULE FOR TOWER 2 ALUM. WINDOW

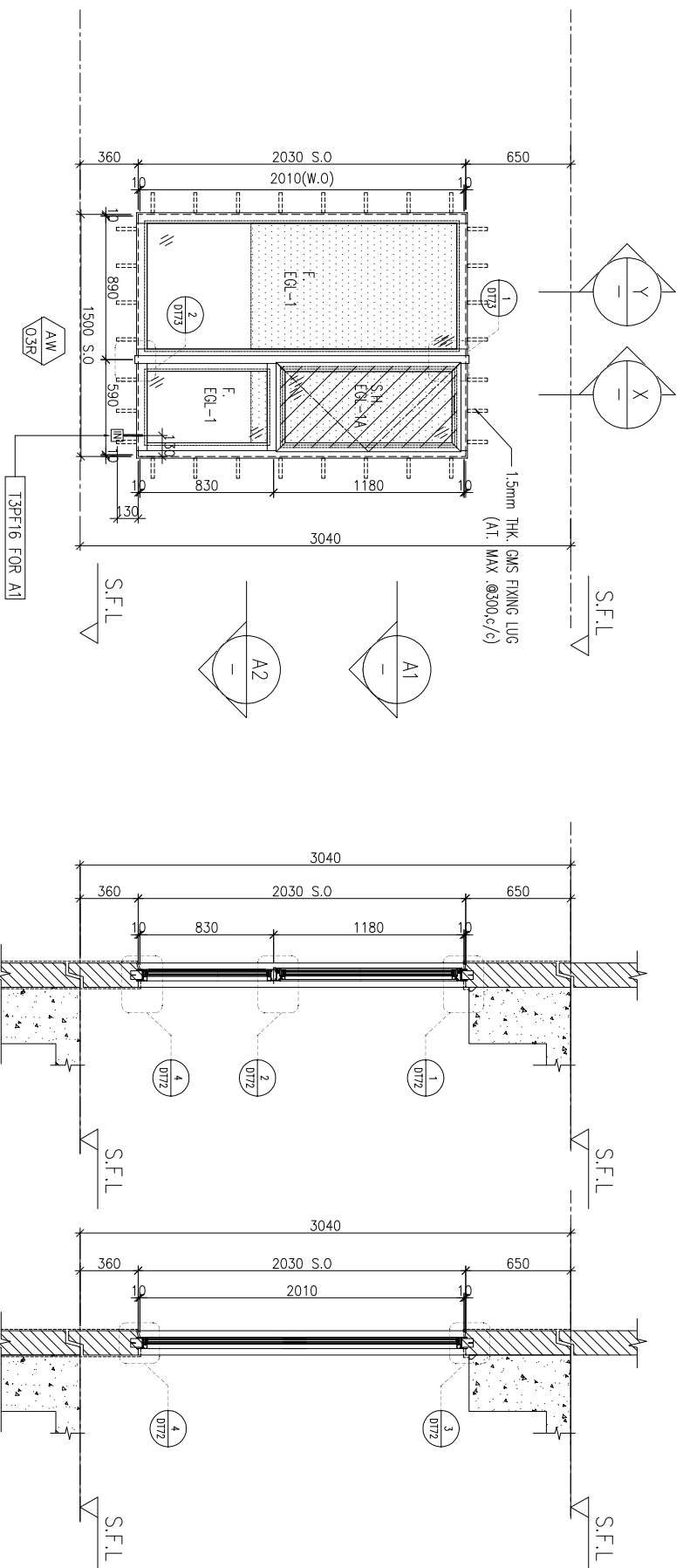
DATE : 02-Aug-21 SCALE : 1:40

DRAWN BY : ivan CHECKED BY :

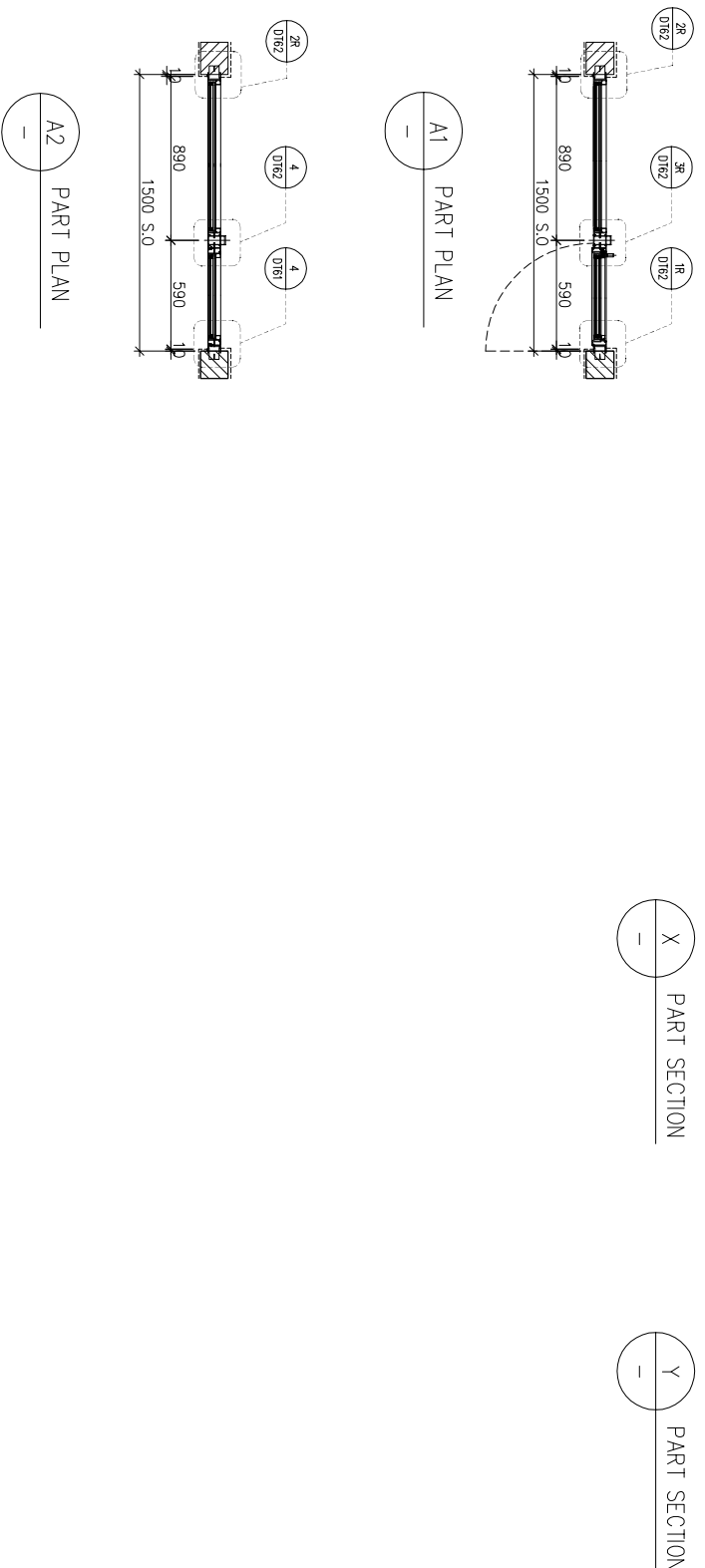
美特鋁質有限公司
MIDI ALUMINUM FABRICATOR LTD.
Units 6-8, Sunray Industrial Centre, 1/F
610 Cho Kwai Ling Road, Kowloon
Tel:23489211-4 Fax:(852)2727666

DWG NO. : J856-SD-PW-5212 REV. : B

PROVIDED	REQUIRE
OPENABLE AREA 0.548	OPENABLE AREA 1.495
GLAZING AREA	GLAZING AREA



ELEVATION



FACADE CODE		
LWK	鴻輝	UNIT
PF-10	T2PF-03	B3

WINDOW MARK	AW 03R
LOCATION	3/F~42/F(4/F,13/F,14/F,24/F,34/F OMITTED) UNIT B3
SECTION	70mm ALUM. SECTION
GLAZING	EGL-1,EGL-1A
QUANTITY	35 Nos
REMARKS	FACADE(TYPE T2PF10R FOR 3/F~42/F)

B.D. REF :

CLIENT :

SUN HUNG KAI
REAL ESTATE AGENCY LTD.
42/F SUN HUNG KAI CENTRE, WANCHAI, HONGKONG

ARCHITECT :

lwk&partners
a r c h i t e c t s

MAIN CONTRACTOR :

怡輝建築有限公司
Yee Fai Building Contractors Ltd.

STRUCTURAL ENGINEER :

ARUP

FACADE CONSULTANT :

ALPHA CONSULTING LIMITED
Steel Structure & Façade Specialist

NOTE :

1. ALL DIMENSIONS ARE IN mm.
2. ALL ELEVATIONS ARE VIEWED FROM OUTSIDE.
3. ALL DIMENSIONS TO BE VERIFIED ON SITE BEFORE FABRICATION.

LEGEND :

(X1) --- DETAIL MARK NO.
(X001) --- REFER SHEET NO.

1. F.F.L. --- FINISHED FLOOR LEVEL
2. S.F.L. --- STRUCTURAL FLOOR LEVEL
3. (R) --- REVERSED DETAIL

4. GLASS LEGEND

- EGL-1 --- 8mmHS+12mm AIR GAP+10mmTP THK. I.G.U.
- EGL-2 --- 10mm THK. CLEAR TEMPERED GLASS
- EGL-4 --- 10mm THK. TEMPERED ACID ETCHED GLASS
- EGL-1A --- 8mmHS+12mm AIR GAP+8mmTP THK. I.G.U.
- EGL-1B --- 8mmHS+12mm AIR GAP+10mmTP ACID-ETCHED THK. I.G.U.

NO.	DATE	REVISION SUBJECT TO ARCH/COMMENT	BY
A	18/09/2022		ipm

JOB NO. : J-856

PROJECT :
PROPOSED DEVELOPMENT ABOVE
LIGHT RAIL TIN WING STOP/TSWTL
NO.23,AREA 33,TIN SHUI WAI, N.T.

TITLE :
WINDOW SCHEDULE FOR
TOWER 2 ALUM. WINDOW

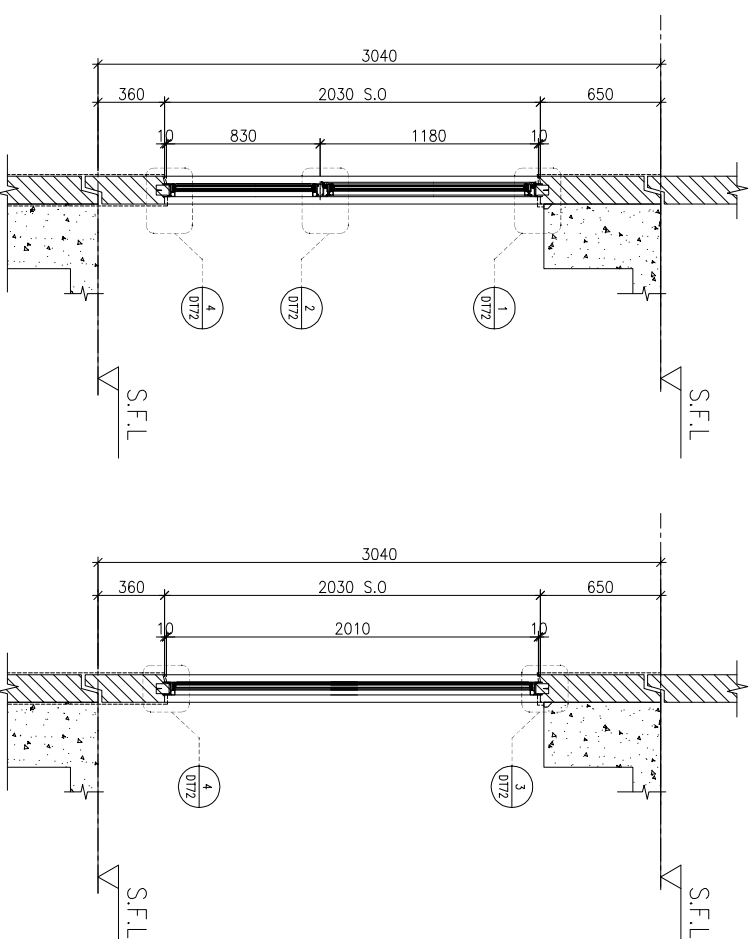
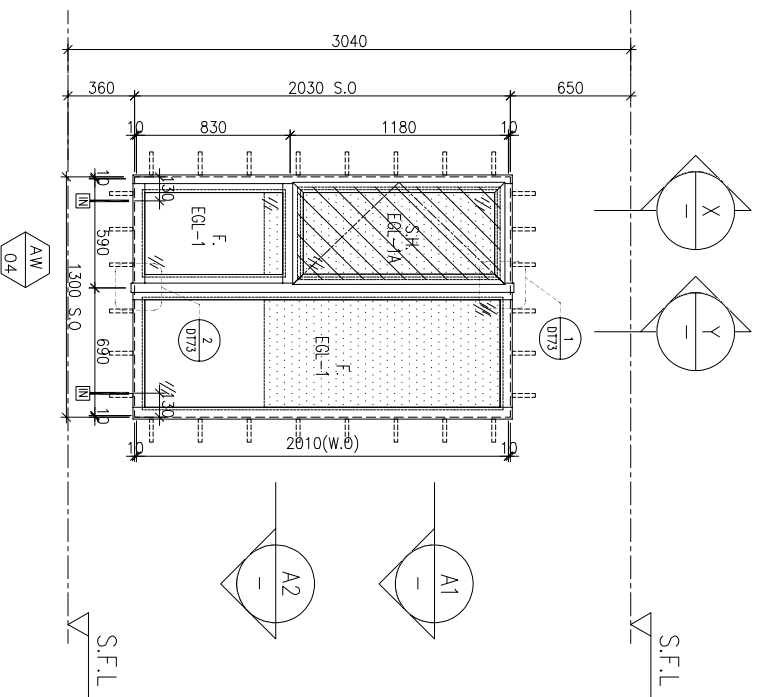
DATE : 08-Apr-21 SCALE : 1:40

DRAWN BY : ivon CHECKED BY :

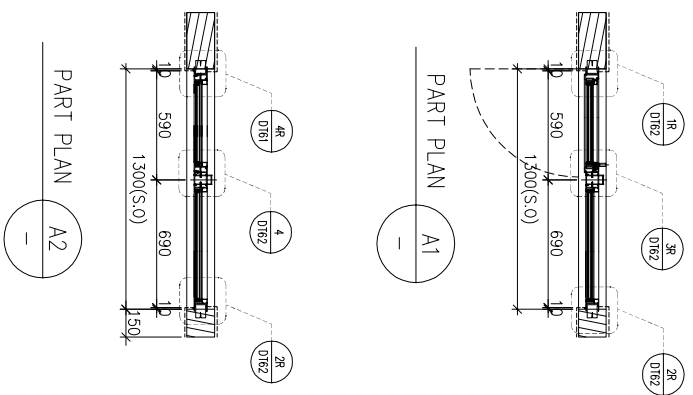
美特鋁質有限公司
MIDI ALUMINUM FABRICATOR LTD.
Units 6-8, Sunray Industrial Centre, 1/F
610 Cho Kwai Ling Road, Kwailoon
Tel:23489211-4 Fax:(852)2727666

DWG NO. : J856-SD-PW-5213 REV. : A

PROVIDED	REQUIRE
OPENABLE AREA 0.548	OPENABLE AREA
GLAZING AREA 1.24	GLAZING AREA



ELEVATION



FACADE CODE		
LWK	鴻輝	UNIT
PF-??R	T2PF-02A	B2

WINDOW MARK	AW 04
LOCATION	3/F-42/F(4/F,13/F,14/F,24/F,34/F OMITTED) UNIT B2
SECTION	70mm ALUM. SECTION
GLAZING	EGL-1,EGL-1A
QUANTITY	35 Nos
REMARKS	FACADE(TYPE T2PF??R FOR 3/F~42/F)

B.D. REF :

CLIENT :

SUN HUNG KAI
REAL ESTATE AGENCY LTD.

42/F SUN HUNG KAI CENTRE, WANCHAI, HONGKONG

ARCHITECT :

lwk&partners
a r c h i t e c t s

MAIN CONTRACTOR :

怡輝建築有限公司
Yee Fai Building Contractors Ltd.

STRUCTURAL ENGINEER :

ARUP

FACADE CONSULTANT :

ALPHA CONSULTING LIMITED
Steel Structure & Façade Specialist

- NOTE :
1. ALL DIMENSIONS ARE IN mm.
 2. ALL ELEVATIONS ARE VIEWED FROM OUTSIDE.
 3. ALL DIMENSIONS TO BE VERIFIED ON SITE BEFORE FABRICATION.

LEGEND :

(X1) --- DETAIL MARK NO.
(X001) --- REFER SHEET NO.

1. F.F.L. --- FINISHED FLOOR LEVEL
2. S.F.L. --- STRUCTURAL FLOOR LEVEL
3. (R) --- REVERSED DETAIL

4. GLASS LEGEND

- EGL-1 --- 8mmHS+12mm AIR GAP+10mmTP THK. I.G.U.
EGL-2 --- 10mm THK. CLEAR TEMPERED GLASS
EGL-4 --- 10mm THK. TEMPERED ACID ETCHED GLASS
EGL-1A --- 8mmHS+12mm AIR GAP+8mmTP THK. I.G.U.
EGL-1B --- 8mmHS+12mm AIR GAP+10mmTP ADD-ETCHED THK. I.G.U.

NO.	DATE	REVISION	REVISION SUBJECT TO ARCH-COMMENT	BY
B	18/05/2022	REVISION SUBJECT TO ARCH-COMMENT		ivan
A	17/12/2021	REVISION SUBJECT TO ARCH-COMMENT		ivan

JOB NO. : J-856

PROJECT :

PROPOSED DEVELOPMENT ABOVE
LIGHT RAIL TIN WING STOP-TSWTL
NO.23,AREA 33,TIN SHUI WAI, N.T.

TITLE :

WINDOW SCHEDULE FOR
TOWER 2 ALUM. WINDOW

DATE : 08-Apr-21 SCALE : 1:40

DRAWN BY : Ivan

CHECKED BY :

美特鋁質有限公司
MIDI ALUMINUM FABRICATOR LTD.
Units 6-8, Sunray Industrial Centre, 1/F
610 Cho Kwai Ling Road, Kowloon
Tel:23489211-4 Fax:(852)2727666

DWG NO. : J856-SD-PW-5214 REV. : B

PROVIDED	OPENABLE AREA	GLAZING AREA	OPENABLE AREA	GLAZING AREA
	0.548	0.985		

B.D. REF : _____

CLIENT : _____

CLIENT :

SUN HUNG KAI
REAL ESTATE AGENCY LTD.
42/F SUN HUNG KAI CENTRE, WANCHAI, HONGKONG

ARCHITECT :

lwk&partners
a r c h i t e c t s

MANU CONTRACTOR :

怡輝建築有限公司
Yee Fai Building Contractors Ltd.

STRUCTURAL ENGINEER :

ARUP
ALPHA CONSULTING LIMITED
Steel Structure & Façade Specialist

NOTE :

1. ALL DIMENSIONS ARE IN mm.
2. ALL ELEVATIONS ARE VIEWED FROM OUTSIDE.
3. ALL DIMENSIONS TO BE VERIFIED ON SITE BEFORE FABRICATION.

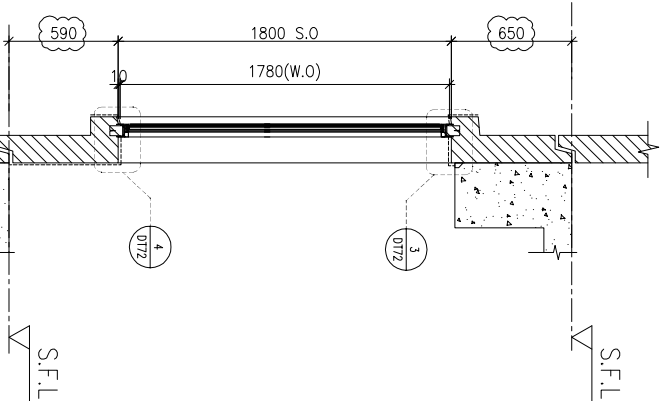
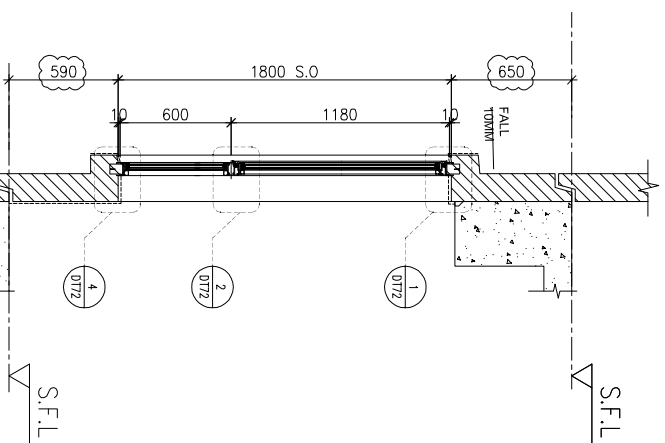
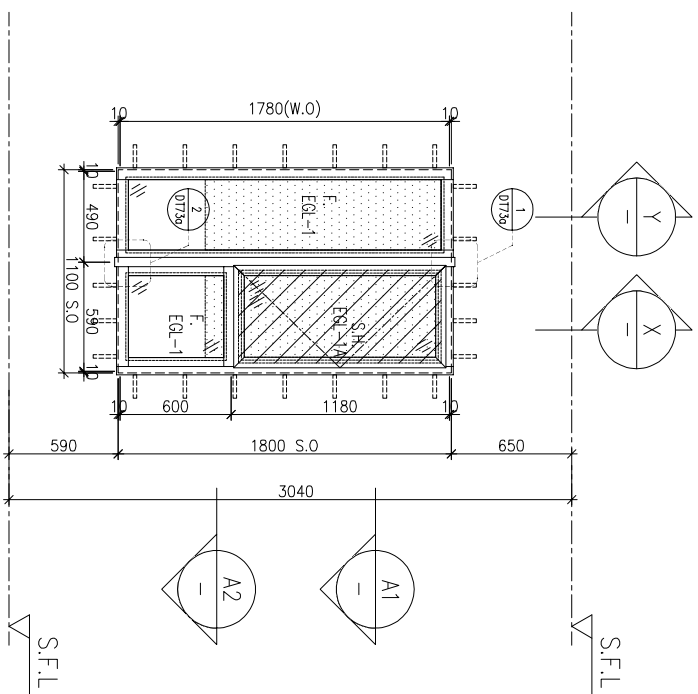
LEGEND :

(X1) --- DETAIL MARK NO.
(X001) --- REFER SHEET NO.

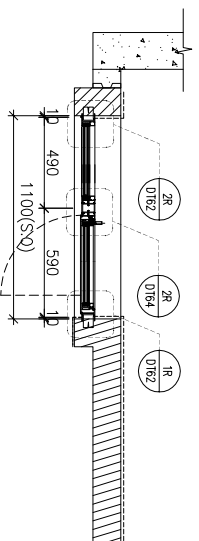
1. F.F.L. --- FINISHED FLOOR LEVEL
2. S.F.L. --- STRUCTURAL FLOOR LEVEL
3. (R) --- REVERSED DETAIL

4. GLASS LEGEND

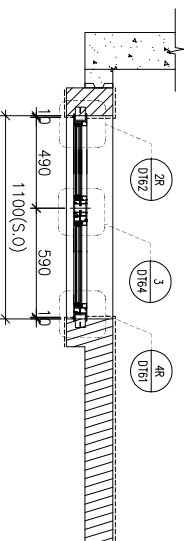
EGL-1 --- 8mmHS+12mm AIR GAP+10mmTP THK. I.G.U.
EGL-2 --- 10mm THK. CLEAR TEMPERED GLASS
EGL-4 --- 10mm THK. TEMPERED ACID ETCHED GLASS
EGL-1A --- 8mmHS+12mm AIR GAP+8mmTP THK. I.G.U.
EGL-1B --- 8mmHS+12mm AIR GAP+10mmTP ACID-ETCHED THK. I.G.U.



ELEVATION



A1 PART PLAN



A2 PART PLAN

FACADE CODE		UNIT
LWK	鴻輝	A2
PF-02R	T3PF-05	A2
PF-02R	T3PF-37	A9
PF-02R	T3PF-31	B7
PF-02R	T3PF-32	B8

WINDOW MARK

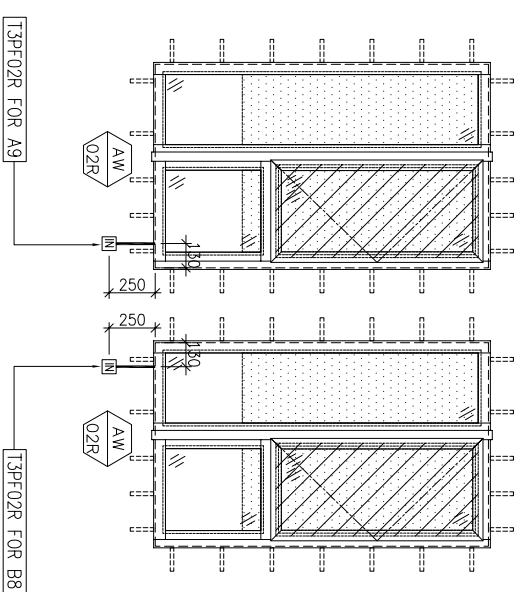
LOCATION 3/F~42/F, 4/F, 13/F, 14/F, 24/F, 34/F OMITTED (UNIT A2, A9, B7, B8)

SECTION 70mm ALUM. SECTION

GLAZING EGL-1, EGL-1A

QUANTITY 35 Nos / 35 Nos / 35 Nos / 35 Nos

REMARKS FACADE (TYPE T3PF02R) FOR 3/F~42/F



T3PF02R FOR A9
T3PF02R FOR B7
T3PF02R FOR A2

NO.	DATE	REVISION	REVISION SUBJECT TO ARCH-COMMENT	BY
A	18/10/2021	REVISION SUBJECT TO ARCH-COMMENT	ivan	
B	28/10/2021	REVISION SUBJECT TO ARCH-COMMENT	ivan	
C	02/11/2021	REVISION SUBJECT TO ARCH-COMMENT	ivan	
D	29/11/2021	REVISION SUBJECT TO ARCH-COMMENT	ivan	
E	14/12/2021	REVISION SUBJECT TO ARCH-COMMENT	ivan	
F	08/04/2022	REVISION SUBJECT TO ARCH-COMMENT	ivan	
G	22/04/2022	REVISION SUBJECT TO ARCH-COMMENT	ivan	

JOB NO. : J-856

PROJECT : PROPOSED DEVELOPMENT ABOVE LIGHT RAIL TIN WING STOP-TS/WTL NO.23, AREA 33, TIN SHUI WAI, N.T.

TITLE : WINDOW SCHEDULE FOR TOWER 3 ALUM. WINDOW

DATE : 02-Aug-21 SCALE : 1:40

DRAWN BY : ivan CHECKED BY :

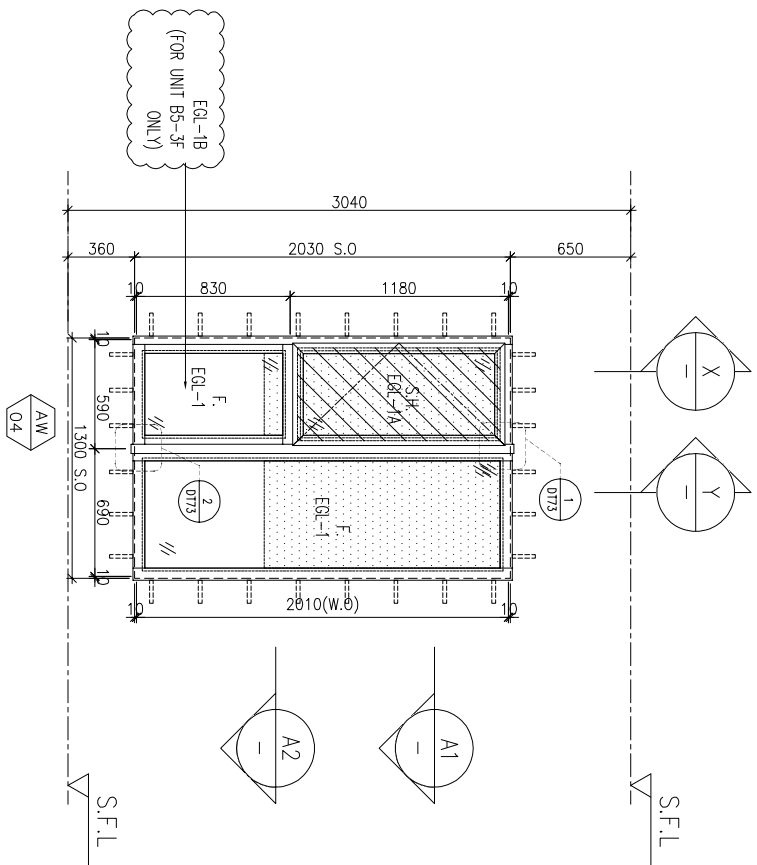
美特鋁質有限公司
MIDI ALUMINIUM FABRICATOR LTD.
Units 6-8, Sunray Industrial Centre, 1/F
610 Cho Kwai Ling Road, Kwai Tsou
Tel: 23489211-4 Fax: (852) 2727666

DWG NO. : J856-SD-PW-5301 REV. : G

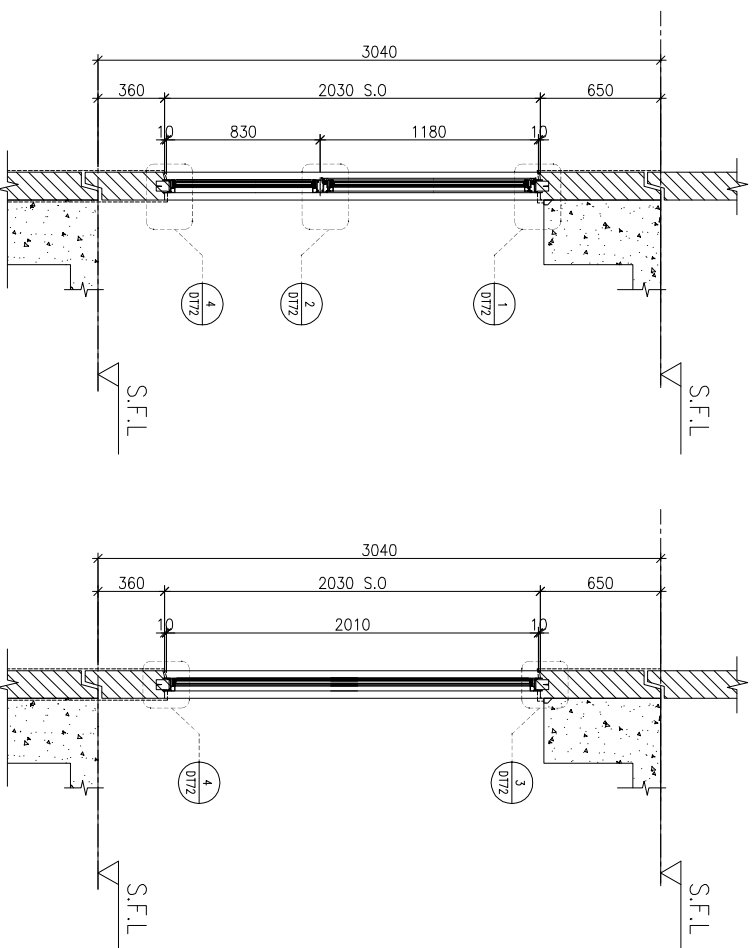
PROVIDED	OPENABLE AREA	GLAZING AREA	OPENABLE AREA	GLAZING AREA
	0.548	1.24		

REQUIRE

GLAZING AREA

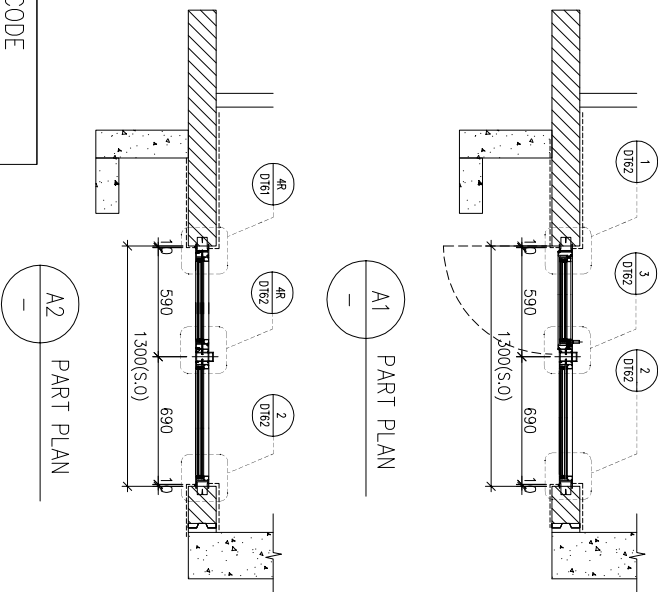


ELEVATION



PART SECTION X

PART SECTION Y



PART PLAN A1

PART PLAN A2

FACADE CODE		FACADE CODE	
LWK	UNIT	LWK	UNIT
PF-04	T3PF-08	A3	
PF-04	T3PF-12	A6	
PF-04	T3PF-39A	A10	
PF-04	T3PF-42	A12	
		PF-04R	T3PF-19
			B11

WINDOW MARK

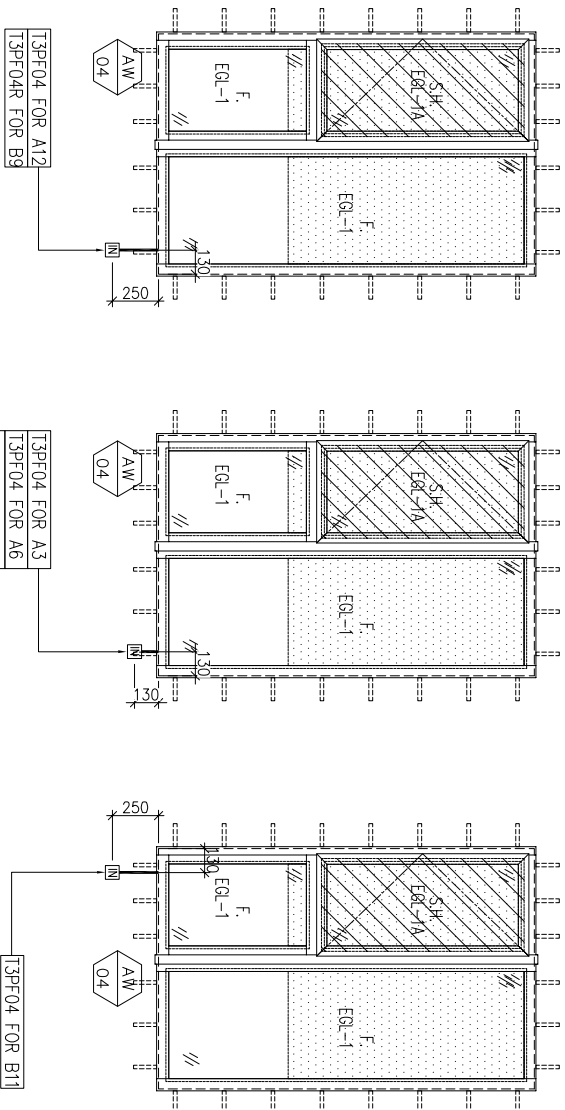
LOCATION 3/F~42/F(4/F,13/F,14/F,24/F,34/F OMITTED) UNIT A3, A6, A10, A12, B5, B9, B11

SECTION 70mm ALUM. SECTION

GLAZING EQL-1, EQL-1A

QUANTITY 35 Nos / 35 Nos / 35 Nos / 35 Nos / 35 Nos / 35 Nos / 35 Nos

REMARKS FACADE(TYPE T3PF04/04R FOR 3/F~42/F)



T3PF04 FOR A3

T3PF04 FOR A6

T3PF04 FOR A10

T3PF04 FOR B5

T3PF04 FOR B9

T3PF04 FOR B11

B.D. REF :

CLIENT :

SUN HUNG KAI
REAL ESTATE AGENCY LTD.
42/F SUN HUNG KAI CENTRE, WANCHAI, HONGKONG

ARCHITECT :

lwk&partners
a f c h i l e o c i s

MAIN CONTRACTOR :

怡輝建築有限公司
Yee Fai Building Contractors Ltd.

STRUCTURAL ENGINEER :

ARUP
ALPHA CONSULTING LIMITED
Steel Structure & Façade Specialist

FACADE CONSULTANT :

ARUP
ALPHA CONSULTING LIMITED
Steel Structure & Façade Specialist

- NOTE :
1. ALL DIMENSIONS ARE IN mm.
 2. ALL ELEVATIONS ARE VIEWED FROM OUTSIDE.
 3. ALL DIMENSIONS TO BE VERIFIED ON SITE BEFORE FABRICATION.

LEGEND :

(X1) --- DETAIL MARK NO.
(X001) --- REFER SHEET NO.

1. F.F.L. --- FINISHED FLOOR LEVEL
2. S.F.L. --- STRUCTURAL FLOOR LEVEL
3. (R) --- REVERSED DETAIL

4. GLASS LEGEND

- EQI-1 --- 8mmHS+12mm AIR GAP+10mmTP THK. I.G.U.
EQI-2 --- 10mm THK. CLEAR TEMPERED GLASS
EQI-4 --- 10mm THK. TEMPERED ACID ETCHED GLASS
EQI-1A --- 8mmHS+12mm AIR GAP+8mmTP THK. I.G.U.
EQI-1B --- 8mmHS+12mm AIR GAP+10mmTP ACID-ETCHED THK. I.G.U.

NO.	DATE	REVISION	SUBJECT TO ARCH-COMMENT	BY
1	27/06/2022	REVISION SUBJECT TO ARCH-COMMENT		lwk
2	22/04/2022	REVISION SUBJECT TO ARCH-COMMENT		lwk
3	09/04/2022	REVISION SUBJECT TO ARCH-COMMENT		lwk
4	14/12/2021	REVISION SUBJECT TO ARCH-COMMENT		lwk
5	29/11/2021	REVISION SUBJECT TO ARCH-COMMENT		lwk

JOB NO. : J-856

PROJECT : PROPOSED DEVELOPMENT ABOVE LIGHT RAIL TIN WING STOP-TSWTL NO.23,AREA 33,TIN SHUI WAI, N.T.

TITLE : WINDOW SCHEDULE FOR TOWER 3 ALUM. WINDOW

DATE : 02-Aug-21 SCALE : 1:40

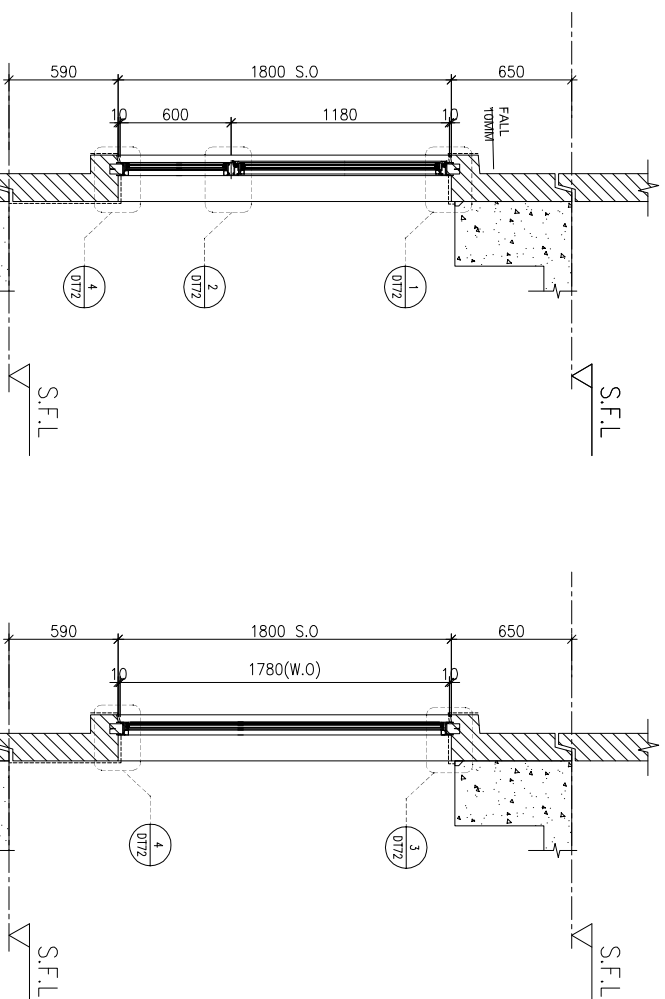
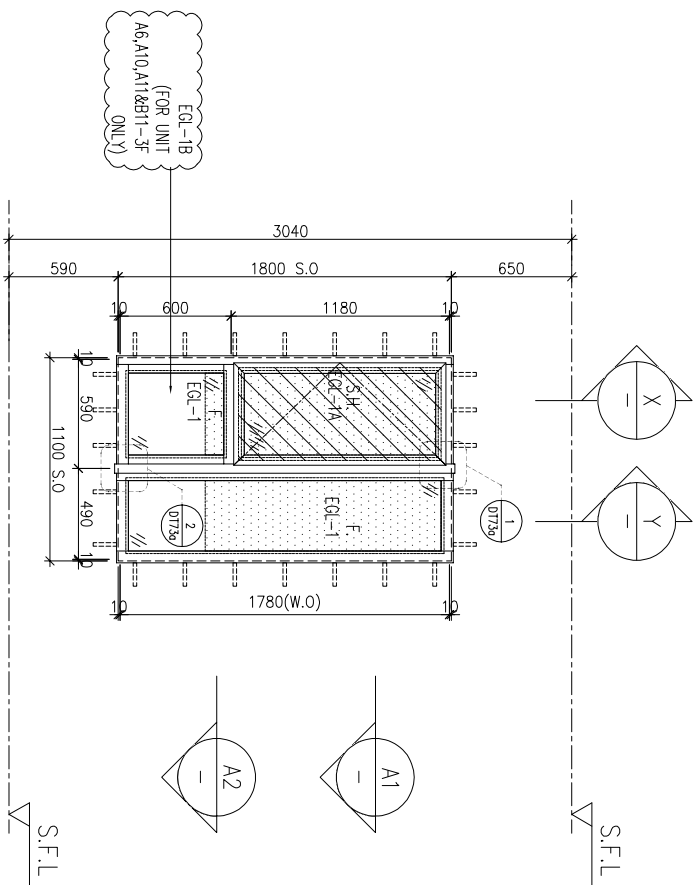
DRAWN BY : IYON CHECKED BY :

美特鋁質有限公司
MIDI ALUMINUM FABRICATOR LTD.
Units 6-8, Sunray Industrial Centre, 1/F
610 Cho Kwai Ling Road, Kwai Tsoum
Tel:23489211-4 Fax:(852)2727666

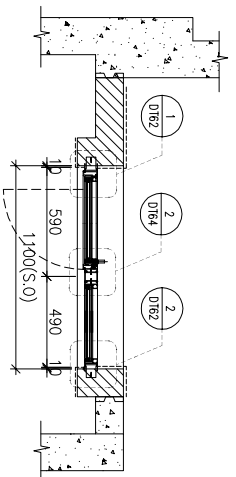
DWG NO. : J856-SD-PW-5302 REV. : 1

PROVIDED	OPENABLE AREA	GLAZING AREA	OPENABLE AREA	GLAZING AREA
	0.548	0.985		

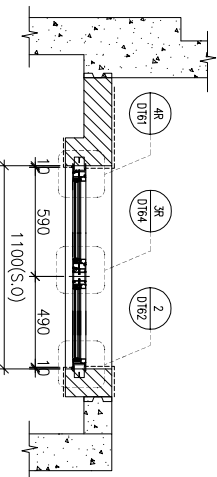
REQUIRE	OPENABLE AREA	GLAZING AREA



ELEVATION



A1 PART PLAN



A2 PART PLAN

FACADE CODE		FACADE CODE	
LWK	UNIT	LWK	UNIT
PF-05	T3PF-04	A1	
PF-05	T3PF-13	A6	
PF-05	T3PF-39	A10	
PF-05	T3PF-40	A11	
		PF-05	T3PF-27
		PF-05	T3PF-34
		PF-05	T3PF-18
			B11

WINDOW MARK

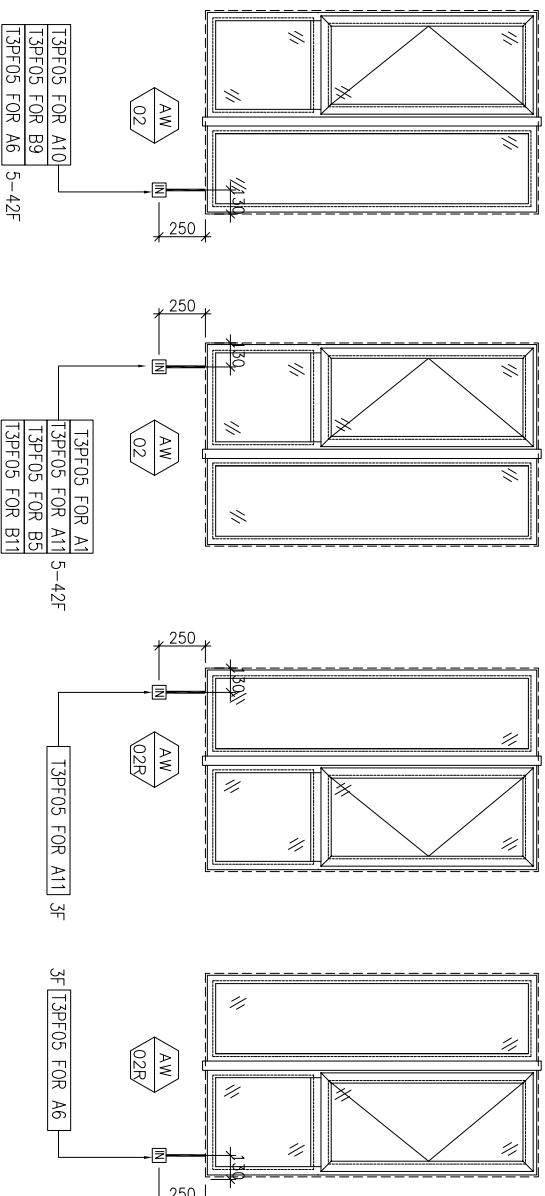
LOCATION 3/F~42/F, 13/F, 14/F, 24/F, 34/F OMITTED UNIT A1, A6(5-42F), A10, A11(5-42F), B5, B9, B11(5-42F)

SECTION 70mm ALUM. SECTION

GLAZING EGL-1, EGL-1A

QUANTITY 35 Nos / 34 Nos / 35 Nos / 34 Nos / 35 Nos / 35 Nos / 34 Nos

REMARKS FACADE(TYPE T3PF05 FOR 3/F~42/F)



WINDOW MARK

LOCATION 3/F UNIT A6(3F), A11(3F), B11(3F)

SECTION 70mm ALUM. SECTION

GLAZING EGL-1, EGL-1A

QUANTITY 1 No / 1 No / 1 No

REMARKS FACADE(TYPE T3PF05R FOR 3/F~42/F)

B.D. REF :

CLIENT :

SUN HUNG KAI
REAL ESTATE AGENCY LTD.
42/F SUN HUNG KAI CENTRE, WANCHAI, HONGKONG

ARCHITECT :

lwk&partners
ARCHITECTS

MAIN CONTRACTOR :

怡輝建築有限公司
Yee Fai Building Contractors Ltd.

STRUCTURAL ENGINEER :

ARUP

FACADE CONSULTANT :

ALPHA CONSULTING LIMITED
Steel Structure & Façade Specialist

NOTE :

1. ALL DIMENSIONS ARE IN mm.
2. ALL ELEVATIONS ARE VIEWED FROM OUTSIDE.
3. ALL DIMENSIONS TO BE VERIFIED ON SITE BEFORE FABRICATION.

LEGEND :

- (X1) --- DETAIL MARK NO.
- (X001) --- REFER SHEET NO.

1. F.F.L. --- FINISHED FLOOR LEVEL
2. S.F.L. --- STRUCTURAL FLOOR LEVEL
3. (R) --- REVERSED DETAIL

4. GLASS LEGEND

- EQI-1-8mmHS+12mm AIR GAP+10mmTP THK. I.G.U.
- EQI-2-10mm THK. CLEAR TEMPERED GLASS
- EQI-4-10mm THK. TEMPERED ACID ETCHED GLASS
- EQI-1A-8mmHS+12mm AIR GAP+8mmTP THK. I.G.U.
- EQI-1B-8mmHS+12mm AIR GAP+10mmTP ADD-ETCHED THK. I.G.U.

NO.	DATE	REVISION SUBJECT TO ARCH-COMMENT	BY
1	27/06/2022	REVISION SUBJECT TO ARCH-COMMENT	lwk
2	22/04/2022	REVISION SUBJECT TO ARCH-COMMENT	lwk
3	09/04/2022	REVISION SUBJECT TO ARCH-COMMENT	lwk
4	14/12/2021	REVISION SUBJECT TO ARCH-COMMENT	lwk
5	29/11/2021	REVISION SUBJECT TO ARCH-COMMENT	lwk

JOB NO. : J-856

PROJECT : PROPOSED DEVELOPMENT ABOVE LIGHT RAIL TIN WING STOP-TSWTL NO.23, AREA 33, TIN SHUI WAI, N.T.

TITLE : WINDOW SCHEDULE FOR TOWER 3 ALUM. WINDOW

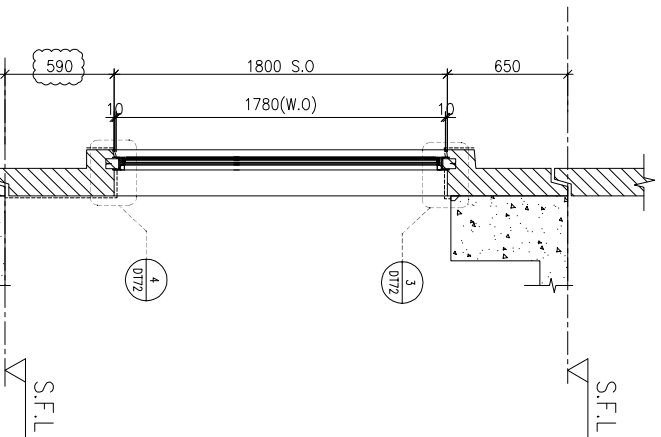
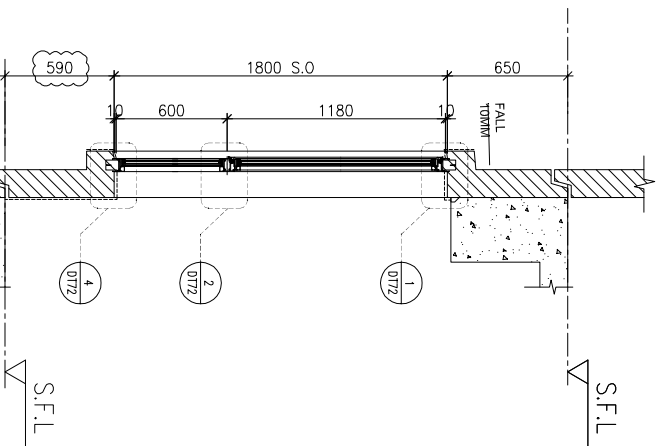
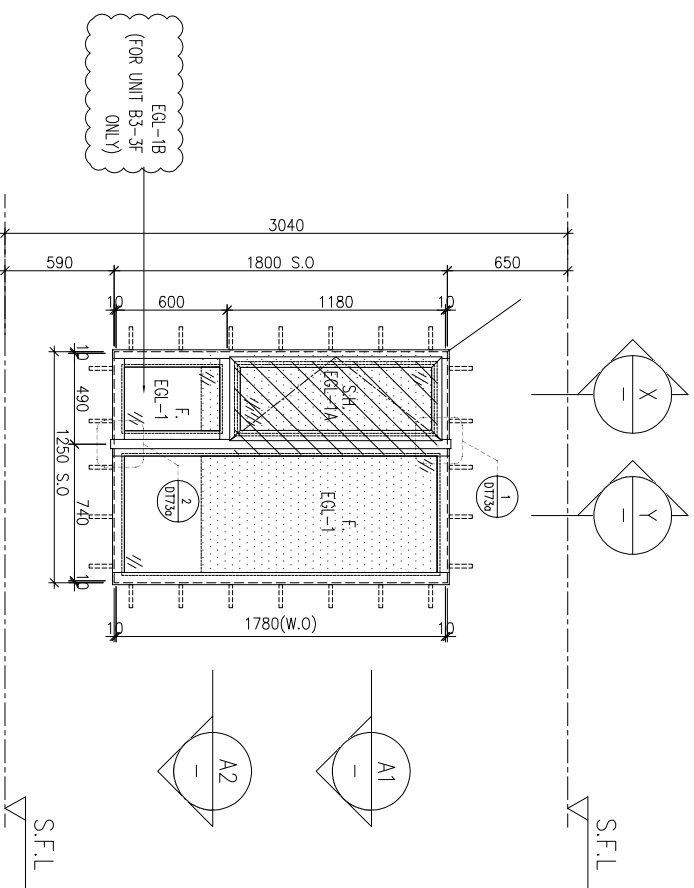
DATE : 02-Aug-21 SCALE : 1:40

DRAWN BY : IYON CHECKED BY :

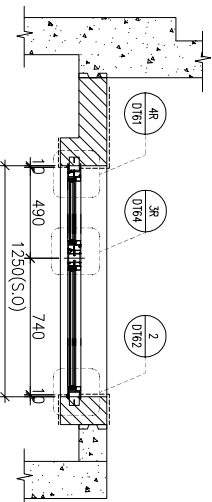
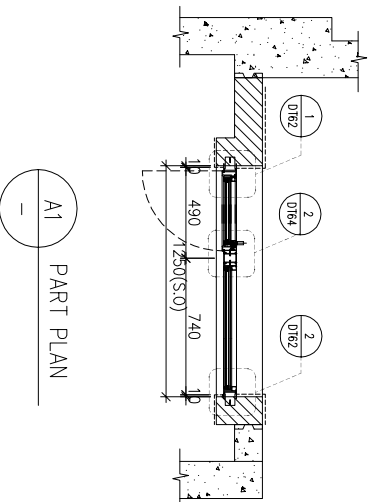
美特鋁質有限公司
MIDI ALUMINIUM FABRICATOR LTD.
Units 6-8, Sunray Industrial Centre, 1/F
610 Cho Kwai Ling Road, Kwai Tsoum
Tel: 23489211-4 Fax: (852) 27272666

DWG NO. : J856-SD-PW-5303 REV. : 1

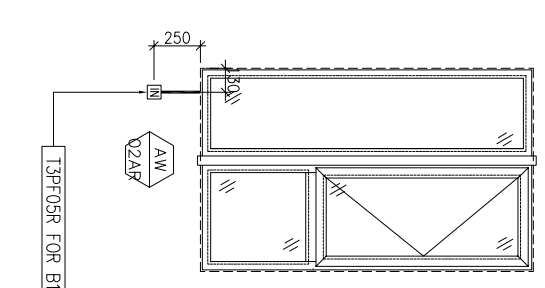
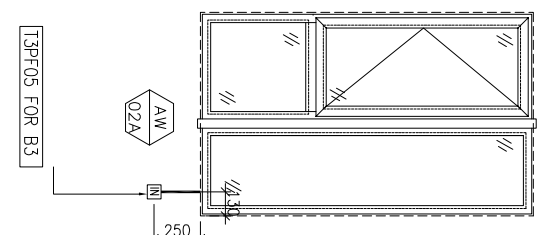
PROVIDED	REQUIRE
OPENABLE AREA 0.439	OPENABLE AREA 1.19
GLAZING AREA	GLAZING AREA



ELEVATION



A2 PART PLAN



FACADE CODE	
LWK	鴻輝 UNIT
PF-05	T3PF-24 B3
PF-05R	T3PF-21 B1

WINDOW MARK	AW 02d	AW 02aR
LOCATION	3/F~42/F(4/F,13/F,14/F,24/F,34/F OMITTED) UNIT B3	3/F~42/F(4/F,13/F,14/F,24/F,34/F OMITTED) UNIT B1
SECTION	70mm ALUM. SECTION	70mm ALUM. SECTION
GLAZING	EGL-1,EGL-1A	EGL-1,EGL-1A
QUANTITY	35 Nos	35 Nos
REMARKS	FACADE(TYPE T3PF05 FOR 3/F~42/F)	FACADE(TYPE T3PF05R FOR 3/F~42/F)

B.D. REF :

CLIENT :

SUN HUNG KAI
REAL ESTATE AGENCY LTD.
42/F SUN HUNG KAI CENTRE, WANCHAI, HONGKONG

ARCHITECT :

lwk&partners
ARCHITECTS

MAIN CONTRACTOR :

怡輝建築有限公司
Yee Fai Building Contractors Ltd.

STRUCTURAL ENGINEER :

ARUP

FACADE CONSULTANT :

ALPHA CONSULTING LIMITED
Steel Structure & Façade Specialist

- NOTE :
1. ALL DIMENSIONS ARE IN mm.
 2. ALL ELEVATIONS ARE VIEWED FROM OUTSIDE.
 3. ALL DIMENSIONS TO BE VERIFIED ON SITE BEFORE FABRICATION.

LEGEND :

(X1) --- DETAIL MARK NO.

(X001) --- REFER SHEET NO.

1. F.F.L. --- FINISHED FLOOR LEVEL

2. S.F.L. --- STRUCTURAL FLOOR LEVEL

3. (R) --- REVERSED DETAIL

4. GLASS LEGEND

EGL-1 --- 8mmHS+12mm AIR GAP+10mmTP THK. I.G.U.

EGL-2 --- 10mm THK. CLEAR TEMPERED GLASS

EGL-4 --- 10mm THK. TEMPERED ACID ETCHED GLASS

EGL-1A --- 8mmHS+12mm AIR GAP+8mmTP THK. I.G.U.

EGL-1B --- 8mmHS+12mm AIR GAP+10mmTP ADD-ETCHED THK. I.G.U.

NO.	DATE	REVISION SUBJECT TO ARCH-COMMENT	BY
A	27/06/2022		lwk
		REVISION	

JOB NO. :

J-856

PROJECT :

PROPOSED DEVELOPMENT ABOVE LIGHT RAIL TIN WING STOP-TSWTL NO.23,AREA 33,TIN SHUI WAI, N.T.

TITLE :

WINDOW SCHEDULE FOR TOWER 3 ALUM. WINDOW

DATE : 22-Apr-22 SCALE : 1:40

DRAWN BY : lwnn CHECKED BY :

美特鋁質有限公司
MIDI ALUMINIUM FABRICATOR LTD.
Units 6-8, Sunray Industrial Centre, 1/F
610 Cho Kwai Ling Road, Kwai Moon
Tel:23489211-4 Fax:(852)2727666

DWG NO. : J856-SD-PW-5303d REV : A

B.D. REF :

CLIENT :

SUN HUNG KAI
REAL ESTATE AGENCY LTD.

42/F, SUN HUNG KAI CENTRE, WANCHAI, HONGKONG

ARCHITECT :

lwk&partners
a r c h i t e c t s

MAIN CONTRACTOR :

怡輝建築有限公司
Yee Fai Building Contractors Ltd.

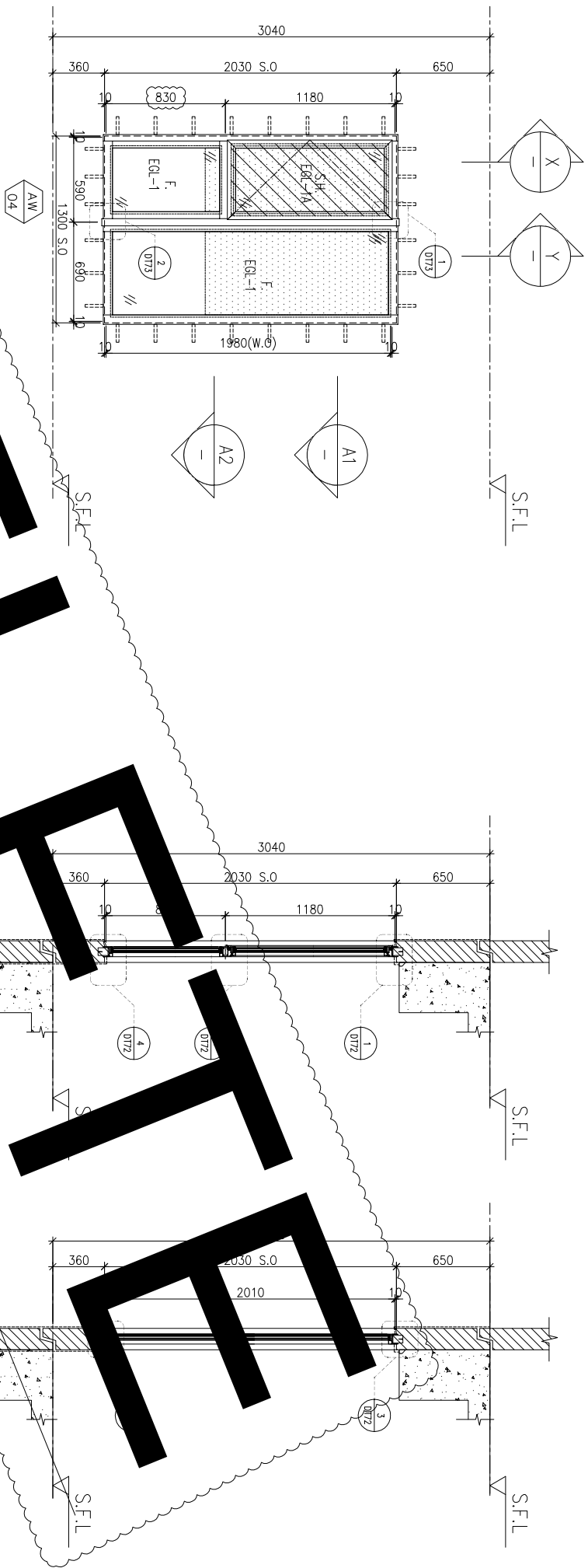
STRUCTURAL ENGINEER :

ARUP

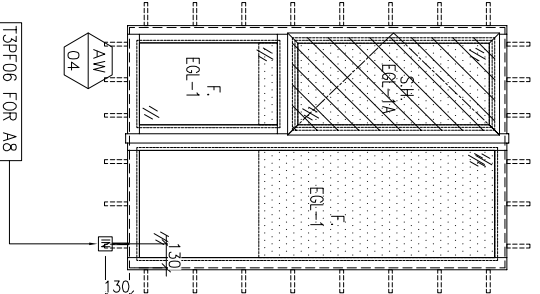
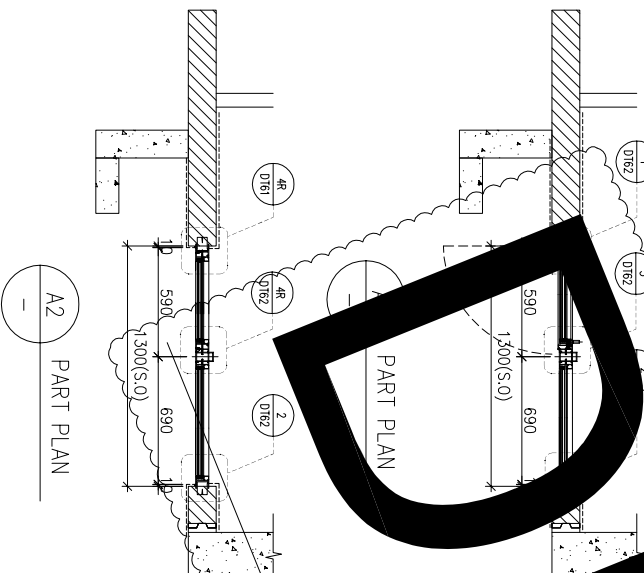
FAÇADE CONSULTANT :

ALPHA CONSULTING LIMITED
Steel Structure & Façade Specialist

ELEVATION



DEFLECTED



FAÇADE CODE		
LWK	鴻輝	UNIT
PF-06	T3PF-36	A8

WINDOW MARK **AW 04**

LOCATION	3/F-42/F(4/F,13/F,14/F,24/F,34/F OMITTED) UNIT A8
SECTION	70mm ALUM. SECTION
GLAZING	EGL-1,EGL-1A
QUANTITY	35 Nos
REMARKS	FAÇADE(TYPE T3PF06 FOR 3/F-42/F)

- NOTE:
1. ALL DIMENSIONS ARE IN mm.
 2. ALL ELEVATIONS ARE VIEWED FROM OUTSIDE.
 3. ALL DIMENSIONS TO BE VERIFIED ON SITE BEFORE FABRICATION.

LEGEND :

Ø181 --- DETAIL MARK NO.
Ø182 --- REFER SHEET NO.

1. F.F.L. --- FINISHED FLOOR LEVEL
2. S.F.L. --- STRUCTURAL FLOOR LEVEL
3. (R) --- REVERSED DETAIL

4. GLASS LEGEND

- EGL-1 --- 8mmHS+12mm AIR GAP+10mmTP THK. I.G.U.
EGL-2 --- 10mm THK. CLEAR TEMPERED GLASS
EGL-4 --- 10mm THK. TEMPERED ACID ETCHED GLASS
EGL-1A --- 8mmHS+12mm AIR GAP+8mmTP THK. I.G.U.
EGL-1B --- 8mmHS+12mm AIR GAP+10mmTP ADD-ETCHED THK. I.G.U.

NO.	DATE	REVISION	SUBJECT TO ARCH-COMMENT	BY
1	27/06/2022	REVISION SUBJECT TO ARCH-COMMENT	ivan	
H	22/04/2022	REVISION SUBJECT TO ARCH-COMMENT	ivan	
G	09/04/2022	REVISION SUBJECT TO ARCH-COMMENT	ivan	
F	14/12/2021	REVISION SUBJECT TO ARCH-COMMENT	ivan	
E	29/11/2021	REVISION SUBJECT TO ARCH-COMMENT	ivan	

JOB NO. : J-856

PROJECT : PROPOSED DEVELOPMENT ABOVE LIGHT RAIL TIN WING STOP-TSWTL NO.23,AREA 33,TIN SHUI WAI, N.T.

TITLE : WINDOW SCHEDULE FOR TOWER 3 ALUM. WINDOW

DATE : 02-Aug-21 SCALE : 1:40

DRAWN BY : ivan CHECKED BY :

美特鋁質有限公司
MIDI ALUMINIUM FABRICATOR LTD.

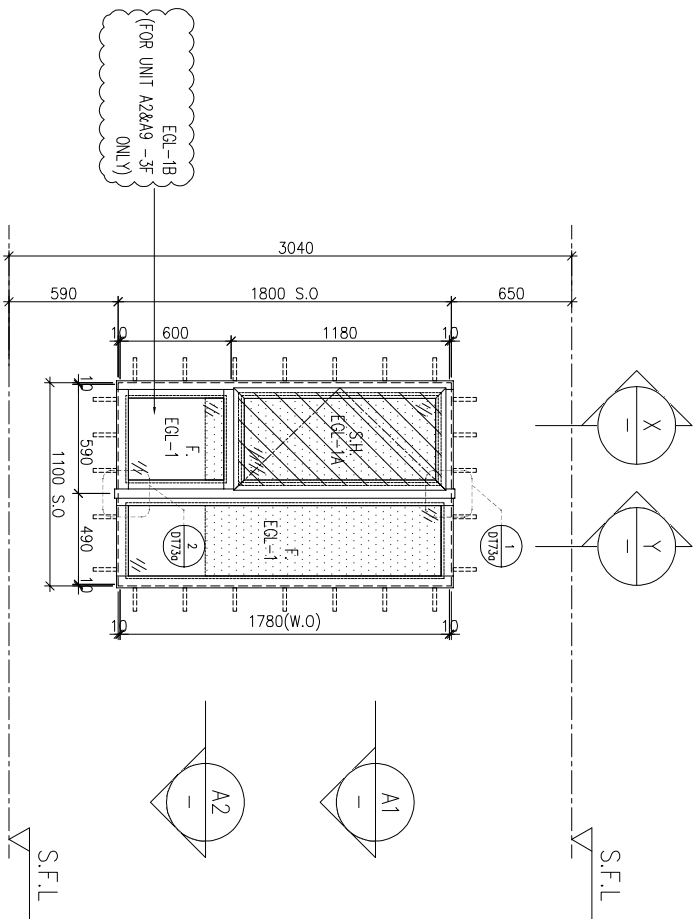
Units 6-8, Sunray Industrial Centre, 1/F
610 Cho Kwai Ling Road, Kwai Tsoum
Tel:23489211-4 Fax:(852)2727666

DWG NO. : J856-SD-PW-5304 REV. : I

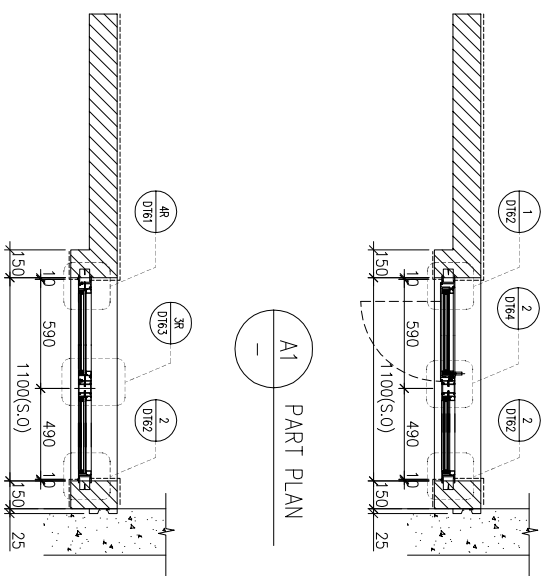
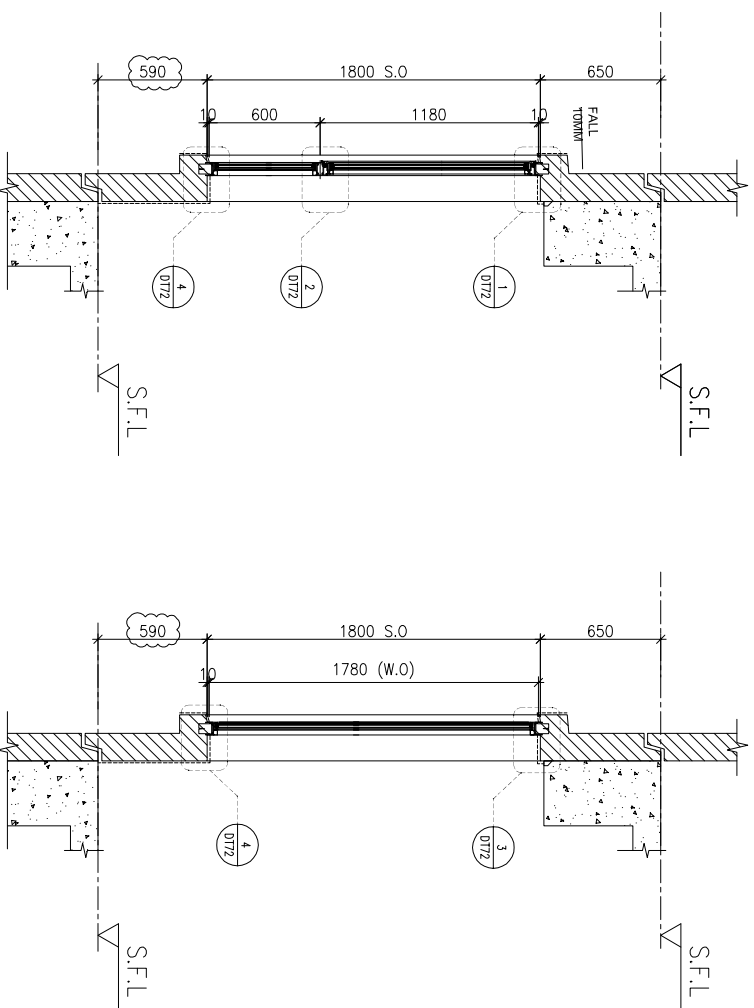
PROVIDED	GLAZING AREA	OPENABLE AREA	GLAZING AREA
0.548	0.985		

REQUIRE

OPENABLE AREA	GLAZING AREA



ELEVATION



PART PLAN

FAÇADE CODE

LWK	鴻輝	UNIT
PF-08	T3PF-25	B3
PF-08R	T3PF-10	A5
PF-08R	T3PF-20	B1

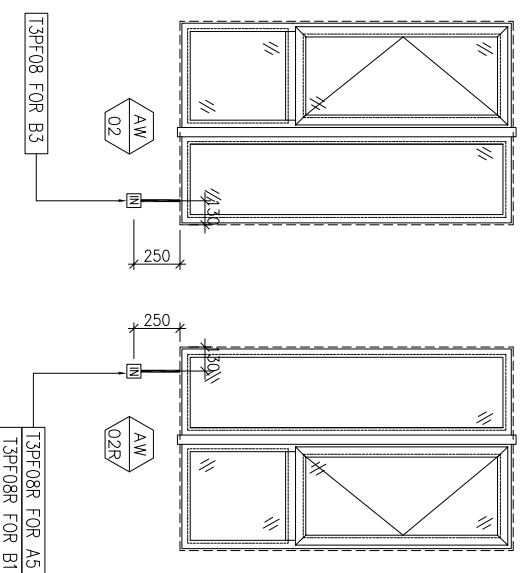
WINDOW MARK

AW 02

LOCATION	3/F~42/F(4/F,13/F,14/F,24/F,34/F OMITTED) UNIT B6 & 5/F~42/F FOR (B3)
SECTION	70mm ALUM. SECTION
GLAZING	EGL-1,EGL-1A
QUANTITY	35 Nos
REMARKS	FAÇADE(TYPE T3PF08 FOR 3/F~42/F)

AW 02R

LOCATION	3/F~42/F(4/F,13/F,14/F,24/F,34/F OMITTED) UNIT A5 , B1
SECTION	70mm ALUM. SECTION
GLAZING	EGL-1,EGL-1A
QUANTITY	35 Nos / 35 Nos
REMARKS	FAÇADE(TYPE T3PF08R FOR 3/F~42/F)



PART SECTION

PART SECTION

B.D. REF : _____

CLIENT : **SUN HUNG KAI**
REAL ESTATE AGENCY LTD.
42/F SUN HUNG KAI CENTRE, WANCHAI, HONGKONG

ARCHITECT : **lwk&partners**
a r c h i t e c t s

MANU CONTRACTOR : **怡輝建築有限公司**
Yee Fai Building Contractors Ltd.

STRUCTURAL ENGINEER : **ARUP**

FAÇADE CONSULTANT : **ALPHA CONSULTING LIMITED**
Steel Structure & Façade Specialist

- NOTE :
1. ALL DIMENSIONS ARE IN mm.
 2. ALL ELEVATIONS ARE VIEWED FROM OUTSIDE.
 3. ALL DIMENSIONS TO BE VERIFIED ON SITE BEFORE FABRICATION.
- LEGEND :
- (X1) --- DETAIL MARK NO.
 - (X001) --- REFER SHEET NO.

1. F.F.L. --- FINISHED FLOOR LEVEL
2. S.F.L. --- STRUCTURAL FLOOR LEVEL
3. (R) --- REVERSED DETAIL
4. GLASS LEGEND

EGL-1	--8mmHS+12mm AIR GAP+10mmTP THK. I.G.U.
EGL-2	--10mm THK. CLEAR TEMPERED GLASS
EGL-4	--10mm THK. TEMPERED ACID ETCHED GLASS
EGL-1A	--8mmHS+12mm AIR GAP+8mmTP THK. I.G.U.
EGL-1B	--8mmHS+12mm AIR GAP+10mmTP THK. I.G.U.
H	22/04/2022 REVISION SUBJECT TO ARCH-COMMENT
G	09/04/2022 REVISION SUBJECT TO ARCH-COMMENT
F	14/12/2021 REVISION SUBJECT TO ARCH-COMMENT
E	29/11/2021 REVISION SUBJECT TO ARCH-COMMENT
D	02/11/2021 REVISION SUBJECT TO ARCH-COMMENT
C	29/10/2021 REVISION SUBJECT TO ARCH-COMMENT
B	18/10/2021 REVISION SUBJECT TO ARCH-COMMENT
A	27/09/2021 REVISION SUBJECT TO ARCH-COMMENT

JOB NO. : J-856

PROJECT : PROPOSED DEVELOPMENT ABOVE LIGHT RAIL TIN WING STOP-TSWTL NO.23,AREA 33,TIN SHUI WAI, N.T.

TITLE : WINDOW SCHEDULE FOR TOWER 3 ALUM. WINDOW

DATE : 02-Aug-21 SCALE : 1:40

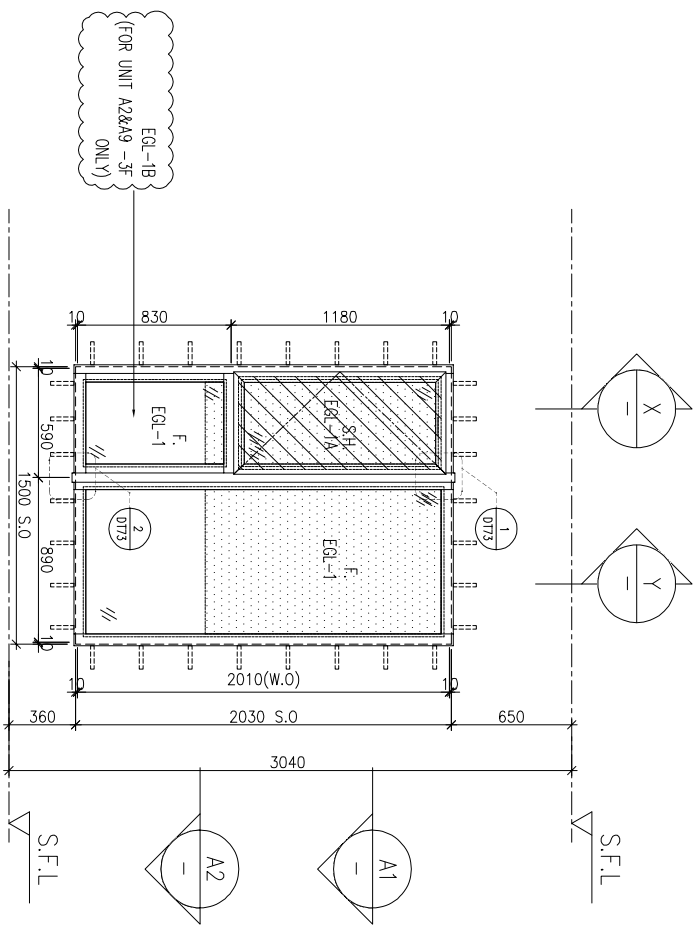
DRAWN BY : IYVN CHECKED BY :

美特鋁質有限公司
MIDI ALUMINIUM FABRICATOR LTD.
Units 6-8, Sunray Industrial Centre, 1/F
610 Cho Kwai Ling Road, Kwai Tsou
Tel:23489211-4 Fax:(852)27272666

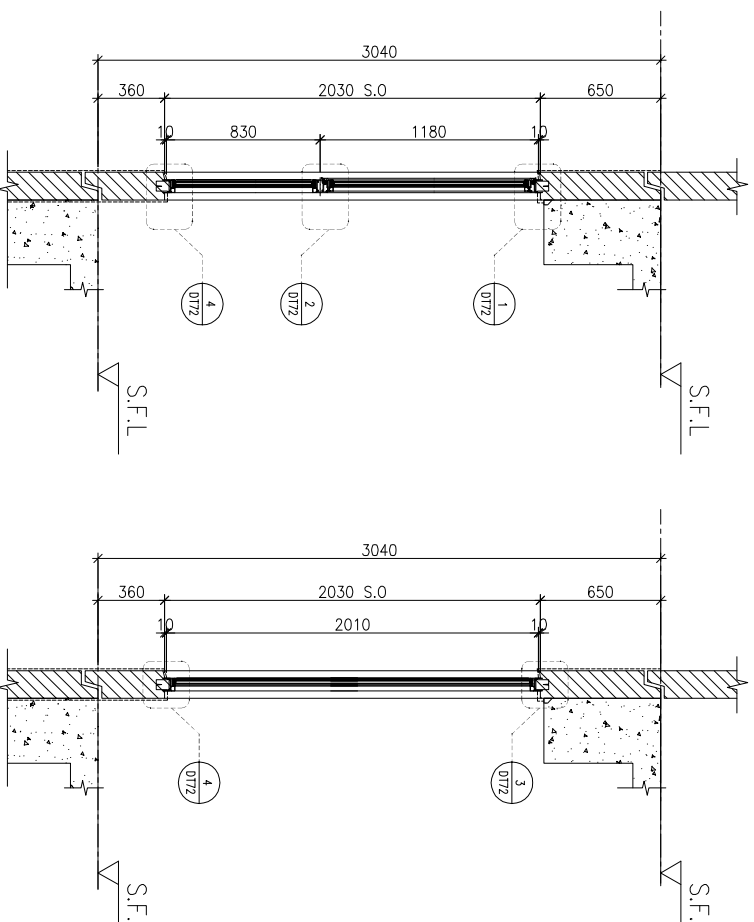
DWG NO. : J856-SD-PW-5305 REV. : H

PROVIDED	OPENABLE AREA	GLAZING AREA	OPENABLE AREA	GLAZING AREA
	0.548	1.495		

REQUIRED

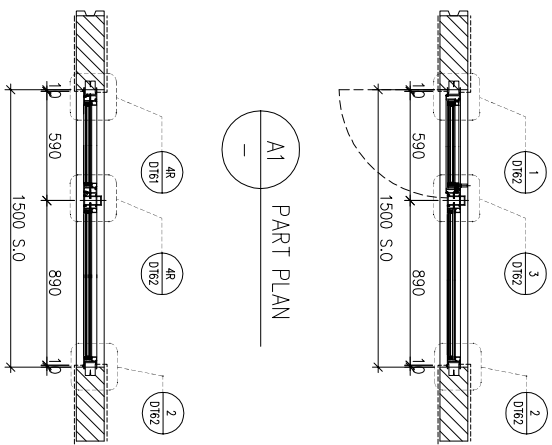


ELEVATION



X PART SECTION

Y PART SECTION



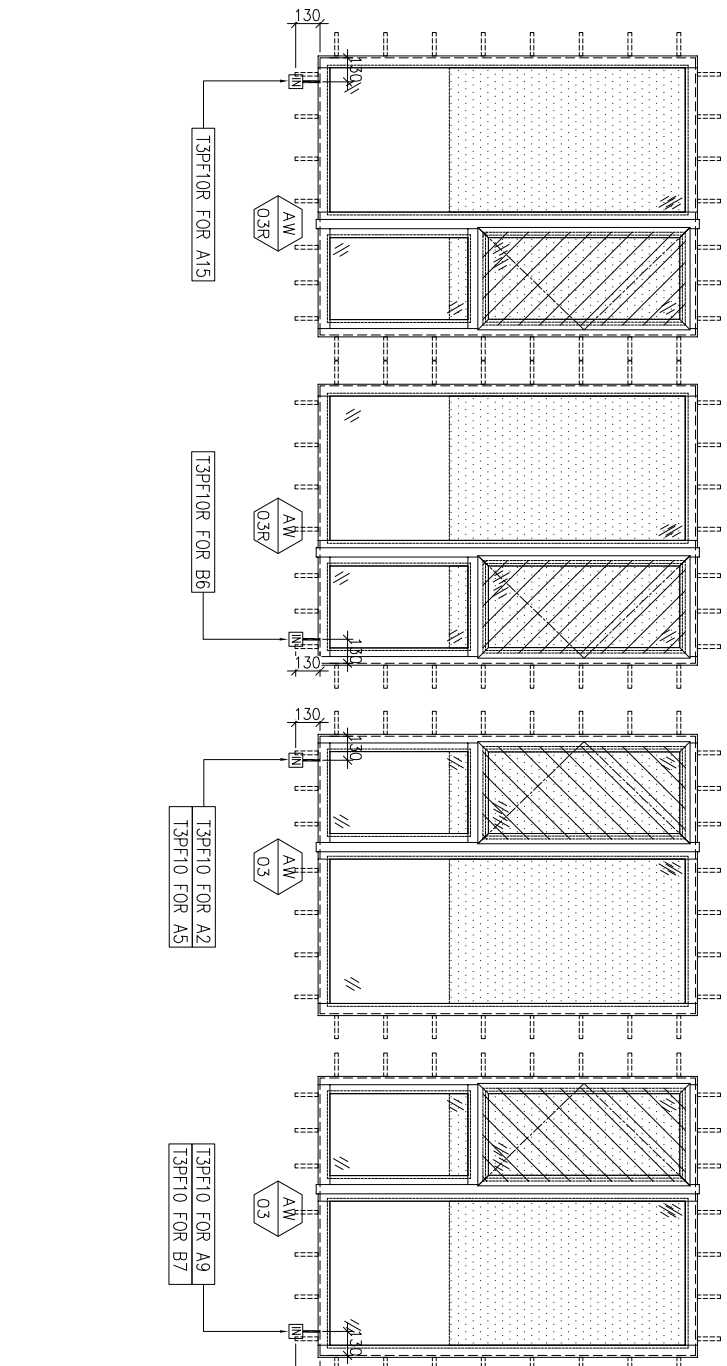
A1 PART PLAN

A2 PART PLAN

FACADE CODE		UNIT
LWK	鴻輝	A2
PF-10	T3PF-06	A5
PF-10	T3PF-11	A9
PF-10	T3PF-38	B7

WINDOW MARK

AW 03



LOCATION	3/F~42/F(4/F,13/F,14/F,24/F,34/F OMITTED) UNIT A2, A5, A9, B7
SECTION	70mm ALUM. SECTION
GLAZING	EGL-1, EGL-1A
QUANTITY	35 Nos / 35 Nos / 35 Nos / 35 Nos
REMARKS	FACADE(TYPE T3PF10 FOR 3/F~42/F)

B.D. REF :

CLIENT :

SUN HUNG KAI
REAL ESTATE AGENCY LTD.
42/F, SUN HUNG KAI CENTRE, WANCHAI, HONGKONG

ARCHITECT :

lwk&partners
a r c h i t e c t s

MAIN CONTRACTOR :

怡輝建築有限公司
Yee Fai Building Contractors Ltd.

STRUCTURAL ENGINEER :

ARUP

FACADE CONSULTANT :

ALPHA CONSULTING LIMITED
Steel Structure & Façade Specialist

- NOTE :
1. ALL DIMENSIONS ARE IN mm.
 2. ALL ELEVATIONS ARE VIEWED FROM OUTSIDE.
 3. ALL DIMENSIONS TO BE VERIFIED ON SITE BEFORE FABRICATION.

LEGEND :

- X1 --- DETAIL MARK NO.
- X001 --- REFER SHEET NO.

1. F.F.L. --- FINISHED FLOOR LEVEL
2. S.F.L. --- STRUCTURAL FLOOR LEVEL
3. (R) --- REVERSED DETAIL

4. GLASS LEGEND

- EQI-1 --- 8mmHS+12mm AIR GAP+10mmTP THK. I.G.U.
- EQI-2 --- 10mm THK. CLEAR TEMPERED GLASS
- EQI-4 --- 10mm THK. TEMPERED ACID ETCHED GLASS
- EQI-1A --- 8mmHS+12mm AIR GAP+8mmTP THK. I.G.U.
- EQI-1B --- 8mmHS+12mm AIR GAP+10mmTP ADD-ETCHED THK. I.G.U.

NO.	DATE	REVISION SUBJECT TO ARCH-COMMENT	REVISION	BY
H	27/06/2022	REVISION SUBJECT TO ARCH-COMMENT		lwn
G	22/04/2022	REVISION SUBJECT TO ARCH-COMMENT		lwn
F	09/04/2022	REVISION SUBJECT TO ARCH-COMMENT		lwn
E	14/12/2021	REVISION SUBJECT TO ARCH-COMMENT		lwn
D	29/11/2021	REVISION SUBJECT TO ARCH-COMMENT		lwn

JOB NO. : J-856

PROJECT :

PROPOSED DEVELOPMENT ABOVE LIGHT RAIL TIN WING STOP-TSWTL NO.23,AREA 33,TIN SHUI WAI, N.T.

TITLE :

WINDOW SCHEDULE FOR TOWER 3 ALUM. WINDOW

DATE : 02-Aug-21 SCALE : 1:40

DRAWN BY : lwn

CHECKED BY :

美特鋁質有限公司
MIDI ALUMINIUM FABRICATOR LTD.
Units 6-8, Sunray Industrial Centre, 1/F
610 Cho Kwai Ling Road, Kowloon
Tel:23489211-4 Fax:(852)2727666

DWG NO. : J856-SD-PW-5306 REV. : H

- NOTE:
1. ALL DIMENSIONS ARE IN mm.
 2. ALL ELEVATIONS ARE VIEWED FROM OUTSIDE.
 3. ALL DIMENSIONS TO BE VERIFIED ON SITE BEFORE FABRICATION.

LEGEND :

- (X1) — DETAIL MARK NO.
- (X001) — REFER SHEET NO.
- 1. F.F.L. --- FINISHED FLOOR LEVEL
- 2. S.F.L. --- STRUCTURAL FLOOR LEVEL
- 3. (R) --- REVERSED DETAIL

4. GLASS LEGEND

EGL-1	--8mmHS+12mm AIR GAP+10mmTP THK. I.G.U.	When
EGL-2	--10mm THK. CLEAR TEMPERED GLASS	When
EGL-4	--10mm THK. TEMPERED ACID ETCHED GLASS	When
EGL-1A	--8mmHS+12mm AIR GAP+8mmTP THK. I.G.U.	When
EGL-1B	--8mmHS+12mm AIR GAP+10mmTP THK. I.G.U.	When
H	18/05/2022 REVISION SUBJECT TO ARCH-COMMENT	When
G	22/04/2022 REVISION SUBJECT TO ARCH-COMMENT	When
F	09/04/2022 REVISION SUBJECT TO ARCH-COMMENT	When
E	14/12/2021 REVISION SUBJECT TO ARCH-COMMENT	When
D	29/11/2021 REVISION SUBJECT TO ARCH-COMMENT	When
C	02/11/2021 REVISION SUBJECT TO ARCH-COMMENT	When
B	29/10/2021 REVISION SUBJECT TO ARCH-COMMENT	When
A	27/09/2021 REVISION SUBJECT TO ARCH-COMMENT	When

JOB NO. : J-856

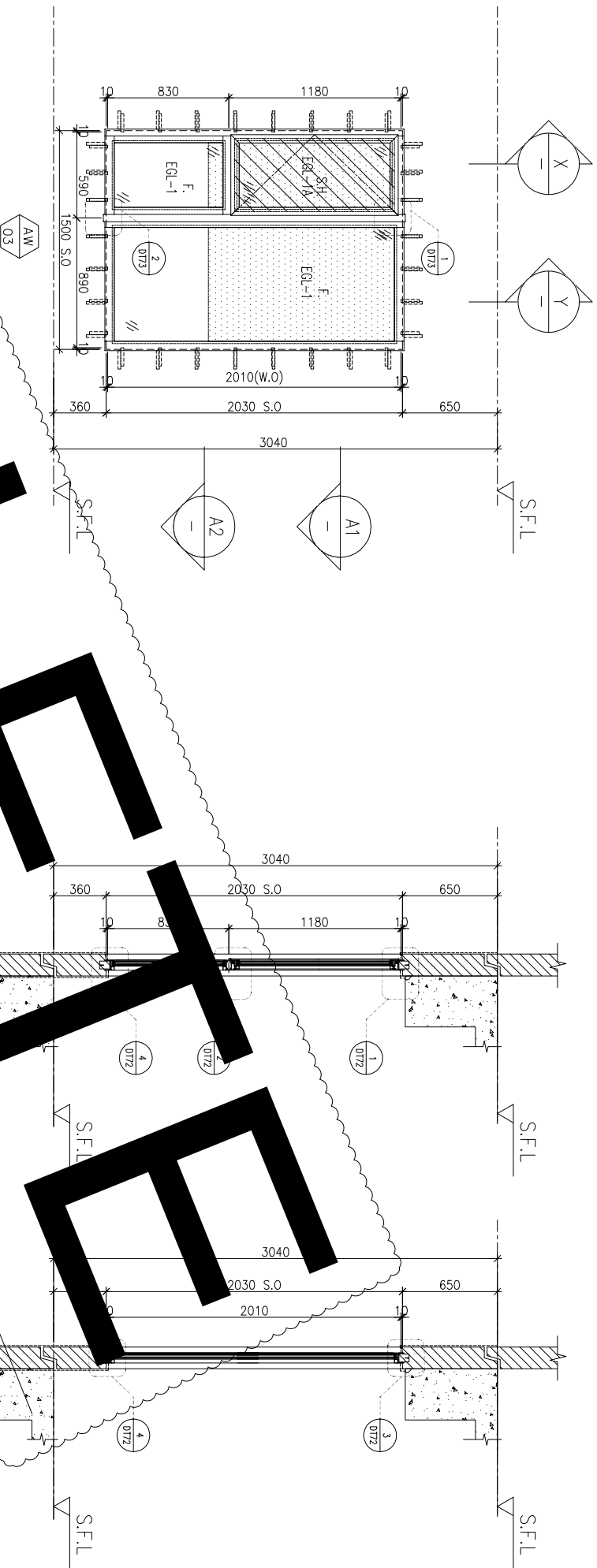
PROJECT :
PROPOSED DEVELOPMENT ABOVE
LIGHT RAIL TIN WING STOP/TSWLT
NO.23,AREA 33,TIN SHUI WAI, N.T.

TITLE :
WINDOW SCHEDULE FOR
TOWER 3 ALUM. WINDOW

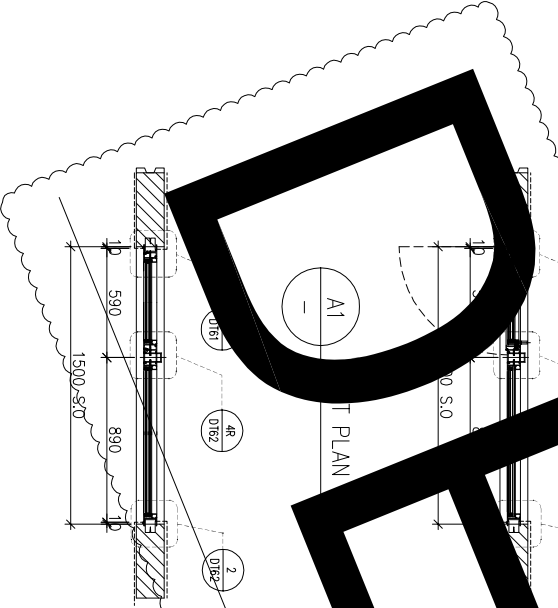
DATE : 02-Aug-21 SCALE : 1:40

DRAWN BY : IYVN CHECKED BY :

ELEVATION



DEFERRED



FAÇADE CODE		
LWK	鴻輝	UNIT
PF-11	±3PF-03	A1
PF-11	±3PF-17	B10

CHANGE TO IN-SITU WINDOWS?
CHANGE TO IN-SITU WINDOWS?

WINDOW MARK
AW 03

LOCATION 3/F~42/F(4/F,13/F,14/F,24/F,34/F OMITTED) UNIT (A1, B10)

SECTION 70mm ALUM. SECTION

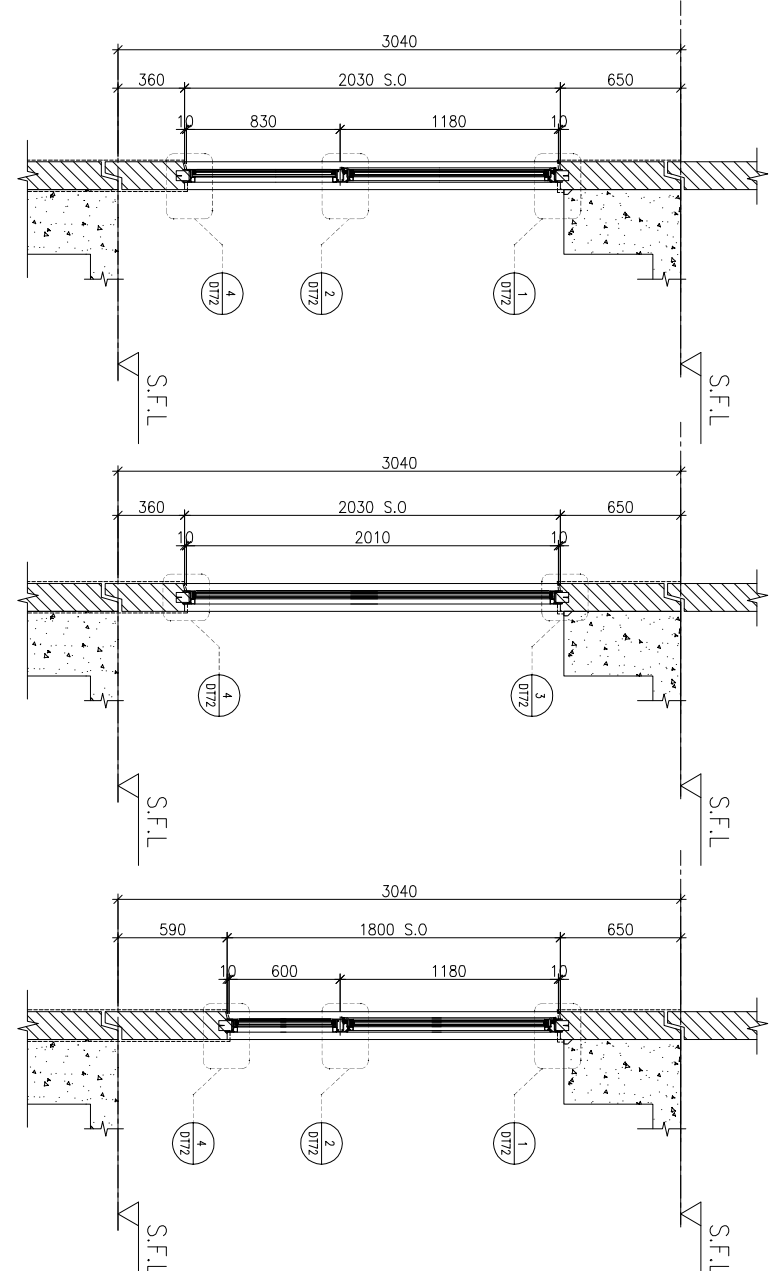
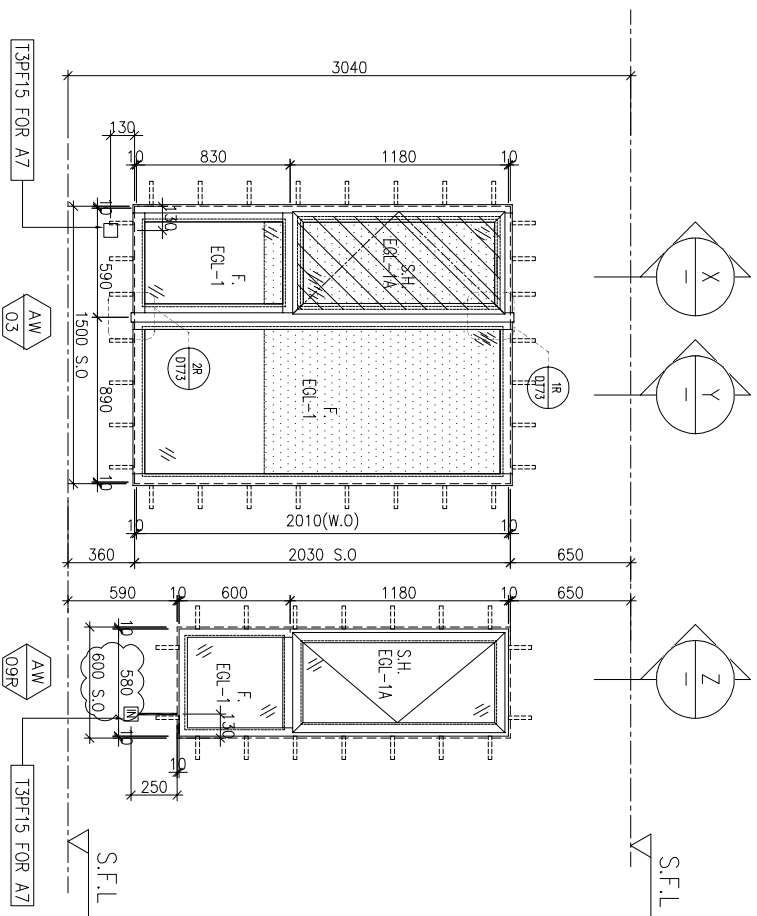
GLAZING EGL-1,EGL-1A

QUANTITY 35 Nos./35 Nos

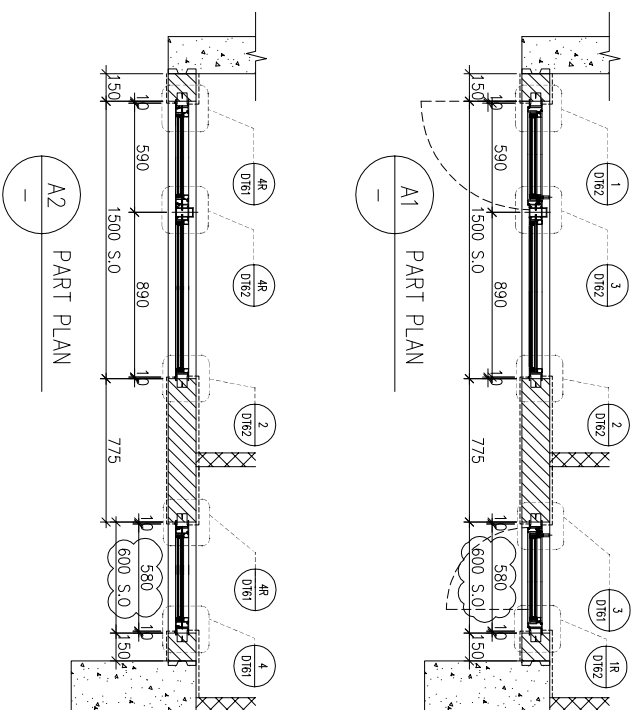
REMARKS FAÇADE(TYPE {3PF1}) FOR 3/F~42/F)

PROVIDED	GLAZING AREA	OPENABLE AREA	GLAZING AREA
0.548	1.495		

REQUIRE



ELEVATION



FACADE CODE		
LWK	鴻輝	UNIT
PF-15	T3PF-14	A7

WINDOW MARK	AW 03	AW 09R
LOCATION	3/F-42/F(4/F,13/F,14/F,24/F,34/F OMITTED) UNIT A7	
SECTION	70mm ALUM. SECTION	
GLAZING	EGL-1, EGL-1A	
QUANTITY	35 Nos	
REMARKS	FACADE(TYPE T3PF15 FOR 3/F-42/F)	

B.D. REF :

CLIENT :

SUN HUNG KAI
REAL ESTATE AGENCY LTD.
42/F SUN HUNG KAI CENTRE, WANCHAI, HONGKONG

ARCHITECT :

lwk&partners
a r c h i t e c t s

MAIN CONTRACTOR :

怡輝建築有限公司
Yee Fai Building Contractors Ltd.

STRUCTURAL ENGINEER :

ARUP

FACADE CONSULTANT :

ALPHA CONSULTING LIMITED
Steel Structure & Façade Specialist

- NOTE :
1. ALL DIMENSIONS ARE IN mm.
 2. ALL ELEVATIONS ARE VIEWED FROM OUTSIDE.
 3. ALL DIMENSIONS TO BE VERIFIED ON SITE BEFORE FABRICATION.

LEGEND :

- (X1) --- DETAIL MARK NO.
- (X001) --- REFER SHEET NO.
- 1. F.F.L. --- FINISHED FLOOR LEVEL
- 2. S.F.L. --- STRUCTURAL FLOOR LEVEL
- 3. (R) --- REVERSED DETAIL

4. GLASS LEGEND

- EGL-1 --- 8mmHS+12mm AIR GAP+10mmTP THK. I.G.U.
- EGL-2 --- 10mm THK. CLEAR TEMPERED GLASS
- EGL-4 --- 10mm THK. TEMPERED ACID ETCHED GLASS
- EGL-1A --- 8mmHS+12mm AIR GAP+8mmTP THK. I.G.U.
- EGL-1B --- 8mmHS+12mm AIR GAP+10mmTP AOD-ETCHED THK. I.G.U.

NO.	DATE	REVISION	SUBJECT TO ARCH.COMMENT	BY
1	17/09/2022	REVISION SUBJECT TO ARCH.COMMENT		ivan
H	22/04/2022	REVISION SUBJECT TO ARCH.COMMENT		ivan
G	09/04/2022	REVISION SUBJECT TO ARCH.COMMENT		ivan
F	14/12/2021	REVISION SUBJECT TO ARCH.COMMENT		ivan
E	29/11/2021	REVISION SUBJECT TO ARCH.COMMENT		ivan

JOB NO. : J-856

PROJECT :

PROPOSED DEVELOPMENT ABOVE
LIGHT RAIL TIN WING STOP-TSWTL
NO.23,AREA 33,TIN SHUI WAI, N.T.

TITLE :

WINDOW SCHEDULE FOR
TOWER 3 ALUM. WINDOW

DATE : 02-Aug-21 SCALE : 1:40

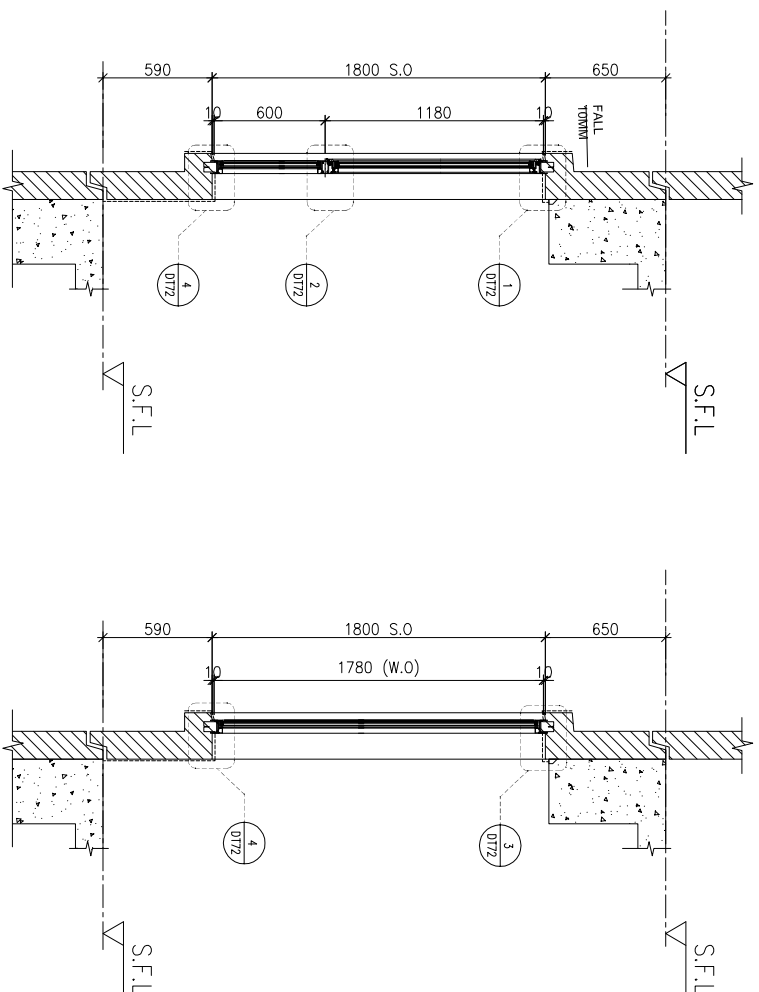
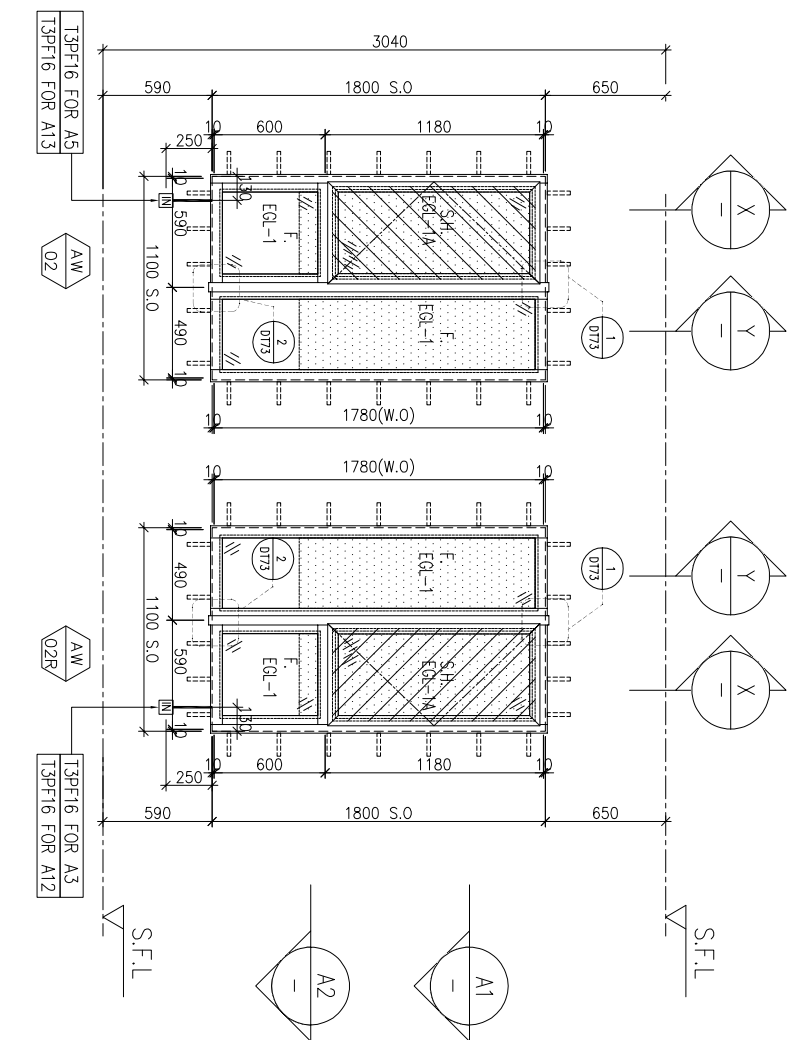
DRAWN BY : ivan CHECKED BY :

美特鋁質有限公司
MIDI ALUMINIUM FABRICATOR LTD.
Units 6-8, Sunray Industrial Centre, 1/F
610 Cho Kwai Ling Road, Kwai Tsoum
Tel:23489211-4 Fax:(852)2727666

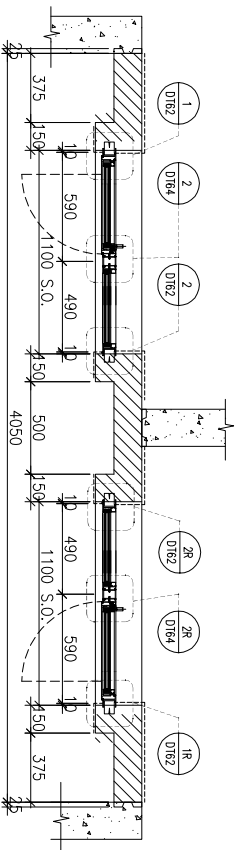
DWG NO. : J856-SD-PW-5308 REV. : 1

PROVIDED	REQUIRED
OPENABLE AREA 0.548	GLAZING AREA 0.985
OPENABLE AREA 0.548	GLAZING AREA 0.985

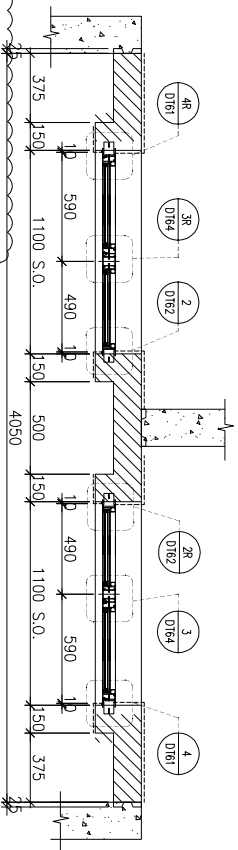
PROVIDED	REQUIRED
OPENABLE AREA 0.548	GLAZING AREA 0.985
OPENABLE AREA 0.548	GLAZING AREA 0.985



ELEVATION



A1 PART PLAN



A2 PART PLAN

FAÇADE CODE	UNIT
LWK	鴻輝
PF-16	T3PF-09
PF-16	T3PF-09
PF-16	T3PF-09
PF-16	T3PF-43
PF-16	T3PF-43
PF-16	T3PF-43
PF-16	A12

WINDOW MARK

AW 02R

LOCATION 5/F-42/F, 13/F, 14/F, 24/F, 34/F OMITTED UNIT 35&A3, A13&A12

SECTION 70mm ALUM. SECTION

GLAZING EGL-1, EGL-1A

QUANTITY 34 Nos, 34 Nos

REMARKS FAÇADE (TYPE T3PF16 FOR 5/F-42/F)

B.D. REF :

CLIENT :



42/F, SUN HUNG KAI CENTRE, WANCHAI, HONGKONG

ARCHITECT :



MANU CONTRACTOR :



STRUCTURAL ENGINEER :



FAÇADE CONSULTANT: ALPHA CONSULTING LIMITED Steel Structure & Façade Specialist

NOTE: 1. ALL DIMENSIONS ARE IN mm. 2. ALL ELEVATIONS ARE VIEWED FROM OUTSIDE. 3. ALL DIMENSIONS TO BE VERIFIED ON SITE BEFORE FABRICATION.

LEGEND: X1 - DETAIL MARK NO. X001 - REFER SHEET NO.

1. F.F.L. --- FINISHED FLOOR LEVEL
2. S.F.L. --- STRUCTURAL FLOOR LEVEL
3. (R) --- REVERSED DETAIL
4. GLASS LEGEND

EGL-1 -- 8mmHS+12mm AIR GAP+10mmTP THK. I.G.U.
EGL-2 -- 10mm THK. CLEAR TEMPERED GLASS
EGL-4 -- 10mm THK. TEMPERED ACID ETCHED GLASS
EGL-1A -- 8mmHS+12mm AIR GAP+8mmTP THK. I.G.U.
EGL-1B -- 8mmHS+12mm AIR GAP+10mmTP ACID-ETCHED THK. I.G.U.

NO.	DATE	REVISION SUBJECT TO ARCH-COMMENT	BY
H	22/04/2022	REVISION SUBJECT TO ARCH-COMMENT	ivan
G	09/04/2022	REVISION SUBJECT TO ARCH-COMMENT	ivan
F	14/12/2021	REVISION SUBJECT TO ARCH-COMMENT	ivan
E	29/11/2021	REVISION SUBJECT TO ARCH-COMMENT	ivan

JOB NO. : J-856
PROJECT : PROPOSED DEVELOPMENT ABOVE LIGHT RAIL TIN WING STOP-TSWTL NO.23, AREA 33, TIN SHUI WAI, N.T.
TITLE : WINDOW SCHEDULE FOR TOWER 3 ALUM. WINDOW

DATE : 02-Aug-21 SCALE : 1:40
DRAWN BY : ivan CHECKED BY :

美特鋁質有限公司
MIDI ALUMINIUM FABRICATOR LTD.
Units 6-8, Sunray Industrial Centre, 1/F
610 Cho Kwai Ling Road, Kwai Tsoum
Tel: 23489211-4 Fax: (852) 2727666
DWG NO. : J856-SD-PW-5309 REV. : H

B.D. REF :

CLIENT :

SUN HUNG KAI
REAL ESTATE AGENCY LTD.

42/F, SUN HUNG KAI CENTRE, WANCHAI, HONGKONG

ARCHITECT :

lwk&partners
a r c h i t e c t s

MAIN CONTRACTOR :

怡輝建築有限公司
Yee Fai Building Contractors Ltd.

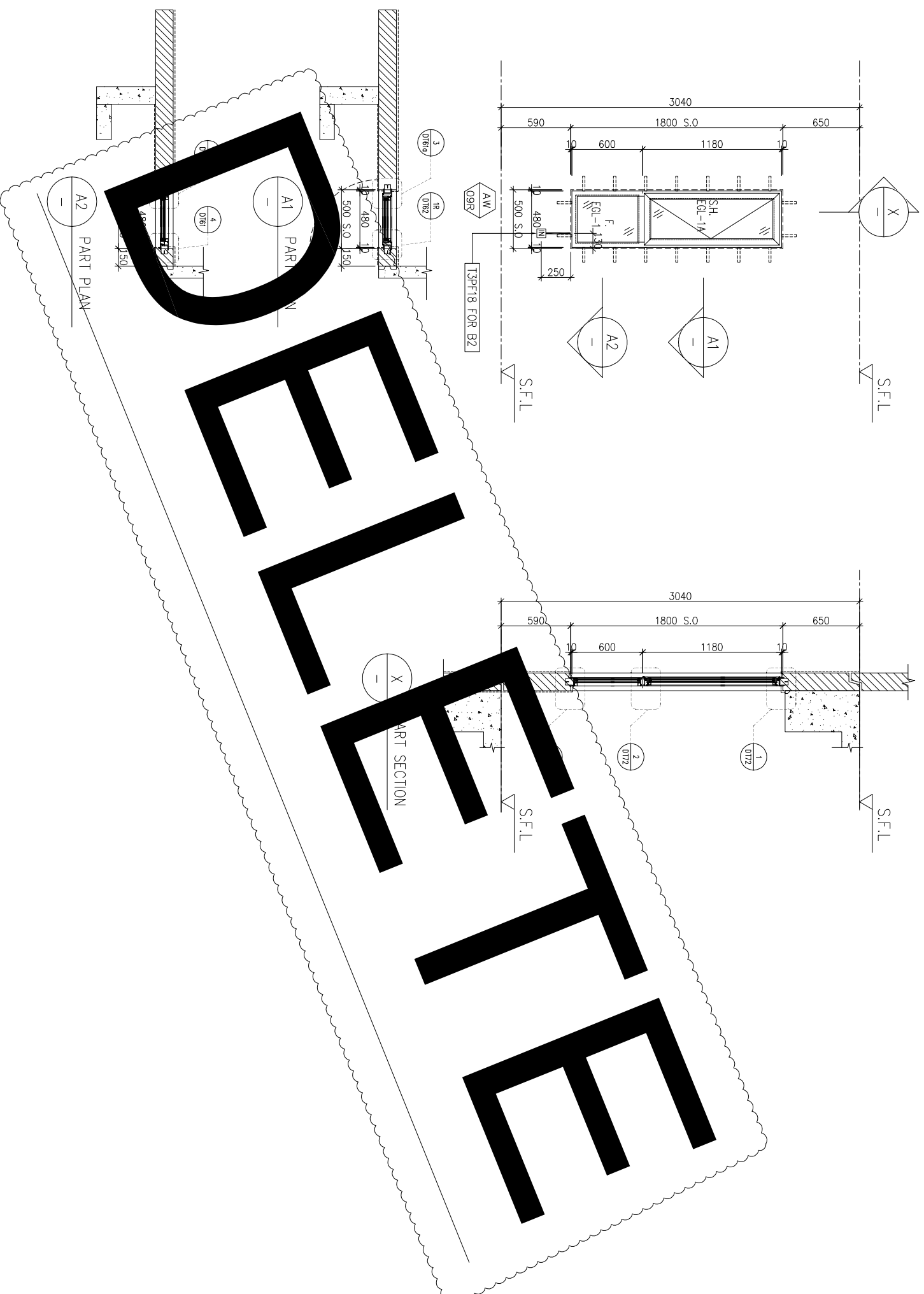
STRUCTURAL ENGINEER :

ARUP

FAÇADE CONSULTANT :

ALPHA CONSULTING LIMITED
Steel Structure & Façade Specialist

ELEVATION



FAÇADE CODE		
LWK	鴻輝	UNIT
PF-18	±3PF-46	B2

CHANGE TO IN-SITU WINDOWS?

WINDOW MARK	AW 09R
LOCATION	3/F-42/F(4/F,13/F,14/F,24/F,34/F OMITTED) UNIT B2
SECTION	70mm ALUM. SECTION
GLAZING	EGL-1, EGL-1A
QUANTITY	35 Nos
REMARKS	FAÇADE(TYPE T3PF18) FOR 3/F-42/F

NOTE:

1. ALL DIMENSIONS ARE IN mm.
2. ALL ELEVATIONS ARE VIEWED FROM OUTSIDE.
3. ALL DIMENSIONS TO BE VERIFIED ON SITE BEFORE FABRICATION.

LEGEND:

(X1) --- DETAIL MARK NO.
(X001) --- REFER SHEET NO.

1. F.F.L. --- FINISHED FLOOR LEVEL
2. S.F.L. --- STRUCTURAL FLOOR LEVEL
3. (R) --- REVERSED DETAIL

4. GLASS LEGEND

EGL-1--8mmHS+12mm AIR GAP+10mmTP THK. IGLU
EGL-2--10mm THK. CLEAR TEMPERED GLASS
EGL-4--10mm THK. TEMPERED ACID ETCHED GLASS
EGL-1A-8mmHS+12mm AIR GAP+8mmTP THK. IGLU

NO.	DATE	REVISION	BY
A	27/09/2021	REVISION SUBJECT TO ARCH-COMMENT	lwk
B	18/10/2021	REVISION SUBJECT TO ARCH-COMMENT	lwk
C	28/10/2021	REVISION SUBJECT TO ARCH-COMMENT	lwk
D	02/11/2021	REVISION SUBJECT TO ARCH-COMMENT	lwk
E	29/11/2021	REVISION SUBJECT TO ARCH-COMMENT	lwk
F	14/12/2021	REVISION SUBJECT TO ARCH-COMMENT	lwk
G	08/04/2022	REVISION SUBJECT TO ARCH-COMMENT	lwk
H	22/04/2022	REVISION SUBJECT TO ARCH-COMMENT	lwk
I	10/05/2022	REVISION SUBJECT TO ARCH-COMMENT	lwk

JOB NO. : J-856

PROJECT : PROPOSED DEVELOPMENT ABOVE LIGHT RAIL TIN WING STOP-TSWTL NO.23,AREA 33,TIN SHUI WAI, N.T.

TITLE : WINDOW SCHEDULE FOR TOWER 3 ALUM. WINDOW

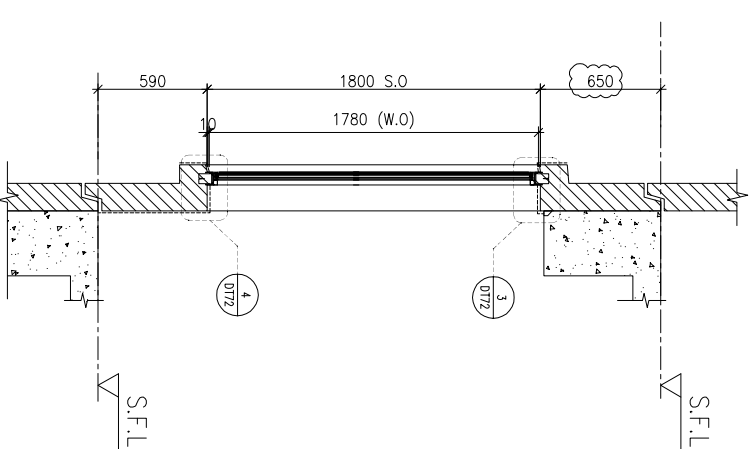
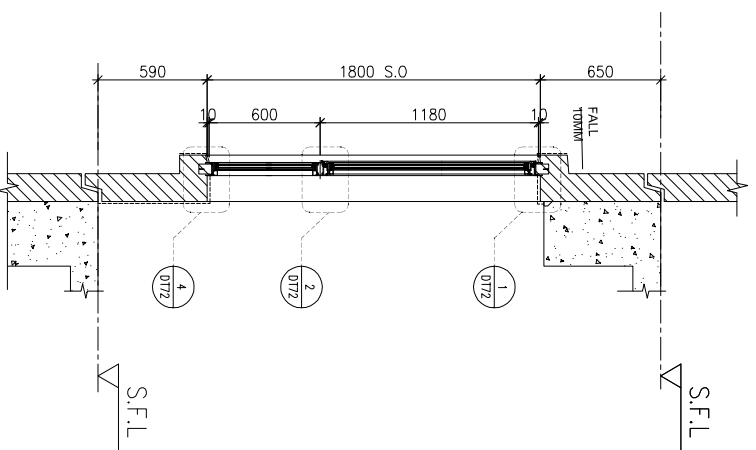
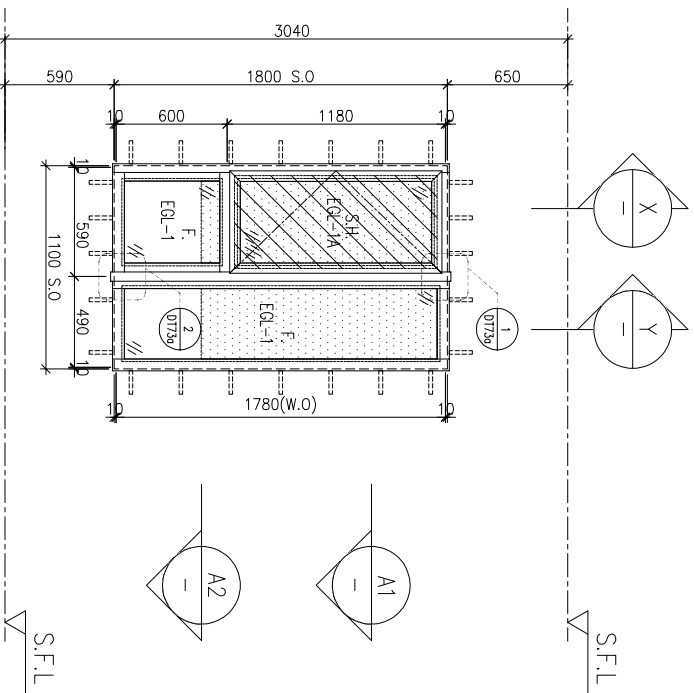
DATE : 02-Aug-21 SCALE : 1:40

DRAWN BY : Ivn

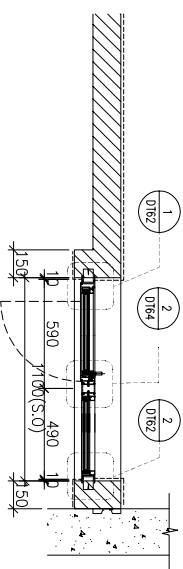
CHECKED BY :

美特鋁質有限公司
MIDI ALUMINIUM FABRICATOR LTD.
Units 6-8, Sunray Industrial Centre, 1/F
610 Cho Kwai Ling Road, Kwai Tsoum
Tel:23489211-4 Fax:(852)2727666
DWG NO. : J856-SD-PW-5310 REV. : I

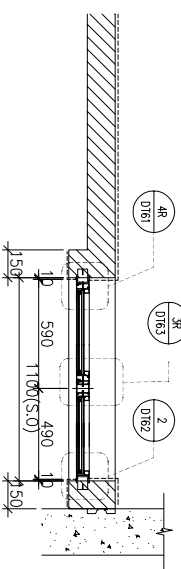
PROVIDED	REQUIRE
OPENABLE AREA 0.548	OPENABLE AREA
GLAZING AREA 0.985	GLAZING AREA



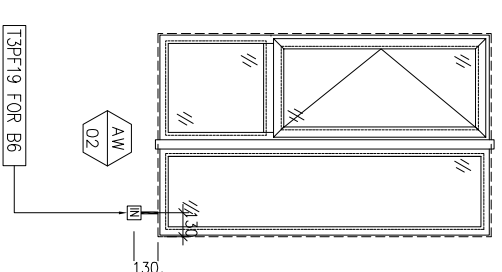
ELEVATION



A1 PART PLAN



A2 PART PLAN



FACADE CODE		
LWK	鴻輝	UNIT
PC-19	T3PF-28	B6

WINDOW MARK	AW 02
LOCATION	3/F-42/F(4/F,13/F,14/F,24/F,34/F OMITTED) UNIT B6
SECTION	70mm ALUM. SECTION
GLAZING	EGL-1, EGL-1A
QUANTITY	35 Nos.
REMARKS	FACADE (TYPE T3PF19) FOR 3/F-42/F

B.D. REF :

CLIENT :

SUN HUNG KAI
REAL ESTATE AGENCY LTD.
42/F, SUN HUNG KAI CENTRE, WANCHAI, HONGKONG

ARCHITECT :

lwk&partners
a r c h i t e c t s

MAIN CONTRACTOR :

怡輝建築有限公司
Yee Fai Building Contractors Ltd.

STRUCTURAL ENGINEER :

ARUP

FACADE CONSULTANT :

ALPHA CONSULTING LIMITED
Steel Structure & Façade Specialist

NOTE :

1. ALL DIMENSIONS ARE IN mm.
2. ALL ELEVATIONS ARE VIEWED FROM OUTSIDE.
3. ALL DIMENSIONS TO BE VERIFIED ON SITE BEFORE FABRICATION.

LEGEND :

- (X1) --- DETAIL MARK NO.
- (X001) --- REFER SHEET NO.
- 1. F.F.L. --- FINISHED FLOOR LEVEL
- 2. S.F.L. --- STRUCTURAL FLOOR LEVEL
- 3. (R) --- REVERSED DETAIL

4. GLASS LEGEND

- EGL-1 --- 8mmHS+12mm AIR GAP+10mmTP THK. I.G.U.
- EGL-2 --- 10mm THK. CLEAR TEMPERED GLASS
- EGL-4 --- 10mm THK. TEMPERED ACID ETCHED GLASS
- EGL-1A --- 8mmHS+12mm AIR GAP+8mmTP THK. I.G.U.
- EGL-1B --- 8mmHS+12mm AIR GAP+10mmTP ADD-ETCHED THK. I.G.U.

NO.	DATE	REVISION	REVISION SUBJECT TO ARCH-COMMENT	BY
E	22/04/2022	REVISION SUBJECT TO ARCH-COMMENT	None	None
D	08/04/2022	REVISION SUBJECT TO ARCH-COMMENT	None	None
C	14/12/2021	REVISION SUBJECT TO ARCH-COMMENT	None	None
B	29/11/2021	REVISION SUBJECT TO ARCH-COMMENT	None	None
A	18/10/2021	REVISION SUBJECT TO ARCH-COMMENT	None	None

JOB NO. :

J-856

PROJECT :

PROPOSED DEVELOPMENT ABOVE
LIGHT RAIL TIN WING STOP-TSWTL
NO.23, AREA 33, TIN SHUI WAI, N.T.

TITLE :

WINDOW SCHEDULE FOR
TOWER 3 ALUM. WINDOW

DATE : 02-Aug-21 SCALE : 1:40

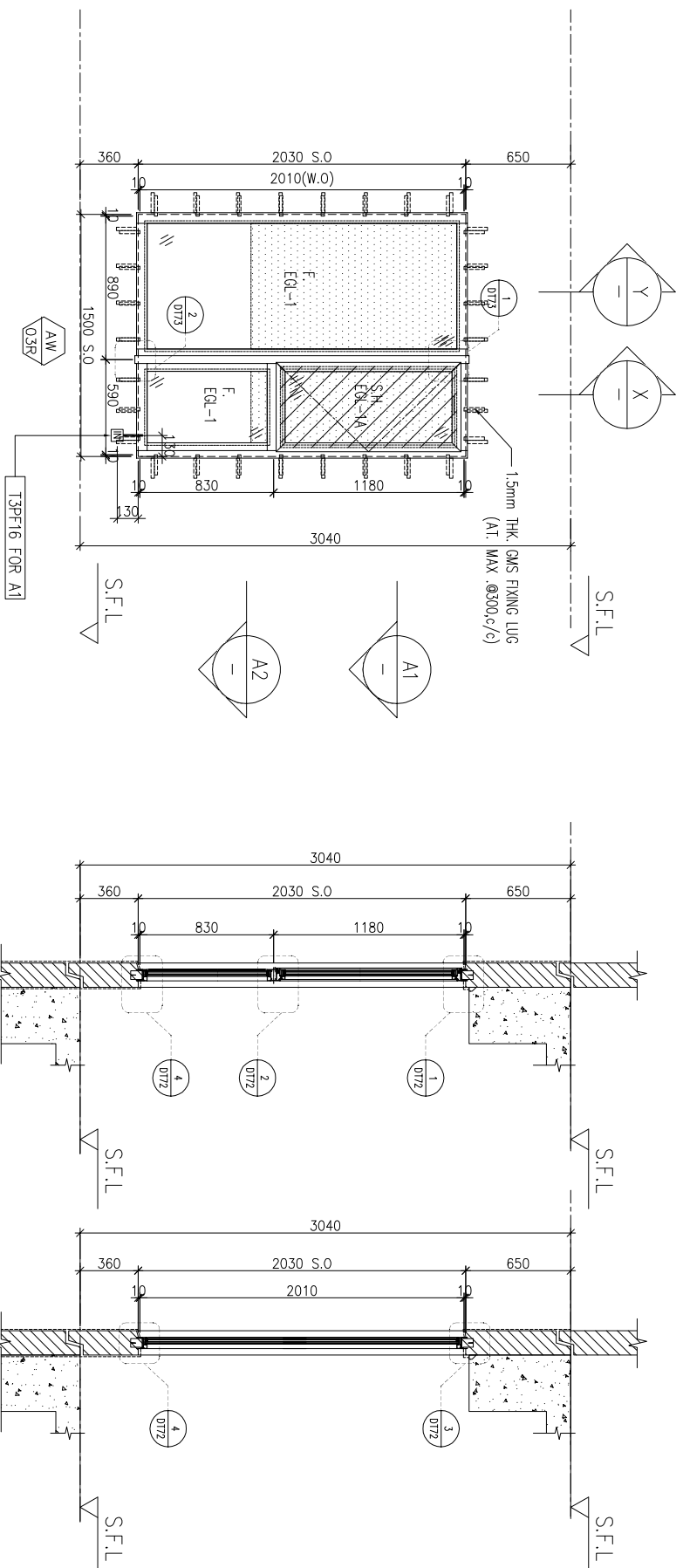
DRAWN BY : Ivan

CHECKED BY :

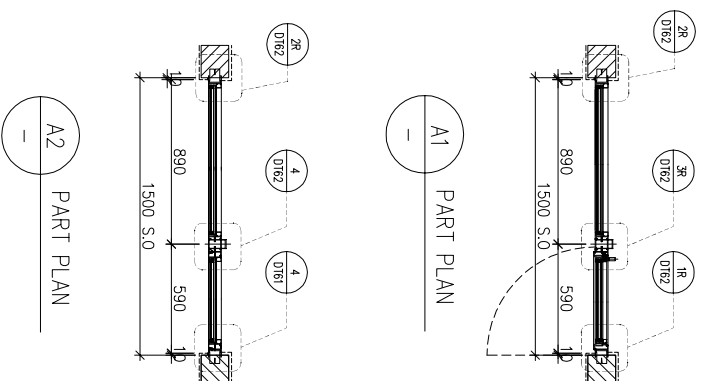
美特鋁質有限公司
MIDI ALUMINIUM FABRICATOR LTD.
Units 6-8, Sunray Industrial Centre, 1/F
610 Cho Kwai Ling Road, Kwai Tsoum
Tel: 23489211-4 Fax: (852) 2727666

DWG NO. : J856-SD-PW-5311 REV. : E

PROVIDED	REQUIRE
OPENABLE AREA 0.548	GLAZING AREA 1.495
	OPENABLE AREA
	GLAZING AREA

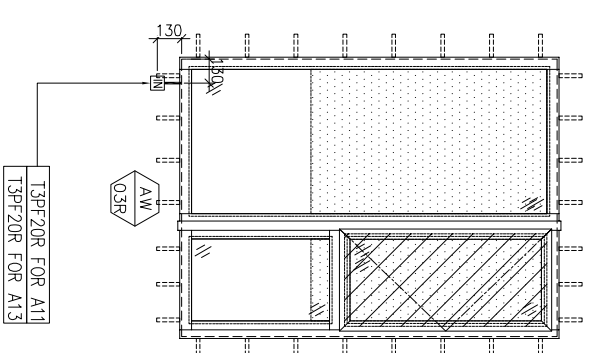
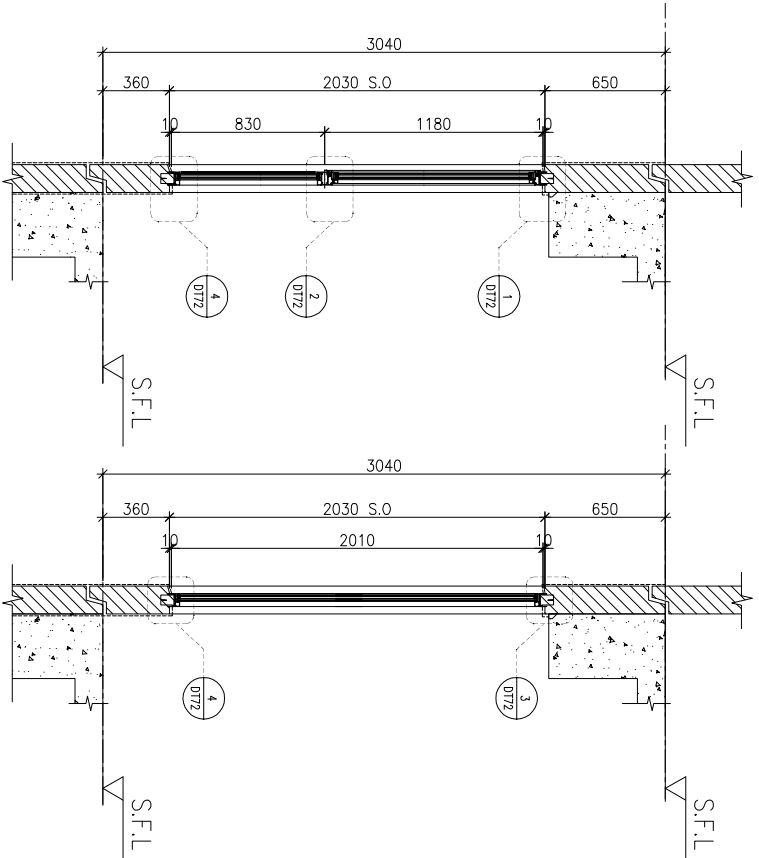


ELEVATION



FACADE CODE		
LWK	鴻輝	UNIT
PF-20R	T3PF-41	A11
PF-20R	T3PF-44	A13

WINDOW MARK	AW O3R
LOCATION	3/F-42/F(4/F,13/F,14/F,24/F,34/F OMITTED) UNIT (A11, A13)
SECTION	70mm ALUM. SECTION
GLAZING	EGL-1, EGL-1A
QUANTITY	35 Nos. 35 Nos.
REMARKS	FACADE (TYPE T3PF20R) FOR 3/F~42/F)



B.D. REF :

CLIENT :

SUN HUNG KAI
REAL ESTATE AGENCY LTD.
42/F, SUN HUNG KAI CENTRE, WANCHAI, HONGKONG

ARCHITECT :

lwk&partners
a r c h i t e c t s

MAIN CONTRACTOR :

怡輝建築有限公司
Yee Fai Building Contractors Ltd.

STRUCTURAL ENGINEER :

ARUP

FACADE CONSULTANT :

ALPHA CONSULTING LIMITED
Steel Structure & Façade Specialist

NOTE :

1. ALL DIMENSIONS ARE IN mm.
2. ALL ELEVATIONS ARE VIEWED FROM OUTSIDE.
3. ALL DIMENSIONS TO BE VERIFIED ON SITE BEFORE FABRICATION.

LEGEND :

(X1) --- DETAIL MARK NO.
(X001) --- REFER SHEET NO.

1. F.F.L. --- FINISHED FLOOR LEVEL
2. S.F.L. --- STRUCTURAL FLOOR LEVEL
3. (R) --- REVERSED DETAIL

4. GLASS LEGEND

EGL-1 --- 8mmHS+12mm AIR GAP+10mmTP THK. I.G.U.
EGL-2 --- 10mm THK. CLEAR TEMPERED GLASS
EGL-4 --- 10mm THK. TEMPERED ACID ETCHED GLASS
EGL-1A --- 8mmHS+12mm AIR GAP+8mmTP THK. I.G.U.
EGL-1B --- 8mmHS+12mm AIR GAP+10mmTP ACID-ETCHED THK. I.G.U.

NO.	DATE	REVISION	REVISION SUBJECT TO ARCH-COMMENT	BY
D	22/04/2022	REVISION SUBJECT TO ARCH-COMMENT		lwk
C	09/04/2022	REVISION SUBJECT TO ARCH-COMMENT		lwk
B	14/12/2021	REVISION SUBJECT TO ARCH-COMMENT		lwk
A	18/02/2021	REVISION SUBJECT TO ARCH-COMMENT		lwk

JOB NO. : J-856

PROJECT : PROPOSED DEVELOPMENT ABOVE LIGHT RAIL TIN WING STOP-TSWTL NO.23,AREA 33,TIN SHUI WAI, N.T.

TITLE : WINDOW SCHEDULE FOR TOWER 3 ALUM. WINDOW

DATE : 02-Aug-21 SCALE : 1:40

DRAWN BY : IYON CHECKED BY :

美特鋁質有限公司
MIDI ALUMINUM FABRICATOR LTD.
Units 6-8, Sunray Industrial Centre, 1/F
610 Cho Kwai Ling Road, Kowloon
Tel:23489211-4 Fax:(852)2727666
DWG NO. : J856-SD-PW-5312 REV. : D

B.D. REF :

CLIENT :

SUN HUNG KAI
REAL ESTATE AGENCY LTD.

42/F, SUN HUNG KAI CENTRE, WANCHAI, HONGKONG

ARCHITECT :

lwk&partners
a r c h i t e c t s

MAIN CONTRACTOR :

怡輝建築有限公司
Yee Fai Building Contractors Ltd.

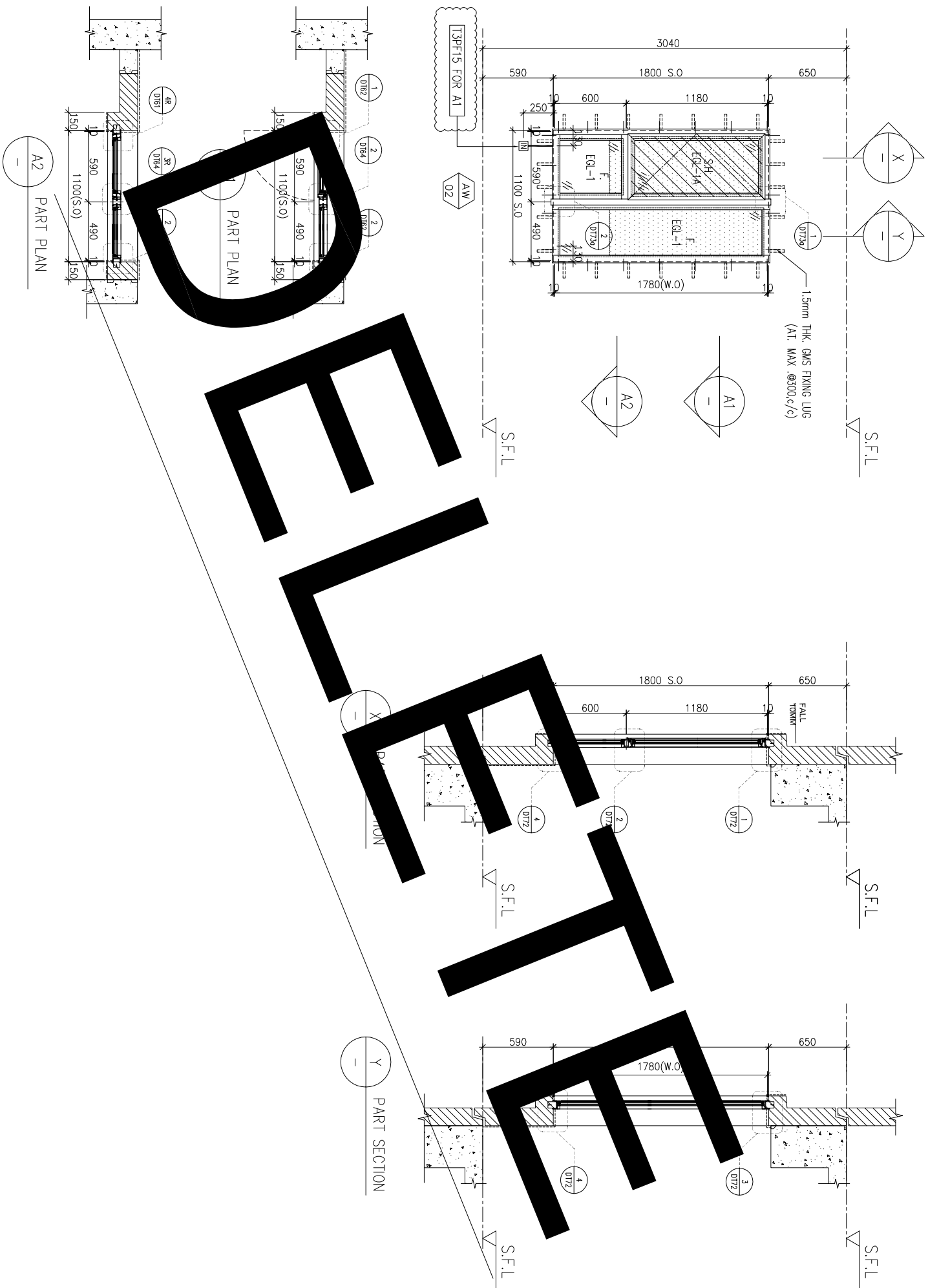
STRUCTURAL ENGINEER :

ARUP

FAÇADE CONSULTANT :

ALPHA CONSULTING LIMITED
Steel Structure & Façade Specialist

ELEVATION



DRAFT

WINDOW MARK	AW 02
LOCATION	3/F~42/F(4/F,13/F,14/F,24/F,34/F OMITTED) UNIT A1
SECTION	70mm ALUM. SECTION
GLAZING	EGL-1, EGL-1A
QUANTITY	35 Nos.
REMARKS	FAÇADE(TYPE 13PF02 FOR 3/F~42/F)

NOTE :

- ALL DIMENSIONS ARE IN mm.
- ALL ELEVATIONS ARE VIEWED FROM OUTSIDE.
- ALL DIMENSIONS TO BE VERIFIED ON SITE BEFORE FABRICATION.

LEGEND :

(X1) --- DETAIL MARK NO.
(X001) --- REFER SHEET NO.

- F.F.L. --- FINISHED FLOOR LEVEL
- S.F.L. --- STRUCTURAL FLOOR LEVEL
- (R) --- REVERSED DETAIL

4. GLASS LEGEND

EGL-1 --- 8mmHS+12mm AIR GAP+10mmTP THK. I.G.U.
EGL-2 --- 10mm THK. CLEAR TEMPERED GLASS
EGL-4 --- 10mm THK. TEMPERED ACID ETCHED GLASS
EGL-1A --- 8mmHS+12mm AIR GAP+8mmTP THK. I.G.U.
EGL-1B --- 8mmHS+12mm AIR GAP+10mmTP ACID-ETCHED THK. I.G.U.

NO.	DATE	REVISION	REVISION SUBJECT TO ARCH-COMMENT	BY
D	08/04/2022	REVISION SUBJECT TO ARCH-COMMENT	None	None
C	21/12/2021	REVISION SUBJECT TO ARCH-COMMENT	None	None
B	18/10/2021	REVISION SUBJECT TO ARCH-COMMENT	None	None
A	12/10/2021	REVISION SUBJECT TO ARCH-COMMENT	None	None

JOB NO. : J-856

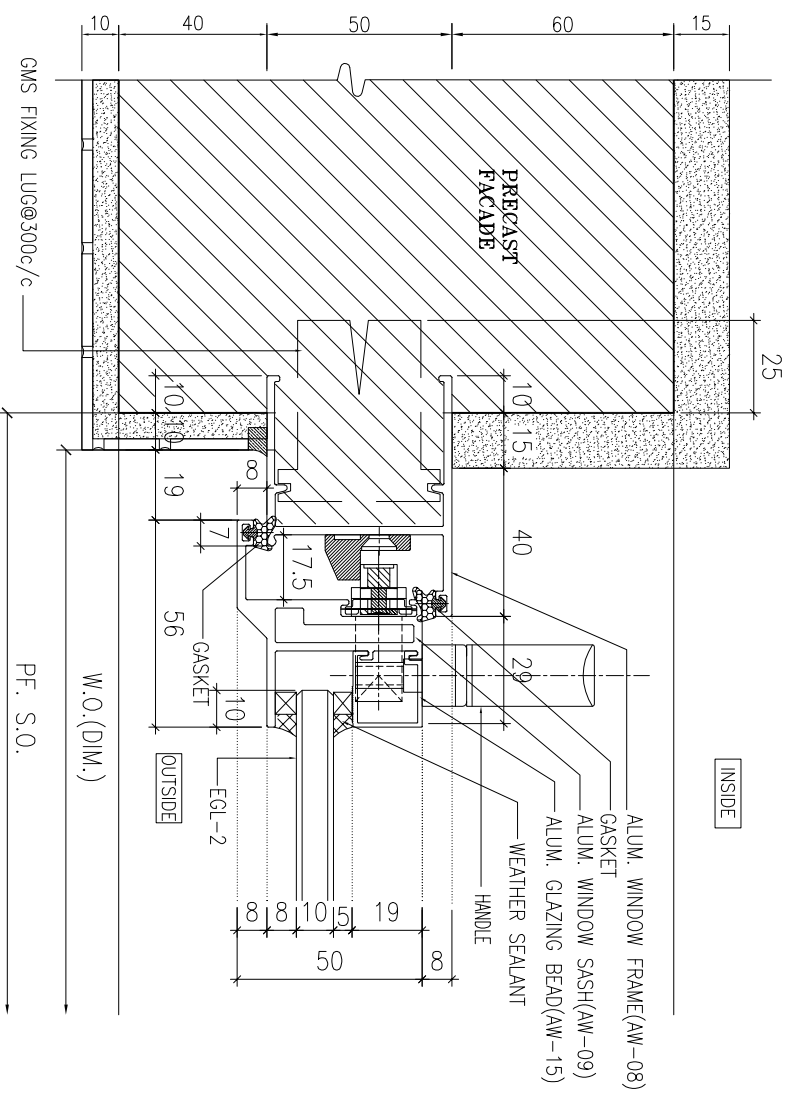
PROJECT : PROPOSED DEVELOPMENT ABOVE LIGHT RAIL TIN WING STOP-TSWTL NO.23,AREA 33,TIN SHUI WAI, N.T.

TITLE : WINDOW SCHEDULE FOR TOWER 3 ALUM. WINDOW

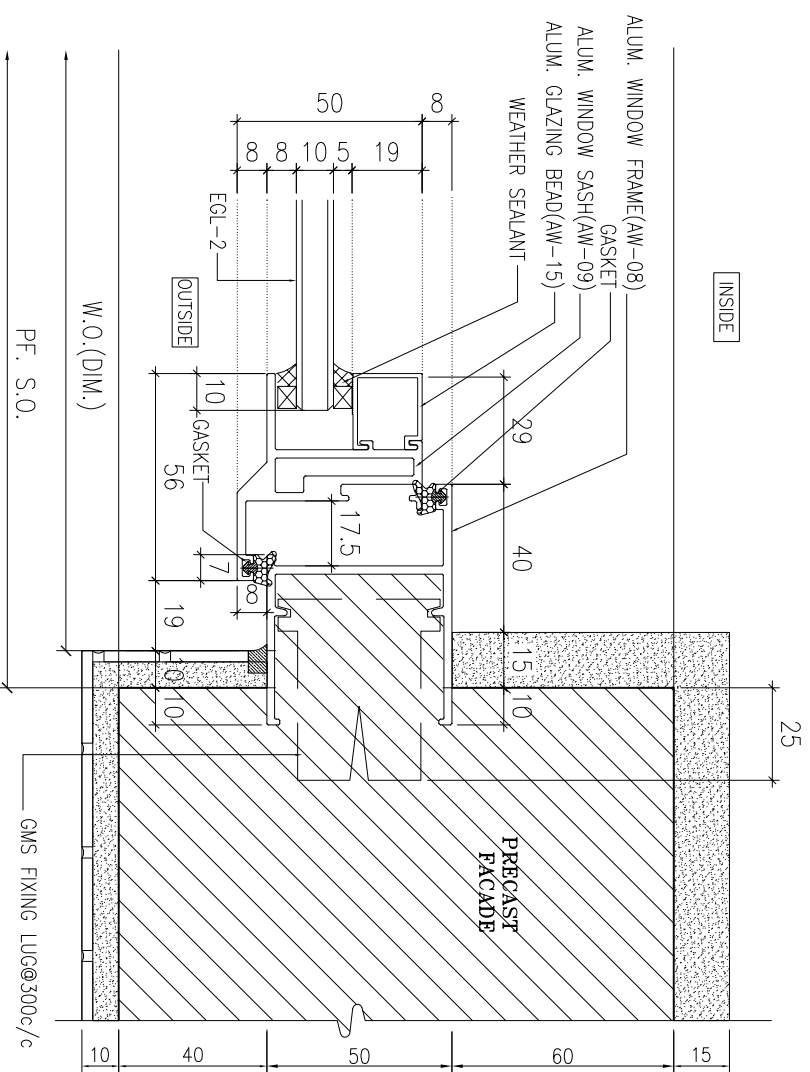
DATE : 02-Aug-21 SCALE : 1:40

DRAWN BY : Ivan CHECKED BY :

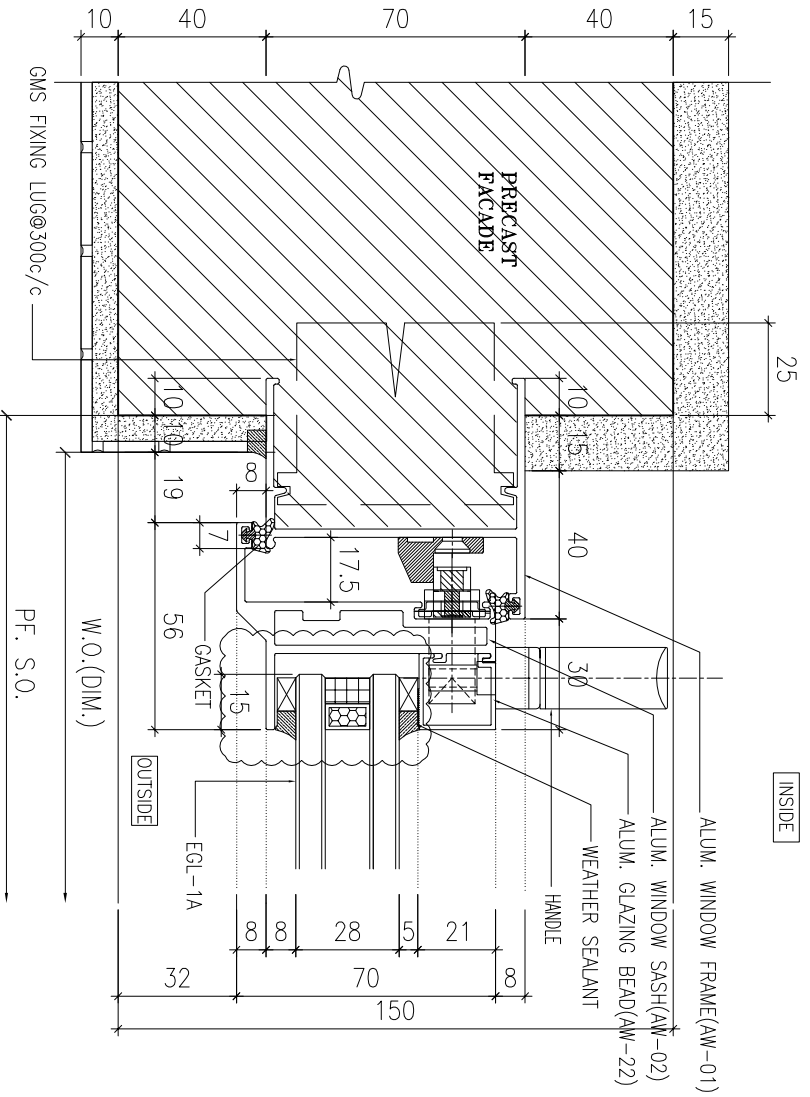
美特鋁質有限公司
MIDI ALUMINIUM FABRICATOR LTD.
Units 6-8, Sunray Industrial Centre, 1/F
610 Cho Kwai Ling Road, Kwai Tsoum
Tel:23489211-4 Fax:(852)2727666
DWG NO. : J856-SD-PW-5313 REV. : D



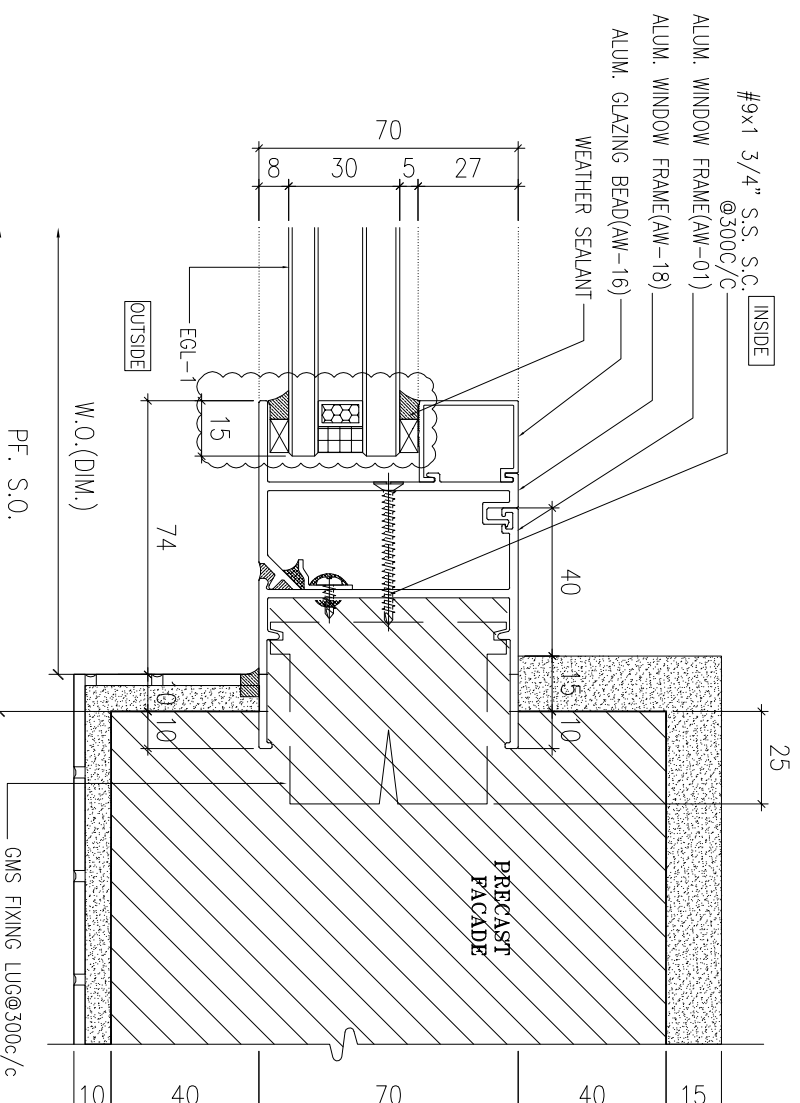
1 HORIZONTAL DETAIL
SCALE 1:2



2 HORIZONTAL DETAIL
SCALE 1:2



3 HORIZONTAL DETAIL
SCALE 1:2



4 HORIZONTAL DETAIL
SCALE 1:2

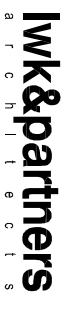
B.D. REF :

CLIENT :



42/F, SUN HUNG KAI CENTRE, WANCHAI, HONGKONG

ARCHITECT :



MAIN CONTRACTOR :



STRUCTURAL ENGINEER :



FAÇADE CONSULTANT :



Steel Structure & Façade Specialist

- NOTE :
1. ALL DIMENSIONS ARE IN mm.
 2. ALL ELEVATIONS ARE VIEWED FROM OUTSIDE.
 3. ALL DIMENSIONS TO BE VERIFIED ON SITE BEFORE FABRICATION.

LEGEND :

(X1) — DETAIL MARK NO.
(X001) — REFER SHEET NO.

1. F.F.L. --- FINISHED FLOOR LEVEL
2. S.F.L. --- STRUCTURAL FLOOR LEVEL
3. (R) --- REVERSED DETAIL

4. GLASS LEGEND

- EQL-1 --- 8mmH+12mm AIR GAP+10mmTP THK. I.G.U.
EQL-2 --- 10mm THK. CLEAR TEMPERED GLASS
EQL-4 --- 10mm THK. TEMPERED ACID ETCHED GLASS
EQL-1A --- 8mmH+12mm AIR GAP+8mmTP THK. I.G.U.

NO.	DATE	REVISION	BY
B	02/11/2021	REVISION SUBJECT TO ARCH-COMMENT	hwk
A	30/10/2021	REVISION SUBJECT TO ARCH-COMMENT	hwk

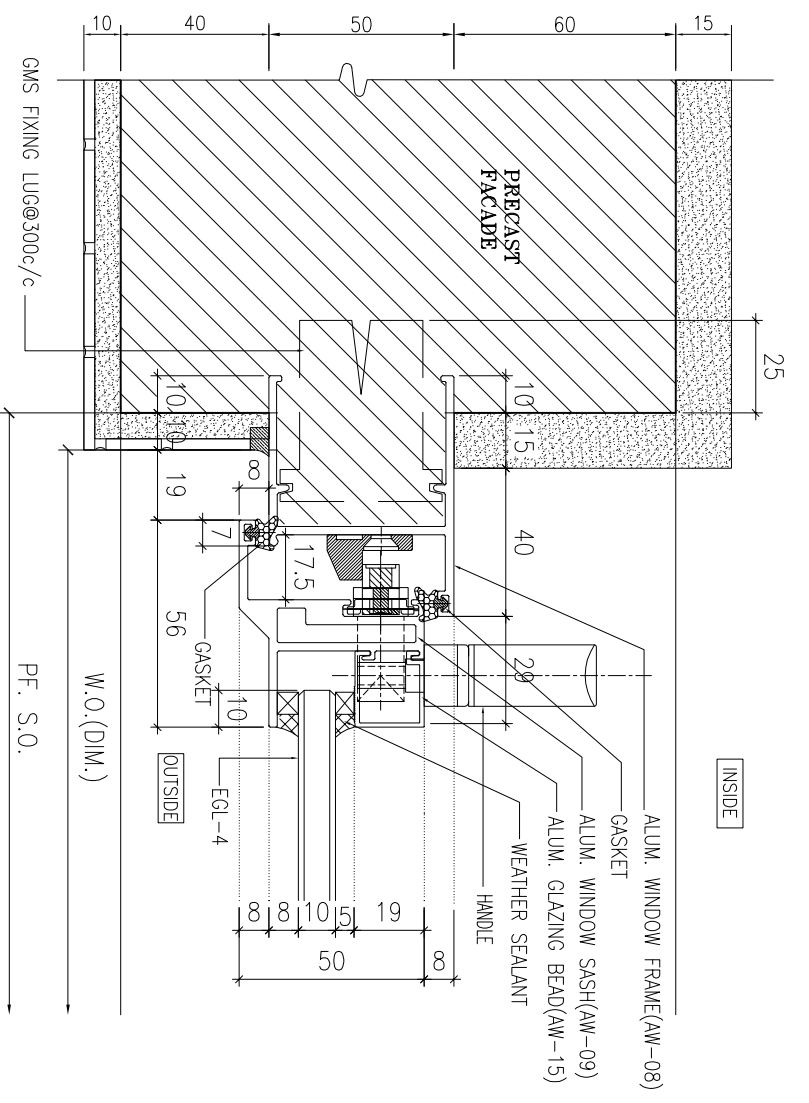
JOB NO. : J-856

PROJECT : PROPOSED DEVELOPMENT ABOVE LIGHT RAIL TIN WING STOP, TSWL NO.23, AREA 33, TIN SHUI WAI, N.T.

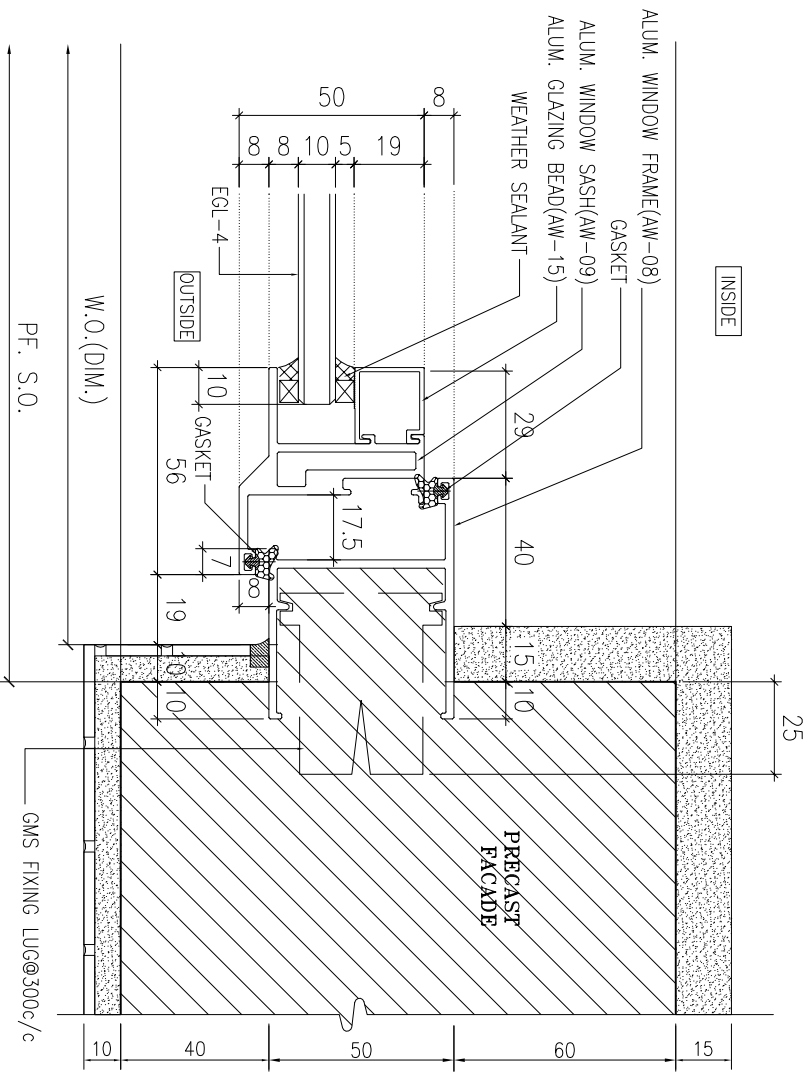
TITLE : TYPICAL DETAILS FOR ALUM. WINDOW

DATE : 02-Aug-21 SCALE : 1:40
DRAWN BY : IYVN CHECKED BY :

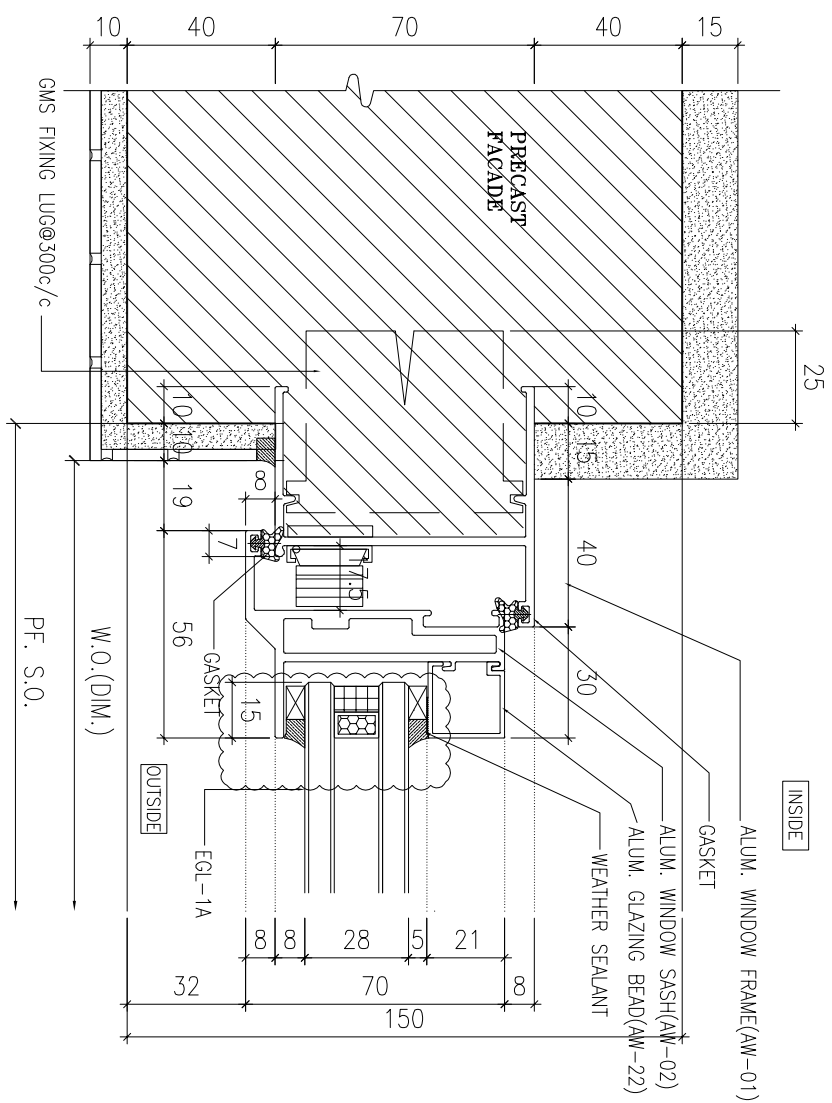
美特鋁質有限公司
MIDI ALUMINIUM FABRICATOR LTD.
Units 6-8, Sunny Industrial Centre, 1/F
610 Cho Kwong Road, Kowloon
Tel: 23489211-4 Fax: (852) 27275666
DWG NO. : J856-SD-PW-DT61 REV. : B



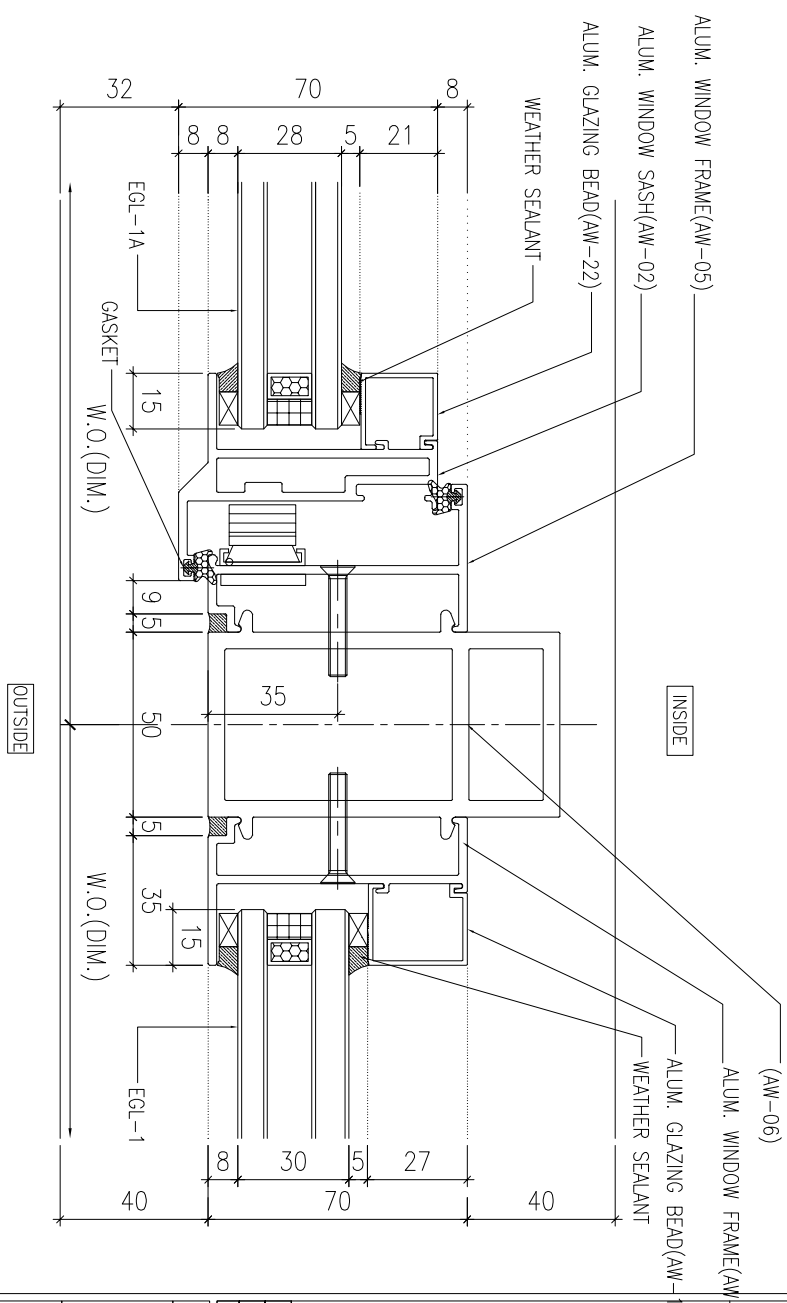
1 HORIZONTAL DETAIL
SCALE 1:2



2 HORIZONTAL DETAIL
SCALE 1:2



3 HORIZONTAL DETAIL
SCALE 1:2



4 HORIZONTAL DETAIL
SCALE 1:2

B.D. REF :

CLIENT : **SUN HUNG KAI** REAL ESTATE AGENCY LTD.
42/F, SUN HUNG KAI CENTRE, WANCHAI, HONGKONG

ARCHITECT : **lwk&partners**
a r c h i t e c t s

MAIN CONTRACTOR : **怡輝建築有限公司**
Yee Fai Building Contractors Ltd.

STRUCTURAL ENGINEER : **ARUP**

FAÇADE CONSULTANT : **ALPHA CONSULTING LIMITED**
Steel Structure & Façade Specialist

NOTE :
1. ALL DIMENSIONS ARE IN mm.
2. ALL ELEVATIONS ARE VIEWED FROM OUTSIDE.
3. DIMENSIONAL DIMENSIONS TO BE VERIFIED ON SITE BEFORE FABRICATION.

LEGEND :
-04- X1- DETAIL MARK NO.
-X001- REFER SHEET NO.
① F.F.L. --- FINISHED FLOOR LEVEL
2. S.F.L. --- STRUCTURAL FLOOR LEVEL
3. Ⓡ --- REVERSED DETAIL
4. GLASS LEGEND
EGL-1 --- 8mmH+12mm AIR GAP+10mmTP THK. I.G.U.
EGL-2 --- 10mm THK. CLEAR TEMPERED GLASS
EGL-4 --- 10mm THK. TEMPERED ACID ETCHED GLASS
EGL-1A --- 8mmH+12mm AIR GAP+8mmTP THK. I.G.U.

NO.	DATE	REVISION SUBJECT TO ARCH-COMMENT	REVISION SUBJECT TO ARCH-COMMENT
B	02/11/2021	REVISION SUBJECT TO ARCH-COMMENT	lwk
A	30/10/2021	REVISION SUBJECT TO ARCH-COMMENT	lwk
NO.	DWG	REVISION	BY

JOB NO. : J-856

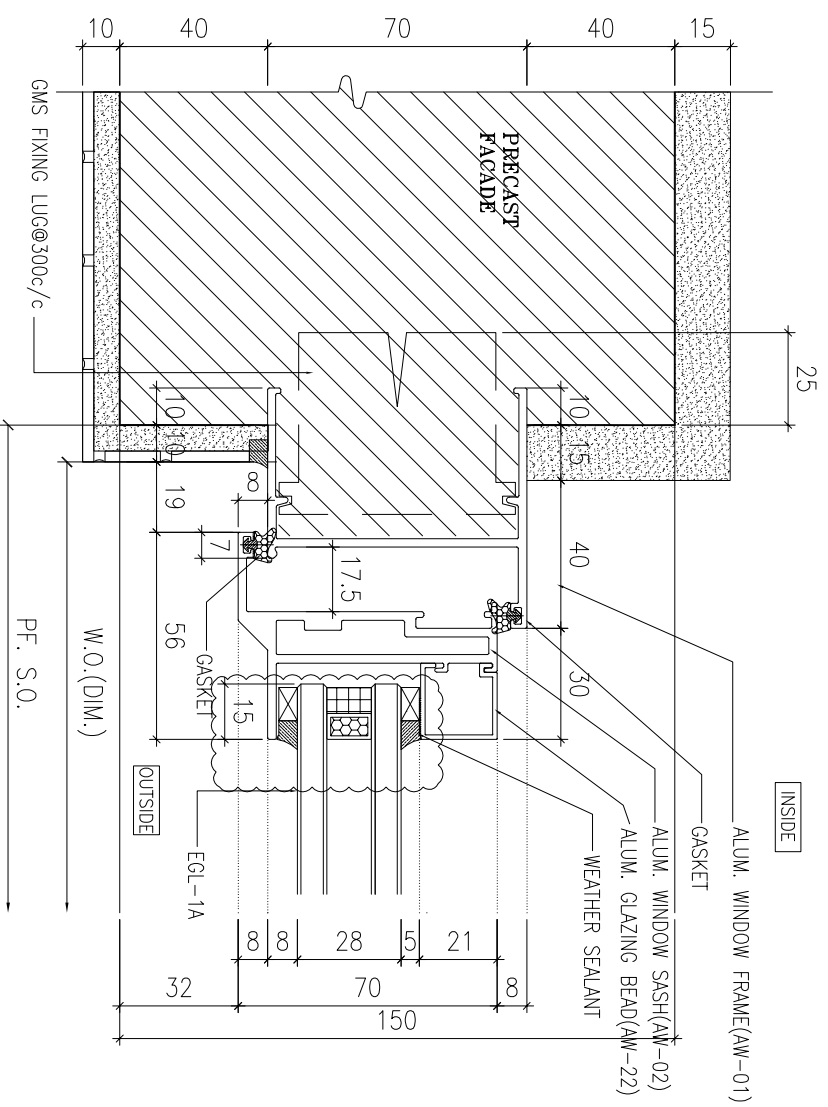
PROJECT : PROPOSED DEVELOPMENT ABOVE LIGHT RAIL TIN WING STOP,T5WTL NO.23,AREA 33,TIN SHUI WAI, N.T.

TITLE : TYPICAL DETAILS FOR ALUM. WINDOW

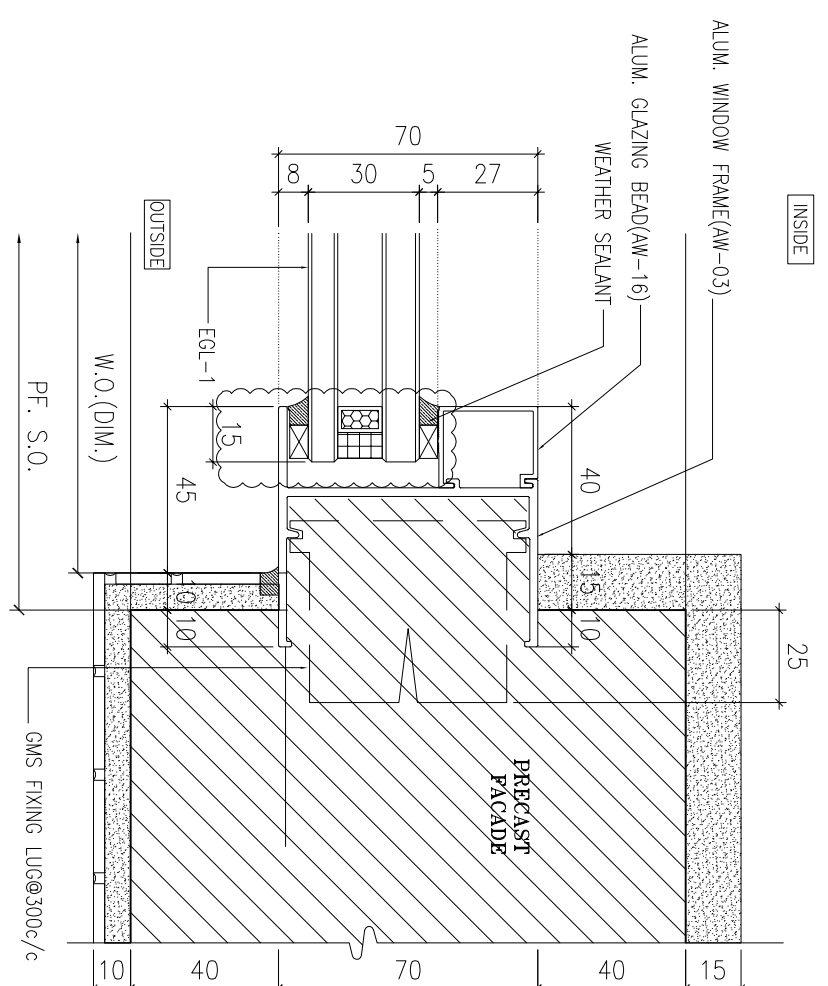
DATE : 02-Aug-21 SCALE : 1:40

DRAWN BY : lwnn CHECKED BY :

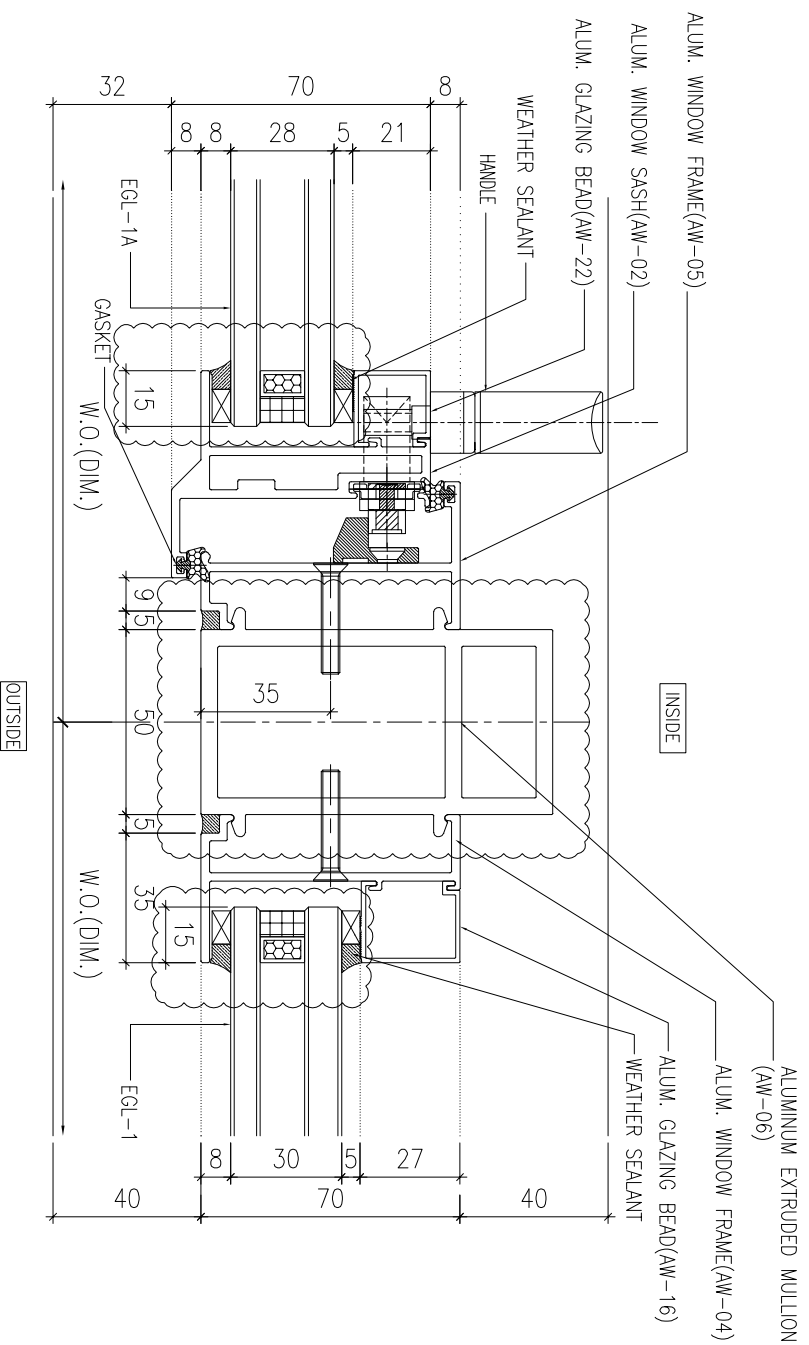
美特鋁質有限公司
MIDI ALUMINUM FABRICATOR LTD.
Units 6-8, Sunray Industrial Centre, 1/F
610 Cho Kwong Road, Kowloon
Tel:23489211-4 Fax:(852)27272666
DWG NO. : J856-SD-PW-DT610 REV. : B



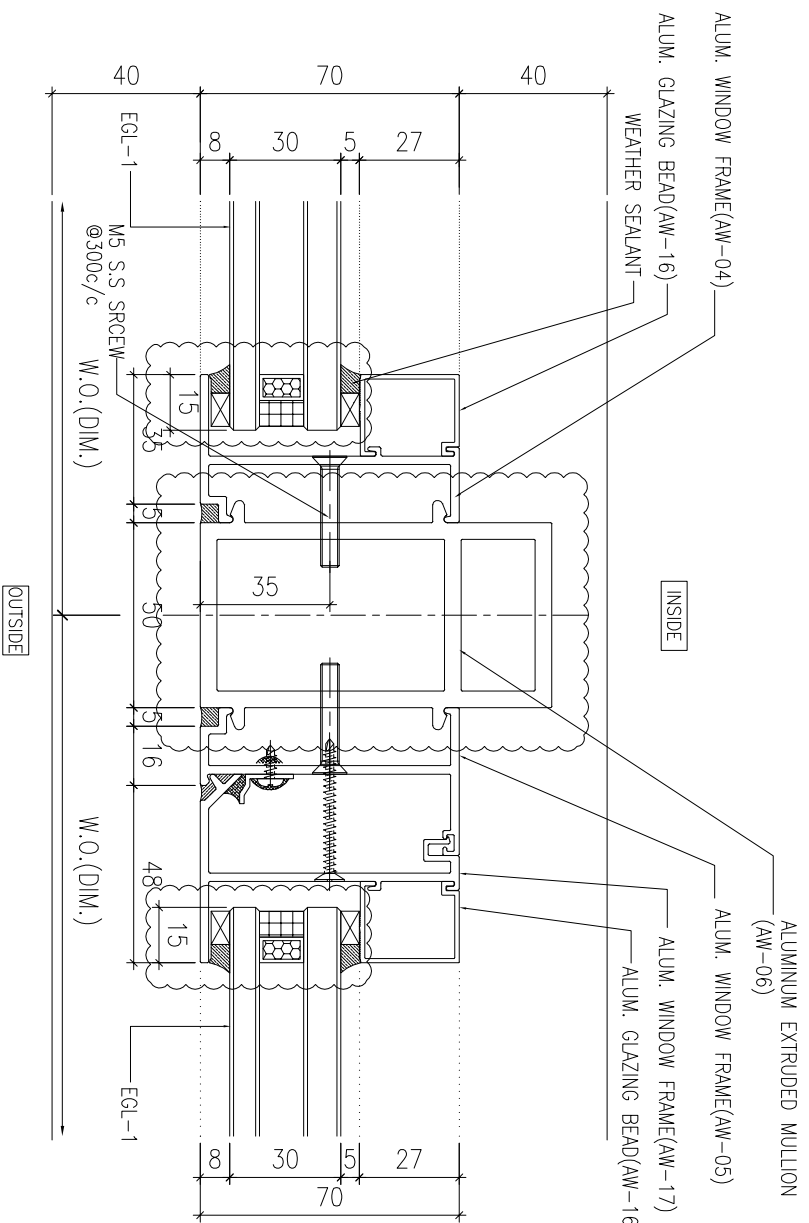
1 HORIZONTAL DETAIL
SCALE 1:2



2 HORIZONTAL DETAIL
SCALE 1:2



3 HORIZONTAL DETAIL
SCALE 1:2



4 HORIZONTAL DETAIL
SCALE 1:2

B.D. REF :

CLIENT :

SUN HUNG KAI
REAL ESTATE AGENCY LTD.
42/F, SUN HUNG KAI CENTRE, WANCHAI, HONGKONG

ARCHITECT :

lwk&partners
ARCHITECTS

MAIN CONTRACTOR :

Yee Fai 怡輝建築有限公司
Building Contractors Ltd.

STRUCTURAL ENGINEER :

ARUP

FAÇADE CONSULTANT :

ALPHA CONSULTING LIMITED
Steel Structure & Façade Specialist

NOTE:
1. ALL DIMENSIONS ARE IN mm.
2. ALL ELEVATIONS ARE VIEWED FROM OUTSIDE.
3. ALL DIMENSIONS TO BE VERIFIED ON SITE BEFORE FABRICATION.

LEGEND:
X1 --- DETAIL MARK NO.
X001 --- REFER SHEET NO.

1. F.F.L. --- FINISHED FLOOR LEVEL
2. S.F.L. --- STRUCTURAL FLOOR LEVEL
3. (R) --- REVERSED DETAIL
4. GLASS LEGEND

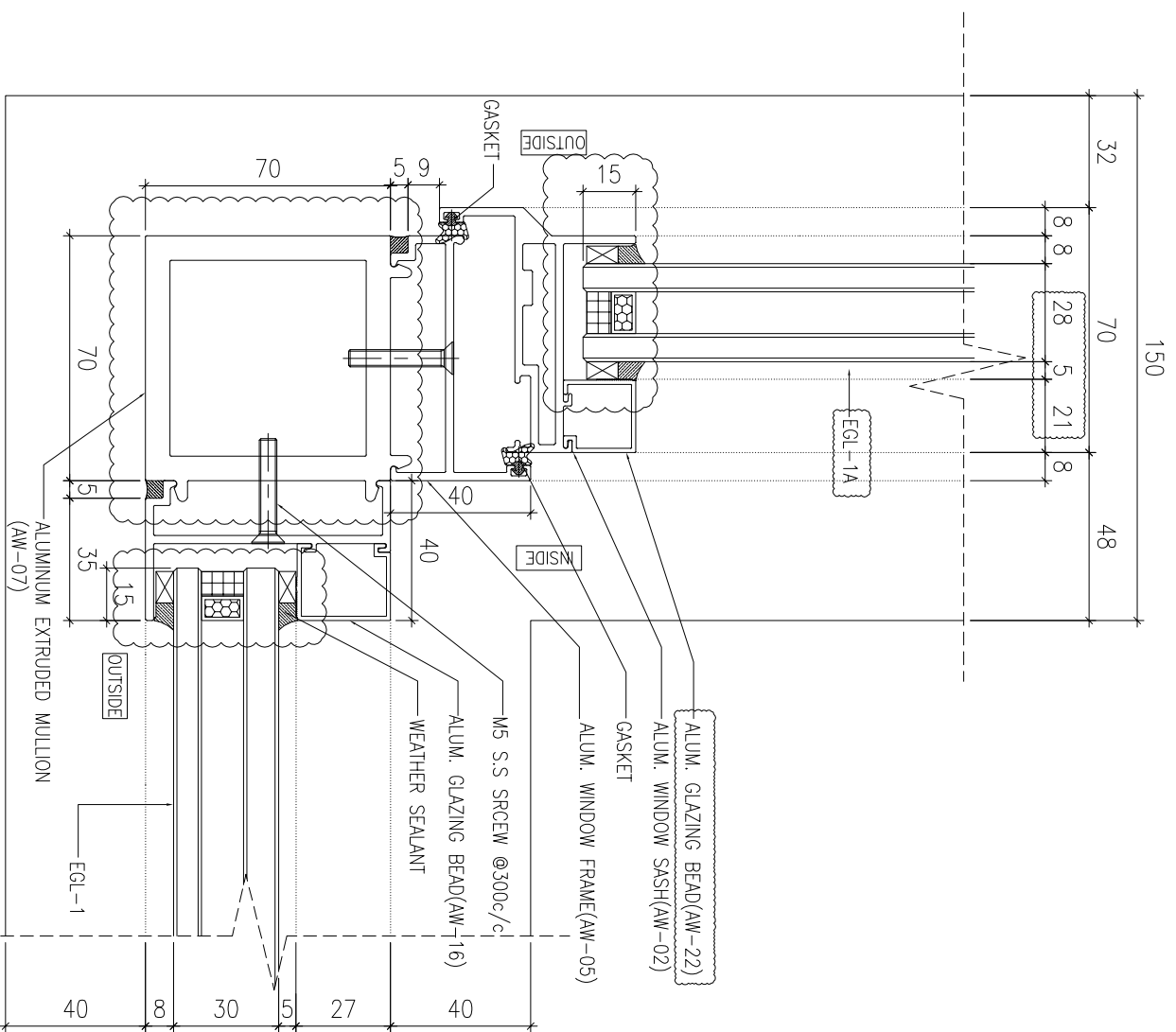
EGL-1 --- 8mmH+12mm AIR GAP+10mmTP THK. I.G.U.
EGL-2 --- 10mm THK. CLEAR TEMPERED GLASS
EGL-4 --- 10mm THK. TEMPERED ACID ETCHED GLASS
EGL-1A --- 8mmH+12mm AIR GAP+8mmTP THK. I.G.U.

NO.	DATE	REVISION	BY
C	02/11/2021	REVISION SUBJECT TO ARCH-COMMENT	lwn
B	30/10/2021	REVISION SUBJECT TO ARCH-COMMENT	lwn
A	30/09/2021	REVISION SUBJECT TO ARCH-COMMENT	lwn

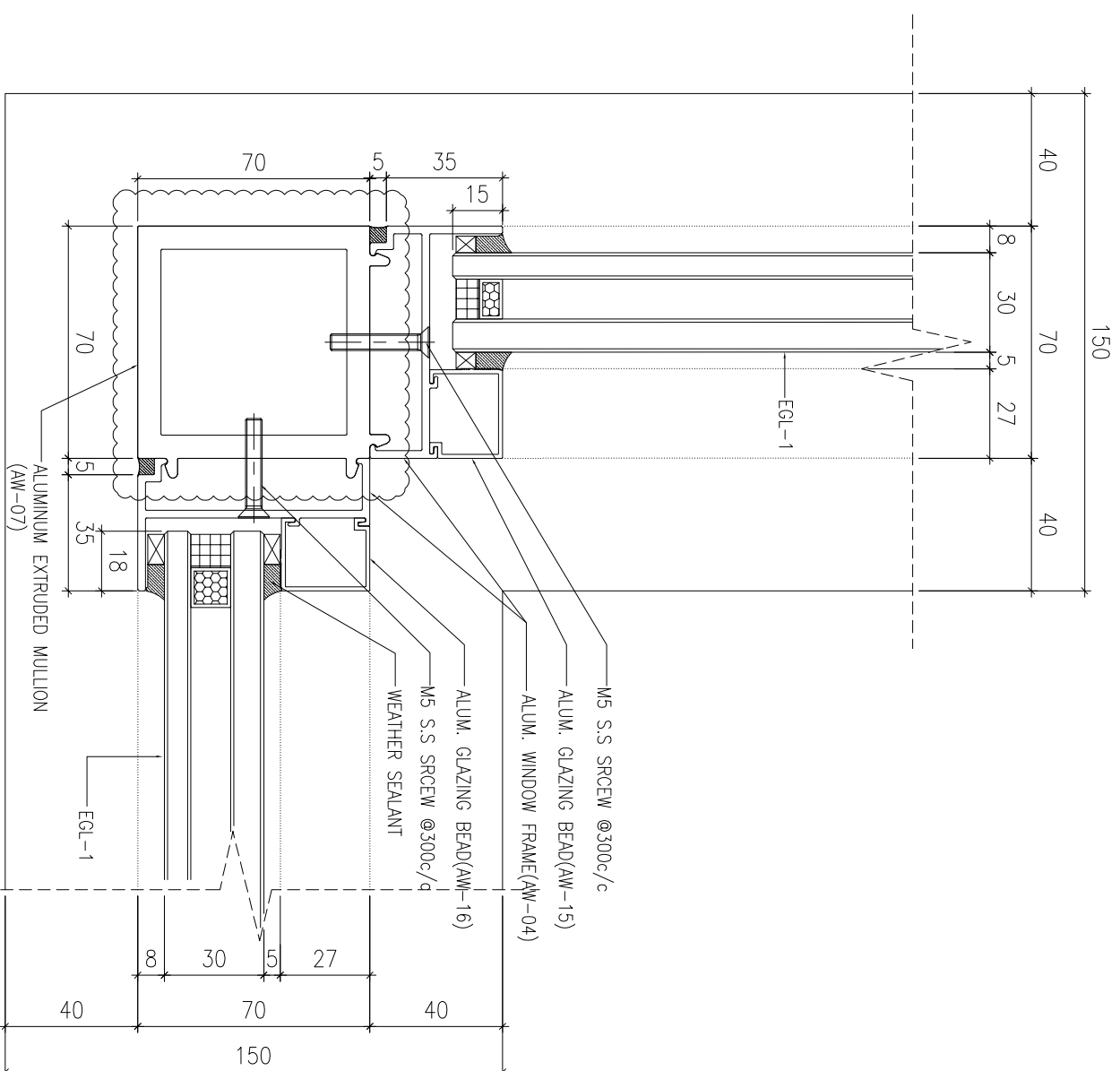
JOB NO. : J-856
PROJECT : PROPOSED DEVELOPMENT ABOVE LIGHT RAIL TIN WING STOP-TSWTL NO.23, AREA 33, TIN SHUI WAI, N.T.
TITLE : TYPICAL DETAILS FOR ALUM. WINDOW

DATE : 02-Aug-21 SCALE : 1:40
DRAWN BY : lwnn CHECKED BY :

MDI 美特鋁質有限公司
ALUMINIUM FABRICATOR LTD.
Units 6-8, Sunny Industrial Centre, 1/F
610 Cho Kwong Road, Kowloon
Tel: 23489211-4 Fax: (852) 2727566
DWG NO. : J856-SD-PW-DT62 REV : C



1 HORIZONTAL DETAIL
SCALE 1:2



2 HORIZONTAL DETAIL
SCALE 1:2

B.D. REF :

CLIENT :

SUN HUNG KAI
REAL ESTATE AGENCY LTD.
42/F, SUN HUNG KAI CENTRE, WANCHAI, HONGKONG

ARCHITECT :

lwk&partners
a r c h i t e c t s

MAIN CONTRACTOR :

怡輝建築有限公司
Yee Fai Building Contractors Ltd.

STRUCTURAL ENGINEER :

ARUP

FAÇADE CONSULTANT :

ALPHA CONSULTING LIMITED
Steel Structure & Façade Specialist

NOTE :

1. ALL DIMENSIONS ARE IN mm.
2. ALL ELEVATIONS ARE VIEWED FROM OUTSIDE.
3. ALL DIMENSIONS TO BE VERIFIED ON SITE BEFORE FABRICATION.

LEGEND :

X1 --- DETAIL MARK NO.
X1001 --- REFER SHEET NO.

1. F.F.L. --- FINISHED FLOOR LEVEL
2. S.F.L. --- STRUCTURAL FLOOR LEVEL
3. (R) --- REVERSED DETAIL

4. GLASS LEGEND

EGL-1 --- 8mmH+12mm AIR GAP+10mmTP THK. I.G.U.
EGL-2 --- 10mm THK. CLEAR TEMPERED GLASS
EGL-4 --- 10mm THK. TEMPERED ACID ETCHED GLASS
EGL-1A --- 8mmH+12mm AIR GAP+8mmTP THK. I.G.U.

NO.	DATE	REVISION	SUBJECT TO ARCH-COMMENT	BY
C	02/11/2021	REVISION SUBJECT TO ARCH-COMMENT		lwk
B	30/10/2021	REVISION SUBJECT TO ARCH-COMMENT		lwk
A	30/09/2021	REVISION SUBJECT TO ARCH-COMMENT		lwk
NO.	DWE	REVISION		BY

JOB NO. : J-856

PROJECT :

PROPOSED DEVELOPMENT ABOVE
LIGHT RAIL TIN WING STOP+TSWTL
NO.23,AREA 33,TIN SHUI WAL, N.T.

TITLE :

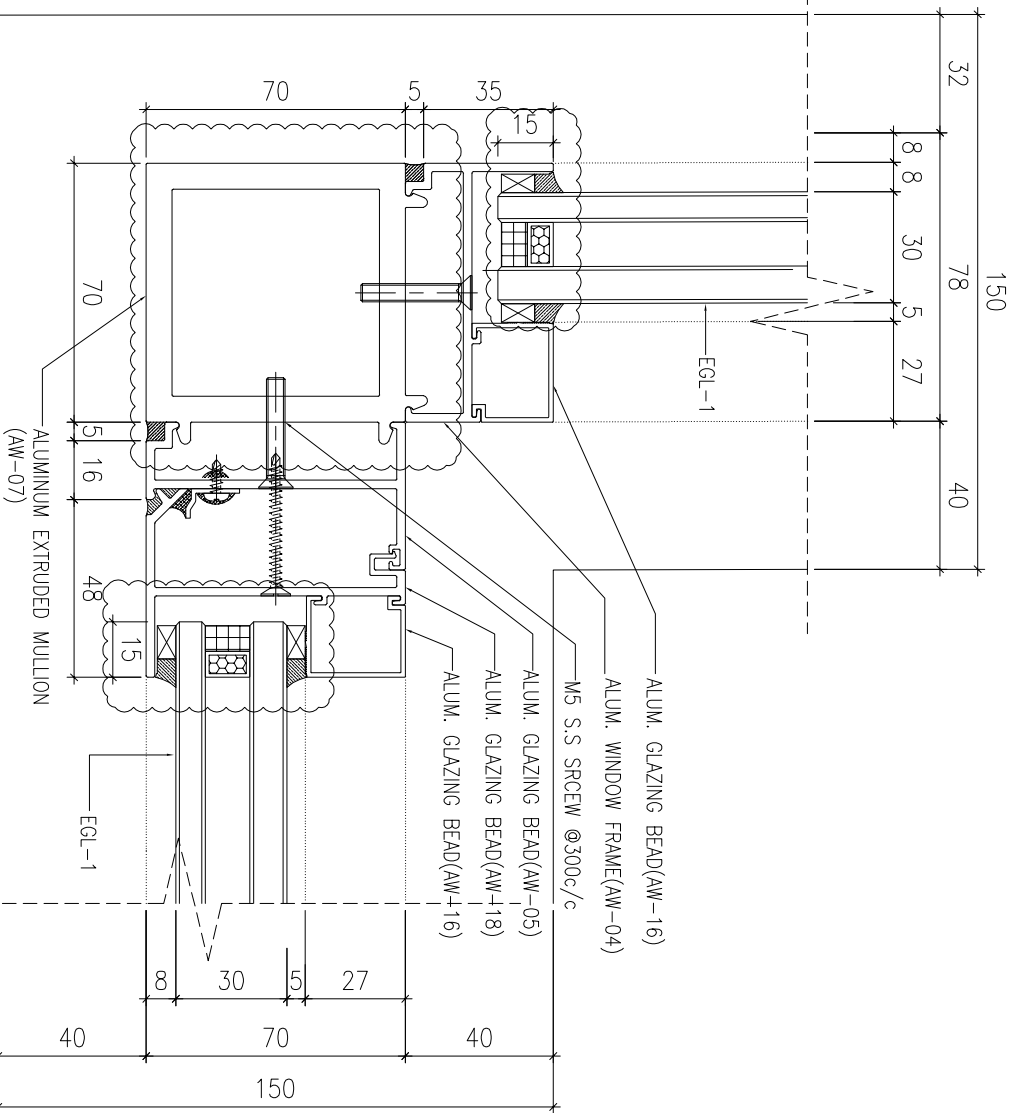
TYPICAL DETAILS FOR
ALUM. WINDOW

DATE : 02-Aug-21 SCALE : 1:40

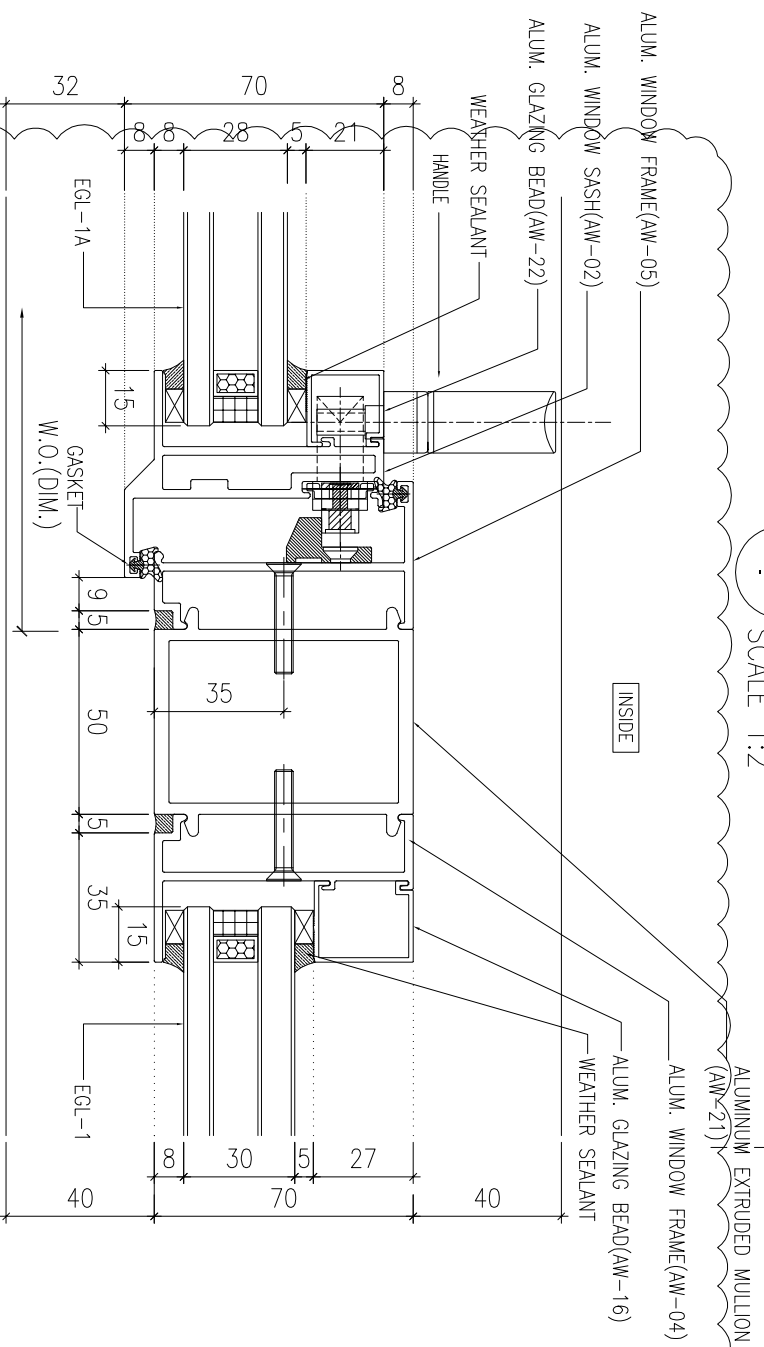
DRAWN BY : lwnn CHECKED BY :

美特鋁質有限公司
MDI ALUMINIUM FABRICATOR LTD.
Units 6-8, Sunray Industrial Centre, 1/F
610 Cho Kwo Ling Road, Kowloon
Tel:23489211-4 Fax:(852)27272666

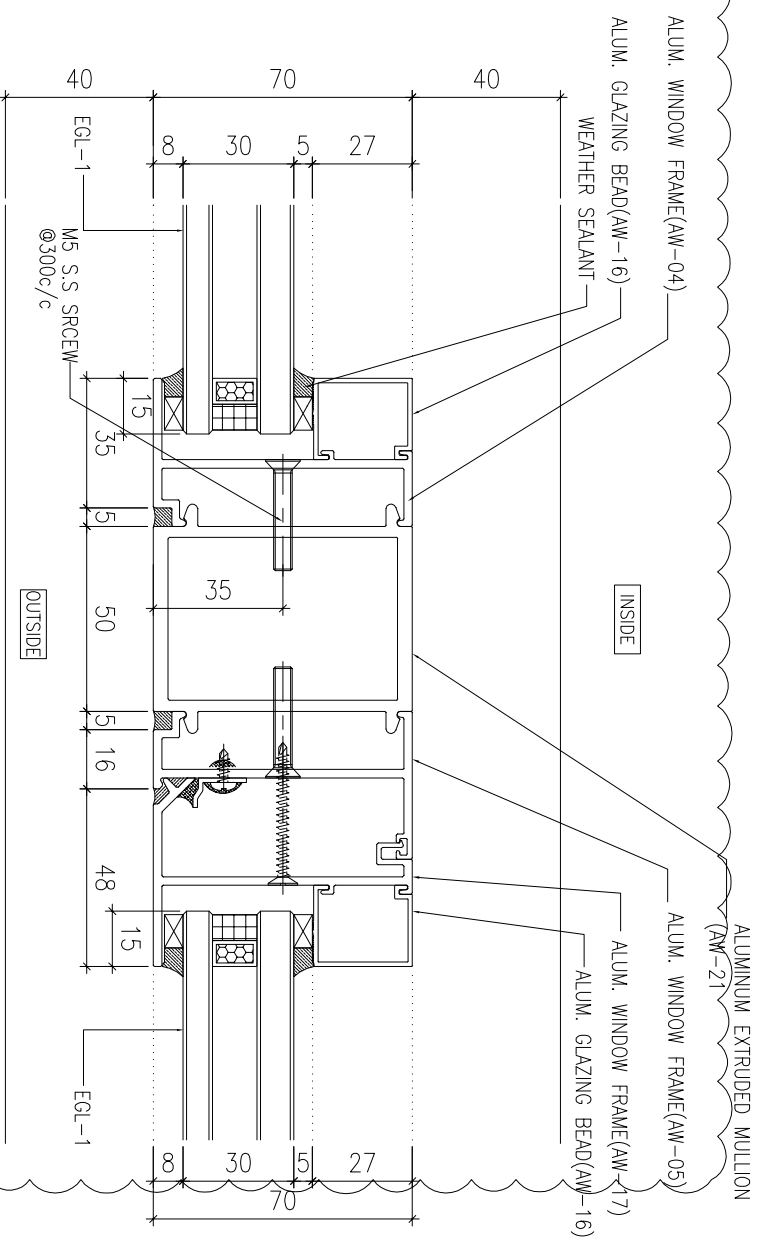
DWG NO. : J856-SD-PW-DT64 REV. : C



1 HORIZONTAL DETAIL
SCALE 1:2



2 HORIZONTAL DETAIL
SCALE 1:2



3 HORIZONTAL DETAIL
SCALE 1:2

B.D. REF :

CLIENT :

SUN HUNG KAI
REAL ESTATE AGENCY LTD.
42/F, SUN HUNG KAI CENTRE, WANCHAI, HONGKONG

ARCHITECT :

lwk&partners
a r c h i t e c t s

MAIN CONTRACTOR :

怡輝建築有限公司
Yee Fai Building Contractors Ltd.

STRUCTURAL ENGINEER :

ARUP

FAÇADE CONSULTANT:

ALPHA CONSULTING LIMITED
Steel Structure & Façade Specialist

NOTE :

1. ALL DIMENSIONS ARE IN mm.
2. ALL ELEVATIONS ARE VIEWED FROM OUTSIDE.
3. ALL DIMENSIONS TO BE VERIFIED ON SITE BEFORE FABRICATION.

LEGEND :

(X1) --- DETAIL MARK NO.
(X001) --- REFER SHEET NO.

1. F.F.L. --- FINISHED FLOOR LEVEL
2. S.F.L. --- STRUCTURAL FLOOR LEVEL
3. (R) --- REVERSED DETAIL

4. GLASS LEGEND

EGL-1 --- 8mmH+12mm AIR GAP+10mmTP THK. I.G.U.
EGL-2 --- 10mm THK. CLEAR TEMPERED GLASS
EGL-4 --- 10mm THK. TEMPERED ACID FLOED GLASS
EGL-1A --- 8mmH+12mm AIR GAP+18mmTP THK. I.G.U.

NO.	DATE	REVISION	BY
D	02/11/2021	REVISION SUBJECT TO ARCH-COMMENT	lwn
C	30/10/2021	REVISION SUBJECT TO ARCH-COMMENT	lwn
B	18/10/2021	REVISION SUBJECT TO ARCH-COMMENT	lwn
A	30/09/2021	REVISION SUBJECT TO ARCH-COMMENT	lwn

JOB NO. : J-856

PROJECT :

PROPOSED DEVELOPMENT ABOVE
LIGHT RAIL TIN WING STOP-TSWTL
NO.23,AREA 33,TIN SHUI WAI, N.T.

TITLE : TYPICAL DETAILS FOR ALUM. WINDOW

DATE : 02-Aug-21 SCALE : 1:40
DRAWN BY : lwnn CHECKED BY :

美特鋁質有限公司
MIDI ALUMINUM FABRICATOR LTD.
Units 6-8, Sunray Industrial Centre, 1/F
610 Cho Kwong Road, Kwailoon
Tel:23489211-4 Fax:(852)2727666
DWG NO. : J856-SD-PW-0164 REV. : D

B.D. REF :

CLIENT :

SUN HUNG KAI
REAL ESTATE AGENCY LTD.
42/F, SUN HUNG KAI CENTRE, WANCHAI, HONGKONG

ARCHITECT :

lwk&partners
a r c h i t e c t s

MAIN CONTRACTOR :

怡輝建築有限公司
Yee Fai Building Contractors Ltd.

STRUCTURAL ENGINEER :

ARUP
ALPHA CONSULTING LIMITED
Steel Structure & Façade Specialist

FAÇADE CONSULTANT:

NOTE:
1. ALL DIMENSIONS ARE IN mm.
2. ALL ELEVATIONS ARE VIEWED FROM OUTSIDE.
3. ALL DIMENSIONS TO BE VERIFIED ON SITE BEFORE FABRICATION.

LEGEND :

(X1) ——— DETAIL MARK NO.
(X001) ——— REFER SHEET NO.

1. F.F.L. --- FINISHED FLOOR LEVEL
2. S.F.L. --- STRUCTURAL FLOOR LEVEL
3. (R) --- REVERSED DETAIL
4. GLASS LEGEND

EQ-1 --- 8mmH+12mm AIR GAP+10mmTP THK. I.G.U.
EQ-2 --- 10mm THK. CLEAR TEMPERED GLASS
EQ-4 --- 10mm THK. TEMPERED ACID ETCHED GLASS
EQ-1A --- 8mmH+12mm AIR GAP+8mmTP THK. I.G.U.

NO.	DATE	REVISION	BY
B	02/11/2021	REVISION SUBJECT TO ARCH-COMMENT	hwk
A	30/10/2021	REVISION SUBJECT TO ARCH-COMMENT	hwk

JOB NO. : J-856

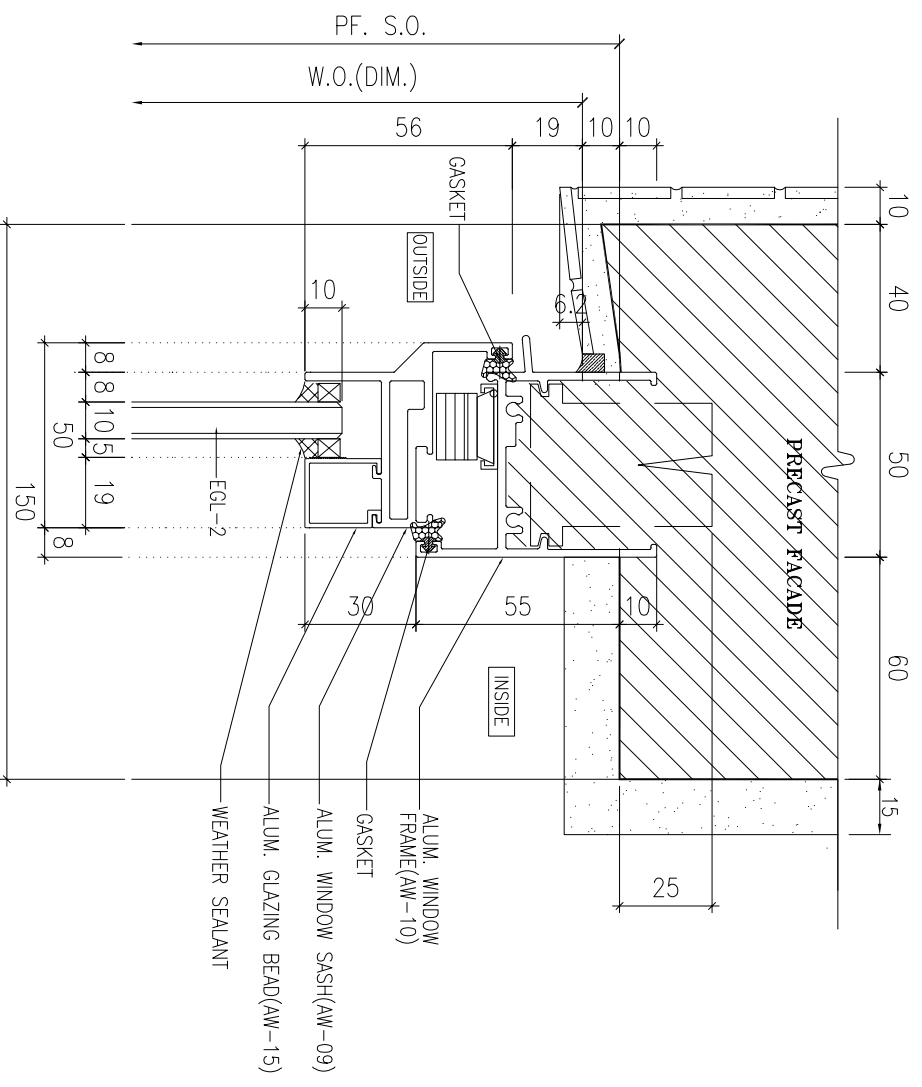
PROJECT :
PROPOSED DEVELOPMENT ABOVE
LIGHT RAIL TIN WING STOP-TSWTL
NO.23, AREA 33, TIN SHUI WAI, N.T.

TITLE :
TYPICAL DETAILS FOR
ALUM. WINDOW

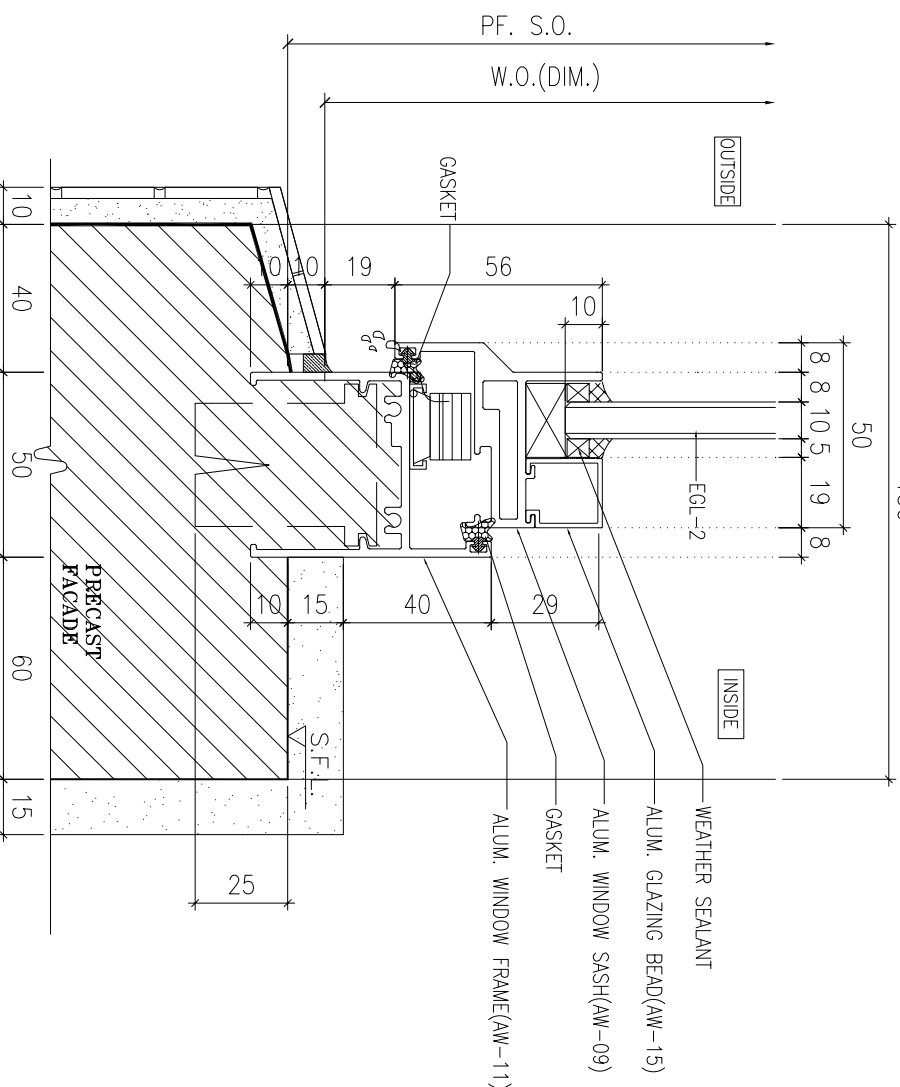
DATE : 02-Aug-21 SCALE : 1:40

DRAWN BY : IYVN CHECKED BY :

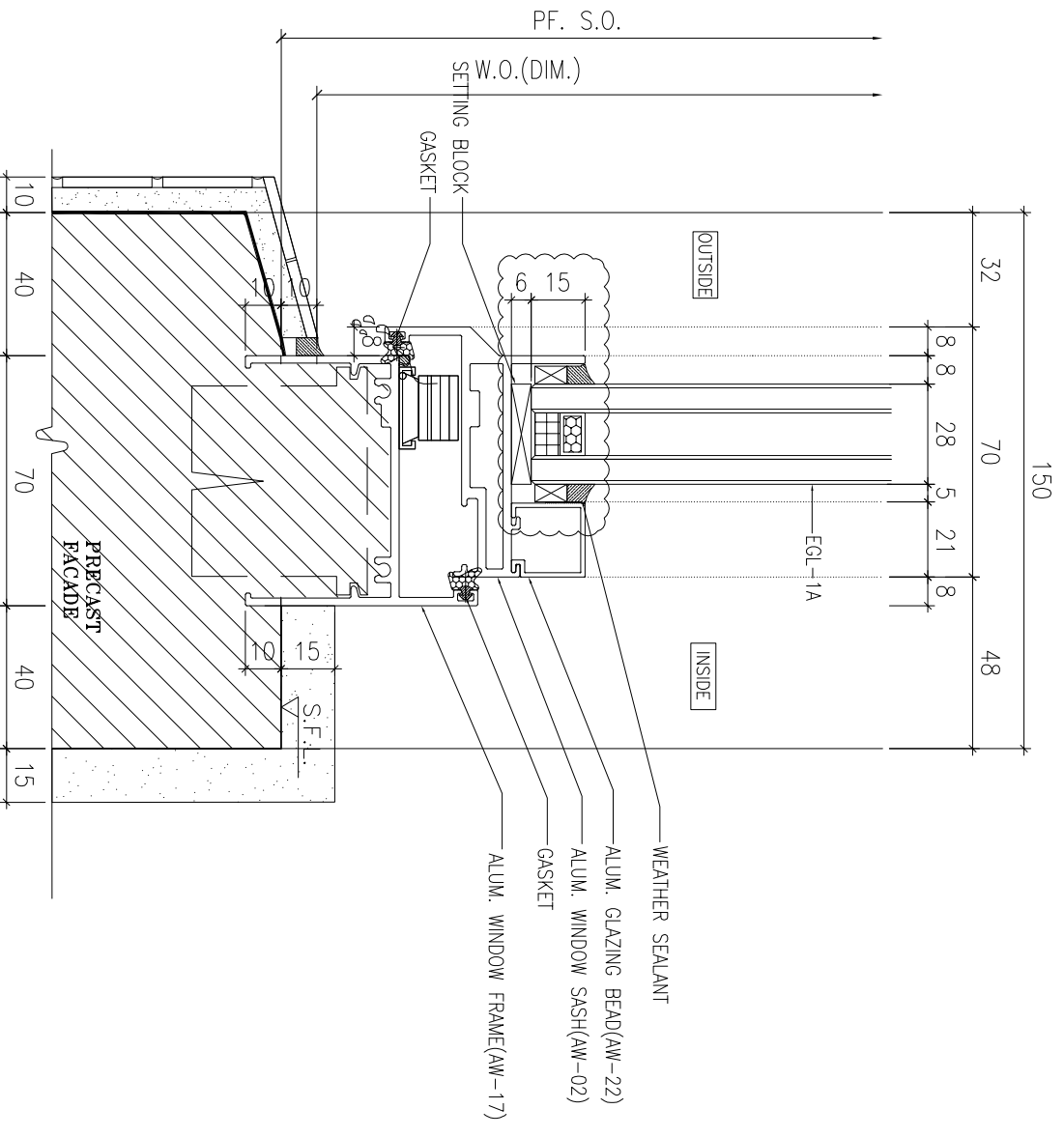
美特鋁質有限公司
MIDI ALUMINIUM FABRICATOR LTD.
Units 6-8, Sunray Industrial Centre, 1/F
610 Cho Kwong Road, Kowloon
Tel: 23489211-4 Fax: (852) 2727666
DWG NO. : J856-SD-PW-DT71 REV. : B



1 HORIZONTAL DETAIL
SCALE 1:2



2 HORIZONTAL DETAIL
SCALE 1:2



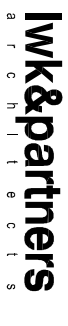
3 HORIZONTAL DETAIL
SCALE 1:2

CLIENT :



42/F, SUN HUNG KAI CENTRE, WANCHAI, HONGKONG

ARCHITECT :



MANU CONTRACTOR :



STRUCTURAL ENGINEER :



FAÇADE CONSULTANT :



Steel Structure & Façade Specialist

NOTE :

1. ALL DIMENSIONS ARE IN mm.
2. ALL ELEVATIONS ARE VIEWED FROM OUTSIDE.
3. ALL DIMENSIONS TO BE VERIFIED ON SITE BEFORE FABRICATION.

LEGEND :

- (X1) --- DETAIL MARK NO.
- (X001) --- REFER SHEET NO.

1. F.F.L. --- FINISHED FLOOR LEVEL
 2. S.F.L. --- STRUCTURAL FLOOR LEVEL
 3. (R) --- REVERSED DETAIL
 4. GLASS LEGEND
- EQ.-1 --- 8mmH+12mm AIR GAP+10mmTP THK. I.G.U.
 EQ.-2 --- 10mm THK. CLEAR TEMPERED GLASS
 EQ.-4 --- 10mm THK. TEMPERED ACID ETCHED GLASS
 EQ.-1A --- 8mmH+12mm AIR GAP+8mmTP THK. I.G.U.

NO.	DATE	REVISION	REVISION SUBJECT TO ARCH-COMMENT	BY
B	02/11/2021	REVISION SUBJECT TO ARCH-COMMENT		hwk
A	30/09/2021	REVISION SUBJECT TO ARCH-COMMENT		hwk

JOB NO. : J-856

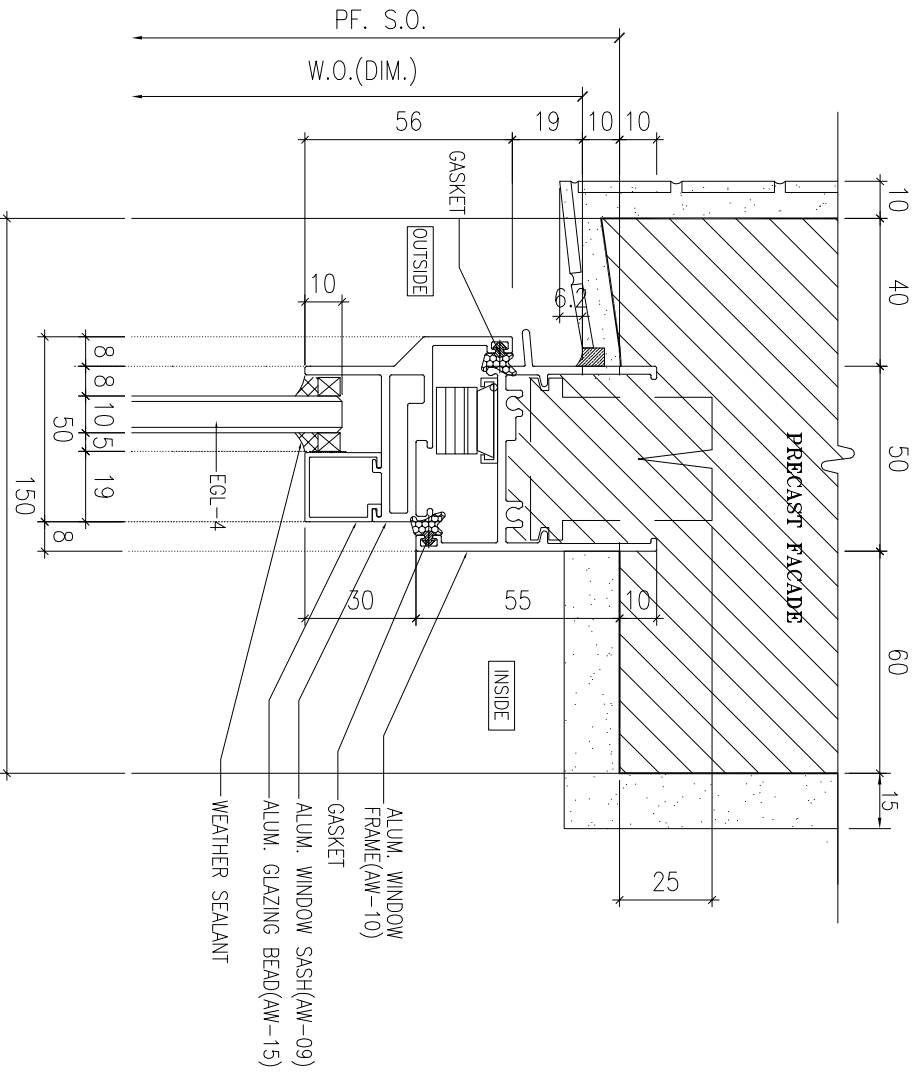
PROJECT : PROPOSED DEVELOPMENT ABOVE LIGHT RAIL TIN WING STOP-TSWTL NO.23,AREA 33,TIN SHUI WA, N.T.

TITLE : TYPICAL DETAILS FOR ALUM. WINDOW

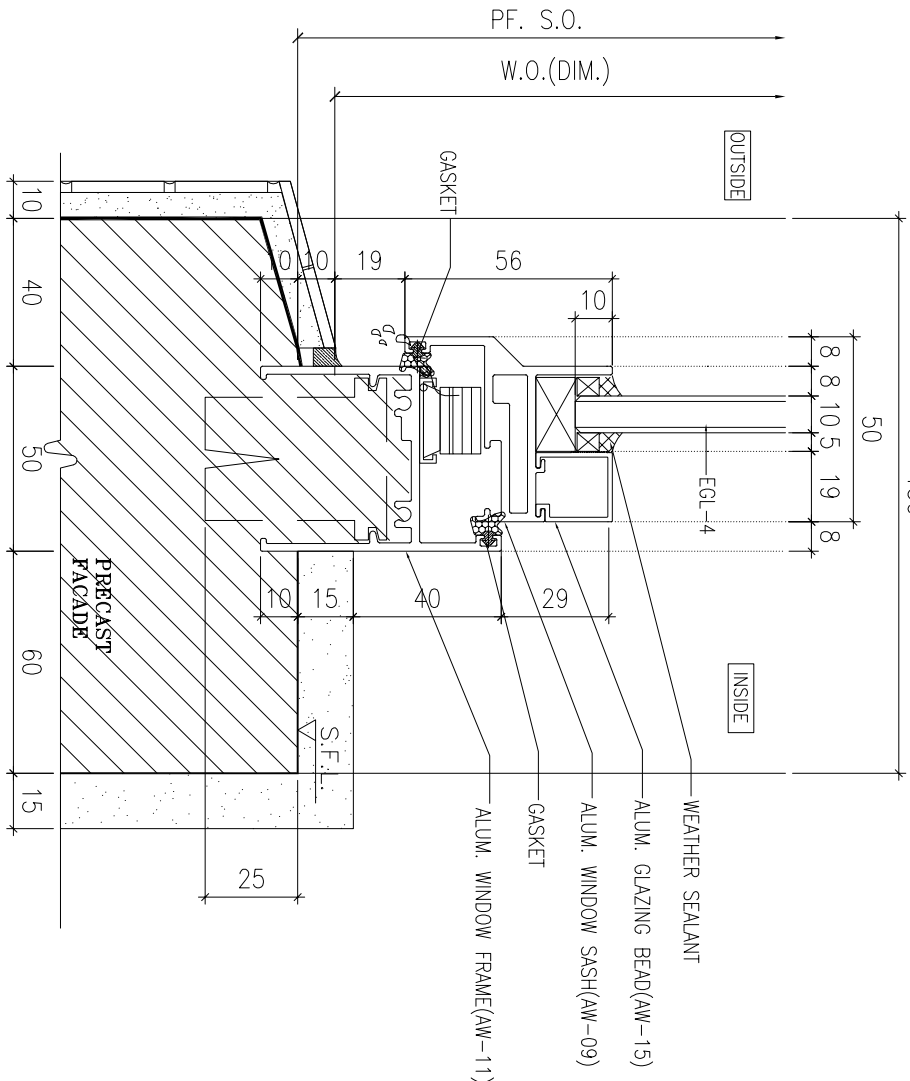
DATE : 02-Aug-21 SCALE : 1:40

DRAWN BY : IYVN CHECKED BY :

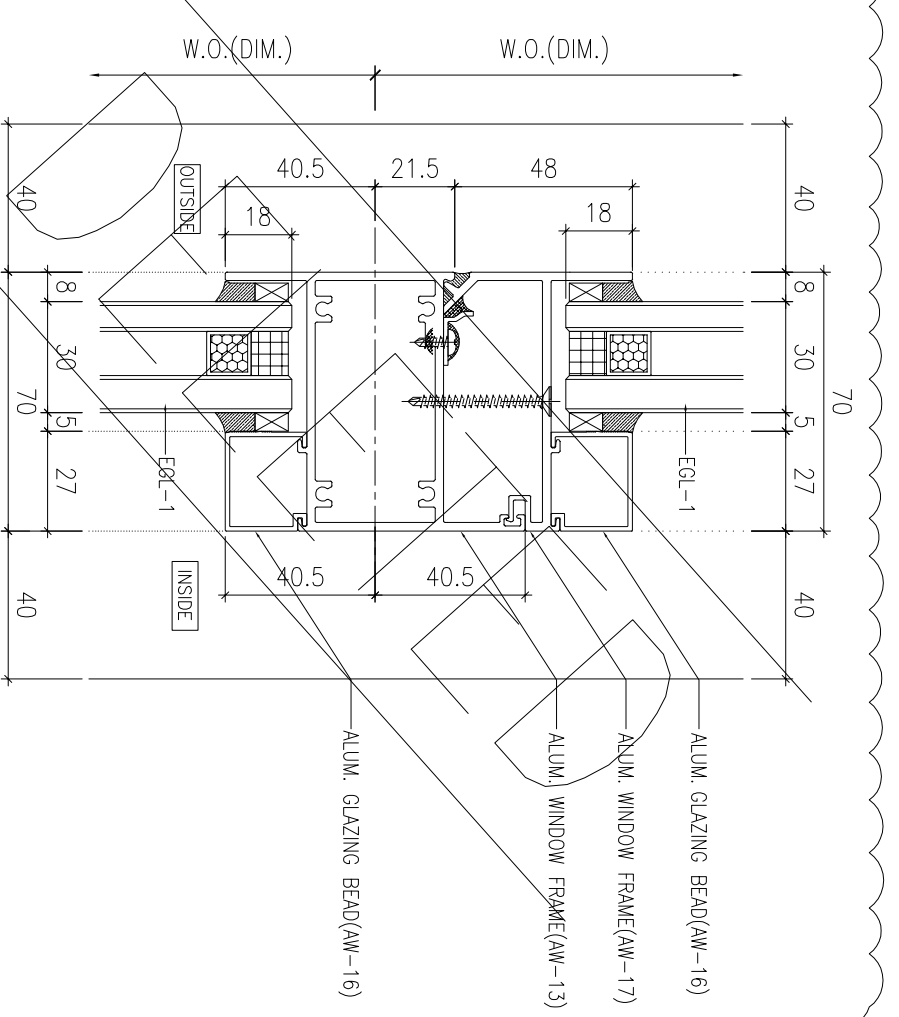
美特鋁質有限公司
MIDI ALUMINIUM FABRICATOR LTD.
 Units 6-8, Sunray Industrial Centre, 1/F
 610 Cho Kwai Ling Road, Kowloon
 Tel:23489211-4 Fax:(852)2727666
 DWG NO. : J856-SD-PW-DT71a REV. : B



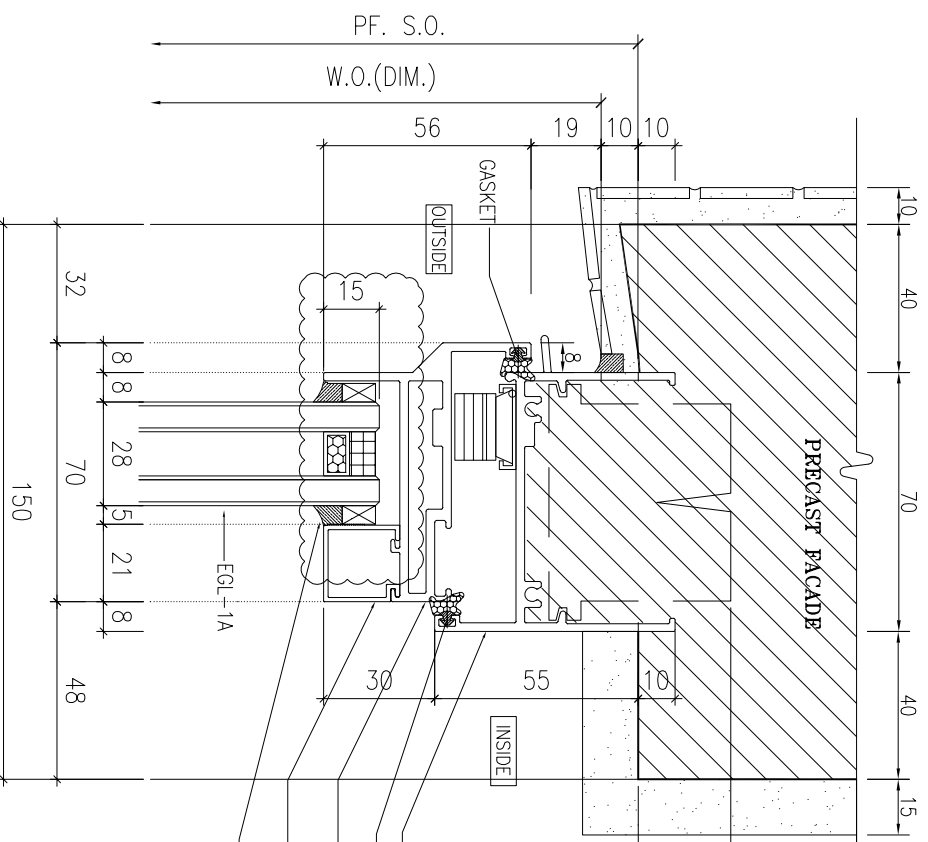
1 HORIZONTAL DETAIL
SCALE 1:2



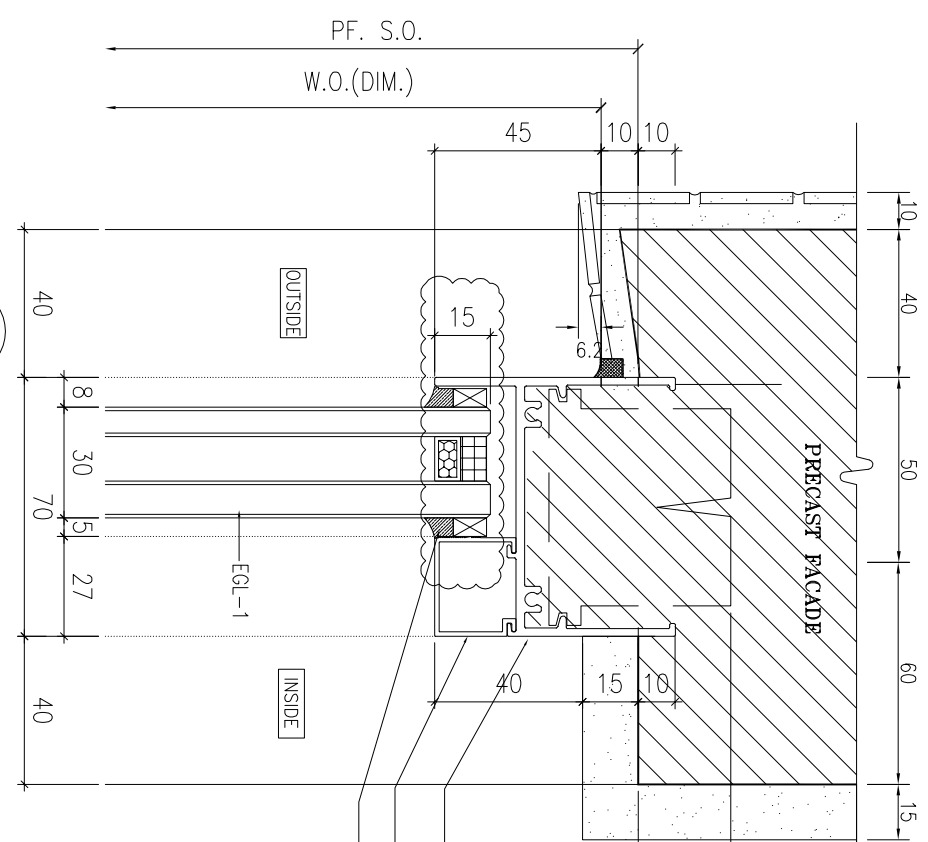
2 HORIZONTAL DETAIL
SCALE 1:2



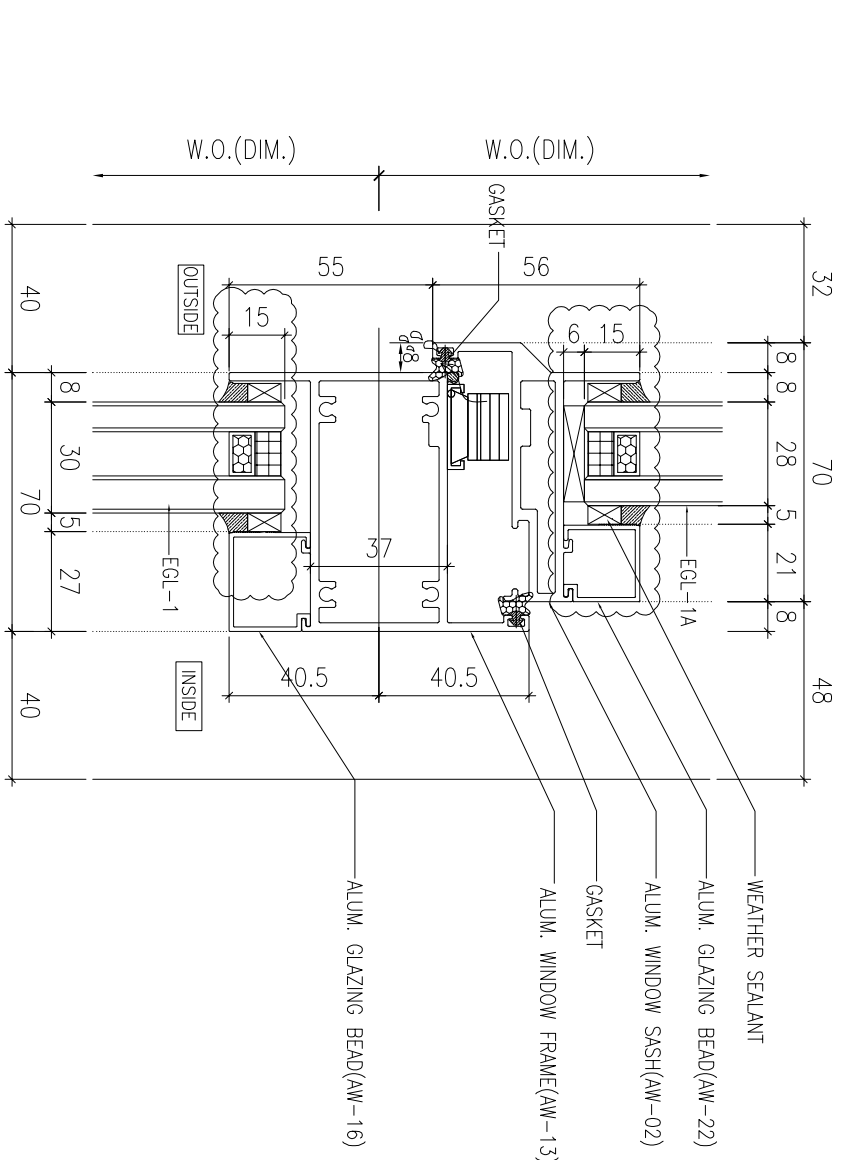
3 HORIZONTAL DETAIL
SCALE 1:2



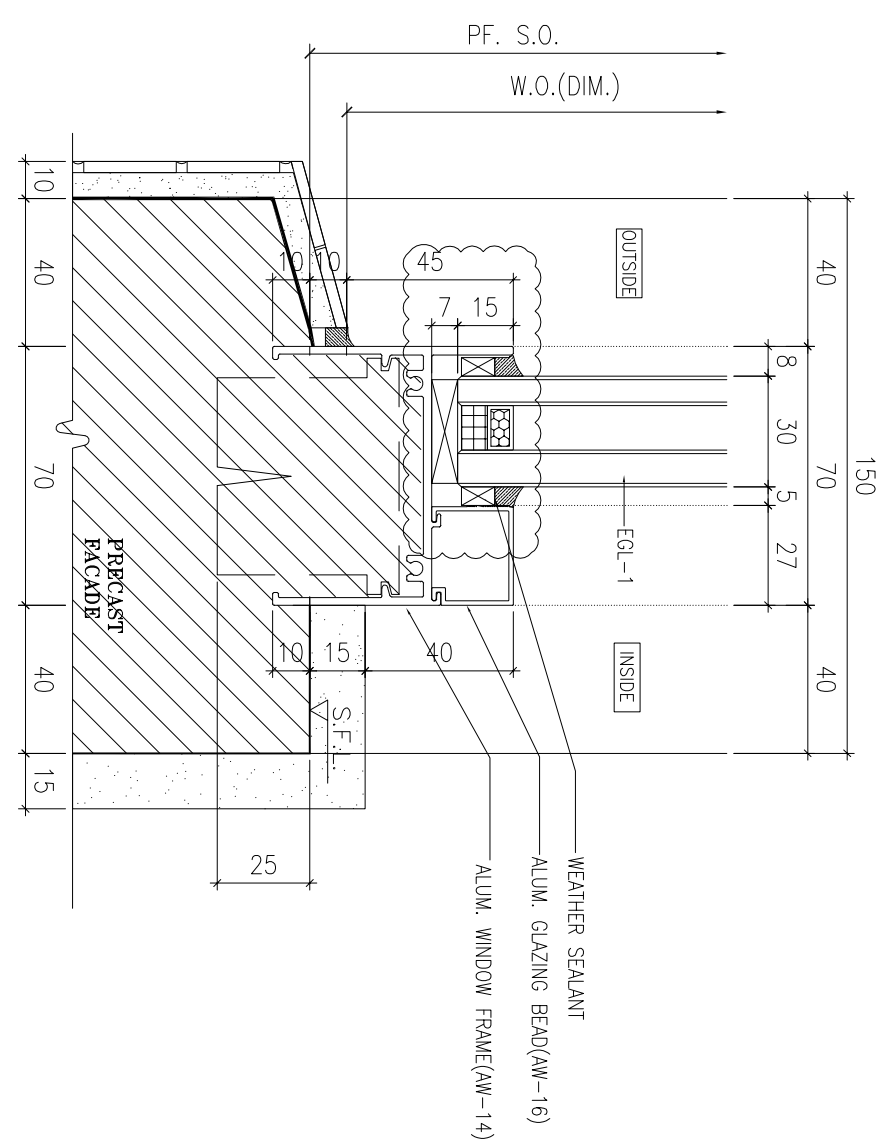
1 HORIZONTAL DETAIL
SCALE 1:2



3 HORIZONTAL DETAIL
SCALE 1:2



2 HORIZONTAL DETAIL
SCALE 1:2



4 HORIZONTAL DETAIL
SCALE 1:2

B.D. REF :

CLIENT :

SUN HUNG KAI
REAL ESTATE AGENCY LTD.
42/F, SUN HUNG KAI CENTRE, WANCHAI, HONGKONG

ARCHITECT :

lwk&partners
A R C H I T E C T S

MAIN CONTRACTOR :

怡輝建築有限公司
Yee Fai Building Contractors Ltd.

STRUCTURAL ENGINEER :

ARUP

FAÇADE CONSULTANT :

ALPHA CONSULTING LIMITED
Steel Structure & Façade Specialist

NOTE :

1. ALL DIMENSIONS ARE IN mm.
2. ALL ELEVATIONS ARE VIEWED FROM OUTSIDE.
3. ALL DIMENSIONS TO BE VERIFIED ON SITE BEFORE FABRICATION.

LEGEND :

- (X1) --- DETAIL MARK NO.
- (X001) --- REFER SHEET NO.

1. F.F.L. --- FINISHED FLOOR LEVEL
 2. S.F.L. --- STRUCTURAL FLOOR LEVEL
 3. (R) --- REVERSED DETAIL
 4. GLASS LEGEND
- EQ.-1--8mmH+12mm AIR GAP+10mmTP THK. I.G.U.
EQ.-2--10mm THK. CLEAR TEMPERED GLASS
EQ.-4--10mm THK. TEMPERED ACID ETCHED GLASS
EQ.-1A-8mmH+12mm AIR GAP+8mmTP THK. I.G.U.

NO.	DATE	REVISION	REVISION SUBJECT TO ARCH-COMMENT	BY
B	02/11/2021	REVISION SUBJECT TO ARCH-COMMENT		hwn
A	30/10/2021	REVISION SUBJECT TO ARCH-COMMENT		hwn

JOB NO. : J-856

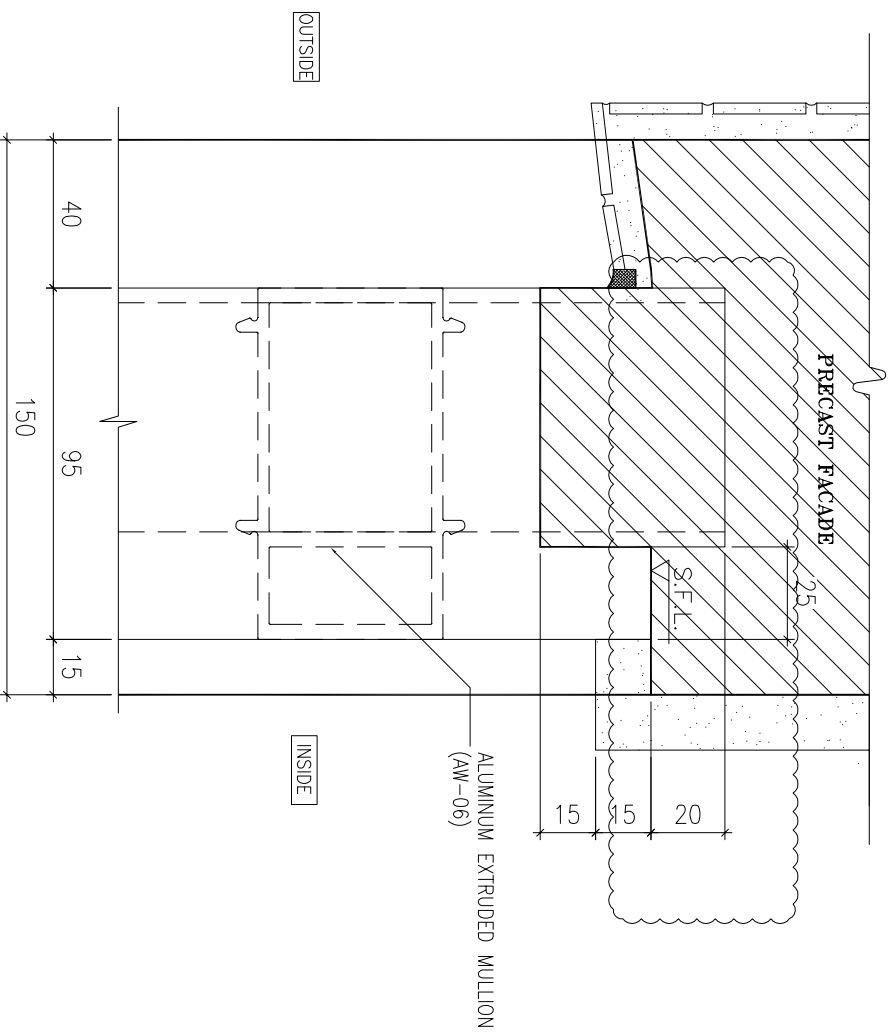
PROJECT : PROPOSED DEVELOPMENT ABOVE LIGHT RAIL TIN WING STOP-TS/WTL NO.23,AREA 33,TIN SHUI WAI, N.T.

TITLE : TYPICAL DETAILS FOR ALUM. WINDOW

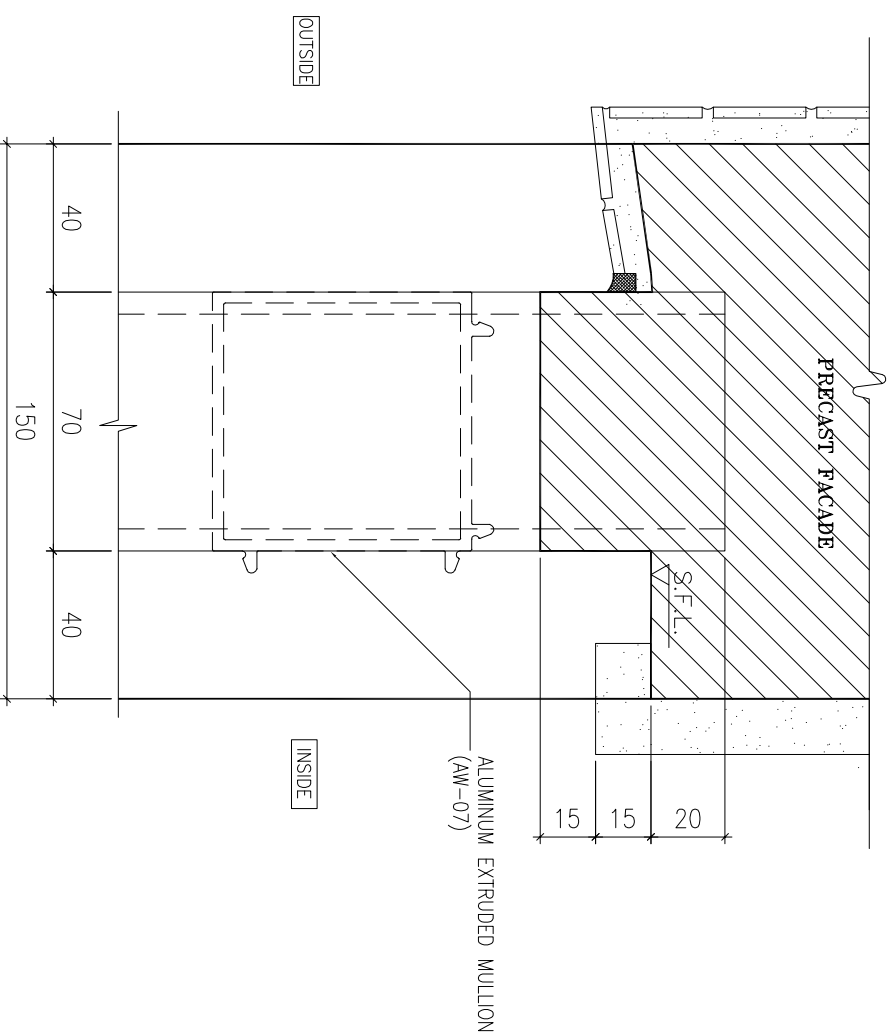
DATE : 02-Aug-21 SCALE : 1:40

DRAWN BY : IYVN CHECKED BY :

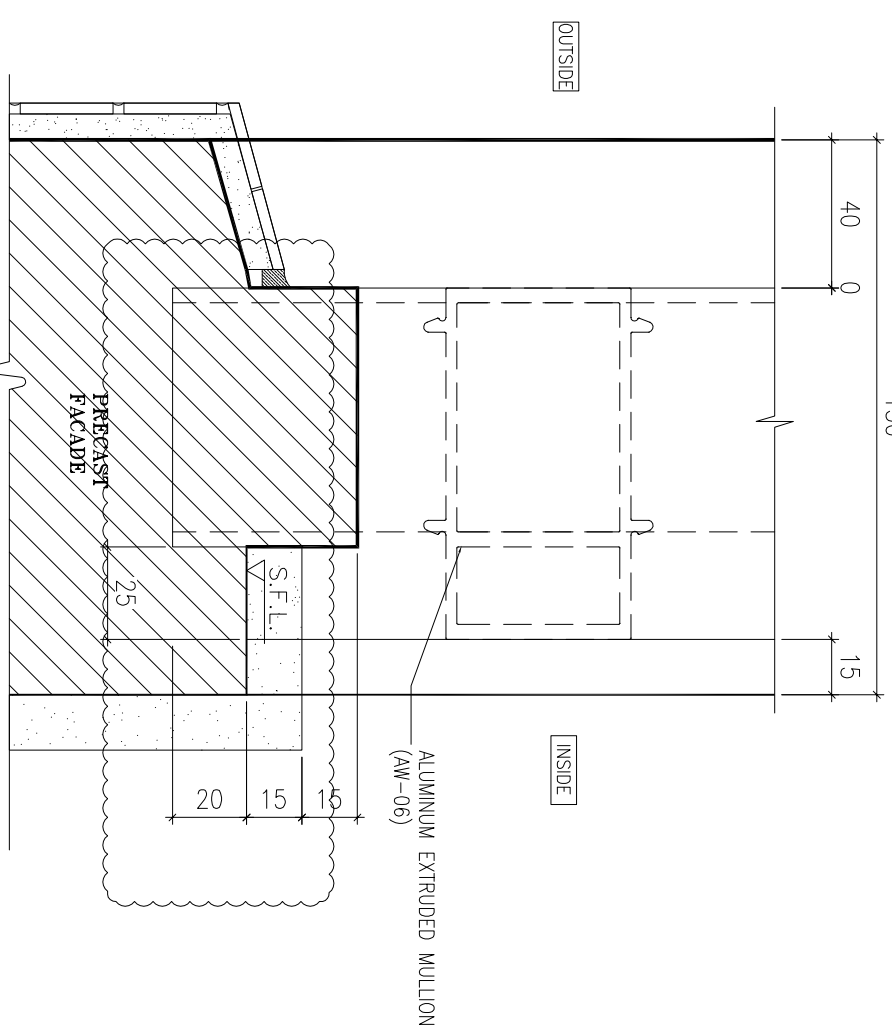
美特鋁質有限公司
MIDI ALUMINIUM FABRICATOR LTD.
Units 6-8, Sunny Industrial Centre, 1/F
610 Cho Kwai Ling Road, Kowloon
Tel:23489211-4 Fax:(852)27272666
DWG NO. : J856-SD-PW-D172 REV. : B



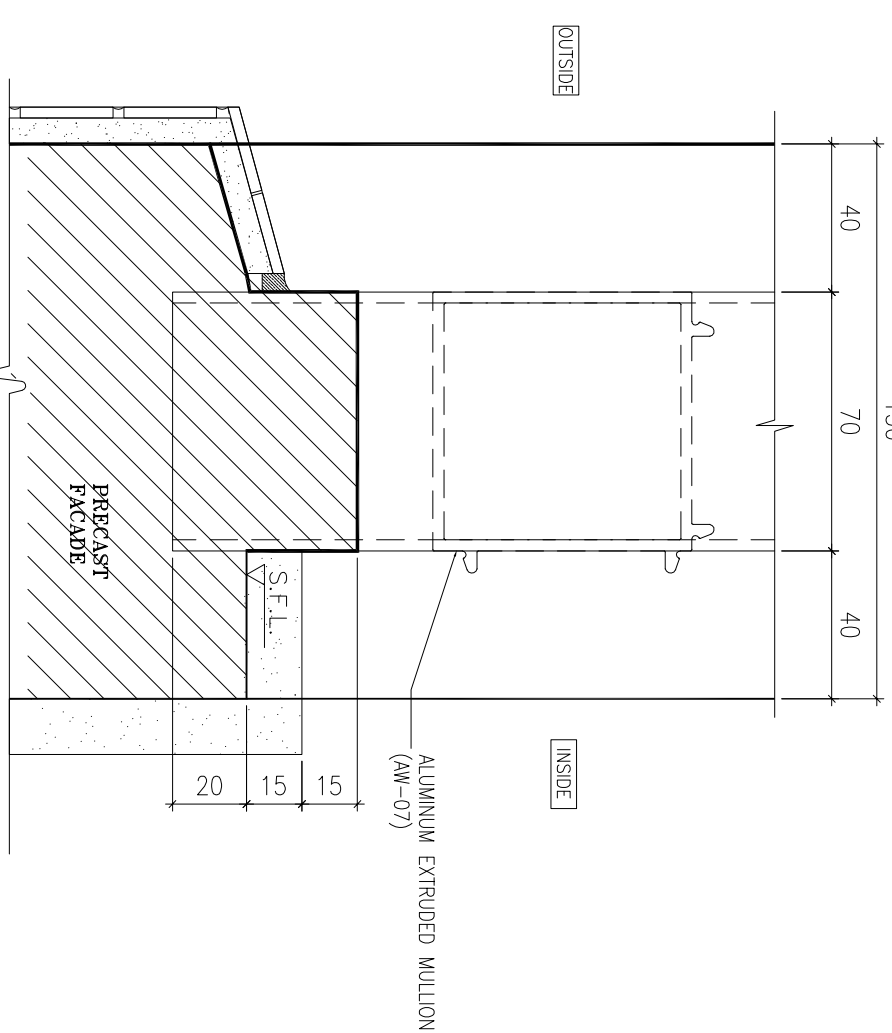
1 HORIZONTAL DETAIL
SCALE 1:2



3 HORIZONTAL DETAIL
SCALE 1:2



2 HORIZONTAL DETAIL
SCALE 1:2



4 HORIZONTAL DETAIL
SCALE 1:2

BD. REF :

CLIENT :

SUN HUNG KAI
REAL ESTATE AGENCY LTD.

42/F, SUN HUNG KAI CENTRE, WANCHAI, HONGKONG

ARCHITECT :

lwk&partners
a r c h i t e c t s

MAIN CONTRACTOR :

怡輝建築有限公司
Yee Fai Building Contractors Ltd.

STRUCTURAL ENGINEER :

ARUP

FAÇADE CONSULTANT:

ALPHA CONSULTING LIMITED
Steel Structure & Façade Specialist

NOTE :

1. ALL DIMENSIONS ARE IN mm.
2. ALL ELEVATIONS ARE VIEWED FROM OUTSIDE.
3. ALL DIMENSIONS TO BE VERIFIED ON SITE BEFORE FABRICATION.

LEGEND :

(X1) --- DETAIL MARK NO.
(X001) --- REFER SHEET NO.

1. F.F.L. --- FINISHED FLOOR LEVEL
2. S.F.L. --- STRUCTURAL FLOOR LEVEL
3. (R) --- REVERSED DETAIL

4. GLASS LEGEND

- EQ.-1 --- 8mmH+12mm AIR GAP+10mmTP THK. I.G.U.
EQ.-2 --- 10mm THK. CLEAR TEMPERED GLASS
EQ.-4 --- 10mm THK. TEMPERED ACID ETCHED GLASS
EQ.-1A --- 8mmH+12mm AIR GAP+8mmTP THK. I.G.U.

NO.	DATE	REVISION	BY
C	02/11/2021	REVISION SUBJECT TO ARCH-COMMENT	hwn
B	30/10/2021	REVISION SUBJECT TO ARCH-COMMENT	hwn
A	30/09/2021	REVISION SUBJECT TO ARCH-COMMENT	hwn

JOB NO. : J-856

PROJECT :

PROPOSED DEVELOPMENT ABOVE
LIGHT RAIL TIN WING STOP-TSWTL
NO.23, AREA 33, TIN SHUI WAI, N.T.

TITLE :

TYPICAL DETAILS FOR
ALUM. WINDOW

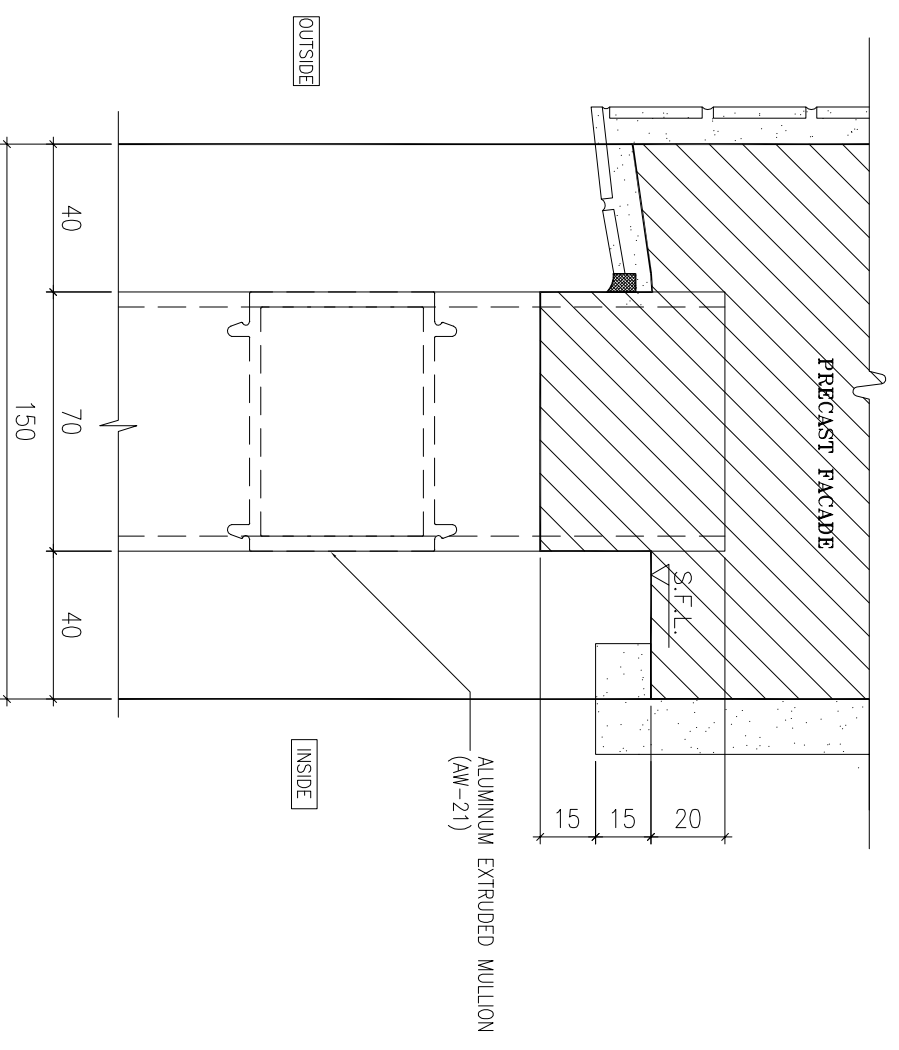
DATE : 02-Aug-21 SCALE : 1:40

DRAWN BY : ivon CHECKED BY :

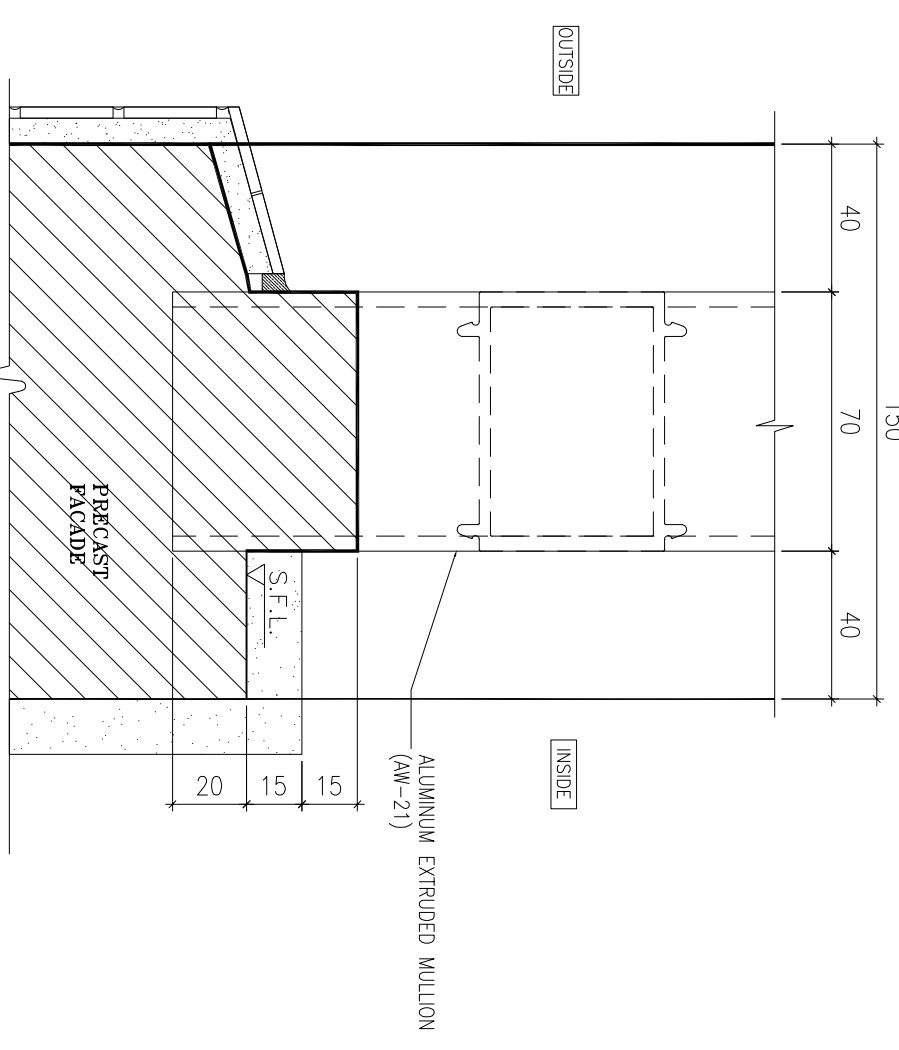
美特鋁質有限公司
MIDI ALUMINIUM FABRICATOR LTD.

Units 6-8, Sunray Industrial Centre, 1/F
610 Cho Kwong Road, Kowloon
Tel: 23489211-4 Fax: (852) 27272666

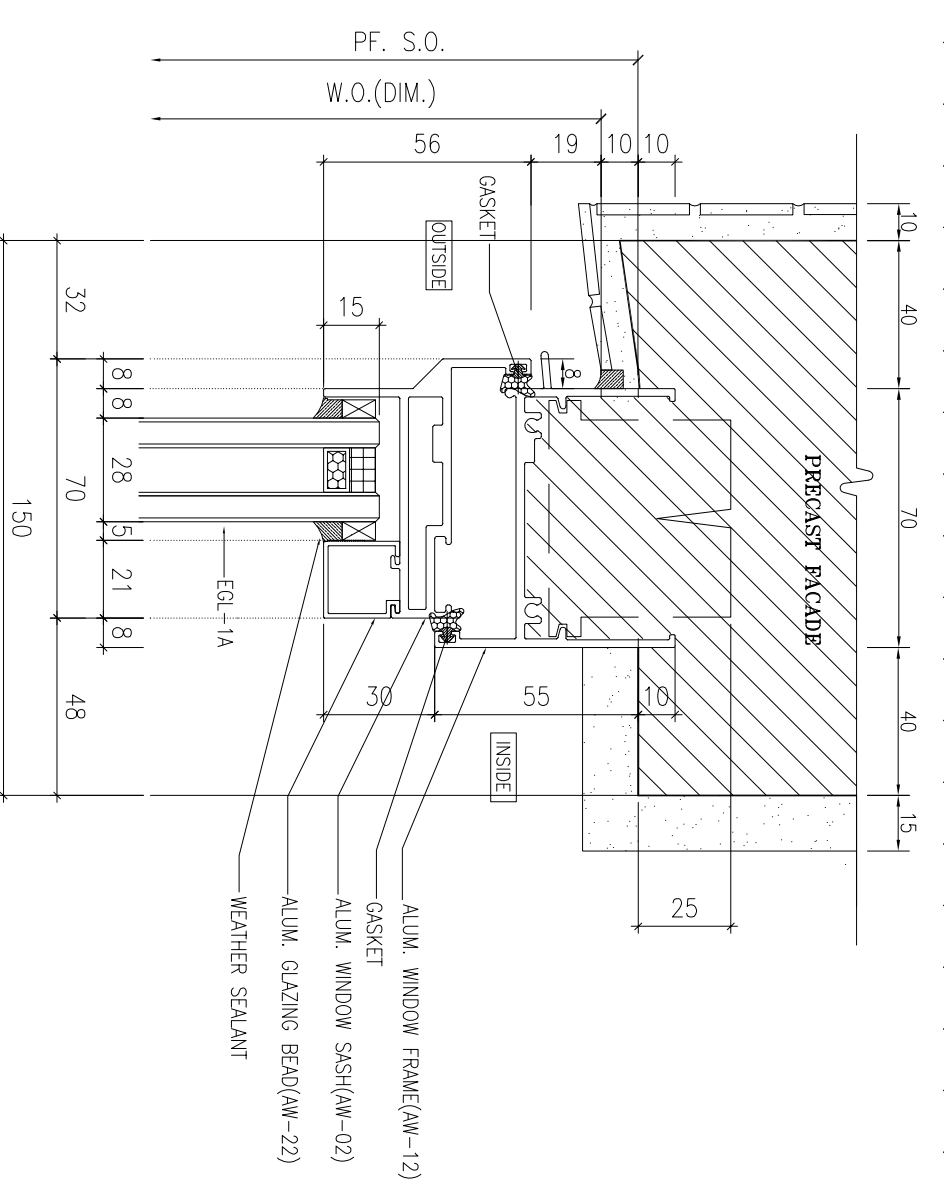
DWG NO. : J856-SD-PW-DT73 REV. : C



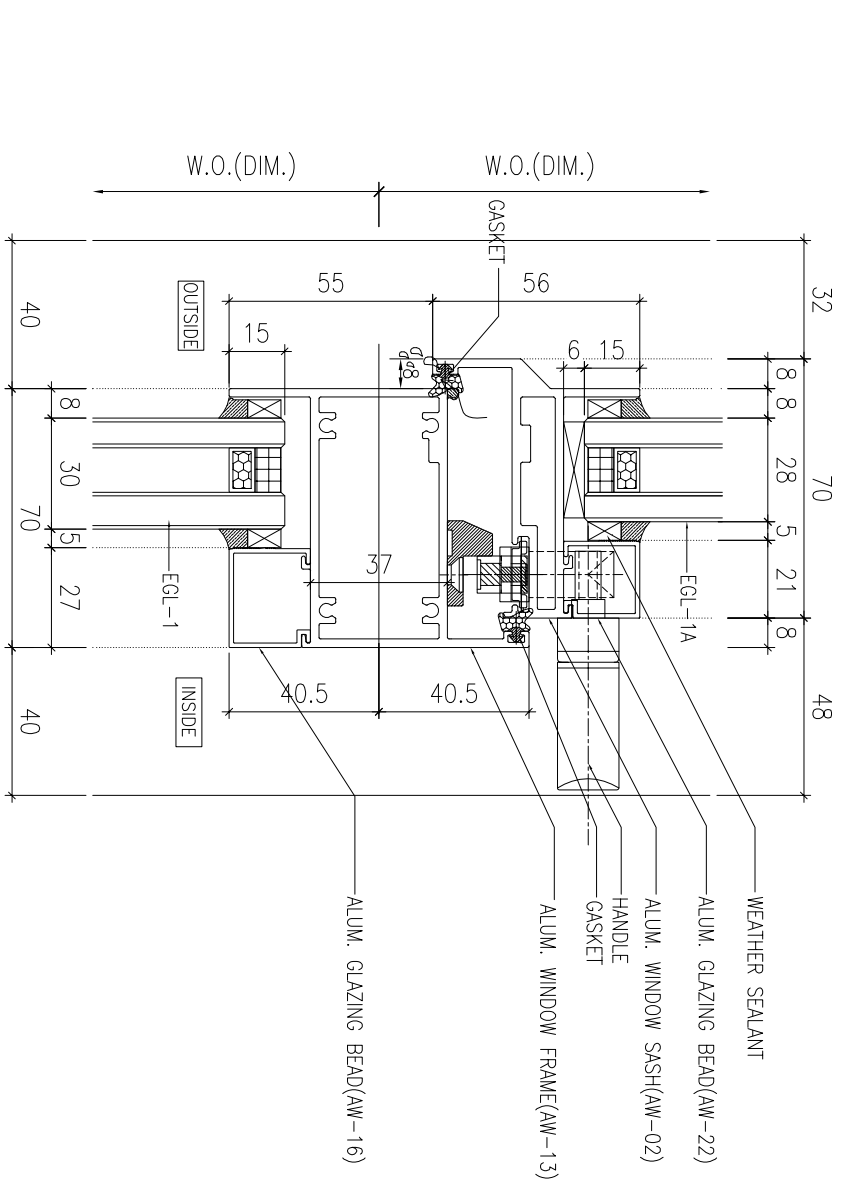
1 HORIZONTAL DETAIL
SCALE 1:2



2 HORIZONTAL DETAIL
SCALE 1:2



3 HORIZONTAL DETAIL
SCALE 1:2



4 HORIZONTAL DETAIL
SCALE 1:2

B.D. REF :

CLIENT :

SUN HUNG KAI
REAL ESTATE AGENCY LTD.
42/F SUN HUNG KAI CENTRE, WANCHAI, HONGKONG

ARCHITECT :

lwk&partners
ARCHITECTS

MAIN CONTRACTOR :

Yee Fai 怡輝建築有限公司
Building Contractors Ltd.

STRUCTURAL ENGINEER :

ARUP

FAÇADE CONSULTANT :

ALPHA CONSULTING LIMITED
Steel Structure & Façade Specialist

NOTE :

1. ALL DIMENSIONS ARE IN mm.
2. ALL ELEVATIONS ARE VIEWED FROM OUTSIDE.
3. ALL DIMENSIONS TO BE VERIFIED ON SITE BEFORE FABRICATION.

LEGEND :

- (X1) --- DETAIL MARK NO.
- (X001) --- REFER SHEET NO.

1. F.F.L. --- FINISHED FLOOR LEVEL
 2. S.F.L. --- STRUCTURAL FLOOR LEVEL
 3. (R) --- REVERSED DETAIL
 4. GLASS LEGEND
- EGL-1 --- 8mmH⁵+12mm AIR GAP+10mmTP THK. I.G.U.
EGL-2 --- 10mm THK. CLEAR TEMPERED GLASS
EGL-4 --- 10mm THK. TEMPERED ACID ETCHED GLASS
EGL-1A --- 8mmH⁵+12mm AIR GAP+8mmTP THK. I.G.U.

NO.	DATE	REVISION SUBJECT TO ARCH-COMMENT	ISSUED BY
A	06/07/2022		

JOB NO. : J-856

PROJECT :
PROPOSED DEVELOPMENT ABOVE
LIGHT RAIL TIN WING STOP,T5WTL
NO.23,AREA 33,TIN SHUI WAI, N.T.

TITLE :
TYPICAL DETAILS FOR
ALUM. WINDOW

DATE : 02-Aug-21 SCALE : 1:40

DRAWN BY : IYVN CHECKED BY :

MDI 美特鋁質有限公司
ALUMINIUM FABRICATOR LTD.
Units 6-8, Sunray Industrial Centre, 1/F
610 Cho Kwo Ling Road, Kowloon
Tel:23469211-4 Fax:(852)2727666
DWG NO. : J856-SD-PW-DT73d REV : A

B.D. REF :

CLIENT :

SUN HUNG KAI
REAL ESTATE AGENCY LTD.

42/F, SUN HUNG KAI CENTRE, WANCHAI, HONGKONG

ARCHITECT :

lwk&partners
a r c h i t e c t s

MAIN CONTRACTOR :

Yee Fai 怡輝建築有限公司
Building Contractors Ltd.

STRUCTURAL ENGINEER :

ARUP

FAÇADE CONSULTANT :

ALPHA CONSULTING LIMITED
Steel Structure & Façade Specialist

NOTE :

1. ALL DIMENSIONS ARE IN mm.
2. ALL ELEVATIONS ARE VIEWED FROM OUTSIDE.
3. ALL DIMENSIONS TO BE VERIFIED ON SITE BEFORE FABRICATION.

LEGEND :

X1 --- DETAIL MARK NO.
X001 --- REFER SHEET NO.

1. F.F.L. --- FINISHED FLOOR LEVEL
2. S.F.L. --- STRUCTURAL FLOOR LEVEL
3. (R) --- REVERSED DETAIL
4. GLASS LEGEND

EQ-1 --- 8mmH⁵+12mm AIR GAP+10mmTP THK. I.G.U.
 EQ-2 --- 10mm THK. CLEAR TEMPERED GLASS
 EQ-4 --- 10mm THK. TEMPERED ACID ETCHED GLASS
 EQ-1A --- 8mmH⁵+12mm AIR GAP+8mmTP THK. I.G.U.

NO.	DATE	REASON	BY

JOB NO. : J-856

PROJECT : PROPOSED DEVELOPMENT ABOVE
 LIGHT RAIL TIN WING STOP/TSWTL
 NO.23,AREA 33,TIN SHUI WAI, N.T.

TITLE :

ALUM. WINDOW SECTION
TYPICAL LOOK & HINGES DETAIL

DATE : 02-Aug-21 SCALE : 1:40

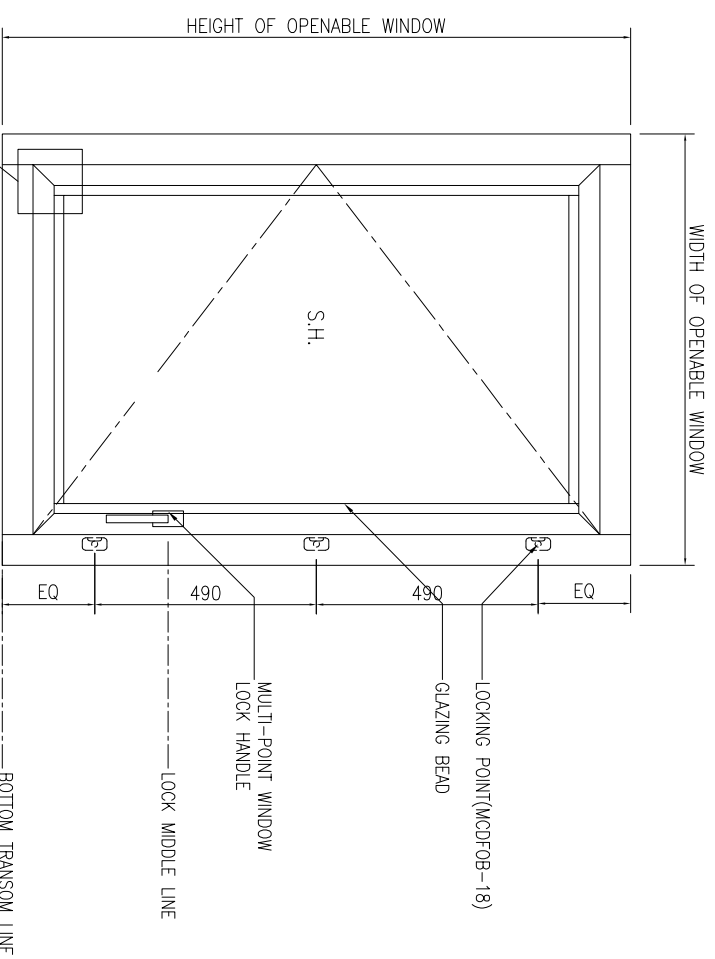
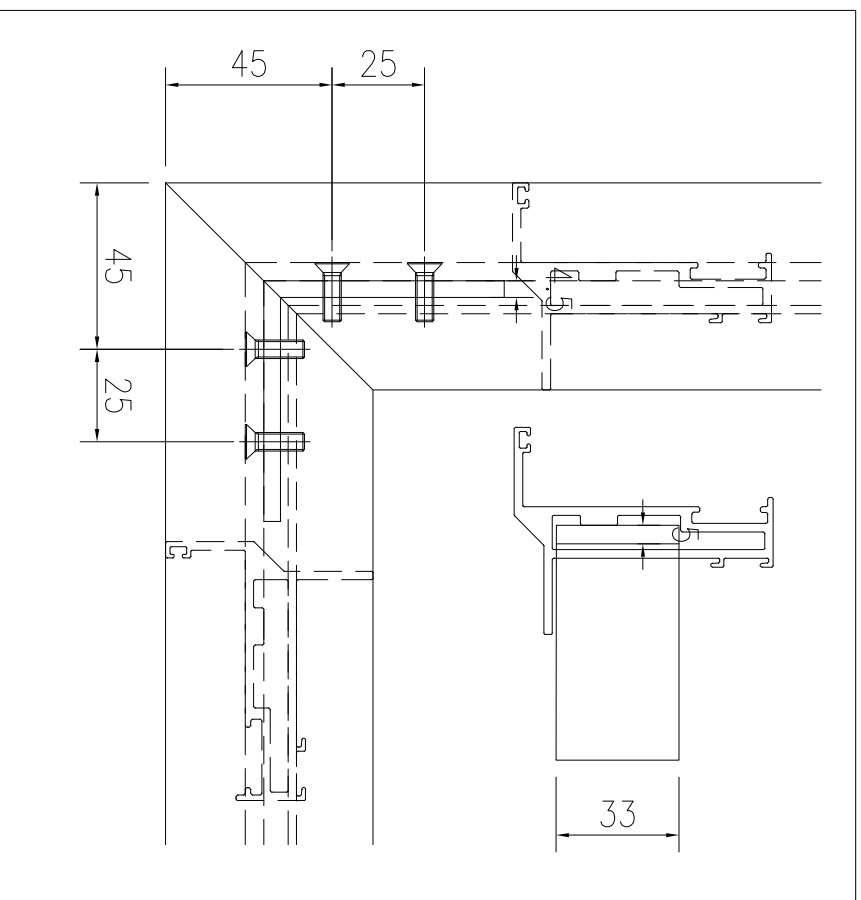
DRAWN BY : IYON CHECKED BY :

美特鋁質有限公司
MDI ALUMINIUM FABRICATOR LTD.

Units 6-8, Sunray Industrial Centre, 1/F
 610 Cho Kwo Ling Road, Kowloon
 Tel:23489211-4 Fax:(852)2727666

DWG NO. : J856-SD-PW-DT74 REV. : -

70窗



01 TYPICAL SECTION

S.F.L.

B.D. REF :

CLIENT :

SUN HUNG KAI
REAL ESTATE AGENCY LTD.

42/F, SUN HUNG KAI CENTRE, WANCHAI, HONGKONG

ARCHITECT :

lwk&partners
a r c h i t e c t s

MAIN CONTRACTOR :

Yee Fai 怡輝建築有限公司
Building Contractors Ltd.

STRUCTURAL ENGINEER :

ARUP

FAÇADE CONSULTANT :

ALPHA CONSULTING LIMITED
Steel Structure & Façade Specialist

NOTE :

1. ALL DIMENSIONS ARE IN mm.
2. ALL ELEVATIONS ARE VIEWED FROM OUTSIDE.
3. ALL DIMENSIONS TO BE VERIFIED ON SITE BEFORE FABRICATION.

LEGEND :

X1 --- DETAIL MARK NO.
X001 --- REFER SHEET NO.

1. F.F.L. --- FINISHED FLOOR LEVEL
2. S.F.L. --- STRUCTURAL FLOOR LEVEL
3. (R) --- REVERSED DETAIL

4. GLASS LEGEND

EQ-1 --- 8mmH⁵+12mm AIR GAP+10mmTP THK. I.G.U.
 EQ-2 --- 10mm THK. CLEAR TEMPERED GLASS
 EQ-4 --- 10mm THK. TEMPERED ACID ETCHED GLASS
 EQ-1A --- 8mmH⁵+12mm AIR GAP+8mmTP THK. I.G.U.

NO.	DATE	REASON	BY

JOB NO. : J-856

PROJECT :
 PROPOSED DEVELOPMENT ABOVE
 LIGHT RAIL TIN WING STOP/TSWTL
 NO.23,AREA 33,TIN SHUI WAI, N.T.

TITLE :

ALUM. WINDOW SECTION
TYPICAL LOOK & HINGES DETAIL

DATE : 02-Aug-21 SCALE : 1:40

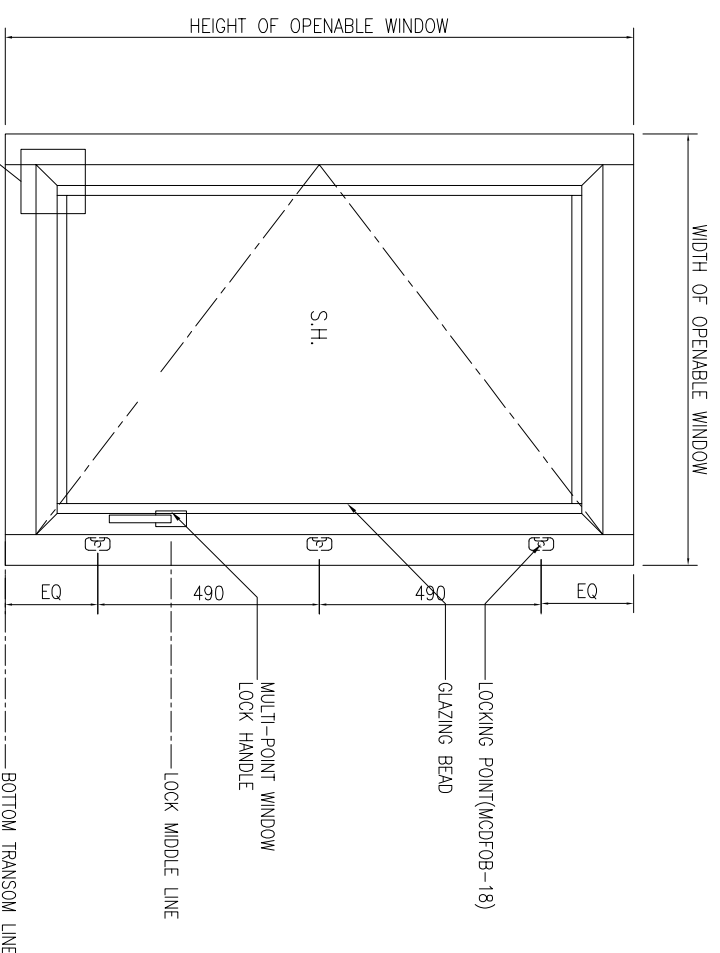
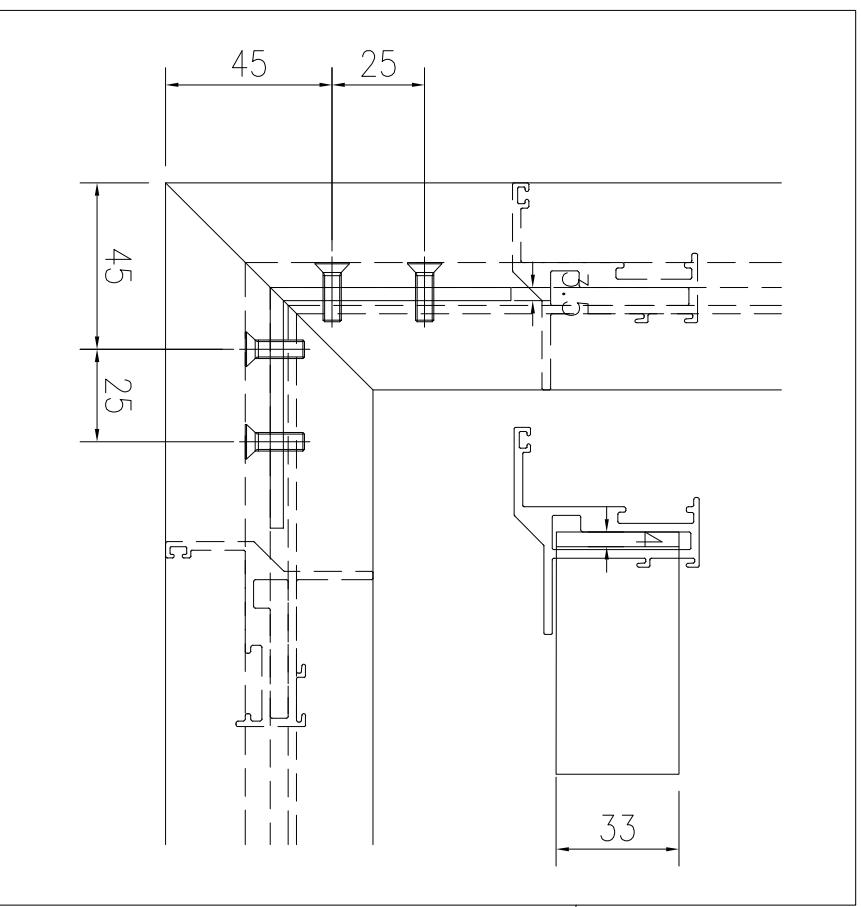
DRAWN BY : IYON CHECKED BY :

美特鋁質有限公司
MDI ALUMINIUM FABRICATOR LTD.

Units 6-8, Sunray Industrial Centre, 1/F
 610 Cho Kwo Ling Road, Kowloon
 Tel:23489211-4 Fax:(852)2727666

DWG NO. : J856-SD-PW-D174c REV. : -

50窗



01 TYPICAL SECTION

S.F.L.

B.D. REF :

CLIENT :

SUN HUNG KAI
REAL ESTATE AGENCY LTD.

42/F, SUN HUNG KAI CENTRE, WANCHAI, HONGKONG

ARCHITECT :

lwk&partners
a r c h i t e c t s

MAIN CONTRACTOR :

怡輝建築有限公司
Yee Fai Building Contractors Ltd.

STRUCTURAL ENGINEER :

ARUP

FAÇADE CONSULTANT :

ALPHA CONSULTING LIMITED
Steel Structure & Façade Specialist

NOTE:
1. ALL DIMENSIONS ARE IN mm.
2. ALL ELEVATIONS ARE VIEWED FROM OUTSIDE.
3. ALL DIMENSIONS TO BE VERIFIED ON SITE BEFORE FABRICATION.

LEGEND :

(X1) — DETAIL MARK NO.
(X001) — REFER SHEET NO.

1. F.F.L. --- FINISHED FLOOR LEVEL
 2. S.F.L. --- STRUCTURAL FLOOR LEVEL
 3. (R) --- REVERSED DETAIL
 4. GLASS LEGEND
- EQ-1 --- 8mmH+12mm AIR GAP+10mmTP THK. I.G.U.
EQ-2 --- 10mm THK. CLEAR TEMPERED GLASS
EQ-4 --- 10mm THK. TEMPERED ACID ETCHED GLASS
EQ-1A --- 8mmH+12mm AIR GAP+8mmTP THK. I.G.U.

NO.	DATE	REASON	BY

JOB NO. : J-856

PROJECT :
PROPOSED DEVELOPMENT ABOVE
LIGHT RAIL TIN WING STOP/TSWTL
NO.23,AREA 33,TIN SHUI WAI, N.T.

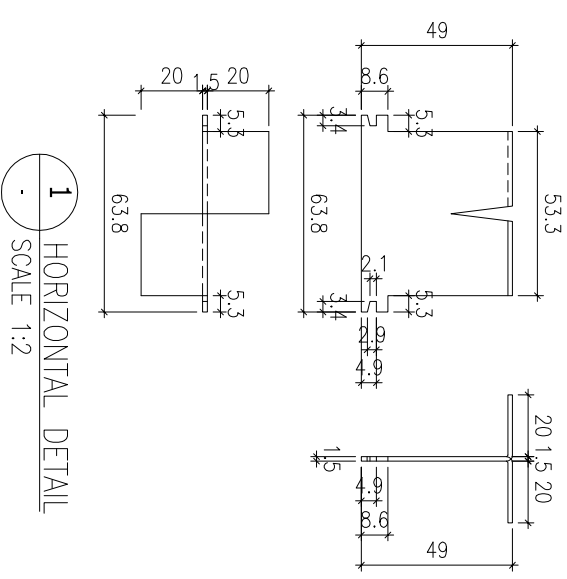
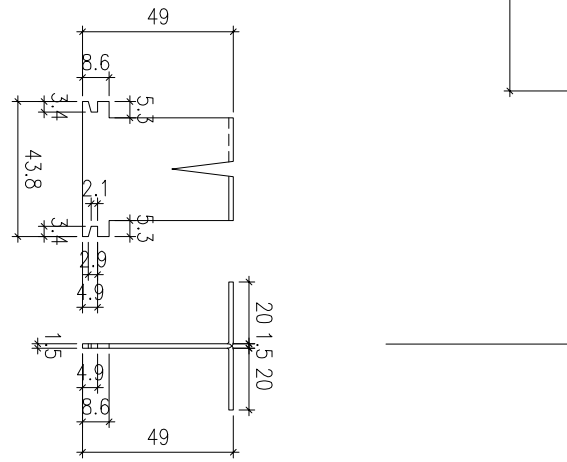
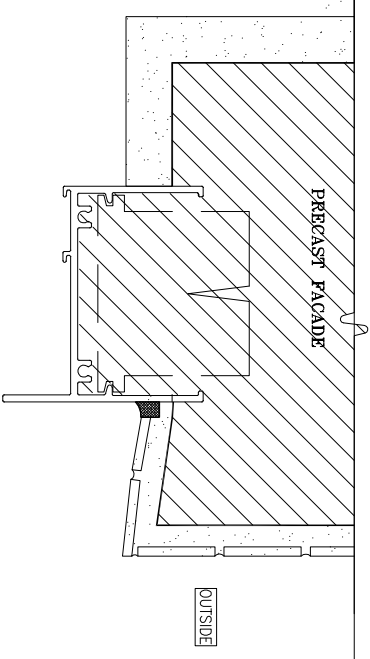
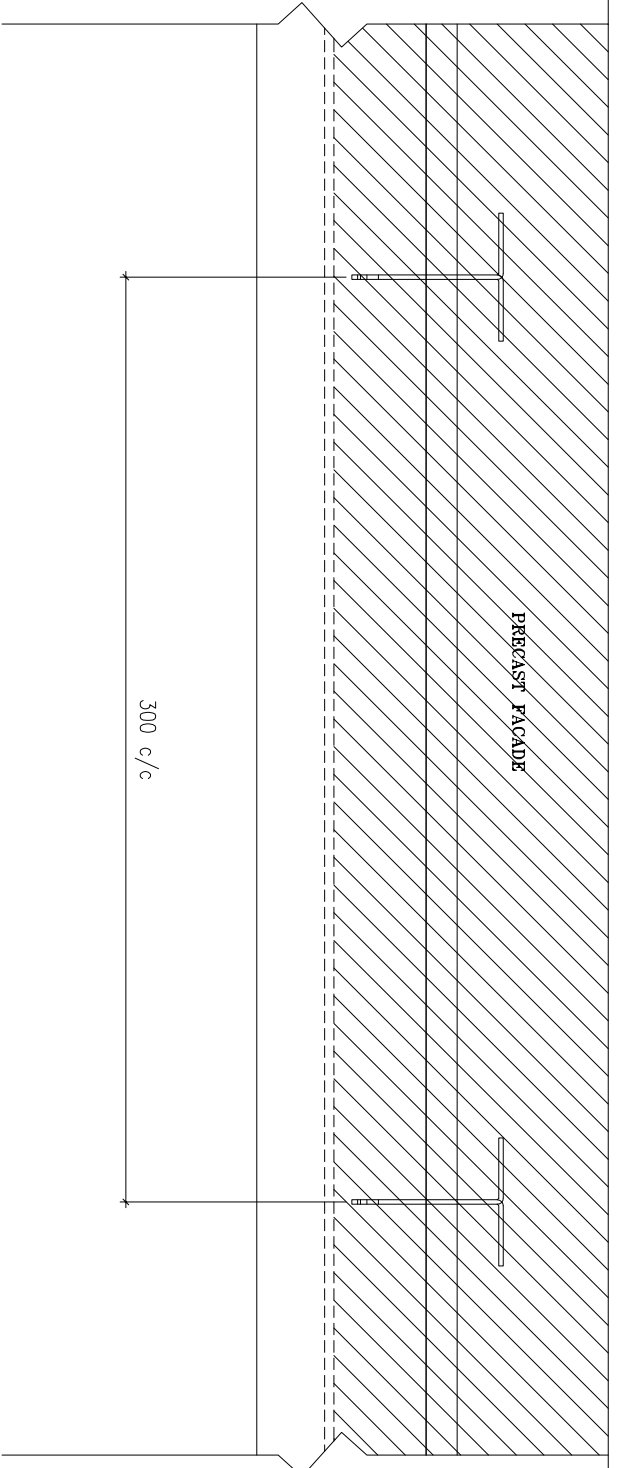
TITLE :
G.M.S FIXING LUG TYPICAL DETAIL
FOR ALUM. WINDOW

DATE : 02-Aug-21 SCALE : 1:60

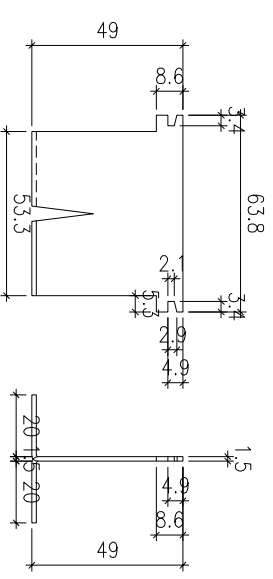
DRAWN BY : IYON CHECKED BY :

美特鋁質有限公司
MIDI ALUMINIUM FABRICATOR LTD.
Units 6-8, Sunray Industrial Centre, 1/F
610 Cho Kwo Ling Road, Kowloon
Tel:23489211-4 Fax:(852)27272666

DWG NO. : J856-SD-PW-DT75 REV. : -

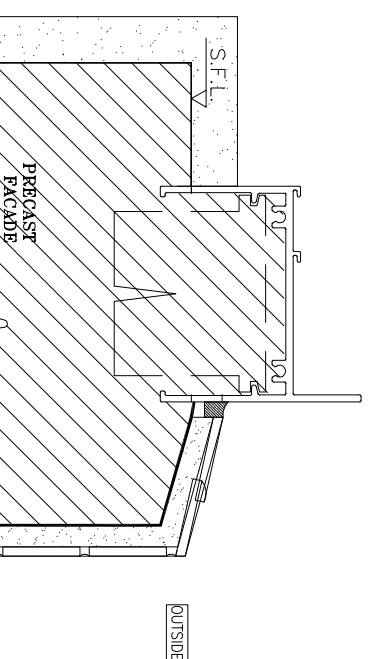
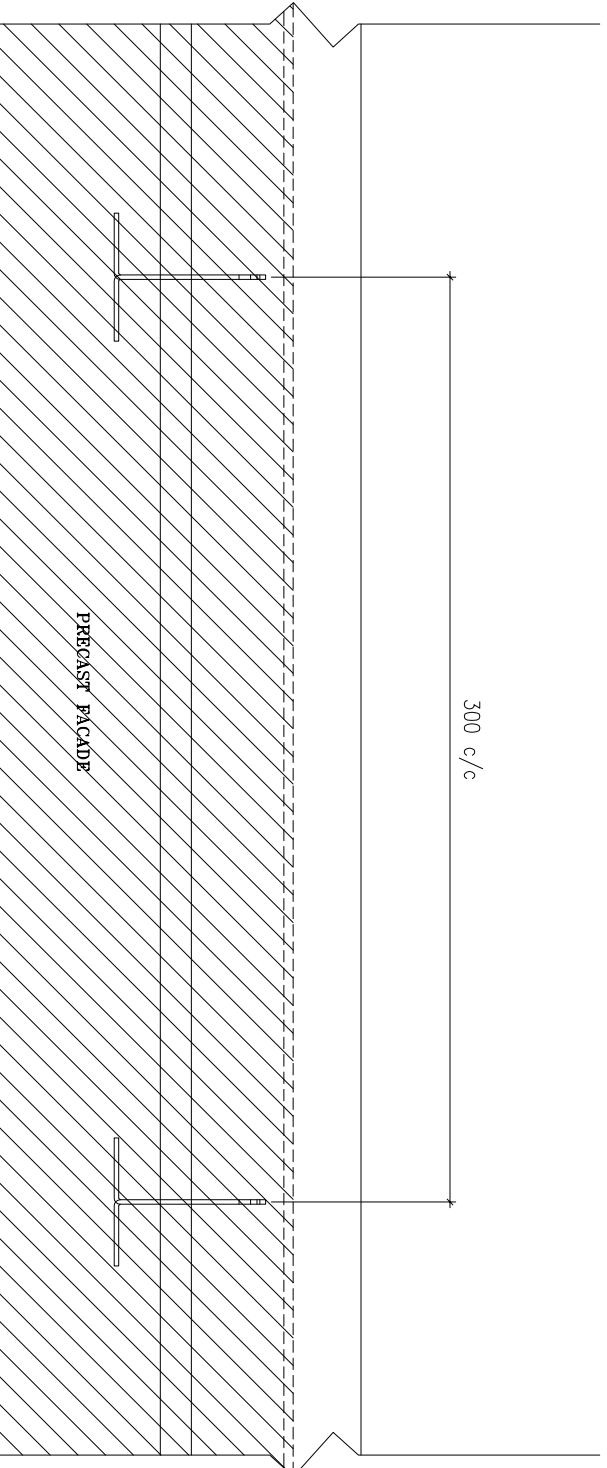


3 HORIZONTAL DETAIL
SCALE 1:2



2 HORIZONTAL DETAIL
SCALE 1:2

300 c/c



PRECAST FAÇADE

PRECAST FAÇADE

PRECAST FAÇADE

S.F.L.

OUTSIDE

OUTSIDE

PRECAST FAÇADE

B.D. REF :

CLIENT :

SUN HUNG KAI
REAL ESTATE AGENCY LTD.

42/F, SUN HUNG KAI CENTRE, WANCHAI, HONGKONG

ARCHITECT :

lwk&partners
a r c h i t e c t s

MAIN CONTRACTOR :

怡輝建築有限公司
Yee Fai Building Contractors Ltd.

STRUCTURAL ENGINEER :

ARUP

FAÇADE CONSULTANT:

ALPHA CONSULTING LIMITED
Steel Structure & Façade Specialist

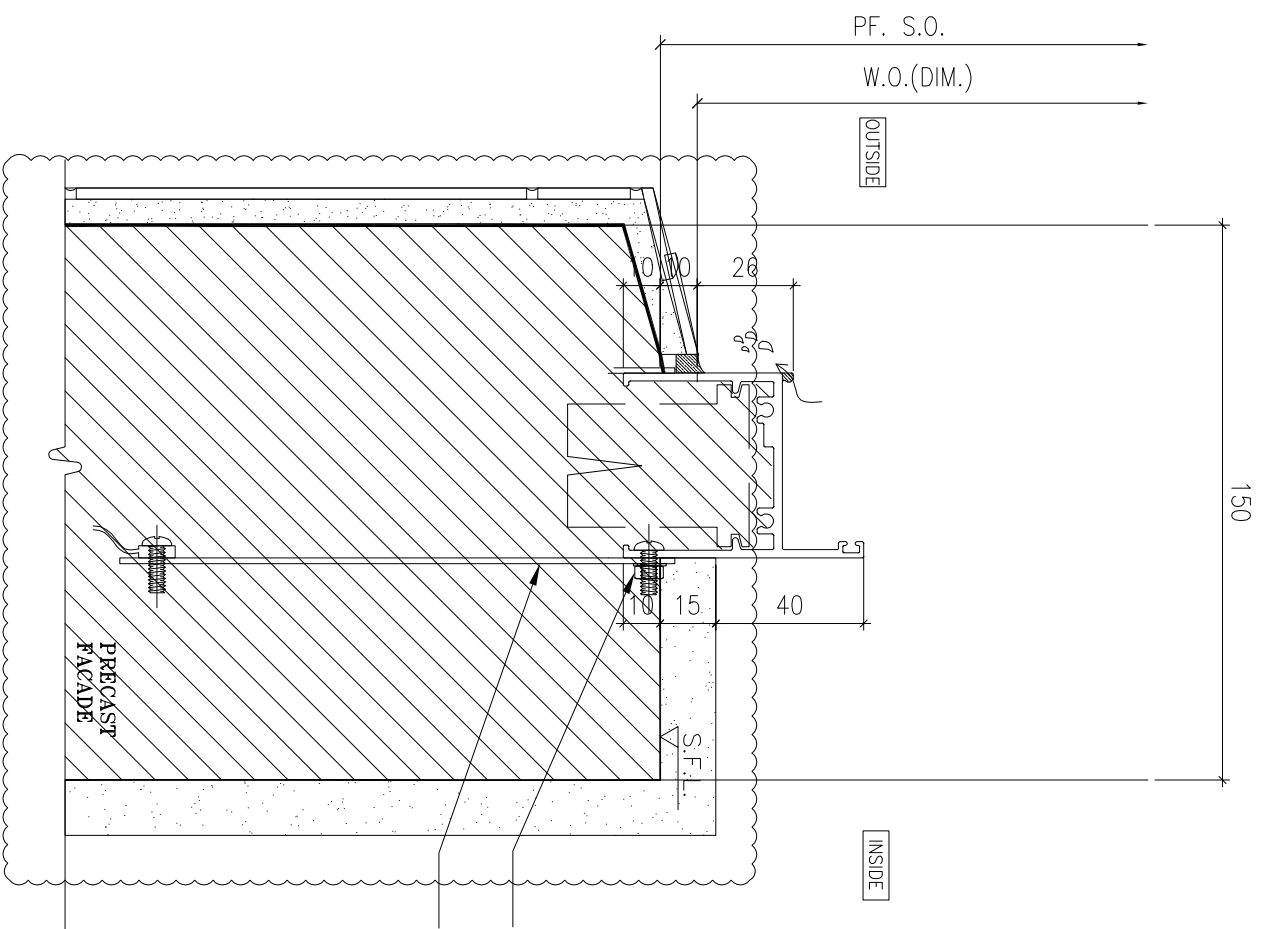
NOTE :
1. ALL DIMENSIONS ARE IN mm.
2. ALL ELEVATIONS ARE VIEWED FROM OUTSIDE.
3. ALL DIMENSIONS TO BE VERIFIED ON SITE BEFORE FABRICATION.

LEGEND :

(X1) --- DETAIL MARK NO.
(X001) --- REFER SHEET NO.

1. F.F.L. --- FINISHED FLOOR LEVEL
2. S.F.L. --- STRUCTURAL FLOOR LEVEL
3. (R) --- REVERSED DETAIL

4. GLASS LEGEND
EQ-1 --- 8mmH+12mm AIR GAP+10mmTP THK. I.G.U.
EQ-2 --- 10mm THK. CLEAR TEMPERED GLASS
EQ-4 --- 10mm THK. TEMPERED ACID ETCHED GLASS
EQ-1A --- 8mmH+12mm AIR GAP+8mmTP THK. I.G.U.



1 HORIZONTAL DETAIL
SCALE 1:2

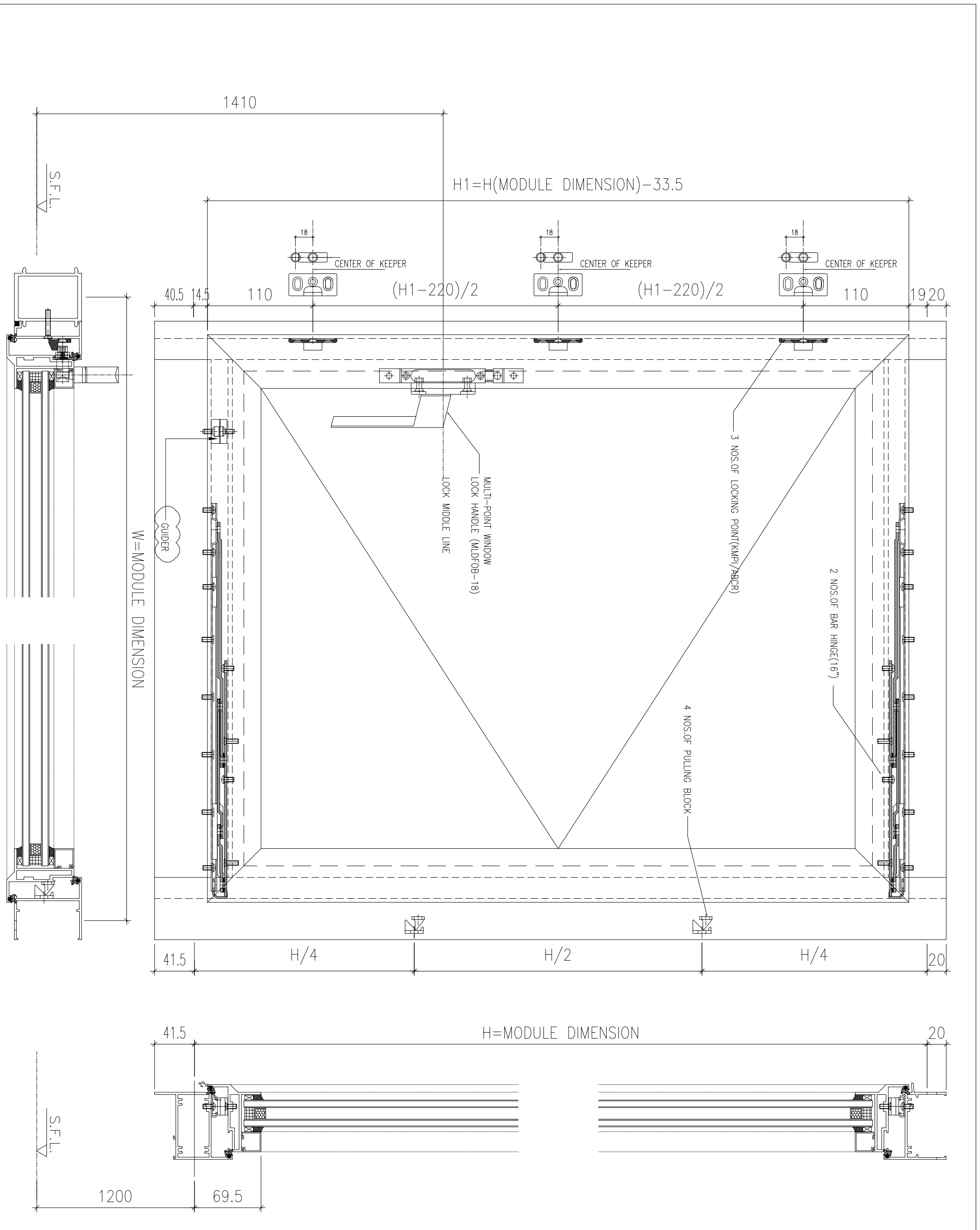
TITLE :
TYPICAL EARTHING
BONDING DETAILS OF PRECAST

DATE : 02-Aug-21 SCALE : 1:40

DRAWN BY : IYON CHECKED BY :

美特鋁質有限公司
MDI ALUMINIUM FABRICATOR LTD.
Units 6-8, Sunray Industrial Centre, 1/F
610 Cho Kwong Road, Kowloon
Tel:23489211-4 Fax:(852)2727666

DWG NO. : J856-SD-PW-DT76 REV. : A



B.D. REF :

CLIENT :



42/F, SUN HUNG KAI CENTRE, WANCHAI, HONGKONG

ARCHITECT :



MAIN CONTRACTOR :



STRUCTURAL ENGINEER :



FAÇADE CONSULTANT :



Steel Structure & Façade Specialist

NOTE :

1. ALL DIMENSIONS ARE IN mm.
2. ALL ELEVATIONS ARE VIEWED FROM OUTSIDE.
3. ALL DIMENSIONS TO BE VERIFIED ON SITE BEFORE FABRICATION.

LEGEND :

- (X1) --- DETAIL MARK NO.
- (X001) --- REFER SHEET NO.

1. F.F.L. --- FINISHED FLOOR LEVEL
2. S.F.L. --- STRUCTURAL FLOOR LEVEL
3. (R) --- REVERSED DETAIL

4. GLASS LEGEND
- EQ-1 --- 8mmH+12mm AIR GAP+10mmTP THK. I.G.U.
- EQ-2 --- 10mm THK. CLEAR TEMPERED GLASS
- EQ-4 --- 10mm THK. TEMPERED ACID ETCHED GLASS
- EQ-1A --- 8mmH+12mm AIR GAP+8mmTP THK. I.G.U.

NO.	DATE	REVISION	REVISION SUBJECT TO ARCH.COMMENT	BY
B	06/07/2022	REVISION SUBJECT TO ALPHA COMMENT		lwk
A	03/07/2022	REVISION SUBJECT TO ARCH.COMMENT		lwk

JOB NO. : J-856

PROJECT : PROPOSED DEVELOPMENT ABOVE LIGHT RAIL TIN WING STOP-TSWTL NO.23, AREA 33, TIN SHUI WAI, N.T.

TITLE : TYPICAL EARTHING BONDING DETAILS OF PRECAST

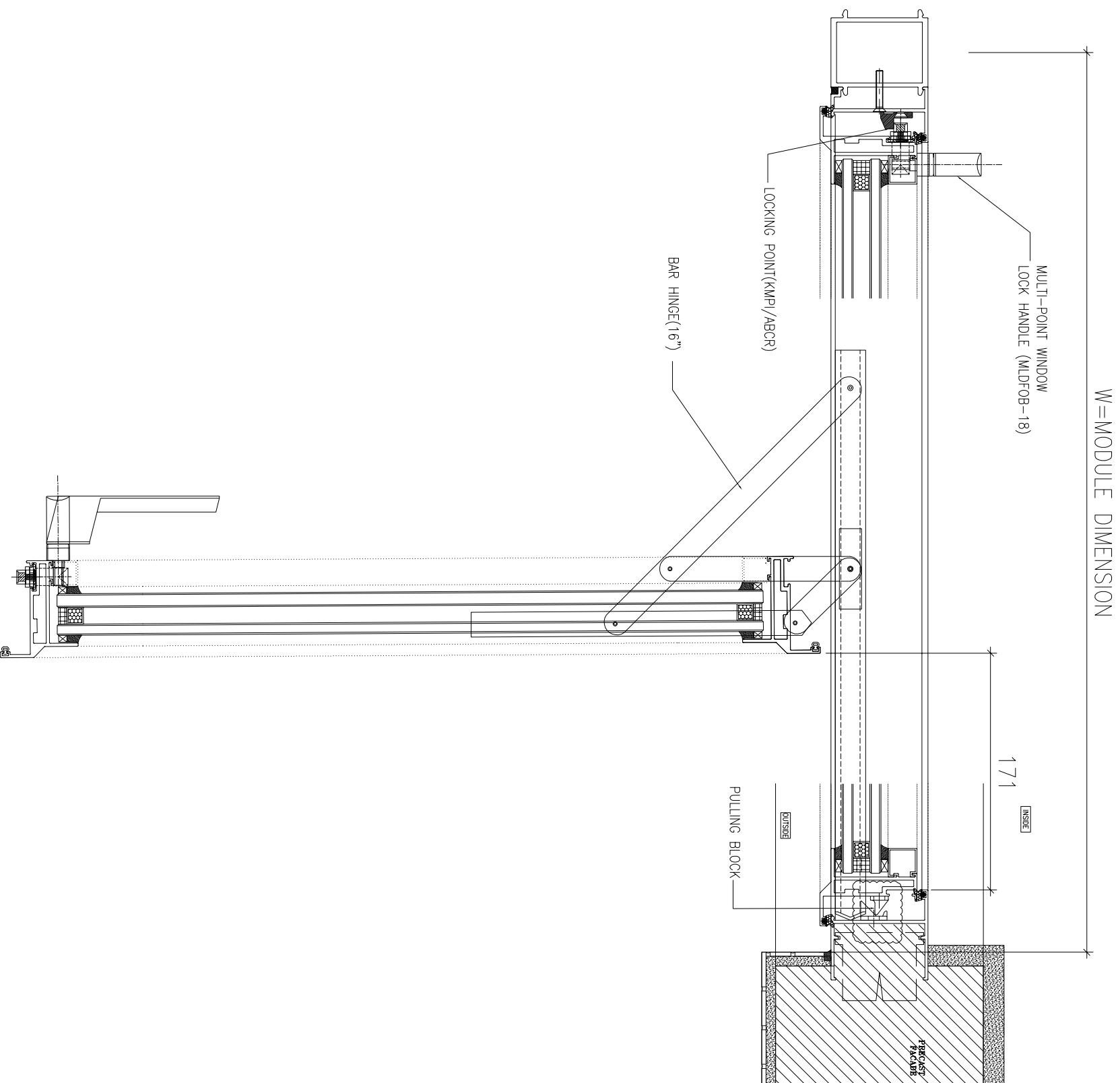
DATE : 02-Aug-21 SCALE : 1:60

DRAWN BY : lwnn CHECKED BY :



Units 6-8, Sunray Industrial Centre, 1/F
610 Cho Kwong Road, Kwailoon
Tel: 23489211-4 Fax: (852) 27276666

DWG NO. : J856-SD-PW-D177 REV. : B



B.D. REF :

CLIENT :

SUN HUNG KAI
REAL ESTATE AGENCY LTD.
42/F, SUN HUNG KAI CENTRE, WANCHAI, HONGKONG

ARCHITECT :

lwk&partners
a r c h i t e c t s

MAIN CONTRACTOR :

Yee Fai 怡輝建築有限公司
Building Contractors Ltd.

STRUCTURAL ENGINEER :

ARUP

FAÇADE CONSULTANT :

ALPHA CONSULTING LIMITED
Steel Structure & Façade Specialist

NOTE :

1. ALL DIMENSIONS ARE IN mm.
2. ALL ELEVATIONS ARE VIEWED FROM OUTSIDE.
3. ALL DIMENSIONS TO BE VERIFIED ON SITE BEFORE FABRICATION.

LEGEND :

(X1) — DETAIL MARK NO.
(X001) — REFER SHEET NO.

1. F.F.L. --- FINISHED FLOOR LEVEL
2. S.F.L. --- STRUCTURAL FLOOR LEVEL
3. (R) --- REVERSED DETAIL

4. GLASS LEGEND

- EQ-1 --- 8mmH+12mm AIR GAP+10mmTP THK. I.G.U.
- EQ-2 --- 10mm THK. CLEAR TEMPERED GLASS
- EQ-4 --- 10mm THK. TEMPERED ACID ETCHED GLASS
- EQ-1A --- 8mmH+12mm AIR GAP+8mmTP THK. I.G.U.

NO.	DATE	REVISION SUBJECT TO ARCH/COMMENT	ISSUED BY
A	03/01/2022		

JOB NO. : J-856

PROJECT :
PROPOSED DEVELOPMENT ABOVE
LIGHT RAIL TIN WING STOP/TSWTL
NO.23,AREA 33,TIN SHUI WAL, N.T.

TITLE :
TYPICAL EARTHING
BONDING DETAILS OF PRECAST

DATE : 02-Aug-21 SCALE : 1:60

DRAWN BY : IYON CHECKED BY :

美特鋁質有限公司
MDI ALUMINIUM FABRICATOR LTD.
Units 6-8, Sunray Industrial Centre, 1/F
610 Cho Kwo Ling Road, Kowloon
Tel:23489211-4 Fax:(852)2727666

DWG NO. : J856-SD-PW-D178 REV. : A