

工程指示 / 要求簡箋 ENGINEER INSTRUCTIONS(E.I.)

工程指示編號:	EI- 4590/22	修改版本:	-
	HK- 0635/22		
工程編號:	J 856	工程名稱:	TSWTL23
收件人:	Maggie Lor / 生統	發件人:	Bear Lam
工程項目:	有關於TSWTL23 Mock-up window & sliding Door 安裝及小五金	日期:	14/04/2022

<input type="checkbox"/> 原合約工程包	<input type="checkbox"/> 原合約工程加 / 減賬 QT-	<input type="checkbox"/> 新工程報價 QT-
---------------------------------	--	------------------------------------

信件批核號碼/圖紙參考編號:	批核模具圖紙編號:
客戶指示附件: TSWTL23/CVI-0071	管理內部批簽署:

<input type="checkbox"/> 初步鋁料 B.M.	<input type="checkbox"/> 加工拆圖, 然後生產	<input type="checkbox"/> 尺寸表
<input type="checkbox"/> 正式鋁料 B.M.	<input type="checkbox"/> 技術上資料/指示	<input type="checkbox"/> 報價
<input type="checkbox"/> 配件 B.M.	<input type="checkbox"/> 樣辦或貨品說明書	<input type="checkbox"/> 分判合約
<input type="checkbox"/> 其他:		

內容: 現有3只鋁窗及2道趟門需派工人到現場安裝, 預算到貨:19/4/2022 鋁窗:AW-03R & AW-02R & AW-04R 趟門:AW-01R (共2道) 小五金: 木占約:100個、旭格趟門專用磨耳:80個、工地70窗專用8吋磨耳:120個、Hitil 紅旦連釘:240粒、黑色玻璃膠:24支、8包英泥、24包沙 安裝方法: 現場石矢廊 送貨地址為: 沙埔水尾路 SHK管工電話: 葉全華 9341 6929
完成上列要求日期: 19/04/2022

國內

<input type="checkbox"/> 生產技術總監	<input type="checkbox"/> 連附件	<input type="checkbox"/> 技術部	<input type="checkbox"/> 連附件	<input type="checkbox"/> 生產部	<input type="checkbox"/> 連附件
<input type="checkbox"/> 採購部	<input type="checkbox"/> 連附件	<input type="checkbox"/> 生產統籌部	<input type="checkbox"/> 連附件	<input type="checkbox"/> 報關組	<input type="checkbox"/> 連附件
<input type="checkbox"/> 質檢部	<input type="checkbox"/> 連附件	<input type="checkbox"/> 會計部	<input type="checkbox"/> 連附件	<input type="checkbox"/> 機械設計部	<input type="checkbox"/> 連附件
<input type="checkbox"/> 其他:					

香港

<input checked="" type="checkbox"/> 行政部	<input checked="" type="checkbox"/> 連附件	<input type="checkbox"/> 會計部	<input type="checkbox"/> 連附件	<input type="checkbox"/> 統籌部	<input type="checkbox"/> 連附件	<input type="checkbox"/> 工程部	<input type="checkbox"/> 連附件
<input type="checkbox"/> 採購部	<input type="checkbox"/> 連附件	<input type="checkbox"/> QS部	<input type="checkbox"/> 連附件	<input type="checkbox"/> 地盤管理	<input type="checkbox"/> 連附件	<input checked="" type="checkbox"/> 維修部	<input checked="" type="checkbox"/> 連附件

*發件人簽署:	*組別成員批核簽署:
傳遞編號:	項目經理簽署:

B.D. REF :

CLIENT : **SUN HUNG KAI**  
 REAL ESTATE AGENCY LTD.  
 437, SUN HUNG KAI CENTRE, WANCHAI, HONGKONG

ARCHITECT : **lwk&partners**  
 a r c h i t e c t s

MAIN CONTRACTOR : **Yee Fai**  
 Building Contractors Ltd.

STRUCTURAL ENGINEER : **ARUP**

FAÇADE CONSULTANT : **ALPHA CONSULTING LIMITED**  
 Steel Structure & Façade Specialist

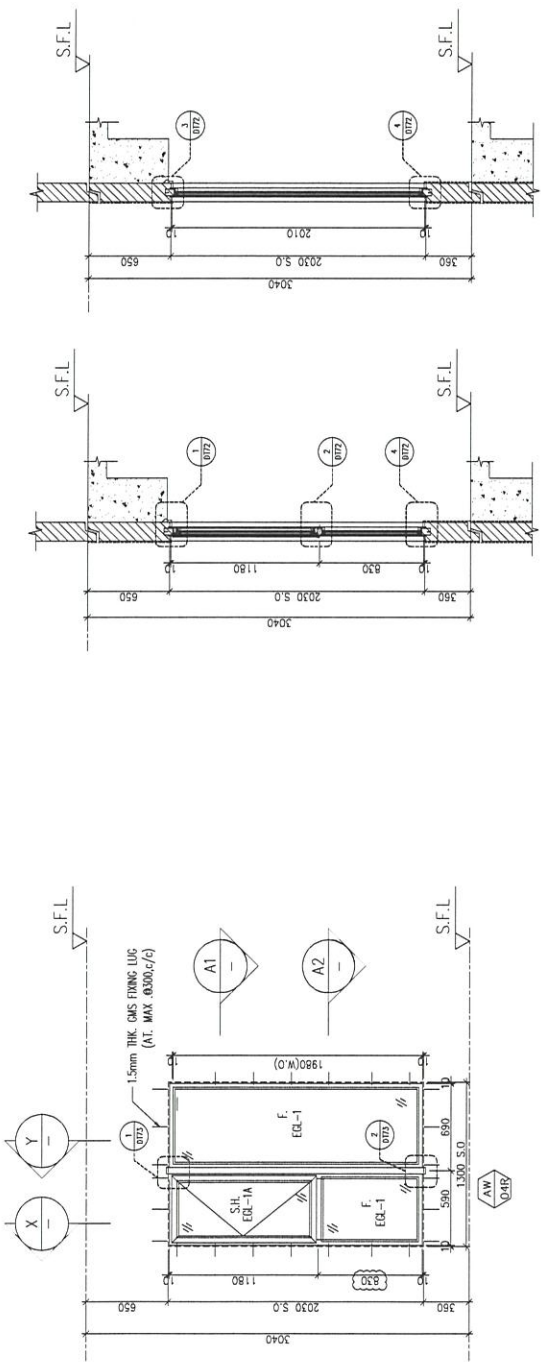
NOTE:  
 1. ALL DIMENSIONS ARE IN mm.  
 2. ALL ELEVATIONS ARE VIEWED FROM OUTSIDE.  
 3. ALL DIMENSIONS TO BE VERIFIED ON SITE BEFORE FABRICATION.

LEGEND:  
 ① --- DETAIL MARK NO.  
 ② --- REFER SHEET NO.  
 1. F.F.L. --- FINISHED FLOOR LEVEL  
 2. S.F.L. --- STRUCTURAL FLOOR LEVEL  
 3. Ⓞ --- REVERSED DETAIL  
 4. GLASS LEGEND  
 EGL-1 --- 8mmHx12mm AIR GAP+10mmTP THK. L.G.U.  
 EGL-2 --- 10mm THK. CLEAR TEMPERED GLASS  
 EGL-4 --- 10mm THK. TEMPERED ACID ETCHED GLASS  
 EGL-1A --- 8mmHx12mm AIR GAP+10mmTP THK. L.G.U.

NO.	DATE	REVISION	SUBJECT TO AMENDMENT
F	16/12/2020	REVISION	SUBJECT TO AMENDMENT
E	29/11/2020	REVISION	SUBJECT TO AMENDMENT
D	02/11/2020	REVISION	SUBJECT TO AMENDMENT
C	28/10/2020	REVISION	SUBJECT TO AMENDMENT
B	18/10/2020	REVISION	SUBJECT TO AMENDMENT
A	27/09/2020	REVISION	SUBJECT TO AMENDMENT

JOB NO. : J-856  
 PROJECT : PROPOSED DEVELOPMENT ABOVE LIGHT RAIL TIN WING STOP-TSM/TL NO.23,AREA 33,1IN SHUI WAH N.T.  
 TITLE : WINDOW SCHEDULE FOR TOWER 3 ALUM. WINDOW (mock up)

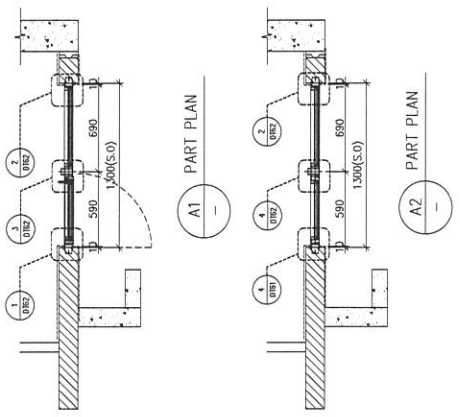
DATE : 02-Aug-21 SCALE : 1:40  
 DRAWN BY : Hom CHECKED BY :  
**美特铝业有限公司**  
 MIDDI Aluminium Fabricator Ltd.  
 Units 6-8, Sunny Industrial Centre, 1/F  
 840 Chee Yee Ling Road, Kowloon  
 182249211-4 Fax: (852) 2777866  
 DWG NO. : J856-SD-PW-5302 REV. : -



PART SECTION Y

PART SECTION X

ELEVATION



PART PLAN A1

PART PLAN A2

WINDOW MARK	AW 04R
LOCATION	3/F UNIT A6
SECTION	70mm ALUM. SECTION
GLAZING	EGL-1, EGL-1A
QUANTITY	1 No.
REMARKS	FAÇADE(TYPE T3PF04 FOR 3/F-42/F)

B.D. REF :

CLIENT : **SUN HUNG KAI REAL ESTATE AGENCY LTD.**  
 42/F, SUN HUNG KAI CENTRAL, WINGLON BUILDING

ARCHITECT : **lwk&partners**  
 a r c h i t e c t s

MAIN CONTRACTOR : **Yee Fai Building Contractors Ltd.**

STRUCTURAL ENGINEER : **ARUP**

FAÇADE CONSULTANT : **ALPHA CONSULTING LIMITED**  
 Steel Structure & Façade Specialist

NOTE :

1. ALL DIMENSIONS ARE IN MM.
2. ALL ELEVATIONS ARE VIEWED FROM OUTSIDE.
3. ALL DIMENSIONS TO BE VERIFIED ON SITE BEFORE FABRICATION.

LEGEND :

(1) (0172) — DETAIL MARK NO.  
 (2) (0172) — REFER SHEET NO.

1. F.F.L. — FINISHED FLOOR LEVEL
2. S.F.L. — STRUCTURAL FLOOR LEVEL
3. (R) — REVERSED DETAIL
4. GLASS LEGEND

EGL-1 — 8mmHS+12mm AIR GAP+10mmTP THK. LGU.  
 EGL-2 — 10mm THK. CLEAR TEMPERED GLASS  
 EGL-4 — 10mm THK. TEMPERED ACID ETCHED GLASS  
 EGL-1A — 8mmHS+12mm AIR GAP+10mmTP THK. LGU.

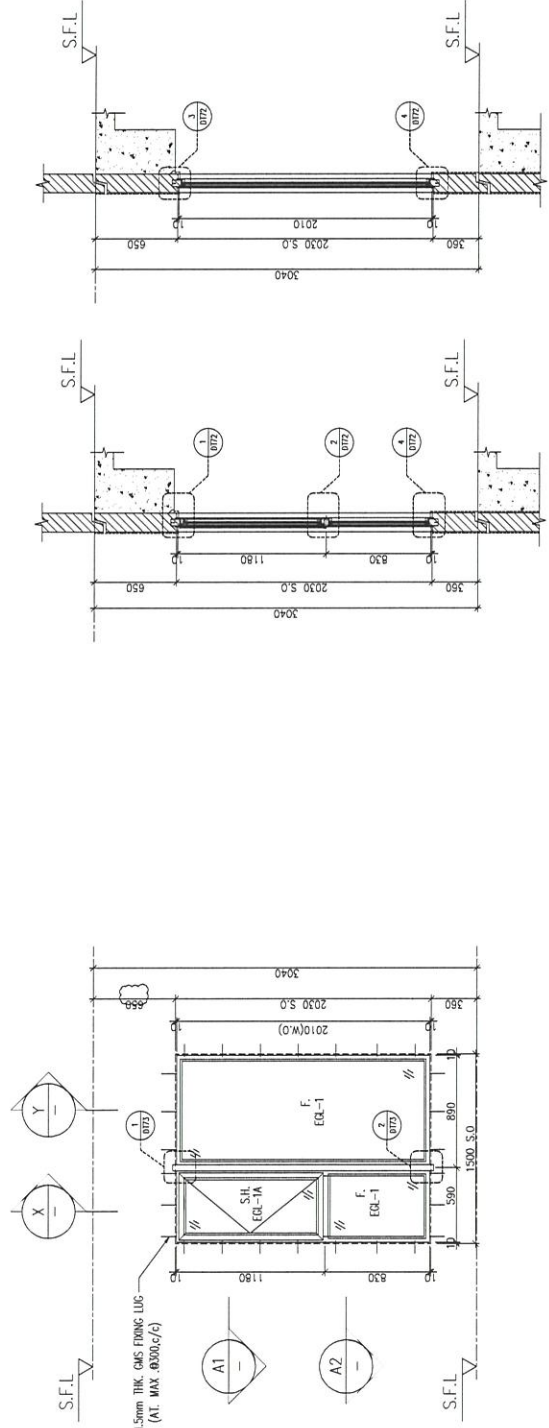
NO.	DATE	REVISION SUBJECT TO ACKNOWLEDGMENT	NO.
F	14/07/2021	REVISION SUBJECT TO ACKNOWLEDGMENT	1
E	29/01/2021	REVISION SUBJECT TO ACKNOWLEDGMENT	2
D	02/01/2021	REVISION SUBJECT TO ACKNOWLEDGMENT	3
C	29/09/2021	REVISION SUBJECT TO ACKNOWLEDGMENT	4
B	19/07/2021	REVISION SUBJECT TO ACKNOWLEDGMENT	5
A	27/09/2020	REVISION SUBJECT TO ACKNOWLEDGMENT	6
NO.	DATE	REVISION	NO.

JOB NO. : J-856

PROJECT : PROPOSED DEVELOPMENT ABOVE LIGHT RAIL TIN WING STOP, ISWTL NO.23, AREA 33.17M SHUI WAL N.T.

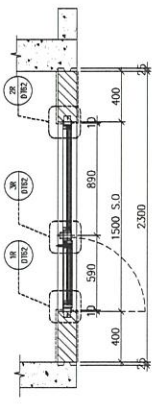
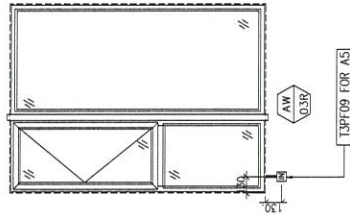
TITLE : WINDOW SCHEDULE FOR TOWER 3 ALUM. WINDOW (mock up)

DATE : 02-Aug-21 SCALE : 1:40  
 DRAWN BY : Non CHECKED BY :  
**美特铝质有限公司**  
 MIDII ALUMINIUM FABRICATOR LTD.  
 Units 6-8, Sunny Industrial Centre, 1/F  
 81 Cheung Kwo Ling Road, Kowloon  
 Tel: 24248211-4 Fax: 24277786  
 DWG NO. : J856-S0-PW-S305 REV. : -

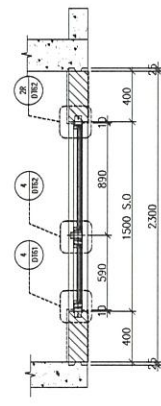


PART SECTION Y-Y

PART SECTION X-X



PART PLAN A1



PART PLAN A2

ELEVATION

WINDOW MARK	AW 0.3R
LOCATION	3/F UNIT A5
SECTION	70mm ALUM. SECTION
GLAZING	EGL-1, EGL-1A
QUANTITY	1 No.
REMARKS	FAÇADE (TYPE 1.3PF10R FOR 3/F-42/F)

B.O. REF :

CLIENT : **SUN HUNG KAI**  
 REAL ESTATE AGENCY LTD.  
 42/F, SUN HUNG KAI CENTRE, WANCHAI, HONGKONG

ARCHITECT : **lwk&partners**  
 ARCHITECTS

MAIN CONTRACTOR : **Yee Fai**  
 Building Contractors Ltd.

STRUCTURAL ENGINEER : **ARUP**

FAÇADE CONSULTANT : **ALPHA CONSULTING LIMITED**  
 Steel Structure & Façade Specialist

NOTE:

1. ALL DIMENSIONS ARE IN MM.
2. ALL ELEVATIONS ARE VIEWED FROM OUTSIDE.
3. ALL DIMENSIONS TO BE VERIFIED ON SITE BEFORE FABRICATION.

LEGEND:

(A1) — DETAIL MARK NO.  
 (X01) — REFER SHEET NO.

1. F.F.L. — FINISHED FLOOR LEVEL
2. S.F.L. — STRUCTURAL FLOOR LEVEL
3. (P) — REVERSED DETAIL

4. GLASS LEGEND

EGL-1 — 6mmHS+12mm AIR GAP+10mmTP THK. L.G.U.  
 EGL-2 — 10mm THK. CLEAR TEMPERED GLASS  
 EGL-4 — 10mm THK. TEMPERED ACID ETCHED GLASS  
 EGL-1A — 6mmHS+12mm AIR GAP+8mmTP THK. L.G.U.

NO.	DATE	BY	REVISION
F	14/12/2021		REVISION SUBJECT TO APPROVEMENT
E	29/11/2021		REVISION SUBJECT TO APPROVEMENT
B	02/11/2021		REVISION SUBJECT TO APPROVEMENT
C	29/10/2021		REVISION SUBJECT TO APPROVEMENT
B	18/10/2021		REVISION SUBJECT TO APPROVEMENT
A	27/09/2021		REVISION SUBJECT TO APPROVEMENT
NO.	DATE	BY	REVISION

JOB NO. : J-856

PROJECT : PROPOSED DEVELOPMENT ABOVE LIGHT RAIL TIN WING STOP, TSWTL NO.23, AREA 33, TIN SHUI WAL, N.T.

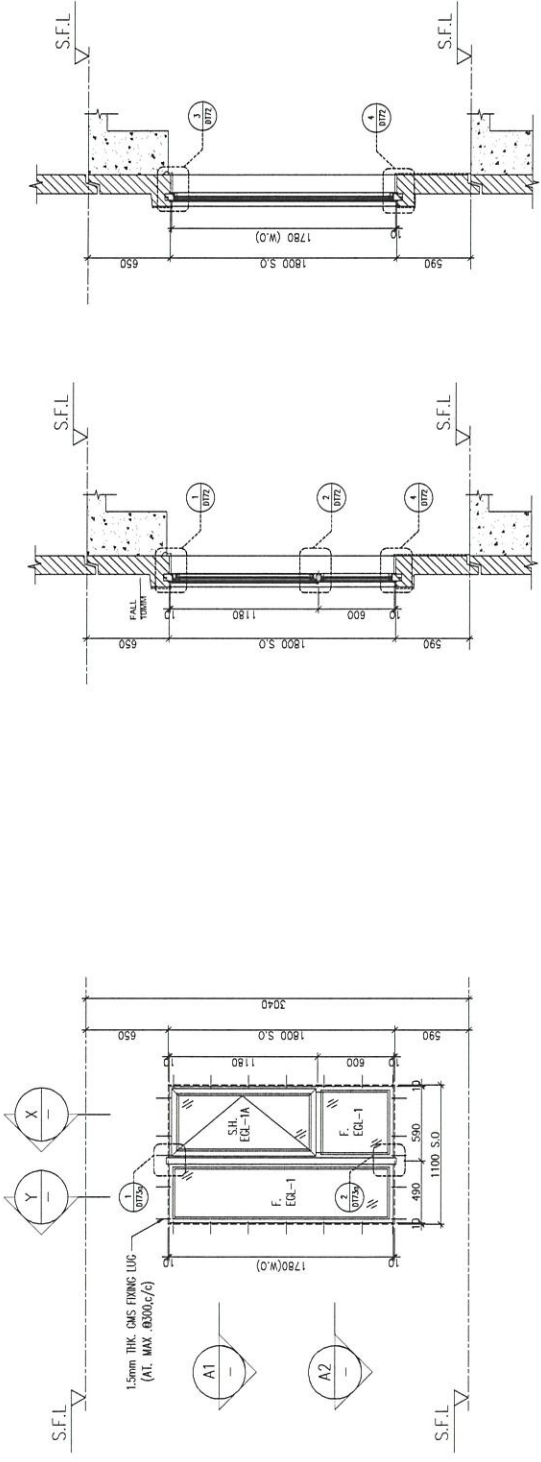
TITLE : WINDOW SCHEDULE FOR TOWER 3 ALUM. WINDOW (mock up)

DATE : 02-Aug-21 SCALE : 1:40

DRAWN BY : kmn CHECKED BY :

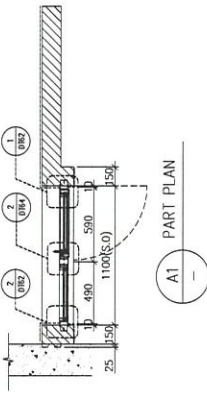
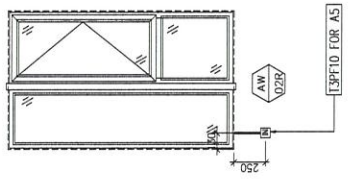
**MIDI** 美特鋁質有限公司  
 Aluminium Fabricator Ltd.  
 Units 6-8, Sunny Industrial Centre, 1/F  
 200, Tin Shui Wai Ling Road, Tin Shui Wai  
 Yuen Long, New Territories  
 Tel: 24254821-4 Fax: 24252727666

DWG NO. : JB56-S0-PW-5304 REV. : -

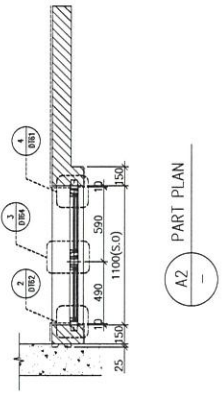


PART SECTION X-X

PART SECTION Y-Y



PART PLAN A1



PART PLAN A2

ELEVATION

WINDOW MARK	AW 0212
LOCATION	3/F UNIT A5
SECTION	70mm ALUM. SECTION
GLAZING	EGL-1, EGL-1A
QUANTITY	1 No.
REMARKS	FAÇADE(TYPE 1)SPF08 FOR 3/F--42(F)

B.O. REF :

CLIENT : **SUN HUNG KAI**  
 REAL ESTATE AGENCY LTD.  
 42/F SUN HUNG KAI CENTRE, WING LUNG SQUARE

ARCHITECT : **lwk&partners**  
 ARCHITECTS

MAIN CONTRACTOR : **Yee Fai**  
 Building Contractors Ltd.

STRUCTURAL ENGINEER : **ARUP**

FAÇADE CONSULTANT : **ALPHA CONSULTING LIMITED**  
 Steel Structure & Façade Specialist

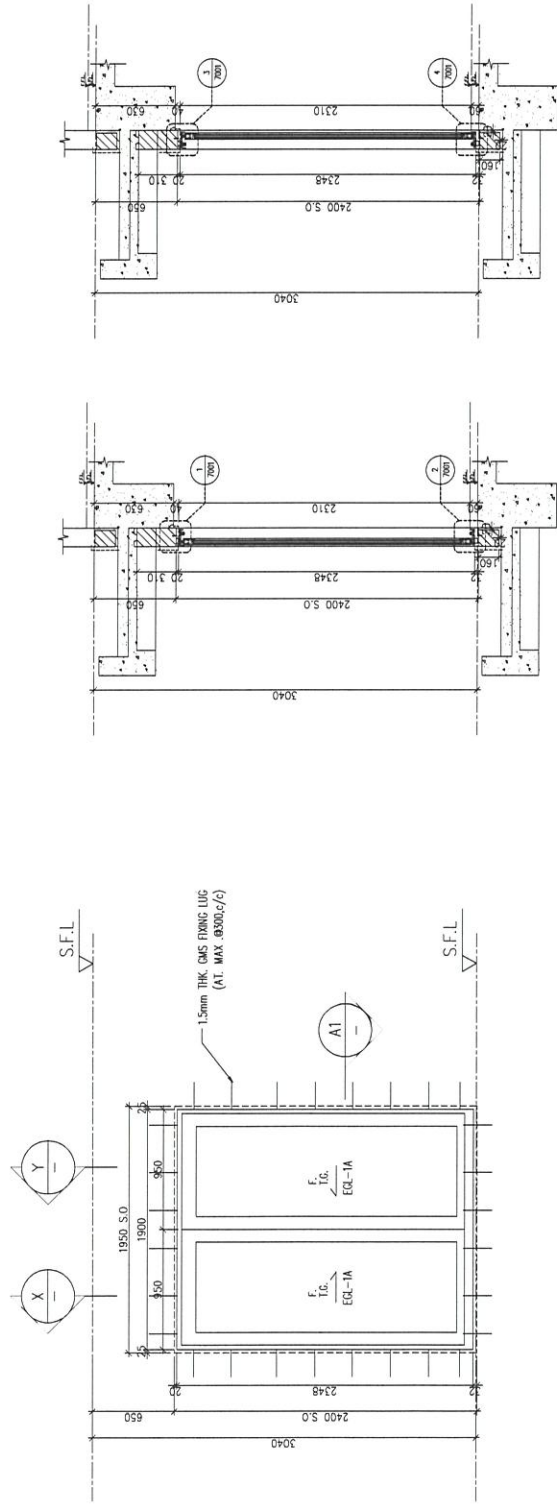
NOTE :  
 1. ALL DIMENSIONS ARE IN MM.  
 2. ALL ELEVATIONS ARE VIEWED FROM OUTSIDE.  
 3. ALL DIMENSIONS TO BE VERIFIED ON SITE BEFORE FABRICATION.

LEGEND :  
 (X) — DETAIL MARK NO.  
 (Y) — REFER SHEET NO.  
 1. F.F.L. — FINISHED FLOOR LEVEL  
 2. S.F.L. — STRUCTURAL FLOOR LEVEL  
 3. (P) — REVERSED DETAIL  
 4. GLASS LEGEND  
 EGL-1 — 6mmHS+12mm AIR GAP+10mmTP THK. LGU  
 EGL-2 — 10mm THK. CLEAR TEMPERED GLASS  
 EGL-4 — 10mm THK. TEMPERED ACID ETCHED GLASS  
 EGL-7A — 6mmHS+12mm AIR GAP+10mmTP THK. LGU

JOB NO. : J-856  
 PROJECT : PROPOSED DEVELOPMENT ABOVE LIGHT PAUL TIN WING STOP-TSWIL NO.23,AREA 33,TIN SHUI WAL N.T.

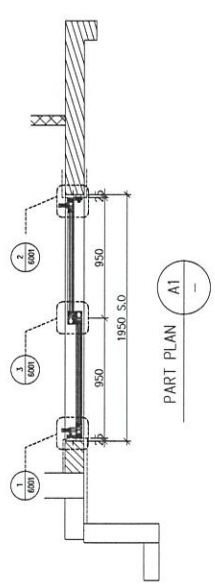
TITLE : WINDOW SCHEDULE FOR TOWER 3, IN-SITU WINDOW (mock up)

DATE : 02-Aug-21 SCALE : 1:40  
 DRAWN BY : Nom CHECKED BY :  
**MIDI** ARCHITECTURAL FABRICATOR LTD.  
 Units 8-8, Sunny Industrial Centre, 1/F  
 100, King Road, Kwun Tong, Kowloon  
 Tel: 24282114 Fax: 24282177  
 DWG NO. : J056-S0-W-5304 REV. : -



PART SECTION Y

PART SECTION X



PART PLAN A1

ELEVATION

WINDOW MARK	AW DTE
LOCATION	3/F-UNIT.A5 A6
SECTION	70mm ALUM. SECTION
GLAZING	EGL-1A
QUANTITY	2 Nos.
REMARKS	FAÇADE(TYPE T3PF08 FOR 3/F), FAÇADE(TYPE T3PF04 FOR 3/F)