

工程指示 / 要求簡箋 ENGINEER INSTRUCTIONS(E.I.)

工程指示編號:	EI- 4269	修改版本:	1
	HK- 2082		
工程編號:	J 856	工程名稱:	tswtl23
收件人:	生統	發件人:	BearLam
工程項目:	T3 佛沙窗大貨(修改I:因地盤要求更正有關於臨時保護圍欄)	日期:	23/11/2022

<input type="checkbox"/> 原合約工程包	<input type="checkbox"/> 原合約工程加 / 減賬 QT-	<input type="checkbox"/> 新工程報價 QT-
---------------------------------	--	------------------------------------

信件批核號碼/圖紙參考編號:	批核模具圖紙編號:
客戶指示附件:	管理內部批簽署:

<input type="checkbox"/> 初步鋁料 B.M.	<input type="checkbox"/> 加工拆圖, 然後生產	<input type="checkbox"/> 尺寸表
<input type="checkbox"/> 正式鋁料 B.M.	<input type="checkbox"/> 技術上資料/指示	<input type="checkbox"/> 報價
<input type="checkbox"/> 配件 B.M.	<input type="checkbox"/> 樣辦或貨品說明書	<input type="checkbox"/> 分判合約
<input type="checkbox"/> 其他:		

內容: 請根據附件資料加工, 附件中黃色標示的位置是需保持臨時保護圍欄。

完成上列要求日期: 25/11/2022

國內

<input type="checkbox"/> 生產技術總監	<input type="checkbox"/> 連附件	<input type="checkbox"/> 技術部	<input type="checkbox"/> 連附件	<input type="checkbox"/> 生產部	<input type="checkbox"/> 連附件
<input type="checkbox"/> 採購部	<input type="checkbox"/> 連附件	<input checked="" type="checkbox"/> 生產統籌部	<input checked="" type="checkbox"/> 連附件	<input type="checkbox"/> 報關組	<input type="checkbox"/> 連附件
<input type="checkbox"/> 質檢部	<input type="checkbox"/> 連附件	<input type="checkbox"/> 會計部	<input type="checkbox"/> 連附件	<input type="checkbox"/> 機械設計部	<input type="checkbox"/> 連附件
<input checked="" type="checkbox"/> 香港辦	<input checked="" type="checkbox"/> 連附件	<input type="checkbox"/> 其他:			

香港

<input type="checkbox"/> 行政部	<input type="checkbox"/> 連附件	<input type="checkbox"/> 會計部	<input type="checkbox"/> 連附件	<input type="checkbox"/> 統籌部	<input type="checkbox"/> 連附件	<input type="checkbox"/> 工程部	<input type="checkbox"/> 連附件
<input type="checkbox"/> 採購部	<input type="checkbox"/> 連附件	<input type="checkbox"/> QS部	<input type="checkbox"/> 連附件	<input type="checkbox"/> 地盤管理	<input type="checkbox"/> 連附件	<input type="checkbox"/> 維修部	<input type="checkbox"/> 連附件

*發件人簽署:	<i>Bear Lam</i>	*組別成員批核簽署:	<i>Wan</i> 23/11/2022
傳遞編號:		項目經理簽署:	<i>Wan</i>

LEGEND:



REVISION MARK

⊕	LIFTING EYE ANCHOR (5T)	5T吊眼
⊕	M16x100 CAST-IN SOCKET	M16x100预埋螺絲
⊕	M12x60 CAST-IN SOCKET	M12x60预埋螺絲
⊕	Φ35 THROUGH HOLE	Φ35 透孔
⊕	Φ30 SAFETY FENCE HOLE	Φ30x2000安全字號孔
⊕	15MM BONDING BAR	15mm綁條

1. 所有預留螺絲之20螺絲，需作預埋標記。
 X: REVISION MARK

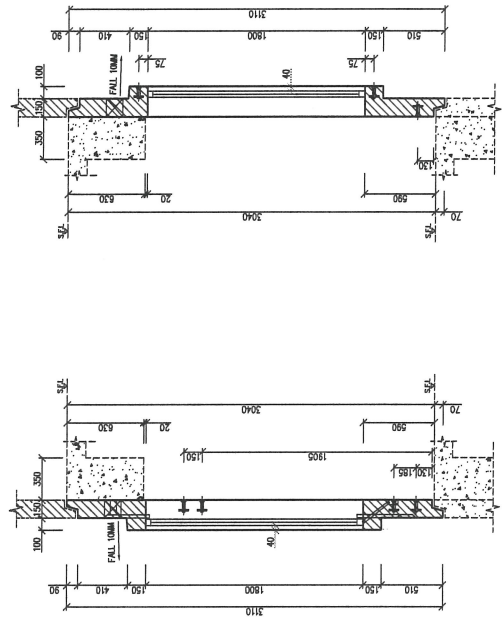
REV.	DESCRIPTION	DATE	BY
C	結構圖紙更新	2022-08-12	ZY
B	結構圖紙更新	2022-08-05	ZY
A	第一版	2022-07-25	ZY
0	FIRST ISSUE	2022-05-10	ZY

PROJEC: BEST VISION DEVELOPMENT LIMITED.
 CLIENT: BEST VISION DEVELOPMENT LIMITED.
 ARCHITECT: **lwk&partners** architects

STRUCTURAL ENGINEER: **ARUP**
 MAIN CONTRACTOR:
 TITLE: CAST IN LAYOUT FOR TYPE T2PF-22

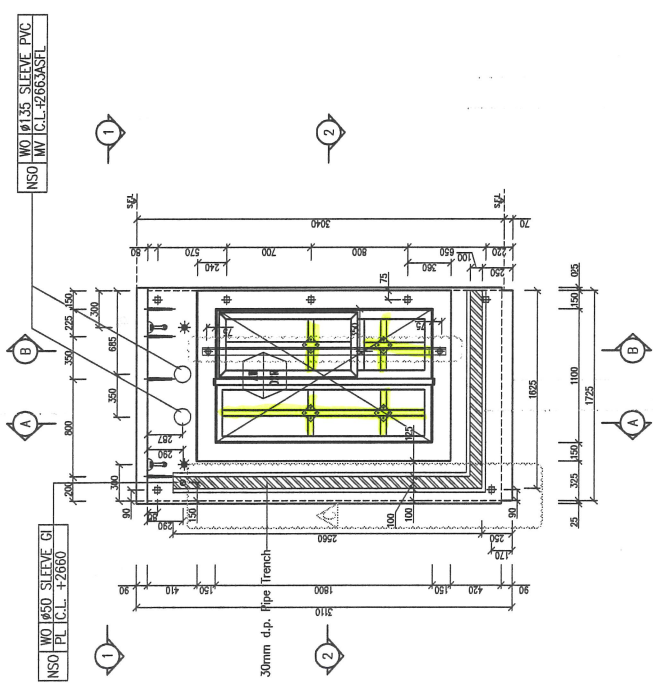
PROJECT NO.	TSWIL23/C/T2PF-22-0
REVISION	C
SCALE	1:40 (A4)
DESIGNED	
DRAWN	
CHECKED	
APPROVED	

PRECAST SUPPLIER:
 ORIENTUNUS PRECAST LTD.
 RM 2013, HONG KONG PLAZA
 HURKS YONG ROAD WEST
 HONG KONG
 Tel: (852) 2559 5765
 Fax: (852) 2517 0873

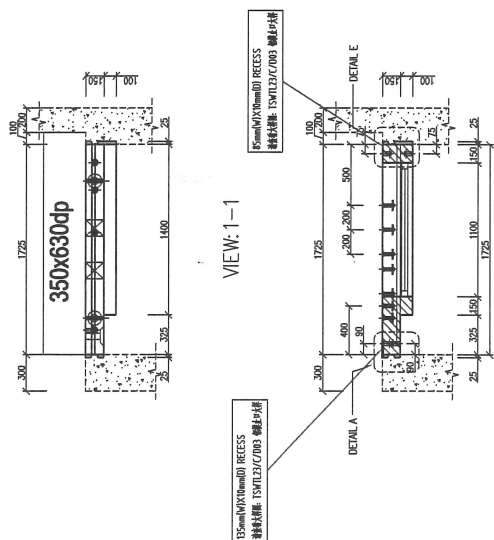


SEC: B-B

SEC: A-A

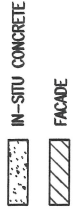


PRECAST FACADE TYPE T2PF-22 FOR 3/E



SEC: 2-2

LEGEND:



REVISION MARK

- LIFTING EYE ANCHOR (5T) 5T吊環
- M16x100 CAST-IN SOCKET M16x100預埋螺絲
- M12x60 CAST-IN SOCKET M12x60預埋螺絲
- 435 THROUGH HOLE #35 通孔
- 430 SAFETY FENCE HOLE #30x2400安全圍欄孔
- 15MM BONDING BAR 15mm鋼條

1. 所有鋼條需為φ20鋼條，除非大樣標明標記。

X: REVISION MARK

REV.	DESCRIPTION	DATE	BY
B	增設M12預埋螺絲及鋼條	2022-08-10	ZY
A	FIRST ISSUE	2022-07-25	ZY
0	FIRST ISSUE	2022-05-10	ZY

PROJECT: PROPOSED DEVELOPMENT AT LRT TIN WING STOP AT TIN SHUI WAI ON LOT: NO. TSWIL23

CLIENT: BEST VISION DEVELOPMENT LIMITED.

ARCHITECT: **lwk&partners** architects

STRUCTURAL ENGINEER: ARUP

MAIN CONTRACTOR:

TITLE: CAST IN LAYOUT FOR TYPE T2PF-14

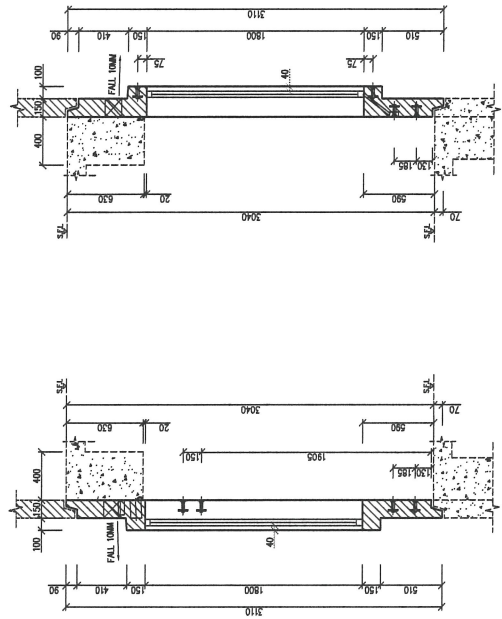
PROJECT NO. DRAWING NO. TSWIL23/G/T2PF-14-0

REVISION B

SCALE	DESIGNED	DRAWN	CHECKED	APPROVED
1:40 (A4)				

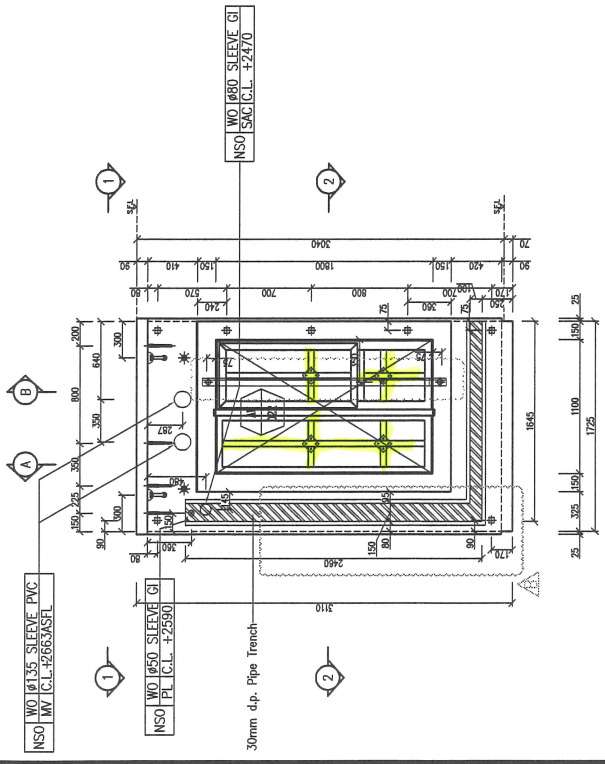
PRECAST SUPPLIER: ORIENTLUNGS PRECAST LTD.

RM 2013, HONG KONG PLAZA
118, HING SHI ROAD WEST
HONG KONG
Tel: (852) 2559 5765
Fax: (852) 2517 8873

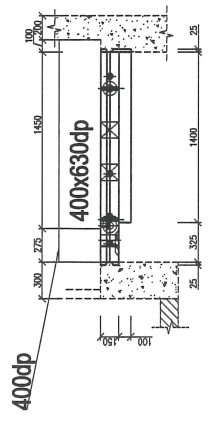


SEC: B-B

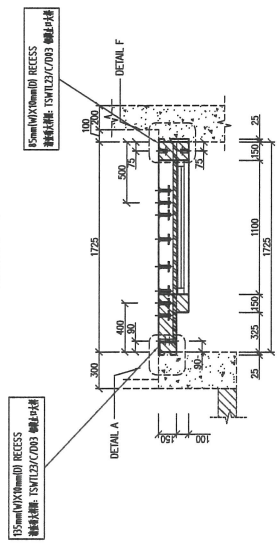
SEC: A-A



PRECAST FACADE TYPE T2PF-14 FOR 3/F



VIEW: 1-1



SEC: 2-2

LEGEND:



REVISION MARK

- LIFTING EYE ANCHOR (5T) 5T吊環
- M18x100 CAST-IN SOCKET M18x100預埋鐵座
- M12x60 CAST-IN SOCKET M12x60預埋鐵座
- 435 THROUGH HOLE #35 通孔
- 430 SAFETY FENCE HOLE #36x400安全圍欄孔
- 15MM BONDING BAR 15mm鋼條

1. 所有預埋條之20mm鋼條，需作大帽鋼條處理。



REV.	DESCRIPTION	DATE	BY
C	DOWEL BAR 新增	2022-11-01	ZY
B	吊環位置	2022-10-27	ZY
A	435 通孔位置	2022-07-25	ZY
0	FIRST ISSUE	2022-05-10	ZY

PROVIDED:

PROPOSED DEVELOPMENT AT LRT TIN WING STOP AT TIN SHUI WAI ON LOT: NO. TSWL23

CLIENT:

BEST VISION DEVELOPMENT LIMITED.

ARCHITECT:

lwk&partners
a r c h i t e c t s

17F, Luk Keng Centre, 100, Des Voeux Road West, Hong Kong
 17樓 隆景中心 (香港) 富海街 100 號
 Tel: (852) 2577 6000 Fax: (852) 2577 6001
 廣東路 100 號 (香港) 富海街 100 號
 九龍尖沙咀海傍道 100 號富海中心 5 樓 15 室

STRUCTURAL ENGINEER:

ARUP

MAIN CONTRACTOR:

TITLE:

CAST IN LAYOUT FOR TYPE T2PF-09

PROJECT NO. DRAWING NO.

TSWL23/C/T2PF-09

REVISION

C

SCALE

1:40 (AS)

DESIGNED

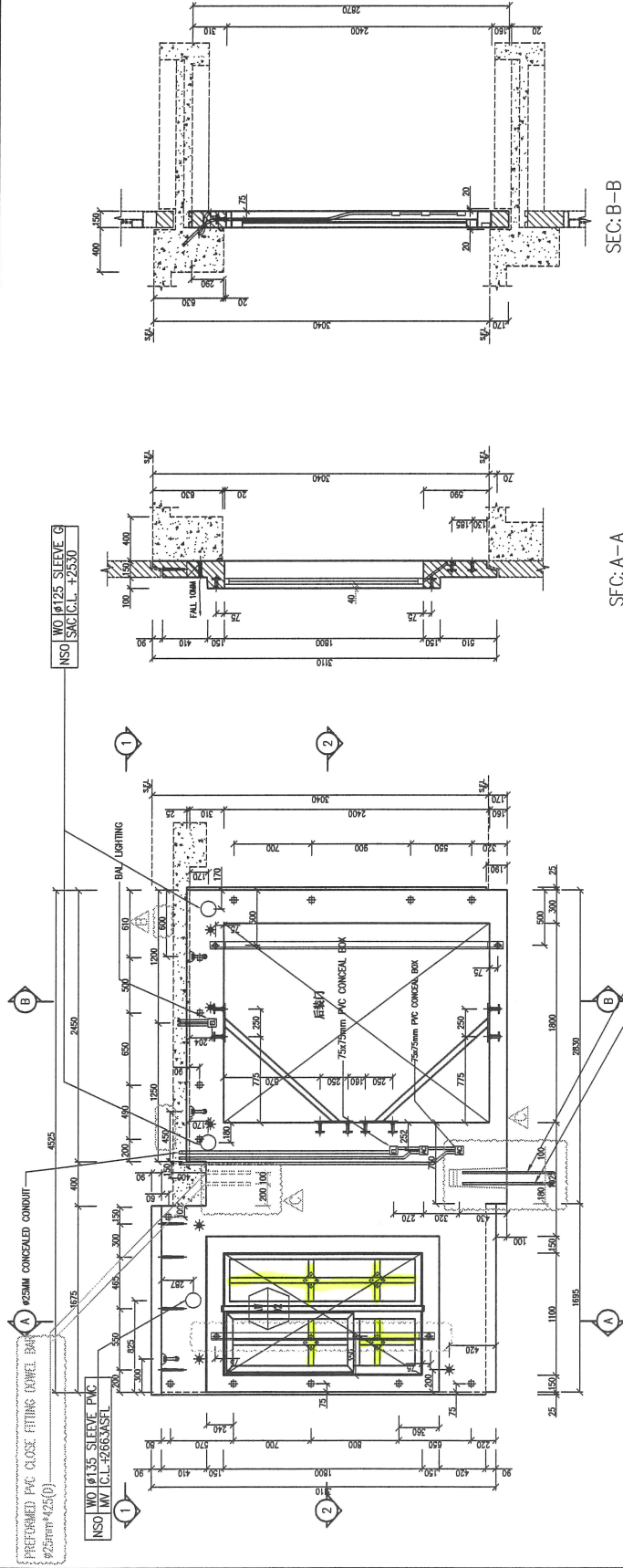
DRAWN

CHECKED

APPROVED

PRECAST SUPPLIER:

ORIENTINGS PRECAST LTD.
 RM 2013, HONG KONG PLAZA
 100, DES VOEUX ROAD WEST
 HONG KONG
 Tel: (852) 2559 5765
 Fax: (852) 2517 0873



SEC-B-B

SEC-A-A

PRECAST FACADE TYPE T2PF-09
 FOR 5/F-43/F
 13/F, 14/F, 24/F, 34/F OMITTED

2116 DOWEL BAR REFER TO DRAWING NO: TSWL23/C/002

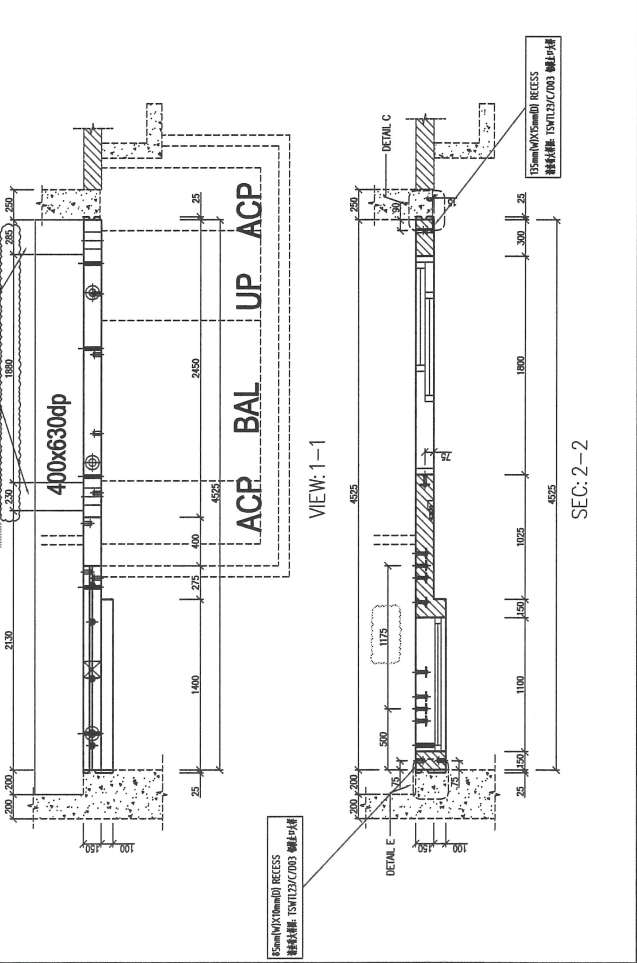
400dp

400x630dp

ACP BAL UP ACP

VIEW: 1-1

VIEW: 2-2



15mmx100mm(D) RECESS 鐵條埋入 15mmx100mm 鐵條

15mmx100mm(D) RECESS 鐵條埋入 15mmx100mm 鐵條

DETAIL E

DETAIL C

LEGEND:

- IN-SITU CONCRETE
- FACADE

REVISION MARK

⊕	LIFTING EYE ANCHOR (5T)	5T 吊環
⊕	M18x100 CAST-IN SOCKET	M18x100 預埋螺絲
⊕	M12x60 CAST-IN SOCKET	M12x60 預埋螺絲
⊕	#35 THROUGH HOLE	#35 通孔
⊕	#30 SAFETY FENCE HOLE	#30x2000 安全圍欄孔
—	15MM BENDING BAR	15mm 彎筋

1. 所有預埋螺絲之20mm 膠管其端部須密封。

X: REVISION MARK

REV.	DESCRIPTION	DATE	BY
B	吊環位置	2022-10-27	ZY
A		2022-07-25	ZY
0	FIRST ISSUE	2022-05-10	ZY

PROJECT: PROPOSED DEVELOPMENT AT LRT TIN WING STOP AT TIN SHUI WAI ON LOT: NSW123

CLIENT: BEST VISION DEVELOPMENT LIMITED.

ARCHITECT: **lwk&partners** architects

STRUCTURAL ENGINEER: ARUP

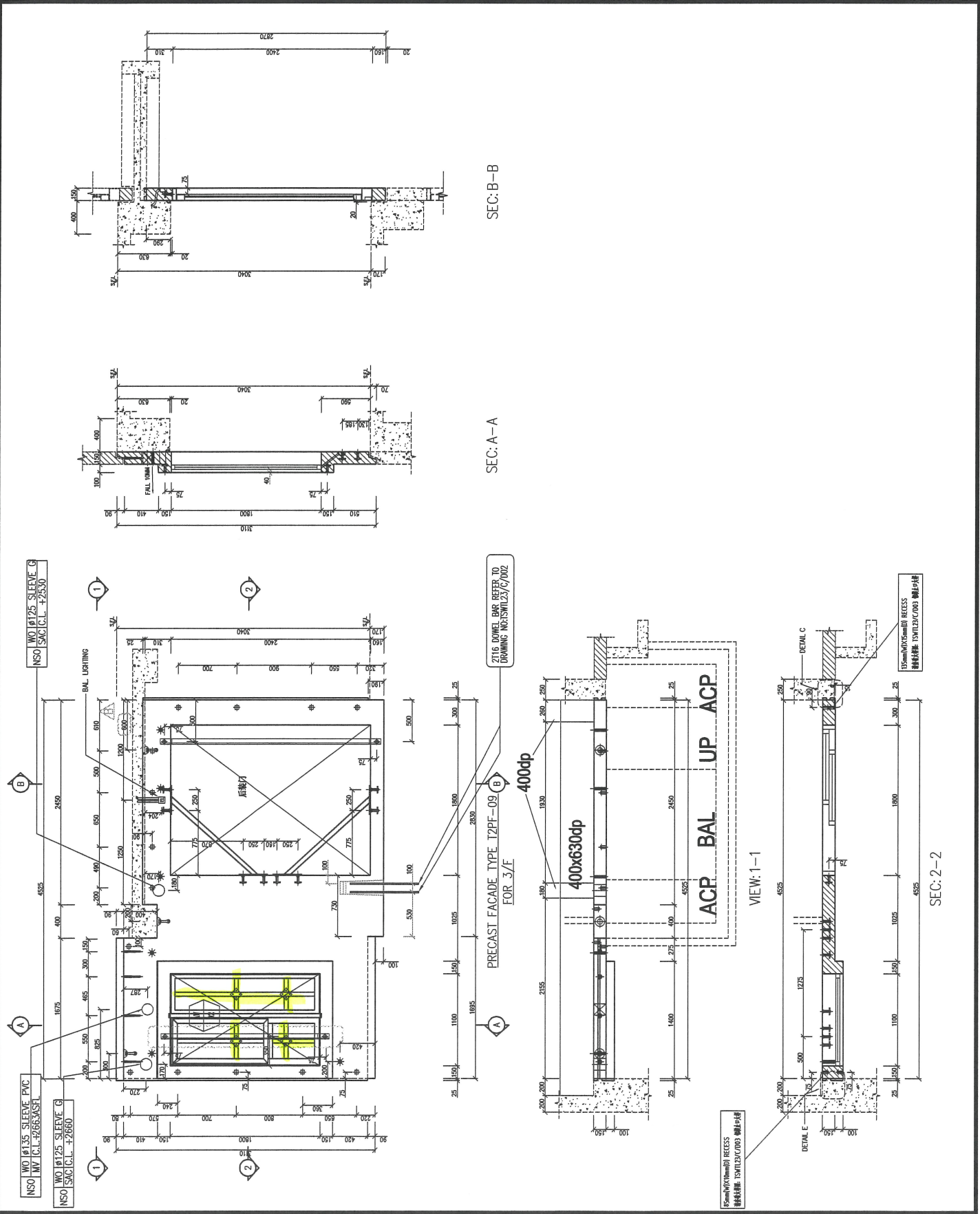
MAIN CONTRACTOR:

TITLE: CAST IN LAYOUT FOR TYPE T2PF-09

PROJECT NO./DRAWING NO.	REVISION
TSW123/C/T2PF-09-0	B

SCALE: 1:40 (A)

PRECAST SUPPLIER: ORIENTALUS PRECAST LTD.
 RM 2013, HONG KONG PLAZA
 1/F, HIGHT ROAD WEST
 HONG KONG
 Tel: (852) 2559 5765
 Fax: (852) 2517 0873



LEGEND:

- IN-SITU CONCRETE
- FACADE

REVISION MARK

- LIFTING EYE ANCHOR (5T) 5T吊環
- M16x100 CAST-IN SOCKET M16x100預埋圓座
- M12x60 CAST-IN SOCKET M12x60預埋圓座
- 435 THROUGH HOLE 435 通孔
- 830 SAFETY FENCE HOLE 830安全圍欄孔
- 15MM BONDING BAR 15mm掛筋

1. 所有預埋圓座φ20吊環, 需作全橋鋼筋綁扎

X: REVISION MARK

REV.	DESCRIPTION	DATE	BY
A	FIRST ISSUE	2022-07-25	ZY
0	FIRST ISSUE	2022-05-10	ZY

PROJECT:
PROPOSED DEVELOPMENT AT LRT TIN WING STOP AT TIN SHUI WA ON LOT: NO. TSWL23

CLIENT:
BEST VISION DEVELOPMENT LIMITED.

ARCHITECT:
lwk&partners
a r c h i t e c t s
17/F, HONG KONG BANK BUILDING, 111, QUEEN'S ROAD EAST, HONG KONG
香港銀行大廈(香港)第17層 皇后大道東111號九龍尖沙咀海濱廣場海濱中心主層1518室

STRUCTURAL ENGINEER:
ARUP

MAIN CONTRACTOR:

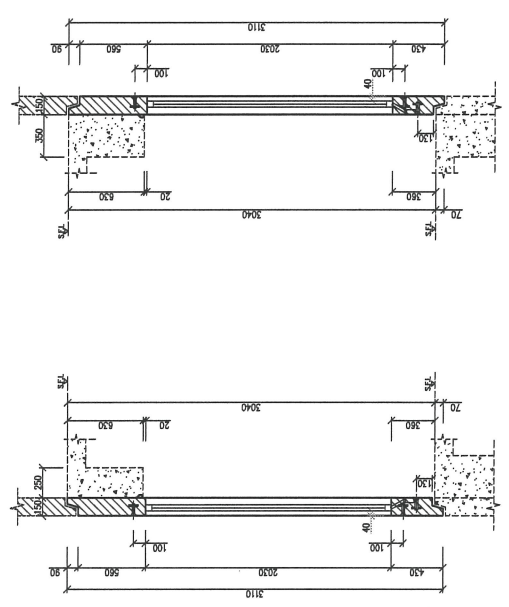
TITLE:
CAST IN LAYOUT FOR TYPE T2PF-27

PROJECT NO.	DRAWING NO.	REASON
	TSWL23/C/T2PF-27-0	A

SCALE: 1:40 (A3)

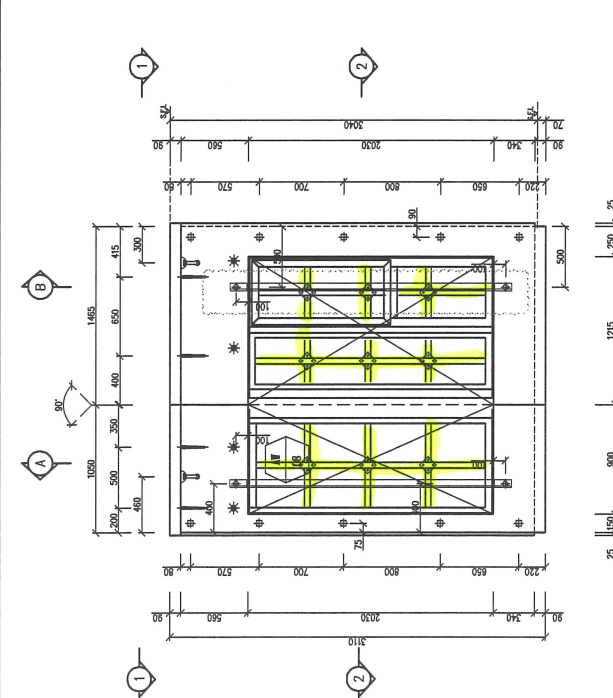
DESIGNED: **CHECKED:** **APPROVED:**

PRECAST SUPPLIER:
ORIENTRUNUS PRECAST LTD.
RM 2013, HONG KONG PLAZA
100, WING LEE ROAD WEST
HONG KONG
Tel: (852) 2559 5765
Fax: (852) 2517 0873

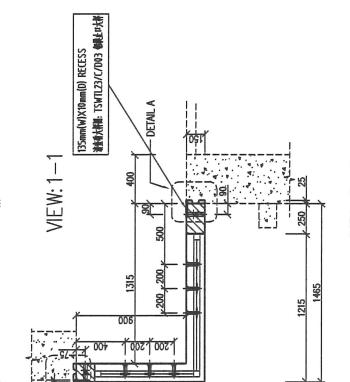
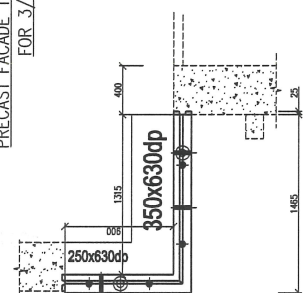


SEC: B-B

SEC: A-A

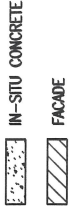


PRECAST FACADE TYPE T2PF-27
FOR 3/F



SEC: 2-2

LEGEND:



REVISION MARK

⊕	LIFTING EYE ANCHOR (5T)	5T吊環
⊕	M16x100 CAST-IN SOCKET	M16x100預埋螺絲
⊕	M12x60 CAST-IN SOCKET	M12x60預埋螺絲
⊕	Ø35 THROUGH HOLE	Ø35 通孔
⊕	Ø30 SAFETY FENCE HOLE	Ø30x400安全圍欄孔
—	15MM EXPOSING BAR	15mm露筋

1. 所有預埋螺絲的20個圈，需作大圈預埋螺絲。

X: REVISION MARK

REV.	DESCRIPTION	DATE	BY
A	EAH 欄杆柱表	2022-07-25	ZY
0	FIRST ISSUE	2022-05-10	ZY

PROJECT:

PROPOSED DEVELOPMENT AT LRT TIN WING STOP AT TIN SHUI WAI ON LOT NO. TSWIL23

CURIE:

BEST VISION DEVELOPMENT LIMITED.

ARCHITECT:

lwk&partners
a r c h i t e c t s

樓宇設計有限公司
LWK & PARTNERS ARCHITECTS
7/F, 402-407, 100, TAT LEE ROAD, HONG KONG
香港新田圍道100號7/F, 402-407室樓宇設計有限公司
九龍尖沙咀彌敦道339號匯豐中心左座15樓

STRUCTURAL ENGINEER:

ARUP

MAIN CONTRACTOR:

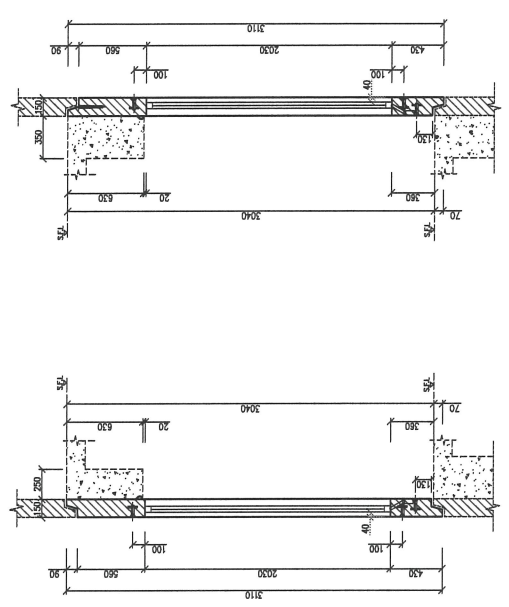
TITLE:

CAST IN LAYOUT FOR TYPE T2PF-27

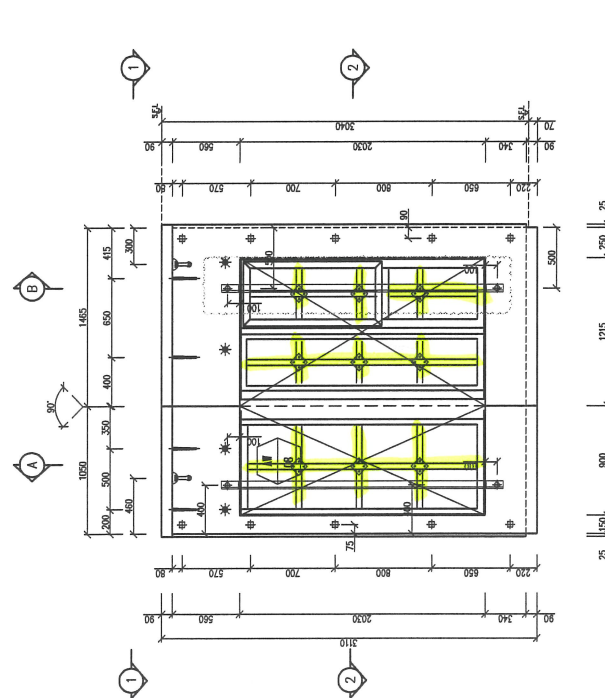
PROJECT NO.	DRAWING NO.	REVISION
	TSWIL23/C/T2PF-27	A
SCALE	DESIGNED	DRAWN
1:40 (AS)		
	CHECKED	APPROVED

PRECAST SUPPLIER:

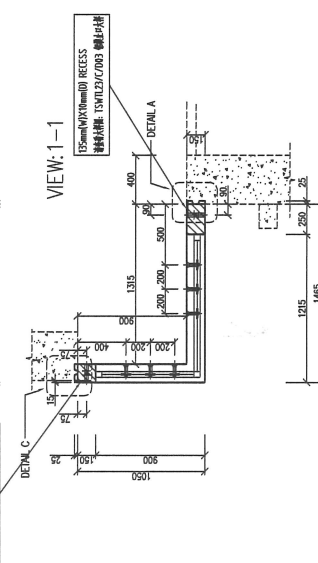
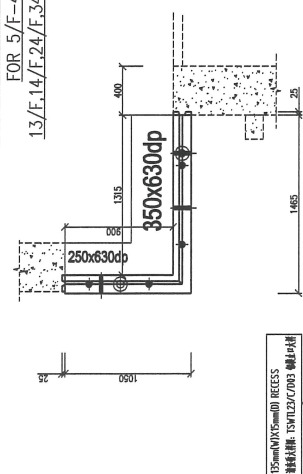
ORIENTINGS PRECAST LTD.
RM 2013, HONG KONG PLAZA
180 HONG KONG ROAD WEST
HONG KONG
Tel: (852) 2559 5765
Fax: (852) 2517 0873



SEC-A-A
SEC-B-B

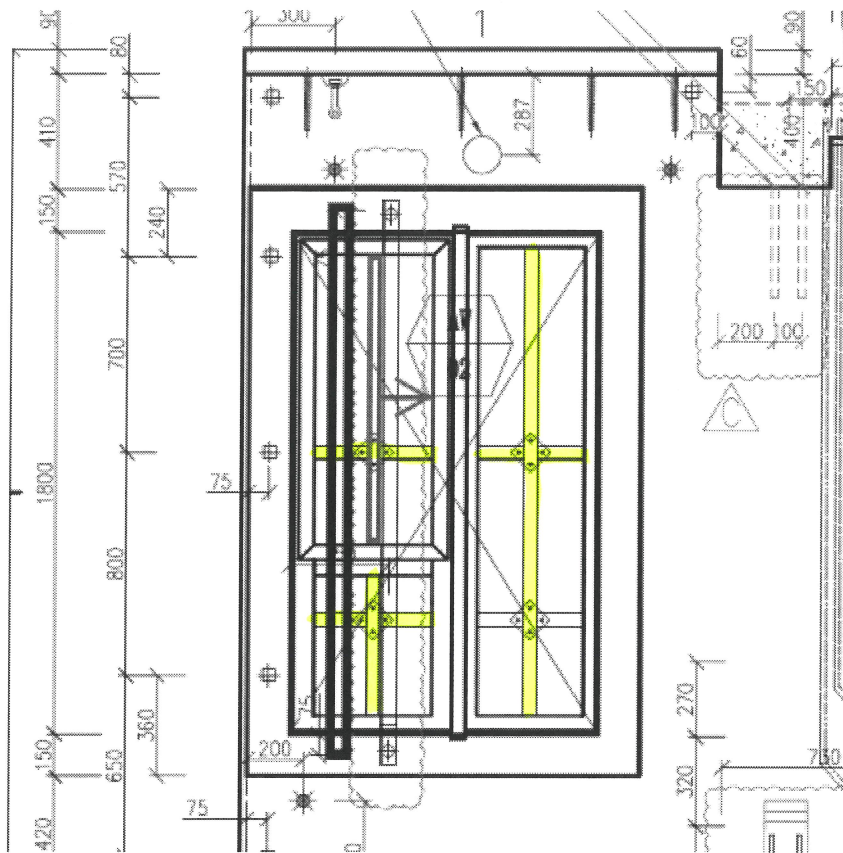


PRECAST FACADE TYPE T2PF-27
FOR 5/F-43/F
13/F, 14/F, 24/F, 34/F OMITTED



VIEW: 1-1
DETAIL A
DETAIL B
DETAIL C

SEC: 2-2



CAD link: <https://we.tl/t-ePsBDyn6ZC>

Best regards
 Cup Ng
 Orientfunds Precast Ltd.
 Tel.: 65013068

From: j856@midiltd.com.hk <j856@midiltd.com.hk>
Sent: Thursday, November 10, 2022 5:13 PM
To: Hung Ho Wing <hwhung@shkp.com>
Cc: TSWTL23 - PC <tswtl23pc@shkp.com>; waiho.hcw.midi@gmail.com;
bear.lch.midi@gmail.com; Ng Ho Fung <cupng@orientfunds.com.hk>
Subject: Re: TSWTL23: Precast Facade Window Safety Barrier (提供CAD file 以加快 mark up 移位)

【External Email】 Be cautious of any links and attachments included.

Dear Wingo
 For your information
 BearLam

From: " hwhung@shkp.com " <hwhung@shkp.com>
To: " j856@midiltd.com.hk " <j856@midiltd.com.hk>
Copies to: " tswtl23pc@shkp.com " <tswtl23pc@shkp.com>,
 " waiho.hcw.midi@gmail.com "
 <waiho.hcw.midi@gmail.com> ,