

工程指示 / 要求簡箋(E.I.)

工程指示編號：EI / 4257 / 22

修改版次：-

工程編號：J - 856

工程名稱：天水圍天榮站

(with 5/22)

工程項目：Trial panel Schuco 門(1 幅)

收件人：峰少/生統

發件人：Eric Liu

日期：07/01/2022

要求提供 / 確認 事項：

- | | | |
|------------------------------------|-------------------------------------|-------------------------------|
| <input type="checkbox"/> 初步鋁料 B.M. | <input type="checkbox"/> 加工拆圖，然後生產 | <input type="checkbox"/> 尺寸表 |
| <input type="checkbox"/> 正式鋁料 B.M. | <input type="checkbox"/> 技術上資料 / 指示 | <input type="checkbox"/> 報價 |
| <input type="checkbox"/> 配件 B.M. | <input type="checkbox"/> 樣辦或貨品說明書 | <input type="checkbox"/> 分判合約 |

內容：

請按圖紙提供加工圖及生產 Schuco 門 1 幅

(with CAD)

T3, Flat A5 現場 mock up 位置

謝謝

請在 2022.01.10 前完成上列要求。

附：

以上項目為：

- 原合約工程包 原合約工程加 / 減賬 新工程報價

原因：-

分發東莞各部門：

- | | | | |
|--|--|--|--|
| <input type="checkbox"/> 生產技術總監 <input type="checkbox"/> 連附件 | <input type="checkbox"/> 技術部 <input type="checkbox"/> 連附件 | <input type="checkbox"/> 生產部 <input type="checkbox"/> 連附件 | <input type="checkbox"/> 機械設計部 <input type="checkbox"/> 連附件 |
| <input type="checkbox"/> 採購部 <input type="checkbox"/> 連附件 | <input checked="" type="checkbox"/> 生產統籌部 <input type="checkbox"/> 連附件 | <input type="checkbox"/> 小羅 & 清 <input type="checkbox"/> 連附件 | |
| <input type="checkbox"/> 質檢部 <input type="checkbox"/> 連附件 | <input type="checkbox"/> 會計部 <input type="checkbox"/> 連附件 | <input type="checkbox"/> 報關組 <input type="checkbox"/> 連附件 | <input checked="" type="checkbox"/> 其他 峰少 <input type="checkbox"/> 連附件 |

分發其他分判：

- 水洪 連附件

分發香港各部門：

- | | | | |
|---|--|---|--|
| <input type="checkbox"/> 行政部 <input type="checkbox"/> 連附件 | <input type="checkbox"/> 會計部 <input type="checkbox"/> 連附件 | <input type="checkbox"/> 統籌部 <input type="checkbox"/> 連附件 | <input type="checkbox"/> 工程部地盤科文 <input type="checkbox"/> 連附件 |
| <input type="checkbox"/> 採購部 <input type="checkbox"/> 連附件 | <input type="checkbox"/> QS 部 <input type="checkbox"/> 連附件 | <input type="checkbox"/> 維修部 <input type="checkbox"/> 連附件 | <input type="checkbox"/> 其他 _____ <input type="checkbox"/> 連附件 |

傳遞編號：

HK 0046 / 22

發件人簽署：

項目經理簽署：

B.D. REF :

CLIENT : **SUN HUNG KAI**
REAL ESTATE AGENT LTD.
1575 SUN HUNG KAI CENTRAL, WONGAI, HONGKONG

ARCHITECT : **lwk&partners**
a r c h i t e c t s

MAIN CONTRACTOR : **裕輝建築有限公司**
Yee Fai Building Contractors Ltd.

STRUCTURAL ENGINEER : **ARUP**

FACADE CONSULTANT : **α ALPHA CONSULTING LIMITED**
Steel Structure & Facade Specialist

NOTE :
1. ALL DIMENSIONS ARE IN mm.
2. ALL ELEVATIONS ARE VIEWED FROM OUTSIDE.
3. ALL DIMENSIONS TO BE VERIFIED ON SITE BEFORE FABRICATION.

LEGEND :
A1 DETAIL MARK NO.
REF SHEET NO.
1. F.F.L. --- FINISHED FLOOR LEVEL
2. S.F.L. --- STRUCTURAL FLOOR LEVEL
3. (R) --- REVERSED DETAIL
4. GLASS LEGEND

EQ1-1 --- 8mm/65+12mm AIR GAP+10mm/TP THK. I.G.U.
EQ2-2 --- 10mm THK. CLEAR TEMPERED GLASS
EQ3-4 --- 10mm THK. TEMPERED ACID ETCHED GLASS
EQ4-1A --- 8mm/15+12mm AIR GAP+10mm/TP THK. I.G.U.

B	23/7/2021	REVISION SUBJECT TO AMENDMENT	REV
A	10/7/2021	REVISION SUBJECT TO AMENDMENT	REV
NO.	DATE	REVISION	BY

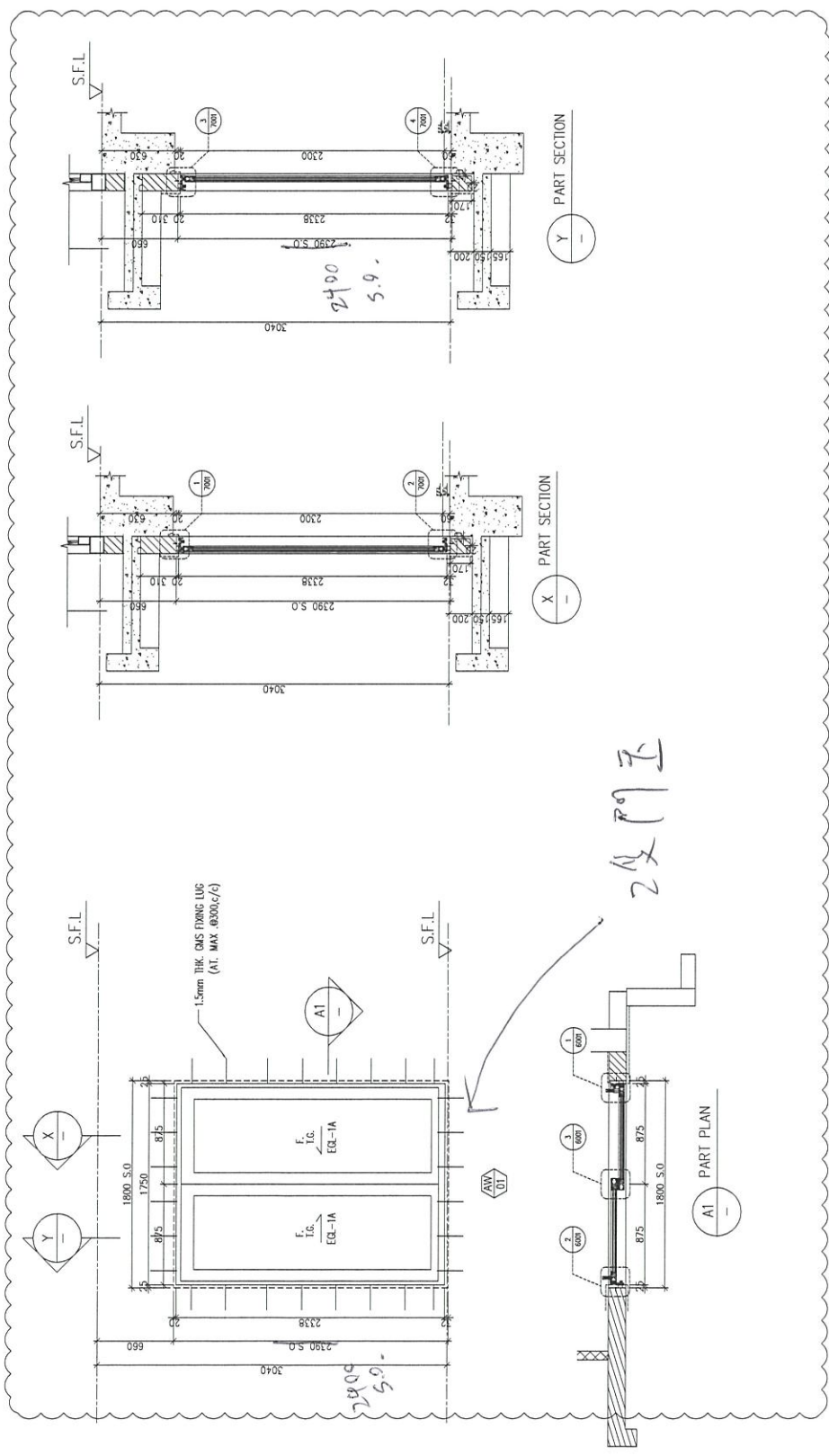
JOB NO. : J-856

PROJECT : PROPOSED DEVELOPMENT ABOVE LIGHT RAIL TRAM WING STOP, ISWFL NO.2, AREA 33, TIN SHUI WAI, N.T.

TITLE : WINDOW SCHEDULE FOR TOWER 3 IN-SITU WINDOW

DWG. NO. : 02-Aug-21 SCALE : 1:40

DRAWN BY : ivon CHECKED BY : **美特鋁質有限公司**
MIDI ALUMINIUM MANUFACTURE LTD.
Units 6-8, Sunny Industrial Centre, 1/F
410 Kwai Lung Road, Kwun Tong
Kowloon
Tel: 2428211-4 Fax: (852) 2727666
DWG. NO. : 0856-SD-1W-5304 REV. : B



ELEVATION

WINDOW MARK	AW 01
LOCATION	3/F~42/F (4/F, 13/F, 14/F, 24/F, 34/F OMITTED) UNIT A2, A5, B1
SECTION	70mm ALUM. SECTION
GLAZING	EGL-1A
QUANTITY	35 Nos/35 Nos/35 Nos
REMARKS	FACADE (TYPE T3PF08 FOR 3/F~42/F)

B.D. REF :

CLIENT :

SUN HUNG KAI
REAL ESTATE AGENCY LTD.
427 SUN HUNG KAI CENTRE, WANCHAI, HONGKONG

ARCHITECT :

lwk&partners
A R C H I T E C T S

MAIN CONTRACTOR :

怡和建築有限公司
Yee Fai Building Contractor Ltd.

STRUCTURAL ENGINEER :

ARUP

FAÇADE CONSULTANT:

α ALPHA CONSULTING LIMITED
Steel Structure & Façade Specialists

NOTE :

1. ALL DIMENSIONS ARE IN mm.
2. ALL ELEVATIONS ARE MEASURED FROM OUTSIDE.
3. ALL DIMENSIONS TO BE VERIFIED ON SITE BEFORE FABRICATION.

LEGEND :

- ① METAL MARK NO.
 - ② REFER SHEET NO.
 - 1. F.F.L. --- FINISHED FLOOR LEVEL
 - 2. S.F.L. --- STRUCTURAL FLOOR LEVEL
 - 3. Ⓞ --- REVERSED DETAIL
 - 4. GLASS LEGEND
- EGL-1 --- 6mm+5+12mm AIR GAP+6mm(P) THK. I.G.U.
EGL-2 --- 10mm THK. CLEAR TEMPERED GLASS
EGL-4 --- 10mm THK. TEMPERED ACID ETCHED GLASS

REV	DATE	REVISION SUBJECT TO AMENDMENT
A	23/11/2021	ISSUED

JOB NO. : J-856

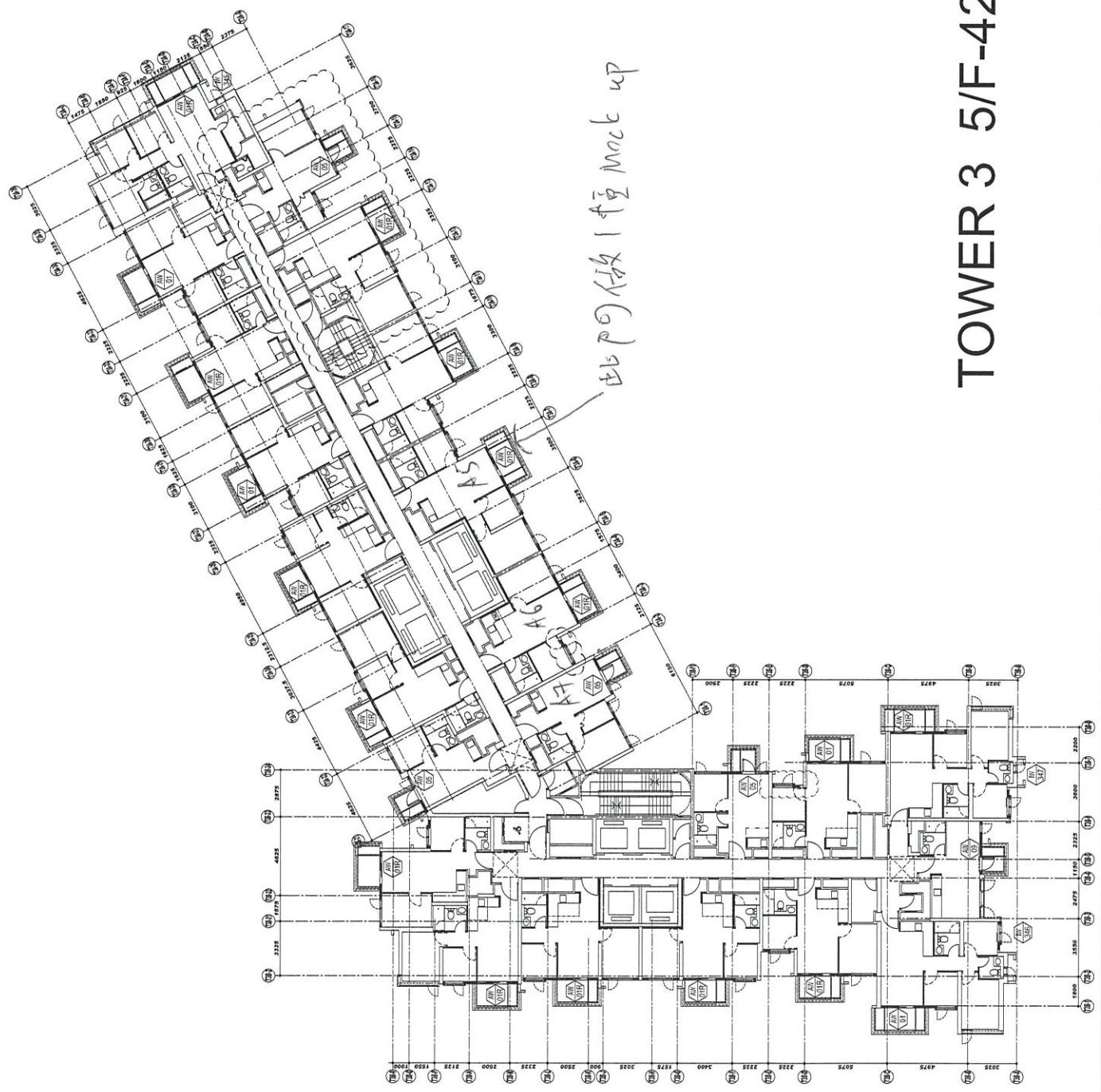
PROJECT :
PROPOSED DEVELOPMENT ABOVE
LIGHT RAIL TIN WING STOP, TSWIL
NO.23-AREA 33, TIN SHUI WAI, N.T.

TITLE :
PLAN FOR IN-SITU WINDOW
AT TOWER 3

DATE : 02-Aug-21 SCALE : 1:40

DRAWN BY : Ivan CHECKED BY :

美特鋁質有限公司
MTD ALUMINUM FABRICATOR LTD.
11/F, 110-112, S. YIP ROAD, KWUN TONG, HONG KONG
610 Cha Kwo Ling Road, Kowloon
Tel: (852) 2727656
DWG NO. : JB56-SD-IW-3302 REV. : A



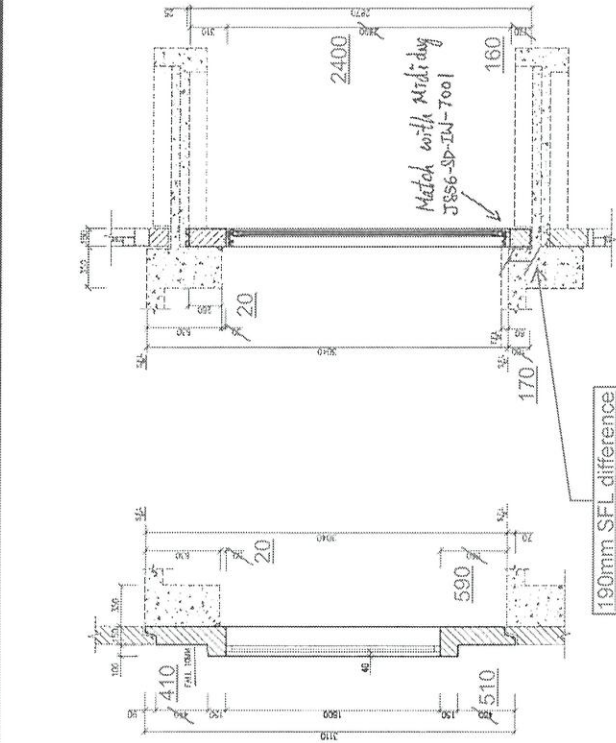
此門做1樞Mock up

TOWER 3 5/F-42/F

LEGEND:

IN-SITU CONCRETE

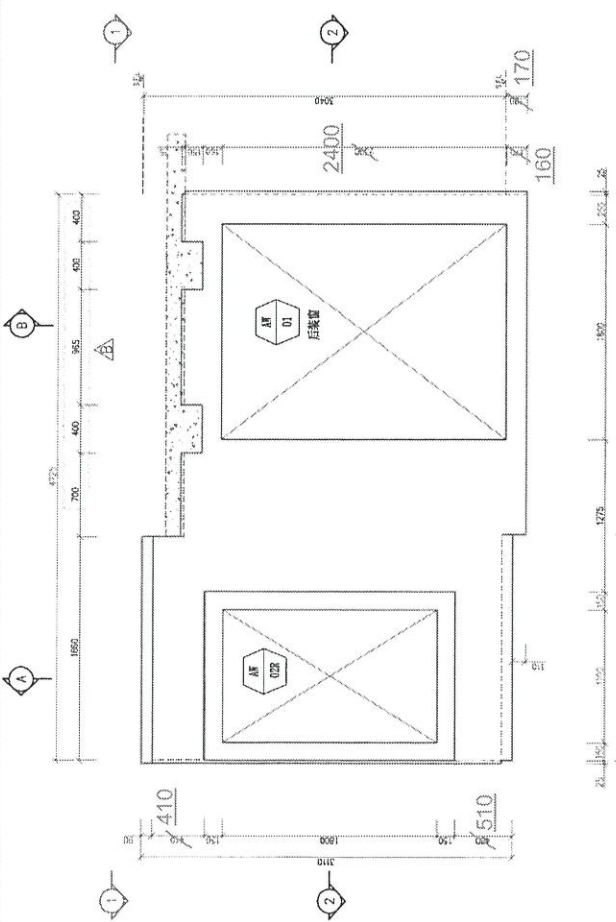
FACADE



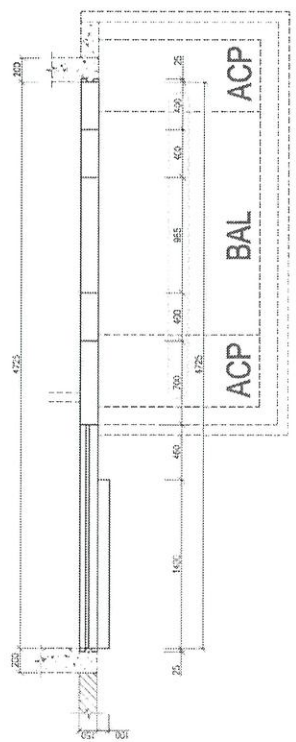
SEC-A-A

SEC-B-B

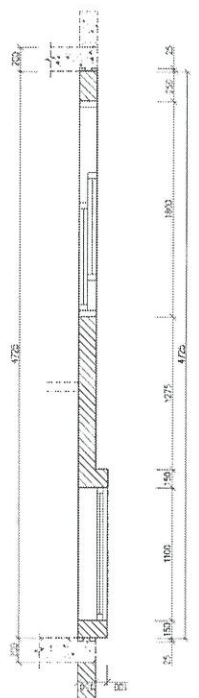
190mm SFL difference



MOCK UP - PRECAST FACADE TYPE T3FF10
FOR 5/F, 6/F AT TOWER 3 FLAT A5



VIEW: 1-1



SEC-2-2

REV	DESCRIPTION	DATE	BY
B	2021-11-19	2021-11-22	SFH
A	2021-11-05	2021-11-08	SFH
0	FIRST ISSUE	2021-08-28	SFH

PROJEC
PROPOSED DEVELOPMENT AT LRT TN WBIG
STEP AT TN SHU WBIG ON LOENOTSUKWIL23

CLIENT
BEST VISION DEVELOPMENT LIMITED.

ARCHITECT
lwk&partners
a r c h i t e c t s

1/F, 2/F, 3/F, 4/F, 5/F, 6/F, 7/F, 8/F, 9/F, 10/F, 11/F, 12/F, 13/F, 14/F, 15/F, 16/F, 17/F, 18/F, 19/F, 20/F, 21/F, 22/F, 23/F, 24/F, 25/F, 26/F, 27/F, 28/F, 29/F, 30/F, 31/F, 32/F, 33/F, 34/F, 35/F, 36/F, 37/F, 38/F, 39/F, 40/F, 41/F, 42/F, 43/F, 44/F, 45/F, 46/F, 47/F, 48/F, 49/F, 50/F, 51/F, 52/F, 53/F, 54/F, 55/F, 56/F, 57/F, 58/F, 59/F, 60/F, 61/F, 62/F, 63/F, 64/F, 65/F, 66/F, 67/F, 68/F, 69/F, 70/F, 71/F, 72/F, 73/F, 74/F, 75/F, 76/F, 77/F, 78/F, 79/F, 80/F, 81/F, 82/F, 83/F, 84/F, 85/F, 86/F, 87/F, 88/F, 89/F, 90/F, 91/F, 92/F, 93/F, 94/F, 95/F, 96/F, 97/F, 98/F, 99/F, 100/F

STRUCTURAL ENGINEER

WORK CONTRACTOR

TITLE
MOCK UP - CONCRETE LAYOUT FOR TYPE T3FF10

PROJECT NO	ISSUE NO	REVISION
TSWTL23/AB17-3PFI0		B

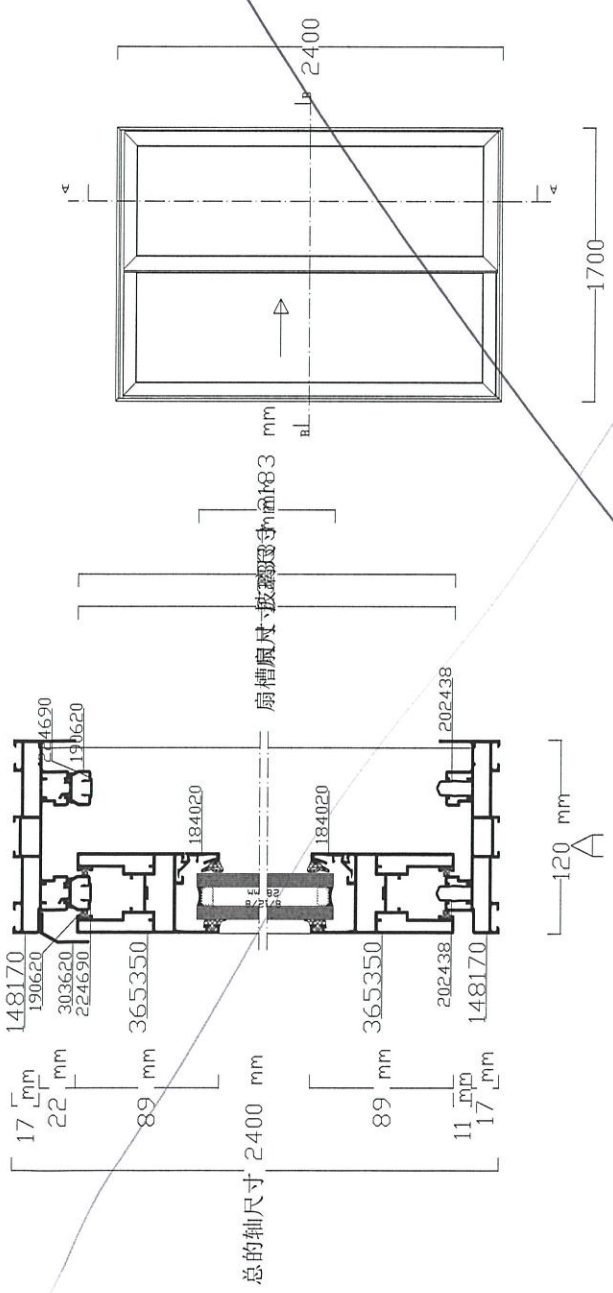
SCALE
1:40
(A5)

DESIGNED
CHECKED
APPROVED

PRECAST SUPPLIER:
ORIENTALUS PRECAST LTD.
RM 2013, 1/F, 2/F, KONG PLAZA
100, CONRAD ROAD WEST
HONG KONG
TEL: (852) 2559 5285
FAX: (852) 2813 0573

LWK comments
on 2021.12.14

trial panel 透(明)
不是全板



玻璃尺寸 714 mm 玻璃尺寸 714 mm

扇尺寸 864 mm 扇槽尺寸 864 mm
扇槽尺寸 864 mm 扇槽尺寸 864 mm

比例 1:10
外部
DIN EN 12519

