

工程指示 / 要求簡箋(E.I.)

工程指示編號：EI / 4257 / 22

修改版次：A

工程編號：J - 856

工程名稱：天水圍天榮站

工程項目：Trial panel Schuco 門(1 幅+新增 1 幅)

收件人：峰少/生統

發件人：Eric Liu

日期：10/02/2022

□要求提供 / □確認 事項：

- | | | |
|------------------------------------|-------------------------------------|-------------------------------|
| <input type="checkbox"/> 初步鋁料 B.M. | <input type="checkbox"/> 加工拆圖，然後生產 | <input type="checkbox"/> 尺寸表 |
| <input type="checkbox"/> 正式鋁料 B.M. | <input type="checkbox"/> 技術上資料 / 指示 | <input type="checkbox"/> 報價 |
| <input type="checkbox"/> 配件 B.M. | <input type="checkbox"/> 樣辦或貨品說明書 | <input type="checkbox"/> 分判合約 |

內容：

A 版: 1) 提供更新大圖，請覆核加工尺寸 (5th Trestle window shop drawing)

2) 按大判電郵通知，增加 A6 單位做 mock up, 需要做多一幅 schuco 趟門，請按大圖生產
此趟門共需做 2 幅

請按圖紙提供加工圖及生產 Schuco 門 1 幅

2 幅門 於 2 月尾出隻

T3, Flat A5 現場 mock up 位置

謝謝

請在 2022. 前完成上列要求。

附：

以上項目為：

- | | | |
|---------------------------------|--------------------------------------|--------------------------------|
| <input type="checkbox"/> 原合約工程包 | <input type="checkbox"/> 原合約工程加 / 減賬 | <input type="checkbox"/> 新工程報價 |
|---------------------------------|--------------------------------------|--------------------------------|

原因：-

分發東莞各部門：

- | | | | | | | | |
|---------------------------------|------------------------------|-------------------------------------------|-----------------------------------------|------------------------------------------|------------------------------|----------------------------------------|-----------------------------------------|
| <input type="checkbox"/> 生產技術總監 | <input type="checkbox"/> 連附件 | <input type="checkbox"/> 技術部 | <input type="checkbox"/> 連附件 | <input type="checkbox"/> 生產部 | <input type="checkbox"/> 連附件 | <input type="checkbox"/> 機械設計部 | <input type="checkbox"/> 連附件 |
| <input type="checkbox"/> 採購部 | <input type="checkbox"/> 連附件 | <input checked="" type="checkbox"/> 生產統籌部 | <input checked="" type="checkbox"/> 連附件 | <input checked="" type="checkbox"/> 小羅&清 | <input type="checkbox"/> 連附件 | | |
| <input type="checkbox"/> 質檢部 | <input type="checkbox"/> 連附件 | <input type="checkbox"/> 會計部 | <input type="checkbox"/> 連附件 | <input type="checkbox"/> 報關組 | <input type="checkbox"/> 連附件 | <input checked="" type="checkbox"/> 其他 | <input checked="" type="checkbox"/> 連附件 |

分發其他分判：

- | | |
|----------------------------------------|------------------------------|
| <input checked="" type="checkbox"/> 水洪 | <input type="checkbox"/> 連附件 |
|----------------------------------------|------------------------------|

分發香港各部門：

- | | | | | | | | |
|------------------------------|------------------------------|-------------------------------|------------------------------|------------------------------|------------------------------|----------------------------------|------------------------------|
| <input type="checkbox"/> 行政部 | <input type="checkbox"/> 連附件 | <input type="checkbox"/> 會計部 | <input type="checkbox"/> 連附件 | <input type="checkbox"/> 統籌部 | <input type="checkbox"/> 連附件 | <input type="checkbox"/> 工程部地盤科文 | <input type="checkbox"/> 連附件 |
| <input type="checkbox"/> 採購部 | <input type="checkbox"/> 連附件 | <input type="checkbox"/> QS 部 | <input type="checkbox"/> 連附件 | <input type="checkbox"/> 維修部 | <input type="checkbox"/> 連附件 | <input type="checkbox"/> 其他 | <input type="checkbox"/> 連附件 |

傳遞編號：

HK 0222 / 22

發件人簽署：

項目經理簽署：

From: "hwhung@shkp.com" <hwhung@shkp.com>
To: "jason.lcs.midi@gmail.com" <jason.lcs.midi@gmail.com>, "j856@midiltd.com.hk" <j856@midiltd.com.hk>, "cupng@orientfunds.com.hk" <cupng@orientfunds.com.hk>, "vitalam@orientfunds.com.hk" <vitalam@orientfunds.com.hk>, "raymondleung@orientfunds.com.hk" <raymondleung@orientfunds.com.hk>
Subject: FW: [External Email] TWS - Off-site Precast Facade Mock-up (For discussion first)
Date sent: Tue, 25 Jan 2022 06:11:58 +0000
Copies to: "tswtl23pc@shkp.com" <tswtl23pc@shkp.com>

Dear Jason,

For discussion Mock up 原T3 Flat A5 再加多一個單位T3 flat A6, 鋁窗/預製件 T3PF07,T3PF08 安排生產及送料到沙埔安裝
請先報告涉及增加後之生產時間更新Programme 安排.
列出清單再由業主指示最終安排

Regards,

Wingo
95524188

From: Timothy Ng Kwun To <timothyng@shkp.com>
Sent: Tuesday, January 25, 2022 11:50 AM
To: TSWTL23 - PC <tswtl23pc@shkp.com>; TSWTL23 - M&E <tswtl23me@shkp.com>; Hung Ho Wing <hwhung@shkp.com>; Mike Chau Chun Yu <mikechau@shkp.com>
Subject: FW: [External Email] TWS - Off-site Precast Facade Mock-up

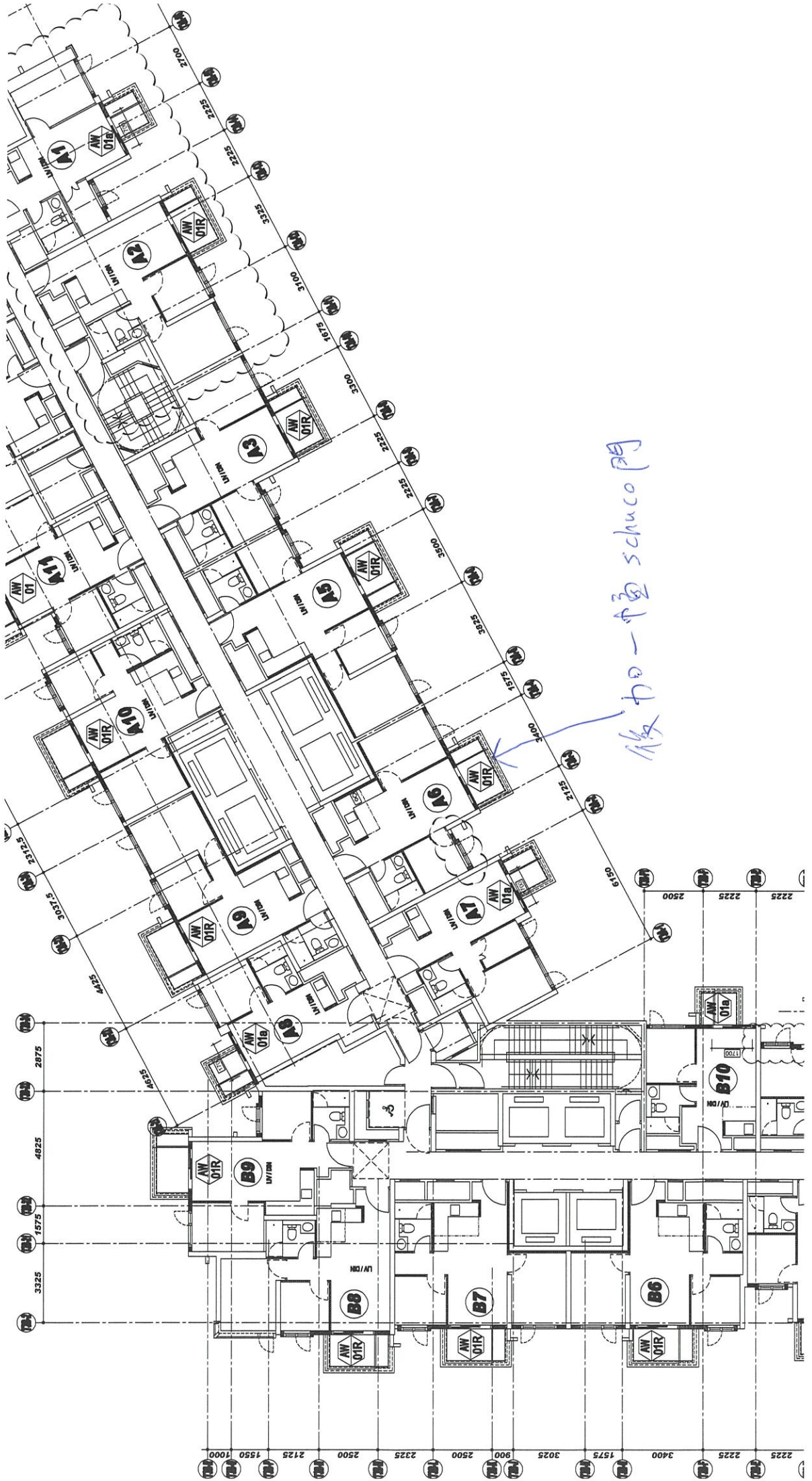
fyi

From: CHAN Dorothy Wan Heung (陳雲香) <DWHCHAN@mtr.com.hk >
Sent: Tuesday, January 25, 2022 11:33 AM
To: Lai Chi Cheung <laichicheung@shkp.com>; Jonathan Chan Fuk Keung <jonathanfkchan@shkp.com>; Petrina Cheung Long Ying <lypcheung@shkp.com >; Cheng Shu Yan <sycheng@shkp.com>; Timothy Ng Kwun To <timothyng@shkp.com>; Bryant Kam <bryantkam@lwkp.com>
Cc: CHAN Tony Chiu Yin (陳釗賢) <TCYCHAN@mtr.com.hk>; LEE Sam Wing Fai (李榮輝) <WFLEE@mtr.com.hk>; PO William Kin Wah (布健華) <WKWPO@mtr.com.hk>
Subject: RE: [External Email] TWS - Off-site Precast Facade Mock-up

Dear Chi,

Please find our comments of the subject draft proposal for your subsequent formal submission:

1. The extent, flat type > please include A6 (as it represent the majority of the development) and include 300mm extend from the return to show the interface of finishes at A5, see markup below.



增加一扇schuco門

B.D. REF :

CLIENT : **SUN HUNG KAI REAL ESTATE DEVELOPMENT LTD.**
4277 SUN HUNG KAI CENTRE, MANDALAY, HONGKONG

ARCHITECT : **lw&partners architects**

MAIN CONTRACTOR : **怡輝建築有限公司**
Yee Fui Building Contractors Ltd.

STRUCTURAL ENGINEER : **ARUP**

FAÇADE CONSULTANT : **ALPHA CONSULTING LIMITED**
Steel Structure & Façade Specialist

NOTE :

1. ALL DIMENSIONS ARE IN mm.
2. ALL ELEVATIONS ARE VIEWED FROM OUTSIDE.
3. ALL DIMENSIONS TO BE VERIFIED ON SITE BEFORE FABRICATION.

LEGEND :

(X1) --- DETAIL MARK NO.
(200) --- REFER SHEET NO.

1. F.F.L. --- FINISHED FLOOR LEVEL.
2. S.F.L. --- STRUCTURAL FLOOR LEVEL.
3. (R) --- REVERSED DETAIL.
4. GLASS LEGEND

EGL-1 --- 8mmHS+12mm AIR GAP+10mmTP THK. IG.U.
EGL-2 --- 10mm THK. CLEAR TEMPERED GLASS
EGL-3 --- 10mm THK. TEMPERED ACID ETCHED GLASS
EGL-4 --- 6mmHS+12mm AIR GAP+8mmTP THK. IG.U.

NO.	DATE	REVISION SUBJECT TO AMENDMENT
A	10/01/2021	REVISION SUBJECT TO AMENDMENT
REVISED		

JOB NO. : J-856

PROJECT : PROPOSED DEVELOPMENT ABOVE LIGHT RAIL TIN WING STOP-TS/WTL NO.23 AREA 33, TIN SHUI WAI, N.T.

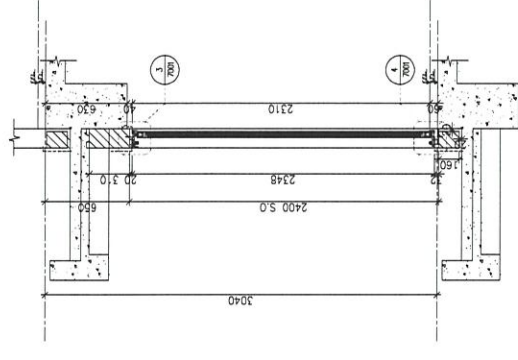
TITLE : WINDOW SCHEDULE FOR TOWER 1 IN-SITU WINDOW

DATE : 02-Aug-21 SCALE : 1:40

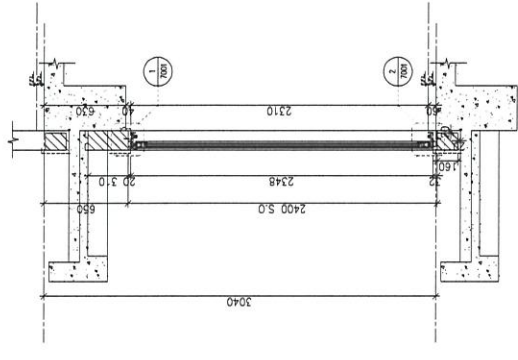
DRAWN BY : Ivan CHECKED BY :

美特鋁質有限公司
M.T. Aluminium Fabrication Co., Ltd.
610 Cheung Kwong Road, Kwai Moon
Tel: 23489211-4 Fax: (852) 2727656

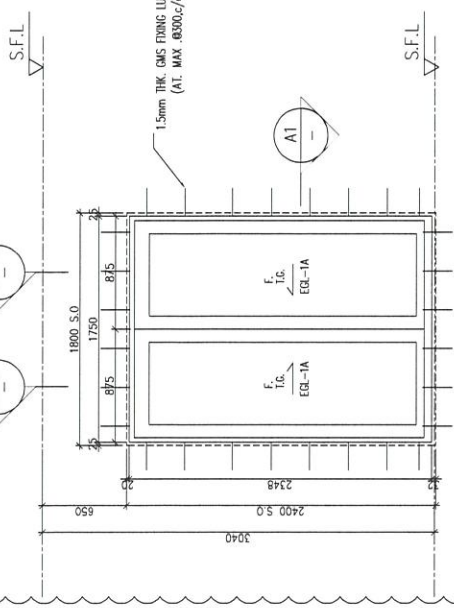
DWG NO. : JB56-SD-IW-5102 REV. : B



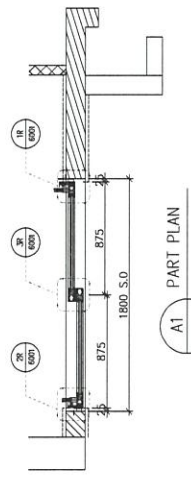
PART SECTION X



PART SECTION Y



PART PLAN



PART PLAN

AS + A6 單位
各做一樞
共 2 樞

ELEVATION

WINDOW MARK	AW 012
LOCATION SECTION	3/F-42/F(4/F,13/F,14/F,24/F,34/F OMITTED) UNIT B3,A2,A5
GLAZING	70mm ALUM. SECTION
QUANTITY	EGL-1A
REMARKS	35 Nos./35 Nos./35 Nos. FAÇADE(TYPE T1PF02 FOR 3/F~42/F)

B.D. REF :

CLIENT : **SUN HUNG KAI**
REAL ESTATE DEVELOPMENT LTD.
427 SUN HUNG KAI CENTRE, MANCHESTER, HONGKONG

ARCHITECT : **lw&partners**
architects

MAIN CONTRACTOR : **怡輝建築有限公司**
Yee Fui Building Construction Ltd.

STRUCTURAL ENGINEER : **ARUP**

FAÇADE CONSULTANT : **ALPHA CONSULTING LIMITED**
Steel Structures & Façade Specialist

NOTE :
1. ALL DIMENSIONS ARE IN mm.
2. ALL ELEVATIONS ARE VIEWED FROM OUTSIDE.
3. ALL DIMENSIONS TO BE VERIFIED ON SITE BEFORE FABRICATION.

LEGEND :
X1 --- DETAIL MARK NO.
R50 --- REFER SHEET NO.
1. F.F.L. --- FINISHED FLOOR LEVEL
2. S.F.L. --- STRUCTURAL FLOOR LEVEL
3. (R) --- REVERSED DETAIL
4. GLASS LEGEND

EGL-1 --- 8mmHS12mm AIR GAP+10mmTP THK. LGU
EGL-2 --- 8mmHS12mm AIR GAP+10mmTP THK. TCU
EGL-3 --- 10mm THK. CLEAR TEMPERED GLASS
EGL-4 --- 10mm THK. TEMPERED ACID ETCHED GLASS

NO.	DATE	REVISION
B	24/7/2021	REVISION SUBJECT TO APPROVALMENT
A	10/7/2021	REVISION SUBJECT TO APPROVALMENT

JOB NO. : J-B56

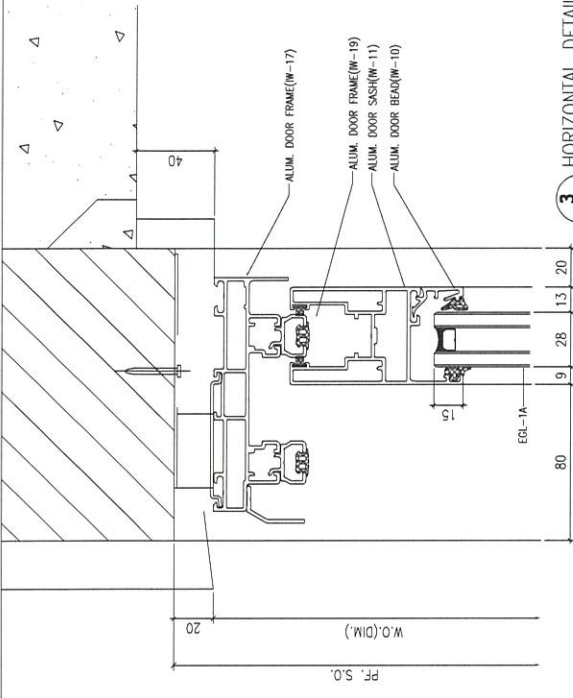
PROJECT :
PROPOSED DEVELOPMENT ABOVE
LIGHT RAIL TIN WING STOP-TSWTL
NO.23-AREA 33,TIN SHUI WAI, N.T.

TITLE :
TYPICAL DETAILS FOR
IN-SITU WINDOW

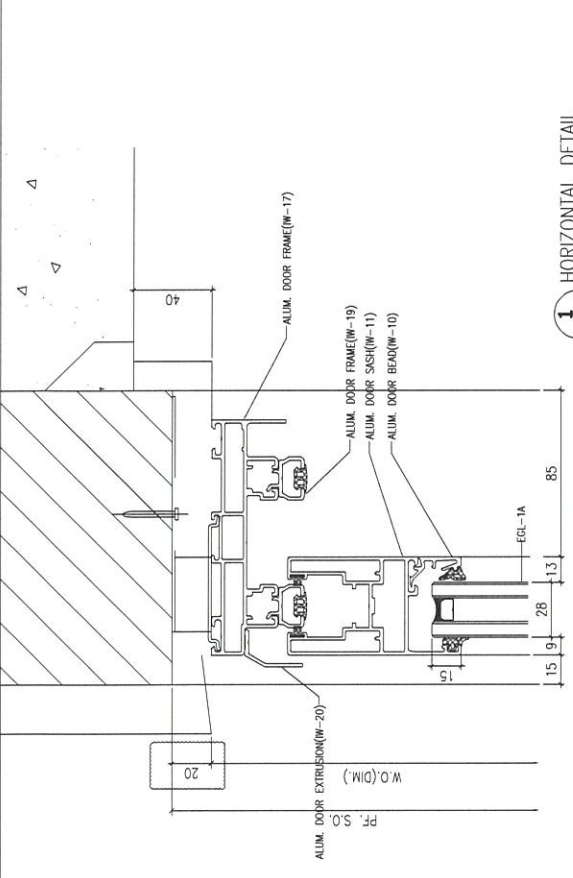
DATE : 02-Aug-21
SCALE : 1:40

DRAWN BY : Notm
CHECKED BY :

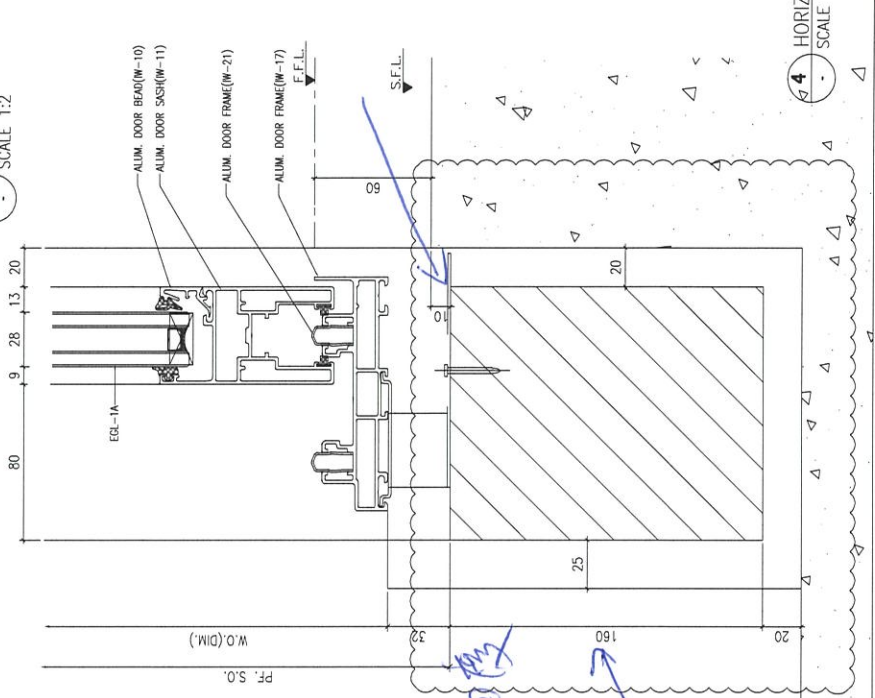
WONG NO. : 4856-SD-W-7001
REV. : B



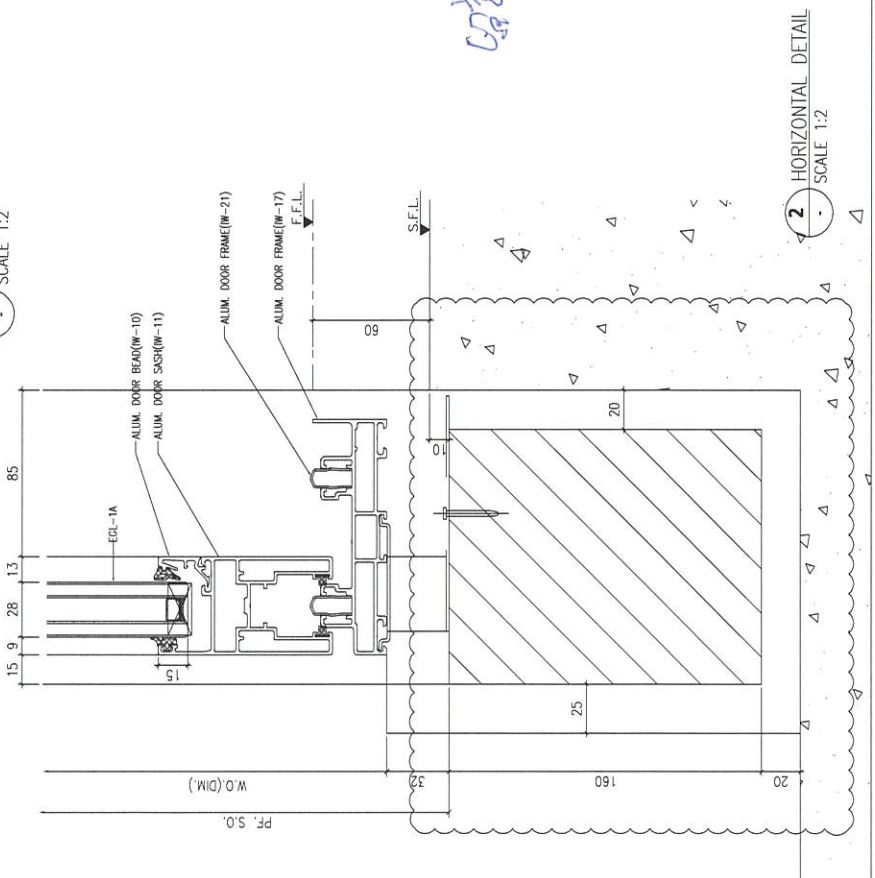
1 HORIZONTAL DETAIL
SCALE 1:2



2 HORIZONTAL DETAIL
SCALE 1:2



3 HORIZONTAL DETAIL
SCALE 1:2



4 HORIZONTAL DETAIL
SCALE 1:2

門窗

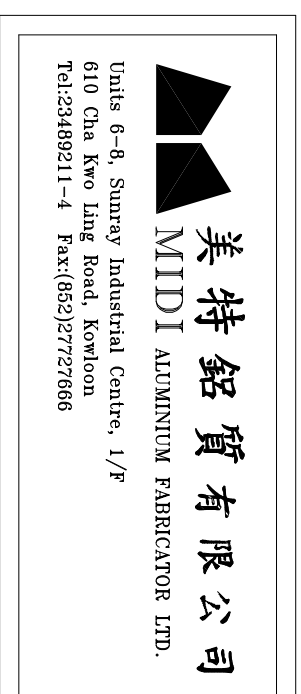
PROJECT :

PROPOSED DEVELOPMENT ABOVE
LIGHT RAIL TIN WING STOP, TSWTL
NO.23, AREA 33, TIN SHUI WAI, N.T.

5

SHOP DRAWING FOR IN-SITU WINDOW OF TOWER

DATE: 04-FEB-22



NO.	DATE	REVISED	BY
C	20/01/2022	REVISION SUBJECT TO ARCH.COMMENT	lvon
B	24/11/2021	REVISION SUBJECT TO ARCH.COMMENT	lvon
A	16/11/2021	REVISION SUBJECT TO ARCH.COMMENT	lvon

DWG. NO. : J856-SD-IW-0000 REV. : C

DRAWING SUBMISSION REGISTER

PROJECT: PROPOSED DEVELOPMENT ABOVE LIGHT RAIL TIN WING STOP, TSWTL NO.23, AREA 33, TIN SHUI WAI, N. T.	TITLE: IN-SITU WINDOW OF TOWER SHOPDRAWING SUBMISSION				DATE OF ISSUE				SUBMISSION STATE (FOR B.D / A.S.D)			SUBMISSION STATE (FOR CLIENT / CONSULTANT)			SUBMISSION STATE (FOR ARCHITECT)			FABRICATION / CONSTRUCTION STATE				
					ISSUE	1	2	3	4	AP - APPROVED	AC - APPROVED SUB. TO CONDITION	NA - NOT APPROVED	AP - APPROVED	AC - APPROVED SUB. TO CONDITION	NA - NOT APPROVED	AP - APPROVED	AC - APPROVED SUB. TO CONDITION	NA - NOT APPROVED	ISSUE TO CHINA OFFICE	ISSUE TO SITE	ISSUE TO SUB-CONTRACTOR	
					DAY	15	16	24	13	MONTH	9	11	11	1	YEAR	21	21	21	22			
DWG. NO.	DRAWING TITLE				REVISIONS				COMMENT DATE	REV.	STATE	COMMENT DATE	REV.	STATE	COMMENT DATE	REV.	STATE	REV.	DATE	REV.	DATE	
COVER PAGE	J856-SD-IW-0000	-	A	B	C																	
DRAWING REGISTER	J856-SD-IW-0001	-	A	B	C																	
DRAWING REGISTER	J856-SD-IW-0002	-																				
DRAWING REGISTER	J856-SD-IW-0003	-	A	B	C																	
DRAWING REGISTER	J856-SD-IW-0004	-	A	B	C																	
DRAWING REGISTER	J856-SD-IW-0005	-																				
DRAWING REGISTER	J856-SD-IW-0006	-																				
DRAWING REGISTER	J856-SD-IW-0007	-	A	B	C																	
GENERAL NOTES FOR IN-SITU WINDOW	J856-SD-IW-0N01	-	-	-																		
EXTRUSION LIST FOR IN-SITU WINDOW	J856-SD-IW-1101	-	A	A	A																	
EXTRUSION LIST FOR IN-SITU WINDOW	J856-SD-IW-1102	-	A	A	A																	
EXTRUSION LIST FOR IN-SITU WINDOW	J856-SD-IW-1103	-																				
PLAN FOR IN-SITU WINDOW ATTOWER 1	J856-SD-IW-3101	-	A	B	C																	
PLAN FOR IN-SITU WINDOW ATTOWER 1	J856-SD-IW-3102	-			A	B																
PLAN FOR IN-SITU WINDOW ATTOWER 1	J856-SD-IW-3103	-																				
PLAN FOR IN-SITU WINDOW ATTOWER 1	J856-SD-IW-3104	-																				
PLAN FOR IN-SITU WINDOW ATTOWER 1	J856-SD-IW-3105	-																				
PLAN FOR IN-SITU WINDOW ATTOWER 2	J856-SD-IW-3201	-	A	B	C																	
PLAN FOR IN-SITU WINDOW ATTOWER 2	J856-SD-IW-3202	-			A	B																
PLAN FOR IN-SITU WINDOW ATTOWER 2	J856-SD-IW-3203	-																				
PLAN FOR IN-SITU WINDOW ATTOWER 2	J856-SD-IW-3204	-																				
PLAN FOR IN-SITU WINDOW ATTOWER 2	J856-SD-IW-3205	-																				
PLAN FOR IN-SITU WINDOW ATTOWER 3	J856-SD-IW-3301	-	A	B	C																	
PLAN FOR IN-SITU WINDOW ATTOWER 3	J856-SD-IW-3302	-			A	B																
PLAN FOR IN-SITU WINDOW ATTOWER 3	J856-SD-IW-3303	-																				
PLAN FOR IN-SITU WINDOW ATTOWER 3	J856-SD-IW-3304	-																				
PLAN FOR IN-SITU WINDOW ATTOWER 3	J856-SD-IW-3305	-																				
PLAN FOR IN-SITU WINDOW ATTOWER 3	J856-SD-IW-3306	-																				
PLAN FOR IN-SITU WINDOW ATTOWER 3	J856-SD-IW-3307	-																				
WINDOW SCHEDULE FOR TOWER 1 IN-SITU WINDOW	J856-SD-IW-5101	-	A	B	B																	
WINDOW SCHEDULE FOR TOWER 1 IN-SITU WINDOW	J856-SD-IW-5102	-	A	B	B																	
WINDOW SCHEDULE FOR TOWER 1 IN-SITU WINDOW	J856-SD-IW-5103	-	A	B	B																	
WINDOW SCHEDULE FOR TOWER 1 IN-SITU WINDOW	J856-SD-IW-5104	-	A	B	C																	
WINDOW SCHEDULE FOR TOWER 1 IN-SITU WINDOW	J856-SD-IW-5105	-	A	B	B																	
WINDOW SCHEDULE FOR TOWER 1 IN-SITU WINDOW	J856-SD-IW-5106	-	A	B	C																	
WINDOW SCHEDULE FOR TOWER 1 IN-SITU WINDOW	J856-SD-IW-5107	-	A	B	B																	
WINDOW SCHEDULE FOR TOWER 1 IN-SITU WINDOW	J856-SD-IW-5108	-	A	B	B																	
WINDOW SCHEDULE FOR TOWER 1 IN-SITU WINDOW	J856-SD-IW-5109	-	A	B	B																	
WINDOW SCHEDULE FOR TOWER 1 IN-SITU WINDOW	J856-SD-IW-5110	-	A	B	B																	
WINDOW SCHEDULE FOR TOWER 1 IN-SITU WINDOW	J856-SD-IW-5111	-	A	B	B																	
WINDOW SCHEDULE FOR TOWER 2 IN-SITU WINDOW	J856-SD-IW-5112	-			A	B																
WINDOW SCHEDULE FOR TOWER 3 IN-SITU WINDOW	J856-SD-IW-5113	-																				
WINDOW SCHEDULE FOR TOWER 4 IN-SITU WINDOW	J856-SD-IW-5114	-																				
WINDOW SCHEDULE FOR TOWER 5 IN-SITU WINDOW	J856-SD-IW-5115	-																				

IN-HOUSE DESIGN CHECKER



業特鋁質有限公司
MIDI ALUMINIUM FABRICATOR LTD.
 Units 6-8 Sunray Industrial Centre, 1/F
 610 Chu Kwo Ling Road, Kowloon
 Tel: 23489211-4 Fax: (852) 27272666
 DWG NO. : J856-SD-IW-0001 REV. : C

DRAWING SUBMISSION REGISTER

PROJECT: PROPOSED DEVELOPMENT ABOVE LIGHT RAIL TIN WING STOP, TSWTL NO.23, AREA 33, TIN SHUI WAI, N.T.		DATE OF ISSUE		SUBMISSION STATE (FOR B.D / A.S.D)		SUBMISSION STATE (FOR CLIENT / CONSULTANT)		SUBMISSION STATE (FOR ARCHITECT)		FABRICATION / CONSTRUCTION STATE																
TITLE: IN-SITU WINDOW OF TOWER SHOPDRAWING SUBMISSION		ISSUE	1	2	3	4	AP - APPROVED	AP - APPROVED	AP - APPROVED	ISSUE TO CHINA OFFICE	ISSUE TO SITE	ISSUE TO SUB-CONTRACTOR														
		DAY	15	16	24	13	AC - APPROVED SUB. TO CONDITION	AC - APPROVED SUB. TO CONDITION	AC - APPROVED SUB. TO CONDITION	DATE	DATE	DATE														
		MONTH	9	11	11	1	NA - NOT APPROVED	NA - NOT APPROVED	NA - NOT APPROVED	REV.	DATE	DATE														
		YEAR	21	21	21	22																				
DRAWING TITLE		DWG. NO.	REVISIONS				COMMENT DATE	REV.	STATE	COMMENT DATE	REV.	STATE	COMMENT DATE	REV.	STATE	COMMENT DATE	REV.	STATE	COMMENT DATE	REV.	STATE	COMMENT DATE	REV.	STATE		
WINDOW SCHEDULE FOR TOWER 6 IN-SITU WINDOW	J856-SD-IW-5116	-																								
WINDOW SCHEDULE FOR TOWER 1 IN-SITU WINDOW	J856-SD-IW-5117	-																								
WINDOW SCHEDULE FOR TOWER 1 IN-SITU WINDOW	J856-SD-IW-5118	-																								
WINDOW SCHEDULE FOR TOWER 1 IN-SITU WINDOW	J856-SD-IW-5119	-																								
WINDOW SCHEDULE FOR TOWER 1 IN-SITU WINDOW	J856-SD-IW-5120	-																								
WINDOW SCHEDULE FOR TOWER 1 IN-SITU WINDOW	J856-SD-IW-5121	-																								
WINDOW SCHEDULE FOR TOWER 1 IN-SITU WINDOW	J856-SD-IW-5122	-																								
WINDOW SCHEDULE FOR TOWER 1 IN-SITU WINDOW	J856-SD-IW-5123	-																								
WINDOW SCHEDULE FOR TOWER 1 IN-SITU WINDOW	J856-SD-IW-5124	-																								
WINDOW SCHEDULE FOR TOWER 1 IN-SITU WINDOW	J856-SD-IW-5125	-																								
WINDOW SCHEDULE FOR TOWER 1 IN-SITU WINDOW	J856-SD-IW-5126	-																								
WINDOW SCHEDULE FOR TOWER 1 IN-SITU WINDOW	J856-SD-IW-5127	-																								
WINDOW SCHEDULE FOR TOWER 1 IN-SITU WINDOW	J856-SD-IW-5128	-																								
WINDOW SCHEDULE FOR TOWER 1 IN-SITU WINDOW	J856-SD-IW-5129	-																								
WINDOW SCHEDULE FOR TOWER 1 IN-SITU WINDOW	J856-SD-IW-5130	-																								
WINDOW SCHEDULE FOR TOWER 1 IN-SITU WINDOW	J856-SD-IW-5131	-																								
WINDOW SCHEDULE FOR TOWER 1 IN-SITU WINDOW	J856-SD-IW-5132	-																								
WINDOW SCHEDULE FOR TOWER 1 IN-SITU WINDOW	J856-SD-IW-5133	-																								
WINDOW SCHEDULE FOR TOWER 1 IN-SITU WINDOW	J856-SD-IW-5134	-																								
WINDOW SCHEDULE FOR TOWER 1 IN-SITU WINDOW	J856-SD-IW-5135	-																								
WINDOW SCHEDULE FOR TOWER 1 IN-SITU WINDOW	J856-SD-IW-5136	-																								
WINDOW SCHEDULE FOR TOWER 1 IN-SITU WINDOW	J856-SD-IW-5137	-																								
WINDOW SCHEDULE FOR TOWER 1 IN-SITU WINDOW	J856-SD-IW-5138	-																								
WINDOW SCHEDULE FOR TOWER 1 IN-SITU WINDOW	J856-SD-IW-5139	-																								
WINDOW SCHEDULE FOR TOWER 1 IN-SITU WINDOW	J856-SD-IW-5140	-																								
WINDOW SCHEDULE FOR TOWER 1 IN-SITU WINDOW	J856-SD-IW-5141	-																								
WINDOW SCHEDULE FOR TOWER 1 IN-SITU WINDOW	J856-SD-IW-5142	-																								
WINDOW SCHEDULE FOR TOWER 1 IN-SITU WINDOW	J856-SD-IW-5143	-																								
WINDOW SCHEDULE FOR TOWER 1 IN-SITU WINDOW	J856-SD-IW-5144	-																								
WINDOW SCHEDULE FOR TOWER 1 IN-SITU WINDOW	J856-SD-IW-5145	-																								
WINDOW SCHEDULE FOR TOWER 1 IN-SITU WINDOW	J856-SD-IW-5146	-																								
WINDOW SCHEDULE FOR TOWER 1 IN-SITU WINDOW	J856-SD-IW-5147	-																								
WINDOW SCHEDULE FOR TOWER 1 IN-SITU WINDOW	J856-SD-IW-5148	-																								
WINDOW SCHEDULE FOR TOWER 1 IN-SITU WINDOW	J856-SD-IW-5149	-																								
WINDOW SCHEDULE FOR TOWER 1 IN-SITU WINDOW	J856-SD-IW-5150	-																								
WINDOW SCHEDULE FOR TOWER 1 IN-SITU WINDOW	J856-SD-IW-5151	-																								
WINDOW SCHEDULE FOR TOWER 1 IN-SITU WINDOW	J856-SD-IW-5152	-																								
WINDOW SCHEDULE FOR TOWER 1 IN-SITU WINDOW	J856-SD-IW-5153	-																								
WINDOW SCHEDULE FOR TOWER 1 IN-SITU WINDOW	J856-SD-IW-5154	-																								
WINDOW SCHEDULE FOR TOWER 1 IN-SITU WINDOW	J856-SD-IW-5155	-																								
WINDOW SCHEDULE FOR TOWER 1 IN-SITU WINDOW	J856-SD-IW-5156	-																								
WINDOW SCHEDULE FOR TOWER 1 IN-SITU WINDOW	J856-SD-IW-5157	-																								
WINDOW SCHEDULE FOR TOWER 1 IN-SITU WINDOW	J856-SD-IW-5158	-																								
WINDOW SCHEDULE FOR TOWER 1 IN-SITU WINDOW	J856-SD-IW-5159	-																								

IN-HOUSE DESIGN CHECKER

業特鋁質有限公司
MIDI ALUMINIUM FABRICATOR LTD.
 Units 6-8, Sunray Industrial Centre, 1/F,
 610 Chu Kwo Ling Road, Kowloon
 Tel: 23489211-4 Fax: (852) 27727666

DWG NO. : J856-SD-IW-0002 REV. : -

DRAWING SUBMISSION REGISTER

PROJECT: PROPOSED DEVELOPMENT ABOVE LIGHT RAIL TIN WING STOP, TSWTL NO.23, AREA 33, TIN SHUI WAI, N. T.		DATE OF ISSUE				SUBMISSION STATE (FOR B.D / A.S.D)		SUBMISSION STATE (FOR CLIENT / CONSULTANT)		SUBMISSION STATE (FOR ARCHITECT)		FABRICATION / CONSTRUCTION STATE							
TITLE: IN-SITU WINDOW OF TOWER SHOPDRAWING SUBMISSION		ISSUE	1	2	3	4	AP - APPROVED	AC - APPROVED SUB. TO CONDITION	NA - NOT APPROVED	AP - APPROVED	AC - APPROVED SUB. TO CONDITION	NA - NOT APPROVED	ISSUE TO CHINA OFFICE	ISSUE TO SITE	ISSUE TO SUB-CONTRACTOR				
		DAY	29	16	24	13							DATE	REV.	DATE	REV.	DATE	REV.	
		MONTH	4	11	11	1							DATE	REV.	DATE	REV.	DATE	REV.	
		YEAR	21	21	21	22							DATE	REV.	DATE	REV.	DATE	REV.	
DRAWING TITLE		DWG. NO.		REVISIONS															
WINDOW SCHEDULE FOR TOWER 1 IN-SITU WINDOW	J856-SD-IW-5160	-																	
WINDOW SCHEDULE FOR TOWER 1 IN-SITU WINDOW	J856-SD-IW-5161	-																	
WINDOW SCHEDULE FOR TOWER 1 IN-SITU WINDOW	J856-SD-IW-5162	-																	
WINDOW SCHEDULE FOR TOWER 2 IN-SITU WINDOW	J856-SD-IW-5201	-	A	B	B														
WINDOW SCHEDULE FOR TOWER 2 IN-SITU WINDOW	J856-SD-IW-5202	-	A	B	B														
WINDOW SCHEDULE FOR TOWER 2 IN-SITU WINDOW	J856-SD-IW-5203	-	A	B	B														
WINDOW SCHEDULE FOR TOWER 2 IN-SITU WINDOW	J856-SD-IW-5204	-	A	B	C														
WINDOW SCHEDULE FOR TOWER 2 IN-SITU WINDOW	J856-SD-IW-5205	-	A	B	B														
WINDOW SCHEDULE FOR TOWER 2 IN-SITU WINDOW	J856-SD-IW-5206	-	A	B	C														
WINDOW SCHEDULE FOR TOWER 2 IN-SITU WINDOW	J856-SD-IW-5207	-	A	B	B														
WINDOW SCHEDULE FOR TOWER 2 IN-SITU WINDOW	J856-SD-IW-5208	-	A	B	B														
WINDOW SCHEDULE FOR TOWER 2 IN-SITU WINDOW	J856-SD-IW-5209	-	A	B	B														
WINDOW SCHEDULE FOR TOWER 2 IN-SITU WINDOW	J856-SD-IW-5210	-	A	B	B														
WINDOW SCHEDULE FOR TOWER 2 IN-SITU WINDOW	J856-SD-IW-5211	-	A	B	B														
WINDOW SCHEDULE FOR TOWER 2 IN-SITU WINDOW	J856-SD-IW-5212	-	A	A	B														
WINDOW SCHEDULE FOR TOWER 2 IN-SITU WINDOW	J856-SD-IW-5213	-	A	A	B														
WINDOW SCHEDULE FOR TOWER 2 IN-SITU WINDOW	J856-SD-IW-5214	-																	
WINDOW SCHEDULE FOR TOWER 2 IN-SITU WINDOW	J856-SD-IW-5215	-																	
WINDOW SCHEDULE FOR TOWER 2 IN-SITU WINDOW	J856-SD-IW-5216	-																	
WINDOW SCHEDULE FOR TOWER 2 IN-SITU WINDOW	J856-SD-IW-5217	-																	
WINDOW SCHEDULE FOR TOWER 2 IN-SITU WINDOW	J856-SD-IW-5218	-																	
WINDOW SCHEDULE FOR TOWER 2 IN-SITU WINDOW	J856-SD-IW-5219	-																	
WINDOW SCHEDULE FOR TOWER 2 IN-SITU WINDOW	J856-SD-IW-5220	-																	
WINDOW SCHEDULE FOR TOWER 2 IN-SITU WINDOW	J856-SD-IW-5221	-																	
WINDOW SCHEDULE FOR TOWER 2 IN-SITU WINDOW	J856-SD-IW-5222	-																	
WINDOW SCHEDULE FOR TOWER 2 IN-SITU WINDOW	J856-SD-IW-5223	-																	
WINDOW SCHEDULE FOR TOWER 2 IN-SITU WINDOW	J856-SD-IW-5224	-																	
WINDOW SCHEDULE FOR TOWER 2 IN-SITU WINDOW	J856-SD-IW-5225	-																	
WINDOW SCHEDULE FOR TOWER 2 IN-SITU WINDOW	J856-SD-IW-5226	-																	
WINDOW SCHEDULE FOR TOWER 2 IN-SITU WINDOW	J856-SD-IW-5227	-																	
WINDOW SCHEDULE FOR TOWER 2 IN-SITU WINDOW	J856-SD-IW-5228	-																	
WINDOW SCHEDULE FOR TOWER 2 IN-SITU WINDOW	J856-SD-IW-5229	-																	
WINDOW SCHEDULE FOR TOWER 2 IN-SITU WINDOW	J856-SD-IW-5230	-																	
WINDOW SCHEDULE FOR TOWER 2 IN-SITU WINDOW	J856-SD-IW-5231	-																	
WINDOW SCHEDULE FOR TOWER 2 IN-SITU WINDOW	J856-SD-IW-5232	-																	
WINDOW SCHEDULE FOR TOWER 2 IN-SITU WINDOW	J856-SD-IW-5233	-																	
WINDOW SCHEDULE FOR TOWER 2 IN-SITU WINDOW	J856-SD-IW-5234	-																	
WINDOW SCHEDULE FOR TOWER 2 IN-SITU WINDOW	J856-SD-IW-5235	-																	
WINDOW SCHEDULE FOR TOWER 2 IN-SITU WINDOW	J856-SD-IW-5236	-																	
WINDOW SCHEDULE FOR TOWER 2 IN-SITU WINDOW	J856-SD-IW-5237	-																	
WINDOW SCHEDULE FOR TOWER 2 IN-SITU WINDOW	J856-SD-IW-5238	-																	
WINDOW SCHEDULE FOR TOWER 2 IN-SITU WINDOW	J856-SD-IW-5239	-																	
WINDOW SCHEDULE FOR TOWER 2 IN-SITU WINDOW	J856-SD-IW-5240	-																	
WINDOW SCHEDULE FOR TOWER 2 IN-SITU WINDOW	J856-SD-IW-5241	-																	

IN-HOUSE DESIGN CHECKER



業特鋁質有限公司
MIDI ALUMINIUM FABRICATOR LTD.
 Units 6-8, Sunray Industrial Centre, 1/F,
 610 Chu Kwai Ling Road, Kowloon
 Tel: 23489211-4 Fax: (852) 27272666
 DWG NO. : J856-SD-IW-0003 REV. : C

DRAWING SUBMISSION REGISTER

PROJECT: PROPOSED DEVELOPMENT ABOVE LIGHT RAIL TIN WING STOP, TSWTL NO.23, AREA 33, TIN SHUI WAI, N. T. TITLE: IN-SITU WINDOW OF TOWER SHOPDRAWING SUBMISSION		DATE OF ISSUE				SUBMISSION STATE (FOR B.D / A.S.D)			SUBMISSION STATE (FOR CLIENT / CONSULTANT)			SUBMISSION STATE (FOR ARCHITECT)			FABRICATION / CONSTRUCTION STATE						
DRAWING TITLE	DWG. NO.	ISSUE	1	2	3	4	COMMENT DATE	REV.	STATE	COMMENT DATE	REV.	STATE	COMMENT DATE	REV.	STATE	DATE	REV.	DATE	REV.	DATE	
		DAY	15	16	24	13															AP - APPROVED
WINDOW SCHEDULE FOR TOWER 2 IN-SITU WINDOW	J856-SD-IW-5242	-																			
WINDOW SCHEDULE FOR TOWER 2 IN-SITU WINDOW	J856-SD-IW-5243	-																			
WINDOW SCHEDULE FOR TOWER 2 IN-SITU WINDOW	J856-SD-IW-5244	-																			
WINDOW SCHEDULE FOR TOWER 2 IN-SITU WINDOW	J856-SD-IW-5245	-																			
WINDOW SCHEDULE FOR TOWER 2 IN-SITU WINDOW	J856-SD-IW-5246	-																			
WINDOW SCHEDULE FOR TOWER 2 IN-SITU WINDOW	J856-SD-IW-5247	-																			
WINDOW SCHEDULE FOR TOWER 2 IN-SITU WINDOW	J856-SD-IW-5248	-																			
WINDOW SCHEDULE FOR TOWER 2 IN-SITU WINDOW	J856-SD-IW-5249	-																			
WINDOW SCHEDULE FOR TOWER 2 IN-SITU WINDOW	J856-SD-IW-5250	-																			
WINDOW SCHEDULE FOR TOWER 2 IN-SITU WINDOW	J856-SD-IW-5251	-																			
WINDOW SCHEDULE FOR TOWER 2 IN-SITU WINDOW	J856-SD-IW-5252	-																			
WINDOW SCHEDULE FOR TOWER 2 IN-SITU WINDOW	J856-SD-IW-5253	-																			
WINDOW SCHEDULE FOR TOWER 2 IN-SITU WINDOW	J856-SD-IW-5254	-																			
WINDOW SCHEDULE FOR TOWER 2 IN-SITU WINDOW	J856-SD-IW-5255	-																			
WINDOW SCHEDULE FOR TOWER 2 IN-SITU WINDOW	J856-SD-IW-5256	-																			
WINDOW SCHEDULE FOR TOWER 2 IN-SITU WINDOW	J856-SD-IW-5257	-																			
WINDOW SCHEDULE FOR TOWER 2 IN-SITU WINDOW	J856-SD-IW-5258	-																			
WINDOW SCHEDULE FOR TOWER 2 IN-SITU WINDOW	J856-SD-IW-5259	-																			
WINDOW SCHEDULE FOR TOWER 2 IN-SITU WINDOW	J856-SD-IW-5260	-																			
WINDOW SCHEDULE FOR TOWER 2 IN-SITU WINDOW	J856-SD-IW-5261	-																			
WINDOW SCHEDULE FOR TOWER 2 IN-SITU WINDOW	J856-SD-IW-5262	-																			
WINDOW SCHEDULE FOR TOWER 2 IN-SITU WINDOW	J856-SD-IW-5263	-																			
WINDOW SCHEDULE FOR TOWER 3 IN-SITU WINDOW	J856-SD-IW-5301	-		A	B	B															
WINDOW SCHEDULE FOR TOWER 3 IN-SITU WINDOW	J856-SD-IW-5302	-		A	B	B															
WINDOW SCHEDULE FOR TOWER 3 IN-SITU WINDOW	J856-SD-IW-5303	-		A	B	C															
WINDOW SCHEDULE FOR TOWER 3 IN-SITU WINDOW	J856-SD-IW-5304	-		A	B	B															
WINDOW SCHEDULE FOR TOWER 3 IN-SITU WINDOW	J856-SD-IW-5305	-		A	B	C															
WINDOW SCHEDULE FOR TOWER 3 IN-SITU WINDOW	J856-SD-IW-5306	-		A	B	B															
WINDOW SCHEDULE FOR TOWER 3 IN-SITU WINDOW	J856-SD-IW-5307	-		A	B	B															
WINDOW SCHEDULE FOR TOWER 3 IN-SITU WINDOW	J856-SD-IW-5308	-		A	B	B															
WINDOW SCHEDULE FOR TOWER 3 IN-SITU WINDOW	J856-SD-IW-5309	-		A	B	B															
WINDOW SCHEDULE FOR TOWER 3 IN-SITU WINDOW	J856-SD-IW-5310	-		A	B	B															
WINDOW SCHEDULE FOR TOWER 3 IN-SITU WINDOW	J856-SD-IW-5311	-		A	B	B															
WINDOW SCHEDULE FOR TOWER 3 IN-SITU WINDOW	J856-SD-IW-5312	-		A	B	B															
WINDOW SCHEDULE FOR TOWER 3 IN-SITU WINDOW	J856-SD-IW-5313	-		A	B	B															
WINDOW SCHEDULE FOR TOWER 3 IN-SITU WINDOW	J856-SD-IW-5314	-		A	B	B															
WINDOW SCHEDULE FOR TOWER 3 IN-SITU WINDOW	J856-SD-IW-5315	-		A	B	B															
WINDOW SCHEDULE FOR TOWER 3 IN-SITU WINDOW	J856-SD-IW-5316	-		A	B	B															
WINDOW SCHEDULE FOR TOWER 3 IN-SITU WINDOW	J856-SD-IW-5317	-		A	A	A															
WINDOW SCHEDULE FOR TOWER 3 IN-SITU WINDOW	J856-SD-IW-5318	-																			
WINDOW SCHEDULE FOR TOWER 3 IN-SITU WINDOW	J856-SD-IW-5319	-																			
WINDOW SCHEDULE FOR TOWER 3 IN-SITU WINDOW	J856-SD-IW-5320	-																			
WINDOW SCHEDULE FOR TOWER 3 IN-SITU WINDOW	J856-SD-IW-5321	-																			
WINDOW SCHEDULE FOR TOWER 3 IN-SITU WINDOW	J856-SD-IW-5322	-																			

IN-HOUSE DESIGN CHECKER

業特鋁質有限公司
MIDI ALUMINIUM FABRICATOR LTD.
 Units 6-8, Sunny Industrial Centre, 1/F,
 610 Chu Kwai Ling Road, Kowloon
 Tel: 23489211-4 Fax: (852) 27272666
 DWG NO. : J856-SD-IW-0004 REV. : C

DRAWING SUBMISSION REGISTER

PROJECT:
PROPOSED DEVELOPMENT ABOVE
LIGHT RAIL TIN WING STOP, TSWTL
NO.23, AREA 33, TIN SHUI WAI, N.T.
TITLE:
IN-SITU WINDOW OF TOWER
SHOPDRAWING SUBMISSION

DRAWING TITLE	DWG. NO.	DATE OF ISSUE				SUBMISSION STATE (FOR B.D / A.S.D)			SUBMISSION STATE (FOR CLIENT / CONSULTANT)			SUBMISSION STATE (FOR ARCHITECT)			FABRICATION / CONSTRUCTION STATE			
		ISSUE	1	2	3	4	AP - APPROVED	AC - APPROVED SUB. TO CONDITION	NA - NOT APPROVED	AP - APPROVED	AC - APPROVED SUB. TO CONDITION	NA - NOT APPROVED	AP - APPROVED	AC - APPROVED SUB. TO CONDITION	NA - NOT APPROVED	ISSUE TO CHINA OFFICE	ISSUE TO SITE	ISSUE TO SUB-CONTRACTOR
		DAY	15	16	24	13												
WINDOW SCHEDULE FOR TOWER 3 IN-SITU WINDOW	J856-SD-1W-5323	-																
WINDOW SCHEDULE FOR TOWER 3 IN-SITU WINDOW	J856-SD-1W-5324	-																
WINDOW SCHEDULE FOR TOWER 3 IN-SITU WINDOW	J856-SD-1W-5325	-																
WINDOW SCHEDULE FOR TOWER 3 IN-SITU WINDOW	J856-SD-1W-5326	-																
WINDOW SCHEDULE FOR TOWER 3 IN-SITU WINDOW	J856-SD-1W-5327	-																
WINDOW SCHEDULE FOR TOWER 3 IN-SITU WINDOW	J856-SD-1W-5328	-																
WINDOW SCHEDULE FOR TOWER 3 IN-SITU WINDOW	J856-SD-1W-5329	-																
WINDOW SCHEDULE FOR TOWER 3 IN-SITU WINDOW	J856-SD-1W-5330	-																
WINDOW SCHEDULE FOR TOWER 3 IN-SITU WINDOW	J856-SD-1W-5331	-																
WINDOW SCHEDULE FOR TOWER 3 IN-SITU WINDOW	J856-SD-1W-5332	-																
WINDOW SCHEDULE FOR TOWER 3 IN-SITU WINDOW	J856-SD-1W-5333	-																
WINDOW SCHEDULE FOR TOWER 3 IN-SITU WINDOW	J856-SD-1W-5334	-																
WINDOW SCHEDULE FOR TOWER 3 IN-SITU WINDOW	J856-SD-1W-5335	-																
WINDOW SCHEDULE FOR TOWER 3 IN-SITU WINDOW	J856-SD-1W-5336	-																
WINDOW SCHEDULE FOR TOWER 3 IN-SITU WINDOW	J856-SD-1W-5337	-																
WINDOW SCHEDULE FOR TOWER 3 IN-SITU WINDOW	J856-SD-1W-5338	-																
WINDOW SCHEDULE FOR TOWER 3 IN-SITU WINDOW	J856-SD-1W-5339	-																
WINDOW SCHEDULE FOR TOWER 3 IN-SITU WINDOW	J856-SD-1W-5340	-																
WINDOW SCHEDULE FOR TOWER 3 IN-SITU WINDOW	J856-SD-1W-5341	-																
WINDOW SCHEDULE FOR TOWER 3 IN-SITU WINDOW	J856-SD-1W-5342	-																
WINDOW SCHEDULE FOR TOWER 3 IN-SITU WINDOW	J856-SD-1W-5343	-																
WINDOW SCHEDULE FOR TOWER 3 IN-SITU WINDOW	J856-SD-1W-5344	-																
WINDOW SCHEDULE FOR TOWER 3 IN-SITU WINDOW	J856-SD-1W-5345	-																
WINDOW SCHEDULE FOR TOWER 3 IN-SITU WINDOW	J856-SD-1W-5346	-																
WINDOW SCHEDULE FOR TOWER 3 IN-SITU WINDOW	J856-SD-1W-5347	-																
WINDOW SCHEDULE FOR TOWER 3 IN-SITU WINDOW	J856-SD-1W-5348	-																
WINDOW SCHEDULE FOR TOWER 3 IN-SITU WINDOW	J856-SD-1W-5349	-																
WINDOW SCHEDULE FOR TOWER 3 IN-SITU WINDOW	J856-SD-1W-5350	-																
WINDOW SCHEDULE FOR TOWER 3 IN-SITU WINDOW	J856-SD-1W-5351	-																
WINDOW SCHEDULE FOR TOWER 3 IN-SITU WINDOW	J856-SD-1W-5352	-																
WINDOW SCHEDULE FOR TOWER 3 IN-SITU WINDOW	J856-SD-1W-5353	-																
WINDOW SCHEDULE FOR TOWER 3 IN-SITU WINDOW	J856-SD-1W-5354	-																
WINDOW SCHEDULE FOR TOWER 3 IN-SITU WINDOW	J856-SD-1W-5355	-																
WINDOW SCHEDULE FOR TOWER 3 IN-SITU WINDOW	J856-SD-1W-5356	-																
WINDOW SCHEDULE FOR TOWER 3 IN-SITU WINDOW	J856-SD-1W-5357	-																
WINDOW SCHEDULE FOR TOWER 3 IN-SITU WINDOW	J856-SD-1W-5358	-																
WINDOW SCHEDULE FOR TOWER 3 IN-SITU WINDOW	J856-SD-1W-5359	-																
WINDOW SCHEDULE FOR TOWER 3 IN-SITU WINDOW	J856-SD-1W-5360	-																
WINDOW SCHEDULE FOR TOWER 3 IN-SITU WINDOW	J856-SD-1W-5361	-																
WINDOW SCHEDULE FOR TOWER 3 IN-SITU WINDOW	J856-SD-1W-5362	-																
WINDOW SCHEDULE FOR TOWER 3 IN-SITU WINDOW	J856-SD-1W-5363	-																
WINDOW SCHEDULE FOR TOWER 3 IN-SITU WINDOW	J856-SD-1W-5364	-																
WINDOW SCHEDULE FOR TOWER 3 IN-SITU WINDOW	J856-SD-1W-5365	-																
WINDOW SCHEDULE FOR TOWER 3 IN-SITU WINDOW	J856-SD-1W-5366	-																

IN-HOUSE DESIGN CHECKER

業特鋁質有限公司
MIDI ALUMINIUM FABRICATOR LTD.
 Units 6-8, Sunray Industrial Centre, 1/F,
 610 Cho Kwong Road, Kowloon
 Tel: 23489211-4 Fax: (852) 2727666
 DWG NO. : J856-SD-1W-0005 REV. : -

DRAWING SUBMISSION REGISTER

PROJECT: PROPOSED DEVELOPMENT ABOVE LIGHT RAIL TIN WING STOP, TSWTL NO.23,AREA 33, TIN SHUI WAI, N.T.		DATE OF ISSUE				SUBMISSION STATE (FOR B.D./A.S.D.)			SUBMISSION STATE (FOR CLIENT / CONSULTANT)			SUBMISSION STATE (FOR ARCHITECT)			FABRICATION / CONSTRUCTION STATE								
TITLE: IN-SITU WINDOW OF TOWER SHOPDRAWING SUBMISSION		ISSUE	1	2	3	4	AP - APPROVED			AP - APPROVED			AP - APPROVED			ISSUE TO CHINA OFFICE		ISSUE TO SITE		ISSUE TO SUB-CONTRACTOR			
		DAY	15	16	24	13	AC - APPROVED SUB. TO CONDITION			AC - APPROVED SUB. TO CONDITION			AC - APPROVED SUB. TO CONDITION			DATE	REV.	DATE	REV.	DATE	REV.		
		MONTH	9	11	11	1	NA - NOT APPROVED			NA - NOT APPROVED			NA - NOT APPROVED										
		YEAR	21	21	21	22																	
DRAWING TITLE	DWG. NO.	REVISIONS						COMMENT DATE	REV.	STATE	COMMENT DATE	REV.	STATE	COMMENT DATE	REV.	STATE	REV.	DATE	REV.	DATE	REV.	DATE	REV.
WINDOW SCHEDULE FOR TOWER 3 IN-SITU WINDOW	J856-SD-IV-5387	-																					
WINDOW SCHEDULE FOR TOWER 3 IN-SITU WINDOW	J856-SD-IV-5388	-																					
WINDOW SCHEDULE FOR TOWER 3 IN-SITU WINDOW	J856-SD-IV-5389	-																					
WINDOW SCHEDULE FOR TOWER 3 IN-SITU WINDOW	J856-SD-IV-5370	-																					
WINDOW SCHEDULE FOR TOWER 3 IN-SITU WINDOW	J856-SD-IV-5371	-																					
WINDOW SCHEDULE FOR TOWER 3 IN-SITU WINDOW	J856-SD-IV-5372	-																					
WINDOW SCHEDULE FOR TOWER 3 IN-SITU WINDOW	J856-SD-IV-5373	-																					
WINDOW SCHEDULE FOR TOWER 3 IN-SITU WINDOW	J856-SD-IV-5374	-																					
WINDOW SCHEDULE FOR TOWER 3 IN-SITU WINDOW	J856-SD-IV-5374a	-																					
WINDOW SCHEDULE FOR TOWER 3 IN-SITU WINDOW	J856-SD-IV-5374b	-																					
WINDOW SCHEDULE FOR TOWER 3 IN-SITU WINDOW	J856-SD-IV-5375	-																					
WINDOW SCHEDULE FOR TOWER 3 IN-SITU WINDOW	J856-SD-IV-5376	-																					
WINDOW SCHEDULE FOR TOWER 3 IN-SITU WINDOW	J856-SD-IV-5377	-																					
WINDOW SCHEDULE FOR TOWER 3 IN-SITU WINDOW	J856-SD-IV-5378	-																					
WINDOW SCHEDULE FOR TOWER 3 IN-SITU WINDOW	J856-SD-IV-5379	-																					
WINDOW SCHEDULE FOR TOWER 3 IN-SITU WINDOW	J856-SD-IV-5380a	-																					
WINDOW SCHEDULE FOR TOWER 3 IN-SITU WINDOW	J856-SD-IV-5380b	-																					
WINDOW SCHEDULE FOR TOWER 3 IN-SITU WINDOW	J856-SD-IV-5381	-																					
WINDOW SCHEDULE FOR TOWER 3 IN-SITU WINDOW	J856-SD-IV-5382	-																					
WINDOW SCHEDULE FOR TOWER 3 IN-SITU WINDOW	J856-SD-IV-5383	-																					
WINDOW SCHEDULE FOR TOWER 3 IN-SITU WINDOW	J856-SD-IV-5384	-																					
WINDOW SCHEDULE FOR TOWER 3 IN-SITU WINDOW	J856-SD-IV-5385	-																					
WINDOW SCHEDULE FOR TOWER 3 IN-SITU WINDOW	J856-SD-IV-5386	-																					
WINDOW SCHEDULE FOR TOWER 3 IN-SITU WINDOW	J856-SD-IV-5387	-																					
WINDOW SCHEDULE FOR TOWER 3 IN-SITU WINDOW	J856-SD-IV-5388	-																					
WINDOW SCHEDULE FOR TOWER 3 IN-SITU WINDOW	J856-SD-IV-5389	-																					
WINDOW SCHEDULE FOR TOWER 3 IN-SITU WINDOW	J856-SD-IV-5390	-																					
WINDOW SCHEDULE FOR TOWER 3 IN-SITU WINDOW	J856-SD-IV-5391	-																					
WINDOW SCHEDULE FOR TOWER 3 IN-SITU WINDOW	J856-SD-IV-5392	-																					
WINDOW SCHEDULE FOR TOWER 3 IN-SITU WINDOW	J856-SD-IV-5393	-																					
WINDOW SCHEDULE FOR TOWER 3 IN-SITU WINDOW	J856-SD-IV-5394	-																					
WINDOW SCHEDULE FOR TOWER 3 IN-SITU WINDOW	J856-SD-IV-5395	-																					
WINDOW SCHEDULE FOR TOWER 3 IN-SITU WINDOW	J856-SD-IV-5396	-																					
WINDOW SCHEDULE FOR TOWER 3 IN-SITU WINDOW	J856-SD-IV-5397	-																					
WINDOW SCHEDULE FOR TOWER 3 IN-SITU WINDOW	J856-SD-IV-5398	-																					
WINDOW SCHEDULE FOR TOWER 3 IN-SITU WINDOW	J856-SD-IV-5399	-																					
WINDOW SCHEDULE FOR TOWER 3 IN-SITU WINDOW	J856-SD-IV-53100	-																					
WINDOW SCHEDULE FOR TOWER 3 IN-SITU WINDOW	J856-SD-IV-53101	-																					
WINDOW SCHEDULE FOR TOWER 3 IN-SITU WINDOW	J856-SD-IV-53102	-																					
WINDOW SCHEDULE FOR TOWER 3 IN-SITU WINDOW	J856-SD-IV-53103	-																					
WINDOW SCHEDULE FOR TOWER 3 IN-SITU WINDOW	J856-SD-IV-53104	-																					
WINDOW SCHEDULE FOR TOWER 3 IN-SITU WINDOW	J856-SD-IV-53105	-																					
WINDOW SCHEDULE FOR TOWER 3 IN-SITU WINDOW	J856-SD-IV-53106	-																					

IN-HOUSE DESIGN CHECKER

業特鋁質有限公司
MIDI ALUMINIUM FABRICATOR LTD.
 Units 6-8, Sunray Industrial Centre, 1/F
 610 Chu Kwai Ling Road, Kowloon
 Tel: 23489211-4 Fax: (852) 27272666
 DWG NO.: J856-SD-IV-0006 REV: -

DRAWING SUBMISSION REGISTER

PROJECT: PROPOSED DEVELOPMENT ABOVE LIGHT RAIL TIN WING STOP, TSWTL NO.23, AREA 33, TIN SHUI WAI, N. T. TITLE: IN-SITU WINDOW OF TOWER SHOPDRAWING SUBMISSION	DATE OF ISSUE				SUBMISSION STATE (FOR B.D / A.S.D)			SUBMISSION STATE (FOR CLIENT / CONSULTANT)			SUBMISSION STATE (FOR ARCHITECT)			FABRICATION / CONSTRUCTION STATE			
	ISSUE DAY	1	2	3	4	AP - APPROVED	AC - APPROVED SUB. TO CONDITION	NA - NOT APPROVED	AP - APPROVED	AC - APPROVED SUB. TO CONDITION	NA - NOT APPROVED	AP - APPROVED	AC - APPROVED SUB. TO CONDITION	NA - NOT APPROVED	ISSUE TO CHINA OFFICE	ISSUE TO SITE	ISSUE TO SUB-CONTRACTOR
DWG. NO.	REVISIONS				COMMENT DATE	REV.	STATE	COMMENT DATE	REV.	STATE	COMMENT DATE	REV.	STATE	REV.	DATE	REV.	DATE
WINDOW SCHEDULE FOR TOWER 3 IN-SITU WINDOW	J856-SD-IW-53107	-															
WINDOW SCHEDULE FOR TOWER 3 IN-SITU WINDOW	J856-SD-IW-53108	-															
WINDOW SCHEDULE FOR TOWER 3 IN-SITU WINDOW	J856-SD-IW-53109	-															
WINDOW SCHEDULE FOR TOWER 3 IN-SITU WINDOW	J856-SD-IW-53110	-															
TYPICAL DETAILS FOR IN-SITU WINDOW	J856-SD-IW-6001	-	A	A													
TYPICAL DETAILS FOR IN-SITU WINDOW	J856-SD-IW-6002	-	A	A													
TYPICAL DETAILS FOR IN-SITU WINDOW	J856-SD-IW-6003	-	A	A													
TYPICAL DETAILS FOR IN-SITU WINDOW	J856-SD-IW-6004	-	A	A	B												
TYPICAL DETAILS FOR IN-SITU WINDOW	J856-SD-IW-6005	-	A	A	A												
TYPICAL DETAILS FOR IN-SITU WINDOW	J856-SD-IW-6006	-	A	A	A												
N-SITU WINDOW SECTION TYPICAL LOCK & HINGES DETAIL	J856-SD-IW-6007	-	A	A	A												
N-SITU WINDOW SECTION TYPICAL LOCK & HINGES DETAIL	J856-SD-IW-6007a	-	A	A	A												
TYPICAL DETAILS FOR IN-SITU WINDOW	J856-SD-IW-6008	-															
FIXING DETAILS FOR IN-SITU WINDOW	J856-SD-IW-6009	-															
TYPICAL DETAILS FOR IN-SITU WINDOW	J856-SD-IW-7001	-	A	B	B												
TYPICAL DETAILS FOR IN-SITU WINDOW	J856-SD-IW-7002	-	A	B	B												
TYPICAL DETAILS FOR IN-SITU WINDOW	J856-SD-IW-7003	-	A	B	B												
TYPICAL DETAILS FOR IN-SITU WINDOW	J856-SD-IW-7004	-	A	A	A												
TYPICAL DETAILS FOR IN-SITU WINDOW	J856-SD-IW-7005	-	A	A	A												
G.M.S FIXING LUG TYPICAL DETAIL FOR IN-SITU WINDOW	J856-SD-IW-7006	-	A	B	B												
G.M.S FIXING LUG TYPICAL DETAIL FOR IN-SITU WINDOW	J856-SD-IW-7007	-	A	B	B												
TYPICAL DETAILS FOR IN-SITU WINDOW	J856-SD-IW-7008	-	A	B	B												
TYPICAL DETAILS FOR IN-SITU WINDOW	J856-SD-IW-7009	-	A	A	B												
TYPICAL DETAILS FOR IN-SITU WINDOW	J856-SD-IW-7010	-	A	A	B												
TYPICAL DETAILS FOR IN-SITU WINDOW	J856-SD-IW-7011	-	A	A	B												
TYPICAL EARTHING BONDING DETAILS OF IN-SITU	J856-SD-IW-7012	-	A	A	B												
TYPICAL EARTHING BONDING DETAILS OF IN-SITU	J856-SD-IW-7013	-	A	A	A												
TYPICAL EARTHING BONDING DETAILS OF F.D	J856-SD-IW-7014	-			A												

IN-HOUSE DESIGN CHECKER

美特鋁有限公司
MIDI ALUMINIUM FABRICATOR LTD.

Units 6-8, Sunray Industrial Centre, 1/F,
610 Chu Kwo Ling Road, Kowloon
Tel: 23489211-4 Fax: (852) 27272666

DWG NO. : J856-SD-IW-0007 REV. : C

PROPERTIES

MEMBER : IW-01
GRADE : 6063-T6
FINISH : PVF2 3-COATING

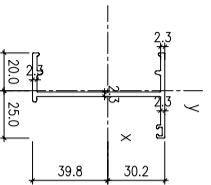


Table with 2 columns: MASS PROPERTIES (UNIT) and VALUES. Rows include Area, Perimeter, Bounding Box, Centroid, Moments of Inertia, Product of Inertia, Radii of Gyration, Principal Moments, and Torsion constants.

PROPERTIES

MEMBER : IW-05
GRADE : 6063-T6
FINISH : PVF2 3-COATING

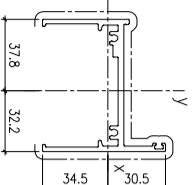


Table with 2 columns: MASS PROPERTIES (UNIT) and VALUES. Rows include Area, Perimeter, Bounding Box, Centroid, Moments of Inertia, Product of Inertia, Radii of Gyration, Principal Moments, and Torsion constants.

PROPERTIES

MEMBER : IW-06
GRADE : 6063-T6
FINISH : PVF2 3-COATING

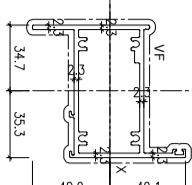


Table with 2 columns: MASS PROPERTIES (UNIT) and VALUES. Rows include Area, Perimeter, Bounding Box, Centroid, Moments of Inertia, Product of Inertia, Radii of Gyration, Principal Moments, and Torsion constants.

PROPERTIES

MEMBER : IW-13
GRADE : 6063-T6
FINISH : PVF2 3-COATING

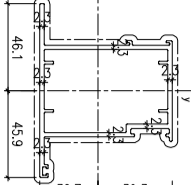


Table with 2 columns: MASS PROPERTIES (UNIT) and VALUES. Rows include Area, Perimeter, Bounding Box, Centroid, Moments of Inertia, Product of Inertia, Radii of Gyration, Principal Moments, and Torsion constants.

PROPERTIES

MEMBER : IW-02
GRADE : 6063-T6
FINISH : PVF2 3-COATING

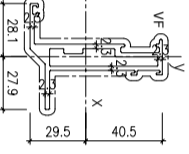


Table with 2 columns: MASS PROPERTIES (UNIT) and VALUES. Rows include Area, Perimeter, Bounding Box, Centroid, Moments of Inertia, Product of Inertia, Radii of Gyration, Principal Moments, and Torsion constants.

PROPERTIES

MEMBER : IW-06
GRADE : 6063-T6
FINISH : PVF2 3-COATING

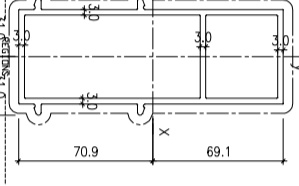


Table with 2 columns: MASS PROPERTIES (UNIT) and VALUES. Rows include Area, Perimeter, Bounding Box, Centroid, Moments of Inertia, Product of Inertia, Radii of Gyration, Principal Moments, and Torsion constants.

PROPERTIES

MEMBER : IW-10
GRADE : 6063-T6
FINISH : PVF2 3-COATING

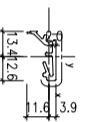


Table with 2 columns: MASS PROPERTIES (UNIT) and VALUES. Rows include Area, Perimeter, Bounding Box, Centroid, Moments of Inertia, Product of Inertia, Radii of Gyration, Principal Moments, and Torsion constants.

PROPERTIES

MEMBER : IW-14
GRADE : 6063-T6
FINISH : PVF2 3-COATING

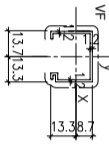


Table with 2 columns: MASS PROPERTIES (UNIT) and VALUES. Rows include Area, Perimeter, Bounding Box, Centroid, Moments of Inertia, Product of Inertia, Radii of Gyration, Principal Moments, and Torsion constants.

PROPERTIES

MEMBER : IW-03
GRADE : 6063-T6
FINISH : PVF2 3-COATING

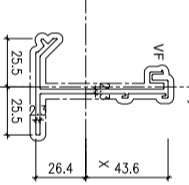


Table with 2 columns: MASS PROPERTIES (UNIT) and VALUES. Rows include Area, Perimeter, Bounding Box, Centroid, Moments of Inertia, Product of Inertia, Radii of Gyration, Principal Moments, and Torsion constants.

PROPERTIES

MEMBER : IW-07
GRADE : 6063-T6
FINISH : PVF2 3-COATING

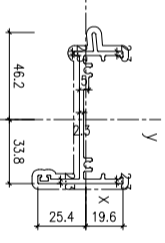


Table with 2 columns: MASS PROPERTIES (UNIT) and VALUES. Rows include Area, Perimeter, Bounding Box, Centroid, Moments of Inertia, Product of Inertia, Radii of Gyration, Principal Moments, and Torsion constants.

PROPERTIES

MEMBER : IW-11
GRADE : 6063-T6
FINISH : PVF2 3-COATING

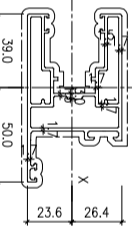


Table with 2 columns: MASS PROPERTIES (UNIT) and VALUES. Rows include Area, Perimeter, Bounding Box, Centroid, Moments of Inertia, Product of Inertia, Radii of Gyration, Principal Moments, and Torsion constants.

PROPERTIES

MEMBER : IW-15
GRADE : 6063-T6
FINISH : PVF2 3-COATING

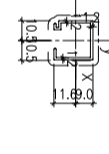


Table with 2 columns: MASS PROPERTIES (UNIT) and VALUES. Rows include Area, Perimeter, Bounding Box, Centroid, Moments of Inertia, Product of Inertia, Radii of Gyration, Principal Moments, and Torsion constants.

PROPERTIES

MEMBER : IW-04
GRADE : 6063-T6
FINISH : PVF2 3-COATING

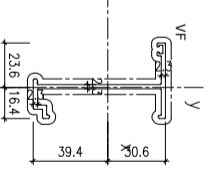


Table with 2 columns: MASS PROPERTIES (UNIT) and VALUES. Rows include Area, Perimeter, Bounding Box, Centroid, Moments of Inertia, Product of Inertia, Radii of Gyration, Principal Moments, and Torsion constants.

PROPERTIES

MEMBER : IW-08
GRADE : 6063-T6
FINISH : PVF2 3-COATING

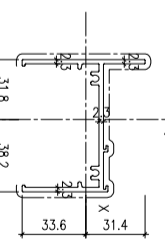


Table with 2 columns: MASS PROPERTIES (UNIT) and VALUES. Rows include Area, Perimeter, Bounding Box, Centroid, Moments of Inertia, Product of Inertia, Radii of Gyration, Principal Moments, and Torsion constants.

PROPERTIES

MEMBER : IW-12
GRADE : 6063-T6
FINISH : PVF2 3-COATING

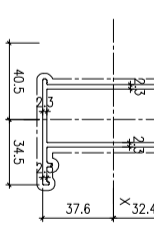


Table with 2 columns: MASS PROPERTIES (UNIT) and VALUES. Rows include Area, Perimeter, Bounding Box, Centroid, Moments of Inertia, Product of Inertia, Radii of Gyration, Principal Moments, and Torsion constants.

PROPERTIES

MEMBER : IW-16
GRADE : 6063-T6
FINISH : PVF2 3-COATING

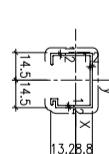


Table with 2 columns: MASS PROPERTIES (UNIT) and VALUES. Rows include Area, Perimeter, Bounding Box, Centroid, Moments of Inertia, Product of Inertia, Radii of Gyration, Principal Moments, and Torsion constants.

B.O. REF :

CLIENT : SUN HUNG KAI REAL ESTATE AGENCY LTD.

ARCHITECT : IWK&PARTNERS

MAIN CONTRACTOR : Yee Fai Building Contractors Ltd.

STRUCTURAL ENGINEER : ARUP

FAÇADE CONSULTANT : ALPHA CONSULTING LIMITED

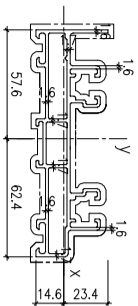
- NOTE: 1. ALL DIMENSIONS ARE IN mm. 2. ALL ELEVATIONS ARE VIEWED FROM OUTSIDE. 3. ALL DIMENSIONS TO BE VERIFIED ON SITE BEFORE FABRICATION.

- LEGEND: X1 - DETAIL MARK NO. X201 - REFER SHEET NO. 1. F.F.L.--FINISHED FLOOR LEVEL. 2. S.F.L.--STRUCTURAL FLOOR LEVEL. 3. (R) --REVERSED DETAIL. 4. GLASS LEGEND. EQ-1--8mmHS+12mm AIR GAP+10mmTP THK LGU. EQ-1A--8mmHS+12mm AIR GAP+8mmTP THK LGU. EQ-2--10mm THK CLEAR TEMPERED GLASS. EQ-4--10mm THK TEMPERED ACID ETCHED GLASS.

Job and revision table with columns: NO., DATE, REVISION SUBJECT TO ARCH/COMMENT, BY. Includes project details like 'PROPOSED DEVELOPMENT ABOVE LIGHT RAIL TIN WING STOP TSWTL NO.23,AREA 33,TIN SHUI WAI, N.T.' and drawing information like 'DATE: 02-Aug-21, SCALE: 1:40, DRAWN BY: Ivorn, CHECKED BY:'. Also includes company logos for Sun Hung Kai, IWK&Partners, and ARUP.

PROPERTIES

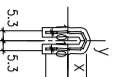
MEMBER : IW-17
GRADE : 6063-T6
FINISH : PVF2 3-COATING



MASS PROPERTIES (MM) TABLE

PROPERTIES

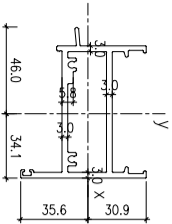
MEMBER : IW-21
GRADE : 6063-T6
FINISH : PVF2 3-COATING



MASS PROPERTIES (MM) TABLE

PROPERTIES

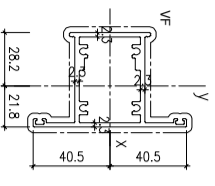
MEMBER : IW-25
GRADE : 6063-T6
FINISH : PVF2 3-COATING



MASS PROPERTIES (MM) TABLE

PROPERTIES

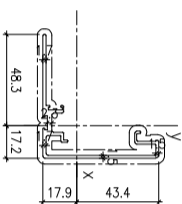
MEMBER : IW-29
GRADE : 6063-T6
FINISH : PVF2 3-COATING



MASS PROPERTIES (MM) TABLE

PROPERTIES

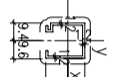
MEMBER : IW-18
GRADE : 6063-T6
FINISH : PVF2 3-COATING



MASS PROPERTIES (MM) TABLE

PROPERTIES

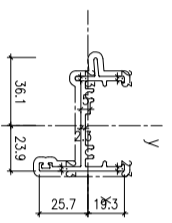
MEMBER : IW-22
GRADE : 6063-T6
FINISH : PVF2 3-COATING



MASS PROPERTIES (MM) TABLE

PROPERTIES

MEMBER : IW-26
GRADE : 6063-T6
FINISH : PVF2 3-COATING



MASS PROPERTIES (MM) TABLE

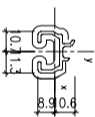
PROPERTIES

MEMBER : IW-30
GRADE : 6063-T6
FINISH : PVF2 3-COATING

REVISIONS

PROPERTIES

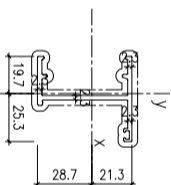
MEMBER : IW-19
GRADE : 6063-T6
FINISH : PVF2 3-COATING



MASS PROPERTIES (MM) TABLE

PROPERTIES

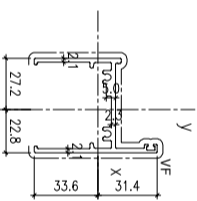
MEMBER : IW-23
GRADE : 6063-T6
FINISH : PVF2 3-COATING



MASS PROPERTIES (MM) TABLE

PROPERTIES

MEMBER : AW-27
GRADE : 6063-T6
FINISH : PVF2 3-COATING



MASS PROPERTIES (MM) TABLE

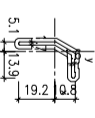
PROPERTIES

MEMBER : IW-31
GRADE : 6063-T6
FINISH : PVF2 3-COATING

REVISIONS

PROPERTIES

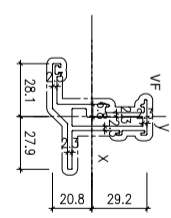
MEMBER : IW-20
GRADE : 6063-T6
FINISH : PVF2 3-COATING



MASS PROPERTIES (MM) TABLE

PROPERTIES

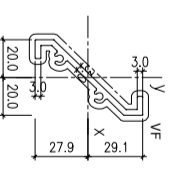
MEMBER : IW-24
GRADE : 6063-T6
FINISH : PVF2 3-COATING



MASS PROPERTIES (MM) TABLE

PROPERTIES

MEMBER : IW-28
GRADE : 6063-T6
FINISH : PVF2 3-COATING



MASS PROPERTIES (MM) TABLE

PROPERTIES

MEMBER : IW-32
GRADE : 6063-T6
FINISH : PVF2 3-COATING

REVISIONS

B.O. REF :

SUN HUNG KAI REAL ESTATE AGENCY LTD.

IWK&partners

Yee Fai Building Contractors Ltd.

ARUP

ALPHA CONSULTING LIMITED

NOTE: 1. ALL DIMENSIONS ARE IN mm. 2. ALL ELEVATIONS ARE VIEWED FROM OUTSIDE. 3. ALL DIMENSIONS TO BE VERIFIED ON SITE BEFORE FABRICATION.

LEGEND: X1 - DETAIL MARK NO. X001 - REFER SHEET NO. 1. F.F.L.--FINISHED FLOOR LEVEL. 2. S.F.L.--STRUCTURAL FLOOR LEVEL. 3. (R) --REVERSED DETAIL. 4. GLASS LEGEND. EQ-1--8mmHS+12mm AIR GAP+10mmTP THK LGU. EQ-1A--8mmHS+12mm AIR GAP+8mmTP THK LGU. EQ-2--10mm THK CLEAR TEMPERED GLASS. EQ-4--10mm THK TEMPERED ACID ETCHED GLASS.

Table with columns: NO., DATE, REVISION SUBJECT TO ARCH/COMMENT, BY.

JOB NO. : J-856
PROJECT : PROPOSED DEVELOPMENT ABOVE LIGHT RAIL TIN WING STOP TSWTL NO.23,AREA 33, TIN SHUI WAI, N.T.
TITLE : DIE LIST FOR IN-SITU WINDOW

DATE : 02-Aug-21 SCALE : 1:40
DRAWN BY : Ivorn CHECKED BY :
MIDI ALUMINIUM FABRICATOR LTD.
Units 6-8 Sunray Industrial Centre, 1/F
610 Che Kwo Ling Road, Kowloon
Tel:23489211-4 Fax:18522727666
DWG NO. : J856-SD-IW-1102 REV. : A

B.O. REF :

CLIENT :

SUN HUNG KAI
REAL ESTATE AGENCY LTD.
42/F, SUN HUNG KAI CENTRE, WANCHAI, HONGKONG

ARCHITECT :

IWK&partners
a r c h i t e c t s

MAIN CONTRACTOR :

怡輝建築有限公司
Yee Fai Building Contractors Ltd.

STRUCTURAL ENGINEER :

ARUP

FAÇADE CONSULTANT:

ALPHA CONSULTING LIMITED
Steel Structure & Façade Specialist

NOTE :

1. ALL DIMENSIONS ARE IN mm.
2. ALL ELEVATIONS ARE VIEWED FROM OUTSIDE.
3. ALL DIMENSIONS TO BE VERIFIED ON SITE BEFORE FABRICATION.

LEGEND :

X1 --- DETAIL MARK NO.
X001 --- REFER SHEET NO.

1. F.F.L. -- FINISHED FLOOR LEVEL
2. S.F.L. -- STRUCTURAL FLOOR LEVEL
3. (R) -- REVERSED DETAIL

4. GLASS LEGEND

EGL-1 -- 6mmHS+12mm AIR GAP+8mmTP THK. I.G.U.
 EGL-2 -- 10mm THK. CLEAR TEMPERED GLASS
 EGL-4 -- 10mm THK. TEMPERED ACID ETCHED GLASS

NO.	DATE	REVISION	BY
C	13/01/2022	REVISION SUBJECT TO ARCH.COMMENT	WPN
B	23/11/2021	REVISION SUBJECT TO ARCH.COMMENT	WPN
A	09/11/2021	REVISION SUBJECT TO ARCH.COMMENT	WPN

JOB NO. : J-856

PROJECT :

PROPOSED DEVELOPMENT ABOVE
LIGHT RAIL TIN WING STOP TSWTL
NO.23,AREA 33,TIN SHUI WAI, N.T.

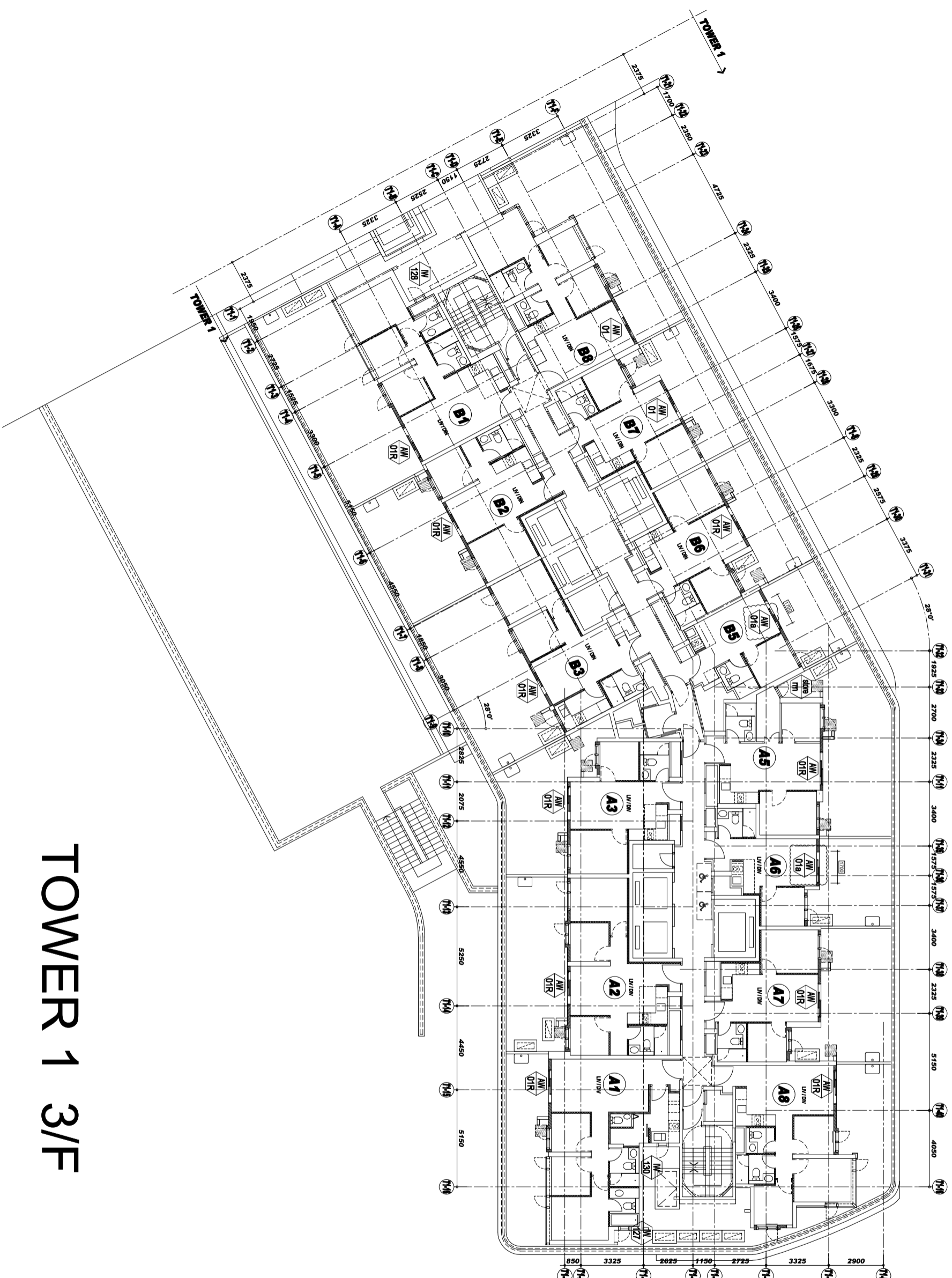
TITLE : PLAN FOR IN-SITU WINDOW
AT TOWER 1

DATE : 02-Aug-21 SCALE : 1:40

DRAWN BY : Ivojn CHECKED BY :

美特鋁質有限公司
MIDI ALUMINIUM FABRICATOR LTD.
Units 6-8, Sunny Industrial Centre, 1/F
610 Che Kwo Ling Road, Kowloon
Tel:23489211-4 Fax:8522727666

DWG NO. : JB56-SD-IW-3101 REV. : C



TOWER 1 3/F

B.O. REF. :

CLIENT :
SUN HUNG KAI
REAL ESTATE AGENCY LTD.
42/F, SUN HUNG KAI CENTRE, WANCHAI, HONGKONG

ARCHITECT :
IWK&partners
a r c h i t e c t s

MAIN CONTRACTOR :
怡輝建築有限公司
Yee Fai Building Contractors Ltd.

STRUCTURAL ENGINEER :
ARUP

FAÇADE CONSULTANT:
ALPHA CONSULTING LIMITED
Steel Structure & Façade Specialist

NOTE :
1. ALL DIMENSIONS ARE IN mm.
2. ALL ELEVATIONS ARE VIEWED FROM OUTSIDE.
3. ALL DIMENSIONS TO BE VERIFIED ON SITE BEFORE FABRICATION.

LEGEND :
X1 --- DETAIL MARK NO.
X001 --- REFER SHEET NO.

1. F.F.L. -- FINISHED FLOOR LEVEL
2. S.F.L. -- STRUCTURAL FLOOR LEVEL
3. (R) -- REVERSED DETAIL
4. GLASS LEGEND
EGL-1 -- 9mmHS+12mm AIR GAP+8mmTP THK. LG.U.
EGL-2 -- 10mm THK. CLEAR TEMPERED GLASS
EGL-4 -- 10mm THK. TEMPERED ACID ETCHED GLASS

NO.	DATE	REVISION SUBJECT TO ARCH COMMENT	BY
B	13/07/2022	REVISION SUBJECT TO ARCH COMMENT	lvon
A	23/11/2021	REVISION SUBJECT TO ARCH COMMENT	lvon

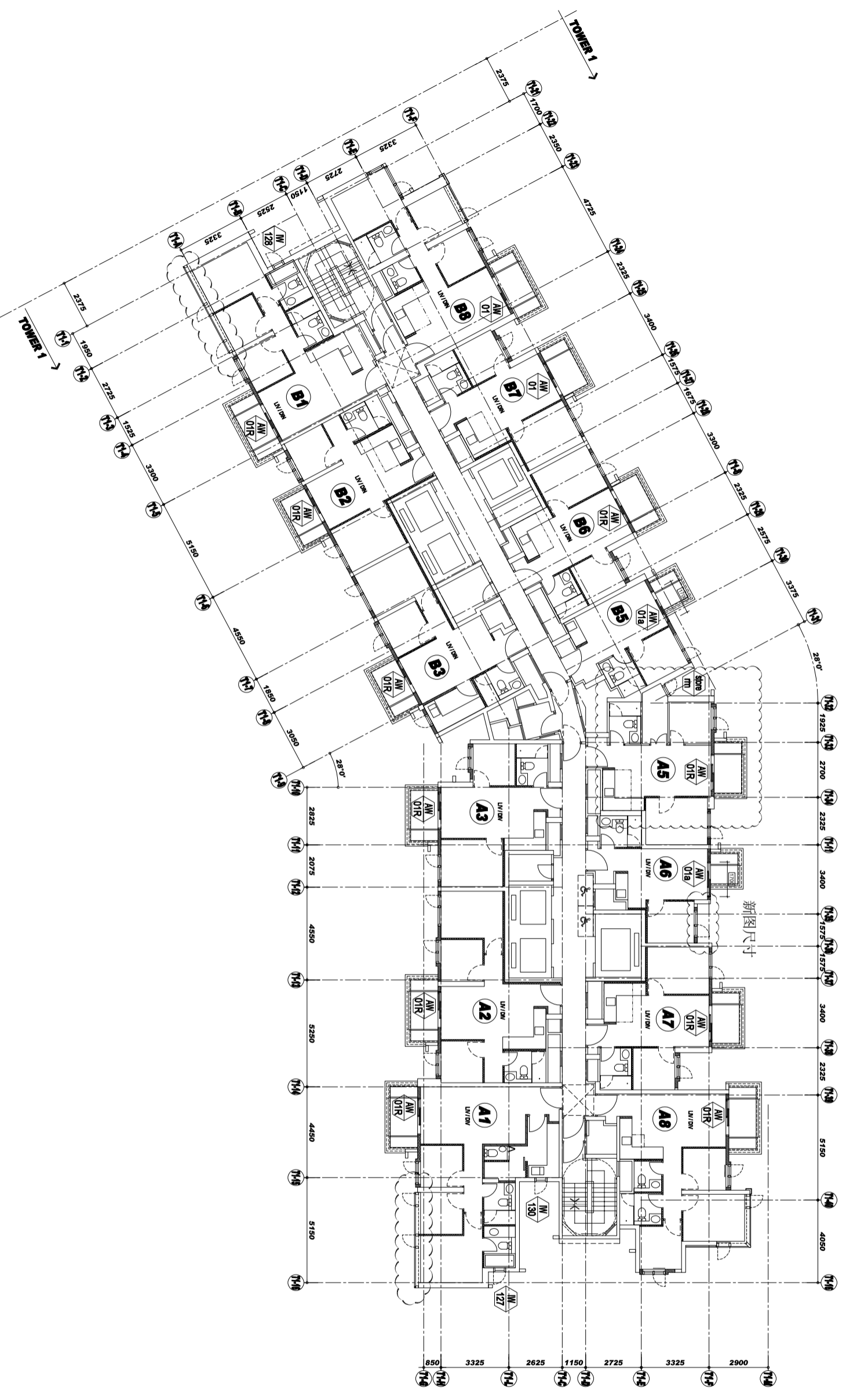
JOB NO. : J-856

PROJECT :
PROPOSED DEVELOPMENT ABOVE
LIGHT RAIL TIN WING STOP TSWTL
NO.23, AREA 33, TIN SHUI WAI, N.T.

TITLE :
PLAN FOR IN-SITU WINDOW
AT TOWER 1

DATE : 02-Aug-21 SCALE : 1:40
DRAWN BY : lvon CHECKED BY :

美特鋁質有限公司
MIDI ALUMINIUM FABRICATOR LTD.
Units 6-8, Sunny Industrial Centre, 1/F
610 Che Kwo Ling Road, Kowloon
Tel:23489211-4 Fax:8527272666
DWG NO. : JB56-SD-IW-3102 REV. : B



TOWER 1 5/F-42/F

B.O. REF :

CLIENT :

SUN HUNG KAI
REAL ESTATE AGENCY LTD.
42/F, SUN HUNG KAI CENTRE, WANCHAI, HONGKONG

ARCHITECT :

IWK&partners
a r c h i t e c t s

MAIN CONTRACTOR :

怡輝建築有限公司
Yee Fai Building Contractors Ltd.

STRUCTURAL ENGINEER :

ARUP

FAÇADE CONSULTANT :

ALPHA CONSULTING LIMITED
Steel Structure & Façade Specialist

NOTE :

1. ALL DIMENSIONS ARE IN mm.
2. ALL ELEVATIONS ARE VIEWED FROM OUTSIDE.
3. ALL DIMENSIONS TO BE VERIFIED ON SITE BEFORE FABRICATION.

LEGEND :

X1 — DETAIL MARK NO.
X001 — REFER SHEET NO.

1. F.F.L. -- FINISHED FLOOR LEVEL
2. S.F.L. -- STRUCTURAL FLOOR LEVEL
3. (R) -- REVERSED DETAIL

4. GLASS LEGEND

EG1-1 -- 9mmHS+12mm AIR GAP+8mmTP THK. I.G.U.
EG1-2 -- 10mm THK. CLEAR TEMPERED GLASS
EG1-4 -- 10mm THK. TEMPERED ACID ETCHED GLASS

NO.	DATE	REVISION	REVISION SUBJECT TO ARCH/COMMENT
C	13/01/2022	REVISION SUBJECT TO ARCH/COMMENT	None
B	23/11/2021	REVISION SUBJECT TO ARCH/COMMENT	None
A	09/11/2021	REVISION SUBJECT TO ARCH/COMMENT	None

JOB NO. :

J-856

PROJECT :

PROPOSED DEVELOPMENT ABOVE
LIGHT RAIL TIN WING STOP TSWTL
NO.23, AREA 33, TIN SHUI WAI, N.T.

TITLE :

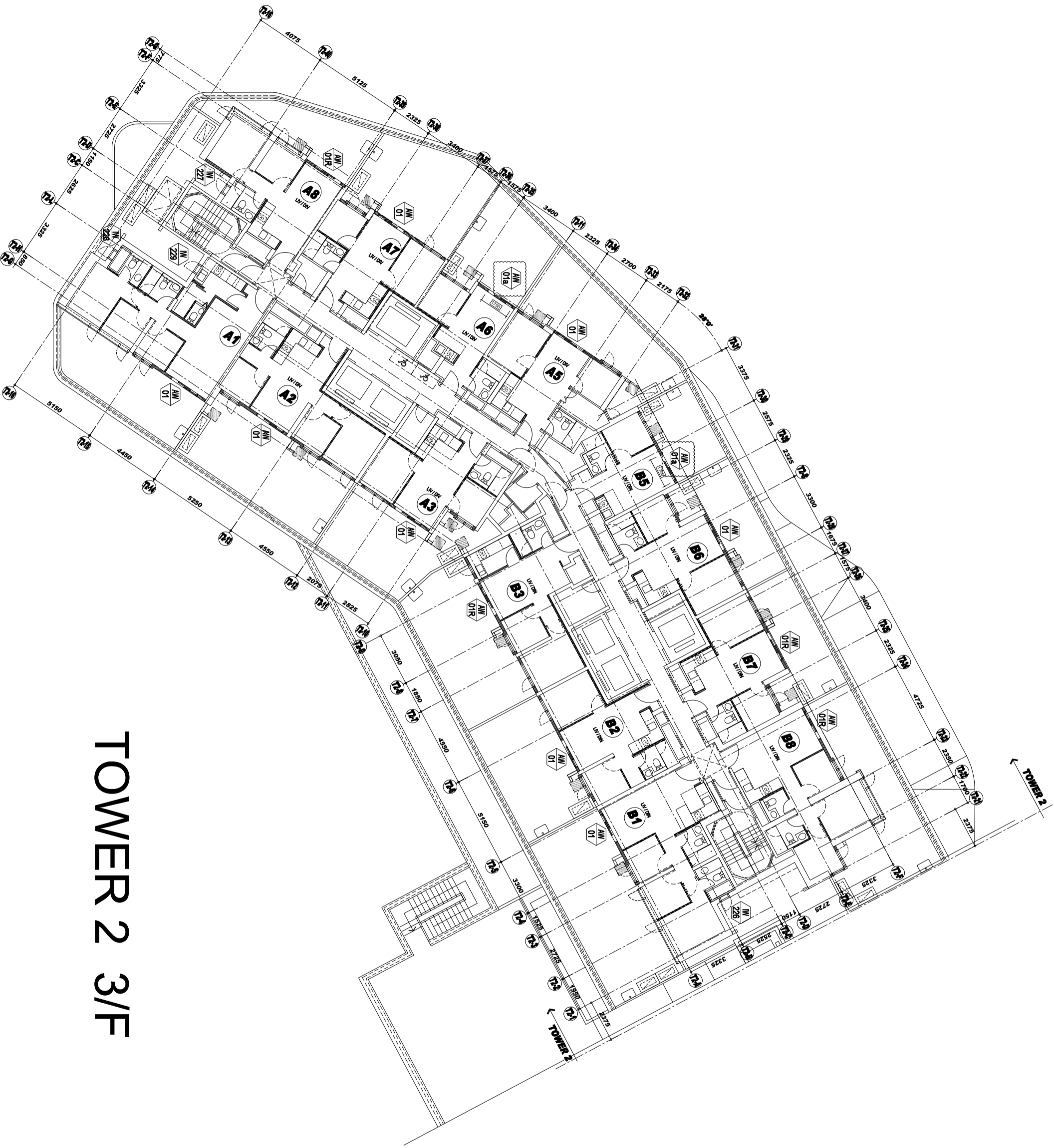
PLAN FOR IN-SITU WINDOW
AT TOWER 2

DATE : 02-Aug-21 SCALE : 1:40

DRAWN BY : Ivorn CHECKED BY :

美特鋁質有限公司
MIDI ALUMINIUM FABRICATOR LTD.
Units 6-8, Sunny Industrial Centre, 1/F
610 Che Kwo Ling Road, Kowloon
Tel: 23489211-4 Fax: (852) 2727666

DWG NO. : JB56-SD-IW-3201 REV. : C



TOWER 2 3/F

B.O. REF :

CLIENT :

SUN HUNG KAI
REAL ESTATE AGENCY LTD.
42/F, SUN HUNG KAI CENTRE, WANCHAI, HONGKONG

ARCHITECT :

IWK&partners
a r c h i t e c t s

MAIN CONTRACTOR :

怡輝建築有限公司
Yee Fai Building Contractors Ltd.

STRUCTURAL ENGINEER :

ARUP

FAÇADE CONSULTANT:

ALPHA CONSULTING LIMITED
Steel Structure & Façade Specialist

NOTE :

1. ALL DIMENSIONS ARE IN mm.
2. ALL ELEVATIONS ARE VIEWED FROM OUTSIDE.
3. ALL DIMENSIONS TO BE VERIFIED ON SITE BEFORE FABRICATION.

LEGEND :

X1 --- DETAIL MARK NO.
X001 --- REFER SHEET NO.

1. F.F.L. -- FINISHED FLOOR LEVEL
2. S.F.L. -- STRUCTURAL FLOOR LEVEL
3. (R) -- REVERSED DETAIL

4. GLASS LEGEND

EGL-1 -- 9mmHS+12mm AIR GAP+8mmTP THK. I.G.U.
EGL-2 -- 10mm THK. CLEAR TEMPERED GLASS
EGL-4 -- 10mm THK. TEMPERED ACID ETCHED GLASS

NO.	DATE	REVISION SUBJECT TO ARCH COMMENT	BY
B	13/07/2022	REVISION SUBJECT TO ARCH COMMENT	lvn
A	23/11/2021	REVISION SUBJECT TO ARCH COMMENT	lvn

JOB NO. :

J-856

PROJECT :

PROPOSED DEVELOPMENT ABOVE
LIGHT RAIL TIN WING STOP TSWTL
NO.23, AREA 33, TIN SHUI WAI, N.T.

TITLE :

PLAN FOR IN-SITU WINDOW
AT TOWER 2

DATE : 02-Aug-21 SCALE : 1:40

DRAWN BY : lvon CHECKED BY :

美特鋁質有限公司
MIDI ALUMINIUM FABRICATOR LTD.
Units 6-8, Sunny Industrial Centre, 1/F
610 Che Kwo Ling Road, Kowloon
Tel: 23489211-4 Fax: (852) 2727666

DWG NO. : JB56-SD-IW-3202 REV. : B



TOWER 2 5/F-42/F

B.O. REF. :

CLIENT :
SUN HUNG KAI
REAL ESTATE AGENCY LTD.
42/F, SUN HUNG KAI CENTRE, WANCHAI, HONGKONG

ARCHITECT :
IWK&partners
a r c h i t e c t s

MAIN CONTRACTOR :
怡輝建築有限公司
Yee Fai Building Contractors Ltd.

STRUCTURAL ENGINEER :
ARUP

FAÇADE CONSULTANT:
ALPHA CONSULTING LIMITED
Steel Structure & Façade Specialist

NOTE :
1. ALL DIMENSIONS ARE IN mm.
2. ALL ELEVATIONS ARE VIEWED FROM OUTSIDE.
3. ALL DIMENSIONS TO BE VERIFIED ON SITE BEFORE FABRICATION.

LEGEND :
X1 --- DETAIL MARK NO.
X001 --- REFER SHEET NO.

1. F.F.L.--FINISHED FLOOR LEVEL
2. S.F.L.--STRUCTURAL FLOOR LEVEL
3. (R) --REVERSED DETAIL
4. GLASS LEGEND
EGL-1--9mmHS+12mm AIR GAP+8mmTP THK. I.G.U.
EGL-2--10mm THK. CLEAR TEMPERED GLASS
EGL-4--10mm THK. TEMPERED ACID ETCHED GLASS

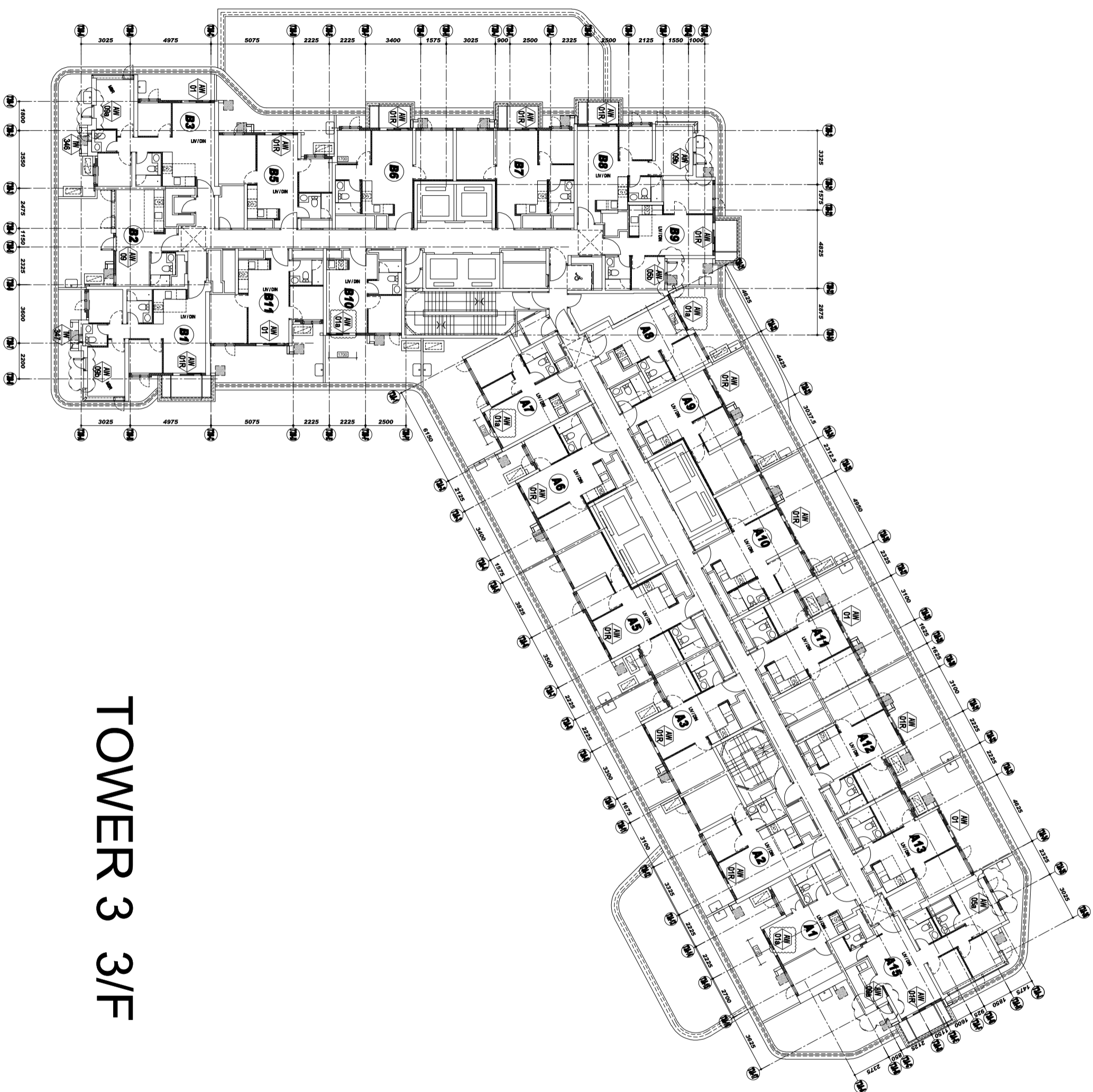
NO.	DATE	REVISION	BY
C	13/01/2022	REVISION SUBJECT TO ARCH.COMMENT	WPN
B	23/11/2021	REVISION SUBJECT TO ARCH.COMMENT	WPN
A	09/11/2021	REVISION SUBJECT TO ARCH.COMMENT	WPN

JOB NO. : J-856
PROJECT :
PROPOSED DEVELOPMENT ABOVE
LIGHT RAIL TIN WING STOP TSWTL
NO.23,AREA 33,TIN SHUI WAI, N.T.

TITLE :
PLAN FOR IN-SITU WINDOW
AT TOWER 3

DATE : 02-Aug-21 SCALE : 1:40
DRAWN BY : Ivojn CHECKED BY :

美特鋁質有限公司
MIDI ALUMINIUM FABRICATOR LTD.
Units 6-8, Sunny Industrial Centre, 1/F
610 Che Kwo Ling Road, Kowloon
Tel:23489211-4 Fax:85227272666
DWG NO. : JB56-SD-IW-3301 REV. : C



TOWER 3 3/F

B.O. REF :

CLIENT :
SUN HUNG KAI
REAL ESTATE AGENCY LTD.
42/F SUN HUNG KAI CENTRE, WANCHAI, HONGKONG

ARCHITECT :
IWK&partners
a r c h i t e c t s

MAIN CONTRACTOR :
怡輝建築有限公司
Yee Fai Building Contractors Ltd.

STRUCTURAL ENGINEER :
ARUP

FAÇADE CONSULTANT:
ALPHA CONSULTING LIMITED
Steel Structure & Façade Specialist

NOTE :
1. ALL DIMENSIONS ARE IN mm.
2. ALL ELEVATIONS ARE VIEWED FROM OUTSIDE.
3. ALL DIMENSIONS TO BE VERIFIED ON SITE BEFORE FABRICATION.

LEGEND :
X1 --- DETAIL MARK NO.
X001 --- REFER SHEET NO.

1. F.F.L.--FINISHED FLOOR LEVEL
2. S.F.L.--STRUCTURAL FLOOR LEVEL
3. (R) --REVERSED DETAIL
4. GLASS LEGEND
EGL-1--9mmHS+12mm AIR GAP+8mmTP THK. I.G.U.
EGL-2--10mm THK. CLEAR TEMPERED GLASS
EGL-4--10mm THK. TEMPERED ACID ETCHED GLASS

NO.	DATE	REVISION SUBJECT TO ARCH COMMENT	BY
B	13/07/2022	REVISION SUBJECT TO ARCH COMMENT	lvon
A	23/11/2021	REVISION SUBJECT TO ARCH COMMENT	lvon

JOB NO. : J-856

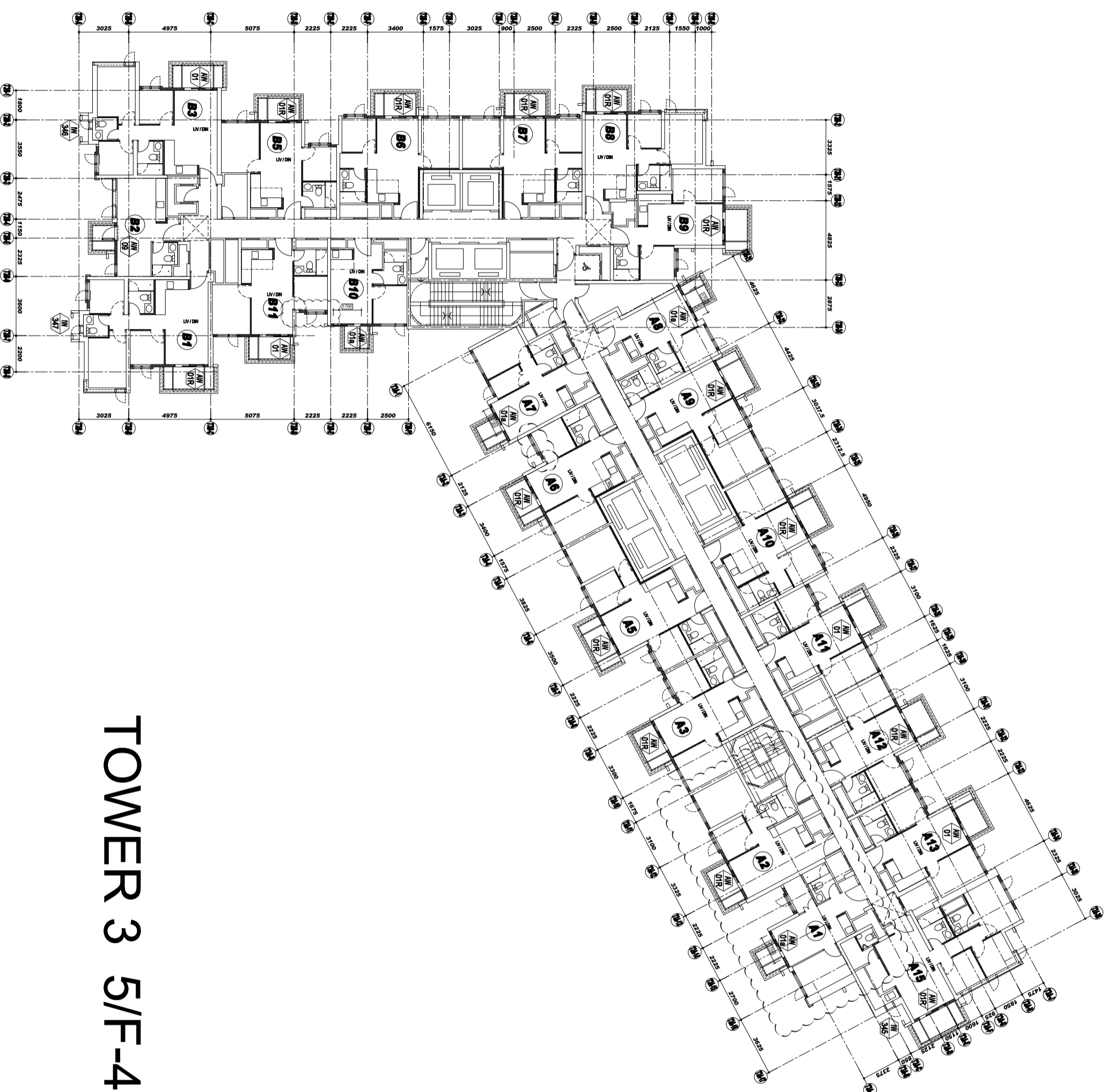
PROJECT :
PROPOSED DEVELOPMENT ABOVE
LIGHT RAIL TIN WING STOP TSWTL
NO.23,AREA 33,TIN SHUI WAI, N.T.

TITLE :
PLAN FOR IN-SITU WINDOW
AT TOWER 3

DATE : 02-Aug-21 SCALE : 1:40

DRAWN BY : lvon CHECKED BY :

美特鋁質有限公司
MIDI ALUMINIUM FABRICATOR LTD.
Units 6-8, Sunny Industrial Centre, 1/F
610 Che Kwo Ling Road, Kowloon
Tel:23489211-4 Fax:8522727666
DWG NO. : JB56-SD-IW-3302 REV. : B



TOWER 3 5/F-42/F

B.O. REF :

CLIENT :

SUN HUNG KAI
REAL ESTATE AGENCY LTD.
42/F SUN HUNG KAI CENTRE, WANCHAI, HONGKONG

ARCHITECT :

IWK&partners
a r c h i t e c t s

MAIN CONTRACTOR :

怡輝建築有限公司
Yee Fai Building Contractors Ltd.

STRUCTURAL ENGINEER :

ARUP

FAÇADE CONSULTANT:

ALPHA CONSULTING LIMITED
Steel Structure & Façade Specialist

NOTE :

1. ALL DIMENSIONS ARE IN mm.
2. ALL ELEVATIONS ARE VIEWED FROM OUTSIDE.
3. ALL DIMENSIONS TO BE VERIFIED ON SITE BEFORE FABRICATION.

LEGEND :

- X1 --- DETAIL MARK NO.
- X001 --- REFER SHEET NO.

1. F.F.L. -- FINISHED FLOOR LEVEL
2. S.F.L. -- STRUCTURAL FLOOR LEVEL
3. (R) -- REVERSED DETAIL

4. GLASS LEGEND

- EQ1-1 -- 8mmHS+12mm AIR GAP+10mmTP THK. I.G.U.
- EQ1-2 -- 10mm THK. CLEAR TEMPERED GLASS
- EQ1-4 -- 10mm THK. TEMPERED ACID ETCHED GLASS
- EQ1-1A -- 8mmHS+12mm AIR GAP+8mmTP THK. I.G.U.

NO.	DATE	REVISION SUBJECT TO ARCH COMMENT	BY
B	23/11/2021	REVISION SUBJECT TO ARCH COMMENT	lvn
A	10/11/2021	REVISION SUBJECT TO ARCH COMMENT	lvn

JOB NO. : J-856

PROJECT :

PROPOSED DEVELOPMENT ABOVE
LIGHT RAIL TIN WING STOP TSWTL
NO.23, AREA 33, TIN SHUI WAI, N.T.

TITLE :

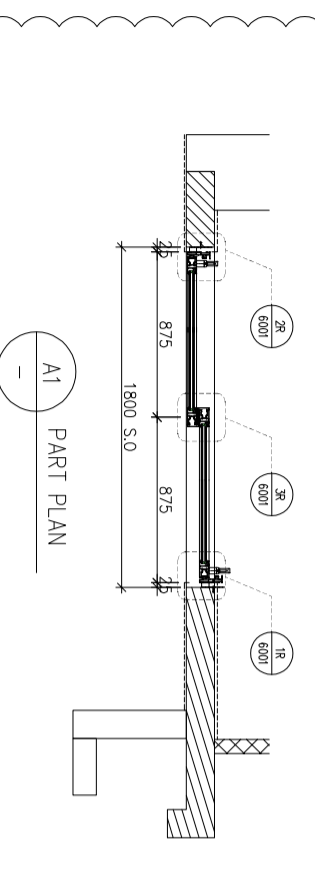
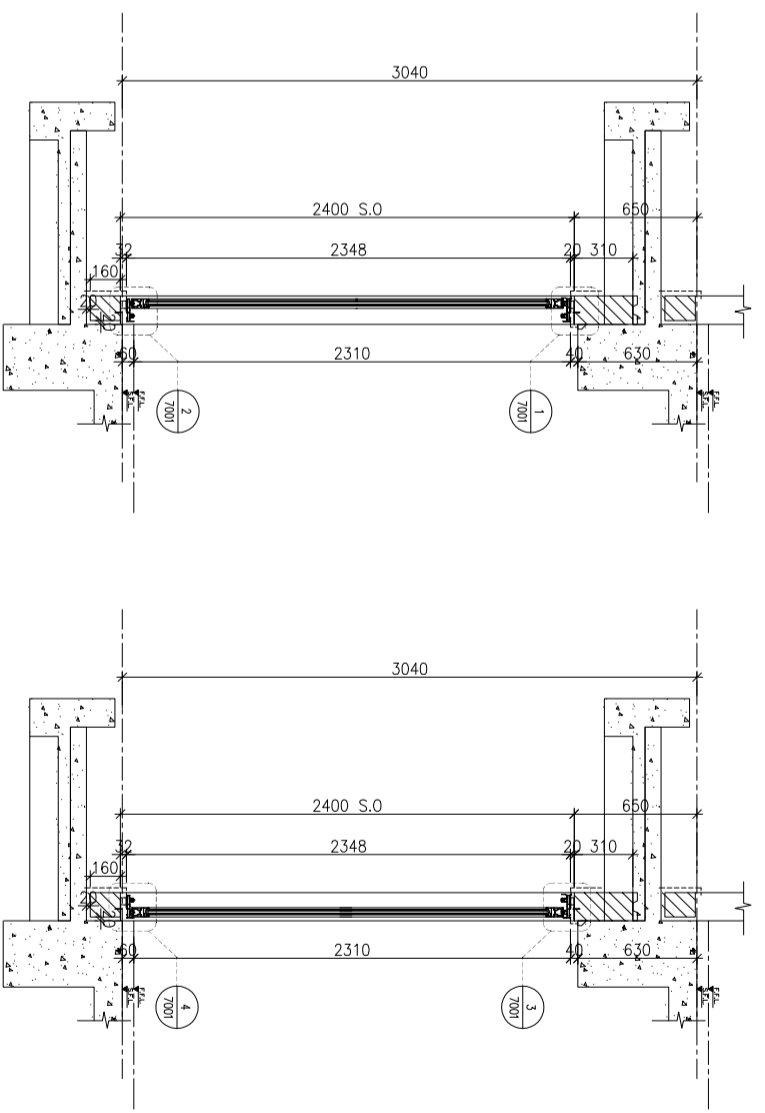
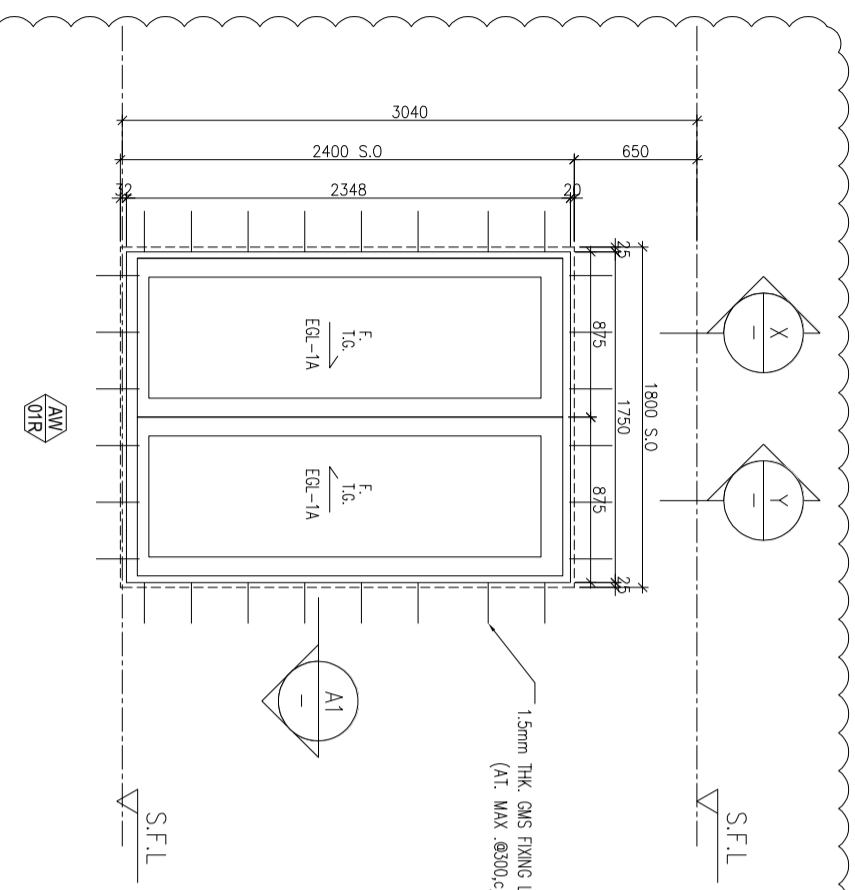
WINDOW SCHEDULE FOR
TOWER 1 IN-SITU WINDOW

DATE : 02-Aug-21 SCALE : 1:40

DRAWN BY : lvn CHECKED BY :

美特鋁質有限公司
MIDI ALUMINIUM FABRICATOR LTD.
Units 6-8, Sunny Industrial Centre, 1/F
610 Che Kwo Ling Road, Kowloon
Tel: 23489211-4 Fax: (852) 27272666

DWG NO. : 856-SD-IW-5101 REV. : B



ELEVATION

WINDOW MARK



LOCATION

3/F~42/F 42/F, 4/F, 13/F, 14/F, 24/F, 34/F OMITTED) UNIT A1

SECTION

70mm ALUM. SECTION

GLAZING

EGL-1A

QUANTITY

35 Nos.

REMARKS

FAÇADE TYPE T1PF01 FOR 3/F~42/F)

B.O. REF :

CLIENT :

SUN HUNG KAI
REAL ESTATE AGENCY LTD.
42/F SUN HUNG KAI CENTRE, WANCHAI, HONGKONG

ARCHITECT :

Iwk&partners
a r c h i t e c t s

MAIN CONTRACTOR :

怡輝建築有限公司
Yee Fai Building Contractors Ltd.

STRUCTURAL ENGINEER :

ARUP

FAÇADE CONSULTANT:

ALPHA CONSULTING LIMITED
Steel Structure & Façade Specialist

NOTE :

1. ALL DIMENSIONS ARE IN mm.
2. ALL ELEVATIONS ARE VIEWED FROM OUTSIDE.
3. ALL DIMENSIONS TO BE VERIFIED ON SITE BEFORE FABRICATION.

LEGEND :

X1 --- DETAIL MARK NO.
X001 --- REFER SHEET NO.

1. F.F.L. --- FINISHED FLOOR LEVEL
2. S.F.L. --- STRUCTURAL FLOOR LEVEL
3. (R) --- REVERSED DETAIL

4. GLASS LEGEND

EQ1-1 --- 8mmHS+12mm AIR GAP+10mmTP THK. I.G.U.
 EQ1-2 --- 10mm THK. CLEAR TEMPERED GLASS
 EQ1-4 --- 10mm THK. TEMPERED ACID ETCHED GLASS
 EQ1-1A --- 8mmHS+12mm AIR GAP+8mmTP THK. I.G.U.

NO.	DATE	REVISION SUBJECT TO ARCH COMMENT	BY
A	10/11/2021		

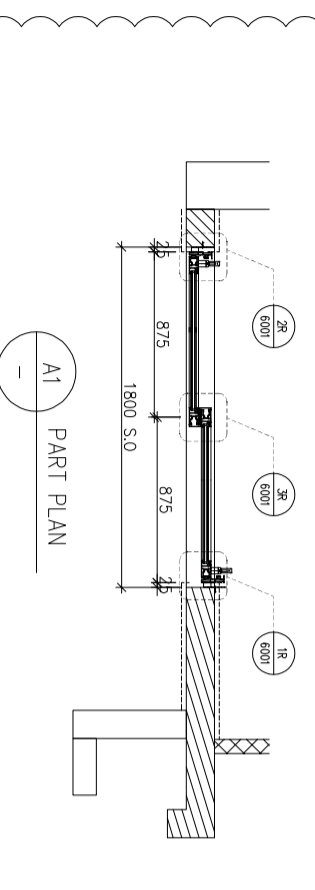
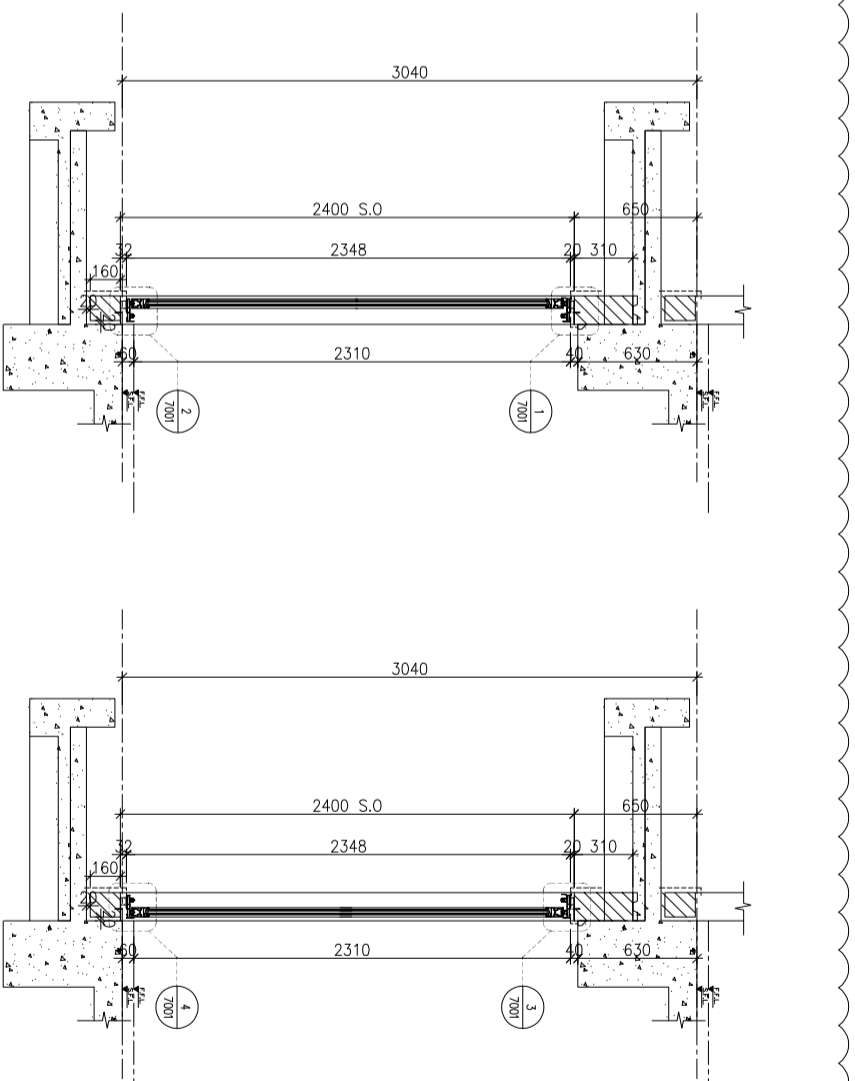
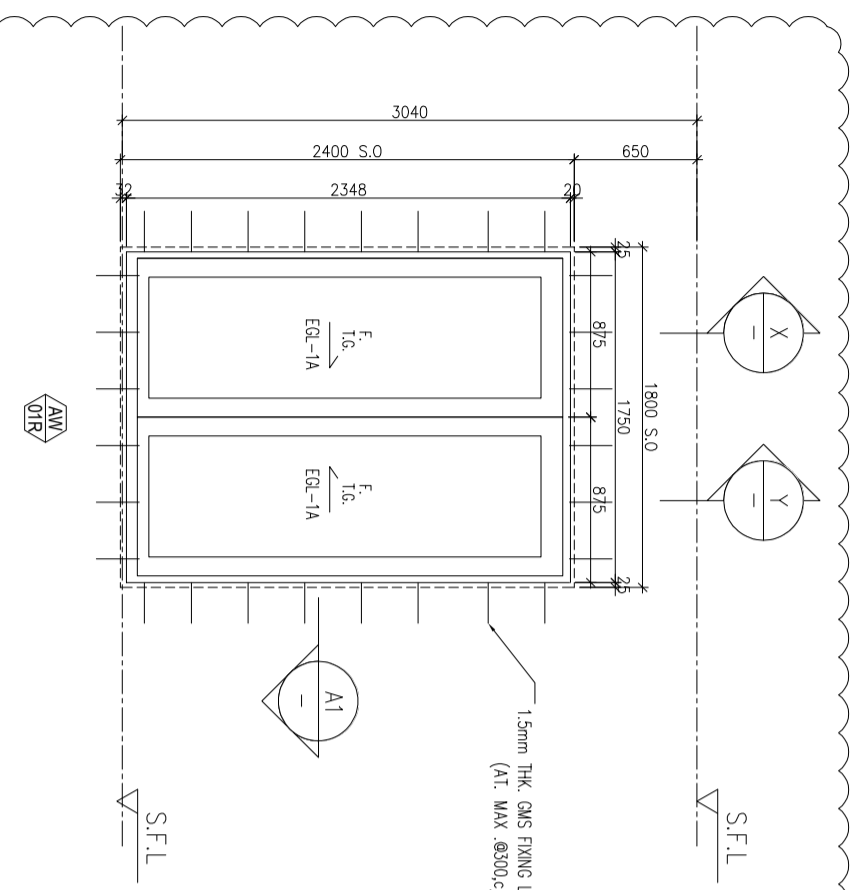
JOB NO. : J-856

PROJECT :
 PROPOSED DEVELOPMENT ABOVE
 LIGHT RAIL TIN WING STOP TSWTL
 NO.23,AREA 33, TIN SHUI WAI, N.T.

TITLE :
 WINDOW SCHEDULE FOR
 TOWER 1 IN-SITU WINDOW

DATE : 02-Aug-21 SCALE : 1:40
 DRAWN BY : Ivorn CHECKED BY :

美特鋁質有限公司
MIDI ALUMINIUM FABRICATOR LTD.
 Units 6-8, Sunny Industrial Centre, 1/F
 610 Che Kwo Ling Road, Kowloon
 Tel:2489211-4 Fax:8522727666
 DWG NO. : 856-SD-IW-5102 REV. : B



WINDOW MARK	AW 01R
LOCATION	3/F~42/F,4/F,13/F,14/F,24/F,34/F OMITTED) UNIT B3,A2,A5
SECTION	70mm ALUM. SECTION
GLAZING	EGL-1A
QUANTITY	35 Nos./35 Nos./35 Nos.
REMARKS	FAÇADE TYPE T1PF02 FOR 3/F~42/F)

ELEVATION

B.O. REF :

CLIENT :
SUN HUNG KAI
REAL ESTATE AGENCY LTD.
42/F SUN HUNG KAI CENTRE, WANGCHAI, HONGKONG

ARCHITECT :
IWK&partners
a r c h i t e c t s

MAIN CONTRACTOR :
怡輝建築有限公司
Yee Fai Building Contractors Ltd.

STRUCTURAL ENGINEER :
ARUP

FAÇADE CONSULTANT:
ALPHA CONSULTING LIMITED
Steel Structure & Façade Specialist

NOTE :
1. ALL DIMENSIONS ARE IN mm.
2. ALL ELEVATIONS ARE VIEWED FROM OUTSIDE.
3. ALL DIMENSIONS TO BE VERIFIED ON SITE BEFORE FABRICATION.

LEGEND :
X1 — DETAIL MARK NO.
X001 — REFER SHEET NO.

1. F.F.L. -- FINISHED FLOOR LEVEL
2. S.F.L. -- STRUCTURAL FLOOR LEVEL
3. (R) -- REVERSED DETAIL
4. GLASS LEGEND

EGL-1 -- 8mmHS+12mm AIR GAP+10mmTP THK. I.G.U.
EGL-2 -- 10mm THK. CLEAR TEMPERED GLASS
EGL-4 -- 10mm THK. TEMPERED ACID ETCHED GLASS
EGL-1A -- 8mmHS+12mm AIR GAP+8mmTP THK. I.G.U.

NO.	DATE	REVISION	SUBJECT TO ARCH COMMENT	BY
B	23/11/2021	REVISION SUBJECT TO ARCH COMMENT		YV
A	10/11/2021	REVISION SUBJECT TO ARCH COMMENT		YV

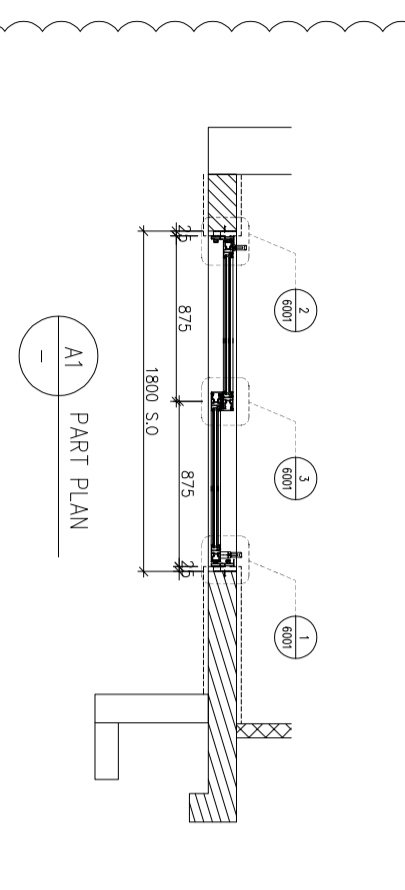
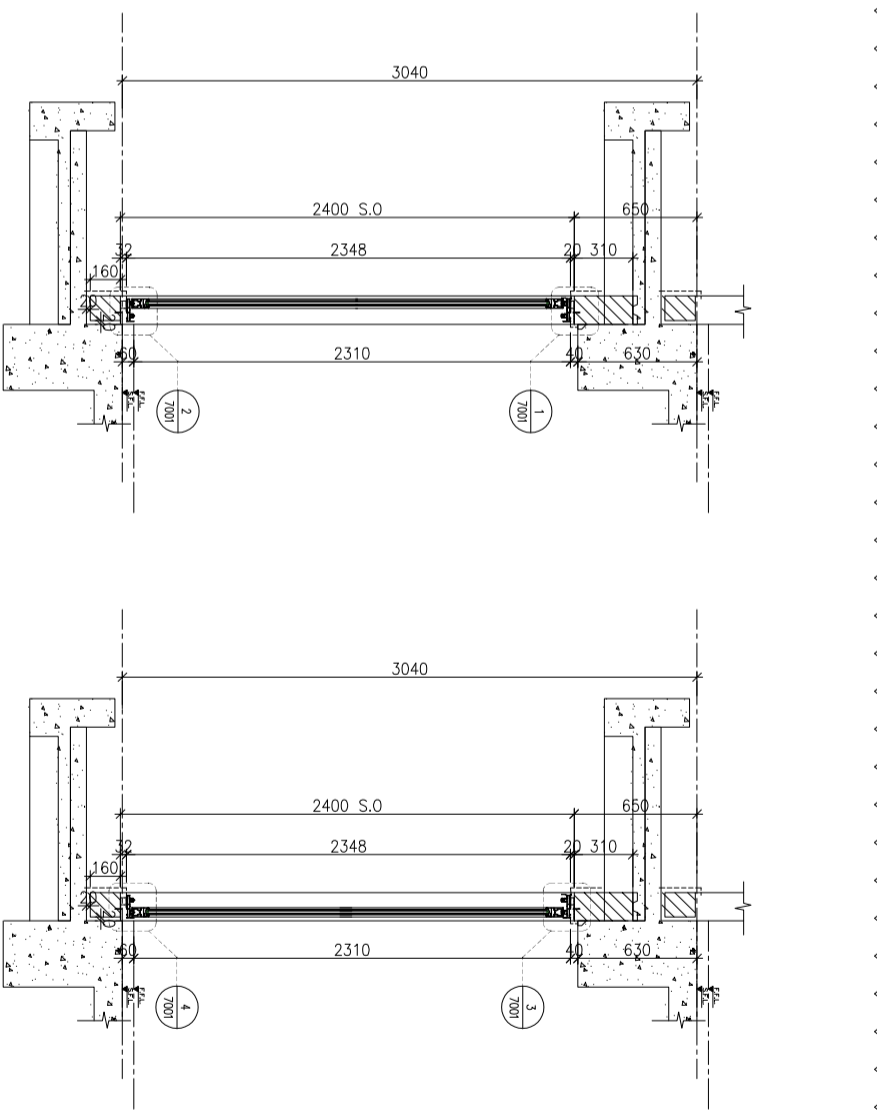
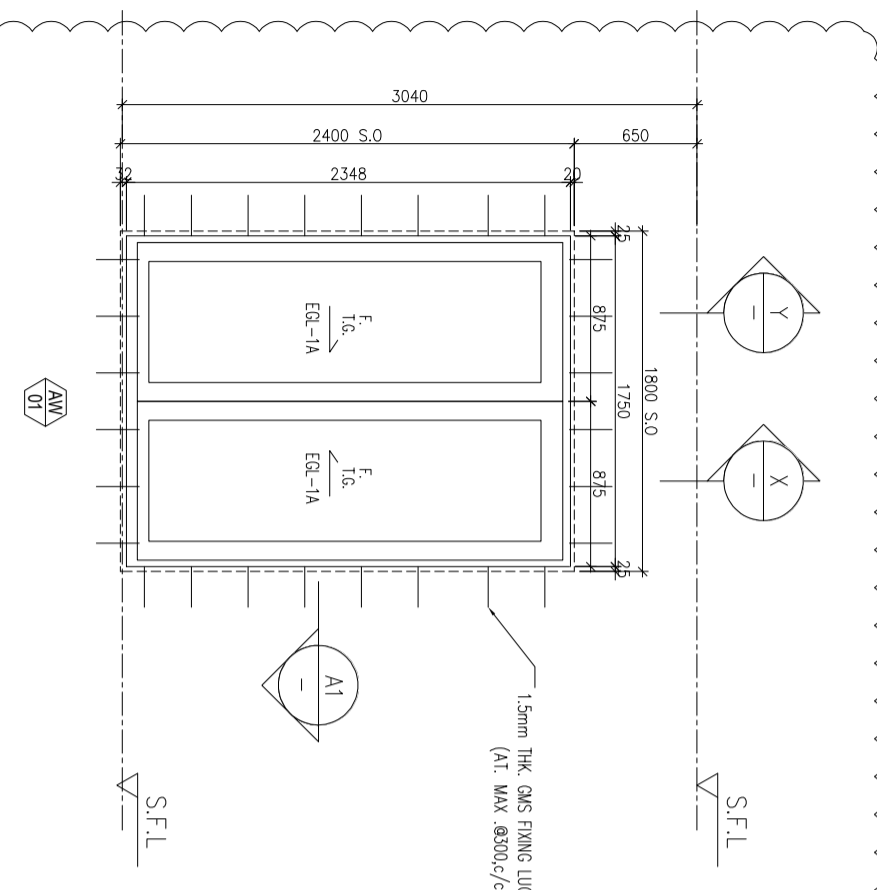
JOB NO. : J-856

PROJECT :
PROPOSED DEVELOPMENT ABOVE
LIGHT RAIL TIN WING STOP TSWTL
NO.23,AREA 33,TIN SHUI WAI, N.T.

TITLE :
WINDOW SCHEDULE FOR
TOWER 1 IN-SITU WINDOW

DATE : 02-Aug-21 SCALE : 1:40
DRAWN BY : IYVn CHECKED BY :

美特鋁質有限公司
MIDI ALUMINIUM FABRICATOR LTD.
Units 6-8, Sunny Industrial Centre, 1/F
610 Che Kwo Ling Road, Kowloon
Tel:23489211-4 Fax:9522727666
DWG NO. : 856-SD-IW-5103 REV. : B



ELEVATION

WINDOW MARK



LOCATION 3/F~42/F,4/F,13/F,14/F,24/F,34/F OMITTED) UNIT A3,A7,B6,B2

SECTION 70mm ALUM. SECTION

GLAZING EGL-1A

QUANTITY 35 Nos./35 Nos./35 Nos./35 Nos.

REMARKS FACADE(TYPE T1PF04 FOR 3/F~42/F)



LOCATION 3/F~42/F,4/F,13/F,14/F,24/F,34/F OMITTED) UNIT B7

SECTION 70mm ALUM. SECTION

GLAZING EGL-1,EGL-1A

QUANTITY 35 Nos

REMARKS FACADE(TYPE T1PF04R FOR 3/F~42/F)

B.O. REF :

CLIENT :

SUN HUNG KAI
REAL ESTATE AGENCY LTD.
42/F SUN HUNG KAI CENTRE, WANGCHAI, HONGKONG

ARCHITECT :

Iwk&partners
a r c h i t e c t s

MAIN CONTRACTOR :

怡輝建築有限公司
Yee Fai Building Contractors Ltd.

STRUCTURAL ENGINEER :

ARUP

FAÇADE CONSULTANT:

ALPHA CONSULTING LIMITED
Steel Structure & Façade Specialist

NOTE :

1. ALL DIMENSIONS ARE IN mm.
2. ALL ELEVATIONS ARE VIEWED FROM OUTSIDE.
3. ALL DIMENSIONS TO BE VERIFIED ON SITE BEFORE FABRICATION.

LEGEND :

- X1 --- DETAIL MARK NO.
- X001 --- REFER SHEET NO.

1. F.F.L.--FINISHED FLOOR LEVEL
2. S.F.L.--STRUCTURAL FLOOR LEVEL
3. (R) --REVERSED DETAIL

4. GLASS LEGEND

- EQ1-1--8mmHS+12mm AIR GAP+10mmTP THK. I.G.U.
- EQ1-2--10mm THK. CLEAR TEMPERED GLASS
- EQ-4--10mm THK. TEMPERED ACID ETCHED GLASS
- EQ1-1A-8mmHS+12mm AIR GAP+8mmTP THK. I.G.U.

NO.	DATE	REVISION	REVISION SUBJECT TO ARCH/COMMENT
C	13/01/2022	REVISION SUBJECT TO ARCH/COMMENT	Wen
B	23/11/2021	REVISION SUBJECT TO ARCH/COMMENT	Wen
A	10/11/2021	REVISION SUBJECT TO ARCH/COMMENT	Wen

JOB NO. : J-856

PROJECT :

PROPOSED DEVELOPMENT ABOVE
LIGHT RAIL TIN WING STOP TSWTL
NO.23,AREA 33,TIN SHUI WAI, N.T.

TITLE :

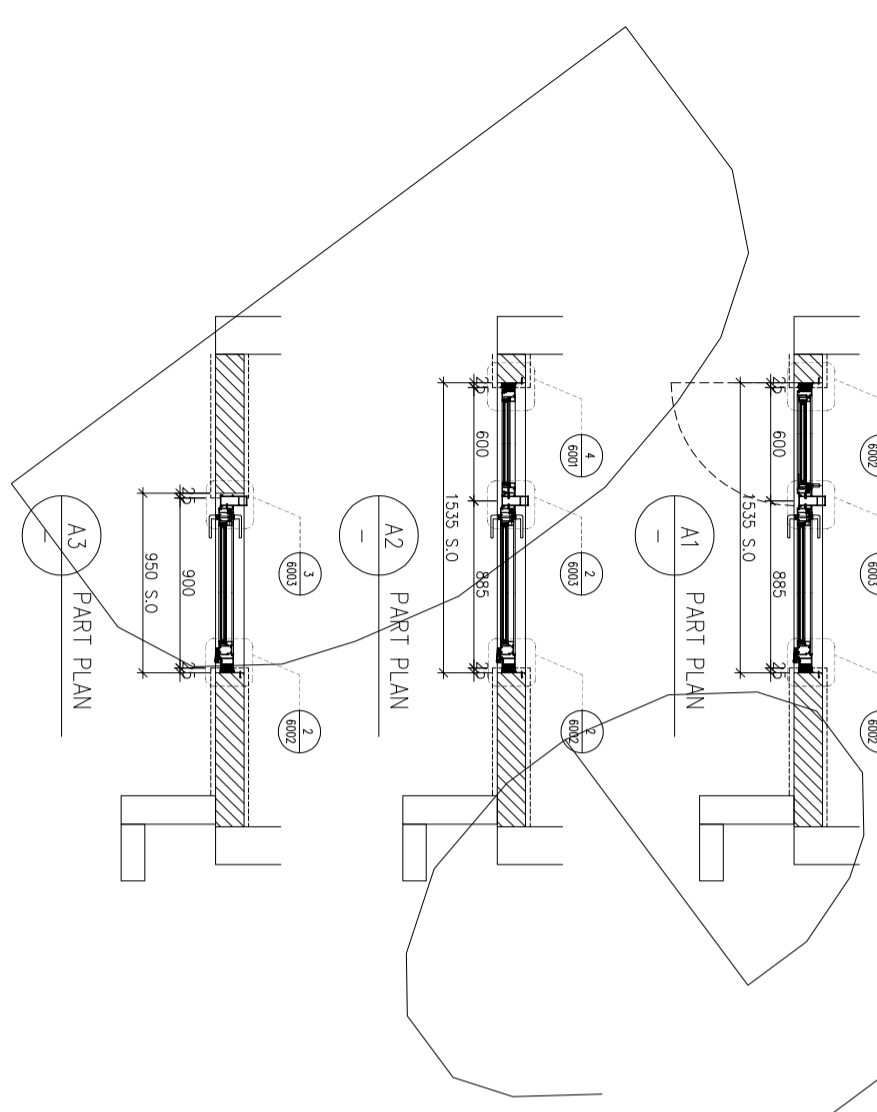
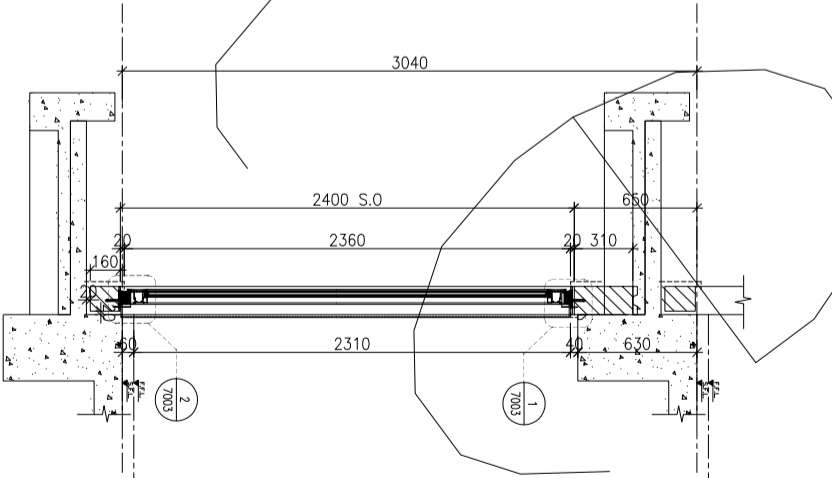
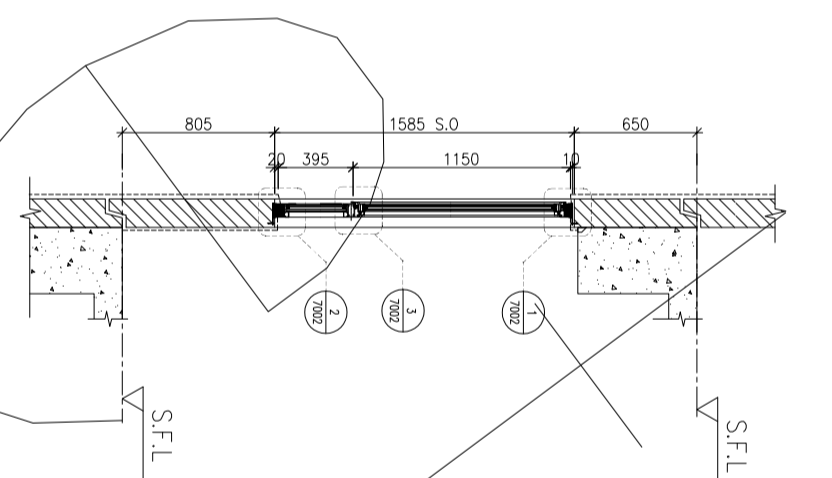
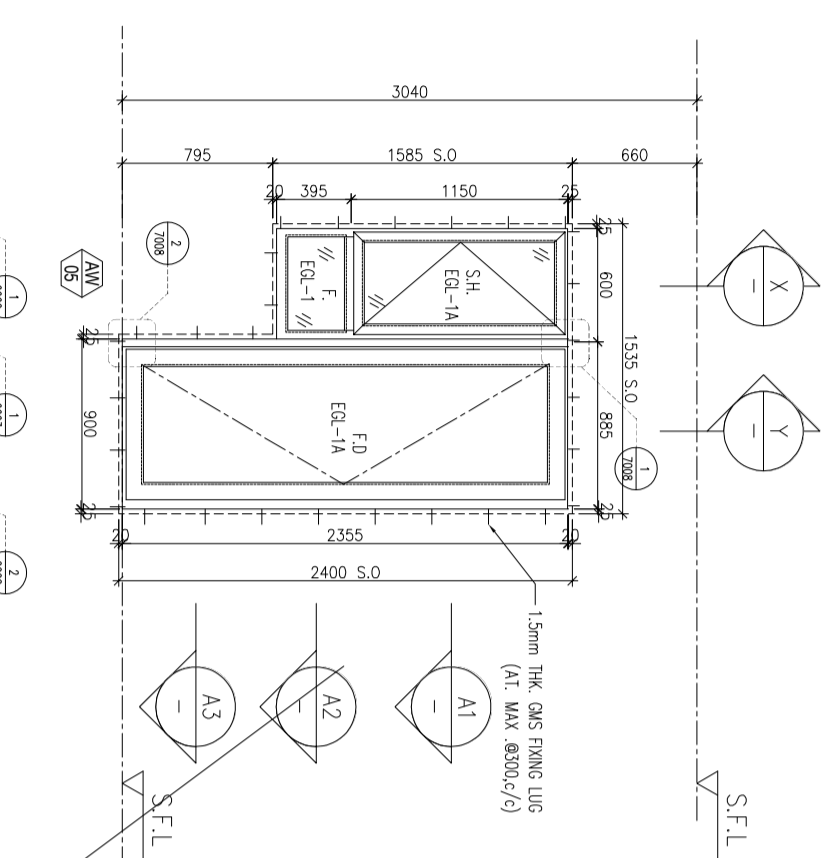
WINDOW SCHEDULE FOR
TOWER 1 IN-SITU WINDOW

DATE : 02-Aug-21 SCALE : 1:40

DRAWN BY : Ivorn CHECKED BY :

美特鋁質有限公司
MIDI ALUMINIUM FABRICATOR LTD.
Units 6-8, Sunny Industrial Centre, 1/F
610 Che Kwo Ling Road, Kowloon
Tel:23489211-4 Fax:95212727666

DWG NO. : 4856-SD-IW-5104 REV. : C



ELEVATION

WINDOW MARK

LOCATION

SECTION

GLAZING

QUANTITY

REMARKS

AW 05

5/F-42/F(13/F,14/F,24/F,34/F OMITTED) UNIT A6

70mm ALUM. SECTION

EGL-1,EGL-1A

34 Nos

FAÇADE/TYPE T1PF07 FOR 5/F~42/F)

B.O. REF :

CLIENT :

SUN HUNG KAI
REAL ESTATE AGENCY LTD.
42/F SUN HUNG KAI CENTRE, WANCHAI, HONGKONG

ARCHITECT :

IWK&partners
a r c h i t e c t s

MAIN CONTRACTOR :

怡輝建築有限公司
Yee Fai Building Contractors Ltd.

STRUCTURAL ENGINEER :

ARUP

FAÇADE CONSULTANT:

ALPHA CONSULTING LIMITED
Steel Structure & Façade Specialist

NOTE :

1. ALL DIMENSIONS ARE IN mm.
2. ALL ELEVATIONS ARE VIEWED FROM OUTSIDE.
3. ALL DIMENSIONS TO BE VERIFIED ON SITE BEFORE FABRICATION.

LEGEND :

- X1 --- DETAIL MARK NO.
- X001 --- REFER SHEET NO.

1. F.F.L.--FINISHED FLOOR LEVEL
2. S.F.L.--STRUCTURAL FLOOR LEVEL
3. (R) --REVERSED DETAIL

4. GLASS LEGEND

- EGL-1--8mmHS+12mm AIR GAP+10mmTP THK. I.G.U.
- EGL-2--10mm THK. CLEAR TEMPERED GLASS
- EGL-4--10mm THK. TEMPERED ACID ETCHED GLASS
- EGL-1A-8mmHS+12mm AIR GAP+8mmTP THK. I.G.U.

NO.	DATE	REVISION SUBJECT TO ARCH COMMENT	BY
A	10/11/2021	REVISION SUBJECT TO ARCH COMMENT	WPN
B	23/11/2021	REVISION SUBJECT TO ARCH COMMENT	WPN

JOB NO. : J-856

PROJECT :

PROPOSED DEVELOPMENT ABOVE
LIGHT RAIL TIN WING STOP TSWTL
NO.23,AREA 33,TIN SHUI WAI, N.T.

TITLE :

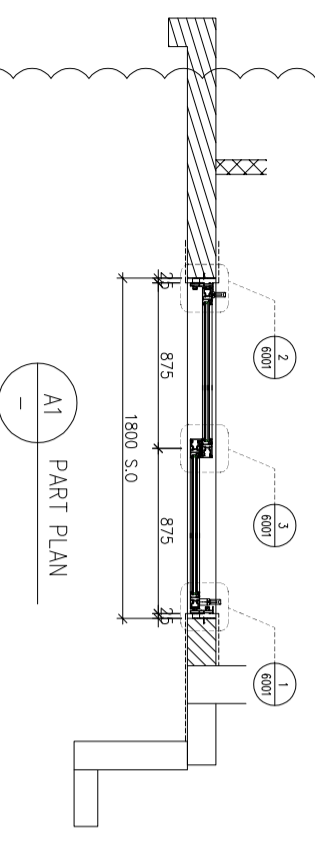
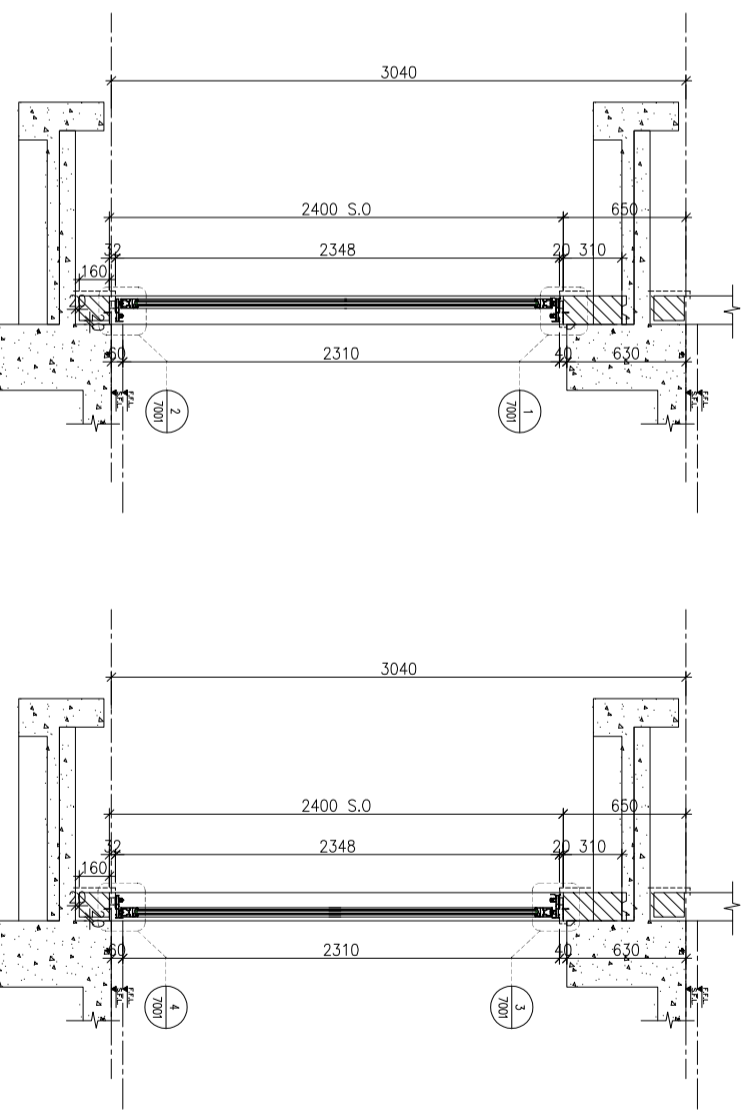
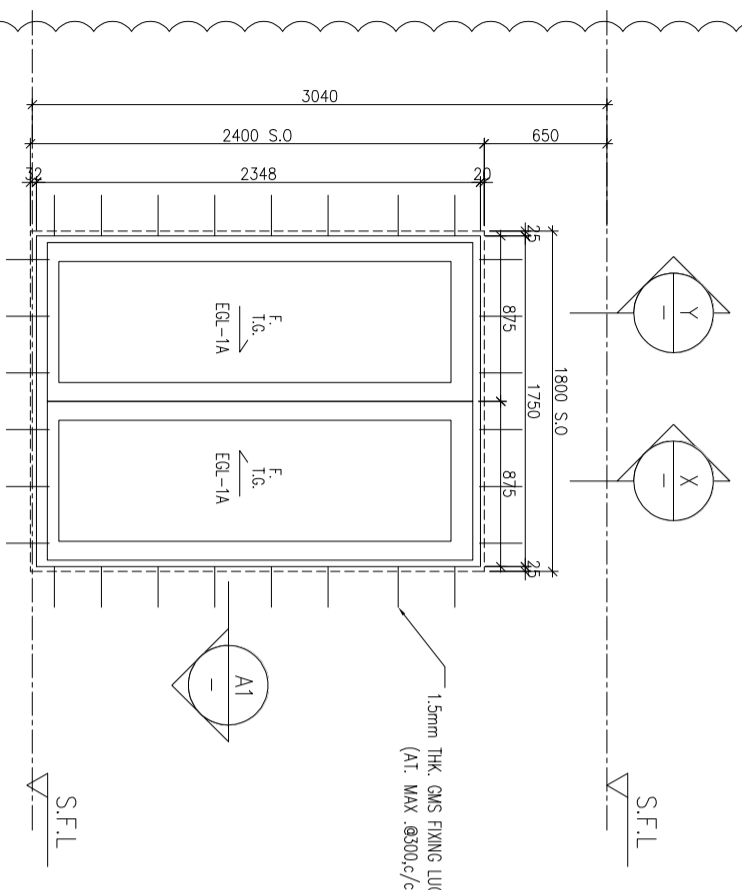
WINDOW SCHEDULE FOR
TOWER 1 IN-SITU WINDOW

DATE : 02-Aug-21 SCALE : 1:40

DRAWN BY : I/von CHECKED BY :

美特鋁質有限公司
MIDI ALUMINIUM FABRICATOR LTD.
Units 6-8, Sunny Industrial Centre, 1/F
610 Che Kwo Ling Road, Kowloon
Tel:23489211-4 Fax:8522727666

DWG NO. : 856-SD-IW-5105 REV. : B



ELEVATION

WINDOW MARK **AW 01R**

LOCATION **3/F~42/F, 4/F, 13/F, 14/F, 24/F, 34/F OMITTED** UNIT A8, B1

SECTION 70mm ALUM. SECTION

GLAZING EGL-1A

QUANTITY 35 Nos./35 Nos.

REMARKS FACADE(TYPE T1PF08 FOR 3/F~42/F)

WINDOW MARK **AW 01**

LOCATION **3/F~42/F, 4/F, 13/F, 14/F, 24/F, 34/F OMITTED** UNIT B8

SECTION 70mm ALUM. SECTION

GLAZING EGL-1, EGL-1A

QUANTITY 35 Nos

REMARKS FACADE(TYPE T1PF08R FOR 3/F~42/F)

B.O. REF :

CLIENT :

SUN HUNG KAI
REAL ESTATE AGENCY LTD.
42/F SUN HUNG KAI CENTRE, WANGCHAI, HONGKONG

ARCHITECT :

IWK&partners
a r c h i t e c t s

MAIN CONTRACTOR :

怡和建築有限公司
Yee Fai Building Contractors Ltd.

STRUCTURAL ENGINEER :

ARUP

FAÇADE CONSULTANT:

ALPHA CONSULTING LIMITED
Steel Structure & Façade Specialist

NOTE :

1. ALL DIMENSIONS ARE IN mm.
2. ALL ELEVATIONS ARE VIEWED FROM OUTSIDE.
3. ALL DIMENSIONS TO BE VERIFIED ON SITE BEFORE FABRICATION.

LEGEND :

- X1 --- DETAIL MARK NO.
- X001 --- REFER SHEET NO.

1. F.F.L.--FINISHED FLOOR LEVEL
2. S.F.L.--STRUCTURAL FLOOR LEVEL
3. (R) --REVERSED DETAIL

4. GLASS LEGEND

- EQ1-1--8mmHS+12mm AIR GAP+10mmTP THK. I.G.U.
- EQ1-2--10mm THK. CLEAR TEMPERED GLASS
- EQ-4--10mm THK. TEMPERED ACID ETCHED GLASS
- EQ1-1A-8mmHS+12mm AIR GAP+8mmTP THK. I.G.U.

NO.	DATE	REVISION	BY
C	13/01/2022	REVISION SUBJECT TO ARCH.COMMENT	ivan
B	23/11/2021	REVISION SUBJECT TO ARCH.COMMENT	ivan
A	10/11/2021	REVISION SUBJECT TO ARCH.COMMENT	ivan

JOB NO. : J-856

PROJECT :

PROPOSED DEVELOPMENT ABOVE
LIGHT RAIL TIN WING STOP TSWTL
NO.23,AREA 33,TIN SHUI WAI, N.T.

TITLE :

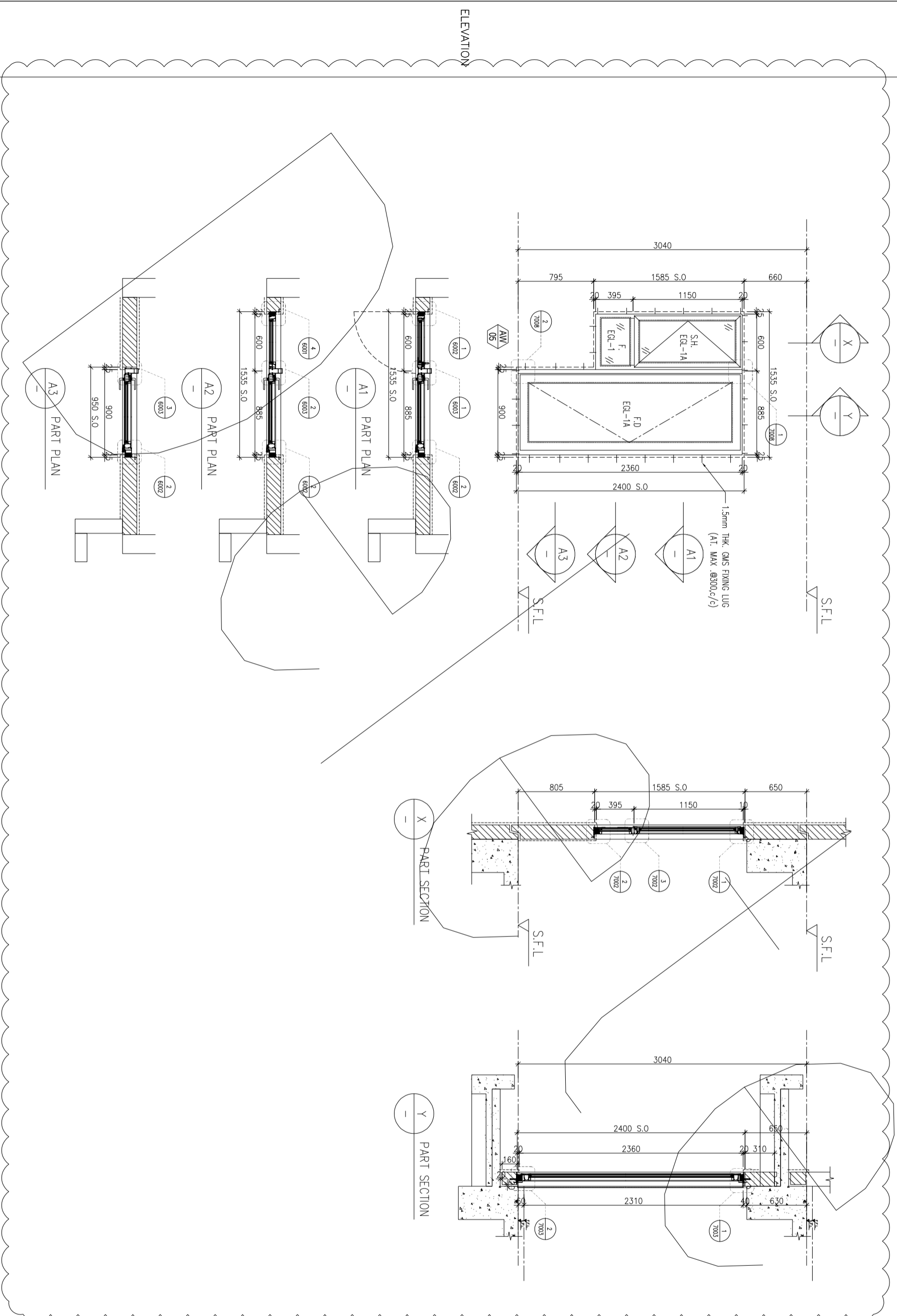
WINDOW SCHEDULE FOR
TOWER 1 IN-SITU WINDOW

DATE : 02-Aug-21 SCALE : 1:40

DRAWN BY : ivan CHECKED BY :

美特鋁質有限公司
MIDI ALUMINIUM FABRICATOR LTD.
Units 6-8, Sunny Industrial Centre, 1/F
610 Che Kwo Ling Road, Kowloon
Tel:23489211-4 Fax:85227272666

DWG NO. : J856-SD-IW-5106 REV. : C



WINDOW MARK	AW 05
LOCATION	5/F-42/F(13/F,14/F,24/F,34/F OMITTED) UNIT B5
SECTION	70mm ALUM. SECTION
GLAZING	EGL-1,EGL-1A
QUANTITY	34 Nos
REMARKS	FAÇADE(TYPE T1PF11 FOR 5/F~42/F)

B.O. REF :

CLIENT :

SUN HUNG KAI
REAL ESTATE AGENCY LTD.
42/F SUN HUNG KAI CENTRE, WANGCHAI, HONGKONG

ARCHITECT :

IWK&partners
a r c h i t e c t s

MAIN CONTRACTOR :

怡輝建築有限公司
Yee Fai Building Contractors Ltd.

STRUCTURAL ENGINEER :

ARUP

FAÇADE CONSULTANT:

ALPHA CONSULTING LIMITED
Steel Structure & Façade Specialist

NOTE :

1. ALL DIMENSIONS ARE IN mm.
2. ALL ELEVATIONS ARE VIEWED FROM OUTSIDE.
3. ALL DIMENSIONS TO BE VERIFIED ON SITE BEFORE FABRICATION.

LEGEND :

X1 ——— DETAIL MARK NO.
X001 ——— REFER SHEET NO.

1. F.F.L.--FINISHED FLOOR LEVEL
2. S.F.L.--STRUCTURAL FLOOR LEVEL
3. (R) --REVERSED DETAIL

4. GLASS LEGEND

EQ1--1--8mmHS+12mm AIR GAP+10mmTP THK. I.G.U.
 EQ1--2--10mm THK. CLEAR TEMPERED GLASS
 EQ1--4--10mm THK. TEMPERED ACID ETCHED GLASS
 EQ1--1A--8mmHS+12mm AIR GAP+8mmTP THK. I.G.U.

NO.	DATE	REVISION SUBJECT TO ARCH COMMENT	BY
B	24/11/2021	REVISION SUBJECT TO ARCH COMMENT	lvn
A	10/11/2021	REVISION SUBJECT TO ARCH COMMENT	lvn

JOB NO. : J-856

PROJECT :

PROPOSED DEVELOPMENT ABOVE
LIGHT RAIL TIN WING STOP TSWTL
NO.23,AREA 33,TIN SHUI WAI, N.T.

TITLE :

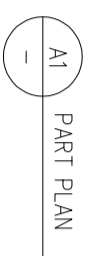
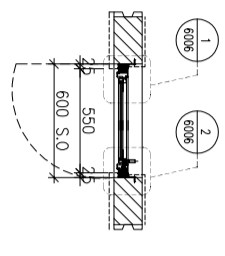
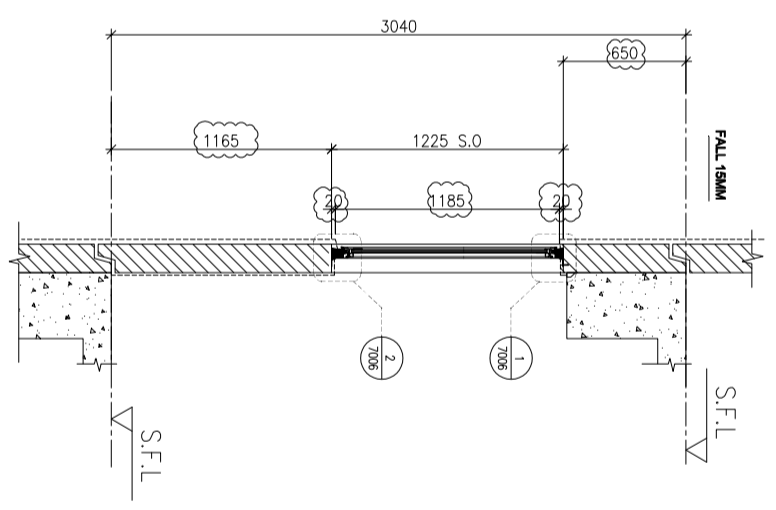
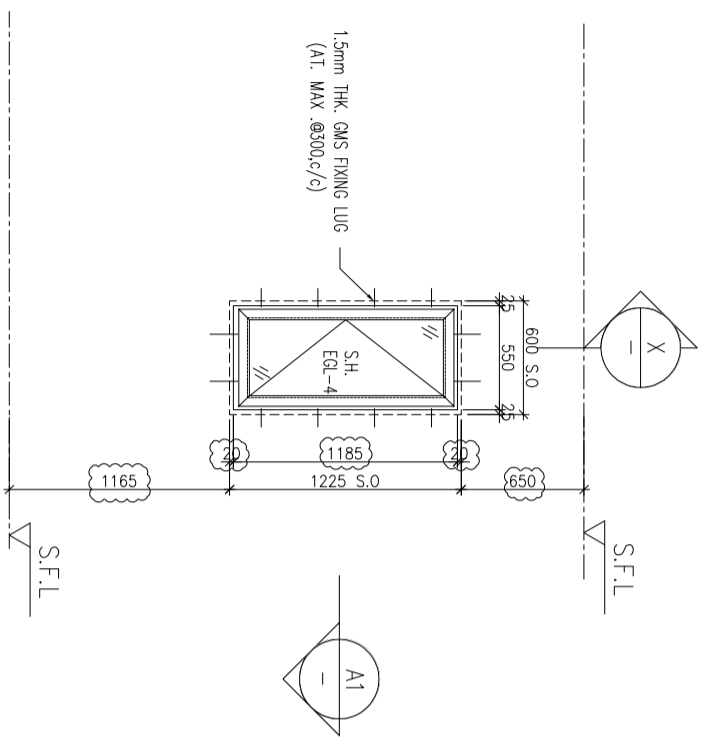
WINDOW SCHEDULE FOR
TOWER 1 IN-SITU WINDOW

DATE : 06-Aug-21 SCALE : 1:40

DRAWN BY : lvn CHECKED BY :

美特鋁質有限公司
MIDI ALUMINIUM FABRICATOR LTD.
Units 6-8, Sunny Industrial Centre, 1/F
610 Che Kwo Ling Road, Kowloon
Tel:23489211-4 Fax:85227272666

DWG NO. : JB56-SD-IW-5107 REV. : B



ELEVATION

WINDOW MARK

LOCATION

SECTION

GLAZING

QUANTITY

127

3/F-42/F(4/F,13/F,14/F,24/F,34/F OMITTED) UNIT A1

50mm ALUM. SECTION

EGL-4

35 Nos.

REMARKS

B.O. REF :

CLIENT :

SUN HUNG KAI
REAL ESTATE AGENCY LTD.
42/F SUN HUNG KAI CENTRE, WANCHAI, HONGKONG

ARCHITECT :
lwk&partners
a r c h i t e c t s

MAIN CONTRACTOR :
怡輝建築有限公司
Yee Fai Building Contractors Ltd.

STRUCTURAL ENGINEER :
ARUP

FAÇADE CONSULTANT:
ALPHA CONSULTING LIMITED
Steel Structure & Façade Specialist

NOTE :
1. ALL DIMENSIONS ARE IN mm.
2. ALL ELEVATIONS ARE VIEWED FROM OUTSIDE.
3. ALL DIMENSIONS TO BE VERIFIED ON SITE BEFORE FABRICATION.

LEGEND :
X1 --- DETAIL MARK NO.
X001 --- REFER SHEET NO.

1. F.F.L.--FINISHED FLOOR LEVEL
2. S.F.L.--STRUCTURAL FLOOR LEVEL
3. (R) --REVERSED DETAIL
4. GLASS LEGEND
EGL-1--8mmHS+12mm AIR GAP+10mmTP THK. I.G.U.
EGL-2--10mm THK. CLEAR TEMPERED GLASS
EGL-4--10mm THK. TEMPERED ACID ETCHED GLASS
EGL-1A-8mmHS+12mm AIR GAP+8mmTP THK. I.G.U.

NO.	DATE	REVISION SUBJECT TO ARCH COMMENT	BY
B	24/11/2021	REVISION SUBJECT TO ARCH COMMENT	lwk
A	10/11/2021	REVISION SUBJECT TO ARCH COMMENT	lwk

JOB NO. : J-856

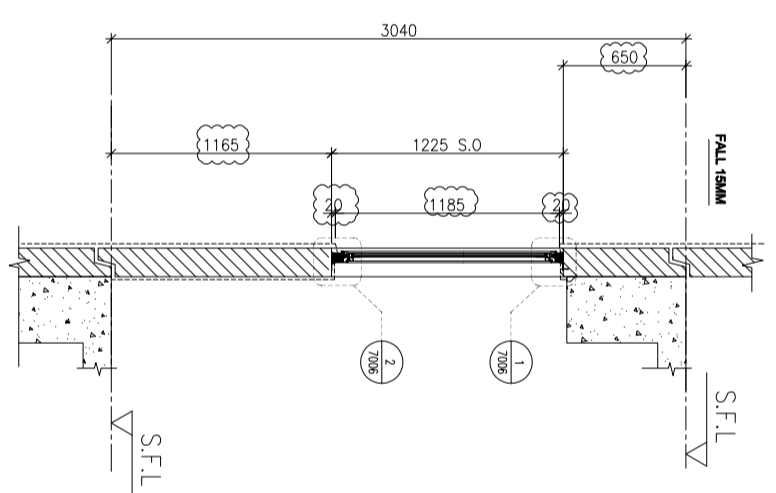
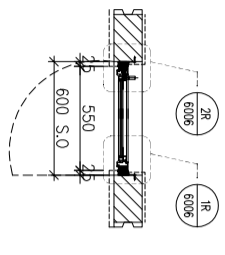
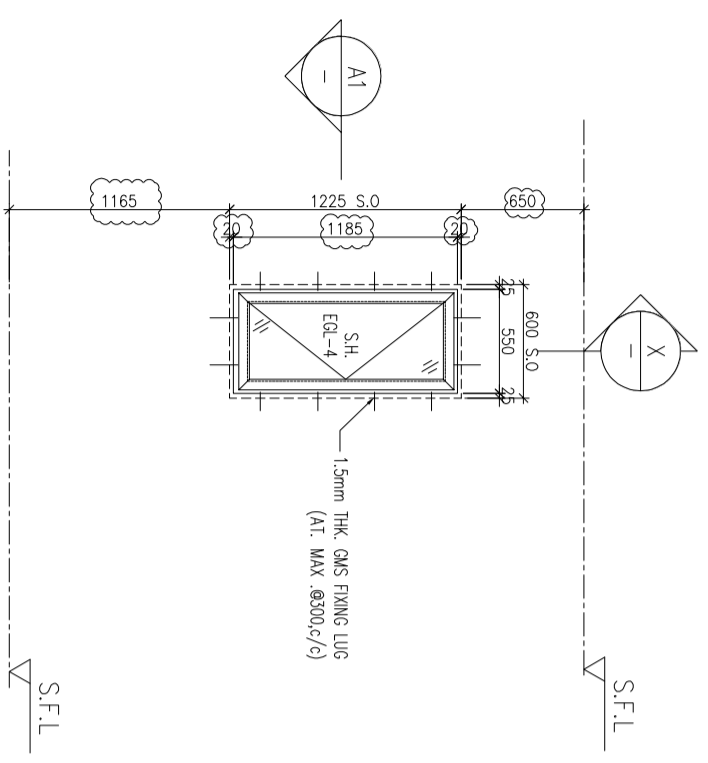
PROJECT :
PROPOSED DEVELOPMENT ABOVE
LIGHT RAIL TIN WING STOP TSWTL
NO.23,AREA 33,TIN SHUI WAI, N.T.

TITLE :
WINDOW SCHEDULE FOR
TOWER 1 IN-SITU WINDOW

DATE : 06-Aug-21 SCALE : 1:40

DRAWN BY : lvan CHECKED BY :

美特鋁質有限公司
MIDI ALUMINIUM FABRICATOR LTD.
Units 6-8, Sunray Industrial Centre, 1/F
610 Che Kwo Ling Road, Kowloon
Tel:23489211-4 Fax:85227272666
DWG NO. : 4856-SD-IW-5108 REV. : B



ELEVATION

WINDOW MARK	128
LOCATION	3/F-42/F,4/F,13/F,14/F,24/F,34/F OMITTED) UNIT B1
SECTION	50mm ALUM. SECTION
GLAZING	EGL-4
QUANTITY	35 Nos.
REMARKS	

B.O. REF :

CLIENT :

SUN HUNG KAI
REAL ESTATE AGENCY LTD.
42/F SUN HUNG KAI CENTRE, WANCHAI, HONGKONG

ARCHITECT :

IWK&partners
a r c h i t e c t s

MAIN CONTRACTOR :

怡輝建築有限公司
Yee Fai Building Contractors Ltd.

STRUCTURAL ENGINEER :

ARUP
FAÇADE CONSULTANT:

ALPHA CONSULTING LIMITED
Steel Structure & Façade Specialist

NOTE :

1. ALL DIMENSIONS ARE IN mm.
2. ALL ELEVATIONS ARE VIEWED FROM OUTSIDE.
3. ALL DIMENSIONS TO BE VERIFIED ON SITE BEFORE FABRICATION.

LEGEND :

(X1) DETAIL MARK NO.
(X001) REFER SHEET NO.

1. F.F.L.--FINISHED FLOOR LEVEL
2. S.F.L.--STRUCTURAL FLOOR LEVEL
3. (R) --REVERSED DETAIL

4. GLASS LEGEND

EQ1--1--8mmHS+12mm AIR GAP+10mmTP THK. I.G.U.
 EQ1--2--10mm THK. CLEAR TEMPERED GLASS
 EQ1--4--10mm THK. TEMPERED ACID ETCHED GLASS
 EQ1--1A--8mmHS+12mm AIR GAP+8mmTP THK. I.G.U.

NO.	DATE	REVISION SUBJECT TO ARCH COMMENT	REVISION
B	24/11/2021	REVISION SUBJECT TO ARCH COMMENT	Rev
A	10/11/2021	REVISION SUBJECT TO ARCH COMMENT	Rev

JOB NO. : J-856

PROJECT :

PROPOSED DEVELOPMENT ABOVE
LIGHT RAIL TIN WING STOP TSWTL
NO.23,AREA 33,TIN SHUI WAI, N.T.

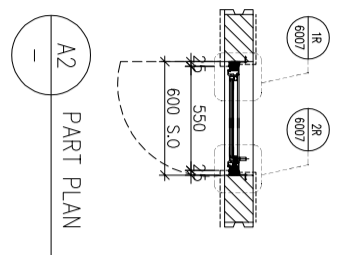
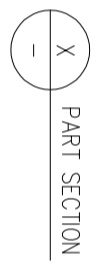
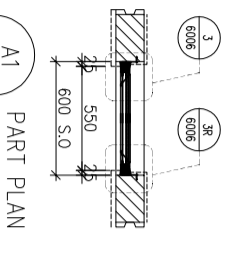
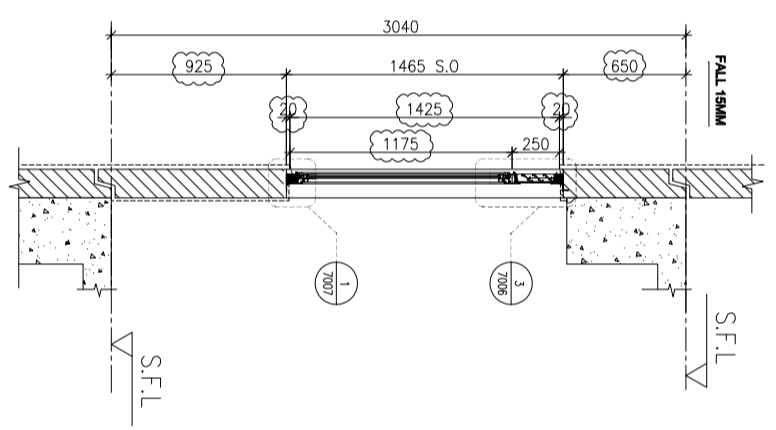
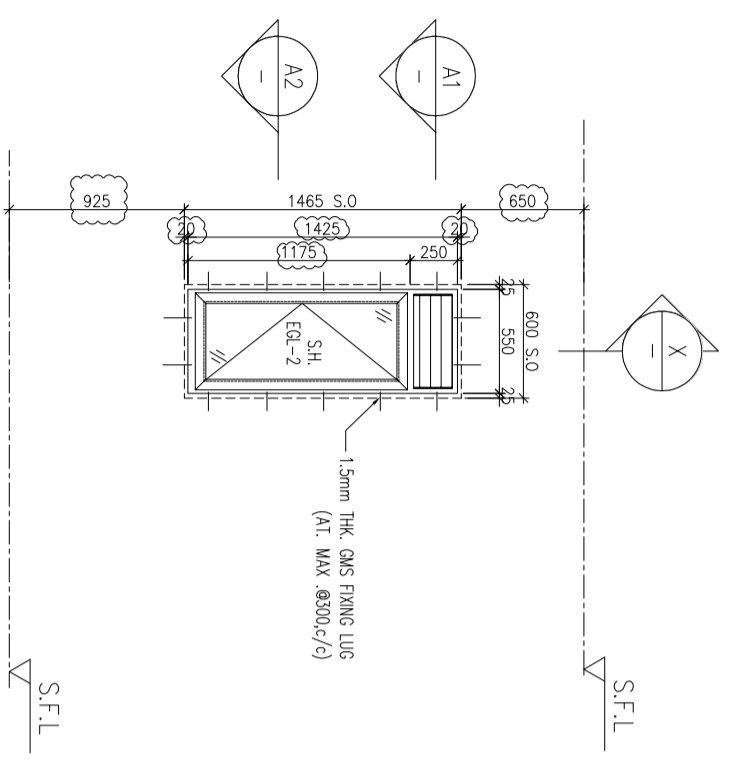
TITLE :

WINDOW SCHEDULE FOR
TOWER 1 IN-SITU WINDOW

DATE : 06-Aug-21 SCALE : 1:40

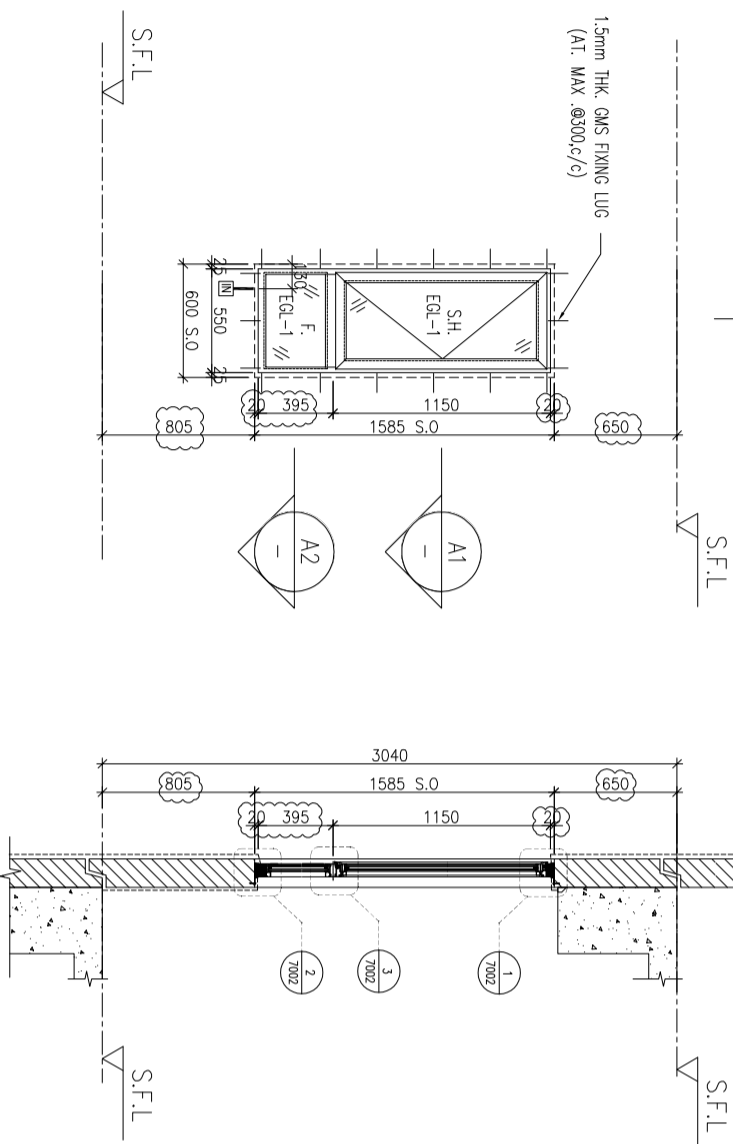
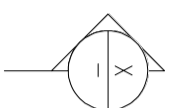
DRAWN BY : Ivon CHECKED BY :

美特鋁質有限公司
MIDI ALUMINIUM FABRICATOR LTD.
Units 6-8, Sunny Industrial Centre, 1/F
610 Che Kwo Ling Road, Kowloon
Tel:23489211-4 Fax:85227272666
DWG NO. : 4856-SD-IW-5109 REV. : B



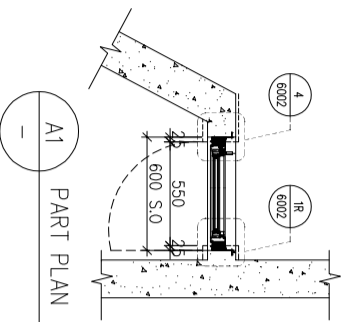
WINDOW MARK	130
LOCATION	3/F-42/F,4/F,13/F,14/F,24/F,34/F OMITTED) UNIT A1
SECTION	50mm ALUM. SECTION
GLAZING	EGL-2
QUANTITY	35 Nos.
REMARKS	

B.O. REF :

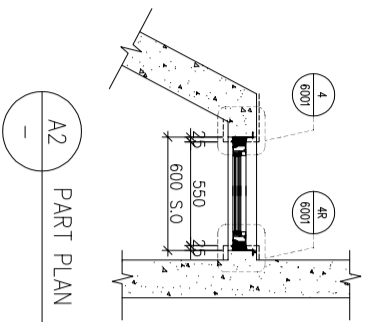


ELEVATION

X
—
PART SECTION



A1
—
PART PLAN



A2
—
PART PLAN

WINDOW MARK	
LOCATION	3/F-42/F, 4/F, 13/F, 14/F, 24/F, 34/F OMITTED) UNIT A5
SECTION	70mm ALUM. SECTION
GLAZING	EGL-1
QUANTITY	35 Nos.
REMARKS	

B.O. REF :

CLIENT :
SUN HUNG KAI
REAL ESTATE AGENCY LTD.
 42/F SUN HUNG KAI CENTRE, WANCHAI, HONGKONG

ARCHITECT :
Iwk&partners
 a r c h i t e c t s

MAIN CONTRACTOR :
怡輝建築有限公司
Yee Fai Building Contractors Ltd.

STRUCTURAL ENGINEER :
ARUP

FAÇADE CONSULTANT:
ALPHA CONSULTING LIMITED
 Steel Structure & Façade Specialist

NOTE :
 1. ALL DIMENSIONS ARE IN mm.
 2. ALL ELEVATIONS ARE VIEWED FROM OUTSIDE.
 3. ALL DIMENSIONS TO BE VERIFIED ON SITE BEFORE FABRICATION.

LEGEND :
 X1 — DETAIL MARK NO.
 X001 — REFER SHEET NO.

1. F.F.L. -- FINISHED FLOOR LEVEL
 2. S.F.L. -- STRUCTURAL FLOOR LEVEL
 3. (R) -- REVERSED DETAIL

4. GLASS LEGEND
 EGL-1 -- 8mmHS+12mm AIR GAP+10mmTP THK. LG.U.
 EGL-2 -- 10mm THK. CLEAR TEMPERED GLASS
 EGL-4 -- 10mm THK. TEMPERED ACID ETCHED GLASS
 EGL-1A -- 8mmHS+12mm AIR GAP+8mmTP THK. LG.U.

NO.	DATE	REVISION SUBJECT TO ARCH COMMENT	BY
B	24/11/2021	REVISION SUBJECT TO ARCH COMMENT	lvn
A	10/11/2021	REVISION SUBJECT TO ARCH COMMENT	lvn

JOB NO. : J-856
 PROJECT :
 PROPOSED DEVELOPMENT ABOVE
 LIGHT RAIL TIN WING STOP TSWTL
 NO.23, AREA 33, TIN SHUI WAI, N.T.

TITLE :
 WINDOW SCHEDULE FOR
 TOWER 1 IN-SITU WINDOW

DATE : 06-Aug-21 SCALE : 1:40
 DRAWN BY : lvn CHECKED BY :

美特鋁質有限公司
MIDI ALUMINIUM FABRICATOR LTD.
 Units 6-8, Sunny Industrial Centre, 1/F
 610 Che Kwo Ling Road, Kowloon
 Tel: 23489211-4 Fax: 9527272666
 DWG NO. : JB56-SD-IW-5110 REV. : B

B.O. REF :

CLIENT :

SUN HUNG KAI
REAL ESTATE AGENCY LTD.
42/F SUN HUNG KAI CENTRE, WANCHAI, HONGKONG

ARCHITECT :

Iwk&partners
a r c h i t e c t s

MAIN CONTRACTOR :

怡輝建築有限公司
Yee Fai Building Contractors Ltd.

STRUCTURAL ENGINEER :

ARUP

FAÇADE CONSULTANT:

ALPHA CONSULTING LIMITED
Steel Structure & Façade Specialist

NOTE :

1. ALL DIMENSIONS ARE IN mm.
2. ALL ELEVATIONS ARE VIEWED FROM OUTSIDE.
3. ALL DIMENSIONS TO BE VERIFIED ON SITE BEFORE FABRICATION.

LEGEND :

X1 — DETAIL MARK NO.
X001 — REFER SHEET NO.

1. F.F.L. -- FINISHED FLOOR LEVEL
2. S.F.L. -- STRUCTURAL FLOOR LEVEL
3. (R) -- REVERSED DETAIL

4. GLASS LEGEND

EQ1-1 -- 8mmHS+12mm AIR GAP+10mmTP THK. IG.U.
 EQ1-2 -- 10mm THK. CLEAR TEMPERED GLASS
 EQ1-4 -- 10mm THK. TEMPERED ACID ETCHED GLASS
 EQ1-1A -- 8mmHS+12mm AIR GAP+8mmTP THK. IG.U.

NO.	DATE	REVISION SUBJECT TO ARCH COMMENT	BY
B	13/07/2022	REVISION SUBJECT TO ARCH COMMENT	lvn
A	23/11/2021	REVISION SUBJECT TO ARCH COMMENT	lvn

JOB NO. : J-856

PROJECT :

PROPOSED DEVELOPMENT ABOVE
LIGHT RAIL TIN WING STOP TSWTL
NO.23,AREA 33,TIN SHUI WAI, N.T.

TITLE :

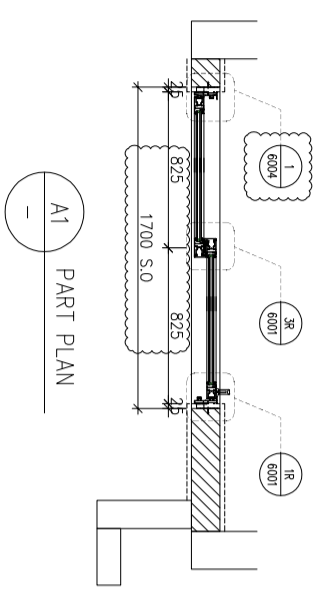
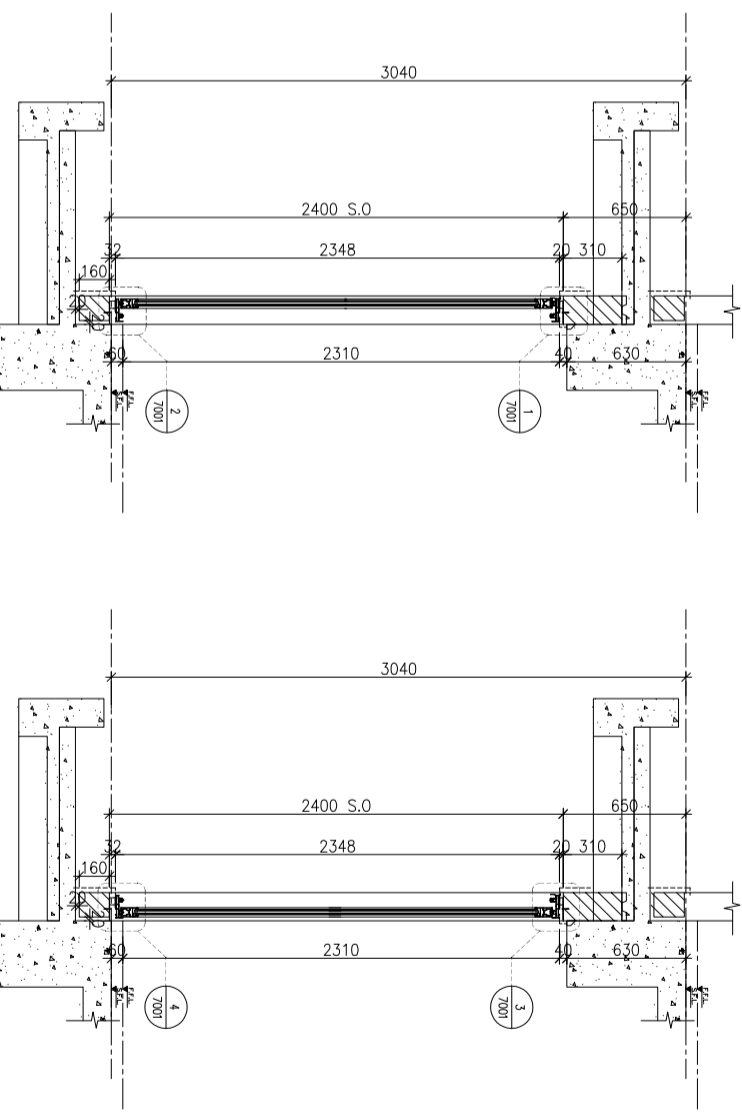
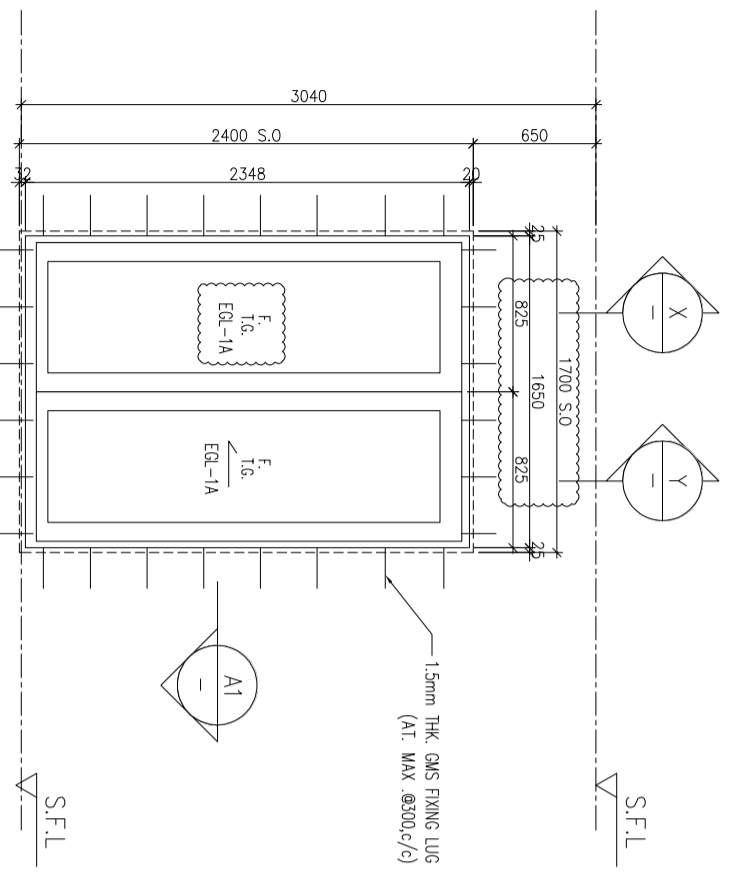
WINDOW SCHEDULE FOR
TOWER 1 IN-SITU WINDOW

DATE : 02-Aug-21 SCALE : 1:40

DRAWN BY : lvon CHECKED BY :

美特鋁質有限公司
MIDI ALUMINIUM FABRICATOR LTD.
Units 6-8, Sunny Industrial Centre, 1/F
610 Che Kwo Ling Road, Kowloon
Tel:23489211-4 Fax:9527272666

DWG NO. : 856-SD-IW-5111 REV. : B



ELEVATION

WINDOW MARK	AW 01a
LOCATION	3/F-42/F,4/F,13/F,14/F,24/F,34/F OMITTED) UNIT A6
SECTION	70mm ALUM. SECTION
GLAZING	EGL-1A
QUANTITY	35 Nos.
REMARKS	FAÇADE(TYPE T1PF07 FOR 3/F-42/F)

B.O. REF :

CLIENT :

SUN HUNG KAI
REAL ESTATE AGENCY LTD.
42/F SUN HUNG KAI CENTRE, WANCHAI, HONGKONG

ARCHITECT :

IWK&partners
a r c h i t e c t s

MAIN CONTRACTOR :

怡輝建築有限公司
Yee Fai Building Contractors Ltd.

STRUCTURAL ENGINEER :

ARUP

FAÇADE CONSULTANT:

ALPHA CONSULTING LIMITED
Steel Structure & Façade Specialist

NOTE :

1. ALL DIMENSIONS ARE IN mm.
2. ALL ELEVATIONS ARE VIEWED FROM OUTSIDE.
3. ALL DIMENSIONS TO BE VERIFIED ON SITE BEFORE FABRICATION.

LEGEND :

- X1 --- DETAIL MARK NO.
- X001 --- REFER SHEET NO.

1. F.F.L.--FINISHED FLOOR LEVEL
2. S.F.L.--STRUCTURAL FLOOR LEVEL
3. (R) ---REVERSED DETAIL

4. GLASS LEGEND

- EQ1-1--8mmHS+12mm AIR GAP+10mmTP THK. I.G.U.
- EQ1-2--10mm THK. CLEAR TEMPERED GLASS
- EQ1-4--10mm THK. TEMPERED ACID ETCHED GLASS
- EQ1-1A-8mmHS+12mm AIR GAP+8mmTP THK. I.G.U.

NO.	DATE	REVISION SUBJECT TO ARCH COMMENT	BY
B	13/07/2022	REVISION SUBJECT TO ARCH COMMENT	lvan
A	23/11/2021	REVISION SUBJECT TO ARCH COMMENT	lvan

JOB NO. : J-856

PROJECT :

PROPOSED DEVELOPMENT ABOVE
LIGHT RAIL TIN WING STOP TSWTL
NO.23,AREA 33,TIN SHUI WAI, N.T.

TITLE :

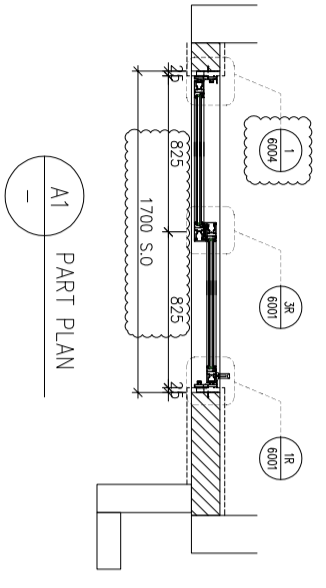
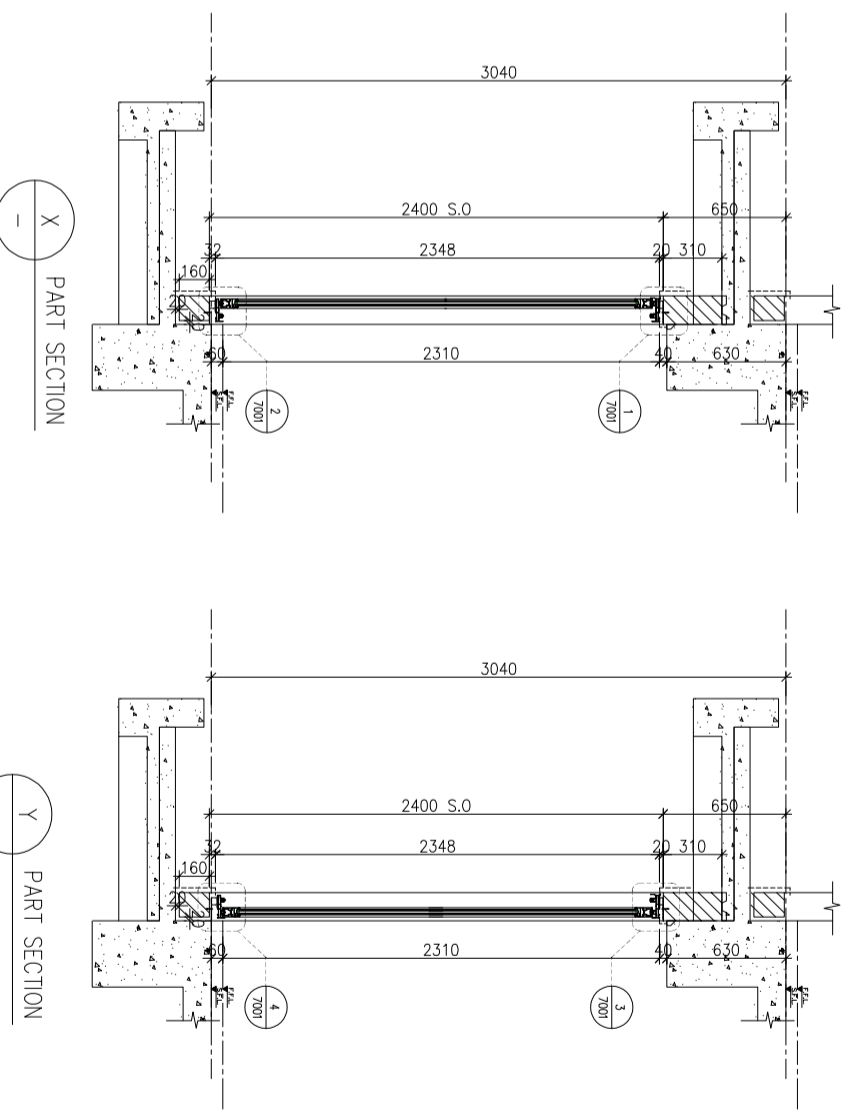
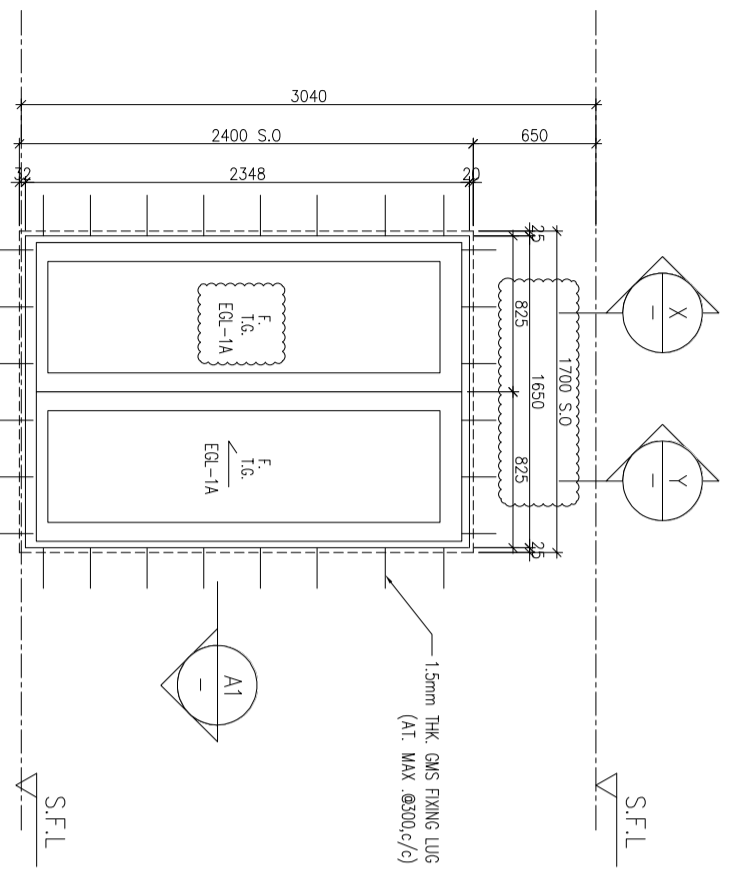
WINDOW SCHEDULE FOR
TOWER 1 IN-SITU WINDOW

DATE : 02-Aug-21 SCALE : 1:40

DRAWN BY : lvan CHECKED BY :

美特鋁質有限公司
MIDI ALUMINIUM FABRICATOR LTD.
Units 6-8, Sunny Industrial Centre, 1/F
610 Che Kwo Ling Road, Kowloon
Tel:23489211-4 Fax:9527272666

DWG NO. : 856-SD-IW-5112 REV. : B



ELEVATION

WINDOW MARK

LOCATION

SECTION

GLAZING

QUANTITY

REMARKS

AW 01a

3/F-42/F,4/F,13/F,14/F,24/F,34/F OMITTED) UNIT B5

70mm ALUM. SECTION

EGL-1A

35 Nos.

FAÇADE/TYPE T1PF11 FOR 3/F-42/F)

B.O. REF :

CLIENT :
SUN HUNG KAI
REAL ESTATE AGENCY LTD.
42/F SUN HUNG KAI CENTRE, WANGCHAI, HONGKONG

ARCHITECT :
lwk&partners
a r c h i t e c t s

MAIN CONTRACTOR :
怡輝建築有限公司
Yee Fai Building Contractors Ltd.

STRUCTURAL ENGINEER :
ARUP

FAÇADE CONSULTANT:
ALPHA CONSULTING LIMITED
Steel Structure & Façade Specialist

NOTE :
1. ALL DIMENSIONS ARE IN mm.
2. ALL ELEVATIONS ARE VIEWED FROM OUTSIDE.
3. ALL DIMENSIONS TO BE VERIFIED ON SITE BEFORE FABRICATION.
LEGEND :
X1 --- DETAIL MARK NO.
X001 --- REFER SHEET NO.

1. F.F.L.--FINISHED FLOOR LEVEL
2. S.F.L.--STRUCTURAL FLOOR LEVEL
3. (R) ---REVERSED DETAIL
4. GLASS LEGEND
EGL-1--8mmHS+12mm AIR GAP+10mmTP THK. I.G.U.
EGL-2--10mm THK. CLEAR TEMPERED GLASS
EGL-4--10mm THK. TEMPERED ACID ETCHED GLASS
EGL-1A-8mmHS+12mm AIR GAP+8mmTP THK. I.G.U.

NO.	DATE	REVISION SUBJECT TO ARCH COMMENT	BY
B	23/11/2021	REVISION SUBJECT TO ARCH COMMENT	lwn
A	10/11/2021	REVISION SUBJECT TO ARCH COMMENT	lwn

JOB NO. : J-856

PROJECT :
PROPOSED DEVELOPMENT ABOVE
LIGHT RAIL TIN WING STOP TSWTL
NO.23,AREA 33,TIN SHUI WAI, N.T.

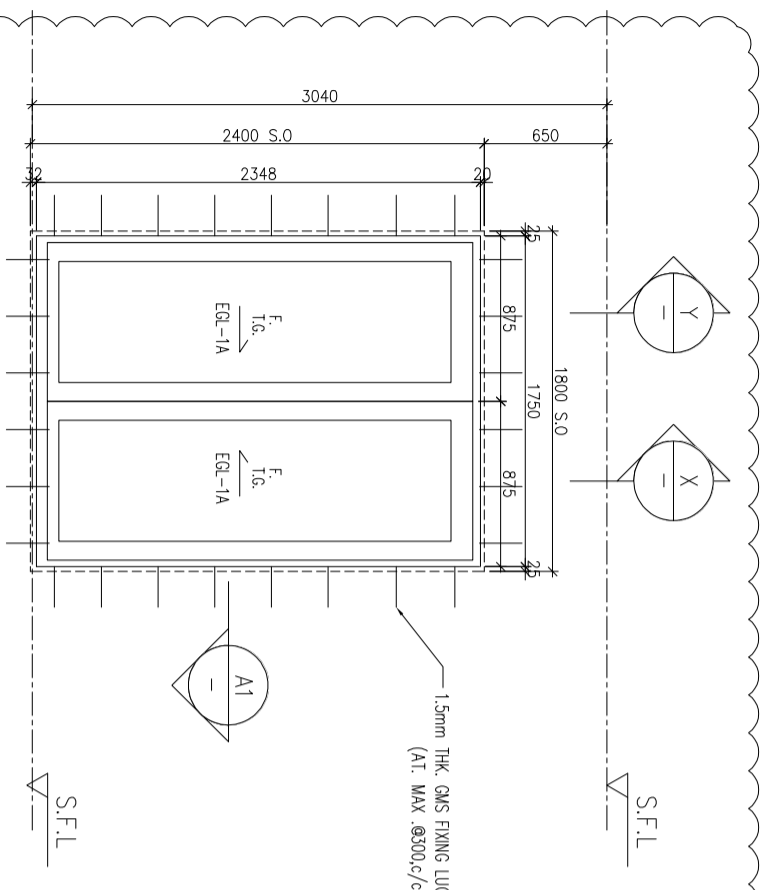
TITLE :
WINDOW SCHEDULE FOR
TOWER 2 IN-SITU WINDOW

DATE : 02-Aug-21 SCALE : 1:40

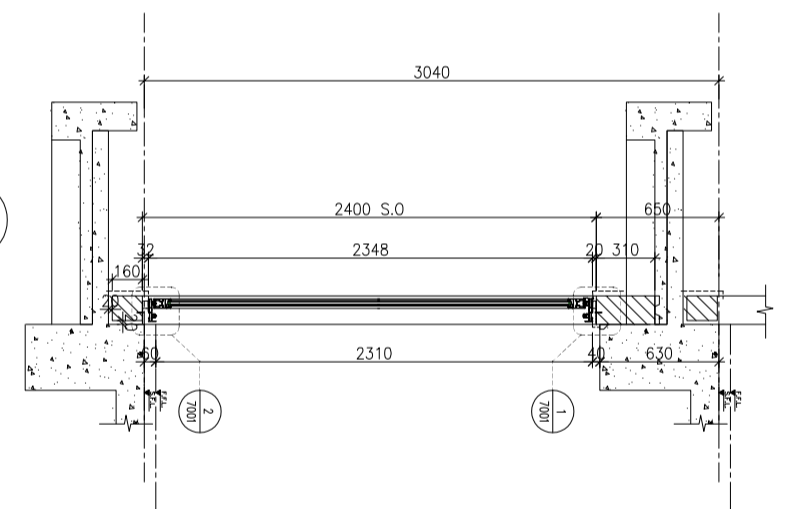
DRAWN BY : lwn CHECKED BY :

美特鋁質有限公司
MIDI ALUMINIUM FABRICATOR LTD.
Units 6-8, Sunray Industrial Centre, 1/F
610 Che Kwo Ling Road, Kowloon
Tel:23489211-4 Fax:95212727666

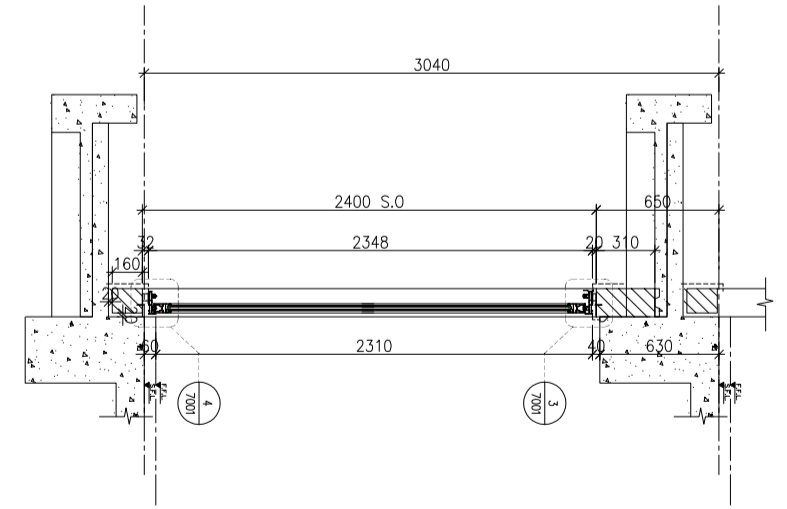
DWG NO. : 856-SD-IW-5201 REV. : B



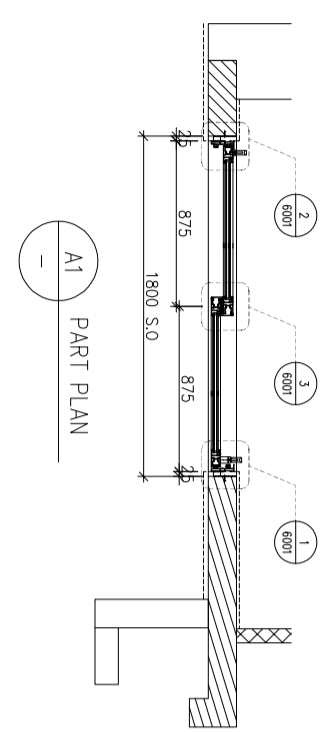
ELEVATION
AW 01



PART SECTION
X - X



PART SECTION
Y - Y



PART PLAN
A1

WINDOW MARK
AW 01
LOCATION
3/F~42/F,4/F,13/F,14/F,24/F,34/F OMITTED) UNIT A1
SECTION
70mm ALUM. SECTION
GLAZING
EGL-1A
QUANTITY
35 Nos.
REMARKS
FAÇADE/TYPE I2PF01 FOR 3/F~42/F)

B.O. REF :

CLIENT :

SUN HUNG KAI
REAL ESTATE AGENCY LTD.
42/F SUN HUNG KAI CENTRE, WANGCHAI, HONGKONG

ARCHITECT :

IWK&partners
a r c h i t e c t s

MAIN CONTRACTOR :

怡輝建築有限公司
Yee Fai Building Contractors Ltd.

STRUCTURAL ENGINEER :

ARUP

FAÇADE CONSULTANT:

ALPHA CONSULTING LIMITED
Steel Structure & Façade Specialist

NOTE :

1. ALL DIMENSIONS ARE IN mm.
2. ALL ELEVATIONS ARE VIEWED FROM OUTSIDE.
3. ALL DIMENSIONS TO BE VERIFIED ON SITE BEFORE FABRICATION.

LEGEND :

- X1 --- DETAIL MARK NO.
- X001 --- REFER SHEET NO.

1. F.F.L.--FINISHED FLOOR LEVEL
2. S.F.L.--STRUCTURAL FLOOR LEVEL
3. (R) ---REVERSED DETAIL

4. GLASS LEGEND
- EGL-1--8mmHS+12mm AIR GAP+10mmTP THK. I.G.U.
- EGL-2--10mm THK. CLEAR TEMPERED GLASS
- EGL-4--10mm THK. TEMPERED ACID ETCHED GLASS
- EGL-1A-8mmHS+12mm AIR GAP+8mmTP THK. I.G.U.

NO.	DATE	REVISION SUBJECT TO ARCH COMMENT	BY
B	23/11/2021	REVISION SUBJECT TO ARCH COMMENT	hvn
A	10/11/2021	REVISION SUBJECT TO ARCH COMMENT	hvn

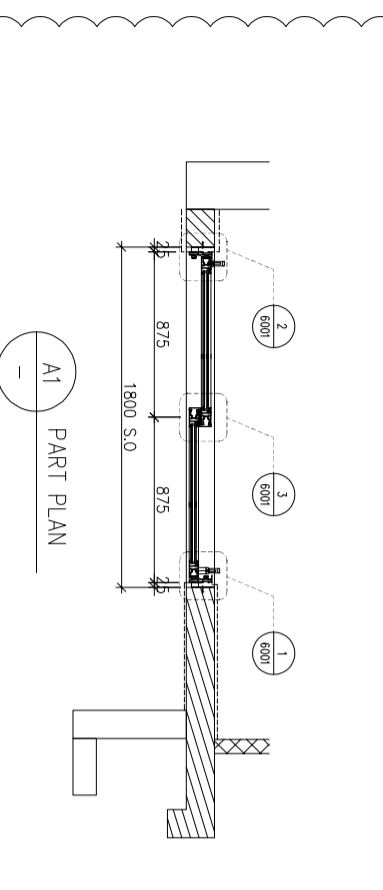
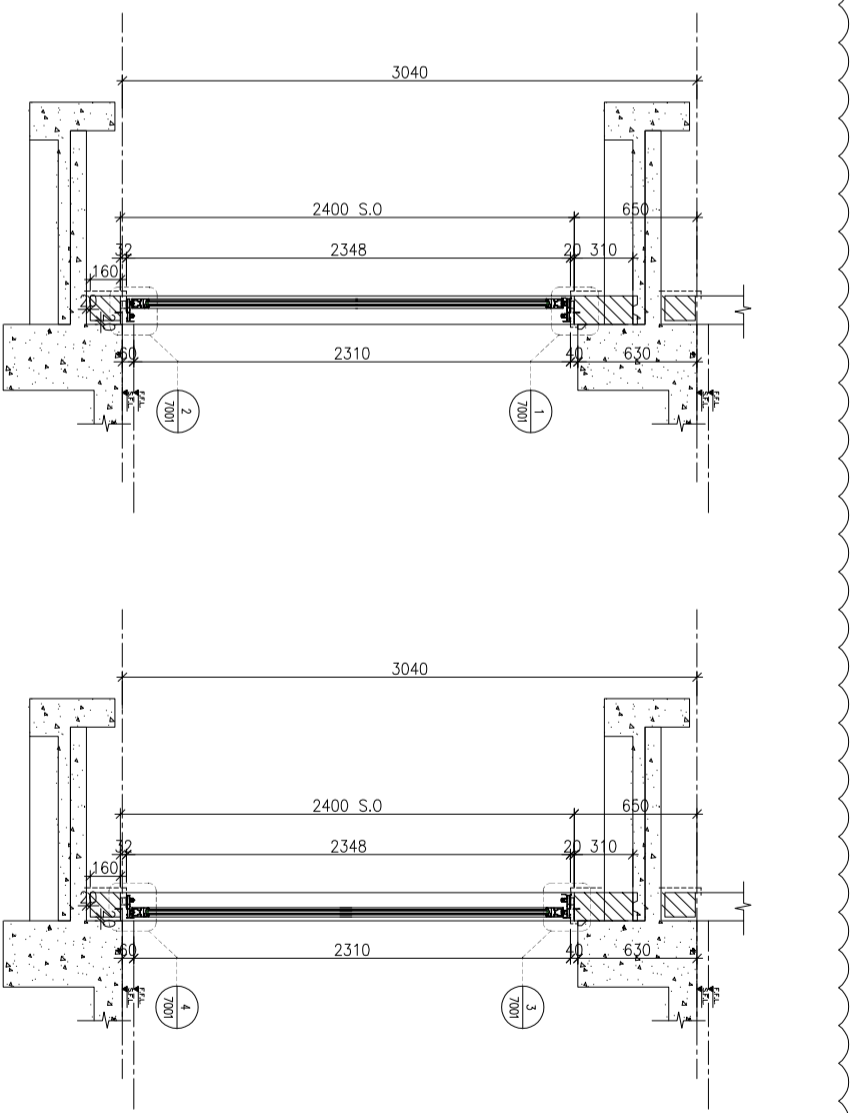
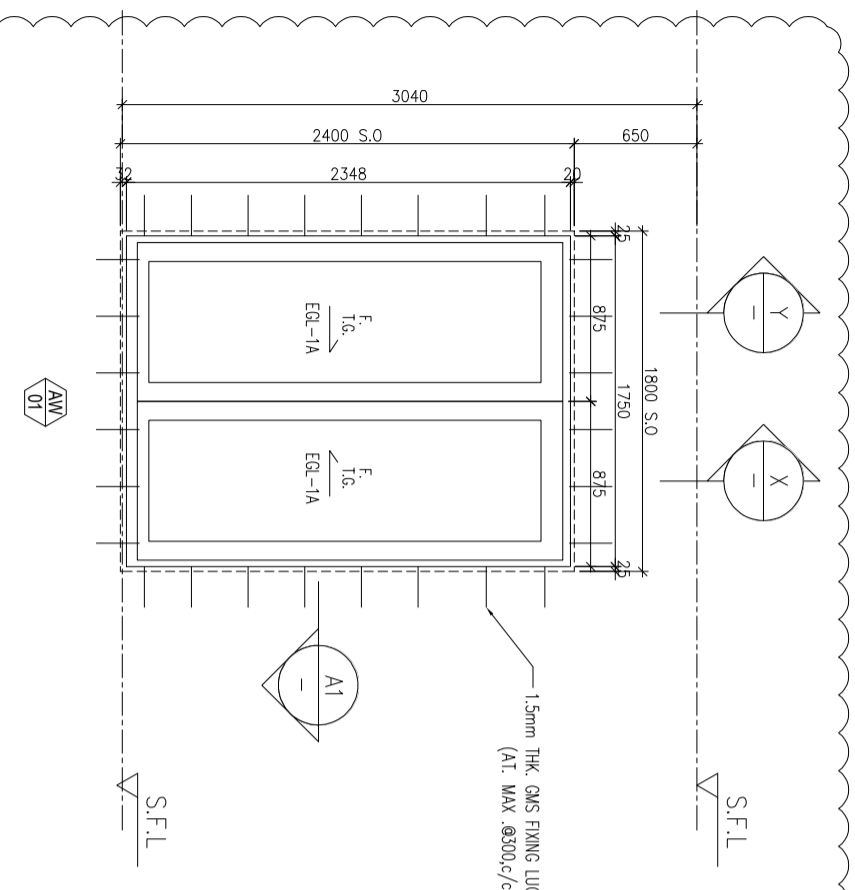
JOB NO. : J-856

PROJECT :
PROPOSED DEVELOPMENT ABOVE
LIGHT RAIL TIN WING STOP TSWTL
NO.23,AREA 33,TIN SHUI WAI, N.T.

TITLE :
WINDOW SCHEDULE FOR
TOWER 2 IN-SITU WINDOW

DATE : 02-Aug-21 SCALE : 1:40
DRAWN BY : lvon CHECKED BY :

美特鋁質有限公司
MIDI ALUMINIUM FABRICATOR LTD.
Units 6-8, Sunny Industrial Centre, 1/F
610 Che Kwo Ling Road, Kowloon
Tel:23489211-4 Fax:8522727666
DWG NO. : 856-SD-IW-5202 REV. : B



ELEVATION

WINDOW MARK	AW 01	AW 01R
LOCATION	3/F~42/F(4/F,13/F,14/F,24/F,34/F OMITTED) UNIT A2,A5	3/F~42/F(4/F,13/F,14/F,24/F,34/F OMITTED) UNIT B3
SECTION	70mm ALUM. SECTION	70mm ALUM. SECTION
GLAZING	EGL-1A	EGL-1,EGL-1A
QUANTITY	35 Nos./35 Nos.	35 Nos
REMARKS	FAÇADE(TYPE 12PF02 FOR 3/F~42/F)	FAÇADE(TYPE 12PF02R FOR 3/F~42/F)

B.O. REF :

CLIENT :
SUN HUNG KAI
REAL ESTATE AGENCY LTD.
42/F SUN HUNG KAI CENTRE, WANGCHAI, HONGKONG

ARCHITECT :
IWK&partners
a r c h i t e c t s

MAIN CONTRACTOR :
怡輝建築有限公司
Yee Fai Building Contractors Ltd.

STRUCTURAL ENGINEER :

ARUP

FAÇADE CONSULTANT:

ALPHA CONSULTING LIMITED
Steel Structure & Façade Specialist

NOTE :
1. ALL DIMENSIONS ARE IN mm.
2. ALL ELEVATIONS ARE VIEWED FROM OUTSIDE.
3. ALL DIMENSIONS TO BE VERIFIED ON SITE BEFORE FABRICATION.

LEGEND :

X1 --- DETAIL MARK NO.
X001 --- REFER SHEET NO.

1. F.F.L. --- FINISHED FLOOR LEVEL
2. S.F.L. --- STRUCTURAL FLOOR LEVEL
3. (R) --- REVERSED DETAIL

4. GLASS LEGEND

EQ1-1 --- 8mmHS+12mm AIR GAP+10mmTP THK. IG.U.
EQ1-2 --- 10mm THK. CLEAR TEMPERED GLASS
EQ1-4 --- 10mm THK. CLEAR TEMPERED ACID ETCHED GLASS
EQ1-1A --- 8mmHS+12mm AIR GAP+8mmTP THK. IG.U.

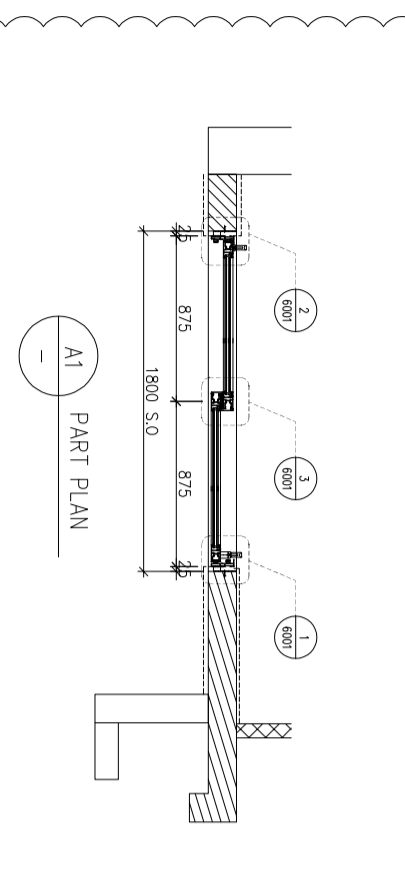
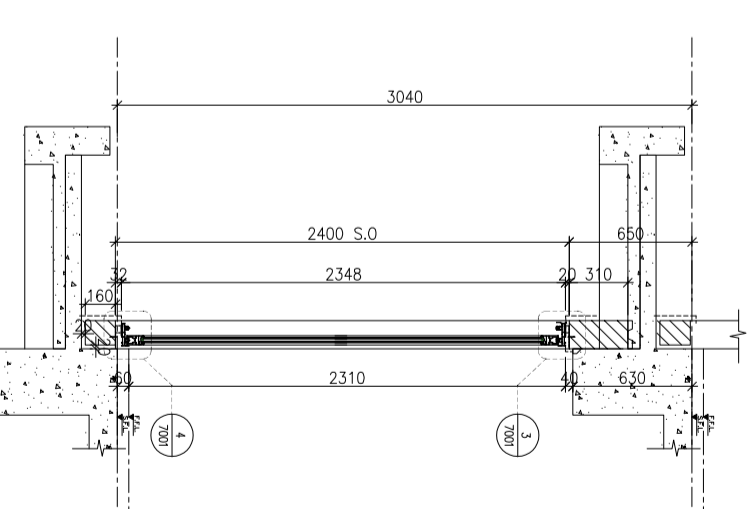
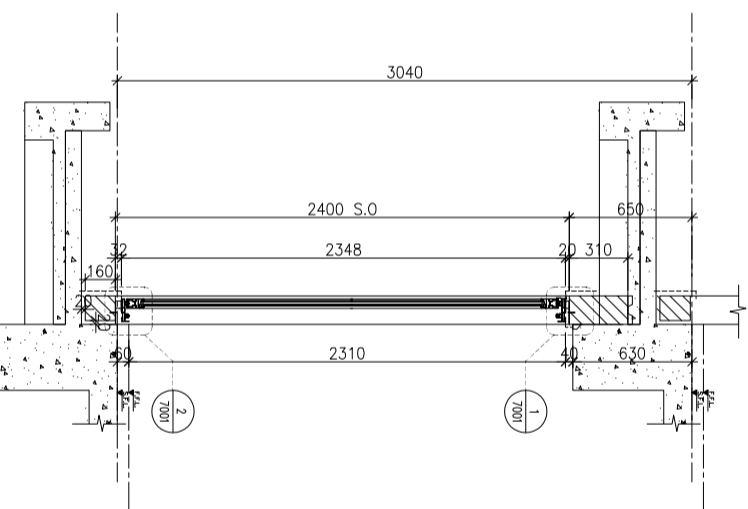
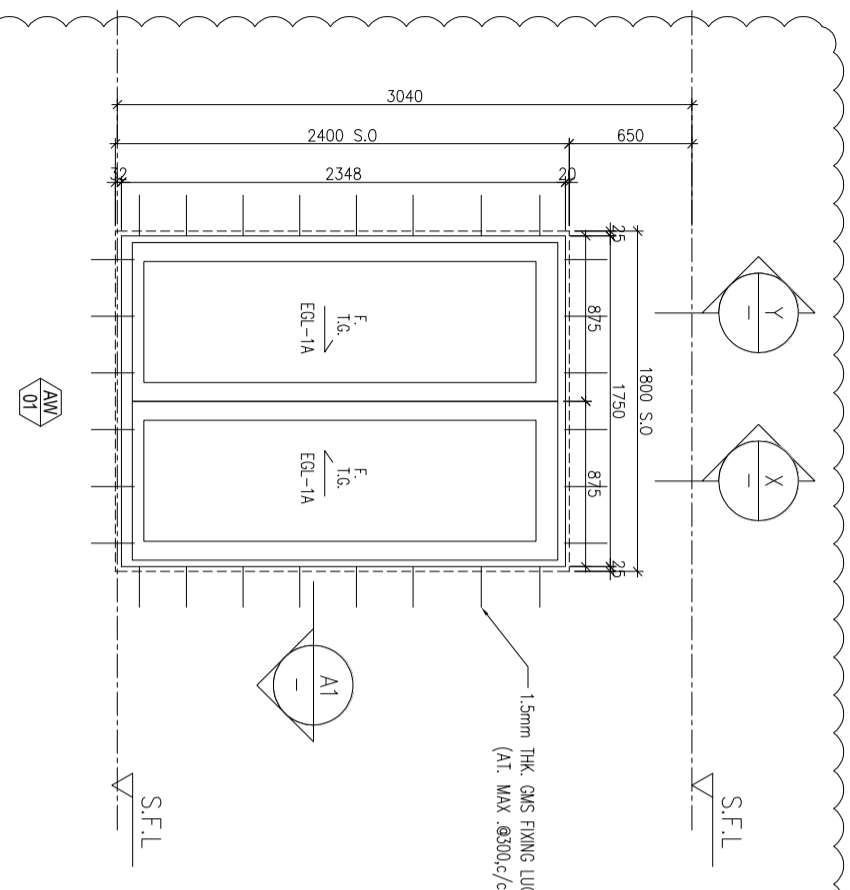
TITLE :
WINDOW SCHEDULE FOR
TOWER 2 IN-SITU WINDOW

DATE : 02-Aug-21 SCALE : 1:40

DRAWN BY : Ivojn CHECKED BY :

美特鋁質有限公司
MIDI ALUMINIUM FABRICATOR LTD.
Units 6-8, Sunray Industrial Centre, 1/F
610 Che Kwo Ling Road, Kowloon
Tel:23489211-4 Fax:9522727666

DWG NO. : 4856-SD-IW-5203 REV. : B



WINDOW MARK	AW 01R	AW 01
LOCATION	3/F~42/F,4/F,13/F,14/F,24/F,34/F OMITTED) UNIT B7	
SECTION	70mm ALUM. SECTION	
GLAZING	EGL-1A	
QUANTITY	35 Nos	
REMARKS	FAÇADE(TYPE 12PF04 FOR 3/F~42/F)	

B.O. REF :

CLIENT :

SUN HUNG KAI
REAL ESTATE AGENCY LTD.
42/F SUN HUNG KAI CENTRE, WANGCHAI, HONGKONG

ARCHITECT :

IWK&partners
a r c h i t e c t s

MAIN CONTRACTOR :

怡輝建築有限公司
Yee Fai Building Contractors Ltd.

STRUCTURAL ENGINEER :

ARUP

FAÇADE CONSULTANT:

ALPHA CONSULTING LIMITED
Steel Structure & Façade Specialist

NOTE :

1. ALL DIMENSIONS ARE IN mm.
2. ALL ELEVATIONS ARE VIEWED FROM OUTSIDE.
3. ALL DIMENSIONS TO BE VERIFIED ON SITE BEFORE FABRICATION.

LEGEND :

- X1 --- DETAIL MARK NO.
- X001 --- REFER SHEET NO.

1. F.F.L.--FINISHED FLOOR LEVEL
2. S.F.L.--STRUCTURAL FLOOR LEVEL
3. (R) ---REVERSED DETAIL

4. GLASS LEGEND

- EQI-1--8mmHS+12mm AIR GAP+10mmTP THK. I.G.U.
- EQI-2--10mm THK. CLEAR TEMPERED GLASS
- EQI-4--10mm THK. TEMPERED ACID ETCHED GLASS
- EQI-1A-8mmHS+12mm AIR GAP+8mmTP THK. I.G.U.

NO.	DATE	REVISION	REVISION SUBJECT TO ARCH/COMMENT
C	13/01/2022	REVISION SUBJECT TO ARCH/COMMENT	Wen
B	23/11/2021	REVISION SUBJECT TO ARCH/COMMENT	Wen
A	10/11/2021	REVISION SUBJECT TO ARCH/COMMENT	Wen

JOB NO. : J-856

PROJECT :

PROPOSED DEVELOPMENT ABOVE
LIGHT RAIL TIN WING STOP TSWTL
NO.23,AREA 33,TIN SHUI WAI, N.T.

TITLE :

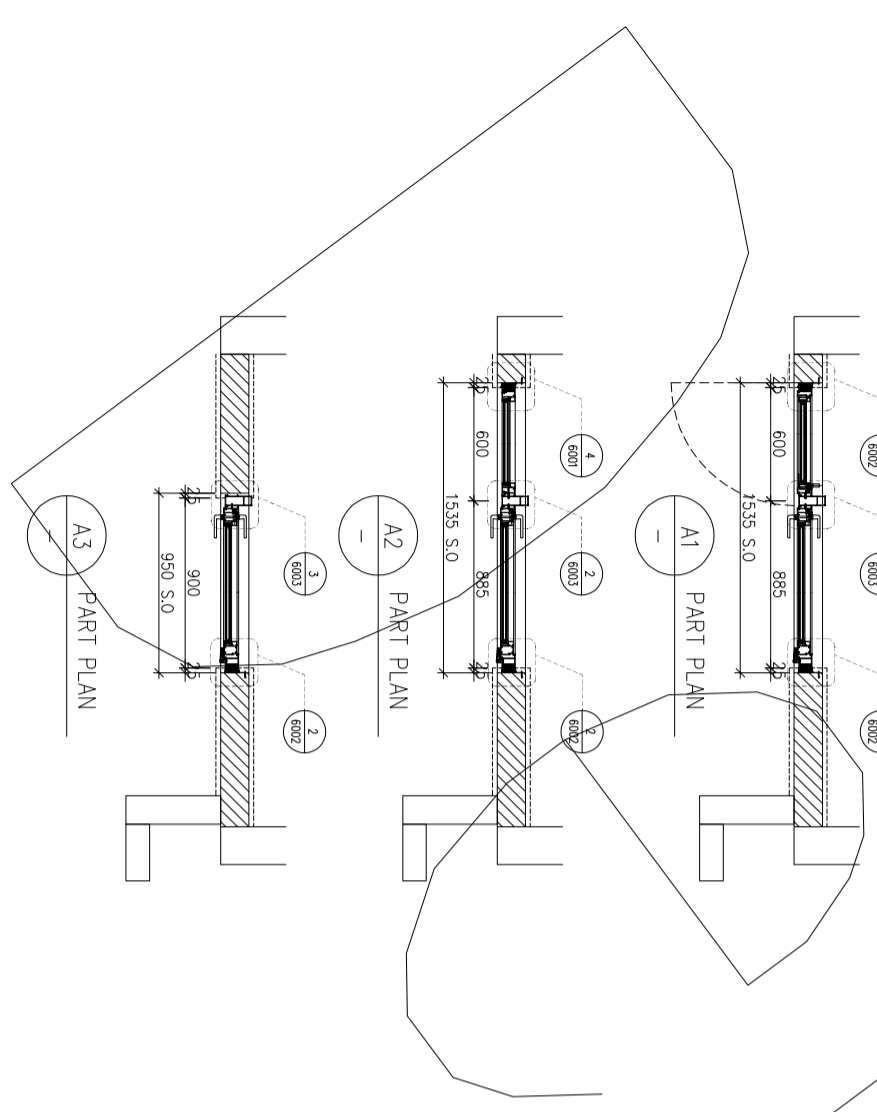
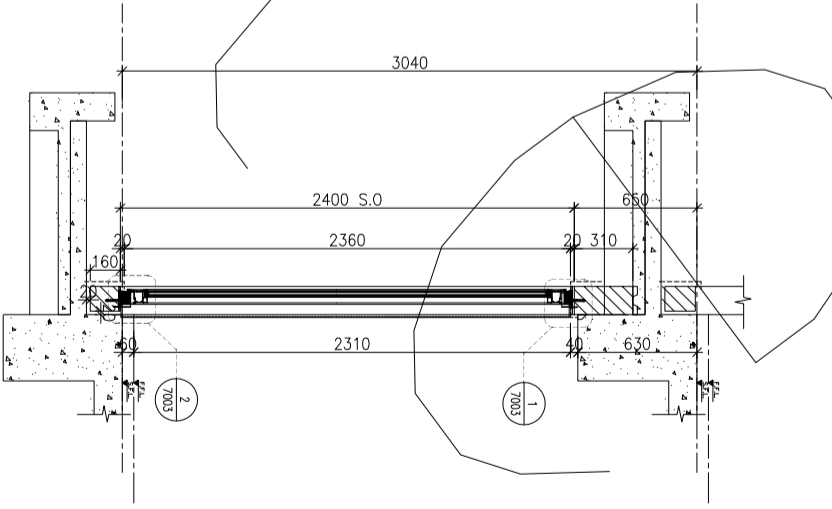
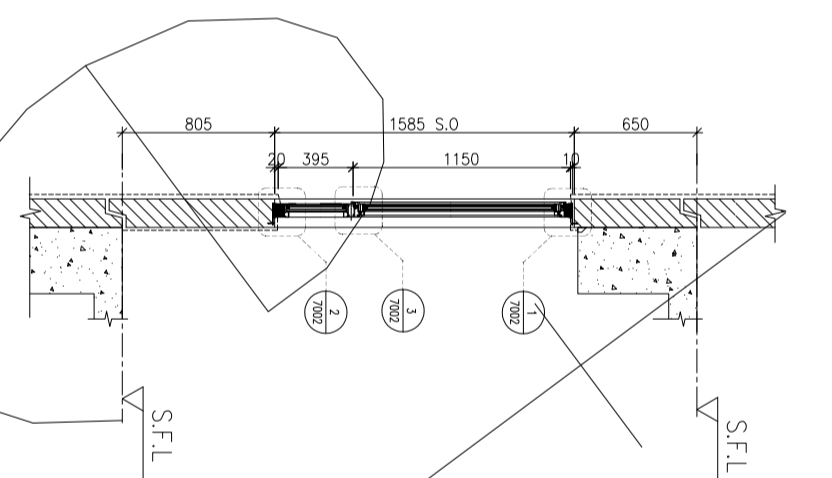
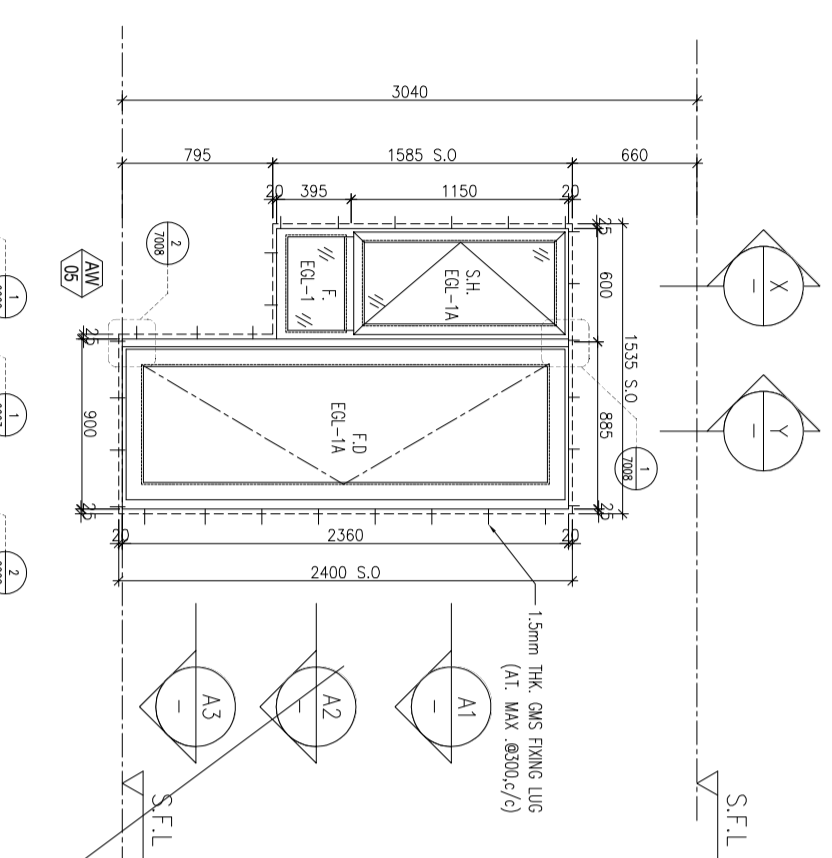
WINDOW SCHEDULE FOR
TOWER 2 IN-SITU WINDOW

DATE : 02-Aug-21 SCALE : 1:40

DRAWN BY : Ivorn CHECKED BY :

美特鋁質有限公司
MIDI ALUMINIUM FABRICATOR LTD.
Units 6-8, Sunny Industrial Centre, 1/F
610 Che Kwo Ling Road, Kowloon
Tel:23489211-4 Fax:85227272666

DWG NO. : 4856-SD-IW-5204 REV. : C



ELEVATION

WINDOW MARK



LOCATION

5/F~42/F(13/F,14/F,24/F,34/F OMITTED) UNIT A6

SECTION

70mm ALUM. SECTION

GLAZING

EGL-1A

QUANTITY

34 Nos

REMARKS

FAÇADE(TYPE 12PF07 FOR 5/F~42/F)

B.O. REF :

CLIENT :

SUN HUNG KAI
REAL ESTATE AGENCY LTD.
42/F SUN HUNG KAI CENTRE, WANCHAI, HONGKONG

ARCHITECT :

IWK&partners
a r c h i t e c t s

MAIN CONTRACTOR :

怡輝建築有限公司
Yee Fai Building Contractors Ltd.

STRUCTURAL ENGINEER :

ARUP

FAÇADE CONSULTANT :

ALPHA CONSULTING LIMITED
Steel Structure & Façade Specialist

NOTE :

1. ALL DIMENSIONS ARE IN mm.
2. ALL ELEVATIONS ARE VIEWED FROM OUTSIDE.
3. ALL DIMENSIONS TO BE VERIFIED ON SITE BEFORE FABRICATION.

LEGEND :

- X1 --- DETAIL MARK NO.
- X001 --- REFER SHEET NO.

1. F.F.L. -- FINISHED FLOOR LEVEL
2. S.F.L. -- STRUCTURAL FLOOR LEVEL
3. (R) -- REVERSED DETAIL

4. GLASS LEGEND

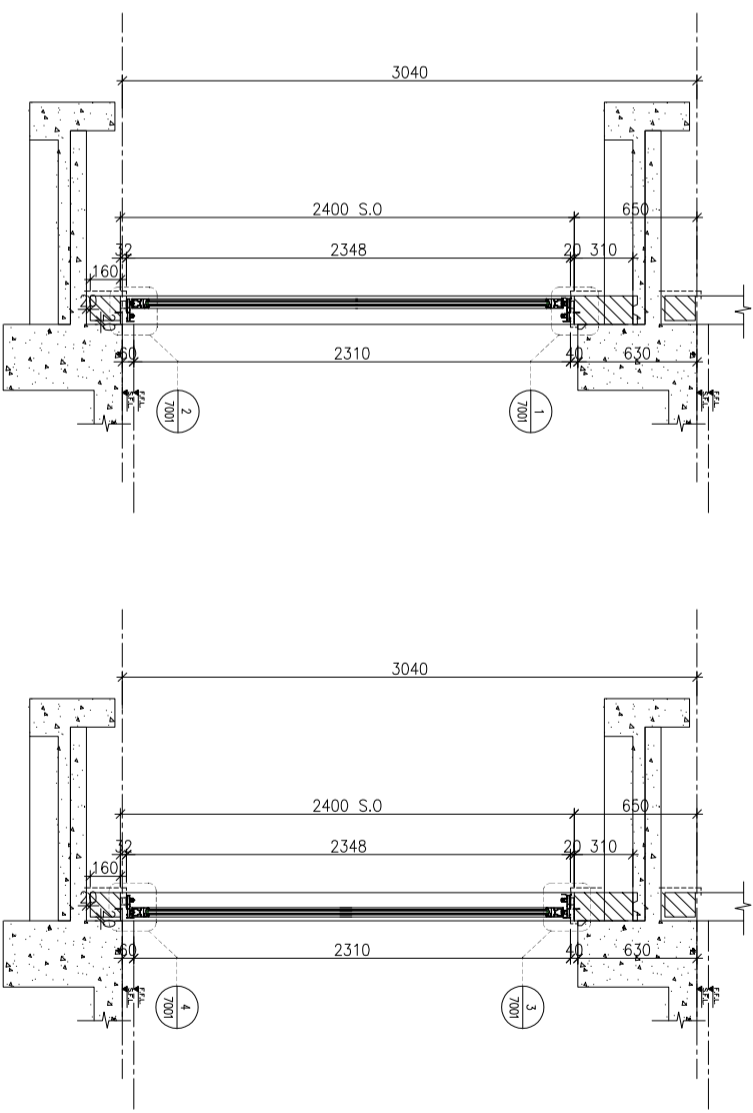
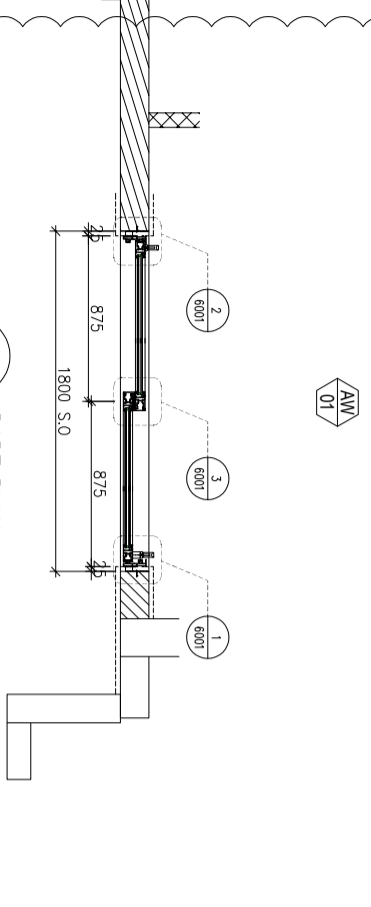
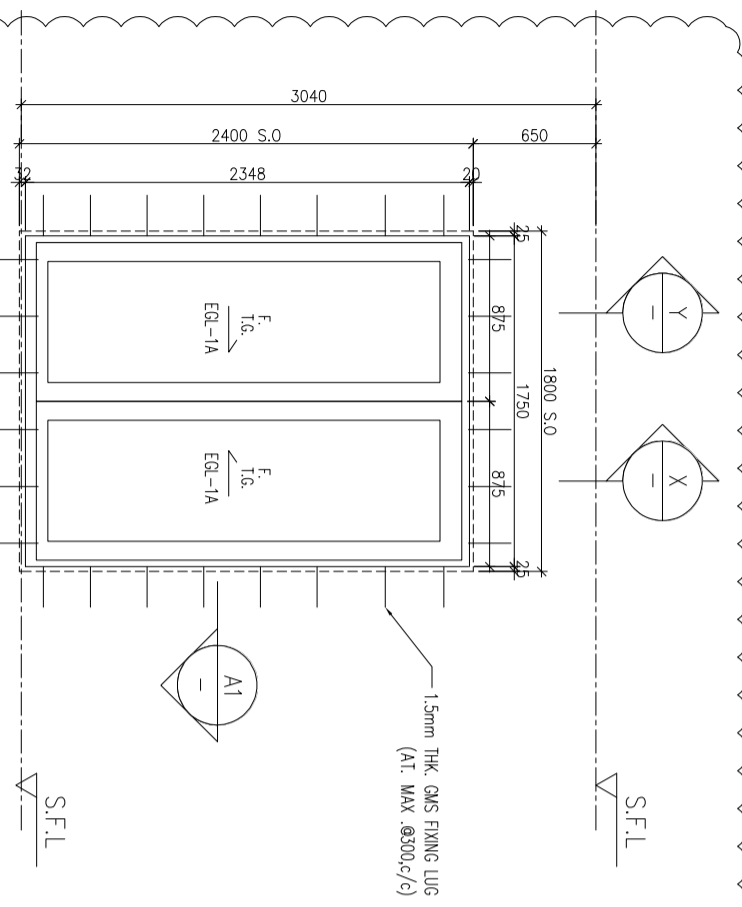
- EQ1-1 -- 8mmHS+12mm AIR GAP+10mmTP THK. I.G.U.
- EQ1-2 -- 10mm THK. CLEAR TEMPERED GLASS
- EQ1-4 -- 10mm THK. CLEAR TEMPERED ACID ETCHED GLASS
- EQ1-1A -- 8mmHS+12mm AIR GAP+8mmTP THK. I.G.U.

TITLE : WINDOW SCHEDULE FOR TOWER 2 IN-SITU WINDOW

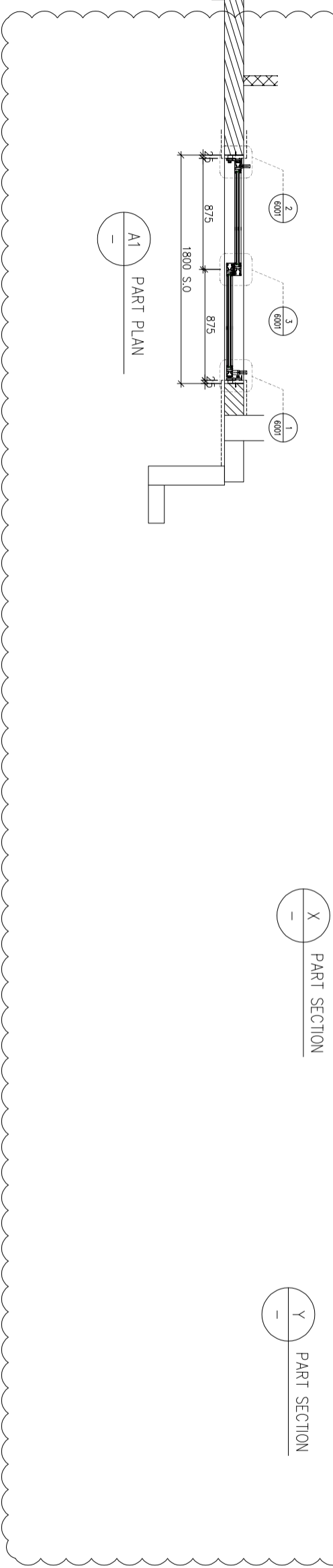
DATE : 02-Aug-21 SCALE : 1:40

DRAWN BY : Ivojn CHECKED BY :

美特鋁質有限公司
MIDI ALUMINIUM FABRICATOR LTD.
Units 6-8, Sunray Industrial Centre, 1/F
610 Che Kwo Ling Road, Kowloon
Tel:23489211-4 Fax:9522727666
DWG NO. : 4856-SD-IW-5205 REV. : B



ELEVATION



WINDOW MARK	AW 01R	AW 01	AW 01
LOCATION	3/F~42/F, 4/F, 13/F, 14/F, 24/F, 34/F OMITTED	UNIT B8 A8	UNIT B1
SECTION	70mm ALUM. SECTION	70mm ALUM. SECTION	70mm ALUM. SECTION
GLAZING	EGL-1A	EGL-1, EGL-1A	EGL-1, EGL-1A
QUANTITY	35 Nos / 35 Nos	35 Nos .	35 Nos .
REMARKS	FAÇADE TYPE T2PF08 FOR 3/F~42/F)	FAÇADE TYPE T2PF08R FOR 3/F~42/F)	FAÇADE TYPE T2PF08R FOR 3/F~42/F)

B.O. REF :

CLIENT :

SUN HUNG KAI
REAL ESTATE AGENCY LTD.
42/F SUN HUNG KAI CENTRE, WANGCHAI, HONGKONG

ARCHITECT :

IWK&partners
a r c h i t e c t s

MAIN CONTRACTOR :

怡輝建築有限公司
Yee Fai Building Contractors Ltd.

STRUCTURAL ENGINEER :

ARUP

FAÇADE CONSULTANT:

ALPHA CONSULTING LIMITED
Steel Structure & Façade Specialist

NOTE :

1. ALL DIMENSIONS ARE IN mm.
2. ALL ELEVATIONS ARE VIEWED FROM OUTSIDE.
3. ALL DIMENSIONS TO BE VERIFIED ON SITE BEFORE FABRICATION.

LEGEND :

- X1 --- DETAIL MARK NO.
- X001 --- REFER SHEET NO.

1. F.F.L.--FINISHED FLOOR LEVEL
2. S.F.L.--STRUCTURAL FLOOR LEVEL
3. (R) --REVERSED DETAIL

4. GLASS LEGEND
- EQI-1--8mmHS+12mm AIR GAP+10mmTP THK. I.G.U.
- EQI-2--10mm THK. CLEAR TEMPERED GLASS
- EQI-4--10mm THK. TEMPERED ACID ETCHED GLASS
- EQI-1A-8mmHS+12mm AIR GAP+8mmTP THK. I.G.U.

NO.	DATE	REVISION
C	13/01/2022	REVISION SUBJECT TO ARCH.COMMENT
B	23/11/2021	REVISION SUBJECT TO ARCH.COMMENT
A	10/11/2021	REVISION SUBJECT TO ARCH.COMMENT

JOB NO. : J-856

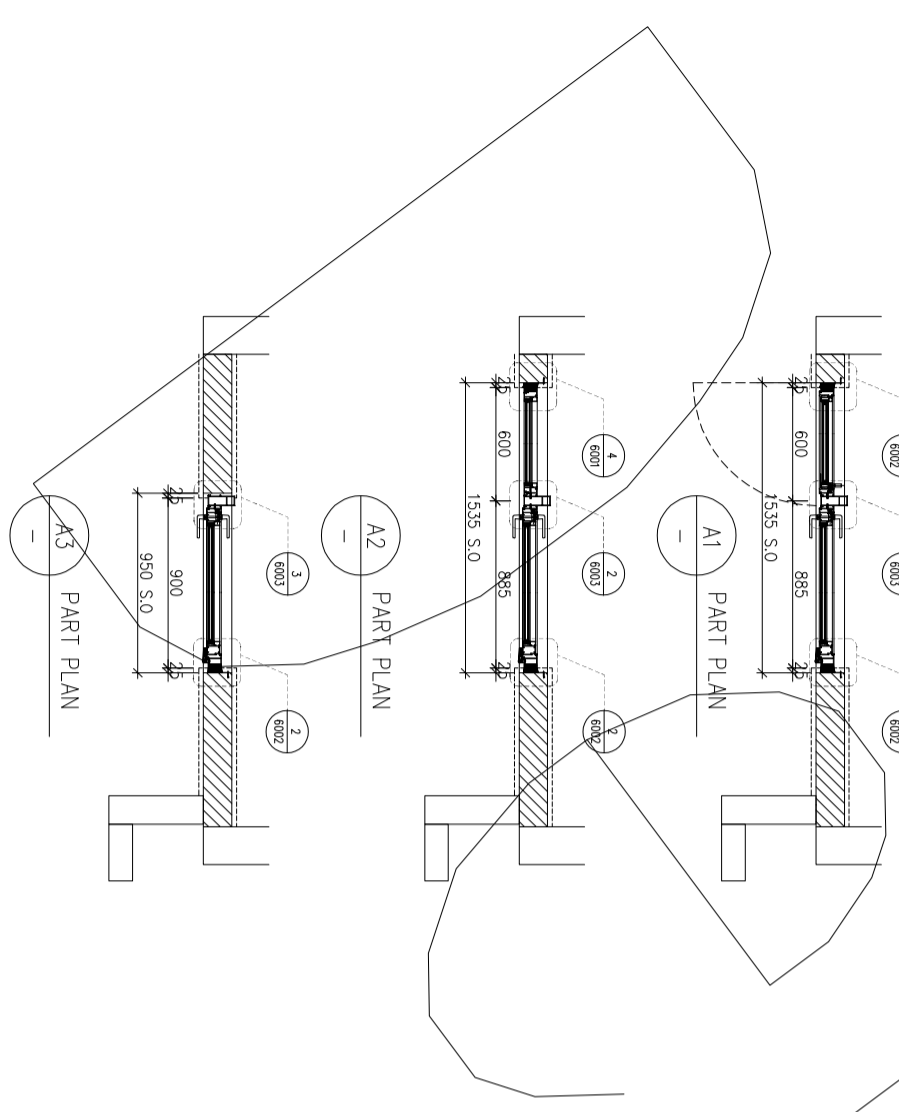
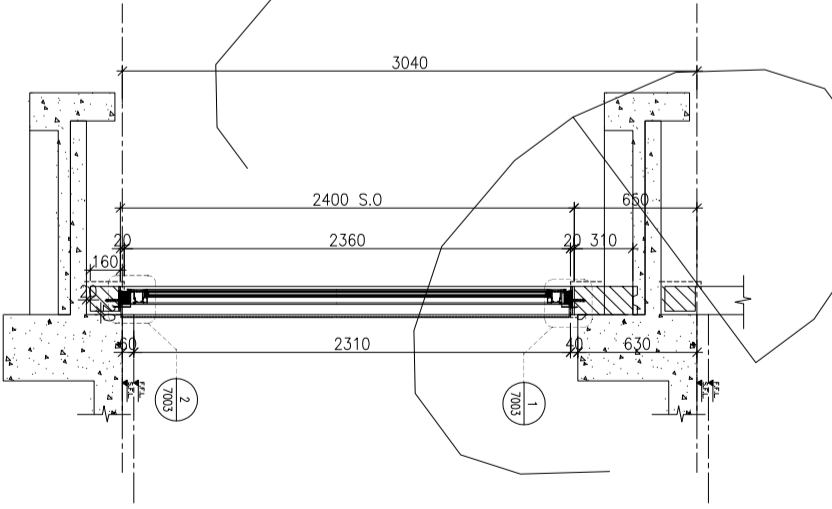
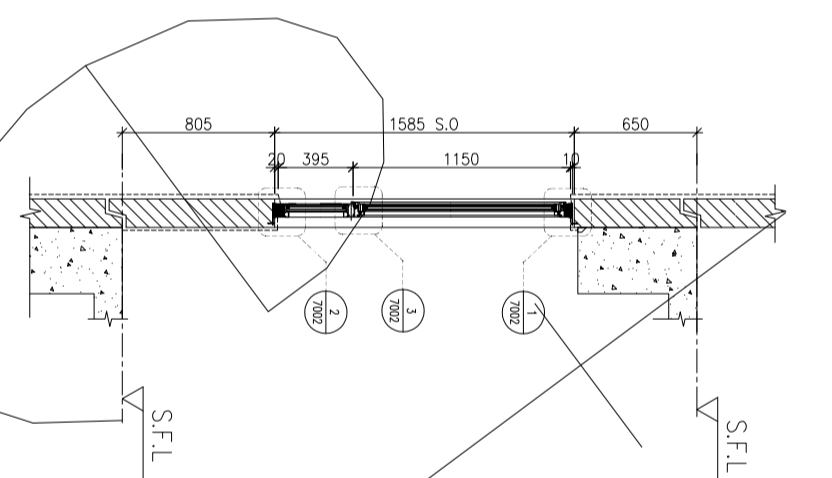
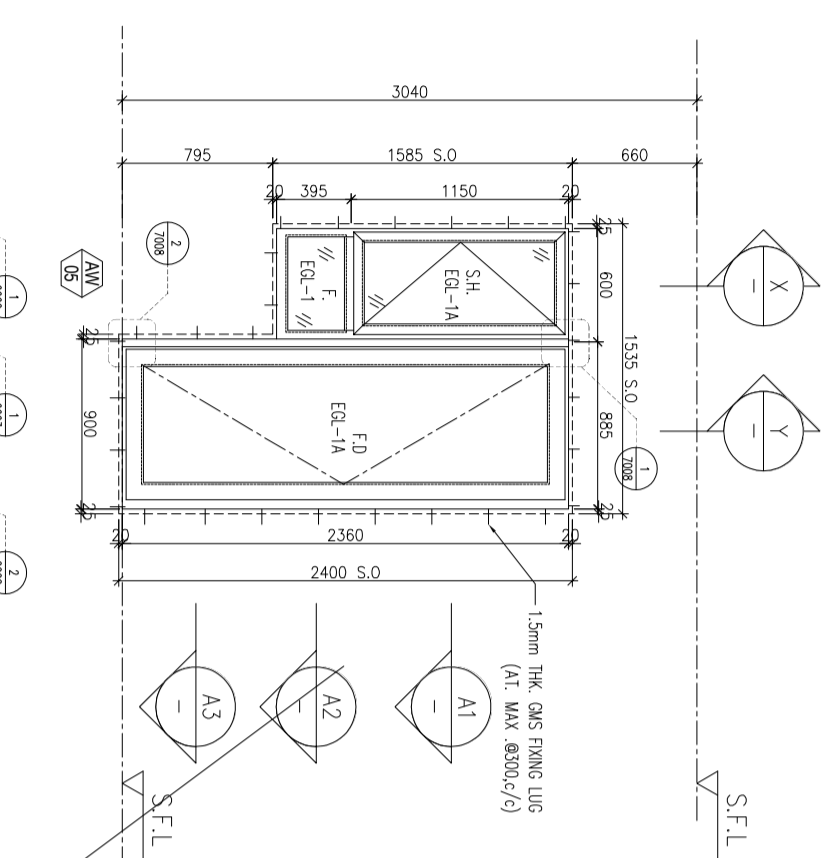
PROJECT :
PROPOSED DEVELOPMENT ABOVE
LIGHT RAIL TIN WING STOP TSWTL
NO.23,AREA 33,TIN SHUI WAI, N.T.

TITLE :
WINDOW SCHEDULE FOR
TOWER 2 IN-SITU WINDOW

DATE : 02-Aug-21 SCALE : 1:40
DRAWN BY : Ivorn CHECKED BY :

美特鋁質有限公司
MIDI ALUMINIUM FABRICATOR LTD.
Units 6-8, Sunny Industrial Centre, 1/F
610 Che Kwo Ling Road, Kowloon
Tel:23489211-4 Fax:85227272666

DWG NO. : 4856-SD-IW-5206 REV. : C



ELEVATION

WINDOW MARK

LOCATION

SECTION

GLAZING

QUANTITY

REMARKS

AW 05

5/F~42/F(13/F,14/F,24/F,34/F OMITTED) UNIT B5

70mm ALUM. SECTION

EGL-1,EGL-1A

34 Nos

FAÇADE(TYPE 12PF11 FOR 5/F~42/F)

B.O. REF :

CLIENT :

SUN HUNG KAI
REAL ESTATE AGENCY LTD.
42/F SUN HUNG KAI CENTRE, WANGCHAI, HONGKONG

ARCHITECT :

IWK&partners
a r c h i t e c t s

MAIN CONTRACTOR :

怡輝建築有限公司
Yee Fai Building Contractors Ltd.

STRUCTURAL ENGINEER :

ARUP

FAÇADE CONSULTANT:

ALPHA CONSULTING LIMITED
Steel Structure & Façade Specialist

NOTE :

1. ALL DIMENSIONS ARE IN mm.
2. ALL ELEVATIONS ARE VIEWED FROM OUTSIDE.
3. ALL DIMENSIONS TO BE VERIFIED ON SITE BEFORE FABRICATION.

LEGEND :

(X1) --- DETAIL MARK NO.
(X001) --- REFER SHEET NO.

1. F.F.L.--FINISHED FLOOR LEVEL
2. S.F.L.--STRUCTURAL FLOOR LEVEL
3. (R) ---REVERSED DETAIL

4. GLASS LEGEND

EQ1-1--8mmHS+12mm AIR GAP+10mmTP THK. I.G.U.
EQ1-2--10mm THK. CLEAR TEMPERED GLASS
EQ1-4--10mm THK. TEMPERED ACID ETCHED GLASS
EQ1-1A-8mmHS+12mm AIR GAP+8mmTP THK. I.G.U.

NO.	DATE	REVISION SUBJECT TO ARCH COMMENT	BY
B	24/11/2021	REVISION SUBJECT TO ARCH COMMENT	lvn
A	10/11/2021	REVISION SUBJECT TO ARCH COMMENT	lvn

JOB NO. : J-856

PROJECT :

PROPOSED DEVELOPMENT ABOVE
LIGHT RAIL TIN WING STOP TSWTL
NO.23,AREA 33,TIN SHUI WAI, N.T.

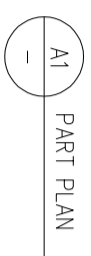
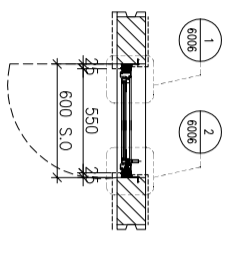
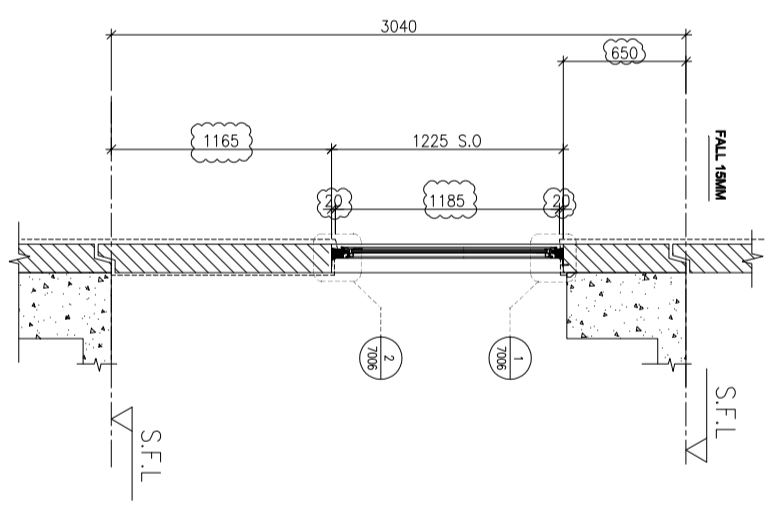
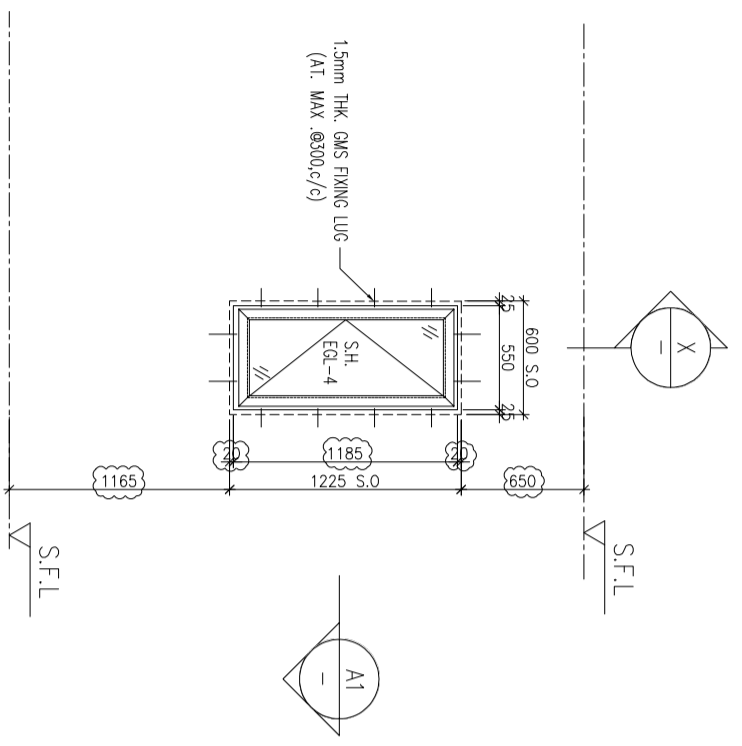
TITLE :

WINDOW SCHEDULE FOR
TOWER 2 IN-SITU WINDOW

DATE : 06-Aug-21 SCALE : 1:40

DRAWN BY : lvn CHECKED BY :

美特鋁質有限公司
MIDI ALUMINIUM FABRICATOR LTD.
Units 6-8, Sunray Industrial Centre, 1/F
610 Che Kwo Ling Road, Kowloon
Tel:23489211-4 Fax:85227272666
DWG NO. : J856-SD-IW-5207



ELEVATION

WINDOW MARK

LOCATION

SECTION

GLAZING

QUANTITY

REMARKS



3/F-42/F(4/F,13/F,14/F,24/F,34/F OMITTED) UNIT B1

50mm ALUM. SECTION

EQL-4

35 Nos.

B.O. REF :

CLIENT :

SUN HUNG KAI
REAL ESTATE AGENCY LTD.
42/F SUN HUNG KAI CENTRE, WANCHAI, HONGKONG

ARCHITECT :

Iwk&partners
a r c h i t e c t s

MAIN CONTRACTOR :

怡輝建築有限公司
Yee Fai Building Contractors Ltd.

STRUCTURAL ENGINEER :

ARUP

FAÇADE CONSULTANT:

ALPHA CONSULTING LIMITED
Steel Structure & Façade Specialist

NOTE :

1. ALL DIMENSIONS ARE IN mm.
2. ALL ELEVATIONS ARE VIEWED FROM OUTSIDE.
3. ALL DIMENSIONS TO BE VERIFIED ON SITE BEFORE FABRICATION.

LEGEND :

- (X1) --- DETAIL MARK NO.
- (X001) --- REFER SHEET NO.

1. F.F.L.--FINISHED FLOOR LEVEL
2. S.F.L.--STRUCTURAL FLOOR LEVEL
3. (R) --REVERSED DETAIL

4. GLASS LEGEND

- EQ1-1--8mmHS+12mm AIR GAP+10mmTP THK. I.G.U.
- EQ1-2--10mm THK. CLEAR TEMPERED GLASS
- EQ1-4--10mm THK. TEMPERED ACID ETCHED GLASS
- EQ1-1A-8mmHS+12mm AIR GAP+8mmTP THK. I.G.U.

NO.	DATE	REVISION SUBJECT TO ARCH COMMENT	BY
B	24/11/2021	REVISION SUBJECT TO ARCH COMMENT	lvn
A	10/11/2021	REVISION SUBJECT TO ARCH COMMENT	lvn

JOB NO. : J-856

PROJECT :

PROPOSED DEVELOPMENT ABOVE
LIGHT RAIL TIN WING STOP TSWTL
NO.23,AREA 33,TIN SHUI WAI, N.T.

TITLE :

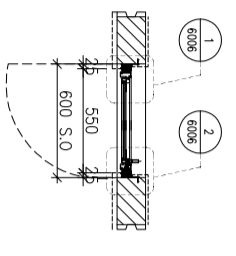
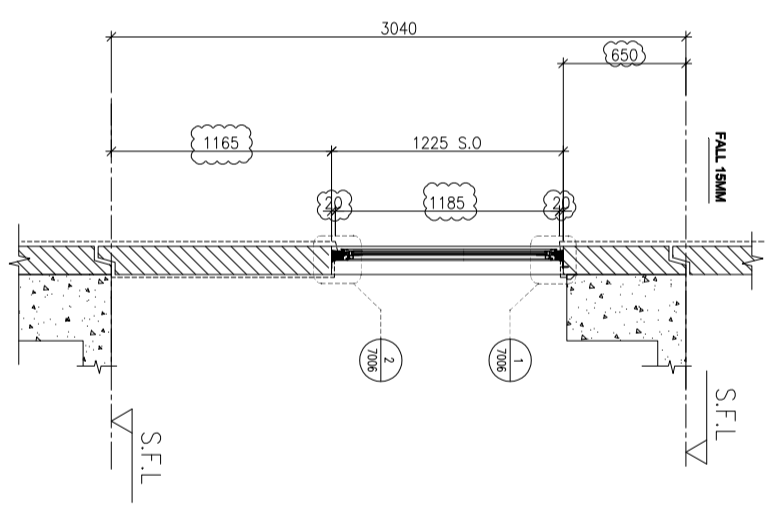
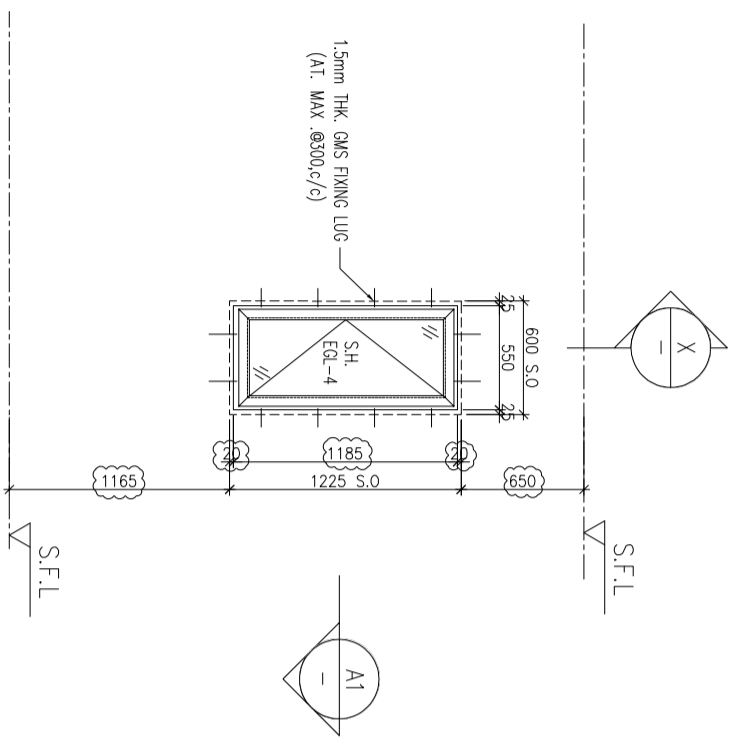
WINDOW SCHEDULE FOR
TOWER 2 IN-SITU WINDOW

DATE : 06-Aug-21 SCALE : 1:40

DRAWN BY : lvn CHECKED BY :

美特鋁質有限公司
MIDI ALUMINIUM FABRICATOR LTD.
Units 6-8, Sunny Industrial Centre, 1/F
610 Che Kwo Ling Road, Kowloon
Tel:23489211-4 Fax:85227272666

DWG NO. : J856-SD-IW-5208 REV. : B



A1 PART PLAN

X-X PART SECTION

ELEVATION

WINDOW MARK	227
LOCATION	3/F-42/F(4/F,13/F,14/F,24/F,34/F OMITTED) UNIT A8
SECTION	50mm ALUM. SECTION
GLAZING	EGL-4
QUANTITY	35 Nos.
REMARKS	

B.O. REF :

CLIENT :

SUN HUNG KAI
REAL ESTATE AGENCY LTD.
42/F SUN HUNG KAI CENTRE, WANGCHAI, HONGKONG

ARCHITECT :

IWK&partners
a r c h i t e c t s

MAIN CONTRACTOR :

怡輝建築有限公司
Yee Fai Building Contractors Ltd.

STRUCTURAL ENGINEER :

ARUP

FAÇADE CONSULTANT:

ALPHA CONSULTING LIMITED
Steel Structure & Façade Specialist

NOTE :

1. ALL DIMENSIONS ARE IN mm.
2. ALL ELEVATIONS ARE VIEWED FROM OUTSIDE.
3. ALL DIMENSIONS TO BE VERIFIED ON SITE BEFORE FABRICATION.

LEGEND :

(X1) --- DETAIL MARK NO.
(X001) --- REFER SHEET NO.

1. F.F.L.--FINISHED FLOOR LEVEL
2. S.F.L.--STRUCTURAL FLOOR LEVEL
3. (R) --REVERSED DETAIL

4. GLASS LEGEND

EQI-1--8mmHS+12mm AIR GAP+10mmTP THK. I.G.U.
 EQI-2--10mm THK. CLEAR TEMPERED GLASS
 EQI-4--10mm THK. TEMPERED ACID ETCHED GLASS
 EQI-1A-8mmHS+12mm AIR GAP+8mmTP THK. I.G.U.

NO.	DATE	REVISION SUBJECT TO ARCH COMMENT	BY
B	24/11/2021	REVISION SUBJECT TO ARCH COMMENT	lvn
A	10/11/2021	REVISION SUBJECT TO ARCH COMMENT	lvn

JOB NO. : J-856

PROJECT :

PROPOSED DEVELOPMENT ABOVE
LIGHT RAIL TIN WING STOP TSWTL
NO.23,AREA 33,TIN SHUI WAI, N.T.

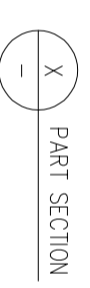
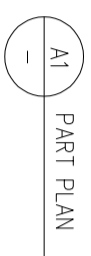
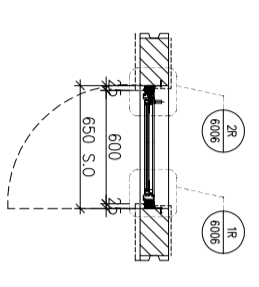
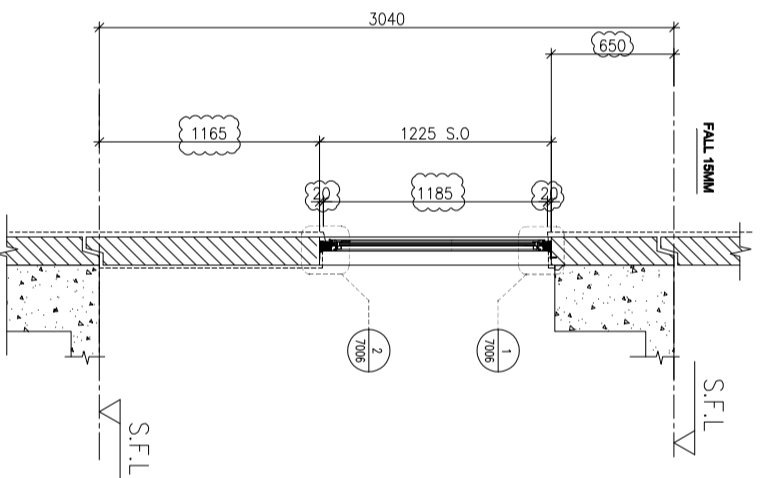
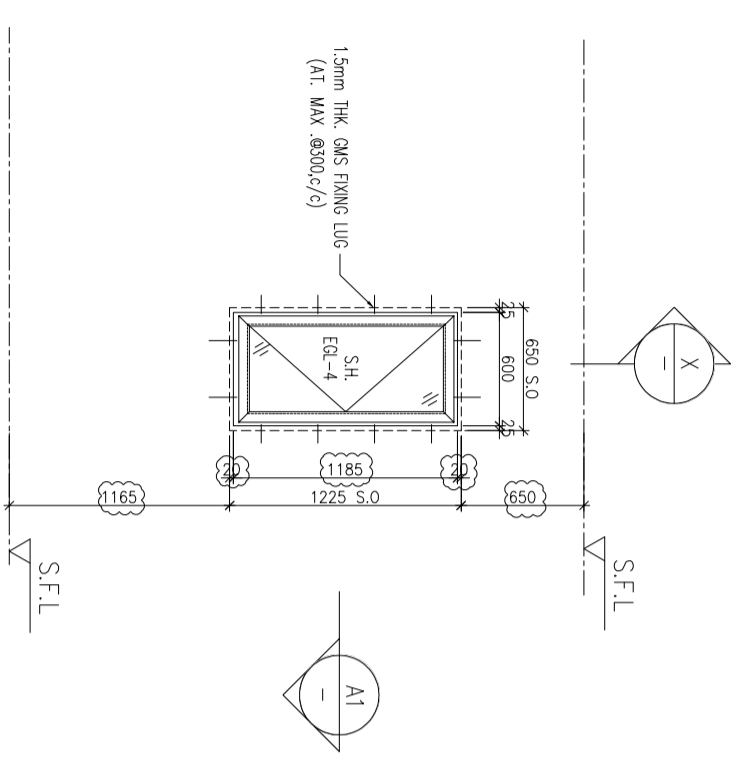
TITLE :

WINDOW SCHEDULE FOR
TOWER 2 IN-SITU WINDOW

DATE : 06-Aug-21 SCALE : 1:40

DRAWN BY : lvn CHECKED BY :

美特鋁質有限公司
MIDI ALUMINIUM FABRICATOR LTD.
Units 6-8, Sunny Industrial Centre, 1/F
610 Che Kwo Ling Road, Kowloon
Tel:23489211-4 Fax:85227272666
DWG NO. : J856-SD-IW-5209 REV. : B



ELEVATION

WINDOW MARK



LOCATION

3/F-42/F(4/F,13/F,14/F,24/F,34/F OMITTED) UNIT A1

SECTION

50mm ALUM. SECTION
EGL-4

QUANTITY

35 Nos.

REMARKS

B.O. REF :

CLIENT :

SUN HUNG KAI
REAL ESTATE AGENCY LTD.
42/F SUN HUNG KAI CENTRE, WANCHAI, HONGKONG

ARCHITECT :

IWK&partners
a r c h i t e c t s

MAIN CONTRACTOR :

怡輝建築有限公司
Yee Fai Building Contractors Ltd.

STRUCTURAL ENGINEER :

ARUP

FAÇADE CONSULTANT:

ALPHA CONSULTING LIMITED
Steel Structure & Façade Specialist

NOTE :

1. ALL DIMENSIONS ARE IN mm.
2. ALL ELEVATIONS ARE VIEWED FROM OUTSIDE.
3. ALL DIMENSIONS TO BE VERIFIED ON SITE BEFORE FABRICATION.

LEGEND :

(X1) DETAIL MARK NO.
(X001) REFER SHEET NO.

1. F.F.L.--FINISHED FLOOR LEVEL
2. S.F.L.--STRUCTURAL FLOOR LEVEL
3. (R) --REVERSED DETAIL

4. GLASS LEGEND

EQ1--1--8mmHS+12mm AIR GAP+10mmTP THK. I.G.U.
EQ1--2--10mm THK. CLEAR TEMPERED GLASS
EQ1--4--10mm THK. TEMPERED ACID ETCHED GLASS
EQ1--1A--8mmHS+12mm AIR GAP+8mmTP THK. I.G.U.

NO.	DATE	REVISION SUBJECT TO ARCH COMMENT	BY
A	10/11/2021		

JOB NO. : J-856

PROJECT :

PROPOSED DEVELOPMENT ABOVE
LIGHT RAIL TIN WING STOP TSWTL
NO.23,AREA 33,TIN SHUI WAI, N.T.

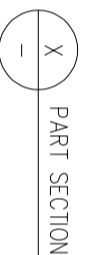
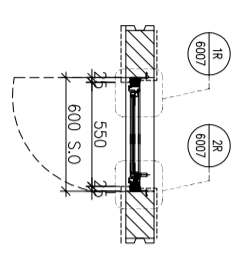
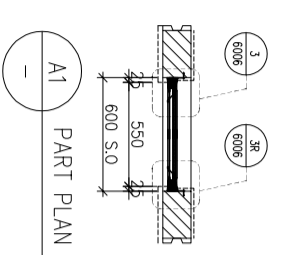
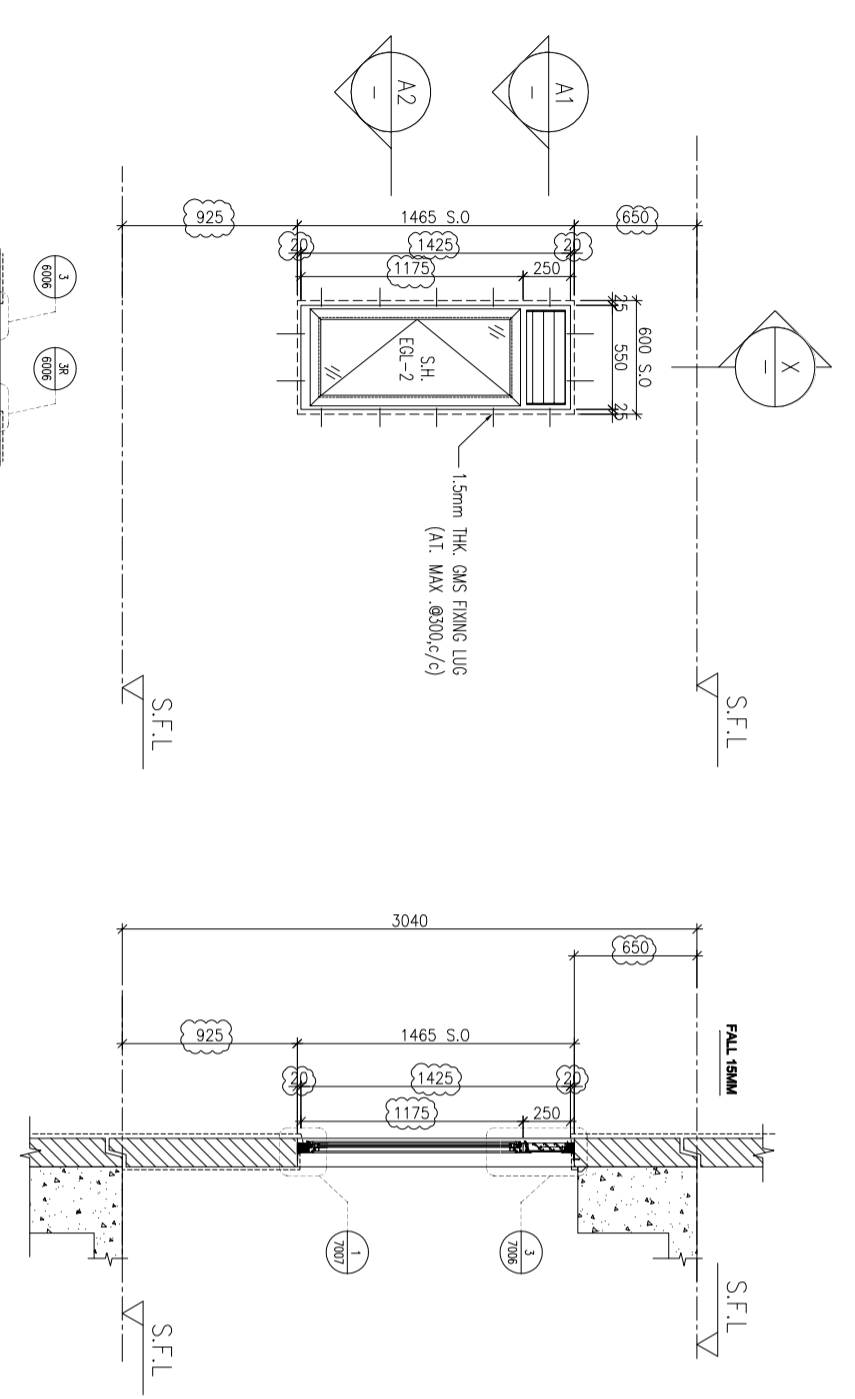
TITLE :

WINDOW SCHEDULE FOR
TOWER 2 IN-SITU WINDOW

DATE : 06-Aug-21 SCALE : 1:40

DRAWN BY : Ivorn CHECKED BY :

美特鋁質有限公司
MIDI ALUMINIUM FABRICATOR LTD.
Units 6-8, Sunray Industrial Centre, 1/F
610 Che Kwo Ling Road, Kowloon
Tel:23489211-4 Fax:85227272666
DWG NO. : 856-SD-IW-5210 REV. : A



ELEVATION

WINDOW MARK



LOCATION

3/F-42/F,4/F,13/F,14/F,24/F,34/F OMITTED) UNIT A1

SECTION

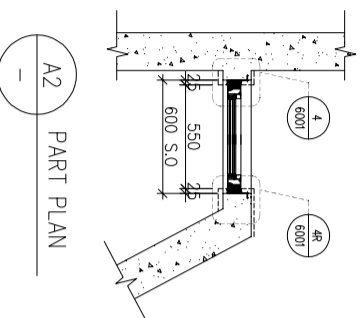
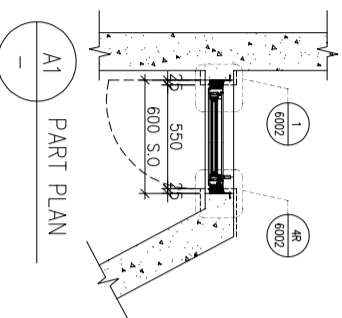
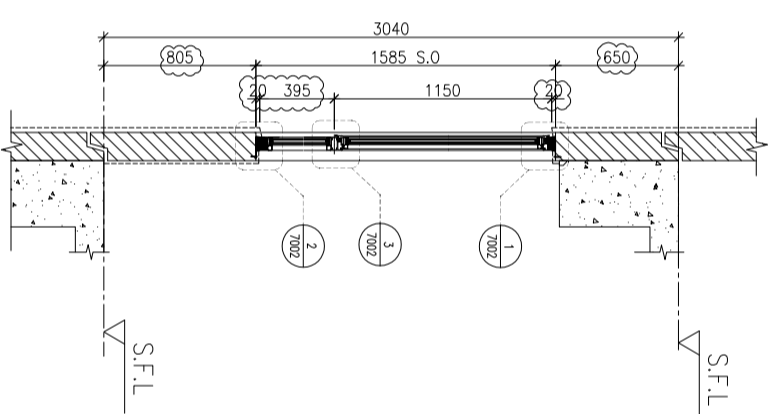
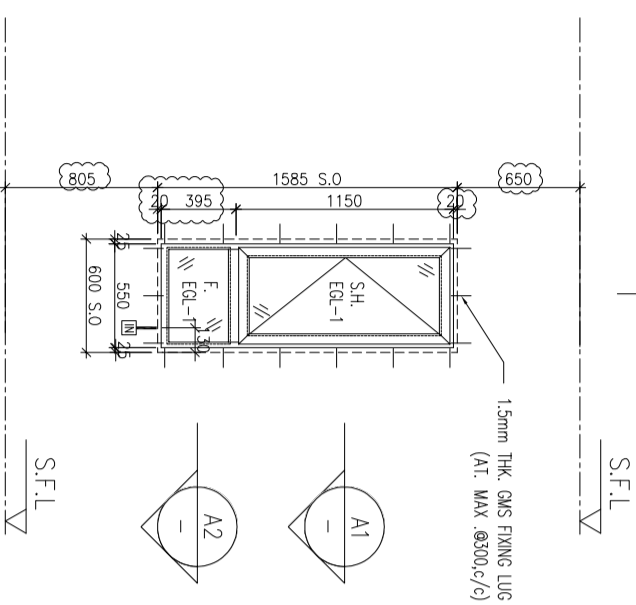
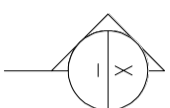
50mm ALUM. SECTION
EGL-2

QUANTITY

35 Nos.

REMARKS

B.O. REF :



NOTE :

1. ALL DIMENSIONS ARE IN mm.
2. ALL ELEVATIONS ARE VIEWED FROM OUTSIDE.
3. ALL DIMENSIONS TO BE VERIFIED ON SITE BEFORE FABRICATION.

LEGEND :

(X1) --- DETAIL MARK NO.
 (X001) --- REFER SHEET NO.

1. F.F.L. -- FINISHED FLOOR LEVEL
2. S.F.L. -- STRUCTURAL FLOOR LEVEL
3. (R) -- REVERSED DETAIL
4. GLASS LEGEND

EGL-1 -- 8mmHS+12mm AIR GAP+10mmTP THK. I.G.U.
 EGL-2 -- 10mm THK. CLEAR TEMPERED GLASS
 EGL-4 -- 10mm THK. TEMPERED ACID ETCHED GLASS
 EGL-1A -- 8mmHS+12mm AIR GAP+8mmTP THK. I.G.U.

NO.	DATE	REVISION SUBJECT TO ARCH COMMENT	BY
B	24/11/2021	REVISION SUBJECT TO ARCH COMMENT	lvn
A	10/11/2021	REVISION SUBJECT TO ARCH COMMENT	lvn

JOB NO. : J-856

PROJECT :
 PROPOSED DEVELOPMENT ABOVE
 LIGHT RAIL TIN WING STOP TSWTL
 NO.23, AREA 33, TIN SHUI WAI, N.T.

TITLE :
 WINDOW SCHEDULE FOR
 TOWER 2 IN-SITU WINDOW

DATE : 06-Aug-21 SCALE : 1:40
 DRAWN BY : lvn CHECKED BY :

美特鋁質有限公司
MIDI ALUMINIUM FABRICATOR LTD.
 Units 6-8, Sunray Industrial Centre, 1/F
 610 Che Kwo Ling Road, Kowloon
 Tel: 23489211-4 Fax: (852) 27272666
 DWG NO. : 4856-SD-IW-5211 REV. : B

WINDOW MARK	Store
LOCATION	3F-42/F(4/F,13/F,14/F,24/F,34/F OMITTED) UNIT A5
SECTION	70mm ALUM. SECTION
GLAZING	EGL-1
QUANTITY	35 Nos.
REMARKS	

ELEVATION

B.O. REF :

CLIENT :

SUN HUNG KAI
REAL ESTATE AGENCY LTD.
42/F SUN HUNG KAI CENTRE, WANGCHAI, HONGKONG

ARCHITECT :

IWK&partners
a r c h i t e c t s

MAIN CONTRACTOR :

怡輝建築有限公司
Yee Fai Building Contractors Ltd.

STRUCTURAL ENGINEER :

ARUP

FAÇADE CONSULTANT:

ALPHA CONSULTING LIMITED
Steel Structure & Façade Specialist

NOTE :

1. ALL DIMENSIONS ARE IN mm.
2. ALL ELEVATIONS ARE VIEWED FROM OUTSIDE.
3. ALL DIMENSIONS TO BE VERIFIED ON SITE BEFORE FABRICATION.

LEGEND :

- X1 --- DETAIL MARK NO.
- X001 --- REFER SHEET NO.

1. F.F.L.--FINISHED FLOOR LEVEL
2. S.F.L.--STRUCTURAL FLOOR LEVEL
3. (R) ---REVERSED DETAIL

4. GLASS LEGEND

- EQI-1--8mmHS+12mm AIR GAP+10mmTP THK. IG.U.
- EQI-2--10mm THK. CLEAR TEMPERED GLASS
- EQI-4--10mm THK. TEMPERED ACID ETCHED GLASS
- EQI-1A-8mmHS+12mm AIR GAP+8mmTP THK. IG.U.

NO.	DATE	REVISION SUBJECT TO ARCH COMMENT	BY
B	13/07/2022	REVISION SUBJECT TO ARCH COMMENT	lvn
A	23/11/2021	REVISION SUBJECT TO ARCH COMMENT	lvn

JOB NO. : J-856

PROJECT :

PROPOSED DEVELOPMENT ABOVE
LIGHT RAIL TIN WING STOP TSWTL
NO.23,AREA 33,TIN SHUI WAI, N.T.

TITLE :

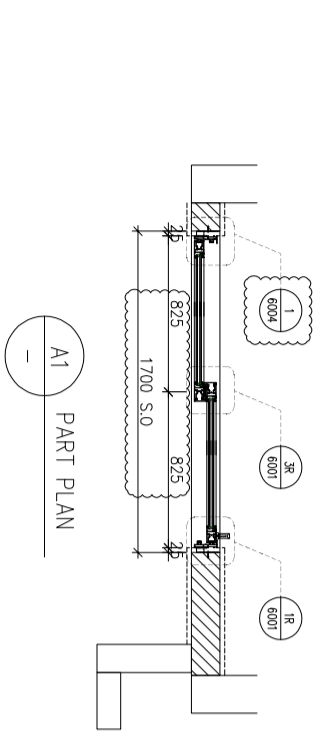
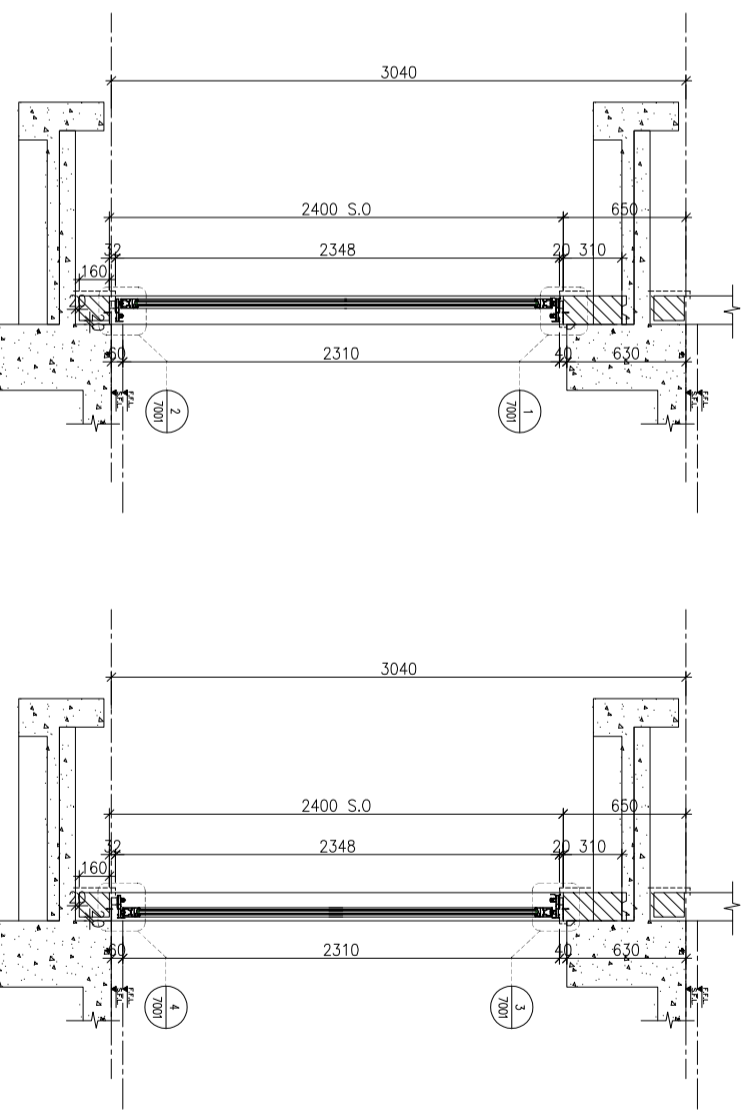
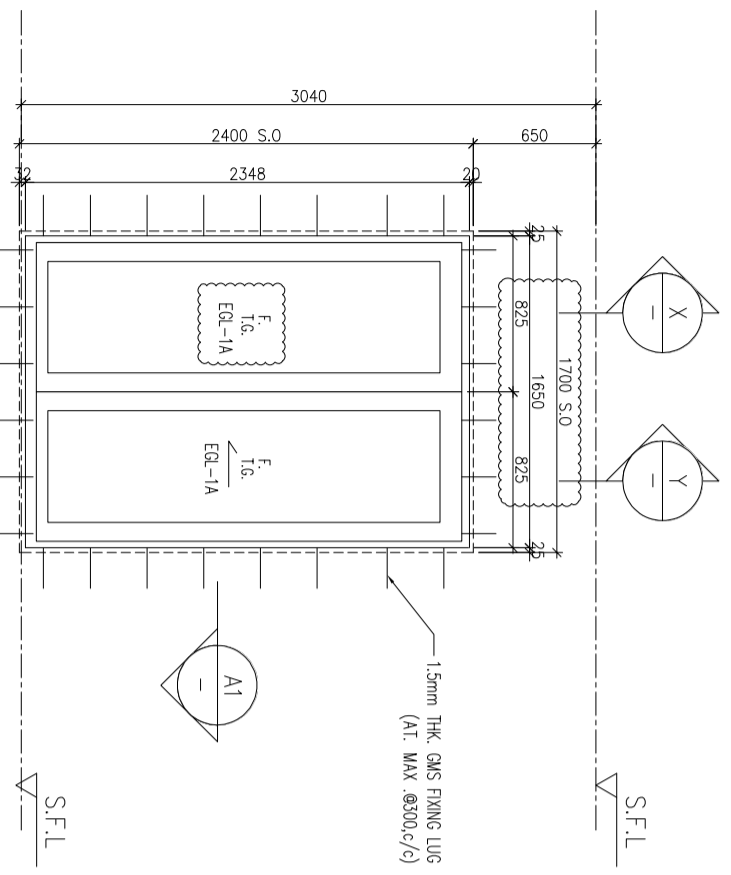
WINDOW SCHEDULE FOR
TOWER 2 IN-SITU WINDOW

DATE : 02-Aug-21 SCALE : 1:40

DRAWN BY : lvn CHECKED BY :

美特鋁質有限公司
MIDI ALUMINIUM FABRICATOR LTD.
Units 6-8, Sunny Industrial Centre, 1/F
610 Che Kwo Ling Road, Kowloon
Tel:23489211-4 Fax:9527272666

DWG NO. : 856-SD-IW-5212 REV. : B



ELEVATION

WINDOW MARK	AW 01a
LOCATION	3/F-42/F(4/F,13/F,14/F,24/F,34/F OMITTED) UNIT A6
SECTION	70mm ALUM. SECTION
GLAZING	EGL-1A
QUANTITY	35 Nos.
REMARKS	FAÇADE(TYPE 12PF07 FOR 3/F-42/F)

B.O. REF :

CLIENT :

SUN HUNG KAI
REAL ESTATE AGENCY LTD.
42/F SUN HUNG KAI CENTRE, WANGCHAI, HONGKONG

ARCHITECT :

Iwk&partners
a r c h i t e c t s

MAIN CONTRACTOR :

怡輝建築有限公司
Yee Fai Building Contractors Ltd.

STRUCTURAL ENGINEER :

ARUP

FAÇADE CONSULTANT:

ALPHA CONSULTING LIMITED
Steel Structure & Façade Specialist

NOTE :

1. ALL DIMENSIONS ARE IN mm.
2. ALL ELEVATIONS ARE VIEWED FROM OUTSIDE.
3. ALL DIMENSIONS TO BE VERIFIED ON SITE BEFORE FABRICATION.

LEGEND :

X1 — DETAIL MARK NO.
X001 — REFER SHEET NO.

1. F.F.L. -- FINISHED FLOOR LEVEL
2. S.F.L. -- STRUCTURAL FLOOR LEVEL
3. (R) -- REVERSED DETAIL

4. GLASS LEGEND

EQ1-1 -- 8mmHS+12mm AIR GAP+10mmTP THK. IG.U.
 EQ1-2 -- 10mm THK. CLEAR TEMPERED GLASS
 EQ1-4 -- 10mm THK. TEMPERED ACID ETCHED GLASS
 EQ1-1A -- 8mmHS+12mm AIR GAP+8mmTP THK. IG.U.

NO.	DATE	REVISION SUBJECT TO ARCH COMMENT	BY
B	13/07/2022	REVISION SUBJECT TO ARCH COMMENT	lvn
A	23/11/2021	REVISION SUBJECT TO ARCH COMMENT	lvn

JOB NO. : J-856

PROJECT :

PROPOSED DEVELOPMENT ABOVE
LIGHT RAIL TIN WING STOP TSWTL
NO.23,AREA 33,TIN SHUI WAI, N.T.

TITLE :

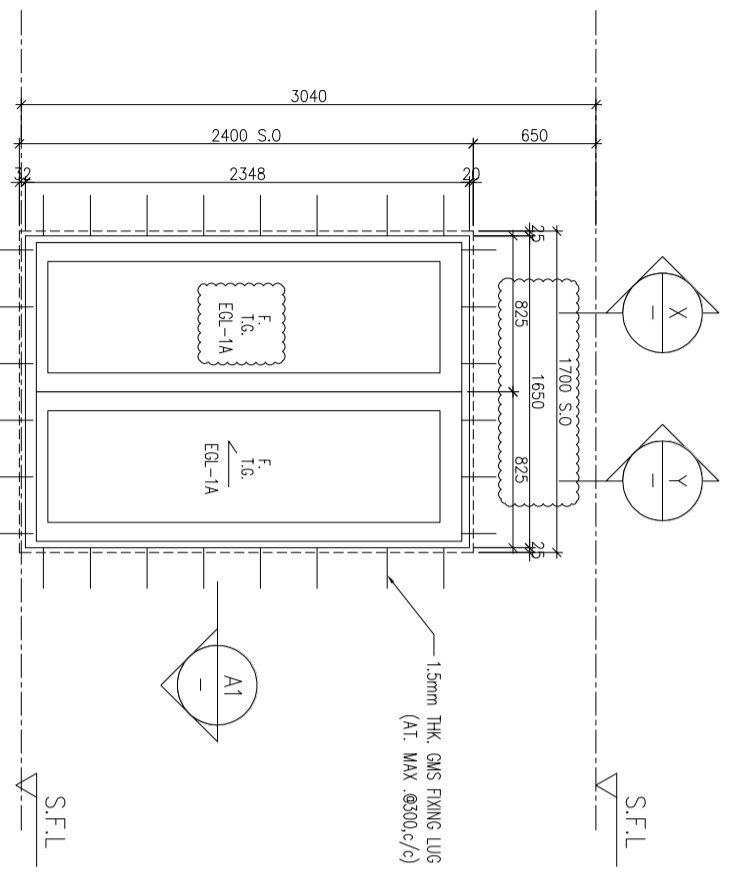
WINDOW SCHEDULE FOR
TOWER 2 IN-SITU WINDOW

DATE : 02-Aug-21 SCALE : 1:40

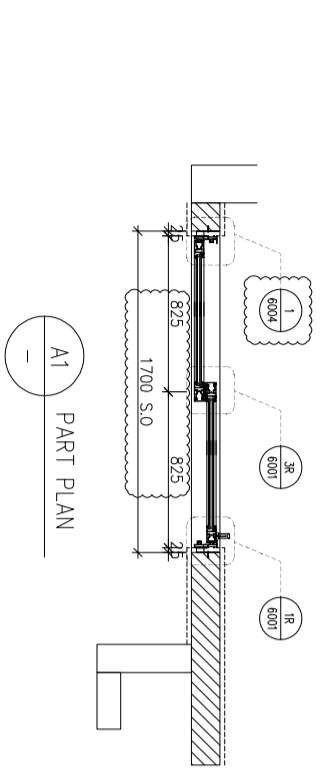
DRAWN BY : lvn CHECKED BY :

美特鋁質有限公司
MIDI ALUMINIUM FABRICATOR LTD.
Units 6-8, Sunny Industrial Centre, 1/F
610 Che Kwo Ling Road, Kowloon
Tel:23489211-4 Fax:9527272666

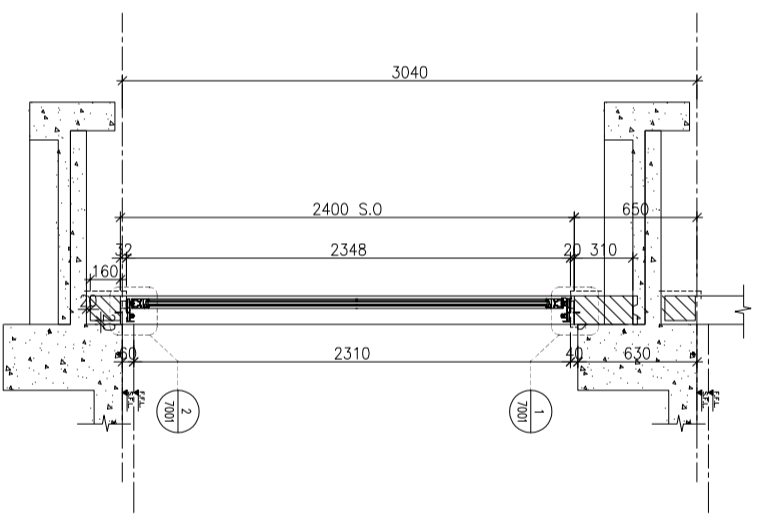
DWG NO. : 856-SD-IW-521.3 REV. : B



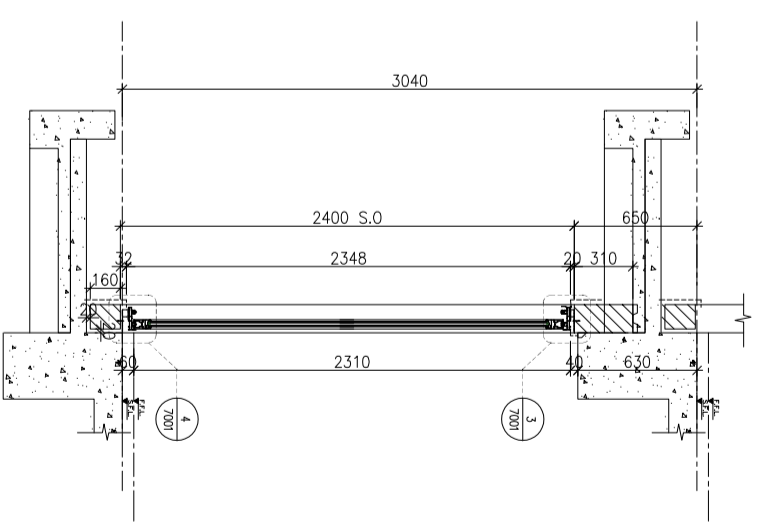
ELEVATION



A1 PART PLAN



X-X PART SECTION



Y-Y PART SECTION

WINDOW MARK	AW 01a
LOCATION	3/F-42/F,4/F,13/F,14/F,24/F,34/F OMITTED) UNIT B5
SECTION	70mm ALUM. SECTION
GLAZING	EGL-1A
QUANTITY	35 Nos.
REMARKS	FAÇADE TYPE T2PF11 FOR 3/F-42/F)

B.O. REF :

CLIENT :

SUN HUNG KAI
REAL ESTATE AGENCY LTD.
42/F SUN HUNG KAI CENTRE, WANGCHAI, HONGKONG

ARCHITECT :

IWK&partners
a r c h i t e c t s

MAIN CONTRACTOR :

怡輝建築有限公司
Yee Fai Building Contractors Ltd.

STRUCTURAL ENGINEER :

ARUP

FAÇADE CONSULTANT:

ALPHA CONSULTING LIMITED
Steel Structure & Façade Specialist

NOTE :

1. ALL DIMENSIONS ARE IN mm.
2. ALL ELEVATIONS ARE VIEWED FROM OUTSIDE.
3. ALL DIMENSIONS TO BE VERIFIED ON SITE BEFORE FABRICATION.

LEGEND :

X1 --- DETAIL MARK NO.
X001 --- REFER SHEET NO.

1. F.F.L.--FINISHED FLOOR LEVEL
2. S.F.L.--STRUCTURAL FLOOR LEVEL
3. (R) ---REVERSED DETAIL

4. GLASS LEGEND

EQ1-1--8mmHS+12mm AIR GAP+10mmTP THK. I.G.U.
 EQ1-2--10mm THK. CLEAR TEMPERED GLASS
 EQ1-4--10mm THK. TEMPERED ACID ETCHED GLASS
 EQ1-1A-8mmHS+12mm AIR GAP+8mmTP THK. I.G.U.

NO.	DATE	REVISION SUBJECT TO ARCH COMMENT	BY
B	23/11/2021	REVISION SUBJECT TO ARCH COMMENT	hvn
A	10/11/2021	REVISION SUBJECT TO ARCH COMMENT	hvn

JOB NO. : J-856

PROJECT :

PROPOSED DEVELOPMENT ABOVE
LIGHT RAIL TIN WING STOP TSWTL
NO.23,AREA 33,TIN SHUI WAI, N.T.

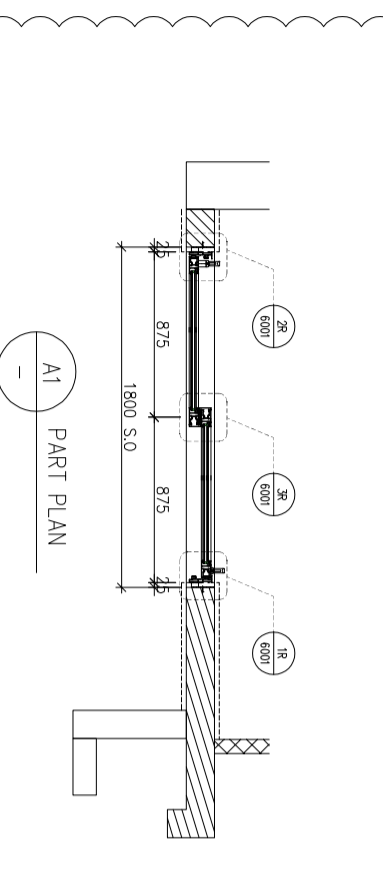
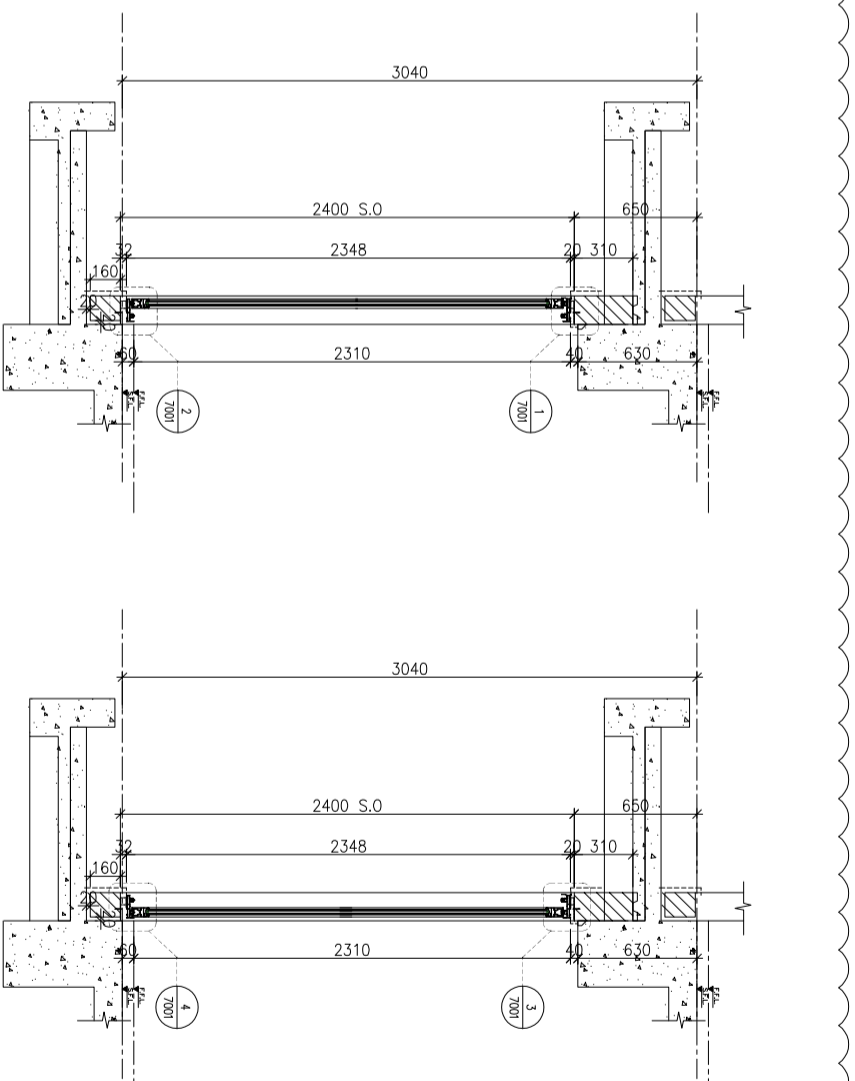
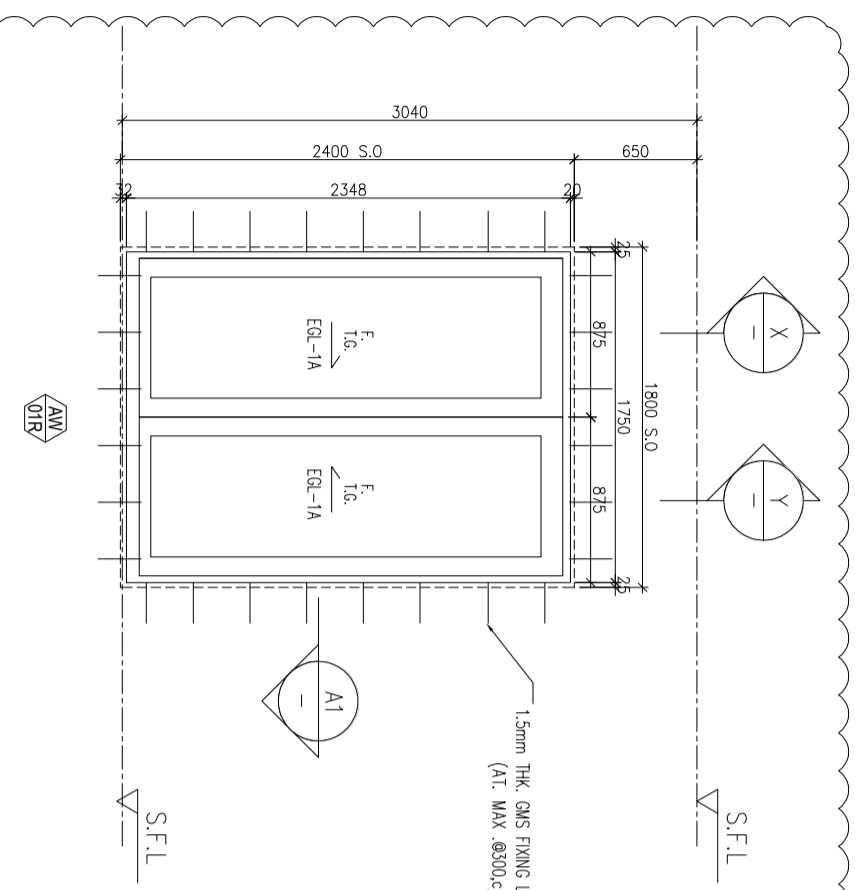
TITLE :

WINDOW SCHEDULE FOR
TOWER 3 IN-SITU WINDOW

DATE : 02-Aug-21 SCALE : 1:40

DRAWN BY : lvon CHECKED BY :

美特鋁質有限公司
MIDI ALUMINIUM FABRICATOR LTD.
Units 6-8, Sunny Industrial Centre, 1/F
610 Che Kwo Ling Road, Kowloon
Tel:23489211-4 Fax:85227272666
DWG NO. : 856-SD-IW-5301 REV. : B



WINDOW MARK **AW 01R**

LOCATION 3/F~42/F,4/F,13/F,14/F,24/F,34/F OMITTED UNIT A9,B7,B8,B6

SECTION 70mm ALUM. SECTION

GLAZING EGL-1A

QUANTITY 35 Nos./35 Nos./35 Nos./35 Nos.

REMARKS FACADE/TYPE T3PF02 FOR 3/F~42/F)

ELEVATION

NO.	DATE	REVISION SUBJECT TO ARCH COMMENT	BY
B	23/11/2021	REVISION SUBJECT TO ARCH COMMENT	hvn
A	10/11/2021	REVISION SUBJECT TO ARCH COMMENT	hvn

B.O. REF :

CLIENT :
SUN HUNG KAI
REAL ESTATE AGENCY LTD.
42/F SUN HUNG KAI CENTRE, WANCHAI, HONGKONG

ARCHITECT :
IWK&partners
a r c h i t e c t s

MAIN CONTRACTOR :
怡輝建築有限公司
Yee Fai Building Contractors Ltd.

STRUCTURAL ENGINEER :
ARUP

FAÇADE CONSULTANT:
ALPHA CONSULTING LIMITED
Steel Structure & Façade Specialist

NOTE :
1. ALL DIMENSIONS ARE IN mm.
2. ALL ELEVATIONS ARE VIEWED FROM OUTSIDE.
3. ALL DIMENSIONS TO BE VERIFIED ON SITE BEFORE FABRICATION.

LEGEND :
X1 --- DETAIL MARK NO.
X001 --- REFER SHEET NO.

1. F.F.L. --- FINISHED FLOOR LEVEL
2. S.F.L. --- STRUCTURAL FLOOR LEVEL
3. (R) --- REVERSED DETAIL

4. GLASS LEGEND
EGL-1 --- 8mmHS+12mm AIR GAP+10mmTP THK. I.G.U.
EGL-2 --- 10mm THK. CLEAR TEMPERED GLASS
EGL-4 --- 10mm THK. TEMPERED ACID ETCHED GLASS
EGL-1A --- 8mmHS+12mm AIR GAP+8mmTP THK. I.G.U.

NO.	DATE	REVISION SUBJECT TO ARCH COMMENT	BY
B	23/11/2021	REVISION SUBJECT TO ARCH COMMENT	hvn
A	10/11/2021	REVISION SUBJECT TO ARCH COMMENT	hvn

JOB NO. : J-856

PROJECT :
PROPOSED DEVELOPMENT ABOVE
LIGHT RAIL TIN WING STOP TSWTL
NO.23,AREA 33,TIN SHUI WAI, N.T.

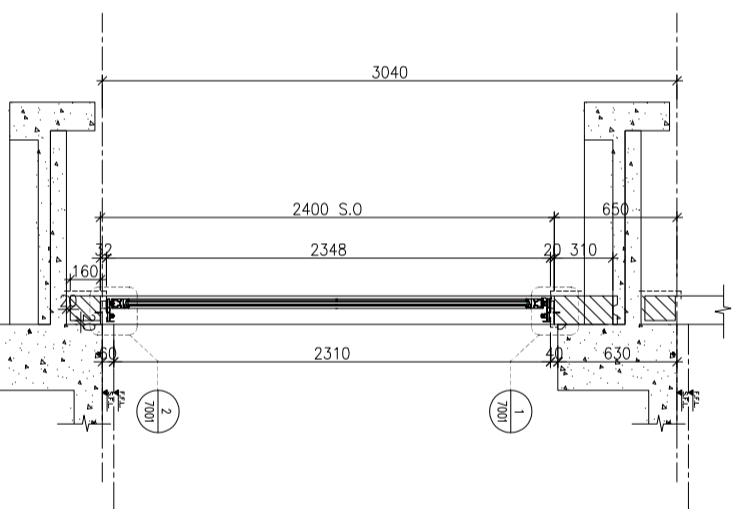
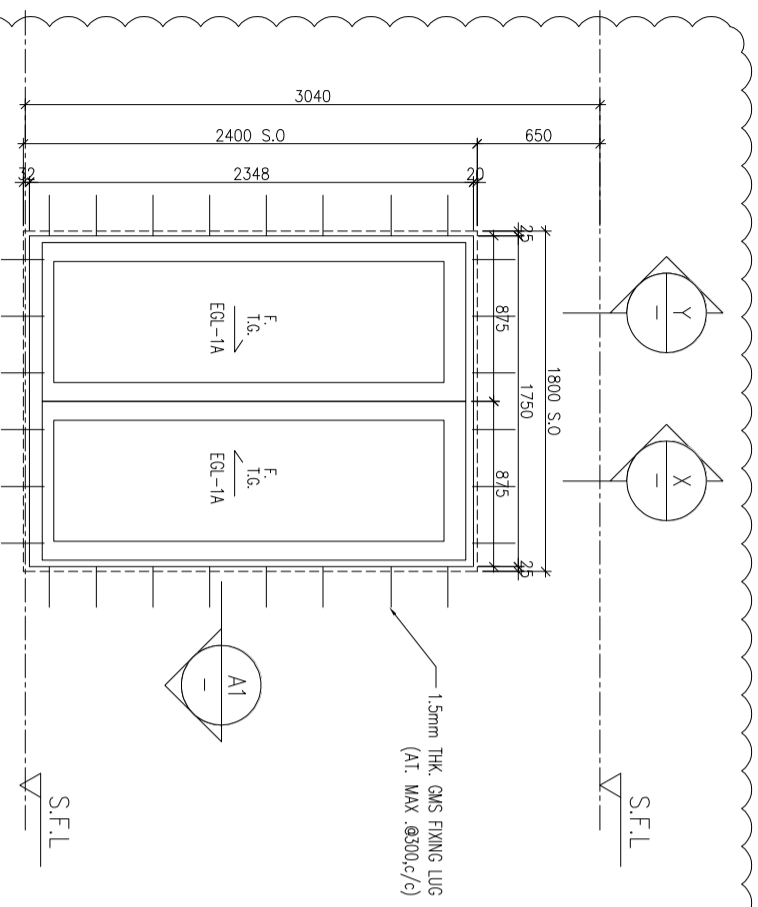
TITLE :
WINDOW SCHEDULE FOR
TOWER 3 IN-SITU WINDOW

DATE : 02-Aug-21 SCALE : 1:40

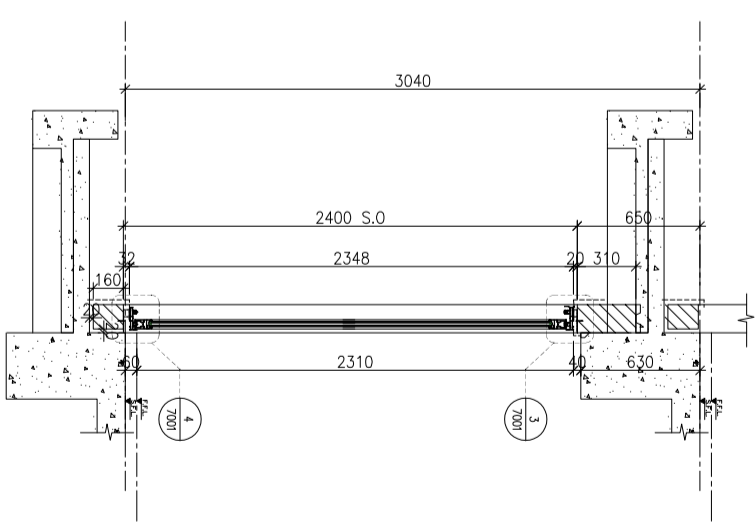
DRAWN BY : lvon CHECKED BY :

美特鋁質有限公司
MIDI ALUMINIUM FABRICATOR LTD.
Units 6-8, Sunny Industrial Centre, 1/F
610 Che Kwo Ling Road, Kowloon
Tel:23489211-4 Fax:8522727666

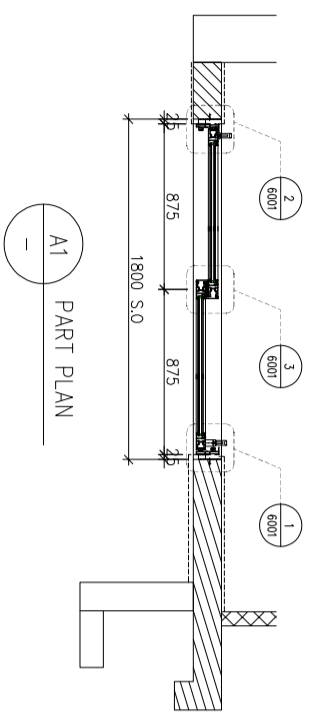
DWG NO. : 856-SD-IW-5302 REV. : B



X-X PART SECTION



Y-Y PART SECTION



A1 PART PLAN

ELEVATION

WINDOW MARK	AW 01R
LOCATION	3/F~42/F,4/F,13/F,14/F,24/F,34/F OMITTED) UNIT A3,A6,A10,A12,B5,B9
SECTION	70mm ALUM. SECTION
GLAZING	EGL-1A
QUANTITY	35 Nos/35 Nos/35 Nos/35 Nos/35 Nos/35 Nos
REMARKS	FAÇADE TYPE T3PF04 FOR 3/F~42/F)

WINDOW MARK	AW 01
LOCATION	3/F~42/F,4/F,13/F,14/F,24/F,34/F OMITTED) UNIT A11,A13,B11
SECTION	70mm ALUM. SECTION
GLAZING	EGL-1,EGL-1A
QUANTITY	35 Nos/35 Nos/35 Nos
REMARKS	FAÇADE TYPE T3PF04R FOR 3/F~42/F)

B.O. REF :

CLIENT :

SUN HUNG KAI
REAL ESTATE AGENCY LTD.
42/F SUN HUNG KAI CENTRE, WANCHAI, HONGKONG

ARCHITECT :

IWK&partners
a r c h i t e c t s

MAIN CONTRACTOR :

怡輝建築有限公司
Yee Fai Building Contractors Ltd.

STRUCTURAL ENGINEER :

ARUP

FAÇADE CONSULTANT :

ALPHA CONSULTING LIMITED
Steel Structure & Façade Specialist

NOTE :

1. ALL DIMENSIONS ARE IN mm.
2. ALL ELEVATIONS ARE VIEWED FROM OUTSIDE.
3. ALL DIMENSIONS TO BE VERIFIED ON SITE BEFORE FABRICATION.

LEGEND :

- X1 --- DETAIL MARK NO.
- X001 --- REFER SHEET NO.

1. F.F.L. -- FINISHED FLOOR LEVEL
2. S.F.L. -- STRUCTURAL FLOOR LEVEL
3. (R) -- REVERSED DETAIL

4. GLASS LEGEND

- EQI-1 -- 8mmHS+12mm AIR GAP+10mmTP THK. I.G.U.
- EQI-2 -- 10mm THK. CLEAR TEMPERED GLASS
- EQI-4 -- 10mm THK. TEMPERED ACID ETCHED GLASS
- EQI-1A -- 8mmHS+12mm AIR GAP+8mmTP THK. I.G.U.

NO.	DATE	REVISION	REVISION SUBJECT TO ARCH/COMMENT
C	13/01/2022	REVISION SUBJECT TO ARCH/COMMENT	None
B	23/11/2021	REVISION SUBJECT TO ARCH/COMMENT	None
A	10/11/2021	REVISION SUBJECT TO ARCH/COMMENT	None

JOB NO. : J-856

PROJECT :

PROPOSED DEVELOPMENT ABOVE
LIGHT RAIL TIN WING STOP TSWTL
NO.23,AREA 33,TIN SHUI WAI, N.T.

TITLE :

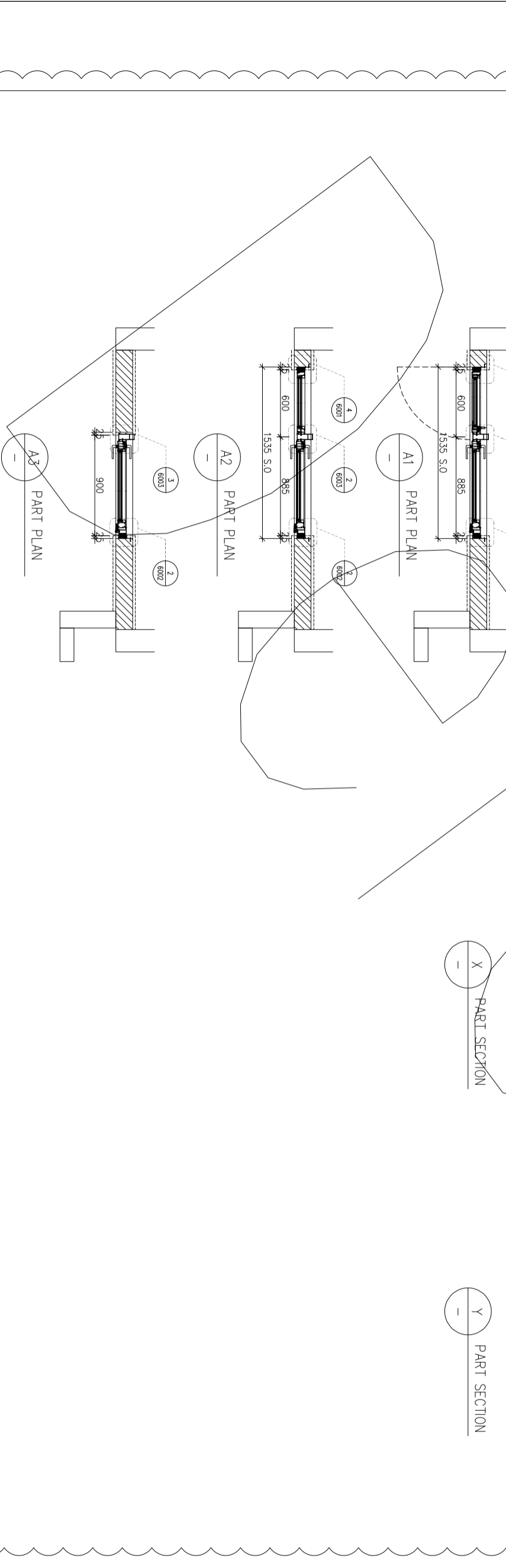
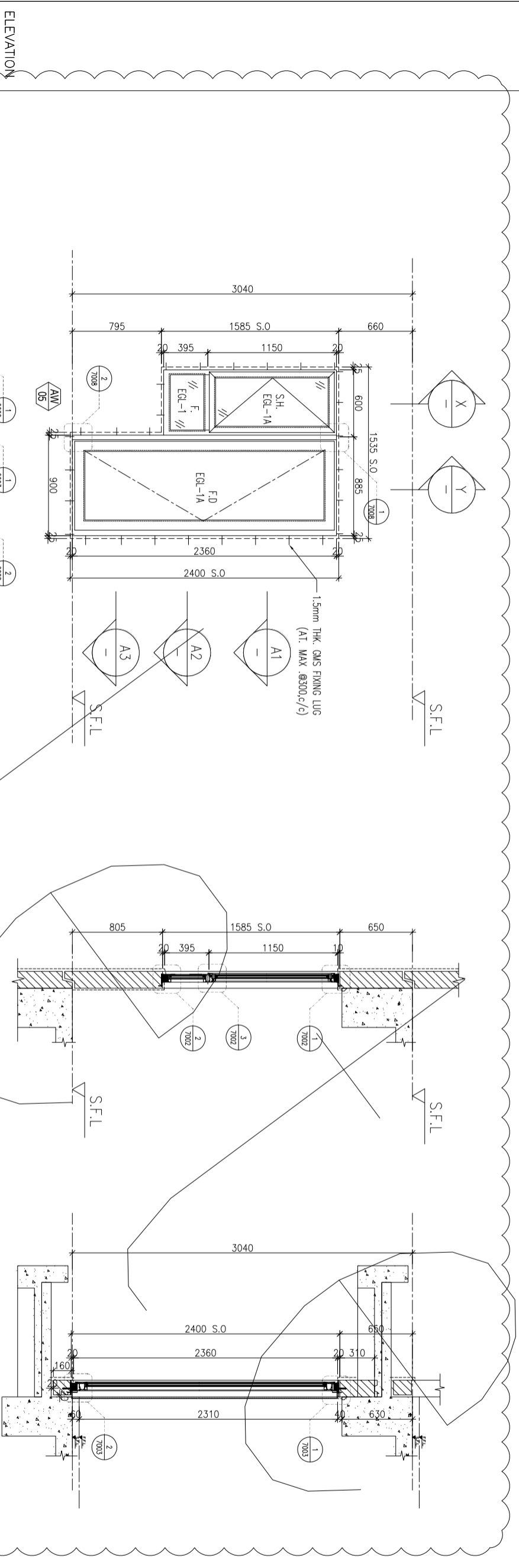
WINDOW SCHEDULE FOR
TOWER 3 IN-SITU WINDOW

DATE : 02-Aug-21 SCALE : 1:40

DRAWN BY : Ivorn CHECKED BY :

美特鋁質有限公司
MIDI ALUMINIUM FABRICATOR LTD.
Units 6-8, Sunny Industrial Centre, 1/F
610 Che Kwo Ling Road, Kowloon
Tel:23489211-4 Fax:185212727666
DWG NO. : 1856-SD-IW-5303 REV. : C

WINDOW MARK	AW 05
LOCATION	5/F~42/F(13/F,14/F,24/F,34/F OMITTED) UNIT A1,A7,A8
SECTION	70mm ALUM. SECTION
GLAZING	EGL-1/EGL-1A
QUANTITY	34 Nos/34 Nos/34 Nos
REMARKS	FAÇADE TYPE T3PF07 FOR 5/F~42/F



B.O. REF :

CLIENT :

SUN HUNG KAI
REAL ESTATE AGENCY LTD.
42/F SUN HUNG KAI CENTRE, WANCHAI, HONGKONG

ARCHITECT :

IWK&partners
a r c h i t e c t s

MAIN CONTRACTOR :

怡輝建築有限公司
Yee Fai Building Contractors Ltd.

STRUCTURAL ENGINEER :

ARUP

FAÇADE CONSULTANT:

ALPHA CONSULTING LIMITED
Steel Structure & Façade Specialist

NOTE :

1. ALL DIMENSIONS ARE IN mm.
2. ALL ELEVATIONS ARE VIEWED FROM OUTSIDE.
3. ALL DIMENSIONS TO BE VERIFIED ON SITE BEFORE FABRICATION.

LEGEND :

- X1 --- DETAIL MARK NO.
- X001 --- REFER SHEET NO.

1. F.F.L.--FINISHED FLOOR LEVEL
2. S.F.L.--STRUCTURAL FLOOR LEVEL
3. (R) --REVERSED DETAIL

4. GLASS LEGEND

- EQI-1--8mmHS+12mm AIR GAP+10mmTP THK. I.G.U.
- EQI-2--10mm THK. CLEAR TEMPERED GLASS
- EQI-4--10mm THK. TEMPERED ACID ETCHED GLASS
- EQI-1A-8mmHS+12mm AIR GAP+8mmTP THK. I.G.U.

TITLE : WINDOW SCHEDULE FOR TOWER 3 IN-SITU WINDOW

DATE : 02-Aug-21 SCALE : 1:40

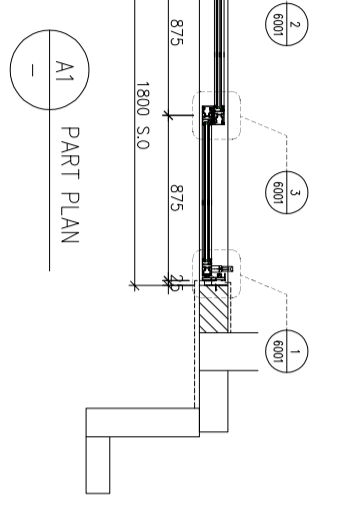
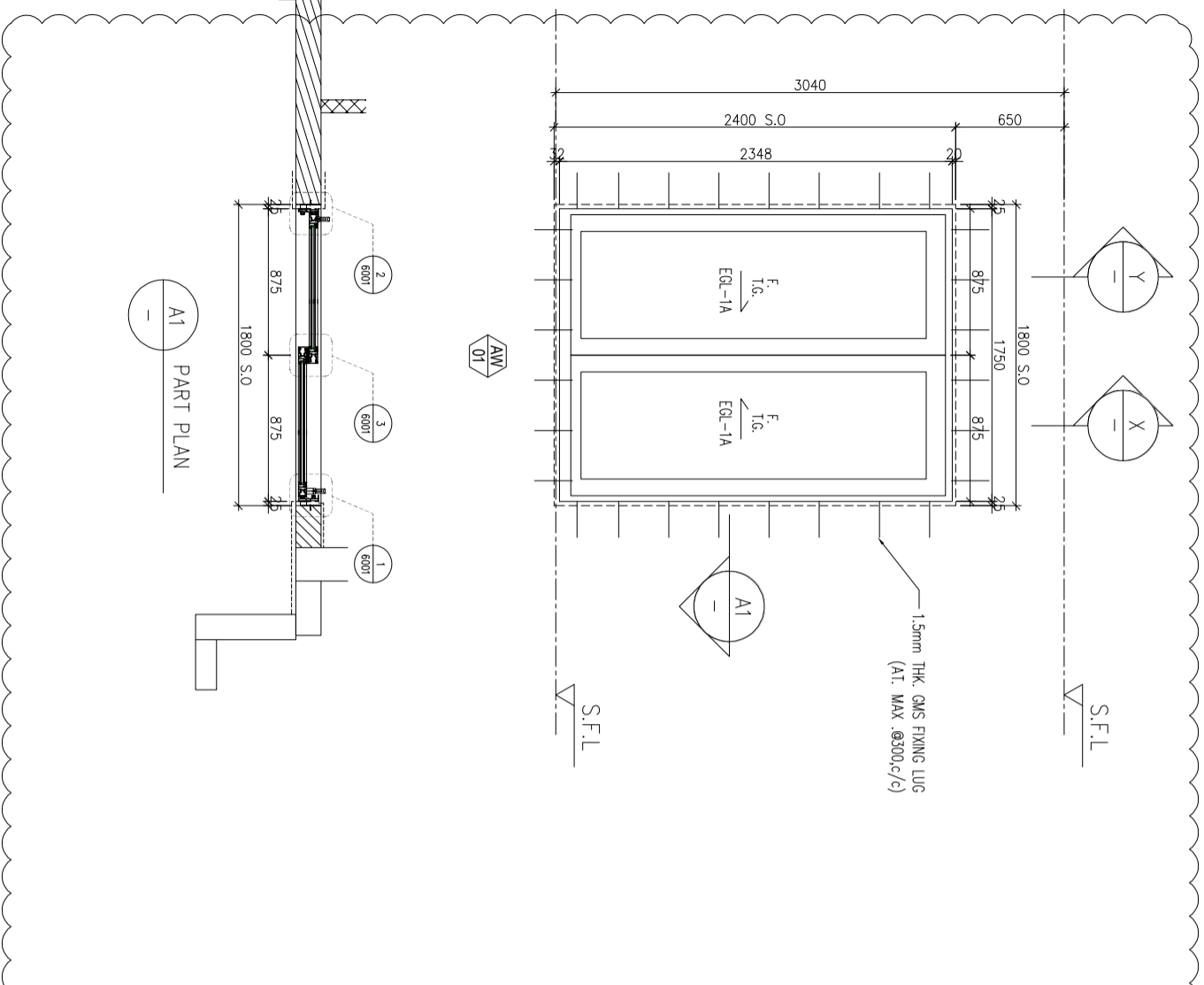
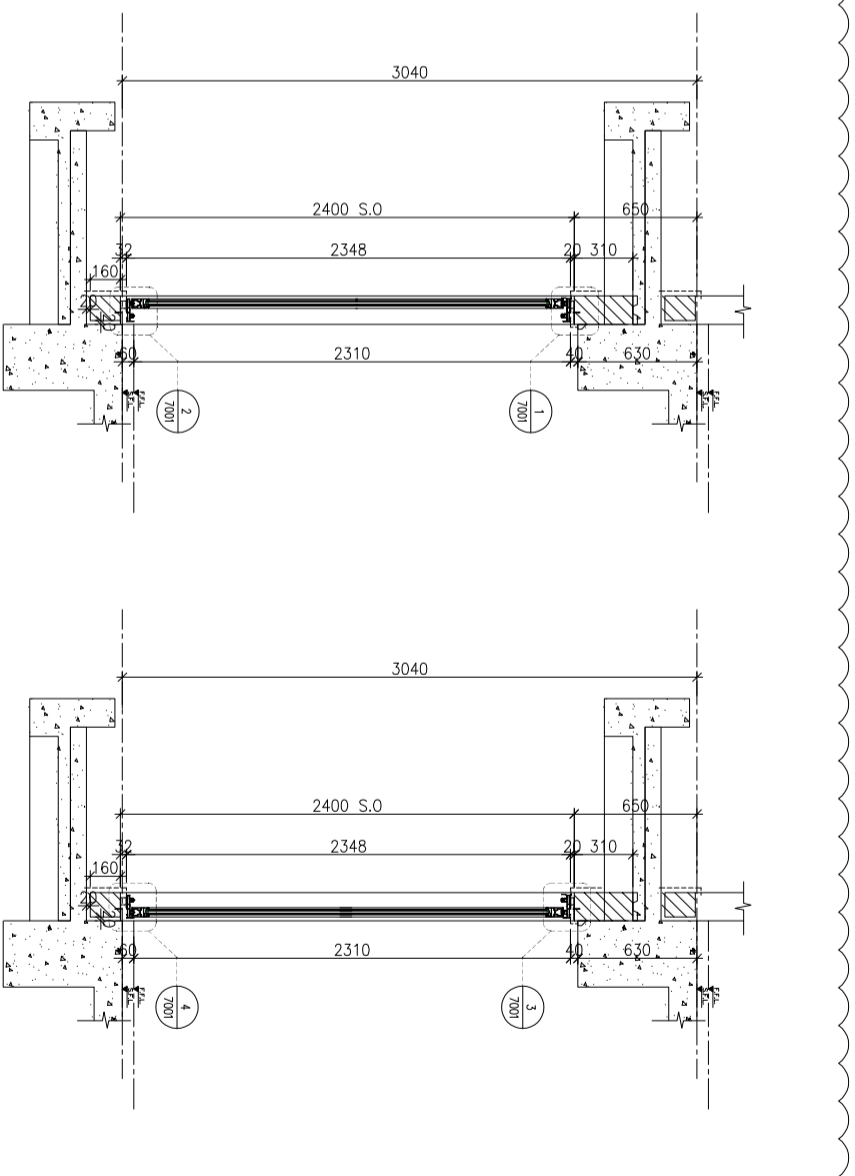
DRAWN BY : Ivojn CHECKED BY :

美特鋁質有限公司
MIDI ALUMINIUM FABRICATOR LTD.
Units 6-8, Sunny Industrial Centre, 1/F
610 Che Kwo Ling Road, Kowloon
Tel:23489211-4 Fax:9522727666
DWG NO. : 856-SD-IW-5304 REV. : B

NO.	DATE	REVISION SUBJECT TO ARCH COMMENT	BY
B	23/11/2021	REVISION SUBJECT TO ARCH COMMENT	Ivojn
A	10/11/2021	REVISION SUBJECT TO ARCH COMMENT	Ivojn

JOB NO. : J-856

PROJECT : PROPOSED DEVELOPMENT ABOVE LIGHT RAIL TIN WING STOP TSWTL NO.23,AREA 33,TIN SHUI WAI, N.T.



WINDOW MARK		
LOCATION	3/F~42/F.4/F.13/F.14/F.24/F.34/F OMITTED) UNIT A2,A5,B1	3/F~42/F.4/F.13/F.14/F.24/F.34/F OMITTED) UNIT B3
SECTION	70mm ALUM. SECTION	70mm ALUM. SECTION
GLAZING	EGL-1A	EGL-1,EGL-1A
QUANTITY	35 Nos/35 Nos/35 Nos	35 Nos
REMARKS	FAÇADE(TYPE T3PF08 FOR 3/F~42/F)	FAÇADE(TYPE T3PF08R FOR 3/F~42/F)

ELEVATION

B.O. REF :

CLIENT :

SUN HUNG KAI
REAL ESTATE AGENCY LTD.
42/F SUN HUNG KAI CENTRE, WANCHAI, HONGKONG

ARCHITECT :
Iwk&partners
a r c h i t e c t s

MAIN CONTRACTOR :
怡和建築有限公司
Yee Fai Building Contractors Ltd.

STRUCTURAL ENGINEER :
ARUP

FAÇADE CONSULTANT:
ALPHA CONSULTING LIMITED
Steel Structure & Façade Specialist

NOTE :
1. ALL DIMENSIONS ARE IN mm.
2. ALL ELEVATIONS ARE VIEWED FROM OUTSIDE.
3. ALL DIMENSIONS TO BE VERIFIED ON SITE BEFORE FABRICATION.
LEGEND :
X1 --- DETAIL MARK NO.
X001 --- REFER SHEET NO.

1. F.F.L.--FINISHED FLOOR LEVEL
2. S.F.L.--STRUCTURAL FLOOR LEVEL
3. (R) --REVERSED DETAIL
4. GLASS LEGEND
EGL-1--8mmHS+12mm AIR GAP+10mmTP THK. I.G.U.
EGL-2--10mm THK. CLEAR TEMPERED GLASS
EGL-4--10mm THK. TEMPERED ACID ETCHED GLASS
EGL-1A-8mmHS+12mm AIR GAP+8mmTP THK. I.G.U.

NO.	DATE	REVISION	REVISION SUBJECT TO ARCH/COMMENT
C	13/01/2022	REVISION SUBJECT TO ARCH/COMMENT	None
B	23/11/2021	REVISION SUBJECT TO ARCH/COMMENT	None
A	10/11/2021	REVISION SUBJECT TO ARCH/COMMENT	None

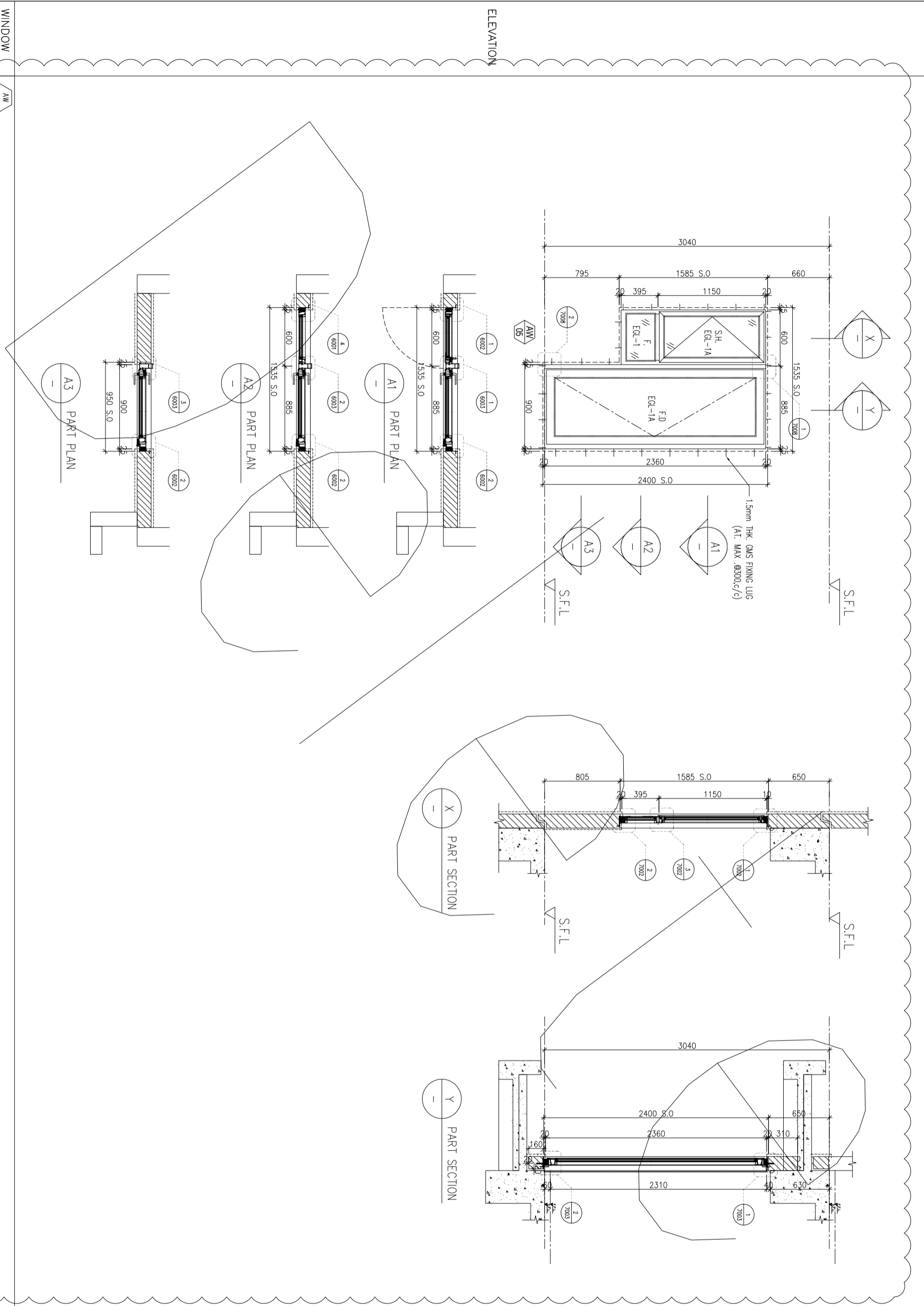
JOB NO. : J-856

PROJECT :
PROPOSED DEVELOPMENT ABOVE
LIGHT RAIL TIN WING STOP TSWTL
NO.23,AREA 33,TIN SHUI WAI, N.T.

TITLE :
WINDOW SCHEDULE FOR
TOWER 3 IN-SITU WINDOW

DATE : 02-Aug-21 SCALE : 1:40
DRAWN BY : Ivorn CHECKED BY :

美特鋁質有限公司
MIDI ALUMINIUM FABRICATOR LTD.
Units 6-8, Sunny Industrial Centre, 1/F
610 Che Kwo Ling Road, Kowloon
Tel:23489211-4 Fax:85227272666
DWG NO. : JB56-SD-IW-5305 REV. : C



WINDOW MARK	AW 05
LOCATION	5/F~42/F,4/F,13/F,14/F,24/F,34/F OMITTED) UNIT B10
SECTION	70mm ALUM. SECTION
GLAZING	EGL-1/EGL-1A
QUANTITY	34 Nos
REMARKS	FAÇADE TYPE T3PF11 FOR 5/F~42/F)

B.O. REF :

CLIENT :
SUN HUNG KAI
REAL ESTATE AGENCY LTD.
 42/F SUN HUNG KAI CENTRE, WANGCHAI, HONGKONG

ARCHITECT :
IWK&partners
 a r c h i t e c t s

MAIN CONTRACTOR :
怡輝建築有限公司
Yee Fai Building Contractors Ltd.

STRUCTURAL ENGINEER :
ARUP

FAÇADE CONSULTANT:
ALPHA CONSULTING LIMITED
 Steel Structure & Façade Specialist

NOTE :
 1. ALL DIMENSIONS ARE IN mm.
 2. ALL ELEVATIONS ARE VIEWED FROM OUTSIDE.
 3. ALL DIMENSIONS TO BE VERIFIED ON SITE BEFORE FABRICATION.

LEGEND :
 X1 --- DETAIL MARK NO.
 X001 --- REFER SHEET NO.

1. F.F.L.--FINISHED FLOOR LEVEL
 2. S.F.L.--STRUCTURAL FLOOR LEVEL
 3. (R) --REVERSED DETAIL

4. GLASS LEGEND
 EGL-1--8mmHS+12mm AIR GAP+10mmTP THK. I.G.U.
 EGL-2--10mm THK. CLEAR TEMPERED GLASS
 EGL-4--10mm THK. TEMPERED ACID ETCHED GLASS
 EGL-1A-8mmHS+12mm AIR GAP+8mmTP THK. I.G.U.

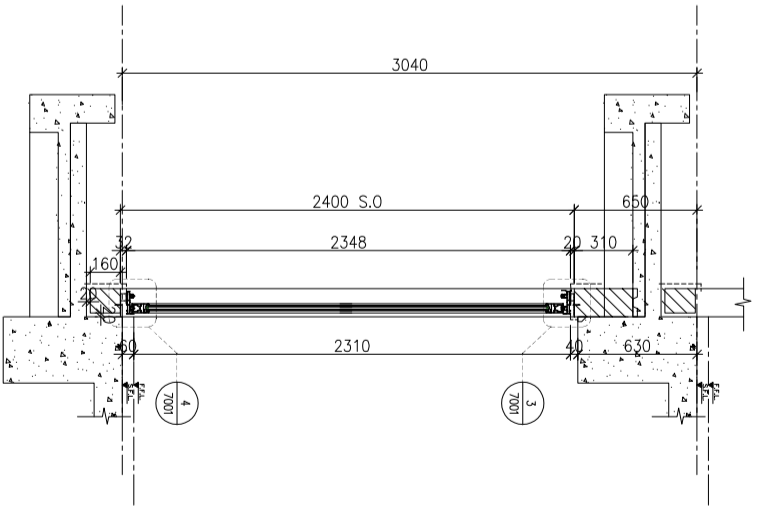
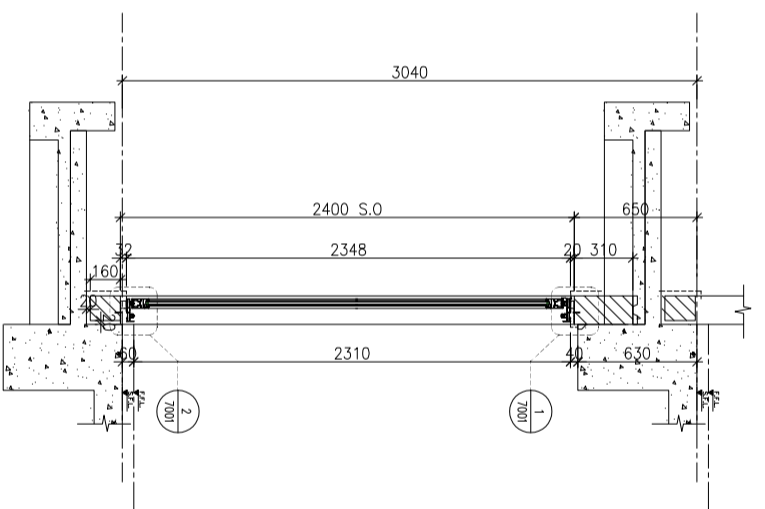
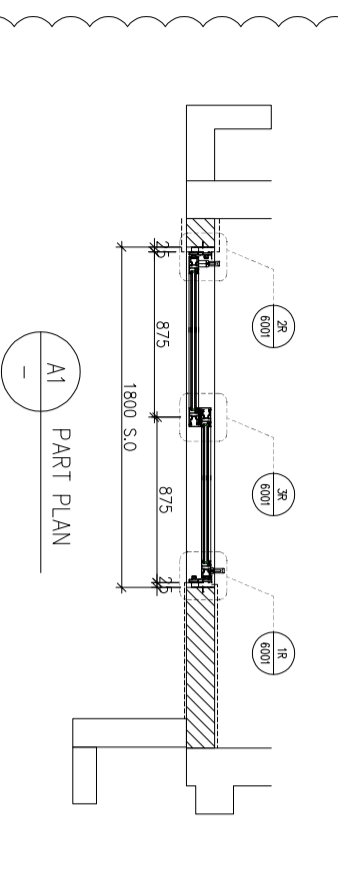
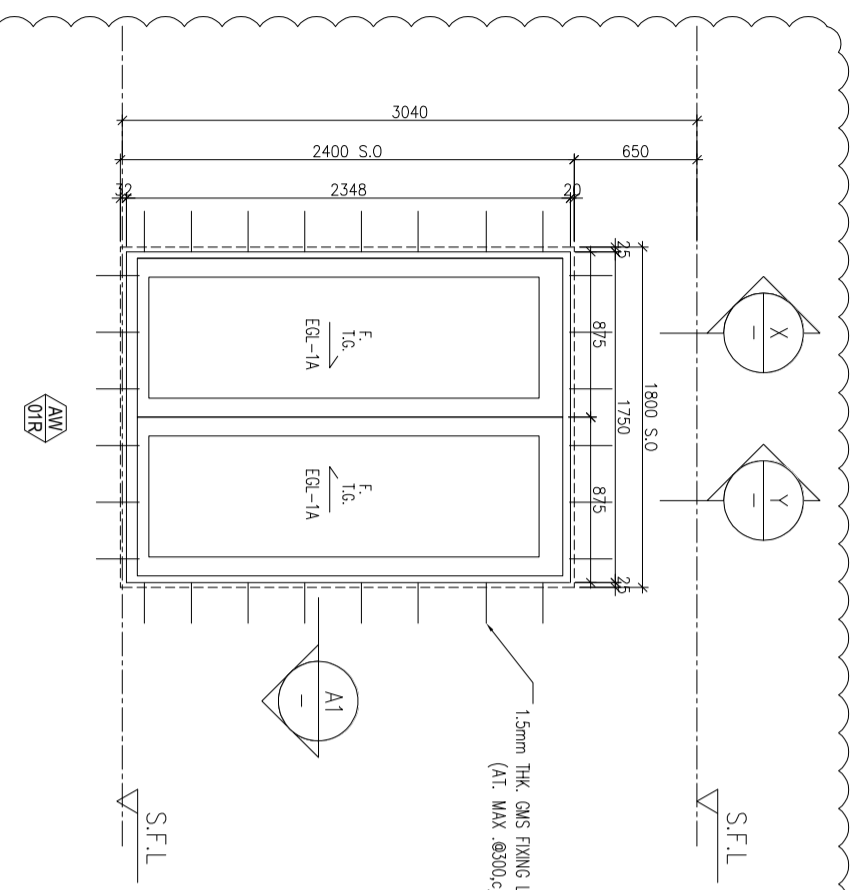
NO.	DATE	REVISION SUBJECT TO ARCH COMMENT	BY
B	23/11/2021	REVISION SUBJECT TO ARCH COMMENT	lvn
A	10/11/2021	REVISION SUBJECT TO ARCH COMMENT	lvn

JOB NO. : J-856
 PROJECT :
 PROPOSED DEVELOPMENT ABOVE
 LIGHT RAIL TIN WING STOP TSWTL
 NO.23,AREA 33,TIN SHUI WAI, N.T.

TITLE :
 WINDOW SCHEDULE FOR
 TOWER 3 IN-SITU WINDOW

DATE : 02-Aug-21 SCALE : 1:40
 DRAWN BY : lvn CHECKED BY :

美特鋁質有限公司
MIDI ALUMINIUM FABRICATOR LTD.
 Units 6-8, Sunray Industrial Centre, 1/F
 610 Che Kwo Ling Road, Kowloon
 Tel:23489211-4 Fax:9527272666
 DWG NO. : 856-SD-IW-5306 REV. : B



ELEVATION

WINDOW MARK	AW 01R
LOCATION	3/F~42/F/4/F.13/F.14/F.24/F.34/F OMITTED) UNIT A15
SECTION	70mm ALUM. SECTION
GLAZING	EGL-1A
QUANTITY	35 Nos
REMARKS	FAÇADE TYPE T3PF17 FOR 3/F~42/F)

B.O. REF :

CLIENT :

SUN HUNG KAI
REAL ESTATE AGENCY LTD.
42/F SUN HUNG KAI CENTRE, WANGCHAI, HONGKONG

ARCHITECT :

Iwk&partners
a r c h i t e c t s

MAIN CONTRACTOR :

怡輝建築有限公司
Yee Fai Building Contractors Ltd.

STRUCTURAL ENGINEER :

ARUP

FAÇADE CONSULTANT:

ALPHA CONSULTING LIMITED
Steel Structure & Façade Specialist

NOTE :

1. ALL DIMENSIONS ARE IN mm.
2. ALL ELEVATIONS ARE VIEWED FROM OUTSIDE.
3. ALL DIMENSIONS TO BE VERIFIED ON SITE BEFORE FABRICATION.

LEGEND :

(X1) --- DETAIL MARK NO.
(X001) --- REFER SHEET NO.

1. F.F.L.--FINISHED FLOOR LEVEL
2. S.F.L.--STRUCTURAL FLOOR LEVEL
3. (R) --REVERSED DETAIL

4. GLASS LEGEND

EQ1-1--8mmHS+12mm AIR GAP+10mmTP THK. I.G.U.
EQ1-2--10mm THK. CLEAR TEMPERED GLASS
EQ1-4--10mm THK. TEMPERED ACID ETCHED GLASS
EQ1-1A-8mmHS+12mm AIR GAP+8mmTP THK. I.G.U.

NO.	DATE	REVISION SUBJECT TO ARCH COMMENT	BY
B	23/11/2021	REVISION SUBJECT TO ARCH COMMENT	lvn
A	10/11/2021	REVISION SUBJECT TO ARCH COMMENT	lvn

JOB NO. : J-856

PROJECT :

PROPOSED DEVELOPMENT ABOVE
LIGHT RAIL TIN WING STOP TSWTL
NO.23,AREA 33,TIN SHUI WAI, N.T.

TITLE :

WINDOW SCHEDULE FOR
TOWER 3 IN-SITU WINDOW

DATE : 02-Aug-21 SCALE : 1:40

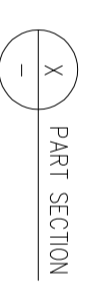
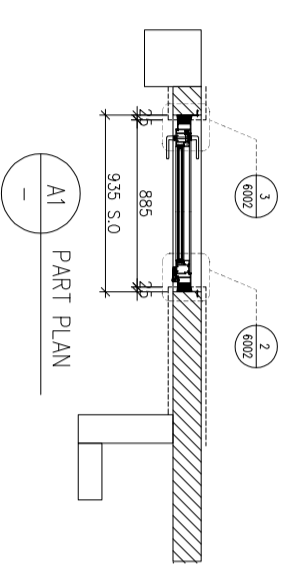
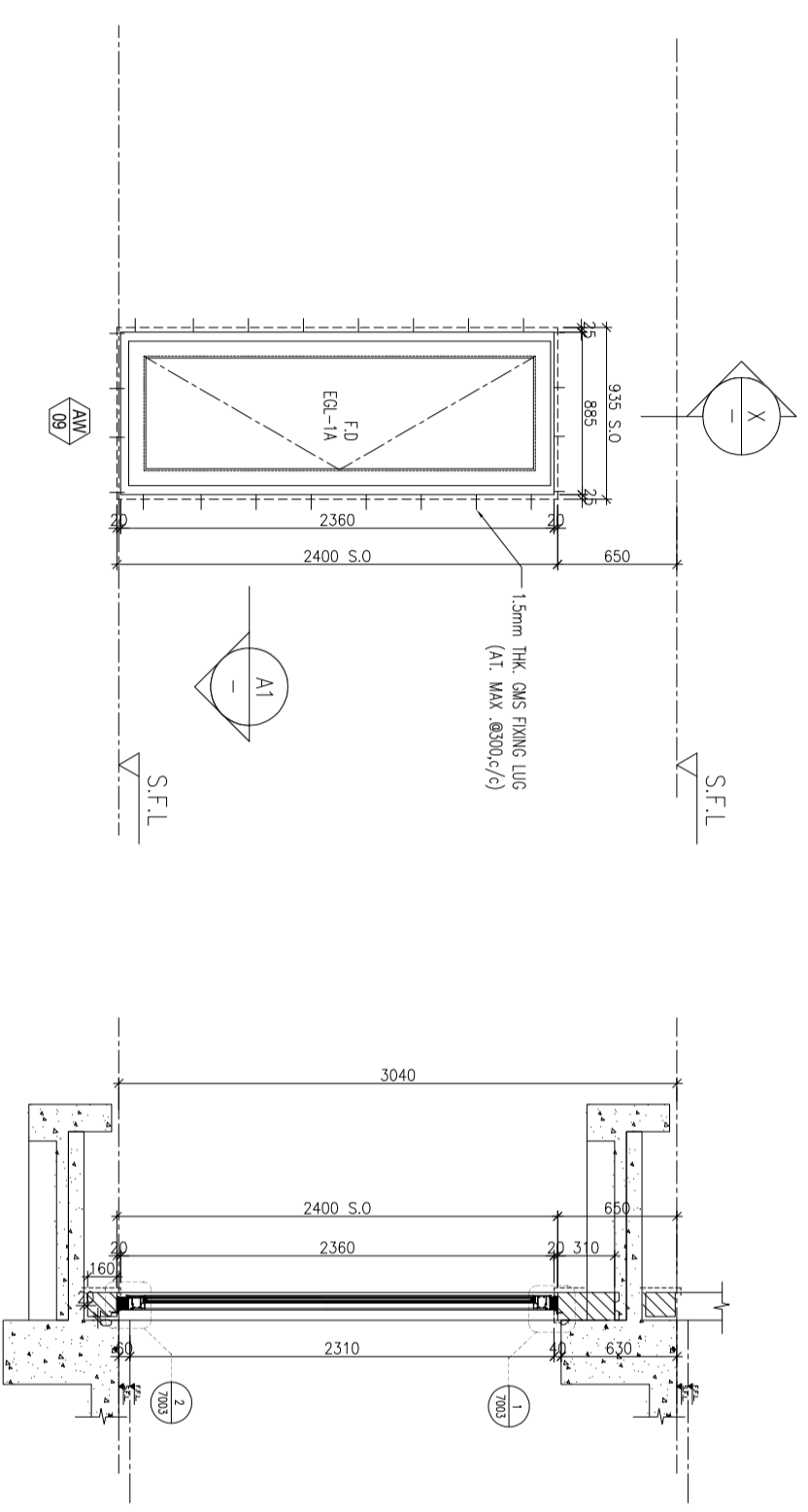
DRAWN BY : lvn

CHECKED BY :

美特鋁質有限公司
MIDI ALUMINIUM FABRICATOR LTD.
Units 6-8, Sunny Industrial Centre, 1/F
610 Che Kwo Ling Road, Kowloon
Tel:23489211-4 Fax:85227272666

DWG NO. : 856-SD-IW-5307

REV. : B



ELEVATION

WINDOW MARK



LOCATION

3/F~6/F&10/F~42/F/4/F,13/F,14/F,24/F,34/F OMITTED) UNIT B2

SECTION

70mm ALUM. SECTION

GLAZING

EGL-1A

QUANTITY

32 Nos

REMARKS

FAÇADE(TYPE T3PF18 FOR 3/F~42/F)

B.O. REF :

CLIENT :

SUN HUNG KAI
REAL ESTATE AGENCY LTD.
42/F SUN HUNG KAI CENTRE, WANGCHAI, HONGKONG

ARCHITECT :

Iwk&partners
a r c h i t e c t s

MAIN CONTRACTOR :

怡輝建築有限公司
Yee Fai Building Contractors Ltd.

STRUCTURAL ENGINEER :

ARUP

FAÇADE CONSULTANT:

ALPHA CONSULTING LIMITED
Steel Structure & Façade Specialist

NOTE :

1. ALL DIMENSIONS ARE IN mm.
2. ALL ELEVATIONS ARE VIEWED FROM OUTSIDE.
3. ALL DIMENSIONS TO BE VERIFIED ON SITE BEFORE FABRICATION.

LEGEND :

(A1) --- DETAIL MARK NO.
(X001) --- REFER SHEET NO.

1. F.F.L.--FINISHED FLOOR LEVEL
2. S.F.L.--STRUCTURAL FLOOR LEVEL
3. (R) --REVERSED DETAIL

4. GLASS LEGEND

EQ1-1--8mmHS+12mm AIR GAP+10mmTP THK. I.G.U.
 EQ1-2--10mm THK. CLEAR TEMPERED GLASS
 EQ1-4--10mm THK. CLEAR TEMPERED ACID ETCHED GLASS
 EQ1-1A-8mmHS+12mm AIR GAP+8mmTP THK. I.G.U.

NO.	DATE	REVISION SUBJECT TO ARCH COMMENT	BY
B	10/11/2021	REVISION SUBJECT TO ARCH COMMENT	lvn
A	10/11/2021	REVISION SUBJECT TO ARCH COMMENT	lvn

JOB NO. : J-856

PROJECT :

PROPOSED DEVELOPMENT ABOVE
LIGHT RAIL TIN WING STOP TSWTL
NO.23,AREA 33,TIN SHUI WAI, N.T.

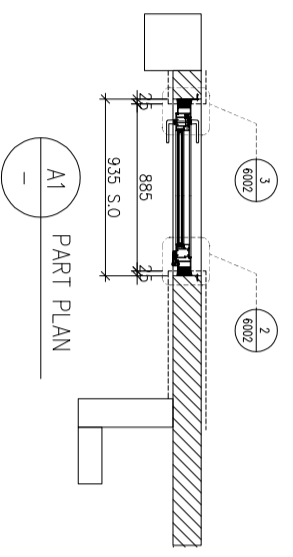
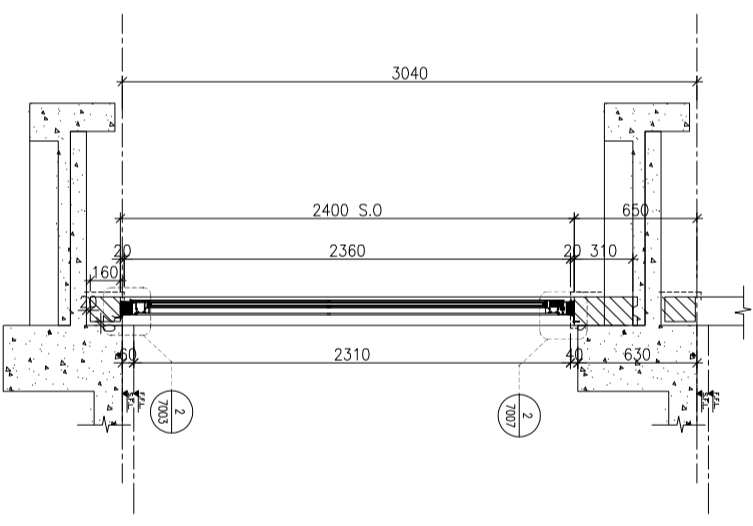
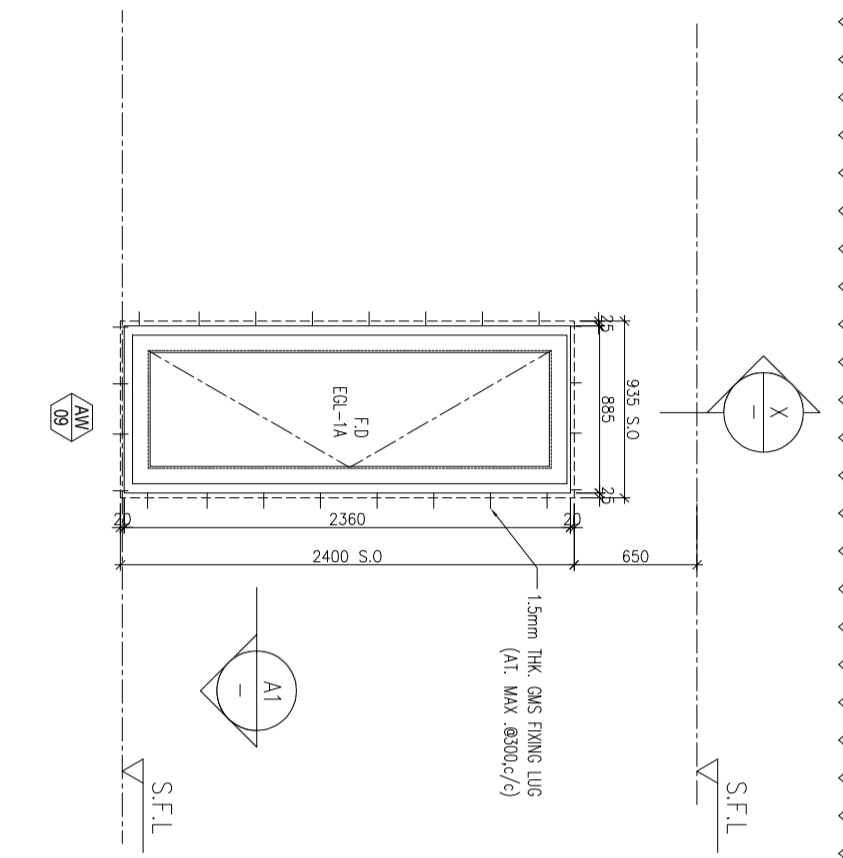
TITLE :

WINDOW SCHEDULE FOR
TOWER 3 IN-SITU WINDOW

DATE : 02-Aug-21 SCALE : 1:40

DRAWN BY : lvn CHECKED BY :

美特鋁質有限公司
MIDI ALUMINIUM FABRICATOR LTD.
Units 6-8, Sunny Industrial Centre, 1/F
610 Che Kwo Ling Road, Kowloon
Tel:23489211-4 Fax:85227272666
DWG NO. : 856-SD-IW-5308 REV. : B



ELEVATION

WINDOW MARK



LOCATION

7/F~9/F UNIT B2

SECTION

70mm ALUM. SECTION

GLAZING

EGL-1A

QUANTITY

3 Nos

REMARKS

FAÇADE TYPE T3PF18 FOR 3/F~42/F)

B.O. REF :

CLIENT :

SUN HUNG KAI
REAL ESTATE AGENCY LTD.
42/F SUN HUNG KAI CENTRE, WANCHAI, HONGKONG

ARCHITECT :

IWK&partners
a r c h i t e c t s

MAIN CONTRACTOR :

怡輝建築有限公司
Yee Fai Building Contractors Ltd.

STRUCTURAL ENGINEER :

ARUP

FAÇADE CONSULTANT:

ALPHA CONSULTING LIMITED
Steel Structure & Façade Specialist

NOTE :

1. ALL DIMENSIONS ARE IN mm.
2. ALL ELEVATIONS ARE VIEWED FROM OUTSIDE.
3. ALL DIMENSIONS TO BE VERIFIED ON SITE BEFORE FABRICATION.

LEGEND :

- X1 --- DETAIL MARK NO.
- X001 --- REFER SHEET NO.

1. F.F.L.--FINISHED FLOOR LEVEL
2. S.F.L.--STRUCTURAL FLOOR LEVEL
3. (R) --REVERSED DETAIL

4. GLASS LEGEND

- EQ1--1--8mmHS+12mm AIR GAP+10mmTP THK. I.G.U.
- EQ1--2--10mm THK. CLEAR TEMPERED GLASS
- EQ1--4--10mm THK. TEMPERED ACID ETCHED GLASS
- EQ1--1A--8mmHS+12mm AIR GAP+8mmTP THK. I.G.U.

TITLE : WINDOW SCHEDULE FOR TOWER 3 IN-SITU WINDOW

DATE : 06-Aug-21 SCALE : 1:40

DRAWN BY : Ivmn CHECKED BY :

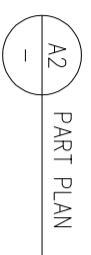
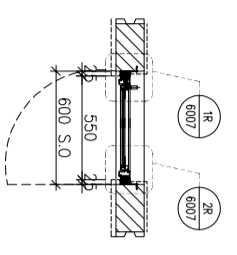
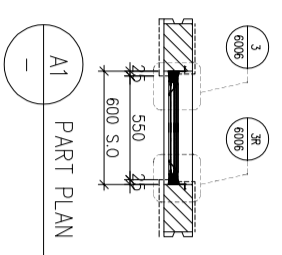
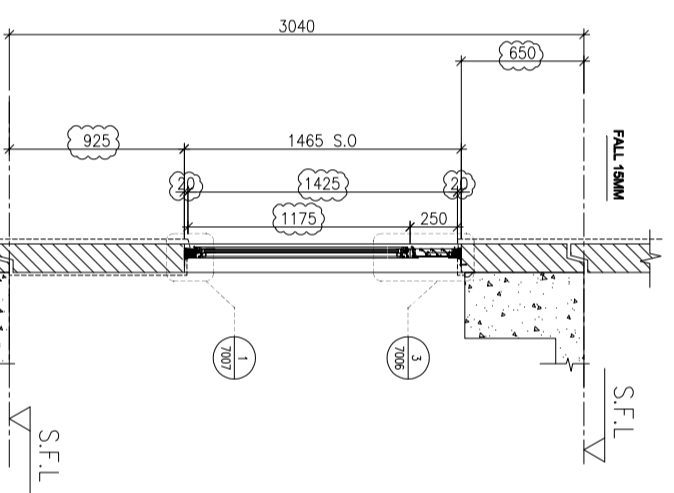
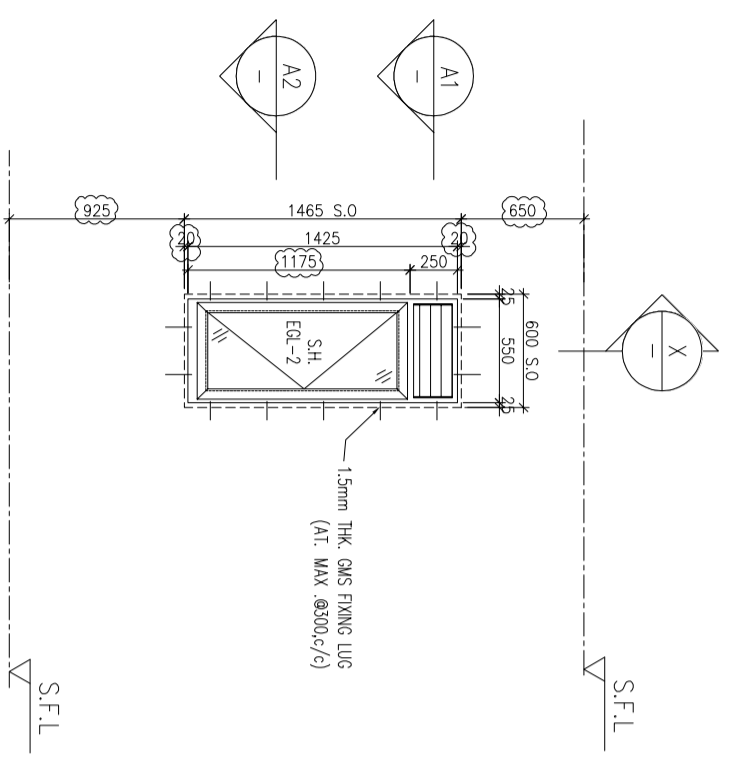
JOB NO. : J-856

PROJECT :

PROPOSED DEVELOPMENT ABOVE LIGHT RAIL TIN WING STOP TSWTL NO.23,AREA 33,TIN SHUI WAI, N.T.

美特鋁質有限公司
MIDI ALUMINIUM FABRICATOR LTD.
Units 6-8, Sunny Industrial Centre, 1/F
610 Che Kwo Ling Road, Kowloon
Tel:23489211-4 Fax:85227272666

DWG NO. : 4856-SD-IW-5309 REV. : B



ELEVATION

WINDOW MARK

LOCATION

SECTION

QUANTITY

REMARKS

345
5/F-42/F (3/F, 14/F, 24/F, 34/F OMITTED) UNIT A15

50mm ALUM. SECTION

EQ-2

34 Nos.

B.O. REF :

CLIENT :

SUN HUNG KAI
REAL ESTATE AGENCY LTD.
42/F SUN HUNG KAI CENTRE, WANCHAI, HONGKONG

ARCHITECT :

IWK&partners
a r c h i t e c t s

MAIN CONTRACTOR :

怡輝建築有限公司
Yee Fai Building Contractors Ltd.

STRUCTURAL ENGINEER :

ARUP

FAÇADE CONSULTANT:

ALPHA CONSULTING LIMITED
Steel Structure & Façade Specialist

NOTE :

1. ALL DIMENSIONS ARE IN mm.
2. ALL ELEVATIONS ARE VIEWED FROM OUTSIDE.
3. ALL DIMENSIONS TO BE VERIFIED ON SITE BEFORE FABRICATION.

LEGEND :

X1 --- DETAIL MARK NO.
X001 --- REFER SHEET NO.

1. F.F.L.--FINISHED FLOOR LEVEL
2. S.F.L.--STRUCTURAL FLOOR LEVEL
3. (R) --REVERSED DETAIL

4. GLASS LEGEND

EQ1-1--8mmHS+12mm AIR GAP+10mmTP THK. LG.U.
 EQ1-2--10mm THK. CLEAR TEMPERED GLASS
 EQ1-4--10mm THK. TEMPERED ACID ETCHED GLASS
 EQ1-1A-8mmHS+12mm AIR GAP+8mmTP THK. LG.U.

NO.	DATE	REVISION SUBJECT TO ARCH COMMENT	BY
B	24/11/2021	REVISION SUBJECT TO ARCH COMMENT	lvn
A	10/11/2021	REVISION SUBJECT TO ARCH COMMENT	lvn

JOB NO. : J-856

PROJECT :

PROPOSED DEVELOPMENT ABOVE
LIGHT RAIL TIN WING STOP TSWTL
NO.23,AREA 33,TIN SHUI WAI, N.T.

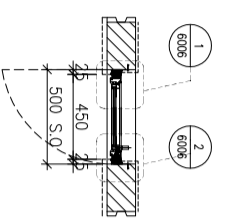
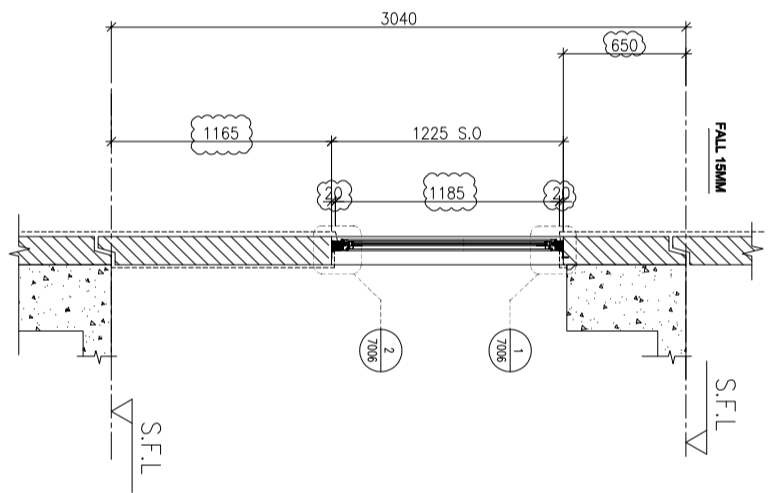
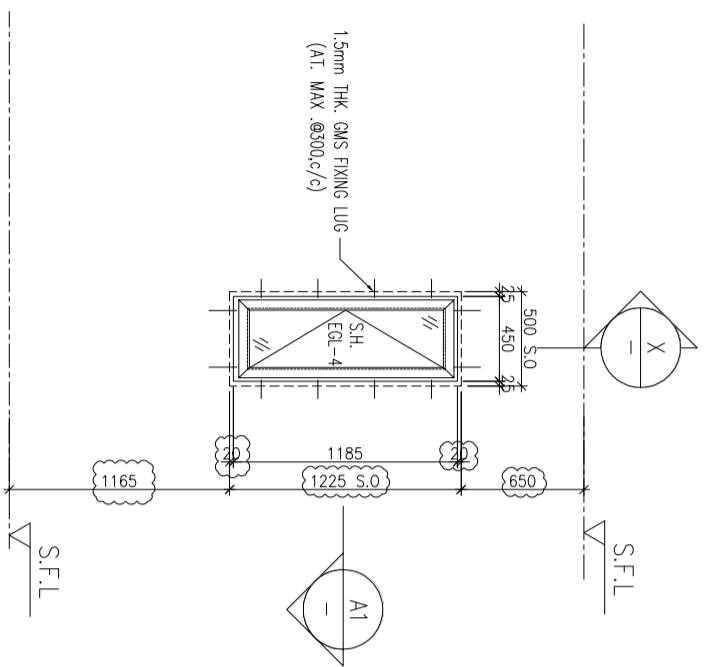
TITLE :

WINDOW SCHEDULE FOR
TOWER 3 IN-SITU WINDOW

DATE : 06-Aug-21 SCALE : 1:40

DRAWN BY : lvn CHECKED BY :

美特鋁質有限公司
MIDI ALUMINIUM FABRICATOR LTD.
Units 6-8, Sunray Industrial Centre, 1/F
610 Che Kwo Ling Road, Kowloon
Tel:23489211-4 Fax:85227272666
DWG NO. : J856-SD-IW-5310 REV. : B



A1 PART PLAN

X PART SECTION

ELEVATION

WINDOW MARK	
LOCATION	3/F-42/F,4/F,13/F,14/F,24/F,34/F OMITTED) UNIT B3
SECTION	50mm ALUM. SECTION
GLAZING	EGL-4
QUANTITY	35 Nos.
REMARKS	

B.O. REF :

CLIENT :

SUN HUNG KAI
REAL ESTATE AGENCY LTD.
42/F SUN HUNG KAI CENTRE, WANGCHAI, HONGKONG

ARCHITECT :
lwk&partners
a r c h i t e c t s

MAIN CONTRACTOR :
怡輝建築有限公司
Yee Fai Building Contractors Ltd.

STRUCTURAL ENGINEER :
ARUP

FAÇADE CONSULTANT:
ALPHA CONSULTING LIMITED
Steel Structure & Façade Specialist

NOTE :
1. ALL DIMENSIONS ARE IN mm.
2. ALL ELEVATIONS ARE VIEWED FROM OUTSIDE.
3. ALL DIMENSIONS TO BE VERIFIED ON SITE BEFORE FABRICATION.
LEGEND :
X1 --- DETAIL MARK NO.
X001 --- REFER SHEET NO.

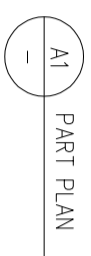
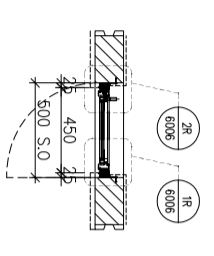
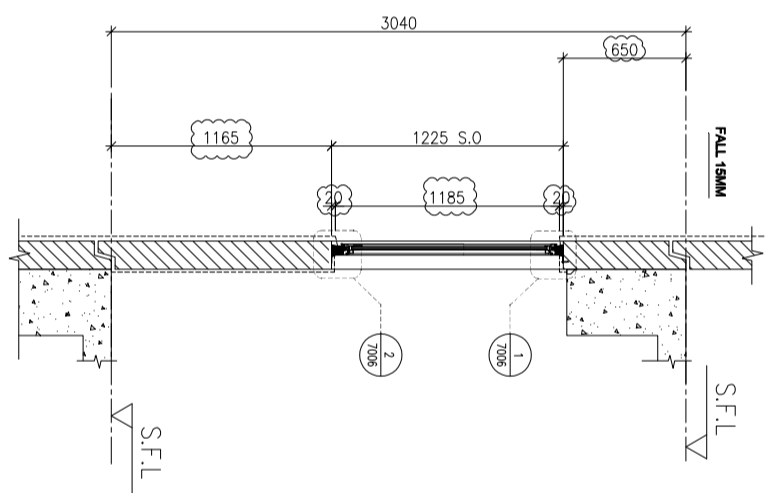
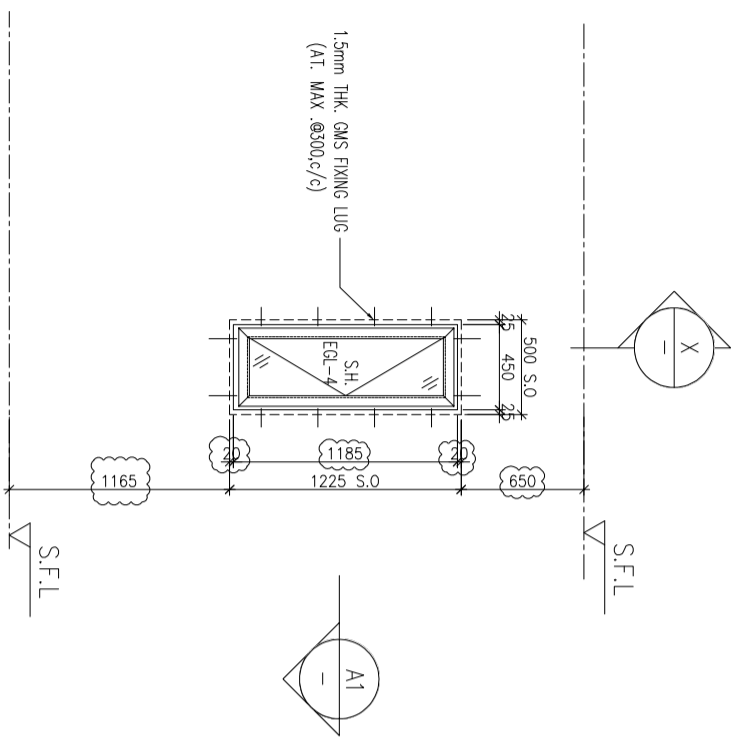
1. F.F.L.--FINISHED FLOOR LEVEL
2. S.F.L.--STRUCTURAL FLOOR LEVEL
3. (R) --REVERSED DETAIL
4. GLASS LEGEND
EGL-1--8mmHS+12mm AIR GAP+10mmTP THK. I.G.U.
EGL-2--10mm THK. CLEAR TEMPERED GLASS
EGL-4--10mm THK. TEMPERED ACID ETCHED GLASS
EGL-1A-8mmHS+12mm AIR GAP+8mmTP THK. I.G.U.

NO.	DATE	REVISION SUBJECT TO ARCH COMMENT	BY
B	24/11/2021	REVISION SUBJECT TO ARCH COMMENT	lwk
A	10/11/2021	REVISION SUBJECT TO ARCH COMMENT	lwk

JOB NO. : J-856
PROJECT :
PROPOSED DEVELOPMENT ABOVE
LIGHT RAIL TIN WING STOP TSWTL
NO.23,AREA 33,TIN SHUI WAI, N.T.
TITLE :
WINDOW SCHEDULE FOR
TOWER 3 IN-SITU WINDOW

DATE : 06-Aug-21 SCALE : 1:40
DRAWN BY : lvan CHECKED BY :

美特鋁質有限公司
MIDI ALUMINIUM FABRICATOR LTD.
Units 6-8, Sunco Industrial Centre, 1/F
610 Che Kwo Ling Road, Kowloon
Tel:23489211-4 Fax:85227272666
DWG NO. : J856-SD-IW-5311 REV. : B



ELEVATION

WINDOW MARK



LOCATION

3/F-42/F,4/F,13/F,14/F,24/F,34/F OMITTED) UNIT B1

SECTION

50mm ALUM. SECTION
EGL-4

QUANTITY

35 Nos.

REMARKS

B.O. REF :

CLIENT :

SUN HUNG KAI
REAL ESTATE AGENCY LTD.
42/F SUN HUNG KAI CENTRE, WANCHAI, HONGKONG

ARCHITECT :

Iwk&partners
a r c h i t e c t s

MAIN CONTRACTOR :

怡輝建築有限公司
Yee Fai Building Contractors Ltd.

STRUCTURAL ENGINEER :

ARUP

FAÇADE CONSULTANT:

ALPHA CONSULTING LIMITED
Steel Structure & Façade Specialist

NOTE :

1. ALL DIMENSIONS ARE IN mm.
2. ALL ELEVATIONS ARE VIEWED FROM OUTSIDE.
3. ALL DIMENSIONS TO BE VERIFIED ON SITE BEFORE FABRICATION.

LEGEND :

X1 — DETAIL MARK NO.
X001 — REFER SHEET NO.

1. F.F.L. -- FINISHED FLOOR LEVEL
2. S.F.L. -- STRUCTURAL FLOOR LEVEL
3. (R) -- REVERSED DETAIL

4. GLASS LEGEND

EQ1-1 -- 8mmHS+12mm AIR GAP+10mmTP THK. IG.U.
 EQ1-2 -- 10mm THK. CLEAR TEMPERED GLASS
 EQ1-4 -- 10mm THK. TEMPERED ACID ETCHED GLASS
 EQ1-1A -- 8mmHS+12mm AIR GAP+8mmTP THK. IG.U.

NO.	DATE	REVISION SUBJECT TO ARCH COMMENT	BY
B	13/07/2022	REVISION SUBJECT TO ARCH COMMENT	lvn
A	23/11/2021	REVISION SUBJECT TO ARCH COMMENT	lvn

JOB NO. : J-856

PROJECT :

PROPOSED DEVELOPMENT ABOVE
LIGHT RAIL TIN WING STOP TSWTL
NO.23,AREA 33, TIN SHUI WAI, N.T.

TITLE :

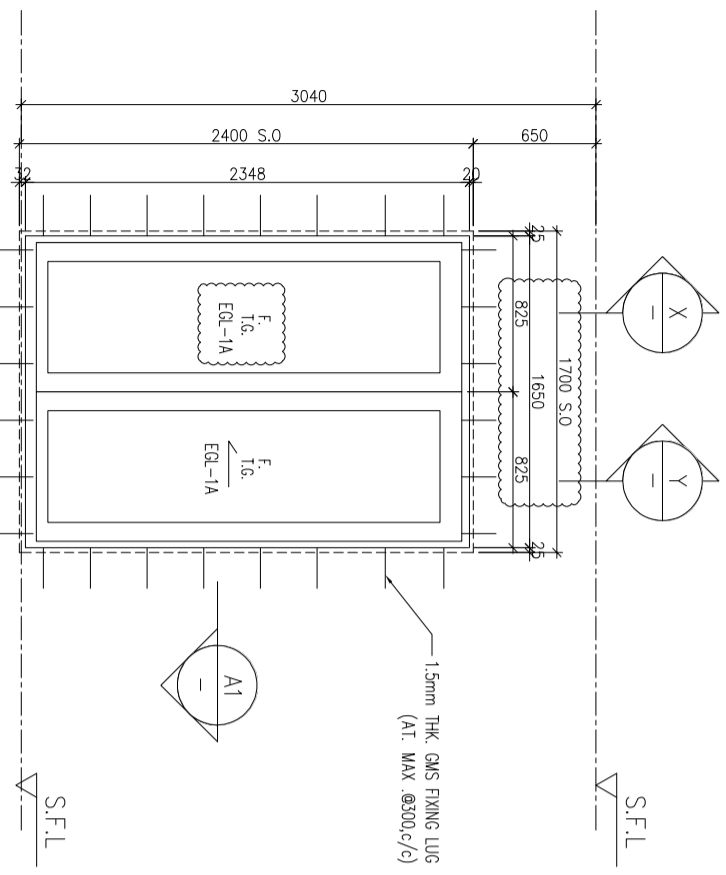
WINDOW SCHEDULE FOR
TOWER 3 IN-SITU WINDOW

DATE : 02-Aug-21 SCALE : 1:40

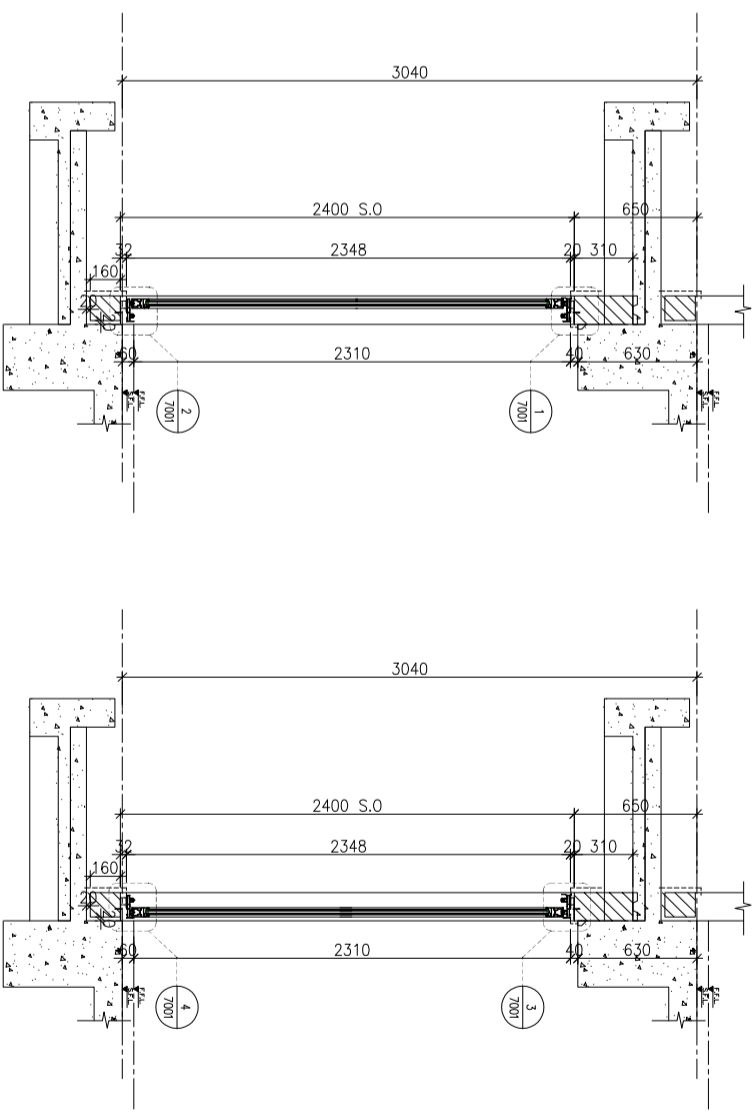
DRAWN BY : lvn CHECKED BY :

美特鋁質有限公司
MIDI ALUMINIUM FABRICATOR LTD.
Units 6-8, Sunny Industrial Centre, 1/F
610 Che Kwo Ling Road, Kowloon
Tel:23489211-4 Fax:85227272666

DWG NO. : 856-SD-IW-5312 REV. : B

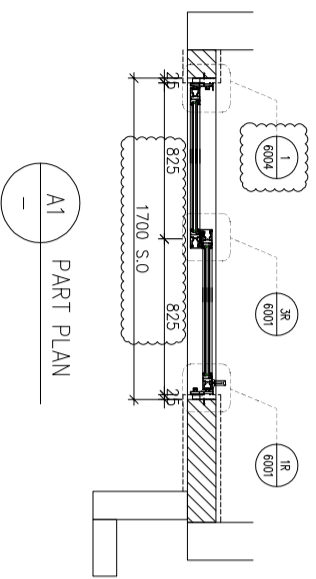


AW
01a



X
PART SECTION

Y
PART SECTION



A1
PART PLAN

ELEVATION

WINDOW MARK

AW
01a

LOCATION 3/F-42/F,4/F,13/F,14/F,24/F,34/F OMITTED) UNIT A1,A7,A8

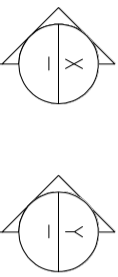
SECTION 70mm ALUM. SECTION

GLAZING EQL-1A

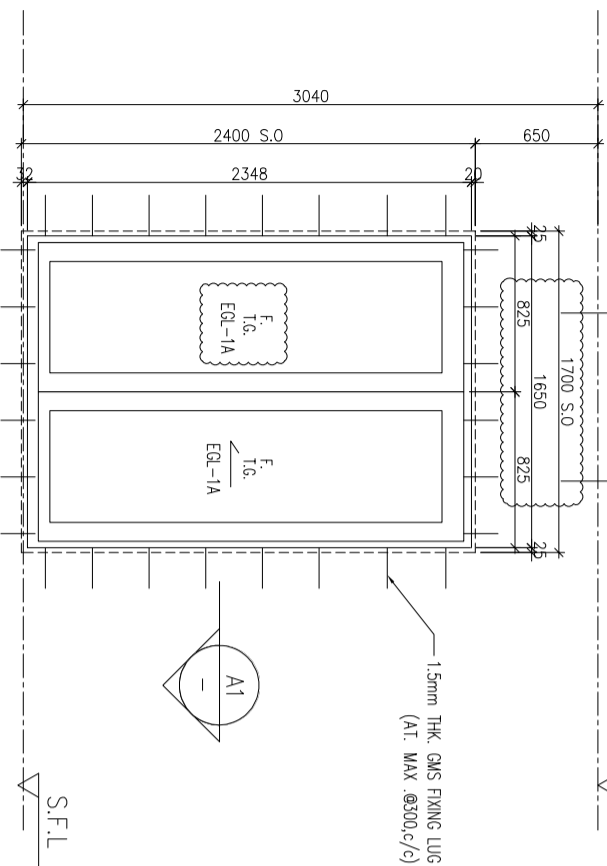
QUANTITY 35 Nos./35 Nos./35 Nos

REMARKS FACADE/TYPE T3PF07 FOR 3/F-42/F)

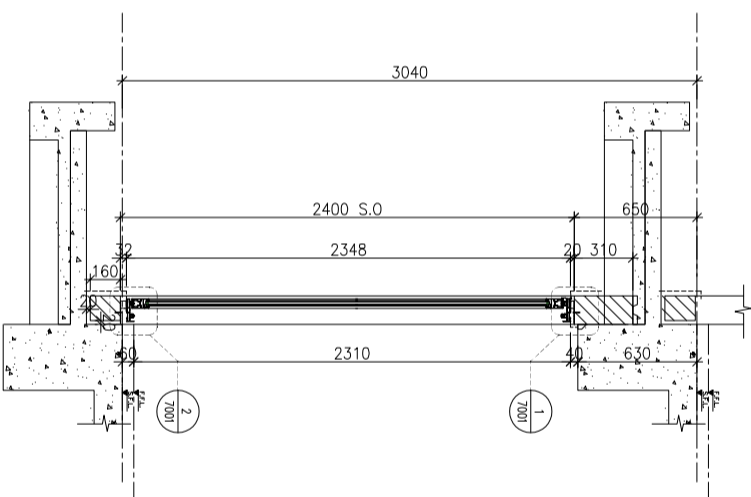
B.O. REF :



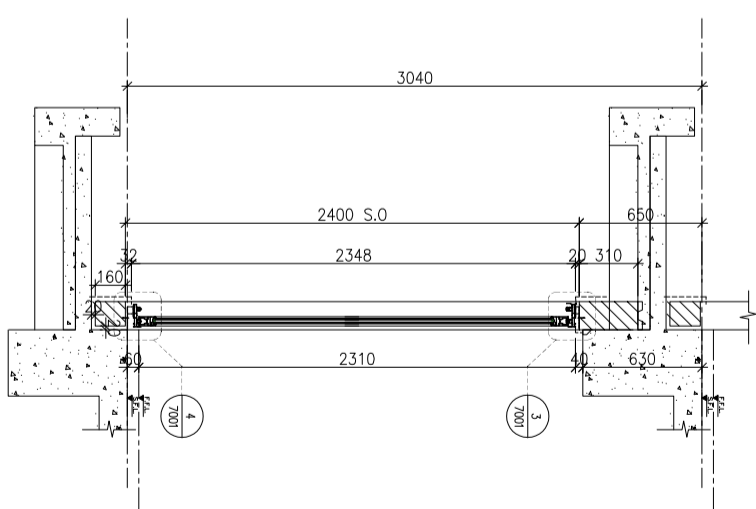
S.F.L



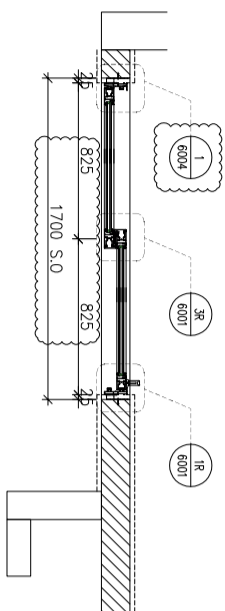
S.F.L



PART SECTION



PART SECTION



PART PLAN

NOTE :

- 1. ALL DIMENSIONS ARE IN mm.
- 2. ALL ELEVATIONS ARE VIEWED FROM OUTSIDE.
- 3. ALL DIMENSIONS TO BE VERIFIED ON SITE BEFORE FABRICATION.

LEGEND :

- X1 --- DETAIL MARK NO.
- X001 --- REFER SHEET NO.

- 1. F.F.L.--FINISHED FLOOR LEVEL
- 2. S.F.L.--STRUCTURAL FLOOR LEVEL
- 3. (R) --REVERSED DETAIL

4. GLASS LEGEND

- EQ1-1--8mmHS+12mm AIR GAP+10mmTP THK. LG.U.
- EQ1-2--10mm THK. CLEAR TEMPERED GLASS
- EQ1-4--10mm THK. TEMPERED ACID ETCHED GLASS
- EQ1-1A-8mmHS+12mm AIR GAP+8mmTP THK. LG.U.

FAÇADE CONSULTANT:

ARUP

ALPHA CONSULTING LIMITED
Steel Structure & Façade Specialist

STRUCTURAL ENGINEER :

怡輝建築有限公司
Yee Fai Building Contractors Ltd.

MAIN CONTRACTOR :

怡輝建築有限公司
Yee Fai Building Contractors Ltd.

ARCHITECT :

SUN HUNG KAI REAL ESTATE AGENCY LTD.
42/F SUN HUNG KAI CENTRE, WANCHAI, HONGKONG

lwk&partners
a r c h i t e c t s

CLIENT :

SUN HUNG KAI REAL ESTATE AGENCY LTD.
42/F SUN HUNG KAI CENTRE, WANCHAI, HONGKONG

NO.	DATE	REVISION SUBJECT TO ARCH COMMENT	BY
B	13/07/2022	REVISION SUBJECT TO ARCH COMMENT	lwk
A	23/11/2021	REVISION SUBJECT TO ARCH COMMENT	lwk

JOB NO. : J-856

PROJECT : PROPOSED DEVELOPMENT ABOVE LIGHT RAIL TIN WING STOP TSWTL NO.23,AREA 33,TIN SHUI WAI, N.T.

TITLE : WINDOW SCHEDULE FOR TOWER 3 IN-SITU WINDOW

DATE : 02-Aug-21 SCALE : 1:40

DRAWN BY : lvan CHECKED BY :

美特鋁質有限公司
MIDI ALUMINIUM FABRICATOR LTD.
Units 6-8, Sunny Industrial Centre, 1/F
610 Che Kwo Ling Road, Kowloon
Tel:23489211-4 Fax:8527272666
DWG NO. : 856-SD-IW-5313 REV. : B

ELEVATION

WINDOW MARK	AW 01a
LOCATION	3/F-42/F,4/F,13/F,14/F,24/F,34/F OMITTED) UNIT B10
SECTION	70mm ALUM. SECTION
GLAZING	EGL-1A
QUANTITY	35 Nos
REMARKS	FAÇADE TYPE T3PF11 FOR 3/F-42/F)

B.O. REF :

CLIENT :

SUN HUNG KAI
REAL ESTATE AGENCY LTD.
42/F SUN HUNG KAI CENTRE, WANGCHAI, HONGKONG

ARCHITECT :

Iwk&partners
a r c h i t e c t s

MAIN CONTRACTOR :

怡輝建築有限公司
Yee Fai Building Contractors Ltd.

STRUCTURAL ENGINEER :

FAÇADE CONSULTANT:
ARUP
ALPHA CONSULTING LIMITED
Steel Structure & Façade Specialist

NOTE :

1. ALL DIMENSIONS ARE IN mm.
2. ALL ELEVATIONS ARE VIEWED FROM OUTSIDE.
3. ALL DIMENSIONS TO BE VERIFIED ON SITE BEFORE FABRICATION.

LEGEND :

(X1) --- DETAIL MARK NO.
(X001) --- REFER SHEET NO.

1. F.F.L.--FINISHED FLOOR LEVEL
2. S.F.L.--STRUCTURAL FLOOR LEVEL
3. (R) ---REVERSED DETAIL

4. GLASS LEGEND

EQ1-1--8mmHS+12mm AIR GAP+10mmTP THK. IG.U.
EQ1-2--10mm THK. CLEAR TEMPERED GLASS
EQ1-4--10mm THK. TEMPERED ACID ETCHED GLASS
EQ1-1A-8mmHS+12mm AIR GAP+8mmTP THK. IG.U.

NO.	DATE	REVISION SUBJECT TO ARCH COMMENT	BY
B	13/07/2022	REVISION SUBJECT TO ARCH COMMENT	lvn
A	10/11/2021	REVISION SUBJECT TO ARCH COMMENT	lvn

JOB NO. : J-856

PROJECT :

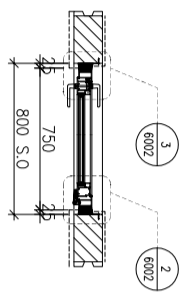
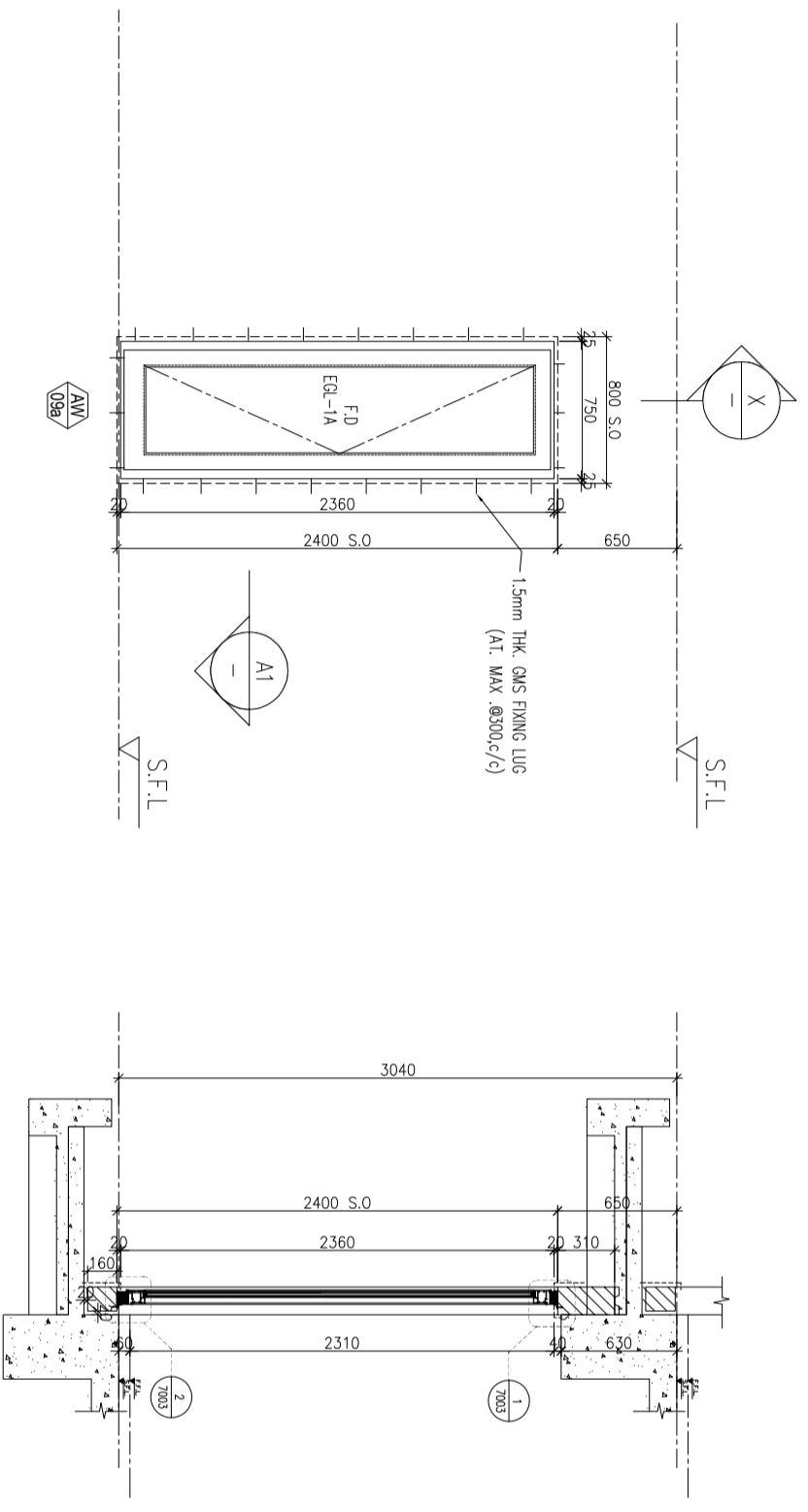
PROPOSED DEVELOPMENT ABOVE
LIGHT RAIL TIN WING STOP TSWTL
NO.23,AREA 33,TIN SHUI WAI, N.T.

TITLE :

WINDOW SCHEDULE FOR
TOWER 3 IN-SITU WINDOW

DATE : 06-Aug-21 SCALE : 1:40
DRAWN BY : lvn CHECKED BY :

美特鋁質有限公司
MIDI ALUMINIUM FABRICATOR LTD.
Units 6-8, Sunray Industrial Centre, 1/F
610 Che Kwo Ling Road, Kowloon
Tel:23489211-4 Fax:85227272666
DWG NO. : 856-S0-IW-5314 REV. : B



ELEVATION

WINDOW MARK	AW 099d
LOCATION	3/F UNIT A15.B3
SECTION	70mm ALUM. SECTION
GLAZING	EQ1-2
QUANTITY	1Nos. / 1Nos.
REMARKS	

B.O. REF :

CLIENT :

SUN HUNG KAI
REAL ESTATE AGENCY LTD.
42/F SUN HUNG KAI CENTRE, WANCHAI, HONGKONG

ARCHITECT :

Iwk&partners
a r c h i t e c t s

MAIN CONTRACTOR :

怡輝建築有限公司
Yee Fai Building Contractors Ltd.

STRUCTURAL ENGINEER :

FAÇADE CONSULTANT:
ARUP
ALPHA CONSULTING LIMITED
Steel Structure & Façade Specialist

NOTE :

1. ALL DIMENSIONS ARE IN mm.
2. ALL ELEVATIONS ARE VIEWED FROM OUTSIDE.
3. ALL DIMENSIONS TO BE VERIFIED ON SITE BEFORE FABRICATION.

LEGEND :

(X1) --- DETAIL MARK NO.
(X001) --- REFER SHEET NO.

1. F.F.L.--FINISHED FLOOR LEVEL
2. S.F.L.--STRUCTURAL FLOOR LEVEL
3. (R) ---REVERSED DETAIL

4. GLASS LEGEND

EQI-1--8mmHS+12mm AIR GAP+10mmTP THK. I.G.U.
EQI-2--10mm THK. CLEAR TEMPERED GLASS
EQI-4--10mm THK. TEMPERED ACID ETCHED GLASS
EQI-1A-8mmHS+12mm AIR GAP+8mmTP THK. I.G.U.

NO.	DATE	REVISION SUBJECT TO ARCH COMMENT	BY
B	13/07/2022	REVISION SUBJECT TO ARCH COMMENT	lvn
A	10/11/2021	REVISION SUBJECT TO ARCH COMMENT	lvn

JOB NO. : J-856

PROJECT :

PROPOSED DEVELOPMENT ABOVE
LIGHT RAIL TIN WING STOP TSWTL
NO.23,AREA 33,TIN SHUI WAI, N.T.

TITLE :

WINDOW SCHEDULE FOR
TOWER 3 IN-SITU WINDOW

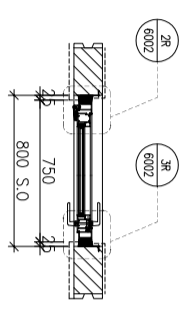
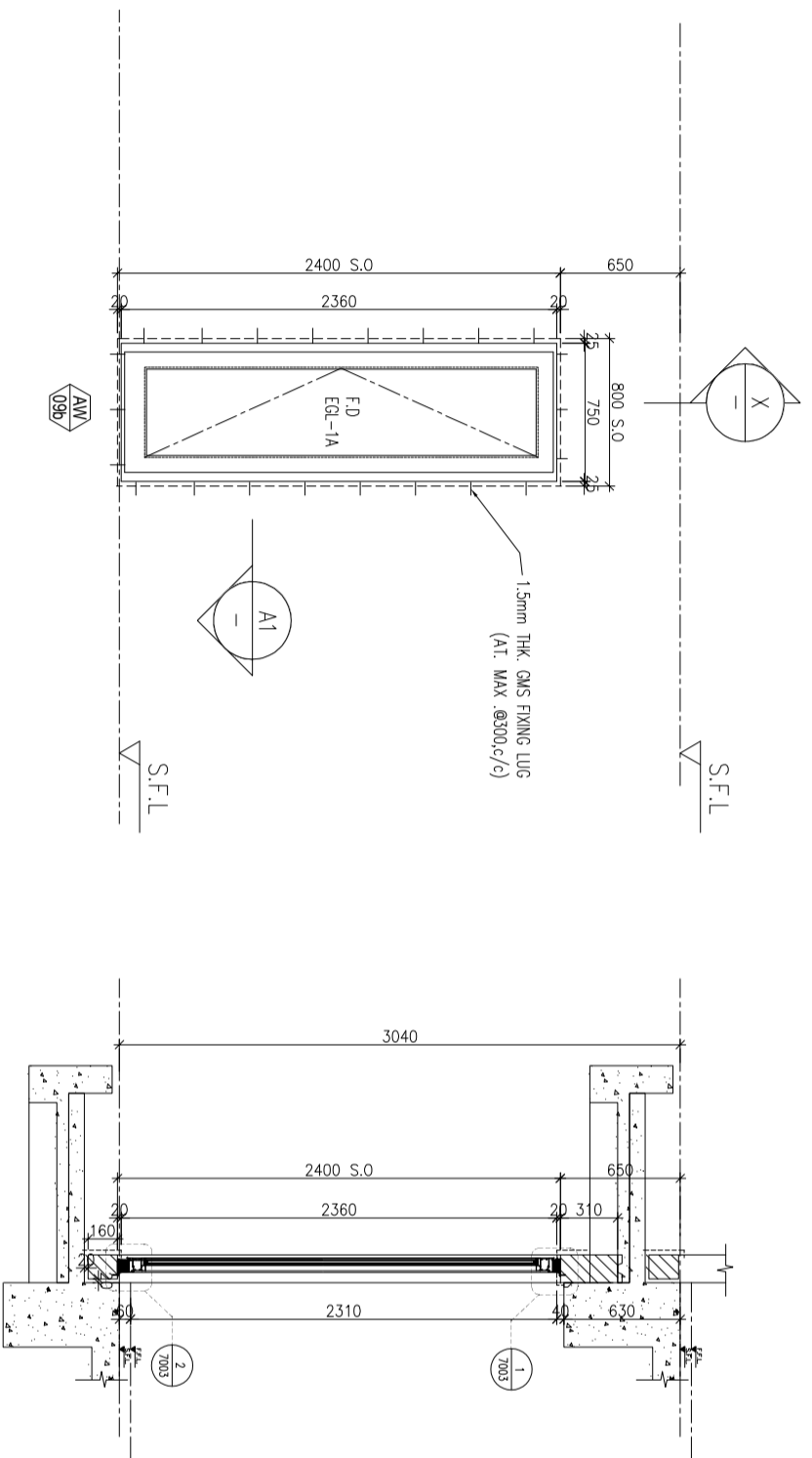
DATE : 06-Aug-21 SCALE : 1:40

DRAWN BY : lvn

CHECKED BY :

美特鋁質有限公司
MIDI ALUMINIUM FABRICATOR LTD.
Units 6-8, Sunray Industrial Centre, 1/F
610 Che Kwo Ling Road, Kowloon
Tel:23489211-4 Fax:85227272666

DWG NO. : JB56-S0-IW-5315 REV. : B



(X) PART SECTION

ELEVATION

WINDOW MARK	AW 09B
LOCATION	3/F UNIT B1,B9
SECTION	70mm ALUM. SECTION
GLAZING	EQI-2
QUANTITY	1Nos. / 1Nos.
REMARKS	

B.O. REF :

CLIENT :

SUN HUNG KAI
REAL ESTATE AGENCY LTD.
42/F SUN HUNG KAI CENTRE, WANCHAI, HONGKONG

ARCHITECT :

Iwk&partners
a r c h i t e c t s

MAIN CONTRACTOR :

怡輝建築有限公司
Yee Fai Building Contractors Ltd.

STRUCTURAL ENGINEER :

ARUP

FAÇADE CONSULTANT:

ALPHA CONSULTING LIMITED
Steel Structure & Façade Specialist

NOTE :

1. ALL DIMENSIONS ARE IN mm.
2. ALL ELEVATIONS ARE VIEWED FROM OUTSIDE.
3. ALL DIMENSIONS TO BE VERIFIED ON SITE BEFORE FABRICATION.

LEGEND :

(X1) --- DETAIL MARK NO.
(X001) --- REFER SHEET NO.

1. F.F.L. -- FINISHED FLOOR LEVEL
2. S.F.L. -- STRUCTURAL FLOOR LEVEL
3. (R) -- REVERSED DETAIL

4. GLASS LEGEND

EQI-1 -- 8mmHS+12mm AIR GAP+10mmTP THK. I.G.U.
 EQI-2 -- 10mm THK. CLEAR TEMPERED GLASS
 EQI-4 -- 10mm THK. CLEAR TEMPERED ACID ETCHED GLASS
 EQI-1A -- 8mmHS+12mm AIR GAP+8mmTP THK. I.G.U.

TITLE : WINDOW SCHEDULE FOR TOWER 3 IN-SITU WINDOW

DATE : 02-Aug-21 SCALE : 1:40

DRAWN BY : I/von CHECKED BY :

NO.	DATE	REVISION SUBJECT TO ARCH COMMENT	BY
B	13/07/2022	REVISION SUBJECT TO ARCH COMMENT	lvon
A	13/07/2022	REVISION SUBJECT TO ARCH COMMENT	lvon

JOB NO. : J-856

PROJECT :

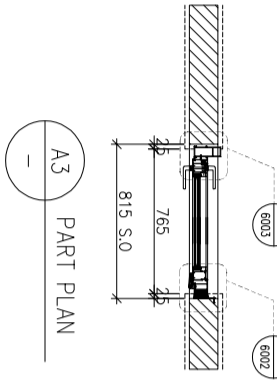
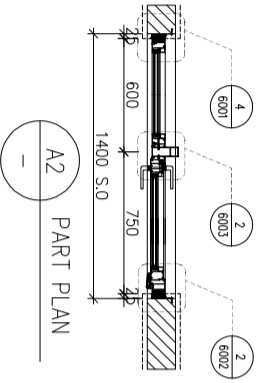
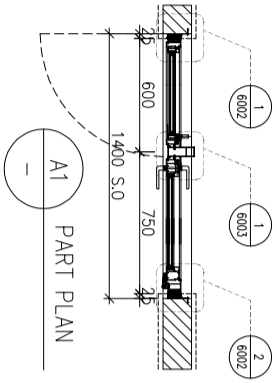
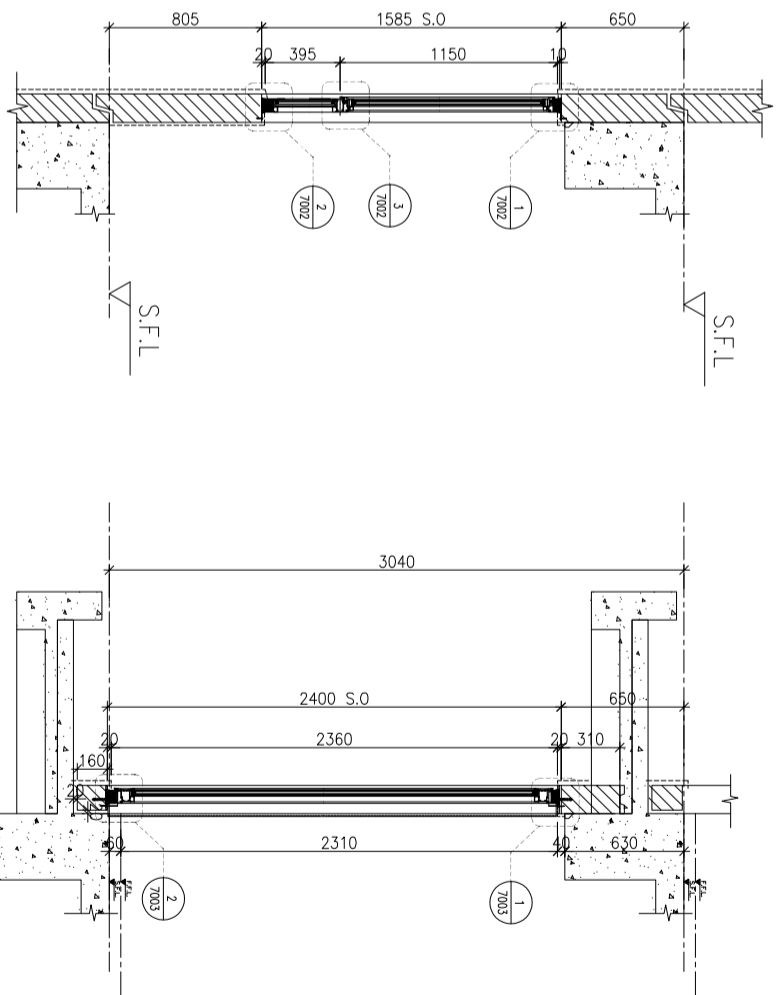
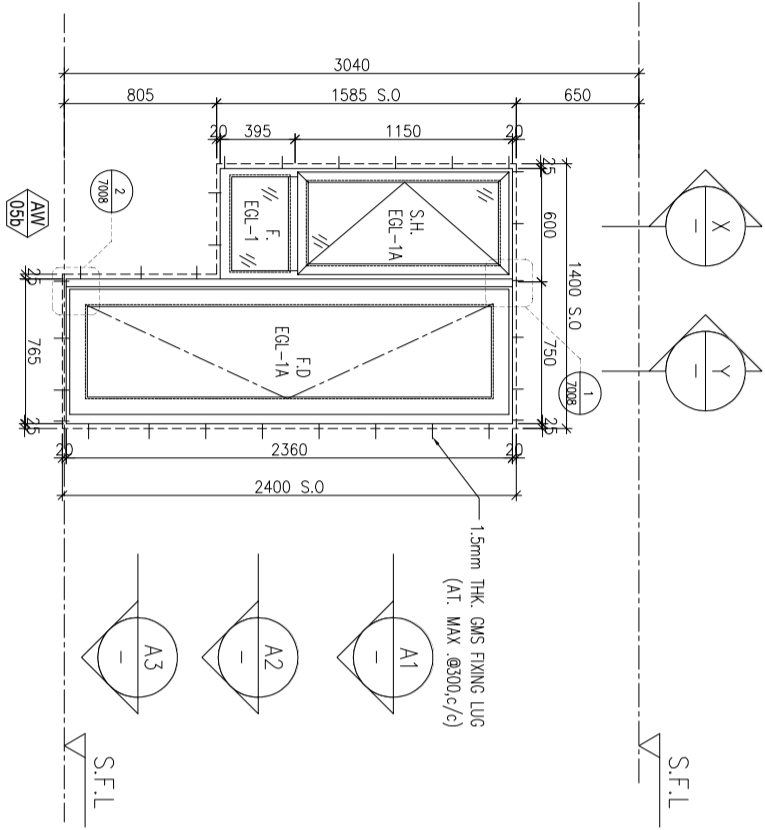
PROPOSED DEVELOPMENT ABOVE LIGHT RAIL TIN WING STOP TSWTL NO.23, AREA 33, TIN SHUI WAI, N.T.

WINDOW SCHEDULE FOR TOWER 3 IN-SITU WINDOW

美特鋁質有限公司
MIDI ALUMINIUM FABRICATOR LTD.
Units 6-8, Sunny Industrial Centre, 1/F
610 Che Kwo Ling Road, Kowloon
Tel: 23489211-4 Fax: (852) 27272666

DWG NO. : 4856-SD-IW-5316 REV. : B

ELEVATION



WINDOW MARK	AW 05b
LOCATION	3/F UNIT B9 BR
SECTION	70mm ALUM. SECTION
GLAZING	EGL-1/EGL-1A
QUANTITY	1 Nos
REMARKS	

B.O. REF :

CLIENT :

SUN HUNG KAI
REAL ESTATE AGENCY LTD.
42/F SUN HUNG KAI CENTRE, WANCHAI, HONGKONG

ARCHITECT :

IWK&partners
a r c h i t e c t s

MAIN CONTRACTOR :

怡輝建築有限公司
Yee Fai Building Contractors Ltd.

STRUCTURAL ENGINEER :

ARUP

FAÇADE CONSULTANT :

ALPHA CONSULTING LIMITED
Steel Structure & Façade Specialist

NOTE :

1. ALL DIMENSIONS ARE IN mm.
2. ALL ELEVATIONS ARE VIEWED FROM OUTSIDE.
3. ALL DIMENSIONS TO BE VERIFIED ON SITE BEFORE FABRICATION.

LEGEND :

(X1) --- DETAIL MARK NO.
(X001) --- REFER SHEET NO.

1. F.F.L. -- FINISHED FLOOR LEVEL
2. S.F.L. -- STRUCTURAL FLOOR LEVEL
3. (R) -- REVERSED DETAIL

4. GLASS LEGEND

EQI-1 -- 8mmHS+12mm AIR GAP+10mmTP THK. I.G.U.
 EQI-2 -- 10mm THK. CLEAR TEMPERED GLASS
 EQI-4 -- 10mm THK. TEMPERED ACID ETCHED GLASS
 EQI-1A -- 8mmHS+12mm AIR GAP+8mmTP THK. I.G.U.

TITLE : WINDOW SCHEDULE FOR
TOWER 3 IN-SITU WINDOW

DATE : 02-Aug-21 SCALE : 1:40

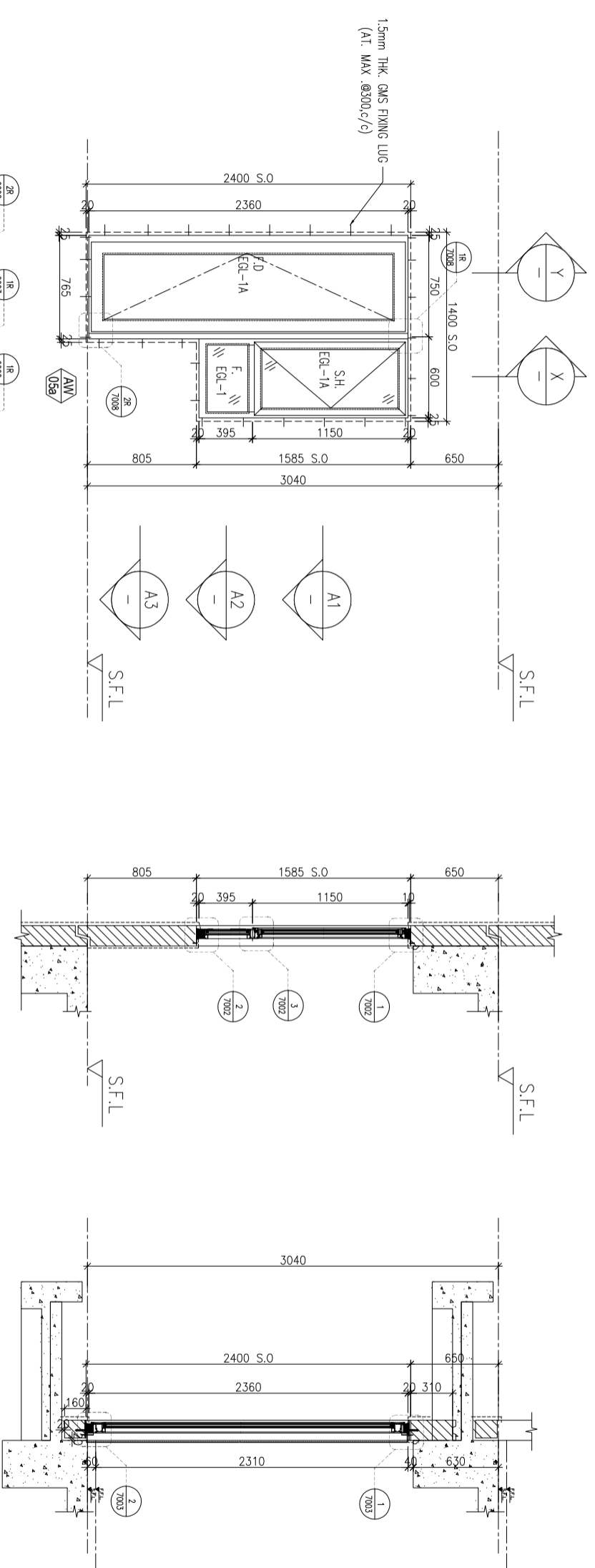
DRAWN BY : Ivorn CHECKED BY :

NO.	DATE	REVISION SUBJECT TO ARCH COMMENT	BY
A	23/11/2021		

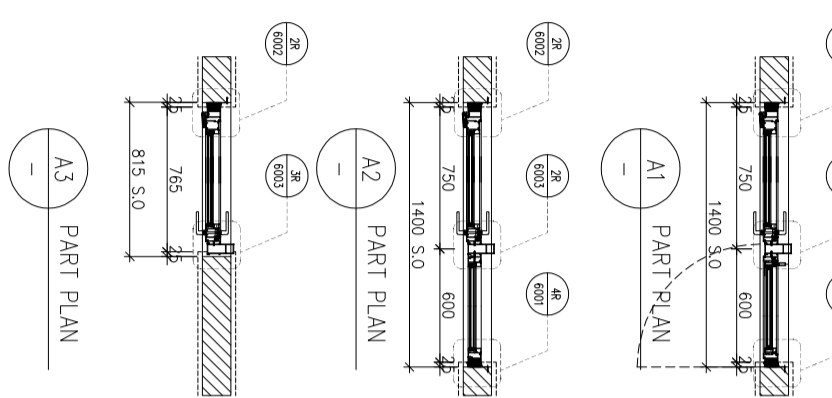
JOB NO. : J-856

PROJECT : PROPOSED DEVELOPMENT ABOVE
LIGHT RAIL TIN WING STOP TSWTL
NO.23, AREA 33, TIN SHUI WAI, N.T.

美特鋁質有限公司
MIDI ALUMINIUM FABRICATOR LTD.
Units 6-8, Sunny Industrial Centre, 1/F
610 Che Kwo Ling Road, Kowloon
Tel: 23489211-4 Fax: (852) 27272666
DWG NO. : JB56-SD-IW-5317 REV. : A



ELEVATION



A3 PART PLAN

A2 PART PLAN

A1 PART PLAN

WINDOW MARK



LOCATION

3/F UNIT A15 MBR

SECTION

70mm ALUM. SECTION

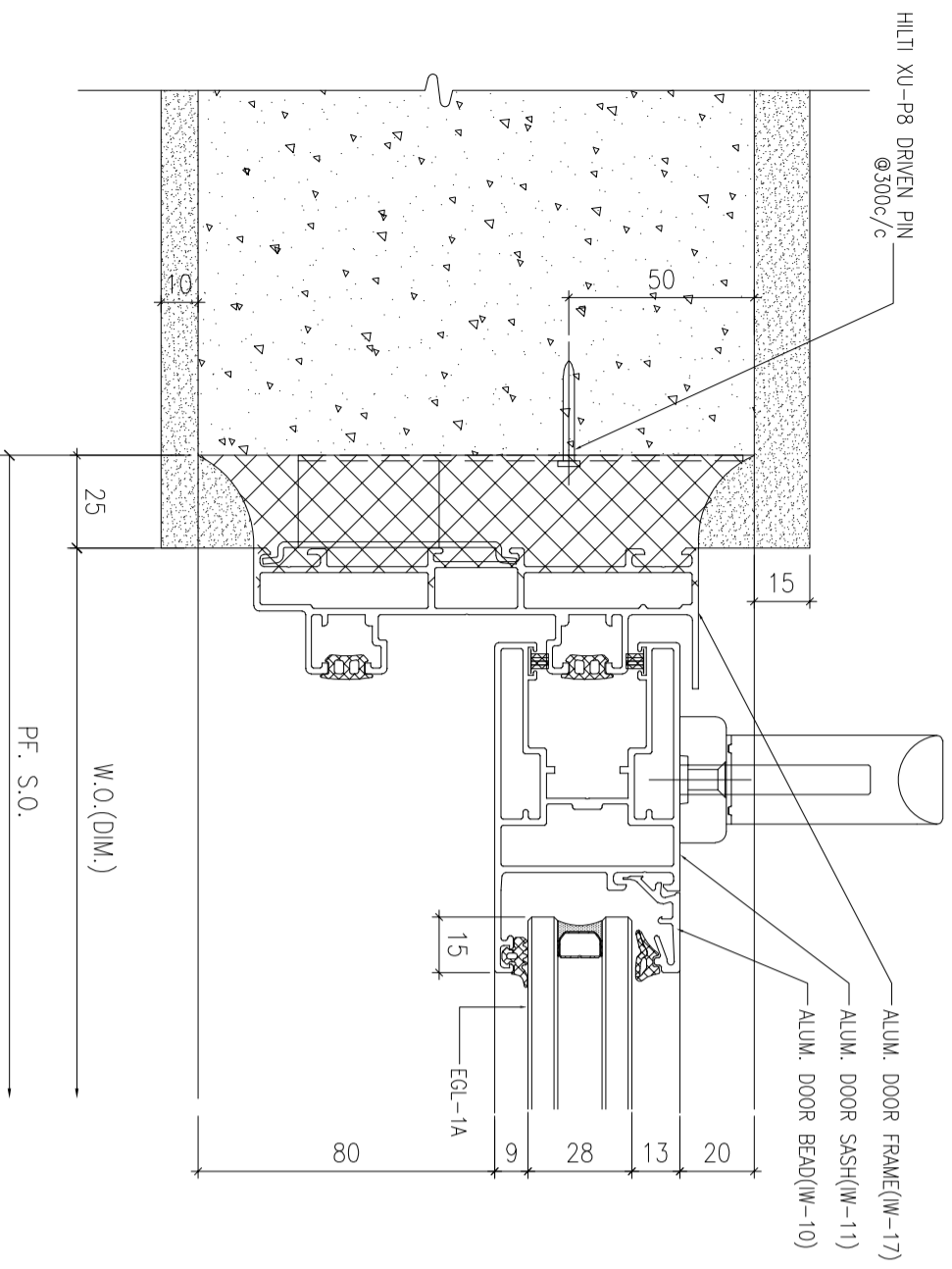
GLAZING

EGL-1/EGL-1A

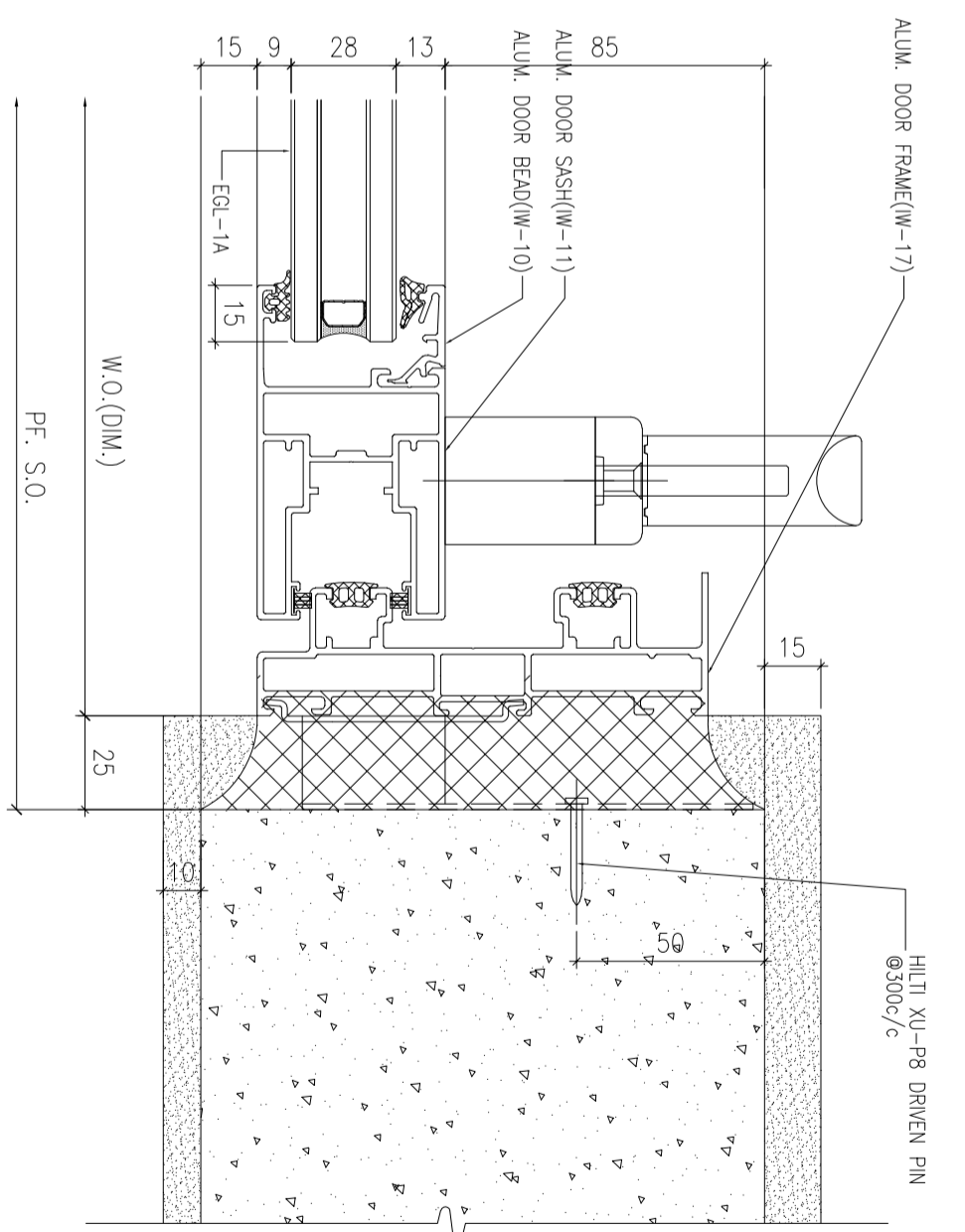
QUANTITY

1 Nos

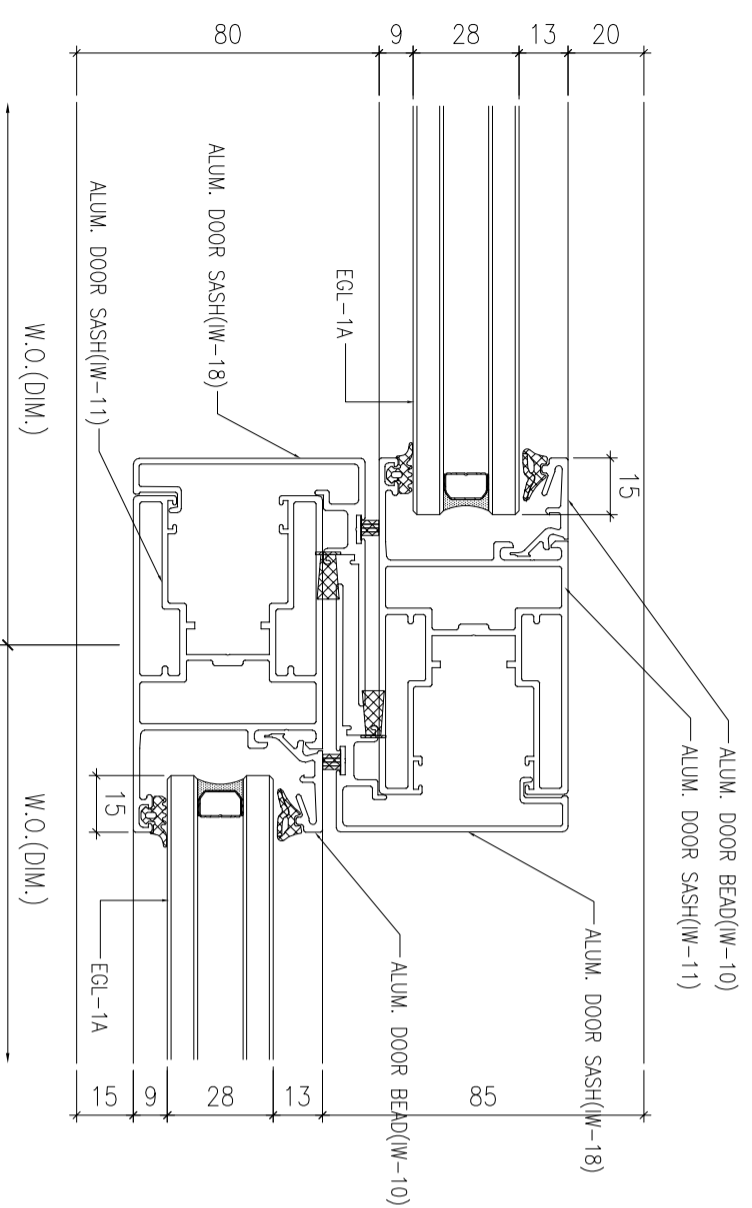
REMARKS



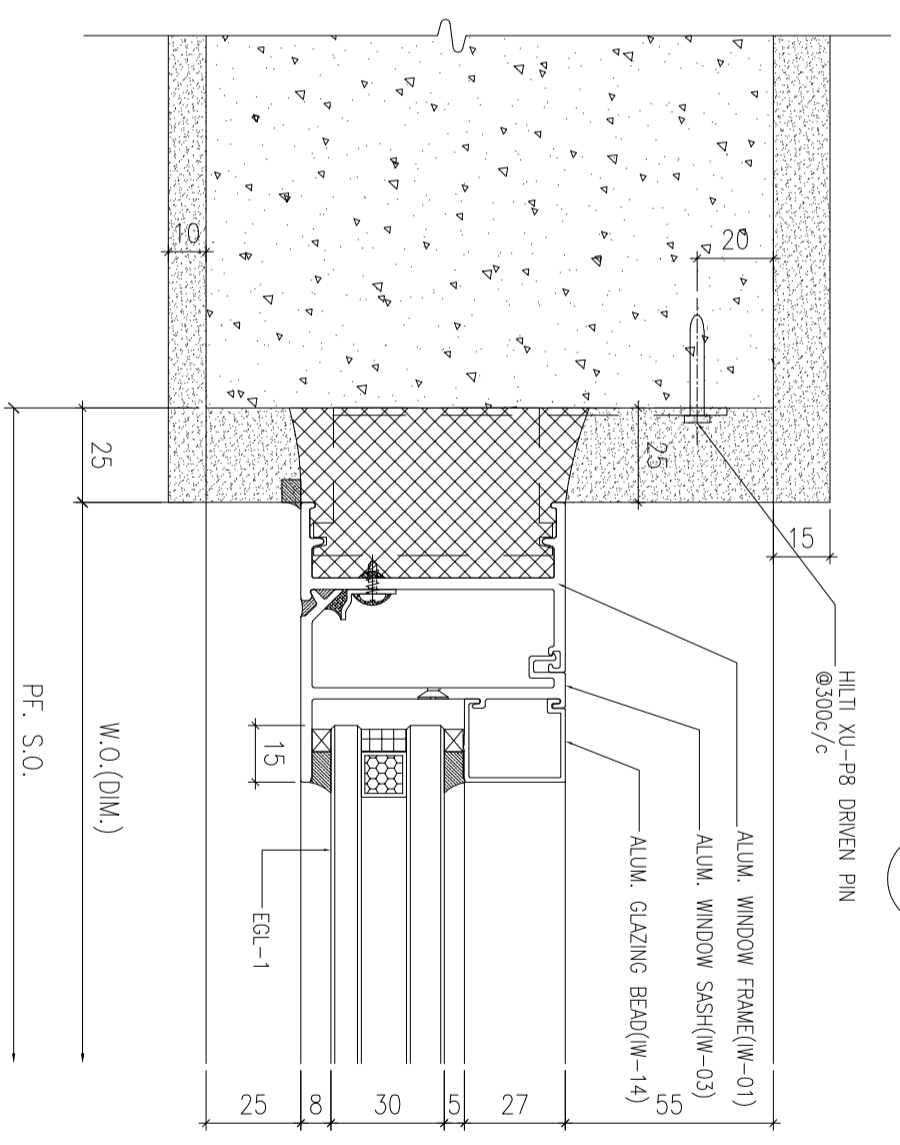
1 HORIZONTAL DETAIL
SCALE 1:2



2 HORIZONTAL DETAIL
SCALE 1:2



3 HORIZONTAL DETAIL
SCALE 1:2



4 HORIZONTAL DETAIL
SCALE 1:2

B.O. REF :

CLIENT :
SUN HUNG KAI
REAL ESTATE AGENCY LTD.
42/F SUN HUNG KAI CENTRE, WANGCHAI, HONGKONG

ARCHITECT :
lwk&partners
a r c h i t e c t s

MAIN CONTRACTOR :
怡和建築有限公司
Yee Fai Building Contractors Ltd.

STRUCTURAL ENGINEER :
ARUP

FAÇADE CONSULTANT:
ALPHA CONSULTING LIMITED
Steel Structure & Façade Specialist

NOTE :
1. ALL DIMENSIONS ARE IN mm.
2. ALL ELEVATIONS ARE VIEWED FROM OUTSIDE.
3. ALL DIMENSIONS TO BE VERIFIED ON SITE BEFORE FABRICATION.
LEGEND :
X1 -- DETAIL MARK NO.
X001 -- REFER SHEET NO.

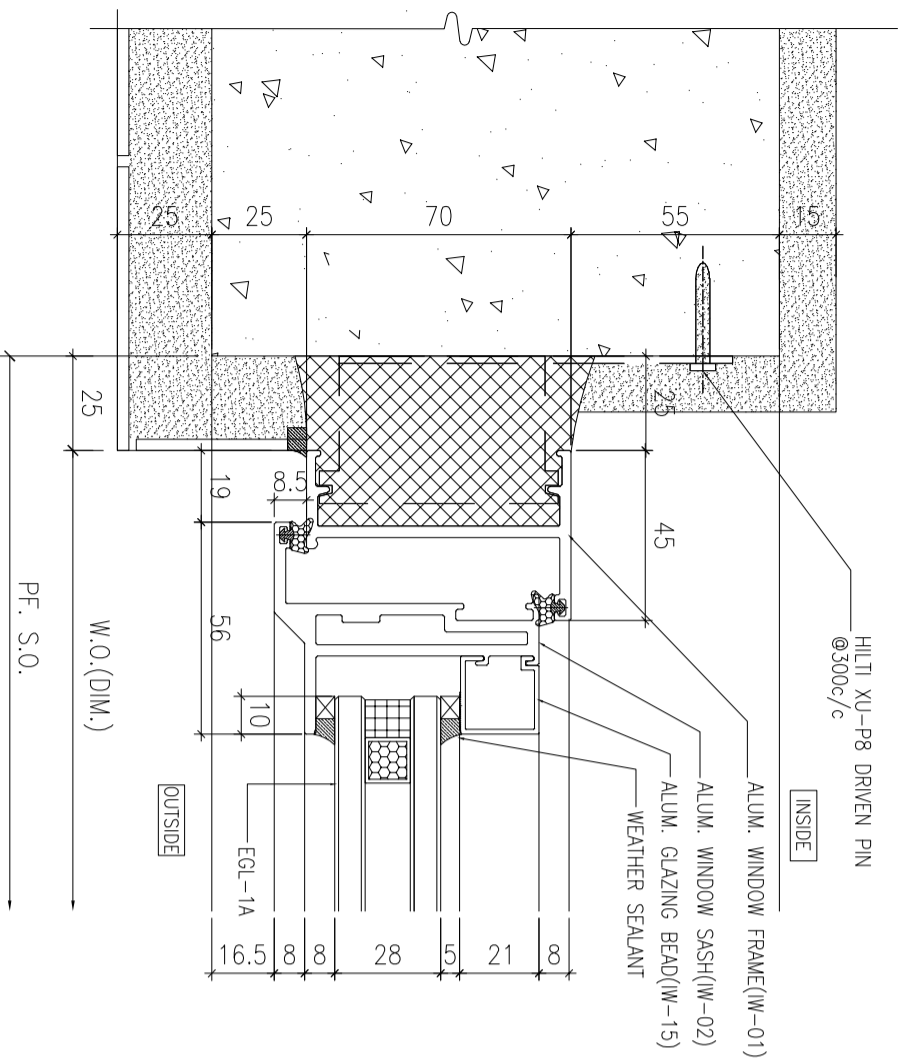
1. F.F.L.--FINISHED FLOOR LEVEL
2. S.F.L.--STRUCTURAL FLOOR LEVEL
3. (R) --REVERSED DETAIL
4. GLASS LEGEND
EGL-1--8mmHS+12mm AIR GAP+10mmTP THK. I.G.U.
EGL-1A--8mmHS+12mm AIR GAP+8mmTP THK. I.G.U.
EGL-2--10mm THK. CLEAR TEMPERED GLASS
EGL-4--10mm THK. TEMPERED ACID ETCHED GLASS

NO.	DATE	REVISION SUBJECT TO ARCH/COMMENT REISED	BY
A	10/11/2021		

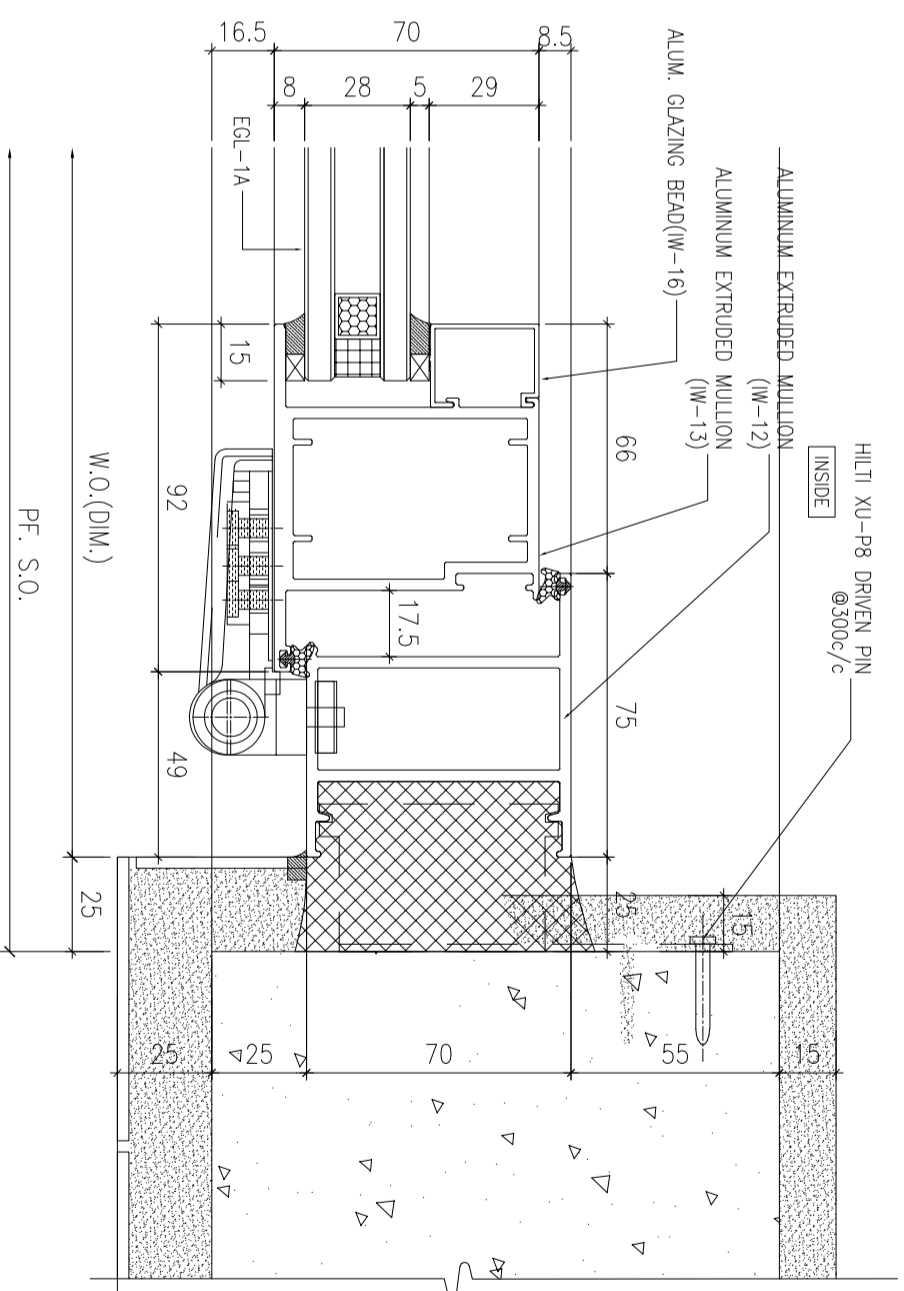
JOB NO. : J-856
PROJECT : PROPOSED DEVELOPMENT ABOVE LIGHT RAIL TIN WING STOP TSWTL NO.23,AREA 33,TIN SHUI WAI, N.T.

TITLE : TYPICAL DETAILS FOR IN-SITU WINDOW
DATE : 02-Aug-21 SCALE : 1:40
DRAWN BY : Ivorn CHECKED BY :

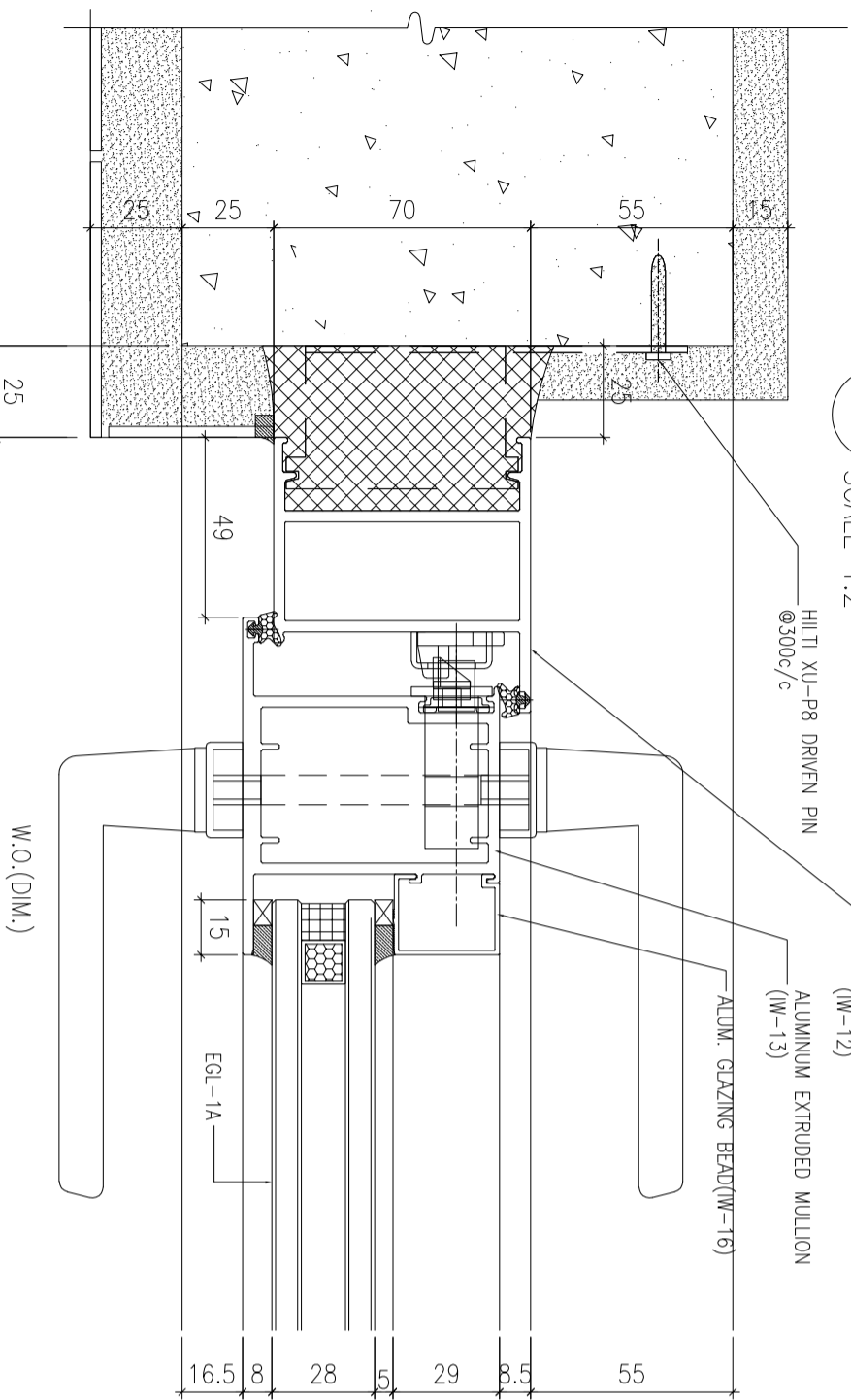
美特鋁質有限公司
MIDI ALUMINIUM FABRICATOR LTD.
Units 6-8, Sunny Industrial Centre, 1/F
610 Che Kwo Ling Road, Kowloon
Tel:23489211-4 Fax:8522727666
DWG NO. : J856-SD-IW-6001 REV. : A



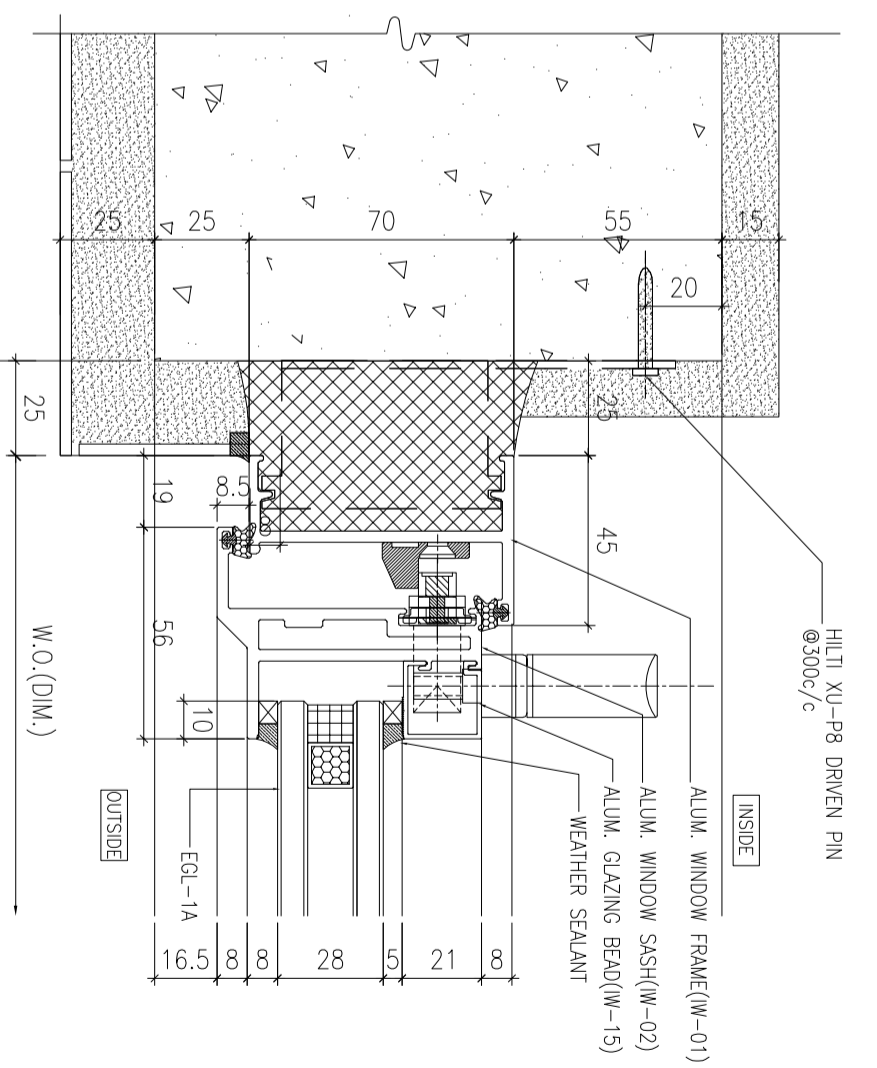
1 HORIZONTAL DETAIL
SCALE 1:2



2 HORIZONTAL DETAIL
SCALE 1:2



3 HORIZONTAL DETAIL
SCALE 1:2



B.O. REF :

CLIENT :
SUN HUNG KAI
REAL ESTATE AGENCY LTD.
42/F SUN HUNG KAI CENTRE, WANGHAI, HONGKONG

ARCHITECT :
IWK&partners
a r c h i t e c t s

MAIN CONTRACTOR :
怡和建築有限公司
Yee Fai Building Contractors Ltd.

STRUCTURAL ENGINEER :
ARUP

FAÇADE CONSULTANT:
ALPHA CONSULTING LIMITED
Steel Structure & Façade Specialist

NOTE :
1. ALL DIMENSIONS ARE IN mm.
2. ALL ELEVATIONS ARE VIEWED FROM OUTSIDE.
3. ALL DIMENSIONS TO BE VERIFIED ON SITE BEFORE FABRICATION.

LEGEND :
X1 --- DETAIL MARK NO.
X001 --- REFER SHEET NO.

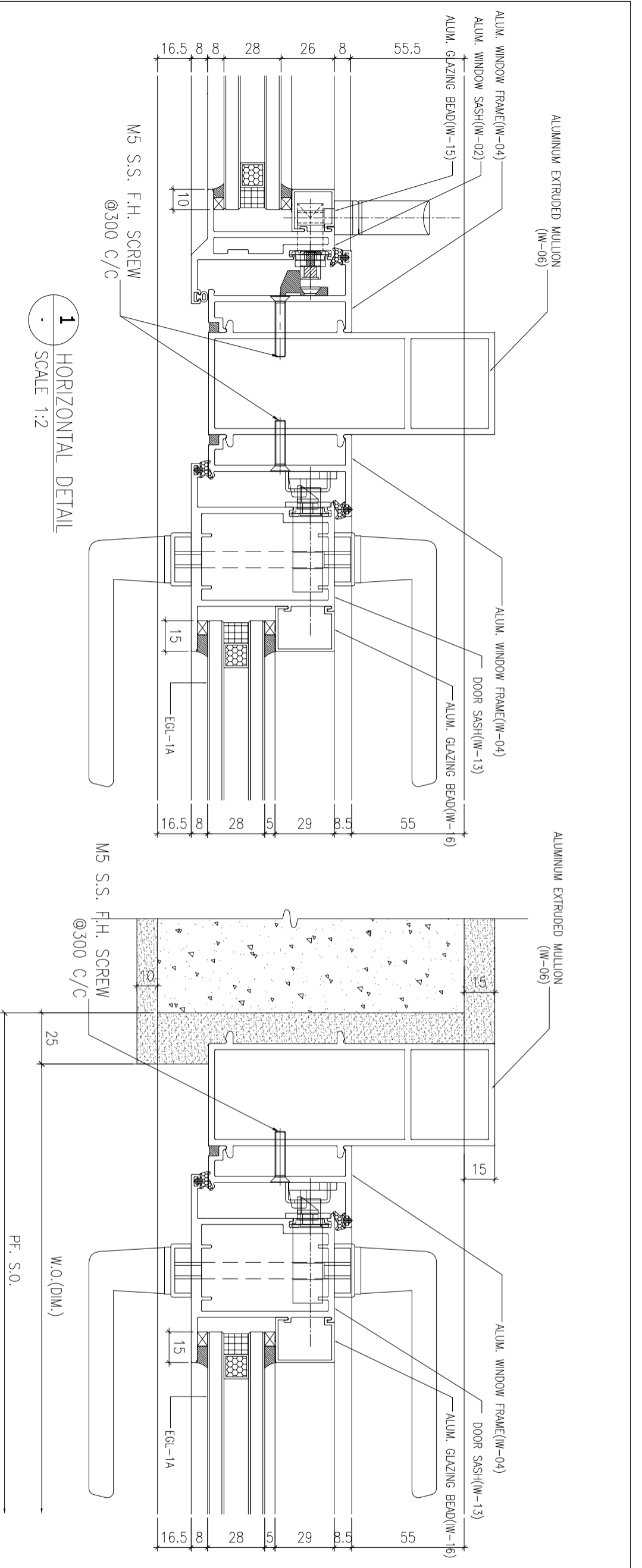
1. F.F.L.--FINISHED FLOOR LEVEL
2. S.F.L.--STRUCTURAL FLOOR LEVEL
3. (R) ---REVERSED DETAIL
4. GLASS LEGEND
EGL-1--8mmHS+12mm AIR GAP+10mmTP THK. I.G.U.
EGL-1A--8mmHS+12mm AIR GAP+8mmTP THK. I.G.U.
EGL-2--10mm THK. CLEAR TEMPERED GLASS
EGL-4--10mm THK. TEMPERED ACID ETCHED GLASS

NO.	DATE	REVISION SUBJECT TO ARCH/COMMENT	BY
A	10/11/2021	REVISION SUBJECT TO ARCH/COMMENT	YWN

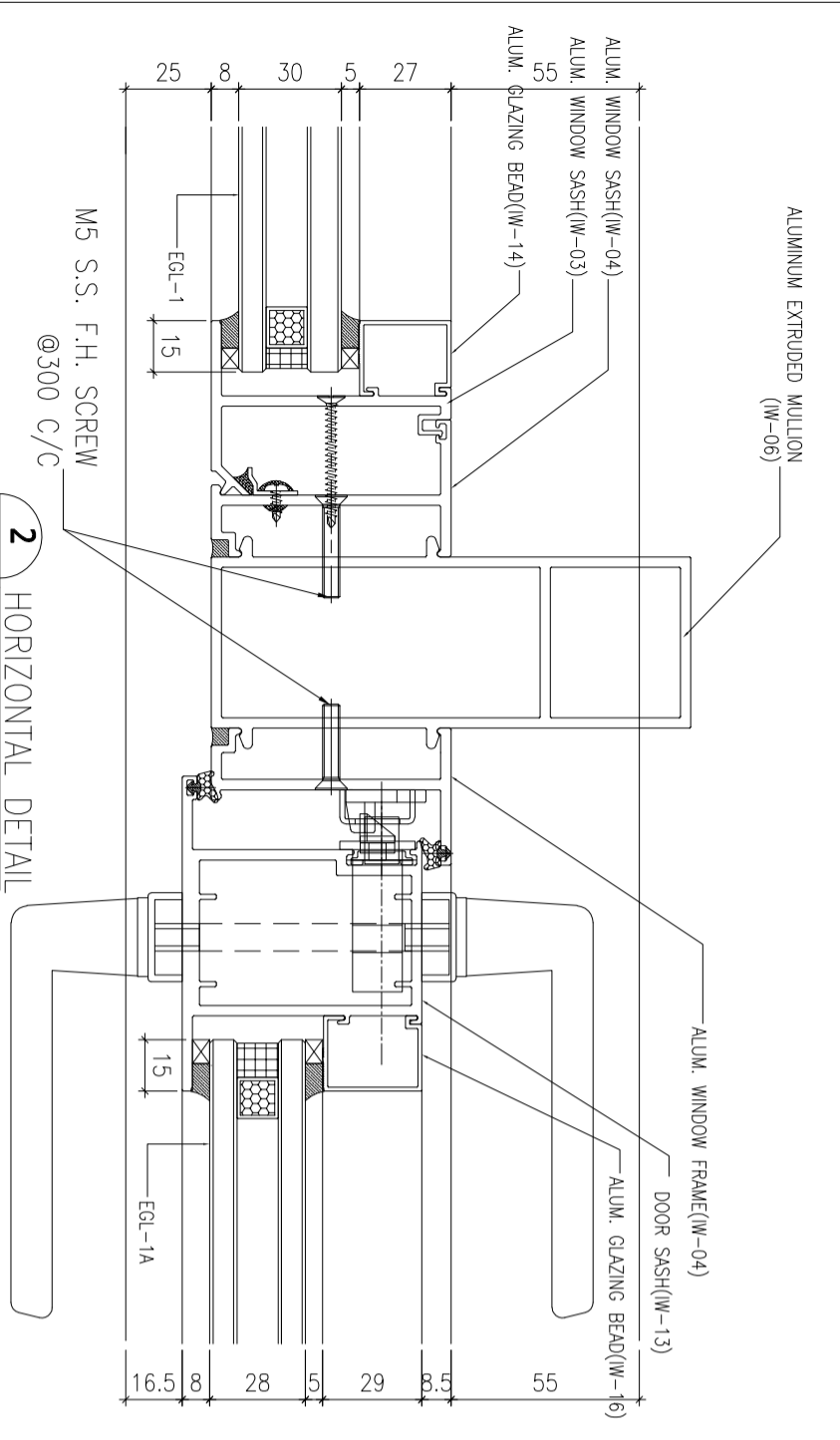
JOB NO. : J-856
PROJECT : PROPOSED DEVELOPMENT ABOVE LIGHT RAIL TIN WING STOP TSWTL NO.23,AREA 33,TIN SHUI WAI, N.T.
TITLE : TYPICAL DETAILS FOR IN-SITU WINDOW

DATE : 02-Aug-21 SCALE : 1:40
DRAWN BY : IYON CHECKED BY :

美特鋁質有限公司
MIDI ALUMINIUM FABRICATOR LTD.
Units 6-8, Sunny Industrial Centre, 1/F
610 Che Kwo Ling Road, Kowloon
Tel:23489211-4 Fax:8522727666
DWG NO. : J856-SD-IW-6002 REV. : A



1 HORIZONTAL DETAIL
SCALE 1:2

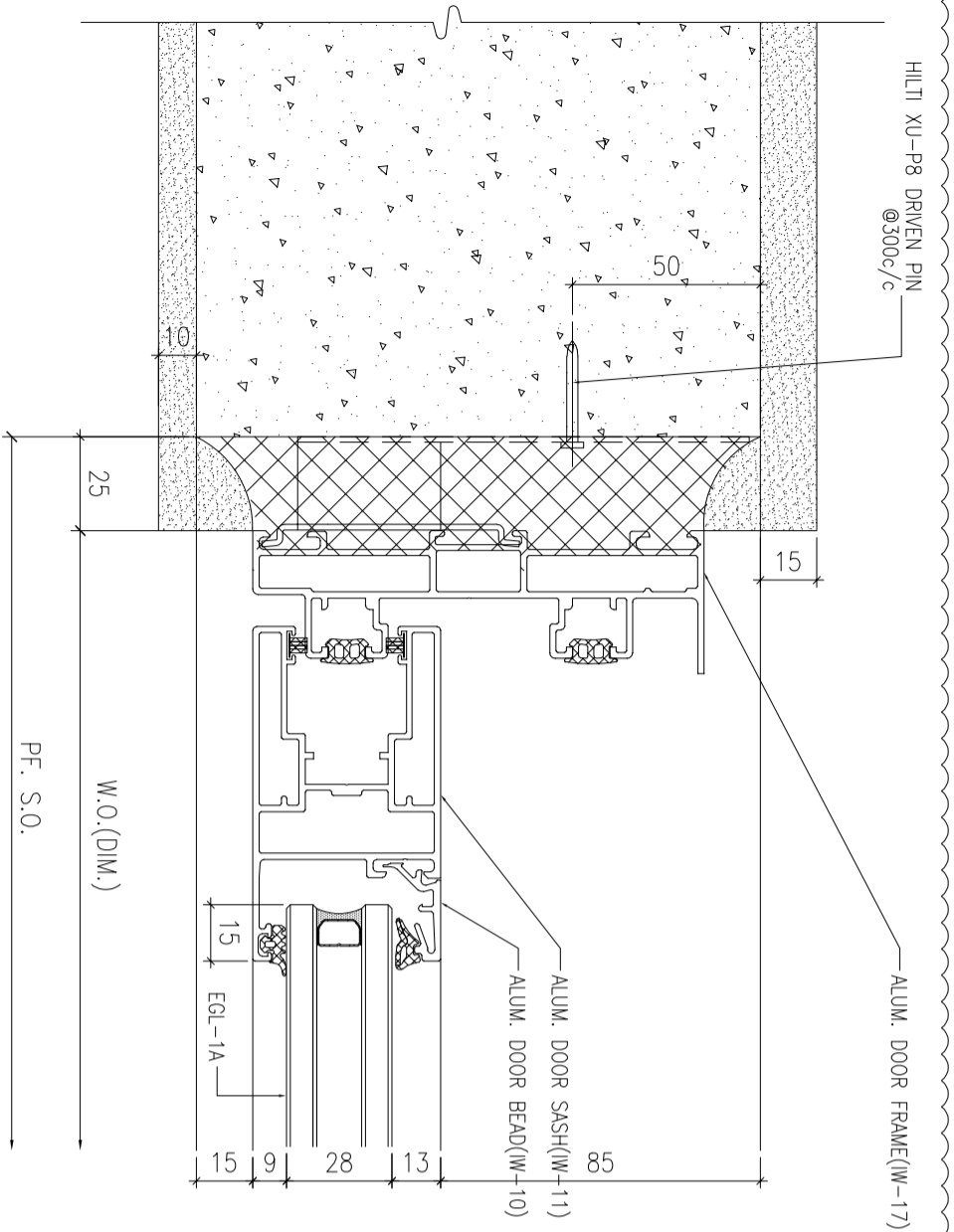


2 HORIZONTAL DETAIL
SCALE 1:2

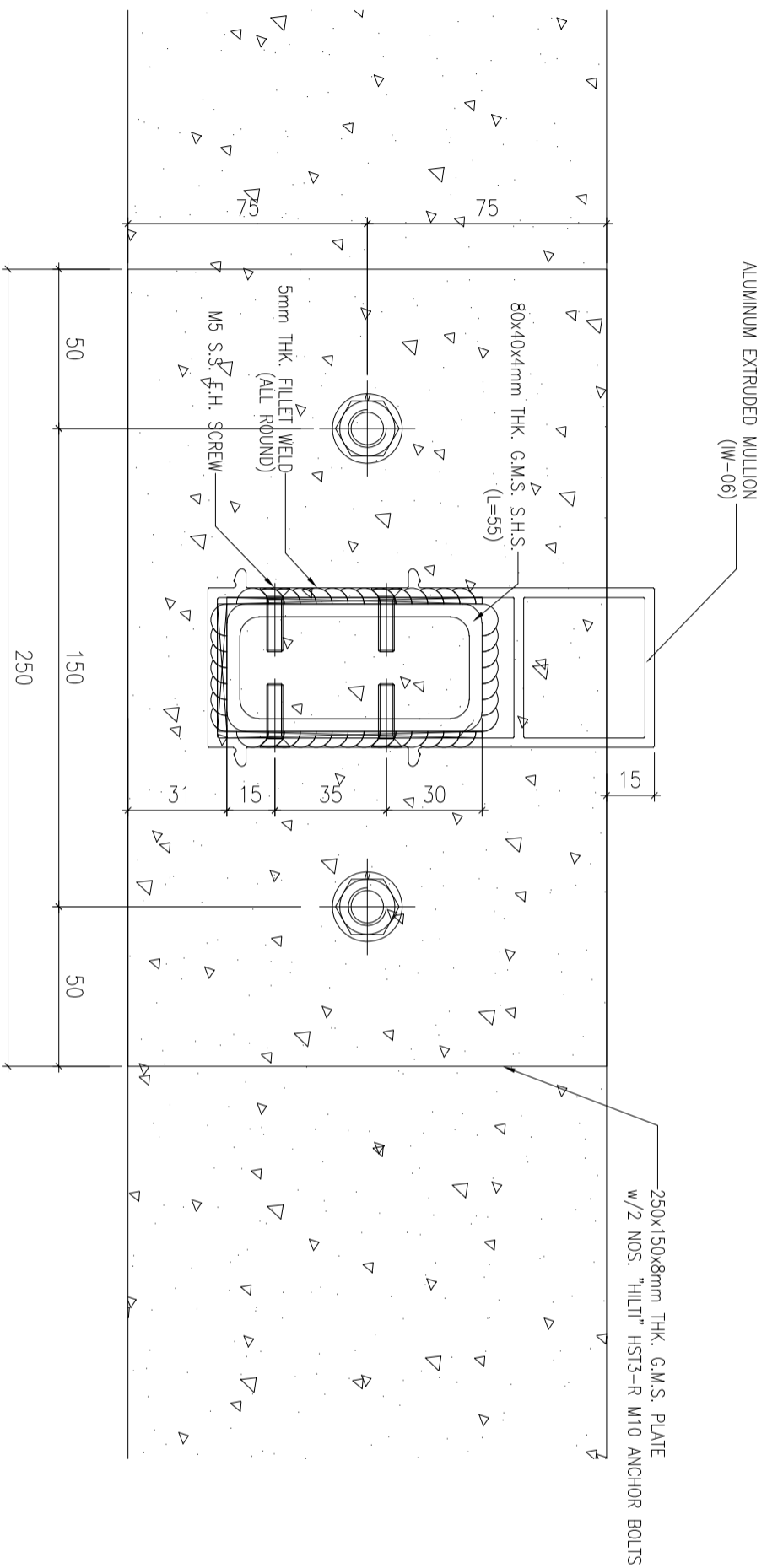
3 HORIZONTAL DETAIL
SCALE 1:2

B.O. REF :
 CLIENT :
SUN HUNG KAI
 REAL ESTATE AGENCY LTD.
 42/F SUN HUNG KAI CENTRE, WANCHAI, HONGKONG
 ARCHITECT :
IWK&partners
 a r c h i t e c t s
 MAIN CONTRACTOR :
怡輝建築有限公司
Yee Fai Building Contractors Ltd.
 STRUCTURAL ENGINEER :
ARUP
 FACADE CONSULTANT:
ALPHA CONSULTING LIMITED
 Steel Structure & Facade Specialist
 NOTE :
 1. ALL DIMENSIONS ARE IN mm.
 2. ALL ELEVATIONS ARE VIEWED FROM OUTSIDE.
 3. ALL DIMENSIONS TO BE VERIFIED ON SITE BEFORE FABRICATION.
 LEGEND :
 X1 -- DETAIL MARK NO.
 X001 -- REFER SHEET NO.
 1. F.F.L. -- FINISHED FLOOR LEVEL
 2. S.F.L. -- STRUCTURAL FLOOR LEVEL
 3. (R) -- REVERSED DETAIL
 4. GLASS LEGEND
 EGL-1 -- 8mmHS+12mm AIR GAP+10mmTP THK. I.G.U.
 EGL-1A -- 8mmHS+12mm AIR GAP+8mmTP THK. I.G.U.
 EGL-2 -- 10mm THK. CLEAR TEMPERED GLASS
 EGL-4 -- 10mm THK. TEMPERED ACID ETCHED GLASS
 TITLE :
 TYPICAL DETAILS FOR
 IN-SITU WINDOW
 DATE : 02-Aug-21 SCALE : 1:40
 DRAWN BY : Ivgm CHECKED BY :
 JOB NO. : J-856
 PROJECT :
 PROPOSED DEVELOPMENT ABOVE
 LIGHT RAIL TIN WING STOP TSWTL
 NO.23, AREA 33, TIN SHUI WAI, N.T.
 MIDY ALUMINIUM FABRICATOR LTD.
 Units 6-8, Sunny Industrial Centre, 1/F
 610 Che Kwo Ling Road, Kowloon
 Tel:23489211-4 Fax:8522727666
 DWG NO. : JB56-SD-IW-6003 REV. : A

MIDI ALUMINIUM FABRICATOR LTD.
 Units 6-8, Sunny Industrial Centre, 1/F
 610 Che Kwo Ling Road, Kowloon
 Tel:23489211-4 Fax:8522727666
 DWG NO. : JB56-SD-IW-6003 REV. : A



1 HORIZONTAL DETAIL
SCALE 1:2



B.O. REF. :

CLIENT :

SUN HUNG KAI
REAL ESTATE AGENCY LTD.
42/F SUN HUNG KAI CENTRE, WANCHAI, HONGKONG

ARCHITECT :

IWK&partners
a r c h i t e c t s

MAIN CONTRACTOR :

怡輝建築有限公司
Yee Fai Building Contractors Ltd.

STRUCTURAL ENGINEER :

ARUP

FAÇADE CONSULTANT:

ALPHA CONSULTING LIMITED
Steel Structure & Façade Specialist

NOTE :

1. ALL DIMENSIONS ARE IN mm.
2. ALL ELEVATIONS ARE VIEWED FROM OUTSIDE.
3. ALL DIMENSIONS TO BE VERIFIED ON SITE BEFORE FABRICATION.

LEGEND :

X1 --- DETAIL MARK NO.
X001 --- REFER SHEET NO.

1. F.F.L. -- FINISHED FLOOR LEVEL
2. S.F.L. -- STRUCTURAL FLOOR LEVEL
3. (R) -- REVERSED DETAIL

4. GLASS LEGEND

EGL-1 -- 8mmHS+12mm AIR GAP+10mmTP THK. I.G.U.
EGL-1A -- 8mmHS+12mm AIR GAP+8mmTP THK. I.G.U.
EGL-2 -- 10mm THK. CLEAR TEMPERED GLASS
EGL-4 -- 10mm THK. TEMPERED ACID ETCHED GLASS

NO.	DATE	REVISION SUBJECT TO ARCH COMMENT	BY
B	13/07/2022	REVISION SUBJECT TO ARCH COMMENT	IVORN
A	10/11/2021	REVISION SUBJECT TO ARCH COMMENT	IVORN

JOB NO. : J-856

PROJECT :

PROPOSED DEVELOPMENT ABOVE
LIGHT RAIL TIN WING STOP TSWTL
NO.23, AREA 33, TIN SHUI WAI, N.T.

TITLE :

FIXING DETAILS FOR
IN-SITU WINDOW

DATE : 02-Aug-21 SCALE : 1:40

DRAWN BY : IVORN CHECKED BY :

MIDI ALUMINIUM FABRICATOR LTD.
Units 6-8, Sunny Industrial Centre, 1/F
610 Che Kwo Ling Road, Kowloon
Tel: 23489211-4 Fax: (852) 27272666

DWG NO. : JB56-SD-IW-6004 REV. : B

B.O. REF :

CLIENT :

SUN HUNG KAI
REAL ESTATE AGENCY LTD.
42/F SUN HUNG KAI CENTRE, WANGHAI, HONGKONG

ARCHITECT :

lwk&partners
a r c h i t e c t s

MAIN CONTRACTOR :

怡輝建築有限公司
Ye Ho Fai Building Contractors Ltd.

STRUCTURAL ENGINEER :

ARUP

FAÇADE CONSULTANT:

ALPHA CONSULTING LIMITED
Steel Structure & Façade Specialist

NOTE :

1. ALL DIMENSIONS ARE IN mm.
2. ALL ELEVATIONS ARE VIEWED FROM OUTSIDE.
3. ALL DIMENSIONS TO BE VERIFIED ON SITE BEFORE FABRICATION.

LEGEND :

X1 --- DETAIL MARK NO.
X001 --- REFER SHEET NO.

1. F.F.L. --- FINISHED FLOOR LEVEL
2. S.F.L. --- STRUCTURAL FLOOR LEVEL
3. (R) --- REVERSED DETAIL

4. GLASS LEGEND

EQ-1 --- 8mmHS+12mm AIR GAP+10mmTP THK. I.G.U.
 EQ-1A --- 8mmHS+12mm AIR GAP+8mmTP THK. I.G.U.
 EQ-2 --- 10mm THK. CLEAR TEMPERED GLASS
 EQ-4 --- 10mm THK. TEMPERED ACID ETCHED GLASS

NO.	DATE	REVISION SUBJECT TO ARCH COMMENT	BY
A	10/11/2021		

JOB NO. : J-856

PROJECT :

PROPOSED DEVELOPMENT ABOVE
LIGHT RAIL TIN WING STOP TSWTL
NO.23,AREA 33,TIN SHUI WAI, N.T.

TITLE :

IN-SITU WINDOW SECTION
TYPICAL LOCK & HINGES DETAIL

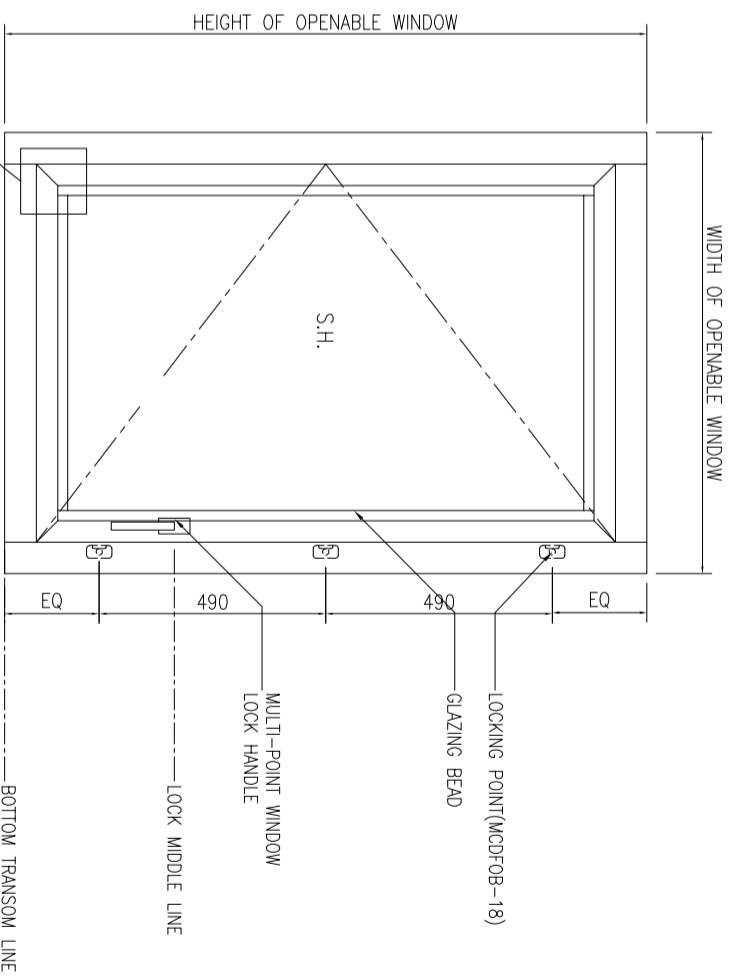
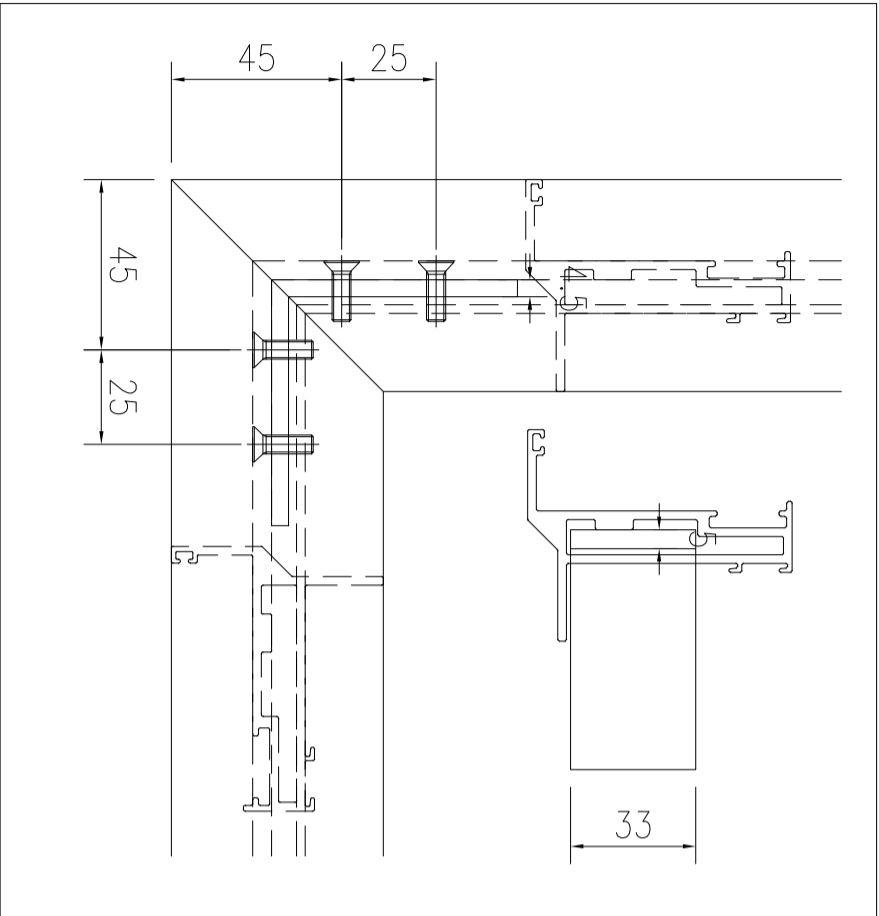
DATE : 02-Aug-21 SCALE : 1:40

DRAWN BY : Ivorn CHECKED BY :

美特鋁質有限公司
MIDI ALUMINIUM FABRICATOR LTD.
Units 6-8, Sunny Industrial Centre, 1/F
610 Che Kwo Ling Road, Kowloon
Tel:23489211-4 Fax:8522727666

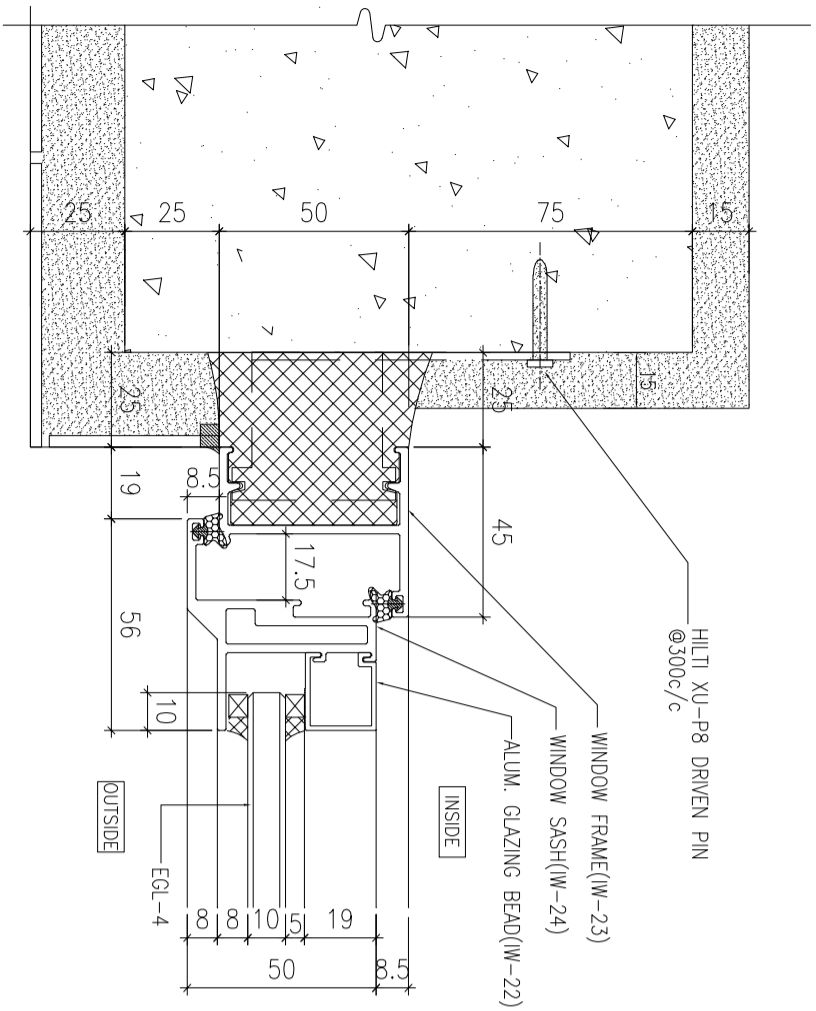
DWG NO. : J856-SD-IW-6005 REV. : A

70窗

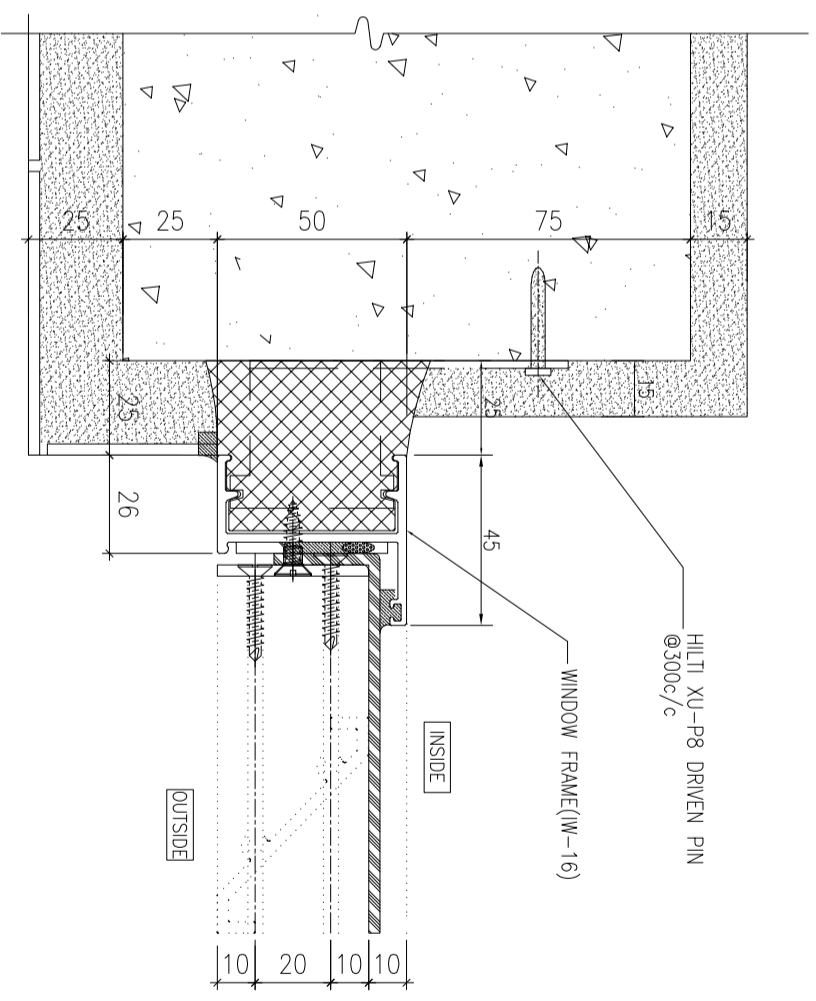


01 TYPICAL SECTION

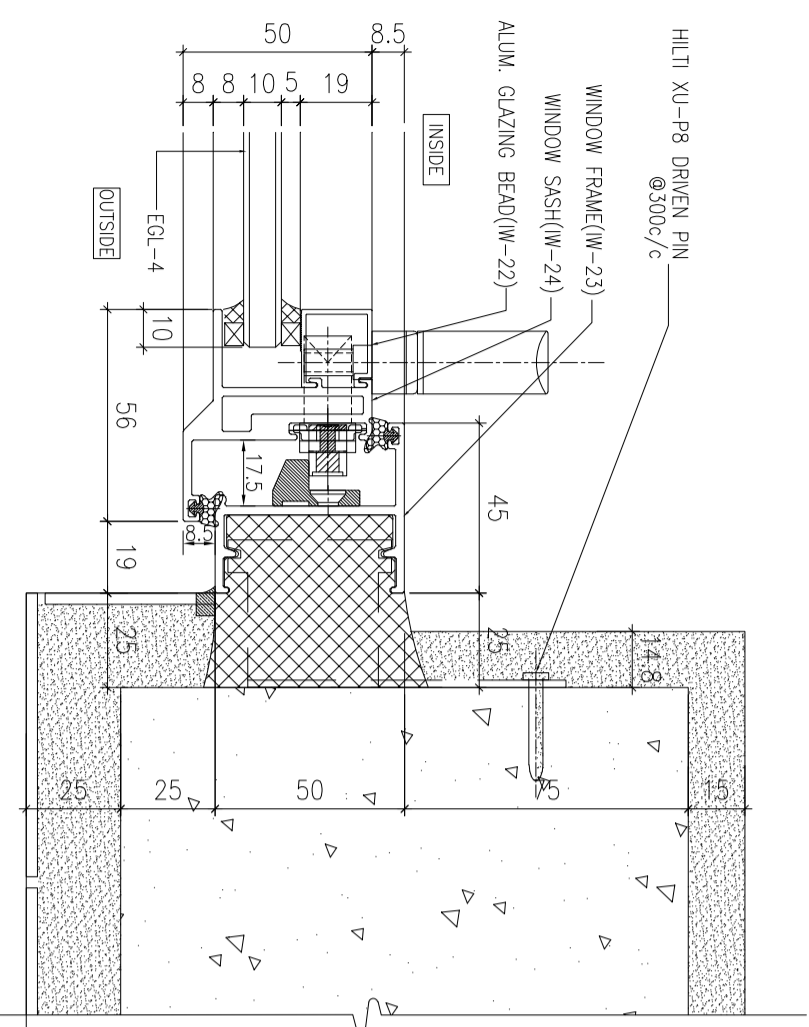
S.F.L.



1 HORIZONTAL DETAIL
SCALE 1:2



3 HORIZONTAL DETAIL
SCALE 1:2



2 HORIZONTAL DETAIL
SCALE 1:2

B.O. REF :

CLIENT :
SUN HUNG KAI
REAL ESTATE AGENCY LTD.
42/F SUN HUNG KAI CENTRE, WANGCHAI, HONGKONG

ARCHITECT :
lwk&partners
a r c h i t e c t s

MAIN CONTRACTOR :
怡輝建築有限公司
Yee Fai Building Contractors Ltd.

STRUCTURAL ENGINEER :
ARUP

FAÇADE CONSULTANT:
ALPHA CONSULTING LIMITED
Steel Structure & Façade Specialist

NOTE :
1. ALL DIMENSIONS ARE IN mm.
2. ALL ELEVATIONS ARE VIEWED FROM OUTSIDE.
3. ALL DIMENSIONS TO BE VERIFIED ON SITE BEFORE FABRICATION.

LEGEND :
X1 --- DETAIL MARK NO.
X001 --- REFER SHEET NO.

1. F.F.L.--FINISHED FLOOR LEVEL
2. S.F.L.--STRUCTURAL FLOOR LEVEL
3. (R) --REVERSED DETAIL

4. GLASS LEGEND
EGL-1--8mmHS+12mm AIR GAP+10mmTP THK. I.G.U.
EGL-1A--8mmHS+12mm AIR GAP+8mmTP THK. I.G.U.
EGL-2--10mm THK. CLEAR TEMPERED GLASS
EGL-4--10mm THK. TEMPERED ACID ETCHED GLASS

NO.	DATE	REVISION SUBJECT TO ARCH/COMMENT	BY
A	10/11/2021		

JOB NO. : J-856
PROJECT : PROPOSED DEVELOPMENT ABOVE LIGHT RAIL TIN WING STOP TSWTL NO.23,AREA 33,TIN SHUI WAI, N.T.

TITLE : TYPICAL DETAILS FOR IN-SITU WINDOW

DATE : 02-Aug-21 SCALE : 1:40
DRAWN BY : Ivgm CHECKED BY :

美特鋁質有限公司
MIDI ALUMINIUM FABRICATOR LTD.
Units 6-8, Sunny Industrial Centre, 1/F
610 Che Kwo Ling Road, Kowloon
Tel:23489211-4 Fax:8522727666
DWG NO. : J856-SD-IW-6006 REV. : A

B.O. REF :

CLIENT :

SUN HUNG KAI
REAL ESTATE AGENCY LTD.
42/F SUN HUNG KAI CENTRE, WANCHAI, HONGKONG

ARCHITECT :

lwk&partners
a r c h i t e c t s

MAIN CONTRACTOR :

怡輝建築有限公司
Yee Fai Building Contractors Ltd.

STRUCTURAL ENGINEER :

ARUP

FAÇADE CONSULTANT:

ALPHA CONSULTING LIMITED
Steel Structure & Façade Specialist

NOTE :

1. ALL DIMENSIONS ARE IN mm.
2. ALL ELEVATIONS ARE VIEWED FROM OUTSIDE.
3. ALL DIMENSIONS TO BE VERIFIED ON SITE BEFORE FABRICATION.

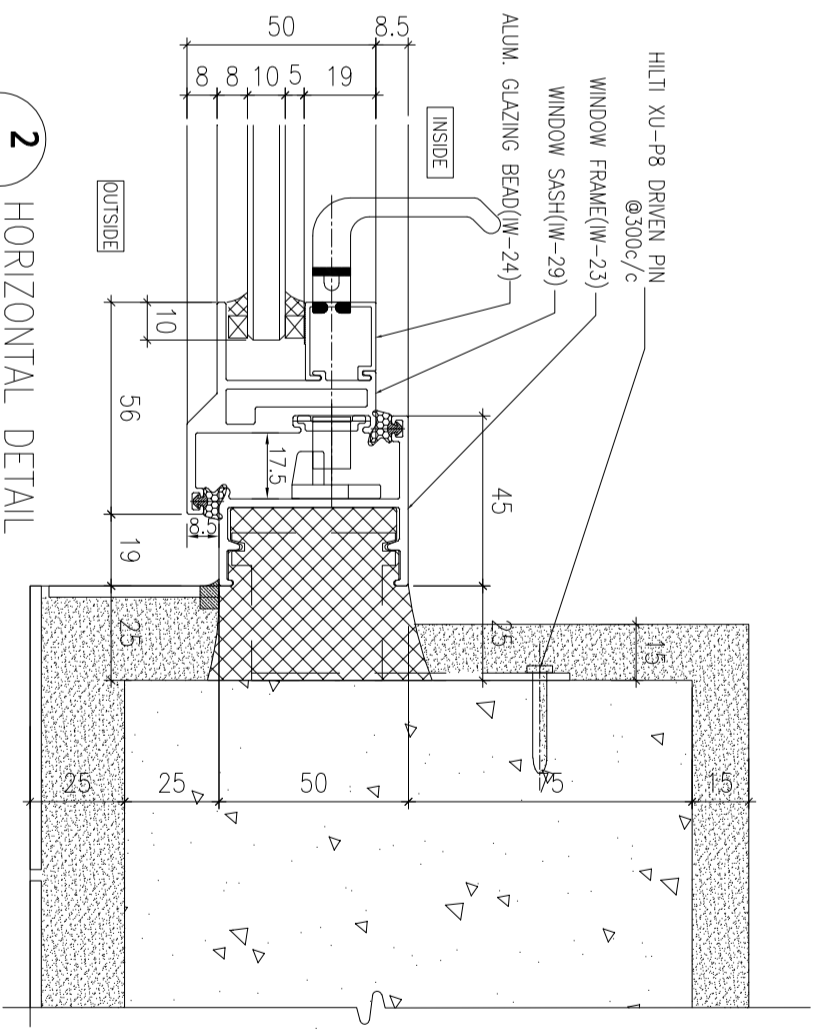
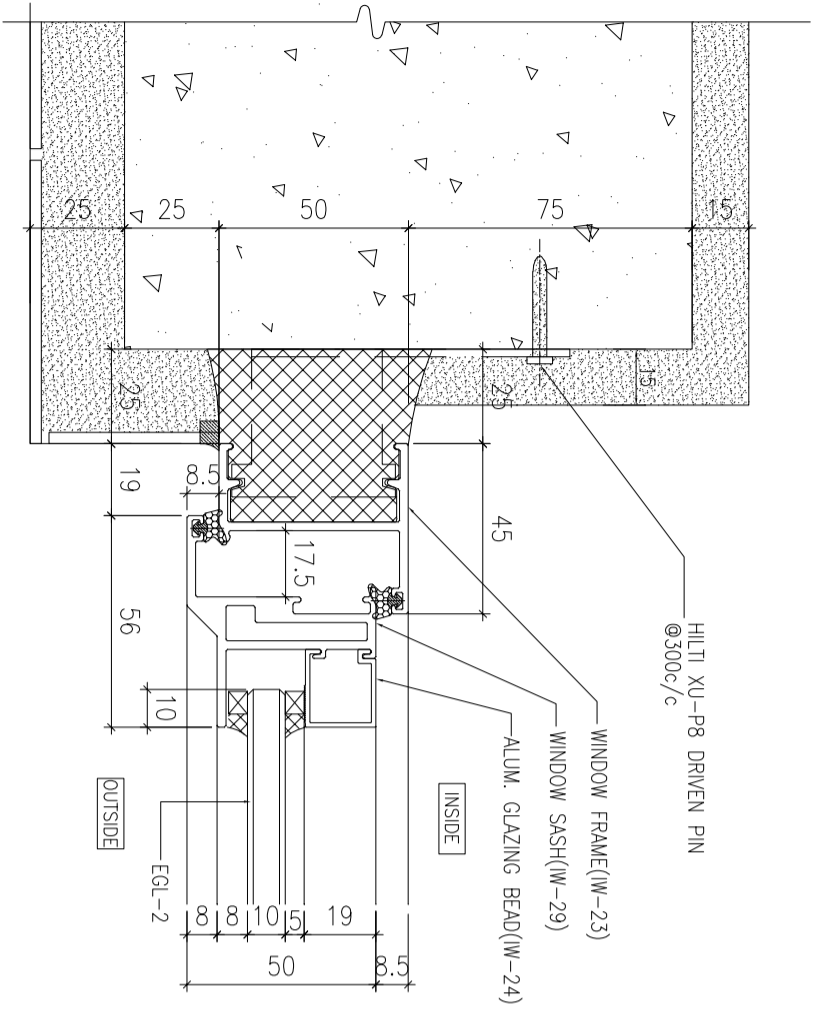
LEGEND :

X1 --- DETAIL MARK NO.
X001 --- REFER SHEET NO.

1. F.F.L.--FINISHED FLOOR LEVEL
2. S.F.L.--STRUCTURAL FLOOR LEVEL
3. (R) --REVERSED DETAIL

4. GLASS LEGEND

EGL-1A--8mmHS+12mm AIR GAP+10mmTP THK. I.G.U.
EGL-1--8mmHS+12mm AIR GAP+10mmTP THK. I.G.U.
EGL-2--10mm THK. CLEAR TEMPERED GLASS
EGL-4--10mm THK. TEMPERED ACID ETCHED GLASS



NO.	DATE	REVISION SUBJECT TO ARCH/COMMENT	BY
A	10/11/2021		

JOB NO. : J-856

PROJECT :
PROPOSED DEVELOPMENT ABOVE
LIGHT RAIL TIN WING STOP TSWTL
NO.23,AREA 33,TIN SHUI WAI, N.T.

TITLE :
TYPICAL DETAILS FOR
IN-SITU WINDOW

DATE : 02-Aug-21 SCALE : 1:40

DRAWN BY : Ivorn CHECKED BY :

美特鋁質有限公司
MIDI ALUMINIUM FABRICATOR LTD.
Units 6-8, Sunny Industrial Centre, 1/F
610 Che Kwo Ling Road, Kowloon
Tel:23489211-4 Fax:8522727666
DWG NO. : JB56-SD-IW-6007 REV. : A

B.O. REF :

CLIENT :

SUN HUNG KAI
REAL ESTATE AGENCY LTD.
42/F SUN HUNG KAI CENTRE, WANGCHAI, HONGKONG

ARCHITECT :

lwk&partners
a r c h i t e c t s

MAIN CONTRACTOR :

怡輝建築有限公司
Yee Fai Building Contractors Ltd.

STRUCTURAL ENGINEER :

ARUP

FAÇADE CONSULTANT:

ALPHA CONSULTING LIMITED
Steel Structure & Façade Specialist

NOTE :

1. ALL DIMENSIONS ARE IN mm.
2. ALL ELEVATIONS ARE VIEWED FROM OUTSIDE.
3. ALL DIMENSIONS TO BE VERIFIED ON SITE BEFORE FABRICATION.

LEGEND :

X1 --- DETAIL MARK NO.
X001 --- REFER SHEET NO.

1. F.F.L. --- FINISHED FLOOR LEVEL
2. S.F.L. --- STRUCTURAL FLOOR LEVEL
3. (R) --- REVERSED DETAIL

4. GLASS LEGEND

EQ-1 --- 8mmHS+12mm AIR GAP+10mmTP THK. I.G.U.
 EQ-1A --- 8mmHS+12mm AIR GAP+8mmTP THK. I.G.U.
 EQ-2 --- 10mm THK. CLEAR TEMPERED GLASS
 EQ-4 --- 10mm THK. TEMPERED ACID ETCHED GLASS

NO.	DATE	REVISION SUBJECT TO ARCH COMMENT	BY
A	10/11/2021		

JOB NO. : J-856

PROJECT :

PROPOSED DEVELOPMENT ABOVE
LIGHT RAIL TIN WING STOP TSWTL
NO.23, AREA 33, TIN SHUI WAI, N.T.

TITLE :

IN-SITU WINDOW SECTION
TYPICAL LOCK & HINGES DETAIL

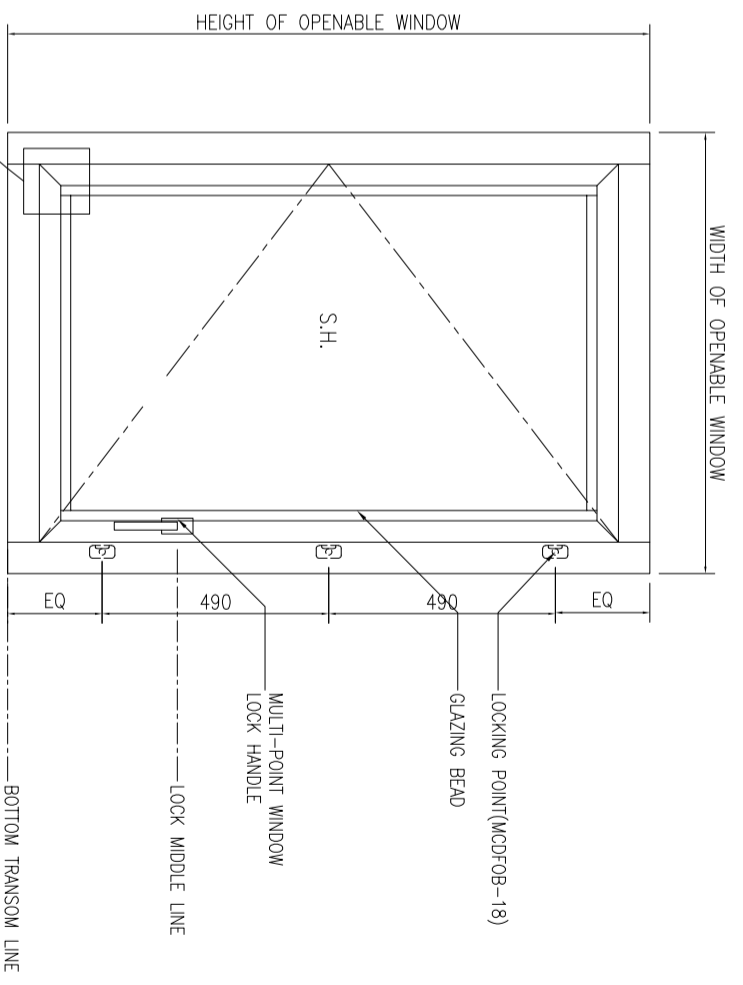
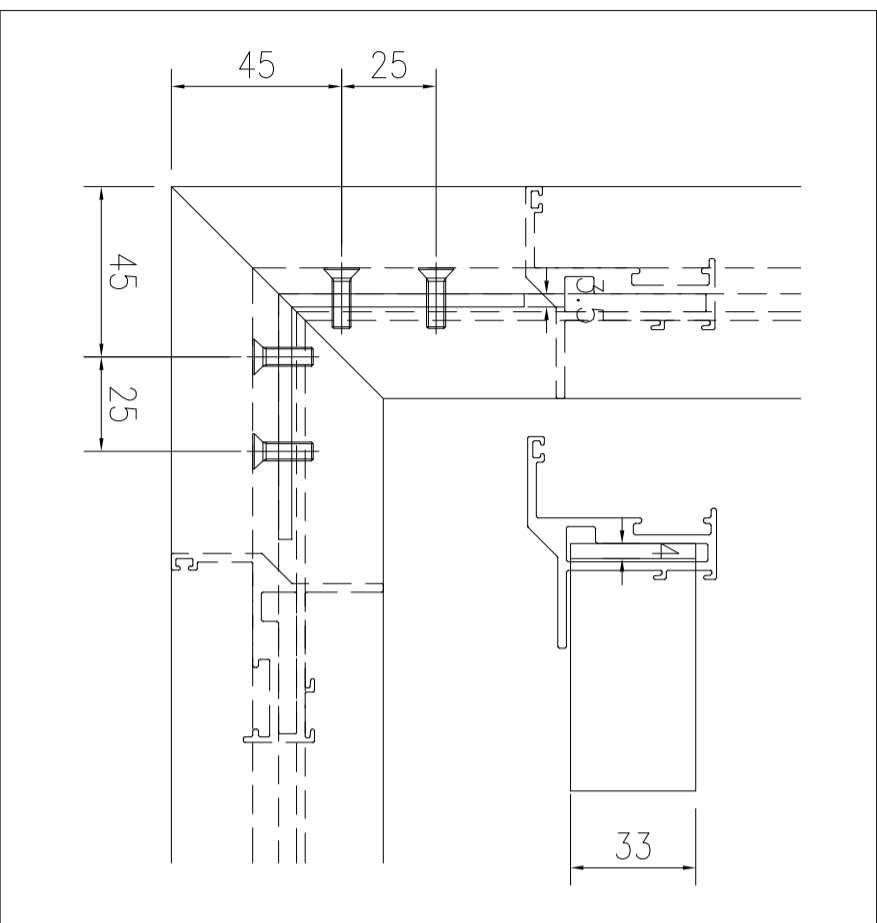
DATE : 02-Aug-21 SCALE : 1:40

DRAWN BY : Ivorn CHECKED BY :

美特鋁質有限公司
MIDI ALUMINIUM FABRICATOR LTD.
Units 6-8, Sunny Industrial Centre, 1/F
610 Cho Kwo Ling Road, Kowloon
Tel: 23489211-4 Fax: (852) 27272666

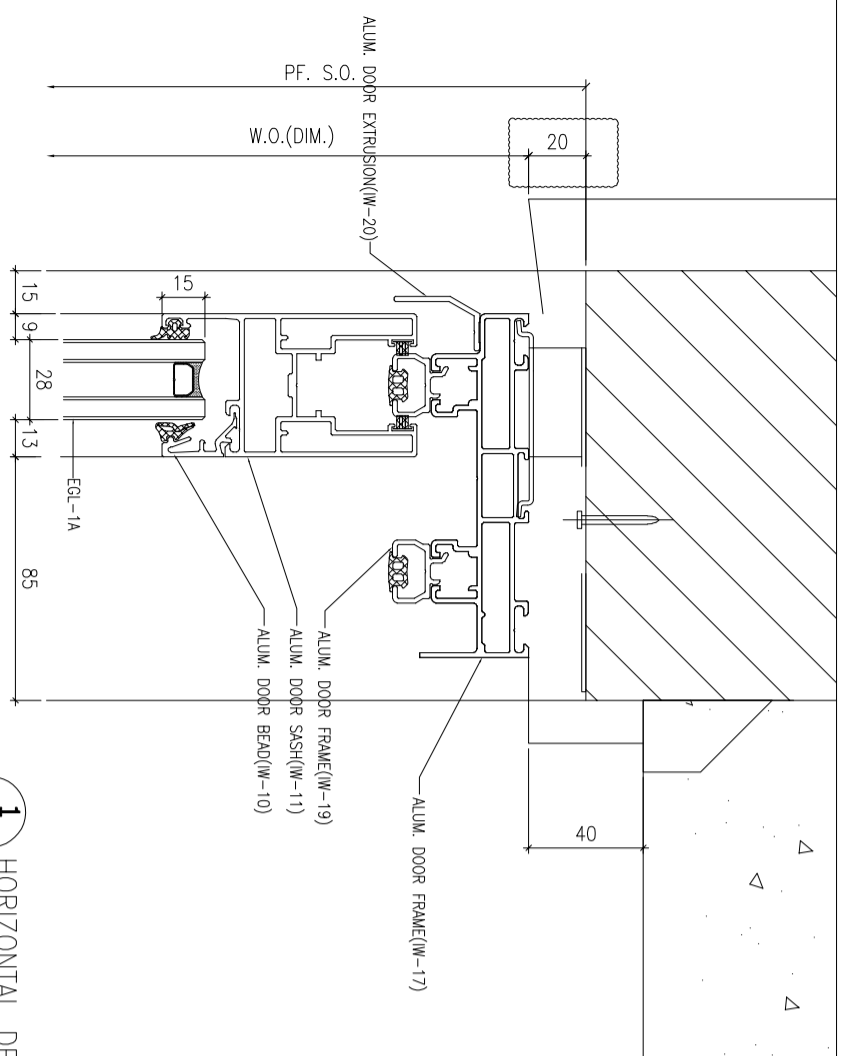
DWG NO. : JB56-SD-IW-6007c REV. : A

50窗

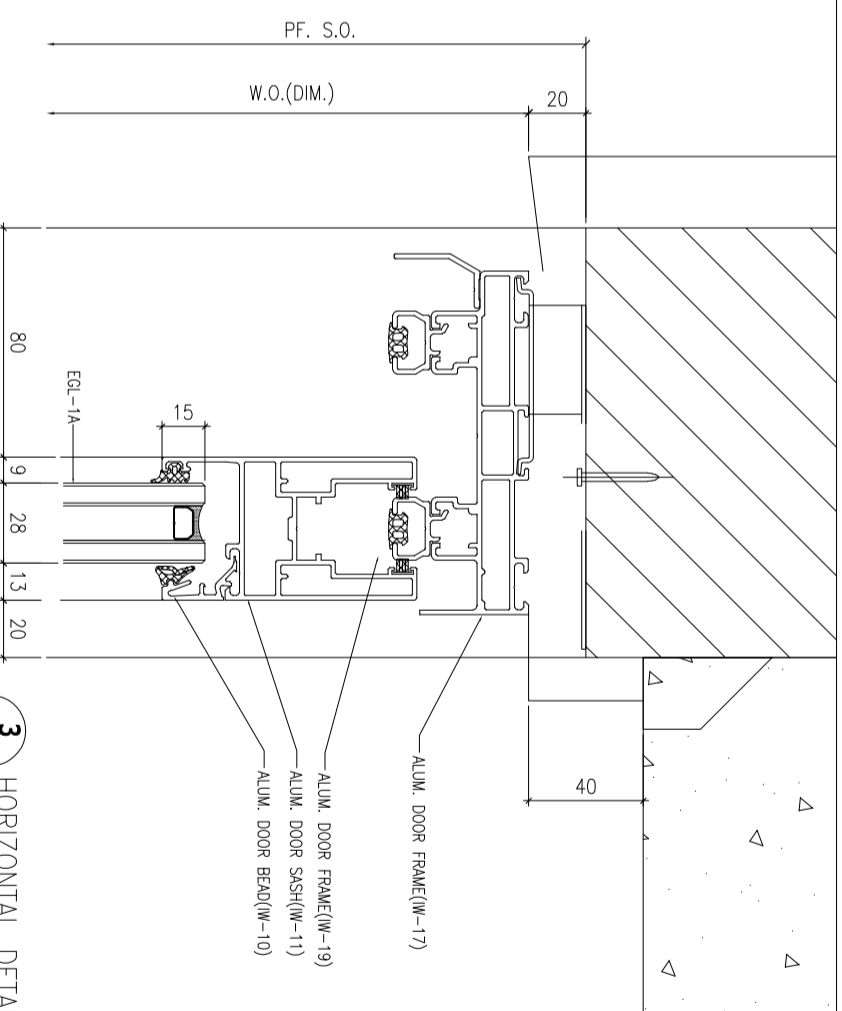


01 TYPICAL SECTION

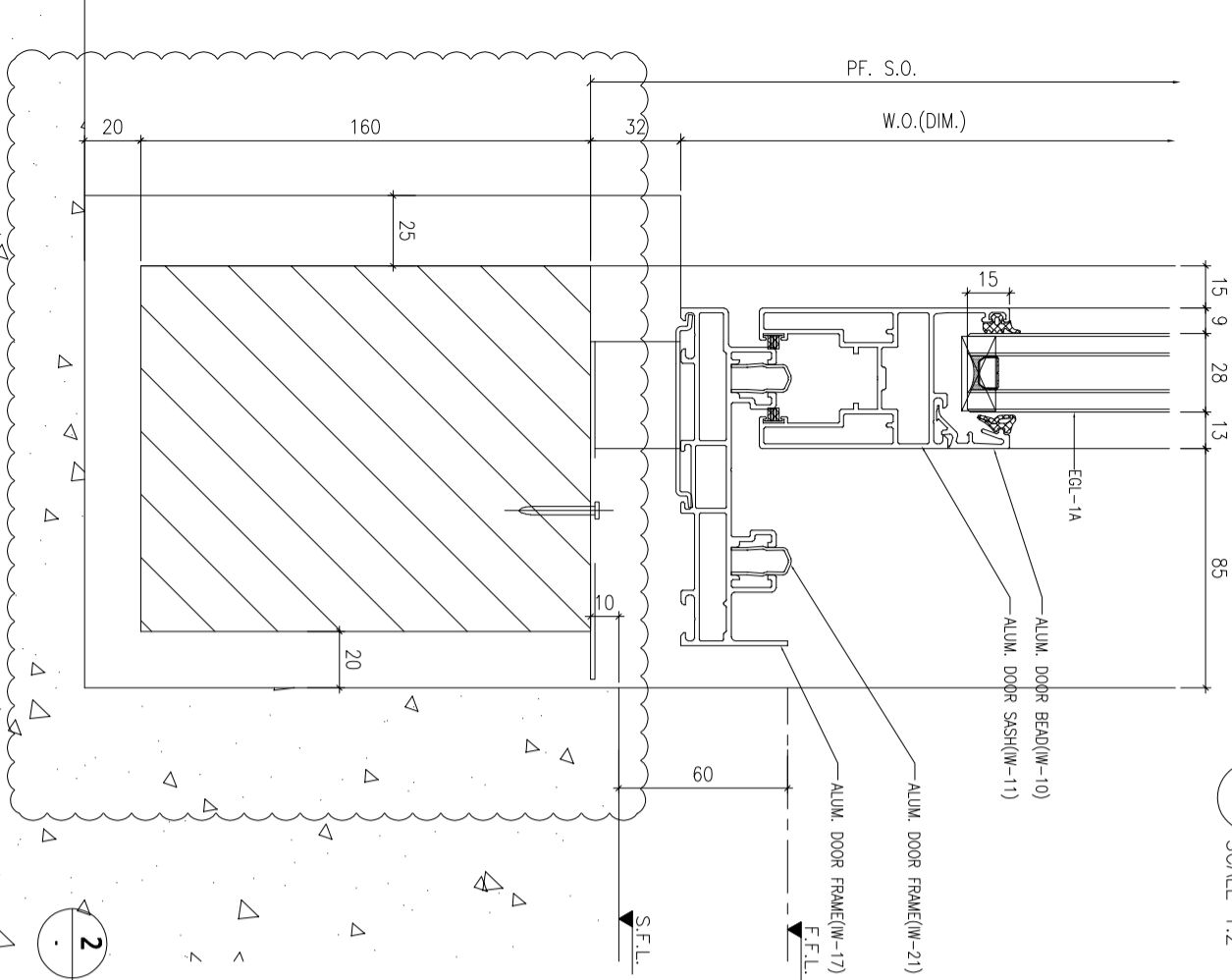
S.F.L.



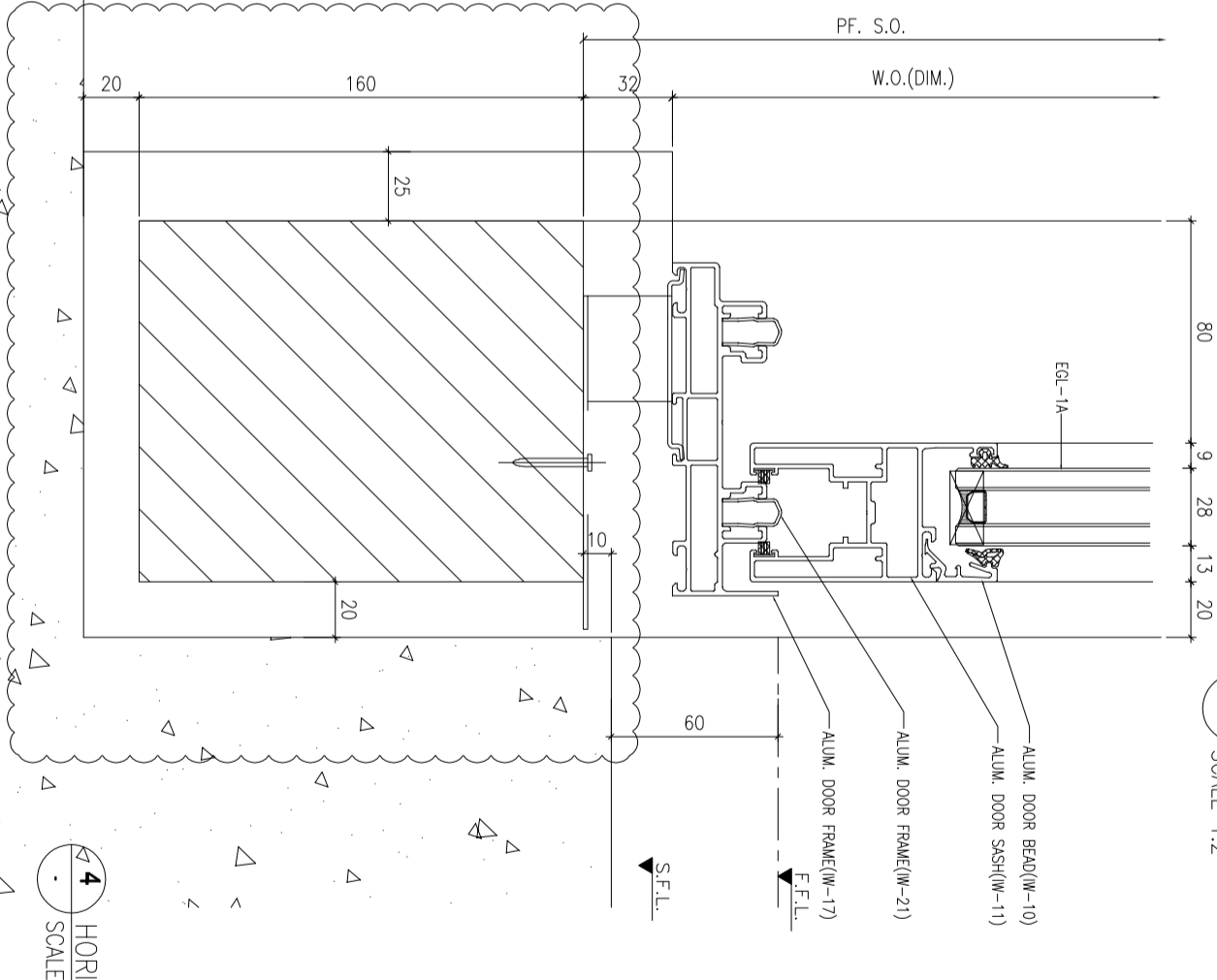
1 HORIZONTAL DETAIL
SCALE 1:2



3 HORIZONTAL DETAIL
SCALE 1:2



2 HORIZONTAL DETAIL
SCALE 1:2



4 HORIZONTAL DETAIL
SCALE 1:2

B.O. REF. :

CLIENT :
SUN HUNG KAI
REAL ESTATE AGENCY LTD.
42/F SUN HUNG KAI CENTRE, WANGCHAI, HONGKONG

ARCHITECT :
IWK&partners
a r c h i t e c t s

MAIN CONTRACTOR :
怡輝建築有限公司
Yee Fai Building Contractors Ltd.

STRUCTURAL ENGINEER :
ARUP

FAÇADE CONSULTANT:
ALPHA CONSULTING LIMITED
Steel Structure & Façade Specialist

NOTE :
1. ALL DIMENSIONS ARE IN mm.
2. ALL ELEVATIONS ARE VIEWED FROM OUTSIDE.
3. ALL DIMENSIONS TO BE VERIFIED ON SITE BEFORE FABRICATION.

LEGEND :
X1 -- DETAIL MARK NO.
X001 -- REFER SHEET NO.

1. F.F.L. -- FINISHED FLOOR LEVEL
2. S.F.L. -- STRUCTURAL FLOOR LEVEL
3. (R) -- REVERSED DETAIL
4. GLASS LEGEND
EQL-1 -- 8mmHS+12mm AIR GAP+10mmTP THK. I.G.U.
EQL-1A -- 8mmHS+12mm AIR GAP+8mmTP THK. I.G.U.
EQL-2 -- 10mm THK. CLEAR TEMPERED GLASS
EQL-4 -- 10mm THK. TEMPERED ACID ETCHED GLASS

NO.	DATE	REVISION SUBJECT TO ARCH COMMENT	BY
A	10/11/2021	REVISION SUBJECT TO ARCH COMMENT	WYH
B	24/11/2021	REVISION SUBJECT TO ARCH COMMENT	WYH

JOB NO. : J-856
PROJECT : PROPOSED DEVELOPMENT ABOVE LIGHT RAIL TIN WING STOP TSWTL NO.23, AREA 33, TIN SHUI WAI, N.T.
TITLE : TYPICAL DETAILS FOR IN-SITU WINDOW

DATE : 02-Aug-21 SCALE : 1:40
DRAWN BY : IYGM CHECKED BY :

美特鋁質有限公司
MIDI ALUMINIUM FABRICATOR LTD.
Units 6-8, Sunny Industrial Centre, 1/F
610 Che Kwo Ling Road, Kowloon
Tel:23489211-4 Fax:8522727666
DWG NO. : JB56-SD-IW-7001 REV. : B

B.O. REF :

CLIENT :

SUN HUNG KAI
REAL ESTATE AGENCY LTD.
42/F SUN HUNG KAI CENTRE, WANGCHAI, HONGKONG

ARCHITECT :

Iwk&partners
a r c h i t e c t s

MAIN CONTRACTOR :

怡輝建築有限公司
Yee Fai Building Contractors Ltd.

STRUCTURAL ENGINEER :

FAÇADE CONSULTANT:
ARUP
ALPHA CONSULTING LIMITED
Steel Structure & Façade Specialist

ALPHA CONSULTING LIMITED
Steel Structure & Façade Specialist

NOTE :

1. ALL DIMENSIONS ARE IN mm.
2. ALL ELEVATIONS ARE VIEWED FROM OUTSIDE.
3. ALL DIMENSIONS TO BE VERIFIED ON SITE BEFORE FABRICATION.

LEGEND :

X1 --- DETAIL MARK NO.
X001 --- REFER SHEET NO.

1. F.F.L.--FINISHED FLOOR LEVEL
2. S.F.L.--STRUCTURAL FLOOR LEVEL
3. (R) --REVERSED DETAIL

4. GLASS LEGEND

EGL-1A--8mmHS+12mm AIR GAP+10mmTP THK. I.G.U.
EGL-2--10mm THK. CLEAR TEMPERED GLASS
EGL-4--10mm THK. TEMPERED ACID ETCHED GLASS

NO.	DATE	REVISION SUBJECT TO ARCH COMMENT	BY
B	24/11/2021	REVISION SUBJECT TO ARCH COMMENT	WYH
A	10/11/2021	REVISION SUBJECT TO ARCH COMMENT	WYH

JOB NO. : J-856

PROJECT :

PROPOSED DEVELOPMENT ABOVE
LIGHT RAIL TIN WING STOP TSWTL
NO.23,AREA 33,TIN SHUI WAI, N.T.

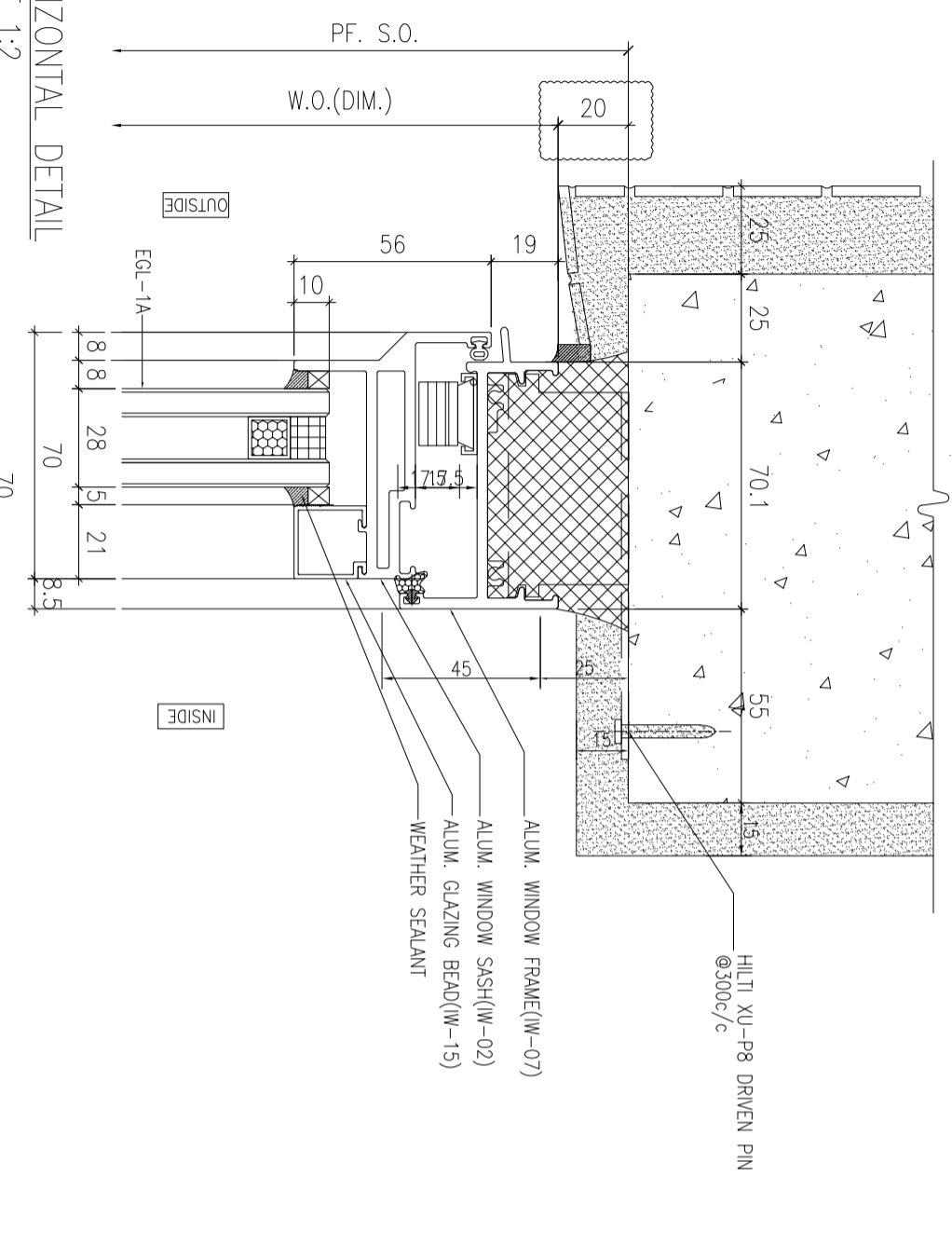
TITLE : TYPICAL DETAILS FOR IN-SITU WINDOW

DATE : 02-Aug-21 SCALE : 1:40

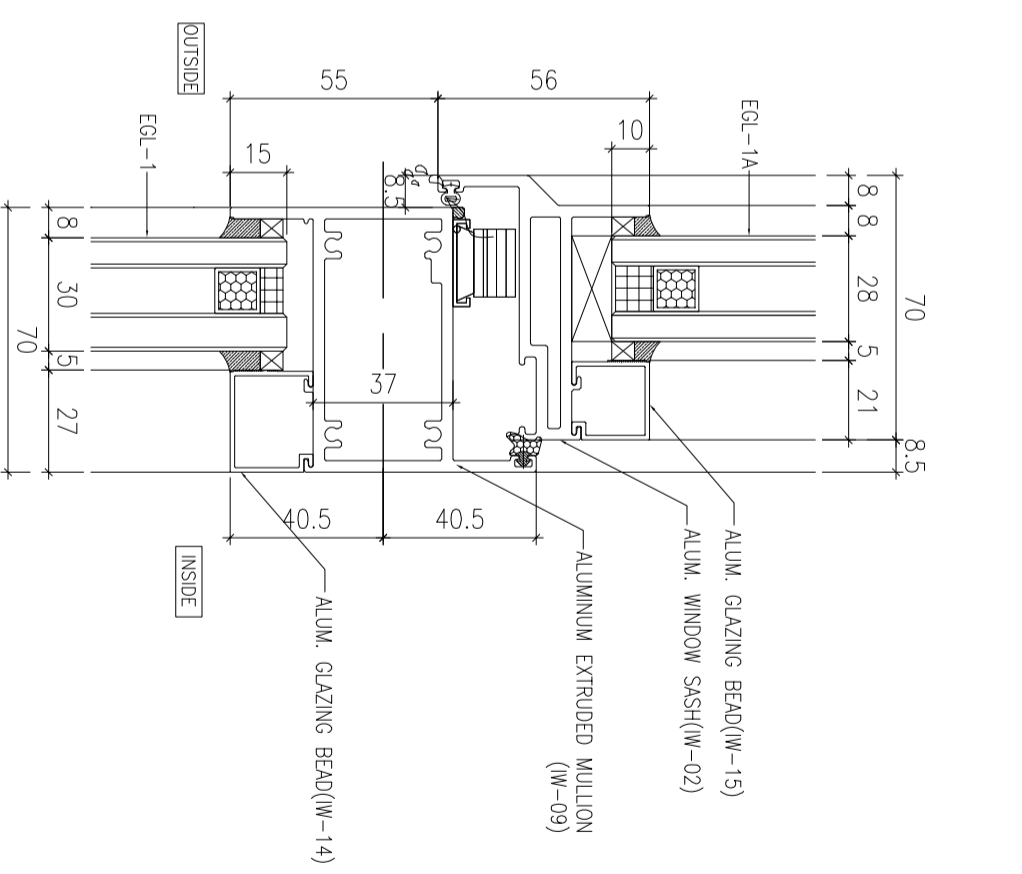
DRAWN BY : IYON CHECKED BY :

美特鋁質有限公司
MIDI ALUMINIUM FABRICATOR LTD.
Units 6-8, Sunny Industrial Centre, 1/F
610 Che Kwo Ling Road, Kowloon
Tel:23489211-4 Fax:85272727666

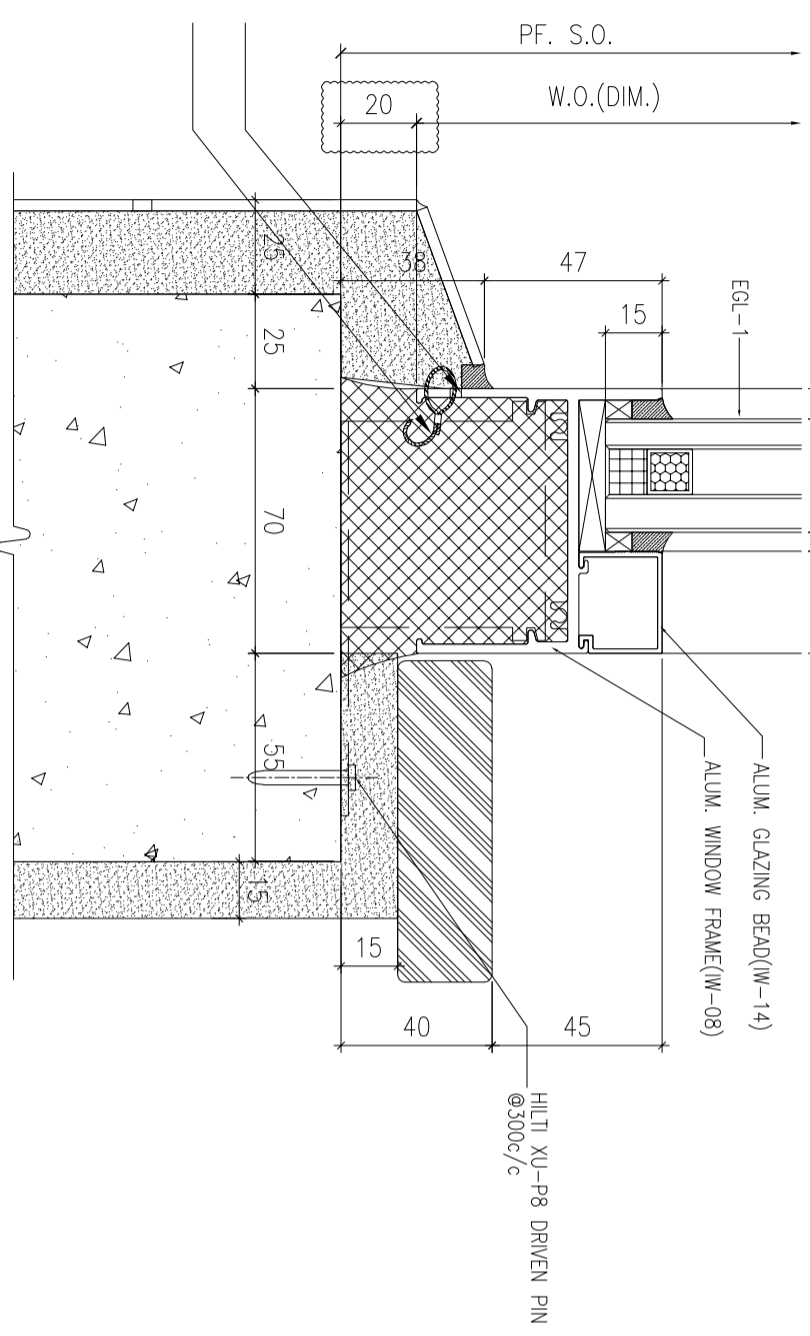
DWG NO. : JB56-SD-IW-7002 REV. : B



1 HORIZONTAL DETAIL SCALE 1:2

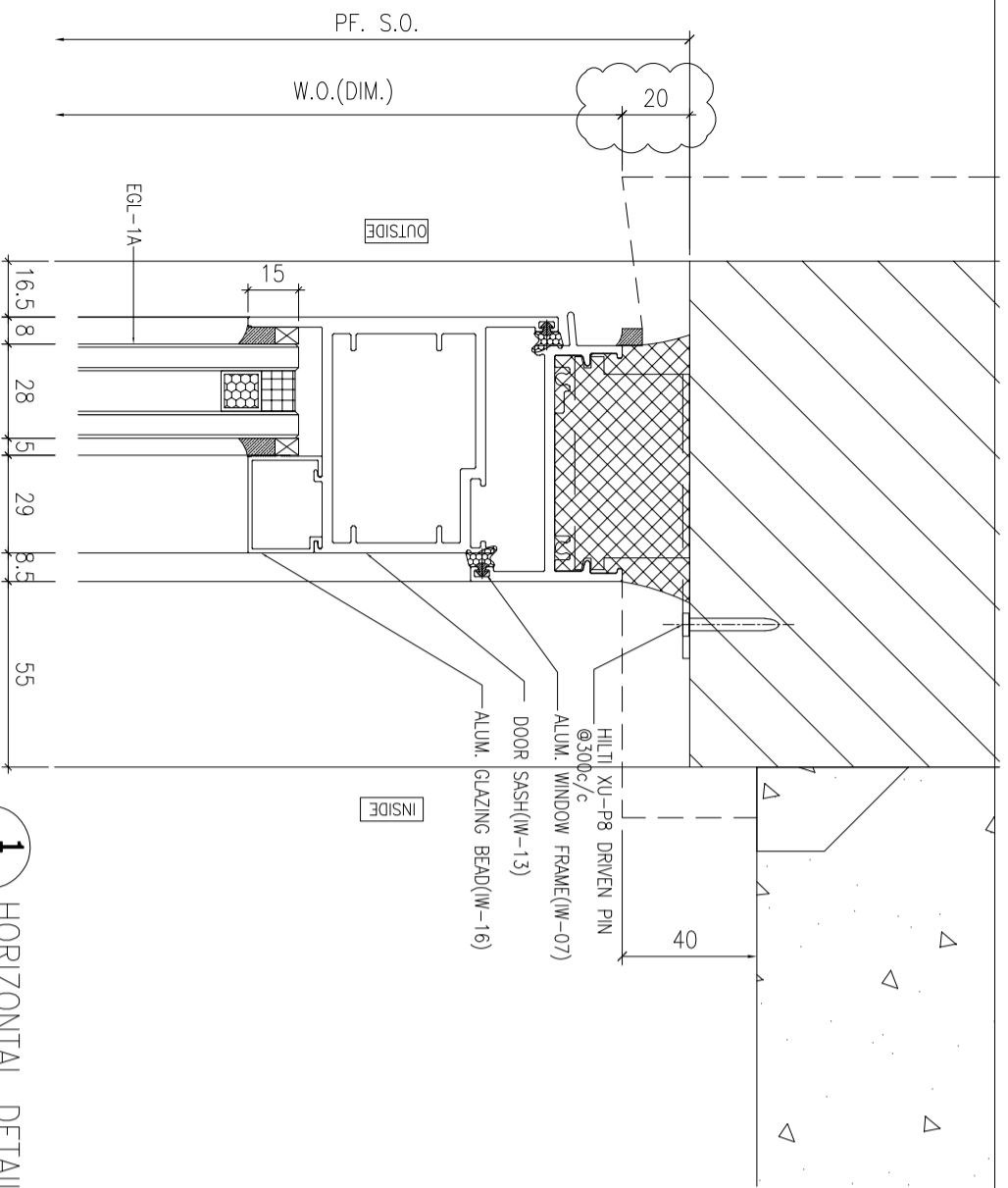


3 HORIZONTAL DETAIL SCALE 1:2

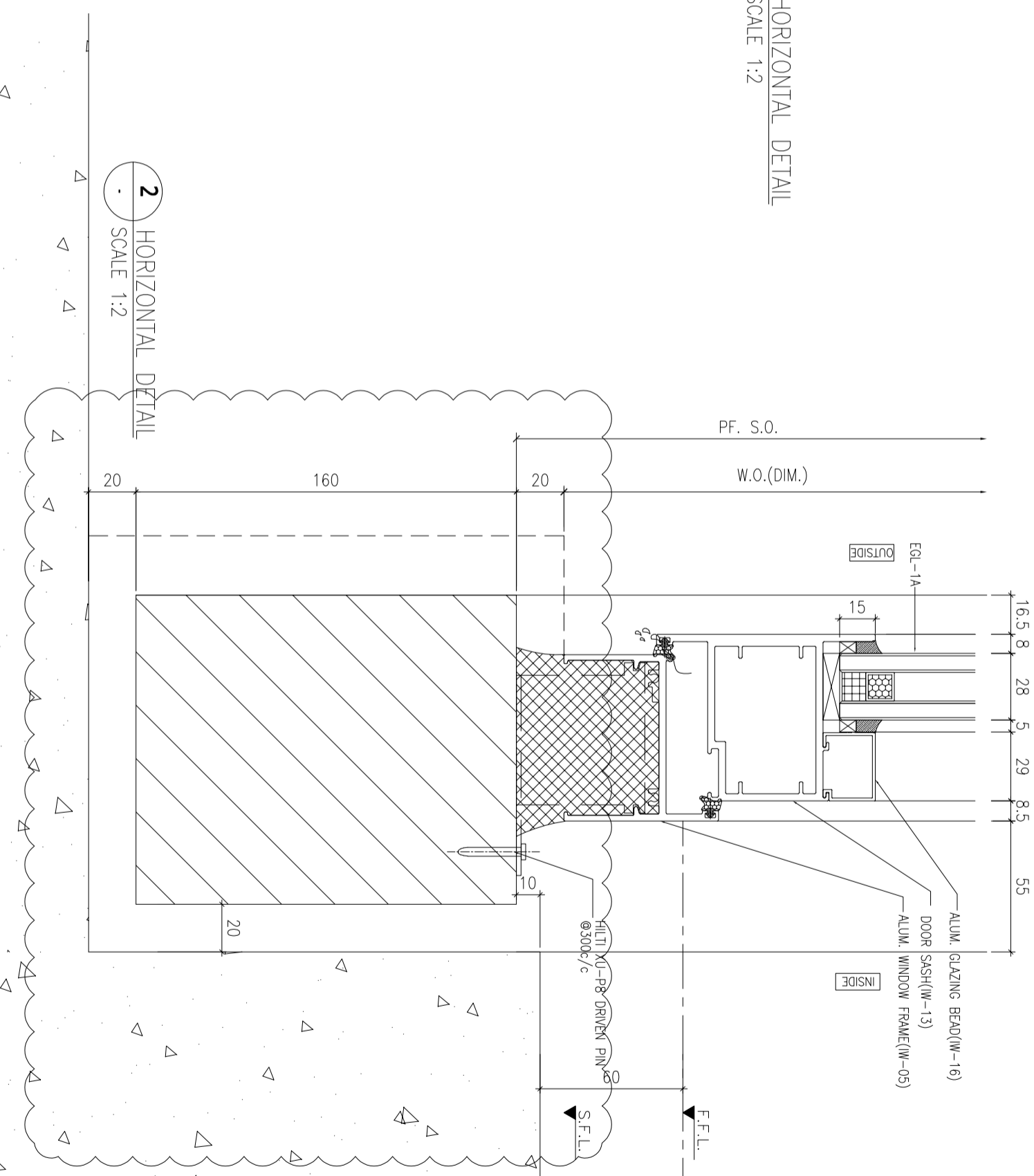


2 HORIZONTAL DETAIL SCALE 1:2

ø3mm HOLE
METAL WIRE
FOR EARTH BONDING



1 HORIZONTAL DETAIL
SCALE 1:2



2 HORIZONTAL DETAIL
SCALE 1:2

B.O. REF. :

CLIENT :
SUN HUNG KAI
REAL ESTATE AGENCY LTD.
42/F SUN HUNG KAI CENTRE, WANGCHAI, HONGKONG

ARCHITECT :
lwk&partners
a r c h i t e c t s

MAIN CONTRACTOR :
怡輝建築有限公司
Yee Fai Building Contractors Ltd.

STRUCTURAL ENGINEER :
ARUP

FAÇADE CONSULTANT:
ALPHA CONSULTING LIMITED
Steel Structure & Façade Specialist

NOTE :
1. ALL DIMENSIONS ARE IN mm.
2. ALL ELEVATIONS ARE VIEWED FROM OUTSIDE.
3. ALL DIMENSIONS TO BE VERIFIED ON SITE BEFORE FABRICATION.

LEGEND :
X1 DETAIL MARK NO.
X001 REFER SHEET NO.

1. F.F.L.--FINISHED FLOOR LEVEL
2. S.F.L.--STRUCTURAL FLOOR LEVEL
3. (R) --REVERSED DETAIL
4. GLASS LEGEND
EGL-1--8mmHS+12mm AIR GAP+10mmTP THK. I.G.U.
EGL-1A--8mmHS+12mm AIR GAP+8mmTP THK. I.G.U.
EGL-2--10mm THK. CLEAR TEMPERED GLASS
EGL-4--10mm THK. TEMPERED ACID ETCHED GLASS

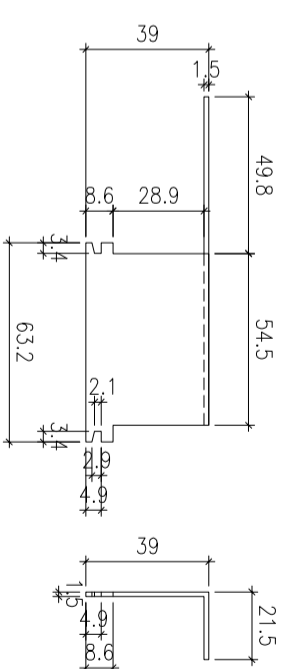
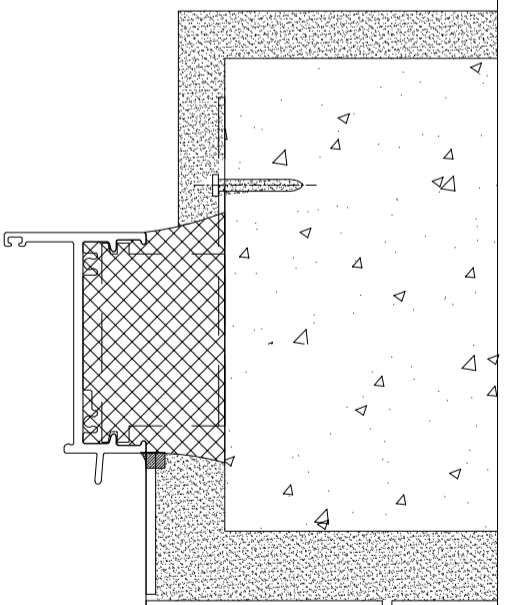
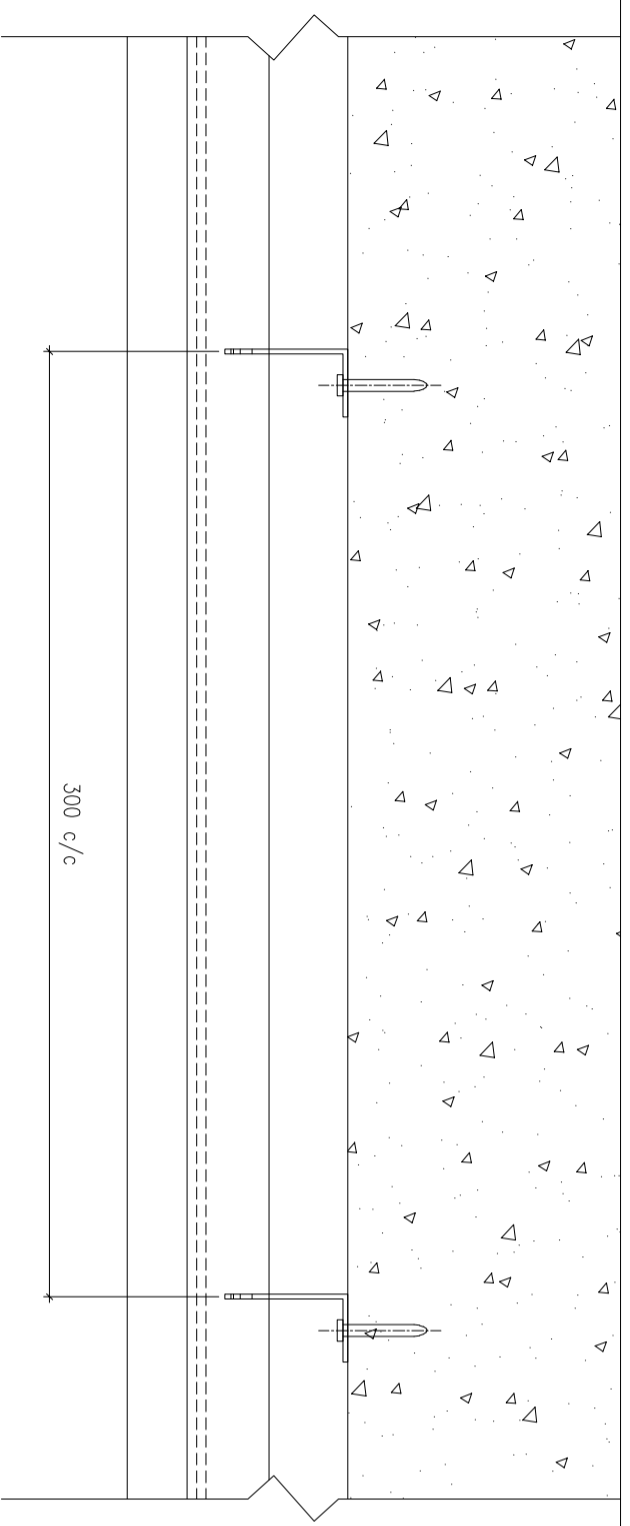
NO.	DATE	REVISION SUBJECT TO ARCH/COMMENT	BY
B	24/11/2021	REVISION SUBJECT TO ARCH/COMMENT	lwk
A	10/11/2021	REVISION SUBJECT TO ARCH/COMMENT	lwk

JOB NO. : J-856
PROJECT : PROPOSED DEVELOPMENT ABOVE LIGHT RAIL TIN WING STOP TSWTL NO.23,AREA 33,TIN SHUI WAI, N.T.

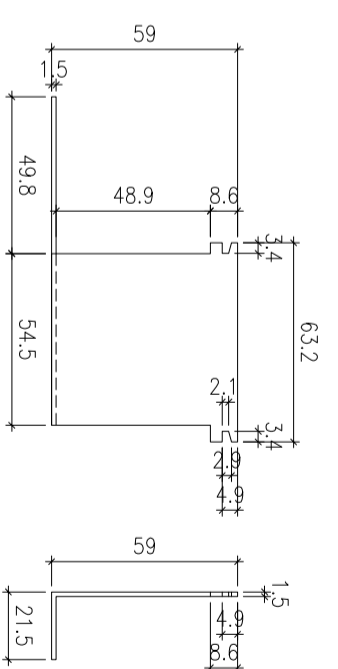
TITLE : TYPICAL DETAILS FOR IN-SITU WINDOW

DATE : 02-Aug-21 SCALE : 1:40
DRAWN BY : lvgm CHECKED BY :

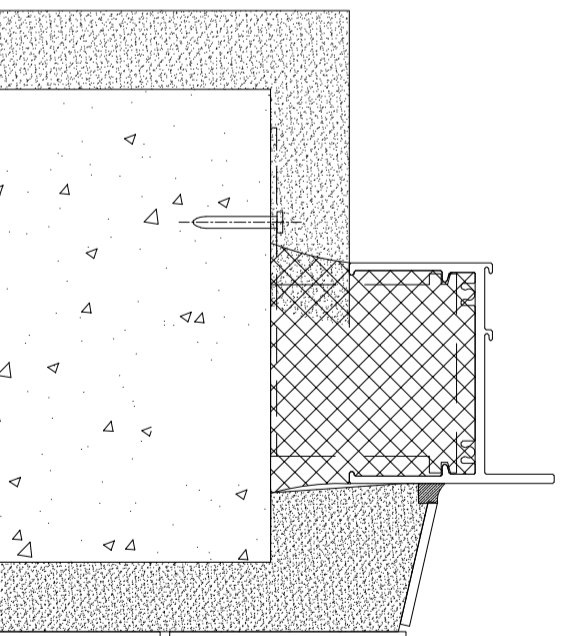
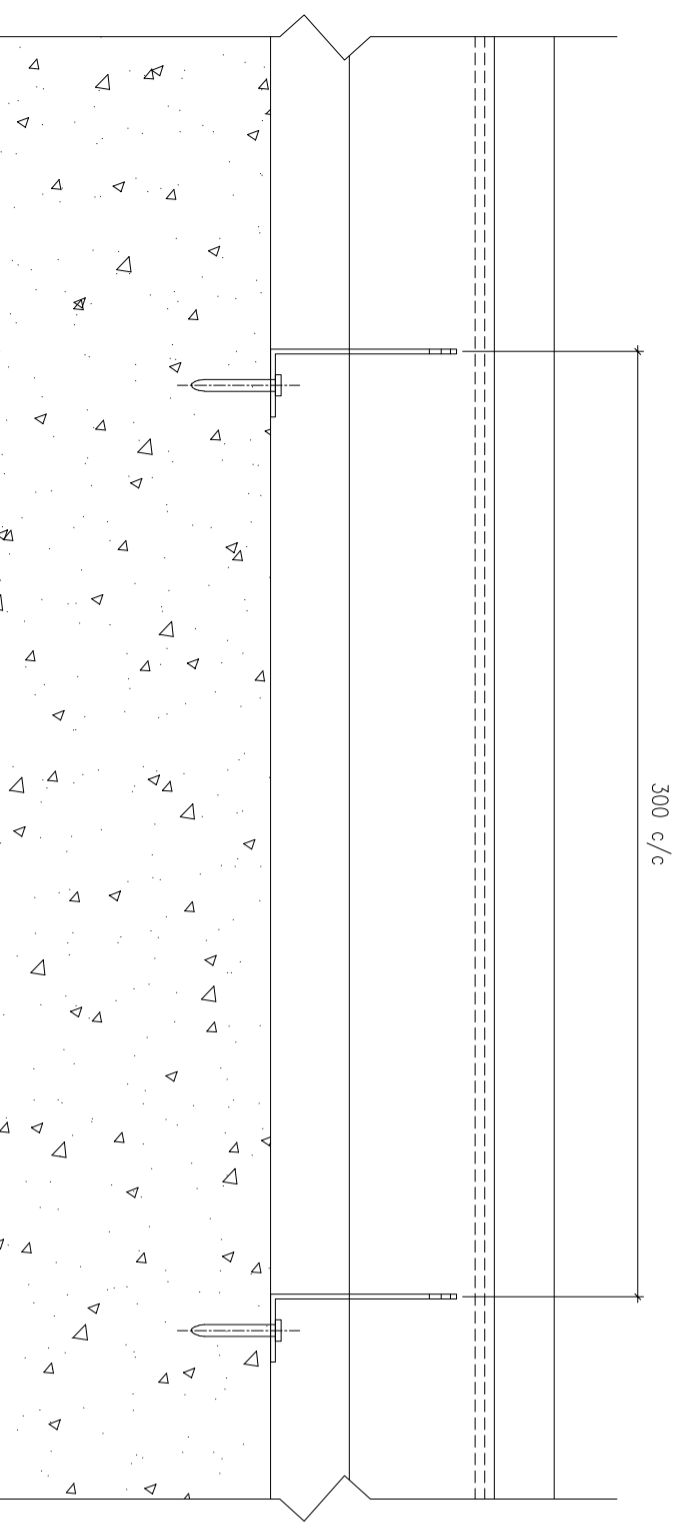
美特鋁質有限公司
MIDI ALUMINIUM FABRICATOR LTD.
Units 6-8, Sunny Industrial Centre, 1/F
610 Che Kwo Ling Road, Kowloon
Tel:23489211-4 Fax:8522727666
DWG NO. : J856-SD-IW-7003 REV. : B



1 HORIZONTAL DETAIL
SCALE 1:2



1 HORIZONTAL DETAIL
SCALE 1:2



B.O. REF :

CLIENT :

SUN HUNG KAI
REAL ESTATE AGENCY LTD.
42/F SUN HUNG KAI CENTRE, WANGCHAI, HONGKONG

ARCHITECT :

IWK&partners
a r c h i t e c t s

MAIN CONTRACTOR :

怡輝建築有限公司
Yee Fai Building Contractors Ltd.

STRUCTURAL ENGINEER :

ARUP

FAÇADE CONSULTANT:

ALPHA CONSULTING LIMITED
Steel Structure & Façade Specialist

NOTE :

1. ALL DIMENSIONS ARE IN mm.
2. ALL ELEVATIONS ARE VIEWED FROM OUTSIDE.
3. ALL DIMENSIONS TO BE VERIFIED ON SITE BEFORE FABRICATION.

LEGEND :

X1 --- DETAIL MARK NO.
X001 --- REFER SHEET NO.

1. F.F.L. -- FINISHED FLOOR LEVEL
2. S.F.L. -- STRUCTURAL FLOOR LEVEL
3. (R) -- REVERSED DETAIL

4. GLASS LEGEND

- EQ1-1 -- 8mmHS+12mm AIR GAP+10mmTP THK. I.G.U.
- EQ1-1A -- 8mmHS+12mm AIR GAP+8mmTP THK. I.G.U.
- EQ1-2 -- 10mm THK. CLEAR TEMPERED GLASS
- EQ1-4 -- 10mm THK. TEMPERED ACID ETCHED GLASS

NO.	DATE	REVISION SUBJECT TO ARCH/COMMENT	BY
A	10/11/2021	REVISION SUBJECT TO ARCH/COMMENT	WPN

JOB NO. : J-856

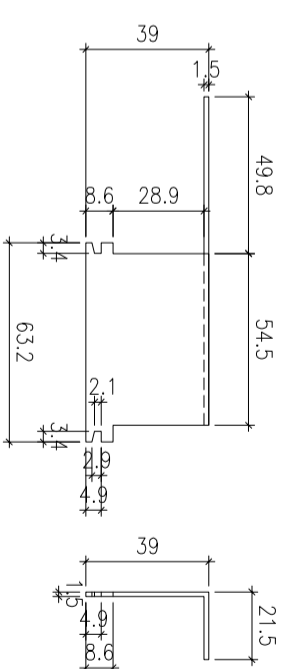
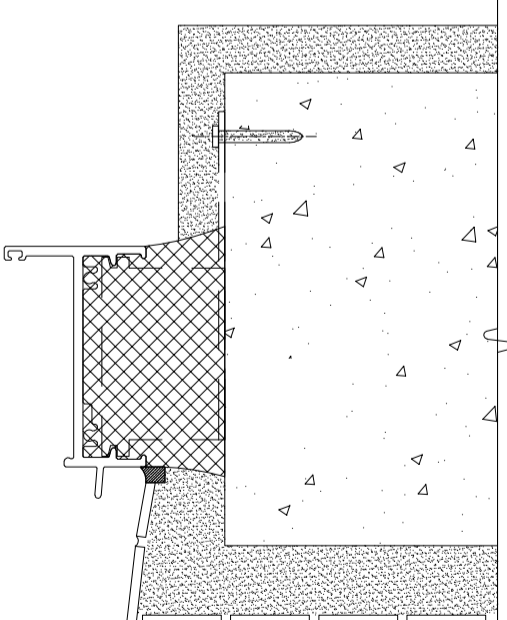
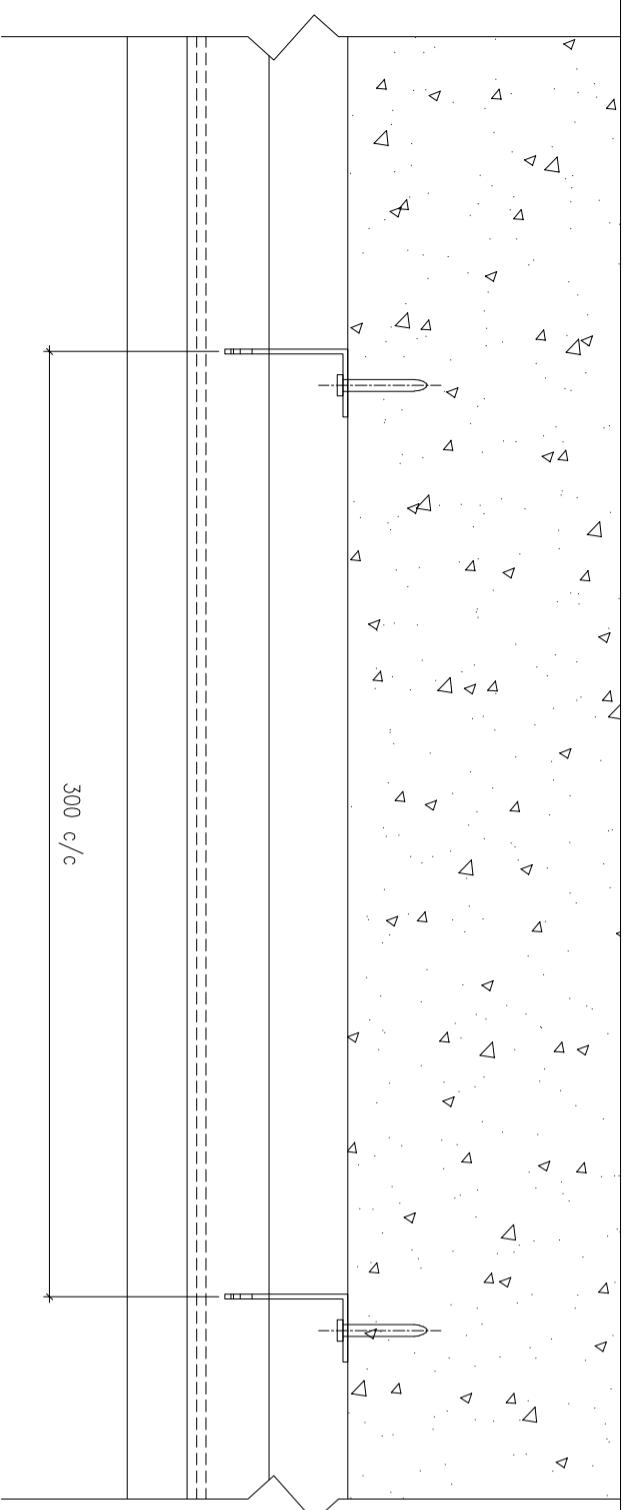
PROJECT :
PROPOSED DEVELOPMENT ABOVE
LIGHT RAIL TIN WING STOP TSWTL
NO.23,AREA 33,TIN SHUI WAI, N.T.

TITLE :
G.M.S FIXING LUG TYPICAL DETAIL
FOR IN-SITU WINDOW

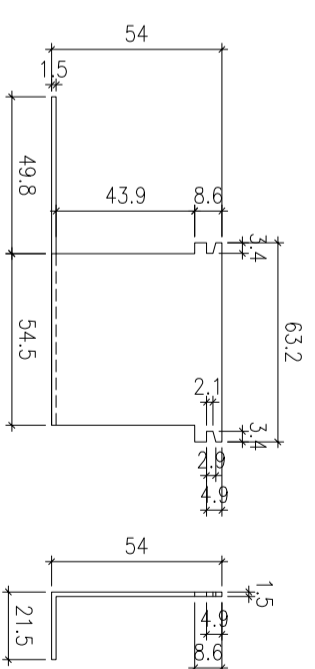
DATE : 02-Aug-21 SCALE : 1:60

DRAWN BY : Ivojn CHECKED BY :

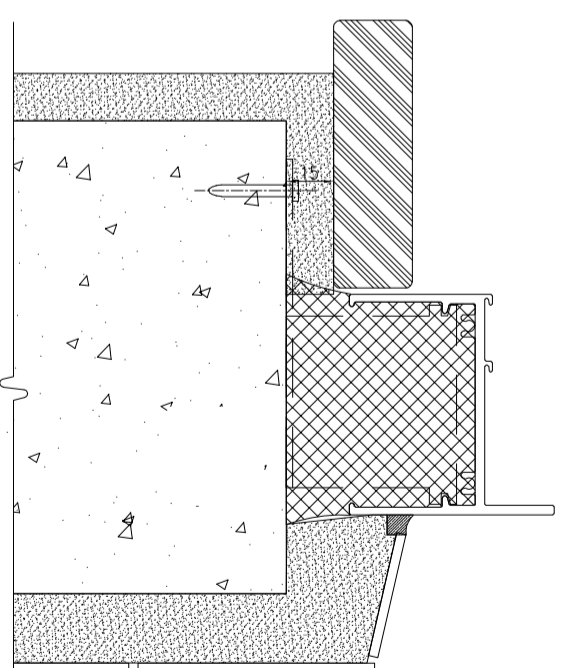
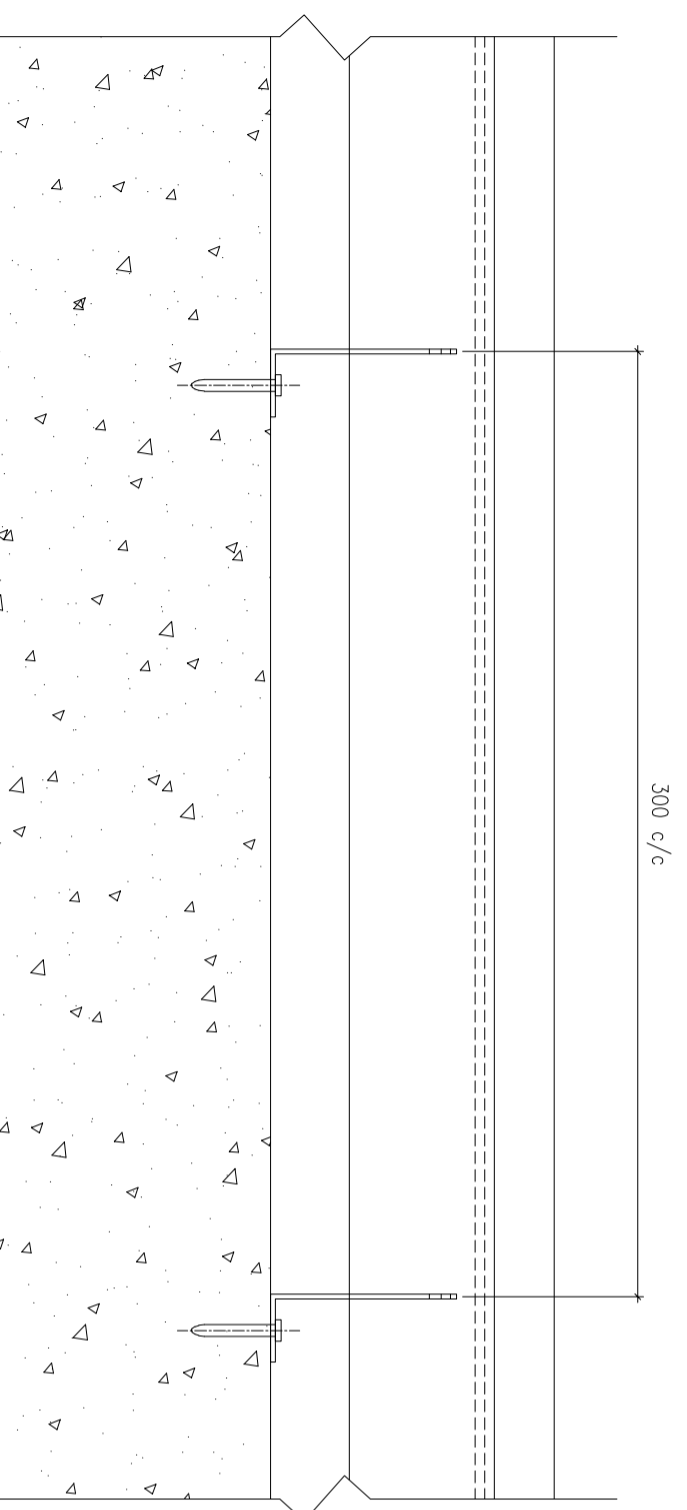
美特鋁質有限公司
MIDI ALUMINIUM FABRICATOR LTD.
Units 6-8, Sunny Industrial Centre, 1/F
610 Che Kwo Ling Road, Kowloon
Tel:23489211-4 Fax:18527272666
DWG NO. : J856-SD-IW-7004 REV. : A



1 HORIZONTAL DETAIL
SCALE 1:2



1 HORIZONTAL DETAIL
SCALE 1:2



B.O. REF :

CLIENT :

SUN HUNG KAI
REAL ESTATE AGENCY LTD.
42/F SUN HUNG KAI CENTRE, WANGCHAI, HONGKONG

ARCHITECT :

IWK&partners
a r c h i t e c t s

MAIN CONTRACTOR :

怡輝建築有限公司
Yee Fai Building Contractors Ltd.

STRUCTURAL ENGINEER :

ARUP

FAÇADE CONSULTANT :

ALPHA CONSULTING LIMITED
Steel Structure & Façade Specialist

NOTE :

1. ALL DIMENSIONS ARE IN mm.
2. ALL ELEVATIONS ARE VIEWED FROM OUTSIDE.
3. ALL DIMENSIONS TO BE VERIFIED ON SITE BEFORE FABRICATION.

LEGEND :

X1 --- DETAIL MARK NO.
X001 --- REFER SHEET NO.

1. F.F.L. --- FINISHED FLOOR LEVEL
2. S.F.L. --- STRUCTURAL FLOOR LEVEL
3. (R) --- REVERSED DETAIL

4. GLASS LEGEND
EQ1-1 --- 8mmHS+12mm AIR GAP+10mmTP THK. I.G.U.
EQ1-1A --- 8mmHS+12mm AIR GAP+8mmTP THK. I.G.U.
EQ1-2 --- 10mm THK. CLEAR TEMPERED GLASS
EQ1-4 --- 10mm THK. TEMPERED ACID ETCHED GLASS

NO.	DATE	REVISION SUBJECT TO ARCH COMMENT	BY
A	10/11/2021	REVISION SUBJECT TO ARCH COMMENT	WPN

JOB NO. : J-856

PROJECT :
PROPOSED DEVELOPMENT ABOVE
LIGHT RAIL TIN WING STOP TSWTL
NO.23,AREA 33,TIN SHUI WAI, N.T.

TITLE :
G.M.S FIXING LUG TYPICAL DETAIL
FOR IN-SITU WINDOW

DATE : 02-Aug-21 SCALE : 1:60
DRAWN BY : Ivojn CHECKED BY :

美特鋁質有限公司
MIDI ALUMINIUM FABRICATOR LTD.
Units 6-8, Sunny Industrial Centre, 1/F
610 Che Kwo Ling Road, Kowloon
Tel:23489211-4 Fax:185212727666
DWG NO. : J856-SD-IW-7005 REV. : A

B.O. REF :

CLIENT :
SUN HUNG KAI
REAL ESTATE AGENCY LTD.
42/F, SUN HUNG KAI CENTRE, WANGCHAI, HONGKONG

ARCHITECT :
lwk&partners
a r c h i t e c t s

MAIN CONTRACTOR :
怡和建築有限公司
Yee Fai Building Contractors Ltd.

STRUCTURAL ENGINEER :
ARUP

FAÇADE CONSULTANT:
ALPHA CONSULTING LIMITED
Steel Structure & Façade Specialist

NOTE :
1. ALL DIMENSIONS ARE IN mm.
2. ALL ELEVATIONS ARE VIEWED FROM OUTSIDE.
3. ALL DIMENSIONS TO BE VERIFIED ON SITE BEFORE FABRICATION.

LEGEND :
X1 --- DETAIL MARK NO.
X001 --- REFER SHEET NO.

1. F.F.L. -- FINISHED FLOOR LEVEL
2. S.F.L. -- STRUCTURAL FLOOR LEVEL
3. (R) -- REVERSED DETAIL

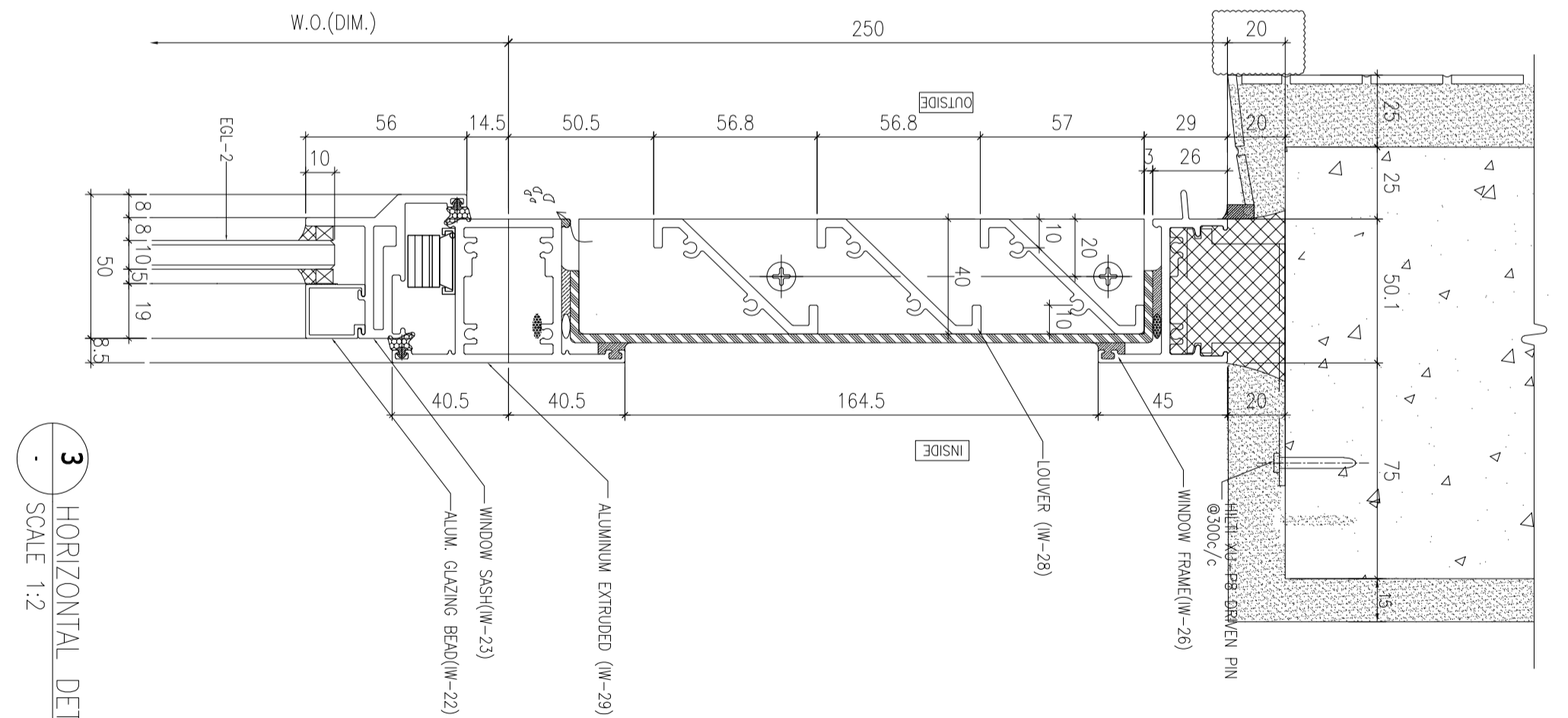
4. GLASS LEGEND
EGL-1 -- 8mmHS+12mm AIR GAP+10mmTP THK. I.G.U.
EGL-1A -- 8mmHS+12mm AIR GAP+8mmTP THK. I.G.U.
EGL-2 -- 10mm THK. CLEAR TEMPERED GLASS
EGL-4 -- 10mm THK. TEMPERED ACID ETCHED GLASS

NO.	DATE	REVISION SUBJECT TO ARCH/COMMENT	BY
A	10/11/2021	REVISION SUBJECT TO ARCH/COMMENT	HWB
B	24/11/2021	REVISION SUBJECT TO ARCH/COMMENT	HWB

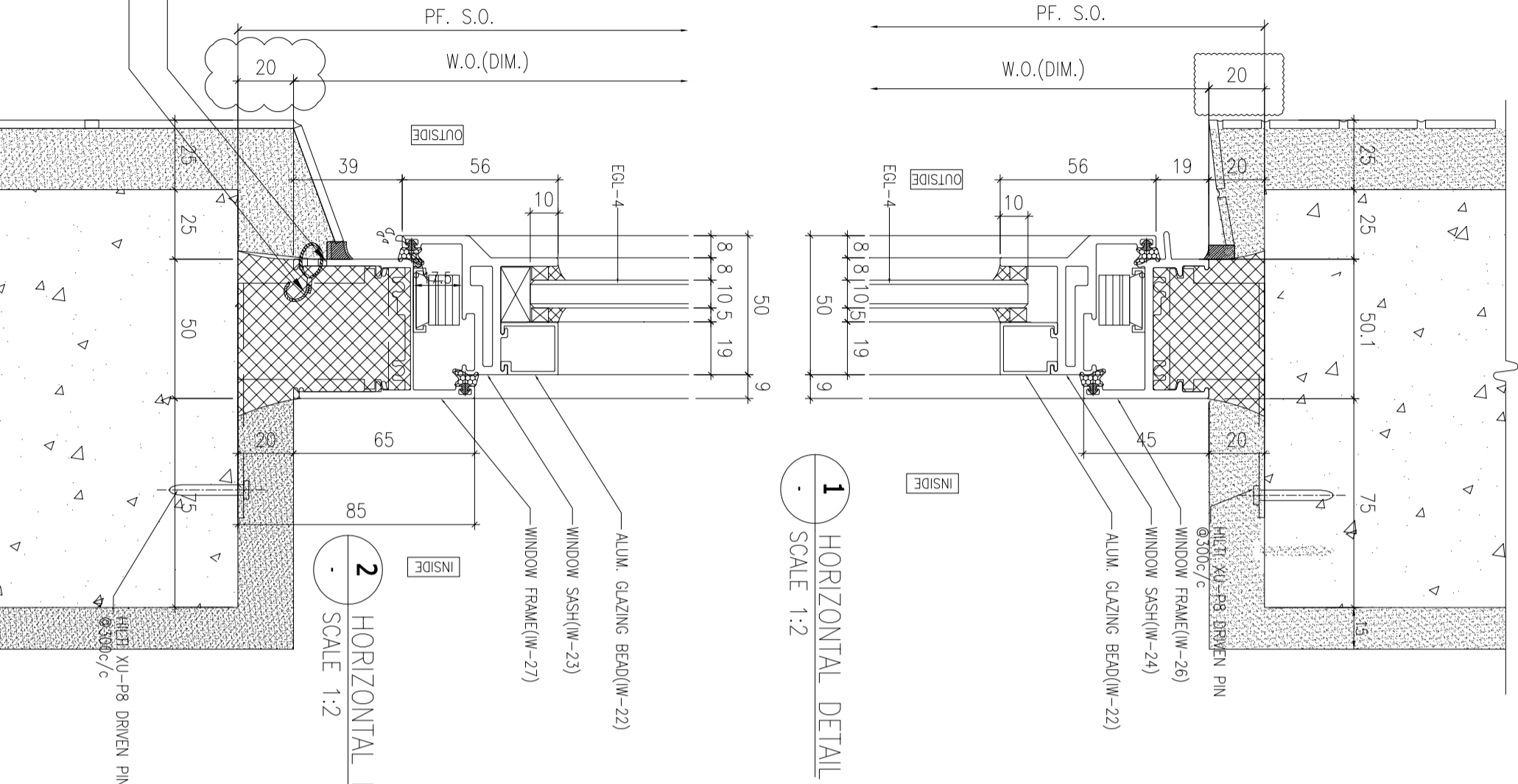
JOB NO. : J-856
PROJECT : PROPOSED DEVELOPMENT ABOVE LIGHT RAIL TIN WING STOP TSWTL NO.23, AREA 33, TIN SHUI WAI, N.T.
TITLE : TYPICAL DETAILS FOR IN-SITU WINDOW

DATE : 02-Aug-21 SCALE : 1:40
DRAWN BY : IYon CHECKED BY :

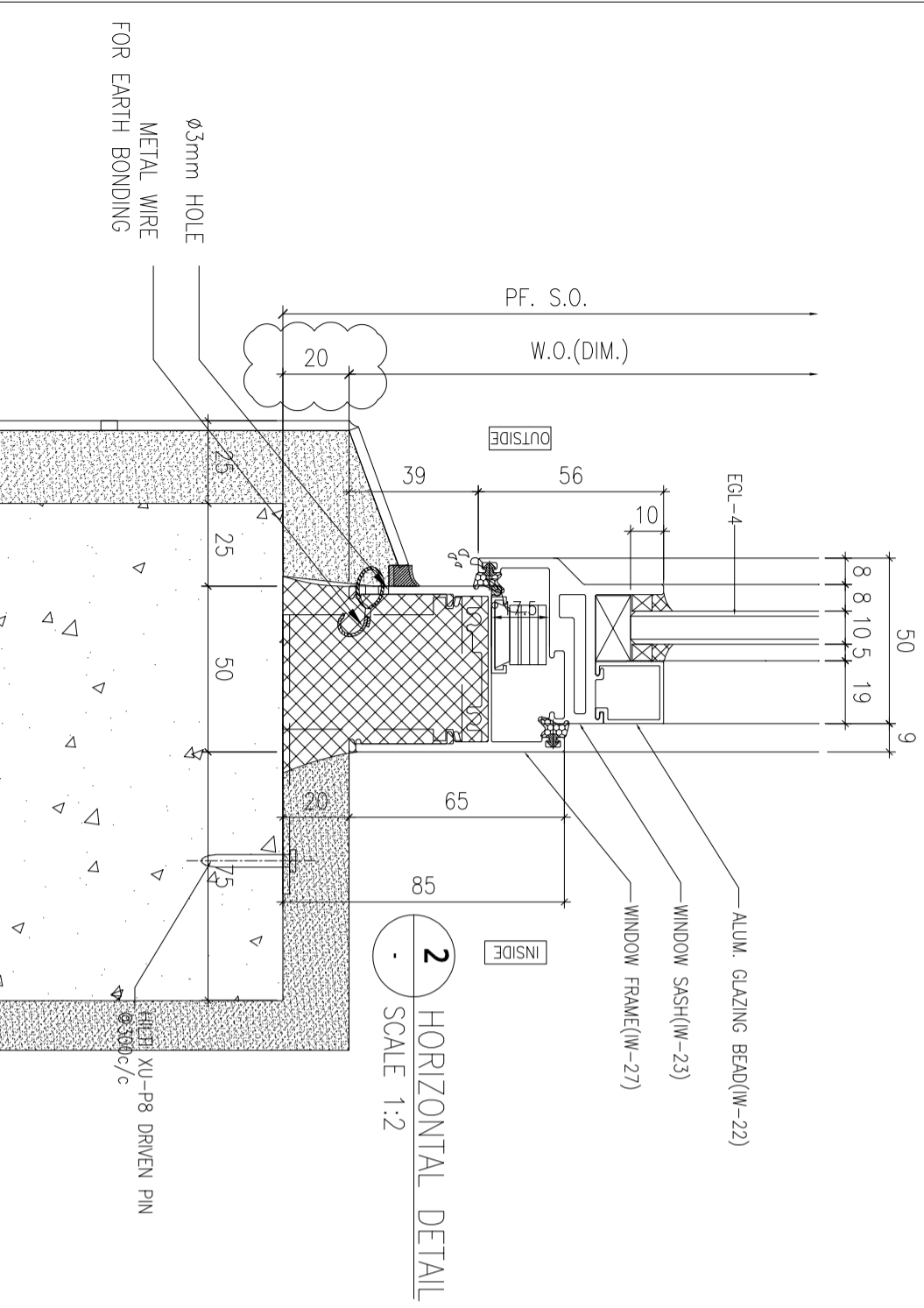
美特鋁質有限公司
MIDI ALUMINIUM FABRICATOR LTD.
Units 6-8, Sunny Industrial Centre, 1/F
610 Che Kwo Ling Road, Kowloon
Tel:23489211-4 Fax:185212727666
DWG NO. : J856-SD-IW-7006 REV. : B



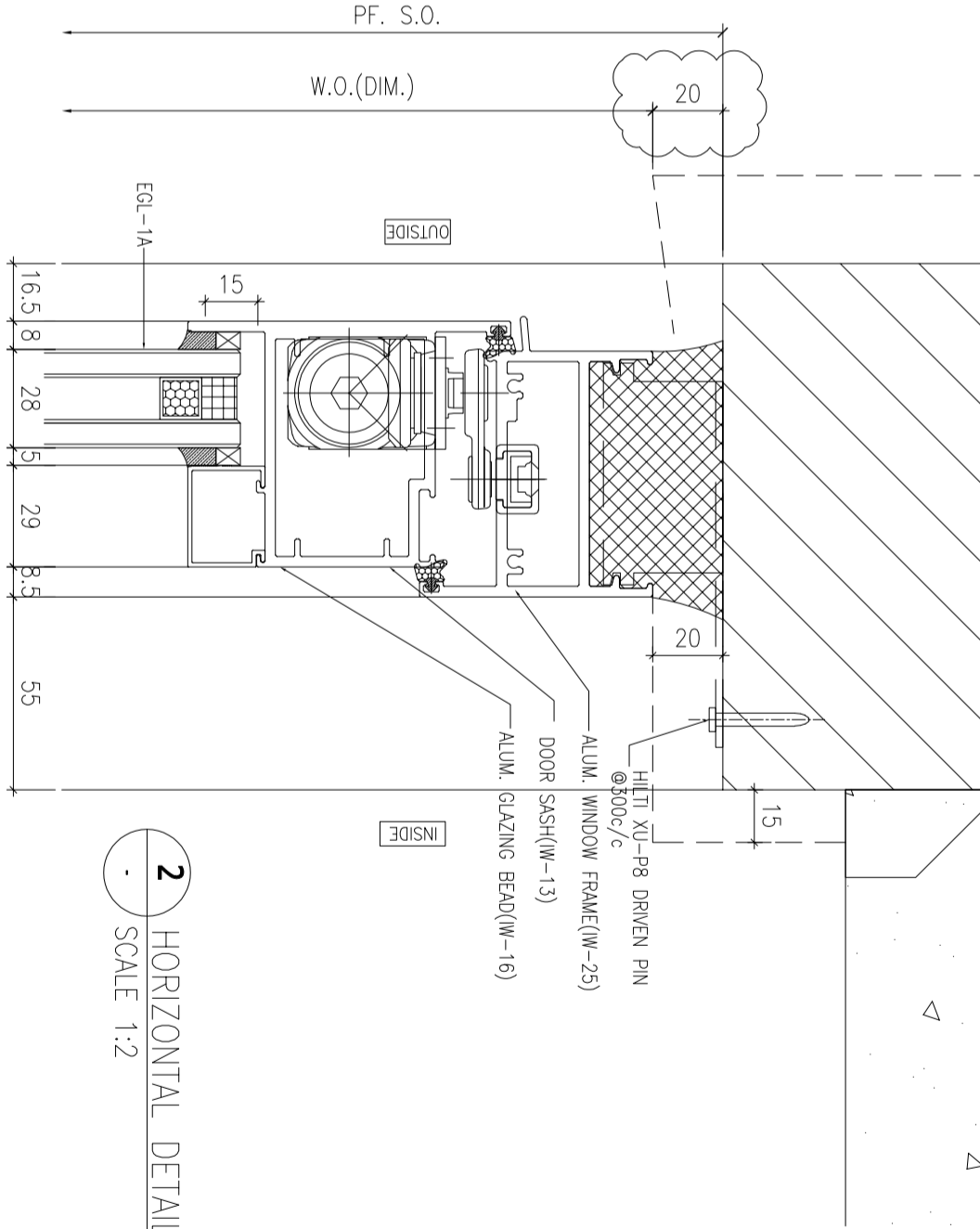
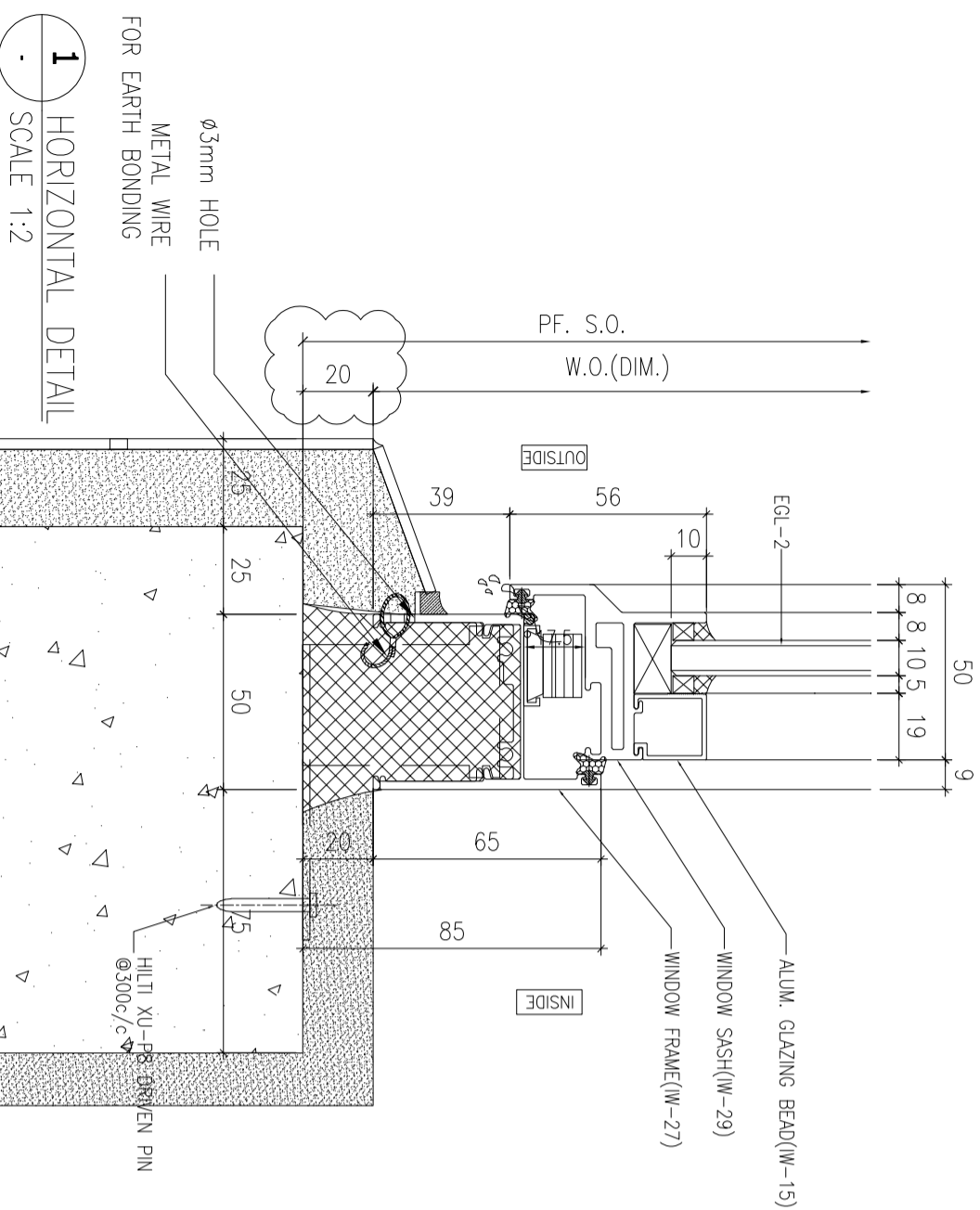
3 HORIZONTAL DETAIL
SCALE 1:2



1 HORIZONTAL DETAIL
SCALE 1:2



2 HORIZONTAL DETAIL
SCALE 1:2



B.O. REF :

CLIENT :

SUN HUNG KAI
REAL ESTATE AGENCY LTD.
42/F SUN HUNG KAI CENTRE, WANGCHAI, HONGKONG

ARCHITECT :

IWK&partners
a r c h i t e c t s

MAIN CONTRACTOR :

怡輝建築有限公司
Yee Fai Building Contractors Ltd.

STRUCTURAL ENGINEER :

ARUP

FAÇADE CONSULTANT:

ALPHA CONSULTING LIMITED
Steel Structure & Façade Specialist

2 HORIZONTAL DETAIL
SCALE 1:2

NOTE:
1. ALL DIMENSIONS ARE IN mm.
2. ALL ELEVATIONS ARE VIEWED FROM OUTSIDE.
3. ALL DIMENSIONS TO BE VERIFIED ON SITE BEFORE FABRICATION.
LEGEND:
X1 DETAIL MARK NO.
X001 REFER SHEET NO.

1. F.F.L.--FINISHED FLOOR LEVEL
2. S.F.L.--STRUCTURAL FLOOR LEVEL
3. (R) --REVERSED DETAIL
4. GLASS LEGEND

EGL-1A--8mmHS+12mm AIR GAP+10mmTP THK. I.G.U.
EGL-2--10mm THK. CLEAR TEMPERED GLASS
EGL-4--10mm THK. TEMPERED ACID ETCHED GLASS

NO.	DATE	REVISION SUBJECT TO ARCH COMMENT	BY
B	24/11/2021	REVISION SUBJECT TO ARCH COMMENT	lvgn
A	10/11/2021	REVISION SUBJECT TO ARCH COMMENT	lvgn

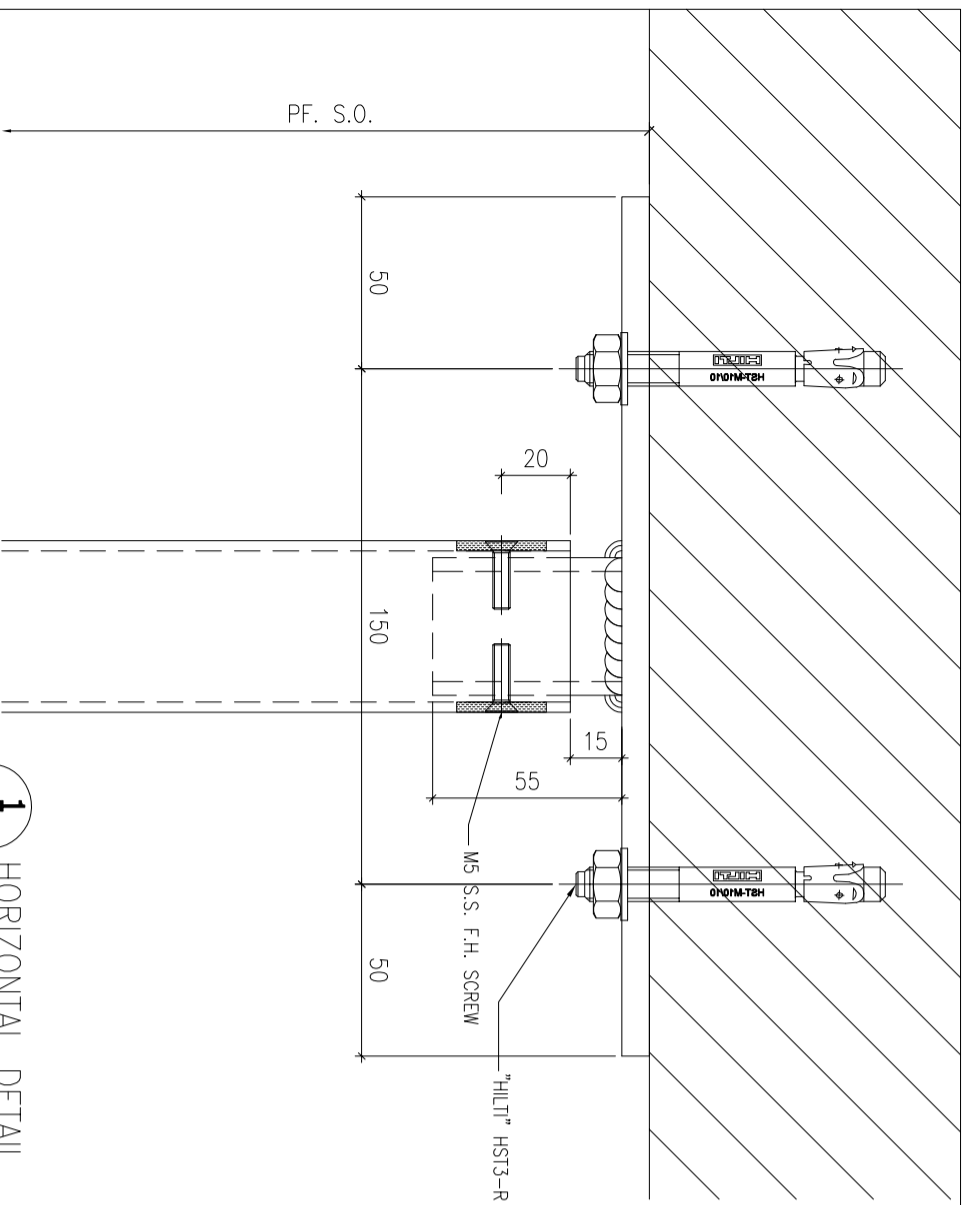
JOB NO. : J-856

PROJECT :
PROPOSED DEVELOPMENT ABOVE
LIGHT RAIL TIN WING STOP TSWTL
NO.23,AREA 33,TIN SHUI WAI, N.T.

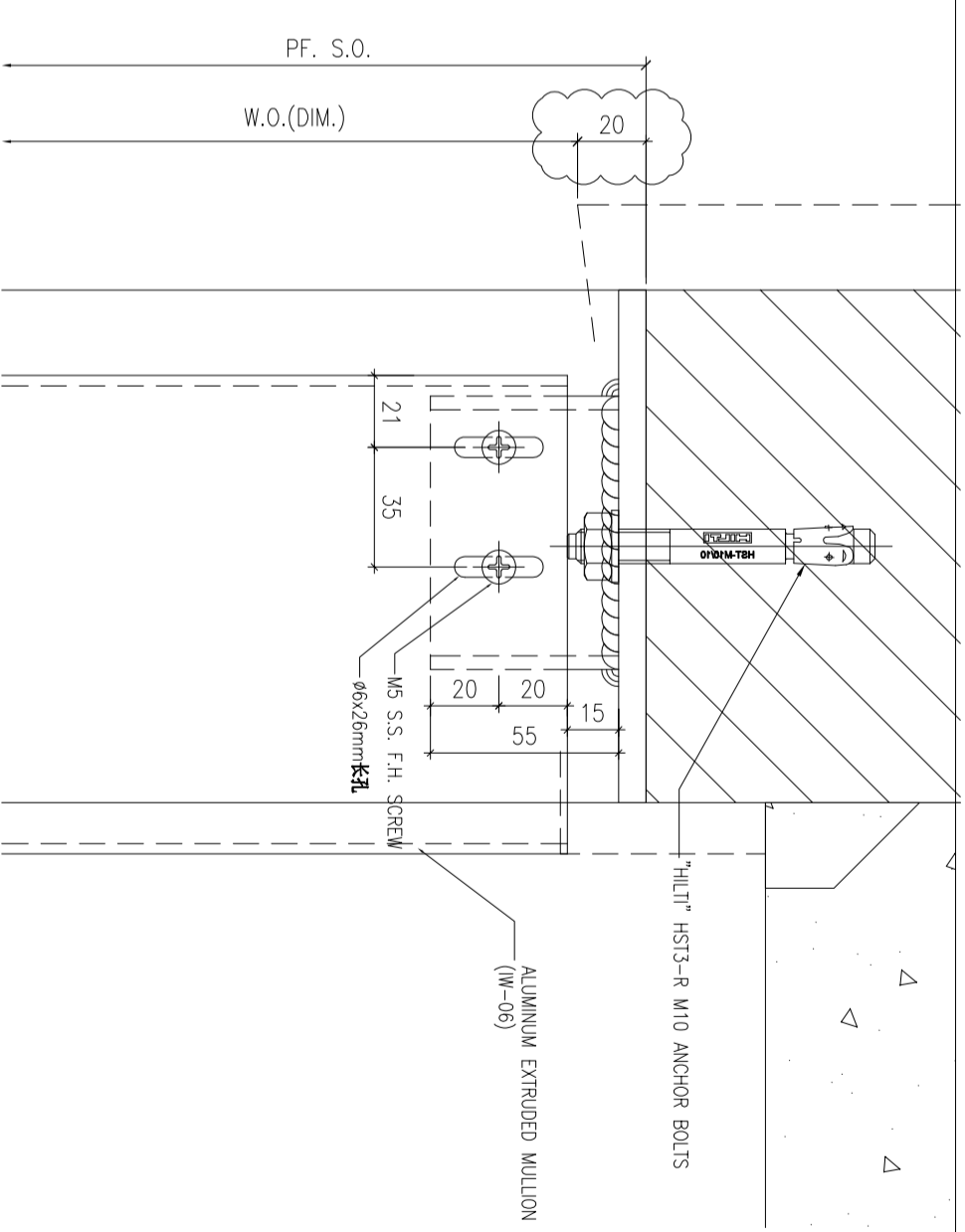
TITLE :
TYPICAL DETAILS FOR
IN-SITU WINDOW

DATE : 02-Aug-21 SCALE : 1:40
DRAWN BY : lvgn CHECKED BY :

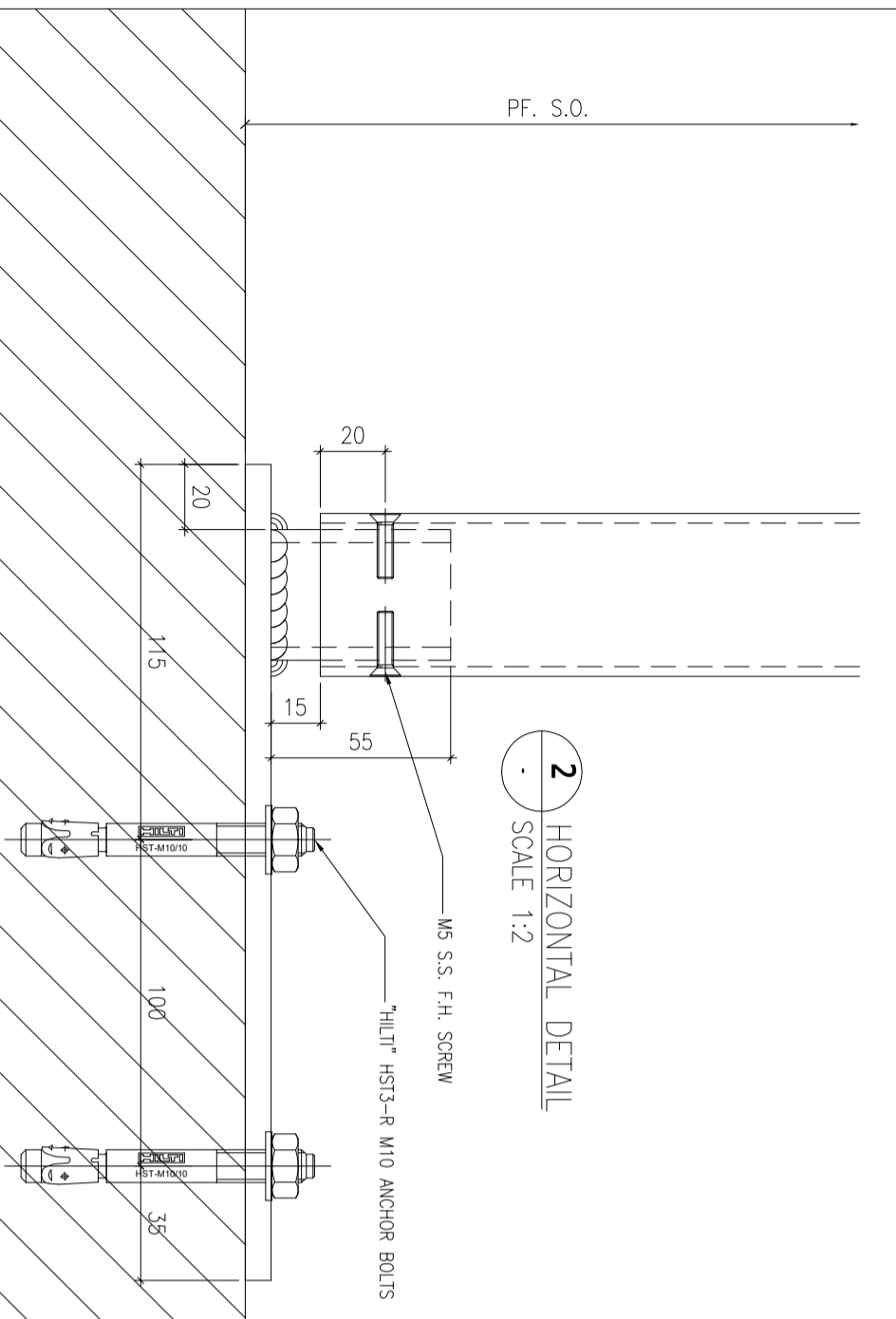
美特鋁質有限公司
MIDI ALUMINIUM FABRICATOR LTD.
Units 6-8, Sunny Industrial Centre, 1/F
610 Che Kwo Ling Road, Kowloon
Tel:23489211-4 Fax:8522727666
DWG NO. : JB56-SD-IW-7007 REV. : B



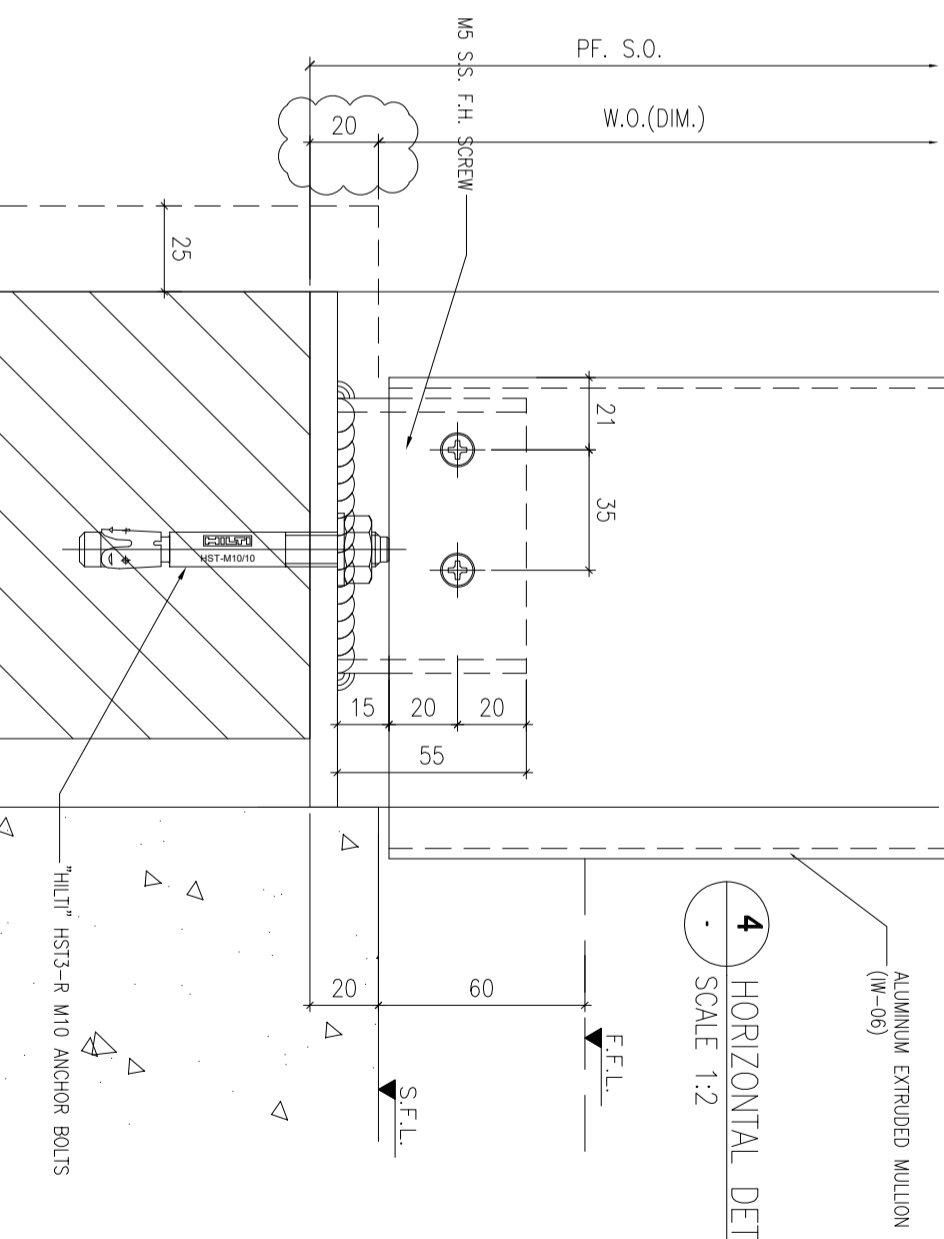
1 HORIZONTAL DETAIL
SCALE 1:2



3 HORIZONTAL DETAIL
SCALE 1:2



2 HORIZONTAL DETAIL
SCALE 1:2



4 HORIZONTAL DETAIL
SCALE 1:2

B.O. REF :
CLIENT :
SUN HUNG KAI
REAL ESTATE AGENCY LTD.
42/F SUN HUNG KAI CENTRE, WANGCHAI, HONGKONG
ARCHITECT :
IWK&partners
a r c h i t e c t s
MAIN CONTRACTOR :
怡和建築有限公司
Yee Fai Building Contractors Ltd.
STRUCTURAL ENGINEER :
ARUP
FAÇADE CONSULTANT:
ALPHA CONSULTING LIMITED
Steel Structure & Façade Specialist

NOTE :
1. ALL DIMENSIONS ARE IN mm.
2. ALL ELEVATIONS ARE VIEWED FROM OUTSIDE.
3. ALL DIMENSIONS TO BE VERIFIED ON SITE BEFORE FABRICATION.

LEGEND :
X1 --- DETAIL MARK NO.
X001 --- REFER SHEET NO.

1. F.F.L. -- FINISHED FLOOR LEVEL
2. S.F.L. -- STRUCTURAL FLOOR LEVEL
3. (R) -- REVERSED DETAIL
4. GLASS LEGEND
EQ1-1 -- 8mmHS+12mm AIR GAP+10mmTP THK. I.G.U.
EQ1-1A -- 8mmHS+12mm AIR GAP+8mmTP THK. I.G.U.
EQ1-2 -- 10mm THK. CLEAR TEMPERED GLASS
EQ1-4 -- 10mm THK. TEMPERED ACID ETCHED GLASS

DATE : 24/11/2021
REVISION SUBJECT TO ARCH COMMENT
A 10/11/2021 REVISION SUBJECT TO ARCH COMMENT
NO. DATE REVISION
JOB NO. : J-856
PROJECT :
PROPOSED DEVELOPMENT ABOVE
LIGHT RAIL TIN WING STOP TSWTL
NO.23, AREA 33, TIN SHUI WAI, N.T.
TITLE :
TYPICAL DETAILS FOR
IN-SITU WINDOW
DATE : 02-Aug-21 SCALE : 1:40
DRAWN BY : Ivon CHECKED BY :
Units 6-8, Sunny Industrial Centre, 1/F
610 Che Kwo Ling Road, Kowloon
Tel:23489211-4 Fax:85227272666
DWG NO. : J856-SD-IW-7008 REV. : B

美特鋁質有限公司
MIDI ALUMINIUM FABRICATOR LTD.
Units 6-8, Sunny Industrial Centre, 1/F
610 Che Kwo Ling Road, Kowloon
Tel:23489211-4 Fax:85227272666

B.O. REF :

CLIENT :

SUN HUNG KAI
REAL ESTATE AGENCY LTD.
42/F SUN HUNG KAI CENTRE, WANGCHAI, HONGKONG

ARCHITECT :

IWK&partners
a r c h i t e c t s

MAIN CONTRACTOR :

怡和建築有限公司
Yee Fai Building Contractors Ltd.

STRUCTURAL ENGINEER :

ARUP

FAÇADE CONSULTANT :

ALPHA CONSULTING LIMITED
Steel Structure & Façade Specialist

NOTE :

1. ALL DIMENSIONS ARE IN mm.
2. ALL ELEVATIONS ARE VIEWED FROM OUTSIDE.
3. ALL DIMENSIONS TO BE VERIFIED ON SITE BEFORE FABRICATION.

LEGEND :

X1 — DETAIL MARK NO.
X001 — REFER SHEET NO.

1. F.F.L. -- FINISHED FLOOR LEVEL
2. S.F.L. -- STRUCTURAL FLOOR LEVEL
3. (R) -- REVERSED DETAIL

4. GLASS LEGEND

EQ-1 -- 8mmHS+12mm AIR GAP+10mmTP THK. I.G.U.
EQ-1A -- 8mmHS+12mm AIR GAP+8mmTP THK. I.G.U.
EQ-2 -- 10mm THK. CLEAR TEMPERED GLASS
EQ-4 -- 10mm THK. TEMPERED ACID ETCHED GLASS

NO.	DATE	REVISION SUBJECT TO ARCH COMMENT	BY
B	13/01/2022	REVISION SUBJECT TO ARCH COMMENT	YWN
A	10/11/2021	REVISION SUBJECT TO ARCH COMMENT	YWN

JOB NO. : J-856

PROJECT :

PROPOSED DEVELOPMENT ABOVE
LIGHT RAIL TIN WING STOP TSWTL
NO.23, AREA 33, TIN SHUI WAI, N.T.

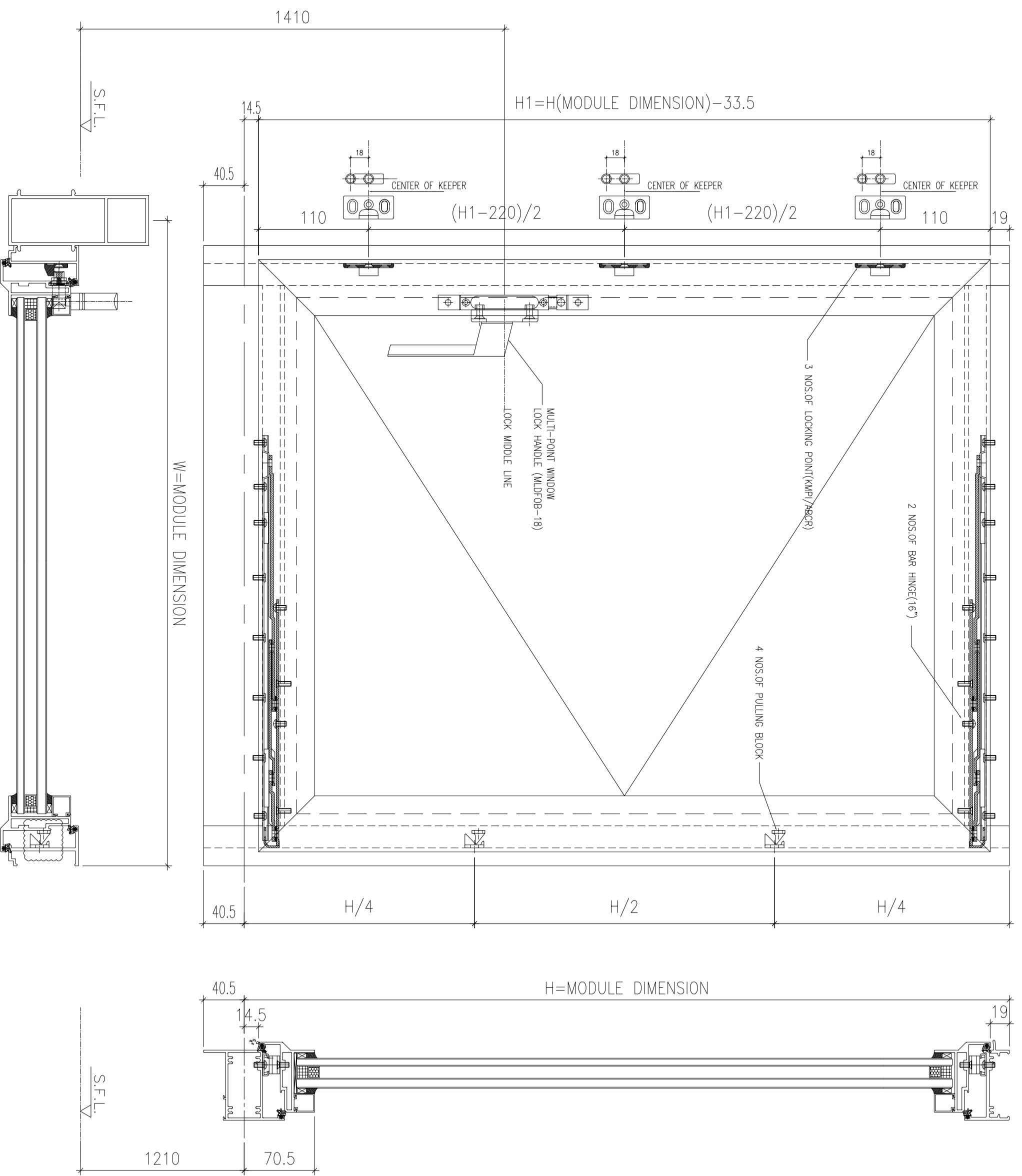
TITLE :

TYPICAL EARTHING
BONDING DETAILS OF IN-SITU

DATE : 02-Aug-21 SCALE : 1:60

DRAWN BY : IYVN CHECKED BY :

美特鋁質有限公司
MIDI ALUMINIUM FABRICATOR LTD.
Units 6-8, Sunny Industrial Centre, 1/F
610 Che Kwo Ling Road, Kowloon
Tel: 23489211-4 Fax: (852) 27272666
DWG NO. : JB56-SD-IW-7009 REV. : B



$H1 = H(\text{MODULE DIMENSION}) - 33.5$

$(H1 - 220) / 2$

$(H1 - 220) / 2$

MULTI-POINT WINDOW
LOCK HANDLE (MLDFOB-18)

LOCK MIDDLE LINE

3 NOS. OF LOCKING POINT (KMP/ASCR)

2 NOS. OF BAR HINGE (16")

4 NOS. OF PULLING BLOCK

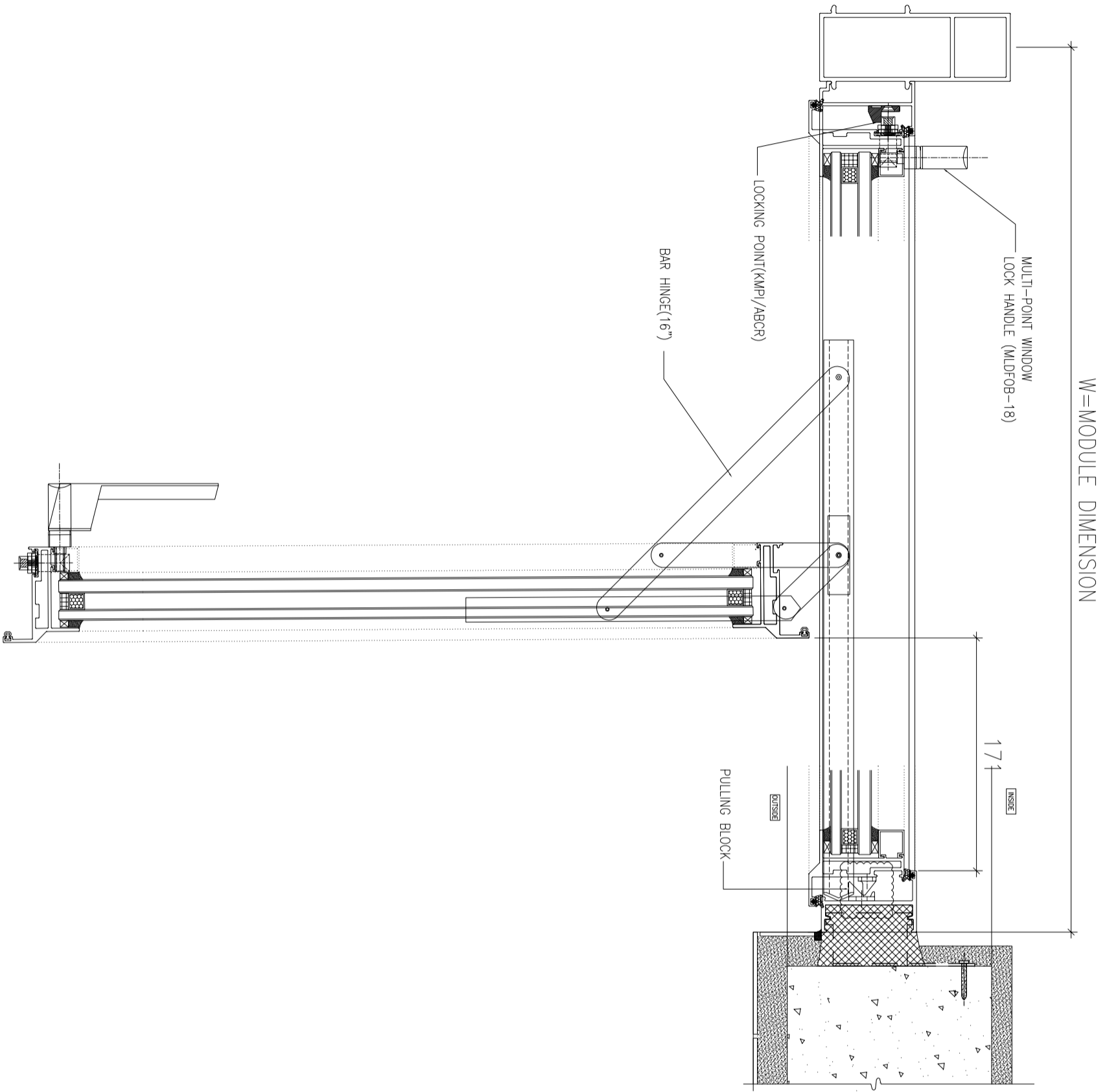
H/4

H/2

H/4

$H = \text{MODULE DIMENSION}$

W=MODULE DIMENSION



W=MODULE DIMENSION

MULTI-POINT WINDOW
LOCK HANDLE (MLDFOB-18)

LOCKING POINT(KMP/ABCR)

BAR HINGE(16")

PULLING BLOCK

INSIDE

171

OUTSIDE

B.O. REF :

CLIENT : **SUN HUNG KAI REAL ESTATE AGENCY LTD.**
42/F SUN HUNG KAI CENTRE, WANGCHAI, HONGKONG

ARCHITECT : **IWK&partners**
a r c h i t e c t s

MAIN CONTRACTOR : **怡輝建築有限公司 Yee Fai Building Contractors Ltd.**

STRUCTURAL ENGINEER : **ARUP**

FAÇADE CONSULTANT: **ALPHA CONSULTING LIMITED**
Steel Structure & Façade Specialist

ALPHA CONSULTING LIMITED
Steel Structure & Façade Specialist

NOTE :
1. ALL DIMENSIONS ARE IN mm.
2. ALL ELEVATIONS ARE VIEWED FROM OUTSIDE.
3. ALL DIMENSIONS TO BE VERIFIED ON SITE BEFORE FABRICATION.

LEGEND :

X1 --- DETAIL MARK NO.
X001 --- REFER SHEET NO.

1. F.F.L.--FINISHED FLOOR LEVEL
2. S.F.L.--STRUCTURAL FLOOR LEVEL
3. (R) --REVERSED DETAIL

4. GLASS LEGEND

EQ-1--8mmHS+12mm AIR GAP+10mmTP THK I.G.U.
EQ-1A--8mmHS+12mm AIR GAP+8mmTP THK I.G.U.
EQ-2--10mm THK CLEAR TEMPERED GLASS
EQ-4--10mm THK TEMPERED ACID ETCHED GLASS

NO.	DATE	REVISION SUBJECT TO ARCH COMMENT	BY
B	13/01/2022	REVISION SUBJECT TO ARCH COMMENT	lvn
A	10/11/2021	REVISION SUBJECT TO ARCH COMMENT	lvn

JOB NO. : J-856

PROJECT : PROPOSED DEVELOPMENT ABOVE LIGHT RAIL TIN WING STOP TSWTL NO.23,AREA 33,TIN SHUI WAI, N.T.

TITLE : TYPICAL EARTHING BONDING DETAILS OF IN-SITU

DATE : 02-Aug-21 SCALE : 1:60

DRAWN BY : lvon CHECKED BY :

美特鋁質有限公司
MIDI ALUMINIUM FABRICATOR LTD.
Units 6-8, Sunny Industrial Centre, 1/F
610 Che Kwo Ling Road, Kowloon
Tel:23489211-4 Fax:8522727666

DWG NO. : JB56-SD-IW-7010 REV. : B

B.O. REF :

CLIENT :

SUN HUNG KAI
REAL ESTATE AGENCY LTD.
42/F SUN HUNG KAI CENTRE, WANGCHAI, HONGKONG

ARCHITECT :

IWK&partners
a r c h i t e c t s

MAIN CONTRACTOR :

怡和建築有限公司
Yee Fai Building Contractors Ltd.

STRUCTURAL ENGINEER :

ARUP

FAÇADE CONSULTANT :

ALPHA CONSULTING LIMITED
Steel Structure & Façade Specialist

NOTE :

1. ALL DIMENSIONS ARE IN mm.
2. ALL ELEVATIONS ARE VIEWED FROM OUTSIDE.
3. ALL DIMENSIONS TO BE VERIFIED ON SITE BEFORE FABRICATION.

LEGEND :

- X1 --- DETAIL MARK NO.
- X001 --- REFER SHEET NO.

1. F.F.L. -- FINISHED FLOOR LEVEL
2. S.F.L. -- STRUCTURAL FLOOR LEVEL
3. (R) -- REVERSED DETAIL

4. GLASS LEGEND

EQ-1 -- 8mmHS+12mm AIR GAP+10mmTP THK. I.G.U.

EQ-1A -- 8mmHS+12mm AIR GAP+8mmTP THK. I.G.U.

EQ-2 -- 10mm THK. CLEAR TEMPERED GLASS

EQ-4 -- 10mm THK. TEMPERED ACID ETCHED GLASS

NO.	DATE	REVISION SUBJECT TO ARCH COMMENT	BY
B	13/07/2022	REVISION SUBJECT TO ARCH COMMENT	hvn
A	10/11/2021	REVISION SUBJECT TO ARCH COMMENT	hvn

JOB NO. : J-856

PROJECT :

PROPOSED DEVELOPMENT ABOVE
LIGHT RAIL TIN WING STOP TSWTL
NO.23, AREA 33, TIN SHUI WAI, N.T.

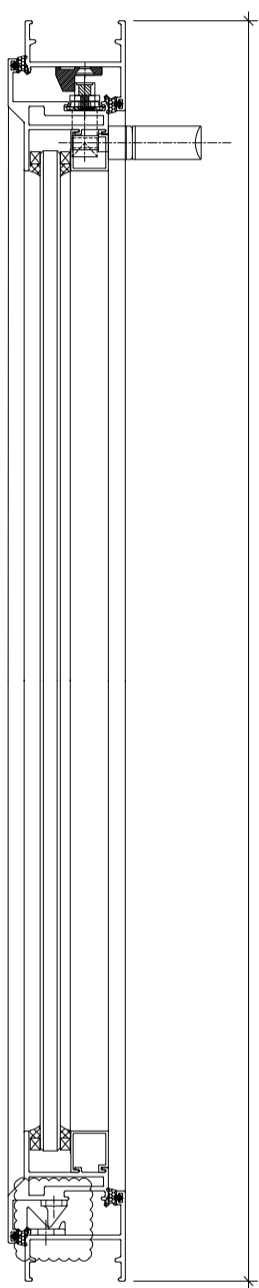
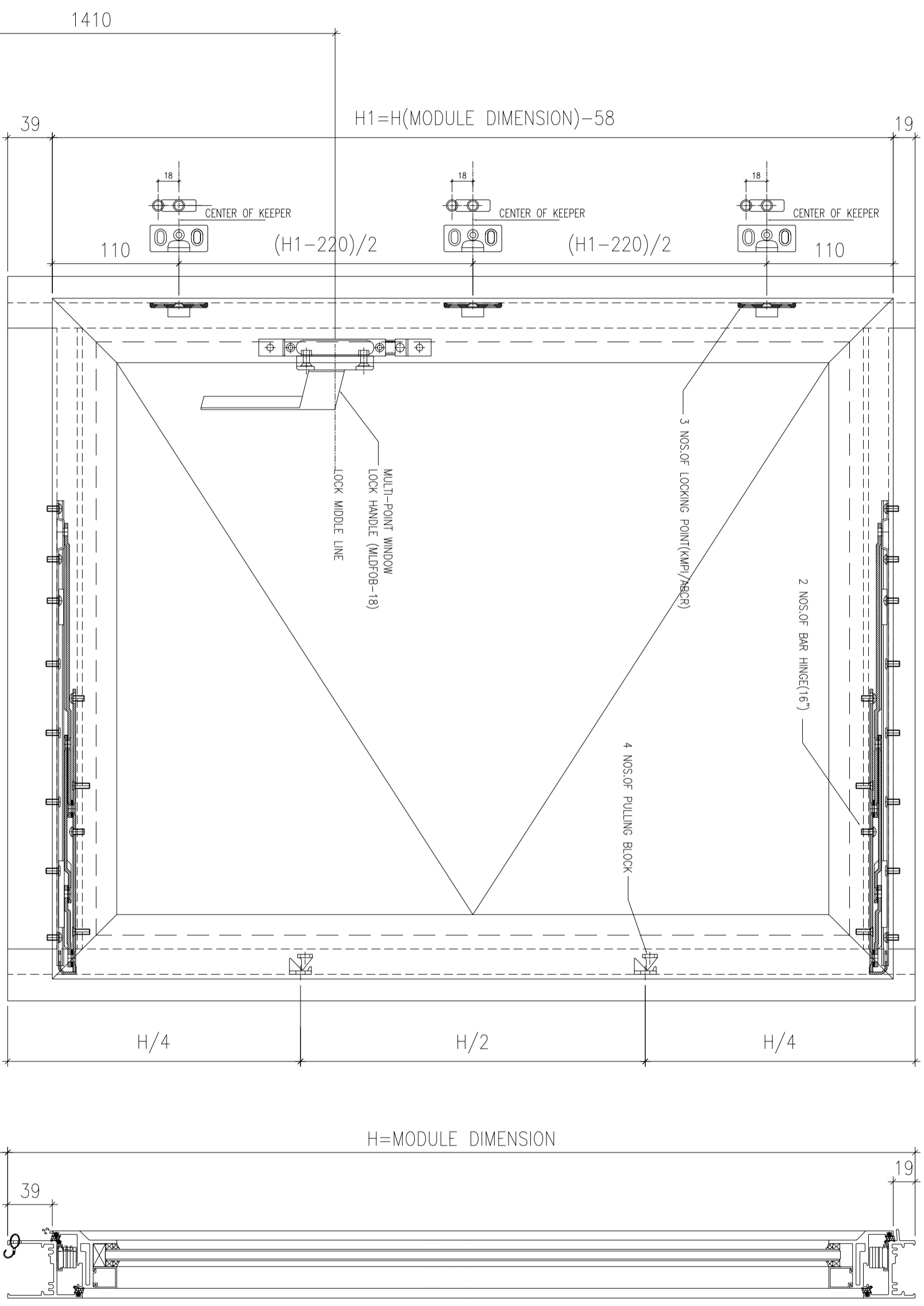
TITLE :

TYPICAL EARTHING
BONDING DETAILS OF IN-SITU

DATE : 02-Aug-21 SCALE : 1:60

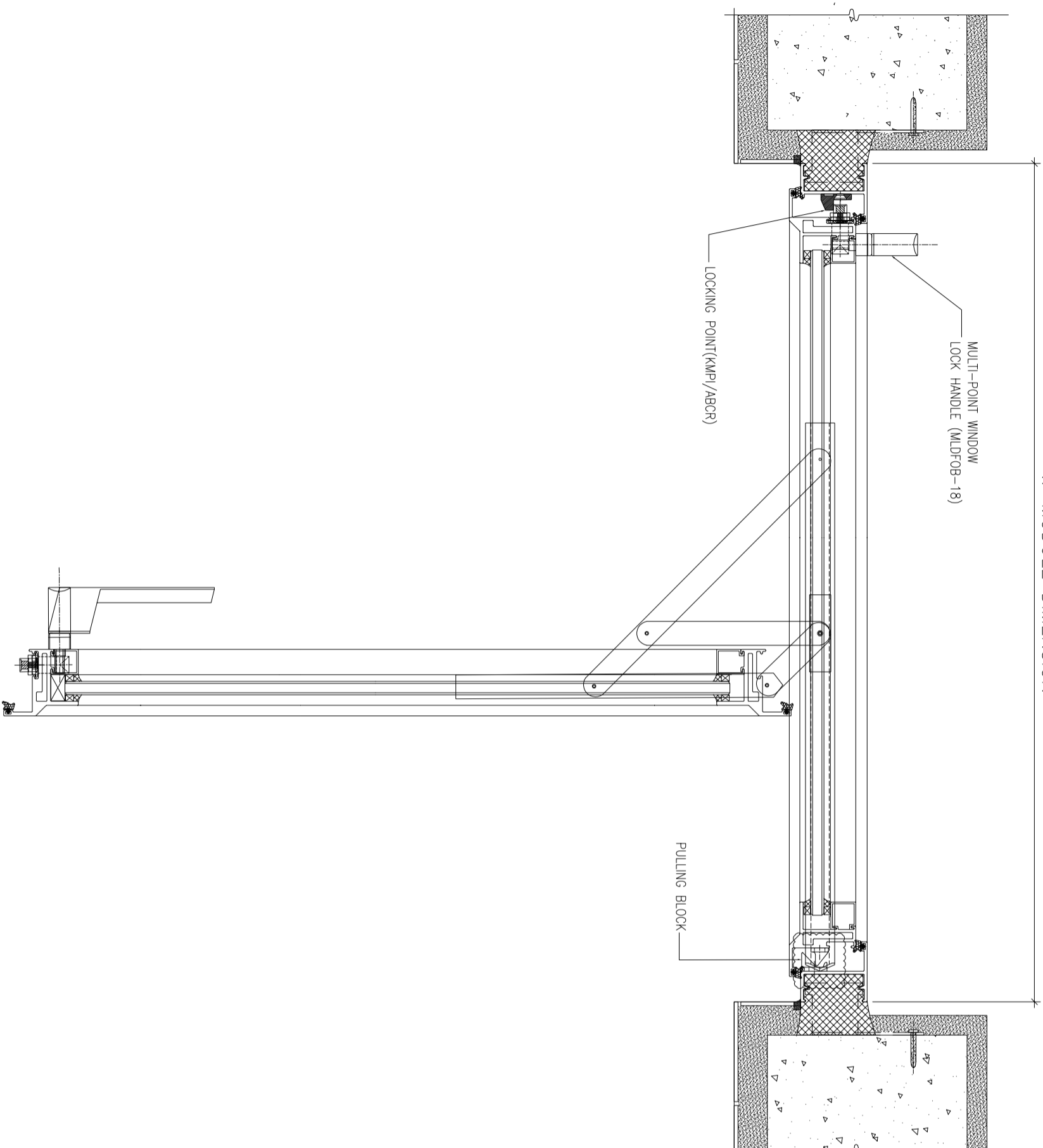
DRAWN BY : ivon CHECKED BY :

美特鋁質有限公司
MIDI ALUMINIUM FABRICATOR LTD.
Units 6-8, Sunny Industrial Centre, 1/F
610 Che Kwo Ling Road, Kowloon
Tel: 23489211-4 Fax: (852) 27272666
DWG NO. : JB56-SD-IW-7011 REV. : B



B.O. REF :

W=MODULE DIMENSION



CLIENT :
SUN HUNG KAI
REAL ESTATE AGENCY LTD.
 42/F SUN HUNG KAI CENTRE, WANGCHAI, HONGKONG

ARCHITECT :
lwk&partners
 a r c h i t e c t s

MAIN CONTRACTOR :
怡輝建築有限公司
Yee Fai Building Contractors Ltd.

STRUCTURAL ENGINEER :
ARUP

FAÇADE CONSULTANT:
ALPHA CONSULTING LIMITED
 Steel Structure & Façade Specialist

NOTE :
 1. ALL DIMENSIONS ARE IN mm.
 2. ALL ELEVATIONS ARE VIEWED FROM OUTSIDE.
 3. ALL DIMENSIONS TO BE VERIFIED ON SITE BEFORE FABRICATION.

LEGEND :
 X1 --- DETAIL MARK NO.
 X001 --- REFER SHEET NO.

1. F.F.L.--FINISHED FLOOR LEVEL
 2. S.F.L.--STRUCTURAL FLOOR LEVEL
 3. (R) --REVERSED DETAIL

4. GLASS LEGEND
 EQ-1--8mmHS+12mm AIR GAP+10mmTP THK. I.G.U.
 EQ-1A--8mmHS+12mm AIR GAP+8mmTP THK. I.G.U.
 EQ-2--10mm THK. CLEAR TEMPERED GLASS
 EQ-4--10mm THK. TEMPERED ACID ETCHED GLASS

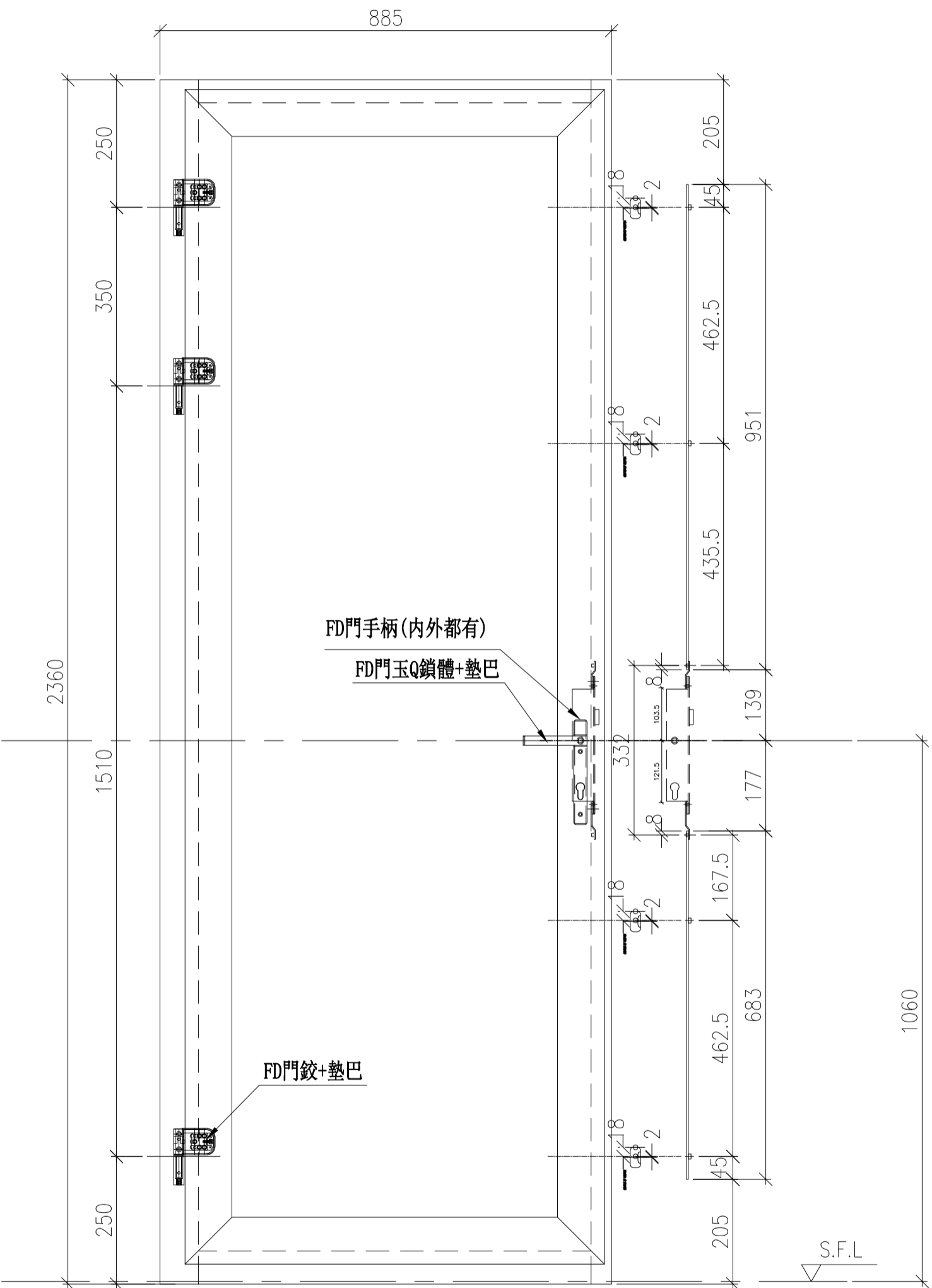
NO.	DATE	REVISION SUBJECT TO ARCH COMMENT	BY
B	13/07/2022	REVISION SUBJECT TO ARCH COMMENT	lvon
A	10/11/2021	REVISION SUBJECT TO ARCH COMMENT	lvon

JOB NO. : J-856
 PROJECT :
 PROPOSED DEVELOPMENT ABOVE
 LIGHT RAIL TIN WING STOP TSWTL
 NO.23,AREA 33,TIN SHUI WAI, N.T.

TITLE :
 TYPICAL EARTHING
 BONDING DETAILS OF IN-SITU

DATE : 02-Aug-21 SCALE : 1:60
 DRAWN BY : lvon CHECKED BY :

美特鋁質有限公司
MIDI ALUMINIUM FABRICATOR LTD.
 Units 6-8, Sunny Industrial Centre, 1/F
 610 Che Kwo Ling Road, Kowloon
 Tel:23489211-4 Fax:8522727666
 DWG NO. : J856-SD-IW-7012 REV. : B



B.O. REF :

CLIENT :

SUN HUNG KAI
REAL ESTATE AGENCY LTD.
42/F SUN HUNG KAI CENTRE, WANGCHAI, HONGKONG

ARCHITECT :

IWK&partners
a r c h i t e c t s

MAIN CONTRACTOR :

怡康建築有限公司
Yee Fai Building Contractors Ltd.

STRUCTURAL ENGINEER :

ARUP

FAÇADE CONSULTANT:

ALPHA CONSULTING LIMITED
Steel Structure & Façade Specialist

NOTE :

1. ALL DIMENSIONS ARE IN mm.
2. ALL ELEVATIONS ARE VIEWED FROM OUTSIDE.
3. ALL DIMENSIONS TO BE VERIFIED ON SITE BEFORE FABRICATION.

LEGEND :

X1 --- DETAIL MARK NO.
X001 --- REFER SHEET NO.

1. F.F.L. -- FINISHED FLOOR LEVEL
2. S.F.L. -- STRUCTURAL FLOOR LEVEL
3. (R) -- REVERSED DETAIL

4. GLASS LEGEND

EQ1-1 -- 8mmHS+12mm AIR GAP+10mmTP THK LGU
EQ1-1A -- 8mmHS+12mm AIR GAP+8mmTP THK LGU
EQ1-2 -- 10mm THK CLEAR TEMPERED GLASS
EQ1-4 -- 10mm THK TEMPERED ACID ETCHED GLASS

NO.	DATE	REVISION SUBJECT TO ARCH COMMENT	BY
A	10/11/2021	REVISION SUBJECT TO ARCH COMMENT	NON

JOB NO. : J-856

PROJECT :
PROPOSED DEVELOPMENT ABOVE
LIGHT RAIL TIN WING STOP TSWTL
NO.23, AREA 33, TIN SHUI WAI, N.T.

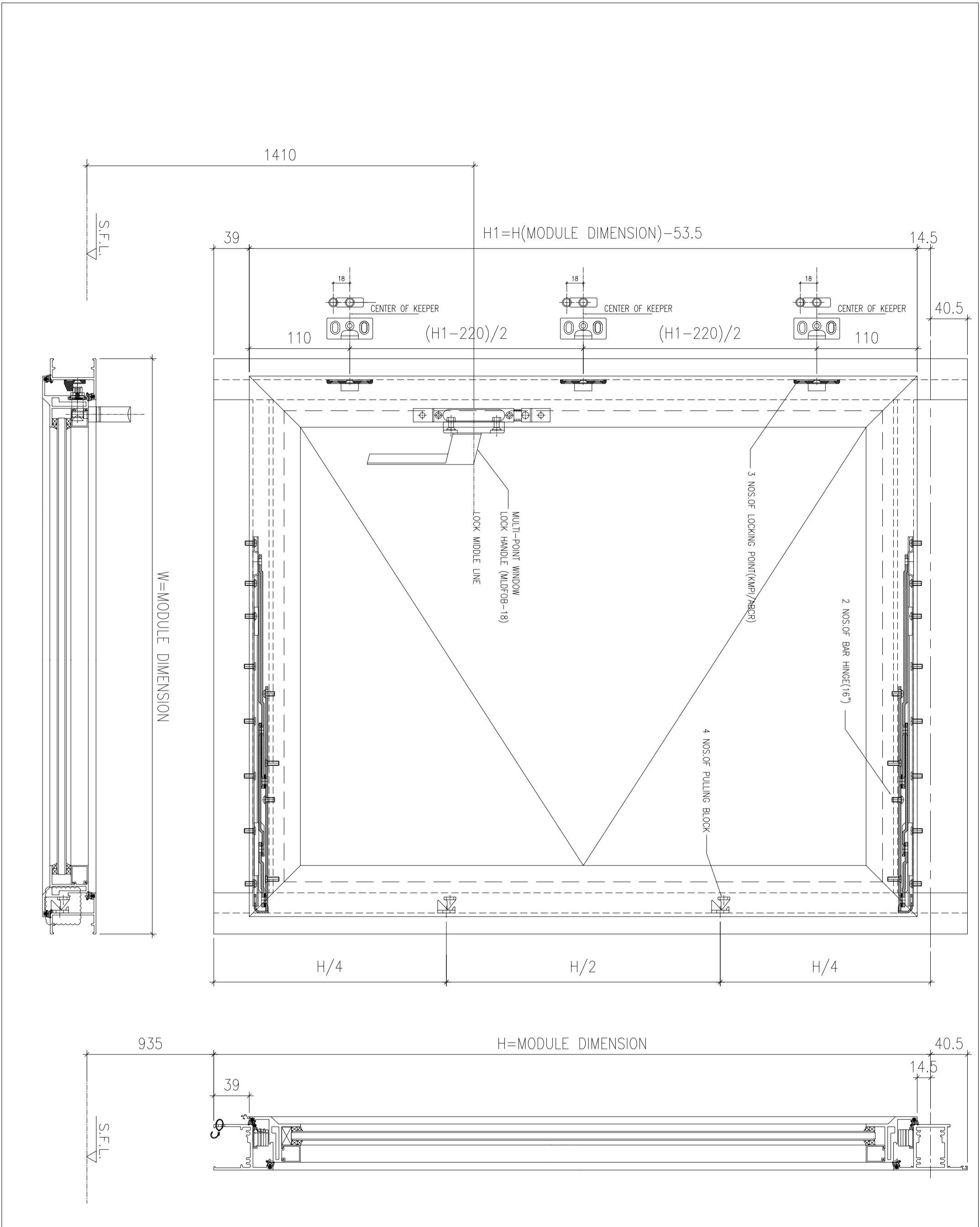
TITLE :
TYPICAL EARTHING
BONDING DETAILS OF F.D

DATE : 02-Aug-21 SCALE : 1:60

DRAWN BY : ivorn CHECKED BY :

美特鋁質有限公司
MIDI ALUMINIUM FABRICATOR LTD.
Units 6-8, Sunny Industrial Centre, 1/F
610 Che Kwo Ling Road, Kowloon
Tel: 23489211-4 Fax: (852) 27272666

DWG NO. : JB56-SD-IW-701.3 REV. : A



B.O. REF. :

CLIENT :
SUN HUNG KAI
REAL ESTATE AGENCY LTD.
 42/F SUN HUNG KAI CENTRE, WANCHAI, HONGKONG

ARCHITECT :
lwk&partners
 a r c h i t e c t s

MAIN CONTRACTOR :
怡耀建築有限公司
Yee Fai Building Contractors Ltd.

STRUCTURAL ENGINEER :
ARUP

FAÇADE CONSULTANT :
ALPHA CONSULTING LIMITED
 Steel Structure & Façade Specialist

NOTE :
 1. ALL DIMENSIONS ARE IN mm.
 2. ALL ELEVATIONS ARE VIEWED FROM OUTSIDE.
 3. ALL DIMENSIONS TO BE VERIFIED ON SITE BEFORE FABRICATION.

LEGEND :
 X1 --- DETAIL MARK NO.
 X001 --- REFER SHEET NO.

1. F.F.L. -- FINISHED FLOOR LEVEL
2. S.F.L. -- STRUCTURAL FLOOR LEVEL
3. (R) -- REVERSED DETAIL
4. GLASS LEGEND
 EQ-1 -- 8mmHS+12mm AIR GAP+10mmTP THK. I.G.U.
 EQ-1A -- 8mmHS+12mm AIR GAP+8mmTP THK. I.G.U.
 EQ-2 -- 10mm THK. CLEAR TEMPERED GLASS
 EQ-4 -- 10mm THK. TEMPERED ACID ETCHED GLASS

NO.	DATE	REVISION SUBJECT TO ARCH COMMENT	BY
A	13/01/2022		

JOB NO. : J-856

PROJECT :
 PROPOSED DEVELOPMENT ABOVE
 LIGHT RAIL TIN WING STOP TSWTL
 NO.23, AREA 33, TIN SHUI WAI, N.T.

TITLE :
 TYPICAL EARTHING
 BONDING DETAILS OF IN-SITU

DATE : 02-Aug-21 SCALE : 1:60
 DRAWN BY : ivon CHECKED BY :

美特鋁質有限公司
MIDI ALUMINIUM FABRICATOR LTD.
 Units 6-8, Sunny Industrial Centre, 1/F
 610 Che Kwo Ling Road, Kowloon
 Tel: 23489211-4 Fax: (852) 27272666
 DWG NO. : JB56-SD-IW-7014 REV. : A