

工程指示 / 要求簡箋(E.I.)

工程指示編號：EI/4027/21

修改版次：-

工程編號：J - 856

工程名稱：天水圍天榮站

工程項目：佛沙窗 窗用安全欄柵

收件人：青哥/生統/王良/永林

發件人：Eric Liu

日期：16/11/2021

□要求提供 / □確認 事項：

- ( ) 初步鋁料 B.M.                      ( ) 加工拆圖，然後生產                      ( ) 尺寸表
- ( ) 正式鋁料 B.M.                      ( ) 技術上資料 / 指示                      ( ) 報價
- ( ) 配件 B.M.                              ( ) 樣辦或貨品說明書                      ( ) 分判合約

內容：

因應大判要求，所有窗需加上安全欄柵

請見附件安全欄柵做法

趟門,FD 門 有露台位置不需做

佛沙窗出貨到佛沙場，需裝上安全欄柵一同出貨

分 50 窗及 70 窗款，請留意

謝謝

請在 2021.11.21 前完成上列要求。

附：10頁

以上項目為：

- 原合約工程包                       原合約工程加 / 減賬                       新工程報價

原因：-

分發東莞各部門：

- ( ) 生產技術總監  連附件    ( ) 技術部  連附件    ( ) 生產部  連附件    ( ) 機械設計部  連附件
- ( ) 採購部  連附件    ( ) 生產統籌部  連附件    ( ) 小羅&清  連附件
- ( ) 質檢部  連附件    ( ) 會計部  連附件    ( ) 報關組  連附件    ( ) 其他  連附件

分發其他分判：

- (v) 水洪  連附件

分發香港各部門：

- ( ) 行政部  連附件    ( ) 會計部  連附件    ( ) 統籌部  連附件    ( ) 工程部地盤科文  連附件
- ( ) 採購部  連附件    ( ) QS 部  連附件    ( ) 維修部  連附件    ( ) 其他  連附件

傳遞編號：

HK 2023 / 21

發件人簽署：

項目經理簽署：

*(Handwritten signatures)*

S.F.L.

S.F.L.

3040 / (3340)-45/F / (3120)-TOP FLOOR

3020 / (3320)-45/F / (3055)-TOP FLOOR

S.O. 2410 (EXT.)

S.O. 2390 (INT.)

20 (CJ)

VARIOUS

20

20 (CJ)

AW  
01

F.  
T.G.



F.  
T.G.



(請勿) 不用  
Safety Barrier

520

130

1690

1200

130

570

85

BALCONY & U.P. & A.C.P. PROFILE

B.D. REF :  
 CLIENT :  
**SUN HUNG KAI**  
 REAL ESTATE AGENCY LTD.  
 42/F SUN HUNG KAI CENTRE, WANCHAI, HONGKONG

ARCHITECT :  
**lwk&partners**  
 architects

MAIN CONTRACTOR :  
**Yee Fal** Building Contractors Ltd.

STRUCTURAL ENGINEER :  
**ARUP**

FACADE CONSULTANT :  
**ALPHA CONSULTING LIMITED**  
 Steel Structure & Facade Specialist

NOTE :  
 1. ALL DIMENSIONS ARE IN mm.  
 2. ALL ELEVATIONS ARE VIEWED FROM OUTSIDE.  
 3. ALL DIMENSIONS TO BE VERIFIED ON SITE BEFORE FABRICATION.

LEGEND :  
 X1 - DETAIL MARK NO.  
 X001 - REFER SHEET NO.  
 1. F.F.L. -- FINISHED FLOOR LEVEL  
 2. S.F.L. -- STRUCTURAL FLOOR LEVEL  
 3. (R) -- REVERSED DETAIL  
 4. GLASS LEGEND  
 EGL-1 -- 8mmHS+12mm AIR GAP+10mmTP THK. I.G.U.  
 EGL-2 -- 10mm THK. CLEAR TEMPERED GLASS  
 EGL-4 -- 10mm THK. TEMPERED ACID ETCHED GLASS  
 EGL-1A -- 8mmHS+12mm AIR GAP+8mmTP THK. I.G.U.

A	03/11/2021	REVISION SUBJECT TO ARCH.COMMENT	ivan
NO.	DATE	REVISED	BY

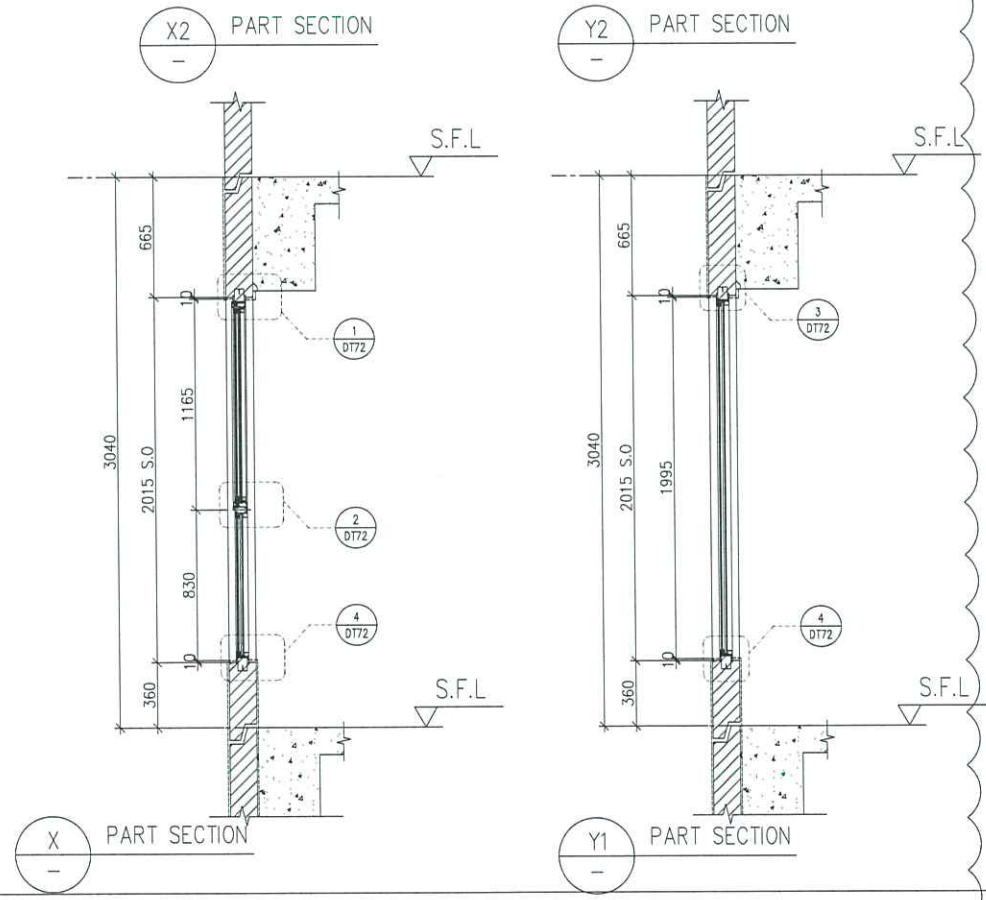
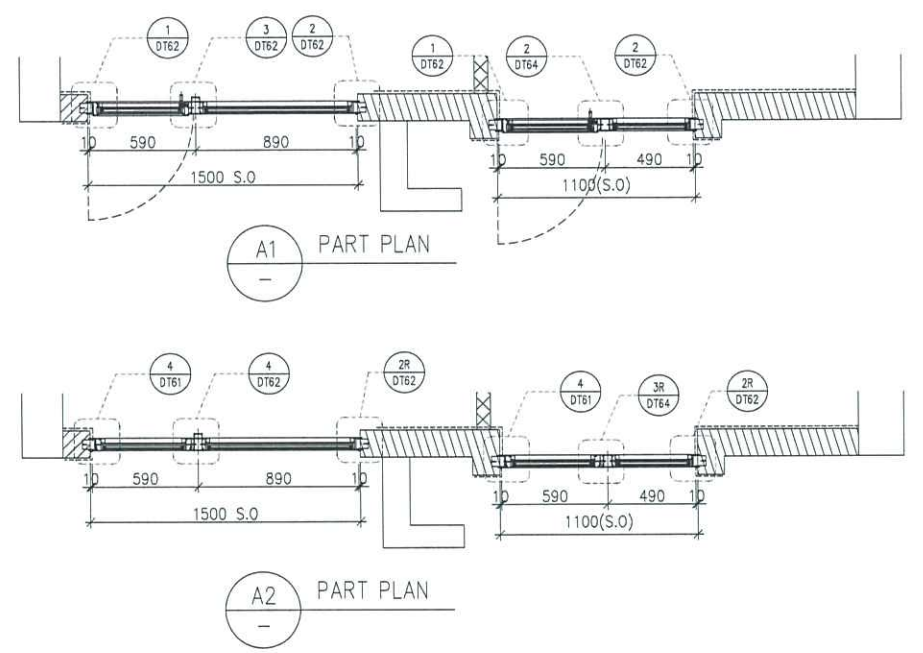
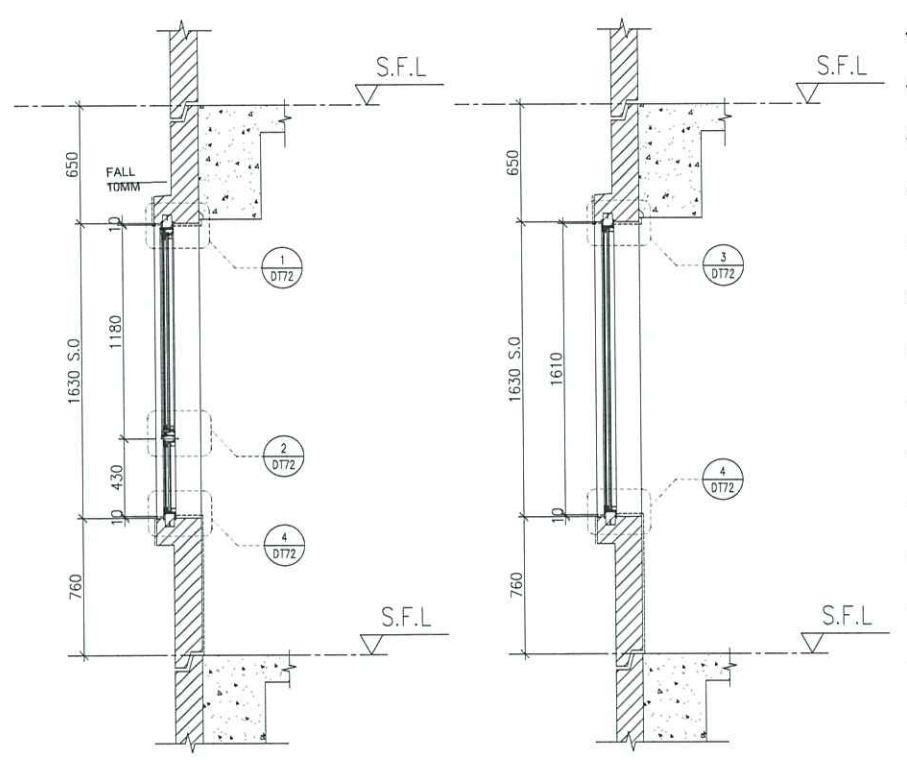
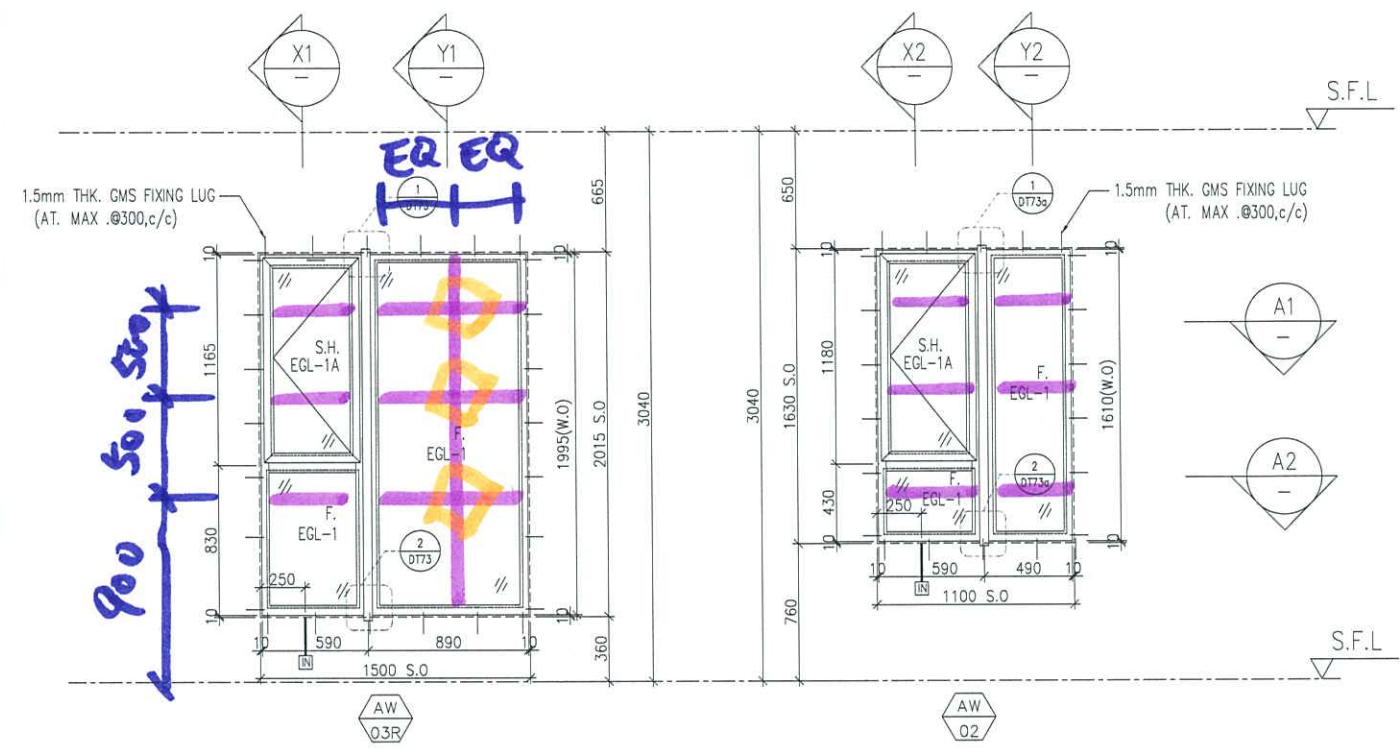
JOB NO. : J-856  
 PROJECT : PROPOSED DEVELOPMENT ABOVE LIGHT RAIL TIN WING STOP, TSWTL NO.23, AREA 33, TIN SHUI WAI, N.T.

TITLE : WINDOW SCHEDULE FOR TOWER 1 ALUM. WINDOW

DATE : 02-Aug-21 SCALE : 1:40  
 DRAWN BY : ivan CHECKED BY :

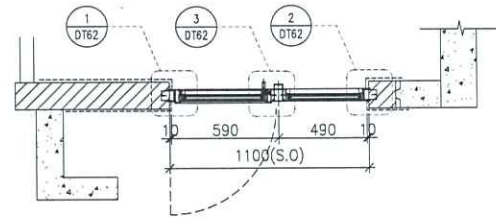
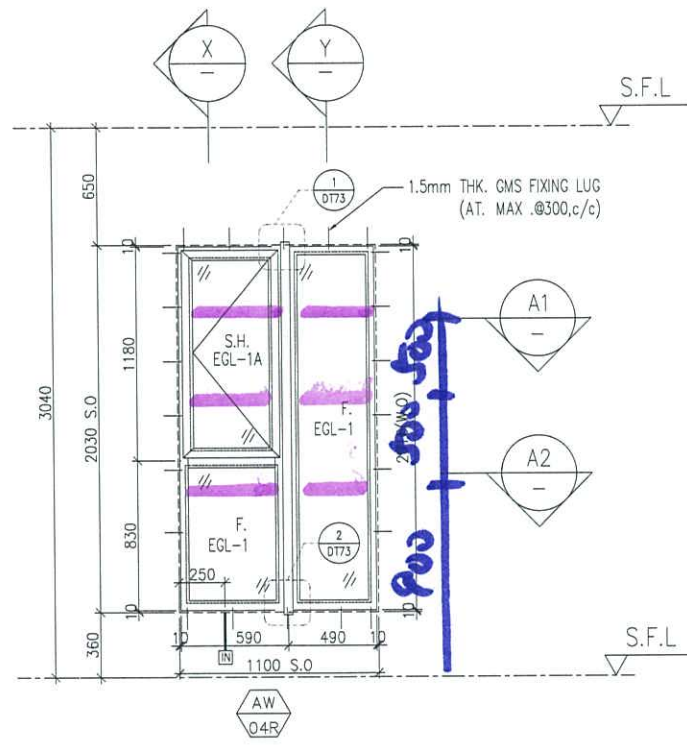
**MIDI** ALUMINIUM FABRICATOR LTD.  
 Units 6-8, Sunray Industrial Centre, 1/F  
 610 Cha Kwo Ling Road, Kowloon  
 Tel: 23489211-4 Fax: (852) 2727666  
 DWG NO. : J856-SD-PW-5103 REV. : A

ELEVATION

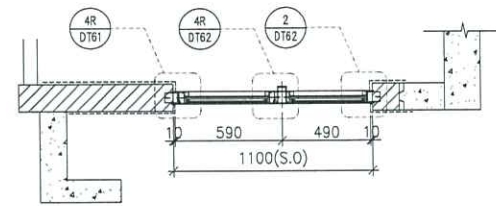


WINDOW MARK	AW 03R	AW 02
LOCATION	3/F-42/F(4/F,13/F,14/F,24/F,34/F OMITTED) UNIT A2	
SECTION	70mm ALUM. SECTION	
GLAZING	EGL-1,EGL-1A	
QUANTITY	35 Nos./35 Nos.	
REMARKS	FACADE(TYPE T1PF03 FOR 3/F~42/F)	

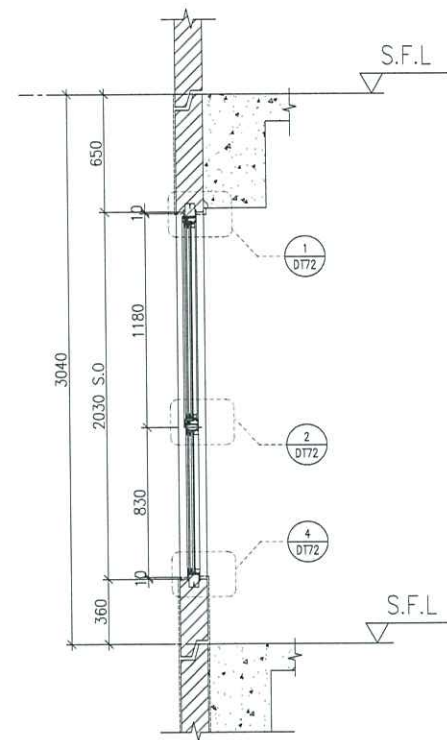
ELEVATION



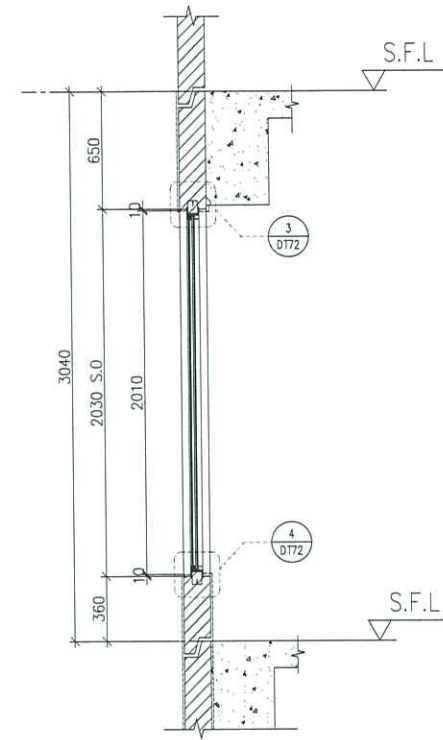
A1 PART PLAN



A2 PART PLAN



X PART SECTION



Y PART SECTION

WINDOW MARK	AW 04R
LOCATION	3/F-42/F(4/F,13/F,14/F,24/F,34/F OMITTED) UNIT B2,B6,A3,A7
SECTION	70mm ALUM. SECTION
GLAZING	EGL-1,EGL-1A
QUANTITY	35 Nos / 35 Nos / 35 Nos / 35 Nos
REMARKS	FACADE(TYPE T1PF04R FOR 3/F~42/F)

WINDOW MARK	AW 04
LOCATION	3/F-42/F(4/F,13/F,14/F,24/F,34/F OMITTED) UNIT B7
SECTION	70mm ALUM. SECTION
GLAZING	EGL-1,EGL-1A
QUANTITY	35 Nos
REMARKS	FACADE(TYPE T1PF04 FOR 3/F~42/F)

B.D. REF :

CLIENT :

**SUN HUNG KAI**  
REAL ESTATE AGENCY LTD.  
42/F SUN HUNG KAI CENTRE, WANCHAI, HONGKONG

ARCHITECT :

**lwk&partners**  
architects

MAIN CONTRACTOR :

**Yee Fai** Building Contractors Ltd.

STRUCTURAL ENGINEER :

**ARUP**

FACADE CONSULTANT:

**ALPHA CONSULTING LIMITED**  
Steel Structure & Facade Specialist

NOTE :

1. ALL DIMENSIONS ARE IN mm.
2. ALL ELEVATIONS ARE VIEWED FROM OUTSIDE.
3. ALL DIMENSIONS TO BE VERIFIED ON SITE BEFORE FABRICATION.

LEGEND :

- x1 — DETAIL MARK NO.
- x001 — REFER SHEET NO.
- 1. F.F.L. — FINISHED FLOOR LEVEL
- 2. S.F.L. — STRUCTURAL FLOOR LEVEL
- 3. (R) — REVERSED DETAIL
- 4. GLASS LEGEND
- EGL-1 — 8mmHS+12mm AIR GAP+10mmTP THK. I.G.U.
- EGL-2 — 10mm THK. CLEAR TEMPERED GLASS
- EGL-4 — 10mm THK. TEMPERED ACID ETCHED GLASS
- EGL-1A — 8mmHS+12mm AIR GAP+8mmTP THK. I.G.U.

B	03/11/2021	REVISION SUBJECT TO ARCH.COMMENT	ivan
A	12/10/2021	REVISION SUBJECT TO ARCH.COMMENT	ivan
NO.	DATE	REVISED	BY

JOB NO. : J-856  
PROJECT : PROPOSED DEVELOPMENT ABOVE LIGHT RAIL TIN WING STOP, TSWTL NO.23, AREA 33, TIN SHUI WAI, N.T.

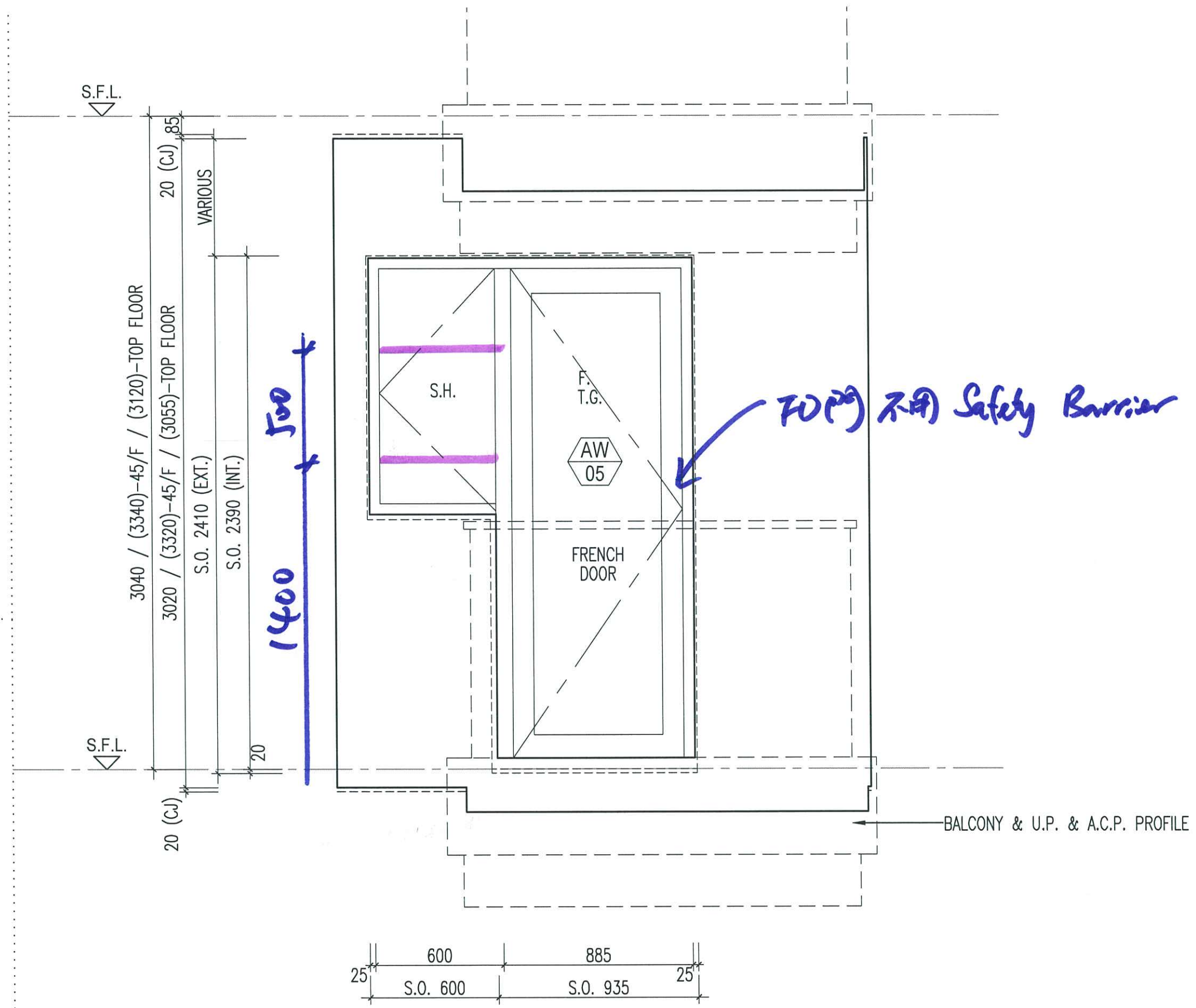
TITLE : WINDOW SCHEDULE FOR TOWER 1 ALUM. WINDOW

DATE : 02-Aug-21 SCALE : 1:40

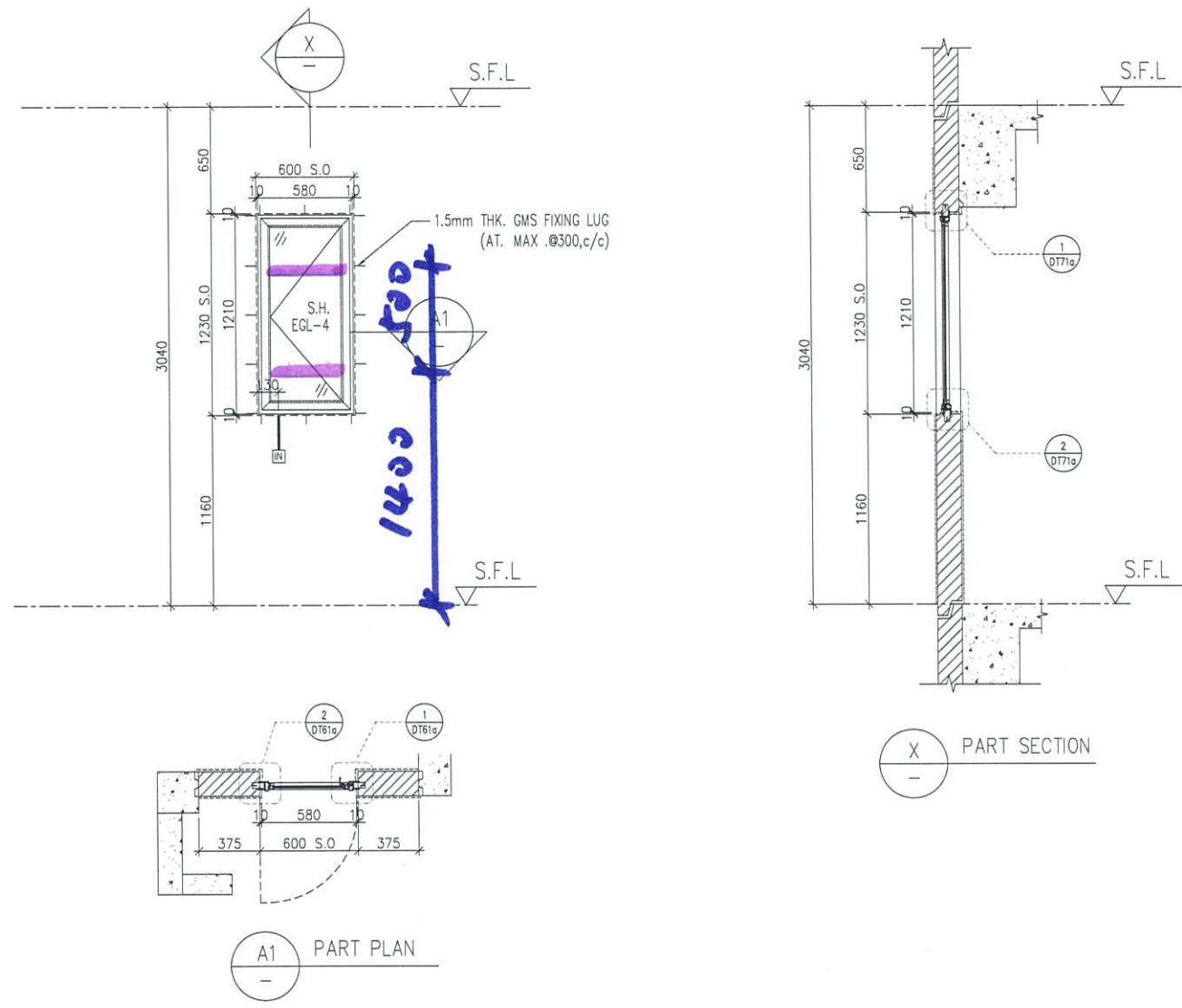
DRAWN BY : ivan CHECKED BY :

**MIDI** ALUMINIUM FABRICATOR LTD.  
Units 6-8, Sunray Industrial Centre, 1/F  
610 Cha Kwo Ling Road, Kowloon  
Tel: 23489211-4 Fax: (852) 2727666

DWG NO. : J856-SD-PW-5104 REV. : B



ELEVATION



WINDOW MARK	AW 06
LOCATION	3/F-42/F(4/F,13/F,14/F,24/F,34/F OMITTED) UNIT B3
SECTION	70mm ALUM. SECTION
GLAZING	EGL-4
QUANTITY	35 Nos
REMARKS	FACADE(TYPE T2PF09 FOR 3/F~42/F)

B.D. REF :

CLIENT :  
**SUN HUNG KAI**  
 REAL ESTATE AGENCY LTD.  
 42/F SUN HUNG KAI CENTRE, WANCHAI, HONGKONG

ARCHITECT :  
**IWK&partners**  
 architects

MAIN CONTRACTOR :  
**Yee Fal** Building Contractors Ltd.

STRUCTURAL ENGINEER :  
**ARUP**

FACADE CONSULTANT:  
**ALPHA CONSULTING LIMITED**  
 Steel Structure & Facade Specialist

NOTE :  
 1. ALL DIMENSIONS ARE IN mm.  
 2. ALL ELEVATIONS ARE VIEWED FROM OUTSIDE.  
 3. ALL DIMENSIONS TO BE VERIFIED ON SITE BEFORE FABRICATION.

LEGEND :  
  
 X1 --- DETAIL MARK NO.  
 X001 --- REFER SHEET NO.  
 1. F.F.L. --- FINISHED FLOOR LEVEL  
 2. S.F.L. --- STRUCTURAL FLOOR LEVEL  
 3. (R) --- REVERSED DETAIL  
 4. GLASS LEGEND  
 EGL-1---8mmHS+12mm AIR GAP+10mmTP THK. I.G.U.  
 EGL-2---10mm THK. CLEAR TEMPERED GLASS  
 EGL-4---10mm THK. TEMPERED ACID ETCHED GLASS  
 EGL-1A-8mmHS+12mm AIR GAP+8mmTP THK. I.G.U.

A	03/11/2021	REVISION SUBJECT TO ARCH.COMMENT	Ivan
NO.	DATE	REVISED	BY

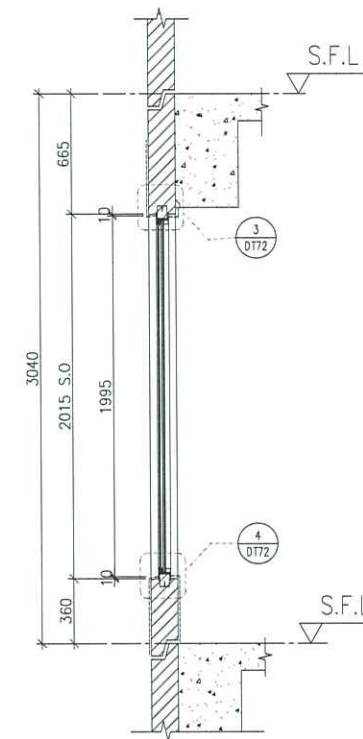
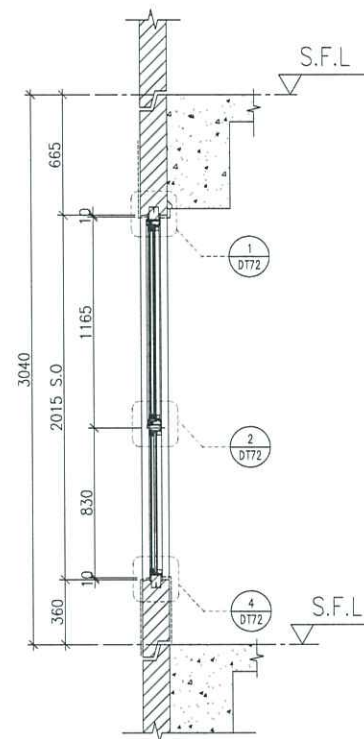
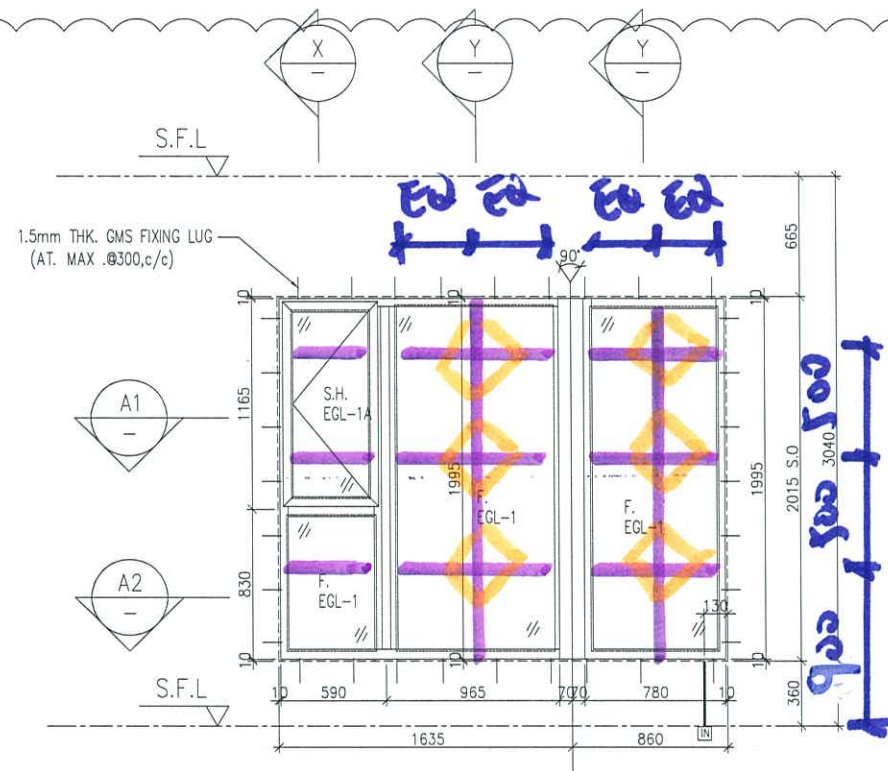
JOB NO. : J-856  
 PROJECT :  
 PROPOSED DEVELOPMENT ABOVE  
 LIGHT RAIL TIN WING STOP, TSWTL  
 NO.23, AREA 33, TIN SHUI WAI, N.T.

TITLE :  
 WINDOW SCHEDULE FOR  
 TOWER 2 ALUM. WINDOW

DATE : 02-Aug-21 SCALE : 1:40  
 DRAWN BY : Ivan CHECKED BY :

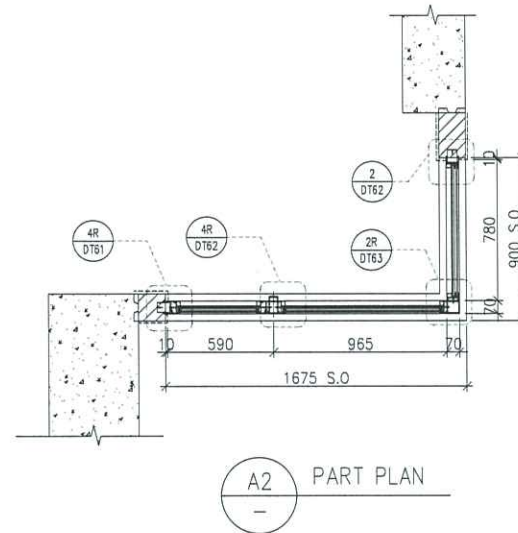
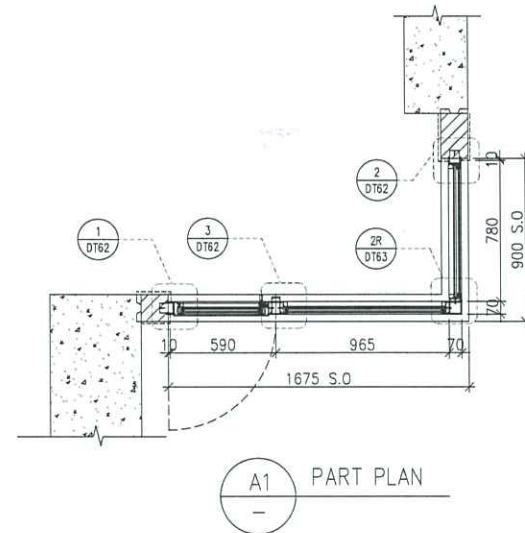
**美特鋁質有限公司**  
 MIDI ALUMINIUM FABRICATOR LTD.  
 Units 6-8, Sunray Industrial Centre, 1/F  
 610 Cha Kwo Ling Road, Kowloon  
 Tel:23489211-4 Fax:(852)2727666  
 DWG NO. : J856-SD-PW-5208 REV. : A

ELEVATION



X PART SECTION

Y PART SECTION



A1 PART PLAN

A2 PART PLAN

B.D. REF :

CLIENT :

**SUN HUNG KAI**  
REAL ESTATE AGENCY LTD.  
42/F SUN HUNG KAI CENTRE, WANCHAI, HONGKONG

ARCHITECT :

**lwk&partners**  
architects

MAIN CONTRACTOR :

**Yee Fai** Building Contractors Ltd.

STRUCTURAL ENGINEER :

**ARUP**

FACADE CONSULTANT:

**ALPHA CONSULTING LIMITED**  
Steel Structure & Facade Specialist

NOTE :

1. ALL DIMENSIONS ARE IN mm.
2. ALL ELEVATIONS ARE VIEWED FROM OUTSIDE.
3. ALL DIMENSIONS TO BE VERIFIED ON SITE BEFORE FABRICATION.

LEGEND :

- x1 — DETAIL MARK NO.
- x001 — REFER SHEET NO.

1. F.F.L. — FINISHED FLOOR LEVEL
2. S.F.L. — STRUCTURAL FLOOR LEVEL
3. (R) — REVERSED DETAIL
4. GLASS LEGEND

- EGL-1 — 8mmHS+12mm AIR CAP+10mmTP THK. I.G.U.
- EGL-2 — 10mm THK. CLEAR TEMPERED GLASS
- EGL-4 — 10mm THK. TEMPERED ACID ETCHED GLASS
- EGL-1A — 8mmHS+12mm AIR CAP+8mmTP THK. I.G.U.

NO.	DATE	REVISED	BY
B	03/11/2021	REVISION SUBJECT TO ARCH.COMMENT	Ivan
A	12/10/2021	REVISION SUBJECT TO ARCH.COMMENT	Ivan

JOB NO. : J-856

PROJECT :  
PROPOSED DEVELOPMENT ABOVE  
LIGHT RAIL TIN WING STOP, TSWTL  
NO.23, AREA 33, TIN SHUI WAI, N.T.

TITLE :  
WINDOW SCHEDULE FOR  
TOWER 1 ALUM. WINDOW

DATE : 02-Aug-21 SCALE : 1:40

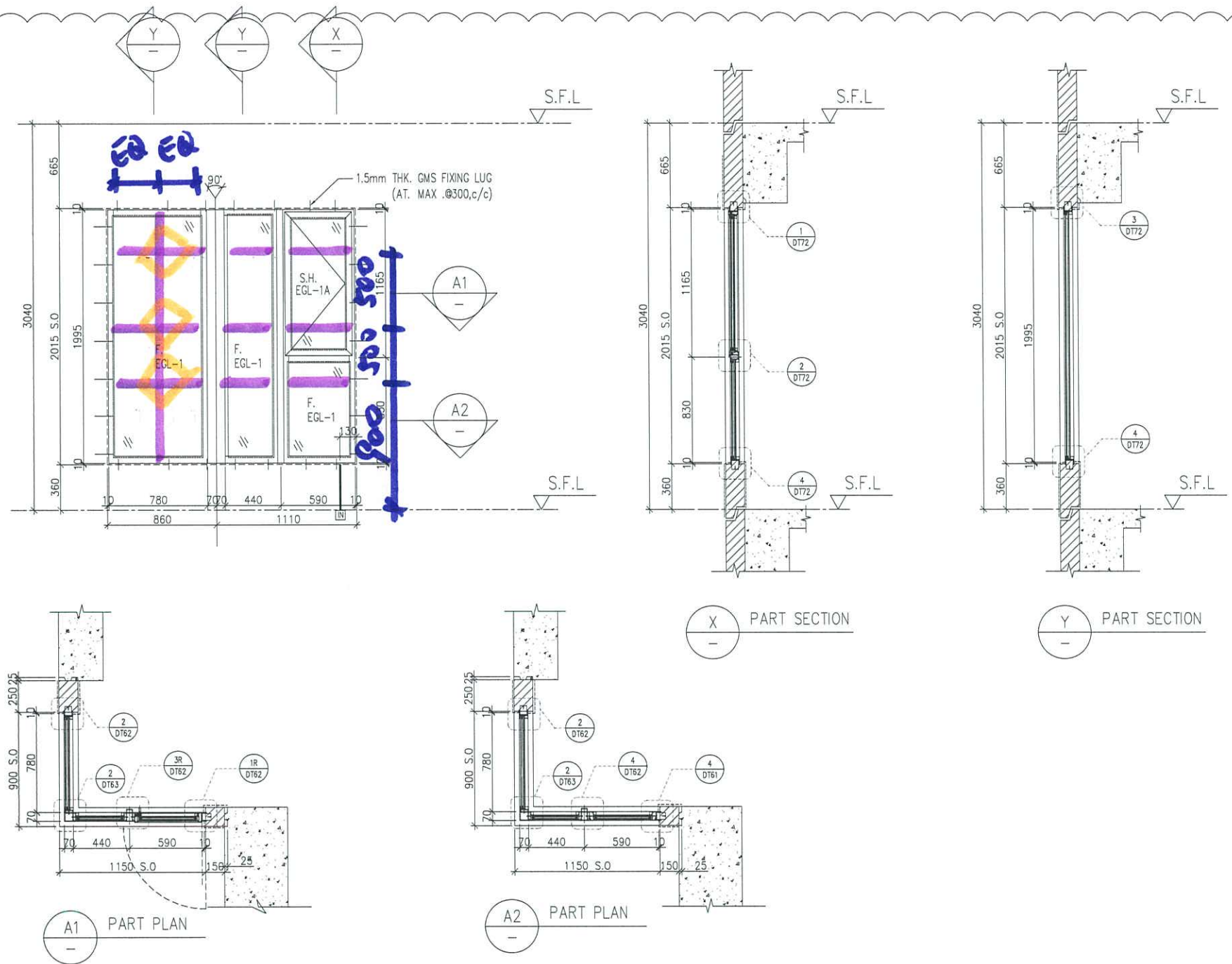
DRAWN BY : Ivan CHECKED BY :

**MIDI ALUMINIUM FABRICATOR LTD.**  
Units 6-8, Sunray Industrial Centre, 1/F  
610 Cho Kwo Ling Road, Kowloon  
Tel: 23489211-4 Fax: (852) 27727666

DWG NO. : J856-SD-PW-5111 REV. : B

WINDOW MARK	AW 07
LOCATION	3/F-42/F(4/F,13/F,14/F,24/F,34/F OMITTED) UNIT B8
SECTION	70mm ALUM. SECTION
GLAZING	EGL-1, EGL-1A
QUANTITY	35 Nos
REMARKS	FACADE (TYPE T1PF12 FOR 3/F~42/F)

ELEVATION



B.D. REF :

CLIENT :  
**SUN HUNG KAI**  
 REAL ESTATE AGENCY LTD.  
 42/F, SUN HUNG KAI CENTRE, WANCHAI, HONGKONG

ARCHITECT :  
**lwk&partners**  
 architects

MAIN CONTRACTOR :  
**Yee Fai** Building Contractors Ltd.

STRUCTURAL ENGINEER :  
**ARUP**

FACADE CONSULTANT:  
**ALPHA CONSULTING LIMITED**  
 Steel Structure & Facade Specialist

NOTE :  
 1. ALL DIMENSIONS ARE IN mm.  
 2. ALL ELEVATIONS ARE VIEWED FROM OUTSIDE.  
 3. ALL DIMENSIONS TO BE VERIFIED ON SITE BEFORE FABRICATION.

LEGEND :  
 (X1) — DETAIL MARK NO.  
 (X001) — REFER SHEET NO.  
 1. F.F.L. — FINISHED FLOOR LEVEL  
 2. S.F.L. — STRUCTURAL FLOOR LEVEL  
 3. (R) — REVERSED DETAIL  
 4. GLASS LEGEND  
 EGL-1 — 8mmHS+12mm AIR GAP+10mmTP THK. I.G.U.  
 EGL-2 — 10mm THK. CLEAR TEMPERED GLASS  
 EGL-4 — 10mm THK. TEMPERED ACID ETCHED GLASS  
 EGL-1A — 8mmHS+12mm AIR GAP+8mmTP THK. I.G.U.

B	03/11/2021	REVISION SUBJECT TO ARCH.COMMENT	ivan
A	12/10/2021	REVISION SUBJECT TO ARCH.COMMENT	ivan
NO.	DATE	REVISED	BY

JOB NO. : J-856  
 PROJECT : PROPOSED DEVELOPMENT ABOVE LIGHT RAIL TIN WING STOP, TSWTL NO.23, AREA 33, TIN SHUI WAI, N.T.

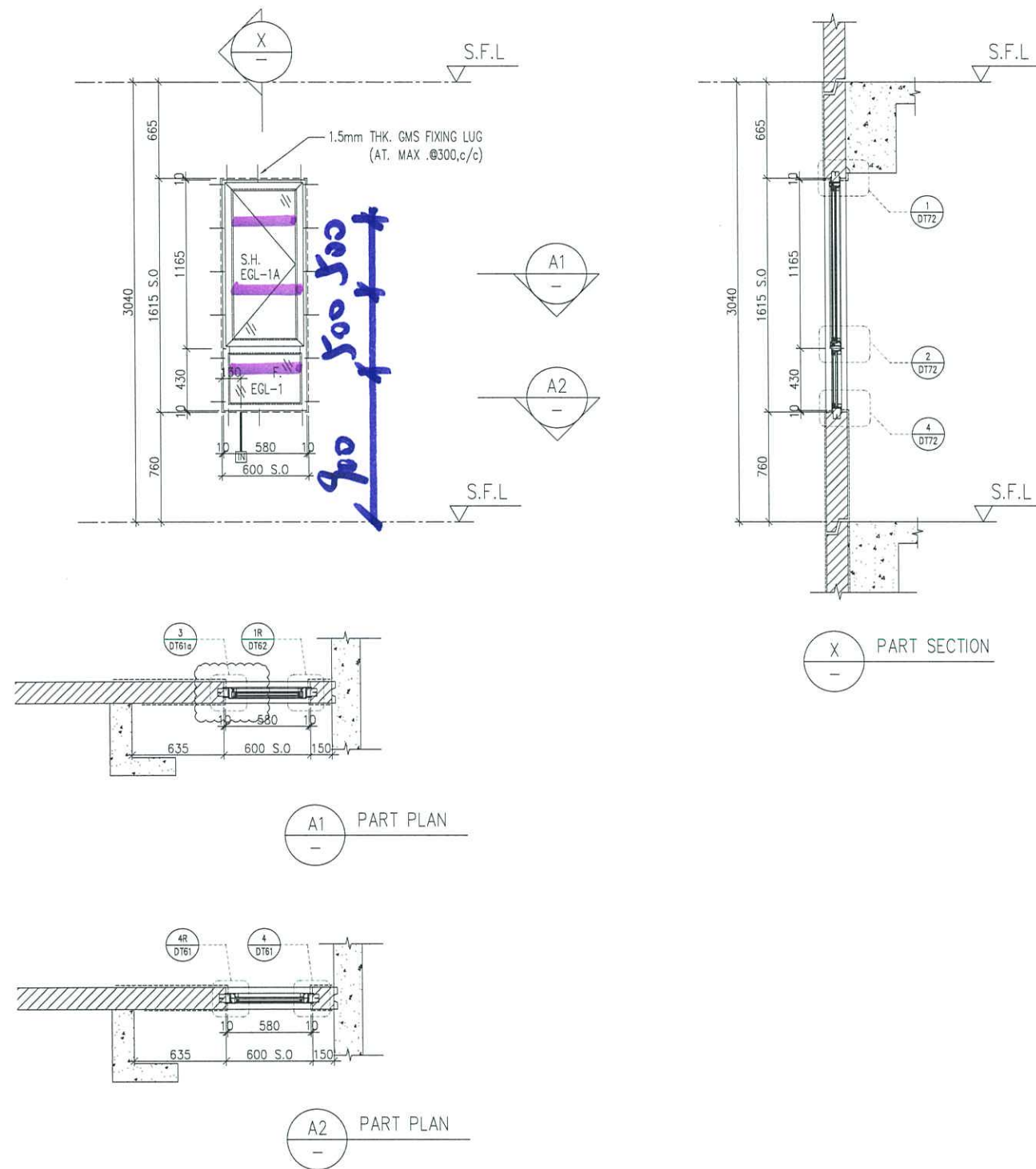
TITLE : WINDOW SCHEDULE FOR TOWER 2 ALUM. WINDOW

DATE : 02-Aug-21 SCALE : 1:40  
 DRAWN BY : ivan CHECKED BY :

**MIDI ALUMINIUM FABRICATOR LTD.**  
 Units 6-8, Sunray Industrial Centre, 1/F  
 610 Cha Kwo Ling Road, Kowloon  
 Tel: 23489211-4 Fax: (852) 27727666  
 DWG NO. : JB56-SD-PW-5211 REV. : B

WINDOW MARK	AW 07
LOCATION	3/F-42/F(4/F,13/F,14/F,24/F,34/F OMITTED) UNIT B8
SECTION	70mm ALUM. SECTION
GLAZING	EGL-1, EGL-1A
QUANTITY	35 Nos
REMARKS	FACADE(TYPE T2PF13 FOR 3/F~42/F)

ELEVATION



WINDOW MARK	
LOCATION	3/F-42/F(4/F,13/F,14/F,24/F,34/F OMITTED) UNIT B2
SECTION	70mm ALUM. SECTION
GLAZING	EGL-1,EGL-1A
QUANTITY	35 Nos
REMARKS	FACADE(TYPE T3PF18 FOR 3/F~42/F)

B.D. REF :

CLIENT :  
  
 SUN HUNG KAI REAL ESTATE AGENCY LTD.  
 42/F SUN HUNG KAI CENTRE, WANCHAI, HONGKONG

ARCHITECT :  
  
 IWK&partners architects

MAIN CONTRACTOR :  
  
 怡輝建築有限公司  
 Yee Fai Building Contractors Ltd.

STRUCTURAL ENGINEER :  
  
 ARUP

FACADE CONSULTANT:  
  
 ALPHA CONSULTING LIMITED  
 Steel Structure & Facade Specialist

NOTE :  
 1. ALL DIMENSIONS ARE IN mm.  
 2. ALL ELEVATIONS ARE VIEWED FROM OUTSIDE.  
 3. ALL DIMENSIONS TO BE VERIFIED ON SITE BEFORE FABRICATION.

LEGEND :  
  
 X1 --- DETAIL MARK NO.  
 X001 --- REFER SHEET NO.  
 1. F.F.L. --- FINISHED FLOOR LEVEL  
 2. S.F.L. --- STRUCTURAL FLOOR LEVEL  
 3. (R) --- REVERSED DETAIL  
 4. GLASS LEGEND

EGL-1--8mmHS+12mm AIR GAP+10mmTP THK. I.G.U.  
 EGL-2--10mm THK. CLEAR TEMPERED GLASS  
 EGL-4--10mm THK. TEMPERED ACID ETCHED GLASS  
 EGL-1A-8mmHS+12mm AIR GAP+8mmTP THK. I.G.U.

NO.	DATE	REVISED	BY
D	02/11/2021	REVISION SUBJECT TO ARCH.COMMENT	ivan
C	28/10/2021	REVISION SUBJECT TO ARCH.COMMENT	ivan
B	18/10/2021	REVISION SUBJECT TO ARCH.COMMENT	ivan
A	27/09/2021	REVISION SUBJECT TO ARCH.COMMENT	ivan

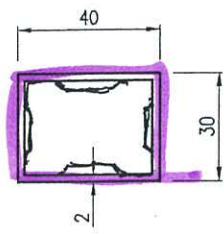
JOB NO. : J-856  
 PROJECT : PROPOSED DEVELOPMENT ABOVE LIGHT RAIL TIN WING STOP,TSWTL NO.23,AREA 33,TIN SHUI WAI, N.T.

TITLE : WINDOW SCHEDULE FOR TOWER 3 ALUM. WINDOW

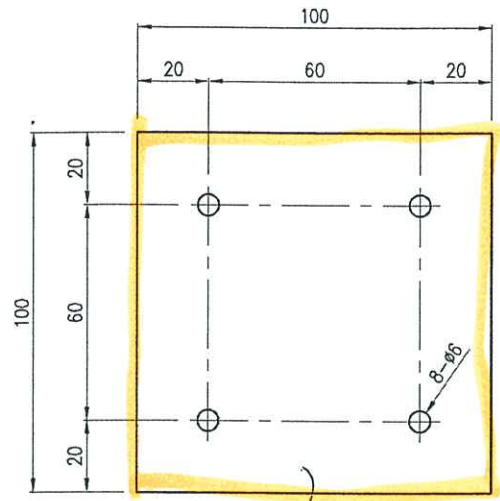
DATE : 02-Aug-21 SCALE : 1:40

DRAWN BY : Ivan CHECKED BY :

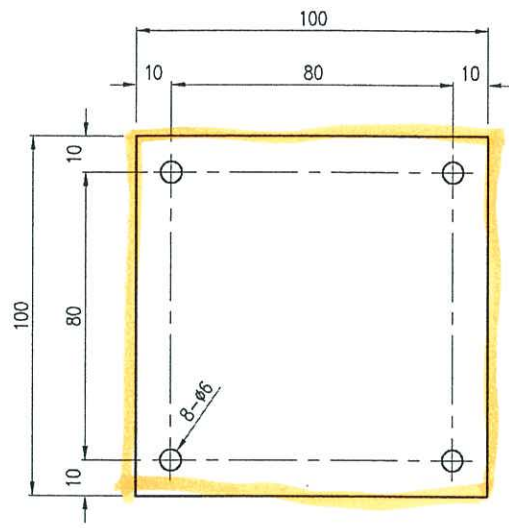
MIDI ALUMINIUM FABRICATOR LTD.  
 Units 6-8, Sunray Industrial Centre, 1/F  
 610 Cho Kwo Ling Road, Kowloon  
 Tel:23489211-4 Fax:(852)27727666  
 DWG NO. : J856-SD-PW-5309 REV. : D



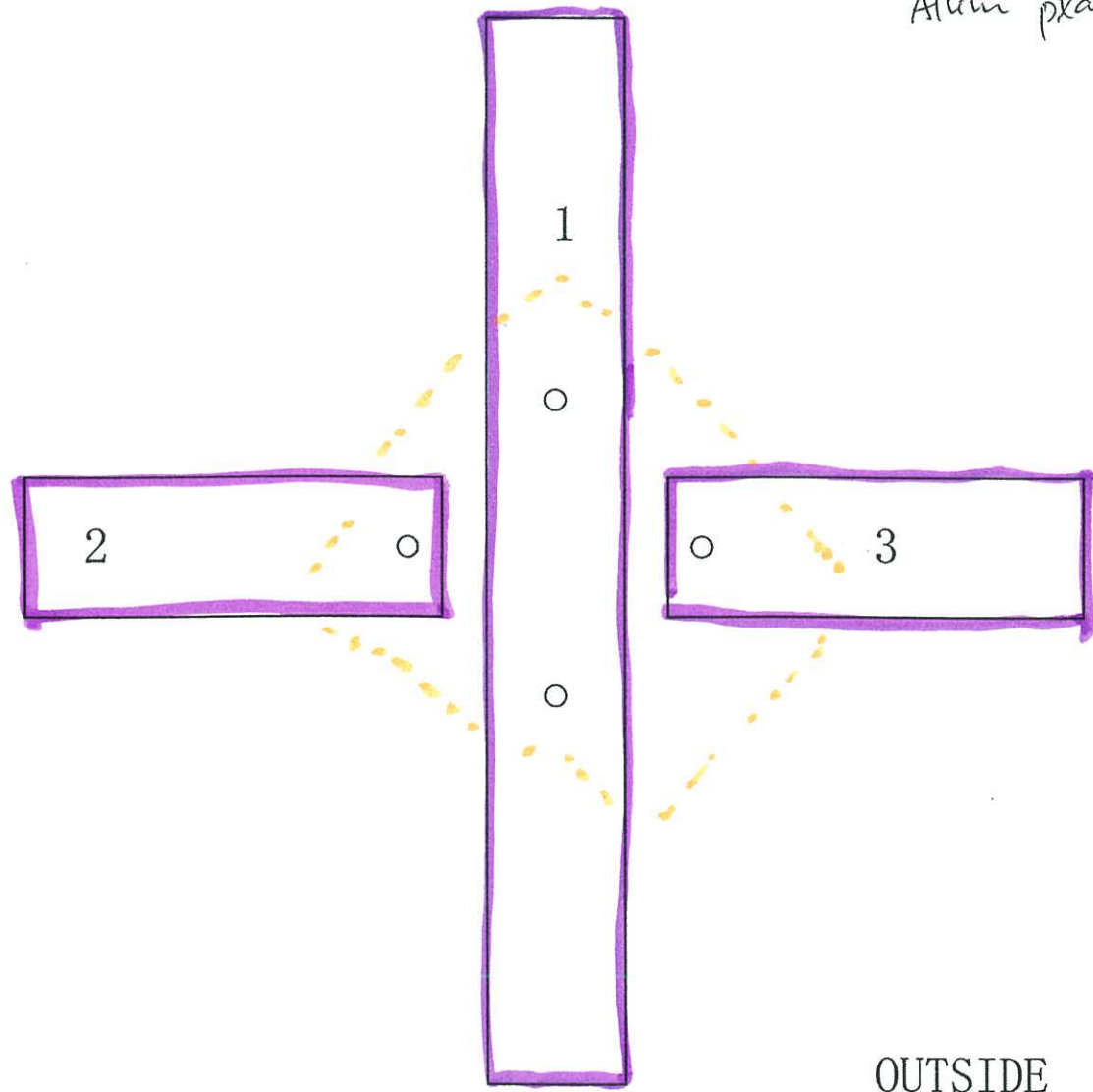
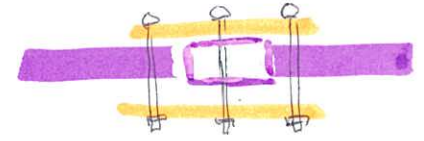
70道 玻璃槽宽40mm



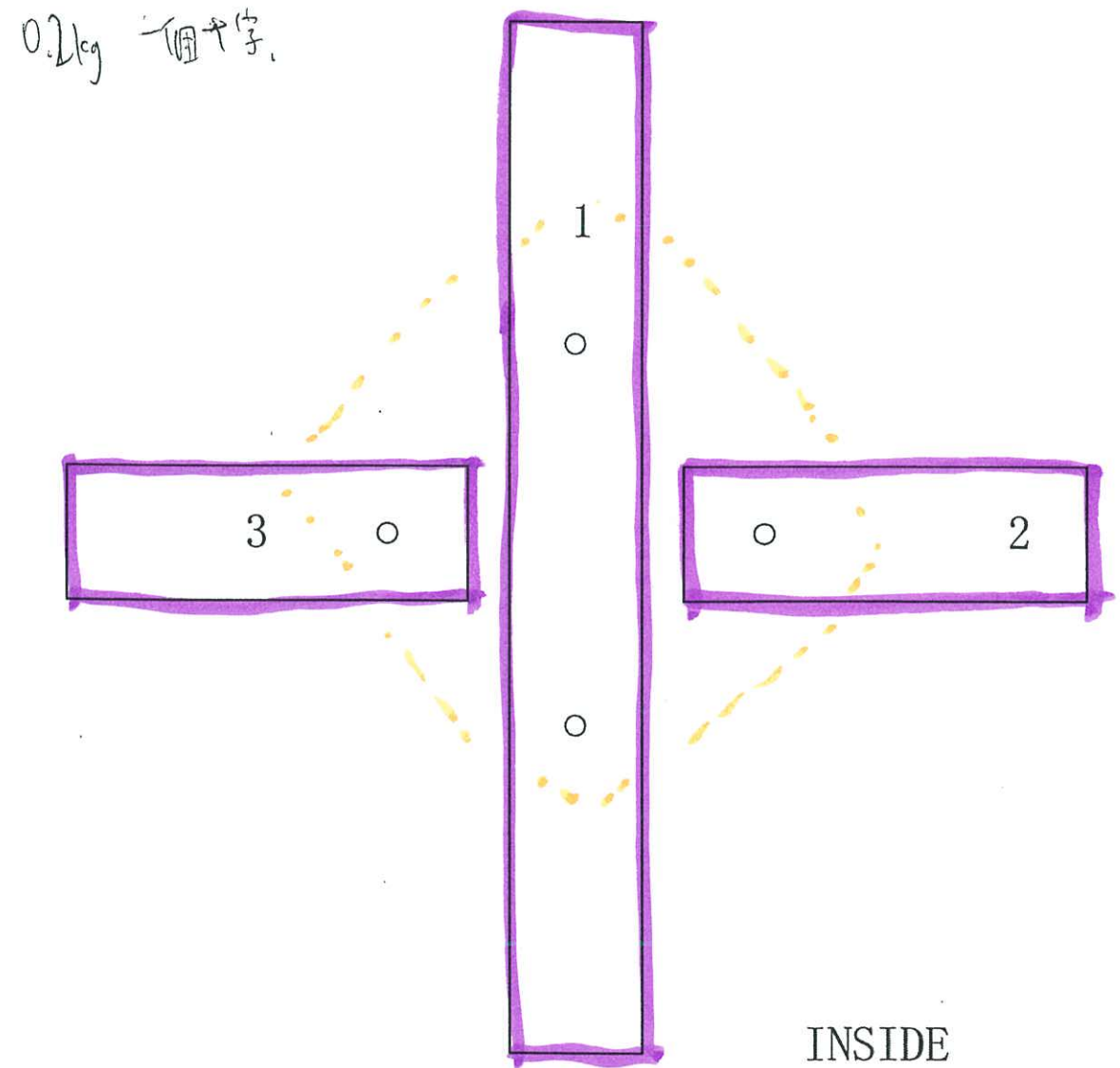
100x100x3mm T4K Alum plate.



0,75 leg m.

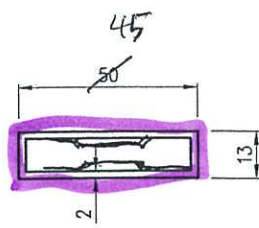


OUTSIDE



INSIDE

0.2leg 一个十字



50mm 玻璃插层 20mm

