

工程指示 / 要求簡箋(E.I.)

工程指示編號：EI/4007/21

修改版次：-

工程編號：J-856

工程名稱：天水圍天榮站

工程項目：窗仔 Trial panel (2 隻)

收件人：生統 / 永林 / 楊榮輝

發件人：Eric Liu

日期：10/11/2021

要求提供 / 確認 事項：

- | | | |
|------------------------------------|-------------------------------------|-------------------------------|
| <input type="checkbox"/> 初步鋁料 B.M. | <input type="checkbox"/> 加工拆圖，然後生產 | <input type="checkbox"/> 尺寸表 |
| <input type="checkbox"/> 正式鋁料 B.M. | <input type="checkbox"/> 技術上資料 / 指示 | <input type="checkbox"/> 報價 |
| <input type="checkbox"/> 配件 B.M. | <input type="checkbox"/> 樣辦或貨品說明書 | <input type="checkbox"/> 分判合約 |

內容：

請按大圖尺寸 直接生產兩幅窗 (AW/O3, AW/02R)

Trial panel，相關型材樣請按 EI3986A 已提供的資料

所有料買街料，顏色不限

配件用立興，配件款式見附頁，扇撐用16寸款

謝謝

請在 2021.11.31 前完成上列要求。

附：

以上項目為：

- 原合約工程包 原合約工程加 / 減賬 新工程報價

原因：-

分發東莞各部門：

- () 生產技術總監 連附件 () 技術部 連附件 *永林* () 生產部 連附件 () 機械設計部 連附件
 () 採購部 連附件 () 生產統籌部 連附件 *楊榮輝* () 小羅 & 清 連附件
 () 質檢部 連附件 () 會計部 連附件 () 報關組 連附件 () 其他 *青哥* 連附件 *楊榮輝*

分發其他分判：

- (v) 水洪 連附件

分發香港各部門：

- () 行政部 連附件 () 會計部 連附件 () 統籌部 連附件 () 工程部地盤科文 連附件
 () 採購部 連附件 () QS 部 連附件 () 維修部 連附件 () 其他 _____ 連附件

傳遞編號：

HK 2038 / 21

發件人簽署：

項目經理簽署：

Eric Liu
楊榮輝



怡輝建築有限公司

Yee Fai Construction Company Ltd.

44/F., Sun Hung Kai Centre, 30 Harbour Road, Wanchai, Hong Kong

Project: Property Development at LRT Tin Wing Stop at Tin Shui Wai on Lot No. TSWTL23

CONFIRMATION OF VERBAL INSTRUCTION

By Email & Hardcopy

Our Ref.: TSWTL23/CVI-0037

Date : 4 November 2021

LWK & Partners (HK) Ltd.
15/F, North Tower,
World Finance Centre,
Harbour City,
Tsim Sha Tsui, Hong Kong

Attn: Ms. Carmen Wong / Mr. Bryant Kam / Mr. Jason Ho

Dear Sir/Madam,

Re: Confirmation for the Extend of Precast Façade Mock up T3PF09 and T3PF10

We confirm having received the following construction instruction given by your Mr. Bryant Kam
on 3 November 2021 to our Wingo Hung

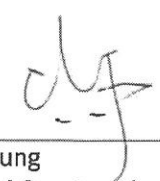
Records of resources employed will be kept where appropriate and adverse cost and time implications will be reported in due course. Meanwhile our rights under the conditions of contract are hereby reserved.

Based on SDS-118C shop drawing submission of Precast Façade T3PF12 dated on 30-Sep-2021, the final extend of precast façade mock up should be confirmed T3 PF09 and T3 PF10as per the attached sketches (TSWTL23/CVI-0037/SK-01 to SK-03) for our construction.

By copy of this confirmation sheet, Midi and Orientfunds noted the aforesaid the revision and proceed shop drawing submission for consultant's approval.

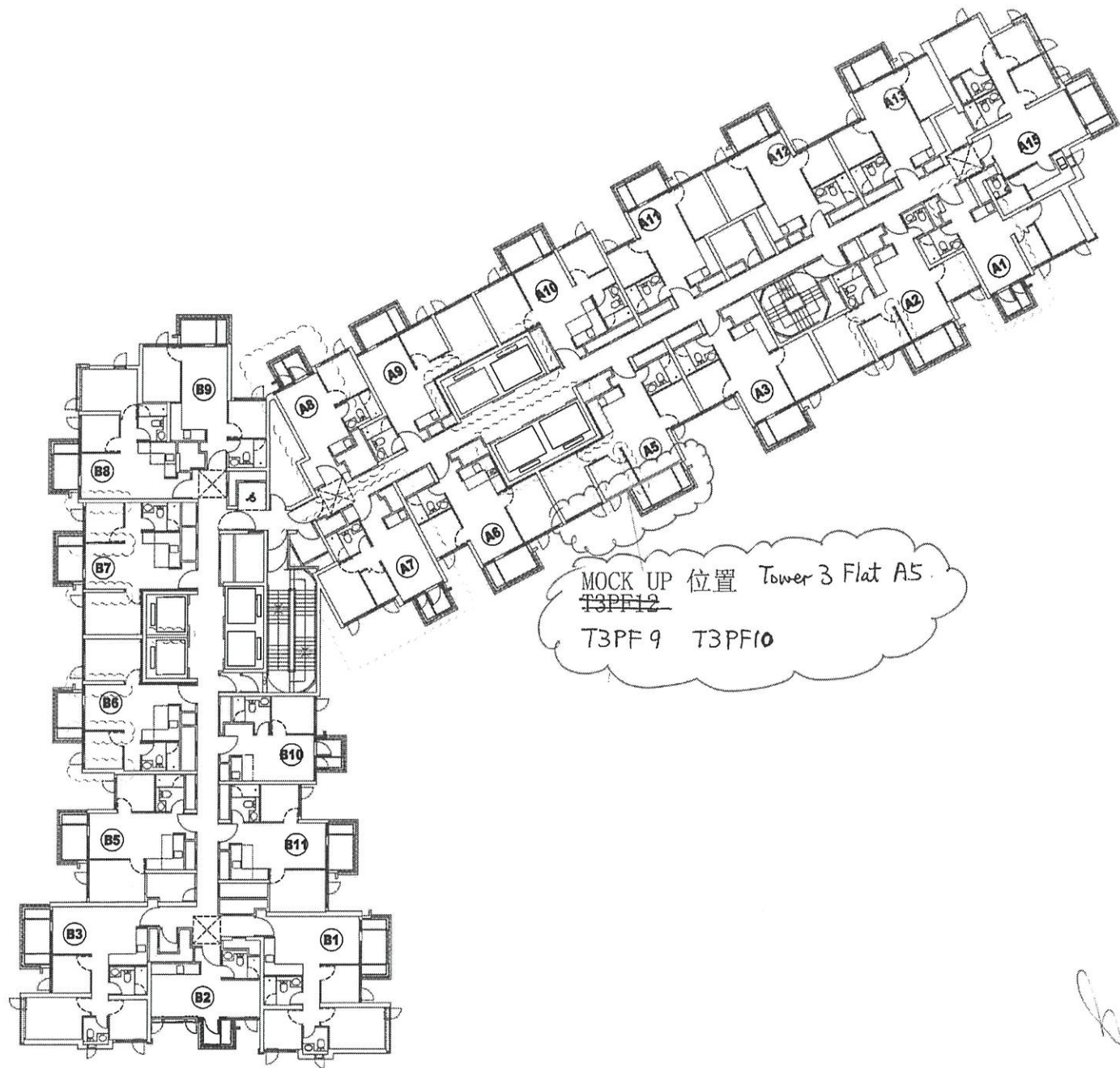
Kindly cover contents of the aforesaid instruction by issuing an Architect Instruction within 7 days. Meanwhile works are nevertheless proceeding as instructed.

c.c. (By Email) with encl.

BVD	-	Mr. Robert Seng / Mr. Jonathan Chan / Mr. C. C. Lai / Ms. Petrina Cheung	(w/e)	Signed:  Fu Chi Leung for Yee Fai Construction Co Ltd CLF/SYC/bwh
SHKAE (ST)	-	Mr. C. K. Lau / Mr. Kevin Lam	(w/e)	
SHKAE (ME)	-	Mr. K. L. Chan / Mr. Michael Chan	(w/e)	
Arup	-	Mr. Michael Ku / Mr. James Wong	(w/e)	
Arup (RP)	-	Mr. Kent Wong / Ms. Jenny Leung	(w/e)	
Arup (RE)	-	Mr. Dixon Wong / Mr. Tommy Ng / Mr. W. K. Liu / Ms. Dora Lee	(w/e)	
MTR Property	-	Ms. Dorothy Chan / Mr. William Po / Mr. Gary Chan / Mr. Sam Lee / Mr. Tony Chan / Mr. Tommy Chan	(w/e)	
QS Dept.	-	Ms. Gloric Chan / Mr. S. K. Lee	(w/e)	
Sub-Contractor	-	Midi / Orientfunds	(w/e)	
Site Office	-		(w/e)	

Also email a copy to the following for their retention and information.

1. PD PM SA ASA SF SE PC ME Others: _____



MOCK UP 位置 Tower 3 Flat A5.
~~T3PF12~~
 T3PF9 T3PF10

LEGEND:

- IN-SITU CONCRETE
- FACADE

REV	DESCRIPTION	DATE	BY
0	FIRST ISSUE	2021-08-28	S.H

PROJECT:
 PROPOSED DEVELOPMENT AT LRT TIN WING STOP AT TIN SHUI WA ON LOT NO. TSWL23

TITLE:
BEST VISION DEVELOPMENT LIMITED.

ARCHITECT:
lwk&partners
 architects

STRUCTURAL ENGINEER:

MAIN CONTRACTOR:

TITLE:
MOCK UP-CONCRETE LAYOUT PLAN

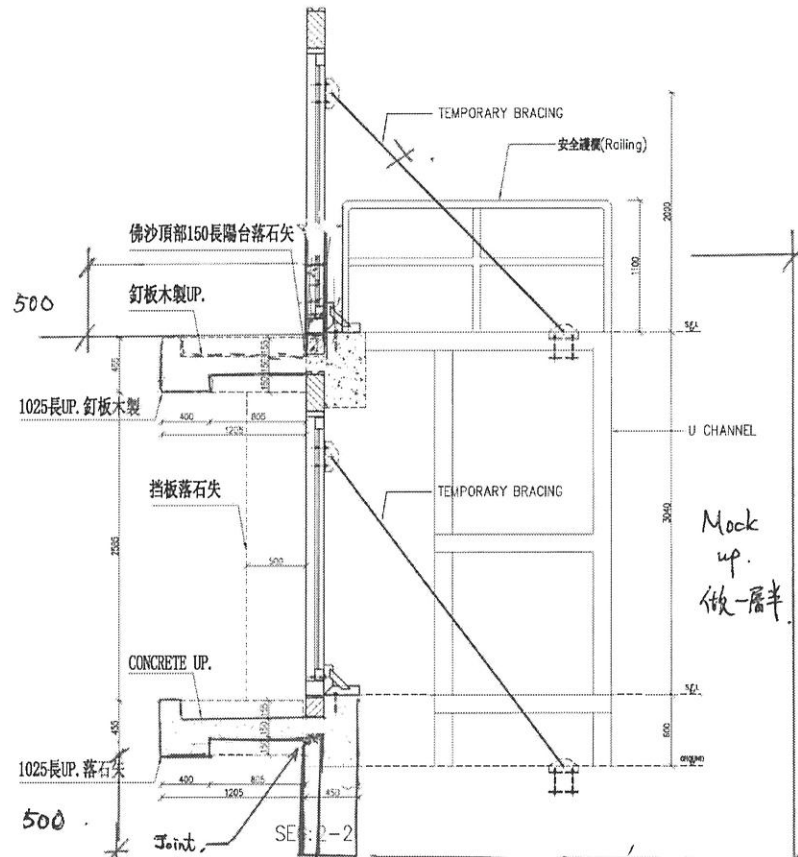
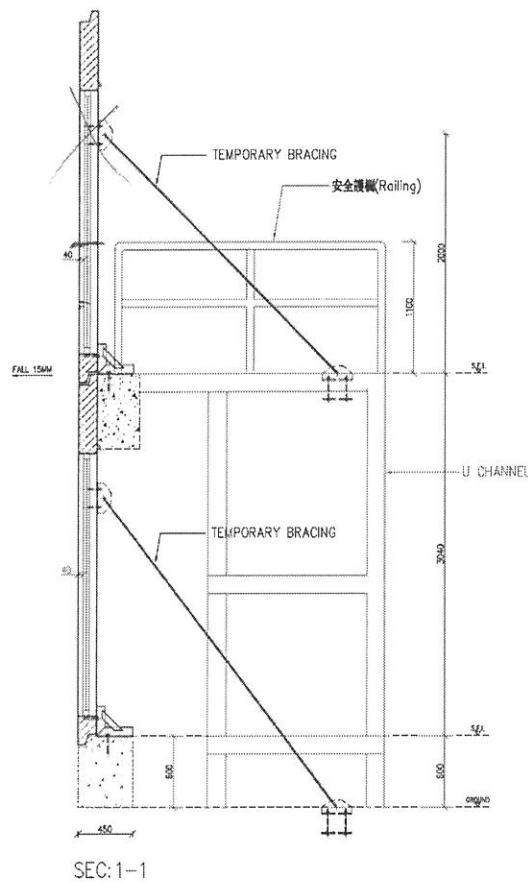
PROJECT NO.	DRAWING NO.	REVISION
	TSWL23/MU/PL-01	0

SCALE	DESIGNED	DRAWN	CHECKED	APPROVED
1:40 (A3)				

PRECAST SUPPLIER:

 (GREEN ISLAND) PRECAST LTD.
 RM 2013, HONG KONG PLAZA
 188 KONRAUGHT ROAD WEST
 HONG KONG
 Tel: (852) 2558 5765
 Fax: (852) 2517 0575

Handwritten signature and date: by [signature] 3/11/2021



MOCK UP-SECTION

Original
3/11/2021

LEGEND:

- IN-SITU CONCRETE
- FACADE

0	FIRST ISSUE	2021-09-28	SJH
REV.	DESCRIPTION	DATE	BY

PROJECT:
PROPOSED DEVELOPMENT AT LRT TIN WING STOP AT TIN SHUI WAI ON LOT.NO.TSWTL23

CLIENT:
BEST VISION DEVELOPMENT LIMITED.

ARCHITECT:
lwk&partners
architects
10/F, North Tower, World Finance Centre, Harbour City, Tsim Sha Tsui, Kowloon.
T: 852-2574 1822 F: 852-2572-0508 E: lwk@lwk.com
聯興建築顧問(香港)事務所有限公司
九龍尖沙咀彌敦道環球金融中心北座15樓

STRUCTURAL ENGINEER:

MAIN CONTRACTOR:

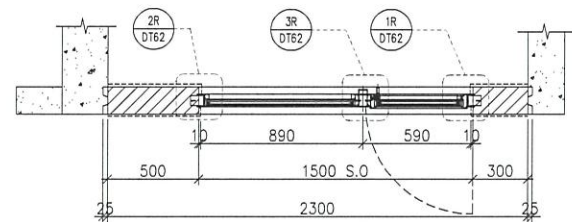
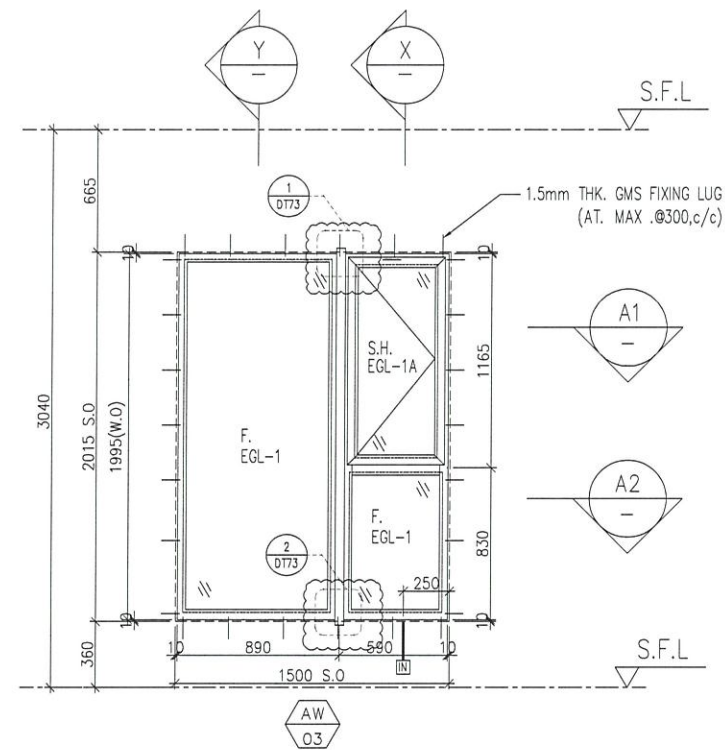
TITLE:
MOCK UP -- PRECAST FACADE INSTALLATION LAYOUT PLAN -- SECTION

PROJECT NO.	DRAWING NO.	REVISION
	TSWTL23/MU/SE-01	0

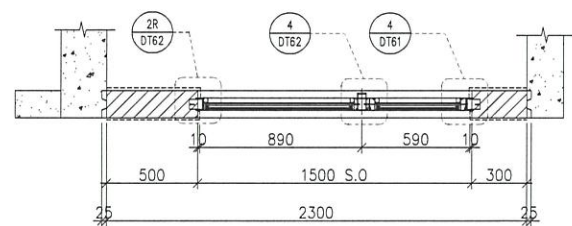
SCALE	DESIGNED	DRAWN	CHECKED	APPROVED
1:40 (A3)				

PRECAST SUPPLIER:
ORIENTFUND PRECAST LTD.
RM 2013, HONG KONG PLAZA
188 CONNAUGHT ROAD WEST
HONG KONG
Tel: (852) 2559 5785
Fax: (852) 2517 0873

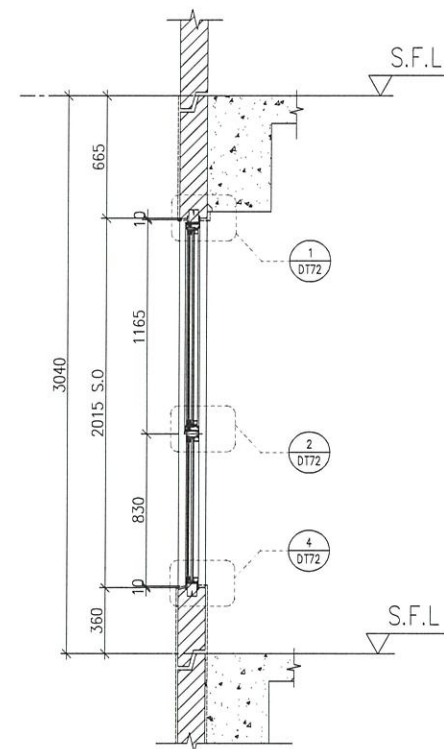
ELEVATION



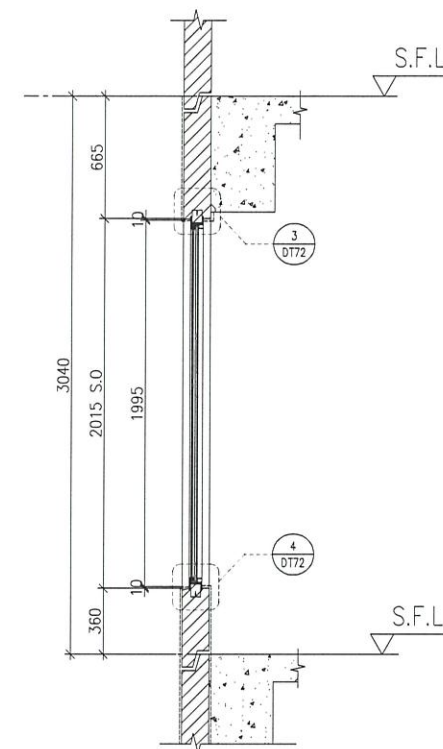
A1 PART PLAN



A2 PART PLAN



X PART SECTION



Y PART SECTION

B.D. REF :

CLIENT :
SUN HUNG KAI
 REAL ESTATE AGENCY LTD.
 42/F SUN HUNG KAI CENTRE, WANCHAI, HONGKONG

ARCHITECT :
lwk&partners
 architects

MAIN CONTRACTOR :
Yee Fai Building Contractors Ltd.

STRUCTURAL ENGINEER :
ARUP

FACADE CONSULTANT:
ALPHA CONSULTING LIMITED
 Steel Structure & Facade Specialist

NOTE :
 1. ALL DIMENSIONS ARE IN mm.
 2. ALL ELEVATIONS ARE VIEWED FROM OUTSIDE.
 3. ALL DIMENSIONS TO BE VERIFIED ON SITE BEFORE FABRICATION.

LEGEND :
 (X1) --- DETAIL MARK NO.
 (X001) --- REFER SHEET NO.
 1. F.F.L. --- FINISHED FLOOR LEVEL
 2. S.F.L. --- STRUCTURAL FLOOR LEVEL
 3. (R) --- REVERSED DETAIL
 4. GLASS LEGEND

EGL-1--8mmHS+12mm AIR GAP+10mmTP THK. I.G.U.
 EGL-2--10mm THK. CLEAR TEMPERED GLASS
 EGL-4--10mm THK. TEMPERED ACID ETCHED GLASS
 EGL-1A--8mmHS+12mm AIR GAP+8mmTP THK. I.G.U.

NO.	DATE	REVISION	BY
D	02/11/2021	REVISION SUBJECT TO ARCH.COMMENT	Ivan
C	28/10/2021	REVISION SUBJECT TO ARCH.COMMENT	Ivan
B	18/10/2021	REVISION SUBJECT TO ARCH.COMMENT	Ivan
A	27/09/2021	REVISION SUBJECT TO ARCH.COMMENT	Ivan

JOB NO. : J-856
 PROJECT : PROPOSED DEVELOPMENT ABOVE LIGHT RAIL TIN WING STOP, TSWTL NO.23, AREA 33, TIN SHUI WAI, N.T.

TITLE : WINDOW SCHEDULE FOR TOWER 3 ALUM. WINDOW

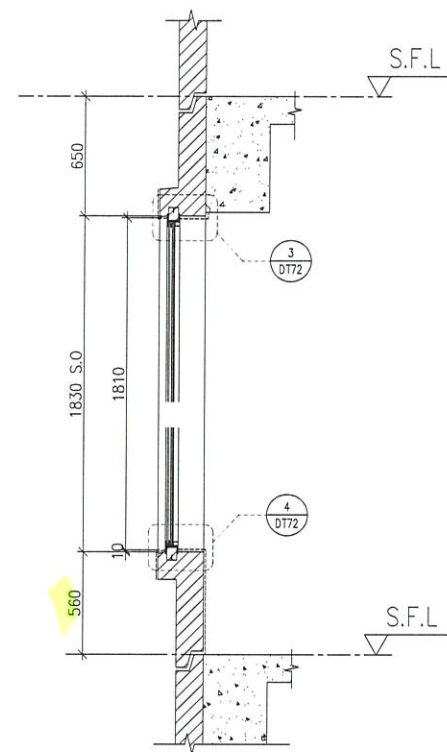
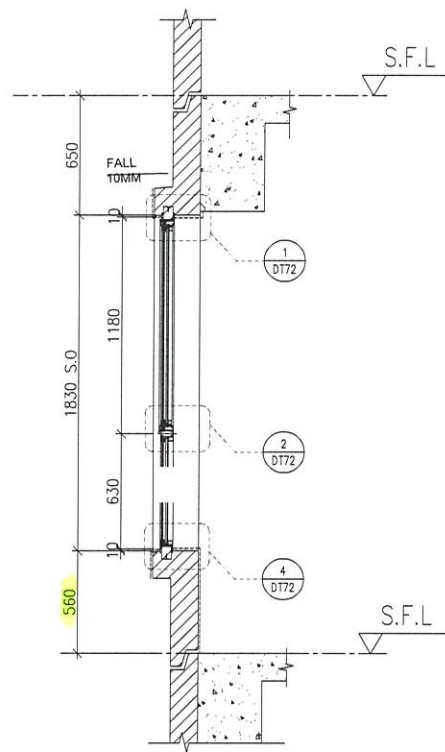
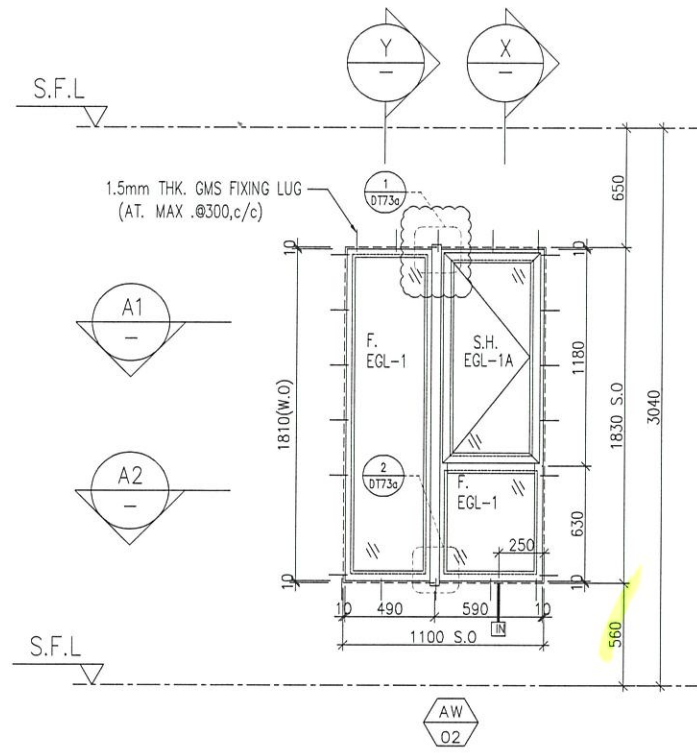
DATE : 02-Aug-21 SCALE : 1:40

DRAWN BY : Ivan CHECKED BY :

美特鋁質有限公司
MIDI ALUMINIUM FABRICATOR LTD.
 Units 6-8, Sunray Industrial Centre, 1/F
 610 Cha Kwo Ling Road, Kowloon
 Tel:23489211-4 Fax:(852)2727666

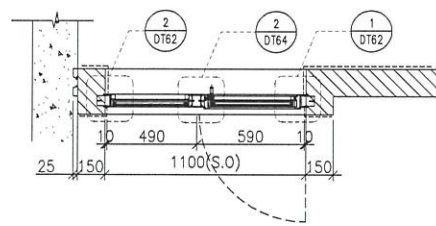
DWG NO. : J856-SD-PW-5305 REV. : D

WINDOW MARK	AW O3
LOCATION	3/F-42/F(4/F,13/F,14/F,24/F,34/F OMITTED) UNIT A2,A5,A9,B7
SECTION	70mm ALUM. SECTION
GLAZING	EGL-1,EGL-1A
QUANTITY	1 No
REMARKS	FACADE(TYPE T3PF10 FOR 3/F~42/F)

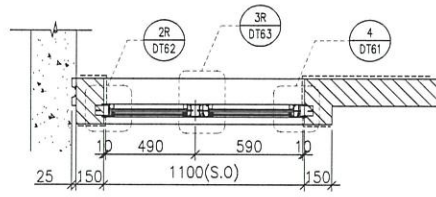


X PART SECTION

Y PART SECTION



PART PLAN A1



PART PLAN A2

ELEVATION

WINDOW MARK
LOCATION
SECTION
GLAZING
QUANTITY
REMARKS

AW 02R
3/F-42/F(4/F,13/F,14/F,24/F,34/F OMITTED) UNIT A2,A5,B1
70mm ALUM. SECTION
EGL-1,EGL-1A
1 No
FACADE(TYPE T3PF08 FOR 3/F~42/F)

B.D. REF :

CLIENT :
SUN HUNG KAI
 REAL ESTATE AGENCY LTD.
 42/F SUN HUNG KAI CENTRE, WANCHAI, HONGKONG

ARCHITECT :
Iwk&partners
 architects

MAIN CONTRACTOR :
怡輝建築有限公司
Yee Fai Building Contractors Ltd.

STRUCTURAL ENGINEER :
ARUP

FACADE CONSULTANT:
ALPHA CONSULTING LIMITED
 Steel Structure & Facade Specialist

NOTE :
 1. ALL DIMENSIONS ARE IN mm.
 2. ALL ELEVATIONS ARE VIEWED FROM OUTSIDE.
 3. ALL DIMENSIONS TO BE VERIFIED ON SITE BEFORE FABRICATION.

LEGEND :
 (X1) --- DETAIL MARK NO.
 (X001) --- REFER SHEET NO.

1. F.F.L. --- FINISHED FLOOR LEVEL
 2. S.F.L. --- STRUCTURAL FLOOR LEVEL
 3. (R) --- REVERSED DETAIL
 4. GLASS LEGEND
 EGL-1--8mmHS+12mm AIR GAP+10mmTP THK. I.G.U.
 EGL-2--10mm THK. CLEAR TEMPERED GLASS
 EGL-4--10mm THK. TEMPERED ACID ETCHED GLASS
 EGL-1A--8mmHS+12mm AIR GAP+8mmTP THK. I.G.U.

D	02/11/2021	REVISION SUBJECT TO ARCH.COMMENT	
C	28/10/2021	REVISION SUBJECT TO ARCH.COMMENT	
B	18/10/2021	REVISION SUBJECT TO ARCH.COMMENT	
A	27/09/2021	REVISION SUBJECT TO ARCH.COMMENT	
NO.	DATE	REVISED	BY

JOB NO. : J-856
 PROJECT :
 PROPOSED DEVELOPMENT ABOVE
 LIGHT RAIL TIN WING STOP,TSWTL
 NO.23,AREA 33,TIN SHUI WAI, N.T.

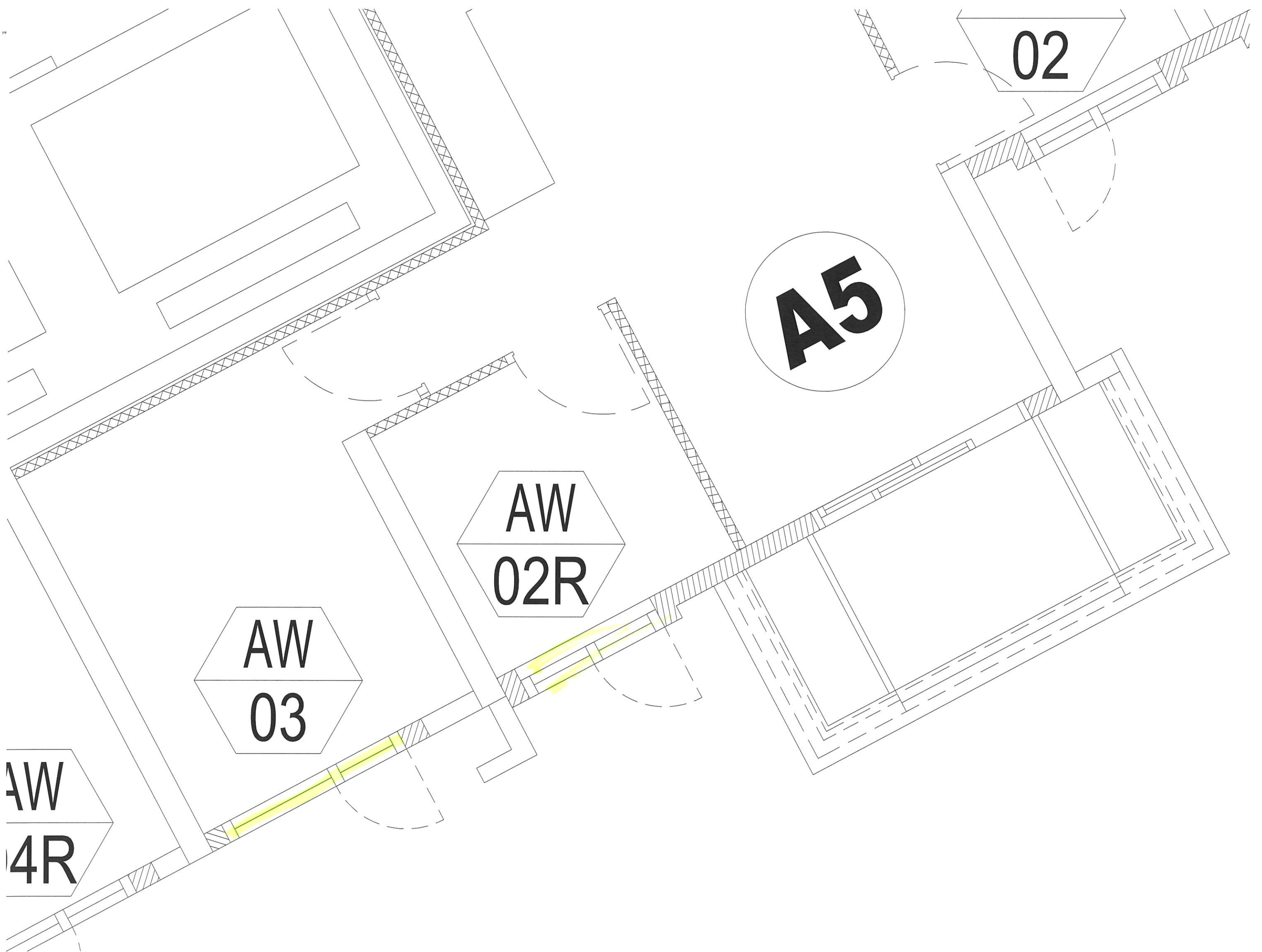
TITLE :
 WINDOW SCHEDULE FOR
 TOWER 3 ALUM. WINDOW

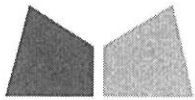
DATE : 02-Aug-21 SCALE : 1:40

DRAWN BY : Ivan CHECKED BY :

MIDI ALUMINIUM FABRICATOR LTD.
 Units 6-8, Sunray Industrial Centre, 1/F
 610 Cha Kwo Ling Road, Kowloon
 Tel:23489211-4 Fax:(852)27727666

DWG NO. : J856-SD-PW-5304 REV. : D





美特鋁質有限公司
MIDI ALUMINIUM FABRICATOR LTD.

配件款材料

Our ref. MC/40437/856

1st September 2021

Yee Fai Construction Co., Ltd.
44/F, Sun Hung Kai Centre,
30 Harbour Road,
Wanchai, Hong Kong

By Email & Hand

Attn.: Mr. Cheng Shu Yan

Dear Sir,

**Re: Design, Supply & Installation of Aluminium Window, Doors & Louvres for TSWTL23,
Area 33, Tin Wing Stop, Tin Shui Wai, N.T. - Contract No.: P210192
Submission of Catalogue and Sample of Ironmongeries for Alum. Window(MS005)**

Regarding the captioned project, we would like to submit the Catalogue and sample of ironmongeries for Aluminum Windows for your review and comment.

Brand: LIP HING (YEUNG'S) COMPANY LIMITED (立興)

- 1) HHMS-N series stainless steel friction hinge
 - 1.1) HHMS-N12
 - 1.2) HHMS-N14
 - 1.3) HHMS-N16
 - 1.4) HHMS-N18
- 2) NBSF 窗框扣碼
- 3) NBSS 窗玉扣碼(16mm)
- 4) N8262 單孔斜面傍膠
- 5) ACRP-13.5 多點鎖 13.5mm 高傳動珠
- 6) KMPI/ABCR 多點鎖內鎖型鎖口
- 7) MLDFOB-18 手柄配 9K-10220-PB 坐腳 (正常式)
- 8) MLDFOB-18 手柄配 9K-10220-PB 坐腳 (分離式)
- 9) GTA0-50 25mm 平收單向傳動器

用此款材料 →

Remarks:

Attached the summary for window weight for different hinge type for your reference.
1 set of sample will be delivered to site office directly

Thank you for your kind attention.

Yours faithfully,
MIDI ALUMINIUM FABRICATOR LTD.

Francis Mau
Managing Director

FM/MT/JL/KL/wk

九龍茶果嶺道610號生利工業中心1樓6-8號
Units 6-8, 1st Floor, Sunray Industrial Centre, 610 Cha Kwo Ling Road, Kln.
TEL. (電話): 2348 9211 FAX. (傳真): 2772 7666 E-mail Address (電郵): midi@midilt.com.hk.



ISO 9001 : 2015
Certificate No: CC 1795

Summary for window weight

各款扇撐
最重承重

窗線編號	W	60%	吋	60%要求	扇撐吋	H	厚	厚	窗型	單片	IGU	總重量	HHMS	數量
AW109	450	0.6	25.4	10.6	12	1175	10	18	50	8.7	28mm	16.0	34	76
AW12	480	0.6	25.4	11.3	12	1165	10	18	50	9.4		16.8	34	37
AW01/AW08/ AW03/AW09	565	0.6	25.4	13.3	14	1165	10	18	70		21.1	28.7	39	2923
AW10	580	0.6	25.4	13.7	16	1165	10	18	70		21.8	29.5	45	296
AW103	600	0.6	25.4	14.2	16	1175	10	18	70		23.0	30.8	45	299
AW107/AW105	600	0.6	25.4	14.2	16	1175	10	18	50	12.8		20.6	45	235
AW106	600	0.6	25.4	14.2	16	1165	10	18	50	12.6		20.4	45	123
AW108	600	0.6	25.4	14.2	16	1390	10	18	70		27.7	36.2	45	6
AW11	630	0.6	25.4	14.9	16	1165	10	18	70		24.2	32.1	45	74
AW14	630	0.6	25.4	14.9	16	1165	10	18	50	13.5		21.3	45	74
AW06/AW13/ AW10	640	0.6	25.4	15.1	16	1165	10	18	70		24.7	32.6	45	74
AW02/AW04	650	0.6	25.4	15.4	16	1165	10	18	70		25.2	33.1	45	1369
AW05	680	0.6	25.4	16.1	18	1165	10	18	70		26.6	34.7	45	148

立興(楊氏)有限公司

LIP HING (YEUNG'S) COMPANY LIMITED

HHMS-N系列平開窗不銹鋼窗較

"HHMS-N" SERIES STAINLESS STEEL FRICTION HINGE FOR SIDE HUNG WINDOW

特徵

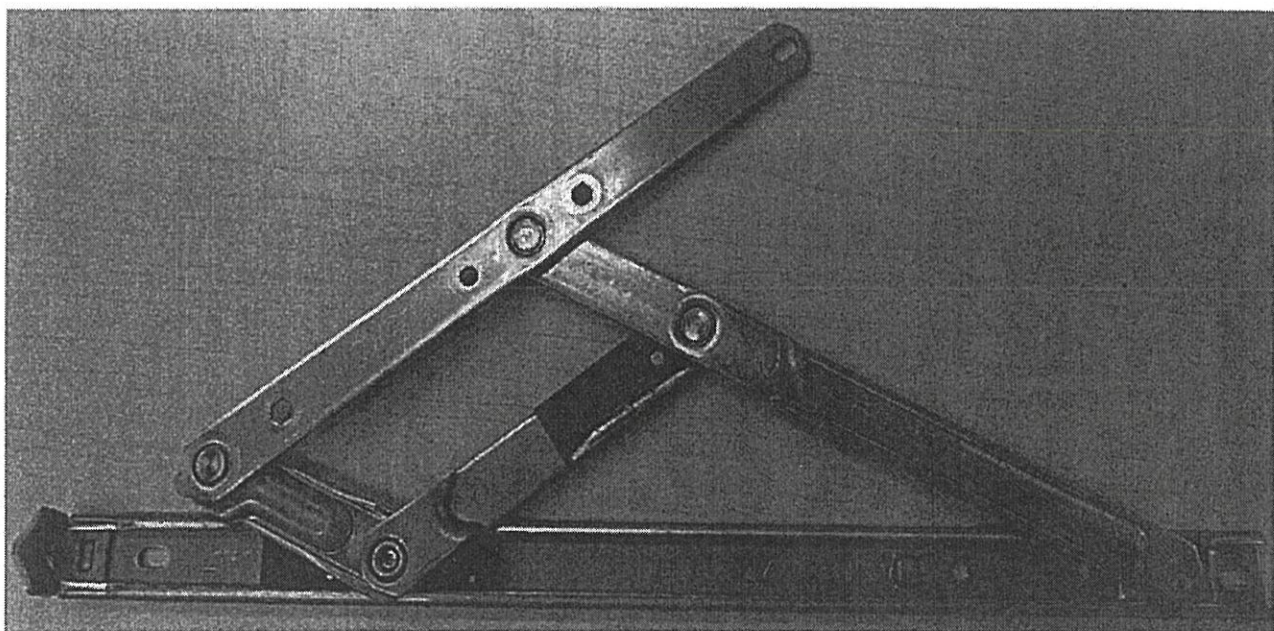
物料: 304不銹鋼

- ❖ 50,000次嚴格開關測驗後仍能操作正常, 確保恒久耐用
- ❖ 質量符合英國BS6375-2:2019和新加坡SS212:2007標準

Features

Material: Grade 304 stainless steel

- ❖ Durability proven by opening and closing test 50,000 times
- ❖ Satisfied the requirements of British Standard BS6375-2:2009 and Singaporean Standard SS212:2007.



建議鋁窗規格 SUGGESTED WINDOW SPECIFICATION

(窗扇高及寬只作參考用, 以窗重量為準)

(Window sash size is for reference only while window loading is the main determinant)

型號 Model No.	窗扇最高 Max. Sash Height (mm)	窗扇最寬 Max. Sash Width (mm)	窗最重 Max. Loading (KG)	窗開角度 Opening (+0°/-5°)
L1 HHMS-N12 ✓	1700	525	41 ^{x 0.85} = 34kg	90°
L2 HHMS-N14 ✓	1700	585	47 ^{x 0.85} = 39kg	90°
L3 HHMS-N16 ✓	1700	685	53 ^{x 0.85} = 45kg	40°/45°/90°
L4 HHMS-N18 ✓	1700	700	54 ^{x 0.85} = 45kg	35°/45°/90°

立興(楊氏)有限公司

香港葵涌 葵昌路26-38號
豪華工業大廈8字樓D座

立興楊氏實業(深圳)有限公司

中國廣東深圳市 光明新區
玉塘街道 田寮社區 田益一街10號

電話 (852) 2412 2288 / 2423 8620 / 2412 2490 | 傳真 (852) 2489 2766

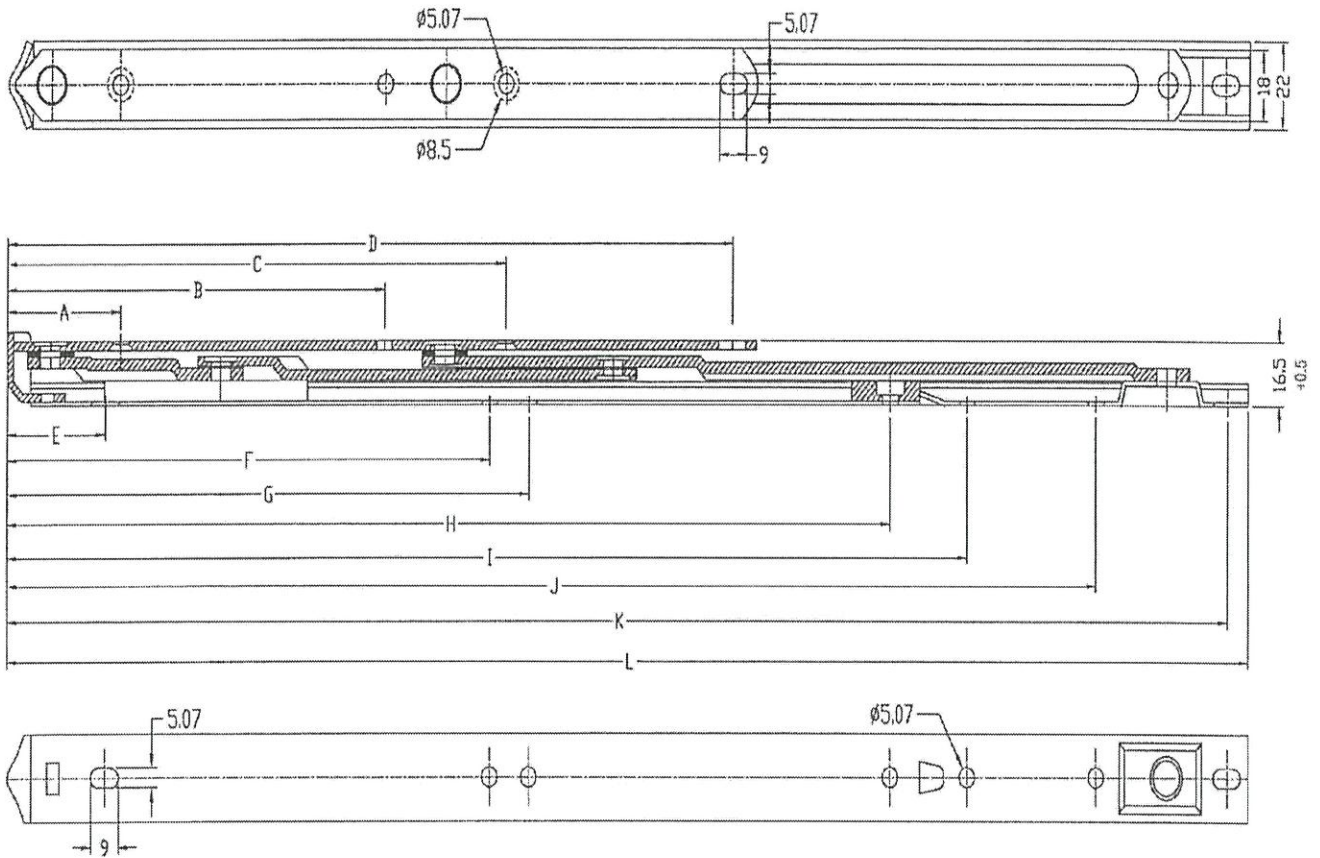
電郵 main@liphingyeungs.com.hk | 網址 sz-liphingyeungs.com

立興 (楊氏) 有限公司

LIP HING (YEUNG'S) COMPANY LIMITED

HHMS-N系列平開窗不銹鋼窗較

"HHMS-N" SERIES STAINLESS STEEL FRICTION HINGE FOR SIDE HUNG WINDOW



尺寸		MEASUREMENTS (mm)										
型號 Model No.	A	B	C	D	E	F	G	H	I	J	K	L
HHMS-N12	37	84	124	200	32	-	-	-	242	263	307	316
HHMS-N14	37	100	140	216	32	-	-	-	265	300	344	352
HHMS-N16	37	124	164	240	32	159	172	292.2	318	361	405	412
HHMS-N18	37	144	184	260	32	154.5	181.5	321.9	348	406	450	457

有測驗報告可提供
Test report available upon request

立興(楊氏)有限公司
香港葵涌 葵昌路26-38號
豪華工業大廈8字樓D座

立興楊氏實業(深圳)有限公司 電話 (852) 2412 2288 / 2423 8620 / 2412 2490 | 傳真 (852) 2489 2766
中國廣東深圳市 光明新區 玉塘街道 田寮社區 田益一街10號 電郵 main@liphingyeungs.com.hk | 網址 sz-liphingyeungs.com

立興(楊氏)有限公司

LIP HING (YEUNG'S) COMPANY LIMITED

HHMS-N系列平開窗不銹鋼窗較

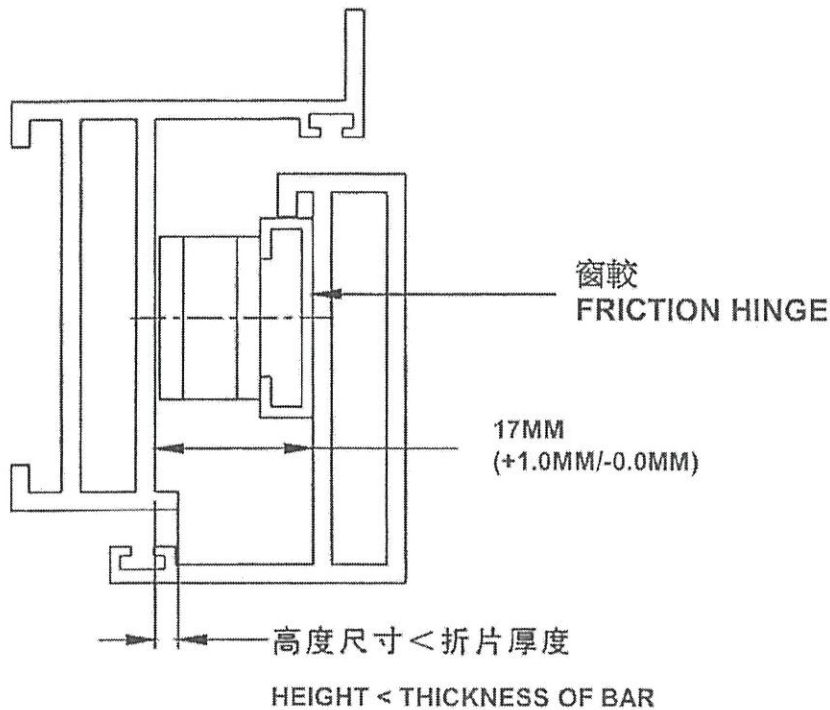
"HHMS-N" SERIES STAINLESS STEEL FRICTION HINGE FOR SIDE HUNG WINDOW

不銹鋼窗較安裝要點

TIPS FOR INSTALLING STAINLESS STEEL FRICTION HINGE

窗較所需空間要求

SPACE REQUIREMENT FOR INSTALLING FRICTION HINGE



立興(楊氏)有限公司

香港葵涌 葵昌路26-38號
豪華工業大廈8字樓D座

立興楊氏實業(深圳)有限公司

中國廣東深圳市 光明新區
玉塘街道 田寮社區 田益一街10號

電話 (852) 2412 2288 / 2423 8620 / 2412 2490 | 傳真 (852) 2489 2766

電郵 main@liphingyeungs.com.hk | 網址 sz-liphingyeungs.com

立興(楊氏)有限公司

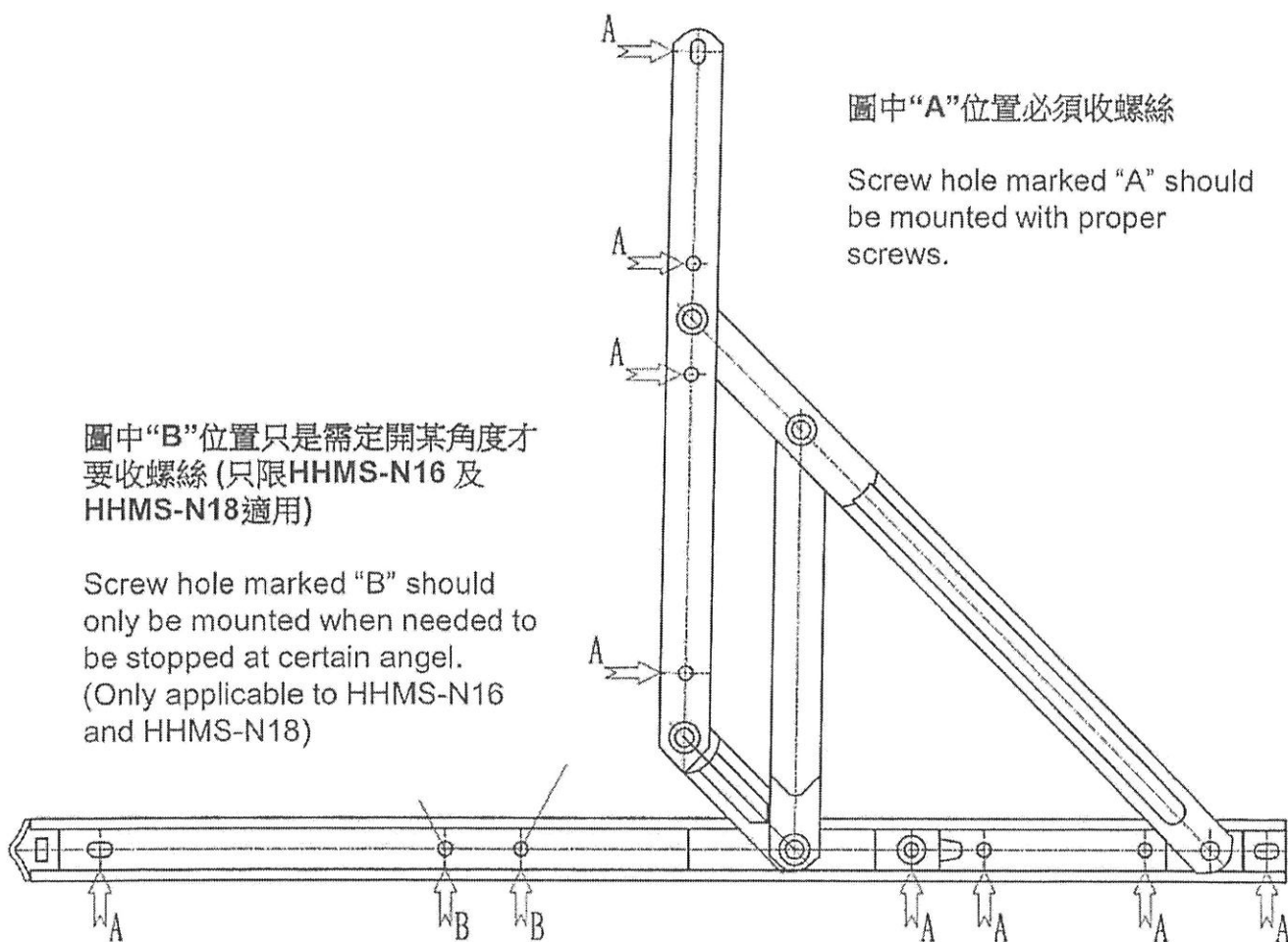
LIP HING (YEUNG'S) COMPANY LIMITED

HHMS-N系列平開窗不銹鋼窗較

"HHMS-N" SERIES STAINLESS STEEL FRICTION HINGE FOR SIDE HUNG WINDOW

不銹鋼窗較安裝要點

TIPS FOR INSTALLING STAINLESS STEEL FRICTION HINGE



立興(楊氏)有限公司

香港葵涌 葵昌路26-38號
葵華工業大廈8字樓D座

立興楊氏實業(深圳)有限公司

中國廣東深圳市 光明新區
玉塘街道 田寮社區 田益一街10號

電話 (852) 2412 2288 / 2423 8620 / 2412 2490 | 傳真 (852) 2489 2766

電郵 main@liphingyeungs.com.hk | 網址 sz-liphingyeungs.com

立興(楊氏)有限公司

LIP HING (YEUNG'S) COMPANY LIMITED

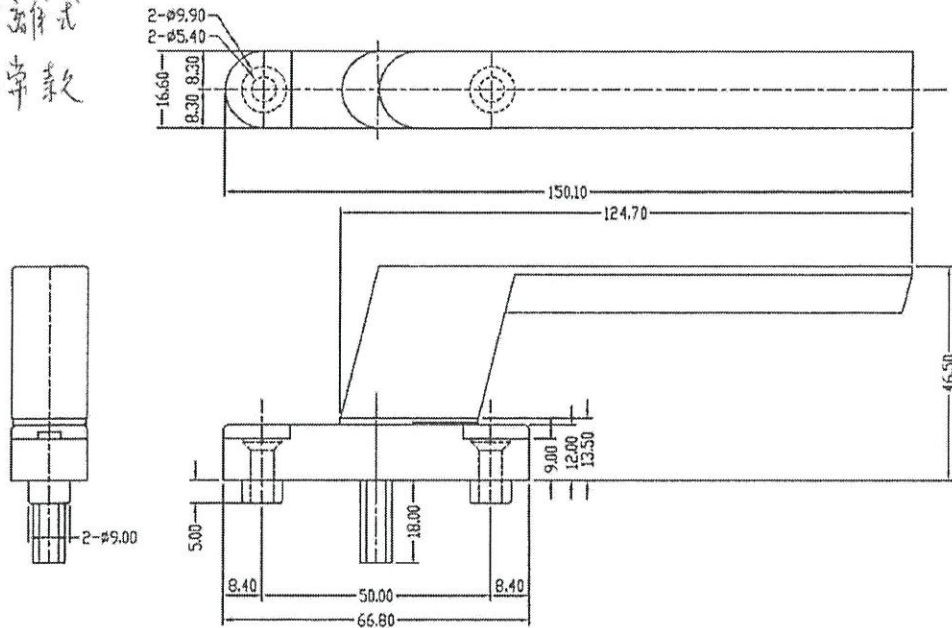
Project: TIN WING STOP OF TIN SHUI WAI

<窗>

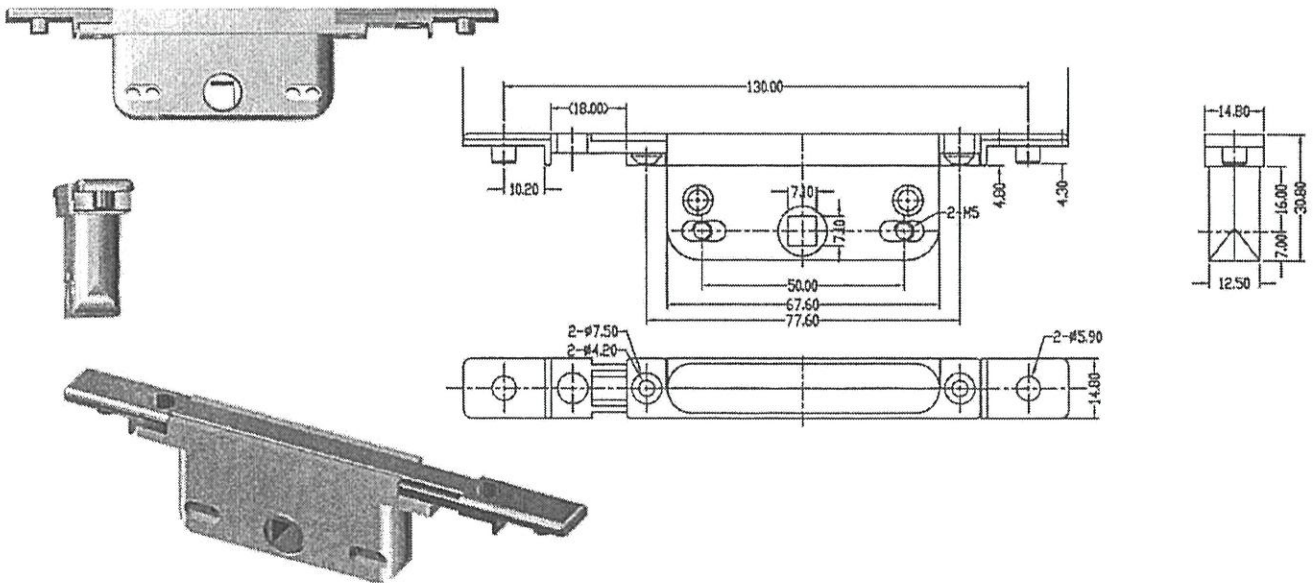
MLDFOB-18 MLDPOB手柄配9K-10220-PB坐腳(18MM長方軸) ✓

ⓐ) 分離式

ⓑ) 正常款



ⓐ) GTA0-50 25MM平收單向傳動器 (50孔位) ✓



立興(楊氏)有限公司

香港葵涌 葵昌路26-38號
豪華工業大廈8字樓D座

立興楊氏實業(深圳)有限公司

中國廣東深圳市 光明新區
玉塘街道 田寮社區 田益一街10號

電話 (852) 2412 2288 / 2423 8620 / 2412 2490 | 傳真 (852) 2489 2766

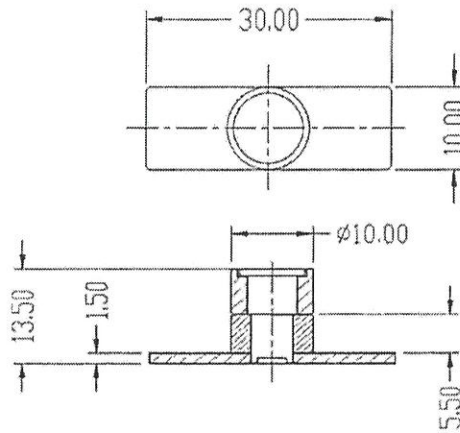
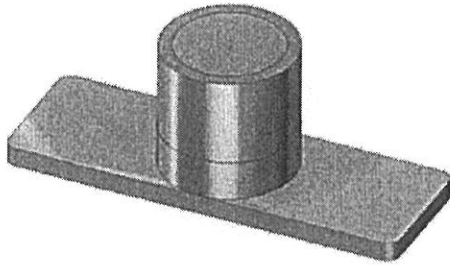
電郵 main@liphingyeungs.com.hk | 網址 sz-liphingyeungs.com

立興(楊氏)有限公司

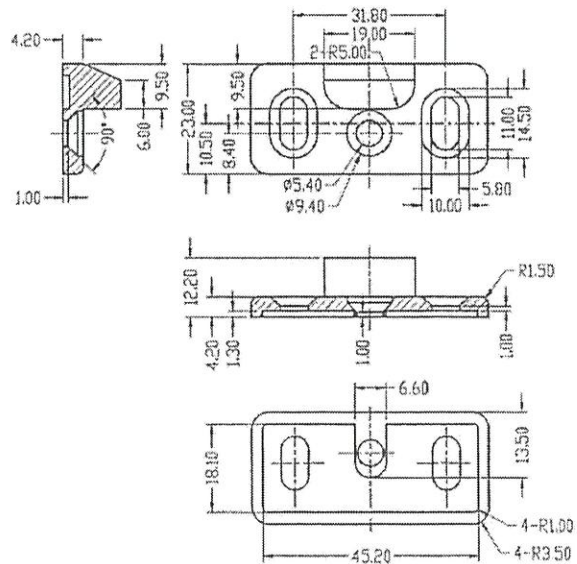
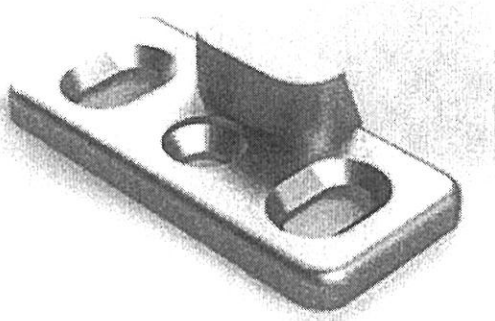
LIP HING (YEUNG'S) COMPANY LIMITED

Project: TIN WING STOP OF TIN SHUI WAI

⑤ ACRP-13.5 多點鎖13.5MM高傳動珠 ✓



⑥ KMPI/ABCR 多點鎖內鎖型鎖口 - 電光鉻 ✓



立興(楊氏)有限公司
香港葵涌 葵昌路26-38號
豪華工業大廈8字樓D座

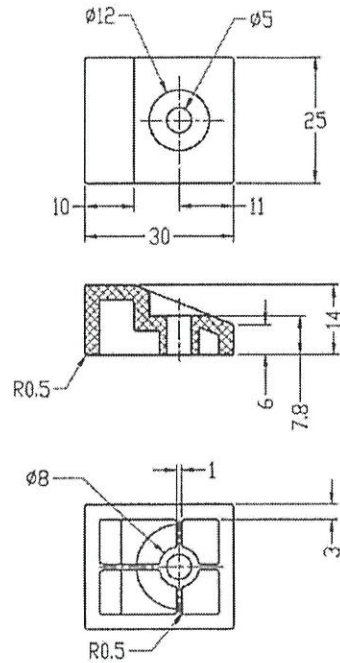
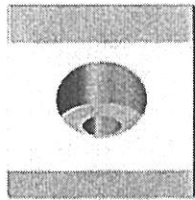
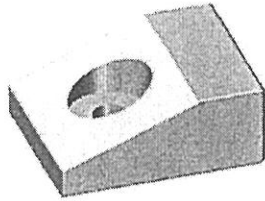
立興楊氏實業(深圳)有限公司 電話 (852) 2412 2288 / 2423 8620 / 2412 2490 | 傳真 (852) 2489 2766
中國廣東深圳市 光明新區 玉塘街道 田寮社區田益一街10號
電郵 main@liphingyeungs.com.hk | 網址 sz-liphingyeungs.com

立興(楊氏)有限公司

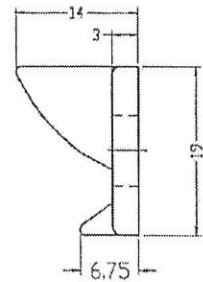
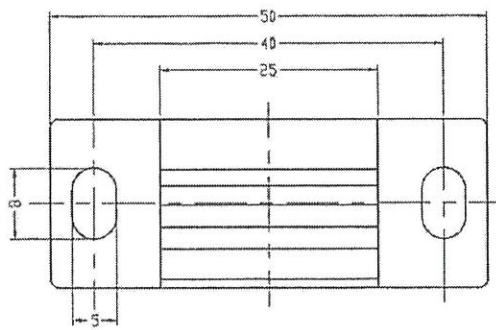
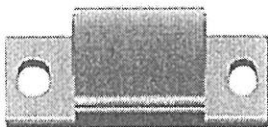
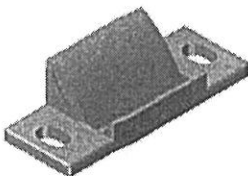
LIP HING (YEUNG'S) COMPANY LIMITED

Project: TIN WING STOP OF TIN SHUI WAI

④ N8262 8262 單孔斜面傍膠 ✓



② NBSF 窗框扣碼(大) ✓



立興(楊氏)有限公司
香港葵涌 葵昌路26-38號
豪華工業大廈8字樓D座

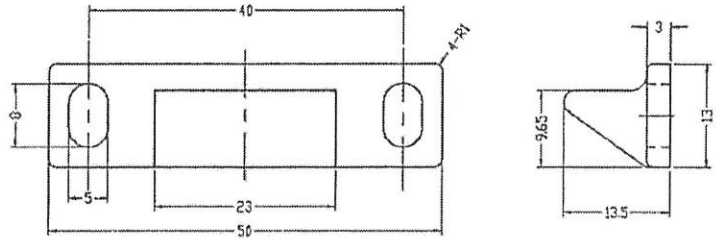
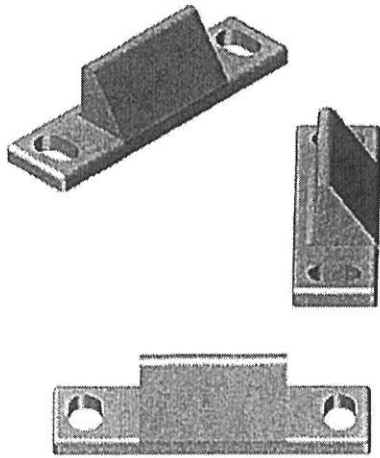
立興楊氏實業(深圳)有限公司 電話 (852) 2412 2288 / 2423 8620 / 2412 2490 | 傳真 (852) 2489 2766
中國廣東深圳市 光明新區 玉塘街道 田寮社區田益一街10號 電郵 main@liphingyeungs.com.hk | 網址 sz-liphingyeungs.com

立興(楊氏)有限公司

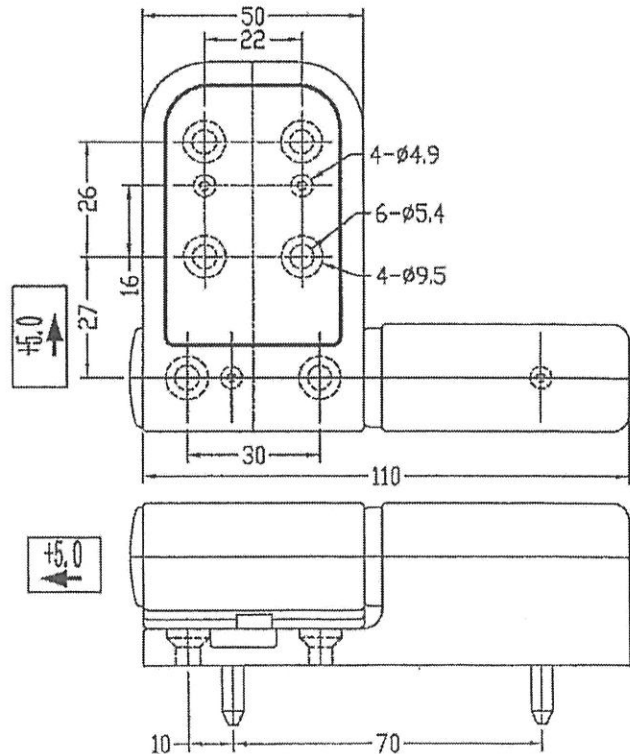
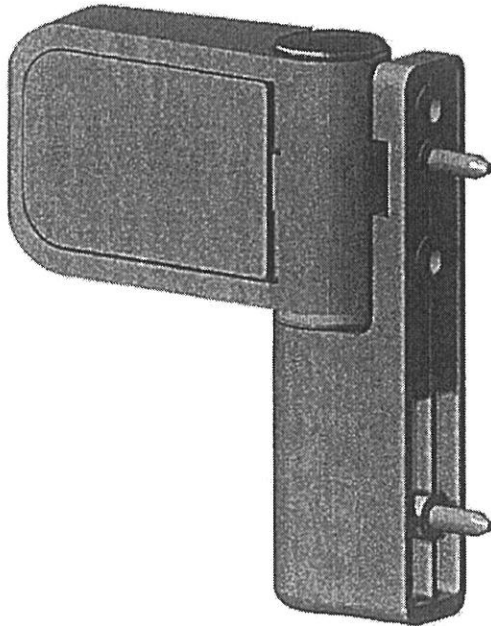
LIP HING (YEUNG'S) COMPANY LIMITED

Project: TIN WING STOP OF TIN SHUI WAI

③ NBSS 窗玉扣碼(16MM) ✓



~~DHMAN 多向調節門合頁~~



立興(楊氏)有限公司
香港葵涌 葵昌路26-38號
豪華工業大廈8字樓D座

立興楊氏實業(深圳)有限公司 電話 (852) 2412 2288 / 2423 8620 / 2412 2490 | 傳真 (852) 2489 2766
中國廣東深圳市 光明新區 玉塘街道 田寮社區田益一街10號 電郵 main@liphingyeungs.com.hk | 網址 sz-liphingyeungs.com

MIDI ALUMINIUM FABRICATOR LTD.
 Unit 6, 7 & 8, Dunlop Industrial Estate, 1st Floor, 628 Chai Wan Road, Kowloon

ORDER FORM

Customer Name: _____
 Project Name: _____
 Order No.: _____
 Date: _____

QUANTITY: _____
 UNIT: _____
 SPECIFICATION: _____

Customer's Signature: _____
 Date: _____

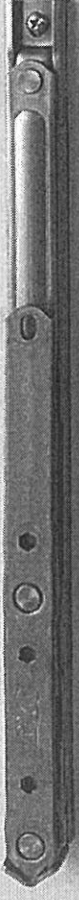
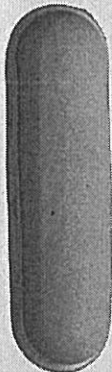
MIDI ALUMINIUM FABRICATOR LTD.
 Unit 6, 7 & 8, Dunlop Industrial Estate, 1st Floor, 628 Chai Wan Road, Kowloon

ORDER FORM

Customer Name: _____
 Project Name: _____
 Order No.: _____
 Date: _____

QUANTITY: _____
 UNIT: _____
 SPECIFICATION: _____

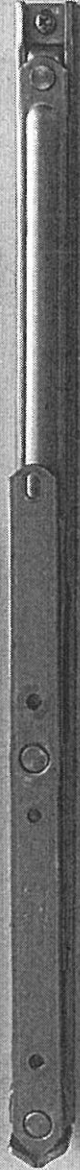
Customer's Signature: _____
 Date: _____



1-11) H1402-N12



1-2) H1402-N14



1-3) H1402-N16



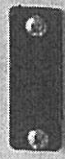
1-4) H1402-N18

1) H1402-N series
 standard metal friction
 handle

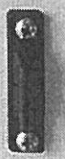


1) H1402-N18 2.4x6
 18x140x2.4mm 2.4x6
 (1.8x5.1)

1) H1402-N18 2.4x6
 18x140x2.4mm 2.4x6
 (1.8x5.1)



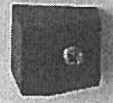
2) H1402-N14 2.4x6
 14x140x2.4mm 2.4x6
 (1.1x4.7)



3) H1402-N16 2.4x6
 16x140x2.4mm 2.4x6
 (1.2x4.9)



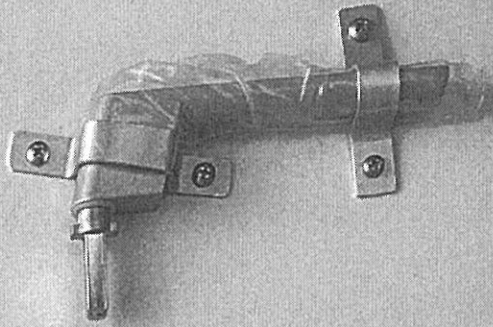
4) H1402-N18 2.4x6
 18x140x2.4mm 2.4x6
 (1.3x5.1)



5) H1402-N18 2.4x6
 18x140x2.4mm 2.4x6
 (1.3x5.1)



6) H1402-N18 2.4x6
 18x140x2.4mm 2.4x6
 (1.3x5.1)



7) H1402-N18 2.4x6
 18x140x2.4mm 2.4x6
 (1.3x5.1)



8) H1402-N18 2.4x6
 18x140x2.4mm 2.4x6
 (1.3x5.1)