



工程指示 / 要求簡箋(E.I.)

工程指示編號：EI / 3842 / 21

修改版次：-

工程編號：J - 856

工程名稱：天水圍天榮站

MASTER FILE

工程項目：佛沙窗 鋁料模圖(20 個)

收件人：Maggie

發件人：Arnold Wu

日期：17/09/2021

要求提供 / 確認 事項：

- () 初步鋁料 B.M. () 加工拆圖，然後生產 () 尺寸表
- () 正式鋁料 B.M. () 技術上資料 / 指示 () 報價
- () 配件 B.M. () 樣辦或貨品說明書 () 分判合約

內容：

請開新模圖共 20 個

預計完成繪畫模圖日期:24/9/2021

預計完成開模和試模日期: 16/10/2021 (暫停)

請在 2021.10.16 前完成上列要求。

附：

以上項目為：

- 原合約工程包 原合約工程加 / 減賬 新工程報價

原因：-

分發東莞各部門：

- () 生產技術總監 連附件 (✓) 技術部 連附件 永林 () 生產部 連附件 () 機械設計部 連附件
- () 採購部 連附件 (✓) 生產統籌部 連附件 梅 () 小羅&清 連附件
- () 質檢部 連附件 () 會計部 連附件 () 報關組 連附件 () 其他 _____ 連附件

分發其他分判：

- (v) 水洪 連附件

分發香港各部門：

- () 行政部 連附件 () 會計部 連附件 () 統籌部 連附件 () 工程部地盤科文 連附件
- (✓) 採購部 連附件 () QS 部 連附件 () 維修部 連附件 () 其他 _____ 連附件

傳遞編號：

HK 1813 / 21

發件人簽署：Arnold Wu

項目經理簽署：

X86003



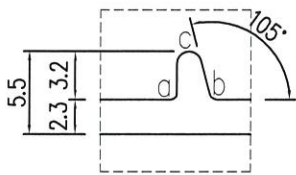
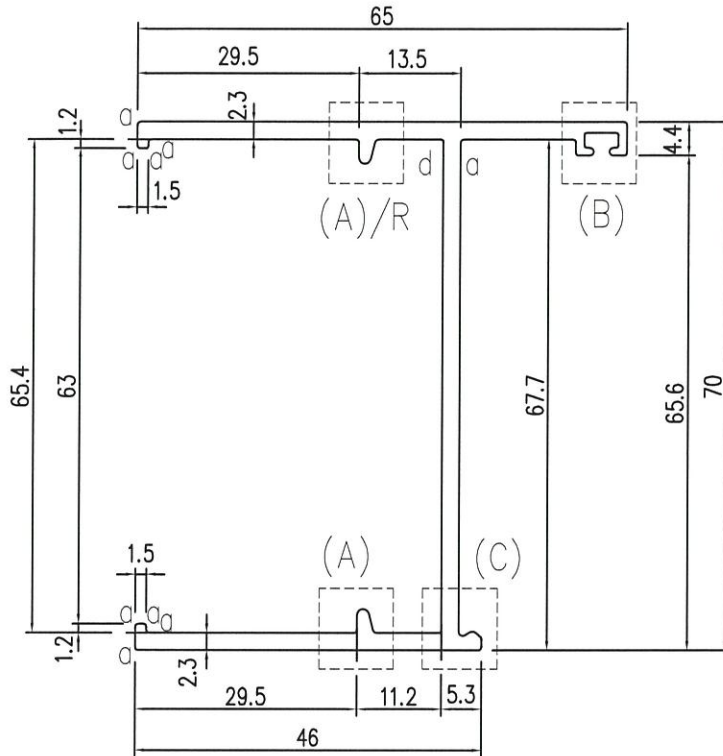
MIDI ALUMINIUM FABRICATOR LTD.

DRAWING NO.
AW-01

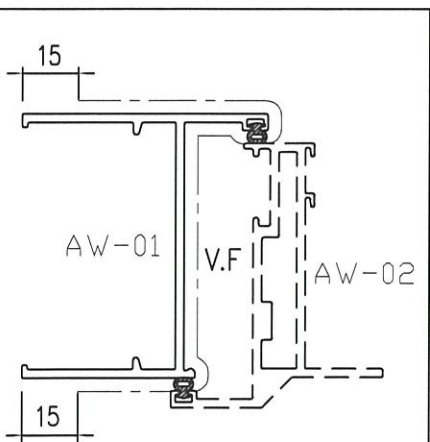
REV.
0

TITLE
70生邊企

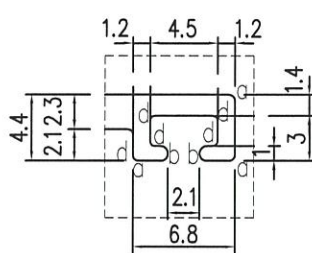
| | |
|----------|-----------|
| 美特鋁質有限公司 | |
| 承認圖面 | |
| 日期 | 17/9/2021 |



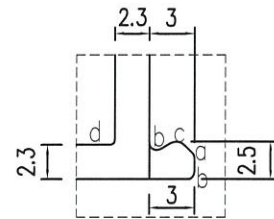
detail A
scale 2:1



scale 1:2
Cooperate



detail B
scale 2:1



detail C
scale 2:1

$a=R0.4$ $b=R0.5$
 $c=R0.8$ $d=R0.3$
 ALLLOY: 6063-T5


*所有壁厚只接受正公差

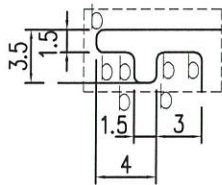
NOTE: Unspecified thickness 2.3 mm
 Radii on unspecified corner (max. 0.3 mm)

| | | | | | |
|---|--------------------------|----------------------|----------|------|-------------|
| SECTIONAL AREA mm ² 423.31 | ADDITIONAL TOLERANCE | DATE 2021-9-10 | REVISION | | |
| | Thickness + 0.1 mm | SCALE | DATE | NAME | DESCRIPTION |
| WEIGHT KG/M 1.147 | Flatness 0.1 /25mm width | DRAWN XIE XIAOYUN | | | |
| | Straightness 0.3 /300mm | | | | |
| PERIMETER mm 382.77 | Twist 0.5° /300 mm max | CHECK XIE YONGLIN | | | |
| | Angularity ± 1.0 degree | | | | |
| V.F. mm 189 | | | | | |

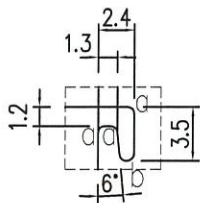
X86004

| | | | |
|---|-----------------------------|------------------|-----------------------|
|  MIDI ALUMINIUM FABRICATOR LTD. | DRAWING NO. AW-02 | REV. 0 | TITLE 70窗玉料 |
|---|-----------------------------|------------------|-----------------------|

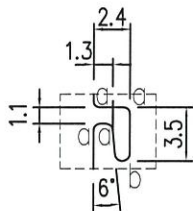
| | |
|----------|---|
| 美特鋁質有限公司 | |
| 承認圖面 |  |
| 日期 | 17/9/2021 |



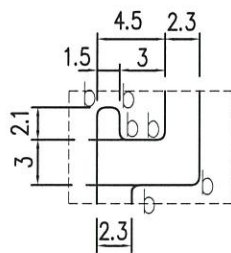
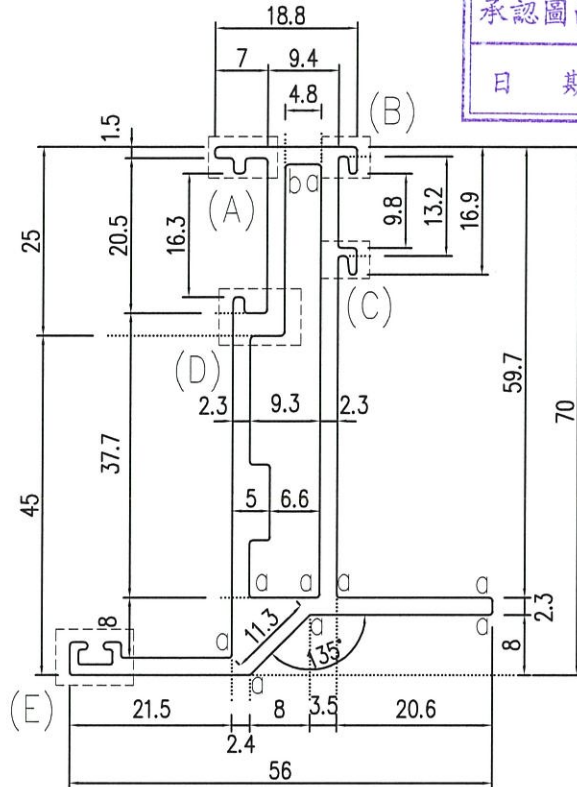
detail A
scale 2:1



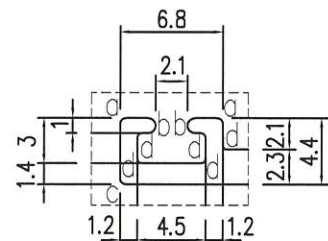
detail B
scale 2:1



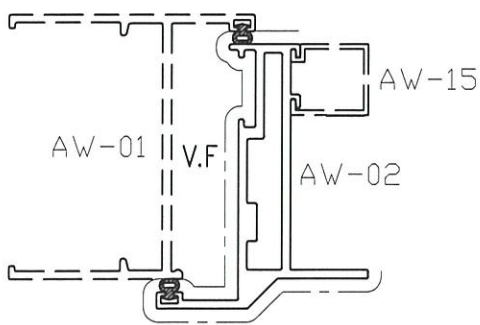
detail C
scale 2:1



detail D
scale 2:1



detail E
scale 2:1



scale 1:2
Cooperate

$\alpha=R0.4$ $b=R0.5$
 $c=R0.8$ $d=R0.3$

ALLOY:6063-T6

*所有壁厚只接受正公差

NOTE: Unspecified thickness 2.3 mm
Radii on unspecified corner (max. 0.3 mm)

| | | | | | |
|---|---|----------------------|----------|------|-------------|
| SECTIONAL AREA mm ² 536.69 | ADDITIONAL TOLERANCE Thickness + 0.1 mm | DATE 2021-9-10 | REVISION | | |
| WEIGHT KG/M 1.454 | Flatness 0.1 /25mm width | SCALE | DATE | NAME | DESCRIPTION |
| PERIMETER mm 433.29 | Straightness 0.3 /300mm | DRAWN XIE XIAOYUN | | | |
| V.F. mm 201 | Twist 0.5° /300 mm max Angularity ± 1.0 degree | CHECK XIE YONGLIN | | | |

x86005



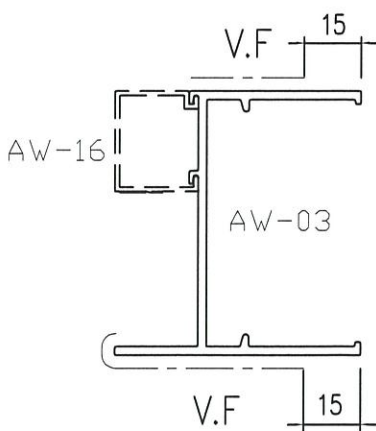
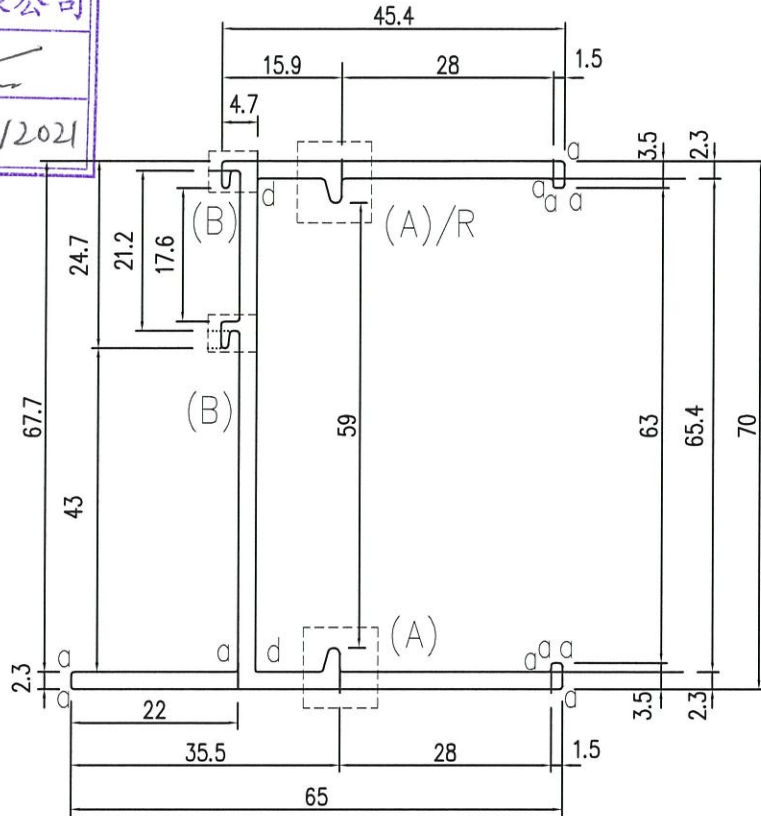
MIDI ALUMINIUM FABRICATOR LTD.

DRAWING NO.
AW-03

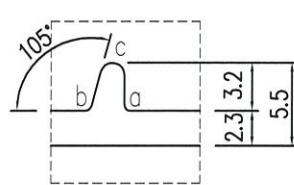
REV.
0

TITLE
70梗邊企

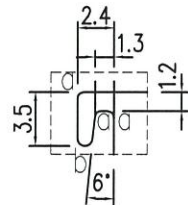
| | |
|----------|-----------|
| 美特鋁質有限公司 | |
| 承認圖面 | |
| 日期 | 17/9/2021 |



scale 1:2
Cooperate



detail A
scale 2:1



detail B
scale 2:1

a=R0.4 b=R0.5
c=R0.8 d=R0.3

ALLOY: 6063-T6

*所有壁厚只接受正公差

NOTE: Unspecified thickness 2.3 mm
Radii on unspecified corner (max. 0.3 mm)

| SECTIONAL AREA | | ADDITIONAL TOLERANCE | | DATE | | REVISION | | |
|----------------|-----------------|----------------------|------------------|-------------|--|----------|------|-------------|
| 424.60 | mm ² | Thickness | + 0.1 mm | 2021-9-10 | | DATE | NAME | DESCRIPTION |
| 1.151 | KG/M | Flatness | 0.1 /25mm width | SCALE | | | | |
| 380.25 | mm | Straightness | 0.3 /300mm | DRAWN | | | | |
| V.F. | mm | Twist | 0.5° /300 mm max | XIE XIAOYUN | | | | |
| 82 | | Angularity | ± 1.0 degree | CHECK | | | | |
| | | | | XIE YONGLIN | | | | |

X86007

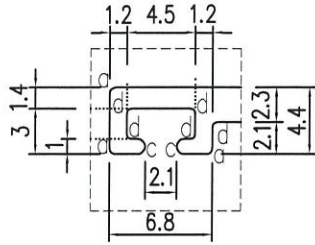


MIDI ALUMINIUM FABRICATOR LTD.

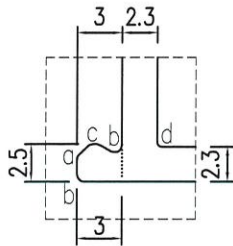
DRAWING NO.
AW-05

REV.
0

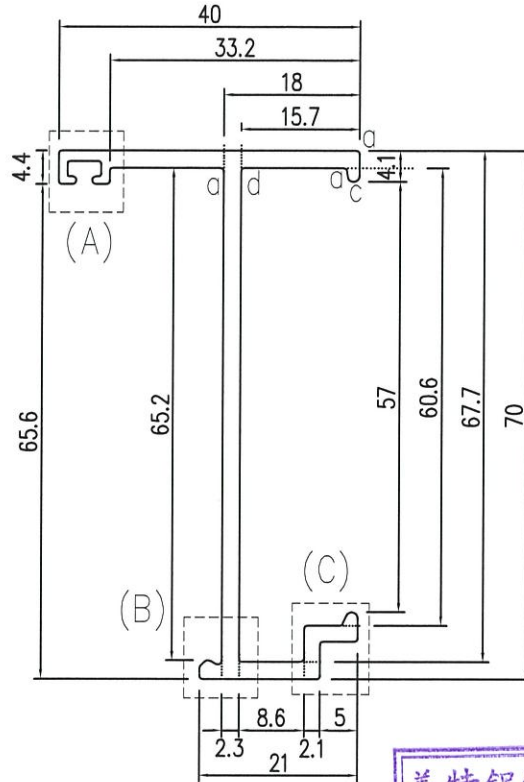
TITLE
70生夾企



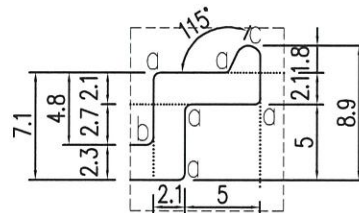
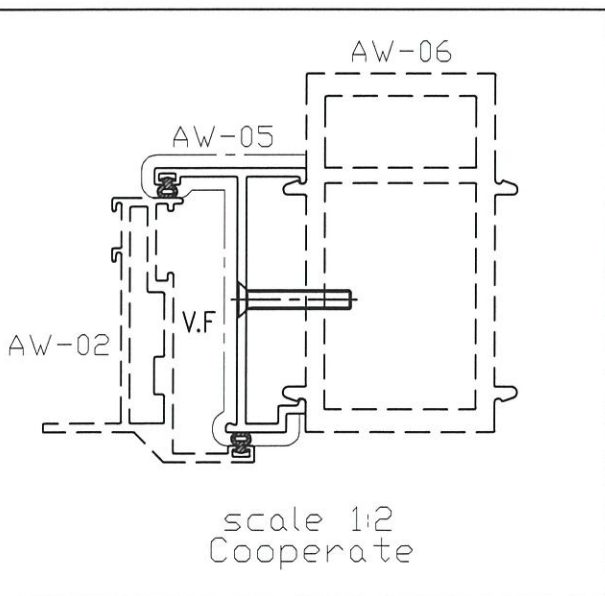
detail A
scale 2:1



detail B
scale 2:1



美特鋁質有限公司
承認圖面
日期 17/9/2021



detail C
scale 2:1

$a=R0.4$ $b=R0.5$

$c=R0.8$ $d=R0.3$

ALLOY: 6063-T5 T6

*所有壁厚只接受正公差

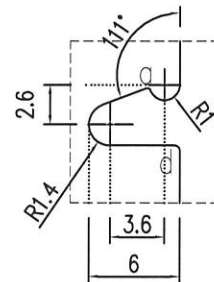
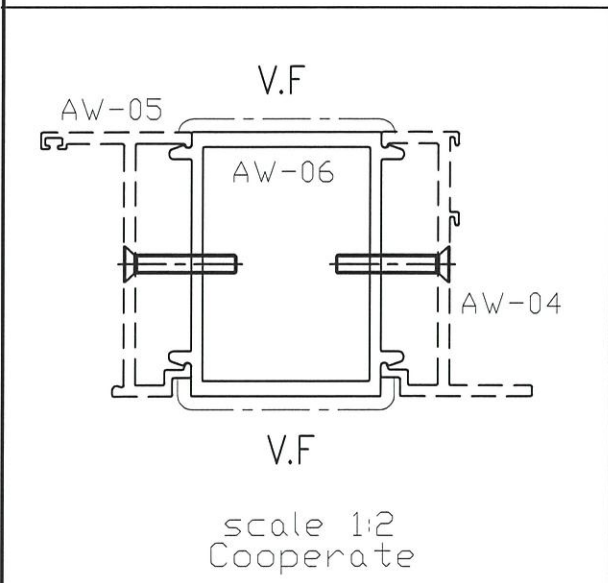
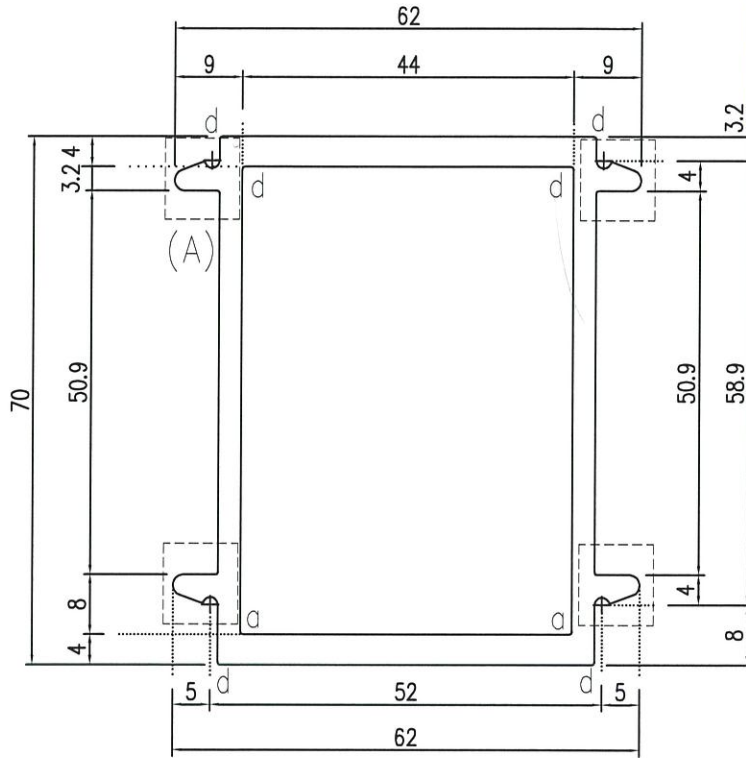
NOTE: Unspecified thickness 2.3 mm
Radii on unspecified corner (max. 0.3 mm)

| SECTIONAL AREA | mm ² | ADDITIONAL TOLERANCE | DATE | REVISION | | |
|----------------|-----------------|--------------------------|-------------|----------|------|-------------|
| | | | | DATE | NAME | DESCRIPTION |
| 308.00 | | Thickness + 0.1 mm | 2021-9-10 | | | |
| WEIGHT | KG/M | Flatness 0.1 /25mm width | SCALE | | | |
| 0.835 | | Straightness 0.3 /300mm | DRAWN | | | |
| PERIMETER | mm | Twist 0.5° /300 mm max | XIE XIAOYUN | | | |
| V.F. | mm | Angularity ± 1.0 degree | CHECK | | | |
| 168 | | | XIE YONGLIN | | | |

X86008

| | | | |
|---|-----------------------------|------------------|----------------------|
|  MIDI ALUMINIUM FABRICATOR LTD. | DRAWING NO. AW-06 | REV. 0 | TITLE 中企夾通 |
|---|-----------------------------|------------------|----------------------|

美特鋁質有限公司
承認圖面
日期 17/9/2021



detail A
scale 2:1

$a=R0.4$ $b=R0.5$
 $c=R0.8$ $d=R0.3$

ALLOY: 6063-T5T6

*所有壁厚只接受正公差

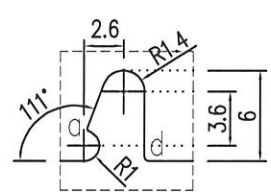
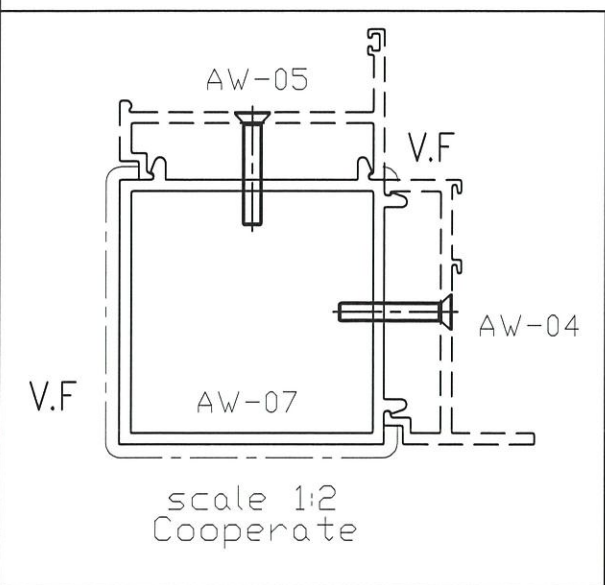
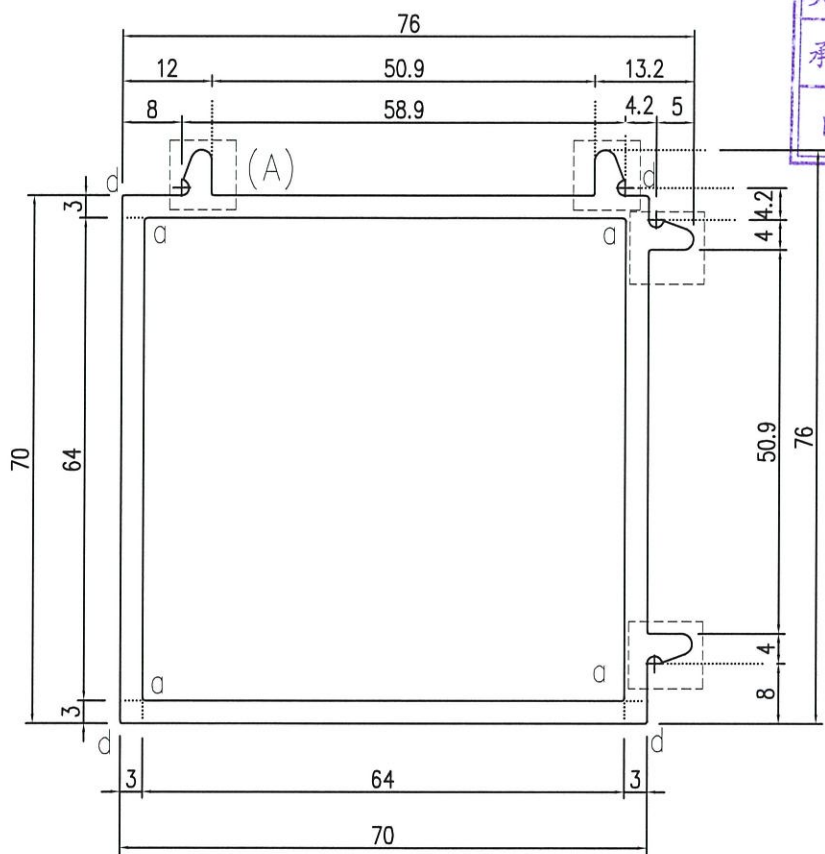
NOTE: Unspecified thickness _____ mm
Radii on unspecified corner (max. 0.3 mm)

| | | | | | |
|---|---|----------------------|----------|------|-------------|
| SECTIONAL AREA mm ² 845.38 | ADDITIONAL TOLERANCE Thickness + 0.1 mm | DATE 2021-9-10 | REVISION | | |
| WEIGHT KG/M 2.291 | Flatness 0.1 /25mm width | SCALE | DATE | NAME | DESCRIPTION |
| PERIMETER mm 493.22 | Straightness 0.3 /300mm | DRAWN XIE XIAOYUN | | | |
| V.F. mm 110 | Twist 0.5° /300 mm max Angularity ± 1.0 degree | CHECK XIE YONGLIN | | | |

X86009

| | | | |
|--|----------------------|-----------|------------------|
| | DRAWING NO. AW-07 | REV. 0 | TITLE 90° 轉角通 |
|--|----------------------|-----------|------------------|

美特鋁質有限公司
承認圖面
日期 17/9/2021



detail A
scale 2:1

$a=R0.4$ $b=R0.5$
 $c=R0.8$ $d=R0.3$
 ALLOY: 6063-T5 T6

*所有壁厚只接受正公差

NOTE: Unspecified thickness 3 mm
Radii on unspecified corner (max. 0.3 mm)

| SECTIONAL AREA | | ADDITIONAL TOLERANCE | | DATE | REVISION | | |
|----------------|-----------------|----------------------|------------------|-------------|----------|------|-------------|
| 877.29 | mm ² | Thickness | + 0.1 mm | 2021-9-10 | DATE | NAME | DESCRIPTION |
| 2.377 | KG/M | Flatness | 0.1 /25mm width | SCALE | | | |
| 577.10 | mm | Straightness | 0.3 /300mm | DRAWN | | | |
| V.F. | mm | Twist | 0.5° /300 mm max | XIE XIAOYUN | | | |
| 150 | mm | Angularity | ± 1.0 degree | CHECK | | | |
| | | | | XIE YONGLIN | | | |

X86010



MIDI ALUMINIUM FABRICATOR LTD.

DRAWING NO.
AW-08

REV.
0

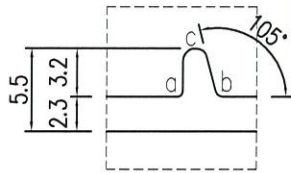
TITLE
50生邊企

美特鋁質有限公司

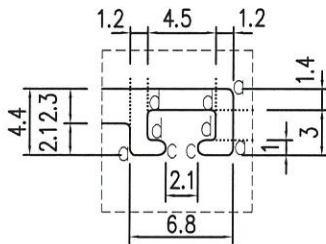
承認圖面

日期

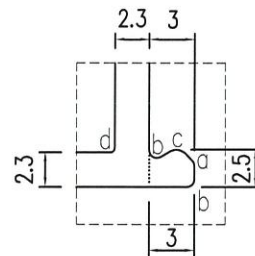
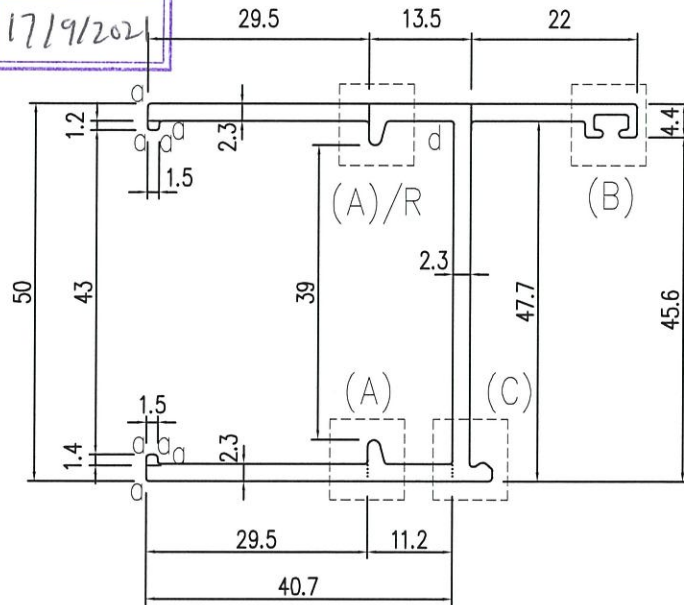
17/9/2021



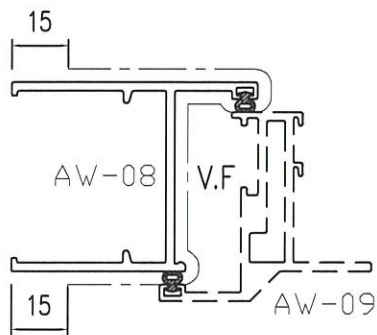
detail A
scale 2:1



detail B
scale 2:1



detail C
scale 2:1



scale 1:2
Cooperate

$a=R0.4$ $b=R0.5$ $c=R0.8$ $d=R0.3$
ALLOY: 6063-T5 T6

*所有壁厚只接受正公差

NOTE: Unspecified thickness 2.3 mm
Radii on unspecified corner (max. 0.3 mm)

| SECTIONAL AREA | | ADDITIONAL TOLERANCE | | DATE | REVISION | | |
|----------------|-----------------|----------------------|------------------|-------------|----------|------|-------------|
| | mm ² | Thickness | + 0.1 mm | 2021-9-10 | DATE | NAME | DESCRIPTION |
| WEIGHT | KG/M | Flatness | 0.1 /25mm width | SCALE | | | |
| PERIMETER | mm | Straightness | 0.3 /300mm | DRAWN | | | |
| V.F. | mm | Twist | 0.5° /300 mm max | XIE XIAOYUN | | | |
| 169 | | Angularity | ± 1.0 degree | CHECK | | | |
| | | | | XIE YONGLIN | | | |

377.31

1.023

342.77

X86012

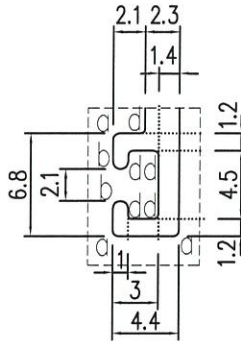


MIDI ALUMINIUM FABRICATOR LTD.

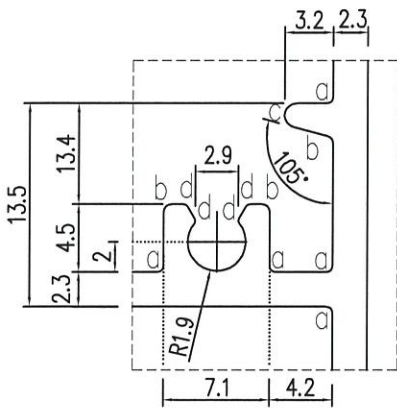
DRAWING NO.
AW-10

REV.
0

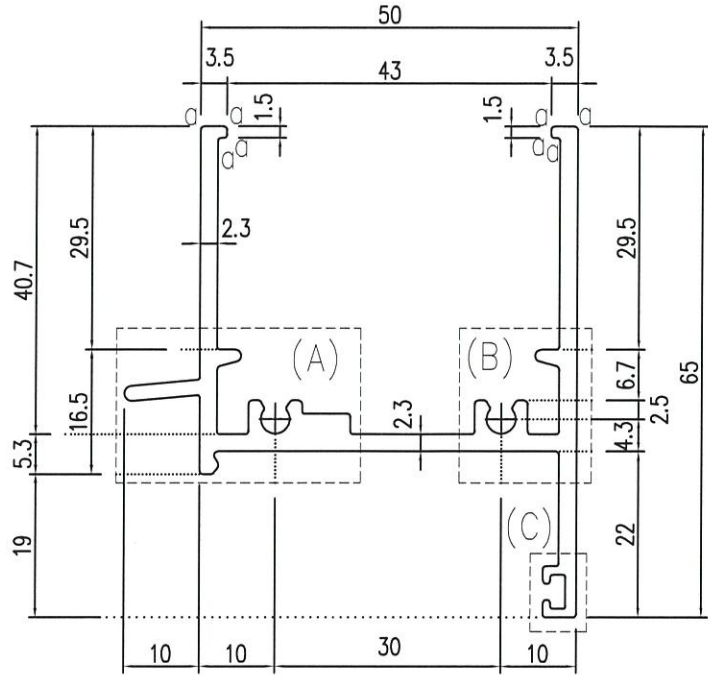
TITLE
50生頂橫



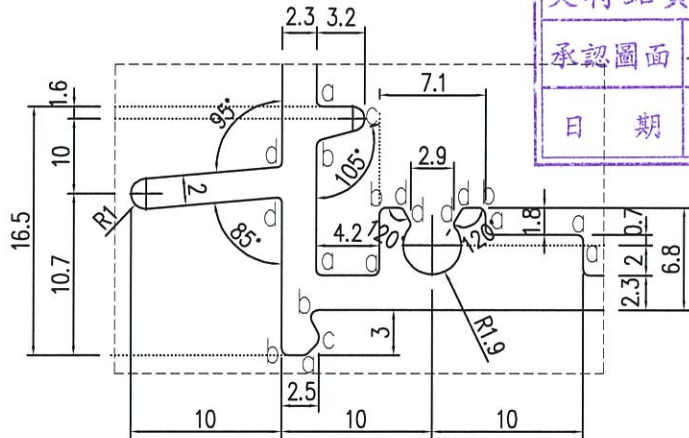
detail C
scale 2:1



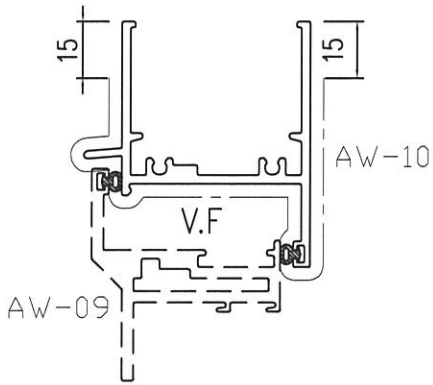
detail B
scale 2:1



美特鋁質有限公司
承認圖面
日期 17/9/2021



detail A
scale 2:1



scale 1:2
Cooperate

a=R0.4 b=R0.5
c=R0.8 d=R0.3

*所有壁厚只接受正公差

ALLOY:6063-T5 T6

NOTE: Unspecified thickness 2.3 mm
Radil on unspecified corner (max. 0.3 mm)

| SECTIONAL AREA | | ADDITIONAL TOLERANCE | | DATE | | REVISION | | |
|------------------------|--|--------------------------|--|-------------------|--|----------|------|-------------|
| 448.95 mm ² | | Thickness + 0.1 mm | | 2021-9-10 | | DATE | NAME | DESCRIPTION |
| WEIGHT 1.217 KG/M | | Flatness 0.1 /25mm width | | SCALE | | | | |
| PERIMETER 392.69 mm | | Straightness 0.3 /300mm | | DRAWN XIE XIAOYUN | | | | |
| V.F. 187 mm | | Twist 0.5° /300 mm max | | CHECK XIE YONGLIN | | | | |
| | | Angularity ± 1.0 degree | | | | | | |

X86013

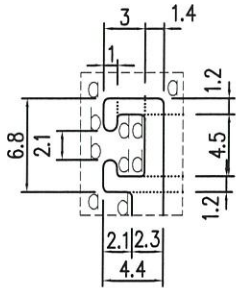


MIDI ALUMINIUM FABRICATOR LTD.

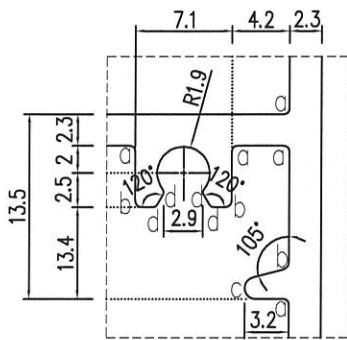
DRAWING NO.
AW-11

REV.
0

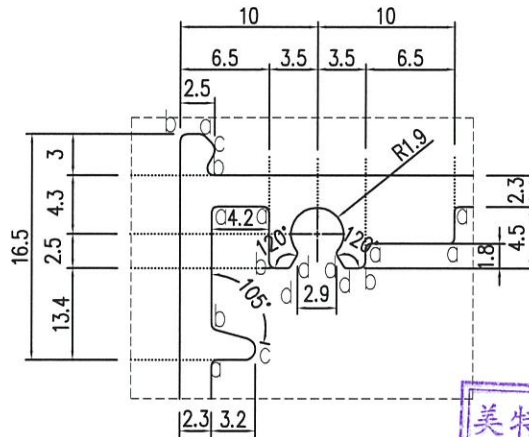
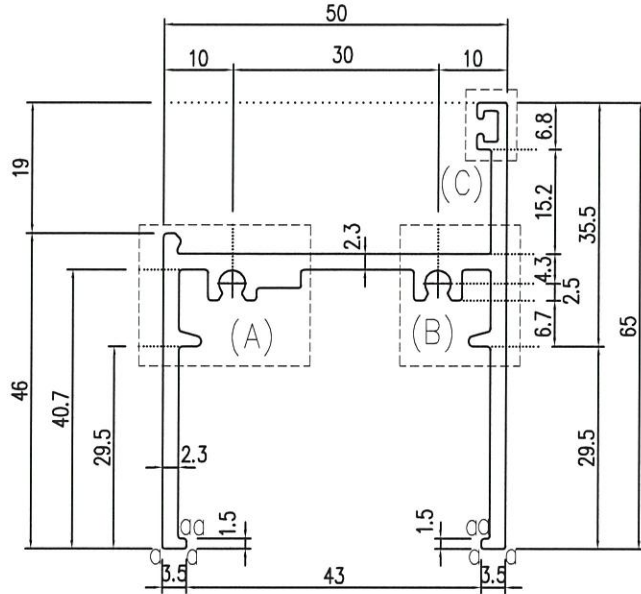
TITLE
50生底橫



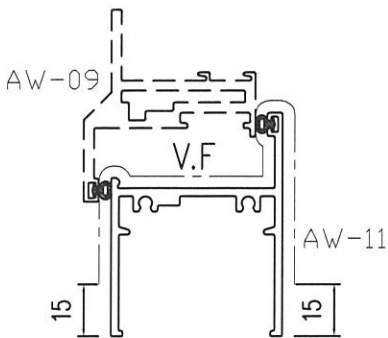
detail C
scale 2:1



detail B
scale 2:1



detail A
scale 2:1

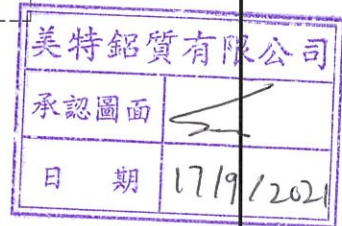


scale 1:2
Cooperate

a=R0.4 b=R0.5
c=R0.8 d=R0.3

*所有壁厚只接受正公差

ALLOY:6063-T5 76 NOTE: Unspecified thickness 2.3 mm
Radii on unspecified corner (max. 0.3 mm)



| SECTIONAL AREA | | ADDITIONAL TOLERANCE | | DATE | | REVISION | | |
|-----------------|----------|----------------------|------------------|-------------|--|----------|------|-------------|
| mm ² | 429.26 | Thickness | + 0.1 mm | 2021-9-10 | | DATE | NAME | DESCRIPTION |
| KG/M | 1.163 | Flatness | 0.1 /25mm width | SCALE | | | | |
| mm | 373.75 | Straightness | 0.3 /300mm | DRAWN | | | | |
| mm | V.F. 168 | Twist | 0.5° /300 mm max | XIE XIAOYUN | | | | |
| | | Angularity | ± 1.0 degree | CHECK | | | | |
| | | | | XIE YONGLIN | | | | |

X86014

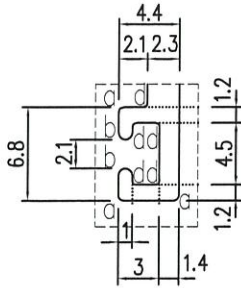


MIDI ALUMINIUM FABRICATOR LTD.

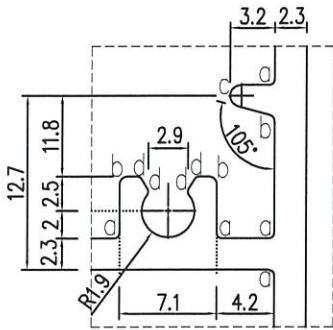
DRAWING NO.
AW-12

REV.
0

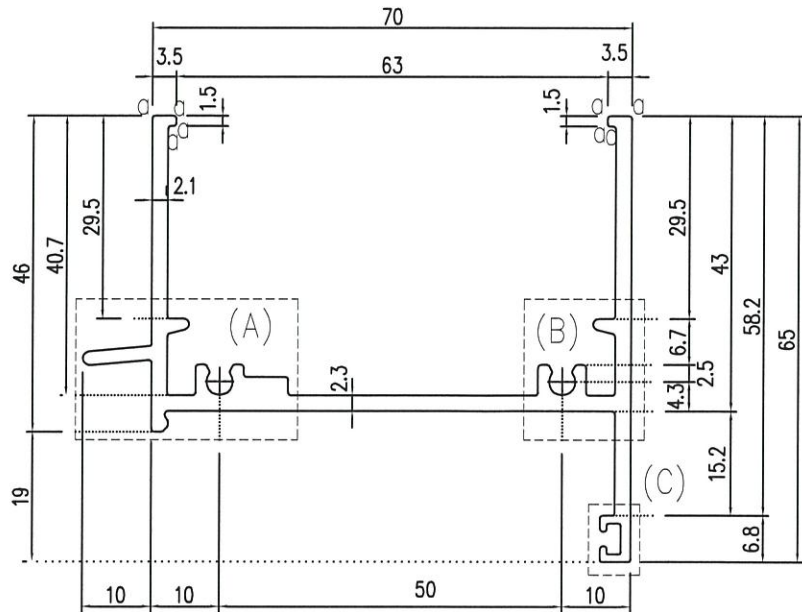
TITLE
70生頂橫



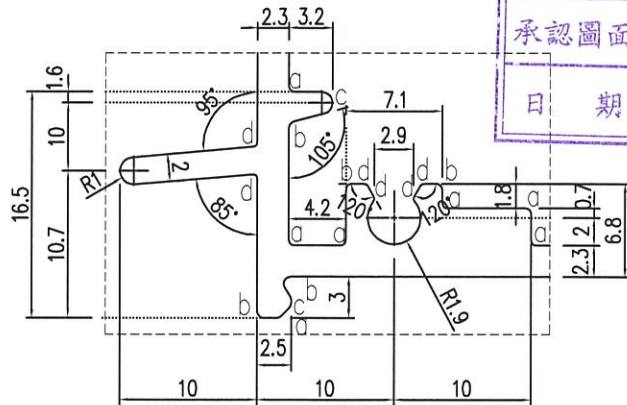
detail C
scale 2:1



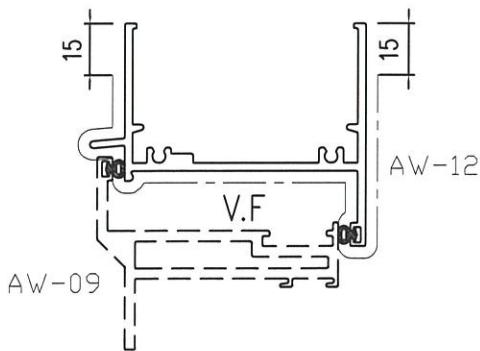
detail B
scale 2:1



美特鋁質有限公司
承認圖面
日期 17/9/2021



detail A
scale 2:1



scale 1:2
Cooperate

a=R0.4 b=R0.5
c=R0.8 d=R0.3

*所有壁厚只接受正公差

ALLOY: 6063-T5 T6 NOTE: Unspecified thickness 2.3 mm
Radii on unspecified corner (max. 0.3 mm)

| SECTIONAL AREA | | ADDITIONAL TOLERANCE | | DATE | REVISION | | |
|----------------|-----------------|----------------------|------------------|-------------|----------|------|-------------|
| 494.95 | mm ² | Thickness | + 0.1 mm | 2021-9-10 | DATE | NAME | DESCRIPTION |
| 1.341 | KG/M | Flatness | 0.1 /25mm width | SCALE | | | |
| 432.69 | mm | Straightness | 0.3 /300mm | DRAWN | | | |
| V.F. | 207 mm | Twist | 0.5° /300 mm max | XIE XIAOYUN | | | |
| | | Angularity | ± 1.0 degree | CHECK | | | |
| | | | | XIE YONGLIN | | | |

X86016

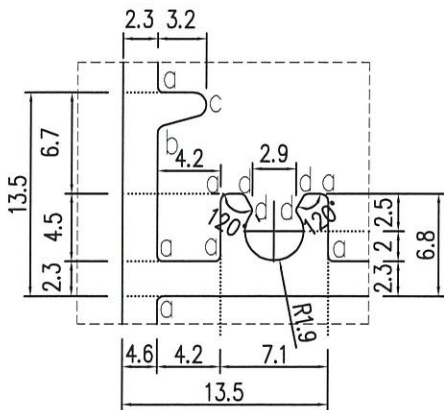
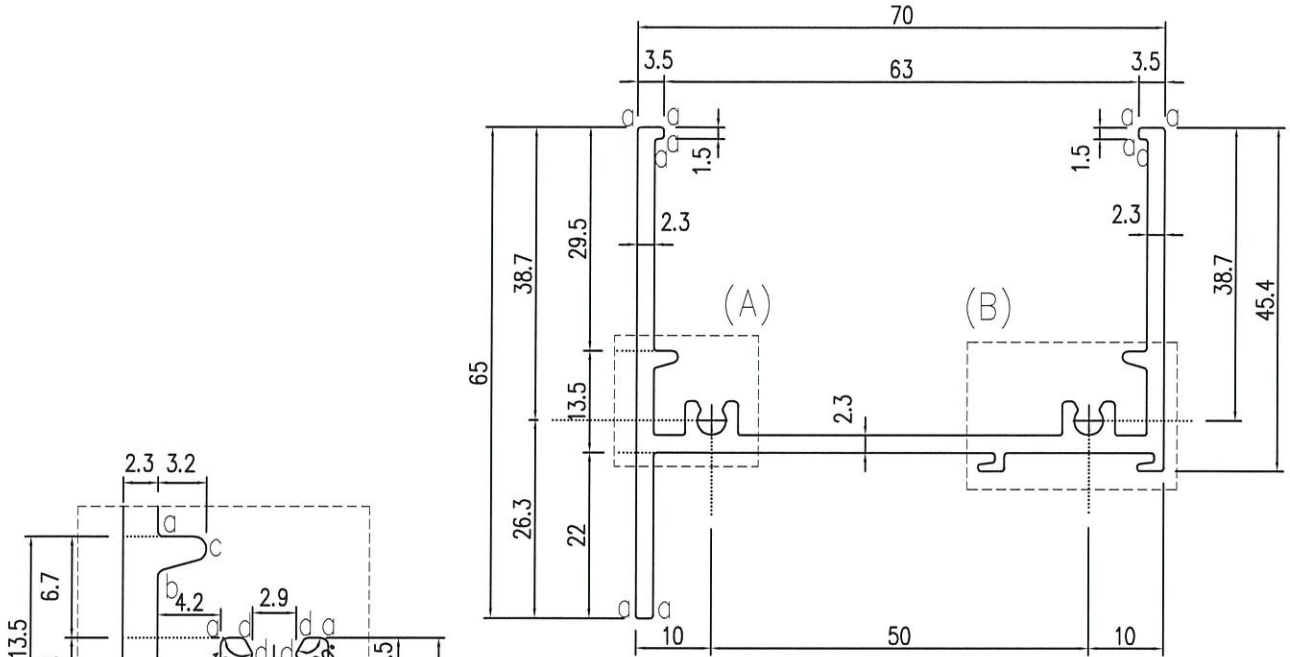


MIDI ALUMINIUM FABRICATOR LTD.

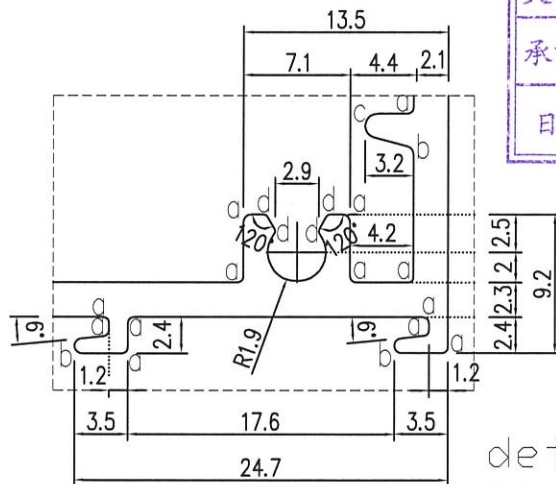
DRAWING NO.
AW-14

REV.
0

TITLE
70梗頂底橫

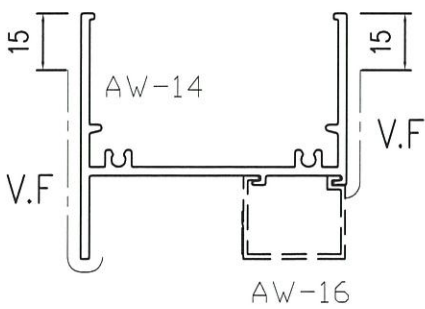


detail A
scale 2:1



detail B
scale 2:1

美特鋁質有限公司
承認圖面
日期 17/9/2021



scale 1:2
Cooperate

a=R0.4 b=R0.5
c=R0.8 d=R0.3

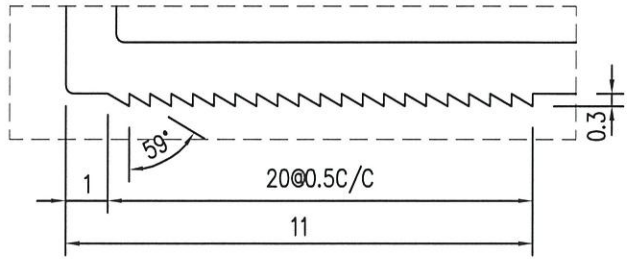
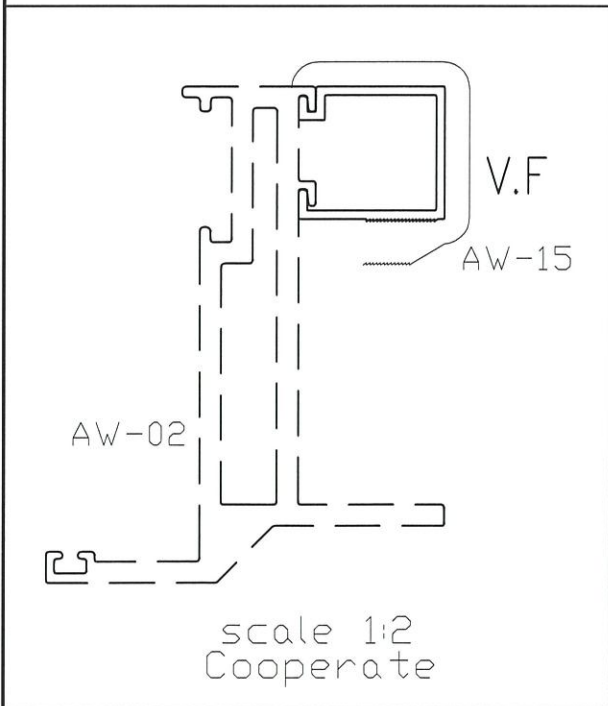
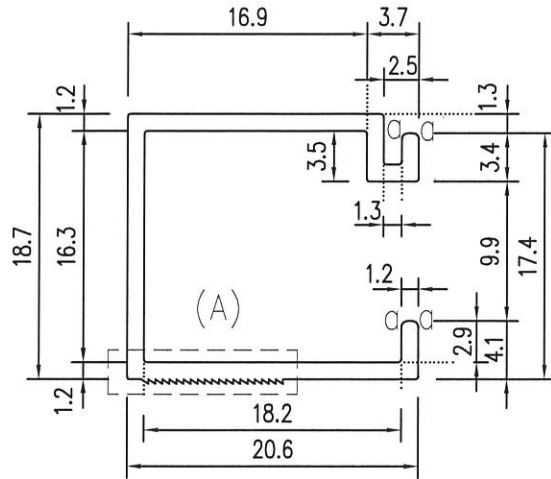
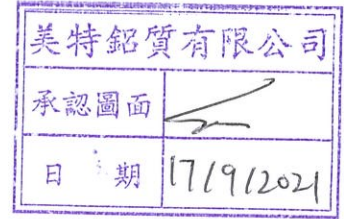
*所有壁厚只接受正公差

ALLOY: 6063-T5
NOTE: Unspecified thickness 2.3 mm
Radii on unspecified corner (max. 0.3 mm)

| SECTIONAL AREA | | ADDITIONAL TOLERANCE | | DATE | REVISION | | |
|----------------|-----------------|----------------------|------------------|-------------|----------|------|-------------|
| | mm ² | Thickness | + 0.1 mm | 2021-9-10 | DATE | NAME | DESCRIPTION |
| WEIGHT | KG/M | Flatness | 0.1 /25mm width | SCALE | | | |
| PERIMETER | mm | Straightness | 0.3 /300mm | DRAWN | | | |
| V.F. | mm | Twist | 0.5° /300 mm max | XIE XIAOYUN | | | |
| | | Angularity | ± 1.0 degree | CHECK | | | |
| | | | | XIE YONGLIN | | | |

X86017

| | | | |
|---|-----------------------------|------------------|-----------------------|
|  MIDI ALUMINIUM FABRICATOR LTD. | DRAWING NO. AW-15 | REV. 0 | TITLE 生窗玻璃線 |
|---|-----------------------------|------------------|-----------------------|



detail A
scale 3:1

*未標註圓角R=0.2 α=R0.4
ALLOY:6063-T5 ✓

*所有壁厚只接受正公差

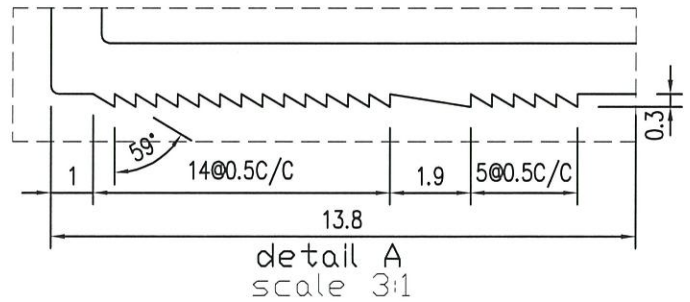
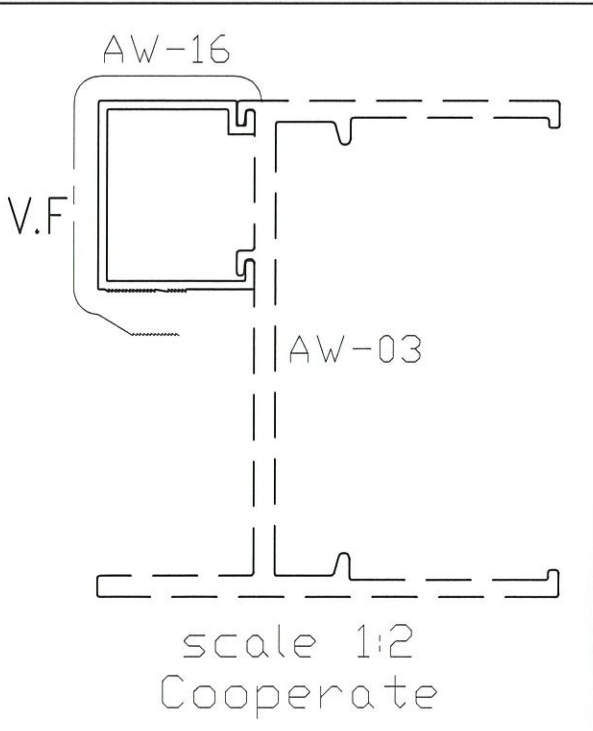
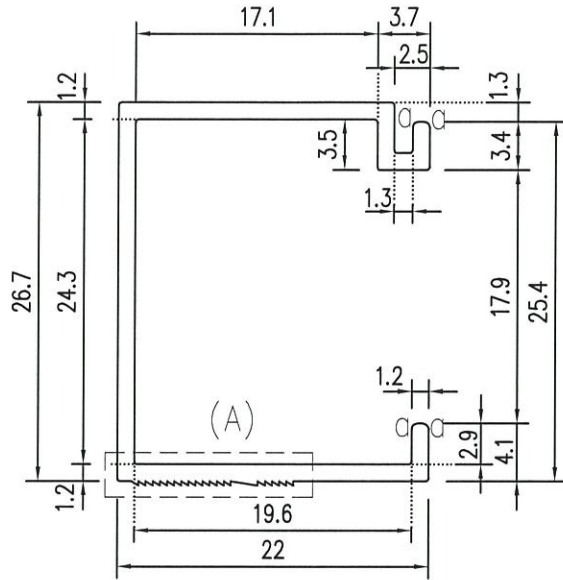
NOTE: Unspecified thickness 1.2 mm
Radii on unspecified corner (max. 0.3 mm)

| | | | | | |
|--|---|----------------------|----------|------|-------------|
| SECTIONAL AREA 80.74 mm ² | ADDITIONAL TOLERANCE Thickness + 0.1 mm | DATE 2021-9-10 | REVISION | | |
| WEIGHT 0.219 KG/M | Flatness 0.1 /25mm width | SCALE | DATE | NAME | DESCRIPTION |
| PERIMETER 140.64 mm | Straightness 0.3 /300mm | DRAWN XIE XIAOYUN | | | |
| V.F. 50 mm | Twist 0.5° /300 mm max Angularity ± 1.0 degree | CHECK XIE YONGLIN | | | |

X86 018

| | | | | |
|--|--------------------------------|----------------------|-----------|----------------|
| | MIDI ALUMINIUM FABRICATOR LTD. | DRAWING NO. AW-16 | REV. 0 | TITLE 梗窗玻璃線 |
|--|--------------------------------|----------------------|-----------|----------------|

| | |
|----------|-----------|
| 美特鋁質有限公司 | |
| 承認圖面 | |
| 日期 | 17/9/2021 |



*未標註圓角R=0.2 α=R0.4
ALLOY:6063-T5

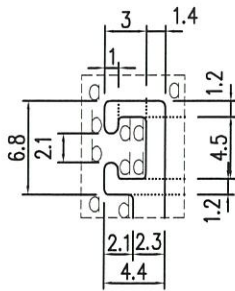
*所有壁厚只接受正公差

NOTE: Unspecified thickness 1.2 mm
Radii on unspecified corner (max. 0.3 mm)

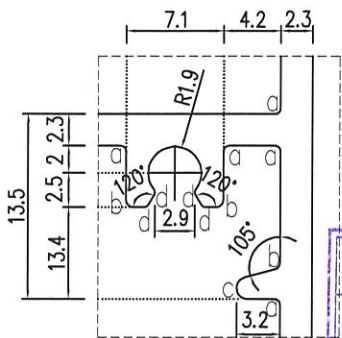
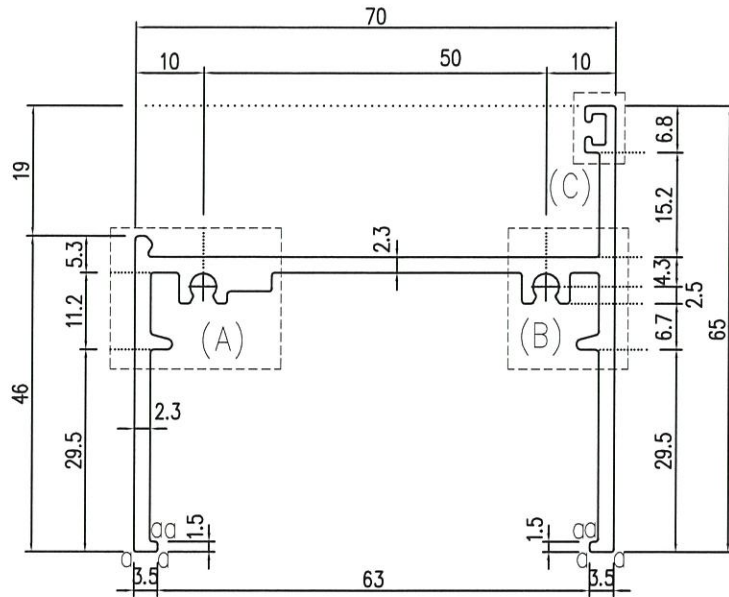
| SECTIONAL AREA | | ADDITIONAL TOLERANCE | | DATE | REVISION | | |
|----------------|-----------------|----------------------|------------------|-------------|----------|------|-------------|
| 93.91 | mm ² | Thickness | + 0.1 mm | 2021-9-10 | DATE | NAME | DESCRIPTION |
| WEIGHT | KG/M | Flatness | 0.1 /25mm width | SCALE | | | |
| 0.254 | | Straightness | 0.3 /300mm | DRAWN | | | |
| PERIMETER | mm | Twist | 0.5° /300 mm max | XIE XIAOYUN | | | |
| 162.18 | | Angularity | ± 1.0 degree | CHECK | | | |
| V.F. | mm | | | XIE YONGLIN | | | |
| 60 | | | | | | | |

X86022

| | | | | |
|--|--------------------------------|----------------------|-----------|----------------|
| | MIDI ALUMINIUM FABRICATOR LTD. | DRAWING NO. AW-17 | REV. 0 | TITLE 70生底橫 |
|--|--------------------------------|----------------------|-----------|----------------|



detail C
scale 2:1

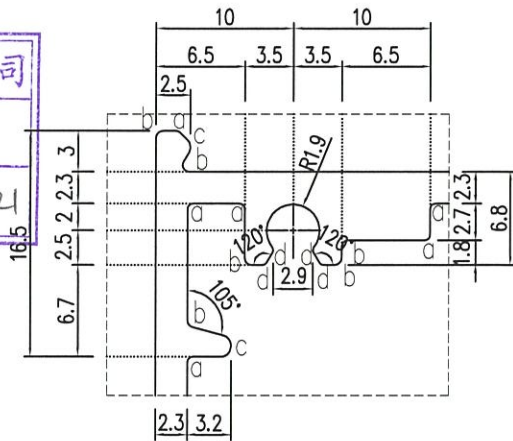


detail B
scale 2:1

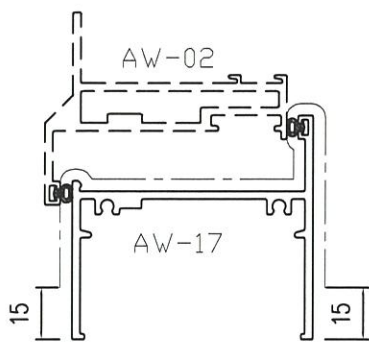
美特鋁質有限公司

承認圖面

日期 17/9/2021



detail A
scale 2:1



scale 1:2
Cooperate

a=R0.4 b=R0.5
c=R0.8 d=R0.3

ALLOY:6063-T6

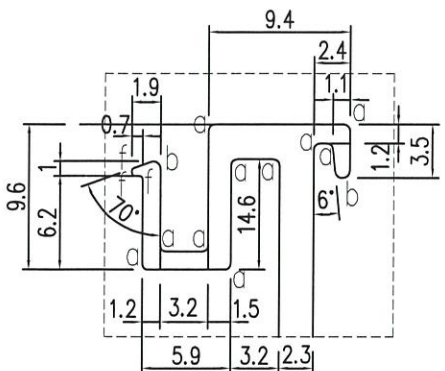
*所有壁厚只接受正公差

NOTE: Unspecified thickness 2.3 mm
Radii on unspecified corner (max. 0.3 mm)

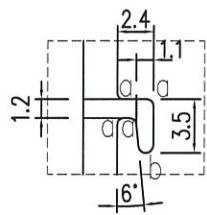
| SECTIONAL AREA | | ADDITIONAL TOLERANCE | | DATE | | REVISION | | |
|----------------|-----------------|----------------------|------------------|-------------|--|----------|------|-------------|
| 475.28 | mm ² | Thickness | + 0.1 mm | 2021-9-10 | | DATE | NAME | DESCRIPTION |
| 1.288 | KG/M | Flatness | 0.1 /25mm width | SCALE | | | | |
| 413.71 | mm | Straightness | 0.3 /300mm | DRAWN | | | | |
| V.F. | mm | Twist | 0.5° /300 mm max | XIE XIAOYUN | | | | |
| 189 | | Angularity | ± 1.0 degree | CHECK | | | | |
| | | | | XIE YONGLIN | | | | |

X86019

| | | | | |
|--|--------------------------------|----------------------|-----------|--------------|
| | MIDI ALUMINIUM FABRICATOR LTD. | DRAWING NO. AW-18 | REV. 0 | TITLE 反拍線 |
|--|--------------------------------|----------------------|-----------|--------------|

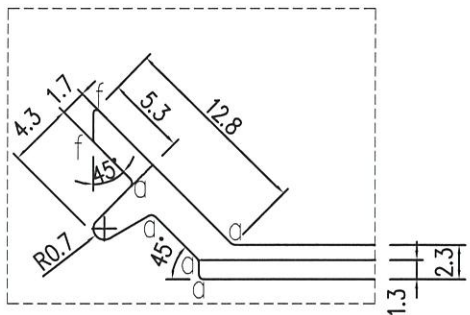
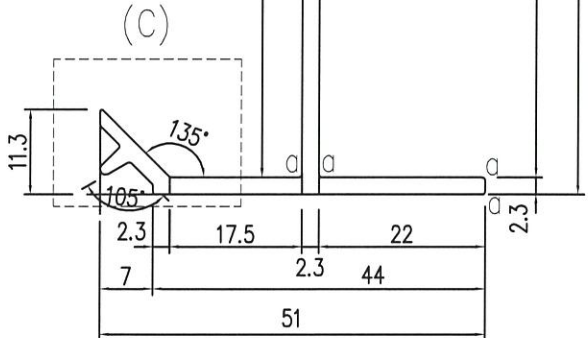
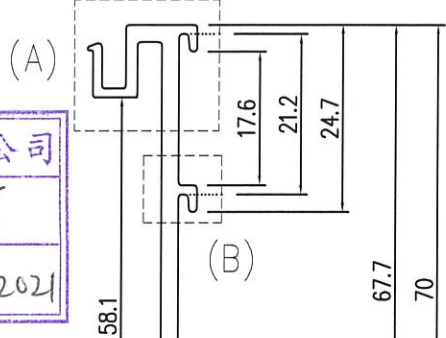


detail A
scale 2:1

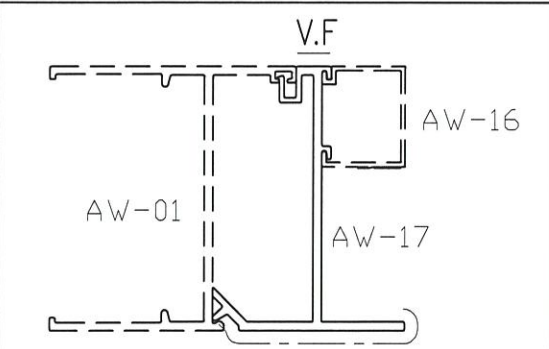


detail B
scale 2:1

美特鋁質有限公司
承認圖面
日期 17/9/2021



detail C
scale 2:1



V.F.
scale 1:2
Cooperate

a=R0.4 b=R0.5
c=R0.8 d=R0.3
f=R0.2
ALLOY:6063-T6

*所有壁厚只接受正公差

NOTE: Unspecified thickness 2.3 mm
Radii on unspecified corner (max. 0.3 mm)

| SECTIONAL AREA | | ADDITIONAL TOLERANCE | | DATE | | REVISION | | |
|----------------|-----------------|----------------------|------------------|-------------|--|----------|------|-------------|
| 329.84 | mm ² | Thickness | + 0.1 mm | 2021-9-10 | | DATE | NAME | DESCRIPTION |
| 0.894 | KG/M | Flatness | 0.1 /25mm width | SCALE | | | | |
| 316.33 | mm | Straightness | 0.3 /300mm | DRAWN | | | | |
| V.F. | mm | Twist | 0.5° /300 mm max | XIE XIAOYUN | | | | |
| 60 | mm | Angularity | ± 1.0 degree | CHECK | | | | |
| | | | | XIE YONGLIN | | | | |

X 86020



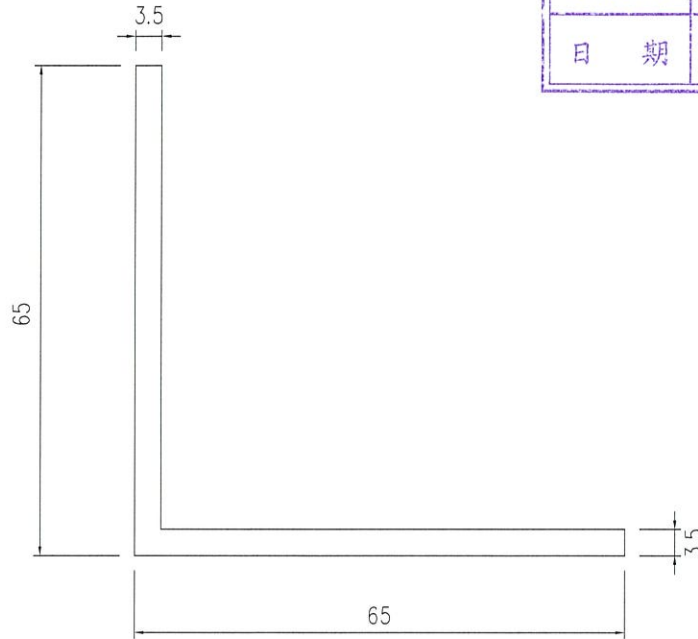
MIDI ALUMINIUM FABRICATOR LTD.

DRAWING NO.
AW-19

REV.
0

TITLE
50窗鋁角

| | |
|----------|-----------|
| 美特鋁質有限公司 | |
| 承認圖面 | |
| 日期 | 17/9/2024 |



*所有壁厚只接受正公差

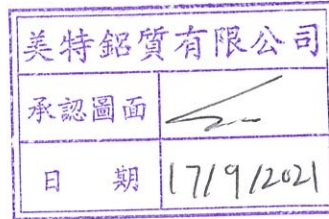
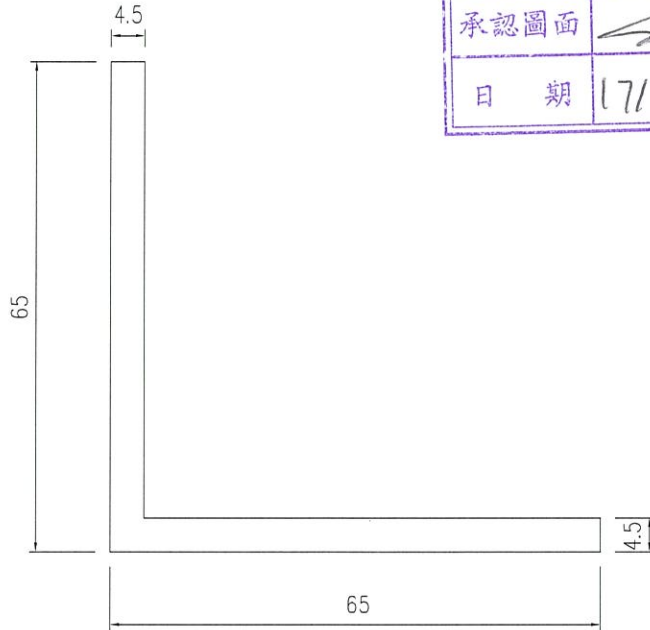
ALLOY: 6061-T6

NOTE: Unspecified thickness 3.5 mm
Radii on unspecified corner (max. 0.3 mm)

| SECTIONAL AREA | mm ² | ADDITIONAL TOLERANCE | DATE | REVISION | | |
|----------------|-----------------|--------------------------|-------------|----------|------|-------------|
| | | | | DATE | NAME | DESCRIPTION |
| 442.75 | | Thickness + 0.1 mm | 2021-9-15 | | | |
| WEIGHT | KG/M | Flatness 0.1 /25mm width | SCALE | | | |
| 1.200 | | Straightness 0.3 /300mm | DRAWN | | | |
| PERIMETER | mm | Twist 0.5° /300 mm max | XIE XIAOYUN | | | |
| V.F. | mm | Angularity ± 1.0 degree | CHECK | | | |
| | | | XIE YONGLIN | | | |

X86021

| | | | |
|--|----------------------|-----------|----------------|
|  MIDI ALUMINIUM FABRICATOR LTD. | DRAWING NO. AW-20 | REV. 0 | TITLE 70窗鋁角 |
|--|----------------------|-----------|----------------|



*所有壁厚只接受正公差

ALLOY:6061-T6

NOTE: Unspecified thickness 4.5 mm
Radii on unspecified corner (max. 0.3 mm)

| SECTIONAL AREA | | ADDITIONAL TOLERANCE | | DATE | REVISION | | |
|----------------|-----------------|----------------------|------------------|-------------|----------|------|-------------|
| 564.75 | mm ² | Thickness | + 0.1 mm | 2021-9-15 | DATE | NAME | DESCRIPTION |
| WEIGHT | KG/M | Flatness | 0.1 /25mm width | SCALE | | | |
| 1.530 | | Straightness | 0.3 /300mm | DRAWN | | | |
| PERIMETER | mm | Twist | 0.5° /300 mm max | XIE XIAOYUN | | | |
| 260 | | Angularity | ± 1.0 degree | CHECK | | | |
| V.F. | mm | | | XIE YONGLIN | | | |