



工程指示 / 要求簡箋 ENGINEER INSTRUCTIONS(E.I.)

工程指示編號:	EI- 3830	修改版本:	D
工程編號:	HK-0764.		
收件人:	J 856	工程名稱:	TSWTL23 天榮
發件人:	生統 / 謝永林	發件人:	Thomas Wong
工程項目:	佛沙試模窗拆圖(修改D:更新T1)	日期:	18/04/2023

<input checked="" type="checkbox"/> 原合約工程包	<input type="checkbox"/> 原合約工程加 / 減賬 QT-	<input type="checkbox"/> 新工程報價 QT-
--	--	------------------------------------

信件批核號碼/圖紙參考編號:	批核模具圖紙編號:
客戶指示附件:	管理內部批簽署:

<input type="checkbox"/> 初步鋁料 B.M.	<input type="checkbox"/> 加工拆圖, 然後生產	<input type="checkbox"/> 尺寸表
<input type="checkbox"/> 正式鋁料 B.M.	<input type="checkbox"/> 技術上資料/指示	<input type="checkbox"/> 報價
<input type="checkbox"/> 配件 B.M.	<input type="checkbox"/> 樣辦或貨品說明書	<input type="checkbox"/> 分判合約
<input type="checkbox"/> 其他:		

內容: 佛沙試模窗拆圖(修改D:更新T1)
以此為準
請依圖各要1隻窗 一共8隻

完成上列要求日期: 22/04/2023

國內

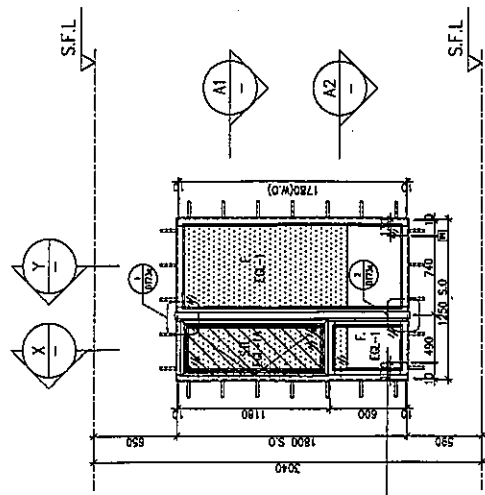
<input type="checkbox"/> 生產技術總監	<input type="checkbox"/> 連附件	<input type="checkbox"/> 技術部	<input type="checkbox"/> 連附件	<input type="checkbox"/> 生產部	<input type="checkbox"/> 連附件
<input type="checkbox"/> 採購部	<input type="checkbox"/> 連附件	<input checked="" type="checkbox"/> 生產統籌部	<input checked="" type="checkbox"/> 連附件	<input type="checkbox"/> 報關組	<input type="checkbox"/> 連附件
<input type="checkbox"/> 質檢部	<input type="checkbox"/> 連附件	<input type="checkbox"/> 會計部	<input type="checkbox"/> 連附件	<input type="checkbox"/> 機械設計部	<input type="checkbox"/> 連附件
<input type="checkbox"/> 香港辦	<input type="checkbox"/> 連附件	<input type="checkbox"/> 其他:			

香港

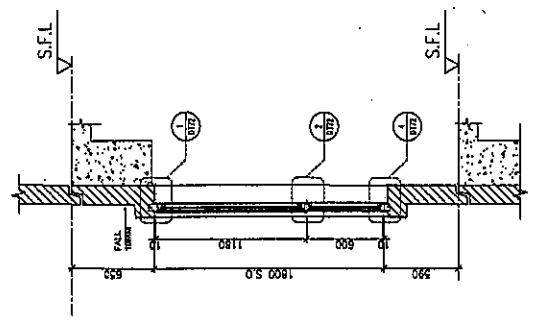
<input type="checkbox"/> 行政部	<input type="checkbox"/> 連附件	<input type="checkbox"/> 會計部	<input type="checkbox"/> 連附件	<input type="checkbox"/> 統籌部	<input type="checkbox"/> 連附件	<input type="checkbox"/> 工程部	<input type="checkbox"/> 連附件
<input type="checkbox"/> 採購部	<input type="checkbox"/> 連附件	<input type="checkbox"/> QS部	<input type="checkbox"/> 連附件	<input type="checkbox"/> 地盤管理	<input type="checkbox"/> 連附件	<input type="checkbox"/> 維修部	<input type="checkbox"/> 連附件

*發件人簽署: 瑋	*組別成員批核簽署: [Signature]
傳遞編號:	項目經理簽署:

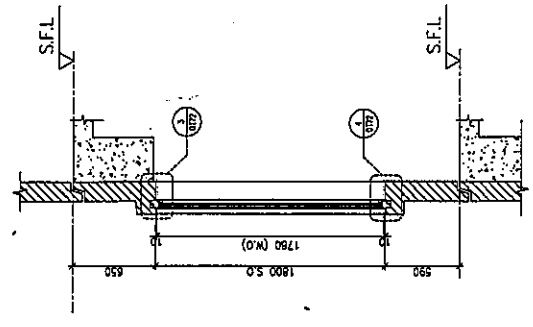
REQUIRE		PROVIDED	
LOCATION	OPENABLE AREA	GLAZING AREA	GLAZING AREA
(B7-BB2)	0.2453	0.420	1.19



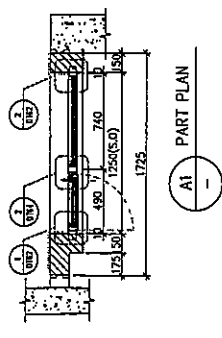
ELEVATION



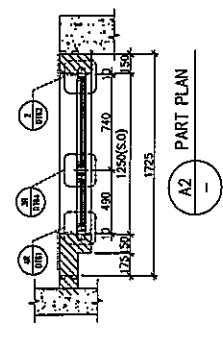
X - X
PART SECTION



Y - Y
PART SECTION



A1 - A1
PART PLAN



A2 - A2
PART PLAN

CLIENT : SUN HUNG KAI REAL ESTATE AGENCY LTD.
ARCHITECT : IWK&PARTNERS ARCHITECTS
MAIN CONTRACTOR : Yee Fai Construction Ltd.
STRUCTURAL ENGINEER : ARUP
FRAME CONSULTANT : ALPHA CONSULTING LIMITED
NOTE :
 1. ALL DIMENSIONS ARE IN MM.
 2. ALL ELEVATIONS ARE VIEWED FROM OUTSIDE.
 3. ALL DIMENSIONS TO BE VERIFIED ON SITE BEFORE FABRICATION.
LEGEND :
 1. F.F.L. --- FINISHED FLOOR LEVEL.
 2. S.F.L. --- STRUCTURAL FLOOR LEVEL.
 3. (A) --- REVERSED DETAIL.
 4. GLASS LEGEND
 EG-1 --- 6mm+8+12mm AIR GAP+10mmTP THK. IGUL
 EG-2 --- 10mm THK. CLEAR TEMPERED GLASS
 EG-4 --- 10mm THK. TEMPERED AND ETCHED GLASS
 EG-1A --- 6mm+8+12mm AIR GAP+10mmTP THK. IGUL
 EG-1B --- 6mm+8+12mm AIR GAP+10mmTP AIR-ETCHED THK. IGUL
REVISIONS :
 1. 20/02/2012 REVISION SUBJECT TO APPROVEMENT
 2. 27/02/2012 REVISION SUBJECT TO APPROVEMENT
 3. 27/02/2012 REVISION SUBJECT TO APPROVEMENT
 4. 17/04/2012 REVISION SUBJECT TO APPROVEMENT
 5. 18/02/2012 REVISION SUBJECT TO APPROVEMENT
 6. 17/07/2011 REVISION SUBJECT TO APPROVEMENT
 7. 29/10/2011 REVISION SUBJECT TO APPROVEMENT
JOB NO. : J--056
PROJECT : PROPOSED DEVELOPMENT ABOVE LIGHT RAIL TIN WING STOP, SWIL NO.23, AREA 33, TIN SHUI WAI, N.T.
TITLE : WINDOW SCHEDULE FOR TOWER 1 ALUM. WINDOW
DATE : 02-Aug-21 **SCALE :** 1:140
DRAWN BY : Ivin **CHECKED BY :**
CLIENT : MIDY INTERNATIONAL (HONG KONG) LTD.
 410 Cheong Chee Road, #07-177
 #22-04R311-4 Tel: (852) 2722666
FIG. NO. : WSBF-SD-PW-5109 **REV. :** 1

WINDOW MARK	LOCATION	SECTION	GLAZING	QUANTITY	REMARKS
AW 020	5/F-45/F(4/F,13/F,14/F,24/F,34/F,44/F OMITTED) UNIT B7	70mm ALUM. SECTION	EG1-T,EGC-1A	37 Nos	4. BAR HINGE-LIP HING (HHMS-N12)
AW 020P	3/F UNIT B7, B6	70mm ALUM. SECTION	EG1-T,EGC-1A	1 No / 1 No	4. BAR HINGE-LIP HING (HHMS-N12)

B.D. REF : 	SUN HUNG KAI REAL ESTATE AGENT LTD. 42-7 SUN HUNG AN COURT, HONG KONG	lw&kpartners ARCHITECT : 1 2 3 4 5 6 7 8 9 10 11 12 13 14 15 16 17 18 19 20 21 22 23 24 25 26 27 28 29 30 31 32 33 34 35 36 37 38 39 40 41 42 43 44 45 46 47 48 49 50 51 52 53 54 55 56 57 58 59 60 61 62 63 64 65 66 67 68 69 70 71 72 73 74 75 76 77 78 79 80 81 82 83 84 85 86 87 88 89 90 91 92 93 94 95 96 97 98 99 100	MARK CONTRACTOR : 怡輝建築有限公司 Yee Fai Building Contractors Ltd.	STRUCTURAL ENGINEER : ARUP	FABRIC CONSULTANT: ALPHA CONSULTING LIMITED Steel Structures & Facade Specialist
--------------------	--	---	---	--------------------------------------	---

NOTE:

1. ALL DIMENSIONS ARE IN MM.
2. ALL ELEVATIONS ARE VIEWED FROM OUTSIDE.
3. ALL DIMENSIONS TO BE VERIFIED ON SITE BEFORE FABRICATION.

LEGEND:

(S1) DETAIL MARK NO.
 (S20) REFER SHEET NO.

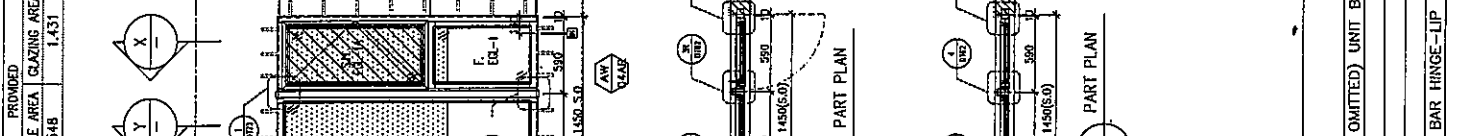
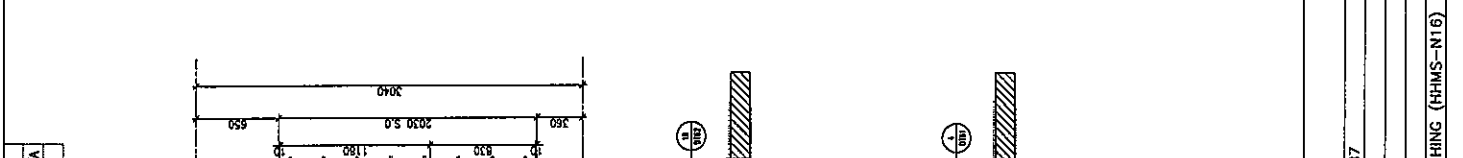
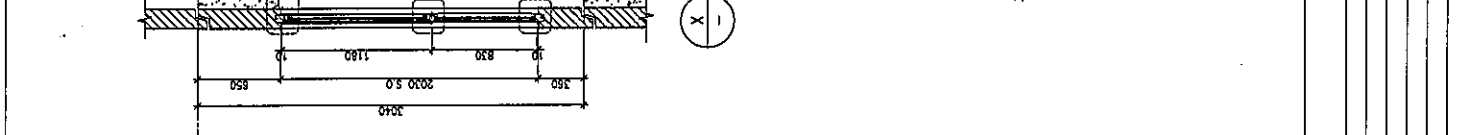
1. F.F.L. --- FINISHED FLOOR LEVEL.
2. S.F.L. --- STRUCTURAL FLOOR LEVEL.
3. (C) --- EXPOSED DETAIL.
4. GLASS LEGEND

ECL-1 --- 6mmx16+12mm AR CAP-10mmTP THK. LGLU
 ECL-2 --- 10mm THK. CLEAR TONEMERED GLASS
 ECL-3 --- 10mm THK. TONEMERED AND ETCHED GLASS
 ECL-4 --- 16-6mmx12mm AR CAP-10mmTP THK. LGLU
 ECL-10 --- 6mmx16+12mm AR CAP-10mmTP THK. LGLU
 ECL-11 --- 10mmTP THK. LGLU

NO.	DATE	REVISION SUBJECT TO APPROVAL COMMENT	BY
1	21/07/2022	REVISION SUBJECT TO APPROVAL COMMENT	AW
2	21/07/2022	REVISION SUBJECT TO APPROVAL COMMENT	AW
3	06/07/2022	REVISION SUBJECT TO APPROVAL COMMENT	AW
4	17/12/2021	REVISION SUBJECT TO APPROVAL COMMENT	AW
5	29/01/2021	REVISION SUBJECT TO APPROVAL COMMENT	AW
6	13/07/2020	REVISION SUBJECT TO APPROVAL COMMENT	AW
7	01/07/2020	REVISION SUBJECT TO APPROVAL COMMENT	AW

JOB NO. : J-8256
 SCALE : 1:40
 DATE : 02-Aug-21
 CHECKED BY :
 DRAWN BY : Ivan
 PROJECT : PROPOSED DEVELOPMENT ABOVE LIGHT RAIL TIN WING STOP, TSWIL NO.23, AREA 33, TIN SHUI WAI, N.T.
 TITLE : WINDOW SCHEDULE FOR TOWER 1 ALUM. WINDOW

CLIENT : SUN HUNG KAI REAL ESTATE AGENT LTD. 42-7 SUN HUNG AN COURT, HONG KONG	ARCHITECT : lw&kpartners 1 2 3 4 5 6 7 8 9 10 11 12 13 14 15 16 17 18 19 20 21 22 23 24 25 26 27 28 29 30 31 32 33 34 35 36 37 38 39 40 41 42 43 44 45 46 47 48 49 50 51 52 53 54 55 56 57 58 59 60 61 62 63 64 65 66 67 68 69 70 71 72 73 74 75 76 77 78 79 80 81 82 83 84 85 86 87 88 89 90 91 92 93 94 95 96 97 98 99 100	MARK CONTRACTOR : 怡輝建築有限公司 Yee Fai Building Contractors Ltd.	STRUCTURAL ENGINEER : ARUP	FABRIC CONSULTANT: ALPHA CONSULTING LIMITED Steel Structures & Facade Specialist
--	---	---	--------------------------------------	---



LOCATION	OPENABLE AREA	GLAZING AREA	CLAZING AREA	PROVIDED
87-NBR	0.435	0.696	1.431	0.548

WINDOW MARK	AW
LOCATION	3/F-E-45/F-4/F-15/F-14/F-24/F-34/F-44/F OMITTED) UNIT B7
SECTION	70mm ALUM. SECTION
GLAZING	ECL-1, ECL-1A
QUANTITY	37 Nos
REMARKS	FAÇADE (TYPE TIPO3R FOR 3/F~45/F), 4 BAR HINGE-LIP HING (HHMS-N16)

ELEVATION

BD. REF :

CLIENT : SUN HUNG KAI REAL ESTATE DEVELOPMENT, 42/F, 400, WING LOK STREET, HONG KONG

ARCHITECT : iwk&partners ARCHITECTS

MAIN CONTRACTOR : 怡和建築有限公司 (Yee Hee Building Contractors Ltd.)

STRUCTURAL ENGINEER : ARUP

FAÇADE CONSULTANT : ALPHA CONSULTING LIMITED (Steel Structure & Façade Specialist)

NOTE :
 1. ALL DIMENSIONS ARE IN MM.
 2. ALL DIMENSIONS ARE VIEWED FROM OUTSIDE.
 3. ALL DIMENSIONS TO BE CHECKED ON SITE BEFORE FABRICATION.
 LEGEND:
 (A) DETAIL MARK NO.
 (B) REFER SHEET NO.
 1. F.F.L. --- FINISHED FLOOR LEVEL.
 2. S.F.L. --- STRUCTURAL FLOOR LEVEL.
 3. (R) --- REVERSED DETAIL.
 4. GLASS LEGEND
 EQ-1 --- 6mmthk+12mm AIR GAP+10mmthk THK. LGLU
 EQ-2 --- 10mm THK. CLEAR TEMPERED GLASS
 EQ-4 --- 10mm THK. TEMPERED AND ETOED GLASS
 CG-14 --- 14mmthk+12mm AIR GAP+10mmthk THK. LGLU
 CG-18 --- 18mmthk+12mm AIR GAP+10mmthk THK. LGLU

NO.	DATE	REVISION SUBJECT TO APPROVEMENT	BY
1	21/07/2023	REVISION SUBJECT TO APPROVEMENT	AW
2	21/07/2023	REVISION SUBJECT TO APPROVEMENT	AW
3	17/08/2023	REVISION SUBJECT TO APPROVEMENT	AW
4	06/02/2024	REVISION SUBJECT TO APPROVEMENT	AW
5	17/02/2024	REVISION SUBJECT TO APPROVEMENT	AW
6	29/01/2024	REVISION SUBJECT TO APPROVEMENT	AW
7	03/01/2024	REVISION SUBJECT TO APPROVEMENT	AW
8			
9			

SCALE : 1:40

PROJECT : PROPOSED DEVELOPMENT ABOVE LIGHT RAIL TIN HING STOR TOWER, NO.23, AREA 33, TIN SHUI WAI, N.T.

TITLE : WINDOW SCHEDULE FOR TOWER 1 ALUM. WINDOW

DATE : 02-Aug-21

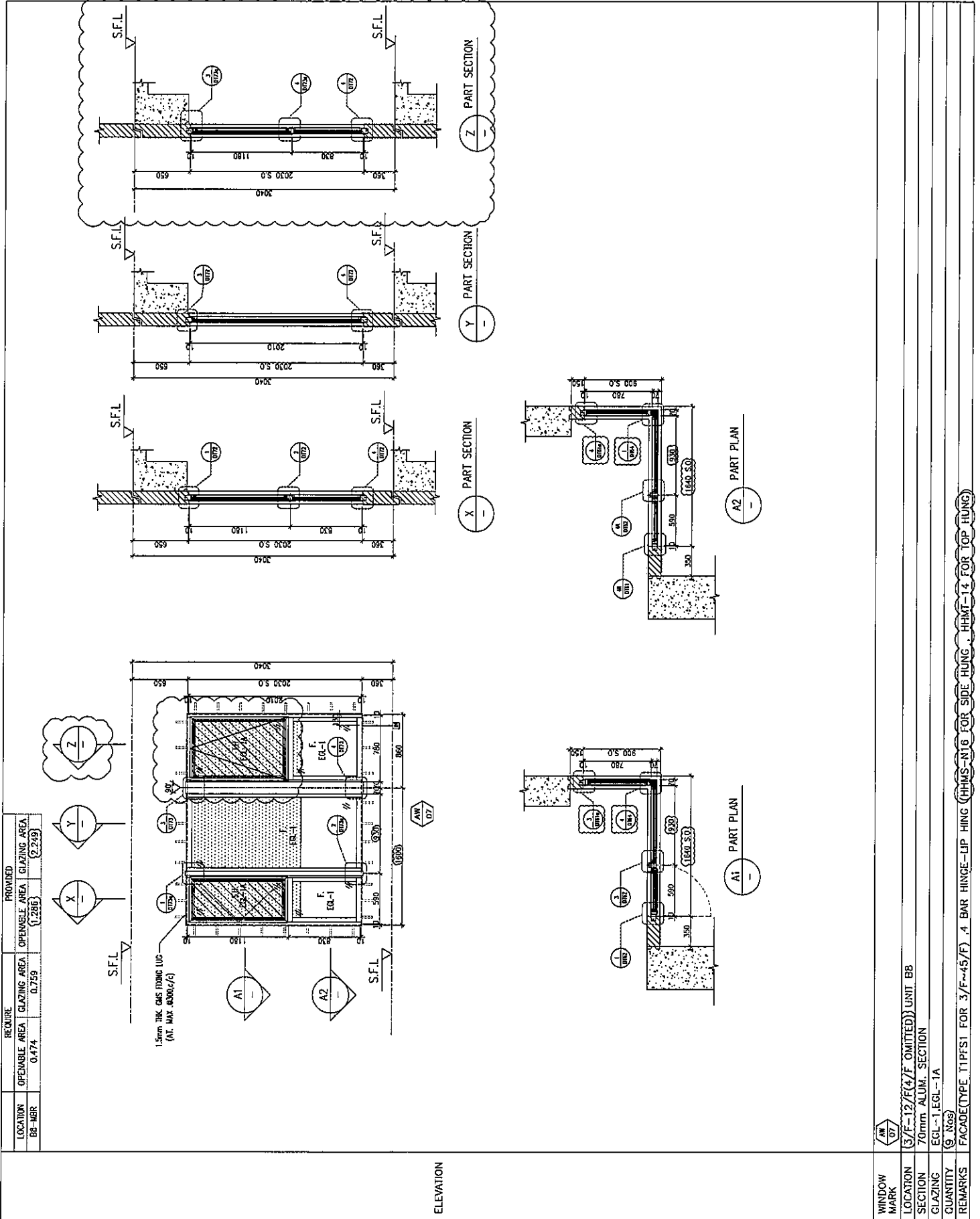
DRAWN BY : Ivan

CHECKED BY :

UNIT : 美特鋁業有限公司 (MIDI Aluminium Fabrication Ltd.)
 Unit 6-8, Sunny Industrial Centre, 1/F
 242, Shui Yee Street, Tuen Mun, New Territories
 Tel: 24238211-4, Fax: 24237216-8

IMP. NO. : JRC6-S01-PW-5111

REV. : H



Q.D. REF :

CLIENT : **SUN HUNG KAI**
 REAL ESTATE ADVERTISER LTD.
 437 Des Voeux Road, Hong Kong

ARCHITECT : **hwk&partners**
 ARCHITECTS

MAIN CONTRACTOR : **怡和建築有限公司**
 Yee Fui Building Contractors Ltd.

STRUCTURAL DESIGNER : **ARUP**

PACKAGE CONSULTANT : **ALPHA CONSULTING LIMITED**
 Steel Structure & Facade Specialist

NOTE :

- ALL DIMENSIONS ARE IN MM.
- ALL ELEVATIONS ARE VIEWED FROM OUTSIDE.
- ALL DIMENSIONS TO BE VERIFIED ON SITE BEFORE FABRICATION.

LEGEND :

(1) DETAIL MARK NO.
 (2) REFER SHEET NO.

- F.F.L. -- FINISHED FLOOR LEVEL.
- S.F.L. -- STRUCTURAL FLOOR LEVEL.
- (⊙) -- REVERSED DETAIL.
- CLASS LEGEND

EQ-1 -- 6mm x 12mm AIR GAP + 10mm TP THK. IGUL
 EQ-2 -- 10mm THK. CLEAR TEMPERED GLASS
 EQ-3 -- 10mm THK. TAMPED AND EDEDGED GLASS
 EQ-4 -- 16mm x 16mm AIR GAP + 10mm TP THK. IGUL
 EQ-5 -- 19mm x 19mm AIR GAP + 10mm TP THK. IGUL

NO.	DATE	REVISION SUBJECT TO APPROVALMENT
1	20/02/2023	REVISION SUBJECT TO APPROVALMENT
2	17/04/2023	REVISION SUBJECT TO APPROVALMENT
3	20/07/2023	REVISION SUBJECT TO APPROVALMENT
4	21/07/2023	REVISION SUBJECT TO APPROVALMENT
5	12/06/2024	REVISION SUBJECT TO APPROVALMENT

JOB NO. : J-056

PROJECT : PROPOSED DEVELOPMENT ABOVE LIGHT RAIL TIN WING STOP TSV/PL NO.23, AREA 33.7TH SHUI WAI, N.T.

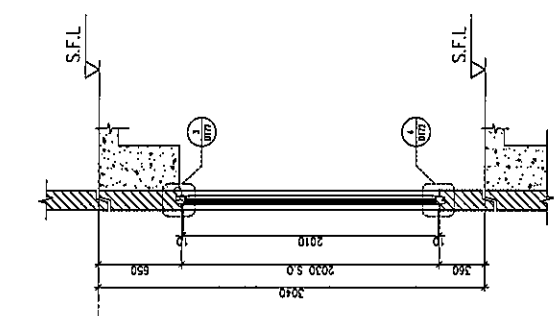
TITLE : WINDOW SCHEDULE FOR TOWER 1 ALUM. WINDOW

DATE : 02-Aug-21
 SCALE : 1:40
 DRAWN BY : Ikon
 CHECKED BY :

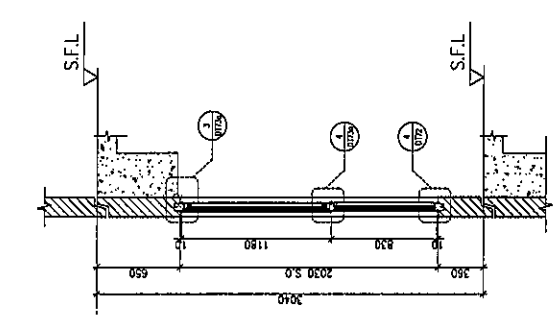
UNITED STATES OF AMERICA
 MIDLAND INDUSTRIAL CENTER, 1/F
 1623 MIDLAND AVE, HOUSTON, TX 77056
 TEL: 281-416-1111 FAX: 281-416-1112

UNITED KINGDOM
 MIDLAND INDUSTRIAL CENTER, 1/F
 1623 MIDLAND AVE, HOUSTON, TX 77056
 TEL: 281-416-1111 FAX: 281-416-1112

UNITED STATES OF AMERICA
 MIDLAND INDUSTRIAL CENTER, 1/F
 1623 MIDLAND AVE, HOUSTON, TX 77056
 TEL: 281-416-1111 FAX: 281-416-1112



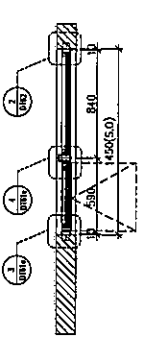
PART SECTION Y-Y



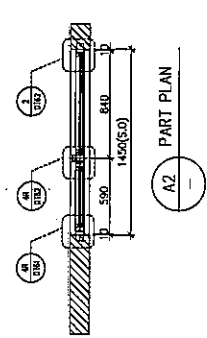
PART SECTION X-X



ELEVATION



PART PLAN A1



PART PLAN A2

LOCATION	REQUIRE	PROVIDED
BB-MBR	OPENABLE AREA 0.435 GLAZING AREA 0.686	OPENABLE AREA 0.548 GLAZING AREA 1.431

WINDOW MARK	AW 01B
LOCATION	3/F-F-15/F-14/F-13/F-12/F-11/F-10/F-9/F-8/F-7/F-6/F-5/F-4/F-3/F-2/F-1
SECTION	70mm ALUM. SECTION
GLAZING	EG-1, EGL-1A
QUANTITY	37 Nos
REMARKS	4 BAR HINGE-LIP HING (HHMT-14)

B.D. REF :
 CLIENT : **SUN HUNG KAI**
 REAL ESTATE AGENT LTD.
 407 SUN HING RD, CHINA, HONG KONG

ARCHITECT : **lwk&partners**
 ARCHITECTS
 MAIN CONTRACTOR : **怡輝建築有限公司**
 Yee Fui Building Contractors Ltd.

STRUCTURAL ENGINEER :
ARUP
 FACADE CONSULTING
ALPHA CONSULTING LIMITED
 Steel Structure & Facade Specialist

NOTE:
 1. ALL DIMENSIONS ARE IN mm.
 2. ALL ELEVATIONS ARE VIEWED FROM OUTSIDE.
 3. ALL DIMENSIONS TO BE CHECKED ON SITE BEFORE FABRICATION.

LEGEND:
 1. DETAIL MARK NO.
 2. REFER SHEET NO.

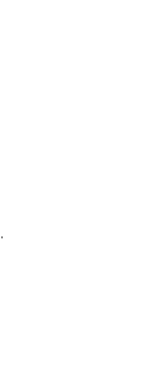
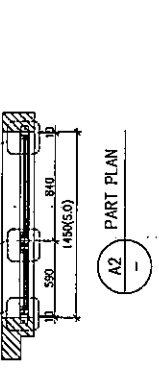
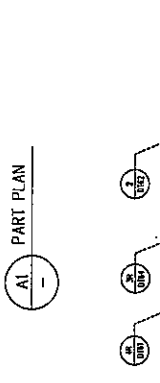
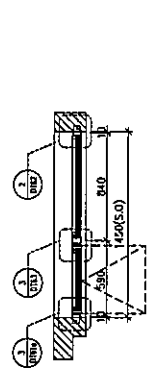
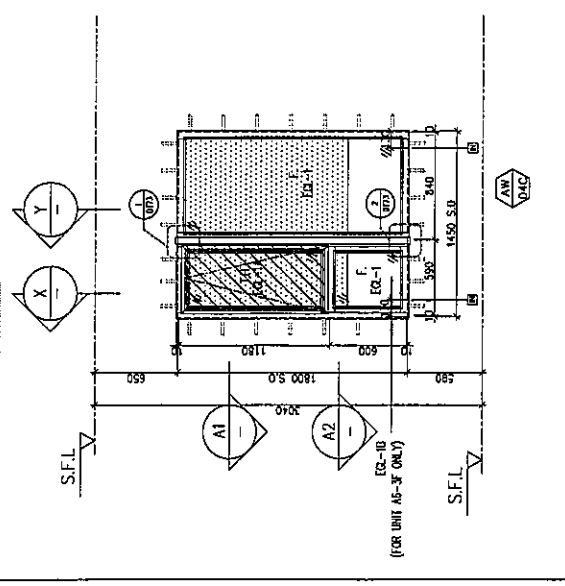
1. F.F.L. -- FINISHED FLOOR LEVEL.
 2. S.F.L. -- STRUCTURAL FLOOR LEVEL.
 3. -- REVERSED DETAIL.
 4. GLASS LEGEND

EQ-1 -- 6mm/16S+12mm AIR GAP/10mm TP. LGU.
 EQ-2 -- 10mm THK. CLEAR TEMPERED GLASS.
 EQ-3 -- 10mm THK. TEMPERED AND ETCHED GLASS.
 EQ-10 -- 6mm/16S+12mm AIR GAP/10mm TP. LGU.
 EQ-11 -- 6mm/16S+12mm AIR GAP/10mm TP. LGU.
 EQ-12 -- 10mm THK. LGU.

SUB NO. : J-856
 PROJECT : PROPOSED DEVELOPMENT ABOVE
 LOCK SHED BY HING STOP/SMTL
 NO23 JARUA 33, SUN SHUI WAH, N.T.

DATE : 02-Aug-21 SCALE : 1:40
 DRAWN BY : Ucan CHECKED BY :
MIDI 美特銘有限公司
 MIDIC Advancing Infrastructure Ltd.
 Unit 8-4, Sunny Industrial Centre, 1/F
 100, Cheong Cheong Road, Tsimshatsui
 Kowloon, Hong Kong
 TEL: 34388811-1, 34388812/272166
 DWG NO. : J050-SP-PW-5112A REV. : -

LOCATION	REQUIRE	PROVIDED
	OPENABLE AREA	OPENABLE AREA
A5-NBR	0.435	0.696
A6-NBR	0.295	0.707
A7-NBR	0.435	0.696
	GLAZING AREA	GLAZING AREA
		1.407



WINDOW MARK	REMARKS
A5	3/F-45/F(4/F,13/F,14/F,24/F,34/F,44/F OMITTED) UNIT A5, A6, A7
A6	70mm ALUM. SECTION
A7	GLAZING EQL-1, EQL-1A
	QUANTITY 37 Nos / 37 Nos / 37 Nos
	REMARKS 4 BAR HINGE-LIP HING (HMT-14)

BLD. REF :

CLIENT : **SUN HUNG KAI**
 REAL ESTATE DEVELOPMENT LTD.
 1001 SUN HING ROAD, WONGAI, HONGKONG

ARCHITECT : **hwk&partners**
 ARCHITECTS

MAIN CONTRACTOR : **中環建築有限公司**
 Yee Fui Building Contractors Ltd.

STRUCTURAL ENGINEER : **ARUP**

FAÇADE CONSULTANT : **ALPHA CONSULTING LIMITED**
 Steel Structure & Façade Specialist

NOTE :
 1. ALL DIMENSIONS ARE IN mm.
 2. ALL DIMENSIONS ARE MEASD FROM OUTSIDE
 3. ALL DIMENSIONS TO BE VERIFIED ON SITE
 BEFORE FABRICATION.

LEGEND:
 (A1) DETAIL MARK NO.
 (A2) REFER SHEET NO.

1. FEEL --- FINISHED FLOOR LEVEL.
 2. S.F.L. --- STRUCTURAL FLOOR LEVEL.
 3. (A) --- REVERSED DETAIL.
 4. CLASS LEGEND

EQ-1 --- 8mmx12mm ANI GRP+10mmTP THK. IGLL
 EQ-2 --- 10mm THK. CLEAR TEMPERED GLASS
 EQ-4 --- 10mm THK. TEMPERED AND FROD GLASS
 EQ-11 --- 6mmx12mm ANI GRP+10mmTP THK. IGLL
 EQ-18 --- 6mmx12mm ANI GRP+10mmTP THK. IGLL
 (Material: FROD-FROD THK. IGLL)

1	21/02/2022	REVISION SUBJECT TO IMPLEMENTATION
2	14/07/2022	REVISION SUBJECT TO IMPLEMENTATION
3	17/08/2022	REVISION SUBJECT TO IMPLEMENTATION
4	17/08/2022	REVISION SUBJECT TO IMPLEMENTATION
REV	DATE	REVISION

PROJECT :
 PROPOSED DEVELOPMENT ABOVE
 LIGHT RAIL TIN HING STOP, S.F.L.
 NO.23, AREA 33, TIN SHUI WAI, N.T.

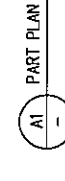
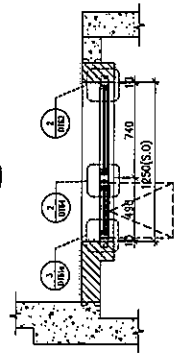
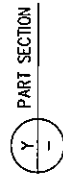
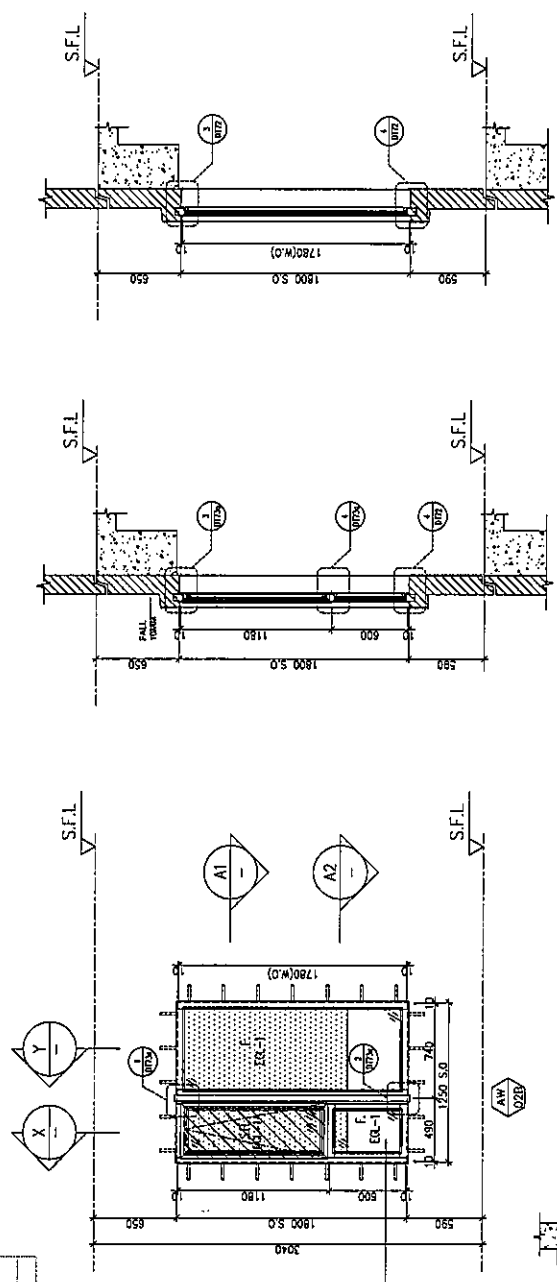
TITLE :
 WINDOW SCHEDULE FOR
 TOWER 1 ALUM. WINDOW

DATE : 06-Jul-22 SCALE : 1:40
 DRAWN BY : JIvan CHECKED BY :
MITI 美特
 MIDICORPORATION
 Unit 6-8, Sunny Industrial Centre, 1/F
 110, Tin Tin Road, Tin Shui Wai, N.T.
 TEL: 2424211-4, FAX: 24272666

DWG NO. : 0856-SD-PW-5113 REV. : C

LOCATION	OPENABLE AREA	GLAZING AREA	GLAZING AREA
AS-BR2	0.263	0.420	0.439
A7-BR2	0.263	0.420	1.19
AB-BR2	0.269	0.431	
AB-BR3	0.286	0.457	
BB-BR2	0.263	0.420	

REQUIRE (FOR UNIT A7-3 OKY)



ELEVATION

WINDOW MARK	AR 026	AR 026
LOCATION	3/F-45/F(4/F,13/F,14/F,24/F,34/F OMITTED) UNIT A5, A7, (B6 5/F-45/F)	3/F-45/F(4/F,13/F,14/F,24/F,34/F OMITTED) UNIT A8
SECTION	70mm ALUM. SECTION	70mm ALUM. SECTION
GLAZING	EGL-1, EGL-1A	EGL-1, EGL-1A
QUANTITY	37 Nos / 37 Nos	37 Nos / 37 Nos
REMARKS	4 BAR, HINGE-LIP HING (HHMT-14)	4 BAR, HINGE-LIP HING (HHMT-14)

ISO. REF. :

CLIENT : **SUN HUNG KAI**
INFRASTRUCTURE DEVELOPMENT LTD.
3/F, 2/F, 1/F, 10/F, 11/F, 12/F, 13/F, 14/F, 15/F, 16/F, 17/F, 18/F, 19/F, 20/F, 21/F, 22/F, 23/F, 24/F, 25/F, 26/F, 27/F, 28/F, 29/F, 30/F, 31/F, 32/F, 33/F, 34/F, 35/F, 36/F, 37/F, 38/F, 39/F, 40/F, 41/F, 42/F, 43/F, 44/F, 45/F, 46/F, 47/F, 48/F, 49/F, 50/F, 51/F, 52/F, 53/F, 54/F, 55/F, 56/F, 57/F, 58/F, 59/F, 60/F, 61/F, 62/F, 63/F, 64/F, 65/F, 66/F, 67/F, 68/F, 69/F, 70/F, 71/F, 72/F, 73/F, 74/F, 75/F, 76/F, 77/F, 78/F, 79/F, 80/F, 81/F, 82/F, 83/F, 84/F, 85/F, 86/F, 87/F, 88/F, 89/F, 90/F, 91/F, 92/F, 93/F, 94/F, 95/F, 96/F, 97/F, 98/F, 99/F, 100/F

ARCHITECT : **hwk&partners**
ARCHITECTS
1/F, 2/F, 3/F, 4/F, 5/F, 6/F, 7/F, 8/F, 9/F, 10/F, 11/F, 12/F, 13/F, 14/F, 15/F, 16/F, 17/F, 18/F, 19/F, 20/F, 21/F, 22/F, 23/F, 24/F, 25/F, 26/F, 27/F, 28/F, 29/F, 30/F, 31/F, 32/F, 33/F, 34/F, 35/F, 36/F, 37/F, 38/F, 39/F, 40/F, 41/F, 42/F, 43/F, 44/F, 45/F, 46/F, 47/F, 48/F, 49/F, 50/F, 51/F, 52/F, 53/F, 54/F, 55/F, 56/F, 57/F, 58/F, 59/F, 60/F, 61/F, 62/F, 63/F, 64/F, 65/F, 66/F, 67/F, 68/F, 69/F, 70/F, 71/F, 72/F, 73/F, 74/F, 75/F, 76/F, 77/F, 78/F, 79/F, 80/F, 81/F, 82/F, 83/F, 84/F, 85/F, 86/F, 87/F, 88/F, 89/F, 90/F, 91/F, 92/F, 93/F, 94/F, 95/F, 96/F, 97/F, 98/F, 99/F, 100/F

MAIN CONTRACTOR : **怡和建築有限公司**
Yee Fat Building Contractors Ltd.

STRUCTURAL ENGINEER : **ARUP**

FAÇADE CONSULTANT : **ALPHA CONSULTING LIMITED**
Steel Structure & Façade Specialist

NOTE:
1. ALL DIMENSIONS ARE IN mm.
2. ALL ELEVATIONS ARE VIEWED FROM OUTSIDE.
3. ALL DIMENSIONS TO BE CHECKED ON SITE BEFORE FABRICATION.

LEGEND:
① DETAIL MARK NO.
② REFER SHEET NO.

1. P.L.L. --- FINISHED FLOOR LEVEL
2. S.L.L. --- STRUCTURE FLOOR LEVEL
3. --- RECESSED DETAIL
4. G.O.S. LEGEND

EG-1 --- 8mmx12mm AR CP+10mmTP THK LGLU
EG-2 --- 12mm THK CLEAR TEMPERED GLASS
EG-3 --- 12mm THK CLEAR TEMPERED GLASS
EG-4 --- 12mm THK CLEAR TEMPERED GLASS
EG-5 --- 12mm THK CLEAR TEMPERED GLASS
EG-6 --- 12mm THK CLEAR TEMPERED GLASS
EG-7 --- 12mm THK CLEAR TEMPERED GLASS
EG-8 --- 12mm THK CLEAR TEMPERED GLASS
EG-9 --- 12mm THK CLEAR TEMPERED GLASS
EG-10 --- 12mm THK CLEAR TEMPERED GLASS
EG-11 --- 12mm THK CLEAR TEMPERED GLASS
EG-12 --- 12mm THK CLEAR TEMPERED GLASS
EG-13 --- 12mm THK CLEAR TEMPERED GLASS
EG-14 --- 8mmx12mm AR CP+10mmTP THK LGLU

REV	DATE	DESCRIPTION
1	27/02/2023	REVISION SUBJECT TO APPROVAL
2	27/02/2023	REVISION SUBJECT TO APPROVAL
3	02/07/2021	REVISION SUBJECT TO APPROVAL
4	02/07/2021	REVISION SUBJECT TO APPROVAL
5	02/07/2021	REVISION SUBJECT TO APPROVAL
6	02/07/2021	REVISION SUBJECT TO APPROVAL
7	02/07/2021	REVISION SUBJECT TO APPROVAL
8	02/07/2021	REVISION SUBJECT TO APPROVAL
9	02/07/2021	REVISION SUBJECT TO APPROVAL
10	02/07/2021	REVISION SUBJECT TO APPROVAL
11	02/07/2021	REVISION SUBJECT TO APPROVAL
12	02/07/2021	REVISION SUBJECT TO APPROVAL
13	02/07/2021	REVISION SUBJECT TO APPROVAL
14	02/07/2021	REVISION SUBJECT TO APPROVAL
15	02/07/2021	REVISION SUBJECT TO APPROVAL
16	02/07/2021	REVISION SUBJECT TO APPROVAL
17	02/07/2021	REVISION SUBJECT TO APPROVAL
18	02/07/2021	REVISION SUBJECT TO APPROVAL
19	02/07/2021	REVISION SUBJECT TO APPROVAL
20	02/07/2021	REVISION SUBJECT TO APPROVAL
21	02/07/2021	REVISION SUBJECT TO APPROVAL
22	02/07/2021	REVISION SUBJECT TO APPROVAL
23	02/07/2021	REVISION SUBJECT TO APPROVAL
24	02/07/2021	REVISION SUBJECT TO APPROVAL
25	02/07/2021	REVISION SUBJECT TO APPROVAL
26	02/07/2021	REVISION SUBJECT TO APPROVAL
27	02/07/2021	REVISION SUBJECT TO APPROVAL
28	02/07/2021	REVISION SUBJECT TO APPROVAL
29	02/07/2021	REVISION SUBJECT TO APPROVAL
30	02/07/2021	REVISION SUBJECT TO APPROVAL
31	02/07/2021	REVISION SUBJECT TO APPROVAL
32	02/07/2021	REVISION SUBJECT TO APPROVAL
33	02/07/2021	REVISION SUBJECT TO APPROVAL
34	02/07/2021	REVISION SUBJECT TO APPROVAL
35	02/07/2021	REVISION SUBJECT TO APPROVAL
36	02/07/2021	REVISION SUBJECT TO APPROVAL
37	02/07/2021	REVISION SUBJECT TO APPROVAL
38	02/07/2021	REVISION SUBJECT TO APPROVAL
39	02/07/2021	REVISION SUBJECT TO APPROVAL
40	02/07/2021	REVISION SUBJECT TO APPROVAL
41	02/07/2021	REVISION SUBJECT TO APPROVAL
42	02/07/2021	REVISION SUBJECT TO APPROVAL
43	02/07/2021	REVISION SUBJECT TO APPROVAL
44	02/07/2021	REVISION SUBJECT TO APPROVAL
45	02/07/2021	REVISION SUBJECT TO APPROVAL
46	02/07/2021	REVISION SUBJECT TO APPROVAL
47	02/07/2021	REVISION SUBJECT TO APPROVAL
48	02/07/2021	REVISION SUBJECT TO APPROVAL
49	02/07/2021	REVISION SUBJECT TO APPROVAL
50	02/07/2021	REVISION SUBJECT TO APPROVAL
51	02/07/2021	REVISION SUBJECT TO APPROVAL
52	02/07/2021	REVISION SUBJECT TO APPROVAL
53	02/07/2021	REVISION SUBJECT TO APPROVAL
54	02/07/2021	REVISION SUBJECT TO APPROVAL
55	02/07/2021	REVISION SUBJECT TO APPROVAL
56	02/07/2021	REVISION SUBJECT TO APPROVAL
57	02/07/2021	REVISION SUBJECT TO APPROVAL
58	02/07/2021	REVISION SUBJECT TO APPROVAL
59	02/07/2021	REVISION SUBJECT TO APPROVAL
60	02/07/2021	REVISION SUBJECT TO APPROVAL
61	02/07/2021	REVISION SUBJECT TO APPROVAL
62	02/07/2021	REVISION SUBJECT TO APPROVAL
63	02/07/2021	REVISION SUBJECT TO APPROVAL
64	02/07/2021	REVISION SUBJECT TO APPROVAL
65	02/07/2021	REVISION SUBJECT TO APPROVAL
66	02/07/2021	REVISION SUBJECT TO APPROVAL
67	02/07/2021	REVISION SUBJECT TO APPROVAL
68	02/07/2021	REVISION SUBJECT TO APPROVAL
69	02/07/2021	REVISION SUBJECT TO APPROVAL
70	02/07/2021	REVISION SUBJECT TO APPROVAL
71	02/07/2021	REVISION SUBJECT TO APPROVAL
72	02/07/2021	REVISION SUBJECT TO APPROVAL
73	02/07/2021	REVISION SUBJECT TO APPROVAL
74	02/07/2021	REVISION SUBJECT TO APPROVAL
75	02/07/2021	REVISION SUBJECT TO APPROVAL
76	02/07/2021	REVISION SUBJECT TO APPROVAL
77	02/07/2021	REVISION SUBJECT TO APPROVAL
78	02/07/2021	REVISION SUBJECT TO APPROVAL
79	02/07/2021	REVISION SUBJECT TO APPROVAL
80	02/07/2021	REVISION SUBJECT TO APPROVAL
81	02/07/2021	REVISION SUBJECT TO APPROVAL
82	02/07/2021	REVISION SUBJECT TO APPROVAL
83	02/07/2021	REVISION SUBJECT TO APPROVAL
84	02/07/2021	REVISION SUBJECT TO APPROVAL
85	02/07/2021	REVISION SUBJECT TO APPROVAL
86	02/07/2021	REVISION SUBJECT TO APPROVAL
87	02/07/2021	REVISION SUBJECT TO APPROVAL
88	02/07/2021	REVISION SUBJECT TO APPROVAL
89	02/07/2021	REVISION SUBJECT TO APPROVAL
90	02/07/2021	REVISION SUBJECT TO APPROVAL
91	02/07/2021	REVISION SUBJECT TO APPROVAL
92	02/07/2021	REVISION SUBJECT TO APPROVAL
93	02/07/2021	REVISION SUBJECT TO APPROVAL
94	02/07/2021	REVISION SUBJECT TO APPROVAL
95	02/07/2021	REVISION SUBJECT TO APPROVAL
96	02/07/2021	REVISION SUBJECT TO APPROVAL
97	02/07/2021	REVISION SUBJECT TO APPROVAL
98	02/07/2021	REVISION SUBJECT TO APPROVAL
99	02/07/2021	REVISION SUBJECT TO APPROVAL
100	02/07/2021	REVISION SUBJECT TO APPROVAL

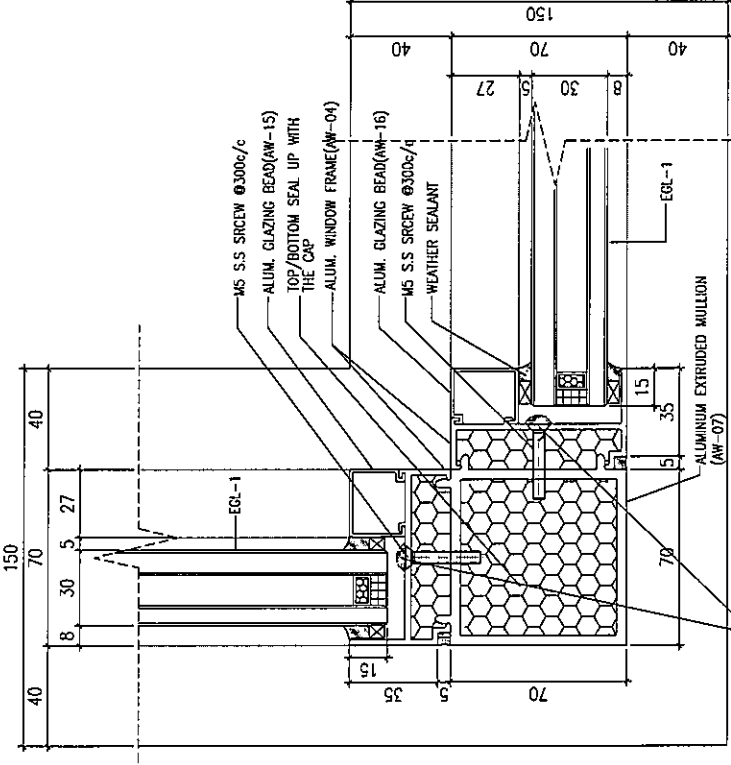
JOB NO. : J-056
PROJECT : PROPOSED DEVELOPMENT ABOVE LIGHT RAIL TIN WING STOP, ISWTL NO.23, AREA 33, TIN SHUI WAI, N.T.

TITLE : TYPICAL DETAILS FOR ALUM. WINDOW

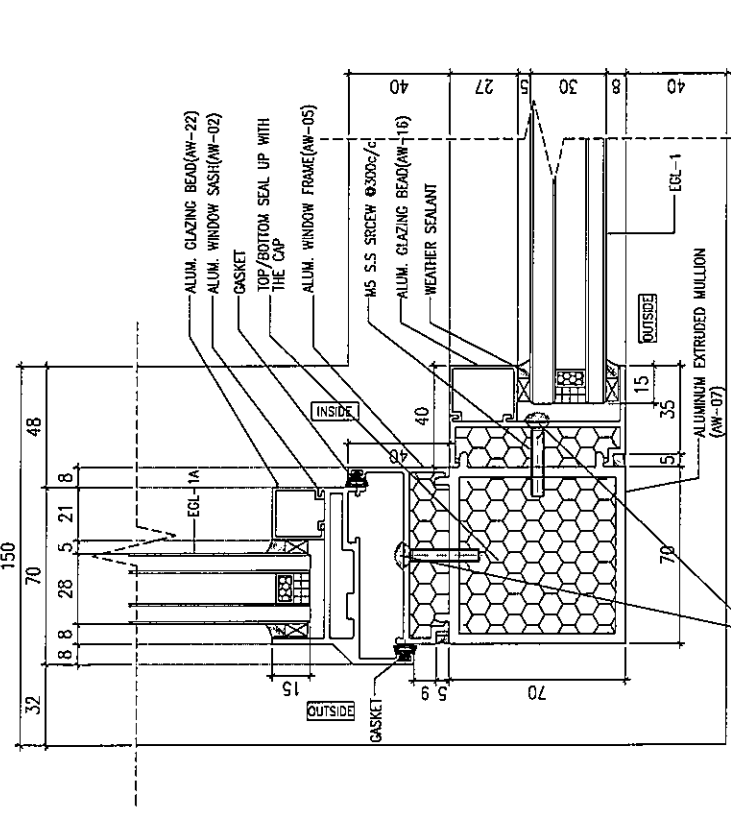
DATE : 02-Aug-21
SCALE : 1:40
DRAWN BY : hcm
CHECKED BY :

UNIT : 6-8, Survey Industrial Centre, 1/F, 610 Chee Koo Ling Road, Kowloon, HK
TEL: 25258211-4, Fax: (852) 27272686

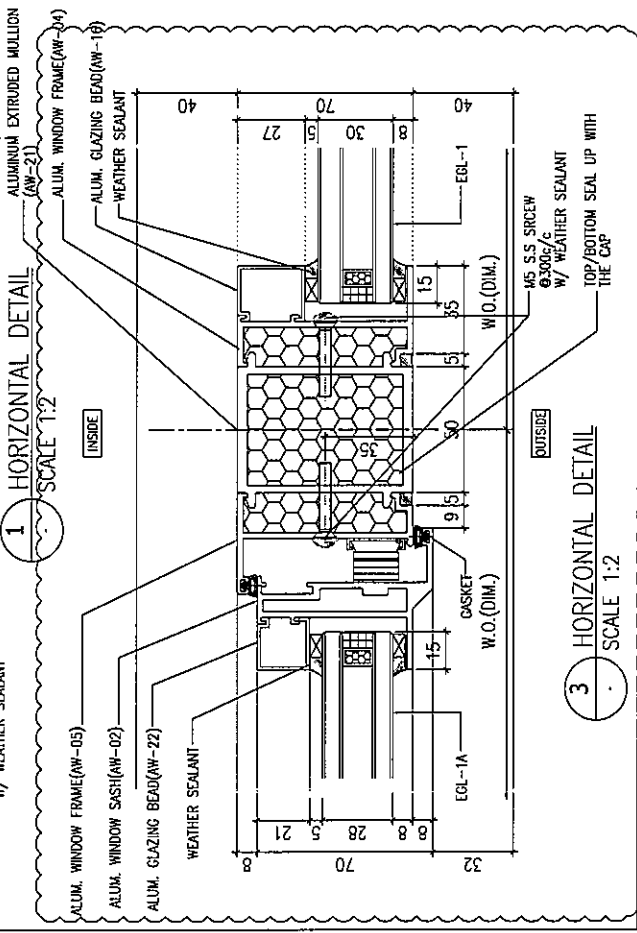
DWG NO. : HSB-SD-PW-0163
REV. : E



2 HORIZONTAL DETAIL SCALE 1:2



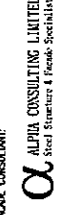
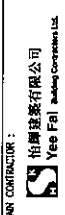
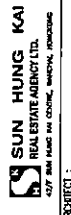
1 HORIZONTAL DETAIL SCALE 1:2



3 HORIZONTAL DETAIL SCALE 1:2

BD. REF. :

CLIENT :



NOTE: 1. ALL DIMENSIONS ARE IN mm. 2. ALL DIMENSIONS ARE VIEWED FROM OUTSIDE. 3. ALL DIMENSIONS TO BE VERIFIED ON SITE BEFORE FABRICATION.

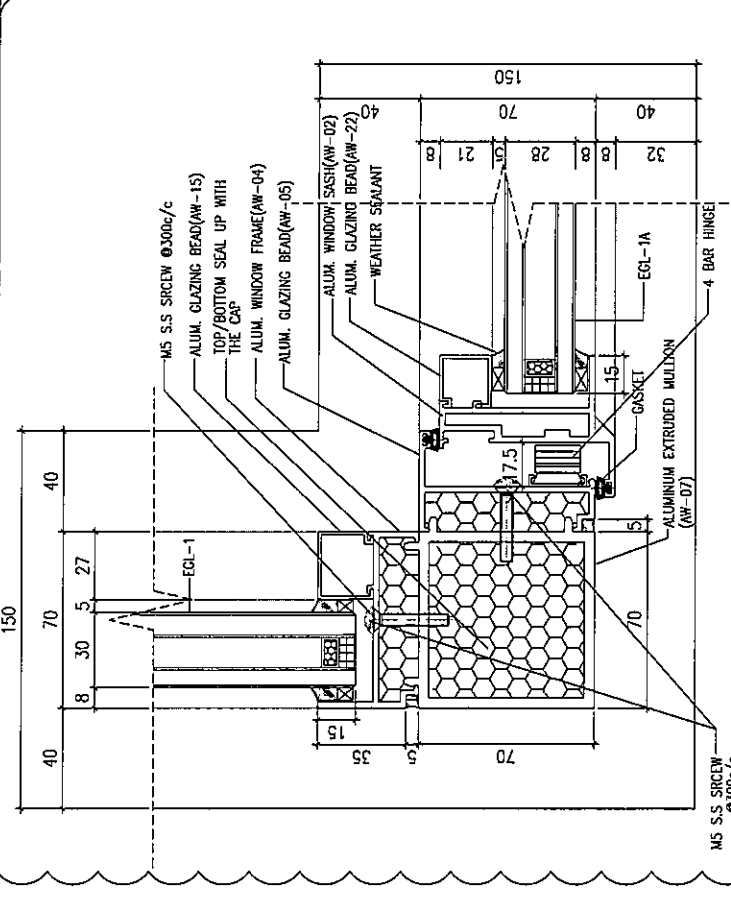
LEGEND: 1. F.F.L. -- FINISHED FLOOR LEVEL 2. S.F.L. -- STRUCTURAL FLOOR LEVEL 3. -- REVERSED LEVEL

1. F.F.L. -- FINISHED FLOOR LEVEL 2. S.F.L. -- STRUCTURAL FLOOR LEVEL 3. -- REVERSED LEVEL 4. GLASS LEGEND 5. 100-1 -- 6mmx12mm AIR CAP+10mmTP THK. LGU 6. 100-2 -- 10mm THK. CLEAR TEMPERED GLASS 7. 100-3 -- 10mm THK. TEMPERED AND EDGED GLASS 8. 100-4 -- 6mmx12mm AIR CAP+10mmTP THK. LGU

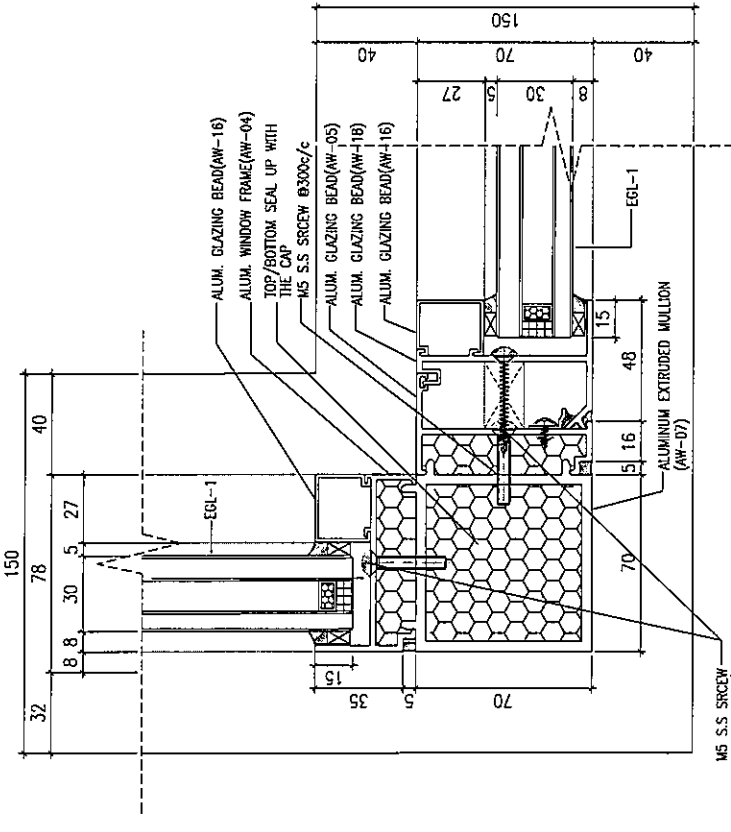
Table with 2 columns: Item No. and Description. Rows include items 1 through 8 with their respective descriptions.

JOB NO. : J-858 PROJECT : PROPOSED DEVELOPMENT ABOVE LIGHT RAIL TIN WING STOP-TS/WTL NO.23-AREA 33, TIN SHUI WAI, N.T.

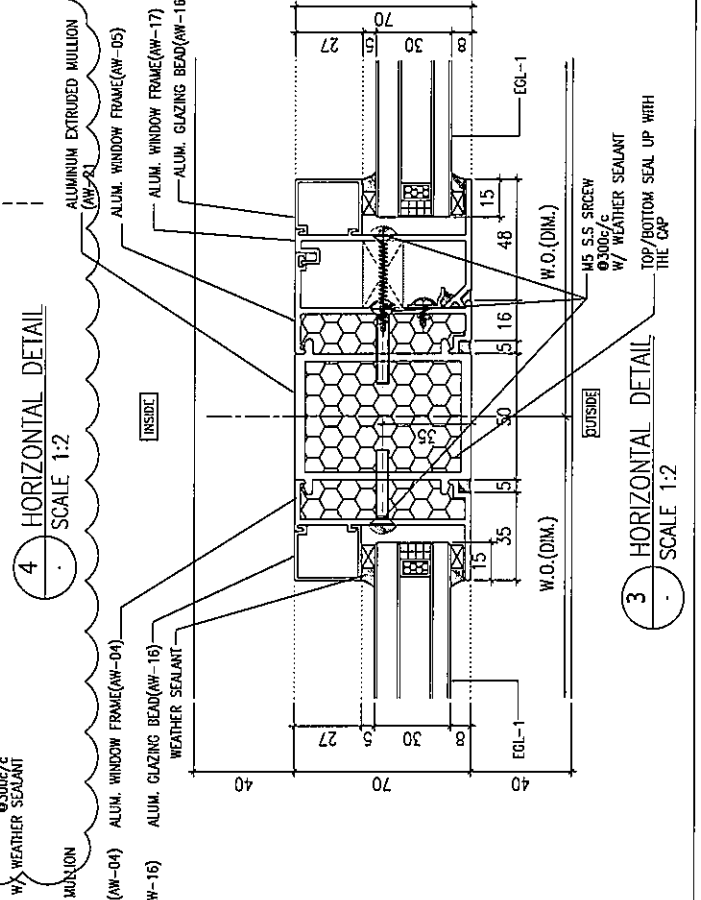
DATE : 02-Aug-21 SCALE : 1:40 DRAWN BY : ivon CHECKED BY : 蔡特寶有限公司 MIDY ENGINEERING CONSULTANTS



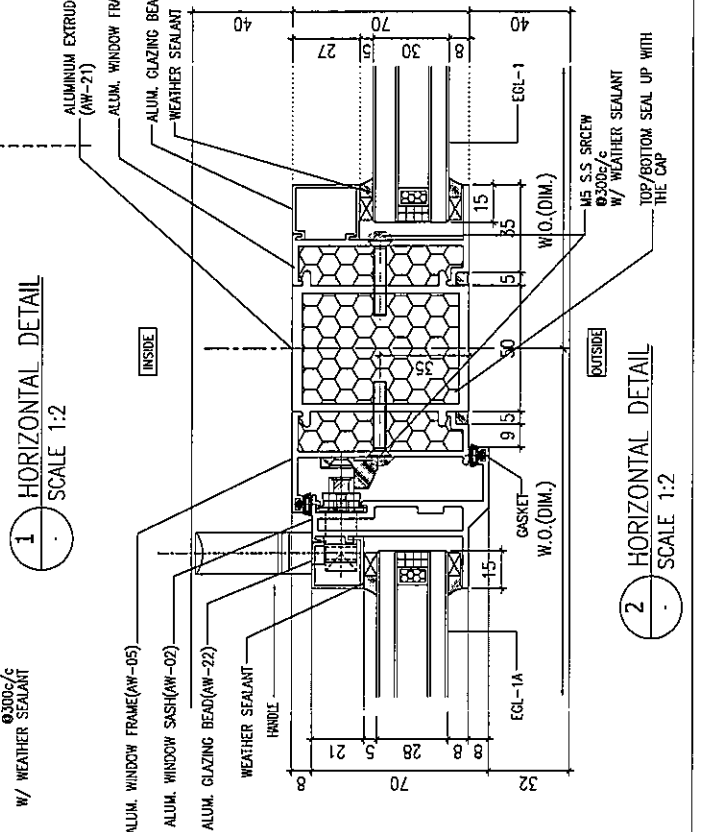
4 HORIZONTAL DETAIL SCALE 1:2



1 HORIZONTAL DETAIL SCALE 1:2



3 HORIZONTAL DETAIL SCALE 1:2



2 HORIZONTAL DETAIL SCALE 1:2

BD. REF :

CLIENT : **SUN HUNG KAI**
 REAL ESTATE DEVELOPMENT LTD.
 427 號 德 輔 道 中 德 輔 道 中 德 輔 道 中

ARCHITECT : **hwk&partners**
 ARCHITECTS

MAIN CONTRACTOR : **怡和建築有限公司**
 Yee Fai Building Contractors Ltd.

STRUCTURAL ENGINEER : **ARUP**

FAÇADE CONSULTANT : **ALPHA CONSULTING LIMITED**
 Steel Structure & Façade Specialist

NOTE :

1. ALL DIMENSIONS ARE IN MM.
2. ALL ELEVATIONS ARE VIEWED FROM OUTSIDE.
3. ALL DIMENSIONS TO BE VERIFIED ON SITE BEFORE FABRICATION.

LEGEND :

① ACTUAL WORK NO. (REFER SHEET NO.)

1. F.F.L. -- FINISHED FLOOR LEVEL.
2. S.F.L. -- STRUCTURAL FLOOR LEVEL.
3. --- -- REVERSED DIMEN.
4. GLASS LEAD

EQ-1 -- 6mmx12mm AR CAP+10mmTP THK. LGU.
 EQ-2 -- 10mm THK. CLEAR TEMPERED GLASS
 EQ-3 -- 10mm THK. TEMPERED AGO FLORED GLASS
 EQ-4 -- 10mm THK. TEMPERED AGO FLORED GLASS
 EQ-5 -- 10mmx12mm AR CAP+10mmTP THK. LGU.

NO.	REVISED	REVISION SUBJECT TO APPROVEMENT	DATE
1		ISSUED SUBJECT TO APPROVEMENT	
2		ISSUED SUBJECT TO APPROVEMENT	
3		ISSUED SUBJECT TO APPROVEMENT	
4		ISSUED SUBJECT TO APPROVEMENT	

DRAWN BY : **van**

CHECKED BY :

DATE : 02-Aug-21

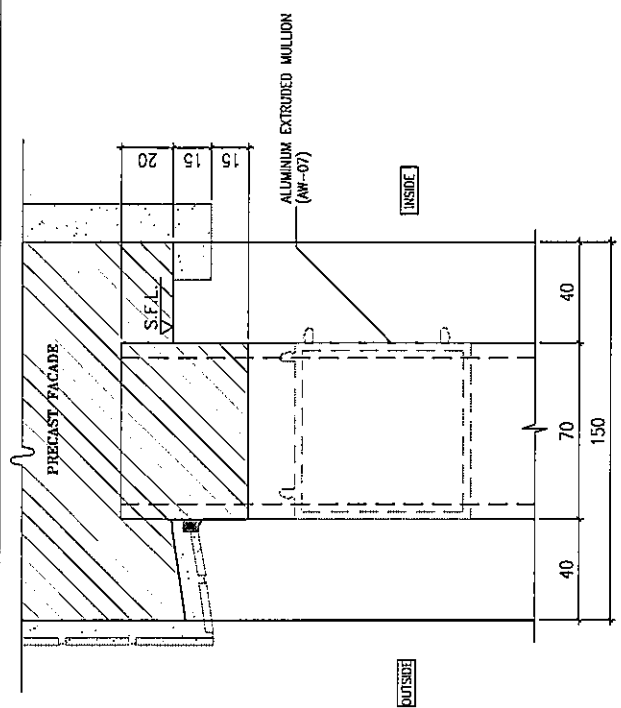
SCALE : 1:40

TITLE : TYPICAL DETAILS FOR ALUM. WINDOW

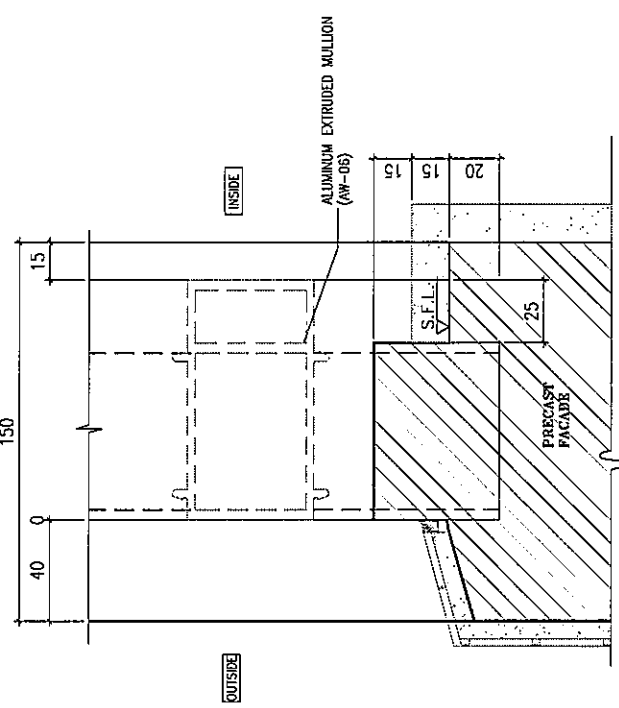
DWG NO. : J056-SD-PW-DT73

REV. : C

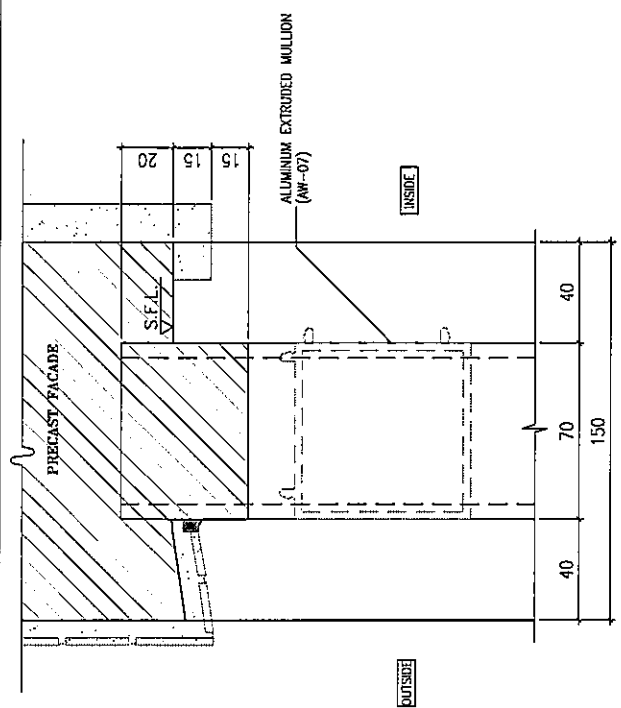
華特銘實有限公司
 HWK & PARTNERS
 427 號 德 輔 道 中 德 輔 道 中 德 輔 道 中
 Unit 6-8, Sanyo Industrial Centre, 77
 110 Chee Koo Ling Road, Kambon
 422548211-4, Fax: (852) 2727666



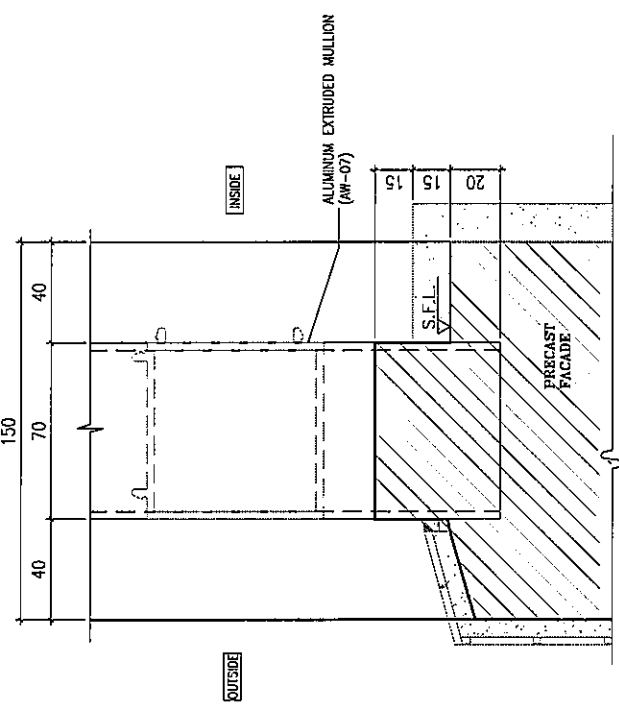
1 VERTICAL DETAIL
 SCALE 1:2



2 VERTICAL DETAIL
 SCALE 1:2



3 VERTICAL DETAIL
 SCALE 1:2



4 VERTICAL DETAIL
 SCALE 1:2

