

工程指示 / 要求簡箋 ENGINEER INSTRUCTIONS(E.I.)

工程指示編號:	EI- 6523	修改版本:	-
	HK-1636		
工程編號:	J 853	工程名稱:	延坪道
收件人:	生統	發件人:	Joe Chan
工程項目:	Feature Wall 門拱 地盤用鋁板	日期:	19/07/2023

<input checked="" type="checkbox"/> 原合約工程包	<input type="checkbox"/> 原合約工程加 / 減賬 QT-	<input type="checkbox"/> 新工程報價 QT-
--	--	------------------------------------

信件批核號碼/圖紙參考編號:	批核模具圖紙編號:
客戶指示附件:	管理內部批簽署:

<input type="checkbox"/> 初步鋁料 B.M.	<input type="checkbox"/> 加工拆圖, 然後生產	<input type="checkbox"/> 尺寸表
<input type="checkbox"/> 正式鋁料 B.M.	<input type="checkbox"/> 技術上資料/指示	<input type="checkbox"/> 報價
<input type="checkbox"/> 配件 B.M.	<input type="checkbox"/> 樣辦或貨品說明書	<input type="checkbox"/> 分判合約
<input type="checkbox"/> 其他:		

內容: 請依附件資料, 生產鋁板, 送地盤.

完成上列要求日期: 3/7/2023 ASAP

國內

<input type="checkbox"/> 生產技術總監	<input type="checkbox"/> 連附件	<input type="checkbox"/> 技術部	<input type="checkbox"/> 連附件	<input type="checkbox"/> 生產部	<input type="checkbox"/> 連附件
<input type="checkbox"/> 採購部	<input type="checkbox"/> 連附件	<input checked="" type="checkbox"/> 生產統籌部	<input checked="" type="checkbox"/> 連附件	<input type="checkbox"/> 報關組	<input type="checkbox"/> 連附件
<input type="checkbox"/> 質檢部	<input type="checkbox"/> 連附件	<input type="checkbox"/> 會計部	<input type="checkbox"/> 連附件	<input type="checkbox"/> 機械設計部	<input type="checkbox"/> 連附件
<input type="checkbox"/> 香港辦	<input type="checkbox"/> 連附件	<input type="checkbox"/> 其他:			

香港

<input type="checkbox"/> 行政部	<input type="checkbox"/> 連附件	<input type="checkbox"/> 會計部	<input type="checkbox"/> 連附件	<input type="checkbox"/> 統籌部	<input type="checkbox"/> 連附件	<input type="checkbox"/> 工程部	<input type="checkbox"/> 連附件
<input type="checkbox"/> 採購部	<input type="checkbox"/> 連附件	<input type="checkbox"/> QS部	<input type="checkbox"/> 連附件	<input checked="" type="checkbox"/> 地盤管理	<input checked="" type="checkbox"/> 連附件	<input type="checkbox"/> 維修部	<input type="checkbox"/> 連附件

*發件人簽署:		*組別成員批核簽署:	
傳遞編號:	HK1636/23	項目經理簽署:	

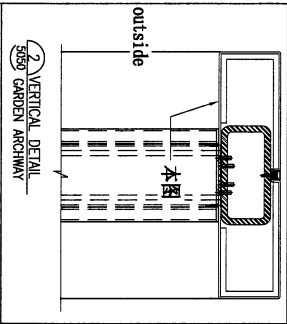
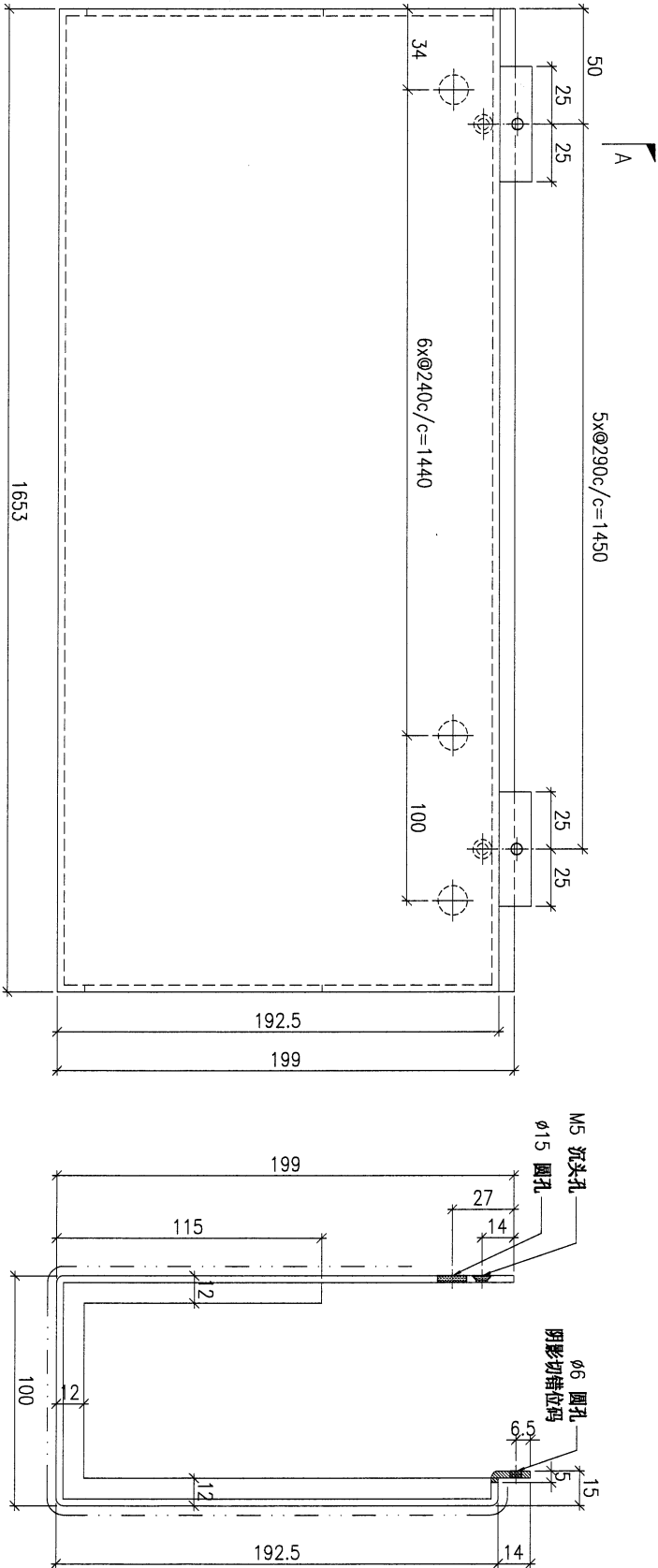
地盤用鋁板B.M.表

BM編號:		修改內容	鋁板圖號	鋁板名稱	顏色	實用	後備	總數	總重量	42.484		總重量:	356.01	圖紙編號
工程號:		J-853	計算:	ming	日期:	2023.07.13		送呈:	JOE	日期:		副本:		
地盤名稱:		延坪路	核對:		日期:					日期:				
項目類別:		拱門(1區)	批准:		日期:					日期:				
修改版次:			A/C Code:		總V.F.:					總V.F.:				
序號	修改內容	鋁板圖號	鋁板名稱	顏色	實用	後備	總數	總重量	單位展開面積		單位V.F.	總V.F.	圖紙編號	
									平方米	平方米	平方米	平方米		
1		AP-GA06	3mm厚鋁板	TUC106699FXLJBA-3 (SS-03)	1	0	1	7.090	0.872	0.872	0.872	0.872		
2		AP-GA06R	3mm厚鋁板	TUC106699FXLJBA-3 (SS-03)	1	0	1	7.090	0.872	0.872	0.872	0.872		
3		AP-GA07	3mm厚鋁板	TUC106699FXLJBA-3 (SS-03)	1	0	1	7.090	0.872	0.872	0.872	0.872		
4		AP-GA07R	3mm厚鋁板	TUC106699FXLJBA-3 (SS-03)	1	0	1	7.090	0.872	0.872	0.872	0.872		
5		AP-GA08	3mm厚鋁板	TUC106699FXLJBA-3 (SS-03)	1	0	1	6.513	0.801	0.801	0.801	0.801		
6		AP-GA08R	3mm厚鋁板	TUC106699FXLJBA-3 (SS-03)	1	0	1	6.513	0.801	0.801	0.801	0.801		
7		AP-GA09	3mm厚鋁板	TUC106699FXLJBA-3 (SS-03)	1	0	1	6.513	0.801	0.801	0.801	0.801		
8		AP-GA09R	3mm厚鋁板	TUC106699FXLJBA-3 (SS-03)	1	0	1	6.513	0.801	0.801	0.801	0.801		
9		AP-GA10	3mm厚鋁板	TUC106699FXLJBA-3 (SS-03)	4	0	4	36.439	1.121	4.482	1.121	4.482		
10		AP-GA11	3mm厚鋁板	TUC106699FXLJBA-3 (SS-03)	2	0	2	11.749	0.723	1.445	0.723	1.445		
11		AP-GA12	3mm厚鋁板	TUC106699FXLJBA-3 (SS-03)	1	0	1	2.698	0.332	0.332	0.332	0.332		
12		AP-GA12R	3mm厚鋁板	TUC106699FXLJBA-3 (SS-03)	1	0	1	2.698	0.332	0.332	0.332	0.332		
13		AP-GA13	3mm厚鋁板	TUC106699FXLJBA-3 (SS-03)	1	0	1	2.698	0.332	0.332	0.332	0.332		
14		AP-GA13R	3mm厚鋁板	TUC106699FXLJBA-3 (SS-03)	1	0	1	2.698	0.332	0.332	0.332	0.332		
15		AP-GA14	3mm厚鋁板	TUC106699FXLJBA-3 (SS-03)	2	0	2	11.590	0.713	1.426	0.713	1.426		
16		AP-GA15	3mm厚鋁板	TUC106699FXLJBA-3 (SS-03)	2	0	2	11.822	0.727	1.454	0.727	1.454		
17		AP-GA16	3mm厚鋁板	TUC106699FXLJBA-3 (SS-03)	2	0	2	11.373	0.699	1.399	0.699	1.399		
18		AP-GA16R	3mm厚鋁板	TUC106699FXLJBA-3 (SS-03)	2	0	2	11.373	0.699	1.399	0.699	1.399		
19		AP-GA17	3mm厚鋁板	TUC106699FXLJBA-3 (SS-03)	2	0	2	11.827	0.727	1.455	0.727	1.455		
20		AP-GA17R	3mm厚鋁板	TUC106699FXLJBA-3 (SS-03)	2	0	2	11.827	0.727	1.455	0.727	1.455		
21		AP-GA18A	3mm厚鋁板	TUC106699FXLJBA-3 (SS-03)	4	0	4	3.494	0.107	0.430	0.107	0.430		
22		AP-GA18B	3mm厚鋁板	TUC106699FXLJBA-3 (SS-03)	2	0	2	1.762	0.108	0.217	0.108	0.217		

工程號:	J-853	計算:	ming	日期:	2023.07.13	送呈:	JOE
地盤名稱:	廷坪路	核對:		日期:		副本:	
項目類別:	拱門(1區)	批准:		日期:			

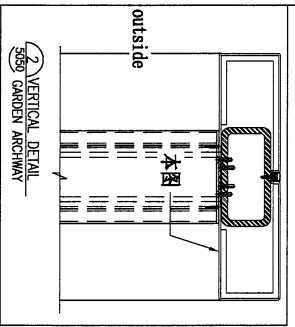
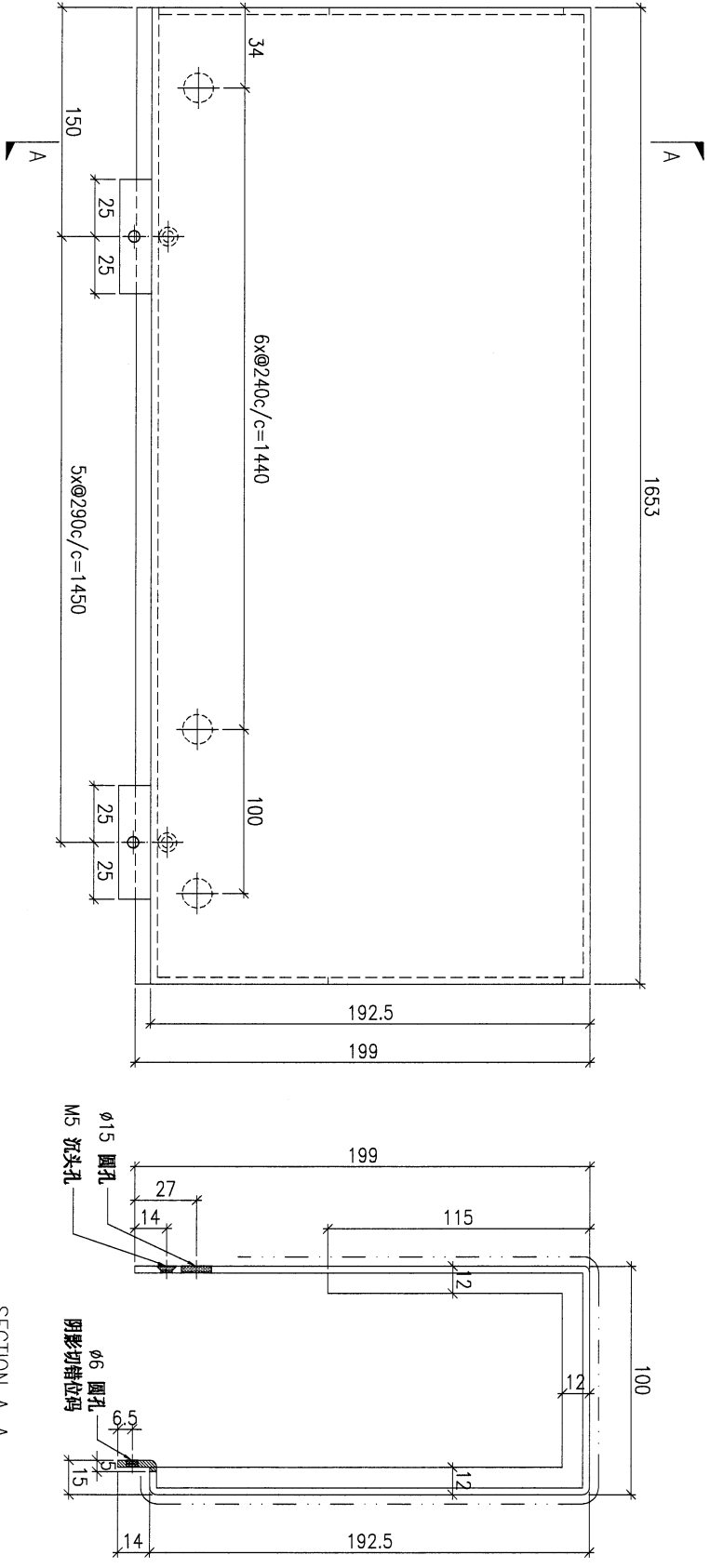
序號	修改內容	鋁板圖號	鋁板名稱	顏色	實用	後備	總數	總重量	42.484		總重量:	356.01	圖紙編號	
									總V.F.:	總V.F.:				
				A/C Code:					總V.F.:					
BM編號:				修改版次:										
				單件展開面積		總展開面積		單件V.F.		總V.F.				
				平方米		平方米		平方米		平方米				
23		AP-GA19	4mm厚鋁板	TUC106699FXLJBA-3 (SS-03)	2	0	2	0.488	0.023	0.045	0.023	0.045		
24		AP-GA20	4mm厚鋁板	TUC106699FXLJBA-3 (SS-03)	1	0	1	0.244	0.023	0.023	0.023	0.023		
25		AP-GA20R	4mm厚鋁板	TUC106699FXLJBA-3 (SS-03)	1	0	1	0.244	0.023	0.023	0.023	0.023		
26		AP-GA21	3mm厚鋁板	鍍化	4	0	4	6.634	0.204	0.816	0.000	0.000		
27		AP-GA22	3mm厚鋁板	鍍化	3	0	3	4.751	0.195	0.584	0.000	0.000		
28		AP-GA23	3mm厚鋁板	鍍化	3	0	3	4.661	0.191	0.573	0.000	0.000		
29		AP-GA24A	1.5mm厚鋁板	TUC106699FXLJBA-3 (SS-03)	4	0	4	2.096	0.129	0.516	0.129	0.516		
30		AP-GA24B	1.5mm厚鋁板	TUC106699FXLJBA-3 (SS-03)	6	0	6	0.428	0.018	0.105	0.018	0.105		
31		AP-GA24C	1.5mm厚鋁板	TUC106699FXLJBA-3 (SS-03)	3	0	3	0.706	0.058	0.174	0.058	0.174		
32		AP-GA25	3mm厚鋁板	EC-DG-D334232-ZD1 (SS-01)	10	0	10	34.299	0.422	4.219	0.422	4.219		
33		AP-GA26	3mm厚鋁板	EC-DG-D334232-ZD1 (SS-01)	2	0	2	5.527	0.340	0.680	0.340	0.680		
34		AP-GA26R	3mm厚鋁板	EC-DG-D334232-ZD1 (SS-01)	2	0	2	5.527	0.340	0.680	0.340	0.680		
35		AP-GA27	3mm厚鋁板	EC-DG-D334232-ZD1 (SS-01)	10	0	10	36.131	0.444	4.444	0.444	4.444		
36		AP-GA28	3mm厚鋁板	EC-DG-D334232-ZD1 (SS-01)	2	0	2	5.822	0.358	0.716	0.358	0.716		
37		AP-GA28R	3mm厚鋁板	EC-DG-D334232-ZD1 (SS-01)	2	0	2	5.822	0.358	0.716	0.358	0.716		
38		AP-GA29	3mm厚鋁板	EC-DG-D334232-ZD1 (SS-01)	6	0	6	23.477	0.481	2.888	0.481	2.888		
39		AP-GA30	3mm厚鋁板	EC-DG-D334232-ZD1 (SS-01)	2	0	2	7.826	0.481	0.963	0.481	0.963		
40		AP-GA30R	3mm厚鋁板	EC-DG-D334232-ZD1 (SS-01)	2	0	2	7.826	0.481	0.963	0.481	0.963		
41		AP-GA31	3mm厚鋁板	EC-DG-D334232-ZD1 (SS-01)	2	0	2	6.305	0.388	0.776	0.388	0.776		
42		AP-GA31R	3mm厚鋁板	EC-DG-D334232-ZD1 (SS-01)	2	0	2	6.305	0.388	0.776	0.388	0.776		
43		AP-GA32A	1.5mm厚鋁板	EC-DG-D334232-ZD1 (SS-01)	8	0	8	1.301	0.040	0.320	0.040	0.320		
44		AP-GA32B	1.5mm厚鋁板	EC-DG-D334232-ZD1 (SS-01)	8	0	8	1.138	0.035	0.280	0.035	0.280		
45														
總計:					121	0	121	356	20	44	19	42		

PROJECT				YIN PING ROAD KOWLOON GARDEN ARCHWAY (PHASE 1)				MATERIAL				3mm 铝板				COATING				PVF2				COLOUR				TUC106699FXLJBA-3(SS-03)				MARK. NO.				-				QTY.				-			
REV. / CHANGED BY		PART NUMBER		Dim. A		Dim. B		Dim. C		Dim. D		Dim. E		Dim. F		Dim. G		Dim. H		QTY.		Inv. Code		ASSEMBLE ON PARTS				注: 如圖加工				注: 相反加工				注: 地盤用											
-		AP-GA06		-		-		-		-		-		-		-		-		1		-		-				-				-				-											
-		AP-GA06R		-		-		-		-		-		-		-		-		1		-		-				-				-				-											



DWG. NO.		AP-GA06		REV.		-		SCALE		-		DATE		22-03-2023		DRAWN BY		-		APPROVED BY		-	
----------	--	---------	--	------	--	---	--	-------	--	---	--	------	--	------------	--	----------	--	---	--	-------------	--	---	--

PROJECT				YIN PING ROAD KOWLOON GARDEN ARCHWAY (PHASE 1)				MATERIAL				COATING				COLOUR				MARK. NO.		QTY.	
				3mm 铝板				PVF2				TUC106699FXLJBA-3(SS-03)				-		-					
REV.	CHANGED BY	PART NUMBER	Dim. A	Dim. B	Dim. C	Dim. D	Dim. E	Dim. F	Dim. G	Dim. H	QTY.	Inv. Code	ASSEMBLE ON PARTS						注: 地盤用				
-		AP-GA07	-	-	-	-	-	-	-	-	1		注: 如图加工										
-		AP-GA07R	-	-	-	-	-	-	-	-	1		注: 相反加工										

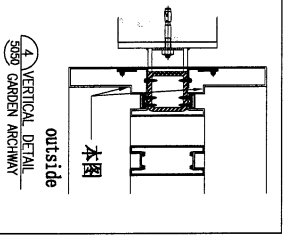
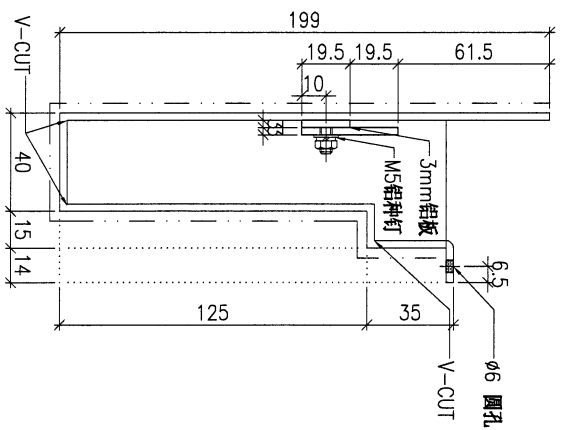
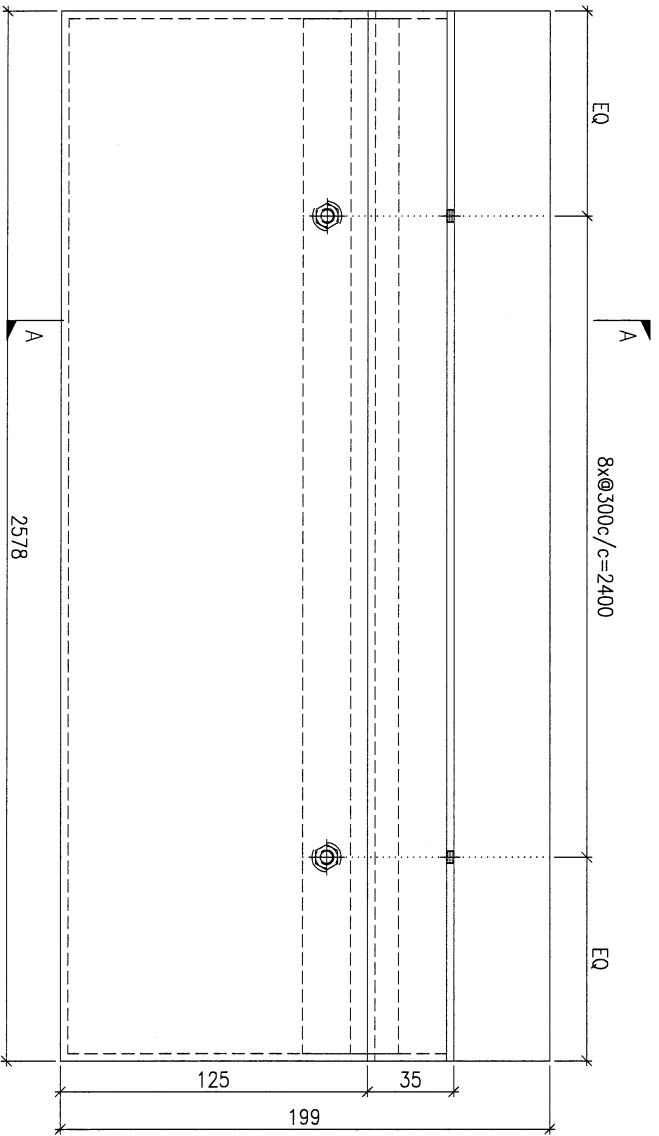


DWG. NO.		REV.		SCALE		DATE		DRAWN BY		APPROVED BY	
AP-GA07		-		-		22-03-2023		-		-	



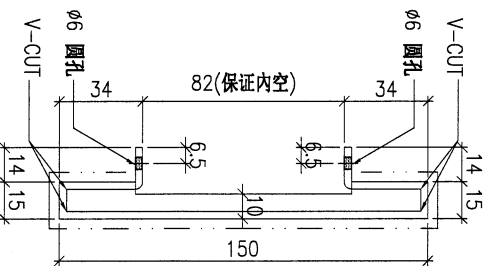
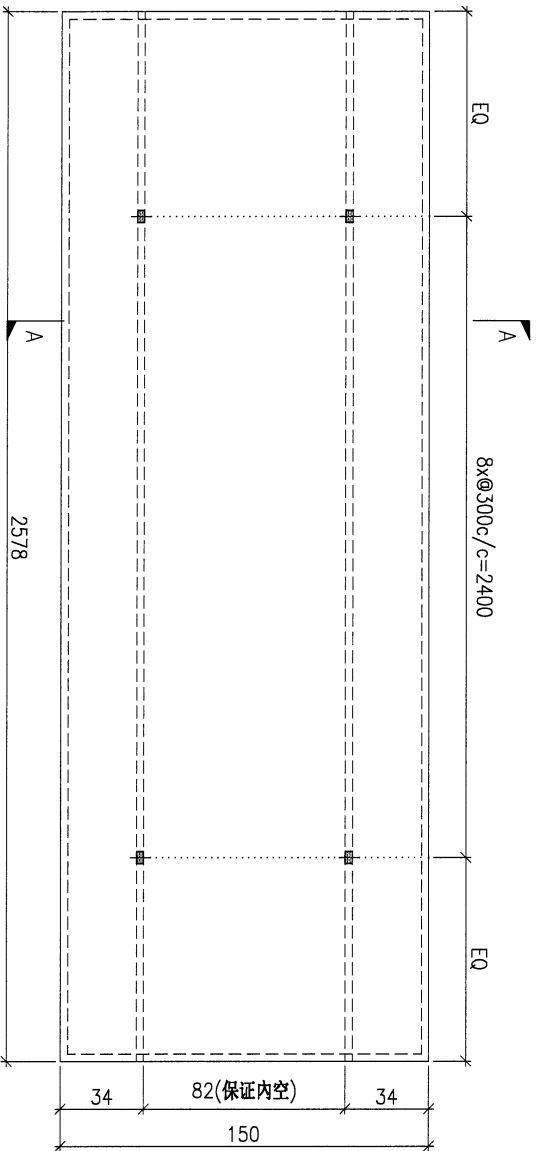


PROJECT				MATERIAL				COATING		COLOUR		MARK. NO.	QTY.
YIN PING ROAD KOWLOON GARDEN ARCHWAY (PHASE 1)				3mm 铝板				PVF2		TUC106699FXLJBA-3(SS-03)		-	-
REV.	DESCRIPTION	PART NUMBER	Dim. A	Dim. B	Dim. C	Dim. D	Dim. E	Dim. F	Dim. G	Dim. H	QTY.	Inv. Code	
-		AP-GA10	-	-	-	-	-	-	-	-	4		
注: 地盤用													

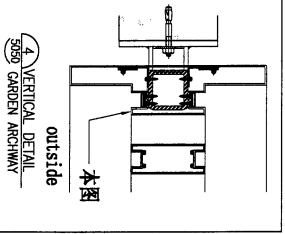


DWG. NO.	REV.	SCALE	DATE	DRAWN BY	APPROVED BY
AP-GA10	-	-	22-03-2023	-	-

PROJECT				YIN PING ROAD KOWLOON GARDEN ARCHWAY (PHASE 1)				MATERIAL				3mm 铝板				COATING				PVF2				COLOUR				TUC10699FX.JBA-3(SS-03)				MARK. NO.				-				QTY.				-			
REV.	QTY.	PART NUMBER	Dim. A	Dim. B	Dim. C	Dim. D	Dim. E	Dim. F	Dim. G	Dim. H	QTY.	Inv. Code	ASSEMBLE ON PARTS												注: 地盘用																						
-	-	AP-GA11	-	-	-	-	-	-	-	-	2	-																																			



SECTION A-A



A VERTICAL DETAIL  
5050 GARDEN ARCHWAY

DWG. NO.	REV.	SCALE	DATE	DRAWN BY	APPROVED BY
AP-GA11	-	-	22-03-2023	-	-

PROJECT  
YIN PING ROAD KOWLOON  
GARDEN ARCHWAY (PHASE 1)

MATERIAL  
3mm 铝板

COATING  
PVF2

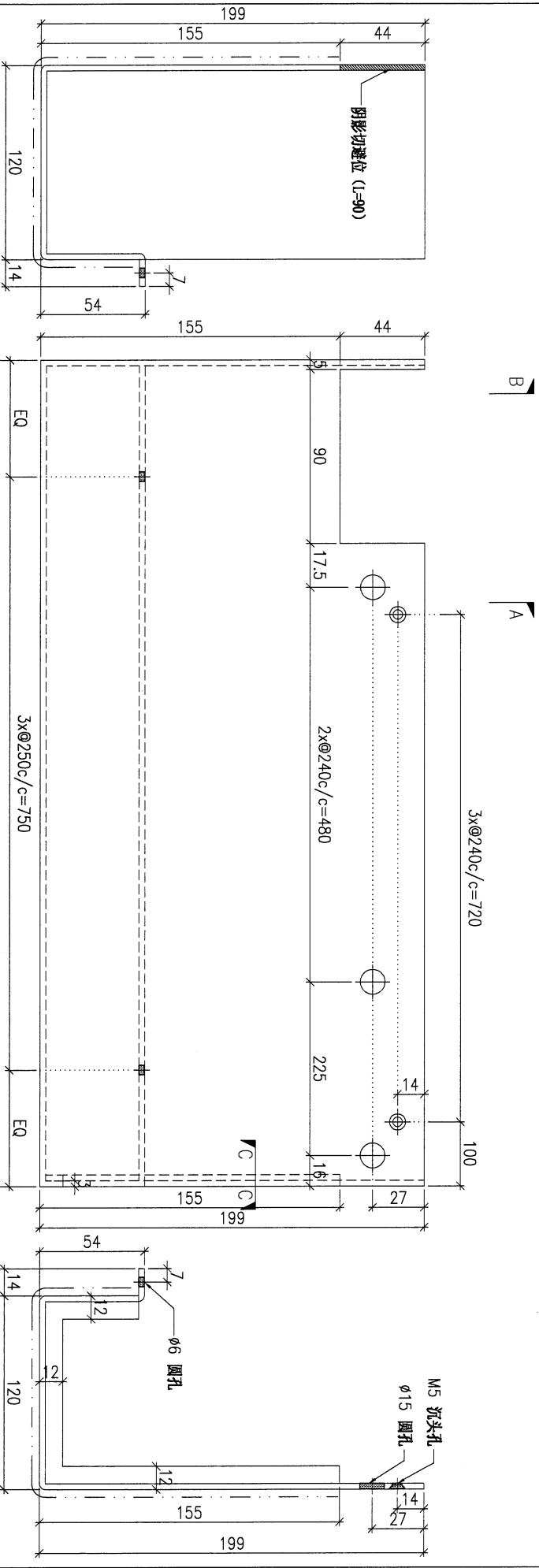
COLOUR  
TUC106699FXLJBA-3(SS-03)

MARK. NO.  
-

QTY.  
-

REV.	DESCRIPTION	PART NUMBER	Dim. A	Dim. B	Dim. C	Dim. D	Dim. E	Dim. F	Dim. G	Dim. H	QTY.	Inv. Code	ASSEMBLE ON PARTS	QTY.
-		AP-GA12	-	-	-	-	-	-	-	-	1		注: 如图加工	
-		AP-GA12R	-	-	-	-	-	-	-	-	1		注: 相反加工	

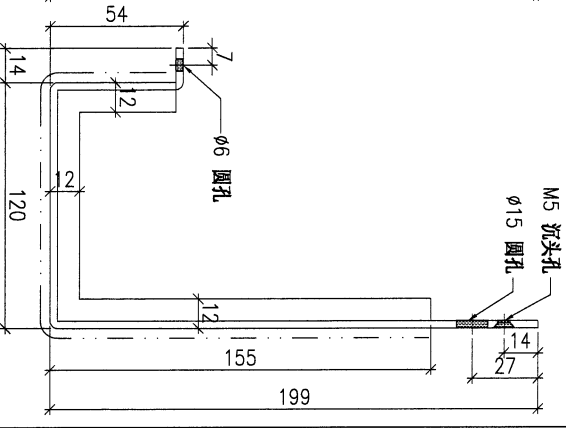
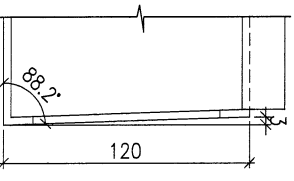
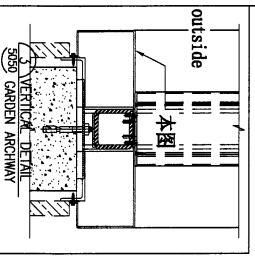
注: 地盤用



SECTION B-B

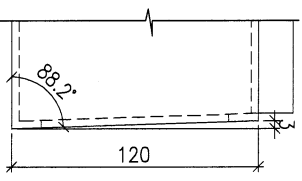
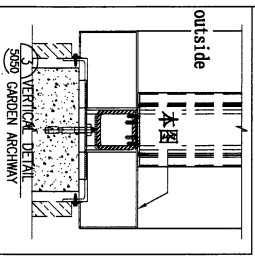
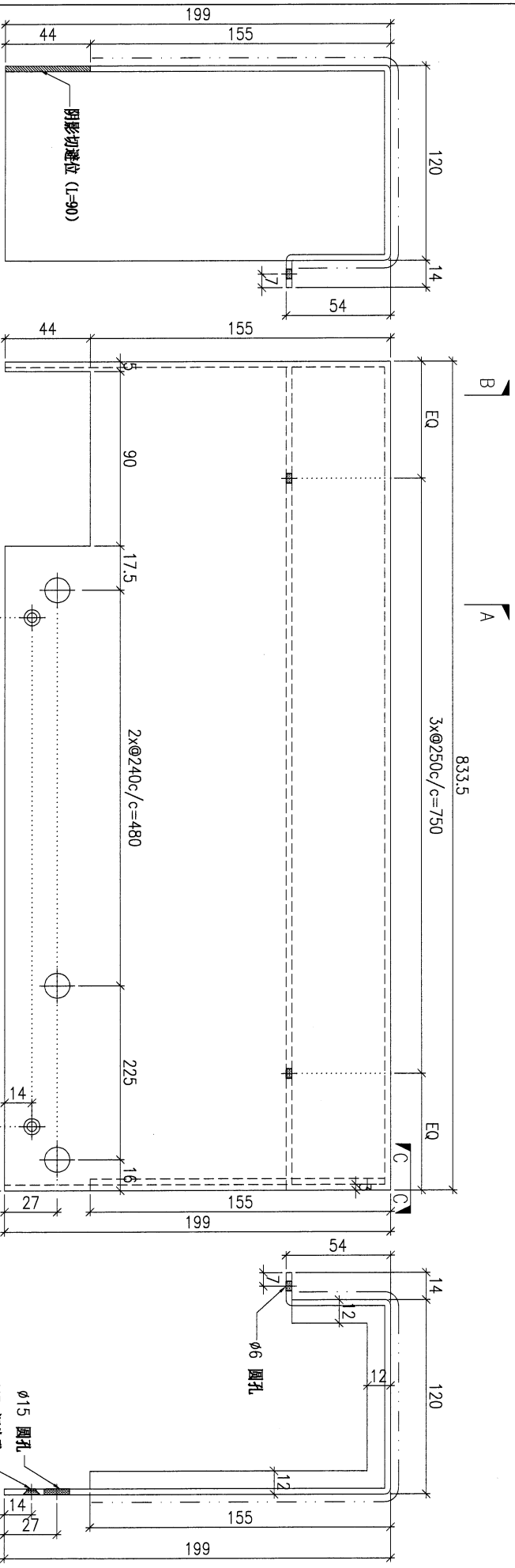
SECTION A-A

SECTION C-C



DWG. NO. AP-GA12  
REV. -  
SCALE -  
DATE 22-03-2023  
DRAWN BY -  
APPROVED BY -

PROJECT				YIN PING ROAD KOWLOON GARDEN ARCHWAY (PHASE 1)				MATERIAL				3mm 铝板				COATING				PVF2				COLOUR				TUC106699FXLJBA-3(SS-03)				MARK. NO.				-				QTY.				-			
Rev.		Change No.		PART NUMBER		Dim. A		Dim. B		Dim. C		Dim. D		Dim. E		Dim. F		Dim. G		Dim. H		QTY.		Inv. Code		ASSEMBLE ON PARTS				注: 地盤用																	
-		-		AP-GA13		-		-		-		-		-		-		-		-		1		-		注: 如图加工				注: 相反加工																	
-		-		AP-GA13R		-		-		-		-		-		-		-		-		1		-																							



DWG. NO.		AP-GA13		REV.		SCALE		DATE		DRAWN BY		APPROVED BY	
				-		-		22-03-2023		-		-	

PROJECT  
YIN PING ROAD KOWLOON  
GARDEN ARCHWAY (PHASE 1)

MATERIAL  
3mm 鋁板

COATING  
PVF2

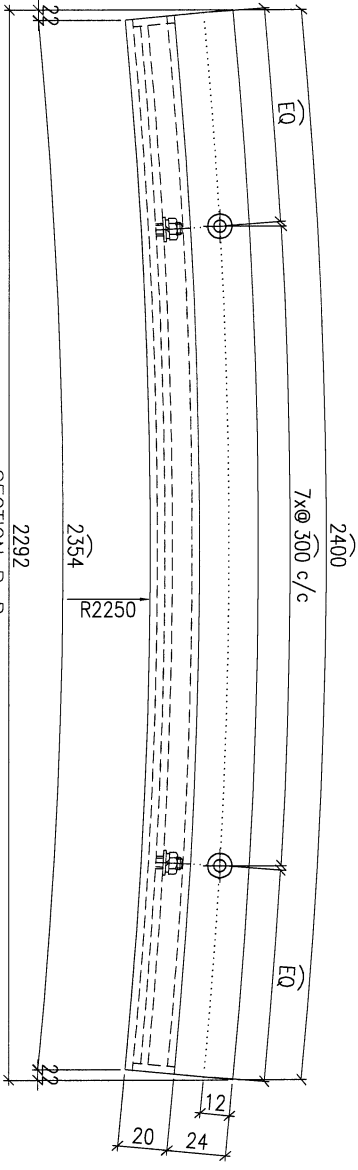
COLOUR  
TUC106699FXLJBA-3(SS-03)

MARK. NO.  
-

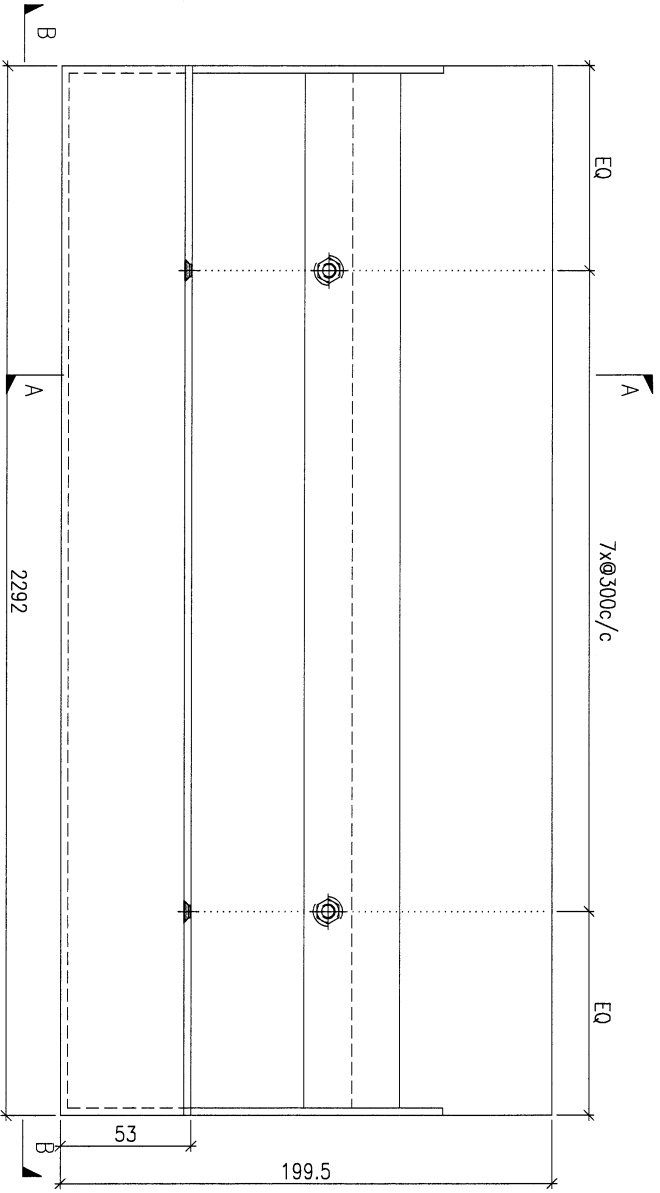
QTY.  
-

注: 地盤用

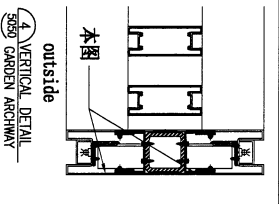
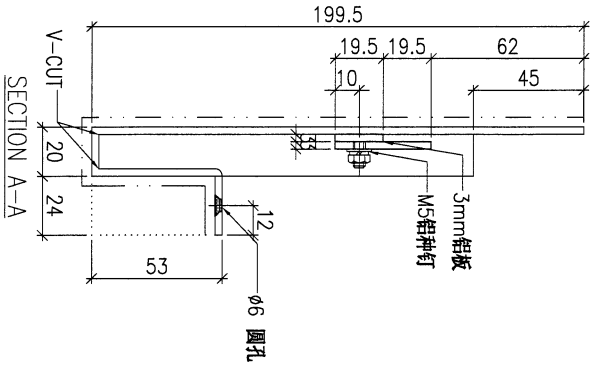
REV.	DESCRIPTION	PART NUMBER	Dim. A	Dim. B	Dim. C	Dim. D	Dim. E	Dim. F	Dim. G	Dim. H	QTY.	Inv. Code
-		AP-GA14	-	-	-	-	-	-	-	-	2	



SECTION B-B



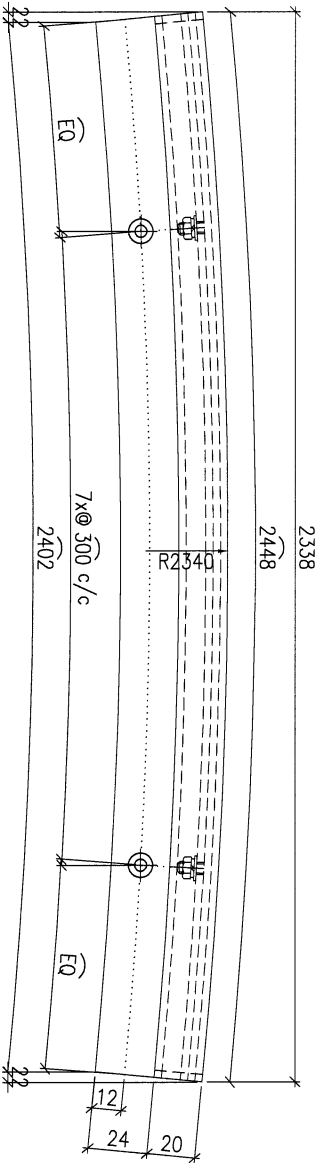
SECTION A-A



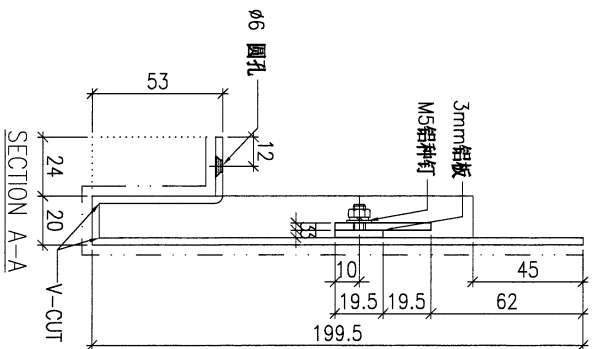
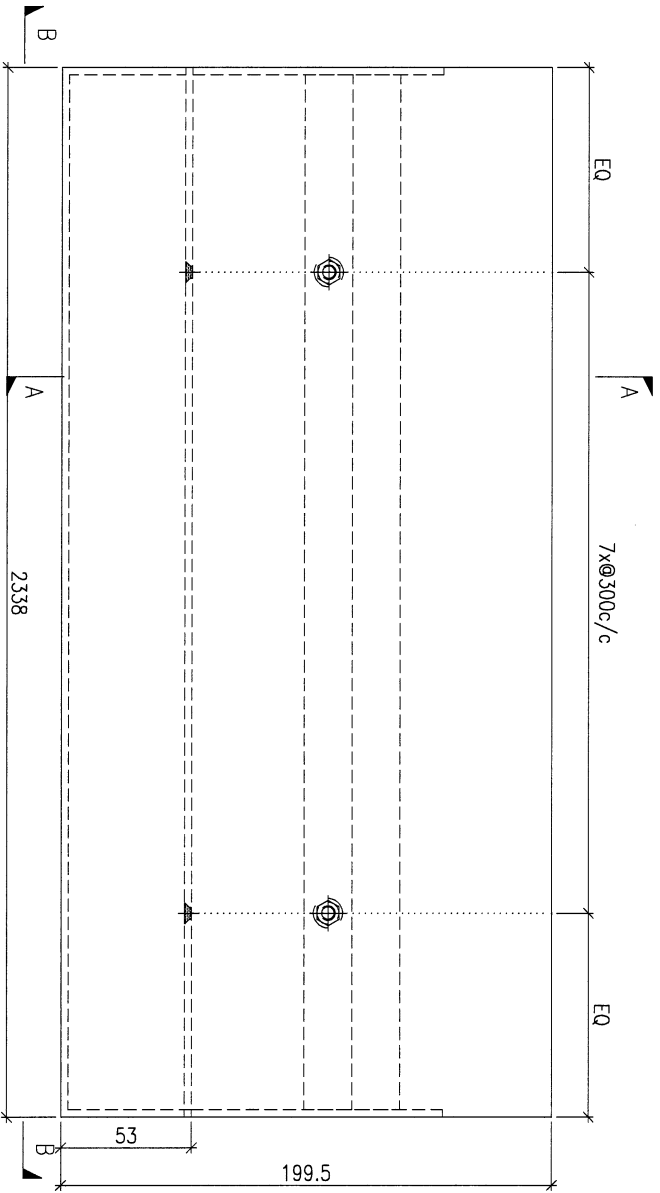
VERTICAL DETAIL  
3mm 鋁板  
MS 鋁排釘  
本圖  
outside

DWG. NO.	AP-GA14	REV.	-	SCALE	-	DATE	22-03-2023	DRAWN BY	-	APPROVED BY	-
----------	---------	------	---	-------	---	------	------------	----------	---	-------------	---

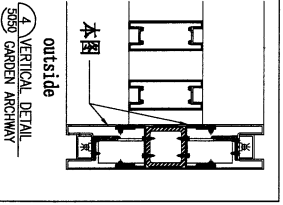
PROJECT				YIN PING ROAD KOWLOON GARDEN ARCHWAY (PHASE 1)				MATERIAL				3mm 铝板				COATING				PVF2				COLOUR				TUC106699FXLJBA-3(SS-03)				MARK. NO.				-				QTY.				-			
REV. / CHANGED BY		PART NUMBER		Dim. A		Dim. B		Dim. C		Dim. D		Dim. E		Dim. F		Dim. G		Dim. H		QTY.		Inv. Code		ASSEMBLE ON PARTS				注: 地盤用																			
-		AP-GA15		-		-		-		-		-		-		-		-		2																											



SECTION B-B

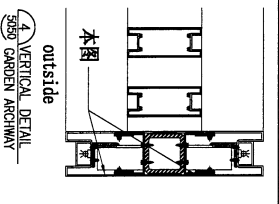
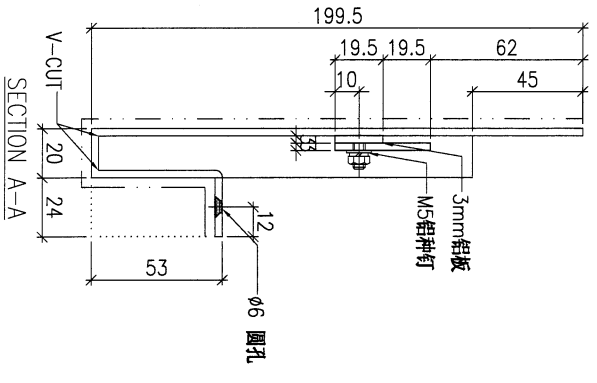
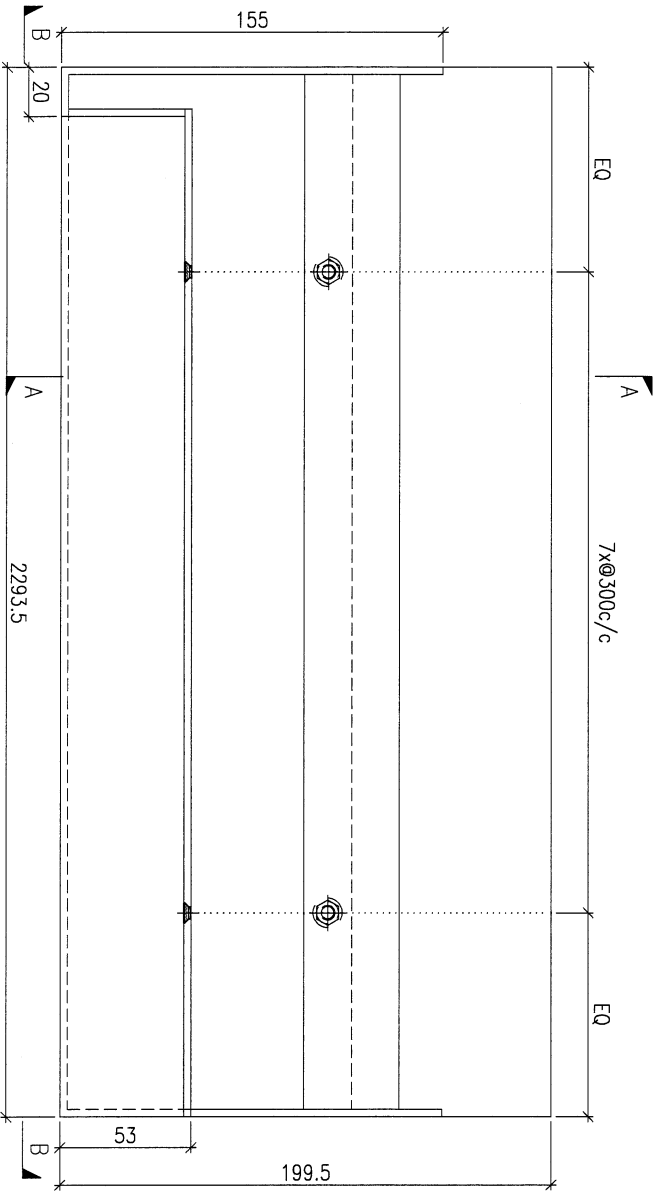
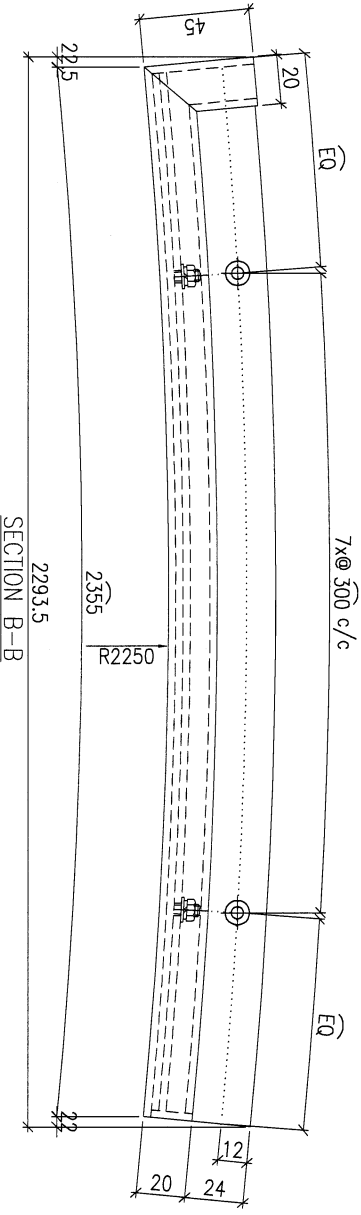


SECTION A-A



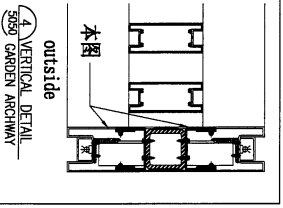
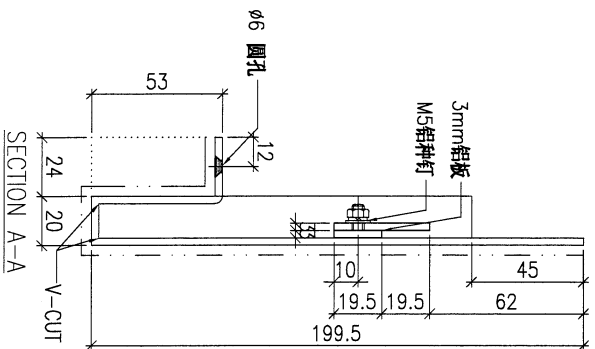
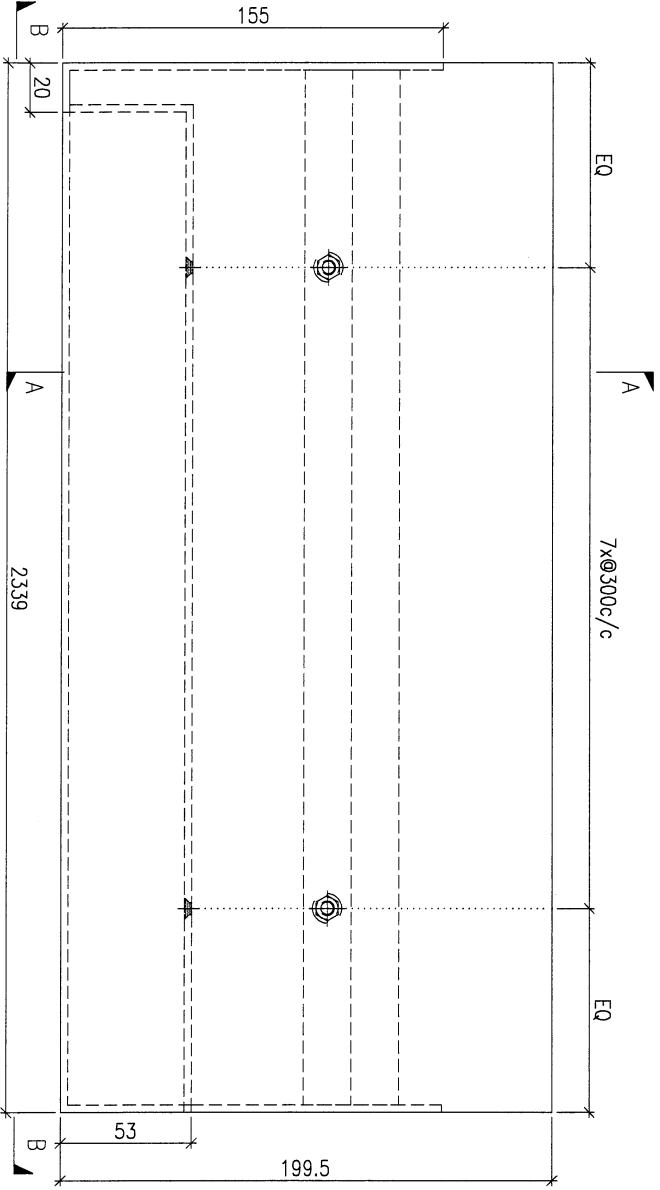
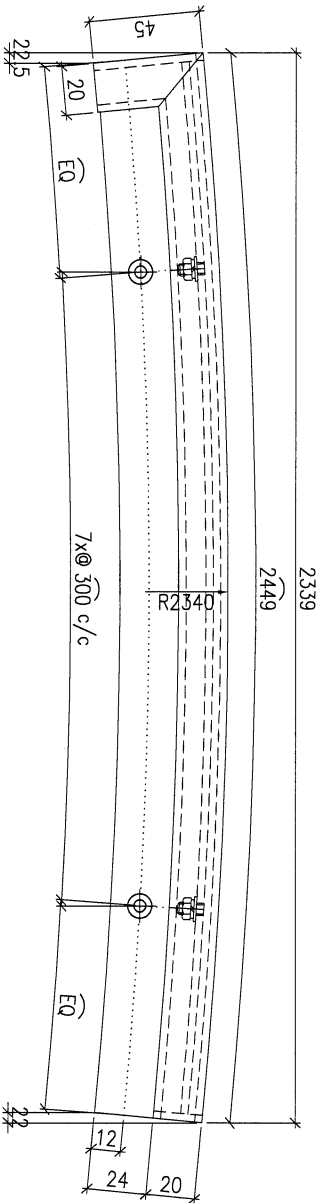
DWG. NO.		AP-GA15		REV.		-		SCALE		-		DATE		22-03-2023		DRAWN BY		-		APPROVED BY		-	
----------	--	---------	--	------	--	---	--	-------	--	---	--	------	--	------------	--	----------	--	---	--	-------------	--	---	--

PROJECT				YIN PING ROAD KOWLOON GARDEN ARCHWAY (PHASE 1)				MATERIAL				3mm 铝板				COATING				PVF2				COLOUR				TUC106699FXLJBA-3(SS-03)				MARK. NO.				-				QTY.				-			
REV. CHANGED BY OR BY		PART NUMBER		Dim. A		Dim. B		Dim. C		Dim. D		Dim. E		Dim. F		Dim. G		Dim. H		QTY.		Inv. Code		ASSEMBLE ON PARTS				注: 如图加工				注: 相反加工				注: 地盤用											
-		AP-GA16		-		-		-		-		-		-		-		-		2		-		-				-				-															
-		AP-GA16R		-		-		-		-		-		-		-		-		2		-		-				-				-															



DWG. NO.		AP-GA16		REV.		-		SCALE		-		DATE		22-03-2023		DRAWN BY		-		APPROVED BY		-	
----------	--	---------	--	------	--	---	--	-------	--	---	--	------	--	------------	--	----------	--	---	--	-------------	--	---	--

PROJECT				YIN PING ROAD KOWLOON GARDEN ARCHWAY (PHASE 1)				MATERIAL				3mm 铝板				COATING				PVF2				COLOUR				TUC106699FLJBA-3(SS-03)				MARK. NO.				-				QTY.				-			
REV. SHEET NO.		PART NUMBER		Dim. A		Dim. B		Dim. C		Dim. D		Dim. E		Dim. F		Dim. G		Dim. H		QTY.		Inv. Code		ASSEMBLE ON PARTS				注: 地盘用																			
-		AP-GA17		-		-		-		-		-		-		-		-		2		-		注: 如图加工				注: 相反加工																			
-		AP-GA17R		-		-		-		-		-		-		-		-		2		-		注: 如图加工				注: 相反加工																			



DWG. NO.		AP-GA17		REV.		-		SCALE		-		DATE		22-03-2023		DRAWN BY		-		APPROVED BY		-	
----------	--	---------	--	------	--	---	--	-------	--	---	--	------	--	------------	--	----------	--	---	--	-------------	--	---	--

PROJECT  
YIN PING ROAD KOWLOON  
GARDEN ARCHWAY (PHASE 1)

MATERIAL  
3mm 铝板

COATING  
PVF2

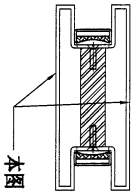
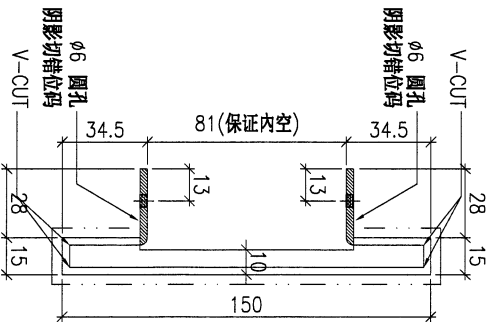
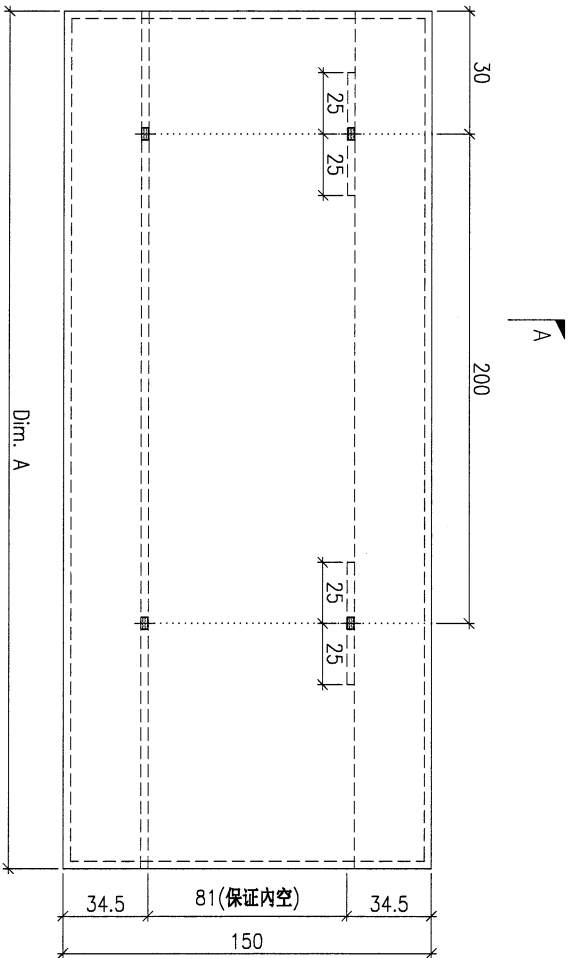
COLOUR  
TUC106699FXLJBA-3(SS-03)

MARK. NO.  
-

QTY.  
-

REV. OR DWG. NO.	PART NUMBER	Dim. A	Dim. B	Dim. C	Dim. D	Dim. E	Dim. F	Dim. G	Dim. H	QTY.	Inv. Code
-	AP-GA18A	350	-	-	-	-	-	-	-	4	-
-	AP-GA18B	352.5	-	-	-	-	-	-	-	2	-

注: 地盘用



A VERTICAL DETAIL  
GARDEN ARCHWAY

DWG. NO.

AP-GA18

REV.

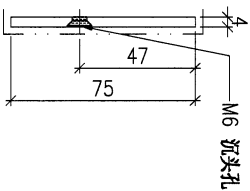
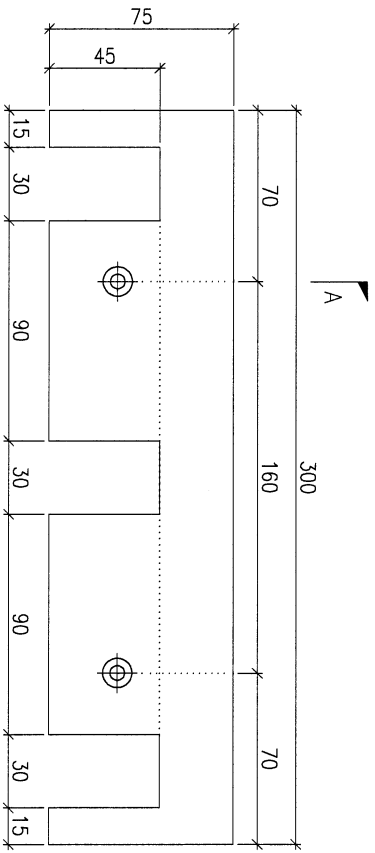
SCALE

DATE  
22-03-2023

DRAWN BY

APPROVED BY

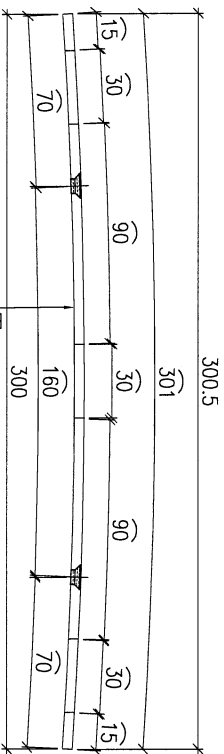
PROJECT				YIN PING ROAD KOWLOON GARDEN ARCHWAY (PHASE 1)				MATERIAL				4mm 铝板		COATING		PVF2		COLOUR		TUC106699FXLJBA-3(SS-03)		MARK. NO.		-		QTY.		-	
REV.	ORIG. BY	PART NUMBER	Dim. A	Dim. B	Dim. C	Dim. D	Dim. E	Dim. F	Dim. G	Dim. H	QTY.	Inv. Code	ASSEMBLE ON PARTS																
-		AP-GA19	-	-	-	-	-	-	-	-	2																		
<b>注：地盘用</b>																													



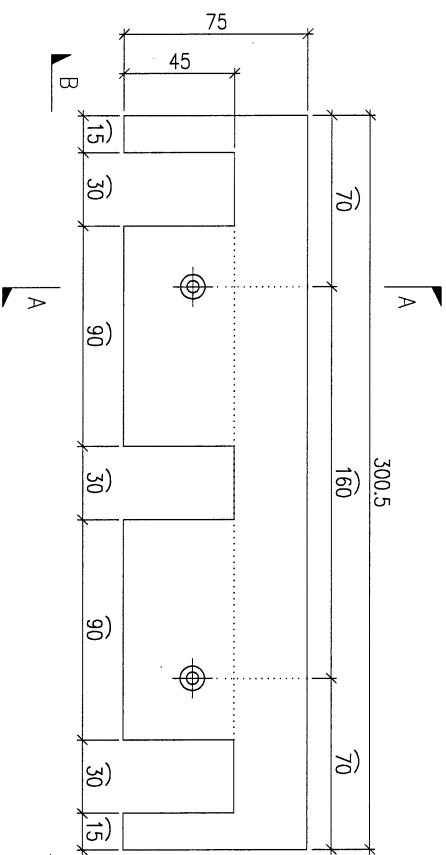
SECTION A-A

DWG. NO.		AP-GA19		REV.		-		SCALE		-		DATE		22-03-2023		DRAWN BY		-		APPROVED BY		-	
----------	--	---------	--	------	--	---	--	-------	--	---	--	------	--	------------	--	----------	--	---	--	-------------	--	---	--

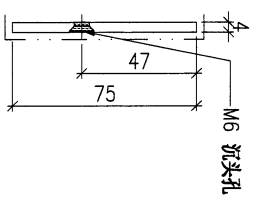
PROJECT				YIN PING ROAD KOWLOON GARDEN ARCHWAY (PHASE 1)				MATERIAL				4mm 铝板				COATING				PVF2				COLOUR				TUC106699FXLUBA-3(SS-03)				MARK. NO.				-				QTY.				-			
REV. OR DR. NO.		PART NUMBER		Dim. A		Dim. B		Dim. C		Dim. D		Dim. E		Dim. F		Dim. G		Dim. H		QTY.		Inv. Code		ASSEMBLE ON PARTS				注: 地盘用																			
-		AP-GA20		-		-		-		-		-		-		-		-		1		-		注: 如图加工				注: 相反加工																			
-		AP-GA20R		-		-		-		-		-		-		-		-		1		-																									



SECTION B-B

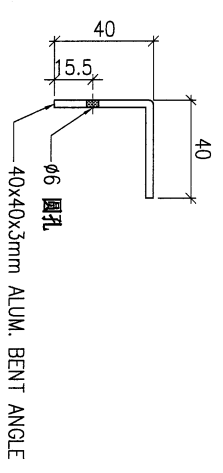
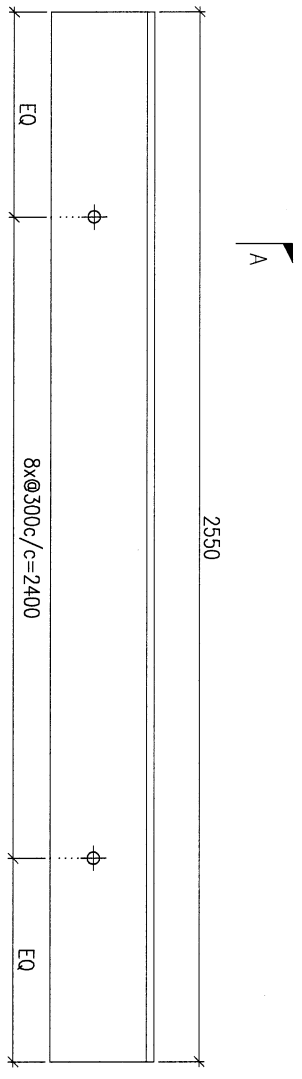


SECTION A-A

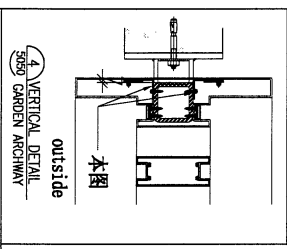


DWG. NO.		AP-GA20		REV.		-		SCALE		-		DATE		22-03-2023		DRAWN BY		-		APPROVED BY		-	
----------	--	---------	--	------	--	---	--	-------	--	---	--	------	--	------------	--	----------	--	---	--	-------------	--	---	--

PROJECT				YIN PING ROAD KOWLOON GARDEN ARCHWAY (PHASE 1)				MATERIAL				3mm 铝板				COATING				铝化				COLOUR				-				MARK. NO.				-				QTY.				-			
REV.	CHANGED BY	PART NUMBER	Dim. A	Dim. B	Dim. C	Dim. D	Dim. E	Dim. F	Dim. G	Dim. H	QTY.	Inv. Code	ASSEMBLE ON PARTS												注: 地盘用																						
-		AP-GA21	-	-	-	-	-	-	-	-	4																																				

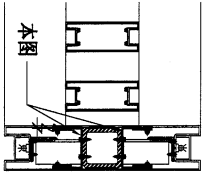
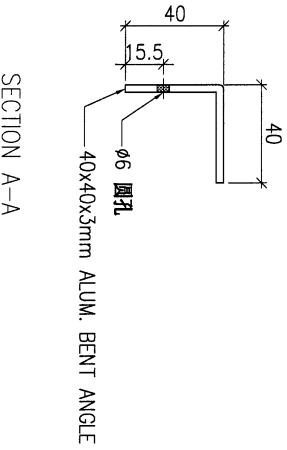
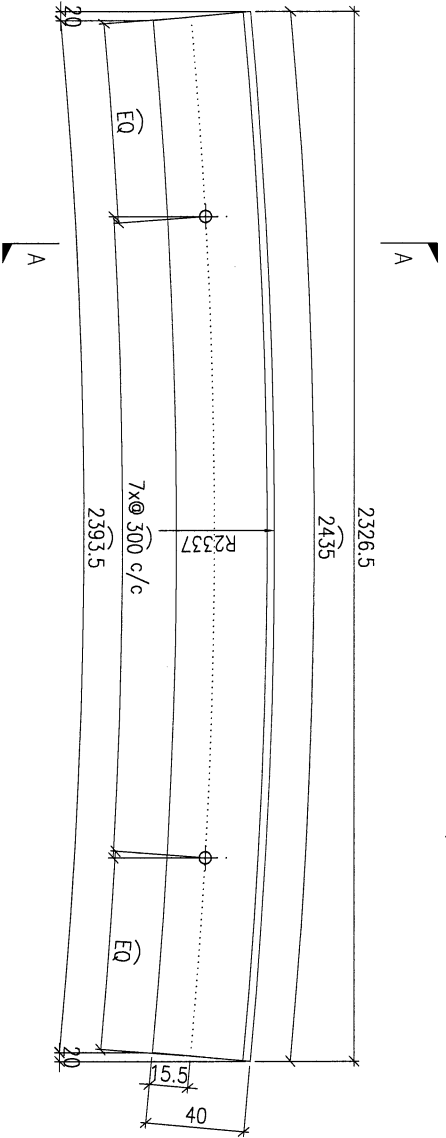


SECTION A-A



DWG. NO.		AP-GA21		REV.		-		SCALE		-		DATE		22-03-2023		DRAWN BY		-		APPROVED BY		-	
----------	--	---------	--	------	--	---	--	-------	--	---	--	------	--	------------	--	----------	--	---	--	-------------	--	---	--

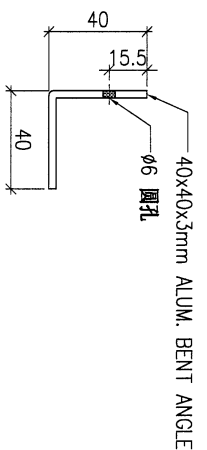
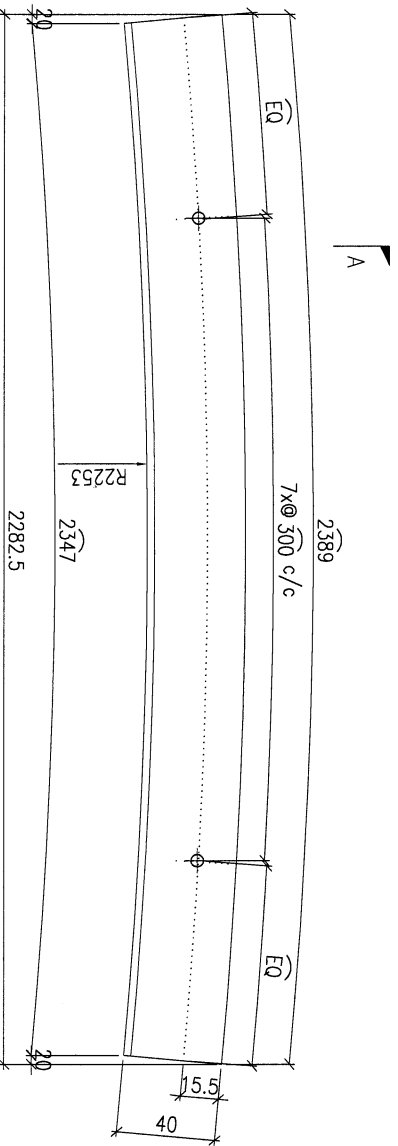
PROJECT				YIN PING ROAD KOWLOON GARDEN ARCHWAY (PHASE 1)				MATERIAL				3mm 铝板		COATING		氧化		COLOUR		-		MARK. NO.		-		QTY.		-	
REV. SHEET NO.	PART NUMBER	Dim. A	Dim. B	Dim. C	Dim. D	Dim. E	Dim. F	Dim. G	Dim. H	QTY.	Inv. Code	ASSEMBLE ON PARTS				注: 地盘用													
-	AP-GA22	-	-	-	-	-	-	-	-	3	-																		



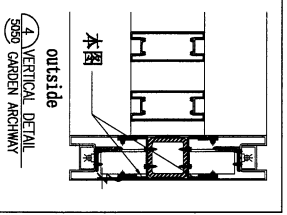
VERTICAL DETAIL  
5050 GARDEN ARCHWAY

DWG. NO.	AP-GA22	REV.	-	SCALE	-	DATE	22-03-2023	DRAWN BY	-	APPROVED BY	-
----------	---------	------	---	-------	---	------	------------	----------	---	-------------	---

PROJECT				YIN PING ROAD KOWLOON GARDEN ARCHWAY (PHASE 1)				MATERIAL				3mm 铝板				COATING				转化				COLOUR				-				MARK. NO.				-				QTY.				-			
REV.	CHECKED	PART NUMBER	Dim. A	Dim. B	Dim. C	Dim. D	Dim. E	Dim. F	Dim. G	Dim. H	QTY.	Inv. Code	ASSEMBLE ON PARTS												注: 地盘用																						
-	5969	AP-GA23	-	-	-	-	-	-	-	-	3	-																																			



SECTION A-A



VERTICAL DETAIL  
5969 GARDEN ARCHWAY

DWG. NO.	AP-GA23	REV.	-	SCALE	-	DATE	22-03-2023	DRAWN BY	-	APPROVED BY	-
----------	---------	------	---	-------	---	------	------------	----------	---	-------------	---

PROJECT  
YIN PING ROAD KOWLOON  
GARDEN ARCHWAY (PHASE 1)

MATERIAL  
1.5mm 铝板

COATING  
PVF2

COLOUR  
TUC106699FXLJBA-3(SS-03)

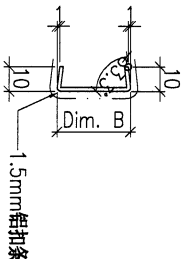
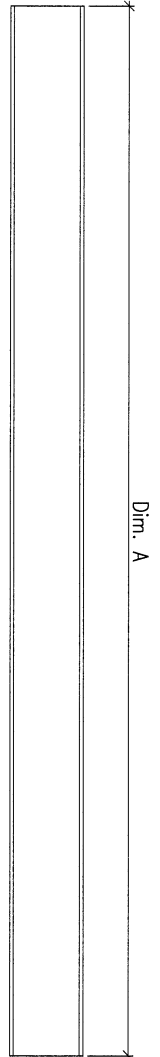
MARK. NO.  
-

QTY.  
-

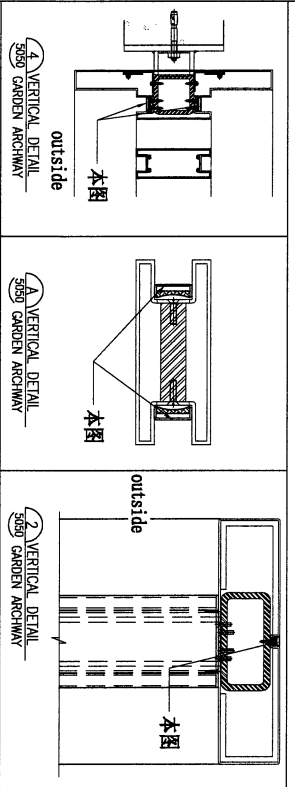
REV. OR BY	PART NUMBER	Dim. A	Dim. B	Dim. C	Dim. D	Dim. E	Dim. F	Dim. G	Dim. H	QTY.	Inv. Code
-	AP-GA24A	2578	29.5	-						4	
-	AP-GA24B	351	29.5	-						6	
-	AP-GA24C	1655	14.5	-						3	

注: 地盘用

ASSEMBLE ON PARTS



SECTION A-A



DWG. NO. AP-GA24

REV. -

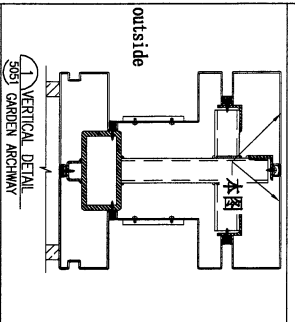
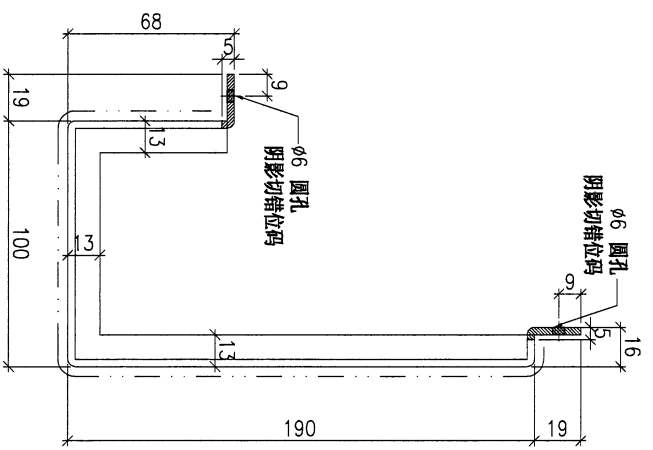
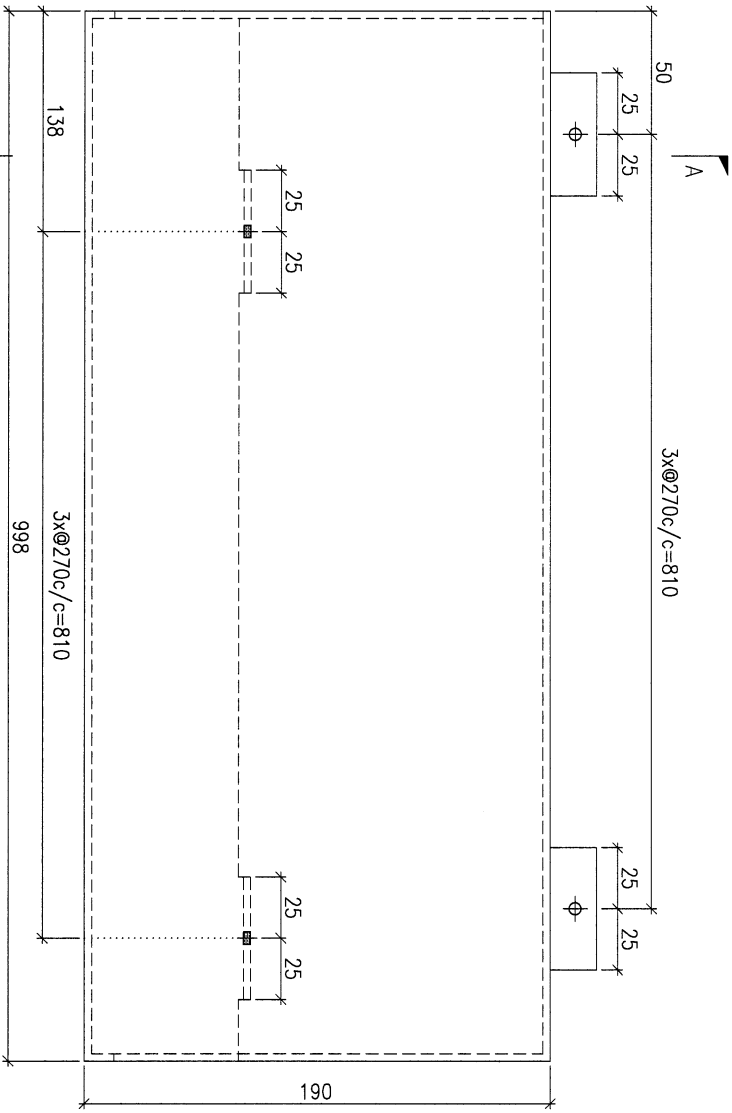
SCALE -

DATE 22-03-2023

DRAWN BY -

APPROVED BY -

PROJECT				YIN PING ROAD KOWLOON GARDEN ARCHWAY (PHASE 1)				MATERIAL				3mm 铝板				COATING				PVF2				COLOUR				EC-DG-D334232-ZD1(SS-01)				MARK. NO.				-				QTY.				-			
REV.	CHANGED BY	PART NUMBER	Dim. A	Dim. B	Dim. C	Dim. D	Dim. E	Dim. F	Dim. G	Dim. H	QTY.	Inv. Code	ASSEMBLE ON PARTS												注: 地盘用																						
-		AP-GA25	-	-	-	-	-	-	-	-	10																																				



DWG. NO.		AP-GA25		REV.		-		SCALE		-		DATE		22-03-2023		DRAWN BY		-		APPROVED BY		-	
----------	--	---------	--	------	--	---	--	-------	--	---	--	------	--	------------	--	----------	--	---	--	-------------	--	---	--

PROJECT  
YIN PING ROAD KOWLOON  
GARDEN ARCHWAY (PHASE 1)

MATERIAL  
3mm 铝板

COATING  
PVF2

COLOUR  
EC-DG-D334232-ZD1(SS-01)

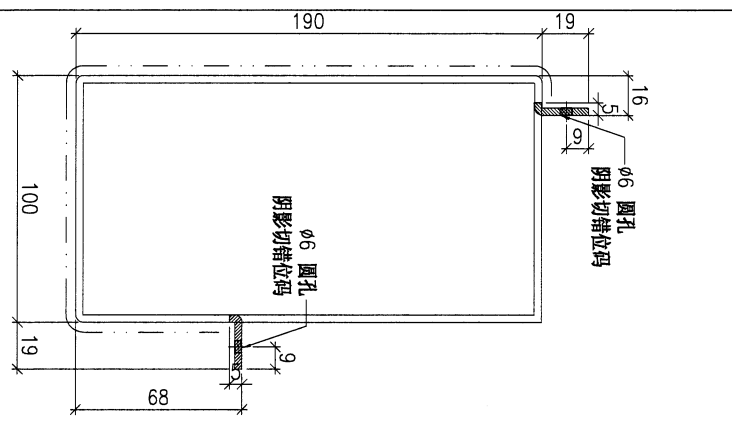
MARK. NO.  
-

QTY.  
-

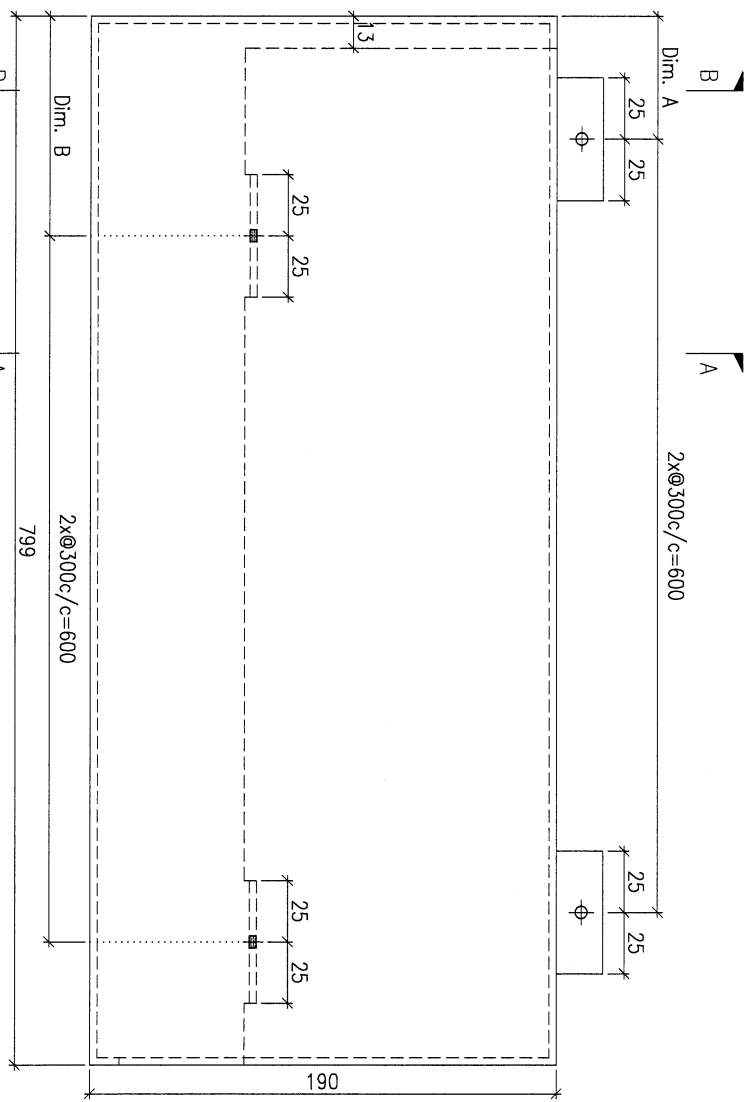
ASSEMBLE ON PARTS

注: 地盘用

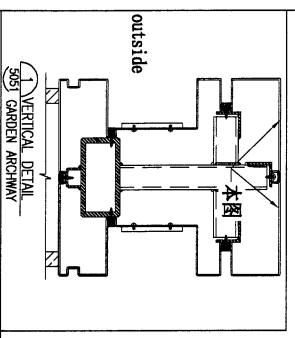
REV. ORDER NO.	PART NUMBER	Dim. A	Dim. B	Dim. C	Dim. D	Dim. E	Dim. F	Dim. G	Dim. H	QTY.	Inv. Code
-	AP-GA26	50	149	-	-	-	-	-	-	2	-
-	AP-GA26R	149	50	-	-	-	-	-	-	2	-



SECTION B-B

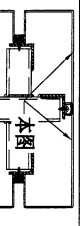


SECTION A-A



VERTICAL DETAIL  
3mm 铝板

outside



DWG. NO.

AP-GA26

REV.

SCALE

DATE  
22-03-2023

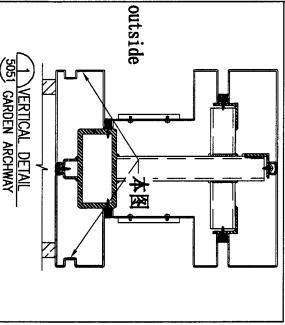
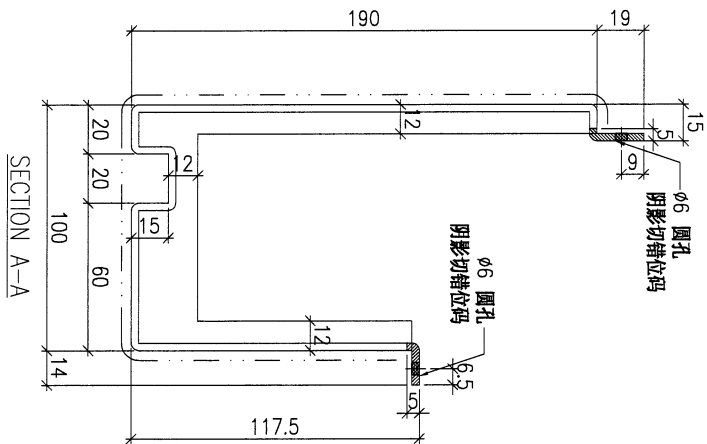
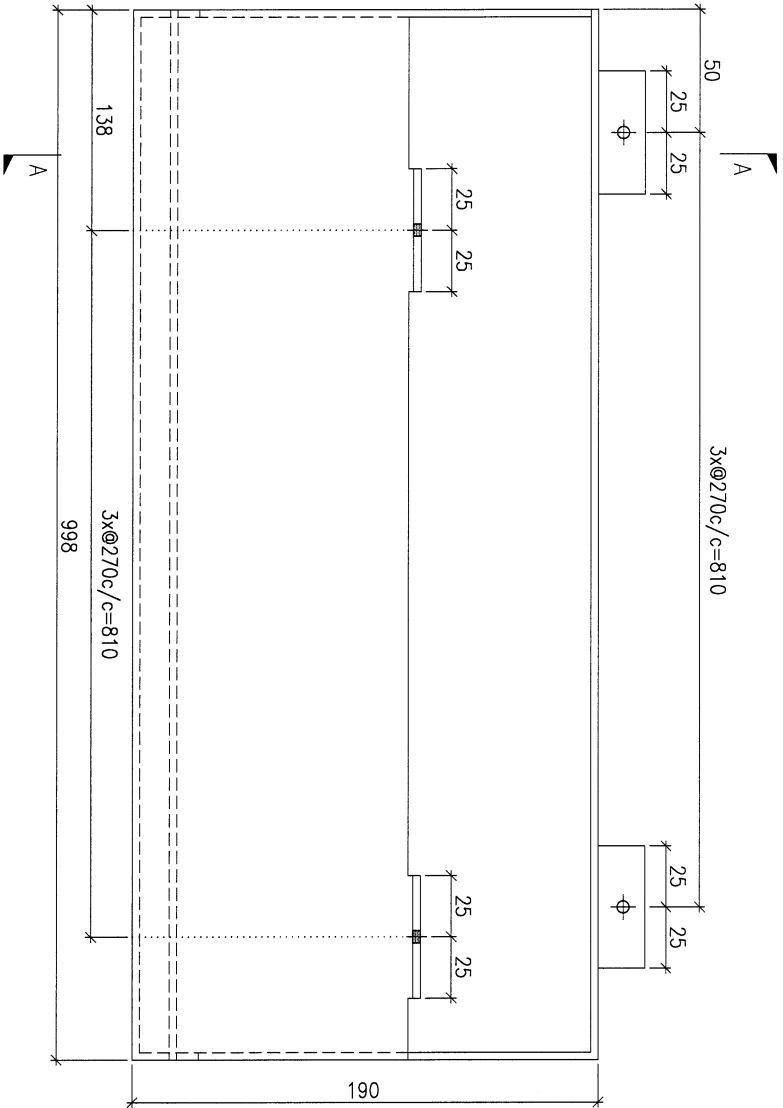
DRAWN BY

APPROVED BY





PROJECT				YIN PING ROAD KOWLOON GARDEN ARCHWAY (PHASE 1)				MATERIAL				3mm 铝板		COATING		PVF2		COLOUR		EC-DG-D334232-ZD1(SS-01)		MARK. NO.		-		QTY.		-	
REV.	CHANGED BY	PART NUMBER	Dim. A	Dim. B	Dim. C	Dim. D	Dim. E	Dim. F	Dim. G	Dim. H	QTY.	Inv. Code	ASSEMBLE ON PARTS				注: 地盘用												
-		AP-GA29	-	-	-	-	-	-	-	-	6																		



DWG. NO.		AP-GA29		REV.		SCALE		DATE		DRAWN BY		APPROVED BY	
				-		-		22-03-2023		-		-	

PROJECT  
YIN PING ROAD KOWLOON  
GARDEN ARCHWAY (PHASE 1)

MATERIAL  
3mm 铝板

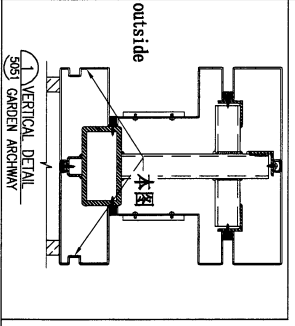
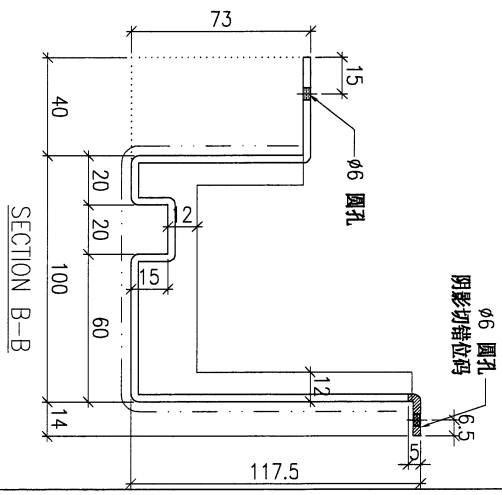
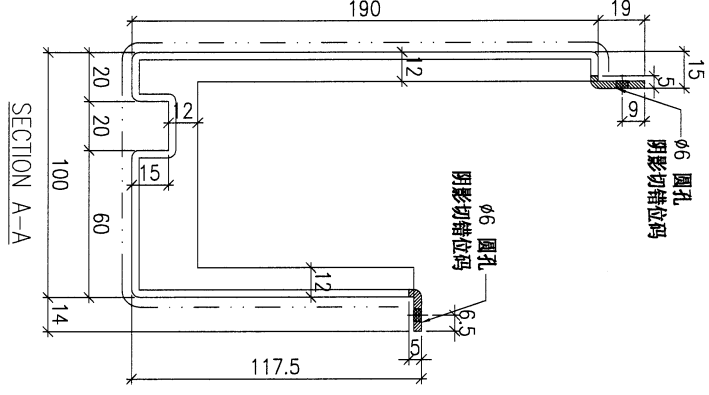
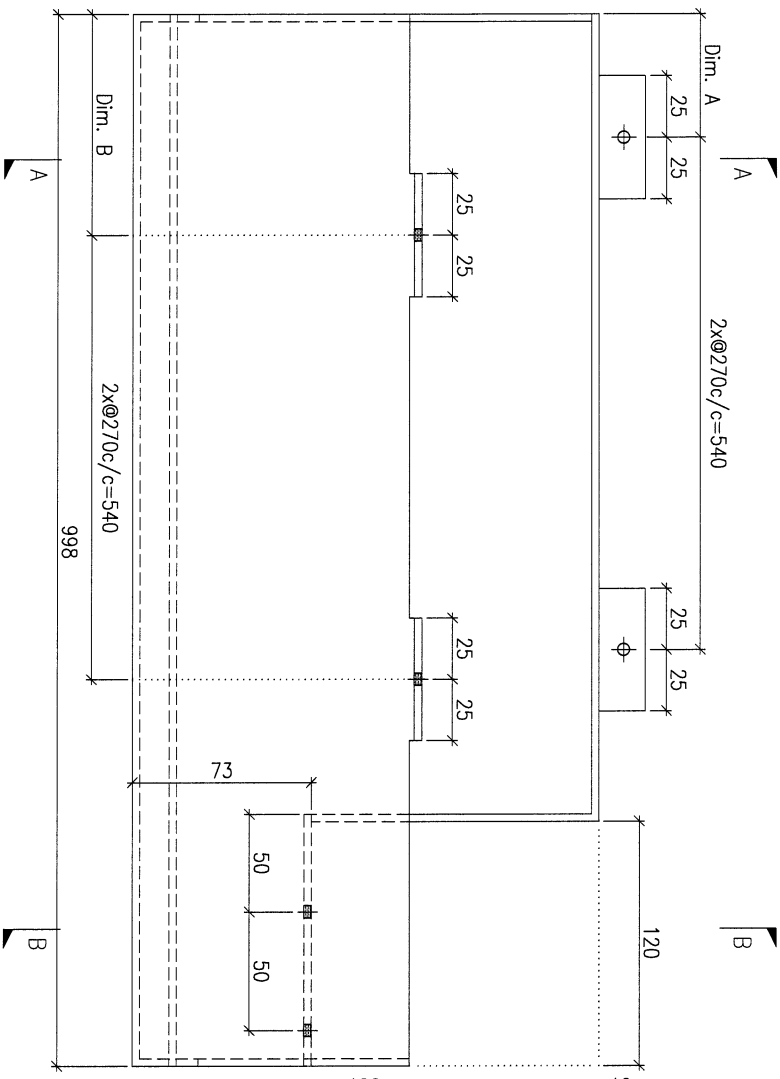
COATING  
PVF2

COLOUR  
EC-DG-D334232-ZD1(SS-01)

MARK. NO.  
-

QTY.  
-

REV. / CHECKED BY	PART NUMBER	Dim. A	Dim. B	Dim. C	Dim. D	Dim. E	Dim. F	Dim. G	Dim. H	QTY.	Inv. Code	ASSEMBLE ON PARTS	注: 地盘用
-	AP-GA30	50	138	-	-	-	-	-	-	2	-	注: 如图加工	
-	AP-GA30R	138	50	-	-	-	-	-	-	2	-	注: 相反加工	



DWG. NO.

AP-GA30

REV.

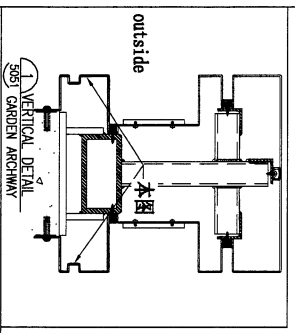
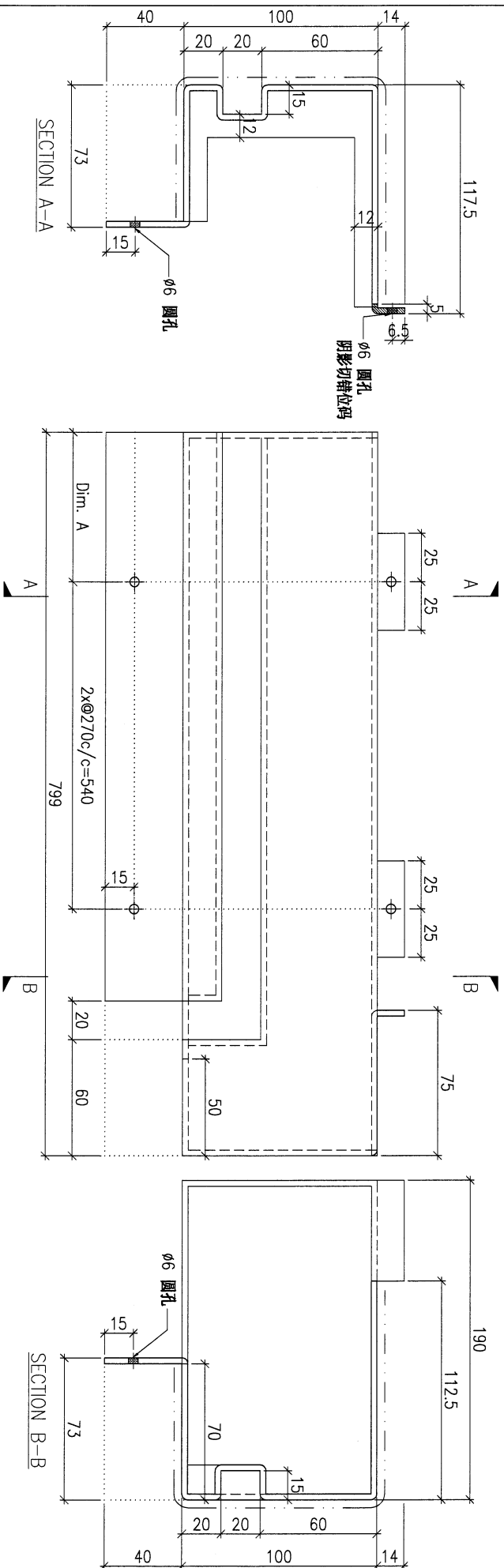
SCALE

DATE  
22-03-2023

DRAWN BY

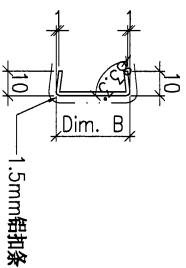
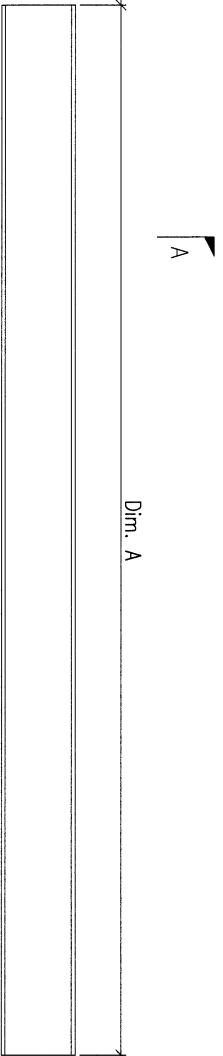
APPROVED BY

PROJECT				YIN PING ROAD KOWLOON GARDEN ARCHWAY (PHASE 1)				MATERIAL				3mm 铝板		COATING		PVF2		COLOUR		EC-DG-D334232-ZD1(SS-01)		MARK. NO.		-		QTY.		-	
REV. ORDER NO.	PART NUMBER	Dim. A	Dim. B	Dim. C	Dim. D	Dim. E	Dim. F	Dim. G	Dim. H	QTY.	Inv. Code	ASSEMBLE ON PARTS				注: 地盤用													
-	AP-GA31	50	-	-	-	-	-	-	-	2	-	注: 如图加工				注: 相反加工													
-	AP-GA31R	149	-	-	-	-	-	-	-	2	-																		



DWG. NO.		AP-GA31		REV.		-		SCALE		-		DATE		22-03-2023		DRAWN BY		-		APPROVED BY		-	
----------	--	---------	--	------	--	---	--	-------	--	---	--	------	--	------------	--	----------	--	---	--	-------------	--	---	--

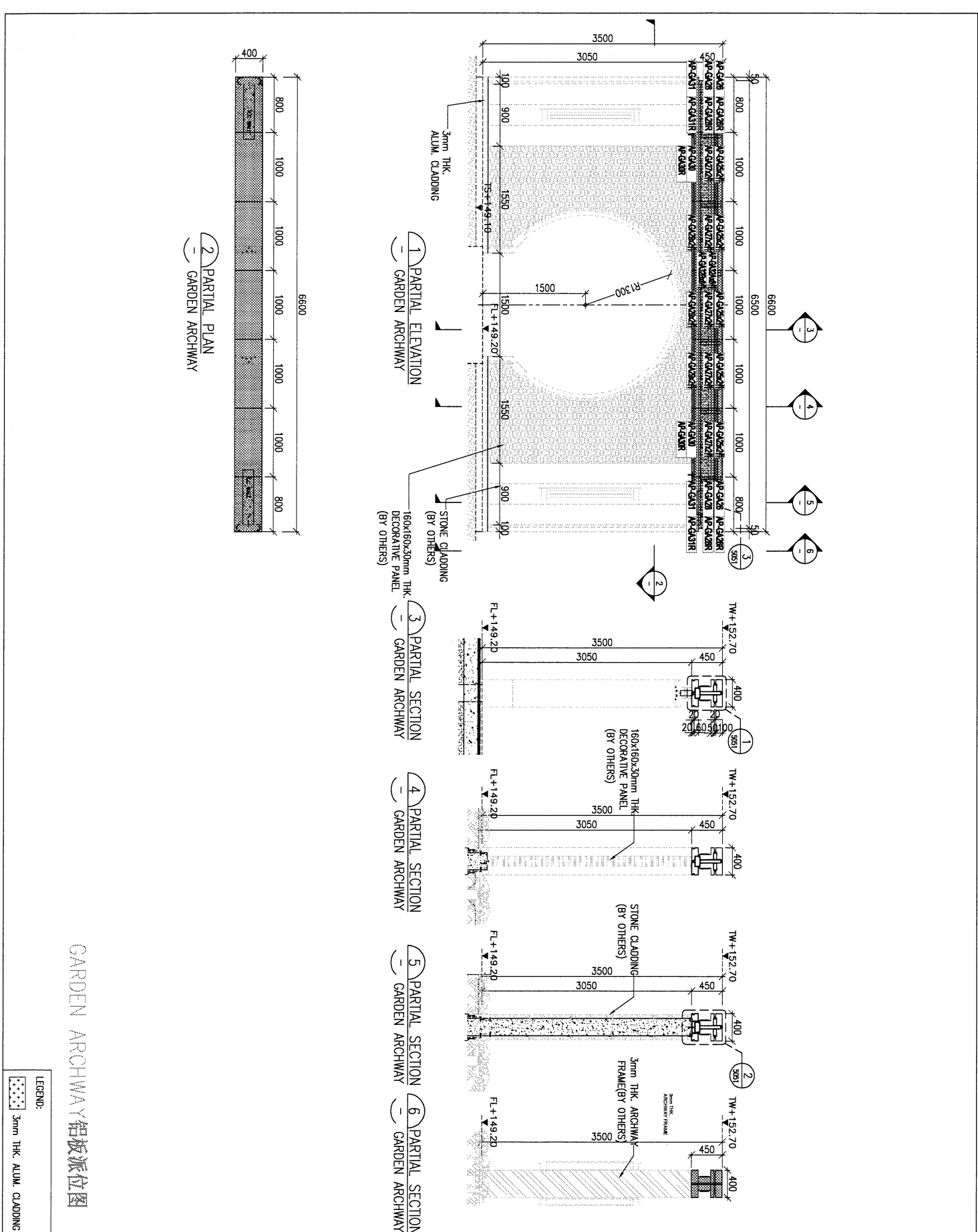
PROJECT				YIN PING ROAD KOWLOON GARDEN ARCHWAY (PHASE 1)				MATERIAL				COATING				COLOUR				MARK. NO.				QTY.			
								1.5mm 铝板				PVF2				EC-DG-D334232-ZD1(SS-01)				-				-			
REV.	ORDERED PART NO.	PART NUMBER	Dim. A	Dim. B	Dim. C	Dim. D	Dim. E	Dim. F	Dim. G	Dim. H	QTY.	Inv. Code	ASSEMBLE ON PARTS				注: 地盘用										
-		AP-GA32A	1000	19.5	-						8																
-		AP-GA32B	1000	14.5	-						8																




SECTION A-A

DWG. NO.		REV.		SCALE		DATE		DRAWN BY		APPROVED BY	
AP-GA32		-		-		22-03-2023		-		-	





BLD. REF :  CLIENT : <b>SHIMAO GROUP HOLDINGS LIMITED</b>  ARCHITECT : <b>WTF</b> WONG TUNG & PARTNERS LIMITED ARCHITECTS & PLANNERS  MAIN CONTRACTOR : <b>HP HING CONSTRUCTION CO LTD</b> 協興建築有限公司  STRUCTURAL ENGINEER : <b>C M WONG &amp; ASSOCIATES LTD</b> 黃志明建築工程師有限公司  FACADE CONSULTANT: <b>WEINHARDT</b>	NOTE: 1. ALL DIMENSIONS ARE IN mm. 2. ALL EXTENSIONS ARE VIEWED FROM OUTSIDE. 3. ALL DIMENSIONS TO BE VIEWED ON SITE BEFORE CONSTRUCTION.  LEGEND: (X) DETAIL MARK NO. (REF) REFER SHEET NO. 1. FEEL.—FINISHED FLOOR LEVEL. 2. SFL.—STRUCTURAL FLOOR LEVEL. 3. (R)—RECESSED DETAIL.	NO. : DATE : JOB NO. : PROJECT : PROPOSED RESIDENTIAL DEVELOPMENT AT N.K.L.L. 6542 YIN PING ROAD KOWLOON TITLE : GARDEN ARCHWAY 02 (PHASE 1)	DATE : 17-Feb-23 SCALE : 1:50 (A3) DRAWN BY : LHR CHECKED BY : UNIT 6-15, Sunny Industrial Centre, 1/F, Tse23489111-4 Tel: (852) 27272866 Fax: (852) 27272866 WWW : www.wongtung.com E-MAIL : info@wongtung.com	LEGEND:  3mm THK. ALUM. CLADDING
--	---	--	---	--

GARDEN ARCHWAY 铝板派位图