



①

PROJECT: YIN PING ROAD KOWLOON FEATURE WALL (PHASE 1)

MATERIAL: 铝通加工图(JMFG0078)

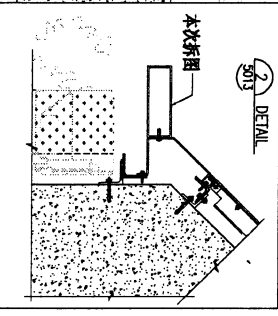
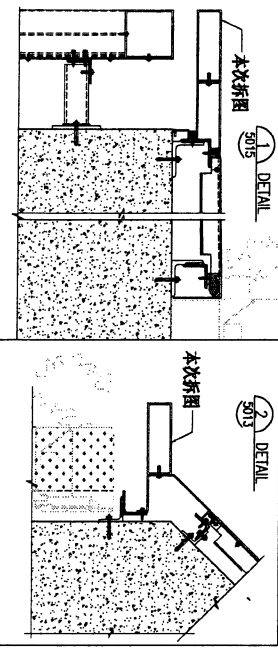
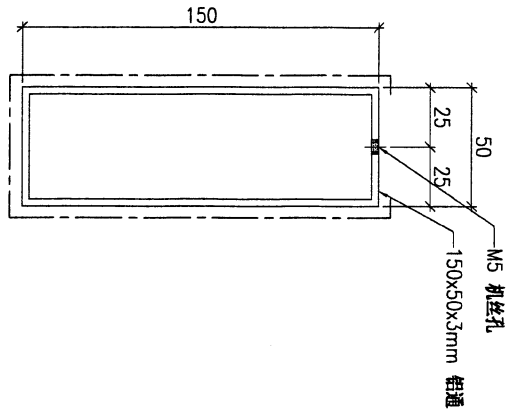
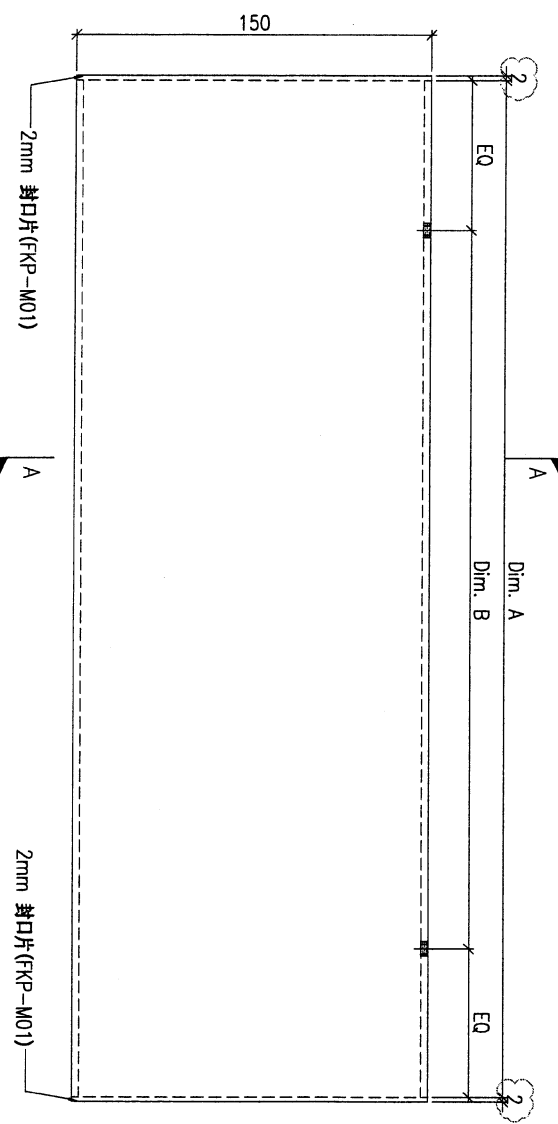
COATING: PVF2

COLOUR: JMQ213457(SS-01)

MARK. NO.:

QTY.:

REV. ORIGIN	PART NUMBER	Dim. A	Dim. B	Dim. C	Dim. D	Dim. E	Dim. F	Dim. G	Dim. H	QTY.	Inv. Code	ASSEMBLE ON PARTS	工厂用
-	AL-M01	2494	7x30	-	-	-	-	-	-	8	-	-	-
-													
-													
-													
-													
-													



注: 工地复尺

注: 工厂用

DWG. NO. AL-M01

REV. A

SCALE -

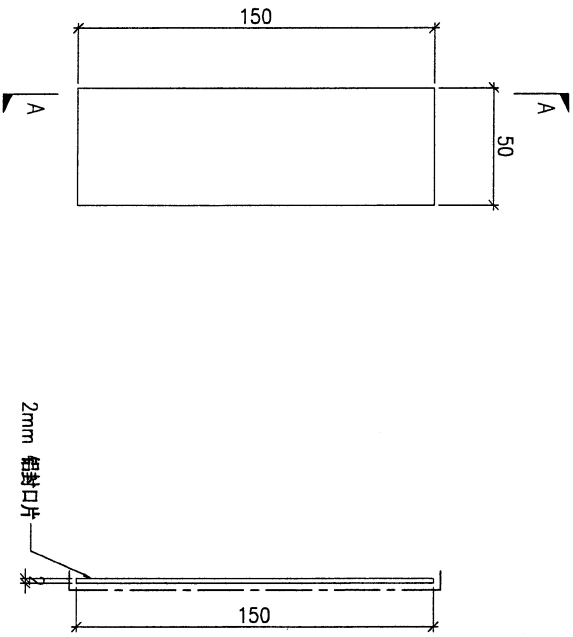
DATE 22-03-2023

DRAWN BY -

APPROVED BY -

2

PROJECT				MATERIAL				COATING		COLOUR		MARK. NO.		QTY.	
YIN PING ROAD KOWLOON FEATURE WALL (PHASE 1)				2mm 铝封口片				PVF2		EG-DG-D334232-ZD1(SS-01)		-		-	
rel. descn part no	PART NUMBER	Dim. A	Dim. B	Dim. C	Dim. D	Dim. E	Dim. F	Dim. G	Dim. H	QTY.	Inv. Code	ASSEMBLE ON PARTS			
-	FKP-M01	-	-	-	-	-	-	-	-	16	-	注: 工厂用			



DWG. NO.	FKP-M01	REV.	-	SCALE	-	DATE	22-03-2023	DRAWN BY	-	APPROVED BY	-
----------	---------	------	---	-------	---	------	------------	----------	---	-------------	---

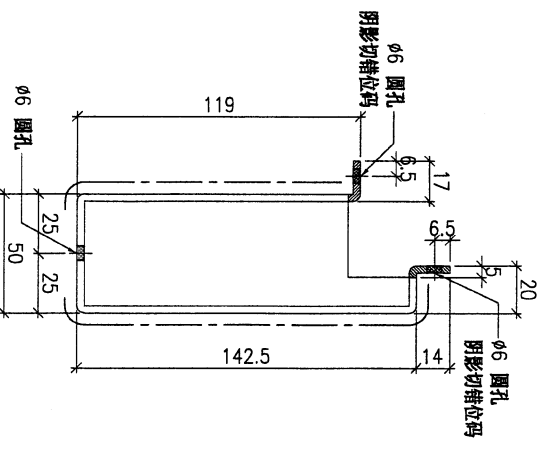
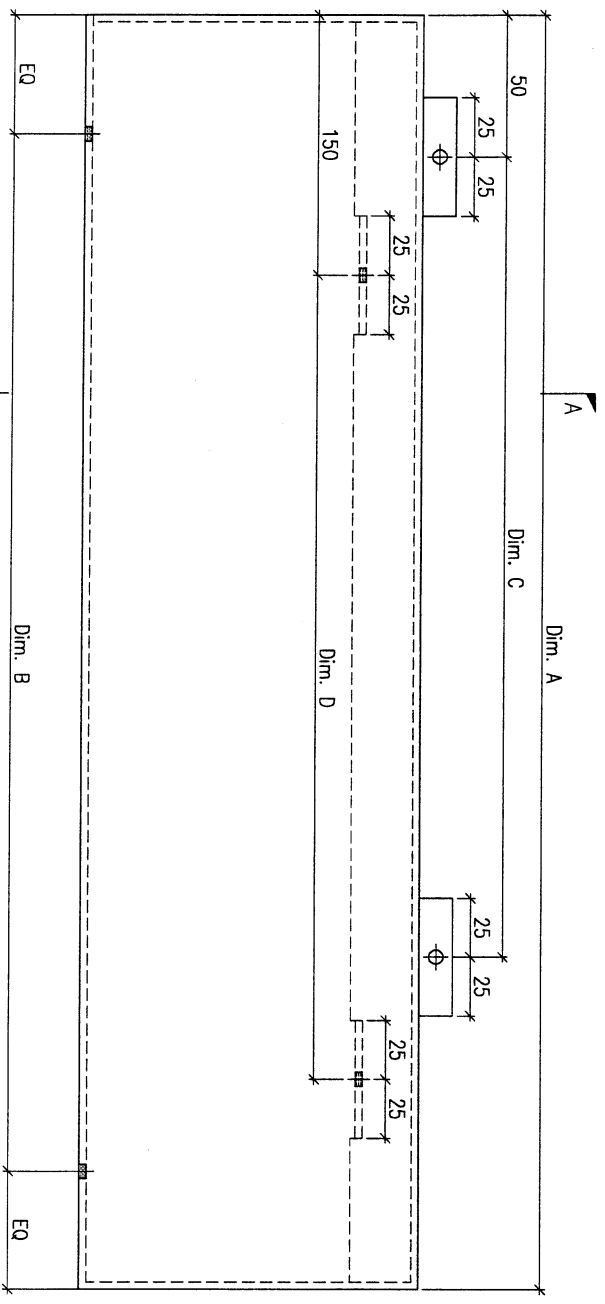


4

PROJECT		YIN PING ROAD KOWLOON FEATURE WALL (PHASE 1)				MATERIAL		3mm 铝板		COATING		PVF2		COLOUR		EC-DG-D334232-ZD1(SS-01)		MARK. NO.		QTY.	
REV. / DIM BY	PART NUMBER	Dim. A	Dim. B	Dim. C	Dim. D	Dim. E	Dim. F	Dim. G	Dim. H	QTY.	Inv. Code	ASSEMBLE ON PARTS									
-	FW1-AP01	2498	7x@300/c	7x@300/c	6x@300/c																
-																					
-																					

注：工厂用

注：工地复尺



SECTION A-A

DWG. NO.		FW1-AP115		REV.		-		SCALE		-		DATE		22-03-2023		DRAWN BY		-		APPROVED BY	
----------	--	-----------	--	------	--	---	--	-------	--	---	--	------	--	------------	--	----------	--	---	--	-------------	--