

工程指示 / 要求簡箋 ENGINEER INSTRUCTIONS (E.I.)

工程指示編號:	EI- 6471	修改版本:	-
	HK-1553		
工程編號:	J 853	工程名稱:	延坪道
收件人:	生統	發件人:	Joe Chan
工程項目:	Feature Wall 廠用鋁板 生產 (第3批).	日期:	10/07/2023

<input checked="" type="checkbox"/> 原合約工程包	<input type="checkbox"/> 原合約工程加 / 減賬 QT-	<input type="checkbox"/> 新工程報價 QT-
--	--	------------------------------------

信件批核號碼/圖紙參考編號:	批核模具圖紙編號:
客戶指示附件:	管理內部批簽署:

<input type="checkbox"/> 初步鋁料 B.M.	<input type="checkbox"/> 加工拆圖, 然後生產	<input type="checkbox"/> 尺寸表
<input type="checkbox"/> 正式鋁料 B.M.	<input type="checkbox"/> 技術上資料/指示	<input type="checkbox"/> 報價
<input type="checkbox"/> 配件 B.M.	<input type="checkbox"/> 樣辦或貨品說明書	<input type="checkbox"/> 分判合約
<input type="checkbox"/> 其他:		

內容: 請依附件資料, 生產鋁板, 送地盤.
(用於 EI 6470)
(H37頁)

極急用

完成上列要求日期: 20/7/2023 ASAP

國內

<input type="checkbox"/> 生產技術總監	<input type="checkbox"/> 連附件	<input type="checkbox"/> 技術部	<input type="checkbox"/> 連附件	<input type="checkbox"/> 生產部	<input type="checkbox"/> 連附件
<input type="checkbox"/> 採購部	<input type="checkbox"/> 連附件	<input checked="" type="checkbox"/> 生產統籌部	<input checked="" type="checkbox"/> 連附件	<input type="checkbox"/> 報關組	<input type="checkbox"/> 連附件
<input type="checkbox"/> 質檢部	<input type="checkbox"/> 連附件	<input type="checkbox"/> 會計部	<input type="checkbox"/> 連附件	<input type="checkbox"/> 機械設計部	<input type="checkbox"/> 連附件
<input type="checkbox"/> 香港辦	<input type="checkbox"/> 連附件	<input type="checkbox"/> 其他:			

香港

<input type="checkbox"/> 行政部	<input type="checkbox"/> 連附件	<input type="checkbox"/> 會計部	<input type="checkbox"/> 連附件	<input type="checkbox"/> 統籌部	<input type="checkbox"/> 連附件	<input type="checkbox"/> 工程部	<input type="checkbox"/> 連附件
<input type="checkbox"/> 採購部	<input type="checkbox"/> 連附件	<input type="checkbox"/> QS部	<input type="checkbox"/> 連附件	<input checked="" type="checkbox"/> 地盤管理	<input checked="" type="checkbox"/> 連附件	<input type="checkbox"/> 維修部	<input type="checkbox"/> 連附件

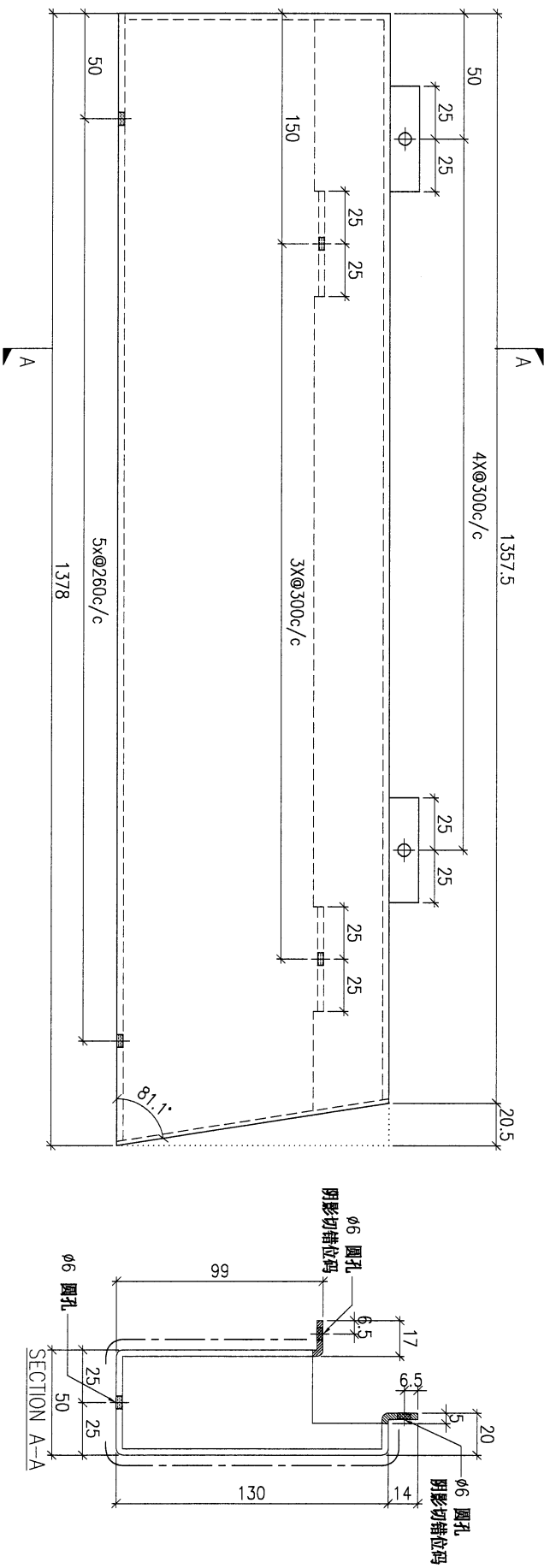
*發件人簽署:		*組別成員批核簽署:	
傳遞編號:	HK 1553 / 23	項目經理簽署:	

①

美特鋁質 有限公司 MIDI Aluminium Fabricator Ltd.		工程號: J-853	計算: ming	日期: 2023.07.06	送呈: JOE								
廠用鋁板B.M.表 (part3)		地址名稱: 廷坪路	核對:	日期:	副本:								
BM編號:		項目類別: 特征牆(1區)	批准:	日期:									
修改內容:		修改版本:	A/C Code:	總V.F.:	總重量: 157.85								
序號	修改內容	鋁板圖號	鋁板名稱	顏色	實用	後備	總數	總重量	19.463		圖紙編號		
									單件展開面積	總展開面積		單件V.F.	總V.F.
									平方米	平方米			
1		FW1-AP110	3mm厚鋁板	EC-DG-D334232-ZD1 (SS-01)	1		1	3.796	0.467	0.467	0.467	0.467	
2		FW1-AP111	3mm厚鋁板	EC-DG-D334232-ZD1 (SS-01)	1		1	6.827	0.840	0.840	0.840	0.840	
3		FW1-AP112	3mm厚鋁板	EC-DG-D334232-ZD1 (SS-01)	1		1	7.495	0.922	0.922	0.922	0.922	
4		FW1-AP113	3mm厚鋁板	EC-DG-D334232-ZD1 (SS-01)	1		1	4.571	0.562	0.562	0.562	0.562	
5		FW1-AP114	3mm厚鋁板	EC-DG-D334232-ZD1 (SS-01)	1		1	5.032	0.619	0.619	0.619	0.619	
6		FW1-AP115A	3mm厚鋁板	EC-DG-D334232-ZD1 (SS-01)	1		1	6.506	0.800	0.800	0.800	0.800	
7		FW1-AP115B	3mm厚鋁板	EC-DG-D334232-ZD1 (SS-01)	1		1	10.528	1.295	1.295	1.295	1.295	
8		FW1-AP115C	3mm厚鋁板	EC-DG-D334232-ZD1 (SS-01)	1		1	6.593	0.811	0.811	0.811	0.811	
9		FW1-AP116A	3mm厚鋁板	EC-DG-D334232-ZD1 (SS-01)	1		1	6.342	0.780	0.780	0.780	0.780	
10		FW1-AP116B	3mm厚鋁板	EC-DG-D334232-ZD1 (SS-01)	1		1	2.008	0.247	0.247	0.247	0.247	
11		FW1-AP117	3mm厚鋁板	EC-DG-D334232-ZD1 (SS-01)	1		1	4.343	0.534	0.534	0.534	0.534	
12		FW1-AP118	3mm厚鋁板	EC-DG-D334232-ZD1 (SS-01)	1		1	6.526	0.803	0.803	0.803	0.803	
13		FW1-AP119	3mm厚鋁板	EC-DG-D334232-ZD1 (SS-01)	1		1	1.880	0.231	0.231	0.231	0.231	
14		FW1-AP120	3mm厚鋁板	EC-DG-D334232-ZD1 (SS-01)	1		1	5.934	0.730	0.730	0.730	0.730	
15		FW1-AP121	3mm厚鋁板	EC-DG-D334232-ZD1 (SS-01)	1		1	1.141	0.140	0.140	0.140	0.140	
16		FW1-AP122	3mm厚鋁板	EC-DG-D334232-ZD1 (SS-01)	1		1	9.153	1.126	1.126	1.126	1.126	
17		FW1-AP123	3mm厚鋁板	EC-DG-D334232-ZD1 (SS-01)	1		1	6.687	0.822	0.822	0.822	0.822	
18		FW1-AP124	3mm厚鋁板	EC-DG-D334232-ZD1 (SS-01)	1		1	7.370	0.906	0.906	0.906	0.906	
19		FW1-AP125	3mm厚鋁板	EC-DG-D334232-ZD1 (SS-01)	1		1	4.124	0.507	0.507	0.507	0.507	
20		FW1-AP126	3mm厚鋁板	EC-DG-D334232-ZD1 (SS-01)	1		1	4.611	0.567	0.567	0.567	0.567	
21		FW1-AP127	3mm厚鋁板	EC-DG-D334232-ZD1 (SS-01)	1		1	9.923	1.221	1.221	1.221	1.221	
22		FW1-AP128A	3mm厚鋁板	EC-DG-D334232-ZD1 (SS-01)	1		1	7.816	0.961	0.961	0.961	0.961	

3

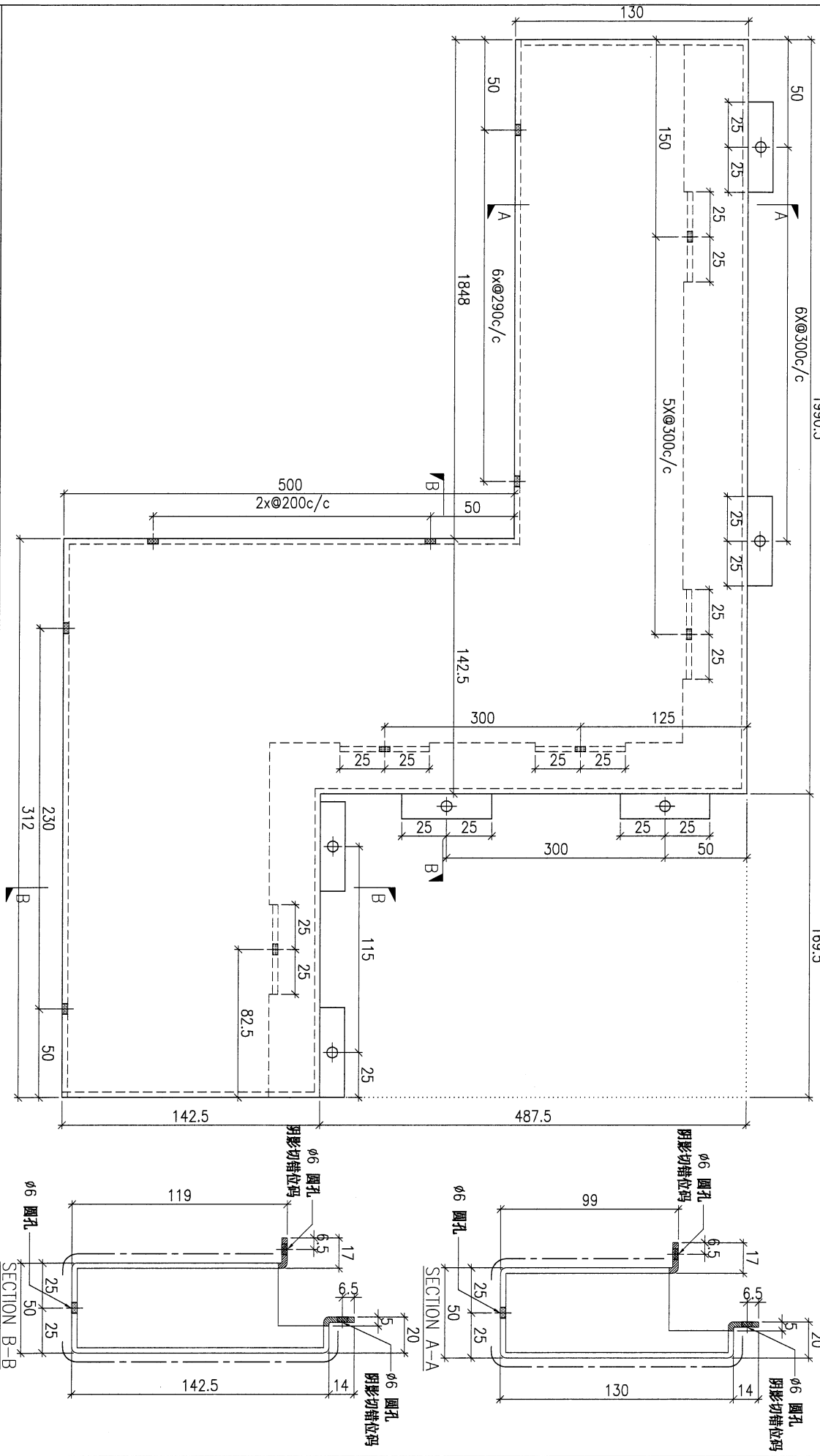
PROJECT				MATERIAL				COATING				COLOUR		MARK. NO.		QTY.	
YIN PING ROAD KOWLOON FEATURE WALL (PHASE 1)				3mm 铝板				PVF2				EC-DG-D334232-ZD1(SS-01)		-		-	
REV.	QTY	PART NUMBER	Dim. A	Dim. B	Dim. C	Dim. D	Dim. E	Dim. F	Dim. G	Dim. H	QTY.	Inv. Code	ASSEMBLE ON PARTS				
-	-	FW1-AP110	-	-	-	-	-	-	-	-	1	-					
													注: 工厂用				
													注: 工地复尺				



DWG. NO.		REV.		SCALE		DATE		DRAWN BY		APPROVED BY	
FW1-AP110		-		-		22-03-2023		-		-	

5

PROJECT				MATERIAL				COATING				COLOUR		MARK. NO.		QTY.	
YIN PING ROAD KOWLOON FEATURE WALL (PHASE 1)				3mm 铝板				PVF2				EC-DG-0334232-ZD1(SS-01)		-		-	
REV.	CHANGED PART NO.	PART NUMBER	Dim. A	Dim. B	Dim. C	Dim. D	Dim. E	Dim. F	Dim. G	Dim. H	QTY.	Inv. Code	ASSEMBLE ON PARTS				
-	-	FW1-AP112	-	-	-	-	-	-	-	-	1	-					
注: 工厂用																	

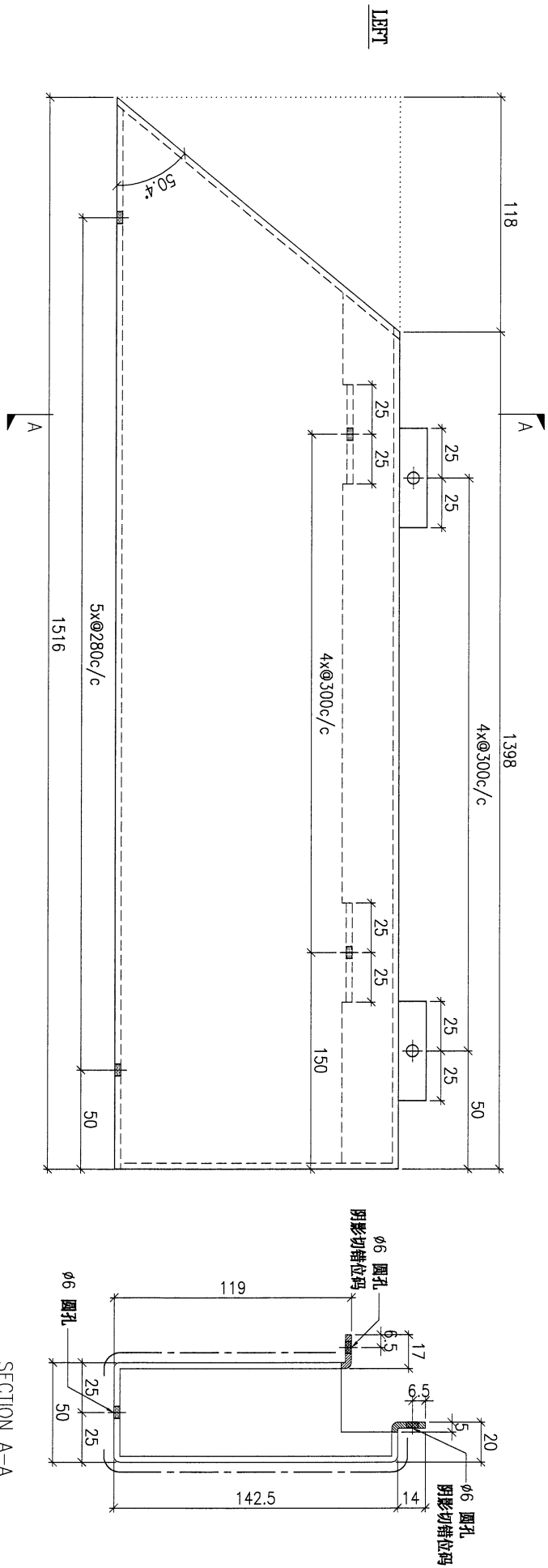


DWG. NO.		REV.		SCALE		DATE		DRAWN BY		APPROVED BY	
FW1-AP112		-		-		22-03-2023		-		-	

注: 工地复尺

注: 工厂用

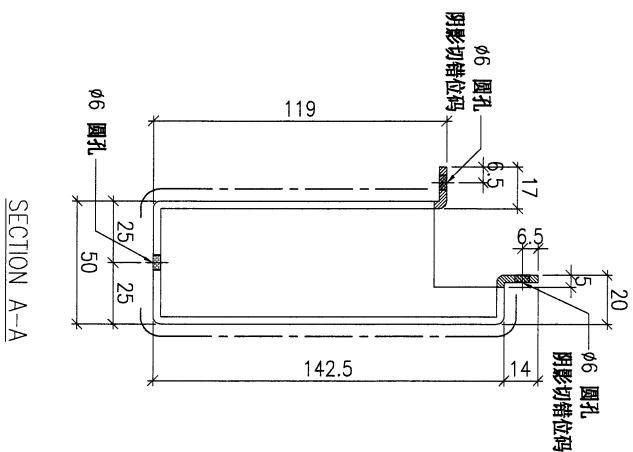
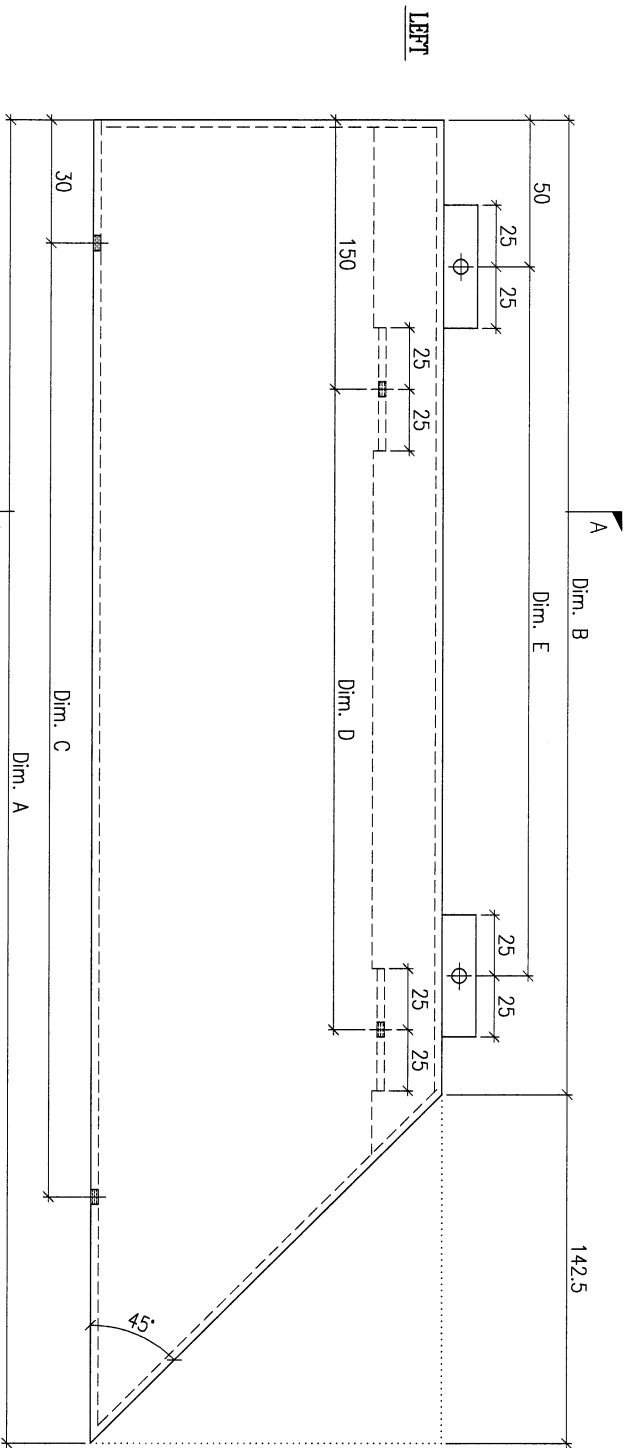
PROJECT				MATERIAL				COATING		COLOUR		MARK. NO.	QTY.
YIN PING ROAD KOWLOON FEATURE WALL (PHASE 1)				3mm 铝板				PVF2		EC-DG-D334232-ZD1(SS-01)		-	-
REV.	QTY	PART NUMBER	Dim. A	Dim. B	Dim. C	Dim. D	Dim. E	Dim. F	Dim. G	Dim. H	ASSEMBLE ON PARTS		注: 工厂用
-	1	FW1-AP113	-	-	-	-	-	-	-	-	-		注: 工地复尺



⑥

DWG. NO.		REV.		SCALE		DATE		DRAWN BY		APPROVED BY	
FW1-AP113		-		-		22-03-2023		-		-	

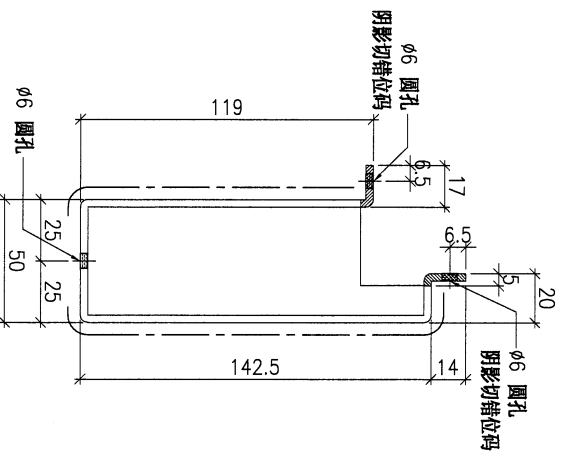
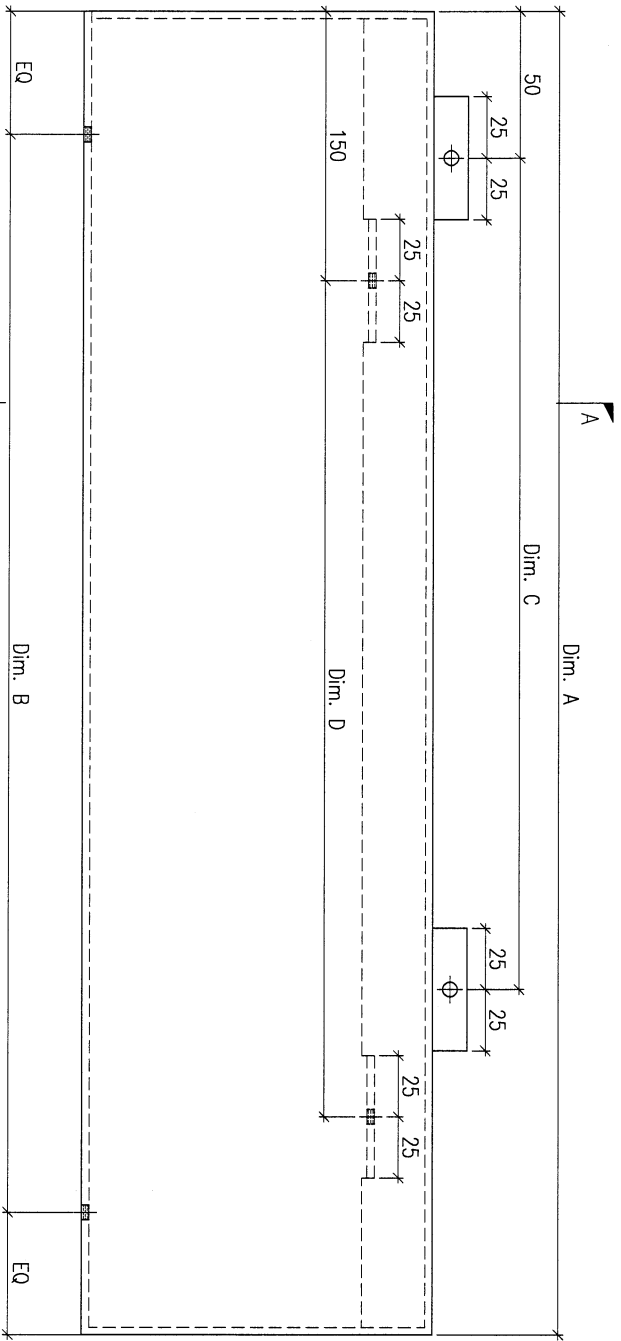
PROJECT				MATERIAL				COATING		COLOUR		MARK. NO.	QTY.
YIN PING ROAD KOWLOON FEATURE WALL (PHASE 1)				3mm 铝板				PVF2		EC-DG-D334232-ZD1(SS-01)		-	-
REV.	CHECKED DATE BY	PART NUMBER	Dim. A	Dim. B	Dim. C	Dim. D	Dim. E	Dim. F	Dim. G	Dim. H	QTY.	Inv. Code	ASSEMBLE ON PARTS
-		FW1-AP114	1674	1531.5	6xø260/c	4Xø300/c	4Xø300/c				1		
注：工厂用													
注：工地复尺													



7

DWG. NO.		REV.		SCALE		DATE		DRAWN BY		APPROVED BY	
FW1-AP114		-		-		15-06-2023		-		-	

PROJECT YIN PING ROAD KOWLOON FEATURE WALL (PHASE 1)				MATERIAL 3mm 铝板				COATING PVF2		COLOUR EG-DG-D334232-ZD1(SS-01)		MARK. NO. -	QTY. -	
REV.	CHANGED DATE BY	PART NUMBER	Dim. A	Dim. B	Dim. C	Dim. D	Dim. E	Dim. F	Dim. G	Dim. H	QTY.	Inv. Code	ASSEMBLE ON PARTS	注: 工厂用
-		FW1-AP115A	2179	7X@300c/c	7X@300c/c	6X@300c/c					1			注: 工地复尺
-		FW1-AP115B	3557	12X@290c/d	11X@300c/d	41X@300c/d					1			
-		FW1-AP115C	2209	7X@300c/c	7X@300c/c	6X@300c/c					1			



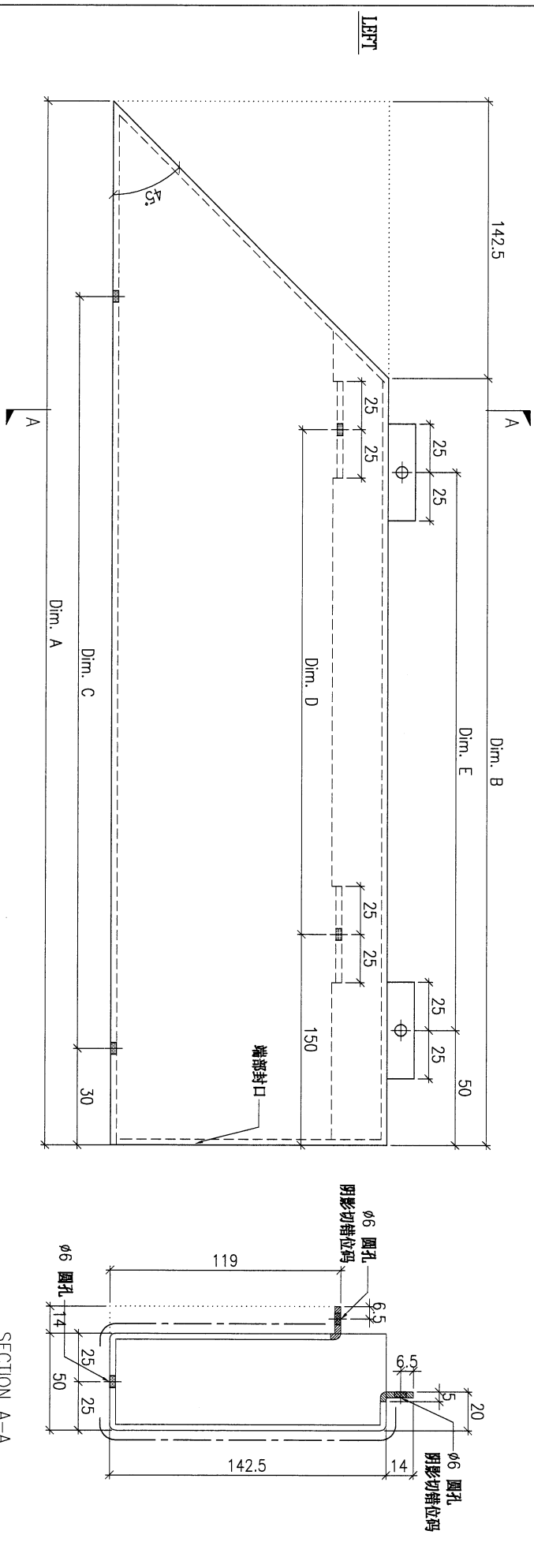
SECTION A-A

DWG. NO. FW1-AP115		REV. -	SCALE -	DATE 22-03-2023	DRAWN BY -	APPROVED BY -
-----------------------	--	-----------	------------	--------------------	---------------	------------------

8

9

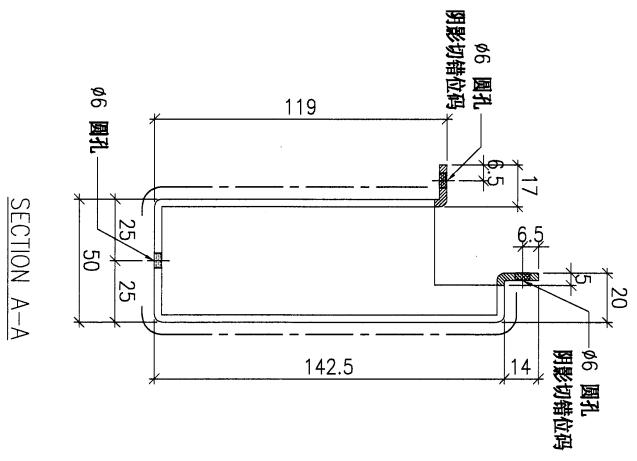
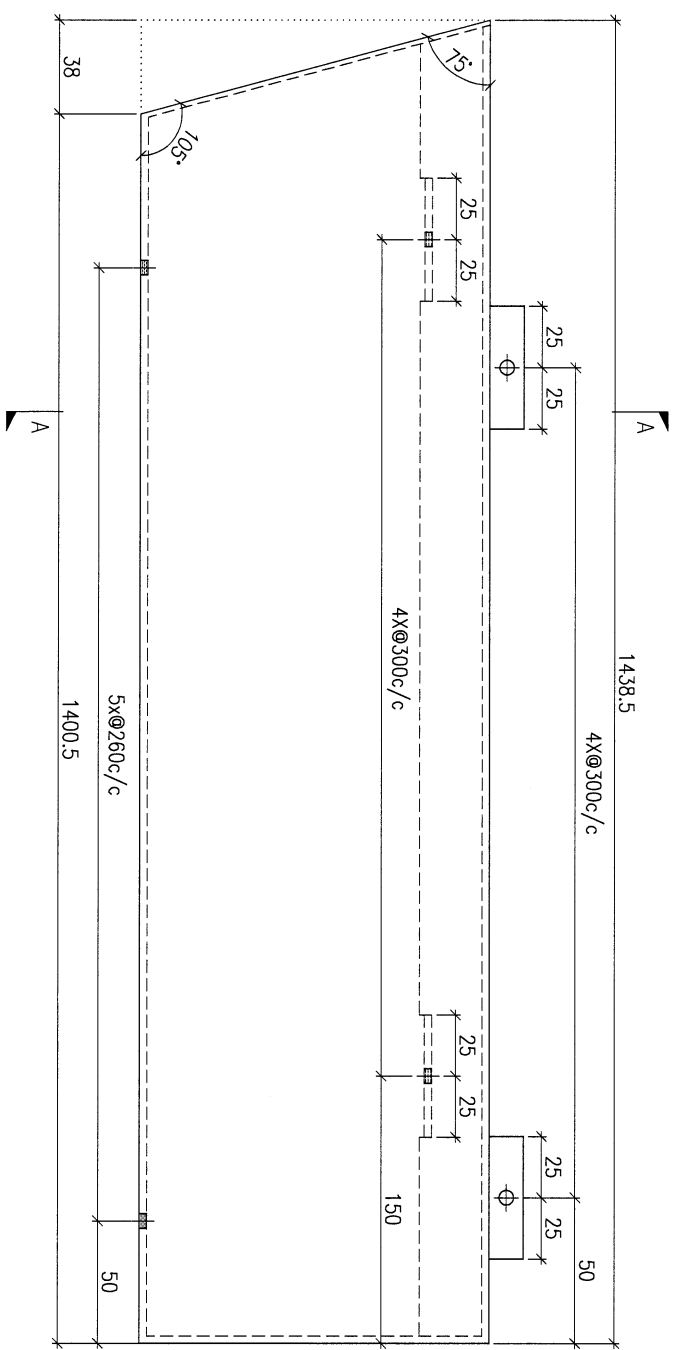
PROJECT				MATERIAL				COATING		COLOUR		MARK. NO.		QTY.	
YIN PING ROAD KOWLOON FEATURE WALL (PHASE 1)				3mm 铝板				PVF2		EC-DG-D334232-ZD1 (SS-011)		-		-	
REV.	CHECKED DATE BY	PART NUMBER	Dim. A	Dim. B	Dim. C	Dim. D	Dim. E	Dim. F	Dim. G	Dim. H	QTY.	Inv. Code	ASSEMBLE ON PARTS		
-		FW1-AP116A	212.3	1980.5	7xø290c/c	6xø300c/d	6xø300c/d				1				
-		FW1-AP116B	638	495.5	2xø280c/c	1xø300c/d	1xø300c/d				1				
													注: 工厂用		
													注: 工地复尺		



DWG. NO.		REV.		SCALE		DATE		DRAWN BY		APPROVED BY	
FW1-AP116		-		-		15-06-2023		-		-	

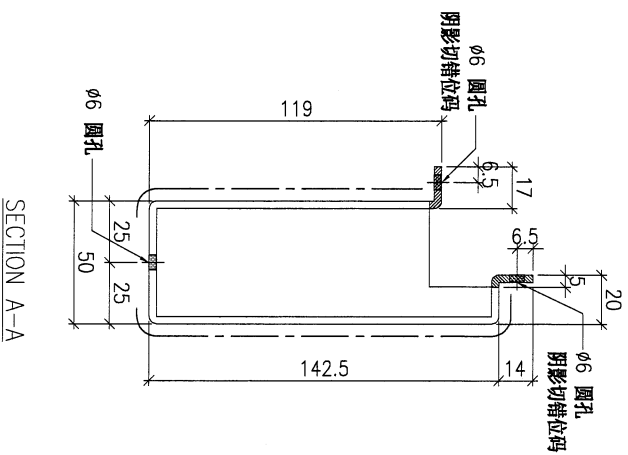
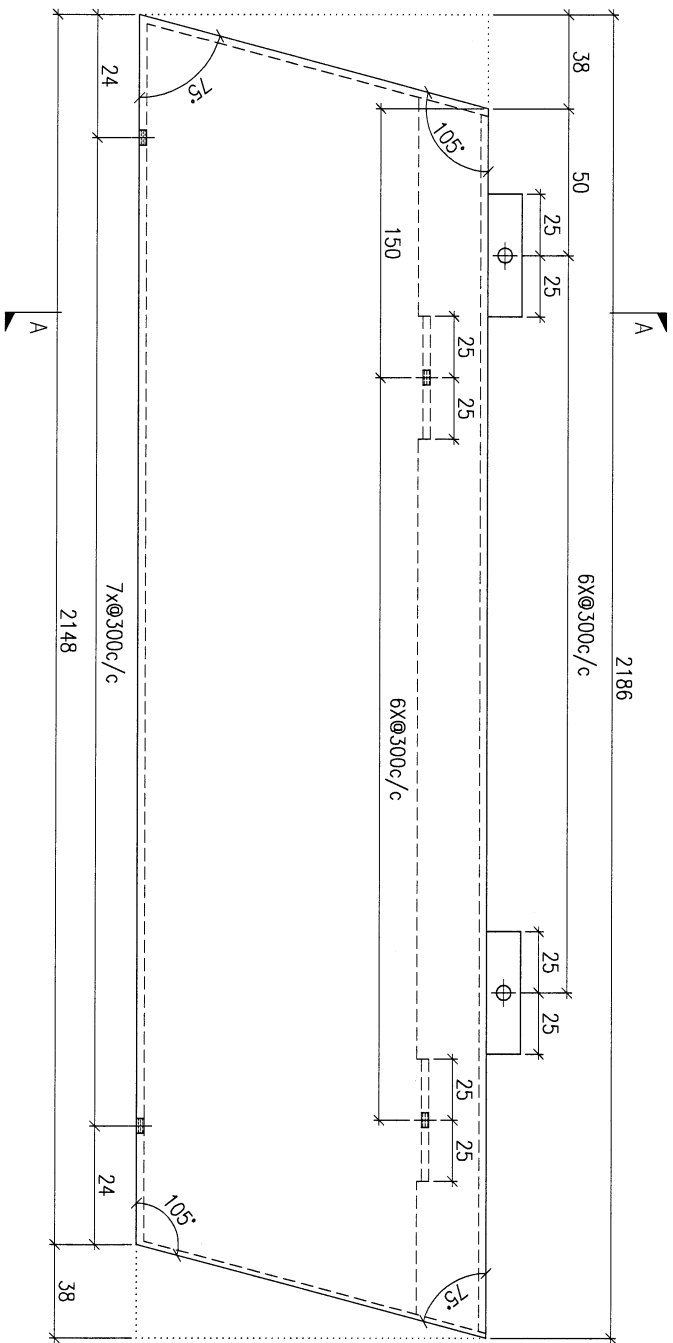
10

PROJECT				MATERIAL				COATING				COLOUR		MARK. NO.		QTY.	
YIN PING ROAD KOWLOON FEATURE WALL (PHASE 1)				3mm 铝板				PVF2				EC-DG-D334232-ZD1(SS-01)		-		-	
REV.	CHECKED DATE BY	PART NUMBER	Dim. A	Dim. B	Dim. C	Dim. D	Dim. E	Dim. F	Dim. G	Dim. H	QTY.	Inv. Code	ASSEMBLE ON PARTS				
-		FW1-AP117	-	-	-	-	-	-	-	-	1						
													注: 工厂用		注: 工地复尺		



DWG. NO.		REV.		SCALE		DATE		DRAWN BY		APPROVED BY	
FW1-AP117		-		-		22-03-2023		-		-	

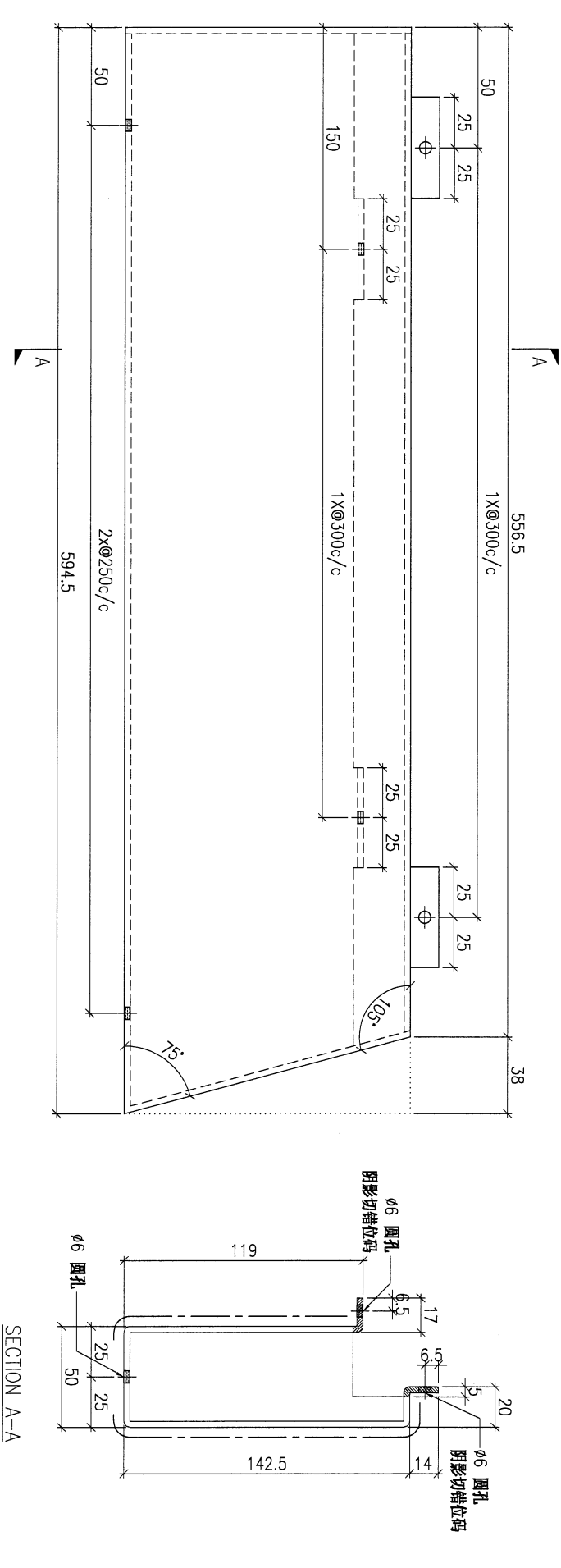
PROJECT				MATERIAL				COATING		COLOUR		MARK. NO.	QTY.
YIN PING ROAD KOWLOON FEATURE WALL (PHASE 1)				3mm 铝板				PVF2		EC-DG-D34232-ZD1(SS-01)		-	-
REV.	ORDERED DATE BY	PART NUMBER	Dim. A	Dim. B	Dim. C	Dim. D	Dim. E	Dim. F	Dim. G	Dim. H	QTY.	Inv. Code	ASSEMBLE ON PARTS
-		FW1-AP118	-	-	-	-	-	-	-	-	1		
注: 工厂用													
注: 工地复尺													



DWG. NO.		REV.		SCALE		DATE		DRAWN BY		APPROVED BY	
FW1-AP118		-		-		22-03-2023		-		-	



PROJECT				MATERIAL				COATING				COLOUR		MARK. NO.		QTY.	
YIN PING ROAD KOWLOON FEATURE WALL (PHASE 1)				3mm 铝板				PVF2				EC-DG-D334232-ZD1(SS-01)		-		-	
REV.	CHECKED DATE BY	PART NUMBER	Dim. A	Dim. B	Dim. C	Dim. D	Dim. E	Dim. F	Dim. G	Dim. H	QTY.	Inv. Code	ASSEMBLE ON PARTS				
-		FW1-AP119	-	-	-	-	-	-	-	-	1						
													注: 工厂用		注: 工地复尺		

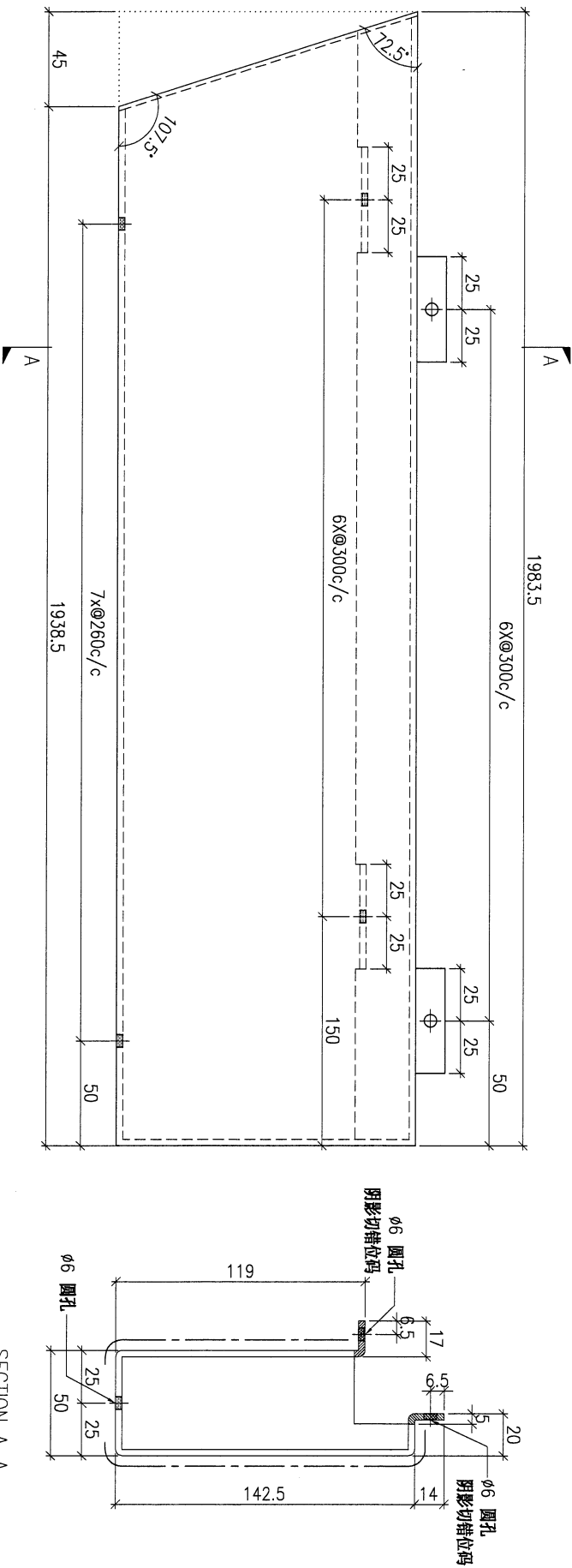


DWG. NO.		REV.		SCALE		DATE		DRAWN BY		APPROVED BY	
FW1-AP119		-		-		22-03-2023		-		-	

13

PROJECT				MATERIAL				COATING				COLOUR		MARK. NO.		QTY.	
YIN PING ROAD KOWLOON FEATURE WALL (PHASE 1)				3mm 铝板				PVF2				EG-DG-D334232-ZD1(SS-01)		-		-	
REV.	CHANGED DATE BY	PART NUMBER	Dim. A	Dim. B	Dim. C	Dim. D	Dim. E	Dim. F	Dim. G	Dim. H	QTY.	Inv. Code	ASSEMBLE ON PARTS				
-		FW1-AP120	-	-	-	-	-	-	-	-	1						

注：工厂用
注：工地复尺



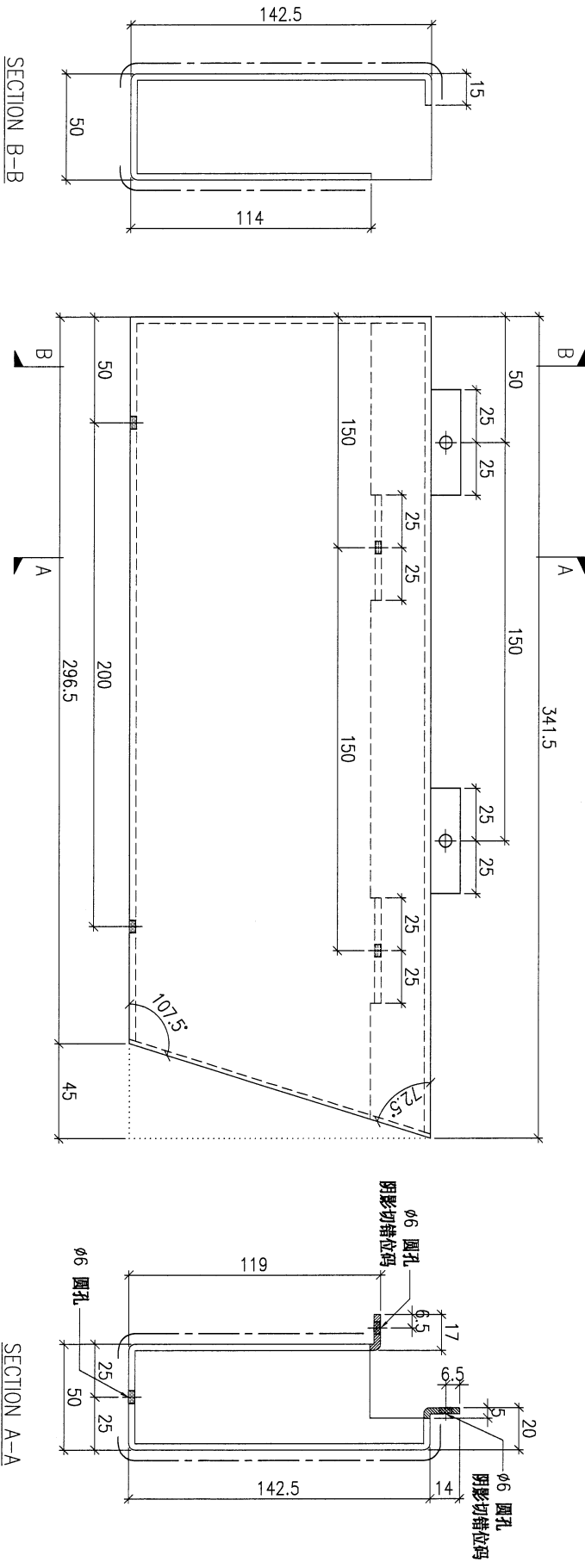
SECTION A-A

DWG. NO.		REV.		SCALE		DATE		DRAWN BY		APPROVED BY	
FW1-AP120		-		-		22-03-2023		-		-	

PROJECT				MATERIAL				COATING				COLOUR				MARK. NO.		QTY.	
YIN PING ROAD KOWLOON FEATURE WALL (PHASE 1)				3mm 铝板				PVF2				EC-DG-D334232-ZD1(SS-01)				-		-	
REV.	CHANGED BY	PART NUMBER	Dim. A	Dim. B	Dim. C	Dim. D	Dim. E	Dim. F	Dim. G	Dim. H	QTY.	Inv. Code	ASSEMBLE ON PARTS						
-		FW1-AP121	-	-	-	-	-	-	-	-	1								

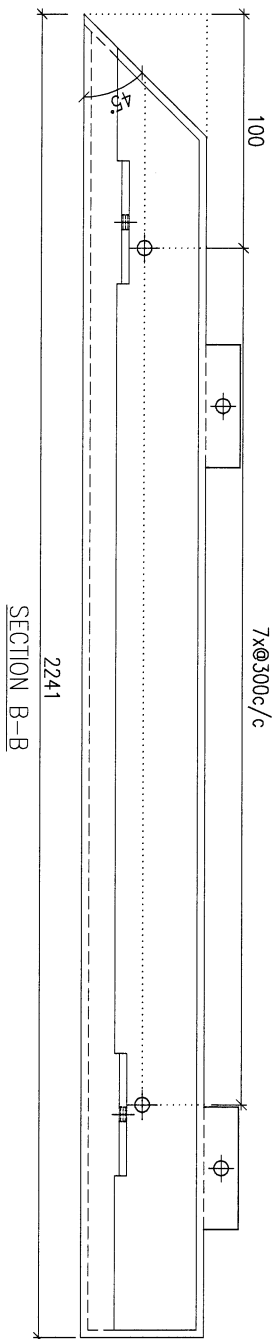
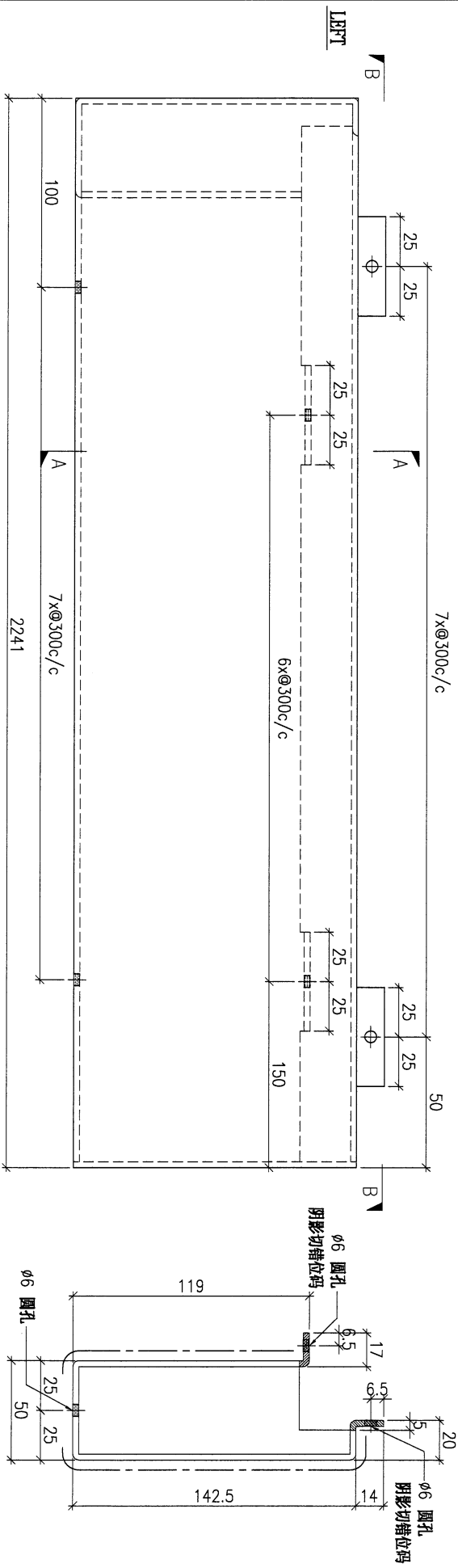
注：工厂用

注：工地复尺



DWG. NO.		REV.		SCALE		DATE		DRAWN BY		APPROVED BY	
FW1-AP121		-		-		22-03-2023		-		-	

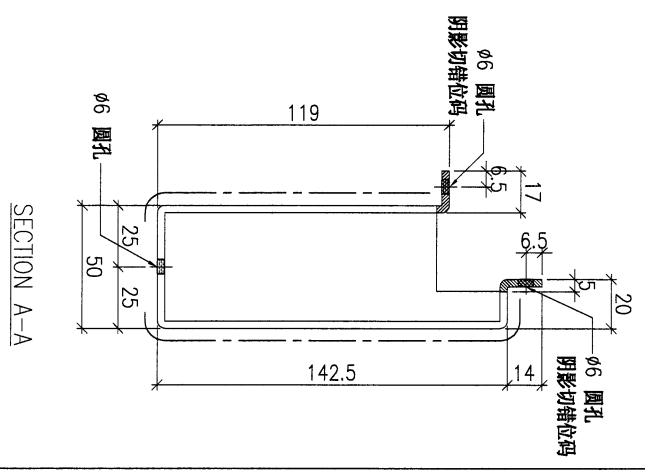
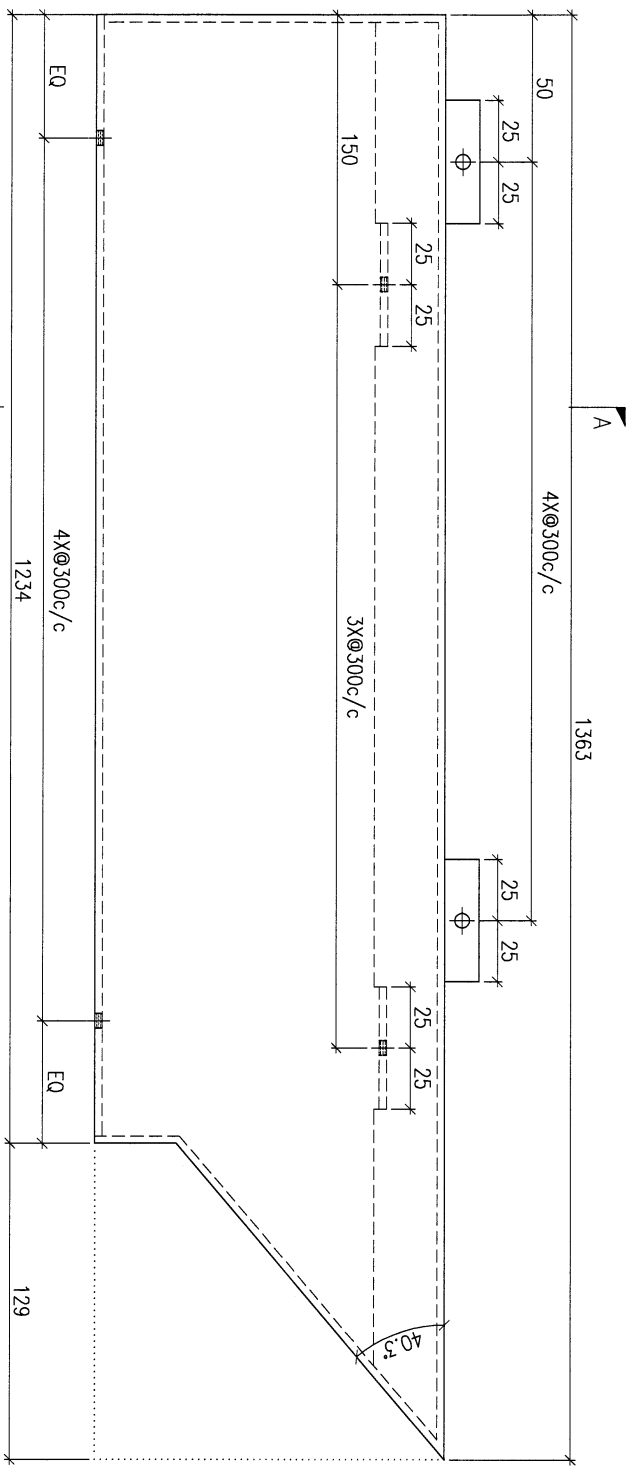
PROJECT				MATERIAL				COATING				COLOUR		MARK. NO.		QTY.	
YIN PING ROAD KOWLOON FEATURE WALL (PHASE 1)				3mm 铝板				PVF2				EC-DG-D334232-ZD1(SS-01)		-		-	
REV.	DESCRIPTION	PART NUMBER	Dim. A	Dim. B	Dim. C	Dim. D	Dim. E	Dim. F	Dim. G	Dim. H	QTY.	Inv. Code	ASSEMBLE ON PARTS				
-		FW1-AP123	-	-	-	-	-	-	-	-	1						
													注: 工厂用		注: 工地复尺		



DWG. NO.		REV.		SCALE		DATE		DRAWN BY		APPROVED BY	
FW1-AP123		-		-		22-03-2023		-		-	

18

PROJECT				MATERIAL				COATING		COLOUR		MARK. NO.	QTY.
YIN PING ROAD KOWLOON FEATURE WALL (PHASE 1)				3mm 铝板				PVF2		EC-DG-D334232-ZD1(SS-01)		-	-
REV.	CHANGED DATE	PART NUMBER	Dim. A	Dim. B	Dim. C	Dim. D	Dim. E	Dim. F	Dim. G	Dim. H	QTY.	Inv. Code	ASSEMBLE ON PARTS
-		FW1-AP125	-	-	-	-	-	-	-	-	1		
注: 工厂用													
注: 工地复尺													

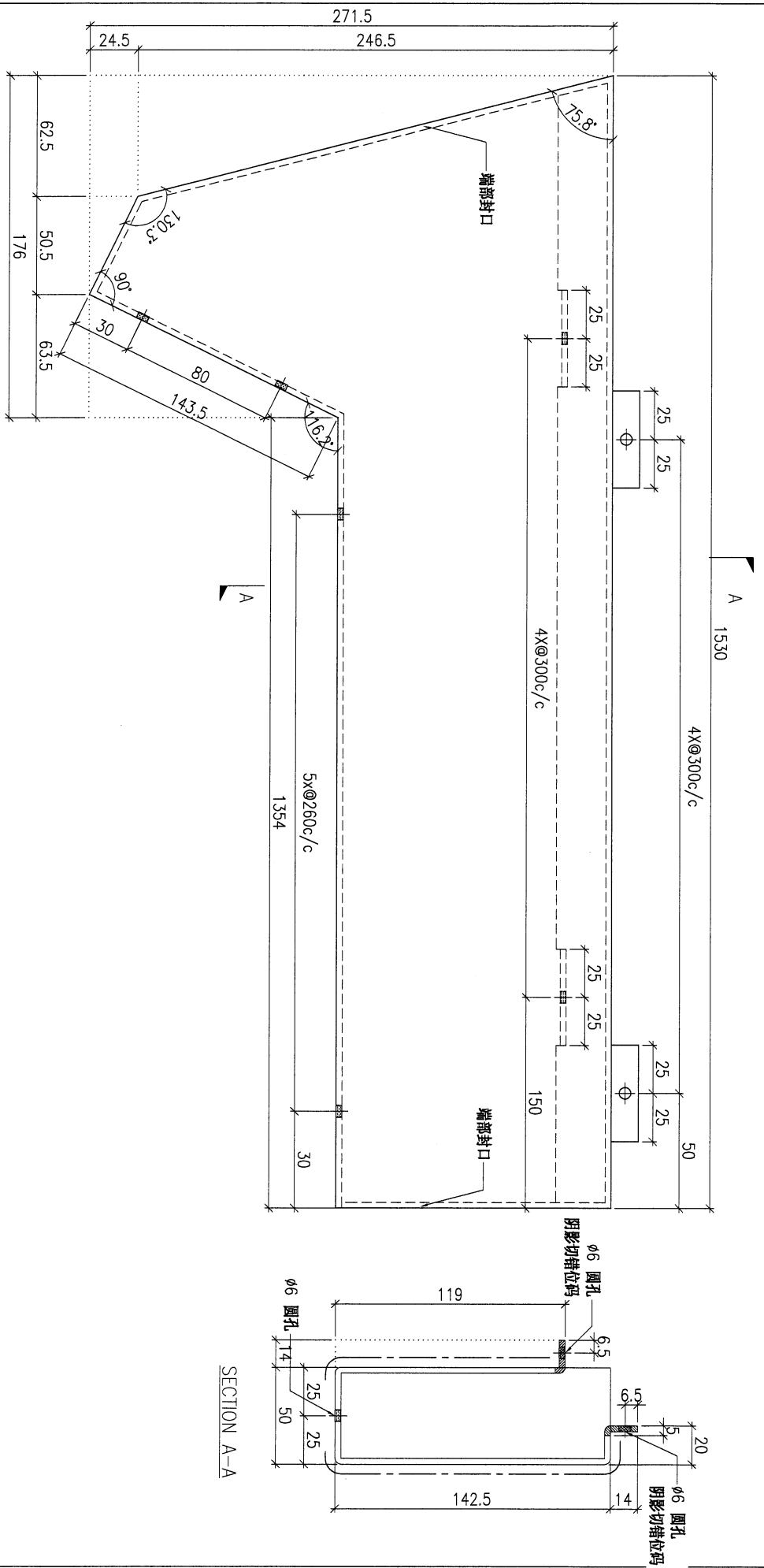


DWG. NO.		REV.		SCALE		DATE		DRAWN BY		APPROVED BY	
FW1-AP125		-		-		22-03-2023		-		-	

PROJECT				MATERIAL				COATING				COLOUR		MARK. NO.		QTY.	
YIN PING ROAD KOWLOON FEATURE WALL (PHASE 1)				3mm 铝板				PVF2				EC-DG-D334232-ZD1(SS-01)		-		-	
REV.	QTY	PART NUMBER	Dim. A	Dim. B	Dim. C	Dim. D	Dim. E	Dim. F	Dim. G	Dim. H	QTY.	Inv. Code	ASSEMBLE ON PARTS				
-	-	FW1-AP126	-	-	-	-	-	-	-	-	1	-					

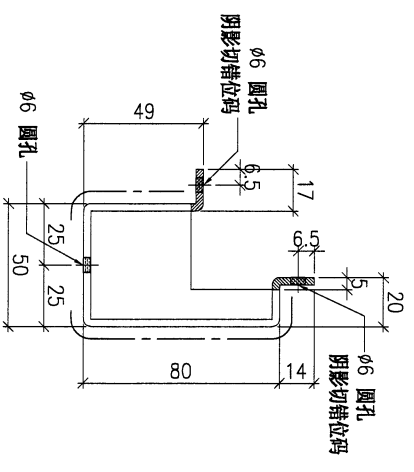
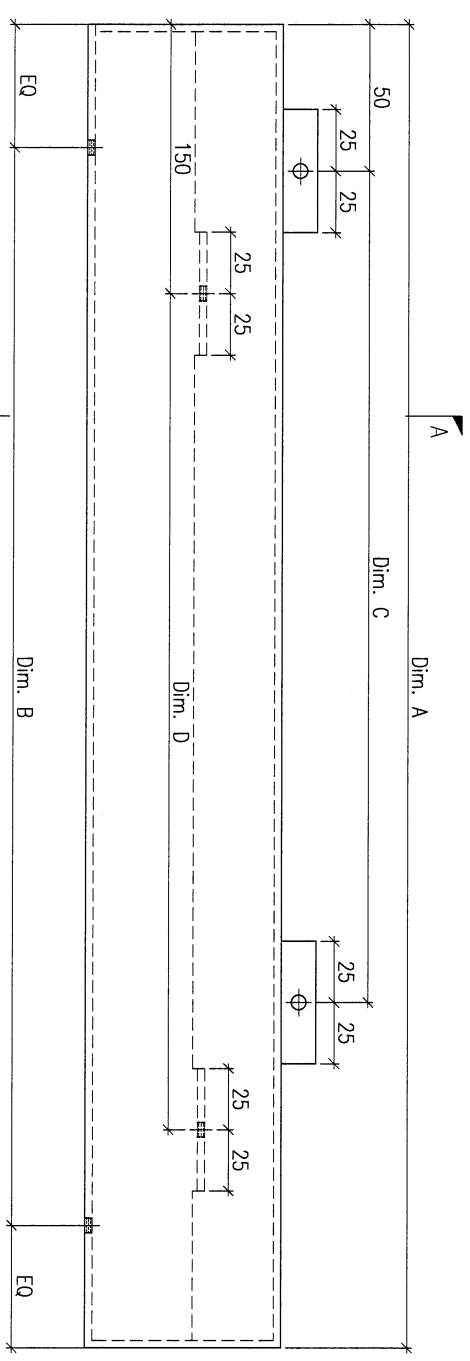
注：工厂用

注：工地复尺



DWG. NO.		REV.		SCALE		DATE		DRAWN BY		APPROVED BY	
FW1-AP126		-		-		22-03-2023		-		-	

PROJECT				MATERIAL				COATING				COLOUR		MARK. NO.		QTY.	
YIN PING ROAD KOWLOON FEATURE WALL (PHASE 1)				3mm 铝板				PVF2				EC-DG-D334232-ZD1(SS-01)		-		-	
REV.	DESCRIPTION	PART NUMBER	Dim. A	Dim. B	Dim. C	Dim. D	Dim. E	Dim. F	Dim. G	Dim. H	QTY.	Inv. Code	ASSEMBLE ON PARTS				
-		FW1-AP127	3350	11X@300c/d	10X@300c/d	40X@300c/d					1						
注：工厂用																	
注：工地复尺																	

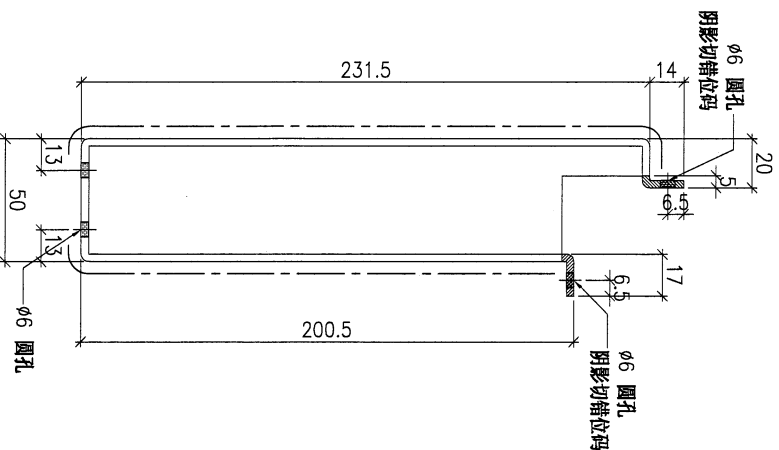
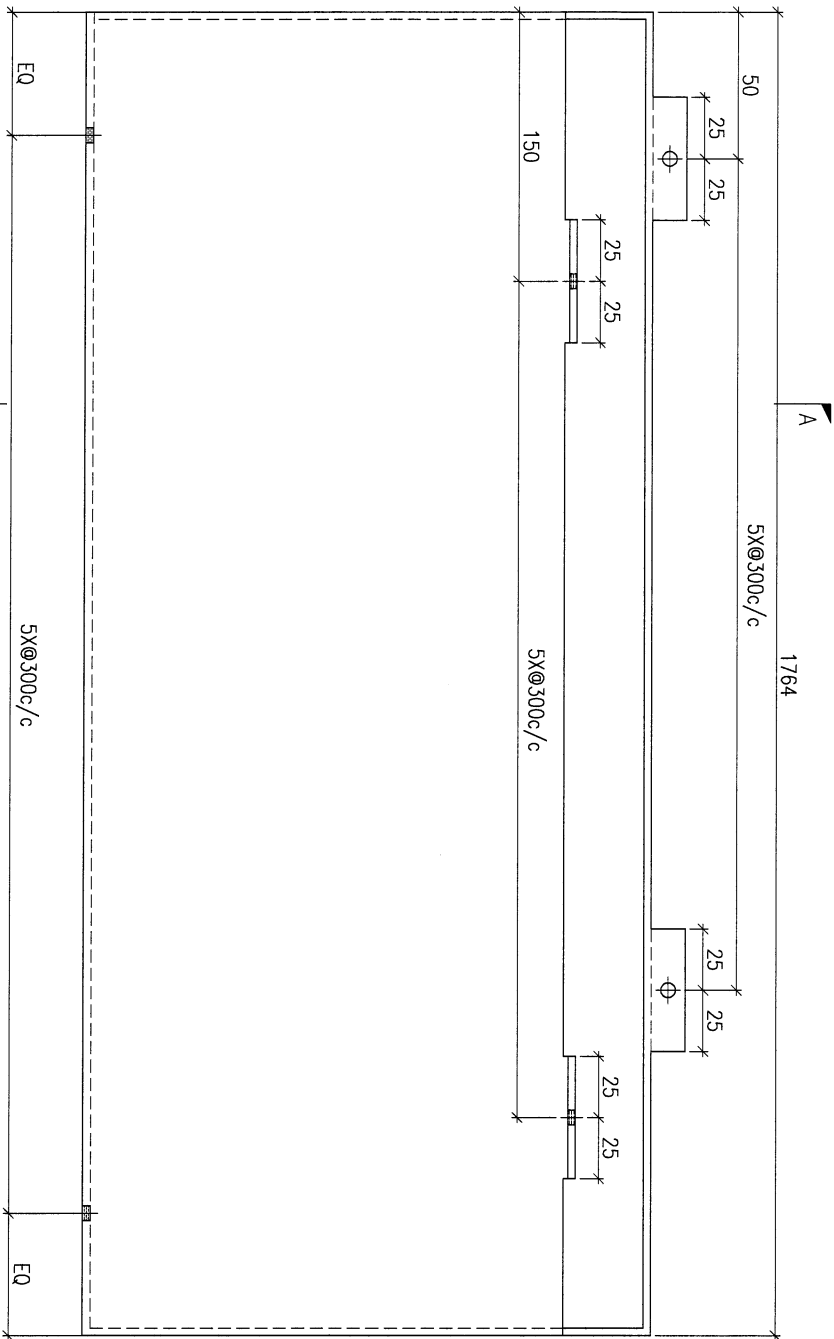


SECTION A-A

DWG. NO.		REV.		SCALE		DATE		DRAWN BY		APPROVED BY	
FW1-AP127		-		-		22-03-2023		-		-	

PROJECT				MATERIAL				COATING				COLOUR		MARK. NO.		QTY.	
YIN PING ROAD KOWLOON FEATURE WALL (PHASE 1)				3mm 铝板				PVF2				EC-DG-D334232-ZD1(SS-01)		-		-	
REV.	CHECKED DATE	PART NUMBER	Dim. A	Dim. B	Dim. C	Dim. D	Dim. E	Dim. F	Dim. G	Dim. H	QTY.	Inv. Code	ASSEMBLE ON PARTS				
-		FW1-AP128A	-	-	-	-	-	-	-	-	1						

注：工厂用
注：工地复尺

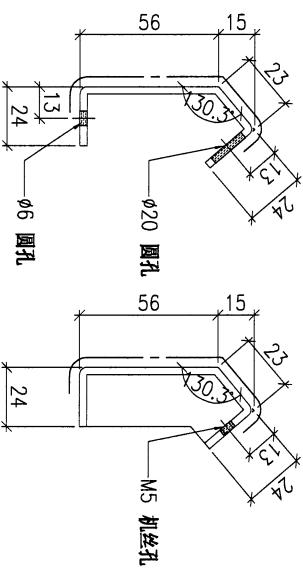
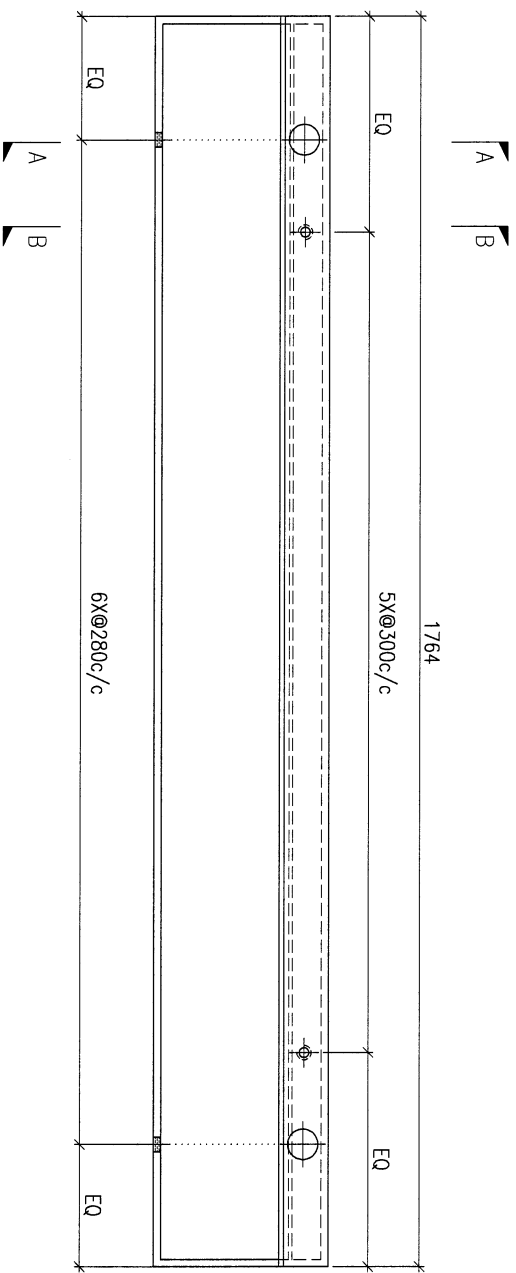


SECTION A-A

DWG. NO.	REV.	SCALE	DATE	DRAWN BY	APPROVED BY
FW1-AP128A	-	-	22-03-2023	-	-

PROJECT				MATERIAL				COATING				COLOUR				MARK. NO.		QTY.	
YIN PING ROAD KOWLOON FEATURE WALL (PHASE 1)				3mm 铝板				PVF2				EC-DG-D334232-ZD1(SS-01)				-		-	
REV.	CHANGED DATE BY	PART NUMBER	Dim. A	Dim. B	Dim. C	Dim. D	Dim. E	Dim. F	Dim. G	Dim. H	QTY.	Inv. Code	ASSEMBLE ON PARTS				-		
-		FW1-AP128B	-	-	-	-	-	-	-	-	1								

注：工厂用
注：工地复尺



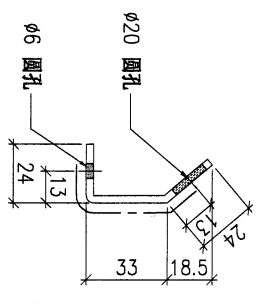
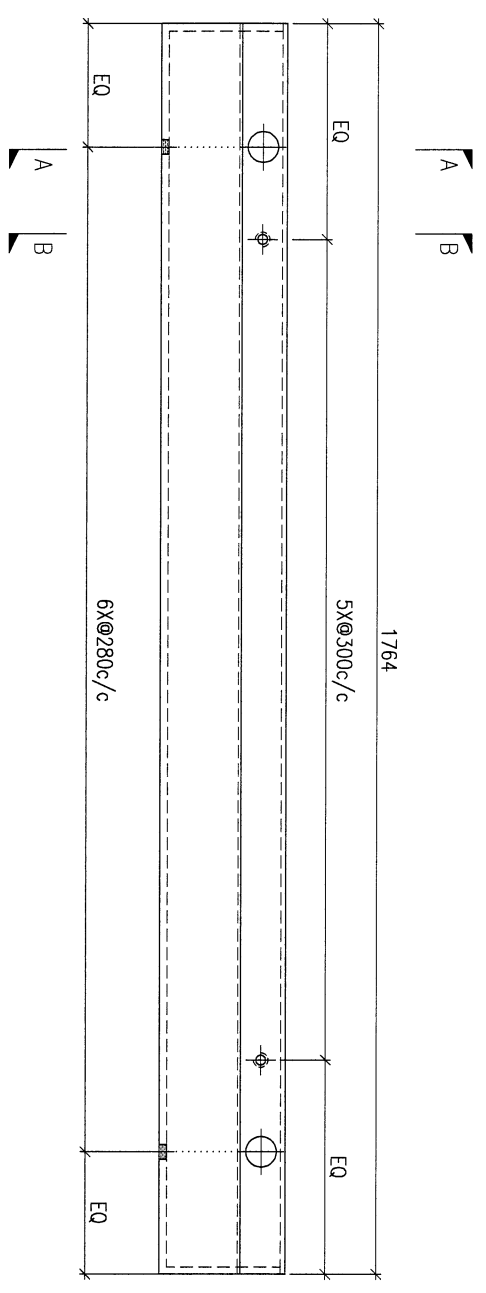
SECTION A-A

SECTION B-B

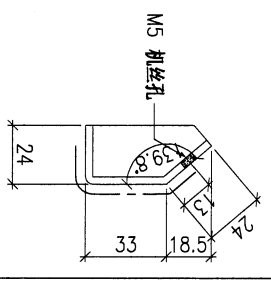
DWG. NO.		REV.		SCALE		DATE		DRAWN BY		APPROVED BY	
FW1-AP128B		-		-		22-03-2023		-		-	

PROJECT				MATERIAL				COATING				COLOUR				MARK. NO.		QTY.	
YIN PING ROAD KOWLOON FEATURE WALL (PHASE 1)				3mm 铝板				PVF2				EC-DG-D334232-ZD1(SS-01)				-		-	
REV.	CHECKED DATE	PART NUMBER	Dim. A	Dim. B	Dim. C	Dim. D	Dim. E	Dim. F	Dim. G	Dim. H	QTY.	Inv. Code	ASSEMBLE ON PARTS						
-		FW1-AP128C	-	-	-	-	-	-	-	-	1								

注：工厂用
注：工地复尺



SECTION A-A



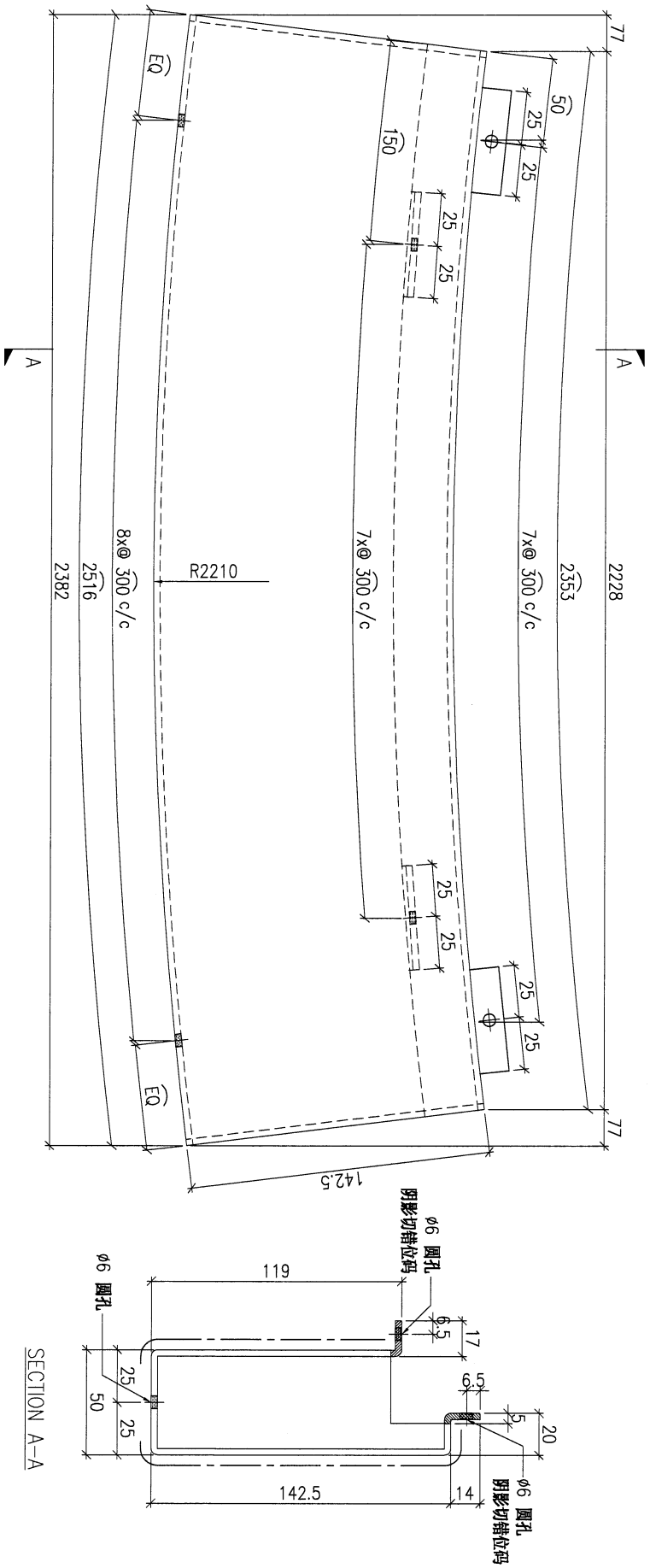
SECTION B-B

DWG. NO.	REV.	SCALE	DATE	DRAWN BY	APPROVED BY
FW1-AP128C	-	-	22-03-2023	-	-

PROJECT				MATERIAL				COATING		COLOUR		MARK. NO.	QTY.
YIN PING ROAD KOWLOON FEATURE WALL (PHASE 1)				3mm 铝板				PVF2		EC-DG-D334232-ZD1(SS-01)		-	-
REV.	CHANGED DATE	PART NUMBER	Dim. A	Dim. B	Dim. C	Dim. D	Dim. E	Dim. F	Dim. G	Dim. H	QTY.	Inv. Code	ASSEMBLE ON PARTS
-		FW1-AP129	-	-	-	-	-	-	-	-	2		

注：工厂用

注：工地复尺

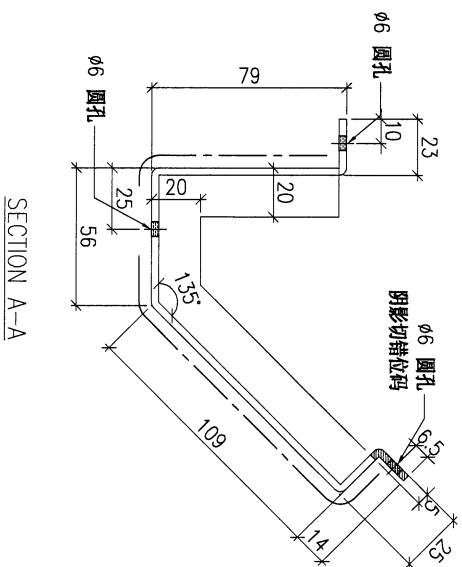
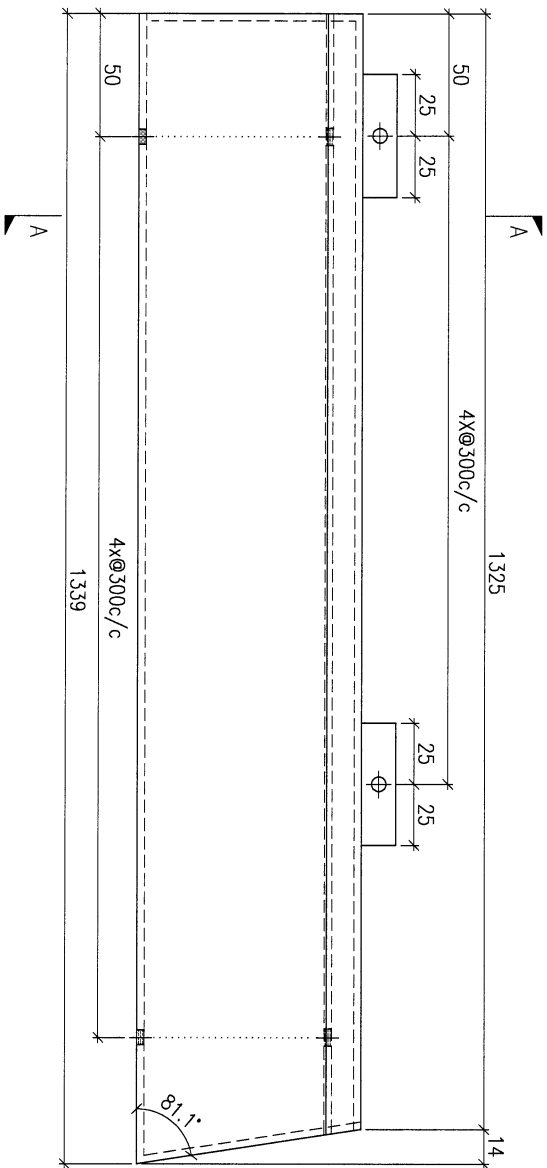


SECTION A-A

DWG. NO.	REV.	SCALE	DATE	DRAWN BY	APPROVED BY
FW1-AP129	-	-	22-03-2023	-	-

25

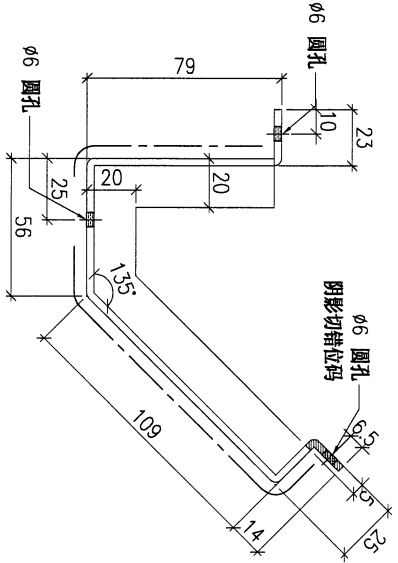
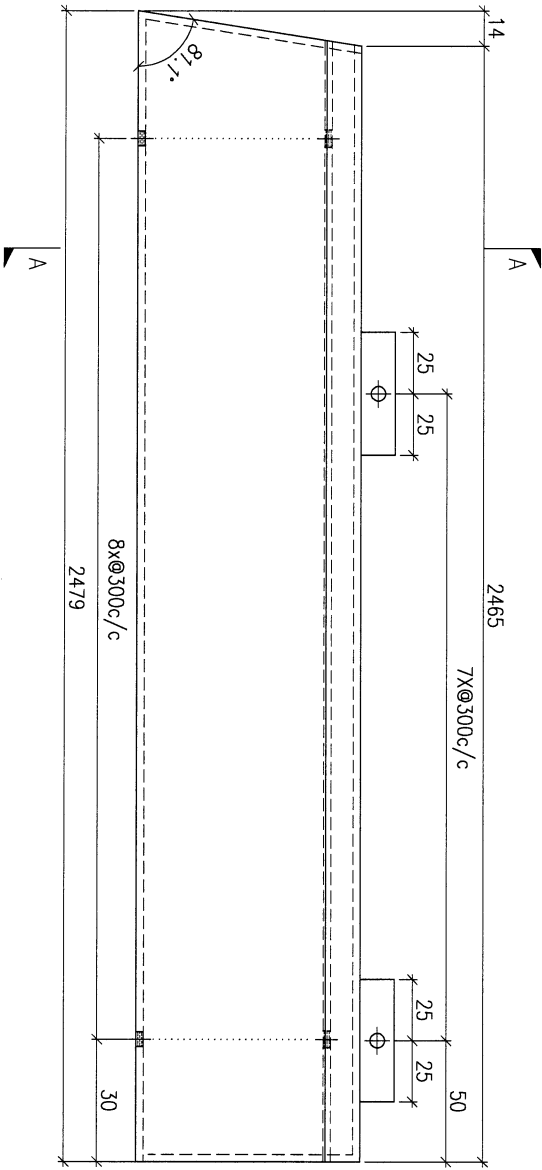
PROJECT				MATERIAL				COATING		COLOUR		MARK. NO.	QTY.
YIN PING ROAD KOWLOON FEATURE WALL (PHASE 1)				3mm 铝板				PVF2		EC-DG-D334232-ZD1(SS-01)		-	-
REV.	CHECKED DATE BY	PART NUMBER	Dim. A	Dim. B	Dim. C	Dim. D	Dim. E	Dim. F	Dim. G	Dim. H	QTY.	Inv. Code	ASSEMBLE ON PARTS
-		FW1-AP130	-	-	-						1		
												注: 工厂用	
												注: 工地复尺	



DWG. NO.	REV.	SCALE	DATE	DRAWN BY	APPROVED BY
FW1-AP130	-	-	22-03-2023	-	-

(26)

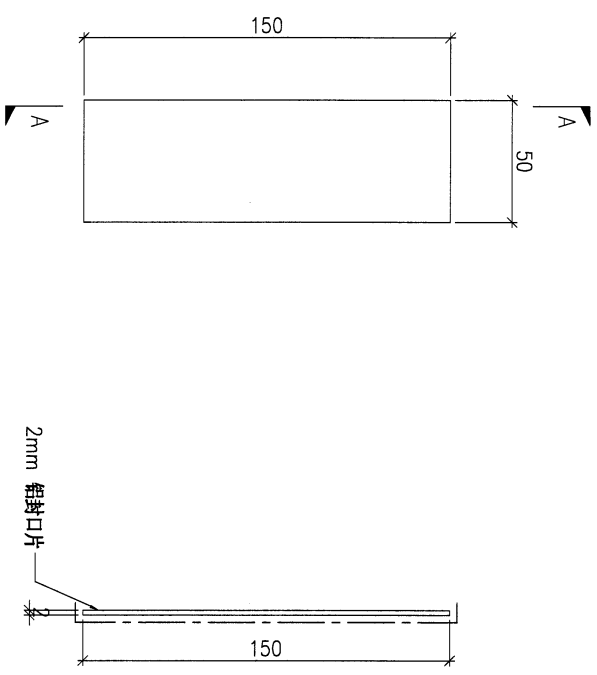
PROJECT				MATERIAL				COATING				COLOUR		MARK. NO.		QTY.	
YIN PING ROAD KOWLOON FEATURE WALL (PHASE 1)				3mm 铝板				PVF2				EC-DG-D334232-ZD1(SS-01)		-		-	
REV.	DESCRIPTION	PART NUMBER	Dim. A	Dim. B	Dim. C	Dim. D	Dim. E	Dim. F	Dim. G	Dim. H	QTY.	Inv. Code	ASSEMBLE ON PARTS				
-		FW1-AP131	-	-	-	-	-	-	-	-	1						
													注: 工厂用		注: 工地复尺		



SECTION A-A

DWG. NO.		REV.		SCALE		DATE		DRAWN BY		APPROVED BY	
FW1-AP131		-		-		22-03-2023		-		-	

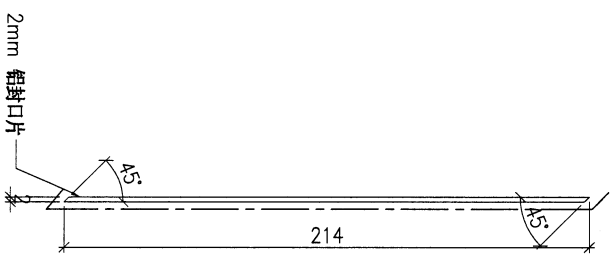
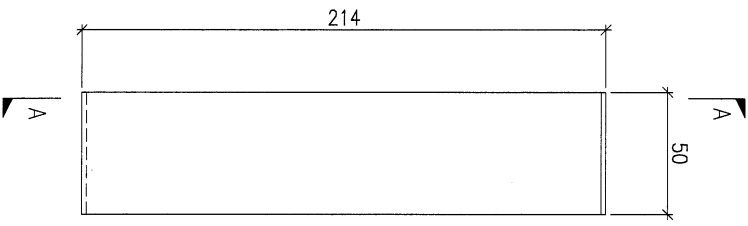
PROJECT				MATERIAL				COATING				COLOUR				MARK. NO.		QTY.	
YIN PING ROAD KOWLOON FEATURE WALL (PHASE 1)				2mm 铅封口片				PVF2				EC-DG-0334232-ZD1(SS-01)				-		-	
REV.	CHECKED DATE BY	PART NUMBER	Dim. A	Dim. B	Dim. C	Dim. D	Dim. E	Dim. F	Dim. G	Dim. H	QTY.	Inv. Code	ASSEMBLE ON PARTS				注: 工厂用		
-		FKP-M21	-	-	-						35								



SECTION A-A

DWG. NO.		REV.		SCALE		DATE		DRAWN BY		APPROVED BY	
FKP-M21		-		-		22-03-2023		-		-	

PROJECT				MATERIAL				COATING				COLOUR				MARK. NO.				QTY.											
YIN PING ROAD KOWLOON FEATURE WALL (PHASE 1)												2mm 铝封口片				PVF2				EC-DG-D334232-ZD1(SS-01)				-				-			
REV.	CHANGED DATE BY	PART NUMBER	Dim. A	Dim. B	Dim. C	Dim. D	Dim. E	Dim. F	Dim. G	Dim. H	QTY.	Inv. Code	ASSEMBLE ON PARTS				注: 工厂用														
-		FKP-M22	-	-	-	-	-	-	-	-	3																				



SECTION A-A

DWG. NO.	FKP-M22	REV.	-	SCALE	-	DATE	22-03-2023	DRAWN BY	-	APPROVED BY	-
----------	---------	------	---	-------	---	------	------------	----------	---	-------------	---

PROJECT
YIN PING ROAD KOWLOON
FEATURE WALL (PHASE 1)

MATERIAL
2mm 铝驳接片

COATING
铬化

COLOUR
-

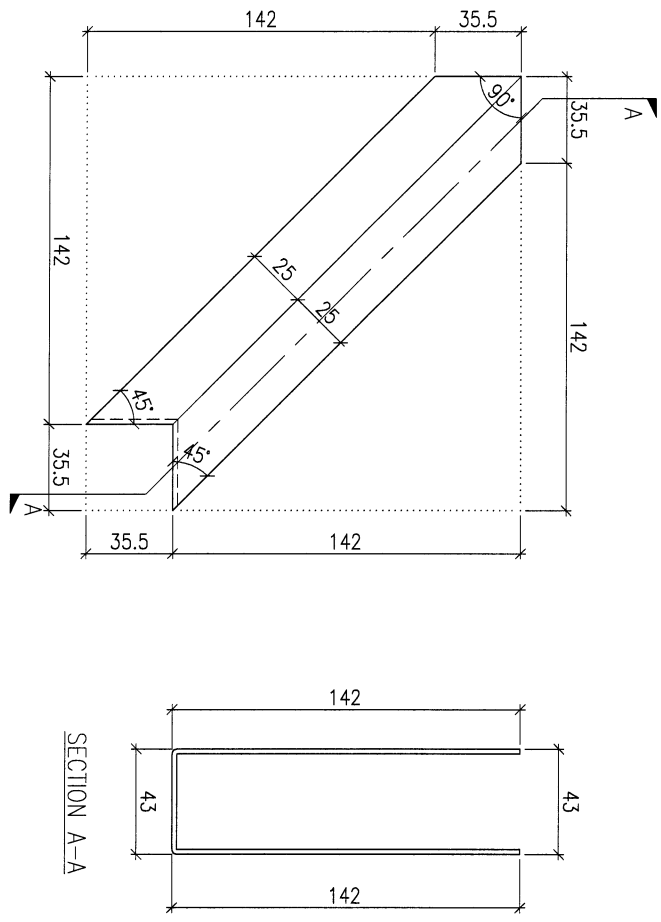
MARK. NO.
-

QTY.
-

ASSEMBLE ON PARTS

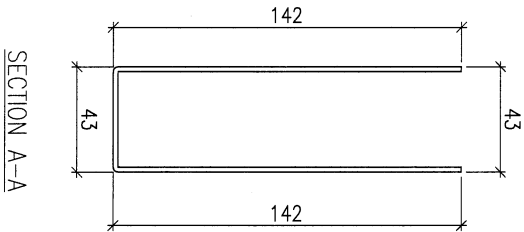
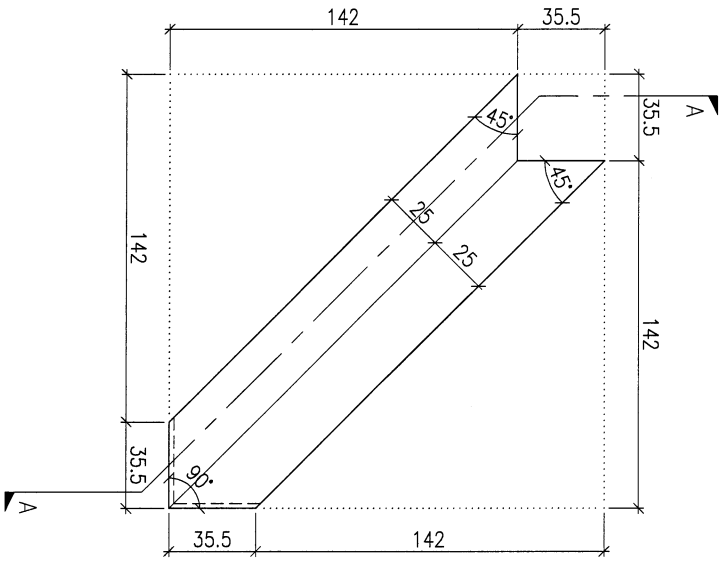
注: 工厂用

REV. / CHECKED BY	PART NUMBER	Dim. A	Dim. B	Dim. C	Dim. D	Dim. E	Dim. F	Dim. G	Dim. H	QTY.	Inv. Code
-	FKP-M23	-	-	-	-	-	-	-	-	1	



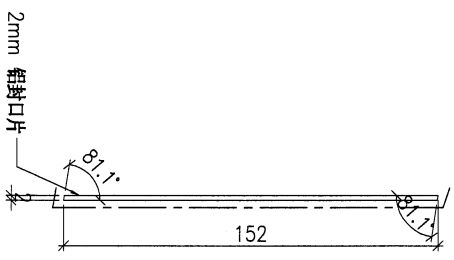
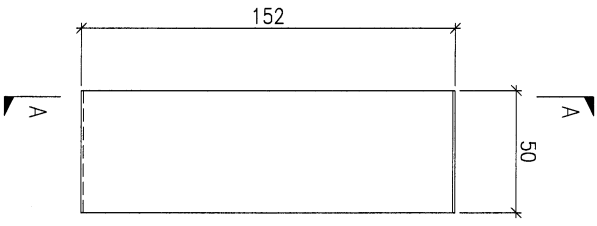
DWG. NO.	FKP-M23	REV.	-	SCALE	-	DATE	22-03-2023	DRAWN BY	-	APPROVED BY	-
----------	---------	------	---	-------	---	------	------------	----------	---	-------------	---

PROJECT				MATERIAL				COATING		COLOUR		MARK. NO.		QTY.	
YIN PING ROAD KOWLOON FEATURE WALL (PHASE 1)				2mm 铝套芯				铬化		-		-		-	
REV.	CHECKED DATE BY	PART NUMBER	Dim. A	Dim. B	Dim. C	Dim. D	Dim. E	Dim. F	Dim. G	Dim. H	QTY.	Inv. Code	ASSEMBLE ON PARTS		
-		FKP-M24	-	-	-	-	-	-	-	-	1				
													注: 工厂用		



DWG. NO.		REV.		SCALE		DATE		DRAWN BY		APPROVED BY	
FKP-M24		-		-		22-03-2023		-		-	

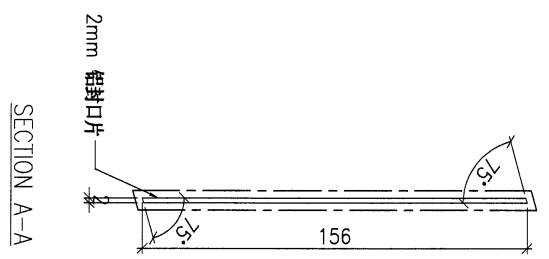
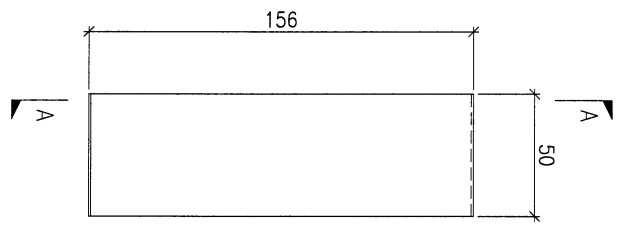
PROJECT				MATERIAL				COATING				COLOUR		MARK. NO.		QTY.	
YIN PING ROAD KOWLOON FEATURE WALL (PHASE 1)				2mm 铝封口片				PVF2				EC-DG-0334232-ZD1(SS-01)		-		-	
REV.	CHANGED DATE BY	PART NUMBER	Dim. A	Dim. B	Dim. C	Dim. D	Dim. E	Dim. F	Dim. G	Dim. H	QTY.	Inv. Code	ASSEMBLE ON PARTS				
-		FKP-M25	-	-	-						4						
注: 工厂用																	



SECTION A-A

DWG. NO.		REV.		SCALE		DATE		DRAWN BY		APPROVED BY	
FKP-M25		-		-		22-03-2023		-		-	

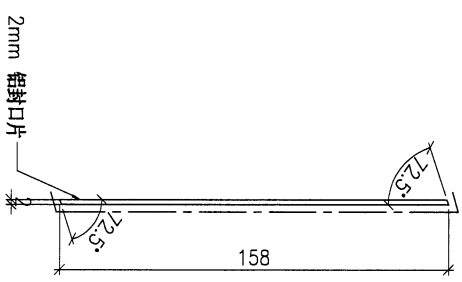
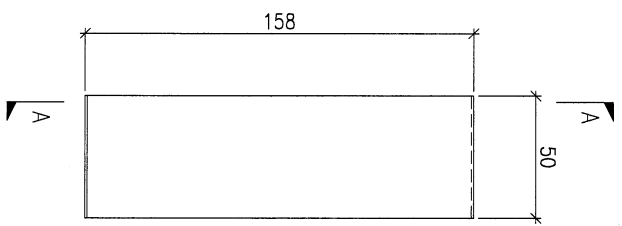
PROJECT				MATERIAL				COATING				COLOUR				MARK: NO.				QTY.											
YIN PING ROAD KOWLOON FEATURE WALL (PHASE 1)												2mm 铝封口片				PVF2				EC-DG-D334232-ZD1(SS-01)				-				-			
REV.	CHECKED	PART NUMBER	Dim. A	Dim. B	Dim. C	Dim. D	Dim. E	Dim. F	Dim. G	Dim. H	QTY.	Inv. Code	ASSEMBLE ON PARTS																		
-	---	FKP-M26	-	-	-	-	-	-	-	-	4	-	注: 工厂用																		



DWG. NO.		REV.		SCALE		DATE		DRAWN BY		APPROVED BY	
FKP-M26		-		-		22-03-2023		-		-	

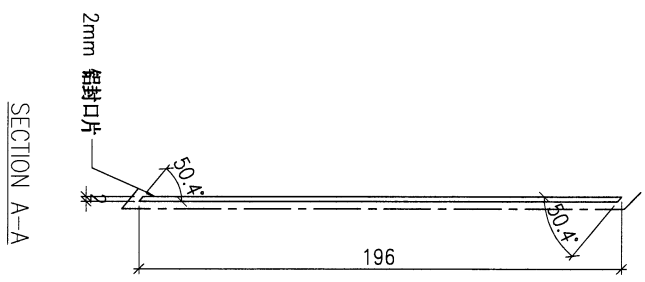
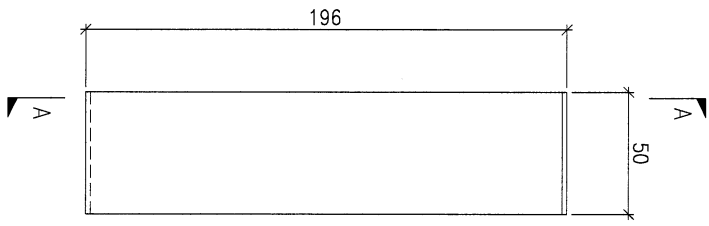
33

PROJECT				MATERIAL				COATING				COLOUR				MARK. NO.		QTY.	
YIN PING ROAD KOWLOON FEATURE WALL (PHASE 1)				2mm 铝封口片				PVF2				EC-DG-D334232-ZD1(SS-01)				-		-	
REV.	CHECKED DATE BY	PART NUMBER	Dim. A	Dim. B	Dim. C	Dim. D	Dim. E	Dim. F	Dim. G	Dim. H	QTY.	Inv. Code	ASSEMBLE ON PARTS				注: 工厂用		
-		FKP-M27	-	-	-						2								



DWG. NO.		REV.		SCALE		DATE		DRAWN BY		APPROVED BY	
FKP-M27		-		-		22-03-2023		-		-	

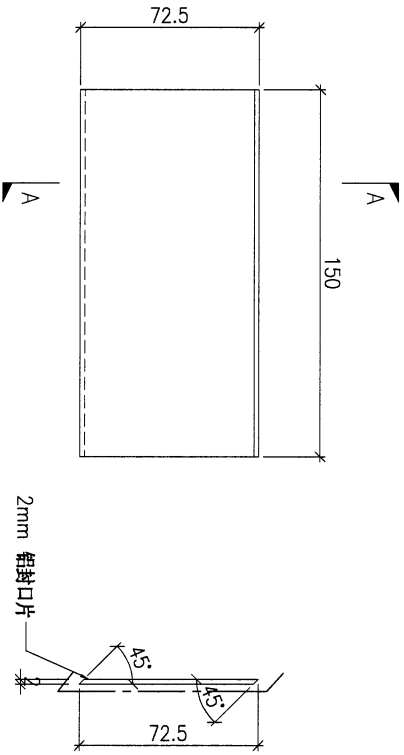
PROJECT				MATERIAL				COATING				COLOUR				MARK. NO.		QTY.	
YIN PING ROAD KOWLOON FEATURE WALL (PHASE 1)				2mm 铝封口片				PVF2				EC-DG-D334232-ZD1(SS-01)				-		-	
REV.	CHECKED DATE	PART NUMBER	Dim. A	Dim. B	Dim. C	Dim. D	Dim. E	Dim. F	Dim. G	Dim. H	QTY.	Inv. Code	ASSEMBLE ON PARTS				注: 工厂用		
-		FKP-M28	-	-	-	-	-	-	-	-	2								



SECTION A-A

DWG. NO.	REV.	SCALE	DATE	DRAWN BY	APPROVED BY
FKP-M28	-	-	22-03-2023	-	-

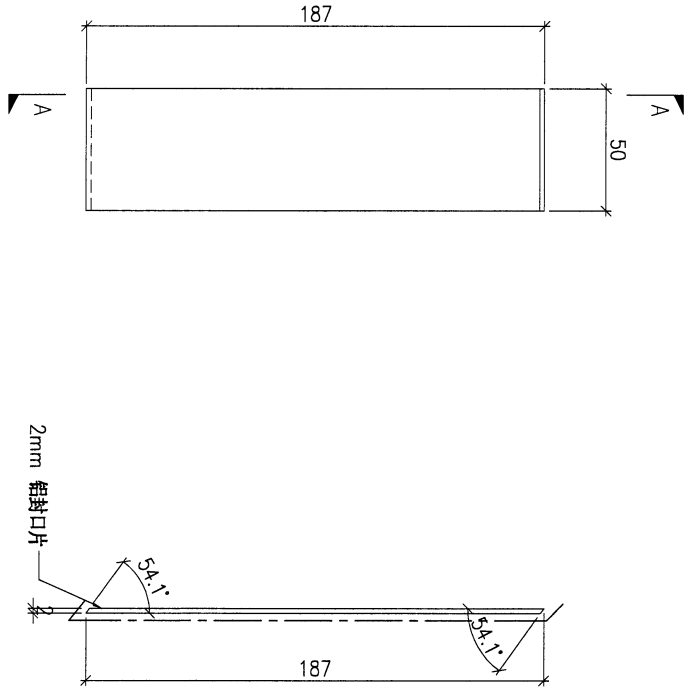
PROJECT				MATERIAL				COATING				COLOUR				MARK. NO.		QTY.	
YIN PING ROAD KOWLOON FEATURE WALL (PHASE 1)				2mm 铝封口片				PVF2				EC-DG-D334232-ZD1(SS-01)				-		-	
REV.	DISC'D REV. BY	PART NUMBER	Dim. A	Dim. B	Dim. C	Dim. D	Dim. E	Dim. F	Dim. G	Dim. H	QTY.	Inv. Code	ASSEMBLE ON PARTS				注: 工厂用		
-		FKP-M29	-	-	-						2								



SECTION A-A

DWG. NO.		REV.		SCALE		DATE		DRAWN BY		APPROVED BY	
FKP-M29		-		-		22-03-2023		-		-	

PROJECT				MATERIAL				COATING		COLOUR		MARK. NO.		QTY.	
YIN PING ROAD KOWLOON FEATURE WALL (PHASE 1)				2mm 鋸封口片				PVF2		EC-DG-D334232-ZD1(SS-01)		-		-	
REV.	CHECKED DATE BY	PART NUMBER	Dim. A	Dim. B	Dim. C	Dim. D	Dim. E	Dim. F	Dim. G	Dim. H	QTY.	Inv. Code	ASSEMBLE ON PARTS		
-		FKP-M30	-	-	-	-	-	-	-	-	1				
													注: 工厂用		



SECTION A-A

DWG. NO.		REV.		SCALE		DATE		DRAWN BY		APPROVED BY	
FKP-M30		-		-		22-03-2023		-		-	

