

工程指示 / 要求簡箋 ENGINEER INSTRUCTIONS (E.I.)

工程指示編號:	EI- 6470	修改版本:	-
	HK-1552		
工程編號:	J 853	工程名稱:	延坪道
收件人:	生統	發件人:	Joe Chan
工程項目:	Feature Wall 地盤用 組合鋁板 (第3批)	日期:	10/07/2023

<input checked="" type="checkbox"/> 原合約工程包	<input type="checkbox"/> 原合約工程加 / 減賬 QT-	<input type="checkbox"/> 新工程報價 QT-
--	--	------------------------------------

信件批核號碼/圖紙參考編號:	批核模具圖紙編號:
客戶指示附件:	管理內部批簽署:

<input type="checkbox"/> 初步鋁料 B.M.	<input type="checkbox"/> 加工拆圖, 然後生產	<input type="checkbox"/> 尺寸表
<input type="checkbox"/> 正式鋁料 B.M.	<input type="checkbox"/> 技術上資料/指示	<input type="checkbox"/> 報價
<input type="checkbox"/> 配件 B.M.	<input type="checkbox"/> 樣辦或貨品說明書	<input type="checkbox"/> 分判合約
<input type="checkbox"/> 其他:		

內容: 請依附件資料, 生產組合板, 送地盤。
(特別位用轉曲位置) (145張)

急

完成上列要求日期: 10/7/2023 ASAP

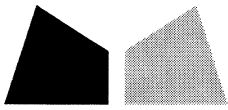
國內

<input type="checkbox"/> 生產技術總監	<input type="checkbox"/> 連附件	<input type="checkbox"/> 技術部	<input type="checkbox"/> 連附件	<input type="checkbox"/> 生產部	<input type="checkbox"/> 連附件
<input type="checkbox"/> 採購部	<input type="checkbox"/> 連附件	<input checked="" type="checkbox"/> 生產統籌部	<input checked="" type="checkbox"/> 連附件	<input type="checkbox"/> 報關組	<input type="checkbox"/> 連附件
<input type="checkbox"/> 質檢部	<input type="checkbox"/> 連附件	<input type="checkbox"/> 會計部	<input type="checkbox"/> 連附件	<input type="checkbox"/> 機械設計部	<input type="checkbox"/> 連附件
<input type="checkbox"/> 香港辦	<input type="checkbox"/> 連附件	<input type="checkbox"/> 其他:			

香港

<input type="checkbox"/> 行政部	<input type="checkbox"/> 連附件	<input type="checkbox"/> 會計部	<input type="checkbox"/> 連附件	<input type="checkbox"/> 統籌部	<input type="checkbox"/> 連附件	<input type="checkbox"/> 工程部	<input type="checkbox"/> 連附件
<input type="checkbox"/> 採購部	<input type="checkbox"/> 連附件	<input type="checkbox"/> QS部	<input type="checkbox"/> 連附件	<input checked="" type="checkbox"/> 地盤管理	<input checked="" type="checkbox"/> 連附件	<input type="checkbox"/> 維修部	<input type="checkbox"/> 連附件

*發件人簽署:		*組別成員批核簽署:	
傳遞編號:	HK 1552/23	項目經理簽署:	



鋁材開料總表

工程號碼: J853 工程名稱: 延坪道

序號	鋁料編號	名稱	表面處理		開料長度	實用長料總數量		浪費率(%)
			顏色	層厚		支數	長度	
1	JMFG0078				6000	9	54000	6.62

送至: _____

由: _____

日期: _____

簡短說明: _____

共2頁 第1頁

打印日期: 10/7/2023 打印時間: 17:20

工程號碼: J853, 工程名稱: 延坪道

開料長度: 6000, 總長料支數: 9, 總開料支數: 28

鋸片厚度(mm): 4, 料頭尾總切除(mm): 20, 浪費率(%): 6.62

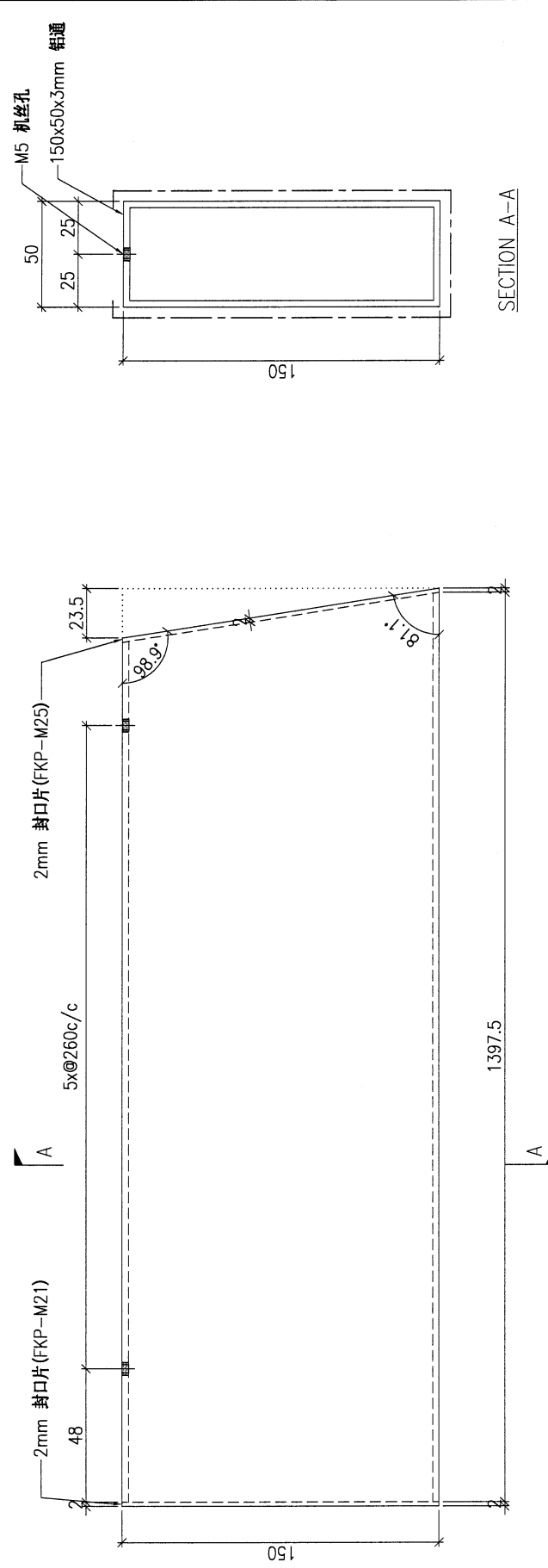
鋁材開料清單 JMFG0078

窗號	編號(用料狀況)	實用長度(長料開數)	需要 支數	開料 支數	長料 支數	餘料 支數	編號(剩餘長度)
AL-M15B	1	3553.0	1	1			2423
AL-M27	2	3346.0	1	1			2630
AL-M22A	3	3204.5	1	1			2771.5
AL-M11	4	2537.5	1	1			3438.5
AL-M23	5	2236.0	1	1			3740
AL-M18	6	2182.0	1	1			3794
AL-M20	7	1934.5	1	1			4041.5
AL-M28	8	1760.0	1	1			4216
AL-M30	9	1338.5	1	1			4637.5
AL-M29	3	2682.0	1	1			85.5
AL-M24	2	2578.0	1	1			48
AL-M31	4	2498.0	1	1			936.5
AL-M16A	1	2268.0	1	1			151
AL-M15C	5	2205.0	1	1			1531
AL-M15A	6	2175.0	1	1			1615
AL-M13	7	1845.0	1	1			2192.5
AL-M16B	7	1819.0	1	1			369.5
AL-M22B	8	1636.0	1	1			2576
AL-M10	5	1397.5	1	1			129.5
AL-M17	6	1396.5	1	1			214.5
AL-M26-1	8	1351.5	1	1			1220.5
AL-M25	9	1230.0	1	1			3403.5
AL-M16C	4	783.0	1	1			149.5
AL-M14	8	650.0	1	1			566.5
AL-M19	9	630.5	1	1			2769
AL-M12	8	460.0	1	1			102.5
AL-M21	7	292.5	1	1			73
AL-M26-2	1	141.5	1	1			5.5

5

PROJECT		YIN PING ROAD KOWLOON FEATURE WALL (PHASE 1)				MATERIAL				铝通加工图(JMFG0078)				COATING		PVF2		COLOUR		JMQ213457(SS-01)		MARK. NO.		-		QTY.		-	
REV.	CHECKED DATE	PART NUMBER	Dim. A	Dim. B	Dim. C	Dim. D	Dim. E	Dim. F	Dim. G	Dim. H	QTY.	Inv. Code	ASSEMBLE ON PARTS																
-		AL-M10	-	-	-	-	-	-	-	-	1																		

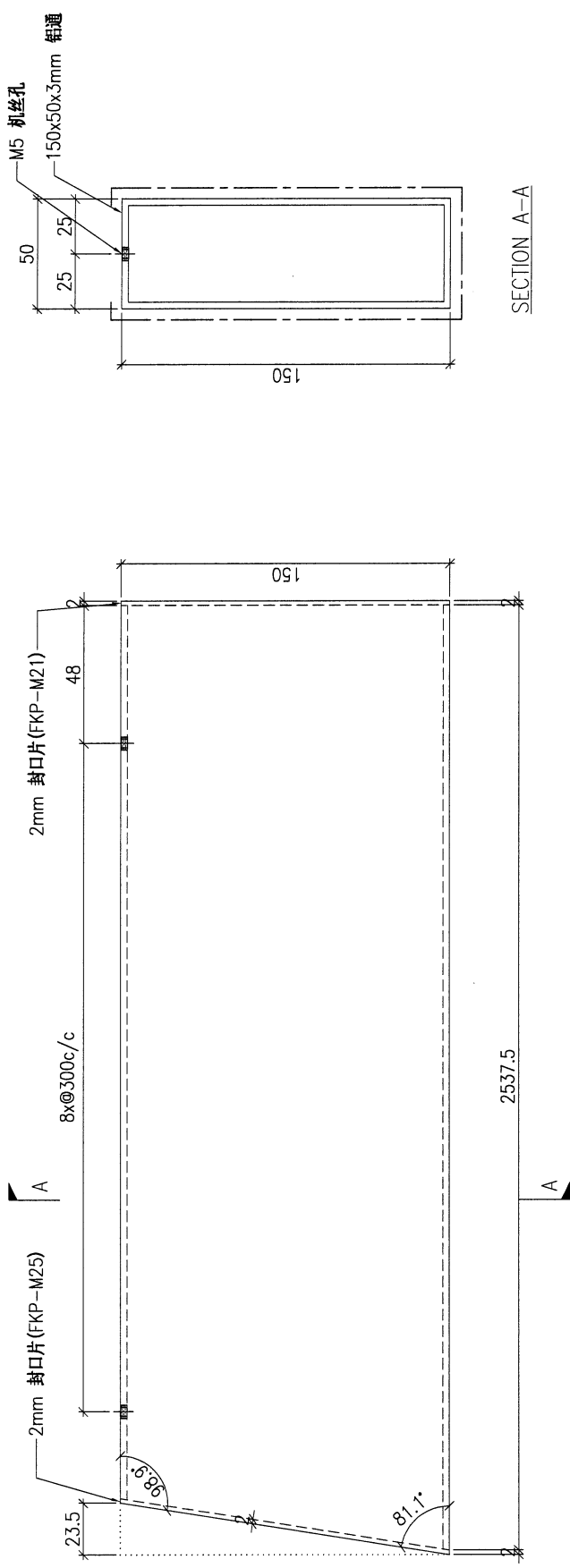
														注: 工厂用													
--	--	--	--	--	--	--	--	--	--	--	--	--	--	--------	--	--	--	--	--	--	--	--	--	--	--	--	--



DWG. NO.		AL-M10		REV.		-		SCALE		-		DATE		22-03-2023		DRAWN BY		-		APPROVED BY		-	
----------	--	--------	--	------	--	---	--	-------	--	---	--	------	--	------------	--	----------	--	---	--	-------------	--	---	--

PROJECT		YIN PING ROAD KOWLOON FEATURE WALL (PHASE 1)		MATERIAL		铝通加工图(JMFG0078)		COATING		PVF2		COLOUR		JM0213457(SS-01)		MARK. NO.		-		QTY.		-	
---------	--	--	--	----------	--	-----------------	--	---------	--	------	--	--------	--	------------------	--	-----------	--	---	--	------	--	---	--

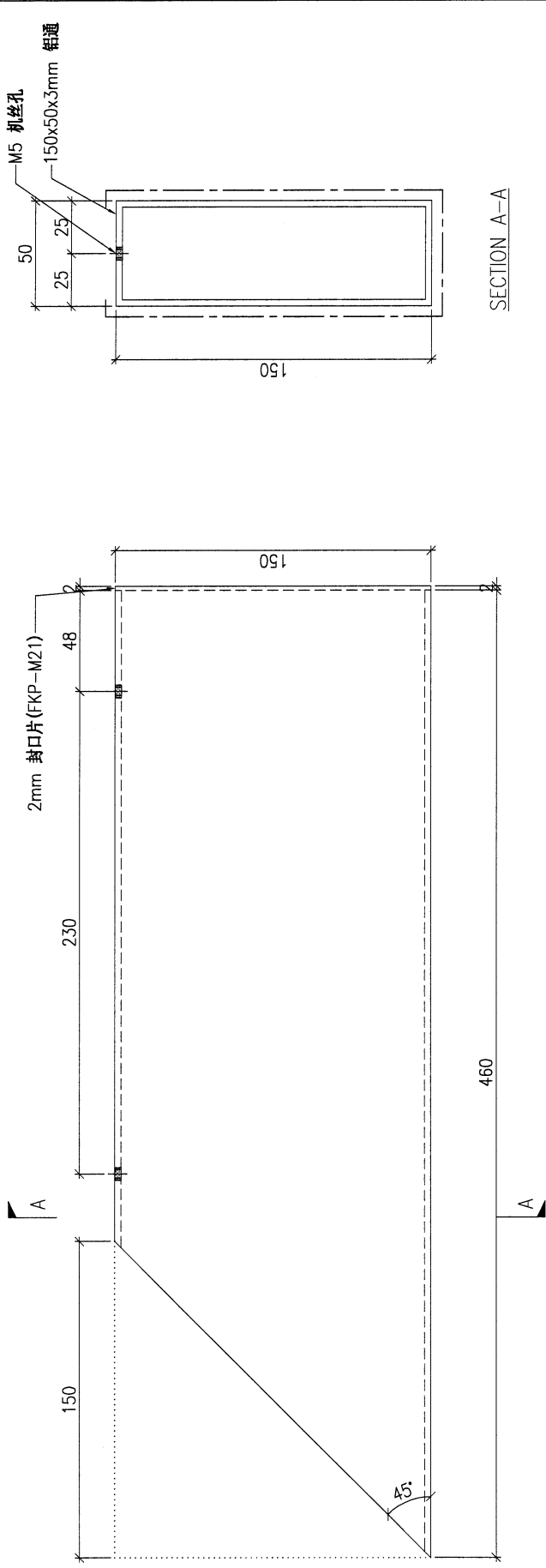
REV.	CHANGED FOR	PART NUMBER	Dim. A	Dim. B	Dim. C	Dim. D	Dim. E	Dim. F	Dim. G	Dim. H	QTY.	Inv. Code	ASSEMBLE ON PARTS									
-		AL-M11	-	-	-	-	-	-	-	-	1		注: 工厂用									



DWG. NO.	AL-M11	REV.	-	SCALE	-	DATE	22-03-2023	DRAWN BY	-	APPROVED BY	-
----------	--------	------	---	-------	---	------	------------	----------	---	-------------	---

PROJECT		YIN PING ROAD KOWLOON FEATURE WALL (PHASE 1)				MATERIAL				铅通加工图(JMFG0078)		COATING		PVF2		COLOUR		JMQ213457(SS-01)		MARK. NO.		-		QTY.		-	
---------	--	--	--	--	--	----------	--	--	--	-----------------	--	---------	--	------	--	--------	--	------------------	--	-----------	--	---	--	------	--	---	--

REV.	CHECKED	DWG. BY	PART NUMBER	Dim. A	Dim. B	Dim. C	Dim. D	Dim. E	Dim. F	Dim. G	Dim. H	QTY.	Inv. Code	ASSEMBLE ON PARTS												
-			AL-M12	-	-	-	-	-	-	-	-	1		注: 工厂用												

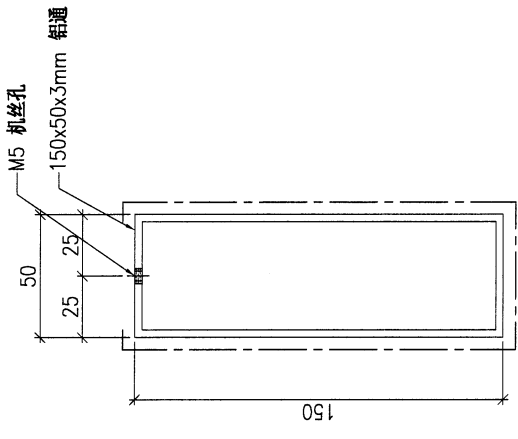
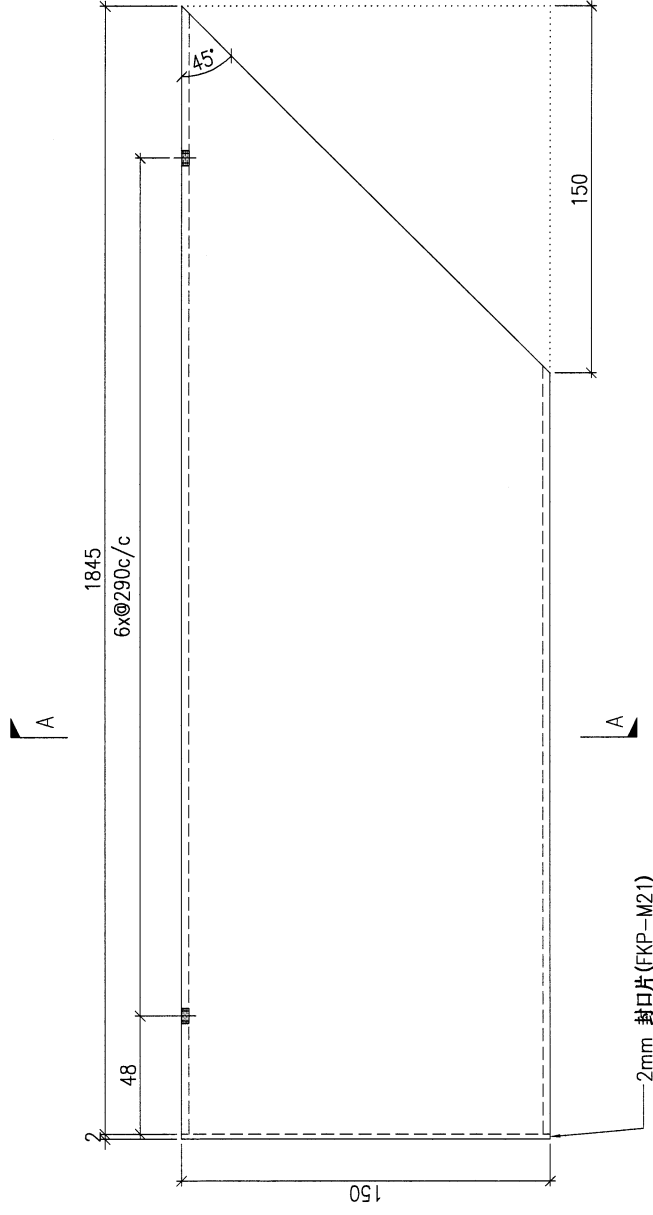


DWG. NO.	AL-M12	REV.	-	SCALE	-	DATE	22-03-2023	DRAWN BY	-	APPROVED BY	-
----------	--------	------	---	-------	---	------	------------	----------	---	-------------	---



PROJECT		YIN PING ROAD KOWLOON FEATURE WALL (PHASE 1)				MATERIAL				铝通加工图(JMFG0078)		COATING		PVF2		COLOUR		JMQ213457(SS-01)		MARK. NO.		-		QTY.		-	
---------	--	--	--	--	--	----------	--	--	--	-----------------	--	---------	--	------	--	--------	--	------------------	--	-----------	--	---	--	------	--	---	--

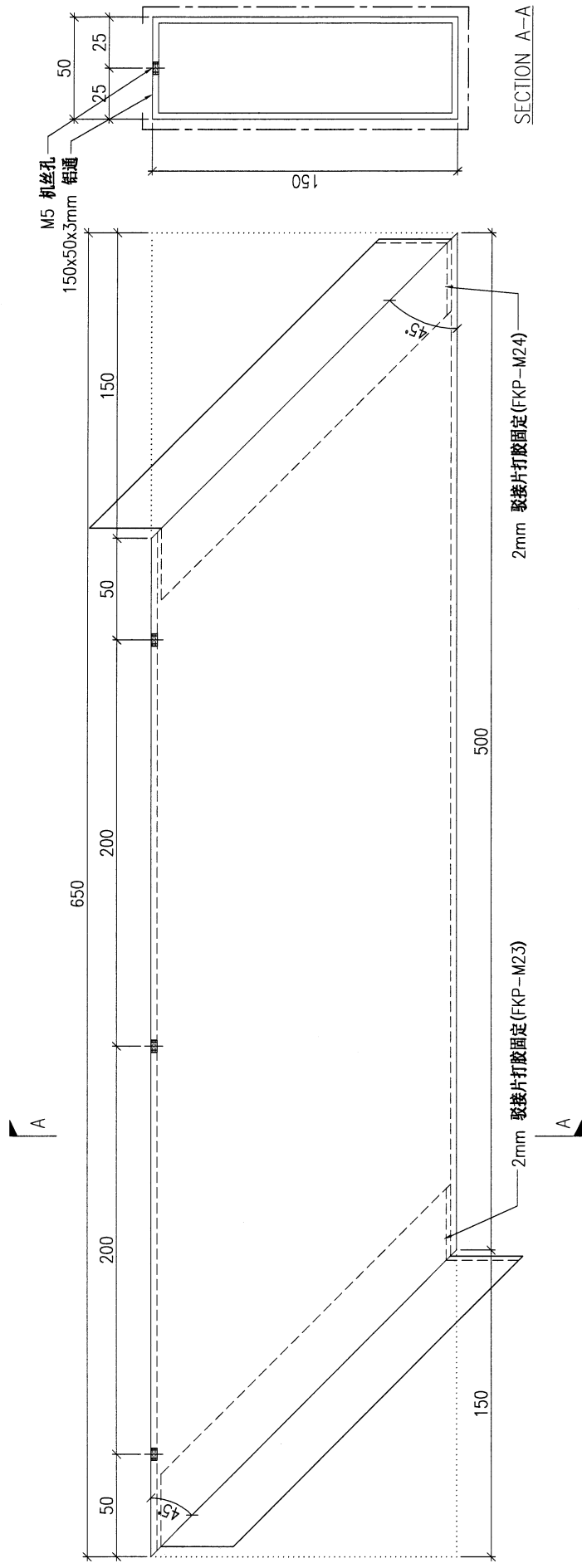
REV.	CHECKED	DATE BY	PART NUMBER	Dim. A	Dim. B	Dim. C	Dim. D	Dim. E	Dim. F	Dim. G	Dim. H	QTY.	Inv. Code	ASSEMBLE ON PARTS												
-			AL-M13	-	-	-	-	-	-	-	-	1		注: 工厂用												



DWG. NO.	AL-M13	REV.	-	SCALE	-	DATE	22-03-2023	DRAWN BY	-	APPROVED BY	-
----------	--------	------	---	-------	---	------	------------	----------	---	-------------	---

PROJECT		YIN PING ROAD KOWLOON FEATURE WALL (PHASE 1)				MATERIAL				铝通加工图(JMFG0078)				COATING		PVF2		COLOUR		JMQ213457(SS-01)		MARK. NO.		-		QTY.		-	
REV.	CHKD BY	PART NUMBER	Dim. A	Dim. B	Dim. C	Dim. D	Dim. E	Dim. F	Dim. G	Dim. H	QTY.	Inv. Code	ASSEMBLE ON PARTS																
-		AL-M14	-	-	-						1																		

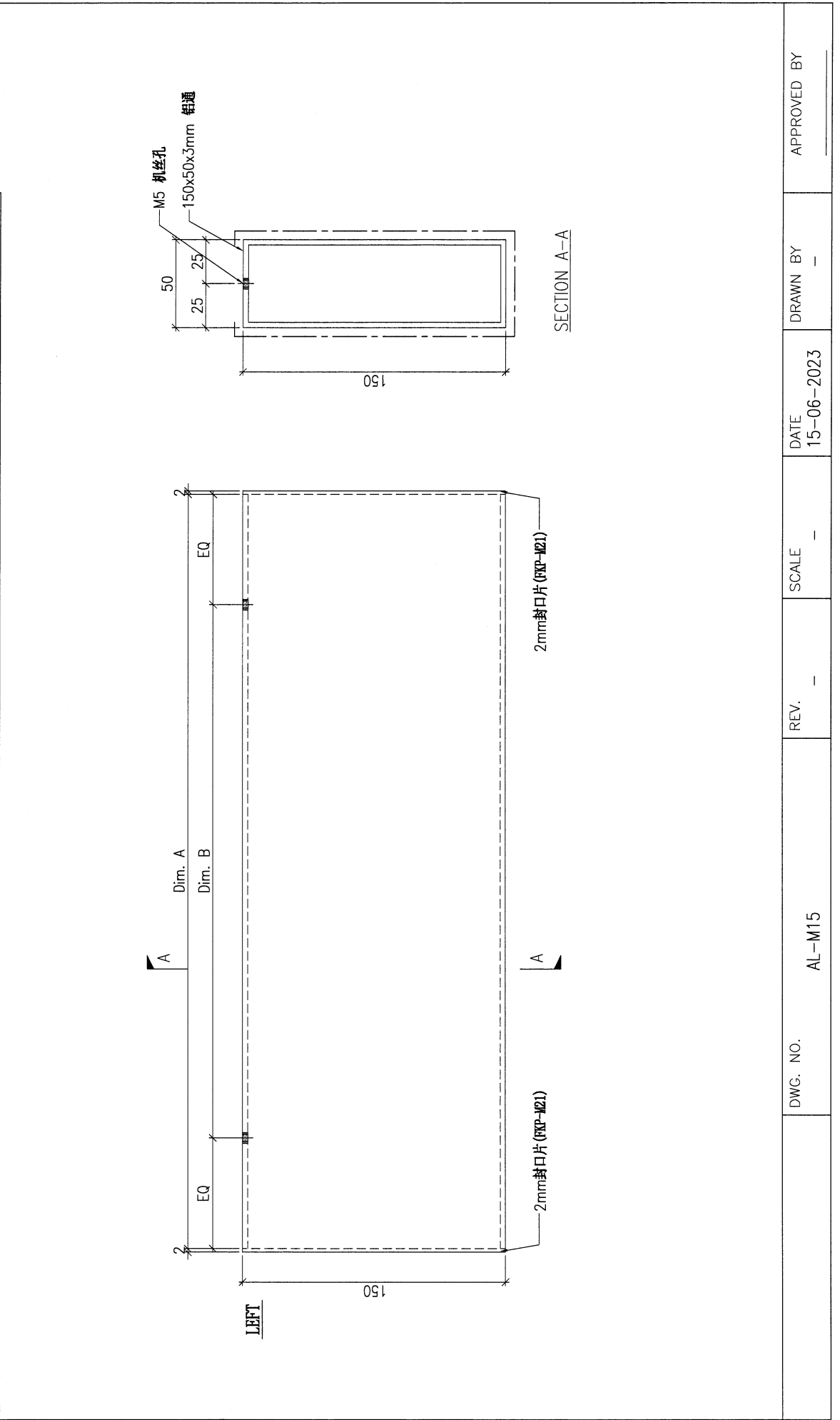
注: 工厂用													
--------	--	--	--	--	--	--	--	--	--	--	--	--	--



DWG. NO.	AL-M14	REV.	-	SCALE	-	DATE	22-03-2023	DRAWN BY	-	APPROVED BY	-
----------	--------	------	---	-------	---	------	------------	----------	---	-------------	---

PROJECT		YIN PING ROAD KOWLOON FEATURE WALL (PHASE 1)				MATERIAL				铝通加工图(JMFG0078)		COATING		PVF2		COLOUR		JMQ213457(SS-01)		MARK. NO.		-		QTY.		-	
---------	--	--	--	--	--	----------	--	--	--	-----------------	--	---------	--	------	--	--------	--	------------------	--	-----------	--	---	--	------	--	---	--

REV.	CHKD BY	PART NUMBER	Dim. A	Dim. B	Dim. C	Dim. D	Dim. E	Dim. F	Dim. G	Dim. H	QTY.	Inv. Code	ASSEMBLE ON PARTS													
-		AL-M15A	2175	7xØ300c/c	-						1		注: 工厂用													
-		AL-M15B	3553	12xØ290c/d	-						1		注: 工地复尺													
-		AL-M15C	2205	7xØ300c/c	-						1															

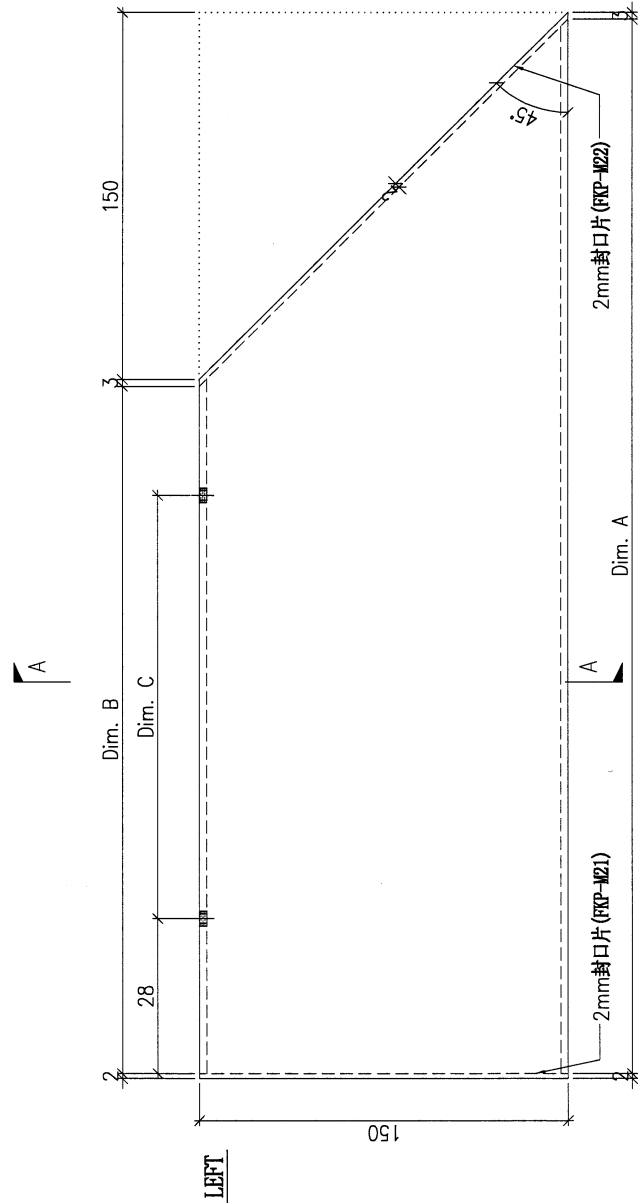


DWG. NO.	AL-M15	REV.	-	SCALE	-	DATE	15-06-2023	DRAWN BY	-	APPROVED BY	-
----------	--------	------	---	-------	---	------	------------	----------	---	-------------	---

11

PROJECT		YIN PING ROAD KOWLOON FEATURE WALL (PHASE 1)				MATERIAL				铝通加工图(JMFG0078)		COATING		PVF2		COLOUR		JMQ213457(SS-01)		MARK. NO.		-		QTY.		-	
---------	--	--	--	--	--	----------	--	--	--	-----------------	--	---------	--	------	--	--------	--	------------------	--	-----------	--	---	--	------	--	---	--

REV.	CHECKED BY	PART NUMBER	Dim. A	Dim. B	Dim. C	Dim. D	Dim. E	Dim. F	Dim. G	Dim. H	QTY.	Inv. Code	ASSEMBLE ON PARTS													
-		AL-M16A	2268	2118	7xØ30c/c						1		注: 工厂用													
-		AL-M16B	1819	1669	5xØ260c/c						1		注: 工地复尺													
-		AL-M16C	783	633	2xØ280c/c						1															



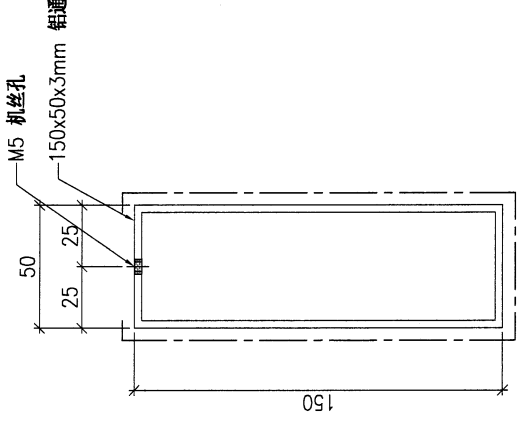
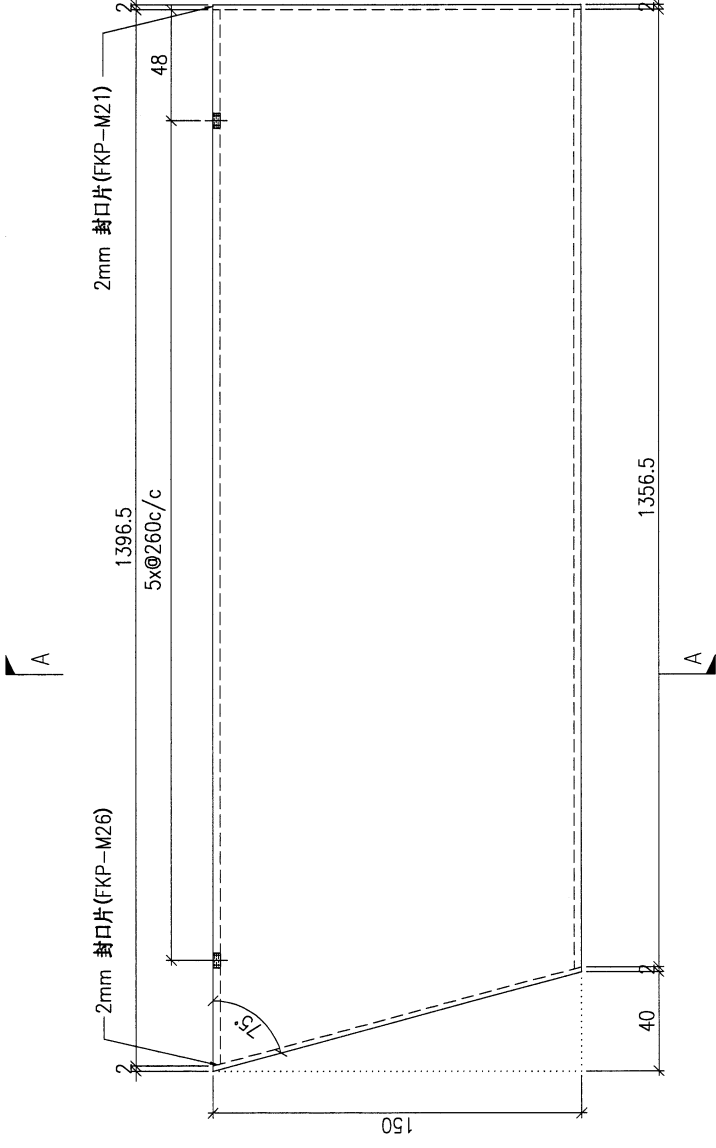
SECTION A-A

DWG. NO.		AL-M61		REV.		-		SCALE		-		DATE		15-06-2023		DRAWN BY		-		APPROVED BY		-	
----------	--	--------	--	------	--	---	--	-------	--	---	--	------	--	------------	--	----------	--	---	--	-------------	--	---	--

12

PROJECT		YIN PING ROAD KOWLOON FEATURE WALL (PHASE 1)				MATERIAL				COATING		COLOUR		MARK. NO.		QTY.	
		铝通加工图(JMFG0078)				PVF2		JMQ213457(SS-01)				-		-		-	

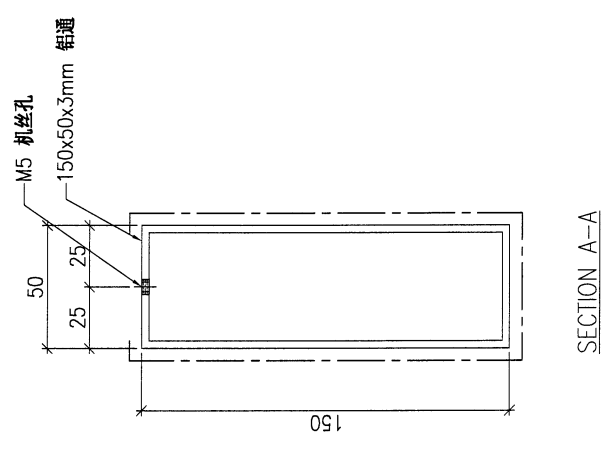
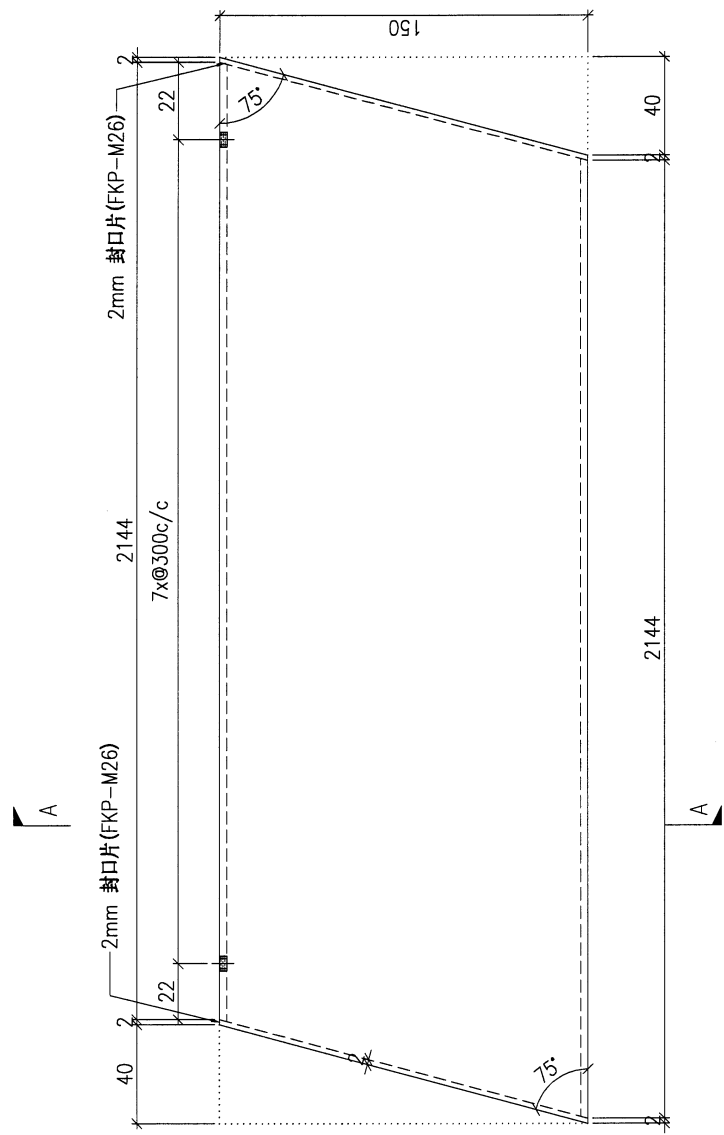
REV.	CHECKED BY	PART NUMBER	Dim. A	Dim. B	Dim. C	Dim. D	Dim. E	Dim. F	Dim. G	Dim. H	QTY.	Inv. Code	ASSEMBLE ON PARTS				
-		AL-M17	-	-	-	-	-	-	-	-	1		注: 工厂用				



DWG. NO.	REV.	SCALE	DATE	DRAWN BY	APPROVED BY
AL-M17	-	-	22-03-2023	-	-

PROJECT		YIN PING ROAD KOWLOON FEATURE WALL (PHASE 1)				MATERIAL				铝通加工图(JMFG0078)		COATING		PVF2		COLOUR		JMQ213457(SS-01)		MARK. NO.		-		QTY.		-	
REV.	CHECKED	PART NUMBER	Dim. A	Dim. B	Dim. C	Dim. D	Dim. E	Dim. F	Dim. G	Dim. H	QTY.	Inv. Code	ASSEMBLE ON PARTS														
-		AL-M18	-	-	-	-	-	-	-	-	1																

														注: 工厂用									
--	--	--	--	--	--	--	--	--	--	--	--	--	--	--------	--	--	--	--	--	--	--	--	--

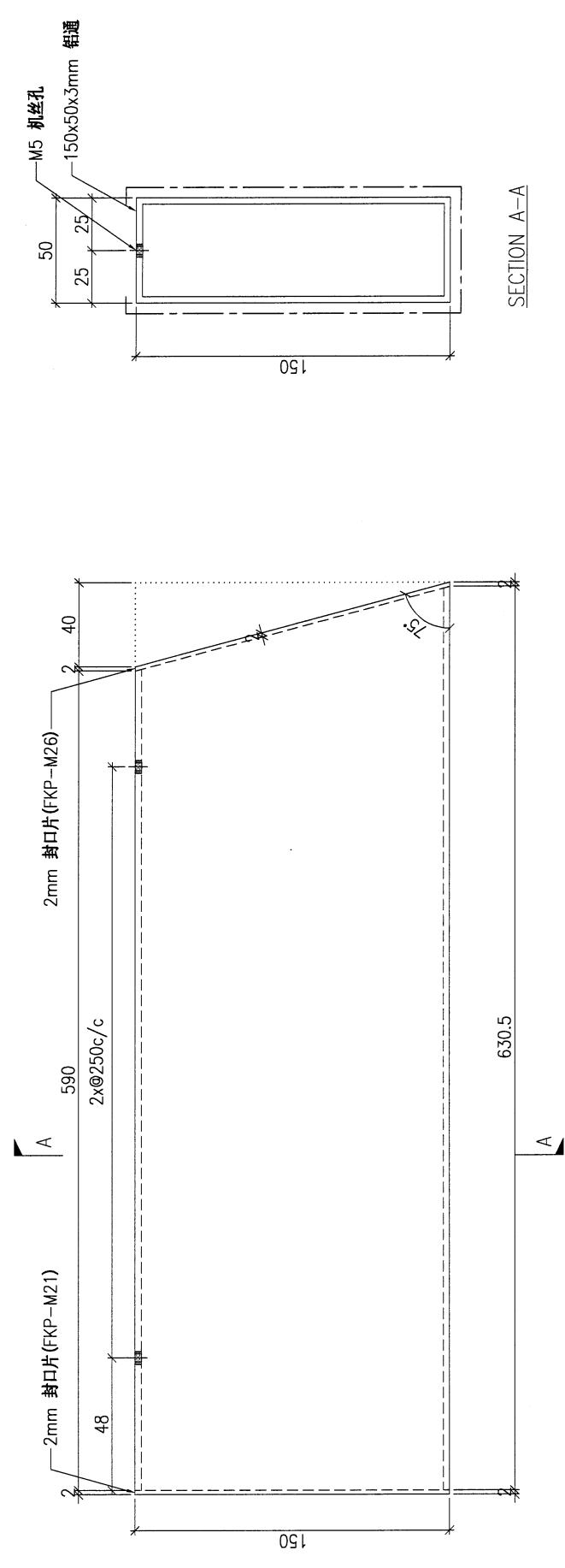


DWG. NO.		AL-M18		REV.		-		SCALE		-		DATE		22-03-2023		DRAWN BY		-		APPROVED BY		-	
----------	--	--------	--	------	--	---	--	-------	--	---	--	------	--	------------	--	----------	--	---	--	-------------	--	---	--

PROJECT		YIN PING ROAD KOWLOON FEATURE WALL (PHASE 1)			MATERIAL			铝通加工图(JMFG0078)			COATING		PVF2		COLOUR		JMQ213457(SS-01)		MARK. NO.		-		QTY.		-	
---------	--	--	--	--	----------	--	--	-----------------	--	--	---------	--	------	--	--------	--	------------------	--	-----------	--	---	--	------	--	---	--

REV.	CHECKED BY	PART NUMBER	Dim. A	Dim. B	Dim. C	Dim. D	Dim. E	Dim. F	Dim. G	Dim. H	QTY.	Inv. Code	ASSEMBLE ON PARTS									
-		AL-M19	-	-	-	-	-	-	-	-	1											

注: 工厂用



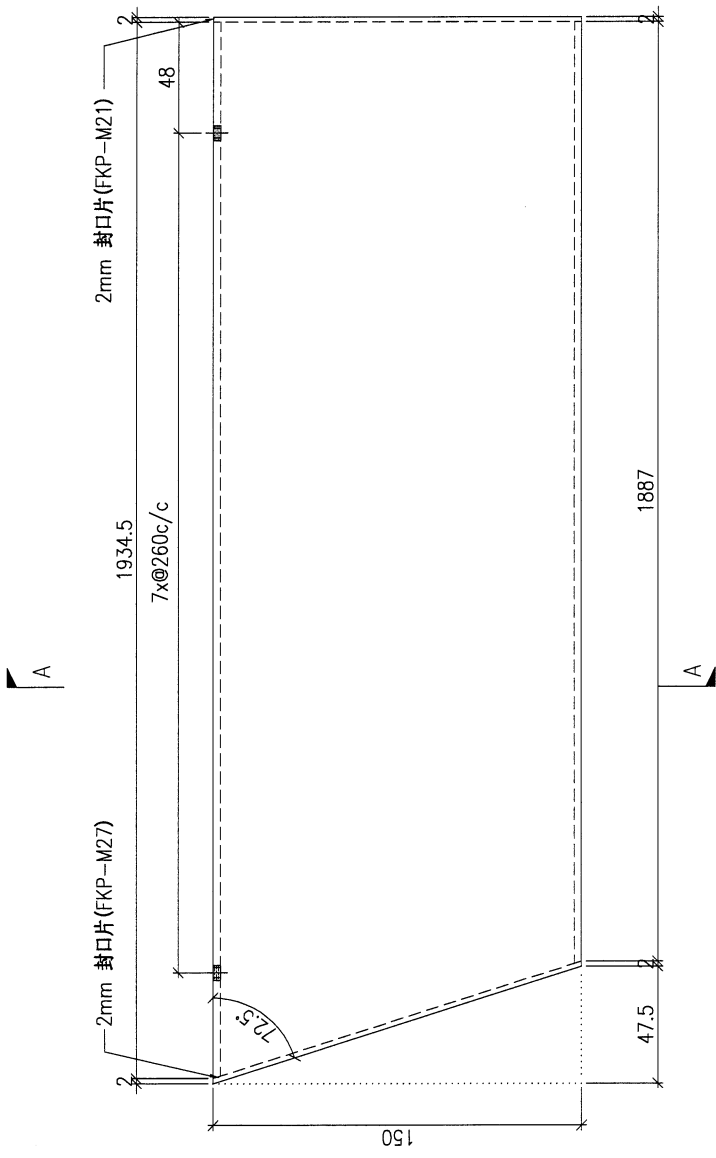
SECTION A-A

DWG. NO.		AL-M19		REV.		-		SCALE		-		DATE		22-03-2023		DRAWN BY		-		APPROVED BY		-	
----------	--	--------	--	------	--	---	--	-------	--	---	--	------	--	------------	--	----------	--	---	--	-------------	--	---	--

15

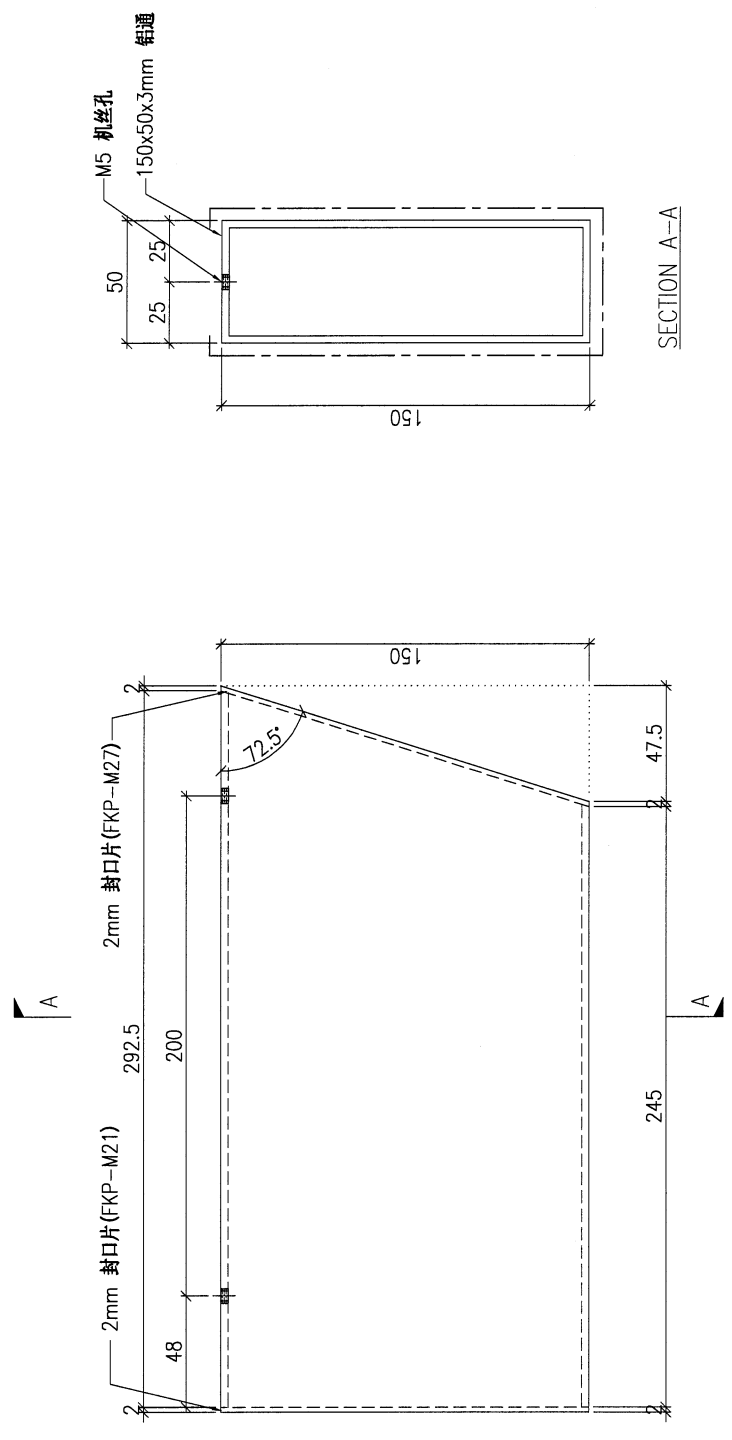
PROJECT		YIN PING ROAD KOWLOON FEATURE WALL (PHASE 1)		MATERIAL		铝通加工图(JMFG0078)		COATING		PVF2		COLOUR		JMQ213457(SS-01)		MARK. NO.		-		QTY.		-	
---------	--	--	--	----------	--	-----------------	--	---------	--	------	--	--------	--	------------------	--	-----------	--	---	--	------	--	---	--

REV.	CHECKED BY	PART NUMBER	Dim. A	Dim. B	Dim. C	Dim. D	Dim. E	Dim. F	Dim. G	Dim. H	QTY.	Inv. Code	ASSEMBLE ON PARTS									
-		AL-M20	-	-	-	-	-	-	-	-	1		注: 工厂用									



DWG. NO.	AL-M20	REV.	-	SCALE	-	DATE	22-03-2023	DRAWN BY	-	APPROVED BY	-
----------	--------	------	---	-------	---	------	------------	----------	---	-------------	---

PROJECT YIN PING ROAD KOWLOON FEATURE WALL (PHASE 1)		MATERIAL 铝通加工图(JMFG0078)				COATING PVF2		COLOUR JMQ213457(SS-01)		MARK. NO. -		QTY. -		
REV.	CHECKED DATE BY	PART NUMBER	Dim. A	Dim. B	Dim. C	Dim. D	Dim. E	Dim. F	Dim. G	Dim. H	QTY.	Inv. Code	ASSEMBLE ON PARTS	注: 工厂用
-		AL-M21	-	-	-	-	-	-	-	-	1			



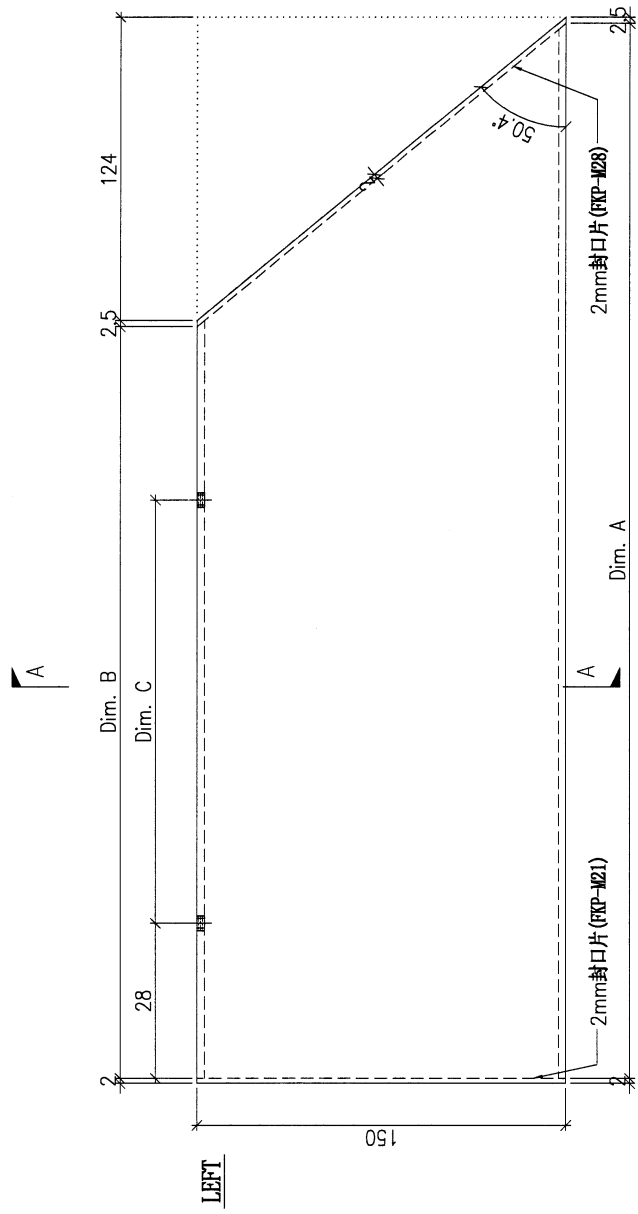
DWG. NO.	REV.	SCALE	DATE	APPROVED BY
AL-M21	-	-	22-03-2023	

PROJECT		YIN PING ROAD KOWLOON FEATURE WALL (PHASE 1)				MATERIAL				COATING		COLOUR		MARK. NO.		QTY.	
						铝通加工图(JMFG0078)				PVF2		JM0213457(SS-01)		-		-	

REV.	CHECKED BY	PART NUMBER	Dim. A	Dim. B	Dim. C	Dim. D	Dim. E	Dim. F	Dim. G	Dim. H	QTY.	Inv. Code	ASSEMBLE ON PARTS				
-		AL-M22A	3204.5	3080	10x@300c/c						1						
-		AL-M22B	1636	1512	5x@280c/c						1						

注: 工厂用

注: 工地复尺



SECTION A-A

DWG. NO.		AL-M61		REV.		-		SCALE		-		DATE		15-06-2023		DRAWN BY		-		APPROVED BY		-	
----------	--	--------	--	------	--	---	--	-------	--	---	--	------	--	------------	--	----------	--	---	--	-------------	--	---	--

18

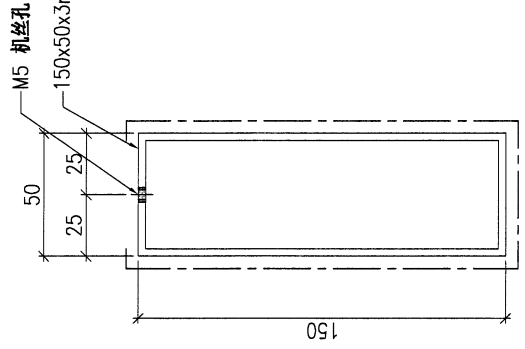
PROJECT		YIN PING ROAD KOWLOON FEATURE WALL (PHASE 1)		MATERIAL		铝通加工图(JMFG0078)		COATING		PVF2		COLOUR		JMQ213457(SS-01)		MARK. NO.		-		QTY.		-	
---------	--	--	--	----------	--	-----------------	--	---------	--	------	--	--------	--	------------------	--	-----------	--	---	--	------	--	---	--

REV.	CHECKED DATE	PART NUMBER	Dim. A	Dim. B	Dim. C	Dim. D	Dim. E	Dim. F	Dim. G	Dim. H	QTY.	Inv. Code	ASSEMBLE ON PARTS									
-		AL-M23	2236	7xØ300c/c	-						1											

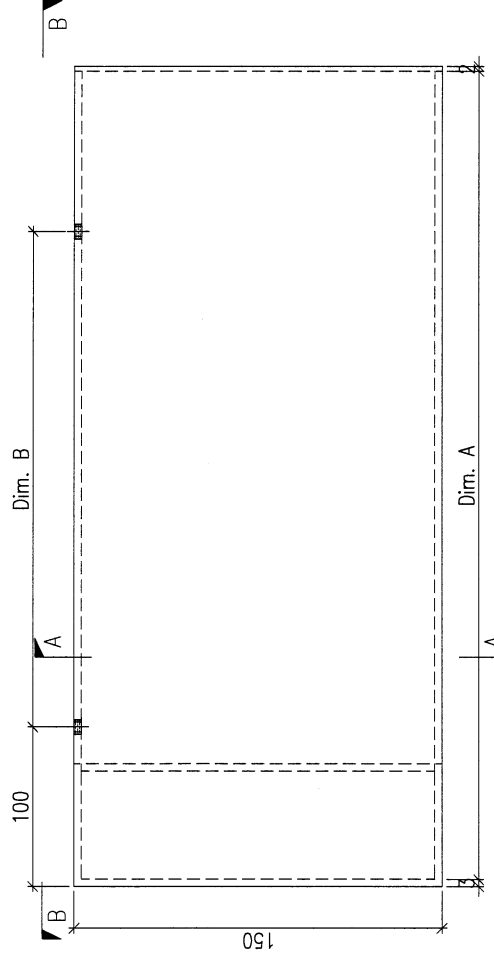
注: 工厂用

注: 工地复尺

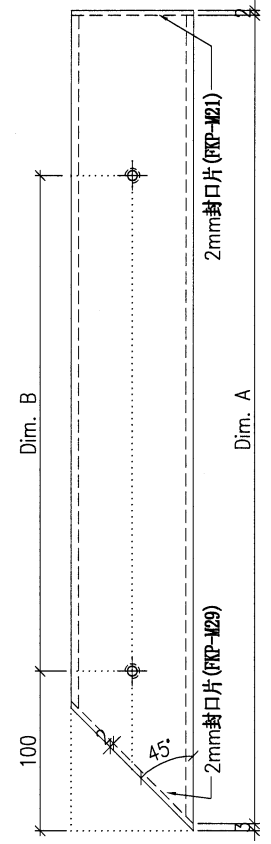
M5 机丝孔
150x50x3mm 铝通



SECTION A-A



LEFT



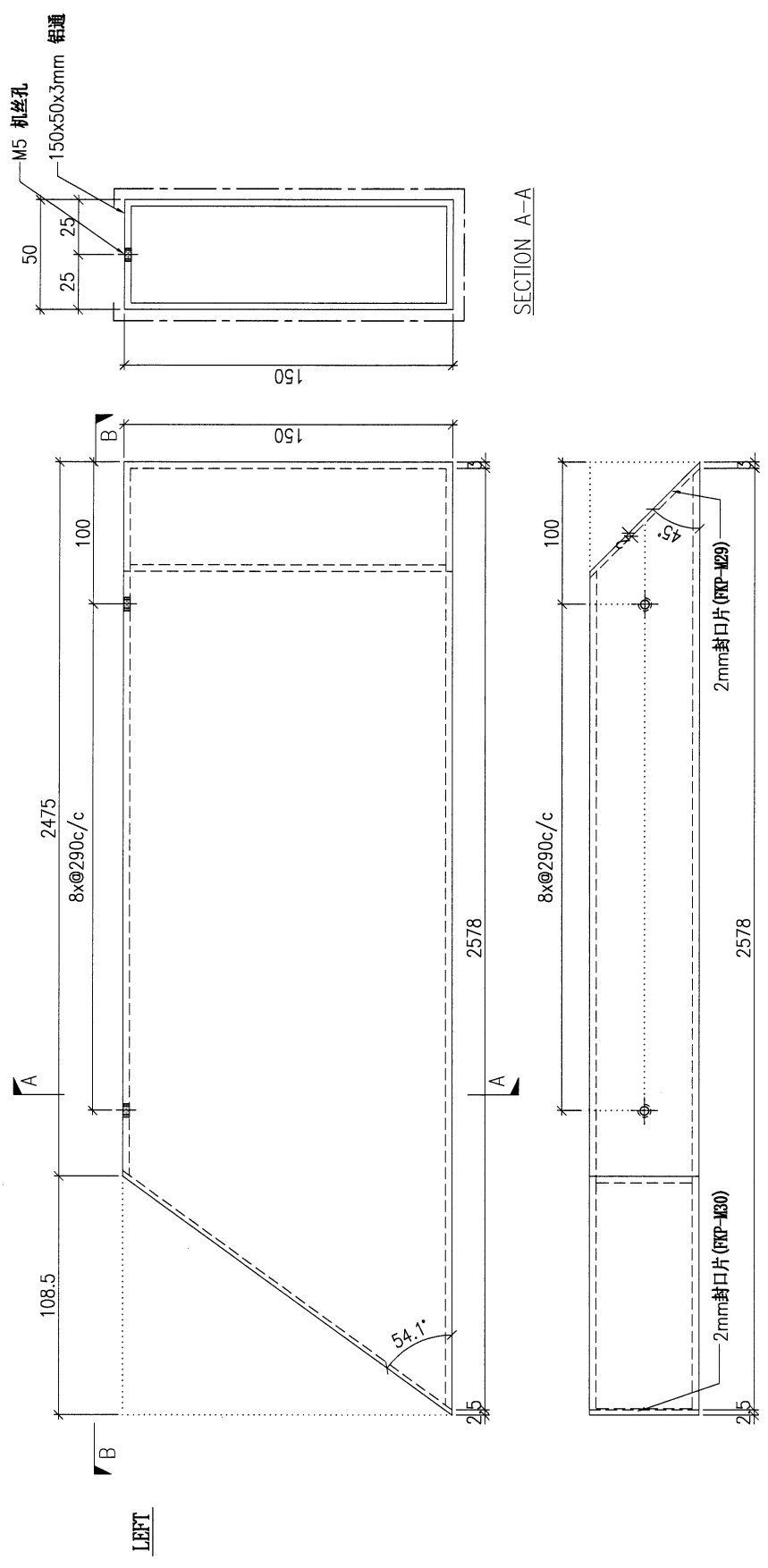
SECTION B-B

DWG. NO.	AL-M23	REV.	-	SCALE	-	DATE	15-06-2023	DRAWN BY	-	APPROVED BY	-
----------	--------	------	---	-------	---	------	------------	----------	---	-------------	---

PROJECT		YIN PING ROAD KOWLOON FEATURE WALL (PHASE 1)		MATERIAL		铝通加工图(JMFG0078)		COATING		PVF2		COLOUR		JM0213457(SS-01)		MARK. NO.		-		QTY.		-	
---------	--	--	--	----------	--	-----------------	--	---------	--	------	--	--------	--	------------------	--	-----------	--	---	--	------	--	---	--

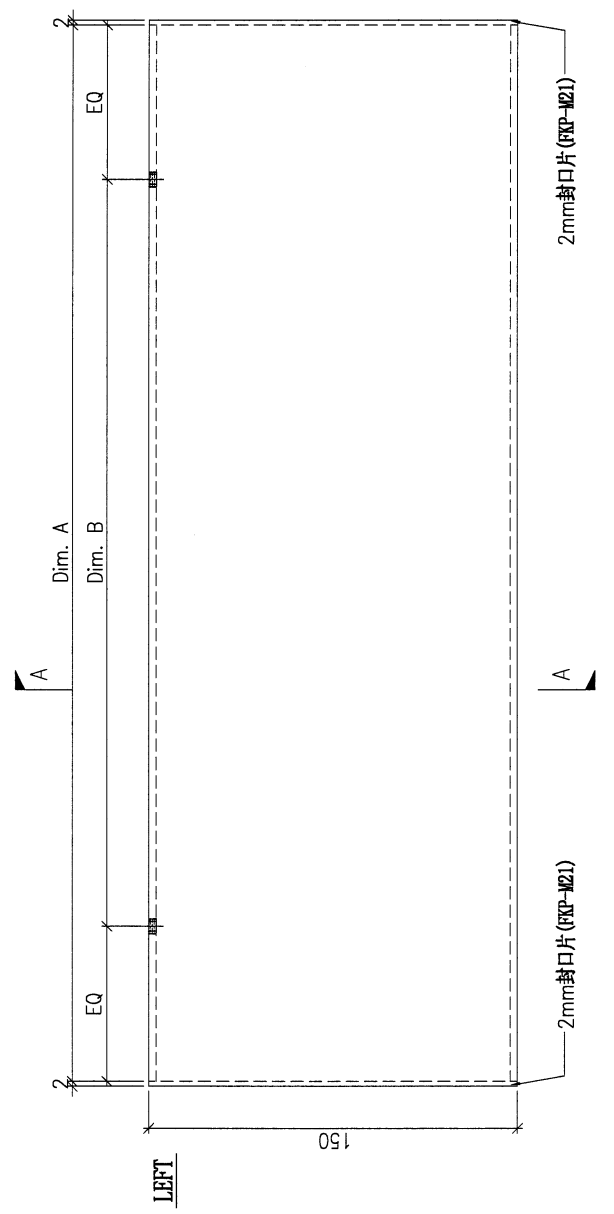
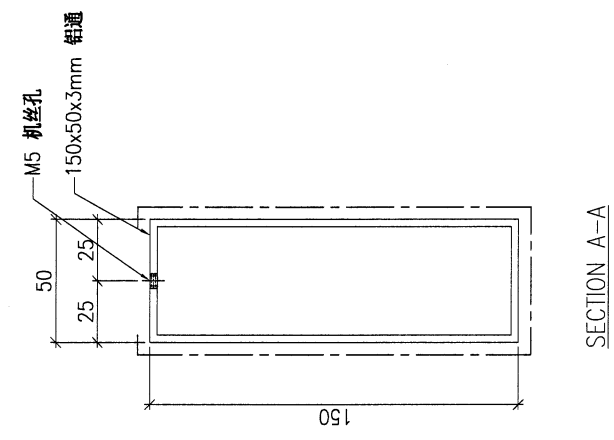
REV.	CHECKED DATE	PART NUMBER	Dim. A	Dim. B	Dim. C	Dim. D	Dim. E	Dim. F	Dim. G	Dim. H	QTY.	Inv. Code	ASSEMBLE ON PARTS									
-		AL-M24	-	-	-	-	-	-	-	-	1											

注：工厂用
注：工地复尺



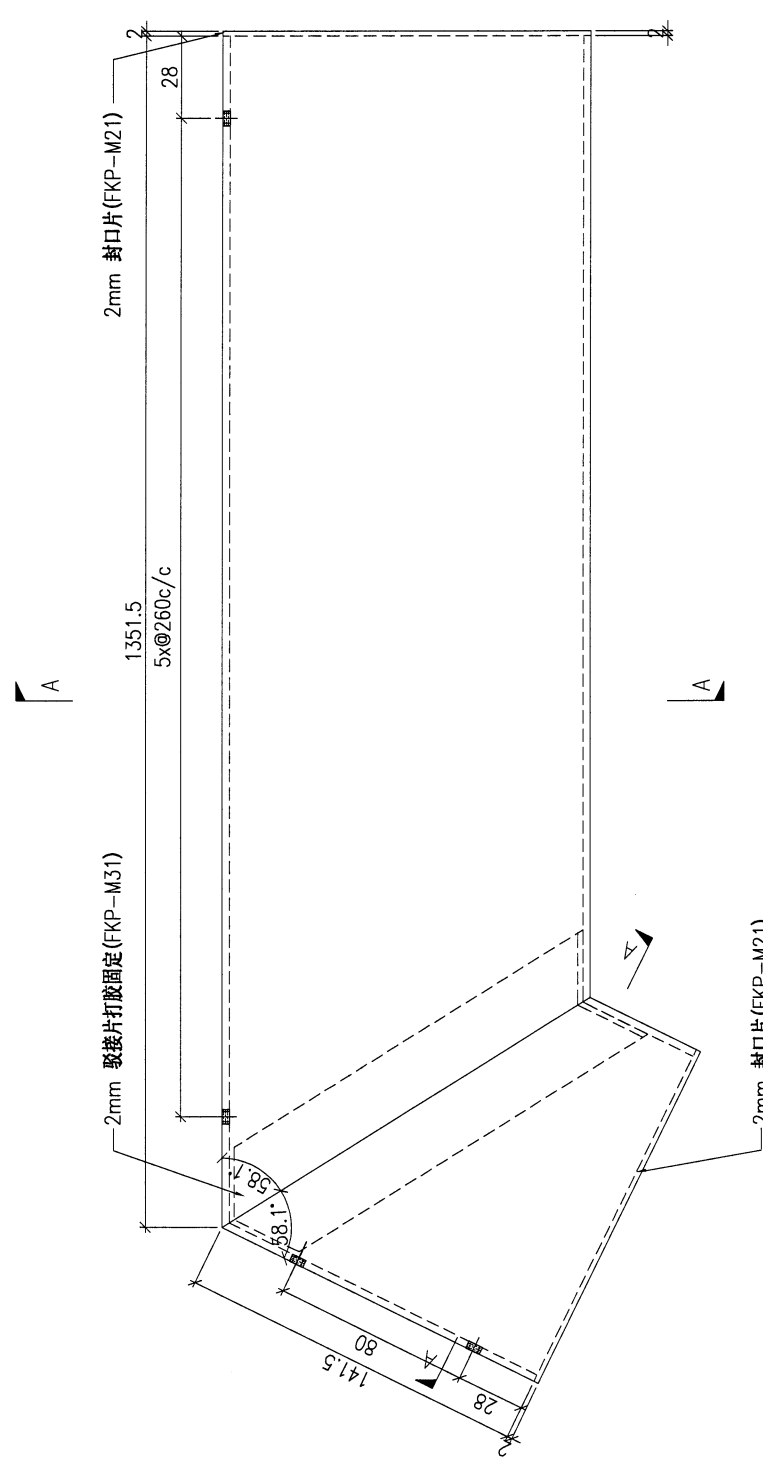
DWG. NO.		AL-M24		REV.		-		SCALE		-		DATE		15-06-2023		DRAWN BY		-		APPROVED BY		-	
----------	--	--------	--	------	--	---	--	-------	--	---	--	------	--	------------	--	----------	--	---	--	-------------	--	---	--

PROJECT YIN PING ROAD KOWLOON FEATURE WALL (PHASE 1)		MATERIAL 铝通加工图(JMFG0078)			COATING PVF2		COLOUR JM0213457(SS-01)		MARK. NO. -		QTY. -	
REV.	CHECKED DATE	PART NUMBER	Dim. A	Dim. B	Dim. C	Dim. D	Dim. E	Dim. F	Dim. G	Dim. H	QTY.	Inv. Code
-		AL-M25	1230	4X@300c/c	-						1	
注: 工厂用												
注: 工地复尺												



DWG. NO.	REV.	SCALE	DATE	DRAWN BY	APPROVED BY
AL-M25	-	-	15-06-2023	-	-

PROJECT YIN PING ROAD KOWLOON FEATURE WALL (PHASE 1)		MATERIAL 铝通加工图(JMFG0078)			COATING PVF2		COLOUR JM0213457(SS-01)		MARK. NO. -	QTY. -				
REV.	CHECKED DATE	PART NUMBER	Dim. A	Dim. B	Dim. C	Dim. D	Dim. E	Dim. F	Dim. G	Dim. H	QTY.	Inv. Code	ASSEMBLE ON PARTS	注: 工厂用
-		AL-M26	-	-	-	-	-	-	-	-	1			



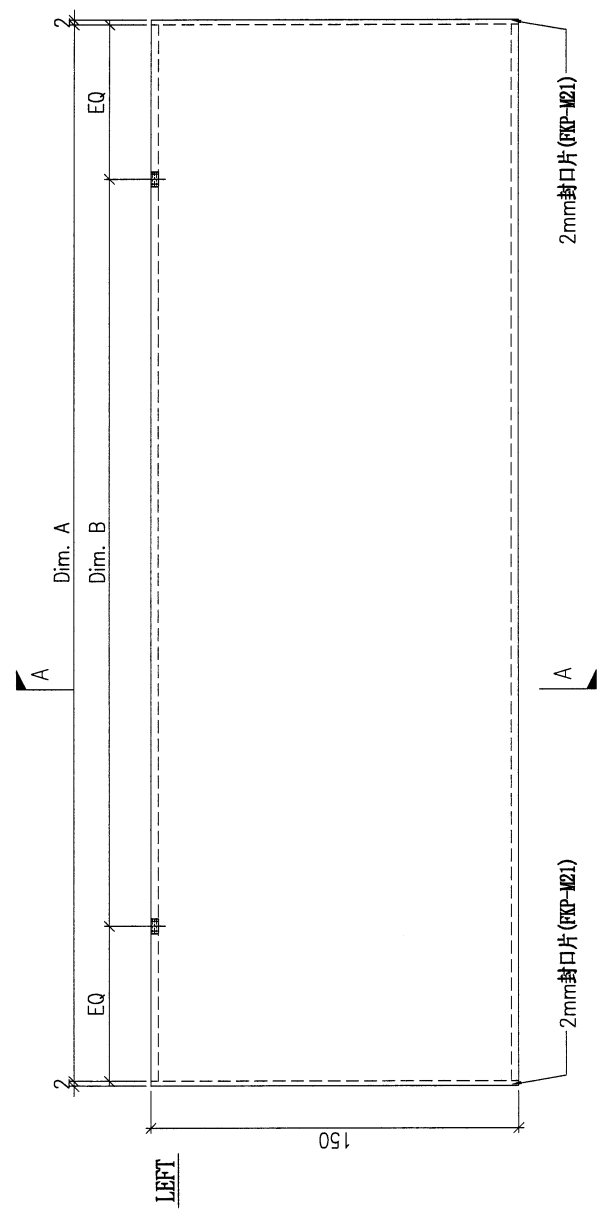
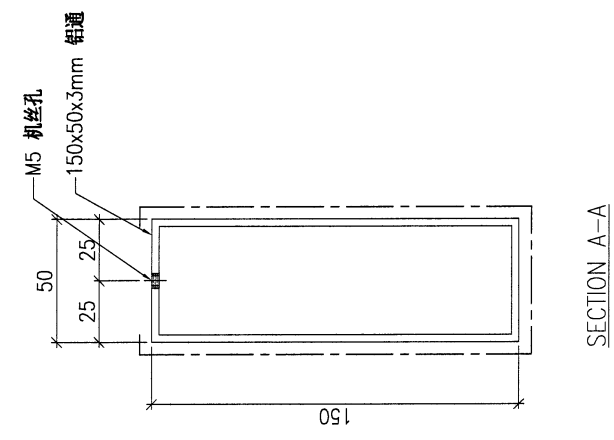
DWG. NO.	AL-M26	REV.	-	SCALE	-	DATE	22-03-2023	DRAWN BY	-	APPROVED BY	-
----------	--------	------	---	-------	---	------	------------	----------	---	-------------	---

PROJECT		YIN PING ROAD KOWLOON FEATURE WALL (PHASE 1)		MATERIAL		铝通加工图(JMFG0078)		COATING		PVF2		COLOUR		JM0213457(SS-01)		MARK. NO.		-		QTY.		-	
---------	--	--	--	----------	--	-----------------	--	---------	--	------	--	--------	--	------------------	--	-----------	--	---	--	------	--	---	--

REV.	CHECKED BY	PART NUMBER	Dim. A	Dim. B	Dim. C	Dim. D	Dim. E	Dim. F	Dim. G	Dim. H	QTY.	Inv. Code	ASSEMBLE ON PARTS									
-		AL-M27	3346	11X@300c/c	-						1											

注: 工厂用

注: 工地复尺



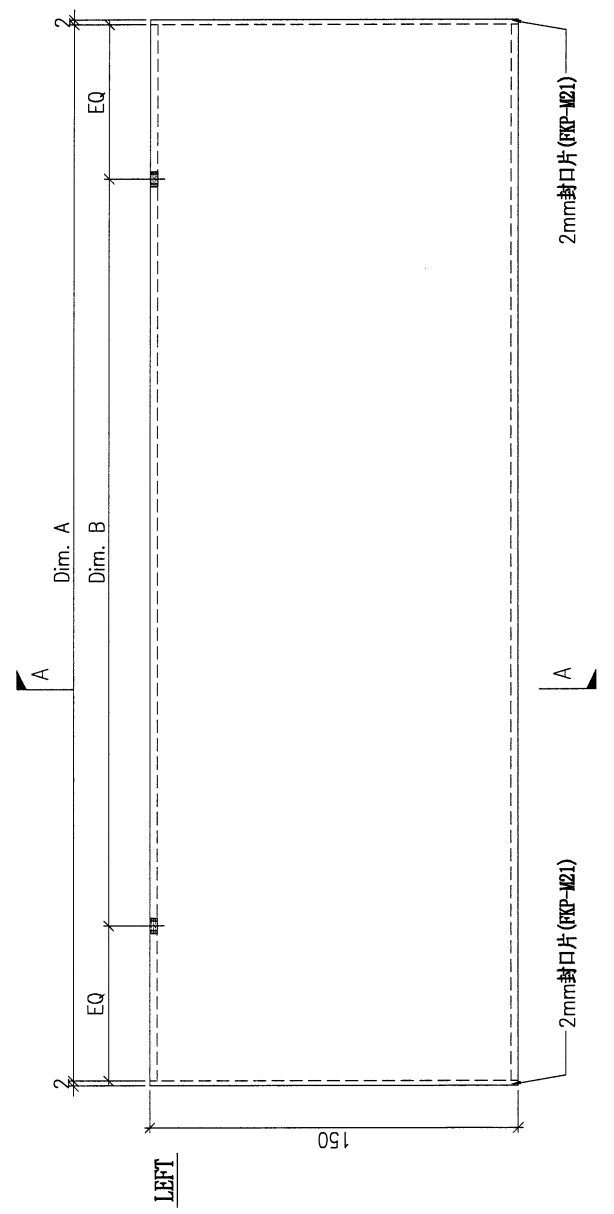
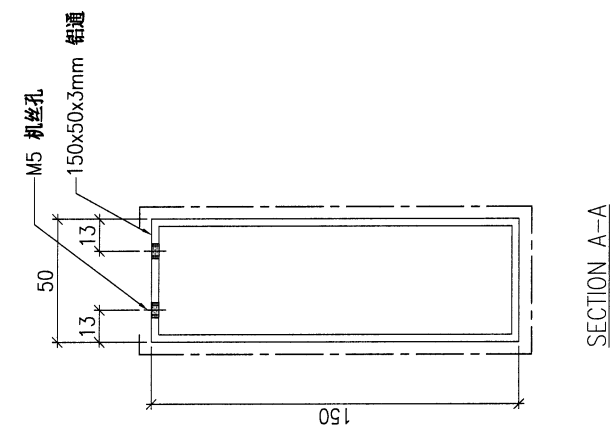
DWG. NO.	AL-M27	REV.	-	SCALE	-	DATE	15-06-2023	DRAWN BY	-	APPROVED BY	-
----------	--------	------	---	-------	---	------	------------	----------	---	-------------	---

PROJECT		YIN PING ROAD KOWLOON FEATURE WALL (PHASE 1)		MATERIAL		铝通加工图(JMFG0078)		COATING		PVF2		COLOUR		JM0213457(SS-01)		MARK. NO.		-		QTY.		-	
---------	--	--	--	----------	--	-----------------	--	---------	--	------	--	--------	--	------------------	--	-----------	--	---	--	------	--	---	--

REV.	CHECKED BY	PART NUMBER	Dim. A	Dim. B	Dim. C	Dim. D	Dim. E	Dim. F	Dim. G	Dim. H	QTY.	Inv. Code	ASSEMBLE ON PARTS									
-		AL-M28	1760	5X@280c/c	-						1											

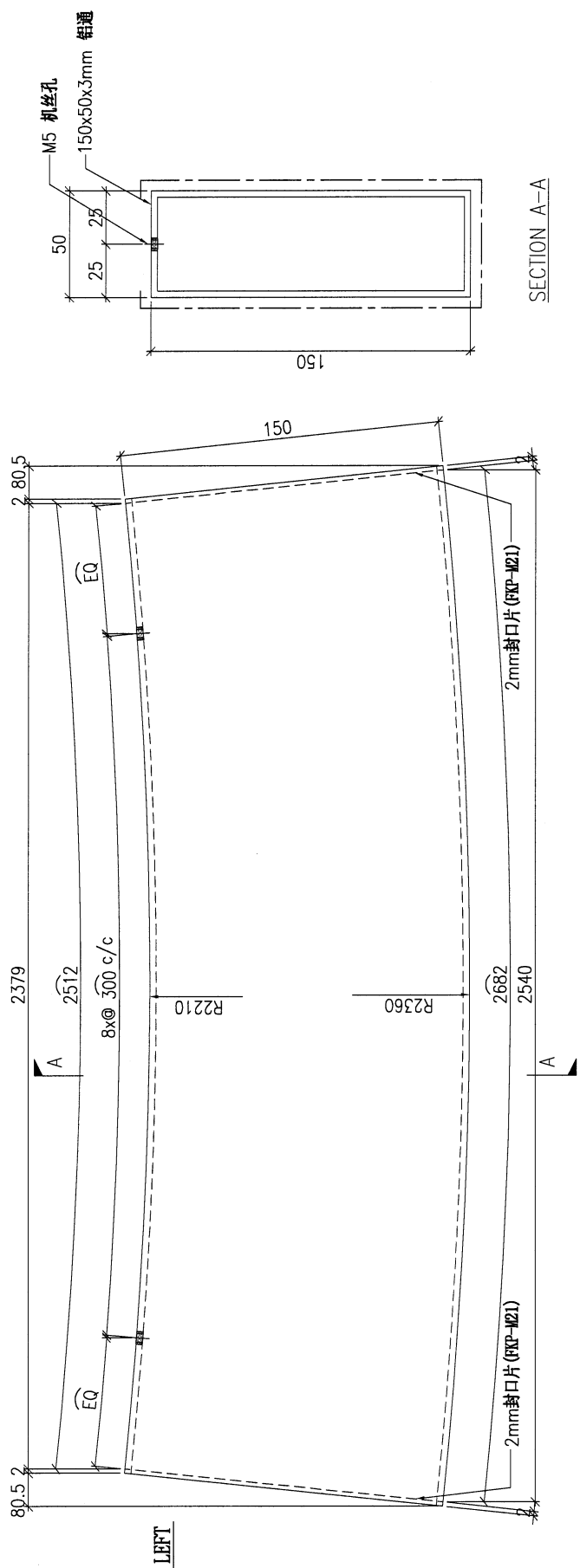
注: 工厂用

注: 工地复尺



DWG. NO.	AL-M28	REV.	-	SCALE	-	DATE	15-06-2023	DRAWN BY	-	APPROVED BY	-
----------	--------	------	---	-------	---	------	------------	----------	---	-------------	---

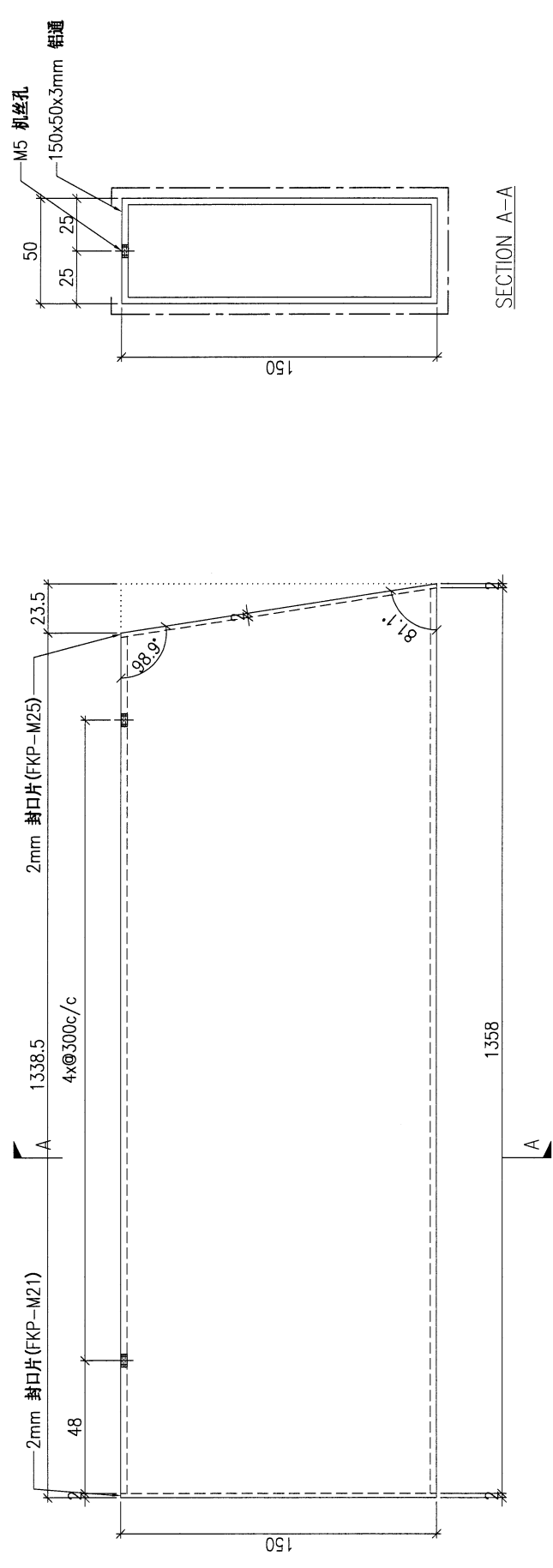
PROJECT		YIN PING ROAD KOWLOON FEATURE WALL (PHASE 1)				MATERIAL				铝通加工图(JMFG0078)				COATING		PVF2		COLOUR		JMQ213457(SS-01)		MARK. NO.		-		QTY.		-	
REV.	CHECKED	PART NUMBER	Dim. A	Dim. B	Dim. C	Dim. D	Dim. E	Dim. F	Dim. G	Dim. H	QTY.	Inv. Code	ASSEMBLE ON PARTS				注: 工厂用				注: 工地复尺								
-	-	AL-M29	-	-	-	-	-	-	-	-	2	-																	



DWG. NO.	AL-M29	REV.	-	SCALE	-	DATE	15-06-2023	DRAWN BY	-	APPROVED BY	-
----------	--------	------	---	-------	---	------	------------	----------	---	-------------	---

PROJECT		YIN PING ROAD KOWLOON FEATURE WALL (PHASE 1)				MATERIAL				铝通加工图(JMFG0078)		COATING		PVF2		COLOUR		JMQ213457(SS-01)		MARK. NO.		-		QTY.		-	
---------	--	--	--	--	--	----------	--	--	--	-----------------	--	---------	--	------	--	--------	--	------------------	--	-----------	--	---	--	------	--	---	--

REV.	CHECKED BY	PART NUMBER	Dim. A	Dim. B	Dim. C	Dim. D	Dim. E	Dim. F	Dim. G	Dim. H	QTY.	Inv. Code	ASSEMBLE ON PARTS													
-		AL-M30	-	-	-	-	-	-	-	-	1		注: 工厂用													

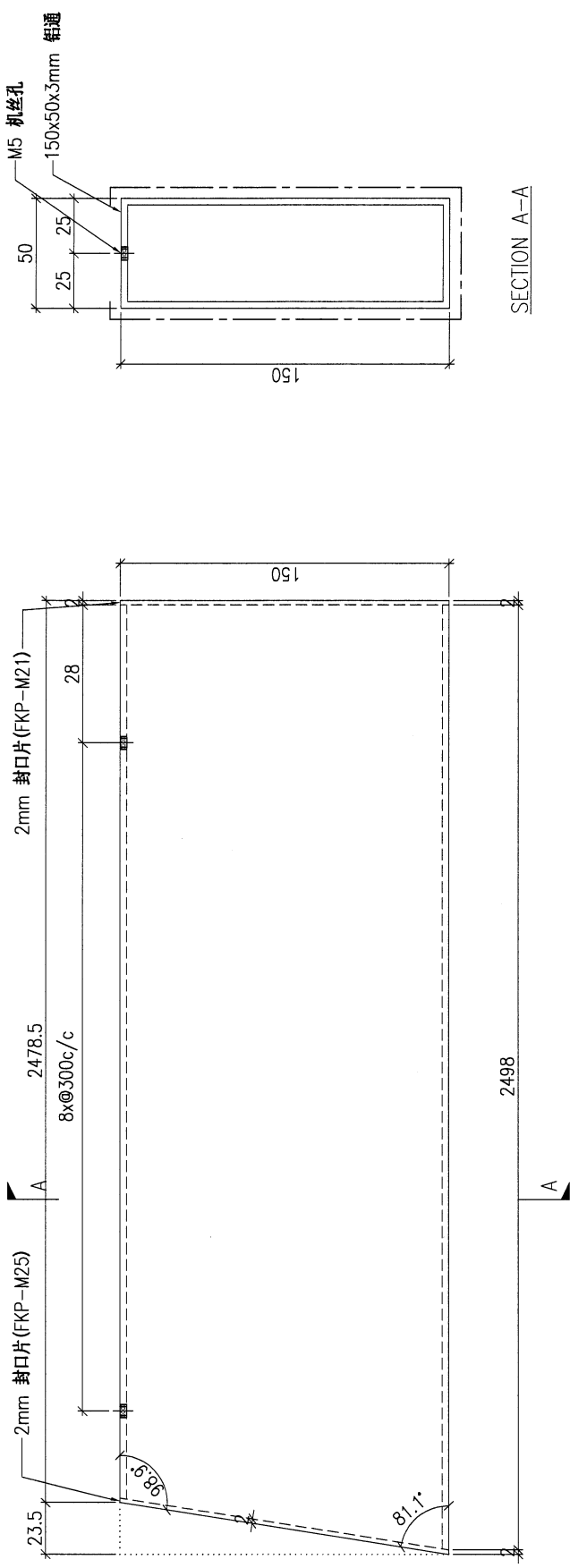


SECTION A-A

DWG. NO.		AL-M30		REV.		-		SCALE		-		DATE		22-03-2023		DRAWN BY		-		APPROVED BY		-	
----------	--	--------	--	------	--	---	--	-------	--	---	--	------	--	------------	--	----------	--	---	--	-------------	--	---	--

PROJECT		YIN PING ROAD KOWLOON FEATURE WALL (PHASE 1)				MATERIAL				铝通加工图(JMFG0078)		COATING		PVF2		COLOUR		JM0213457(SS-01)		MARK. NO.		-		QTY.		-	
---------	--	--	--	--	--	----------	--	--	--	-----------------	--	---------	--	------	--	--------	--	------------------	--	-----------	--	---	--	------	--	---	--

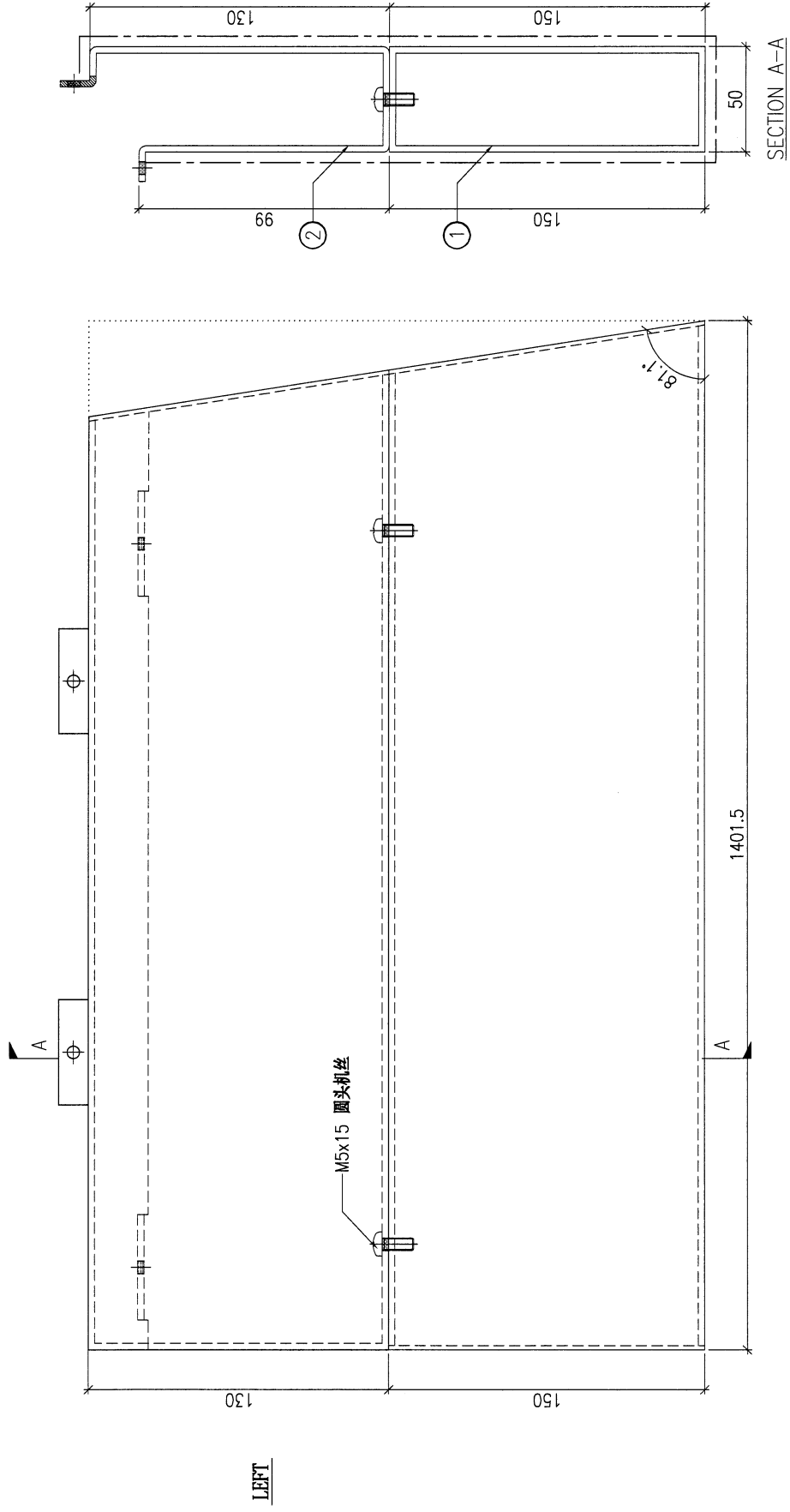
REV.	CHECKED	DATE	PART NUMBER	Dim. A	Dim. B	Dim. C	Dim. D	Dim. E	Dim. F	Dim. G	Dim. H	QTY.	Inv. Code	ASSEMBLE ON PARTS											
-			AL-M31	-	-	-	-	-	-	-	-	1		注: 工厂用											



SECTION A-A

DWG. NO.	AL-M31	REV.	-	SCALE	-	DATE	22-03-2023	DRAWN BY	-	APPROVED BY	-
----------	--------	------	---	-------	---	------	------------	----------	---	-------------	---

PROJECT		YIN PING ROAD KOWLOON FEATURE WALL (PHASE 1)				MATERIAL				COATING		COLOUR		MARK. NO.		QTY.	
						铝通&铝板组装图				PVF2		SS-01		-		-	
REV.	CHECKED DATE	PART NUMBER	Dim. A	Dim. B	Dim. C	Dim. D	Dim. E	Dim. F	Dim. G	Dim. H	QTY.	Inv. Code	ASSEMBLE ON PARTS				
-		FW1-JUN10	-	-	-	-	-	-	-	-	1		注: 构件编号 ①AL-UN10 1件 ②FW1-AP110 1件				
注: 地盘用																	
注: 工地复尺																	



LEFT

SECTION A-A

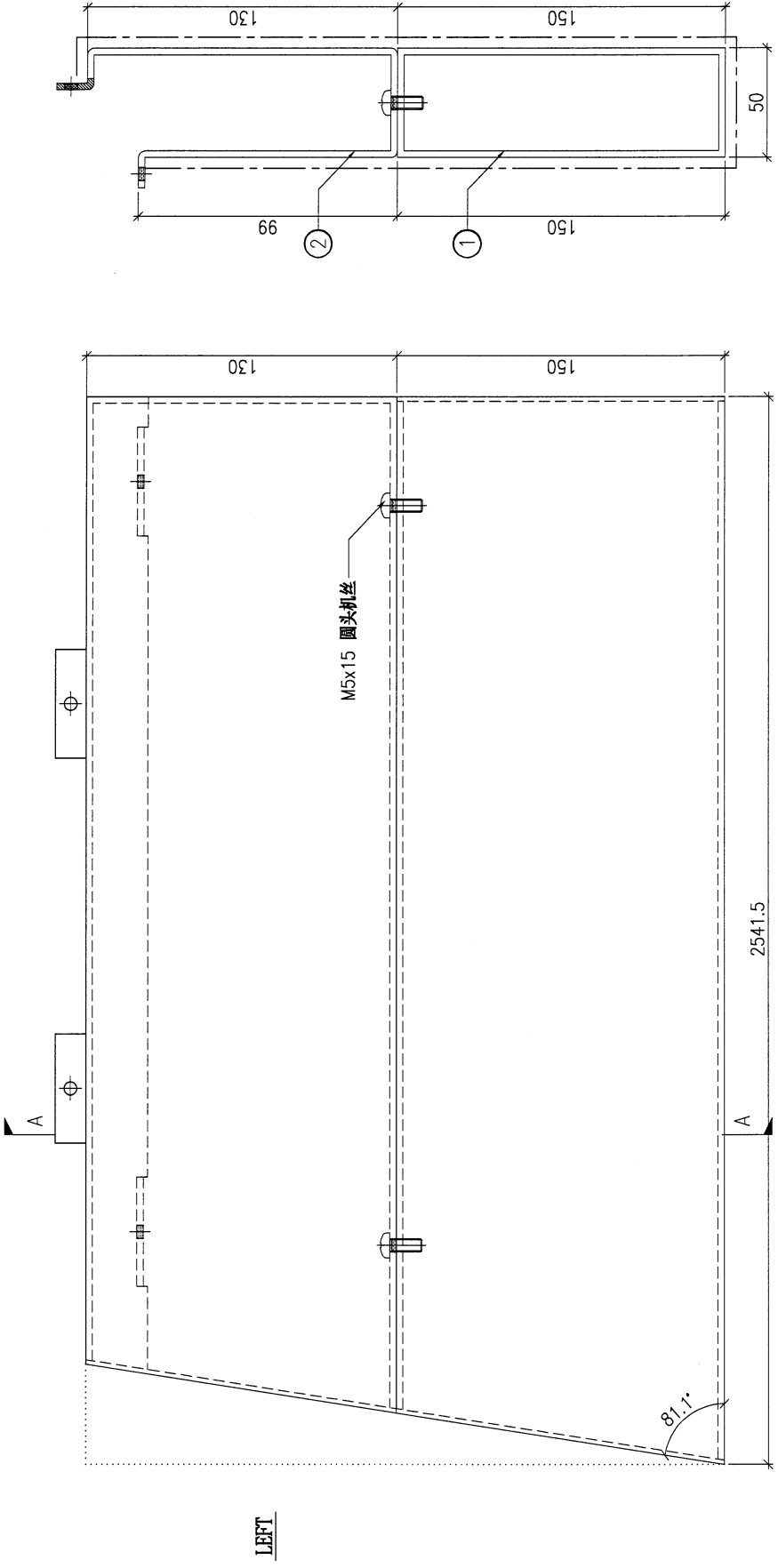
DWG. NO.	REV.	SCALE	DATE	DRAWN BY	APPROVED BY
FW1-JUN10	-	-	22-03-2023	-	-

28

PROJECT		YIN PING ROAD KOWLOON FEATURE WALL (PHASE 1)										MATERIAL		COATING		COLOUR		MARK. NO.		QTY.	
												铝通&铝板组装图		PVF2		SS-01		-		-	

REV.	CHECKED BY	PART NUMBER	Dim. A	Dim. B	Dim. C	Dim. D	Dim. E	Dim. F	Dim. G	Dim. H	QTY.	Inv. Code	ASSEMBLE ON PARTS							
-		FW1-UN11	-	-	-	-	-	-	-	-	1		注: 构件编号 ①AL-M11 1件 ②FWL-AP111 1件							

注: 地盘用
注: 工地复尺



LEFT

SECTION A-A

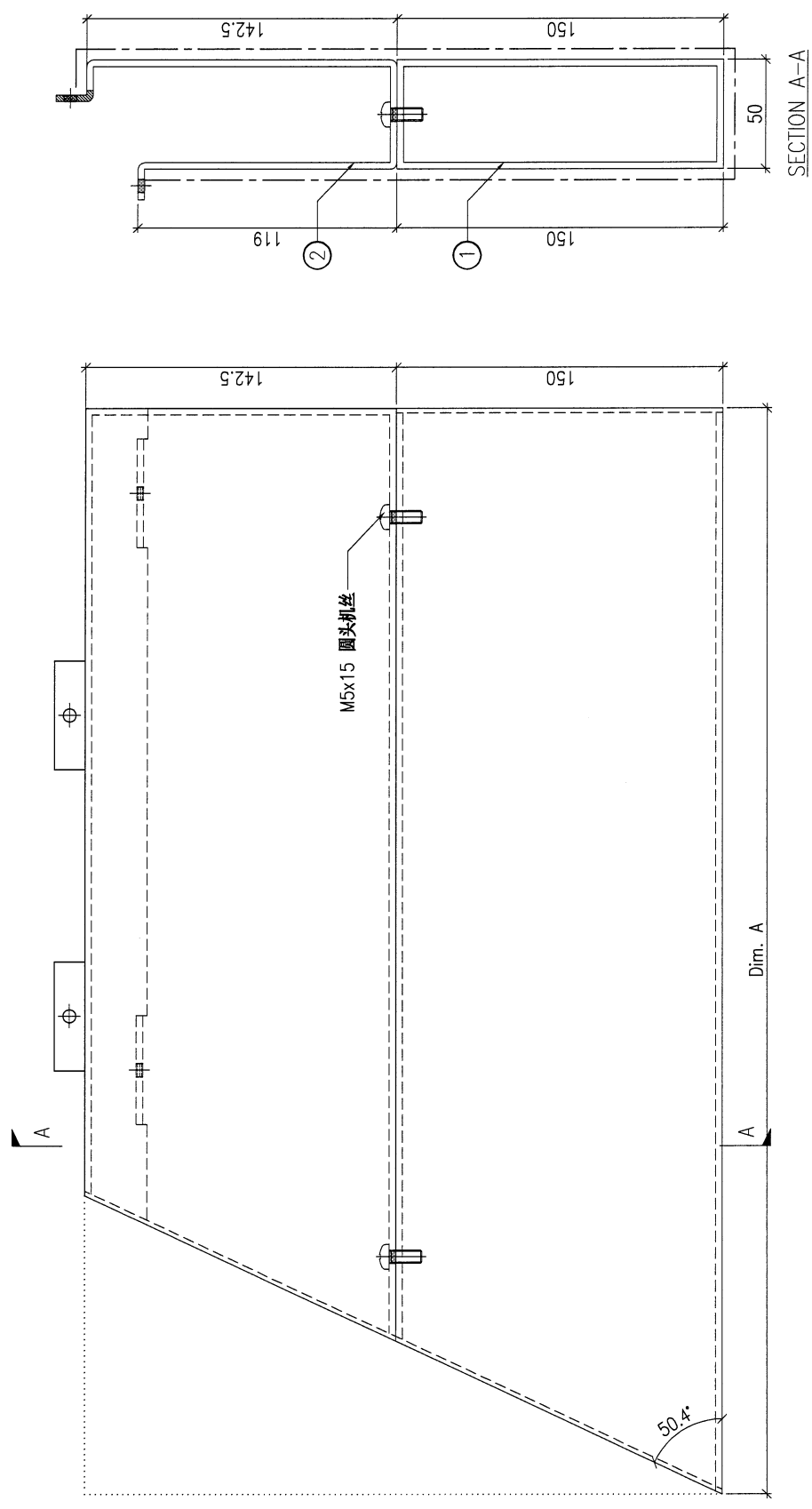
DWG. NO.	FW1-UN11	REV.	-	SCALE	-	DATE	22-03-2023	DRAWN BY	-	APPROVED BY	-
----------	----------	------	---	-------	---	------	------------	----------	---	-------------	---

PROJECT YIN PING ROAD KOWLOON FEATURE WALL (PHASE 1)										MATERIAL 铝通&铝板组装图		COATING PVF2		COLOUR SS-01		MARK. NO. -		QTY. -	
REV.	CHECKED BY	PART NUMBER	Dim. A	Dim. B	Dim. C	Dim. D	Dim. E	Dim. F	Dim. G	Dim. H	QTY.	Inv. Code	ASSEMBLE ON PARTS						
-	-	FW1-JUN12	-	-	-	-	-	-	-	-	1	-	注: 构件编号 ① FW1-AP112 1件 ② AL-M13 1件						
-	-	-	-	-	-	-	-	-	-	-	-	-	③ AL-M12 1件 ④ AL-M14 1件						
<p>注: 地盘用</p> <p>注: 工地复尺</p>										DRAWN BY		DATE		APPROVED BY					
DWG. NO. FW1-JUN12										REV. -		SCALE -		DATE 15-06-2023					

PROJECT		YIN PING ROAD KOWLOON FEATURE WALL (PHASE 1)		MATERIAL		铝通&铝板组装图		COATING		PVF2		COLOUR		SS-01		MARK. NO.		-		QTY.		-	
---------	--	--	--	----------	--	----------	--	---------	--	------	--	--------	--	-------	--	-----------	--	---	--	------	--	---	--

REV.	CHECKED BY	PART NUMBER	Dim. A	Dim. B	Dim. C	Dim. D	Dim. E	Dim. F	Dim. G	Dim. H	QTY.	Inv. Code	ASSEMBLE ON PARTS									
-		FW1-JUN13	1640	-	-						1		注: 构件编号 ①AL-M22B 1件 ②FW1-AP13 1件									

注: 地盘用
注: 工地复尺



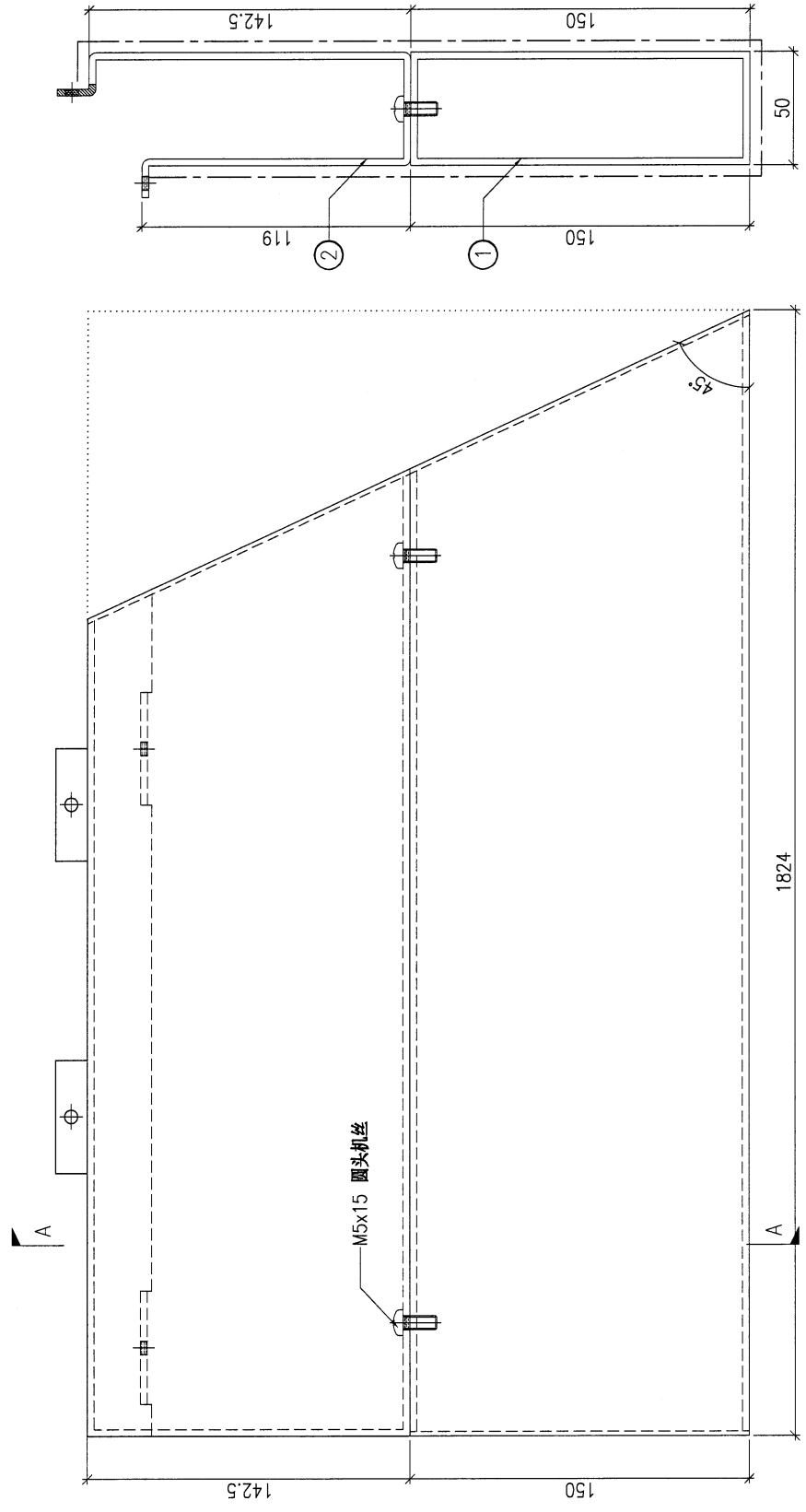
DWG. NO.	FW1-JUN13	REV.	-	SCALE	-	DATE	15-06-2023	DRAWN BY	-	APPROVED BY	-
----------	-----------	------	---	-------	---	------	------------	----------	---	-------------	---

31

PROJECT		YIN PING ROAD KOWLOON FEATURE WALL (PHASE 1)				MATERIAL				COATING		COLOUR		MARK. NO.		QTY.	
		铝通&铝板组裝图				PVF2		SS-01									

REV.	CHECKED	PART NUMBER	Dim. A	Dim. B	Dim. C	Dim. D	Dim. E	Dim. F	Dim. G	Dim. H	QTY.	Inv. Code	ASSEMBLE ON PARTS				
-		FW1-JUN14	-	-	-						1		注: 构件编号 ①AL-416C 1件 ②PVF-AP114 1件				

注: 地盘用
注: 工地复尺

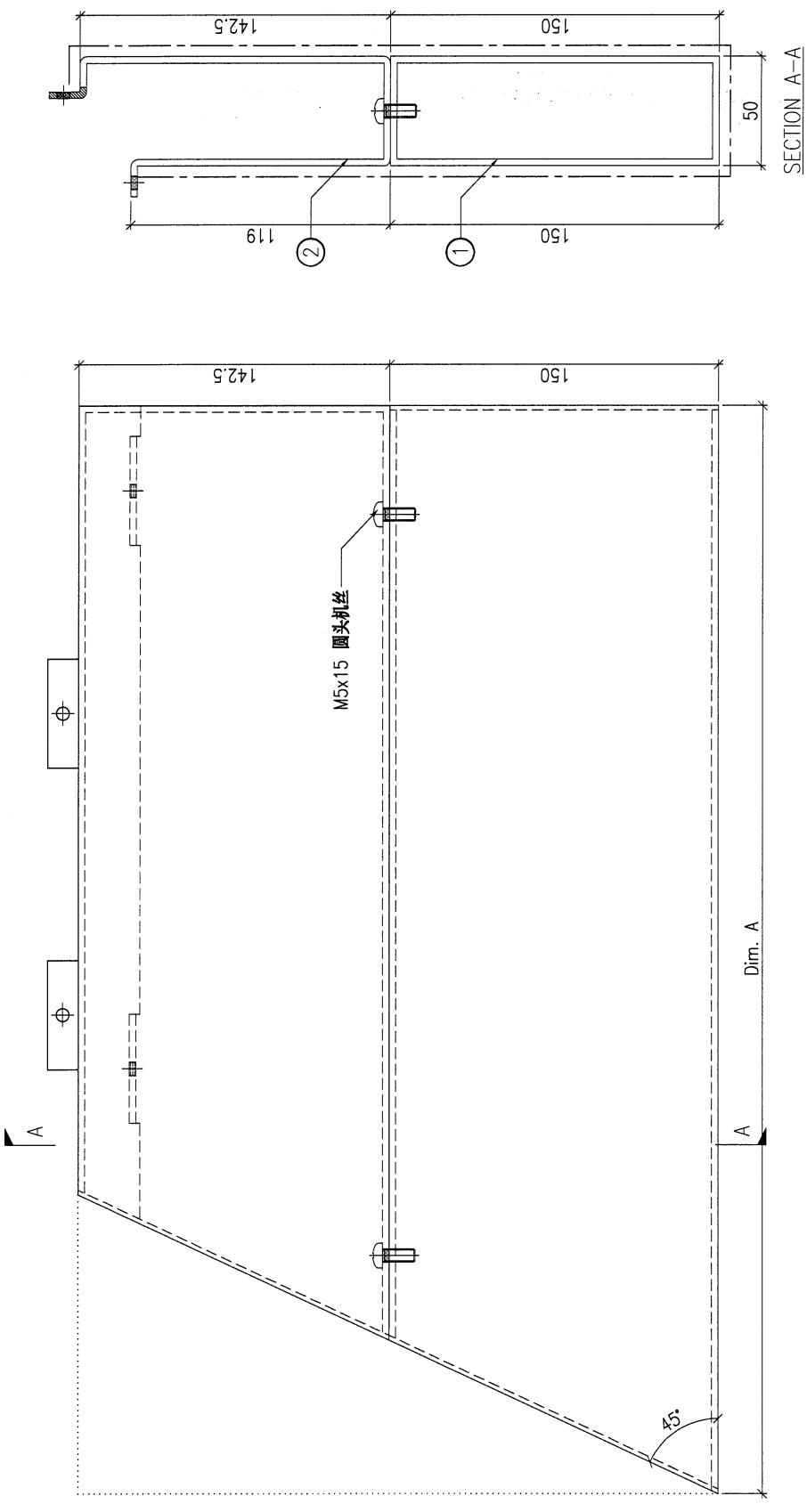


SECTION A-A

DWG. NO.	REV.	SCALE	DATE	DRAWN BY	APPROVED BY
FW1-JUN14	-	-	15-06-2023	-	-

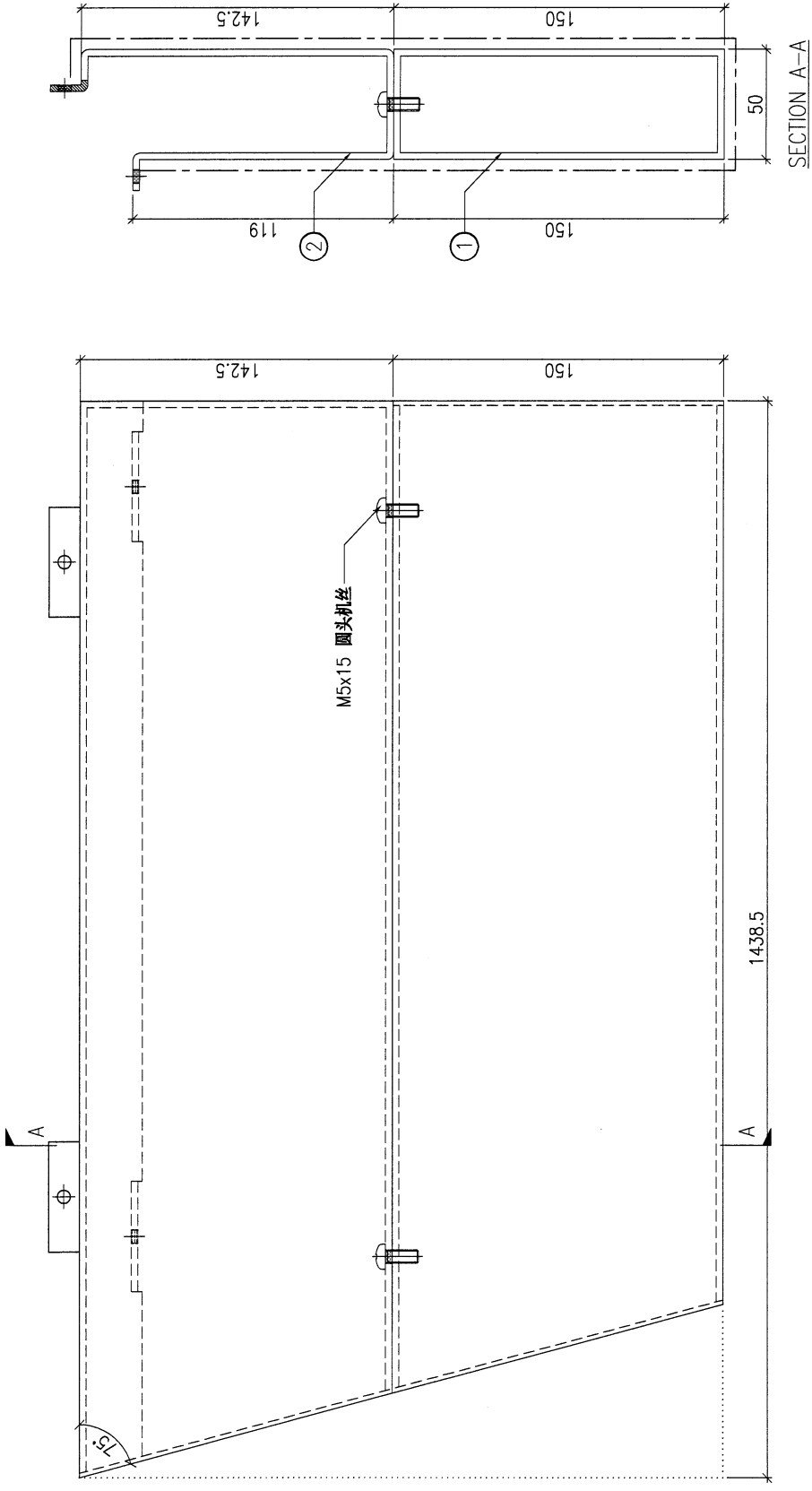
33

PROJECT YIN PING ROAD KOWLOON FEATURE WALL (PHASE 1)										MATERIAL 铝通&铝板组装修图			COATING PVF2		COLOUR SS-01		MARK. NO. -		QTY. -	
REV.	CHECKED DATE BY	PART NUMBER	Dim. A	Dim. B	Dim. C	Dim. D	Dim. E	Dim. F	Dim. G	Dim. H	QTY.	Inv. Code	ASSEMBLE ON PARTS							
-	-	FW1-UN16A	2273	-	-	-	-	-	-	-	1	-	注: 构件编号 ①AL-M16A 1件 ②FW1-AP116A 1件							
-	-	FW1-UN16B	788	-	-	-	-	-	-	-	1	-	注: 构件编号 ①AL-M16B 1件 ②FW1-AP116B 1件							
										注: 地盘用										
										注: 工地复尺										



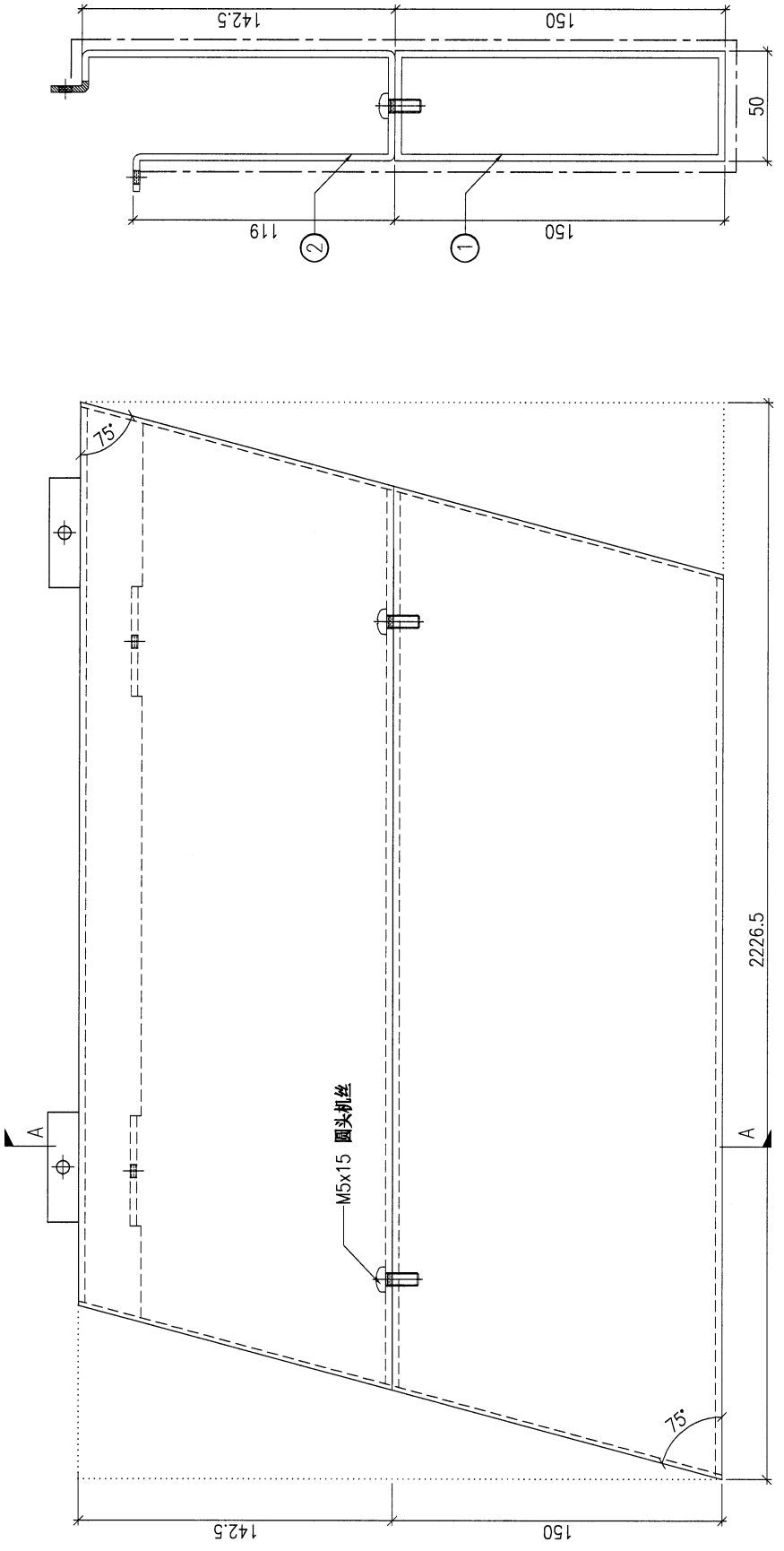
DWG. NO.	FW1-UN16	REV.	-	SCALE	-	DATE	15-06-2023	DRAWN BY	-	APPROVED BY	-
----------	----------	------	---	-------	---	------	------------	----------	---	-------------	---

PROJECT		YIN PING ROAD KOWLOON FEATURE WALL (PHASE 1)										MATERIAL		COATING		COLOUR		MARK. NO.		QTY.	
		铝通&铝板组装图										PVF2		SS-01		-		-		-	
REV.	CHECKED BY	PART NUMBER	Dim. A	Dim. B	Dim. C	Dim. D	Dim. E	Dim. F	Dim. G	Dim. H	QTY.	Inv. Code	ASSEMBLE ON PARTS								
-		FW1-UN17	-	-	-	-	-	-	-	-	1		注: 构件编号 ①AL-117 1件 ②PVI-AP117 1件								
		注: 地盘用																			
		注: 工地复尺																			



DWG. NO.	REV.	SCALE	DATE	DRAWN BY	APPROVED BY
FW1-UN17	-	-	15-06-2023	-	-

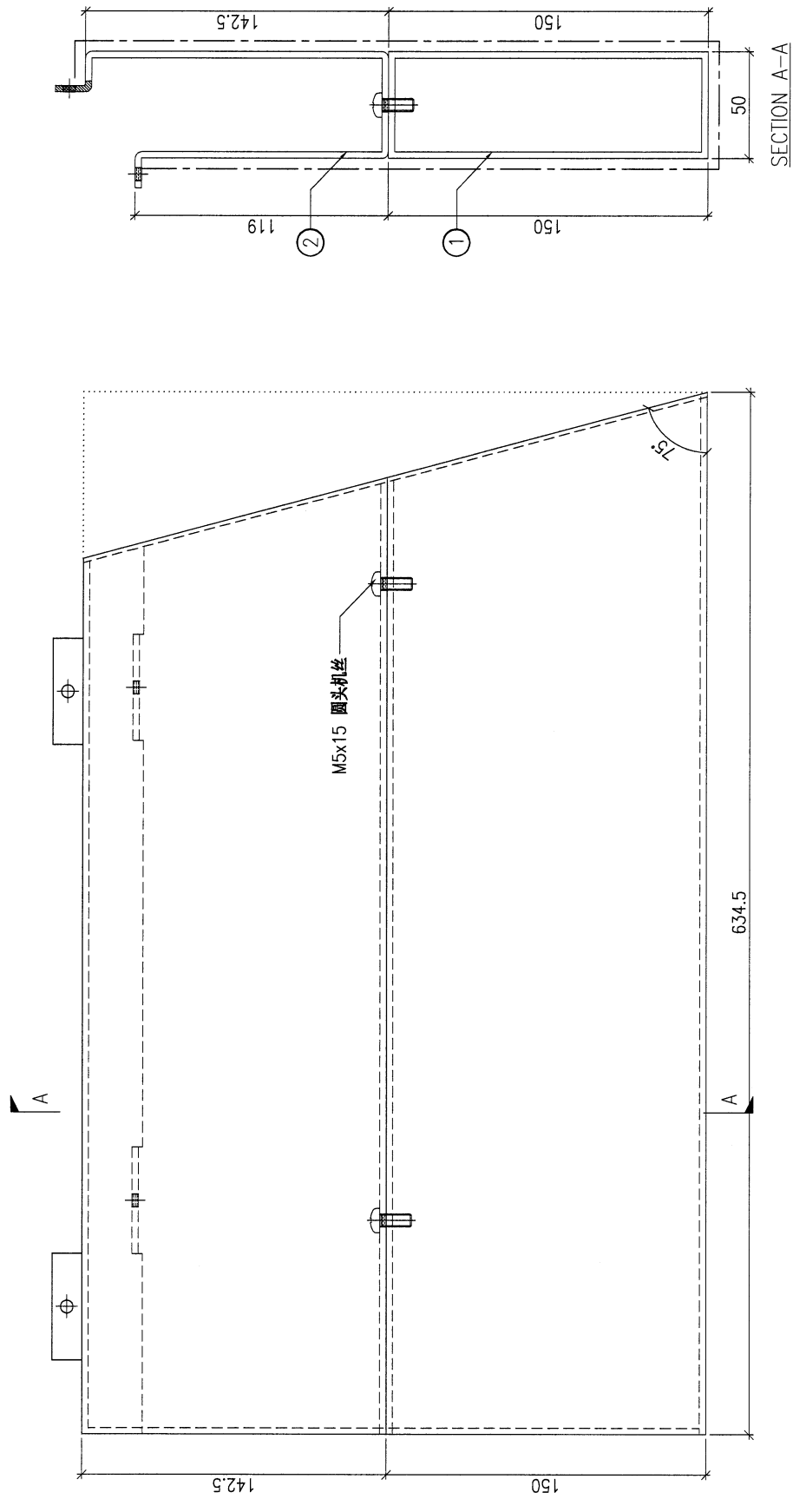
PROJECT YIN PING ROAD KOWLOON FEATURE WALL (PHASE 1)										MATERIAL 铝通&铝板组装图			COATING PVF2		COLOUR SS-01		MARK. NO. -		QTY. -	
REV.	CHECKED DATE OF	PART NUMBER	Dim. A	Dim. B	Dim. C	Dim. D	Dim. E	Dim. F	Dim. G	Dim. H	QTY.	Inv. Code	ASSEMBLE ON PARTS							
-	-	FW1-UN18	-	-	-	-	-	-	-	-	1	-	注: 构件编号 ①AL-M18 1件 ②FW1-AP18 1件							
													注: 地盘用							
													注: 工地复尺							



DWG. NO.	FW1-UN18	REV.	-	SCALE	-	DATE	15-06-2023	DRAWN BY	-	APPROVED BY	-
----------	----------	------	---	-------	---	------	------------	----------	---	-------------	---

PROJECT		YIN PING ROAD KOWLOON FEATURE WALL (PHASE 1)										MARK. NO.		QTY.	
		MATERIAL										COLOUR			
		铝通&铝板组装图										PVF2		SS-01	
		ASSEMBLE ON PARTS													
		注: 构件编号 ①AL-M19 1件 ②PWT-AP119 1件													

REV.	CHANGED BY	PART NUMBER	Dim. A	Dim. B	Dim. C	Dim. D	Dim. E	Dim. F	Dim. G	Dim. H	QTY.	Inv. Code	注: 地盘用		
-		FW1-UN19	-	-	-	-	-	-	-	-	1		注: 工地复尺		

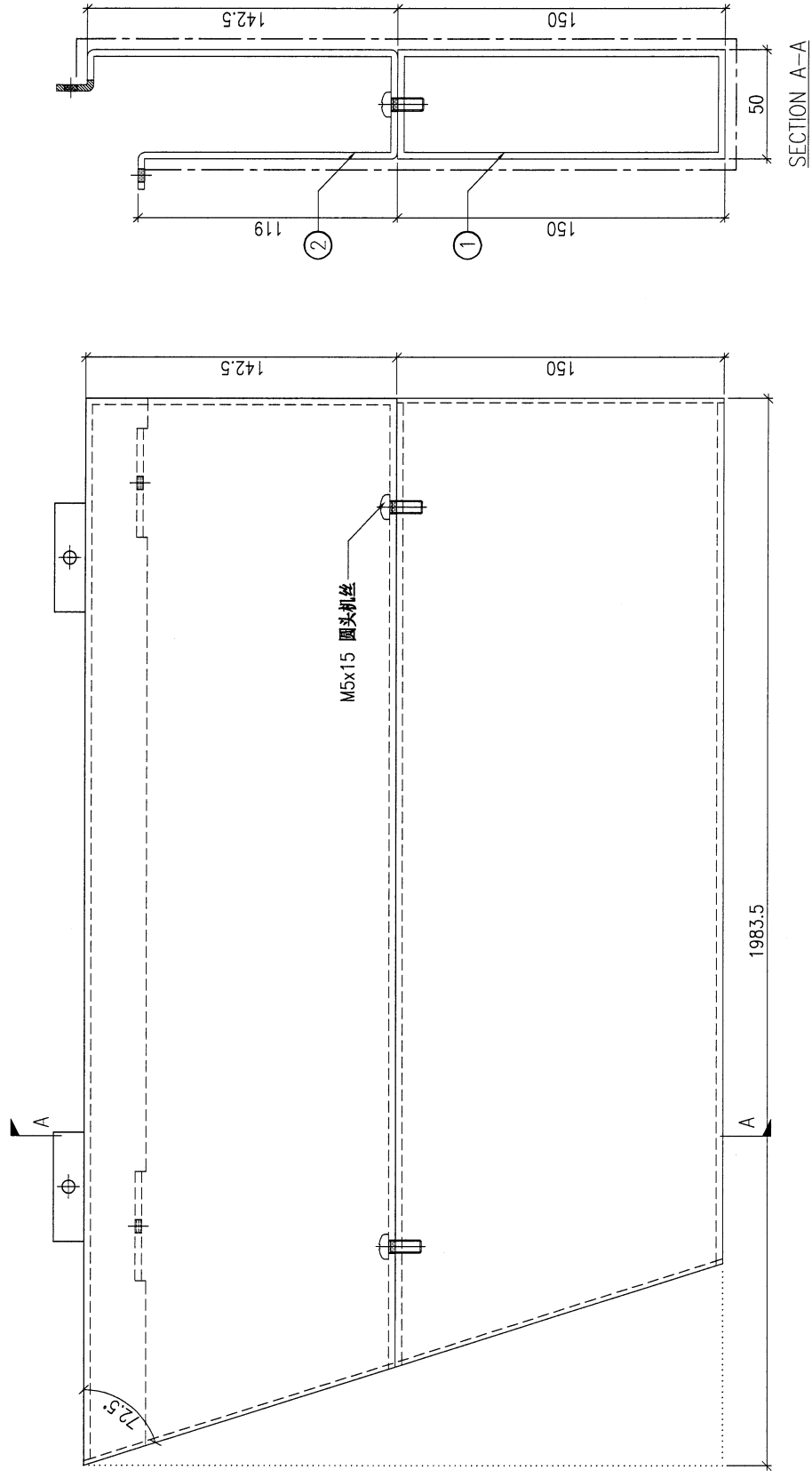


DWG. NO.	REV.	SCALE	DATE	DRAWN BY	APPROVED BY
FW1-UN19	-	-	15-06-2023	-	-

PROJECT		YIN PING ROAD KOWLOON FEATURE WALL (PHASE 1)		MATERIAL		铝通&铝板组装图		COATING		PVF2		COLOUR		SS-01		MARK. NO.		-		QTY.		-	
---------	--	--	--	----------	--	----------	--	---------	--	------	--	--------	--	-------	--	-----------	--	---	--	------	--	---	--

REV.	CHECKED BY	PART NUMBER	Dim. A	Dim. B	Dim. C	Dim. D	Dim. E	Dim. F	Dim. G	Dim. H	QTY.	Inv. Code	ASSEMBLE ON PARTS									
-		FW1-UN20	-	-	-	-	-	-	-	-	1		注: 构件编号 ①AL-M20 1件 ②FW1-AP120 1件									

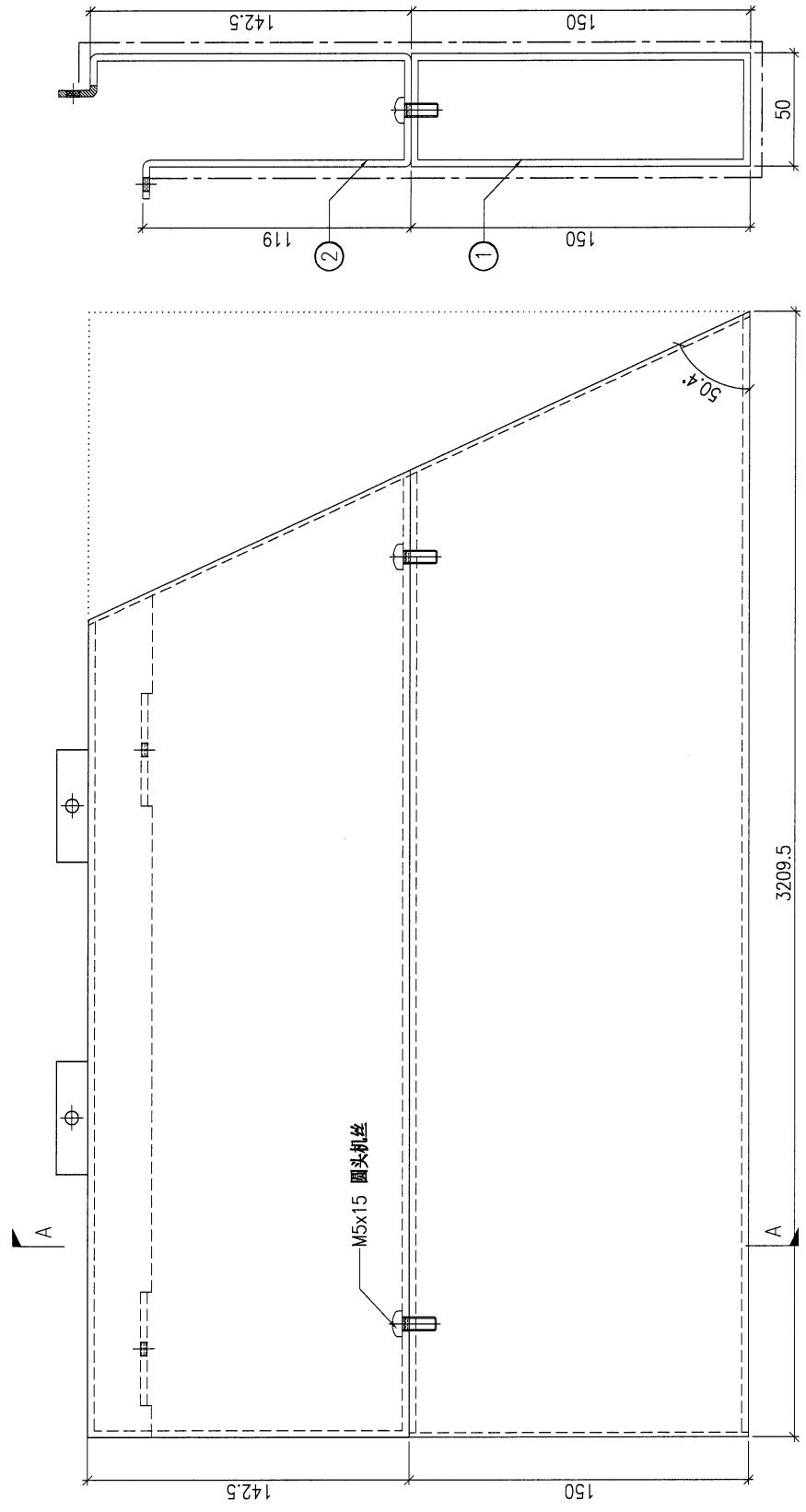
注: 地盘用
注: 工地复尺



DWG. NO.	FW1-UN20	REV.	-	SCALE	-	DATE	15-06-2023	DRAWN BY	-	APPROVED BY	-
----------	----------	------	---	-------	---	------	------------	----------	---	-------------	---

PROJECT		YIN PING ROAD KOWLOON FEATURE WALL (PHASE 1)				MATERIAL 铝通&铝板组裝图				COATING PVF2		COLOUR SS-01		MARK. NO. -		QTY. -	
---------	--	--	--	--	--	----------------------	--	--	--	-----------------	--	-----------------	--	----------------	--	-----------	--

REV.	CHANGED BY	PART NUMBER	Dim. A	Dim. B	Dim. C	Dim. D	Dim. E	Dim. F	Dim. G	Dim. H	QTY.	Inv. Code	ASSEMBLE ON PARTS 注: 构件编号 ①AL-W22A 1件 ②PVF-AP122 1件				
-		FW1-JUN22	-	-	-	-	-	-	-	-	1		注: 地盘用 注: 工地复尺				



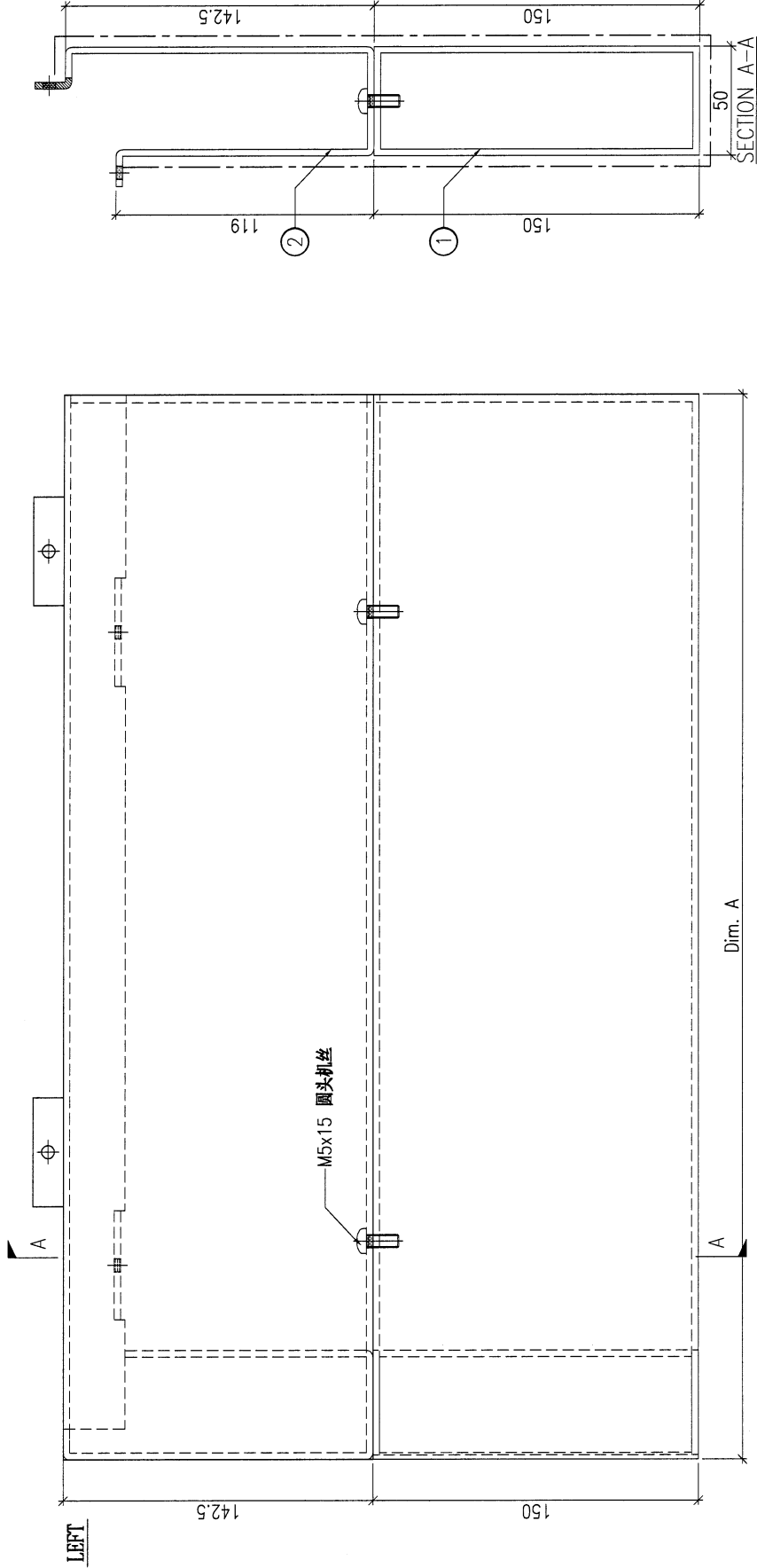
SECTION A-A

DWG. NO.	REV.	SCALE	DATE	DRAWN BY	APPROVED BY
FW1-JUN22	-	-	15-06-2023	-	-

PROJECT		YIN PING ROAD KOWLOON FEATURE WALL (PHASE 1)										MATERIAL		COATING		COLOUR		MARK. NO.		QTY.	
												铝通&铝板组装机		PVF2		SS-01		-		-	

REV.	CHECKED BY	PART NUMBER	Dim. A	Dim. B	Dim. C	Dim. D	Dim. E	Dim. F	Dim. G	Dim. H	QTY.	Inv. Code	ASSEMBLE ON PARTS								
-		FW1-UN23	2241	-	-	-	-	-	-	-	1		注: 构件编号 ①AL-AP23 1件 ②FW1-AP23 1件								

注: 地盘用
注: 工地复尺

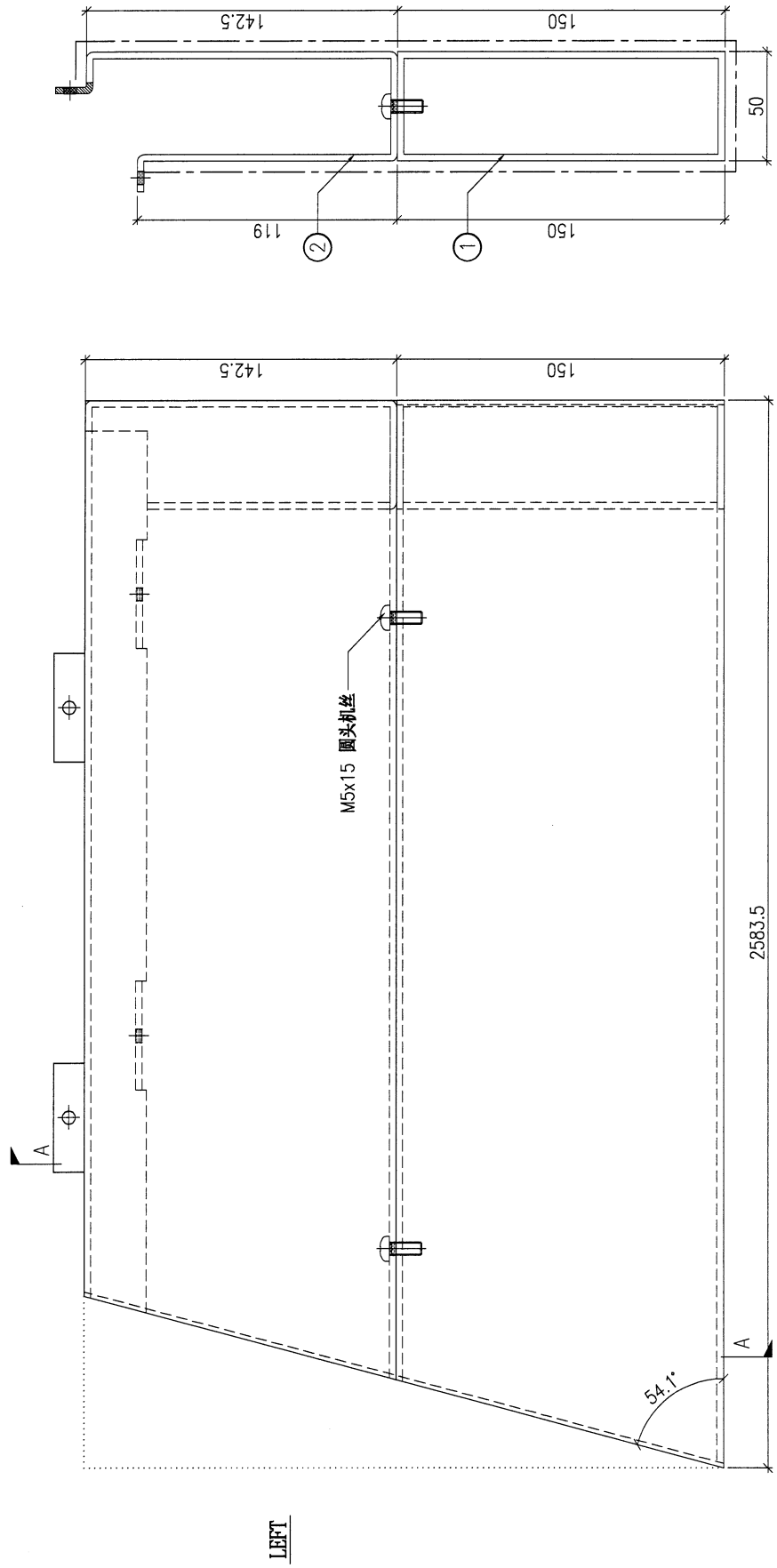


DWG. NO.		FW1-UN66		REV.		-		SCALE		-		DATE		15-06-2023		DRAWN BY		-		APPROVED BY		-	
----------	--	----------	--	------	--	---	--	-------	--	---	--	------	--	------------	--	----------	--	---	--	-------------	--	---	--

PROJECT		YIN PING ROAD KOWLOON FEATURE WALL (PHASE 1)				MATERIAL 铝通&铝板组装图				COATING PVF2		COLOUR SS-01		MARK. NO. -		QTY. -	
---------	--	--	--	--	--	----------------------	--	--	--	-----------------	--	-----------------	--	----------------	--	-----------	--

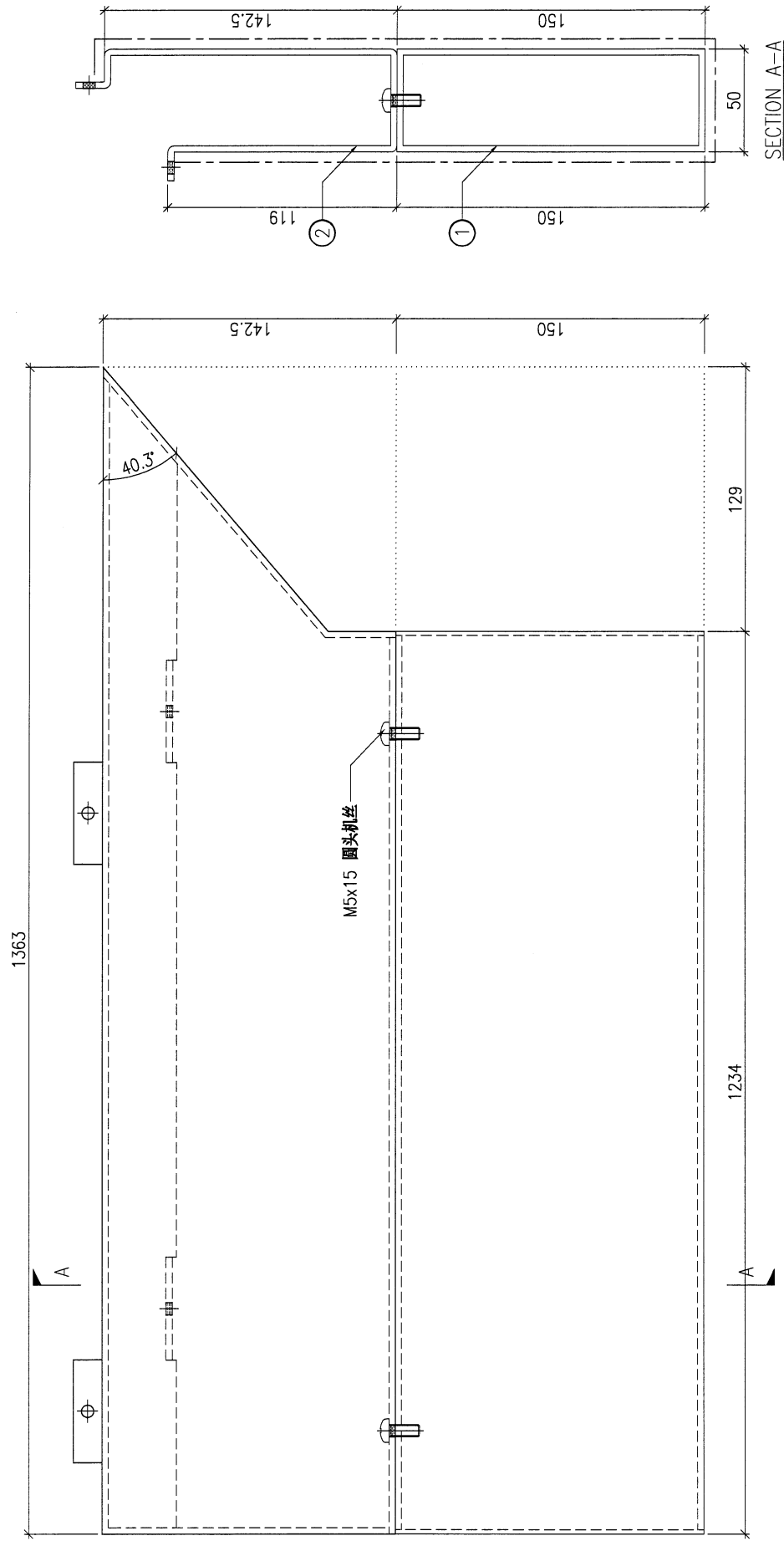
REV.	CHANGED BY	PART NUMBER	Dim. A	Dim. B	Dim. C	Dim. D	Dim. E	Dim. F	Dim. G	Dim. H	QTY.	Inv. Code	ASSEMBLE ON PARTS 注: 构件编号 ①AL-UN24 1件 ②FW1-AP124 1件				
-		FW1-UN24	-	-	-	-	-	-	-	-	1						

注: 地盘用
注: 工地复尺



DWG. NO.	FW1-UN24	REV.	-	SCALE	-	DATE	15-06-2023	DRAWN BY	-	APPROVED BY	-
----------	----------	------	---	-------	---	------	------------	----------	---	-------------	---

PROJECT YIN PING ROAD KOWLOON FEATURE WALL (PHASE 1)										MATERIAL 铝通&铝板组装图		COATING PVF2		COLOUR SS-01		MARK. NO. -		QTY. -	
REV.	CREATED BY/DT	PART NUMBER	Dim. A	Dim. B	Dim. C	Dim. D	Dim. E	Dim. F	Dim. G	Dim. H	QTY.	Inv. Code	ASSEMBLE ON PARTS 注: 构件编号 ① AL-AP25 1件 ② FW1-AP125 1件						
-		FW1-UN25	-	-	-	-	-	-	-	-	1		注: 地盘用 注: 工地复尺						

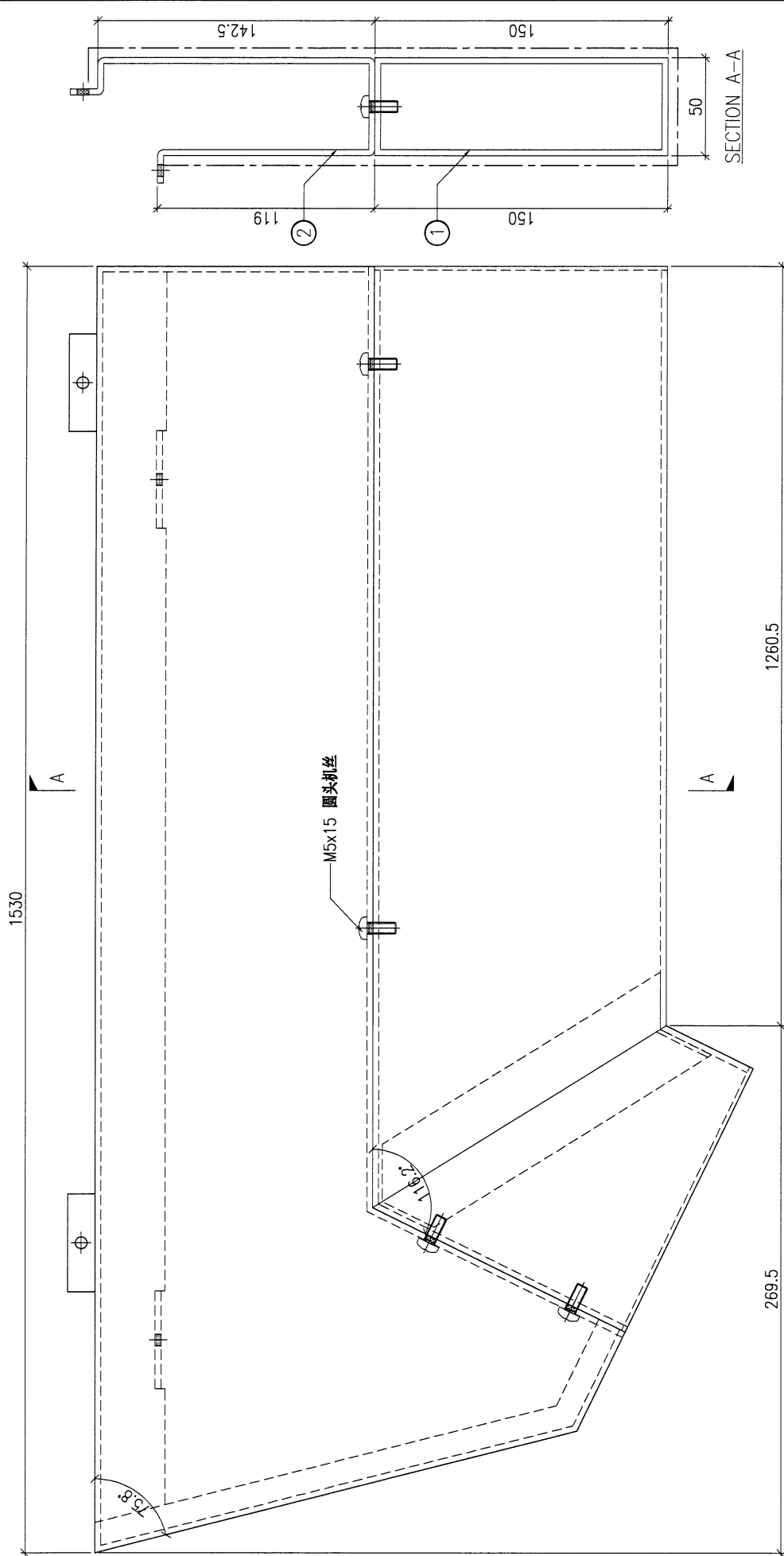


DWG. NO.	REV.	SCALE	DATE	DRAWN BY	APPROVED BY
FW1-UN25	-	-	15-06-2023	-	-

PROJECT		YIN PING ROAD KOWLOON FEATURE WALL (PHASE 1)				MATERIAL				铝通&铝板组装图		COATING		PVF2		COLOUR		SS-01		MARK. NO.		-		QTY.		-	
---------	--	--	--	--	--	----------	--	--	--	----------	--	---------	--	------	--	--------	--	-------	--	-----------	--	---	--	------	--	---	--

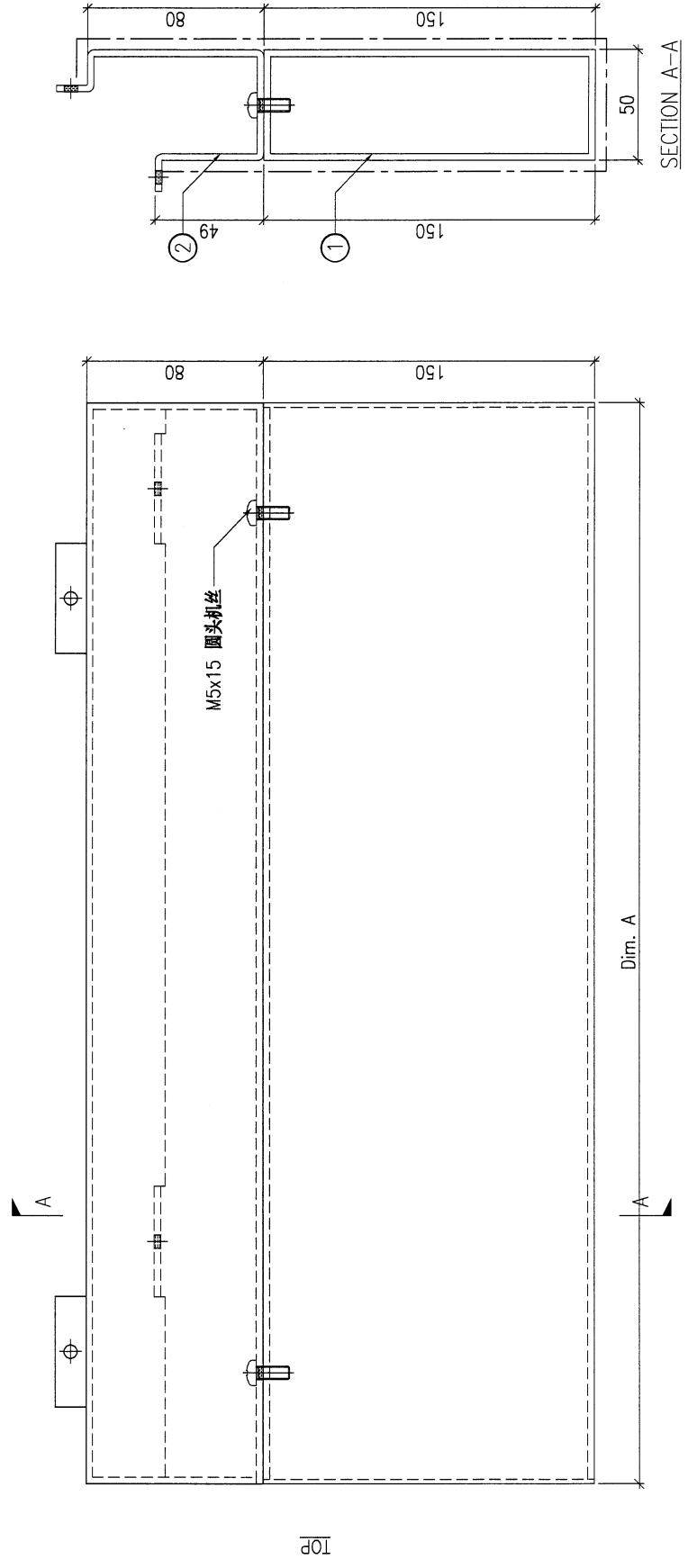
REV.	CHECKED	PART NUMBER	Dim. A	Dim. B	Dim. C	Dim. D	Dim. E	Dim. F	Dim. G	Dim. H	QTY.	Inv. Code	ASSEMBLE ON PARTS												
-		FW1-UN26	-	-	-	-	-	-	-	-	1		注: 构件编号 ①AU-426 1件 ②FW1-AP126 1件												

注: 地盘用
注: 工地复尺



DWG. NO.	FW1-UN26	REV.	-	SCALE	-	DATE	15-06-2023	DRAWN BY	-	APPROVED BY	-
----------	----------	------	---	-------	---	------	------------	----------	---	-------------	---

PROJECT		YIN PING ROAD KOWLOON FEATURE WALL (PHASE 1)										MATERIAL		COATING		COLOUR		MARK. NO.		QTY.	
												铝通&铝板组装机		PVF2		SS-01		-		-	
REV.	CHECKED BY	PART NUMBER	Dim. A	Dim. B	Dim. C	Dim. D	Dim. E	Dim. F	Dim. G	Dim. H	QTY.	Inv. Code	ASSEMBLE ON PARTS								
-		FW1-UN27	3350	-	-	-	-	-	-	-	1		注: 构件编号 ①AL-AP27 1件 ②FW1-AP27 1件								
												注: 地盘用									
												注: 工地复尺									

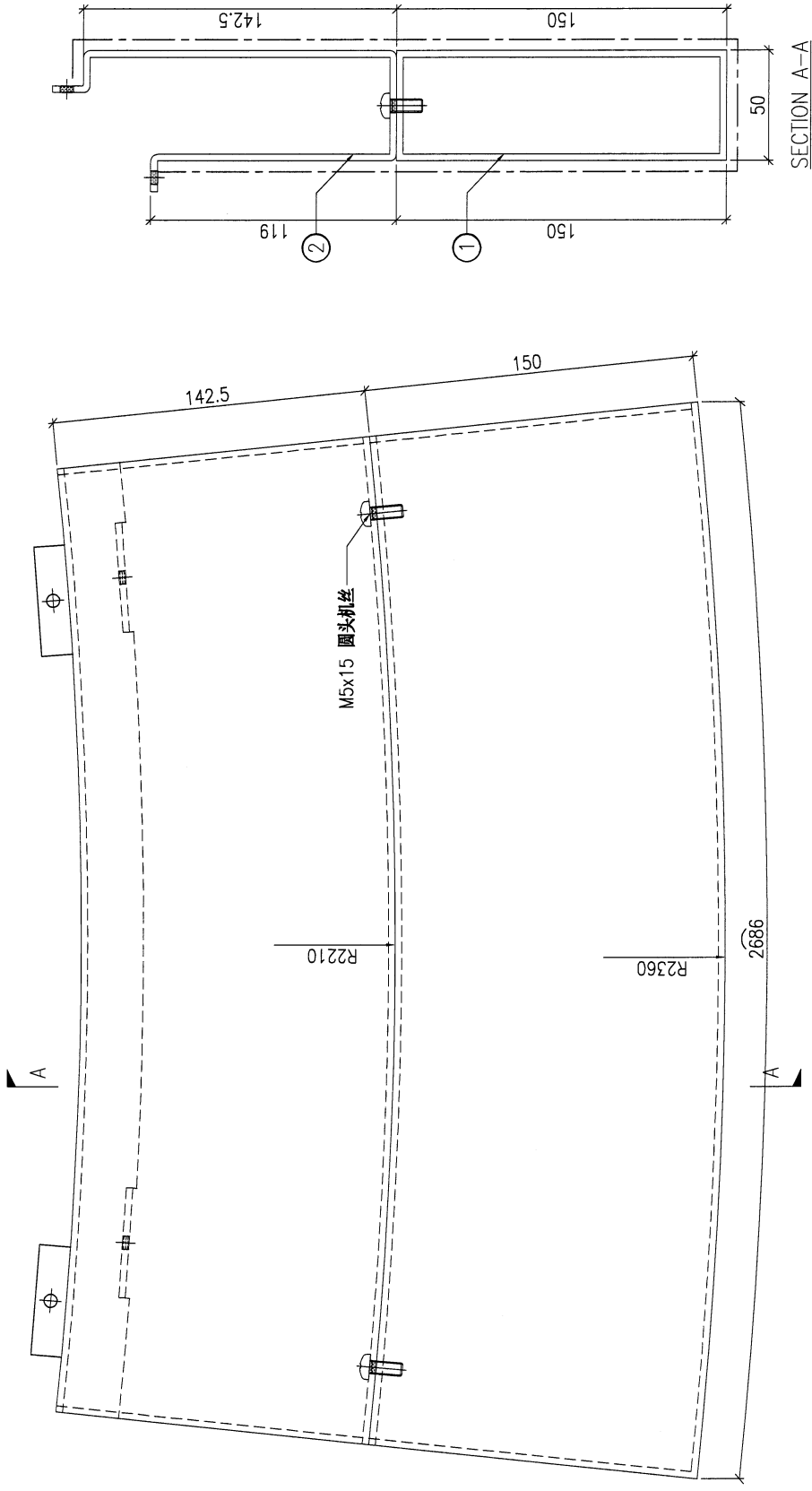


DWG. NO.	REV.	SCALE	DATE	DRAWN BY	APPROVED BY
FW1-UN27	-	-	15-06-2023	-	-

45

PROJECT YIN PING ROAD KOWLOON FEATURE WALL (PHASE 1)										MATERIAL 铝通&铝板组装图			COATING PVF2			COLOUR SS-01			MARK. NO. -			QTY. -													
REV.	CHECKED BY	PART NUMBER	Dim. A	Dim. B	Dim. C	Dim. D	Dim. E	Dim. F	Dim. G	Dim. H	QTY.	Inv. Code	ASSEMBLE ON PARTS																						
-		FW1-UN28	1764	-	-	-	-	-	-	-	1		注: 构件编号 ①AL-M28 1件 ②FW1-AP128A 1件 ①FW1-AP128B 1件 ②FW1-AP128C 1件																						
															注: 地盘用																				
															注: 工地复尺																				
TOP																																			
SECTION A-A																																			
DWG. NO.			FW1-UN28			REV.			-			SCALE			-			DATE			15-06-2023			DRAWN BY			-			APPROVED BY			-		

PROJECT										YIN PING ROAD KOWLOON FEATURE WALL (PHASE 1)		MATERIAL		铝通&铝板组装图		COATING		PVF2		COLOUR		SS-01		MARK. NO.		-		QTY.		-	
REV.	CHECKED	DATE	PART NUMBER	Dim. A	Dim. B	Dim. C	Dim. D	Dim. E	Dim. F	Dim. G	Dim. H	QTY.	Inv. Code	ASSEMBLE ON PARTS																	
-	-	-	FW1-UN29	-	-	-	-	-	-	-	-	2	-	注: 构件编号 ①AL-429 1件 ②FW1-AP129 1件																	
														注: 地盘用																	
														注: 工地复尺																	

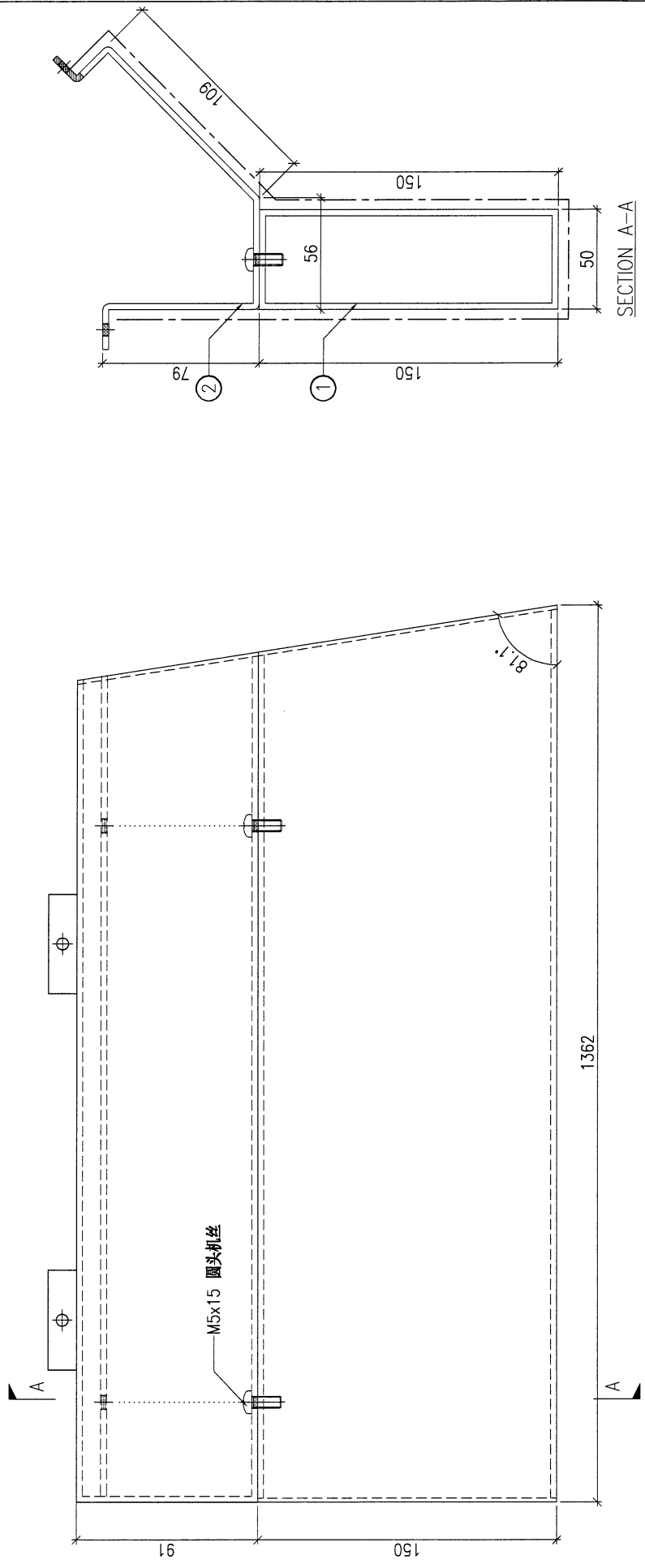


DWG. NO.	FW1-UN29	REV.	-	SCALE	-	DATE	15-06-2023	DRAWN BY	-	APPROVED BY	-
----------	----------	------	---	-------	---	------	------------	----------	---	-------------	---

PROJECT		YIN PING ROAD KOWLOON FEATURE WALL (PHASE 1)										MATERIAL		COATING		COLOUR		MARK. NO.		QTY.	
												铝通&铝板组装图		PVF2		SS-01		-		-	

REV.	CHECKED	DATE	PART NUMBER	Dim. A	Dim. B	Dim. C	Dim. D	Dim. E	Dim. F	Dim. G	Dim. H	QTY.	Inv. Code	ASSEMBLE ON PARTS							
-			FW1-UN30	-	-	-	-	-	-	-	-	1		注: 构件编号 ①AL-#B0 1件 ②FW1-AP130 1件							

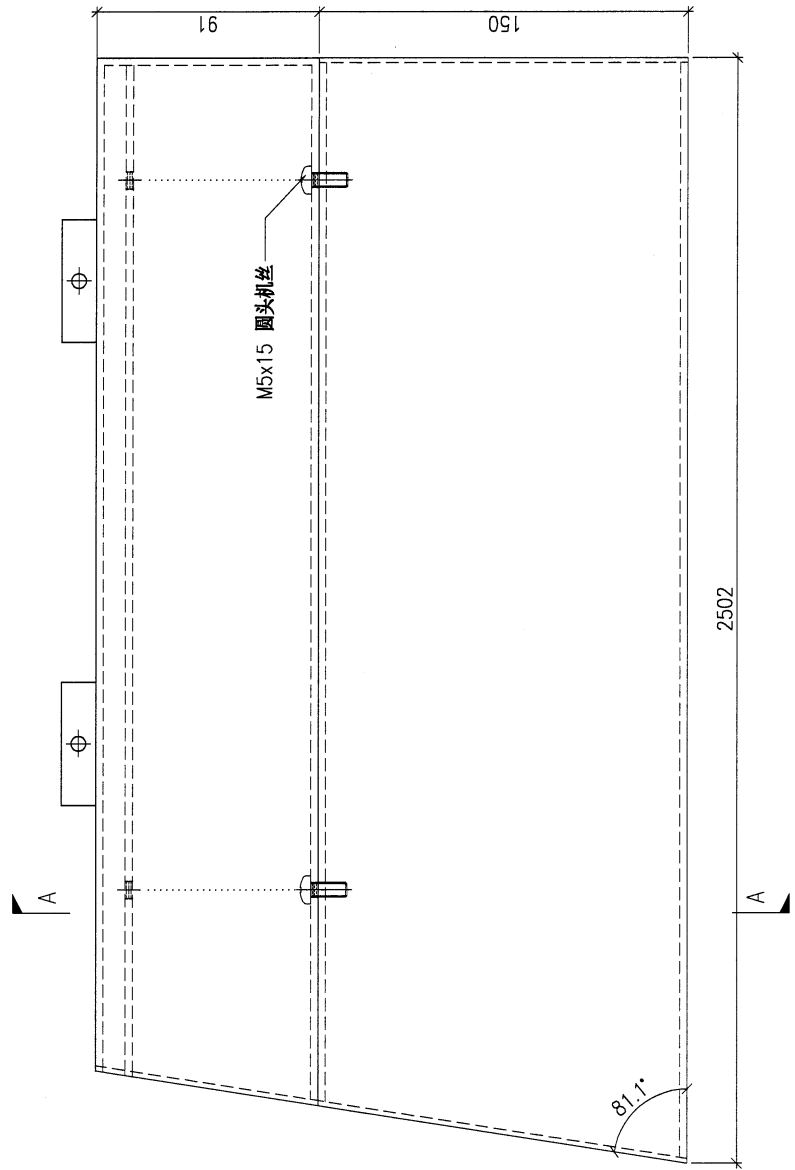
注: 地盘用
注: 工地复尺



DWG. NO.	FW1-UN30	REV.	-	SCALE	-	DATE	22-03-2023	DRAWN BY	-	APPROVED BY	-
----------	----------	------	---	-------	---	------	------------	----------	---	-------------	---

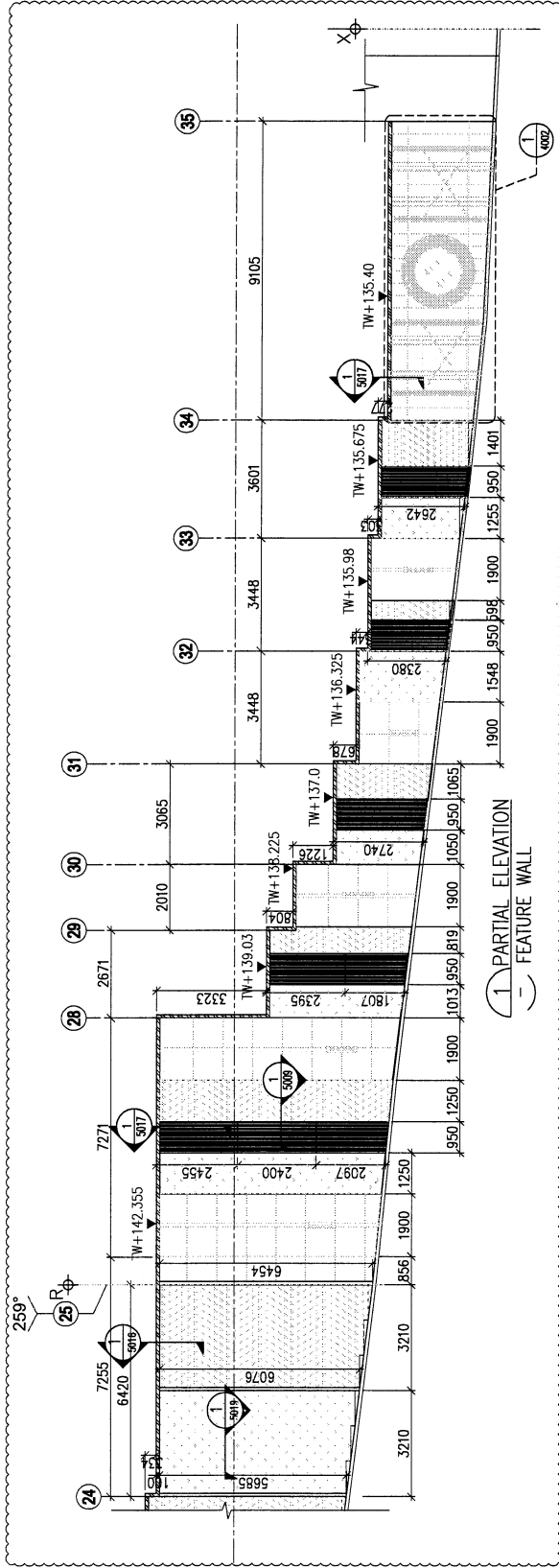
48

PROJECT										YIN PING ROAD KOWLOON FEATURE WALL (PHASE 1)		MATERIAL		铝通&铝板组装修图		COATING		PVF2		COLOUR		SS-01		MARK. NO.		-		QTY.		-	
REV.	CHECKED DATE BY	PART NUMBER	Dim. A	Dim. B	Dim. C	Dim. D	Dim. E	Dim. F	Dim. G	Dim. H	QTY.	Inv. Code	ASSEMBLE ON PARTS																		
-	-	FW1-UN31	-	-	-	-	-	-	-	-	1	-	注: 构件编号 ①AL-M31 1件 ②FW1-HP131 1件																		
注: 地盘用																															
注: 工地复尺																															

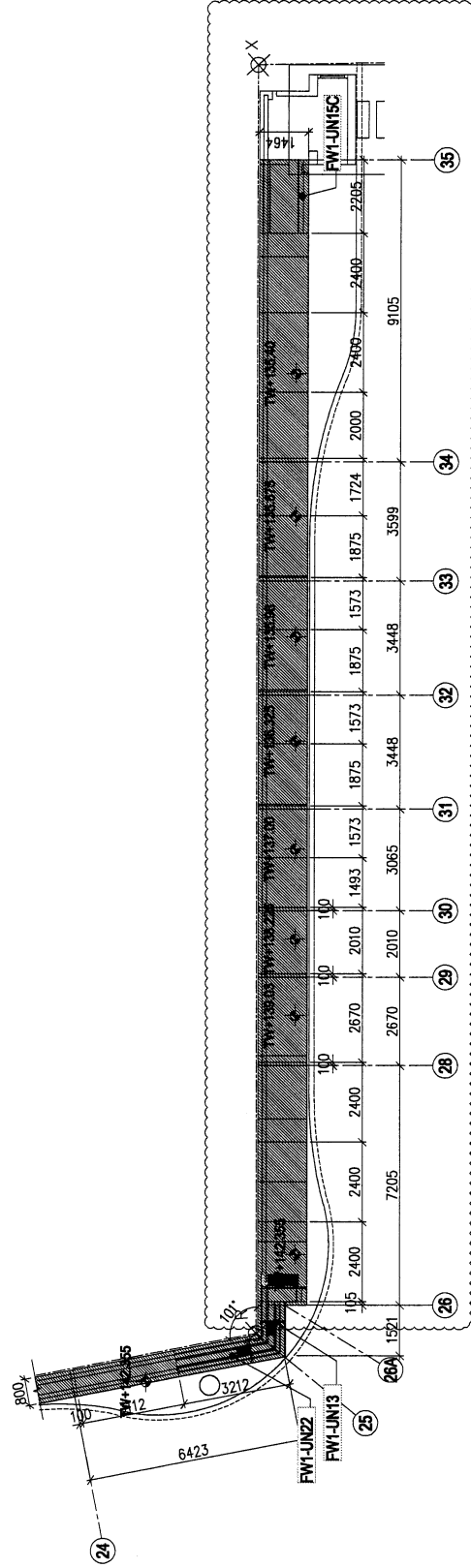


DWG. NO.	FW1-UN31	REV.	-	SCALE	-	DATE	22-03-2023	DRAWN BY	-	APPROVED BY	-
----------	----------	------	---	-------	---	------	------------	----------	---	-------------	---

B.D. REF :							
CLIENT :	SHIMAO GROUP HOLDINGS LIMITED						
ARCHITECT :	WONG TUNG & PARTNERS LIMITED 黃志明建築師事務所						
MAIN CONTRACTOR :	協興建築有限公司 HIP HING CONSTRUCTION CO LTD						
STRUCTURAL ENGINEER :	C M WONG & ASSOCIATES LTD 黃志明建築工程師有限公司						
FAÇADE CONSULTANT :	MEINHARDT						
NOTE :	1. ALL DIMENSIONS ARE IN MM. 2. ALL ELEVATIONS ARE VIEWED FROM OUTSIDE. 3. ALL DIMENSIONS TO BE VERIFIED ON SITE BEFORE FABRICATION.						
LEGEND :	(X) DETAIL MARK NO. (REF) REFER SHEET NO. 1. F.F.L. --- FINISHED FLOOR LEVEL. 2. S.F.L. --- STRUCTURAL FLOOR LEVEL. 3. (R) --- REVERSED DETAIL.						
JOB NO. :	J-853						
PROJECT :	PROPOSED RESIDENTIAL DEVELOPMENT AT N.K.I.L. 6542 YIN PING ROAD KOWLOON						
TITLE :	PARTIAL ELEVATION & PLAN OF FEATURE WALL (PHASE 1)						
DWG NO. :	J:853-FW-300.3D						
DATE :	19-Apr-23						
SCALE :	1:150 (A3)						
CHECKED BY :	LHR						
DRAWN BY :	LHR						
REV. :	D						



(1) PARTIAL ELEVATION
— FEATURE WALL



(2) PARTIAL PLAN
— FEATURE WALL

FEATURE WALL 牆身部份 (part 1)

- LEGEND:
- ALUM. GRILLE
 - 3mm THK. ALUM. CLADDING

美特銀質有限公司
MIDI Engineering & Architecture Ltd.
Units 6-8, Sunny Industrial Centre, 1/F
810 Chee Nee Road, Kowloon
Tel: 23489211-4 Fax: (852) 27271668

B.D. REF :	
CLIENT :	SHIMAO GROUP HOLDINGS LIMITED
ARCHITECT :	WONG TUNG & PARTNERS LIMITED ARCHITECTS & PLANNERS
MAIN CONTRACTOR :	協興建築有限公司 HIP HING CONSTRUCTION CO LTD
STRUCTURAL ENGINEER :	C-M WONG & ASSOCIATES LTD 黃志明建築工程師有限公司
FAÇADE CONSULTANT :	MEINHARDT
NOTE :	<ol style="list-style-type: none"> ALL DIMENSIONS ARE IN mm. ALL ELEVATIONS ARE VIEWED FROM OUTSIDE. ALL DIMENSIONS TO BE VERIFIED ON SITE BEFORE FABRICATION.
LEGEND :	<p>① DETAIL MARK NO. ② REFER SHEET NO.</p> <p>③ F.F.L. — FINISHED FLOOR LEVEL</p> <p>④ S.F.L. — STRUCTURAL FLOOR LEVEL</p> <p>⑤ — REVERSED DETAIL</p>
JOB NO. :	J-853
PROJECT :	PROPOSED RESIDENTIAL DEVELOPMENT AT N.K.I.L.L. 6542 YIN PING ROAD KOWLOON
TITLE :	PARTIAL ELEVATION & PLAN OF FEATURE WALL (PHASE 1)
DATE :	19-Apr-23
SCALE :	1:150 (A3)
CHECKED BY :	LHR
DATE :	19-Apr-23
OWNER :	美特铝质有限公司 MIDT Aluminium Corporation Ltd. Units 6-8, Sunny Industrial Centre, 1/F, 610 Cha Kwo Ling Road, Kowloon. Tel: 23489211-4 Fax: (852) 27271666
DWG NO. :	J-853-FW-3007D
REV. :	-

