

工程指示 / 要求簡箋 ENGINEER INSTRUCTIONS(E.I.)

工程指示編號:	EI- 6314	修改版本:	-
	HK-		
工程編號:	J 853	工程名稱:	延坪道 (Phase 2)
收件人:	Maggie Lor	發件人:	Adrian Tai
工程項目:	屋仔幕牆項目繪畫模圖	日期:	06/06/2023

<input checked="" type="checkbox"/> 原合約工程包	<input type="checkbox"/> 原合約工程加 / 減脹 QT-	<input type="checkbox"/> 新工程報價 QT-
--	--	------------------------------------

信件批核號碼/圖紙參考編號:	批核模具圖紙編號:
客戶指示附件:	管理內部批簽署:

<input type="checkbox"/> 初步鋁料 B.M.	<input type="checkbox"/> 加工拆圖, 然後生產	<input type="checkbox"/> 尺寸表
<input type="checkbox"/> 正式鋁料 B.M.	<input type="checkbox"/> 技術上資料/指示	<input type="checkbox"/> 報價
<input type="checkbox"/> 配件 B.M.	<input type="checkbox"/> 樣辦或貨品說明書	<input type="checkbox"/> 分判合約
<input checked="" type="checkbox"/> 其他: 開模		

內容: 請依附件資料, 繪畫模圖共22款 (X86495-X96516)
附 CAD 指
完成上列要求日期: 13/06/2023 ASAP

國內

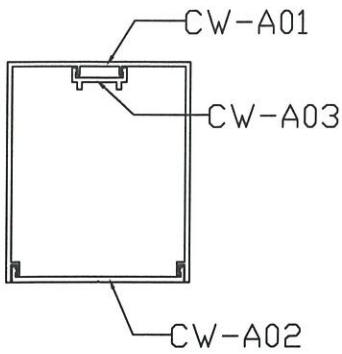
<input type="checkbox"/> 生產技術總監	<input type="checkbox"/> 連附件	<input type="checkbox"/> 技術部	<input type="checkbox"/> 連附件	<input type="checkbox"/> 生產部	<input type="checkbox"/> 連附件
<input type="checkbox"/> 採購部	<input type="checkbox"/> 連附件	<input checked="" type="checkbox"/> 生產統籌部	<input checked="" type="checkbox"/> 連附件	<input type="checkbox"/> 報關組	<input type="checkbox"/> 連附件
<input type="checkbox"/> 質檢部	<input type="checkbox"/> 連附件	<input type="checkbox"/> 會計部	<input type="checkbox"/> 連附件	<input type="checkbox"/> 機械設計部	<input type="checkbox"/> 連附件
<input checked="" type="checkbox"/> 香港辦	<input checked="" type="checkbox"/> 連附件	<input type="checkbox"/> 其他:			

香港

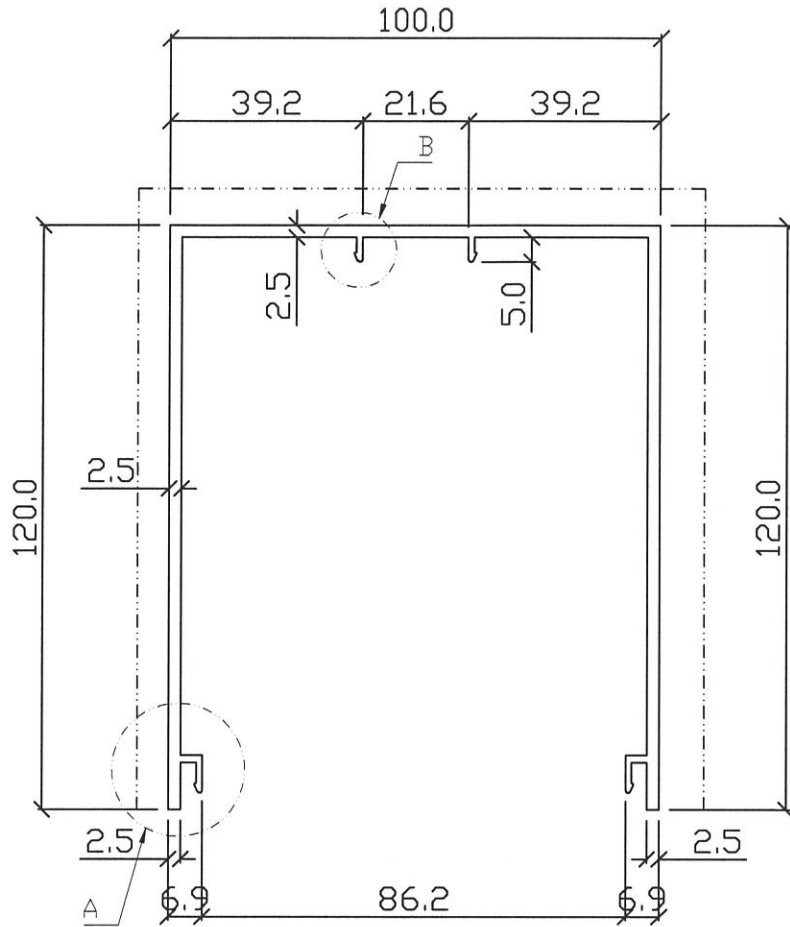
<input type="checkbox"/> 行政部	<input type="checkbox"/> 連附件	<input type="checkbox"/> 會計部	<input type="checkbox"/> 連附件	<input type="checkbox"/> 統籌部	<input type="checkbox"/> 連附件	<input type="checkbox"/> 工程部	<input type="checkbox"/> 連附件
<input type="checkbox"/> 採購部	<input type="checkbox"/> 連附件	<input type="checkbox"/> QS部	<input type="checkbox"/> 連附件	<input type="checkbox"/> 地盤管理	<input type="checkbox"/> 連附件	<input type="checkbox"/> 維修部	<input type="checkbox"/> 連附件

*發件人簽署: Adrian Tai	*組別成員批核簽署:
傳遞編號:	項目經理簽署:

ALUM. COVER

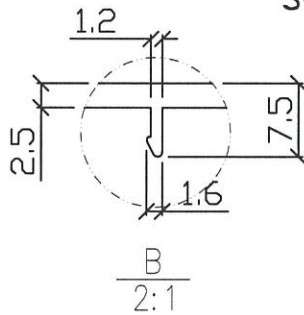
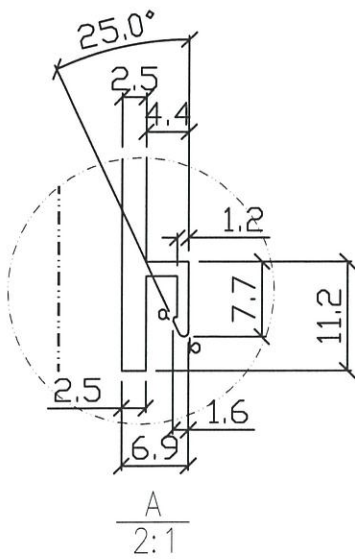


INSTALLATION DRAWING
SCALE 1:3



SCALE 1:1

美特鋁質有限公司
承認圖面
日期 6/6/2023



HOUSE CURTAIN WALL
V.F. -----

$\alpha=R0.3$ $b=R0.5$

6063-T6

APPROVED :

SECTIONAL AREA	mm ²	ADDITIONAL TOLERANCE	DATE	REVISION			
				NO.	DATE	NAME	DESCRIPTION
878.03		Thickness ± 0.1 mm	1/6/2023				
WEIGHT	KG/M	Flatness 0.1 /25mm width	SCALE				
2.379		Straightness 0.3/300mm	1 : 1.5				
PERIMETER	mm	Twist 0.5° /300 mm max	DRAWN				
736.8		Angularity ± 1.0 degree	Asing				
V.F.	mm		CHECK				
340							



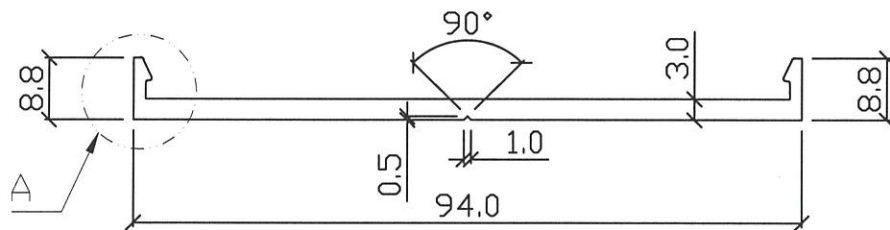
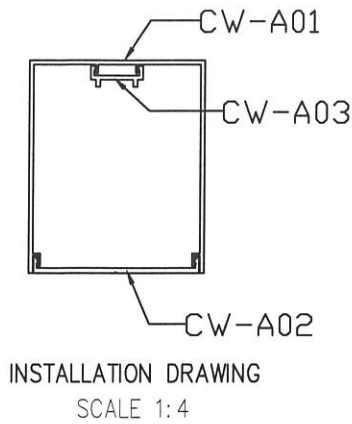
MIDI ALUMINIUM FABRICATOR LTD.

DRAWING NO.
X86496

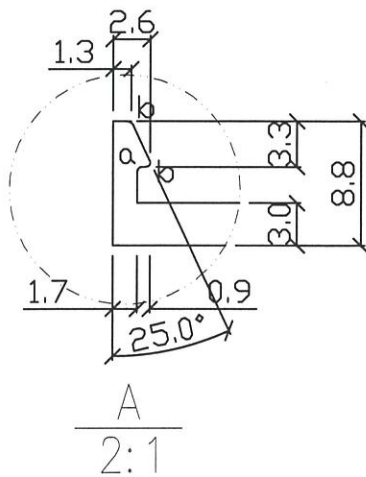
REV.

TITLE
CW-A02

ALUM. COVER



SCALE 1:1



HOUSE CURTAIN WALL

ALODINE

$\alpha=R0.3$ $b=R0.5$

APPROVED :

6063-T6

SECTIONAL AREA	mm ²	ADDITIONAL TOLERANCE	DATE	REVISION			
				NO.	DATE	NAME	DESCRIPTION
303.4		Thickness ± 0.1 mm	1/6/2023				
WEIGHT	KG/M	Flatness 0.1 /25mm width	SCALE				
0.822		Straightness 0.3/300mm	1 : 1				
PERIMETER	mm	Twist 0.5° /300 mm max	DRAWN				
218.4		Angularity ± 1.0 degree	Asing				
V.F.	mm		CHECK				
0							

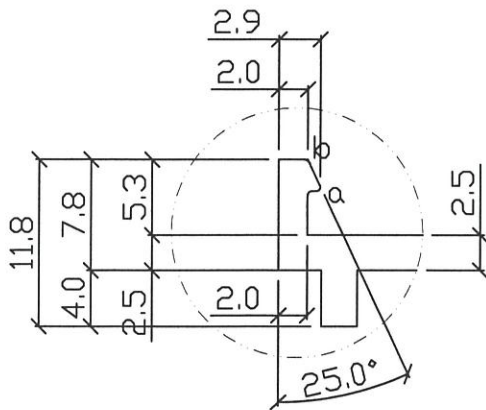
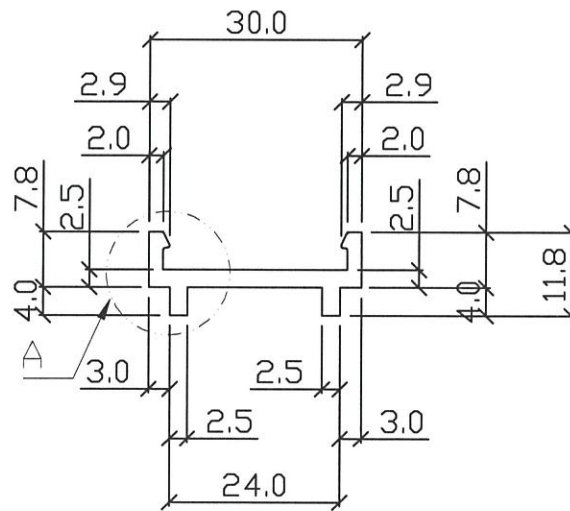


MIDI ALUMINIUM FABRICATOR LTD.

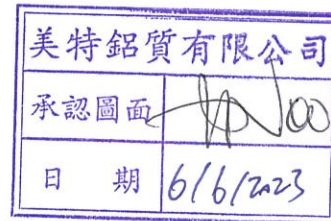
DRAWING NO.
X86497

REV.

TITLE
CW-A03



A
2:1



HOUSE CURTAIN WALL

ALODINE

$\alpha=R0.3$ $b=R0.5$

APPROVED :

6063-T6

SECTIONAL AREA	mm ²	ADDITIONAL TOLERANCE	DATE	REVISION			
				NO.	DATE	NAME	DESCRIPTION
118.5		Thickness ± 0.1 mm	1/6/2023				
WEIGHT	KG/M	Flatness 0.1 /25mm width	SCALE				
0.321		Straightness 0.3/300mm	1 : 1				
PERIMETER	mm	Twist 0.5° /300 mm max	DRAWN				
103.77		Angularity ± 1.0 degree	Asing				
V.F.	mm		CHECK				
0							



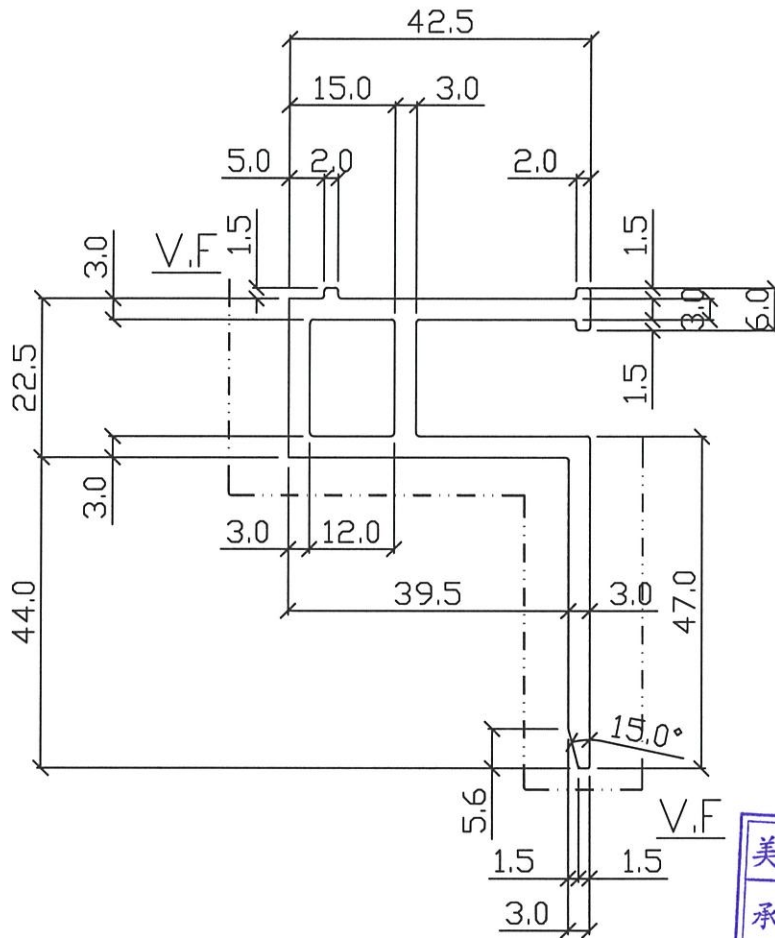
MIDI ALUMINIUM FABRICATOR LTD.

DRAWING NO.
X86498

REV.

TITLE
CW-A04

ALUM. GLAZING ADAPTOR



美特鋁質有限公司
承認圖面
日期 6/6/2023

HOUSE CURTAIN WALL

V.F. -----

$\alpha=R0.3$ $b=R0.5$

APPROVED :

6063-T6

SECTIONAL AREA	mm ²	ADDITIONAL TOLERANCE	DATE	REVISION			
				NO.	DATE	NAME	DESCRIPTION
491		Thickness ± 0.1 mm	1/6/2023				
WEIGHT	KG/M	Flatness 0.1 /25mm width	SCALE				
1.33		Straightness 0.3/300mm	1 : 1				
PERIMETER	mm	Twist 0.5° /300 mm max	DRAWN				
327.6		Angularity ± 1.0 degree	Asing				
V.F.	mm		CHECK				
153.7							



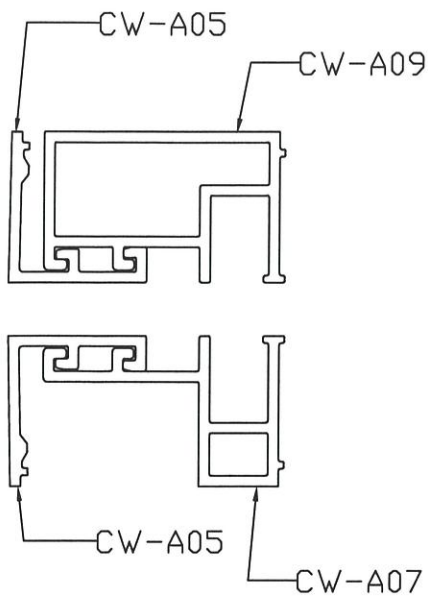
MIDI ALUMINIUM FABRICATOR LTD.

DRAWING NO.
X86499

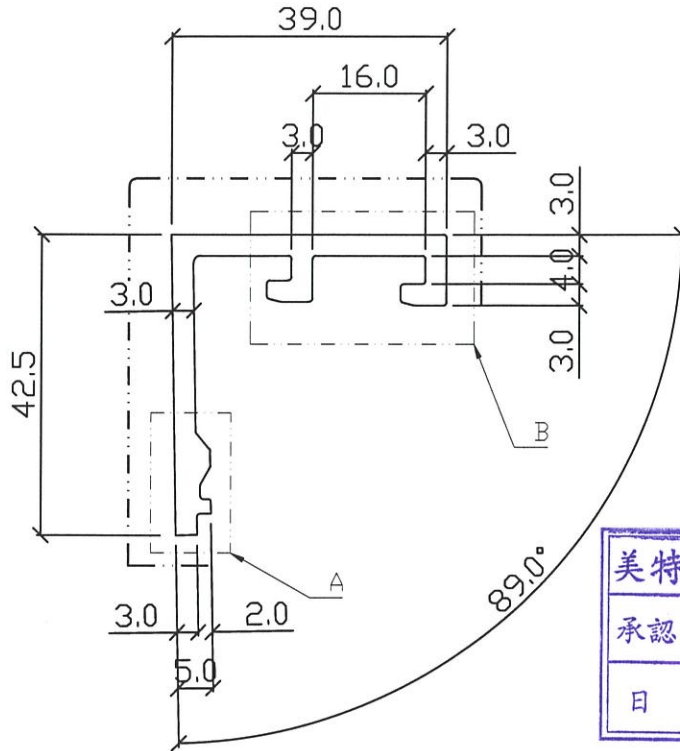
REV.

TITLE
CW-A05

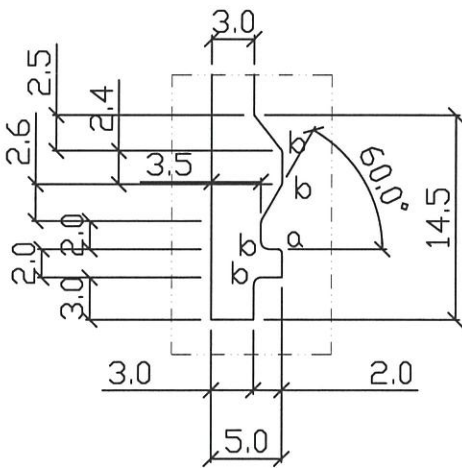
ALUM. CAP



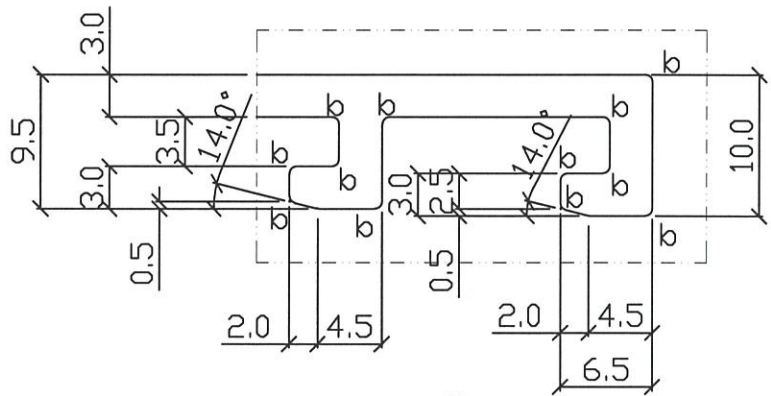
1:2



美特鋁質有限公司
承認圖面
日期 6/6/2023



A
2:1



B
2:1

HOUSE CURTAIN WALL

V.F. -----

$a=R0.3$ $b=R0.5$

APPROVED :

6063-T6

SECTIONAL AREA	mm ²	ADDITIONAL TOLERANCE	DATE	REVISION			
				NO.	DATE	NAME	DESCRIPTION
311.75		Thickness ± 0.1 mm	1/6/2023				
WEIGHT	KG/M	Flatness 0.1 /25mm width	SCALE				
0.844		Straightness 0.3/300mm	1 : 1				
PERIMETER	mm	Twist 0.5° /300 mm max	DRAWN				
204		Angularity ± 1.0 degree	Asing				
V.F.	mm		CHECK				
84							



MIDI ALUMINIUM FABRICATOR LTD.

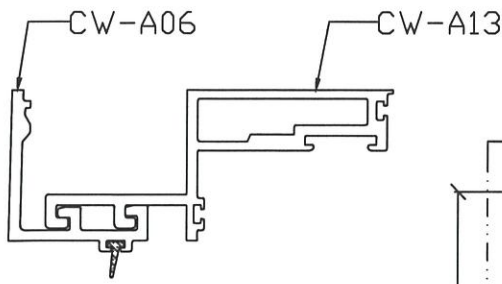
DRAWING NO.

X86500

REV.

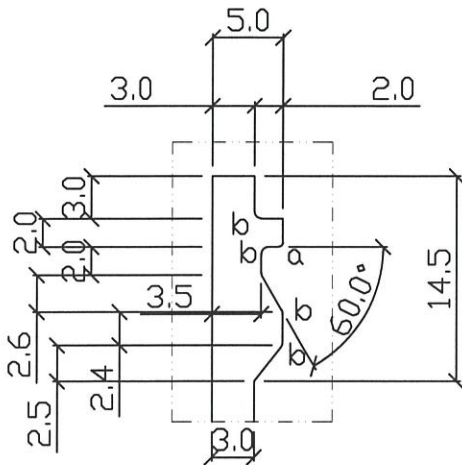
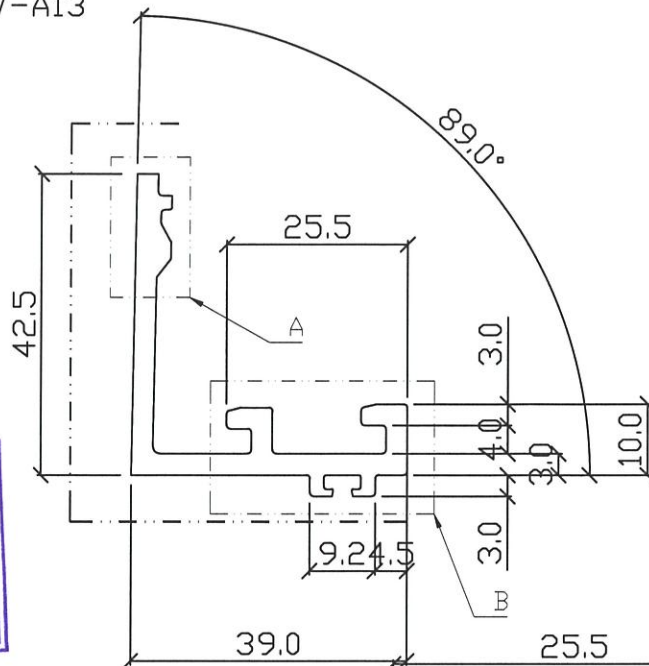
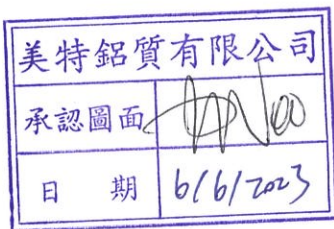
TITLE

CW-A06

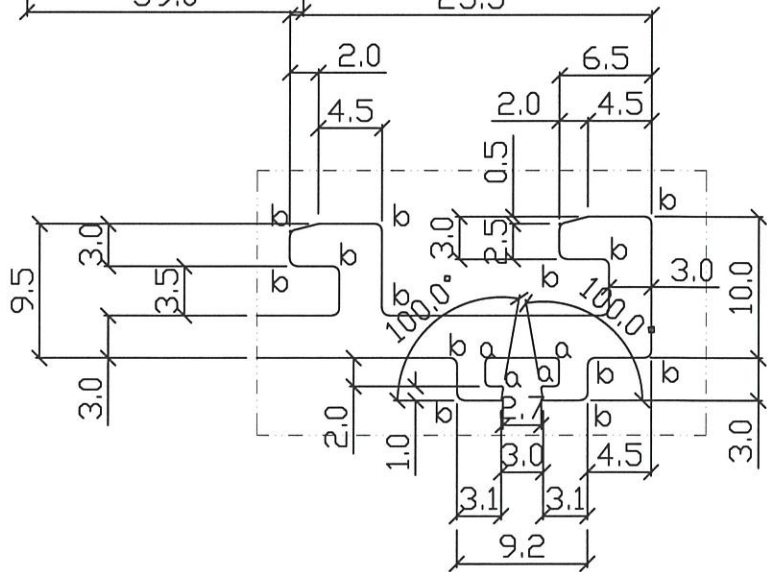


1:2

ALUM. CAP



A
2:1



B
2:1

HOUSE CURTAIN WALL

V.F. -----

APPROVED :

6063-T6

$\alpha=R0.3$ $b=R0.5$

SECTIONAL AREA	mm ²	ADDITIONAL TOLERANCE	DATE	REVISION			
				NO.	DATE	NAME	DESCRIPTION
326.2		Thickness ± 0.1 mm	1/6/2023				
WEIGHT	KG/M	Flatness 0.1 /25mm width	SCALE				
0.884		Straightness 0.3/300mm	1 : 1				
PERIMETER	mm	Twist 0.5° /300 mm max	DRAWN				
219.5		Angularity ± 1.0 degree	Asing				
V.F.	mm		CHECK				
97							



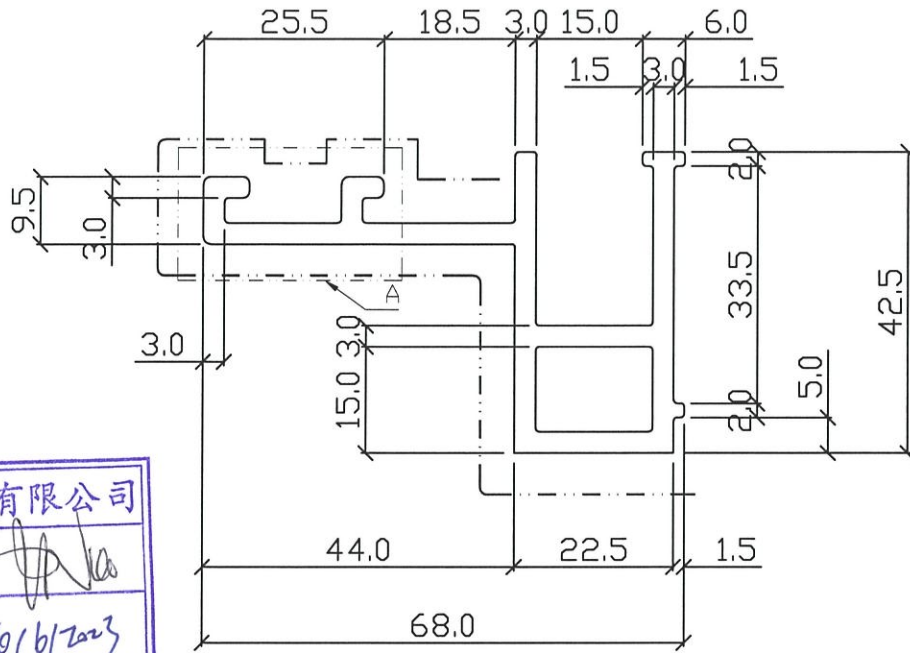
MIDI ALUMINIUM FABRICATOR LTD.

DRAWING NO.
X86501

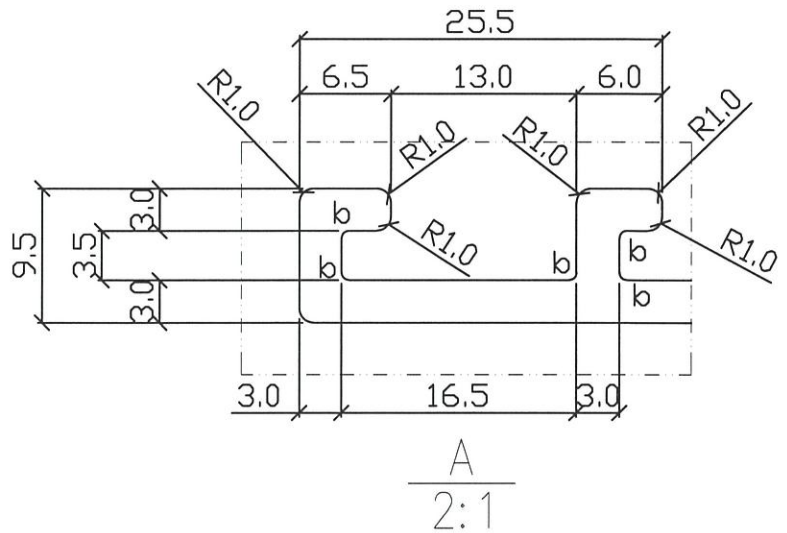
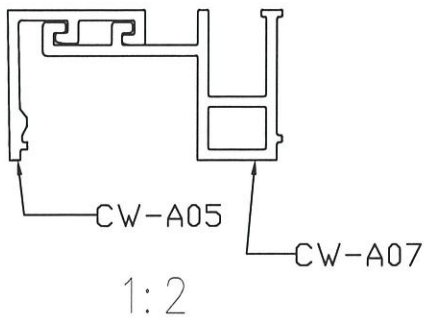
REV.

TITLE
CW-A07

ALUM. GLAZING ADAPTOR



美特鋁質有限公司	
承認圖面	
日期	6/6/2023



HOUSE CURTAIN WALL

V.F. -----

$\alpha=R0.3$ $b=R0.5$

APPROVED :

6063-T6

SECTIONAL AREA	mm ²	ADDITIONAL TOLERANCE	DATE	REVISION			
				NO.	DATE	NAME	DESCRIPTION
552.48		Thickness ± 0.1 mm	1/6/2023				
WEIGHT	KG/M	Flatness 0.1 /25mm width	SCALE				
1.497		Straightness 0.3/300mm	1 : 1				
PERIMETER	mm	Twist 0.5° /300 mm max	DRAWN				
363.6		Angularity ± 1.0 degree	Asing				
V.F.	mm		CHECK				
187.7							



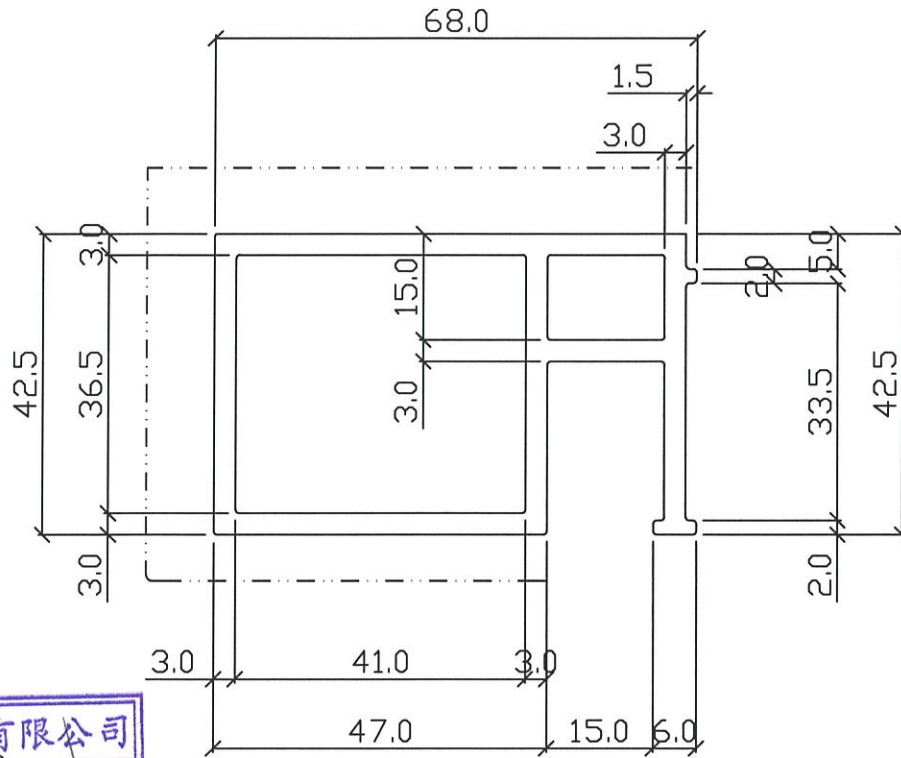
MIDI ALUMINIUM FABRICATOR LTD.

DRAWING NO.
X86502

REV.

TITLE
CW-A08

ALUM. GLAZING ADAPTOR



美特鋁質有限公司	
承認圖面	
日期	6/6/2023

HOUSE CURTAIN WALL

V.F. -----

$\alpha=R0.3$ $b=R0.5$

APPROVED :

6063-T6

SECTIONAL AREA	mm ²	ADDITIONAL TOLERANCE	DATE	REVISION			
				NO.	DATE	NAME	DESCRIPTION
736.8		Thickness ± 0.1 mm	1/6/2023				
WEIGHT	KG/M	Flatness 0.1 /25mm width	SCALE				
1.996		Straightness 0.3/300mm	1 : 1				
PERIMETER	mm	Twist 0.5° /300 mm max	DRAWN				
483.2		Angularity ± 1.0 degree	Asing				
V.F.	mm		CHECK				
156							



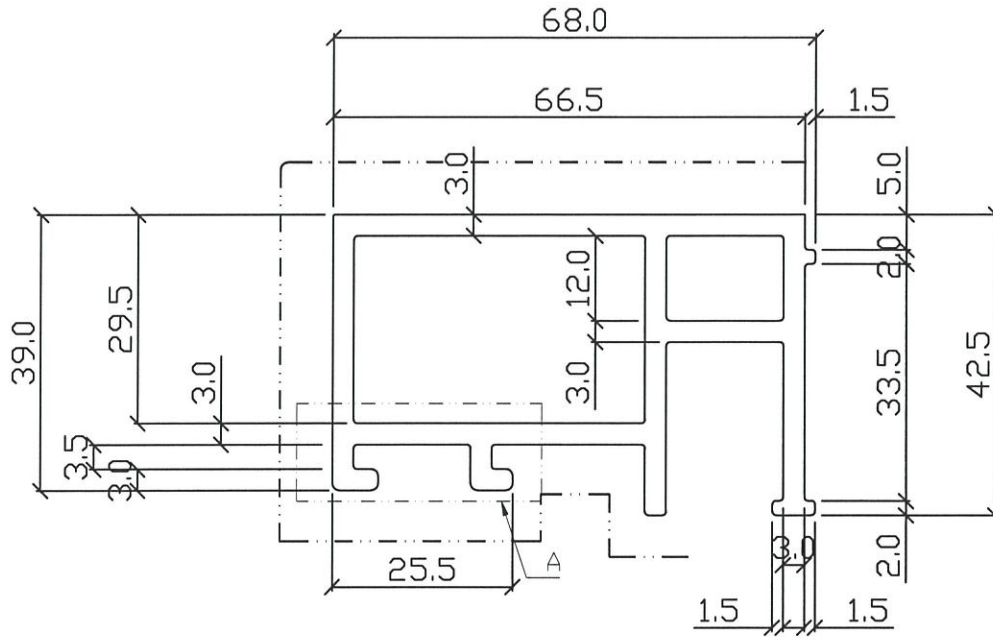
MIDI ALUMINIUM FABRICATOR LTD.

DRAWING NO.
X86503

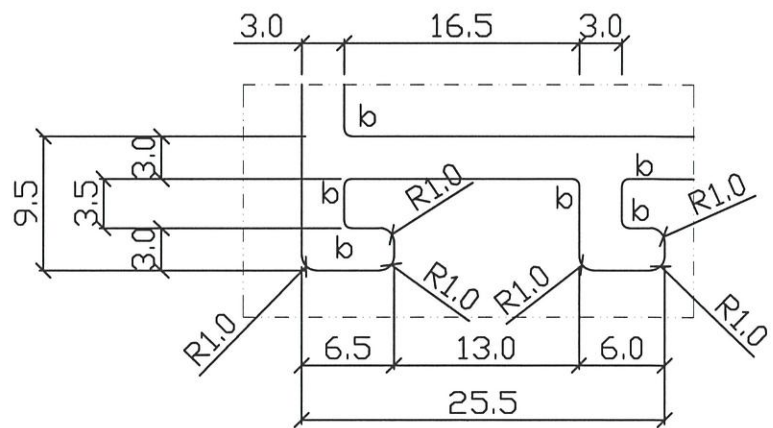
REV.

TITLE
CW-A09

ALUM. GLAZING ADAPTOR



美特鋁質有限公司
承認圖面
日期 6/6/2023



A
2:1

HOUSE CURTAIN WALL

V.F. - - - - -

$\alpha=R0.3$ $b=R0.5$

APPROVED :

6063-T6

SECTIONAL AREA	mm ²	ADDITIONAL TOLERANCE	DATE	REVISION			
				NO.	DATE	NAME	DESCRIPTION
764.3		Thickness ± 0.1 mm	1/6/2023				
WEIGHT	KG/M	Flatness 0.1 /25mm width	SCALE				
2.071		Straightness 0.3/300mm	1 : 1				
PERIMETER	mm	Twist 0.5° /300 mm max	DRAWN				
498.3		Angularity ± 1.0 degree	Asing				
V.F.	mm		CHECK				
191							



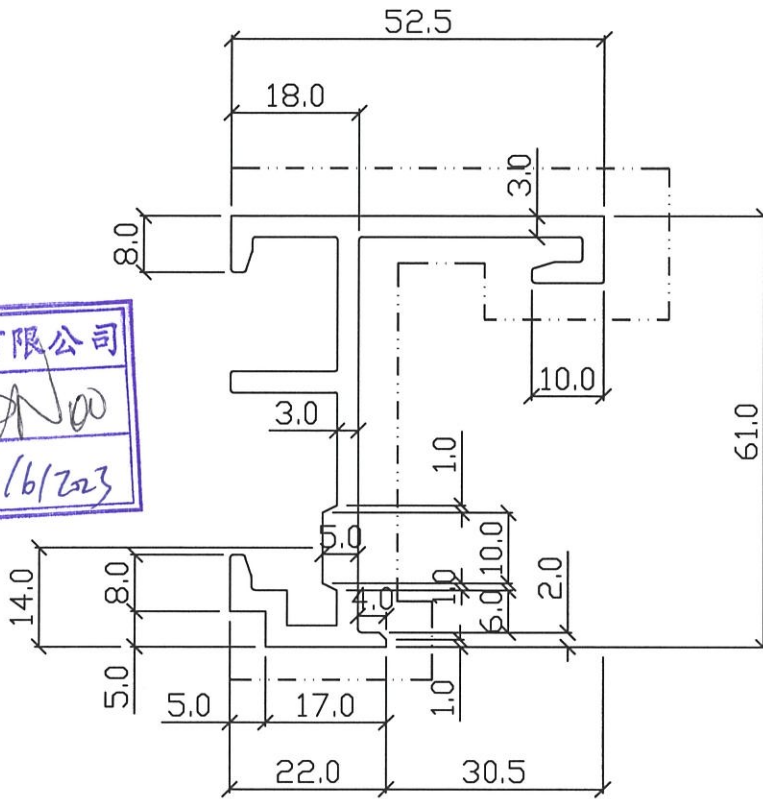
MIDI ALUMINIUM FABRICATOR LTD.

DRAWING NO.
X86505

REV.

TITLE
CW-A11

ALUM. WINDOW FRAME



美特鋁質有限公司
承認圖面
日期 6/6/2023

HOUSE CURTAIN WALL

V.F. -----

a=R0.3 b=R0.5

APPROVED :

6063-T6

SECTIONAL AREA	mm ²	ADDITIONAL TOLERANCE	DATE	REVISION			
				NO.	DATE	NAME	DESCRIPTION
532.1		Thickness ± 0.1 mm	1/6/2023				
WEIGHT	KG/M	Flatness 0.1 /25mm width	SCALE				
1.441		Straightness 0.3/300mm	1 : 1				
PERIMETER	mm	Twist 0.5° /300 mm max	DRAWN				
348.2		Angularity ± 1.0 degree	Asing				
V.F.	mm		CHECK				
193							



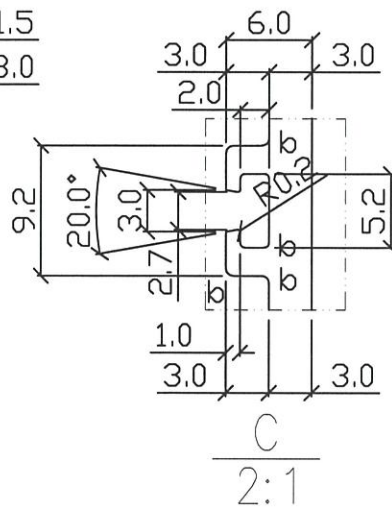
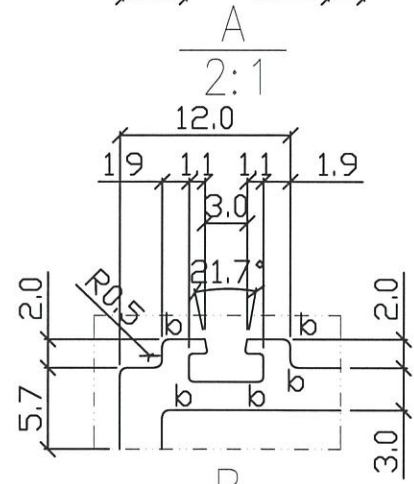
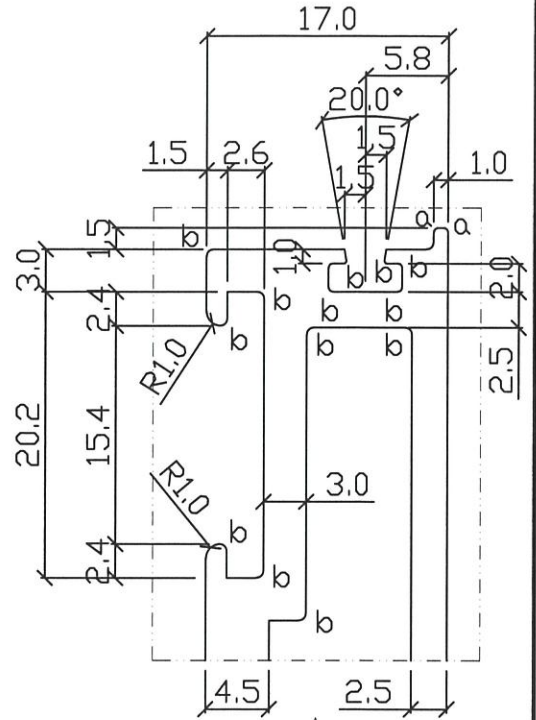
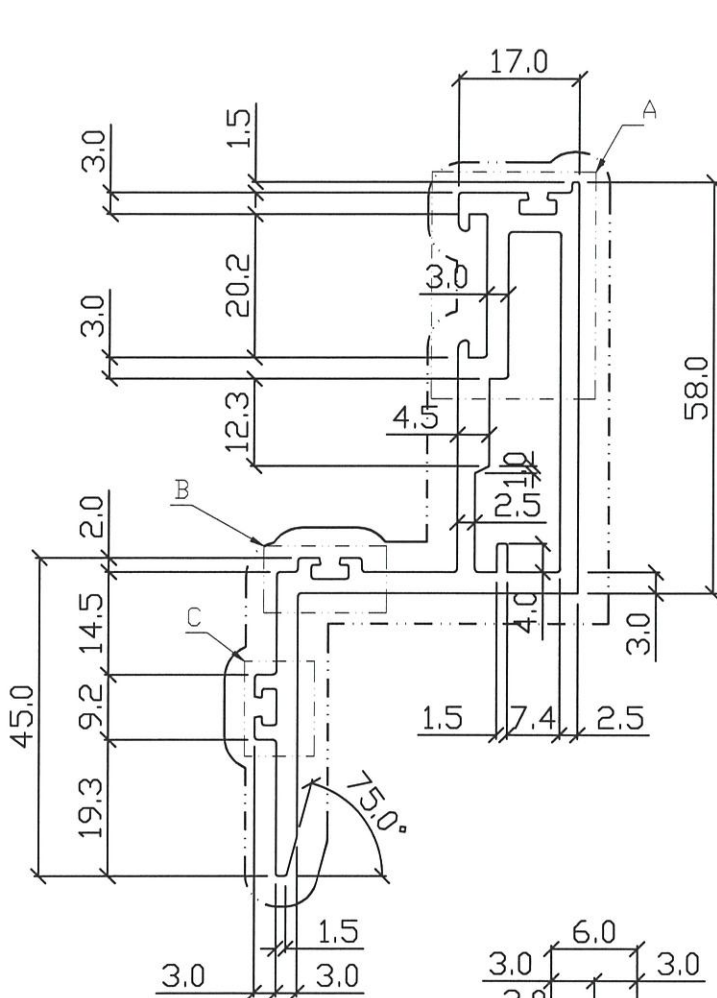
MIDI ALUMINIUM FABRICATOR LTD.

DRAWING NO.
X86506

REV.

TITLE
CW-A12

ALUM. WINDOW SASH



HOUSE CURTAIN WALL

V.F. -----

$\alpha=R0.3$ $b=R0.5$

美特鋁質有限公司
承認圖面
日期 6/6/2023

APPROVED :

6063-T6

SECTIONAL AREA	mm ²	ADDITIONAL TOLERANCE	DATE	REVISION			
				NO.	DATE	NAME	DESCRIPTION
635.39		Thickness ± 0.1 mm	1/6/2023				
WEIGHT	KG/M	Flatness 0.1 /25mm width	SCALE				
1.721		Straightness 0.3/300mm	1 : 1				
PERIMETER	mm	Twist 0.5° /300 mm max	DRAWN				
458.7		Angularity ± 1.0 degree	Asing				
V.F.	mm		CHECK				
253							



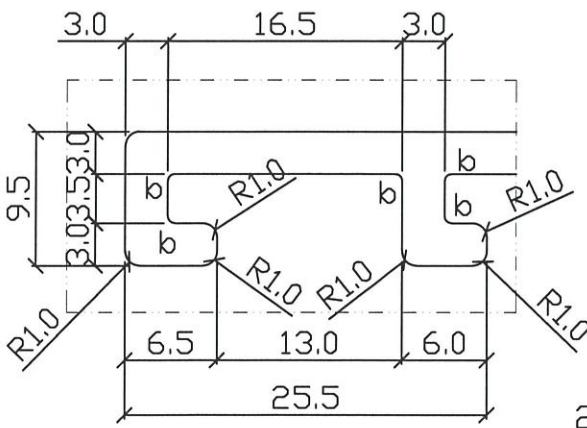
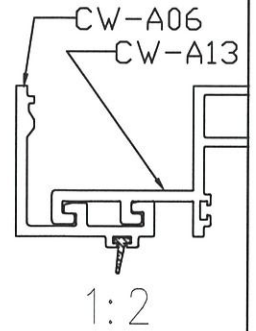
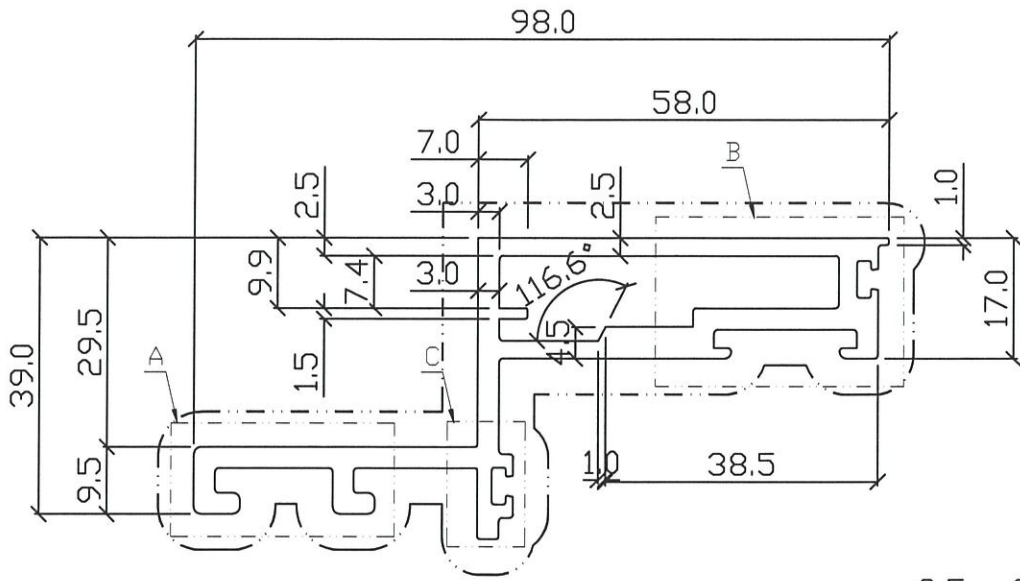
MIDI ALUMINIUM FABRICATOR LTD.

DRAWING NO.
X86507

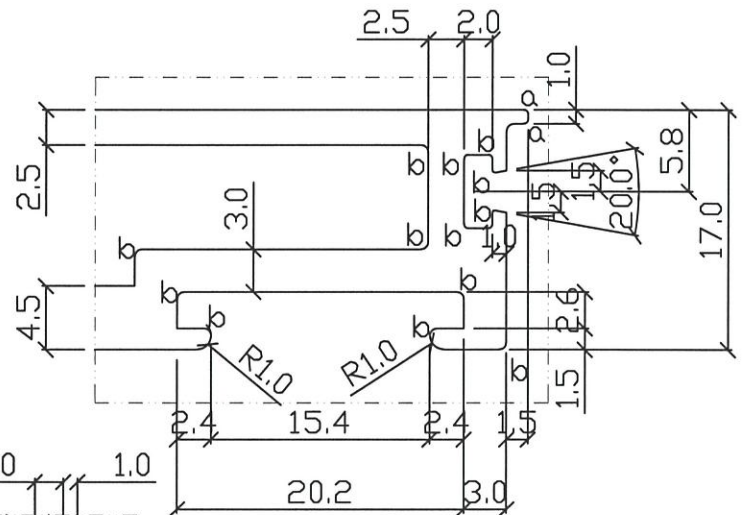
REV.

TITLE
CW-A13

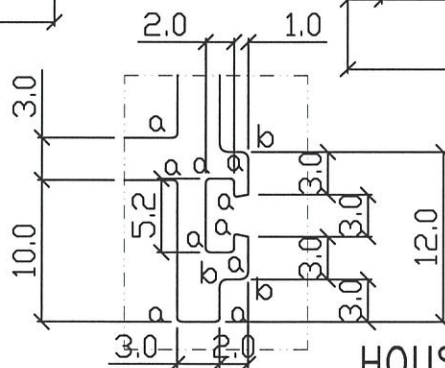
ALUM. WINDOW SASH



A
2:1



B
2:1



C
2:1

HOUSE CURTAIN WALL

V.F. -----

$\alpha=R0.3$ $b=R0.5$

美特鋁質有限公司
承認圖面
日期 6/6/2023

APPROVED :

6063-T6

SECTIONAL AREA	mm ²	ADDITIONAL TOLERANCE	DATE	REVISION			
				NO.	DATE	NAME	DESCRIPTION
676.45		Thickness ± 0.1 mm	1/6/2023				
WEIGHT	KG/M	Flatness 0.1 /25mm width	SCALE				
1.833		Straightness 0.3/300mm	1 : 1				
PERIMETER	mm	Twist 0.5° /300 mm max	DRAWN				
472.09		Angularity ± 1.0 degree	Asing				
V.F.	mm		CHECK				
197							



MIDI ALUMINIUM FABRICATOR LTD.

DRAWING NO.
X86508

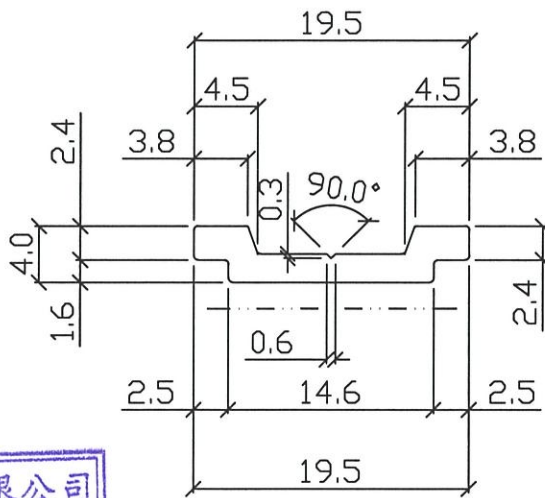
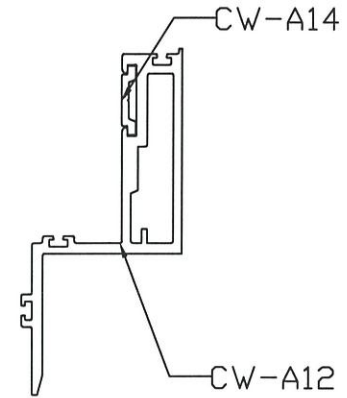
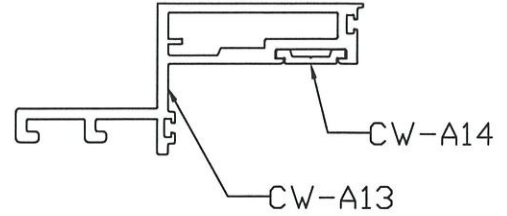
REV.

TITLE
CW-A14

(ALUM. BAR)



SCALE 1:1



2 : 1

美特鋁質有限公司	
承認圖面	
日期	6/6/2023

HOUSE CURTAIN WALL

V.F. -----

$\alpha=R0.3$ $b=R0.5$

APPROVED :

6063-T6

SECTIONAL AREA	mm ²	ADDITIONAL TOLERANCE	DATE	REVISION			
				NO.	DATE	NAME	DESCRIPTION
47.8		Thickness ± 0.1 mm	1/6/2023				
WEIGHT	KG/M	Flatness 0.1 /25mm width	SCALE				
0.129		Straightness 0.3/300mm	1 : 1				
PERIMETER	mm	Twist 0.5° /300 mm max	DRAWN				
48.77		Angularity ± 1.0 degree	Asing				
V.F.	mm		CHECK				
14.6							



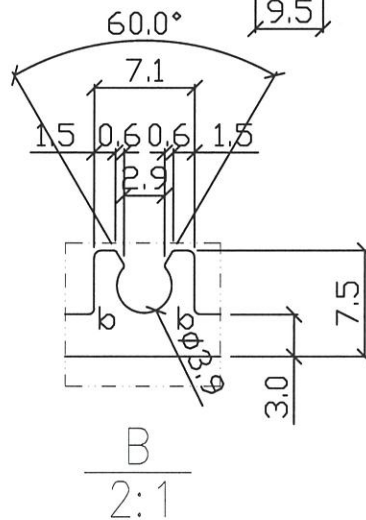
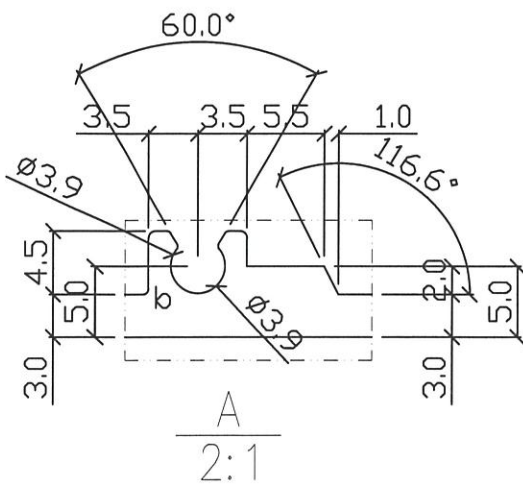
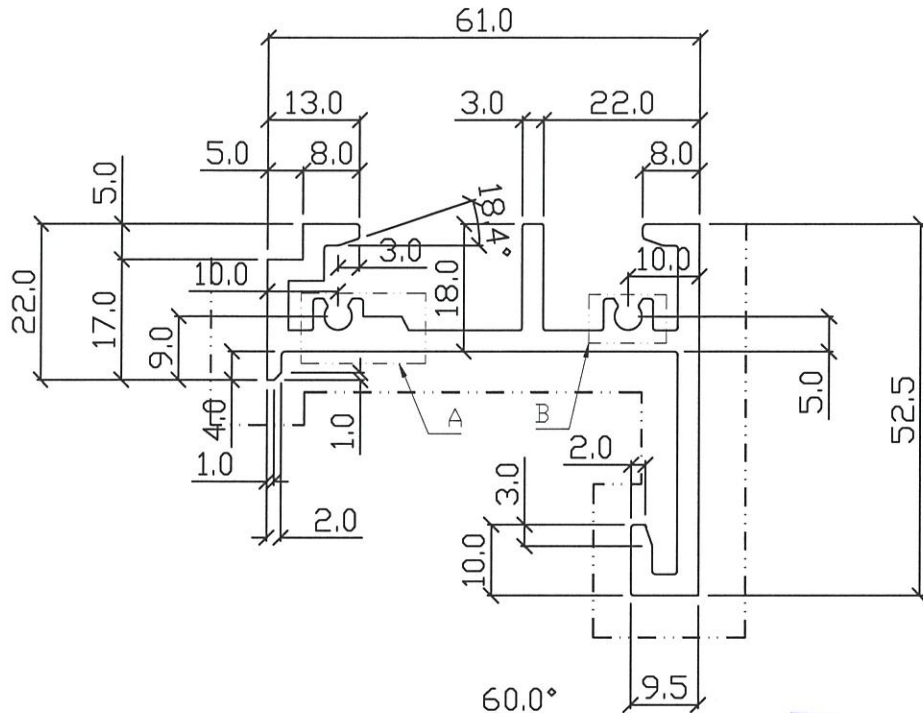
MIDI ALUMINIUM FABRICATOR LTD.

DRAWING NO.
X86509

REV.

TITLE
CW-A15

ALUM. WINDOW FRAME



美特鋁質有限公司
承認圖面
日期 6/6/2023

HOUSE CURTAIN WALL

V.F. -----

a=R0.3 b=R0.5

APPROVED :

6063-T6

SECTIONAL AREA	mm ²	ADDITIONAL TOLERANCE	DATE	REVISION			
				NO.	DATE	NAME	DESCRIPTION
556.48		Thickness ± 0.1 mm	1/6/2023				
WEIGHT	KG/M	Flatness 0.1 /25mm width	SCALE				
1.508		Straightness 0.3/300mm	1 : 1				
PERIMETER	mm	Twist 0.5° /300 mm max	DRAWN				
376.6		Angularity ± 1.0 degree	Asing				
V.F.	mm		CHECK				
193							

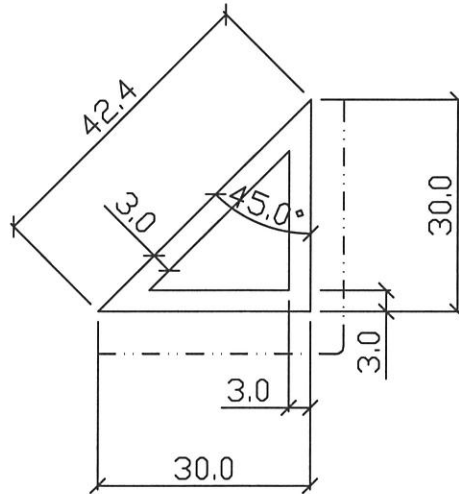


MIDI ALUMINIUM FABRICATOR LTD.

DRAWING NO.
X86510

REV.

TITLE
CW-A16



美特鋁質有限公司	
承認圖面	
日期	6/6/2023

HOUSE CURTAIN WALL

V.F. -----

$\alpha=R0.3$ $b=R0.5$

APPROVED :

6063-T6

SECTIONAL AREA	mm ²	ADDITIONAL TOLERANCE	DATE	REVISION			
				NO.	DATE	NAME	DESCRIPTION
254.82		Thickness ± 0.1 mm	1/6/2023				
WEIGHT	KG/M	Flatness 0.1 /25mm width	SCALE				
0.69		Straightness 0.3/300mm	1 : 1				
PERIMETER	mm	Twist 0.5° /300 mm max	DRAWN				
169.88		Angularity ± 1.0 degree	Asing				
V.F.	mm		CHECK				
60							



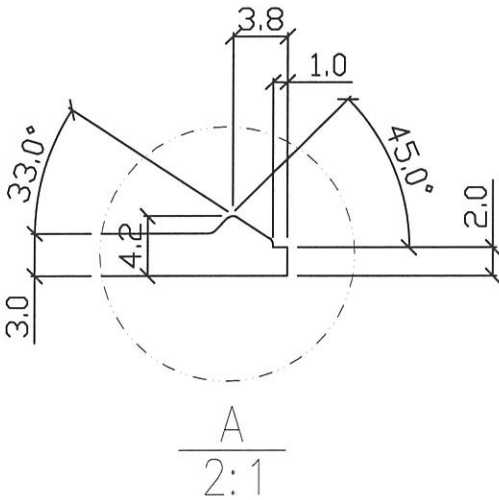
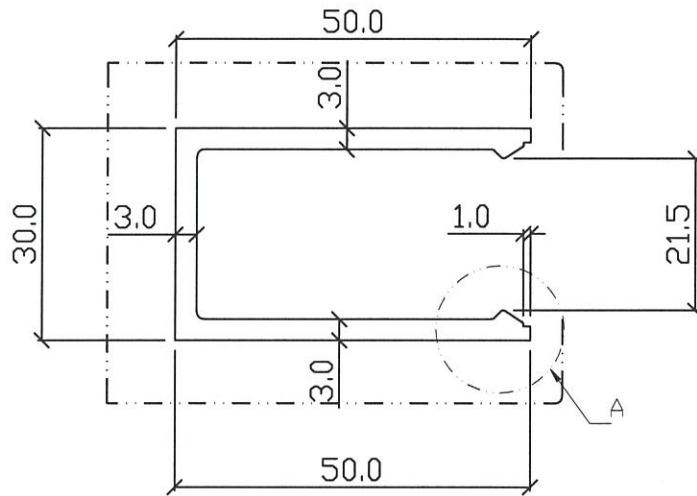
MIDI ALUMINIUM FABRICATOR LTD.

DRAWING NO.
X86511

REV.

TITLE
CW-A17

ALUM. CHANNEL



美特鋁質有限公司	
承認圖面	<i>[Signature]</i>
日期	6/6/2023

HOUSE CURTAIN WALL

V.F. -----

$\alpha=R0.3$ $b=R0.5$

APPROVED :

6063-T6

SECTIONAL AREA	mm ²	ADDITIONAL TOLERANCE	DATE	REVISION			
				NO.	DATE	NAME	DESCRIPTION
374.78		Thickness ± 0.1 mm	1/6/2023				
WEIGHT	KG/M	Flatness 0.1 /25mm width	SCALE				
1.015		Straightness 0.3/300mm	1 : 1				
PERIMETER	mm	Twist 0.5° /300 mm max	DRAWN				
254		Angularity ± 1.0 degree	Asing				
V.F.	mm		CHECK				
134							



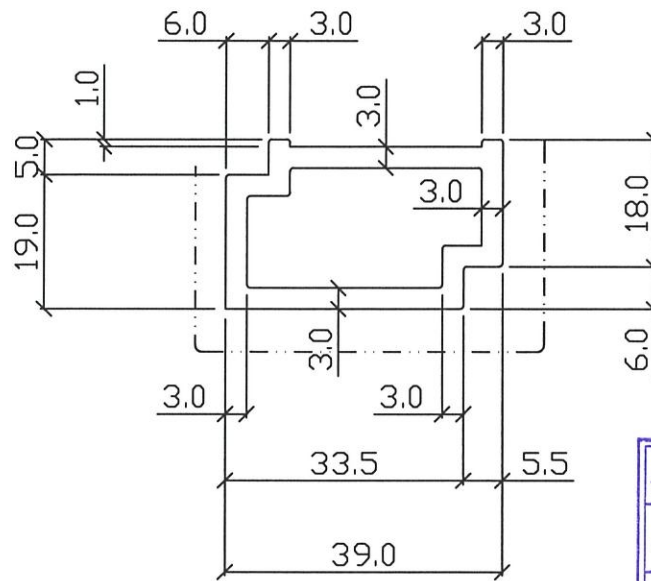
MIDI ALUMINIUM FABRICATOR LTD.

DRAWING NO.
X86512

REV.

TITLE
CW-A18

ALUM. GLAZING ADAPTOR



美特鋁質有限公司	
承認圖面	
日期	6/6/2023

HOUSE CURTAIN WALL

V.F. -----

a=R0.3 b=R0.5

APPROVED :

6063-T6

SECTIONAL AREA	mm ²	ADDITIONAL TOLERANCE	DATE	REVISION			
				NO.	DATE	NAME	DESCRIPTION
341.84		Thickness ± 0.1 mm	1/6/2023				
WEIGHT	KG/M	Flatness 0.1 /25mm width	SCALE				
0.926		Straightness 0.3/300mm	1 : 1				
PERIMETER	mm	Twist 0.5° /300 mm max	DRAWN				
224.78		Angularity ± 1.0 degree	Asing				
V.F.	mm		CHECK				
92.7							



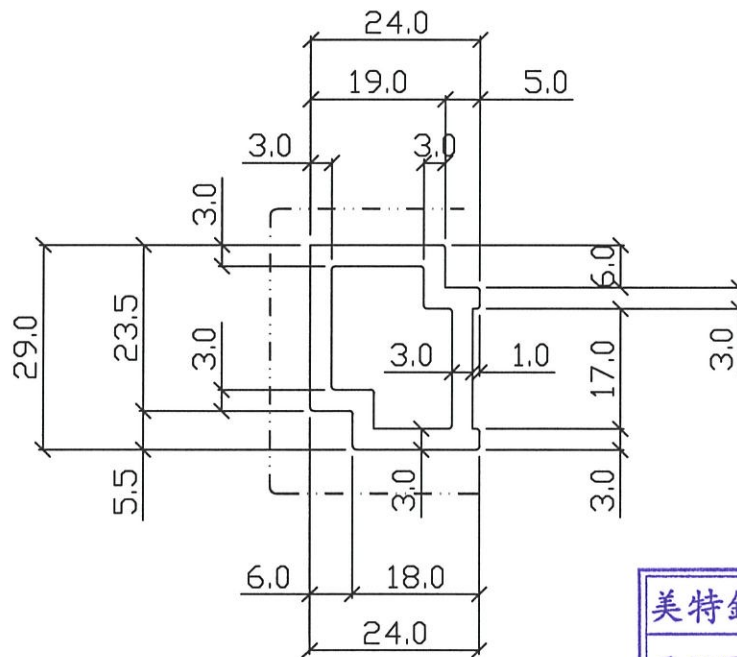
MIDI ALUMINIUM FABRICATOR LTD.

DRAWING NO.
X86513

REV.

TITLE
CW-A19

ALUM. GLAZING ADAPTOR



美特鋁質有限公司	
承認圖面	
日期	6/6/2023

HOUSE CURTAIN WALL

V.F. -----

a=R0.3 b=R0.5

APPROVED :

6063-T6

SECTIONAL AREA	mm ²	ADDITIONAL TOLERANCE	DATE	REVISION			
				NO.	DATE	NAME	DESCRIPTION
281.93		Thickness ± 0.1 mm	1/6/2023				
WEIGHT	KG/M	Flatness 0.1 /25mm width	SCALE				
0.763		Straightness 0.3/300mm	1 : 1				
PERIMETER	mm	Twist 0.5° /300 mm max	DRAWN				
184.78		Angularity ± 1.0 degree	Asing				
V.F.	mm		CHECK				
72							



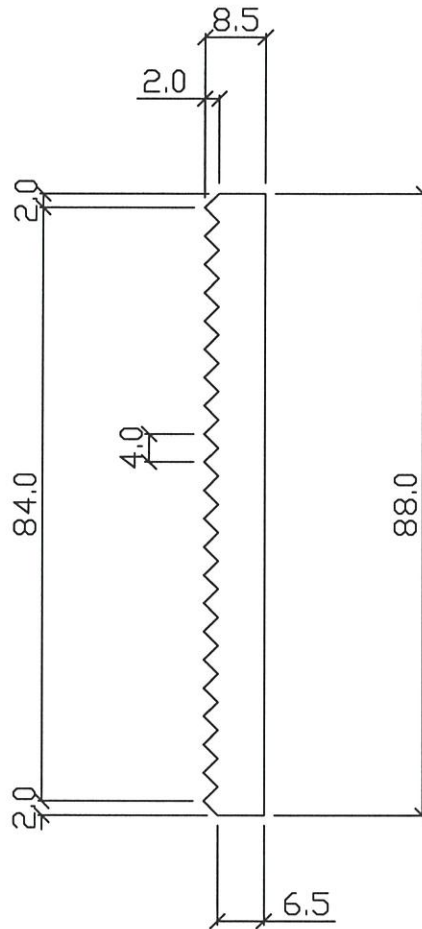
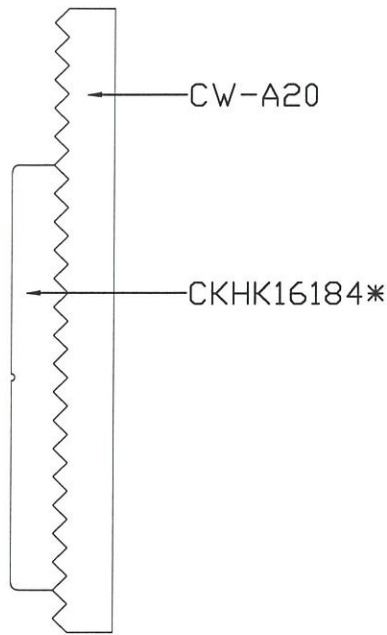
MIDI ALUMINIUM FABRICATOR LTD.

DRAWING NO.
X86514

REV.

TITLE
CW-A20

ALUM. SERRATED BRACKET PLATE



美特鋁質有限公司	
承認圖面	<i>[Signature]</i>
日期	6/6/2023

HOUSE CURTAIN WALL

ALODINE

$\alpha=R0.3$ $b=R0.5$

APPROVED :

6061-T6

SECTIONAL AREA	mm ²	ADDITIONAL TOLERANCE	DATE	REVISION			
				NO.	DATE	NAME	DESCRIPTION
660		Thickness ± 0.1 mm	1/6/2023				
WEIGHT	KG/M	Flatness 0.1 /25mm width	SCALE				
1.788		Straightness 0.3/300mm	1 : 1				
PERIMETER	mm	Twist 0.5° /300 mm max	DRAWN				
225.45		Angularity ± 1.0 degree	Asing				
V.F.	mm		CHECK				
0							



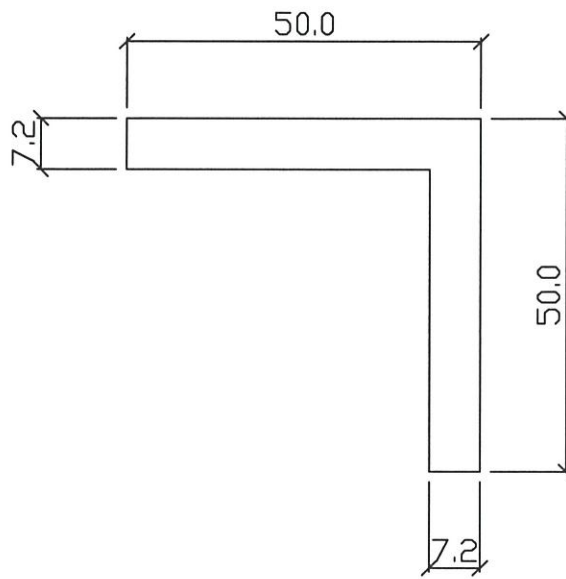
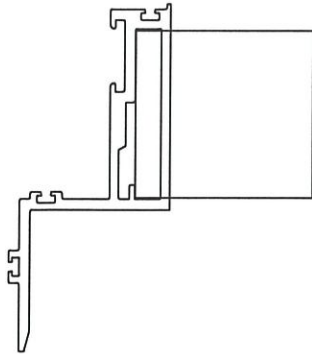
MIDI ALUMINIUM FABRICATOR LTD.

DRAWING NO.
X86515

REV.

TITLE
CW-A21

(ALUM. ANGLE)



美特鋁質有限公司	
承認圖面	<i>[Signature]</i>
日期	6/6/2023

SCALE 1:1

HOUSE CURTAIN WALL

APPROVED :

6063-T6

ALODINE

$\alpha=R0.3$ $b=R0.5$

SECTIONAL AREA	mm ²	ADDITIONAL TOLERANCE	DATE	REVISION			
				NO.	DATE	NAME	DESCRIPTION
668.16		Thickness ± 0.1 mm	1/6/2023				
WEIGHT	KG/M	Flatness 0.1 /25mm width	SCALE				
1.81		Straightness 0.3/300mm	1 : 1				
PERIMETER	mm	Twist 0.5° /300 mm max	DRAWN				
200		Angularity ± 1.0 degree	Asing				
V.F.	mm		CHECK				
0							



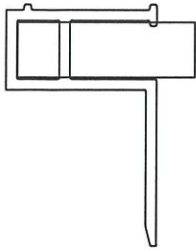
MIDI ALUMINIUM FABRICATOR LTD.

DRAWING NO.
X86516

REV.

TITLE
CW-A22

(ALUM. ANGLE)



美特鋁質有限公司	
承認圖面	
日期	6/6/2023

SCALE 1:1

HOUSE CURTAIN WALL

APPROVED :

6063-T6

ALODINE

$\alpha=R0.3$ $b=R0.5$

SECTIONAL AREA	mm ²	ADDITIONAL TOLERANCE	DATE	REVISION			
				NO.	DATE	NAME	DESCRIPTION
1040.76		Thickness ± 0.1 mm	1/6/2023				
WEIGHT	KG/M	Flatness 0.1 /25mm width	SCALE				
2.82		Straightness 0.3/300mm	1 : 1				
PERIMETER	mm	Twist 0.5° /300 mm max	DRAWN				
200		Angularity ± 1.0 degree	Asing				
V.F.	mm		CHECK				
0							